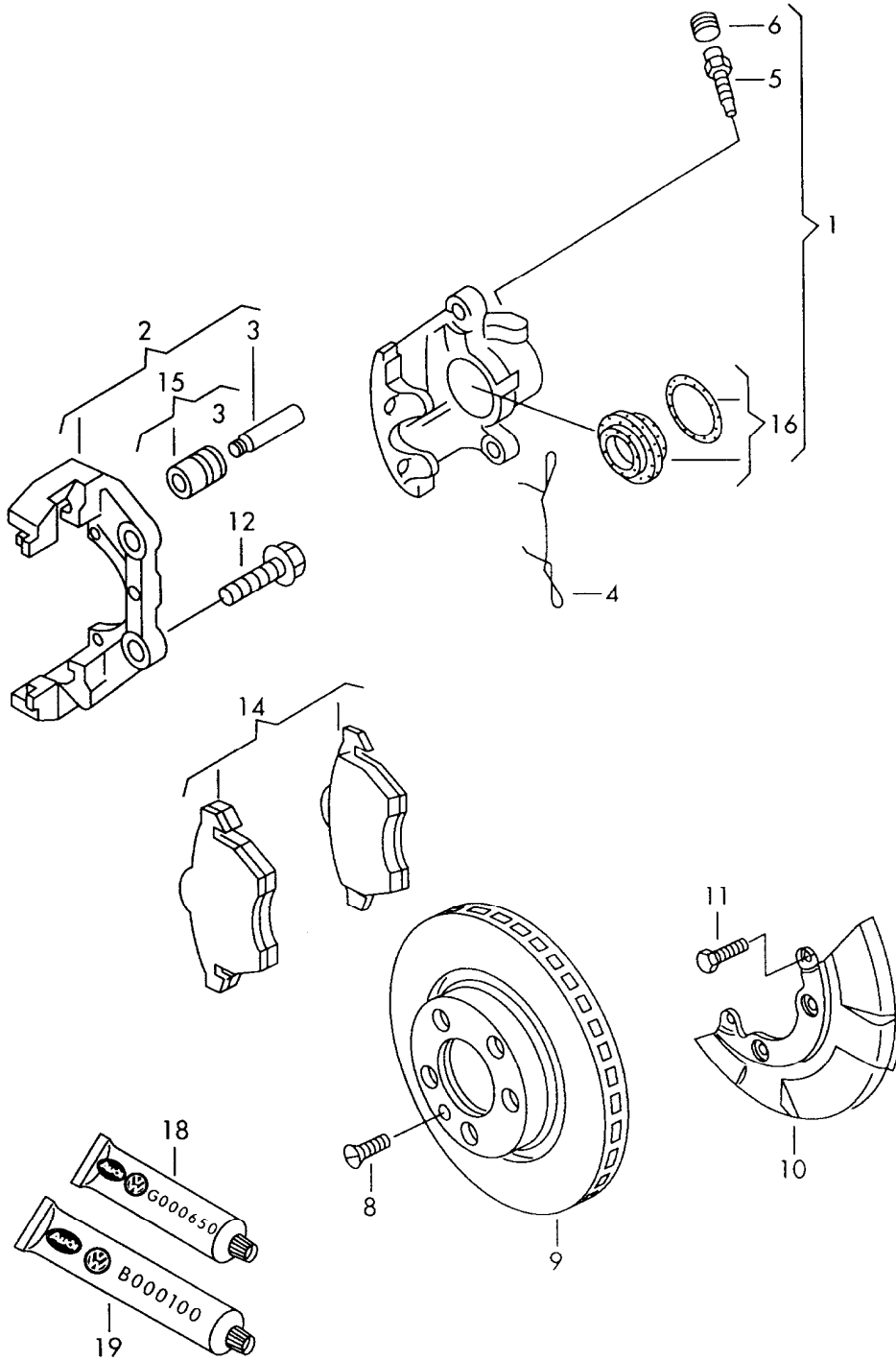




ETKA

Model	Year	MG	SG	Illustration	Restrictions	UPD	18:50
GOM	1993	6	15	615-40		626	





ETKA

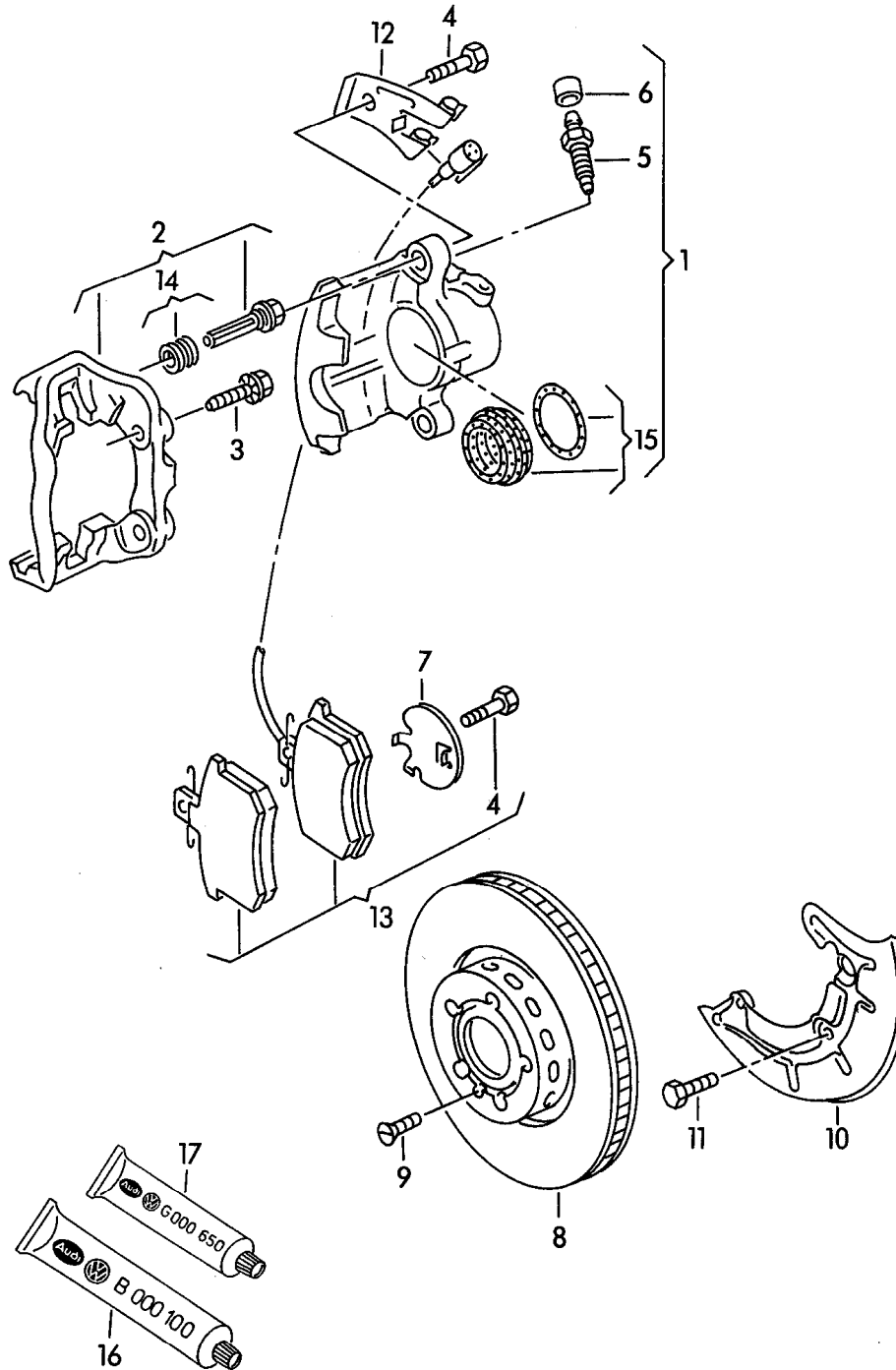
Model	Year	MG	SG	Illustration	Restrictions	UPD	18:50
GOM	1993	6	15	615-40		626	

Pos	Part Number	Name	Remarks	Qty	Model
		disc brake with caliper mark ii brake disc F 1H-T-000 001>>	ATE front 288X25MM-5/100		AAA
1	3A0 615 123	brake caliper	left	1	
(1)	3A0 615 124	brake caliper	right	1	
2	4A0 615 125 A	caliper carrier with pad retaining pin	ATE	2	
3	251 615 219	guide pin		2	
4	4A0 615 269	retaining spring		2	
5	447 615 273	bleeder valve		2	
6	211 611 483	dust cap		2	
8	+ N 101 126 03	screw, csk. hd.	M6X15SP	2	
9	3A0 615 301 A	brake disc (ventila	288X25 5/100	2	
10	3A0 615 311	splash shield for brak	left	1	
(10)	3A0 615 312	splash shield for brake disc	right	1	
11	+ N 905 293 01	screw, hex. hd.	M6X10	6	
12	N 907 085 02	self-locking screw	M12X1,5X35-SV	4	
14	8N0 698 151	1 set of brake pads for disc brakes (asbestos free)	front 280X25MM	1	
15	4D0 698 647	1 set of guide bushings		2	
16	3A0 698 471	set of seals for piston housing		2	



ETKA

Model	Year	MG	SG	Illustration	Restrictions	UPD	18:51
GOM	1993	6	15	615-35		626	





ETKA

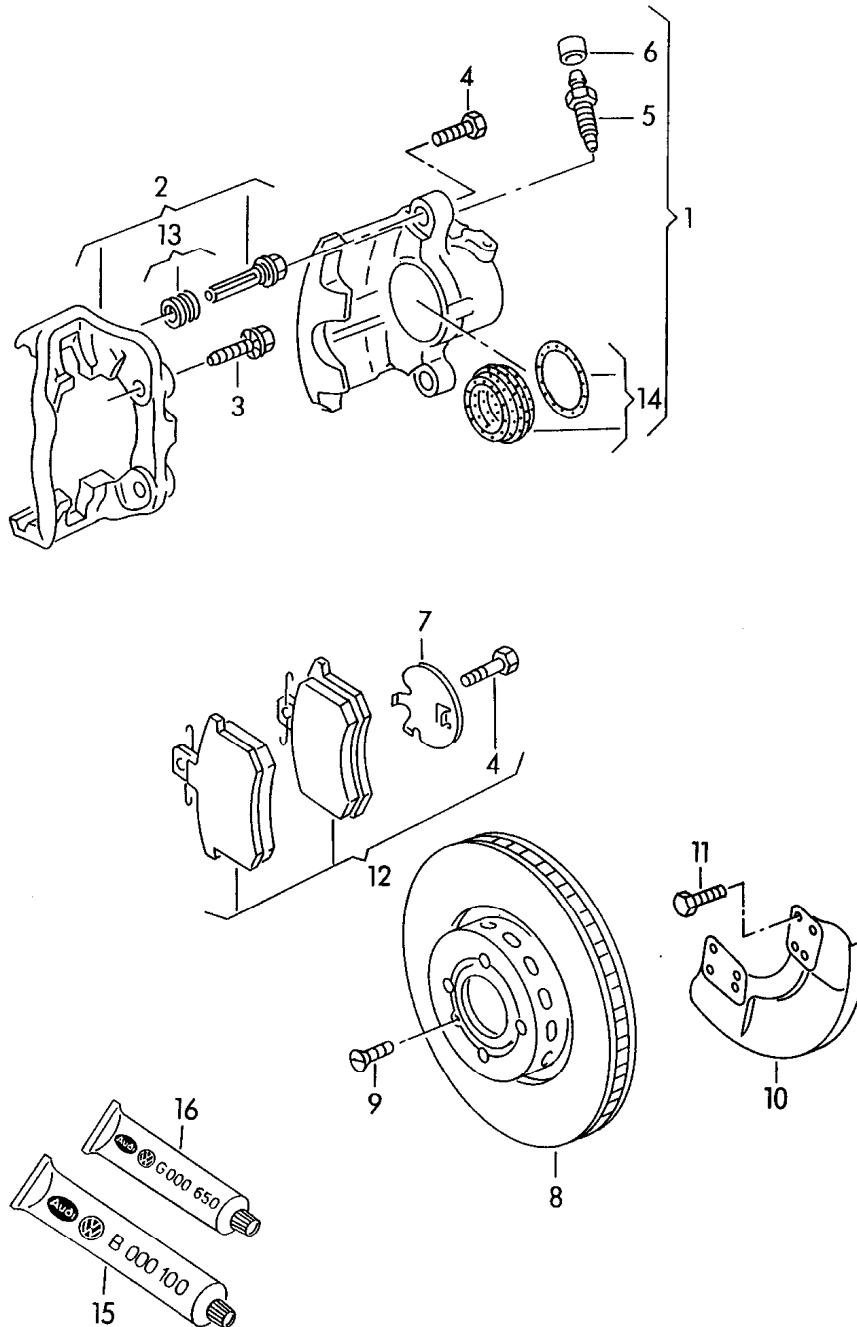
Model	Year	MG	SG	Illustration	Restrictions	UPD	18:51
GOM	1993	6	15	615-35		626	

Pos	Part Number	Name	Remarks	Qty	Model
		disc brake brake caliper caliper carrier with pad retaining pin brake disc (ventilated) F >> 1H-S-999 000	front GIRLING 280X22MM-5/100		AAA
(1)	357 615 123 CX	brake caliper	left	1	
(19)	357 615 124 CX	brake caliper	right	1	
2	357 615 125 C	caliper carrier with pad retaining pin	GIRLING	2	
3	N 907 085 02	self-locking screw	M12X1,5X35-SV	4	
4	+ 321 615 141	bolt, hex. hd., self-locking	M8X21	4	
5	357 615 273	bleeder valve	M10X1	2	
6	211 611 483	dust cap		2	
7	357 615 231 A	intermediate plate		2	
8	1H0 615 301 A	brake disc (ventilated)	280X22 5/100	2	
9	+ N 101 126 03	screw, csk. hd.	M6X15SP	2	
10	3A0 615 311	splash shield for brake disc	left	1	
(10)	3A0 615 312	splash shield for brake disc	right	1	
11	+ N 905 293 01	screw, hex. hd.	M6X10	4	
12	357 615 133	cable holder	left	1	
(12)	357 615 134	cable holder	right	1	
13	357 698 151 C	1 set of brake pads with wear indicator for disc brakes		1	
14	443 698 470	1 set of boots for guide pins		2	
15	431 698 471 B	set of seals for piston housing		2	
16	G 000 100	grease for clutch plate splines	80G	X	
17	G 000 650	lubricating paste	100G	X	



ETKA

Model	Year	MG	SG	Illustration	Restrictions	UPD	18:51
GOM	1993	6	15	615-25		626	





ETKA

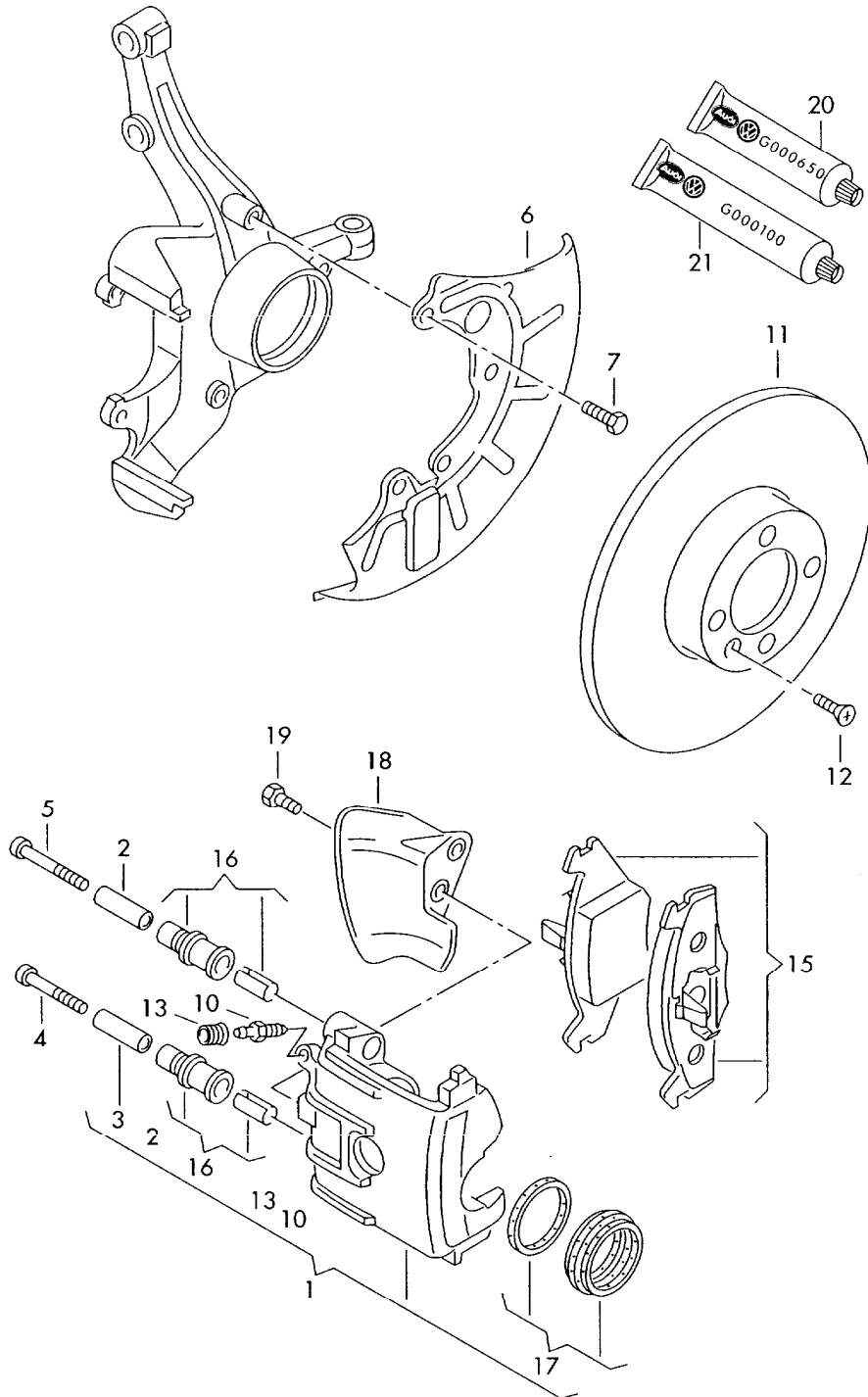
Model	Year	MG	SG	Illustration	Restrictions	UPD	18:51
GOM	1993	6	15	615-25		626	

Pos	Part Number	Name	Remarks	Qty	Model
		disc brake brake caliper caliper carrier with pad retaining pin brake disc (ventilated)	front GIRLING 256X20MM-4/100		ABA
1	357 615 123 AX	brake caliper	left	1	
(1)	357 615 124 AX	brake caliper	right	1	
2	357 615 125 B	caliper carrier with pad retaining pin		2	
3	N 907 085 02	self-locking screw	M12X1,5X35-SV	4	
(3)	N 907 085 02	self-locking screw	M12X1,5X35	4	
4	+ 321 615 141	bolt, hex. hd., self-locking	M8X21	4	
5	357 615 273	bleeder valve	M10X1	2	
6	211 611 483	dust cap		2	
7	357 615 231	intermediate plate		2	
8	6N0 615 301 D	brake disc (ventilated)	256X20 4/100	2	
9	+ N 101 126 03	screw, csk. hd.	M6X15SP	2	
10	357 615 311 A	splash shield for brake disc		2	
11	+ N 905 293 01	screw, hex. hd.	M6X10	4	
-	1H0 698 993	adhesive layer for brake pad F >> 1H-S-999 000		1	
(12)	357 698 151 A	1 set of brake pads for disc brakes		1	GOLF GTI
13	443 698 470	1 set of boots for guide pins		2	
14	431 698 471 B	set of seals for piston housing		2	
15	G 052 150 A2	lithium-grease	180G	X	
16	G 000 650	lubricating paste	100G	X	



ETKA

Model	Year	MG	SG	Illustration	Restrictions	UPD	18:52
GOM	1993	6	15	615-15		626	





ETKA

Model	Year	MG	SG	Illustration	Restrictions	UPD	18:52	-----
GOM	1993	6	15	615-15		626		

Pos	Part Number	Name	Remarks	Qty	Model
		disc brake brake caliper caliper carrier with pad retaining pin	239X12MM-4/100 front		ACC,AAZ
1	1H0 615 123 A	brake caliper F >> 1H-S-999 000	left	1	
(1)	1H0 615 123 C	brake caliper F 1H-T-000 001>>	left	1	
(1)	1H0 615 124 A	brake caliper F >> 1H-S-999 000	right	1	
(1)	1H0 615 124 C	brake caliper F 1H-T-000 001>>	right	1	
2	171 615 221	guide sleeve	45MM	2	
3	171 615 221 A	guide sleeve	35MM	2	
4	+ N 903 291 04	bolt, with hex. socket hd.	M8X49	2	
5	+ N 903 292 05	bolt, with hex. socket hd.	M8X59	2	
6	191 615 311 A	splash shield for brake disc	left	1	
(6)	191 615 312 B	splash shield for brake disc	right	1	
7	+ N 905 293 01	screw, hex. hd.	M6X10	X	
-	191 615 269 A	retaining spring F >> 1H-S-999 000	left upper right lower	1	
-	191 615 270 A	retaining spring F >> 1H-S-999 000	left lower right upper	1	
10	357 615 273	bleeder valve	M10X1	2	
11	321 615 301	brake disc	239X12 4/100	2	
12	+ N 101 126 03	screw, csk. hd.	M6X15SP	2	
13	211 611 483	dust cap		2	
(15)	1H0 698 151	1 set of brake pads for disc brakes F >> 1H-S-035 025	front 239X12MM	1	



ETKA

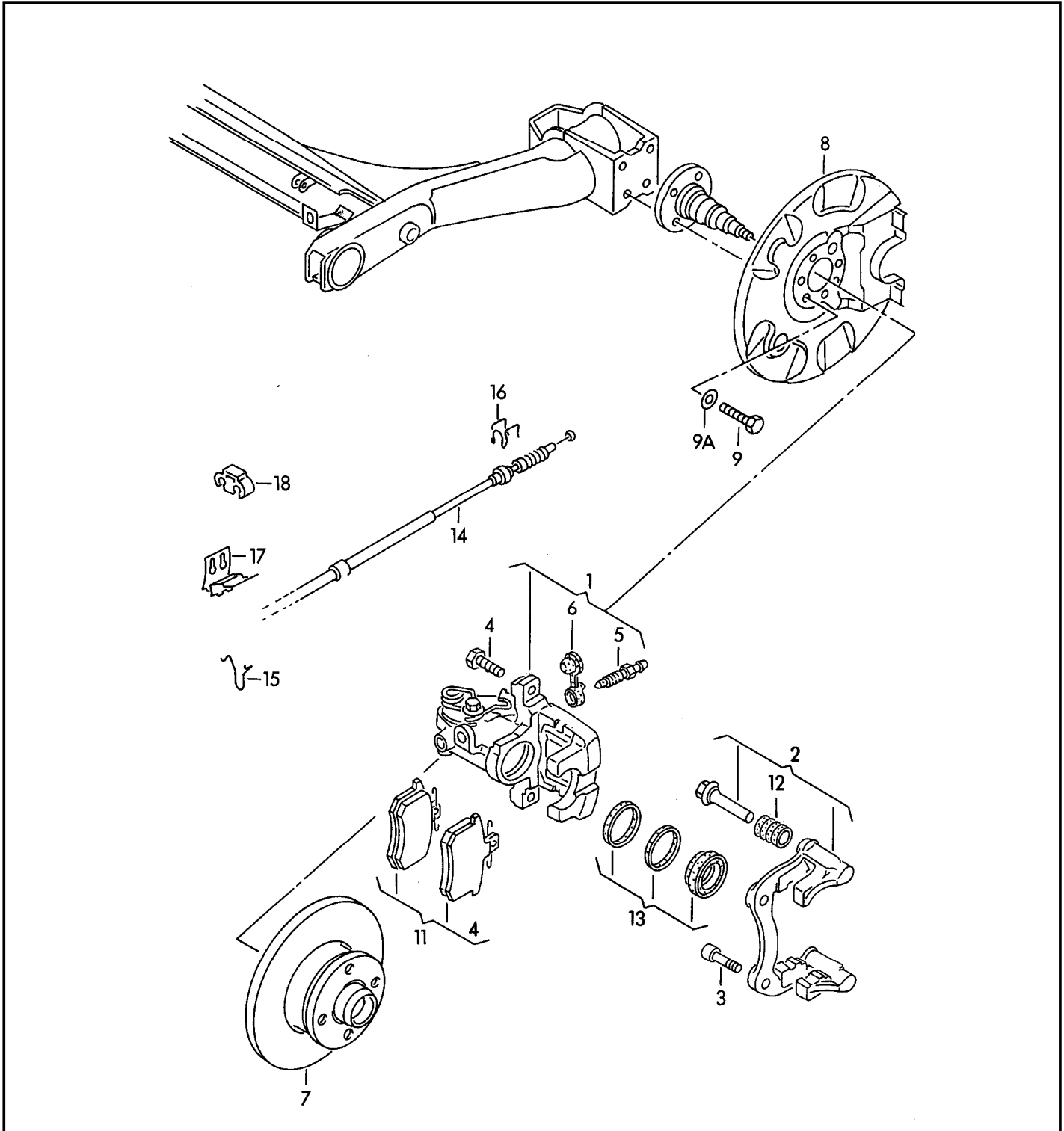
Model	Year	MG	SG	Illustration	Restrictions	UPD	18:52
GOM	1993	6	15	615-15		626	

Pos	Part Number	Name	Remarks	Qty	Model
15	1H0 698 151	1 set of brake pads for disc brakes F 1H-S-035 026>> 1H-S-999 000	front 239X12MM	1	
(15)	1H0 698 151 A	1 set of brake pads for disc brakes F 1H-T-000 001>>	front 239X12MM	1	
16	171 698 447 A	1 set of guide bushings		2	
17	171 698 471 B	set of seals for piston housing		2	
18	6Q0 615 193	air duct	left	1	
(18)	6Q0 615 194	air duct	right	1	
19	+ N 010 212 26	screw, hex. hd.	M6X12	X	
-	G 052 150 A2	lithium-grease	180G	X	
-	G 000 650	lubricating paste	100G	X	



ETKA

Model	Year	MG	SG	Illustration	Restrictions	UPD	18:50
GOM	1993	6	15	615-60		626	





ETKA

Model	Year	MG	SG	Illustration	Restrictions	UPD	18:50
GOM	1993	6	15	615-60		626	

Pos	Part Number	Name	Remarks	Qty	Model
		disc brake brake caliper caliper carrier brake disc brake cable F >> 1H-S-017 133 F 1H-S-017 134>>	rear 226X10MM		"CDN"+ GOLF GTI; GTI VR6, JETTA GLX "USA"+ GOLF GL, JETTA GL, GLS SPORT EDITION
1	535 615 423 X	brake caliper F >> 1H-P-014 214*	left	1	"CDN"
(1)	1H0 615 423 DX	brake caliper F >> 1H-S-999 000	left	1	"USA"
(1)	1H0 615 423 DX	brake caliper F 1H-P-014 215>>*1H-S-999 000	left	1	"CDN"
(1)	1H0 615 423 DX	brake caliper F 1H-T-000 001>>	left	1	
(1)	535 615 424 X	brake caliper F >> 1H-P-014 214*	right	1	"CDN"
(1)	1H0 615 424	brake caliper F >> 1H-S-999 000	right	1	"USA"
(1)	1H0 615 424 DX	brake caliper F 1H-T-000 001>>	right	1	AAA, ABA
-	535 698 680 X	1 set of piston housings F >> 1H-P-006 272*	rear	1	
2	1H0 615 425	caliper carrier with pad retaining pin	left GIRLING	1	
(2)	1H0 615 426	caliper carrier with pad retaining pin	right GIRLING	1	
3	+ N 019 912 3	bolt, with hex. socket hd. F >> 1H-S-999 000	M10X1,25X20	4	
(3)	+ N 907 294 01	bolt, with hex. socket hd. F 1H-T-000 001>>	M10X1,25X21	4	
4	+ 321 615 141	bolt, hex. hd., self-locking	M8X21	4	
5	357 615 273	bleeder valve	M10X1	2	



ETKA

Model	Year	MG	SG	Illustration	Restrictions	UPD	18:50
GOM	1993	6	15	615-60		626	

Pos	Part Number	Name	Remarks	Qty	Model
6	211 611 483	dust cap		2	
7	357 615 601	brake disc	226X10 4/100	2	ABA
(7)	357 615 601 B	brake disc	226X10 5/100	2	AAA
8	191 615 611 D	splash shield for brake disc	left	1	
(8)	191 615 612 B	splash shield for brake disc	right	1	
9	+ N 907 589 01	bolt, hex. hd. (combi.)	M10X32	8	
9A	321 501 119 A	concave washer	B10	8	
(11)	1H0 698 451 E	1 set of brake pads for disc brakes F >> 1H-P-014 214	rear	1	ABA
(11)	1H0 698 451 F	1 set of brake pads for disc brakes F 1H-P-014 215>>	rear	1	ABA
11	1H0 698 451 D	1 set of brake pads for disc brakes >> 1H-S-999 000	rear	1	AAA
(11)	1H0 698 451 D	1 set of brake pads for disc brakes F 1H-T-000 001>>	rear	1	AAA
12	443 698 470	1 set of boots for guide pins		2	
13	8D0 698 671	set of seals for piston housing	GIRLING	1	
(14)	1HM 609 721 A	brake cable	1623MM	2	
(14)	1H0 609 721 E	brake cable disc brake F 1H-S-087 670>>	1613MM	2	
15	1H0 609 745	bracket F >> 1H-S-087 669	left	2	
(15)	1E0 609 745	bracket F 1H-S-087 670>>	left	1	
(15)	1E0 609 746	bracket F 1H-S-087 670>>	right	1	
16	857 609 745 A	spring clip		2	



ETKA

Model	Year	MG	SG	Illustration	Restrictions	UPD	18:50
GOM	1993	6	15	615-60		626	

Pos	Part Number	Name	Remarks	Qty	Model
17	1H0 609 734	clip F >> 1H-S-087 669		2	
(17)	1H0 609 734 C	clip F 1H-S-087 670>>		2	
18	1H0 609 657	spacer		2	
(18)	811 611 797	bracket		2	
-	G 052 150 A2	lithium-grease	180G	X	
-	G 000 650	lubricating paste	100G	X	
-	1J0 614 149	rotor for speed sensor	rear	2	
-	1H0 615 231	intermediate plate disc brake	rear	4	
-	1H0 698 998 C	installation kit		1	



ETKA

Model	Year	MG	SG	Illustration	Restrictions	UPD	18:54
GOM	1998	6	98	698-00R		626	

Pos	Part Number	Name	Remarks	Qty	Model
	>>1H1 698 019 B	brake master cylinder with attachment parts comprising:	22,2MM ATE	1	ACC,AAZ,ABA AHU
	>>3A1 698 019	brake master cylinder with attachment parts comprising:	23,81MM ATE	1	AAA
	>>1H0 698 071	1 set of brake linings for drum brakes comprising:	200X40X5 rear	1	
	>>1J0 698 117	hydraulic control unit with attachment parts comprising:	ABS	1	ACC,AAZ,AHU, ABA
	>>8D0 698 137 B	set of wheel bolts lockable F 1H-W-039 036>>	M14X1,5X27,5	1	GOLF GTI VR6 JETTA GLX
	04/98-12/98SBV	(self-service pack) comprising:			
	>>1H0 698 151 A	1 set of brake pads for disc brakes comprising:	front 239X12MM	1	ACC,AAZ
	>>357 698 151 A	1 set of brake pads for disc brakes F >> 1H-W-001 300 comprising:	front 256X20MM	1	ABA,AHU
	>>1HM 698 151 A	1 set of brake pads for disc brakes F 1H-W-001 301>> comprising:	front 256X20MM	1	
	>>357 698 151 B	1 set of brake pads for disc brakes	front 256X13	1	GOLF GL; JETTA GL,
	>>8N0 698 151	1 set of brake pads for disc brakes comprising:	front 280X22MM	1	AAA
	>>1J0 698 217	hydraulic control unit with attachment parts comprising:	ABS+EDS	1	AAA
	>>1H1 698 301 A	reservoir with attachment parts comprising:	ATE	1	



ETKA

Model	Year	MG	SG	Illustration	Restrictions	UPD	18:54
GOM	1998	6	98	698-00R		626	

Pos	Part Number	Name	Remarks	Qty	Model
	>>1H0 698 311 A	1 set of attachment parts comprising:			
	>>1H0 698 451 A	1 set of brake pads for disc brakes comprising:	rear	1	ABA,AAA
	>>1H0 698 705	brake line comprising:	ABS	1	
	>>1H0 698 993	adhesive layer for brake pad comprising:		1	ABA
	>>1H0 698 998 C	installation kit comprising:		1	ABA,AAA