



Important!

Please give copies to all your VW Technicians

Technical Bulletin

Subject: Floor Mats, Replacing Damaged Fasteners

Group: 70

Number: 00-04

Model(s): New Beetle,
New Golf, New Jetta, Passat

1998 ➤ see VIN below
1999 ➤ see VIN below

Date: Dec. 5, 2000

Condition

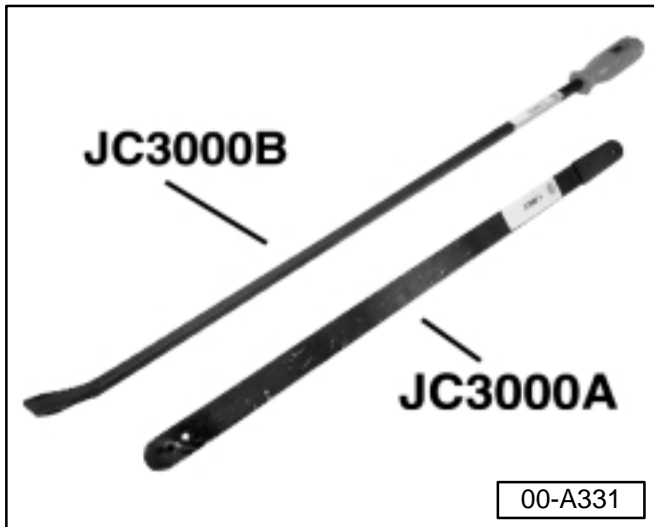
Front floor mat fastener damaged.

May be caused by improper floor mat removal.

Production

New floor mat fasteners installed beginning:

Model	VIN
Golf	YW442825
Jetta	YM116837
New Beetle	YM464157
Passat	YE276904 YP222600



Service

- ◀ Damaged floor mat fasteners may be replaced with new style fasteners using Special Tools JC3000A and JC3000B as follows:

Note:

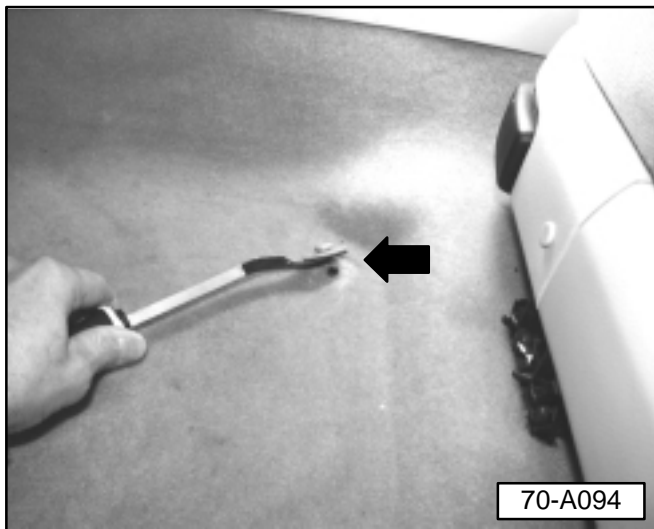
For rear floor mat fastener replacement see page 3.

- Remove floor mat.

- ◀ - Remove floor mat fasteners (buttons) from carpet using trim tool (separate upper button from bottom half of fastener as shown).

Note:

If fasteners are of the old style, replace both fasteners (even if only one fastener is damaged)



(Cont. on Page 2)



Important!

Please give copies to all your VW Technicians

Technical Bulletin



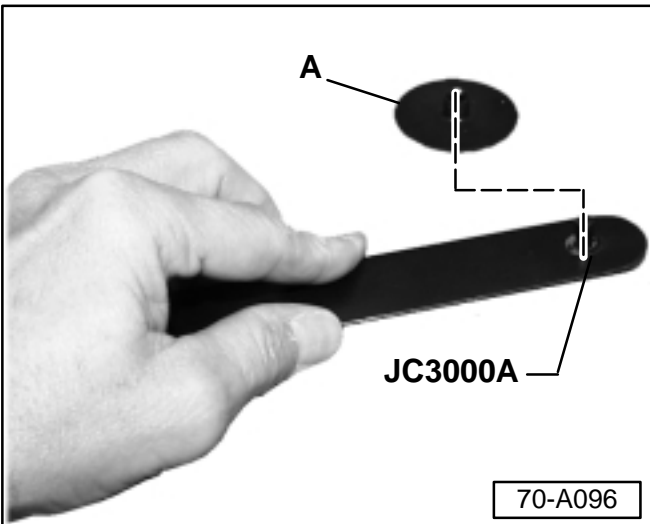
– Remove door sill panel trim.

◀ – Lift carpet using JC3000B pry bar as shown.

Note:

For Passat vehicles: Carefully slide pry bar between deadener and carpet to separate.

– Retrieve bottom half of both floor mat fasteners (under carpet) and discard.



Front floor mat carpet fastener inner, installing

◀ – Place lower portion of carpet fastener -A- Part No: 3D0 864 227 B41 over pin of installation tool JC3000A as shown.

CAUTION!

Part numbers are for reference only. Always check with your Parts Dept. for the latest parts information.



◀ – Slide tool (with lower fastener) under carpet towards center console and align lower fastener with hole in carpet.

Note:

DO NOT remove tool until upper and lower portion of fasteners are assembled)

Installation tool will serve as a base to allow the upper and lower portions of the carpet fastener to be assembled with a plastic mallet.

(Cont. on Page 3)



Important!

Please give copies to all your VW Technicians

Technical Bulletin



- ◀ – Place upper portion of floor mat carpet fastener Part No: 3D0 864 229* over lower portion of fastener and tap with plastic mallet until firmly seated.

* Add correct color code to part number

- Remove installation tool.



Front floor mat carpet fastener outer, installing

- Align lower portion of carpet fastener with outer hole (place pry bar JC3000B directly under fastener as support).
- ◀ – Place upper portion of floor mat carpet fastener over lower portion of fastener and tap with plastic mallet until firmly seated.
- Remove pry bar.

Rear floor mat carpet fastener, installing

- ◆ For vehicles with screw-in fasteners:
 - Remove old screw-in fastener from carpet.
 - Install Part No: 3D0 864 812* (new screw-in fastener).
- * Add correct color code to part number
 - Install new floor mat fastener (see page 4).
- ◆ For vehicles with rear fasteners that are similar to the front fasteners:
 - Follow same procedure as front floor mat carpet fastener inner, installing (see page 2).

(Cont. on Page 4)



Important!

Please give copies to all your VW Technicians

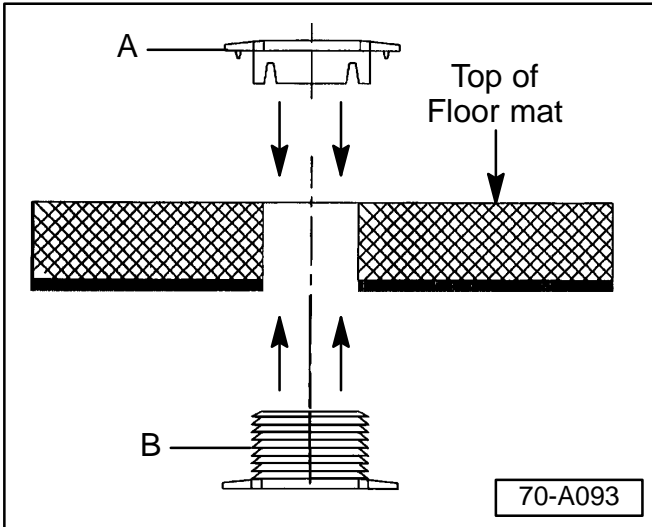
Technical Bulletin



70-A100

Floor mat front and rear, removing fastener

- ◀ – Separate floor mat fastener using trim tool.



70-A093

Floor mat front and rear, installing fastener

- ◀ – Install lower portion of floor mat fastener -B- Part No: 3D0 864 523* through floor mat, install and firmly press upper fastener -A- Part No: 3D0 864 521* onto lower fastener -B-.

* Add correct color code to part number

Floor mat, installing

- Align holes in floor mat fasteners over newly installed buttons in carpet and firmly press to seat.

When procedure applies to vehicles within the New Vehicle Limited Warranty, use the following:

Part Identifier:	7043
Replace Floor Mat Studs one side	
Labor Operation:	70435600 50 TU
Replace All Floor Mat Studs	
Labor Operation:	70435601 100 TU