

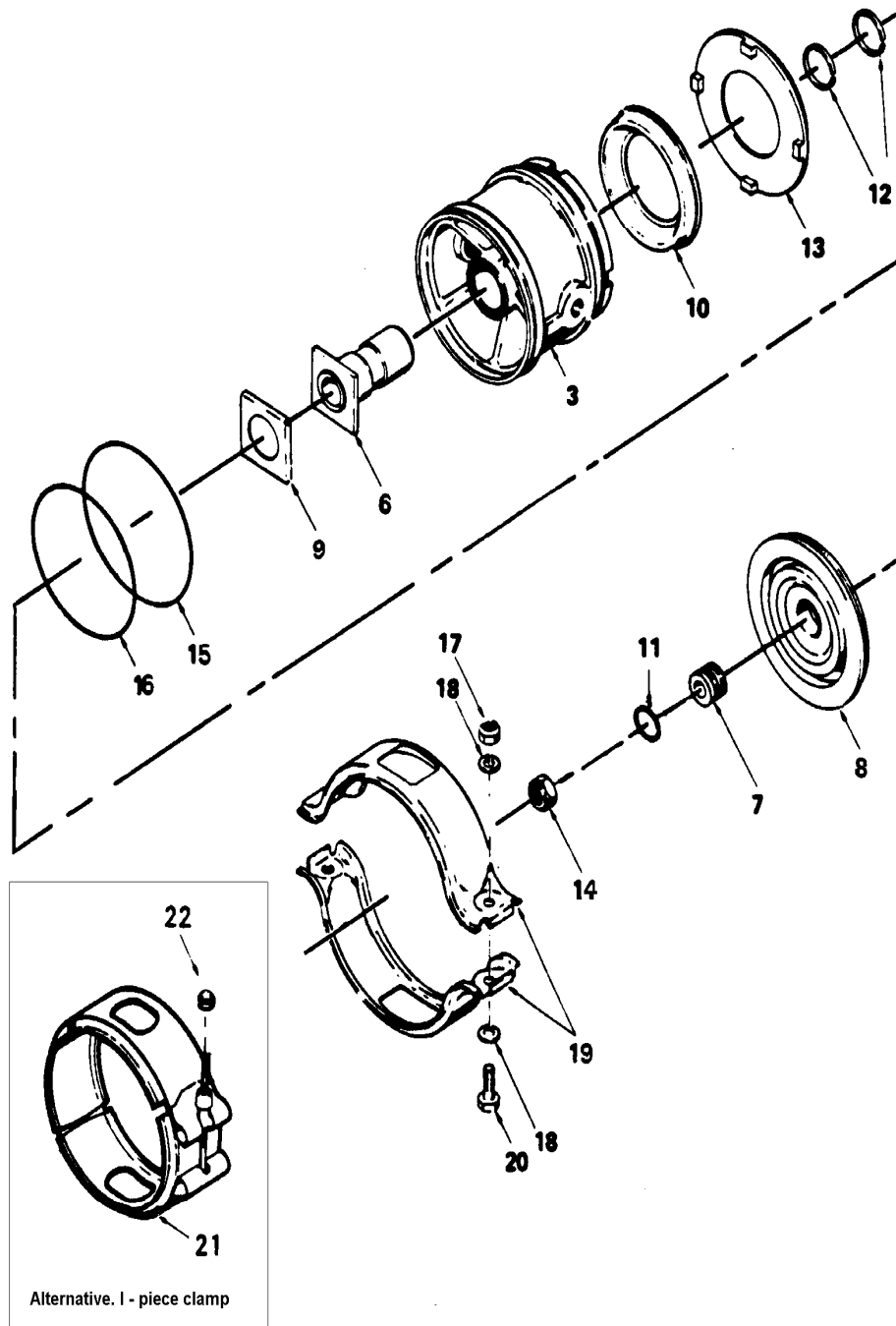
Holset / Cummins Contents

Turbo Model	Catalogue Contents	Page No.	Notes
T/ST/VT46 & 50	Repair Kits / Oversize Bearings & Piston Rings	3	
T/ST/VT46 & 50	Major Parts (Shaft Wheels , Comp Wheels)	5	
3LD	Repair Kits / Oversize Bearings & Piston Rings	9	
3LD	Major Parts (Shaft Wheel, Comp Wheel)	10	UPDATED
4MD / 4HD	Repair Kits / Oversize Bearings & Piston Rings	13	
4LE / F / G	Repair Kits / Oversize Bearings & Piston Rings	17	
4LE / F / G	Major Parts (Shaft Wheels , Comp Wheel)	18	
H1B/C/D/E & H2A	Repair Kits / Oversize Bearings & Piston Rings	21	
H1B/C/D/E & H2A	Major Parts (Shaft Wheels , Comp Wheels)	22	NEW PARTS
H2B/C/D/E	Repair Kits / Oversize Bearings & Piston Rings	25	
H2B/C/D/E	Major Parts (Shaft Wheels)	26	NEW PARTS
H3B / HC3 / HC3B	Repair Kits / Oversize Bearings & Piston Rings	29	
H3B / HC3 / HC3B	Major Parts (Shaft Wheels)	30	
HT3B/ HT60	Repair Kits / Oversize Bearings & Piston Rings	33	NEW KITS
HT3B/ HT60	Major Parts (Shaft Wheels, Comp Wheels)	34	
HX25/27W	Repair Kits / Oversize Bearings & Piston Rings	37	NEW KITS
HX25/27W	Major Parts (Shaft Wheels, Bearing Housing)	38	NEW PARTS
HX30 / HX30W	Repair Kits / Oversize Bearings & Piston Rings	41	
HX35 / HX35W HX40/HX40W	Repair Kits / Oversize Bearings & Piston Rings	45	NEW KITS
HX35 / HX35W HX40/HX40W	Major Parts (Shaft Wheels , Comp Wheels)	46	NEW PARTS
HY40V	Repair Kits / Oversize Bearings & Piston Rings	49	NEW KITS
HY40V	Major Parts (Shaft Wheel)	50	NEW PARTS
HX50	Repair Kits / Oversize Bearings & Piston Rings	53	
HX55	Repair Kits / Oversize Bearings & Piston Rings	57	
HX60/HX60W	Repair Kits / Oversize Bearings & Piston Rings	61	
HC5A / HX80/82/85	Repair Kits / Oversize Bearings & Piston Rings	65	
HC5A / HX80/82/85	Major Parts (Shafts, Comp Wheels)	66	

Cummins T/ST/VT46 & 50 Type Turbos

Common Service Parts
Oversize Service Parts
Major Replacement Parts
(Shaft & Wheels, Compressor Wheels etc)

T46, T46B, T50, ST50 & VT50 Type Common Service Parts



T46, T46B, T50, ST50 & VT50 Type

Repair Parts & Service Kits

All parts are available for purchase as individual components or in the following popular Repair Kits

Key	Part Description	MELETT Part Number	Note	Quantity Per Turbo	Repair Kit 1200-050-750	Repair Kit 1200-050-751
6	Journal Bearing Std/Std	1200-050-100		1	1	
7	Thrust Spacer, super back	1200-050-200	(1)	1		
8	Seal Plate, super back	1200-050-300	(1)			
9	Bearing Insert	1200-050-281		1	1	1
10	Heat Packing	1200-050-280		1	1	1
11	Piston Ring (Comp) Std	1200-050-170		1	1	1
12	Piston Ring (Turb) Std	1200-050-160		2	2	2
13	Heat Shield	1200-050-340		1		
14	Shaft Nut	1200-050-350		1	1	1
15	"O" Ring, Bearing Housing	1200-050-155		1	1	1
16	"O" Ring, Seal Plate	1200-050-150		1	1	1
17	Locknut, 2-piece clamp	1200-050-640		2	2	2
18	Flat Washer	1200-050-630		4	4	4
19	Clamp, 2-piece (Use 1200050345)	N/A		2		
20	Bolt, 2-piece clamp	1200-050-600		2	2	2
21	Clamp, 1-piece	1200-050-345		1		
22	Locknut, one piece clamp	1100-120-645		1		
-	"O" Ring, Diffuser Plate	1200-050-156		1	1	1
-	Gasket 4 bolt holes	1900-000-001		1	1	1
-	Gasket 6 bolt holes	1900-000-002		1		
					Replace 300385 150310-0000	Replace 3801096 3023555 150314-0000

NOTES

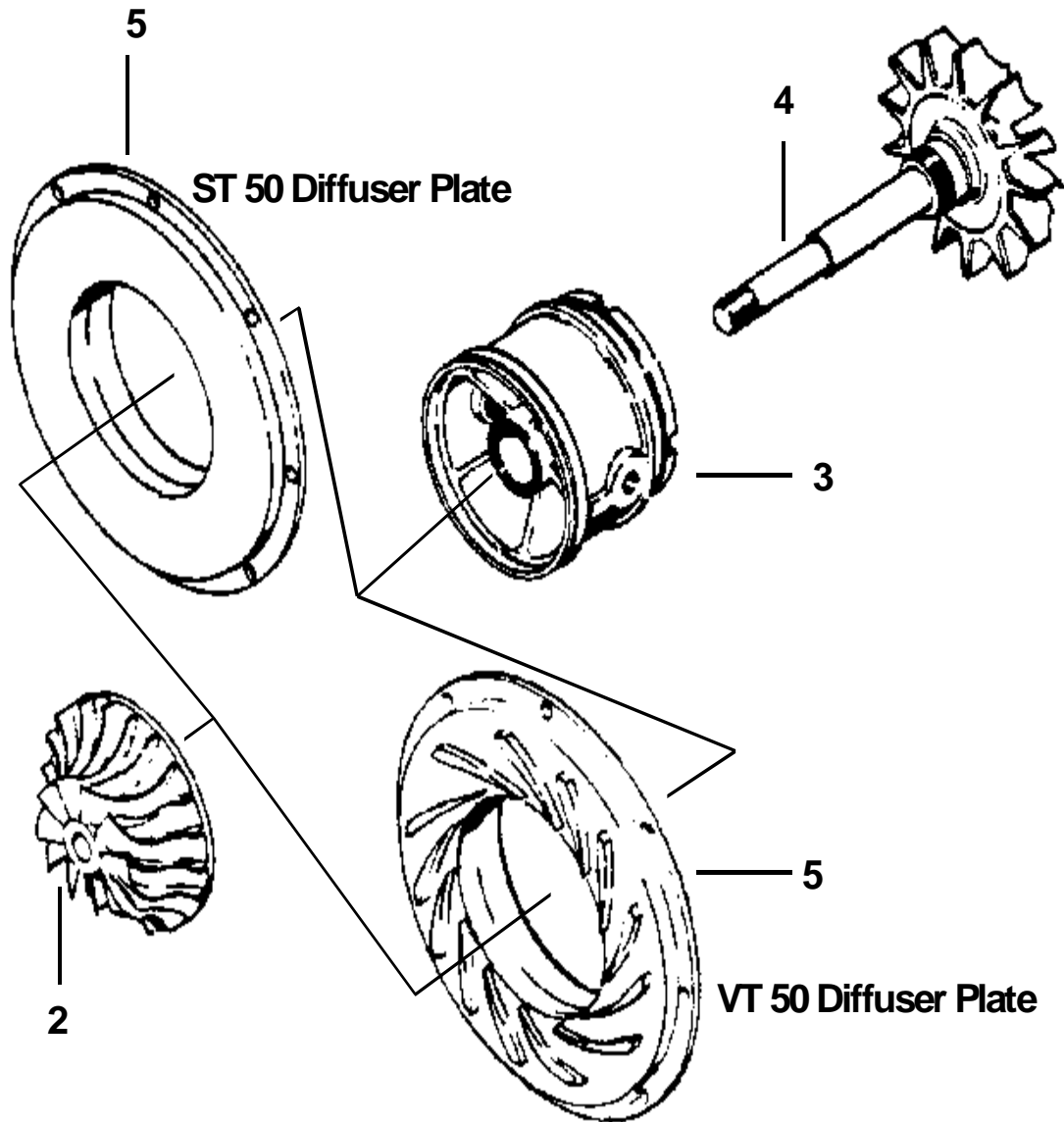
- 1) Thrust spacer 1200050200 and seal plate 1200050300 are for cartridge and turbocharger assemblies with current- style super back compressor wheels and must be used together.
- 2) Maintenance Kits 1200050750 and 1200050751 contain the hardware for 2-piece clamps but do not contain the clamps

Oversize/Undersize Repair Parts Available

Journal Bearings		
OE Part Number 150027-0000		
Undersize Available		Part Number
OD Std	ID -0.010"	1200-050-127

T46, T46B, T50, ST50 & VT50 Type

Major Replacement Parts



This illustration is a guide and does not necessarily show all parts accurately

T46, T46B, T50, ST50 & VT50 Type

Major Replacement Parts – Summary & Cross Reference

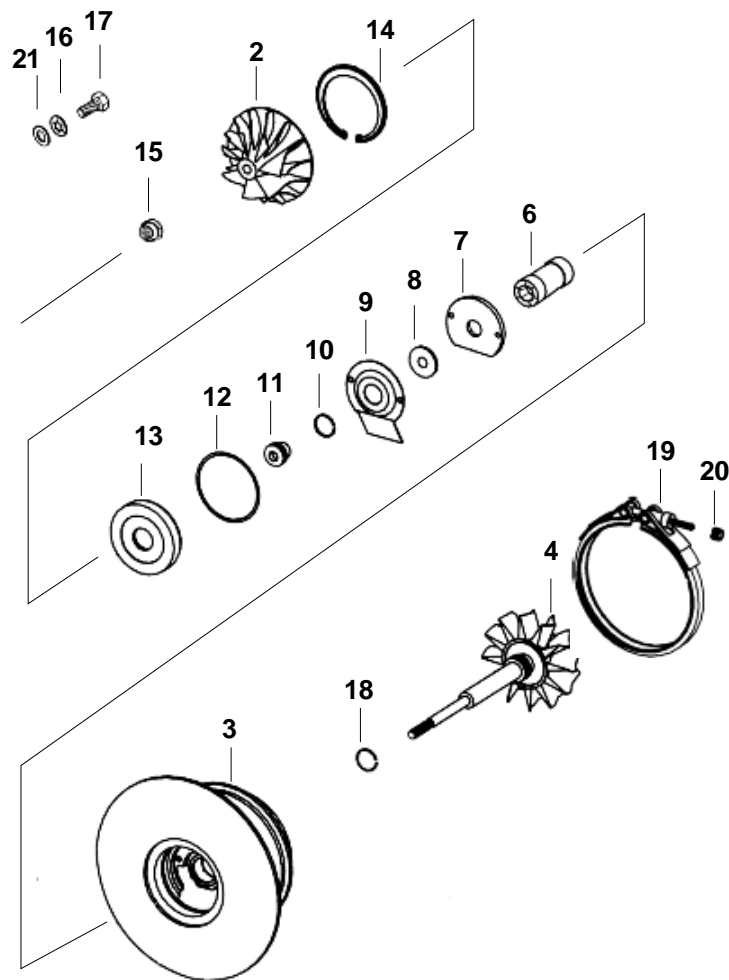
The following major replacement parts are available from stock.

CUMMINS Part Number	Melett Part Number	Description
216804 216805	1200-050-300	Seal Plate T50
171570	1200-050-340	Heat Shield T50
3002731	1200-050-428	Compressor Wheel T50
3025390	1200-050-436	Shaft & Wheel T50
3038745 202376 202392	1200-050-450	Bearing Housing T50

Holset / Schwitzer / KKK 3LD Type Turbos

Common Service Parts
Oversize Service Parts
Shaft and Wheels
Compressor Wheels

Holset / Schwitzer / KKK 3L Type Common Service Parts



Holset / Schwitzer / KKK 3L Type

Repair Parts & Service Kits

All parts are available for purchase as individual components or in the following popular Repair Kits

	Part Description	MELETT Number	Qty Per Turbo	Repair Kit Smooth bore 1150-403-750	Repair Kit Step bore 1150-403-751	Repair Kit Step/Smooth 1150-403-754
6	Bearing (Standard)	1150-403-100	1	1	1	1
7	Thrust Bearing	1250-403-320	1	1	1	1
8	Thrust Ring	1250-403-240	1	1	1	1
9	Oil Deflector	1250-403-310	1			
10	Piston Ring (Comp)	1150-400-170	1	1	1	1
11	Flinger	1250-403-200	1			
12	O' Ring	1250-030-150	1	1	1	1
13	Insert	1250-403-300	1			
14	Insert Retaining Ring	1250-403-140	1	1	1	1
15	Shaft Nut	1250-403-351	1	1	1	1
16	Washer	N/A	8			
17	Bolt UNC	1250-403-561	8			
17	Bolt Metric	N/A	8			
	Clamp Plate	1301-027-500	4			
18	Piston Ring (turb) 0.875" (Smooth)	1150-400-170	2	2		2
18	Piston Ring (turb) 0.885" (Step)	1150-400-160	1		1	2
19	"V" Clamp	1250-403-645	1			
20	Nut	1100-120-645	1			1
21	Spring Washer	1301-027-580	8			8
	Gasket, Turbine inlet	1900-000-006	1	Gaskets are available for sale separately if required		
	Gasket, Oil outlet	1900-000-026	1			
	Gasket, Oil inlet	1900-000-036	1			
				Replace 3545658	Replace 3545657	

Oversize Repair Parts Available

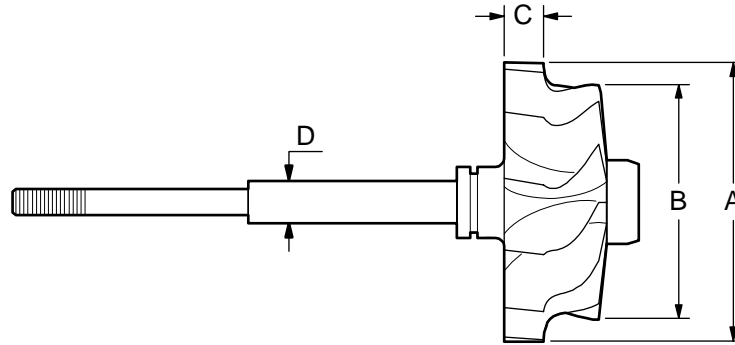
Journal Bearings		
OE Part Number: 51140		
Oversize's Available		Part Number
OD +.010"	ID -.010"	1150-403-120
OD +.010"	ID Std	1150-403-124
OD Std.	ID -.010"	1150-403-127

Piston Rings		
Oversizes Available – Turbine End (Step Bore) Original OE No. (Std/Std): 3521441		
OD	Width	Part Number
+0.010"	Std	1150-400-180
Std	+0.010"	1150-400-185

Holset / Schwitzer / KKK 3L Type

Major Replacement Parts - Detail

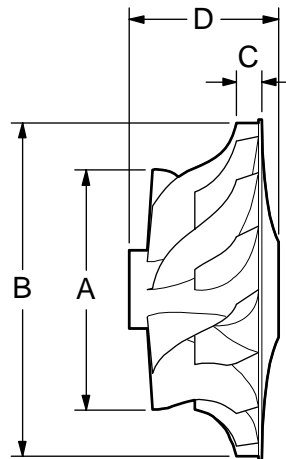
Shaft & Wheel



Melett Part No.	To replace	Trim	(A) Inducer \varnothing mm's	(B) Exducer \varnothing mm's	(C) Tip width mm's	(D) Shaft OD	Shaft Length (Comp wheel) mm's
1250-403-435	55791	-	75.6	61.1	9.5	12.192-12.200	

Now back in stock

Compressor Wheel



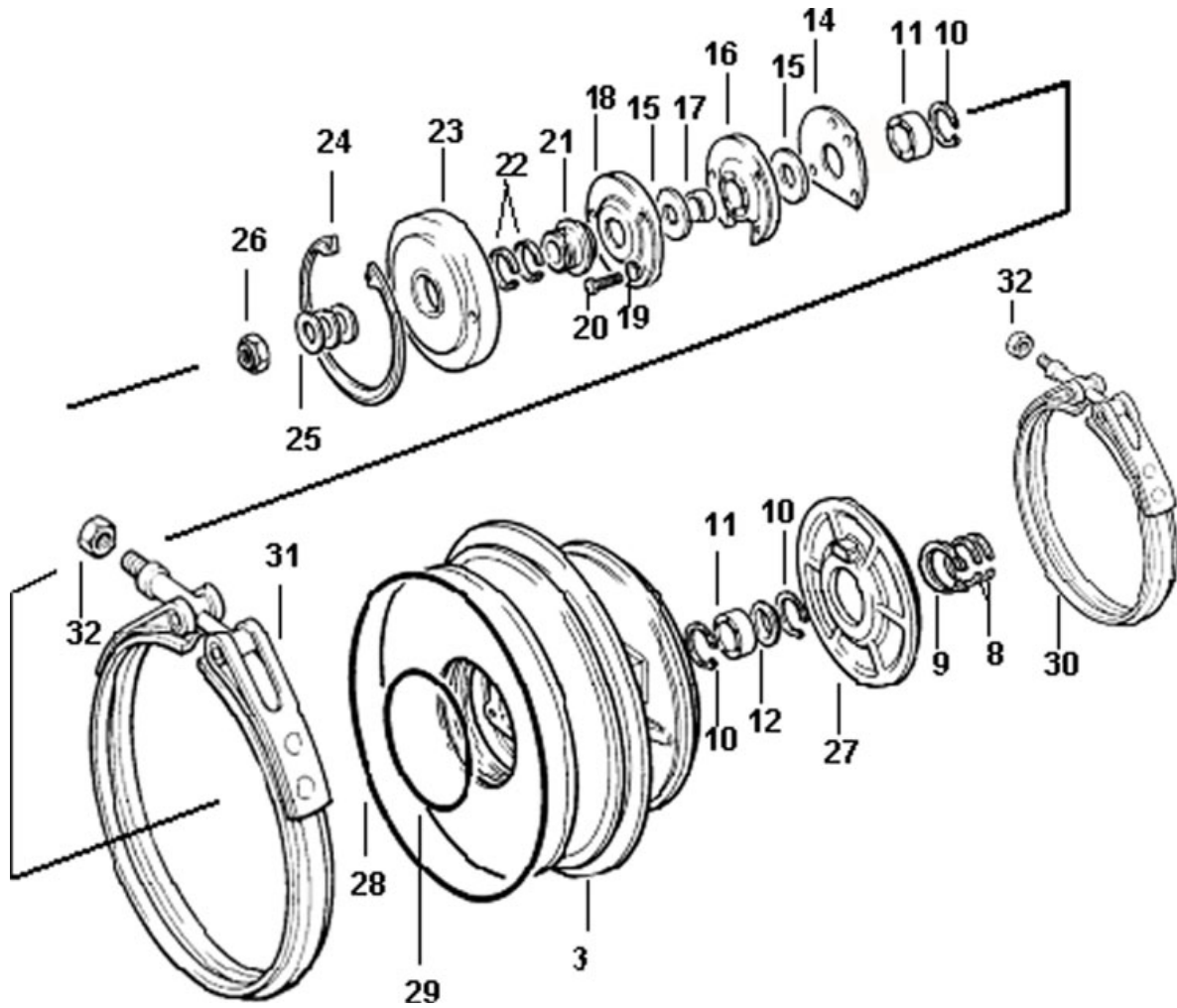
Melett Part No.	To replace	Trim	(A) Inducer \varnothing mm's	(B) Exducer \varnothing mm's	(C) Tip width mm's	(D) Total Hub Length	No. of Blades
1250-403-426	Holset 51217	3LD-1	54.61	82.55	5.72	28.58	12
1250-403-426	Schwitzer 146594	3LD-1	54.61	82.55	5.72	28.58	12

Holset 4MD/4HD Type Turbos

Common Service Parts
Oversize Service Parts

4MD/4HD Type

Component Parts Common



This illustration is a guide and does not necessarily show all parts accurately

4MD/4HD Type

Repair Parts & Service Kits

All parts are available for purchase as individual components or in the following popular Repair Kits

Key	Part Description	MELETT Part Number	Qty per Turbo	Repair Kit	Repair Kit	Repair Kit
				1250-404-750	1250-404-751	1250-404-753
11	Bearing (Internal and End Grooves)	1250-404-100	2	2	2	2
10	Snap Ring	1250-404-140	3	3	3	3
24	Snap Ring (insert)	1250-404-141	1			
29	"O" Ring (insert)	1250-404-150	1	1	1	1
28	"O" Ring (B/Hsg to C/Hsg)	1250-404-155	1	1	1	1
28	"O" Ring (B/Hsg to C/Hsg)	1250-404-156	1			1
8	Piston Ring (Turbine end)	1150-400-170	2	2	2	2
22	Piston Ring (Comp. End)	1150-400-170	2	2	2	2
21	Flinger	N/A	1			
17	Spacer sleeve	1250-404-220	1			
15	Thrust Ring	1250-404-240	2			2
25	Shim 0.003	1250-404-250	As reqd	2	2	2
25	Shim 0.005	1250-404-251	As reqd	2	2	2
25	Shim 0.010	1250-404-252	As reqd	2	2	2
12	Oil Control Sleeve	1250-404-260	1	1	1	1
23	Insert Plate	1250-404-300	1			
18	Oil Deflector (Thrust bearing cover)	N/A	1			
16	Thrust Bearing	1250-404-320	1	1	1	1
14	Spacer Plate	1250-404-330	1			1
27	Heat Shield	1250-404-340	1			
26	Shaft Nut (Non Nylock)	1250-404-351	1			1
19	Spring Washer (Thrust bearing retainer)	1250-404-580	3	3	3	3
	Set Screw 3/8 UNC	1250-404-600	1			8
20	Bolt, Insert Plate	1100-120-610	3	3	3	
32	Nut, V Band Clamp	1100-120-645	2			2
	Gasket Turbine Inlet	1900-000-004	1	1		
	Gasket Oil Outlet	1900-000-025	1	1		
	Gasket Oil Inlet	1900-000-035	1	1		

Oversize Repair Parts Available

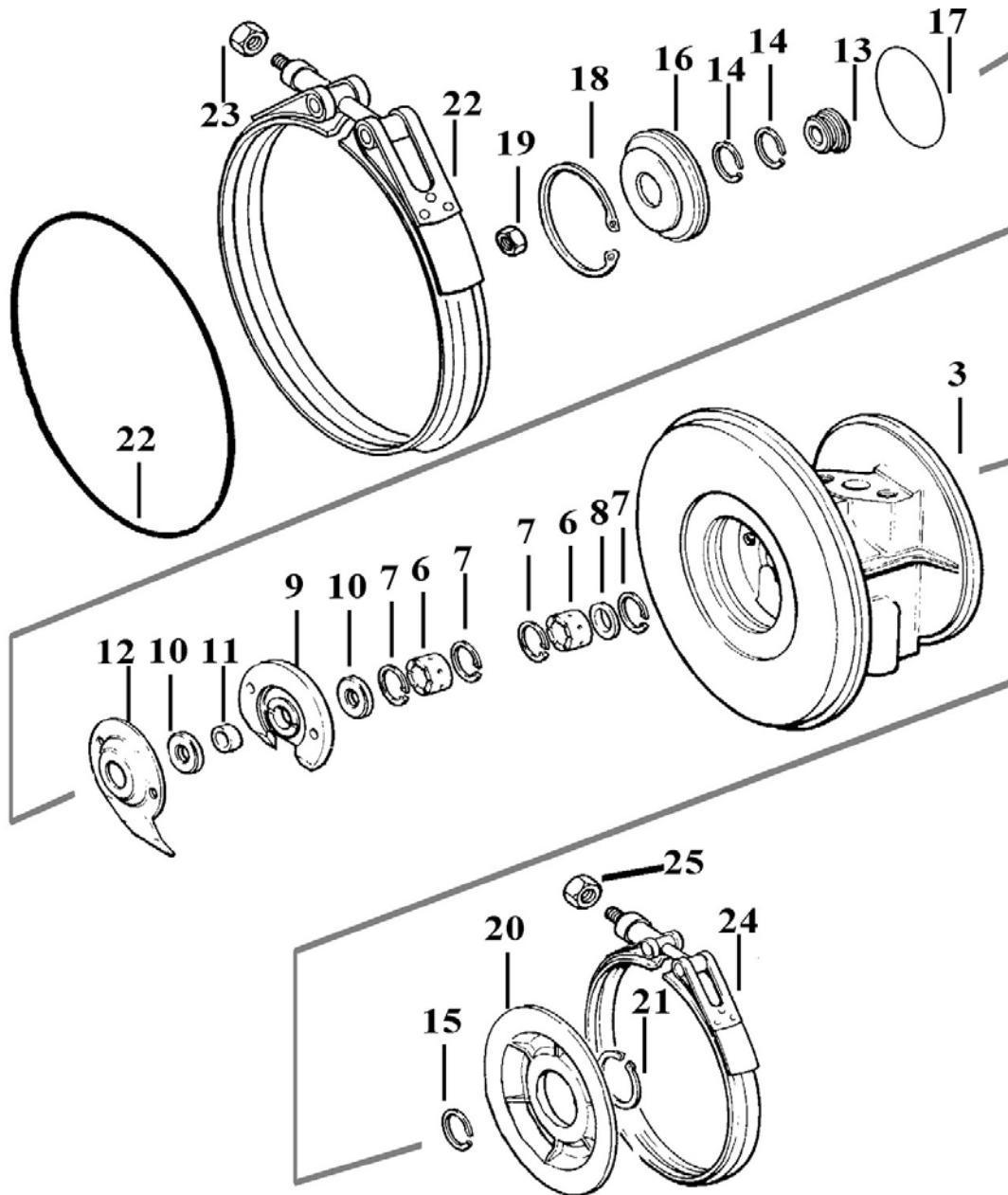
Journal Bearings		
To fit models with original Journal Bearing Part Number: H13070 / S186148 - (Grooved Ends & Grooved ID)		
Oversize's Available		Part Number
OD +.010"	ID -.010"	1250-404-120
OD +.010"	ID Std	1250-404-124
OD Std.	ID -.010"	1250-404-127

Holset 4LE/F/G Type Turbos

Common Service Parts
Oversize Service Parts
Major Replacement Parts
(Shaft & Wheels, Compressor Wheels etc)

Holset 4LE/F/G Type

Common Service Parts



This illustration is a guide and does not necessarily show all parts accurately

Holset

4LE/F/G Type

Repair Parts & Service Kits

All parts are available for purchase as individual components or in the following popular Repair Kits

Key	Part Description	MELETT Number	Qty Per Turbo	Repair Kit	Repair Kit	Repair Kit
				4LGK 1150-040-750	All 4LE / 4LF 1150-040-751	4LGZ 1150-040-752
6	Bearing	1250-040-100	2	2	2	2
7	Snap Ring (Bearing Retainer)	1301-036-140	4	4	4	4
21	Snap Ring (Heat Shield)	N/A	1			
17	O Ring (Seal Plate)	1250-030-150	1	1	1	1
22	O Ring (Comp. Hsg)	1250-040-155	1	1	1	
14	Piston Ring 0.885" (T) Step	1150-400-160	1	1	1	1
14	Piston Ring 0.875" (T/C)	1150-400-170	2/4		4	2
15	Piston Ring 0.750" (C)	1152-303-170	2	2		
13	Thrust Collar	N/A	1			
11	Spacer Sleeve	1301-036-220	1			
10	Thrust Ring	1301-036-240	2			
8	Oil Control Sleeve	1250-040-260	1	1	1	1
9	Thrust Bearing (Non-ramped)	1250-040-320	1	1		1
9	Thrust Bearing (Ramped)	1152-303-320	1		1	
19	Shaft nut (RH)	1250-040-350	1	1	1	1
-	Lock washer	1301-027-580	10	10		
23	Lock nut v band	1100-120-645	1/2	2	2	
20	Insert	1250-403-300	1			
21	Snap Ring (Insert Retainer)	1250-403-140	1	1	1	
19	Shaft nut (LH)	N/A	1			
				Replace 3545661	Replace 3545659 & 660	Replace 3524840

Oversize Repair Parts Available

Journal Bearings		
OE Part Number 182562		
Oversize's Available		Part Number
OD +.010"	ID -.010"	1250-040-120
OD +.010"	ID Std	1250-040-124
OD Std.	ID -.010"	1250-040-127

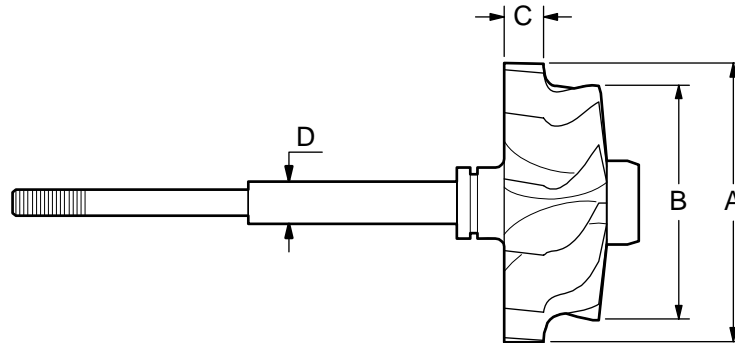
Piston Rings			
Oversizes Available – Turbine & Comp End			
Description	OD	Width	Part Number
Smooth bore ring 0.875"	+0.010"	Std	1150-400-160
Step bore ring 0.885"	+0.010"	Std	1150-400-180
Step bore ring 0.885"	Std	+0.010"	1150-400-185
Compressor ring 0.750"	+0.010"	Std	1150-400-181
Compressor ring 0.750"	+0.020"	Std	1150-400-182
Smooth bore ring 0.875"	Std	+0.010"	1150-400-186

Technical Note: Holset replaced the original 4L piston rings 3518579 & 9765 with a deeper radial thickness for some HC3 turbos. Melett piston rings are direct replacements for the new design 3521441 & 3521442 which will offer improved sealing on older 4L designs. As the OE must use original equipment, some Holset repair kits above contain the old design piston rings and are therefore not identical to the Melett kit.

Holset 4LE/F/G Type

Major Replacement Parts - Detail

Shaft & Wheel

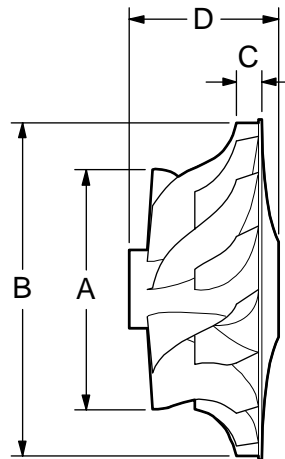


Melett Part No.	To replace	Trim	(A) Inducer ø mm's	(B) Exducer ø mm's	(C) Tip width mm's	(D) Shaft OD	Shaft Length (Comp wheel) mm's
1152-303-435	61685 3500433	T3	96.52	86.41	14.66	14.262 - 14.254	83.21
1152-303-436	57175 3502499	T2	96.52	81.12	14.78	14.262 - 14.254	83.06

Note: Melett Shafts fit both flat back and super back applications

Melett's fully qualified Engineers are available to answer any technical enquiry regarding limits, tolerances, and turbo set-up configurations. Email: Engineer@melett.com

Compressor Wheel



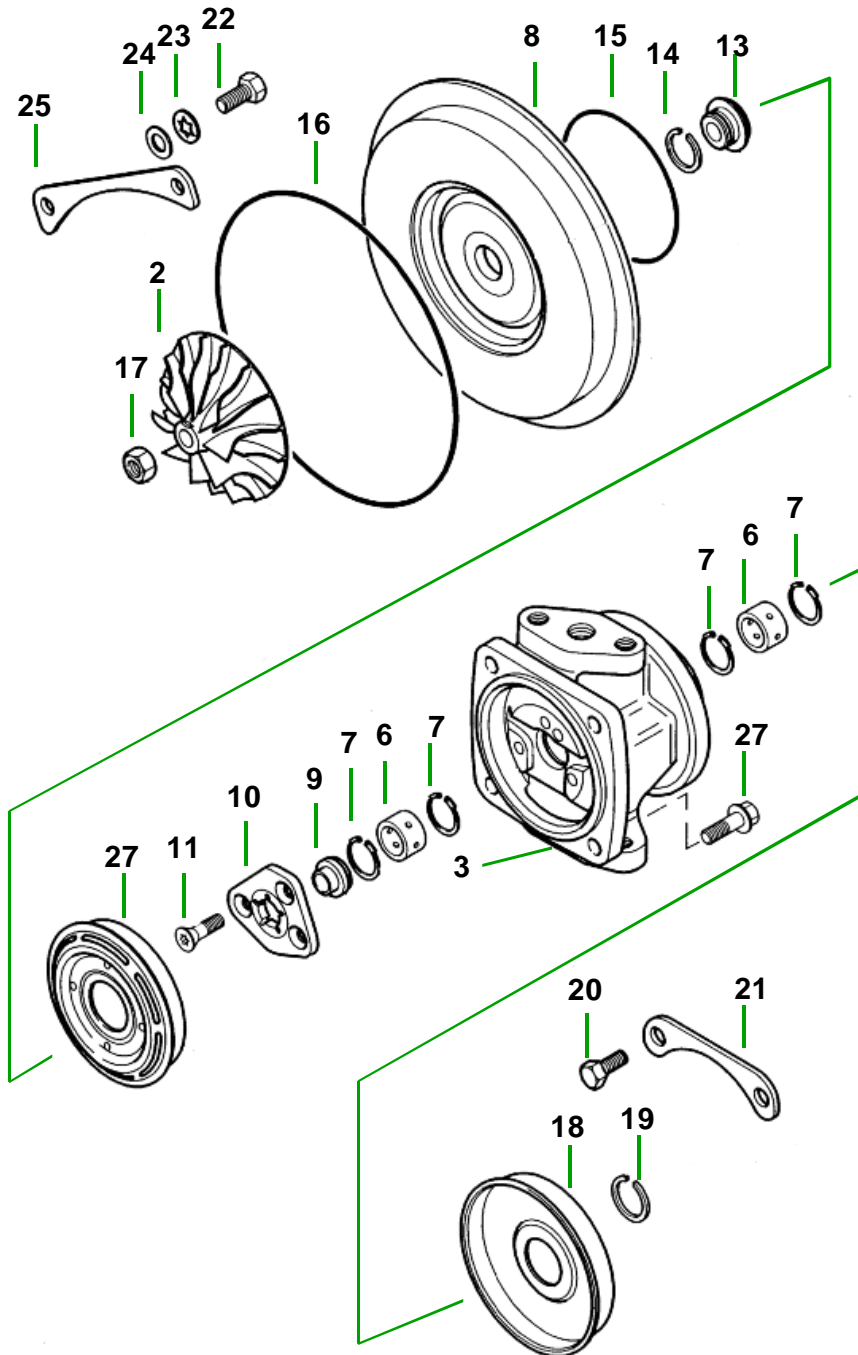
Melett Part No.	To replace	Trim	(A) Inducer ø mm's	(B) Exducer ø mm's	(C) Tip width mm's	(D) Overall Height mm's	No. of Blades
1250-040-400	57955	302	62.46	93.73	7.94	36	12

Holset H1B H1C / H1D / H1E H2A Type Turbos

Common Repair Parts
Oversize Repair Parts
Major Replacement Parts
(Shaft & Wheels, Comp. Wheels etc.)

H1B, H1C/D/E & H2A Type

Component Parts Common



This illustration is a guide and does not necessarily show all parts accurately

H1B, H1C/D/E & H2A Type

Repair Parts & Service Kits

All parts are available for purchase as individual components or in the following popular Repair Kits

Key	Part Description	MELETT Part Number	Qty Per Turbo	Minor Kit 1152-301-750	Major Kit 1152-301-755	Repair Kit (H1B) 1152-301-751
6	Bearing (Std)	1152-301-100	2	2	2	2
7	Retaining Ring (Bearing)	1152-301-140	4	4	4	4
	"O" Ring (Bearing Hsg – H1B)	1152-201-150	1			1
15	"O" Ring (Bearing Hsg)	1152-301-150	1	1	1	
19	Piston Ring (Turb)	1152-302-160	1	1	1	1
14	Piston Ring (Comp)	1152-302-170	1	1	1	1
13	Thrust Flinger H1C	1152-301-200	1		1	
9	Thrust Collar H1C	1152-301-240	1		1	
10	Thrust Bearing H1C	1152-301-320	1	1	1	
10	Thrust Bearing H2C	1152-302-320	1			1
16	"O" Ring (Seal Plate / Comp Hsg.)	1152-301-155	1			
17	Shaft Nut	1152-301-351	1	1	1	
27	Bolt (diffuser)	1152-301-561	4	4	4	
11	Screw (Thrust Brg)	1152-301-620	3	3	3	3
	Locknut (V-band)	1100-120-645	1	1	1	
				Similar to 4027309	Similar to 3545399 + Flinger	Similar to 3545651

Oversize Repair Parts Available

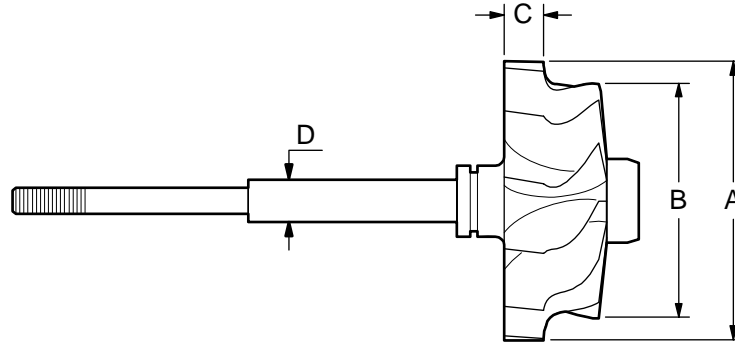
Journal Bearings		
Original Holset Part Number (Std/Std): 3503100		
Oversize's Available		Part Number
OD +.010"	ID -.010"	1152-301-120
OD +.010"	ID Std	1152-301-124
OD Std.	ID -.010"	1152-301-127

Piston Rings		
Original Holset Part Number (Turb End): 56754		
Oversize's Available		Part Number
Turbine End		
OD +.010	Wth Std	1152-302-180
OD Std	Wth +.010	1152-302-181
OD +.010	Wth +.010	1152-302-182

H1B, H1C/D/E & H2A Type

Major Replacement Parts - Detail

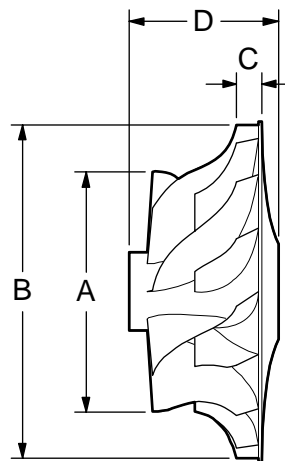
Shaft & Wheel



Melett Part No.	To replace	(A) Inducer ϕ mm's	(B) Exducer ϕ mm's	(C) Tip width mm's	(D) Shaft OD
1152-301-435	3519336	70.0	59.9	10.7	11.0
1152-301-436	3522879	76.0	64.0	10.0	11.0
1152-301-437	3522880	76.0	67.0	12.3	11.0

Melett's fully qualified Engineers are available to answer any technical enquiry regarding limits, tolerances, and turbo set-up configurations. Email: Engineer@melett.com

Compressor Wheel



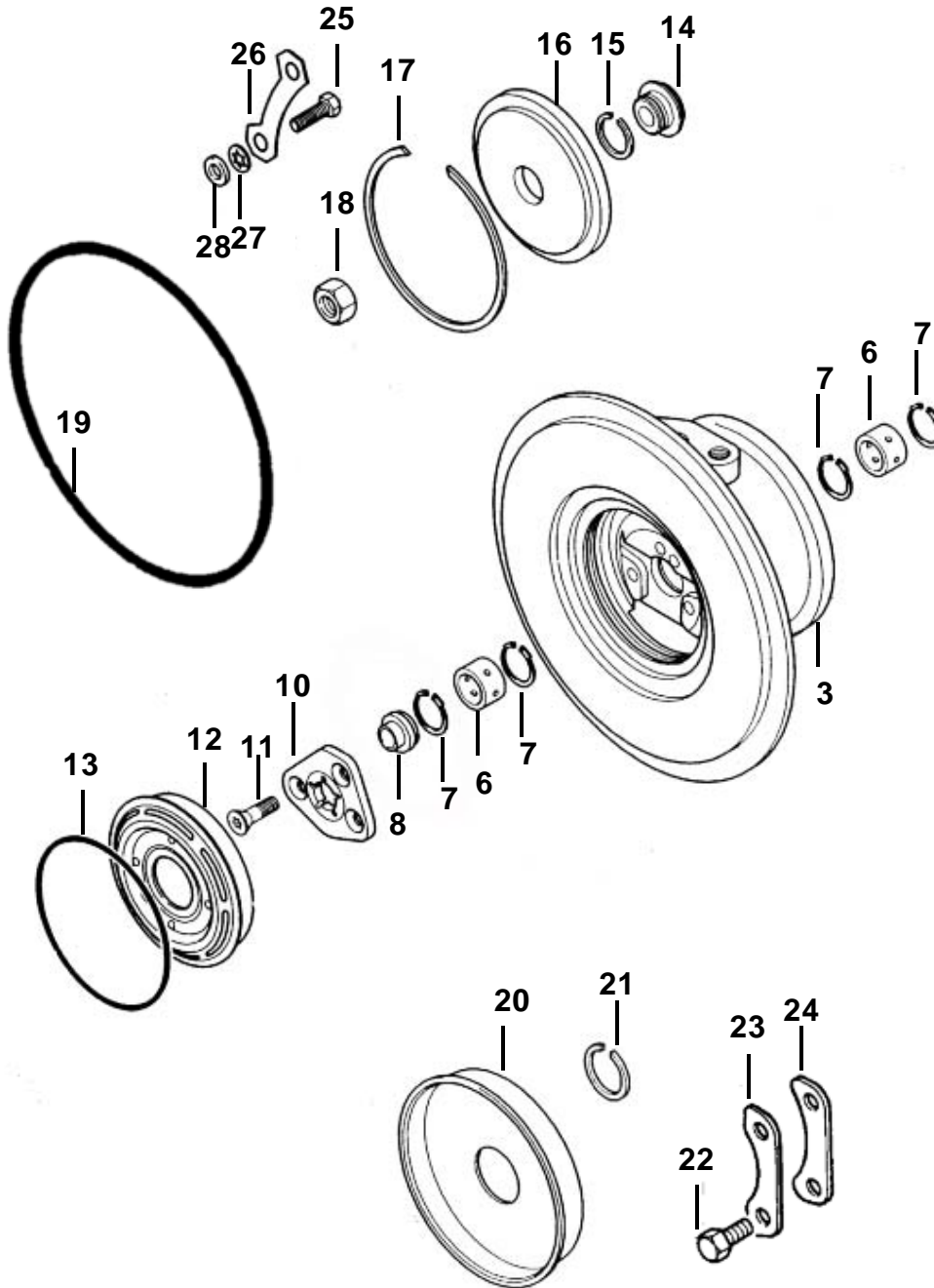
Melett Part No.	To replace	(A) Inducer ϕ mm's	(B) Exducer ϕ mm's	(C) Tip width mm's	(D) Overall Height mm's	No. of Blades
1152-301-400	3599638	83.0	52.0	6.4	40.0	8\8
1152-301-401	3599642	83.0	60.0	7.2	40.0	8\8
1152-301-402	3599641	83.0	46.0	5.1	40.0	8\8
1152-301-403	3599646	83.0	54.0	5.9	40.0	8\8

Holset H2B/C/D/E Type Turbos

Common Service Parts
Oversize Service Parts

H2B/C/D/E Type

Component Parts Common



This illustration is a guide and does not necessarily show all parts accurately

H2B/C/D/E Type

Repair Parts & Service Kits

All parts are available for purchase as individual components or in the following popular Repair Kits

Key	Part Description	MELETT Part Number	Qty Per Turbo	Repair Kit Minor 1152-302-750	Repair Kit Major 1152-302-751
6	Bearing (Std)	1152-302-100	2	2	2
7	Snap Ring	1152-302-140	4	4	4
13	"O" Ring (Bearing Hsg.)	1152-302-150	1	1	1
21	Piston Ring (Turb)	1152-302-160	1	1	1
15	Piston Ring (Comp)	1152-302-170	1	1	1
8	Thrust Collar	1152-302-240	1		1
10	Thrust Bearing	1152-302-320	1	1	1
23	Lock Plate	1152-302-520	3	3	3
11	Screw (Thrust brg)	1152-301-620	3	3	3
12	Oil Deflector	N/A	1		
14	Oil Flinger	1152-302-300	1		1
16	Insert	N/A	1		
17	Insert Retaining Ring	N/A	1		
18	Shaft Nut	N/A	1		
19	"O" Ring (Seal Plate / Comp Hsg.)	N/A	1		
22	Turbine Hsg Bolt	1152-302-600	6	6	6
24	Clamp Plate		3		
25	Bolt	N/A	8		
26	Clamp Plate	N/A	4		
27	Lock Washer	N/A	8		
28	Washer	N/A	8		
				Similar to 3545653	Similar to 3545653 + thrust parts

Oversize Repair Parts Available

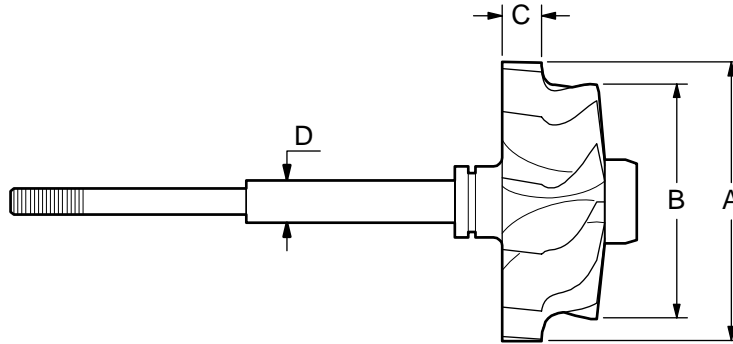
Journal Bearings		
Original Holset Part Number (Std/Std): 3504413		
Oversize's Available		Part Number
OD +.010"	ID -.010"	1152-302-120
OD +.010"	ID Std	1152-302-124
OD Std.	ID -.010"	1152-302-127

Piston Rings		
Original Holset Part Number (Turb End): 56754		
Oversize's Available		Part Number
Turbine End		
OD +.010	Wth Std	1152-302-180
OD Std	Wth +.010	1152-302-181
OD +.010	Wth +.010	1152-302-182

H2B/C/D/E Type

Major Replacement Parts - Detail

Shaft & Wheel



Melett Part No.	To replace	(A) Inducer \varnothing mm's	(B) Exducer \varnothing mm's	(C) Tip width mm's	(D) Shaft OD
1152-302-435	3522232	86.0	72.0	12.2	12.2
1152-302-436	3522773	86.0	77.0	13.0	12.2

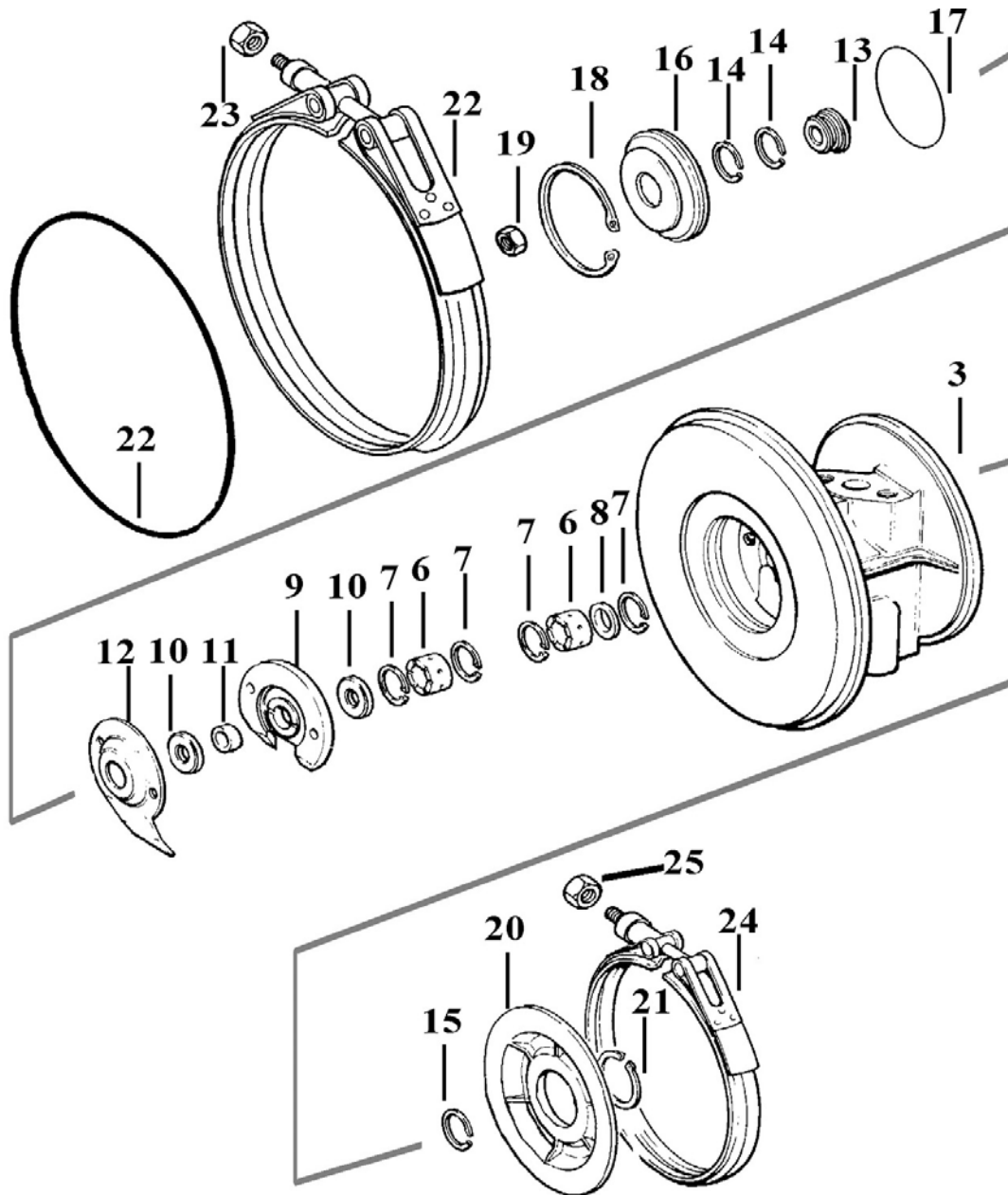
Melett's fully qualified Engineers are available to answer any technical enquiry regarding limits, tolerances, and turbo set-up configurations. Email: Engineer@melett.com

Holset H3B HC3 HC3B Type Turbos

Common Service Parts
Oversize Service Parts
Major Replacement Parts
(Shaft & Wheels, Compressor Wheels etc)

Holset H3B/HC3/HC3B Type

Common Service Parts



This illustration is a guide and does not necessarily show all parts accurately

Holset H3B/HC3/HC3B Type

Repair Parts & Service Kits

All parts are available for purchase as individual components or in the following popular Repair Kits

Key	Part Description	MELETT Number	Qty Per Turbo	Repair Kit HC3 1150-040-750	Repair Kit All H3B/HC3B 1152-303-750
6	Bearing	1250-040-100	2	2	2
7	Snap Ring (Bearing Retainer)	1301-036-140	4	4	4
21	Snap Ring (Heat Shield)	1250-404-142	1		
17	O Ring (Seal Plate)	1250-030-150	1	1	1
15	Piston Ring 0.885" (T) Step	1150-400-160	1	1	2
14	Piston Ring 0.750" (C)	1152-303-170	2	2	2
10	Thrust Collar	N/A	1		
11	Spacer Sleeve	1301-036-220	1		
10	Thrust Ring	1301-036-240	2		
8	Oil Control Sleeve	1250-040-260	1	1	1
9	Thrust Bearing	1250-040-320	1	1	
9	Thrust Bearing (Ramped)	1152-303-320	1		1
19	Shaft nut (RH)	1250-040-350	1	1	1
	Lock washer (1/4")	1301-027-580	10	10	10
	Lock washer (5/16")	1152-303-580	10		10
23	Lock nut v band	1100-120-645	1	2	2
16	Insert	1250-403-300	1		
18	Snap Ring (Insert Retainer)	1250-403-140	1	1	1
	Shaft nut (LH)	N/A	1		
				Replace 3545661	Replace 3545661/2/4

The repair kit 1152-303-750 will repair all H3B / HC3 & HC3B model turbos.

Oversize Repair Parts Available

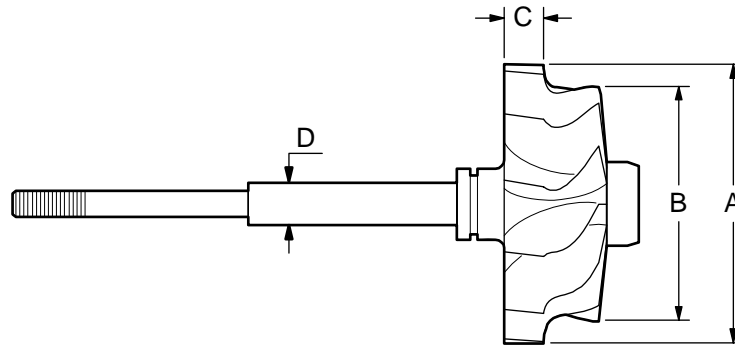
Journal Bearings		
Oversize's Available		Part Number
OD +.010"	ID -.010"	1250-040-120
OD +.010"	ID Std	1250-040-124
OD Std.	ID -.010"	1250-040-127

Piston Rings				
Oversizes Available – Turbine & Comp End				
Description	OD	Width	Part Number	
Step bore ring 0.885"	+0.010"	Std	1150-400-180	
Step bore ring 0.885"	Std	+0.010"	1150-400-185	
Compressor ring 0.750"	+0.010"	Std	1150-400-181	
Compressor ring 0.750"	+0.020"	Std	1150-400-182	
Compressor ring 0.750"	Std	+0.006"	1150-400-183	

Holset H3B/HC3/HC3B Type

Major Replacement Parts - Detail

Shaft & Wheel



Melett Part No.	To replace	Trim	(A) Inducer ø mm's	(B) Exducer ø mm's	(C) Tip width mm's	(D) Shaft OD	Shaft Length (Comp wheel) mm's
1152-303-436	57175 3502499	T2	96.4	81.0	15.0	14.3	85.0
1152-303-435	61685 3500433	T3	96.4	86.3	14.7	14.3	85.0

Note: Melett Shafts fit both flat back and super back applications

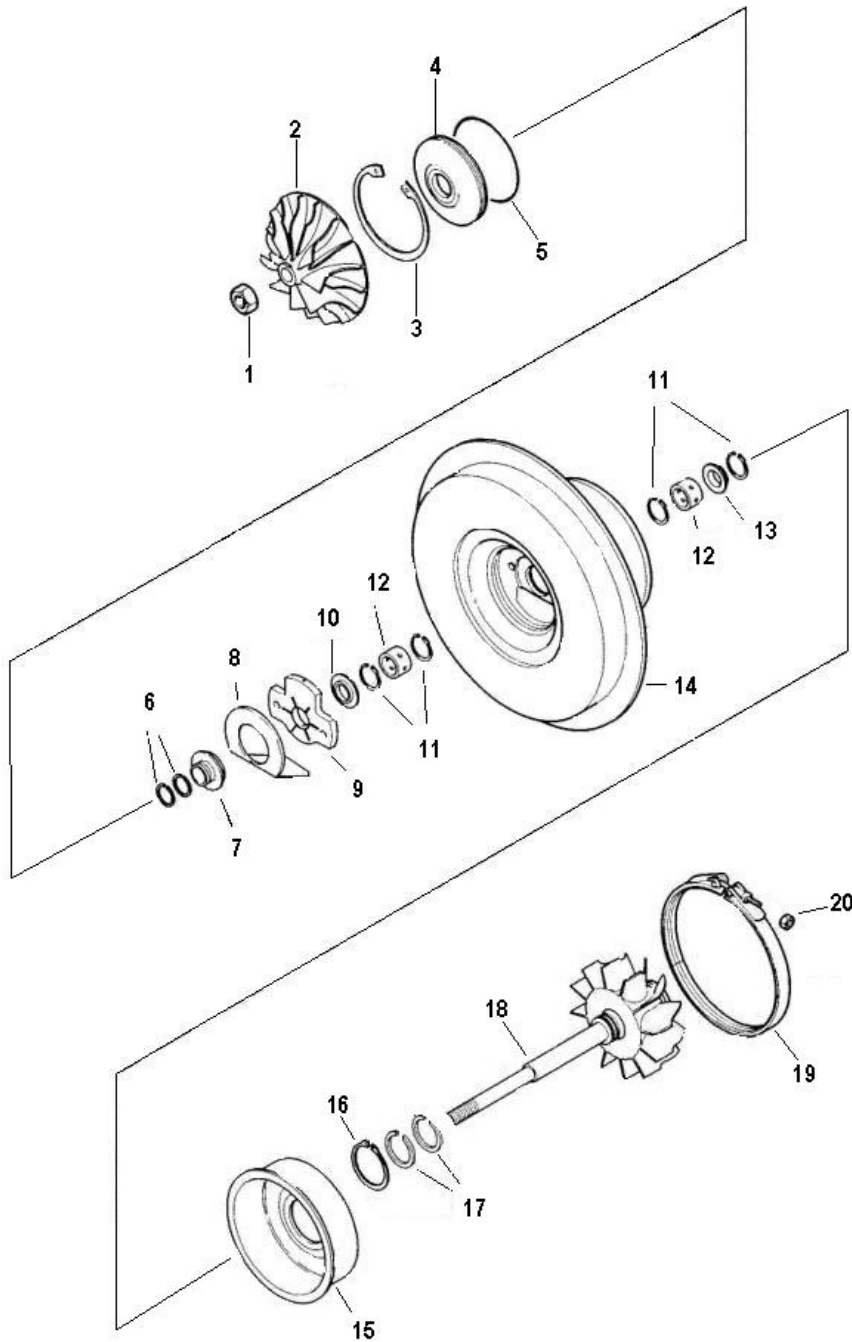
Melett's fully qualified Engineers are available to answer any technical enquiry regarding limits, tolerances, and turbo set-up configurations. Email: Engineer@melett.com

Holset HT3B BHT3B HT60 Type Turbos

Common Service Parts
Oversize Service Parts
Major Replacement Parts
(Shaft & Wheels, Compressor Wheels etc)

Holset HT3B / HT60 Type

Common Service Parts



This illustration is a guide and does not necessarily show all parts accurately

Holset HT3B / HT60 Type

Repair Parts & Service Kits

All parts are available for purchase as individual components or in the following popular Repair Kits

Key	Part Description	MELETT Part Number	OE Number	Quantity Per Turbo	Repair kit HT3B/HT60 1152-304-750
12	Bearing (Standard)	1250-040-100	22366	2	2
11	Retaining Ring (brg)	1301-036-140	9510	4	4
3	Insert Retaining Ring	1250-403-140	23863	1	
16	Retaining Ring (heatshield)	1250-404-142	18373	1	
5	O' Ring	1250-030-150	51948	1	1
17	Piston Ring (turb)	1150-400-160	3521441	2	2
6	Piston Ring (Comp)	1152-303-170	3521442	1	1
7	Flinger	N/A	3521439	1	
13	Oil Control Sleeve	1250-040-260	57753	1	1
10	Thrust Collar	N/A	3521440	1	
4	Insert	N/A	59618	1	
8	Oil Deflector (HT3B)	N/A	3519401	1	
8	Oil Deflector (HT60)	N/A	3529658	1	
-	Thrust Bearing (HT3B – Old 4L style)	1152-304-320	3519290	1	
9	Thrust Bearing HT3B / HT60	1153-060-321	3536075	1	1
1	Shaft Nut	1250-040-350	3519471	1	
-	Washer	1152-303-580	3521119	10	10
20	Nut	1153-050-645	3529372	1	2
					Replace 3545669 3575230

Note: 3575230 Holset kit contains the oil deflector – Melett kit does not.

Oversize Repair Parts Available

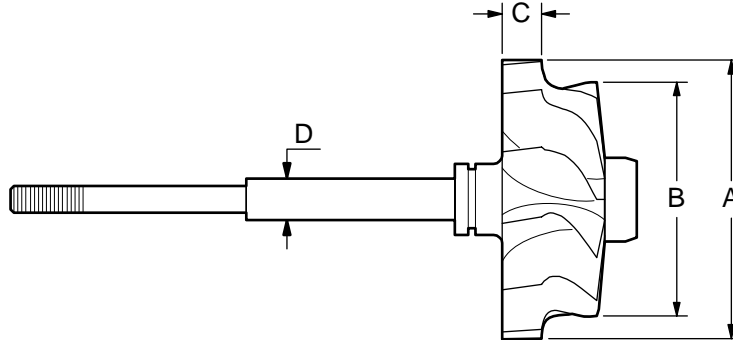
Journal Bearings		
OE Part Number: 22366		
Oversize's Available		Part Number
OD +.010"	ID -.010"	1250-040-120
OD +.010"	ID Std	1250-040-124
OD Std.	ID -.010"	1250-040-127

Piston Rings			
OE Part Number 3521441			
Oversizes Available – Turbine & Comp End			
Description	OD	Width	Part Number
Step bore ring 0.885"	+0.010"	Std	1150-400-180
Step bore ring 0.885"	Std	+0.010"	1150-400-185
Compressor ring 0.750"	+0.010"	Std	1150-400-181
Compressor ring 0.750"	+0.020"	Std	1150-400-182
Compressor ring 0.750"	Std	+0.006"	1150-400-183

Holset HT3B / HT60 Type

Major Replacement Parts - Detail

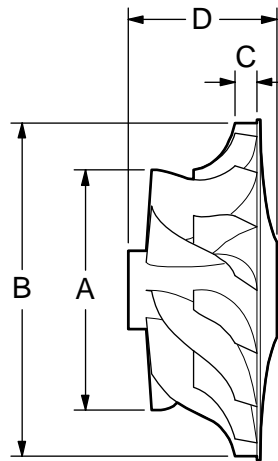
Shaft & Wheel



Melett Part No.	To replace	(A) Inducer ϕ mm's	(B) Exducer ϕ mm's	(C) Tip width mm's	(D) Shaft OD
1152-304-435	3522075	97.0	86.4	17.0	14.3

Melett's fully qualified Engineers are available to answer any technical enquiry regarding limits, tolerances, and turbo set-up configurations. Email: Engineer@melett.com

Compressor Wheel



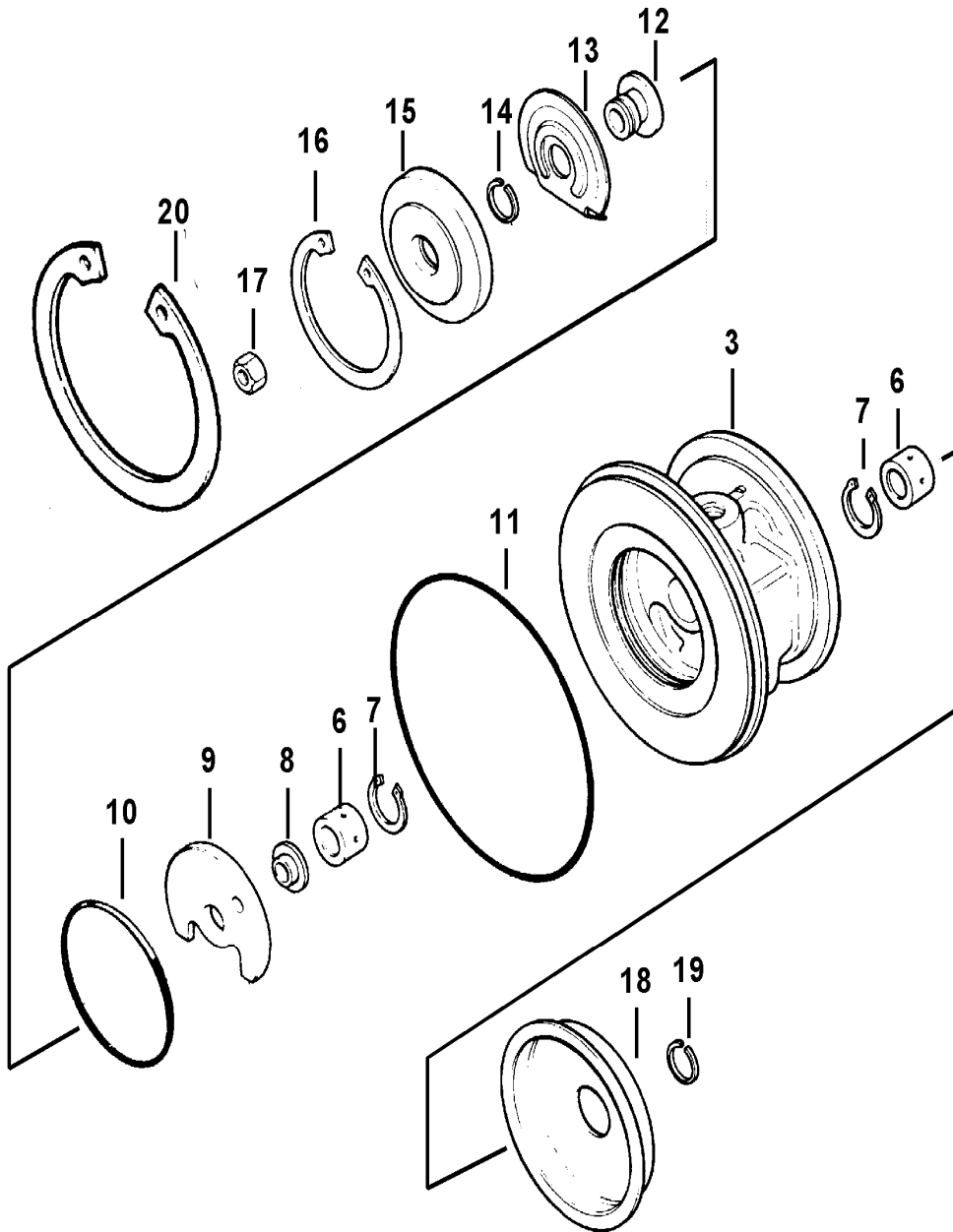
Melett Part No.	To replace	(A) Inducer ϕ mm's	(B) Exducer ϕ mm's	(C) Tip width mm's	(D) Overall Height mm's	No. of Blades
1152-304-401	3527047	73.5	109.0	9.3	54.0	8\8

Holset HX25 / HX27W Type Turbos

Common Repair Parts
Oversize Repair Parts

HX25/27 Type

Component Parts Common



This illustration is a guide and does not necessarily show all parts accurately

HX25/27 Type

Repair Parts & Service Kits

All parts are available for purchase as individual components or in the following popular Repair Kits

Key	Part Description	MELETT Part Number	Qty Per Turbo	Repair Kit Minor 1153-025-750	Repair Kit Major 1153-025-751
6	Bearing (Std)	1153-025-100	2	2	2
7	Snap Ring	1153-025-140	2	2	2
8	Thrust Ring	1153-025-240	1		1
	Spiral Ring with Offset	1153-025-141	2	2	2
9	Thrust Bearing	1153-025-320	1	1	1
10	"O" Ring (Insert)	1153-025-150	1	1	1
11	"O" Ring (B/Hsg-C/Hsg)	1153-025-155	1	1	1
12	Flinger	1153-025-200	1		1
13	Oil Deflector	1153-025-310	1		
14	Piston Ring (Comp)	1153-025-170	1	1	1
15	Insert	1153-025-300	1		1
16	Snap Ring (Insert)	1153-025-145	1		
17	Shaft Nut (LHT)	1153-025-351	1	1	1
18	Heat Shield (Air Cooled)	1153-025-340	1		
19	Piston Ring (Turb)	1153-025-160	1	1	1
20	Snap Ring (C/Hsg-B/Hsg)	N/A	1		
	Gasket Oil Outlet	1900-000-042	1		1

Oversize Repair Parts Available

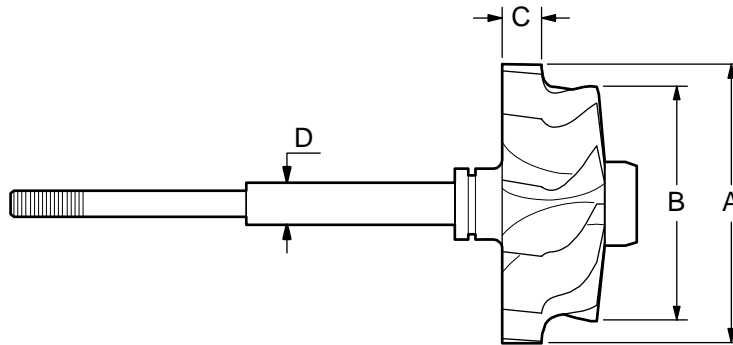
Journal Bearings		
Oversize's Available		Part Number
OD +.005"	ID -.005"	1153-025-110
OD +.005"	ID Std	1153-025-114
OD Std	ID -.005"	1153-025-117
OD +.010"	ID -.010"	1153-025-120
OD +.010"	ID Std	1153-025-124
OD +.005"	ID -.010"	1153-025-130
OD +.010"	ID -.005"	1153-025-131

Piston Rings		
Oversize's Available		Part Number
Turbine End		
OD +.010	Wth Std	1153-025-180
OD Std	Wth +.010	1153-025-181
OD +.010	Wth +.010	1153-025-182

HX25/27 Type

Major Replacement Parts - Detail

Shaft & Wheel



Melett Part No.	To replace Holset..	(A) Inducer Ø mm's	(B) Exducer Ø mm's	(C) Tip width mm's	(D) Shaft OD mm's
1153-025-435	N/A	52.0	45.6	8.9	7.5

Melett's fully qualified Engineers are available to answer any technical enquiry regarding limits, tolerances, and turbo set-up configurations. Email: Engineer@melett.com

Bearing Housings

Melett Number	To replace Holset B/Hsg No.	Air / Water cooled	Description
1153-025-450	N/A	Air	For CHRA 3539071

Heat Shield

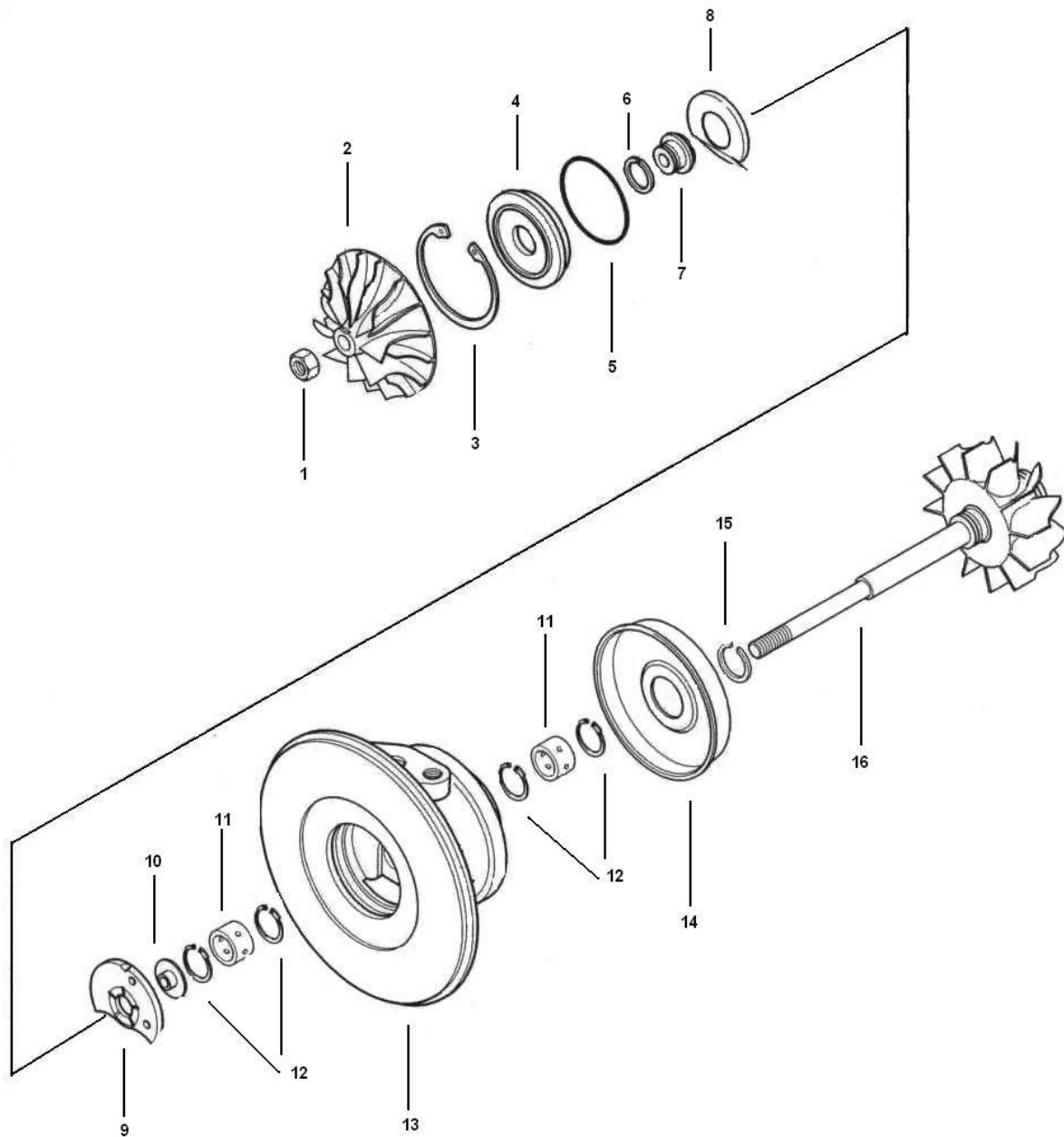
Melett Number	Description	Description
1153-025-340	Heat Shield (Air Cooled)	For CHRA 3539071

Holset HX30 / HX30W Type Turbos

Common Repair Parts
Oversize Repair Parts

HX30 Type

Component Parts Common



HX30 Type

Repair Parts & Service Kits

All parts are available for purchase as individual components or in the following popular Repair Kits

Key	Part Description	MELETT Part Number	OE Number	Repair Kit HX30 1153-030-750
11	Bearing (Std/Std)	1152-301-100	3503100	2
12	Retaining Ring (Bearing)	1152-301-140	62259	4
3	Retaining Ring	1153-030-145	3527566	1
9	Thrust Bearing	1153-030-320	3531419	1
15	Piston Ring (Turb)	1152-302-160	56754	1
6	Piston Ring (Comp)	1152-302-170	58848	1
-	V Band Nut	1153-030-645	3592050	1
5	'O' Ring - Seal Plate	1153-035-150	3528933	1
1	Shaft Nut	1152-301-351	3596402	1
8	Oil Deflector	1153-035-310	3528104	1
				Replace 3575205

Oversize Repair Parts Available

Journal Bearings		
Original Holset Part Number (Std/Std): 3503100		
Oversize's Available		Part Number
OD +.010"	ID -.010"	1152-301-120
OD +.010"	ID Std	1152-301-124
OD Std.	ID -.010"	1152-301-127

Piston Rings		
Original Holset Part Number (Turb End): 56754		
Oversize's Available		Part Number
Turbine End		
OD +.010	Wth Std	1152-302-180
OD Std	Wth +.010	1152-302-181
OD +.010	Wth +.010	1152-302-182

Holset

HX35 / HX35W

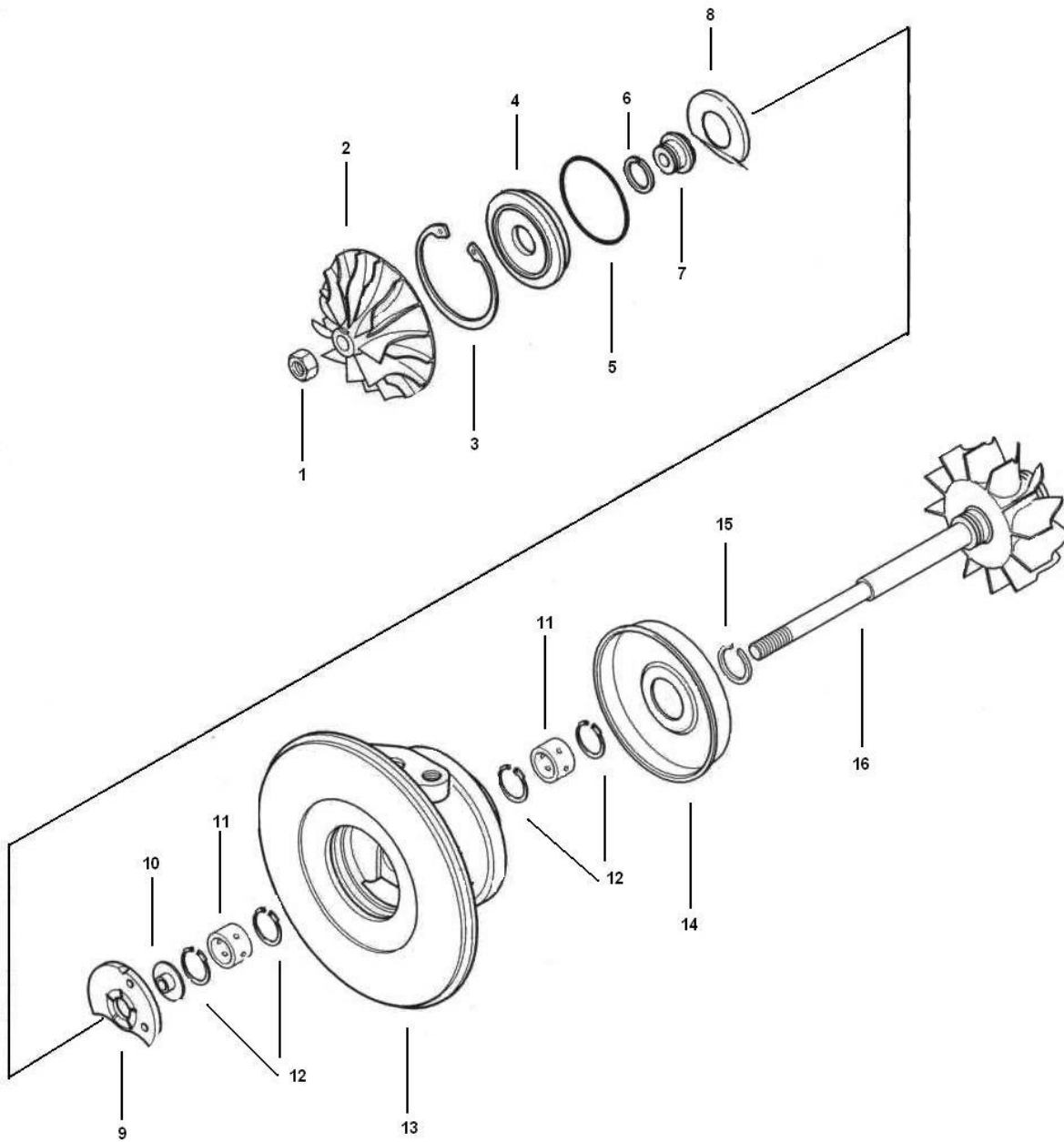
HX40 / HX40W

Type Turbos

Common Repair Parts
Oversize Repair Parts
Major Replacement Parts
(Shaft & Wheels, Comp. Wheels etc.)

HX35/40 Type

Component Parts Common



HX35/40 Type

Repair Parts & Service Kits

All parts are available for purchase as individual components or in the following popular Repair Kits

Key	Part Description	OE Number	MELETT Part Number	Repair Kit HX35/40 1153-035-750	Repair Kit HX35W 1153-035-751
11	Bearing (Std/Std)	3503100	1152-301-100	2	2
12	Retaining Ring (Bearing)	62259	1152-301-140	4	4
3	Retaining Ring	3527566	1153-030-145	1	1
5	'O' Ring - Seal Plate	3528933	1153-035-150	1	1
-	'O' Ring - Comp Cover	3523275	1153-035-155	1	1
15	Piston Ring (Turb)	56754	1152-302-160	1	
15	Piston Ring Turb. end	3536143	1153-050-160		2
6	Piston Ring (Comp)	58848	1152-302-170	1	1
7	Thrust Flinger	3530924	1153-035-200		
10	Thrust Collar	3532217	1153-035-240		
8	Oil Deflector	3528104	1153-035-310	1	1
9	Thrust Bearing	3595651	1153-035-320	1	1
1	Shaft Nut	3596402	1152-301-351	1	1
-	Bolt T/Hsg	59917	1153-035-600	6	6
				Replace 3575169	Replace 4027448

Oversize Repair Parts Available

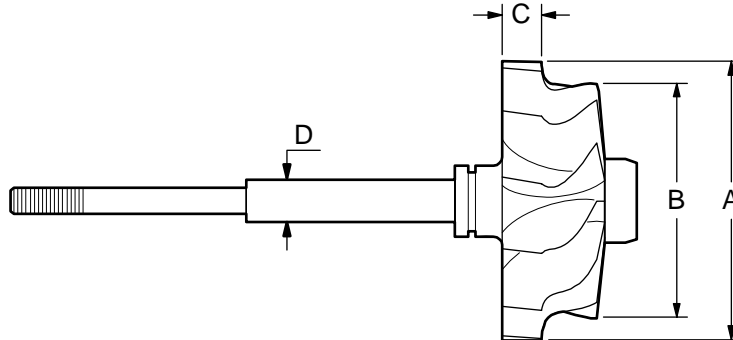
Journal Bearings		
Original Holset Part Number (Std/Std): 3503100		
Oversize's Available		Part Number
OD +.010"	ID -.010"	1152-301-120
OD +.010"	ID Std	1152-301-124
OD Std.	ID -.010"	1152-301-127

Piston Rings		
Original Holset Part Number (Turb End): 56754		
Oversize's Available		Part Number
Turbine End		
OD +.010	Wth Std	1152-302-180
OD Std	Wth +.010	1152-302-181
OD +.010	Wth +.010	1152-302-182

HX35/40 Type

Major Replacement Parts - Detail

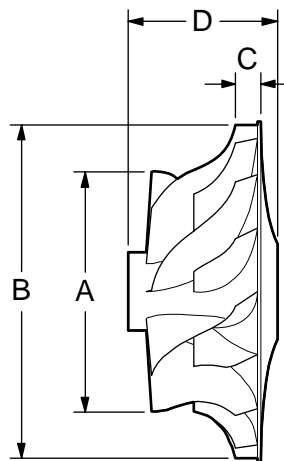
Shaft & Wheel



Melett Part No.	To replace	(A) Inducer ϕ mm's	(B) Exducer ϕ mm's	(C) Tip width mm's	(D) Shaft OD
1152-301-435	3519336	70.0	59.9	10.7	11.0
1152-301-436	3522879	76.0	64.0	10.0	11.0
1152-301-437	3522880	76.0	67.0	12.3	11.0

Melett's fully qualified Engineers are available to answer any technical enquiry regarding limits, tolerances, and turbo set-up configurations. Email: Engineer@melett.com

Compressor Wheel



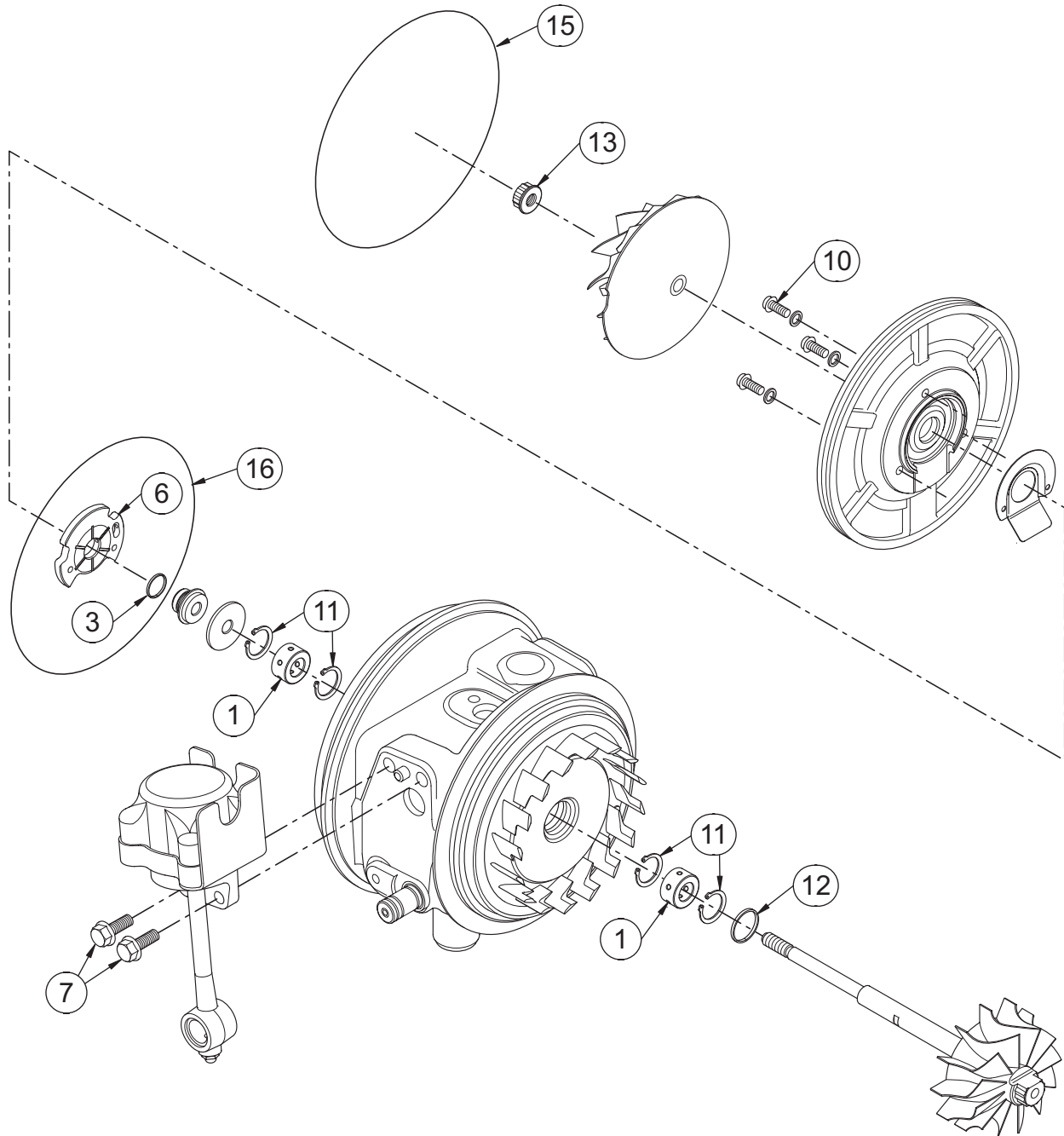
Melett Part No.	To replace	(A) Inducer ϕ mm's	(B) Exducer ϕ mm's	(C) Tip width mm's	(D) Overall Height mm's	No. of Blades
1152-301-400	3599638	83.0	52.0	6.4	40.0	8\8
1152-301-401	3599642	83.0	60.0	7.2	40.0	8\8
1152-301-402	3599641	83.0	46.0	5.1	40.0	8\8
1152-301-403	3599646	83.0	54.0	5.9	40.0	8\8

Holset HY40V Type Turbos

Common Repair Parts
Oversize Repair Parts
Major Replacement Parts
(Shaft & Wheels, Comp. Wheels etc.)

HY40 Type

Component Parts Common



HY40 Type

Repair Parts & Service Kits

All parts are available for purchase as individual components or in the following popular Repair Kits

Key	Part Description	OE Number	Melett	Repair Kit
			Part Number	HY40
				1154-040-750
11	Retaining Ring J-Brg	62259	1100-040-140	4
12	Piston Ring H1C/H2C/HX50	56754	1152-302-160	1
3	Piston Ring H1/H2/HX50 Comp	58848	1152-302-170	1
5	V-Band Nut HX50/55	3529372	1153-050-645	2
-	Bearing HY40V	4035378	1154-040-100	2
15	O Ring (Comp Cvr) HY40	3592611	1154-040-150	1
15	O Ring (Brg Hsg) HY40	3594822	1154-040-155	1
6	Thrust Bearing HY40V	3592966	1154-040-320	1
7	Bolt (Patched) HY40V (Actuator)	3593725	1154-040-625	3
10	Washer (Doughty Seal) HY40V	3594927	1154-040-630	3
				Replace 4031440

Oversize Repair Parts Available

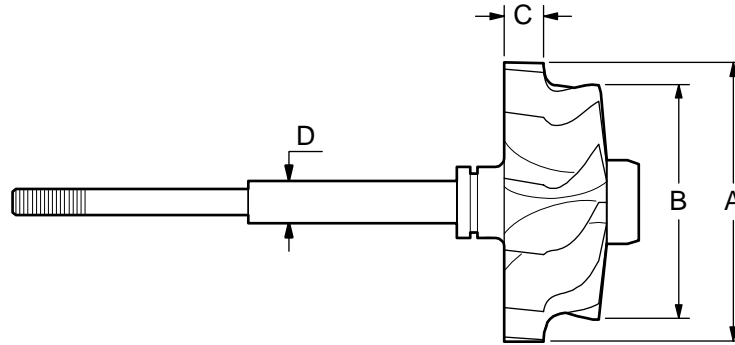
Journal Bearings		
Original Holset Part Number (Std/Std): 4035378		
Oversize's Available		Part Number
OD +.010"	ID -.010"	N/A
OD +.010"	ID Std	N/A
OD Std.	ID -.010"	N/A

Piston Rings		
Original Holset Part Number (Turb End): 56754		
Oversize's Available		Part Number
Turbine End		
OD +.010	Wth Std	1152-302-180
OD Std	Wth +.010	1152-302-181
OD +.010	Wth +.010	1152-302-182

HY40 Type

Major Replacement Parts - Detail

Shaft & Wheel



Melett Part No.	To replace	(A) Inducer ø mm's	(B) Exducer ø mm's	(C) Tip width mm's	(D) Shaft OD
1154-040-435	3595129	76.0	67.0	7.9	11.0

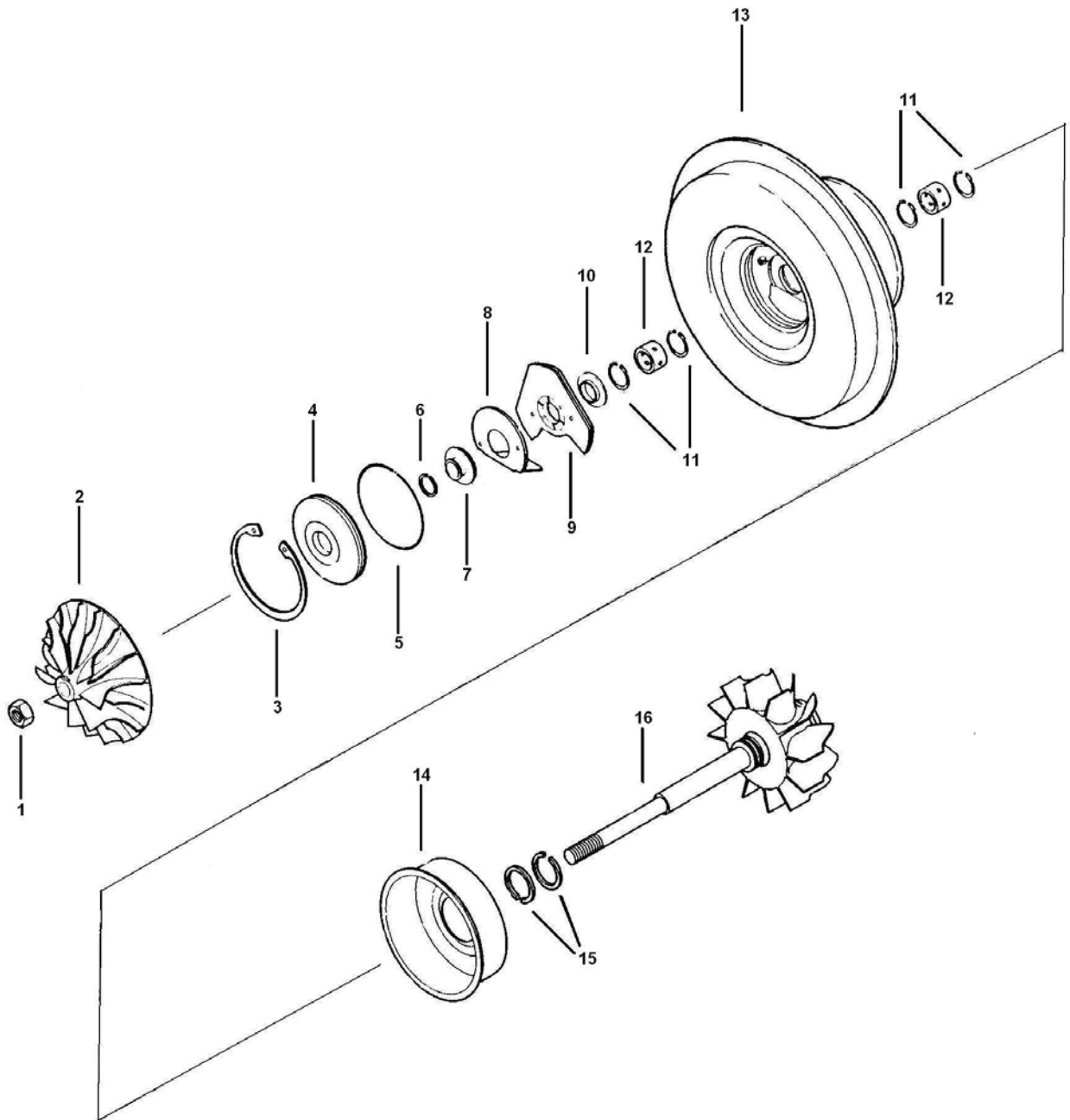
Melett's fully qualified Engineers are available to answer any technical enquiry regarding limits, tolerances, and turbo set-up configurations. Email: Engineer@melett.com

Holset HX50 Type Turbos

Common Repair Parts
Oversize Repair Parts

HX50 Type

Component Parts Common



HX50 Type

Repair Parts & Service Kits

All parts are available for purchase as individual components or in the following popular Repair Kits

Key	Part Description	OE Part Number	MELETT Part Number	Quantity Per Turbo	Repair Kit HX50 1153-050-750	Repair Kit HX50 1153-050-751
12	Bearing (H2C/HX50)	3504413	1152-302-100	2	2	2
11	Snap Ring (HX50)	9753	1152-302-140	4	4	4
3	Insert Retaining Ring	23863	1250-403-140	1	1	1
5	O' Ring (Brg Hsg)	62915	1152-302-150	1	1	1
15	Piston Ring (Turb) (HX50)	3532814 3536143	1153-050-160	2	2	
15	Piston Ring (Turb) (HX50)	56754	1152-302-160	1		1
6	Piston Ring (Comp)	58848	1152-302-170	1	1	1
10	Thrust Collar	3529162	N/A	1		
7	Thrust Flinger	3502231	N/A	1		
9	Thrust Bearing	3591655	1153-050-320	1	1	1
1	Shaft Nut	60250	1153-050-350	1	1	1
-	Clamp Plate	3502017	1152-302-480	3		
-	Lockplate (c/cover)	9774	1152-302-520	3		3
-	Lockwasher	3518004	1153-050-580	8	8	8
-	Bolt	59917	1301-027-600	6	6	6
-	V Clamp nut	3529372	1150-050-645	1	1	1
-	O' Ring (c/cover)	3591425	1153-050-155	1	1	1
-	O' Ring (c/cover)	3522829	1153-050-156	1	1	
					Replace 3545627 3580758 3575193 3575234	Replace 4027045 3545997 3575015

Technical Note: Piston rings 3532814 and 3536143 are the same dimension but different material. Melett uses the higher spec M2 stainless material to replace both these Holset part numbers offering an improved quality repair. This also reduces the number of repair kit variations.

Oversize Repair Parts Available

Journal Bearings		
Original Holset Part Number (Std/Std): 3504413		
Oversize's Available		Part Number
OD +.010"	ID -.010"	1152-302-120
OD +.010"	ID Std	1152-302-124
OD Std.	ID -.010"	1152-302-127

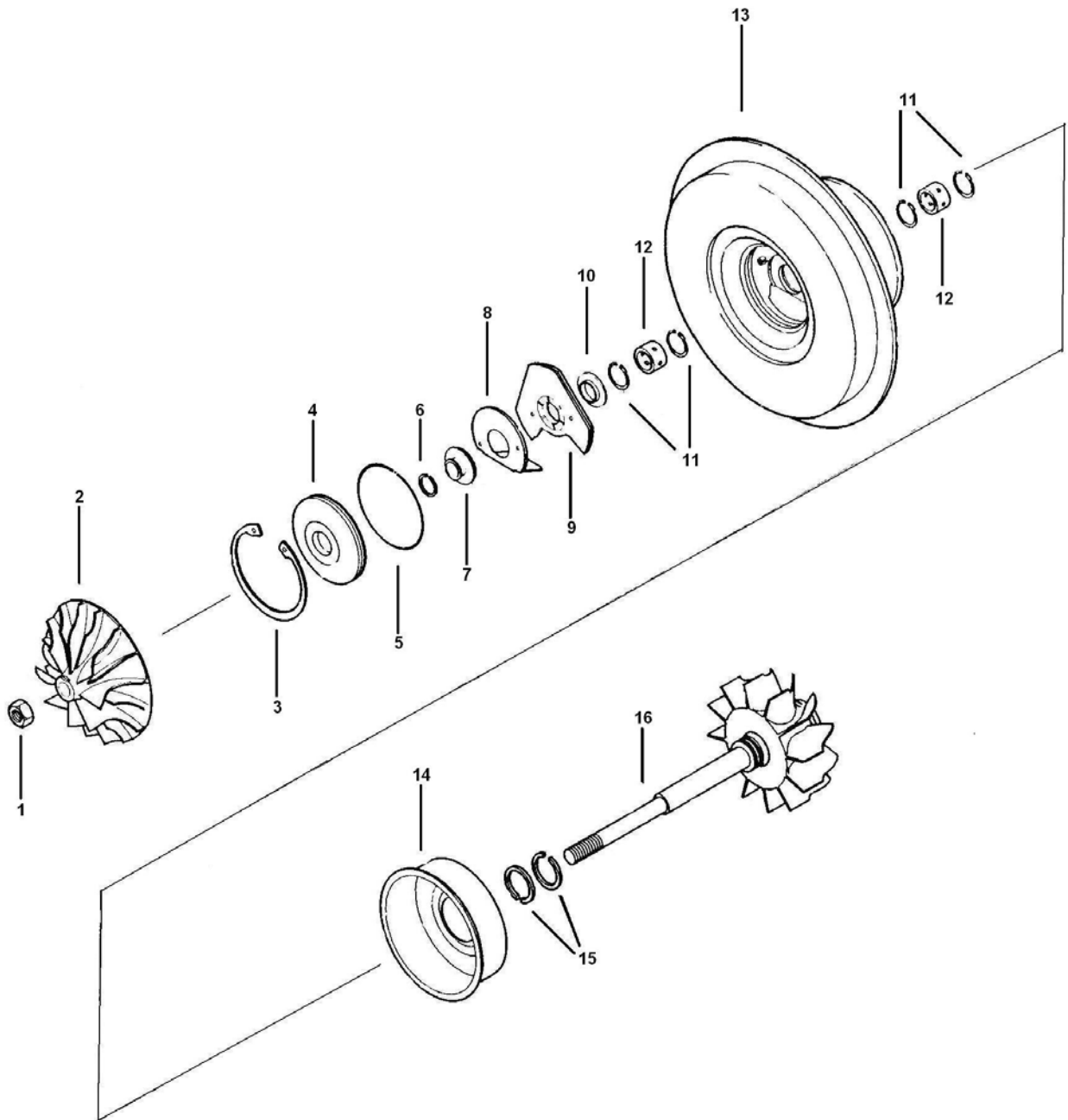
Piston Ring – Turbine End			Piston Ring – Turbine End		
Original Holset Part Number (Turb End): 56754			Original Holset Part Number (Turb End): 3532814 & 3536143		
Oversize's Available		Part Number	Oversizes are not currently available for this ring – please contact Melett Sales for latest availability.		
OD +.010	Wth Std	1152-302-180			
OD Std	Wth +.010	1152-302-181			
OD +.010	Wth +.010	1152-302-182			

Holset HX55 Type Turbos

Common Repair Parts
Oversize Repair Parts

HX55 Type

Component Parts Common



HX55 Type

Repair Parts & Service Kits

All parts are available for purchase as individual components or in the following popular Repair Kits

Key	Part Description	OE Part Number	MELETT Part Number	Quantity Per Turbo	Repair Kit HX55 Minor 1153-055-750	Repair Kit HX55 Major 1153-055-751
12	Bearing (HX55)	3534833	1153-055-100	2	2	2
11	Retaining ring (bearing)	9510	1301-036-140	4	4	4
3	Insert Retaining Ring	23863	1250-403-140	1	1	1
5	O' Ring (Brg Hsg)	62915	1152-302-150	1	1	1
15	Piston Ring (Turb)	3521441	1150-400-160	2	2	2
6	Piston Ring (Comp)	58848	1152-302-170	1	1	1
7	Thrust Flinger	3502231	1152-302-200	1		1
10	Thrust Collar	3529162	1152-302-220	1		1
4	Insert	3528096	n/a	1		
8	Oil Deflector	3528094	n/a	1		
9	Thrust Bearing	3591655	1153-050-320	1	1	1
1	Shaft Nut	60250	1153-050-350	1	1	1
-	Bolt	59917	1301-027-600	6	6	6
-	V Clamp nut	3529372	1153-050-645	1	2	2
					Replace 3575181 3580762	

Oversize Repair Parts Available

Journal Bearings		
Original Holset Part Number (Std/Std): 3534833		
Oversize's Available		Part Number
OD +.010"	ID -.010"	1153-055-120
OD +.010"	ID Std	1153-055-124
OD Std.	ID -.010"	1153-055-127

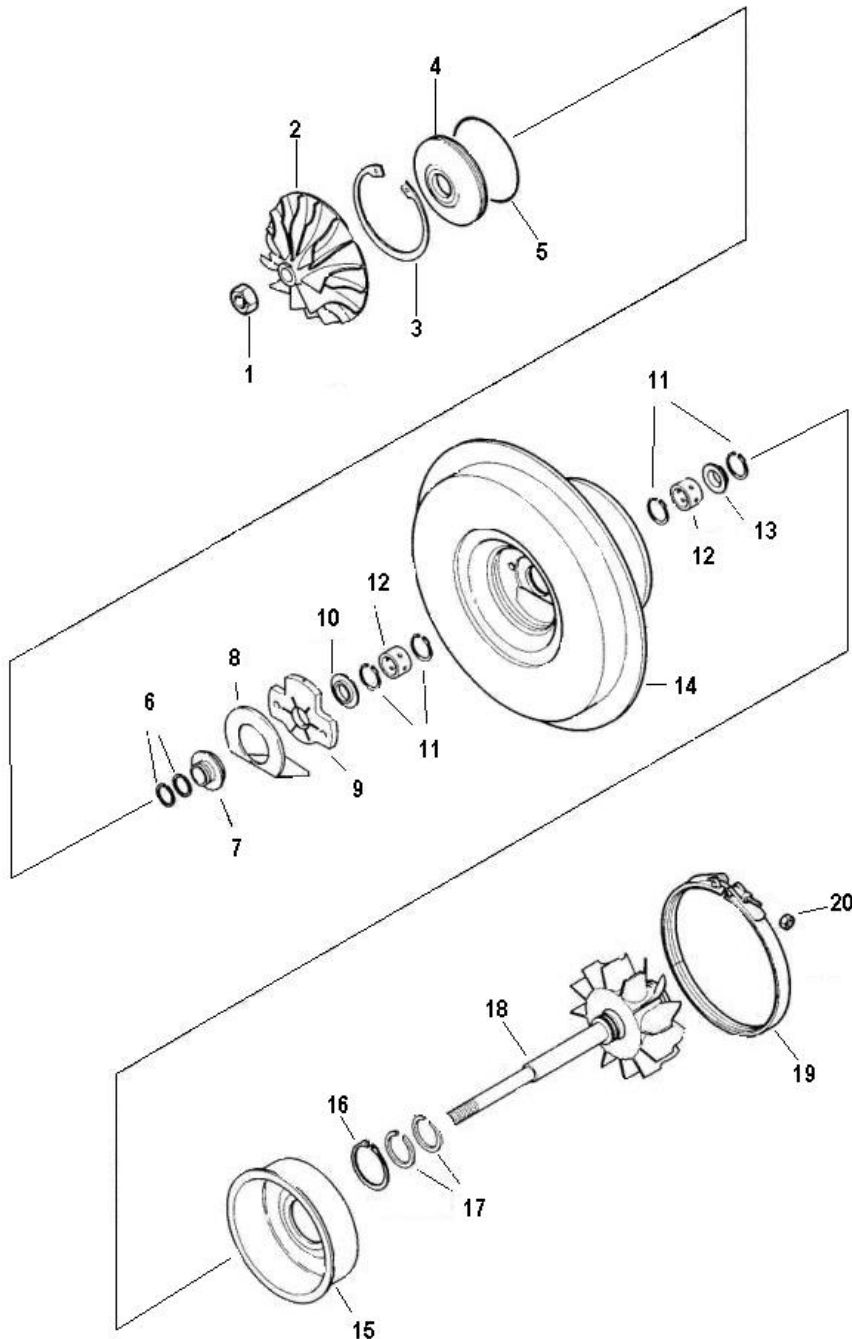
Piston Rings		
Original Holset Part Number (Turb End): 3521441		
Oversize's Available		Part Number
Turbine End		
OD +.010	Wth Std	1153-055-180
OD Std	Wth +.010	n/a
OD +.010	Wth +.010	n/a

Holset HX60 HX60W Type Turbos

Common Service Parts
Oversize Service Parts

Holset HX60/HX60W Type

Common Service Parts



This illustration is a guide and does not necessarily show all parts accurately

Holset HX60 / HX60W Type

Repair Parts & Service Kits

All parts are available for purchase as individual components or in the following popular Repair Kits

Key	Part Description	OE Number	MELETT Part Number	Quantity Per Turbo	Repair kit HX60/HX60W 1153-060-750
12	Journal Bearing	22366	1250-040-100	2	2
11	Snap Ring (Bearing Retainer)	9510	1301-036-140	4	4
3	Snap Ring (Insert Retainer)	23863	1250-403-140	1	1
16	Snap Ring (Heat Shield)	18373	1153-060-145	1	1
6	O Ring (Seal Plate)	51948	1250-030-150	1	1
-	O Ring (Comp. Hsg)	3535109	1153-060-155	1	1
17	Piston Ring 0.885" (T) Step	3521441	1150-400-160	2	2
6	Piston Ring 0.750" (C)	3521442	1152-303-170	2	2
7	Thrust Flinger	3531916	N/A	1	
10	Thrust Collar	3531776	N/A	2	
13	Oil Control Sleeve	57753	1252-040-260	1	
9	Thrust Bearing	4038358	1153-060-320	1	1
1	Shaft nut (LH)	3519535	1152-105-351	1	1
-	Lock washer	3521119	1152-303-580	10	10
20	Lock nut v band	3529372	1153-050-645	2	2
4	Insert Seal Plate	3531917	N/A	1	
8	Oil Deflector	3532501	N/A	1	

**Replace
3545345
4027880**

Oversize Repair Parts Available

Journal Bearings		
OE Part Number: 22366		
Oversize's Available		Part Number
OD +.010"	ID -.010"	1250-040-120
OD +.010"	ID Std	1250-040-124
OD Std.	ID -.010"	1250-040-127

Piston Rings				
OE Part Number 3521441				
Oversizes Available – Turbine & Comp End				
Description	OD	Width	Part Number	
Step bore ring 0.885"	+0.010"	Std	1150-400-180	
Step bore ring 0.885"	Std	+0.010"	1150-400-185	
Compressor ring 0.750"	+0.010"	Std	1150-400-181	
Compressor ring 0.750"	+0.020"	Std	1150-400-182	
Compressor ring 0.750"	Std	+0.006"	1150-400-183	

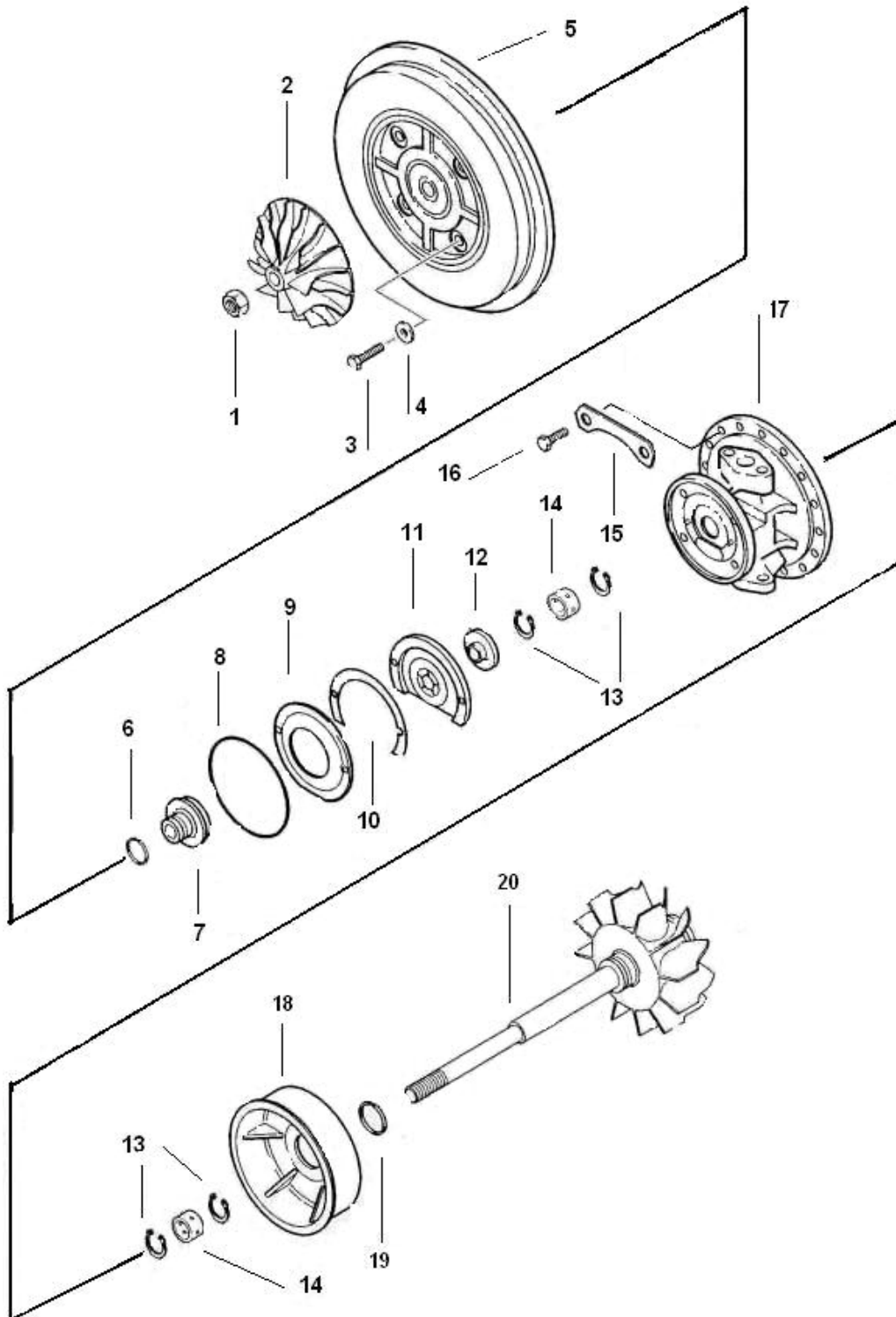
Holset HC5A HX80 / HX82 / HX85 Type Turbos

Common Service Parts
Oversize Service Parts
Shaft & Wheels

Holset

HC5A & HX80/2/3/5 Type

Common Service Parts



Holset HC5A & HX80/2/3/5 Type

Repair Parts & Service Kits

All parts are available for purchase as individual components or in the following popular Repair Kits

Key	Part Description	OE Number	MELETT Number	Qty Per Turbo	Repair Kit 1152-105-750
14	Journal Bearing	3519627	1152-105-100	2	2
13	Retaining Ring (Bearing)	3519641	1152-105-140	4	4
8	O Ring (Brg Hsg)	3502449	1152-301-150	1	1
19	Piston Ring (T/End)	3523412	1152-105-160	1	1
6	Piston Ring (C/End)	3521442	1152-105-170	1	1
10	Shim	3524418	1152-105-250	1	1
9	Oil Baffle	3524419	1152-105-310	1	1
11	Thrust Bearing	3536914	1152-105-320	1	1
1	Shaft Nut	3519535	1152-105-351	1	1
7	Thrust Flinger		N/A	1	
12	Thrust Collar		N/A	1	
15	Lock Plate	3522904	1152-105-520	4	4
16	Bolt (Turb. Hsg)	3521225	1152-105-600	8	8
3	Screw (Diffuser)	3535073	1152-105-620	4	4
	Locknut V-Band	3519372	1100-120-645	1	1
					Replace 3545647

Oversize Repair Parts Available

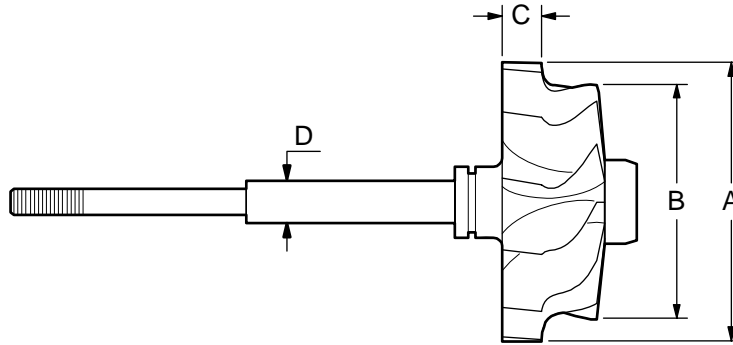
Journal Bearings		
Original Holset Part Number (Std/Std): 3519627		
Oversize's Available		Part Number
OD +.010"	ID -.010"	1152-105-120
OD +.010"	ID Std	1152-105-124
OD Std.	ID -.010"	1152-105-127

Piston Rings		
Original Holset Part Number (Std/Std): 3526412		
Oversize's Available		Part Number
Turbine End		
OD +.010	With Std	1152-105-180

Holset HC5A & HX80/2/3/5 Type

Major Replacement Parts - Detail

Shaft & Wheel



Melett Part No.	To replace Holset / Cummins	(A) Inducer \varnothing mm's	(B) Exducer \varnothing mm's	(C) Tip width mm's	(D) Shaft OD
1152-105-435	3521033	128.8	95.4	19.0	16.0
1152-105-436	3521034	128.8	111.5	19.0	16.0
1152-105-438	3524031	128.8	111.5	19.0	16.0

Melett's fully qualified Engineers are available to answer any technical enquiry regarding limits, tolerances, and turbo set-up configurations. Email: Engineer@melett.com