



# PowerGrip™ Timing System Products

For Passenger Cars and Light Trucks



Featuring – Kits, Belts, Tensioners, Idlers and Oil Seals

# Gates PowerGrip Timing Component Kits and Individual Timing Components

Now you can have it either way!



## PowerGrip Timing Component Kits (see next page for individual components)

**PowerGrip Timing Component Kits** give you the best and most complete repair solution for your customers. Recommended for the installer to save time and money by preventing costly comebacks and warranties. Ideal for the consumer because the job is done right the first time; saving them from returning when other components fail and accruing additional labor costs.

A broken belt can cause severe and expensive engine damage. A failing or failed tensioner or idler pulley bearing often causes timing belt failure. That's why each kit comes with the right components, plus detailed installation instructions specific to each application.

With PowerGrip kits, it's not necessary to multi-source components, look up several different manufacturers, or present your customer with several cartons containing different parts. Deliver in one carton with all the components required to do a thorough job.

**(Kits can contain multiple belts, tensioners, idler and tensioner pulleys, depending on the application. Kits do not contain hydraulic tensioning cylinders or tensioning springs.)**

# Gates PowerGrip Timing Component Kits and Individual Timing Components

Now you can have it either way!



## Introducing PowerGrip Timing Components!

Gates is the largest producer of automotive timing belts in the world. Because we are the leader, we are the experts in the timing system. Our expertise is used globally to help OEMs design the most durable and efficient timing systems available.

Now Gates brings this expertise to you with **PowerGrip Timing tensioners and idlers!**

Although Gates recommends a **PowerGrip Timing Component Kit** whenever changing a timing belt, there are those who will only want to replace a single part. PowerGrip Timing Components provide the solution. The broad Gates line covers passenger car and light truck applications and includes automatic timing tensioners that, until now, were only available through an OEM dealership.

So, whether it's the complete job or just what's necessary, Gates PowerGrip Timing Component System products are the solution!

**Note:** Beware of low cost timing belts with little or no warranty. For Gates warranty information, see inside front cover.

# Gates Timing Component Oil Seals



Order these high quality cam and crank oil seals with our popular Timing Component Kits to create the “ultimate” timing repair solution.

Gates TCK Oil Seals offer:

- Improved belt life with Gates Timing Component Kit installation
- Convenience through single source ordering

These quality seals are engineered to work in conjunction with our popular Timing Component Kit. They are designed to keep oil away from the timing belt assembly, ensuring maximum belt life.

Gates suggests that installers replace oil seals when they install our Timing Component Kits, to ensure the best possible repair.

For application information see pages 1-104.

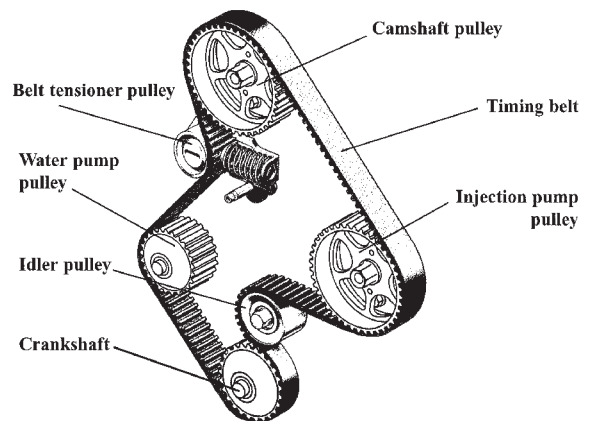
---

## Timing System Operation

The crankshaft drives the camshaft(s) and actuates the valves via a belt or a chain. The timing belt is widely used by car manufacturers because of its advantages over a chain, namely reduced space, as well as lighter and quieter running.

### Important:

In order to achieve safe and thorough servicing of the engine, we recommend the belt, belt tensioner pulley, and idler pulleys of the timing system or the auxiliary drive, all be changed at the same time. It is highly probable that the source of damage to the belt (too much or too little tension, vibration, high temperature, belt misalignment, etc.) will also have affected the other rotating components of the system including the belt tensioner and idler pulley. If they are not changed together with the belt, early breakdown may be encountered, resulting in serious damage to the engine. *It is highly recommended that belt tension be measured using a timing belt tension tester (Gates part #91000.) See page A10 for more details.*



# Timing System Component Identification

Engine timing systems utilize one or more of following four types of components:

## Pulleys – Fixed and/or Tensioner

Pulleys can be either a fixed idler or a replacement for a tensioner bracket. They can be constructed of metallic or plastic material and there are two basic surfaces; smooth and notched (also called a sprocket):



Smooth (backside) surface



Notched (Sprocket) surface

## Manual Tensioner

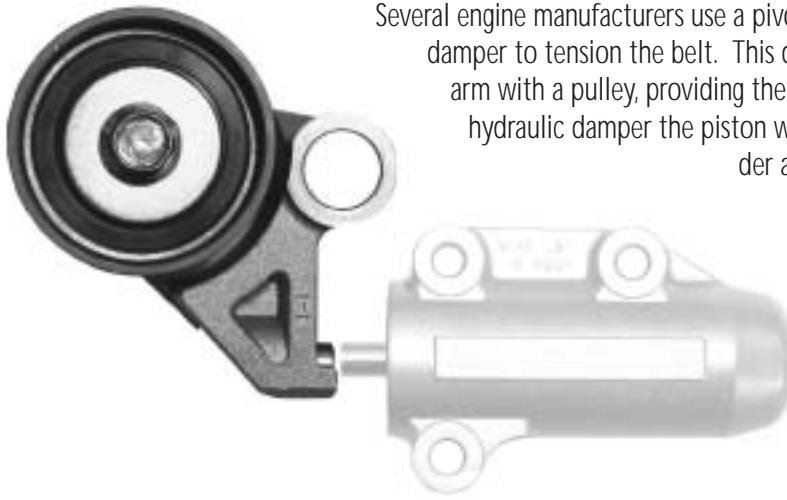
Manual tensioners use a tension spring to apply the initial tension. Hook one end of the spring to the tensioner and the other end to the engine and tighten the tensioner bolts to the proper torque. (See Service Manual for torque specifications.) It is recommended that the belt tension be checked by a proper tool once those tensioners are installed\*\*. (Tension springs not included.)



\*\* Belt tension is critical to the engine operation. Too much or too little can cause belt noise, belt damage and pulley bearing damage, or total timing system failure with high repair costs to the engine. Gates recommends checking the belt tension after a new belt is installed, particularly when manual tensioners are used or tensioners of any kind are not replaced. Gates offers a simple to use tension tester, part number 91000. This tester utilizes a compact design, measures timing belts up to 30mm wide and costs much less than the more complicated tensioner testers. See page A10 for details.

# Timing System Component Identification

## Hydraulic Damper Pivot Arm



Several engine manufacturers use a pivot arm in correlation with a hydraulic damper to tension the belt. This damper uses a piston that pushes a pivot arm with a pulley, providing the required tension. When re-using the hydraulic damper the piston will need to be driven back into its cylinder and locked in place. A vice can be used to retract the piston. Simply remove the damper from the engine, place it between vice jaws and slowly compress the piston. Once compressed, line up the holes in the piston with the holes in the cylinder and insert a pin to hold the piston in place. The Gates 91010 pin set is a great tool, and the only tool, created just for this purpose. See page A10 for details.

## Automatic Spring Loaded Tensioner



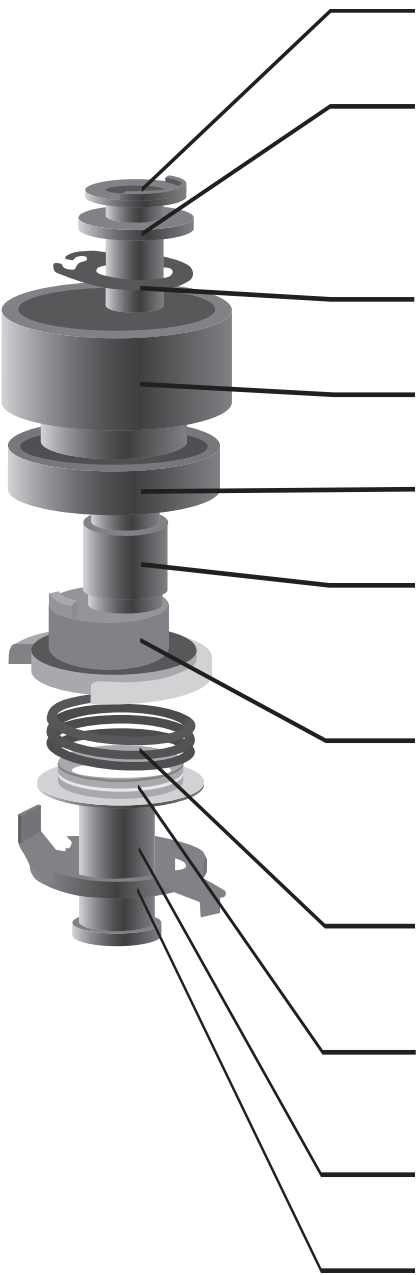
Also known as “frictional” tensioner. Manufacturers are increasing their usage each year because this type of tensioner provides a more consistent belt tension that can react and adjust to today's high rev'ing engines. Gates carries several of these tensioners, many which were only available through the OE - until now.

**Proper installation of these tensioners is critical and installation instructions must be followed.** Once installed, belt installation is generally very simple. In most cases a hex-head wrench is used to rotate the tensioner into a position that permits the belt to slip into place. Once the belt is in place the tensioner is allowed to return into its relaxed position, applying the necessary tension.

When replacing any timing component always refer to the vehicle's Service Manual or the Gates Timing Belt Replacement Manual, part number 91471, for the most complete timing belt replacement instructions, see page A11 for details. The Timing Belt Manual is also available on CD, part number 91471CD.

# What Makes Up a PowerGrip Automatic Timing Belt Tensioner?

A Great Deal of Technology goes into a PowerGrip Automatic Tensioner:



**Installation Shaft** – Assures proper positioning on the engine when tensioner is installed.

**Front Plate** – Retains the complete tensioner assembly axially.

**Thrust Washer** – A self-lubricating surface that provides the alignment for the tensioner.

**Pulley** – Produced in either a highly engineered polymer or metallic surface.

**Bearing** – Precision ball bearings constructed for high heats and premium seals for a maintenance free long life.

**Pivot Bushing** – Assures proper tensioner arm alignment while providing damping through this self-lubricating, exceptionally wear resistant polymer component.

**Arm** – Torque from the spring is transmitted to the pulley through this precision aluminum component, providing a constant belt tension. Includes operation range stops that impede kickback.

**Spring** – Designed with a specific torque for each application, this essential component provides the critical belt tension.

**Spring Support** – This highly wear resistant, engineered polymer provides secondary damping for an efficient timing belt system.

**Pivot Shaft** – Sustains alignment between the tensioner arm and pulley.

**Base Plate** – Assures proper positioning on the engine while providing the secondary anti-kickback element.

**NOTE:** PowerGrip Automatic Tensioners are not serviceable and should never be disassembled. These components are under a spring load and attempting to disassemble can cause injury.

# Timing Belt System Troubleshooting

One out of every three passenger cars and light trucks use a timing belt to transmit power from the crankshaft to the camshaft(s). Most 4-cylinder and V-6 engines, as well as a few V-8s, use a timing belt. The timing belt is critical to the engine because it sets the engines fuel/air and exhaust valves in motion.

There are two basic types of engines using timing belts, conventional and interference. If a timing belt on a conventional type fails there is generally no additional engine damage, the engine simply can no longer function. However, many engines utilize the interference design. This design allows for better power and fuel efficiency, but the valve to piston timing is extremely vital. If the timing belt fails the pistons will collide with valves. This type of failure is one of the most costly repairs to a vehicle.

Whether your customer's vehicle utilizes a conventional or interference engine, these failures can be avoided by adhering to the OEM recommended replacement intervals and preventative maintenance. Typically an automaker recommends a timing belt replacement at about 60,000 miles, but certain make/models require replacement at an earlier or later interval. Check the owner's manual or visit our website at [www.gates.com](http://www.gates.com) for recommended intervals. Also, severe conditions such as towing, aggressive driving and maintenance history need to be considered.

The most common type of timing belt failure is through a failed bearing within the timing belt system pulley. Below are some pulley failure modes to help you recognize a failing pulley:



**Misalignment:** Misalignment can be determined by rotating the pulley. Does it wobble or is there roughness felt when spinning the pulley? Is the pulley bracket worn or broken? Has the pulley been installed correctly and all foreign material (grease, grime) removed from behind the mount? And finally, are all the bolts tightened to specification?



**Locked Pulley:** A worn bearing commonly causes a locked or seized pulley. It could also be a result of improper installation or the pulley coming into contact with another object. Pulley surface discoloration is a direct result of a locked pulley.



**Damaged Pulley Surface:** A pitted, cracked, uneven, discolored or chipped pulley should always be replaced. Foreign material build-up on the pulley surface is also an issue and should be removed or replace the pulley.



**Noise:** Noise is a result of a failing bearing or improper belt tension. Replace the pulley if the bearing is failing. In the case of improper tension, the use of a tension meter is always recommended. Gates Timing Belt Tensioning Tester, part number 91000, is an excellent and simple tool for this task. See page A10 for details.



**Damaged Pulley Bearing Seal:** Grease leaking from the front or back of a pulley is an indicator of the bearing seal being damaged and the bearing will soon fail.

Many times you can diagnose a timing belt system problem by looking at the belt's appearance. The chart on the following page lists several of the conditions you may find:



# Timing Belt Troubleshooting Guide

Synchronous belts have been used on automotive camshaft drives for more than 20 years. Our belts will give OEM equivalent service if the following points are observed.

## Storage

Belts should be kept in their original packaging until needed. Store in an environment which avoids:

- Temperature extremes
- Direct sunlight
- High humidity
- Contamination by oil, water, chemicals, etc.

## Handling

It is important that belts are not crimped during handling since this could seriously damage the tensile members and lead to premature failure.

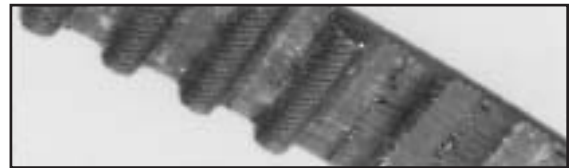
## Installation Tips

**IMPORTANT:** Avoid crimping the belt when installing it on pulleys — no tools should be used on the belt.

Replace and properly refit timing cover to prevent drive contamination by foreign matter.

## Replacement

Follow vehicle manufacturer's instructions regarding belt replacement intervals. If the belt is removed, then a new belt should be installed. If engine is being repaired and belt is near OEM recommended replacement interval, it's a good time to replace the belt.



# Timing Belt Troubleshooting Guide

Symptom	Probable Cause	Concern/Corrective Action
<b>Tensile Failure</b>	<ol style="list-style-type: none"> <li>1. Excessive shock load.</li> <li>2. Improper belt handling and storage prior to installation.</li> <li>3. Debris or foreign object in drive.</li> <li>4. Extreme pulley/sprocket run-out.</li> <li>5. Extreme Over-tension.</li> </ol>	<ol style="list-style-type: none"> <li>1. Excessive RPMs; Modified engine.</li> <li>2. Follow proper storage and handling procedures.</li> <li>3. Remove objects; Replace pulleys.</li> <li>4. Replace pulley/sprocket.</li> <li>5. Adjust tension to recommended value.</li> </ol>
<b>Tooth Shear</b>	<ol style="list-style-type: none"> <li>1. Seized Drive Component</li> <li>2. Excessive shock loads.</li> <li>3. Extreme sprocket run-out.</li> <li>4. Worn sprocket.</li> <li>5. Misaligned drive.</li> <li>6. Belt under tensioned.</li> </ol>	<ol style="list-style-type: none"> <li>1. Replace Component (Tensioner/Idler pulley, W.P., camshaft, Oil pump).</li> <li>2. Excessive RPMs; Modified engine.</li> <li>3. Check camshaft/crankshaft journals.</li> <li>4. Replace sprocket.</li> <li>5. Worn sprocket bearing, replace sprocket; Bent bracket; Improper sprocket installation.</li> <li>6. Adjust tension to recommended value.</li> </ol>
<b>Tooth Wear</b>	<ol style="list-style-type: none"> <li>1. Too low or high belt tension.</li> <li>2. Belt running partly off unflanged sprocket.</li> <li>3. Misaligned drive.</li> <li>4. Worn sprocket.</li> </ol>	<ol style="list-style-type: none"> <li>1. Adjust tension to recommended value.</li> <li>2. Correct alignment.</li> <li>3. Worn sprocket bearing, replace sprocket; Bent bracket; Improper sprocket installation.</li> <li>4. Replace sprocket.</li> </ol>
<b>Backside Cracks</b>	<ol style="list-style-type: none"> <li>1. Extreme high temperature</li> <li>2. Extreme low temperature at start-up.</li> <li>3. Cocked sprocket.</li> <li>4. Excessive tension</li> </ol>	<ol style="list-style-type: none"> <li>1. Overheated engine; Seized or partially seized pulley</li> <li>2. Install engine heater</li> <li>3. Replace Sprocket.</li> <li>4. Adjust tension to recommended value.</li> </ol>
<b>Land Wear (wear between teeth)</b>	<ol style="list-style-type: none"> <li>1. Excessive tension</li> <li>2. Worn Sprocket</li> </ol>	<ol style="list-style-type: none"> <li>1. Adjust tension to recommended value.</li> <li>2. Replace Sprocket</li> </ol>
<b>Contamination</b>	<ol style="list-style-type: none"> <li>1. Oil, fuel, coolant leak.</li> </ol>	<ol style="list-style-type: none"> <li>1. Replace faulty seals and/or gaskets; Check timing cover for improper installation, replace if cracked or worn.</li> </ol>
<b>Edge Wear</b>	<ol style="list-style-type: none"> <li>1. Damage due to handling.</li> <li>2. Flange damage.</li> <li>3. Belt tension too low.</li> <li>4. Rough belt pulley flange.</li> <li>5. Improper tracking.</li> <li>6. Belt contacting engine, timing cover or other engine component.</li> </ol>	<ol style="list-style-type: none"> <li>1. Follow proper handling instructions.</li> <li>2. Replace sprocket.</li> <li>3. Adjust tension to recommended value.</li> <li>4. Replace sprocket.</li> <li>5. Correct alignment.</li> <li>6. Remove obstruction or correct alignment.</li> </ol>
<b>Unusual Noise</b>	<ol style="list-style-type: none"> <li>1. High tension.</li> <li>2. Low tension.</li> <li>3. Misalignment.</li> <li>4. Damaged pulley flange.</li> </ol>	<ol style="list-style-type: none"> <li>1. Adjust tension to recommended value.</li> <li>2. Adjust tension to recommended value.</li> <li>3. Worn sprocket bearing, replace sprocket; Bent bracket; Improper sprocket installation.</li> <li>4. Replace pulley(s).</li> </ol>

# Timing System Tools

Gates professional tools help you quickly and easily install and maintain timing system components.

## Multi-Lock Tool

*Part No. 91009*

Many engines risk expensive damage from interference piston-to-valve or valve-to-valve contact. Multi-Lock tool “locks” twin camshafts in place during timing belt replacement or engine overhaul. Fits onto sprockets and extends to hold sprocket teeth. Incorporates “variable pitch” adjustable arms to fit various diameters and tooth pitches. Unique design is fully adjustable to fit numerous applications including diesel injector pump sprockets and sprockets that are positioned closely together like those on Mitsubishi or GM EcoTec engines. Ratchet locking handle provides compact, strong lever action for secure positioning. *Includes extension bar for wider spaced cams (\$25 value).*



## Timing Belt Tension Tester

*Part No. 91000*

Provides a precise method of testing timing belt tension on a variety of automotive applications. Traditionally, technicians needed to purchase several specialized tools for each type of vehicle being serviced. Gates tension tester will test any timing belt up to 30mm wide, thus replacing several expensive tools. Comes with adapters for varying belt thicknesses. Uses force deflection method to measure tension. Compact design works in tight engine compartments. Scale can be read in any position. *Includes coupon for free timing belt installation CD-ROM.*



## Hydraulic Tensioner Pin Set

*Part No. 91010*

A Gates exclusive that's a must have for every technician. Timing belt tensioners need to be compressed during service. Many technicians use a drill bit or allen wrench to hold tensioners in their compressed state, which can be dangerous and may bend or damage tools. Pin set is made of hardened spring steel to hold the strongest tensioners. Comes conveniently mounted on key chain with six different sizes to service a variety of applications. Can also be used to hold certain serpentine belt tensioners in place during service.



# Timing System Tools - Continued



## Master Timing Kit

*Part No. 91007*

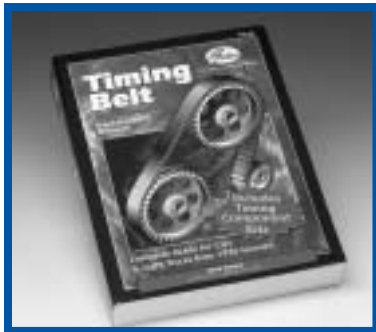
Kit includes one Gates Timing Belt Tension Tester (#91000), one Cam Gear Sprocket Tool (#91008) and two Gates Multi-Lock Tools (#91009).



## Cam Gear Sprocket Tool

*Part No. 91008*

Many engine-timing procedures require camshaft to be held in position while gear or belt is removed from shaft to re-align cam timing position properly. Gear holding tool provides safe, effective means for holding gear while removing and reinstalling belt or sprockets without damaging gears, cams or valves. Tool can also be used to turn gears during timing alignment. Essential tool for many timing belt, pump adjustment and engine timing applications.



## Timing Belt Replacement Manual

*Part No. 91471*

Contains factory recommended procedures, technical illustrations, average labor times and belt replacement intervals for both domestic and import vehicle applications from 1970 to 2001. Step-by-step installation instructions also include Gates belt replacement part number for each application. The 600-page manual also includes a free CD version.

*Order No. 428-91471CD.*

**For more information on Gates professional tools, contact your local Gates supplier or visit our website at [www.gates.com/tools](http://www.gates.com/tools)**

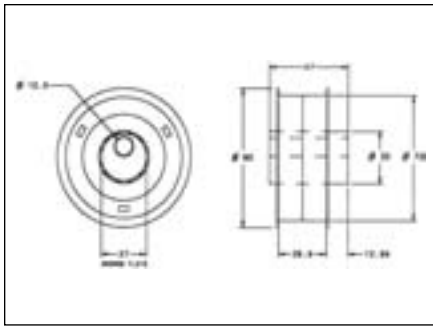
# Timing Component Kits

Here's what you get in each kit:

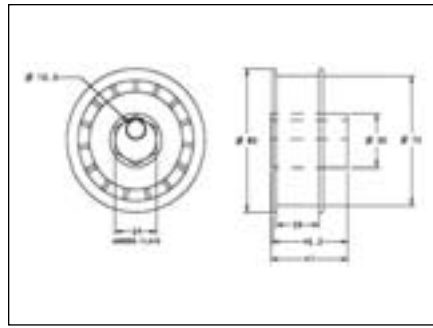
KIT PART NUMBER	NUMBER OF COMPONENTS IN KIT	BELT PART NO(s)	TENSIONERS PART NO(s)	IDLER PART NO(s)	KIT PART NUMBER	NUMBER OF COMPONENTS IN KIT	BELT PART NO(s)	TENSIONERS PART NO(s)	IDLER PART NO(s)
TCK014	2	OHC014	T41005		TCK193	2	OHC193	T41021	
TCK017	2	OHC017	T41079		TCK194	2	OHC194	T41007	
TCK032	2	OHC032	T41081		TCK194A	2	OHC194	T41010	
TCK036	2	OHC036	T41066		TCK195	3	OHC195	T41039	T42018
TCK067	2	OHC067	T41006		TCK199	3	OHC199	T41067	T42025
TCK070	2	OHC070	T41066		TCK200	3	OHC200	T41075	T42030
TCK071	2	OHC071	T41000		TCK201	2	OHC201	T41052	
TCK077	2	OHC077	T41058		TCK208	3	OHC208	T41071	T42029
TCK078	2	OHC078	T41088		TCK210	2	OHC210	T41005	
TCK078A	2	OHC078	T41089		TCK212	2	OHC212	T41065	
TCK087	3	OHC087	T41070	T42025	TCK214	4	OHC214	T41034	T42010
TCK095	2	OHC095	T41064						T42009
TCK101	2	OHC101	T41069		TCK219	2	OHC219	T41084	
TCK104	2	OHC104	T41059		TCK221	3	OHC221	T41028	T42002
TCK117	2	OHC117	T41035		TCK224	2	OHC224	T41023	
TCK122	2	OHC122	T41025		TCK228	3	OHC228	T41091	T42008
TCK124	4	OHC124	T41044		TCK232	5	OHC168	T41047	T42017
		OHC159	T41053				OHC232	T41054	
TCK128	2	OHC128	T41042		TCK233	3	OHC233	T41076	T42028
TCK129	2	OHC129	T41015		TCK235	2	OHC235	T41072	
TCK130	2	OHC130	T41018		TCK236	2	OHC236	T41072	
TCK131	2	OHC131	T41083		TCK240	3	OHC240	T41073	T42037
TCK134	3	OHC134	T41029	T42003	TCK244	4	OHC186	T41013	
TCK139	2	OHC139	T41048				OHC244	T41014	
TCK141	2	OHC141	T41030		TCK245	2	OHC245	T41002	
TCK142	2	OHC142	T41012		TCK246	3	OHC246	T41002	
TCK143	2	OHC143	T41011				T41002		
TCK145	2	OHC145	T41011		TCK249	2	OHC249	T41059	
TCK146	4	OHC146	T41033	T42011*	TCK254	5	OHC254	T41063	T42023*
TCK147	2	OHC147	T41026						T42024
TCK153	2	OHC153	T41001		TCK255	2	OHC255	T41002	
TCK155	4	OHC155	T41053		TCK256	5	OHC168	T41054	T42017
		OHC159	T41043				OHC256	T41038	
TCK157	3	OHC157	T41075	T42030	TCK257	2	OHC257	T41075	
TCK158	4	OHC158	T41056		TCK258	4	OHC258	T41008	T42032
		OHC159	T41057						T42033
TCK158A	4	OHC158	T41045		TCK259	3	OHC259	T41039	T42018
		OHC159	T41044		TCK262	2	OHC262	T41079	
TCK160	2	OHC160	T41012		TCK272	2	OHC272	T41065	
TCK161	2	OHC161	T41017		TCK276	2	OHC276	T41005	
TCK163	2	OHC163	T43002		TCK277	5	OHC277	T41092	T42023*
TCK164	2	OHC164	T41064						T42024
TCK167	5	OHC167	T41047	T42017	TCK281	3	OHC281	T41029	T42004
		OHC168	T41046		TCK283	2	OHC283	T43004	
TCK172	5	OHC172	T41063	T42023*	TCK286	3	OHC286	T41090	T42038
				T42024	TCK294	4	OHC294	T41003	T42034
TCK176	2	OHC176	T41074						T42035
TCK179	3	OHC179	T41031	T42005	TCK294A	4	OHC294	T41003	T42034
TCK184	2	OHC184	T41016						T42036
TCK185	2	OHC185	T41030		TCK295	2	OHC295	T41084	
TCK186	4	OHC186	T41013		TCK296	2	OHC296	T43010	
		OHC187	T41014		TCK299	5	OHC299	T41062	T42022
TCK191	2	OHC191	T41051				OHC300	T41061	

\* Two required.

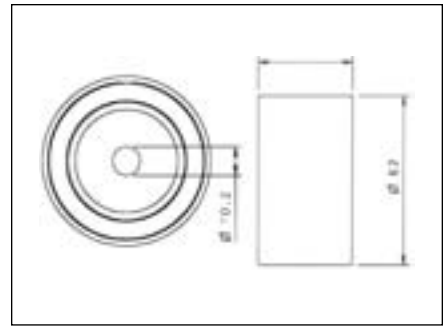
# Timing Belt Pulleys & Tensioners



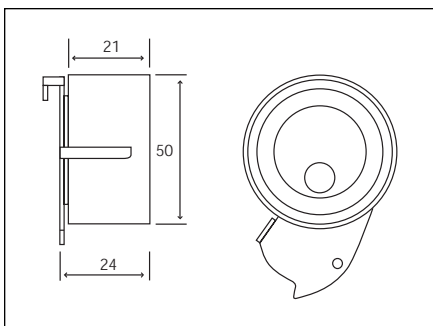
**T41000**



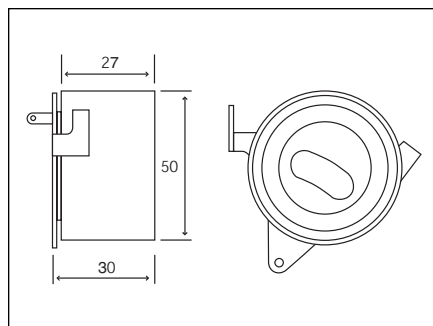
**T41001**



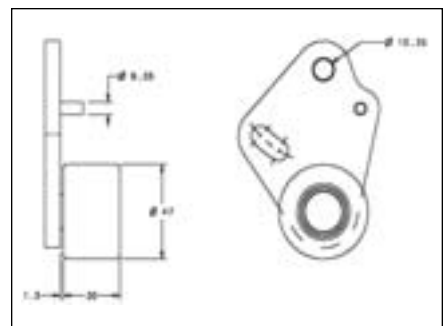
**T41002**



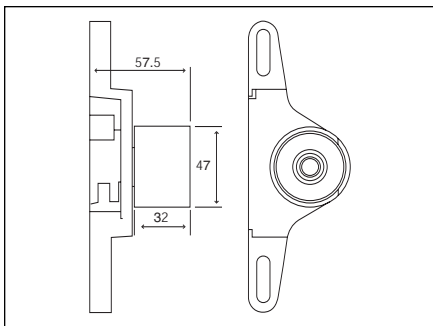
**T41003**



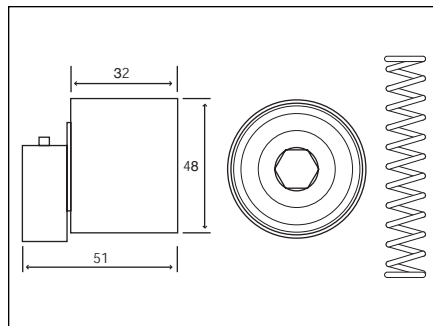
**T41004**



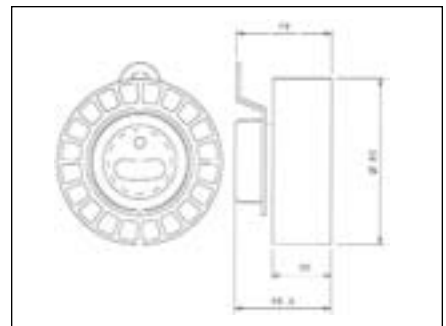
**T41005**



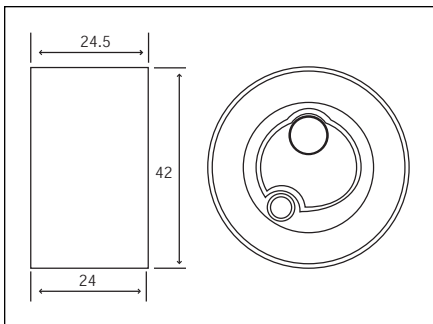
**T41006**



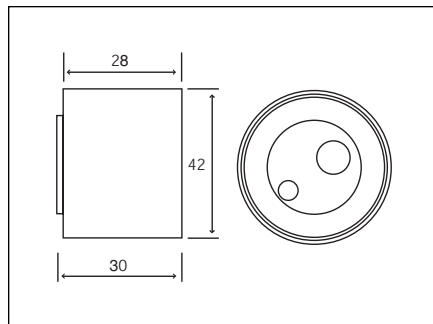
**T41007**



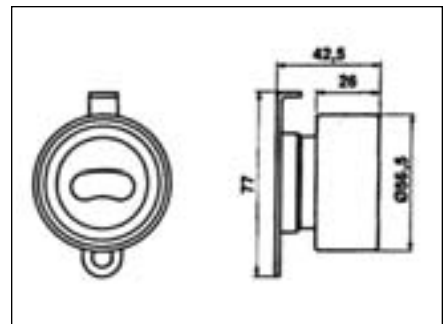
**T41008**



**T41009**

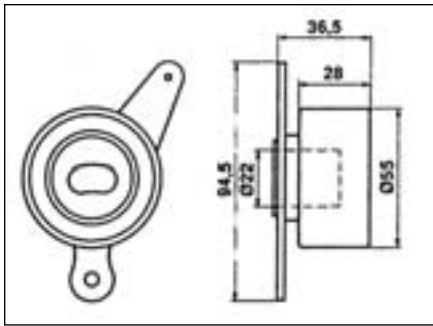


**T41010**

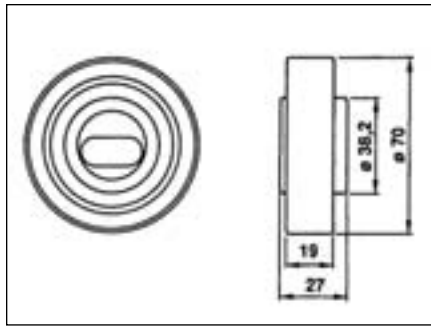


**T41011**

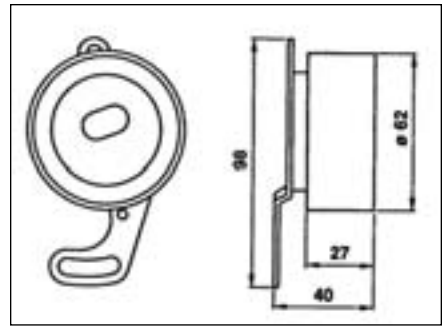
## Timing Belt Pulleys & Tensioners



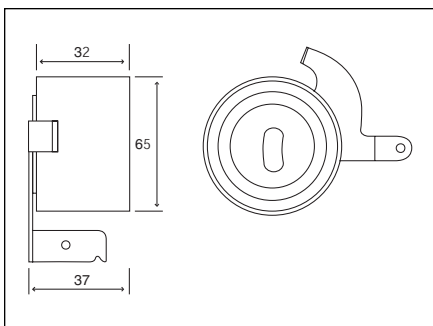
**T41012**



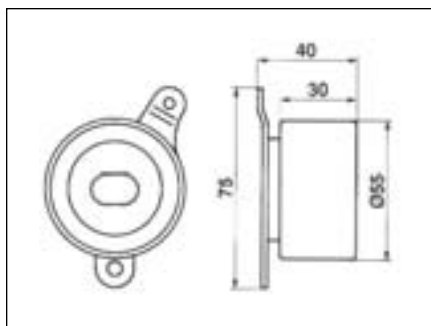
**T41013**



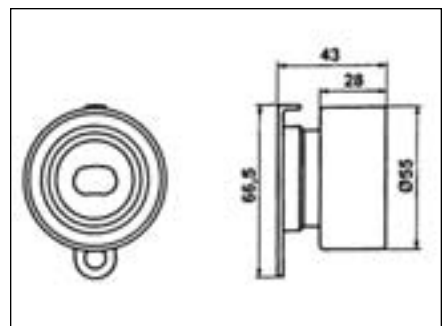
**T41014**



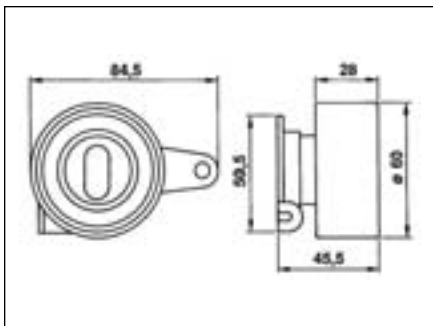
**T41015**



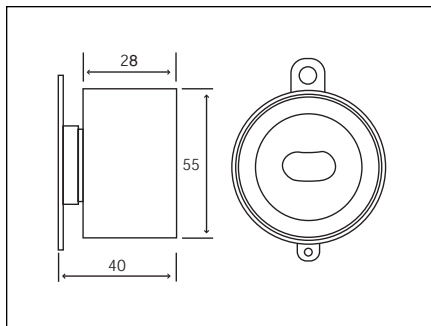
**T41016**



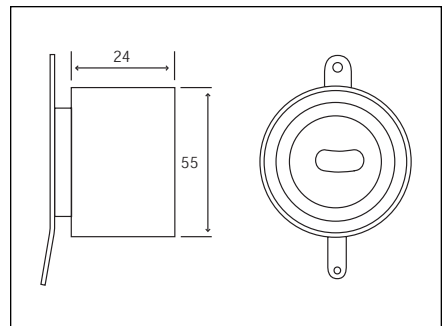
**T41017**



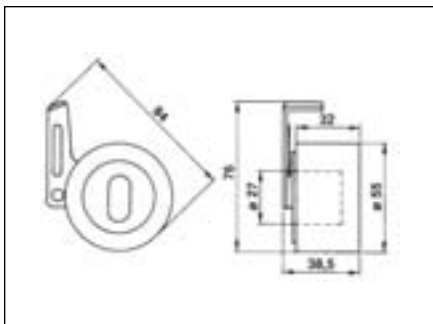
**T41018**



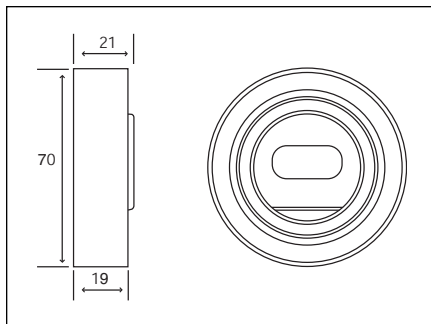
**T41019**



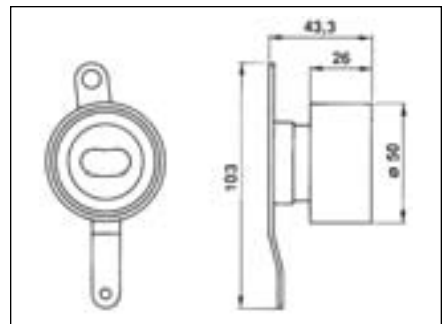
**T41020**



**T41021**

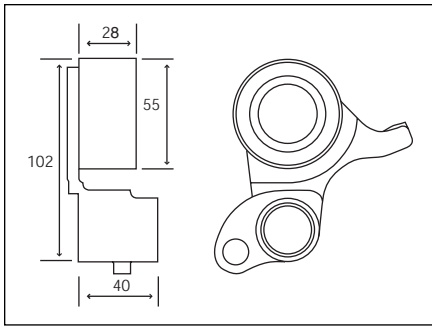


**T41022**

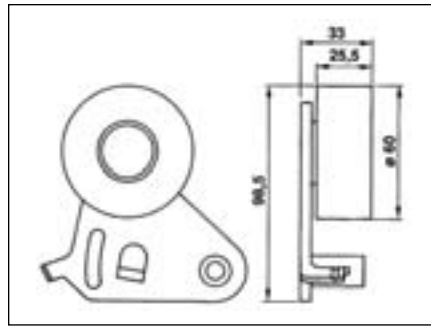


**T41023**

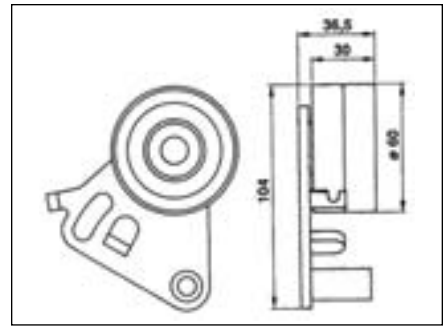
# Timing Belt Pulleys & Tensioners



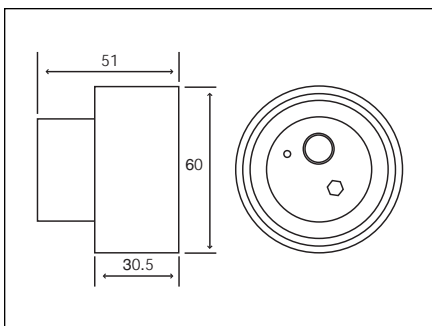
**T41024**



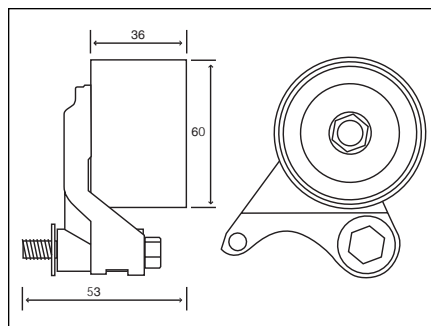
**T41025**



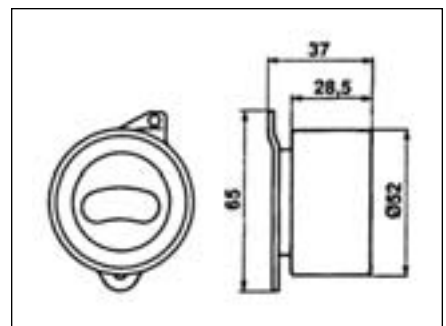
**T41026**



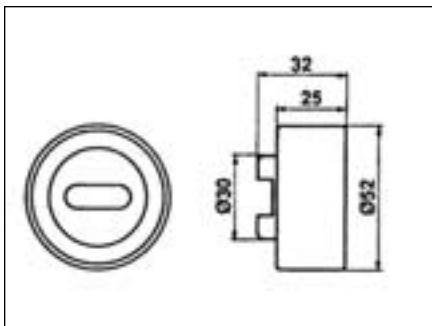
**T41027**



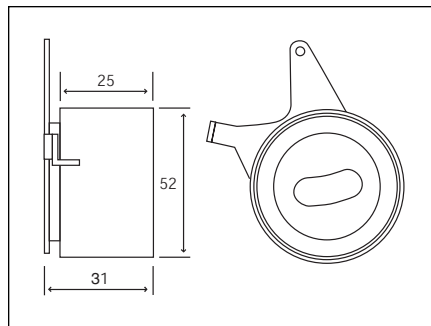
**T41028**



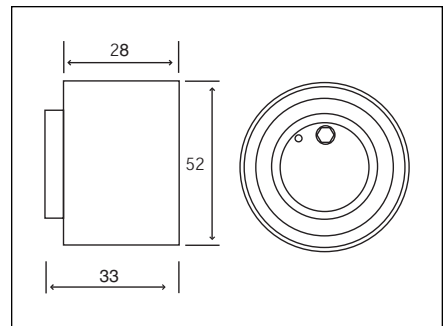
**T41029**



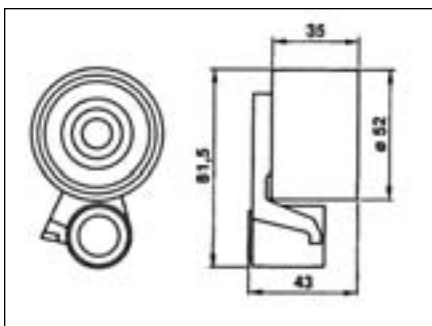
**T41030**



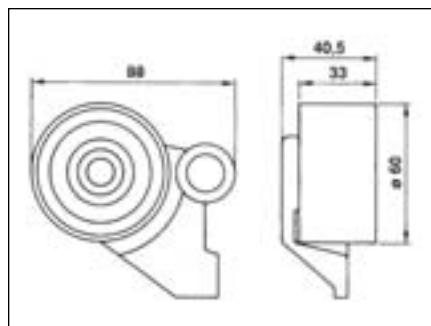
**T41031**



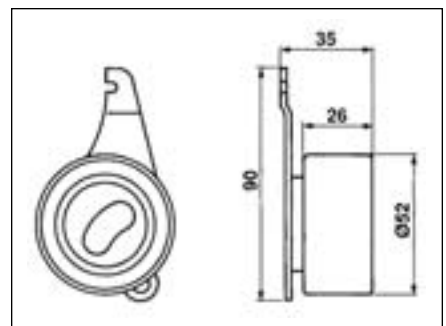
**T41032**



**T41033**



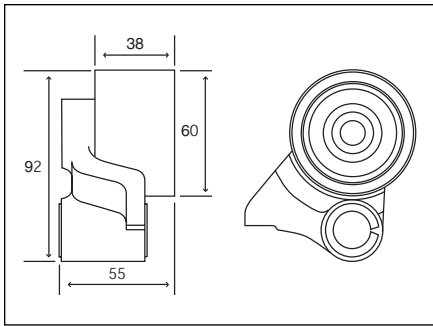
**T41034**



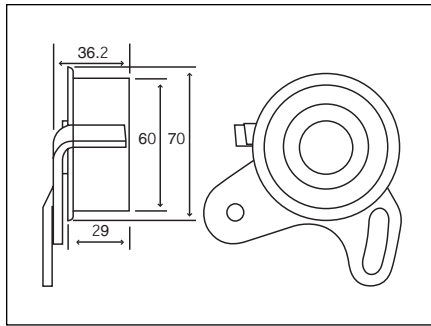
**T41035**



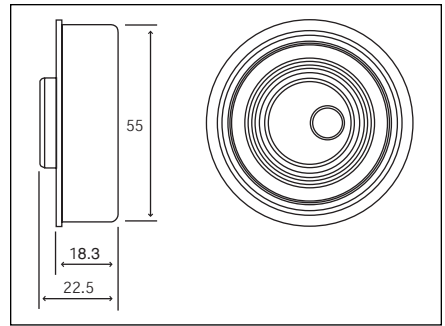
# Timing Belt Pulleys & Tensioners



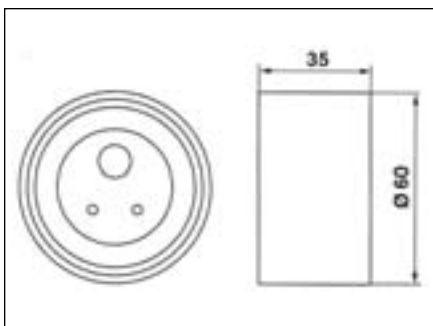
**T41036**



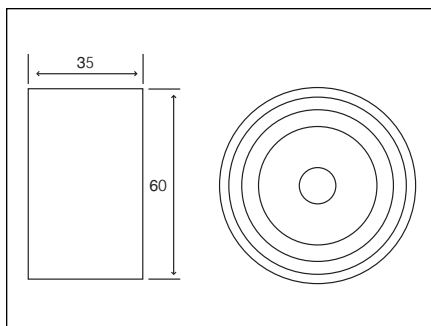
**T41037**



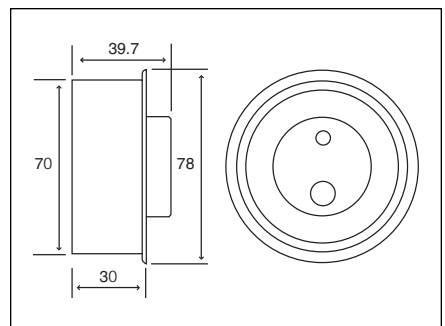
**T41038**



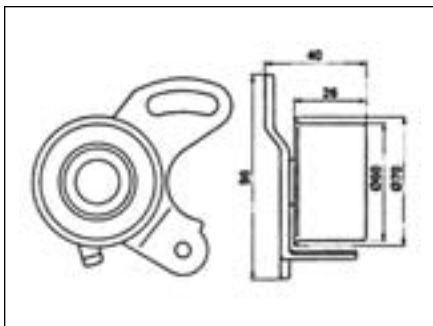
**T41039**



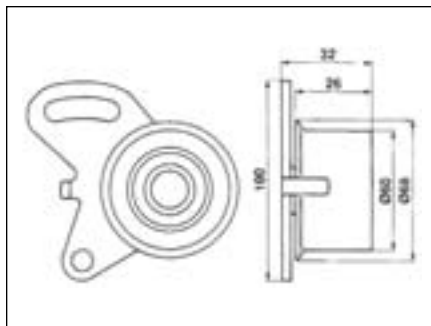
**T41040**



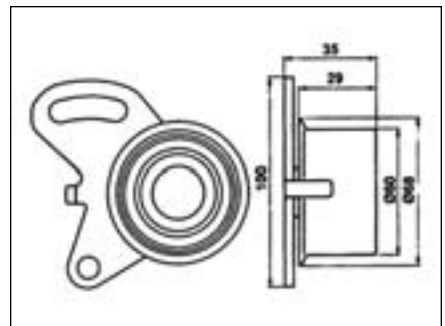
**T41041**



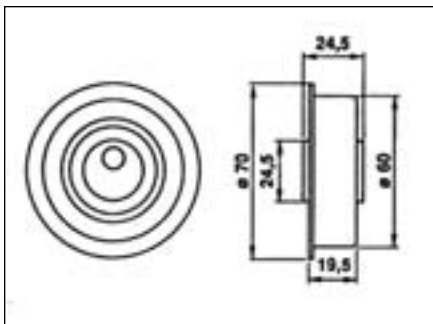
**T41042**



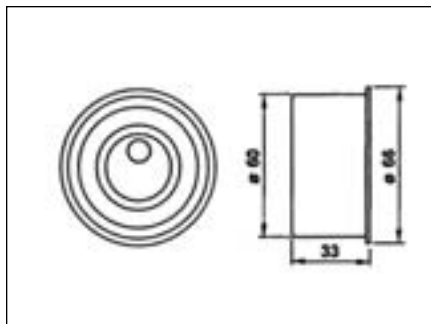
**T41043**



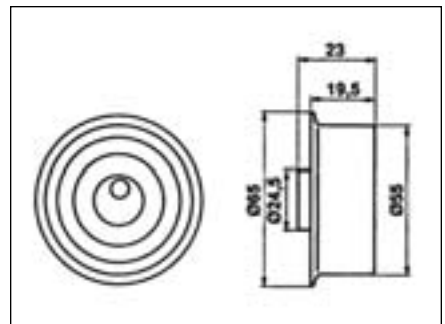
**T41044**



**T41045**

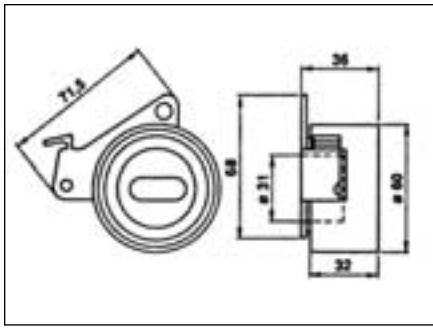


**T41046**

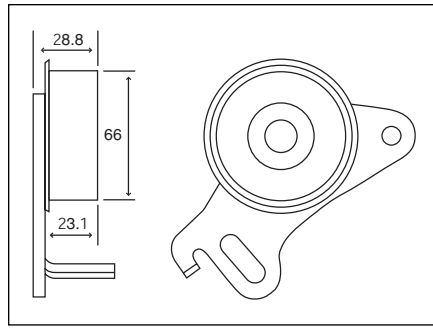


**T41047**

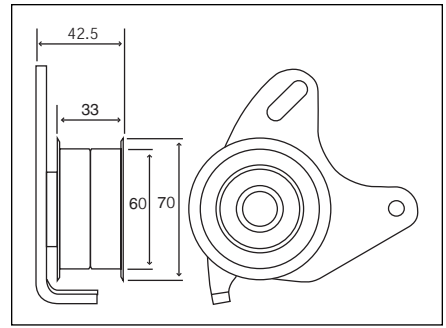
# Timing Belt Pulleys & Tensioners



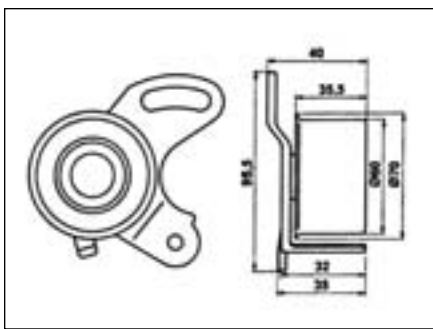
**T41048**



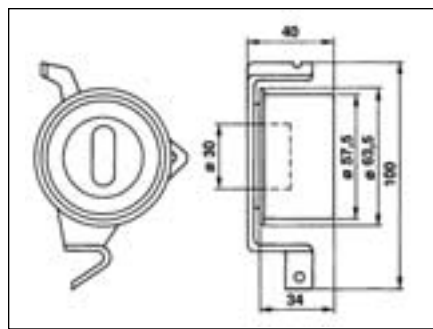
**T41049**



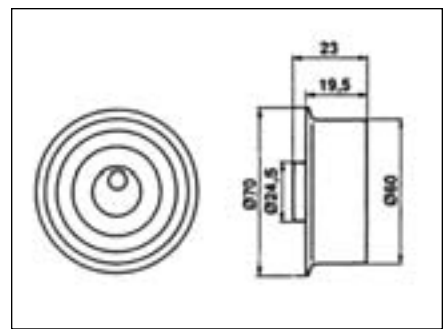
**T41050**



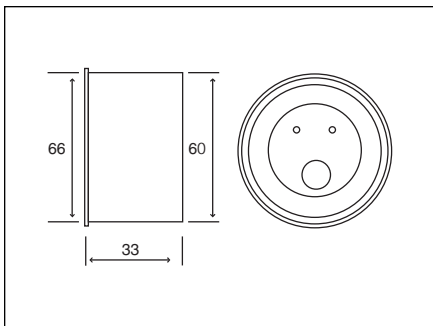
**T41051**



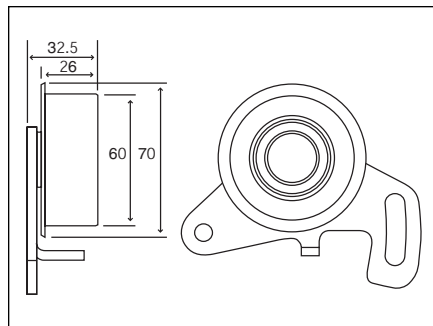
**T41052**



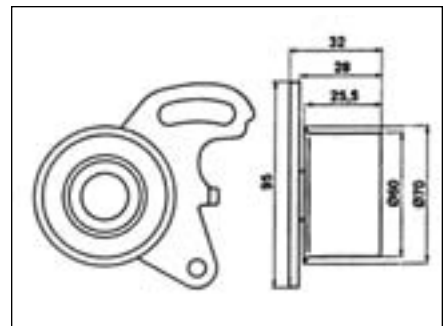
**T41053**



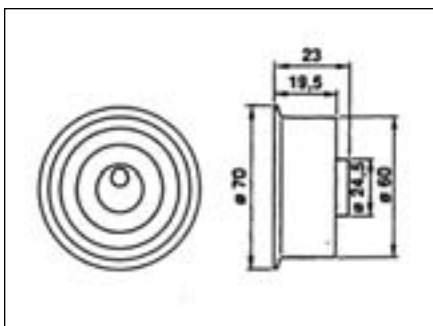
**T41054**



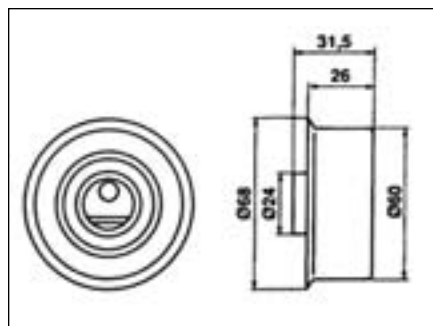
**T41055**



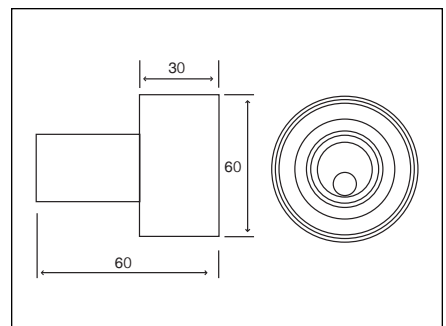
**T41056**



**T41057**

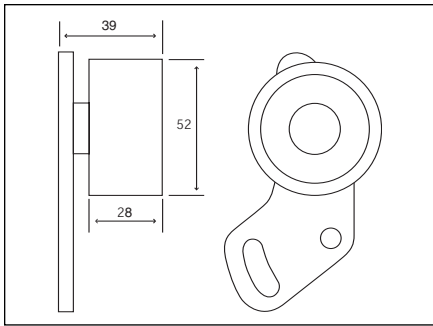


**T41058**

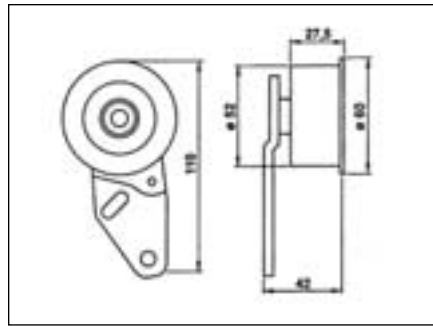


**T41059**

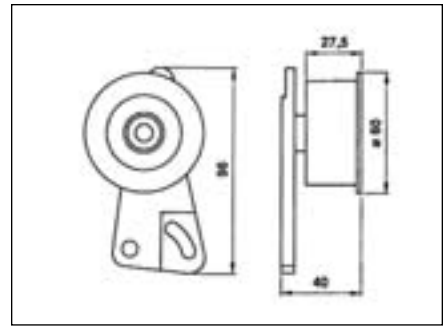
# Timing Belt Pulleys & Tensioners



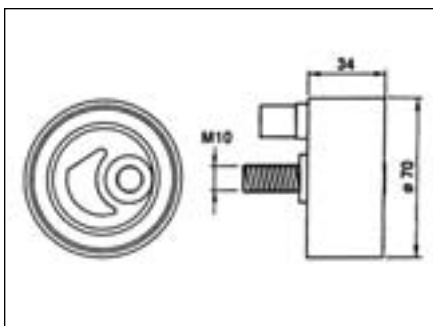
**T41060**



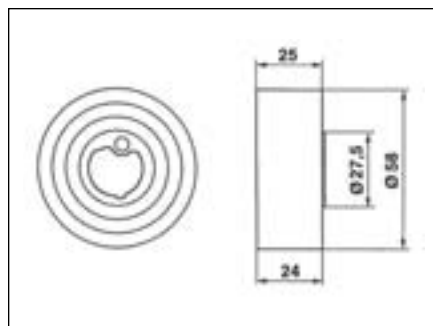
**T41061**



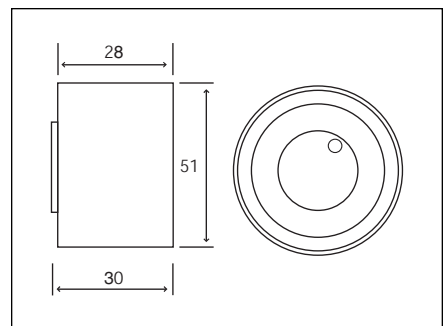
**T41062**



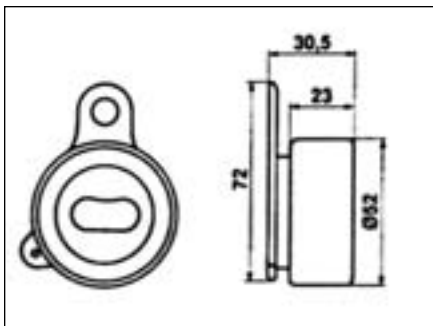
**T41063**



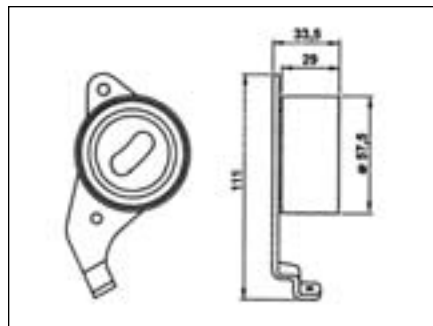
**T41064**



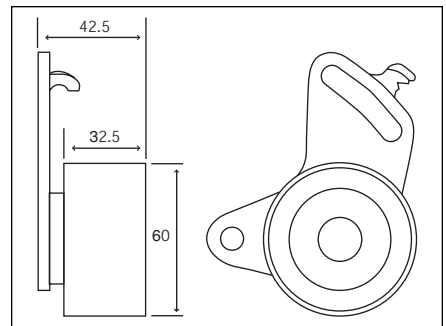
**T41065**



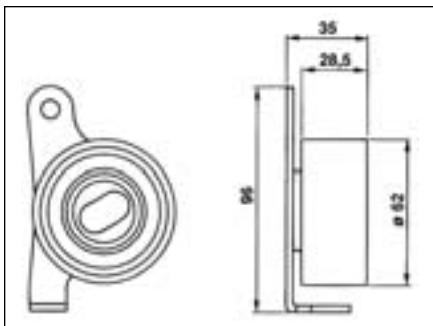
**T41066**



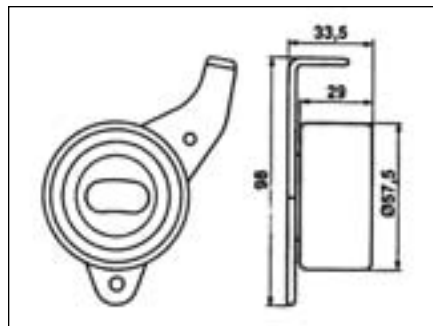
**T41067**



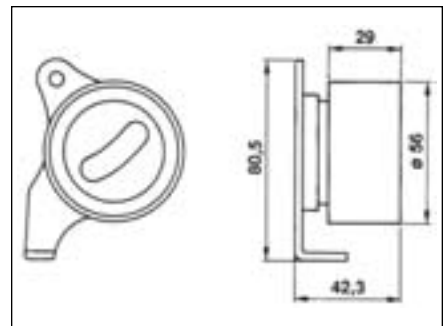
**T41068**



**T41069**

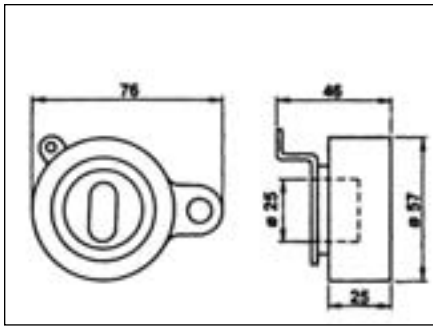


**T41070**

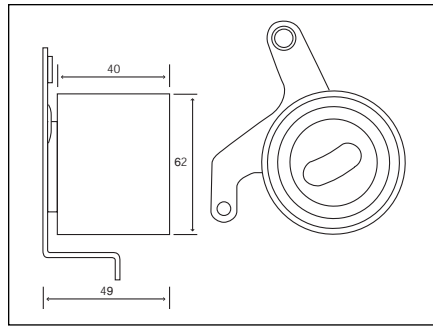


**T41071**

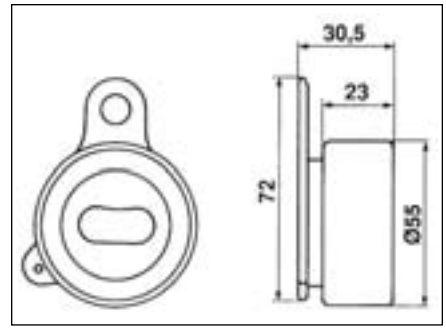
# Timing Belt Pulleys & Tensioners



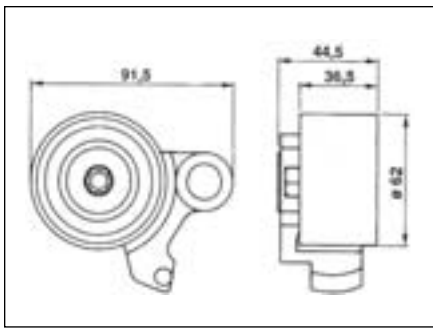
**T41072**



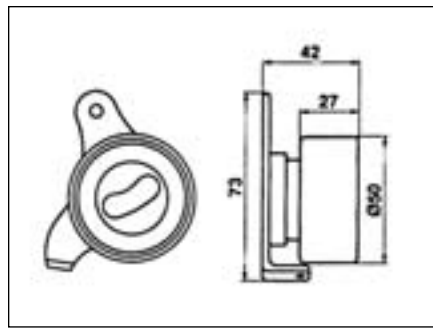
**T41073**



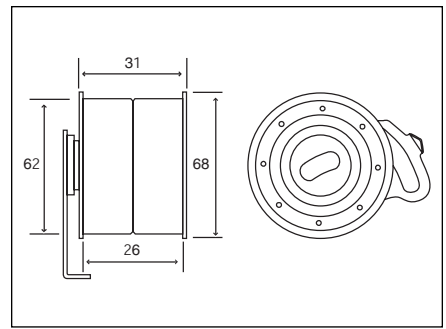
**T41074**



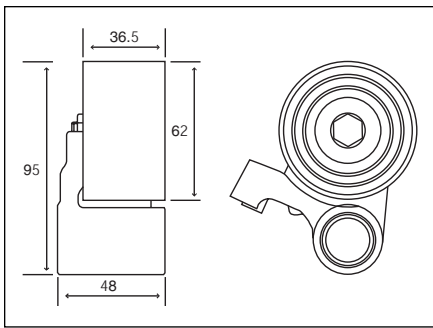
**T41075**



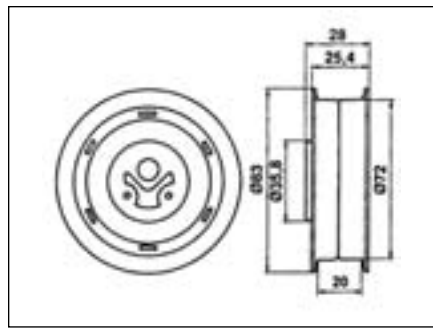
**T41076**



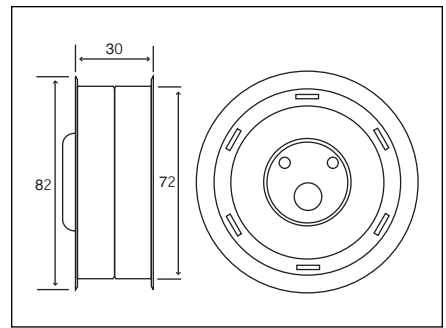
**T41077**



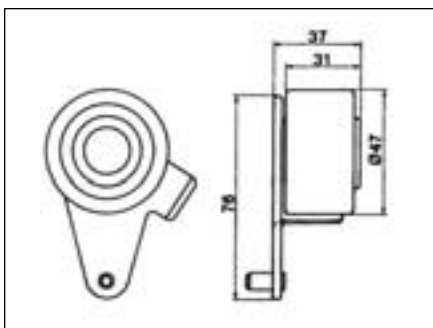
**T41078**



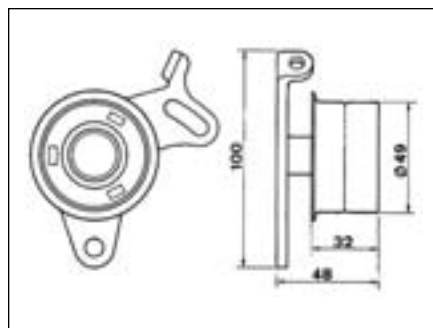
**T41079**



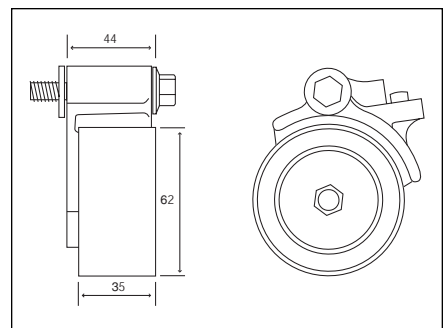
**T41080**



**T41081**

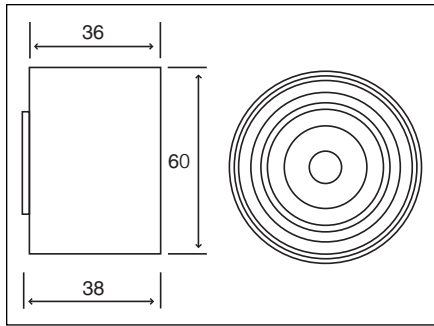


**T41083**

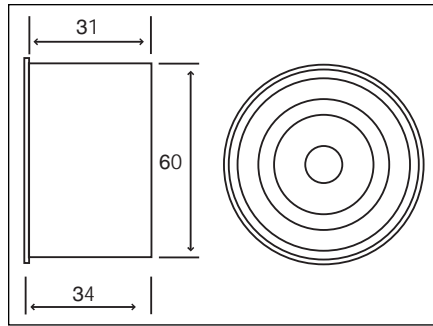


**T41084**

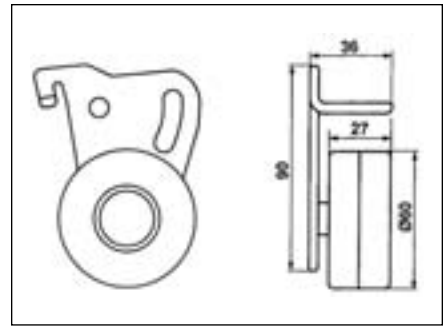
# Timing Belt Pulleys & Tensioners



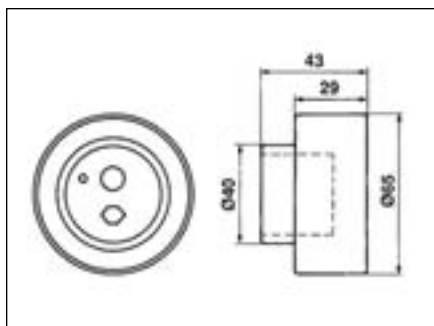
**T41085**



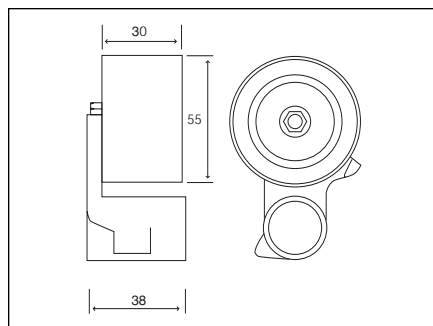
**T41087**



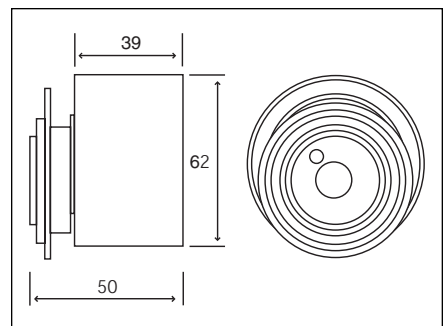
**T41088**



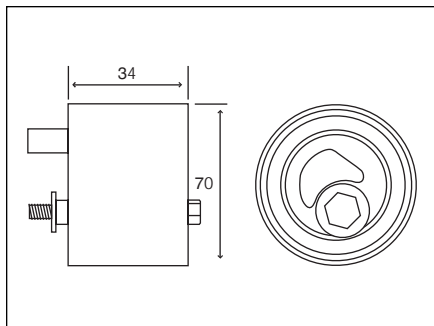
**T41089**



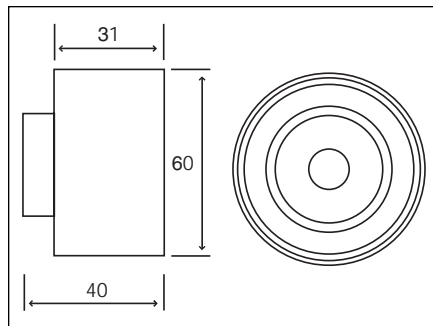
**T41090**



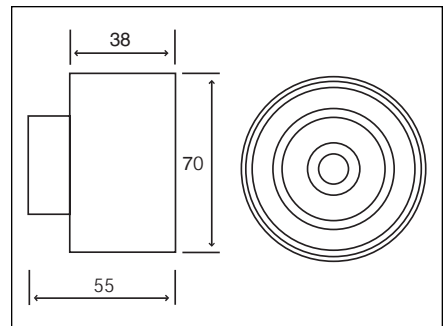
**T41091**



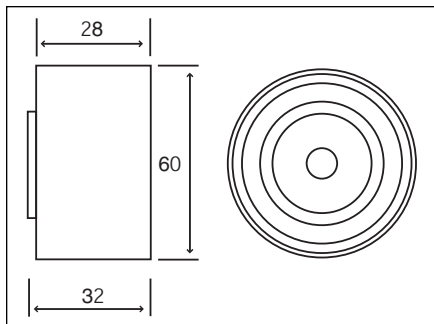
**T41092**



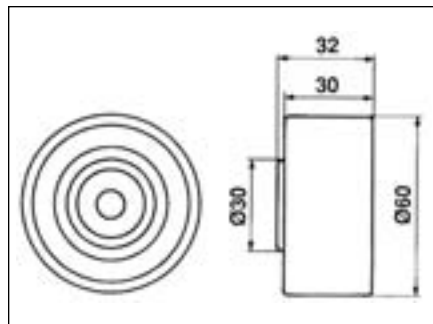
**T42001**



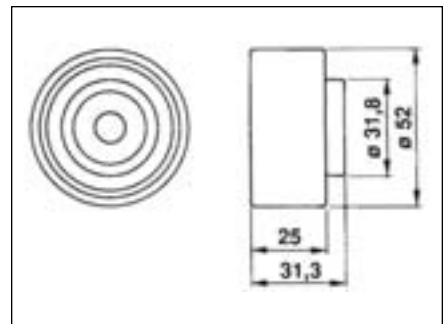
**T42002**



**T42003**

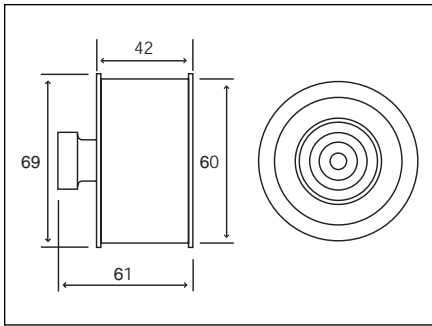


**T42004**

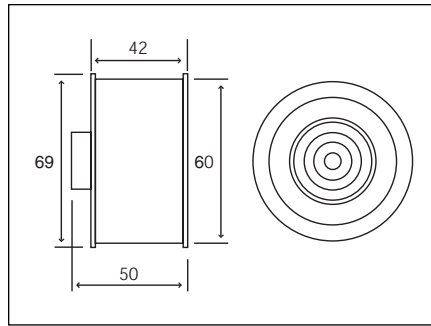


**T42005**

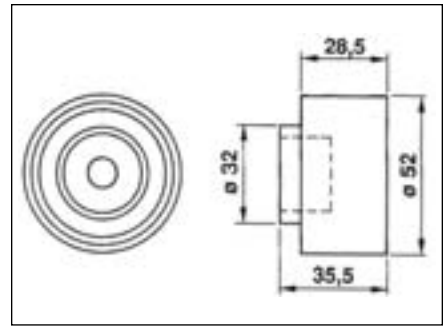
# Timing Belt Pulleys & Tensioners



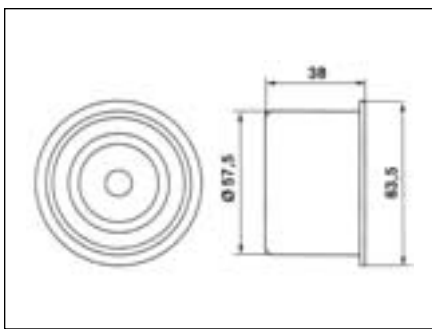
**T42006**



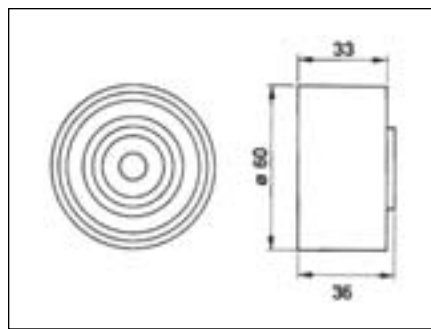
**T42007**



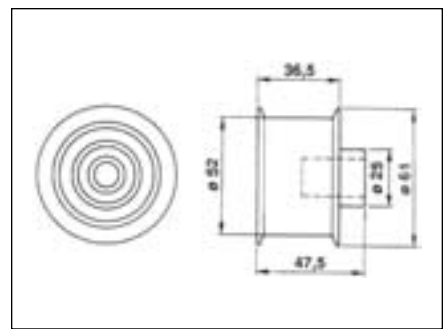
**T42008**



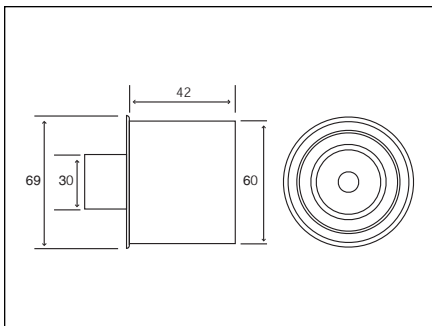
**T42009**



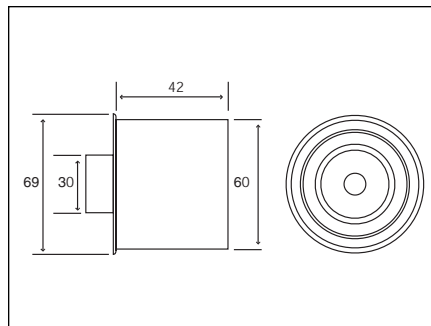
**T42010**



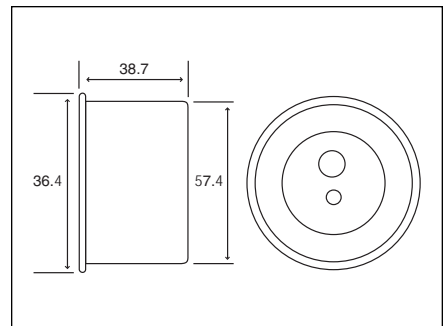
**T42011**



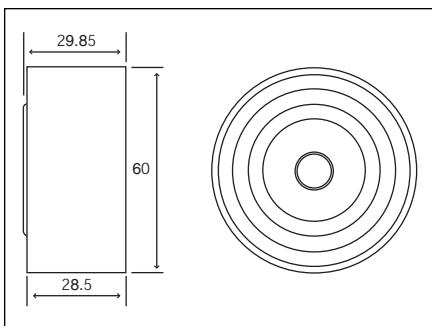
**T42012**



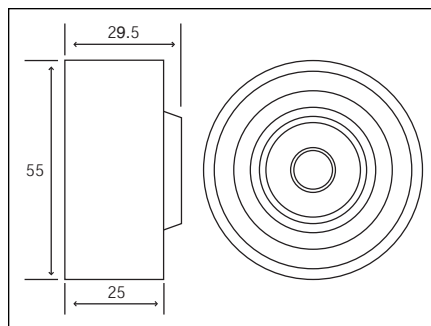
**T42013**



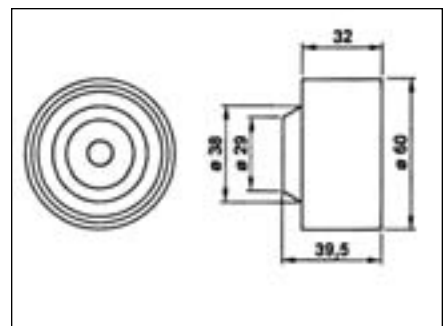
**T42014**



**T42015**

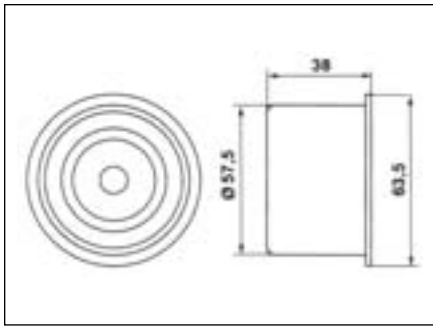


**T42016**

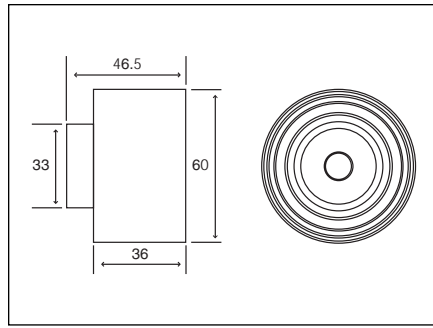


**T42017**

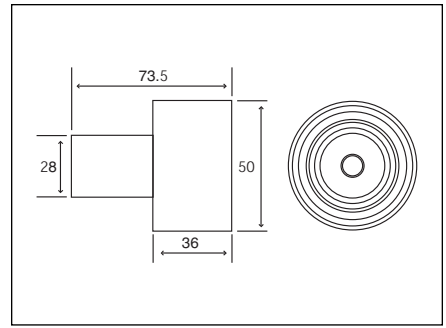
# Timing Belt Pulleys & Tensioners



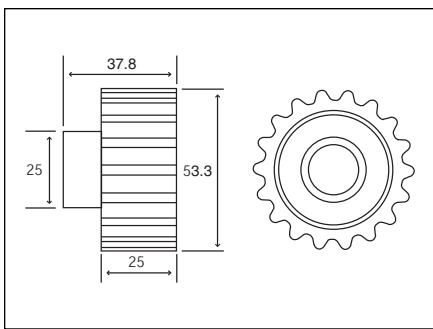
**T42018**



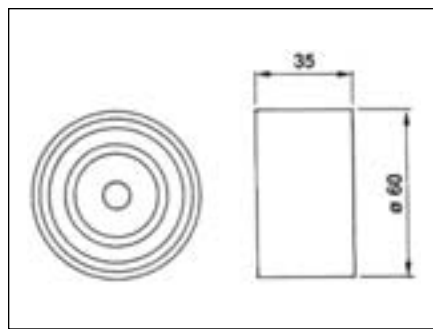
**T42020**



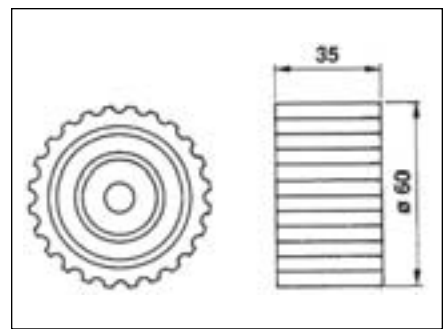
**T42021**



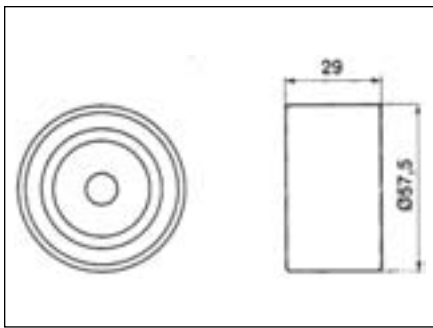
**T42022**



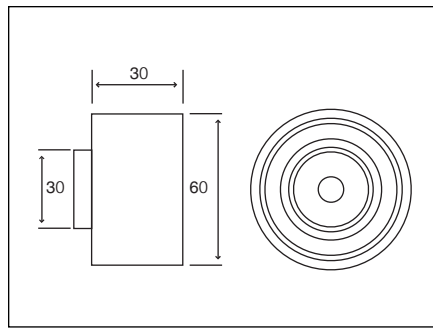
**T42023**



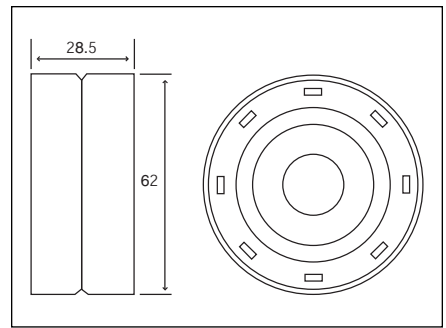
**T42024**



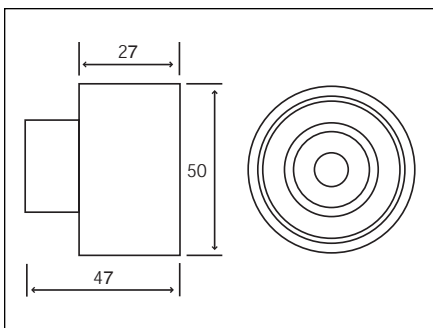
**T42025**



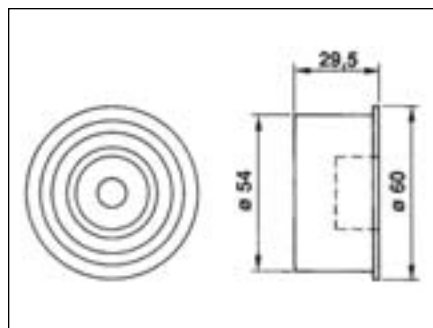
**T42026**



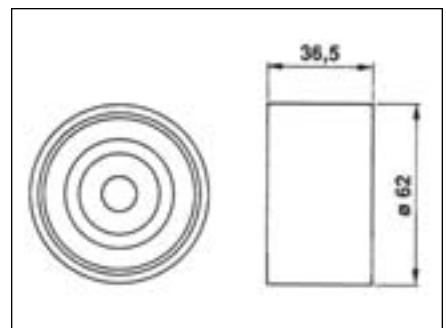
**T42027**



**T42028**

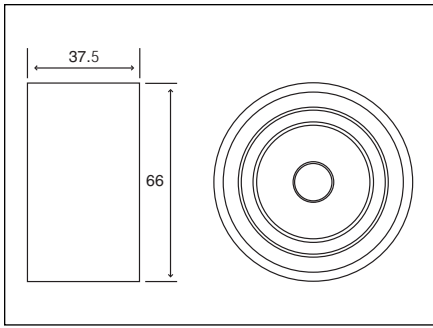


**T42029**

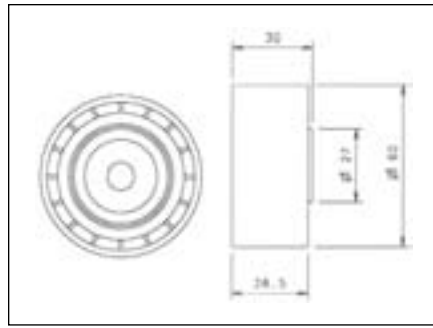


**T42030**

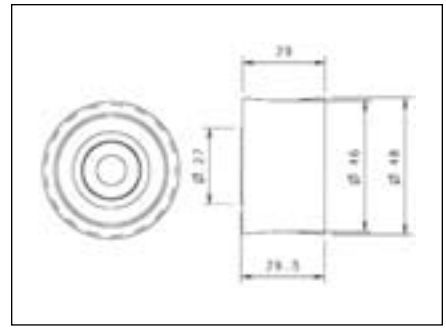
# Timing Belt Pulleys & Tensioners



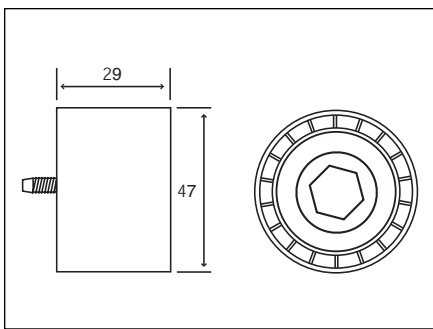
**T42031**



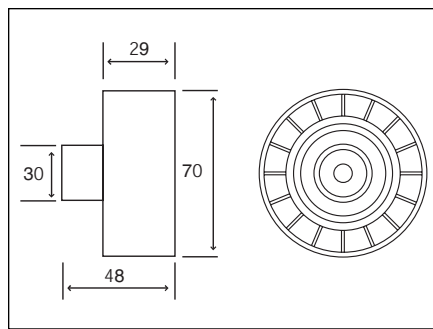
**T42032**



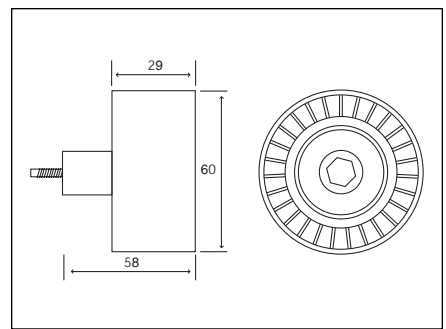
**T42033**



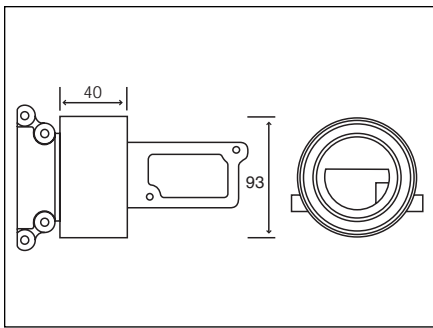
**T42034**



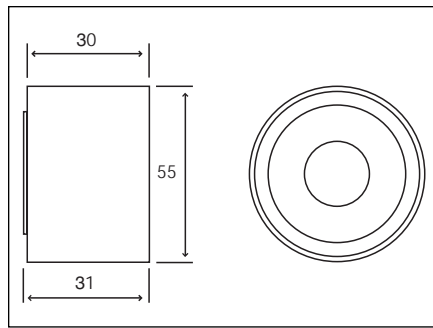
**T42035**



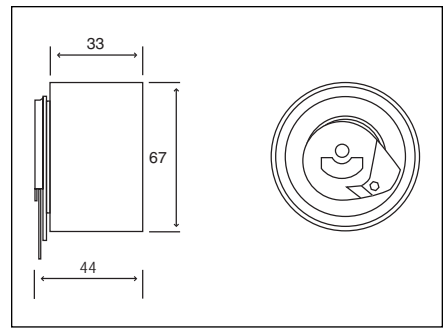
**T42036**



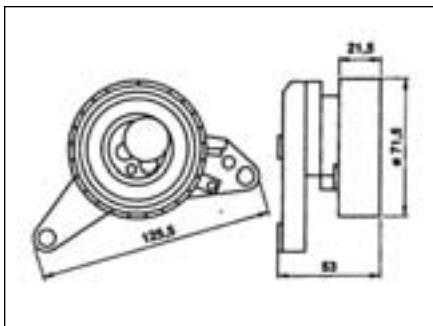
**T42037**



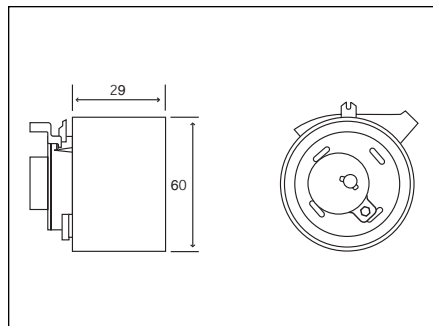
**T42038**



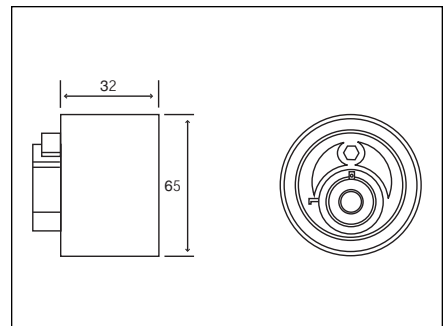
**T43001**



**T43002**



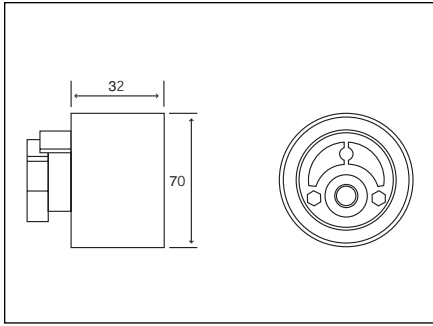
**T43003**



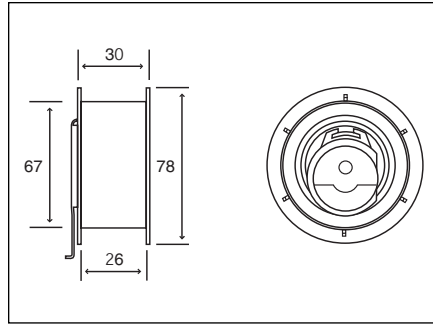
**T43004**



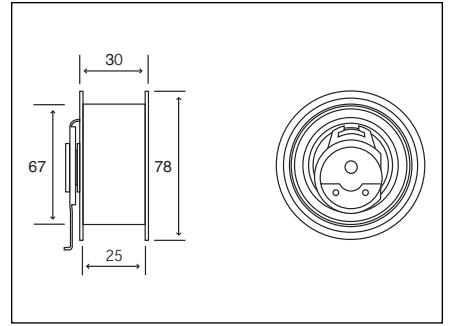
# Timing Belt Pulleys & Tensioners



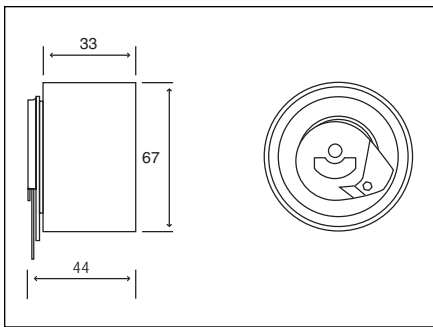
**T43005**



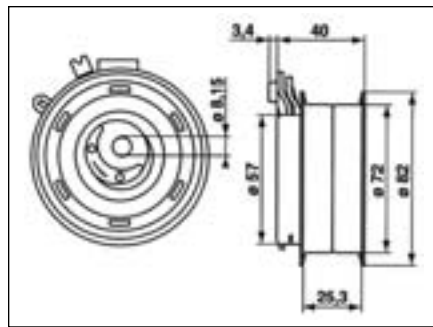
**T43006**



**T43007**



**T43008**



**T43010**

# PowerGrip™ Timing System Products for Passenger Cars Alphabetical Listing

Application	Part No.	Diagram No.	Application	Part No.	Diagram No.
<b>ACURA</b>			<b>ACURA - Continued</b>		
Light truck, van or motorhome information for this manufacturer can be found in the next section of this catalog.			<b>1999 - Continued</b>		
<b>2002</b>			<b>4-CYL. 1.8 L ENG. - Continued</b>		
<b>4-CYL. 1.7 L ENG. (CANADA)</b>			<b>INTEGRA - Continued</b>		
EL			Cam. Belt; W/VTEC Eng.....	☆T247	
Cam. Belt.....	☆T312		Cam. Belt; W/O VTEC Eng.....	☆T184	
<b>V-6 3.2 L ENG.</b>			Cam. Seal; W/O VTEC Eng.....	②KS10634	
CL; TL			Crankshaft Seal; W/O VTEC Eng.....	KS15451	
Cam. Belt.....	☆T286		Cam. Tensioner Assy.; W/O VTEC Eng.....	T41016	◇ 143
<b>V-6 3.5 L ENG.</b>			<b>4-CYL. 2.3 L ENG.</b>		
RL			CL		
Balance Shaft Belt.....	☆T280		Timing Component Kit.....	☆TCK244	
Cam. Belt.....	☆T279		Balance Shaft Belt.....	☆T186	
<b>2001</b>			Cam. Belt.....	☆T244	
<b>4-CYL. 1.7 L ENG. (CANADA)</b>			Cam. Seal.....	KS10922	
EL			Crankshaft Seal.....	KS15829	
Cam. Belt.....	☆T312		Balance Shaft Tensioner Assy.....	T41013	◇ 167
<b>4-CYL. 1.8 L ENG.</b>			Cam. Tensioner Assy.....	T41014	◇ 167
INTEGRA			<b>V-6 3.0 L ENG.</b>		
Timing Component Kit; W/O VTEC Eng.....	☆TCK184		CL		
Cam. Belt; W/VTEC Eng.....	☆T247		Cam. Belt.....	☆T286	
Cam. Belt; W/O VTEC Eng.....	☆T184		<b>V-6 3.2 L ENG.</b>		
Cam. Tensioner Assy.; W/O VTEC Eng.....	T41016	◇ 143	TL		
<b>V-6 3.2 L ENG.</b>			Timing Component Kit.....	☆TCK286	
CL; TL			Cam. Belt.....	☆T286	
Cam. Belt.....	☆T286		Cam. Seal.....	②KS15701	
<b>V-6 3.5 L ENG.</b>			Cam. Idler Pulley.....	T42038	◇ 183
RL			Cam. Tensioner Assy.....	★T41090	◇ 183
Balance Shaft Belt.....	☆T280		<b>V-6 3.5 L ENG.</b>		
Cam. Belt.....	☆T279		RL		
<b>2000</b>			Balance Shaft Belt.....	☆T280	
<b>4-CYL. 1.6 L ENG. (CANADA)</b>			Cam. Belt.....	☆T279	
EL			<b>1998</b>		
Cam. Belt.....	☆T224		<b>4-CYL. 1.6 L ENG. (CANADA)</b>		
<b>4-CYL. 1.8 L ENG.</b>			EL		
INTEGRA			Cam. Belt.....	☆T224	
Timing Component Kit; W/O VTEC Eng.....	☆TCK184		<b>4-CYL. 1.8 L ENG.</b>		
Cam. Belt; W/VTEC Eng.....	☆T247		INTEGRA		
Cam. Belt; W/O VTEC Eng.....	☆T184		Timing Component Kit; W/O VTEC Eng.....	☆TCK184	
Cam. Tensioner Assy.; W/O VTEC Eng.....	T41016	◇ 143	Cam. Belt; W/VTEC Eng.....	☆T247	
<b>V-6 3.2 L ENG.</b>			Cam. Belt; W/O VTEC Eng.....	☆T184	
TL			Cam. Seal; W/O VTEC Eng.....	②KS10634	
Timing Component Kit.....	☆TCK286		Crankshaft Seal; W/O VTEC Eng.....	KS15451	
Cam. Belt.....	☆T286		Cam. Tensioner Assy.; W/O VTEC Eng.....	T41016	◇ 143
Cam. Seal.....	②KS15701		<b>4-CYL. 2.3 L ENG.</b>		
Cam. Idler Pulley.....	T42038	◇ 183	CL		
Cam. Tensioner Assy.....	★T41090	◇ 183	Timing Component Kit.....	☆TCK244	
<b>V-6 3.5 L ENG.</b>			Balance Shaft Belt.....	☆T186	
RL			Cam. Belt.....	☆T244	
Balance Shaft Belt.....	☆T280		Cam. Seal.....	KS10922	
Cam. Belt.....	☆T279		Crankshaft Seal.....	KS15829	
<b>1999</b>			Balance Shaft Tensioner Assy.....	T41013	◇ 167
<b>4-CYL. 1.6 L ENG. (CANADA)</b>			Cam. Tensioner Assy.....	T41014	◇ 167
EL			<b>5-CYL. 2.5 L ENG.</b>		
Cam. Belt.....	☆T224		TL		
<b>4-CYL. 1.8 L ENG.</b>			Cam. Belt.....	☆T211	
INTEGRA			Cam. Tensioner Assy.....	T41020	◇ 194
Timing Component Kit; W/O VTEC Eng.....	☆TCK184		<b>V-6 3.0 L ENG.</b>		
<b>1999 - Continued</b>			CL		
<b>4-CYL. 1.6 L ENG. (CANADA)</b>			Cam. Belt.....	☆T286	
EL					
Cam. Belt.....	☆T224				

☆ Interference engine application. See inside back cover for additional information.

★ Does Not Include Cam. Tensioner Hyd. Assy.

② Two Required.

④ Four Required.

◇ See Diagram Section (Pages 153-167).

# PowerGrip™ Timing System Products for Passenger Cars

Application	Part No.	Diagram No.	Application	Part No.	Diagram No.
<b>ACURA - Continued</b>			<b>ACURA - Continued</b>		
<b>1998 - Continued</b>			<b>1996 - Continued</b>		
<b>V-6 3.2 L ENG.</b>			<b>V-6 3.2 L ENG. - Continued</b>		
<b>TL</b>			<b>TL - Continued</b>		
Timing Component Kit.....	☆TCK193		Cam. Belt.....	☆T193	
Cam. Belt.....	☆T193		Cam. Seal.....	ⓉKS13987	
Cam. Seal.....	KS13987		Crankshaft Seal.....	KS550232	
Crankshaft Seal.....	KS550232		Cam. Tensioner Assy.....	T41021	◇ 147
Cam. Tensioner Assy.....	T41021	◇ 147			
<b>V-6 3.5 L ENG.</b>			<b>V-6 3.5 L ENG.</b>		
<b>RL</b>			<b>RL</b>		
Balance Shaft Belt.....	☆T280		Balance Shaft Belt.....	☆T280	
Cam. Belt.....	☆T279		Cam. Belt.....	☆T279	
<b>1997</b>			<b>1995</b>		
<b>4-CYL. 1.6 L ENG. (CANADA)</b>			<b>4-CYL. 1.8 L ENG.</b>		
<b>EL</b>			<b>INTEGRA</b>		
Cam. Belt.....	☆T224		Timing Component Kit; W/O VTEC Eng.....	☆TCK184	
			Cam. Belt; W/VTEC Eng.....	☆T247	
<b>4-CYL. 1.8 L ENG.</b>			Cam. Belt; W/O VTEC Eng.....	☆T184	
<b>INTEGRA</b>			Cam. Seal; W/O VTEC Eng.....	ⓉKS10634	
Timing Component Kit; W/O VTEC Eng.....	☆TCK184		Crankshaft Seal; W/O VTEC Eng.....	KS15451	
Cam. Belt; W/VTEC Eng.....	☆T247		Cam. Tensioner Assy.; W/O VTEC Eng.....	T41016	◇ 143
Cam. Belt; W/O VTEC Eng.....	☆T184				
Cam. Seal; W/O VTEC Eng.....	ⓉKS10634		<b>5-CYL. 2.5 L ENG.</b>		
Crankshaft Seal; W/O VTEC Eng.....	KS15451		<b>TL</b>		
Cam. Tensioner Assy.; W/O VTEC Eng.....	T41016	◇ 143	Cam. Belt.....	☆T211	
			Cam. Tensioner Assy.....	T41020	◇ 194
<b>4-CYL. 2.2 L ENG.</b>			<b>V-6 3.2 L ENG.</b>		
<b>CL</b>			<b>LEGEND</b>		
Timing Component Kit.....	☆TCK244		Timing Component Kit.....	☆TCK193	
Balance Shaft Belt.....	☆T186		Cam. Belt.....	☆T193	
Cam. Belt.....	☆T244		Cam. Seal.....	ⓉKS13987	
Cam. Seal.....	KS10922		Crankshaft Seal.....	KS550232	
Crankshaft Seal.....	KS15801		Cam. Tensioner Assy.....	T41021	◇ 147
Balance Shaft Tensioner Assy.....	T41013	◇ 167			
Cam. Tensioner Assy.....	T41014	◇ 167	<b>1994</b>		
<b>5-CYL. 2.5 L ENG.</b>			<b>4-CYL. 1.8 L ENG.</b>		
<b>TL</b>			<b>INTEGRA</b>		
Cam. Belt.....	☆T211		Timing Component Kit; W/O VTEC Eng.....	☆TCK184	
Cam. Tensioner Assy.....	T41020	◇ 194	Cam. Belt; W/VTEC Eng.....	☆T247	
<b>V-6 3.0 L ENG.</b>			Cam. Belt; W/O VTEC Eng.....	☆T184	
<b>CL</b>			Cam. Seal; W/O VTEC Eng.....	ⓉKS10634	
Cam. Belt.....	☆T286		Crankshaft Seal; W/O VTEC Eng.....	KS15451	
<b>V-6 3.2 L ENG.</b>			Cam. Tensioner Assy.; W/O VTEC Eng.....	T41016	◇ 143
<b>TL</b>			<b>5-CYL. 2.5 L ENG.</b>		
Timing Component Kit.....	☆TCK193		<b>VIGOR</b>		
Cam. Belt.....	☆T193		Cam. Belt.....	☆T211	
Cam. Seal.....	ⓉKS13987		Cam. Tensioner Assy.....	T41020	◇ 194
Crankshaft Seal.....	KS550232		<b>V-6 3.2 L ENG.</b>		
Cam. Tensioner Assy.....	T41021	◇ 147	<b>LEGEND</b>		
			Timing Component Kit.....	☆TCK193	
<b>V-6 3.5 L ENG.</b>			Cam. Belt.....	☆T193	
<b>RL</b>			Cam. Tensioner Assy.....	T41021	◇ 147
Balance Shaft Belt.....	☆T280				
Cam. Belt.....	☆T279		<b>1993-1992</b>		
<b>1996</b>			<b>4-CYL. 1.7 L ENG.</b>		
<b>4-CYL. 1.8 L ENG.</b>			<b>INTEGRA</b>		
<b>INTEGRA</b>			Cam. Belt.....	☆T227	
Timing Component Kit; W/O VTEC Eng.....	☆TCK184		<b>4-CYL. 1.8 L ENG.</b>		
Cam. Belt; W/VTEC Eng.....	☆T247		<b>INTEGRA</b>		
Cam. Belt; W/O VTEC Eng.....	☆T184		Timing Component Kit.....	☆TCK184	
Cam. Seal; W/O VTEC Eng.....	ⓉKS10634		Cam. Belt.....	☆T184	
Crankshaft Seal; W/O VTEC Eng.....	KS15451		Cam. Seal.....	ⓉKS10634	
Cam. Tensioner Assy.; W/O VTEC Eng.....	T41016	◇ 143	Crankshaft Seal.....	KS15451	
			Cam. Tensioner Assy.....	T41016	◇ 143
<b>5-CYL. 2.5 L ENG.</b>			<b>5-CYL. 2.5 L ENG.</b>		
<b>TL</b>			<b>VIGOR</b>		
Cam. Belt.....	☆T211		Cam. Belt.....	☆T211	
Cam. Tensioner Assy.....	T41020	◇ 194	Cam. Tensioner Assy.....	T41020	◇ 194
<b>V-6 3.2 L ENG.</b>			<b>TL</b>		
<b>TL</b>			Timing Component Kit.....	☆TCK193	
Timing Component Kit.....	☆TCK193				

☆ Interference engine application. See inside back cover for additional information.

\* Does Not Include Cam. Tensioner Hyd. Assy.

Ⓣ Two Required.

④ Four Required.

◇ See Diagram Section (Pages 153-167).

# PowerGrip™ Timing System Products for Passenger Cars

Application	Part No.	Diagram No.	Application	Part No.	Diagram No.
<b>ACURA - Continued</b>			<b>ACURA - Continued</b>		
<b>1993-1992 - Continued</b>			<b>1987 - Continued</b>		
<b>V-6 3.2 L ENG.</b>			<b>V-6 2.7 L ENG.</b>		
<b>LEGEND</b>			<b>LEGEND</b>		
Timing Component Kit.....	☆TCK193		Timing Component Kit.....	☆TCK129	
Cam. Belt.....	☆T193		Cam. Belt.....	☆T129	
Cam. Tensioner Assy.....	T41021	◇ 147	Crankshaft Seal.....	KS550232	
<b>1991</b>			Cam. Tensioner Assy.....		
<b>4-CYL. 1.8 L ENG.</b>			T41015		
<b>INTEGRA</b>			◇ 119		
Timing Component Kit.....	☆TCK184		<b>1986</b>		
Cam. Belt.....	☆T184		<b>4-CYL. 1.6 L ENG.</b>		
Cam. Seal.....	②KS10634		<b>INTEGRA</b>		
Crankshaft Seal.....	KS15451		Timing Component Kit.....	☆TCK130	
Cam. Tensioner Assy.....	T41016	◇ 143	Cam. Belt.....	☆T130	
<b>V-6 3.2 L ENG.</b>			Crankshaft Seal.....	KS12301	
<b>LEGEND</b>			Cam. Tensioner Assy.....	T41018	◇ 120
Timing Component Kit.....	☆TCK193		<b>V-6 2.5 L ENG.</b>		
Cam. Belt.....	☆T193		<b>LEGEND</b>		
Cam. Tensioner Assy.....	T41021	◇ 147	Timing Component Kit.....	☆TCK129	
<b>1990</b>			Cam. Belt.....	☆T129	
<b>4-CYL. 1.8 L ENG.</b>			Cam. Seal.....	②KS13907	
<b>INTEGRA</b>			Crankshaft Seal.....	KS550232	
Timing Component Kit.....	☆TCK184		Cam. Tensioner Assy.....	T41015	◇ 119
Cam. Belt.....	☆T184		<b>ALFA ROMEO</b>		
Cam. Seal.....	②KS10634		<b>1993-1991</b>		
Crankshaft Seal.....	KS15451		<b>V-6 3.0 L ENG.</b>		
Cam. Tensioner Assy.....	T41016	◇ 143	<b>164</b>		
<b>V-6 2.7 L ENG.</b>			Cam. Belt.....		
<b>LEGEND</b>			T120		
Timing Component Kit.....	☆TCK129		<b>AMERICAN MOTORS</b>		
Cam. Belt.....	☆T129		<b>1979</b>		
Cam. Seal.....	②KS14012		<b>4-CYL. 121 C.I.D. ENG.</b>		
Crankshaft Seal.....	KS550232		<b>CONCORD; SPIRIT</b>		
Cam. Tensioner Assy.....	T41015	◇ 119	Timing Component Kit.....	TCK017	
<b>1989-1988</b>			Cam. Belt.....	T017	
<b>4-CYL. 1.6 L ENG.</b>			Cam. Tensioner Assy.....	T41079	◇ 177
<b>INTEGRA</b>			<b>1978</b>		
Timing Component Kit.....	☆TCK130		<b>4-CYL. 121 C.I.D. ENG.</b>		
Cam. Belt.....	☆T130		<b>CONCORD; GREMLIN</b>		
Cam. Seal.....	②KS10634		Timing Component Kit.....	TCK017	
Crankshaft Seal.....	KS12301		Cam. Belt.....	T017	
Cam. Tensioner Assy.....	T41018	◇ 120	Cam. Tensioner Assy.....	T41079	◇ 177
<b>V-6 2.7 L ENG.</b>			<b>1977</b>		
<b>LEGEND</b>			<b>4-CYL. 121 C.I.D. ENG.</b>		
Timing Component Kit.....	☆TCK129		<b>GREMLIN</b>		
Cam. Belt.....	☆T129		Timing Component Kit.....	TCK017	
Cam. Seal.....	②KS14012		Cam. Belt.....	T017	
Crankshaft Seal.....	KS550232		Cam. Tensioner Assy.....	T41079	◇ 177
Cam. Tensioner Assy.....	T41015	◇ 119	<b>ASUNA</b>		
<b>1987</b>			Light truck, van or motorhome information for this manufacturer can be found in the next section of this catalog.		
<b>4-CYL. 1.6 L ENG.</b>			<b>1993</b>		
<b>INTEGRA</b>			<b>4-CYL. 1.8 L ENG. (CANADA)</b>		
Timing Component Kit.....	☆TCK130		<b>SUNFIRE</b>		
Cam. Belt.....	☆T130		Cam. Belt.....		
Cam. Seal.....	②KS10634		T205		
Crankshaft Seal.....	KS12301		<b>AUDI</b>		
Cam. Tensioner Assy.....	T41018	◇ 120	<b>2003</b>		
<b>V-6 2.5 L ENG.</b>			<b>4-CYL. 1.8 L ENG.</b>		
<b>LEGEND</b>			<b>A4; A4 QUATTRO; TT; TT QUATTRO</b>		
Timing Component Kit.....	☆TCK129		Cam. Belt.....		
Cam. Belt.....	☆T129		☆T306		
Cam. Seal.....	②KS13907		<b>V-6 2.7 L ENG.</b>		
Crankshaft Seal.....	KS550232		<b>A6 QUATTRO; ALLROAD QUATTRO</b>		
Cam. Tensioner Assy.....	T41015	◇ 119	Cam. Belt.....		
			☆T297		

☆ Interference engine application. See inside back cover for additional information.  
 \* Does Not Include Cam. Tensioner Hyd. Assy.

② Two Required.  
 ④ Four Required.

◇ See Diagram Section (Pages 153-167).

# PowerGrip™ Timing System Products for Passenger Cars

Application	Part No.	Diagram No.	Application	Part No.	Diagram No.
<b>AUDI - Continued</b>			<b>AUDI - Continued</b>		
<b>2003 - Continued</b>			<b>1998</b>		
<b>V-8 4.2 L ENG. A6 QUATTRO; RS 6 QUATTRO</b>			<b>4-CYL. 1.8 L ENG. A4; A4 QUATTRO</b>		
Cam. Belt.....	T297		Cam. Belt; W/152 Tooth Belt.....	☆T291	
			Cam. Belt; W/153 Tooth Belt.....	☆T317	
<b>2002</b>			<b>V-6 2.8 L ENG. A4; A4 QUATTRO; A6; A6 QUATTRO</b>		
<b>4-CYL. 1.8 L ENG. A4; A4 QUATTRO; TT; TT QUATTRO</b>			Cam. Belt.....		
Cam. Belt.....	☆T306			☆T297	
<b>V-6 2.7 L ENG. A6 QUATTRO; ALLROAD QUATTRO; S4 QUATTRO</b>			<b>CABRIOLET</b>		
Cam. Belt.....	☆T297		Cam. Belt.....		
<b>V-8 4.2 L ENG. A6 QUATTRO</b>			<b>V-8 3.7 L ENG. A8</b>		
Cam. Belt.....	T297		Cam. Belt.....		
<b>2001</b>			<b>V-8 4.2 L ENG. A8 QUATTRO</b>		
<b>4-CYL. 1.8 L ENG. A4; A4 QUATTRO; TT; TT QUATTRO</b>			Cam. Belt.....		
Cam. Belt.....	☆T306			☆T207	
<b>V-6 2.7 L ENG. A6 QUATTRO; ALLROAD QUATTRO; S4 QUATTRO</b>			<b>1997</b>		
Cam. Belt.....	☆T297		<b>4-CYL. 1.8 L ENG. A4; A4 QUATTRO</b>		
<b>V-6 2.8 L ENG. A6; A6 QUATTRO</b>			Cam. Belt; W/152 Tooth Belt.....		
Cam. Belt.....	☆T297			☆T291	
<b>V-8 4.2 L ENG. A6 QUATTRO</b>			Cam. Belt; W/153 Tooth Belt.....		
Cam. Belt.....	T297			☆T317	
<b>2000</b>			<b>5-CYL. 2.2 L ENG. (CANADA) S6 QUATTRO</b>		
<b>4-CYL. 1.8 L ENG. A4; A4 QUATTRO</b>			Cam. Belt.....		
Cam. Belt; W/152 Tooth Belt.....	☆T291			T225	
Cam. Belt; W/153 Tooth Belt.....	☆T317		<b>V-6 2.8 L ENG. A4; A4 QUATTRO; A6; A6 QUATTRO; CABRIOLET</b>		
<b>TT; TT QUATTRO</b>			Cam. Belt.....		
Cam. Belt.....	☆T306			☆T218	
<b>V-6 2.7 L ENG. A6 QUATTRO; S4 QUATTRO</b>			<b>V-8 3.7 L ENG. A8</b>		
Cam. Belt.....	☆T297		Cam. Belt.....		
<b>V-6 2.8 L ENG. A4; A6; A6 QUATTRO</b>			<b>V-8 4.2 L ENG. A8 QUATTRO</b>		
Cam. Belt.....	☆T297		Cam. Belt.....		
<b>V-8 4.2 L ENG. A6 QUATTRO</b>			<b>1996</b>		
Cam. Belt.....	T297		<b>V-6 2.8 L ENG. A4; A4 QUATTRO; A6; A6 QUATTRO; CABRIOLET</b>		
<b>A8 QUATTRO</b>			Cam. Belt.....		
Cam. Belt.....	☆T297			☆T218	
<b>1999</b>			<b>1995</b>		
<b>4-CYL. 1.8 L ENG. A4; A4 QUATTRO</b>			<b>5-CYL. 2.2 L ENG. S6 QUATTRO</b>		
Cam. Belt; W/150 Tooth Belt.....	☆T306		Cam. Belt.....		
Cam. Belt; W/152 Tooth Belt.....	☆T291			T225	
Cam. Belt; W/153 Tooth Belt.....	☆T317		<b>V-6 2.8 L ENG. A6; A6 QUATTRO; CABRIOLET; 90; 90 QUATTRO</b>		
<b>V-6 2.8 L ENG. A4; A4 QUATTRO; A6; A6 QUATTRO</b>			Cam. Belt.....		
Cam. Belt.....	☆T297			☆T218	
<b>V-8 4.2 L ENG. A6 QUATTRO</b>			<b>1994</b>		
Cam. Belt.....	T297		<b>5-CYL. 2.2 L ENG. S4</b>		
<b>A8 QUATTRO</b>			Cam. Belt; Sedan.....		
Cam. Belt.....	☆T297			T225	
<b>1999</b>			<b>V-6 2.8 L ENG. CABRIOLET; 90; 90 QUATTRO; 100; 100 QUATTRO</b>		
<b>4-CYL. 1.8 L ENG. A4; A4 QUATTRO</b>			Cam. Belt.....		
Cam. Belt; W/150 Tooth Belt.....	☆T306			☆T218	
Cam. Belt; W/152 Tooth Belt.....	☆T291		<b>V-8 4.2 L ENG. V8 QUATTRO</b>		
Cam. Belt; W/153 Tooth Belt.....	☆T317		Cam. Belt.....		
<b>V-6 2.8 L ENG. A4; A4 QUATTRO; A6; A6 QUATTRO</b>			<b>1993</b>		
Cam. Belt.....	☆T297		<b>5-CYL. 2.2 L ENG. S4</b>		
<b>V-8 3.7 L ENG. A8</b>			Cam. Belt.....		
Cam. Belt.....	☆T207			T225	
<b>V-8 4.2 L ENG. A8 QUATTRO</b>			<b>V-6 2.8 L ENG. 90; 90 QUATTRO; 100; 100 QUATTRO</b>		
Cam. Belt.....	☆T207		Cam. Belt.....		
			<b>V-8 4.2 L ENG. V8 QUATTRO</b>		
			Cam. Belt.....		
			T207		

☆ Interference engine application. See inside back cover for additional information.

\* Does Not Include Cam. Tensioner Hyd. Assy.

② Two Required.

④ Four Required.

◇ See Diagram Section (Pages 153-167).

# PowerGrip™ Timing System Products for Passenger Cars

Application	Part No.	Diagram No.	Application	Part No.	Diagram No.
<b>AUDI - Continued</b>			<b>AUDI - Continued</b>		
<b>1992</b>			<b>1989 - Continued</b>		
<b>5-CYL. 2.2 L ENG. S4</b>			<b>5-CYL. 2.3 L ENG. - Continued</b>		
Cam. Belt.....	T225		90		
Cam. Belt; Chassis No. 89J396702 & Before.....			Cam. Belt; Chassis No. 89J396702 & Before.....	T127	
<b>5-CYL. 2.3 L ENG. 80; 80 QUATTRO</b>			Cam. Belt; Chassis No. 89J396703 & After .....	T170	
Cam. Belt.....	T170		<b>100; 100 QUATTRO</b>		
<b>V-6 2.8 L ENG. 100; 100 QUATTRO</b>			Cam. Belt; Chassis No. 063969 & Before .....	T127	
Cam. Belt.....	☆T218		Cam. Belt; Chassis No. 063970 & After .....	T170	
<b>V-8 4.2 L ENG. V8 QUATTRO</b>			<b>1988</b>		
Cam. Belt.....	T207		<b>4-CYL. 2.0 L ENG. 80; 90</b>		
<b>1991</b>			Timing Component Kit.....	TCK017	
<b>5-CYL. 2.2 L ENG. 200; 200 QUATTRO</b>			Cam. Belt.....	T017	
Cam. Belt.....	T170		Cam. Seal.....	KS12724	
<b>5-CYL. 2.3 L ENG. COUPE QUATTRO</b>			Crankshaft Seal.....	KS13709	
Cam. Belt.....	T197		Cam. Tensioner Assy.....	T41079	◇ 177
<b>80; 80 QUATTRO; 90; 90 QUATTRO</b>			<b>5-CYL. 2.2 L ENG. 5000CS; 5000CS QUATTRO</b>		
Cam. Belt.....	T170		Cam. Belt.....	T127	
<b>100; 100 QUATTRO</b>			<b>5-CYL. 2.3 L ENG. 80 QUATTRO; 90; 90 QUATTRO; 5000S; 5000S QUATTRO</b>		
Cam. Belt; Chassis No. 063969 & Before .....	T127		Cam. Belt.....	T127	
Cam. Belt; Chassis No. 063970 & After .....	T170		<b>1987</b>		
<b>V-8 3.6 L ENG. V8 QUATTRO</b>			<b>4-CYL. 1.8 L ENG. 4000S</b>		
Cam. Belt.....	T207		Timing Component Kit.....	TCK017	
<b>1990</b>			Cam. Belt.....	T017	
<b>4-CYL. 2.0 L ENG. 80</b>			Cam. Tensioner Assy.....	T41079	◇ 177
Timing Component Kit.....	TCK017		<b>5-CYL. 2.2 L ENG. COUPE; 4000CS QUATTRO; 5000CS; 5000CS QUATTRO; 5000S</b>		
Cam. Belt.....	T017		Cam. Belt.....	T127	
Cam. Seal.....	KS12724		<b>5-CYL. 2.3 L ENG. 5000S</b>		
Crankshaft Seal.....	KS13709		Cam. Belt.....	T127	
Cam. Tensioner Assy.....	T41079	◇ 177	<b>1986</b>		
<b>5-CYL. 2.2 L ENG. 200; 200 QUATTRO</b>			<b>4-CYL. 1.8 L ENG. 4000S</b>		
Cam. Belt.....	T170		Timing Component Kit.....	TCK017	
<b>5-CYL. 2.3 L ENG. COUPE QUATTRO</b>			Cam. Belt.....	T017	
Cam. Belt.....	T197		Cam. Tensioner Assy.....	T41079	◇ 177
<b>80 QUATTRO; 90; 90 QUATTRO; 100; 100 QUATTRO</b>			<b>5-CYL. 2.2 L ENG. COUPE; 4000S QUATTRO; 5000S</b>		
Cam. Belt.....	T170		Cam. Belt.....	T127	
<b>V-8 3.6 L ENG. V8 QUATTRO</b>			<b>1985-1984</b>		
Cam. Belt.....	T207		<b>4-CYL. 1.8 L ENG. 4000S</b>		
<b>1989</b>			Timing Component Kit.....	TCK017	
<b>4-CYL. 2.0 L ENG. 80</b>			Cam. Belt.....	T017	
Timing Component Kit.....	TCK017		Cam. Tensioner Assy.....	T41079	◇ 177
Cam. Belt.....	T017		<b>5-CYL. 2.2 L ENG. COUPE; QUATTRO; 4000S QUATTRO; 5000S</b>		
Cam. Seal.....	KS12724		Cam. Belt; W/113 Tooth Belt; W/.75" Belt T.W. ....	T065	
Crankshaft Seal.....	KS13709		Cam. Belt; W/120 Tooth Belt; W/.70" Belt T.W. ....	T127	
Cam. Tensioner Assy.....	T41079	◇ 177	<b>1983</b>		
<b>5-CYL. 2.2 L ENG. 200</b>			<b>4-CYL. 1.6 L DIESEL ENG. 4000</b>		
Cam. Belt; Chassis No. 44J400000 & Before.....	T127		Cam. Belt.....	☆T043	
Cam. Belt; Chassis No. 44J400001 & After .....	T170		<b>4-CYL. 1.7 L ENG. 4000</b>		
<b>200 QUATTRO</b>			Timing Component Kit.....	TCK017	
Cam. Belt; Chassis No. 44K004457 & Before.....	T127		Cam. Belt.....	T017	
Cam. Belt; Chassis No. 44K004458 & After .....	T170		Cam. Tensioner Assy.....	T41079	◇ 177
<b>5-CYL. 2.3 L ENG. 80 QUATTRO; 90 QUATTRO</b>			<b>1983</b>		
Cam. Belt; Chassis No. 89J394742 & Before.....	T127		<b>4-CYL. 1.6 L DIESEL ENG. 4000</b>		
Cam. Belt; Chassis No. 89J394743 & After .....	T170		Cam. Belt.....	☆T043	
<b>1989</b>			<b>4-CYL. 1.7 L ENG. 4000</b>		
<b>4-CYL. 2.0 L ENG. 80</b>			Timing Component Kit.....	TCK017	
Timing Component Kit.....	TCK017		Cam. Belt.....	T017	
Cam. Belt.....	T017		Cam. Tensioner Assy.....	T41079	◇ 177
Cam. Seal.....	KS12724		<b>1983</b>		
Crankshaft Seal.....	KS13709		<b>4-CYL. 1.6 L DIESEL ENG. 4000</b>		
Cam. Tensioner Assy.....	T41079	◇ 177	Cam. Belt.....	☆T043	
<b>5-CYL. 2.2 L ENG. 200</b>			<b>4-CYL. 1.7 L ENG. 4000</b>		
Cam. Belt; Chassis No. 44J400000 & Before.....	T127		Timing Component Kit.....	TCK017	
Cam. Belt; Chassis No. 44J400001 & After .....	T170		Cam. Belt.....	T017	
<b>200 QUATTRO</b>			Cam. Tensioner Assy.....	T41079	◇ 177
Cam. Belt; Chassis No. 44K004457 & Before.....	T127		<b>1983</b>		
Cam. Belt; Chassis No. 44K004458 & After .....	T170		<b>4-CYL. 1.6 L DIESEL ENG. 4000</b>		
<b>5-CYL. 2.3 L ENG. 80 QUATTRO; 90 QUATTRO</b>			Cam. Belt.....	☆T043	
Cam. Belt; Chassis No. 89J394742 & Before.....	T127		<b>4-CYL. 1.7 L ENG. 4000</b>		
Cam. Belt; Chassis No. 89J394743 & After .....	T170		Timing Component Kit.....	TCK017	
<b>1989</b>			Cam. Belt.....	T017	
<b>4-CYL. 2.0 L ENG. 80</b>			Cam. Tensioner Assy.....	T41079	◇ 177
Timing Component Kit.....	TCK017		<b>1983</b>		
Cam. Belt.....	T017		<b>4-CYL. 1.6 L DIESEL ENG. 4000</b>		
Cam. Seal.....	KS12724		Cam. Belt.....	☆T043	
Crankshaft Seal.....	KS13709		<b>4-CYL. 1.7 L ENG. 4000</b>		
Cam. Tensioner Assy.....	T41079	◇ 177	Timing Component Kit.....	TCK017	
<b>5-CYL. 2.2 L ENG. 200</b>			Cam. Belt.....	T017	
Cam. Belt; Chassis No. 44J400000 & Before.....	T127		Cam. Tensioner Assy.....	T41079	◇ 177
Cam. Belt; Chassis No. 44J400001 & After .....	T170		<b>1983</b>		
<b>200 QUATTRO</b>			<b>4-CYL. 1.6 L DIESEL ENG. 4000</b>		
Cam. Belt; Chassis No. 44K004457 & Before.....	T127		Cam. Belt.....	☆T043	
Cam. Belt; Chassis No. 44K004458 & After .....	T170		<b>4-CYL. 1.7 L ENG. 4000</b>		
<b>5-CYL. 2.3 L ENG. 80 QUATTRO; 90 QUATTRO</b>			Timing Component Kit.....	TCK017	
Cam. Belt; Chassis No. 89J394742 & Before.....	T127		Cam. Belt.....	T017	
Cam. Belt; Chassis No. 89J394743 & After .....	T170		Cam. Tensioner Assy.....	T41079	◇ 177

☆ Interference engine application. See inside back cover for additional information.

\* Does Not Include Cam. Tensioner Hyd. Assy.

② Two Required.

④ Four Required.

◇ See Diagram Section (Pages 153-167).

# PowerGrip™ Timing System Products for Passenger Cars

Application	Part No.	Diagram No.	Application	Part No.	Diagram No.
<b>AUDI - Continued</b>			<b>AUDI - Continued</b>		
<b>1983 - Continued</b>			<b>1978</b>		
<b>5-CYL. 2.0 L DIESEL ENG. 5000</b>			<b>4-CYL. 97 C.I.D. ENG. FOX</b>		
Cam. Belt.....	☆T083		Timing Component Kit.....	TCK017	
Inj. Pump Belt.....	T082		Cam. Belt.....	T017	
<b>5-CYL. 2.2 L ENG. COUPE; QUATTRO; 5000</b>			Cam. Tensioner Assy.....	T41079	◇ 177
Cam. Belt.....	T065		<b>5-CYL. 131 C.I.D. ENG. 5000</b>		
<b>1982</b>			Cam. Belt.....	T065	
<b>4-CYL. 1.6 L DIESEL ENG. 4000</b>			<b>1977-1975</b>		
Cam. Belt.....	☆T043		<b>4-CYL. 97 C.I.D. ENG. FOX</b>		
<b>4-CYL. 1.7 L ENG. 4000</b>			Timing Component Kit.....	TCK017	
Timing Component Kit.....	TCK017		Cam. Belt.....	T017	
Cam. Belt.....	T017		Cam. Tensioner Assy.....	T41079	◇ 177
Cam. Tensioner Assy.....	T41079	◇ 177	<b>1974-1973</b>		
<b>5-CYL. 2.0 L DIESEL ENG. 5000</b>			<b>4-CYL. 90 C.I.D. ENG. FOX</b>		
Cam. Belt.....	☆T083		Cam. Belt.....	T017	
Inj. Pump Belt.....	T082		<b>BMW</b>		
<b>5-CYL. 2.2 L ENG. COUPE; 5000</b>			<b>1995-1994</b>		
Cam. Belt.....	T065		<b>6-CYL. 2.5 L ENG. 525I</b>		
<b>1981</b>			Cam. Belt.....	☆T131	
<b>4-CYL. 1.7 L ENG. 4000</b>			<b>1993</b>		
Timing Component Kit.....	TCK017		<b>6-CYL. 2.5 L ENG. 325I; 325IS</b>		
Cam. Belt.....	T017		Timing Component Kit.....	☆TCK131	
Cam. Tensioner Assy.....	T41079	◇ 177	Cam. Belt.....	☆T131	
<b>5-CYL. 2.0 L DIESEL ENG. 5000</b>			Cam. Tensioner Assy.....	T41083	◇ 121
Cam. Belt.....	☆T083		<b>525I</b>		
Inj. Pump Belt.....	T082		Timing Component Kit.....	☆TCK131	
<b>5-CYL. 2.2 L ENG. COUPE; 4000; 5000</b>			Cam. Belt.....	☆T131	
Cam. Belt.....	T065		Cam. Seal.....	KS14716	
<b>1980</b>			Crankshaft Seal.....	KS18877	
<b>4-CYL. 1.6 L ENG. 4000</b>			Cam. Tensioner Assy.....	T41083	◇ 121
Timing Component Kit.....	TCK017		<b>1992</b>		
Cam. Belt.....	T017		<b>6-CYL. 2.5 L ENG. 325I; 325IS; 525I</b>		
Cam. Tensioner Assy.....	T41079	◇ 177	Timing Component Kit.....	☆TCK131	
<b>5-CYL. 2.0 L DIESEL ENG. 5000</b>			Cam. Belt.....	☆T131	
Cam. Belt.....	☆T083		Cam. Seal.....	KS14716	
Inj. Pump Belt.....	T082		Crankshaft Seal.....	KS18877	
<b>5-CYL. 2.2 L ENG. 4000; 5000</b>			Cam. Tensioner Assy.....	T41083	◇ 121
Cam. Belt.....	T065		<b>1991</b>		
<b>1979</b>			<b>6-CYL. 2.5 L ENG. 325I; 325IS; 525I</b>		
<b>4-CYL. 97 C.I.D. ENG. FOX</b>			Timing Component Kit.....	☆TCK131	
Timing Component Kit.....	TCK017		Cam. Belt.....	☆T131	
Cam. Belt.....	T017		Cam. Seal.....	KS14716	
Cam. Tensioner Assy.....	T41079	◇ 177	Crankshaft Seal.....	KS18877	
<b>5-CYL. 121 DIESEL C.I.D. ENG. 5000</b>			Cam. Tensioner Assy.....	T41083	◇ 121
Cam. Belt.....	☆T083		<b>325IX</b>		
Inj. Pump Belt.....	T082		Cam. Belt.....	☆T131	
<b>5-CYL. 131 C.I.D. ENG. 5000</b>			<b>1990-1989</b>		
Cam. Belt.....	T065		<b>6-CYL. 2.5 L ENG. 325I; 325IS</b>		
			Timing Component Kit.....	☆TCK131	
			Cam. Belt.....	☆T131	
			Cam. Tensioner Assy.....	T41083	◇ 121
			<b>325IX</b>		
			Cam. Belt.....	☆T131	
			<b>525I</b>		
			Timing Component Kit.....	☆TCK131	

☆ Interference engine application. See inside back cover for additional information.

\* Does Not Include Cam. Tensioner Hyd. Assy.

② Two Required.

④ Four Required.

◇ See Diagram Section (Pages 153-167).

# PowerGrip™ Timing System Products for Passenger Cars

Application	Part No.	Diagram No.	Application	Part No.	Diagram No.
<b>BMW - Continued</b>			<b>BUICK</b>		
<b>1990-1989 - Continued</b>			<b>1988</b>		
<b>6-CYL. 2.5 L ENG. - Continued</b>			IMPORTANT: PLEASE NOTE. To select correct replacement parts, it may be necessary to identify the code character for the engine by looking at the VIN (Vehicle Identification Number) located on the dash panel. For 1981 and newer cars, refer to the 8th digit of VIN for the correct engine code.		
<b>525I - Continued</b>			<b>4-CYL. 2.0 L ENG. SKYHAWK</b>		
Cam. Belt.....	☆T131		Cam. Belt; Eng. VIN K.....	T081	
Cam. Seal.....	KS14716		<b>1987</b>		
Crankshaft Seal.....	KS18877		IMPORTANT: PLEASE NOTE. To select correct replacement parts, it may be necessary to identify the code character for the engine by looking at the VIN (Vehicle Identification Number) located on the dash panel. For 1981 and newer cars, refer to the 8th digit of VIN for the correct engine code.		
Cam. Tensioner Assy.....	T41083	◇ 121	<b>4-CYL. 2.0 L ENG. SKYHAWK</b>		
<b>1988</b>			Cam. Belt; Eng. VIN K, M.....		
<b>6-CYL. 2.5 L ENG. 325I; 325IS</b>			T081		
Timing Component Kit.....	☆TCK131		<b>1986-1983</b>		
Cam. Belt; W/128 Tooth Belt; Use with OEM tensioner pulley.....	☆T106		<b>4-CYL. 1.8 L ENG. SKYHAWK</b>		
Cam. Belt; W/127 Tooth Belt; Use with retrofit tensioner pulley.....	☆T131		Cam. Belt.....		
Cam. Seal.....	KS14716		T081		
Crankshaft Seal.....	KS18877		<b>1982</b>		
Cam. Tensioner Assy.; W/127 Tooth Belt.....	T41083	◇ 121	IMPORTANT: PLEASE NOTE. To select correct replacement parts, it may be necessary to identify the code character for the engine by looking at the VIN (Vehicle Identification Number) located on the dash panel. For 1981 and newer cars, refer to the 8th digit of VIN for the correct engine code.		
<b>325IX</b>			<b>4-CYL. 1.8 L ENG. SKYHAWK</b>		
Cam. Belt.....	☆T131		Cam. Belt; Eng. VIN O.....		
<b>6-CYL. 2.7 L ENG. 325</b>			T081		
Timing Component Kit.....	☆TCK131		<b>CADILLAC</b>		
Cam. Belt; W/128 Tooth Belt; Use with OEM tensioner pulley.....	☆T106		<b>2003</b>		
Cam. Belt; W/127 Tooth Belt; Use with retrofit tensioner pulley.....	☆T131		<b>V-6 3.2 L ENG. CTS</b>		
Crankshaft Seal.....	KS18877		Cam. Belt.....		
Cam. Tensioner Assy.....	T41083	◇ 121	☆T285		
<b>528E</b>			<b>2001-1997</b>		
Cam. Belt; W/128 Tooth Belt; Use with OEM tensioner pulley.....	☆T106		<b>V-6 3.0 L ENG. CATERA</b>		
Cam. Belt; W/127 Tooth Belt; Use with retrofit tensioner pulley.....	☆T131		Cam. Belt.....		
<b>1987</b>			☆T285		
<b>6-CYL. 2.5 L ENG. 325I; 325IS</b>			<b>CHEVROLET</b>		
Cam. Belt; W/128 Tooth Belt; Use with OEM tensioner pulley.....	☆T106		Light truck, van or motorhome information for this manufacturer can be found in the next section of this catalog.		
Cam. Belt; W/127 Tooth Belt; Use with retrofit tensioner pulley.....	☆T131		<b>2001</b>		
<b>6-CYL. 2.7 L ENG. 325; 325E; 325ES; 528E</b>			<b>4-CYL. 1.3 L ENG. METRO</b>		
Cam. Belt; W/128 Tooth Belt; Use with OEM tensioner pulley.....	☆T106		Cam. Belt.....		
Cam. Belt; W/127 Tooth Belt; Use with retrofit tensioner pulley.....	☆T131		T194		
<b>1986</b>			<b>2000-1998</b>		
<b>6-CYL. 2.7 L ENG. 325; 325E; 325ES; 528E</b>			<b>3-CYL. 1.0 L ENG. METRO</b>		
Cam. Belt; W/128 Tooth Belt; Use with OEM tensioner pulley.....	☆T106		Timing Component Kit.....		
Cam. Belt; W/127 Tooth Belt; Use with retrofit tensioner pulley.....	☆T131		TCK194A		
<b>1985-1984</b>			Cam. Belt.....		
<b>6-CYL. 2.7 L ENG. 325E; 528E</b>			T194		
Cam. Belt; W/128 Tooth Belt; Use with OEM tensioner pulley.....	☆T106		Cam. Seal.....		
Cam. Belt; W/127 Tooth Belt; Use with retrofit tensioner pulley.....	☆T131		KS12724		
<b>1983-1982</b>			Crankshaft Seal.....		
<b>6-CYL. 2.7 L ENG. 528E</b>			KS12724		
Cam. Belt; W/128 Tooth Belt; Use with OEM tensioner pulley.....	☆T106		Cam. Tensioner Assy.....		
Cam. Belt; W/127 Tooth Belt; Use with retrofit tensioner pulley.....	☆T131		T41010		
<b>1983-1982</b>			◇ 149		
<b>6-CYL. 2.7 L ENG. 528E</b>			<b>4-CYL. 1.3 L ENG. METRO</b>		
Cam. Belt; W/128 Tooth Belt; Use with OEM tensioner pulley.....	☆T106		Cam. Belt.....		
Cam. Belt; W/127 Tooth Belt; Use with retrofit tensioner pulley.....	☆T131		T194		
<b>1983-1982</b>			<b>1997-1996</b>		
<b>6-CYL. 2.7 L ENG. 528E</b>			<b>V-6 3.4 L ENG. LUMINA; MONTE CARLO</b>		
Cam. Belt; W/128 Tooth Belt; Use with OEM tensioner pulley.....	☆T106		Cam. Belt.....		
Cam. Belt; W/127 Tooth Belt; Use with retrofit tensioner pulley.....	☆T131		☆T273		

☆ Interference engine application. See inside back cover for additional information.

★ Does Not Include Cam. Tensioner Hyd. Assy.

② Two Required.

④ Four Required.

◇ See Diagram Section (Pages 153-167).



# PowerGrip™ Timing System Products for Passenger Cars

Application	Part No.	Diagram No.	Application	Part No.	Diagram No.
<b>CHEVROLET - Continued</b>			<b>CHEVROLET - Continued</b>		
<b>1995</b>			<b>1986-1985 - Continued</b>		
<b>V-6 3.4 L ENG. LUMINA; MONTE CARLO</b>			<b>4-CYL. 1.6 L ENG. - Continued</b>		
Cam. Belt.....	T192		<b>NOVA</b>		
<b>1994-1992</b>			Timing Component Kit..... TCK070		
<b>V-6 3.4 L ENG. LUMINA</b>			Cam. Belt..... T070		
Cam. Belt.....	T192		Cam. Seal..... KS13857		
<b>1991</b>			Crankshaft Seal..... KS12718		
<b>3-CYL. 1.0 L ENG. (CANADA)</b>			Cam. Tensioner Assy..... T41066    ⇨ 106		
<b>SPRINT</b>			<b>4-CYL. 1.8 L DIESEL ENG.</b>		
Cam. Belt.....	T166		<b>CHEVETTE</b>		
Cam. Tensioner Assy.....	T41009	⇨ 176	Cam. Belt..... ☆T076		
<b>V-6 3.4 L ENG. LUMINA</b>			<b>1984-1981</b>		
Cam. Belt.....	T192		<b>4-CYL. 1.6 L ENG.</b>		
<b>1990-1989</b>			<b>CHEVETTE</b>		
<b>3-CYL. 1.0 L ENG. (CANADA)</b>			Cam. Belt..... T061		
<b>SPRINT</b>			<b>4-CYL. 1.8 L DIESEL ENG.</b>		
Cam. Belt.....	T166		<b>CHEVETTE</b>		
Cam. Tensioner Assy.....	T41009	⇨ 176	Cam. Belt..... ☆T076		
<b>1988</b>			<b>1980</b>		
<b>3-CYL. 1.0 L ENG.</b>			<b>4-CYL. 1.6 L ENG.</b>		
<b>SPRINT</b>			<b>CHEVETTE</b>		
Cam. Belt.....	T095		Cam. Belt..... T061		
<b>4-CYL. 1.5 L ENG.</b>			<b>1979</b>		
<b>SPECTRUM</b>			<b>4-CYL. 98 C.I.D. ENG.</b>		
Cam. Belt; May 1, 1987 & Newer.....	☆T162		<b>CHEVETTE</b>		
Cam. Belt; Apr. 30, 1987 & Older.....	☆T118		Cam. Belt..... T061		
<b>4-CYL. 1.6 L ENG.</b>			<b>1978</b>		
<b>NOVA</b>			<b>4-CYL. 98 C.I.D. ENG.</b>		
Timing Component Kit; W/SOHC Eng.....	TCK070		<b>CHEVETTE</b>		
Cam. Belt; W/DOHC Eng.....	T112		Cam. Belt..... T039		
Cam. Belt; W/SOHC Eng.....	T070		<b>1977</b>		
Cam. Seal; W/SOHC Eng.....	KS13857		<b>4-CYL. 85 C.I.D. ENG.</b>		
Crankshaft Seal; W/SOHC Eng.....	KS12718		<b>CHEVETTE</b>		
Cam. Tensioner Assy.; W/SOHC Eng.....	T41066	⇨ 106	Cam. Belt..... T039		
<b>1987</b>			<b>1976</b>		
<b>3-CYL. 1.0 L ENG.</b>			<b>4-CYL. 85 C.I.D. ENG.</b>		
<b>SPRINT</b>			<b>CHEVETTE</b>		
Cam. Belt.....	T095		Cam. Belt..... T037		
<b>4-CYL. 1.5 L ENG.</b>			<b>4-CYL. 98 C.I.D. ENG.</b>		
<b>SPECTRUM</b>			<b>CHEVETTE</b>		
Cam. Belt.....	☆T118		Cam. Belt..... T037		
<b>4-CYL. 1.6 L ENG.</b>			<b>CHRYSLER</b>		
<b>CHEVETTE</b>			Light truck, van or motorhome information for this manufacturer can be found in the next section of this catalog.		
Cam. Belt.....	T061		<b>2003</b>		
<b>NOVA</b>			<b>4-CYL. 2.4 L ENG.</b>		
Timing Component Kit.....	TCK070		<b>PT CRUISER</b>		
Cam. Belt.....	T070		Cam. Belt..... T265		
Cam. Seal.....	KS13857		Cam. Tensioner Assy..... T43008    ⇨ 204		
Crankshaft Seal.....	KS12718		<b>V-6 3.5 L ENG.</b>		
Cam. Tensioner Assy.....	T41066	⇨ 106	<b>300M</b>		
<b>1986-1985</b>			Cam. Belt..... ☆T295		
<b>3-CYL. 1.0 L ENG.</b>			<b>2002</b>		
<b>SPRINT</b>			<b>4-CYL. 2.0 L ENG. (CANADA)</b>		
Cam. Belt.....	T095		<b>NEON</b>		
<b>4-CYL. 1.5 L ENG.</b>			Cam. Belt..... ☆T245		
<b>SPECTRUM</b>			<b>4-CYL. 2.4 L ENG.</b>		
Cam. Belt.....	☆T118		<b>PT CRUISER</b>		
<b>4-CYL. 1.6 L ENG.</b>			Cam. Belt..... T265		
<b>CHEVETTE</b>					
Cam. Belt.....	T061				

☆ Interference engine application. See inside back cover for additional information.

\* Does Not Include Cam. Tensioner Hyd. Assy.

② Two Required.

④ Four Required.

⇨ See Diagram Section (Pages 153-167).

# PowerGrip™ Timing System Products for Passenger Cars

Application	Part No.	Diagram No.	Application	Part No.	Diagram No.
<b>CHRYSLER - Continued</b>			<b>CHRYSLER - Continued</b>		
<b>2002 - Continued</b>			<b>2001 - Continued</b>		
<b>4-CYL. 2.4 L ENG. - Continued</b>			<b>V-6 3.5 L ENG. (CANADA) - Continued</b>		
<b>PT CRUISER - Continued</b>			<b>INTREPID - Continued</b>		
Cam. Tensioner Assy.....	T43005	◇ 205	Crankshaft Seal.....	KS11417	
<b>SEBRING</b>			Cam. Tensioner Assy.....	★T41084	◇ 158
Cam. Belt; W/DOHC Eng.....	T265		<b>2000</b>		
Cam. Belt; W/SOHC Eng.....	☆T232		<b>4-CYL. 2.0 L ENG.</b>		
Balance Shaft Belt; W/SOHC Eng.....	☆T168		<b>CIRRUS</b>		
Cam. Tensioner Assy.....	T43005	◇ 205	Cam. Belt.....	☆T245	
<b>V-6 3.0 L ENG.</b>			<b>4-CYL. 2.0 L ENG. (CANADA)</b>		
<b>SEBRING</b>			<b>NEON</b>		
Timing Component Kit.....	☆★TCK259	◇ 206	Cam. Belt.....	☆T245	
Cam. Belt.....	☆T259		<b>4-CYL. 2.4 L ENG.</b>		
Cam. Idler Pulley.....	T42018	◇ 206	<b>CIRRUS</b>		
Cam. Tensioner Assy.....	★T41039	◇ 206	Cam. Belt.....	T265	
<b>V-6 3.5 L ENG.</b>			Cam. Tensioner Assy.....	T43005	◇ 205
<b>CONCORDE; 300M</b>			<b>V-6 2.5 L ENG.</b>		
Timing Component Kit.....	☆★TCK295	◇ 158	<b>CIRRUS; SEBRING</b>		
Cam. Belt.....	☆T295		Timing Component Kit.....	☆★TCK259	◇ 206
Cam. Seal.....	②KS14560		Cam. Belt.....	☆T259	
Crankshaft Seal.....	KS11417		Cam. Seal.....	②KS13907	
Cam. Tensioner Assy.....	★T41084	◇ 158	Crankshaft Seal.....	KS14671	
<b>PROWLER</b>			Cam. Idler Pulley.....	T42018	◇ 206
Cam. Belt.....	☆T295		Cam. Tensioner Assy.....	★T41039	◇ 206
<b>V-6 3.5 L ENG. (CANADA)</b>			<b>V-6 3.2 L ENG.</b>		
<b>INTREPID</b>			<b>CONCORDE</b>		
Timing Component Kit.....	☆★TCK295	◇ 158	Timing Component Kit.....	☆★TCK295	◇ 158
Cam. Belt.....	☆T295		Cam. Belt.....	☆T295	
Cam. Seal.....	②KS14560		Cam. Seal.....	②KS14560	
Crankshaft Seal.....	KS11417		Crankshaft Seal.....	KS11417	
Cam. Tensioner Assy.....	★T41084	◇ 158	Cam. Tensioner Assy.....	★T41084	◇ 158
<b>2001</b>			<b>V-6 3.2 L ENG. (CANADA)</b>		
<b>4-CYL. 2.0 L ENG. (CANADA)</b>			<b>INTREPID</b>		
<b>NEON</b>			Timing Component Kit.....	☆★TCK295	◇ 158
Cam. Belt.....	☆T245		Cam. Belt.....	☆T295	
<b>4-CYL. 2.4 L ENG.</b>			Cam. Seal.....	②KS14560	
<b>PT CRUISER</b>			Crankshaft Seal.....	KS11417	
Cam. Belt.....	T265		Cam. Tensioner Assy.....	★T41084	◇ 158
Cam. Tensioner Assy.....	T43005	◇ 205	<b>V-6 3.5 L ENG.</b>		
<b>SEBRING</b>			<b>LHS; 300M</b>		
Cam. Belt; W/DOHC Eng.....	T265		Timing Component Kit.....	☆★TCK295	◇ 158
Cam. Belt; W/SOHC Eng.....	☆T232		Cam. Belt.....	☆T295	
Balance Shaft Belt; W/SOHC Eng.....	☆T168		Cam. Seal.....	②KS14560	
Cam. Tensioner Assy.....	T43005	◇ 205	Crankshaft Seal.....	KS11417	
<b>V-6 3.0 L ENG.</b>			Cam. Tensioner Assy.....	★T41084	◇ 158
<b>SEBRING</b>			<b>V-6 3.5 L ENG. (CANADA)</b>		
Timing Component Kit.....	☆★TCK259	◇ 206	<b>INTREPID</b>		
Cam. Belt.....	☆T259		Timing Component Kit.....	☆★TCK295	◇ 158
Cam. Idler Pulley.....	T42018	◇ 206	Cam. Belt.....	☆T295	
Cam. Tensioner Assy.....	★T41039	◇ 206	Cam. Seal.....	②KS14560	
<b>V-6 3.2 L ENG.</b>			Crankshaft Seal.....	KS11417	
<b>CONCORDE</b>			Cam. Tensioner Assy.....	★T41084	◇ 158
Cam. Belt.....	☆T295		<b>1999</b>		
<b>V-6 3.2 L ENG. (CANADA)</b>			<b>4-CYL. 2.0 L ENG.</b>		
<b>INTREPID</b>			<b>SEBRING</b>		
Cam. Belt.....	☆T295		Timing Component Kit.....	☆★TCK246	◇ 169
<b>V-6 3.5 L ENG.</b>			Cam. Belt.....	☆T246	
<b>LHS; 300M</b>			Cam. Idler Pulley; W/DOHC Eng.....	★T41002	◇ 169
Timing Component Kit.....	☆★TCK295	◇ 158	Cam. Tensioner Assy.; W/DOHC Eng.....	★T41002	◇ 169
Cam. Belt.....	☆T295		<b>4-CYL. 2.4 L ENG.</b>		
Cam. Seal.....	②KS14560		<b>SEBRING</b>		
Crankshaft Seal.....	KS11417		Cam. Belt.....	T265	
Cam. Tensioner Assy.....	★T41084	◇ 158	Cam. Tensioner Assy.....	T43005	◇ 205
<b>V-6 3.5 L ENG. (CANADA)</b>			<b>V-6 2.5 L ENG.</b>		
<b>INTREPID</b>			<b>CIRRUS; SEBRING</b>		
Timing Component Kit.....	☆★TCK295	◇ 158	Timing Component Kit.....	☆★TCK259	◇ 206
Cam. Belt.....	☆T295		Cam. Belt.....	☆T259	
Cam. Seal.....	②KS14560				

☆ Interference engine application. See inside back cover for additional information.

② Two Required.

◇ See Diagram Section (Pages 153-167).

★ Does Not Include Cam. Tensioner Hyd. Assy.

④ Four Required.

# PowerGrip™ Timing System Products for Passenger Cars

Application	Part No.	Diagram No.	Application	Part No.	Diagram No.
<b>CHRYSLER - Continued</b>			<b>CHRYSLER - Continued</b>		
<b>1999 - Continued</b>			<b>1997 - Continued</b>		
<b>V-6 2.5 L ENG. - Continued</b>			<b>4-CYL. 2.0 L ENG. - Continued</b>		
<b>CIRRUS; SEBRING - Continued</b>			<b>SEBRING - Continued</b>		
Cam. Seal.....	ⓂKS13907		Crankshaft Seal.....	KS12711	
Crankshaft Seal.....	KS14671		Cam. Idler Pulley; W/DOHC Eng.....	★T41002	◇ 169
Cam. Idler Pulley.....	T42018	◇ 206	Cam. Tensioner Assy.; W/DOHC Eng.....	★T41002	◇ 169
Cam. Tensioner Assy.....	★T41039	◇ 206			
<b>V-6 3.2 L ENG.</b>			<b>4-CYL. 2.4 L ENG.</b>		
<b>CONCORDE</b>			<b>CIRRUS; SEBRING</b>		
Timing Component Kit.....	☆★TCK295	◇ 158	Cam. Belt.....	T265	
Cam. Belt.....	☆T295		Cam. Tensioner Assy.....	T43005	◇ 205
Cam. Seal.....	ⓂKS14560				
Crankshaft Seal.....	KS11417				
Cam. Tensioner Assy.....	★T41084	◇ 158			
<b>V-6 3.2 L ENG. (CANADA)</b>			<b>V-6 2.5 L ENG.</b>		
<b>INTREPID</b>			<b>CIRRUS; SEBRING</b>		
Timing Component Kit.....	☆★TCK295	◇ 158	Timing Component Kit.....	☆★TCK259	◇ 206
Cam. Belt.....	☆T295		Cam. Belt.....	☆T259	
Cam. Seal.....	ⓂKS14560		Cam. Seal.....	ⓂKS13907	
Crankshaft Seal.....	KS11417		Crankshaft Seal.....	KS14671	
Cam. Tensioner Assy.....	★T41084	◇ 158	Cam. Idler Pulley.....	T42018	◇ 206
			Cam. Tensioner Assy.....	★T41039	◇ 206
<b>V-6 3.5 L ENG.</b>			<b>4-CYL. 2.4 L ENG.</b>		
<b>LHS; 300M</b>			<b>SEBRING</b>		
Timing Component Kit.....	☆★TCK295	◇ 158	Timing Component Kit.....	☆★TCK246	◇ 169
Cam. Belt.....	☆T295		Cam. Belt.....	☆T246	
Cam. Seal.....	ⓂKS14560		Cam. Idler Pulley; W/DOHC Eng.....	★T41002	◇ 169
Crankshaft Seal.....	KS11417		Cam. Tensioner Assy.; W/DOHC Eng.....	★T41002	◇ 169
Cam. Tensioner Assy.....	★T41084	◇ 158			
<b>1998</b>			<b>1996</b>		
<b>4-CYL. 2.0 L ENG.</b>			<b>4-CYL. 2.0 L ENG.</b>		
<b>SEBRING</b>			<b>SEBRING</b>		
Timing Component Kit.....	☆★TCK246	◇ 169	Timing Component Kit.....	☆★TCK246	◇ 169
Cam. Belt.....	☆T246		Cam. Belt.....	☆T246	
Cam. Idler Pulley; W/DOHC Eng.....	★T41002	◇ 169	Cam. Seal.....	ⓂKS13709	
Cam. Tensioner Assy.; W/DOHC Eng.....	★T41002	◇ 169	Crankshaft Seal.....	KS12711	
			Cam. Idler Pulley; W/DOHC Eng.....	★T41002	◇ 169
			Cam. Tensioner Assy.; W/DOHC Eng.....	★T41002	◇ 169
<b>4-CYL. 2.4 L ENG.</b>			<b>4-CYL. 2.4 L ENG.</b>		
<b>SEBRING</b>			<b>CIRRUS; SEBRING</b>		
Cam. Belt.....	T265		Cam. Belt.....	T265	
Cam. Tensioner Assy.....	T43005	◇ 205			
<b>V-6 2.5 L ENG.</b>			<b>V-6 2.5 L ENG.</b>		
<b>CIRRUS; SEBRING</b>			<b>CIRRUS; SEBRING</b>		
Timing Component Kit.....	☆★TCK259	◇ 206	Timing Component Kit.....	☆★TCK259	◇ 206
Cam. Belt.....	☆T259		Cam. Belt.....	☆T259	
Cam. Seal.....	ⓂKS13907		Cam. Seal.....	ⓂKS13907	
Crankshaft Seal.....	KS14671		Crankshaft Seal.....	KS14671	
Cam. Idler Pulley.....	T42018	◇ 206	Cam. Idler Pulley.....	T42018	◇ 206
Cam. Tensioner Assy.....	★T41039	◇ 206	Cam. Tensioner Assy.....	★T41039	◇ 206
<b>V-6 3.2 L ENG.</b>			<b>V-6 3.2 L ENG.</b>		
<b>CONCORDE</b>			<b>CONCORDE</b>		
Timing Component Kit.....	☆★TCK295	◇ 158	Timing Component Kit.....	☆★TCK295	◇ 158
Cam. Belt.....	☆T295		Cam. Belt.....	☆T295	
Cam. Seal.....	ⓂKS14560		Cam. Seal.....	ⓂKS14560	
Crankshaft Seal.....	KS11417		Crankshaft Seal.....	KS11417	
Cam. Tensioner Assy.....	★T41084	◇ 158	Cam. Tensioner Assy.....	★T41084	◇ 158
<b>V-6 3.2 L ENG. (CANADA)</b>			<b>V-6 3.2 L ENG. (CANADA)</b>		
<b>INTREPID</b>			<b>INTREPID</b>		
Timing Component Kit.....	☆★TCK295	◇ 158	Timing Component Kit.....	☆★TCK295	◇ 158
Cam. Belt.....	☆T295		Cam. Belt.....	☆T295	
Cam. Seal.....	ⓂKS14560		Cam. Seal.....	ⓂKS14560	
Crankshaft Seal.....	KS11417		Crankshaft Seal.....	KS11417	
Cam. Tensioner Assy.....	★T41084	◇ 158	Cam. Tensioner Assy.....	★T41084	◇ 158
<b>1997</b>			<b>1997</b>		
<b>4-CYL. 2.0 L ENG.</b>			<b>4-CYL. 2.0 L ENG.</b>		
<b>SEBRING</b>			<b>SEBRING</b>		
Timing Component Kit.....	☆★TCK246	◇ 169	Timing Component Kit.....	☆★TCK246	◇ 169
Cam. Belt.....	☆T246		Cam. Belt.....	☆T246	
Cam. Seal.....	ⓂKS13709		Cam. Seal.....	ⓂKS13709	
Crankshaft Seal.....	KS12711		Crankshaft Seal.....	KS12711	
Cam. Idler Pulley; W/DOHC Eng.....	★T41002	◇ 169	Cam. Idler Pulley; W/DOHC Eng.....	★T41002	◇ 169
Cam. Tensioner Assy.; W/DOHC Eng.....	★T41002	◇ 169	Cam. Tensioner Assy.; W/DOHC Eng.....	★T41002	◇ 169
<b>4-CYL. 2.4 L ENG.</b>			<b>4-CYL. 2.4 L ENG.</b>		
<b>CIRRUS; SEBRING</b>			<b>CIRRUS; SEBRING</b>		
Cam. Belt.....	T265		Cam. Belt.....	T265	
<b>V-6 2.5 L ENG.</b>			<b>V-6 2.5 L ENG.</b>		
<b>CIRRUS; SEBRING</b>			<b>CIRRUS; SEBRING</b>		
Timing Component Kit.....	☆★TCK259	◇ 206	Timing Component Kit.....	☆★TCK259	◇ 206
Cam. Belt.....	☆T259		Cam. Belt.....	☆T259	
Cam. Seal.....	ⓂKS13907		Cam. Seal.....	ⓂKS13907	
Crankshaft Seal.....	KS14671		Crankshaft Seal.....	KS14671	
Cam. Idler Pulley.....	T42018	◇ 206	Cam. Idler Pulley.....	T42018	◇ 206
Cam. Tensioner Assy.....	★T41039	◇ 206	Cam. Tensioner Assy.....	★T41039	◇ 206
<b>V-6 3.5 L ENG.</b>			<b>V-6 3.5 L ENG.</b>		
<b>CONCORDE; LHS</b>			<b>CONCORDE; LHS</b>		
Timing Component Kit.....	★TCK255	◇ 172	Timing Component Kit.....	★TCK255	◇ 172
Cam. Belt.....	T255		Cam. Belt.....	T255	
Cam. Seal.....	ⓂKS11152		Cam. Seal.....	ⓂKS11152	
Crankshaft Seal.....	KS11122		Crankshaft Seal.....	KS11122	
Cam. Tensioner Pulley.....	★T41002	◇ 172	Cam. Tensioner Pulley.....	★T41002	◇ 172
<b>NEW YORKER</b>			<b>NEW YORKER</b>		
Timing Component Kit.....	★TCK255	◇ 172	Timing Component Kit.....	★TCK255	◇ 172
Cam. Belt.....	T255		Cam. Belt.....	T255	
Cam. Seal.....	ⓂKS13557		Cam. Seal.....	ⓂKS13557	
Crankshaft Seal.....	KS11122		Crankshaft Seal.....	KS11122	
Cam. Tensioner Pulley.....	★T41002	◇ 172	Cam. Tensioner Pulley.....	★T41002	◇ 172
<b>V-6 3.5 L ENG. (CANADA)</b>			<b>V-6 3.5 L ENG. (CANADA)</b>		
<b>INTREPID</b>			<b>INTREPID</b>		
Timing Component Kit.....	★TCK255	◇ 172	Timing Component Kit.....	★TCK255	◇ 172

☆ Interference engine application. See inside back cover for additional information.

Ⓜ Two Required.

◇ See Diagram Section (Pages 153-167).

★ Does Not Include Cam. Tensioner Hyd. Assy.

④ Four Required.

# PowerGrip™ Timing System Products for Passenger Cars

Application	Part No.	Diagram No.	Application	Part No.	Diagram No.
<b>CHRYSLER - Continued</b>			<b>CHRYSLER - Continued</b>		
<b>1996 - Continued</b>			<b>1994 - Continued</b>		
<b>V-6 3.5 L ENG. (CANADA) - Continued</b>			<b>V-6 3.0 L ENG. - Continued</b>		
<b>INTREPID - Continued</b>			<b>LEBARON - Continued</b>		
Cam. Belt.....	T255		Cam. Tensioner Assy.....	T41048	◇ 123
Cam. Seal.....	②KS11152		<b>V-6 3.5 L ENG.</b>		
Crankshaft Seal.....	KS11122		<b>CONCORDE; LHS; NEW YORKER</b>		
Cam. Tensioner Pulley.....	★T41002	◇ 172	Timing Component Kit.....	★TCK219	◇ 158
<b>1995</b>			Cam. Belt.....	T219	
<b>4-CYL. 2.0 L ENG.</b>			Cam. Seal.....	②KS11152	
<b>SEBRING</b>			Crankshaft Seal.....	KS11122	
Timing Component Kit.....	★TCK246	◇ 169	Cam. Tensioner Assy.....	★T41084	◇ 158
Cam. Belt.....	☆T246		<b>V-6 3.5 L ENG. (CANADA)</b>		
Cam. Seal.....	②KS13709		<b>INTREPID</b>		
Crankshaft Seal.....	KS12711		Timing Component Kit.....	★TCK219	◇ 158
Cam. Idler Pulley; W/DOHC Eng.....	★T41002	◇ 169	Cam. Belt.....	T219	
Cam. Tensioner Assy.; W/DOHC Eng.....	★T41002	◇ 169	Cam. Seal.....	②KS11152	
<b>4-CYL. 2.4 L ENG.</b>			Crankshaft Seal.....	KS11122	
<b>CIRRUS</b>			Cam. Tensioner Assy.....	★T41084	◇ 158
Cam. Belt.....	T265		<b>1993</b>		
<b>V-6 2.5 L ENG.</b>			<b>4-CYL. 2.2 L ENG. (CANADA)</b>		
<b>CIRRUS; SEBRING</b>			<b>DAYTONA</b>		
Timing Component Kit.....	★TCK259	◇ 206	Cam. Belt; W/Turbo.....	T206	
Cam. Belt.....	☆T259		<b>4-CYL. 2.5 L ENG.</b>		
Cam. Seal.....	②KS13907		<b>LEBARON</b>		
Crankshaft Seal.....	KS14671		Timing Component Kit.....	TCK153	
Cam. Idler Pulley.....	T42018	◇ 206	Cam. Belt.....	T153	
Cam. Tensioner Assy.....	★T41039	◇ 206	Cam. Seal.....	KS13948	
<b>V-6 3.0 L ENG.</b>			Crankshaft Seal.....	KS11122	
<b>LEBARON</b>			Cam. Tensioner Assy.....	T41001	◇ 130
Timing Component Kit.....	TCK139		<b>4-CYL. 2.5 L ENG. (CANADA)</b>		
Cam. Belt.....	T139		<b>DAYTONA</b>		
Cam. Seal.....	②KS13907		Timing Component Kit.....	TCK153	
Crankshaft Seal.....	KS14671		Cam. Belt.....	T153	
Cam. Tensioner Assy.....	T41048	◇ 123	Cam. Seal.....	KS13948	
<b>V-6 3.5 L ENG.</b>			Crankshaft Seal.....	KS11122	
<b>CONCORDE; LHS</b>			Cam. Tensioner Assy.....	T41001	◇ 130
Timing Component Kit.....	★TCK255	◇ 172	<b>V-6 3.0 L ENG.</b>		
Cam. Belt.....	T255		<b>LEBARON</b>		
Cam. Seal.....	②KS11152		Timing Component Kit.....	TCK139	
Crankshaft Seal.....	KS11122		Cam. Belt.....	T139	
Cam. Tensioner Pulley.....	★T41002	◇ 172	Cam. Seal.....	②KS13907	
<b>NEW YORKER</b>			Crankshaft Seal.....	KS14671	
Timing Component Kit.....	★TCK255	◇ 172	Cam. Tensioner Assy.....	T41048	◇ 123
Cam. Belt.....	T255		<b>V-6 3.0 L ENG. (CANADA)</b>		
Cam. Seal.....	②KS13557		<b>DAYTONA</b>		
Crankshaft Seal.....	KS11122		Timing Component Kit.....	TCK139	
Cam. Tensioner Pulley.....	★T41002	◇ 172	Cam. Belt.....	T139	
<b>V-6 3.5 L ENG. (CANADA)</b>			Cam. Seal.....	②KS13907	
<b>INTREPID</b>			Crankshaft Seal.....	KS14671	
Timing Component Kit.....	★TCK255	◇ 172	Cam. Tensioner Assy.....	T41048	◇ 123
Cam. Belt.....	T255		<b>V-6 3.5 L ENG.</b>		
Cam. Seal.....	②KS11152		<b>CONCORDE</b>		
Crankshaft Seal.....	KS11122		Timing Component Kit.....	★TCK219	◇ 158
Cam. Tensioner Pulley.....	★T41002	◇ 172	Cam. Belt.....	T219	
<b>1994</b>			Cam. Seal.....	②KS11152	
<b>4-CYL. 2.5 L ENG.</b>			Crankshaft Seal.....	KS11122	
<b>LEBARON</b>			Cam. Tensioner Assy.....	★T41084	◇ 158
Timing Component Kit.....	TCK153		<b>V-6 3.5 L ENG. (CANADA)</b>		
Cam. Belt.....	T153		<b>INTREPID</b>		
Cam. Seal.....	KS13948		Timing Component Kit.....	★TCK219	◇ 158
Crankshaft Seal.....	KS11122		Cam. Belt.....	T219	
Cam. Tensioner Assy.....	T41001	◇ 130	Cam. Seal.....	②KS11152	
<b>V-6 3.0 L ENG.</b>			Crankshaft Seal.....	KS11122	
<b>LEBARON</b>			Cam. Tensioner Assy.....	★T41084	◇ 158
Timing Component Kit.....	TCK139		<b>1993</b>		
Cam. Belt.....	T139		<b>4-CYL. 2.2 L ENG. (CANADA)</b>		
Cam. Seal.....	②KS13907		<b>DAYTONA</b>		
Crankshaft Seal.....	KS14671		Cam. Belt; W/Turbo.....	T206	
Cam. Tensioner Pulley.....	★T41002	◇ 172	<b>4-CYL. 2.5 L ENG.</b>		

☆ Interference engine application. See inside back cover for additional information.

★ Does Not Include Cam. Tensioner Hyd. Assy.

② Two Required.

④ Four Required.

◇ See Diagram Section (Pages 153-167).

# PowerGrip™ Timing System Products for Passenger Cars

Application	Part No.	Diagram No.	Application	Part No.	Diagram No.
<b>CHRYSLER - Continued</b>			<b>CHRYSLER - Continued</b>		
<b>1992</b>			<b>1990</b>		
<b>4-CYL. 2.2 L ENG. (CANADA) DAYTONA</b>			<b>4-CYL. 2.2 L ENG. LEBARON</b>		
Cam. Belt; W/Turbo.....	T206		Timing Component Kit.....	TCK153	
Cam. Tensioner Assy.....	T41001	◇ 130	Cam. Belt.....	T153	
<b>4-CYL. 2.5 L ENG. LEBARON</b>			Cam. Seal.....	KS13948	
Timing Component Kit.....	TCK153		Crankshaft Seal.....	KS11122	
Cam. Belt.....	T153		Cam. Tensioner Assy.....	T41001	◇ 130
Cam. Seal.....	KS13948		<b>TC MASERATI</b>		
Crankshaft Seal.....	KS11122		Timing Component Kit.....	TCK153	
Cam. Tensioner Assy.....	T41001	◇ 130	Cam. Belt.....	T153	
<b>4-CYL. 2.5 L ENG. (CANADA) DAYTONA; DYNASTY</b>			Cam. Tensioner Assy.; W/SOHC Eng.....	T41001	◇ 130
Timing Component Kit.....	TCK153		<b>4-CYL. 2.2 L ENG. (CANADA) DAYTONA</b>		
Cam. Belt.....	T153		Timing Component Kit.....	TCK153	
Cam. Seal.....	KS13948		Cam. Belt.....	T153	
Crankshaft Seal.....	KS11122		Cam. Seal.....	KS13948	
Cam. Tensioner Assy.....	T41001	◇ 130	Crankshaft Seal.....	KS11122	
<b>V-6 3.0 L ENG. LEBARON</b>			Cam. Tensioner Assy.....	T41001	◇ 130
Timing Component Kit.....	TCK139		<b>4-CYL. 2.5 L ENG. LEBARON</b>		
Cam. Belt.....	T139		Timing Component Kit.....	TCK153	
Cam. Seal.....	②KS13907		Cam. Belt.....	T153	
Crankshaft Seal.....	KS14671		Cam. Seal.....	KS13948	
Cam. Tensioner Assy.....	T41048	◇ 123	Crankshaft Seal.....	KS11122	
<b>V-6 3.0 L ENG. (CANADA) DAYTONA</b>			Cam. Tensioner Assy.....	T41001	◇ 130
Timing Component Kit.....	TCK139		<b>4-CYL. 2.5 L ENG. (CANADA) DAYTONA; DYNASTY</b>		
Cam. Belt.....	T139		Timing Component Kit.....	TCK153	
Cam. Seal.....	②KS13907		Cam. Belt.....	T153	
Crankshaft Seal.....	KS14671		Cam. Seal.....	KS13948	
Cam. Tensioner Assy.....	T41048	◇ 123	Crankshaft Seal.....	KS11122	
<b>1991</b>			Cam. Tensioner Assy.....	T41001	◇ 130
<b>4-CYL. 2.5 L ENG. LEBARON</b>			<b>V-6 3.0 L ENG. LEBARON</b>		
Timing Component Kit.....	TCK153		Timing Component Kit.....	TCK139	
Cam. Belt.....	T153		Cam. Belt.....	T139	
Cam. Seal.....	KS13948		Cam. Seal.....	②KS13907	
Crankshaft Seal.....	KS11122		Crankshaft Seal.....	KS14671	
Cam. Tensioner Assy.....	T41001	◇ 130	Cam. Tensioner Assy.....	T41048	◇ 123
<b>4-CYL. 2.5 L ENG. (CANADA) DAYTONA; DYNASTY</b>			<b>TC MASERATI</b>		
Timing Component Kit.....	TCK153		Timing Component Kit.....	TCK139	
Cam. Belt.....	T153		Cam. Belt.....	T139	
Cam. Seal.....	KS13948		Cam. Tensioner Assy.....	T41048	◇ 123
Crankshaft Seal.....	KS11122		<b>V-6 3.0 L ENG. (CANADA) DAYTONA; DYNASTY</b>		
Cam. Tensioner Assy.....	T41001	◇ 130	Timing Component Kit.....	TCK139	
<b>V-6 3.0 L ENG. LEBARON</b>			Cam. Belt.....	T139	
Timing Component Kit.....	TCK139		Cam. Seal.....	②KS13907	
Cam. Belt.....	T139		Crankshaft Seal.....	KS14671	
Cam. Seal.....	②KS13907		Cam. Tensioner Assy.....	T41048	◇ 123
Crankshaft Seal.....	KS14671		<b>1989</b>		
Cam. Tensioner Assy.....	T41048	◇ 123	<b>4-CYL. 2.2 L ENG. LEBARON</b>		
<b>TC MASERATI</b>			Timing Component Kit.....	TCK153	
Timing Component Kit.....	TCK139		Cam. Belt.....	T153	
Cam. Belt.....	T139		Cam. Seal.....	KS13948	
Cam. Tensioner Assy.....	T41048	◇ 123	Crankshaft Seal.....	KS11122	
<b>V-6 3.0 L ENG. (CANADA) DAYTONA</b>			Cam. Tensioner Assy.....	T41001	◇ 130
Timing Component Kit.....	TCK139		<b>4-CYL. 2.2 L ENG. (CANADA) DAYTONA</b>		
Cam. Belt.....	T139		Timing Component Kit.....	TCK153	
Cam. Seal.....	②KS13907		Cam. Belt.....	T153	
Crankshaft Seal.....	KS14671		Cam. Seal.....	KS13948	
Cam. Tensioner Assy.....	T41048	◇ 123	Crankshaft Seal.....	KS11122	
<b>1991</b>			Cam. Tensioner Assy.....	T41001	◇ 130

☆ Interference engine application. See inside back cover for additional information.

\* Does Not Include Cam. Tensioner Hyd. Assy.

② Two Required.

④ Four Required.

◇ See Diagram Section (Pages 153-167).

# PowerGrip™ Timing System Products for Passenger Cars

Application	Part No.	Diagram No.	Application	Part No.	Diagram No.
<b>CHRYSLER - Continued</b>			<b>CHRYSLER - Continued</b>		
<b>1989 - Continued</b>			<b>1987</b>		
<b>4-CYL. 2.5 L ENG. LEBARON</b>			<b>4-CYL. 2.2 L ENG. LEBARON; NEW YORKER; TOWN &amp; COUNTRY</b>		
Timing Component Kit.....	TCK153		Timing Component Kit.....	TCK071	
Cam. Belt.....	T153		Cam. Belt.....	T071	
Cam. Seal.....	KS13948		Cam. Seal.....	KS13948	
Crankshaft Seal.....	KS11122		Crankshaft Seal.....	KS13948	
Cam. Tensioner Assy.....	T41001	◇ 130	Cam. Tensioner Assy.....	T41000	◇ 107
<b>4-CYL. 2.5 L ENG. (CANADA) DAYTONA; DYNASTY</b>			<b>4-CYL. 2.2 L ENG. (CANADA) DAYTONA</b>		
Timing Component Kit.....	TCK153		Timing Component Kit.....	TCK071	
Cam. Belt.....	T153		Cam. Belt.....	T071	
Cam. Seal.....	KS13948		Cam. Seal.....	KS13948	
Crankshaft Seal.....	KS11122		Crankshaft Seal.....	KS13948	
Cam. Tensioner Assy.....	T41001	◇ 130	Cam. Tensioner Assy.....	T41000	◇ 107
<b>V-6 3.0 L ENG. NEW YORKER</b>			<b>4-CYL. 2.5 L ENG. LEBARON; NEW YORKER; TOWN &amp; COUNTRY</b>		
Timing Component Kit.....	TCK139		Cam. Belt.....	T114	
Cam. Belt.....	T139		<b>4-CYL. 2.5 L ENG. (CANADA) DAYTONA</b>		
Cam. Seal.....	②KS13907		Cam. Belt.....	T114	
Crankshaft Seal.....	KS14671		<b>1986</b>		
Cam. Tensioner Assy.....	T41048	◇ 123	<b>4-CYL. 2.2 L ENG. LASER; LEBARON; NEW YORKER; TOWN &amp; COUNTRY</b>		
<b>V-6 3.0 L ENG. (CANADA) DYNASTY</b>			Timing Component Kit.....		
Timing Component Kit.....	TCK139		TCK071		
Cam. Belt.....	T139		Cam. Belt.....		
Cam. Seal.....	②KS13907		T071		
Crankshaft Seal.....	KS14671		Cam. Seal.....		
Cam. Tensioner Assy.....	T41048	◇ 123	KS13948		
<b>1988</b>			Crankshaft Seal.....		
<b>4-CYL. 2.2 L ENG. LEBARON; NEW YORKER; TOWN &amp; COUNTRY</b>			KS13948		
Timing Component Kit.....	TCK071		Cam. Tensioner Assy.....		
Cam. Belt.....	T071		T41000		
Cam. Seal.....	KS13948		◇ 107		
Crankshaft Seal.....	KS13948		<b>4-CYL. 2.2 L ENG. (CANADA) DAYTONA; EXECUTIVE LIMOUSINE</b>		
Cam. Tensioner Assy.....	T41000	◇ 107	Timing Component Kit.....		
<b>4-CYL. 2.2 L ENG. (CANADA) DAYTONA</b>			TCK071		
Timing Component Kit.....	TCK071		Cam. Belt.....		
Cam. Belt.....	T071		T071		
Cam. Seal.....	KS13948		Cam. Seal.....		
Crankshaft Seal.....	KS13948		KS13948		
Cam. Tensioner Assy.....	T41000	◇ 107	Crankshaft Seal.....		
<b>4-CYL. 2.5 L ENG. LEBARON; TOWN &amp; COUNTRY</b>			KS13948		
Cam. Belt.....	T132		Cam. Tensioner Assy.....		
<b>4-CYL. 2.5 L ENG. (CANADA) DAYTONA; DYNASTY</b>			T41000		
Cam. Belt.....	T132		◇ 107		
<b>V-6 3.0 L ENG. NEW YORKER</b>			<b>1985</b>		
Timing Component Kit.....	TCK139		<b>4-CYL. 2.2 L ENG. LASER; LEBARON; NEW YORKER; TOWN &amp; COUNTRY</b>		
Cam. Belt.....	T139		Timing Component Kit.....		
Cam. Seal.....	②KS13907		TCK071		
Crankshaft Seal.....	KS14671		Cam. Belt.....		
Cam. Tensioner Assy.....	T41048	◇ 123	T071		
<b>V-6 3.0 L ENG. (CANADA) DYNASTY</b>			Cam. Seal.....		
Timing Component Kit.....	TCK139		KS13948		
Cam. Belt.....	T139		Crankshaft Seal.....		
Cam. Seal.....	②KS13907		KS13948		
Crankshaft Seal.....	KS14671		Cam. Tensioner Assy.....		
Cam. Tensioner Assy.....	T41048	◇ 123	T41000		
<b>1984</b>			◇ 107		
<b>4-CYL. 2.2 L ENG. E CLASS; LASER; LEBARON; NEW YORKER; TOWN &amp; COUNTRY</b>			<b>4-CYL. 2.2 L ENG. (CANADA) DAYTONA</b>		
Timing Component Kit.....	TCK071		Timing Component Kit.....		
Cam. Belt.....	T071		TCK071		
Cam. Seal.....	KS13948		Cam. Belt.....		
Crankshaft Seal.....	KS13948		T071		
Cam. Tensioner Assy.....	T41000	◇ 107	Cam. Seal.....		
<b>4-CYL. 2.2 L ENG. (CANADA) LASER</b>			KS13948		
Timing Component Kit.....	TCK071		Crankshaft Seal.....		
Cam. Belt.....	T071		KS13948		
<b>1987</b>			Cam. Tensioner Assy.....		
<b>4-CYL. 2.2 L ENG.</b>			T41000		
<b>LEBARON; NEW YORKER; TOWN &amp; COUNTRY</b>			◇ 107		

☆ Interference engine application. See inside back cover for additional information.

\* Does Not Include Cam. Tensioner Hyd. Assy.

② Two Required.

④ Four Required.

◇ See Diagram Section (Pages 153-167).

# PowerGrip™ Timing System Products for Passenger Cars

Application	Part No.	Diagram No.	Application	Part No.	Diagram No.
<b>CHRYSLER - Continued</b>			<b>DAIHATSU</b>		
<b>1984 - Continued</b>			Light truck, van or motorhome information for this manufacturer can be found in the next section of this catalog.		
<b>4-CYL. 2.2 L ENG. (CANADA) - Continued</b>			<b>1992-1989</b>		
<b>LASER - Continued</b>			<b>3-CYL. 1.0 L ENG.</b>		
Cam. Seal.....	KS13948		<b>CHARADE</b>		
Crankshaft Seal.....	KS13948		Cam. Belt.....	☆T178	
Cam. Tensioner Assy.....	T41000	◇ 107	Cam. Tensioner Assy.....	T41003	◇ 124
<b>1983</b>			<b>4-CYL. 1.3 L ENG.</b>		
<b>4-CYL. 2.2 L ENG.</b>			<b>CHARADE</b>		
<b>E CLASS; LEBARON; NEW YORKER; TOWN &amp; COUNTRY</b>			Cam. Belt.....	☆T181	
Timing Component Kit.....	TCK071		Cam. Tensioner Assy.....	T41004	◇ 126
Cam. Belt.....	T071		<b>1988</b>		
Cam. Seal.....	KS13948		<b>3-CYL. 1.0 L ENG.</b>		
Crankshaft Seal.....	KS13948		<b>CHARADE</b>		
Cam. Tensioner Assy.....	T41000	◇ 107	Cam. Belt.....	☆T178	
<b>1982</b>			Cam. Tensioner Assy.....	T41003	◇ 124
<b>4-CYL. 2.2 L ENG.</b>			<b>DODGE</b>		
<b>LEBARON; TOWN &amp; COUNTRY</b>			Light truck, van or motorhome information for this manufacturer can be found in the next section of this catalog.		
Timing Component Kit.....	TCK071		<b>2002</b>		
Cam. Belt.....	T071		<b>4-CYL. 2.0 L ENG.</b>		
Cam. Seal.....	KS13948		<b>NEON</b>		
Crankshaft Seal.....	KS13948		Cam. Belt.....	☆T245	
Cam. Tensioner Assy.....	T41000	◇ 107	Cam. Tensioner Assy.....	T43001	◇ 202
<b>DAEWOO</b>			<b>4-CYL. 2.4 L ENG.</b>		
<b>2001-1999</b>			<b>STRATUS</b>		
<b>4-CYL. 1.6 L ENG.</b>			Cam. Belt; W/DOHC Eng.....	T265	
<b>LANOS</b>			Cam. Belt; W/SOHC Eng.....	☆T232	
Cam. Belt.....	☆T310		Balance Shaft Belt; W/SOHC Eng.....	☆T168	
<b>4-CYL. 2.0 L ENG.</b>			Cam. Tensioner Assy.....	T43005	◇ 205
<b>NUBIRA</b>			<b>V-6 3.5 L ENG.</b>		
Cam. Belt.....	☆T309		<b>INTREPID</b>		
<b>4-CYL. 2.2 L ENG.</b>			Timing Component Kit.....	☆✱TCK295	◇ 158
<b>LEGANZA</b>			Cam. Belt.....	☆T295	
Cam. Belt.....	☆T305		Cam. Seal.....	②KS14560	
<b>1992-1991</b>			Crankshaft Seal.....	KS11417	
<b>4-CYL. 1.6 L ENG. (CANADA)</b>			Cam. Tensioner Assy.....	✱T41084	◇ 158
<b>OPTIMA</b>			<b>2001</b>		
Cam. Belt.....	T148		<b>4-CYL. 2.0 L ENG.</b>		
<b>1990</b>			<b>NEON</b>		
<b>4-CYL. 1.6 L ENG. (CANADA)</b>			Cam. Belt.....	☆T245	
<b>OPTIMA</b>			<b>4-CYL. 2.4 L ENG.</b>		
Cam. Belt.....	T148		<b>STRATUS</b>		
<b>4-CYL. 2.0 L ENG. (CANADA)</b>			Cam. Belt; W/DOHC Eng.....	T265	
<b>OPTIMA</b>			Cam. Belt; W/SOHC Eng.....	☆T232	
Timing Component Kit.....	TCK163		Balance Shaft Belt; W/SOHC Eng.....	☆T168	
Cam. Belt.....	T163		Cam. Tensioner Assy.....	T43005	◇ 205
Cam. Seal.....	KS13709		<b>V-6 3.0 L ENG.</b>		
Crankshaft Seal.....	KS12756		<b>STRATUS</b>		
Cam. Tensioner Assy.....	T43002	◇ 137	Timing Component Kit.....	☆✱TCK259	◇ 206
<b>1989</b>			Cam. Belt.....	☆T259	
<b>4-CYL. 1.6 L ENG. (CANADA)</b>			Cam. Idler Pulley.....	T42018	◇ 206
<b>OPTIMA</b>			Cam. Tensioner Assy.....	✱T41039	◇ 206
Cam. Belt.....	T148		<b>V-6 3.2 L ENG.</b>		
<b>4-CYL. 2.0 L ENG. (CANADA)</b>			<b>INTREPID</b>		
<b>OPTIMA</b>			Cam. Belt.....	☆T295	
Cam. Belt.....	T081		<b>V-6 3.5 L ENG.</b>		
<b>1988</b>			<b>INTREPID</b>		
<b>4-CYL. 1.6 L ENG. (CANADA)</b>			Timing Component Kit.....	☆✱TCK295	◇ 158
<b>OPTIMA</b>			Cam. Belt.....	☆T295	
Cam. Belt.....	T148		Cam. Seal.....	②KS14560	
			Crankshaft Seal.....	KS11417	
			Cam. Tensioner Assy.....	✱T41084	◇ 158

☆ Interference engine application. See inside back cover for additional information.

✱ Does Not Include Cam. Tensioner Hyd. Assy.

② Two Required.

④ Four Required.

◇ See Diagram Section (Pages 153-167).

# PowerGrip™ Timing System Products for Passenger Cars

Application	Part No.	Diagram No.	Application	Part No.	Diagram No.
<b>DODGE - Continued</b>			<b>DODGE - Continued</b>		
<b>2000</b>			<b>1997</b>		
<b>4-CYL. 2.0 L ENG. NEON; STRATUS</b>			<b>4-CYL. 2.0 L ENG. AVENGER</b>		
Cam. Belt.....	☆T245		Timing Component Kit.....	☆✱TCK246	◇ 169
<b>4-CYL. 2.4 L ENG. STRATUS</b>			Cam. Belt.....	☆T246	
Cam. Belt.....	T265		Cam. Seal.....	②KS13709	
Cam. Tensioner Assy.....	T43005	◇ 205	Crankshaft Seal.....	KS12711	
<b>V-6 2.5 L ENG. AVENGER; STRATUS</b>			Cam. Idler Pulley; W/DOHC Eng.....	✱T41002	◇ 169
Timing Component Kit.....	☆✱TCK259	◇ 206	Cam. Tensioner Assy.; W/DOHC Eng.....	✱T41002	◇ 169
Cam. Belt.....	☆T259		<b>NEON</b>		
Cam. Seal.....	②KS13907		Timing Component Kit; W/DOHC Eng.....	☆✱TCK246	◇ 169
Crankshaft Seal.....	KS14671		Timing Component Kit; W/SOHC Eng.....	☆✱TCK245	◇ 168
Cam. Idler Pulley.....	T42018	◇ 206	Cam. Belt; W/DOHC Eng.....	☆T246	
Cam. Tensioner Assy.....	✱T41039	◇ 206	Cam. Belt; W/SOHC Eng.....	☆T245	
<b>V-6 3.2 L ENG. INTREPID</b>			Cam. Seal; W/DOHC Eng.....	②KS13709	
Timing Component Kit.....	☆✱TCK295	◇ 158	Cam. Seal; W/SOHC Eng.....	KS13709	
Cam. Belt.....	☆T295		Crankshaft Seal; W/DOHC Eng.....	KS12711	
Cam. Seal.....	②KS14560		Crankshaft Seal; W/SOHC Eng.....	KS12711	
Crankshaft Seal.....	KS11417		Cam. Idler Pulley; W/DOHC Eng.....	✱T41002	◇ 169
Cam. Tensioner Assy.....	✱T41084	◇ 158	Cam. Tensioner Assy.; W/DOHC Eng.....	✱T41002	◇ 169
<b>V-6 3.5 L ENG. INTREPID</b>			Cam. Tensioner Assy.; W/SOHC Eng.....	✱T41002	◇ 168
Timing Component Kit.....	☆✱TCK295	◇ 158	<b>STRATUS</b>		
Cam. Belt.....	☆T295		Timing Component Kit.....	☆✱TCK245	◇ 168
Cam. Seal.....	②KS14560		Cam. Belt.....	☆T245	
Crankshaft Seal.....	KS11417		Cam. Seal.....	KS13709	
Cam. Tensioner Assy.....	✱T41084	◇ 158	Crankshaft Seal.....	KS12711	
<b>1999-1998</b>			Cam. Tensioner Assy.; W/SOHC Eng.....	✱T41002	◇ 168
<b>4-CYL. 2.0 L ENG. AVENGER</b>			<b>4-CYL. 2.4 L ENG. STRATUS</b>		
Timing Component Kit.....	☆✱TCK246	◇ 169	Cam. Belt.....	T265	
Cam. Belt.....	☆T246		Cam. Tensioner Assy.....	T43005	◇ 205
Cam. Idler Pulley; W/DOHC Eng.....	✱T41002	◇ 169	<b>V-6 2.5 L ENG. AVENGER; STRATUS</b>		
Cam. Tensioner Assy.; W/DOHC Eng.....	✱T41002	◇ 169	Timing Component Kit.....	☆✱TCK259	◇ 206
<b>NEON</b>			Cam. Belt.....	☆T259	
Timing Component Kit; W/DOHC Eng.....	☆✱TCK246	◇ 169	Cam. Seal.....	②KS13907	
Cam. Belt; W/DOHC Eng.....	☆T246		Crankshaft Seal.....	KS14671	
Cam. Belt; W/SOHC Eng.....	☆T245		Cam. Idler Pulley.....	T42018	◇ 206
Cam. Idler Pulley; W/DOHC Eng.....	✱T41002	◇ 169	Cam. Tensioner Assy.....	✱T41039	◇ 206
Cam. Tensioner Assy.; W/DOHC Eng.....	✱T41002	◇ 169	<b>V-6 3.5 L ENG. INTREPID</b>		
<b>STRATUS</b>			Timing Component Kit.....	✱TCK255	◇ 172
Timing Component Kit.....	☆✱TCK245	◇ 168	Cam. Belt.....	T255	
Cam. Belt.....	☆T245		Cam. Seal.....	②KS11152	
Cam. Seal.....	KS13709		Crankshaft Seal.....	KS11122	
Crankshaft Seal.....	KS12711		Cam. Tensioner Pulley.....	✱T41002	◇ 172
Cam. Tensioner Assy.; W/SOHC Eng.....	✱T41002	◇ 168	<b>1996</b>		
<b>4-CYL. 2.4 L ENG. STRATUS</b>			<b>4-CYL. 2.0 L ENG. AVENGER</b>		
Cam. Belt.....	T265		Timing Component Kit.....	☆✱TCK246	◇ 169
Cam. Tensioner Assy.....	T43005	◇ 205	Cam. Belt.....	☆T246	
<b>V-6 2.5 L ENG. AVENGER; STRATUS</b>			Cam. Seal.....	②KS13709	
Timing Component Kit.....	☆✱TCK259	◇ 206	Crankshaft Seal.....	KS12711	
Cam. Belt.....	☆T259		Cam. Idler Pulley; W/DOHC Eng.....	✱T41002	◇ 169
Cam. Seal.....	②KS13907		Cam. Tensioner Assy.; W/DOHC Eng.....	✱T41002	◇ 169
Crankshaft Seal.....	KS14671		<b>NEON</b>		
Cam. Idler Pulley.....	T42018	◇ 206	Timing Component Kit; W/DOHC Eng.....	☆✱TCK246	◇ 169
Cam. Tensioner Assy.....	✱T41039	◇ 206	Timing Component Kit; W/SOHC Eng.....	☆✱TCK245	◇ 168
<b>V-6 3.2 L ENG. INTREPID</b>			Cam. Belt; W/DOHC Eng.....	☆T246	
Timing Component Kit.....	☆✱TCK295	◇ 158	Cam. Belt; W/SOHC Eng.....	☆T245	
Cam. Belt.....	☆T295		Cam. Seal; W/DOHC Eng.....	②KS13709	
Cam. Seal.....	②KS14560		Cam. Seal; W/SOHC Eng.....	KS13709	
Crankshaft Seal.....	KS11417		Crankshaft Seal; W/DOHC Eng.....	KS12711	
Cam. Tensioner Assy.....	✱T41084	◇ 158	Crankshaft Seal; W/SOHC Eng.....	KS12711	
			Cam. Idler Pulley; W/DOHC Eng.....	✱T41002	◇ 169
			Cam. Tensioner Assy.; W/DOHC Eng.....	✱T41002	◇ 169
			Cam. Tensioner Assy.; W/SOHC Eng.....	✱T41002	◇ 168
			<b>STRATUS</b>		
			Timing Component Kit.....	☆✱TCK245	◇ 168

☆ Interference engine application. See inside back cover for additional information.  
 ✱ Does Not Include Cam. Tensioner Hyd. Assy.

② Two Required.  
 ④ Four Required.

◇ See Diagram Section (Pages 153-167).



# PowerGrip™ Timing System Products for Passenger Cars

Application	Part No.	Diagram No.	Application	Part No.	Diagram No.
<b>DODGE - Continued</b>			<b>DODGE - Continued</b>		
<b>1996 - Continued</b>			<b>1995 - Continued</b>		
<b>4-CYL. 2.0 L ENG. - Continued</b>			<b>4-CYL. 2.4 L ENG.</b>		
<b>STRATUS - Continued</b>			<b>STRATUS</b>		
Cam. Belt.....	☆T245		Cam. Belt.....	T265	
Cam. Seal.....	KS13709		<b>4-CYL. 2.5 L ENG.</b>		
Crankshaft Seal.....	KS12711		<b>SPIRIT</b>		
Cam. Tensioner Assy.; W/SOHC Eng.....	✱T41002	◇ 168	Timing Component Kit.....	TCK153	
<b>4-CYL. 2.4 L ENG.</b>			Cam. Belt.....	T153	
<b>STRATUS</b>			Cam. Seal.....	KS13948	
Cam. Belt.....	T265		Crankshaft Seal.....	KS11122	
<b>V-6 2.5 L ENG.</b>			Cam. Tensioner Assy.....	T41001	◇ 130
<b>AVENGER; STRATUS</b>			<b>V-6 2.5 L ENG.</b>		
Timing Component Kit.....	☆✱TCK259	◇ 206	<b>AVENGER; STRATUS</b>		
Cam. Belt.....	☆T259		Timing Component Kit.....	☆✱TCK259	◇ 206
Cam. Seal.....	②KS13907		Cam. Belt.....	☆T259	
Crankshaft Seal.....	KS14671		Cam. Seal.....	②KS13907	
Cam. Idler Pulley.....	T42018	◇ 206	Crankshaft Seal.....	KS14671	
Cam. Tensioner Assy.....	✱T41039	◇ 206	Cam. Idler Pulley.....	T42018	◇ 206
<b>V-6 3.0 L ENG.</b>			Cam. Tensioner Assy.....	✱T41039	◇ 206
<b>STEALTH</b>			<b>V-6 3.0 L ENG.</b>		
Timing Component Kit; W/SOHC Eng.....	TCK139		<b>SPIRIT</b>		
Cam. Belt; W/DOHC Eng.....	☆T195		Timing Component Kit.....	TCK139	
Cam. Belt; W/SOHC Eng.....	T139		Cam. Belt.....	T139	
Cam. Seal; W/SOHC Eng.....	②KS13907		Cam. Seal.....	②KS13907	
Crankshaft Seal; W/SOHC Eng.....	KS14671		Crankshaft Seal.....	KS14671	
Cam. Tensioner Assy.; W/SOHC Eng.....	T41048	◇ 123	Cam. Tensioner Assy.....	T41048	◇ 123
<b>V-6 3.5 L ENG.</b>			<b>STEALTH</b>		
<b>INTREPID</b>			Timing Component Kit; W/SOHC Eng.....	TCK139	
Timing Component Kit.....	✱TCK255	◇ 172	Cam. Belt; W/DOHC Eng.....	☆T195	
Cam. Belt.....	T255		Cam. Belt; W/SOHC Eng.....	T139	
Cam. Seal.....	②KS11152		Cam. Seal; W/SOHC Eng.....	②KS13907	
Crankshaft Seal.....	KS11122		Crankshaft Seal; W/SOHC Eng.....	KS14671	
Cam. Tensioner Pulley.....	✱T41002	◇ 172	Cam. Tensioner Assy.; W/SOHC Eng.....	T41048	◇ 123
<b>1995</b>			<b>V-6 3.5 L ENG.</b>		
<b>4-CYL. 1.5 L ENG. (CANADA)</b>			<b>INTREPID</b>		
<b>COLT</b>			Timing Component Kit.....	✱TCK255	◇ 172
Timing Component Kit.....	☆TCK191		Cam. Belt.....	T255	
Cam. Belt.....	☆T191		Cam. Seal.....	②KS11152	
Cam. Seal.....	KS13907		Crankshaft Seal.....	KS11122	
Crankshaft Seal.....	KS13943		Cam. Tensioner Pulley.....	✱T41002	◇ 172
Cam. Tensioner Assy.....	T41051	◇ 146	<b>1994</b>		
<b>4-CYL. 2.0 L ENG.</b>			<b>4-CYL. 1.5 L ENG.</b>		
<b>AVENGER</b>			<b>COLT</b>		
Timing Component Kit.....	☆✱TCK246	◇ 169	Timing Component Kit.....	☆TCK191	
Cam. Belt.....	☆T246		Cam. Belt.....	☆T191	
Cam. Seal.....	②KS13709		Cam. Seal.....	KS13907	
Crankshaft Seal.....	KS12711		Crankshaft Seal.....	KS13943	
Cam. Idler Pulley; W/DOHC Eng.....	✱T41002	◇ 169	Cam. Tensioner Assy.....	T41051	◇ 146
Cam. Tensioner Assy.; W/DOHC Eng.....	✱T41002	◇ 169	<b>4-CYL. 1.8 L ENG.</b>		
<b>NEON</b>			<b>COLT</b>		
Timing Component Kit; W/DOHC Eng.....	☆✱TCK246	◇ 169	Cam. Belt.....	T201	
Timing Component Kit; W/SOHC Eng.....	☆✱TCK245	◇ 168	<b>4-CYL. 2.2 L ENG.</b>		
Cam. Belt; W/DOHC Eng.....	☆T246		<b>SHADOW</b>		
Cam. Belt; W/SOHC Eng.....	☆T245		Timing Component Kit.....	TCK153	
Cam. Seal; W/DOHC Eng.....	②KS13709		Cam. Belt.....	T153	
Cam. Seal; W/SOHC Eng.....	KS13709		Cam. Seal.....	KS13948	
Crankshaft Seal; W/DOHC Eng.....	KS12711		Crankshaft Seal.....	KS11122	
Crankshaft Seal; W/SOHC Eng.....	KS12711		Cam. Tensioner Assy.....	T41001	◇ 130
Cam. Idler Pulley; W/DOHC Eng.....	✱T41002	◇ 169	<b>4-CYL. 2.4 L ENG. (CANADA)</b>		
Cam. Tensioner Assy.; W/DOHC Eng.....	✱T41002	◇ 169	<b>COLT</b>		
Cam. Tensioner Assy.; W/SOHC Eng.....	✱T41002	◇ 168	Balance Shaft Belt; Wagon.....	T168	
<b>STRATUS</b>			Cam. Belt; Wagon.....	T230	
Timing Component Kit.....	☆✱TCK245	◇ 168	<b>4-CYL. 2.5 L ENG.</b>		
Cam. Belt.....	☆T245		<b>SHADOW; SPIRIT</b>		
Cam. Seal.....	KS13709		Timing Component Kit.....	TCK153	
Crankshaft Seal.....	KS12711		Cam. Belt.....	T153	
Cam. Tensioner Assy.; W/SOHC Eng.....	✱T41002	◇ 168	Cam. Seal.....	KS13948	
			Crankshaft Seal.....	KS11122	

☆ Interference engine application. See inside back cover for additional information.

✱ Does Not Include Cam. Tensioner Hyd. Assy.

② Two Required.

④ Four Required.

◇ See Diagram Section (Pages 153-167).

# PowerGrip™ Timing System Products for Passenger Cars

Application	Part No.	Diagram No.	Application	Part No.	Diagram No.
<b>DODGE - Continued</b>			<b>DODGE - Continued</b>		
<b>1994 - Continued</b>			<b>1993 - Continued</b>		
<b>4-CYL. 2.5 L ENG. - Continued</b>			<b>4-CYL. 2.5 L FLEX ENG. - Continued</b>		
<b>SHADOW; SPIRIT - Continued</b>			<b>SPIRIT - Continued</b>		
Cam. Tensioner Assy.....	T41001	◇ 130	Cam. Belt.....	T153	
<b>4-CYL. 2.5 L FLEX ENG. SPIRIT</b>			Cam. Seal.....	KS13948	
Timing Component Kit.....	TCK153		Crankshaft Seal.....	KS11122	
Cam. Belt.....	T153		Cam. Tensioner Assy.....	T41001	◇ 130
Cam. Seal.....	KS13948		<b>V-6 3.0 L ENG.</b>		
Crankshaft Seal.....	KS11122		<b>DAYTONA; DYNASTY; SHADOW; SPIRIT</b>		
Cam. Tensioner Assy.....	T41001	◇ 130	Timing Component Kit.....	TCK139	
<b>V-6 3.0 L ENG. SHADOW; SPIRIT</b>			Cam. Belt.....	T139	
Timing Component Kit.....	TCK139		Cam. Seal.....	②KS13907	
Cam. Belt.....	T139		Crankshaft Seal.....	KS14671	
Cam. Seal.....	②KS13907		Cam. Tensioner Assy.....	T41048	◇ 123
Crankshaft Seal.....	KS14671		<b>STEALTH</b>		
Cam. Tensioner Assy.....	T41048	◇ 123	Timing Component Kit; W/SOHC Eng. ....	TCK139	
<b>V-6 3.0 L ENG. SHADOW; SPIRIT</b>			Cam. Belt; W/DOHC Eng.....	☆T195	
Timing Component Kit.....	TCK139		Cam. Belt; W/SOHC Eng.....	T139	
Cam. Belt.....	T139		Cam. Seal; W/SOHC Eng.....	②KS13907	
Cam. Seal.....	②KS13907		Crankshaft Seal; W/SOHC Eng.....	KS14671	
Crankshaft Seal.....	KS14671		Cam. Tensioner Assy.; W/SOHC Eng.....	T41048	◇ 123
Cam. Tensioner Assy.....	T41048	◇ 123	<b>V-6 3.5 L ENG. INTREPID</b>		
<b>V-6 3.5 L ENG. INTREPID</b>			Timing Component Kit.....	✱TCK219	◇ 158
Timing Component Kit.....	✱TCK219	◇ 158	Cam. Belt.....	T219	
Cam. Belt.....	T219		Cam. Seal.....	②KS11152	
Cam. Seal.....	②KS11152		Crankshaft Seal.....	KS11122	
Crankshaft Seal.....	KS11122		Cam. Tensioner Assy.....	✱T41084	◇ 158
Cam. Tensioner Assy.....	✱T41084	◇ 158	<b>1992</b>		
<b>1993</b>			<b>4-CYL. 1.5 L ENG. COLT</b>		
<b>4-CYL. 1.5 L ENG. COLT</b>			Timing Component Kit.....	☆TCK191	
Timing Component Kit.....	☆TCK191		Cam. Belt.....	☆T191	
Cam. Belt.....	☆T191		Cam. Seal.....	KS13907	
Cam. Seal.....	KS13907		Crankshaft Seal.....	KS13943	
Crankshaft Seal.....	KS13943		Cam. Tensioner Assy.....	T41051	◇ 146
Cam. Tensioner Assy.....	T41051	◇ 146	<b>4-CYL. 1.5 L ENG. (CANADA) COLT</b>		
<b>4-CYL. 1.8 L ENG. COLT</b>			Timing Component Kit.....	☆TCK191	
Cam. Belt.....	T201		Cam. Belt.....	☆T191	
<b>4-CYL. 2.2 L ENG. DAYTONA</b>			Cam. Seal.....	KS13907	
Cam. Belt.....	T206		Crankshaft Seal.....	KS13943	
Cam. Seal.....	②KS13948		Cam. Tensioner Assy.....	T41051	◇ 146
Crankshaft Seal.....	KS11122		<b>4-CYL. 1.8 L ENG. (CANADA) COLT</b>		
<b>SHADOW</b>			Cam. Belt.....	T201	
Timing Component Kit.....	TCK153		<b>4-CYL. 2.2 L ENG. DAYTONA</b>		
Cam. Belt.....	T153		Cam. Belt.....	T206	
Cam. Seal.....	KS13948		Cam. Seal.....	②KS13948	
Crankshaft Seal.....	KS11122		Crankshaft Seal.....	KS11122	
Cam. Tensioner Assy.....	T41001	◇ 130	<b>SHADOW</b>		
<b>4-CYL. 2.4 L ENG. (CANADA) COLT</b>			Timing Component Kit.....	TCK153	
Balance Shaft Belt; Wagon.....	T159		Cam. Belt.....	T153	
Cam. Belt; Wagon.....	T230		Cam. Seal.....	KS13948	
<b>4-CYL. 2.5 L ENG. DAYTONA; DYNASTY; SHADOW; SPIRIT</b>			Crankshaft Seal.....	KS11122	
Timing Component Kit.....	TCK153		Cam. Tensioner Assy.....	T41001	◇ 130
Cam. Belt.....	T153		<b>SPIRIT</b>		
Cam. Seal.....	KS13948		Cam. Belt.....	T206	
Crankshaft Seal.....	KS11122		<b>4-CYL. 2.4 L ENG. (CANADA) COLT</b>		
Cam. Tensioner Assy.....	T41001	◇ 130	Balance Shaft Belt.....	T159	
<b>4-CYL. 2.5 L FLEX ENG. SPIRIT</b>			Cam. Belt.....	T204	
Timing Component Kit.....	TCK153		<b>4-CYL. 2.5 L ENG. DAYTONA; DYNASTY; SHADOW; SPIRIT</b>		
Cam. Belt.....	T153		Timing Component Kit.....	TCK153	
Cam. Seal.....	KS13948		Cam. Belt.....	T153	
			Cam. Seal.....	KS13948	

☆ Interference engine application. See inside back cover for additional information.  
 ✱ Does Not Include Cam. Tensioner Hyd. Assy.

② Two Required.  
 ④ Four Required.

◇ See Diagram Section (Pages 153-167).

# PowerGrip™ Timing System Products for Passenger Cars

Application	Part No.	Diagram No.	Application	Part No.	Diagram No.
<b>DODGE - Continued</b>			<b>DODGE - Continued</b>		
<b>1992 - Continued</b>			<b>1990</b>		
<b>4-CYL. 2.5 L ENG. - Continued</b>			<b>4-CYL. 1.5 L ENG.</b>		
<b>DAYTONA; DYNASTY; SHADOW; SPIRIT - Continued</b>			<b>COLT</b>		
Crankshaft Seal.....	KS11122		Timing Component Kit.....	☆TCK128	
Cam. Tensioner Assy.....	T41001	◇ 130	Cam. Belt.....	☆T128	
<b>V-6 3.0 L ENG.</b>			Cam. Seal.....	KS13907	
<b>DAYTONA; DYNASTY; SHADOW; SPIRIT</b>			Crankshaft Seal.....	KS13943	
Timing Component Kit.....	TCK139		Cam. Tensioner Assy.....	T41042	◇ 118
Cam. Belt.....	T139		<b>4-CYL. 1.5 L ENG. (CANADA)</b>		
Cam. Seal.....	②KS13907		<b>COLT</b>		
Crankshaft Seal.....	KS14671		Timing Component Kit.....	☆TCK128	
Cam. Tensioner Assy.....	T41048	◇ 123	Cam. Belt.....	☆T128	
<b>STEALTH</b>			Cam. Seal.....	KS13907	
Timing Component Kit; W/SOHC Eng. ....	TCK139		Crankshaft Seal.....	KS13943	
Cam. Belt; W/DOHC Eng.....	☆T195		Cam. Tensioner Assy.....	T41042	◇ 118
Cam. Belt; W/SOHC Eng.....	T139		<b>4-CYL. 1.6 L ENG.</b>		
Cam. Seal; W/SOHC Eng.....	②KS13907		<b>COLT</b>		
Crankshaft Seal; W/SOHC Eng.....	KS14671		Cam. Belt.....	☆T165	
Cam. Tensioner Assy.; W/SOHC Eng.....	T41048	◇ 123	<b>4-CYL. 1.6 L ENG. (CANADA)</b>		
<b>1991</b>			<b>COLT</b>		
<b>4-CYL. 1.5 L ENG.</b>			Cam. Belt.....	☆T165	
<b>COLT</b>			<b>4-CYL. 1.8 L ENG.</b>		
Timing Component Kit.....	☆TCK191		<b>COLT</b>		
Cam. Belt.....	☆T191		Cam. Belt.....	T093	
Cam. Seal.....	KS13907		<b>4-CYL. 2.0 L ENG.</b>		
Crankshaft Seal.....	KS13943		<b>COLT VISTA</b>		
Cam. Tensioner Assy.....	T41042	◇ 118	Timing Component Kit.....	TCK158A	
<b>4-CYL. 1.5 L ENG. (CANADA)</b>			Balance Shaft Belt .....	T159	
<b>COLT</b>			Cam. Belt.....	T158	
Timing Component Kit.....	☆TCK128		<b>4-CYL. 2.0 L ENG. (CANADA)</b>		
Cam. Belt.....	☆T128		<b>2000 GTX</b>		
Cam. Seal.....	KS13907		Timing Component Kit.....	TCK155	
Crankshaft Seal.....	KS13943		Balance Shaft Belt .....	T159	
<b>4-CYL. 2.0 L ENG.</b>			Cam. Belt.....	T155	
<b>COLT VISTA</b>			Balance Shaft Tensioner Assy.; W/SOHC Eng....	T41053	◇ 131
Timing Component Kit.....	TCK158A		Cam. Tensioner Assy.; W/SOHC Eng.....	T41043	◇ 131
Balance Shaft Belt .....	T159		<b>4-CYL. 2.2 L ENG.</b>		
Cam. Belt.....	T158		<b>DAYTONA; OMNI; SHADOW</b>		
<b>4-CYL. 2.2 L ENG.</b>			Timing Component Kit.....	TCK153	
<b>SHADOW</b>			Cam. Belt.....	T153	
Timing Component Kit.....	TCK153		Cam. Seal.....	KS13948	
Cam. Belt.....	T153		Crankshaft Seal.....	KS11122	
Cam. Seal.....	KS13948		Cam. Tensioner Assy.....	T41001	◇ 130
Crankshaft Seal.....	KS11122		<b>4-CYL. 2.5 L ENG.</b>		
Cam. Tensioner Assy.....	T41001	◇ 130	<b>DAYTONA; DYNASTY; SHADOW; SPIRIT</b>		
<b>SPIRIT</b>			Timing Component Kit.....	TCK153	
Cam. Belt.....	T206		Cam. Belt.....	T153	
<b>4-CYL. 2.5 L ENG.</b>			Cam. Seal.....	KS13948	
<b>DAYTONA; DYNASTY; SHADOW; SPIRIT</b>			Crankshaft Seal.....	KS11122	
Timing Component Kit.....	TCK153		Cam. Tensioner Assy.....	T41001	◇ 130
Cam. Belt.....	T153		<b>V-6 3.0 L ENG.</b>		
Cam. Seal.....	KS13948		<b>DAYTONA; DYNASTY; SPIRIT</b>		
Crankshaft Seal.....	KS11122		Timing Component Kit.....	TCK139	
Cam. Tensioner Assy.....	T41001	◇ 130	Cam. Belt.....	T139	
<b>V-6 3.0 L ENG.</b>			Cam. Seal.....	②KS13907	
<b>DAYTONA; DYNASTY; SPIRIT</b>			Crankshaft Seal.....	KS14671	
Timing Component Kit.....	TCK139		Cam. Tensioner Assy.....	T41048	◇ 123
Cam. Belt.....	T139		<b>1989</b>		
Cam. Seal.....	②KS13907		<b>4-CYL. 1.5 L ENG.</b>		
Crankshaft Seal.....	KS14671		<b>COLT</b>		
Cam. Tensioner Assy.....	T41048	◇ 123	Timing Component Kit.....	☆TCK128	
<b>STEALTH</b>			Cam. Belt.....	☆T128	
Timing Component Kit; W/SOHC Eng. ....	TCK139		Cam. Seal.....	KS13907	
Cam. Belt; W/DOHC Eng.....	☆T195		Crankshaft Seal.....	KS13943	
Cam. Belt; W/SOHC Eng.....	T139		Cam. Tensioner Assy.....	T41042	◇ 118
Cam. Seal; W/SOHC Eng.....	②KS13907				
Crankshaft Seal; W/SOHC Eng.....	KS14671				
Cam. Tensioner Assy.; W/SOHC Eng.....	T41048	◇ 123			

☆ Interference engine application. See inside back cover for additional information.

② Two Required.

◇ See Diagram Section (Pages 153-167).

\* Does Not Include Cam. Tensioner Hyd. Assy.

④ Four Required.

# PowerGrip™ Timing System Products for Passenger Cars

Application	Part No.	Diagram No.	Application	Part No.	Diagram No.
<b>DODGE - Continued</b>			<b>DODGE - Continued</b>		
<b>1989 - Continued</b>			<b>1988</b>		
<b>4-CYL. 1.5 L ENG. (CANADA) COLT</b>			<b>4-CYL. 1.5 L ENG. COLT</b>		
Timing Component Kit.....	☆TCK128		Timing Component Kit.....	☆TCK128	
Cam. Belt.....	☆T128		Cam. Belt.....	☆T128	
Cam. Seal.....	KS13907		Cam. Seal.....	KS13907	
Crankshaft Seal.....	KS13943		Crankshaft Seal.....	KS13943	
Cam. Tensioner Assy.....	T41042	◇ 118	Cam. Tensioner Assy.....	T41042	◇ 118
<b>4-CYL. 1.6 L ENG. COLT</b>			<b>4-CYL. 1.6 L ENG. COLT</b>		
Cam. Belt.....	☆T165		Cam. Belt.....	T093	
<b>4-CYL. 1.6 L ENG. (CANADA) COLT</b>			<b>4-CYL. 2.0 L ENG. COLT VISTA</b>		
Cam. Belt.....	T093		Timing Component Kit.....	TCK158A	
<b>4-CYL. 1.8 L ENG. COLT</b>			Balance Shaft Belt.....	T159	
Cam. Belt.....	T093		Cam. Belt.....	T158	
<b>4-CYL. 2.0 L ENG. COLT VISTA</b>			Balance Shaft Tensioner Assy.....	T41045	◇ 134
Timing Component Kit.....	TCK158A		Cam. Tensioner Assy.....	T41044	◇ 134
Balance Shaft Belt.....	T159		<b>4-CYL. 2.2 L ENG. ARIES AMERICA; DAYTONA; LANCER; OMNI; SHADOW; 600</b>		
Cam. Belt.....	T158		Timing Component Kit.....	TCK071	
Balance Shaft Tensioner Assy.....	T41045	◇ 134	Cam. Belt.....	T071	
Cam. Tensioner Assy.....	T41044	◇ 134	Cam. Seal.....	KS13948	
<b>4-CYL. 2.0 L ENG. (CANADA) 2000 GTX</b>			Crankshaft Seal.....	KS13948	
Timing Component Kit; W/DOHC Eng.....	☆★TCK167		Cam. Tensioner Assy.....	T41000	◇ 107
Timing Component Kit; W/SOHC Eng.....	TCK155		<b>4-CYL. 2.2 L ENG. (CANADA) EXPO</b>		
Balance Shaft Belt; W/DOHC Eng.....	☆T168		Timing Component Kit.....	TCK071	
Cam. Belt; W/DOHC Eng.....	☆T167		Cam. Belt.....	T071	
Cam. Belt; W/SOHC Eng.....	T155		Cam. Seal.....	KS13948	
Balance Shaft Belt; W/SOHC Eng.....	T159		Crankshaft Seal.....	KS13948	
Balance Shaft Tensioner Assy.; W/DOHC Eng.....	T41047	◇ 139	Cam. Tensioner Assy.....	T41000	◇ 107
Balance Shaft Tensioner Assy.; W/SOHC Eng.....	T41053	◇ 131	<b>4-CYL. 2.5 L ENG. ARIES AMERICA; DAYTONA; DYNASTY; LANCER; SHAD- OW; 600</b>		
Cam. Idler Pulley; W/DOHC Eng.....	T42017	◇ 139	Cam. Belt.....	T132	
Cam. Tensioner Assy.; W/DOHC Eng.....	★T41046	◇ 139	<b>V-6 3.0 L ENG. DYNASTY</b>		
Cam. Tensioner Assy.; W/SOHC Eng.....	T41043	◇ 131	Timing Component Kit.....	TCK139	
<b>4-CYL. 2.2 L ENG. ARIES AMERICA; DAYTONA; LANCER; OMNI; SHADOW</b>			Cam. Belt.....	T139	
Timing Component Kit.....	TCK153		Cam. Seal.....	②KS13907	
Cam. Belt.....	T153		Crankshaft Seal.....	KS14671	
Cam. Seal.....	KS13948		Cam. Tensioner Assy.....	T41048	◇ 123
Crankshaft Seal.....	KS11122		<b>1987</b>		
Cam. Tensioner Assy.....	T41001	◇ 130	<b>4-CYL. 1.5 L ENG. COLT</b>		
<b>4-CYL. 2.2 L ENG. (CANADA) EXPO</b>			Timing Component Kit.....	☆TCK128	
Timing Component Kit.....	TCK153		Cam. Belt.....	☆T128	
Cam. Belt.....	T153		Cam. Seal.....	KS13907	
Cam. Seal.....	KS13948		Crankshaft Seal.....	KS13943	
Crankshaft Seal.....	KS11122		Cam. Tensioner Assy.....	T41042	◇ 118
Cam. Tensioner Assy.....	T41001	◇ 130	<b>4-CYL. 1.6 L ENG. COLT</b>		
<b>4-CYL. 2.5 L ENG. ARIES AMERICA; DAYTONA; DYNASTY; LANCER; SHAD- OW; SPIRIT</b>			Cam. Belt.....	T093	
Timing Component Kit.....	TCK153		<b>4-CYL. 2.0 L ENG. COLT VISTA</b>		
Cam. Belt.....	T153		Timing Component Kit.....	TCK158A	
Cam. Seal.....	KS13948		Balance Shaft Belt.....	T159	
Crankshaft Seal.....	KS11122		Cam. Belt.....	T158	
Cam. Tensioner Assy.....	T41001	◇ 130	Balance Shaft Tensioner Assy.....	T41045	◇ 134
<b>V-6 3.0 L ENG. DYNASTY; SPIRIT</b>			Cam. Tensioner Assy.....	T41044	◇ 134
Timing Component Kit.....	TCK139		<b>4-CYL. 2.2 L ENG. ARIES; CHARGER; DAYTONA; LANCER; OMNI; SHADOW; 600</b>		
Cam. Belt.....	T139		Timing Component Kit.....	TCK071	
Cam. Seal.....	②KS13907		Cam. Belt.....	T071	
Crankshaft Seal.....	KS14671		Cam. Seal.....	KS13948	
Cam. Tensioner Assy.....	T41048	◇ 123	Crankshaft Seal.....	KS13948	

☆ Interference engine application. See inside back cover for additional information.  
 ★ Does Not Include Cam. Tensioner Hyd. Assy.

② Two Required.  
 ④ Four Required.

◇ See Diagram Section (Pages 153-167).

# PowerGrip™ Timing System Products for Passenger Cars

Application	Part No.	Diagram No.	Application	Part No.	Diagram No.
<b>DODGE - Continued</b>			<b>DODGE - Continued</b>		
<b>1987 - Continued</b>			<b>1984 - Continued</b>		
<b>4-CYL. 2.2 L ENG. - Continued</b>			<b>4-CYL. 2.2 L ENG.</b>		
<b>ARIES; CHARGER; DAYTONA; LANCER; OMNI; SHAD-OW; 600 - Continued</b>			<b>ARIES; CHARGER; DAYTONA; OMNI; 600</b>		
Cam. Tensioner Assy.....	T41000	◇ 107	Timing Component Kit.....	TCK071	
<b>4-CYL. 2.2 L ENG. (CANADA) EXPO</b>			Cam. Belt.....	T071	
Timing Component Kit.....	TCK071		Cam. Seal.....	KS13948	
Cam. Belt.....	T071		Crankshaft Seal.....	KS13948	
Cam. Seal.....	KS13948		Cam. Tensioner Assy.....	T41000	◇ 107
Crankshaft Seal.....	KS13948		<b>1983</b>		
Cam. Tensioner Assy.....	T41000	◇ 107	<b>4-CYL. 1.4 L ENG.</b>		
<b>4-CYL. 2.5 L ENG.</b>			<b>COLT</b>		
<b>ARIES; DAYTONA; LANCER; 600</b>			Cam. Belt.....	☆T073	
Cam. Belt.....	T114		<b>4-CYL. 1.6 L ENG.</b>		
<b>1986</b>			<b>COLT</b>		
<b>4-CYL. 1.5 L ENG.</b>			Cam. Belt.....	T093	
<b>COLT</b>			<b>4-CYL. 1.7 L ENG.</b>		
Cam. Belt.....	☆T073		<b>CHARGER; OMNI</b>		
<b>4-CYL. 1.6 L ENG.</b>			Timing Component Kit.....	TCK017	
<b>COLT</b>			Cam. Belt.....	T017	
Cam. Belt.....	T093		Cam. Tensioner Assy.....	T41079	◇ 177
<b>4-CYL. 2.0 L ENG.</b>			<b>4-CYL. 2.2 L ENG.</b>		
<b>COLT VISTA</b>			<b>ARIES; CHARGER; OMNI; 400; 600</b>		
Balance Shaft Belt.....	T090		Timing Component Kit.....	TCK071	
Cam. Belt.....	T089		Cam. Belt.....	T071	
<b>4-CYL. 2.2 L ENG.</b>			Cam. Seal.....	KS13948	
<b>ARIES; CHARGER; DAYTONA; LANCER; OMNI; 600</b>			Crankshaft Seal.....	KS13948	
Timing Component Kit.....	TCK071		Cam. Tensioner Assy.....	T41000	◇ 107
Cam. Belt.....	T071		<b>1982</b>		
Cam. Seal.....	KS13948		<b>4-CYL. 1.4 L ENG.</b>		
Crankshaft Seal.....	KS13948		<b>COLT</b>		
Cam. Tensioner Assy.....	T41000	◇ 107	Cam. Belt.....	☆T073	
<b>4-CYL. 2.5 L ENG.</b>			<b>4-CYL. 1.6 L ENG.</b>		
<b>ARIES; DAYTONA; LANCER; 600</b>			<b>COLT</b>		
Cam. Belt.....	T114		Cam. Belt.....	T064	
<b>1985</b>			<b>4-CYL. 1.7 L ENG.</b>		
<b>4-CYL. 1.5 L ENG.</b>			<b>O24; OMNI</b>		
<b>COLT</b>			Timing Component Kit.....	TCK017	
Cam. Belt.....	☆T073		Cam. Belt.....	T017	
<b>4-CYL. 1.6 L ENG.</b>			Cam. Tensioner Assy.....	T41079	◇ 177
<b>COLT</b>			<b>4-CYL. 2.2 L ENG.</b>		
Cam. Belt.....	T093		<b>ARIES; O24; OMNI; 400</b>		
<b>4-CYL. 2.0 L ENG.</b>			Timing Component Kit.....	TCK071	
<b>COLT VISTA</b>			Cam. Belt.....	T071	
Balance Shaft Belt.....	T090		Cam. Seal.....	KS13948	
Cam. Belt.....	T089		Crankshaft Seal.....	KS13948	
<b>4-CYL. 2.2 L ENG.</b>			Cam. Tensioner Assy.....	T41000	◇ 107
<b>ARIES; CHARGER; DAYTONA; LANCER; OMNI; 600</b>			<b>1981</b>		
Timing Component Kit.....	TCK071		<b>4-CYL. 1.4 L ENG.</b>		
Cam. Belt.....	T071		<b>COLT</b>		
Cam. Seal.....	KS13948		Cam. Belt.....	☆T073	
Crankshaft Seal.....	KS13948		<b>4-CYL. 1.6 L ENG.</b>		
Cam. Tensioner Assy.....	T41000	◇ 107	<b>COLT</b>		
<b>1984</b>			Cam. Belt.....	T064	
<b>4-CYL. 1.4 L ENG.</b>			<b>4-CYL. 1.7 L ENG.</b>		
<b>COLT</b>			<b>O24; OMNI</b>		
Cam. Belt.....	☆T073		Timing Component Kit.....	TCK017	
<b>4-CYL. 1.6 L ENG.</b>			Cam. Belt.....	T017	
<b>COLT</b>			Cam. Tensioner Assy.....	T41079	◇ 177
Cam. Belt.....	T093		<b>4-CYL. 2.2 L ENG.</b>		
<b>4-CYL. 2.0 L ENG.</b>			<b>ARIES; O24; OMNI</b>		
<b>COLT VISTA</b>			Timing Component Kit.....	TCK071	
Balance Shaft Belt.....	T090		Cam. Belt.....	T071	
Cam. Belt.....	T089		Cam. Seal.....	KS13948	
<b>1984 - Continued</b>			Crankshaft Seal.....	KS13948	
<b>4-CYL. 1.4 L ENG.</b>			Cam. Tensioner Assy.....	T41000	◇ 107
<b>COLT</b>			<b>1981</b>		
Cam. Belt.....	☆T073		<b>4-CYL. 1.4 L ENG.</b>		
<b>4-CYL. 1.6 L ENG.</b>			<b>COLT</b>		
<b>COLT</b>			Cam. Belt.....	☆T073	
Cam. Belt.....	T093		<b>4-CYL. 1.6 L ENG.</b>		
<b>4-CYL. 2.0 L ENG.</b>			<b>COLT</b>		
<b>COLT VISTA</b>			Cam. Belt.....	T064	
Balance Shaft Belt.....	T090		<b>4-CYL. 1.7 L ENG.</b>		
Cam. Belt.....	T089		<b>O24; OMNI</b>		
<b>1984 - Continued</b>			Timing Component Kit.....	TCK017	
<b>4-CYL. 1.4 L ENG.</b>			Cam. Belt.....	T017	
<b>COLT</b>			Cam. Tensioner Assy.....	T41079	◇ 177
Cam. Belt.....	☆T073		<b>4-CYL. 2.2 L ENG.</b>		
<b>4-CYL. 1.6 L ENG.</b>			<b>ARIES; O24; OMNI</b>		
<b>COLT</b>			Timing Component Kit.....	TCK071	
Cam. Belt.....	T093		Cam. Belt.....	T071	
<b>4-CYL. 2.0 L ENG.</b>			Cam. Seal.....	KS13948	
<b>COLT VISTA</b>			Crankshaft Seal.....	KS13948	
Balance Shaft Belt.....	T090		Cam. Tensioner Assy.....	T41000	◇ 107
Cam. Belt.....	T089		<b>1981</b>		

☆ Interference engine application. See inside back cover for additional information.

\* Does Not Include Cam. Tensioner Hyd. Assy.

② Two Required.

④ Four Required.

◇ See Diagram Section (Pages 153-167).

# PowerGrip™ Timing System Products for Passenger Cars

Application	Part No.	Diagram No.	Application	Part No.	Diagram No.
<b>DODGE - Continued</b>			<b>EAGLE - Continued</b>		
<b>1980</b>			<b>1997 - Continued</b>		
<b>4-CYL. 1.4 L ENG. COLT</b>			<b>V-6 3.5 L ENG. VISION</b>		
Cam. Belt.....	T073		Timing Component Kit.....	✱TCK255	◇ 172
<b>4-CYL. 1.6 L ENG. COLT</b>			Cam. Belt.....	T255	
Cam. Belt.....	T064		Cam. Seal.....	②KS11152	
<b>4-CYL. 1.7 L ENG. OMNI</b>			Crankshaft Seal.....	KS11122	
Timing Component Kit.....	TCK017		Cam. Tensioner Pulley.....	✱T41002	◇ 172
Cam. Belt.....	T017		<b>1996</b>		
Cam. Tensioner Assy.....	T41079	◇ 177	<b>4-CYL. 1.5 L ENG. SUMMIT</b>		
<b>1979</b>			Timing Component Kit.....	☆TCK191	
<b>4-CYL. 86 C.I.D. ENG. COLT</b>			Cam. Belt.....	☆T191	
Cam. Belt.....	T073		Cam. Tensioner Assy.....	T41051	◇ 146
<b>4-CYL. 98 C.I.D. ENG. CHALLENGER; COLT</b>			<b>4-CYL. 1.8 L ENG. SUMMIT</b>		
Balance Shaft Belt.....	T062		Cam. Belt.....	T201	
Cam. Belt; W/Balance Shaft.....	T013		<b>4-CYL. 2.0 L ENG. TALON</b>		
Cam. Belt; W/O Balance Shaft.....	T064		Timing Component Kit; W/O Turbo.....	☆✱TCK246	◇ 169
<b>4-CYL. 104 C.I.D. ENG. OMNI</b>			Balance Shaft Belt; W/Turbo.....	☆T168	
Timing Component Kit.....	TCK017		Cam. Belt; W/Turbo.....	☆T167	
Cam. Belt.....	T017		Cam. Belt; W/O Turbo.....	☆T246	
Cam. Tensioner Assy.....	T41079	◇ 177	Cam. Seal; W/O Turbo.....	②KS13709	
<b>1978</b>			Crankshaft Seal; W/O Turbo.....	KS12711	
<b>4-CYL. 98 C.I.D. ENG. CHALLENGER; COLT</b>			Cam. Idler Pulley; W/DOHC Eng.....	✱T41002	◇ 169
Balance Shaft Belt.....	T062		Cam. Tensioner Assy.; W/DOHC Eng.....	✱T41002	◇ 169
Cam. Belt; W/Balance Shaft.....	T013		<b>4-CYL. 2.4 L ENG. SUMMIT</b>		
Cam. Belt; W/O Balance Shaft.....	T064		Balance Shaft Belt.....	T168	
<b>4-CYL. 104 C.I.D. ENG. OMNI</b>			Cam. Belt.....	T230	
Timing Component Kit.....	TCK017		<b>V-6 3.5 L ENG. VISION</b>		
Cam. Belt.....	T017		Timing Component Kit.....	✱TCK255	◇ 172
Cam. Tensioner Assy.....	T41079	◇ 177	Cam. Belt.....	T255	
<b>1977</b>			Cam. Seal.....	②KS11152	
<b>4-CYL. 98 C.I.D. ENG. COLT</b>			Crankshaft Seal.....	KS11122	
Balance Shaft Belt.....	T062		Cam. Tensioner Pulley.....	✱T41002	◇ 172
Cam. Belt.....	T013		<b>1995</b>		
<b>EAGLE</b>			<b>4-CYL. 1.5 L ENG. SUMMIT</b>		
<b>1998</b>			Timing Component Kit.....	☆TCK191	
<b>4-CYL. 2.0 L ENG. TALON</b>			Cam. Belt.....	☆T191	
Timing Component Kit; W/O Turbo.....	☆✱TCK246	◇ 169	Cam. Seal.....	KS13907	
Balance Shaft Belt; W/Turbo.....	☆T168		Crankshaft Seal.....	KS11671	
Cam. Belt; W/Turbo.....	☆T167		Cam. Tensioner Assy.....	T41051	◇ 146
Cam. Belt; W/O Turbo.....	☆T246		<b>4-CYL. 1.8 L ENG. SUMMIT</b>		
Cam. Seal; W/O Turbo.....	②KS13709		Cam. Belt.....	T201	
Crankshaft Seal; W/O Turbo.....	KS12711		<b>4-CYL. 2.0 L ENG. TALON</b>		
Cam. Idler Pulley; W/DOHC Eng.....	✱T41002	◇ 169	Timing Component Kit; W/O Turbo.....	☆✱TCK246	◇ 169
Cam. Tensioner Assy.; W/DOHC Eng.....	✱T41002	◇ 169	Balance Shaft Belt; W/Turbo.....	☆T168	
<b>1997</b>			Cam. Belt; W/Turbo.....	☆T167	
<b>4-CYL. 2.0 L ENG. TALON</b>			Cam. Belt; W/O Turbo.....	☆T246	
Timing Component Kit; W/O Turbo.....	☆✱TCK246	◇ 169	Cam. Seal; W/O Turbo.....	②KS13709	
Balance Shaft Belt; W/Turbo.....	☆T168		Crankshaft Seal; W/O Turbo.....	KS12711	
Cam. Belt; W/Turbo.....	☆T167		Cam. Idler Pulley; W/DOHC Eng.....	✱T41002	◇ 169
Cam. Belt; W/O Turbo.....	☆T246		Cam. Tensioner Assy.; W/DOHC Eng.....	✱T41002	◇ 169
Cam. Seal; W/O Turbo.....	②KS13709		<b>4-CYL. 2.4 L ENG. SUMMIT</b>		
Crankshaft Seal; W/O Turbo.....	KS12711		Balance Shaft Belt.....	T168	
Cam. Idler Pulley; W/DOHC Eng.....	✱T41002	◇ 169	Cam. Belt.....	T230	
Cam. Tensioner Assy.; W/DOHC Eng.....	✱T41002	◇ 169	<b>V-6 3.5 L ENG. VISION</b>		
<b>1997</b>			Timing Component Kit.....	✱TCK255	◇ 172
<b>4-CYL. 2.0 L ENG. TALON</b>			Cam. Belt.....	T255	
Timing Component Kit; W/O Turbo.....	☆✱TCK246	◇ 169			
Balance Shaft Belt; W/Turbo.....	☆T168				
Cam. Belt; W/Turbo.....	☆T167				
Cam. Belt; W/O Turbo.....	☆T246				
Cam. Seal; W/O Turbo.....	②KS13709				
Crankshaft Seal; W/O Turbo.....	KS12711				
Cam. Idler Pulley; W/DOHC Eng.....	✱T41002	◇ 169			
Cam. Tensioner Assy.; W/DOHC Eng.....	✱T41002	◇ 169			

☆ Interference engine application. See inside back cover for additional information.  
✱ Does Not Include Cam. Tensioner Hyd. Assy.

② Two Required.  
④ Four Required.

◇ See Diagram Section (Pages 153-167).

# PowerGrip™ Timing System Products for Passenger Cars

Application	Part No.	Diagram No.	Application	Part No.	Diagram No.
<b>EAGLE - Continued</b>			<b>EAGLE - Continued</b>		
<b>1995 - Continued</b>			<b>1993 - Continued</b>		
<b>V-6 3.5 L ENG. - Continued</b>			<b>4-CYL. 2.0 L ENG. - Continued</b>		
<b>VISION - Continued</b>			<b>TALON - Continued</b>		
Cam. Seal.....	ⓂKS11152		Balance Shaft Tensioner Assy.; W/O Turbo.....	T41047	◇ 139
Crankshaft Seal.....	KS11122		Cam. Idler Pulley; W/O Turbo.....	T42017	◇ 139
Cam. Tensioner Pulley.....	✱T41002	◇ 172	Cam. Tensioner Assy.; W/O Turbo.....	✱T41046	◇ 139
<b>1994</b>			<b>4-CYL. 2.0 L ENG. (CANADA)</b>		
<b>4-CYL. 1.5 L ENG.</b>			<b>2000 GTX</b>		
<b>SUMMIT</b>			Balance Shaft Belt.....		
Timing Component Kit.....	☆TCK191		Cam. Belt.....	☆T232	
Cam. Belt.....	☆T191		<b>4-CYL. 2.4 L ENG.</b>		
Cam. Seal.....	KS13907		<b>SUMMIT</b>		
Crankshaft Seal.....	KS11671		Balance Shaft Belt.....	T168	
Cam. Tensioner Assy.....	T41051	◇ 146	Cam. Belt.....	T230	
<b>4-CYL. 1.8 L ENG.</b>			<b>V-6 3.5 L ENG.</b>		
<b>SUMMIT</b>			<b>VISION</b>		
Cam. Belt.....	T201		Timing Component Kit.....	✱TCK219	◇ 158
<b>TALON</b>			Cam. Belt.....	T219	
Timing Component Kit.....	TCK158		Cam. Seal.....	ⓂKS11152	
Balance Shaft Belt.....	T159		Crankshaft Seal.....	KS11122	
Cam. Belt.....	T158		Cam. Tensioner Assy.....	✱T41084	◇ 158
Balance Shaft Tensioner Assy.....	T41057	◇ 133	<b>1992</b>		
Cam. Tensioner Assy.....	T41056	◇ 133	<b>4-CYL. 1.5 L ENG.</b>		
<b>4-CYL. 2.0 L ENG.</b>			<b>SUMMIT</b>		
<b>TALON</b>			Timing Component Kit.....	☆TCK191	
Timing Component Kit; W/O Turbo.....	☆✱TCK167		Cam. Belt.....	☆T191	
Balance Shaft Belt.....	☆T168		Cam. Seal.....	KS13907	
Cam. Belt.....	☆T167		Crankshaft Seal.....	KS11671	
Cam. Seal.....	ⓂKS13907		Cam. Tensioner Assy.....	T41051	◇ 146
Crankshaft Seal.....	KS17629		<b>4-CYL. 1.5 L ENG. (CANADA)</b>		
Balance Shaft Tensioner Assy.; W/O Turbo.....	T41047	◇ 139	<b>VISTA</b>		
Cam. Idler Pulley; W/O Turbo.....	T42017	◇ 139	Timing Component Kit.....	☆TCK191	
Cam. Tensioner Assy.; W/O Turbo.....	✱T41046	◇ 139	Cam. Belt.....	☆T191	
<b>4-CYL. 2.4 L ENG.</b>			Cam. Seal.....	KS13907	
<b>SUMMIT</b>			Crankshaft Seal.....	KS11671	
Balance Shaft Belt.....	T168		Cam. Tensioner Assy.....	T41051	◇ 146
Cam. Belt.....	T230		<b>4-CYL. 1.8 L ENG.</b>		
<b>V-6 3.5 L ENG.</b>			<b>SUMMIT</b>		
<b>VISION</b>			Cam. Belt.....	T201	
Timing Component Kit.....	✱TCK219	◇ 158	<b>4-CYL. 2.0 L ENG.</b>		
Cam. Belt.....	T219		<b>TALON</b>		
Cam. Seal.....	ⓂKS11152		Timing Component Kit; W/O Turbo.....	☆✱TCK167	
Crankshaft Seal.....	KS11122		Balance Shaft Belt.....	☆T168	
Cam. Tensioner Assy.....	✱T41084	◇ 158	Cam. Belt.....	☆T167	
<b>1993</b>			Cam. Seal.....	ⓂKS13907	
<b>4-CYL. 1.5 L ENG.</b>			Crankshaft Seal.....	KS17629	
<b>SUMMIT</b>			Balance Shaft Tensioner Assy.; W/O Turbo.....	T41047	◇ 139
Timing Component Kit.....	☆TCK191		Cam. Idler Pulley; W/O Turbo.....	T42017	◇ 139
Cam. Belt.....	☆T191		Cam. Tensioner Assy.; W/O Turbo.....	✱T41046	◇ 139
Cam. Seal.....	KS13907		<b>4-CYL. 2.0 L ENG. (CANADA)</b>		
Crankshaft Seal.....	KS11671		<b>2000 GTX</b>		
Cam. Tensioner Assy.....	T41051	◇ 146	Timing Component Kit; W/DOHC Eng.....	☆✱TCK167	
<b>4-CYL. 1.8 L ENG.</b>			Timing Component Kit; W/SOHC Eng.....	TCK155	
<b>SUMMIT</b>			Balance Shaft Belt; W/DOHC Eng.....	☆T168	
Cam. Belt.....	T201		Cam. Belt; W/DOHC Eng.....	☆T167	
<b>TALON</b>			Cam. Belt; W/SOHC Eng.....	T155	
Timing Component Kit.....	TCK158		Balance Shaft Belt; W/SOHC Eng.....	T159	
Balance Shaft Belt.....	T159		Cam. Seal; W/SOHC Eng.....	KS13943	
Cam. Belt.....	T158		Crankshaft Seal; W/SOHC Eng.....	KS17154	
Balance Shaft Tensioner Assy.....	T41057	◇ 133	Balance Shaft Tensioner Assy.; W/DOHC Eng.....	T41047	◇ 139
Cam. Tensioner Assy.....	T41056	◇ 133	Balance Shaft Tensioner Assy.; W/SOHC Eng.....	T41053	◇ 131
<b>4-CYL. 2.0 L ENG.</b>			Cam. Idler Pulley; W/DOHC Eng.....	T42017	◇ 139
<b>TALON</b>			Cam. Tensioner Assy.; W/DOHC Eng.....	✱T41046	◇ 139
Timing Component Kit; W/O Turbo.....	☆✱TCK167		Cam. Tensioner Assy.; W/SOHC Eng.....	T41043	◇ 131
Balance Shaft Belt.....	☆T168		<b>4-CYL. 2.4 L ENG.</b>		
Cam. Belt.....	☆T167		<b>SUMMIT</b>		
Cam. Seal.....	ⓂKS13907		Balance Shaft Belt.....	T159	
Crankshaft Seal.....	KS17629		Cam. Belt.....	T204	

☆ Interference engine application. See inside back cover for additional information.

Ⓜ Two Required.

◇ See Diagram Section (Pages 153-167).

✱ Does Not Include Cam. Tensioner Hyd. Assy.

④ Four Required.

# PowerGrip™ Timing System Products for Passenger Cars

Application	Part No.	Diagram No.	Application	Part No.	Diagram No.
<b>EAGLE - Continued</b>			<b>EAGLE - Continued</b>		
<b>1991</b>			<b>1990 - Continued</b>		
<b>4-CYL. 1.5 L ENG. SUMMIT</b>			<b>4-CYL. 2.0 L ENG. - Continued</b>		
Timing Component Kit.....	☆TCK191		<b>TALON - Continued</b>		
Cam. Belt.....	☆T191		Balance Shaft Belt.....	☆T168	
Cam. Seal.....	KS13907		Cam. Belt.....	☆T167	
Crankshaft Seal.....	KS11671		Cam. Seal.....	②KS13907	
Cam. Tensioner Assy.....	T41051	◇ 146	Crankshaft Seal.....	KS17629	
<b>4-CYL. 1.5 L ENG. (CANADA) VISTA</b>			Balance Shaft Tensioner Assy.; W/O Turbo.....	T41047	◇ 139
Timing Component Kit.....	☆TCK128		Cam. Idler Pulley; W/O Turbo.....	T42017	◇ 139
Cam. Belt.....	☆T128		Cam. Tensioner Assy.; W/O Turbo.....	★T41046	◇ 139
Cam. Tensioner Assy.....	T41042	◇ 118	<b>4-CYL. 2.0 L ENG. (CANADA) VISTA</b>		
<b>4-CYL. 2.0 L ENG. TALON</b>			Timing Component Kit.....	TCK158	
Timing Component Kit; W/O Turbo.....	☆★TCK167		Balance Shaft Belt.....	T159	
Balance Shaft Belt.....	☆T168		Cam. Belt.....	T158	
Cam. Belt.....	☆T167		Cam. Seal.....	KS13943	
Cam. Seal.....	②KS13907		Crankshaft Seal.....	KS11671	
Crankshaft Seal.....	KS17629		<b>1989</b>		
Balance Shaft Tensioner Assy.; W/O Turbo.....	T41047	◇ 139	<b>4-CYL. 1.5 L ENG. SUMMIT</b>		
Cam. Idler Pulley; W/O Turbo.....	T42017	◇ 139	Timing Component Kit.....	☆TCK128	
Cam. Tensioner Assy.; W/O Turbo.....	★T41046	◇ 139	Cam. Belt.....	☆T128	
<b>4-CYL. 2.0 L ENG. (CANADA) VISTA</b>			Cam. Seal.....	KS13907	
Timing Component Kit.....	TCK158		Crankshaft Seal.....	KS11671	
Balance Shaft Belt.....	T159		Cam. Tensioner Assy.....	T41042	◇ 118
Cam. Belt.....	T158		<b>4-CYL. 1.5 L ENG. (CANADA) VISTA</b>		
Cam. Seal.....	KS13943		Timing Component Kit.....	☆TCK128	
Crankshaft Seal.....	KS11671		Cam. Belt.....	☆T128	
<b>2000 GTX</b>			Cam. Seal.....	KS13943	
Timing Component Kit; W/DOHC Eng.....	☆★TCK167		Crankshaft Seal.....	KS11671	
Timing Component Kit; W/SOHC Eng.....	TCK155		Cam. Tensioner Assy.....	T41042	◇ 118
Balance Shaft Belt; W/DOHC Eng.....	☆T168		<b>4-CYL. 1.6 L ENG. SUMMIT</b>		
Cam. Belt; W/DOHC Eng.....	☆T167		Cam. Belt.....	☆T165	
Cam. Belt; W/SOHC Eng.....	T155		<b>4-CYL. 1.6 L ENG. (CANADA) VISTA</b>		
Balance Shaft Belt; W/SOHC Eng.....	T159		Cam. Belt.....	T093	
Cam. Seal; W/SOHC Eng.....	KS13943		<b>4-CYL. 2.0 L ENG. (CANADA) VISTA</b>		
Crankshaft Seal; W/SOHC Eng.....	KS17154		Timing Component Kit.....	TCK158	
Balance Shaft Tensioner Assy.; W/DOHC Eng.....	T41047	◇ 139	Balance Shaft Belt.....	T159	
Balance Shaft Tensioner Assy.; W/SOHC Eng.....	T41053	◇ 131	Cam. Belt.....	T158	
Cam. Idler Pulley; W/DOHC Eng.....	T42017	◇ 139	Cam. Seal.....	KS13943	
Cam. Tensioner Assy.; W/DOHC Eng.....	★T41046	◇ 139	Crankshaft Seal.....	KS11671	
Cam. Tensioner Assy.; W/SOHC Eng.....	T41043	◇ 131	<b>4-CYL. 2.2 L ENG. MEDALLION</b>		
<b>1990</b>			<b>1988</b>		
<b>4-CYL. 1.5 L ENG. SUMMIT</b>			<b>4-CYL. 2.2 L ENG. MEDALLION</b>		
Timing Component Kit.....	☆TCK128		Cam. Belt.....	T140	
Cam. Belt.....	☆T128		<b>1983</b>		
Cam. Seal.....	KS13907		<b>4-CYL. 1.5 L ENG. X1/9</b>		
Crankshaft Seal.....	KS11671		Cam. Belt.....	☆T069	
Cam. Tensioner Assy.....	T41042	◇ 118	<b>4-CYL. 2.0 L ENG. SPIDER 2000</b>		
<b>4-CYL. 1.5 L ENG. (CANADA) VISTA</b>			Cam. Belt.....	☆T068	
Timing Component Kit.....	☆TCK128		<b>1982</b>		
Cam. Belt.....	☆T128		<b>4-CYL. 1.5 L ENG. STRADA; X1/9</b>		
Cam. Seal.....	KS13943		Cam. Belt.....	☆T069	
Crankshaft Seal.....	KS11671				
Cam. Tensioner Assy.....	T41042	◇ 118			
<b>4-CYL. 1.6 L ENG. SUMMIT</b>					
Cam. Belt.....	☆T165				
<b>4-CYL. 1.6 L ENG. (CANADA) VISTA</b>					
Cam. Belt.....	☆T165				
<b>4-CYL. 2.0 L ENG. TALON</b>					
Timing Component Kit; W/O Turbo.....	☆★TCK167				

☆ Interference engine application. See inside back cover for additional information.  
 ★ Does Not Include Cam. Tensioner Hyd. Assy.

② Two Required.  
 ④ Four Required.

◇ See Diagram Section (Pages 153-167).



# PowerGrip™ Timing System Products for Passenger Cars

Application	Part No.	Diagram No.	Application	Part No.	Diagram No.
<b>FIAT - Continued</b>			<b>FORD</b>		
<b>1982 - Continued</b>			Light truck, van or motorhome information for this manufacturer can be found in the next section of this catalog.		
<b>4-CYL. 2.0 L ENG. SPIDER 2000</b>			<b>2003</b>		
Cam. Belt.....	☆T068		<b>4-CYL. 2.0 L ENG. ZX2</b>		
<b>1981-1980</b>			Timing Component Kit.....	☆TCK294A	
<b>4-CYL. 1.5 L ENG. STRADA; X1/9</b>			Cam. Belt.....	☆T294	
Cam. Belt.....	☆T069		Cam. Seal.....	ⓉKS16487	
<b>4-CYL. 2.0 L ENG. BRAVA; SPIDER 2000</b>			Crankshaft Seal.....	KS13907	
Cam. Belt.....	☆T068		<b>2002</b>		
<b>1979</b>			<b>4-CYL. 2.0 L ENG. ESCORT</b>		
<b>4-CYL. 79 C.I.D. ENG. 128</b>			Timing Component Kit.....	☆TCK283	
Cam. Belt.....	☆T018		Cam. Belt.....	☆T283	
<b>4-CYL. 91 C.I.D. ENG. STRADA; X1/9</b>			Cam. Tensioner Assy.....	T43004	◇ 182
Cam. Belt.....	☆T069		<b>FOCUS</b>		
<b>4-CYL. 122 C.I.D. ENG. BRAVA; SPIDER 2000</b>			Timing Component Kit; W/DOHC Eng.....	☆TCK294A	
Cam. Belt.....	☆T068		Timing Component Kit; W/SOHC Eng.....	☆TCK283	
<b>1978</b>			Cam. Belt; W/DOHC Eng.....	☆T294	
<b>4-CYL. 79 C.I.D. ENG. X1/9; 128</b>			Cam. Belt; W/SOHC Eng.....	☆T283	
Cam. Belt.....	T018		Cam. Seal; W/DOHC Eng.....	ⓉKS16487	
<b>4-CYL. 107 C.I.D. ENG. BRAVA; 124; 131</b>			Cam. Seal; W/SOHC Eng.....	KS16473	
Cam. Belt.....	T020		Crankshaft Seal.....	KS13907	
<b>1977-1975</b>			Cam. Idler Pulley - Upper; W/DOHC Eng.....	T42036	◇ 185
<b>4-CYL. 79 C.I.D. ENG. X1/9; 128</b>			Cam. Idler Pulley - Lower; W/DOHC Eng.....	T42034	◇ 185
Cam. Belt.....	T018		Cam. Tensioner Assy.; W/DOHC Eng.....	T43003	◇ 185
<b>4-CYL. 107 C.I.D. ENG. 124; 131</b>			Cam. Tensioner Assy.; W/SOHC Eng.....	T43004	◇ 182
Cam. Belt.....	T020		<b>ZX2</b>		
<b>1974</b>			Timing Component Kit.....	☆TCK294A	
<b>4-CYL. 79 C.I.D. ENG. X1/9; 128</b>			Cam. Belt.....	☆T294	
Cam. Belt.....	T018		Cam. Seal.....	ⓉKS16487	
<b>4-CYL. 97 C.I.D. ENG. 124</b>			Crankshaft Seal.....	KS13907	
Cam. Belt.....	T020		Cam. Idler Pulley - Upper.....	T42036	◇ 185
<b>4-CYL. 107 C.I.D. ENG. 124</b>			Cam. Idler Pulley - Lower.....	T42034	◇ 185
Cam. Belt.....	T020		Cam. Tensioner Assy.; W/DOHC Eng.....	T43003	◇ 185
<b>1973</b>			Cam. Tensioner Assy.; W/SOHC Eng.....	T43004	◇ 182
<b>4-CYL. 68 C.I.D. ENG. 128</b>			<b>2001</b>		
Cam. Belt.....	T018		<b>4-CYL. 2.0 L ENG. ESCORT</b>		
<b>4-CYL. 79 C.I.D. ENG. 128</b>			Timing Component Kit.....	TCK283	
Cam. Belt.....	T018		Cam. Belt.....	T283	
<b>4-CYL. 98 C.I.D. ENG. 124</b>			Cam. Tensioner Assy.....	T43004	◇ 182
Cam. Belt; Sport, Spider.....	T020		<b>FOCUS</b>		
<b>1972-1971</b>			Timing Component Kit; W/DOHC Eng.....	☆TCK294A	
<b>4-CYL. 68 C.I.D. ENG. 128</b>			Timing Component Kit; W/SOHC Eng.....	☆TCK283	
Cam. Belt.....	T018		Cam. Belt; W/DOHC Eng.....	☆T294	
<b>4-CYL. 98 C.I.D. ENG. 124</b>			Cam. Belt; W/SOHC Eng.....	☆T283	
Cam. Belt; Sport, Spider.....	T020		Cam. Seal; W/DOHC Eng.....	ⓉKS16487	
			Cam. Seal; W/SOHC Eng.....	KS16473	
			Crankshaft Seal.....	KS13907	
			Cam. Idler Pulley - Upper; W/DOHC Eng.....	T42036	◇ 185
			Cam. Idler Pulley - Lower; W/DOHC Eng.....	T42034	◇ 185
			Cam. Tensioner Assy.; W/DOHC Eng.....	T43003	◇ 185
			Cam. Tensioner Assy.; W/SOHC Eng.....	T43004	◇ 182
			<b>ZX2</b>		
			Timing Component Kit.....	☆TCK294A	
			Cam. Belt.....	☆T294	
			Cam. Seal.....	ⓉKS16487	
			Crankshaft Seal.....	KS13907	
			Cam. Idler Pulley - Upper.....	T42036	◇ 185
			Cam. Idler Pulley - Lower.....	T42034	◇ 185
			Cam. Tensioner Assy.....	T43003	◇ 185
			<b>2000</b>		
			<b>4-CYL. 2.0 L ENG. CONTOUR</b>		
			Timing Component Kit.....	☆TCK294A	
			Cam. Belt.....	☆T294	
			Cam. Seal.....	ⓉKS16487	
			Crankshaft Seal.....	KS13907	

☆ Interference engine application. See inside back cover for additional information.

\* Does Not Include Cam. Tensioner Hyd. Assy.

Ⓣ Two Required.

④ Four Required.

◇ See Diagram Section (Pages 153-167).

# PowerGrip™ Timing System Products for Passenger Cars

Application	Part No.	Diagram No.	Application	Part No.	Diagram No.
<b>FORD - Continued</b>			<b>FORD - Continued</b>		
<b>2000 - Continued</b>			<b>1999 - Continued</b>		
<b>4-CYL. 2.0 L ENG. - Continued</b>			<b>4-CYL. 2.0 L BIFUEL ENG.</b>		
<b>CONTOUR - Continued</b>			<b>CONTOUR</b>		
Cam. Idler Pulley - Upper.....	T42036	◇ 185	Timing Component Kit; Mar. 29, 1999 & Newer.....	☆TCK294A	
Cam. Idler Pulley - Lower.....	T42034	◇ 185	Timing Component Kit; Mar. 28, 1999 & Older.....	TCK294	
Cam. Tensioner Assy.....	T43003	◇ 185	Cam. Belt.....	☆T294	
<b>ESCORT; FOCUS</b>			Cam. Seal.....	②KS16487	
Timing Component Kit; W/DOHC Eng.....	☆TCK294A		Crankshaft Seal.....	KS13907	
Timing Component Kit; W/SOHC Eng.....	☆TCK283		Cam. Idler Pulley - Upper; W/DOHC Eng.....	T42036	◇ 185
Cam. Belt; W/DOHC Eng.....	☆T294		Cam. Idler Pulley - Lower; W/DOHC Eng.....	T42034	◇ 185
Cam. Belt; W/SOHC Eng.....	☆T283		Cam. Tensioner Assy.; W/DOHC Eng.....	T43003	◇ 185
Cam. Seal; W/DOHC Eng.....	②KS16487		Cam. Tensioner Assy.; W/SOHC Eng.....	T43004	◇ 182
Cam. Seal; W/SOHC Eng.....	KS16473		<b>1998</b>		
Crankshaft Seal.....	KS13907		<b>4-CYL. 2.0 L ENG.</b>		
Cam. Idler Pulley - Upper; W/DOHC Eng.....	T42036	◇ 185	<b>CONTOUR</b>		
Cam. Idler Pulley - Lower; W/DOHC Eng.....	T42034	◇ 185	Timing Component Kit.....	☆TCK294	
Cam. Tensioner Assy.; W/DOHC Eng.....	T43003	◇ 185	Cam. Belt.....	☆T294	
Cam. Tensioner Assy.; W/SOHC Eng.....	T43004	◇ 182	Cam. Seal.....	②KS16487	
<b>4-CYL. 2.0 L ENG. (CANADA)</b>			Crankshaft Seal.....	KS13907	
<b>COUGAR</b>			Cam. Idler Pulley.....	T42035	◇ 184
Timing Component Kit.....	☆TCK294A		Cam. Idler Pulley - Lower.....	T42034	◇ 184
Cam. Belt.....	☆T294		Cam. Tensioner Assy.....	T43003	◇ 184
Cam. Seal.....	②KS16487		<b>ESCORT</b>		
Crankshaft Seal.....	KS13907		Timing Component Kit; W/DOHC Eng.....	☆TCK294	
Cam. Idler Pulley - Upper.....	T42036	◇ 185	Timing Component Kit; W/SOHC Eng.....	☆TCK283	
Cam. Idler Pulley - Lower.....	T42034	◇ 185	Cam. Belt; W/DOHC Eng.....	☆T294	
Cam. Tensioner Assy.....	T43003	◇ 185	Cam. Belt; W/SOHC Eng.....	☆T283	
<b>4-CYL. 2.0 L BIFUEL ENG.</b>			Cam. Seal; W/DOHC Eng.....	②KS16487	
<b>CONTOUR</b>			Cam. Seal; W/SOHC Eng.....	KS16473	
Timing Component Kit.....	☆TCK294A		Crankshaft Seal.....	KS13907	
Cam. Belt.....	☆T294		Cam. Tensioner Assy.; W/SOHC Eng.....	T43004	◇ 182
Cam. Seal.....	②KS16487		<b>4-CYL. 2.0 L BIFUEL ENG.</b>		
Crankshaft Seal.....	KS13907		<b>CONTOUR</b>		
Cam. Idler Pulley - Upper.....	T42036	◇ 185	Timing Component Kit.....	☆TCK294	
Cam. Idler Pulley - Lower.....	T42034	◇ 185	Cam. Belt.....	☆T294	
Cam. Tensioner Assy.....	T43003	◇ 185	Cam. Seal.....	②KS16487	
<b>1999</b>			Crankshaft Seal.....	KS13907	
<b>4-CYL. 2.0 L ENG.</b>			Cam. Idler Pulley.....	T42035	◇ 184
<b>CONTOUR</b>			Cam. Idler Pulley - Lower.....	T42034	◇ 184
Timing Component Kit; Mar. 29, 1999 & Newer.....	☆TCK294A		Cam. Tensioner Assy.....	T43003	◇ 184
Timing Component Kit; Mar. 28, 1999 & Older.....	TCK294		<b>1997</b>		
Cam. Belt.....	☆T294		<b>4-CYL. 1.3 L ENG.</b>		
Cam. Seal.....	②KS16487		<b>ASPIRE</b>		
Crankshaft Seal.....	KS13907		Timing Component Kit.....	TCK185	
Cam. Idler Pulley - Upper; Mar. 29, 1999 & Newer.....	T42036	◇ 185	Cam. Belt.....	T185	
Cam. Idler Pulley - Upper; Mar. 28, 1999 & Older.....	T42035	◇ 184	Cam. Seal.....	KS11612	
Cam. Idler Pulley - Lower.....	T42034	◇ 185	Crankshaft Seal.....	KS14477	
Cam. Tensioner Assy.....	T43003	◇ 185	Cam. Tensioner Assy.....	T41030	◇ 144
<b>ESCORT</b>			<b>4-CYL. 2.0 L ENG.</b>		
Timing Component Kit; W/DOHC Eng.; Feb. 10, 1999 & Newer.....	☆TCK294A		<b>CONTOUR</b>		
Timing Component Kit; W/DOHC Eng.; Feb. 9, 1999 & Older.....	☆TCK294		Timing Component Kit.....	TCK258	
Timing Component Kit; W/SOHC Eng.....	☆TCK283		Cam. Belt.....	T258	
Cam. Belt; W/DOHC Eng.....	☆T294		Cam. Seal.....	②KS13429	
Cam. Belt; W/SOHC Eng.....	☆T283		Crankshaft Seal.....	KS13907	
Cam. Seal; W/DOHC Eng.....	②KS16487		Cam. Idler Pulley - Left Hand.....	T42032	◇ 175
Cam. Seal; W/SOHC Eng.....	KS16473		Cam. Idler Pulley - Right Hand.....	T42033	◇ 175
Crankshaft Seal.....	KS13907		Cam. Tensioner Assy.....	T41008	◇ 175
Cam. Idler Pulley - Upper; W/DOHC Eng.; Feb. 10, 1999 & Newer.....	T42036	◇ 185	<b>ESCORT</b>		
Cam. Idler Pulley - Upper; W/DOHC Eng.; Feb. 9, 1999 & Older.....	T42035	◇ 184	Timing Component Kit.....	TCK283	
Cam. Idler Pulley - Lower; W/DOHC Eng.....	T42034	◇ 185	Cam. Belt.....	T283	
Cam. Tensioner Assy.; W/DOHC Eng.....	T43003	◇ 185	Cam. Seal.....	KS16473	
Cam. Tensioner Assy.; W/SOHC Eng.....	T43004	◇ 182	Crankshaft Seal.....	KS13943	
<b>1999</b>			Cam. Tensioner Assy.....	T43004	◇ 182
<b>4-CYL. 2.0 L ENG.</b>			<b>PROBE</b>		
<b>CONTOUR</b>			Timing Component Kit.....	☆TCK228	
Timing Component Kit.....	☆TCK294		Cam. Belt.....	☆T228	
Cam. Belt.....	☆T294		Cam. Seal.....	②KS13429	
Cam. Seal.....	②KS16487		Crankshaft Seal.....	KS16889	
Crankshaft Seal.....	KS13907		Cam. Idler Pulley.....	T42008	◇ 161
Cam. Idler Pulley - Upper; W/DOHC Eng.; Feb. 10, 1999 & Newer.....	T42036	◇ 185			
Cam. Idler Pulley - Upper; W/DOHC Eng.; Feb. 9, 1999 & Older.....	T42035	◇ 184			
Cam. Idler Pulley - Lower; W/DOHC Eng.....	T42034	◇ 185			
Cam. Tensioner Assy.; W/DOHC Eng.....	T43003	◇ 185			
Cam. Tensioner Assy.; W/SOHC Eng.....	T43004	◇ 182			

☆ Interference engine application. See inside back cover for additional information.  
 \* Does Not Include Cam. Tensioner Hyd. Assy.

② Two Required.  
 ④ Four Required.

◇ See Diagram Section (Pages 153-167).

# PowerGrip™ Timing System Products for Passenger Cars

Application	Part No.	Diagram No.	Application	Part No.	Diagram No.
<b>FORD - Continued</b>			<b>FORD - Continued</b>		
<b>1997 - Continued</b>			<b>1996 - Continued</b>		
<b>4-CYL. 2.0 L ENG. - Continued</b>			<b>4-CYL. 2.0 L BIFUEL ENG. - Continued</b>		
<b>PROBE - Continued</b>			<b>CONTOUR - Continued</b>		
Cam. Tensioner Assy.....	T41091	◇ 161	Cam. Tensioner Assy.....	T41008	◇ 175
<b>4-CYL. 2.0 L BIFUEL ENG. CONTOUR</b>			<b>V-6 2.5 L ENG. PROBE</b>		
Timing Component Kit.....	TCK258		Timing Component Kit.....	☆*TCK214	
Cam. Belt.....	T258		Cam. Belt.....	☆T214	
Cam. Seal.....	②KS13429		Cam. Seal.....	②KS13429	
Crankshaft Seal.....	KS13907		Crankshaft Seal.....	KS16889	
Cam. Idler Pulley - Left Hand.....	T42032	◇ 175	Cam. Idler Pulley - Upper.....	T42010	◇ 157
Cam. Idler Pulley - Right Hand.....	T42033	◇ 175	Cam. Idler Pulley - Lower.....	T42009	◇ 157
Cam. Tensioner Assy.....	T41008	◇ 175	Cam. Tensioner Pulley.....	*T41034	◇ 157
<b>V-6 2.5 L ENG. PROBE</b>			<b>1995</b>		
Timing Component Kit.....	☆*TCK214		<b>4-CYL. 1.3 L ENG. ASPIRE</b>		
Cam. Belt.....	☆T214		Timing Component Kit.....	TCK185	
Cam. Seal.....	②KS13429		Cam. Belt.....	T185	
Crankshaft Seal.....	KS16889		Cam. Seal.....	KS11612	
Cam. Idler Pulley - Upper.....	T42010	◇ 157	Crankshaft Seal.....	KS14477	
Cam. Idler Pulley - Lower.....	T42009	◇ 157	Cam. Tensioner Assy.....	T41030	◇ 144
Cam. Tensioner Pulley.....	*T41034	◇ 157	<b>4-CYL. 1.8 L ENG. ESCORT</b>		
<b>1996</b>			Timing Component Kit.....	TCK179	
<b>4-CYL. 1.3 L ENG. ASPIRE</b>			Cam. Belt.....	T179	
Timing Component Kit.....	TCK185		Cam. Seal.....	②KS13429	
Cam. Belt.....	T185		Crankshaft Seal.....	KS14477	
Cam. Seal.....	KS11612		Cam. Idler Pulley.....	T42005	◇ 142
Crankshaft Seal.....	KS14477		Cam. Tensioner Assy.....	T41031	◇ 142
Cam. Tensioner Assy.....	T41030	◇ 144	<b>4-CYL. 1.9 L ENG. ESCORT</b>		
<b>4-CYL. 1.8 L ENG. ESCORT</b>			Timing Component Kit.....	TCK194	
Timing Component Kit.....	TCK179		Cam. Belt.....	T194	
Cam. Belt.....	T179		Cam. Seal.....	KS16473	
Cam. Seal.....	②KS13429		Crankshaft Seal.....	KS13943	
Crankshaft Seal.....	KS14477		Cam. Tensioner Assy.....	T41007	◇ 148
Cam. Idler Pulley.....	T42005	◇ 142	<b>4-CYL. 2.0 L ENG. CONTOUR</b>		
Cam. Tensioner Assy.....	T41031	◇ 142	Timing Component Kit.....	TCK258	
<b>4-CYL. 1.9 L ENG. ESCORT</b>			Cam. Belt.....	T258	
Timing Component Kit.....	TCK194		Cam. Seal.....	②KS13429	
Cam. Belt.....	T194		Crankshaft Seal.....	KS13907	
Cam. Seal.....	KS16473		Cam. Idler Pulley - Left Hand.....	T42032	◇ 175
Crankshaft Seal.....	KS13943		Cam. Idler Pulley - Right Hand.....	T42033	◇ 175
Cam. Tensioner Assy.....	T41007	◇ 148	Cam. Tensioner Assy.....	T41008	◇ 175
<b>4-CYL. 2.0 L ENG. CONTOUR</b>			<b>PROBE</b>		
Timing Component Kit.....	TCK258		Timing Component Kit.....	☆TCK228	
Cam. Belt.....	T258		Cam. Belt.....	☆T228	
Cam. Seal.....	②KS13429		Cam. Seal.....	②KS13429	
Crankshaft Seal.....	KS13907		Crankshaft Seal.....	KS16889	
Cam. Idler Pulley - Left Hand.....	T42032	◇ 175	Cam. Idler Pulley.....	T42008	◇ 161
Cam. Idler Pulley - Right Hand.....	T42033	◇ 175	Cam. Tensioner Assy.....	T41091	◇ 161
Cam. Tensioner Assy.....	T41008	◇ 175	<b>V-6 2.5 L ENG. PROBE</b>		
<b>PROBE</b>			Timing Component Kit.....	☆*TCK214	
Timing Component Kit.....	☆TCK228		Cam. Belt.....	☆T214	
Cam. Belt.....	☆T228		Cam. Seal.....	②KS13429	
Cam. Seal.....	②KS13429		Crankshaft Seal.....	KS16889	
Crankshaft Seal.....	KS16889		Cam. Idler Pulley - Upper.....	T42010	◇ 157
Cam. Idler Pulley.....	T42008	◇ 161	Cam. Idler Pulley - Lower.....	T42009	◇ 157
Cam. Tensioner Assy.....	T41091	◇ 161	Cam. Tensioner Pulley.....	*T41034	◇ 157
<b>4-CYL. 2.0 L BIFUEL ENG. CONTOUR</b>			<b>V-6 3.0 L ENG. TAURUS</b>		
Timing Component Kit.....	TCK258		Cam. Belt; W/S/O Eng. ....	T248	
Cam. Seal.....	②KS13429		<b>V-6 3.2 L ENG. TAURUS</b>		
Crankshaft Seal.....	KS13907		Cam. Belt.....	T248	
Cam. Idler Pulley - Left Hand.....	T42032	◇ 175			
Cam. Idler Pulley - Right Hand.....	T42033	◇ 175			

☆ Interference engine application. See inside back cover for additional information.

\* Does Not Include Cam. Tensioner Hyd. Assy.

② Two Required.

④ Four Required.

◇ See Diagram Section (Pages 153-167).

# PowerGrip™ Timing System Products for Passenger Cars

Application	Part No.	Diagram No.	Application	Part No.	Diagram No.
<b>FORD - Continued</b>			<b>FORD - Continued</b>		
<b>1994</b>			<b>1993 - Continued</b>		
<b>4-CYL. 1.3 L ENG.</b>			<b>4-CYL. 1.9 L ENG. - Continued</b>		
<b>ASPIRE</b>			<b>ESCORT - Continued</b>		
Timing Component Kit.....	TCK185		Cam. Tensioner Assy.....	T41007	◇ 148
Cam. Belt.....	T185		<b>4-CYL. 2.0 L ENG.</b>		
Cam. Seal.....	KS11612		<b>PROBE</b>		
Crankshaft Seal.....	KS14477		Timing Component Kit.....	☆TCK228	
Cam. Tensioner Assy.....	T41030	◇ 144	Cam. Belt.....	☆T228	
<b>4-CYL. 1.8 L ENG.</b>			Cam. Seal.....	②KS13429	
<b>ESCORT</b>			Crankshaft Seal.....	KS16889	
Timing Component Kit.....	TCK179		Cam. Idler Pulley.....	T42008	◇ 161
Cam. Belt.....	T179		Cam. Tensioner Assy.....	T41091	◇ 161
Cam. Seal.....	②KS13429		<b>4-CYL. 2.3 L ENG.</b>		
Crankshaft Seal.....	KS14477		<b>MUSTANG</b>		
Cam. Idler Pulley.....	T42005	◇ 142	Timing Component Kit.....	TCK210	
Cam. Tensioner Assy.....	T41031	◇ 142	Cam. Belt.....	T210	
<b>4-CYL. 1.9 L ENG.</b>			Cam. Tensioner Assy.....	T41005	◇ 179
<b>ESCORT</b>			<b>V-6 2.5 L ENG.</b>		
Timing Component Kit.....	TCK194		<b>PROBE</b>		
Cam. Belt.....	T194		Timing Component Kit.....	☆*TCK214	
Cam. Seal.....	KS16473		Cam. Belt.....	☆T214	
Crankshaft Seal.....	KS13943		Cam. Seal.....	②KS13429	
Cam. Tensioner Assy.....	T41007	◇ 148	Crankshaft Seal.....	KS16889	
<b>4-CYL. 2.0 L ENG.</b>			Cam. Idler Pulley - Upper.....	T42010	◇ 157
<b>PROBE</b>			Cam. Idler Pulley - Lower.....	T42009	◇ 157
Timing Component Kit.....	☆TCK228		Cam. Tensioner Pulley.....	*T41034	◇ 157
Cam. Belt.....	☆T228		<b>V-6 3.0 L ENG.</b>		
Cam. Seal.....	②KS13429		<b>TAURUS</b>		
Crankshaft Seal.....	KS16889		Cam. Belt; W/S/O Eng.....	T248	
Cam. Idler Pulley.....	T42008	◇ 161	<b>V-6 3.2 L ENG.</b>		
Cam. Tensioner Assy.....	T41091	◇ 161	<b>TAURUS</b>		
<b>V-6 2.5 L ENG.</b>			Cam. Belt.....	T248	
<b>PROBE</b>			<b>1992</b>		
Timing Component Kit.....	☆*TCK214		<b>4-CYL. 1.3 L ENG.</b>		
Cam. Belt.....	☆T214		<b>FESTIVA</b>		
Cam. Seal.....	②KS13429		Timing Component Kit.....	TCK185	
Crankshaft Seal.....	KS16889		Cam. Belt.....	T185	
Cam. Idler Pulley - Upper.....	T42010	◇ 157	Cam. Seal.....	KS11612	
Cam. Idler Pulley - Lower.....	T42009	◇ 157	Crankshaft Seal.....	KS14477	
Cam. Tensioner Pulley.....	*T41034	◇ 157	Cam. Tensioner Assy.....	T41030	◇ 144
<b>V-6 3.0 L ENG.</b>			<b>4-CYL. 1.8 L ENG.</b>		
<b>TAURUS</b>			<b>ESCORT</b>		
Cam. Belt; W/S/O Eng.....	T248		Timing Component Kit.....	TCK179	
<b>V-6 3.2 L ENG.</b>			Cam. Belt.....	T179	
<b>TAURUS</b>			Cam. Seal.....	②KS13429	
Cam. Belt.....	T248		Crankshaft Seal.....	KS14477	
<b>1993</b>			Cam. Idler Pulley.....	T42005	◇ 142
<b>4-CYL. 1.3 L ENG.</b>			Cam. Tensioner Assy.....	T41031	◇ 142
<b>FESTIVA</b>			<b>4-CYL. 1.9 L ENG.</b>		
Timing Component Kit.....	TCK185		<b>ESCORT</b>		
Cam. Belt.....	T185		Timing Component Kit.....	TCK194	
Cam. Seal.....	KS11612		Cam. Belt.....	T194	
Crankshaft Seal.....	KS14477		Cam. Seal.....	KS16473	
Cam. Tensioner Assy.....	T41030	◇ 144	Crankshaft Seal.....	KS13943	
<b>4-CYL. 1.8 L ENG.</b>			Cam. Tensioner Assy.....	T41007	◇ 148
<b>ESCORT</b>			<b>4-CYL. 2.2 L ENG.</b>		
Timing Component Kit.....	TCK179		<b>PROBE</b>		
Cam. Belt.....	T179		Timing Component Kit.....	☆TCK134	
Cam. Seal.....	②KS13429		Cam. Belt.....	☆T134	
Crankshaft Seal.....	KS14477		Cam. Seal.....	KS13429	
Cam. Idler Pulley.....	T42005	◇ 142	Crankshaft Seal.....	KS13429	
Cam. Tensioner Assy.....	T41031	◇ 142	Cam. Idler Pulley.....	T42003	◇ 122
<b>4-CYL. 1.9 L ENG.</b>			Cam. Tensioner Assy.....	T41029	◇ 122
<b>ESCORT</b>			<b>4-CYL. 2.3 L ENG.</b>		
Timing Component Kit.....	TCK194		<b>MUSTANG</b>		
Cam. Belt.....	T194		Timing Component Kit; W/Square Tooth		
Cam. Seal.....	KS16473		Sprockets.....	TCK014	
Crankshaft Seal.....	KS13943		Cam. Belt; W/Round Tooth Sprockets.....	T210	

☆ Interference engine application. See inside back cover for additional information.

\* Does Not Include Cam. Tensioner Hyd. Assy.

② Two Required.

④ Four Required.

◇ See Diagram Section (Pages 153-167).

# PowerGrip™ Timing System Products for Passenger Cars

Application	Part No.	Diagram No.	Application	Part No.	Diagram No.
<b>FORD - Continued</b>			<b>FORD - Continued</b>		
<b>1992 - Continued</b>			<b>1990 - Continued</b>		
<b>4-CYL. 2.3 L ENG. - Continued</b>			<b>4-CYL. 1.9 L ENG. - Continued</b>		
<b>MUSTANG - Continued</b>			<b>ESCORT - Continued</b>		
Cam. Belt; W/Square Tooth Sprockets .....	T014		Cam. Seal.....	KS16473	
Cam. Seal.....	KS17107		Crankshaft Seal.....	KS13943	
Crankshaft Seal.....	KS17107		Cam. Tensioner Assy.....	T41006	◇ 105
Cam. Tensioner Assy.....	T41005	◇ 179	<b>4-CYL. 2.2 L ENG.</b>		
<b>V-6 3.0 L ENG.</b>			<b>PROBE</b>		
<b>TAURUS</b>			Timing Component Kit.....		
Cam. Belt; W/SHO Eng. ....	T248			☆TCK134	
<b>1991</b>			Cam. Belt.....		
<b>4-CYL. 1.3 L ENG.</b>			Cam. Seal.....		
<b>FESTIVA</b>			Crankshaft Seal.....		
Timing Component Kit.....	TCK185		Cam. Idler Pulley.....	T42003	◇ 122
Cam. Belt.....	T185		Cam. Tensioner Assy.....	T41029	◇ 122
Cam. Seal.....	KS11612		<b>4-CYL. 2.3 L ENG.</b>		
Crankshaft Seal.....	KS14477		<b>MUSTANG</b>		
Cam. Tensioner Assy.....	T41030	◇ 144	Timing Component Kit.....		
<b>4-CYL. 1.8 L ENG.</b>					
<b>ESCORT</b>			Cam. Belt.....		
Timing Component Kit.....	TCK179		Cam. Seal.....	KS13429	
Cam. Belt.....	T179		Crankshaft Seal.....	KS14477	
Cam. Seal.....	KS13429		Cam. Idler Pulley.....	T42005	◇ 142
Crankshaft Seal.....	KS14477		Cam. Tensioner Assy.....	T41031	◇ 142
Cam. Idler Pulley.....	T42005	◇ 142	<b>V-6 3.0 L ENG.</b>		
Cam. Tensioner Assy.....	T41031	◇ 142	<b>TAURUS</b>		
<b>4-CYL. 1.9 L ENG.</b>			Cam. Belt; W/SHO Eng. ....		
<b>ESCORT</b>			T248		
Timing Component Kit; Mar. 26, 1991 & Newer.....	TCK194		<b>1989</b>		
Timing Component Kit; Mar. 25, 1991 & Older.....	TCK067		<b>4-CYL. 1.3 L ENG.</b>		
Cam. Belt; Mar. 26, 1991 & Newer.....	T194		<b>FESTIVA</b>		
Cam. Belt; Mar. 25, 1991 & Older.....	T067		Timing Component Kit.....		
Cam. Seal.....	KS16473			TCK141	
Crankshaft Seal.....	KS13943		Cam. Belt.....	T141	
Cam. Tensioner Assy.; Mar. 26, 1991 & Newer....	T41007	◇ 148	Cam. Seal.....	KS11612	
Cam. Tensioner Assy.; Mar. 25, 1991 & Older....	T41006	◇ 105	Crankshaft Seal.....	KS11612	
<b>4-CYL. 2.2 L ENG.</b>			Cam. Tensioner Assy.....		
<b>PROBE</b>			T41030		
Timing Component Kit.....	☆TCK134		<b>4-CYL. 1.9 L ENG.</b>		
Cam. Belt.....	☆T134		<b>ESCORT</b>		
Cam. Seal.....	KS13429		Timing Component Kit.....		
Crankshaft Seal.....	KS13429			TCK067	
Cam. Idler Pulley.....	T42003	◇ 122	Cam. Belt.....	T067	
Cam. Tensioner Assy.....	T41029	◇ 122	Cam. Seal.....	KS16473	
<b>4-CYL. 2.3 L ENG.</b>			Crankshaft Seal.....		
<b>MUSTANG</b>			Cam. Tensioner Assy.....		
Timing Component Kit.....	TCK014			KS13943	
Cam. Belt.....	T014		Cam. Tensioner Assy.....	T41006	◇ 105
Cam. Seal.....	KS17107		<b>4-CYL. 2.2 L ENG.</b>		
Crankshaft Seal.....	KS17107		<b>PROBE</b>		
Cam. Tensioner Assy.....	T41005	◇ 179	Timing Component Kit.....		
<b>V-6 3.0 L ENG.</b>					
<b>TAURUS</b>			Cam. Belt.....		
Cam. Belt; W/SHO Eng. ....	T248			☆TCK134	
<b>1990</b>			Cam. Belt.....		
<b>4-CYL. 1.3 L ENG.</b>			Cam. Seal.....		
<b>FESTIVA</b>			Crankshaft Seal.....		
Timing Component Kit.....	TCK185		Cam. Idler Pulley.....	T42003	◇ 122
Cam. Belt.....	T185		Cam. Tensioner Assy.....	T41029	◇ 122
Cam. Seal.....	KS11612		<b>4-CYL. 2.3 L ENG.</b>		
Crankshaft Seal.....	KS14477		<b>MUSTANG</b>		
Cam. Tensioner Assy.....	T41030	◇ 144	Timing Component Kit.....		
<b>4-CYL. 1.9 L ENG.</b>					
<b>ESCORT</b>			Cam. Belt.....		
Timing Component Kit.....	TCK067		Cam. Seal.....	KS17107	
Cam. Belt.....	T067		Crankshaft Seal.....	KS17107	
<b>1990</b>			Cam. Tensioner Assy.....		
<b>4-CYL. 1.3 L ENG.</b>			T41005		
<b>FESTIVA</b>			◇ 179		
Timing Component Kit.....	TCK141		<b>V-6 3.0 L ENG.</b>		
Cam. Belt.....	T141		<b>TAURUS</b>		
Cam. Seal.....	KS11612		Cam. Belt; W/SHO Eng. ....		
Crankshaft Seal.....	KS11612		T248		
Cam. Tensioner Assy.....	T41030	◇ 144	<b>1988</b>		
<b>4-CYL. 1.9 L ENG.</b>			<b>4-CYL. 1.3 L ENG.</b>		
<b>ESCORT; EXP</b>			<b>FESTIVA</b>		
Timing Component Kit.....	TCK067		Timing Component Kit.....		
Cam. Belt.....	T067			TCK141	

☆ Interference engine application. See inside back cover for additional information.

\* Does Not Include Cam. Tensioner Hyd. Assy.

② Two Required.

④ Four Required.

◇ See Diagram Section (Pages 153-167).

# PowerGrip™ Timing System Products for Passenger Cars

Application	Part No.	Diagram No.	Application	Part No.	Diagram No.
<b>FORD - Continued</b>			<b>FORD - Continued</b>		
<b>1988 - Continued</b>			<b>1985 - Continued</b>		
<b>4-CYL. 1.9 L ENG. - Continued</b>			<b>4-CYL. 2.0 L DIESEL ENG. - Continued</b>		
<b>ESCORT; EXP - Continued</b>			<b>ESCORT; TEMPO - Continued</b>		
Cam. Seal.....	KS16473		Cam. Belt.....	☆T103	
Crankshaft Seal.....	KS13943		<b>4-CYL. 2.3 L ENG.</b>		
Cam. Tensioner Assy.....	T41006	◇ 105	<b>LTD; MUSTANG; THUNDERBIRD</b>		
<b>4-CYL. 2.3 L ENG.</b>			Timing Component Kit.....	TCK014	
<b>MUSTANG; THUNDERBIRD</b>			Cam. Belt.....	T014	
Timing Component Kit.....	TCK014		Cam. Seal.....	KS17107	
Cam. Belt.....	T014		Crankshaft Seal.....	KS17107	
Cam. Seal.....	KS17107		Cam. Tensioner Assy.....	T41005	◇ 179
Crankshaft Seal.....	KS17107				
Cam. Tensioner Assy.....	T41005	◇ 179			
			<b>1984</b>		
<b>1987</b>			<b>4-CYL. 1.6 L ENG.</b>		
<b>4-CYL. 1.9 L ENG.</b>			<b>ESCORT; EXP</b>		
<b>ESCORT; EXP</b>			Timing Component Kit.....	☆TCK067	
Timing Component Kit.....	TCK067		Cam. Belt.....	☆T067	
Cam. Belt.....	T067		Cam. Seal.....	KS16473	
Cam. Seal.....	KS16473		Crankshaft Seal.....	KS13943	
Crankshaft Seal.....	KS13943		Cam. Tensioner Assy.....	T41006	◇ 105
Cam. Tensioner Assy.....	T41006	◇ 105	<b>4-CYL. 2.0 L DIESEL ENG.</b>		
			<b>ESCORT; TEMPO</b>		
<b>4-CYL. 2.0 L DIESEL ENG.</b>			Cam. To Inj. Pump Belt.....	☆T102	
<b>ESCORT</b>			Cam. Belt.....	☆T103	
Cam. To Inj. Pump Belt.....	☆T102		<b>4-CYL. 2.3 L ENG.</b>		
Cam. Belt.....	☆T103		<b>LTD; MUSTANG; THUNDERBIRD</b>		
<b>4-CYL. 2.3 L ENG.</b>			Timing Component Kit.....	TCK014	
<b>MUSTANG; THUNDERBIRD</b>			Cam. Belt.....	T014	
Timing Component Kit.....	TCK014		Cam. Seal.....	KS17107	
Cam. Belt.....	T014		Crankshaft Seal.....	KS17107	
Cam. Seal.....	KS17107		Cam. Tensioner Assy.....	T41005	◇ 179
Crankshaft Seal.....	KS17107				
Cam. Tensioner Assy.....	T41005	◇ 179	<b>1983</b>		
			<b>4-CYL. 1.6 L ENG.</b>		
<b>1986</b>			<b>ESCORT; EXP</b>		
<b>4-CYL. 1.9 L ENG.</b>			Timing Component Kit.....	☆TCK067	
<b>ESCORT; EXP</b>			Cam. Belt.....	☆T067	
Timing Component Kit.....	TCK067		Cam. Seal.....	KS16473	
Cam. Belt.....	T067		Crankshaft Seal.....	KS13943	
Cam. Seal.....	KS16473		Cam. Tensioner Assy.....	T41006	◇ 105
Crankshaft Seal.....	KS13943		<b>4-CYL. 1.6 L FLEX ENG.</b>		
Cam. Tensioner Assy.....	T41006	◇ 105	<b>ESCORT</b>		
<b>4-CYL. 2.0 L DIESEL ENG.</b>			Timing Component Kit.....	☆TCK067	
<b>ESCORT; TEMPO</b>			Cam. Belt.....	☆T067	
Cam. To Inj. Pump Belt.....	☆T102		Cam. Seal.....	KS16473	
Cam. Belt.....	☆T103		Crankshaft Seal.....	KS13943	
<b>4-CYL. 2.3 L ENG.</b>			Cam. Tensioner Assy.....	T41006	◇ 105
<b>LTD; MUSTANG; THUNDERBIRD</b>			<b>4-CYL. 2.3 L ENG.</b>		
Timing Component Kit.....	TCK014		<b>FAIRMONT; LTD; MUSTANG; THUNDERBIRD</b>		
Cam. Belt.....	T014		Timing Component Kit.....	TCK014	
Cam. Seal.....	KS17107		Cam. Belt.....	T014	
Crankshaft Seal.....	KS17107		Cam. Seal.....	KS17107	
Cam. Tensioner Assy.....	T41005	◇ 179	Crankshaft Seal.....	KS17107	
			Cam. Tensioner Assy.....	T41005	◇ 179
<b>1985</b>					
<b>4-CYL. 1.6 L ENG.</b>			<b>1982</b>		
<b>ESCORT; EXP</b>			<b>4-CYL. 1.6 L ENG.</b>		
Timing Component Kit.....	☆TCK067		<b>ESCORT; EXP</b>		
Cam. Belt.....	☆T067		Timing Component Kit.....	☆TCK067	
Cam. Seal.....	KS16473		Cam. Belt.....	☆T067	
Crankshaft Seal.....	KS13943		Cam. Seal.....	KS16473	
Cam. Tensioner Assy.....	T41006	◇ 105	Crankshaft Seal.....	KS13943	
<b>4-CYL. 1.9 L ENG.</b>			Cam. Tensioner Assy.....	T41006	◇ 105
<b>ESCORT</b>			<b>4-CYL. 2.3 L ENG.</b>		
Timing Component Kit.....	TCK067		<b>FAIRMONT; GRANADA; MUSTANG</b>		
Cam. Belt.....	T067		Timing Component Kit.....	TCK014	
Cam. Tensioner Assy.....	T41006	◇ 105	Cam. Belt.....	T014	
<b>4-CYL. 2.0 L DIESEL ENG.</b>			Cam. Seal.....	KS17107	
<b>ESCORT; TEMPO</b>			Crankshaft Seal.....	KS17107	
Cam. To Inj. Pump Belt.....	☆T102		Cam. Tensioner Assy.....	T41005	◇ 179

☆ Interference engine application. See inside back cover for additional information.

\* Does Not Include Cam. Tensioner Hyd. Assy.

② Two Required.

④ Four Required.

◇ See Diagram Section (Pages 153-167).

# PowerGrip™ Timing System Products for Passenger Cars

Application	Part No.	Diagram No.	Application	Part No.	Diagram No.
<b>FORD - Continued</b>			<b>FORD - Continued</b>		
<b>1982 - Continued</b>			<b>1978 - Continued</b>		
<b>4-CYL. 2.3 L ENG. (CANADA) MUSTANG</b>			<b>4-CYL. 140 C.I.D. ENG. - Continued PINTO</b>		
Timing Component Kit.....	TCK014		Timing Component Kit.....	TCK014	
Cam. Belt.....	T014		Cam. Belt.....	T014	
Cam. Seal.....	KS17107		Cam. Seal.....	KS17107	
Crankshaft Seal.....	KS17107		Crankshaft Seal.....	KS12718	
Cam. Tensioner Assy.....	T41005	◇ 179	Cam. Tensioner Assy.....	T41005	◇ 179
<b>1981</b>			<b>1977-1975</b>		
<b>4-CYL. 1.6 L ENG. ESCORT</b>			<b>4-CYL. 140 C.I.D. ENG. MUSTANG II</b>		
Timing Component Kit.....	☆TCK067		Timing Component Kit.....	TCK014	
Cam. Belt.....	☆T067		Cam. Belt.....	T014	
Cam. Seal.....	KS16473		Cam. Seal.....	KS17107	
Crankshaft Seal.....	KS13943		Crankshaft Seal.....	KS17107	
Cam. Tensioner Assy.....	T41006	◇ 105	Cam. Tensioner Assy.....	T41005	◇ 179
<b>4-CYL. 2.3 L ENG. FAIRMONT; GRANADA; MUSTANG</b>			<b>PINTO</b>		
Timing Component Kit.....	TCK014		Timing Component Kit.....	TCK014	
Cam. Belt.....	T014		Cam. Belt.....	T014	
Cam. Seal.....	KS17107		Cam. Seal.....	KS17107	
Crankshaft Seal.....	KS17107		Crankshaft Seal.....	KS12718	
Cam. Tensioner Assy.....	T41005	◇ 179	Cam. Tensioner Assy.....	T41005	◇ 179
<b>4-CYL. 2.3 L ENG. (CANADA) MUSTANG</b>			<b>1974</b>		
Timing Component Kit.....	TCK014		<b>4-CYL. 122 C.I.D. ENG. PINTO</b>		
Cam. Belt.....	T014		Cam. Belt.....	T013	
Cam. Seal.....	KS17107		<b>4-CYL. 140 C.I.D. ENG. MUSTANG II</b>		
Crankshaft Seal.....	KS17107		Timing Component Kit.....	TCK014	
Cam. Tensioner Assy.....	T41005	◇ 179	Cam. Belt.....	T014	
<b>1980</b>			<b>PINTO</b>		
<b>4-CYL. 2.3 L ENG. FAIRMONT; MUSTANG</b>			<b>Timing Component Kit.....</b>		
Timing Component Kit.....	TCK014		Timing Component Kit.....	TCK014	
Cam. Belt.....	T014		Cam. Belt.....	T014	
Cam. Seal.....	KS17107		Cam. Seal.....	KS17107	
Crankshaft Seal.....	KS17107		Crankshaft Seal.....	KS12718	
Cam. Tensioner Assy.....	T41005	◇ 179	Cam. Tensioner Assy.....	T41005	◇ 179
<b>PINTO</b>			<b>1973-1971</b>		
Timing Component Kit.....	TCK014		<b>4-CYL. 122 C.I.D. ENG. PINTO</b>		
Cam. Belt.....	T014		Cam. Belt.....	T013	
Cam. Seal.....	KS17107		<b>GEO</b>		
Crankshaft Seal.....	KS12718		Light truck, van or motorhome information for this manufacturer can be found in the next section of this catalog.		
Cam. Tensioner Assy.....	T41005	◇ 179	<b>1997-1996</b>		
<b>1979</b>			<b>3-CYL. 1.0 L ENG. METRO</b>		
<b>4-CYL. 140 C.I.D. ENG. FAIRMONT; MUSTANG</b>			Timing Component Kit.....		
Timing Component Kit.....	TCK014		Timing Component Kit.....	TCK194A	
Cam. Belt.....	T014		Cam. Belt.....	T194	
Cam. Seal.....	KS17107		Cam. Seal.....	KS12724	
Crankshaft Seal.....	KS17107		Crankshaft Seal.....	KS12724	
Cam. Tensioner Assy.....	T41005	◇ 179	Cam. Tensioner Assy.....	T41010	◇ 149
<b>PINTO</b>			<b>4-CYL. 1.3 L ENG. METRO</b>		
Timing Component Kit.....	TCK014		Timing Component Kit.....	TCK272	
Cam. Belt.....	T014		Cam. Belt.....	T272	
Cam. Seal.....	KS17107		Cam. Seal.....	KS12724	
Crankshaft Seal.....	KS12718		Crankshaft Seal.....	KS12724	
Cam. Tensioner Assy.....	T41005	◇ 179	Cam. Tensioner Assy.....	T41065	◇ 156
<b>1978</b>			<b>4-CYL. 1.6 L ENG. PRIZM</b>		
<b>4-CYL. 140 C.I.D. ENG. FAIRMONT; MUSTANG II</b>			Timing Component Kit.....		
Timing Component Kit.....	TCK014		Timing Component Kit.....	☆TCK236	
Cam. Belt.....	T014		Cam. Belt.....	☆T236	
Cam. Seal.....	KS17107		Cam. Seal.....	KS13857	
Crankshaft Seal.....	KS17107				
Cam. Tensioner Assy.....	T41005	◇ 179			

☆ Interference engine application. See inside back cover for additional information.

\* Does Not Include Cam. Tensioner Hyd. Assy.

② Two Required.

④ Four Required.

◇ See Diagram Section (Pages 153-167).

# PowerGrip™ Timing System Products for Passenger Cars

Application	Part No.	Diagram No.	Application	Part No.	Diagram No.
<b>GEO - Continued</b>			<b>GEO - Continued</b>		
<b>1997-1996 - Continued</b>			<b>1993 - Continued</b>		
<b>4-CYL. 1.6 L ENG. - Continued</b>			<b>4-CYL. 1.3 L ENG. (CANADA)</b>		
<b>PRIZM - Continued</b>			<b>METRO</b>		
Crankshaft Seal.....	KS12718		Cam. Belt.....	T095	
Cam. Tensioner Assy.....	T41072	◇ 164	<b>4-CYL. 1.6 L ENG.</b>		
<b>4-CYL. 1.8 L ENG.</b>			<b>PRIZM</b>		
<b>PRIZM</b>			Timing Component Kit.....		
Timing Component Kit.....	☆TCK235		Cam. Belt.....	T236	
Cam. Belt.....	☆T235		Cam. Seal.....	KS13857	
Cam. Seal.....	②KS13857		Crankshaft Seal.....	KS12718	
Crankshaft Seal.....	KS12718		Cam. Tensioner Assy.....	T41072	◇ 164
Cam. Tensioner Assy.....	T41072	◇ 164	<b>STORM</b>		
<b>1995</b>			Cam. Belt.....		
<b>3-CYL. 1.0 L ENG.</b>			☆T177		
<b>METRO</b>			<b>4-CYL. 1.8 L ENG.</b>		
Cam. Belt.....	T241		<b>PRIZM</b>		
<b>4-CYL. 1.3 L ENG.</b>			Timing Component Kit.....		
<b>METRO</b>			Cam. Belt.....		
Timing Component Kit.....	TCK272		Cam. Seal.....	②KS13857	
Cam. Belt.....	T272		Crankshaft Seal.....	KS12718	
Cam. Seal.....	KS12724		Cam. Tensioner Assy.....	T41072	◇ 164
Crankshaft Seal.....	KS12724		<b>STORM</b>		
Cam. Tensioner Assy.....	T41065	◇ 156	Cam. Belt.....		
<b>4-CYL. 1.6 L ENG.</b>			T205		
<b>PRIZM</b>			<b>1992</b>		
Timing Component Kit.....	☆TCK236		<b>3-CYL. 1.0 L ENG.</b>		
Cam. Belt.....	☆T236		<b>METRO</b>		
Cam. Seal.....	KS13857		Cam. Belt.....	T166	
Crankshaft Seal.....	KS12718		Cam. Tensioner Assy.....	T41009	◇ 176
Cam. Tensioner Assy.....	T41072	◇ 164	<b>4-CYL. 1.3 L ENG. (CANADA)</b>		
<b>4-CYL. 1.8 L ENG.</b>			<b>METRO</b>		
<b>PRIZM</b>			Cam. Belt.....		
Timing Component Kit.....	☆TCK235		<b>4-CYL. 1.6 L ENG.</b>		
Cam. Belt.....	☆T235		<b>PRIZM</b>		
Cam. Seal.....	②KS13857		Timing Component Kit; Exc. GSI.....		
Crankshaft Seal.....	KS12718		Cam. Belt; GSI.....	T176	
Cam. Tensioner Assy.....	T41072	◇ 164	Cam. Belt; Exc. GSI.....	T036	
<b>1994</b>			Cam. Seal; Exc. GSI.....	②KS13857	
<b>3-CYL. 1.0 L ENG.</b>			Crankshaft Seal; Exc. GSI.....	KS12724	
<b>METRO</b>			Cam. Tensioner Assy.; Exc. GSI.....	T41066	◇ 104
Cam. Belt.....	T241		<b>STORM</b>		
<b>4-CYL. 1.3 L ENG. (CANADA)</b>			Cam. Belt.....		
<b>METRO</b>			☆T177		
Cam. Belt.....	T243		<b>4-CYL. 1.8 L ENG.</b>		
<b>4-CYL. 1.6 L ENG.</b>			<b>STORM</b>		
<b>PRIZM</b>			Cam. Belt.....		
Timing Component Kit.....	TCK236		T205		
Cam. Belt.....	T236		<b>1991-1990</b>		
Cam. Seal.....	KS13857		<b>3-CYL. 1.0 L ENG.</b>		
Crankshaft Seal.....	KS12718		<b>METRO</b>		
Cam. Tensioner Assy.....	T41072	◇ 164	Cam. Belt.....	T166	
<b>4-CYL. 1.8 L ENG.</b>			Cam. Tensioner Assy.....	T41009	◇ 176
<b>PRIZM</b>			<b>4-CYL. 1.6 L ENG.</b>		
Timing Component Kit.....	TCK235		<b>PRIZM</b>		
Cam. Belt.....	T235		Timing Component Kit; Exc. GSI.....		
Cam. Seal.....	②KS13857		Cam. Belt; GSI.....	T176	
Crankshaft Seal.....	KS12718		Cam. Belt; Exc. GSI.....	T036	
Cam. Tensioner Assy.....	T41072	◇ 164	Cam. Seal; Exc. GSI.....	②KS13857	
<b>1993</b>			Crankshaft Seal; Exc. GSI.....	KS12724	
<b>3-CYL. 1.0 L ENG.</b>			Cam. Tensioner Assy.; Exc. GSI.....	T41066	◇ 104
<b>METRO</b>			<b>STORM</b>		
Cam. Belt; W/4-Bolt Sprocket Mtg.....	T166		Cam. Belt; W/DOHC Eng.....		
Cam. Belt; W/5-Bolt Sprocket Mtg.....	T241		Cam. Belt; W/SOHC Eng.....	☆T177	
Cam. Tensioner Assy.; W/4-Bolt Sprocket Mtg.....	T41009	◇ 176	Cam. Idler Pulley; W/DOHC Eng.....	T42001	◇ 174
<b>1993</b>			Cam. Tensioner Assy.; W/DOHC Eng.....	T41027	◇ 174
<b>3-CYL. 1.0 L ENG.</b>			<b>1989</b>		
<b>METRO</b>			<b>3-CYL. 1.0 L ENG.</b>		
Cam. Belt.....	T166		<b>METRO</b>		
Cam. Tensioner Assy.....	T41009	◇ 176	Cam. Belt.....	T166	
<b>1989</b>			Cam. Tensioner Assy.....	T41009	◇ 176

☆ Interference engine application. See inside back cover for additional information.

\* Does Not Include Cam. Tensioner Hyd. Assy.

② Two Required.

④ Four Required.

◇ See Diagram Section (Pages 153-167).



# PowerGrip™ Timing System Products for Passenger Cars

Application	Part No.	Diagram No.	Application	Part No.	Diagram No.
<b>GEO - Continued</b>			<b>HONDA - Continued</b>		
<b>1989 - Continued</b>			<b>2000 - Continued</b>		
<b>4-CYL. 1.5 L ENG. SPECTRUM</b>			<b>4-CYL. 1.6 L ENG. - Continued</b>		
Cam. Belt.....	☆T162		<b>CIVIC - Continued</b>		
<b>4-CYL. 1.6 L ENG. PRIZM</b>			Cam. Seal; W/SOHC Eng.....	KS11429	
Timing Component Kit.....	TCK036		Crankshaft Seal; W/SOHC Eng.....	KS12301	
Cam. Belt.....	T036		Cam. Tensioner Assy.; W/SOHC Eng.....	T41023	◇ 160
Cam. Tensioner Assy.....	T41066	◇ 104	<b>4-CYL. 1.6 L CNG ENG. CIVIC</b>		
<b>HONDA</b>			<b>Timing Component Kit; W/SOHC Eng. ....</b>		
Light truck, van or motorhome information for this manufacturer can be found in the next section of this catalog.			Cam. Belt; W/SOHC Eng.....		
<b>2003</b>			Cam. Seal; W/SOHC Eng.....		
<b>4-CYL. 1.7 L ENG. CIVIC</b>			Crankshaft Seal; W/SOHC Eng.....		
Cam. Belt.....	☆T312		Cam. Tensioner Assy.; W/SOHC Eng.....	T41023	◇ 160
<b>4-CYL. 1.7 L CNG ENG. CIVIC</b>			<b>4-CYL. 2.2 L ENG. PRELUDE</b>		
Cam. Belt.....	☆T312		Balance Shaft Belt .....	☆T186	
<b>2002</b>			Cam. Belt.....	☆T226	
<b>4-CYL. 1.7 L ENG. CIVIC</b>			Balance Shaft Tensioner Assy.....	T41022	◇ 197
Cam. Belt.....	☆T312		Cam. Tensioner Assy.....	★T41024	◇ 197
<b>4-CYL. 1.7 L CNG ENG. CIVIC</b>			<b>4-CYL. 2.3 L ENG. ACCORD</b>		
Cam. Belt.....	☆T312		Timing Component Kit.....	☆TCK244	
<b>4-CYL. 2.3 L ENG. ACCORD</b>			Balance Shaft Belt .....	☆T186	
Timing Component Kit.....	☆TCK244		Cam. Belt.....	☆T244	
Balance Shaft Belt .....	☆T186		Balance Shaft Tensioner Assy.....	T41013	◇ 167
Cam. Belt.....	☆T244		Cam. Tensioner Assy.....	T41014	◇ 167
Balance Shaft Tensioner Assy.....	T41013	◇ 167	<b>V-6 3.0 L ENG. ACCORD</b>		
Cam. Tensioner Assy.....	T41014	◇ 167	Timing Component Kit.....	☆★TCK286	
<b>V-6 3.0 L ENG. ACCORD</b>			Cam. Belt.....	☆T286	
Cam. Belt.....	☆T286		Cam. Idler Pulley.....	T42038	◇ 183
<b>2001</b>			Cam. Tensioner Assy.....	★T41090	◇ 183
<b>4-CYL. 1.7 L ENG. CIVIC</b>			<b>1999</b>		
Cam. Belt.....	☆T312		<b>4-CYL. 1.6 L ENG. CIVIC</b>		
<b>4-CYL. 1.7 L CNG ENG. CIVIC</b>			Timing Component Kit; W/SOHC Eng. ....		
Cam. Belt.....	☆T312		Cam. Belt; W/SOHC Eng.....	☆T224	
<b>4-CYL. 2.2 L ENG. PRELUDE</b>			Cam. Seal; W/SOHC Eng.....	KS11429	
Balance Shaft Belt .....	☆T186		Crankshaft Seal; W/SOHC Eng.....	KS12301	
Cam. Belt.....	☆T226		Cam. Tensioner Assy.; W/SOHC Eng.....	T41023	◇ 160
Balance Shaft Tensioner Assy.....	T41022	◇ 197	<b>4-CYL. 1.6 L CNG ENG. CIVIC</b>		
Cam. Tensioner Assy.....	★T41024	◇ 197	Timing Component Kit; W/SOHC Eng. ....		
<b>4-CYL. 2.3 L ENG. ACCORD</b>			Cam. Belt; W/SOHC Eng.....		
Timing Component Kit.....	☆TCK244		Cam. Seal; W/SOHC Eng.....	KS11429	
Balance Shaft Belt .....	☆T186		Crankshaft Seal; W/SOHC Eng.....	KS12301	
Cam. Belt.....	☆T244		Cam. Tensioner Assy.; W/SOHC Eng.....	T41023	◇ 160
Balance Shaft Tensioner Assy.....	T41013	◇ 167	<b>4-CYL. 2.2 L ENG. PRELUDE</b>		
Cam. Tensioner Assy.....	T41014	◇ 167	Balance Shaft Belt .....	☆T186	
<b>V-6 3.0 L ENG. ACCORD</b>			Cam. Belt.....	☆T226	
Cam. Belt.....	☆T286		Balance Shaft Tensioner Assy.....	T41022	◇ 197
<b>2000</b>			Cam. Tensioner Assy.....	★T41024	◇ 197
<b>4-CYL. 1.6 L ENG. CIVIC</b>			<b>4-CYL. 2.3 L ENG. ACCORD</b>		
Timing Component Kit; W/SOHC Eng. ....	☆TCK224		Timing Component Kit.....	☆TCK244	
Cam. Belt; W/SOHC Eng.....	☆T224		Balance Shaft Belt .....	☆T186	
Cam. Seal; W/SOHC Eng.....	KS11429		Cam. Belt.....	☆T244	
Crankshaft Seal; W/SOHC Eng.....	KS12301		Balance Shaft Tensioner Assy.....	T41013	◇ 167
Cam. Tensioner Assy.; W/SOHC Eng.....	T41023	◇ 160	Cam. Tensioner Assy.....	T41014	◇ 167
<b>4-CYL. 1.6 L CNG ENG. CIVIC</b>			<b>V-6 3.0 L ENG. ACCORD</b>		
Timing Component Kit; W/SOHC Eng. ....			Timing Component Kit.....	☆★TCK286	
Cam. Belt; W/SOHC Eng.....			Cam. Belt.....	☆T286	
Cam. Seal; W/SOHC Eng.....			Cam. Idler Pulley.....	T42038	◇ 183
Crankshaft Seal; W/SOHC Eng.....			Cam. Tensioner Assy.....	★T41090	◇ 183
Cam. Tensioner Assy.; W/SOHC Eng.....			<b>2000</b>		
T41023			<b>4-CYL. 1.6 L ENG. CIVIC</b>		

☆ Interference engine application. See inside back cover for additional information.

② Two Required.

◇ See Diagram Section (Pages 153-167).

★ Does Not Include Cam. Tensioner Hyd. Assy.

④ Four Required.

# PowerGrip™ Timing System Products for Passenger Cars

Application	Part No.	Diagram No.	Application	Part No.	Diagram No.
<b>HONDA - Continued</b>			<b>HONDA - Continued</b>		
<b>1998</b>			<b>1996</b>		
<b>4-CYL. 1.6 L ENG. CIVIC</b>			<b>4-CYL. 1.6 L ENG. CIVIC</b>		
Timing Component Kit.....	☆TCK224		Timing Component Kit.....	☆TCK224	
Cam. Belt.....	☆T224		Cam. Belt.....	☆T224	
Cam. Seal.....	KS11429		Cam. Seal.....	KS11429	
Crankshaft Seal.....	KS12301		Crankshaft Seal.....	KS12301	
Cam. Tensioner Assy.....	T41023	◇ 160	Cam. Tensioner Assy.....	T41023	◇ 160
<b>4-CYL. 1.6 L CNG ENG. CIVIC</b>			<b>CIVIC DEL SOL</b>		
Timing Component Kit.....	☆TCK224		Timing Component Kit; W/SOHC Eng. ....	☆TCK224	
Cam. Belt.....	☆T224		Cam. Belt; W/DOHC Eng.....	☆T227	
Cam. Seal.....	KS11429		Cam. Belt; W/SOHC Eng.....	☆T224	
Crankshaft Seal.....	KS12301		Cam. Seal; W/SOHC Eng.....	KS11429	
Cam. Tensioner Assy.....	T41023	◇ 160	Crankshaft Seal; W/SOHC Eng.....	KS12301	
<b>4-CYL. 2.2 L ENG. PRELUDE</b>			<b>4-CYL. 2.2 L ENG. ACCORD</b>		
Balance Shaft Belt.....	☆T186		Timing Component Kit; W/O VTEC Eng.....	☆TCK186	
Cam. Belt.....	☆T226		Timing Component Kit; W/VTEC Eng.....	☆TCK244	
Balance Shaft Tensioner Assy.....	T41022	◇ 197	Balance Shaft Belt.....	☆T186	
Cam. Tensioner Assy.....	✱T41024	◇ 197	Cam. Belt; W/O VTEC Eng.....	☆T187	
<b>4-CYL. 2.3 L ENG. ACCORD</b>			<b>PRELUDE</b>		
Timing Component Kit.....	☆TCK244		Timing Component Kit; W/SOHC Eng. ....	☆TCK186	
Balance Shaft Belt.....	☆T186		Balance Shaft Belt.....	☆T186	
Cam. Belt.....	☆T244		Cam. Belt; W/DOHC Eng.....	☆T226	
Cam. Seal.....	KS10922		Cam. Belt; W/SOHC Eng.....	☆T187	
Crankshaft Seal.....	KS15800		Cam. Seal; W/SOHC Eng.....	KS10922	
Balance Shaft Tensioner Assy.....	T41013	◇ 167	Crankshaft Seal; W/SOHC Eng.....	KS15801	
Cam. Tensioner Assy.....	T41014	◇ 167	Balance Shaft Tensioner Assy.....	T41013	◇ 167
<b>V-6 3.0 L ENG. ACCORD</b>			<b>PRELUDE</b>		
Timing Component Kit.....	✱☆TCK286		Timing Component Kit; W/SOHC Eng. ....	☆TCK186	
Cam. Belt.....	☆T286		Balance Shaft Belt.....	☆T186	
Cam. Idler Pulley.....	T42038	◇ 183	Cam. Belt; W/DOHC Eng.....	☆T226	
Cam. Tensioner Assy.....	✱T41090	◇ 183	Cam. Belt; W/SOHC Eng.....	☆T187	
<b>1997</b>			<b>1995</b>		
<b>4-CYL. 1.6 L ENG. CIVIC</b>			<b>4-CYL. 2.3 L ENG. PRELUDE</b>		
Timing Component Kit.....	☆TCK224		Balance Shaft Belt.....	☆T186	
Cam. Belt.....	☆T224		Cam. Belt.....	☆T216	
Cam. Seal.....	KS11429		<b>V-6 2.7 L ENG. ACCORD</b>		
Crankshaft Seal.....	KS12301		Cam. Belt.....	☆T263	
Cam. Tensioner Assy.....	T41023	◇ 160	<b>1995</b>		
<b>CIVIC DEL SOL</b>			<b>4-CYL. 1.5 L ENG. CIVIC</b>		
Timing Component Kit; W/SOHC Eng. ....	☆TCK224		Timing Component Kit; CX, DX, LX, S.....	☆TCK143	
Cam. Belt; W/DOHC Eng.....	☆T227		Cam. Belt; CX, DX, LX, S.....	☆T143	
Cam. Belt; W/SOHC Eng.....	☆T224		Cam. Belt; VX.....	☆T223	
Cam. Tensioner Assy.; W/SOHC Eng.....	T41023	◇ 160	Cam. Seal; CX, DX, LX, S.....	KS11429	
<b>4-CYL. 2.2 L ENG. ACCORD</b>			<b>CIVIC DEL SOL</b>		
Timing Component Kit; W/O VTEC Eng.....	☆TCK186		Timing Component Kit; CX, DX, S.....	☆TCK143	
Timing Component Kit; W/VTEC Eng.....	☆TCK244		Cam. Belt; CX, DX, S.....	☆T143	
Balance Shaft Belt.....	☆T186		Cam. Belt; VX.....	☆T223	
Cam. Belt; W/VTEC Eng.....	☆T244		Cam. Tensioner Assy.; CX, DX, S.....	T41011	◇ 127
Cam. Belt; W/O VTEC Eng.....	☆T187		<b>CIVIC DEL SOL</b>		
Cam. Seal.....	KS10922		Timing Component Kit; CX, DX, S.....	☆TCK143	
Crankshaft Seal.....	KS15801		Cam. Belt; CX, DX, S.....	☆T143	
Balance Shaft Tensioner Assy.....	T41013	◇ 167	Cam. Belt; VX.....	☆T223	
Cam. Tensioner Assy.....	T41014	◇ 167	Cam. Tensioner Assy.; CX, DX, S.....	T41011	◇ 127
<b>PRELUDE</b>			<b>4-CYL. 1.6 L ENG. CIVIC</b>		
Balance Shaft Belt.....	☆T186		Timing Component Kit.....	☆TCK224	
Cam. Belt.....	☆T226		Cam. Belt.....	☆T224	
Balance Shaft Tensioner Assy.....	T41022	◇ 197	Cam. Seal.....	KS11429	
Cam. Tensioner Assy.....	✱T41024	◇ 197	Crankshaft Seal.....	KS12301	
<b>V-6 2.7 L ENG. ACCORD</b>			<b>CIVIC DEL SOL</b>		
Cam. Belt.....	☆T263		Timing Component Kit; W/SOHC Eng. ....	☆TCK224	
			Cam. Belt; W/DOHC Eng.....	☆T227	
			Cam. Belt; W/SOHC Eng.....	☆T224	

☆ Interference engine application. See inside back cover for additional information.  
 ✱ Does Not Include Cam. Tensioner Hyd. Assy.

② Two Required.  
 ④ Four Required.

◇ See Diagram Section (Pages 153-167).

# PowerGrip™ Timing System Products for Passenger Cars

Application	Part No.	Diagram No.	Application	Part No.	Diagram No.
<b>HONDA - Continued</b>			<b>HONDA - Continued</b>		
<b>1995 - Continued</b>			<b>1994 - Continued</b>		
<b>4-CYL. 1.6 L ENG. - Continued</b>			<b>4-CYL. 2.2 L ENG. - Continued</b>		
<b>CIVIC DEL SOL - Continued</b>			<b>ACCORD - Continued</b>		
Cam. Seal; W/SOHC Eng.....	KS11429		Timing Component Kit; EX.....	☆TCK244	
Crankshaft Seal; W/SOHC Eng.....	KS12301		Balance Shaft Belt.....	☆T186	
Cam. Tensioner Assy.; W/SOHC Eng.....	T41023	◇ 160	Cam. Belt; Exc. EX.....	☆T187	
<b>4-CYL. 2.2 L ENG.</b>			Cam. Belt; EX.....	☆T244	
<b>ACCORD</b>			Cam. Seal.....	KS10922	
Timing Component Kit; Exc. EX.....	☆TCK186		Crankshaft Seal.....	KS15801	
Timing Component Kit; EX.....	☆TCK244		Balance Shaft Tensioner Assy.....	T41013	◇ 167
Balance Shaft Belt.....	☆T186		Cam. Tensioner Assy.....	T41014	◇ 167
Cam. Belt; Exc. EX.....	☆T187		<b>PRELUDE</b>		
Cam. Belt; EX.....	☆T244		Timing Component Kit; W/SOHC Eng.....	☆TCK186	
Cam. Seal.....	KS10922		Balance Shaft Belt.....	☆T186	
Crankshaft Seal.....	KS15801		Cam. Belt; W/DOHC Eng.....	☆T226	
Balance Shaft Tensioner Assy.....	T41013	◇ 167	Cam. Belt; W/SOHC Eng.....	☆T187	
Cam. Tensioner Assy.....	T41014	◇ 167	Cam. Seal; W/SOHC Eng.....	KS10922	
<b>PRELUDE</b>			Crankshaft Seal; W/SOHC Eng.....	KS15801	
Timing Component Kit; W/SOHC Eng.....	☆TCK186		Balance Shaft Tensioner Assy.; W/DOHC Eng. ....	T41022	◇ 197
Balance Shaft Belt.....	☆T186		Balance Shaft Tensioner Assy.; W/SOHC Eng.....	T41013	◇ 167
Cam. Belt; W/DOHC Eng.....	☆T226		Cam. Tensioner Assy.; W/DOHC Eng.....	✱T41024	◇ 197
Cam. Belt; W/SOHC Eng.....	☆T187		Cam. Tensioner Assy.; W/SOHC Eng.....	T41014	◇ 167
Cam. Seal; W/SOHC Eng.....	KS10922		<b>4-CYL. 2.3 L ENG.</b>		
Crankshaft Seal; W/SOHC Eng.....	KS15801		<b>PRELUDE</b>		
Balance Shaft Tensioner Assy.; W/DOHC Eng. ....	T41022	◇ 197	Balance Shaft Belt.....	☆T186	
Balance Shaft Tensioner Assy.; W/SOHC Eng.....	T41013	◇ 167	Cam. Belt.....	☆T216	
Cam. Tensioner Assy.; W/DOHC Eng.....	✱T41024	◇ 197	<b>1993</b>		
Cam. Tensioner Assy.; W/SOHC Eng.....	T41014	◇ 167	<b>4-CYL. 1.5 L ENG.</b>		
<b>4-CYL. 2.3 L ENG.</b>			<b>CIVIC</b>		
<b>PRELUDE</b>			Timing Component Kit; Exc. VX.....	☆TCK143	
Balance Shaft Belt.....	☆T186		Cam. Belt; Exc. VX.....	☆T143	
Cam. Belt.....	☆T216		Cam. Belt; VX.....	☆T223	
<b>V-6 2.7 L ENG.</b>			Cam. Seal; Exc. VX.....	KS11429	
<b>ACCORD</b>			Crankshaft Seal; Exc. VX.....	KS12301	
Cam. Belt.....	☆T263		Cam. Tensioner Assy.; Exc. EX.....	T41011	◇ 127
<b>1994</b>			<b>CIVIC DEL SOL</b>		
<b>4-CYL. 1.5 L ENG.</b>			Timing Component Kit; Exc. VX.....	☆TCK143	
<b>CIVIC</b>			Cam. Belt; Exc. VX.....	☆T143	
Timing Component Kit; CX, DX, LX, S.....	☆TCK143		Cam. Belt; VX.....	☆T223	
Cam. Belt; CX, DX, LX, S.....	☆T143		Cam. Seal; Exc. VX.....	KS11429	
Cam. Belt; VX.....	☆T223		Crankshaft Seal; Exc. VX.....	KS12301	
Cam. Seal; Exc. VX.....	KS11429		Cam. Tensioner Assy.; Exc. VX.....	T41011	◇ 127
Crankshaft Seal; Exc. VX.....	KS12301		<b>4-CYL. 1.6 L ENG.</b>		
Cam. Tensioner Assy.; CX, DX, LX, S.....	T41011	◇ 127	<b>CIVIC; CIVIC DEL SOL</b>		
<b>CIVIC DEL SOL</b>			Timing Component Kit.....	☆TCK224	
Timing Component Kit; CX, DX, S.....	☆TCK143		Cam. Belt.....	☆T224	
Cam. Belt; CX, DX, S.....	☆T143		Cam. Seal.....	KS11429	
Cam. Belt; VX.....	☆T223		Crankshaft Seal.....	KS12301	
Cam. Seal; Exc. VX.....	KS11429		Cam. Tensioner Assy.....	T41023	◇ 160
Crankshaft Seal; Exc. VX.....	KS12301		<b>4-CYL. 2.2 L ENG.</b>		
Cam. Tensioner Assy.; CX, DX, S.....	T41011	◇ 127	<b>ACCORD</b>		
<b>4-CYL. 1.6 L ENG.</b>			Timing Component Kit.....	☆TCK186	
<b>CIVIC</b>			Balance Shaft Belt.....	☆T186	
Timing Component Kit.....	☆TCK224		Cam. Belt.....	☆T187	
Cam. Belt.....	☆T224		Cam. Seal.....	KS10922	
Cam. Seal.....	KS11429		Crankshaft Seal.....	KS15801	
Crankshaft Seal.....	KS12301		Balance Shaft Tensioner Assy.....	T41013	◇ 167
Cam. Tensioner Assy.....	T41023	◇ 160	Cam. Tensioner Assy.....	T41014	◇ 167
<b>CIVIC DEL SOL</b>			<b>PRELUDE</b>		
Timing Component Kit; W/SOHC Eng.; EX, Si.....	☆TCK224		Timing Component Kit; W/SOHC Eng.....	☆TCK186	
Cam. Belt; W/DOHC Eng.....	☆T227		Balance Shaft Belt.....	☆T186	
Cam. Belt; W/SOHC Eng.; EX, Si.....	☆T224		Cam. Belt; W/DOHC Eng.....	☆T226	
Cam. Seal; W/SOHC Eng.....	KS11429		Cam. Belt; W/SOHC Eng.....	☆T187	
Crankshaft Seal; W/SOHC Eng.....	KS12301		Cam. Seal; W/SOHC Eng.....	KS10922	
Cam. Tensioner Assy.; W/SOHC Eng.; EX, Si.....	T41023	◇ 160	Crankshaft Seal; W/SOHC Eng.....	KS15801	
<b>4-CYL. 2.2 L ENG.</b>			Balance Shaft Tensioner Assy.; W/DOHC Eng. ....	T41022	◇ 197
<b>ACCORD</b>			Balance Shaft Tensioner Assy.; W/SOHC Eng.....	T41013	◇ 167
Timing Component Kit; Exc. EX.....	☆TCK186		Cam. Tensioner Assy.; W/DOHC Eng.....	✱T41024	◇ 197
			Cam. Tensioner Assy.; W/SOHC Eng.....	T41014	◇ 167

☆ Interference engine application. See inside back cover for additional information.

✱ Does Not Include Cam. Tensioner Hyd. Assy.

② Two Required.

◇ See Diagram Section (Pages 153-167).

④ Four Required.

# PowerGrip™ Timing System Products for Passenger Cars

Application	Part No.	Diagram No.	Application	Part No.	Diagram No.
<b>HONDA - Continued</b>			<b>HONDA - Continued</b>		
<b>1993 - Continued</b>			<b>1991 - Continued</b>		
<b>4-CYL. 2.3 L ENG. PRELUDE</b>			<b>4-CYL. 2.2 L ENG. ACCORD</b>		
Balance Shaft Belt .....	☆T186		Timing Component Kit .....	☆TCK186	
Cam. Belt.....	☆T216		Balance Shaft Belt .....	☆T186	
<b>1992</b>			Cam. Belt.....	☆T187	
<b>4-CYL. 1.5 L ENG. CIVIC</b>			Cam. Seal.....	KS10922	
Timing Component Kit; Exc. VX .....	☆TCK143		Crankshaft Seal.....	KS15801	
Cam. Belt; Exc. VX .....	☆T143		Balance Shaft Tensioner Assy.....	T41013	◇ 167
Cam. Belt; VX.....	☆T223		Cam. Tensioner Assy.....	T41014	◇ 167
Cam. Seal; Exc. VX.....	KS11429		<b>1990</b>		
Crankshaft Seal; Exc. VX .....	KS12301		<b>4-CYL. 1.5 L ENG. CIVIC; CRX</b>		
Cam. Tensioner Assy.; Exc. VX .....	T41011	◇ 127	Timing Component Kit .....	☆TCK143	
<b>4-CYL. 1.6 L ENG. CIVIC</b>			Cam. Belt.....	☆T143	
Timing Component Kit; Si .....	☆TCK224		Cam. Seal.....	KS11429	
Timing Component Kit; Exc. Si .....	☆TCK145		Crankshaft Seal.....	KS12301	
Cam. Belt; Exc. Si.....	☆T145		Cam. Tensioner Assy.....	T41011	◇ 127
Cam. Belt; Si.....	☆T224		<b>4-CYL. 1.6 L ENG. CIVIC; CRX</b>		
Cam. Seal.....	KS11429		Timing Component Kit .....	☆TCK145	
Crankshaft Seal.....	KS12301		Cam. Belt.....	☆T145	
Cam. Tensioner Assy.; Exc. Si.....	T41011	◇ 127	Cam. Seal.....	KS11429	
Cam. Tensioner Assy.; Si .....	T41023	◇ 160	Crankshaft Seal.....	KS12301	
<b>4-CYL. 2.2 L ENG. ACCORD; PRELUDE</b>			Cam. Tensioner Assy.....	T41011	◇ 127
Timing Component Kit.....	☆TCK186		<b>4-CYL. 2.0 L ENG. PRELUDE</b>		
Balance Shaft Belt .....	☆T186		Timing Component Kit; W/DOHC Eng. ....	☆TCK142	
Cam. Belt.....	☆T187		Cam. Belt; W/DOHC Eng.....	☆T142	
Cam. Seal.....	KS10922		Cam. Belt; W/SOHC Eng.....	☆T144	
Crankshaft Seal.....	KS15801		Cam. Seal; W/DOHC Eng.....	②KS10634	
Balance Shaft Tensioner Assy.....	T41013	◇ 167	Crankshaft Seal; W/DOHC Eng.....	KS14759	
Cam. Tensioner Assy.....	T41014	◇ 167	Cam. Tensioner Assy.; W/DOHC Eng.....	T41019	◇ 125
<b>4-CYL. 2.3 L ENG. PRELUDE</b>			Cam. Tensioner Assy.; W/SOHC Eng.....	T41019	◇ 203
Balance Shaft Belt .....	☆T186		<b>4-CYL. 2.1 L ENG. PRELUDE</b>		
Cam. Belt.....	☆T216		Timing Component Kit .....	☆TCK142	
Balance Shaft Tensioner Assy.....	T41013	◇ 167	Cam. Belt.....	☆T142	
Cam. Tensioner Assy.....	T41014	◇ 167	Cam. Seal.....	②KS10634	
<b>1991</b>			Crankshaft Seal.....	KS14759	
<b>4-CYL. 1.5 L ENG. CIVIC; CRX</b>			Cam. Tensioner Assy.....	T41019	◇ 125
Timing Component Kit.....	☆TCK143		<b>4-CYL. 2.2 L ENG. ACCORD</b>		
Cam. Belt.....	☆T143		Timing Component Kit.....	☆TCK186	
Cam. Seal.....	KS11429		Balance Shaft Belt .....	☆T186	
Crankshaft Seal.....	KS12301		Cam. Belt.....	☆T187	
Cam. Tensioner Assy.....	T41011	◇ 127	Cam. Seal.....	KS10922	
<b>4-CYL. 1.6 L ENG. CIVIC; CRX</b>			Crankshaft Seal.....	KS15801	
Timing Component Kit.....	☆TCK145		Balance Shaft Tensioner Assy.....	T41013	◇ 167
Cam. Belt.....	☆T145		Cam. Tensioner Assy.....	T41014	◇ 167
Cam. Seal.....	KS11429		<b>1989-1988</b>		
Crankshaft Seal.....	KS12301		<b>4-CYL. 1.5 L ENG. CIVIC; CRX</b>		
Cam. Tensioner Assy.....	T41011	◇ 127	Timing Component Kit.....	☆TCK143	
<b>4-CYL. 2.0 L ENG. PRELUDE</b>			Cam. Belt.....	☆T143	
Timing Component Kit.....	☆TCK142		Cam. Seal.....	KS11429	
Cam. Belt.....	☆T142		Crankshaft Seal.....	KS12301	
Cam. Seal.....	②KS10634		Cam. Tensioner Assy.....	T41011	◇ 127
Crankshaft Seal.....	KS14759		<b>4-CYL. 1.6 L ENG. CIVIC; CRX</b>		
Cam. Tensioner Assy.....	T41019	◇ 125	Timing Component Kit.....	☆TCK145	
<b>4-CYL. 2.1 L ENG. PRELUDE</b>			Cam. Belt.....	☆T145	
Timing Component Kit.....	☆TCK142		Cam. Seal.....	KS11429	
Cam. Belt.....	☆T142		Crankshaft Seal.....	KS12301	
Cam. Seal.....	②KS10634		Cam. Tensioner Assy.....	T41011	◇ 127
Crankshaft Seal.....	KS14759		<b>4-CYL. 2.0 L ENG. ACCORD</b>		
Cam. Tensioner Assy.....	T41019	◇ 125	Timing Component Kit.....	☆TCK160	

☆ Interference engine application. See inside back cover for additional information.

\* Does Not Include Cam. Tensioner Hyd. Assy.

② Two Required.

④ Four Required.

◇ See Diagram Section (Pages 153-167).

# PowerGrip™ Timing System Products for Passenger Cars

Application	Part No.	Diagram No.	Application	Part No.	Diagram No.
<b>HONDA - Continued</b>			<b>HONDA - Continued</b>		
<b>1989-1988 - Continued</b>			<b>1985 - Continued</b>		
<b>4-CYL. 2.0 L ENG. - Continued</b>			<b>4-CYL. 1.6 L ENG. (CANADA) - Continued</b>		
<b>ACCORD - Continued</b>			<b>ACCORD - Continued</b>		
Cam. Belt.....	☆T160		Crankshaft Seal.....	KS12301	
Cam. Seal.....	KS11429		Cam. Tensioner Assy.....	T41012	◇ 135
Crankshaft Seal.....	KS14125		<b>PRELUDE</b>		
Cam. Tensioner Assy.....	T41012	◇ 135	Cam. Belt.....	T041	
<b>PRELUDE</b>			<b>4-CYL. 1.8 L ENG.</b>		
<b>Timing Component Kit.....</b>	☆TCK142		<b>ACCORD</b>		
Cam. Belt; W/DOHC Eng.....	☆T142		<b>Timing Component Kit.....</b>	☆TCK160	
Cam. Belt; W/SOHC Eng.....	☆T144		Cam. Belt.....	☆T094	
Cam. Seal; W/DOHC Eng.....	②KS10634		Cam. Seal.....	KS11592	
Crankshaft Seal; W/DOHC Eng.....	KS14759		Crankshaft Seal.....	KS14027	
Cam. Tensioner Assy.; W/DOHC Eng.....	T41019	◇ 125	Cam. Tensioner Assy.....	T41012	◇ 135
Cam. Tensioner Assy.; W/SOHC Eng.....	T41019	◇ 203	<b>PRELUDE</b>		
<b>1987-1986</b>			<b>Timing Component Kit.....</b>		
<b>4-CYL. 1.3 L ENG.</b>			Cam. Belt.....		
<b>CIVIC</b>			Cam. Seal.....		
<b>Timing Component Kit.....</b>	☆TCK161		Crankshaft Seal.....	KS12301	
Cam. Belt.....	☆T161		Cam. Tensioner Assy.....	T41017	◇ 136
Cam. Seal.....	KS11592		<b>4-CYL. 2.0 L ENG.</b>		
Crankshaft Seal.....	KS12301		<b>PRELUDE</b>		
Cam. Tensioner Assy.....	T41017	◇ 136	<b>Timing Component Kit.....</b>		
<b>4-CYL. 1.5 L ENG.</b>			Cam. Belt.....		
<b>CIVIC</b>			Cam. Seal.....		
<b>Timing Component Kit.....</b>	☆TCK161		Crankshaft Seal.....	KS14125	
Cam. Belt.....	☆T161		Cam. Tensioner Assy.....	T41012	◇ 135
Cam. Seal; W/Carb.....	KS11592		<b>1984</b>		
Cam. Seal; W/Fuel Inj.....	KS11429		<b>4-CYL. 1.3 L ENG.</b>		
Crankshaft Seal.....	KS12301		<b>CIVIC; CIVIC CRX</b>		
Cam. Tensioner Assy.....	T41017	◇ 136	<b>Timing Component Kit.....</b>		
<b>CIVIC CRX</b>			Cam. Belt.....		
<b>Timing Component Kit.....</b>	☆TCK161		Cam. Tensioner Assy.....	T41017	◇ 136
Cam. Belt.....	☆T161		<b>4-CYL. 1.5 L ENG.</b>		
Cam. Tensioner Assy.....	T41017	◇ 136	<b>CIVIC; CIVIC CRX</b>		
<b>4-CYL. 1.6 L ENG. (CANADA)</b>			<b>Timing Component Kit.....</b>		
<b>PRELUDE</b>			Cam. Belt.....		
Cam. Belt.....	T041		Cam. Seal.....	☆T099	
<b>4-CYL. 1.8 L ENG.</b>			Cam. Tensioner Assy.....	T41017	◇ 136
<b>PRELUDE</b>			<b>4-CYL. 1.6 L ENG. (CANADA)</b>		
<b>Timing Component Kit.....</b>	☆TCK160		<b>ACCORD</b>		
Cam. Belt.....	☆T160		<b>Timing Component Kit.....</b>		
Cam. Seal.....	KS11592		Cam. Belt.....	☆T094	
Crankshaft Seal.....	KS14125		Cam. Seal.....	KS11592	
Cam. Tensioner Assy.....	T41012	◇ 135	Crankshaft Seal.....	KS12301	
<b>4-CYL. 2.0 L ENG.</b>			Cam. Tensioner Assy.....	T41012	◇ 135
<b>ACCORD; PRELUDE</b>			<b>PRELUDE</b>		
<b>Timing Component Kit.....</b>	☆TCK160		Cam. Belt.....		
Cam. Belt.....	☆T160		Cam. Tensioner Assy.....		
Cam. Seal.....	KS11429		Cam. Seal.....		
Crankshaft Seal.....	KS14125		Crankshaft Seal.....		
Cam. Tensioner Assy.....	T41012	◇ 135	Cam. Tensioner Assy.....		
<b>1985</b>			<b>4-CYL. 1.8 L ENG.</b>		
<b>4-CYL. 1.3 L ENG.</b>			<b>ACCORD</b>		
<b>CIVIC</b>			<b>Timing Component Kit.....</b>		
<b>Timing Component Kit.....</b>	☆TCK161		Cam. Belt.....	☆T094	
Cam. Belt.....	☆T099		Cam. Seal.....	KS11592	
Cam. Tensioner Assy.....	T41017	◇ 136	Crankshaft Seal.....	KS14027	
<b>4-CYL. 1.5 L ENG.</b>			Cam. Tensioner Assy.....	T41012	◇ 135
<b>CIVIC; CIVIC CRX</b>			<b>PRELUDE</b>		
<b>Timing Component Kit.....</b>	☆TCK161		<b>Timing Component Kit.....</b>		
Cam. Belt.....	☆T099		Cam. Belt.....	☆T094	
Cam. Tensioner Assy.....	T41017	◇ 136	Cam. Seal.....	KS11592	
<b>4-CYL. 1.6 L ENG. (CANADA)</b>			Crankshaft Seal.....	KS14125	
<b>ACCORD</b>			Cam. Tensioner Assy.....	T41012	◇ 135
<b>Timing Component Kit.....</b>	☆TCK160		<b>1983</b>		
Cam. Belt.....	☆T094		<b>4-CYL. 1.3 L ENG.</b>		
Cam. Seal.....	KS11592		<b>CIVIC</b>		
Crankshaft Seal.....	KS14027		Cam. Belt; U.S.....		
Cam. Tensioner Assy.....	T41012	◇ 135	Cam. Belt; Canada.....		
<b>PRELUDE</b>			<b>4-CYL. 1.5 L ENG.</b>		
<b>Timing Component Kit.....</b>	☆TCK160		<b>CIVIC</b>		
Cam. Belt.....	☆T094		Cam. Belt.....		
Cam. Seal.....	KS11592		Cam. Belt.....		
Crankshaft Seal.....	KS14125		Cam. Belt.....		
Cam. Tensioner Assy.....	T41012	◇ 135	Cam. Belt.....		

☆ Interference engine application. See inside back cover for additional information.

② Two Required.

◇ See Diagram Section (Pages 153-167).

\* Does Not Include Cam. Tensioner Hyd. Assy.

④ Four Required.

# PowerGrip™ Timing System Products for Passenger Cars

Application	Part No.	Diagram No.	Application	Part No.	Diagram No.
<b>HONDA - Continued</b>			<b>HONDA - Continued</b>		
<b>1983 - Continued</b>			<b>1973</b>		
<b>4-CYL. 1.6 L ENG. (CANADA) ACCORD</b>			<b>4-CYL. 71 C.I.D. ENG. CIVIC</b>		
Cam. Belt.....	☆T041		Cam. Belt.....	T028	
<b>PRELUDE</b>			<b>HYUNDAI</b>		
Cam. Belt.....	T041		Light truck, van or motorhome information for this manufacturer can be found in the next section of this catalog.		
<b>4-CYL. 1.8 L ENG. ACCORD</b>			<b>2003</b>		
Cam. Belt.....	☆T041		<b>4-CYL. 1.5 L ENG. (CANADA) ACCENT</b>		
<b>PRELUDE</b>			Cam. Belt..... T324		
Cam. Belt.....	☆T094		<b>4-CYL. 1.6 L ENG. ACCENT</b>		
Cam. Seal.....	KS11592		Cam. Belt..... ☆T282		
Crankshaft Seal.....	KS14125		<b>4-CYL. 2.0 L ENG. ELANTRA; TIBURON</b>		
<b>1982-1980</b>			Cam. Belt..... ☆T284		
<b>4-CYL. 1.3 L ENG. CIVIC</b>			<b>4-CYL. 2.4 L ENG. SONATA</b>		
Cam. Belt; U.S. ....	☆T073		Balance Shaft Belt ..... T314		
Cam. Belt; Canada.....	☆T028		Cam. Belt..... ☆T313		
<b>4-CYL. 1.5 L ENG. CIVIC</b>			<b>V-6 2.7 L ENG. SONATA; TIBURON</b>		
Cam. Belt.....	☆T041		Cam. Belt..... ☆T315		
<b>4-CYL. 1.6 L ENG. (CANADA) ACCORD; PRELUDE</b>			<b>V-6 3.5 L ENG. XG350</b>		
Cam. Belt.....	☆T041		Cam. Belt..... ☆T323		
<b>4-CYL. 1.8 L ENG. ACCORD; PRELUDE</b>			<b>2002</b>		
Cam. Belt.....	☆T041		<b>4-CYL. 1.5 L ENG. ACCENT</b>		
<b>1979</b>			Cam. Belt..... T324		
<b>4-CYL. 75 C.I.D. ENG. CIVIC</b>			<b>4-CYL. 1.6 L ENG. ACCENT</b>		
Cam. Belt.....	☆T028		Cam. Belt..... ☆T282		
<b>4-CYL. 91 C.I.D. ENG. CIVIC CVCC</b>			<b>4-CYL. 2.0 L ENG. ELANTRA</b>		
Cam. Belt.....	☆T041		Cam. Belt..... ☆T284		
<b>4-CYL. 98 (CANADA) C.I.D. ENG. PRELUDE</b>			<b>4-CYL. 2.4 L ENG. SONATA</b>		
Cam. Belt.....	T041		Balance Shaft Belt ..... T314		
<b>4-CYL. 107 C.I.D. ENG. ACCORD; PRELUDE</b>			Cam. Belt..... ☆T313		
Cam. Belt.....	☆T041		<b>V-6 2.7 L ENG. SONATA</b>		
<b>1978-1976</b>			Cam. Belt..... ☆T315		
<b>4-CYL. 75 C.I.D. ENG. CIVIC</b>			<b>V-6 3.5 L ENG. XG350</b>		
Cam. Belt.....	T028		Cam. Belt..... ☆T323		
<b>4-CYL. 91 C.I.D. ENG. CIVIC CVCC</b>			<b>2001</b>		
Cam. Belt.....	T041		<b>4-CYL. 1.5 L ENG. ACCENT</b>		
<b>4-CYL. 98 C.I.D. ENG. ACCORD</b>			Cam. Belt..... T324		
Cam. Belt.....	T041		<b>4-CYL. 1.6 L ENG. ACCENT</b>		
<b>1975</b>			Cam. Belt..... ☆T282		
<b>4-CYL. 75 C.I.D. ENG. CIVIC</b>			<b>4-CYL. 2.0 L ENG. ELANTRA; TIBURON</b>		
Cam. Belt.....	T028		Cam. Belt..... ☆T284		
<b>4-CYL. 91 C.I.D. ENG. CIVIC CVCC</b>			Cam. Idler Pulley..... T42015    ◇ 189		
Cam. Belt.....	T036		Cam. Tensioner Assy..... T41041    ◇ 189		
<b>1974</b>			<b>4-CYL. 2.4 L ENG. SONATA</b>		
<b>4-CYL. 75 C.I.D. ENG. CIVIC</b>			Balance Shaft Belt ..... T314		
Cam. Belt.....	T028		Cam. Belt..... ☆T313		

☆ Interference engine application. See inside back cover for additional information.

\* Does Not Include Cam. Tensioner Hyd. Assy.

② Two Required.

④ Four Required.

◇ See Diagram Section (Pages 153-167).

# PowerGrip™ Timing System Products for Passenger Cars

Application	Part No.	Diagram No.	Application	Part No.	Diagram No.
<b>HYUNDAI - Continued</b>			<b>HYUNDAI - Continued</b>		
<b>2001 - Continued</b>			<b>1998 - Continued</b>		
<b>V-6 2.5 L ENG. SONATA</b>			<b>V-6 3.0 L ENG. SONATA</b>		
Cam. Belt.....	☆T315		Timing Component Kit.....	TCK139	
<b>V-6 3.0 L ENG. XG300</b>			Cam. Belt.....	T139	
Cam. Belt.....	☆T322		Cam. Seal.....	②KS13907	
<b>2000</b>			Crankshaft Seal.....	KS14477	
<b>4-CYL. 1.5 L ENG. ACCENT</b>			Cam. Tensioner Assy.....	T41048	◇ 123
Cam. Belt.....	T324		<b>1997</b>		
<b>4-CYL. 2.0 L ENG. ELANTRA; TIBURON</b>			<b>4-CYL. 1.5 L ENG. ACCENT</b>		
Cam. Belt.....	☆T284		Timing Component Kit; W/SOHC Eng.....	☆TCK191	
Cam. Idler Pulley.....	T42015	◇ 189	Cam. Belt; W/DOHC Eng.....	☆T282	
Cam. Tensioner Assy.....	T41041	◇ 189	Cam. Belt; W/SOHC Eng.....	☆T191	
<b>4-CYL. 2.4 L ENG. SONATA</b>			Cam. Idler Pulley; W/DOHC Eng.....	T42016	◇ 186
Balance Shaft Belt.....	T314		Cam. Tensioner Assy.; W/DOHC Eng.....	T41037	◇ 186
Cam. Belt.....	☆T313		Cam. Tensioner Assy.; W/SOHC Eng.....	T41051	◇ 146
<b>V-6 2.5 L ENG. SONATA</b>			<b>4-CYL. 1.8 L ENG. ELANTRA; TIBURON</b>		
Cam. Belt.....	☆T315		Cam. Belt.....	☆T278	
<b>1999</b>			Cam. Idler Pulley.....	T42015	◇ 189
<b>4-CYL. 1.5 L ENG. ACCENT</b>			Cam. Tensioner Assy.....	T41041	◇ 189
Timing Component Kit.....	☆TCK191		<b>4-CYL. 2.0 L ENG. SONATA</b>		
Cam. Belt.....	☆T191		Timing Component Kit.....	☆*TCK167	
Cam. Tensioner Assy.....	T41051	◇ 146	Balance Shaft Belt.....	☆T168	
<b>4-CYL. 2.0 L ENG. ELANTRA; TIBURON</b>			Cam. Belt.....	☆T167	
Cam. Belt.....	☆T284		Cam. Seal.....	②KS13967	
Cam. Idler Pulley.....	T42015	◇ 189	Crankshaft Seal.....	KS17154	
Cam. Tensioner Assy.....	T41041	◇ 189	Balance Shaft Tensioner Assy.....	T41047	◇ 139
<b>4-CYL. 2.4 L ENG. SONATA</b>			Cam. Idler Pulley.....	T42017	◇ 139
Balance Shaft Belt.....	T314		Cam. Tensioner Assy.....	*T41046	◇ 139
Cam. Belt.....	☆T313		<b>TIBURON</b>		
<b>V-6 2.5 L ENG. SONATA</b>			Cam. Belt.....	☆T284	
Cam. Belt.....	☆T315		Cam. Idler Pulley.....	T42015	◇ 189
<b>1998</b>			Cam. Tensioner Assy.....	T41041	◇ 189
<b>4-CYL. 1.5 L ENG. ACCENT</b>			<b>V-6 3.0 L ENG. SONATA</b>		
Timing Component Kit.....	☆TCK191		Timing Component Kit.....	TCK139	
Cam. Belt.....	☆T191		Cam. Belt.....	T139	
Cam. Tensioner Assy.....	T41051	◇ 146	Cam. Seal.....	②KS13907	
<b>4-CYL. 1.8 L ENG. ELANTRA; TIBURON</b>			Crankshaft Seal.....	KS14477	
Cam. Belt.....	☆T278		Cam. Tensioner Assy.....	T41048	◇ 123
Cam. Idler Pulley.....	T42015	◇ 189	<b>1996</b>		
Cam. Tensioner Assy.....	T41041	◇ 189	<b>4-CYL. 1.5 L ENG. ACCENT</b>		
<b>4-CYL. 2.0 L ENG. SONATA</b>			Timing Component Kit; W/SOHC Eng.....	☆TCK191	
Timing Component Kit.....	☆*TCK167		Cam. Belt; W/DOHC Eng.....	☆T282	
Balance Shaft Belt.....	☆T168		Cam. Belt; W/SOHC Eng.....	☆T191	
Cam. Belt.....	☆T167		Cam. Idler Pulley; W/DOHC Eng.....	T42016	◇ 186
Cam. Seal.....	②KS13967		Cam. Tensioner Assy.; W/DOHC Eng.....	T41037	◇ 186
Crankshaft Seal.....	KS17154		Cam. Tensioner Assy.; W/SOHC Eng.....	T41051	◇ 146
Balance Shaft Tensioner Assy.....	T41047	◇ 139	<b>4-CYL. 1.8 L ENG. ELANTRA</b>		
Cam. Idler Pulley.....	T42017	◇ 139	Cam. Belt.....	☆T278	
Cam. Tensioner Assy.....	*T41046	◇ 139	Cam. Idler Pulley.....	T42015	◇ 189
<b>TIBURON</b>			Cam. Tensioner Assy.....	T41041	◇ 189
Cam. Belt.....	☆T284		<b>4-CYL. 2.0 L ENG. SONATA</b>		
Cam. Idler Pulley.....	T42015	◇ 189	Timing Component Kit.....	☆*TCK167	
Cam. Tensioner Assy.....	T41041	◇ 189	Balance Shaft Belt.....	☆T168	
			Cam. Belt.....	☆T167	
			Cam. Seal.....	②KS13967	
			Crankshaft Seal.....	KS17154	
			Balance Shaft Tensioner Assy.....	T41047	◇ 139
			Cam. Idler Pulley.....	T42017	◇ 139
			Cam. Tensioner Assy.....	*T41046	◇ 139

☆ Interference engine application. See inside back cover for additional information.

② Two Required.

◇ See Diagram Section (Pages 153-167).

\* Does Not Include Cam. Tensioner Hyd. Assy.

④ Four Required.

# PowerGrip™ Timing System Products for Passenger Cars

Application	Part No.	Diagram No.	Application	Part No.	Diagram No.
<b>HYUNDAI - Continued</b>			<b>HYUNDAI - Continued</b>		
<b>1996 - Continued</b>			<b>1994 - Continued</b>		
<b>V-6 3.0 L ENG. SONATA</b>			<b>4-CYL. 1.8 L ENG. ELANTRA</b>		
Timing Component Kit.....	TCK139		Timing Component Kit.....	☆*TCK167	
Cam. Belt.....	T139		Balance Shaft Belt.....	☆T168	
Cam. Seal.....	②KS13907		Cam. Belt.....	☆T167	
Crankshaft Seal.....	KS14477		Cam. Seal.....	②KS13967	
Cam. Tensioner Assy.....	T41048	◇ 123	Crankshaft Seal.....	KS17154	
<b>1995</b>			Balance Shaft Tensioner Assy.....	T41047	◇ 139
<b>4-CYL. 1.5 L ENG. ACCENT</b>			Cam. Idler Pulley.....	T42017	◇ 139
Timing Component Kit; W/SOHC Eng. ....	☆TCK191		Cam. Tensioner Assy.....	*T41046	◇ 139
Cam. Belt; W/DOHC Eng.....	☆T282		<b>4-CYL. 2.0 L ENG. SONATA</b>		
Cam. Belt; W/SOHC Eng.....	☆T191		Timing Component Kit.....	☆*TCK167	
Cam. Tensioner Assy.; W/SOHC Eng.....	T41051	◇ 146	Balance Shaft Belt.....	☆T168	
<b>SCOUPE</b>			Cam. Belt.....	☆T167	
Timing Component Kit.....	☆TCK191		Cam. Seal.....	②KS13967	
Cam. Belt.....	☆T191		Crankshaft Seal.....	KS17154	
Cam. Tensioner Assy.....	T41051	◇ 146	Balance Shaft Tensioner Assy.....	T41047	◇ 139
<b>4-CYL. 1.6 L ENG. ELANTRA</b>			Cam. Idler Pulley.....	T42017	◇ 139
Balance Shaft Belt.....	☆T168		Cam. Tensioner Assy.....	*T41046	◇ 139
Cam. Belt.....	☆T165		<b>V-6 3.0 L ENG. SONATA</b>		
<b>4-CYL. 1.8 L ENG. ELANTRA</b>			Timing Component Kit.....	TCK139	
Timing Component Kit.....	☆*TCK167		Cam. Belt.....	T139	
Balance Shaft Belt.....	☆T168		Cam. Seal.....	②KS13907	
Cam. Belt.....	☆T167		Crankshaft Seal.....	KS14477	
Cam. Seal.....	②KS13967		Cam. Tensioner Assy.....	T41048	◇ 123
Crankshaft Seal.....	KS17154		<b>1993</b>		
Balance Shaft Tensioner Assy.....	T41047	◇ 139	<b>4-CYL. 1.5 L ENG. EXCEL; SCOUPE</b>		
Cam. Idler Pulley.....	T42017	◇ 139	Timing Component Kit.....	☆TCK128	
Cam. Tensioner Assy.....	*T41046	◇ 139	Cam. Belt.....	☆T128	
<b>4-CYL. 2.0 L ENG. SONATA</b>			Cam. Seal.....	KS13907	
Timing Component Kit.....	☆*TCK167		Crankshaft Seal.....	KS11671	
Balance Shaft Belt.....	☆T168		Cam. Tensioner Assy.....	T41042	◇ 118
Cam. Belt.....	☆T167		<b>4-CYL. 1.6 L ENG. ELANTRA</b>		
Cam. Seal.....	②KS13967		Balance Shaft Belt.....	☆T168	
Crankshaft Seal.....	KS17154		Cam. Belt.....	☆T165	
Balance Shaft Tensioner Assy.....	T41047	◇ 139	<b>4-CYL. 1.8 L ENG. ELANTRA</b>		
Cam. Idler Pulley.....	T42017	◇ 139	Timing Component Kit.....	☆*TCK167	
Cam. Tensioner Assy.....	*T41046	◇ 139	Balance Shaft Belt.....	☆T168	
<b>V-6 3.0 L ENG. SONATA</b>			Cam. Belt.....	☆T167	
Timing Component Kit.....	TCK139		Cam. Seal.....	②KS13967	
Cam. Belt.....	T139		Crankshaft Seal.....	KS17154	
Cam. Seal.....	②KS13907		Balance Shaft Tensioner Assy.....	T41047	◇ 139
Crankshaft Seal.....	KS14477		Cam. Idler Pulley.....	T42017	◇ 139
Cam. Tensioner Assy.....	T41048	◇ 123	Cam. Tensioner Assy.....	*T41046	◇ 139
<b>1994</b>			<b>4-CYL. 2.0 L ENG. SONATA</b>		
<b>4-CYL. 1.5 L ENG. EXCEL</b>			Timing Component Kit.....	☆*TCK167	
Timing Component Kit.....	☆TCK128		Balance Shaft Belt.....	☆T168	
Cam. Belt.....	☆T128		Cam. Belt.....	☆T167	
Cam. Seal.....	KS13907		Cam. Seal.....	②KS13967	
Crankshaft Seal.....	KS11671		Crankshaft Seal.....	KS17154	
Cam. Tensioner Assy.....	T41042	◇ 118	Balance Shaft Tensioner Assy.....	T41047	◇ 139
<b>SCOUPE</b>			Cam. Idler Pulley.....	T42017	◇ 139
Timing Component Kit.....	☆TCK191		Cam. Tensioner Assy.....	*T41046	◇ 139
Cam. Belt.....	☆T191		<b>4-CYL. 2.0 L ENG. SONATA</b>		
Cam. Tensioner Assy.....	T41051	◇ 146	Timing Component Kit.....	☆*TCK167	
<b>4-CYL. 1.6 L ENG. ELANTRA</b>			Balance Shaft Belt.....	☆T168	
Balance Shaft Belt.....	☆T168		Cam. Belt.....	☆T167	
Cam. Belt.....	☆T165		Cam. Seal.....	②KS13967	
<b>V-6 3.0 L ENG. SONATA</b>			Crankshaft Seal.....	KS17154	
Timing Component Kit.....	TCK139		Balance Shaft Tensioner Assy.....	T41047	◇ 139
Cam. Belt.....	T139		Cam. Idler Pulley.....	T42017	◇ 139
Cam. Seal.....	②KS13907		Cam. Tensioner Assy.....	*T41046	◇ 139
Crankshaft Seal.....	KS14477		<b>4-CYL. 2.0 L ENG. SONATA</b>		
Cam. Tensioner Assy.....	T41048	◇ 123	Timing Component Kit.....	☆*TCK167	
<b>1994</b>			Balance Shaft Belt.....	☆T168	
<b>4-CYL. 1.5 L ENG. EXCEL</b>			Cam. Belt.....	☆T167	
Timing Component Kit.....	☆TCK128		Cam. Seal.....	②KS13967	
Cam. Belt.....	☆T128		Crankshaft Seal.....	KS17154	
Cam. Seal.....	KS13907		Balance Shaft Tensioner Assy.....	T41047	◇ 139
Crankshaft Seal.....	KS11671		Cam. Idler Pulley.....	T42017	◇ 139
Cam. Tensioner Assy.....	T41042	◇ 118	Cam. Tensioner Assy.....	*T41046	◇ 139
<b>SCOUPE</b>			<b>V-6 3.0 L ENG. SONATA</b>		
Timing Component Kit.....	☆TCK191		Timing Component Kit.....	TCK139	
Cam. Belt.....	☆T191		Cam. Belt.....	T139	
Cam. Tensioner Assy.....	T41051	◇ 146	Cam. Seal.....	②KS13907	
<b>4-CYL. 1.6 L ENG. ELANTRA</b>			Crankshaft Seal.....	KS14477	
Balance Shaft Belt.....	☆T168		Cam. Tensioner Assy.....	T41048	◇ 123
Cam. Belt.....	☆T165				

☆ Interference engine application. See inside back cover for additional information.  
 \* Does Not Include Cam. Tensioner Hyd. Assy.

② Two Required.  
 ④ Four Required.

◇ See Diagram Section (Pages 153-167).



# PowerGrip™ Timing System Products for Passenger Cars

Application	Part No.	Diagram No.	Application	Part No.	Diagram No.
<b>HYUNDAI - Continued</b>			<b>HYUNDAI - Continued</b>		
<b>1992</b>			<b>1990 - Continued</b>		
<b>4-CYL. 1.5 L ENG. EXCEL; SCOUPE</b>			<b>4-CYL. 2.4 L ENG. - Continued</b>		
Timing Component Kit.....	☆TCK128		<b>SONATA - Continued</b>		
Cam. Belt.....	☆T128		Cam. Tensioner Assy.....	T41044	◇ 117
Cam. Seal.....	KS13907		<b>V-6 3.0 L ENG.</b>		
Crankshaft Seal.....	KS11671		<b>SONATA</b>		
Cam. Tensioner Assy.....	T41042	◇ 118	Timing Component Kit.....	TCK139	
<b>4-CYL. 1.6 L ENG. ELANTRA</b>			Cam. Belt.....	T139	
Cam. Belt.....	☆T165		Cam. Seal.....	②KS13907	
<b>4-CYL. 2.0 L ENG. SONATA</b>			Crankshaft Seal.....	KS14477	
Timing Component Kit.....	☆★TCK167		Cam. Tensioner Assy.....	T41048	◇ 123
Balance Shaft Belt.....	☆T168		<b>1989</b>		
Cam. Belt.....	☆T167		<b>4-CYL. 1.5 L ENG. EXCEL</b>		
Cam. Seal.....	②KS13967		Cam. Belt.....	☆T073	
Crankshaft Seal.....	KS17154		<b>4-CYL. 2.4 L ENG. SONATA</b>		
Balance Shaft Tensioner Assy.....	T41047	◇ 139	Timing Component Kit.....	☆TCK124	
Cam. Idler Pulley.....	T42017	◇ 139	Balance Shaft Belt.....	☆T159	
Cam. Tensioner Assy.....	★T41046	◇ 139	Cam. Belt.....	☆T124	
<b>V-6 3.0 L ENG. SONATA</b>			Cam. Seal.....	KS13907	
Timing Component Kit.....	TCK139		Crankshaft Seal.....	KS17154	
Cam. Belt.....	T139		Balance Shaft Tensioner Assy.....	T41053	◇ 117
Cam. Seal.....	②KS13907		Cam. Tensioner Assy.....	T41044	◇ 117
Crankshaft Seal.....	KS14477		<b>1988-1986</b>		
Cam. Tensioner Assy.....	T41048	◇ 123	<b>4-CYL. 1.5 L ENG. EXCEL</b>		
<b>1991</b>			Cam. Belt.....	☆T073	
<b>4-CYL. 1.5 L ENG. EXCEL; SCOUPE</b>			<b>INFINITI</b>		
Timing Component Kit.....	☆TCK128		Light truck, van or motorhome information for this manufacturer can be found in the next section of this catalog.		
Cam. Belt.....	☆T128		<b>1997-1994</b>		
Cam. Seal.....	KS13907		<b>V-6 3.0 L ENG. J30</b>		
Crankshaft Seal.....	KS11671		Cam. Belt.....	☆T251	
Cam. Tensioner Assy.....	T41042	◇ 118	<b>1993</b>		
<b>4-CYL. 2.4 L ENG. SONATA</b>			<b>V-6 3.0 L ENG. J30</b>		
Timing Component Kit.....	☆TCK124		Cam. Belt.....	☆T180	
Balance Shaft Belt.....	☆T159		<b>1992-1990</b>		
Cam. Belt.....	☆T124		<b>V-6 3.0 L ENG. M30</b>		
Cam. Seal.....	KS13907		Timing Component Kit.....	☆TCK104	
Crankshaft Seal.....	KS17154		Cam. Belt.....	☆T104	
Balance Shaft Tensioner Assy.....	T41053	◇ 117	Cam. Seal.....	②KS13429	
Cam. Tensioner Assy.....	T41044	◇ 117	Crankshaft Seal.....	KS15800	
<b>V-6 3.0 L ENG. SONATA</b>			Cam. Tensioner Assy.....	T41059	◇ 170
Timing Component Kit.....	TCK139		<b>ISUZU</b>		
Cam. Belt.....	T139		Light truck, van or motorhome information for this manufacturer can be found in the next section of this catalog.		
Cam. Seal.....	②KS13907		<b>1993</b>		
Crankshaft Seal.....	KS14477		<b>4-CYL. 1.6 L ENG. STYLUS</b>		
Cam. Tensioner Assy.....	T41048	◇ 123	Cam. Belt.....	☆T177	
<b>1990</b>			Cam. Idler Pulley.....	T42001	◇ 174
<b>4-CYL. 1.5 L ENG. EXCEL</b>			Cam. Tensioner Assy.....	T41027	◇ 174
Timing Component Kit.....	☆TCK128		<b>4-CYL. 1.8 L ENG. STYLUS</b>		
Cam. Belt.....	☆T128		Cam. Belt.....	T205	
Cam. Seal.....	KS13907		Cam. Idler Pulley.....	T42001	◇ 174
Crankshaft Seal.....	KS11671		Cam. Tensioner Assy.....	T41027	◇ 174
Cam. Tensioner Assy.....	T41042	◇ 118			
<b>4-CYL. 2.4 L ENG. SONATA</b>					
Timing Component Kit.....	☆TCK124				
Balance Shaft Belt.....	☆T159				
Cam. Belt.....	☆T124				
Cam. Seal.....	KS13907				
Crankshaft Seal.....	KS17154				
Balance Shaft Tensioner Assy.....	T41053	◇ 117			

☆ Interference engine application. See inside back cover for additional information.

★ Does Not Include Cam. Tensioner Hyd. Assy.

② Two Required.

④ Four Required.

◇ See Diagram Section (Pages 153-167).

# PowerGrip™ Timing System Products for Passenger Cars

Application	Part No.	Diagram No.	Application	Part No.	Diagram No.
<b>ISUZU - Continued</b>			<b>ISUZU - Continued</b>		
<b>1992</b>			<b>1988 - Continued</b>		
<b>4-CYL. 1.6 L ENG.</b>			<b>4-CYL. 2.3 L ENG.</b>		
<b>IMPULSE</b>			<b>IMPULSE</b>		
Cam. Belt.....	T169		Timing Component Kit.....	☆TCK122	
Cam. Idler Pulley.....	T42001	◇ 174	Cam. Belt.....	☆T122	
Cam. Tensioner Assy.....	T41027	◇ 174	Cam. Seal.....	KS11592	
<b>STYLUS</b>			Crankshaft Seal.....	KS15829	
Cam. Belt.....	☆T177		Cam. Tensioner Assy.....	T41025	◇ 116
Cam. Idler Pulley.....	T42001	◇ 174	<b>1987-1985</b>		
Cam. Tensioner Assy.....	T41027	◇ 174	<b>4-CYL. 1.5 L ENG.</b>		
<b>4-CYL. 1.8 L ENG.</b>			<b>I-MARK</b>		
<b>IMPULSE; STYLUS</b>			Cam. Belt; Jul. 1, 1986 & Newer.....		
Cam. Belt.....	T205			☆T162	
Cam. Idler Pulley.....	T42001	◇ 174	Cam. Belt; Jun. 30, 1986 & Older.....	☆T118	
Cam. Tensioner Assy.....	T41027	◇ 174	<b>4-CYL. 2.0 L ENG.</b>		
<b>1991</b>			<b>IMPULSE</b>		
<b>4-CYL. 1.6 L ENG.</b>			Cam. Belt.....		
<b>IMPULSE</b>					
Cam. Belt.....	T169		Cam. Belt.....		
Cam. Idler Pulley.....	T42001	◇ 174	Cam. Belt.....		
Cam. Tensioner Assy.....	T41027	◇ 174	Cam. Belt.....		
<b>STYLUS</b>			Cam. Belt.....		
Cam. Belt; W/DOHC Eng.....	T169		Cam. Belt; W/DOHC Eng.....		
Cam. Belt; W/SOHC Eng.....	☆T177		Cam. Belt; W/SOHC Eng.....		
Cam. Idler Pulley; W/DOHC Eng.....	T42001	◇ 174	Cam. Idler Pulley; W/DOHC Eng.....		
Cam. Tensioner Assy.; W/DOHC Eng.....	T41027	◇ 174	Cam. Tensioner Assy.; W/DOHC Eng.....		
<b>1990</b>			<b>1984-1981</b>		
<b>4-CYL. 1.5 L ENG. (CANADA)</b>			<b>4-CYL. 1.8 L DIESEL ENG.</b>		
<b>I-MARK</b>			<b>I-MARK</b>		
Cam. Belt.....	☆T162		Cam. Belt.....		
<b>4-CYL. 1.6 L ENG.</b>					
<b>IMPULSE</b>					
Cam. Belt.....	T169				
Cam. Idler Pulley.....	T42001	◇ 174			
Cam. Tensioner Assy.....	T41027	◇ 174			
<b>4-CYL. 1.6 L ENG. (CANADA)</b>					
<b>I-MARK</b>					
Cam. Belt.....	T169				
Cam. Idler Pulley.....	T42001	◇ 174			
Cam. Tensioner Assy.....	T41027	◇ 174			
<b>1989</b>					
<b>4-CYL. 1.5 L ENG.</b>					
<b>I-MARK</b>					
Cam. Belt.....	☆T162				
<b>4-CYL. 1.6 L ENG.</b>					
<b>I-MARK</b>					
Cam. Belt.....	T169				
Cam. Idler Pulley.....	T42001	◇ 174			
Cam. Tensioner Assy.....	T41027	◇ 174			
<b>4-CYL. 2.0 L ENG.</b>					
<b>IMPULSE</b>					
Cam. Belt; W/Turbo.....	☆T121				
<b>4-CYL. 2.3 L ENG.</b>					
<b>IMPULSE</b>					
Timing Component Kit.....	☆TCK122				
Cam. Belt.....	☆T122				
Cam. Seal.....	KS11592				
Crankshaft Seal.....	KS15829				
Cam. Tensioner Assy.....	T41025	◇ 116			
<b>1988</b>					
<b>4-CYL. 1.5 L ENG.</b>					
<b>I-MARK</b>					
Cam. Belt.....	☆T162				
<b>4-CYL. 2.0 L ENG.</b>					
<b>IMPULSE</b>					
Cam. Belt; W/Turbo.....	☆T121				

**KIA**  
Light truck, van or motorhome information for this manufacturer can be found in the next section of this catalog.

☆ Interference engine application. See inside back cover for additional information.    ② Two Required.    ◇ See Diagram Section (Pages 153-167).  
 ✱ Does Not Include Cam. Tensioner Hyd. Assy.    ④ Four Required.

# PowerGrip™ Timing System Products for Passenger Cars

Application	Part No.	Diagram No.	Application	Part No.	Diagram No.
<b>KIA - Continued</b>			<b>KIA - Continued</b>		
<b>2001 - Continued</b>			<b>1995 - Continued</b>		
<b>4-CYL. 1.8 L ENG. - Continued</b>			<b>4-CYL. 1.6 L ENG. - Continued</b>		
<b>SEPHIA; SPECTRA - Continued</b>			<b>SEPHIA - Continued</b>		
Cam. Tensioner Assy.....	T41032	◇ 193	Cam. Tensioner Assy.; W/SOHC Eng.....	T41030	◇ 144
<b>4-CYL. 2.4 L ENG.</b>			<b>4-CYL. 1.8 L ENG.</b>		
<b>OPTIMA</b>			<b>SEPHIA</b>		
Balance Shaft Belt .....	T314		Timing Component Kit.....	☆TCK179	
Cam. Belt.....	T313		Cam. Belt.....	☆T179	
Balance Shaft Tensioner Assy.....	T41038	◇ 201	Cam. Seal.....	②KS13429	
Cam. Idler Pulley.....	T42017	◇ 201	Crankshaft Seal.....	KS14477	
Cam. Tensioner Assy.....	✱T41087	◇ 201	Cam. Idler Pulley.....	T42005	◇ 142
<b>V-6 2.5 L ENG.</b>			Cam. Tensioner Assy.....		
<b>OPTIMA</b>			T41031		
Cam. Belt.....	☆T315		<b>1994</b>		
Cam. Idler Pulley.....	T42014	◇ 199	<b>4-CYL. 1.6 L ENG.</b>		
Cam. Tensioner Assy.....	✱T41040	◇ 199	<b>SEPHIA</b>		
<b>V-6 2.5 L ENG. (CANADA)</b>			Timing Component Kit.....		
<b>MAGENTIS</b>			Cam. Belt.....		
Cam. Belt.....	☆T315		Cam. Seal.....		
<b>2000</b>			Crankshaft Seal.....		
<b>4-CYL. 1.8 L ENG.</b>			Cam. Tensioner Assy.....		
<b>SEPHIA</b>			T41030		
Cam. Belt.....	☆T302		<b>LANCIA</b>		
Cam. Idler Pulley.....	T42005	◇ 193	<b>1979</b>		
Cam. Tensioner Assy.....	T41032	◇ 193	<b>4-CYL. 122 C.I.D. ENG.</b>		
<b>SPECTRA</b>			<b>BETA</b>		
Cam. Belt.....	☆T302		Cam. Belt.....		
<b>1999-1998</b>			☆T020		
<b>4-CYL. 1.8 L ENG.</b>			<b>1978-1976</b>		
<b>SEPHIA</b>			<b>4-CYL. 107 C.I.D. ENG.</b>		
Cam. Belt.....	☆T302		<b>BETA</b>		
Cam. Idler Pulley.....	T42005	◇ 193	Cam. Belt.....		
Cam. Tensioner Assy.....	T41032	◇ 193	☆T020		
<b>1997-1996</b>			<b>LEXUS</b>		
<b>4-CYL. 1.6 L ENG.</b>			Light truck, van or motorhome information for this manufacturer can be found in the next section of this catalog.		
<b>SEPHIA</b>			<b>2002</b>		
Timing Component Kit; W/DOHC Eng. ....	☆TCK179		<b>6-CYL. 3.0 L ENG.</b>		
Timing Component Kit; W/SOHC Eng. ....	☆TCK185		<b>IS300</b>		
Cam. Belt; W/DOHC Eng.....	☆T179		Cam. Belt.....		
Cam. Belt; W/SOHC Eng.....	☆T185		T215		
Cam. Seal; W/DOHC Eng.....	②KS13429		<b>V-8 4.3 L ENG.</b>		
Cam. Seal; W/SOHC Eng.....	KS11612		<b>SC430</b>		
Crankshaft Seal.....	KS14477		Cam. Belt.....		
Cam. Idler Pulley; W/DOHC Eng.....	T42005	◇ 142	☆T298		
Cam. Tensioner Assy.; W/DOHC Eng.....	T41031	◇ 142	<b>2001</b>		
Cam. Tensioner Assy.; W/SOHC Eng.....	T41030	◇ 144	<b>6-CYL. 3.0 L ENG.</b>		
<b>4-CYL. 1.8 L ENG.</b>			<b>GS300; IS300</b>		
<b>SEPHIA</b>			Cam. Belt.....		
Timing Component Kit.....	☆TCK179		T215		
Cam. Belt.....	☆T179		<b>V-6 3.0 L ENG.</b>		
Cam. Seal; W/DOHC Eng.....	②KS13429		<b>ES300</b>		
Crankshaft Seal.....	KS14477		Timing Component Kit.....		
Cam. Idler Pulley.....	T42005	◇ 142	✱TCK257		
Cam. Tensioner Assy.....	T41031	◇ 142	Cam. Belt.....		
<b>1995</b>			T257		
<b>4-CYL. 1.6 L ENG.</b>			Cam. Seal.....		
<b>SEPHIA</b>			④KS14671		
Timing Component Kit; W/DOHC Eng. ....	☆TCK179		Crankshaft Seal.....		
Timing Component Kit; W/SOHC Eng. ....	☆TCK185		KS15818		
Cam. Belt; W/DOHC Eng.....	☆T179		<b>V-8 4.3 L ENG.</b>		
Cam. Belt; W/SOHC Eng.....	☆T185		<b>GS430; LS430</b>		
Cam. Seal; W/DOHC Eng.....	②KS13429		Cam. Belt.....		
Cam. Seal; W/SOHC Eng.....	KS11612		☆T298		
Crankshaft Seal.....	KS14477		<b>2000-1998</b>		
Cam. Idler Pulley; W/DOHC Eng.....	T42005	◇ 142	<b>6-CYL. 3.0 L ENG.</b>		
Cam. Tensioner Assy.; W/DOHC Eng.....	T41031	◇ 142	<b>GS300; SC300</b>		
<b>1995</b>			Cam. Belt.....		
<b>4-CYL. 1.6 L ENG.</b>			T215		
<b>SEPHIA</b>			<b>V-6 3.0 L ENG.</b>		
Timing Component Kit.....	☆TCK179		<b>ES300</b>		
Cam. Belt.....	☆T179		Timing Component Kit.....		
Cam. Seal; W/DOHC Eng.....	②KS13429		✱TCK257		
Crankshaft Seal.....	KS14477		Cam. Belt.....		
Cam. Idler Pulley; W/DOHC Eng.....	T42005	◇ 142	T257		
Cam. Tensioner Assy.; W/DOHC Eng.....	T41031	◇ 142	Cam. Seal.....		
<b>1995</b>			④KS14671		
<b>4-CYL. 1.6 L ENG.</b>			Crankshaft Seal.....		
<b>SEPHIA</b>			KS15818		
Timing Component Kit; W/DOHC Eng. ....	☆TCK179		<b>V-8 4.3 L ENG.</b>		
Timing Component Kit; W/SOHC Eng. ....	☆TCK185		<b>GS430; LS430</b>		
Cam. Belt; W/DOHC Eng.....	☆T179		Cam. Belt.....		
Cam. Belt; W/SOHC Eng.....	☆T185		☆T298		
Cam. Seal; W/DOHC Eng.....	②KS13429		<b>2000-1998</b>		
Cam. Seal; W/SOHC Eng.....	KS11612		<b>6-CYL. 3.0 L ENG.</b>		
Crankshaft Seal.....	KS14477		<b>GS300; SC300</b>		
Cam. Idler Pulley; W/DOHC Eng.....	T42005	◇ 142	Cam. Belt.....		
Cam. Tensioner Assy.; W/DOHC Eng.....	T41031	◇ 142	T215		
<b>1995</b>			<b>V-6 3.0 L ENG.</b>		
<b>4-CYL. 1.6 L ENG.</b>			<b>ES300</b>		
<b>SEPHIA</b>			Timing Component Kit.....		
Timing Component Kit.....	☆TCK179		✱TCK257		
Cam. Belt.....	☆T179		Cam. Belt.....		
Cam. Seal; W/DOHC Eng.....	②KS13429		T257		
Crankshaft Seal.....	KS14477		Cam. Seal.....		
Cam. Idler Pulley; W/DOHC Eng.....	T42005	◇ 142	④KS14671		
Cam. Tensioner Assy.; W/DOHC Eng.....	T41031	◇ 142	Crankshaft Seal.....		
<b>1995</b>			KS15818		

☆ Interference engine application. See inside back cover for additional information.

✱ Does Not Include Cam. Tensioner Hyd. Assy.

② Two Required.

④ Four Required.

◇ See Diagram Section (Pages 153-167).

# PowerGrip™ Timing System Products for Passenger Cars

Application	Part No.	Diagram No.	Application	Part No.	Diagram No.
<b>LEXUS - Continued</b>			<b>MAZDA</b>		
<b>2000-1998 - Continued</b>			Light truck, van or motorhome information for this manufacturer can be found in the next section of this catalog.		
<b>V-8 4.0 L ENG. GS400; LS400; SC400</b>			<b>2002</b>		
Cam. Belt.....	☆T298		<b>4-CYL. 1.8 L ENG. MX-5 MIATA</b>		
<b>1997-1994</b>			Timing Component Kit.....	TCK179	
<b>6-CYL. 3.0 L ENG. GS300; SC300</b>			Cam. Belt.....	T179	
Cam. Belt.....	T215		Cam. Idler Pulley.....	T42005	◇ 142
<b>V-6 3.0 L ENG. ES300</b>			Cam. Tensioner Assy.....	T41031	◇ 142
Timing Component Kit.....	✱TCK257	◇ 132	<b>4-CYL. 2.0 L ENG. PROTEGE; 626</b>		
Cam. Belt.....	T257		Timing Component Kit.....	☆TCK228	
Cam. Seal.....	④KS14671		Cam. Belt.....	☆T228	
Crankshaft Seal.....	KS15818		Cam. Idler Pulley.....	T42008	◇ 161
<b>V-8 4.0 L ENG. LS400; SC400</b>			Cam. Tensioner Assy.....	T41091	◇ 161
Cam. Belt.....	T190		<b>V-6 2.5 L ENG. MILLENNIA; 626</b>		
<b>1993</b>			Timing Component Kit.....	✱TCK214	
<b>6-CYL. 3.0 L ENG. GS300; SC300</b>			Cam. Belt.....	T214	
Cam. Belt.....	T215		Cam. Idler Pulley - Upper.....	T42010	◇ 157
<b>V-6 3.0 L ENG. ES300</b>			Cam. Idler Pulley - Lower.....	T42009	◇ 157
Timing Component Kit.....	✱TCK200	◇ 132	Cam. Tensioner Pulley.....	✱T41034	◇ 157
Cam. Belt.....	T200		<b>2001</b>		
Cam. Seal.....	④KS14671		<b>4-CYL. 1.6 L ENG. PROTEGE</b>		
Crankshaft Seal.....	KS15818		Cam. Belt.....	T308	
Cam. Idler Pulley.....	T42030	◇ 132	<b>4-CYL. 1.8 L ENG. MX-5 MIATA</b>		
Cam. Tensioner Pulley.....	✱T41075	◇ 132	Timing Component Kit.....	TCK179	
<b>V-8 4.0 L ENG. LS400; SC400</b>			Cam. Belt.....	T179	
Cam. Belt.....	T190		Cam. Idler Pulley.....	T42005	◇ 142
<b>1992</b>			Cam. Tensioner Assy.....	T41031	◇ 142
<b>6-CYL. 3.0 L ENG. SC300</b>			<b>4-CYL. 2.0 L ENG. PROTEGE; 626</b>		
Cam. Belt.....	T215		Timing Component Kit.....	☆TCK228	
<b>V-6 3.0 L ENG. ES300</b>			Cam. Belt.....	☆T228	
Timing Component Kit.....	✱TCK200	◇ 132	Cam. Idler Pulley.....	T42008	◇ 161
Cam. Belt.....	T200		Cam. Tensioner Assy.....	T41091	◇ 161
Cam. Seal.....	④KS14671		<b>V-6 2.3 L ENG. MILLENNIA</b>		
Crankshaft Seal.....	KS15818		Cam. Belt.....	T267	
Cam. Idler Pulley.....	T42030	◇ 132	<b>V-6 2.5 L ENG. MILLENNIA; 626</b>		
Cam. Tensioner Pulley.....	✱T41075	◇ 132	Timing Component Kit.....	✱TCK214	
<b>V-8 4.0 L ENG. LS400; SC400</b>			Cam. Belt.....	T214	
Cam. Belt.....	T190		Cam. Idler Pulley - Upper.....	T42010	◇ 157
<b>1991-1990</b>			Cam. Idler Pulley - Lower.....	T42009	◇ 157
<b>V-6 2.5 L ENG. ES250</b>			Cam. Tensioner Pulley.....	✱T41034	◇ 157
Timing Component Kit.....	✱TCK157	◇ 132	<b>2000</b>		
Cam. Belt.....	T157		<b>4-CYL. 1.6 L ENG. PROTEGE</b>		
Cam. Seal.....	④KS14671		Cam. Belt.....	T308	
Crankshaft Seal.....	KS15818		<b>4-CYL. 1.8 L ENG. MX-5 MIATA</b>		
Cam. Idler Pulley.....	T42030	◇ 132	Timing Component Kit.....	TCK179	
Cam. Tensioner Pulley.....	✱T41075	◇ 132	Cam. Belt.....	T179	
<b>V-8 4.0 L ENG. LS400</b>			Cam. Idler Pulley.....	T42005	◇ 142
Cam. Belt.....	T190		Cam. Tensioner Assy.....	T41031	◇ 142
<b>1991-1990</b>			<b>PROTEGE</b>		
<b>V-6 2.5 L ENG. ES250</b>			Cam. Belt.....	T316	
Timing Component Kit.....	✱TCK157	◇ 132	<b>4-CYL. 2.0 L ENG. 626</b>		
Cam. Belt.....	T157		Timing Component Kit.....	☆TCK228	
Cam. Seal.....	④KS14671		Cam. Belt.....	☆T228	
Crankshaft Seal.....	KS15818		Cam. Idler Pulley.....	T42008	◇ 161
Cam. Idler Pulley.....	T42030	◇ 132	Cam. Tensioner Assy.....	T41091	◇ 161
Cam. Tensioner Pulley.....	✱T41075	◇ 132	<b>2000</b>		
<b>V-8 4.0 L ENG. LS400</b>			<b>4-CYL. 1.6 L ENG. PROTEGE</b>		
Cam. Belt.....	T190		Cam. Belt.....	T308	

☆ Interference engine application. See inside back cover for additional information.

✱ Does Not Include Cam. Tensioner Hyd. Assy.

② Two Required.

④ Four Required.

◇ See Diagram Section (Pages 153-167).

# PowerGrip™ Timing System Products for Passenger Cars

Application	Part No.	Diagram No.	Application	Part No.	Diagram No.
<b>MAZDA - Continued</b>			<b>MAZDA - Continued</b>		
<b>2000 - Continued</b>			<b>1998 - Continued</b>		
<b>V-6 2.3 L ENG. MILLENNIA</b>			<b>V-6 2.5 L ENG. MILLENNIA; 626</b>		
Cam. Belt.....	T267		Timing Component Kit.....	✱TCK214	
<b>V-6 2.5 L ENG. MILLENNIA; 626</b>			Cam. Belt.....	T214	
Timing Component Kit.....	TCK214		Cam. Seal.....	②KS11612	
Cam. Belt.....	T214		Crankshaft Seal.....	KS16889	
Cam. Seal.....	②KS11612		Cam. Idler Pulley - Upper.....	T42010	◇ 157
Crankshaft Seal.....	KS16889		Cam. Idler Pulley - Lower.....	T42009	◇ 157
Cam. Idler Pulley - Upper.....	T42010	◇ 157	Cam. Tensioner Pulley.....	✱T41034	◇ 157
Cam. Idler Pulley - Lower.....	T42009	◇ 157			
Cam. Tensioner Pulley.....	✱T41034	◇ 157			
<b>1999</b>			<b>1997</b>		
<b>4-CYL. 1.6 L ENG. PROTEGE</b>			<b>4-CYL. 1.5 L ENG. PROTEGE</b>		
Cam. Belt.....	T308		Cam. Belt.....	T266	
<b>4-CYL. 1.8 L ENG. MX-5 MIATA</b>			<b>4-CYL. 1.8 L ENG. MX-5 MIATA; PROTEGE</b>		
Timing Component Kit.....	TCK179		Timing Component Kit.....	TCK179	
Cam. Belt.....	T179		Cam. Belt.....	T179	
Cam. Idler Pulley.....	T42005	◇ 142	Cam. Seal.....	②KS13429	
Cam. Tensioner Assy.....	T41031	◇ 142	Crankshaft Seal.....	KS14477	
<b>PROTEGE</b>			Cam. Idler Pulley.....	T42005	◇ 142
Cam. Belt.....	T316		Cam. Tensioner Assy.....	T41031	◇ 142
<b>4-CYL. 2.0 L ENG. 626</b>			<b>4-CYL. 2.0 L ENG. MX-6</b>		
Timing Component Kit.....	☆TCK228		Timing Component Kit.....	☆TCK228	
Cam. Belt.....	☆T228		Cam. Belt.....	☆T228	
Cam. Seal.....	②KS13429		Cam. Seal.....	②KS13429	
Crankshaft Seal.....	KS16889		Crankshaft Seal.....	KS13429	
Cam. Idler Pulley.....	T42008	◇ 161	Cam. Idler Pulley.....	T42008	◇ 161
Cam. Tensioner Assy.....	T41091	◇ 161	Cam. Tensioner Assy.....	T41091	◇ 161
<b>V-6 2.3 L ENG. MILLENNIA</b>			<b>626</b>		
Cam. Belt.....	T267		Timing Component Kit.....	☆TCK228	
<b>V-6 2.5 L ENG. MILLENNIA; 626</b>			Cam. Belt.....	☆T228	
Timing Component Kit.....	✱TCK214		Cam. Seal.....	②KS13429	
Cam. Belt.....	T214		Crankshaft Seal.....	KS16889	
Cam. Seal.....	②KS11612		Cam. Idler Pulley.....	T42008	◇ 161
Crankshaft Seal.....	KS16889		Cam. Tensioner Assy.....	T41091	◇ 161
Cam. Idler Pulley - Upper.....	T42010	◇ 157			
Cam. Idler Pulley - Lower.....	T42009	◇ 157			
Cam. Tensioner Pulley.....	✱T41034	◇ 157			
<b>1998</b>			<b>V-6 2.3 L ENG. MILLENNIA</b>		
<b>4-CYL. 1.5 L ENG. PROTEGE</b>			Cam. Belt.....		
Cam. Belt; Eng. No. 194742 & Before.....	T266			☆T267	
Cam. Belt; Eng. No. 194743 & After.....	T308		<b>V-6 2.5 L ENG. MILLENNIA; MX-6; 626</b>		
<b>4-CYL. 1.8 L ENG. PROTEGE</b>			Timing Component Kit.....	✱TCK214	
Timing Component Kit.....	TCK179		Cam. Belt.....	T214	
Cam. Belt.....	T179		Cam. Seal.....	②KS11612	
Cam. Idler Pulley.....	T42005	◇ 142	Crankshaft Seal.....	KS16889	
Cam. Tensioner Assy.....	T41031	◇ 142	Cam. Idler Pulley - Upper.....	T42010	◇ 157
<b>4-CYL. 2.0 L ENG. 626</b>			Cam. Idler Pulley - Lower.....	T42009	◇ 157
Timing Component Kit.....	☆TCK228		Cam. Tensioner Pulley.....	✱T41034	◇ 157
Cam. Belt.....	☆T228				
Cam. Seal.....	②KS13429		<b>1996</b>		
Crankshaft Seal.....	KS16889		<b>4-CYL. 1.5 L ENG. PROTEGE</b>		
Cam. Idler Pulley.....	T42008	◇ 161	Cam. Belt.....	T266	
Cam. Tensioner Assy.....	T41091	◇ 161	<b>4-CYL. 1.8 L ENG. MX-5 MIATA; PROTEGE</b>		
<b>V-6 2.3 L ENG. MILLENNIA</b>			Timing Component Kit.....	TCK179	
Cam. Belt.....	☆T267		Cam. Belt.....	T179	
<b>V-6 2.5 L ENG. MILLENNIA; 626</b>			Cam. Seal.....	②KS13429	
Timing Component Kit.....	✱TCK214		Crankshaft Seal.....	KS14477	
Cam. Belt.....	T214		Cam. Idler Pulley.....	T42005	◇ 142
Cam. Seal.....	②KS11612		Cam. Tensioner Assy.....	T41031	◇ 142
Crankshaft Seal.....	KS16889		<b>4-CYL. 2.0 L ENG. MX-6</b>		
Cam. Idler Pulley - Upper.....	T42010	◇ 157	Timing Component Kit.....	☆TCK228	
Cam. Idler Pulley - Lower.....	T42009	◇ 157	Cam. Belt.....	☆T228	
Cam. Tensioner Pulley.....	✱T41034	◇ 157	Cam. Seal.....	②KS13429	
			Crankshaft Seal.....	KS13429	
			Cam. Idler Pulley.....	T42008	◇ 161

☆ Interference engine application. See inside back cover for additional information.

✱ Does Not Include Cam. Tensioner Hyd. Assy.

② Two Required.

④ Four Required.

◇ See Diagram Section (Pages 153-167).

# PowerGrip™ Timing System Products for Passenger Cars

Application	Part No.	Diagram No.	Application	Part No.	Diagram No.
<b>MAZDA - Continued</b>			<b>MAZDA - Continued</b>		
<b>1996 - Continued</b>			<b>1995 - Continued</b>		
<b>4-CYL. 2.0 L ENG. - Continued</b>			<b>4-CYL. 2.0 L ENG. - Continued</b>		
<b>MX-6 - Continued</b>			<b>626 - Continued</b>		
Cam. Tensioner Assy.....	T41091	◇ 161	Cam. Tensioner Assy.....	T41091	◇ 161
<b>626</b>			<b>V-6 1.8 L ENG. (CANADA)</b>		
Timing Component Kit.....	☆TCK228		<b>MX-3</b>		
Cam. Belt.....	☆T228		Timing Component Kit.....	★TCK214	
Cam. Seal.....	②KS13429		Cam. Belt.....	T214	
Crankshaft Seal.....	KS16889		Cam. Seal.....	②KS11612	
Cam. Idler Pulley.....	T42008	◇ 161	Crankshaft Seal.....	KS16889	
Cam. Tensioner Assy.....	T41091	◇ 161	Cam. Idler Pulley - Upper.....	T42010	◇ 157
<b>V-6 1.8 L ENG. (CANADA)</b>			Cam. Idler Pulley - Lower.....	T42009	◇ 157
<b>MX-3</b>			Cam. Tensioner Pulley.....	★T41034	◇ 157
Cam. Belt.....	T214		<b>V-6 2.3 L ENG. MILLENIA</b>		
<b>V-6 2.3 L ENG. MILLENIA</b>			Cam. Belt.....	☆T267	
Cam. Belt.....	☆T267		<b>V-6 2.5 L ENG. MILLENIA; MX-6; 626</b>		
<b>V-6 2.5 L ENG. MILLENIA; MX-6; 626</b>			Timing Component Kit.....	★TCK214	
Timing Component Kit.....	★TCK214		Cam. Belt.....	T214	
Cam. Belt.....	T214		Cam. Seal.....	②KS11612	
Cam. Seal.....	②KS11612		Crankshaft Seal.....	KS16889	
Crankshaft Seal.....	KS16889		Cam. Idler Pulley - Upper.....	T42010	◇ 157
Cam. Idler Pulley - Upper.....	T42010	◇ 157	Cam. Idler Pulley - Lower.....	T42009	◇ 157
Cam. Idler Pulley - Lower.....	T42009	◇ 157	Cam. Tensioner Pulley.....	★T41034	◇ 157
Cam. Tensioner Pulley.....	★T41034	◇ 157	<b>V-6 3.0 L ENG. 929</b>		
<b>1995</b>			Cam. Belt.....	☆T183	
<b>4-CYL. 1.5 L ENG. PROTEGE</b>			Cam. Seal; Left.....	②KS25518	
Cam. Belt.....	T266		Cam. Seal; Right.....	②KS15300	
<b>4-CYL. 1.6 L ENG. MX-3</b>			Crankshaft Seal.....	KS17122	
Timing Component Kit.....	TCK179		Cam. Idler Pulley - Upper.....	T42013	◇ 192
Cam. Belt.....	T179		Cam. Idler Pulley - Lower.....	T42012	◇ 192
Cam. Seal.....	②KS14032		Cam. Tensioner Pulley.....	★T41036	◇ 192
Crankshaft Seal.....	KS14477		<b>1994</b>		
Cam. Idler Pulley.....	T42005	◇ 142	<b>4-CYL. 1.6 L ENG. MX-3</b>		
Cam. Tensioner Assy.....	T41031	◇ 142	Timing Component Kit.....	TCK179	
<b>4-CYL. 1.8 L ENG. MX-5 MIATA; PROTEGE</b>			Cam. Belt.....	T179	
Timing Component Kit.....	TCK179		Cam. Seal.....	②KS14032	
Cam. Belt.....	T179		Crankshaft Seal.....	KS14477	
Cam. Seal.....	②KS13429		Cam. Idler Pulley.....	T42005	◇ 142
Crankshaft Seal.....	KS14477		Cam. Tensioner Assy.....	T41031	◇ 142
Cam. Idler Pulley.....	T42005	◇ 142	<b>323</b>		
Cam. Tensioner Assy.....	T41031	◇ 142	Timing Component Kit.....	TCK185	
<b>4-CYL. 1.8 L ENG. (CANADA) PROTEGE</b>			Cam. Belt.....	T185	
Timing Component Kit.....	TCK179		Cam. Seal.....	KS11612	
Cam. Belt.....	T179		Crankshaft Seal.....	KS14477	
Cam. Seal.....	②KS13429		Cam. Tensioner Assy.....	T41030	◇ 144
Crankshaft Seal.....	KS14477		<b>4-CYL. 1.8 L ENG. MX-5 MIATA</b>		
Cam. Idler Pulley.....	T42005	◇ 142	Timing Component Kit.....	TCK179	
Cam. Tensioner Assy.....	T41031	◇ 142	Cam. Belt.....	T179	
<b>4-CYL. 2.0 L ENG. MX-6</b>			Cam. Idler Pulley.....	T42005	◇ 142
Timing Component Kit.....	☆TCK228		Cam. Tensioner Assy.....	T41031	◇ 142
Cam. Belt.....	☆T228		<b>PROTEGE</b>		
Cam. Seal.....	②KS13429		Timing Component Kit; W/DOHC Eng.....	TCK179	
Crankshaft Seal.....	KS13429		Timing Component Kit; W/SOHC Eng.....	TCK185	
Cam. Idler Pulley.....	T42008	◇ 161	Cam. Belt; W/DOHC Eng.....	T179	
Cam. Tensioner Assy.....	T41091	◇ 161	Cam. Belt; W/SOHC Eng.....	T185	
<b>626</b>			Cam. Seal; W/SOHC Eng.....	KS11612	
Timing Component Kit.....	☆TCK228		Crankshaft Seal.....	KS14477	
Cam. Belt.....	☆T228		Cam. Idler Pulley; W/DOHC Eng.....	T42005	◇ 142
Cam. Seal.....	②KS13429		Cam. Tensioner Assy.; W/DOHC Eng.....	T41031	◇ 142
Crankshaft Seal.....	KS16889		Cam. Tensioner Assy.; W/SOHC Eng.....	T41030	◇ 144
Cam. Idler Pulley.....	T42008	◇ 161	<b>4-CYL. 2.0 L ENG. MX-6</b>		
<b>Timing Component Kit.....</b>			Timing Component Kit.....	☆TCK228	

☆ Interference engine application. See inside back cover for additional information.  
 ★ Does Not Include Cam. Tensioner Hyd. Assy.

② Two Required.  
 ④ Four Required.

◇ See Diagram Section (Pages 153-167).

# PowerGrip™ Timing System Products for Passenger Cars

Application	Part No.	Diagram No.	Application	Part No.	Diagram No.
<b>MAZDA - Continued</b>			<b>MAZDA - Continued</b>		
<b>1994 - Continued</b>			<b>1993 - Continued</b>		
<b>4-CYL. 2.0 L ENG. - Continued</b>			<b>4-CYL. 1.8 L ENG. - Continued</b>		
<b>MX-6 - Continued</b>			<b>PROTEGE - Continued</b>		
Cam. Belt.....	☆T228		Cam. Seal; W/SOHC Eng.....	KS11612	
Cam. Seal.....	②KS13429		Crankshaft Seal.....	KS14477	
Crankshaft Seal.....	KS13429		Cam. Idler Pulley; W/DOHC Eng.....	T42005	◇ 142
Cam. Idler Pulley.....	T42008	◇ 161	Cam. Tensioner Assy.; W/DOHC Eng.....	T41031	◇ 142
Cam. Tensioner Assy.....	T41091	◇ 161	Cam. Tensioner Assy.; W/SOHC Eng.....	T41030	◇ 144
<b>626</b>			<b>4-CYL. 2.0 L ENG.</b>		
<b>Timing Component Kit.....</b>	☆TCK228		<b>MX-6</b>		
Cam. Belt.....	☆T228		<b>Timing Component Kit.....</b>	☆TCK228	
Cam. Seal.....	②KS13429		Cam. Belt.....	☆T228	
Crankshaft Seal.....	KS16889		Cam. Idler Pulley.....	T42008	◇ 161
Cam. Idler Pulley.....	T42008	◇ 161	Cam. Tensioner Assy.....	T41091	◇ 161
Cam. Tensioner Assy.....	T41091	◇ 161	<b>626</b>		
<b>V-6 1.8 L ENG.</b>			<b>Timing Component Kit.....</b>		
<b>MX-3</b>			☆TCK228		
<b>Timing Component Kit.....</b>	★TCK214		Cam. Belt.....	☆T228	
Cam. Belt.....	T214		Cam. Seal.....	②KS13429	
Cam. Seal.....	②KS11612		Crankshaft Seal.....	KS16889	
Crankshaft Seal.....	KS16889		Cam. Idler Pulley.....	T42008	◇ 161
Cam. Idler Pulley - Upper.....	T42010	◇ 157	Cam. Tensioner Assy.....	T41091	◇ 161
Cam. Idler Pulley - Lower.....	T42009	◇ 157	<b>V-6 1.8 L ENG.</b>		
Cam. Tensioner Pulley.....	★T41034	◇ 157	<b>MX-3</b>		
<b>V-6 2.5 L ENG.</b>			<b>Timing Component Kit.....</b>		
<b>MX-6; 626</b>			★TCK214		
<b>Timing Component Kit.....</b>	★TCK214		Cam. Belt.....	T214	
Cam. Belt.....	T214		Cam. Seal.....	②KS11612	
Cam. Seal.....	②KS11612		Crankshaft Seal.....	KS16889	
Crankshaft Seal.....	KS16889		Cam. Idler Pulley - Upper.....	T42010	◇ 157
Cam. Idler Pulley - Upper.....	T42010	◇ 157	Cam. Idler Pulley - Lower.....	T42009	◇ 157
Cam. Idler Pulley - Lower.....	T42009	◇ 157	Cam. Tensioner Pulley.....	★T41034	◇ 157
Cam. Tensioner Pulley.....	★T41034	◇ 157	<b>V-6 2.5 L ENG.</b>		
<b>V-6 3.0 L ENG.</b>			<b>MX-6; 626</b>		
<b>929</b>			<b>Timing Component Kit.....</b>		
Cam. Belt.....	☆T183		★TCK214		
Cam. Seal; Left.....	②KS25518		Cam. Belt.....	T214	
Cam. Seal; Right.....	②KS15300		Cam. Seal.....	②KS11612	
Crankshaft Seal.....	KS17122		Crankshaft Seal.....	KS16889	
Cam. Idler Pulley - Upper.....	T42013	◇ 192	Cam. Idler Pulley - Upper.....	T42010	◇ 157
Cam. Idler Pulley - Lower.....	T42012	◇ 192	Cam. Idler Pulley - Lower.....	T42009	◇ 157
Cam. Tensioner Pulley.....	★T41036	◇ 192	Cam. Tensioner Pulley.....	★T41034	◇ 157
<b>1993</b>			<b>V-6 3.0 L ENG.</b>		
<b>4-CYL. 1.6 L ENG.</b>			<b>929</b>		
<b>MX-3</b>			Cam. Belt.....		
<b>Timing Component Kit.....</b>	TCK185		☆T183		
Cam. Belt.....	T185		Cam. Seal; Left.....	②KS25518	
Cam. Seal.....	②KS14032		Cam. Seal; Right.....	②KS15300	
Crankshaft Seal.....	KS14477		Crankshaft Seal.....	KS17122	
Cam. Tensioner Assy.....	T41030	◇ 144	Cam. Idler Pulley - Upper.....	T42013	◇ 192
<b>MX-5 MIATA</b>			Cam. Idler Pulley - Lower.....	T42012	◇ 192
<b>Timing Component Kit.....</b>	TCK179		Cam. Tensioner Pulley.....	★T41036	◇ 192
Cam. Belt.....	T179		<b>1992</b>		
Cam. Seal.....	②KS13429		<b>4-CYL. 1.6 L ENG.</b>		
Crankshaft Seal.....	KS14477		<b>MX-3</b>		
Cam. Idler Pulley.....	T42005	◇ 142	<b>Timing Component Kit.....</b>		
Cam. Tensioner Assy.....	T41031	◇ 142	TCK185		
<b>323</b>			Cam. Belt.....		
<b>Timing Component Kit.....</b>	TCK185		T185		
Cam. Belt.....	T185		Cam. Seal.....		
Cam. Seal.....	KS11612		KS14032		
Crankshaft Seal.....	KS14477		Crankshaft Seal.....		
Cam. Idler Pulley.....	T42005	◇ 142	KS14477		
Cam. Tensioner Assy.....	T41031	◇ 142	Cam. Tensioner Assy.....		
<b>4-CYL. 1.8 L ENG.</b>			T41030		
<b>PROTEGE</b>			◇ 144		
<b>Timing Component Kit; W/DOHC Eng.....</b>	TCK179		<b>MX-5 MIATA</b>		
<b>Timing Component Kit; W/SOHC Eng.....</b>	TCK185		<b>Timing Component Kit.....</b>		
Cam. Belt; W/DOHC Eng.....	T179		TCK179		
Cam. Belt; W/SOHC Eng.....	T185		Cam. Belt.....		
<b>1992</b>			T179		
<b>4-CYL. 1.6 L ENG.</b>			Cam. Seal.....		
<b>MX-3</b>			KS13429		
<b>Timing Component Kit.....</b>			Crankshaft Seal.....		
TCK185			KS14477		
Cam. Belt.....			Cam. Idler Pulley.....		
T185			T42005		
Cam. Seal.....			◇ 142		
KS11612			Cam. Tensioner Assy.....		
Crankshaft Seal.....			T41031		
KS14477			◇ 142		
Cam. Idler Pulley.....			<b>323</b>		
T42005			<b>Timing Component Kit.....</b>		
◇ 142			TCK185		
Cam. Tensioner Assy.....			Cam. Belt.....		
T41031			T185		
◇ 142			Cam. Seal.....		
<b>323</b>			KS11612		
<b>Timing Component Kit.....</b>			Crankshaft Seal.....		
TCK185			KS14477		
Cam. Belt.....			Cam. Idler Pulley.....		
T185			T42005		
Cam. Seal.....			◇ 142		
KS11612			Cam. Tensioner Assy.....		
Crankshaft Seal.....			T41031		
KS14477			◇ 142		
Cam. Idler Pulley.....			<b>4-CYL. 1.8 L ENG.</b>		
T42005			<b>PROTEGE</b>		
◇ 142			<b>Timing Component Kit.....</b>		
Cam. Tensioner Assy.....			TCK185		
T41030			Cam. Belt.....		
◇ 144			T185		
<b>4-CYL. 1.8 L ENG.</b>			Cam. Seal.....		
<b>PROTEGE</b>			KS11612		
<b>Timing Component Kit; W/DOHC Eng.....</b>			Crankshaft Seal.....		
TCK179			KS14477		
<b>Timing Component Kit; W/SOHC Eng.....</b>			Cam. Idler Pulley.....		
TCK185			T42005		
Cam. Belt; W/DOHC Eng.....			◇ 142		
T179			Cam. Tensioner Assy.....		
Cam. Belt; W/SOHC Eng.....			T41030		
T185			◇ 144		

☆ Interference engine application. See inside back cover for additional information.

★ Does Not Include Cam. Tensioner Hyd. Assy.

② Two Required.

④ Four Required.

◇ See Diagram Section (Pages 153-167).

# PowerGrip™ Timing System Products for Passenger Cars

Application	Part No.	Diagram No.	Application	Part No.	Diagram No.
<b>MAZDA - Continued</b>			<b>MAZDA - Continued</b>		
<b>1992 - Continued</b>			<b>1991 - Continued</b>		
<b>4-CYL. 1.8 L ENG. PROTEGE</b>			<b>4-CYL. 2.2 L ENG. MX-6; 626</b>		
Timing Component Kit; W/DOHC Eng.....	TCK179		Timing Component Kit.....	☆TCK134	
Timing Component Kit; W/SOHC Eng.....	TCK185		Cam. Belt.....	☆T134	
Cam. Belt; W/DOHC Eng.....	T179		Cam. Idler Pulley.....	T42003	◇ 122
Cam. Belt; W/SOHC Eng.....	T185		Cam. Tensioner Assy.....	T41029	◇ 122
Cam. Seal; W/SOHC Eng.....	KS11612		<b>V-6 3.0 L ENG. 929</b>		
Crankshaft Seal.....	KS14477		Timing Component Kit; W/SOHC Eng.....	☆★TCK146	
Cam. Idler Pulley; W/DOHC Eng.....	T42005	◇ 142	Cam. Belt; W/DOHC Eng.....	☆T183	
Cam. Tensioner Assy.; W/DOHC Eng.....	T41031	◇ 142	Cam. Belt; W/SOHC Eng.....	☆T146	
Cam. Tensioner Assy.; W/SOHC Eng.....	T41030	◇ 144	Cam. Seal; W/SOHC Eng.; Right.....	②KS15300	
<b>4-CYL. 2.2 L ENG. MX-6; 626</b>			Cam. Seal; W/SOHC Eng.; Left.....	②KS25518	
Timing Component Kit.....	☆TCK134		Crankshaft Seal.....	KS17122	
Cam. Belt.....	☆T134		Cam. Idler Pulley - Lower; W/DOHC Eng.; W/O.H.V. Eng.....	T42006	◇ 191
Cam. Idler Pulley.....	T42003	◇ 122	Cam. Idler Pulley - Upper; W/DOHC Eng.; W/O.H.V. Eng.....	T42007	◇ 191
Cam. Tensioner Assy.....	T41029	◇ 122	Cam. Idler Pulley - Upper; W/SOHC Eng.....	T42011	◇ 128
<b>V-6 1.8 L ENG. MX-3</b>			Cam. Idler Pulley - Lower; W/SOHC Eng.....	T42001	◇ 128
Timing Component Kit.....	★TCK214		Cam. Tensioner Assy.; W/DOHC Eng.....	★T41036	◇ 191
Cam. Belt.....	T214		Cam. Tensioner Assy.; W/SOHC Eng.....	★T41033	◇ 128
Cam. Seal.....	②KS11612		<b>1990</b>		
Crankshaft Seal.....	KS16889		<b>4-CYL. 1.6 L ENG. MX-5 MIATA</b>		
Cam. Idler Pulley - Upper.....	T42010	◇ 157	Timing Component Kit.....	TCK179	
Cam. Idler Pulley - Lower.....	T42009	◇ 157	Cam. Belt.....	T179	
Cam. Tensioner Pulley.....	★T41034	◇ 157	Cam. Seal.....	KS13429	
<b>V-6 3.0 L ENG. 929</b>			Crankshaft Seal.....	KS14477	
Cam. Belt.....	☆T183		Cam. Idler Pulley.....	T42005	◇ 142
Cam. Idler Pulley - Upper.....	T42013	◇ 192	Cam. Tensioner Assy.....	T41031	◇ 142
Cam. Idler Pulley - Lower.....	T42012	◇ 192	<b>323</b>		
Cam. Tensioner Pulley.....	★T41036	◇ 192	Timing Component Kit.....	TCK185	
<b>1991</b>			Cam. Belt.....	T185	
<b>4-CYL. 1.6 L ENG. MX-5 MIATA</b>			Cam. Seal.....	②KS11612	
Timing Component Kit.....	TCK179		Crankshaft Seal.....	KS14477	
Cam. Belt.....	T179		Cam. Tensioner Assy.....	T41030	◇ 144
Cam. Seal.....	KS13429		<b>4-CYL. 1.8 L ENG. PROTEGE</b>		
Crankshaft Seal.....	KS14477		Timing Component Kit; W/DOHC Eng.....	TCK179	
Cam. Idler Pulley.....	T42005	◇ 142	Timing Component Kit; W/SOHC Eng.....	TCK185	
Cam. Tensioner Assy.....	T41031	◇ 142	Cam. Belt; W/DOHC Eng.....	T179	
<b>323</b>			Cam. Belt; W/SOHC Eng.....	T185	
Timing Component Kit.....	TCK185		Cam. Seal; W/SOHC Eng.....	KS11612	
Cam. Belt.....	T185		Crankshaft Seal.....	KS14477	
Cam. Seal.....	KS11612		Cam. Idler Pulley.....	T42005	◇ 142
Crankshaft Seal.....	KS14477		Cam. Tensioner Assy.....	T41031	◇ 142
Cam. Tensioner Assy.....	T41030	◇ 144	Cam. Tensioner Assy.; W/SOHC Eng.....	T41030	◇ 144
<b>4-CYL. 1.8 L ENG. PROTEGE</b>			<b>4-CYL. 1.8 L ENG. (CANADA) 323</b>		
Timing Component Kit; W/DOHC Eng.....	TCK179		Timing Component Kit.....	TCK185	
Timing Component Kit; W/SOHC Eng.....	TCK185		Cam. Belt.....	T185	
Cam. Belt; W/DOHC Eng.....	T179		Cam. Seal.....	KS11612	
Cam. Belt; W/SOHC Eng.....	T185		Crankshaft Seal.....	KS14477	
Cam. Seal; W/SOHC Eng.....	KS11612		Cam. Tensioner Assy.....	T41030	◇ 144
Crankshaft Seal.....	KS14477		<b>4-CYL. 2.2 L ENG. MX-6; 626</b>		
Cam. Idler Pulley; W/DOHC Eng.....	T42005	◇ 142	Timing Component Kit.....	☆TCK134	
Cam. Tensioner Assy.; W/DOHC Eng.....	T41031	◇ 142	Cam. Belt.....	☆T134	
Cam. Tensioner Assy.; W/SOHC Eng.....	T41030	◇ 144	Cam. Idler Pulley.....	T42003	◇ 122
<b>4-CYL. 1.8 L ENG. (CANADA) 323</b>			Cam. Tensioner Assy.....	T41029	◇ 122
Timing Component Kit.....	TCK185		<b>V-6 3.0 L ENG. 929</b>		
Cam. Belt.....	T185		Timing Component Kit; W/SOHC Eng.....	☆★TCK146	
Cam. Seal.....	KS11612		Cam. Belt; W/DOHC Eng.....	☆T183	
Crankshaft Seal.....	KS14477		Cam. Belt; W/SOHC Eng.....	☆T146	
Cam. Tensioner Assy.....	T41030	◇ 144	Cam. Idler Pulley - Upper; W/DOHC Eng.; W/O.H.V. Eng.....	T42007	◇ 191

☆ Interference engine application. See inside back cover for additional information.  
 ★ Does Not Include Cam. Tensioner Hyd. Assy.

② Two Required.  
 ④ Four Required.

◇ See Diagram Section (Pages 153-167).



# PowerGrip™ Timing System Products for Passenger Cars

Application	Part No.	Diagram No.	Application	Part No.	Diagram No.
<b>MAZDA - Continued</b>			<b>MAZDA - Continued</b>		
<b>1990 - Continued</b>			<b>1986</b>		
<b>V-6 3.0 L ENG. - Continued</b>			<b>4-CYL. 1.6 L ENG.</b>		
<b>929 - Continued</b>			<b>323</b>		
Cam. Idler Pulley - Lower; W/DOHC Eng.; W/O.H.V. Eng.....	T42006	◇ 191	Cam. Belt.....	T123	
Cam. Idler Pulley - Upper; W/SOHC Eng.....	T42011	◇ 128	<b>4-CYL. 2.0 L ENG.</b>		
Cam. Idler Pulley - Lower; W/SOHC Eng.....	T42001	◇ 128	<b>626</b>		
Cam. Tensioner Assy.; W/DOHC Eng.....	✱T41036	◇ 191	Timing Component Kit.....	TCK117	
Cam. Tensioner Assy.; W/SOHC Eng.....	✱T41033	◇ 128	Cam. Belt.....	T117	
<b>1989</b>			Cam. Seal.....	KS13429	
<b>4-CYL. 1.6 L ENG.</b>			Crankshaft Seal.....	KS13429	
<b>323</b>			Cam. Tensioner Assy.....	T41035	◇ 115
Timing Component Kit; W/SOHC Eng.....	TCK141		<b>1985-1984</b>		
Cam. Belt; W/DOHC Eng.....	T149		IMPORTANT: PLEASE NOTE. To select correct replacement parts, it may be necessary to identify the code character for the engine by looking at the VIN (Vehicle Identification Number) located on the dash panel. For 1981 and newer cars, refer to the 8th digit of VIN for the correct engine code.		
Cam. Belt; W/SOHC Eng.....	T141		<b>4-CYL. 2.0 L ENG.</b>		
Cam. Seal; W/SOHC Eng.....	KS11612		<b>626</b>		
Crankshaft Seal.....	KS14477		Cam. Belt; Coupe; VIN JM1GC221E1617636 & Before; W/Square Tooth Sprockets.....	T088	
Cam. Tensioner Assy.; W/SOHC Eng.....	T41030		Cam. Belt; Coupe; VIN JM1GC221E1617637 & After; W/Round Tooth Sprockets.....	T113	
<b>4-CYL. 2.2 L ENG.</b>			Cam. Belt; Hatchback; VIN JM1GC241E1609644 & Before; W/Square Tooth Sprockets.....	T088	
<b>MX-6; 626</b>			Cam. Belt; Hatchback; VIN JM1GC241E1609645 & After; W/Round Tooth Sprockets.....	T113	
Timing Component Kit.....	☆TCK134		Cam. Belt; Sedan; VIN JM1GC221E1635511 & Before; W/Square Tooth Sprockets.....	T088	
Cam. Belt.....	☆T134		Cam. Belt; Sedan; VIN JM1GC221E1635512 & After; W/Round Tooth Sprockets.....	T113	
Cam. Idler Pulley.....	T42003	◇ 122	<b>4-CYL. 2.0 L DIESEL ENG.</b>		
Cam. Tensioner Assy.....	T41029	◇ 122	<b>626</b>		
<b>V-6 3.0 L ENG.</b>			Cam. Belt.....	☆T103	
<b>929</b>			Cam. To Inj. Pump Belt.....	☆T102	
Timing Component Kit.....	☆✱TCK146		<b>1983</b>		
Cam. Belt.....	☆T146		<b>4-CYL. 2.0 L ENG.</b>		
Cam. Idler Pulley - Upper.....	T42011	◇ 128	<b>626</b>		
Cam. Idler Pulley - Lower.....	T42001	◇ 128	Cam. Belt.....	T088	
Cam. Tensioner Assy.....	✱T41033	◇ 128	<b>MERCURY</b>		
<b>1988</b>			Light truck, van or motorhome information for this manufacturer can be found in the next section of this catalog.		
<b>4-CYL. 1.6 L ENG.</b>			<b>2002-2001</b>		
<b>323</b>			<b>4-CYL. 2.0 L ENG.</b>		
Timing Component Kit; W/SOHC Eng.....	TCK141		<b>COUGAR</b>		
Cam. Belt; W/DOHC Eng.....	T149		Timing Component Kit.....	☆TCK294A	
Cam. Belt; W/SOHC Eng.....	T141		Cam. Belt.....	☆T294	
Cam. Tensioner Assy.; W/SOHC Eng.....	T41030		Cam. Seal.....	ⓉKS16487	
<b>4-CYL. 2.2 L ENG.</b>			Crankshaft Seal.....	KS13907	
<b>MX-6; 626</b>			Cam. Idler Pulley - Upper.....	T42036	◇ 185
Timing Component Kit.....	☆TCK134		Cam. Idler Pulley - Lower.....	T42034	◇ 185
Cam. Belt.....	☆T134		Cam. Tensioner Assy.....	T43003	◇ 185
Cam. Idler Pulley.....	T42003	◇ 122	<b>2000</b>		
Cam. Tensioner Assy.....	T41029	◇ 122	<b>4-CYL. 2.0 L ENG.</b>		
<b>V-6 3.0 L ENG.</b>			<b>COUGAR; MYSTIQUE</b>		
<b>929</b>			Timing Component Kit.....	☆TCK294A	
Timing Component Kit.....	☆✱TCK146		Cam. Belt.....	☆T294	
Cam. Belt.....	☆T146		Cam. Seal.....	ⓉKS16487	
Cam. Idler Pulley - Upper.....	T42011	◇ 128	Crankshaft Seal.....	KS13907	
Cam. Idler Pulley - Lower.....	T42001	◇ 128	Cam. Idler Pulley - Upper.....	T42036	◇ 185
Cam. Tensioner Assy.....	✱T41033	◇ 128	Cam. Idler Pulley - Lower.....	T42034	◇ 185
<b>1987</b>			Cam. Tensioner Assy.....	T43003	◇ 185
<b>4-CYL. 1.6 L ENG.</b>			<b>1999</b>		
<b>323</b>			<b>4-CYL. 2.0 L ENG.</b>		
Timing Component Kit.....	TCK141		<b>COUGAR; MYSTIQUE</b>		
Cam. Belt.....	T141		Timing Component Kit.....	☆TCK294A	
Cam. Tensioner Assy.....	T41030	◇ 144	Cam. Belt.....	☆T294	
<b>4-CYL. 2.0 L ENG.</b>			Cam. Seal.....	ⓉKS16487	
<b>626</b>			Crankshaft Seal.....	KS13907	
Timing Component Kit.....	TCK117		Cam. Idler Pulley - Upper.....	T42036	◇ 185
Cam. Belt.....	T117		Cam. Idler Pulley - Lower.....	T42034	◇ 185
Cam. Seal.....	KS13429		Cam. Tensioner Assy.....	T43003	◇ 185
Crankshaft Seal.....	KS13429		<b>1999</b>		
Cam. Tensioner Assy.....	T41035	◇ 115	<b>4-CYL. 2.0 L ENG.</b>		
			<b>COUGAR; MYSTIQUE</b>		
			Timing Component Kit; Mar. 29, 1999 & Newer.....		
			☆TCK294A		

☆ Interference engine application. See inside back cover for additional information.

✱ Does Not Include Cam. Tensioner Hyd. Assy.

Ⓣ Two Required.

◇ See Diagram Section (Pages 153-167).

④ Four Required.

# PowerGrip™ Timing System Products for Passenger Cars

Application	Part No.	Diagram No.	Application	Part No.	Diagram No.
<b>MERCURY - Continued</b>			<b>MERCURY - Continued</b>		
<b>1999 - Continued</b>			<b>1996-1995 - Continued</b>		
<b>4-CYL. 2.0 L ENG. - Continued</b>			<b>4-CYL. 2.0 L ENG.</b>		
<b>COUGAR; MYSTIQUE - Continued</b>			<b>MYSTIQUE</b>		
<b>Timing Component Kit; Mar. 28, 1999 &amp; Older</b>			<b>Timing Component Kit</b> ..... TCK258		
Older	TCK294		Cam. Belt	T258	
Cam. Belt	☆T294		Cam. Seal	KS16473	
Cam. Seal	②KS16487		Crankshaft Seal	KS13943	
Crankshaft Seal	KS13907		Cam. Idler Pulley - Left Hand	T42032	◇ 175
Cam. Idler Pulley - Upper; Mar. 29, 1999 & Newer	T42036	◇ 185	Cam. Idler Pulley - Right Hand	T42033	◇ 175
Cam. Idler Pulley - Upper; Mar. 28, 1999 & Older	T42035	◇ 184	Cam. Tensioner Assy	T41008	◇ 175
Cam. Idler Pulley - Lower	T42034	◇ 185			
Cam. Tensioner Assy	T43003	◇ 185			
<b>TRACER</b>			<b>1994-1992</b>		
<b>Timing Component Kit</b> ..... ☆TCK283			<b>4-CYL. 1.6 L ENG.</b>		
Cam. Belt	☆T283		<b>CAPRI</b>		
Cam. Seal	KS16473		<b>Timing Component Kit</b> ..... TCK179		
Crankshaft Seal	KS13907		Cam. Belt	T179	
Cam. Tensioner Assy	T43004	◇ 182	Cam. Idler Pulley	T42005	◇ 142
			Cam. Tensioner Assy	T41031	◇ 142
<b>1998</b>			<b>4-CYL. 1.8 L ENG.</b>		
<b>4-CYL. 2.0 L ENG.</b>			<b>TRACER</b>		
<b>MYSTIQUE</b>			<b>Timing Component Kit</b> ..... TCK179		
<b>Timing Component Kit</b> ..... ☆TCK294			Cam. Belt	T179	
Cam. Belt	☆T294		Cam. Seal	②KS13429	
Cam. Seal	②KS16487		Crankshaft Seal	KS14477	
Crankshaft Seal	KS13907		Cam. Idler Pulley	T42005	◇ 142
Cam. Idler Pulley	T42035	◇ 184	Cam. Tensioner Assy	T41031	◇ 142
Cam. Idler Pulley - Lower	T42034	◇ 184			
Cam. Tensioner Assy	T43003	◇ 184	<b>4-CYL. 1.9 L ENG.</b>		
<b>TRACER</b>			<b>TRACER</b>		
<b>Timing Component Kit</b> ..... ☆TCK283			<b>Timing Component Kit</b> ..... ☆TCK194		
Cam. Belt	☆T283		Cam. Belt	☆T194	
Cam. Seal	KS16473		Cam. Seal	KS16473	
Cam. Tensioner Assy	T43004	◇ 182	Crankshaft Seal	KS13943	
			Cam. Tensioner Assy	T41007	◇ 148
<b>1997</b>			<b>1991</b>		
<b>4-CYL. 2.0 L ENG.</b>			<b>4-CYL. 1.6 L ENG.</b>		
<b>MYSTIQUE</b>			<b>CAPRI</b>		
<b>Timing Component Kit</b> ..... TCK258			<b>Timing Component Kit</b> ..... TCK179		
Cam. Belt	T258		Cam. Belt	T179	
Cam. Seal	②KS16473		Cam. Idler Pulley	T42005	◇ 142
Crankshaft Seal	KS13943		Cam. Tensioner Assy	T41031	◇ 142
Cam. Idler Pulley - Left Hand	T42032	◇ 175			
Cam. Idler Pulley - Right Hand	T42033	◇ 175	<b>4-CYL. 1.8 L ENG.</b>		
Cam. Tensioner Assy	T41008	◇ 175	<b>TRACER</b>		
<b>TRACER</b>			<b>Timing Component Kit</b> ..... TCK179		
<b>Timing Component Kit</b> ..... TCK283			Cam. Belt	T179	
Cam. Belt	T283		Cam. Seal	②KS13429	
Cam. Seal	KS16473		Crankshaft Seal	KS14477	
Crankshaft Seal	KS13943		Cam. Idler Pulley	T42005	◇ 142
Cam. Tensioner Assy	T43004	◇ 182	Cam. Tensioner Assy	T41031	◇ 142
<b>1996-1995</b>			<b>4-CYL. 1.9 L ENG.</b>		
<b>4-CYL. 1.8 L ENG.</b>			<b>TRACER</b>		
<b>TRACER</b>			<b>Timing Component Kit; Mar. 26, 1991 &amp; Newer</b> ..... TCK194		
<b>Timing Component Kit</b> ..... TCK179			<b>Timing Component Kit; Mar. 25, 1991 &amp; Older</b> ..... TCK067		
Cam. Belt	T179		Cam. Belt; Mar. 26, 1991 & Newer	T194	
Cam. Seal	②KS13429		Cam. Belt; Mar. 25, 1991 & Older	T067	
Crankshaft Seal	KS14477		Cam. Seal	KS16473	
Cam. Idler Pulley	T42005	◇ 142	Crankshaft Seal	KS13943	
Cam. Tensioner Assy	T41031	◇ 142	Cam. Tensioner Assy.; Mar. 26, 1991 & Newer	T41007	◇ 148
			Cam. Tensioner Assy.; Mar. 25, 1991 & Older	T41006	◇ 105
<b>1996-1995</b>			<b>1990</b>		
<b>4-CYL. 1.8 L ENG.</b>			<b>4-CYL. 1.6 L ENG. (CANADA)</b>		
<b>TRACER</b>			<b>TRACER</b>		
<b>Timing Component Kit</b> ..... TCK179			<b>Timing Component Kit</b> ..... ☆TCK141		
Cam. Belt	T179		Cam. Belt	☆T141	
Cam. Seal	②KS13429		Cam. Seal	KS11612	
Crankshaft Seal	KS14477		Crankshaft Seal	KS11612	
Cam. Idler Pulley	T42005	◇ 142	Cam. Tensioner Assy	T41030	◇ 144
Cam. Tensioner Assy	T41031	◇ 142			
<b>4-CYL. 1.9 L ENG.</b>					
<b>TRACER</b>					
<b>Timing Component Kit</b> ..... ☆TCK194					
Cam. Belt	☆T194				
Cam. Seal	KS16473				
Crankshaft Seal	KS13943				
Cam. Tensioner Assy	T41007	◇ 148			

☆ Interference engine application. See inside back cover for additional information.  
 \* Does Not Include Cam. Tensioner Hyd. Assy.

② Two Required.  
 ④ Four Required.

◇ See Diagram Section (Pages 153-167).

# PowerGrip™ Timing System Products for Passenger Cars

Application	Part No.	Diagram No.	Application	Part No.	Diagram No.
<b>MERCURY - Continued</b>			<b>MERCURY - Continued</b>		
<b>1989-1988</b>			<b>1985 - Continued</b>		
<b>4-CYL. 1.6 L ENG. TRACER</b>			<b>4-CYL. 2.3 L ENG. - Continued CAPRI; COUGAR; MARQUIS - Continued</b>		
Timing Component Kit.....	☆TCK141		Cam. Tensioner Assy.....	T41005	◇ 179
Cam. Belt.....	☆T141		<b>1984</b>		
Cam. Seal.....	KS11612		<b>4-CYL. 1.6 L ENG. LYNX</b>		
Crankshaft Seal.....	KS11612		Timing Component Kit.....	☆TCK067	
Cam. Tensioner Assy.....	T41030	◇ 144	Cam. Belt.....	☆T067	
<b>1987</b>			Cam. Seal.....	KS16473	
<b>4-CYL. 1.6 L ENG. (CANADA) TRACER</b>			Crankshaft Seal.....	KS13943	
Timing Component Kit.....	☆TCK141		Cam. Tensioner Assy.....	T41006	◇ 105
Cam. Belt.....	☆T141		<b>4-CYL. 2.0 L DIESEL ENG. LYNX; TOPAZ</b>		
Cam. Tensioner Assy.....	T41030	◇ 144	Cam. To Inj. Pump Belt.....	☆T102	
<b>4-CYL. 1.9 L ENG. LYNX</b>			Cam. Belt.....	☆T103	
Timing Component Kit.....	TCK067		<b>1986</b>		
Cam. Belt.....	T067		<b>4-CYL. 1.9 L ENG. LYNX</b>		
Cam. Seal.....	KS16473		Timing Component Kit.....	TCK067	
Crankshaft Seal.....	KS13943		Cam. Belt.....	T067	
Cam. Tensioner Assy.....	T41006	◇ 105	Cam. Seal.....	KS16473	
<b>4-CYL. 2.0 L DIESEL ENG. LYNX</b>			Crankshaft Seal.....	KS13943	
Cam. To Inj. Pump Belt.....	☆T102		Cam. Tensioner Assy.....	T41006	◇ 105
Cam. Belt.....	☆T103		<b>4-CYL. 2.0 L DIESEL ENG. LYNX; TOPAZ</b>		
<b>1986</b>			Cam. To Inj. Pump Belt.....	☆T102	
<b>4-CYL. 1.9 L ENG. LYNX</b>			Cam. Belt.....	☆T103	
Timing Component Kit.....	TCK067		<b>4-CYL. 2.3 L ENG. CAPRI; COUGAR; MARQUIS</b>		
Cam. Belt.....	T067		Timing Component Kit.....	TCK014	
Cam. Seal.....	KS16473		Cam. Belt.....	T014	
Crankshaft Seal.....	KS13943		Cam. Seal.....	KS17107	
Cam. Tensioner Assy.....	T41006	◇ 105	Crankshaft Seal.....	KS17107	
<b>4-CYL. 2.0 L DIESEL ENG. LYNX; TOPAZ</b>			Cam. Tensioner Assy.....	T41005	◇ 179
Cam. To Inj. Pump Belt.....	☆T102		<b>1983</b>		
Cam. Belt.....	☆T103		<b>4-CYL. 1.6 L ENG. LN7; LYNX</b>		
<b>4-CYL. 2.3 L ENG. CAPRI; COUGAR; MARQUIS</b>			Timing Component Kit.....	☆TCK067	
Timing Component Kit.....	TCK014		Cam. Belt.....	☆T067	
Cam. Belt.....	T014		Cam. Seal.....	KS16473	
Cam. Seal.....	KS17107		Crankshaft Seal.....	KS13943	
Crankshaft Seal.....	KS17107		Cam. Tensioner Assy.....	T41006	◇ 105
Cam. Tensioner Assy.....	T41005	◇ 179	<b>4-CYL. 2.3 L ENG. CAPRI; MARQUIS; ZEPHYR</b>		
<b>1985</b>			Timing Component Kit.....	TCK014	
<b>4-CYL. 1.6 L ENG. LYNX</b>			Cam. Belt.....	T014	
Timing Component Kit.....	TCK067		Cam. Seal.....	KS17107	
Cam. Belt.....	T067		Crankshaft Seal.....	KS17107	
Cam. Seal.....	KS16473		Cam. Tensioner Assy.....	T41005	◇ 179
Crankshaft Seal.....	KS13943		<b>1982</b>		
Cam. Tensioner Assy.....	T41006	◇ 105	<b>4-CYL. 1.6 L ENG. LN7; LYNX</b>		
<b>4-CYL. 1.9 L ENG. LYNX</b>			Timing Component Kit.....	☆TCK067	
Timing Component Kit.....	TCK067		Cam. Belt.....	☆T067	
Cam. Belt.....	T067		Cam. Seal.....	KS16473	
Cam. Seal.....	KS16473		Crankshaft Seal.....	KS13943	
Crankshaft Seal.....	KS13943		Cam. Tensioner Assy.....	T41006	◇ 105
Cam. Tensioner Assy.....	T41006	◇ 105	<b>4-CYL. 2.3 L ENG. CAPRI; ZEPHYR</b>		
<b>4-CYL. 2.0 L DIESEL ENG. LYNX; TOPAZ</b>			Timing Component Kit.....	TCK014	
Cam. To Inj. Pump Belt.....	☆T102		Cam. Belt.....	T014	
Cam. Belt.....	☆T103		Cam. Seal.....	KS17107	
<b>4-CYL. 2.3 L ENG. CAPRI; COUGAR; MARQUIS</b>			Crankshaft Seal.....	KS17107	
Timing Component Kit.....	TCK014		Cam. Tensioner Assy.....	T41005	◇ 179
Cam. Belt.....	T014		<b>4-CYL. 2.3 L ENG. (CANADA) CAPRI</b>		
Cam. Seal.....	KS17107		Timing Component Kit.....	TCK014	
Crankshaft Seal.....	KS17107		Cam. Belt.....	T014	
Cam. Tensioner Assy.....	T41005	◇ 179	Cam. Seal.....	KS17107	
<b>1985</b>			Crankshaft Seal.....	KS17107	
<b>4-CYL. 1.6 L ENG. LYNX</b>			Cam. Tensioner Assy.....	T41005	◇ 179
Timing Component Kit.....	TCK067		<b>4-CYL. 2.3 L LPG ENG. COUGAR</b>		
Cam. Belt.....	T067		Timing Component Kit.....	TCK014	
Cam. Seal.....	KS16473		Cam. Seal.....	KS17107	
Crankshaft Seal.....	KS13943		Crankshaft Seal.....	KS17107	
Cam. Tensioner Assy.....	T41006	◇ 105	Cam. Tensioner Assy.....	T41005	◇ 179
<b>4-CYL. 1.9 L ENG. LYNX</b>			<b>4-CYL. 2.3 L ENG. (CANADA) CAPRI</b>		
Timing Component Kit.....	TCK067		Timing Component Kit.....	TCK014	
Cam. Belt.....	T067		Cam. Belt.....	T014	
Cam. Tensioner Assy.....	T41006	◇ 105	Cam. Seal.....	KS17107	
<b>4-CYL. 2.0 L DIESEL ENG. LYNX; TOPAZ</b>			Crankshaft Seal.....	KS17107	
Cam. To Inj. Pump Belt.....	☆T102		Cam. Tensioner Assy.....	T41005	◇ 179
Cam. Belt.....	☆T103		<b>4-CYL. 2.3 L LPG ENG. COUGAR</b>		
<b>4-CYL. 2.3 L ENG. CAPRI; COUGAR; MARQUIS</b>			Timing Component Kit.....	TCK014	
Timing Component Kit.....	TCK014		Cam. Seal.....	KS17107	
Cam. Belt.....	T014		Crankshaft Seal.....	KS17107	
Cam. Seal.....	KS17107		Cam. Tensioner Assy.....	T41005	◇ 179
Crankshaft Seal.....	KS17107		<b>1982</b>		
Cam. Tensioner Assy.....	KS17107		<b>4-CYL. 1.6 L ENG. LN7; LYNX</b>		

☆ Interference engine application. See inside back cover for additional information.

\* Does Not Include Cam. Tensioner Hyd. Assy.

② Two Required.

④ Four Required.

◇ See Diagram Section (Pages 153-167).

# PowerGrip™ Timing System Products for Passenger Cars

Application	Part No.	Diagram No.	Application	Part No.	Diagram No.
<b>MERCURY - Continued</b>			<b>MERKUR</b>		
<b>1981</b>			<b>1989-1985</b>		
<b>4-CYL. 1.6 L ENG. LYNX</b>			<b>4-CYL. 2.3 L ENG. XR4TI</b>		
Timing Component Kit.....	☆TCK067		Timing Component Kit.....	TCK014	
Cam. Belt.....	☆T067		Cam. Belt.....	T014	
Cam. Seal.....	KS16473		Cam. Seal.....	KS17107	
Crankshaft Seal.....	KS13943		Crankshaft Seal.....	KS17107	
Cam. Tensioner Assy.....	T41006	◇ 105	Cam. Tensioner Assy.....	T41005	◇ 179
<b>4-CYL. 2.3 L ENG. CAPRI; COUGAR; ZEPHYR</b>			<b>2003</b>		
Timing Component Kit.....	TCK014		<b>4-CYL. 2.4 L ENG. ECLIPSE</b>		
Cam. Belt.....	T014		Balance Shaft Belt .....	T168	
Cam. Seal.....	KS17107		Cam. Belt.....	☆T232	
Crankshaft Seal.....	KS17107		<b>2002</b>		
Cam. Tensioner Assy.....	T41005	◇ 179	<b>4-CYL. 1.5 L ENG. MIRAGE</b>		
<b>1980</b>			Cam. Belt.....	☆T289	
<b>4-CYL. 2.3 L ENG. BOBCAT; CAPRI; ZEPHYR</b>			<b>4-CYL. 1.8 L ENG. MIRAGE</b>		
Timing Component Kit.....	TCK014		Cam. Belt.....	☆T288	
Cam. Belt.....	T014		<b>4-CYL. 2.0 L ENG. LANCER</b>		
Cam. Seal.....	KS17107		Cam. Belt.....	T201	
Crankshaft Seal.....	KS17107		<b>4-CYL. 2.4 L ENG. ECLIPSE; GALANT</b>		
Cam. Tensioner Assy.....	T41005	◇ 179	Balance Shaft Belt .....	T168	
<b>1979-1978</b>			Cam. Belt.....	☆T232	
<b>4-CYL. 140 C.I.D. ENG. BOBCAT; CAPRI; ZEPHYR</b>			<b>V-6 3.0 L ENG. ECLIPSE; GALANT</b>		
Timing Component Kit.....	TCK014		Timing Component Kit.....	☆*TCK259	◇ 206
Cam. Belt.....	T014		Cam. Belt.....	☆T259	
Cam. Seal.....	KS17107		Cam. Idler Pulley.....	T42018	◇ 206
Crankshaft Seal.....	KS17107		Cam. Tensioner Assy.....	*T41039	◇ 206
Cam. Tensioner Assy.....	T41005	◇ 179	<b>V-6 3.5 L ENG. DIAMANTE</b>		
<b>1977-1976</b>			Cam. Belt.....	☆T287	
<b>4-CYL. 140 C.I.D. ENG. BOBCAT; CAPRI</b>			<b>2001-2000</b>		
Timing Component Kit.....	TCK014		<b>4-CYL. 1.5 L ENG. MIRAGE</b>		
Cam. Belt.....	T014		Cam. Belt.....	☆T289	
Cam. Seal.....	KS17107		<b>4-CYL. 1.8 L ENG. MIRAGE</b>		
Crankshaft Seal.....	KS17107		Cam. Belt.....	☆T288	
Cam. Tensioner Assy.....	T41005	◇ 179	<b>4-CYL. 2.4 L ENG. ECLIPSE; GALANT</b>		
<b>1975</b>			Balance Shaft Belt .....	T168	
<b>4-CYL. 140 C.I.D. ENG. BOBCAT</b>			Cam. Belt.....	☆T232	
Timing Component Kit.....	TCK014		<b>V-6 3.0 L ENG. ECLIPSE</b>		
Cam. Belt.....	T014		Timing Component Kit.....	☆*TCK259	◇ 206
Cam. Seal.....	KS17107		Cam. Belt.....	☆T259	
Crankshaft Seal.....	KS17107		Cam. Seal.....	ⓉKS13943	
Cam. Tensioner Assy.....	T41005	◇ 179	Crankshaft Seal.....	KS14671	
<b>1974-1973</b>			Cam. Idler Pulley.....	T42018	◇ 206
<b>4-CYL. 122 C.I.D. ENG. CAPRI</b>			Cam. Tensioner Assy.....	*T41039	◇ 206
Cam. Belt.....	T013		<b>GALANT</b>		
<b>1972</b>			Timing Component Kit.....	☆*TCK259	◇ 206
<b>4-CYL. 98 C.I.D. ENG. CAPRI</b>			Cam. Belt.....	☆T259	
Cam. Belt.....	T013		Cam. Seal.....	ⓉKS13907	
<b>4-CYL. 122 C.I.D. ENG. CAPRI</b>			Crankshaft Seal.....	KS17629	
Cam. Belt.....	T013		Cam. Idler Pulley.....	T42018	◇ 206
<b>1971</b>			Cam. Tensioner Assy.....	*T41039	◇ 206
<b>4-CYL. 122 C.I.D. ENG. CAPRI</b>			<b>4-CYL. 1.5 L ENG. MIRAGE</b>		
Cam. Belt.....	T013		Cam. Belt.....	☆T289	

☆ Interference engine application. See inside back cover for additional information.

\* Does Not Include Cam. Tensioner Hyd. Assy.

Ⓣ Two Required.

④ Four Required.

◇ See Diagram Section (Pages 153-167).

# PowerGrip™ Timing System Products for Passenger Cars

Application	Part No.	Diagram No.	Application	Part No.	Diagram No.
<b>MITSUBISHI - Continued</b>			<b>MITSUBISHI - Continued</b>		
<b>2001-2000 - Continued</b>			<b>1998-1997 - Continued</b>		
<b>V-6 3.5 L ENG. DIAMANTE</b>			<b>V-6 3.0 L ENG. - Continued</b>		
Cam. Belt.....	☆T287		<b>3000GT - Continued</b>		
<b>1999</b>			<b>Timing Component Kit; W/SOHC Eng. ....</b>	<b>TCK139</b>	
<b>4-CYL. 1.5 L ENG. MIRAGE</b>			Cam. Belt; W/DOHC Eng.....	☆T195	
Cam. Belt.....	☆T289		Cam. Belt; W/SOHC Eng.....	T139	
<b>4-CYL. 1.8 L ENG. MIRAGE</b>			Cam. Seal; W/DOHC Eng.....	④KS11608	
Cam. Belt.....	☆T288		Crankshaft Seal; W/DOHC Eng.....	KS14671	
<b>4-CYL. 2.0 L ENG. ECLIPSE</b>			Cam. Idler Pulley; W/DOHC Eng.....	T42018	◇ 150
<b>Timing Component Kit; W/O Turbo.....</b>	☆★TCK246	◇ 169	Cam. Tensioner Assy.; W/DOHC Eng.....	★T41039	◇ 150
Balance Shaft Belt; W/Turbo.....	☆T168		Cam. Tensioner Assy.; W/SOHC Eng.....	T41048	◇ 123
Cam. Belt; W/O Turbo.....	☆T246		<b>V-6 3.5 L ENG. DIAMANTE</b>		
Cam. Belt; W/Turbo.....	☆T167		Cam. Belt.....	☆T287	
Cam. Idler Pulley; W/DOHC Eng.....	★T41002	◇ 169	<b>1996</b>		
Cam. Tensioner Assy.; W/DOHC Eng.....	★T41002	◇ 169	<b>4-CYL. 1.5 L ENG. MIRAGE</b>		
<b>4-CYL. 2.4 L ENG. GALANT</b>			<b>Timing Component Kit.....</b>	☆TCK191	
Balance Shaft Belt.....	T168		Cam. Belt.....	☆T191	
Cam. Belt.....	☆T232		Cam. Tensioner Assy.....	T41051	◇ 146
<b>V-6 3.0 L ENG. GALANT</b>			<b>4-CYL. 1.8 L ENG. MIRAGE</b>		
<b>Timing Component Kit.....</b>	☆★TCK259	◇ 206	<b>Timing Component Kit.....</b>	TCK201	
Cam. Belt.....	☆T259		Cam. Belt.....	T201	
Cam. Seal.....	②KS13907		Cam. Seal.....	KS13907	
Crankshaft Seal.....	KS17629		Crankshaft Seal.....	KS14671	
Cam. Idler Pulley.....	T42018	◇ 206	Cam. Tensioner Assy.....	T41052	◇ 153
Cam. Tensioner Assy.....	★T41039	◇ 206	<b>4-CYL. 2.0 L ENG. ECLIPSE</b>		
<b>3000GT</b>			<b>Timing Component Kit; W/O Turbo.....</b>	☆★TCK246	◇ 169
<b>Timing Component Kit; W/DOHC Eng. ....</b>	☆★TCK195		Balance Shaft Belt; W/Turbo.....	☆T168	
<b>Timing Component Kit; W/SOHC Eng. ....</b>	TCK139		Cam. Belt; W/Turbo.....	☆T167	
Cam. Belt; W/DOHC Eng.....	☆T195		Cam. Belt; W/O Turbo.....	☆T246	
Cam. Belt; W/SOHC Eng.....	T139		Cam. Idler Pulley; W/DOHC Eng.....	★T41002	◇ 169
Cam. Seal; W/DOHC Eng.....	④KS11608		Cam. Tensioner Assy.; W/DOHC Eng.....	★T41002	◇ 169
Crankshaft Seal; W/DOHC Eng.....	KS14671		<b>4-CYL. 2.4 L ENG. ECLIPSE; GALANT</b>		
Balance Shaft Tensioner Assy.....	T41053	◇ 131	Balance Shaft Belt.....	T168	
Cam. Idler Pulley; W/DOHC Eng.....	T42018	◇ 150	Cam. Belt.....	☆T230	
Cam. Tensioner Assy.....	T41043	◇ 131	<b>V-6 3.0 L ENG. DIAMANTE</b>		
Cam. Tensioner Assy.; W/DOHC Eng.....	★T41039	◇ 150	<b>Timing Component Kit; W/DOHC Eng. ....</b>	☆★TCK195	
<b>V-6 3.5 L ENG. DIAMANTE</b>			<b>Timing Component Kit; W/SOHC Eng. ....</b>	TCK139	
Cam. Belt.....	☆T287		Cam. Belt; W/DOHC Eng.....	☆T195	
<b>1998-1997</b>			Cam. Belt; W/SOHC Eng.....	T139	
<b>4-CYL. 1.5 L ENG. MIRAGE</b>			Cam. Seal; W/DOHC Eng.....	④KS11608	
Cam. Belt.....	☆T289		Cam. Seal; W/SOHC Eng.....	②KS13907	
<b>4-CYL. 1.8 L ENG. MIRAGE</b>			Crankshaft Seal; W/DOHC Eng.....	KS14671	
Cam. Belt.....	☆T288		Crankshaft Seal; W/SOHC Eng.....	KS14671	
<b>4-CYL. 2.0 L ENG. ECLIPSE</b>			Cam. Idler Pulley; W/DOHC Eng.....	T42018	◇ 150
<b>Timing Component Kit; W/O Turbo.....</b>	☆★TCK246	◇ 169	Cam. Tensioner Assy.; W/DOHC Eng.....	★T41039	◇ 150
Balance Shaft Belt; W/Turbo.....	☆T168		Cam. Tensioner Assy.; W/SOHC Eng.....	T41048	◇ 123
Cam. Belt; W/Turbo.....	☆T167		<b>3000GT</b>		
Cam. Belt; W/O Turbo.....	☆T246		<b>Timing Component Kit.....</b>	☆★TCK195	
Cam. Idler Pulley; W/DOHC Eng.....	★T41002	◇ 169	Cam. Belt.....	☆T195	
Cam. Tensioner Assy.; W/DOHC Eng.....	★T41002	◇ 169	Cam. Seal.....	④KS11608	
<b>4-CYL. 2.4 L ENG. ECLIPSE; GALANT</b>			Crankshaft Seal.....	KS14671	
Balance Shaft Belt.....	T168		Cam. Idler Pulley; W/DOHC Eng.....	T42018	◇ 150
Cam. Belt.....	☆T230		Cam. Tensioner Assy.; W/DOHC Eng.....	★T41039	◇ 150
<b>V-6 3.0 L ENG. 3000GT</b>			<b>1995</b>		
<b>Timing Component Kit; W/DOHC Eng. ....</b>	☆★TCK195		<b>4-CYL. 1.5 L ENG. MIRAGE</b>		
<b>Timing Component Kit; W/DOHC Eng. ....</b>			<b>Timing Component Kit.....</b>	☆TCK191	
<b>Timing Component Kit; W/DOHC Eng. ....</b>			Cam. Belt.....	☆T191	
<b>Timing Component Kit; W/DOHC Eng. ....</b>			Cam. Tensioner Assy.....	T41051	◇ 146
<b>Timing Component Kit; W/DOHC Eng. ....</b>			<b>4-CYL. 1.8 L ENG. MIRAGE</b>		
<b>Timing Component Kit; W/DOHC Eng. ....</b>			<b>Timing Component Kit.....</b>	TCK201	

☆ Interference engine application. See inside back cover for additional information.

★ Does Not Include Cam. Tensioner Hyd. Assy.

② Two Required.

④ Four Required.

◇ See Diagram Section (Pages 153-167).

# PowerGrip™ Timing System Products for Passenger Cars

Application	Part No.	Diagram No.	Application	Part No.	Diagram No.
<b>MITSUBISHI - Continued</b>			<b>MITSUBISHI - Continued</b>		
<b>1995 - Continued</b>			<b>1994 - Continued</b>		
<b>4-CYL. 1.8 L ENG. - Continued</b>			<b>4-CYL. 2.4 L ENG.</b>		
<b>MIRAGE - Continued</b>			<b>EXPO</b>		
Cam. Belt.....	T201		Balance Shaft Belt .....	T168	
Cam. Seal.....	KS13907		Cam. Belt.....	☆T230	
Crankshaft Seal.....	KS14671		<b>GALANT</b>		
Cam. Tensioner Assy.....	T41052	◇ 153	<b>Timing Component Kit; W/DOHC Eng.; May 31 &amp; Older.....</b>		
<b>4-CYL. 2.0 L ENG.</b>				☆**TCK256	◇ 173
<b>ECLIPSE</b>			Balance Shaft Belt .....	☆T168	
<b>Timing Component Kit; W/O Turbo.....</b>	☆**TCK246	◇ 169	Cam. Belt; W/DOHC Eng.; Jun. 1 & Newer .....	☆T230	
Balance Shaft Belt; W/Turbo .....	T168		Cam. Belt; W/DOHC Eng.; May 31 & Older.....	☆T256	
Cam. Belt; W/Turbo.....	☆T167		Cam. Belt; W/SOHC Eng.....	T230	
Cam. Belt; W/O Turbo .....	☆T246		Cam. Seal; W/DOHC Eng.....	②KS13943	
Cam. Idler Pulley; W/DOHC Eng.....	T41002	◇ 169	Crankshaft Seal; W/DOHC Eng.....	KS17154	
Cam. Tensioner Assy.; W/DOHC Eng.....	**T41002	◇ 169	Balance Shaft Tensioner Assy.; W/DOHC Eng. ....	T41038	◇ 173
<b>4-CYL. 2.4 L ENG.</b>			Cam. Idler Pulley; W/DOHC Eng.....	T42017	◇ 173
<b>EXPO; GALANT</b>			Cam. Tensioner Assy.; W/DOHC Eng.....	**T41054	◇ 173
Balance Shaft Belt .....	T168		<b>V-6 3.0 L ENG.</b>		
Cam. Belt.....	☆T230		<b>DIAMANTE</b>		
<b>V-6 3.0 L ENG.</b>			<b>Timing Component Kit; W/DOHC Eng. ....</b>	☆**TCK195	
<b>DIAMANTE</b>			<b>Timing Component Kit; W/SOHC Eng. ....</b>	TCK139	
<b>Timing Component Kit; W/DOHC Eng. ....</b>	☆**TCK195		Cam. Belt; W/DOHC Eng.....	☆T195	
<b>Timing Component Kit; W/SOHC Eng. ....</b>	TCK139		Cam. Belt; W/SOHC Eng.....	T139	
Cam. Belt; W/DOHC Eng.....	☆T195		Cam. Seal; W/DOHC Eng.....	④KS11608	
Cam. Belt; W/SOHC Eng.....	T139		Cam. Seal; W/SOHC Eng.....	②KS13907	
Cam. Seal; W/DOHC Eng.....	④KS11608		Crankshaft Seal; W/DOHC Eng.....	KS14671	
Cam. Seal; W/SOHC Eng.....	②KS13907		Crankshaft Seal; W/SOHC Eng.....	KS14671	
Crankshaft Seal; W/DOHC Eng.....	KS14671		Cam. Idler Pulley; W/DOHC Eng.....	T42018	◇ 150
Crankshaft Seal; W/SOHC Eng.....	KS14671		Cam. Tensioner Assy.; W/DOHC Eng.....	**T41039	◇ 150
Cam. Idler Pulley; W/DOHC Eng.....	T42018	◇ 150	Cam. Tensioner Assy.; W/SOHC Eng.....	T41048	◇ 123
Cam. Tensioner Assy.; W/DOHC Eng.....	**T41039	◇ 150	<b>3000GT</b>		
Cam. Tensioner Assy.; W/SOHC Eng.....	T41048	◇ 123	<b>Timing Component Kit.....</b>	☆**TCK195	
<b>3000GT</b>			Cam. Belt.....	☆T195	
<b>Timing Component Kit.....</b>	☆**TCK195		Cam. Seal.....	④KS11608	
Cam. Belt.....	☆T195		Crankshaft Seal.....	KS14671	
Cam. Seal.....	④KS11608		Cam. Idler Pulley; W/DOHC Eng.....	T42018	◇ 150
Crankshaft Seal.....	KS14671		Cam. Tensioner Assy.; W/DOHC Eng.....	**T41039	◇ 150
Cam. Idler Pulley; W/DOHC Eng.....	T42018	◇ 150	<b>1993</b>		
Cam. Tensioner Assy.; W/SOHC Eng.....	T41048	◇ 123	<b>4-CYL. 1.5 L ENG.</b>		
<b>1994</b>			<b>MIRAGE</b>		
<b>4-CYL. 1.5 L ENG.</b>			<b>Timing Component Kit.....</b>	☆TCK191	
<b>MIRAGE</b>			Cam. Belt.....	☆T191	
<b>Timing Component Kit.....</b>	☆TCK191		Cam. Seal.....	KS13943	
Cam. Belt.....	☆T191		Crankshaft Seal.....	KS11671	
Cam. Tensioner Assy.....	T41051	◇ 146	Cam. Tensioner Assy.....	T41042	◇ 118
<b>4-CYL. 1.8 L ENG.</b>			<b>PRECIS</b>		
<b>ECLIPSE</b>			<b>Timing Component Kit.....</b>	☆TCK128	
<b>Timing Component Kit.....</b>	TCK158		Cam. Belt.....	☆T128	
Balance Shaft Belt .....	T159		Cam. Seal.....	KS13943	
Cam. Belt.....	T158		Crankshaft Seal.....	KS11671	
Balance Shaft Tensioner Assy.....	T41057	◇ 133	Cam. Tensioner Assy.....	T41042	◇ 118
Cam. Tensioner Assy.....	T41056	◇ 133	<b>4-CYL. 1.8 L ENG.</b>		
<b>EXPO; MIRAGE</b>			<b>ECLIPSE</b>		
<b>Timing Component Kit.....</b>	TCK201		<b>Timing Component Kit.....</b>	TCK158	
Cam. Belt.....	T201		Balance Shaft Belt .....	T159	
Cam. Seal.....	KS13907		Cam. Belt.....	T158	
Crankshaft Seal.....	KS14671		Cam. Seal.....	KS13943	
Cam. Tensioner Assy.....	T41052	◇ 153	Crankshaft Seal.....	KS17729	
<b>4-CYL. 2.0 L ENG.</b>			Balance Shaft Tensioner Assy.....	T41057	◇ 133
<b>ECLIPSE</b>			Cam. Tensioner Assy.....	T41056	◇ 133
<b>Timing Component Kit; W/O Turbo.....</b>	☆**TCK167		<b>EXPO; MIRAGE</b>		
Balance Shaft Belt .....	☆T168		<b>Timing Component Kit.....</b>	TCK201	
Cam. Belt.....	☆T167		Cam. Belt.....	T201	
Cam. Seal.....	②KS13943		Cam. Seal.....	KS13907	
Crankshaft Seal.....	KS17154		Crankshaft Seal.....	KS14671	
Balance Shaft Tensioner Assy.; W/O Turbo .....	T41047	◇ 139	Cam. Tensioner Assy.....	T41052	◇ 153
Cam. Idler Pulley; W/O Turbo .....	T42017	◇ 139	<b>4-CYL. 2.0 L ENG.</b>		
Cam. Tensioner Assy.; W/O Turbo .....	**T41046	◇ 139	<b>ECLIPSE</b>		
<b>1994</b>			<b>Timing Component Kit; W/O Turbo.....</b>		
<b>4-CYL. 1.5 L ENG.</b>				☆**TCK167	
<b>MIRAGE</b>			<b>4-CYL. 2.0 L ENG.</b>		
<b>Timing Component Kit.....</b>			<b>ECLIPSE</b>		
Cam. Belt.....			<b>Timing Component Kit; W/O Turbo.....</b>		
Cam. Seal.....			☆**TCK167		
Crankshaft Seal.....					
Cam. Tensioner Assy.....					

☆ Interference engine application. See inside back cover for additional information.  
 \* Does Not Include Cam. Tensioner Hyd. Assy.

② Two Required.  
 ④ Four Required.

◇ See Diagram Section (Pages 153-167).

# PowerGrip™ Timing System Products for Passenger Cars

Application	Part No.	Diagram No.	Application	Part No.	Diagram No.
<b>MITSUBISHI - Continued</b>			<b>MITSUBISHI - Continued</b>		
<b>1993 - Continued</b>			<b>1992 - Continued</b>		
<b>4-CYL. 2.0 L ENG. - Continued</b>			<b>4-CYL. 1.8 L ENG. - Continued</b>		
<b>ECLIPSE - Continued</b>			<b>EXPO - Continued</b>		
Balance Shaft Belt .....	☆T168		Cam. Seal.....	KS13907	
Cam. Belt.....	☆T167		Crankshaft Seal.....	KS14671	
Cam. Seal.....	②KS13943		Cam. Tensioner Assy.....	T41052	◇ 153
Crankshaft Seal.....	KS17154		<b>4-CYL. 2.0 L ENG.</b>		
Balance Shaft Tensioner Assy.; W/O Turbo .....	T41047	◇ 139	<b>ECLIPSE</b>		
Cam. Idler Pulley; W/O Turbo .....	T42017	◇ 139	<b>Timing Component Kit; W/O Turbo.....</b>		
Cam. Tensioner Assy.; W/O Turbo .....	✱T41046	◇ 139	Balance Shaft Belt .....	☆T168	
<b>GALANT</b>			Cam. Belt.....	☆T167	
<b>Timing Component Kit.....</b>			Cam. Seal.....	②KS13943	
Balance Shaft Belt .....	☆T168		Crankshaft Seal.....	KS17154	
Cam. Belt.....	☆T232		Balance Shaft Tensioner Assy.; W/O Turbo .....	T41047	◇ 139
Balance Shaft Tensioner Assy.....	T41047	◇ 162	Cam. Idler Pulley; W/O Turbo .....	T42017	◇ 139
Cam. Tensioner Assy.....	✱T41054	◇ 162	Cam. Tensioner Assy.; W/O Turbo .....	✱T41046	◇ 139
<b>4-CYL. 2.4 L ENG.</b>			<b>GALANT</b>		
<b>EXPO</b>			<b>Timing Component Kit; W/DOHC Eng. ....</b>		
Balance Shaft Belt .....	T168		Balance Shaft Belt; W/DOHC Eng. ....	☆T168	
Cam. Belt.....	☆T230		Cam. Belt; W/DOHC Eng.....	☆T167	
<b>V-6 3.0 L ENG.</b>			Cam. Belt; W/SOHC Eng.....	T155	
<b>DIAMANTE</b>			Balance Shaft Belt; W/SOHC Eng.....	T159	
<b>Timing Component Kit; W/DOHC Eng. ....</b>			Cam. Seal; W/DOHC Eng.....	②KS13943	
Balance Shaft Belt; W/SOHC Eng. ....	TCK139		Cam. Seal; W/SOHC Eng.....	KS13943	
Cam. Belt; W/DOHC Eng.....	☆T195		Crankshaft Seal; W/DOHC Eng.....	KS17154	
Cam. Belt; W/SOHC Eng.....	T139		Crankshaft Seal; W/SOHC Eng.....	KS17154	
Cam. Seal; W/DOHC Eng.....	④KS11608		Balance Shaft Tensioner Assy.; W/DOHC Eng. ....	T41047	◇ 139
Cam. Seal; W/SOHC Eng.....	②KS13907		Balance Shaft Tensioner Assy.; W/SOHC Eng.....	T41053	◇ 131
Crankshaft Seal; W/DOHC Eng.....	KS14671		Cam. Idler Pulley; W/DOHC Eng.....	T42017	◇ 139
Crankshaft Seal; W/SOHC Eng.....	KS14671		Cam. Tensioner Assy.; W/DOHC Eng.....	✱T41046	◇ 139
Cam. Idler Pulley; W/DOHC Eng.....	T42018	◇ 150	Cam. Tensioner Assy.; W/SOHC Eng.....	T41043	◇ 131
Cam. Tensioner Assy.; W/DOHC Eng.....	✱T41039	◇ 150	<b>4-CYL. 2.4 L ENG.</b>		
Cam. Tensioner Assy.; W/SOHC Eng.....	T41048	◇ 123	<b>EXPO</b>		
<b>3000GT</b>			Balance Shaft Belt .....	T159	
<b>Timing Component Kit.....</b>			Cam. Belt.....	T204	
Cam. Belt.....	☆T195		<b>V-6 3.0 L ENG.</b>		
Cam. Seal.....	④KS11608		<b>DIAMANTE</b>		
Crankshaft Seal.....	KS14671		<b>Timing Component Kit; W/DOHC Eng. ....</b>		
Cam. Idler Pulley; W/DOHC Eng.....	T42018	◇ 150	<b>Timing Component Kit; W/SOHC Eng. ....</b>		
Cam. Tensioner Assy.; W/DOHC Eng.....	✱T41039	◇ 150	Cam. Belt; W/DOHC Eng.....	☆T195	
Cam. Tensioner Assy.; W/SOHC Eng.....	T41048	◇ 123	Cam. Belt; W/SOHC Eng.....	T139	
<b>1992</b>			Cam. Seal; W/DOHC Eng.....	④KS11608	
<b>4-CYL. 1.5 L ENG.</b>			Cam. Seal; W/SOHC Eng.....	②KS13907	
<b>MIRAGE</b>			Crankshaft Seal; W/DOHC Eng.....	KS14671	
<b>Timing Component Kit.....</b>			Crankshaft Seal; W/SOHC Eng.....	KS14671	
Cam. Belt.....	☆T191		Cam. Idler Pulley; W/DOHC Eng.....	T42018	◇ 150
Cam. Seal.....	KS13943		Cam. Tensioner Assy.; W/DOHC Eng.....	✱T41039	◇ 150
Crankshaft Seal.....	KS11671		Cam. Tensioner Assy.; W/SOHC Eng.....	T41048	◇ 123
Cam. Tensioner Assy.....	T41042	◇ 118	<b>3000GT</b>		
<b>PRECIS</b>			<b>Timing Component Kit.....</b>		
<b>Timing Component Kit.....</b>			Cam. Belt.....	☆T195	
Cam. Belt.....	☆T128		Cam. Seal.....	④KS11608	
Cam. Seal.....	KS13943		Crankshaft Seal.....	KS14671	
Crankshaft Seal.....	KS11671		Cam. Idler Pulley; W/DOHC Eng.....	T42018	◇ 150
Cam. Tensioner Assy.....	T41042	◇ 118	Cam. Tensioner Assy.; W/DOHC Eng.....	✱T41039	◇ 150
<b>4-CYL. 1.6 L ENG.</b>			<b>4-CYL. 1.5 L ENG.</b>		
<b>MIRAGE</b>			<b>MIRAGE</b>		
Cam. Belt.....	☆T165		<b>Timing Component Kit.....</b>		
<b>4-CYL. 1.8 L ENG.</b>			Cam. Belt.....	☆T191	
<b>ECLIPSE</b>			Cam. Seal.....	KS13943	
<b>Timing Component Kit.....</b>			Crankshaft Seal.....	KS11671	
Balance Shaft Belt .....	TCK158		Cam. Tensioner Assy.....	T41051	◇ 146
Balance Shaft Belt .....	T159		<b>PRECIS</b>		
Cam. Belt.....	T158		<b>Timing Component Kit.....</b>		
Cam. Seal.....	KS13943		Cam. Belt.....	☆T128	
Crankshaft Seal.....	KS17729		Cam. Seal.....	KS13943	
Balance Shaft Tensioner Assy.....	T41057	◇ 133	Crankshaft Seal.....	KS11671	
Cam. Tensioner Assy.....	T41056	◇ 133	<b>1991</b>		
<b>EXPO</b>			<b>4-CYL. 1.5 L ENG.</b>		
<b>Timing Component Kit.....</b>			<b>MIRAGE</b>		
Cam. Belt.....	T201		<b>Timing Component Kit.....</b>		

☆ Interference engine application. See inside back cover for additional information.

② Two Required.

◇ See Diagram Section (Pages 153-167).

✱ Does Not Include Cam. Tensioner Hyd. Assy.

④ Four Required.

# PowerGrip™ Timing System Products for Passenger Cars

Application	Part No.	Diagram No.	Application	Part No.	Diagram No.
<b>MITSUBISHI - Continued</b>			<b>MITSUBISHI - Continued</b>		
<b>1991 - Continued</b>			<b>1990 - Continued</b>		
<b>4-CYL. 1.5 L ENG. - Continued</b>			<b>4-CYL. 2.0 L ENG.</b>		
<b>PRECIS - Continued</b>			<b>ECLIPSE</b>		
Cam. Tensioner Assy.....	T41042	◇ 118	Timing Component Kit; W/O Turbo.....	☆✱TCK167	
<b>4-CYL. 1.6 L ENG.</b>			Balance Shaft Belt .....	☆T168	
<b>MIRAGE</b>			Cam. Belt.....	☆T167	
Cam. Belt.....	☆T165		Cam. Seal.....	②KS13943	
<b>4-CYL. 1.8 L ENG.</b>			Crankshaft Seal.....	KS17154	
<b>ECLIPSE</b>			Balance Shaft Tensioner Assy.; W/O Turbo .....	T41047	◇ 139
Timing Component Kit.....	TCK158		Cam. Idler Pulley; W/O Turbo .....	T42017	◇ 139
Balance Shaft Belt .....	T159		Cam. Tensioner Assy.; W/O Turbo .....	✱T41046	◇ 139
Cam. Belt.....	T158		<b>GALANT</b>		
Cam. Seal.....	KS13943		Timing Component Kit; W/DOHC Eng. ....	☆✱TCK167	
Crankshaft Seal.....	KS17729		Timing Component Kit; W/SOHC Eng. ....	TCK155	
Balance Shaft Tensioner Assy.....	T41057	◇ 133	Balance Shaft Belt; W/DOHC Eng. ....	☆T168	
Cam. Tensioner Assy.....	T41056	◇ 133	Cam. Belt; W/DOHC Eng.....	☆T167	
<b>4-CYL. 2.0 L ENG.</b>			Cam. Belt; W/SOHC Eng.....	T155	
<b>ECLIPSE</b>			Balance Shaft Belt; W/SOHC Eng.....	T159	
Timing Component Kit; W/O Turbo.....	☆✱TCK167		Cam. Seal; W/DOHC Eng.....	②KS13943	
Balance Shaft Belt .....	☆T168		Cam. Seal; W/SOHC Eng.....	KS13943	
Cam. Belt.....	☆T167		Crankshaft Seal; W/DOHC Eng.....	KS17154	
Cam. Seal.....	②KS13943		Crankshaft Seal; W/SOHC Eng.....	KS17154	
Crankshaft Seal.....	KS17154		Balance Shaft Tensioner Assy.; W/DOHC Eng. ....	T41047	◇ 139
Balance Shaft Tensioner Assy.; W/O Turbo .....	T41047	◇ 139	Balance Shaft Tensioner Assy.; W/SOHC Eng.....	T41053	◇ 131
Cam. Idler Pulley; W/O Turbo .....	T42017	◇ 139	Cam. Idler Pulley; W/DOHC Eng.....	T42017	◇ 139
Cam. Tensioner Assy.; W/O Turbo .....	✱T41046	◇ 139	Cam. Tensioner Assy.; W/DOHC Eng.....	✱T41046	◇ 139
<b>GALANT</b>			Cam. Tensioner Assy.; W/SOHC Eng.....	T41043	◇ 131
Timing Component Kit; W/DOHC Eng. ....	☆✱TCK167		<b>V-6 3.0 L ENG.</b>		
Timing Component Kit; W/SOHC Eng. ....	TCK155		<b>SIGMA</b>		
Balance Shaft Belt; W/DOHC Eng. ....	☆T168		Timing Component Kit.....	TCK139	
Cam. Belt; W/DOHC Eng.....	☆T167		Cam. Belt.....	T139	
Cam. Belt; W/SOHC Eng.....	T155		Cam. Tensioner Assy.....	T41048	◇ 123
Balance Shaft Belt; W/SOHC Eng.....	T159		<b>1989</b>		
Cam. Seal; W/DOHC Eng.....	②KS13943		<b>4-CYL. 1.5 L ENG.</b>		
Cam. Seal; W/SOHC Eng.....	KS13943		<b>MIRAGE</b>		
Crankshaft Seal; W/DOHC Eng.....	KS17154		Timing Component Kit.....	☆TCK128	
Crankshaft Seal; W/SOHC Eng.....	KS17154		Cam. Belt.....	☆T128	
Balance Shaft Tensioner Assy.; W/DOHC Eng. ....	T41047	◇ 139	Cam. Seal.....	KS13943	
Balance Shaft Tensioner Assy.; W/SOHC Eng.....	T41053	◇ 131	Crankshaft Seal.....	KS11671	
Cam. Idler Pulley; W/DOHC Eng.....	T42017	◇ 139	Cam. Tensioner Assy.....	T41042	◇ 118
Cam. Tensioner Assy.; W/DOHC Eng.....	✱T41046	◇ 139	<b>PRECIS</b>		
Cam. Tensioner Assy.; W/SOHC Eng.....	T41043	◇ 131	Cam. Belt.....	☆T073	
<b>V-6 3.0 L ENG.</b>			<b>4-CYL. 1.6 L ENG.</b>		
<b>3000GT</b>			<b>MIRAGE</b>		
Timing Component Kit.....	☆✱TCK195		Cam. Belt.....	☆T165	
Cam. Belt.....	☆T195		<b>4-CYL. 2.0 L ENG.</b>		
Cam. Seal.....	④KS11608		<b>GALANT</b>		
Crankshaft Seal.....	KS14671		Timing Component Kit; W/DOHC Eng. ....	☆✱TCK167	
Cam. Idler Pulley; W/DOHC Eng.....	T42018	◇ 150	Timing Component Kit; W/SOHC Eng. ....	TCK155	
Cam. Tensioner Assy.; W/DOHC Eng.....	✱T41039	◇ 150	Balance Shaft Belt; W/DOHC Eng. ....	☆T168	
<b>1990</b>			Cam. Belt; W/DOHC Eng.....	☆T167	
<b>4-CYL. 1.5 L ENG.</b>			Cam. Belt; W/SOHC Eng.....	T155	
<b>MIRAGE; PRECIS</b>			Balance Shaft Belt; W/SOHC Eng.....	T159	
Timing Component Kit.....	☆TCK128		Cam. Seal; W/DOHC Eng.....	②KS13943	
Cam. Belt.....	☆T128		Cam. Seal; W/SOHC Eng.....	KS13943	
Cam. Seal.....	KS13943		Crankshaft Seal; W/DOHC Eng.....	KS17154	
Crankshaft Seal.....	KS11671		Crankshaft Seal; W/SOHC Eng.....	KS17154	
Cam. Tensioner Assy.....	T41042	◇ 118	Balance Shaft Tensioner Assy.; W/DOHC Eng. ....	T41047	◇ 139
<b>4-CYL. 1.8 L ENG.</b>			Balance Shaft Tensioner Assy.; W/SOHC Eng.....	T41053	◇ 131
<b>ECLIPSE</b>			Cam. Idler Pulley; W/DOHC Eng.....	T42017	◇ 139
Timing Component Kit.....	TCK158		Cam. Tensioner Assy.; W/DOHC Eng.....	✱T41046	◇ 139
Balance Shaft Belt .....	T159		Cam. Tensioner Assy.; W/SOHC Eng.....	T41043	◇ 131
Cam. Belt.....	T158		<b>V-6 3.0 L ENG.</b>		
Cam. Seal.....	KS13943		<b>SIGMA</b>		
Crankshaft Seal.....	KS17729		Timing Component Kit.....	TCK139	
Balance Shaft Tensioner Assy.....	T41057	◇ 133	Cam. Belt.....	T139	
Cam. Tensioner Assy.....	T41056	◇ 133	Cam. Tensioner Assy.....	T41048	◇ 123

☆ Interference engine application. See inside back cover for additional information.

✱ Does Not Include Cam. Tensioner Hyd. Assy.

② Two Required.

④ Four Required.

◇ See Diagram Section (Pages 153-167).



# PowerGrip™ Timing System Products for Passenger Cars

Application	Part No.	Diagram No.	Application	Part No.	Diagram No.
<b>MITSUBISHI - Continued</b>			<b>MITSUBISHI - Continued</b>		
<b>1988</b>			<b>1987 - Continued</b>		
<b>4-CYL. 1.5 L ENG. MIRAGE</b>			<b>4-CYL. 2.4 L ENG. - Continued GALANT - Continued</b>		
Timing Component Kit.....	☆TCK128		Balance Shaft Tensioner Assy.....	T41053	◇ 117
Cam. Belt.....	☆T128		Cam. Tensioner Assy.....	T41044	◇ 117
Cam. Seal.....	KS13943		<b>1986</b>		
Crankshaft Seal.....	KS11671		<b>4-CYL. 1.5 L ENG. MIRAGE</b>		
Cam. Tensioner Assy.....	T41042	◇ 118	Cam. Belt.....	☆T073	
<b>PRECIS</b>			<b>4-CYL. 1.6 L ENG. MIRAGE</b>		
Cam. Belt.....	☆T073		Cam. Belt.....	T093	
<b>4-CYL. 1.6 L ENG. MIRAGE</b>			Cam. Tensioner Assy.; Dec. 31, 1986 & Older....	T41055	◇ 140
Cam. Belt.....	T093		<b>4-CYL. 1.8 L ENG. CORDIA; TREDIA</b>		
Cam. Tensioner Assy.....	T41056	◇ 145	Balance Shaft Belt .....	T159	
<b>4-CYL. 1.8 L ENG. CORDIA; TREDIA</b>			Cam. Belt.....	T089	
Timing Component Kit.....	TCK158		<b>4-CYL. 2.0 L ENG. CORDIA; TREDIA</b>		
Balance Shaft Belt .....	T159		Balance Shaft Belt .....	T159	
Cam. Belt.....	T158		Cam. Belt.....	T089	
Cam. Seal.....	KS13943		<b>4-CYL. 2.0 L ENG. GALANT</b>		
Crankshaft Seal.....	KS17154		Timing Component Kit.....	TCK124	
<b>4-CYL. 2.0 L ENG. CORDIA; TREDIA</b>			Balance Shaft Belt .....	T159	
Balance Shaft Belt .....	T159		Cam. Belt.....	T124	
Cam. Belt.....	T158		Cam. Seal.....	KS13943	
Cam. Seal.....	KS13943		Crankshaft Seal.....	KS17154	
Crankshaft Seal.....	KS17154		Balance Shaft Tensioner Assy.....	T41053	◇ 117
<b>4-CYL. 2.0 L ENG. GALANT</b>			Cam. Tensioner Assy.....	T41044	◇ 117
Timing Component Kit.....	TCK139		<b>1985</b>		
Cam. Belt.....	T139		<b>4-CYL. 1.5 L ENG. MIRAGE</b>		
Cam. Seal.....	ⓂKS13907		Cam. Belt.....	☆T073	
Crankshaft Seal.....	KS14671		<b>4-CYL. 1.6 L ENG. MIRAGE</b>		
Cam. Tensioner Assy.....	T41048	◇ 123	Cam. Belt.....	T093	
<b>1987</b>			Cam. Tensioner Assy.....	T41055	◇ 140
<b>4-CYL. 1.5 L ENG. MIRAGE</b>			<b>4-CYL. 1.8 L ENG. CORDIA; TREDIA</b>		
Timing Component Kit.....	☆TCK128		Balance Shaft Belt .....	T159	
Cam. Belt.....	☆T128		Cam. Belt.....	T089	
Cam. Seal.....	KS13943		<b>4-CYL. 2.0 L ENG. CORDIA; TREDIA</b>		
Crankshaft Seal.....	KS11671		Balance Shaft Belt .....	T159	
Cam. Tensioner Assy.....	T41042	◇ 118	Cam. Belt.....	T089	
<b>PRECIS</b>			<b>4-CYL. 2.0 L ENG. GALANT</b>		
Cam. Belt.....	☆T073		Timing Component Kit.....	TCK124	
<b>4-CYL. 1.6 L ENG. MIRAGE</b>			Balance Shaft Belt .....	T159	
Cam. Belt.....	T093		Cam. Belt.....	T124	
Cam. Tensioner Assy.; Jan. 1, 1987 & Newer....	T41056	◇ 145	Cam. Seal.....	KS13943	
<b>4-CYL. 1.8 L ENG. CORDIA; TREDIA</b>			Crankshaft Seal.....	KS17154	
Timing Component Kit.....	TCK158		Balance Shaft Tensioner Assy.....	T41053	◇ 117
Balance Shaft Belt .....	T159		Cam. Tensioner Assy.....	T41044	◇ 117
Cam. Belt.....	T158		<b>1984</b>		
Cam. Seal.....	KS13943		<b>4-CYL. 1.8 L ENG. CORDIA; TREDIA</b>		
Crankshaft Seal.....	KS17154		Balance Shaft Belt .....	T090	
<b>4-CYL. 2.0 L ENG. CORDIA; TREDIA</b>			Cam. Belt.....	T089	
Balance Shaft Belt .....	T159		<b>4-CYL. 2.0 L ENG. CORDIA; TREDIA</b>		
Cam. Belt.....	T158		Balance Shaft Belt .....	T090	
Cam. Seal.....	KS13943		Cam. Belt.....	T089	
Crankshaft Seal.....	KS17154		<b>4-CYL. 2.0 L ENG. GALANT</b>		
<b>4-CYL. 2.4 L ENG. GALANT</b>			Timing Component Kit.....	TCK124	
Timing Component Kit.....	TCK124		Balance Shaft Belt .....	T159	
Balance Shaft Belt .....	T159		Cam. Belt.....	T124	
Cam. Belt.....	T124		Cam. Seal.....	KS13943	
Cam. Seal.....	KS13943		Crankshaft Seal.....	KS17154	
Crankshaft Seal.....	KS17154		Balance Shaft Tensioner Assy.....	T41053	◇ 117

☆ Interference engine application. See inside back cover for additional information.

\* Does Not Include Cam. Tensioner Hyd. Assy.

Ⓜ Two Required.

④ Four Required.

◇ See Diagram Section (Pages 153-167).

# PowerGrip™ Timing System Products for Passenger Cars

Application	Part No.	Diagram No.	Application	Part No.	Diagram No.
<b>MITSUBISHI - Continued</b>			<b>NISSAN - Continued</b>		
<b>1983</b>			<b>1991-1990</b>		
<b>4-CYL. 1.8 L ENG. CORDIA; TREDIA</b>			<b>V-6 3.0 L ENG. MAXIMA</b>		
Balance Shaft Belt .....	T090		Timing Component Kit .....	☆TCK104	
Cam. Belt .....	T089		Cam. Belt .....	☆T104	
<b>NISSAN</b>			Cam. Seal .....	ⓉKS13429	
Light truck, van or motorhome information for this manufacturer can be found in the next section of this catalog.			Crankshaft Seal .....	KS12886	
<b>1996-1995</b>			Cam. Tensioner Assy. ....	T41059	◇ 170
<b>V-6 3.0 L ENG. 300ZX</b>			<b>300ZX</b>		
Cam. Belt .....	☆T251		Cam. Belt .....	☆T180	
Cam. Idler Pulley - Lower .....	T42021	◇ 195	Cam. Idler Pulley - Lower .....	T42021	◇ 195
Cam. Idler Pulley - Upper .....	T42020	◇ 195	Cam. Idler Pulley - Upper .....	T42020	◇ 195
Cam. Tensioner Pulley .....	✱T41085	◇ 195	Cam. Tensioner Pulley .....	✱T41085	◇ 195
<b>1994</b>			<b>1989</b>		
<b>V-6 3.0 L ENG. MAXIMA</b>			<b>4-CYL. 1.8 L ENG. PULSAR NX</b>		
Timing Component Kit; W/SOHC Eng.; W/Square Tooth Sprockets .....	☆TCK104		Cam. Belt .....	☆T137	
Timing Component Kit; W/SOHC Eng.; W/Round Tooth Sprockets .....	☆TCK249		<b>4-CYL. 2.0 L ENG. STANZA</b>		
Cam. Belt; W/SOHC Eng.; W/Round Tooth Sprockets .....	☆T249		Timing Component Kit .....	☆TCK078	
Cam. Belt; W/SOHC Eng.; W/Square Tooth Sprockets .....	☆T104		Cam. Belt .....	☆T078	
Cam. Seal; W/SOHC Eng. ....	ⓉKS13429		Cam. Seal .....	KS13429	
Crankshaft Seal; W/SOHC Eng. ....	KS12886		Crankshaft Seal .....	KS12886	
Cam. Tensioner Assy.; W/SOHC Eng. ....	T41059	◇ 170	Cam. Tensioner Assy. ....	T41088	◇ 109
<b>300ZX</b>			<b>V-6 3.0 L ENG. MAXIMA; 300ZX</b>		
Cam. Belt .....	☆T251		Timing Component Kit .....	☆TCK104	
Cam. Idler Pulley - Lower .....	T42021	◇ 195	Cam. Belt .....	☆T104	
Cam. Idler Pulley - Upper .....	T42020	◇ 195	Cam. Seal .....	ⓉKS13429	
Cam. Tensioner Pulley .....	✱T41085	◇ 195	Crankshaft Seal .....	KS12886	
<b>1993</b>			Cam. Tensioner Assy. ....	T41059	◇ 170
<b>V-6 3.0 L ENG. MAXIMA</b>			<b>1988</b>		
Timing Component Kit; W/SOHC Eng.; W/Square Tooth Sprockets .....	☆TCK104		<b>4-CYL. 1.6 L ENG. PULSAR NX; SENTRA</b>		
Timing Component Kit; W/SOHC Eng.; W/Round Tooth Sprockets .....	☆TCK249		Timing Component Kit .....	☆TCK077	
Cam. Belt; W/SOHC Eng.; W/Round Tooth Sprockets .....	☆T249		Cam. Belt .....	☆T077	
Cam. Belt; W/SOHC Eng.; W/Square Tooth Sprockets .....	☆T104		Cam. Seal .....	KS15818	
Cam. Seal; W/SOHC Eng. ....	ⓉKS13429		Crankshaft Seal .....	KS15801	
Crankshaft Seal; W/SOHC Eng. ....	KS12886		Cam. Tensioner Assy. ....	T41058	◇ 108
Cam. Tensioner Assy.; W/SOHC Eng. ....	T41059	◇ 170	<b>4-CYL. 1.8 L ENG. PULSAR NX</b>		
<b>300ZX</b>			Cam. Belt .....		
Cam. Belt .....	☆T180		☆T137		
Cam. Idler Pulley - Lower .....	T42021	◇ 195	<b>4-CYL. 2.0 L ENG. STANZA; 200SX</b>		
Cam. Idler Pulley - Upper .....	T42020	◇ 195	Timing Component Kit .....	☆TCK078	
Cam. Tensioner Pulley .....	✱T41085	◇ 195	Cam. Belt .....	☆T078	
<b>1992</b>			Cam. Seal .....	KS13429	
<b>V-6 3.0 L ENG. MAXIMA</b>			Crankshaft Seal .....	KS12886	
Timing Component Kit; W/SOHC Eng. ....	☆TCK104		Cam. Tensioner Assy. ....	T41088	◇ 109
Cam. Belt; W/SOHC Eng. ....	☆T104		<b>4-CYL. 2.0 L ENG. (CANADA) MULTI</b>		
Cam. Seal; W/SOHC Eng. ....	ⓉKS13429		Cam. Belt .....		
Crankshaft Seal; W/SOHC Eng. ....	KS12886		☆T078		
Cam. Tensioner Assy.; W/SOHC Eng. ....	T41059	◇ 170	<b>V-6 3.0 L ENG. MAXIMA; 200SX; 300ZX</b>		
<b>300ZX</b>			Timing Component Kit .....	☆TCK104	
Cam. Belt .....	☆T180		Cam. Belt .....	☆T104	
Cam. Idler Pulley - Lower .....	T42021	◇ 195	Cam. Seal .....	ⓉKS13429	
Cam. Idler Pulley - Upper .....	T42020	◇ 195	Crankshaft Seal .....	KS12886	
Cam. Tensioner Pulley .....	✱T41085	◇ 195	Cam. Tensioner Assy. ....	T41059	◇ 170
<b>1991</b>			<b>1987</b>		
<b>V-6 3.0 L ENG. MAXIMA</b>			<b>4-CYL. 1.6 L ENG. PULSAR NX</b>		
Timing Component Kit; W/SOHC Eng. ....	☆TCK104		Timing Component Kit; Eng. Designation E16i, E16S, E16SPI .....		
Cam. Belt; W/SOHC Eng. ....	☆T104		E16i, E16S, E16SPI .....		
Cam. Seal; W/SOHC Eng. ....	ⓉKS13429		Cam. Belt; Eng. Designation CA16D .....		
Crankshaft Seal; W/SOHC Eng. ....	KS12886		Cam. Belt; Eng. Designation E16i, E16S, E16SPI .....		
Cam. Tensioner Assy.; W/SOHC Eng. ....	T41059	◇ 170	☆TCK077		
<b>300ZX</b>			☆T137		
Cam. Belt .....	☆T180		☆T077		
Cam. Idler Pulley - Lower .....	T42021	◇ 195			
Cam. Idler Pulley - Upper .....	T42020	◇ 195			
Cam. Tensioner Pulley .....	✱T41085	◇ 195			

☆ Interference engine application. See inside back cover for additional information.

✱ Does Not Include Cam. Tensioner Hyd. Assy.

Ⓣ Two Required.

④ Four Required.

◇ See Diagram Section (Pages 153-167).

# PowerGrip™ Timing System Products for Passenger Cars

Application	Part No.	Diagram No.	Application	Part No.	Diagram No.
<b>NISSAN - Continued</b>			<b>NISSAN - Continued</b>		
<b>1987 - Continued</b>			<b>1986 - Continued</b>		
<b>4-CYL. 1.6 L ENG. - Continued</b>			<b>4-CYL. 2.0 L ENG. - Continued</b>		
<b>PULSAR NX - Continued</b>			<b>200SX - Continued</b>		
Cam. Seal; Eng. Designation E16i, E16S, E16SPi.....	KS15818		Cam. Belt.....	☆T078	
Crankshaft Seal; Eng. Designation E16i, E16S, E16SPi.....	KS15801		Cam. Seal.....	KS13429	
Cam. Tensioner Assy.....	T41058	◇ 108	Crankshaft Seal.....	KS12886	
<b>SENTRA</b>			Cam. Tensioner Assy.....	T41089	◇ 110
Timing Component Kit.....	☆TCK077		<b>4-CYL. 2.0 L ENG. (CANADA)</b>		
Cam. Belt.....	☆T077		<b>MULTI</b>		
Cam. Seal.....	KS15818		Cam. Belt.....	☆T078	
Crankshaft Seal.....	KS15801		<b>V-6 3.0 L ENG.</b>		
Cam. Tensioner Assy.....	T41058	◇ 108	<b>MAXIMA; 300ZX</b>		
<b>4-CYL. 1.7 L DIESEL ENG. (CANADA)</b>			Timing Component Kit.....	☆TCK104	
<b>SENTRA</b>			Cam. Belt.....	☆T104	
Cam. Belt.....	☆T096		Cam. Seal.....	②KS13429	
Inj. Pump Belt.....	T097		Crankshaft Seal.....	KS12886	
<b>4-CYL. 1.8 L ENG. (CANADA)</b>			Cam. Tensioner Assy.....	T41059	◇ 170
<b>200SX</b>			<b>1985</b>		
Cam. Belt.....	☆T078		<b>4-CYL. 1.6 L ENG.</b>		
<b>4-CYL. 2.0 L ENG.</b>			<b>PULSAR NX; SENTRA</b>		
<b>STANZA</b>			Timing Component Kit.....	☆TCK077	
Timing Component Kit.....	☆TCK078		Cam. Belt.....	☆T077	
Cam. Belt.....	☆T078		Cam. Seal.....	KS15818	
Cam. Seal.....	KS13429		Crankshaft Seal.....	KS15801	
Crankshaft Seal.....	KS12886		Cam. Tensioner Assy.....	T41058	◇ 108
Cam. Tensioner Assy.....	T41088	◇ 109	<b>4-CYL. 1.7 L DIESEL ENG.</b>		
<b>200SX</b>			<b>SENTRA</b>		
Timing Component Kit.....	☆TCK078A		Cam. Belt.....	☆T096	
Cam. Belt.....	☆T078		Inj. Pump Belt.....	T097	
Cam. Seal.....	KS13429		<b>4-CYL. 1.8 L ENG.</b>		
Crankshaft Seal.....	KS12886		<b>200SX</b>		
Cam. Tensioner Assy.....	T41089	◇ 110	Cam. Belt.....	T100	
<b>4-CYL. 2.0 L ENG. (CANADA)</b>			<b>4-CYL. 2.0 L ENG.</b>		
<b>MULTI</b>			<b>STANZA</b>		
Cam. Belt.....	☆T078		Timing Component Kit.....	☆TCK078	
<b>V-6 3.0 L ENG.</b>			Cam. Belt.....	☆T078	
<b>MAXIMA; 200SX; 300ZX</b>			Cam. Seal.....	KS13429	
Timing Component Kit.....	☆TCK104		Crankshaft Seal.....	KS12886	
Cam. Belt.....	☆T104		Cam. Tensioner Assy.....	T41088	◇ 109
Cam. Seal.....	②KS13429		<b>200SX</b>		
Crankshaft Seal.....	KS12886		Timing Component Kit.....	☆TCK078A	
Cam. Tensioner Assy.....	T41059	◇ 170	Cam. Belt.....	☆T078	
<b>1986</b>			Cam. Seal.....	KS13429	
<b>4-CYL. 1.6 L ENG.</b>			Crankshaft Seal.....	KS12886	
<b>PULSAR NX; SENTRA</b>			Cam. Tensioner Assy.....	T41089	◇ 110
Timing Component Kit.....	☆TCK077		<b>V-6 3.0 L ENG.</b>		
Cam. Belt.....	☆T077		<b>MAXIMA; 300ZX</b>		
Cam. Seal.....	KS15818		Timing Component Kit.....	☆TCK104	
Crankshaft Seal.....	KS15801		Cam. Belt.....	☆T104	
Cam. Tensioner Assy.....	T41058	◇ 108	Cam. Seal.....	②KS13429	
<b>4-CYL. 1.7 L DIESEL ENG.</b>			Crankshaft Seal.....	KS12886	
<b>SENTRA</b>			Cam. Tensioner Assy.....	T41059	◇ 170
Cam. Belt.....	☆T096		<b>1984</b>		
Inj. Pump Belt.....	T097		<b>4-CYL. 1.5 L ENG.</b>		
<b>4-CYL. 1.8 L ENG.</b>			<b>PULSAR NX</b>		
<b>200SX</b>			Timing Component Kit.....	☆TCK077	
Cam. Belt.....	T100		Cam. Belt.....	☆T077	
<b>4-CYL. 2.0 L ENG.</b>			Cam. Seal.....	KS15818	
<b>STANZA</b>			Crankshaft Seal.....	KS14008	
Timing Component Kit.....	☆TCK078		Cam. Tensioner Assy.....	T41058	◇ 108
Cam. Belt.....	☆T078		<b>4-CYL. 1.6 L ENG.</b>		
Cam. Seal.....	KS13429		<b>PULSAR NX; SENTRA</b>		
Crankshaft Seal.....	KS12886		Timing Component Kit.....	☆TCK077	
Cam. Tensioner Assy.....	T41088	◇ 109	Cam. Belt.....	☆T077	
<b>200SX</b>			Cam. Seal.....	KS15818	
Timing Component Kit.....	☆TCK078A		Crankshaft Seal.....	KS15801	
			Cam. Tensioner Assy.....	T41058	◇ 108

☆ Interference engine application. See inside back cover for additional information.

\* Does Not Include Cam. Tensioner Hyd. Assy.

② Two Required.

④ Four Required.

◇ See Diagram Section (Pages 153-167).

# PowerGrip™ Timing System Products for Passenger Cars

Application	Part No.	Diagram No.	Application	Part No.	Diagram No.
<b>NISSAN - Continued</b>			<b>NISSAN - Continued</b>		
<b>1984 - Continued</b>			<b>1982 - Continued</b>		
<b>4-CYL. 1.7 L DIESEL ENG. SENTRA</b>			<b>4-CYL. 1.5 L ENG. - Continued</b>		
Cam. Belt.....	☆T096		310		
Inj. Pump Belt.....	T097		Timing Component Kit.....	☆TCK077	
<b>4-CYL. 1.8 L ENG. 200SX</b>			Cam. Belt.....	☆T077	
Cam. Belt.....	T100		Cam. Tensioner Assy.....	T41058	◇ 108
<b>4-CYL. 2.0 L ENG. STANZA</b>			<b>4-CYL. 2.0 L ENG. STANZA</b>		
Timing Component Kit.....	☆TCK078		Timing Component Kit.....	☆TCK078	
Cam. Belt.....	☆T078		Cam. Belt.....	☆T078	
Cam. Seal.....	KS13429		Cam. Seal.....	KS13429	
Crankshaft Seal.....	KS12886		Crankshaft Seal.....	KS12886	
Cam. Tensioner Assy.....	T41088	◇ 109	Cam. Tensioner Assy.....	T41088	◇ 109
<b>200SX</b>			<b>OLDSMOBILE</b>		
Timing Component Kit.....	☆TCK078A		<b>1996</b>		
Cam. Belt.....	☆T078		<b>V-6 3.4 L ENG. CUTLASS SUPREME</b>		
Cam. Seal.....	KS13429		Cam. Belt.....	☆T273	
Crankshaft Seal.....	KS12886		<b>1995-1991</b>		
Cam. Tensioner Assy.....	T41089	◇ 110	<b>V-6 3.4 L ENG. CUTLASS SUPREME</b>		
<b>V-6 3.0 L ENG. 300ZX</b>			Cam. Belt.....	T192	
Timing Component Kit.....	☆TCK104		<b>1988-1987</b>		
Cam. Belt.....	☆T104		IMPORTANT: PLEASE NOTE. To select correct replacement parts, it may be necessary to identify the code character for the engine by looking at the VIN (Vehicle Identification Number) located on the dash panel. For 1981 and newer cars, refer to the 8th digit of VIN for the correct engine code.		
Cam. Seal.....	②KS13429		<b>4-CYL. 2.0 L ENG. FIRENZA</b>		
Crankshaft Seal.....	KS12886		Cam. Belt; Eng. VIN K.....	T081	
Cam. Tensioner Assy.....	T41059	◇ 170	<b>1986-1983</b>		
<b>1983</b>			<b>4-CYL. 1.8 L ENG. FIRENZA</b>		
<b>4-CYL. 1.5 L ENG. PULSAR NX; SENTRA</b>			Cam. Belt.....	T081	
Timing Component Kit.....	☆TCK077		<b>1982</b>		
Cam. Belt.....	☆T077		IMPORTANT: PLEASE NOTE. To select correct replacement parts, it may be necessary to identify the code character for the engine by looking at the VIN (Vehicle Identification Number) located on the dash panel. For 1981 and newer cars, refer to the 8th digit of VIN for the correct engine code.		
Cam. Seal.....	KS15818		<b>4-CYL. 1.8 L ENG. FIRENZA</b>		
Crankshaft Seal.....	KS14008		Cam. Belt; Eng. VIN O.....	T081	
Cam. Tensioner Assy.....	T41058	◇ 108	<b>PEUGEOT</b>		
<b>4-CYL. 1.6 L ENG. PULSAR NX</b>			<b>1991-1990</b>		
Timing Component Kit.....	☆TCK077		<b>4-CYL. 1.9 L ENG. 405</b>		
Cam. Belt.....	☆T077		Cam. Belt; W/DOHC Eng.....	T188	
Cam. Seal.....	KS15818		Cam. Belt; W/SOHC Eng.....	T189	
Crankshaft Seal.....	KS14008		<b>4-CYL. 2.2 L ENG. 505</b>		
Cam. Tensioner Assy.....	T41058	◇ 108	Cam. Belt; W/SOHC Eng.....	T140	
<b>SENTRA</b>			<b>1989</b>		
Timing Component Kit.....	☆TCK077		<b>4-CYL. 1.9 L ENG. 405</b>		
Cam. Belt.....	☆T077		Cam. Belt; W/DOHC Eng.....	T188	
Cam. Seal.....	KS15818		Cam. Belt; W/SOHC Eng.....	T189	
Crankshaft Seal.....	KS15801		<b>4-CYL. 2.2 L ENG. 505</b>		
Cam. Tensioner Assy.....	T41058	◇ 108	Cam. Belt; W/O Turbo.....	T140	
<b>4-CYL. 1.7 L DIESEL ENG. SENTRA</b>			<b>1991-1990</b>		
Cam. Belt.....	☆T096		<b>4-CYL. 1.9 L ENG. 405</b>		
Inj. Pump Belt.....	T097		Cam. Belt; W/DOHC Eng.....	T188	
<b>4-CYL. 2.0 L ENG. STANZA</b>			Cam. Belt; W/SOHC Eng.....	T189	
Timing Component Kit.....	☆TCK078		<b>1982</b>		
Cam. Belt.....	☆T078		<b>4-CYL. 1.5 L ENG. SENTRA</b>		
Cam. Seal.....	KS13429		Timing Component Kit.....	☆TCK077	
Crankshaft Seal.....	KS12886		Cam. Belt.....	☆T077	
Cam. Tensioner Assy.....	T41088	◇ 109	Cam. Seal.....	KS15818	
<b>1982</b>			Crankshaft Seal.....	KS14008	
<b>4-CYL. 1.5 L ENG. SENTRA</b>			Cam. Tensioner Assy.....	T41058	◇ 108
Timing Component Kit.....	☆TCK077		<b>1982</b>		
Cam. Belt.....	☆T077		<b>4-CYL. 1.5 L ENG. SENTRA</b>		
Cam. Seal.....	KS15818		Timing Component Kit.....	☆TCK077	
Crankshaft Seal.....	KS14008		Cam. Belt.....	☆T077	
Cam. Tensioner Assy.....	T41058	◇ 108	Cam. Seal.....	KS15818	

☆ Interference engine application. See inside back cover for additional information.

\* Does Not Include Cam. Tensioner Hyd. Assy.

② Two Required.

④ Four Required.

◇ See Diagram Section (Pages 153-167).

# PowerGrip™ Timing System Products for Passenger Cars

Application	Part No.	Diagram No.	Application	Part No.	Diagram No.
<b>PEUGEOT - Continued</b>			<b>PLYMOUTH - Continued</b>		
<b>1988-1986</b>			<b>1996 - Continued</b>		
<b>4-CYL. 2.2 L ENG. 505</b>			<b>4-CYL. 2.0 L ENG. - Continued</b>		
Cam. Belt; W/O Turbo ..... T140			<b>NEON</b>		
<b>PLYMOUTH</b>			Timing Component Kit; W/DOHC Eng. .... ☆✱TCK246 ⇨ 169		
Light truck, van or motorhome information for this manufacturer can be found in the next section of this catalog.			Timing Component Kit; W/SOHC Eng. .... ☆✱TCK245 ⇨ 168		
<b>2001</b>			Cam. Belt; W/DOHC Eng. .... ☆T246		
<b>4-CYL. 2.0 L ENG. NEON</b>			Cam. Belt; W/SOHC Eng. .... ☆T245		
Cam. Belt..... ☆T245			Cam. Idler Pulley; W/DOHC Eng..... ✱T41002 ⇨ 169		
<b>2000</b>			Cam. Tensioner Assy.; W/DOHC Eng..... ✱T41002 ⇨ 169		
<b>4-CYL. 2.0 L ENG. BREEZE; NEON</b>			Cam. Tensioner Assy.; W/SOHC Eng..... ✱T41002 ⇨ 168		
Cam. Belt..... ☆T245			<b>4-CYL. 2.4 L ENG. (CANADA)</b>		
<b>4-CYL. 2.4 L ENG. BREEZE</b>			<b>BREEZE</b>		
Cam. Belt..... T265			Cam. Belt..... T265		
Cam. Tensioner Assy..... T43005 ⇨ 205			<b>1995</b>		
<b>1999-1998</b>			<b>4-CYL. 1.5 L ENG. (CANADA)</b>		
<b>4-CYL. 2.0 L ENG. BREEZE</b>			<b>COLT</b>		
Timing Component Kit..... ☆✱TCK245 ⇨ 168			Timing Component Kit..... ☆TCK191		
Cam. Belt..... ☆T245			Cam. Belt..... ☆T191		
Cam. Seal..... KS13709			Cam. Tensioner Assy..... T41051 ⇨ 146		
Crankshaft Seal..... KS12711			<b>4-CYL. 2.0 L ENG.</b>		
Cam. Tensioner Assy.; W/SOHC Eng..... ✱T41002 ⇨ 168			<b>NEON</b>		
<b>NEON</b>			Timing Component Kit; W/DOHC Eng. .... ☆✱TCK246 ⇨ 169		
Timing Component Kit; W/DOHC Eng. .... ☆✱TCK246 ⇨ 169			Timing Component Kit; W/SOHC Eng. .... ☆✱TCK245 ⇨ 168		
Cam. Belt; W/DOHC Eng. .... ☆T246			Cam. Belt; W/DOHC Eng. .... ☆T246		
Cam. Belt; W/SOHC Eng. .... ☆T245			Cam. Belt; W/SOHC Eng. .... ☆T245		
Cam. Idler Pulley; W/DOHC Eng..... ✱T41002 ⇨ 169			Cam. Idler Pulley; W/DOHC Eng..... ✱T41002 ⇨ 169		
Cam. Tensioner Assy.; W/DOHC Eng..... ✱T41002 ⇨ 169			Cam. Tensioner Assy.; W/SOHC Eng..... ✱T41002 ⇨ 168		
<b>4-CYL. 2.4 L ENG. BREEZE</b>			<b>4-CYL. 2.5 L ENG.</b>		
Cam. Belt..... T265			<b>ACCLAIM</b>		
Cam. Tensioner Assy..... T43005 ⇨ 205			Timing Component Kit..... TCK153		
<b>1997</b>			Cam. Belt..... T153		
<b>4-CYL. 2.0 L ENG. BREEZE</b>			Cam. Seal..... KS13948		
Timing Component Kit..... ☆✱TCK245 ⇨ 168			Crankshaft Seal..... KS11122		
Cam. Belt..... ☆T245			Cam. Tensioner Assy..... T41001 ⇨ 130		
Cam. Seal..... KS13709			<b>V-6 3.0 L ENG.</b>		
Crankshaft Seal..... KS12711			<b>ACCLAIM</b>		
Cam. Tensioner Assy.; W/SOHC Eng..... ✱T41002 ⇨ 168			Timing Component Kit..... TCK139		
<b>NEON</b>			Cam. Belt..... T139		
Timing Component Kit; W/DOHC Eng. .... ☆✱TCK246 ⇨ 169			Cam. Seal..... ②KS13907		
Timing Component Kit; W/SOHC Eng. .... ☆✱TCK245 ⇨ 168			Crankshaft Seal..... KS14671		
Cam. Belt; W/DOHC Eng. .... ☆T246			Cam. Tensioner Assy..... T41048 ⇨ 123		
Cam. Belt; W/SOHC Eng. .... ☆T245			<b>1994</b>		
Cam. Idler Pulley; W/DOHC Eng..... ✱T41002 ⇨ 169			<b>4-CYL. 1.5 L ENG.</b>		
Cam. Tensioner Assy.; W/DOHC Eng..... ✱T41002 ⇨ 169			<b>COLT</b>		
Cam. Tensioner Assy.; W/SOHC Eng..... ✱T41002 ⇨ 168			Timing Component Kit..... ☆TCK191		
<b>4-CYL. 2.4 L ENG. BREEZE</b>			Cam. Belt..... ☆T191		
Cam. Belt..... T265			Cam. Tensioner Assy..... T41051 ⇨ 146		
Cam. Tensioner Assy..... T43005 ⇨ 205			<b>4-CYL. 1.8 L ENG.</b>		
<b>1996</b>			<b>COLT; COLT VISTA</b>		
<b>4-CYL. 2.0 L ENG. BREEZE</b>			Cam. Belt..... T201		
Timing Component Kit..... ☆✱TCK245 ⇨ 168			<b>LASER</b>		
Cam. Belt..... ☆T245			Timing Component Kit..... TCK158		
Cam. Seal..... KS13709			Balance Shaft Belt ..... T159		
Crankshaft Seal..... KS12711			Cam. Belt..... T158		
Cam. Tensioner Assy.; W/SOHC Eng..... ✱T41002 ⇨ 168			Cam. Seal..... KS13907		
<b>1996</b>			Crankshaft Seal..... KS17729		
<b>4-CYL. 2.0 L ENG. BREEZE</b>			Balance Shaft Tensioner Assy..... T41057 ⇨ 133		
Timing Component Kit..... ☆✱TCK245 ⇨ 168			Cam. Tensioner Assy..... T41056 ⇨ 133		
Cam. Belt..... ☆T245			<b>4-CYL. 2.0 L ENG.</b>		
Cam. Seal..... KS13709			<b>LASER</b>		
Crankshaft Seal..... KS12711			Timing Component Kit; W/O Turbo..... ☆✱TCK167		
Cam. Tensioner Assy.; W/SOHC Eng..... ✱T41002 ⇨ 168			Balance Shaft Belt ..... ☆T168		
<b>1996</b>			Cam. Belt..... ☆T167		
<b>4-CYL. 2.0 L ENG. BREEZE</b>			Cam. Seal..... ②KS13907		
Timing Component Kit..... ☆✱TCK245 ⇨ 168			Crankshaft Seal..... KS17729		
Cam. Belt..... ☆T245			Balance Shaft Tensioner Assy.; W/O Turbo ..... T41047 ⇨ 139		
Cam. Seal..... KS13709			Cam. Idler Pulley; W/O Turbo ..... T42017 ⇨ 139		
Crankshaft Seal..... KS12711					
Cam. Tensioner Assy.; W/SOHC Eng..... ✱T41002 ⇨ 168					

☆ Interference engine application. See inside back cover for additional information.

✱ Does Not Include Cam. Tensioner Hyd. Assy.

② Two Required.

④ Four Required.

⇨ See Diagram Section (Pages 153-167).

# PowerGrip™ Timing System Products for Passenger Cars

Application	Part No.	Diagram No.	Application	Part No.	Diagram No.
<b>PLYMOUTH - Continued</b>			<b>PLYMOUTH - Continued</b>		
<b>1994 - Continued</b>			<b>1993 - Continued</b>		
<b>4-CYL. 2.0 L ENG. - Continued</b>			<b>4-CYL. 2.2 L ENG.</b>		
<b>LASER - Continued</b>			<b>SUNDANCE</b>		
Cam. Tensioner Assy.; W/O Turbo .....	✱T41046	◇ 139	Timing Component Kit .....	TCK153	
<b>4-CYL. 2.2 L ENG.</b>			Cam. Belt .....	T153	
<b>SUNDANCE</b>			Cam. Seal .....	KS13948	
Timing Component Kit .....	TCK153		Crankshaft Seal .....	KS11122	
Cam. Belt .....	T153		Cam. Tensioner Assy. ....	T41001	◇ 130
Cam. Seal .....	KS13948		<b>4-CYL. 2.4 L ENG.</b>		
Crankshaft Seal .....	KS13948		<b>COLT VISTA</b>		
Cam. Tensioner Assy. ....	T41001	◇ 130	Balance Shaft Belt .....	T159	
<b>4-CYL. 2.4 L ENG.</b>			Cam. Belt .....	T230	
<b>COLT VISTA</b>			<b>4-CYL. 2.4 L ENG. (CANADA)</b>		
Balance Shaft Belt .....	T168		<b>COLT</b>		
Cam. Belt .....	T230		Balance Shaft Belt .....	T159	
<b>4-CYL. 2.4 L ENG. (CANADA)</b>			Cam. Belt .....	T230	
<b>COLT</b>			<b>4-CYL. 2.5 L ENG.</b>		
Balance Shaft Belt .....	T168		<b>ACCLAIM; SUNDANCE</b>		
Cam. Belt .....	T230		Timing Component Kit .....	TCK153	
<b>4-CYL. 2.5 L ENG.</b>			Cam. Belt .....	T153	
<b>ACCLAIM; SUNDANCE</b>			Cam. Seal .....	KS13948	
Timing Component Kit .....	TCK153		Crankshaft Seal .....	KS11122	
Cam. Belt .....	T153		Cam. Tensioner Assy. ....	T41001	◇ 130
Cam. Seal .....	KS13948		<b>V-6 3.0 L ENG.</b>		
Crankshaft Seal .....	KS11122		<b>ACCLAIM; SUNDANCE</b>		
Cam. Tensioner Assy. ....	T41001	◇ 130	Timing Component Kit .....	TCK139	
<b>4-CYL. 2.5 L FLEX ENG.</b>			Cam. Belt .....	T139	
<b>ACCLAIM</b>			Cam. Seal .....	ⓂKS13907	
Timing Component Kit .....	TCK153		Crankshaft Seal .....	KS14671	
Cam. Belt .....	T153		Cam. Tensioner Assy. ....	T41048	◇ 123
Cam. Seal .....	KS13948		<b>1992</b>		
Crankshaft Seal .....	KS11122		<b>4-CYL. 1.5 L ENG.</b>		
Cam. Tensioner Assy. ....	T41001	◇ 130	<b>COLT</b>		
<b>V-6 3.0 L ENG.</b>			Timing Component Kit .....	☆TCK191	
<b>ACCLAIM; SUNDANCE</b>			Cam. Belt .....	☆T191	
Timing Component Kit .....	TCK139		Cam. Tensioner Assy. ....	T41051	◇ 146
Cam. Belt .....	T139		<b>4-CYL. 1.5 L ENG. (CANADA)</b>		
Cam. Seal .....	ⓂKS13907		<b>COLT</b>		
Crankshaft Seal .....	KS14671		Timing Component Kit .....	☆TCK128	
Cam. Tensioner Assy. ....	T41048	◇ 123	Cam. Belt .....	☆T128	
<b>1993</b>			Cam. Tensioner Assy. ....	T41042	◇ 118
<b>4-CYL. 1.5 L ENG.</b>			<b>4-CYL. 1.8 L ENG.</b>		
<b>COLT</b>			<b>COLT VISTA</b>		
Timing Component Kit .....	☆TCK191		Cam. Belt .....	T201	
Cam. Belt .....	☆T191		<b>LASER</b>		
Cam. Tensioner Assy. ....	T41051	◇ 146	Timing Component Kit .....	TCK158	
<b>4-CYL. 1.8 L ENG.</b>			Balance Shaft Belt .....	T159	
<b>COLT; COLT VISTA</b>			Cam. Belt .....	T158	
Cam. Belt .....	T201		Cam. Seal .....	KS13907	
<b>LASER</b>			Crankshaft Seal .....	KS17729	
Timing Component Kit .....	TCK158		Balance Shaft Tensioner Assy. ....	T41057	◇ 133
Balance Shaft Belt .....	T159		Cam. Tensioner Assy. ....	T41056	◇ 133
Cam. Belt .....	T158		<b>4-CYL. 1.8 L ENG. (CANADA)</b>		
Cam. Seal .....	KS13907		<b>COLT</b>		
Crankshaft Seal .....	KS17729		Cam. Belt .....	T201	
Balance Shaft Tensioner Assy. ....	T41057	◇ 133	<b>4-CYL. 2.0 L ENG.</b>		
Cam. Tensioner Assy. ....	T41056	◇ 133	<b>LASER</b>		
<b>4-CYL. 2.0 L ENG.</b>			Timing Component Kit; W/O Turbo .....	☆✱TCK167	
<b>LASER</b>			Balance Shaft Belt .....	☆T168	
Timing Component Kit; W/O Turbo .....	☆✱TCK167		Cam. Belt .....	☆T167	
Balance Shaft Belt .....	☆T168		Cam. Seal .....	ⓂKS13907	
Cam. Belt .....	☆T167		Crankshaft Seal .....	KS17729	
Cam. Seal .....	ⓂKS13907		Balance Shaft Tensioner Assy.; W/O Turbo .....	T41047	◇ 139
Crankshaft Seal .....	KS17729		Cam. Idler Pulley; W/O Turbo .....	T42017	◇ 139
Balance Shaft Tensioner Assy.; W/O Turbo .....	T41047	◇ 139	Cam. Tensioner Assy.; W/O Turbo .....	✱T41046	◇ 139
Cam. Idler Pulley; W/O Turbo .....	T42017	◇ 139	<b>4-CYL. 2.2 L ENG.</b>		
Cam. Tensioner Assy.; W/O Turbo .....	✱T41046	◇ 139	<b>SUNDANCE</b>		
<b>4-CYL. 2.2 L ENG.</b>			Timing Component Kit .....	TCK153	
<b>SUNDANCE</b>					

☆ Interference engine application. See inside back cover for additional information.  
 ✱ Does Not Include Cam. Tensioner Hyd. Assy.

Ⓜ Two Required.  
 Ⓞ Four Required.

◇ See Diagram Section (Pages 153-167).

# PowerGrip™ Timing System Products for Passenger Cars

Application	Part No.	Diagram No.	Application	Part No.	Diagram No.
<b>PLYMOUTH - Continued</b>			<b>PLYMOUTH - Continued</b>		
<b>1992 - Continued</b>			<b>1991 - Continued</b>		
<b>4-CYL. 2.2 L ENG. - Continued</b>			<b>4-CYL. 2.2 L ENG. - Continued</b>		
<b>SUNDANCE - Continued</b>			<b>SUNDANCE - Continued</b>		
Cam. Belt.....	T153		Cam. Belt.....	T153	
Cam. Seal.....	KS13948		Cam. Seal.....	KS13948	
Crankshaft Seal.....	KS13948		Crankshaft Seal.....	KS13948	
Cam. Tensioner Assy.....	T41001	◇ 130	Cam. Tensioner Assy.....	T41001	◇ 130
<b>4-CYL. 2.4 L ENG.</b>			<b>4-CYL. 2.5 L ENG.</b>		
<b>COLT VISTA</b>			<b>ACCLAIM; SUNDANCE</b>		
Balance Shaft Belt.....	T159		Timing Component Kit.....	TCK153	
Cam. Belt.....	T204		Cam. Belt.....	T153	
<b>4-CYL. 2.4 L ENG. (CANADA)</b>			<b>Cam. Seal.....</b>		
<b>COLT</b>			<b>KS13948</b>		
Balance Shaft Belt.....	T159		Crankshaft Seal.....	KS11122	
Cam. Belt.....	T204		Cam. Tensioner Assy.....	T41001	◇ 130
<b>4-CYL. 2.5 L ENG.</b>			<b>V-6 3.0 L ENG.</b>		
<b>ACCLAIM; SUNDANCE</b>			<b>ACCLAIM</b>		
Timing Component Kit.....	TCK153		Timing Component Kit.....	TCK139	
Cam. Belt.....	T153		Cam. Belt.....	T139	
Cam. Seal.....	KS13948		Cam. Seal.....	②KS13907	
Crankshaft Seal.....	KS11122		Crankshaft Seal.....	KS14671	
Cam. Tensioner Assy.....	T41001	◇ 130	Cam. Tensioner Assy.....	T41048	◇ 123
<b>V-6 3.0 L ENG.</b>			<b>1990</b>		
<b>ACCLAIM; SUNDANCE</b>			<b>4-CYL. 1.5 L ENG.</b>		
Timing Component Kit.....	TCK139		<b>COLT</b>		
Cam. Belt.....	T139		Timing Component Kit.....	☆TCK128	
Cam. Seal.....	②KS13907		Cam. Belt.....	☆T128	
Crankshaft Seal.....	KS14671		Cam. Tensioner Assy.....	T41042	◇ 118
Cam. Tensioner Assy.....	T41048	◇ 123	<b>4-CYL. 1.5 L ENG. (CANADA)</b>		
<b>1991</b>			<b>COLT</b>		
<b>4-CYL. 1.5 L ENG.</b>			<b>Timing Component Kit.....</b>		
<b>COLT</b>			<b>☆TCK191</b>		
Timing Component Kit.....	☆TCK191		Cam. Belt.....	☆T191	
Cam. Belt.....	☆T191		Cam. Tensioner Assy.....	T41051	◇ 146
Cam. Tensioner Assy.....	T41051	◇ 146	<b>4-CYL. 1.5 L ENG. (CANADA)</b>		
<b>4-CYL. 1.5 L ENG. (CANADA)</b>			<b>COLT</b>		
<b>COLT</b>			<b>Timing Component Kit.....</b>		
Timing Component Kit.....	☆TCK128		<b>☆TCK128</b>		
Cam. Belt.....	☆T128		<b>☆T128</b>		
Cam. Tensioner Assy.....	T41042	◇ 118	<b>Cam. Tensioner Assy.....</b>		
<b>4-CYL. 1.8 L ENG.</b>			<b>T41042</b>		
<b>LASER</b>			<b>◇ 118</b>		
Timing Component Kit.....	TCK158		<b>4-CYL. 1.6 L ENG.</b>		
Balance Shaft Belt.....	T159		<b>COLT</b>		
Cam. Belt.....	T158		<b>Cam. Belt.....</b>		
Cam. Seal.....	KS13907		<b>☆T165</b>		
Crankshaft Seal.....	KS17729		<b>4-CYL. 1.6 L ENG. (CANADA)</b>		
Balance Shaft Tensioner Assy.....	T41057	◇ 133	<b>COLT</b>		
Cam. Tensioner Assy.....	T41056	◇ 133	<b>Cam. Belt.....</b>		
<b>4-CYL. 2.0 L ENG.</b>			<b>☆T165</b>		
<b>COLT VISTA</b>			<b>4-CYL. 1.8 L ENG.</b>		
Timing Component Kit.....	TCK158A		<b>COLT</b>		
Balance Shaft Belt.....	T159		<b>Cam. Belt.....</b>		
Cam. Belt.....	T158		<b>T093</b>		
Cam. Seal.....	KS13907		<b>LASER</b>		
Crankshaft Seal.....	KS17729		<b>Timing Component Kit.....</b>		
<b>LASER</b>			<b>TCK158</b>		
Timing Component Kit; W/O Turbo.....	☆★TCK167		<b>Balance Shaft Belt.....</b>		
Balance Shaft Belt.....	☆T168		<b>T159</b>		
Cam. Belt.....	☆T167		<b>Cam. Belt.....</b>		
Cam. Seal.....	②KS13907		<b>T158</b>		
Crankshaft Seal.....	KS17729		<b>Cam. Seal.....</b>		
Balance Shaft Tensioner Assy.; W/O Turbo.....	T41047	◇ 139	<b>KS13907</b>		
Cam. Idler Pulley; W/O Turbo.....	T42017	◇ 139	<b>KS17729</b>		
Cam. Tensioner Assy.; W/O Turbo.....	★T41046	◇ 139	<b>Balance Shaft Tensioner Assy.....</b>		
<b>4-CYL. 2.2 L ENG.</b>			<b>T41057</b>		
<b>SUNDANCE</b>			<b>◇ 133</b>		
Timing Component Kit.....	TCK153		<b>Cam. Tensioner Assy.....</b>		
			<b>T41056</b>		
			<b>◇ 133</b>		
			<b>4-CYL. 2.0 L ENG.</b>		
			<b>COLT VISTA</b>		
			<b>Timing Component Kit.....</b>		
			<b>TCK158A</b>		
			<b>Balance Shaft Belt.....</b>		
			<b>T159</b>		
			<b>Cam. Belt.....</b>		
			<b>T158</b>		
			<b>Cam. Seal.....</b>		
			<b>KS13907</b>		
			<b>Crankshaft Seal.....</b>		
			<b>KS17729</b>		
			<b>LASER</b>		
			<b>Timing Component Kit; W/O Turbo.....</b>		
			<b>☆★TCK167</b>		
			<b>Balance Shaft Belt.....</b>		
			<b>☆T168</b>		
			<b>Cam. Belt.....</b>		
			<b>☆T167</b>		
			<b>Cam. Seal.....</b>		
			<b>②KS13907</b>		
			<b>Crankshaft Seal.....</b>		
			<b>KS17729</b>		
			<b>Balance Shaft Tensioner Assy.; W/O Turbo.....</b>		
			<b>T41047</b>		
			<b>◇ 139</b>		
			<b>Cam. Idler Pulley; W/O Turbo.....</b>		
			<b>T42017</b>		
			<b>◇ 139</b>		
			<b>Cam. Tensioner Assy.; W/O Turbo.....</b>		
			<b>★T41046</b>		
			<b>◇ 139</b>		
			<b>4-CYL. 2.2 L ENG.</b>		
			<b>HORIZON</b>		
			<b>Timing Component Kit.....</b>		
			<b>TCK153</b>		

☆ Interference engine application. See inside back cover for additional information.

② Two Required.

◇ See Diagram Section (Pages 153-167).

★ Does Not Include Cam. Tensioner Hyd. Assy.

④ Four Required.

# PowerGrip™ Timing System Products for Passenger Cars

Application	Part No.	Diagram No.	Application	Part No.	Diagram No.
<b>PLYMOUTH - Continued</b>			<b>PLYMOUTH - Continued</b>		
<b>1990 - Continued</b>			<b>1989 - Continued</b>		
<b>4-CYL. 2.2 L ENG. - Continued</b>			<b>4-CYL. 2.2 L ENG. - Continued</b>		
<b>HORIZON - Continued</b>			<b>SUNDANCE - Continued</b>		
Cam. Belt.....	T153		Cam. Tensioner Assy.....	T41001	◇ 130
Cam. Seal.....	KS13948		<b>4-CYL. 2.2 L ENG. (CANADA)</b>		
Crankshaft Seal.....	KS11122		<b>EXPO</b>		
Cam. Tensioner Assy.....	T41001	◇ 130	Timing Component Kit.....	TCK153	
<b>SUNDANCE</b>			Cam. Belt.....	T153	
Timing Component Kit.....	TCK153		Cam. Seal.....	KS13948	
Cam. Belt.....	T153		Crankshaft Seal.....	KS11122	
Cam. Seal.....	KS15800		Cam. Tensioner Assy.....	T41001	◇ 130
Crankshaft Seal.....	KS11122		<b>4-CYL. 2.5 L ENG.</b>		
Cam. Tensioner Assy.....	T41001	◇ 130	<b>ACCLAIM; RELIANT; SUNDANCE</b>		
<b>4-CYL. 2.5 L ENG.</b>			Timing Component Kit.....	TCK153	
<b>ACCLAIM; SUNDANCE</b>			Cam. Belt.....	T153	
Timing Component Kit.....	TCK153		Cam. Seal.....	KS13948	
Cam. Belt.....	T153		Crankshaft Seal.....	KS11122	
Cam. Seal.....	KS13948		Cam. Tensioner Assy.....	T41001	◇ 130
Crankshaft Seal.....	KS11122		<b>V-6 3.0 L ENG.</b>		
Cam. Tensioner Assy.....	T41001	◇ 130	<b>ACCLAIM</b>		
<b>V-6 3.0 L ENG.</b>			Timing Component Kit.....	TCK139	
<b>ACCLAIM</b>			Cam. Belt.....	T139	
Timing Component Kit.....	TCK139		Cam. Seal.....	②KS13907	
Cam. Belt.....	T139		Crankshaft Seal.....	KS14671	
Cam. Seal.....	②KS13907		Cam. Tensioner Assy.....	T41048	◇ 123
Crankshaft Seal.....	KS14671		<b>1988</b>		
Cam. Tensioner Assy.....	T41048	◇ 123	<b>4-CYL. 1.5 L ENG.</b>		
<b>1989</b>			<b>COLT</b>		
<b>4-CYL. 1.5 L ENG.</b>			Timing Component Kit.....	☆TCK128	
<b>COLT</b>			Cam. Belt.....	☆T128	
Timing Component Kit.....	☆TCK128		Cam. Tensioner Assy.....	T41042	◇ 118
Cam. Belt.....	☆T128		<b>4-CYL. 1.6 L ENG.</b>		
Cam. Tensioner Assy.....	T41042	◇ 118	<b>COLT</b>		
<b>4-CYL. 1.5 L ENG. (CANADA)</b>			Cam. Belt.....	T093	
<b>COLT</b>			<b>4-CYL. 2.0 L ENG.</b>		
Timing Component Kit.....	☆TCK128		<b>COLT VISTA</b>		
Cam. Belt.....	☆T128		Timing Component Kit.....	TCK158A	
Cam. Tensioner Assy.....	T41042	◇ 118	Balance Shaft Belt.....	T159	
<b>4-CYL. 1.6 L ENG.</b>			Cam. Belt.....	T158	
<b>COLT</b>			Cam. Seal.....	KS13907	
Cam. Belt.....	☆T165		Crankshaft Seal.....	KS17729	
<b>4-CYL. 1.6 L ENG. (CANADA)</b>			Balance Shaft Tensioner Assy.....	T41045	◇ 134
<b>COLT</b>			Cam. Tensioner Assy.....	T41044	◇ 134
Cam. Belt.....	T093		<b>4-CYL. 2.2 L ENG.</b>		
<b>4-CYL. 1.8 L ENG.</b>			<b>CARAVELLE; HORIZON; RELIANT; SUNDANCE</b>		
<b>COLT</b>			Timing Component Kit.....	TCK071	
Cam. Belt.....	T093		Cam. Belt.....	T071	
<b>4-CYL. 2.0 L ENG.</b>			Cam. Seal.....	KS13948	
<b>COLT VISTA</b>			Crankshaft Seal.....	KS13948	
Timing Component Kit.....	TCK158A		Cam. Tensioner Assy.....	T41000	◇ 107
Balance Shaft Belt.....	T159		<b>4-CYL. 2.2 L ENG. (CANADA)</b>		
Cam. Belt.....	T158		<b>CARAVELLE; EXPO</b>		
Cam. Seal.....	KS13907		Timing Component Kit.....	TCK071	
Crankshaft Seal.....	KS17729		Cam. Belt.....	T071	
Balance Shaft Tensioner Assy.....	T41045	◇ 134	Cam. Seal.....	KS13948	
Cam. Tensioner Assy.....	T41044	◇ 134	Crankshaft Seal.....	KS13948	
<b>4-CYL. 2.2 L ENG.</b>			Cam. Tensioner Assy.....	T41000	◇ 107
<b>HORIZON; RELIANT</b>			<b>4-CYL. 2.5 L ENG.</b>		
Timing Component Kit.....	TCK153		<b>CARAVELLE; RELIANT; SUNDANCE</b>		
Cam. Belt.....	T153		Cam. Belt.....	T132	
Cam. Seal.....	KS13948		<b>1987</b>		
Crankshaft Seal.....	KS11122		<b>4-CYL. 1.5 L ENG.</b>		
Cam. Tensioner Assy.....	T41001	◇ 130	<b>COLT</b>		
<b>SUNDANCE</b>			Timing Component Kit.....	☆TCK128	
Timing Component Kit.....	TCK153		Cam. Belt.....	☆T128	
Cam. Belt.....	T153		Cam. Tensioner Assy.....	T41042	◇ 118
Cam. Seal.....	KS15800				
Crankshaft Seal.....	KS11122				

☆ Interference engine application. See inside back cover for additional information.

② Two Required.

◇ See Diagram Section (Pages 153-167).

\* Does Not Include Cam. Tensioner Hyd. Assy.

④ Four Required.



# PowerGrip™ Timing System Products for Passenger Cars

Application	Part No.	Diagram No.	Application	Part No.	Diagram No.
<b>PLYMOUTH - Continued</b>			<b>PLYMOUTH - Continued</b>		
<b>1987 - Continued</b>			<b>1985 - Continued</b>		
<b>4-CYL. 1.6 L ENG. COLT</b>			<b>4-CYL. 2.2 L ENG. - Continued</b>		
Cam. Belt.....	T093		<b>CARAVELLE; HORIZON; RELIANT; TURISMO - Continued</b>		
<b>4-CYL. 2.0 L ENG. COLT VISTA</b>			Cam. Seal.....	KS13948	
Timing Component Kit.....	TCK158A		Crankshaft Seal.....	KS13948	
Balance Shaft Belt.....	T159		Cam. Tensioner Assy.....	T41000	◇ 107
Cam. Belt.....	T158		<b>1984</b>		
Cam. Seal.....	KS13907		<b>4-CYL. 1.4 L ENG. COLT</b>		
Crankshaft Seal.....	KS17729		Cam. Belt.....	☆T073	
Balance Shaft Tensioner Assy.....	T41045	◇ 134	<b>4-CYL. 1.6 L ENG. COLT</b>		
Cam. Tensioner Assy.....	T41044	◇ 134	Cam. Belt.....	T093	
<b>4-CYL. 2.2 L ENG. CARAVELLE; HORIZON; RELIANT; SUNDANCE; TURISMO</b>			<b>4-CYL. 2.0 L ENG. COLT VISTA</b>		
Timing Component Kit.....	TCK071		Balance Shaft Belt.....	T090	
Cam. Belt.....	T071		Cam. Belt.....	T089	
Cam. Seal.....	KS13948		<b>4-CYL. 2.2 L ENG. HORIZON; RELIANT; TURISMO</b>		
Crankshaft Seal.....	KS13948		Timing Component Kit.....	TCK071	
Cam. Tensioner Assy.....	T41000	◇ 107	Cam. Belt.....	T071	
<b>4-CYL. 2.2 L ENG. (CANADA) CARAVELLE; EXPO</b>			Cam. Seal.....	KS13948	
Timing Component Kit.....	TCK071		Crankshaft Seal.....	KS13948	
Cam. Belt.....	T071		Cam. Tensioner Assy.....	T41000	◇ 107
Cam. Seal.....	KS13948		<b>4-CYL. 2.2 L ENG. (CANADA) CARAVELLE</b>		
Crankshaft Seal.....	KS13948		Timing Component Kit.....	TCK071	
Cam. Tensioner Assy.....	T41000	◇ 107	Cam. Belt.....	T071	
<b>4-CYL. 2.5 L ENG. CARAVELLE; RELIANT</b>			Cam. Seal.....	KS13948	
Cam. Belt.....	T114		Crankshaft Seal.....	KS13948	
<b>1986</b>			Cam. Tensioner Assy.....	T41000	◇ 107
<b>4-CYL. 1.5 L ENG. COLT</b>			<b>1983</b>		
Cam. Belt.....	☆T073		<b>4-CYL. 1.4 L ENG. COLT</b>		
<b>4-CYL. 1.6 L ENG. COLT</b>			Cam. Belt.....	☆T073	
Cam. Belt; Early.....	T093		<b>4-CYL. 1.6 L ENG. COLT</b>		
<b>4-CYL. 2.0 L ENG. COLT VISTA</b>			Cam. Belt.....	T093	
Balance Shaft Belt.....	T090		<b>4-CYL. 1.7 L ENG. HORIZON; TURISMO</b>		
Cam. Belt.....	T089		Timing Component Kit.....	TCK017	
<b>4-CYL. 2.2 L ENG. CARAVELLE; HORIZON; RELIANT; TURISMO</b>			Cam. Belt.....	T017	
Timing Component Kit.....	TCK071		Cam. Tensioner Assy.....	T41079	◇ 177
Cam. Belt.....	T071		<b>4-CYL. 2.2 L ENG. HORIZON; RELIANT; TURISMO</b>		
Cam. Seal.....	KS13948		Timing Component Kit.....	TCK071	
Crankshaft Seal.....	KS13948		Cam. Belt.....	T071	
Cam. Tensioner Assy.....	T41000	◇ 107	Cam. Seal.....	KS13948	
<b>4-CYL. 2.5 L ENG. CARAVELLE; RELIANT</b>			Crankshaft Seal.....	KS13948	
Cam. Belt.....	T114		Cam. Tensioner Assy.....	T41000	◇ 107
<b>1985</b>			<b>4-CYL. 2.2 L ENG. (CANADA) CARAVELLE</b>		
<b>4-CYL. 1.5 L ENG. COLT</b>			Timing Component Kit.....	TCK071	
Cam. Belt.....	☆T073		Cam. Belt.....	T071	
<b>4-CYL. 1.6 L ENG. COLT</b>			Cam. Seal.....	KS13948	
Cam. Belt.....	T093		Crankshaft Seal.....	KS13948	
<b>4-CYL. 2.0 L ENG. COLT VISTA</b>			Cam. Tensioner Assy.....	T41000	◇ 107
Balance Shaft Belt.....	T090		<b>1982-1981</b>		
Cam. Belt.....	T089		<b>4-CYL. 1.4 L ENG. CHAMP</b>		
<b>4-CYL. 2.2 L ENG. CARAVELLE; HORIZON; RELIANT; TURISMO</b>			Cam. Belt.....	☆T073	
Timing Component Kit.....	TCK071		<b>4-CYL. 1.4 L ENG. (CANADA) COLT</b>		
Cam. Belt.....	T071		Cam. Belt.....	☆T073	

☆ Interference engine application. See inside back cover for additional information.

\* Does Not Include Cam. Tensioner Hyd. Assy.

② Two Required.

④ Four Required.

◇ See Diagram Section (Pages 153-167).

# PowerGrip™ Timing System Products for Passenger Cars

Application	Part No.	Diagram No.	Application	Part No.	Diagram No.
<b>PLYMOUTH - Continued</b>			<b>PLYMOUTH - Continued</b>		
<b>1982-1981 - Continued</b>			<b>1978</b>		
<b>4-CYL. 1.6 L ENG. CHAMP</b>			<b>4-CYL. 98 C.I.D. ENG. ARROW; SAPPORO</b>		
Cam. Belt.....	T064		Balance Shaft Belt .....	T062	
<b>4-CYL. 1.6 L ENG. (CANADA) COLT</b>			Cam. Belt; W/Balance Shaft .....	T013	
Cam. Belt.....	T064		Cam. Belt; W/O Balance Shaft.....	T064	
<b>4-CYL. 1.7 L ENG. HORIZON; TC3</b>			<b>4-CYL. 98 (CANADA) C.I.D. ENG. COLT</b>		
Timing Component Kit.....	TCK017		Balance Shaft Belt .....	T062	
Cam. Belt.....	T017		Cam. Belt; W/Balance Shaft .....	T013	
Cam. Tensioner Assy.....	T41079	◇ 177	Cam. Belt; W/O Balance Shaft.....	T064	
<b>4-CYL. 2.2 L ENG. HORIZON; RELIANT; TC3</b>			<b>4-CYL. 104 C.I.D. ENG. HORIZON</b>		
Timing Component Kit.....	TCK071		Timing Component Kit.....	TCK017	
Cam. Belt.....	T071		Cam. Belt.....	T017	
Cam. Seal.....	KS13948		Cam. Tensioner Assy.....	T41079	◇ 177
Crankshaft Seal.....	KS13948				
Cam. Tensioner Assy.....	T41000	◇ 107			
<b>1980</b>			<b>1977</b>		
<b>4-CYL. 1.4 L ENG. CHAMP</b>			<b>4-CYL. 98 C.I.D. ENG. ARROW</b>		
Cam. Belt.....	☆T073		Balance Shaft Belt .....	T062	
<b>4-CYL. 1.4 L ENG. (CANADA) COLT</b>			Cam. Belt.....	T013	
Cam. Belt.....	☆T073		<b>4-CYL. 98 (CANADA) C.I.D. ENG. COLT</b>		
<b>4-CYL. 1.6 L ENG. ARROW; CHAMP</b>			Balance Shaft Belt .....	T062	
Balance Shaft Belt .....	T062		Cam. Belt.....	T013	
Cam. Belt; W/Balance Shaft .....	T013		<b>4-CYL. 98 (CANADA) C.I.D. ENG. COLT</b>		
Cam. Belt; W/O Balance Shaft.....	T064		Balance Shaft Belt .....	T062	
<b>4-CYL. 1.6 L ENG. (CANADA) COLT</b>			Cam. Belt.....	T013	
Balance Shaft Belt .....	T062		<b>PONTIAC</b>		
Cam. Belt; W/Balance Shaft .....	T013		Light truck, van or motorhome information for this manufacturer can be found in the next section of this catalog.		
Cam. Belt; W/O Balance Shaft.....	T064		<b>2000-1998</b>		
<b>4-CYL. 1.7 L ENG. HORIZON</b>			<b>3-CYL. 1.0 L ENG. (CANADA) FIREFLY</b>		
Timing Component Kit.....	TCK017		Timing Component Kit.....	TCK194A	
Cam. Belt.....	T017		Cam. Belt.....	T194	
Cam. Tensioner Assy.....	T41079	◇ 177	Cam. Seal.....	KS12724	
			Crankshaft Seal.....	KS12724	
			Cam. Tensioner Assy.....	T41010	◇ 149
			<b>4-CYL. 1.3 L ENG. (CANADA) FIREFLY</b>		
			Cam. Belt.....	T194	
			<b>1997</b>		
			<b>3-CYL. 1.0 L ENG. (CANADA) FIREFLY</b>		
			Timing Component Kit.....	TCK194A	
			Cam. Belt.....	T194	
			Cam. Seal.....	KS12724	
			Crankshaft Seal.....	KS12724	
			Cam. Tensioner Assy.....	T41010	◇ 149
			<b>4-CYL. 1.3 L ENG. (CANADA) FIREFLY</b>		
			Timing Component Kit.....	TCK272	
			Cam. Belt.....	T272	
			Cam. Tensioner Assy.....	T41065	◇ 156
			<b>1996</b>		
			<b>3-CYL. 1.0 L ENG. (CANADA) FIREFLY</b>		
			Timing Component Kit.....	TCK194A	
			Cam. Belt.....	T194	
			Cam. Seal.....	KS12724	
			Crankshaft Seal.....	KS12724	
			Cam. Tensioner Assy.....	T41010	◇ 149
			<b>4-CYL. 1.3 L ENG. (CANADA) FIREFLY</b>		
			Timing Component Kit.....	TCK272	
			Cam. Belt.....	T272	
			Cam. Tensioner Assy.....	T41065	◇ 156

☆ Interference engine application. See inside back cover for additional information.  
 \* Does Not Include Cam. Tensioner Hyd. Assy.

② Two Required.  
 ④ Four Required.

◇ See Diagram Section (Pages 153-167).

# PowerGrip™ Timing System Products for Passenger Cars

Application	Part No.	Diagram No.	Application	Part No.	Diagram No.
<b>PONTIAC - Continued</b>			<b>PONTIAC - Continued</b>		
<b>1996 - Continued</b>			<b>1990</b>		
<b>V-6 3.4 L ENG. GRAND PRIX</b>			<b>3-CYL. 1.0 L ENG. (CANADA) FIREFLY</b>		
Cam. Belt.....	☆T273		Cam. Belt.....	T166	
<b>1995</b>			<b>4-CYL. 1.6 L ENG. LEMANS</b>		
<b>3-CYL. 1.0 L ENG. (CANADA) FIREFLY</b>			Cam. Belt; W/Tensioner Pulley..... ☆T203		
Cam. Belt.....	T241		Cam. Belt; W/O Tensioner Pulley.....	☆T148	
<b>4-CYL. 1.3 L ENG. (CANADA) FIREFLY</b>			<b>4-CYL. 2.0 L ENG. LEMANS; SUNBIRD</b>		
Timing Component Kit.....	TCK272		Timing Component Kit.....	TCK163	
Cam. Belt.....	T272		Cam. Belt.....	T163	
Cam. Tensioner Assy.....	T41065	◇ 156	Cam. Seal.....	KS13709	
<b>V-6 3.4 L ENG. GRAND PRIX</b>			Crankshaft Seal.....		
Cam. Belt.....	T192		Cam. Tensioner Assy.....	T43002	◇ 137
<b>1994</b>			<b>1989</b>		
<b>3-CYL. 1.0 L ENG. (CANADA) FIREFLY</b>			<b>3-CYL. 1.0 L ENG. (CANADA) FIREFLY</b>		
Cam. Belt.....	T241		Cam. Belt.....	T166	
<b>4-CYL. 2.0 L ENG. SUNBIRD</b>			<b>4-CYL. 1.6 L ENG. LEMANS</b>		
Timing Component Kit.....	TCK163		Cam. Belt.....	T148	
Cam. Belt.....	T163		<b>4-CYL. 2.0 L ENG. GRAND AM; SUNBIRD</b>		
Cam. Seal.....	KS13709		Timing Component Kit.....	TCK163	
Crankshaft Seal.....	KS12756		Cam. Belt.....	T163	
Cam. Tensioner Assy.....	T43002	◇ 137	Cam. Seal.....	KS13709	
<b>V-6 3.4 L ENG. GRAND PRIX</b>			Crankshaft Seal.....		
Cam. Belt.....	T192		Cam. Tensioner Assy.....	T43002	◇ 137
<b>1993-1992</b>			<b>LEMANS</b>		
<b>4-CYL. 1.6 L ENG. LEMANS</b>			Timing Component Kit; 2nd Design.....		
Cam. Belt.....	☆T203		Cam. Belt; 1st Design.....	T081	
<b>4-CYL. 2.0 L ENG. SUNBIRD</b>			Cam. Belt; 2nd Design.....		
Timing Component Kit.....	TCK163		Cam. Seal; 2nd Design.....	KS13709	
Cam. Belt.....	T163		Crankshaft Seal; 2nd Design.....	KS12756	
Cam. Seal.....	KS13709		Cam. Tensioner Assy.; 2nd Design.....	T43002	◇ 137
Crankshaft Seal.....	KS12756		<b>1988</b>		
Cam. Tensioner Assy.....	T43002	◇ 137	<b>3-CYL. 1.0 L ENG. (CANADA) FIREFLY</b>		
<b>V-6 3.4 L ENG. GRAND PRIX</b>			Cam. Belt.....		
Cam. Belt.....	T192		T095		
<b>1991</b>			<b>4-CYL. 1.5 L ENG. (CANADA) SUNBURST</b>		
<b>3-CYL. 1.0 L ENG. (CANADA) FIREFLY</b>			Cam. Belt.....		
Cam. Belt.....	T166		☆T118		
<b>4-CYL. 1.6 L ENG. LEMANS</b>			<b>4-CYL. 1.6 L ENG. LEMANS</b>		
Cam. Belt.....	☆T203		Cam. Belt.....		
<b>4-CYL. 2.0 L ENG. SUNBIRD</b>			T148		
Timing Component Kit.....	TCK163		<b>4-CYL. 2.0 L ENG. GRAND AM; SUNBIRD</b>		
Cam. Belt.....	T163		Cam. Belt.....		
Cam. Seal.....	KS13709		T081		
Crankshaft Seal.....	KS12756		<b>1987</b>		
Cam. Tensioner Assy.....	T43002	◇ 137	<b>3-CYL. 1.0 L ENG. (CANADA) FIREFLY</b>		
<b>V-6 3.4 L ENG. GRAND PRIX</b>			Cam. Belt.....		
Cam. Belt.....	T192		T095		
<b>1991</b>			<b>4-CYL. 1.5 L ENG. (CANADA) SUNBURST</b>		
<b>3-CYL. 1.0 L ENG. (CANADA) FIREFLY</b>			Cam. Belt.....		
Cam. Belt.....	T166		☆T118		
<b>4-CYL. 1.6 L ENG. LEMANS</b>			<b>4-CYL. 1.6 L ENG. 1000</b>		
Cam. Belt.....	☆T203		Cam. Belt.....		
<b>4-CYL. 2.0 L ENG. SUNBIRD</b>			T061		
Timing Component Kit.....	TCK163		<b>4-CYL. 1.6 L ENG. (CANADA) ACADIAN</b>		
Cam. Belt.....	T163		Cam. Belt.....		
Cam. Seal.....	KS13709		T061		
Crankshaft Seal.....	KS12756		<b>4-CYL. 2.0 L ENG. GRAND AM; SUNBIRD</b>		
Cam. Tensioner Assy.....	T43002	◇ 137	Cam. Belt.....		
<b>V-6 3.4 L ENG. GRAND PRIX</b>			T081		
Cam. Belt.....	T192				

☆ Interference engine application. See inside back cover for additional information.

\* Does Not Include Cam. Tensioner Hyd. Assy.

② Two Required.

④ Four Required.

◇ See Diagram Section (Pages 153-167).

# PowerGrip™ Timing System Products for Passenger Cars

Application	Part No.	Diagram No.	Application	Part No.	Diagram No.
<b>PONTIAC - Continued</b>			<b>PONTIAC - Continued</b>		
<b>1986</b>			<b>1982</b>		
<b>3-CYL. 1.0 L ENG. (CANADA) FIREFLY</b>			IMPORTANT: PLEASE NOTE. To select correct replacement parts, it may be necessary to identify the code character for the engine by looking at the VIN (Vehicle Identification Number) located on the dash panel. For 1981 and newer cars, refer to the 8th digit of VIN for the correct engine code.		
Cam. Belt.....	T095				
<b>4-CYL. 1.5 L ENG. (CANADA) SUNBURST</b>			<b>4-CYL. 1.6 L ENG. T1000</b>		
Cam. Belt.....	☆T118		Cam. Belt.....	T061	
<b>4-CYL. 1.6 L ENG. 1000</b>			<b>4-CYL. 1.6 L ENG. (CANADA) ACADIAN</b>		
Cam. Belt.....	T061		Cam. Belt.....	T061	
<b>4-CYL. 1.6 L ENG. (CANADA) ACADIAN</b>			<b>4-CYL. 1.8 L ENG. J2000</b>		
Cam. Belt.....	T061		Cam. Belt; Eng. VIN O .....	T081	
<b>4-CYL. 1.8 L ENG. SUNBIRD</b>			<b>4-CYL. 1.8 L DIESEL ENG. (CANADA) ACADIAN</b>		
Cam. Belt.....	T081		Cam. Belt.....	☆T076	
<b>1985</b>			<b>1981</b>		
<b>3-CYL. 1.0 L ENG. (CANADA) FIREFLY</b>			<b>4-CYL. 1.6 L ENG. T1000</b>		
Cam. Belt.....	T095		Cam. Belt.....	T061	
<b>4-CYL. 1.5 L ENG. (CANADA) SUNBURST</b>			<b>4-CYL. 1.6 L ENG. (CANADA) ACADIAN</b>		
Cam. Belt.....	☆T118		Cam. Belt.....	T061	
<b>4-CYL. 1.6 L ENG. 1000</b>			<b>4-CYL. 1.8 L DIESEL ENG. (CANADA) ACADIAN</b>		
Cam. Belt.....	T061		Cam. Belt.....	☆T076	
<b>4-CYL. 1.6 L ENG. (CANADA) ACADIAN</b>			<b>1980</b>		
Cam. Belt.....	T061		<b>4-CYL. 1.6 L ENG. (CANADA) ACADIAN</b>		
<b>4-CYL. 1.8 L ENG. SUNBIRD</b>			Cam. Belt.....		
Cam. Belt.....	T081		T061		
<b>4-CYL. 1.8 L DIESEL ENG. (CANADA) ACADIAN</b>			<b>1979</b>		
Cam. Belt.....	☆T076		<b>4-CYL. 98 (CANADA) C.I.D. ENG. ACADIAN</b>		
<b>1984</b>			Cam. Belt.....		
<b>4-CYL. 1.6 L ENG. 1000</b>			T061		
Cam. Belt.....	T061		<b>1978</b>		
<b>4-CYL. 1.6 L ENG. (CANADA) ACADIAN</b>			<b>4-CYL. 98 (CANADA) C.I.D. ENG. ACADIAN</b>		
Cam. Belt.....	T061		Cam. Belt.....		
<b>4-CYL. 1.8 L ENG. 2000 SUNBIRD</b>			T039		
Cam. Belt.....	T081		<b>1977</b>		
<b>4-CYL. 1.8 L DIESEL ENG. (CANADA) ACADIAN</b>			<b>4-CYL. 85 (CANADA) C.I.D. ENG. ACADIAN</b>		
Cam. Belt.....	☆T076		Cam. Belt.....		
<b>1983</b>			T039		
<b>4-CYL. 1.6 L ENG. 1000</b>			<b>4-CYL. 98 (CANADA) C.I.D. ENG. ACADIAN</b>		
Cam. Belt.....	T061		Cam. Belt.....		
<b>4-CYL. 1.6 L ENG. (CANADA) ACADIAN</b>			T037		
Cam. Belt.....	T061		<b>PORSCHE</b>		
<b>4-CYL. 1.8 L ENG. 2000</b>			<b>1995-1992</b>		
Cam. Belt.....	T081		<b>4-CYL. 3.0 L ENG. 968</b>		
<b>4-CYL. 1.8 L DIESEL ENG. (CANADA) ACADIAN</b>			Balance Shaft Belt .....		
Cam. Belt.....	☆T076		☆T293		
			Cam. Belt.....		
			☆T152		
			<b>V-8 5.4 L ENG. 928</b>		
			Cam. Belt.....		
			☆T196		

☆ Interference engine application. See inside back cover for additional information.

\* Does Not Include Cam. Tensioner Hyd. Assy.

② Two Required.

④ Four Required.

◇ See Diagram Section (Pages 153-167).

# PowerGrip™ Timing System Products for Passenger Cars

Application	Part No.	Diagram No.	Application	Part No.	Diagram No.
<b>PORSCHE - Continued</b>			<b>PORSCHE - Continued</b>		
<b>1991-1990</b>			<b>1982-1980</b>		
<b>4-CYL. 3.0 L ENG.</b>			<b>4-CYL. 2.0 L ENG.</b>		
944			924		
Balance Shaft Belt .....	☆T293		Timing Component Kit.....	☆TCK017	
Cam. Belt.....	☆T152		Cam. Belt.....	☆T017	
<b>V-8 5.0 L ENG.</b>			Cam. Tensioner Assy.....	T41079	◇ 177
928			<b>V-8 4.5 L ENG.</b>		
Cam. Belt.....	☆T196		928		
<b>1989</b>			Cam. Belt; Sept. 1, 1981 & Newer .....	☆T196	
<b>4-CYL. 2.5 L ENG.</b>			<b>1979-1978</b>		
944			<b>4-CYL. 121 C.I.D. ENG.</b>		
Balance Shaft Belt .....	☆T293		924		
Cam. Belt.....	☆T107		Timing Component Kit.....	☆TCK017	
<b>4-CYL. 2.7 L ENG.</b>			Cam. Belt.....	☆T017	
944			Cam. Tensioner Assy.....	T41079	◇ 177
Balance Shaft Belt .....	☆T293		<b>V-8 273 C.I.D. ENG.</b>		
Cam. Belt.....	☆T107		928		
<b>4-CYL. 3.0 L ENG.</b>			Cam. Belt; Sept. 1, 1981 & Newer .....	☆T196	
944			<b>1977</b>		
Balance Shaft Belt .....	☆T293		<b>4-CYL. 121 C.I.D. ENG.</b>		
Cam. Belt.....	☆T152		924		
<b>V-8 5.0 L ENG.</b>			Timing Component Kit.....	☆TCK017	
928			Cam. Belt.....	☆T017	
Cam. Belt.....	☆T196		Cam. Tensioner Assy.....	T41079	◇ 177
<b>1988-1987</b>			<b>RENAULT</b>		
<b>4-CYL. 2.5 L ENG.</b>			<b>1987</b>		
924			<b>4-CYL. 1.7 L ENG.</b>		
Balance Shaft Belt .....	☆T293		<b>ALLIANCE</b>		
Cam. Belt.....	☆T107		Cam. Belt.....	☆T119	
<b>944</b>			<b>1986</b>		
Balance Shaft Belt .....	☆T293		<b>4-CYL. 1.7 L ENG.</b>		
Cam. Belt; S.....	☆T152		<b>ALLIANCE; ENCORE</b>		
Cam. Belt; Exc. S.....	☆T107		Cam. Belt.....	☆T119	
<b>V-8 5.0 L ENG.</b>			<b>4-CYL. 2.2 L ENG.</b>		
928			<b>SPORTWAGON</b>		
Cam. Belt.....	☆T196		Cam. Belt.....	T140	
<b>1986-1985</b>			<b>1985</b>		
<b>4-CYL. 2.5 L ENG.</b>			<b>4-CYL. 1.7 L ENG.</b>		
944			<b>ALLIANCE; ENCORE</b>		
Balance Shaft Belt .....	☆T293		Cam. Belt.....	☆T119	
Cam. Belt.....	☆T107		<b>4-CYL. 2.2 L ENG.</b>		
<b>V-8 5.0 L ENG.</b>			<b>FUEGO; SPORTWAGON</b>		
928			Cam. Belt.....	T140	
Cam. Belt.....	☆T196		<b>1984</b>		
<b>1984</b>			<b>4-CYL. 2.2 L ENG.</b>		
<b>4-CYL. 2.5 L ENG.</b>			<b>FUEGO; SPORTWAGON</b>		
944			Cam. Belt.....	T140	
Balance Shaft Belt .....	☆T293		<b>SAAB</b>		
Cam. Belt.....	☆T107		<b>1997-1995</b>		
<b>V-8 4.7 L ENG.</b>			<b>V-6 2.5 L ENG.</b>		
928			900		
Cam. Belt.....	☆T196		Cam. Belt.....	☆T285	
<b>1983</b>			<b>V-6 3.0 L ENG.</b>		
<b>4-CYL. 2.5 L ENG.</b>			<b>9000</b>		
944			Cam. Belt.....	☆T285	
Balance Shaft Belt .....	☆T293		<b>1994</b>		
Cam. Belt.....	☆T107		<b>V-6 2.5 L ENG.</b>		
<b>V-8 4.7 L ENG.</b>			<b>900</b>		
928			Cam. Belt.....	☆T285	
Cam. Belt; Sept. 1, 1981 & Newer .....	☆T196				

☆ Interference engine application. See inside back cover for additional information.

\* Does Not Include Cam. Tensioner Hyd. Assy.

② Two Required.

④ Four Required.

◇ See Diagram Section (Pages 153-167).

# PowerGrip™ Timing System Products for Passenger Cars

Application	Part No.	Diagram No.	Application	Part No.	Diagram No.
<b>SATURN</b>			<b>SUBARU - Continued</b>		
Light truck, van or motorhome information for this manufacturer can be found in the next section of this catalog.			<b>1997 - Continued</b>		
<b>2003-2000</b>			<b>4-CYL. 1.8 L ENG. - Continued</b>		
<b>V-6 3.0 L ENG. L-SERIES</b>			<b>IMPREZA - Continued</b>		
Cam. Belt.....	☆T285		Cam. Idler Pulley - Upper Left Hand .....	T42023	◇ 171
<b>STERLING</b>			Cam. Idler Pulley - Lower Left Hand .....	T42023	◇ 171
<b>1991-1989</b>			Cam. Idler Sprocket - Lower Right Hand.....	T42024	◇ 171
<b>V-6 2.7 L ENG. 827</b>			Cam. Tensioner Assy.....	★T41063	◇ 171
Timing Component Kit.....	☆TCK129		<b>4-CYL. 2.2 L ENG. IMPREZA; LEGACY</b>		
Cam. Belt.....	☆T129		Cam. Belt.....	T254	
Cam. Seal.....	②KS13946		Cam. Seal.....	KS12711	
Cam. Tensioner Assy.....	T41015	◇ 119	Crankshaft Seal.....	KS13427	
<b>1988-1987</b>			<b>4-CYL. 2.5 L ENG. LEGACY</b>		
<b>V-6 2.5 L ENG. 825</b>			Cam. Belt.....	☆T277	
Timing Component Kit.....	☆TCK129		Cam. Seal.....	④KS12711	
Cam. Belt.....	☆T129		<b>6-CYL. 3.3 L ENG. SVX</b>		
Cam. Seal.....	②KS13946		Cam. Belt.....	T209	
Cam. Tensioner Assy.....	T41015	◇ 119	<b>1996</b>		
<b>SUBARU</b>			<b>4-CYL. 1.8 L ENG. IMPREZA</b>		
<b>2002</b>			Timing Component Kit.....	★TCK254	
<b>4-CYL. 2.5 L ENG. FORESTER</b>			Cam. Belt.....	T254	
Cam. Belt.....	T304		Cam. Seal.....	KS12711	
<b>LEGACY; OUTBACK</b>			Crankshaft Seal.....	KS13427	
Cam. Belt.....	T307		Cam. Idler Pulley - Upper Left Hand .....	T42023	◇ 171
<b>2001-2000</b>			Cam. Idler Pulley - Lower Left Hand .....	T42023	◇ 171
<b>4-CYL. 2.2 L ENG. IMPREZA; OUTBACK</b>			Cam. Idler Sprocket - Lower Right Hand.....	T42024	◇ 171
Cam. Belt.....	T304		Cam. Tensioner Assy.....	★T41063	◇ 171
<b>4-CYL. 2.5 L ENG. FORESTER; IMPREZA</b>			<b>4-CYL. 2.2 L ENG. IMPREZA; LEGACY</b>		
Cam. Belt.....	T304		Timing Component Kit.....	★TCK254	
<b>LEGACY; OUTBACK</b>			Cam. Belt.....	T254	
Cam. Belt.....	T307		Cam. Seal.....	KS12711	
<b>1999</b>			Crankshaft Seal.....	KS13427	
<b>4-CYL. 2.2 L ENG. IMPREZA; LEGACY</b>			Cam. Idler Pulley - Upper Left Hand .....	T42023	◇ 171
Cam. Belt.....	T304		Cam. Idler Pulley - Lower Left Hand .....	T42023	◇ 171
<b>4-CYL. 2.5 L ENG. FORESTER; IMPREZA</b>			Cam. Idler Sprocket - Lower Right Hand.....	T42024	◇ 171
Cam. Belt.....	T304		Cam. Tensioner Assy.....	★T41063	◇ 171
<b>LEGACY</b>			<b>4-CYL. 2.5 L ENG. LEGACY</b>		
Cam. Belt.....	☆T277		Timing Component Kit.....	☆★TCK277	
<b>1998</b>			Cam. Belt.....	☆T277	
<b>4-CYL. 2.2 L ENG. IMPREZA; LEGACY</b>			Cam. Seal.....	④KS12711	
Cam. Belt.....	T304		Cam. Idler Pulley - Upper Left Hand .....	T42023	◇ 180
<b>4-CYL. 2.5 L ENG. FORESTER; IMPREZA</b>			Cam. Idler Pulley - Lower Left Hand .....	T42023	◇ 180
Cam. Belt.....	T304		Cam. Idler Sprocket - Lower Right Hand.....	T42024	◇ 180
<b>LEGACY</b>			Cam. Tensioner Assy.....	★T41092	◇ 180
Cam. Belt.....	☆T277		<b>6-CYL. 3.3 L ENG. SVX</b>		
<b>1997</b>			Cam. Belt.....	T209	
<b>4-CYL. 1.8 L ENG. IMPREZA</b>			<b>1995</b>		
Timing Component Kit.....	★TCK254		<b>3-CYL. 1.2 L ENG. (CANADA) JUSTY</b>		
Cam. Belt.....	T254		Cam. Belt.....	T135	
Cam. Seal.....	KS12711		Cam. Tensioner Assy.....	T41060	◇ 178
Crankshaft Seal.....	KS13427		<b>4-CYL. 1.8 L ENG. IMPREZA</b>		
<b>1997</b>			Timing Component Kit.....	★TCK254	
<b>4-CYL. 1.8 L ENG. IMPREZA</b>			Cam. Belt.....	T254	
Timing Component Kit.....	★TCK254		Cam. Seal.....	KS12711	
Cam. Belt.....	T254		Crankshaft Seal.....	KS13427	
Cam. Seal.....	KS12711		Cam. Idler Pulley - Upper Left Hand .....	T42023	◇ 171
Crankshaft Seal.....	KS13427		Cam. Idler Pulley - Lower Left Hand .....	T42023	◇ 171
<b>1997</b>			Cam. Idler Sprocket - Lower Right Hand.....	T42024	◇ 171
<b>4-CYL. 1.8 L ENG. IMPREZA</b>			Cam. Tensioner Assy.....	★T41063	◇ 171
Timing Component Kit.....	★TCK254				
Cam. Belt.....	T254				
Cam. Seal.....	KS12711				
Crankshaft Seal.....	KS13427				

☆ Interference engine application. See inside back cover for additional information.

★ Does Not Include Cam. Tensioner Hyd. Assy.

② Two Required.

④ Four Required.

◇ See Diagram Section (Pages 153-167).

# PowerGrip™ Timing System Products for Passenger Cars

Application	Part No.	Diagram No.	Application	Part No.	Diagram No.
<b>SUBARU - Continued</b>			<b>SUBARU - Continued</b>		
<b>1995 - Continued</b>			<b>1993 - Continued</b>		
<b>4-CYL. 2.2 L ENG. IMPREZA; LEGACY</b>			<b>4-CYL. 1.8 L ENG. - Continued</b>		
Timing Component Kit.....	✱TCK254		<b>LOYALE - Continued</b>		
Cam. Belt.....	T254		Cam. Belt; Right Side.....	T300	
Cam. Seal.....	KS12711		Cam. Seal.....	KS14772	
Crankshaft Seal.....	KS13427		Crankshaft Seal.....	KS14738	
Cam. Idler Pulley - Upper Left Hand.....	T42023	◇ 171	Cam. Idler Sprocket.....	T42022	◇ 188
Cam. Idler Pulley - Lower Left Hand.....	T42023	◇ 171	Cam. Tensioner Assy. - Left Hand.....	T41062	◇ 188
Cam. Idler Sprocket - Lower Right Hand.....	T42024	◇ 171	Cam. Tensioner Assy. - Right Hand.....	T41061	◇ 188
Cam. Tensioner Assy.....	✱T41063	◇ 171			
<b>6-CYL. 3.3 L ENG. SVX</b>			<b>4-CYL. 2.2 L ENG. LEGACY</b>		
Cam. Belt.....	T209		Timing Component Kit.....	✱TCK172	
			Cam. Belt.....	T172	
			Cam. Seal.....	KS12711	
			Cam. Idler Pulley - Upper Left Hand.....	T42023	◇ 171
			Cam. Idler Pulley - Lower Left Hand.....	T42023	◇ 171
			Cam. Idler Sprocket - Lower Right Hand.....	T42024	◇ 171
			Cam. Tensioner Assy.....	✱T41063	◇ 171
<b>1994</b>			<b>6-CYL. 3.3 L ENG. SVX</b>		
<b>3-CYL. 1.2 L ENG. JUSTY</b>			Cam. Belt.....		
Cam. Belt.....	T135			T209	
Cam. Tensioner Assy.....	T41060	◇ 178			
<b>4-CYL. 1.8 L ENG. IMPREZA</b>			<b>1992</b>		
Timing Component Kit.....	✱TCK254		<b>3-CYL. 1.2 L ENG. JUSTY</b>		
Cam. Belt.....	T254		Cam. Belt.....	T135	
Cam. Seal.....	KS12711		Cam. Tensioner Assy.....	T41060	◇ 178
Crankshaft Seal.....	KS13427		<b>4-CYL. 1.8 L ENG. LOYALE</b>		
Cam. Idler Pulley - Upper Left Hand.....	T42023	◇ 171	Timing Component Kit.....	TCK299	
Cam. Idler Pulley - Lower Left Hand.....	T42023	◇ 171	Cam. Belt; Left Side.....	T299	
Cam. Idler Sprocket - Lower Right Hand.....	T42024	◇ 171	Cam. Belt; Right Side.....	T300	
Cam. Tensioner Assy.....	✱T41063	◇ 171	Cam. Seal.....	KS14772	
<b>LOYALE</b>			Crankshaft Seal.....	KS14738	
Timing Component Kit.....	TCK299		Cam. Idler Sprocket.....	T42022	◇ 188
Cam. Belt; Left Side.....	T299		Cam. Tensioner Assy. - Left Hand.....	T41062	◇ 188
Cam. Belt; Right Side.....	T300		Cam. Tensioner Assy. - Right Hand.....	T41061	◇ 188
Cam. Seal.....	KS14772		<b>4-CYL. 2.2 L ENG. LEGACY</b>		
Crankshaft Seal.....	KS14738		Timing Component Kit.....	✱TCK172	
Cam. Idler Sprocket.....	T42022	◇ 188	Cam. Belt.....	T172	
Cam. Tensioner Assy. - Left Hand.....	T41062	◇ 188	Cam. Seal.....	KS12711	
Cam. Tensioner Assy. - Right Hand.....	T41061	◇ 188	Cam. Idler Pulley - Upper Left Hand.....	T42023	◇ 171
<b>4-CYL. 2.2 L ENG. LEGACY</b>			Cam. Idler Pulley - Lower Left Hand.....	T42023	◇ 171
Timing Component Kit.....	✱TCK254		Cam. Idler Sprocket - Lower Right Hand.....	T42024	◇ 171
Cam. Belt.....	T254		Cam. Tensioner Assy.....	✱T41063	◇ 171
Cam. Seal.....	KS12711		<b>6-CYL. 3.3 L ENG. SVX</b>		
Cam. Idler Pulley - Upper Left Hand.....	T42023	◇ 171	Cam. Belt.....	T209	
Cam. Idler Pulley - Lower Left Hand.....	T42023	◇ 171	<b>1991-1990</b>		
Cam. Idler Sprocket - Lower Right Hand.....	T42024	◇ 171	<b>3-CYL. 1.2 L ENG. JUSTY</b>		
Cam. Tensioner Assy.....	✱T41063	◇ 171	Cam. Belt.....	T135	
<b>6-CYL. 3.3 L ENG. SVX</b>			Cam. Tensioner Assy.....	T41060	◇ 178
Cam. Belt.....	T209		<b>4-CYL. 1.8 L ENG. LOYALE; XT</b>		
			Timing Component Kit.....	TCK299	
			Cam. Belt; Left Side.....	T299	
			Cam. Belt; Right Side.....	T300	
			Cam. Seal.....	KS14772	
			Crankshaft Seal.....	KS14738	
			Cam. Idler Sprocket.....	T42022	◇ 188
			Cam. Tensioner Assy. - Left Hand.....	T41062	◇ 188
			Cam. Tensioner Assy. - Right Hand.....	T41061	◇ 188
<b>1993</b>			<b>4-CYL. 2.2 L ENG. LEGACY</b>		
<b>3-CYL. 1.2 L ENG. JUSTY</b>			Timing Component Kit.....	✱TCK172	
Cam. Belt.....	T135		Cam. Belt.....	T172	
Cam. Tensioner Assy.....	T41060	◇ 178	Cam. Seal.....	KS12711	
<b>4-CYL. 1.8 L ENG. IMPREZA</b>			Cam. Idler Pulley - Upper Left Hand.....	T42023	◇ 171
Timing Component Kit.....	✱TCK172		Cam. Idler Pulley - Lower Left Hand.....	T42023	◇ 171
Cam. Belt.....	T172		Cam. Idler Sprocket - Lower Right Hand.....	T42024	◇ 171
Cam. Seal.....	KS12711		Cam. Tensioner Assy.....	✱T41063	◇ 171
Crankshaft Seal.....	KS13427		<b>6-CYL. 3.3 L ENG. SVX</b>		
Cam. Idler Pulley - Upper Left Hand.....	T42023	◇ 171	Cam. Belt.....	T209	
Cam. Idler Pulley - Lower Left Hand.....	T42023	◇ 171	<b>1991-1990</b>		
Cam. Idler Sprocket - Lower Right Hand.....	T42024	◇ 171	<b>3-CYL. 1.2 L ENG. JUSTY</b>		
Cam. Tensioner Assy.....	✱T41063	◇ 171	Cam. Belt.....	T135	
<b>LOYALE</b>			Cam. Tensioner Assy.....	T41060	◇ 178
Timing Component Kit.....	TCK299		<b>4-CYL. 1.8 L ENG. LOYALE; XT</b>		
Cam. Belt; Left Side.....	T299		Timing Component Kit.....	TCK299	
			Cam. Belt; Left Side.....	T299	
			Cam. Belt; Right Side.....	T300	
			Cam. Seal.....	KS14772	
			Crankshaft Seal.....	KS14738	
			Cam. Idler Sprocket.....	T42022	◇ 188
			Cam. Tensioner Assy. - Left Hand.....	T41062	◇ 188
			Cam. Tensioner Assy. - Right Hand.....	T41061	◇ 188
<b>1993</b>			<b>4-CYL. 2.2 L ENG. LEGACY</b>		
<b>3-CYL. 1.2 L ENG. JUSTY</b>			Timing Component Kit.....	✱TCK172	
Cam. Belt.....	T135		Cam. Belt.....	T172	
Cam. Tensioner Assy.....	T41060	◇ 178			

☆ Interference engine application. See inside back cover for additional information.

② Two Required.

◇ See Diagram Section (Pages 153-167).

✱ Does Not Include Cam. Tensioner Hyd. Assy.

④ Four Required.

# PowerGrip™ Timing System Products for Passenger Cars

Application	Part No.	Diagram No.	Application	Part No.	Diagram No.
<b>SUBARU - Continued</b>			<b>SUBARU - Continued</b>		
<b>1991-1990 - Continued</b>			<b>1985</b>		
<b>4-CYL. 2.2 L ENG. - Continued</b>			<b>4-CYL. 1.8 L ENG.</b>		
<b>LEGACY - Continued</b>			<b>DL; GL; GL-10; RX; XT</b>		
Cam. Seal.....	KS12711		Timing Component Kit.....	TCK299	
Cam. Idler Pulley - Upper Left Hand.....	T42023	◇ 171	Cam. Belt; Left Side.....	T299	
Cam. Idler Pulley - Lower Left Hand.....	T42023	◇ 171	Cam. Belt; Right Side.....	T300	
Cam. Idler Sprocket - Lower Right Hand.....	T42024	◇ 171	Cam. Seal.....	KS14772	
Cam. Tensioner Assy.....	*T41063	◇ 171	Crankshaft Seal.....	KS14738	
<b>6-CYL. 2.7 L ENG.</b>			Cam. Idler Sprocket.....	T42022	◇ 188
<b>XT6</b>			Cam. Tensioner Assy. - Left Hand.....	T41062	◇ 188
Cam. Belt; Left Side.....	T151		Cam. Tensioner Assy. - Right Hand.....	T41061	◇ 188
Cam. Belt; Right Side.....	T150		<b>SUZUKI</b>		
<b>1989-1988</b>			Light truck, van or motorhome information for this manufacturer can be found in the next section of this catalog.		
<b>3-CYL. 1.2 L ENG.</b>			<b>2001</b>		
<b>JUSTY</b>			<b>4-CYL. 1.3 L ENG.</b>		
Cam. Belt.....	T135		<b>SWIFT</b>		
Cam. Tensioner Assy.....	T41060	◇ 178	Cam. Belt.....	T194	
<b>4-CYL. 1.8 L ENG.</b>			<b>4-CYL. 1.6 L ENG. (CANADA)</b>		
<b>DL; GL; GL-10; RX; XT</b>			<b>ESTEEM</b>		
Timing Component Kit.....	TCK299		Timing Component Kit.....	TCK212	
Cam. Belt; Left Side.....	T299		Cam. Belt.....	T212	
Cam. Belt; Right Side.....	T300		Cam. Seal.....	KS12724	
Cam. Seal.....	KS14772		Crankshaft Seal.....	KS12724	
Crankshaft Seal.....	KS14738		Cam. Tensioner Assy.....	T41065	◇ 156
Cam. Idler Sprocket.....	T42022	◇ 188	<b>2000-1998</b>		
Cam. Tensioner Assy. - Left Hand.....	T41062	◇ 188	<b>4-CYL. 1.3 L ENG.</b>		
Cam. Tensioner Assy. - Right Hand.....	T41061	◇ 188	<b>SWIFT</b>		
<b>6-CYL. 2.7 L ENG.</b>			Cam. Belt.....		
<b>XT6</b>			T194		
Cam. Belt; Left Side.....	T151		<b>4-CYL. 1.6 L ENG.</b>		
Cam. Belt; Right Side.....	T150		<b>ESTEEM</b>		
<b>1987</b>			Timing Component Kit.....		
<b>3-CYL. 1.2 L ENG.</b>			TCK212		
<b>JUSTY</b>			Cam. Belt.....		
Cam. Belt.....	T135		T212		
Cam. Tensioner Assy.....	T41060	◇ 178	Cam. Seal.....		
<b>4-CYL. 1.8 L ENG.</b>			KS12724		
<b>DL; GL; GL-10; RX; XT</b>			Crankshaft Seal.....		
Timing Component Kit.....	TCK299		KS12724		
Cam. Belt; Left Side.....	T299		Cam. Tensioner Assy.....		
Cam. Belt; Right Side.....	T300		T41065		
Cam. Seal.....	KS14772		<b>1997-1995</b>		
Crankshaft Seal.....	KS14738		<b>4-CYL. 1.3 L ENG.</b>		
Cam. Idler Sprocket.....	T42022	◇ 188	<b>SWIFT</b>		
Cam. Tensioner Assy. - Left Hand.....	T41062	◇ 188	Timing Component Kit.....		
Cam. Tensioner Assy. - Right Hand.....	T41061	◇ 188	TCK272		
<b>1986</b>			Cam. Belt.....		
<b>4-CYL. 1.8 L ENG.</b>			T272		
<b>DL; GL; XT</b>			Cam. Seal.....		
Timing Component Kit.....	TCK299		KS12724		
Cam. Belt; Left Side.....	T299		Crankshaft Seal.....		
Cam. Belt; Right Side.....	T300		KS12724		
Cam. Seal.....	KS14772		Cam. Tensioner Assy.....		
Crankshaft Seal.....	KS14738		T41065		
Cam. Idler Sprocket.....	T42022	◇ 188	<b>1994</b>		
Cam. Tensioner Assy. - Left Hand.....	T41062	◇ 188	<b>4-CYL. 1.3 L ENG.</b>		
Cam. Tensioner Assy. - Right Hand.....	T41061	◇ 188	<b>SWIFT</b>		
<b>GL-10; RX</b>			Cam. Belt; W/DOHC Eng.....		
Timing Component Kit.....	TCK299		☆T171		
Cam. Belt; Left Side.....	T299		Cam. Belt; W/SOHC Eng.....		
Cam. Belt; Right Side.....	T300		T243		
Cam. Seal.....	KS14772		<b>1993-1989</b>		
Crankshaft Seal.....	KS14738		<b>4-CYL. 1.3 L ENG.</b>		
Cam. Idler Sprocket.....	T42022	◇ 188	<b>SWIFT</b>		
Cam. Tensioner Assy. - Left Hand.....	T41062	◇ 188	Timing Component Kit; W/SOHC Eng.....		
Cam. Tensioner Assy. - Right Hand.....	T41061	◇ 188	TCK095		
<b>1985</b>			Cam. Belt; W/DOHC Eng.....		
<b>4-CYL. 1.8 L ENG.</b>			☆T171		
<b>DL; GL; GL-10; RX; XT</b>			Cam. Belt; W/SOHC Eng.....		
Timing Component Kit.....	TCK299		T095		
Cam. Belt; Left Side.....	T299		Cam. Seal; W/SOHC Eng.....		
Cam. Belt; Right Side.....	T300		KS12724		
Cam. Seal.....	KS14772		Crankshaft Seal; W/SOHC Eng.....		
Crankshaft Seal.....	KS14738		KS12724		
Cam. Idler Sprocket.....	T42022	◇ 188	Cam. Tensioner Assy.; W/SOHC Eng.....		
Cam. Tensioner Assy. - Left Hand.....	T41062	◇ 188	T41064		
Cam. Tensioner Assy. - Right Hand.....	T41061	◇ 188	◇ 112		

☆ Interference engine application. See inside back cover for additional information.

② Two Required.

◇ See Diagram Section (Pages 153-167).

\* Does Not Include Cam. Tensioner Hyd. Assy.

④ Four Required.



# PowerGrip™ Timing System Products for Passenger Cars

Application	Part No.	Diagram No.	Application	Part No.	Diagram No.
<b>TOYOTA</b>			<b>TOYOTA - Continued</b>		
Light truck, van or motorhome information for this manufacturer can be found in the next section of this catalog.			<b>2000 - Continued</b>		
<b>2002</b>			<b>V-6 3.0 L ENG. - Continued</b>		
<b>V-6 3.0 L ENG.</b>			<b>CAMRY - Continued</b>		
<b>AVALON; CAMRY; SOLARA</b>			Cam. Idler Pulley..... T42030 ◇ 132		
Timing Component Kit.....	★TCK257	◇ 132	Cam. Tensioner Pulley.....	★T41075	◇ 132
Cam. Belt.....	T257		<b>CAMRY SOLARA</b>		
Cam. Idler Pulley.....	T42030	◇ 132	Timing Component Kit.....	★TCK257	◇ 132
Cam. Tensioner Pulley.....	★T41075	◇ 132	Cam. Belt.....	T257	
<b>2001</b>			Cam. Seal.....	④KS13423	
<b>4-CYL. 2.2 L ENG.</b>			Crankshaft Seal.....	KS15818	
<b>CAMRY</b>			Cam. Idler Pulley.....	T42030	◇ 132
Timing Component Kit.....	TCK199		Cam. Tensioner Pulley.....	★T41075	◇ 132
Cam. Belt.....	T199		<b>1999</b>		
Cam. Seal.....	②KS14671		<b>4-CYL. 1.5 L ENG. (CANADA)</b>		
Cam. Idler Pulley.....	T42025	◇ 151	<b>PASEO; TERCEL</b>		
Cam. Tensioner Assy.....	T41067	◇ 151	Timing Component Kit.....	TCK208	
<b>SOLARA</b>			Cam. Belt.....	T208	
Timing Component Kit.....	TCK199		Cam. Idler Pulley.....	T42029	◇ 154
Cam. Belt.....	T199		Cam. Tensioner Assy.....	T41071	◇ 154
Crankshaft Seal.....	KS17758		<b>4-CYL. 2.2 L ENG.</b>		
Cam. Idler Pulley.....	T42025	◇ 151	<b>CAMRY; CELICA</b>		
Cam. Tensioner Assy.....	T41067	◇ 151	Timing Component Kit.....	TCK199	
<b>4-CYL. 2.2 L CNG ENG.</b>			Cam. Belt.....	T199	
<b>CAMRY</b>			Cam. Idler Pulley.....	T42025	◇ 151
Timing Component Kit.....	TCK199		Cam. Tensioner Assy.....	T41067	◇ 151
Cam. Belt.....	T199		<b>CAMRY SOLARA</b>		
Cam. Seal.....	②KS14671		Timing Component Kit.....	TCK199	
<b>V-6 3.0 L ENG.</b>			Cam. Belt.....	T199	
<b>AVALON; CAMRY; SOLARA</b>			Crankshaft Seal.....	KS17758	
Timing Component Kit.....	★TCK257	◇ 132	Cam. Idler Pulley.....	T42025	◇ 151
Cam. Belt.....	T257		Cam. Tensioner Assy.....	T41067	◇ 151
Cam. Idler Pulley.....	T42030	◇ 132	<b>4-CYL. 2.2 L CNG ENG.</b>		
Cam. Tensioner Pulley.....	★T41075	◇ 132	<b>CAMRY</b>		
<b>2000</b>			Timing Component Kit.....	TCK199	
<b>4-CYL. 1.8 L ENG.</b>			Cam. Belt.....	T199	
<b>CELICA</b>			Cam. Seal.....	②KS14671	
Cam. Idler Pulley.....	T42025	◇ 151	<b>V-6 3.0 L ENG.</b>		
Cam. Tensioner Assy.....	T41067	◇ 151	<b>AVALON</b>		
<b>4-CYL. 2.2 L ENG.</b>			Timing Component Kit.....	★TCK257	◇ 132
<b>CAMRY</b>			Cam. Belt.....	T257	
Timing Component Kit.....	TCK199		Cam. Seal.....	④KS14671	
Cam. Belt.....	T199		Cam. Idler Pulley.....	T42030	◇ 132
Cam. Idler Pulley.....	T42025	◇ 151	Cam. Tensioner Pulley.....	★T41075	◇ 132
Cam. Tensioner Assy.....	T41067	◇ 151	<b>CAMRY</b>		
<b>CAMRY SOLARA</b>			Timing Component Kit.....	★TCK257	◇ 132
Timing Component Kit.....	TCK199		Cam. Belt.....	T257	
Cam. Belt.....	T199		Cam. Seal.....	④KS14671	
Crankshaft Seal.....	KS17758		Crankshaft Seal.....	KS15818	
Cam. Idler Pulley.....	T42025	◇ 151	Cam. Idler Pulley.....	T42030	◇ 132
Cam. Tensioner Assy.....	T41067	◇ 151	Cam. Tensioner Pulley.....	★T41075	◇ 132
<b>4-CYL. 2.2 L CNG ENG.</b>			<b>CAMRY SOLARA</b>		
<b>CAMRY</b>			Timing Component Kit.....	★TCK257	◇ 132
Timing Component Kit.....	TCK199		Cam. Belt.....	T257	
Cam. Belt.....	T199		Cam. Seal.....	④KS13423	
<b>V-6 3.0 L ENG.</b>			Crankshaft Seal.....	KS15818	
<b>AVALON</b>			Cam. Idler Pulley.....	T42030	◇ 132
Timing Component Kit.....	★TCK257	◇ 132	Cam. Tensioner Pulley.....	★T41075	◇ 132
Cam. Belt.....	T257		<b>1998</b>		
Cam. Seal.....	④KS14671		<b>4-CYL. 1.5 L ENG.</b>		
Cam. Idler Pulley.....	T42030	◇ 132	<b>TERCEL</b>		
Cam. Tensioner Pulley.....	★T41075	◇ 132	Timing Component Kit.....	TCK208	
<b>CAMRY</b>			Cam. Belt.....	T208	
Timing Component Kit.....	★TCK257	◇ 132	Cam. Seal.....	②KS13857	
Cam. Belt.....	T257		Crankshaft Seal.....	KS13857	
Cam. Seal.....	④KS14671		Cam. Idler Pulley.....	T42029	◇ 154
Crankshaft Seal.....	KS15818		Cam. Tensioner Assy.....	T41071	◇ 154
Cam. Idler Pulley.....	T42030	◇ 132	<b>4-CYL. 1.5 L ENG. (CANADA)</b>		
Cam. Tensioner Pulley.....	★T41075	◇ 132	<b>PASEO</b>		
<b>2000</b>			Timing Component Kit.....	TCK208	
<b>4-CYL. 1.8 L ENG.</b>					
<b>CELICA</b>					
Cam. Idler Pulley.....	T42025	◇ 151			
Cam. Tensioner Assy.....	T41067	◇ 151			
<b>4-CYL. 2.2 L ENG.</b>					
<b>CAMRY</b>					
Timing Component Kit.....	TCK199				
Cam. Belt.....	T199				
Cam. Idler Pulley.....	T42025	◇ 151			
Cam. Tensioner Assy.....	T41067	◇ 151			
<b>CAMRY SOLARA</b>					
Timing Component Kit.....	TCK199				
Cam. Belt.....	T199				
Crankshaft Seal.....	KS17758				
Cam. Idler Pulley.....	T42025	◇ 151			
Cam. Tensioner Assy.....	T41067	◇ 151			
<b>4-CYL. 2.2 L CNG ENG.</b>					
<b>CAMRY</b>					
Timing Component Kit.....	TCK199				
Cam. Belt.....	T199				
<b>V-6 3.0 L ENG.</b>					
<b>AVALON</b>					
Timing Component Kit.....	★TCK257	◇ 132			
Cam. Belt.....	T257				
Cam. Seal.....	④KS14671				
Cam. Idler Pulley.....	T42030	◇ 132			
Cam. Tensioner Pulley.....	★T41075	◇ 132			
<b>CAMRY</b>					
Timing Component Kit.....	★TCK257	◇ 132			
Cam. Belt.....	T257				
Cam. Seal.....	④KS14671				
Crankshaft Seal.....	KS15818				

☆ Interference engine application. See inside back cover for additional information.

★ Does Not Include Cam. Tensioner Hyd. Assy.

② Two Required.

④ Four Required.

◇ See Diagram Section (Pages 153-167).

# PowerGrip™ Timing System Products for Passenger Cars

Application	Part No.	Diagram No.	Application	Part No.	Diagram No.
<b>TOYOTA - Continued</b>			<b>TOYOTA - Continued</b>		
<b>1998 - Continued</b>			<b>1997 - Continued</b>		
<b>4-CYL. 1.5 L ENG. (CANADA) - Continued</b>			<b>V-6 3.0 L ENG. - Continued</b>		
<b>PASEO - Continued</b>			<b>AVALON - Continued</b>		
Cam. Belt.....	T208		Cam. Idler Pulley.....	T42030	◇ 132
Cam. Idler Pulley.....	T42029	◇ 154	Cam. Tensioner Pulley.....	*T41075	◇ 132
Cam. Tensioner Assy.....	T41071	◇ 154	<b>CAMRY</b>		
<b>4-CYL. 2.2 L ENG.</b>			<b>Timing Component Kit.....</b>		
<b>CAMRY; CELICA</b>			<b>*TCK257</b>		
Timing Component Kit.....	TCK199		Cam. Belt.....	T257	
Cam. Belt.....	T199		Cam. Seal.....	④KS14671	
Cam. Idler Pulley.....	T42025	◇ 151	Crankshaft Seal.....	KS15818	
Cam. Tensioner Assy.....	T41067	◇ 151	Cam. Idler Pulley.....	T42030	◇ 132
<b>4-CYL. 2.2 L CNG ENG.</b>			Cam. Tensioner Pulley.....		
<b>CAMRY</b>			<b>*T41075</b>		
Timing Component Kit.....	TCK199		<b>1996</b>		
Cam. Belt.....	T199		<b>4-CYL. 1.5 L ENG.</b>		
<b>6-CYL. 3.0 L ENG.</b>			<b>PASEO; TERCEL</b>		
<b>SUPRA</b>			<b>Timing Component Kit.....</b>		
Cam. Belt.....	T215		<b>TCK208</b>		
<b>V-6 3.0 L ENG.</b>			Cam. Belt.....		
<b>AVALON</b>			<b>T208</b>		
Timing Component Kit.....	*TCK257	◇ 132	Cam. Seal.....	②KS13857	
Cam. Belt.....	T257		Crankshaft Seal.....	KS13857	
Cam. Seal.....	④KS14671		Cam. Idler Pulley.....	T42029	◇ 154
Cam. Idler Pulley.....	T42030	◇ 132	Cam. Tensioner Assy.....	T41071	◇ 154
Cam. Tensioner Pulley.....	*T41075	◇ 132	<b>4-CYL. 1.6 L ENG.</b>		
<b>CAMRY</b>			<b>COROLLA</b>		
Timing Component Kit.....	*TCK257	◇ 132	<b>Timing Component Kit.....</b>		
Cam. Belt.....	T257		<b>TCK236</b>		
Cam. Seal.....	④KS14671		Cam. Belt.....		
Crankshaft Seal.....	KS15818		<b>T236</b>		
Cam. Idler Pulley.....	T42030	◇ 132	Cam. Seal.....		
Cam. Tensioner Pulley.....	*T41075	◇ 132	<b>KS13857</b>		
<b>1997</b>			Crankshaft Seal.....		
<b>4-CYL. 1.5 L ENG.</b>			<b>KS16489</b>		
<b>PASEO; TERCEL</b>			<b>4-CYL. 1.8 L ENG.</b>		
Timing Component Kit.....	TCK208		<b>CELICA; COROLLA</b>		
Cam. Belt.....	T208		<b>Timing Component Kit.....</b>		
Cam. Seal.....	②KS13857		<b>TCK235</b>		
Crankshaft Seal.....	KS13857		Cam. Belt.....		
Cam. Idler Pulley.....	T42029	◇ 154	<b>T235</b>		
Cam. Tensioner Assy.....	T41071	◇ 154	Cam. Seal.....		
<b>4-CYL. 1.6 L ENG.</b>			<b>②KS13857</b>		
<b>COROLLA</b>			Crankshaft Seal.....		
Timing Component Kit.....	TCK236		<b>KS16489</b>		
Cam. Belt.....	T236		<b>4-CYL. 2.2 L ENG.</b>		
Cam. Seal.....	KS13857		<b>CAMRY</b>		
Crankshaft Seal.....	KS16489		<b>Timing Component Kit.....</b>		
<b>4-CYL. 1.8 L ENG.</b>			<b>TCK199</b>		
<b>CELICA; COROLLA</b>			Cam. Belt.....		
Timing Component Kit.....	TCK235		<b>T199</b>		
Cam. Belt.....	T235		Cam. Seal.....		
Cam. Seal.....	②KS13857		<b>②KS14671</b>		
Crankshaft Seal.....	KS16489		Cam. Idler Pulley.....		
<b>4-CYL. 2.2 L ENG.</b>			<b>T42025</b>		
<b>CAMRY; CELICA</b>			<b>◇ 151</b>		
Timing Component Kit.....	TCK199		Cam. Tensioner Assy.....		
Cam. Belt.....	T199		<b>T41067</b>		
Cam. Idler Pulley.....	T42025	◇ 151	<b>◇ 151</b>		
Cam. Tensioner Assy.....	T41067	◇ 151	<b>CELICA</b>		
<b>6-CYL. 3.0 L ENG.</b>			<b>Timing Component Kit.....</b>		
<b>SUPRA</b>			<b>TCK199</b>		
Cam. Belt.....	T215		Cam. Belt.....		
<b>V-6 3.0 L ENG.</b>			<b>T199</b>		
<b>AVALON</b>			Cam. Idler Pulley.....		
Timing Component Kit.....	*TCK257	◇ 132	<b>T42025</b>		
Cam. Belt.....	T257		<b>◇ 151</b>		
Cam. Seal.....	④KS14671		<b>T41067</b>		
Cam. Idler Pulley.....	T42030	◇ 132	<b>◇ 151</b>		
Cam. Tensioner Pulley.....	*T41075	◇ 132	<b>6-CYL. 3.0 L ENG.</b>		
<b>CAMRY</b>			<b>SUPRA</b>		
Timing Component Kit.....	*TCK257	◇ 132	Cam. Belt.....		
Cam. Belt.....	T257		<b>T215</b>		
Cam. Seal.....	④KS14671		<b>V-6 3.0 L ENG.</b>		
Crankshaft Seal.....	KS15818		<b>AVALON</b>		
Cam. Idler Pulley.....	T42030	◇ 132	<b>Timing Component Kit.....</b>		
Cam. Tensioner Pulley.....	*T41075	◇ 132	<b>*TCK257</b>		
<b>1995</b>			<b>◇ 132</b>		
<b>4-CYL. 1.5 L ENG.</b>			Cam. Belt.....		
<b>PASEO; TERCEL</b>			<b>T257</b>		
Timing Component Kit.....	TCK208		Cam. Seal.....		
Cam. Belt.....	T208		<b>④KS14671</b>		
Cam. Seal.....	②KS13857		Cam. Idler Pulley.....		
<b>1998</b>			<b>T42030</b>		
<b>4-CYL. 1.5 L ENG.</b>			<b>◇ 132</b>		
<b>PASEO; TERCEL</b>			<b>Cam. Tensioner Pulley.....</b>		
Timing Component Kit.....	TCK208		<b>*T41075</b>		
Cam. Belt.....	T208		<b>◇ 132</b>		
Cam. Seal.....	②KS13857				

☆ Interference engine application. See inside back cover for additional information.  
 \* Does Not Include Cam. Tensioner Hyd. Assy.

② Two Required.  
 ④ Four Required.

◇ See Diagram Section (Pages 153-167).

# PowerGrip™ Timing System Products for Passenger Cars

Application	Part No.	Diagram No.	Application	Part No.	Diagram No.
<b>TOYOTA - Continued</b>			<b>TOYOTA - Continued</b>		
<b>1995 - Continued</b>			<b>1994 - Continued</b>		
<b>4-CYL. 1.5 L ENG. - Continued</b>			<b>4-CYL. 1.6 L ENG.</b>		
<b>PASEO; TERCEL - Continued</b>			<b>COROLLA</b>		
Crankshaft Seal.....	KS13857		Timing Component Kit.....	TCK236	
Cam. Idler Pulley.....	T42029	◇ 154	Cam. Belt.....	T236	
Cam. Tensioner Assy.....	T41071	◇ 154	Cam. Seal.....	KS13857	
<b>4-CYL. 1.6 L ENG.</b>			Crankshaft Seal.....	KS16489	
<b>COROLLA</b>			<b>4-CYL. 1.8 L ENG.</b>		
Timing Component Kit.....	TCK236		<b>CELICA; COROLLA</b>		
Cam. Belt.....	T236		Timing Component Kit.....	TCK235	
Cam. Seal.....	KS13857		Cam. Belt.....	T235	
Crankshaft Seal.....	KS16489		Cam. Seal.....	②KS13857	
<b>4-CYL. 1.8 L ENG.</b>			Crankshaft Seal.....	KS16489	
<b>CELICA; COROLLA</b>			<b>4-CYL. 2.0 L ENG.</b>		
Timing Component Kit.....	TCK235		<b>MR2</b>		
Cam. Belt.....	T235		Cam. Belt.....	T125	
Cam. Seal.....	②KS13857		<b>4-CYL. 2.2 L ENG.</b>		
Crankshaft Seal.....	KS16489		<b>CAMRY</b>		
<b>4-CYL. 2.0 L ENG.</b>			Timing Component Kit.....	TCK199	
<b>MR2</b>			Cam. Belt.....	T199	
Cam. Belt.....	T125		Cam. Seal.....	②KS14671	
<b>4-CYL. 2.2 L ENG.</b>			Cam. Idler Pulley.....	T42025	◇ 151
<b>CAMRY</b>			Cam. Tensioner Assy.....	T41067	◇ 151
Timing Component Kit.....	TCK199		<b>CELICA; MR2</b>		
Cam. Belt.....	T199		Timing Component Kit.....	TCK199	
Cam. Seal.....	②KS14671		Cam. Belt.....	T199	
Cam. Idler Pulley.....	T42025	◇ 151	Cam. Idler Pulley.....	T42025	◇ 151
Cam. Tensioner Assy.....	T41067	◇ 151	Cam. Tensioner Assy.....	T41067	◇ 151
<b>CELICA; MR2</b>			<b>6-CYL. 3.0 L ENG.</b>		
Timing Component Kit.....	TCK199		<b>SUPRA</b>		
Cam. Belt.....	T199		Cam. Belt.....	T215	
Cam. Idler Pulley.....	T42025	◇ 151	<b>V-6 3.0 L ENG.</b>		
Cam. Tensioner Assy.....	T41067	◇ 151	<b>CAMRY</b>		
<b>6-CYL. 3.0 L ENG.</b>			Timing Component Kit.....	★TCK257	◇ 132
<b>SUPRA</b>			Cam. Belt.....	T257	
Cam. Belt.....	T215		Cam. Seal.....	④KS14671	
<b>V-6 3.0 L ENG.</b>			Crankshaft Seal.....	KS15818	
<b>AVALON</b>			Cam. Idler Pulley.....	T42030	◇ 132
Timing Component Kit.....	★TCK257	◇ 132	Cam. Tensioner Pulley.....	★T41075	◇ 132
Cam. Belt.....	T257		<b>1993</b>		
Cam. Seal.....	④KS14671		<b>4-CYL. 1.5 L ENG.</b>		
Cam. Idler Pulley.....	T42030	◇ 132	<b>PASEO</b>		
Cam. Tensioner Pulley.....	★T41075	◇ 132	Timing Component Kit.....	TCK208	
<b>CAMRY</b>			Cam. Belt.....	T208	
Timing Component Kit.....	★TCK257	◇ 132	Cam. Seal.....	②KS13857	
Cam. Belt.....	T257		Crankshaft Seal.....	KS13857	
Cam. Seal.....	④KS14671		Cam. Idler Pulley.....	T42029	◇ 154
Crankshaft Seal.....	KS15818		Cam. Tensioner Assy.....	T41071	◇ 154
Cam. Idler Pulley.....	T42030	◇ 132	<b>TERCEL</b>		
Cam. Tensioner Pulley.....	★T41075	◇ 132	Timing Component Kit.....	☆TCK233	
<b>1994</b>			Cam. Belt.....	☆T233	
<b>4-CYL. 1.5 L ENG.</b>			Cam. Seal; Exc. Wagon.....	KS13857	
<b>PASEO</b>			Crankshaft Seal; Exc. Wagon.....	KS12718	
Timing Component Kit.....	TCK208		Cam. Idler Pulley; Exc. Wagon.....	T42028	◇ 163
Cam. Belt.....	T208		Cam. Tensioner Assy.; Exc. Wagon.....	T41076	◇ 163
Cam. Seal.....	②KS13857		<b>4-CYL. 1.6 L ENG.</b>		
Crankshaft Seal.....	KS13857		<b>CELICA</b>		
Cam. Idler Pulley.....	T42029	◇ 154	Cam. Belt.....	T239	
Cam. Tensioner Assy.....	T41071	◇ 154	<b>COROLLA</b>		
<b>TERCEL</b>			Timing Component Kit.....	TCK236	
Timing Component Kit.....	☆TCK233		Cam. Belt.....	T236	
Cam. Belt.....	☆T233		Cam. Seal.....	KS13857	
Cam. Seal; Exc. Wagon.....	KS13857		Crankshaft Seal.....	KS16489	
Crankshaft Seal; Exc. Wagon.....	KS12718		<b>4-CYL. 1.8 L ENG.</b>		
Cam. Idler Pulley; Exc. Wagon.....	T42028	◇ 163	<b>COROLLA</b>		
Cam. Tensioner Assy.; Exc. Wagon.....	T41076	◇ 163	Timing Component Kit.....	TCK235	
<b>1994</b>			Cam. Belt.....	T235	
<b>4-CYL. 1.5 L ENG.</b>					
<b>PASEO</b>					
Timing Component Kit.....	TCK208				
Cam. Belt.....	T208				
Cam. Seal.....	②KS13857				
Crankshaft Seal.....	KS13857				
Cam. Idler Pulley.....	T42029	◇ 154			
Cam. Tensioner Assy.....	T41071	◇ 154			
<b>TERCEL</b>					
Timing Component Kit.....	☆TCK233				
Cam. Belt.....	☆T233				
Cam. Seal; Exc. Wagon.....	KS13857				
Crankshaft Seal; Exc. Wagon.....	KS12718				
Cam. Idler Pulley; Exc. Wagon.....	T42028	◇ 163			
Cam. Tensioner Assy.; Exc. Wagon.....	T41076	◇ 163			

☆ Interference engine application. See inside back cover for additional information.

② Two Required.

◇ See Diagram Section (Pages 153-167).

★ Does Not Include Cam. Tensioner Hyd. Assy.

④ Four Required.

# PowerGrip™ Timing System Products for Passenger Cars

Application	Part No.	Diagram No.	Application	Part No.	Diagram No.
<b>TOYOTA - Continued</b>			<b>TOYOTA - Continued</b>		
<b>1993 - Continued</b>			<b>1992 - Continued</b>		
<b>4-CYL. 2.0 L ENG. CELICA; MR2</b>			<b>4-CYL. 2.2 L ENG. - Continued CELICA</b>		
Cam. Belt.....	T125		Timing Component Kit.....	TCK199	
<b>4-CYL. 2.2 L ENG. CAMRY</b>			Cam. Belt.....	T199	
Timing Component Kit.....	TCK199		Cam. Idler Pulley; Exc. GT-S.....	T42025	◇ 151
Cam. Belt.....	T199		Cam. Tensioner Assy.; Exc. GT-S.....	T41067	◇ 151
Cam. Seal.....	②KS14671		<b>MR2</b>		
Cam. Idler Pulley.....	T42025	◇ 151	Timing Component Kit.....	TCK199	
Cam. Tensioner Assy.....	T41067	◇ 151	Cam. Belt.....	T199	
<b>CELICA</b>			Cam. Seal.....	②KS14671	
Timing Component Kit.....	TCK199		Crankshaft Seal.....	KS16489	
Cam. Belt.....	T199		Cam. Idler Pulley.....	T42025	◇ 151
Cam. Idler Pulley.....	T42025	◇ 151	Cam. Tensioner Assy.....	T41067	◇ 151
Cam. Tensioner Assy.....	T41067	◇ 151	<b>6-CYL. 3.0 L ENG. CRESSIDA; SUPRA</b>		
<b>MR2</b>			Cam. Belt.....	T237	
Timing Component Kit.....	TCK199		<b>V-6 3.0 L ENG. CAMRY</b>		
Cam. Belt.....	T199		Timing Component Kit.....	*TCK200	◇ 132
Cam. Seal.....	②KS14671		Cam. Belt.....	T200	
Crankshaft Seal.....	KS16489		Cam. Seal.....	④KS14671	
Cam. Idler Pulley.....	T42025	◇ 151	Crankshaft Seal.....	KS15818	
Cam. Tensioner Assy.....	T41067	◇ 151	Cam. Idler Pulley.....	T42030	◇ 132
<b>6-CYL. 3.0 L ENG. SUPRA</b>			Cam. Tensioner Pulley.....	*T41075	◇ 132
Cam. Belt.....	T215		<b>1991</b>		
<b>V-6 3.0 L ENG. CAMRY</b>			<b>4-CYL. 1.5 L ENG. TERCEL</b>		
Timing Component Kit.....	*TCK200	◇ 132	Timing Component Kit.....	*TCK233	
Cam. Belt.....	T200		Cam. Belt.....	*T233	
Cam. Seal.....	④KS14671		Cam. Seal; Exc. Wagon.....	KS13857	
Crankshaft Seal.....	KS15818		Crankshaft Seal; Exc. Wagon.....	KS12718	
Cam. Idler Pulley.....	T42030	◇ 132	Cam. Idler Pulley; Exc. Wagon.....	T42028	◇ 163
Cam. Tensioner Pulley.....	*T41075	◇ 132	Cam. Tensioner Assy.; Exc. Wagon.....	T41076	◇ 163
<b>1992</b>			<b>4-CYL. 1.6 L ENG. CELICA</b>		
<b>4-CYL. 1.5 L ENG. PASEO</b>			Timing Component Kit.....	TCK036	
Timing Component Kit.....	TCK208		Cam. Belt.....	T036	
Cam. Belt.....	T208		Cam. Seal.....	②KS13857	
Cam. Seal.....	②KS13857		Crankshaft Seal.....	KS16489	
Crankshaft Seal.....	KS13857		Cam. Tensioner Assy.....	T41066	◇ 104
Cam. Idler Pulley.....	T42029	◇ 154	<b>COROLLA</b>		
Cam. Tensioner Assy.....	T41071	◇ 154	<b>Timing Component Kit; Eng. Designation</b>		
<b>TERCEL</b>			4AFE.....	TCK036	
Timing Component Kit.....	*TCK233		Cam. Belt; Eng. Designation 4AFE.....	T036	
Cam. Belt.....	*T233		Cam. Belt; Eng. Designation 4AGE.....	T176	
Cam. Seal; Exc. Wagon.....	KS13857		Cam. Seal.....	②KS13857	
Crankshaft Seal; Exc. Wagon.....	KS12718		Crankshaft Seal.....	KS16489	
Cam. Idler Pulley; Exc. Wagon.....	T42028	◇ 163	Cam. Tensioner Assy.; Eng. Designation 4AFE....	T41066	◇ 104
Cam. Tensioner Assy.; Exc. Wagon.....	T41076	◇ 163	<b>4-CYL. 2.0 L ENG. CAMRY</b>		
<b>4-CYL. 1.6 L ENG. CELICA; COROLLA</b>			Timing Component Kit.....	TCK199	
Timing Component Kit.....	TCK036		Cam. Belt.....	T138	
Cam. Belt.....	T036		Cam. Seal.....	②KS14671	
Cam. Seal.....	②KS13857		Crankshaft Seal.....	KS16489	
Crankshaft Seal.....	KS16489		Cam. Idler Pulley.....	T42025	◇ 151
Cam. Tensioner Assy.....	T41066	◇ 104	Cam. Tensioner Assy.....	T41067	◇ 151
<b>4-CYL. 2.0 L ENG. CELICA; MR2</b>			<b>CELICA; MR2</b>		
Cam. Belt.....	T125		Cam. Belt.....	T125	
<b>4-CYL. 2.2 L ENG. CAMRY</b>			<b>4-CYL. 2.2 L ENG. CELICA</b>		
Timing Component Kit.....	TCK199		Timing Component Kit.....	TCK199	
Cam. Belt.....	T199		Cam. Belt.....	T138	
Cam. Seal.....	②KS14671		Cam. Idler Pulley; Exc. GT-S.....	T42025	◇ 151
Cam. Idler Pulley.....	T42025	◇ 151	Cam. Tensioner Assy.; Exc. GT-S.....	T41067	◇ 151
Cam. Tensioner Assy.....	T41067	◇ 151	<b>MR2</b>		
			Timing Component Kit.....	TCK199	
			Cam. Belt.....	T138	
			Cam. Seal.....	②KS14671	

☆ Interference engine application. See inside back cover for additional information.

\* Does Not Include Cam. Tensioner Hyd. Assy.

② Two Required.

④ Four Required.

◇ See Diagram Section (Pages 153-167).

# PowerGrip™ Timing System Products for Passenger Cars

Application	Part No.	Diagram No.	Application	Part No.	Diagram No.
<b>TOYOTA - Continued</b>			<b>TOYOTA - Continued</b>		
<b>1991 - Continued</b>			<b>1990 - Continued</b>		
<b>4-CYL. 2.2 L ENG. - Continued</b>			<b>V-6 2.5 L ENG. - Continued</b>		
<b>MR2 - Continued</b>			<b>CAMRY - Continued</b>		
Crankshaft Seal.....	KS16489		Cam. Belt.....	T157	
Cam. Idler Pulley.....	T42025	◇ 151	Cam. Seal.....	④KS14671	
Cam. Tensioner Assy.....	T41067	◇ 151	Crankshaft Seal.....	KS15818	
<b>6-CYL. 3.0 L ENG.</b>			Cam. Idler Pulley.....	T42030	◇ 132
<b>CRESSIDA</b>			Cam. Tensioner Pulley.....	★T41075	◇ 132
Cam. Belt.....	T126		<b>1989</b>		
<b>SUPRA</b>			<b>4-CYL. 1.5 L ENG.</b>		
Cam. Belt.....	T237		<b>TERCEL</b>		
<b>V-6 2.5 L ENG.</b>			Timing Component Kit.....	☆TCK233	
<b>CAMRY</b>			Cam. Belt.....	☆T233	
Timing Component Kit.....	★TCK157	◇ 132	Cam. Seal; Exc. Wagon.....	KS13857	
Cam. Belt.....	T157		Crankshaft Seal; Exc. Wagon.....	KS12718	
Cam. Seal.....	④KS14671		Cam. Idler Pulley; Exc. Wagon.....	T42028	◇ 163
Crankshaft Seal.....	KS15818		Cam. Tensioner Assy.; Exc. Wagon.....	T41076	◇ 163
Cam. Idler Pulley.....	T42030	◇ 132	<b>4-CYL. 1.6 L ENG.</b>		
Cam. Tensioner Pulley.....	★T41075	◇ 132	<b>COROLLA</b>		
<b>1990</b>			Timing Component Kit; DLX, LE, SR5.....	TCK036	
<b>4-CYL. 1.5 L ENG.</b>			Timing Component Kit; Eng. Designation		
<b>TERCEL</b>			4AGE, 4AGELC.....	TCK176	
Timing Component Kit.....	☆TCK233		Cam. Belt; DLX, LE, SR5.....	T036	
Cam. Belt.....	☆T233		Cam. Belt; Eng. Designation 4AGE, 4AGELC.....	T176	
Cam. Seal; Exc. Wagon.....	KS13857		Cam. Seal.....	②KS13857	
Crankshaft Seal; Exc. Wagon.....	KS12718		Crankshaft Seal.....	KS16489	
Cam. Idler Pulley; Exc. Wagon.....	T42028	◇ 163	Cam. Tensioner Assy.; Eng. Designation 4AGE,		
Cam. Tensioner Assy.; Exc. Wagon.....	T41076	◇ 163	4AGELC.....	T41074	◇ 141
<b>4-CYL. 1.6 L ENG.</b>			Cam. Tensioner Assy.; DLX, LE, SR5.....	T41066	◇ 104
<b>CELICA</b>			<b>MR2</b>		
Timing Component Kit.....	TCK036		Timing Component Kit.....	TCK176	
Cam. Belt.....	T036		Cam. Belt.....	T176	
Cam. Seal.....	②KS13857		Cam. Tensioner Assy.....	T41074	◇ 141
Crankshaft Seal.....	KS16489		<b>4-CYL. 2.0 L ENG.</b>		
Cam. Tensioner Assy.....	T41066	◇ 104	<b>CAMRY; CELICA</b>		
<b>COROLLA</b>			Timing Component Kit.....	TCK199	
Timing Component Kit; Exc. GT-S.....	TCK036		Cam. Belt.....	T138	
Cam. Belt; Exc. GT-S.....	T036		Cam. Seal.....	②KS14671	
Cam. Belt; GT-S.....	T176		Crankshaft Seal.....	KS16489	
Cam. Seal.....	②KS13857		Cam. Idler Pulley.....	T42025	◇ 151
Crankshaft Seal.....	KS16489		Cam. Tensioner Assy.....	T41067	◇ 151
Cam. Tensioner Assy.; Exc. GT-S.....	T41066	◇ 104	<b>6-CYL. 3.0 L ENG.</b>		
<b>4-CYL. 2.0 L ENG.</b>			<b>CRESSIDA; SUPRA</b>		
<b>CAMRY</b>			Cam. Belt.....	T126	
Timing Component Kit.....	TCK199		<b>V-6 2.5 L ENG.</b>		
Cam. Belt.....	T138		<b>CAMRY</b>		
Cam. Seal.....	②KS14671		Timing Component Kit.....	★TCK157	◇ 132
Crankshaft Seal.....	KS16489		Cam. Belt.....	T157	
Cam. Idler Pulley.....	T42025	◇ 151	Cam. Seal.....	④KS14671	
Cam. Tensioner Assy.....	T41067	◇ 151	Crankshaft Seal.....	KS15818	
<b>CELICA</b>			Cam. Idler Pulley.....	T42030	◇ 132
Cam. Belt.....	T125		Cam. Tensioner Pulley.....	★T41075	◇ 132
Cam. Seal.....	②KS14671		<b>1988</b>		
Crankshaft Seal.....	KS16489		<b>4-CYL. 1.5 L ENG.</b>		
Cam. Idler Pulley; Exc. GT-S.....	T42025	◇ 151	<b>TERCEL</b>		
Cam. Tensioner Assy.; Exc. GT-S.....	T41067	◇ 151	Timing Component Kit; Wagon.....	TCK070	
<b>4-CYL. 2.2 L ENG.</b>			Timing Component Kit; Exc. Wagon.....	☆TCK233	
<b>CELICA</b>			Cam. Belt; Wagon.....	T070	
Timing Component Kit.....	TCK199		Cam. Belt; Exc. Wagon.....	☆T233	
Cam. Belt.....	T138		Cam. Seal; Exc. Wagon.....	KS13857	
Cam. Idler Pulley.....	T42025	◇ 151	Crankshaft Seal; Exc. Wagon.....	KS12718	
Cam. Tensioner Assy.....	T41067	◇ 151	Cam. Idler Pulley; Exc. Wagon.....	T42028	◇ 163
<b>6-CYL. 3.0 L ENG.</b>			Cam. Tensioner Assy.; Exc. Wagon.....	T41076	◇ 163
<b>CRESSIDA; SUPRA</b>			Cam. Tensioner Assy.; Wagon.....	T41066	◇ 106
Cam. Belt.....	T126		<b>4-CYL. 1.6 L ENG.</b>		
<b>V-6 2.5 L ENG.</b>			<b>COROLLA</b>		
<b>CAMRY</b>			Timing Component Kit; DLX, LE, SR5.....	TCK036	
Timing Component Kit.....	★TCK157	◇ 132			

☆ Interference engine application. See inside back cover for additional information.

② Two Required.

◇ See Diagram Section (Pages 153-167).

★ Does Not Include Cam. Tensioner Hyd. Assy.

④ Four Required.

# PowerGrip™ Timing System Products for Passenger Cars

Application	Part No.	Diagram No.	Application	Part No.	Diagram No.
<b>TOYOTA - Continued</b>			<b>TOYOTA - Continued</b>		
<b>1988 - Continued</b>			<b>1987 - Continued</b>		
<b>4-CYL. 1.6 L ENG. - Continued</b>			<b>4-CYL. 1.6 L ENG. - Continued</b>		
<b>COROLLA - Continued</b>			<b>COROLLA SPORT</b>		
Timing Component Kit; W/DOHC Eng.; FX16, GT-S.....	TCK176		Timing Component Kit; W/DOHC Eng. ....	TCK176	
Timing Component Kit; W/SOHC Eng.; FX...	TCK070		Timing Component Kit; W/SOHC Eng.; SR5	TCK070	
Cam. Belt; DLX, LE, SR5.....	T036		Cam. Belt; W/DOHC Eng.....	T112	
Cam. Belt; W/DOHC Eng.; FX16, GT-S.....	T112		Cam. Belt; W/SOHC Eng.; SR5.....	T070	
Cam. Belt; W/SOHC Eng.; FX.....	T070		Cam. Tensioner Assy.; W/DOHC Eng.....	T41074	◇ 141
Cam. Seal.....	②KS13857		Cam. Tensioner Assy.; W/SOHC Eng.; SR5.....	T41066	◇ 106
Crankshaft Seal.....	KS16489		<b>MR2</b>		
Cam. Tensioner Assy.; DLX, LE, SR5.....	T41066	◇ 104	Timing Component Kit.....	TCK176	
Cam. Tensioner Assy.; W/DOHC Eng.; FX16, GT-S.....	T41074	◇ 141	Cam. Belt.....	T112	
Cam. Tensioner Assy.; W/SOHC Eng.; FX.....	T41066	◇ 106	Cam. Seal.....	②KS13857	
<b>MR2</b>			Cam. Tensioner Assy.....	T41074	◇ 141
Timing Component Kit.....	TCK176		<b>4-CYL. 2.0 L ENG.</b>		
Cam. Belt.....	T112		<b>CAMRY</b>		
Cam. Seal.....	②KS13857		Timing Component Kit.....	TCK199	
Cam. Tensioner Assy.....	T41074	◇ 141	Cam. Belt.....	T138	
<b>4-CYL. 2.0 L ENG.</b>			Cam. Seal.....	②KS14671	
<b>CAMRY</b>			Crankshaft Seal.....	KS16489	
Timing Component Kit.....	TCK199		Cam. Idler Pulley; Exc. GT-S.....	T42025	◇ 151
Cam. Belt.....	T138		Cam. Idler Pulley.....	T42025	◇ 151
Cam. Seal.....	②KS14671		Cam. Tensioner Assy.....	T41067	◇ 151
Crankshaft Seal.....	KS16489		<b>CELICA</b>		
Cam. Idler Pulley.....	T42025	◇ 151	Timing Component Kit; Exc. GT-S.....	TCK199	
Cam. Tensioner Assy.....	T41067	◇ 151	Cam. Belt; GT-S.....	T125	
<b>CELICA</b>			Cam. Belt; Exc. GT-S.....	T138	
Timing Component Kit; Eng. Designation 3SFE.....	TCK199		Cam. Idler Pulley; Exc. GT-S.....	T42025	◇ 151
Cam. Belt; Eng. Designation 3SGTE, 3SGELC....	T125		Cam. Tensioner Assy.; Exc. GT-S.....	T41067	◇ 151
Cam. Belt; Eng. Designation 3SFE.....	T138		<b>6-CYL. 2.8 L ENG.</b>		
Cam. Seal.....	②KS14671		<b>CRESSIDA</b>		
Crankshaft Seal.....	KS16489		Timing Component Kit.....	TCK101	
Cam. Idler Pulley; Exc. GT-S.....	T42025	◇ 151	Cam. Belt.....	T101	
Cam. Tensioner Assy.; Exc. GT-S.....	T41067	◇ 151	Cam. Tensioner Assy.....	T41069	◇ 113
<b>6-CYL. 2.8 L ENG.</b>			<b>1986</b>		
<b>CRESSIDA</b>			<b>4-CYL. 1.5 L ENG.</b>		
Timing Component Kit.....	TCK101		<b>TERCEL</b>		
Cam. Belt.....	T101		Timing Component Kit.....	TCK070	
Cam. Tensioner Assy.....	T41069	◇ 113	Cam. Belt.....	T070	
<b>6-CYL. 3.0 L ENG.</b>			Cam. Seal.....	KS13857	
<b>SUPRA</b>			Crankshaft Seal.....	KS12718	
Cam. Belt.....	T126		Cam. Tensioner Assy.....	T41066	◇ 106
<b>V-6 2.5 L ENG.</b>			<b>4-CYL. 1.5 L ENG. (CANADA)</b>		
<b>CAMRY</b>			<b>TERCEL</b>		
Cam. Belt.....	T157		Timing Component Kit.....	TCK070	
Cam. Seal.....	④KS14671		Cam. Belt.....	T070	
Crankshaft Seal.....	KS15818		Cam. Seal.....	KS13857	
<b>1987</b>			Crankshaft Seal.....	KS12718	
<b>4-CYL. 1.5 L ENG.</b>			Cam. Tensioner Assy.....	T41066	◇ 106
<b>TERCEL</b>			<b>4-CYL. 1.6 L ENG.</b>		
Timing Component Kit; Station Wagon.....	TCK070		<b>COROLLA</b>		
Cam. Belt; Exc. Wagon.....	☆T136		Timing Component Kit; W/DOHC Eng. ....	TCK176	
Cam. Belt; Station Wagon.....	T070		Timing Component Kit; W/SOHC Eng.; DLX, LE, LE Ltd.....	TCK070	
Cam. Tensioner Assy.; Station Wagon.....	T41066	◇ 106	Cam. Belt; W/DOHC Eng.....	T112	
<b>4-CYL. 1.6 L ENG.</b>			Cam. Belt; W/SOHC Eng.; DLX, LE, LE Ltd.....	T070	
<b>COROLLA</b>			Cam. Seal.....	②KS13857	
Timing Component Kit; W/DOHC Eng.; FX16, FX16 GTS.....	TCK176		Cam. Tensioner Assy.; W/DOHC Eng.....	T41074	◇ 141
Timing Component Kit; W/SOHC Eng.; DLX, FX, LE.....	TCK070		Cam. Tensioner Assy.; W/SOHC Eng.; DLX, LE, LE Ltd.....	T41066	◇ 106
Cam. Belt; W/DOHC Eng.; FX16, FX16 GTS.....	T112		<b>COROLLA SPORT</b>		
Cam. Belt; W/SOHC Eng.; DLX, FX, LE.....	T070		Timing Component Kit; W/DOHC Eng.; GTS.....	TCK176	
Cam. Seal.....	②KS13857		Timing Component Kit; W/SOHC Eng.; SR5	TCK070	
Cam. Tensioner Assy.; W/DOHC Eng.; FX16, FX16 GTS.....	T41074	◇ 141			
Cam. Tensioner Assy.; W/SOHC Eng.; DLX, FX, LE.....	T41066	◇ 106			

☆ Interference engine application. See inside back cover for additional information.

\* Does Not Include Cam. Tensioner Hyd. Assy.

② Two Required.

④ Four Required.

◇ See Diagram Section (Pages 153-167).

# PowerGrip™ Timing System Products for Passenger Cars

Application	Part No.	Diagram No.	Application	Part No.	Diagram No.
<b>TOYOTA - Continued</b>			<b>TOYOTA - Continued</b>		
<b>1986 - Continued</b>			<b>1985 - Continued</b>		
<b>4-CYL. 1.6 L ENG. - Continued</b>			<b>4-CYL. 1.6 L ENG. - Continued</b>		
<b>COROLLA SPORT - Continued</b>			<b>COROLLA SPORT - Continued</b>		
Cam. Belt; W/DOHC Eng.; GTS.....	T112		Timing Component Kit; W/SOHC Eng.; SR5	TCK070	
Cam. Belt; W/SOHC Eng.; SR5.....	T070		Cam. Belt; W/DOHC Eng.; GTS.....	T112	
Cam. Tensioner Assy.; W/DOHC Eng.; GTS.....	T41074	◇ 141	Cam. Belt; W/SOHC Eng.; SR5.....	T070	
Cam. Tensioner Assy.; W/SOHC Eng.; SR5.....	T41066	◇ 106	Cam. Tensioner Assy.; W/DOHC Eng.; GTS.....	T41074	◇ 141
<b>MR2</b>			<b>MR2</b>		
Timing Component Kit.....	TCK176		Cam. Tensioner Assy.; W/SOHC Eng.; SR5.....	T41066	◇ 106
Cam. Belt.....	T112		<b>MR2</b>		
Cam. Seal.....	②KS13857		Timing Component Kit.....	TCK176	
Cam. Tensioner Assy.....	T41074	◇ 141	Cam. Belt.....	T112	
<b>4-CYL. 2.0 L ENG.</b>			<b>MR2</b>		
<b>CAMRY</b>			Cam. Seal.....	②KS13857	
Timing Component Kit.....	TCK087		Cam. Tensioner Assy.....	T41074	◇ 141
Cam. Belt.....	T087		<b>4-CYL. 1.8 L DIESEL ENG.</b>		
Cam. Seal.....	KS14671		<b>CAMRY; COROLLA</b>		
Crankshaft Seal.....	KS16489		Cam. Belt.....	T098	
Cam. Idler Pulley.....	T42025	◇ 111	Cam. Idler Pulley.....	T42027	◇ 152
Cam. Tensioner Assy.....	T41070	◇ 111	Cam. Tensioner Assy.....	T41077	◇ 152
<b>CELICA</b>			<b>4-CYL. 2.0 L ENG.</b>		
Timing Component Kit; Exc. GTS.....	TCK087		<b>CAMRY</b>		
Cam. Belt; Exc. GTS.....	T087		Timing Component Kit.....	TCK087	
Cam. Belt; GTS.....	T125		Cam. Belt.....	T087	
Cam. Seal.....	KS14671		Cam. Seal.....	KS14671	
Crankshaft Seal.....	KS16489		Crankshaft Seal.....	KS16489	
Cam. Idler Pulley.....	T42025	◇ 111	Cam. Idler Pulley.....	T42025	◇ 111
Cam. Tensioner Assy.....	T41070	◇ 111	Cam. Tensioner Assy.....	T41070	◇ 111
<b>4-CYL. 2.0 L DIESEL ENG.</b>			<b>6-CYL. 2.8 L ENG.</b>		
<b>CAMRY</b>			<b>CRESSIDA; SUPRA</b>		
Cam. Belt.....	T098		Timing Component Kit.....	TCK101	
Cam. Idler Pulley.....	T42027	◇ 152	Cam. Belt.....	T101	
Cam. Tensioner Assy.....	T41077	◇ 152	Cam. Tensioner Assy.....	T41069	◇ 113
<b>6-CYL. 2.8 L ENG.</b>			<b>1984</b>		
<b>CRESSIDA; SUPRA</b>			<b>4-CYL. 1.5 L ENG.</b>		
Timing Component Kit.....	TCK101		<b>TERCEL</b>		
Cam. Belt.....	T101		Timing Component Kit.....	TCK070	
Cam. Tensioner Assy.....	T41069	◇ 113	Cam. Belt.....	T070	
<b>6-CYL. 3.0 L ENG.</b>			Cam. Seal.....	KS13857	
<b>SUPRA</b>			Crankshaft Seal.....	KS12718	
Cam. Belt.....	T126		Cam. Tensioner Assy.....	T41066	◇ 106
<b>1985</b>			<b>4-CYL. 1.5 L ENG. (CANADA)</b>		
<b>4-CYL. 1.5 L ENG.</b>			<b>TERCEL</b>		
<b>TERCEL</b>			Timing Component Kit.....	TCK070	
Timing Component Kit.....	TCK070		Cam. Belt.....	T070	
Cam. Belt.....	T070		Cam. Seal.....	KS13857	
Cam. Seal.....	KS13857		Crankshaft Seal.....	KS12718	
Crankshaft Seal.....	KS12718		Cam. Tensioner Assy.....	T41066	◇ 106
Cam. Tensioner Assy.....	T41066	◇ 106	<b>4-CYL. 1.6 L ENG.</b>		
<b>4-CYL. 1.5 L ENG. (CANADA)</b>			<b>COROLLA</b>		
<b>TERCEL</b>			Timing Component Kit.....	TCK070	
Timing Component Kit.....	TCK070		Cam. Belt.....	T070	
Cam. Belt.....	T070		Cam. Seal.....	KS13857	
Cam. Seal.....	KS13857		Cam. Tensioner Assy.....	T41066	◇ 106
Crankshaft Seal.....	KS12718		<b>4-CYL. 1.8 L DIESEL ENG.</b>		
Cam. Tensioner Assy.....	T41066	◇ 106	<b>CAMRY; COROLLA</b>		
<b>4-CYL. 1.6 L ENG.</b>			<b>COROLLA</b>		
<b>COROLLA</b>			Cam. Belt.....	T098	
Timing Component Kit.....	TCK070		Cam. Idler Pulley.....	T42027	◇ 152
Cam. Belt.....	T070		Cam. Tensioner Assy.....	T41077	◇ 152
Cam. Seal.....	KS13857		<b>4-CYL. 2.0 L ENG.</b>		
Cam. Tensioner Assy.....	T41066	◇ 106	<b>CAMRY</b>		
<b>4-CYL. 1.6 L ENG.</b>			Timing Component Kit.....	TCK087	
<b>COROLLA</b>			Cam. Belt.....	T087	
Timing Component Kit; W/DOHC Eng.....	TCK176		Cam. Seal.....	KS14671	
Timing Component Kit; W/SOHC Eng.; DLX, LE.....	TCK070		Crankshaft Seal.....	KS16489	
Cam. Belt; W/DOHC Eng.....	T112		Cam. Idler Pulley.....	T42025	◇ 111
Cam. Belt; W/SOHC Eng.; DLX, LE.....	T070		Cam. Tensioner Assy.....	T41070	◇ 111
Cam. Seal.....	②KS13857		<b>6-CYL. 2.8 L ENG.</b>		
Cam. Tensioner Assy.; W/DOHC Eng.....	T41074	◇ 141	<b>CRESSIDA; SUPRA</b>		
Cam. Tensioner Assy.; W/SOHC Eng.; DLX, LE...	T41066	◇ 106	<b>Timing Component Kit.....</b>		
<b>COROLLA SPORT</b>			<b>TCK101</b>		
Timing Component Kit; W/DOHC Eng.; GTS.....	TCK176				

☆ Interference engine application. See inside back cover for additional information.

② Two Required.

◇ See Diagram Section (Pages 153-167).

\* Does Not Include Cam. Tensioner Hyd. Assy.

④ Four Required.

# PowerGrip™ Timing System Products for Passenger Cars

Application	Part No.	Diagram No.	Application	Part No.	Diagram No.
<b>TOYOTA - Continued</b>			<b>VOLKSWAGEN</b>		
<b>1984 - Continued</b>			Light truck, van or motorhome information for this manufacturer can be found in the next section of this catalog.		
<b>6-CYL. 2.8 L ENG. - Continued</b>			<b>2003</b>		
<b>CRESSIDA; SUPRA - Continued</b>			<b>4-CYL. 1.8 L ENG.</b>		
Cam. Belt.....	T101		<b>BETLE; GTI; JETTA</b>		
Cam. Tensioner Assy.....	T41069	◇ 113	Cam. Belt.....	☆T306	
<b>1983</b>			<b>PASSAT</b>		
<b>4-CYL. 1.5 L ENG.</b>			Cam. Belt; W/150 Tooth Belt.....		
<b>TERCEL</b>			T306		
Timing Component Kit.....	TCK070		<b>4-CYL. 1.9 L DIESEL ENG.</b>		
Cam. Belt.....	T070		<b>BETLE; GOLF; JETTA</b>		
Cam. Seal.....	KS13857		Cam. Belt.....	☆T321	
Crankshaft Seal.....	KS12718		Cam. Tensioner Assy.....	T43007	◇ 101
Cam. Tensioner Assy.....	T41066	◇ 106	<b>4-CYL. 2.0 L ENG.</b>		
<b>4-CYL. 1.5 L ENG. (CANADA)</b>			<b>BETLE</b>		
<b>TERCEL</b>			Cam. Belt.....		
Timing Component Kit.....	TCK070		T296		
Cam. Belt.....	T070		Cam. Tensioner Assy.....		
Cam. Tensioner Assy.....	T41066	◇ 106	T43010		
<b>4-CYL. 1.6 L ENG.</b>			<b>V-6 2.8 L ENG.</b>		
<b>COROLLA</b>			<b>PASSAT</b>		
Timing Component Kit.....	TCK070		Cam. Belt.....		
Cam. Belt.....	T070		T297		
Cam. Seal.....	KS13857		<b>2002</b>		
Cam. Tensioner Assy.....	T41066	◇ 106	<b>4-CYL. 1.8 L ENG.</b>		
<b>4-CYL. 2.0 L ENG.</b>			<b>BETLE; GTI; JETTA</b>		
<b>CAMRY</b>			Cam. Belt.....		
Timing Component Kit.....	TCK087		☆T306		
Cam. Belt.....	T087		<b>PASSAT</b>		
Cam. Seal.....	KS14671		Cam. Belt; W/150 Tooth Belt.....		
Crankshaft Seal.....	KS16489		T306		
Cam. Idler Pulley.....	T42025	◇ 111	<b>4-CYL. 1.9 L DIESEL ENG.</b>		
Cam. Tensioner Assy.....	T41070	◇ 111	<b>BETLE</b>		
<b>6-CYL. 2.8 L ENG.</b>			Cam. Belt; Eng. No. 500,001 & After.....		
<b>CRESSIDA; SUPRA</b>			☆T321		
Cam. Belt.....	T074		Cam. Belt.....		
<b>1982</b>			☆T321		
<b>4-CYL. 1.5 L ENG.</b>			Cam. Tensioner Assy.....		
<b>TERCEL</b>			T43007		
Timing Component Kit.....	TCK070		<b>GOLF; JETTA</b>		
Cam. Belt.....	T070		Cam. Belt.....		
Cam. Tensioner Assy.....	T41066	◇ 106	☆T321		
<b>4-CYL. 1.5 L ENG. (CANADA)</b>			T43007		
<b>TERCEL</b>			<b>4-CYL. 2.0 L ENG.</b>		
Timing Component Kit.....	TCK070		<b>BETLE; JETTA</b>		
Cam. Belt.....	T070		Cam. Belt.....		
Cam. Tensioner Assy.....	T41066	◇ 106	T296		
<b>6-CYL. 2.8 L ENG.</b>			Cam. Tensioner Assy.....		
<b>SUPRA</b>			T43010		
Cam. Belt.....	T074		<b>CABRIO</b>		
<b>1981-1980</b>			Timing Component Kit.....		
<b>4-CYL. 1.5 L ENG.</b>			☆TCK262		
<b>TERCEL</b>			Cam. Belt.....		
Timing Component Kit.....	TCK070		☆T262		
Cam. Belt.....	T070		Cam. Tensioner Assy.....		
Cam. Tensioner Assy.....	T41066	◇ 106	T41079		
<b>4-CYL. 1.5 L ENG. (CANADA)</b>			<b>V-6 2.8 L ENG.</b>		
<b>TERCEL</b>			<b>PASSAT</b>		
Timing Component Kit.....	TCK070		Cam. Belt.....		
Cam. Belt.....	T070		T297		
Cam. Tensioner Assy.....	T41066	◇ 106	<b>2001</b>		
<b>4-CYL. 1.8 L ENG.</b>			<b>4-CYL. 1.8 L ENG.</b>		
<b>TERCEL</b>			<b>BETLE; GOLF; GTI; JETTA</b>		
Timing Component Kit.....	TCK070		Cam. Belt.....		
Cam. Belt.....	T070		☆T306		
Cam. Tensioner Assy.....	T41066	◇ 106	<b>PASSAT</b>		
<b>1981-1980</b>			Cam. Belt; W/150 Tooth Belt.....		
<b>4-CYL. 1.5 L ENG.</b>			☆T306		
<b>TERCEL</b>			Cam. Belt; W/152 Tooth Belt.....		
Timing Component Kit.....	TCK070		T291		
Cam. Belt.....	T070		Cam. Belt; W/153 Tooth Belt.....		
Cam. Tensioner Assy.....	T41066	◇ 106	T317		
<b>4-CYL. 1.5 L ENG. (CANADA)</b>			<b>4-CYL. 1.9 L DIESEL ENG.</b>		
<b>TERCEL</b>			<b>BETLE; GOLF; JETTA</b>		
Timing Component Kit.....	TCK070		Cam. Belt; Eng. No. 500,000 & Before.....		
Cam. Belt.....	T070		☆T301		
Cam. Tensioner Assy.....	T41066	◇ 106	Cam. Belt; Eng. No. 500,001 & After.....		
<b>4-CYL. 1.8 L ENG.</b>			☆T321		
<b>TERCEL</b>			Cam. Tensioner Assy.....		
Timing Component Kit.....	TCK070		T43007		
Cam. Belt.....	T070		<b>4-CYL. 2.0 L ENG.</b>		
Cam. Tensioner Assy.....	T41066	◇ 106	<b>BETLE</b>		
<b>1981-1980</b>			Cam. Belt.....		
<b>4-CYL. 1.5 L ENG.</b>			☆T296		
<b>TERCEL</b>			Cam. Tensioner Assy.....		
Timing Component Kit.....	TCK070		T43010		
Cam. Belt.....	T070		<b>CABRIO</b>		
Cam. Tensioner Assy.....	T41066	◇ 106	Timing Component Kit.....		
<b>1981-1980</b>			☆TCK262		
<b>4-CYL. 1.5 L ENG.</b>			Cam. Belt.....		
<b>TERCEL</b>			☆T262		
Timing Component Kit.....	TCK070		Cam. Tensioner Assy.....		
Cam. Belt.....	T070		T41079		
Cam. Tensioner Assy.....	T41066	◇ 106	<b>JETTA</b>		
<b>1981-1980</b>			Cam. Belt.....		
<b>4-CYL. 1.5 L ENG.</b>			T296		
<b>TERCEL</b>					
Timing Component Kit.....	TCK070				
Cam. Belt.....	T070				
Cam. Tensioner Assy.....	T41066	◇ 106			

☆ Interference engine application. See inside back cover for additional information.

② Two Required.

◇ See Diagram Section (Pages 153-167).

\* Does Not Include Cam. Tensioner Hyd. Assy.

④ Four Required.



# PowerGrip™ Timing System Products for Passenger Cars

Application	Part No.	Diagram No.	Application	Part No.	Diagram No.
<b>VOLKSWAGEN - Continued</b>			<b>VOLKSWAGEN - Continued</b>		
<b>2001 - Continued</b>			<b>1999 - Continued</b>		
<b>4-CYL. 2.0 L ENG. - Continued</b>			<b>4-CYL. 2.0 L ENG. - Continued</b>		
<b>JETTA - Continued</b>			<b>BEETLE - Continued</b>		
Cam. Tensioner Assy.....	T43010		Crankshaft Seal.....	KS12724	
<b>V-6 2.8 L ENG.</b>			Cam. Tensioner Assy.....	T43010	◇ 187
<b>PASSAT</b>			<b>CABRIO</b>		
Cam. Belt.....	☆T297		Timing Component Kit.....	☆TCK262	
<b>2000</b>			Cam. Belt.....	☆T262	
<b>4-CYL. 1.8 L ENG.</b>			Cam. Seal.....	KS12724	
<b>BEETLE; GOLF</b>			Crankshaft Seal.....	KS12724	
Cam. Belt.....	☆T306		Cam. Tensioner Assy.....	T41079	◇ 177
<b>GTI</b>			<b>GOLF; GTI; JETTA</b>		
Cam. Belt.....	T306		Timing Component Kit; Old Style; W/O		
<b>JETTA</b>			Dual Sided V-Ribbed Belt.....	☆TCK262	
Cam. Belt.....	☆T306		Cam. Belt; New Style; W/Dual Sided V-Ribbed		
<b>PASSAT</b>			Belt.....	☆T296	
Cam. Belt; W/150 Tooth Belt.....	T306		Cam. Belt; Old Style; W/O Dual Sided V-Ribbed		
Cam. Belt; W/152 Tooth Belt.....	☆T291		Belt.....	☆T262	
Cam. Belt; W/153 Tooth Belt.....	☆T317		Cam. Seal.....	KS12724	
<b>4-CYL. 1.9 L DIESEL ENG.</b>			Crankshaft Seal.....	KS12724	
<b>BEETLE; GOLF; JETTA</b>			Cam. Tensioner Assy.....	T41079	◇ 177
Cam. Belt; Eng. No. 500,000 & Before.....	☆T301		<b>V-6 2.8 L ENG.</b>		
Cam. Belt; Eng. No. 500,001 & After.....	☆T321		<b>PASSAT</b>		
Cam. Tensioner Assy.....	T43007	◇ 101	Cam. Belt.....	☆T297	
<b>4-CYL. 2.0 L ENG.</b>			<b>1998</b>		
<b>BEETLE</b>			<b>4-CYL. 1.8 L ENG.</b>		
Timing Component Kit.....	☆TCK296		<b>PASSAT</b>		
Cam. Belt.....	☆T296		Cam. Belt; W/150 Tooth Belt.....	T306	
Cam. Seal.....	KS12724		Cam. Belt; W/152 Tooth Belt.....	☆T291	
Crankshaft Seal.....	KS12724		Cam. Belt; W/153 Tooth Belt.....	☆T317	
Cam. Tensioner Assy.....	T43010	◇ 187	<b>4-CYL. 1.9 L DIESEL ENG.</b>		
<b>CABRIO</b>			<b>BEETLE</b>		
Timing Component Kit.....	☆TCK262		Cam. Belt.....	☆T301	
Cam. Belt.....	☆T262		Cam. Tensioner Assy.....	T43007	◇ 101
Cam. Seal.....	KS12724		<b>JETTA</b>		
Crankshaft Seal.....	KS12724		Cam. Belt.....	☆T242	
Cam. Tensioner Assy.....	T41079	◇ 177	Cam. Tensioner Assy.....	T43006	◇ 114
<b>GOLF; GTI; JETTA</b>			<b>PASSAT</b>		
Timing Component Kit; Old Style; W/O			Cam. Belt.....	☆T242	
Dual Sided V-Ribbed Belt.....	☆TCK262		<b>4-CYL. 1.9 L DIESEL ENG. (CANADA)</b>		
Cam. Belt; New Style; W/Dual Sided V-Ribbed			<b>JETTA</b>		
Belt.....	☆T296		Cam. Belt.....	☆T242	
Cam. Belt; Old Style; W/O Dual Sided V-Ribbed			Cam. Tensioner Assy.....	T43006	◇ 114
Belt.....	☆T262		<b>4-CYL. 2.0 L ENG.</b>		
Cam. Seal.....	KS12724		<b>BEETLE</b>		
Crankshaft Seal.....	KS12724		Timing Component Kit.....	☆TCK296	
Cam. Tensioner Assy.....	T41079	◇ 177	Cam. Belt.....	☆T296	
<b>V-6 2.8 L ENG.</b>			Cam. Seal.....	KS12724	
<b>PASSAT</b>			Crankshaft Seal.....	KS12724	
Cam. Belt.....	☆T297		Cam. Tensioner Assy.....	T43010	◇ 187
<b>1999</b>			<b>CABRIO; GOLF; GTI; JETTA</b>		
<b>4-CYL. 1.8 L ENG.</b>			Timing Component Kit.....	☆TCK262	
<b>BEETLE</b>			Cam. Belt.....	☆T262	
Cam. Belt.....	☆T306		Cam. Seal.....	KS12724	
<b>PASSAT</b>			Crankshaft Seal.....	KS12724	
Cam. Belt; W/150 Tooth Belt.....	T306		Cam. Tensioner Assy.....	T41079	◇ 177
Cam. Belt; W/152 Tooth Belt.....	☆T291		<b>V-6 2.8 L ENG.</b>		
Cam. Belt; W/153 Tooth Belt.....	☆T317		<b>PASSAT</b>		
<b>4-CYL. 1.9 L DIESEL ENG.</b>			Cam. Belt.....	☆T297	
<b>BEETLE; GOLF; JETTA</b>			<b>1997</b>		
Cam. Belt.....	☆T321		<b>4-CYL. 1.9 L DIESEL ENG.</b>		
Cam. Belt; W/Round Tooth Sprockets.....	☆T301		<b>JETTA; PASSAT</b>		
Cam. Tensioner Assy.....	T43007	◇ 101	Cam. Belt.....	☆T242	
<b>4-CYL. 2.0 L ENG.</b>			Cam. Tensioner Assy.....	T43006	◇ 114
<b>BEETLE</b>			<b>4-CYL. 1.9 L DIESEL ENG. (CANADA)</b>		
Timing Component Kit.....	☆TCK296		<b>GOLF; JETTA</b>		
Cam. Belt.....	☆T296		Cam. Belt.....	☆T242	
Cam. Seal.....	KS12724		Cam. Tensioner Assy.....	T43006	◇ 114

☆ Interference engine application. See inside back cover for additional information.

\* Does Not Include Cam. Tensioner Hyd. Assy.

② Two Required.

◇ See Diagram Section (Pages 153-167).

④ Four Required.

# PowerGrip™ Timing System Products for Passenger Cars

Application	Part No.	Diagram No.	Application	Part No.	Diagram No.
<b>VOLKSWAGEN - Continued</b>			<b>VOLKSWAGEN - Continued</b>		
<b>1997 - Continued</b>			<b>1994 - Continued</b>		
<b>4-CYL. 2.0 L ENG. CABRIO; GOLF; GTI; JETTA</b>			<b>4-CYL. 2.0 L ENG. - Continued JETTA - Continued</b>		
Timing Component Kit.....	☆TCK262		Cam. Belt.....	☆T262	
Cam. Belt.....	☆T262		Cam. Seal.....	KS12724	
Cam. Seal.....	KS12724		Crankshaft Seal.....	KS12724	
Crankshaft Seal.....	KS12724		Cam. Tensioner Assy.....	T41079	◇ 177
Cam. Tensioner Assy.....	T41079	◇ 177	<b>4-CYL. 2.0 L ENG. (CANADA) PASSAT</b>		
<b>1996</b>			<b>Timing Component Kit.....</b>		
<b>4-CYL. 1.9 L DIESEL ENG. GOLF; JETTA; PASSAT</b>			Cam. Belt.....		
Cam. Belt.....	☆T242		Cam. Seal.....	KS12724	
Cam. Tensioner Assy.....	T43006	◇ 102	Crankshaft Seal.....	KS12724	
<b>4-CYL. 2.0 L ENG. CABRIO; GOLF; GTI; JETTA; PASSAT</b>			Cam. Tensioner Assy.....		
Timing Component Kit.....	☆TCK262			T41079	◇ 177
Cam. Belt.....	☆T262		<b>1993</b>		
Cam. Seal.....	KS12724		<b>4-CYL. 1.8 L ENG. CABRIOLET; FOX</b>		
Crankshaft Seal.....	KS12724		<b>Timing Component Kit.....</b>		
Cam. Tensioner Assy.....	T41079	◇ 177	Cam. Belt.....		
<b>1995</b>			Cam. Seal.....		
<b>4-CYL. 1.8 L ENG. (CANADA) GOLF; JETTA</b>			Crankshaft Seal.....		
Timing Component Kit.....	TCK017		Cam. Tensioner Assy.....		
Cam. Belt.....	T017				
Cam. Seal.....	KS12724		<b>4-CYL. 1.8 L ENG. (CANADA) GOLF; JETTA; PASSAT</b>		
Crankshaft Seal.....	KS12724		<b>Timing Component Kit.....</b>		
<b>4-CYL. 1.9 L DIESEL ENG. (CANADA) GOLF; JETTA; PASSAT</b>			Cam. Belt.....		
Cam. Belt.....	☆T242		Cam. Seal.....		
Cam. Tensioner Assy.....	T43006	◇ 102	Crankshaft Seal.....		
<b>4-CYL. 2.0 L ENG. CABRIO; GOLF; JETTA; PASSAT</b>			Cam. Tensioner Assy.....		
Timing Component Kit.....	☆TCK262				
Cam. Belt.....	☆T262		<b>4-CYL. 1.9 L DIESEL ENG. (CANADA) GOLF</b>		
Cam. Seal.....	KS12724		Cam. Belt.....		
Crankshaft Seal.....	KS12724		Cam. Tensioner Assy.....		
Cam. Tensioner Assy.....	T41079	◇ 177			
<b>4-CYL. 2.0 L ENG. (CANADA) CABRIO; GOLF; GTI</b>			<b>JETTA</b>		
Timing Component Kit.....	☆TCK262		Cam. Belt; W/Turbo.....		
Cam. Belt.....	☆T262		Cam. Tensioner Assy.....		
Cam. Seal.....	KS12724				
Crankshaft Seal.....	KS12724		<b>4-CYL. 2.0 L ENG. GOLF; JETTA; PASSAT</b>		
Cam. Tensioner Assy.....	T41079	◇ 177	<b>Timing Component Kit.....</b>		
<b>1994</b>			Cam. Belt.....		
<b>4-CYL. 1.8 L ENG. (CANADA) GOLF; JETTA; PASSAT</b>			Cam. Seal.....		
Timing Component Kit.....	TCK017		Crankshaft Seal.....		
Cam. Belt.....	T017		Cam. Tensioner Assy.....		
Cam. Seal.....	KS12724				
Crankshaft Seal.....	KS12724		<b>1992</b>		
Cam. Tensioner Assy.....	T41079	◇ 177	<b>4-CYL. 1.6 L DIESEL ENG. JETTA</b>		
<b>4-CYL. 1.9 L DIESEL ENG. (CANADA) GOLF; JETTA</b>			Cam. Belt.....		
Cam. Belt.....	☆T242				
Cam. Tensioner Assy.....	T43006	◇ 102	<b>4-CYL. 1.6 L DIESEL ENG. (CANADA) GOLF; JETTA</b>		
<b>PASSAT</b>			Cam. Belt.....		
Cam. Belt.....	☆T242				
<b>4-CYL. 2.0 L ENG. GOLF</b>			<b>4-CYL. 1.8 L ENG. CABRIOLET; CORRADO; FOX; GOLF; GTI; JETTA</b>		
Timing Component Kit.....	☆TCK262		<b>Timing Component Kit.....</b>		
Cam. Belt.....	☆T262		Cam. Belt.....		
Cam. Seal.....	KS12724		Cam. Seal.....		
Crankshaft Seal.....	KS12724		Crankshaft Seal.....		
<b>JETTA</b>			Cam. Tensioner Assy.....		
Timing Component Kit.....	☆TCK262				

☆ Interference engine application. See inside back cover for additional information.

\* Does Not Include Cam. Tensioner Hyd. Assy.

② Two Required.

④ Four Required.

◇ See Diagram Section (Pages 153-167).

# PowerGrip™ Timing System Products for Passenger Cars

Application	Part No.	Diagram No.	Application	Part No.	Diagram No.
<b>VOLKSWAGEN - Continued</b>			<b>VOLKSWAGEN - Continued</b>		
<b>1992 - Continued</b>			<b>1988 - Continued</b>		
<b>4-CYL. 1.8 L ENG. (CANADA) - Continued</b>			<b>4-CYL. 1.8 L ENG. - Continued</b>		
<b>PASSAT - Continued</b>			<b>CABRIOLET; GOLF; JETTA; SCIROCCO - Continued</b>		
Cam. Belt.....	T017		Cam. Belt; W/SOHC Eng.....	T017	
Cam. Seal.....	KS12724		Cam. Seal; W/SOHC Eng.....	KS12724	
Crankshaft Seal.....	KS12724		Crankshaft Seal; W/SOHC Eng.....	KS12724	
Cam. Tensioner Assy.....	T41079	◇ 177	Cam. Tensioner Assy.; W/SOHC Eng.....	T41079	◇ 177
<b>4-CYL. 2.0 L ENG.</b>			<b>FOX</b>		
<b>GTI; JETTA; PASSAT</b>			<b>Timing Component Kit.....</b>		
Cam. Belt.....	☆T292		Cam. Belt.....	T017	
<b>1991-1990</b>			<b>Cam. Seal.....</b>		
<b>4-CYL. 1.6 L DIESEL ENG.</b>			<b>Cam. Seal.....</b>		
<b>JETTA</b>			<b>Crankshaft Seal.....</b>		
Cam. Belt.....	☆T043		Cam. Tensioner Assy.....	T41079	◇ 177
<b>4-CYL. 1.6 L DIESEL ENG. (CANADA)</b>			<b>GTI</b>		
<b>GOLF; JETTA</b>			<b>Cam. Belt.....</b>		
Cam. Belt.....	☆T043		Cam. Belt.....	☆T292	
<b>4-CYL. 1.8 L ENG.</b>			<b>4-CYL. 1.8 L ENG. (CANADA)</b>		
<b>CABRIOLET; CORRADO; FOX; GOLF; GTI; JETTA</b>			<b>SCIROCCO</b>		
Timing Component Kit.....	TCK017		Timing Component Kit; W/SOHC Eng.....	TCK017	
Cam. Belt.....	T017		Cam. Belt; W/DOHC Eng.....	☆T292	
Cam. Seal.....	KS12724		Cam. Belt; W/SOHC Eng.....	T017	
Crankshaft Seal.....	KS12724		Cam. Seal; W/SOHC Eng.....	KS12724	
Cam. Tensioner Assy.....	T41079	◇ 177	Crankshaft Seal; W/SOHC Eng.....	KS12724	
<b>4-CYL. 2.0 L ENG.</b>			<b>Cam. Tensioner Assy.; W/SOHC Eng.....</b>		
<b>GTI; JETTA; PASSAT</b>			<b>41079</b>		
Cam. Belt.....	☆T292		◇ 177		
<b>1989</b>			<b>5-CYL. 2.2 L ENG.</b>		
<b>4-CYL. 1.6 L DIESEL ENG.</b>			<b>QUANTUM</b>		
<b>JETTA</b>			<b>Cam. Belt.....</b>		
Cam. Belt.....	☆T043		Cam. Belt.....	T127	
<b>4-CYL. 1.6 L DIESEL ENG. (CANADA)</b>			<b>1987</b>		
<b>GOLF; JETTA</b>			<b>4-CYL. 1.6 L DIESEL ENG.</b>		
Cam. Belt.....	☆T043		<b>GOLF</b>		
<b>4-CYL. 1.8 L ENG.</b>			<b>Cam. Belt.....</b>		
<b>CABRIOLET; FOX</b>			<b>Cam. Tensioner Assy.....</b>		
Timing Component Kit.....	TCK017		Cam. Belt.....	☆T043	
Cam. Belt.....	T017		Cam. Tensioner Assy.....	T41080	◇ 198
Cam. Seal.....	KS12724		<b>4-CYL. 1.8 L ENG.</b>		
Crankshaft Seal.....	KS12724		<b>CABRIOLET; GOLF; GTI; JETTA; SCIROCCO</b>		
Cam. Tensioner Assy.....	T41079	◇ 177	Timing Component Kit; W/SOHC Eng.....	TCK017	
<b>GOLF; JETTA</b>			Cam. Belt; W/DOHC Eng.....	☆T292	
Timing Component Kit; W/SOHC Eng.....	TCK017		Cam. Belt; W/SOHC Eng.....	T017	
Cam. Belt; W/DOHC Eng.....	☆T292		Cam. Seal; W/SOHC Eng.....	KS12724	
Cam. Belt; W/SOHC Eng.....	T017		Crankshaft Seal; W/SOHC Eng.....	KS12724	
Cam. Seal; W/SOHC Eng.....	KS12724		Cam. Tensioner Assy.; W/SOHC Eng.....	T41079	◇ 177
Crankshaft Seal; W/SOHC Eng.....	KS12724		<b>FOX</b>		
Cam. Tensioner Assy.; W/SOHC Eng.....	T41079	◇ 177	<b>Timing Component Kit.....</b>		
<b>GTI</b>			<b>Cam. Belt.....</b>		
Cam. Belt.....	☆T292		Cam. Belt.....	T017	
<b>4-CYL. 1.8 L ENG. (CANADA)</b>			<b>Cam. Seal.....</b>		
<b>SCIROCCO</b>			<b>Cam. Seal.....</b>		
Timing Component Kit; W/SOHC Eng.....	TCK017		<b>Crankshaft Seal.....</b>		
Cam. Belt; W/DOHC Eng.....	☆T292		<b>Cam. Tensioner Assy.....</b>		
Cam. Belt; W/SOHC Eng.....	T017		<b>41079</b>		
Cam. Seal; W/SOHC Eng.....	KS12724		◇ 177		
Crankshaft Seal; W/SOHC Eng.....	KS12724		<b>5-CYL. 2.2 L ENG.</b>		
Cam. Tensioner Assy.; W/SOHC Eng.....	T41079	◇ 177	<b>QUANTUM</b>		
<b>1988</b>			<b>Cam. Belt.....</b>		
<b>4-CYL. 1.6 L DIESEL ENG. (CANADA)</b>			<b>T127</b>		
<b>GOLF; JETTA</b>			<b>1986</b>		
Cam. Belt.....	☆T043		<b>4-CYL. 1.6 L DIESEL ENG.</b>		
<b>4-CYL. 1.8 L ENG.</b>			<b>GOLF; JETTA</b>		
<b>CABRIOLET; GOLF; JETTA; SCIROCCO</b>			<b>Cam. Belt.....</b>		
Timing Component Kit; W/SOHC Eng.....	TCK017		Cam. Belt.....	☆T043	
Cam. Belt; W/DOHC Eng.....	☆T292		Cam. Tensioner Assy.....	T41080	◇ 198
Cam. Belt; W/SOHC Eng.....	T017		<b>4-CYL. 1.6 L DIESEL ENG. (CANADA)</b>		
Cam. Seal; W/SOHC Eng.....	KS12724		<b>JETTA</b>		
Crankshaft Seal; W/SOHC Eng.....	KS12724		Cam. Belt.....	☆T043	
Cam. Tensioner Assy.; W/SOHC Eng.....	T41079	◇ 177	Cam. Tensioner Assy.....	T41080	◇ 198
<b>1988</b>			<b>4-CYL. 1.8 L ENG.</b>		
<b>4-CYL. 1.6 L DIESEL ENG. (CANADA)</b>			<b>CABRIOLET; GTI</b>		
<b>GOLF; JETTA</b>			<b>Timing Component Kit.....</b>		
Cam. Belt.....	☆T043		Cam. Belt.....	T017	
<b>4-CYL. 1.8 L ENG.</b>			Cam. Seal.....	KS12724	
<b>CABRIOLET; GOLF; JETTA; SCIROCCO</b>			Crankshaft Seal.....	KS12724	
Timing Component Kit; W/SOHC Eng.....	TCK017		Cam. Tensioner Assy.....	T41079	◇ 177
Cam. Belt; W/DOHC Eng.....	☆T292		<b>GOLF; JETTA; SCIROCCO</b>		
Cam. Belt; W/SOHC Eng.....	T017		<b>Timing Component Kit; W/SOHC Eng.....</b>		
Cam. Seal; W/SOHC Eng.....	KS12724		Cam. Belt; W/DOHC Eng.....	☆T292	
Crankshaft Seal; W/SOHC Eng.....	KS12724		Cam. Belt; W/SOHC Eng.....	T017	
Cam. Tensioner Assy.; W/SOHC Eng.....	T41079	◇ 177			

☆ Interference engine application. See inside back cover for additional information.

\* Does Not Include Cam. Tensioner Hyd. Assy.

② Two Required.

◇ See Diagram Section (Pages 153-167).

④ Four Required.

# PowerGrip™ Timing System Products for Passenger Cars

Application	Part No.	Diagram No.	Application	Part No.	Diagram No.
<b>VOLKSWAGEN - Continued</b>			<b>VOLKSWAGEN - Continued</b>		
<b>1986 - Continued</b>			<b>1983 - Continued</b>		
<b>4-CYL. 1.8 L ENG. - Continued</b>			<b>4-CYL. 1.7 L ENG. - Continued</b>		
<b>GOLF; JETTA; SCIROCCO - Continued</b>			<b>JETTA; QUANTUM; RABBIT; SCIROCCO - Continued</b>		
Cam. Seal; W/SOHC Eng.....	KS12724		Cam. Seal.....	KS12724	
Crankshaft Seal; W/SOHC Eng.....	KS12724		Crankshaft Seal.....	KS12724	
Cam. Tensioner Assy.; W/SOHC Eng.....	T41079	◇ 177	Cam. Tensioner Assy.....	T41079	◇ 177
<b>QUANTUM</b>			<b>4-CYL. 1.8 L ENG.</b>		
Cam. Belt.....	☆T043		<b>RABBIT; SCIROCCO</b>		
<b>5-CYL. 2.2 L ENG.</b>			<b>Timing Component Kit.....</b>		
<b>QUANTUM</b>			<b>TCK017</b>		
Cam. Belt; Early; W/.75" Belt T.W.....	T065		Cam. Belt.....	T017	
Cam. Belt; Late; W/.70" Belt T.W.....	T127		Cam. Seal.....	KS12724	
<b>1985</b>			<b>Timing Component Kit.....</b>		
<b>4-CYL. 1.6 L DIESEL ENG.</b>			<b>TCK017</b>		
<b>GOLF; JETTA; QUANTUM</b>			<b>T017</b>		
Cam. Belt.....	☆T043		Cam. Seal.....	KS12724	
Cam. Tensioner Assy.....	T41080	◇ 198	Crankshaft Seal.....	KS12724	
<b>4-CYL. 1.8 L ENG.</b>			<b>Cam. Tensioner Assy.....</b>		
<b>CABRIOLET; QUANTUM</b>			<b>T41079</b>		
Timing Component Kit.....	TCK017		<b>◇ 177</b>		
Cam. Belt.....	T017		<b>4-CYL. 1.8 L ENG.</b>		
Cam. Seal.....	KS12724		<b>GOLF; GTI; JETTA; SCIROCCO</b>		
Crankshaft Seal.....	KS12724		<b>Timing Component Kit.....</b>		
Cam. Tensioner Assy.....	T41079	◇ 177	<b>TCK017</b>		
<b>Timing Component Kit.....</b>			<b>Cam. Belt; W/DOHC Eng.....</b>		
<b>TCK017</b>			<b>☆T292</b>		
Cam. Belt; W/DOHC Eng.....	☆T292		<b>Cam. Belt; W/SOHC Eng.....</b>		
Cam. Belt; W/SOHC Eng.....	T017		<b>T017</b>		
Cam. Seal; W/SOHC Eng.....	KS12724		<b>Cam. Seal; W/SOHC Eng.....</b>		
Crankshaft Seal; W/SOHC Eng.....	KS12724		<b>KS12724</b>		
Cam. Tensioner Assy.; W/SOHC Eng.....	T41079	◇ 177	<b>Crankshaft Seal; W/SOHC Eng.....</b>		
<b>5-CYL. 2.2 L ENG.</b>			<b>Cam. Tensioner Assy.; W/SOHC Eng.....</b>		
<b>QUANTUM</b>			<b>T41079</b>		
Cam. Belt; Early; W/.75" Belt T.W.....	T065		<b>◇ 177</b>		
Cam. Belt; Late; W/.70" Belt T.W.....	T127		<b>1981</b>		
<b>1984</b>			<b>4-CYL. 1.6 L DIESEL ENG.</b>		
<b>4-CYL. 1.6 L DIESEL ENG.</b>			<b>DASHER; JETTA; RABBIT</b>		
<b>JETTA; QUANTUM; RABBIT</b>			<b>Cam. Belt.....</b>		
Cam. Belt.....	☆T043		<b>☆T043</b>		
Cam. Tensioner Assy.....	T41080	◇ 198	<b>Cam. Tensioner Assy.....</b>		
<b>4-CYL. 1.7 L ENG.</b>			<b>T41080</b>		
<b>JETTA; RABBIT</b>			<b>◇ 198</b>		
Timing Component Kit.....	TCK017		<b>4-CYL. 1.7 L ENG.</b>		
Cam. Belt.....	T017		<b>JETTA; RABBIT; SCIROCCO</b>		
Cam. Seal.....	KS12724		<b>Timing Component Kit.....</b>		
Crankshaft Seal.....	KS12724		<b>TCK017</b>		
Cam. Tensioner Assy.....	T41079	◇ 177	<b>Cam. Belt.....</b>		
<b>4-CYL. 1.8 L ENG.</b>			<b>T017</b>		
<b>JETTA; RABBIT; SCIROCCO</b>			<b>Cam. Seal.....</b>		
Timing Component Kit.....	TCK017		<b>KS12724</b>		
Cam. Belt.....	T017		<b>Crankshaft Seal.....</b>		
Cam. Seal.....	KS12724		<b>KS12724</b>		
Crankshaft Seal.....	KS12724		<b>Cam. Tensioner Assy.....</b>		
Cam. Tensioner Assy.....	T41079	◇ 177	<b>T41079</b>		
<b>5-CYL. 2.2 L ENG.</b>			<b>◇ 177</b>		
<b>QUANTUM</b>			<b>1980</b>		
Cam. Belt; Early; W/.75" Belt T.W.....	T065		<b>4-CYL. 1.5 L DIESEL ENG.</b>		
Cam. Belt; Late; W/.70" Belt T.W.....	T127		<b>DASHER; RABBIT</b>		
<b>1983</b>			<b>Cam. Belt.....</b>		
<b>4-CYL. 1.6 L DIESEL ENG.</b>			<b>☆T043</b>		
<b>JETTA; QUANTUM; RABBIT</b>			<b>Cam. Tensioner Assy.....</b>		
Cam. Belt.....	☆T043		<b>T41080</b>		
Cam. Tensioner Assy.....	T41080	◇ 198	<b>◇ 198</b>		
<b>4-CYL. 1.7 L ENG.</b>			<b>4-CYL. 1.6 L ENG.</b>		
<b>JETTA; QUANTUM; RABBIT; SCIROCCO</b>			<b>DASHER; JETTA; RABBIT; SCIROCCO</b>		
Timing Component Kit.....	TCK017		<b>Timing Component Kit.....</b>		
Cam. Belt.....	T017		<b>TCK017</b>		
Cam. Seal.....	KS12724		<b>Cam. Belt.....</b>		
Crankshaft Seal.....	KS12724		<b>T017</b>		
Cam. Tensioner Assy.....	T41079	◇ 177	<b>Cam. Tensioner Assy.....</b>		
<b>5-CYL. 2.2 L ENG.</b>			<b>T41079</b>		
<b>QUANTUM</b>			<b>◇ 177</b>		
Cam. Belt; Early; W/.75" Belt T.W.....	T065		<b>1979</b>		
Cam. Belt; Late; W/.70" Belt T.W.....	T127		<b>4-CYL. 89 C.I.D. ENG.</b>		
<b>1983</b>			<b>RABBIT</b>		
<b>4-CYL. 1.6 L DIESEL ENG.</b>			<b>Timing Component Kit.....</b>		
<b>JETTA; QUANTUM; RABBIT</b>			<b>TCK017</b>		
Cam. Belt.....	☆T043		<b>Cam. Belt.....</b>		
Cam. Tensioner Assy.....	T41080	◇ 198	<b>T017</b>		
<b>4-CYL. 1.7 L ENG.</b>			<b>Cam. Tensioner Assy.....</b>		
<b>JETTA; QUANTUM; RABBIT; SCIROCCO</b>			<b>T41079</b>		
Timing Component Kit.....	TCK017		<b>◇ 177</b>		
Cam. Belt.....	T017		<b>4-CYL. 90 DIESEL C.I.D. ENG.</b>		
<b>1983</b>			<b>DASHER; RABBIT</b>		
<b>4-CYL. 1.6 L DIESEL ENG.</b>			<b>Cam. Belt.....</b>		
<b>JETTA; QUANTUM; RABBIT</b>			<b>☆T043</b>		
Cam. Belt.....	☆T043		<b>Cam. Tensioner Assy.....</b>		
Cam. Tensioner Assy.....	T41080	◇ 198	<b>T41080</b>		
<b>4-CYL. 1.7 L ENG.</b>			<b>◇ 198</b>		
<b>JETTA; QUANTUM; RABBIT; SCIROCCO</b>			<b>4-CYL. 97 C.I.D. ENG.</b>		
Timing Component Kit.....	TCK017		<b>DASHER; SCIROCCO</b>		
Cam. Belt.....	T017		<b>Timing Component Kit.....</b>		
Cam. Tensioner Assy.....	T41079	◇ 177	<b>TCK017</b>		
<b>1983</b>			<b>Cam. Belt.....</b>		
<b>4-CYL. 1.6 L DIESEL ENG.</b>			<b>T017</b>		
<b>JETTA; QUANTUM; RABBIT</b>			<b>Cam. Tensioner Assy.....</b>		
Cam. Belt.....	☆T043		<b>T41079</b>		
Cam. Tensioner Assy.....	T41080	◇ 198	<b>◇ 177</b>		
<b>4-CYL. 1.7 L ENG.</b>			<b>1979</b>		
<b>JETTA; QUANTUM; RABBIT; SCIROCCO</b>			<b>4-CYL. 89 C.I.D. ENG.</b>		
Timing Component Kit.....	TCK017		<b>RABBIT</b>		
Cam. Belt.....	T017		<b>Timing Component Kit.....</b>		
Cam. Tensioner Assy.....	T41079	◇ 177	<b>TCK017</b>		
<b>1983</b>			<b>Cam. Belt.....</b>		
<b>4-CYL. 1.6 L DIESEL ENG.</b>			<b>T017</b>		
<b>JETTA; QUANTUM; RABBIT</b>			<b>Cam. Tensioner Assy.....</b>		
Cam. Belt.....	☆T043		<b>T41079</b>		
Cam. Tensioner Assy.....	T41080	◇ 198	<b>◇ 177</b>		
<b>4-CYL. 1.7 L ENG.</b>			<b>4-CYL. 90 DIESEL C.I.D. ENG.</b>		
<b>JETTA; QUANTUM; RABBIT; SCIROCCO</b>			<b>DASHER; RABBIT</b>		
Timing Component Kit.....	TCK017		<b>Cam. Belt.....</b>		
Cam. Belt.....	T017		<b>☆T043</b>		
Cam. Tensioner Assy.....	T41079	◇ 177	<b>Cam. Tensioner Assy.....</b>		
<b>1983</b>			<b>T41080</b>		
<b>4-CYL. 1.6 L DIESEL ENG.</b>			<b>◇ 198</b>		
<b>JETTA; QUANTUM; RABBIT</b>			<b>4-CYL. 97 C.I.D. ENG.</b>		
Cam. Belt.....	☆T043		<b>DASHER; SCIROCCO</b>		
Cam. Tensioner Assy.....	T41080	◇ 198	<b>Timing Component Kit.....</b>		
<b>4-CYL. 1.7 L ENG.</b>			<b>TCK017</b>		
<b>JETTA; QUANTUM; RABBIT; SCIROCCO</b>			<b>Cam. Belt.....</b>		
Timing Component Kit.....	TCK017		<b>T017</b>		
Cam. Belt.....	T017		<b>Cam. Tensioner Assy.....</b>		
Cam. Tensioner Assy.....	T41079	◇ 177	<b>T41079</b>		
<b>1983</b>			<b>◇ 177</b>		

☆ Interference engine application. See inside back cover for additional information.  
 \* Does Not Include Cam. Tensioner Hyd. Assy.

② Two Required.  
 ④ Four Required.

◇ See Diagram Section (Pages 153-167).

# PowerGrip™ Timing System Products for Passenger Cars

Application	Part No.	Diagram No.	Application	Part No.	Diagram No.
<b>VOLKSWAGEN - Continued</b>			<b>VOLVO - Continued</b>		
<b>1978</b>			<b>2000</b>		
<b>4-CYL. 89 C.I.D. ENG. RABBIT; SCIROCCO</b>			<b>4-CYL. 1.9 L ENG. S40; V40</b>		
Timing Component Kit.....	TCK017		Cam. Belt; VIN 1219110 & Before .....	☆T252	
Cam. Belt.....	T017		Cam. Belt; VIN 1219111 & After .....	☆T311	
Cam. Tensioner Assy.....	T41079	◇ 177	<b>5-CYL. 2.3 L ENG. C70; S70; V70</b>		
<b>4-CYL. 90 DIESEL C.I.D. ENG. RABBIT</b>			Cam. Belt; VIN 1266127 & Before .....		
Cam. Belt.....	☆T043		Cam. Belt; VIN 1266128 & After .....		
<b>4-CYL. 97 C.I.D. ENG. DASHER</b>			<b>5-CYL. 2.4 L ENG. C70; S70; V70</b>		
Timing Component Kit.....	TCK017		Cam. Belt; VIN 1266127 & Before .....		
Cam. Belt.....	T017		Cam. Belt; VIN 1266128 & After .....		
Cam. Tensioner Assy.....	T41079	◇ 177	<b>6-CYL. 2.8 L ENG. S80</b>		
<b>1977</b>			Cam. Belt.....		
<b>4-CYL. 90 DIESEL C.I.D. ENG. RABBIT</b>			☆T319		
Cam. Belt.....	☆T043		<b>6-CYL. 2.9 L ENG. S80</b>		
<b>4-CYL. 97 C.I.D. ENG. DASHER; RABBIT; SCIROCCO</b>			Cam. Belt.....		
Timing Component Kit.....	TCK017		☆T319		
Cam. Belt.....	T017		<b>1999</b>		
Cam. Tensioner Assy.....	T41079	◇ 177	<b>5-CYL. 2.3 L ENG. C70; S70; V70</b>		
<b>1976</b>			Cam. Belt.....		
<b>4-CYL. 97 C.I.D. ENG. DASHER; RABBIT; SCIROCCO</b>			☆T311		
Timing Component Kit.....	TCK017		<b>5-CYL. 2.4 L ENG. C70; S70; V70</b>		
Cam. Belt.....	T017		Cam. Belt.....		
Cam. Tensioner Assy.....	T41079	◇ 177	☆T311		
<b>1975</b>			<b>6-CYL. 2.8 L ENG. S80</b>		
<b>4-CYL. 90 C.I.D. ENG. DASHER; RABBIT</b>			Cam. Belt.....		
Timing Component Kit.....	TCK017		☆T270		
Cam. Belt.....	T017		<b>6-CYL. 2.9 L ENG. S80</b>		
Cam. Tensioner Assy.....	T41079	◇ 177	Cam. Belt.....		
<b>1974</b>			☆T270		
<b>4-CYL. 90 C.I.D. ENG. DASHER</b>			<b>1998</b>		
Timing Component Kit.....	TCK017		<b>5-CYL. 2.3 L ENG. C70; S70; V70</b>		
Cam. Belt.....	T017		Cam. Belt; VIN 1266127 & Before .....		
Cam. Tensioner Assy.....	T41079	◇ 177	Cam. Belt; VIN 1266128 & After .....		
<b>1973</b>			<b>5-CYL. 2.4 L ENG. S70; V70</b>		
<b>4-CYL. 90 C.I.D. ENG. DASHER</b>			Cam. Belt; VIN 1266127 & Before .....		
Timing Component Kit.....	TCK017		Cam. Belt; VIN 1266128 & After .....		
Cam. Belt.....	T017		<b>6-CYL. 2.9 L ENG. S90; V90</b>		
Cam. Tensioner Assy.....	T41079	◇ 177	Cam. Belt.....		
<b>VOLVO</b>			☆T270		
<b>2001</b>			<b>1997</b>		
<b>4-CYL. 1.9 L ENG. S40; V40</b>			<b>5-CYL. 2.3 L ENG. 850</b>		
Cam. Belt; VIN 1219110 & Before .....	☆T252		Cam. Belt.....		
Cam. Belt; VIN 1219111 & After .....	☆T311		☆T252		
<b>5-CYL. 2.3 L ENG. C70; S60; V70</b>			<b>5-CYL. 2.4 L ENG. 850</b>		
Cam. Belt; VIN 1266127 & Before .....	☆T252		Cam. Belt.....		
Cam. Belt; VIN 1266128 & After .....	☆T311		☆T252		
<b>5-CYL. 2.4 L ENG. C70; S60; V70</b>			<b>6-CYL. 2.9 L ENG. S90; V90; 960</b>		
Cam. Belt; VIN 1266127 & Before .....	☆T252		Cam. Belt.....		
Cam. Belt; VIN 1266128 & After .....	☆T311		☆T270		
<b>6-CYL. 2.8 L ENG. S80</b>			<b>1996</b>		
Cam. Belt.....	☆T319		<b>5-CYL. 2.3 L ENG. 850</b>		
<b>6-CYL. 2.9 L ENG. S80</b>			Cam. Belt.....		
Cam. Belt.....	☆T319		☆T252		
<b>6-CYL. 2.9 L ENG. S80</b>			<b>5-CYL. 2.3 L ENG. (CANADA) 850</b>		
Cam. Belt.....	☆T319		Cam. Belt.....		
<b>6-CYL. 2.9 L ENG. S80</b>			☆T252		
Cam. Belt.....	☆T319		<b>5-CYL. 2.4 L ENG. 850</b>		
<b>6-CYL. 2.9 L ENG. S80</b>			Cam. Belt.....		
Cam. Belt.....	☆T319		☆T252		

☆ Interference engine application. See inside back cover for additional information.

\* Does Not Include Cam. Tensioner Hyd. Assy.

② Two Required.

④ Four Required.

◇ See Diagram Section (Pages 153-167).

# PowerGrip™ Timing System Products for Passenger Cars

Application	Part No.	Diagram No.	Application	Part No.	Diagram No.
<b>VOLVO - Continued</b>			<b>VOLVO - Continued</b>		
<b>1996 - Continued</b>			<b>1992 - Continued</b>		
<b>6-CYL. 2.9 L ENG.</b>			<b>4-CYL. 2.3 L ENG. (CANADA) - Continued</b>		
<b>960</b>			<b>940 - Continued</b>		
Cam. Belt.....	☆T270		Cam. Tensioner Assy.....	T41081	◇ 103
<b>1995</b>			<b>6-CYL. 2.9 L ENG.</b>		
<b>4-CYL. 2.3 L ENG.</b>			<b>960</b>		
Cam. Belt.....	☆T234		Cam. Belt.....	☆T217	
<b>5-CYL. 2.3 L ENG.</b>			<b>1991</b>		
<b>850</b>			<b>4-CYL. 2.3 L ENG.</b>		
Cam. Belt.....	☆T252		<b>COUPE</b>		
<b>5-CYL. 2.4 L ENG.</b>			<b>240; 740</b>		
<b>850</b>			Timing Component Kit.....	☆TCK032	
Cam. Belt.....	☆T252		Cam. Belt.....	☆T032	
<b>5-CYL. 2.4 L ENG. (CANADA)</b>			Cam. Seal.....	KS13945	
<b>850</b>			Crankshaft Seal.....	KS20466	
Cam. Belt; VIN 131034 & Before.....	☆T217		Cam. Tensioner Assy.....	T41081	◇ 103
Cam. Belt; VIN 131035 & After.....	T269		<b>940</b>		
<b>6-CYL. 2.9 L ENG.</b>			<b>Timing Component Kit; W/SOHC Eng.</b>		
<b>960</b>			Balance Shaft Belt; W/DOHC Eng. ....	☆T174	
Cam. Belt.....	☆T270		Cam. Belt; W/DOHC Eng.....	☆T198	
<b>1994</b>			Cam. Belt; W/SOHC Eng.....	☆T032	
<b>4-CYL. 2.3 L ENG.</b>			Cam. Seal; W/SOHC Eng.....	KS13945	
<b>940</b>			Crankshaft Seal; W/SOHC Eng.....	KS20466	
Cam. Belt.....	☆T234		Cam. Tensioner Assy.....	T41081	◇ 103
<b>4-CYL. 2.3 L ENG. (CANADA)</b>			<b>1990</b>		
<b>940</b>			<b>4-CYL. 2.3 L ENG.</b>		
Cam. Belt.....	☆T234		<b>240; 760; 780</b>		
<b>5-CYL. 2.3 L ENG.</b>			<b>Timing Component Kit.....</b>		
<b>850</b>			Cam. Belt.....	☆T032	
Cam. Belt; VIN 131034 & Before.....	☆T217		Cam. Seal.....	KS13945	
Cam. Belt; VIN 131035 & After.....	☆T252		Crankshaft Seal.....	KS20466	
<b>5-CYL. 2.4 L ENG.</b>			Cam. Tensioner Assy.....	T41081	◇ 103
<b>850</b>			<b>740</b>		
Cam. Belt; VIN 131035 & After.....	☆T252		<b>Timing Component Kit; W/SOHC Eng.</b>		
Cam. Belt; VIN 131034 & Before.....	☆T217		Balance Shaft Belt; W/DOHC Eng. ....	☆T174	
<b>6-CYL. 2.9 L ENG.</b>			Cam. Belt; W/DOHC Eng.; W/Auto. Tensioner.....	T198	
<b>960</b>			Cam. Belt; W/DOHC Eng.; W/Man. Tensioner.....	☆T173	
Cam. Belt.....	☆T252		Cam. Belt; W/SOHC Eng.....	☆T032	
<b>1993</b>			Cam. Seal; W/SOHC Eng.....	KS13945	
<b>4-CYL. 2.3 L ENG.</b>			Crankshaft Seal; W/SOHC Eng.....	KS20466	
<b>240; 940</b>			Cam. Tensioner Assy.; W/SOHC Eng.....	T41081	◇ 103
Cam. Belt.....	☆T234		<b>1989</b>		
<b>5-CYL. 2.4 L ENG.</b>			<b>4-CYL. 2.3 L ENG.</b>		
<b>850</b>			<b>240; 760; 780</b>		
Cam. Belt; VIN 131034 & Before.....	☆T217		<b>Timing Component Kit.....</b>		
Cam. Belt; VIN 131035 & After.....	☆T252		Cam. Belt.....	☆T032	
<b>6-CYL. 2.9 L ENG.</b>			Cam. Seal.....	KS13945	
<b>960</b>			Crankshaft Seal.....	KS20466	
Cam. Belt.....	☆T217		Cam. Tensioner Assy.....	T41081	◇ 103
<b>1992</b>			<b>740</b>		
<b>4-CYL. 2.3 L ENG.</b>			<b>Timing Component Kit; W/SOHC Eng.</b>		
<b>240; 740; 940</b>			Balance Shaft Belt; W/DOHC Eng. ....	☆T174	
Timing Component Kit.....	☆TCK032		Cam. Belt; W/DOHC Eng.; W/Auto. Tensioner.....	T198	
Cam. Belt.....	☆T032		Cam. Belt; W/DOHC Eng.; W/Man. Tensioner.....	T173	
Cam. Seal.....	KS13945		Cam. Belt; W/SOHC Eng.....	☆T032	
Crankshaft Seal.....	KS20466		Cam. Seal; W/SOHC Eng.....	KS13945	
Cam. Tensioner Assy.....	T41081	◇ 103	Crankshaft Seal; W/SOHC Eng.....	KS20466	
<b>4-CYL. 2.3 L ENG. (CANADA)</b>			Cam. Tensioner Assy.; W/SOHC Eng.....	T41081	◇ 103
<b>940</b>			<b>1988-1987</b>		
Timing Component Kit.....	☆TCK032		<b>4-CYL. 2.3 L ENG.</b>		
Balance Shaft Belt.....	☆T174		<b>240; 760</b>		
Cam. Belt.....	☆T198		<b>Timing Component Kit.....</b>		
Cam. Seal.....	KS13945		Cam. Belt.....	☆T032	
Crankshaft Seal.....	KS20466		Cam. Seal.....	KS13945	
Cam. Tensioner Assy.....	T41081	◇ 103	Crankshaft Seal.....	KS20466	
<b>1992</b>			Cam. Tensioner Assy.....	T41081	◇ 103
<b>4-CYL. 2.3 L ENG.</b>			<b>240; 760</b>		
<b>240; 740; 940</b>			<b>Timing Component Kit.....</b>		
Timing Component Kit.....	☆TCK032		Cam. Belt.....	☆T032	
Balance Shaft Belt.....	☆T174		Cam. Seal.....	KS13945	
Cam. Belt.....	☆T198		Crankshaft Seal.....	KS20466	
Cam. Seal.....	KS13945		Cam. Tensioner Assy.....	T41081	◇ 103
Crankshaft Seal.....	KS20466		<b>1988-1987</b>		
Cam. Tensioner Assy.....	T41081	◇ 103	<b>4-CYL. 2.3 L ENG.</b>		
<b>1992</b>			<b>240; 760</b>		
<b>4-CYL. 2.3 L ENG.</b>			<b>Timing Component Kit.....</b>		
<b>240; 740; 940</b>			Cam. Belt.....	☆T032	
Timing Component Kit.....	☆TCK032		Cam. Seal.....	KS13945	
Balance Shaft Belt.....	☆T174		Crankshaft Seal.....	KS20466	
Cam. Belt.....	☆T198		Cam. Tensioner Assy.....	T41081	◇ 103
Cam. Seal.....	KS13945		<b>1988-1987</b>		
Crankshaft Seal.....	KS20466		<b>4-CYL. 2.3 L ENG.</b>		
Cam. Tensioner Assy.....	T41081	◇ 103	<b>240; 760</b>		
<b>1992</b>			<b>Timing Component Kit.....</b>		
<b>4-CYL. 2.3 L ENG.</b>			Cam. Belt.....	☆T032	
<b>240; 740; 940</b>			Cam. Seal.....	KS13945	
Timing Component Kit.....	☆TCK032		Crankshaft Seal.....	KS20466	
Balance Shaft Belt.....	☆T174		Cam. Tensioner Assy.....	T41081	◇ 103
Cam. Belt.....	☆T198		<b>1988-1987</b>		
Cam. Seal.....	KS13945		<b>4-CYL. 2.3 L ENG.</b>		
Crankshaft Seal.....	KS20466		<b>240; 760</b>		
Cam. Tensioner Assy.....	T41081	◇ 103	<b>Timing Component Kit.....</b>		
<b>1992</b>			Cam. Belt.....	☆T032	
<b>4-CYL. 2.3 L ENG.</b>			Cam. Seal.....	KS13945	
<b>240; 740; 940</b>			Crankshaft Seal.....	KS20466	
Timing Component Kit.....	☆TCK032		Cam. Tensioner Assy.....	T41081	◇ 103
Balance Shaft Belt.....	☆T174		<b>1988-1987</b>		
Cam. Belt.....	☆T198		<b>4-CYL. 2.3 L ENG.</b>		
Cam. Seal.....	KS13945		<b>240; 760</b>		
Crankshaft Seal.....	KS20466		<b>Timing Component Kit.....</b>		
Cam. Tensioner Assy.....	T41081	◇ 103	Cam. Belt.....	☆T032	
<b>1992</b>			Cam. Seal.....	KS13945	
<b>4-CYL. 2.3 L ENG.</b>			Crankshaft Seal.....	KS20466	
<b>240; 740; 940</b>			Cam. Tensioner Assy.....	T41081	◇ 103
Timing Component Kit.....	☆TCK032		<b>1988-1987</b>		
Balance Shaft Belt.....	☆T174		<b>4-CYL. 2.3 L ENG.</b>		
Cam. Belt.....	☆T198		<b>240; 760</b>		
Cam. Seal.....	KS13945		<b>Timing Component Kit.....</b>		
Crankshaft Seal.....	KS20466		Cam. Belt.....	☆T032	
Cam. Tensioner Assy.....	T41081	◇ 103	Cam. Seal.....	KS13945	
<b>1992</b>			Crankshaft Seal.....	KS20466	
<b>4-CYL. 2.3 L ENG.</b>			Cam. Tensioner Assy.....	T41081	◇ 103
<b>240; 740; 940</b>			<b>1988-1987</b>		
Timing Component Kit.....	☆TCK032		<b>4-CYL. 2.3 L ENG.</b>		
Balance Shaft Belt.....	☆T174		<b>240; 760</b>		
Cam. Belt.....	☆T198		<b>Timing Component Kit.....</b>		
Cam. Seal.....	KS13945		Cam. Belt.....	☆T032	
Crankshaft Seal.....	KS20466		Cam. Seal.....	KS13945	
Cam. Tensioner Assy.....	T41081	◇ 103	Crankshaft Seal.....	KS20466	
<b>1992</b>			Cam. Tensioner Assy.....	T41081	◇ 103
<b>4-CYL. 2.3 L ENG.</b>			<b>1988-1987</b>		
<b>240; 740; 940</b>			<b>4-CYL. 2.3 L ENG.</b>		
Timing Component Kit.....	☆TCK032		<b>240; 760</b>		
Balance Shaft Belt.....	☆T174		<b>Timing Component Kit.....</b>		
Cam. Belt.....	☆T198		Cam. Belt.....	☆T032	
Cam. Seal.....	KS13945		Cam. Seal.....	KS13945	
Crankshaft Seal.....	KS20466		Crankshaft Seal.....	KS20466	
Cam. Tensioner Assy.....	T41081	◇ 103	Cam. Tensioner Assy.....	T41081	◇ 103

☆ Interference engine application. See inside back cover for additional information.

\* Does Not Include Cam. Tensioner Hyd. Assy.

② Two Required.

④ Four Required.

◇ See Diagram Section (Pages 153-167).

# PowerGrip™ Timing System Products for Passenger Cars

Application	Part No.	Diagram No.	Application	Part No.	Diagram No.
<b>VOLVO - Continued</b>			<b>VOLVO - Continued</b>		
<b>1988-1987 - Continued</b>			<b>1983</b>		
<b>4-CYL. 2.3 L ENG. - Continued</b>			<b>4-CYL. 2.1 L ENG.</b>		
<b>740</b>			<b>GLT</b>		
Timing Component Kit.....	☆TCK032		Timing Component Kit.....	☆TCK032	
Balance Shaft Belt; W/DOHC Eng.....	☆T174		Cam. Belt.....	☆T032	
Cam. Belt; W/DOHC Eng.....	☆T173		Cam. Tensioner Assy.....	T41081	◇ 103
Cam. Belt; W/SOHC Eng.....	☆T032				
Cam. Seal; W/SOHC Eng.....	KS13945		<b>4-CYL. 2.1 L ENG. (CANADA)</b>		
Crankshaft Seal; W/SOHC Eng.....	KS20466		<b>DL</b>		
Cam. Tensioner Assy.; W/SOHC Eng.....	T41081	◇ 103	Timing Component Kit.....	☆TCK032	
			Cam. Belt.....	☆T032	
			Cam. Tensioner Assy.....	T41081	◇ 103
<b>1986</b>			<b>4-CYL. 2.3 L ENG.</b>		
<b>4-CYL. 2.3 L ENG.</b>			<b>DL; GL</b>		
<b>240; 760</b>			Timing Component Kit.....	☆TCK032	
Timing Component Kit.....	☆TCK032		Cam. Belt.....	☆T032	
Cam. Belt.....	☆T032		Cam. Tensioner Assy.....	T41081	◇ 103
Cam. Seal.....	KS13945				
Crankshaft Seal.....	KS20466		<b>4-CYL. 2.3 L ENG. (CANADA)</b>		
Cam. Tensioner Assy.....	T41081	◇ 103	<b>GL; GLT</b>		
			Timing Component Kit.....	☆TCK032	
<b>740</b>			Cam. Belt.....	☆T032	
Timing Component Kit; W/SOHC Eng.....	☆TCK032		Cam. Tensioner Assy.....	T41081	◇ 103
Balance Shaft Belt; W/DOHC Eng.....	☆T174				
Cam. Belt; W/DOHC Eng.....	☆T173		<b>6-CYL. 2.4 L DIESEL ENG.</b>		
Cam. Belt; W/SOHC Eng.....	☆T032		<b>GL; 760GLE</b>		
Cam. Seal; W/SOHC Eng.....	KS13945		Cam. Belt.....	☆T083	
Crankshaft Seal; W/SOHC Eng.....	KS20466		Inj. Pump Belt.....	T082	
Cam. Tensioner Assy.; W/SOHC Eng.....	T41081	◇ 103			
			<b>1982</b>		
<b>6-CYL. 2.4 L DIESEL ENG.</b>			<b>4-CYL. 2.1 L ENG.</b>		
<b>740</b>			<b>DL; GL; GLT</b>		
Cam. Belt.....	☆T083		Timing Component Kit.....	☆TCK032	
Inj. Pump Belt.....	T082		Cam. Belt.....	☆T032	
			Cam. Tensioner Assy.....	T41081	◇ 103
			<b>4-CYL. 2.3 L ENG. (CANADA)</b>		
<b>1985</b>			<b>GL</b>		
<b>4-CYL. 2.1 L ENG.</b>			Timing Component Kit.....	☆TCK032	
<b>TURBO</b>			Cam. Belt.....	☆T032	
Timing Component Kit.....	☆TCK032		Cam. Tensioner Assy.....	T41081	◇ 103
Cam. Belt.....	☆T032				
Cam. Tensioner Assy.....	T41081	◇ 103	<b>6-CYL. 2.4 L DIESEL ENG.</b>		
			<b>DL; GL; 740; 760</b>		
<b>4-CYL. 2.3 L ENG.</b>			Timing Component Kit.....	☆TCK032	
<b>DL; GL; 740; 760</b>			Cam. Belt.....	☆T032	
Timing Component Kit.....	☆TCK032		Cam. Tensioner Assy.....	T41081	◇ 103
Cam. Belt.....	☆T032				
Cam. Tensioner Assy.....	T41081	◇ 103	<b>6-CYL. 2.4 L DIESEL ENG.</b>		
			<b>740; 760</b>		
<b>6-CYL. 2.4 L DIESEL ENG.</b>			Cam. Belt.....	☆T083	
<b>740; 760</b>			Inj. Pump Belt.....	T082	
Cam. Belt.....	☆T083				
Inj. Pump Belt.....	T082		<b>1984</b>		
			<b>4-CYL. 2.1 L ENG.</b>		
			<b>TURBO</b>		
			Timing Component Kit.....	☆TCK032	
			Cam. Belt.....	☆T032	
			Cam. Tensioner Assy.....	T41081	◇ 103
			<b>4-CYL. 2.3 L ENG.</b>		
			<b>DL; GL; 760GLE</b>		
			Timing Component Kit.....	☆TCK032	
			Cam. Belt.....	☆T032	
			Cam. Tensioner Assy.....	T41081	◇ 103
			<b>4-CYL. 2.3 L ENG. (CANADA)</b>		
			<b>GLE</b>		
			Timing Component Kit.....	☆TCK032	
			Cam. Belt.....	☆T032	
			Cam. Tensioner Assy.....	T41081	◇ 103
			<b>6-CYL. 2.4 L DIESEL ENG.</b>		
			<b>GL; 760GLE</b>		
			Cam. Belt.....	☆T083	
			Inj. Pump Belt.....	T082	
			<b>1980</b>		
			<b>4-CYL. 2.1 L ENG.</b>		
			<b>DL; GL; GT</b>		
			Timing Component Kit.....	☆TCK032	
			Cam. Belt.....	☆T032	
			Cam. Tensioner Assy.....	T41081	◇ 103
			<b>6-CYL. 2.4 L DIESEL ENG.</b>		
			<b>DIESEL</b>		
			Cam. Belt.....	☆T083	
			Inj. Pump Belt.....	T082	
			<b>1979-1976</b>		
			<b>4-CYL. 130 C.I.D. ENG.</b>		
			<b>242; 244; 245</b>		
			Timing Component Kit.....	☆TCK032	
			Cam. Belt.....	☆T032	
			Cam. Tensioner Assy.....	T41081	◇ 103

☆ Interference engine application. See inside back cover for additional information.

\* Does Not Include Cam. Tensioner Hyd. Assy.

② Two Required.

④ Four Required.

◇ See Diagram Section (Pages 153-167).

# PowerGrip™ Timing System Products for Passenger Cars

Application	Part No.	Diagram No.	Application	Part No.	Diagram No.
<b>YUGO</b>			<b>YUGO - Continued</b>		
<b>1989</b>			<b>1987</b>		
4-CYL. 1.1 L ENG.			4-CYL. 1.1 L ENG.		
GV; GVL			GV		
Cam. Belt..... ☆T018			Cam. Belt..... ☆T018		
<b>1988</b>			<b>1986</b>		
4-CYL. 1.1 L ENG.			4-CYL. 1.1 L ENG.		
GV; GVL; GVS			GV		
Cam. Belt..... ☆T018			Cam. Belt..... ☆T018		

☆ Interference engine application. See inside back cover for additional information.  
 ✱ Does Not Include Cam. Tensioner Hyd. Assy.

② Two Required.  
 ④ Four Required.

◇ See Diagram Section (Pages 153-167).



# PowerGrip™ Timing System Products for Light Trucks Alphabetical Listing

Application	Part No.	Diagram No.	Application	Part No.	Diagram No.
<b>ACURA</b>			<b>CHEVROLET - Continued</b>		
<b>2002-2001</b>			<b>1982-1981</b>		
<b>V-6 3.5 L ENG.</b>			<b>4-CYL. 2.2 L DIESEL ENG.</b>		
<b>MDX</b>			<b>LUV PICKUP</b>		
Cam. Belt.....	☆T286		Cam. Belt.....	☆T075	
<b>1999-1998</b>			<b>CHRYSLER</b>		
<b>V-6 3.5 L ENG.</b>			<b>2002-2001</b>		
<b>SLX</b>			<b>4-CYL. 2.4 L ENG.</b>		
Cam. Belt.....	T303		<b>VOYAGER</b>		
<b>1997-1996</b>			Cam. Belt..... T265		
<b>V-6 3.2 L ENG.</b>			Cam. Tensioner Assy..... T43005 ◇205		
<b>SLX</b>			<b>2000</b>		
Timing Component Kit.....	✱TCK221		<b>4-CYL. 2.4 L ENG.</b>		
Cam. Belt.....	T221		<b>VOYAGER</b>		
Cam. Seal.....	②KS11592		Cam. Belt..... T265		
Crankshaft Seal.....	KS15829		Cam. Tensioner Assy..... T43005 ◇205		
Cam. Idler Pulley.....	T42002 ◇159		<b>V-6 3.0 L ENG.</b>		
Cam. Tensioner Assy.....	✱T41028 ◇159		<b>GRAND VOYAGER; VOYAGER</b>		
<b>ASUNA</b>			Timing Component Kit..... TCK139		
<b>1993-1992</b>			Cam. Belt..... T139		
<b>4-CYL. 1.6 L ENG. (CANADA)</b>			Cam. Seal..... ②KS13907		
<b>SUNRUNNER</b>			Crankshaft Seal..... KS14671		
Cam. Belt.....	T164		Cam. Tensioner Assy..... T41048 ◇123		
<b>CHEVROLET</b>			<b>DAIHATSU</b>		
<b>2002-2001</b>			<b>1992-1990</b>		
<b>4-CYL. 1.6 L ENG. (CANADA)</b>			<b>4-CYL. 1.6 L ENG.</b>		
<b>TRACKER</b>			<b>ROCKY</b>		
Timing Component Kit.....	TCK212		Cam. Belt..... ☆T182		
Cam. Belt.....	T212		Cam. Tensioner Assy..... T41004 ◇126		
Cam. Seal.....	KS12724		<b>DODGE</b>		
Crankshaft Seal.....	KS12724		<b>2002-2001</b>		
Cam. Tensioner Assy.....	T41065 ◇156		<b>4-CYL. 2.4 L ENG.</b>		
<b>2000-1998</b>			<b>CARAVAN</b>		
<b>4-CYL. 1.6 L ENG.</b>			Cam. Belt..... T265		
<b>TRACKER</b>			Cam. Tensioner Assy..... T43005 ◇205		
Timing Component Kit.....	TCK212		<b>2000-1998</b>		
Cam. Belt.....	T212		<b>4-CYL. 2.4 L ENG.</b>		
Cam. Seal.....	KS12724		<b>CARAVAN</b>		
Crankshaft Seal.....	KS12724		Cam. Belt..... T265		
Cam. Tensioner Assy.....	T41065 ◇156		Cam. Tensioner Assy..... T43005 ◇205		
<b>1992-1989</b>			<b>V-6 3.0 L ENG.</b>		
<b>4-CYL. 1.6 L ENG. (CANADA)</b>			<b>CARAVAN; GRAND CARAVAN</b>		
<b>TRACKER</b>			Timing Component Kit..... TCK139		
Timing Component Kit.....	TCK164		Cam. Belt..... T139		
Cam. Belt.....	T164		Cam. Seal..... ②KS13907		
Cam. Seal.....	KS12724		Crankshaft Seal..... KS14671		
Crankshaft Seal.....	KS12724		Cam. Tensioner Assy..... T41048 ◇123		
Cam. Tensioner Assy.....	T41064 ◇112		<b>1997</b>		
<b>1985-1984</b>			<b>4-CYL. 2.4 L ENG.</b>		
<b>4-CYL. 2.2 L DIESEL ENG.</b>			<b>CARAVAN; GRAND CARAVAN</b>		
<b>S SERIES PICKUP</b>			Cam. Belt..... T265		
Cam. Belt.....	☆T075		Cam. Tensioner Assy..... T43005 ◇205		
<b>1983</b>			<b>V-6 3.0 L ENG.</b>		
<b>4-CYL. 2.2 L DIESEL ENG.</b>			<b>CARAVAN; GRAND CARAVAN</b>		
<b>S SERIES PICKUP</b>			Timing Component Kit..... TCK139		
Cam. Belt.....	T075		Cam. Belt..... T139		
<b>1983</b>			Cam. Seal..... ②KS13907		
<b>4-CYL. 2.2 L DIESEL ENG.</b>			Crankshaft Seal..... KS14671		
<b>S SERIES PICKUP</b>			Cam. Tensioner Assy..... T41048 ◇123		
Cam. Belt.....	T075				

☆ Interference engine application. See inside back cover for additional information.

✱ Does Not Include Cam. Tensioner Hyd. Assy.

② Two Required.

④ Four Required.

◇ See Diagram Section (Pages 153-167).

# PowerGrip™ Timing System Products for Light Trucks

Application	Part No.	Diagram No.	Application	Part No.	Diagram No.
<b>DODGE - Continued</b>			<b>DODGE - Continued</b>		
<b>1996</b>			<b>1991</b>		
<b>4-CYL. 2.4 L ENG.</b>			<b>4-CYL. 2.4 L ENG.</b>		
<b>CARAVAN; GRAND CARAVAN</b>			<b>RAM 50 PICKUP</b>		
Cam. Belt.....	T265		Timing Component Kit.....	TCK124	
<b>V-6 3.0 L ENG.</b>			Balance Shaft Belt .....	T159	
<b>CARAVAN; GRAND CARAVAN</b>			Cam. Belt.....	T124	
Timing Component Kit.....	TCK139		Cam. Seal.....	KS13907	
Cam. Belt.....	T139		Balance Shaft Tensioner Assy.....	T41053	◇117
Cam. Seal.....	②KS13907		Cam. Tensioner Assy.....	T41044	◇117
Crankshaft Seal.....	KS14671		<b>4-CYL. 2.5 L ENG.</b>		
Cam. Tensioner Assy.....	T41048	◇123	<b>CARAVAN; DAKOTA</b>		
<b>1995-1994</b>			<b>Timing Component Kit.....</b>		
<b>4-CYL. 2.5 L ENG.</b>			<b>TCK153</b>		
<b>CARAVAN; DAKOTA</b>			<b>T153</b>		
Timing Component Kit.....	TCK153		Cam. Seal.....	KS13948	
Cam. Belt.....	T153		Crankshaft Seal.....	KS11122	
Cam. Seal.....	KS13948		Cam. Tensioner Assy.....	T41001	◇130
Crankshaft Seal.....	KS11122		<b>V-6 3.0 L ENG.</b>		
Cam. Tensioner Assy.....	T41001	◇130	<b>CARAVAN; RAM 50 PICKUP</b>		
<b>V-6 3.0 L ENG.</b>			<b>Timing Component Kit.....</b>		
<b>CARAVAN; GRAND CARAVAN</b>			<b>TCK139</b>		
Timing Component Kit.....	TCK139		<b>T139</b>		
Cam. Belt.....	T139		Cam. Seal.....	②KS13907	
Cam. Seal.....	②KS13907		Crankshaft Seal.....	KS14671	
Crankshaft Seal.....	KS14671		Cam. Tensioner Assy.....	T41048	◇123
Cam. Tensioner Assy.....	T41048	◇123	<b>1990</b>		
<b>1993</b>			<b>4-CYL. 2.4 L ENG.</b>		
<b>4-CYL. 2.4 L ENG.</b>			<b>RAM 50 PICKUP</b>		
<b>RAM 50 PICKUP</b>			<b>Timing Component Kit.....</b>		
Balance Shaft Belt .....	T168		<b>TCK124</b>		
Cam. Belt.....	T229		<b>T159</b>		
<b>4-CYL. 2.5 L ENG.</b>			<b>T124</b>		
<b>CARAVAN; DAKOTA</b>			<b>Cam. Seal.....</b>		
Timing Component Kit.....	TCK153		<b>KS13907</b>		
Cam. Belt.....	T153		<b>Crankshaft Seal.....</b>		
Cam. Seal.....	KS13948		<b>KS7861</b>		
Crankshaft Seal.....	KS11122		<b>Balance Shaft Tensioner Assy.....</b>		
Cam. Tensioner Assy.....	T41001	◇130	<b>T41053</b>		
<b>V-6 3.0 L ENG.</b>			<b>Cam. Tensioner Assy.....</b>		
<b>CARAVAN; GRAND CARAVAN</b>			<b>T41044</b>		
Timing Component Kit.....	TCK139		<b>◇117</b>		
Cam. Belt.....	T139		<b>◇117</b>		
Cam. Seal.....	②KS13907		<b>4-CYL. 2.5 L ENG.</b>		
Crankshaft Seal.....	KS14671		<b>CARAVAN; DAKOTA</b>		
Cam. Tensioner Assy.....	T41048	◇123	<b>Timing Component Kit.....</b>		
<b>1992</b>			<b>TCK153</b>		
<b>4-CYL. 2.4 L ENG.</b>			<b>T153</b>		
<b>RAM 50 PICKUP</b>			<b>Cam. Seal.....</b>		
Timing Component Kit.....	TCK124		<b>KS13948</b>		
Balance Shaft Belt .....	T159		<b>Crankshaft Seal.....</b>		
Cam. Belt.....	T124		<b>KS11122</b>		
Cam. Seal.....	KS13907		<b>Cam. Tensioner Assy.....</b>		
Balance Shaft Tensioner Assy.....	T41053	◇117	<b>T41001</b>		
Cam. Tensioner Assy.....	T41044	◇117	<b>◇130</b>		
<b>4-CYL. 2.5 L ENG.</b>			<b>V-6 3.0 L ENG.</b>		
<b>CARAVAN; DAKOTA</b>			<b>CARAVAN; RAM 50 PICKUP</b>		
Timing Component Kit.....	TCK153		<b>Timing Component Kit.....</b>		
Cam. Belt.....	T153		<b>TCK139</b>		
Cam. Seal.....	KS13948		<b>Cam. Belt.....</b>		
Crankshaft Seal.....	KS11122		<b>T139</b>		
Cam. Tensioner Assy.....	T41001	◇130	<b>Cam. Seal.....</b>		
<b>V-6 3.0 L ENG.</b>			<b>②KS13907</b>		
<b>CARAVAN; GRAND CARAVAN</b>			<b>Crankshaft Seal.....</b>		
Timing Component Kit.....	TCK139		<b>KS14671</b>		
Cam. Belt.....	T139		<b>Cam. Tensioner Assy.....</b>		
Cam. Seal.....	②KS13907		<b>T41048</b>		
Crankshaft Seal.....	KS14671		<b>◇123</b>		
Cam. Tensioner Assy.....	T41048	◇123	<b>1989</b>		
<b>1991</b>			<b>4-CYL. 2.0 L ENG.</b>		
<b>4-CYL. 2.4 L ENG.</b>			<b>RAM 50 PICKUP</b>		
<b>RAM 50 PICKUP</b>			<b>Timing Component Kit.....</b>		
Balance Shaft Belt .....	T159		<b>TCK158A</b>		
Cam. Belt.....	T124		<b>T159</b>		
Cam. Seal.....	KS13907		<b>T158</b>		
Balance Shaft Tensioner Assy.....	T41053	◇117	<b>Cam. Seal.....</b>		
Cam. Tensioner Assy.....	T41044	◇117	<b>KS13907</b>		
<b>4-CYL. 2.5 L ENG.</b>			<b>Crankshaft Seal.....</b>		
<b>CARAVAN; DAKOTA</b>			<b>KS17629</b>		
Timing Component Kit.....	TCK153		<b>Balance Shaft Tensioner Assy.....</b>		
Cam. Belt.....	T153		<b>T41045</b>		
Cam. Seal.....	KS13948		<b>Cam. Tensioner Assy.....</b>		
Crankshaft Seal.....	KS11122		<b>T41044</b>		
Cam. Tensioner Assy.....	T41001	◇130	<b>◇134</b>		
<b>V-6 3.0 L ENG.</b>			<b>◇134</b>		
<b>CARAVAN; GRAND CARAVAN; RAIDER</b>			<b>4-CYL. 2.5 L ENG.</b>		
Timing Component Kit.....	TCK139		<b>CARAVAN; DAKOTA; GRAND CARAVAN</b>		
Cam. Belt.....	T139		<b>Timing Component Kit.....</b>		
Cam. Seal.....	②KS13907		<b>TCK153</b>		
Crankshaft Seal.....	KS14671		<b>Cam. Belt.....</b>		
Cam. Tensioner Assy.....	T41048	◇123	<b>T153</b>		
<b>1990</b>			<b>Cam. Seal.....</b>		
<b>4-CYL. 2.0 L ENG.</b>			<b>KS13948</b>		
<b>RAM 50 PICKUP</b>			<b>Crankshaft Seal.....</b>		
Timing Component Kit.....	TCK158A		<b>KS11122</b>		
Balance Shaft Belt .....	T159		<b>Cam. Tensioner Assy.....</b>		
Cam. Belt.....	T158		<b>T41001</b>		
Cam. Seal.....	KS13907		<b>◇130</b>		
Crankshaft Seal.....	KS17629		<b>4-CYL. 2.5 L ENG.</b>		
Balance Shaft Tensioner Assy.....	T41045	◇134	<b>CARAVAN; GRAND CARAVAN</b>		
Cam. Tensioner Assy.....	T41044	◇134	<b>Timing Component Kit.....</b>		
<b>V-6 3.0 L ENG.</b>			<b>TCK153</b>		
<b>CARAVAN; GRAND CARAVAN; RAIDER</b>			<b>T153</b>		
Timing Component Kit.....	TCK139		<b>Cam. Seal.....</b>		
Cam. Belt.....	T139		<b>KS13948</b>		
Cam. Seal.....	②KS13907		<b>Crankshaft Seal.....</b>		
Crankshaft Seal.....	KS14671		<b>KS11122</b>		
Cam. Tensioner Assy.....	T41048	◇123	<b>Cam. Tensioner Assy.....</b>		
<b>1989</b>			<b>T41001</b>		
<b>4-CYL. 2.0 L ENG.</b>			<b>◇130</b>		
<b>RAM 50 PICKUP</b>			<b>4-CYL. 2.5 L ENG.</b>		
Timing Component Kit.....	TCK158A		<b>CARAVAN; DAKOTA; GRAND CARAVAN</b>		
Balance Shaft Belt .....	T159		<b>Timing Component Kit.....</b>		
Cam. Belt.....	T158		<b>TCK153</b>		
Cam. Seal.....	KS13907		<b>Cam. Belt.....</b>		
Crankshaft Seal.....	KS17629		<b>T153</b>		
Balance Shaft Tensioner Assy.....	T41045	◇134	<b>Cam. Seal.....</b>		
Cam. Tensioner Assy.....	T41044	◇134	<b>KS13948</b>		
<b>V-6 3.0 L ENG.</b>			<b>Crankshaft Seal.....</b>		
<b>CARAVAN; GRAND CARAVAN; RAIDER</b>			<b>KS11122</b>		
Timing Component Kit.....	TCK139		<b>Cam. Tensioner Assy.....</b>		
Cam. Belt.....	T139		<b>T41001</b>		
Cam. Seal.....	②KS13907		<b>◇130</b>		
Crankshaft Seal.....	KS14671		<b>4-CYL. 2.5 L ENG.</b>		
Cam. Tensioner Assy.....	T41048	◇123	<b>CARAVAN; GRAND CARAVAN; RAIDER</b>		
<b>1989</b>			<b>Timing Component Kit.....</b>		
<b>4-CYL. 2.0 L ENG.</b>			<b>TCK139</b>		
<b>RAM 50 PICKUP</b>			<b>T139</b>		
Timing Component Kit.....	TCK158A		<b>Cam. Seal.....</b>		
Balance Shaft Belt .....	T159		<b>②KS13907</b>		
Cam. Belt.....	T158		<b>Crankshaft Seal.....</b>		
Cam. Seal.....	KS13907		<b>KS14671</b>		
Crankshaft Seal.....	KS17629		<b>Cam. Tensioner Assy.....</b>		
Balance Shaft Tensioner Assy.....	T41045	◇134	<b>T41048</b>		
Cam. Tensioner Assy.....	T41044	◇134	<b>◇123</b>		
<b>V-6 3.0 L ENG.</b>			<b>1989</b>		
<b>CARAVAN; GRAND CARAVAN; RAIDER</b>			<b>4-CYL. 2.0 L ENG.</b>		
Timing Component Kit.....	TCK139		<b>RAM 50 PICKUP</b>		
Cam. Belt.....	T139		<b>Timing Component Kit.....</b>		
Cam. Seal.....	②KS13907		<b>TCK158A</b>		
Crankshaft Seal.....	KS14671		<b>Balance Shaft Belt .....</b>		
Cam. Tensioner Assy.....	T41048	◇123	<b>T159</b>		
<b>1989</b>			<b>Cam. Belt.....</b>		
<b>4-CYL. 2.0 L ENG.</b>			<b>T158</b>		
<b>RAM 50 PICKUP</b>			<b>Cam. Seal.....</b>		
Timing Component Kit.....	TCK158A		<b>KS13907</b>		
Balance Shaft Belt .....	T159		<b>Crankshaft Seal.....</b>		
Cam. Belt.....	T158		<b>KS17629</b>		
Cam. Seal.....	KS13907		<b>Balance Shaft Tensioner Assy.....</b>		
Crankshaft Seal.....	KS17629		<b>T41045</b>		
Balance Shaft Tensioner Assy.....	T41045	◇134	<b>Cam. Tensioner Assy.....</b>		
Cam. Tensioner Assy.....	T41044	◇134	<b>T41044</b>		
<b>V-6 3.0 L ENG.</b>			<b>◇134</b>		
<b>CARAVAN; GRAND CARAVAN; RAIDER</b>			<b>4-CYL. 2.5 L ENG.</b>		
Timing Component Kit.....	TCK139		<b>CARAVAN; DAKOTA; GRAND CARAVAN</b>		
Cam. Belt.....	T139		<b>Timing Component Kit.....</b>		
Cam. Seal.....	②KS13907		<b>TCK153</b>		
Crankshaft Seal.....	KS14671		<b>Cam. Belt.....</b>		
Cam. Tensioner Assy.....	T41048	◇123	<b>T153</b>		
<b>1989</b>			<b>Cam. Seal.....</b>		
<b>4-CYL. 2.0 L ENG.</b>			<b>KS13948</b>		
<b>RAM 50 PICKUP</b>			<b>Crankshaft Seal.....</b>		
Timing Component Kit.....	TCK158A		<b>KS11122</b>		
Balance Shaft Belt .....	T159		<b>Cam. Tensioner Assy.....</b>		
Cam. Belt.....	T158		<b>T41001</b>		
Cam. Seal.....	KS13907		<b>◇130</b>		
Crankshaft Seal.....	KS17629		<b>4-CYL. 2.5 L ENG.</b>		
Balance Shaft Tensioner Assy.....	T41045	◇134	<b>CARAVAN; GRAND CARAVAN</b>		
Cam. Tensioner Assy.....	T41044	◇134	<b>Timing Component Kit.....</b>		
<b>V-6 3.0 L ENG.</b>			<b>TCK153</b>		
<b>CARAVAN; GRAND CARAVAN; RAIDER</b>			<b>T153</b>		
Timing Component Kit.....	TCK139		<b>Cam. Seal.....</b>		
Cam. Belt.....	T139		<b>KS13948</b>		
Cam. Seal.....	②KS13907		<b>Crankshaft Seal.....</b>		
Crankshaft Seal.....	KS14671		<b>KS11122</b>		
Cam. Tensioner Assy.....	T41048	◇123	<b>Cam. Tensioner Assy.....</b>		
<b>1989</b>			<b>T41001</b>		
<b>4-CYL. 2.0 L ENG.</b>			<b>◇130</b>		

☆ Interference engine application. See inside back cover for additional information.

\* Does Not Include Cam. Tensioner Hyd. Assy.

② Two Required.

④ Four Required.

◇ See Diagram Section (Pages 153-167).

# PowerGrip™ Timing System Products for Light Trucks

Application	Part No.	Diagram No.	Application	Part No.	Diagram No.
<b>DODGE - Continued</b>			<b>DODGE - Continued</b>		
<b>1988</b>			<b>1985</b>		
<b>4-CYL. 2.0 L ENG. RAM 50 PICKUP</b>			<b>4-CYL. 2.0 L ENG. RAM 50 PICKUP</b>		
Timing Component Kit.....	TCK158A		Balance Shaft Belt .....	T090	
Balance Shaft Belt .....	T159		Cam. Belt.....	T089	
Cam. Belt.....	T158		<b>4-CYL. 2.2 L ENG. CARAVAN; MINI RAM VAN</b>		
Cam. Seal.....	KS13907		Timing Component Kit.....	TCK071	
Crankshaft Seal.....	KS17629		Cam. Belt.....	T071	
Balance Shaft Tensioner Assy.....	T41045	◇134	Cam. Seal.....	KS13948	
Cam. Tensioner Assy.....	T41044	◇134	Crankshaft Seal.....	KS13948	
<b>4-CYL. 2.2 L ENG. DAKOTA</b>			Cam. Tensioner Assy.....	T41000	◇107
Timing Component Kit.....	TCK071		<b>4-CYL. 2.3 L DIESEL ENG. RAM 50 PICKUP</b>		
Cam. Belt.....	T071		Balance Shaft Belt .....	☆T092	
Cam. Seal.....	KS13948		Cam. Belt.....	☆T091	
Crankshaft Seal.....	KS13948		Balance Shaft Tensioner Assy.....	T41049	◇138
Cam. Tensioner Assy.....	T41000	◇107	Cam. Tensioner Assy.....	T41050	◇138
<b>4-CYL. 2.5 L ENG. CARAVAN; GRAND CARAVAN; MINI RAM VAN</b>			<b>1984</b>		
Cam. Belt.....	T132		<b>4-CYL. 2.0 L ENG. RAM 50 PICKUP</b>		
<b>V-6 3.0 L ENG. CARAVAN; GRAND CARAVAN; MINI RAM VAN</b>			Balance Shaft Belt .....	T090	
Timing Component Kit.....	TCK139		Cam. Belt.....	T089	
Cam. Belt.....	T139		<b>4-CYL. 2.2 L ENG. CARAVAN; MINI RAM VAN; RAMPAGE</b>		
Cam. Seal.....	②KS13907		Timing Component Kit.....	TCK071	
Crankshaft Seal.....	KS14671		Cam. Belt.....	T071	
Cam. Tensioner Assy.....	T41048	◇123	Cam. Seal.....	KS13948	
<b>1987</b>			Crankshaft Seal.....	KS13948	
<b>4-CYL. 2.0 L ENG. RAM 50 PICKUP</b>			Cam. Tensioner Assy.....	T41000	◇107
Timing Component Kit.....	TCK158A		<b>4-CYL. 2.3 L DIESEL ENG. RAM 50 PICKUP</b>		
Balance Shaft Belt .....	T159		Balance Shaft Belt .....	☆T092	
Cam. Belt.....	T158		Cam. Belt.....	☆T091	
Cam. Seal.....	KS13907		Balance Shaft Tensioner Assy.....	T41049	◇138
Crankshaft Seal.....	KS17629		Cam. Tensioner Assy.....	T41050	◇138
Balance Shaft Tensioner Assy.....	T41045	◇134	<b>1983</b>		
Cam. Tensioner Assy.....	T41044	◇134	<b>4-CYL. 2.0 L ENG. RAM 50 PICKUP</b>		
<b>4-CYL. 2.2 L ENG. CARAVAN; DAKOTA; GRAND CARAVAN; MINI RAM VAN</b>			Balance Shaft Belt .....	T090	
Timing Component Kit.....	TCK071		Cam. Belt.....	T089	
Cam. Belt.....	T071		<b>4-CYL. 2.2 L ENG. RAMPAGE</b>		
Cam. Seal.....	KS13948		Timing Component Kit.....	TCK071	
Crankshaft Seal.....	KS13948		Cam. Belt.....	T071	
Cam. Tensioner Assy.....	T41000	◇107	Cam. Seal.....	KS13948	
<b>4-CYL. 2.5 L ENG. CARAVAN; MINI RAM VAN</b>			Crankshaft Seal.....	KS13948	
Cam. Belt.....	T114		Cam. Tensioner Assy.....	T41000	◇107
<b>V-6 3.0 L ENG. CARAVAN; MINI RAM VAN</b>			<b>4-CYL. 2.3 L DIESEL ENG. RAM 50 PICKUP</b>		
Timing Component Kit.....	TCK139		Balance Shaft Belt .....	☆T092	
Cam. Belt.....	T139		Cam. Belt.....	☆T091	
Cam. Seal.....	②KS13907		Balance Shaft Tensioner Assy.....	T41049	◇138
Crankshaft Seal.....	KS14671		Cam. Tensioner Assy.....	T41050	◇138
Cam. Tensioner Assy.....	T41048	◇123	<b>1982</b>		
<b>GRAND CARAVAN</b>			<b>4-CYL. 2.2 L ENG. RAMPAGE</b>		
Timing Component Kit.....	TCK139		Timing Component Kit.....	TCK071	
Cam. Belt.....	T139		Cam. Belt.....	T071	
Cam. Tensioner Assy.....	T41048	◇123	Cam. Seal.....	KS13948	
<b>1986</b>			Crankshaft Seal.....	KS13948	
<b>4-CYL. 2.0 L ENG. RAM 50 PICKUP</b>			Cam. Tensioner Assy.....	T41000	◇107
Balance Shaft Belt .....	T090		<b>4-CYL. 2.3 L DIESEL ENG. RAM 50 PICKUP</b>		
Cam. Belt.....	T089		Balance Shaft Belt .....	☆T092	
<b>4-CYL. 2.2 L ENG. CARAVAN; MINI RAM VAN</b>			Cam. Belt.....	☆T091	
Timing Component Kit.....	TCK071		Balance Shaft Tensioner Assy.....	T41049	◇138
Cam. Belt.....	T071		Cam. Tensioner Assy.....	T41050	◇138
Cam. Seal.....	KS13948		<b>1982</b>		
Crankshaft Seal.....	KS13948		<b>4-CYL. 2.2 L ENG. RAMPAGE</b>		
Cam. Tensioner Assy.....	T41000	◇107	Timing Component Kit.....	TCK071	
<b>1986</b>			Cam. Belt.....	T071	
<b>4-CYL. 2.0 L ENG. RAM 50 PICKUP</b>			Cam. Seal.....	KS13948	
Balance Shaft Belt .....	T090		Crankshaft Seal.....	KS13948	
Cam. Belt.....	T089		Cam. Tensioner Assy.....	T41000	◇107
<b>4-CYL. 2.2 L ENG. CARAVAN; MINI RAM VAN</b>			<b>2002</b>		
Timing Component Kit.....	TCK071		<b>4-CYL. 2.0 L ENG. ESCAPE</b>		
Cam. Belt.....	T071		Cam. Belt.....	☆T294	
Cam. Seal.....	KS13948				
Crankshaft Seal.....	KS13948				
Cam. Tensioner Assy.....	T41000	◇107			

☆ Interference engine application. See inside back cover for additional information.

② Two Required.

◇ See Diagram Section (Pages 153-167).

\* Does Not Include Cam. Tensioner Hyd. Assy.

④ Four Required.

# PowerGrip™ Timing System Products for Light Trucks

Application	Part No.	Diagram No.	Application	Part No.	Diagram No.
<b>FORD - Continued</b>			<b>FORD - Continued</b>		
<b>2002 - Continued</b>			<b>1988</b>		
<b>4-CYL. 2.3 L ENG.</b>			<b>4-CYL. 2.0 L ENG.</b>		
<b>RANGER</b>			<b>RANGER</b>		
Timing Component Kit.....	TCK276		Timing Component Kit.....	TCK014	
Cam. Belt.....	T276		Cam. Belt.....	T014	
Cam. Seal.....	KS17107		Cam. Seal.....	KS17107	
Crankshaft Seal.....	KS17107		Crankshaft Seal.....	KS17107	
Cam. Tensioner Assy.....	T41005	◇179	Cam. Tensioner Assy.....	T41005	◇179
<b>2001</b>			<b>4-CYL. 2.3 L ENG.</b>		
<b>4-CYL. 2.0 L ENG.</b>			<b>RANGER</b>		
<b>ESCAPE</b>			Timing Component Kit.....		
Cam. Belt.....	☆T294		Cam. Belt.....	TCK014	
<b>4-CYL. 2.3 L ENG.</b>			Cam. Seal.....		
<b>RANGER</b>			Crankshaft Seal.....		
Timing Component Kit.....	TCK276		Cam. Tensioner Assy.....	T41005	◇179
Cam. Belt.....	T276		<b>1987-1986</b>		
Cam. Seal.....	KS17107		<b>4-CYL. 2.0 L ENG.</b>		
Crankshaft Seal.....	KS17107		<b>RANGER</b>		
Cam. Tensioner Assy.....	T41005	◇179	Timing Component Kit.....		
<b>4-CYL. 2.5 L ENG.</b>			Cam. Belt.....		
<b>RANGER</b>			Cam. Seal.....		
Timing Component Kit.....	TCK276		Crankshaft Seal.....		
Cam. Belt.....	T276		Cam. Tensioner Assy.....		
Cam. Seal.....	KS17107		Timing Component Kit.....		
Crankshaft Seal.....	KS17107		Cam. Belt.....		
Cam. Tensioner Assy.....	T41005	◇179	Cam. Seal.....		
<b>2000-1998</b>			Crankshaft Seal.....		
<b>4-CYL. 2.5 L ENG.</b>			Cam. Tensioner Assy.....		
<b>RANGER</b>			Timing Component Kit.....		
Timing Component Kit.....	TCK276		Cam. Belt.....		
Cam. Belt.....	T276		Cam. Seal.....		
Cam. Seal.....	KS17107		Crankshaft Seal.....		
Crankshaft Seal.....	KS17107		Cam. Tensioner Assy.....		
Cam. Tensioner Assy.....	T41005	◇179	<b>1985</b>		
<b>1997-1995</b>			<b>1985</b>		
<b>4-CYL. 2.3 L ENG.</b>			<b>4-CYL. 2.0 L ENG.</b>		
<b>RANGER</b>			<b>RANGER</b>		
Timing Component Kit.....	TCK276		Timing Component Kit.....	TCK014	
Cam. Belt.....	T276		Cam. Belt.....	T014	
Cam. Seal.....	KS17107		Cam. Seal.....	KS17107	
Crankshaft Seal.....	KS17107		Crankshaft Seal.....	KS17107	
Cam. Tensioner Assy.....	T41005	◇179	Cam. Tensioner Assy.....	T41005	◇179
<b>1994-1993</b>			<b>4-CYL. 2.3 L ENG.</b>		
<b>4-CYL. 2.3 L ENG.</b>			<b>RANGER</b>		
<b>RANGER</b>			Timing Component Kit.....		
Timing Component Kit.....	TCK210		Cam. Belt.....		
Cam. Belt.....	T210		Cam. Seal.....		
Cam. Seal.....	KS17107		Crankshaft Seal.....		
Crankshaft Seal.....	KS17107		Cam. Tensioner Assy.....		
Cam. Tensioner Assy.....	T41005	◇179	<b>1992</b>		
<b>1992</b>			<b>4-CYL. 2.3 L DIESEL ENG.</b>		
<b>4-CYL. 2.3 L ENG.</b>			<b>RANGER</b>		
<b>RANGER</b>			Balance Shaft Belt.....		
Timing Component Kit; W/Square Tooth Sprockets.....	TCK014		Cam. Belt.....		
Timing Component Kit; W/Round Tooth Sprockets.....	TCK210		<b>1984-1983</b>		
Cam. Belt; W/Round Tooth Sprockets.....	T210		<b>4-CYL. 2.0 L ENG.</b>		
Cam. Belt; W/Square Tooth Sprockets.....	T014		<b>RANGER</b>		
Cam. Seal.....	KS17107		Timing Component Kit.....		
Crankshaft Seal.....	KS17107		Cam. Belt.....		
Cam. Tensioner Assy.....	T41005	◇179	Cam. Seal.....		
<b>1991-1989</b>			Crankshaft Seal.....		
<b>4-CYL. 2.3 L ENG.</b>			Cam. Tensioner Assy.....		
<b>RANGER</b>			Timing Component Kit.....		
Timing Component Kit.....	TCK014		Cam. Belt.....		
Cam. Belt.....	T014		Cam. Seal.....		
Cam. Seal.....	KS17107		Crankshaft Seal.....		
Crankshaft Seal.....	KS17107		Cam. Tensioner Assy.....		
Cam. Tensioner Assy.....	T41005	◇179	<b>4-CYL. 2.3 L ENG.</b>		
<b>1991-1989</b>			<b>RANGER</b>		
<b>4-CYL. 2.3 L ENG.</b>			Timing Component Kit.....		
<b>RANGER</b>			Cam. Belt.....		
Timing Component Kit.....	TCK014		Cam. Seal.....		
Cam. Belt.....	T014		Crankshaft Seal.....		
Cam. Seal.....	KS17107		Cam. Tensioner Assy.....		
Crankshaft Seal.....	KS17107		Timing Component Kit.....		
Cam. Tensioner Assy.....	T41005	◇179	Cam. Belt.....		

☆ Interference engine application. See inside back cover for additional information.

\* Does Not Include Cam. Tensioner Hyd. Assy.

② Two Required.

④ Four Required.

◇ See Diagram Section (Pages 153-167).

# PowerGrip™ Timing System Products for Light Trucks

Application	Part No.	Diagram No.	Application	Part No.	Diagram No.
<b>FORD - Continued</b>			<b>HONDA - Continued</b>		
<b>1982-1980</b>			<b>2001-2000</b>		
<b>4-CYL. 2.3 L ENG.</b>			<b>4-CYL. 2.0 L ENG.</b>		
<b>COURIER</b>			<b>CR-V</b>		
Timing Component Kit.....	TCK014		Timing Component Kit.....	☆TCK184	
Cam. Belt.....	T014		Cam. Belt.....	☆T184	
Cam. Seal.....	KS17107		Cam. Tensioner Assy.....	T41016	◇143
Crankshaft Seal.....	KS17107				
Cam. Tensioner Assy.....	T41005	◇179			
<b>1979-1977</b>			<b>V-6 3.2 L ENG.</b>		
<b>4-CYL. 140 C.I.D. ENG.</b>			<b>PASSPORT</b>		
<b>COURIER</b>			Cam. Belt.....		
Timing Component Kit.....	TCK014			T303	
Cam. Belt.....	T014		<b>V-6 3.5 L ENG.</b>		
Cam. Seal.....	KS17107		<b>ODYSSEY</b>		
Crankshaft Seal.....	KS17107		Cam. Belt.....		
Cam. Tensioner Assy.....	T41005	◇179	☆T286		
<b>GEO</b>			<b>1999</b>		
<b>1997-1996</b>			<b>4-CYL. 2.0 L ENG.</b>		
<b>4-CYL. 1.6 L ENG.</b>			<b>CR-V</b>		
<b>TRACKER</b>			Timing Component Kit.....		
Timing Component Kit.....	TCK212			☆TCK184	
Cam. Belt.....	T212		Cam. Belt.....	☆T184	
Cam. Seal.....	KS12724		Cam. Seal.....	KS10634	
Crankshaft Seal.....	KS12724		Crankshaft Seal.....	KS14125	
Cam. Tensioner Assy.....	T41065	◇156	Cam. Tensioner Assy.....	T41016	◇143
<b>1995-1994</b>			<b>V-6 3.2 L ENG.</b>		
<b>4-CYL. 1.6 L ENG.</b>			<b>PASSPORT</b>		
<b>TRACKER</b>			Cam. Belt.....		
Timing Component Kit; W/8-Valve Eng.....	TCK164			T303	
Timing Component Kit; W/16-Valve Eng.....	TCK212		<b>V-6 3.5 L ENG.</b>		
Cam. Belt; W/8-Valve Eng.....	T164		<b>ODYSSEY</b>		
Cam. Belt; W/16-Valve Eng.....	T212		Cam. Belt.....		
Cam. Seal.....	KS12724		☆T286		
Crankshaft Seal.....	KS12724		<b>1998</b>		
Cam. Tensioner Assy.; W/8-Valve Eng.....	T41064	◇112	<b>4-CYL. 2.0 L ENG.</b>		
Cam. Tensioner Assy.; W/16-Valve Eng.....	T41065	◇156	<b>CR-V</b>		
<b>1993-1989</b>			Timing Component Kit.....		
<b>4-CYL. 1.6 L ENG.</b>				☆TCK184	
<b>TRACKER</b>			Cam. Belt.....	☆T184	
Timing Component Kit; W/8-Valve Eng.....	TCK164		Cam. Seal.....	KS10634	
Cam. Belt; W/8-Valve Eng.....	T164		Crankshaft Seal.....	KS14125	
Cam. Seal; W/8-Valve Eng.....	KS12724		Cam. Tensioner Assy.....	T41016	◇143
Crankshaft Seal; W/8-Valve Eng.....	KS12724		<b>4-CYL. 2.3 L ENG.</b>		
Cam. Tensioner Assy.; W/8-Valve Eng.....	T41064	◇112	<b>ODYSSEY</b>		
			Timing Component Kit.....		
<b>1991-1990</b>				☆TCK244	
<b>4-CYL. 1.6 L ENG. (CANADA)</b>			Balance Shaft Belt.....	☆T186	
<b>TRACKER</b>			Cam. Belt.....	☆T244	
Cam. Belt.....	T164		Balance Shaft Tensioner Assy.....	T41013	◇167
<b>1985-1984</b>			Cam. Tensioner Assy.....	T41014	◇167
<b>4-CYL. 2.2 L DIESEL ENG.</b>			<b>V-6 3.2 L ENG.</b>		
<b>S SERIES PICKUP</b>			<b>PASSPORT</b>		
Cam. Belt.....	☆T075		Cam. Belt.....		
<b>HONDA</b>			T303		
<b>2003</b>			<b>1997</b>		
<b>V-6 3.5 L ENG.</b>			<b>4-CYL. 2.0 L ENG.</b>		
<b>PILOT</b>			<b>CR-V</b>		
Cam. Belt.....	☆T286		Timing Component Kit.....		
<b>2002</b>				☆TCK184	
<b>V-6 3.2 L ENG.</b>			Cam. Belt.....	☆T184	
<b>PASSPORT</b>			Cam. Seal.....	KS10634	
Cam. Belt.....	T303		Crankshaft Seal.....	KS14125	
<b>V-6 3.5 L ENG.</b>			Cam. Tensioner Assy.....	T41016	◇143
<b>ODYSSEY</b>			<b>4-CYL. 2.2 L ENG.</b>		
Cam. Belt.....	☆T286		<b>ODYSSEY</b>		
			Timing Component Kit.....		
				☆TCK186	
			Balance Shaft Belt.....	☆T186	
			Cam. Belt.....	☆T187	
			Cam. Seal.....	KS10922	
			Crankshaft Seal.....	KS15801	
			Balance Shaft Tensioner Assy.....	T41013	◇167
			Cam. Tensioner Assy.....	T41014	◇167
			<b>V-6 3.2 L ENG.</b>		
			<b>PASSPORT</b>		
			Timing Component Kit.....		
				☆TCK221	
			Cam. Belt.....	T221	
			Cam. Seal.....	⊙KS11592	
			Crankshaft Seal.....	KS15829	
			Cam. Idler Pulley.....	T42002	◇159
			Cam. Tensioner Assy.....	☆T41028	◇159

☆ Interference engine application. See inside back cover for additional information.

\* Does Not Include Cam. Tensioner Hyd. Assy.

⊙ Two Required.

④ Four Required.

◇ See Diagram Section (Pages 153-167).

# PowerGrip™ Timing System Products for Light Trucks

Application	Part No.	Diagram No.	Application	Part No.	Diagram No.
<b>HONDA - Continued</b>			<b>INFINITI</b>		
<b>1996-1995</b>			<b>2000-1997</b>		
<b>4-CYL. 2.2 L ENG. ODYSSEY</b>			<b>V-6 3.3 L ENG. QX4</b>		
Timing Component Kit.....	☆TCK186		Timing Component Kit.....	☆TCK249	
Balance Shaft Belt.....	☆T186		Cam. Belt.....	☆T249	
Cam. Belt.....	☆T187		Cam. Seal.....	②KS13429	
Cam. Seal.....	KS10922		Crankshaft Seal.....	KS15801	
Crankshaft Seal.....	KS15801		Cam. Tensioner Assy.....	T41059	◇170
Balance Shaft Tensioner Assy.....	T41013	◇167			
Cam. Tensioner Assy.....	T41014	◇167			
<b>4-CYL. 2.6 L ENG. PASSPORT</b>			<b>ISUZU</b>		
Timing Component Kit.....	☆TCK147		<b>2002</b>		
Cam. Belt.....	☆T147		<b>4-CYL. 2.2 L ENG. RODEO</b>		
Cam. Seal.....	KS11592		Cam. Belt.....	☆T305	
Crankshaft Seal.....	KS15829		<b>V-6 3.2 L ENG. RODEO</b>		
Cam. Tensioner Assy.....	T41026	◇129	Cam. Belt.....	T303	
<b>V-6 3.2 L ENG. PASSPORT</b>			<b>V-6 3.5 L ENG. AXIOM; TROOPER</b>		
Timing Component Kit.....	★TCK221		Cam. Belt.....	T303	
Cam. Belt.....	T221				
Cam. Seal.....	②KS11592		<b>2001</b>		
Crankshaft Seal.....	KS15829		<b>4-CYL. 2.2 L ENG. RODEO</b>		
Cam. Idler Pulley.....	T42002	◇159	Cam. Belt.....	☆T305	
Cam. Tensioner Assy.....	★T41028	◇159	<b>V-6 3.2 L ENG. RODEO</b>		
			Cam. Belt.....	T303	
<b>1994</b>			<b>V-6 3.5 L ENG. TROOPER; VEHICROSS</b>		
<b>4-CYL. 2.6 L ENG. PASSPORT</b>			Cam. Belt.....	T303	
Timing Component Kit.....	☆TCK147		<b>2000</b>		
Cam. Belt.....	☆T147		<b>4-CYL. 2.2 L ENG. AMIGO; RODEO</b>		
Cam. Seal.....	KS11592		Cam. Belt.....	☆T305	
Crankshaft Seal.....	KS15829		<b>V-6 3.2 L ENG. AMIGO; RODEO</b>		
Cam. Tensioner Assy.....	T41026	◇129	Cam. Belt.....	T303	
<b>V-6 3.2 L ENG. PASSPORT</b>			<b>V-6 3.5 L ENG. TROOPER; VEHICROSS</b>		
Timing Component Kit.....	★TCK221		Cam. Belt.....	T303	
Cam. Belt.....	T221				
Cam. Seal.....	②KS11592		<b>1999</b>		
Crankshaft Seal.....	KS15829		<b>4-CYL. 2.2 L ENG. AMIGO; RODEO</b>		
Cam. Idler Pulley.....	T42002	◇159	Cam. Belt.....	T305	
Cam. Tensioner Assy.....	★T41028	◇159	<b>4-CYL. 2.3 L ENG. OASIS</b>		
			Timing Component Kit.....	☆TCK244	
<b>HYUNDAI</b>			Balance Shaft Belt.....	☆T186	
<b>2003</b>			Cam. Belt.....	☆T244	
<b>4-CYL. 2.4 L ENG. SANTA FE</b>			Cam. Seal.....	KS11592	
Balance Shaft Belt.....	T314		Crankshaft Seal.....	KS15829	
Cam. Belt.....	☆T313		Balance Shaft Tensioner Assy.....	T41013	◇167
<b>V-6 2.7 L ENG. SANTA FE</b>			Cam. Tensioner Assy.....	T41014	◇167
Cam. Belt.....	☆T315				
<b>V-6 3.5 L ENG. SANTA FE</b>			<b>V-6 3.2 L ENG. AMIGO; RODEO</b>		
Cam. Belt.....	☆T323		Cam. Belt.....	T303	
Cam. Idler Pulley.....	T42014	◇190	<b>V-6 3.5 L ENG. TROOPER; VEHICROSS</b>		
Cam. Tensioner Assy.....	★T41040	◇190	Cam. Belt.....	T303	
<b>2002-2001</b>			<b>1998</b>		
<b>4-CYL. 2.4 L ENG. SANTA FE</b>			<b>4-CYL. 2.2 L ENG. AMIGO; RODEO</b>		
Balance Shaft Belt.....	T314		Cam. Belt.....	T305	
Cam. Belt.....	☆T313		<b>4-CYL. 2.3 L ENG. OASIS</b>		
<b>V-6 2.7 L ENG. SANTA FE</b>			Timing Component Kit.....	☆TCK244	
Cam. Belt.....	☆T315		Balance Shaft Belt.....	☆T186	

☆ Interference engine application. See inside back cover for additional information.

★ Does Not Include Cam. Tensioner Hyd. Assy.

② Two Required.

④ Four Required.

◇ See Diagram Section (Pages 153-167).

# PowerGrip™ Timing System Products for Light Trucks

Application	Part No.	Diagram No.	Application	Part No.	Diagram No.
<b>ISUZU - Continued</b>			<b>ISUZU - Continued</b>		
<b>1998 - Continued</b>			<b>1994</b>		
<b>4-CYL. 2.3 L ENG. - Continued</b>			<b>4-CYL. 2.3 L ENG. PICKUP</b>		
<b>OASIS - Continued</b>			Timing Component Kit..... ☆TCK122		
Cam. Belt.....	☆T244		Cam. Belt.....	☆T122	
Cam. Seal.....	KS11592		Cam. Seal.....	KS11592	
Crankshaft Seal.....	KS15829		Crankshaft Seal.....	KS15829	
Balance Shaft Tensioner Assy.....	T41013	◇167	Cam. Tensioner Assy.....	T41025	◇116
Cam. Tensioner Assy.....	T41014	◇167			
<b>V-6 3.2 L ENG. AMIGO; RODEO</b>			<b>4-CYL. 2.6 L ENG. AMIGO; PICKUP; RODEO</b>		
Cam. Belt.....	T303		Timing Component Kit.....	☆TCK147	
			Cam. Belt.....	☆T147	
<b>V-6 3.5 L ENG. TROOPER</b>			Cam. Seal.....	KS11592	
Cam. Belt.....	T303		Crankshaft Seal.....	KS15829	
			Cam. Tensioner Assy.....	T41026	◇129
<b>1997-1996</b>			<b>V-6 3.2 L ENG. RODEO</b>		
<b>4-CYL. 2.2 L ENG. OASIS</b>			Timing Component Kit.....	★TCK221	
Timing Component Kit.....	☆TCK186		Cam. Belt.....	T221	
Balance Shaft Belt.....	☆T186		Cam. Seal.....	②KS11592	
Cam. Belt.....	☆T187		Crankshaft Seal.....	KS15829	
Balance Shaft Tensioner Assy.....	T41013	◇167	Cam. Idler Pulley.....	T42002	◇159
Cam. Tensioner Assy.....	T41014	◇167	Cam. Tensioner Assy.....	★T41028	◇159
<b>4-CYL. 2.6 L ENG. RODEO</b>			<b>TROOPER</b>		
Timing Component Kit.....	☆TCK147		Timing Component Kit; W/SOHC Eng.....	★TCK221	
Cam. Belt.....	☆T147		Cam. Belt; W/DOHC Eng.....	T220	
Cam. Seal.....	KS11592		Cam. Belt; W/SOHC Eng.....	T221	
Crankshaft Seal.....	KS15829		Cam. Seal; W/SOHC Eng.....	②KS11592	
Cam. Tensioner Assy.....	T41026	◇129	Crankshaft Seal; W/SOHC Eng.....	KS15829	
			Cam. Idler Pulley.....	T42002	◇159
<b>V-6 3.2 L ENG. RODEO; TROOPER</b>			Cam. Tensioner Assy.....	★T41028	◇159
Timing Component Kit.....	★TCK221		<b>1993</b>		
Cam. Belt.....	T221		<b>4-CYL. 2.3 L ENG. AMIGO; PICKUP</b>		
Cam. Seal.....	②KS11592		Timing Component Kit.....	☆TCK122	
Crankshaft Seal.....	KS15829		Cam. Belt.....	☆T122	
Cam. Idler Pulley.....	T42002	◇159	Cam. Seal.....	KS11592	
Cam. Tensioner Assy.....	★T41028	◇159	Crankshaft Seal.....	KS15829	
			Cam. Tensioner Assy.....	T41025	◇116
<b>1995</b>			<b>4-CYL. 2.6 L ENG. AMIGO; PICKUP; RODEO</b>		
<b>4-CYL. 2.3 L ENG. PICKUP</b>			Timing Component Kit.....	☆TCK147	
Timing Component Kit.....	☆TCK122		Cam. Belt.....	☆T147	
Cam. Belt.....	☆T122		Cam. Seal.....	KS11592	
Cam. Seal.....	KS11592		Crankshaft Seal.....	KS15829	
Crankshaft Seal.....	KS15829		Cam. Tensioner Assy.....	T41026	◇129
Cam. Tensioner Assy.....	T41025	◇116			
<b>4-CYL. 2.6 L ENG. PICKUP; RODEO</b>			<b>V-6 3.2 L ENG. RODEO</b>		
Timing Component Kit.....	☆TCK147		Timing Component Kit.....	★TCK221	
Cam. Belt.....	☆T147		Cam. Belt.....	T221	
Cam. Seal.....	KS11592		Cam. Seal.....	②KS11592	
Crankshaft Seal.....	KS15829		Crankshaft Seal.....	KS15829	
Cam. Tensioner Assy.....	T41026	◇129	Cam. Idler Pulley.....	T42002	◇159
			Cam. Tensioner Assy.....	★T41028	◇159
<b>V-6 3.2 L ENG. RODEO</b>			<b>TROOPER</b>		
Timing Component Kit.....	★TCK221		Timing Component Kit; W/SOHC Eng.....	★TCK221	
Cam. Belt.....	T221		Cam. Belt; W/DOHC Eng.....	T220	
Cam. Seal.....	②KS11592		Cam. Belt; W/SOHC Eng.....	T221	
Crankshaft Seal.....	KS15829		Cam. Seal; W/SOHC Eng.....	②KS11592	
Cam. Idler Pulley.....	T42002	◇159	Crankshaft Seal; W/SOHC Eng.....	KS15829	
Cam. Tensioner Assy.....	★T41028	◇159	Cam. Idler Pulley.....	T42002	◇159
			Cam. Tensioner Assy.....	★T41028	◇159
<b>TROOPER</b>			<b>1992</b>		
Timing Component Kit; W/SOHC Eng.....	★TCK221		<b>4-CYL. 2.3 L ENG. AMIGO; PICKUP</b>		
Cam. Belt; W/DOHC Eng.....	T220		Timing Component Kit.....	☆TCK122	
Cam. Belt; W/SOHC Eng.....	T221		Cam. Belt.....	☆T122	
Cam. Seal.....	②KS11592		Cam. Seal.....	KS11592	
Crankshaft Seal.....	KS15829		Crankshaft Seal.....	KS15829	
Cam. Idler Pulley.....	T42002	◇159	Cam. Tensioner Assy.....	T41025	◇116
Cam. Tensioner Assy.....	★T41028	◇159			
			<b>4-CYL. 2.6 L ENG. AMIGO; PICKUP; RODEO</b>		
			Timing Component Kit.....	☆TCK147	

☆ Interference engine application. See inside back cover for additional information.

★ Does Not Include Cam. Tensioner Hyd. Assy.

② Two Required.

④ Four Required.

◇ See Diagram Section (Pages 153-167).

# PowerGrip™ Timing System Products for Light Trucks

Application	Part No.	Diagram No.	Application	Part No.	Diagram No.
<b>ISUZU - Continued</b>			<b>ISUZU - Continued</b>		
<b>1992 - Continued</b>			<b>1988 - Continued</b>		
<b>4-CYL. 2.6 L ENG. - Continued</b>			<b>4-CYL. 2.6 L ENG.</b>		
<b>AMIGO; PICKUP; RODEO - Continued</b>			<b>PICKUP; TROOPER II</b>		
Cam. Belt.....	☆T147		Timing Component Kit.....	☆TCK147	
Cam. Seal.....	KS11592		Cam. Belt.....	☆T147	
Crankshaft Seal.....	KS15829		Cam. Seal.....	KS11592	
Cam. Tensioner Assy.....	T41026	◇129	Crankshaft Seal.....	KS15829	
<b>V-6 3.2 L ENG.</b>			Cam. Tensioner Assy.....	T41026	◇129
<b>TROOPER</b>			<b>1987-1986</b>		
Timing Component Kit; W/SOHC Eng.....	★TCK221		<b>4-CYL. 2.2 L DIESEL ENG.</b>		
Cam. Belt; W/DOHC Eng.....	T220		<b>PICKUP; TROOPER II</b>		
Cam. Belt; W/SOHC Eng.....	T221		Cam. Belt.....	☆T075	
Cam. Seal; W/SOHC Eng.....	②KS11592		<b>4-CYL. 2.3 L ENG.</b>		
Crankshaft Seal; W/SOHC Eng.....	KS15829		<b>PICKUP; TROOPER II</b>		
Cam. Idler Pulley.....	T42002	◇159	Timing Component Kit.....	☆TCK122	
Cam. Tensioner Assy.....	★T41028	◇159	Cam. Belt.....	☆T122	
<b>1991</b>			Cam. Seal.....	KS11592	
<b>4-CYL. 2.3 L ENG.</b>			Crankshaft Seal.....	KS15829	
<b>AMIGO; PICKUP</b>			Cam. Tensioner Assy.....	T41025	◇116
Timing Component Kit.....	☆TCK122		<b>1985</b>		
Cam. Belt.....	☆T122		<b>4-CYL. 2.2 L DIESEL ENG.</b>		
Cam. Seal.....	KS11592		<b>PICKUP</b>		
Crankshaft Seal.....	KS15829		Cam. Belt.....	☆T075	
Cam. Tensioner Assy.....	T41025	◇116	<b>1984</b>		
<b>4-CYL. 2.6 L ENG.</b>			<b>4-CYL. 2.2 L DIESEL ENG.</b>		
<b>AMIGO; PICKUP; RODEO; TROOPER</b>			<b>PICKUP; TROOPER II</b>		
Timing Component Kit.....	☆TCK147		Cam. Belt.....	☆T075	
Cam. Belt.....	☆T147		<b>1983-1981</b>		
Cam. Seal.....	KS11592		<b>4-CYL. 2.2 L DIESEL ENG.</b>		
Crankshaft Seal.....	KS15829		<b>PICKUP</b>		
Cam. Tensioner Assy.....	T41026	◇129	Cam. Belt.....	☆T075	
<b>1990</b>			<b>JEEP</b>		
<b>4-CYL. 2.3 L ENG.</b>			<b>2003</b>		
<b>AMIGO; PICKUP</b>			<b>4-CYL. 2.4 L ENG.</b>		
Timing Component Kit.....	☆TCK122		<b>LIBERTY; WRANGLER</b>		
Cam. Belt.....	☆T122		Cam. Belt.....	T265	
Cam. Seal.....	KS11592		Cam. Tensioner Assy.....	T43008	◇204
Crankshaft Seal.....	KS15829		<b>4-CYL. 2.4 L ENG. (CANADA)</b>		
Cam. Tensioner Assy.....	T41025	◇116	<b>TJ</b>		
<b>4-CYL. 2.6 L ENG.</b>			Cam. Belt.....	T265	
<b>AMIGO; PICKUP; TROOPER</b>			Cam. Tensioner Assy.....	T43008	◇204
Timing Component Kit.....	☆TCK147		<b>2002</b>		
Cam. Belt.....	☆T147		<b>4-CYL. 2.4 L ENG.</b>		
Cam. Seal.....	KS11592		<b>LIBERTY</b>		
Crankshaft Seal.....	KS15829		Cam. Belt.....	T265	
Cam. Tensioner Assy.....	T41026	◇129	Cam. Tensioner Assy.....	T43005	◇205
<b>1989</b>			<b>KIA</b>		
<b>4-CYL. 2.3 L ENG.</b>			<b>2004</b>		
<b>AMIGO; PICKUP</b>			<b>V-6 3.5 L ENG.</b>		
Timing Component Kit.....	☆TCK122		<b>SEDONA; SORENTO</b>		
Cam. Belt.....	☆T122		Cam. Belt.....	T315	
Cam. Seal.....	KS11592		<b>2003</b>		
Crankshaft Seal.....	KS15829		<b>V-6 3.5 L ENG.</b>		
Cam. Tensioner Assy.....	T41025	◇116	<b>SEDONA</b>		
<b>4-CYL. 2.6 L ENG.</b>			Cam. Belt.....	T315	
<b>AMIGO; PICKUP; TROOPER II</b>			<b>SORENTO</b>		
Timing Component Kit.....	☆TCK147		Cam. Idler Pulley.....	T42018	◇200
Cam. Belt.....	☆T147		Cam. Tensioner Pulley.....	★T41039	◇200
Cam. Seal.....	KS11592		<b>2002</b>		
Crankshaft Seal.....	KS15829		<b>4-CYL. 2.0 L ENG.</b>		
Cam. Tensioner Assy.....	T41026	◇129	<b>SPORTAGE</b>		
<b>1988</b>			Cam. Belt.....	☆T281	
<b>4-CYL. 2.3 L ENG.</b>					
<b>PICKUP</b>					
Timing Component Kit.....	☆TCK122				
Cam. Belt.....	☆T122				
Cam. Seal.....	KS11592				
Crankshaft Seal.....	KS15829				
Cam. Tensioner Assy.....	T41025	◇116			

☆ Interference engine application. See inside back cover for additional information.

★ Does Not Include Cam. Tensioner Hyd. Assy.

② Two Required.

④ Four Required.

◇ See Diagram Section (Pages 153-167).



# PowerGrip™ Timing System Products for Light Trucks

Application	Part No.	Diagram No.	Application	Part No.	Diagram No.
<b>KIA - Continued</b>			<b>MAZDA - Continued</b>		
<b>2002 - Continued</b>			<b>2002 - Continued</b>		
<b>V-6 3.5 L ENG. SEDONA</b>			<b>4-CYL. 2.3 L ENG. - Continued</b>		
Cam. Belt.....	T315		B2300 PICKUP - Continued		
Cam. Idler Pulley.....	T42018	◇200	Cam. Belt.....	T276	
Cam. Tensioner Pulley.....	★T41039	◇200	Cam. Seal.....	KS17107	
			Crankshaft Seal.....	KS17107	
			Cam. Tensioner Assy.....	T41005	◇179
<b>2001</b>			<b>2001</b>		
<b>4-CYL. 2.0 L ENG. SPORTAGE</b>			<b>4-CYL. 2.0 L ENG. TRIBUTE</b>		
Cam. Belt.....	☆T281		Cam. Belt.....	☆T294	
<b>2000-1996</b>			<b>4-CYL. 2.3 L ENG. B2300 PICKUP</b>		
<b>4-CYL. 2.0 L ENG. SPORTAGE</b>			Timing Component Kit.....	TCK276	
Timing Component Kit.....	☆TCK281		Cam. Belt.....	T276	
Cam. Belt.....	☆T281		Cam. Seal.....	KS17107	
Cam. Seal.....	②KS13429		Crankshaft Seal.....	KS17107	
Crankshaft Seal.....	KS13429		Cam. Tensioner Assy.....	T41005	◇179
Cam. Idler Pulley.....	T42004	◇181	<b>4-CYL. 2.5 L ENG. B2500 PICKUP</b>		
Cam. Tensioner Assy.....	T41029	◇181	Timing Component Kit.....	TCK276	
			Timing Belt.....	T276	
<b>1995</b>			Cam. Belt.....	T276	
<b>4-CYL. 2.0 L ENG. SPORTAGE</b>			Cam. Seal.....	KS17107	
Timing Component Kit; W/DOHC Eng.....	☆TCK281		Crankshaft Seal.....	KS17107	
Cam. Belt; W/DOHC Eng.....	☆T281		Cam. Tensioner Assy.....	T41005	◇179
Cam. Belt; W/SOHC Eng.....	☆T264		<b>2000-1999</b>		
Cam. Seal; W/DOHC Eng.....	②KS13429		<b>4-CYL. 2.5 L ENG. B2500 PICKUP</b>		
Crankshaft Seal; W/DOHC Eng.....	KS13429		Timing Component Kit.....	TCK276	
Cam. Idler Pulley; W/DOHC Eng.....	T42004	◇181	Cam. Belt.....	T276	
Cam. Idler Pulley; W/SOHC Eng.....	T42003	◇122	Cam. Seal.....	KS17107	
Cam. Tensioner Assy.; W/DOHC Eng.....	T41029	◇181	Crankshaft Seal.....	KS17107	
Cam. Tensioner Assy.; W/SOHC Eng.....	T41029	◇122	Cam. Tensioner Assy.....	T41005	◇179
<b>LEXUS</b>			<b>1998</b>		
<b>2002</b>			<b>4-CYL. 2.5 L ENG. B2500 PICKUP</b>		
<b>V-8 4.7 L ENG. LX470</b>			Timing Component Kit.....	TCK276	
Cam. Belt.....	T298		Cam. Belt.....	T276	
<b>2001</b>			Cam. Seal.....	KS17107	
<b>V-6 3.0 L ENG. RX300</b>			Crankshaft Seal.....	KS17107	
Timing Component Kit.....	☆★TCK257	◇132	Cam. Tensioner Assy.....	T41005	◇179
Cam. Belt.....	☆T257		<b>V-6 3.0 L ENG. MPV</b>		
<b>V-8 4.7 L ENG. LX470</b>			Timing Component Kit.....	☆★TCK146	
Cam. Belt.....	T298		Cam. Belt.....	☆T146	
<b>2000-1999</b>			Cam. Seal.....	KS14032	
<b>V-6 3.0 L ENG. RX300</b>			Crankshaft Seal.....	KS18544	
Timing Component Kit.....	☆★TCK257	◇132	Cam. Idler Pulley - Upper.....	T42011	◇128
Cam. Belt.....	☆T257		Cam. Idler Pulley - Lower.....	T42001	◇128
Cam. Seal.....	④KS14671		Cam. Tensioner Assy.....	★T41033	◇128
<b>V-8 4.7 L ENG. LX470</b>			<b>1997-1995</b>		
Cam. Belt.....	T298		<b>4-CYL. 2.3 L ENG. B2300 PICKUP</b>		
<b>1998</b>			Timing Component Kit.....	TCK276	
<b>V-8 4.7 L ENG. LX470</b>			Cam. Belt.....	T276	
Cam. Belt.....	T298		Cam. Seal.....	KS17107	
<b>MAZDA</b>			Crankshaft Seal.....	KS17107	
<b>2002</b>			Cam. Tensioner Assy.....	T41005	◇179
<b>4-CYL. 2.0 L ENG. TRIBUTE</b>			<b>V-6 3.0 L ENG. MPV</b>		
Cam. Belt.....	☆T294		Timing Component Kit.....	☆★TCK146	
<b>4-CYL. 2.3 L ENG. B2300 PICKUP</b>			Cam. Belt.....	☆T146	
Timing Component Kit.....	TCK276		Cam. Seal.....	KS14032	
			Crankshaft Seal.....	KS18544	
			Cam. Idler Pulley - Upper.....	T42011	◇128
			Cam. Idler Pulley - Lower.....	T42001	◇128
			Cam. Tensioner Assy.....	★T41033	◇128

☆ Interference engine application. See inside back cover for additional information.

★ Does Not Include Cam. Tensioner Hyd. Assy.

② Two Required.

④ Four Required.

◇ See Diagram Section (Pages 153-167).

# PowerGrip™ Timing System Products for Light Trucks

Application	Part No.	Diagram No.	Application	Part No.	Diagram No.
<b>MAZDA - Continued</b>			<b>MERCURY</b>		
<b>1994</b>			<b>1998-1994</b>		
<b>4-CYL. 2.3 L ENG. B2300 PICKUP</b>			<b>V-6 3.0 L ENG. VILLAGER</b>		
Timing Component Kit.....	TCK210		Timing Component Kit.....	☆TCK249	
Cam. Belt.....	T210		Cam. Belt.....	☆T249	
Cam. Seal.....	KS17107		Cam. Seal.....	②KS13429	
Crankshaft Seal.....	KS17107		Crankshaft Seal.....	KS16022	
Cam. Tensioner Assy.....	T41005	◇179	Cam. Tensioner Assy.....	T41059	◇170
<b>V-6 3.0 L ENG. MPV</b>			<b>1993</b>		
Timing Component Kit.....	☆*TCK146		<b>V-6 3.0 L ENG. VILLAGER</b>		
Cam. Belt.....	☆T146		Timing Component Kit.....	☆TCK104	
Cam. Seal.....	KS14032		Cam. Belt.....	☆T104	
Crankshaft Seal.....	KS18544		Cam. Seal.....	②KS13429	
Cam. Idler Pulley - Upper.....	T42011	◇128	Crankshaft Seal.....	KS16022	
Cam. Idler Pulley - Lower.....	T42001	◇128	Cam. Tensioner Assy.....	T41059	◇170
Cam. Tensioner Assy.....	*T41033	◇128	<b>MITSUBISHI</b>		
<b>1993-1989</b>			<b>2003</b>		
<b>4-CYL. 2.2 L ENG. B2200 PICKUP</b>			<b>V-6 3.5 L ENG. MONTERO SPORT</b>		
Timing Component Kit.....	☆TCK134		Cam. Belt.....	☆T287	
Cam. Belt.....	☆T134		<b>2002</b>		
Cam. Seal.....	KS13429		<b>V-6 3.0 L ENG. MONTERO SPORT</b>		
Crankshaft Seal.....	KS13429		Timing Component Kit.....	☆*TCK259	◇206
Cam. Idler Pulley.....	T42003	◇122	Cam. Belt.....	☆T259	
Cam. Tensioner Assy.....	T41029	◇122	Cam. Idler Pulley.....	T42018	◇206
<b>V-6 3.0 L ENG. MPV</b>			Cam. Tensioner Assy.....	*T41039	◇206
Timing Component Kit.....	☆*TCK146		<b>V-6 3.5 L ENG. MONTERO</b>		
Cam. Belt.....	☆T146		Cam. Belt.....	T320	
Cam. Seal.....	KS14032		<b>MONTERO SPORT</b>		
Crankshaft Seal.....	KS18544		Cam. Belt.....	☆T287	
Cam. Idler Pulley - Upper.....	T42011	◇128	<b>2001</b>		
Cam. Idler Pulley - Lower.....	T42001	◇128	<b>V-6 3.0 L ENG. MONTERO SPORT</b>		
Cam. Tensioner Assy.....	*T41033	◇128	Timing Component Kit.....	☆*TCK259	◇206
<b>1988</b>			Cam. Belt.....	☆T259	
<b>4-CYL. 2.2 L ENG. B2200 PICKUP</b>			Cam. Seal.....	②KS13907	
Timing Component Kit.....	☆TCK134		Crankshaft Seal.....	KS14671	
Cam. Belt.....	☆T134		Cam. Idler Pulley.....	T42018	◇206
Cam. Seal.....	KS13429		Cam. Tensioner Assy.....	*T41039	◇206
Crankshaft Seal.....	KS13429		<b>V-6 3.5 L ENG. MONTERO</b>		
Cam. Idler Pulley.....	T42003	◇122	Cam. Belt.....	T320	
Cam. Tensioner Assy.....	T41029	◇122	<b>MONTERO SPORT</b>		
<b>1987</b>			Cam. Belt.....	☆T287	
<b>4-CYL. 2.0 L ENG. B2000 PICKUP</b>			<b>2000</b>		
Timing Component Kit.....	TCK117		<b>V-6 3.0 L ENG. MONTERO SPORT</b>		
Cam. Belt.....	T117		Timing Component Kit.....	☆*TCK259	◇206
Cam. Seal.....	KS13429		Cam. Belt.....	☆T259	
Crankshaft Seal.....	KS13429		Cam. Seal.....	②KS13907	
Cam. Tensioner Assy.....	T41035	◇115	Crankshaft Seal.....	KS14671	
<b>4-CYL. 2.2 L ENG. B2200 PICKUP</b>			Cam. Idler Pulley.....	T42018	◇206
Timing Component Kit.....	☆TCK134		Cam. Tensioner Assy.....	*T41039	◇206
Cam. Belt.....	☆T134		<b>V-6 3.5 L ENG. MONTERO; MONTERO SPORT</b>		
Cam. Seal.....	KS13429		Cam. Belt.....	☆T287	
Crankshaft Seal.....	KS13429		<b>1999</b>		
Cam. Idler Pulley.....	T42003	◇122	<b>4-CYL. 2.4 L ENG. MONTERO SPORT</b>		
Cam. Tensioner Assy.....	T41029	◇122	Balance Shaft Belt.....	T168	
<b>1986</b>			Cam. Belt.....	☆T230	
<b>4-CYL. 2.0 L ENG. B2000 PICKUP</b>			<b>V-6 3.0 L ENG. MONTERO SPORT</b>		
Cam. Belt; Chassis No. 568707 & Before.....	T113		Timing Component Kit.....	☆*TCK259	◇206
Cam. Belt; Chassis No. 568708 & After.....	T117		Cam. Belt.....	☆T259	
Cam. Seal.....	KS13429		<b>1998</b>		
Crankshaft Seal.....	KS13429		<b>4-CYL. 2.4 L ENG. MONTERO SPORT</b>		

☆ Interference engine application. See inside back cover for additional information.

② Two Required.

◇ See Diagram Section (Pages 153-167).

\* Does Not Include Cam. Tensioner Hyd. Assy.

④ Four Required.

# PowerGrip™ Timing System Products for Light Trucks

Application	Part No.	Diagram No.	Application	Part No.	Diagram No.
<b>MITSUBISHI - Continued</b>			<b>MITSUBISHI - Continued</b>		
<b>1999 - Continued</b>			<b>1993 - Continued</b>		
<b>V-6 3.0 L ENG. - Continued</b>			<b>V-6 3.0 L ENG. - Continued</b>		
<b>MONTERO SPORT - Continued</b>			<b>MONTERO - Continued</b>		
Cam. Seal.....	②KS13907		Cam. Belt.....	T139	
Crankshaft Seal.....	KS14671		Cam. Seal.....	②KS13907	
Cam. Idler Pulley.....	T42018	◇206	Crankshaft Seal.....	KS14671	
Cam. Tensioner Assy.....	✱T41039	◇206	Cam. Tensioner Assy.....	T41048	◇123
<b>V-6 3.5 L ENG.</b>			<b>PICKUP</b>		
<b>MONTERO; MONTERO SPORT</b>			<b>Timing Component Kit.....</b>		
Cam. Belt.....	☆T287		Cam. Belt.....	T139	
<b>1998-1997</b>			<b>Cam. Tensioner Assy.....</b>		
<b>4-CYL. 2.4 L ENG.</b>			<b>T41048</b>		
<b>MONTERO SPORT</b>			<b>◇123</b>		
Balance Shaft Belt.....	T168		<b>1992</b>		
Cam. Belt.....	☆T230		<b>4-CYL. 2.4 L ENG.</b>		
<b>V-6 3.0 L ENG.</b>			<b>PICKUP</b>		
<b>MONTERO SPORT</b>			<b>Timing Component Kit.....</b>		
Timing Component Kit.....	✱TCK259	◇206	Balance Shaft Belt.....	TCK124	
Cam. Belt.....	☆T259		Balance Shaft Belt.....	T159	
Cam. Seal.....	②KS13907		Cam. Belt.....	T124	
Crankshaft Seal.....	KS14671		Cam. Seal.....	KS13907	
Cam. Idler Pulley.....	T42018	◇206	Crankshaft Seal.....	KS17729	
Cam. Tensioner Assy.....	✱T41039	◇206	Balance Shaft Tensioner Assy.....	T41053	◇117
<b>V-6 3.5 L ENG.</b>			<b>Cam. Tensioner Assy.....</b>		
<b>MONTERO</b>			<b>T41044</b>		
Cam. Belt.....	☆T287		<b>◇117</b>		
<b>1996-1995</b>			<b>V-6 3.0 L ENG.</b>		
<b>4-CYL. 2.4 L ENG.</b>			<b>MONTERO</b>		
<b>PICKUP</b>			<b>Timing Component Kit.....</b>		
Balance Shaft Belt.....	T168		Cam. Belt.....	TCK139	
Cam. Belt.....	T229		Cam. Belt.....	T139	
<b>V-6 3.0 L ENG.</b>			<b>Cam. Seal.....</b>		
<b>MONTERO</b>			<b>②KS13907</b>		
Timing Component Kit.....	☆TCK259	◇206	Crankshaft Seal.....	KS14671	
Cam. Belt.....	☆T259		Crankshaft Seal.....	KS17729	
Cam. Seal.....	②KS13907		Balance Shaft Tensioner Assy.....	T41053	◇117
Crankshaft Seal.....	KS14671		Cam. Tensioner Assy.....	T41044	◇117
Cam. Idler Pulley.....	T42018	◇206	<b>1991</b>		
Cam. Tensioner Assy.....	✱T41039	◇206	<b>4-CYL. 2.4 L ENG.</b>		
<b>V-6 3.5 L ENG.</b>			<b>PICKUP</b>		
<b>MONTERO</b>			<b>Timing Component Kit.....</b>		
Cam. Belt.....	☆T253		Balance Shaft Belt.....	TCK124	
<b>1994</b>			<b>T159</b>		
<b>4-CYL. 2.4 L ENG.</b>			<b>T124</b>		
<b>PICKUP</b>			<b>KS13907</b>		
Balance Shaft Belt.....	T168		Crankshaft Seal.....	KS17729	
Cam. Belt.....	T229		Balance Shaft Tensioner Assy.....	T41053	◇117
<b>V-6 3.0 L ENG.</b>			<b>Cam. Tensioner Assy.....</b>		
<b>MONTERO</b>			<b>T41044</b>		
Timing Component Kit.....	TCK139		<b>◇117</b>		
Cam. Belt.....	T139		<b>V-6 3.0 L ENG.</b>		
Cam. Seal.....	②KS13907		<b>MONTERO</b>		
Crankshaft Seal.....	KS14671		<b>Timing Component Kit.....</b>		
Cam. Tensioner Assy.....	T41048	◇123	Cam. Belt.....	TCK139	
<b>PICKUP</b>			<b>T139</b>		
Timing Component Kit.....	TCK139		Cam. Seal.....	②KS13907	
Cam. Belt.....	T139		Crankshaft Seal.....	KS14671	
Cam. Tensioner Assy.....	T41048	◇123	Cam. Tensioner Assy.....	T41048	◇123
<b>V-6 3.5 L ENG.</b>			<b>1990</b>		
<b>MONTERO</b>			<b>4-CYL. 2.4 L ENG.</b>		
Cam. Belt.....	☆T253		<b>PICKUP; VAN</b>		
<b>1993</b>			<b>Timing Component Kit.....</b>		
<b>4-CYL. 2.4 L ENG.</b>			<b>Balance Shaft Belt.....</b>		
<b>PICKUP</b>			<b>T159</b>		
Balance Shaft Belt.....	T168		Cam. Belt.....	T124	
Cam. Belt.....	T229		Cam. Seal.....	KS13907	
<b>V-6 3.0 L ENG.</b>			<b>Crankshaft Seal.....</b>		
<b>MONTERO</b>			<b>KS17629</b>		
Timing Component Kit.....	TCK139		Balance Shaft Tensioner Assy.....	T41053	◇117
Cam. Belt.....	T139		Cam. Tensioner Assy.....	T41044	◇117
Cam. Seal.....	②KS13907		<b>V-6 3.0 L ENG.</b>		
Crankshaft Seal.....	KS14671		<b>MONTERO</b>		
Cam. Tensioner Assy.....	T41048	◇123	<b>Timing Component Kit.....</b>		
<b>PICKUP</b>			<b>Cam. Belt.....</b>		
Timing Component Kit.....	TCK139		<b>T139</b>		
Cam. Belt.....	T139		<b>②KS13907</b>		
Cam. Tensioner Assy.....	T41048	◇123	<b>Crankshaft Seal.....</b>		
<b>V-6 3.5 L ENG.</b>			<b>KS14671</b>		
<b>MONTERO</b>			<b>Cam. Tensioner Assy.....</b>		
Timing Component Kit.....	TCK139		<b>T41048</b>		
Cam. Belt.....	T139		<b>◇123</b>		

☆ Interference engine application. See inside back cover for additional information.

✱ Does Not Include Cam. Tensioner Hyd. Assy.

② Two Required.

④ Four Required.

◇ See Diagram Section (Pages 153-167).

# PowerGrip™ Timing System Products for Light Trucks

Application	Part No.	Diagram No.	Application	Part No.	Diagram No.
<b>MITSUBISHI - Continued</b>			<b>NISSAN - Continued</b>		
<b>1990 - Continued</b>			<b>2001</b>		
<b>V-6 3.0 L ENG. - Continued</b>			<b>V-6 3.3 L ENG.</b>		
<b>PICKUP - Continued</b>			<b>FRONTIER; XTERRA</b>		
Cam. Tensioner Assy.....	T41048	◇123	Timing Component Kit.....	☆TCK249	
<b>1989</b>			Cam. Belt.....	☆T249	
<b>4-CYL. 2.0 L ENG.</b>			Cam. Seal.....	②KS13429	
<b>PICKUP</b>			Crankshaft Seal.....	KS15804	
Timing Component Kit.....	TCK158A		Cam. Tensioner Assy.....	T41059	◇170
Balance Shaft Belt.....	T159		<b>QUEST</b>		
Cam. Belt.....	T158		Timing Component Kit.....	☆TCK249	
Balance Shaft Tensioner Assy.....	T41045	◇134	Cam. Belt.....	☆T249	
Cam. Tensioner Assy.....	T41044	◇134	Cam. Seal.....	②KS15818	
<b>4-CYL. 2.4 L ENG.</b>			Crankshaft Seal.....	KS15804	
<b>VAN</b>			Cam. Tensioner Assy.....	T41059	◇170
Timing Component Kit.....	TCK124		<b>2000</b>		
Balance Shaft Belt.....	T159		<b>V-6 3.3 L ENG.</b>		
Cam. Belt.....	T124		<b>FRONTIER; PATHFINDER; XTERRA</b>		
Cam. Seal.....	KS13907		Timing Component Kit.....	☆TCK249	
Crankshaft Seal.....	KS17629		Cam. Belt.....	☆T249	
Balance Shaft Tensioner Assy.....	T41053	◇117	Cam. Seal.....	②KS13429	
Cam. Tensioner Assy.....	T41044	◇117	Crankshaft Seal.....	KS15804	
<b>V-6 3.0 L ENG.</b>			Cam. Tensioner Assy.....	T41059	◇170
<b>MONTERO</b>			<b>QUEST</b>		
Timing Component Kit.....	TCK139		Timing Component Kit.....	☆TCK249	
Cam. Belt.....	T139		Cam. Belt.....	☆T249	
Cam. Tensioner Assy.....	T41048	◇123	Cam. Seal.....	②KS15818	
<b>1988-1987</b>			Crankshaft Seal.....	KS15804	
<b>4-CYL. 2.0 L ENG.</b>			Cam. Tensioner Assy.....	T41059	◇170
<b>PICKUP</b>			<b>1999</b>		
Timing Component Kit.....	TCK158A		<b>V-6 3.3 L ENG.</b>		
Balance Shaft Belt.....	T159		<b>FRONTIER; PATHFINDER</b>		
Cam. Belt.....	T158		Timing Component Kit.....	☆TCK249	
Balance Shaft Tensioner Assy.....	T41045	◇134	Cam. Belt.....	☆T249	
Cam. Tensioner Assy.....	T41044	◇134	Cam. Seal.....	②KS13429	
<b>4-CYL. 2.4 L ENG.</b>			Crankshaft Seal.....	KS15804	
<b>VAN</b>			Cam. Tensioner Assy.....	T41059	◇170
Timing Component Kit.....	TCK124		<b>QUEST</b>		
Balance Shaft Belt.....	T159		Timing Component Kit.....	☆TCK249	
Cam. Belt.....	T124		Cam. Belt.....	☆T249	
Cam. Seal.....	KS13907		Cam. Seal.....	②KS15818	
Crankshaft Seal.....	KS17629		Crankshaft Seal.....	KS15804	
Balance Shaft Tensioner Assy.....	T41053	◇117	Cam. Tensioner Assy.....	T41059	◇170
Cam. Tensioner Assy.....	T41044	◇117	<b>1998-1997</b>		
<b>1986</b>			<b>V-6 3.0 L ENG.</b>		
<b>4-CYL. 2.0 L ENG.</b>			<b>QUEST</b>		
<b>PICKUP</b>			Timing Component Kit.....	☆TCK249	
Balance Shaft Belt.....	T090		Cam. Belt.....	☆T249	
Cam. Belt.....	T089		Cam. Seal.....	②KS13429	
<b>1985-1983</b>			Crankshaft Seal.....	KS12886	
<b>4-CYL. 2.0 L ENG.</b>			Cam. Tensioner Assy.....	T41059	◇170
<b>PICKUP</b>			<b>V-6 3.3 L ENG.</b>		
Balance Shaft Belt.....	T090		<b>PATHFINDER</b>		
Cam. Belt.....	T089		Timing Component Kit.....	☆TCK249	
<b>4-CYL. 2.3 L DIESEL ENG.</b>			Cam. Belt.....	☆T249	
<b>PICKUP</b>			Cam. Seal.....	②KS13429	
Balance Shaft Belt.....	☆T092		Crankshaft Seal.....	KS15804	
Cam. Belt.....	☆T091		Cam. Tensioner Assy.....	T41059	◇170
Balance Shaft Tensioner Assy.....	T41049	◇138	<b>1996</b>		
Cam. Tensioner Assy.....	T41050	◇138	<b>V-6 3.0 L ENG.</b>		
<b>NISSAN</b>			<b>QUEST</b>		
<b>2002</b>			Timing Component Kit.....	☆TCK249	
<b>V-6 3.3 L ENG.</b>			Cam. Belt.....	☆T249	
<b>FRONTIER; XTERRA</b>			Cam. Seal.....	②KS13429	
Timing Component Kit.....	☆TCK249		Crankshaft Seal.....	KS12886	
Cam. Belt.....	☆T249		Cam. Tensioner Assy.....	T41059	◇170
Cam. Seal.....	②KS13429		<b>V-6 3.0 L ENG. (CANADA)</b>		
Crankshaft Seal.....	KS15804		<b>PICKUP</b>		
Cam. Tensioner Assy.....	T41059	◇170	Cam. Belt.....	T249	
<b>V-6 3.3 L ENG.</b>			<b>V-6 3.3 L ENG.</b>		
<b>PATHFINDER</b>			<b>QUEST</b>		
Timing Component Kit.....	☆TCK249		Timing Component Kit.....	☆TCK249	

☆ Interference engine application. See inside back cover for additional information.

★ Does Not Include Cam. Tensioner Hyd. Assy.

② Two Required.

④ Four Required.

◇ See Diagram Section (Pages 153-167).

# PowerGrip™ Timing System Products for Light Trucks

Application	Part No.	Diagram No.	Application	Part No.	Diagram No.
<b>NISSAN - Continued</b>			<b>NISSAN - Continued</b>		
<b>1996 - Continued</b>			<b>1986 - Continued</b>		
<b>V-6 3.3 L ENG. - Continued</b>			<b>V-6 3.0 L ENG. - Continued</b>		
<b>PATHFINDER - Continued</b>			<b>PICKUP - Continued</b>		
Cam. Belt.....	☆T249		Cam. Tensioner Assy.....	T41059	◊170
Cam. Seal.....	②KS13429				
Crankshaft Seal.....	KS15804				
Cam. Tensioner Assy.....	T41059	◊170			
<b>1995</b>			<b>PLYMOUTH</b>		
<b>V-6 3.0 L ENG.</b>			<b>2000-1998</b>		
<b>PATHFINDER; QUEST</b>			<b>4-CYL. 2.4 L ENG.</b>		
Timing Component Kit.....	☆TCK249		<b>VOYAGER</b>		
Cam. Belt.....	☆T249		Cam. Belt.....	T265	
Cam. Seal.....	②KS13429		Cam. Tensioner Assy.....	T43005	◊205
Crankshaft Seal.....	KS12886				
Cam. Tensioner Assy.....	T41059	◊170			
<b>PICKUP</b>			<b>V-6 3.0 L ENG.</b>		
Timing Component Kit.....	☆TCK249		<b>GRAND VOYAGER</b>		
Cam. Belt.....	☆T249		Timing Component Kit.....	TCK139	
Cam. Seal.....	②KS13429		Cam. Belt.....	T139	
Crankshaft Seal.....	KS17897		Cam. Seal.....	②KS13907	
Cam. Tensioner Assy.....	T41059	◊170	Crankshaft Seal.....	KS14671	
			Cam. Tensioner Assy.....	T41048	◊123
<b>1994-1993</b>			<b>VOYAGER</b>		
<b>V-6 3.0 L ENG.</b>			Timing Component Kit.....		
<b>PATHFINDER; QUEST</b>			Cam. Belt.....		
Timing Component Kit; W/Round Tooth Sprockets.....	☆TCK249		Cam. Tensioner Assy.....	T41048	◊123
Timing Component Kit; W/Square Tooth Sprockets.....	☆TCK104				
Cam. Belt; W/Round Tooth Sprockets.....	☆T249		<b>1997</b>		
Cam. Belt; W/Square Tooth Sprockets.....	☆T104		<b>4-CYL. 2.4 L ENG.</b>		
Cam. Seal.....	②KS13429		<b>GRAND VOYAGER; VOYAGER</b>		
Crankshaft Seal.....	KS12886		Cam. Belt.....	T265	
Cam. Tensioner Assy.....	T41059	◊170	Cam. Tensioner Assy.....	T43005	◊205
<b>PICKUP</b>			<b>V-6 3.0 L ENG.</b>		
Timing Component Kit; W/Round Tooth Sprockets.....	☆TCK249		<b>GRAND VOYAGER</b>		
Timing Component Kit; W/Square Tooth Sprockets.....	☆TCK104		Timing Component Kit.....	TCK139	
Cam. Belt; W/Round Tooth Sprockets.....	☆T249		Cam. Belt.....	T139	
Cam. Belt; W/Square Tooth Sprockets.....	☆T104		Cam. Seal.....	②KS13907	
Cam. Seal.....	②KS13429		Crankshaft Seal.....	KS14671	
Crankshaft Seal.....	KS17897		Cam. Tensioner Assy.....	T41048	◊123
Cam. Tensioner Assy.....	T41059	◊170	<b>VOYAGER</b>		
<b>1992-1990</b>			Timing Component Kit.....		
<b>V-6 3.0 L ENG.</b>			Cam. Belt.....		
<b>PATHFINDER; PICKUP</b>			Cam. Seal.....		
Timing Component Kit.....	☆TCK104		Crankshaft Seal.....	KS14671	
Cam. Belt.....	☆T104		Cam. Tensioner Assy.....	T41048	◊123
Cam. Seal.....	②KS13429				
Crankshaft Seal.....	KS17897		<b>1996</b>		
Cam. Tensioner Assy.....	T41059	◊170	<b>4-CYL. 2.4 L ENG.</b>		
<b>1989-1987</b>			<b>GRAND VOYAGER; VOYAGER</b>		
<b>V-6 3.0 L ENG.</b>			Cam. Belt.....		
<b>PATHFINDER</b>			T265		
Timing Component Kit.....	☆TCK104		<b>V-6 3.0 L ENG.</b>		
Cam. Belt.....	☆T104		<b>GRAND VOYAGER</b>		
Cam. Seal.....	②KS13429		Timing Component Kit.....	TCK139	
Crankshaft Seal.....	KS12886		Cam. Belt.....	T139	
Cam. Tensioner Assy.....	T41059	◊170	Cam. Seal.....	②KS13907	
<b>PICKUP</b>			Crankshaft Seal.....	KS14671	
Timing Component Kit.....	☆TCK104		Cam. Tensioner Assy.....	T41048	◊123
Cam. Belt.....	☆T104		<b>VOYAGER</b>		
Cam. Seal.....	②KS13429		Timing Component Kit.....	TCK139	
Crankshaft Seal.....	KS17897		Cam. Belt.....	T139	
Cam. Tensioner Assy.....	T41059	◊170	Cam. Tensioner Assy.....	T41048	◊123
<b>1986</b>			<b>1995-1992</b>		
<b>V-6 3.0 L ENG.</b>			<b>4-CYL. 2.5 L ENG.</b>		
<b>PICKUP</b>			<b>VOYAGER</b>		
Timing Component Kit.....	☆TCK104		Timing Component Kit.....	TCK153	
Cam. Belt.....	☆T104		Cam. Belt.....	T153	
Cam. Seal.....	②KS13429		Cam. Seal.....	KS13948	
Crankshaft Seal.....	KS17897		Crankshaft Seal.....	KS11122	
Cam. Tensioner Assy.....	T41059	◊170	Cam. Tensioner Assy.....	T41001	◊130
<b>1986</b>			<b>V-6 3.0 L ENG.</b>		
<b>V-6 3.0 L ENG.</b>			<b>GRAND VOYAGER; VOYAGER</b>		
<b>PICKUP</b>			Timing Component Kit.....		
Timing Component Kit.....	☆TCK104		Cam. Belt.....	T139	
Cam. Belt.....	☆T104		Cam. Seal.....	②KS13907	
Cam. Seal.....	②KS13429		Crankshaft Seal.....	KS14671	
Crankshaft Seal.....	KS17897		Cam. Tensioner Assy.....	T41048	◊123

☆ Interference engine application. See inside back cover for additional information.

✱ Does Not Include Cam. Tensioner Hyd. Assy.

② Two Required.

◊ See Diagram Section (Pages 153-167).

④ Four Required.

# PowerGrip™ Timing System Products for Light Trucks

Application	Part No.	Diagram No.	Application	Part No.	Diagram No.
<b>PLYMOUTH - Continued</b>			<b>PLYMOUTH - Continued</b>		
<b>1991-1990</b>			<b>1986-1984</b>		
<b>4-CYL. 2.5 L ENG.</b>			<b>4-CYL. 2.2 L ENG.</b>		
<b>VOYAGER</b>			<b>VOYAGER</b>		
Timing Component Kit.....	TCK153		Timing Component Kit.....	TCK071	
Cam. Belt.....	T153		Cam. Belt.....	T071	
Cam. Seal.....	KS13948		Cam. Seal.....	KS13948	
Crankshaft Seal.....	KS11122		Crankshaft Seal.....	KS13948	
Cam. Tensioner Assy.....	T41001	◇130	Cam. Tensioner Assy.....	T41000	◇107
<b>V-6 3.0 L ENG.</b>			<b>1983</b>		
<b>VOYAGER</b>			<b>4-CYL. 2.2 L ENG.</b>		
Timing Component Kit.....	TCK139		<b>SCAMP PICKUP</b>		
Cam. Belt.....	T139		Timing Component Kit.....	TCK071	
Cam. Seal.....	②KS13907		Cam. Belt.....	T071	
Crankshaft Seal.....	KS14671		Cam. Seal.....	KS13948	
Cam. Tensioner Assy.....	T41048	◇123	Crankshaft Seal.....	KS13948	
<b>1989</b>			Cam. Tensioner Assy.....		
<b>4-CYL. 2.5 L ENG.</b>			T41000		
<b>GRAND VOYAGER; VOYAGER</b>			◇107		
Timing Component Kit.....	TCK153		<b>PONTIAC</b>		
Cam. Belt.....	T153		<b>1996</b>		
Cam. Seal.....	KS13948		<b>4-CYL. 1.6 L ENG. (CANADA)</b>		
Crankshaft Seal.....	KS11122		<b>SUNRUNNER</b>		
Cam. Tensioner Assy.....	T41001	◇130	Cam. Belt.....	T212	
<b>V-6 3.0 L ENG.</b>			<b>1995-1994</b>		
<b>GRAND VOYAGER; VOYAGER</b>			<b>4-CYL. 1.6 L ENG. (CANADA)</b>		
Timing Component Kit.....	TCK139		<b>SUNRUNNER</b>		
Cam. Belt.....	T139		Cam. Belt.....	T164	
Cam. Seal.....	②KS13907		<b>SATURN</b>		
Crankshaft Seal.....	KS14671		<b>2003-2002</b>		
Cam. Tensioner Assy.....	T41048	◇123	<b>V-6 3.0 L ENG.</b>		
<b>1988</b>			<b>VUE</b>		
<b>4-CYL. 2.5 L ENG.</b>			Cam. Belt.....		
<b>GRAND VOYAGER</b>			☆T285		
Cam. Belt.....	T132		<b>SUZUKI</b>		
Cam. Tensioner Assy.....	T41048	◇123	<b>2002</b>		
<b>VOYAGER</b>			<b>4-CYL. 1.6 L ENG. (CANADA)</b>		
Cam. Belt.....	T132		<b>VITARA</b>		
<b>V-6 3.0 L ENG.</b>			Timing Component Kit.....		
<b>GRAND VOYAGER</b>			TCK212		
Timing Component Kit.....	TCK139		Cam. Belt.....	T212	
Cam. Belt.....	T139		Cam. Seal.....	KS12724	
Cam. Seal.....	②KS13907		Crankshaft Seal.....	KS12724	
Crankshaft Seal.....	KS14671		Cam. Tensioner Assy.....	T41065	◇156
<b>VOYAGER</b>			<b>2001-1999</b>		
Timing Component Kit.....	TCK139		<b>4-CYL. 1.6 L ENG.</b>		
Cam. Belt.....	T139		<b>VITARA</b>		
Cam. Seal.....	②KS13907		Timing Component Kit.....	TCK212	
Crankshaft Seal.....	KS14671		Cam. Belt.....	T212	
Cam. Tensioner Assy.....	T41048	◇123	Cam. Seal.....	KS12724	
<b>1987</b>			Crankshaft Seal.....		
<b>4-CYL. 2.2 L ENG.</b>			KS12724		
<b>VOYAGER</b>			Cam. Tensioner Assy.....		
Timing Component Kit.....	TCK071		T41065		
Cam. Belt.....	T071		◇156		
Cam. Seal.....	KS13948		<b>1998-1996</b>		
Crankshaft Seal.....	KS13948		<b>4-CYL. 1.6 L ENG.</b>		
Cam. Tensioner Assy.....	T41000	◇107	<b>SIDEKICK; X-90</b>		
<b>4-CYL. 2.5 L ENG.</b>			Timing Component Kit.....		
<b>VOYAGER</b>			TCK212		
Cam. Belt.....	T114		Cam. Belt.....	T212	
<b>V-6 3.0 L ENG.</b>			Cam. Seal.....		
<b>GRAND VOYAGER; VOYAGER</b>			KS12724		
Timing Component Kit.....	TCK139		Crankshaft Seal.....	KS12724	
Cam. Belt.....	T139		Cam. Tensioner Assy.....	T41065	◇156
Cam. Seal.....	②KS13907		<b>1995</b>		
Crankshaft Seal.....	KS14671		<b>4-CYL. 1.3 L ENG.</b>		
Cam. Tensioner Assy.....	T41048	◇123	<b>SAMURAI</b>		
<b>1986-1984</b>			Cam. Belt.....		
<b>4-CYL. 2.2 L ENG.</b>			T243		
<b>VOYAGER</b>			<b>4-CYL. 1.6 L ENG.</b>		
Timing Component Kit.....	TCK164		<b>SIDEKICK</b>		
Cam. Belt.....	TCK212		Timing Component Kit; W/8-Valve Eng.....		
Cam. Seal.....	T164		Timing Component Kit; W/16-Valve Eng.....		
Crankshaft Seal.....	T212		Cam. Belt; W/8-Valve Eng.....		
Cam. Tensioner Assy.....	T212		Cam. Belt; W/16-Valve Eng.....		

☆ Interference engine application. See inside back cover for additional information.

② Two Required.

◇ See Diagram Section (Pages 153-167).

\* Does Not Include Cam. Tensioner Hyd. Assy.

④ Four Required.

# PowerGrip™ Timing System Products for Light Trucks

Application	Part No.	Diagram No.	Application	Part No.	Diagram No.
<b>SUZUKI - Continued</b>			<b>SUZUKI - Continued</b>		
<b>1995 - Continued</b>			<b>1989 - Continued</b>		
<b>4-CYL. 1.6 L ENG. - Continued</b>			<b>4-CYL. 1.6 L ENG.</b>		
<b>SIDEKICK - Continued</b>			<b>SIDEKICK</b>		
Cam. Seal.....	KS12724		Timing Component Kit; W/8-Valve Eng.....	TCK164	
Crankshaft Seal.....	KS12724		Cam. Belt; W/8-Valve Eng.....	T164	
Cam. Tensioner Assy.; W/8-Valve Eng.....	T41064	◇112	Cam. Seal; W/8-Valve Eng.....	KS12724	
Cam. Tensioner Assy.; W/16-Valve Eng.....	T41065	◇156	Crankshaft Seal; W/8-Valve Eng.....	KS12724	
			Cam. Tensioner Assy.; W/8-Valve Eng.....	T41064	◇112
<b>1994</b>			<b>1988-1986</b>		
<b>4-CYL. 1.3 L ENG.</b>			<b>4-CYL. 1.3 L ENG.</b>		
<b>SAMURAI</b>			<b>SAMURAI</b>		
Timing Component Kit; VIN JS4JC31C R4100375 & Before.....	TCK095		Timing Component Kit.....	TCK095	
Cam. Belt; VIN JS4JC31C R4100375 & Before....	T095		Cam. Belt.....	T095	
Cam. Belt; VIN JS4JC31C R4100376 & After.....	T243		Cam. Seal.....	KS12724	
Cam. Seal; VIN JS4JC31C R4100375 & Before....	KS12724		Crankshaft Seal.....	KS12724	
Crankshaft Seal; VIN JS4JC31C R4100375 & Before.....	KS12724		Cam. Tensioner Assy.....	T41064	◇112
Cam. Tensioner Assy.; VIN JS4JC31C R4100375 & Before.....	T41064	◇112			
<b>4-CYL. 1.6 L ENG.</b>			<b>1985</b>		
<b>SIDEKICK</b>			<b>4-CYL. 1.3 L ENG. (CANADA)</b>		
Timing Component Kit; W/8-Valve Eng.....	TCK164		<b>SAMURAI</b>		
Timing Component Kit; W/16-Valve Eng.....	TCK212		Cam. Belt.....	T095	
Cam. Belt; W/8-Valve Eng.....	T164				
Cam. Belt; W/16-Valve Eng.....	T212		<b>TOYOTA</b>		
Cam. Seal.....	KS12724		<b>2002</b>		
Crankshaft Seal.....	KS12724		<b>V-6 3.0 L ENG.</b>		
Cam. Tensioner Assy.; W/8-Valve Eng.....	T41064	◇112	<b>HIGHLANDER; SIENNA</b>		
Cam. Tensioner Assy.; W/16-Valve Eng.....	T41065	◇156	Timing Component Kit.....	★TCK257	◇132
			Cam. Belt.....	T257	
			Cam. Idler Pulley.....	T42030	◇132
			Cam. Tensioner Pulley.....	★T41075	◇132
<b>1993-1992</b>			<b>V-6 3.4 L ENG.</b>		
<b>4-CYL. 1.3 L ENG.</b>			<b>TACOMA; TUNDRA; 4 RUNNER</b>		
<b>SAMURAI</b>			Cam. Belt.....	T271	
Timing Component Kit.....	TCK095		<b>V-8 4.7 L ENG.</b>		
Cam. Belt.....	T095		<b>LAND CRUISER; SEQUOIA; TUNDRA</b>		
Cam. Seal.....	KS12724		Cam. Belt.....	T298	
Crankshaft Seal.....	KS12724				
Cam. Tensioner Assy.....	T41064	◇112	<b>2001</b>		
			<b>V-6 3.0 L ENG.</b>		
<b>4-CYL. 1.6 L ENG.</b>			<b>HIGHLANDER; SIENNA</b>		
<b>SIDEKICK</b>			Timing Component Kit.....	★TCK257	◇132
Timing Component Kit; W/8-Valve Eng.....	TCK164		Cam. Belt.....	T257	
Timing Component Kit; W/16-Valve Eng.....	TCK212		Cam. Idler Pulley.....	T42030	◇132
Cam. Belt; W/8-Valve Eng.....	T164		Cam. Tensioner Pulley.....	★T41075	◇132
Cam. Belt; W/16-Valve Eng.....	T212				
Cam. Seal.....	KS12724		<b>V-6 3.4 L ENG.</b>		
Crankshaft Seal.....	KS12724		<b>TACOMA; TUNDRA; 4 RUNNER</b>		
Cam. Tensioner Assy.; W/8-Valve Eng.....	T41064	◇112	Cam. Belt.....	T271	
Cam. Tensioner Assy.; W/16-Valve Eng.....	T41065	◇156			
			<b>V-8 4.7 L ENG.</b>		
<b>1991-1990</b>			<b>LAND CRUISER; TUNDRA</b>		
<b>4-CYL. 1.3 L ENG.</b>			Cam. Belt.....	T298	
<b>SAMURAI</b>			Cam. Idler Pulley.....	T42031	◇155
Timing Component Kit.....	TCK095		Cam. Tensioner Assy.....	★T41078	◇155
Cam. Belt.....	T095				
Cam. Seal.....	KS12724		<b>SEQUOIA</b>		
Crankshaft Seal.....	KS12724		Cam. Belt.....	T298	
Cam. Tensioner Assy.....	T41064	◇112			
			<b>2000</b>		
<b>4-CYL. 1.6 L ENG.</b>			<b>4-CYL. 2.0 L ENG.</b>		
<b>SIDEKICK</b>			<b>RAV4</b>		
Timing Component Kit; W/8-Valve Eng.....	TCK164		Timing Component Kit.....	TCK199	
Cam. Belt; W/8-Valve Eng.....	T164		Cam. Belt.....	T199	
Cam. Seal; W/8-Valve Eng.....	KS12724		Cam. Idler Pulley.....	T42025	◇151
Crankshaft Seal; W/8-Valve Eng.....	KS12724		Cam. Tensioner Assy.....	T41067	◇151
Cam. Tensioner Assy.; W/8-Valve Eng.....	T41064	◇112			
			<b>V-6 3.0 L ENG.</b>		
<b>1989</b>			<b>SIENNA</b>		
<b>4-CYL. 1.3 L ENG.</b>			Timing Component Kit.....	★TCK257	◇132
<b>SAMURAI; SIDEKICK</b>			Cam. Belt.....	T257	
Timing Component Kit.....	TCK095		Cam. Seal.....	④KS14671	
Cam. Belt.....	T095		Crankshaft Seal.....	KS19092	
Cam. Seal.....	KS12724		Cam. Idler Pulley.....	T42030	◇132
Crankshaft Seal.....	KS12724		Cam. Tensioner Pulley.....	★T41075	◇132
Cam. Tensioner Assy.....	T41064	◇112			

☆ Interference engine application. See inside back cover for additional information.

★ Does Not Include Cam. Tensioner Hyd. Assy.

② Two Required.

◇ See Diagram Section (Pages 153-167).

④ Four Required.

# PowerGrip™ Timing System Products for Light Trucks

Application	Part No.	Diagram No.	Application	Part No.	Diagram No.
<b>TOYOTA - Continued</b>			<b>TOYOTA - Continued</b>		
<b>2000 - Continued</b>			<b>1995 - Continued</b>		
<b>V-6 3.4 L ENG.</b>			<b>V-6 3.0 L ENG. - Continued</b>		
<b>TACOMA; TUNDRA; 4 RUNNER</b>			<b>4 RUNNER - Continued</b>		
Cam. Belt.....	T271		Cam. Seal.....	②KS16893	
<b>V-8 4.7 L ENG.</b>			Crankshaft Seal.....	KS15823	
<b>LAND CRUISER; TUNDRA</b>			<b>V-6 3.4 L ENG.</b>		
Cam. Belt.....	T298		<b>T100; TACOMA</b>		
Cam. Idler Pulley.....	T42031	◇155	Cam. Belt.....	T271	
Cam. Tensioner Assy.....	*T41078	◇155	<b>1994-1993</b>		
<b>1999</b>			<b>V-6 3.0 L ENG.</b>		
<b>4-CYL. 2.0 L ENG.</b>			<b>PICKUP; T100</b>		
<b>RAV4</b>			Cam. Belt.....	T240	
Timing Component Kit.....	TCK199		Cam. Seal.....	②KS14671	
Cam. Belt.....	T199		Crankshaft Seal.....	KS15823	
Cam. Idler Pulley.....	T42025	◇151	<b>4 RUNNER</b>		
Cam. Tensioner Assy.....	T41067	◇151	Cam. Belt.....	T240	
<b>V-6 3.0 L ENG.</b>			Cam. Seal.....	②KS16893	
<b>SIENNA</b>			Crankshaft Seal.....	KS15823	
Timing Component Kit.....	*TCK257	◇132	<b>1992-1988</b>		
Cam. Belt.....	T257		<b>V-6 3.0 L ENG.</b>		
Cam. Seal.....	④KS14671		<b>PICKUP; 4 RUNNER</b>		
Crankshaft Seal.....	KS19092		Timing Component Kit.....	*TCK240	◇166
Cam. Idler Pulley.....	T42030	◇132	Cam. Belt.....	T154	
Cam. Tensioner Pulley.....	*T41075	◇132	Cam. Seal.....	②KS16893	
<b>V-6 3.4 L ENG.</b>			Crankshaft Seal.....	KS15823	
<b>TACOMA; 4 RUNNER</b>			Cam. Idler Pulley.....	T42037	◇166
Cam. Belt.....	T271		Cam. Tensioner Assy.....	*T41073	◇166
<b>V-8 4.7 L ENG.</b>			<b>1987</b>		
<b>LAND CRUISER</b>			<b>4-CYL. 2.4 L DIESEL ENG. (CANADA)</b>		
Cam. Belt.....	T298		<b>PICKUP</b>		
Cam. Idler Pulley.....	T42031	◇155	Cam. Belt.....	☆T084	
Cam. Tensioner Assy.....	*T41078	◇155	<b>1986</b>		
<b>1998</b>			<b>4-CYL. 2.4 L DIESEL ENG.</b>		
<b>4-CYL. 2.0 L ENG.</b>			<b>PICKUP</b>		
<b>RAV4</b>			Cam. Belt.....	☆T084	
Timing Component Kit.....	TCK199		<b>1985-1984</b>		
Cam. Belt.....	T199		<b>4-CYL. 2.4 L DIESEL ENG.</b>		
Cam. Idler Pulley.....	T42025	◇151	<b>PICKUP</b>		
Cam. Tensioner Assy.....	T41067	◇151	Cam. Belt.....	☆T084	
<b>V-6 3.0 L ENG.</b>			<b>4-CYL. 2.4 L DIESEL ENG. (CANADA)</b>		
<b>SIENNA</b>			<b>PICKUP</b>		
Timing Component Kit.....	*TCK257	◇132	Cam. Belt.....	☆T084	
Cam. Belt.....	T257		<b>1985-1984</b>		
Cam. Seal.....	④KS14671		<b>4-CYL. 2.4 L DIESEL ENG.</b>		
Crankshaft Seal.....	KS19092		<b>PICKUP</b>		
Cam. Idler Pulley.....	T42030	◇132	Cam. Belt.....	☆T084	
Cam. Tensioner Pulley.....	*T41075	◇132	<b>1983</b>		
<b>V-6 3.4 L ENG.</b>			<b>4-CYL. 2.2 L DIESEL ENG.</b>		
<b>T100; TACOMA; 4 RUNNER</b>			<b>PICKUP</b>		
Cam. Belt.....	T271		Cam. Belt.....	☆T084	
<b>V-8 4.7 L ENG.</b>			<b>1982</b>		
<b>LAND CRUISER</b>			<b>4-CYL. 2.2 L DIESEL ENG.</b>		
Cam. Belt.....	T298		<b>PICKUP</b>		
<b>1997-1996</b>			Cam. Belt; May 31, 1982 & Older.....	T079	
<b>4-CYL. 2.0 L ENG.</b>			Cam. Belt; June 1, 1982 & Newer.....	T084	
<b>RAV4</b>			Cam. Idler Pulley.....	T42026	◇165
Timing Component Kit.....	TCK199		Cam. Tensioner Assy.....	T41068	◇165
Cam. Belt.....	T199		<b>1981</b>		
Cam. Idler Pulley.....	T42025	◇151	<b>4-CYL. 2.2 L DIESEL ENG.</b>		
Cam. Tensioner Assy.....	T41067	◇151	<b>PICKUP</b>		
<b>V-6 3.4 L ENG.</b>			Cam. Belt.....	☆T079	
<b>T100; TACOMA; 4 RUNNER</b>			Cam. Idler Pulley.....	T42026	◇165
Cam. Belt.....	T271		Cam. Tensioner Assy.....	T41068	◇165
<b>1995</b>			<b>1981</b>		
<b>V-6 3.0 L ENG.</b>			<b>4-CYL. 2.2 L DIESEL ENG.</b>		
<b>PICKUP</b>			<b>PICKUP</b>		
Cam. Belt.....	T240		Cam. Belt.....	☆T079	
<b>4 RUNNER</b>			Cam. Idler Pulley.....	T42026	◇165
Cam. Belt.....	T240		Cam. Tensioner Assy.....	T41068	◇165

☆ Interference engine application. See inside back cover for additional information.

\* Does Not Include Cam. Tensioner Hyd. Assy.

② Two Required.

④ Four Required.

◇ See Diagram Section (Pages 153-167).



# PowerGrip™ Timing System Products for Light Trucks

Application	Part No.	Diagram No.	Application	Part No.	Diagram No.
<b>VOLKSWAGEN</b>			<b>VOLKSWAGEN - Continued</b>		
<b>1983-1982</b>			<b>1981 - Continued</b>		
<b>4-CYL. 1.6 L DIESEL ENG. RABBIT PICKUP; VANAGON</b>			<b>4-CYL. 1.7 L ENG. RABBIT PICKUP</b>		
Cam. Belt.....	☆T043		Timing Component Kit.....	TCK017	
Cam. Tensioner Assy.....	T41080	◇198	Cam. Belt.....	T017	
<b>4-CYL. 1.7 L ENG. RABBIT PICKUP</b>			<b>1980</b>		
Timing Component Kit.....	TCK017		<b>4-CYL. 1.5 L DIESEL ENG. RABBIT PICKUP</b>		
Cam. Belt.....	T017		Cam. Belt.....	☆T043	
Cam. Tensioner Assy.....	T41079	◇177	Cam. Tensioner Assy.....	T41080	◇198
<b>1981</b>			<b>4-CYL. 1.6 L ENG. RABBIT PICKUP</b>		
<b>4-CYL. 1.6 L DIESEL ENG. RABBIT PICKUP</b>			Timing Component Kit.....	TCK017	
Cam. Belt.....	☆T043		Cam. Belt.....	T017	
Cam. Tensioner Assy.....	T41080	◇198	Cam. Tensioner Assy.....	T41079	◇177

☆ Interference engine application. See inside back cover for additional information.

\* Does Not Include Cam. Tensioner Hyd. Assy.

② Two Required.

④ Four Required.

◇ See Diagram Section (Pages 153-167).

# Changeover Listing

## PowerGrip™ Timing System Products

### Showing Competitive Numbers with Our Corresponding PowerGrip™ Numbers

The PowerGrip™ numbers shown in the following listings were determined by comparing the applications and physical characteristics of the product. This is a guide for changing over stocks to PowerGrip™ numbers, and does not mean that the competitive number shown will fit all applications recommended for the PowerGrip™ number. If a customer asks for a product to replace a product of another brand, do not use this list. Ask for the make, model, year and engine size on which it is to be used, and refer to the alphabetical listing to determine the proper replacement.

Competitive No.	PowerGrip No.	Competitive No.	PowerGrip No.	Competitive No.	PowerGrip No.	Competitive No.	PowerGrip No.	Competitive No.	PowerGrip No.
<b>ACDELCO</b>		<b>ACDELCO - Cont.</b>		<b>ACDELCO - Cont.</b>		<b>ACDELCO - Cont.</b>		<b>ACDELCO - Cont.</b>	
<b>Timing Belts</b>		<b>Timing Belts - Cont.</b>		<b>Timing Belts - Cont.</b>		<b>Timing Belts - Cont.</b>		<b>Timing Component Kits - Cont.</b>	
TB013.....	T013	TB144.....	T144	TB228.....	T228	TB316.....	T316	TCK254.....	TCK254
TB014.....	T014	TB145.....	T145	TB229.....	T229	TB317.....	T317	TCK255.....	TCK255
TB017.....	T017	TB146.....	T146	TB230.....	T230	TB318.....	T318	TCK256.....	TCK256
TB018.....	T018	TB147.....	T147	TB232.....	T232	TB319.....	T319	TCK257.....	TCK257
TB020.....	T020	TB148.....	T148	TB233.....	T233	TB320.....	T320	TCK258.....	TCK258
TB028.....	T028	TB149.....	T149	TB234.....	T234	TB321.....	T321	TCK259.....	TCK259
TB032.....	T032	TB150.....	T150	TB235.....	T235	TB322.....	T322	TCK262.....	TCK262
TB036.....	T036	TB151.....	T151	TB236.....	T236	TB323.....	T323	TCK272.....	TCK272
TB037.....	T037	TB152.....	T152	TB237.....	T237	TB324.....	T324	TCK276.....	TCK276
TB039.....	T039	TB153.....	T153	TB239.....	T239			TCK277.....	TCK277
TB041.....	T041	TB154.....	T154	TB240.....	T240	<b>Timing Component Kits</b>			
TB043.....	T043	TB155.....	T155	TB241.....	T241	TCK014.....	TCK014	TCK281.....	TCK281
TB061.....	T061	TB157.....	T157	TB242.....	T242	TCK017.....	TCK017	TCK283.....	TCK283
TB062.....	T062	TB158.....	T158	TB243.....	T243	TCK032.....	TCK032	TCK286.....	TCK286
TB064.....	T064	TB159.....	T159	TB244.....	T244	TCK036.....	TCK036	TCK294.....	TCK294
TB065.....	T065	TB160.....	T160	TB245.....	T245	TCK067.....	TCK067	TCK294A.....	TCK294A
TB067.....	T067	TB161.....	T161	TB246.....	T246	TCK070.....	TCK070	TCK295.....	TCK295
TB068.....	T068	TB162.....	T162	TB247.....	T247	TCK071.....	TCK071	TCK296.....	TCK296
TB069.....	T069	TB163.....	T163	TB248.....	T248	TCK077.....	TCK077	TCK299.....	TCK299
TB070.....	T070	TB164.....	T164	TB249.....	T249	TCK078.....	TCK078		
TB071.....	T071	TB165.....	T165	TB251.....	T251	TCK078A.....	TCK078A	<b>Seals</b>	
TB073.....	T073	TB166.....	T166	TB252.....	T252	TCK087.....	TCK087	KS10634.....	KS10634
TB074.....	T074	TB167.....	T167	TB253.....	T253	TCK087.....	TCK087	KS10640.....	KS10640
TB075.....	T075	TB168.....	T168	TB254.....	T254	TCK095.....	TCK095	KS10922.....	KS10922
TB076.....	T076	TB169.....	T169	TB255.....	T255	TCK101.....	TCK101	KS11122.....	KS11122
TB077.....	T077	TB170.....	T170	TB256.....	T256	TCK104.....	TCK104	KS11152.....	KS11152
TB078.....	T078	TB171.....	T171	TB257.....	T257	TCK117.....	TCK117	KS11417.....	KS11417
TB079.....	T079	TB172.....	T172	TB258.....	T258	TCK122.....	TCK122	KS11429.....	KS11429
TB081.....	T081	TB173.....	T173	TB259.....	T259	TCK124.....	TCK124	KS11592.....	KS11592
TB082.....	T082	TB174.....	T174	TB260.....	T260	TCK128.....	TCK128	KS11608.....	KS11608
TB083.....	T083	TB176.....	T176	TB262.....	T262	TCK129.....	TCK129	KS11612.....	KS11612
TB084.....	T084	TB177.....	T177	TB263.....	T263	TCK130.....	TCK130	KS11671.....	KS11671
TB087.....	T087	TB178.....	T178	TB264.....	T264	TCK131.....	TCK131	KS11671.....	KS11671
TB088.....	T088	TB179.....	T179	TB265.....	T265	TCK133.....	TCK133	KS12301.....	KS12301
TB089.....	T089	TB180.....	T180	TB266.....	T266	TCK134.....	TCK134	KS12711.....	KS12711
TB090.....	T090	TB181.....	T181	TB267.....	T267	TCK139.....	TCK139	KS12718.....	KS12718
TB091.....	T091	TB182.....	T182	TB269.....	T269	TCK141.....	TCK141	KS12724.....	KS12724
TB092.....	T092	TB183.....	T183	TB270.....	T270	TCK142.....	TCK142	KS12756.....	KS12756
TB093.....	T093	TB184.....	T184	TB271.....	T271	TCK143.....	TCK143	KS12886.....	KS12886
TB094.....	T094	TB185.....	T185	TB272.....	T272	TCK145.....	TCK145	KS13423.....	KS13423
TB095.....	T095	TB186.....	T186	TB273.....	T273	TCK146.....	TCK146	KS13427.....	KS13427
TB096.....	T096	TB187.....	T187	TB276.....	T276	TCK147.....	TCK147	KS13429.....	KS13429
TB097.....	T097	TB188.....	T188	TB277.....	T277	TCK153.....	TCK153	KS13557.....	KS13557
TB098.....	T098	TB189.....	T189	TB278.....	T278	TCK155.....	TCK155	KS13709.....	KS13709
TB099.....	T099	TB190.....	T190	TB279.....	T279	TCK157.....	TCK157	KS13857.....	KS13857
TB100.....	T100	TB191.....	T191	TB280.....	T280	TCK158.....	TCK158	KS13907.....	KS13907
TB101.....	T101	TB192.....	T192	TB281.....	T281	TCK158A.....	TCK158A	KS13930.....	KS13930
TB102.....	T102	TB193.....	T193	TB282.....	T282	TCK160.....	TCK160	KS13943.....	KS13943
TB103.....	T103	TB194.....	T194	TB283.....	T283	TCK161.....	TCK161	KS13945.....	KS13945
TB104.....	T104	TB195.....	T195	TB284.....	T284	TCK163.....	TCK163	KS13946.....	KS13946
TB106.....	T106	TB196.....	T196	TB285.....	T285	TCK164.....	TCK164	KS13948.....	KS13948
TB107.....	T107	TB197.....	T197	TB286.....	T286	TCK167.....	TCK167	KS13967.....	KS13967
TB112.....	T112	TB198.....	T198	TB287.....	T287	TCK172.....	TCK172	KS13987.....	KS13987
TB113.....	T113	TB199.....	T199	TB288.....	T288	TCK176.....	TCK176	KS14008.....	KS14008
TB114.....	T114	TB200.....	T200	TB289.....	T289	TCK179.....	TCK179	KS14012.....	KS14012
TB117.....	T117	TB201.....	T201	TB290.....	T290	TCK184.....	TCK184	KS14027.....	KS14027
TB118.....	T118	TB203.....	T203	TB291.....	T291	TCK185.....	TCK185	KS14032.....	KS14032
TB119.....	T119	TB204.....	T204	TB292.....	T292	TCK186.....	TCK186	KS14125.....	KS14125
TB120.....	T120	TB205.....	T205	TB293.....	T293	TCK191.....	TCK191	KS14477.....	KS14477
TB121.....	T121	TB206.....	T206	TB294.....	T294	TCK193.....	TCK193	KS14560.....	KS14560
TB122.....	T122	TB207.....	T207	TB295.....	T295	TCK194.....	TCK194	KS14671.....	KS14671
TB123.....	T123	TB208.....	T208	TB296.....	T296	TCK194A.....	TCK194A	KS14716.....	KS14716
TB124.....	T124	TB209.....	T209	TB297.....	T297	TCK195.....	TCK195	KS14738.....	KS14738
TB125.....	T125	TB210.....	T210	TB298.....	T298	TCK199.....	TCK199	KS14759.....	KS14759
TB126.....	T126	TB211.....	T211	TB299.....	T299	TCK200.....	TCK200	KS14772.....	KS14772
TB127.....	T127	TB212.....	T212	TB300.....	T300	TCK201.....	TCK201	KS14772.....	KS14772
TB128.....	T128	TB213.....	T213	TB301.....	T301	TCK208.....	TCK208	KS15292.....	KS15292
TB129.....	T129	TB214.....	T214	TB302.....	T302	TCK210.....	TCK210	KS15300.....	KS15300
TB130.....	T130	TB215.....	T215	TB303.....	T303	TCK212.....	TCK212	KS15451.....	KS15451
TB131.....	T131	TB216.....	T216	TB304.....	T304	TCK214.....	TCK214	KS15701.....	KS15701
TB132.....	T132	TB217.....	T217	TB305.....	T305	TCK219.....	TCK219	KS15800.....	KS15800
TB134.....	T134	TB218.....	T218	TB306.....	T306	TCK221.....	TCK221	KS15801.....	KS15801
TB135.....	T135	TB219.....	T219	TB307.....	T307	TCK222.....	TCK222	KS15804.....	KS15804
TB136.....	T136	TB220.....	T220	TB308.....	T308	TCK224.....	TCK224	KS15818.....	KS15818
TB137.....	T137	TB221.....	T221	TB309.....	T309	TCK228.....	TCK228	KS15823.....	KS15823
TB138.....	T138	TB222.....	T222	TB310.....	T310	TCK232.....	TCK232	KS15829.....	KS15829
TB139.....	T139	TB223.....	T223	TB311.....	T311	TCK233.....	TCK233	KS16022.....	KS16022
TB140.....	T140	TB224.....	T224	TB312.....	T312	TCK235.....	TCK235	KS16473.....	KS16473
TB141.....	T141	TB225.....	T225	TB313.....	T313	TCK236.....	TCK236	KS16487.....	KS16487
TB142.....	T142	TB226.....	T226	TB314.....	T314	TCK240.....	TCK240	KS16489.....	KS16489
TB143.....	T143	TB227.....	T227	TB315.....	T315	TCK244.....	TCK244	KS16889.....	KS16889
						TCK245.....	TCK245	KS16893.....	KS16893
						TCK246.....	TCK246	KS17107.....	KS17107
						TCK249.....	TCK249	KS17122.....	KS17122





# Changeover Listing - PowerGrip™ Timing System Products

Competitive No.	PowerGrip No.	Competitive No.	PowerGrip No.	Competitive No.	PowerGrip No.	Competitive No.	PowerGrip No.	Competitive No.	PowerGrip No.
<b>BRYCO - Cont.</b>		<b>CARQUEST - Cont.</b>		<b>CARQUEST - Cont.</b>		<b>CLEVITE ENGINE PARTS - Cont.</b>		<b>CLEVITE ENGINE PARTS - Cont.</b>	
<b>Timing Belts - Cont.</b>		<b>Timing Belts - Cont.</b>		<b>Timing Belts - Cont.</b>		<b>Timing Belts - Cont.</b>		<b>Timing Belts - Cont.</b>	
B142.....	T142	T144.....	T144	T247.....	T247	TB-132.....	T132	TB-233.....	T233
B143.....	T143	T145.....	T145	T248.....	T248	TB-134.....	T134	TB-234.....	T234
B144.....	T144	T146.....	T146	T249.....	T249	TB-135.....	T135	TB-235.....	T235
B145.....	T145	T147.....	T147	T251.....	T251	TB-136.....	T136	TB-236.....	T236
B146.....	T146	T148.....	T148	T252.....	T252	TB-137.....	T137	TB-237.....	T237
B147.....	T147	T149.....	T149	T253.....	T253	TB-138.....	T138	TB-239.....	T239
B149.....	T149	T150.....	T150	T254.....	T254	TB-139.....	T139	TB-240.....	T240
B153.....	T153	T151.....	T151	T255.....	T255	TB-14.....	T014	TB-241.....	T241
B154.....	T154	T152.....	T152	T256.....	T256	TB-140.....	T140	TB-242.....	T242
B155.....	T155	T153.....	T153	T257.....	T257	TB-141.....	T141	TB-243.....	T243
B157.....	T157	T154.....	T154	T258.....	T258	TB-142.....	T142	TB-244.....	T244
B158.....	T158	T155.....	T155	T259.....	T259	TB-143.....	T143	TB-245.....	T245
B159.....	T159	T157.....	T157	T260.....	T260	TB-144.....	T144	TB-246.....	T246
B160.....	T160	T158.....	T158	T262.....	T262	TB-145.....	T145	TB-247.....	T247
B161.....	T161	T159.....	T159	T263.....	T263	TB-146.....	T146	TB-248.....	T248
B162.....	T162	T160.....	T160	T264.....	T264	TB-147.....	T147	TB-249.....	T249
B164.....	T164	T161.....	T161	T265.....	T265	TB-148.....	T148	TB-251.....	T251
B165.....	T165	T162.....	T162	T266.....	T266	TB-149.....	T149	TB-252.....	T252
B167.....	T167	T163.....	T163	T267.....	T267	TB-150.....	T150	TB-253.....	T253
B168.....	T168	T164.....	T164	T269.....	T269	TB-151.....	T151	TB-254.....	T254
B169.....	T169	T165.....	T165	T271.....	T271	TB-152.....	T152	TB-255.....	T255
B176.....	T176	T166.....	T166	T272.....	T272	TB-153.....	T153	TB-256.....	T256
B177.....	T177	T167.....	T167	T273.....	T273	TB-154.....	T154	TB-257.....	T257
B179.....	T179	T168.....	T168	T276.....	T276	TB-155.....	T155	TB-258.....	T258
B182.....	T182	T169.....	T169	T277.....	T277	TB-157.....	T157	TB-259.....	T259
B184.....	T184	T170.....	T170	T278.....	T278	TB-158.....	T158	TB-262.....	T262
B185.....	T185	T171.....	T171	T279.....	T279	TB-159.....	T159	TB-263.....	T263
B186.....	T186	T172.....	T172	T280.....	T280	TB-160.....	T160	TB-264.....	T264
B187.....	T187	T173.....	T173	T281.....	T281	TB-161.....	T161	TB-265.....	T265
B191.....	T191	T174.....	T174	T282.....	T282	TB-162.....	T162	TB-266.....	T266
B194.....	T194	T176.....	T176	T283.....	T283	TB-163.....	T163	TB-267.....	T267
B195.....	T195	T177.....	T177	T284.....	T284	TB-164.....	T164	TB-271.....	T271
B199.....	T199	T178.....	T178	T285.....	T285	TB-165.....	T165	TB-273.....	T273
B201.....	T201	T179.....	T179	T286.....	T286	TB-166.....	T166	TB-276.....	T276
B204.....	T204	T180.....	T180	T287.....	T287	TB-167.....	T167	TB-277.....	T277
B208.....	T208	T181.....	T181	T288.....	T288	TB-168.....	T168	TB-278.....	T278
B210.....	T210	T182.....	T182	T289.....	T289	TB-169.....	T169	TB-279.....	T279
B223.....	T223	T183.....	T183	T290.....	T290	TB-170.....	T170	TB-28.....	T028
B224.....	T224	T184.....	T184	T291.....	T291	TB-171.....	T171	TB-281.....	T281
B227.....	T227	T185.....	T185	T292.....	T292	TB-172.....	T172	TB-282.....	T282
B228.....	T228	T186.....	T186	T293.....	T293	TB-173.....	T173	TB-284.....	T284
B229.....	T229	T187.....	T187	T294.....	T294	TB-174.....	T174	TB-285.....	T285
B230.....	T230	T188.....	T188	T295.....	T295	TB-176.....	T176	TB-286.....	T286
B235.....	T235	T189.....	T189	T296.....	T296	TB-177.....	T177	TB-287.....	T287
B236.....	T236	T190.....	T190	T297.....	T297	TB-178.....	T178	TB-288.....	T288
B237.....	T237	T191.....	T191	T298.....	T298	TB-179.....	T179	TB-291.....	T291
B258.....	T258	T192.....	T192	T299.....	T299	TB-18.....	T018	TB-292.....	T292
T115.....	T299	T193.....	T193	T300.....	T300	TB-180.....	T180	TB-296.....	T296
54700.....	T095	T194.....	T194	T301.....	T301	TB-181.....	T181	TB-297.....	T297
54742.....	T075	T195.....	T195	T302.....	T302	TB-182.....	T182	TB-298.....	T298
54754.....	T112	T196.....	T196	T303.....	T303	TB-183.....	T183	TB-300.....	T300
54755.....	T176	T197.....	T197	T304.....	T304	TB-184.....	T184	TB-302.....	T302
54788.....	T076	T198.....	T198	T305.....	T305	TB-185.....	T185	TB-303.....	T303
<b>CARQUEST</b>		T199.....	T199	T306.....	T306	TB-186.....	T186	TB-308.....	T308
<b>Timing Belts</b>		T200.....	T200	<b>CLEVELAND MOTIVE</b>		TB-187.....	T187	TB-309.....	T309
T013.....	T013	T201.....	T201	<b>Timing Belts</b>		TB-188.....	T188	TB-310.....	T310
T014.....	T014	T203.....	T203	B013.....	T013	TB-189.....	T189	TB-32.....	T032
T096.....	T096	T204.....	T204	B014.....	T014	TB-190.....	T190	TB-36.....	T036
T097.....	T097	T205.....	T205	B037.....	T037	TB-191.....	T191	TB-37.....	T037
T098.....	T098	T206.....	T206	B043.....	T043	TB-192.....	T192	TB-39.....	T039
T099.....	T099	T207.....	T207	B068.....	T068	TB-193.....	T193	TB-41.....	T041
T100.....	T100	T208.....	T208	B074.....	T074	TB-194.....	T194	TB-43.....	T043
T101.....	T101	T209.....	T209	B075.....	T075	TB-195.....	T195	TB-61.....	T061
T102.....	T102	T210.....	T210	B076.....	T076	TB-196.....	T196	TB-62.....	T062
T103.....	T103	T211.....	T211	B077.....	T077	TB-197.....	T197	TB-64.....	T064
T104.....	T104	T212.....	T212	B078.....	T078	TB-198.....	T198	TB-65.....	T065
T106.....	T106	T213.....	T213	B081.....	T081	TB-199.....	T199	TB-67.....	T067
T107.....	T107	T214.....	T214	<b>CLEVITE ENGINE PARTS</b>		TB-20.....	T020	TB-69.....	T069
T112.....	T112	T215.....	T215	<b>Timing Belts</b>		TB-200.....	T200	TB-70.....	T070
T113.....	T113	T216.....	T216	TB-100.....	T100	TB-201.....	T201	TB-71.....	T071
T114.....	T114	T217.....	T217	TB-101.....	T101	TB-203.....	T203	TB-73.....	T073
T117.....	T117	T218.....	T218	TB-102.....	T102	TB-204.....	T204	TB-74.....	T074
T118.....	T118	T219.....	T219	TB-103.....	T103	TB-205.....	T205	TB-75.....	T075
T119.....	T119	T220.....	T220	TB-104.....	T104	TB-206.....	T206	TB-76.....	T076
T120.....	T120	T221.....	T221	TB-106.....	T106	TB-208.....	T208	TB-77.....	T077
T121.....	T121	T222.....	T222	TB-107.....	T107	TB-209.....	T209	TB-78.....	T078
T122.....	T122	T223.....	T223	TB-112.....	T112	TB-210.....	T210	TB-79.....	T079
T123.....	T123	T224.....	T224	TB-113.....	T113	TB-211.....	T211	TB-81.....	T081
T124.....	T124	T225.....	T225	TB-114.....	T114	TB-212.....	T212	TB-82.....	T082
T125.....	T125	T227.....	T227	TB-117.....	T117	TB-214.....	T214	TB-83.....	T083
T126.....	T126	T228.....	T228	TB-118.....	T118	TB-215.....	T215	TB-84.....	T084
T127.....	T127	T229.....	T229	TB-119.....	T119	TB-216.....	T216	TB-87.....	T087
T128.....	T128	T230.....	T230	TB-120.....	T120	TB-217.....	T217	TB-88.....	T088
T129.....	T129	T232.....	T232	TB-121.....	T121	TB-218.....	T218	TB-89.....	T089
T130.....	T130	T233.....	T233	TB-122.....	T122	TB-219.....	T219	TB-90.....	T090
T131.....	T131	T234.....	T234	TB-123.....	T123	TB-220.....	T220	TB-91.....	T091
T132.....	T132	T235.....	T235	TB-124.....	T124	TB-221.....	T221	TB-92.....	T092
T134.....	T134	T236.....	T236	TB-125.....	T125	TB-222.....	T222	TB-93.....	T093
T135.....	T135	T237.....	T237	TB-126.....	T126	TB-223.....	T223	TB-94.....	T094
T136.....	T136	T239.....	T239	TB-127.....	T127	TB-224.....	T224	TB-95.....	T095
T137.....	T137	T240.....	T240	TB-128.....	T128	TB-226.....	T226	TB-96.....	T096
T138.....	T138	T241.....	T241	TB-129.....	T129	TB-227.....	T227	TB-97.....	T097
T139.....	T139	T242.....	T242	TB-13.....	T013	TB-228.....	T228	TB-98.....	T098
T140.....	T140	T243.....	T243	TB-130.....	T130	TB-229.....	T229	TB-99.....	T099
T141.....	T141	T244.....	T244	TB-131.....	T131	TB-230.....	T230		
T142.....	T142	T245.....	T245			TB-232.....	T232		
T143.....	T143	T246.....	T246						

# Changeover Listing - PowerGrip™ Timing System Products

Competitive No.	PowerGrip No.	Competitive No.	PowerGrip No.	Competitive No.	PowerGrip No.	Competitive No.	PowerGrip No.	Competitive No.	PowerGrip No.		
<b>CLOYES GEAR</b>		<b>CLOYES GEAR - Cont.</b>		<b>CLOYES GEAR - Cont.</b>		<b>CLOYES GEAR - Cont.</b>		<b>CONTINENTAL - Cont.</b>			
<b>Timing Belts</b>		<b>Timing Belts - Cont.</b>		<b>Timing Belts - Cont.</b>		<b>Timing Drive Components - Cont.</b>		<b>Timing Belts - Cont.</b>			
B013.....	T013	B158.....	T158	B279.....	T279	9-5124.....	T41059	6598521.....	T088		
B014.....	T014	B159.....	T159	B280.....	T280	9-5126.....	T41017	6598523.....	T069		
B017.....	T017	B160.....	T160	B281.....	T281	9-5135.....	T41074	6598530.....	T087		
B018.....	T018	B161.....	T161	B282.....	T282	9-5148.....	T41079	6598534.....	T075		
B020.....	T020	B162.....	T162	B283.....	T283	9-5154.....	T41061	6598550.....	T094		
B028.....	T028	B163.....	T163	B284.....	T284	9-5155.....	T41062	6598551.....	T293		
B032.....	T032	B164.....	T164	B285.....	T285	9-5156.....	T41081	6598554.....	T196		
B036.....	T036	B165.....	T165	B286.....	T286	9-5160.....	T41056	<b>CONTITECH</b>			
B037.....	T037	B166.....	T166	B287.....	T287	9-5161.....	T41045	<b>Timing Belts</b>			
B039.....	T039	B167.....	T167	B288.....	T288	9-5162.....	T41011	TB014.....	T014		
B041.....	T041	B168.....	T168	B289.....	T289	9-5163.....	T41012	TB017.....	T017		
B043.....	T043	B169.....	T169	B291.....	T291	9-5164.....	T41030	TB018.....	T018		
B061.....	T061	B170.....	T170	B292.....	T292	9-5165.....	T41035	TB032.....	T032		
B062.....	T062	B171.....	T171	B294.....	T294	9-5166.....	T41029	TB036.....	T036		
B063.....	T073	B172.....	T172	B295.....	T295	9-5182.....	T41064	TB041.....	T041		
B064.....	T064	B174.....	T174	B296.....	T296	9-5183.....	T41026	TB043.....	T043		
B065.....	T065	B176.....	T176	B297.....	T297	9-5184.....	T42001	TB061.....	T061		
B067.....	T067	B177.....	T177	B298.....	T298	9-5192.....	T41001	TB063.....	T073		
B068.....	T068	B178.....	T178	B299.....	T299	9-5194.....	T41046	TB064.....	T064		
B069.....	T069	B179.....	T179	B300.....	T300	9-5195.....	T41048	TB065.....	T065		
B070.....	T070	B180.....	T180	B301.....	T301	9-5196.....	T41044	TB068.....	T068		
B071.....	T071	B181.....	T181	B302.....	T302	9-5197.....	T41047	TB069.....	T069		
B073.....	T073	B182.....	T182	B303.....	T303	9-5198.....	T41015	TB070.....	T070		
B074.....	T074	B183.....	T183	B304.....	T304	9-5202.....	T41019	TB074.....	T074		
B075.....	T075	B184.....	T184	B305.....	T305	9-5203.....	T41014	TB075.....	T075		
B076.....	T076	B185.....	T185	B308.....	T308	9-5204.....	T41013	TB076.....	T076		
B077.....	T077	B186.....	T186	<b>Timing Component Kits</b>				9-5206.....	T41076	TB077.....	T077
B078.....	T078	B187.....	T187	BK014.....	TCK014	9-5207.....	T42028	TB078.....	T078		
B079.....	T079	B188.....	T188	BK017.....	TCK017	9-5209.....	T41073	TB079.....	T079		
B081.....	T081	B189.....	T189	BK032.....	TCK032	9-5213.....	T41031	TB081.....	T081		
B082.....	T082	B190.....	T190	BK036.....	TCK036	9-5214.....	T42005	TB082.....	T082		
B083.....	T083	B191.....	T191	BK067.....	TCK067	9-5215.....	T42003	TB083.....	T083		
B084.....	T084	B192.....	T192	BK070.....	TCK070	9-5216.....	T42011	TB084.....	T084		
B087.....	T087	B193.....	T193	BK071.....	TCK071	9-5221.....	T41010	TB087.....	T087		
B088.....	T088	B194.....	T194	BK077.....	TCK077	9-5222.....	T42006	TB088.....	T088		
B089.....	T089	B195.....	T195	BK104.....	TCK104	9-5223.....	T42007	TB089.....	T089		
B090.....	T090	B196.....	T196	BK124.....	TCK124	9-5224.....	T41051	TB090.....	T090		
B091.....	T091	B199.....	T199	BK128.....	TCK128	9-5225.....	T42017	TB091.....	T091		
B092.....	T092	B200.....	T200	BK134.....	TCK134	9-5226.....	T41020	TB092.....	T092		
B093.....	T093	B201.....	T201	BK139.....	TCK139	9-5244.....	T42020	TB093.....	T093		
B094.....	T094	B203.....	T203	BK141.....	TCK141	9-5262.....	T41016	TB094.....	T094		
B095.....	T095	B204.....	T204	BK143.....	TCK143	9-5263.....	T41025	TB095.....	T095		
B096.....	T096	B205.....	T205	BK146.....	TCK146	9-5269.....	T41003	TB096.....	T096		
B097.....	T097	B206.....	T206	BK153.....	TCK153	9-5270.....	T41004	TB097.....	T097		
B098.....	T098	B208.....	T208	BK158.....	TCK158	9-5271.....	T41039	TB098.....	T098		
B099.....	T099	B209.....	T209	BK160.....	TCK160	9-5272.....	T41052	TB099.....	T099		
B100.....	T100	B210.....	T210	BK161.....	TCK161	9-5275.....	T41060	TB100.....	T100		
B101.....	T101	B211.....	T211	BK167.....	TCK167	9-5282.....	T41065	TB101.....	T101		
B102.....	T102	B212.....	T212	BK179.....	TCK179	9-5283.....	T42021	TB102.....	T102		
B103.....	T103	B214.....	T214	BK184.....	TCK184	9-5292.....	T41036	TB103.....	T103		
B104.....	T104	B216.....	T216	BK185.....	TCK185	9-5293.....	T41033	TB104.....	T104		
B106.....	T106	B219.....	T219	BK186.....	TCK186	9-5299.....	T41071	TB106.....	T106		
B107.....	T107	B220.....	T220	BK191.....	TCK191	9-5300.....	T42029	TB107.....	T107		
B108.....	T293	B221.....	T221	BK193.....	TCK193	9-5301.....	T41067	TB108.....	T293		
B112.....	T112	B222.....	T222	BK194.....	TCK194	9-5302.....	T42025	TB110.....	T196		
B113.....	T113	B224.....	T224	BK199.....	TCK199	9-5303.....	T42030	TB112.....	T112		
B114.....	T114	B225.....	T225	BK210.....	TCK210	9-5325.....	T42010	TB113.....	T113		
B115.....	T299	B226.....	T226	BK212.....	TCK212	9-5326.....	T42009	TB115.....	T299		
B116.....	T300	B227.....	T227	BK214.....	TCK214	9-5342.....	T41072	TB116.....	T300		
B117.....	T117	B228.....	T228	BK224.....	TCK224	9-5343.....	T41009	TB117.....	T117		
B118.....	T118	B229.....	T229	BK228.....	TCK228	9-5350.....	T41007	TB118.....	T118		
B119.....	T119	B230.....	T230	BK233.....	TCK233	9-5354.....	T41018	TB119.....	T119		
B121.....	T121	B232.....	T232	BK235.....	TCK235	9-5357.....	T41002	TB121.....	T121		
B122.....	T122	B233.....	T233	BK236.....	TCK236	9-5390.....	T41008	TB122.....	T122		
B123.....	T123	B234.....	T234	BK244.....	TCK244	9-9228.....	T41021	TB123.....	T123		
B124.....	T124	B235.....	T235	BK245.....	TCK245	<b>CONTINENTAL</b>					
B125.....	T125	B236.....	T236	BK246.....	TCK246	<b>Timing Belts</b>					
B126.....	T126	B237.....	T237	BK249.....	TCK249	6585901.....	T065	TB124.....	T124		
B127.....	T127	B239.....	T239	BK255.....	TCK255	6585902.....	T017	TB125.....	T125		
B128.....	T128	B240.....	T240	BK257.....	TCK257	6585910.....	T013	TB126.....	T126		
B129.....	T129	B241.....	T241	BK258.....	TCK258	6585911.....	T082	TB127.....	T127		
B130.....	T130	B243.....	T243	BK259.....	TCK259	6585912.....	T083	TB128.....	T128		
B131.....	T131	B244.....	T244	BK262.....	TCK262	6585913.....	T032	TB129.....	T129		
B132.....	T132	B245.....	T245	BK276.....	TCK276	6585914.....	T043	TB130.....	T130		
B133.....	T292	B246.....	T246	BK299.....	TCK299	6585916.....	T018	TB131.....	T131		
B134.....	T134	B247.....	T247	<b>Timing Drive Components</b>				6585918.....	T020	TB133.....	T292
B135.....	T135	B248.....	T248	S675.....	T42022	6585919.....	T068	TB134.....	T134		
B136.....	T136	B249.....	T249	9-5011.....	T41005	6585924.....	T078	TB135.....	T135		
B137.....	T137	B251.....	T251	9-5032.....	T41055	6585929.....	T064	TB137.....	T137		
B138.....	T138	B252.....	T252	9-5033.....	T41042	6585933.....	T062	TB138.....	T138		
B139.....	T139	B253.....	T253	9-5038.....	T41057	6585934.....	T073	TB139.....	T139		
B140.....	T140	B254.....	T254	9-5066.....	T41066	6585935.....	T077	TB140.....	T140		
B141.....	T141	B255.....	T255	9-5075.....	T41058	6585939.....	T028	TB141.....	T141		
B142.....	T142	B256.....	T256	9-5089.....	T41080	6585943.....	T041	TB142.....	T142		
B143.....	T143	B257.....	T257	9-5091.....	T41000	6585945.....	T069	TB143.....	T143		
B144.....	T144	B258.....	T258	9-5096.....	T41069	6585949.....	T070	TB144.....	T144		
B145.....	T145	B262.....	T262	9-5097.....	T41068	6585949.....	T070	TB145.....	T145		
B146.....	T146	B263.....	T263	9-5104.....	T41070	6589089.....	T131	TB146.....	T146		
B147.....	T147	B264.....	T264	9-5105.....	T41043	6589092.....	T084	TB147.....	T147		
B148.....	T148	B265.....	T265	9-5106.....	T41053	6589095.....	T107	TB148.....	T148		
B149.....	T149	B266.....	T266	9-5107.....	T41050	6589100.....	T081	TB150.....	T150		
B150.....	T150	B267.....	T267	9-5108.....	T41049	6589103.....	T106	TB151.....	T151		
B151.....	T151	B271.....	T271	9-5110.....	T41050	6589500.....	T062	TB152.....	T152		
B152.....	T152	B272.....	T272	9-5111.....	T42026	6598506.....	T028	TB153.....	T153		
B153.....	T153	B273.....	T273	9-5114.....	T41006	6598512.....	T073	TB154.....	T154		
B154.....	T154	B276.....	T276	9-5117.....	T41077	6598513.....	T041	TB155.....	T155		
B155.....	T155	B278.....	T278	9-5118.....	T42027	6598519.....	T077	TB158.....	T158		
B157.....	T157							TB159.....	T159		



# Changeover Listing - PowerGrip™ Timing System Products

Competitive No.	PowerGrip No.	Competitive No.	PowerGrip No.	Competitive No.	PowerGrip No.	Competitive No.	PowerGrip No.	Competitive No.	PowerGrip No.
<b>DYNAGEAR</b>									
<b>Timing Belts</b>									
B013	T013								
B014	T014								
B017	T017								
B018	T018								
B020	T020								
B028	T028								
B032	T032								
B037	T037								
B039	T039								
B041	T041								
B043	T043								
B061	T061								
B062	T062								
B063	T073								
B064	T064								
B065	T065								
B067	T067								
B068	T068								
B069	T069								
B070	T070								
B071	T071								
B074	T074								
B075	T075								
B076	T076								
B077	T077								
B078	T078								
B081	T081								
B087	T087								
B088	T088								
B093	T093								
B094	T094								
B095	T095								
B099	T099								
B104	T104								
B112	T112								
BT013	T013								
BT014	T014								
BT017	T017								
BT018	T018								
BT020	T020								
BT028	T028								
BT029	T029								
BT032	T032								
BT036	T036								
BT037	T037								
BT039	T039								
BT041	T041								
BT043	T043								
BT061	T061								
BT062	T062								
BT063	T073								
BT064	T064								
BT065	T065								
BT067	T067								
BT068	T068								
BT069	T069								
BT070	T070								
BT071	T071								
BT073	T073								
BT074	T074								
BT075	T075								
BT076	T076								
BT077	T077								
BT078	T078								
BT079	T079								
BT081	T081								
BT082	T082								
BT083	T083								
BT084	T084								
BT087	T087								
BT088	T088								
BT089	T089								
BT090	T090								
BT091	T091								
BT092	T092								
BT093	T093								
BT094	T094								
BT095	T095								
BT096	T096								
BT098	T098								
BT099	T099								
BT100	T100								
BT101	T101								
BT102	T102								
BT103	T103								
BT104	T104								
BT106	T106								
BT107	T107								
BT108	T293								
BT110	T196								
BT112	T112								
BT113	T113								
BT114	T114								
BT115	T299								
BT116	T300								
BT117	T117								
BT118	T118								
BT119	T119								
<b>DYNAGEAR - Cont.</b>									
<b>Timing Belts - Cont.</b>									
BT121	T121								
BT122	T122								
BT123	T123								
BT124	T124								
BT125	T125								
BT126	T126								
BT127	T127								
BT128	T128								
BT129	T129								
BT130	T130								
BT131	T131								
BT132	T132								
BT133	T292								
BT134	T134								
BT135	T135								
BT136	T136								
BT137	T137								
BT138	T138								
BT139	T139								
BT140	T140								
BT141	T141								
BT142	T142								
BT143	T143								
BT144	T144								
BT145	T145								
BT146	T146								
BT147	T147								
BT148	T148								
BT149	T149								
BT150	T150								
BT151	T151								
BT152	T152								
BT153	T153								
BT154	T154								
BT155	T155								
BT157	T157								
BT158	T158								
BT159	T159								
BT160	T160								
BT161	T161								
BT162	T162								
BT163	T163								
BT164	T164								
BT165	T165								
BT166	T166								
BT167	T167								
BT168	T168								
BT169	T169								
<b>Timing Drive Components</b>									
S675	T42022								
7184	T42001								
7206	T41076								
7207	T42028								
7209	T41073								
7214	T42005								
7215	T42003								
7216	T42011								
7222	T42006								
7223	T42007								
7227	T42018								
7244	T42020								
7274	T42017								
7283	T42021								
7300	T42029								
7302	T42025								
7303	T42030								
9011	T41005								
9032	T41055								
9033	T41042								
9038	T41057								
9066	T41066								
9075	T41058								
9089	T41080								
9091	T41000								
9096	T41069								
9097	T41068								
9104	T41070								
9105	T41043								
9106	T41053								
9107	T41050								
9108	T41049								
9110	T42026								
9114	T41006								
9117	T41077								
9118	T42027								
9124	T41059								
9126	T41017								
9135	T41074								
9148	T41079								
9154	T41061								
9155	T41062								
9156	T41081								
9160	T41056								
9161	T41045								
9162	T41011								
9163	T41012								
9164	T41030								
<b>DYNAGEAR - Cont.</b>									
<b>Timing Drive Components - Cont.</b>									
9165	T41035								
9166	T41029								
9182	T41064								
9183	T41026								
9192	T41001								
9194	T41046								
9195	T41048								
9196	T41044								
9197	T41047								
9198	T41015								
9202	T41019								
9203	T41014								
9204	T41013								
9213	T41031								
9221	T41010								
9224	T41051								
9226	T41020								
9262	T41016								
9263	T41025								
9268	T41021								
9269	T41003								
9270	T41004								
9271	T41039								
9272	T41052								
9275	T41060								
9276	T41027								
9282	T41065								
9292	T41036								
9293	T41033								
9299	T41071								
9301	T41067								
9325	T42010								
9326	T42009								
9343	T41009								
9900	T41007								
9903	T41018								
9904	T41072								
<b>ELGIN MACH.</b>									
<b>Timing Belts</b>									
LB-013	T013								
LB-014	T014								
LB-017	T017								
LB-018	T018								
LB-020	T020								
LB-028	T028								
LB-032	T032								
LB-036	T036								
LB-037	T037								
LB-039	T039								
LB-041	T041								
LB-043	T043								
LB-061	T061								
LB-062	T062								
LB-063	T073								
LB-064	T064								
LB-065	T065								
LB-067	T067								
LB-068	T068								
LB-069	T069								
LB-070	T070								
LB-071	T071								
LB-073	T073								
LB-074	T074								
LB-075	T075								
LB-076	T076								
LB-077	T077								
LB-078	T078								
LB-081	T081								
LB-088	T088								
LB-093	T093								
<b>FEDERAL MOGUL</b>									
<b>Timing Belts</b>									
LB013	T013								
LB014	T014								
LB020	T020								
LB028	T028								
LB032	T032								
LB036	T036								
LB037	T037								
LB039	T039								
LB041	T041								
LB043	T043								
LB061	T061								
LB062	T062								
LB064	T064								
LB065	T065								
LB067	T067								
LB069	T069								
LB070	T070								
LB071	T071								
LB073	T073								
LB074	T074								
LB075	T075								
LB076	T076								
<b>FEDERAL MOGUL - Cont.</b>									
<b>Timing Belts - Cont.</b>									
LB077	T077								
LB078	T078								
LB081	T081								
LB082	T082								
LB083	T083								
LB087	T087								
LB088	T088								
LB089	T089								
LB090	T090								
LB093	T093								
LB094	T094								
LB095	T095								
LB099	T099								
LB101	T101								
LB102	T102								
LB103	T103								
LB104	T104								
LB107	T107								
LB108	T293								
LB110	T196								
LB112	T112								
LB113	T113								
LB114	T114								
LB115	T299								
LB116	T300								
LB117	T117								
LB118	T162								
LB119	T119								
LB122	T122								
LB124	T124								
LB125	T125								
LB126	T237								
LB128	T128								
LB129	T129								
LB130	T130								
LB131	T131								
LB132	T132								
LB133	T292								
LB134	T134								
LB135	T135								
LB136	T233								
LB138	T199								
LB139	T139								
LB141	T141								
LB142	T142								
LB143	T143								
LB144	T144								
LB145	T145								
LB146	T146								
LB147	T147								
LB148	T148								
LB149	T149								
LB152	T152								
LB153	T153								
LB154	T154								
LB155	T155								
LB157	T157								
LB158	T158								
LB159	T159								
LB160	T160								
LB161	T161								
LB162	T162								
LB163	T163								
LB164	T164								
LB165	T165								
LB166	T166								
LB167	T167								
LB168	T168								
LB169	T169								
LB170	T170								
LB172	T254								
LB176	T176								
LB177	T177								
LB179	T179								
LB180	T180								
LB183	T183								
LB184	T184								
LB185	T185								
LB186	T186								
LB187	T187								
LB193	T193								
LB194	T194								
LB202	T248								
LB210	T210								
<b>FIRESTONE</b>									
<b>Timing Belts</b>									
51309510	T017								
51309618	T061								
51309677	T067								
51309693	T071								
51309766	T081								
<b>GENERAL CHAIN</b>									
<b>Timing Belts</b>									
B4013	T013								
B4014	T014								
<b>GENERAL CHAIN - Cont.</b>									
<b>Timing Belts - Cont.</b>									
B4017	T017								
B4018	T018								
B4020	T020								
B4028	T028								
B4032	T032								
B4036	T036								
B4037	T037								
B4039	T039								
B4041	T041								
B4042	T068								
B4043	T043								
B4061	T061								
B4065	T065								
B4067	T067								
B4070	T070								
B4071	T071								
B4073	T073								
B4075	T075								
B4076	T076								
B4501									



# Changeover Listing - PowerGrip™ Timing System Products

Competitive No.	PowerGrip No.	Competitive No.	PowerGrip No.	Competitive No.	PowerGrip No.	Competitive No.	PowerGrip No.	Competitive No.	PowerGrip No.
<b>GMB - Cont.</b>		<b>GMB - Cont.</b>		<b>GOODYEAR - Cont.</b>		<b>GOODYEAR - Cont.</b>		<b>GOODYEAR - Cont.</b>	
<b>Timing Drive Components - Cont.</b>		<b>Timing Drive Components - Cont.</b>		<b>Timing Belts - Cont.</b>		<b>Timing Belts - Cont.</b>		<b>Timing Belts - Cont.</b>	
GT80540.....	T42030	448-1040.....	T41045	CD-153.....	T153	CD-253.....	T253	40058.....	T039
GT80550.....	T41015	448-1050.....	T42017	CD-154.....	T154	CD-254.....	T254	40060.....	T017
GT80560.....	T41061	448-1060.....	T41046	CD-155.....	T155	CD-255.....	T255	40061.....	T061
GT80570.....	T41062	448-1070.....	T41047	CD-157.....	T157	CD-256.....	T256	40062.....	T062
GT80580.....	T41016	448-1080.....	T41048	CD-158.....	T158	CD-257.....	T257	40063.....	T073
GT80590.....	T41017	448-1090.....	T41049	CD-159.....	T159	CD-258.....	T258	40064.....	T064
GT80600.....	T41073	448-1100.....	T42018	CD-160.....	T160	CD-259.....	T259	40065.....	T065
GT80610.....	T41018	448-1130.....	T41051	CD-161.....	T161	CD-260.....	T260	40067.....	T067
GT80620.....	T41026	448-1140.....	T41050	CD-162.....	T162	CD-262.....	T262	40068.....	T068
GT80630.....	T41074	448-1090.....	T41051	CD-163.....	T163	CD-263.....	T263	40069.....	T069
GT80640.....	T41065	448-8400.....	T41052	CD-164.....	T164	CD-264.....	T264	40070.....	T070
GT80650.....	T41019	448-8480.....	T41053	CD-165.....	T165	CD-265.....	T265	40071.....	T071
GT80660.....	T41033	448-8800.....	T41054	CD-166.....	T166	CD-266.....	T266	40073.....	T073
GT80670.....	T41034	448-8890.....	T41055	CD-167.....	T167	CD-267.....	T267	40074.....	T074
GT80680.....	T41075	448-8900.....	T41056	CD-168.....	T168	CD-269.....	T269	40075.....	T075
GT80690.....	T42022	448-8950.....	T41057	CD-169.....	T169	CD-271.....	T271	40076.....	T076
GT80700.....	T41076	450-8110.....	T41058	CD-17.....	T017	CD-272.....	T272	40077.....	T077
GT80710.....	T41077	450-8340.....	T41059	CD-170.....	T170	CD-273.....	T273	40078.....	T078
GT80800.....	T41054	450-8910.....	T41085	CD-171.....	T171	CD-276.....	T276	40079.....	T079
GT80820.....	T41000	450-8920.....	T42020	CD-172.....	T172	CD-277.....	T277	40081.....	T081
GT80830.....	T41001	450-8930.....	T42021	CD-173.....	T173	CD-278.....	T278	40082.....	T082
GT80860.....	T41021	460-8050.....	T41060	CD-174.....	T174	CD-279.....	T279	40083.....	T083
GT80870.....	T42012	460-8560.....	T41061	CD-176.....	T176	CD-28.....	T028	40084.....	T084
GT80880.....	T42013	460-8570.....	T41062	CD-177.....	T177	CD-280.....	T280	40087.....	T087
GT80890.....	T41055	460-8690.....	T42022	CD-178.....	T178	CD-281.....	T281	40088.....	T088
GT80900.....	T41056	460-9020.....	T42023	CD-179.....	T179	CD-282.....	T282	40089.....	T089
GT80910.....	T42021	460-9080.....	T41063	CD-18.....	T018	CD-283.....	T283	40090.....	T090
GT80930.....	T42020	460-9130.....	T42024	CD-180.....	T180	CD-284.....	T284	40091.....	T091
GT80940.....	T41010	465-8320.....	T41064	CD-181.....	T181	CD-285.....	T285	40092.....	T092
GT80950.....	T41057	465-8640.....	T41065	CD-182.....	T182	CD-286.....	T286	40093.....	T093
GT80970.....	T41035	470-8010.....	T41066	CD-183.....	T183	CD-287.....	T287	40094.....	T094
420-8820.....	T41000	470-8020.....	T41067	CD-184.....	T184	CD-288.....	T288	40095.....	T095
420-8830.....	T41001	470-8030.....	T42025	CD-185.....	T185	CD-289.....	T289	40096.....	T096
420-9010.....	T41002	470-8140.....	T41068	CD-186.....	T186	CD-290.....	T290	40097.....	T097
422-4010.....	T41003	470-8150.....	T42026	CD-187.....	T187	CD-291.....	T291	40098.....	T098
422-8410.....	T41004	470-8330.....	T42027	CD-188.....	T188	CD-292.....	T292	40099.....	T099
425-8490.....	T41005	470-8350.....	T42028	CD-189.....	T189	CD-293.....	T293	40100.....	T100
425-8500.....	T41006	470-8360.....	T41069	CD-190.....	T190	CD-294.....	T294	40101.....	T101
425-8960.....	T41007	470-8370.....	T41070	CD-191.....	T191	CD-295.....	T295	40102.....	T102
425-9000.....	T41008	470-8380.....	T42029	CD-192.....	T192	CD-296.....	T296	40103.....	T103
425-9350.....	T42033	470-8420.....	T41071	CD-193.....	T193	CD-297.....	T297	40104.....	T104
425-9360.....	T42032	470-8430.....	T41072	CD-194.....	T194	CD-298.....	T298	40106.....	T106
425-9390.....	T42034	470-8540.....	T42030	CD-195.....	T195	CD-299.....	T299	40107.....	T107
425-9400.....	T42035	470-8600.....	T41073	CD-196.....	T196	CD-300.....	T300	40112.....	T112
430-8310.....	T41009	470-8630.....	T41074	CD-197.....	T197	CD-301.....	T301	40113.....	T113
430-8940.....	T41010	470-8680.....	T41075	CD-198.....	T198	CD-302.....	T302	40114.....	T114
435-8100.....	T41011	470-8700.....	T41076	CD-199.....	T199	CD-303.....	T303	40115.....	T299
435-8170.....	T41012	470-8710.....	T41077	CD-20.....	T020	CD-304.....	T304	40116.....	T300
435-8390.....	T41013	470-9050.....	T42031	CD-200.....	T200	CD-305.....	T305	40117.....	T117
435-8440.....	T41014	470-9090.....	T41078	CD-201.....	T201	CD-306.....	T306	40118.....	T118
435-8550.....	T41015	480-8070.....	T41079	CD-202.....	T248	CD-32.....	T032	40119.....	T119
435-8580.....	T41016	480-8280.....	T41080	CD-203.....	T203	CD-36.....	T036	40121.....	T121
435-8590.....	T41017	490-9143.....	T41081	CD-204.....	T204	CD-37.....	T037	40122.....	T122
435-8610.....	T41018	<b>GOODYEAR</b>		CD-205.....	T205	CD-39.....	T039	40123.....	T123
435-8650.....	T41019	<b>Timing Belts</b>		CD-206.....	T206	CD-41.....	T041	40124.....	T124
435-8850.....	T41020	CD-100.....	T100	CD-207.....	T207	CD-42.....	T068	40125.....	T125
435-8860.....	T41021	CD-101.....	T101	CD-208.....	T208	CD-43.....	T043	40126.....	T126
435-9030.....	T41022	CD-104.....	T104	CD-209.....	T209	CD-61.....	T061	40127.....	T127
435-9040.....	T41023	CD-106.....	T106	CD-210.....	T210	CD-62.....	T062	40128.....	T128
435-9120.....	T41024	CD-112.....	T112	CD-211.....	T211	CD-63.....	T073	40129.....	T129
440-8250.....	T41025	CD-113.....	T113	CD-212.....	T212	CD-64.....	T064	40130.....	T130
440-8620.....	T41026	CD-114.....	T114	CD-213.....	T213	CD-65.....	T065	40131.....	T131
440-8840.....	T42001	CD-115.....	T299	CD-214.....	T214	CD-67.....	T067	40132.....	T132
440-9060.....	T42002	CD-116.....	T300	CD-215.....	T215	CD-69.....	T069	40133.....	T292
440-9070.....	T41027	CD-117.....	T117	CD-216.....	T216	CD-70.....	T070	40134.....	T134
440-9110.....	T41028	CD-118.....	T118	CD-217.....	T217	CD-71.....	T071	40135.....	T135
445-2010.....	T41029	CD-119.....	T119	CD-218.....	T218	CD-74.....	T074	40136.....	T136
445-2020.....	T42003	CD-122.....	T122	CD-219.....	T219	CD-77.....	T077	40137.....	T137
445-2030.....	T42004	CD-124.....	T124	CD-220.....	T220	CD-78.....	T078	40138.....	T138
445-2040.....	T41030	CD-125.....	T125	CD-221.....	T221	CD-81.....	T081	40139.....	T139
445-2050.....	T41031	CD-126.....	T126	CD-222.....	T222	CD-87.....	T087	40140.....	T140
445-2060.....	T42005	CD-127.....	T127	CD-223.....	T223	CD-88.....	T088	40141.....	T141
445-2090.....	T42006	CD-128.....	T128	CD-224.....	T224	CD-89.....	T089	40142.....	T142
445-2100.....	T42007	CD-129.....	T129	CD-225.....	T225	CD-90.....	T090	40143.....	T143
445-2140.....	T41032	CD-13.....	T013	CD-226.....	T226	CD-91.....	T091	40144.....	T144
445-8040.....	T42008	CD-130.....	T130	CD-227.....	T227	CD-92.....	T092	40145.....	T145
445-8510.....	T42009	CD-131.....	T131	CD-228.....	T228	CD-93.....	T093	40146.....	T146
445-8520.....	T42010	CD-132.....	T132	CD-229.....	T229	CD-94.....	T094	40147.....	T147
445-8530.....	T42011	CD-133.....	T292	CD-230.....	T230	CD-95.....	T095	40148.....	T148
445-8660.....	T41033	CD-134.....	T134	CD-232.....	T232	CD-99.....	T099	40152.....	T152
445-8670.....	T41034	CD-136.....	T136	CD-233.....	T233	40013.....	T013	40153.....	T153
445-8870.....	T42012	CD-137.....	T137	CD-234.....	T234	40014.....	T014	40154.....	T154
445-8880.....	T42013	CD-138.....	T138	CD-235.....	T235	40017.....	T017	40155.....	T155
445-8970.....	T41035	CD-139.....	T139	CD-236.....	T236	40018.....	T018	40157.....	T157
445-9100.....	T41036	CD-14.....	T014	CD-237.....	T237	40020.....	T020	40158.....	T158
446-1022.....	T41037	CD-140.....	T140	CD-239.....	T239	40028.....	T028	40159.....	T159
446-1061.....	T41087	CD-141.....	T141	CD-240.....	T240	40032.....	T032	40160.....	T160
446-1072.....	T41038	CD-142.....	T142	CD-241.....	T241	40036.....	T036	40161.....	T161
446-1100.....	T41039	CD-143.....	T143	CD-242.....	T242	40037.....	T037	40162.....	T162
446-1101.....	T41040	CD-144.....	T144	CD-243.....	T243	40039.....	T039	40163.....	T163
446-1111.....	T42014	CD-145.....	T145	CD-244.....	T244	40041.....	T041	40164.....	T164
446-1150.....	T41041	CD-146.....	T146	CD-245.....	T245	40042.....	T068	40165.....	T165
446-1160.....	T42015	CD-147.....	T147	CD-246.....	T246	40043.....	T043	40166.....	T166
446-1170.....	T42016	CD-148.....	T148	CD-247.....	T247	40046.....	T013	40167.....	T167
448-1010.....	T41042	CD-149.....	T149	CD-248.....	T248	40047.....	T014	40168.....	T168
448-1031.....	T41043	CD-150.....	T150	CD-249.....	T249	40050.....	T018	40169.....	T169
448-1032.....	T41044	CD-151.....	T151	CD-251.....	T251	40052.....	T020	40170.....	T170
		CD-152.....	T152	CD-252.....	T252	40057.....	T037	40172.....	T172

# Changeover Listing - PowerGrip™ Timing System Products

Competitive No.	PowerGrip No.	Competitive No.	PowerGrip No.	Competitive No.	PowerGrip No.	Competitive No.	PowerGrip No.	Competitive No.	PowerGrip No.	
<b>GOODYEAR - Cont.</b>		<b>GOODYEAR - Cont.</b>		<b>LAZORLITE - Cont.</b>		<b>LITENS AUTOMOTIVE</b>		<b>MELLING AUTOMOTIVE - Cont.</b>		
<b>Timing Belts - Cont.</b>		<b>Timing Belts - Cont.</b>		<b>Timing Belts - Cont.</b>		<b>Timing Drive Components</b>		<b>Timing Belts - Cont.</b>		
40173.....	T173	40292.....	T292	L55-4219.....	T075	979002.....	T43004	B013.....	T013	
40174.....	T174	40293.....	T293	L55-4227.....	T076	<b>MBL THREE STARS</b>		B0130.....	T130	
40176.....	T176	40295.....	T295	L55-4235.....	T117	<b>Timing Belts</b>		B0131.....	T131	
40177.....	T177	40296.....	T296	L55-4243.....	T093	100ZA19.....	T061	B0132.....	T132	
40178.....	T178	40297.....	T297	L55-4251.....	T091	106ZA19.....	T077	B0133.....	T292	
40179.....	T179	40299.....	T299	L55-4260.....	T095	109ZA19.....	T088	B0134.....	T134	
40180.....	T180	40300.....	T300	L55-4286.....	T104	113ZA19.....	T065	B0135.....	T135	
40181.....	T181	40301.....	T301	L55-4294.....	T101	116ZA19.....	T018	B0136.....	T136	
40182.....	T182	40302.....	T302	L55-4308.....	T084	118ZA19.....	T069	B0137.....	T137	
40183.....	T183	40305.....	T305	L55-4316.....	T087	120ZA19.....	T064	B0138.....	T138	
40184.....	T184	40306.....	T306	L55-4324.....	T094	121ZA19.....	T017	B0139.....	T139	
40185.....	T185	40308.....	T308	L55-4332.....	T099	122ZA19.....	T013	B014.....	T014	
40186.....	T186	40309.....	T309	L55-4405.....	T017	123ZA19.....	T032	B0140.....	T140	
40187.....	T187	40310.....	T310	L55-4472.....	T300	124ZA25.....	T071	B0141.....	T141	
40188.....	T188	40311.....	T311	L55-4480.....	T299	129ZA22.....	T014	B0142.....	T142	
40189.....	T189	40313.....	T313	L55-4499.....	T112	134ZA30.....	T076	B0143.....	T143	
40190.....	T190	40314.....	T314	L55-4502.....	T161	134ZB301.....	T076	B0144.....	T144	
40191.....	T191	40317.....	T317	L55-4510.....	T118	135ZB25.....	T043	B0145.....	T145	
40192.....	T192	40318.....	T318	L55-4529.....	T104	139ZA25.....	T087	B0146.....	T146	
40193.....	T193	<b>HOOF PRODUCTS</b>			L55-4537.....	T137	142ZA25.....	T074	B0147.....	T147
40194.....	T194	<b>Timing Belts</b>			L55-4596.....	T149	146ZA19.....	T020	B0148.....	T148
40195.....	T195	HB013.....	T013	L55-4600.....	T141	148ZA19.....	T068	B0149.....	T149	
40196.....	T196	HB014.....	T014	L55-4618.....	T141	55ZA13.....	T062	B0150.....	T150	
40197.....	T197	HB017.....	T017	L55-4626.....	T117	84ZA19.....	T028	B0151.....	T151	
40198.....	T198	HB018.....	T018	L55-4634.....	T134	87ZA34.....	T075	B0152.....	T152	
40199.....	T199	HB020.....	T020	L55-4642.....	T128	87ZB34.....	T075	B0153.....	T153	
40200.....	T200	HB028.....	T028	L55-4650.....	T124	88ZA19.....	T070	B0154.....	T154	
40201.....	T201	HB032.....	T032	L55-4669.....	T139	92ZA19.....	T073	B0155.....	T155	
40202.....	T248	HB036.....	T036	L55-4677.....	T103	95ZA19.....	T041	B0157.....	T157	
40203.....	T203	HB037.....	T037	L55-4685.....	T135	97ZA25.....	T067	B0158.....	T158	
40204.....	T204	HB039.....	T039	L55-4693.....	T136	98ZA19.....	T078	B0159.....	T159	
40205.....	T205	HB041.....	T041	L55-4707.....	T126	99ZA15.....	T037	B0160.....	T160	
40207.....	T207	HB042.....	T068	L55-4715.....	T098	99ZA19.....	T039	B0161.....	T161	
40208.....	T208	HB043.....	T043	L55-4723.....	T138	<b>MCQUAY-NORRIS</b>		B0162.....	T162	
40210.....	T210	HB044.....	T061	L55-4731.....	T130	<b>Timing Belts</b>		B0163.....	T163	
40211.....	T211	HB061.....	T061	L55-4740.....	T129	TC013.....	T013	B0164.....	T164	
40212.....	T212	HB062.....	T062	L55-4758.....	T145	TC014.....	T014	B0165.....	T165	
40213.....	T213	HB063.....	T073	L55-4766.....	T122	TC017.....	T017	B0166.....	T166	
40214.....	T214	HB064.....	T064	L55-4774.....	T121	TC018.....	T018	B0167.....	T167	
40215.....	T215	HB065.....	T065	L55-4782.....	T148	TC020.....	T020	B0168.....	T168	
40216.....	T216	HB067.....	T067	L55-4790.....	T138	TC028.....	T028	B0169.....	T169	
40217.....	T217	HB069.....	T069	L55-4812.....	T146	TC032.....	T032	B017.....	T017	
40218.....	T218	HB070.....	T070	L55-4820.....	T159	TC036.....	T036	B0170.....	T170	
40219.....	T219	HB071.....	T071	L55-4839.....	T168	TC037.....	T037	B0171.....	T171	
40220.....	T220	HB073.....	T073	L55-4847.....	T144	TC039.....	T039	B0172.....	T172	
40221.....	T221	HB074.....	T074	L55-4855.....	T142	TC041.....	T041	B0174.....	T174	
40222.....	T222	HB075.....	T075	L55-4863.....	T143	TC042.....	T068	B0176.....	T176	
40223.....	T223	HB076.....	T076	L55-4880.....	T167	TC043.....	T043	B0177.....	T177	
40224.....	T224	HB077.....	T077	L55-4898.....	T165	TC061.....	T061	B0178.....	T178	
40225.....	T225	HB078.....	T078	L55-4901.....	T164	TC062.....	T062	B0179.....	T179	
40226.....	T226	HB079.....	T079	L55-4910.....	T150	TC063.....	T063	B018.....	T018	
40227.....	T227	HB081.....	T081	L55-4928.....	T151	TC064.....	T064	B0180.....	T180	
40228.....	T228	HB082.....	T082	L55-4936.....	T166	TC065.....	T065	B0181.....	T181	
40229.....	T229	HB083.....	T083	L55-4944.....	T113	TC067.....	T067	B0182.....	T182	
40230.....	T230	HB084.....	T084	L55-4952.....	T157	TC068.....	T068	B0183.....	T183	
40233.....	T233	HB087.....	T087	L55-4960.....	T154	TC069.....	T069	B0184.....	T184	
40234.....	T234	HB088.....	T088	L55-4979.....	T125	TC070.....	T070	B0185.....	T185	
40235.....	T235	HB089.....	T089	U55-4359.....	T069	TC071.....	T071	B0186.....	T186	
40236.....	T236	HB090.....	T090	U55-4367.....	T018	TC074.....	T074	B0187.....	T187	
40237.....	T237	HB091.....	T091	U55-4375.....	T068	TC075.....	T075	B0189.....	T189	
40239.....	T239	HB092.....	T092	U55-4383.....	T020	TC076.....	T076	B0191.....	T191	
40240.....	T240	HB093.....	T093	U55-4405.....	T017	TC077.....	T077	B0192.....	T192	
40241.....	T241	HB094.....	T094	U55-4413.....	T065	TC078.....	T078	B0193.....	T193	
40242.....	T242	HB095.....	T095	U55-4421.....	T127	TC081.....	T081	B0194.....	T194	
40244.....	T244	HB096.....	T096	U55-4430.....	T083	TC087.....	T087	B0195.....	T195	
40245.....	T245	HB099.....	T099	U55-4448.....	T032	TC088.....	T088	B0199.....	T199	
40246.....	T246	HB100.....	T100	U55-4456.....	T082	TC089.....	T089	B020.....	T020	
40247.....	T247	HB102.....	T102	U55-4464.....	T043	<b>MELLING AUTOMOTIVE</b>		B0202.....	T248	
40248.....	T248	HB103.....	T103	U55-4545.....	T082	<b>Timing Belts</b>		B0203.....	T203	
40249.....	T249	HB104.....	T104	U55-4553.....	T083	B0100.....	T100	B0204.....	T204	
40252.....	T252	HB114.....	T114	U55-4561.....	T293	B0101.....	T101	B0205.....	T205	
40254.....	T254	HB115.....	T299	U55-4570.....	T107	B0102.....	T102	B0208.....	T208	
40255.....	T255	HB116.....	T300	U55-4588.....	T119	B0103.....	T103	B0210.....	T210	
40257.....	T257	HB118.....	T118	U55-4871.....	T292	B0104.....	T104	B0216.....	T216	
40258.....	T258	HB121.....	T121	<b>LEMPCO</b>		B0106.....	T106	B0219.....	T219	
40259.....	T259	HB122.....	T122	<b>Timing Belts</b>		B0107.....	T107	B0223.....	T223	
40260.....	T260	HB127.....	T127	TB013.....	T013	B0108.....	T293	B0224.....	T224	
40262.....	T262	HB128.....	T128	TB014.....	T014	B0109.....	T109	B0226.....	T226	
40263.....	T263	<b>LAZORLITE</b>		TB017.....	T017	B0110.....	T110	B0228.....	T228	
40265.....	T265	<b>Timing Belts</b>		TB018.....	T018	B0111.....	T111	B0229.....	T229	
40266.....	T266	L55-4014.....	T013	TB028.....	T028	B0112.....	T176	B0230.....	T230	
40267.....	T267	L55-4022.....	T062	TB037.....	T037	B0113.....	T113	B0232.....	T232	
40269.....	T269	L55-4030.....	T064	TB039.....	T039	B0114.....	T114	B0233.....	T233	
40271.....	T271	L55-4049.....	T028	TB041.....	T041	B0115.....	T299	B0237.....	T237	
40272.....	T272	L55-4057.....	T041	TB063.....	T073	B0116.....	T300	B0239.....	T239	
40273.....	T273	L55-4065.....	T041	TB064.....	T064	B0117.....	T117	B028.....	T028	
40276.....	T276	L55-4081.....	T073	TB071.....	T071	B0118.....	T162	B029.....	T104	
40277.....	T277	L55-4103.....	T078	TB112.....	T112	B0119.....	T119	B032.....	T032	
40279.....	T279	L55-4111.....	T077	<b>LINK-BELT</b>		B0121.....	T121	B036.....	T036	
40280.....	T280	L55-4120.....	T074	<b>Timing Belts</b>		B0122.....	T122	B037.....	T037	
40281.....	T281	L55-4138.....	T079	B013.....	T013	B0123.....	T123	B039.....	T039	
40282.....	T282	L55-4154.....	T088	B014.....	T014	B0124.....	T124	B041.....	T041	
40283.....	T283	L55-4162.....	T089	B017.....	T017	B0125.....	T125	B042.....	T068	
40284.....	T284	L55-4170.....	T090	B037.....	T037	B0126.....	T126	B043.....	T043	
40285.....	T285	L55-4189.....	T092	<b>Timing Belts</b>		B0127.....	T127	B061.....	T061	
40287.....	T287	L55-4200.....	T070	B013.....	T013	B0128.....	T128	B062.....	T062	
40288.....	T288			B014.....	T014	B0129.....	T129	B063.....	T073	
40290.....	T290			B017.....	T017			B064.....	T064	

# Changeover Listing - PowerGrip™ Timing System Products

Competitive No.	PowerGrip No.	Competitive No.	PowerGrip No.	Competitive No.	PowerGrip No.	Competitive No.	PowerGrip No.	Competitive No.	PowerGrip No.
<b>MELLING AUTOMOTIVE - Cont.</b>		<b>MIGHTY - Cont.</b>		<b>MOTORCRAFT - Cont.</b>		<b>NAPA - Cont.</b>		<b>NAPA - Cont.</b>	
<b>Timing Belts - Cont.</b>		<b>Timing Belts - Cont.</b>		<b>Timing Belts - Cont.</b>		<b>Timing Belts - Cont.</b>		<b>Timing Belts - Cont.</b>	
B065 .....	T065	CD28 .....	T028	CET280 .....	T280	25-90196 .....	T196	25-90860 .....	T139
B067 .....	T067	CD32 .....	T032	CET281 .....	T281	25-90197 .....	T197	25-90870 .....	T140
B069 .....	T069	CD36 .....	T036	CET282 .....	T282	25-90198 .....	T198	25-90880 .....	T131
B070 .....	T070	CD37 .....	T037	CET284 .....	T284	25-90199 .....	T199	25-90890 .....	T141
B071 .....	T071	CD39 .....	T039	CET285 .....	T285	25-90200 .....	T200	25-90900 .....	T123
B074 .....	T074	CD41 .....	T041	CET286 .....	T286	25-90201 .....	T201	25-90910 .....	T090
B075 .....	T075	CD42 .....	T068	CET287 .....	T287	25-90202 .....	T202	25-90920 .....	T293
B076 .....	T076	CD43 .....	T043	CET288 .....	T288	25-90203 .....	T203	25-90930 .....	T196
B077 .....	T077	CD61 .....	T061	CET289 .....	T289	25-90204 .....	T204	25-90940 .....	T113
B078 .....	T078	CD62 .....	T062	CET290 .....	T290	25-90205 .....	T205	25-90950 .....	T132
B079 .....	T079	CD63 .....	T073	CET291 .....	T291	25-90206 .....	T206	25-90960 .....	T142
B081 .....	T081	CD64 .....	T064	CET37 .....	T037	25-90207 .....	T207	25-90970 .....	T143
B082 .....	T082	CD65 .....	T065	CET39 .....	T039	25-90208 .....	T208	25-90980 .....	T144
B083 .....	T083	CD67 .....	T067	CET41 .....	T041	25-90209 .....	T209	25-90990 .....	T145
B084 .....	T084	CD69 .....	T069	CET61 .....	T061	25-90210 .....	T039	25-91000 .....	T146
B087 .....	T087	CD70 .....	T070	CET67 .....	T067	25-90211 .....	T211	25-91001 .....	T147
B088 .....	T088	CD71 .....	T071	CET70 .....	T070	25-90212 .....	T212	25-91002 .....	T148
B089 .....	T089	CD74 .....	T074	CET71 .....	T071	25-90213 .....	T213	25-91003 .....	T149
B090 .....	T090	CD75 .....	T075	CET94 .....	T094	25-90214 .....	T214	25-91004 .....	T150
B091 .....	T091	CD76 .....	T076	<b>MOTORCRAFT CANADA</b>		25-90215 .....	T215	25-91005 .....	T151
B092 .....	T092	CD77 .....	T077	<b>Timing Belts</b>		25-90216 .....	T216	25-91006 .....	T152
B093 .....	T093	CD78 .....	T078	CET13 .....	T013	25-90217 .....	T217	25-91007 .....	T102
B094 .....	T094	CD79 .....	T079	CET135 .....	T135	25-90218 .....	T218	25-91008 .....	T103
B095 .....	T095	CD81 .....	T081	CET14 .....	T014	25-90219 .....	T219	25-91009 .....	T107
B096 .....	T096	CD82 .....	T082	CET17 .....	T017	25-90220 .....	T062	25-91010 .....	T124
B097 .....	T097	CD83 .....	T083	CET17 .....	T017	25-90221 .....	T221	25-91011 .....	T154
B098 .....	T098	CD84 .....	T084	CET207 .....	T207	25-90222 .....	T222	25-91012 .....	T155
B099 .....	T099	CD87 .....	T087	CET230 .....	T230	25-90223 .....	T223	25-91014 .....	T157
<b>MIGHTY</b>		CD88 .....	T088	CET257 .....	T257	25-90224 .....	T224	25-91015 .....	T158
<b>Timing Belts</b>		CD89 .....	T089	CET262 .....	T262	25-90225 .....	T225	25-91016 .....	T159
CD100 .....	T100	CD90 .....	T090	CET263 .....	T263	25-90226 .....	T226	25-91017 .....	T160
CD101 .....	T101	CD91 .....	T091	CET264 .....	T264	25-90227 .....	T227	25-91018 .....	T161
CD102 .....	T102	CD92 .....	T092	CET265 .....	T265	25-90228 .....	T228	25-91019 .....	T162
CD103 .....	T103	CD93 .....	T093	CET271 .....	T271	25-90229 .....	T229	25-91020 .....	T163
CD104 .....	T104	CD94 .....	T094	CET272 .....	T272	25-90230 .....	T230	25-91021 .....	T164
CD110 .....	T140	CD95 .....	T095	CET273 .....	T273	25-90231 .....	T231	25-91022 .....	T165
CD111 .....	T141	CD99 .....	T099	CET277 .....	T277	25-90232 .....	T232	25-91023 .....	T153
CD112 .....	T176	<b>MITSUBISHI</b>		CET278 .....	T278	25-90233 .....	T233	25-91024 .....	T166
CD113 .....	T113	<b>Timing Belts</b>		CET279 .....	T279	25-90234 .....	T234	25-91025 .....	T167
CD114 .....	T114	106ZA19 .....	T077	CET282 .....	T282	25-90235 .....	T235	25-91120 .....	T120
CD115 .....	T299	111ZA19 .....	T121	CET280 .....	T280	25-90236 .....	T236	25-91170 .....	T170
CD116 .....	T300	116ZA19 .....	T018	CET281 .....	T281	25-90237 .....	T237	25-91180 .....	T180
CD117 .....	T117	120ZA19 .....	T064	CET282 .....	T282	25-90238 .....	T238	25-91190 .....	T190
CD118 .....	T118	122ZA19 .....	T013	CET284 .....	T284	25-90239 .....	T239	25-91200 .....	T200
CD119 .....	T119	123ZA19 .....	T032	CET285 .....	T285	25-90240 .....	T061	25-91210 .....	T210
CD121 .....	T121	127ZA25 .....	T079	CET286 .....	T286	25-90270 .....	T064	25-91220 .....	T220
CD122 .....	T122	127ZA25 .....	T079	CET287 .....	T287	25-90280 .....	T065	25-91230 .....	T230
CD123 .....	T123	129ZA22 .....	T014	CET288 .....	T288	25-90290 .....	T073	25-91240 .....	T240
CD124 .....	T124	134ZB30 .....	T076	CET289 .....	T289	25-90310 .....	T069	250013 .....	T013
CD125 .....	T125	139ZA25 .....	T087	CET290 .....	T290	25-90320 .....	T036	250014 .....	T014
CD126 .....	T126	146ZA19 .....	T020	CET291 .....	T291	25-90330 .....	T070	250017 .....	T017
CD127 .....	T127	148ZA19 .....	T068	CET299 .....	T299	25-90340 .....	T068	250018 .....	T018
CD128 .....	T128	55ZA13 .....	T062	CET37 .....	T037	25-90350 .....	T071	250020 .....	T020
CD129 .....	T129	55ZB13 .....	T090	CET37 .....	T037	25-90360 .....	T067	250028 .....	T028
CD13 .....	T013	83ZB19 .....	T092	CET39 .....	T039	25-90370 .....	T037	250032 .....	T032
CD130 .....	T130	84ZA19 .....	T028	CET41 .....	T041	25-90380 .....	T076	250036 .....	T036
CD131 .....	T131	87ZB34 .....	T075	CET41 .....	T041	25-90390 .....	T075	250037 .....	T037
CD132 .....	T132	88ZA19 .....	T070	CET61 .....	T061	25-90400 .....	T078	250039 .....	T039
CD133 .....	T292	89ZA19 .....	T095	CET67 .....	T067	25-90410 .....	T077	250041 .....	T041
CD134 .....	T134	92ZA19 .....	T073	CET70 .....	T070	25-90420 .....	T043	250043 .....	T043
CD135 .....	T135	94ZA19 .....	T036	CET71 .....	T071	25-90430 .....	T074	250061 .....	T061
CD136 .....	T136	95ZA19 .....	T041	CET71 .....	T071	25-90440 .....	T081	250062 .....	T062
CD137 .....	T137	98ZA19 .....	T078	CET94 .....	T094	25-90450 .....	T088	250064 .....	T064
CD138 .....	T138	<b>MOPAR</b>		<b>NAPA</b>		25-90460 .....	T087	250065 .....	T065
CD139 .....	T139	<b>Timing Belts</b>		<b>Timing Belts</b>		25-90470 .....	T093	250067 .....	T067
CD14 .....	T014	BTC-13 .....	T013	25-90073 .....	T073	25-90480 .....	T094	250068 .....	T068
CD141 .....	T141	BTC-14 .....	T014	25-90096 .....	T096	25-90490 .....	T104	250069 .....	T069
CD142 .....	T142	BTC-37 .....	T037	25-90097 .....	T097	25-90510 .....	T100	250070 .....	T070
CD143 .....	T143	BTC-39 .....	T020	25-90130 .....	T013	25-90520 .....	T084	250071 .....	T071
CD144 .....	T144	B0040013 .....	T013	25-90140 .....	T014	25-90530 .....	T099	250073 .....	T073
CD145 .....	T145	B0040017 .....	T017	25-90150 .....	T032	25-90540 .....	T098	250074 .....	T074
CD146 .....	T146	B0040062 .....	T062	25-90160 .....	T041	25-90550 .....	T082	250075 .....	T075
CD147 .....	T147	B0040063 .....	T073	25-90166 .....	T166	25-90560 .....	T083	250076 .....	T076
CD148 .....	T148	B0040064 .....	T064	25-90167 .....	T167	25-90570 .....	T095	250077 .....	T077
CD153 .....	T153	B0040071 .....	T071	25-90168 .....	T168	25-90580 .....	T112	250078 .....	T078
CD154 .....	T154	<b>MOTORCRAFT</b>		25-90169 .....	T169	25-90590 .....	T089	250079 .....	T079
CD155 .....	T155	<b>Timing Belts</b>		25-90170 .....	T017	25-90600 .....	T118	250081 .....	T081
CD157 .....	T157	CET13 .....	T013	25-90171 .....	T171	25-90610 .....	T079	250082 .....	T082
CD158 .....	T158	CET135 .....	T135	25-90172 .....	T172	25-90620 .....	T122	250083 .....	T083
CD159 .....	T159	CET14 .....	T014	25-90173 .....	T173	25-90630 .....	T121	250084 .....	T084
CD160 .....	T160	CET17 .....	T017	25-90174 .....	T174	25-90640 .....	T127	250087 .....	T087
CD161 .....	T161	CET207 .....	T207	25-90176 .....	T176	25-90650 .....	T101	250088 .....	T088
CD162 .....	T162	CET230 .....	T230	25-90177 .....	T177	25-90670 .....	T125	250089 .....	T089
CD163 .....	T163	CET257 .....	T257	25-90178 .....	T178	25-90680 .....	T126	250090 .....	T090
CD164 .....	T164	CET262 .....	T262	25-90179 .....	T179	25-90690 .....	T130	250091 .....	T091
CD165 .....	T165	CET263 .....	T263	25-90180 .....	T018	25-90700 .....	T129	250092 .....	T092
CD166 .....	T166	CET264 .....	T264	25-90181 .....	T181	25-90710 .....	T106	250093 .....	T093
CD167 .....	T167	CET265 .....	T265	25-90182 .....	T182	25-90720 .....	T114	250094 .....	T094
CD17 .....	T017	CET271 .....	T271	25-90183 .....	T183	25-90730 .....	T300	250095 .....	T095
CD176 .....	T176	CET272 .....	T272	25-90184 .....	T184	25-90740 .....	T299	250096 .....	T096
CD18 .....	T018	CET273 .....	T273	25-90185 .....	T185	25-90750 .....	T091	250097 .....	T097
CD185 .....	T185	CET277 .....	T277	25-90186 .....	T186	25-90760 .....	T092	250098 .....	T098
CD186 .....	T186	CET278 .....	T278	25-90187 .....	T187	25-90770 .....	T092	250099 .....	T099
CD187 .....	T187	CET279 .....	T279	25-90188 .....	T188	25-90780 .....	T117	250099 .....	T099
CD191 .....	T191	CET280 .....	T280	25-90189 .....	T189	25-90790 .....	T119	250100 .....	T100
CD20 .....	T020	CET281 .....	T281	25-90190 .....	T190	25-90800 .....	T292	250101 .....	T101
CD208 .....	T208	CET282 .....	T282	25-90191 .....	T191	25-90810 .....	T134	250102 .....	T102
CD210 .....	T210	CET284 .....	T284	25-90192 .....	T192	25-90820 .....	T135	250103 .....	T103
		CET285 .....	T285	25-90193 .....	T193	25-90830 .....	T136	250104 .....	T104
		CET286 .....	T286	25-90194 .....	T194	25-90840 .....	T137	250106 .....	T106
		CET287 .....	T287	25-90195 .....	T195	25-90850 .....	T138	250107 .....	T107
		CET288 .....	T288						

# Changeover Listing - PowerGrip™ Timing System Products

Competitive No.	PowerGrip No.	Competitive No.	PowerGrip No.	Competitive No.	PowerGrip No.	Competitive No.	PowerGrip No.	Competitive No.	PowerGrip No.
<b>NAPA - Cont.</b>		<b>NAPA - Cont.</b>		<b>NAPA - Cont.</b>		<b>NAPA - Cont.</b>		<b>PERFECTION AM</b>	
<b>Timing Belts - Cont.</b>		<b>Timing Belts - Cont.</b>		<b>Timing Belts - Cont.</b>		<b>Timing Component Kits - Cont.</b>		<b>Timing Belts</b>	
250108.....	T293	250211.....	T211	250314.....	T314	2522941.....	TCK294A	B0101.....	T101
250112.....	T112	250212.....	T212	250315.....	T315	2522950.....	TCK295	B0102.....	T102
250113.....	T113	250213.....	T213	250316.....	T316	2522960.....	TCK296	B0103.....	T103
250114.....	T114	250214.....	T214	250317.....	T317	2522990.....	TCK299	B0104.....	T104
250115.....	T299	250215.....	T215	250318.....	T318			B0114.....	T114
250116.....	T300	250216.....	T216	250319.....	T319			B0118.....	T162
250117.....	T117	250217.....	T217	250320.....	T320			B013.....	T013
250118.....	T118	250218.....	T218	250321.....	T321	<b>Timing Drive Components</b>		B014.....	T014
250119.....	T119	250219.....	T219	250322.....	T322	T43001.....	T43001	B017.....	T017
250120.....	T120	250220.....	T220	250323.....	T323	T43002.....	T43002	B018.....	T018
250121.....	T121	250221.....	T221	250324.....	T324	T43003.....	T43003	B020.....	T020
250122.....	T122	250222.....	T222	250325.....	T325	T43004.....	T43004	B028.....	T028
250123.....	T123	250223.....	T223			T43005.....	T43005	B032.....	T032
250124.....	T124	250224.....	T224			T43006.....	T43006	B036.....	T036
250125.....	T125	250225.....	T225			T43007.....	T43007	B037.....	T037
250126.....	T126	250226.....	T226			T43008.....	T43008	B039.....	T039
250127.....	T127	250227.....	T227					B041.....	T041
250128.....	T128	250228.....	T228					B043.....	T043
250129.....	T129	250229.....	T229					B061.....	T061
250130.....	T130	250230.....	T230					B062.....	T062
250131.....	T131	250232.....	T232					B063.....	T073
250132.....	T132	250233.....	T233					B064.....	T064
250133.....	T292	250234.....	T234					B065.....	T065
250134.....	T134	250235.....	T235					B067.....	T067
250135.....	T135	250236.....	T236					B069.....	T069
250136.....	T136	250237.....	T237					B070.....	T070
250137.....	T137	250239.....	T239					B071.....	T071
250138.....	T138	250240.....	T240					B074.....	T074
250139.....	T139	250241.....	T241					B075.....	T075
250140.....	T140	250242.....	T242					B076.....	T076
250141.....	T141	250243.....	T243					B077.....	T077
250142.....	T142	250244.....	T244					B078.....	T078
250143.....	T143	250245.....	T245					B081.....	T081
250144.....	T144	250246.....	T246					B082.....	T082
250145.....	T145	250247.....	T247					B083.....	T083
250146.....	T146	250248.....	T248					B087.....	T087
250147.....	T147	250249.....	T249					B088.....	T088
250148.....	T148	250251.....	T251					B089.....	T089
250149.....	T149	250252.....	T252					B090.....	T090
250150.....	T150	250253.....	T253					B093.....	T093
250151.....	T151	250254.....	T254					B094.....	T094
250152.....	T152	250255.....	T255					B095.....	T095
250153.....	T153	250256.....	T256					B099.....	T099
250154.....	T154	250257.....	T257					013.....	T013
250155.....	T155	250258.....	T258					020.....	T020
250157.....	T157	250259.....	T259					028.....	T028
250158.....	T158	250260.....	T260					032.....	T032
250159.....	T159	250262.....	T262					037.....	T037
250160.....	T160	250263.....	T263					041.....	T041
250161.....	T161	250264.....	T264					043.....	T043
250162.....	T162	250265.....	T265					062.....	T062
250163.....	T163	250266.....	T266					065.....	T065
250164.....	T164	250267.....	T267					067.....	T067
250165.....	T165	250269.....	T269					068.....	T068
250166.....	T166	250270.....	T270					069.....	T069
250167.....	T167	250271.....	T271					070.....	T070
250168.....	T168	250272.....	T272					071.....	T071
250169.....	T169	250273.....	T273					074.....	T074
250170.....	T170	250274.....	T274					075.....	T075
250171.....	T171	250275.....	T275					076.....	T076
250172.....	T172	250276.....	T276					077.....	T077
250173.....	T173	250277.....	T277					078.....	T078
250174.....	T174	250278.....	T278					081.....	T081
250176.....	T176	250279.....	T279					087.....	T087
250177.....	T177	250280.....	T280					088.....	T088
250178.....	T178	250281.....	T281					089.....	T089
250179.....	T179	250282.....	T282					091.....	T091
250180.....	T180	250283.....	T283					093.....	T093
250181.....	T181	250284.....	T284					094.....	T094
250182.....	T182	250285.....	T285					095.....	T095
250183.....	T183	250286.....	T286					099.....	T099
250184.....	T184	250287.....	T287					104.....	T104
250185.....	T185	250288.....	T288						
250186.....	T186	250289.....	T289						
250187.....	T187	250290.....	T290						
250188.....	T188	250291.....	T291						
250189.....	T189	250292.....	T292						
250190.....	T190	250293.....	T293						
250191.....	T191	250294.....	T294						
250192.....	T192	250295.....	T295						
250193.....	T193	250296.....	T296						
250194.....	T194	250297.....	T297						
250195.....	T195	250298.....	T298						
250196.....	T196	250299.....	T299						
250197.....	T197	250300.....	T300						
250198.....	T198	250301.....	T301						
250199.....	T199	250302.....	T302						
250200.....	T200	250303.....	T303						
250201.....	T201	250304.....	T304						
250202.....	T248	250305.....	T305						
250203.....	T203	250306.....	T306						
250204.....	T204	250307.....	T307						
250205.....	T205	250308.....	T308						
250206.....	T206	250309.....	T309						
250207.....	T207	250310.....	T310						
250208.....	T208	250311.....	T311						
250209.....	T209	250312.....	T312						
250210.....	T210	250313.....	T313						
				2520140.....	TCK014				
				2520170.....	TCK017				
				2520320.....	TCK032				
				2520360.....	TCK036				
				2520670.....	TCK067				
				2520700.....	TCK070				
				2520710.....	TCK071				
				2520770.....	TCK077				
				2520780.....	TCK078				
				2520781.....	TCK078A				
				2520870.....	TCK087				
				2520950.....	TCK095				
				2521010.....	TCK101				
				2521040.....	TCK104				
				2521170.....	TCK117				
				2521220.....	TCK122				
				2521240.....	TCK124				
				2521280.....	TCK128				
				2521290.....	TCK129				
				2521300.....	TCK130				
				2521310.....	TCK131				
				2521340.....	TCK134				
				2521390.....	TCK139				
				2521410.....	TCK141				
				2521420.....	TCK142				
				2521430.....	TCK143				
				2521450.....	TCK145				
				2521460.....	TCK146				
				2521470.....	TCK147				
				2521530.....	TCK153				
				2521550.....	TCK155				
				2521570.....	TCK157				
				2521580.....	TCK158				
				2521581.....	TCK158A				
				2521600.....	TCK160				
				2521610.....	TCK161				
				2521630.....	TCK163				
				2521640.....	TCK164				
				2521670.....	TCK167				
				2521720.....	TCK172				
				2521760.....	TCK176				
				2521790.....	TCK179				
				2521840.....	TCK184				

# Changeover Listing - PowerGrip™ Timing System Products

Competitive No.	PowerGrip No.	Competitive No.	PowerGrip No.	Competitive No.	PowerGrip No.	Competitive No.	PowerGrip No.	Competitive No.	PowerGrip No.
<b>PIRELLI - Cont.</b>		<b>PIRELLI - Cont.</b>		<b>PROVEN VALU - Cont.</b>		<b>REPCOPARTS - Cont.</b>		<b>REPUBLIC PARTS - Cont.</b>	
<b>Timing Belts - Cont.</b>		<b>Timing Belts - Cont.</b>		<b>Timing Belts - Cont.</b>		<b>Timing Belts - Cont.</b>		<b>Timing Belts - Cont.</b>	
TB095.....	T095	88018.....	T018	TB-064.....	T064	4104.....	T104	R-078.....	T078
TB099.....	T161	88020.....	T020	TB-065.....	T065	4106.....	T106	R-079.....	T079
TB101.....	T101	88028.....	T028	TB-067.....	T067	<b>REPUBLIC</b>			
TB102.....	T102	88032.....	T032	TB-068.....	T068	<b>Timing Belts</b>			
TB103.....	T103	88037.....	T037	TB-069.....	T069	R0112.....	T176	R-087.....	T087
TB104.....	T104	88039.....	T039	TB-070.....	T070	R0113.....	T113	R-088.....	T088
TB112.....	T176	88041.....	T041	TB-071.....	T071	R0114.....	T114	R-089.....	T089
TB113.....	T113	88042.....	T068	TB-073.....	T073	R0115.....	T299	R-090.....	T090
TB114.....	T114	88043.....	T043	TB-074.....	T074	R0116.....	T300	R-091.....	T091
TB115.....	T299	88061.....	T061	TB-075.....	T075	R0117.....	T117	R-092.....	T092
TB116.....	T300	88062.....	T062	TB-076.....	T076	R0118.....	T162	R-093.....	T093
TB117.....	T117	88063.....	T073	TB-077.....	T077	R0119.....	T119	R-094.....	T094
TB118.....	T162	88064.....	T064	TB-078.....	T078	R0122.....	T122	R-095.....	T095
TB119.....	T119	88065.....	T065	TB-079.....	T079	R0124.....	T124	R-096.....	T096
TB122.....	T122	88067.....	T067	TB-081.....	T081	R0124.....	T124	R-098.....	T098
TB124.....	T124	88069.....	T069	TB-082.....	T082	R0125.....	T125	R-099.....	T099
TB125.....	T125	88070.....	T070	TB-083.....	T083	R0126.....	T126	<b>ROCKHILL</b>	
TB126.....	T237	88071.....	T071	TB-084.....	T084	R0127.....	T127	<b>Timing Belts</b>	
TB127.....	T127	88074.....	T074	TB-087.....	T087	R0128.....	T128	TB-100.....	T100
TB128.....	T128	88075.....	T075	TB-088.....	T088	R0129.....	T129	TB-101.....	T101
TB129.....	T129	88076.....	T076	TB-089.....	T089	R0130.....	T130	TB-102.....	T102
TB130.....	T130	88077.....	T077	TB-090.....	T090	R0132.....	T132	TB-103.....	T103
TB131.....	T131	88078.....	T078	TB-091.....	T091	R0133.....	T292	TB-104.....	T104
TB132.....	T132	88081.....	T081	TB-092.....	T092	R0134.....	T134	TB-112.....	T176
TB133.....	T292	88082.....	T082	TB-093.....	T093	R0135.....	T135	TB-118.....	T118
TB134.....	T134	88083.....	T083	TB-094.....	T094	R0136.....	T233	TB-13.....	T013
TB135.....	T135	88087.....	T087	TB-095.....	T095	R0138.....	T138	TB-14.....	T014
TB136.....	T233	88088.....	T088	TB-096.....	T096	R0139.....	T139	TB-17.....	T017
TB138.....	T199	88089.....	T158	TB-098.....	T098	R0141.....	T141	TB-18.....	T018
TB139.....	T139	88090.....	T159	TB-099.....	T099	R0142.....	T142	TB-20.....	T020
TB141.....	T141	88093.....	T093	TB-100.....	T100	R0143.....	T143	TB-28.....	T028
TB142.....	T142	88094.....	T160	TB-101.....	T101	R0144.....	T144	TB-32.....	T032
TB143.....	T143	88095.....	T095	TB-102.....	T102	R0145.....	T145	TB-36.....	T036
TB144.....	T144	88099.....	T161	TB-103.....	T103	R0146.....	T146	TB-37.....	T037
TB145.....	T145	88101.....	T101	TB-104.....	T104	R0147.....	T147	TB-39.....	T039
TB146.....	T146	88102.....	T102	TB-112.....	T112	R0148.....	T148	TB-41.....	T041
TB147.....	T147	88104.....	T104	TB-113.....	T113	R0153.....	T153	TB-43.....	T043
TB148.....	T148	88112.....	T176	TB-114.....	T114	R0154.....	T154	TB-61.....	T061
TB153.....	T153	88113.....	T113	TB-115.....	T299	R0157.....	T157	TB-62.....	T062
TB154.....	T154	88114.....	T114	TB-116.....	T300	R0158.....	T158	TB-63.....	T073
TB155.....	T155	88115.....	T299	TB-117.....	T117	R0159.....	T159	TB-64.....	T064
TB157.....	T157	88116.....	T300	TB-118.....	T118	R0161.....	T161	TB-65.....	T065
TB158.....	T158	88117.....	T117	TB-119.....	T119	R0162.....	T162	TB-67.....	T067
TB159.....	T159	88118.....	T162	TB-121.....	T121	R0163.....	T163	TB-68.....	T068
TB160.....	T160	88119.....	T162	TB-122.....	T122	R0164.....	T164	TB-69.....	T069
TB161.....	T161	88122.....	T122	TB-123.....	T123	R0166.....	T166	TB-70.....	T070
TB162.....	T162	88124.....	T124	TB-125.....	T125	R0167.....	T167	TB-71.....	T071
TB163.....	T163	88125.....	T125	TB-126.....	T126	R0168.....	T168	TB-73.....	T073
TB164.....	T164	88126.....	T237	TB-127.....	T127	R0169.....	T169	TB-74.....	T074
TB165.....	T165	88130.....	T130	TB-128.....	T128	R0170.....	T170	TB-75.....	T075
TB166.....	T166	88131.....	T131	TB-129.....	T129	R0176.....	T176	TB-76.....	T076
TB167.....	T167	88132.....	T132	TB-130.....	T130	R0177.....	T177	TB-77.....	T077
TB168.....	T168	88134.....	T134	TB-134.....	T134	R0179.....	T179	TB-78.....	T078
TB169.....	T169	88136.....	T233	TB-139.....	T139	R0184.....	T184	TB-79.....	T079
TB170.....	T170	88138.....	T199	<b>REPCOPARTS</b>		R0185.....	T185	TB-81.....	T081
TB172.....	T254	88141.....	T141	<b>Timing Belts</b>		R0186.....	T186	TB-82.....	T082
TB176.....	T176	88143.....	T143	4013.....	T013	R0187.....	T187	TB-83.....	T083
TB177.....	T177	88144.....	T144	4014.....	T014	R082.....	T082	TB-84.....	T084
TB179.....	T179	88146.....	T146	4017.....	T017	R083.....	T083	TB-87.....	T087
TB180.....	T180	88153.....	T153	4018.....	T018	<b>REPUBLIC PARTS</b>			
TB183.....	T183	88157.....	T157	4020.....	T020	<b>Timing Belts</b>			
TB184.....	T184	88158.....	T158	4028.....	T028	R-0100.....	T100	TB-88.....	T088
TB184.....	T184	88159.....	T159	4029.....	T104	R-0101.....	T101	TB-89.....	T158
TB185.....	T185	88160.....	T160	4032.....	T032	R-0102.....	T102	TB-90.....	T159
TB186.....	T186	88161.....	T161	4036.....	T036	R-0103.....	T103	TB-91.....	T091
TB187.....	T187	88162.....	T162	4037.....	T037	R-0104.....	T104	TB-92.....	T092
TB190.....	T190	88163.....	T163	4039.....	T039	R-0104.....	T104	TB-93.....	T093
TB191.....	T191	88165.....	T165	4041.....	T041	R-0112.....	T112	TB-94.....	T094
TB192.....	T192	88170.....	T170	4042.....	T068	R-0113.....	T013	TB-95.....	T095
TB193.....	T193	<b>PRO-1</b>		4043.....	T043	R-014.....	T014	TB-98.....	T098
TB194.....	T194	<b>Timing Belts</b>		4061.....	T061	R-017.....	T017	TB-99.....	T161
TB199.....	T199	013.....	T013	4065.....	T065	R-018.....	T018	<b>SEALED POWER</b>	
TB201.....	T201	014.....	T014	4070.....	T070	R-020.....	T020	<b>Timing Belts</b>	
TB202.....	T248	017.....	T017	4071.....	T071	R-028.....	T028	222-100.....	T100
TB205.....	T205	037.....	T037	4073.....	T073	R-032.....	T032	222-13.....	T013
TB210.....	T210	039.....	T039	4074.....	T074	R-036.....	T036	222-14.....	T014
80013.....	T013	061.....	T061	4077.....	T077	R-037.....	T037	222-17.....	T017
80014.....	T014	067.....	T067	4078.....	T078	R-039.....	T039	222-18.....	T018
80017.....	T017	081.....	T081	4079.....	T079	R-041.....	T041	222-20.....	T020
80018.....	T018	<b>PROVEN VALU</b>		4081.....	T081	R-042.....	T042	222-22.....	T022
80020.....	T020	<b>Timing Belts</b>		4082.....	T082	R-043.....	T043	222-23.....	T023
80028.....	T028	TB-013.....	T013	4083.....	T083	R-061.....	T061	222-26.....	T026
80032.....	T032	TB-014.....	T014	4084.....	T084	R-062.....	T062	222-36.....	T036
80037.....	T037	TB-017.....	T017	4089.....	T089	R-063.....	T063	222-37.....	T037
80039.....	T039	TB-018.....	T018	4091.....	T091	R-064.....	T064	222-39.....	T039
80041.....	T041	TB-020.....	T020	4092.....	T092	R-065.....	T065	222-41.....	T041
80042.....	T068	TB-028.....	T028	4093.....	T093	R-066.....	T066	222-42.....	T068
80043.....	T043	TB-032.....	T032	4094.....	T094	R-067.....	T067	222-43.....	T043
80061.....	T061	TB-036.....	T036	4095.....	T095	R-068.....	T068	222-61.....	T061
80062.....	T062	TB-037.....	T037	4096.....	T096	R-069.....	T069	222-62.....	T062
80064.....	T064	TB-039.....	T039	4097.....	T097	R-070.....	T070	222-63.....	T063
80065.....	T065	TB-041.....	T041	4098.....	T098	R-071.....	T071	222-64.....	T064
80067.....	T067	TB-043.....	T043	4099.....	T099	R-073.....	T073	222-65.....	T065
80069.....	T069	TB-061.....	T061	4100.....	T100	R-074.....	T074	222-67.....	T067
80070.....	T070	TB-062.....	T062	4101.....	T101	R-075.....	T075	222-69.....	T069
80071.....	T071	TB-063.....	T063	4102.....	T102	R-076.....	T076	222-70.....	T070
88013.....	T013			4103.....	T103	R-077.....	T077	222-71.....	T071
88014.....	T014							222-73.....	T073
88017.....	T017								

# Changeover Listing - PowerGrip™ Timing System Products

Competitive No.	PowerGrip No.	Competitive No.	PowerGrip No.	Competitive No.	PowerGrip No.	Competitive No.	PowerGrip No.	Competitive No.	PowerGrip No.
<b>SEALED POWER - Cont.</b>		<b>SEALED POWER - Cont.</b>		<b>SKF - Cont.</b>		<b>T.R.W. - Cont.</b>		<b>TEXACO</b>	
<b>Timing Belts - Cont.</b>		<b>Timing Belts - Cont.</b>		<b>Timing Drive Components - Cont.</b>		<b>Timing Belts - Cont.</b>		<b>Timing Belts</b>	
222-74.....	T074	222131.....	T131	VKM75064.....	T41054	LB102.....	T102	TB401.....	T014
222-75.....	T075	222132.....	T132	VKM75100.....	T41042	LB103.....	T103	TB402.....	T013
222-76.....	T076	222133.....	T292	VKM75101.....	T41055	LB104.....	T104	TB403.....	T037
222-77.....	T077	222134.....	T134	VKM75108.....	T41056	LB112.....	T112	TB404.....	T017
222-78.....	T078	222135.....	T135	VKM75113.....	T41053	LB113.....	T113	TB409.....	T039
222-81.....	T081	222136.....	T233	VKM75119.....	T41057	LB114.....	T114	TB411.....	T041
222-87.....	T087	222138.....	T199	VKM75130.....	T41043	LB115.....	T299	TB415.....	T028
222-88.....	T088	222139.....	T139	VKM75144.....	T41046	LB116.....	T300	<b>ULTRALAST</b>	
222-89.....	T089	222141.....	T141	VKM75601.....	T41050	LB117.....	T117	<b>Timing Belts</b>	
222-90.....	T090	222142.....	T142	VKM75612.....	T41049	LB118.....	T162	B013.....	T013
222-91.....	T091	222143.....	T143	VKM75613.....	T41038	LB119.....	T119	B014.....	T014
222-92.....	T092	222144.....	T144	VKM76001.....	T41065	LB121.....	T121	B017.....	T017
222-93.....	T093	222145.....	T145	VKM76200.....	T41010	LB122.....	T122	B028.....	T028
222-94.....	T094	222146.....	T146	VKM76202.....	T41064	LB123.....	T123	B032.....	T032
222-95.....	T095	222147.....	T147	VKM76203.....	T41009	LB124.....	T124	B036.....	T036
222-99.....	T161	222148.....	T148	VKM77300.....	T41003	LB125.....	T125	B037.....	T037
222B160.....	T160	222152.....	T152	VKM77500.....	T41004	LB126.....	T237	B039.....	T039
222B161.....	T161	222153.....	T153	VKM78000.....	T41063	LB128.....	T128	B041.....	T041
222B162.....	T162	222154.....	T154	VKM78001.....	T41062	LB129.....	T129	B043.....	T043
222B163.....	T163	222155.....	T155	VKM78002.....	T41061	LB130.....	T130	B061.....	T061
222B164.....	T164	222157.....	T157	VKM78003.....	T41092	LB131.....	T131	B064.....	T064
222B165.....	T165	222158.....	T158	VKM78105.....	T41060	LB132.....	T132	B067.....	T067
222B166.....	T166	222159.....	T159	VKM79000.....	T41026	LB134.....	T134	B070.....	T070
222B167.....	T167	<b>SIERRA</b>		VKM79001.....	T41025	LB136.....	T233	B071.....	T071
222B168.....	T168	<b>Timing Belts</b>		VKM79007.....	T41028	LB137.....	T137	B073.....	T073
222B169.....	T169	18-4029.....	T032	VKM81000.....	T42030	LB138.....	T199	B074.....	T074
222B170.....	T170	<b>SKF</b>		VKM81001.....	T42026	LB139.....	T139	B077.....	T077
222B172.....	T254	<b>Timing Drive Components</b>		VKM81004.....	T42025	LB14.....	T014	B078.....	T078
222B177.....	T177	VKM11000.....	T41079	VKM81005.....	T42031	LB141.....	T141	B081.....	T081
222B179.....	T179	VKM11010.....	T41080	VKM81007.....	T42037	LB142.....	T142	B087.....	T087
222B180.....	T180	VKM11113.....	T43010	VKM81100.....	T42027	LB143.....	T143	B088.....	T088
222B183.....	T183	VKM16300.....	T41081	VKM81200.....	T42028	LB144.....	T144	B089.....	T089
222B184.....	T184	VKM18100.....	T41083	VKM81400.....	T42029	LB146.....	T146	B090.....	T090
222B185.....	T185	VKM51001.....	T41002	VKM82000.....	T42021	LB148.....	T148	B094.....	T094
222B186.....	T186	VKM51003.....	T41084	VKM82001.....	T41085	LB149.....	T149	B095.....	T095
222B187.....	T187	VKM54000.....	T41006	VKM82501.....	T42020	LB150.....	T150	B099.....	T099
222B193.....	T193	VKM54001.....	T41005	VKM83003.....	T42038	LB151.....	T151	B101.....	T101
222B194.....	T194	VKM54002.....	T41008	VKM84000.....	T42008	LB153.....	T153	B104.....	T104
222B202.....	T248	VKM54003.....	T43003	VKM84001.....	T42010	LB155.....	T155	B112.....	T112
222B210.....	T210	VKM61000.....	T41001	VKM84002.....	T42009	LB157.....	T157	B113.....	T113
222013.....	T013	VKM61001.....	T41000	VKM84003.....	T42013	LB158.....	T158	B114.....	T114
222014.....	T014	VKM64000.....	T41007	VKM84004.....	T42012	LB159.....	T159	B116.....	T300
222017.....	T017	VKM64001.....	T42032	VKM84005.....	T42007	LB160.....	T160	B117.....	T117
222018.....	T018	VKM64002.....	T42033	VKM84006.....	T42006	LB161.....	T161	B118.....	T118
222020.....	T020	VKM64003.....	T42034	VKM84007.....	T42011	LB163.....	T163	B122.....	T122
222028.....	T028	VKM64004.....	T42035	VKM84201.....	T42005	LB164.....	T164	B124.....	T124
222032.....	T032	VKM64005.....	T42036	VKM84600.....	T42003	LB165.....	T165	B125.....	T125
222036.....	T036	VKM70001.....	T43002	VKM84601.....	T42004	LB166.....	T166	B126.....	T126
222037.....	T037	VKM71001.....	T41068	VKM85000.....	T42017	LB167.....	T167	B128.....	T128
222039.....	T039	VKM71003.....	T41067	VKM85002.....	T42018	LB168.....	T168	B129.....	T129
222041.....	T041	VKM71004.....	T41075	VKM88000.....	T42023	LB169.....	T169	B130.....	T130
222043.....	T043	VKM71007.....	T41072	VKM88001.....	T42024	LB17.....	T017	B132.....	T132
222044.....	T044	VKM71008.....	T41078	VKM88002.....	T42022	LB17.....	T017	B134.....	T134
222046.....	T046	VKM71100.....	T41077	VKM89000.....	T42002	LB18.....	T018	B136.....	T136
222048.....	T048	VKM71101.....	T41070	<b>SUNOCO</b>		LB18.....	T018	B138.....	T138
222055.....	T055	VKM71201.....	T41076	<b>Timing Belts</b>		LB20.....	T020	B139.....	T139
222067.....	T067	VKM71202.....	T41066	TB063.....	T073	LB28.....	T028	B199.....	T199
222069.....	T069	VKM71400.....	T41071	TB070.....	T070	LB32.....	T032	B141.....	T141
222070.....	T070	VKM71401.....	T41074	TB077.....	T077	LB36.....	T036	B142.....	T142
222071.....	T071	VKM71404.....	T41069	TB401.....	T014	LB37.....	T037	B143.....	T143
222074.....	T074	VKM71800.....	T41073	TB402.....	T013	LB39.....	T039	B145.....	T145
222075.....	T075	VKM72000.....	T41058	TB403.....	T037	LB41.....	T041	B146.....	T146
222076.....	T076	VKM72004.....	T41059	TB404.....	T017	LB43.....	T043	B147.....	T147
222077.....	T077	VKM72200.....	T41088	TB409.....	T039	LB61.....	T061	B148.....	T148
222078.....	T078	VKM72300.....	T41089	TB411.....	T041	LB62.....	T062	B153.....	T153
222082.....	T082	VKM73000.....	T41011	TB415.....	T028	LB63.....	T073	B154.....	T154
222083.....	T083	VKM73001.....	T41015	TB418.....	T067	LB64.....	T064	B155.....	T155
222087.....	T087	VKM73002.....	T41019	TB428.....	T067	LB65.....	T065	B157.....	T157
222088.....	T088	VKM73003.....	T41018	T1043.....	T043	LB66.....	T066	B158.....	T158
222089.....	T158	VKM73004.....	T41021	T1064.....	T064	LB67.....	T067	B159.....	T159
222090.....	T159	VKM73005.....	T41023	T1071.....	T071	LB68.....	T068	B160.....	T160
222093.....	T093	VKM73006.....	T41024	T1081.....	T081	LB69.....	T069	B161.....	T161
222094.....	T160	<b>T.R.W.</b>		<b>Timing Belts</b>		LB70.....	T070	B162.....	T162
222095.....	T095	LB042.....	T068	LB074.....	T074	LB71.....	T071	B163.....	T163
222099.....	T161	LB075.....	T075	LB077.....	T077	LB73.....	T073	B164.....	T164
222101.....	T101	LB078.....	T078	LB079.....	T079	LB74.....	T074	B166.....	T166
222102.....	T102	LB081.....	T081	LB082.....	T082	LB75.....	T075	B167.....	T167
222103.....	T103	LB083.....	T083	LB084.....	T084	LB76.....	T076	B168.....	T168
222104.....	T104	LB087.....	T087	LB088.....	T088	LB77.....	T077	B172.....	T172
222107.....	T107	LB089.....	T089	LB090.....	T090	LB78.....	T078	B177.....	T177
222108.....	T293	LB091.....	T091	LB092.....	T092	LB79.....	T079	B179.....	T179
222110.....	T196	LB093.....	T093	LB094.....	T094	LB81.....	T081	B184.....	T184
222112.....	T176	LB095.....	T095	LB099.....	T099	LB82.....	T082	B185.....	T185
222113.....	T113	LB101.....	T101	LB99.....	T159	LB83.....	T083	B186.....	T186
222114.....	T114	LB102.....	T102	LB99.....	T159	LB84.....	T084	B187.....	T187
222115.....	T299	LB103.....	T103	LB99.....	T159	LB87.....	T087	B191.....	T191
222116.....	T300	LB104.....	T104	LB99.....	T159	LB88.....	T088	B194.....	T194
222117.....	T117	LB105.....	T105	LB99.....	T159	LB89.....	T158	B199.....	T199
222118.....	T162	LB106.....	T106	LB99.....	T159	LB90.....	T159	B233.....	T233
222119.....	T119	LB107.....	T107	LB99.....	T159	LB91.....	T091	B236.....	T236
222122.....	T122	LB108.....	T108	LB99.....	T159	LB92.....	T092	B32.....	T032
222124.....	T124	LB109.....	T109	LB99.....	T159	LB93.....	T093	TB063.....	T073
222125.....	T125	LB110.....	T110	LB99.....	T159	LB94.....	T094	TB070.....	T070
222126.....	T237	LB111.....	T111	LB99.....	T159	LB95.....	T095	TB077.....	T077
222128.....	T128	LB112.....	T112	LB99.....	T159	LB96.....	T096	TB401.....	T014
222129.....	T129	LB113.....	T113	LB99.....	T159	LB98.....	T098	TB402.....	T013
222130.....	T130	LB114.....	T114	LB99.....	T159	LB99.....	T161	TB403.....	T037
		LB115.....	T115					TB404.....	T017

# Changeover Listing - PowerGrip™ Timing System Products

Competitive No.	PowerGrip No.	Competitive No.	PowerGrip No.	Competitive No.	PowerGrip No.	Competitive No.	PowerGrip No.	Competitive No.	PowerGrip No.
<b>ULTRALAST - Cont.</b>		<b>UNOCAL - Cont.</b>		<b>VERA - Cont.</b>					
<b>Timing Belts - Cont.</b>		<b>Timing Belts - Cont.</b>		<b>Timing Belts - Cont.</b>					
TB409	T039	T061	T061	45-02066	T167				
TB411	T041	T063	T073	45-02074	T168				
TB415	T028	T064	T064	45-02082	T139				
TB418	T061	T067	T067	45-02090	T300				
TB428	T067	T070	T070	45-02108	T299				
T013	T013	T071	T071	45-02116	T164				
T014	T014	T073	T073	45-02124	T157				
T017	T017	T077	T077	45-02140	T199				
T028	T028	T081	T081	45-02157	T154				
T032	T032	T094	T094	45-02199	T127				
T037	T037	T1043	T043	45-02215	T128				
T039	T039	T1064	T064	45-05074	T168				
T041	T041	T1071	T071	<b>WESTERN AUTO</b>					
T043	T043	T1081	T081	<b>Timing Belts</b>					
T061	T061	<b>VERA</b>		74-2736-2	T067				
T063	T073	<b>Timing Belts</b>		74-2737-0	T061				
T064	T064	A326L134B	T075	74-2738-8	T039				
T067	T067	45-00070	T062	74-2739-6	T037				
T070	T070	45-00096	T062	74-2741-2	T013				
T071	T071	45-00724	T028	74-2742-0	T014				
T073	T073	45-00732	T036	74-2743-8	T017				
T077	T077	45-00740	T020	74-2744-6	T071				
T081	T081	45-00773	T032	<b>WOLVERINE</b>					
T087	T087	45-00781	T018	<b>Timing Belts</b>					
T089	T089	45-00799	T014	TB013	T013				
T092	T092	45-00807	T013	TB014	T014				
T094	T094	45-00815	T043	TB017	T017				
T099	T099	45-00823	T017	TB018	T018				
T1043	T043	45-00849	T065	TB020	T020				
T1064	T064	45-00856	T069	TB028	T028				
T1071	T071	45-00864	T070	TB032	T032				
T1081	T081	45-00930	T073	TB036	T036				
T115	T299	45-00948	T064	TB037	T037				
T203	T203	45-00955	T041	TB039	T039				
T210	T210	45-01051	T082	TB041	T041				
T228	T228	45-01069	T083	TB043	T043				
<b>UNIROYAL</b>		45-01127	T076	TB061	T061				
<b>Timing Belts</b>		45-01135	T075	TB062	T062				
A206L050	T062	45-01150	T078	TB063	T073				
A206L050S	T090	45-01168	T077	TB064	T064				
A315L075	T028	45-01176	T074	TB067	T067				
A326L134B	T075	45-01200	T107	TB069	T069				
A330L075	T070	45-01226	T158	TB070	T070				
A345L075	T073	45-01234	T091	TB071	T071				
A356L075	T041	45-01267	T106	TB073	T073				
A363L100	T067	45-01275	T196	TB077	T077				
A367L075	T078	45-01283	T088	TB078	T078				
A371L060	T037	45-01291	T087	TB081	T081				
A371L075	T039	45-01325	T104	TB095	T095				
A375L075	T061	45-01341	T099	<b>WORLD PARTS</b>					
A397L075	T077	45-01366	T094	<b>Timing Belts</b>					
A408L075	T088	45-01382	T093	W11-600	T018				
A416L075R	T081	45-01408	T062	W11-601	T020				
A423L075	T065	45-01424	T100	W11-631	T075				
A435L075	T018	45-01440	T103	W11-636	T013				
A442L075	T069	45-01481	T090	W11-639	T013				
A443L075	T069	45-01499	T092	W11-640	T076				
A450L075	T064	45-01580	T127	W11-643	T017				
A450L075S	T093	45-01614	T293	W11-645	T020				
A453L075	T017	45-01622	T292	W11-651	T028				
A457L075	T013	45-01630	T118	W11-654	T041				
A457L075S	T158	45-01648	T095	W11-655	T014				
A461L075	T032	45-01655	T137	W11-657	T036				
A465L100	T071	45-01663	T300	W11-658	T032				
A483L087	T014	45-01671	T299	W11-659	T043				
A484L088	T014	45-01689	T131	W11-660	T064				
A502L118B	T076	45-01697	T135	W11-661	T062				
A506L100B	T043	45-01705	T136	W11-665	T070				
A521L100	T087	45-01713	T176	W11-669	T073				
A532L100	T074	45-01721	T126	W11-670	T065				
A547L075	T020	45-01739	T101	W11-673	T068				
A555L075	T068	45-01754	T138	W16-801	T079				
<b>UNOCAL</b>		45-01762	T129	W16-802	T084				
<b>Timing Belts</b>		45-01770	T071	W16-803	T078				
TB063	T073	45-01788	T122	W16-804	T087				
TB070	T070	45-01796	T141	W16-805	T101				
TB077	T077	45-01804	T134	W16-807	T090				
TB401	T014	45-01812	T113	W16-808	T158				
TB402	T013	45-01820	T117	W16-811	T083				
TB403	T037	45-01838	T124	W16-812	T082				
TB404	T017	45-01853	T121	W16-814	T299				
TB409	T039	45-01861	T140	W16-815	T094				
TB411	T041	45-01879	T147	W16-816	T300				
TB415	T028	45-01887	T102						
TB418	T061	45-01895	T119						
TB428	T067	45-01911	T152						
T013	T013	45-01945	T187						
T014	T014	45-01952	T186						
T017	T017	45-01960	T143						
T028	T028	45-01978	T145						
T032	T032	45-01986	T144						
T037	T037	45-01994	T142						
T039	T039	45-02009	T124						
T041	T041	45-02017	T169						
T043	T043	45-02025	T149						
		45-02033	T146						
		45-02041	T155						

# Manufacturers' Part Numbers

## PowerGrip™ Timing System Products

**Showing Factory Part Numbers for Timing Belts, Tensioners and Pulleys  
With the Corresponding PowerGrip™ Replacement Numbers**

Mfr. Part No.	PowerGrip No.	Mfr. Part No.	PowerGrip No.	Mfr. Part No.	PowerGrip No.	Mfr. Part No.	PowerGrip No.	Mfr. Part No.	PowerGrip No.
ADO41407.....	<b>T090</b>	FE01122050.....	<b>T088</b>	JE2612205B.....	<b>T183</b>	MD110041.....	<b>T165</b>	OK97312700.....	<b>T41029</b>
AD041407.....	<b>T090</b>	FE0212205.....	<b>T088</b>	JE26122050.....	<b>T183</b>	MD110709.....	<b>T124</b>	RF0312205.....	<b>T103</b>
A405RU100.....	<b>T264</b>	FE0312205.....	<b>T113</b>	JE2612730A.....	<b>T42006</b>	MD111427.....	<b>T139</b>	RF03122050.....	<b>T103</b>
BNP2955.....	<b>T028</b>	FE03122050.....	<b>T113</b>	JE2612740.....	<b>T42007</b>	MD113561.....	<b>T064</b>	RF0312206A.....	<b>T102</b>
BPY112205.....	<b>T185</b>	FE0412205.....	<b>T113</b>	JE2612740A.....	<b>T42007</b>	MD113562.....	<b>T013</b>	RF4312205.....	<b>T103</b>
BP0112205.....	<b>T185</b>	FE04122050.....	<b>T113</b>	JE2612750.....	<b>T41036</b>	MD113563.....	<b>T073</b>	RF7112205.....	<b>T103</b>
BP0112205A.....	<b>T185</b>	FE0612205.....	<b>T117</b>	JE4812730.....	<b>T42012</b>	MD113564.....	<b>T128</b>	RF7912205.....	<b>T103</b>
BP0112205B.....	<b>T185</b>	FE0812205.....	<b>T117</b>	JE4812740.....	<b>T42013</b>	MD113790.....	<b>T158</b>	R1463635109.....	<b>T140</b>
BP0212205.....	<b>T185</b>	FE08122050.....	<b>T113</b>	JF0112205.....	<b>T146</b>	MD115976.....	<b>T41047</b>	T0718752.....	<b>T119</b>
BP0212205A.....	<b>T185</b>	FE0912205.....	<b>T117</b>	JF0112205A.....	<b>T146</b>	MD115977.....	<b>T168</b>	T0718836.....	<b>T140</b>
B10112205A.....	<b>T141</b>	FE09122050.....	<b>T113</b>	JF0112205D.....	<b>T146</b>	MD120487.....	<b>T155</b>	T0729581.....	<b>T140</b>
B59712205.....	<b>T179</b>	FE1H12205A.....	<b>T264</b>	JF0112730.....	<b>T42011</b>	MD121993.....	<b>T42017</b>	T830.....	<b>T264</b>
B6S712205A.....	<b>T179</b>	FE1H12700A.....	<b>T41029</b>	JF0112730A.....	<b>T42011</b>	MD128765.....	<b>T41045</b>	XHM460.....	<b>T129</b>
B6S712205B.....	<b>T179</b>	FE1H12730.....	<b>T42003</b>	JF0112750.....	<b>T41033</b>	MD129033.....	<b>T41044</b>	XS4Z 6M 250AA.....	<b>T42036</b>
B6S712205C.....	<b>T179</b>	FE1H12730A.....	<b>T42003</b>	KJ0866351.....	<b>T140</b>	MD129355.....	<b>T41046</b>	XS4Z 6M 250BA.....	<b>T42034</b>
B6S712205D.....	<b>T179</b>	FE1J12205.....	<b>T264</b>	KJ0112205.....	<b>T267</b>	MD133115.....	<b>T167</b>	YF0912205.....	<b>T294</b>
B6Y212205.....	<b>T141</b>	FE3N12730.....	<b>T42004</b>	KL212205.....	<b>T41034</b>	MD133116.....	<b>T165</b>	ZZM112205.....	<b>T210</b>
B63012205.....	<b>T141</b>	FE7912205.....	<b>T113</b>	KL0112205.....	<b>T214</b>	MD134377.....	<b>T091</b>	ZZM312205.....	<b>T276</b>
B63012205A.....	<b>T123</b>	FE7915205.....	<b>T113</b>	KL0112730.....	<b>T42010</b>	MD13805.....	<b>T093</b>	Z50112205.....	<b>T266</b>
B63012205B.....	<b>T123</b>	FP0112205A.....	<b>T316</b>	KL0112730A.....	<b>T42010</b>	MD140070.....	<b>T195</b>	Z50212205.....	<b>T308</b>
B63012205C.....	<b>T223</b>	FSY112205.....	<b>T228</b>	KL0112740.....	<b>T42009</b>	MD140071.....	<b>T41039</b>	0B59712205.....	<b>T179</b>
B63012205D.....	<b>T141</b>	FS0112205A.....	<b>T228</b>	KL0112750.....	<b>T41034</b>	MD140227.....	<b>T155</b>	OK24712205.....	<b>T302</b>
B63012205E.....	<b>T141</b>	FS0112700A.....	<b>T41091</b>	KL0212750.....	<b>T41034</b>	MD140228.....	<b>T158</b>	OK24712700.....	<b>T42032</b>
B63012700C.....	<b>T41030</b>	FS0112730A.....	<b>T42008</b>	KL0212750A.....	<b>T41034</b>	MD140229.....	<b>T124</b>	OK30E12205.....	<b>T318</b>
B63012700D.....	<b>T41030</b>	FS0212205.....	<b>T228</b>	K0AA352700.....	<b>T248</b>	MD145713.....	<b>T167</b>	OK95412205.....	<b>T281</b>
B63012700E.....	<b>T41030</b>	F0BZ 6268 A.....	<b>T185</b>	K0BA352700.....	<b>T248</b>	MD145714.....	<b>T165</b>	OK97212205.....	<b>T264</b>
B63212205.....	<b>T141</b>	F0CZ 6K 254A.....	<b>T41007</b>	MBP0112205B.....	<b>T185</b>	MD145716.....	<b>T168</b>	0060562106.....	<b>T120</b>
B632122050.....	<b>T141</b>	F0EE 6K 254AA.....	<b>T41007</b>	MB6S712205C.....	<b>T179</b>	MD145813.....	<b>T191</b>	Q26109243.....	<b>T41079</b>
B66012205.....	<b>T149</b>	F1ZZ 6268 A.....	<b>T210</b>	MD008960.....	<b>T013</b>	MD146186.....	<b>T41051</b>	Q26109243E.....	<b>T41079</b>
B66012205B.....	<b>T149</b>	F17E 6268 A.....	<b>T210</b>	MD008961.....	<b>T062</b>	MD151447.....	<b>T42018</b>	Q26109243L.....	<b>T41079</b>
B66012205C.....	<b>T149</b>	F2CE 6268 AA.....	<b>T194</b>	MD008965.....	<b>T41055</b>	MD152243.....	<b>T159</b>	Q27109119A.....	<b>T292</b>
B66012700D.....	<b>T41031</b>	F2Y112205.....	<b>T134</b>	MD008968.....	<b>T013</b>	MD152622.....	<b>T092</b>	Q27109119C.....	<b>T292</b>
B66012700E.....	<b>T41031</b>	F20212205.....	<b>T134</b>	MD008969.....	<b>T062</b>	MD154243.....	<b>T204</b>	028109119D.....	<b>T242</b>
B66012730A.....	<b>T42005</b>	F20312205.....	<b>T134</b>	MD009277.....	<b>T064</b>	MD156604.....	<b>T42017</b>	028109119K.....	<b>T242</b>
B66012730B.....	<b>T42005</b>	F21012205.....	<b>T134</b>	MD009352.....	<b>T013</b>	MD160103.....	<b>T090</b>	028109119M.....	<b>T242</b>
B66012730C.....	<b>T42005</b>	F3BZ 6268 A.....	<b>T185</b>	MD009650.....	<b>T41057</b>	MD161427.....	<b>T195</b>	028109119P.....	<b>T242</b>
C3905942.....	<b>T165</b>	F3CZ 6268 A.....	<b>T179</b>	MD009651.....	<b>T062</b>	MD171748.....	<b>T167</b>	028109243F.....	<b>T43006</b>
DBP4131.....	<b>T099</b>	F3DZ 6268 A.....	<b>T248</b>	MD009666.....	<b>T064</b>	MD171749.....	<b>T168</b>	034109119.....	<b>T127</b>
DBP9289.....	<b>T099</b>	F3XY 6268 A.....	<b>T104</b>	MD009667.....	<b>T064</b>	MD175375.....	<b>T41052</b>	034109119A.....	<b>T197</b>
D1FZ 6268 A.....	<b>T013</b>	F3Z2 6268 A.....	<b>T228</b>	MD011536.....	<b>T41043</b>	MD176387.....	<b>T201</b>	03510911.....	<b>T065</b>
D4FZ 6K 254A.....	<b>T41005</b>	F3Z2 6268 B.....	<b>T214</b>	MD013805.....	<b>T093</b>	MD182195.....	<b>T168</b>	035109119.....	<b>T065</b>
D4FZ 6268 A.....	<b>T014</b>	F37E 6268 AA.....	<b>T210</b>	MD015310.....	<b>T093</b>	MD182201.....	<b>T165</b>	037109119C.....	<b>T262</b>
D4ZE 6268 AE.....	<b>T014</b>	F4BZ 6268 A.....	<b>T185</b>	MD015311.....	<b>T159</b>	MD182291.....	<b>T167</b>	038109119.....	<b>T301</b>
D4ZE 6268 AB.....	<b>T014</b>	F4XY 6268 A.....	<b>T249</b>	MD015701.....	<b>T089</b>	MD182292.....	<b>T256</b>	038109119B.....	<b>T301</b>
D8EE 6268 AA.....	<b>T014</b>	F4Z2 6268 A.....	<b>T228</b>	MD030599.....	<b>T073</b>	MD182293.....	<b>T232</b>	038109119D.....	<b>T301</b>
D9EE 6268 AA.....	<b>T014</b>	F47E 6268 AA.....	<b>T210</b>	MD030600.....	<b>T073</b>	MD182294.....	<b>T230</b>	038109119M.....	<b>T321</b>
ECP244.....	<b>T129</b>	F47Z 6268 B.....	<b>T210</b>	MD030605.....	<b>T41042</b>	MD182295.....	<b>T168</b>	038109243N.....	<b>T43007</b>
E1EE 6268 DA.....	<b>T067</b>	F5CE 6268 AA.....	<b>T283</b>	MD030610.....	<b>T073</b>	MD182537.....	<b>T41054</b>	048109119D.....	<b>T262</b>
E1FZ 6268 D.....	<b>T067</b>	F5RZ 6K 254A.....	<b>T41008</b>	MD040754.....	<b>T41053</b>	MD183005.....	<b>T195</b>	054109119A.....	<b>T197</b>
E2CE 6268 AA.....	<b>T194</b>	F5RZ 6268 A.....	<b>T258</b>	MD040756.....	<b>T062</b>	MD183006.....	<b>T253</b>	054109119E.....	<b>T225</b>
E2EE 6268 AA.....	<b>T067</b>	F50112700A.....	<b>T41091</b>	MD040797.....	<b>T062</b>	MD185544.....	<b>T41038</b>	054109119H.....	<b>T225</b>
E3EE 6268 AA.....	<b>T067</b>	F50112730A.....	<b>T42008</b>	MD041390.....	<b>T158</b>	MD189522.....	<b>T229</b>	056109119A.....	<b>T017</b>
E3FZ 6268 A.....	<b>T067</b>	F50512700B.....	<b>T41091</b>	MD041407.....	<b>T159</b>	MD191982.....	<b>T288</b>	06109243D.....	<b>T41079</b>
E43Z 6268 B.....	<b>T103</b>	F57E 6K 254AA.....	<b>T41005</b>	MD050119.....	<b>T092</b>	MD192068.....	<b>T41038</b>	058109119A.....	<b>T291</b>
E43Z 6268 C.....	<b>T102</b>	F57E 6268 AA.....	<b>T276</b>	MD050125.....	<b>T41049</b>	MD193874.....	<b>T195</b>	058109119B.....	<b>T317</b>
E5EE 6K 254AA.....	<b>T41006</b>	F57E 6268 BB.....	<b>T276</b>	MD050130.....	<b>T091</b>	MD193875.....	<b>T253</b>	058109119C.....	<b>T317</b>
E5FZ 6K 254A.....	<b>T41006</b>	F57Z 6K 254A.....	<b>T41005</b>	MD050135.....	<b>T41050</b>	MD199418.....	<b>T165</b>	058109119D.....	<b>T291</b>
E5FZ 6268 A.....	<b>T067</b>	F57Z 6268 A.....	<b>T276</b>	MD050175.....	<b>T092</b>	MD307487.....	<b>T259</b>	06A109119C.....	<b>T296</b>
E5RE 6268 AA.....	<b>T014</b>	F7CZ 6268 AA.....	<b>T283</b>	MD060461.....	<b>T091</b>	MD315265.....	<b>T41052</b>	06A109479B.....	<b>T43010</b>
E5RE 8286 AA.....	<b>T142</b>	F8CZ 6K 254AA.....	<b>T43003</b>	MD068173.....	<b>T124</b>	MD319022.....	<b>T42018</b>	06B109119A.....	<b>T306</b>
E5TZ 6268 A.....	<b>T092</b>	F8CZ 6268 AA.....	<b>T294</b>	MD095866.....	<b>T093</b>	MD322641.....	<b>T287</b>	06B109119B.....	<b>T306</b>
E5TZ 6268 B.....	<b>T091</b>	F80112205.....	<b>T077</b>	MD098491.....	<b>T089</b>	MD325854.....	<b>T289</b>	06B109119F.....	<b>T306</b>
E5ZZ 6268 A.....	<b>T014</b>	F80212205.....	<b>T077</b>	MD098492.....	<b>T124</b>	MD326059.....	<b>T167</b>	06141PH9305.....	<b>T070</b>
E7GZ 6268 A.....	<b>T141</b>	F80512700.....	<b>T41035</b>	MD098706.....	<b>T073</b>	MD336149.....	<b>T232</b>	06141679305.....	<b>T274</b>
E7GZ 6268 B.....	<b>T141</b>	F80512700A.....	<b>T41035</b>	MD099706.....	<b>T073</b>	MD340625.....	<b>T289</b>	068109119.....	<b>T043</b>
E7GZ 6268 C.....	<b>T141</b>	F80512700C.....	<b>T41035</b>	MD099707.....	<b>T091</b>	MO4667611.....	<b>T246</b>	068109119A.....	<b>T043</b>
E80112205.....	<b>T077</b>	F9JY 6268 A.....	<b>T179</b>	MD099708.....	<b>T090</b>	OJE2612730A.....	<b>T42006</b>	068109119E.....	<b>T043</b>
E9DZ 6268 A.....	<b>T248</b>	GC01201200.....	<b>T068</b>	MD100103.....	<b>T090</b>	OJE2612740A.....	<b>T42007</b>	068109243F.....	<b>T41080</b>
E9JY 6K 254A.....	<b>T41031</b>	GC01201201.....	<b>T068</b>	MD100619.....	<b>T064</b>	OJE2612750.....	<b>T41036</b>	069109119.....	<b>T083</b>
E9JY 6268 A.....	<b>T179</b>	GTB1208.....	<b>T129</b>	MD100620.....	<b>T013</b>	OK24712700.....	<b>T41032</b>	069130113A.....	<b>T082</b>
E9ZZ 6K 254A.....	<b>T41029</b>	GTB1237.....	<b>T142</b>	MD100632.....	<b>T062</b>	OK90012700.....	<b>T41035</b>	074109119.....	<b>T170</b>
FC01201202.....	<b>T020</b>	HM8268BA.....	<b>T013</b>	MD100679.....	<b>T139</b>	OK93712700A.....	<b>T41031</b>	075RH200.....	<b>T082</b>
FC01201203.....	<b>T020</b>	JE1512730.....	<b>T42011</b>	MD100814.....	<b>T128</b>	OK93712730.....	<b>T42005</b>	075109119B.....	<b>T083</b>
FDU1464.....	<b>T142</b>	JE1512730A.....	<b>T42011</b>	MD102248.....	<b>T093</b>	OK95412730.....	<b>T42004</b>	077109119B.....	<b>T207</b>
FEU1122050.....	<b>T088</b>	JE1512730D.....	<b>T42011</b>	MD102249.....	<b>T158</b>	OK95512730A.....	<b>T42004</b>	077109119C.....	<b>T297</b>
FEY812205.....	<b>T113</b>	JE1512750.....	<b>T41033</b>	MD104578.....	<b>T41048</b>	OK97212205.....	<b>T264</b>	077109119D.....	<b>T207</b>
FEY8122050.....	<b>T113</b>	JE1512750A.....	<b>T41033</b>	MD106103.....	<b>T159</b>	OK97212700.....	<b>T41029</b>	077109119E.....	<b>T207</b>
FEY912205.....	<b>T113</b>	JE2612205.....	<b>T183</b>	MD109958.....	<b>T41056</b>	OK97212700A.....	<b>T41029</b>	078109119A.....	<b>T218</b>
FE0112205.....	<b>T088</b>	JE2612205A.....	<b>T183</b>	MD110029.....	<b>T167</b>	OK97212730.....	<b>T42004</b>	078109119C.....	<b>T297</b>



# Manufacturers' Part Numbers - PowerGrip™ Timing System Products

Mfr. Part No.	PowerGrip No.	Mfr. Part No.	PowerGrip No.	Mfr. Part No.	PowerGrip No.	Mfr. Part No.	PowerGrip No.	Mfr. Part No.	PowerGrip No.
078109119D	T218	1302816A10	T096	1350550011	T41078	1356854051	T084	14400PR4A01M1	T184
078109119G	T297	1302816E00	T104	1350550021	T41078	1356859015	T079	14400PT0004	T187
078109119H	T297	1302816E10	T104	1350550022	T41078	1356859016	T079	14400PV1004	T211
081616	T018	1302816V00	T180	1350562031	T41075	1356859017	T079	14400PY3A010	T193
081619	T069	1302820R00	T078	1350562050	T41075	1356859025	T084	14400PY3004	T193
081629	T189	1302845P00	T251	1350562060	T41075	1356859026	T084	14400POA004	T244
081632	T140	1302851E00	T137	1350563011	T41070	1356859027	T084	14400POGA01	T263
081640	T188	1302851E10	T137	1350563021	T41070	1356859045	T190	14400POGA010M	
088AG19	T070	1302861A00	T077	1350564010	T41077	1356859095	T298	1	T263
09128500	T285	1302885E00	T104	1350564011	T41077	1356862020	T157	14400P08004	T223
10068553	T163	13029AA010	T299	1350564020	T41077	1356862030	T200	14400P13004	T226
101R24	T099	13029AA011	T299	1350564021	T41077	1356862030A	T200	14400P14004	T216
10162006	T192	13029AA040	T151	1350565020	T41073	1356862040	T157	14400P2E004	T224
102500	T078	13029AA070	T299	1350574010	T41067	1356862050	T271	14400P2FA01	T224
108R24	T094	13029AA080	T299	1350574011	T41067	1356863010	T087	14400P28004	T224
125360160	T075	13029AA11	T299	1350587102	T41004	1356863020	T087	14400P5A004	T279
113R190	T065	13069AA034	T41063	1350587702	T41003	1356863022	T087	14400P7J004	T184
11311272384	T106	13069AA035	T41063	1351415010	T070	1356864010	T098	14400P72004	T247
11311286168	T106	13069AA036	T41063	1351487711	T178	1356864011	T098	14400P72014	T247
11311711082	T131	13069AA037	T41063	135148771100	T178	1356865010	T154	14400P8AA01	T286
11311711153	T41083	13069AA063	T41092	1351487711000	T178	1356865010A	T154	14400P8AA02	T286
11311713361	T131	13070AA00	T41062	1356422021	T126	1356865020	T240	14400T6G004	T130
119RH250	T083	13070AA000	T41061	135680A010	T257	1356869025	T200	14400634003	T028
1191303105	T120	13070AA001	T41062	1356803010	T138	1356869035	T157	14400634004	T028
119130310500	T120	13070D0100	T41088	1356803020	T199	1356869045	T087	14400634005	T028
1257223	T083	13070KA020	T41060	1356803021	T199	1356869055	T154	144006340050	T028
1257237	T082	13070V5001	T41059	1356809040	T199	1356869065	T098	144006340051	T028
12612650017	T41015	1307001M00	T41058	1356809041	T199	1356869066	T098	14400634014	T028
12612650044	T129	1307016A00	T41089	1356809050	T257	1356869075	T240	144006340141	T028
1272382	T106	1307016A02	T41089	1356811030	T136	1356869095	T271	14400657004	T036
1272384	T106	1307016A03	T41089	1356811031	T233	1356874010	T138	144006570040	T036
12723842	T106	1307042L00	T41059	1356811032	T233	1356874011	T138	144006570042	T041
1276150G00	T194	13071AA001	T41062	1356811033	T233	1356874012	T199	14400657014	T036
1276153B00	T171	13071AA002	T41062	1356811100	T208	1356874012B	T199	144006570140	T036
1276153B01	T171	13073AA000	T42022	1356811101	T208	1356874013	T199	14400657024	T041
1276160A00	T164	13073AA080	T42023	1356811111	T208	1356874020	T138	144006570240	T041
1276160B10	T166	13073AA081	T42023	1356815010	T070	1356874021	T199	144006570241	T041
1276160E00	T241	13073AA140	T42023	1356815011	T070	1356879025	T199	144006570242	T041
1276163B00	T095	13073AA142	T42023	1356815020	T070	1356879045	T125	1440065704	T036
1276163E00	T243	13077F6200	T42021	1356815030	T070	1356879095	T199	14400673004	T073
1276170C00	T194	13077F6510	T42020	1356815040	T036	1356887101	T181	144006730040	T073
1276171C00	T212	13077F6512	T42021	1356815041	T036	1356887101000	T181	144006730041	T073
1276172F00	T272	1307745V00	T42021	1356815042	T239	1356887102	T181	144006730042	T073
1276173000	T028	13085AA010	T42024	1356815050	T036	1356887102000	T181	14400679003	T274
1276173001	T028	1320811M00	T077	1356816010	T112	1356887103	T182	144006790040	T274
1276178400	T070	1326288	T174	1356816020	T176	1356887103000	T182	144006790041	T274
1276180C00	T243	13404PT0003	T41013	1356816040	T236	1356887104	T182	14400679014X	T274
1276182000	T095	13404PT0004	T41013	1356816041	T236	1356887104000	T182	14401MN5004	T275
1281053B00	T41010	13404P13003	T41022	1356816050	T236	1356887708	T178	14401MN50040	T275
1281053B01	T41010	13405PAAA01	T186	1356816051	T236	1356888360	T125	14450P8AA01	T42038
1281071C00	T41065	13405PAAA02	T186	1356816060	T235	1356888361	T125	14510PC6004	T41012
1281071C01	T41065	13405PAAA03	T186	1356816061	T235	1356888380	T125	14510PE0003	T41017
1281082001	T41064	13405PT0004	T186	1356816070	T235	1356888381	T125	14510PE0005	T41017
1281082002	T41064	13405PT0004	T186	1356816071	T235	1356888382	T125	14510PG6013	T41018
1281082003	T41064	13440P5A004	T280	1356819045	T236	139AG25	T087	14510PH1003	T41012
1281086500	T41009	1350311010	T42028	1356819046	T236	14001168	T061	14510PH1004	T41012
1281086501	T41009	1350311011	T42028	1356819055	T235	14400MG9000	T070	14510PH3003	T41019
1286168	T106	1350311020	T42028	1356819056	T235	14400MG90000	T070	14510PH7003	T41015
12861684	T106	1350311030	T42029	1356819085	T233	14400PAAA01	T244	14510PH7004	T41015
130RG25	T084	1350311040	T42029	1356819086	T233	14400PAAA02	T244	14510PK1014	T41019
13028AA010	T300	1350350010	T42031	1356819115	T208	14400PC6004	T160	14510PM3003	T41011
13028AA040	T150	1350350011	T42031	1356819116	T208	14400PC60040	T094	14510PM7003	T41011
13028AA072	T277	1350354010	T42026	1356819125	T070	14400PC60042	T160	14510PM7004	T41011
13028AA101	T172	1350354020	T42026	1356819135	T239	14400PD2004	T160	14510PR3003	T41016
13028AA102	T172	1350362010	T42030	1356819145	T112	14400PD6004	T160	14510PR3004	T41016
13028AA120	T209	1350362030	T42030	1356820010	T257	14400PE0004	T099	14510PT0003	T41014
13028AA150	T254	1350363010	T42025	1356820020	T257	14400PE00040	T099	14510PT0004	T41014
13028AA170	T300	1350363011	T42025	1356829015	T257	14400PE3004	T099	14510PV0003	T41020
13028AA181	T304	1350363020	T42025	1356829025	T257	14400PE30040	T161	14510PY3003	T41021
13028AA21A	T307	1350363021	T42025	1356842010	T126	14400PG6004	T130	14510PY3004	T41021
13028D0100	T100	1350364010	T42027	1356842011	T237	14400PG60040	T130	14510P08003	T41023
13028D1700	T078	1350364020	T42027	1356842012	T126	14400PG6014	T130	14510P08004	T41023
13028D4200	T137	1350365010	T42037	1356842020	T126	14400PG6040	T130	14510P13003	T41024
13028D4210	T137	1350388360	T42025	1356842021	T237	14400PH7004	T129	14510P30003	T41016
13028D4211	T137	1350388380	T42025	1356843010	T074	14400PH70040	T129	14510P8AA01	T41090
13028KA021	T135	1350501010	T41066	1356843020	T074	14400PH7014	T129	1649R190	T020
13028V4000	T017	1350502020	T41074	1356843030	T101	14400PH70140	T129	1649170	T067
13028V4310	T093	1350511010	T41076	1356843040	T101	14400PH90040	T070	1649171	T067
13028V5100	T104	1350511011	T41076	1356846020	T215	14400PH90040P	T070	1680616A00	T097
13028V5200	T104	1350511020	T41076	1356849015	T237	14400PK1004	T144	1680616A10	T097
13028V5201	T104	1350511040	T41071	1356849035	T215	14400PK10040	T144	1711082	T131
13028V5210	T104	1350511050	T41071	1356849036	T215	14400PK2004	T142	1713361	T131
13028V5220	T104	1350515031	T41066	1356849046	T074	14400PK20040	T142	177RG25	T098
13028V5221	T104	1350515040	T41066	1356849055	T101	14400PK3004	T142	2335238010	T314
130280B700	T249	1350515041	T41066	1356850010	T190	14400PLM004	T312	2335632010	T159
130280B785	T249	1350515050	T41072	1356850020	T298	14400PMMMA01	T312	2335632020	T159
1302810M00	T077	1350516020	T41074	1356854010	T079	14400PM3004	T143	2335632030	T159
1302811M00	T077	1350516021	T41074	1356854020	T079	14400PM30040	T143	2335633110	T168
1302811M10	T077	1350520010	T41075	1356854030	T079	14400PM6004	T145	2335633120	T168
1302812C00	T100	1350520020	T41075	1356854031	T079	14400PM70040	T142	2335633130	T168
1302812G00	T104	1350543010	T41069	1356854038	T079	14400PR3004	T227	2335633140	T168
1302816A01	T096	1350550010	T41078	1356854050	T084	14400PR4A01	T184	2335633150	T168

# Manufacturers' Part Numbers - PowerGrip™ Timing System Products

Mfr. Part No.	PowerGrip No.	Mfr. Part No.	PowerGrip No.	Mfr. Part No.	PowerGrip No.	Mfr. Part No.	PowerGrip No.	Mfr. Part No.	PowerGrip No.
2335633160.....	<b>T168</b>	248102X700.....	<b>T42005</b>	4573944.....	<b>T219</b>	8941583270.....	<b>T121</b>	9180954.....	<b>T252</b>
2335638000.....	<b>T314</b>	2481023011.....	<b>T42015</b>	460165.....	<b>T039</b>	8941606560.....	<b>T122</b>	92029834.....	<b>T075</b>
2335638010.....	<b>T314</b>	2481023500.....	<b>T42015</b>	4621348.....	<b>T285</b>	8941743060.....	<b>T147</b>	92063917.....	<b>T309</b>
2335638020.....	<b>T314</b>	2481026020.....	<b>T42016</b>	4621844.....	<b>T265</b>	894200372A.....	<b>T122</b>	928M 6K254 AC.....	<b>T41008</b>
2335732000.....	<b>T41053</b>	2481033021.....	<b>T42017</b>	46337.....	<b>T032</b>	8942151970.....	<b>T41025</b>	928M 6M250 BC.....	<b>T42036</b>
2335732010.....	<b>T41053</b>	2481035530.....	<b>T42014</b>	463377.....	<b>T032</b>	8942151971.....	<b>T41025</b>	928M 6M250 DC.....	<b>T42032</b>
2335732020.....	<b>T41053</b>	2481037100.....	<b>T42014</b>	4633772.....	<b>T032</b>	8942152540.....	<b>T121</b>	928M 6268 AB.....	<b>T258</b>
2335733120.....	<b>T41047</b>	271705.....	<b>T217</b>	463633.....	<b>T41081</b>	8942187820.....	<b>T088</b>	92810515710.....	<b>T196</b>
2335742000.....	<b>T41050</b>	2717056.....	<b>T217</b>	4636338.....	<b>T41081</b>	894220372A.....	<b>T122</b>	92810515730.....	<b>T196</b>
2335742010.....	<b>T41050</b>	271714.....	<b>T198</b>	4663515.....	<b>T41002</b>	8942209220.....	<b>T076</b>	92810515740.....	<b>T196</b>
2413232010.....	<b>T089</b>	2717148.....	<b>T198</b>	4663598.....	<b>T255</b>	8942220922.....	<b>T076</b>	92810515750.....	<b>T196</b>
2431032010.....	<b>T41044</b>	271720.....	<b>T173</b>	4667530.....	<b>T206</b>	8942353620.....	<b>T088</b>	93202400.....	<b>T43002</b>
2431221040.....	<b>T073</b>	271747.....	<b>T234</b>	4667606.....	<b>T245</b>	8942372420.....	<b>T121</b>	94029834.....	<b>T075</b>
2431222010.....	<b>T191</b>	2717478.....	<b>T234</b>	4667611.....	<b>T246</b>	894337708.....	<b>T177</b>	94109626.....	<b>T118</b>
2431222611.....	<b>T324</b>	271834.....	<b>T252</b>	4667625.....	<b>T265</b>	8943377080.....	<b>T177</b>	94158327.....	<b>T121</b>
2431222612.....	<b>T324</b>	2718344.....	<b>T252</b>	4770491.....	<b>T285</b>	8943624350.....	<b>T41027</b>	94160656.....	<b>T122</b>
2431223001.....	<b>T278</b>	271835.....	<b>T252</b>	477393.....	<b>T41002</b>	8943648160.....	<b>T41028</b>	94215197.....	<b>T41025</b>
2431223201.....	<b>T284</b>	2718351.....	<b>T269</b>	4792353.....	<b>T295</b>	8943648161.....	<b>T41028</b>	94215254.....	<b>T121</b>
2431223202.....	<b>T284</b>	271856.....	<b>T252</b>	484981001.....	<b>T028</b>	8943864881.....	<b>T42002</b>	94220922.....	<b>T076</b>
2431223400.....	<b>T284</b>	2718567.....	<b>T252</b>	4884320AA.....	<b>T43001</b>	8943864882.....	<b>T42002</b>	94337708.....	<b>T177</b>
2431224000.....	<b>T128</b>	2718765.....	<b>T270</b>	5010371AA.....	<b>T43005</b>	8943864883.....	<b>T42002</b>	94386497.....	<b>T220</b>
2431224010.....	<b>T128</b>	271952.....	<b>T217</b>	512430160.....	<b>T075</b>	8943864970.....	<b>T220</b>	9440383.....	<b>T311</b>
2431224050.....	<b>T128</b>	2719524.....	<b>T217</b>	512536016.....	<b>T075</b>	8944161450.....	<b>T088</b>	94410221902.....	<b>T293</b>
2431226000.....	<b>T282</b>	272327.....	<b>T252</b>	5125360160.....	<b>T075</b>	8944233311.....	<b>T42001</b>	94410221904.....	<b>T293</b>
2431226001.....	<b>T282</b>	272329.....	<b>T311</b>	5203401.....	<b>T071</b>	8944294860.....	<b>T169</b>	94410513703.....	<b>T107</b>
2431232610.....	<b>T124</b>	2723294.....	<b>T311</b>	52267904.....	<b>T163</b>	8944520940.....	<b>T162</b>	94410515703.....	<b>T107</b>
2431232620.....	<b>T124</b>	272386.....	<b>T270</b>	52289664.....	<b>T163</b>	8944723490.....	<b>T41026</b>	94410515704.....	<b>T107</b>
2431232820.....	<b>T089</b>	274184.....	<b>T319</b>	524034.....	<b>T017</b>	8944723491.....	<b>T41026</b>	94410515706.....	<b>T152</b>
2431233010.....	<b>T165</b>	2900009150.....	<b>T305</b>	5240346.....	<b>T017</b>	8944795230.....	<b>T162</b>	94410532300.....	<b>T152</b>
2431233020.....	<b>T165</b>	3250141.....	<b>T017</b>	5862021480.....	<b>T186</b>	8970163260.....	<b>T221</b>	94410532301.....	<b>T152</b>
2431233030.....	<b>T165</b>	3342103.....	<b>T119</b>	5862021620.....	<b>T187</b>	8970270620.....	<b>T205</b>	94410532302.....	<b>T152</b>
2431233040.....	<b>T165</b>	3507227.....	<b>T083</b>	5862059260.....	<b>T186</b>	8970417840.....	<b>T122</b>	94429486.....	<b>T169</b>
2431233050.....	<b>T165</b>	3507651.....	<b>T217</b>	5862059340.....	<b>T244</b>	8970422680.....	<b>T147</b>	94452094.....	<b>T118</b>
2431233060.....	<b>T165</b>	3507704.....	<b>T234</b>	5985163.....	<b>T087</b>	8971160020.....	<b>T41028</b>	94479523.....	<b>T162</b>
2431233110.....	<b>T167</b>	3514323.....	<b>T173</b>	60507464.....	<b>T120</b>	8971363210.....	<b>T303</b>	94840054.....	<b>T070</b>
2431233120.....	<b>T167</b>	3531358.....	<b>T198</b>	60562106.....	<b>T120</b>	90122429.....	<b>T081</b>	94844702.....	<b>T112</b>
2431233130.....	<b>T167</b>	3547459.....	<b>T174</b>	636350.....	<b>T081</b>	90231883.....	<b>T148</b>	94846144.....	<b>T036</b>
2431233140.....	<b>T167</b>	35474592.....	<b>T174</b>	636359.....	<b>T081</b>	90234902.....	<b>T081</b>	94847323.....	<b>T41066</b>
2431233150.....	<b>T167</b>	360525.....	<b>T037</b>	636363.....	<b>T081</b>	90324698.....	<b>T148</b>	94848472.....	<b>T176</b>
2431233160.....	<b>T167</b>	376388.....	<b>T037</b>	636365.....	<b>T148</b>	90324699.....	<b>T148</b>	94849175.....	<b>T036</b>
2431233500.....	<b>T139</b>	376401.....	<b>T037</b>	636368.....	<b>T148</b>	90325576.....	<b>T081</b>	94849597.....	<b>T036</b>
2431235010.....	<b>T139</b>	414701001.....	<b>T028</b>	636370.....	<b>T081</b>	90325578.....	<b>T081</b>	94854403.....	<b>T236</b>
2431235040.....	<b>T139</b>	414705601.....	<b>T079</b>	636560.....	<b>T081</b>	90353179.....	<b>T203</b>	94854404.....	<b>T235</b>
2431237100.....	<b>T315</b>	4164869.....	<b>T020</b>	636562.....	<b>T148</b>	90353211.....	<b>T081</b>	94856081.....	<b>T236</b>
2431237500.....	<b>T315</b>	4176840.....	<b>T018</b>	636565.....	<b>T081</b>	90354783.....	<b>T148</b>	94856082.....	<b>T235</b>
2431238210.....	<b>T313</b>	4182426.....	<b>T020</b>	6842469.....	<b>T198</b>	90409900.....	<b>T081</b>	95ZA19.....	<b>T100</b>
2431238220.....	<b>T313</b>	4201379.....	<b>T068</b>	70HM 6268 AB.....	<b>T013</b>	90410014.....	<b>T081</b>	95951646.....	<b>T095</b>
2431239400.....	<b>T322</b>	4201738.....	<b>T068</b>	70HM 6268 BA.....	<b>T013</b>	90410223.....	<b>T203</b>	96051646.....	<b>T095</b>
2431239800.....	<b>T323</b>	4201739.....	<b>T068</b>	7533266.....	<b>T013</b>	90410768.....	<b>T285</b>	96057945.....	<b>T164</b>
24410-38001.....	<b>T41087</b>	4242396.....	<b>T069</b>	7533267.....	<b>T013</b>	90410771.....	<b>T285</b>	96060050.....	<b>T166</b>
2441021010.....	<b>T41042</b>	4300516.....	<b>T122</b>	7700618657.....	<b>T018</b>	90500360.....	<b>T285</b>	96065049.....	<b>T41009</b>
2441022000.....	<b>T41037</b>	4302971.....	<b>T122</b>	7700663550.....	<b>T018</b>	90530599.....	<b>T285</b>	96067809.....	<b>T095</b>
2441022020.....	<b>T41037</b>	4304099.....	<b>T075</b>	7700666593.....	<b>T069</b>	91112009.....	<b>T070</b>	96068423.....	<b>T241</b>
2441023011.....	<b>T41041</b>	4315705.....	<b>T41001</b>	7700717284.....	<b>T140</b>	91171175.....	<b>T272</b>	96068424.....	<b>T243</b>
2441023500.....	<b>T41041</b>	4343824.....	<b>T114</b>	7700718725.....	<b>T140</b>	91172367.....	<b>T194</b>	96068591.....	<b>T212</b>
2441026000.....	<b>T41037</b>	4343946.....	<b>T071</b>	7700718726.....	<b>T140</b>	91172368.....	<b>T41010</b>	96144976.....	<b>T148</b>
2441032000.....	<b>T41044</b>	43439469.....	<b>T071</b>	7700718752.....	<b>T119</b>	91173157.....	<b>T194</b>	96183352.....	<b>T310</b>
2441032010.....	<b>T41044</b>	4387534.....	<b>T132</b>	7700718836.....	<b>T140</b>	912761.....	<b>T014</b>	96414718702.....	<b>T222</b>
2441032553.....	<b>T41046</b>	4387549.....	<b>T153</b>	7700729581.....	<b>T140</b>	9128500.....	<b>T285</b>	97016326.....	<b>T221</b>
2441035010.....	<b>T41048</b>	4401261.....	<b>T069</b>	7700853660.....	<b>T140</b>	9128722.....	<b>T305</b>	97027062.....	<b>T205</b>
2441035020.....	<b>T41048</b>	4401269.....	<b>T069</b>	7701348801.....	<b>T018</b>	9135031.....	<b>T252</b>	97041784.....	<b>T122</b>
2441039001.....	<b>T41040</b>	4406634.....	<b>T032</b>	8091287220.....	<b>T305</b>	9135450.....	<b>T173</b>	97042268.....	<b>T147</b>
2445033010.....	<b>T41046</b>	4420507.....	<b>T018</b>	82317934.....	<b>T065</b>	9135733.....	<b>T252</b>	978M 6M250 AA.....	<b>T42035</b>
2445037100.....	<b>T41040</b>	4484494.....	<b>T206</b>	85867058.....	<b>T096</b>	9151772280.....	<b>T189</b>	978M 6M250 BA.....	<b>T42036</b>
2445038010.....	<b>T41087</b>	4504163.....	<b>T285</b>	8920639440.....	<b>T305</b>	91540557.....	<b>T188</b>	978M 6268 AA.....	<b>T294</b>
24502982.....	<b>T192</b>	4573347.....	<b>T41084</b>	894109626.....	<b>T162</b>	9154055780.....	<b>T188</b>	99314718701.....	<b>T290</b>
24503363.....	<b>T273</b>	4573348.....	<b>T41084</b>	8941096260.....	<b>T118</b>	91541318.....	<b>T188</b>	99919213150.....	<b>T213</b>

# Numerical Listing

## PowerGrip™ Timing System Products

### KS10634

Acura; 1999-1994; Integra; 1.8; Cam Seal; W/O VTEC; 2 Reqd  
 Acura; 1993-1990; Integra; 1.8; Cam Seal; 2 Reqd  
 Acura; 1989-1987; Integra; 1.6; Cam Seal; 2 Reqd  
 Honda; 1999-1997; CR-V; 2.0; Cam Seal  
 Honda; 1991; Prelude; 2.0; Cam Seal; 2 Reqd  
 Honda; 1991-1990; Prelude; 2.1; Cam Seal; 2 Reqd  
 Honda; 1990-1988; Prelude; 2.0; Cam Seal; W/DOHC; 2 Reqd

### KS10922

Acura; 1999-1998; CL; 2.3; Cam Seal  
 Acura; 1997; CL; 2.2; Cam Seal  
 Honda; 1999-1998; Accord; 2.3; Cam Seal  
 Honda; 1997-1990; Accord; 2.2; Cam Seal  
 Honda; 1997-1995; Odyssey; 2.2; Cam Seal  
 Honda; 1996-1993; Prelude; 2.2; Cam Seal; W/SOHC  
 Honda; 1992; Prelude; 2.2; Cam Seal

### KS11122

Chry.; 1997-1993; Concorde; 3.5; Crankshaft Seal  
 Chry.; 1997-1993; Intrepid; 3.5 (Canada); Crankshaft Seal  
 Chry.; 1997-1994; LHS; 3.5; Crankshaft Seal  
 Chry.; 1996-1994; New Yorker; 3.5; Crankshaft Seal  
 Chry.; 1994-1989; Lebaron; 2.5; Crankshaft Seal  
 Chry.; 1993-1989; Daytona; 2.5 (Canada); Crankshaft Seal  
 Chry.; 1992-1989; Dynasty; 2.5 (Canada); Crankshaft Seal  
 Chry.; 1990-1989; Daytona; 2.2 (Canada); Crankshaft Seal  
 Chry.; 1990-1989; Lebaron; 2.2; Crankshaft Seal  
 Dodge; 1997-1993; Intrepid; 3.5; Crankshaft Seal  
 Dodge; 1995-1989; Caravan; 2.5; Crankshaft Seal  
 Dodge; 1995-1989; Dakota; 2.5; Crankshaft Seal  
 Dodge; 1995-1989; Spirit; 2.5; Crankshaft Seal  
 Dodge; 1994-1989; Shadow; 2.2; Crankshaft Seal  
 Dodge; 1994-1989; Shadow; 2.5; Crankshaft Seal  
 Dodge; 1994-1993; Spirit; 2.5 Flex; Crankshaft Seal  
 Dodge; 1993-1992; Daytona; 2.2; Crankshaft Seal  
 Dodge; 1993-1989; Daytona; 2.5; Crankshaft Seal  
 Dodge; 1993-1989; Dynasty; 2.5; Crankshaft Seal  
 Dodge; 1990-1989; Daytona; 2.2; Crankshaft Seal  
 Dodge; 1990-1989; Omni; 2.2; Crankshaft Seal  
 Dodge; 1989; Aries America; 2.2; Crankshaft Seal  
 Dodge; 1989; Aries America; 2.5; Crankshaft Seal  
 Dodge; 1989; Expo; 2.2 (Canada); Crankshaft Seal  
 Dodge; 1989; Grand Caravan; 2.5; Crankshaft Seal  
 Dodge; 1989; Lancer; 2.2; Crankshaft Seal  
 Dodge; 1989; Lancer; 2.5; Crankshaft Seal  
 Eagle; 1997-1993; Vision; 3.5; Crankshaft Seal  
 Ply.; 1995-1989; Acclaim; 2.5; Crankshaft Seal  
 Ply.; 1995-1989; Voyager; 2.5; Crankshaft Seal  
 Ply.; 1994; Acclaim; 2.5 Flex; Crankshaft Seal  
 Ply.; 1994-1989; Sundance; 2.5; Crankshaft Seal  
 Ply.; 1993; Sundance; 2.2; Crankshaft Seal  
 Ply.; 1990-1989; Horizon; 2.2; Crankshaft Seal  
 Ply.; 1990-1989; Sundance; 2.2; Crankshaft Seal  
 Ply.; 1989; Expo; 2.2 (Canada); Crankshaft Seal  
 Ply.; 1989; Grand Voyager; 2.5; Crankshaft Seal  
 Ply.; 1989; Reliant; 2.2; Crankshaft Seal  
 Ply.; 1989; Reliant; 2.5; Crankshaft Seal

### KS11152

Chry.; 1997-1993; Concorde; 3.5; Cam Seal; 2 Reqd  
 Chry.; 1997-1993; Intrepid; 3.5 (Canada); Cam Seal; 2 Reqd  
 Chry.; 1997-1994; LHS; 3.5; Cam Seal; 2 Reqd  
 Chry.; 1994; New Yorker; 3.5; Cam Seal; 2 Reqd  
 Dodge; 1997-1993; Intrepid; 3.5; Cam Seal; 2 Reqd  
 Eagle; 1997-1993; Vision; 3.5; Cam Seal; 2 Reqd

### KS11417

Chry.; 2002; Concorde; 3.5; Crankshaft Seal  
 Chry.; 2002-2000; Intrepid; 3.5 (Canada); Crankshaft Seal  
 Chry.; 2002-1999; 300M; 3.5; Crankshaft Seal  
 Chry.; 2001-1999; LHS; 3.5; Crankshaft Seal  
 Chry.; 2000-1998; Concorde; 3.2; Crankshaft Seal  
 Chry.; 2000-1998; Intrepid; 3.2 (Canada); Crankshaft Seal  
 Dodge; 2002-2000; Intrepid; 3.5; Crankshaft Seal  
 Dodge; 2000-1998; Intrepid; 3.2; Crankshaft Seal

### KS11429

Honda; 2000-1999; Civic; 1.6; Cam Seal; W/SOHC  
 Honda; 2000-1999; Civic; 1.6 CNG; Cam Seal; W/SOHC  
 Honda; 1998-1988; Civic; 1.6; Cam Seal

### KS11429 - Continued

Honda; 1998; Civic; 1.6 CNG; Cam Seal  
 Honda; 1996-1994; Civic Del Sol; 1.6; Cam Seal; W/SOHC  
 Honda; 1995; Civic; 1.5; Cam Seal; CX, DX, LX, S  
 Honda; 1994-1992; Civic; 1.5; Cam Seal; Exc VX  
 Honda; 1994-1993; Civic Del Sol; 1.5; Cam Seal; Exc VX  
 Honda; 1993; Civic Del Sol; 1.6; Cam Seal  
 Honda; 1991-1988; Civic; 1.5; Cam Seal  
 Honda; 1991-1988; CRX; 1.5; Cam Seal  
 Honda; 1991-1988; CRX; 1.6; Cam Seal  
 Honda; 1989-1986; Accord; 2.0; Cam Seal  
 Honda; 1987-1986; Civic; 1.5; Cam Seal; W/FI  
 Honda; 1987-1985; Prelude; 2.0; Cam Seal

### KS11592

Acura; 1997-1996; SLX; 3.2; Cam Seal; 2 Reqd  
 Honda; 1997-1994; Passport; 3.2; Cam Seal; 2 Reqd  
 Honda; 1996-1994; Passport; 2.6; Cam Seal  
 Honda; 1987-1986; Civic; 1.3; Cam Seal  
 Honda; 1987-1986; Civic; 1.5; Cam Seal; W/Carb.  
 Honda; 1987-1983; Prelude; 1.8; Cam Seal  
 Honda; 1985-1984; Accord; 1.6 (Canada); Cam Seal  
 Honda; 1985-1984; Accord; 1.8; Cam Seal  
 Isuzu; 1999-1998; Oasis; 2.3; Cam Seal  
 Isuzu; 1997-1991; Rodeo; 2.6; Cam Seal  
 Isuzu; 1997-1993; Rodeo; 3.2; Cam Seal; 2 Reqd  
 Isuzu; 1997-1995; Trooper; 3.2; Cam Seal; 2 Reqd  
 Isuzu; 1995-1986; Pickup; 2.3; Cam Seal  
 Isuzu; 1995-1988; Pickup; 2.6; Cam Seal  
 Isuzu; 1994-1989; Amigo; 2.6; Cam Seal  
 Isuzu; 1994-1992; Trooper; 3.2; Cam Seal; W/SOHC; 2 Reqd  
 Isuzu; 1993-1989; Amigo; 2.3; Cam Seal  
 Isuzu; 1991-1990; Trooper; 2.6; Cam Seal  
 Isuzu; 1989-1988; Impulse; 2.3; Cam Seal  
 Isuzu; 1989-1988; Trooper II; 2.6; Cam Seal  
 Isuzu; 1987-1986; Trooper II; 2.3; Cam Seal

### KS11608

Mits.; 1999-1997; 3000GT; 3.0; Cam Seal; W/DOHC; 4 Reqd  
 Mits.; 1996-1992; Diamante; 3.0; Cam Seal; W/DOHC; 4 Reqd  
 Mits.; 1996-1991; 3000GT; 3.0; Cam Seal; 4 Reqd

### KS11612

Ford; 1997-1994; Aspire; 1.3; Cam Seal  
 Ford; 1993-1988; Festiva; 1.3; Cam Seal  
 Ford; 1989-1988; Festiva; 1.3; Crankshaft Seal  
 Kia; 1997-1995; Sephia; 1.6; Cam Seal; W/SOHC  
 Kia; 1994; Sephia; 1.6; Cam Seal  
 Mazda; 2000-1995; Millenia; 2.5; Cam Seal; 2 Reqd  
 Mazda; 2000-1993; 626; 2.5; Cam Seal; 2 Reqd  
 Mazda; 1997-1993; MX-6; 2.5; Cam Seal; 2 Reqd  
 Mazda; 1995; MX-3; 1.8 (Canada); Cam Seal; 2 Reqd  
 Mazda; 1994-1992; MX-3; 1.8; Cam Seal; 2 Reqd  
 Mazda; 1994-1990; Protege; 1.8; Cam Seal; W/SOHC  
 Mazda; 1994-1991; 323; 1.6; Cam Seal  
 Mazda; 1991-1990; 323; 1.8 (Canada); Cam Seal  
 Mazda; 1990; 323; 1.6; Cam Seal; 2 Reqd  
 Mazda; 1989; 323; 1.6; Cam Seal; W/SOHC  
 Merc.; 1990; Tracer; 1.6 (Canada); Cam Seal  
 Merc.; 1990; Tracer; 1.6 (Canada); Crankshaft Seal  
 Merc.; 1989-1988; Tracer; 1.6; Cam Seal  
 Merc.; 1989-1988; Tracer; 1.6; Crankshaft Seal

### KS11671

Eagle; 1995-1989; Summit; 1.5; Crankshaft Seal  
 Eagle; 1992; Vista; 1.5 (Canada); Crankshaft Seal  
 Eagle; 1991-1989; Vista; 2.0 (Canada); Crankshaft Seal  
 Eagle; 1990-1989; Vista; 1.5 (Canada); Crankshaft Seal  
 Hyundai; 1994-1990; Excel; 1.5; Crankshaft Seal  
 Hyundai; 1993-1991; Scoupe; 1.5; Crankshaft Seal  
 Mits.; 1993-1987; Mirage; 1.5; Crankshaft Seal  
 Mits.; 1993-1990; Precis; 1.5; Crankshaft Seal

### KS12301

Acura; 1989-1986; Integra; 1.6; Crankshaft Seal  
 Honda; 2000-1999; Civic; 1.6; Crankshaft Seal; W/SOHC  
 Honda; 2000-1999; Civic; 1.6 CNG; Crankshaft Seal; W/SOHC  
 Honda; 1998-1988; Civic; 1.6; Crankshaft Seal  
 Honda; 1998; Civic; 1.6 CNG; Crankshaft Seal  
 Honda; 1996-1994; Civic Del Sol; 1.6; Crankshaft Seal; W/SOHC  
 Honda; 1995; Civic; 1.5; Crankshaft Seal; CX, DX, LX, S

☆ Interference engine application. See inside back cover for additional information.

# Numerical Listing - PowerGrip™ Timing System Products

## KS12301 - Continued

Honda; 1994-1992; Civic; 1.5; Crankshaft Seal; Exc VX  
Honda; 1994-1993; Civic Del Sol; 1.5; Crankshaft Seal; Exc VX  
Honda; 1993; Civic Del Sol; 1.6; Crankshaft Seal  
Honda; 1991-1986; Civic; 1.5; Crankshaft Seal  
Honda; 1991-1988; CRX; 1.5; Crankshaft Seal  
Honda; 1991-1988; CRX; 1.6; Crankshaft Seal  
Honda; 1987-1986; Civic; 1.3; Crankshaft Seal  
Honda; 1985-1984; Accord; 1.6 (Canada); Crankshaft Seal

## KS12711

Chry.; 1997-1995; Sebring; 2.0; Crankshaft Seal  
Dodge; 1999-1995; Stratus; 2.0; Crankshaft Seal  
Dodge; 1997-1995; Avenger; 2.0; Crankshaft Seal  
Dodge; 1997-1995; Neon; 2.0; Crankshaft Seal; W/DOHC  
Dodge; 1997-1995; Neon; 2.0; Crankshaft Seal; W/SOHC  
Eagle; 1998-1995; Talon; 2.0; Crankshaft Seal; W/O Turbo  
Ply.; 1999-1996; Breeze; 2.0; Crankshaft Seal  
Subaru; 1998; Forester; 2.5; Cam Seal; 4 Reqd  
Subaru; 1998-1995; Impreza; 2.2; Cam Seal  
Subaru; 1998; Impreza; 2.5; Cam Seal; 4 Reqd  
Subaru; 1998-1990; Legacy; 2.2; Cam Seal  
Subaru; 1998-1996; Legacy; 2.5; Cam Seal; 4 Reqd  
Subaru; 1997-1993; Impreza; 1.8; Cam Seal

## KS12718

Chev.; 1988; Nova; 1.6; Crankshaft Seal; W/SOHC  
Chev.; 1987-1985; Nova; 1.6; Crankshaft Seal  
Ford; 1980; Pinto; 2.3; Crankshaft Seal  
Ford; 1979-1974; Pinto; 140 CID; Crankshaft Seal  
Geo; 1997-1993; Prizm; 1.6; Crankshaft Seal  
Geo; 1997-1993; Prizm; 1.8; Crankshaft Seal  
Toy.; 1994-1988; Tercel; 1.5; Crankshaft Seal; Exc Wagon  
Toy.; 1986-1983; Tercel; 1.5; Crankshaft Seal  
Toy.; 1986-1984; Tercel; 1.5 (Canada); Crankshaft Seal

## KS12724

Audi; 1990-1988; 80; 2.0; Cam Seal  
Audi; 1988; 90; 2.0; Cam Seal  
Chev.; 2002-2001; Tracker; 1.6 (Canada); Cam Seal  
Chev.; 2002-2001; Tracker; 1.6 (Canada); Crankshaft Seal  
Chev.; 2000-1998; Metro; 1.0; Cam Seal  
Chev.; 2000-1998; Metro; 1.0; Crankshaft Seal  
Chev.; 2000-1998; Tracker; 1.6; Cam Seal  
Chev.; 2000-1998; Tracker; 1.6; Crankshaft Seal  
Chev.; 1992-1989; Tracker; 1.6 (Canada); Cam Seal  
Chev.; 1992-1989; Tracker; 1.6 (Canada); Crankshaft Seal  
Geo; 1997-1996; Metro; 1.0; Cam Seal  
Geo; 1997-1996; Metro; 1.0; Crankshaft Seal  
Geo; 1997-1995; Metro; 1.3; Cam Seal  
Geo; 1997-1995; Metro; 1.3; Crankshaft Seal  
Geo; 1997-1994; Tracker; 1.6; Cam Seal  
Geo; 1997-1994; Tracker; 1.6; Crankshaft Seal  
Geo; 1993-1989; Tracker; 1.6; Cam Seal; W/8-V Eng  
Geo; 1993-1989; Tracker; 1.6; Crankshaft Seal; W/8-V Eng  
Geo; 1992-1990; Prizm; 1.6; Crankshaft Seal; Exc GSI  
Pont.; 2000-1996; Firefly; 1.0 (Canada); Cam Seal  
Pont.; 2000-1996; Firefly; 1.0 (Canada); Crankshaft Seal  
Suzuki; 2002; Vitara; 1.6 (Canada); Cam Seal  
Suzuki; 2002; Vitara; 1.6 (Canada); Crankshaft Seal  
Suzuki; 2001; Esteem; 1.6 (Canada); Cam Seal  
Suzuki; 2001; Esteem; 1.6 (Canada); Crankshaft Seal  
Suzuki; 2001-1999; Vitara; 1.6; Cam Seal  
Suzuki; 2001-1999; Vitara; 1.6; Crankshaft Seal  
Suzuki; 2000-1995; Esteem; 1.6; Cam Seal  
Suzuki; 2000-1995; Esteem; 1.6; Crankshaft Seal  
Suzuki; 1998-1992; Sidekick; 1.6; Cam Seal  
Suzuki; 1998-1992; Sidekick; 1.6; Crankshaft Seal  
Suzuki; 1998-1996; X-90; 1.6; Cam Seal  
Suzuki; 1998-1996; X-90; 1.6; Crankshaft Seal  
Suzuki; 1997-1995; Swift; 1.3; Cam Seal  
Suzuki; 1997-1995; Swift; 1.3; Crankshaft Seal  
Suzuki; 1994; Samurai; 1.3; Cam Seal; VIN JS4JC31C R4100375 & Before  
Suzuki; 1994; Samurai; 1.3; Crankshaft Seal; VIN JS4JC31C R4100375 & Before  
Suzuki; 1993-1986; Samurai; 1.3; Cam Seal  
Suzuki; 1993-1986; Samurai; 1.3; Crankshaft Seal  
Suzuki; 1993-1989; Swift; 1.3; Cam Seal; W/SOHC  
Suzuki; 1993-1989; Swift; 1.3; Crankshaft Seal; W/SOHC  
Suzuki; 1991-1989; Sidekick; 1.6; Cam Seal; W/8-V Eng  
Suzuki; 1991-1989; Sidekick; 1.6; Crankshaft Seal; W/8-V Eng  
Suzuki; 1989; Sidekick; 1.3; Cam Seal  
Suzuki; 1989; Sidekick; 1.3; Crankshaft Seal  
VW; 2000-1998; Beetle; 2.0; Cam Seal  
VW; 2000-1998; Beetle; 2.0; Crankshaft Seal  
VW; 2000-1995; Cabrio; 2.0; Cam Seal  
VW; 2000-1995; Cabrio; 2.0; Crankshaft Seal  
VW; 2000-1993; Golf; 2.0; Cam Seal

## KS12724 - Continued

VW; 2000-1993; Golf; 2.0; Crankshaft Seal  
VW; 2000-1996; GTI; 2.0; Cam Seal  
VW; 2000-1996; GTI; 2.0; Crankshaft Seal  
VW; 2000-1993; Jetta; 2.0; Cam Seal  
VW; 2000-1993; Jetta; 2.0; Crankshaft Seal  
VW; 1996-1995; Passat; 2.0; Cam Seal  
VW; 1996-1995; Passat; 2.0; Crankshaft Seal  
VW; 1995; Cabrio; 2.0 (Canada); Cam Seal  
VW; 1995; Cabrio; 2.0 (Canada); Crankshaft Seal  
VW; 1995-1993; Golf; 1.8 (Canada); Cam Seal  
VW; 1995-1993; Golf; 1.8 (Canada); Crankshaft Seal  
VW; 1995; Golf; 2.0 (Canada); Cam Seal  
VW; 1995; Golf; 2.0 (Canada); Crankshaft Seal  
VW; 1995; GTI; 2.0 (Canada); Cam Seal  
VW; 1995; GTI; 2.0 (Canada); Crankshaft Seal  
VW; 1995-1993; Jetta; 1.8 (Canada); Cam Seal  
VW; 1995-1993; Jetta; 1.8 (Canada); Crankshaft Seal  
VW; 1994-1992; Passat; 1.8 (Canada); Cam Seal  
VW; 1994-1992; Passat; 1.8 (Canada); Crankshaft Seal  
VW; 1994; Passat; 2.0 (Canada); Cam Seal  
VW; 1994; Passat; 2.0 (Canada); Crankshaft Seal  
VW; 1993-1989; Cabriolet; 1.8; Cam Seal  
VW; 1993-1989; Cabriolet; 1.8; Crankshaft Seal  
VW; 1993-1987; Fox; 1.8; Cam Seal  
VW; 1993-1987; Fox; 1.8; Crankshaft Seal  
VW; 1993; GTI; 2.0 (Canada); Cam Seal  
VW; 1993; GTI; 2.0 (Canada); Crankshaft Seal  
VW; 1993; Passat; 2.0; Cam Seal  
VW; 1993; Passat; 2.0; Crankshaft Seal  
VW; 1992-1990; Corrado; 1.8; Cam Seal  
VW; 1992-1990; Corrado; 1.8; Crankshaft Seal  
VW; 1992-1990; Golf; 1.8; Cam Seal  
VW; 1992-1990; Golf; 1.8; Crankshaft Seal  
VW; 1992-1990; GTI; 1.8; Cam Seal  
VW; 1992-1990; GTI; 1.8; Crankshaft Seal  
VW; 1992-1990; Jetta; 1.8; Cam Seal  
VW; 1992-1990; Jetta; 1.8; Crankshaft Seal  
VW; 1989-1985; Golf; 1.8; Cam Seal; W/SOHC  
VW; 1989-1985; Golf; 1.8; Crankshaft Seal; W/SOHC  
VW; 1989-1985; Jetta; 1.8; Cam Seal; W/SOHC  
VW; 1989-1985; Jetta; 1.8; Crankshaft Seal; W/SOHC  
VW; 1989-1988; Scirocco; 1.8 (Canada); Cam Seal; W/SOHC  
VW; 1989-1988; Scirocco; 1.8 (Canada); Crankshaft Seal; W/SOHC  
VW; 1988-1987; Cabriolet; 1.8; Cam Seal; W/SOHC  
VW; 1988-1987; Cabriolet; 1.8; Crankshaft Seal; W/SOHC  
VW; 1988-1985; Scirocco; 1.8; Cam Seal; W/SOHC  
VW; 1988-1985; Scirocco; 1.8; Crankshaft Seal; W/SOHC  
VW; 1987; GTI; 1.8; Cam Seal; W/SOHC  
VW; 1987; GTI; 1.8; Crankshaft Seal; W/SOHC  
VW; 1986-1985; Cabriolet; 1.8; Cam Seal  
VW; 1986-1985; Cabriolet; 1.8; Crankshaft Seal  
VW; 1986; GTI; 1.8; Cam Seal  
VW; 1986; GTI; 1.8; Crankshaft Seal  
VW; 1985; GTI; 1.8; Cam Seal; W/SOHC  
VW; 1985; GTI; 1.8; Crankshaft Seal; W/SOHC  
VW; 1985; Quantum; 1.8; Cam Seal  
VW; 1985; Quantum; 1.8; Crankshaft Seal  
VW; 1984-1981; Jetta; 1.7; Cam Seal  
VW; 1984-1981; Jetta; 1.7; Crankshaft Seal  
VW; 1984; Jetta; 1.8; Cam Seal  
VW; 1984; Jetta; 1.8; Crankshaft Seal  
VW; 1984-1981; Rabbit; 1.7; Cam Seal  
VW; 1984-1981; Rabbit; 1.7; Crankshaft Seal  
VW; 1984-1983; Rabbit; 1.8; Cam Seal  
VW; 1984-1983; Rabbit; 1.8; Crankshaft Seal  
VW; 1984-1983; Scirocco; 1.8; Cam Seal  
VW; 1984-1983; Scirocco; 1.8; Crankshaft Seal  
VW; 1983-1982; Quantum; 1.7; Cam Seal  
VW; 1983-1982; Quantum; 1.7; Crankshaft Seal  
VW; 1983-1981; Scirocco; 1.7; Cam Seal  
VW; 1983-1981; Scirocco; 1.7; Crankshaft Seal

## KS12756

Daewoo; 1990; Optima; 2.0 (Canada); Crankshaft Seal  
Pont.; 1994-1989; Sunbird; 2.0; Crankshaft Seal  
Pont.; 1990; Lemans; 2.0; Crankshaft Seal  
Pont.; 1989; Grand Am; 2.0; Crankshaft Seal  
Pont.; 1989; Lemans; 2.0; Crankshaft Seal; 2nd Design

## KS12886

Niss.; 1998-1993; Quest; 3.0; Crankshaft Seal  
Niss.; 1995-1993; Pathfinder; 3.0; Crankshaft Seal  
Niss.; 1994-1992; Maxima; 3.0; Crankshaft Seal; W/SOHC  
Niss.; 1991-1985; Maxima; 3.0; Crankshaft Seal  
Niss.; 1989-1987; Pathfinder; 3.0; Crankshaft Seal  
Niss.; 1989-1982; Stanza; 2.0; Crankshaft Seal  
Niss.; 1989-1984; 300ZX; 3.0; Crankshaft Seal  
Niss.; 1988-1984; 200SX; 2.0; Crankshaft Seal

# Numerical Listing - PowerGrip™ Timing System Products

## KS12886 - Continued

Niss.; 1988-1987; 200SX; 3.0; Crankshaft Seal

### KS13423

Toy.; 2000-1999; Camry Solara; 3.0; Cam Seal; 4 Reqd

### KS13427

Subaru; 1998-1995; Impreza; 2.2; Crankshaft Seal

Subaru; 1998-1995; Legacy; 2.2; Crankshaft Seal

Subaru; 1997-1993; Impreza; 1.8; Crankshaft Seal

### KS13429

Ford; 1997-1995; Contour; 2.0; Cam Seal; 2 Reqd

Ford; 1997-1996; Contour; 2.0 Bifuel; Cam Seal; 2 Reqd

Ford; 1997-1993; Probe; 2.0; Cam Seal; 2 Reqd

Ford; 1997-1993; Probe; 2.5; Cam Seal; 2 Reqd

Ford; 1996-1992; Escort; 1.8; Cam Seal; 2 Reqd

Ford; 1992-1990; Probe; 2.2; Cam Seal

Ford; 1992-1990; Probe; 2.2; Crankshaft Seal

Ford; 1991; Escort; 1.8; Cam Seal

Infiniti; 2000-1997; QX4; 3.3; Cam Seal; 2 Reqd

Infiniti; 1992-1990; M30; 3.0; Cam Seal; 2 Reqd

Kia; 2000-1996; Sportage; 2.0; Cam Seal; 2 Reqd

Kia; 2000-1996; Sportage; 2.0; Crankshaft Seal

Kia; 1997-1995; Sephia; 1.6; Cam Seal; W/DOHC; 2 Reqd

Kia; 1997-1996; Sephia; 1.8; Cam Seal; W/DOHC; 2 Reqd

Kia; 1995; Sephia; 1.8; Cam Seal; 2 Reqd

Kia; 1995; Sportage; 2.0; Cam Seal; W/DOHC; 2 Reqd

Kia; 1995; Sportage; 2.0; Crankshaft Seal; W/DOHC

Mazda; 1999-1993; 626; 2.0; Cam Seal; 2 Reqd

Mazda; 1997-1995; MX-5 Miata; 1.8; Cam Seal; 2 Reqd

Mazda; 1997-1994; MX-6; 2.0; Cam Seal; 2 Reqd

Mazda; 1997-1994; MX-6; 2.0; Crankshaft Seal

Mazda; 1997-1995; Protege; 1.8; Cam Seal; 2 Reqd

Mazda; 1995; Protege; 1.8 (Canada); Cam Seal; 2 Reqd

Mazda; 1993-1987; B2200 Pickup; 2.2; Cam Seal

Mazda; 1993-1987; B2200 Pickup; 2.2; Crankshaft Seal

Mazda; 1993; MX-5 Miata; 1.6; Cam Seal; 2 Reqd

Mazda; 1992-1990; MX-5 Miata; 1.6; Cam Seal

Mazda; 1987-1986; B2000 Pickup; 2.0; Cam Seal

Mazda; 1987-1986; B2000 Pickup; 2.0; Crankshaft Seal

Mazda; 1987-1986; 626; 2.0; Cam Seal

Mazda; 1987-1986; 626; 2.0; Crankshaft Seal

Merc.; 1998-1993; Villager; 3.0; Cam Seal; 2 Reqd

Merc.; 1996-1991; Tracer; 1.8; Cam Seal; 2 Reqd

Niss.; 2002-1999; Frontier; 3.3; Cam Seal; 2 Reqd

Niss.; 2002-2000; Xterra; 3.3; Cam Seal; 2 Reqd

Niss.; 2000-1996; Pathfinder; 3.3; Cam Seal; 2 Reqd

Niss.; 1998-1993; Quest; 3.0; Cam Seal; 2 Reqd

Niss.; 1995-1987; Pathfinder; 3.0; Cam Seal; 2 Reqd

Niss.; 1995-1986; Pickup; 3.0; Cam Seal; 2 Reqd

Niss.; 1994-1992; Maxima; 3.0; Cam Seal; W/SOHC; 2 Reqd

Niss.; 1991-1985; Maxima; 3.0; Cam Seal; 2 Reqd

Niss.; 1989-1982; Stanza; 2.0; Cam Seal

Niss.; 1989-1984; 300ZX; 3.0; Cam Seal; 2 Reqd

Niss.; 1988-1984; 200SX; 2.0; Cam Seal

Niss.; 1988-1987; 200SX; 3.0; Cam Seal; 2 Reqd

### KS13557

Chry.; 1996-1995; New Yorker; 3.5; Cam Seal; 2 Reqd

### KS13709

Audi; 1990-1988; 80; 2.0; Crankshaft Seal

Audi; 1988; 90; 2.0; Crankshaft Seal

Chry.; 1997-1995; Sebring; 2.0; Cam Seal; 2 Reqd

Daewoo; 1990; Optima; 2.0 (Canada); Cam Seal

Dodge; 1999-1995; Stratus; 2.0; Cam Seal

Dodge; 1997-1995; Avenger; 2.0; Cam Seal; 2 Reqd

Dodge; 1997-1995; Neon; 2.0; Cam Seal; W/DOHC; 2 Reqd

Dodge; 1997-1995; Neon; 2.0; Cam Seal; W/SOHC

Eagle; 1998-1995; Talon; 2.0; Cam Seal; W/O Turbo; 2 Reqd

Ply.; 1999-1996; Breeze; 2.0; Cam Seal

Pont.; 1994-1989; Sunbird; 2.0; Cam Seal

Pont.; 1990; Lemans; 2.0; Cam Seal

Pont.; 1989; Grand Am; 2.0; Cam Seal

Pont.; 1989; Lemans; 2.0; Cam Seal; 2nd Design

### KS13857

Chev.; 1988; Nova; 1.6; Cam Seal; W/SOHC

Chev.; 1987-1985; Nova; 1.6; Cam Seal

Geo; 1997-1993; Prizm; 1.6; Cam Seal

Geo; 1997-1993; Prizm; 1.8; Cam Seal; 2 Reqd

Geo; 1992-1990; Prizm; 1.6; Cam Seal; Exc GSI; 2 Reqd

Toy.; 1998-1995; Tercel; 1.5; Cam Seal; 2 Reqd

Toy.; 1998-1995; Tercel; 1.5; Crankshaft Seal

Toy.; 1997-1994; Celica; 1.8; Cam Seal; 2 Reqd

Toy.; 1997-1993; Corolla; 1.6; Cam Seal

Toy.; 1997-1994; Corolla; 1.8; Cam Seal; 2 Reqd

## KS13857 - Continued

Toy.; 1997-1992; Paseo; 1.5; Cam Seal; 2 Reqd

Toy.; 1997-1992; Paseo; 1.5; Crankshaft Seal

Toy.; 1994-1988; Tercel; 1.5; Cam Seal; Exc Wagon

Toy.; 1992-1990; Celica; 1.6; Cam Seal; 2 Reqd

Toy.; 1992-1985; Corolla; 1.6; Cam Seal; 2 Reqd

Toy.; 1988-1985; MR2; 1.6; Cam Seal; 2 Reqd

Toy.; 1986-1983; Tercel; 1.5; Cam Seal

Toy.; 1986-1984; Tercel; 1.5 (Canada); Cam Seal

Toy.; 1984-1983; Corolla; 1.6; Cam Seal

### KS13907

Acura; 1987-1986; Legend; 2.5; Cam Seal; 2 Reqd

Chry.; 2000-1995; Cirrus; 2.5; Cam Seal; 2 Reqd

Chry.; 2000; Grand Voyager; 3.0; Cam Seal; 2 Reqd

Chry.; 2000-1995; Sebring; 2.5; Cam Seal; 2 Reqd

Chry.; 2000; Voyager; 3.0; Cam Seal; 2 Reqd

Chry.; 1995-1990; Lebaron; 3.0; Cam Seal; 2 Reqd

Chry.; 1993-1990; Daytona; 3.0 (Canada); Cam Seal; 2 Reqd

Chry.; 1990-1988; Dynasty; 3.0 (Canada); Cam Seal; 2 Reqd

Chry.; 1989-1988; New Yorker; 3.0; Cam Seal; 2 Reqd

Dodge; 2000-1995; Avenger; 2.5; Cam Seal; 2 Reqd

Dodge; 2000-1987; Caravan; 3.0; Cam Seal; 2 Reqd

Dodge; 2000-1992; Grand Caravan; 3.0; Cam Seal; 2 Reqd

Dodge; 2000-1995; Stratus; 2.5; Cam Seal; 2 Reqd

Dodge; 1996-1991; Stealth; 3.0; Cam Seal; W/SOHC; 2 Reqd

Dodge; 1995; Colt; 1.5 (Canada); Cam Seal

Dodge; 1995-1989; Spirit; 3.0; Cam Seal; 2 Reqd

Dodge; 1994-1987; Colt; 1.5; Cam Seal

Dodge; 1994-1992; Shadow; 3.0; Cam Seal; 2 Reqd

Dodge; 1993-1990; Daytona; 3.0; Cam Seal; 2 Reqd

Dodge; 1993-1988; Dynasty; 3.0; Cam Seal; 2 Reqd

Dodge; 1992-1989; Colt; 1.5 (Canada); Cam Seal

Dodge; 1992-1990; Ram 50 Pickup; 2.4; Cam Seal

Dodge; 1991-1990; Ram 50 Pickup; 3.0; Cam Seal; 2 Reqd

Dodge; 1989-1988; Grand Caravan; 3.0; Cam Seal; 2 Reqd

Dodge; 1989; Raider; 3.0; Cam Seal; 2 Reqd

Dodge; 1989-1987; Ram 50 Pickup; 2.0; Cam Seal

Dodge; 1988-1987; Mini Ram Van; 3.0; Cam Seal; 2 Reqd

Eagle; 1995-1989; Summit; 1.5; Cam Seal

Eagle; 1994-1990; Talon; 2.0; Cam Seal; 2 Reqd

Eagle; 1992; Vista; 1.5 (Canada); Cam Seal

Ford; 2003-2001; ZX2; 2.0; Crankshaft Seal

Ford; 2002-2000; Focus; 2.0; Crankshaft Seal

Ford; 2000-1995; Contour; 2.0; Crankshaft Seal

Ford; 2000-1996; Contour; 2.0 Bifuel; Crankshaft Seal

Ford; 2000; Cougar; 2.0 (Canada); Crankshaft Seal

Ford; 2000-1998; Escort; 2.0; Crankshaft Seal

Hyundai; 1998-1990; Sonata; 3.0; Cam Seal; 2 Reqd

Hyundai; 1994-1990; Excel; 1.5; Cam Seal

Hyundai; 1993-1991; Scoupe; 1.5; Cam Seal

Hyundai; 1991-1989; Sonata; 2.4; Cam Seal

Merc.; 2002-1999; Cougar; 2.0; Crankshaft Seal

Merc.; 2000-1998; Mystique; 2.0; Crankshaft Seal

Merc.; 1999; Tracer; 2.0; Crankshaft Seal

Mits.; 2001-1988; Galant; 3.0; Cam Seal; 2 Reqd

Mits.; 2001-1997; Montero Sport; 3.0; Cam Seal; 2 Reqd

Mits.; 1996-1992; Diamante; 3.0; Cam Seal; W/SOHC; 2 Reqd

Mits.; 1996-1993; Mirage; 1.8; Cam Seal

Mits.; 1996-1990; Montero; 3.0; Cam Seal; 2 Reqd

Mits.; 1994-1992; Expo; 1.8; Cam Seal

Mits.; 1992-1990; Pickup; 2.4; Cam Seal

Mits.; 1990-1987; Van; 2.4; Cam Seal

Ply.; 2000-1992; Grand Voyager; 3.0; Cam Seal; 2 Reqd

Ply.; 1995-1989; Acclaim; 3.0; Cam Seal; 2 Reqd

Ply.; 1995-1987; Voyager; 3.0; Cam Seal; 2 Reqd

Ply.; 1994-1990; Laser; 1.8; Cam Seal

Ply.; 1994-1990; Laser; 2.0; Cam Seal; 2 Reqd

Ply.; 1994-1992; Sundance; 3.0; Cam Seal; 2 Reqd

Ply.; 1991-1987; Colt Vista; 2.0; Cam Seal

Ply.; 1989-1987; Grand Voyager; 3.0; Cam Seal; 2 Reqd

### KS13943

Dodge; 1995; Colt; 1.5 (Canada); Crankshaft Seal

Dodge; 1994-1987; Colt; 1.5; Crankshaft Seal

Dodge; 1992-1989; Colt; 1.5 (Canada); Crankshaft Seal

Eagle; 1992-1991; 2000 GTX; 2.0 (Canada); Cam Seal; W/SOHC

Eagle; 1991-1989; Vista; 2.0 (Canada); Cam Seal

Eagle; 1990-1989; Vista; 1.5 (Canada); Cam Seal

Ford; 1997; Escort; 2.0; Crankshaft Seal

Ford; 1996-1986; Escort; 1.9; Crankshaft Seal

Ford; 1988-1986; EXP; 1.9; Crankshaft Seal

Ford; 1985-1981; Escort; 1.6; Crankshaft Seal

Ford; 1985-1982; EXP; 1.6; Crankshaft Seal

Ford; 1983; Escort; 1.6 Flex; Crankshaft Seal

Merc.; 1997-1995; Mystique; 2.0; Crankshaft Seal

Merc.; 1997; Tracer; 2.0; Crankshaft Seal

Merc.; 1996-1991; Tracer; 1.9; Crankshaft Seal

Merc.; 1987-1986; Lynx; 1.9; Crankshaft Seal

☆ Interference engine application. See inside back cover for additional information.

# Numerical Listing - PowerGrip™ Timing System Products

## KS13943 - Continued

Merc.; 1985-1981; Lynx; 1.6; Crankshaft Seal  
Merc.; 1983-1982; LN7; 1.6; Crankshaft Seal  
Mits.; 2001-2000; Eclipse; 3.0; Cam Seal; 2 Req'd  
Mits.; 1994-1990; Eclipse; 2.0; Cam Seal; 2 Req'd  
Mits.; 1994; Galant; 2.4; Cam Seal; W/DOHC; 2 Req'd  
Mits.; 1993-1990; Eclipse; 1.8; Cam Seal  
Mits.; 1993-1987; Mirage; 1.5; Cam Seal  
Mits.; 1993-1990; Precis; 1.5; Cam Seal  
Mits.; 1992-1989; Galant; 2.0; Cam Seal; W/DOHC; 2 Req'd  
Mits.; 1992-1989; Galant; 2.0; Cam Seal; W/SOHC  
Mits.; 1988-1987; Cordia; 1.8; Cam Seal  
Mits.; 1988-1987; Cordia; 2.0; Cam Seal  
Mits.; 1988-1987; Tredia; 1.8; Cam Seal  
Mits.; 1988-1987; Tredia; 2.0; Cam Seal  
Mits.; 1987-1985; Galant; 2.4; Cam Seal

## KS13945

Volvo; 1992-1986; 240; 2.3; Cam Seal  
Volvo; 1992-1991; 740; 2.3; Cam Seal  
Volvo; 1992; 940; 2.3; Cam Seal  
Volvo; 1992; 940; 2.3 (Canada); Cam Seal  
Volvo; 1991; 940; 2.3; Cam Seal; W/SOHC  
Volvo; 1990-1986; 740; 2.3; Cam Seal; W/SOHC  
Volvo; 1990-1986; 760; 2.3; Cam Seal  
Volvo; 1990-1989; 780; 2.3; Cam Seal

## KS13946

Sterling; 1991-1989; 827; 2.7; Cam Seal; 2 Req'd  
Sterling; 1988-1987; 825; 2.5; Cam Seal; 2 Req'd

## KS13948

Chry.; 1994-1989; Lebaron; 2.5; Cam Seal  
Chry.; 1993-1989; Daytona; 2.5 (Canada); Cam Seal  
Chry.; 1992-1989; Dynasty; 2.5 (Canada); Cam Seal  
Chry.; 1990-1985; Daytona; 2.2 (Canada); Cam Seal  
Chry.; 1990-1982; Lebaron; 2.2; Cam Seal  
Chry.; 1988-1985; Daytona; 2.2 (Canada); Crankshaft Seal  
Chry.; 1988-1982; Lebaron; 2.2; Crankshaft Seal  
Chry.; 1988-1983; New Yorker; 2.2; Cam Seal  
Chry.; 1988-1983; New Yorker; 2.2; Crankshaft Seal  
Chry.; 1988-1982; Town & Country; 2.2; Cam Seal  
Chry.; 1988-1982; Town & Country; 2.2; Crankshaft Seal  
Chry.; 1986; Exec. Limo.; 2.2 (Canada); Cam Seal  
Chry.; 1986; Exec. Limo.; 2.2 (Canada); Crankshaft Seal  
Chry.; 1986-1984; Laser; 2.2; Cam Seal  
Chry.; 1986-1984; Laser; 2.2; Crankshaft Seal  
Chry.; 1984-1983; E Class; 2.2; Cam Seal  
Chry.; 1984-1983; E Class; 2.2; Crankshaft Seal  
Chry.; 1984; Laser; 2.2 (Canada); Cam Seal  
Chry.; 1984; Laser; 2.2 (Canada); Crankshaft Seal  
Dodge; 1995-1989; Caravan; 2.5; Cam Seal  
Dodge; 1995-1989; Dakota; 2.5; Cam Seal  
Dodge; 1995-1989; Spirit; 2.5; Cam Seal  
Dodge; 1994-1987; Shadow; 2.2; Cam Seal  
Dodge; 1994-1989; Shadow; 2.5; Cam Seal  
Dodge; 1994-1993; Spirit; 2.5 Flex; Cam Seal  
Dodge; 1993-1992; Daytona; 2.2; Cam Seal; 2 Req'd  
Dodge; 1993-1989; Daytona; 2.5; Cam Seal  
Dodge; 1993-1989; Dynasty; 2.5; Cam Seal  
Dodge; 1990-1984; Daytona; 2.2; Cam Seal  
Dodge; 1990-1981; Omni; 2.2; Cam Seal  
Dodge; 1989-1988; Aries America; 2.2; Cam Seal  
Dodge; 1989; Aries America; 2.5; Cam Seal  
Dodge; 1989-1987; Expo; 2.2 (Canada); Cam Seal  
Dodge; 1989; Grand Caravan; 2.5; Cam Seal  
Dodge; 1989-1985; Lancer; 2.2; Cam Seal  
Dodge; 1989; Lancer; 2.5; Cam Seal  
Dodge; 1988; Aries America; 2.2; Crankshaft Seal  
Dodge; 1988-1987; Dakota; 2.2; Cam Seal  
Dodge; 1988-1987; Dakota; 2.2; Crankshaft Seal  
Dodge; 1988-1984; Daytona; 2.2; Crankshaft Seal  
Dodge; 1988-1987; Expo; 2.2 (Canada); Crankshaft Seal  
Dodge; 1988-1985; Lancer; 2.2; Crankshaft Seal  
Dodge; 1988-1981; Omni; 2.2; Crankshaft Seal  
Dodge; 1988-1987; Shadow; 2.2; Crankshaft Seal  
Dodge; 1988-1983; 600; 2.2; Cam Seal  
Dodge; 1988-1983; 600; 2.2; Crankshaft Seal  
Dodge; 1987-1981; Aries; 2.2; Cam Seal  
Dodge; 1987-1981; Aries; 2.2; Crankshaft Seal  
Dodge; 1987-1984; Caravan; 2.2; Cam Seal  
Dodge; 1987-1984; Caravan; 2.2; Crankshaft Seal  
Dodge; 1987-1983; Charger; 2.2; Cam Seal  
Dodge; 1987-1983; Charger; 2.2; Crankshaft Seal  
Dodge; 1987; Grand Caravan; 2.2; Cam Seal  
Dodge; 1987; Grand Caravan; 2.2; Crankshaft Seal  
Dodge; 1987-1984; Mini Ram Van; 2.2; Cam Seal  
Dodge; 1987-1984; Mini Ram Van; 2.2; Crankshaft Seal  
Dodge; 1984-1982; Rampage; 2.2; Cam Seal

## KS13948 - Continued

Dodge; 1984-1982; Rampage; 2.2; Crankshaft Seal  
Dodge; 1983-1982; 400; 2.2; Cam Seal  
Dodge; 1983-1982; 400; 2.2; Crankshaft Seal  
Dodge; 1982-1981; O24; 2.2; Cam Seal  
Dodge; 1982-1981; O24; 2.2; Crankshaft Seal  
Ply.; 1995-1989; Acclaim; 2.5; Cam Seal  
Ply.; 1995-1989; Voyager; 2.5; Cam Seal  
Ply.; 1994; Acclaim; 2.5 Flex; Cam Seal  
Ply.; 1994-1991; Sundance; 2.2; Cam Seal  
Ply.; 1994; Sundance; 2.2; Crankshaft Seal  
Ply.; 1994-1989; Sundance; 2.5; Cam Seal  
Ply.; 1992-1991; Sundance; 2.2; Crankshaft Seal  
Ply.; 1990-1981; Horizon; 2.2; Cam Seal  
Ply.; 1989-1987; Expo; 2.2 (Canada); Cam Seal  
Ply.; 1989; Grand Voyager; 2.5; Cam Seal  
Ply.; 1989-1981; Reliant; 2.2; Cam Seal  
Ply.; 1989; Reliant; 2.5; Cam Seal  
Ply.; 1988-1985; Caravelle; 2.2; Cam Seal  
Ply.; 1988-1985; Caravelle; 2.2; Crankshaft Seal  
Ply.; 1988-1987; Caravelle; 2.2 (Canada); Cam Seal  
Ply.; 1988-1987; Caravelle; 2.2 (Canada); Crankshaft Seal  
Ply.; 1988-1987; Expo; 2.2 (Canada); Crankshaft Seal  
Ply.; 1988-1981; Horizon; 2.2; Crankshaft Seal  
Ply.; 1988-1981; Reliant; 2.2; Crankshaft Seal  
Ply.; 1988-1987; Sundance; 2.2; Cam Seal  
Ply.; 1988-1987; Sundance; 2.2; Crankshaft Seal  
Ply.; 1987-1983; Turismo; 2.2; Cam Seal  
Ply.; 1987-1983; Turismo; 2.2; Crankshaft Seal  
Ply.; 1987-1984; Voyager; 2.2; Cam Seal  
Ply.; 1987-1984; Voyager; 2.2; Crankshaft Seal  
Ply.; 1984-1983; Caravelle; 2.2 (Canada); Cam Seal  
Ply.; 1984-1983; Caravelle; 2.2 (Canada); Crankshaft Seal  
Ply.; 1983; Scamp Pickup; 2.2; Cam Seal  
Ply.; 1983; Scamp Pickup; 2.2; Crankshaft Seal  
Ply.; 1982-1981; TC3; 2.2; Cam Seal  
Ply.; 1982-1981; TC3; 2.2; Crankshaft Seal

## KS13967

Hyundai; 1998-1992; Sonata; 2.0; Cam Seal; 2 Req'd  
Hyundai; 1995-1993; Elantra; 1.8; Cam Seal; 2 Req'd

## KS13987

Acura; 1998; TL; 3.2; Cam Seal  
Acura; 1997-1996; TL; 3.2; Cam Seal; 2 Req'd  
Acura; 1995; Legend; 3.2; Cam Seal; 2 Req'd

## KS14008

Niss.; 1984-1983; Pulsar NX; 1.5; Crankshaft Seal  
Niss.; 1983; Pulsar NX; 1.6; Crankshaft Seal  
Niss.; 1983-1982; Sentra; 1.5; Crankshaft Seal

## KS14012

Acura; 1990-1988; Legend; 2.7; Cam Seal; 2 Req'd

## KS14027

Honda; 1985-1984; Accord; 1.8; Crankshaft Seal

## KS14032

Mazda; 1998-1989; MPV; 3.0; Cam Seal  
Mazda; 1995-1993; MX-3; 1.6; Cam Seal; 2 Req'd  
Mazda; 1992; MX-3; 1.6; Cam Seal

## KS14125

Honda; 1999-1997; CR-V; 2.0; Crankshaft Seal  
Honda; 1989-1986; Accord; 2.0; Crankshaft Seal  
Honda; 1987-1983; Prelude; 1.8; Crankshaft Seal  
Honda; 1987-1985; Prelude; 2.0; Crankshaft Seal

## KS14477

Ford; 1997-1994; Aspire; 1.3; Crankshaft Seal  
Ford; 1996-1991; Escort; 1.8; Crankshaft Seal  
Ford; 1993-1990; Festiva; 1.3; Crankshaft Seal  
Hyundai; 1998-1990; Sonata; 3.0; Crankshaft Seal  
Kia; 1997-1994; Sephia; 1.6; Crankshaft Seal  
Kia; 1997-1995; Sephia; 1.8; Crankshaft Seal  
Mazda; 1997-1995; MX-5 Miata; 1.8; Crankshaft Seal  
Mazda; 1997-1990; Protege; 1.8; Crankshaft Seal  
Mazda; 1995-1992; MX-3; 1.6; Crankshaft Seal  
Mazda; 1995; Protege; 1.8 (Canada); Crankshaft Seal  
Mazda; 1994-1989; 323; 1.6; Crankshaft Seal  
Mazda; 1993-1990; MX-5 Miata; 1.6; Crankshaft Seal  
Mazda; 1991-1990; 323; 1.8 (Canada); Crankshaft Seal  
Merc.; 1996-1991; Tracer; 1.8; Crankshaft Seal

## KS14560

Chry.; 2002; Concorde; 3.5; Cam Seal; 2 Req'd  
Chry.; 2002-2000; Intrepid; 3.5 (Canada); Cam Seal; 2 Req'd

# Numerical Listing - PowerGrip™ Timing System Products

## KS14560 - Continued

Chry.; 2002-1999; 300M; 3.5; Cam Seal; 2 Reqd  
Chry.; 2001-1999; LHS; 3.5; Cam Seal; 2 Reqd  
Chry.; 2000-1998; Concorde; 3.2; Cam Seal; 2 Reqd  
Chry.; 2000-1998; Intrepid; 3.2 (Canada); Cam Seal; 2 Reqd  
Dodge; 2002-2000; Intrepid; 3.5; Cam Seal; 2 Reqd  
Dodge; 2000-1998; Intrepid; 3.2; Cam Seal; 2 Reqd

## KS14671

Chry.; 2000-1995; Cirrus; 2.5; Crankshaft Seal  
Chry.; 2000; Grand Voyager; 3.0; Crankshaft Seal  
Chry.; 2000-1995; Sebring; 2.5; Crankshaft Seal  
Chry.; 2000; Voyager; 3.0; Crankshaft Seal  
Chry.; 1995-1990; Lebaron; 3.0; Crankshaft Seal  
Chry.; 1993-1990; Daytona; 3.0 (Canada); Crankshaft Seal  
Chry.; 1990-1988; Dynasty; 3.0 (Canada); Crankshaft Seal  
Chry.; 1989-1988; New Yorker; 3.0; Crankshaft Seal  
Dodge; 2000-1995; Avenger; 2.5; Crankshaft Seal  
Dodge; 2000-1987; Caravan; 3.0; Crankshaft Seal  
Dodge; 2000-1992; Grand Caravan; 3.0; Crankshaft Seal  
Dodge; 2000-1995; Stratus; 2.5; Crankshaft Seal  
Dodge; 1996-1991; Stealth; 3.0; Crankshaft Seal; W/SOHC  
Dodge; 1995-1989; Spirit; 3.0; Crankshaft Seal  
Dodge; 1994-1992; Shadow; 3.0; Crankshaft Seal  
Dodge; 1993-1990; Daytona; 3.0; Crankshaft Seal  
Dodge; 1993-1988; Dynasty; 3.0; Crankshaft Seal  
Dodge; 1991-1990; Ram 50 Pickup; 3.0; Crankshaft Seal  
Dodge; 1989-1988; Grand Caravan; 3.0; Crankshaft Seal  
Dodge; 1989; Raider; 3.0; Crankshaft Seal  
Dodge; 1988-1987; Mini Ram Van; 3.0; Crankshaft Seal  
Lexus; 2001-1992; ES300; 3.0; Cam Seal; 4 Reqd  
Lexus; 2000-1999; RX300; 3.0; Cam Seal; 4 Reqd  
Lexus; 1991-1990; ES250; 2.5; Cam Seal; 4 Reqd  
Mits.; 2001-2000; Eclipse; 3.0; Crankshaft Seal  
Mits.; 2001-1997; Montero Sport; 3.0; Crankshaft Seal  
Mits.; 1999-1997; 3000GT; 3.0; Crankshaft Seal; W/DOHC  
Mits.; 1996-1992; Diamante; 3.0; Crankshaft Seal; W/DOHC  
Mits.; 1996-1992; Diamante; 3.0; Crankshaft Seal; W/SOHC  
Mits.; 1996-1993; Mirage; 1.8; Crankshaft Seal  
Mits.; 1996-1990; Montero; 3.0; Crankshaft Seal  
Mits.; 1996-1991; 3000GT; 3.0; Crankshaft Seal  
Mits.; 1994-1992; Expo; 1.8; Crankshaft Seal  
Mits.; 1988; Galant; 3.0; Crankshaft Seal  
Ply.; 2000-1992; Grand Voyager; 3.0; Crankshaft Seal  
Ply.; 1995-1989; Acclaim; 3.0; Crankshaft Seal  
Ply.; 1995-1987; Voyager; 3.0; Crankshaft Seal  
Ply.; 1994-1992; Sundance; 3.0; Crankshaft Seal  
Ply.; 1989-1987; Grand Voyager; 3.0; Crankshaft Seal  
Toy.; 2001; Camry; 2.2; Cam Seal; 2 Reqd  
Toy.; 2001; Camry; 2.2 CNG; Cam Seal; 2 Reqd  
Toy.; 2000-1995; Avalon; 3.0; Cam Seal; 4 Reqd  
Toy.; 2000-1992; Camry; 3.0; Cam Seal; 4 Reqd  
Toy.; 2000-1998; Sienna; 3.0; Cam Seal; 4 Reqd  
Toy.; 1996-1992; Camry; 2.2; Cam Seal; 2 Reqd  
Toy.; 1994-1993; Pickup; 3.0; Cam Seal; 2 Reqd  
Toy.; 1994-1993; T100; 3.0; Cam Seal; 2 Reqd  
Toy.; 1993-1991; MR2; 2.2; Cam Seal; 2 Reqd  
Toy.; 1991-1987; Camry; 2.0; Cam Seal; 2 Reqd  
Toy.; 1991-1988; Camry; 2.5; Cam Seal; 4 Reqd  
Toy.; 1990-1988; Celica; 2.0; Cam Seal; 2 Reqd  
Toy.; 1986-1983; Camry; 2.0; Cam Seal  
Toy.; 1986; Celica; 2.0; Cam Seal

## KS14716

BMW; 1993-1989; 525i; 2.5; Cam Seal  
BMW; 1992-1991; 325i; 2.5; Cam Seal  
BMW; 1992-1991; 325iS; 2.5; Cam Seal  
BMW; 1988; 325i; 2.5; Cam Seal  
BMW; 1988; 325iS; 2.5; Cam Seal

## KS14738

Subaru; 1994-1990; Loyale; 1.8; Crankshaft Seal  
Subaru; 1991-1987; XT; 1.8; Crankshaft Seal  
Subaru; 1989-1987; DL; 1.8; Crankshaft Seal  
Subaru; 1989-1987; GL; 1.8; Crankshaft Seal  
Subaru; 1989-1985; GL-10; 1.8; Crankshaft Seal  
Subaru; 1989-1985; RX; 1.8; Crankshaft Seal  
Subaru; 1985; DL; 1.8; Crankshaft Seal  
Subaru; 1985; GL; 1.8; Crankshaft Seal  
Subaru; 1985; XT; 1.8; Crankshaft Seal

## KS14759

Honda; 1991; Prelude; 2.0; Crankshaft Seal  
Honda; 1991-1990; Prelude; 2.1; Crankshaft Seal  
Honda; 1990-1988; Prelude; 2.0; Crankshaft Seal; W/DOHC

## KS14772

Subaru; 1994-1990; Loyale; 1.8; Cam Seal

## KS14772 - Continued

Subaru; 1991-1985; XT; 1.8; Cam Seal  
Subaru; 1989-1985; DL; 1.8; Cam Seal  
Subaru; 1989-1985; GL; 1.8; Cam Seal  
Subaru; 1989-1985; GL-10; 1.8; Cam Seal  
Subaru; 1989-1985; RX; 1.8; Cam Seal  
Subaru; 1986; DL; 1.8; Crankshaft Seal  
Subaru; 1986; GL; 1.8; Crankshaft Seal  
Subaru; 1986; XT; 1.8; Crankshaft Seal

## KS15300

Mazda; 1995-1993; 929; 3.0; Cam Seal; Right; 2 Reqd  
Mazda; 1991; 929; 3.0; Cam Seal; W/SOHC; Right; 2 Reqd

## KS15451

Acura; 1999-1994; Integra; 1.8; Crankshaft Seal; W/O VTEC  
Acura; 1993-1990; Integra; 1.8; Crankshaft Seal

## KS15701

Acura; 2000-1999; TL; 3.2; Cam Seal; 2 Reqd

## KS15800

Honda; 1999-1998; Accord; 2.3; Crankshaft Seal  
Infiniti; 1992-1990; M30; 3.0; Crankshaft Seal  
Ply.; 1990-1989; Sundance; 2.2; Cam Seal

## KS15801

Acura; 1997; CL; 2.2; Crankshaft Seal  
Honda; 1997-1990; Accord; 2.2; Crankshaft Seal  
Honda; 1997-1995; Odyssey; 2.2; Crankshaft Seal  
Honda; 1996-1993; Prelude; 2.2; Crankshaft Seal; W/SOHC  
Honda; 1992; Prelude; 2.2; Crankshaft Seal  
Infiniti; 2000-1997; QX4; 3.3; Crankshaft Seal  
Niss.; 1988; Pulsar NX; 1.6; Crankshaft Seal  
Niss.; 1988-1983; Sentra; 1.6; Crankshaft Seal  
Niss.; 1987; Pulsar NX; 1.6; Crankshaft Seal; Eng E16i, E16S, E16SPI  
Niss.; 1986-1984; Pulsar NX; 1.6; Crankshaft Seal

## KS15804

Niss.; 2002-1999; Frontier; 3.3; Crankshaft Seal  
Niss.; 2002-2000; Xterra; 3.3; Crankshaft Seal  
Niss.; 2001-1999; Quest; 3.3; Crankshaft Seal  
Niss.; 2000-1996; Pathfinder; 3.3; Crankshaft Seal

## KS15818

Lexus; 2001-1992; ES300; 3.0; Crankshaft Seal  
Lexus; 1991-1990; ES250; 2.5; Crankshaft Seal  
Niss.; 2001-1999; Quest; 3.3; Cam Seal; 2 Reqd  
Niss.; 1988; Pulsar NX; 1.6; Cam Seal  
Niss.; 1988-1983; Sentra; 1.6; Cam Seal  
Niss.; 1987; Pulsar NX; 1.6; Cam Seal; Eng E16i, E16S, E16SPI  
Niss.; 1986-1983; Pulsar NX; 1.6; Cam Seal  
Niss.; 1984-1983; Pulsar NX; 1.5; Cam Seal  
Niss.; 1983-1982; Sentra; 1.5; Cam Seal  
Toy.; 2000-1992; Camry; 3.0; Crankshaft Seal  
Toy.; 2000-1999; Camry Solara; 3.0; Crankshaft Seal  
Toy.; 1991-1988; Camry; 2.5; Crankshaft Seal

## KS15823

Toy.; 1995-1988; 4 Runner; 3.0; Crankshaft Seal  
Toy.; 1994-1988; Pickup; 3.0; Crankshaft Seal  
Toy.; 1994-1993; T100; 3.0; Crankshaft Seal

## KS15829

Acura; 1999-1998; CL; 2.3; Crankshaft Seal  
Acura; 1997-1996; SLX; 3.2; Crankshaft Seal  
Honda; 1997-1994; Passport; 3.2; Crankshaft Seal  
Honda; 1996-1994; Passport; 2.6; Crankshaft Seal  
Isuzu; 1999-1998; Oasis; 2.3; Crankshaft Seal  
Isuzu; 1997-1991; Rodeo; 2.6; Crankshaft Seal  
Isuzu; 1997-1993; Rodeo; 3.2; Crankshaft Seal  
Isuzu; 1997-1995; Trooper; 3.2; Crankshaft Seal  
Isuzu; 1995-1986; Pickup; 2.3; Crankshaft Seal  
Isuzu; 1995-1988; Pickup; 2.6; Crankshaft Seal  
Isuzu; 1994-1989; Amigo; 2.6; Crankshaft Seal  
Isuzu; 1994-1992; Trooper; 3.2; Crankshaft Seal; W/SOHC  
Isuzu; 1993-1989; Amigo; 2.3; Crankshaft Seal  
Isuzu; 1991-1990; Trooper; 2.6; Crankshaft Seal  
Isuzu; 1989-1988; Impulse; 2.3; Crankshaft Seal  
Isuzu; 1989-1988; Trooper II; 2.6; Crankshaft Seal  
Isuzu; 1987-1986; Trooper II; 2.3; Crankshaft Seal

## KS16022

Merc.; 1998-1993; Villager; 3.0; Crankshaft Seal

## KS16473

Ford; 2002-2000; Focus; 2.0; Cam Seal; W/SOHC  
Ford; 2000-1998; Escort; 2.0; Cam Seal; W/SOHC

☆ Interference engine application. See inside back cover for additional information.

## KS16473 - Continued

Ford; 1997; Escort; 2.0; Cam Seal  
 Ford; 1996-1986; Escort; 1.9; Cam Seal  
 Ford; 1988-1986; EXP; 1.9; Cam Seal  
 Ford; 1985-1981; Escort; 1.6; Cam Seal  
 Ford; 1985-1982; EXP; 1.6; Cam Seal  
 Ford; 1983; Escort; 1.6 Flex; Cam Seal  
 Merc.; 1999-1997; Tracer; 2.0; Cam Seal  
 Merc.; 1997; Mystique; 2.0; Cam Seal; 2 Reqd  
 Merc.; 1996-1995; Mystique; 2.0; Cam Seal  
 Merc.; 1996-1991; Tracer; 1.9; Cam Seal  
 Merc.; 1987-1986; Lynx; 1.9; Cam Seal  
 Merc.; 1985-1981; Lynx; 1.6; Cam Seal  
 Merc.; 1983-1982; LN7; 1.6; Cam Seal

## KS16487

Ford; 2003-2001; ZX2; 2.0; Cam Seal; 2 Reqd  
 Ford; 2002-2000; Focus; 2.0; Cam Seal; W/DOHC; 2 Reqd  
 Ford; 2000-1998; Contour; 2.0; Cam Seal; 2 Reqd  
 Ford; 2000-1998; Contour; 2.0 Bifuel; Cam Seal; 2 Reqd  
 Ford; 2000; Cougar; 2.0 (Canada); Cam Seal; 2 Reqd  
 Ford; 2000-1998; Escort; 2.0; Cam Seal; W/DOHC; 2 Reqd  
 Merc.; 2002-1999; Cougar; 2.0; Cam Seal; 2 Reqd  
 Merc.; 2000-1998; Mystique; 2.0; Cam Seal; 2 Reqd

## KS16489

Toy.; 1997-1994; Celica; 1.8; Crankshaft Seal  
 Toy.; 1997-1988; Corolla; 1.6; Crankshaft Seal  
 Toy.; 1997-1994; Corolla; 1.8; Crankshaft Seal  
 Toy.; 1993-1991; MR2; 2.2; Crankshaft Seal  
 Toy.; 1992-1990; Celica; 1.6; Crankshaft Seal  
 Toy.; 1991-1983; Camry; 2.0; Crankshaft Seal  
 Toy.; 1990-1988; Celica; 2.0; Crankshaft Seal  
 Toy.; 1986; Celica; 2.0; Crankshaft Seal

## KS16889

Ford; 1997-1993; Probe; 2.0; Crankshaft Seal  
 Ford; 1997-1993; Probe; 2.5; Crankshaft Seal  
 Mazda; 2000-1995; Millenia; 2.5; Crankshaft Seal  
 Mazda; 2000-1993; 626; 2.5; Crankshaft Seal  
 Mazda; 1999-1993; 626; 2.0; Crankshaft Seal  
 Mazda; 1997-1993; MX-6; 2.5; Crankshaft Seal  
 Mazda; 1995; MX-3; 1.8 (Canada); Crankshaft Seal  
 Mazda; 1994-1992; MX-3; 1.8; Crankshaft Seal

## KS16893

Toy.; 1995-1988; 4 Runner; 3.0; Cam Seal; 2 Reqd  
 Toy.; 1992-1988; Pickup; 3.0; Cam Seal; 2 Reqd

## KS17107

Ford; 2002-2001; Ranger; 2.3; Cam Seal  
 Ford; 2002-2001; Ranger; 2.3; Crankshaft Seal  
 Ford; 2001-1998; Ranger; 2.5; Cam Seal  
 Ford; 2001-1998; Ranger; 2.5; Crankshaft Seal  
 Ford; 1997-1983; Ranger; 2.3; Cam Seal  
 Ford; 1997-1983; Ranger; 2.3; Crankshaft Seal  
 Ford; 1992-1980; Mustang; 2.3; Cam Seal  
 Ford; 1992-1980; Mustang; 2.3; Crankshaft Seal  
 Ford; 1988-1983; Ranger; 2.0; Cam Seal  
 Ford; 1988-1983; Ranger; 2.0; Crankshaft Seal  
 Ford; 1988-1983; Thunderbird; 2.3; Cam Seal  
 Ford; 1988-1983; Thunderbird; 2.3; Crankshaft Seal  
 Ford; 1987-1986; Aerostar; 2.3; Cam Seal  
 Ford; 1987-1986; Aerostar; 2.3; Crankshaft Seal  
 Ford; 1986-1983; Ltd; 2.3; Cam Seal  
 Ford; 1986-1983; Ltd; 2.3; Crankshaft Seal  
 Ford; 1983-1980; Fairmont; 2.3; Cam Seal  
 Ford; 1983-1980; Fairmont; 2.3; Crankshaft Seal  
 Ford; 1982-1980; Courier; 2.3; Cam Seal  
 Ford; 1982-1980; Courier; 2.3; Crankshaft Seal  
 Ford; 1982-1981; Granada; 2.3; Cam Seal  
 Ford; 1982-1981; Granada; 2.3; Crankshaft Seal  
 Ford; 1982-1981; Mustang; 2.3 (Canada); Cam Seal  
 Ford; 1982-1981; Mustang; 2.3 (Canada); Crankshaft Seal  
 Ford; 1980; Pinto; 2.3; Cam Seal  
 Ford; 1979-1977; Courier; 140 CID; Cam Seal  
 Ford; 1979-1977; Courier; 140 CID; Crankshaft Seal  
 Ford; 1979-1978; Fairmont; 140 CID; Cam Seal  
 Ford; 1979-1978; Fairmont; 140 CID; Crankshaft Seal  
 Ford; 1979; Mustang; 140 CID; Cam Seal  
 Ford; 1979; Mustang; 140 CID; Crankshaft Seal  
 Ford; 1979-1974; Pinto; 140 CID; Cam Seal  
 Ford; 1978-1974; Mustang II; 140 CID; Cam Seal  
 Ford; 1978-1974; Mustang II; 140 CID; Crankshaft Seal  
 Mazda; 2002-2001; B2300 Pickup; 2.3; Cam Seal  
 Mazda; 2002-2001; B2300 Pickup; 2.3; Crankshaft Seal  
 Mazda; 2001-1998; B2500 Pickup; 2.5; Cam Seal  
 Mazda; 2001-1998; B2500 Pickup; 2.5; Crankshaft Seal

## KS17107 - Continued

Mazda; 1997-1994; B2300 Pickup; 2.3; Cam Seal  
 Mazda; 1997-1994; B2300 Pickup; 2.3; Crankshaft Seal  
 Merc.; 1986-1980; Capri; 2.3; Cam Seal  
 Merc.; 1986-1980; Capri; 2.3; Crankshaft Seal  
 Merc.; 1986-1984; Cougar; 2.3; Cam Seal  
 Merc.; 1986-1984; Cougar; 2.3; Crankshaft Seal  
 Merc.; 1986-1983; Marquis; 2.3; Cam Seal  
 Merc.; 1986-1983; Marquis; 2.3; Crankshaft Seal  
 Merc.; 1983-1980; Zephyr; 2.3; Cam Seal  
 Merc.; 1983-1980; Zephyr; 2.3; Crankshaft Seal  
 Merc.; 1982; Capri; 2.3 (Canada); Cam Seal  
 Merc.; 1982; Capri; 2.3 (Canada); Crankshaft Seal  
 Merc.; 1982; Cougar; 2.3 LPG; Cam Seal  
 Merc.; 1982; Cougar; 2.3 LPG; Crankshaft Seal  
 Merc.; 1981; Cougar; 2.3; Cam Seal  
 Merc.; 1981; Cougar; 2.3; Crankshaft Seal  
 Merc.; 1980; Bobcat; 2.3; Cam Seal  
 Merc.; 1980; Bobcat; 2.3; Crankshaft Seal  
 Merc.; 1979-1975; Bobcat; 140 CID; Cam Seal  
 Merc.; 1979-1975; Bobcat; 140 CID; Crankshaft Seal  
 Merc.; 1979-1976; Capri; 140 CID; Cam Seal  
 Merc.; 1979-1976; Capri; 140 CID; Crankshaft Seal  
 Merc.; 1979-1978; Zephyr; 140 CID; Cam Seal  
 Merc.; 1979-1978; Zephyr; 140 CID; Crankshaft Seal  
 Merkur; 1989-1985; XR4TI; 2.3; Cam Seal  
 Merkur; 1989-1985; XR4TI; 2.3; Crankshaft Seal

## KS17122

Mazda; 1995-1993; 929; 3.0; Crankshaft Seal  
 Mazda; 1991; 929; 3.0; Crankshaft Seal

## KS17154

Eagle; 1992-1991; 2000 GTX; 2.0 (Canada); Crankshaft Seal; W/SOHC  
 Hyundai; 1998-1992; Sonata; 2.0; Crankshaft Seal  
 Hyundai; 1995-1993; Elantra; 1.8; Crankshaft Seal  
 Hyundai; 1991-1989; Sonata; 2.4; Crankshaft Seal  
 Mits.; 1994-1990; Eclipse; 2.0; Crankshaft Seal  
 Mits.; 1994; Galant; 2.4; Crankshaft Seal; W/DOHC  
 Mits.; 1992-1989; Galant; 2.0; Crankshaft Seal; W/DOHC  
 Mits.; 1992-1989; Galant; 2.0; Crankshaft Seal; W/SOHC  
 Mits.; 1988-1987; Cordia; 1.8; Crankshaft Seal  
 Mits.; 1988-1987; Cordia; 2.0; Crankshaft Seal  
 Mits.; 1988-1987; Tredia; 1.8; Crankshaft Seal  
 Mits.; 1988-1987; Tredia; 2.0; Crankshaft Seal  
 Mits.; 1987-1985; Galant; 2.4; Crankshaft Seal

## KS17629

Dodge; 1989-1987; Ram 50 Pickup; 2.0; Crankshaft Seal  
 Eagle; 1994-1990; Talon; 2.0; Crankshaft Seal  
 Mits.; 2001-1999; Galant; 3.0; Crankshaft Seal  
 Mits.; 1990; Pickup; 2.4; Crankshaft Seal  
 Mits.; 1990-1987; Van; 2.4; Crankshaft Seal

## KS17729

Mits.; 1993-1990; Eclipse; 1.8; Crankshaft Seal  
 Mits.; 1992-1991; Pickup; 2.4; Crankshaft Seal  
 Ply.; 1994-1990; Laser; 1.8; Crankshaft Seal  
 Ply.; 1994-1990; Laser; 2.0; Crankshaft Seal  
 Ply.; 1991-1987; Colt Vista; 2.0; Crankshaft Seal

## KS17758

Toy.; 2001; Solara; 2.2; Crankshaft Seal  
 Toy.; 2000-1999; Camry Solara; 2.2; Crankshaft Seal

## KS17897

Niss.; 1995-1986; Pickup; 3.0; Crankshaft Seal  
 Niss.; 1992-1990; Pathfinder; 3.0; Crankshaft Seal

## KS18544

Mazda; 1998-1989; MPV; 3.0; Crankshaft Seal

## KS18877

BMW; 1993-1989; 525i; 2.5; Crankshaft Seal  
 BMW; 1992-1991; 325i; 2.5; Crankshaft Seal  
 BMW; 1992-1991; 325iS; 2.5; Crankshaft Seal  
 BMW; 1988; 325; 2.7; Crankshaft Seal  
 BMW; 1988; 325i; 2.5; Crankshaft Seal  
 BMW; 1988; 325iS; 2.5; Crankshaft Seal

## KS19092

Toy.; 2000-1998; Sienna; 3.0; Crankshaft Seal

## KS20466

Volvo; 1992-1986; 240; 2.3; Crankshaft Seal  
 Volvo; 1992-1991; 740; 2.3; Crankshaft Seal  
 Volvo; 1992; 940; 2.3; Crankshaft Seal  
 Volvo; 1992; 940; 2.3 (Canada); Crankshaft Seal



# Numerical Listing - PowerGrip™ Timing System Products

## KS20466 - Continued

Volvo; 1991; 940; 2.3; Crankshaft Seal; W/SOHC  
 Volvo; 1990-1986; 740; 2.3; Crankshaft Seal; W/SOHC  
 Volvo; 1990-1986; 760; 2.3; Crankshaft Seal  
 Volvo; 1990-1989; 780; 2.3; Crankshaft Seal

## KS25518

Mazda; 1995-1993; 929; 3.0; Cam Seal; Left; 2 Req'd  
 Mazda; 1991; 929; 3.0; Cam Seal; W/SOHC; Left; 2 Req'd

## KS550232

Acura; 1998-1996; TL; 3.2; Crankshaft Seal  
 Acura; 1995; Legend; 3.2; Crankshaft Seal  
 Acura; 1990-1987; Legend; 2.7; Crankshaft Seal  
 Acura; 1987-1986; Legend; 2.5; Crankshaft Seal

## KS7861

Dodge; 1990; Ram 50 Pickup; 2.4; Crankshaft Seal

## T013

Dodge; 1979-1978; Challenger; 98 CID; Cam Belt; W/Balance Shaft  
 Dodge; 1979-1978; Colt; 98 CID; Cam Belt; W/Balance Shaft  
 Dodge; 1977; Colt; 98 CID; Cam Belt  
 Ford; 1974-1971; Pinto; 122 CID; Cam Belt  
 Merc.; 1974-1971; Capri; 122 CID; Cam Belt  
 Merc.; 1972; Capri; 98 CID; Cam Belt  
 Ply.; 1980; Arrow; 1.6; Cam Belt; W/Balance Shaft  
 Ply.; 1980; Champ; 1.6; Cam Belt; W/Balance Shaft  
 Ply.; 1980; Colt; 1.6 (Canada); Cam Belt; W/Balance Shaft  
 Ply.; 1979-1978; Arrow; 98 CID; Cam Belt; W/Balance Shaft  
 Ply.; 1979; Champ; 98 CID; Cam Belt; W/Balance Shaft  
 Ply.; 1979-1978; Colt; 98 (Canada) CID; Cam Belt; W/Balance Shaft  
 Ply.; 1979-1978; Sapporo; 98 CID; Cam Belt; W/Balance Shaft  
 Ply.; 1977; Arrow; 98 CID; Cam Belt  
 Ply.; 1977; Colt; 98 (Canada) CID; Cam Belt

## T014

Ford; 1992; Mustang; 2.3; Cam Belt; W/Square Tooth Sprockets  
 Ford; 1992; Ranger; 2.3; Cam Belt; W/Square Tooth Sprockets  
 Ford; 1991-1980; Mustang; 2.3; Cam Belt  
 Ford; 1991-1983; Ranger; 2.3; Cam Belt  
 Ford; 1988-1983; Ranger; 2.0; Cam Belt  
 Ford; 1988-1983; Thunderbird; 2.3; Cam Belt  
 Ford; 1987-1986; Aerostar; 2.3; Cam Belt  
 Ford; 1986-1983; Ltd; 2.3; Cam Belt  
 Ford; 1983-1980; Fairmont; 2.3; Cam Belt  
 Ford; 1982-1980; Courier; 2.3; Cam Belt  
 Ford; 1982-1981; Granada; 2.3; Cam Belt  
 Ford; 1982-1981; Mustang; 2.3 (Canada); Cam Belt  
 Ford; 1980; Pinto; 2.3; Cam Belt  
 Ford; 1979-1977; Courier; 140 CID; Cam Belt  
 Ford; 1979-1978; Fairmont; 140 CID; Cam Belt  
 Ford; 1979; Mustang; 140 CID; Cam Belt  
 Ford; 1979-1974; Pinto; 140 CID; Cam Belt  
 Ford; 1978-1974; Mustang II; 140 CID; Cam Belt  
 Merc.; 1986-1980; Capri; 2.3; Cam Belt  
 Merc.; 1986-1984; Cougar; 2.3; Cam Belt  
 Merc.; 1986-1983; Marquis; 2.3; Cam Belt  
 Merc.; 1983-1980; Zephyr; 2.3; Cam Belt  
 Merc.; 1982; Capri; 2.3 (Canada); Cam Belt  
 Merc.; 1981; Cougar; 2.3; Cam Belt  
 Merc.; 1980; Bobcat; 2.3; Cam Belt  
 Merc.; 1979-1975; Bobcat; 140 CID; Cam Belt  
 Merc.; 1979-1976; Capri; 140 CID; Cam Belt  
 Merc.; 1979-1978; Zephyr; 140 CID; Cam Belt  
 Merkur; 1989-1985; XR4TI; 2.3; Cam Belt

## T017

Amer. Mtrs.; 1979-1978; Concord; 121 CID; Cam Belt  
 Amer. Mtrs.; 1979; Spirit; 121 CID; Cam Belt  
 Amer. Mtrs.; 1978-1977; Gremlin; 121 CID; Cam Belt  
 Audi; 1990-1988; 80; 2.0; Cam Belt  
 Audi; 1988; 90; 2.0; Cam Belt  
 Audi; 1987-1984; 4000S; 1.8; Cam Belt  
 Audi; 1983-1981; 4000; 1.7; Cam Belt  
 Audi; 1980; 4000; 1.6; Cam Belt  
 Audi; 1979-1975; Fox; 97 CID; Cam Belt  
 Audi; 1974-1973; Fox; 90 CID; Cam Belt  
 Dodge; 1983; Charger; 1.7; Cam Belt  
 Dodge; 1983-1980; Omni; 1.7; Cam Belt  
 Dodge; 1982-1981; O24; 1.7; Cam Belt  
 Dodge; 1979-1978; Omni; 104 CID; Cam Belt  
 Ply.; 1983-1980; Horizon; 1.7; Cam Belt  
 Ply.; 1983; Turismo; 1.7; Cam Belt  
 Ply.; 1982-1981; TC3; 1.7; Cam Belt  
 Ply.; 1979-1978; Horizon; 104 CID; Cam Belt  
 ☆Porsche; 1982-1980; 924; 2.0; Cam Belt  
 ☆Porsche; 1979-1977; 924; 121 CID; Cam Belt

## T017 - Continued

VW; 1995-1993; Golf; 1.8 (Canada); Cam Belt  
 VW; 1995-1993; Jetta; 1.8 (Canada); Cam Belt  
 VW; 1994-1992; Passat; 1.8 (Canada); Cam Belt  
 VW; 1993-1989; Cabriolet; 1.8; Cam Belt  
 VW; 1993-1987; Fox; 1.8; Cam Belt  
 VW; 1992-1990; Corrado; 1.8; Cam Belt  
 VW; 1992-1990; Golf; 1.8; Cam Belt  
 VW; 1992-1990; GTI; 1.8; Cam Belt  
 VW; 1992-1990; Jetta; 1.8; Cam Belt  
 VW; 1989-1985; Golf; 1.8; Cam Belt; W/SOHC  
 VW; 1989-1985; Jetta; 1.8; Cam Belt; W/SOHC  
 VW; 1989-1988; Scirocco; 1.8 (Canada); Cam Belt; W/SOHC  
 VW; 1988-1987; Cabriolet; 1.8; Cam Belt; W/SOHC  
 VW; 1988-1985; Scirocco; 1.8; Cam Belt; W/SOHC  
 VW; 1987; GTI; 1.8; Cam Belt; W/SOHC  
 VW; 1986-1985; Cabriolet; 1.8; Cam Belt  
 VW; 1986; GTI; 1.8; Cam Belt  
 VW; 1985; GTI; 1.8; Cam Belt; W/SOHC  
 VW; 1985; Quantum; 1.8; Cam Belt  
 VW; 1984-1981; Jetta; 1.7; Cam Belt  
 VW; 1984; Jetta; 1.8; Cam Belt  
 VW; 1984-1981; Rabbit; 1.7; Cam Belt  
 VW; 1984-1983; Rabbit; 1.8; Cam Belt  
 VW; 1984-1983; Scirocco; 1.8; Cam Belt  
 VW; 1983-1982; Quantum; 1.7; Cam Belt  
 VW; 1983-1981; Rabbit Pickup; 1.7; Cam Belt  
 VW; 1983-1981; Scirocco; 1.7; Cam Belt  
 VW; 1980; Dasher; 1.6; Cam Belt  
 VW; 1980; Jetta; 1.6; Cam Belt  
 VW; 1980; Rabbit; 1.6; Cam Belt  
 VW; 1980; Rabbit Pickup; 1.6; Cam Belt  
 VW; 1980; Scirocco; 1.6; Cam Belt  
 VW; 1979-1976; Dasher; 97 CID; Cam Belt  
 VW; 1979-1978; Rabbit; 89 CID; Cam Belt  
 VW; 1979; Scirocco; 97 CID; Cam Belt  
 VW; 1978; Scirocco; 89 CID; Cam Belt  
 VW; 1977-1976; Rabbit; 97 CID; Cam Belt  
 VW; 1977-1976; Scirocco; 97 CID; Cam Belt  
 VW; 1975-1974; Dasher; 90 CID; Cam Belt  
 VW; 1975; Rabbit; 90 CID; Cam Belt

## T018

☆Fiat; 1979; 128; 79 CID; Cam Belt  
 Fiat; 1978-1974; X1/9; 79 CID; Cam Belt  
 Fiat; 1978-1973; 128; 79 CID; Cam Belt  
 Fiat; 1973-1971; 128; 68 CID; Cam Belt  
 ☆Yugo; 1989-1986; GV; 1.1; Cam Belt  
 ☆Yugo; 1989-1988; GVL; 1.1; Cam Belt  
 ☆Yugo; 1988; GVS; 1.1; Cam Belt  
 ☆Yugo; 1987; GVX; 1.3; Cam Belt

## T020

Fiat; 1978; Brava; 107 CID; Cam Belt  
 Fiat; 1978-1974; 124; 107 CID; Cam Belt  
 Fiat; 1978-1975; 131; 107 CID; Cam Belt  
 Fiat; 1974; 124; 97 CID; Cam Belt  
 Fiat; 1973-1971; 124; 98 CID; Cam Belt; Sport, Spider  
 ☆Lancia; 1979; Beta; 122 CID; Cam Belt  
 ☆Lancia; 1978-1976; Beta; 107 CID; Cam Belt

## T028

☆Honda; 1983-1980; Civic; 1.3; Cam Belt; Canada  
 ☆Honda; 1979; Civic; 75 CID; Cam Belt  
 Honda; 1978-1974; Civic; 75 CID; Cam Belt  
 Honda; 1973; Civic; 71 CID; Cam Belt

## T032

☆Volvo; 1992-1986; 240; 2.3; Cam Belt  
 ☆Volvo; 1992-1991; 740; 2.3; Cam Belt  
 ☆Volvo; 1992; 940; 2.3; Cam Belt  
 ☆Volvo; 1991; 940; 2.3; Cam Belt; W/SOHC  
 ☆Volvo; 1990-1986; 740; 2.3; Cam Belt; W/SOHC  
 ☆Volvo; 1990-1985; 760; 2.3; Cam Belt  
 ☆Volvo; 1990-1989; 780; 2.3; Cam Belt  
 ☆Volvo; 1985-1983; DL; 2.3; Cam Belt  
 ☆Volvo; 1985-1983; GL; 2.3; Cam Belt  
 ☆Volvo; 1985-1984; Turbo; 2.1; Cam Belt  
 ☆Volvo; 1985; 740; 2.3; Cam Belt  
 ☆Volvo; 1984; GLE; 2.3 (Canada); Cam Belt  
 ☆Volvo; 1984; 760GLE; 2.3; Cam Belt  
 ☆Volvo; 1983; DL; 2.1 (Canada); Cam Belt  
 ☆Volvo; 1983-1982; GL; 2.3 (Canada); Cam Belt  
 ☆Volvo; 1983-1981; GLT; 2.1; Cam Belt  
 ☆Volvo; 1983; GLT; 2.3 (Canada); Cam Belt  
 ☆Volvo; 1982-1980; DL; 2.1; Cam Belt  
 ☆Volvo; 1982-1980; GL; 2.1; Cam Belt  
 ☆Volvo; 1980; GT; 2.1; Cam Belt  
 ☆Volvo; 1979-1976; 242; 130 CID; Cam Belt

☆ Interference engine application. See inside back cover for additional information.

# Numerical Listing - PowerGrip™ Timing System Products

## T032 - Continued

☆Volvo; 1979-1976; 244; 130 CID; Cam Belt  
 ☆Volvo; 1979-1976; 245; 130 CID; Cam Belt

### T036

Geo; 1992-1990; Prizm; 1.6; Cam Belt; Exc GSI  
 Geo; 1989; Prizm; 1.6; Cam Belt  
 Honda; 1975; Civic CVCC; 91 CID; Cam Belt  
 Toy.; 1992-1990; Celica; 1.6; Cam Belt  
 Toy.; 1992; Corolla; 1.6; Cam Belt  
 Toy.; 1991; Corolla; 1.6; Cam Belt; Eng 4AFE  
 Toy.; 1990; Corolla; 1.6; Cam Belt; Exc GT-S  
 Toy.; 1989-1988; Corolla; 1.6; Cam Belt; DLX, LE, SR5

### T037

Chev.; 1976; Chevette; 85 CID; Cam Belt  
 Chev.; 1976; Chevette; 98 CID; Cam Belt  
 Pont.; 1976; Acadian; 85 (Canada) CID; Cam Belt  
 Pont.; 1976; Acadian; 98 (Canada) CID; Cam Belt

### T039

Chev.; 1978-1977; Chevette; 98 CID; Cam Belt  
 Chev.; 1977; Chevette; 85 CID; Cam Belt  
 Pont.; 1978-1977; Acadian; 98 (Canada) CID; Cam Belt  
 Pont.; 1977; Acadian; 85 (Canada) CID; Cam Belt

### T041

Honda; 1987-1983; Prelude; 1.6 (Canada); Cam Belt  
 ☆Honda; 1983-1980; Accord; 1.6 (Canada); Cam Belt  
 ☆Honda; 1983-1980; Accord; 1.8; Cam Belt  
 ☆Honda; 1983-1980; Civic; 1.5; Cam Belt  
 ☆Honda; 1982-1980; Prelude; 1.6 (Canada); Cam Belt  
 ☆Honda; 1982-1980; Prelude; 1.8; Cam Belt  
 ☆Honda; 1979; Accord; 107 CID; Cam Belt  
 ☆Honda; 1979; Civic CVCC; 91 CID; Cam Belt  
 Honda; 1979; Prelude; 98 (Canada) CID; Cam Belt  
 ☆Honda; 1979; Prelude; 107 CID; Cam Belt  
 Honda; 1978-1976; Accord; 98 CID; Cam Belt  
 Honda; 1978-1976; Civic CVCC; 91 CID; Cam Belt

### T043

☆Audi; 1983-1982; 4000; 1.6 Diesel; Cam Belt  
 ☆VW; 1992-1988; Golf; 1.6 Diesel (Canada); Cam Belt  
 ☆VW; 1992-1989; Jetta; 1.6 Diesel; Cam Belt  
 ☆VW; 1992-1988; Jetta; 1.6 Diesel (Canada); Cam Belt  
 ☆VW; 1987-1985; Golf; 1.6 Diesel; Cam Belt  
 ☆VW; 1986-1981; Jetta; 1.6 Diesel; Cam Belt  
 ☆VW; 1986; Jetta; 1.6 Diesel (Canada); Cam Belt  
 ☆VW; 1986; Quantum; 1.8; Cam Belt  
 ☆VW; 1985-1982; Quantum; 1.6 Diesel; Cam Belt  
 ☆VW; 1984-1981; Rabbit; 1.6 Diesel; Cam Belt  
 ☆VW; 1983-1981; Rabbit Pickup; 1.6 Diesel; Cam Belt  
 ☆VW; 1983-1982; Vanagon; 1.6 Diesel; Cam Belt  
 ☆VW; 1981; Dasher; 1.6 Diesel; Cam Belt  
 ☆VW; 1980; Dasher; 1.5 Diesel; Cam Belt  
 ☆VW; 1980; Rabbit; 1.5 Diesel; Cam Belt  
 ☆VW; 1980; Rabbit Pickup; 1.5 Diesel; Cam Belt  
 ☆VW; 1979; Dasher; 90 Diesel CID; Cam Belt  
 ☆VW; 1979-1977; Rabbit; 90 Diesel CID; Cam Belt

### T061

Chev.; 1987-1980; Chevette; 1.6; Cam Belt  
 Chev.; 1979; Chevette; 98 CID; Cam Belt  
 Pont.; 1987-1980; Acadian; 1.6 (Canada); Cam Belt  
 Pont.; 1987-1983; 1000; 1.6; Cam Belt  
 Pont.; 1982-1981; T1000; 1.6; Cam Belt  
 Pont.; 1979; Acadian; 98 (Canada) CID; Cam Belt

### T062

Dodge; 1979-1978; Challenger; 98 CID; Balance Shaft Belt  
 Dodge; 1979-1977; Colt; 98 CID; Balance Shaft Belt  
 Ply.; 1980; Arrow; 1.6; Balance Shaft Belt  
 Ply.; 1980; Champ; 1.6; Balance Shaft Belt  
 Ply.; 1980; Colt; 1.6 (Canada); Balance Shaft Belt  
 Ply.; 1979-1977; Arrow; 98 CID; Balance Shaft Belt  
 Ply.; 1979; Champ; 98 CID; Balance Shaft Belt  
 Ply.; 1979-1977; Colt; 98 (Canada) CID; Balance Shaft Belt  
 Ply.; 1979-1978; Sapporo; 98 CID; Balance Shaft Belt

### T064

Dodge; 1982-1980; Colt; 1.6; Cam Belt  
 Dodge; 1979-1978; Challenger; 98 CID; Cam Belt; W/O Balance Shaft  
 Dodge; 1979-1978; Colt; 98 CID; Cam Belt; W/O Balance Shaft  
 Ply.; 1982-1981; Champ; 1.6; Cam Belt  
 Ply.; 1982-1981; Colt; 1.6 (Canada); Cam Belt  
 Ply.; 1980; Arrow; 1.6; Cam Belt; W/O Balance Shaft  
 Ply.; 1980; Champ; 1.6; Cam Belt; W/O Balance Shaft  
 Ply.; 1980; Colt; 1.6 (Canada); Cam Belt; W/O Balance Shaft

## T064 - Continued

Ply.; 1979-1978; Arrow; 98 CID; Cam Belt; W/O Balance Shaft  
 Ply.; 1979; Champ; 98 CID; Cam Belt; W/O Balance Shaft  
 Ply.; 1979-1978; Colt; 98 (Canada) CID; Cam Belt; W/O Balance Shaft  
 Ply.; 1979-1978; Sapporo; 98 CID; Cam Belt; W/O Balance Shaft

### T065

Audi; 1985-1984; Coupe; 2.2; Cam Belt; W/113 Tooth Belt; W/.75" Belt TW  
 Audi; 1985-1984; Quattro; 2.2; Cam Belt; W/113 Tooth Belt; W/.75" Belt TW  
 Audi; 1985-1984; 4000S Quattro; 2.2; Cam Belt; W/113 Tooth Belt; W/.75" Belt TW  
 Audi; 1985-1984; 5000S; 2.2; Cam Belt; W/113 Tooth Belt; W/.75" Belt TW  
 Audi; 1983-1981; Coupe; 2.2; Cam Belt  
 Audi; 1983; Quattro; 2.2; Cam Belt  
 Audi; 1983-1980; 5000; 2.2; Cam Belt  
 Audi; 1981-1980; 4000; 2.2; Cam Belt  
 Audi; 1979-1978; 5000; 131 CID; Cam Belt  
 VW; 1986-1983; Quantum; 2.2; Cam Belt; Early; W/.75" Belt TW

### T067

Ford; 1991; Escort; 1.9; Cam Belt; 3-25-91 & Older  
 Ford; 1990-1985; Escort; 1.9; Cam Belt  
 Ford; 1988-1986; EXP; 1.9; Cam Belt  
 ☆Ford; 1985-1981; Escort; 1.6; Cam Belt  
 ☆Ford; 1985-1982; EXP; 1.6; Cam Belt  
 ☆Ford; 1983; Escort; 1.6 Flex; Cam Belt  
 Merc.; 1991; Tracer; 1.9; Cam Belt; 3-25-91 & Older  
 Merc.; 1987-1985; Lynx; 1.9; Cam Belt  
 Merc.; 1985; Lynx; 1.6; Cam Belt  
 ☆Merc.; 1984-1981; Lynx; 1.6; Cam Belt  
 ☆Merc.; 1983-1982; LN7; 1.6; Cam Belt

### T068

☆Fiat; 1983-1980; Spider 2000; 2.0; Cam Belt  
 ☆Fiat; 1981-1980; Brava; 2.0; Cam Belt  
 ☆Fiat; 1979; Brava; 122 CID; Cam Belt  
 ☆Fiat; 1979; Spider 2000; 122 CID; Cam Belt

### T069

☆Fiat; 1983-1980; X1/9; 1.5; Cam Belt  
 ☆Fiat; 1982-1980; Strada; 1.5; Cam Belt  
 ☆Fiat; 1979; Strada; 91 CID; Cam Belt  
 ☆Fiat; 1979; X1/9; 91 CID; Cam Belt

### T070

Chev.; 1988; Nova; 1.6; Cam Belt; W/SOHC  
 Chev.; 1987-1985; Nova; 1.6; Cam Belt  
 Toy.; 1988; Corolla; 1.6; Cam Belt; W/SOHC; FX  
 Toy.; 1988; Tercel; 1.5; Cam Belt; Wagon  
 Toy.; 1987; Corolla; 1.6; Cam Belt; W/SOHC; DLX, FX, LE  
 Toy.; 1987-1985; Corolla Sport; 1.6; Cam Belt; W/SOHC; SR5  
 Toy.; 1987; Tercel; 1.5; Cam Belt; Wagon  
 Toy.; 1986; Corolla; 1.6; Cam Belt; W/SOHC; DLX, LE, LE Ltd  
 Toy.; 1986-1980; Tercel; 1.5; Cam Belt  
 Toy.; 1986-1980; Tercel; 1.5 (Canada); Cam Belt  
 Toy.; 1985; Corolla; 1.6; Cam Belt; W/SOHC; DLX, LE  
 Toy.; 1984-1983; Corolla; 1.6; Cam Belt

### T071

Chry.; 1988-1985; Daytona; 2.2 (Canada); Cam Belt  
 Chry.; 1988-1982; Lebaron; 2.2; Cam Belt  
 Chry.; 1988-1983; New Yorker; 2.2; Cam Belt  
 Chry.; 1988-1982; Town & Country; 2.2; Cam Belt  
 Chry.; 1986; Exec. Limo.; 2.2 (Canada); Cam Belt  
 Chry.; 1986-1984; Laser; 2.2; Cam Belt  
 Chry.; 1984-1983; E Class; 2.2; Cam Belt  
 Chry.; 1984; Laser; 2.2 (Canada); Cam Belt  
 Dodge; 1988; Aries America; 2.2; Cam Belt  
 Dodge; 1988-1987; Dakota; 2.2; Cam Belt  
 Dodge; 1988-1984; Daytona; 2.2; Cam Belt  
 Dodge; 1988-1987; Expo; 2.2 (Canada); Cam Belt  
 Dodge; 1988-1985; Lancer; 2.2; Cam Belt  
 Dodge; 1988-1981; Omni; 2.2; Cam Belt  
 Dodge; 1988-1987; Shadow; 2.2; Cam Belt  
 Dodge; 1988-1983; 600; 2.2; Cam Belt  
 Dodge; 1987-1981; Aries; 2.2; Cam Belt  
 Dodge; 1987-1984; Caravan; 2.2; Cam Belt  
 Dodge; 1987-1983; Charger; 2.2; Cam Belt  
 Dodge; 1987; Grand Caravan; 2.2; Cam Belt  
 Dodge; 1987-1984; Mini Ram Van; 2.2; Cam Belt  
 Dodge; 1984-1982; Rampage; 2.2; Cam Belt  
 Dodge; 1983-1982; 400; 2.2; Cam Belt  
 Dodge; 1982-1981; O24; 2.2; Cam Belt  
 Ply.; 1988-1985; Caravelle; 2.2; Cam Belt  
 Ply.; 1988-1987; Caravelle; 2.2 (Canada); Cam Belt

# Numerical Listing - PowerGrip™ Timing System Products

## T071 - Continued

Ply.; 1988-1987; Expo; 2.2 (Canada); Cam Belt  
Ply.; 1988-1981; Horizon; 2.2; Cam Belt  
Ply.; 1988-1981; Reliant; 2.2; Cam Belt  
Ply.; 1988-1987; Sundance; 2.2; Cam Belt  
Ply.; 1987-1983; Turismo; 2.2; Cam Belt  
Ply.; 1987-1984; Voyager; 2.2; Cam Belt  
Ply.; 1984-1983; Caravelle; 2.2 (Canada); Cam Belt  
Ply.; 1983; Scamp Pickup; 2.2; Cam Belt  
Ply.; 1982-1981; TC3; 2.2; Cam Belt

## T073

☆Dodge; 1986-1985; Colt; 1.5; Cam Belt  
☆Dodge; 1984-1981; Colt; 1.4; Cam Belt  
Dodge; 1980; Colt; 1.4; Cam Belt  
Dodge; 1979; Colt; 86 CID; Cam Belt  
☆Honda; 1983-1980; Civic; 1.3; Cam Belt; US  
☆Hyundai; 1989-1986; Excel; 1.5; Cam Belt  
☆Mits.; 1989-1987; Precis; 1.5; Cam Belt  
☆Mits.; 1986-1985; Mirage; 1.5; Cam Belt  
☆Ply.; 1986-1985; Colt; 1.5; Cam Belt  
☆Ply.; 1984-1983; Colt; 1.4; Cam Belt  
☆Ply.; 1982-1980; Champ; 1.4; Cam Belt  
☆Ply.; 1982-1980; Colt; 1.4 (Canada); Cam Belt  
☆Ply.; 1979; Champ; 86 CID; Cam Belt  
☆Ply.; 1979; Colt; 86 (Canada) CID; Cam Belt

## T074

Toy.; 1983; Cressida; 2.8; Cam Belt  
Toy.; 1983-1982; Supra; 2.8; Cam Belt

## T075

☆Chev.; 1985-1984; S Pickup; 2.2 Diesel; Cam Belt  
Chev.; 1983; S Pickup; 2.2 Diesel; Cam Belt  
☆Chev.; 1982-1981; Luv Pickup; 2.2 Diesel; Cam Belt  
☆GMC; 1985-1984; S Pickup; 2.2 Diesel; Cam Belt  
☆Isuzu; 1987-1981; Pickup; 2.2 Diesel; Cam Belt  
☆Isuzu; 1987-1986; Trooper II; 2.2 Diesel; Cam Belt  
☆Isuzu; 1984; Trooper II; 2.2 Diesel; Cam Belt

## T076

☆Chev.; 1986-1981; Chevette; 1.8 Diesel; Cam Belt  
☆Isuzu; 1984-1981; I-Mark; 1.8 Diesel; Cam Belt  
☆Pont.; 1985-1981; Acadian; 1.8 Diesel (Canada); Cam Belt

## T077

☆Niss.; 1988; Pulsar NX; 1.6; Cam Belt  
☆Niss.; 1988-1983; Sentra; 1.6; Cam Belt  
☆Niss.; 1987; Pulsar NX; 1.6; Cam Belt; Eng E16i, E16S, E16SPI  
☆Niss.; 1986-1983; Pulsar NX; 1.6; Cam Belt  
☆Niss.; 1984-1983; Pulsar NX; 1.5; Cam Belt  
☆Niss.; 1983-1982; Sentra; 1.5; Cam Belt  
☆Niss.; 1982; 310; 1.5; Cam Belt

## T078

☆Niss.; 1989-1982; Stanza; 2.0; Cam Belt  
☆Niss.; 1988-1986; Multi; 2.0 (Canada); Cam Belt  
☆Niss.; 1988-1984; 200SX; 2.0; Cam Belt  
☆Niss.; 1987; 200SX; 1.8 (Canada); Cam Belt

## T079

Toy.; 1982; Pickup; 2.2 Diesel; Cam Belt; 5-31-82 & Older  
☆Toy.; 1981; Pickup; 2.2 Diesel; Cam Belt

## T081

Buick; 1988; Skyhawk; 2.0; Cam Belt; VIN K  
Buick; 1987; Skyhawk; 2.0; Cam Belt; VIN K, M  
Buick; 1986-1983; Skyhawk; 1.8; Cam Belt  
Buick; 1982; Skyhawk; 1.8; Cam Belt; VIN O  
Daewoo; 1989; Optima; 2.0 (Canada); Cam Belt  
Olds.; 1988-1987; Firenza; 2.0; Cam Belt; VIN K  
Olds.; 1986-1983; Firenza; 1.8; Cam Belt  
Olds.; 1982; Firenza; 1.8; Cam Belt; VIN O  
Pont.; 1989; Lemans; 2.0; Cam Belt; 1st Design  
Pont.; 1988-1987; Grand Am; 2.0; Cam Belt  
Pont.; 1988-1987; Sunbird; 2.0; Cam Belt  
Pont.; 1986-1985; Sunbird; 1.8; Cam Belt  
Pont.; 1984; 2000 Sunbird; 1.8; Cam Belt  
Pont.; 1983; 2000; 1.8; Cam Belt  
Pont.; 1982; J2000; 1.8; Cam Belt; VIN O

## T082

Audi; 1983-1980; 5000; 2.0 Diesel; Inj Pump Belt  
Audi; 1979; 5000; 121 Diesel CID; Inj Pump Belt  
Volvo; 1986-1985; 740; 2.4 Diesel; Inj Pump Belt  
Volvo; 1985; 760; 2.4 Diesel; Inj Pump Belt  
Volvo; 1984-1982; GL; 2.4 Diesel; Inj Pump Belt  
Volvo; 1984-1983; 760GLE; 2.4 Diesel; Inj Pump Belt

## T082 - Continued

Volvo; 1982; DL; 2.4 Diesel; Inj Pump Belt  
Volvo; 1981-1980; Diesel; 2.4 Diesel; Inj Pump Belt

## T083

☆Audi; 1983-1980; 5000; 2.0 Diesel; Cam Belt  
☆Audi; 1979; 5000; 121 Diesel CID; Cam Belt  
☆Volvo; 1986-1985; 740; 2.4 Diesel; Cam Belt  
☆Volvo; 1985; 760; 2.4 Diesel; Cam Belt  
☆Volvo; 1984-1982; GL; 2.4 Diesel; Cam Belt  
☆Volvo; 1984-1983; 760GLE; 2.4 Diesel; Cam Belt  
☆Volvo; 1982; DL; 2.4 Diesel; Cam Belt  
☆Volvo; 1981-1980; Diesel; 2.4 Diesel; Cam Belt

## T084

☆Toy.; 1987-1986; Pickup; 2.4 Diesel (Canada); Cam Belt  
☆Toy.; 1986-1984; Pickup; 2.4 Diesel; Cam Belt  
☆Toy.; 1983; Pickup; 2.2 Diesel; Cam Belt  
Toy.; 1982; Pickup; 2.2 Diesel; Cam Belt; June 1-82 & Newer

## T087

Toy.; 1986-1983; Camry; 2.0; Cam Belt  
Toy.; 1986; Celica; 2.0; Cam Belt; Exc GTS

## T088

Mazda; 1985-1984; 626; 2.0; Cam Belt; Coupe; VIN JM1GC221E1617636  
& Before; W/Square Tooth Sprockets  
Mazda; 1985-1984; 626; 2.0; Cam Belt; Hatchback; VIN  
JM1GC241E1609644 & Before; W/Square Tooth Sprockets  
Mazda; 1985-1984; 626; 2.0; Cam Belt; Sedan; VIN JM1GC221E1635511  
& Before; W/Square Tooth Sprockets  
Mazda; 1983; 626; 2.0; Cam Belt

## T089

Dodge; 1986-1984; Colt Vista; 2.0; Cam Belt  
Dodge; 1986-1983; Ram 50 Pickup; 2.0; Cam Belt  
Mits.; 1986-1983; Cordia; 1.8; Cam Belt  
Mits.; 1986-1984; Cordia; 2.0; Cam Belt  
Mits.; 1986-1983; Pickup; 2.0; Cam Belt  
Mits.; 1986-1983; Tredia; 1.8; Cam Belt  
Mits.; 1986-1984; Tredia; 2.0; Cam Belt  
Ply.; 1986-1984; Colt Vista; 2.0; Cam Belt

## T090

Dodge; 1986-1984; Colt Vista; 2.0; Balance Shaft Belt  
Dodge; 1986-1983; Ram 50 Pickup; 2.0; Balance Shaft Belt  
Mits.; 1986-1983; Pickup; 2.0; Balance Shaft Belt  
Mits.; 1984-1983; Cordia; 1.8; Balance Shaft Belt  
Mits.; 1984; Cordia; 2.0; Balance Shaft Belt  
Mits.; 1984-1983; Tredia; 1.8; Balance Shaft Belt  
Mits.; 1984; Tredia; 2.0; Balance Shaft Belt  
Ply.; 1986-1984; Colt Vista; 2.0; Balance Shaft Belt

## T091

☆Dodge; 1985-1983; Ram 50 Pickup; 2.3 Diesel; Cam Belt  
☆Ford; 1987-1985; Ranger; 2.3 Diesel; Cam Belt  
☆Mits.; 1985-1983; Pickup; 2.3 Diesel; Cam Belt

## T092

☆Dodge; 1985-1983; Ram 50 Pickup; 2.3 Diesel; Balance Shaft Belt  
☆Ford; 1987-1985; Ranger; 2.3 Diesel; Balance Shaft Belt  
☆Mits.; 1985-1983; Pickup; 2.3 Diesel; Balance Shaft Belt

## T093

Dodge; 1990-1989; Colt; 1.8; Cam Belt  
Dodge; 1989; Colt; 1.6 (Canada); Cam Belt  
Dodge; 1988-1983; Colt; 1.6; Cam Belt  
Eagle; 1989; Vista; 1.6 (Canada); Cam Belt  
Mits.; 1988-1985; Mirage; 1.6; Cam Belt  
Ply.; 1990-1989; Colt; 1.8; Cam Belt  
Ply.; 1989; Colt; 1.6 (Canada); Cam Belt  
Ply.; 1988-1987; Colt; 1.6; Cam Belt  
Ply.; 1986; Colt; 1.6; Cam Belt; Early  
Ply.; 1985-1983; Colt; 1.6; Cam Belt

## T094

☆Honda; 1985-1984; Accord; 1.6 (Canada); Cam Belt  
☆Honda; 1985-1984; Accord; 1.8; Cam Belt  
☆Honda; 1985-1983; Prelude; 1.8; Cam Belt  
☆Honda; 1985; Prelude; 2.0; Cam Belt

## T095

Chev.; 1988-1985; Sprint; 1.0; Cam Belt  
Geo; 1993-1992; Metro; 1.3 (Canada); Cam Belt  
Pont.; 1988-1985; Firefly; 1.0 (Canada); Cam Belt  
Suzuki; 1994; Samurai; 1.3; Cam Belt; VIN JS4JC31C R4100375 & Before  
Suzuki; 1993-1986; Samurai; 1.3; Cam Belt

☆ Interference engine application. See inside back cover for additional information.

# Numerical Listing - PowerGrip™ Timing System Products

## T095 - Continued

Suzuki; 1993-1989; Swift; 1.3; Cam Belt; W/SOHC  
Suzuki; 1989; Sidekick; 1.3; Cam Belt  
Suzuki; 1985; Samurai; 1.3 (Canada); Cam Belt

## T096

☆Niss.; 1987; Sentra; 1.7 Diesel (Canada); Cam Belt  
☆Niss.; 1986-1983; Sentra; 1.7 Diesel; Cam Belt

## T097

Niss.; 1987; Sentra; 1.7 Diesel (Canada); Inj Pump Belt  
Niss.; 1986-1983; Sentra; 1.7 Diesel; Inj Pump Belt

## T098

Toy.; 1986; Camry; 2.0 Diesel; Cam Belt  
Toy.; 1985-1984; Camry; 1.8 Diesel; Cam Belt  
Toy.; 1985-1984; Corolla; 1.8 Diesel; Cam Belt

## T099

☆Honda; 1985-1984; Civic; 1.3; Cam Belt  
☆Honda; 1985-1984; Civic; 1.5; Cam Belt  
☆Honda; 1985-1984; Civic CRX; 1.5; Cam Belt  
☆Honda; 1984; Civic CRX; 1.3; Cam Belt

## T100

Niss.; 1986-1984; 200SX; 1.8; Cam Belt

## T101

Toy.; 1988-1984; Cressida; 2.8; Cam Belt  
Toy.; 1986-1984; Supra; 2.8; Cam Belt

## T102

☆Ford; 1987-1984; Escort; 2.0 Diesel; Cam To Inj Pump Belt  
☆Ford; 1986-1984; Tempo; 2.0 Diesel; Cam To Inj Pump Belt  
☆Mazda; 1985-1984; 626; 2.0 Diesel; Cam To Inj Pump Belt  
☆Merc.; 1987-1984; Lynx; 2.0 Diesel; Cam To Inj Pump Belt  
☆Merc.; 1986-1984; Topaz; 2.0 Diesel; Cam To Inj Pump Belt

## T103

☆Ford; 1987-1984; Escort; 2.0 Diesel; Cam Belt  
☆Ford; 1986-1984; Tempo; 2.0 Diesel; Cam Belt  
☆Mazda; 1985-1984; 626; 2.0 Diesel; Cam Belt  
☆Merc.; 1987-1984; Lynx; 2.0 Diesel; Cam Belt  
☆Merc.; 1986-1984; Topaz; 2.0 Diesel; Cam Belt

## T104

☆Infiniti; 1992-1990; M30; 3.0; Cam Belt  
☆Merc.; 1993; Villager; 3.0; Cam Belt  
☆Niss.; 1994-1993; Maxima; 3.0; Cam Belt; W/SOHC; W/Square Tooth Sprockets  
☆Niss.; 1994-1993; Pathfinder; 3.0; Cam Belt; W/Square Tooth Sprockets  
☆Niss.; 1994-1993; Pickup; 3.0; Cam Belt; W/Square Tooth Sprockets  
☆Niss.; 1994-1993; Quest; 3.0; Cam Belt; W/Square Tooth Sprockets  
☆Niss.; 1992; Maxima; 3.0; Cam Belt; W/SOHC  
☆Niss.; 1992-1987; Pathfinder; 3.0; Cam Belt  
☆Niss.; 1992-1986; Pickup; 3.0; Cam Belt  
☆Niss.; 1991-1985; Maxima; 3.0; Cam Belt  
☆Niss.; 1989-1984; 300ZX; 3.0; Cam Belt  
☆Niss.; 1988-1987; 200SX; 3.0; Cam Belt

## T106

☆BMW; 1988-1986; 325; 2.7; Cam Belt; W/128 Tooth Belt; Use with OEM tensioner pulley.  
☆BMW; 1988-1987; 325i; 2.5; Cam Belt; W/128 Tooth Belt; Use with OEM tensioner pulley.  
☆BMW; 1988-1987; 325iS; 2.5; Cam Belt; W/128 Tooth Belt; Use with OEM tensioner pulley.  
☆BMW; 1988-1982; 528E; 2.7; Cam Belt; W/128 Tooth Belt; Use with OEM tensioner pulley.  
☆BMW; 1987-1984; 325E; 2.7; Cam Belt; W/128 Tooth Belt; Use with OEM tensioner pulley.  
☆BMW; 1987-1986; 325ES; 2.7; Cam Belt; W/128 Tooth Belt; Use with OEM tensioner pulley.

## T107

☆Porsche; 1989; 944; 2.5; Cam Belt  
☆Porsche; 1989; 944; 2.7; Cam Belt  
☆Porsche; 1988-1987; 924; 2.5; Cam Belt  
☆Porsche; 1988-1987; 944; 2.5; Cam Belt; Exc S  
☆Porsche; 1986-1983; 944; 2.5; Cam Belt

## T112

Chev.; 1988; Nova; 1.6; Cam Belt; W/DOHC  
Toy.; 1988; Corolla; 1.6; Cam Belt; W/DOHC; FX16, GT-S  
Toy.; 1988-1985; MR2; 1.6; Cam Belt  
Toy.; 1987; Corolla; 1.6; Cam Belt; W/DOHC; FX16, FX16 GTS  
Toy.; 1987; Corolla Sport; 1.6; Cam Belt; W/DOHC

## T112 - Continued

Toy.; 1986-1985; Corolla; 1.6; Cam Belt; W/DOHC  
Toy.; 1986-1985; Corolla Sport; 1.6; Cam Belt; W/DOHC; GTS

## T113

Mazda; 1986; B2000 Pickup; 2.0; Cam Belt; Chassis No. 568707 & Before  
Mazda; 1985-1984; 626; 2.0; Cam Belt; Coupe; VIN JM1GC221E1617637 & After; W/Round Tooth Sprockets  
Mazda; 1985-1984; 626; 2.0; Cam Belt; Hatchback; VIN JM1GC241E1609645 & After; W/Round Tooth Sprockets  
Mazda; 1985-1984; 626; 2.0; Cam Belt; Sedan; VIN JM1GC221E1635512 & After; W/Round Tooth Sprockets

## T114

Chry.; 1987; Daytona; 2.5 (Canada); Cam Belt  
Chry.; 1987-1986; Lebaron; 2.5; Cam Belt  
Chry.; 1987-1986; New Yorker; 2.5; Cam Belt  
Chry.; 1987-1986; Town & Country; 2.5; Cam Belt  
Chry.; 1986; Laser; 2.5; Cam Belt  
Dodge; 1987-1986; Aries; 2.5; Cam Belt  
Dodge; 1987; Caravan; 2.5; Cam Belt  
Dodge; 1987-1986; Daytona; 2.5; Cam Belt  
Dodge; 1987-1986; Lancer; 2.5; Cam Belt  
Dodge; 1987; Mini Ram Van; 2.5; Cam Belt  
Dodge; 1987-1986; 600; 2.5; Cam Belt  
Ply.; 1987-1986; Caravelle; 2.5; Cam Belt  
Ply.; 1987-1986; Reliant; 2.5; Cam Belt  
Ply.; 1987; Voyager; 2.5; Cam Belt

## T117

Mazda; 1987; B2000 Pickup; 2.0; Cam Belt  
Mazda; 1987-1986; 626; 2.0; Cam Belt  
Mazda; 1986; B2000 Pickup; 2.0; Cam Belt; Chassis No. 568708 & After

## T118

☆Chev.; 1988; Spectrum; 1.5; Cam Belt; 4-30-87 & Older  
☆Chev.; 1987-1985; Spectrum; 1.5; Cam Belt  
☆Isuzu; 1987-1985; I-Mark; 1.5; Cam Belt; 6-30-86 & Older  
☆Pont.; 1988-1985; Sunburst; 1.5 (Canada); Cam Belt

## T119

☆Renault; 1987-1985; Alliance; 1.7; Cam Belt  
☆Renault; 1986-1985; Encore; 1.7; Cam Belt

## T120

Alfa Romeo; 1993-1991; 164; 3.0; Cam Belt

## T121

☆Isuzu; 1989-1988; Impulse; 2.0; Cam Belt; W/Turbo  
☆Isuzu; 1987-1985; Impulse; 2.0; Cam Belt

## T122

☆Isuzu; 1995-1986; Pickup; 2.3; Cam Belt  
☆Isuzu; 1993-1989; Amigo; 2.3; Cam Belt  
☆Isuzu; 1989-1988; Impulse; 2.3; Cam Belt  
☆Isuzu; 1987-1986; Trooper II; 2.3; Cam Belt

## T123

Mazda; 1986; 323; 1.6; Cam Belt

## T124

Dodge; 1992-1990; Ram 50 Pickup; 2.4; Cam Belt  
☆Hyundai; 1991-1989; Sonata; 2.4; Cam Belt  
Mits.; 1992-1990; Pickup; 2.4; Cam Belt  
Mits.; 1990-1987; Van; 2.4; Cam Belt  
Mits.; 1987-1985; Galant; 2.4; Cam Belt

## T125

Toy.; 1995-1991; MR2; 2.0; Cam Belt  
Toy.; 1993-1990; Celica; 2.0; Cam Belt  
Toy.; 1988; Celica; 2.0; Cam Belt; Eng 3SGTE, 3SGELC  
Toy.; 1987; Camry; 2.0; Cam Belt; GT-S  
Toy.; 1987; Celica; 2.0; Cam Belt; GT-S  
Toy.; 1986; Celica; 2.0; Cam Belt; GTS

## T126

Toy.; 1991-1989; Cressida; 3.0; Cam Belt  
Toy.; 1990-1986; Supra; 3.0; Cam Belt

## T127

Audi; 1991; 100; 2.3; Cam Belt; Chassis No. 063969 & Before  
Audi; 1991; 100 Quattro; 2.3; Cam Belt; Chassis No. 063969 & Before  
Audi; 1989; 80 Quattro; 2.3; Cam Belt; Chassis No. 89J394742 & Before  
Audi; 1989; 90; 2.3; Cam Belt; Chassis No. 89J396702 & Before  
Audi; 1989; 90 Quattro; 2.3; Cam Belt; Chassis No. 89J394742 & Before  
Audi; 1989; 100; 2.3; Cam Belt; Chassis No. 063969 & Before  
Audi; 1989; 100 Quattro; 2.3; Cam Belt; Chassis No. 063969 & Before

# Numerical Listing - PowerGrip™ Timing System Products

## T127 - Continued

Audi; 1989; 200; 2.2; Cam Belt; Chassis No. 44J400000 & Before  
 Audi; 1989; 200 Quattro; 2.2; Cam Belt; Chassis No. 44K004457 & Before  
 Audi; 1988; 80 Quattro; 2.3; Cam Belt  
 Audi; 1988; 90; 2.3; Cam Belt  
 Audi; 1988; 90 Quattro; 2.3; Cam Belt  
 Audi; 1988-1987; 5000CS; 2.2; Cam Belt  
 Audi; 1988-1987; 5000CS Quattro; 2.2; Cam Belt  
 Audi; 1988-1987; 5000S; 2.3; Cam Belt  
 Audi; 1988; 5000S Quattro; 2.3; Cam Belt  
 Audi; 1987-1986; Coupe; 2.2; Cam Belt  
 Audi; 1987; 4000CS Quattro; 2.2; Cam Belt  
 Audi; 1987-1986; 5000S; 2.2; Cam Belt  
 Audi; 1986; 4000S Quattro; 2.2; Cam Belt  
 Audi; 1985-1984; Coupe; 2.2; Cam Belt; W/120 Tooth Belt; W/.70" Belt TW  
 Audi; 1985-1984; Quattro; 2.2; Cam Belt; W/120 Tooth Belt; W/.70" Belt TW  
 Audi; 1985-1984; 4000S Quattro; 2.2; Cam Belt; W/120 Tooth Belt; W/.70" Belt TW  
 Audi; 1985-1984; 5000S; 2.2; Cam Belt; W/120 Tooth Belt; W/.70" Belt TW  
 VW; 1988-1987; Quantum; 2.2; Cam Belt  
 VW; 1986-1983; Quantum; 2.2; Cam Belt; Late; W/.70" Belt TW

## T128

☆Dodge; 1991-1989; Colt; 1.5 (Canada); Cam Belt  
 ☆Dodge; 1990-1987; Colt; 1.5; Cam Belt  
 ☆Eagle; 1991-1989; Vista; 1.5 (Canada); Cam Belt  
 ☆Eagle; 1990-1989; Summit; 1.5; Cam Belt  
 ☆Hyundai; 1994-1990; Excel; 1.5; Cam Belt  
 ☆Hyundai; 1993-1991; Scoupe; 1.5; Cam Belt  
 ☆Mits.; 1993-1990; Precis; 1.5; Cam Belt  
 ☆Mits.; 1990-1987; Mirage; 1.5; Cam Belt  
 ☆Ply.; 1992-1989; Colt; 1.5 (Canada); Cam Belt  
 ☆Ply.; 1990-1987; Colt; 1.5; Cam Belt

## T129

☆Acura; 1990-1987; Legend; 2.7; Cam Belt  
 ☆Acura; 1987-1986; Legend; 2.5; Cam Belt  
 ☆Sterling; 1991-1989; 827; 2.7; Cam Belt  
 ☆Sterling; 1988-1987; 825; 2.5; Cam Belt

## T130

☆Acura; 1989-1986; Integra; 1.6; Cam Belt

## T131

☆BMW; 1995-1989; 525i; 2.5; Cam Belt  
 ☆BMW; 1993-1989; 325i; 2.5; Cam Belt  
 ☆BMW; 1993-1989; 325iS; 2.5; Cam Belt  
 ☆BMW; 1991-1988; 325iX; 2.5; Cam Belt  
 ☆BMW; 1988-1986; 325; 2.7; Cam Belt; W/127 Tooth Belt; Use with retrofit tensioner pulley.  
 ☆BMW; 1988-1987; 325i; 2.5; Cam Belt; W/127 Tooth Belt; Use with retrofit tensioner pulley.  
 ☆BMW; 1988-1987; 325iS; 2.5; Cam Belt; W/127 Tooth Belt; Use with retrofit tensioner pulley.  
 ☆BMW; 1988-1982; 528E; 2.7; Cam Belt; W/127 Tooth Belt; Use with retrofit tensioner pulley.  
 ☆BMW; 1987-1984; 325E; 2.7; Cam Belt; W/127 Tooth Belt; Use with retrofit tensioner pulley.  
 ☆BMW; 1987-1986; 325ES; 2.7; Cam Belt; W/127 Tooth Belt; Use with retrofit tensioner pulley.

## T132

Chry.; 1988; Daytona; 2.5 (Canada); Cam Belt  
 Chry.; 1988; Dynasty; 2.5 (Canada); Cam Belt  
 Chry.; 1988; Lebaron; 2.5; Cam Belt  
 Chry.; 1988; Town & Country; 2.5; Cam Belt  
 Dodge; 1988; Aries America; 2.5; Cam Belt  
 Dodge; 1988; Caravan; 2.5; Cam Belt  
 Dodge; 1988; Daytona; 2.5; Cam Belt  
 Dodge; 1988; Dynasty; 2.5; Cam Belt  
 Dodge; 1988; Grand Caravan; 2.5; Cam Belt  
 Dodge; 1988; Lancer; 2.5; Cam Belt  
 Dodge; 1988; Mini Ram Van; 2.5; Cam Belt  
 Dodge; 1988; Shadow; 2.5; Cam Belt  
 Dodge; 1988; 600; 2.5; Cam Belt  
 Ply.; 1988; Caravelle; 2.5; Cam Belt  
 Ply.; 1988; Grand Voyager; 2.5; Cam Belt  
 Ply.; 1988; Reliant; 2.5; Cam Belt  
 Ply.; 1988; Sundance; 2.5; Cam Belt  
 Ply.; 1988; Voyager; 2.5; Cam Belt

## T134

☆Ford; 1992-1989; Probe; 2.2; Cam Belt  
 ☆Mazda; 1993-1987; B2200 Pickup; 2.2; Cam Belt  
 ☆Mazda; 1992-1988; MX-6; 2.2; Cam Belt

## T134 - Continued

☆Mazda; 1992-1988; 626; 2.2; Cam Belt

## T135

Subaru; 1995; Justy; 1.2 (Canada); Cam Belt  
 Subaru; 1994-1987; Justy; 1.2; Cam Belt

## T136

☆Toy.; 1987; Tercel; 1.5; Cam Belt; Exc Wagon

## T137

☆Niss.; 1989-1988; Pulsar NX; 1.8; Cam Belt  
 ☆Niss.; 1987; Pulsar NX; 1.6; Cam Belt; Eng CA16D

## T138

Toy.; 1991-1988; Camry; 2.0; Cam Belt  
 Toy.; 1991-1990; Celica; 2.2; Cam Belt  
 Toy.; 1991; MR2; 2.2; Cam Belt  
 Toy.; 1989; Celica; 2.0; Cam Belt  
 Toy.; 1988; Celica; 2.0; Cam Belt; Eng 3SFE  
 Toy.; 1987; Camry; 2.0; Cam Belt; Exc GT-S  
 Toy.; 1987; Celica; 2.0; Cam Belt; Exc GT-S

## T139

Chry.; 2000; Grand Voyager; 3.0; Cam Belt  
 Chry.; 2000; Voyager; 3.0; Cam Belt  
 Chry.; 1995-1990; Lebaron; 3.0; Cam Belt  
 Chry.; 1993-1990; Daytona; 3.0 (Canada); Cam Belt  
 Chry.; 1991-1990; TC Maserati; 3.0; Cam Belt  
 Chry.; 1990-1988; Dynasty; 3.0 (Canada); Cam Belt  
 Chry.; 1989-1988; New Yorker; 3.0; Cam Belt  
 Dodge; 2000-1987; Caravan; 3.0; Cam Belt  
 Dodge; 2000-1992; Grand Caravan; 3.0; Cam Belt  
 Dodge; 1996-1991; Stealth; 3.0; Cam Belt; W/SOHC  
 Dodge; 1995-1989; Spirit; 3.0; Cam Belt  
 Dodge; 1994-1992; Shadow; 3.0; Cam Belt  
 Dodge; 1993-1990; Daytona; 3.0; Cam Belt  
 Dodge; 1993-1988; Dynasty; 3.0; Cam Belt  
 Dodge; 1991-1990; Ram 50 Pickup; 3.0; Cam Belt  
 Dodge; 1989-1987; Grand Caravan; 3.0; Cam Belt  
 Dodge; 1989; Raider; 3.0; Cam Belt  
 Dodge; 1988-1987; Mini Ram Van; 3.0; Cam Belt  
 Hyundai; 1998-1990; Sonata; 3.0; Cam Belt  
 Mits.; 1999-1997; 3000GT; 3.0; Cam Belt; W/SOHC  
 Mits.; 1996-1992; Diamante; 3.0; Cam Belt; W/SOHC  
 Mits.; 1994-1989; Montero; 3.0; Cam Belt  
 Mits.; 1994-1992; Pickup; 3.0; Cam Belt  
 ☆Mits.; 1991; Pickup; 3.0; Cam Belt  
 Mits.; 1990; Pickup; 3.0; Cam Belt  
 Mits.; 1990-1989; Sigma; 3.0; Cam Belt  
 Mits.; 1988; Galant; 3.0; Cam Belt  
 Ply.; 2000-1992; Grand Voyager; 3.0; Cam Belt  
 Ply.; 2000-1987; Voyager; 3.0; Cam Belt  
 Ply.; 1995-1989; Acclaim; 3.0; Cam Belt  
 Ply.; 1994-1992; Sundance; 3.0; Cam Belt  
 Ply.; 1989-1987; Grand Voyager; 3.0; Cam Belt

## T140

Eagle; 1989-1988; Medallion; 2.2; Cam Belt  
 Peug.; 1991-1990; 505; 2.2; Cam Belt; W/SOHC  
 Peug.; 1989-1986; 505; 2.2; Cam Belt; W/O Turbo  
 Renault; 1986-1984; Sportwagon; 2.2; Cam Belt  
 Renault; 1985-1984; Fuego; 2.2; Cam Belt

## T141

Ford; 1989-1988; Festiva; 1.3; Cam Belt  
 Mazda; 1989-1988; 323; 1.6; Cam Belt; W/SOHC  
 Mazda; 1987; 323; 1.6; Cam Belt  
 ☆Merc.; 1990; Tracer; 1.6 (Canada); Cam Belt  
 ☆Merc.; 1989-1988; Tracer; 1.6; Cam Belt  
 ☆Merc.; 1987; Tracer; 1.6 (Canada); Cam Belt

## T142

☆Honda; 1991; Prelude; 2.0; Cam Belt  
 ☆Honda; 1991-1990; Prelude; 2.1; Cam Belt  
 ☆Honda; 1990-1988; Prelude; 2.0; Cam Belt; W/DOHC

## T143

☆Honda; 1995-1994; Civic; 1.5; Cam Belt; CX, DX, LX, S  
 ☆Honda; 1995-1994; Civic Del Sol; 1.5; Cam Belt; CX, DX, S  
 ☆Honda; 1993-1992; Civic; 1.5; Cam Belt; Exc VX  
 ☆Honda; 1993; Civic Del Sol; 1.5; Cam Belt; Exc VX  
 ☆Honda; 1991-1988; Civic; 1.5; Cam Belt  
 ☆Honda; 1991-1988; CRX; 1.5; Cam Belt

## T144

☆Honda; 1990-1988; Prelude; 2.0; Cam Belt; W/SOHC

☆ Interference engine application. See inside back cover for additional information.

# Numerical Listing - PowerGrip™ Timing System Products

## T145

☆Honda; 1992; Civic; 1.6; Cam Belt; Exc Si  
☆Honda; 1991-1988; Civic; 1.6; Cam Belt  
☆Honda; 1991-1988; CRX; 1.6; Cam Belt

## T146

☆Mazda; 1998-1989; MPV; 3.0; Cam Belt  
☆Mazda; 1991-1990; 929; 3.0; Cam Belt; W/SOHC  
☆Mazda; 1989-1988; 929; 3.0; Cam Belt

## T147

☆Honda; 1996-1994; Passport; 2.6; Cam Belt  
☆Isuzu; 1997-1991; Rodeo; 2.6; Cam Belt  
☆Isuzu; 1995-1988; Pickup; 2.6; Cam Belt  
☆Isuzu; 1994-1989; Amigo; 2.6; Cam Belt  
☆Isuzu; 1991-1990; Trooper; 2.6; Cam Belt  
☆Isuzu; 1989-1988; Trooper II; 2.6; Cam Belt

## T148

Daewoo; 1992-1988; Optima; 1.6 (Canada); Cam Belt  
☆Pont.; 1990; Lemans; 1.6; Cam Belt; W/O Tensioner Pulley  
Pont.; 1989-1988; Lemans; 1.6; Cam Belt

## T149

Mazda; 1989-1988; 323; 1.6; Cam Belt; W/DOHC

## T150

Subaru; 1991-1988; XT6; 2.7; Cam Belt; Right Side

## T151

Subaru; 1991-1988; XT6; 2.7; Cam Belt; Left Side

## T152

☆Porsche; 1995-1992; 968; 3.0; Cam Belt  
☆Porsche; 1991-1989; 944; 3.0; Cam Belt  
☆Porsche; 1988-1987; 944; 2.5; Cam Belt; S

## T153

Chry.; 1994-1989; Lebaron; 2.5; Cam Belt  
Chry.; 1993-1989; Daytona; 2.5 (Canada); Cam Belt  
Chry.; 1992-1989; Dynasty; 2.5 (Canada); Cam Belt  
Chry.; 1990-1989; Daytona; 2.2 (Canada); Cam Belt  
Chry.; 1990-1989; Lebaron; 2.2; Cam Belt  
Chry.; 1990; TC Maserati; 2.2; Cam Belt  
Dodge; 1995-1989; Caravan; 2.5; Cam Belt  
Dodge; 1995-1989; Dakota; 2.5; Cam Belt  
Dodge; 1995-1989; Spirit; 2.5; Cam Belt  
Dodge; 1994-1989; Shadow; 2.2; Cam Belt  
Dodge; 1994-1989; Shadow; 2.5; Cam Belt  
Dodge; 1994-1993; Spirit; 2.5 Flex; Cam Belt  
Dodge; 1993-1989; Daytona; 2.5; Cam Belt  
Dodge; 1993-1989; Dynasty; 2.5; Cam Belt  
Dodge; 1990-1989; Daytona; 2.2; Cam Belt  
Dodge; 1990-1989; Omni; 2.2; Cam Belt  
Dodge; 1989; Aries America; 2.2; Cam Belt  
Dodge; 1989; Aries America; 2.5; Cam Belt  
Dodge; 1989; Expo; 2.2 (Canada); Cam Belt  
Dodge; 1989; Grand Caravan; 2.5; Cam Belt  
Dodge; 1989; Lancer; 2.2; Cam Belt  
Dodge; 1989; Lancer; 2.5; Cam Belt  
Ply.; 1995-1989; Acclaim; 2.5; Cam Belt  
Ply.; 1995-1989; Voyager; 2.5; Cam Belt  
Ply.; 1994; Acclaim; 2.5 Flex; Cam Belt  
Ply.; 1994-1989; Sundance; 2.2; Cam Belt  
Ply.; 1994-1989; Sundance; 2.5; Cam Belt  
Ply.; 1990-1989; Horizon; 2.2; Cam Belt  
Ply.; 1989; Expo; 2.2 (Canada); Cam Belt  
Ply.; 1989; Grand Voyager; 2.5; Cam Belt  
Ply.; 1989; Reliant; 2.2; Cam Belt  
Ply.; 1989; Reliant; 2.5; Cam Belt

## T154

Toy.; 1992-1988; Pickup; 3.0; Cam Belt  
Toy.; 1992-1988; 4 Runner; 3.0; Cam Belt

## T155

Dodge; 1990; 2000 GTX; 2.0 (Canada); Cam Belt  
Dodge; 1989; 2000 GTX; 2.0 (Canada); Cam Belt; W/SOHC  
Eagle; 1992-1991; 2000 GTX; 2.0 (Canada); Cam Belt; W/SOHC  
Mits.; 1992-1989; Galant; 2.0; Cam Belt; W/SOHC

## T157

Lexus; 1991-1990; ES250; 2.5; Cam Belt  
Toy.; 1991-1988; Camry; 2.5; Cam Belt

## T158

Dodge; 1991-1987; Colt Vista; 2.0; Cam Belt

## T158 - Continued

Dodge; 1989-1987; Ram 50 Pickup; 2.0; Cam Belt  
Eagle; 1994-1993; Talon; 1.8; Cam Belt  
Eagle; 1991-1989; Vista; 2.0 (Canada); Cam Belt  
Mits.; 1994-1990; Eclipse; 1.8; Cam Belt  
Mits.; 1989-1987; Pickup; 2.0; Cam Belt  
Mits.; 1988-1987; Cordia; 1.8; Cam Belt  
Mits.; 1988-1987; Cordia; 2.0; Cam Belt  
Mits.; 1988-1987; Tredia; 1.8; Cam Belt  
Mits.; 1988-1987; Tredia; 2.0; Cam Belt  
Ply.; 1994-1990; Laser; 1.8; Cam Belt  
Ply.; 1991-1987; Colt Vista; 2.0; Cam Belt

## T159

Dodge; 1993; Colt; 2.4 (Canada); Balance Shaft Belt; Wagon  
Dodge; 1992; Colt; 2.4 (Canada); Balance Shaft Belt  
Dodge; 1992-1990; Ram 50 Pickup; 2.4; Balance Shaft Belt  
Dodge; 1991-1987; Colt Vista; 2.0; Balance Shaft Belt  
Dodge; 1990; 2000 GTX; 2.0 (Canada); Balance Shaft Belt  
Dodge; 1989-1987; Ram 50 Pickup; 2.0; Balance Shaft Belt  
Dodge; 1989; 2000 GTX; 2.0 (Canada); Balance Shaft Belt; W/SOHC  
Eagle; 1994-1993; Talon; 1.8; Balance Shaft Belt  
Eagle; 1992; Summit; 2.4; Balance Shaft Belt  
Eagle; 1992-1991; 2000 GTX; 2.0 (Canada); Balance Shaft Belt; W/SOHC  
Eagle; 1991-1989; Vista; 2.0 (Canada); Balance Shaft Belt  
☆Hyundai; 1991-1989; Sonata; 2.4; Balance Shaft Belt  
Mits.; 1994-1990; Eclipse; 1.8; Balance Shaft Belt  
Mits.; 1992; Expo; 2.4; Balance Shaft Belt  
Mits.; 1992-1989; Galant; 2.0; Balance Shaft Belt; W/SOHC  
Mits.; 1992-1990; Pickup; 2.4; Balance Shaft Belt  
Mits.; 1990-1987; Van; 2.4; Balance Shaft Belt  
Mits.; 1989-1987; Pickup; 2.0; Balance Shaft Belt  
Mits.; 1988-1985; Cordia; 1.8; Balance Shaft Belt  
Mits.; 1988-1985; Cordia; 2.0; Balance Shaft Belt  
Mits.; 1988-1985; Tredia; 1.8; Balance Shaft Belt  
Mits.; 1988-1985; Tredia; 2.0; Balance Shaft Belt  
Mits.; 1987-1985; Galant; 2.4; Balance Shaft Belt  
Ply.; 1994-1990; Laser; 1.8; Balance Shaft Belt  
Ply.; 1993-1992; Colt; 2.4 (Canada); Balance Shaft Belt  
Ply.; 1993-1992; Colt Vista; 2.4; Balance Shaft Belt  
Ply.; 1991-1987; Colt Vista; 2.0; Balance Shaft Belt

## T160

☆Honda; 1989-1986; Accord; 2.0; Cam Belt  
☆Honda; 1987-1986; Prelude; 1.8; Cam Belt  
☆Honda; 1987-1986; Prelude; 2.0; Cam Belt

## T161

☆Honda; 1987-1986; Civic; 1.3; Cam Belt  
☆Honda; 1987-1986; Civic; 1.5; Cam Belt  
☆Honda; 1987-1986; Civic CRX; 1.5; Cam Belt

## T162

☆Chev.; 1988; Spectrum; 1.5; Cam Belt; 5-1-87 & Newer  
☆Geo; 1989; Spectrum; 1.5; Cam Belt  
☆Isuzu; 1990; I-Mark; 1.5 (Canada); Cam Belt  
☆Isuzu; 1989-1988; I-Mark; 1.5; Cam Belt  
☆Isuzu; 1987-1985; I-Mark; 1.5; Cam Belt; 7-1-86 & Newer

## T163

Daewoo; 1990; Optima; 2.0 (Canada); Cam Belt  
Pont.; 1994-1989; Sunbird; 2.0; Cam Belt  
Pont.; 1990; Lemans; 2.0; Cam Belt  
Pont.; 1989; Grand Am; 2.0; Cam Belt  
Pont.; 1989; Lemans; 2.0; Cam Belt; 2nd Design

## T164

Asuna; 1993-1992; Sunrunner; 1.6 (Canada); Cam Belt  
Chev.; 1992-1989; Tracker; 1.6 (Canada); Cam Belt  
Geo; 1995-1989; Tracker; 1.6; Cam Belt; W/8-V Eng  
GMC; 1991-1990; Tracker; 1.6 (Canada); Cam Belt  
Pont.; 1995-1994; Sunrunner; 1.6 (Canada); Cam Belt  
Suzuki; 1995-1989; Sidekick; 1.6; Cam Belt; W/8-V Eng

## T165

☆Dodge; 1990-1989; Colt; 1.6; Cam Belt  
☆Dodge; 1990; Colt; 1.6 (Canada); Cam Belt  
☆Eagle; 1990-1989; Summit; 1.6; Cam Belt  
☆Eagle; 1990; Vista; 1.6 (Canada); Cam Belt  
☆Hyundai; 1995-1992; Elantra; 1.6; Cam Belt  
☆Mits.; 1992-1991; Mirage; 1.6; Cam Belt  
☆Mits.; 1989; Mirage; 1.6; Cam Belt  
☆Ply.; 1990-1989; Colt; 1.6; Cam Belt  
☆Ply.; 1990; Colt; 1.6 (Canada); Cam Belt

## T166

Chev.; 1991-1989; Sprint; 1.0 (Canada); Cam Belt  
Geo; 1993; Metro; 1.0; Cam Belt; W/4-Bolt Sprocket Mtg

# Numerical Listing - PowerGrip™ Timing System Products

## T166 - Continued

Geo; 1992-1989; Metro; 1.0; Cam Belt  
Pont; 1991-1989; Firefly; 1.0 (Canada); Cam Belt

### T167

☆Dodge; 1989; 2000 GTX; 2.0 (Canada); Cam Belt; W/DOHC  
☆Eagle; 1998-1995; Talon; 2.0; Cam Belt; W/Turbo  
☆Eagle; 1994-1990; Talon; 2.0; Cam Belt  
☆Eagle; 1992-1991; 2000 GTX; 2.0 (Canada); Cam Belt; W/DOHC  
☆Hyundai; 1998-1992; Sonata; 2.0; Cam Belt  
☆Hyundai; 1995-1993; Elantra; 1.8; Cam Belt  
☆Mits.; 1999-1995; Eclipse; 2.0; Cam Belt; W/Turbo  
☆Mits.; 1994-1990; Eclipse; 2.0; Cam Belt  
☆Mits.; 1992-1989; Galant; 2.0; Cam Belt; W/DOHC  
☆Ply.; 1994-1990; Laser; 2.0; Cam Belt

### T168

☆Chry.; 2002-2001; Sebring; 2.4; Balance Shaft Belt; W/SOHC  
☆Dodge; 2002-2001; Stratus; 2.4; Balance Shaft Belt; W/SOHC  
Dodge; 1994; Colt; 2.4 (Canada); Balance Shaft Belt; Wagon  
Dodge; 1993; Ram 50 Pickup; 2.4; Balance Shaft Belt  
☆Dodge; 1989; 2000 GTX; 2.0 (Canada); Balance Shaft Belt; W/DOHC  
☆Eagle; 1998-1995; Talon; 2.0; Balance Shaft Belt; W/Turbo  
Eagle; 1996-1993; Summit; 2.4; Balance Shaft Belt  
☆Eagle; 1994-1990; Talon; 2.0; Balance Shaft Belt  
☆Eagle; 1993; 2000 GTX; 2.0 (Canada); Balance Shaft Belt  
☆Eagle; 1992-1991; 2000 GTX; 2.0 (Canada); Balance Shaft Belt; W/DOHC  
☆Hyundai; 1998-1992; Sonata; 2.0; Balance Shaft Belt  
☆Hyundai; 1995-1993; Elantra; 1.6; Balance Shaft Belt  
☆Hyundai; 1995-1993; Elantra; 1.8; Balance Shaft Belt  
Mits.; 2003-2000; Eclipse; 2.4; Balance Shaft Belt  
Mits.; 2002-1995; Galant; 2.4; Balance Shaft Belt  
☆Mits.; 1999-1996; Eclipse; 2.0; Balance Shaft Belt; W/Turbo  
Mits.; 1999-1997; Montero Sport; 2.4; Balance Shaft Belt  
Mits.; 1998-1996; Eclipse; 2.4; Balance Shaft Belt  
Mits.; 1996-1993; Pickup; 2.4; Balance Shaft Belt  
Mits.; 1995; Eclipse; 2.0; Balance Shaft Belt; W/Turbo  
Mits.; 1995-1993; Expo; 2.4; Balance Shaft Belt  
☆Mits.; 1994-1990; Eclipse; 2.0; Balance Shaft Belt  
☆Mits.; 1994; Galant; 2.4; Balance Shaft Belt  
☆Mits.; 1993; Galant; 2.0; Balance Shaft Belt  
☆Mits.; 1992-1989; Galant; 2.0; Balance Shaft Belt; W/DOHC  
Ply.; 1994; Colt; 2.4 (Canada); Balance Shaft Belt  
Ply.; 1994; Colt Vista; 2.4; Balance Shaft Belt  
☆Ply.; 1994-1990; Laser; 2.0; Balance Shaft Belt

### T169

Geo; 1991-1990; Storm; 1.6; Cam Belt; W/DOHC  
Isuzu; 1992-1990; Impulse; 1.6; Cam Belt  
Isuzu; 1991; Stylus; 1.6; Cam Belt; W/DOHC  
Isuzu; 1990; I-Mark; 1.6 (Canada); Cam Belt  
Isuzu; 1989; I-Mark; 1.6; Cam Belt

### T170

Audi; 1992-1991; 80; 2.3; Cam Belt  
Audi; 1992-1990; 80 Quattro; 2.3; Cam Belt  
Audi; 1991-1990; 90; 2.3; Cam Belt  
Audi; 1991-1990; 90 Quattro; 2.3; Cam Belt  
Audi; 1991; 100; 2.3; Cam Belt; Chassis No. 063970 & After  
Audi; 1991; 100 Quattro; 2.3; Cam Belt; Chassis No. 063970 & After  
Audi; 1991-1990; 200; 2.2; Cam Belt  
Audi; 1991-1990; 200 Quattro; 2.2; Cam Belt  
Audi; 1990; 100; 2.3; Cam Belt  
Audi; 1990; 100 Quattro; 2.3; Cam Belt  
Audi; 1989; 80 Quattro; 2.3; Cam Belt; Chassis No. 89J394743 & After  
Audi; 1989; 90; 2.3; Cam Belt; Chassis No. 89J396703 & After  
Audi; 1989; 90 Quattro; 2.3; Cam Belt; Chassis No. 89J394743 & After  
Audi; 1989; 100; 2.3; Cam Belt; Chassis No. 063970 & After  
Audi; 1989; 100 Quattro; 2.3; Cam Belt; Chassis No. 063970 & After  
Audi; 1989; 200; 2.2; Cam Belt; Chassis No. 44J400001 & After  
Audi; 1989; 200 Quattro; 2.2; Cam Belt; Chassis No. 44K004458 & After

### T171

☆Suzuki; 1994-1989; Swift; 1.3; Cam Belt; W/DOHC

### T172

Subaru; 1993; Impreza; 1.8; Cam Belt  
Subaru; 1993-1990; Legacy; 2.2; Cam Belt

### T173

☆Volvo; 1990; 740; 2.3; Cam Belt; W/DOHC; W/Man. Tensioner  
Volvo; 1989; 740; 2.3; Cam Belt; W/DOHC; W/Man. Tensioner  
☆Volvo; 1988-1986; 740; 2.3; Cam Belt; W/DOHC

### T174

☆Volvo; 1992; 940; 2.3 (Canada); Balance Shaft Belt  
☆Volvo; 1991; 940; 2.3; Balance Shaft Belt; W/DOHC  
☆Volvo; 1990-1986; 740; 2.3; Balance Shaft Belt; W/DOHC

## T176

Geo; 1992-1990; Prizm; 1.6; Cam Belt; GSI  
Toy.; 1991; Corolla; 1.6; Cam Belt; Eng 4AGE  
Toy.; 1990; Corolla; 1.6; Cam Belt; GT-S  
Toy.; 1989; Corolla; 1.6; Cam Belt; Eng 4AGE, 4AGELC  
Toy.; 1989; MR2; 1.6; Cam Belt

## T177

☆Geo; 1993-1992; Storm; 1.6; Cam Belt  
☆Geo; 1991-1990; Storm; 1.6; Cam Belt; W/SOHC  
☆Isuzu; 1993-1992; Stylus; 1.6; Cam Belt  
☆Isuzu; 1991; Stylus; 1.6; Cam Belt; W/SOHC

## T178

☆Daihatsu; 1992-1988; Charade; 1.0; Cam Belt

## T179

Ford; 1996-1991; Escort; 1.8; Cam Belt  
☆Kia; 1997-1995; Sephia; 1.6; Cam Belt; W/DOHC  
☆Kia; 1997-1995; Sephia; 1.8; Cam Belt  
Mazda; 2002-1999; MX-5 Miata; 1.8; Cam Belt  
Mazda; 1998-1995; Protege; 1.8; Cam Belt  
Mazda; 1997-1994; MX-5 Miata; 1.8; Cam Belt  
Mazda; 1995-1994; MX-3; 1.6; Cam Belt  
Mazda; 1995; Protege; 1.8 (Canada); Cam Belt  
Mazda; 1994-1990; Protege; 1.8; Cam Belt; W/DOHC  
Mazda; 1993-1990; MX-5 Miata; 1.6; Cam Belt  
Merc.; 1996-1991; Tracer; 1.8; Cam Belt  
Merc.; 1994-1991; Capri; 1.6; Cam Belt

## T180

☆Infiniti; 1993; J30; 3.0; Cam Belt  
☆Niss.; 1993-1990; 300ZX; 3.0; Cam Belt

## T181

☆Daihatsu; 1992-1989; Charade; 1.3; Cam Belt

## T182

☆Daihatsu; 1992-1990; Rocky; 1.6; Cam Belt

## T183

☆Mazda; 1995-1992; 929; 3.0; Cam Belt  
☆Mazda; 1991-1990; 929; 3.0; Cam Belt; W/DOHC

## T184

☆Acura; 2001-1994; Integra; 1.8; Cam Belt; W/O VTEC  
☆Acura; 1993-1990; Integra; 1.8; Cam Belt  
☆Honda; 2001-1997; CR-V; 2.0; Cam Belt

## T185

Ford; 1997-1994; Aspire; 1.3; Cam Belt  
Ford; 1993-1990; Festiva; 1.3; Cam Belt  
☆Kia; 1997-1995; Sephia; 1.6; Cam Belt; W/SOHC  
☆Kia; 1994; Sephia; 1.6; Cam Belt  
Mazda; 1994-1990; Protege; 1.8; Cam Belt; W/SOHC  
Mazda; 1994-1990; 323; 1.6; Cam Belt  
Mazda; 1993-1992; MX-3; 1.6; Cam Belt  
Mazda; 1991-1990; 323; 1.8 (Canada); Cam Belt

## T186

☆Acura; 1999-1998; CL; 2.3; Balance Shaft Belt  
☆Acura; 1997; CL; 2.2; Balance Shaft Belt  
☆Honda; 2002-1998; Accord; 2.3; Balance Shaft Belt  
☆Honda; 2001-1992; Prelude; 2.2; Balance Shaft Belt  
☆Honda; 1998; Odyssey; 2.3; Balance Shaft Belt  
☆Honda; 1997-1990; Accord; 2.2; Balance Shaft Belt  
☆Honda; 1997-1995; Odyssey; 2.2; Balance Shaft Belt  
☆Honda; 1996-1992; Prelude; 2.3; Balance Shaft Belt  
☆Isuzu; 1999-1998; Oasis; 2.3; Balance Shaft Belt  
☆Isuzu; 1997-1996; Oasis; 2.2; Balance Shaft Belt

## T187

☆Honda; 1997-1996; Accord; 2.2; Cam Belt; W/O VTEC  
☆Honda; 1997-1995; Odyssey; 2.2; Cam Belt  
☆Honda; 1996-1993; Prelude; 2.2; Cam Belt; W/SOHC  
☆Honda; 1995-1994; Accord; 2.2; Cam Belt; Exc EX  
☆Honda; 1993-1990; Accord; 2.2; Cam Belt  
☆Honda; 1992; Prelude; 2.2; Cam Belt  
☆Isuzu; 1997-1996; Oasis; 2.2; Cam Belt

## T188

Peug.; 1991-1989; 405; 1.9; Cam Belt; W/DOHC

## T189

Peug.; 1991-1989; 405; 1.9; Cam Belt; W/SOHC

☆ Interference engine application. See inside back cover for additional information.

# Numerical Listing - PowerGrip™ Timing System Products

## T190

Lexus; 1997-1990; LS400; 4.0; Cam Belt  
Lexus; 1997-1992; SC400; 4.0; Cam Belt

## T191

☆Dodge; 1995; Colt; 1.5 (Canada); Cam Belt  
☆Dodge; 1994-1991; Colt; 1.5; Cam Belt  
☆Dodge; 1992; Colt; 1.5 (Canada); Cam Belt  
☆Eagle; 1996-1991; Summit; 1.5; Cam Belt  
☆Eagle; 1992; Vista; 1.5 (Canada); Cam Belt  
☆Hyundai; 1999-1998; Accent; 1.5; Cam Belt  
☆Hyundai; 1997-1995; Accent; 1.5; Cam Belt; W/SOHC  
☆Hyundai; 1995-1994; Scoupe; 1.5; Cam Belt  
☆Mits.; 1996-1991; Mirage; 1.5; Cam Belt  
☆Ply.; 1995; Colt; 1.5 (Canada); Cam Belt  
☆Ply.; 1994-1991; Colt; 1.5; Cam Belt

## T192

Chev.; 1995-1991; Lumina; 3.4; Cam Belt  
Chev.; 1995; Monte Carlo; 3.4; Cam Belt  
Olds.; 1995-1991; Cutlass Supreme; 3.4; Cam Belt  
Pont.; 1995-1991; Grand Prix; 3.4; Cam Belt

## T193

☆Acura; 1998-1996; TL; 3.2; Cam Belt  
☆Acura; 1995-1991; Legend; 3.2; Cam Belt

## T194

Chev.; 2001-1998; Metro; 1.3; Cam Belt  
Chev.; 2000-1998; Metro; 1.0; Cam Belt  
Ford; 1996-1992; Escort; 1.9; Cam Belt  
Ford; 1991; Escort; 1.9; Cam Belt; 3-26-91 & Newer  
Geo; 1997-1996; Metro; 1.0; Cam Belt  
☆Merc.; 1996-1992; Tracer; 1.9; Cam Belt  
Merc.; 1991; Tracer; 1.9; Cam Belt; 3-26-91 & Newer  
Pont.; 2000-1996; Firefly; 1.0 (Canada); Cam Belt  
Pont.; 2000-1998; Firefly; 1.3 (Canada); Cam Belt  
Suzuki; 2001-1998; Swift; 1.3; Cam Belt

## T195

☆Dodge; 1996-1991; Stealth; 3.0; Cam Belt; W/DOHC  
☆Mits.; 1999-1997; 3000GT; 3.0; Cam Belt; W/DOHC  
☆Mits.; 1996-1992; Diamante; 3.0; Cam Belt; W/DOHC  
☆Mits.; 1996-1991; 3000GT; 3.0; Cam Belt

## T196

☆Porsche; 1995-1992; 928; 5.4; Cam Belt  
☆Porsche; 1991-1985; 928; 5.0; Cam Belt  
☆Porsche; 1984; 928; 4.7; Cam Belt  
☆Porsche; 1983; 928; 4.7; Cam Belt; 9-1-81 & Newer  
☆Porsche; 1982-1980; 928; 4.5; Cam Belt; 9-1-81 & Newer  
☆Porsche; 1979-1978; 928; 273 CID; Cam Belt; 9-1-81 & Newer

## T197

Audi; 1991-1990; Coupe Quattro; 2.3; Cam Belt

## T198

☆Volvo; 1992; 940; 2.3 (Canada); Cam Belt  
☆Volvo; 1991; Coupe; 2.3; Cam Belt  
☆Volvo; 1991; 940; 2.3; Cam Belt; W/DOHC  
Volvo; 1990-1989; 740; 2.3; Cam Belt; W/DOHC; W/Auto Tensioner

## T199

Toy.; 2001-1992; Camry; 2.2; Cam Belt  
Toy.; 2001-1998; Camry; 2.2 CNG; Cam Belt  
Toy.; 2001; Solara; 2.2; Cam Belt  
Toy.; 2000-1999; Camry Solara; 2.2; Cam Belt  
Toy.; 2000-1996; RAV4; 2.0; Cam Belt  
Toy.; 1999-1992; Celica; 2.2; Cam Belt  
Toy.; 1995-1992; MR2; 2.2; Cam Belt

## T200

Lexus; 1993-1992; ES300; 3.0; Cam Belt  
Toy.; 1993-1992; Camry; 3.0; Cam Belt

## T201

Dodge; 1994-1993; Colt; 1.8; Cam Belt  
Dodge; 1992; Colt; 1.8 (Canada); Cam Belt  
Eagle; 1996-1992; Summit; 1.8; Cam Belt  
Mits.; 2002; Lancer; 2.0; Cam Belt  
Mits.; 1996-1993; Mirage; 1.8; Cam Belt  
Mits.; 1994-1992; Expo; 1.8; Cam Belt  
Ply.; 1994-1993; Colt; 1.8; Cam Belt  
Ply.; 1994-1992; Colt Vista; 1.8; Cam Belt  
Ply.; 1992; Colt; 1.8 (Canada); Cam Belt

## T203

☆Pont.; 1993-1991; Lemans; 1.6; Cam Belt  
☆Pont.; 1990; Lemans; 1.6; Cam Belt; W/Tensioner Pulley

## T204

Dodge; 1992; Colt; 2.4 (Canada); Cam Belt  
Eagle; 1992; Summit; 2.4; Cam Belt  
Mits.; 1992; Expo; 2.4; Cam Belt  
Ply.; 1992; Colt; 2.4 (Canada); Cam Belt  
Ply.; 1992; Colt Vista; 2.4; Cam Belt

## T205

Asuna; 1993; Sunfire; 1.8 (Canada); Cam Belt  
Geo; 1993-1992; Storm; 1.8; Cam Belt  
Isuzu; 1993-1992; Stylus; 1.8; Cam Belt  
Isuzu; 1992; Impulse; 1.8; Cam Belt

## T206

Chry.; 1993-1992; Daytona; 2.2 (Canada); Cam Belt; W/Turbo  
Dodge; 1993-1992; Daytona; 2.2; Cam Belt  
Dodge; 1992-1991; Spirit; 2.2; Cam Belt

## T207

☆Audi; 1999-1997; A8; 3.7; Cam Belt  
☆Audi; 1999-1997; A8 Quattro; 4.2; Cam Belt  
Audi; 1994-1992; V8 Quattro; 4.2; Cam Belt  
Audi; 1991-1990; V8 Quattro; 3.6; Cam Belt

## T208

Toy.; 1999-1998; Paseo; 1.5 (Canada); Cam Belt  
Toy.; 1999; Tercel; 1.5 (Canada); Cam Belt  
Toy.; 1998-1995; Tercel; 1.5; Cam Belt  
Toy.; 1997-1992; Paseo; 1.5; Cam Belt

## T209

Subaru; 1997-1992; SVX; 3.3; Cam Belt

## T210

Ford; 1994-1993; Ranger; 2.3; Cam Belt  
Ford; 1993; Mustang; 2.3; Cam Belt  
Ford; 1992; Mustang; 2.3; Cam Belt; W/Round Tooth Sprockets  
Ford; 1992; Ranger; 2.3; Cam Belt; W/Round Tooth Sprockets  
Mazda; 1994; B2300 Pickup; 2.3; Cam Belt

## T211

☆Acura; 1998-1995; TL; 2.5; Cam Belt  
☆Acura; 1994-1992; Vigor; 2.5; Cam Belt

## T212

Chev.; 2002-2001; Tracker; 1.6 (Canada); Cam Belt  
Chev.; 2000-1998; Tracker; 1.6; Cam Belt  
Geo; 1997-1996; Tracker; 1.6; Cam Belt  
Geo; 1995-1994; Tracker; 1.6; Cam Belt; W/16-V Eng  
Pont.; 1996; Sunrunner; 1.6 (Canada); Cam Belt  
Suzuki; 2002; Vitara; 1.6 (Canada); Cam Belt  
Suzuki; 2001; Esteem; 1.6 (Canada); Cam Belt  
Suzuki; 2001-1999; Vitara; 1.6; Cam Belt  
Suzuki; 2000-1995; Esteem; 1.6; Cam Belt  
Suzuki; 1998-1996; Sidekick; 1.6; Cam Belt  
Suzuki; 1998-1996; X-90; 1.6; Cam Belt  
Suzuki; 1995-1992; Sidekick; 1.6; Cam Belt; W/16-V Eng

## T214

☆Ford; 1997-1993; Probe; 2.5; Cam Belt  
Mazda; 2002-1995; Millenia; 2.5; Cam Belt  
Mazda; 2002-1993; 626; 2.5; Cam Belt  
Mazda; 1997-1993; MX-6; 2.5; Cam Belt  
Mazda; 1996-1995; MX-3; 1.8 (Canada); Cam Belt  
Mazda; 1994-1992; MX-3; 1.8; Cam Belt

## T215

Lexus; 2002-2001; IS300; 3.0; Cam Belt  
Lexus; 2001-1993; GS300; 3.0; Cam Belt  
Lexus; 2000-1992; SC300; 3.0; Cam Belt  
Toy.; 1998-1993; Supra; 3.0; Cam Belt

## T216

☆Honda; 1996-1992; Prelude; 2.3; Cam Belt

## T217

☆Volvo; 1995; 850; 2.4 (Canada); Cam Belt; VIN 131034 & Before  
☆Volvo; 1994; 850; 2.3; Cam Belt; VIN 131034 & Before  
☆Volvo; 1994-1993; 850; 2.4; Cam Belt; VIN 131034 & Before  
☆Volvo; 1993-1992; 960; 2.9; Cam Belt

## T218

☆Audi; 1998-1994; Cabriolet; 2.8; Cam Belt



## T218 - Continued

☆Audi; 1997-1996; A4; 2.8; Cam Belt  
 ☆Audi; 1997-1996; A4 Quattro; 2.8; Cam Belt  
 ☆Audi; 1997-1995; A6; 2.8; Cam Belt  
 ☆Audi; 1997-1995; A6 Quattro; 2.8; Cam Belt  
 ☆Audi; 1995-1993; 90; 2.8; Cam Belt  
 ☆Audi; 1995-1993; 90 Quattro; 2.8; Cam Belt  
 ☆Audi; 1994-1992; 100; 2.8; Cam Belt  
 ☆Audi; 1994-1992; 100 Quattro; 2.8; Cam Belt

### T219

Chry.; 1994-1993; Concorde; 3.5; Cam Belt  
 Chry.; 1994-1993; Intrepid; 3.5 (Canada); Cam Belt  
 Chry.; 1994; LHS; 3.5; Cam Belt  
 Chry.; 1994; New Yorker; 3.5; Cam Belt  
 Dodge; 1994-1993; Intrepid; 3.5; Cam Belt  
 Eagle; 1994-1993; Vision; 3.5; Cam Belt

### T220

Isuzu; 1995-1992; Trooper; 3.2; Cam Belt; W/DOHC

### T221

Acura; 1997-1996; SLX; 3.2; Cam Belt  
 Honda; 1997-1994; Passport; 3.2; Cam Belt  
 Isuzu; 1997-1993; Rodeo; 3.2; Cam Belt  
 Isuzu; 1997-1996; Trooper; 3.2; Cam Belt  
 Isuzu; 1995-1992; Trooper; 3.2; Cam Belt; W/SOHC

### T223

☆Honda; 1995-1992; Civic; 1.5; Cam Belt; VX  
 ☆Honda; 1995-1993; Civic Del Sol; 1.5; Cam Belt; VX

### T224

☆Acura; 2000-1997; EL; 1.6 (Canada); Cam Belt  
 ☆Honda; 2000-1999; Civic; 1.6; Cam Belt; W/SOHC  
 ☆Honda; 2000-1999; Civic; 1.6 CNG; Cam Belt; W/SOHC  
 ☆Honda; 1998-1993; Civic; 1.6; Cam Belt  
 ☆Honda; 1998; Civic; 1.6 CNG; Cam Belt  
 ☆Honda; 1997-1995; Civic Del Sol; 1.6; Cam Belt; W/SOHC  
 ☆Honda; 1994; Civic Del Sol; 1.6; Cam Belt; W/SOHC; EX, Si  
 ☆Honda; 1993; Civic Del Sol; 1.6; Cam Belt  
 ☆Honda; 1992; Civic; 1.6; Cam Belt; Si

### T225

Audi; 1997; S6 Quattro; 2.2 (Canada); Cam Belt  
 Audi; 1995; S6 Quattro; 2.2; Cam Belt  
 Audi; 1994; S4; 2.2; Cam Belt; Sedan  
 Audi; 1993-1992; S4; 2.2; Cam Belt

### T226

☆Honda; 2001-1997; Prelude; 2.2; Cam Belt  
 ☆Honda; 1996-1993; Prelude; 2.2; Cam Belt; W/DOHC

### T227

☆Acura; 1993-1992; Integra; 1.7; Cam Belt  
 ☆Honda; 1997-1994; Civic Del Sol; 1.6; Cam Belt; W/DOHC

### T228

☆Ford; 1997-1993; Probe; 2.0; Cam Belt  
 ☆Mazda; 2002-2001; Protege; 2.0; Cam Belt  
 ☆Mazda; 2002-1993; 626; 2.0; Cam Belt  
 ☆Mazda; 1997-1993; MX-6; 2.0; Cam Belt

### T229

Dodge; 1993; Ram 50 Pickup; 2.4; Cam Belt  
 Mits.; 1996-1993; Pickup; 2.4; Cam Belt

### T230

Dodge; 1994-1993; Colt; 2.4 (Canada); Cam Belt; Wagon  
 Eagle; 1996-1993; Summit; 2.4; Cam Belt  
 ☆Mits.; 1999-1997; Montero Sport; 2.4; Cam Belt  
 ☆Mits.; 1998-1996; Eclipse; 2.4; Cam Belt  
 ☆Mits.; 1998-1995; Galant; 2.4; Cam Belt  
 ☆Mits.; 1995-1993; Expo; 2.4; Cam Belt  
 ☆Mits.; 1994; Galant; 2.4; Cam Belt; W/DOHC; 6-1 & Newer  
 Mits.; 1994; Galant; 2.4; Cam Belt; W/SOHC  
 Ply.; 1994-1993; Colt; 2.4 (Canada); Cam Belt  
 Ply.; 1994-1993; Colt Vista; 2.4; Cam Belt

### T232

☆Chry.; 2002-2001; Sebring; 2.4; Cam Belt; W/SOHC  
 ☆Dodge; 2002-2001; Stratus; 2.4; Cam Belt; W/SOHC  
 ☆Eagle; 1993; 2000 GTX; 2.0 (Canada); Cam Belt  
 ☆Mits.; 2003-2000; Eclipse; 2.4; Cam Belt  
 ☆Mits.; 2002-1999; Galant; 2.4; Cam Belt  
 ☆Mits.; 1993; Galant; 2.0; Cam Belt

## T233

☆Toy.; 1994-1989; Tercel; 1.5; Cam Belt  
 ☆Toy.; 1988; Tercel; 1.5; Cam Belt; Exc Wagon

## T234

☆Volvo; 1995-1993; 940; 2.3; Cam Belt  
 ☆Volvo; 1994; 940; 2.3 (Canada); Cam Belt  
 ☆Volvo; 1993; 240; 2.3; Cam Belt

## T235

☆Geo; 1997-1995; Prizm; 1.8; Cam Belt  
 Geo; 1994-1993; Prizm; 1.8; Cam Belt  
 Toy.; 1997-1994; Celica; 1.8; Cam Belt  
 Toy.; 1997-1993; Corolla; 1.8; Cam Belt

## T236

☆Geo; 1997-1995; Prizm; 1.6; Cam Belt  
 Geo; 1994-1993; Prizm; 1.6; Cam Belt  
 Toy.; 1997-1993; Corolla; 1.6; Cam Belt

## T237

Toy.; 1992; Cressida; 3.0; Cam Belt  
 Toy.; 1992-1991; Supra; 3.0; Cam Belt

## T239

Toy.; 1993; Celica; 1.6; Cam Belt

## T240

Toy.; 1995-1993; Pickup; 3.0; Cam Belt  
 Toy.; 1995-1993; 4 Runner; 3.0; Cam Belt  
 Toy.; 1994-1993; T100; 3.0; Cam Belt

## T241

Geo; 1995-1994; Metro; 1.0; Cam Belt  
 Geo; 1993; Metro; 1.0; Cam Belt; W/5-Bolt Sprocket Mtg  
 Pont.; 1995-1994; Firefly; 1.0 (Canada); Cam Belt

## T242

☆VW; 1998-1996; Jetta; 1.9 Diesel; Cam Belt  
 ☆VW; 1998-1997; Jetta; 1.9 Diesel (Canada); Cam Belt  
 ☆VW; 1998-1996; Passat; 1.9 Diesel; Cam Belt  
 ☆VW; 1997; Golf; 1.9 Diesel (Canada); Cam Belt  
 ☆VW; 1996; Golf; 1.9 Diesel; Cam Belt  
 ☆VW; 1995-1993; Golf; 1.9 Diesel (Canada); Cam Belt  
 ☆VW; 1995-1994; Jetta; 1.9 Diesel (Canada); Cam Belt  
 ☆VW; 1995-1994; Passat; 1.9 Diesel (Canada); Cam Belt  
 ☆VW; 1993; Jetta; 1.9 Diesel (Canada); Cam Belt; W/Turbo

## T243

Geo; 1994; Metro; 1.3 (Canada); Cam Belt  
 Suzuki; 1995; Samurai; 1.3; Cam Belt  
 Suzuki; 1994; Samurai; 1.3; Cam Belt; VIN JS4JC31C R4100376 & After  
 Suzuki; 1994; Swift; 1.3; Cam Belt; W/SOHC

## T244

☆Acura; 1999-1998; CL; 2.3; Cam Belt  
 ☆Acura; 1997; CL; 2.2; Cam Belt  
 ☆Honda; 2002-1998; Accord; 2.3; Cam Belt  
 ☆Honda; 1998; Odyssey; 2.3; Cam Belt  
 ☆Honda; 1997-1996; Accord; 2.2; Cam Belt; W/VTEC  
 ☆Honda; 1995-1994; Accord; 2.2; Cam Belt; EX  
 ☆Isuzu; 1999-1998; Oasis; 2.3; Cam Belt

## T245

☆Chry.; 2002-2000; Neon; 2.0 (Canada); Cam Belt  
 ☆Chry.; 2000; Cirrus; 2.0; Cam Belt  
 ☆Dodge; 2002-2000; Neon; 2.0; Cam Belt  
 ☆Dodge; 2000-1995; Stratus; 2.0; Cam Belt  
 ☆Dodge; 1999-1995; Neon; 2.0; Cam Belt; W/SOHC  
 ☆Ply.; 2001-2000; Neon; 2.0; Cam Belt  
 ☆Ply.; 2000-1996; Breeze; 2.0; Cam Belt  
 ☆Ply.; 1999-1995; Neon; 2.0; Cam Belt; W/SOHC

## T246

☆Chry.; 1999-1995; Sebring; 2.0; Cam Belt  
 ☆Dodge; 1999-1995; Avenger; 2.0; Cam Belt  
 ☆Dodge; 1999-1995; Neon; 2.0; Cam Belt; W/DOHC  
 ☆Eagle; 1998-1995; Talon; 2.0; Cam Belt; W/O Turbo  
 ☆Mits.; 1999-1995; Eclipse; 2.0; Cam Belt; W/O Turbo  
 ☆Ply.; 1999-1995; Neon; 2.0; Cam Belt; W/DOHC

## T247

☆Acura; 2001-1994; Integra; 1.8; Cam Belt; W/VTEC

## T248

Ford; 1995-1989; Taurus; 3.0; Cam Belt; W/SHO  
 Ford; 1995-1993; Taurus; 3.2; Cam Belt

# Numerical Listing - PowerGrip™ Timing System Products

## T249

☆Infiniti; 2000-1997; QX4; 3.3; Cam Belt  
☆Merc.; 1998-1994; Villager; 3.0; Cam Belt  
☆Niss.; 2002-1999; Frontier; 3.3; Cam Belt  
☆Niss.; 2002-2000; Xterra; 3.3; Cam Belt  
☆Niss.; 2001-1999; Quest; 3.3; Cam Belt  
☆Niss.; 2000-1996; Pathfinder; 3.3; Cam Belt  
☆Niss.; 1998-1995; Quest; 3.0; Cam Belt  
Niss.; 1996; Pickup; 3.0 (Canada); Cam Belt  
☆Niss.; 1995; Pathfinder; 3.0; Cam Belt  
☆Niss.; 1995; Pickup; 3.0; Cam Belt  
☆Niss.; 1994-1993; Maxima; 3.0; Cam Belt; W/SOHC; W/Round Tooth Sprockets  
☆Niss.; 1994-1993; Pathfinder; 3.0; Cam Belt; W/Round Tooth Sprockets  
☆Niss.; 1994-1993; Pickup; 3.0; Cam Belt; W/Round Tooth Sprockets  
☆Niss.; 1994-1993; Quest; 3.0; Cam Belt; W/Round Tooth Sprockets

## T251

☆Infiniti; 1997-1994; J30; 3.0; Cam Belt  
☆Niss.; 1996-1994; 300ZX; 3.0; Cam Belt

## T252

☆Volvo; 2001-2000; C70; 2.3; Cam Belt; VIN 1266127 & Before  
☆Volvo; 2001-2000; C70; 2.4; Cam Belt; VIN 1266127 & Before  
☆Volvo; 2001-2000; S40; 1.9; Cam Belt; VIN 1219110 & Before  
☆Volvo; 2001; S60; 2.3; Cam Belt; VIN 1266127 & Before  
☆Volvo; 2001; S60; 2.4; Cam Belt; VIN 1266127 & Before  
☆Volvo; 2001-2000; V40; 1.9; Cam Belt; VIN 1219110 & Before  
☆Volvo; 2001-2000; V70; 2.3; Cam Belt; VIN 1266127 & Before  
☆Volvo; 2001-2000; V70; 2.4; Cam Belt; VIN 1266127 & Before  
☆Volvo; 2000; S70; 2.3; Cam Belt; VIN 1266127 & Before  
☆Volvo; 2000; S70; 2.4; Cam Belt; VIN 1266127 & Before  
☆Volvo; 1998; C70; 2.3; Cam Belt; VIN 1266127 & Before  
☆Volvo; 1998; S70; 2.3; Cam Belt; VIN 1266127 & Before  
☆Volvo; 1998; S70; 2.4; Cam Belt; VIN 1266127 & Before  
☆Volvo; 1998; V70; 2.3; Cam Belt; VIN 1266127 & Before  
☆Volvo; 1998; V70; 2.4; Cam Belt; VIN 1266127 & Before  
☆Volvo; 1997-1995; 850; 2.3; Cam Belt  
☆Volvo; 1997-1995; 850; 2.4; Cam Belt  
☆Volvo; 1996; 850; 2.3 (Canada); Cam Belt  
☆Volvo; 1994; 850; 2.3; Cam Belt; VIN 131035 & After  
☆Volvo; 1994-1993; 850; 2.4; Cam Belt; VIN 131035 & After  
☆Volvo; 1994; 960; 2.9; Cam Belt

## T253

☆Mits.; 1996-1994; Montero; 3.5; Cam Belt

## T254

Subaru; 1998-1995; Impreza; 2.2; Cam Belt  
Subaru; 1998-1994; Legacy; 2.2; Cam Belt  
Subaru; 1997-1994; Impreza; 1.8; Cam Belt

## T255

Chry.; 1997-1995; Concorde; 3.5; Cam Belt  
Chry.; 1997-1995; Intrepid; 3.5 (Canada); Cam Belt  
Chry.; 1997-1995; LHS; 3.5; Cam Belt  
Chry.; 1996-1995; New Yorker; 3.5; Cam Belt  
Dodge; 1997-1995; Intrepid; 3.5; Cam Belt  
Eagle; 1997-1995; Vision; 3.5; Cam Belt

## T256

☆Mits.; 1994; Galant; 2.4; Cam Belt; W/DOHC; 5-31 & Older

## T257

Lexus; 2001-1994; ES300; 3.0; Cam Belt  
☆Lexus; 2001-1999; RX300; 3.0; Cam Belt  
Toy.; 2002-1995; Avalon; 3.0; Cam Belt  
Toy.; 2002-1994; Camry; 3.0; Cam Belt  
Toy.; 2002-2001; Highlander; 3.0; Cam Belt  
Toy.; 2002-1998; Sienna; 3.0; Cam Belt  
Toy.; 2002-2001; Solara; 3.0; Cam Belt  
Toy.; 2000-1999; Camry Solara; 3.0; Cam Belt

## T258

Ford; 1997-1995; Contour; 2.0; Cam Belt  
Ford; 1997; Contour; 2.0 Bifuel; Cam Belt  
Merc.; 1997-1995; Mystique; 2.0; Cam Belt

## T259

☆Chry.; 2002-2001; Sebring; 3.0; Cam Belt  
☆Chry.; 2000-1995; Cirrus; 2.5; Cam Belt  
☆Chry.; 2000-1995; Sebring; 2.5; Cam Belt  
☆Dodge; 2001; Stratus; 3.0; Cam Belt  
☆Dodge; 2000-1995; Avenger; 2.5; Cam Belt  
☆Dodge; 2000-1995; Stratus; 2.5; Cam Belt  
☆Mits.; 2002-2000; Eclipse; 3.0; Cam Belt  
☆Mits.; 2002-1999; Galant; 3.0; Cam Belt  
☆Mits.; 2002-1997; Montero Sport; 3.0; Cam Belt

## T259 - Continued

☆Mits.; 1996-1995; Montero; 3.0; Cam Belt

## T262

☆VW; 2002-1995; Cabrio; 2.0; Cam Belt  
☆VW; 2000-1999; Golf; 2.0; Cam Belt; Old Style; W/O 2-Sided V-Rib Belt  
☆VW; 2000-1999; GTI; 2.0; Cam Belt; Old Style; W/O 2-Sided V-Rib Belt  
☆VW; 2000-1999; Jetta; 2.0; Cam Belt; Old Style; W/O 2-Sided V-Rib Belt  
☆VW; 1998-1993; Golf; 2.0; Cam Belt  
☆VW; 1998-1996; GTI; 2.0; Cam Belt  
☆VW; 1998-1993; Jetta; 2.0; Cam Belt  
☆VW; 1996-1995; Passat; 2.0; Cam Belt  
☆VW; 1995; Cabrio; 2.0 (Canada); Cam Belt  
☆VW; 1995; Golf; 2.0 (Canada); Cam Belt  
☆VW; 1995; GTI; 2.0 (Canada); Cam Belt  
☆VW; 1994; Passat; 2.0 (Canada); Cam Belt  
☆VW; 1993; GTI; 2.0 (Canada); Cam Belt  
☆VW; 1993; Passat; 2.0; Cam Belt

## T263

☆Honda; 1997-1995; Accord; 2.7; Cam Belt

## T264

☆Kia; 1995; Sportage; 2.0; Cam Belt; W/SOHC

## T265

Chry.; 2003-2001; PT Cruiser; 2.4; Cam Belt  
Chry.; 2002-2001; Sebring; 2.4; Cam Belt; W/DOHC  
Chry.; 2002-2000; Voyager; 2.4; Cam Belt  
Chry.; 2000; Cirrus; 2.4; Cam Belt  
Chry.; 1999-1996; Sebring; 2.4; Cam Belt  
Chry.; 1997-1995; Cirrus; 2.4; Cam Belt  
Dodge; 2002-1996; Caravan; 2.4; Cam Belt  
Dodge; 2002-2001; Stratus; 2.4; Cam Belt; W/DOHC  
Dodge; 2000-1995; Stratus; 2.4; Cam Belt  
Dodge; 1997-1996; Grand Caravan; 2.4; Cam Belt  
Jeep; 2003-2002; Liberty; 2.4; Cam Belt  
Jeep; 2003; TJ; 2.4 (Canada); Cam Belt  
Jeep; 2003; Wrangler; 2.4; Cam Belt  
Ply.; 2000-1997; Breeze; 2.4; Cam Belt  
Ply.; 2000-1996; Voyager; 2.4; Cam Belt  
Ply.; 1997-1996; Grand Voyager; 2.4; Cam Belt  
Ply.; 1996; Breeze; 2.4 (Canada); Cam Belt

## T266

Mazda; 1998; Protege; 1.5; Cam Belt; Eng No 194742 & Before  
Mazda; 1997-1995; Protege; 1.5; Cam Belt

## T267

Mazda; 2001-1999; Millenia; 2.3; Cam Belt  
☆Mazda; 1998-1995; Millenia; 2.3; Cam Belt

## T269

Volvo; 1995; 850; 2.4 (Canada); Cam Belt; VIN 131035 & After

## T270

☆Volvo; 1999; S80; 2.8; Cam Belt  
☆Volvo; 1999; S80; 2.9; Cam Belt  
☆Volvo; 1998-1997; S90; 2.9; Cam Belt  
☆Volvo; 1998-1997; V90; 2.9; Cam Belt  
☆Volvo; 1997-1995; 960; 2.9; Cam Belt

## T271

Toy.; 2002-1995; Tacoma; 3.4; Cam Belt  
Toy.; 2002-2000; Tundra; 3.4; Cam Belt  
Toy.; 2002-1996; 4 Runner; 3.4; Cam Belt  
Toy.; 1998-1995; T100; 3.4; Cam Belt

## T272

Geo; 1997-1995; Metro; 1.3; Cam Belt  
Pont.; 1997-1995; Firefly; 1.3 (Canada); Cam Belt  
Suzuki; 1997-1995; Swift; 1.3; Cam Belt

## T273

☆Chev.; 1997-1996; Lumina; 3.4; Cam Belt  
☆Chev.; 1997-1996; Monte Carlo; 3.4; Cam Belt  
☆Olds.; 1996; Cutlass Supreme; 3.4; Cam Belt  
☆Pont.; 1996; Grand Prix; 3.4; Cam Belt

## T276

Ford; 2002-2001; Ranger; 2.3; Cam Belt  
Ford; 2001-1998; Ranger; 2.5; Cam Belt  
Ford; 1997-1995; Ranger; 2.3; Cam Belt  
Mazda; 2002-2001; B2300 Pickup; 2.3; Cam Belt  
Mazda; 2001-1998; B2500 Pickup; 2.5; Cam Belt  
Mazda; 2001; B2500 Pickup; 2.5; Timing Belt  
Mazda; 1997-1995; B2300 Pickup; 2.3; Cam Belt

# Numerical Listing - PowerGrip™ Timing System Products

## T277

- ☆Subaru; 1999-1996; Legacy; 2.5; Cam Belt
- ☆Subaru; 1998; Forester; 2.5; Cam Belt
- ☆Subaru; 1998; Impreza; 2.5; Cam Belt

## T278

- ☆Hyundai; 1998-1996; Elantra; 1.8; Cam Belt
- ☆Hyundai; 1998-1997; Tiburon; 1.8; Cam Belt

## T279

- ☆Acura; 2002-1996; RL; 3.5; Cam Belt

## T280

- ☆Acura; 2002-1996; RL; 3.5; Balance Shaft Belt

## T281

- ☆Kia; 2002-1996; Sportage; 2.0; Cam Belt
- ☆Kia; 1995; Sportage; 2.0; Cam Belt; W/DOHC

## T282

- ☆Hyundai; 2003-2001; Accent; 1.6; Cam Belt
- ☆Hyundai; 1997-1995; Accent; 1.5; Cam Belt; W/DOHC

## T283

- ☆Ford; 2002; Escort; 2.0; Cam Belt
- ☆Ford; 2002-2000; Focus; 2.0; Cam Belt; W/SOHC
- ☆Ford; 2001; Escort; 2.0; Cam Belt
- ☆Ford; 2000-1998; Escort; 2.0; Cam Belt; W/SOHC
- ☆Ford; 1997; Escort; 2.0; Cam Belt
- ☆Merc.; 1999-1998; Tracer; 2.0; Cam Belt
- ☆Merc.; 1997; Tracer; 2.0; Cam Belt

## T284

- ☆Hyundai; 2003-1999; Elantra; 2.0; Cam Belt
- ☆Hyundai; 2003; Tiburon; 2.0; Cam Belt
- ☆Hyundai; 2001-1997; Tiburon; 2.0; Cam Belt

## T285

- ☆Cad.; 2003; CTS; 3.2; Cam Belt
- ☆Cad.; 2001-1997; Catera; 3.0; Cam Belt
- ☆Saab; 1997-1994; 900; 2.5; Cam Belt
- ☆Saab; 1997-1995; 9000; 3.0; Cam Belt
- ☆Saturn; 2003-2000; L-Series; 3.0; Cam Belt
- ☆Saturn; 2003-2002; VUE; 3.0; Cam Belt

## T286

- ☆Acura; 2002-2001; CL; 3.2; Cam Belt
- ☆Acura; 2002-2001; MDX; 3.5; Cam Belt
- ☆Acura; 2002-1999; TL; 3.2; Cam Belt
- ☆Acura; 1999-1997; CL; 3.0; Cam Belt
- ☆Honda; 2003; Pilot; 3.5; Cam Belt
- ☆Honda; 2002-1998; Accord; 3.0; Cam Belt
- ☆Honda; 2002-1999; Odyssey; 3.5; Cam Belt

## T287

- ☆Mits.; 2003-1999; Montero Sport; 3.5; Cam Belt
- ☆Mits.; 2002-1997; Diamante; 3.5; Cam Belt
- ☆Mits.; 2000-1997; Montero; 3.5; Cam Belt

## T288

- ☆Mits.; 2002-1997; Mirage; 1.8; Cam Belt

## T289

- ☆Mits.; 2002-1997; Mirage; 1.5; Cam Belt

## T291

- ☆Audi; 2000-1997; A4; 1.8; Cam Belt; W/152 Tooth Belt
- ☆Audi; 2000-1997; A4 Quattro; 1.8; Cam Belt; W/152 Tooth Belt
- ☆VW; 2001; Passat; 1.8; Cam Belt; W/152 Tooth Belt
- ☆VW; 2000-1998; Passat; 1.8; Cam Belt; W/152 Tooth Belt

## T292

- ☆VW; 1992-1990; GTI; 2.0; Cam Belt
- ☆VW; 1992-1990; Jetta; 2.0; Cam Belt
- ☆VW; 1992-1990; Passat; 2.0; Cam Belt
- ☆VW; 1989-1985; Golf; 1.8; Cam Belt; W/DOHC
- ☆VW; 1989-1988; GTI; 1.8; Cam Belt
- ☆VW; 1989-1985; Jetta; 1.8; Cam Belt; W/DOHC
- ☆VW; 1989-1988; Scirocco; 1.8 (Canada); Cam Belt; W/DOHC
- ☆VW; 1988-1987; Cabriolet; 1.8; Cam Belt; W/DOHC
- ☆VW; 1988-1985; Scirocco; 1.8; Cam Belt; W/DOHC
- ☆VW; 1987; GTI; 1.8; Cam Belt; W/DOHC
- ☆VW; 1985; GTI; 1.8; Cam Belt; W/DOHC

## T293

- ☆Porsche; 1995-1992; 968; 3.0; Balance Shaft Belt
- ☆Porsche; 1991-1989; 944; 3.0; Balance Shaft Belt

## T293 - Continued

- ☆Porsche; 1989-1983; 944; 2.5; Balance Shaft Belt
- ☆Porsche; 1989; 944; 2.7; Balance Shaft Belt
- ☆Porsche; 1988-1987; 924; 2.5; Balance Shaft Belt

## T294

- ☆Ford; 2003-2001; ZX2; 2.0; Cam Belt
- ☆Ford; 2002-2001; Escape; 2.0; Cam Belt
- ☆Ford; 2002-2000; Focus; 2.0; Cam Belt; W/DOHC
- ☆Ford; 2000-1998; Contour; 2.0; Cam Belt
- ☆Ford; 2000-1998; Contour; 2.0 Bifuel; Cam Belt
- ☆Ford; 2000; Cougar; 2.0 (Canada); Cam Belt
- ☆Ford; 2000-1998; Escort; 2.0; Cam Belt; W/DOHC
- ☆Mazda; 2002-2001; Tribute; 2.0; Cam Belt
- ☆Merc.; 2002-1999; Cougar; 2.0; Cam Belt
- ☆Merc.; 2000-1998; Mystique; 2.0; Cam Belt

## T295

- ☆Chry.; 2003-1999; 300M; 3.5; Cam Belt
- ☆Chry.; 2002; Concorde; 3.5; Cam Belt
- ☆Chry.; 2002-2000; Intrepid; 3.5 (Canada); Cam Belt
- ☆Chry.; 2002; Prowler; 3.5; Cam Belt
- ☆Chry.; 2001-1998; Concorde; 3.2; Cam Belt
- ☆Chry.; 2001-1998; Intrepid; 3.2 (Canada); Cam Belt
- ☆Chry.; 2001-1999; LHS; 3.5; Cam Belt
- ☆Dodge; 2002-2000; Intrepid; 3.5; Cam Belt
- ☆Dodge; 2001-1998; Intrepid; 3.2; Cam Belt

## T296

- VW; 2003-2002; Beetle; 2.0; Cam Belt
- VW; 2002-2001; Jetta; 2.0; Cam Belt
- ☆VW; 2001-1998; Beetle; 2.0; Cam Belt
- ☆VW; 2000-1999; Golf; 2.0; Cam Belt; New Style; W/2-Sided V-Rib Belt
- ☆VW; 2000-1999; GTI; 2.0; Cam Belt; New Style; W/2-Sided V-Rib Belt
- ☆VW; 2000-1999; Jetta; 2.0; Cam Belt; New Style; W/2-Sided V-Rib Belt

## T297

- ☆Audi; 2003-2000; A6 Quattro; 2.7; Cam Belt
- Audi; 2003-2000; A6 Quattro; 4.2; Cam Belt
- ☆Audi; 2003-2001; Allroad Quattro; 2.7; Cam Belt
- Audi; 2003; RS 6 Quattro; 4.2; Cam Belt
- ☆Audi; 2002-2000; S4 Quattro; 2.7; Cam Belt
- ☆Audi; 2001-1998; A6; 2.8; Cam Belt
- ☆Audi; 2001-1998; A6 Quattro; 2.8; Cam Belt
- ☆Audi; 2000-1998; A4; 2.8; Cam Belt
- ☆Audi; 2000; A8 Quattro; 4.2; Cam Belt
- ☆Audi; 1999-1998; A4 Quattro; 2.8; Cam Belt
- VW; 2003-2002; Passat; 2.8; Cam Belt
- ☆VW; 2001-1998; Passat; 2.8; Cam Belt

## T298

- Lexus; 2002-1998; LX470; 4.7; Cam Belt
- ☆Lexus; 2002; SC430; 4.3; Cam Belt
- ☆Lexus; 2001; GS430; 4.3; Cam Belt
- ☆Lexus; 2001; LS430; 4.3; Cam Belt
- ☆Lexus; 2000-1998; GS400; 4.0; Cam Belt
- ☆Lexus; 2000-1998; LS400; 4.0; Cam Belt
- ☆Lexus; 2000-1998; SC400; 4.0; Cam Belt
- Toy.; 2002-1998; Land Cruiser; 4.7; Cam Belt
- Toy.; 2002-2001; Sequoia; 4.7; Cam Belt
- Toy.; 2002-2000; Tundra; 4.7; Cam Belt

## T299

- Subaru; 1994-1990; Loyale; 1.8; Cam Belt; Left Side
- Subaru; 1991-1985; XT; 1.8; Cam Belt; Left Side
- Subaru; 1989-1985; DL; 1.8; Cam Belt; Left Side
- Subaru; 1989-1985; GL; 1.8; Cam Belt; Left Side
- Subaru; 1989-1985; GL-10; 1.8; Cam Belt; Left Side
- Subaru; 1989-1985; RX; 1.8; Cam Belt; Left Side

## T300

- Subaru; 1994-1990; Loyale; 1.8; Cam Belt; Right Side
- Subaru; 1991-1985; XT; 1.8; Cam Belt; Right Side
- Subaru; 1989-1985; DL; 1.8; Cam Belt; Right Side
- Subaru; 1989-1985; GL; 1.8; Cam Belt; Right Side
- Subaru; 1989-1985; GL-10; 1.8; Cam Belt; Right Side
- Subaru; 1989-1985; RX; 1.8; Cam Belt; Right Side

## T301

- ☆VW; 2001-2000; Beetle; 1.9 Diesel; Cam Belt; Eng No 500,000 & Before
- ☆VW; 2001-2000; Golf; 1.9 Diesel; Cam Belt; Eng No 500,000 & Before
- ☆VW; 2001-2000; Jetta; 1.9 Diesel; Cam Belt; Eng No 500,000 & Before
- ☆VW; 1999; Beetle; 1.9 Diesel; Cam Belt; W/Round Tooth Sprockets
- ☆VW; 1999; Golf; 1.9 Diesel; Cam Belt; W/Round Tooth Sprockets
- ☆VW; 1999; Jetta; 1.9 Diesel; Cam Belt; W/Round Tooth Sprockets
- ☆VW; 1998; Beetle; 1.9 Diesel; Cam Belt

☆ Interference engine application. See inside back cover for additional information.

# Numerical Listing - PowerGrip™ Timing System Products

## T302

☆Kia; 2002-2000; Spectra; 1.8; Cam Belt  
 ☆Kia; 2001-1998; Sephia; 1.8; Cam Belt

## T303

Acura; 1999-1998; SLX; 3.5; Cam Belt  
 Honda; 2002-1998; Passport; 3.2; Cam Belt  
 Isuzu; 2002; Axiom; 3.5; Cam Belt  
 Isuzu; 2002-1998; Rodeo; 3.2; Cam Belt  
 Isuzu; 2002-1998; Trooper; 3.5; Cam Belt  
 Isuzu; 2001-1999; Vehicross; 3.5; Cam Belt  
 Isuzu; 2000-1998; Amigo; 3.2; Cam Belt

## T304

Subaru; 2002-1999; Forester; 2.5; Cam Belt  
 Subaru; 2001-1999; Impreza; 2.2; Cam Belt  
 Subaru; 2001-1999; Impreza; 2.5; Cam Belt  
 Subaru; 2001-2000; Outback; 2.2; Cam Belt  
 Subaru; 1999; Legacy; 2.2; Cam Belt

## T305

☆Daewoo; 2001-1999; Leganza; 2.2; Cam Belt  
 ☆Isuzu; 2002-2000; Rodeo; 2.2; Cam Belt  
 ☆Isuzu; 2000; Amigo; 2.2; Cam Belt  
 Isuzu; 1999-1998; Amigo; 2.2; Cam Belt  
 Isuzu; 1999-1998; Rodeo; 2.2; Cam Belt

## T306

☆Audi; 2003-2001; A4; 1.8; Cam Belt  
 ☆Audi; 2003-2001; A4 Quattro; 1.8; Cam Belt  
 ☆Audi; 2003-2000; TT; 1.8; Cam Belt  
 ☆Audi; 2003-2000; TT Quattro; 1.8; Cam Belt  
 ☆Audi; 1999; A4; 1.8; Cam Belt; W/150 Tooth Belt  
 ☆Audi; 1999; A4 Quattro; 1.8; Cam Belt; W/150 Tooth Belt  
 ☆VW; 2003-1999; Beetle; 1.8; Cam Belt  
 ☆VW; 2003-2001; GTI; 1.8; Cam Belt  
 ☆VW; 2003-2000; Jetta; 1.8; Cam Belt  
 VW; 2003-2002; Passat; 1.8; Cam Belt; W/150 Tooth Belt  
 ☆VW; 2001-2000; Golf; 1.8; Cam Belt  
 ☆VW; 2001; Passat; 1.8; Cam Belt; W/150 Tooth Belt  
 VW; 2000; GTI; 1.8; Cam Belt  
 VW; 2000-1998; Passat; 1.8; Cam Belt; W/150 Tooth Belt

## T307

Subaru; 2002-2000; Legacy; 2.5; Cam Belt  
 Subaru; 2002-2000; Outback; 2.5; Cam Belt

## T308

Mazda; 2001-1999; Protege; 1.6; Cam Belt  
 Mazda; 1998; Protege; 1.5; Cam Belt; Eng No 194743 & After

## T309

☆Daewoo; 2001-1999; Nubira; 2.0; Cam Belt

## T310

☆Daewoo; 2001-1999; Lanos; 1.6; Cam Belt

## T311

☆Volvo; 2001-2000; C70; 2.3; Cam Belt; VIN 1266128 & After  
 ☆Volvo; 2001-2000; C70; 2.4; Cam Belt; VIN 1266128 & After  
 ☆Volvo; 2001-2000; S40; 1.9; Cam Belt; VIN 1219111 & After  
 ☆Volvo; 2001; S60; 2.3; Cam Belt; VIN 1266128 & After  
 ☆Volvo; 2001; S60; 2.4; Cam Belt; VIN 1266128 & After  
 ☆Volvo; 2001-2000; V40; 1.9; Cam Belt; VIN 1219111 & After  
 ☆Volvo; 2001-2000; V70; 2.3; Cam Belt; VIN 1266128 & After  
 ☆Volvo; 2001-2000; V70; 2.4; Cam Belt; VIN 1266128 & After  
 ☆Volvo; 2000; S70; 2.3; Cam Belt; VIN 1266128 & After  
 ☆Volvo; 2000; S70; 2.4; Cam Belt; VIN 1266128 & After  
 ☆Volvo; 1999; C70; 2.3; Cam Belt  
 ☆Volvo; 1999; C70; 2.4; Cam Belt  
 ☆Volvo; 1999; S70; 2.3; Cam Belt  
 ☆Volvo; 1999; S70; 2.4; Cam Belt  
 ☆Volvo; 1999; V70; 2.3; Cam Belt  
 ☆Volvo; 1999; V70; 2.4; Cam Belt  
 ☆Volvo; 1998; C70; 2.3; Cam Belt; VIN 1266128 & After  
 ☆Volvo; 1998; S70; 2.3; Cam Belt; VIN 1266128 & After  
 ☆Volvo; 1998; S70; 2.4; Cam Belt; VIN 1266128 & After  
 ☆Volvo; 1998; V70; 2.3; Cam Belt; VIN 1266128 & After  
 ☆Volvo; 1998; V70; 2.4; Cam Belt; VIN 1266128 & After

## T312

☆Acura; 2002-2001; EL; 1.7 (Canada); Cam Belt  
 ☆Honda; 2003-2001; Civic; 1.7; Cam Belt  
 ☆Honda; 2003-2001; Civic; 1.7 CNG; Cam Belt

## T313

☆Hyundai; 2003-2001; Santa Fe; 2.4; Cam Belt  
 ☆Hyundai; 2003-1999; Sonata; 2.4; Cam Belt

## T313 - Continued

Kia; 2003-2001; Optima; 2.4; Cam Belt

## T314

Hyundai; 2003-2001; Santa Fe; 2.4; Balance Shaft Belt  
 Hyundai; 2003-1999; Sonata; 2.4; Balance Shaft Belt  
 Kia; 2003-2001; Optima; 2.4; Balance Shaft Belt

## T315

☆Hyundai; 2003-2001; Santa Fe; 2.7; Cam Belt  
 ☆Hyundai; 2003-2002; Sonata; 2.7; Cam Belt  
 ☆Hyundai; 2003; Tiburon; 2.7; Cam Belt  
 ☆Hyundai; 2001-1999; Sonata; 2.5; Cam Belt  
 Kia; 2004-2002; Sedona; 3.5; Cam Belt  
 Kia; 2004; Sorento; 3.5; Cam Belt  
 ☆Kia; 2002; Optima; 2.7; Cam Belt  
 ☆Kia; 2001; Magentis; 2.5 (Canada); Cam Belt  
 ☆Kia; 2001; Optima; 2.5; Cam Belt

## T316

Mazda; 2000-1999; Protege; 1.8; Cam Belt

## T317

☆Audi; 2000-1997; A4; 1.8; Cam Belt; W/153 Tooth Belt  
 ☆Audi; 2000-1997; A4 Quattro; 1.8; Cam Belt; W/153 Tooth Belt  
 VW; 2001; Passat; 1.8; Cam Belt; W/153 Tooth Belt  
 ☆VW; 2000-1998; Passat; 1.8; Cam Belt; W/153 Tooth Belt

## T318

☆Kia; 2002-2001; Rio; 1.5; Cam Belt

## T319

☆Volvo; 2001-2000; S80; 2.8; Cam Belt  
 ☆Volvo; 2001-2000; S80; 2.9; Cam Belt

## T320

Mits.; 2002-2001; Montero; 3.5; Cam Belt

## T321

☆VW; 2003-2002; Beetle; 1.9 Diesel; Cam Belt  
 ☆VW; 2003-2002; Golf; 1.9 Diesel; Cam Belt  
 ☆VW; 2003-2002; Jetta; 1.9 Diesel; Cam Belt  
 ☆VW; 2002-2000; Beetle; 1.9 Diesel; Cam Belt; Eng No 500,001 & After  
 ☆VW; 2001-2000; Golf; 1.9 Diesel; Cam Belt; Eng No 500,001 & After  
 ☆VW; 2001-2000; Jetta; 1.9 Diesel; Cam Belt; Eng No 500,001 & After  
 ☆VW; 1999; Beetle; 1.9 Diesel; Cam Belt  
 ☆VW; 1999; Golf; 1.9 Diesel; Cam Belt  
 ☆VW; 1999; Jetta; 1.9 Diesel; Cam Belt

## T322

☆Hyundai; 2001; XG300; 3.0; Cam Belt

## T323

☆Hyundai; 2003; Santa Fe; 3.5; Cam Belt  
 ☆Hyundai; 2003-2002; XG350; 3.5; Cam Belt

## T324

Hyundai; 2003; Accent; 1.5 (Canada); Cam Belt  
 Hyundai; 2002-2000; Accent; 1.5; Cam Belt

## T41000

Chry.; 1988-1985; Daytona; 2.2 (Canada); Cam Tens Assy  
 Chry.; 1988-1982; Lebaron; 2.2; Cam Tens Assy  
 Chry.; 1988-1983; New Yorker; 2.2; Cam Tens Assy  
 Chry.; 1988-1982; Town & Country; 2.2; Cam Tens Assy  
 Chry.; 1986; Exec. Limo.; 2.2 (Canada); Cam Tens Assy  
 Chry.; 1986-1984; Laser; 2.2; Cam Tens Assy  
 Chry.; 1984-1983; E Class; 2.2; Cam Tens Assy  
 Chry.; 1984; Laser; 2.2 (Canada); Cam Tens Assy  
 Dodge; 1988; Aries America; 2.2; Cam Tens Assy  
 Dodge; 1988-1987; Dakota; 2.2; Cam Tens Assy  
 Dodge; 1988-1984; Daytona; 2.2; Cam Tens Assy  
 Dodge; 1988-1987; Expo; 2.2 (Canada); Cam Tens Assy  
 Dodge; 1988-1985; Lancer; 2.2; Cam Tens Assy  
 Dodge; 1988-1981; Omni; 2.2; Cam Tens Assy  
 Dodge; 1988-1987; Shadow; 2.2; Cam Tens Assy  
 Dodge; 1988-1983; 600; 2.2; Cam Tens Assy  
 Dodge; 1987-1981; Aries; 2.2; Cam Tens Assy  
 Dodge; 1987-1984; Caravan; 2.2; Cam Tens Assy  
 Dodge; 1987-1983; Charger; 2.2; Cam Tens Assy  
 Dodge; 1987; Grand Caravan; 2.2; Cam Tens Assy  
 Dodge; 1987-1984; Mini Ram Van; 2.2; Cam Tens Assy  
 Dodge; 1984-1982; Rampage; 2.2; Cam Tens Assy  
 Dodge; 1983-1982; 400; 2.2; Cam Tens Assy  
 Dodge; 1982-1981; O24; 2.2; Cam Tens Assy  
 Ply.; 1988-1985; Caravelle; 2.2; Cam Tens Assy  
 Ply.; 1988-1987; Caravelle; 2.2 (Canada); Cam Tens Assy

# Numerical Listing - PowerGrip™ Timing System Products

## T41000 - Continued

Ply.; 1988-1987; Expo; 2.2 (Canada); Cam Tens Assy  
 Ply.; 1988-1981; Horizon; 2.2; Cam Tens Assy  
 Ply.; 1988-1981; Reliant; 2.2; Cam Tens Assy  
 Ply.; 1988-1987; Sundance; 2.2; Cam Tens Assy  
 Ply.; 1987-1983; Turismo; 2.2; Cam Tens Assy  
 Ply.; 1987-1984; Voyager; 2.2; Cam Tens Assy  
 Ply.; 1984-1983; Caravelle; 2.2 (Canada); Cam Tens Assy  
 Ply.; 1983; Scamp Pickup; 2.2; Cam Tens Assy  
 Ply.; 1982-1981; TC3; 2.2; Cam Tens Assy

## T41001

Chry.; 1994-1989; Lebaron; 2.5; Cam Tens Assy  
 Chry.; 1993-1989; Daytona; 2.5 (Canada); Cam Tens Assy  
 Chry.; 1992; Daytona; 2.2 (Canada); Cam Tens Assy  
 Chry.; 1992-1989; Dynasty; 2.5 (Canada); Cam Tens Assy  
 Chry.; 1990-1989; Daytona; 2.2 (Canada); Cam Tens Assy  
 Chry.; 1990-1989; Lebaron; 2.2; Cam Tens Assy  
 Chry.; 1990; TC Maserati; 2.2; Cam Tens Assy; W/SOHC  
 Dodge; 1995-1989; Caravan; 2.5; Cam Tens Assy  
 Dodge; 1995-1989; Dakota; 2.5; Cam Tens Assy  
 Dodge; 1995-1989; Spirit; 2.5; Cam Tens Assy  
 Dodge; 1994-1989; Shadow; 2.2; Cam Tens Assy  
 Dodge; 1994-1989; Shadow; 2.5; Cam Tens Assy  
 Dodge; 1994-1993; Spirit; 2.5 Flex; Cam Tens Assy  
 Dodge; 1993-1989; Daytona; 2.5; Cam Tens Assy  
 Dodge; 1993-1989; Dynasty; 2.5; Cam Tens Assy  
 Dodge; 1990-1989; Daytona; 2.2; Cam Tens Assy  
 Dodge; 1990-1989; Omni; 2.2; Cam Tens Assy  
 Dodge; 1989; Aries America; 2.2; Cam Tens Assy  
 Dodge; 1989; Aries America; 2.5; Cam Tens Assy  
 Dodge; 1989; Expo; 2.2 (Canada); Cam Tens Assy  
 Dodge; 1989; Grand Caravan; 2.5; Cam Tens Assy  
 Dodge; 1989; Lancer; 2.2; Cam Tens Assy  
 Dodge; 1989; Lancer; 2.5; Cam Tens Assy  
 Ply.; 1995-1989; Acclaim; 2.5; Cam Tens Assy  
 Ply.; 1995-1989; Voyager; 2.5; Cam Tens Assy  
 Ply.; 1994; Acclaim; 2.5 Flex; Cam Tens Assy  
 Ply.; 1994-1989; Sundance; 2.2; Cam Tens Assy  
 Ply.; 1994-1989; Sundance; 2.5; Cam Tens Assy  
 Ply.; 1990-1989; Horizon; 2.2; Cam Tens Assy  
 Ply.; 1989; Expo; 2.2 (Canada); Cam Tens Assy  
 Ply.; 1989; Grand Voyager; 2.5; Cam Tens Assy  
 Ply.; 1989; Reliant; 2.2; Cam Tens Assy  
 Ply.; 1989; Reliant; 2.5; Cam Tens Assy

## T41002

Chry.; 1999-1995; Sebring; 2.0; Cam Idl. Pulley; W/DOHC; Does not include cam tensioner hyd. Assy.  
 Chry.; 1999-1995; Sebring; 2.0; Cam Tens Assy; W/DOHC; Does not include cam tensioner hyd. Assy.  
 Chry.; 1997-1995; Concorde; 3.5; Cam Tens Pulley; Does not include cam tensioner hyd. Assy.  
 Chry.; 1997-1995; Intrepid; 3.5 (Canada); Cam Tens Pulley; Does not include cam tensioner hyd. Assy.  
 Chry.; 1997-1995; LHS; 3.5; Cam Tens Pulley; Does not include cam tensioner hyd. Assy.  
 Chry.; 1996-1995; New Yorker; 3.5; Cam Tens Pulley; Does not include cam tensioner hyd. Assy.  
 Dodge; 1999-1995; Avenger; 2.0; Cam Idl. Pulley; W/DOHC; Does not include cam tensioner hyd. Assy.  
 Dodge; 1999-1995; Avenger; 2.0; Cam Tens Assy; W/DOHC; Does not include cam tensioner hyd. Assy.  
 Dodge; 1999-1995; Neon; 2.0; Cam Idl. Pulley; W/DOHC; Does not include cam tensioner hyd. Assy.  
 Dodge; 1999-1995; Neon; 2.0; Cam Tens Assy; W/DOHC; Does not include cam tensioner hyd. Assy.  
 Dodge; 1999-1995; Stratus; 2.0; Cam Tens Assy; W/SOHC; Does not include cam tensioner hyd. Assy.  
 Dodge; 1997-1995; Intrepid; 3.5; Cam Tens Pulley; Does not include cam tensioner hyd. Assy.  
 Dodge; 1997-1995; Neon; 2.0; Cam Tens Assy; W/SOHC; Does not include cam tensioner hyd. Assy.  
 Eagle; 1998-1995; Talon; 2.0; Cam Idl. Pulley; W/DOHC; Does not include cam tensioner hyd. Assy.  
 Eagle; 1998-1995; Talon; 2.0; Cam Tens Assy; W/DOHC; Does not include cam tensioner hyd. Assy.  
 Eagle; 1997-1995; Vision; 3.5; Cam Tens Pulley; Does not include cam tensioner hyd. Assy.  
 Mits.; 1999-1996; Eclipse; 2.0; Cam Idl. Pulley; W/DOHC; Does not include cam tensioner hyd. Assy.  
 Mits.; 1999-1995; Eclipse; 2.0; Cam Tens Assy; W/DOHC; Does not include cam tensioner hyd. Assy.  
 Mits.; 1995; Eclipse; 2.0; Cam Idl. Pulley; W/DOHC  
 Ply.; 1999-1996; Breeze; 2.0; Cam Tens Assy; W/SOHC; Does not include cam tensioner hyd. Assy.  
 Ply.; 1999-1995; Neon; 2.0; Cam Idl. Pulley; W/DOHC; Does not include cam tensioner hyd. Assy.

## T41002 - Continued

Ply.; 1999-1995; Neon; 2.0; Cam Tens Assy; W/DOHC; Does not include cam tensioner hyd. Assy.  
 Ply.; 1997-1995; Neon; 2.0; Cam Tens Assy; W/SOHC; Does not include cam tensioner hyd. Assy.

## T41003

Daihatsu; 1992-1988; Charade; 1.0; Cam Tens Assy

## T41004

Daihatsu; 1992-1989; Charade; 1.3; Cam Tens Assy  
 Daihatsu; 1992-1990; Rocky; 1.6; Cam Tens Assy

## T41005

Ford; 2002-2001; Ranger; 2.3; Cam Tens Assy  
 Ford; 2001-1998; Ranger; 2.5; Cam Tens Assy  
 Ford; 1997-1983; Ranger; 2.3; Cam Tens Assy  
 Ford; 1993-1980; Mustang; 2.3; Cam Tens Assy  
 Ford; 1988-1983; Ranger; 2.0; Cam Tens Assy  
 Ford; 1988-1983; Thunderbird; 2.3; Cam Tens Assy  
 Ford; 1987-1986; Aerostar; 2.3; Cam Tens Assy  
 Ford; 1986-1983; Ltd; 2.3; Cam Tens Assy  
 Ford; 1983-1980; Fairmont; 2.3; Cam Tens Assy  
 Ford; 1982-1980; Courier; 2.3; Cam Tens Assy  
 Ford; 1982-1981; Granada; 2.3; Cam Tens Assy  
 Ford; 1982-1981; Mustang; 2.3 (Canada); Cam Tens Assy  
 Ford; 1980; Pinto; 2.3; Cam Tens Assy  
 Ford; 1979-1977; Courier; 140 CID; Cam Tens Assy  
 Ford; 1979-1978; Fairmont; 140 CID; Cam Tens Assy  
 Ford; 1979; Mustang; 140 CID; Cam Tens Assy  
 Ford; 1979-1974; Pinto; 140 CID; Cam Tens Assy  
 Ford; 1978-1974; Mustang II; 140 CID; Cam Tens Assy  
 Mazda; 2002-2001; B2300 Pickup; 2.3; Cam Tens Assy  
 Mazda; 2001-1998; B2500 Pickup; 2.5; Cam Tens Assy  
 Mazda; 1997-1994; B2300 Pickup; 2.3; Cam Tens Assy  
 Merc.; 1986-1980; Capri; 2.3; Cam Tens Assy  
 Merc.; 1986-1984; Cougar; 2.3; Cam Tens Assy  
 Merc.; 1986-1983; Marquis; 2.3; Cam Tens Assy  
 Merc.; 1983-1980; Zephyr; 2.3; Cam Tens Assy  
 Merc.; 1982; Capri; 2.3 (Canada); Cam Tens Assy  
 Merc.; 1982; Cougar; 2.3 LPG; Cam Tens Assy  
 Merc.; 1981; Cougar; 2.3; Cam Tens Assy  
 Merc.; 1980; Bobcat; 2.3; Cam Tens Assy  
 Merc.; 1979-1975; Bobcat; 140 CID; Cam Tens Assy  
 Merc.; 1979-1976; Capri; 140 CID; Cam Tens Assy  
 Merc.; 1979-1978; Zephyr; 140 CID; Cam Tens Assy  
 Merkur; 1989-1985; XR4TI; 2.3; Cam Tens Assy

## T41006

Ford; 1991; Escort; 1.9; Cam Tens Assy; 3-25-91 & Older  
 Ford; 1990-1985; Escort; 1.9; Cam Tens Assy  
 Ford; 1988-1986; EXP; 1.9; Cam Tens Assy  
 Ford; 1985-1981; Escort; 1.6; Cam Tens Assy  
 Ford; 1985-1982; EXP; 1.6; Cam Tens Assy  
 Ford; 1983; Escort; 1.6 Flex; Cam Tens Assy  
 Merc.; 1991; Tracer; 1.9; Cam Tens Assy; 3-25-91 & Older  
 Merc.; 1987-1985; Lynx; 1.9; Cam Tens Assy  
 Merc.; 1985-1981; Lynx; 1.6; Cam Tens Assy  
 Merc.; 1983-1982; LN7; 1.6; Cam Tens Assy

## T41007

Ford; 1996-1992; Escort; 1.9; Cam Tens Assy  
 Ford; 1991; Escort; 1.9; Cam Tens Assy; 3-26-91 & Newer  
 Merc.; 1996-1992; Tracer; 1.9; Cam Tens Assy  
 Merc.; 1991; Tracer; 1.9; Cam Tens Assy; 3-26-91 & Newer

## T41008

Ford; 1997-1995; Contour; 2.0; Cam Tens Assy  
 Ford; 1997-1996; Contour; 2.0 Bifuel; Cam Tens Assy  
 Merc.; 1997-1995; Mystique; 2.0; Cam Tens Assy

## T41009

Chev.; 1991-1989; Sprint; 1.0 (Canada); Cam Tens Assy  
 Geo; 1993; Metro; 1.0; Cam Tens Assy; W/4-Bolt Sprocket Mtg  
 Geo; 1992-1989; Metro; 1.0; Cam Tens Assy

## T41010

Chev.; 2000-1998; Metro; 1.0; Cam Tens Assy  
 Geo; 1997-1996; Metro; 1.0; Cam Tens Assy  
 Pont.; 2000-1996; Firefly; 1.0 (Canada); Cam Tens Assy

## T41011

Honda; 1995-1994; Civic; 1.5; Cam Tens Assy; CX, DX, LX, S  
 Honda; 1995-1994; Civic Del Sol; 1.5; Cam Tens Assy; CX, DX, S  
 Honda; 1993; Civic; 1.5; Cam Tens Assy; Exc EX  
 Honda; 1993; Civic Del Sol; 1.5; Cam Tens Assy; Exc VX  
 Honda; 1992; Civic; 1.5; Cam Tens Assy; Exc VX  
 Honda; 1992; Civic; 1.6; Cam Tens Assy; Exc Si

# Numerical Listing - PowerGrip™ Timing System Products

## T41011 - Continued

Honda; 1991-1988; Civic; 1.5; Cam Tens Assy  
Honda; 1991-1988; Civic; 1.6; Cam Tens Assy  
Honda; 1991-1988; CRX; 1.5; Cam Tens Assy  
Honda; 1991-1988; CRX; 1.6; Cam Tens Assy

## T41012

Honda; 1989-1986; Accord; 2.0; Cam Tens Assy  
Honda; 1987-1984; Prelude; 1.8; Cam Tens Assy  
Honda; 1987-1985; Prelude; 2.0; Cam Tens Assy  
Honda; 1985-1984; Accord; 1.6 (Canada); Cam Tens Assy  
Honda; 1985-1984; Accord; 1.8; Cam Tens Assy

## T41013

Acura; 1999-1998; CL; 2.3; Balance Shaft Tens Assy  
Acura; 1997; CL; 2.2; Balance Shaft Tens Assy  
Honda; 2002-1998; Accord; 2.3; Balance Shaft Tens Assy  
Honda; 1998; Odyssey; 2.3; Balance Shaft Tens Assy  
Honda; 1997-1990; Accord; 2.2; Balance Shaft Tens Assy  
Honda; 1997-1995; Odyssey; 2.2; Balance Shaft Tens Assy  
Honda; 1996-1993; Prelude; 2.2; Balance Shaft Tens Assy; W/SOHC  
Honda; 1992; Prelude; 2.2; Balance Shaft Tens Assy  
Honda; 1992; Prelude; 2.3; Balance Shaft Tens Assy  
Isuzu; 1999-1998; Oasis; 2.3; Balance Shaft Tens Assy  
Isuzu; 1997-1996; Oasis; 2.2; Balance Shaft Tens Assy

## T41014

Acura; 1999-1998; CL; 2.3; Cam Tens Assy  
Acura; 1997; CL; 2.2; Cam Tens Assy  
Honda; 2002-1998; Accord; 2.3; Cam Tens Assy  
Honda; 1998; Odyssey; 2.3; Cam Tens Assy  
Honda; 1997-1990; Accord; 2.2; Cam Tens Assy  
Honda; 1997-1995; Odyssey; 2.2; Cam Tens Assy  
Honda; 1996-1993; Prelude; 2.2; Cam Tens Assy; W/SOHC  
Honda; 1992; Prelude; 2.2; Cam Tens Assy  
Honda; 1992; Prelude; 2.3; Cam Tens Assy  
Isuzu; 1999-1998; Oasis; 2.3; Cam Tens Assy  
Isuzu; 1997-1996; Oasis; 2.2; Cam Tens Assy

## T41015

Acura; 1990-1987; Legend; 2.7; Cam Tens Assy  
Acura; 1987-1986; Legend; 2.5; Cam Tens Assy  
Sterling; 1991-1989; 827; 2.7; Cam Tens Assy  
Sterling; 1988-1987; 825; 2.5; Cam Tens Assy

## T41016

Acura; 2001-1994; Integra; 1.8; Cam Tens Assy; W/O VTEC  
Acura; 1993-1990; Integra; 1.8; Cam Tens Assy  
Honda; 2001-1997; CR-V; 2.0; Cam Tens Assy

## T41017

Honda; 1987-1984; Civic; 1.3; Cam Tens Assy  
Honda; 1987-1984; Civic; 1.5; Cam Tens Assy  
Honda; 1987-1984; Civic CRX; 1.5; Cam Tens Assy  
Honda; 1984; Civic CRX; 1.3; Cam Tens Assy

## T41018

Acura; 1989-1986; Integra; 1.6; Cam Tens Assy

## T41019

Honda; 1991; Prelude; 2.0; Cam Tens Assy  
Honda; 1991-1990; Prelude; 2.1; Cam Tens Assy  
Honda; 1990-1988; Prelude; 2.0; Cam Tens Assy; W/DOHC  
Honda; 1990-1988; Prelude; 2.0; Cam Tens Assy; W/SOHC

## T41020

Acura; 1998-1995; TL; 2.5; Cam Tens Assy  
Acura; 1994-1992; Vigor; 2.5; Cam Tens Assy

## T41021

Acura; 1998-1996; TL; 3.2; Cam Tens Assy  
Acura; 1995-1991; Legend; 3.2; Cam Tens Assy

## T41022

Honda; 2001-1997; Prelude; 2.2; Balance Shaft Tens Assy  
Honda; 1996-1993; Prelude; 2.2; Balance Shaft Tens Assy; W/DOHC

## T41023

Honda; 2000-1999; Civic; 1.6; Cam Tens Assy; W/SOHC  
Honda; 2000-1999; Civic; 1.6 CNG; Cam Tens Assy; W/SOHC  
Honda; 1998-1993; Civic; 1.6; Cam Tens Assy  
Honda; 1998; Civic; 1.6 CNG; Cam Tens Assy  
Honda; 1997-1995; Civic Del Sol; 1.6; Cam Tens Assy; W/SOHC  
Honda; 1994; Civic Del Sol; 1.6; Cam Tens Assy; W/SOHC; EX, Si  
Honda; 1993; Civic Del Sol; 1.6; Cam Tens Assy  
Honda; 1992; Civic; 1.6; Cam Tens Assy; Si

## T41024

Honda; 2001-1997; Prelude; 2.2; Cam Tens Assy; Does not include cam tensioner hyd. assy.  
Honda; 1996-1993; Prelude; 2.2; Cam Tens Assy; W/DOHC; Does not include cam tensioner hyd. assy.

## T41025

Isuzu; 1995-1986; Pickup; 2.3; Cam Tens Assy  
Isuzu; 1993-1989; Amigo; 2.3; Cam Tens Assy  
Isuzu; 1989-1988; Impulse; 2.3; Cam Tens Assy  
Isuzu; 1987-1986; Trooper II; 2.3; Cam Tens Assy

## T41026

Honda; 1996-1994; Passport; 2.6; Cam Tens Assy  
Isuzu; 1997-1991; Rodeo; 2.6; Cam Tens Assy  
Isuzu; 1995-1988; Pickup; 2.6; Cam Tens Assy  
Isuzu; 1994-1989; Amigo; 2.6; Cam Tens Assy  
Isuzu; 1991-1990; Trooper; 2.6; Cam Tens Assy  
Isuzu; 1989-1988; Trooper II; 2.6; Cam Tens Assy

## T41027

Geo; 1991-1990; Storm; 1.6; Cam Tens Assy; W/DOHC  
Isuzu; 1993-1992; Stylus; 1.6; Cam Tens Assy  
Isuzu; 1993-1992; Stylus; 1.8; Cam Tens Assy  
Isuzu; 1992-1990; Impulse; 1.6; Cam Tens Assy  
Isuzu; 1992; Impulse; 1.8; Cam Tens Assy  
Isuzu; 1991; Stylus; 1.6; Cam Tens Assy; W/DOHC  
Isuzu; 1990; I-Mark; 1.6 (Canada); Cam Tens Assy  
Isuzu; 1989; I-Mark; 1.6; Cam Tens Assy

## T41028

Acura; 1997-1996; SLX; 3.2; Cam Tens Assy; Does not include cam tensioner hyd. assy.  
Honda; 1997-1994; Passport; 3.2; Cam Tens Assy; Does not include cam tensioner hyd. assy.  
Isuzu; 1997-1993; Rodeo; 3.2; Cam Tens Assy; Does not include cam tensioner hyd. assy.  
Isuzu; 1997-1992; Trooper; 3.2; Cam Tens Assy; Does not include cam tensioner hyd. assy.

## T41029

Ford; 1992-1989; Probe; 2.2; Cam Tens Assy  
Kia; 2000-1996; Sportage; 2.0; Cam Tens Assy  
Kia; 1995; Sportage; 2.0; Cam Tens Assy; W/DOHC  
Kia; 1995; Sportage; 2.0; Cam Tens Assy; W/SOHC  
Mazda; 1993-1987; B2200 Pickup; 2.2; Cam Tens Assy  
Mazda; 1992-1988; MX-6; 2.2; Cam Tens Assy  
Mazda; 1992-1988; 626; 2.2; Cam Tens Assy

## T41030

Ford; 1997-1994; Aspire; 1.3; Cam Tens Assy  
Ford; 1993-1988; Festiva; 1.3; Cam Tens Assy  
Kia; 1997-1995; Sephia; 1.6; Cam Tens Assy; W/SOHC  
Kia; 1994; Sephia; 1.6; Cam Tens Assy  
Mazda; 1994-1990; Protege; 1.8; Cam Tens Assy; W/SOHC  
Mazda; 1994-1990; 323; 1.6; Cam Tens Assy  
Mazda; 1993-1992; MX-3; 1.6; Cam Tens Assy  
Mazda; 1991-1990; 323; 1.8 (Canada); Cam Tens Assy  
Mazda; 1989-1988; 323; 1.6; Cam Tens Assy; W/SOHC  
Mazda; 1987; 323; 1.6; Cam Tens Assy  
Merc.; 1990; Tracer; 1.6 (Canada); Cam Tens Assy  
Merc.; 1989-1988; Tracer; 1.6; Cam Tens Assy  
Merc.; 1987; Tracer; 1.6 (Canada); Cam Tens Assy

## T41031

Ford; 1996-1991; Escort; 1.8; Cam Tens Assy  
Kia; 1997-1995; Sephia; 1.6; Cam Tens Assy; W/DOHC  
Kia; 1997-1995; Sephia; 1.8; Cam Tens Assy  
Mazda; 2002-1999; MX-5 Miata; 1.8; Cam Tens Assy  
Mazda; 1998-1995; Protege; 1.8; Cam Tens Assy  
Mazda; 1997-1994; MX-5 Miata; 1.8; Cam Tens Assy  
Mazda; 1995-1994; MX-3; 1.6; Cam Tens Assy  
Mazda; 1995; Protege; 1.8 (Canada); Cam Tens Assy  
Mazda; 1994-1991; Protege; 1.8; Cam Tens Assy; W/DOHC  
Mazda; 1993-1990; MX-5 Miata; 1.6; Cam Tens Assy  
Mazda; 1990; Protege; 1.8; Cam Tens Assy  
Merc.; 1996-1991; Tracer; 1.8; Cam Tens Assy  
Merc.; 1994-1991; Capri; 1.6; Cam Tens Assy

## T41032

Kia; 2002-2001; Spectra; 1.8; Cam Tens Assy  
Kia; 2001-1998; Sephia; 1.8; Cam Tens Assy

## T41033

Mazda; 1998-1989; MPV; 3.0; Cam Tens Assy; Does not include cam tensioner hyd. assy.  
Mazda; 1991-1990; 929; 3.0; Cam Tens Assy; W/SOHC; Does not include cam tensioner hyd. assy.

# Numerical Listing - PowerGrip™ Timing System Products

## T41033 - Continued

Mazda; 1989-1988; 929; 3.0; Cam Tens Assy; Does not include cam tensioner hyd. assy.

## T41034

Ford; 1997-1993; Probe; 2.5; Cam Tens Pulley; Does not include cam tensioner hyd. assy.  
Mazda; 2002-1995; Millenia; 2.5; Cam Tens Pulley; Does not include cam tensioner hyd. assy.  
Mazda; 2002-1993; 626; 2.5; Cam Tens Pulley; Does not include cam tensioner hyd. assy.  
Mazda; 1997; MX-6; 2.5; Cam Tens Pulley; Does not include cam tensioner hyd. assy.  
Mazda; 1996-1993; MX-6; 2.5; Cam Tens Pulley; Does not include cam tensioner hyd. assy.  
Mazda; 1995; MX-3; 1.8 (Canada); Cam Tens Pulley; Does not include cam tensioner hyd. assy.  
Mazda; 1994-1992; MX-3; 1.8; Cam Tens Pulley; Does not include cam tensioner hyd. assy.

## T41035

Mazda; 1987; B2000 Pickup; 2.0; Cam Tens Assy  
Mazda; 1987-1986; 626; 2.0; Cam Tens Assy

## T41036

Mazda; 1995-1992; 929; 3.0; Cam Tens Pulley; Does not include cam tensioner hyd. assy.  
Mazda; 1991-1990; 929; 3.0; Cam Tens Assy; W/DOHC; Does not include cam tensioner hyd. assy.

## T41037

Hyundai; 1997-1996; Accent; 1.5; Cam Tens Assy; W/DOHC

## T41038

Kia; 2003-2001; Optima; 2.4; Balance Shaft Tens Assy  
Mits.; 1994; Galant; 2.4; Balance Shaft Tens Assy; W/DOHC

## T41039

Chry.; 2002-2001; Sebring; 3.0; Cam Tens Assy; Does not include cam tensioner hyd. assy.  
Chry.; 2000-1995; Cirrus; 2.5; Cam Tens Assy; Does not include cam tensioner hyd. assy.  
Chry.; 2000-1995; Sebring; 2.5; Cam Tens Assy; Does not include cam tensioner hyd. assy.  
Dodge; 2001; Stratus; 3.0; Cam Tens Assy; Does not include cam tensioner hyd. assy.  
Dodge; 2000-1995; Avenger; 2.5; Cam Tens Assy; Does not include cam tensioner hyd. assy.  
Dodge; 2000-1995; Stratus; 2.5; Cam Tens Assy; Does not include cam tensioner hyd. assy.  
Kia; 2003; Sorento; 3.5; Cam Tens Pulley; Does not include cam tensioner hyd. assy.  
Kia; 2002; Sedona; 3.5; Cam Tens Pulley; Does not include cam tensioner hyd. assy.  
Mits.; 2002-2000; Eclipse; 3.0; Cam Tens Assy; Does not include cam tensioner hyd. assy.  
Mits.; 2002-1999; Galant; 3.0; Cam Tens Assy; Does not include cam tensioner hyd. assy.  
Mits.; 2002-1997; Montero Sport; 3.0; Cam Tens Assy; Does not include cam tensioner hyd. assy.  
Mits.; 1999-1991; 3000GT; 3.0; Cam Tens Assy; W/DOHC; Does not include cam tensioner hyd. assy.  
Mits.; 1996-1992; Diamante; 3.0; Cam Tens Assy; W/DOHC; Does not include cam tensioner hyd. assy.  
Mits.; 1996-1995; Montero; 3.0; Cam Tens Assy; Does not include cam tensioner hyd. assy.

## T41040

Hyundai; 2003; Santa Fe; 3.5; Cam Tens Assy; Does not include cam tensioner hyd. assy.  
Kia; 2003-2002; Optima; 2.7; Cam Tens Assy; Does not include cam tensioner hyd. assy.  
Kia; 2001; Optima; 2.5; Cam Tens Assy; Does not include cam tensioner hyd. assy.

## T41041

Hyundai; 2001-1999; Elantra; 2.0; Cam Tens Assy  
Hyundai; 2001-1997; Tiburon; 2.0; Cam Tens Assy  
Hyundai; 1998-1996; Elantra; 1.8; Cam Tens Assy  
Hyundai; 1998-1997; Tiburon; 1.8; Cam Tens Assy

## T41042

Dodge; 1991-1987; Colt; 1.5; Cam Tens Assy  
Dodge; 1990-1989; Colt; 1.5 (Canada); Cam Tens Assy  
Eagle; 1991-1989; Vista; 1.5 (Canada); Cam Tens Assy  
Eagle; 1990-1989; Summit; 1.5; Cam Tens Assy  
Hyundai; 1994-1990; Excel; 1.5; Cam Tens Assy  
Hyundai; 1993-1991; Scoupe; 1.5; Cam Tens Assy

## T41042 - Continued

Mits.; 1993-1992; Mirage; 1.5; Cam Tens Assy  
Mits.; 1993-1990; Precis; 1.5; Cam Tens Assy  
Mits.; 1990-1987; Mirage; 1.5; Cam Tens Assy  
Ply.; 1992-1989; Colt; 1.5 (Canada); Cam Tens Assy  
Ply.; 1990-1987; Colt; 1.5; Cam Tens Assy

## T41043

Dodge; 1990-1989; 2000 GTX; 2.0 (Canada); Cam Tens Assy; W/SOHC  
Eagle; 1992-1991; 2000 GTX; 2.0 (Canada); Cam Tens Assy; W/SOHC  
Mits.; 1999; 3000GT; 3.0; Cam Tens Assy  
Mits.; 1992-1989; Galant; 2.0; Cam Tens Assy; W/SOHC

## T41044

Dodge; 1992-1990; Ram 50 Pickup; 2.4; Cam Tens Assy  
Dodge; 1989-1987; Colt Vista; 2.0; Cam Tens Assy  
Dodge; 1989-1987; Ram 50 Pickup; 2.0; Cam Tens Assy  
Hyundai; 1991-1989; Sonata; 2.4; Cam Tens Assy  
Mits.; 1992-1990; Pickup; 2.4; Cam Tens Assy  
Mits.; 1990-1987; Van; 2.4; Cam Tens Assy  
Mits.; 1989-1987; Pickup; 2.0; Cam Tens Assy  
Mits.; 1987-1985; Galant; 2.4; Cam Tens Assy  
Ply.; 1989-1987; Colt Vista; 2.0; Cam Tens Assy

## T41045

Dodge; 1989-1987; Colt Vista; 2.0; Balance Shaft Tens Assy  
Dodge; 1989-1987; Ram 50 Pickup; 2.0; Balance Shaft Tens Assy  
Mits.; 1989-1987; Pickup; 2.0; Balance Shaft Tens Assy  
Ply.; 1989-1987; Colt Vista; 2.0; Balance Shaft Tens Assy

## T41046

Dodge; 1989; 2000 GTX; 2.0 (Canada); Cam Tens Assy; W/DOHC; Does not include cam tensioner hyd. assy.  
Eagle; 1994-1990; Talon; 2.0; Cam Tens Assy; W/O Turbo; Does not include cam tensioner hyd. assy.  
Eagle; 1992-1991; 2000 GTX; 2.0 (Canada); Cam Tens Assy; W/DOHC; Does not include cam tensioner hyd. assy.  
Hyundai; 1998-1992; Sonata; 2.0; Cam Tens Assy; Does not include cam tensioner hyd. assy.  
Hyundai; 1995-1993; Elantra; 1.8; Cam Tens Assy; Does not include cam tensioner hyd. assy.  
Mits.; 1994-1990; Eclipse; 2.0; Cam Tens Assy; W/O Turbo; Does not include cam tensioner hyd. assy.  
Mits.; 1992-1989; Galant; 2.0; Cam Tens Assy; W/DOHC; Does not include cam tensioner hyd. assy.  
Ply.; 1994-1990; Laser; 2.0; Cam Tens Assy; W/O Turbo; Does not include cam tensioner hyd. assy.

## T41047

Dodge; 1989; 2000 GTX; 2.0 (Canada); Balance Shaft Tens Assy; W/DOHC  
Eagle; 1994-1990; Talon; 2.0; Balance Shaft Tens Assy; W/O Turbo  
Eagle; 1992-1991; 2000 GTX; 2.0 (Canada); Balance Shaft Tens Assy; W/DOHC  
Hyundai; 1998-1992; Sonata; 2.0; Balance Shaft Tens Assy  
Hyundai; 1995-1993; Elantra; 1.8; Balance Shaft Tens Assy  
Mits.; 1994-1990; Eclipse; 2.0; Balance Shaft Tens Assy; W/O Turbo  
Mits.; 1993; Galant; 2.0; Balance Shaft Tens Assy  
Mits.; 1992-1989; Galant; 2.0; Balance Shaft Tens Assy; W/DOHC  
Ply.; 1994-1990; Laser; 2.0; Balance Shaft Tens Assy; W/O Turbo

## T41048

Chry.; 2000; Grand Voyager; 3.0; Cam Tens Assy  
Chry.; 2000; Voyager; 3.0; Cam Tens Assy  
Chry.; 1995-1990; Lebaron; 3.0; Cam Tens Assy  
Chry.; 1993-1990; Daytona; 3.0 (Canada); Cam Tens Assy  
Chry.; 1991-1990; TC Maserati; 3.0; Cam Tens Assy  
Chry.; 1990-1988; Dynasty; 3.0 (Canada); Cam Tens Assy  
Chry.; 1989-1988; New Yorker; 3.0; Cam Tens Assy  
Dodge; 2000-1987; Caravan; 3.0; Cam Tens Assy  
Dodge; 2000-1992; Grand Caravan; 3.0; Cam Tens Assy  
Dodge; 1996-1991; Stealth; 3.0; Cam Tens Assy; W/SOHC  
Dodge; 1995-1989; Spirit; 3.0; Cam Tens Assy  
Dodge; 1994-1992; Shadow; 3.0; Cam Tens Assy  
Dodge; 1993-1990; Daytona; 3.0; Cam Tens Assy  
Dodge; 1993-1988; Dynasty; 3.0; Cam Tens Assy  
Dodge; 1991-1990; Ram 50 Pickup; 3.0; Cam Tens Assy  
Dodge; 1989-1987; Grand Caravan; 3.0; Cam Tens Assy  
Dodge; 1989; Raider; 3.0; Cam Tens Assy  
Dodge; 1988-1987; Mini Ram Van; 3.0; Cam Tens Assy  
Hyundai; 1998-1990; Sonata; 3.0; Cam Tens Assy  
Mits.; 1998-1997; 3000GT; 3.0; Cam Tens Assy; W/SOHC  
Mits.; 1996-1992; Diamante; 3.0; Cam Tens Assy; W/SOHC  
Mits.; 1994-1989; Montero; 3.0; Cam Tens Assy  
Mits.; 1994-1990; Pickup; 3.0; Cam Tens Assy  
Mits.; 1990-1989; Sigma; 3.0; Cam Tens Assy  
Mits.; 1988; Galant; 3.0; Cam Tens Assy  
Ply.; 2000-1992; Grand Voyager; 3.0; Cam Tens Assy

☆ Interference engine application. See inside back cover for additional information.

# Numerical Listing - PowerGrip™ Timing System Products

## T41048 - Continued

Ply.; 2000-1987; Voyager; 3.0; Cam Tens Assy  
Ply.; 1995-1989; Acclaim; 3.0; Cam Tens Assy  
Ply.; 1994-1992; Sundance; 3.0; Cam Tens Assy  
Ply.; 1989; Grand Voyager; 3.0; Cam Tens Assy  
Ply.; 1988; Grand Voyager; 2.5; Cam Tens Assy  
Ply.; 1987; Grand Voyager; 3.0; Cam Tens Assy

## T41049

Dodge; 1985-1983; Ram 50 Pickup; 2.3 Diesel; Balance Shaft Tens Assy  
Mits.; 1985-1983; Pickup; 2.3 Diesel; Balance Shaft Tens Assy

## T41050

Dodge; 1985-1983; Ram 50 Pickup; 2.3 Diesel; Cam Tens Assy  
Mits.; 1985-1983; Pickup; 2.3 Diesel; Cam Tens Assy

## T41051

Dodge; 1995; Colt; 1.5 (Canada); Cam Tens Assy  
Dodge; 1994-1992; Colt; 1.5; Cam Tens Assy  
Dodge; 1992; Colt; 1.5 (Canada); Cam Tens Assy  
Eagle; 1996-1991; Summit; 1.5; Cam Tens Assy  
Eagle; 1992; Vista; 1.5 (Canada); Cam Tens Assy  
Hyundai; 1999-1998; Accent; 1.5; Cam Tens Assy  
Hyundai; 1997-1995; Accent; 1.5; Cam Tens Assy; W/SOHC  
Hyundai; 1995-1994; Scoupe; 1.5; Cam Tens Assy  
Mits.; 1996-1994; Mirage; 1.5; Cam Tens Assy  
Mits.; 1991; Mirage; 1.5; Cam Tens Assy  
Ply.; 1995; Colt; 1.5 (Canada); Cam Tens Assy  
Ply.; 1994-1991; Colt; 1.5; Cam Tens Assy

## T41052

Mits.; 1996-1993; Mirage; 1.8; Cam Tens Assy  
Mits.; 1994-1992; Expo; 1.8; Cam Tens Assy

## T41053

Dodge; 1992-1990; Ram 50 Pickup; 2.4; Balance Shaft Tens Assy  
Dodge; 1990-1989; 2000 GTX; 2.0 (Canada); Balance Shaft Tens Assy;  
W/SOHC  
Eagle; 1992-1991; 2000 GTX; 2.0 (Canada); Balance Shaft Tens Assy;  
W/SOHC  
Hyundai; 1991-1989; Sonata; 2.4; Balance Shaft Tens Assy  
Mits.; 1999; 3000GT; 3.0; Balance Shaft Tens Assy  
Mits.; 1992-1989; Galant; 2.0; Balance Shaft Tens Assy; W/SOHC  
Mits.; 1992-1990; Pickup; 2.4; Balance Shaft Tens Assy  
Mits.; 1990-1987; Van; 2.4; Balance Shaft Tens Assy  
Mits.; 1987-1985; Galant; 2.4; Balance Shaft Tens Assy

## T41054

Mits.; 1994; Galant; 2.4; Cam Tens Assy; W/DOHC; Does not include cam  
tensioner hyd. assy.  
Mits.; 1993; Galant; 2.0; Cam Tens Assy; Does not include cam tensioner  
hyd. assy.

## T41055

Mits.; 1986; Mirage; 1.6; Cam Tens Assy; 12-31-86 & Older  
Mits.; 1985; Mirage; 1.6; Cam Tens Assy

## T41056

Eagle; 1994-1993; Talon; 1.8; Cam Tens Assy  
Mits.; 1994-1990; Eclipse; 1.8; Cam Tens Assy  
Mits.; 1988; Mirage; 1.6; Cam Tens Assy  
Mits.; 1987; Mirage; 1.6; Cam Tens Assy; 1-1-87 & Newer  
Ply.; 1994-1990; Laser; 1.8; Cam Tens Assy

## T41057

Eagle; 1994-1993; Talon; 1.8; Balance Shaft Tens Assy  
Mits.; 1994-1990; Eclipse; 1.8; Balance Shaft Tens Assy  
Ply.; 1994-1990; Laser; 1.8; Balance Shaft Tens Assy

## T41058

Niss.; 1988-1983; Pulsar NX; 1.6; Cam Tens Assy  
Niss.; 1988-1983; Sentra; 1.6; Cam Tens Assy  
Niss.; 1984-1983; Pulsar NX; 1.5; Cam Tens Assy  
Niss.; 1983-1982; Sentra; 1.5; Cam Tens Assy  
Niss.; 1982; 310; 1.5; Cam Tens Assy

## T41059

Infiniti; 2000-1997; QX4; 3.3; Cam Tens Assy  
Infiniti; 1992-1990; M30; 3.0; Cam Tens Assy  
Merc.; 1998-1993; Villager; 3.0; Cam Tens Assy  
Niss.; 2002-1999; Frontier; 3.3; Cam Tens Assy  
Niss.; 2002-2000; Xterra; 3.3; Cam Tens Assy  
Niss.; 2001-1999; Quest; 3.3; Cam Tens Assy  
Niss.; 2000-1996; Pathfinder; 3.3; Cam Tens Assy  
Niss.; 1998-1993; Quest; 3.0; Cam Tens Assy  
Niss.; 1995-1987; Pathfinder; 3.0; Cam Tens Assy  
Niss.; 1995-1986; Pickup; 3.0; Cam Tens Assy  
Niss.; 1994-1992; Maxima; 3.0; Cam Tens Assy; W/SOHC

## T41059 - Continued

Niss.; 1991-1985; Maxima; 3.0; Cam Tens Assy  
Niss.; 1989-1984; 300ZX; 3.0; Cam Tens Assy  
Niss.; 1988-1987; 200SX; 3.0; Cam Tens Assy

## T41060

Subaru; 1995; Justy; 1.2 (Canada); Cam Tens Assy  
Subaru; 1994-1987; Justy; 1.2; Cam Tens Assy

## T41061

Subaru; 1994-1990; Loyale; 1.8; Cam Tens Assy - Right Hand  
Subaru; 1991-1985; XT; 1.8; Cam Tens Assy - Right Hand  
Subaru; 1989-1985; DL; 1.8; Cam Tens Assy - Right Hand  
Subaru; 1989-1985; GL; 1.8; Cam Tens Assy - Right Hand  
Subaru; 1989-1985; GL-10; 1.8; Cam Tens Assy - Right Hand  
Subaru; 1989-1985; RX; 1.8; Cam Tens Assy - Right Hand

## T41062

Subaru; 1994-1990; Loyale; 1.8; Cam Tens Assy - Left Hand  
Subaru; 1991-1985; XT; 1.8; Cam Tens Assy - Left Hand  
Subaru; 1989-1985; DL; 1.8; Cam Tens Assy - Left Hand  
Subaru; 1989-1985; GL; 1.8; Cam Tens Assy - Left Hand  
Subaru; 1989-1985; GL-10; 1.8; Cam Tens Assy - Left Hand  
Subaru; 1989-1985; RX; 1.8; Cam Tens Assy - Left Hand

## T41063

Subaru; 1997-1993; Impreza; 1.8; Cam Tens Assy; Does not include cam  
tensioner hyd. assy.  
Subaru; 1996-1995; Impreza; 2.2; Cam Tens Assy; Does not include cam  
tensioner hyd. assy.  
Subaru; 1996-1990; Legacy; 2.2; Cam Tens Assy; Does not include cam  
tensioner hyd. assy.

## T41064

Chev.; 1992-1989; Tracker; 1.6 (Canada); Cam Tens Assy  
Geo; 1995-1989; Tracker; 1.6; Cam Tens Assy; W/8-V Eng  
Suzuki; 1995-1989; Sidekick; 1.6; Cam Tens Assy; W/8-V Eng  
Suzuki; 1994; Samurai; 1.3; Cam Tens Assy; VIN JS4JC31C R4100375 &  
Before  
Suzuki; 1993-1986; Samurai; 1.3; Cam Tens Assy  
Suzuki; 1993-1989; Swift; 1.3; Cam Tens Assy; W/SOHC  
Suzuki; 1989; Sidekick; 1.3; Cam Tens Assy

## T41065

Chev.; 2002-2001; Tracker; 1.6 (Canada); Cam Tens Assy  
Chev.; 2000-1998; Tracker; 1.6; Cam Tens Assy  
Geo; 1997-1995; Metro; 1.3; Cam Tens Assy  
Geo; 1997-1996; Tracker; 1.6; Cam Tens Assy  
Geo; 1995-1994; Tracker; 1.6; Cam Tens Assy; W/16-V Eng  
Pont.; 1997-1995; Firefly; 1.3 (Canada); Cam Tens Assy  
Suzuki; 2002; Vitara; 1.6 (Canada); Cam Tens Assy  
Suzuki; 2001; Esteem; 1.6 (Canada); Cam Tens Assy  
Suzuki; 2001-1999; Vitara; 1.6; Cam Tens Assy  
Suzuki; 2000-1995; Esteem; 1.6; Cam Tens Assy  
Suzuki; 1998-1996; Sidekick; 1.6; Cam Tens Assy  
Suzuki; 1998-1996; X-90; 1.6; Cam Tens Assy  
Suzuki; 1997-1995; Swift; 1.3; Cam Tens Assy  
Suzuki; 1995-1992; Sidekick; 1.6; Cam Tens Assy; W/16-V Eng

## T41066

Chev.; 1988; Nova; 1.6; Cam Tens Assy; W/SOHC  
Chev.; 1987-1985; Nova; 1.6; Cam Tens Assy  
Geo; 1992-1990; Prizm; 1.6; Cam Tens Assy; Exc GSI  
Geo; 1989; Prizm; 1.6; Cam Tens Assy  
Toy.; 1992-1990; Celica; 1.6; Cam Tens Assy  
Toy.; 1992; Corolla; 1.6; Cam Tens Assy  
Toy.; 1991; Corolla; 1.6; Cam Tens Assy; Eng 4AFE  
Toy.; 1990; Corolla; 1.6; Cam Tens Assy; Exc GT-S  
Toy.; 1989-1988; Corolla; 1.6; Cam Tens Assy; DLX, LE, SR5  
Toy.; 1988; Corolla; 1.6; Cam Tens Assy; W/SOHC; FX  
Toy.; 1988; Tercel; 1.5; Cam Tens Assy; Wagon  
Toy.; 1987; Corolla; 1.6; Cam Tens Assy; W/SOHC; DLX, FX, LE  
Toy.; 1987-1985; Corolla Sport; 1.6; Cam Tens Assy; W/SOHC; SR5  
Toy.; 1987; Tercel; 1.5; Cam Tens Assy; Wagon  
Toy.; 1986; Corolla; 1.6; Cam Tens Assy; W/SOHC; DLX, LE, LE Ltd  
Toy.; 1986-1980; Tercel; 1.5; Cam Tens Assy  
Toy.; 1986-1980; Tercel; 1.5 (Canada); Cam Tens Assy  
Toy.; 1985; Corolla; 1.6; Cam Tens Assy; W/SOHC; DLX, LE  
Toy.; 1984-1983; Corolla; 1.6; Cam Tens Assy

## T41067

Toy.; 2001-1992; Camry; 2.2; Cam Tens Assy  
Toy.; 2001; Solara; 2.2; Cam Tens Assy  
Toy.; 2000-1999; Camry Solara; 2.2; Cam Tens Assy  
Toy.; 2000; Celica; 1.8; Cam Tens Assy  
Toy.; 2000-1996; RAV4; 2.0; Cam Tens Assy  
Toy.; 1999-1993; Celica; 2.2; Cam Tens Assy  
Toy.; 1995-1991; MR2; 2.2; Cam Tens Assy



# Numerical Listing - PowerGrip™ Timing System Products

## T41067 - Continued

Toy.; 1992-1991; Celica; 2.2; Cam Tens Assy; Exc GT-S  
 Toy.; 1991-1987; Camry; 2.0; Cam Tens Assy  
 Toy.; 1990; Celica; 2.0; Cam Tens Assy; Exc GT-S  
 Toy.; 1990; Celica; 2.2; Cam Tens Assy  
 Toy.; 1989; Celica; 2.0; Cam Tens Assy  
 Toy.; 1988-1987; Celica; 2.0; Cam Tens Assy; Exc GT-S  
 Toy.; 1987; Camry; 2.0; Cam Tens Assy; Exc GT-S

### T41068

Toy.; 1982-1981; Pickup; 2.2 Diesel; Cam Tens Assy

### T41069

Toy.; 1988-1984; Cressida; 2.8; Cam Tens Assy  
 Toy.; 1986-1984; Supra; 2.8; Cam Tens Assy

### T41070

Toy.; 1986-1983; Camry; 2.0; Cam Tens Assy  
 Toy.; 1986; Celica; 2.0; Cam Tens Assy

### T41071

Toy.; 1999-1998; Paseo; 1.5 (Canada); Cam Tens Assy  
 Toy.; 1999; Tercel; 1.5 (Canada); Cam Tens Assy  
 Toy.; 1998-1995; Tercel; 1.5; Cam Tens Assy  
 Toy.; 1997-1992; Paseo; 1.5; Cam Tens Assy

### T41072

Geo; 1997-1993; Prizm; 1.6; Cam Tens Assy  
 Geo; 1997-1993; Prizm; 1.8; Cam Tens Assy

### T41073

Toy.; 1992-1988; Pickup; 3.0; Cam Tens Assy; Does not include cam tensioner hyd. assy.  
 Toy.; 1992-1988; 4 Runner; 3.0; Cam Tens Assy; Does not include cam tensioner hyd. assy.

### T41074

Toy.; 1989; Corolla; 1.6; Cam Tens Assy; Eng 4AGE, 4AGELC  
 Toy.; 1989-1985; MR2; 1.6; Cam Tens Assy  
 Toy.; 1988; Corolla; 1.6; Cam Tens Assy; W/DOHC; FX16, GT-S  
 Toy.; 1987; Corolla; 1.6; Cam Tens Assy; W/DOHC; FX16, FX16 GTS  
 Toy.; 1987; Corolla Sport; 1.6; Cam Tens Assy; W/DOHC  
 Toy.; 1986-1985; Corolla; 1.6; Cam Tens Assy; W/DOHC  
 Toy.; 1986-1985; Corolla Sport; 1.6; Cam Tens Assy; W/DOHC; GTS

### T41075

Lexus; 1993-1992; ES300; 3.0; Cam Tens Pulley; Does not include cam tensioner hyd. assy.  
 Lexus; 1991-1990; ES250; 2.5; Cam Tens Pulley; Does not include cam tensioner hyd. assy.  
 Toy.; 2002-1995; Avalon; 3.0; Cam Tens Pulley; Does not include cam tensioner hyd. assy.  
 Toy.; 2002-1992; Camry; 3.0; Cam Tens Pulley; Does not include cam tensioner hyd. assy.  
 Toy.; 2002-2001; Highlander; 3.0; Cam Tens Pulley; Does not include cam tensioner hyd. assy.  
 Toy.; 2002-1998; Sienna; 3.0; Cam Tens Pulley; Does not include cam tensioner hyd. assy.  
 Toy.; 2002-2001; Solara; 3.0; Cam Tens Pulley; Does not include cam tensioner hyd. assy.  
 Toy.; 2000-1999; Camry Solara; 3.0; Cam Tens Pulley; Does not include cam tensioner hyd. assy.  
 Toy.; 1991-1989; Camry; 2.5; Cam Tens Pulley; Does not include cam tensioner hyd. assy.

### T41076

Toy.; 1994-1988; Tercel; 1.5; Cam Tens Assy; Exc Wagon

### T41077

Toy.; 1986; Camry; 2.0 Diesel; Cam Tens Assy  
 Toy.; 1985-1984; Camry; 1.8 Diesel; Cam Tens Assy  
 Toy.; 1985-1984; Corolla; 1.8 Diesel; Cam Tens Assy

### T41078

Toy.; 2001-1999; Land Cruiser; 4.7; Cam Tens Assy; Does not include cam tensioner hyd. assy.  
 Toy.; 2001-2000; Tundra; 4.7; Cam Tens Assy; Does not include cam tensioner hyd. assy.

### T41079

Amer. Mtrs.; 1979-1978; Concord; 121 CID; Cam Tens Assy  
 Amer. Mtrs.; 1979; Spirit; 121 CID; Cam Tens Assy  
 Amer. Mtrs.; 1978-1977; Gremlin; 121 CID; Cam Tens Assy  
 Audi; 1990-1988; 80; 2.0; Cam Tens Assy  
 Audi; 1988; 90; 2.0; Cam Tens Assy  
 Audi; 1987-1984; 4000S; 1.8; Cam Tens Assy  
 Audi; 1983-1981; 4000; 1.7; Cam Tens Assy

## T41079 - Continued

Audi; 1980; 4000; 1.6; Cam Tens Assy  
 Audi; 1979-1975; Fox; 97 CID; Cam Tens Assy  
 Dodge; 1983; Charger; 1.7; Cam Tens Assy  
 Dodge; 1983-1980; Omni; 1.7; Cam Tens Assy  
 Dodge; 1982-1981; O24; 1.7; Cam Tens Assy  
 Dodge; 1979-1978; Omni; 104 CID; Cam Tens Assy  
 Ply.; 1983-1980; Horizon; 1.7; Cam Tens Assy  
 Ply.; 1983; Turismo; 1.7; Cam Tens Assy  
 Ply.; 1982-1981; TC3; 1.7; Cam Tens Assy  
 Ply.; 1979-1978; Horizon; 104 CID; Cam Tens Assy  
 Porsche; 1982-1980; 924; 2.0; Cam Tens Assy  
 Porsche; 1979-1977; 924; 121 CID; Cam Tens Assy  
 VW; 2002-1995; Cabrio; 2.0; Cam Tens Assy  
 VW; 2000-1995; Golf; 2.0; Cam Tens Assy  
 VW; 2000-1996; GTI; 2.0; Cam Tens Assy  
 VW; 2000-1993; Jetta; 2.0; Cam Tens Assy  
 VW; 1996-1995; Passat; 2.0; Cam Tens Assy  
 VW; 1995; Cabrio; 2.0 (Canada); Cam Tens Assy  
 VW; 1995; Golf; 2.0 (Canada); Cam Tens Assy  
 VW; 1995; GTI; 2.0 (Canada); Cam Tens Assy  
 VW; 1994-1993; Golf; 1.8 (Canada); Cam Tens Assy  
 VW; 1994-1993; Jetta; 1.8 (Canada); Cam Tens Assy  
 VW; 1994-1992; Passat; 1.8 (Canada); Cam Tens Assy  
 VW; 1994; Passat; 2.0 (Canada); Cam Tens Assy  
 VW; 1993-1989; Cabriolet; 1.8; Cam Tens Assy  
 VW; 1993-1987; Fox; 1.8; Cam Tens Assy  
 VW; 1993; Golf; 2.0; Cam Tens Assy  
 VW; 1993; GTI; 2.0 (Canada); Cam Tens Assy  
 VW; 1993; Passat; 2.0; Cam Tens Assy  
 VW; 1992-1990; Corrado; 1.8; Cam Tens Assy  
 VW; 1992-1990; Golf; 1.8; Cam Tens Assy  
 VW; 1992-1990; GTI; 1.8; Cam Tens Assy  
 VW; 1992-1990; Jetta; 1.8; Cam Tens Assy  
 VW; 1989-1985; Golf; 1.8; Cam Tens Assy; W/SOHC  
 VW; 1989-1985; Jetta; 1.8; Cam Tens Assy; W/SOHC  
 VW; 1989-1988; Scirocco; 1.8 (Canada); Cam Tens Assy; W/SOHC  
 VW; 1988-1987; Cabriolet; 1.8; Cam Tens Assy; W/SOHC  
 VW; 1988-1985; Scirocco; 1.8; Cam Tens Assy; W/SOHC  
 VW; 1987; GTI; 1.8; Cam Tens Assy; W/SOHC  
 VW; 1986-1985; Cabriolet; 1.8; Cam Tens Assy  
 VW; 1986; GTI; 1.8; Cam Tens Assy  
 VW; 1985; GTI; 1.8; Cam Tens Assy; W/SOHC  
 VW; 1985; Quantum; 1.8; Cam Tens Assy  
 VW; 1984-1981; Jetta; 1.7; Cam Tens Assy  
 VW; 1984; Jetta; 1.8; Cam Tens Assy  
 VW; 1984-1981; Rabbit; 1.7; Cam Tens Assy  
 VW; 1984-1983; Rabbit; 1.8; Cam Tens Assy  
 VW; 1984-1983; Scirocco; 1.8; Cam Tens Assy  
 VW; 1983-1982; Quantum; 1.7; Cam Tens Assy  
 VW; 1983-1981; Rabbit Pickup; 1.7; Cam Tens Assy  
 VW; 1983-1981; Scirocco; 1.7; Cam Tens Assy  
 VW; 1980; Dasher; 1.6; Cam Tens Assy  
 VW; 1980; Jetta; 1.6; Cam Tens Assy  
 VW; 1980; Rabbit; 1.6; Cam Tens Assy  
 VW; 1980; Rabbit Pickup; 1.6; Cam Tens Assy  
 VW; 1980; Scirocco; 1.6; Cam Tens Assy  
 VW; 1979-1976; Dasher; 97 CID; Cam Tens Assy  
 VW; 1979-1978; Rabbit; 89 CID; Cam Tens Assy  
 VW; 1979; Scirocco; 97 CID; Cam Tens Assy  
 VW; 1978; Scirocco; 89 CID; Cam Tens Assy  
 VW; 1977-1976; Rabbit; 97 CID; Cam Tens Assy  
 VW; 1977-1976; Scirocco; 97 CID; Cam Tens Assy  
 VW; 1975-1974; Dasher; 90 CID; Cam Tens Assy  
 VW; 1975; Rabbit; 90 CID; Cam Tens Assy

### T41080

VW; 1987-1985; Golf; 1.6 Diesel; Cam Tens Assy  
 VW; 1986-1981; Jetta; 1.6 Diesel; Cam Tens Assy  
 VW; 1986; Jetta; 1.6 Diesel (Canada); Cam Tens Assy  
 VW; 1985-1982; Quantum; 1.6 Diesel; Cam Tens Assy  
 VW; 1984-1981; Rabbit; 1.6 Diesel; Cam Tens Assy  
 VW; 1983-1981; Rabbit Pickup; 1.6 Diesel; Cam Tens Assy  
 VW; 1983-1982; Vanagon; 1.6 Diesel; Cam Tens Assy  
 VW; 1981; Dasher; 1.6 Diesel; Cam Tens Assy  
 VW; 1980; Dasher; 1.5 Diesel; Cam Tens Assy  
 VW; 1980; Rabbit; 1.5 Diesel; Cam Tens Assy  
 VW; 1980; Rabbit Pickup; 1.5 Diesel; Cam Tens Assy  
 VW; 1979; Dasher; 90 Diesel CID; Cam Tens Assy  
 VW; 1979; Rabbit; 90 Diesel CID; Cam Tens Assy

### T41081

Volvo; 1992-1986; 240; 2.3; Cam Tens Assy  
 Volvo; 1992-1991; 740; 2.3; Cam Tens Assy  
 Volvo; 1992-1991; 940; 2.3; Cam Tens Assy  
 Volvo; 1992; 940; 2.3 (Canada); Cam Tens Assy  
 Volvo; 1990-1986; 740; 2.3; Cam Tens Assy; W/SOHC  
 Volvo; 1990-1985; 760; 2.3; Cam Tens Assy  
 Volvo; 1990-1989; 780; 2.3; Cam Tens Assy

☆ Interference engine application. See inside back cover for additional information.

# Numerical Listing - PowerGrip™ Timing System Products

## T41081 - Continued

Volvo; 1985-1983; DL; 2.3; Cam Tens Assy  
Volvo; 1985-1983; GL; 2.3; Cam Tens Assy  
Volvo; 1985-1984; Turbo; 2.1; Cam Tens Assy  
Volvo; 1985; 740; 2.3; Cam Tens Assy  
Volvo; 1984; GLE; 2.3 (Canada); Cam Tens Assy  
Volvo; 1984; 760GLE; 2.3; Cam Tens Assy  
Volvo; 1983; DL; 2.1 (Canada); Cam Tens Assy  
Volvo; 1983-1982; GL; 2.3 (Canada); Cam Tens Assy  
Volvo; 1983-1981; GLT; 2.1; Cam Tens Assy  
Volvo; 1983; GLT; 2.3 (Canada); Cam Tens Assy  
Volvo; 1982-1980; DL; 2.1; Cam Tens Assy  
Volvo; 1982-1980; GL; 2.1; Cam Tens Assy  
Volvo; 1980; GT; 2.1; Cam Tens Assy  
Volvo; 1979-1976; 242; 130 CID; Cam Tens Assy  
Volvo; 1979-1976; 244; 130 CID; Cam Tens Assy  
Volvo; 1979-1976; 245; 130 CID; Cam Tens Assy

## T41083

BMW; 1993-1989; 325i; 2.5; Cam Tens Assy  
BMW; 1993-1989; 325iS; 2.5; Cam Tens Assy  
BMW; 1993-1989; 525i; 2.5; Cam Tens Assy  
BMW; 1988; 325; 2.7; Cam Tens Assy  
BMW; 1988; 325i; 2.5; Cam Tens Assy; W/127 Tooth Belt  
BMW; 1988; 325iS; 2.5; Cam Tens Assy; W/127 Tooth Belt

## T41084

Chry.; 2002; Concorde; 3.5; Cam Tens Assy; Does not include cam tensioner hyd. Assy.  
Chry.; 2002-2000; Intrepid; 3.5 (Canada); Cam Tens Assy; Does not include cam tensioner hyd. Assy.  
Chry.; 2002-1999; 300M; 3.5; Cam Tens Assy; Does not include cam tensioner hyd. Assy.  
Chry.; 2001-1999; LHS; 3.5; Cam Tens Assy; Does not include cam tensioner hyd. Assy.  
Chry.; 2000-1998; Concorde; 3.2; Cam Tens Assy; Does not include cam tensioner hyd. Assy.  
Chry.; 2000-1998; Intrepid; 3.2 (Canada); Cam Tens Assy; Does not include cam tensioner hyd. Assy.  
Chry.; 1994-1993; Concorde; 3.5; Cam Tens Assy; Does not include cam tensioner hyd. Assy.  
Chry.; 1994-1993; Intrepid; 3.5 (Canada); Cam Tens Assy; Does not include cam tensioner hyd. Assy.  
Chry.; 1994; LHS; 3.5; Cam Tens Assy; Does not include cam tensioner hyd. Assy.  
Chry.; 1994; New Yorker; 3.5; Cam Tens Assy; Does not include cam tensioner hyd. Assy.  
Dodge; 2002-2000; Intrepid; 3.5; Cam Tens Assy; Does not include cam tensioner hyd. Assy.  
Dodge; 2000-1998; Intrepid; 3.2; Cam Tens Assy; Does not include cam tensioner hyd. Assy.  
Dodge; 1994-1993; Intrepid; 3.5; Cam Tens Assy; Does not include cam tensioner hyd. Assy.  
Eagle; 1994-1993; Vision; 3.5; Cam Tens Assy; Does not include cam tensioner hyd. Assy.

## T41085

Niss.; 1996-1990; 300ZX; 3.0; Cam Tens Pulley; Does not include cam tensioner hyd. Assy.

## T41087

Kia; 2003-2001; Optima; 2.4; Cam Tens Assy; Does not include cam tensioner hyd. Assy.

## T41088

Niss.; 1989-1982; Stanza; 2.0; Cam Tens Assy  
Niss.; 1988; 200SX; 2.0; Cam Tens Assy

## T41089

Niss.; 1987-1984; 200SX; 2.0; Cam Tens Assy

## T41090

Acura; 2000-1999; TL; 3.2; Cam Tens Assy; Does not include cam tensioner hyd. Assy.  
Honda; 2000-1998; Accord; 3.0; Cam Tens Assy; Does not include cam tensioner hyd. Assy.

## T41091

Ford; 1997-1993; Probe; 2.0; Cam Tens Assy  
Mazda; 2002-2001; Protege; 2.0; Cam Tens Assy  
Mazda; 2002-1993; 626; 2.0; Cam Tens Assy  
Mazda; 1997-1993; MX-6; 2.0; Cam Tens Assy

## T41092

Subaru; 1996; Legacy; 2.5; Cam Tens Assy; Does not include cam tensioner hyd. Assy.

## T42001

Geo; 1991-1990; Storm; 1.6; Cam Idl. Pulley; W/DOHC  
Isuzu; 1993-1992; Stylus; 1.6; Cam Idl. Pulley  
Isuzu; 1993-1992; Stylus; 1.8; Cam Idl. Pulley  
Isuzu; 1992-1990; Impulse; 1.6; Cam Idl. Pulley  
Isuzu; 1992; Impulse; 1.8; Cam Idl. Pulley  
Isuzu; 1991; Stylus; 1.6; Cam Idl. Pulley; W/DOHC  
Isuzu; 1990; I-Mark; 1.6 (Canada); Cam Idl. Pulley  
Isuzu; 1989; I-Mark; 1.6; Cam Idl. Pulley  
Mazda; 1998-1989; MPV; 3.0; Cam Idl. Pulley - Lower  
Mazda; 1991-1990; 929; 3.0; Cam Idl. Pulley - Lower; W/SOHC  
Mazda; 1989-1988; 929; 3.0; Cam Idl. Pulley - Lower

## T42002

Acura; 1997-1996; SLX; 3.2; Cam Idl. Pulley  
Honda; 1997-1994; Passport; 3.2; Cam Idl. Pulley  
Isuzu; 1997-1993; Rodeo; 3.2; Cam Idl. Pulley  
Isuzu; 1997-1992; Trooper; 3.2; Cam Idl. Pulley

## T42003

Ford; 1992-1989; Probe; 2.2; Cam Idl. Pulley  
Kia; 1995; Sportage; 2.0; Cam Idl. Pulley; W/SOHC  
Mazda; 1993-1987; B2200 Pickup; 2.2; Cam Idl. Pulley  
Mazda; 1992-1988; MX-6; 2.2; Cam Idl. Pulley  
Mazda; 1992-1988; 626; 2.2; Cam Idl. Pulley

## T42004

Kia; 2000-1996; Sportage; 2.0; Cam Idl. Pulley  
Kia; 1995; Sportage; 2.0; Cam Idl. Pulley; W/DOHC

## T42005

Ford; 1996-1991; Escort; 1.8; Cam Idl. Pulley  
Kia; 2002-2001; Spectra; 1.8; Cam Idl. Pulley  
Kia; 2001-1998; Sephia; 1.8; Cam Idl. Pulley  
Kia; 1997-1995; Sephia; 1.6; Cam Idl. Pulley; W/DOHC  
Kia; 1997-1995; Sephia; 1.8; Cam Idl. Pulley  
Mazda; 2002-1999; MX-5 Miata; 1.8; Cam Idl. Pulley  
Mazda; 1998-1995; Protege; 1.8; Cam Idl. Pulley  
Mazda; 1997-1994; MX-5 Miata; 1.8; Cam Idl. Pulley  
Mazda; 1995-1994; MX-3; 1.6; Cam Idl. Pulley  
Mazda; 1995; Protege; 1.8 (Canada); Cam Idl. Pulley  
Mazda; 1994-1991; Protege; 1.8; Cam Idl. Pulley; W/DOHC  
Mazda; 1993-1990; MX-5 Miata; 1.6; Cam Idl. Pulley  
Mazda; 1990; Protege; 1.8; Cam Idl. Pulley  
Merc.; 1996-1991; Tracer; 1.8; Cam Idl. Pulley  
Merc.; 1994-1991; Capri; 1.6; Cam Idl. Pulley

## T42006

Mazda; 1991-1990; 929; 3.0; Cam Idl. Pulley - Lower; W/DOHC; W/OHV Eng

## T42007

Mazda; 1991-1990; 929; 3.0; Cam Idl. Pulley - Upper; W/DOHC; W/OHV Eng

## T42008

Ford; 1997-1993; Probe; 2.0; Cam Idl. Pulley  
Mazda; 2002-2001; Protege; 2.0; Cam Idl. Pulley  
Mazda; 2002-1993; 626; 2.0; Cam Idl. Pulley  
Mazda; 1997-1993; MX-6; 2.0; Cam Idl. Pulley

## T42009

Ford; 1997-1993; Probe; 2.5; Cam Idl. Pulley - Lower  
Mazda; 2002-1995; Millenia; 2.5; Cam Idl. Pulley - Lower  
Mazda; 2002-1993; 626; 2.5; Cam Idl. Pulley - Lower  
Mazda; 1997-1993; MX-6; 2.5; Cam Idl. Pulley - Lower  
Mazda; 1995; MX-3; 1.8 (Canada); Cam Idl. Pulley - Lower  
Mazda; 1994-1992; MX-3; 1.8; Cam Idl. Pulley - Lower

## T42010

Ford; 1997-1993; Probe; 2.5; Cam Idl. Pulley - Upper  
Mazda; 2002-1995; Millenia; 2.5; Cam Idl. Pulley - Upper  
Mazda; 2002-1993; 626; 2.5; Cam Idl. Pulley - Upper  
Mazda; 1997-1993; MX-6; 2.5; Cam Idl. Pulley - Upper  
Mazda; 1995; MX-3; 1.8 (Canada); Cam Idl. Pulley - Upper  
Mazda; 1994-1992; MX-3; 1.8; Cam Idl. Pulley - Upper

## T42011

Mazda; 1998-1989; MPV; 3.0; Cam Idl. Pulley - Upper  
Mazda; 1991-1990; 929; 3.0; Cam Idl. Pulley - Upper; W/SOHC  
Mazda; 1989-1988; 929; 3.0; Cam Idl. Pulley - Upper

## T42012

Mazda; 1995-1992; 929; 3.0; Cam Idl. Pulley - Lower

## T42013

Mazda; 1995-1992; 929; 3.0; Cam Idl. Pulley - Upper

# Numerical Listing - PowerGrip™ Timing System Products

## T42014

Hyundai; 2003; Santa Fe; 3.5; Cam Idl. Pulley  
Kia; 2003-2002; Optima; 2.7; Cam Idl. Pulley  
Kia; 2001; Optima; 2.5; Cam Idl. Pulley

## T42015

Hyundai; 2001-1999; Elantra; 2.0; Cam Idl. Pulley  
Hyundai; 2001-1997; Tiburon; 2.0; Cam Idl. Pulley  
Hyundai; 1998-1996; Elantra; 1.8; Cam Idl. Pulley  
Hyundai; 1998-1997; Tiburon; 1.8; Cam Idl. Pulley

## T42016

Hyundai; 1997-1996; Accent; 1.5; Cam Idl. Pulley; W/DOHC

## T42017

Dodge; 1989; 2000 GTX; 2.0 (Canada); Cam Idl. Pulley; W/DOHC  
Eagle; 1994-1990; Talon; 2.0; Cam Idl. Pulley; W/O Turbo  
Eagle; 1992-1991; 2000 GTX; 2.0 (Canada); Cam Idl. Pulley; W/DOHC  
Hyundai; 1998-1992; Sonata; 2.0; Cam Idl. Pulley  
Hyundai; 1995-1993; Elantra; 1.8; Cam Idl. Pulley  
Kia; 2003-2001; Optima; 2.4; Cam Idl. Pulley  
Mits.; 1994-1990; Eclipse; 2.0; Cam Idl. Pulley; W/O Turbo  
Mits.; 1994; Galant; 2.4; Cam Idl. Pulley; W/DOHC  
Mits.; 1992-1989; Galant; 2.0; Cam Idl. Pulley; W/DOHC  
Ply.; 1994-1990; Laser; 2.0; Cam Idl. Pulley; W/O Turbo

## T42018

Chry.; 2002-2001; Sebring; 3.0; Cam Idl. Pulley  
Chry.; 2000-1995; Cirrus; 2.5; Cam Idl. Pulley  
Chry.; 2000-1995; Sebring; 2.5; Cam Idl. Pulley  
Dodge; 2001; Stratus; 3.0; Cam Idl. Pulley  
Dodge; 2000-1995; Avenger; 2.5; Cam Idl. Pulley  
Dodge; 2000-1995; Stratus; 2.5; Cam Idl. Pulley  
Kia; 2003; Sorento; 3.5; Cam Idl. Pulley  
Kia; 2002; Sedona; 3.5; Cam Idl. Pulley  
Mits.; 2002-2000; Eclipse; 3.0; Cam Idl. Pulley  
Mits.; 2002-1999; Galant; 3.0; Cam Idl. Pulley  
Mits.; 2002-1997; Montero Sport; 3.0; Cam Idl. Pulley  
Mits.; 1999-1991; 3000GT; 3.0; Cam Idl. Pulley; W/DOHC  
Mits.; 1996-1992; Diamante; 3.0; Cam Idl. Pulley; W/DOHC  
Mits.; 1996-1995; Montero; 3.0; Cam Idl. Pulley

## T42020

Niss.; 1996-1990; 300ZX; 3.0; Cam Idl. Pulley - Upper

## T42021

Niss.; 1996-1990; 300ZX; 3.0; Cam Idl. Pulley - Lower

## T42022

Subaru; 1994-1990; Loyale; 1.8; Cam Idl. Sprocket  
Subaru; 1991-1985; XT; 1.8; Cam Idl. Sprocket  
Subaru; 1989-1985; DL; 1.8; Cam Idl. Sprocket  
Subaru; 1989-1985; GL; 1.8; Cam Idl. Sprocket  
Subaru; 1989-1985; GL-10; 1.8; Cam Idl. Sprocket  
Subaru; 1989-1985; RX; 1.8; Cam Idl. Sprocket

## T42023

Subaru; 1996; Legacy; 2.5; Cam Idl. Pulley - Lower Left Hand  
Subaru; 1996; Legacy; 2.5; Cam Idl. Pulley - Upper Left Hand  
Subaru; 1997-1993; Impreza; 1.8; Cam Idl. Pulley - Lower Left Hand  
Subaru; 1997-1993; Impreza; 1.8; Cam Idl. Pulley - Upper Left Hand  
Subaru; 1996-1995; Impreza; 2.2; Cam Idl. Pulley - Lower Left Hand  
Subaru; 1996-1995; Impreza; 2.2; Cam Idl. Pulley - Upper Left Hand  
Subaru; 1996-1990; Legacy; 2.2; Cam Idl. Pulley - Lower Left Hand  
Subaru; 1996-1990; Legacy; 2.2; Cam Idl. Pulley - Upper Left Hand

## T42024

Subaru; 1996; Legacy; 2.5; Cam Idl. Sprocket - Lower Right Hand  
Subaru; 1997-1993; Impreza; 1.8; Cam Idl. Sprocket - Lower Right Hand  
Subaru; 1996-1995; Impreza; 2.2; Cam Idl. Sprocket - Lower Right Hand  
Subaru; 1996-1990; Legacy; 2.2; Cam Idl. Sprocket - Lower Right Hand

## T42025

Toy.; 2001-1992; Camry; 2.2; Cam Idl. Pulley  
Toy.; 2001; Solara; 2.2; Cam Idl. Pulley  
Toy.; 2000-1999; Camry Solara; 2.2; Cam Idl. Pulley  
Toy.; 2000; Celica; 1.8; Cam Idl. Pulley  
Toy.; 2000-1996; RAV4; 2.0; Cam Idl. Pulley  
Toy.; 1999-1993; Celica; 2.2; Cam Idl. Pulley  
Toy.; 1995-1991; MR2; 2.2; Cam Idl. Pulley  
Toy.; 1992-1991; Celica; 2.2; Cam Idl. Pulley; Exc GT-S  
Toy.; 1991-1987; Camry; 2.0; Cam Idl. Pulley  
Toy.; 1990; Celica; 2.0; Cam Idl. Pulley; Exc GT-S  
Toy.; 1990; Celica; 2.2; Cam Idl. Pulley  
Toy.; 1989; Celica; 2.0; Cam Idl. Pulley  
Toy.; 1988-1987; Celica; 2.0; Cam Idl. Pulley; Exc GT-S  
Toy.; 1987; Camry; 2.0; Cam Idl. Pulley; Exc GT-S  
Toy.; 1986-1983; Camry; 2.0; Cam Idl. Pulley

## T42025 - Continued

Toy.; 1986; Celica; 2.0; Cam Idl. Pulley

## T42026

Toy.; 1982-1981; Pickup; 2.2 Diesel; Cam Idl. Pulley

## T42027

Toy.; 1986; Camry; 2.0 Diesel; Cam Idl. Pulley  
Toy.; 1985-1984; Camry; 1.8 Diesel; Cam Idl. Pulley  
Toy.; 1985-1984; Corolla; 1.8 Diesel; Cam Idl. Pulley

## T42028

Toy.; 1994-1988; Tercel; 1.5; Cam Idl. Pulley; Exc Wagon

## T42029

Toy.; 1999-1998; Paseo; 1.5 (Canada); Cam Idl. Pulley  
Toy.; 1999; Tercel; 1.5 (Canada); Cam Idl. Pulley  
Toy.; 1998-1995; Tercel; 1.5; Cam Idl. Pulley  
Toy.; 1997-1992; Paseo; 1.5; Cam Idl. Pulley

## T42030

Lexus; 1993-1992; ES300; 3.0; Cam Idl. Pulley  
Lexus; 1991-1990; ES250; 2.5; Cam Idl. Pulley  
Toy.; 2002-1995; Avalon; 3.0; Cam Idl. Pulley  
Toy.; 2002-1992; Camry; 3.0; Cam Idl. Pulley  
Toy.; 2002-2001; Highlander; 3.0; Cam Idl. Pulley  
Toy.; 2002-1998; Sienna; 3.0; Cam Idl. Pulley  
Toy.; 2002-2001; Solara; 3.0; Cam Idl. Pulley  
Toy.; 2000-1999; Camry Solara; 3.0; Cam Idl. Pulley  
Toy.; 1991-1989; Camry; 2.5; Cam Idl. Pulley

## T42031

Toy.; 2001-1999; Land Cruiser; 4.7; Cam Idl. Pulley  
Toy.; 2001-2000; Tundra; 4.7; Cam Idl. Pulley

## T42032

Ford; 1997-1995; Contour; 2.0; Cam Idl. Pulley - Left Hand  
Ford; 1997-1996; Contour; 2.0 Bifuel; Cam Idl. Pulley - Left Hand  
Merc.; 1997-1995; Mystique; 2.0; Cam Idl. Pulley - Left Hand

## T42033

Ford; 1997-1995; Contour; 2.0; Cam Idl. Pulley - Right Hand  
Ford; 1997-1996; Contour; 2.0 Bifuel; Cam Idl. Pulley - Right Hand  
Merc.; 1997-1995; Mystique; 2.0; Cam Idl. Pulley - Right Hand

## T42034

Ford; 2002-2000; Focus; 2.0; Cam Idl. Pulley - Lower; W/DOHC  
Ford; 2002-2001; ZX2; 2.0; Cam Idl. Pulley - Lower  
Ford; 2000-1999; Contour; 2.0; Cam Idl. Pulley - Lower  
Ford; 2000; Contour; 2.0 Bifuel; Cam Idl. Pulley - Lower  
Ford; 2000; Cougar; 2.0 (Canada); Cam Idl. Pulley - Lower  
Ford; 2000-1999; Escort; 2.0; Cam Idl. Pulley - Lower; W/DOHC  
Ford; 1998; Contour; 2.0; Cam Idl. Pulley - Lower  
Ford; 1998; Contour; 2.0 Bifuel; Cam Idl. Pulley - Lower  
Merc.; 2002-1999; Cougar; 2.0; Cam Idl. Pulley - Lower  
Merc.; 2000-1999; Mystique; 2.0; Cam Idl. Pulley - Lower  
Merc.; 1998; Mystique; 2.0; Cam Idl. Pulley - Lower

## T42035

Ford; 1999; Contour; 2.0; Cam Idl. Pulley - Upper; 3-28-99 & Older  
Ford; 1999; Contour; 2.0 Bifuel; Cam Idl. Pulley - Upper; 3-28-99 & Older  
Ford; 1999; Escort; 2.0; Cam Idl. Pulley - Upper; W/DOHC; 2-9-99 & Older  
Ford; 1998; Contour; 2.0; Cam Idl. Pulley  
Ford; 1998; Contour; 2.0 Bifuel; Cam Idl. Pulley  
Merc.; 1999; Cougar; 2.0; Cam Idl. Pulley - Upper; 3-28-99 & Older  
Merc.; 1999; Mystique; 2.0; Cam Idl. Pulley - Upper; 3-28-99 & Older  
Merc.; 1998; Mystique; 2.0; Cam Idl. Pulley

## T42036

Ford; 2002-2000; Focus; 2.0; Cam Idl. Pulley - Upper; W/DOHC  
Ford; 2002-2001; ZX2; 2.0; Cam Idl. Pulley - Upper  
Ford; 2000; Contour; 2.0; Cam Idl. Pulley - Upper  
Ford; 2000; Contour; 2.0 Bifuel; Cam Idl. Pulley - Upper  
Ford; 2000; Cougar; 2.0 (Canada); Cam Idl. Pulley - Upper  
Ford; 2000; Escort; 2.0; Cam Idl. Pulley - Upper; W/DOHC  
Ford; 1999; Contour; 2.0; Cam Idl. Pulley - Upper; 3-29-99 & Newer  
Ford; 1999; Escort; 2.0; Cam Idl. Pulley - Upper; W/DOHC; 2-10-99 & Newer  
Merc.; 2002-2000; Cougar; 2.0; Cam Idl. Pulley - Upper  
Merc.; 2000; Mystique; 2.0; Cam Idl. Pulley - Upper  
Merc.; 1999; Cougar; 2.0; Cam Idl. Pulley - Upper; 3-29-99 & Newer  
Merc.; 1999; Mystique; 2.0; Cam Idl. Pulley - Upper; 3-29-99 & Newer

## T42037

Toy.; 1992-1988; Pickup; 3.0; Cam Idl. Pulley  
Toy.; 1992-1988; 4 Runner; 3.0; Cam Idl. Pulley

☆ Interference engine application. See inside back cover for additional information.

# Numerical Listing - PowerGrip™ Timing System Products

## T42038

Acura; 2000-1999; TL; 3.2; Cam Idl. Pulley  
Honda; 2000-1998; Accord; 3.0; Cam Idl. Pulley

## T43001

Dodge; 2002; Neon; 2.0; Cam Tens Assy

## T43002

Daewoo; 1990; Optima; 2.0 (Canada); Cam Tens Assy  
Pont.; 1994-1989; Sunbird; 2.0; Cam Tens Assy  
Pont.; 1990; Lemans; 2.0; Cam Tens Assy  
Pont.; 1989; Grand Am; 2.0; Cam Tens Assy  
Pont.; 1989; Lemans; 2.0; Cam Tens Assy; 2nd Design

## T43003

Ford; 2002-2000; Focus; 2.0; Cam Tens Assy; W/DOHC  
Ford; 2002-2001; ZX2; 2.0; Cam Tens Assy  
Ford; 2000-1999; Contour; 2.0; Cam Tens Assy  
Ford; 2000; Contour; 2.0 Bifuel; Cam Tens Assy  
Ford; 2000; Cougar; 2.0 (Canada); Cam Tens Assy  
Ford; 2000-1999; Escort; 2.0; Cam Tens Assy; W/DOHC  
Ford; 1998; Contour; 2.0; Cam Tens Assy  
Ford; 1998; Contour; 2.0 Bifuel; Cam Tens Assy  
Merc.; 2002-1999; Cougar; 2.0; Cam Tens Assy  
Merc.; 2000-1999; Mystique; 2.0; Cam Tens Assy  
Merc.; 1998; Mystique; 2.0; Cam Tens Assy

## T43004

Ford; 2002-2001; Escort; 2.0; Cam Tens Assy  
Ford; 2002-2000; Focus; 2.0; Cam Tens Assy; W/SOHC  
Ford; 2000-1998; Escort; 2.0; Cam Tens Assy; W/SOHC  
Ford; 1997; Escort; 2.0; Cam Tens Assy  
Merc.; 1999-1997; Tracer; 2.0; Cam Tens Assy

## T43005

Chry.; 2002-2001; PT Cruiser; 2.4; Cam Tens Assy  
Chry.; 2002-2001; Sebring; 2.4; Cam Tens Assy  
Chry.; 2002-2000; Voyager; 2.4; Cam Tens Assy  
Chry.; 2000; Cirrus; 2.4; Cam Tens Assy  
Chry.; 1999-1997; Sebring; 2.4; Cam Tens Assy  
Chry.; 1997; Cirrus; 2.4; Cam Tens Assy  
Dodge; 2002-1997; Caravan; 2.4; Cam Tens Assy  
Dodge; 2002-1997; Stratus; 2.4; Cam Tens Assy  
Dodge; 1997; Grand Caravan; 2.4; Cam Tens Assy  
Jeep; 2002; Liberty; 2.4; Cam Tens Assy  
Ply.; 2000-1997; Breeze; 2.4; Cam Tens Assy  
Ply.; 2000-1997; Voyager; 2.4; Cam Tens Assy  
Ply.; 1997; Grand Voyager; 2.4; Cam Tens Assy

## T43006

VW; 1998-1997; Jetta; 1.9 Diesel; Cam Tens Assy  
VW; 1998-1997; Jetta; 1.9 Diesel (Canada); Cam Tens Assy  
VW; 1997; Golf; 1.9 Diesel (Canada); Cam Tens Assy  
VW; 1997-1996; Passat; 1.9 Diesel; Cam Tens Assy  
VW; 1996; Golf; 1.9 Diesel; Cam Tens Assy  
VW; 1996; Jetta; 1.9 Diesel; Cam Tens Assy  
VW; 1995-1993; Golf; 1.9 Diesel (Canada); Cam Tens Assy  
VW; 1995-1993; Jetta; 1.9 Diesel (Canada); Cam Tens Assy  
VW; 1995; Passat; 1.9 Diesel (Canada); Cam Tens Assy

## T43007

VW; 2003-1998; Beetle; 1.9 Diesel; Cam Tens Assy  
VW; 2003-1999; Golf; 1.9 Diesel; Cam Tens Assy  
VW; 2003-1999; Jetta; 1.9 Diesel; Cam Tens Assy

## T43008

Chry.; 2003; PT Cruiser; 2.4; Cam Tens Assy  
Jeep; 2003; Liberty; 2.4; Cam Tens Assy  
Jeep; 2003; TJ; 2.4 (Canada); Cam Tens Assy  
Jeep; 2003; Wrangler; 2.4; Cam Tens Assy

## T43010

VW; 2003-2001; Beetle; 2.0; Cam Tens Assy  
VW; 2002-2001; Jetta; 2.0; Cam Tens Assy  
VW; 2000-1998; Beetle; 2.0; Cam Tens Assy

## TCK014

Ford; 1992; Mustang; 2.3; Timing Component Kit; W/Square Tooth Sprockets  
Ford; 1992; Ranger; 2.3; Timing Component Kit; W/Square Tooth Sprockets  
Ford; 1991-1980; Mustang; 2.3; Timing Component Kit  
Ford; 1991-1983; Ranger; 2.3; Timing Component Kit  
Ford; 1988-1983; Ranger; 2.0; Timing Component Kit  
Ford; 1988-1983; Thunderbird; 2.3; Timing Component Kit  
Ford; 1987-1986; Aerostar; 2.3; Timing Component Kit  
Ford; 1986-1983; Ltd; 2.3; Timing Component Kit  
Ford; 1983-1980; Fairmont; 2.3; Timing Component Kit

## TCK014 - Continued

Ford; 1982-1980; Courier; 2.3; Timing Component Kit  
Ford; 1982-1981; Granada; 2.3; Timing Component Kit  
Ford; 1982-1981; Mustang; 2.3 (Canada); Timing Component Kit  
Ford; 1980; Pinto; 2.3; Timing Component Kit  
Ford; 1979-1977; Courier; 140 CID; Timing Component Kit  
Ford; 1979-1978; Fairmont; 140 CID; Timing Component Kit  
Ford; 1979; Mustang; 140 CID; Timing Component Kit  
Ford; 1979-1974; Pinto; 140 CID; Timing Component Kit  
Ford; 1978-1974; Mustang II; 140 CID; Timing Component Kit  
Merc.; 1986-1980; Capri; 2.3; Timing Component Kit  
Merc.; 1986-1984; Cougar; 2.3; Timing Component Kit  
Merc.; 1986-1983; Marquis; 2.3; Timing Component Kit  
Merc.; 1983-1980; Zephyr; 2.3; Timing Component Kit  
Merc.; 1982; Capri; 2.3 (Canada); Timing Component Kit  
Merc.; 1982; Cougar; 2.3 LPG; Timing Component Kit  
Merc.; 1981; Cougar; 2.3; Timing Component Kit  
Merc.; 1980; Bobcat; 2.3; Timing Component Kit  
Merc.; 1979-1975; Bobcat; 140 CID; Timing Component Kit  
Merc.; 1979-1976; Capri; 140 CID; Timing Component Kit  
Merc.; 1979-1978; Zephyr; 140 CID; Timing Component Kit  
Merkur; 1989-1985; XR4TI; 2.3; Timing Component Kit

## TCK017

Amer. Mtrs.; 1979-1978; Concord; 121 CID; Timing Component Kit  
Amer. Mtrs.; 1979; Spirit; 121 CID; Timing Component Kit  
Amer. Mtrs.; 1978-1977; Gremlin; 121 CID; Timing Component Kit  
Audi; 1990-1988; 80; 2.0; Timing Component Kit  
Audi; 1988; 90; 2.0; Timing Component Kit  
Audi; 1987-1984; 4000S; 1.8; Timing Component Kit  
Audi; 1983-1981; 4000; 1.7; Timing Component Kit  
Audi; 1980; 4000; 1.6; Timing Component Kit  
Audi; 1979-1975; Fox; 97 CID; Timing Component Kit  
Dodge; 1983; Charger; 1.7; Timing Component Kit  
Dodge; 1983-1980; Omni; 1.7; Timing Component Kit  
Dodge; 1982-1981; O24; 1.7; Timing Component Kit  
Dodge; 1979-1978; Omni; 104 CID; Timing Component Kit  
Ply.; 1983-1980; Horizon; 1.7; Timing Component Kit  
Ply.; 1983; Turismo; 1.7; Timing Component Kit  
Ply.; 1982-1981; TC3; 1.7; Timing Component Kit  
Ply.; 1979-1978; Horizon; 104 CID; Timing Component Kit  
☆Porsche; 1982-1980; 924; 2.0; Timing Component Kit  
☆Porsche; 1979-1977; 924; 121 CID; Timing Component Kit  
VW; 1995-1993; Golf; 1.8 (Canada); Timing Component Kit  
VW; 1995-1993; Jetta; 1.8 (Canada); Timing Component Kit  
VW; 1994-1992; Passat; 1.8 (Canada); Timing Component Kit  
VW; 1993-1989; Cabriolet; 1.8; Timing Component Kit  
VW; 1993-1987; Fox; 1.8; Timing Component Kit  
VW; 1992-1990; Corrado; 1.8; Timing Component Kit  
VW; 1992-1990; Golf; 1.8; Timing Component Kit  
VW; 1992-1990; GTI; 1.8; Timing Component Kit  
VW; 1992-1990; Jetta; 1.8; Timing Component Kit  
VW; 1989-1985; Golf; 1.8; Timing Component Kit; W/SOHC  
VW; 1989-1985; Jetta; 1.8; Timing Component Kit; W/SOHC  
VW; 1989-1988; Scirocco; 1.8 (Canada); Timing Component Kit; W/SOHC  
VW; 1988-1987; Cabriolet; 1.8; Timing Component Kit; W/SOHC  
VW; 1988-1985; Scirocco; 1.8; Timing Component Kit; W/SOHC  
VW; 1987; GTI; 1.8; Timing Component Kit; W/SOHC  
VW; 1986-1985; Cabriolet; 1.8; Timing Component Kit  
VW; 1986; GTI; 1.8; Timing Component Kit  
VW; 1985; GTI; 1.8; Timing Component Kit; W/SOHC  
VW; 1985; Quantum; 1.8; Timing Component Kit  
VW; 1984-1981; Jetta; 1.7; Timing Component Kit  
VW; 1984; Jetta; 1.8; Timing Component Kit  
VW; 1984-1981; Rabbit; 1.7; Timing Component Kit  
VW; 1984-1983; Rabbit; 1.8; Timing Component Kit  
VW; 1984-1983; Scirocco; 1.8; Timing Component Kit  
VW; 1983-1982; Quantum; 1.7; Timing Component Kit  
VW; 1983-1981; Rabbit Pickup; 1.7; Timing Component Kit  
VW; 1983-1981; Scirocco; 1.7; Timing Component Kit  
VW; 1980; Dasher; 1.6; Timing Component Kit  
VW; 1980; Jetta; 1.6; Timing Component Kit  
VW; 1980; Rabbit; 1.6; Timing Component Kit  
VW; 1980; Rabbit Pickup; 1.6; Timing Component Kit  
VW; 1980; Scirocco; 1.6; Timing Component Kit  
VW; 1979-1976; Dasher; 97 CID; Timing Component Kit  
VW; 1979-1978; Rabbit; 89 CID; Timing Component Kit  
VW; 1979; Scirocco; 97 CID; Timing Component Kit  
VW; 1978; Scirocco; 89 CID; Timing Component Kit  
VW; 1977-1976; Rabbit; 97 CID; Timing Component Kit  
VW; 1977-1976; Scirocco; 97 CID; Timing Component Kit  
VW; 1975-1974; Dasher; 90 CID; Timing Component Kit  
VW; 1975; Rabbit; 90 CID; Timing Component Kit

☆Volvo; 1992-1986; 240; 2.3; Timing Component Kit  
☆Volvo; 1992-1991; 740; 2.3; Timing Component Kit  
☆Volvo; 1992; 940; 2.3; Timing Component Kit  
☆Volvo; 1992; 940; 2.3 (Canada); Timing Component Kit

## TCK032

# Numerical Listing - PowerGrip™ Timing System Products

## TCK032 - Continued

☆Volvo; 1991; 940; 2.3; Timing Component Kit; W/SOHC  
 ☆Volvo; 1990-1986; 740; 2.3; Timing Component Kit; W/SOHC  
 ☆Volvo; 1990-1985; 760; 2.3; Timing Component Kit  
 ☆Volvo; 1990-1989; 780; 2.3; Timing Component Kit  
 ☆Volvo; 1985-1983; DL; 2.3; Timing Component Kit  
 ☆Volvo; 1985-1983; GL; 2.3; Timing Component Kit  
 ☆Volvo; 1985-1984; Turbo; 2.1; Timing Component Kit  
 ☆Volvo; 1985; 740; 2.3; Timing Component Kit  
 ☆Volvo; 1984; GLE; 2.3 (Canada); Timing Component Kit  
 ☆Volvo; 1984; 760GLE; 2.3; Timing Component Kit  
 ☆Volvo; 1983; DL; 2.1 (Canada); Timing Component Kit  
 ☆Volvo; 1983-1982; GL; 2.3 (Canada); Timing Component Kit  
 ☆Volvo; 1983-1981; GLT; 2.1; Timing Component Kit  
 ☆Volvo; 1983; GLT; 2.3 (Canada); Timing Component Kit  
 ☆Volvo; 1982-1980; DL; 2.1; Timing Component Kit  
 ☆Volvo; 1982-1980; GL; 2.1; Timing Component Kit  
 ☆Volvo; 1980; GT; 2.1; Timing Component Kit  
 ☆Volvo; 1979-1976; 242; 130 CID; Timing Component Kit  
 ☆Volvo; 1979-1976; 244; 130 CID; Timing Component Kit  
 ☆Volvo; 1979-1976; 245; 130 CID; Timing Component Kit

## TCK036

Geo; 1992-1990; Prizm; 1.6; Timing Component Kit; Exc GSI  
 Geo; 1989; Prizm; 1.6; Timing Component Kit  
 Toy.; 1992-1990; Celica; 1.6; Timing Component Kit  
 Toy.; 1992; Corolla; 1.6; Timing Component Kit  
 Toy.; 1991; Corolla; 1.6; Timing Component Kit; Eng 4AFE  
 Toy.; 1990; Corolla; 1.6; Timing Component Kit; Exc GT-S  
 Toy.; 1989-1988; Corolla; 1.6; Timing Component Kit; DLX, LE, SR5

## TCK067

Ford; 1991; Escort; 1.9; Timing Component Kit; 3-25-91 & Older  
 Ford; 1990-1985; Escort; 1.9; Timing Component Kit  
 Ford; 1988-1986; EXP; 1.9; Timing Component Kit  
 ☆Ford; 1985-1981; Escort; 1.6; Timing Component Kit  
 ☆Ford; 1985-1982; EXP; 1.6; Timing Component Kit  
 ☆Ford; 1983; Escort; 1.6 Flex; Timing Component Kit  
 Merc.; 1991; Tracer; 1.9; Timing Component Kit; 3-25-91 & Older  
 Merc.; 1987-1985; Lynx; 1.9; Timing Component Kit  
 Merc.; 1985; Lynx; 1.6; Timing Component Kit  
 ☆Merc.; 1984-1981; Lynx; 1.6; Timing Component Kit  
 ☆Merc.; 1983-1982; LN7; 1.6; Timing Component Kit

## TCK070

Chev.; 1988; Nova; 1.6; Timing Component Kit; W/SOHC  
 Chev.; 1987-1985; Nova; 1.6; Timing Component Kit  
 Toy.; 1988; Corolla; 1.6; Timing Component Kit; W/SOHC; FX  
 Toy.; 1988; Tercel; 1.5; Timing Component Kit; Wagon  
 Toy.; 1987; Corolla; 1.6; Timing Component Kit; W/SOHC; DLX, FX, LE  
 Toy.; 1987-1985; Corolla Sport; 1.6; Timing Component Kit; W/SOHC;  
 SR5  
 Toy.; 1987; Tercel; 1.5; Timing Component Kit; Wagon  
 Toy.; 1986; Corolla; 1.6; Timing Component Kit; W/SOHC; DLX, LE, LE  
 Ltd  
 Toy.; 1986-1980; Tercel; 1.5; Timing Component Kit  
 Toy.; 1986-1980; Tercel; 1.5 (Canada); Timing Component Kit  
 Toy.; 1985; Corolla; 1.6; Timing Component Kit; W/SOHC; DLX, LE  
 Toy.; 1984-1983; Corolla; 1.6; Timing Component Kit

## TCK071

Chry.; 1988-1985; Daytona; 2.2 (Canada); Timing Component Kit  
 Chry.; 1988-1982; Lebaron; 2.2; Timing Component Kit  
 Chry.; 1988-1983; New Yorker; 2.2; Timing Component Kit  
 Chry.; 1988-1982; Town & Country; 2.2; Timing Component Kit  
 Chry.; 1986; Exec. Limo.; 2.2 (Canada); Timing Component Kit  
 Chry.; 1986-1984; Laser; 2.2; Timing Component Kit  
 Chry.; 1984-1983; E Class; 2.2; Timing Component Kit  
 Chry.; 1984; Laser; 2.2 (Canada); Timing Component Kit  
 Dodge; 1988; Aries America; 2.2; Timing Component Kit  
 Dodge; 1988-1987; Dakota; 2.2; Timing Component Kit  
 Dodge; 1988-1984; Daytona; 2.2; Timing Component Kit  
 Dodge; 1988-1987; Expo; 2.2 (Canada); Timing Component Kit  
 Dodge; 1988-1985; Lancer; 2.2; Timing Component Kit  
 Dodge; 1988-1981; Omni; 2.2; Timing Component Kit  
 Dodge; 1988-1987; Shadow; 2.2; Timing Component Kit  
 Dodge; 1988-1983; 600; 2.2; Timing Component Kit  
 Dodge; 1987-1981; Aries; 2.2; Timing Component Kit  
 Dodge; 1987-1984; Caravan; 2.2; Timing Component Kit  
 Dodge; 1987-1983; Charger; 2.2; Timing Component Kit  
 Dodge; 1987; Grand Caravan; 2.2; Timing Component Kit  
 Dodge; 1987-1984; Mini Ram Van; 2.2; Timing Component Kit  
 Dodge; 1984-1982; Rampage; 2.2; Timing Component Kit  
 Dodge; 1983-1982; 400; 2.2; Timing Component Kit  
 Dodge; 1982-1981; O24; 2.2; Timing Component Kit  
 Ply.; 1988-1985; Caravelle; 2.2; Timing Component Kit  
 Ply.; 1988-1987; Caravelle; 2.2 (Canada); Timing Component Kit  
 Ply.; 1988-1987; Expo; 2.2 (Canada); Timing Component Kit  
 Ply.; 1988-1981; Horizon; 2.2; Timing Component Kit

## TCK071 - Continued

Ply.; 1988-1981; Reliant; 2.2; Timing Component Kit  
 Ply.; 1988-1987; Sundance; 2.2; Timing Component Kit  
 Ply.; 1987-1983; Turismo; 2.2; Timing Component Kit  
 Ply.; 1987-1984; Voyager; 2.2; Timing Component Kit  
 Ply.; 1984-1983; Caravelle; 2.2 (Canada); Timing Component Kit  
 Ply.; 1983; Scamp Pickup; 2.2; Timing Component Kit  
 Ply.; 1982-1981; TC3; 2.2; Timing Component Kit

## TCK077

☆Niss.; 1988; Pulsar NX; 1.6; Timing Component Kit  
 ☆Niss.; 1988-1983; Sentra; 1.6; Timing Component Kit  
 ☆Niss.; 1987; Pulsar NX; 1.6; Timing Component Kit; Eng E16i, E16S,  
 E16SPi  
 ☆Niss.; 1986-1983; Pulsar NX; 1.6; Timing Component Kit  
 ☆Niss.; 1984-1983; Pulsar NX; 1.5; Timing Component Kit  
 ☆Niss.; 1983-1982; Sentra; 1.5; Timing Component Kit  
 ☆Niss.; 1982; 310; 1.5; Timing Component Kit

## TCK078

☆Niss.; 1989-1982; Stanza; 2.0; Timing Component Kit  
 ☆Niss.; 1988; 200SX; 2.0; Timing Component Kit

## TCK078A

☆Niss.; 1987-1984; 200SX; 2.0; Timing Component Kit

## TCK087

Toy.; 1986-1983; Camry; 2.0; Timing Component Kit  
 Toy.; 1986; Celica; 2.0; Timing Component Kit; Exc GTS

## TCK095

Suzuki; 1994; Samurai; 1.3; Timing Component Kit; VIN JS4JC31C  
 R4100375 & Before  
 Suzuki; 1993-1986; Samurai; 1.3; Timing Component Kit  
 Suzuki; 1993-1989; Swift; 1.3; Timing Component Kit; W/SOHC  
 Suzuki; 1989; Sidekick; 1.3; Timing Component Kit

## TCK101

Toy.; 1988-1984; Cressida; 2.8; Timing Component Kit  
 Toy.; 1986-1984; Supra; 2.8; Timing Component Kit

## TCK104

☆Infiniti; 1992-1990; M30; 3.0; Timing Component Kit  
 ☆Merc.; 1993; Villager; 3.0; Timing Component Kit  
 ☆Niss.; 1994-1993; Maxima; 3.0; Timing Component Kit; W/SOHC;  
 W/Square Tooth Sprockets  
 ☆Niss.; 1994-1993; Pathfinder; 3.0; Timing Component Kit; W/Square Tooth  
 Sprockets  
 ☆Niss.; 1994-1993; Pickup; 3.0; Timing Component Kit; W/Square Tooth  
 Sprockets  
 ☆Niss.; 1994-1993; Quest; 3.0; Timing Component Kit; W/Square Tooth  
 Sprockets  
 ☆Niss.; 1992; Maxima; 3.0; Timing Component Kit; W/SOHC  
 ☆Niss.; 1992-1987; Pathfinder; 3.0; Timing Component Kit  
 ☆Niss.; 1992-1986; Pickup; 3.0; Timing Component Kit  
 ☆Niss.; 1991-1985; Maxima; 3.0; Timing Component Kit  
 ☆Niss.; 1989-1984; 300ZX; 3.0; Timing Component Kit  
 ☆Niss.; 1988-1987; 200SX; 3.0; Timing Component Kit

## TCK117

Mazda; 1987; B2000 Pickup; 2.0; Timing Component Kit  
 Mazda; 1987-1986; 626; 2.0; Timing Component Kit

## TCK122

☆Isuzu; 1995-1986; Pickup; 2.3; Timing Component Kit  
 ☆Isuzu; 1993-1989; Amigo; 2.3; Timing Component Kit  
 ☆Isuzu; 1989-1988; Impulse; 2.3; Timing Component Kit  
 ☆Isuzu; 1987-1986; Trooper II; 2.3; Timing Component Kit

## TCK124

Dodge; 1992-1990; Ram 50 Pickup; 2.4; Timing Component Kit  
 ☆Hyundai; 1991-1989; Sonata; 2.4; Timing Component Kit  
 Mits.; 1992-1990; Pickup; 2.4; Timing Component Kit  
 Mits.; 1990-1987; Van; 2.4; Timing Component Kit  
 Mits.; 1987-1985; Galant; 2.4; Timing Component Kit

## TCK128

☆Dodge; 1991-1989; Colt; 1.5 (Canada); Timing Component Kit  
 ☆Dodge; 1990-1987; Colt; 1.5; Timing Component Kit  
 ☆Eagle; 1991-1989; Vista; 1.5 (Canada); Timing Component Kit  
 ☆Eagle; 1990-1989; Summit; 1.5; Timing Component Kit  
 ☆Hyundai; 1994-1990; Excel; 1.5; Timing Component Kit  
 ☆Hyundai; 1993-1991; Scoupe; 1.5; Timing Component Kit  
 ☆Mits.; 1993-1990; Precis; 1.5; Timing Component Kit  
 ☆Mits.; 1990-1987; Mirage; 1.5; Timing Component Kit  
 ☆Ply.; 1992-1989; Colt; 1.5 (Canada); Timing Component Kit  
 ☆Ply.; 1990-1987; Colt; 1.5; Timing Component Kit

☆ Interference engine application. See inside back cover for additional information.

# Numerical Listing - PowerGrip™ Timing System Products

## TCK129

- ☆Acura; 1990-1987; Legend; 2.7; Timing Component Kit
- ☆Acura; 1987-1986; Legend; 2.5; Timing Component Kit
- ☆Sterling; 1991-1989; 827; 2.7; Timing Component Kit
- ☆Sterling; 1988-1987; 825; 2.5; Timing Component Kit

## TCK130

- ☆Acura; 1989-1986; Integra; 1.6; Timing Component Kit

## TCK131

- ☆BMW; 1993-1989; 325i; 2.5; Timing Component Kit
- ☆BMW; 1993-1989; 325iS; 2.5; Timing Component Kit
- ☆BMW; 1993-1989; 525i; 2.5; Timing Component Kit
- ☆BMW; 1988; 325; 2.7; Timing Component Kit
- ☆BMW; 1988; 325i; 2.5; Timing Component Kit; W/127 Tooth Belt
- ☆BMW; 1988; 325iS; 2.5; Timing Component Kit; W/127 Tooth Belt

## TCK134

- ☆Ford; 1992-1989; Probe; 2.2; Timing Component Kit
- ☆Mazda; 1993-1987; B2200 Pickup; 2.2; Timing Component Kit
- ☆Mazda; 1992-1988; MX-6; 2.2; Timing Component Kit
- ☆Mazda; 1992-1988; 626; 2.2; Timing Component Kit

## TCK139

- Chry.; 2000; Grand Voyager; 3.0; Timing Component Kit
- Chry.; 2000; Voyager; 3.0; Timing Component Kit
- Chry.; 1995-1990; Lebaron; 3.0; Timing Component Kit
- Chry.; 1993-1990; Daytona; 3.0 (Canada); Timing Component Kit
- Chry.; 1991-1990; TC Maserati; 3.0; Timing Component Kit
- Chry.; 1990-1988; Dynasty; 3.0 (Canada); Timing Component Kit
- Chry.; 1989-1988; New Yorker; 3.0; Timing Component Kit
- Dodge; 2000-1987; Caravan; 3.0; Timing Component Kit
- Dodge; 2000-1992; Grand Caravan; 3.0; Timing Component Kit
- Dodge; 1996-1991; Stealth; 3.0; Timing Component Kit; W/SOHC
- Dodge; 1995-1989; Spirit; 3.0; Timing Component Kit
- Dodge; 1994-1992; Shadow; 3.0; Timing Component Kit
- Dodge; 1993-1990; Daytona; 3.0; Timing Component Kit
- Dodge; 1993-1988; Dynasty; 3.0; Timing Component Kit
- Dodge; 1991-1990; Ram 50 Pickup; 3.0; Timing Component Kit
- Dodge; 1989-1987; Grand Caravan; 3.0; Timing Component Kit
- Dodge; 1989; Raider; 3.0; Timing Component Kit
- Dodge; 1988-1987; Mini Ram Van; 3.0; Timing Component Kit
- Hyundai; 1998-1990; Sonata; 3.0; Timing Component Kit
- Mits.; 1999-1997; 3000GT; 3.0; Timing Component Kit; W/SOHC
- Mits.; 1996-1992; Diamante; 3.0; Timing Component Kit; W/SOHC
- Mits.; 1994-1989; Montero; 3.0; Timing Component Kit
- Mits.; 1994-1992; Pickup; 3.0; Timing Component Kit
- ☆Mits.; 1991; Pickup; 3.0; Timing Component Kit
- Mits.; 1990; Pickup; 3.0; Timing Component Kit
- Mits.; 1990-1989; Sigma; 3.0; Timing Component Kit
- Mits.; 1988; Galant; 3.0; Timing Component Kit
- Ply.; 2000-1992; Grand Voyager; 3.0; Timing Component Kit
- Ply.; 2000-1987; Voyager; 3.0; Timing Component Kit
- Ply.; 1995-1989; Acclaim; 3.0; Timing Component Kit
- Ply.; 1994-1992; Sundance; 3.0; Timing Component Kit
- Ply.; 1989-1987; Grand Voyager; 3.0; Timing Component Kit

## TCK141

- Ford; 1989-1988; Festiva; 1.3; Timing Component Kit
- Mazda; 1989-1988; 323; 1.6; Timing Component Kit; W/SOHC
- Mazda; 1987; 323; 1.6; Timing Component Kit
- ☆Merc.; 1990; Tracer; 1.6 (Canada); Timing Component Kit
- ☆Merc.; 1989-1988; Tracer; 1.6; Timing Component Kit
- ☆Merc.; 1987; Tracer; 1.6 (Canada); Timing Component Kit

## TCK142

- ☆Honda; 1991; Prelude; 2.0; Timing Component Kit
- ☆Honda; 1991-1990; Prelude; 2.1; Timing Component Kit
- ☆Honda; 1990-1988; Prelude; 2.0; Timing Component Kit; W/DOHC

## TCK143

- ☆Honda; 1995-1994; Civic; 1.5; Timing Component Kit; CX, DX, LX, S
- ☆Honda; 1995-1994; Civic Del Sol; 1.5; Timing Component Kit; CX, DX, S
- ☆Honda; 1993-1992; Civic; 1.5; Timing Component Kit; Exc VX
- ☆Honda; 1993; Civic Del Sol; 1.5; Timing Component Kit; Exc VX
- ☆Honda; 1991-1988; Civic; 1.5; Timing Component Kit
- ☆Honda; 1991-1988; CRX; 1.5; Timing Component Kit

## TCK145

- ☆Honda; 1992; Civic; 1.6; Timing Component Kit; Exc Si
- ☆Honda; 1991-1988; Civic; 1.6; Timing Component Kit
- ☆Honda; 1991-1988; CRX; 1.6; Timing Component Kit

## TCK146

- ☆Mazda; 1998-1989; MPV; 3.0; Timing Component Kit; Does not include cam tensioner hyd. assy.
- ☆Mazda; 1991-1990; 929; 3.0; Timing Component Kit; W/SOHC; Does not include cam tensioner hyd. assy.

## TCK146 - Continued

- ☆Mazda; 1989-1988; 929; 3.0; Timing Component Kit; Does not include cam tensioner hyd. assy.

## TCK147

- ☆Honda; 1996-1994; Passport; 2.6; Timing Component Kit
- ☆Isuzu; 1997-1991; Rodeo; 2.6; Timing Component Kit
- ☆Isuzu; 1995-1988; Pickup; 2.6; Timing Component Kit
- ☆Isuzu; 1994-1989; Amigo; 2.6; Timing Component Kit
- ☆Isuzu; 1991-1990; Trooper; 2.6; Timing Component Kit
- ☆Isuzu; 1989-1988; Trooper II; 2.6; Timing Component Kit

## TCK153

- Chry.; 1994-1989; Lebaron; 2.5; Timing Component Kit
- Chry.; 1993-1989; Daytona; 2.5 (Canada); Timing Component Kit
- Chry.; 1992-1989; Dynasty; 2.5 (Canada); Timing Component Kit
- Chry.; 1990-1989; Daytona; 2.2 (Canada); Timing Component Kit
- Chry.; 1990-1989; Lebaron; 2.2; Timing Component Kit
- Chry.; 1990; TC Maserati; 2.2; Timing Component Kit
- Dodge; 1995-1989; Caravan; 2.5; Timing Component Kit
- Dodge; 1995-1989; Dakota; 2.5; Timing Component Kit
- Dodge; 1995-1989; Spirit; 2.5; Timing Component Kit
- Dodge; 1994-1989; Shadow; 2.2; Timing Component Kit
- Dodge; 1994-1989; Shadow; 2.5; Timing Component Kit
- Dodge; 1994-1993; Spirit; 2.5 Flex; Timing Component Kit
- Dodge; 1993-1989; Daytona; 2.5; Timing Component Kit
- Dodge; 1993-1989; Dynasty; 2.5; Timing Component Kit
- Dodge; 1990-1989; Daytona; 2.2; Timing Component Kit
- Dodge; 1990-1989; Omni; 2.2; Timing Component Kit
- Dodge; 1989; Aries America; 2.2; Timing Component Kit
- Dodge; 1989; Aries America; 2.5; Timing Component Kit
- Dodge; 1989; Expo; 2.2 (Canada); Timing Component Kit
- Dodge; 1989; Grand Caravan; 2.5; Timing Component Kit
- Dodge; 1989; Lancer; 2.2; Timing Component Kit
- Dodge; 1989; Lancer; 2.5; Timing Component Kit
- Ply.; 1995-1989; Acclaim; 2.5; Timing Component Kit
- Ply.; 1995-1989; Voyager; 2.5; Timing Component Kit
- Ply.; 1994; Acclaim; 2.5 Flex; Timing Component Kit
- Ply.; 1994-1989; Sundance; 2.2; Timing Component Kit
- Ply.; 1994-1989; Sundance; 2.5; Timing Component Kit
- Ply.; 1990-1989; Horizon; 2.2; Timing Component Kit
- Ply.; 1989; Expo; 2.2 (Canada); Timing Component Kit
- Ply.; 1989; Grand Voyager; 2.5; Timing Component Kit
- Ply.; 1989; Reliant; 2.2; Timing Component Kit
- Ply.; 1989; Reliant; 2.5; Timing Component Kit

## TCK155

- Dodge; 1990; 2000 GTX; 2.0 (Canada); Timing Component Kit
- Dodge; 1989; 2000 GTX; 2.0 (Canada); Timing Component Kit; W/SOHC
- Eagle; 1992-1991; 2000 GTX; 2.0 (Canada); Timing Component Kit; W/SOHC
- Mits.; 1992-1989; Galant; 2.0; Timing Component Kit; W/SOHC

## TCK157

- Lexus; 1991-1990; ES250; 2.5; Timing Component Kit; Does not include cam tensioner hyd. assy.
- Toy.; 1991-1989; Camry; 2.5; Timing Component Kit; Does not include cam tensioner hyd. assy.

## TCK158

- Eagle; 1994-1993; Talon; 1.8; Timing Component Kit
- Eagle; 1991-1989; Vista; 2.0 (Canada); Timing Component Kit
- Mits.; 1994-1990; Eclipse; 1.8; Timing Component Kit
- Mits.; 1988-1987; Cordia; 1.8; Timing Component Kit
- Mits.; 1988-1987; Tredia; 1.8; Timing Component Kit
- Ply.; 1994-1990; Laser; 1.8; Timing Component Kit

## TCK158A

- Dodge; 1991-1987; Colt Vista; 2.0; Timing Component Kit
- Dodge; 1989-1987; Ram 50 Pickup; 2.0; Timing Component Kit
- Mits.; 1989-1987; Pickup; 2.0; Timing Component Kit
- Ply.; 1991-1987; Colt Vista; 2.0; Timing Component Kit

## TCK160

- ☆Honda; 1989-1986; Accord; 2.0; Timing Component Kit
- ☆Honda; 1987-1984; Prelude; 1.8; Timing Component Kit
- ☆Honda; 1987-1985; Prelude; 2.0; Timing Component Kit
- ☆Honda; 1985-1984; Accord; 1.6 (Canada); Timing Component Kit
- ☆Honda; 1985-1984; Accord; 1.8; Timing Component Kit

## TCK161

- ☆Honda; 1987-1984; Civic; 1.3; Timing Component Kit
- ☆Honda; 1987-1984; Civic; 1.5; Timing Component Kit
- ☆Honda; 1987-1984; Civic CRX; 1.5; Timing Component Kit
- ☆Honda; 1984; Civic CRX; 1.3; Timing Component Kit

## TCK163

- Daewoo; 1990; Optima; 2.0 (Canada); Timing Component Kit

# Numerical Listing - PowerGrip™ Timing System Products

## TCK163 - Continued

Pont.; 1994-1989; Sunbird; 2.0; Timing Component Kit  
Pont.; 1990; Lemans; 2.0; Timing Component Kit  
Pont.; 1989; Grand Am; 2.0; Timing Component Kit  
Pont.; 1989; Lemans; 2.0; Timing Component Kit; 2nd Design

## TCK164

Chev.; 1992-1989; Tracker; 1.6 (Canada); Timing Component Kit  
Geo.; 1995-1989; Tracker; 1.6; Timing Component Kit; W/8-V Eng  
Suzuki; 1995-1989; Sidekick; 1.6; Timing Component Kit; W/8-V Eng

## TCK167

☆Dodge; 1989; 2000 GTX; 2.0 (Canada); Timing Component Kit; W/DOHC; Does not include cam tensioner hyd. assy.  
☆Eagle; 1994-1990; Talon; 2.0; Timing Component Kit; W/O Turbo; Does not include cam tensioner hyd. assy.  
☆Eagle; 1992-1991; 2000 GTX; 2.0 (Canada); Timing Component Kit; W/DOHC; Does not include cam tensioner hyd. assy.  
☆Hyundai; 1998-1992; Sonata; 2.0; Timing Component Kit; Does not include cam tensioner hyd. assy.  
☆Hyundai; 1995-1993; Elantra; 1.8; Timing Component Kit; Does not include cam tensioner hyd. assy.  
☆Mits.; 1994-1990; Eclipse; 2.0; Timing Component Kit; W/O Turbo; Does not include cam tensioner hyd. assy.  
☆Mits.; 1992-1989; Galant; 2.0; Timing Component Kit; W/DOHC; Does not include cam tensioner hyd. assy.  
☆Ply.; 1994-1990; Laser; 2.0; Timing Component Kit; W/O Turbo; Does not include cam tensioner hyd. assy.

## TCK172

Subaru; 1993; Impreza; 1.8; Timing Component Kit; Does not include cam tensioner hyd. assy.  
Subaru; 1993-1990; Legacy; 2.2; Timing Component Kit; Does not include cam tensioner hyd. assy.

## TCK176

Toy.; 1989; Corolla; 1.6; Timing Component Kit; Eng 4AGE, 4AGELC  
Toy.; 1989-1985; MR2; 1.6; Timing Component Kit  
Toy.; 1988; Corolla; 1.6; Timing Component Kit; W/DOHC; FX16, GT-S  
Toy.; 1987; Corolla; 1.6; Timing Component Kit; W/DOHC; FX16, FX16 GTS  
Toy.; 1987; Corolla Sport; 1.6; Timing Component Kit; W/DOHC  
Toy.; 1986-1985; Corolla; 1.6; Timing Component Kit; W/DOHC  
Toy.; 1986-1985; Corolla Sport; 1.6; Timing Component Kit; W/DOHC; GTS

## TCK179

Ford; 1996-1991; Escort; 1.8; Timing Component Kit  
☆Kia; 1997-1995; Sephia; 1.6; Timing Component Kit; W/DOHC  
☆Kia; 1997-1995; Sephia; 1.8; Timing Component Kit  
Mazda; 2002-1999; MX-5 Miata; 1.8; Timing Component Kit  
Mazda; 1998-1995; Protege; 1.8; Timing Component Kit  
Mazda; 1997-1994; MX-5 Miata; 1.8; Timing Component Kit  
Mazda; 1995-1994; MX-3; 1.6; Timing Component Kit  
Mazda; 1995; Protege; 1.8 (Canada); Timing Component Kit  
Mazda; 1994-1990; Protege; 1.8; Timing Component Kit; W/DOHC  
Mazda; 1993-1990; MX-5 Miata; 1.6; Timing Component Kit  
Merc.; 1996-1991; Tracer; 1.8; Timing Component Kit  
Merc.; 1994-1991; Capri; 1.6; Timing Component Kit

## TCK184

☆Acura; 2001-1994; Integra; 1.8; Timing Component Kit; W/O VTEC  
☆Acura; 1993-1990; Integra; 1.8; Timing Component Kit  
☆Honda; 2001-1997; CR-V; 2.0; Timing Component Kit

## TCK185

Ford; 1997-1994; Aspire; 1.3; Timing Component Kit  
Ford; 1993-1990; Festiva; 1.3; Timing Component Kit  
☆Kia; 1997-1995; Sephia; 1.6; Timing Component Kit; W/SOHC  
☆Kia; 1994; Sephia; 1.6; Timing Component Kit  
Mazda; 1994-1990; Protege; 1.8; Timing Component Kit; W/SOHC  
Mazda; 1994-1990; 323; 1.6; Timing Component Kit  
Mazda; 1993-1992; MX-3; 1.6; Timing Component Kit  
Mazda; 1991-1990; 323; 1.8 (Canada); Timing Component Kit

## TCK186

☆Honda; 1997-1996; Accord; 2.2; Timing Component Kit; W/O VTEC  
☆Honda; 1997-1995; Odyssey; 2.2; Timing Component Kit  
☆Honda; 1996-1993; Prelude; 2.2; Timing Component Kit; W/SOHC  
☆Honda; 1995-1994; Accord; 2.2; Timing Component Kit; Exc EX  
☆Honda; 1993-1990; Accord; 2.2; Timing Component Kit  
☆Honda; 1992; Prelude; 2.2; Timing Component Kit  
☆Isuzu; 1997-1996; Oasis; 2.2; Timing Component Kit

## TCK191

☆Dodge; 1995; Colt; 1.5 (Canada); Timing Component Kit  
☆Dodge; 1994-1991; Colt; 1.5; Timing Component Kit  
☆Dodge; 1992; Colt; 1.5 (Canada); Timing Component Kit

## TCK191 - Continued

☆Eagle; 1996-1991; Summit; 1.5; Timing Component Kit  
☆Eagle; 1992; Vista; 1.5 (Canada); Timing Component Kit  
☆Hyundai; 1999-1998; Accent; 1.5; Timing Component Kit  
☆Hyundai; 1997-1995; Accent; 1.5; Timing Component Kit; W/SOHC  
☆Hyundai; 1995-1994; Scoupe; 1.5; Timing Component Kit  
☆Mits.; 1996-1991; Mirage; 1.5; Timing Component Kit  
☆Ply.; 1995; Colt; 1.5 (Canada); Timing Component Kit  
☆Ply.; 1994-1991; Colt; 1.5; Timing Component Kit

## TCK193

☆Acura; 1998-1996; TL; 3.2; Timing Component Kit  
☆Acura; 1995-1991; Legend; 3.2; Timing Component Kit

## TCK194

Ford; 1996-1992; Escort; 1.9; Timing Component Kit  
Ford; 1991; Escort; 1.9; Timing Component Kit; 3-26-91 & Newer  
☆Merc.; 1996-1992; Tracer; 1.9; Timing Component Kit  
Merc.; 1991; Tracer; 1.9; Timing Component Kit; 3-26-91 & Newer

## TCK194A

Chev.; 2000-1998; Metro; 1.0; Timing Component Kit  
Geo.; 1997-1996; Metro; 1.0; Timing Component Kit  
Pont.; 2000-1996; Firefly; 1.0 (Canada); Timing Component Kit

## TCK195

☆Mits.; 1999-1997; 3000GT; 3.0; Timing Component Kit; W/DOHC; Does not include cam tensioner hyd. assy.  
☆Mits.; 1996-1992; Diamante; 3.0; Timing Component Kit; W/DOHC; Does not include cam tensioner hyd. assy.  
☆Mits.; 1996-1991; 3000GT; 3.0; Timing Component Kit; Does not include cam tensioner hyd. assy.

## TCK199

Toy.; 2001-1992; Camry; 2.2; Timing Component Kit  
Toy.; 2001-1998; Camry; 2.2 CNG; Timing Component Kit  
Toy.; 2001; Solara; 2.2; Timing Component Kit  
Toy.; 2000-1999; Camry Solara; 2.2; Timing Component Kit  
Toy.; 2000-1996; RAV4; 2.0; Timing Component Kit  
Toy.; 1999-1990; Celica; 2.2; Timing Component Kit  
Toy.; 1995-1991; MR2; 2.2; Timing Component Kit  
Toy.; 1991-1988; Camry; 2.0; Timing Component Kit  
Toy.; 1989; Celica; 2.0; Timing Component Kit  
Toy.; 1988; Celica; 2.0; Timing Component Kit; Eng 3SFE  
Toy.; 1987; Camry; 2.0; Timing Component Kit; Exc GT-S  
Toy.; 1987; Celica; 2.0; Timing Component Kit; Exc GT-S

## TCK200

Lexus; 1993-1992; ES300; 3.0; Timing Component Kit; Does not include cam tensioner hyd. assy.  
Toy.; 1993-1992; Camry; 3.0; Timing Component Kit; Does not include cam tensioner hyd. assy.

## TCK201

Mits.; 1996-1993; Mirage; 1.8; Timing Component Kit  
Mits.; 1994-1992; Expo; 1.8; Timing Component Kit

## TCK208

Toy.; 1999-1998; Paseo; 1.5 (Canada); Timing Component Kit  
Toy.; 1999; Tercel; 1.5 (Canada); Timing Component Kit  
Toy.; 1998-1995; Tercel; 1.5; Timing Component Kit  
Toy.; 1997-1992; Paseo; 1.5; Timing Component Kit

## TCK210

Ford; 1994-1993; Ranger; 2.3; Timing Component Kit  
Ford; 1993; Mustang; 2.3; Timing Component Kit  
Ford; 1992; Ranger; 2.3; Timing Component Kit; W/Round Tooth Sprockets  
Mazda; 1994; B2300 Pickup; 2.3; Timing Component Kit

## TCK212

Chev.; 2002-2001; Tracker; 1.6 (Canada); Timing Component Kit  
Chev.; 2000-1998; Tracker; 1.6; Timing Component Kit  
Geo.; 1997-1996; Tracker; 1.6; Timing Component Kit  
Geo.; 1995-1994; Tracker; 1.6; Timing Component Kit; W/16-V Eng  
Suzuki; 2002; Vitara; 1.6 (Canada); Timing Component Kit  
Suzuki; 2001; Esteem; 1.6 (Canada); Timing Component Kit  
Suzuki; 2001-1999; Vitara; 1.6; Timing Component Kit  
Suzuki; 2000-1995; Esteem; 1.6; Timing Component Kit  
Suzuki; 1998-1996; Sidekick; 1.6; Timing Component Kit  
Suzuki; 1998-1996; X-90; 1.6; Timing Component Kit  
Suzuki; 1995-1992; Sidekick; 1.6; Timing Component Kit; W/16-V Eng

## TCK214

☆Ford; 1997-1993; Probe; 2.5; Timing Component Kit; Does not include cam tensioner hyd. assy.  
Mazda; 2002-2001; Millenia; 2.5; Timing Component Kit; Does not include cam tensioner hyd. assy.

☆ Interference engine application. See inside back cover for additional information.

# Numerical Listing - PowerGrip™ Timing System Products

## TCK214 - Continued

Mazda; 2002-2001; 626; 2.5; Timing Component Kit; Does not include cam tensioner hyd. Assy.  
Mazda; 2000; Millenia; 2.5; Timing Component Kit  
Mazda; 2000; 626; 2.5; Timing Component Kit  
Mazda; 1999-1995; Millenia; 2.5; Timing Component Kit; Does not include cam tensioner hyd. Assy.  
Mazda; 1999-1993; 626; 2.5; Timing Component Kit; Does not include cam tensioner hyd. Assy.  
Mazda; 1997-1993; MX-6; 2.5; Timing Component Kit; Does not include cam tensioner hyd. Assy.  
Mazda; 1995; MX-3; 1.8 (Canada); Timing Component Kit; Does not include cam tensioner hyd. Assy.  
Mazda; 1994-1992; MX-3; 1.8; Timing Component Kit; Does not include cam tensioner hyd. Assy.

## TCK219

Chry.; 1994-1993; Concorde; 3.5; Timing Component Kit; Does not include cam tensioner hyd. Assy.  
Chry.; 1994-1993; Intrepid; 3.5 (Canada); Timing Component Kit; Does not include cam tensioner hyd. Assy.  
Chry.; 1994; LHS; 3.5; Timing Component Kit; Does not include cam tensioner hyd. Assy.  
Chry.; 1994; New Yorker; 3.5; Timing Component Kit; Does not include cam tensioner hyd. Assy.  
Dodge; 1994-1993; Intrepid; 3.5; Timing Component Kit; Does not include cam tensioner hyd. Assy.  
Eagle; 1994-1993; Vision; 3.5; Timing Component Kit; Does not include cam tensioner hyd. Assy.

## TCK221

Acura; 1997-1996; SLX; 3.2; Timing Component Kit; Does not include cam tensioner hyd. Assy.  
Honda; 1997-1994; Passport; 3.2; Timing Component Kit; Does not include cam tensioner hyd. Assy.  
Isuzu; 1997-1993; Rodeo; 3.2; Timing Component Kit; Does not include cam tensioner hyd. Assy.  
Isuzu; 1997-1996; Trooper; 3.2; Timing Component Kit; Does not include cam tensioner hyd. Assy.  
Isuzu; 1995-1992; Trooper; 3.2; Timing Component Kit; W/SOHC; Does not include cam tensioner hyd. Assy.

## TCK224

☆Honda; 2000-1999; Civic; 1.6; Timing Component Kit; W/SOHC  
☆Honda; 2000-1999; Civic; 1.6 CNG; Timing Component Kit; W/SOHC  
☆Honda; 1998-1993; Civic; 1.6; Timing Component Kit  
☆Honda; 1998; Civic; 1.6 CNG; Timing Component Kit  
☆Honda; 1997-1995; Civic Del Sol; 1.6; Timing Component Kit; W/SOHC  
☆Honda; 1994; Civic Del Sol; 1.6; Timing Component Kit; W/SOHC; EX, Si  
☆Honda; 1993; Civic Del Sol; 1.6; Timing Component Kit  
☆Honda; 1992; Civic; 1.6; Timing Component Kit; Si

## TCK228

☆Ford; 1997-1993; Probe; 2.0; Timing Component Kit  
☆Mazda; 2002-2001; Protege; 2.0; Timing Component Kit  
☆Mazda; 2002-1993; 626; 2.0; Timing Component Kit  
☆Mazda; 1997-1993; MX-6; 2.0; Timing Component Kit

## TCK232

☆Mits.; 1993; Galant; 2.0; Timing Component Kit; Does not include cam tensioner hyd. Assy.

## TCK233

☆Toy.; 1994-1989; Tercel; 1.5; Timing Component Kit  
☆Toy.; 1988; Tercel; 1.5; Timing Component Kit; Exc Wagon

## TCK235

☆Geo; 1997-1995; Prizm; 1.8; Timing Component Kit  
Geo; 1994-1993; Prizm; 1.8; Timing Component Kit  
Toy.; 1997-1994; Celica; 1.8; Timing Component Kit  
Toy.; 1997-1993; Corolla; 1.8; Timing Component Kit

## TCK236

☆Geo; 1997-1995; Prizm; 1.6; Timing Component Kit  
Geo; 1994-1993; Prizm; 1.6; Timing Component Kit  
Toy.; 1997-1993; Corolla; 1.6; Timing Component Kit

## TCK240

Toy.; 1992-1988; Pickup; 3.0; Timing Component Kit; Does not include cam tensioner hyd. Assy.  
Toy.; 1992-1988; 4 Runner; 3.0; Timing Component Kit; Does not include cam tensioner hyd. Assy.

## TCK244

☆Acura; 1999-1998; CL; 2.3; Timing Component Kit  
☆Acura; 1997; CL; 2.2; Timing Component Kit  
☆Honda; 2002-1998; Accord; 2.3; Timing Component Kit  
☆Honda; 1998; Odyssey; 2.3; Timing Component Kit

## TCK244 - Continued

☆Honda; 1997-1996; Accord; 2.2; Timing Component Kit; W/VTEC  
☆Honda; 1995-1994; Accord; 2.2; Timing Component Kit; EX  
☆Isuzu; 1999-1998; Oasis; 2.3; Timing Component Kit

## TCK245

☆Dodge; 1999-1995; Stratus; 2.0; Timing Component Kit; Does not include cam tensioner hyd. Assy.  
☆Dodge; 1997-1995; Neon; 2.0; Timing Component Kit; W/SOHC; Does not include cam tensioner hyd. Assy.  
☆Ply.; 1999-1996; Breeze; 2.0; Timing Component Kit; Does not include cam tensioner hyd. Assy.  
☆Ply.; 1997-1995; Neon; 2.0; Timing Component Kit; W/SOHC; Does not include cam tensioner hyd. Assy.

## TCK246

☆Chry.; 1999-1995; Sebring; 2.0; Timing Component Kit; Does not include cam tensioner hyd. Assy.  
☆Dodge; 1999-1995; Avenger; 2.0; Timing Component Kit; Does not include cam tensioner hyd. Assy.  
☆Dodge; 1999-1995; Neon; 2.0; Timing Component Kit; W/DOHC; Does not include cam tensioner hyd. Assy.  
☆Eagle; 1998-1995; Talon; 2.0; Timing Component Kit; W/O Turbo; Does not include cam tensioner hyd. Assy.  
☆Mits.; 1999-1995; Eclipse; 2.0; Timing Component Kit; W/O Turbo; Does not include cam tensioner hyd. Assy.  
☆Ply.; 1999-1995; Neon; 2.0; Timing Component Kit; W/DOHC; Does not include cam tensioner hyd. Assy.

## TCK249

☆Infiniti; 2000-1997; QX4; 3.3; Timing Component Kit  
☆Merc.; 1998-1994; Villager; 3.0; Timing Component Kit  
☆Niss.; 2002-1999; Frontier; 3.3; Timing Component Kit  
☆Niss.; 2002-2000; Xterra; 3.3; Timing Component Kit  
☆Niss.; 2001-1999; Quest; 3.3; Timing Component Kit  
☆Niss.; 2000-1996; Pathfinder; 3.3; Timing Component Kit  
☆Niss.; 1998-1995; Quest; 3.0; Timing Component Kit  
☆Niss.; 1995; Pathfinder; 3.0; Timing Component Kit  
☆Niss.; 1995; Pickup; 3.0; Timing Component Kit  
☆Niss.; 1994-1993; Maxima; 3.0; Timing Component Kit; W/SOHC; W/Round Tooth Sprockets  
☆Niss.; 1994-1993; Pathfinder; 3.0; Timing Component Kit; W/Round Tooth Sprockets  
☆Niss.; 1994-1993; Pickup; 3.0; Timing Component Kit; W/Round Tooth Sprockets  
☆Niss.; 1994-1993; Quest; 3.0; Timing Component Kit; W/Round Tooth Sprockets

## TCK254

Subaru; 1997-1994; Impreza; 1.8; Timing Component Kit; Does not include cam tensioner hyd. Assy.  
Subaru; 1996-1995; Impreza; 2.2; Timing Component Kit; Does not include cam tensioner hyd. Assy.  
Subaru; 1996-1994; Legacy; 2.2; Timing Component Kit; Does not include cam tensioner hyd. Assy.

## TCK255

Chry.; 1997-1995; Concorde; 3.5; Timing Component Kit; Does not include cam tensioner hyd. Assy.  
Chry.; 1997-1995; Intrepid; 3.5 (Canada); Timing Component Kit; Does not include cam tensioner hyd. Assy.  
Chry.; 1997-1995; LHS; 3.5; Timing Component Kit; Does not include cam tensioner hyd. Assy.  
Chry.; 1996-1995; New Yorker; 3.5; Timing Component Kit; Does not include cam tensioner hyd. Assy.  
Dodge; 1997-1995; Intrepid; 3.5; Timing Component Kit; Does not include cam tensioner hyd. Assy.  
Eagle; 1997-1995; Vision; 3.5; Timing Component Kit; Does not include cam tensioner hyd. Assy.

## TCK256

☆Mits.; 1994; Galant; 2.4; Timing Component Kit; W/DOHC; 5-31 & Older; Does not include cam tensioner hyd. Assy.

## TCK257

Lexus; 2001-1994; ES300; 3.0; Timing Component Kit; Does not include cam tensioner hyd. Assy.  
☆Lexus; 2001-1999; RX300; 3.0; Timing Component Kit; Does not include cam tensioner hyd. Assy.  
Toy.; 2002-1995; Avalon; 3.0; Timing Component Kit; Does not include cam tensioner hyd. Assy.  
Toy.; 2002-1994; Camry; 3.0; Timing Component Kit; Does not include cam tensioner hyd. Assy.  
Toy.; 2002-2001; Highlander; 3.0; Timing Component Kit; Does not include cam tensioner hyd. Assy.  
Toy.; 2002-1998; Sienna; 3.0; Timing Component Kit; Does not include cam tensioner hyd. Assy.



# Numerical Listing - PowerGrip™ Timing System Products

## TCK257 - Continued

Toy.; 2002-2001; Solara; 3.0; Timing Component Kit; Does not include cam tensioner hyd. assy.  
Toy.; 2000-1999; Camry Solara; 3.0; Timing Component Kit; Does not include cam tensioner hyd. assy.

## TCK258

Ford; 1997-1995; Contour; 2.0; Timing Component Kit  
Ford; 1997-1996; Contour; 2.0 Bifuel; Timing Component Kit  
Merc.; 1997-1995; Mystique; 2.0; Timing Component Kit

## TCK259

☆Chry.; 2002-2001; Sebring; 3.0; Timing Component Kit; Does not include cam tensioner hyd. assy.  
☆Chry.; 2000-1995; Cirrus; 2.5; Timing Component Kit; Does not include cam tensioner hyd. assy.  
☆Chry.; 2000-1995; Sebring; 2.5; Timing Component Kit; Does not include cam tensioner hyd. assy.  
☆Dodge; 2001; Stratus; 3.0; Timing Component Kit; Does not include cam tensioner hyd. assy.  
☆Dodge; 2000-1995; Avenger; 2.5; Timing Component Kit; Does not include cam tensioner hyd. assy.  
☆Dodge; 2000-1995; Stratus; 2.5; Timing Component Kit; Does not include cam tensioner hyd. assy.  
☆Mits.; 2002-2000; Eclipse; 3.0; Timing Component Kit; Does not include cam tensioner hyd. assy.  
☆Mits.; 2002-1999; Galant; 3.0; Timing Component Kit; Does not include cam tensioner hyd. assy.  
☆Mits.; 2002-1997; Montero Sport; 3.0; Timing Component Kit; Does not include cam tensioner hyd. assy.  
☆Mits.; 1996-1995; Montero; 3.0; Timing Component Kit; Does not include cam tensioner hyd. assy.

## TCK262

☆VW; 2002-1995; Cabrio; 2.0; Timing Component Kit  
☆VW; 2000-1999; Golf; 2.0; Timing Component Kit; Old Style; W/O 2-Sided V-Rib Belt  
☆VW; 2000-1999; GTI; 2.0; Timing Component Kit; Old Style; W/O 2-Sided V-Rib Belt  
☆VW; 2000-1999; Jetta; 2.0; Timing Component Kit; Old Style; W/O 2-Sided V-Rib Belt  
☆VW; 1998-1993; Golf; 2.0; Timing Component Kit  
☆VW; 1998-1996; GTI; 2.0; Timing Component Kit  
☆VW; 1998-1993; Jetta; 2.0; Timing Component Kit  
☆VW; 1996-1995; Passat; 2.0; Timing Component Kit  
☆VW; 1995; Cabrio; 2.0 (Canada); Timing Component Kit  
☆VW; 1995; Golf; 2.0 (Canada); Timing Component Kit  
☆VW; 1995; GTI; 2.0 (Canada); Timing Component Kit  
☆VW; 1994; Passat; 2.0 (Canada); Timing Component Kit  
☆VW; 1993; GTI; 2.0 (Canada); Timing Component Kit  
☆VW; 1993; Passat; 2.0; Timing Component Kit

## TCK272

Geo; 1997-1995; Metro; 1.3; Timing Component Kit  
Pont.; 1997-1995; Firefly; 1.3 (Canada); Timing Component Kit  
Suzuki; 1997-1995; Swift; 1.3; Timing Component Kit

## TCK276

Ford; 2002-2001; Ranger; 2.3; Timing Component Kit  
Ford; 2001-1998; Ranger; 2.5; Timing Component Kit  
Ford; 1997-1995; Ranger; 2.3; Timing Component Kit  
Mazda; 2002-2001; B2300 Pickup; 2.3; Timing Component Kit  
Mazda; 2001-1998; B2500 Pickup; 2.5; Timing Component Kit  
Mazda; 1997-1995; B2300 Pickup; 2.3; Timing Component Kit

## TCK277

☆Subaru; 1996; Legacy; 2.5; Timing Component Kit; Does not include cam tensioner hyd. assy.

## TCK281

☆Kia; 2000-1996; Sportage; 2.0; Timing Component Kit  
☆Kia; 1995; Sportage; 2.0; Timing Component Kit; W/DOHC

## TCK283

☆Ford; 2002; Escort; 2.0; Timing Component Kit  
☆Ford; 2002-2000; Focus; 2.0; Timing Component Kit; W/SOHC  
Ford; 2001; Escort; 2.0; Timing Component Kit  
☆Ford; 2000-1998; Escort; 2.0; Timing Component Kit; W/SOHC  
Ford; 1997; Escort; 2.0; Timing Component Kit  
☆Merc.; 1999-1998; Tracer; 2.0; Timing Component Kit  
Merc.; 1997; Tracer; 2.0; Timing Component Kit

## TCK286

☆Acura; 2000-1999; TL; 3.2; Timing Component Kit; Does not include cam tensioner hyd. assy.  
☆Honda; 2000-1998; Accord; 3.0; Timing Component Kit; Does not include cam tensioner hyd. assy.

## TCK294

Ford; 1999; Contour; 2.0; Timing Component Kit; 3-28-99 & Older  
Ford; 1999; Contour; 2.0 Bifuel; Timing Component Kit; 3-28-99 & Older  
☆Ford; 1999; Escort; 2.0; Timing Component Kit; W/DOHC; 2-9-99 & Older  
☆Ford; 1998; Contour; 2.0; Timing Component Kit  
☆Ford; 1998; Contour; 2.0 Bifuel; Timing Component Kit  
☆Ford; 1998; Escort; 2.0; Timing Component Kit; W/DOHC  
Merc.; 1999; Cougar; 2.0; Timing Component Kit; 3-28-99 & Older  
Merc.; 1999; Mystique; 2.0; Timing Component Kit; 3-28-99 & Older  
☆Merc.; 1998; Mystique; 2.0; Timing Component Kit

## TCK294A

☆Ford; 2003-2001; ZX2; 2.0; Timing Component Kit  
☆Ford; 2002-2000; Focus; 2.0; Timing Component Kit; W/DOHC  
☆Ford; 2000; Contour; 2.0; Timing Component Kit  
☆Ford; 2000; Contour; 2.0 Bifuel; Timing Component Kit  
☆Ford; 2000; Cougar; 2.0 (Canada); Timing Component Kit  
☆Ford; 2000; Escort; 2.0; Timing Component Kit; W/DOHC  
☆Ford; 1999; Contour; 2.0; Timing Component Kit; 3-29-99 & Newer  
☆Ford; 1999; Contour; 2.0 Bifuel; Timing Component Kit; 3-29-99 & Newer  
☆Ford; 1999; Escort; 2.0; Timing Component Kit; W/DOHC; 2-10-99 & Newer  
☆Merc.; 2002-2000; Cougar; 2.0; Timing Component Kit  
☆Merc.; 2000; Mystique; 2.0; Timing Component Kit  
☆Merc.; 1999; Cougar; 2.0; Timing Component Kit; 3-29-99 & Newer  
☆Merc.; 1999; Mystique; 2.0; Timing Component Kit; 3-29-99 & Newer

## TCK295

☆Chry.; 2002; Concorde; 3.5; Timing Component Kit; Does not include cam tensioner hyd. assy.  
☆Chry.; 2002-2000; Intrepid; 3.5 (Canada); Timing Component Kit; Does not include cam tensioner hyd. assy.  
☆Chry.; 2002-1999; 300M; 3.5; Timing Component Kit; Does not include cam tensioner hyd. assy.  
☆Chry.; 2001-1999; LHS; 3.5; Timing Component Kit; Does not include cam tensioner hyd. assy.  
☆Chry.; 2000-1998; Concorde; 3.2; Timing Component Kit; Does not include cam tensioner hyd. assy.  
☆Chry.; 2000-1998; Intrepid; 3.2 (Canada); Timing Component Kit; Does not include cam tensioner hyd. assy.  
☆Dodge; 2002-2000; Intrepid; 3.5; Timing Component Kit; Does not include cam tensioner hyd. assy.  
☆Dodge; 2000-1998; Intrepid; 3.2; Timing Component Kit; Does not include cam tensioner hyd. assy.

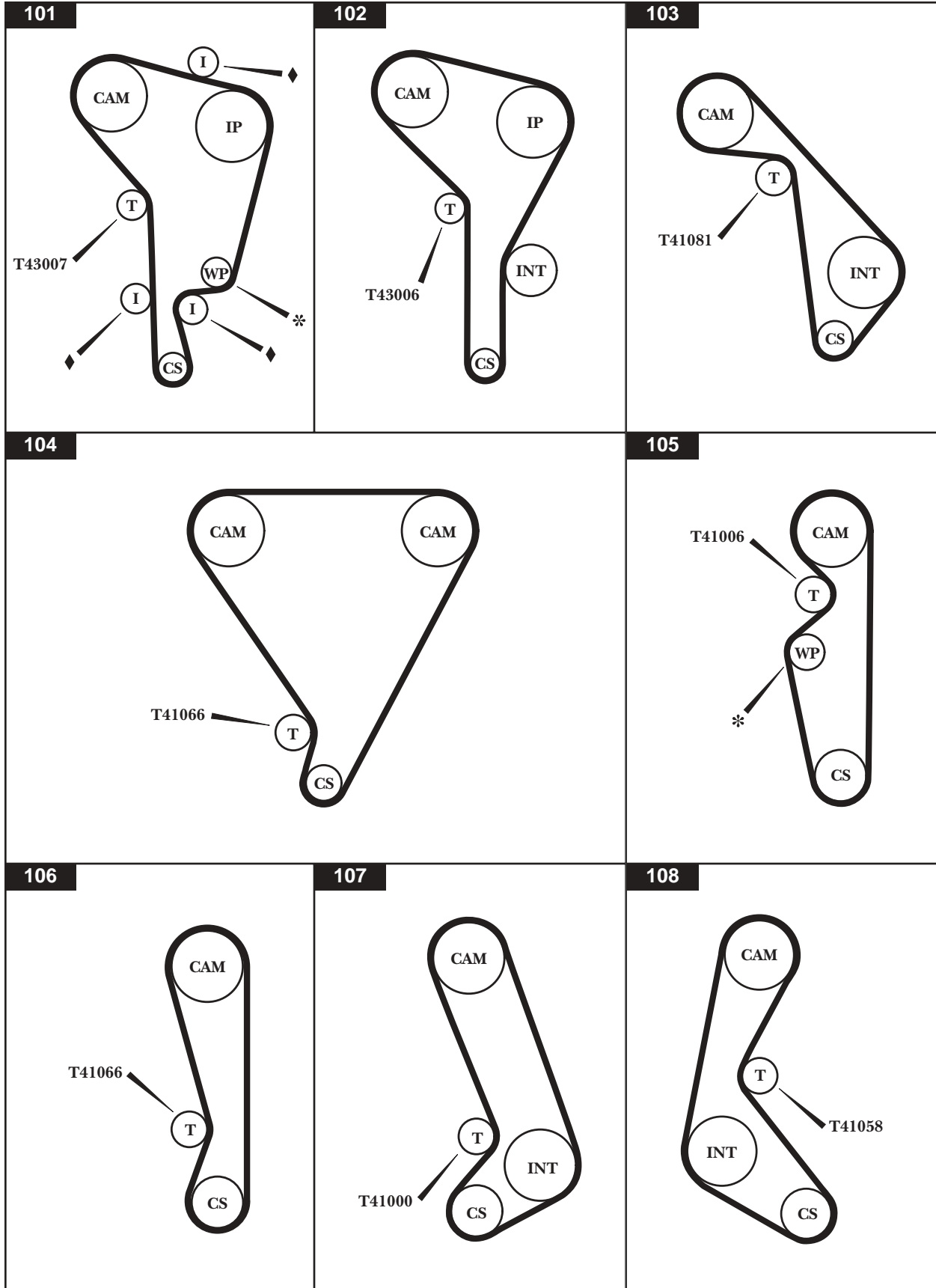
## TCK296

☆VW; 2000-1998; Beetle; 2.0; Timing Component Kit

## TCK299

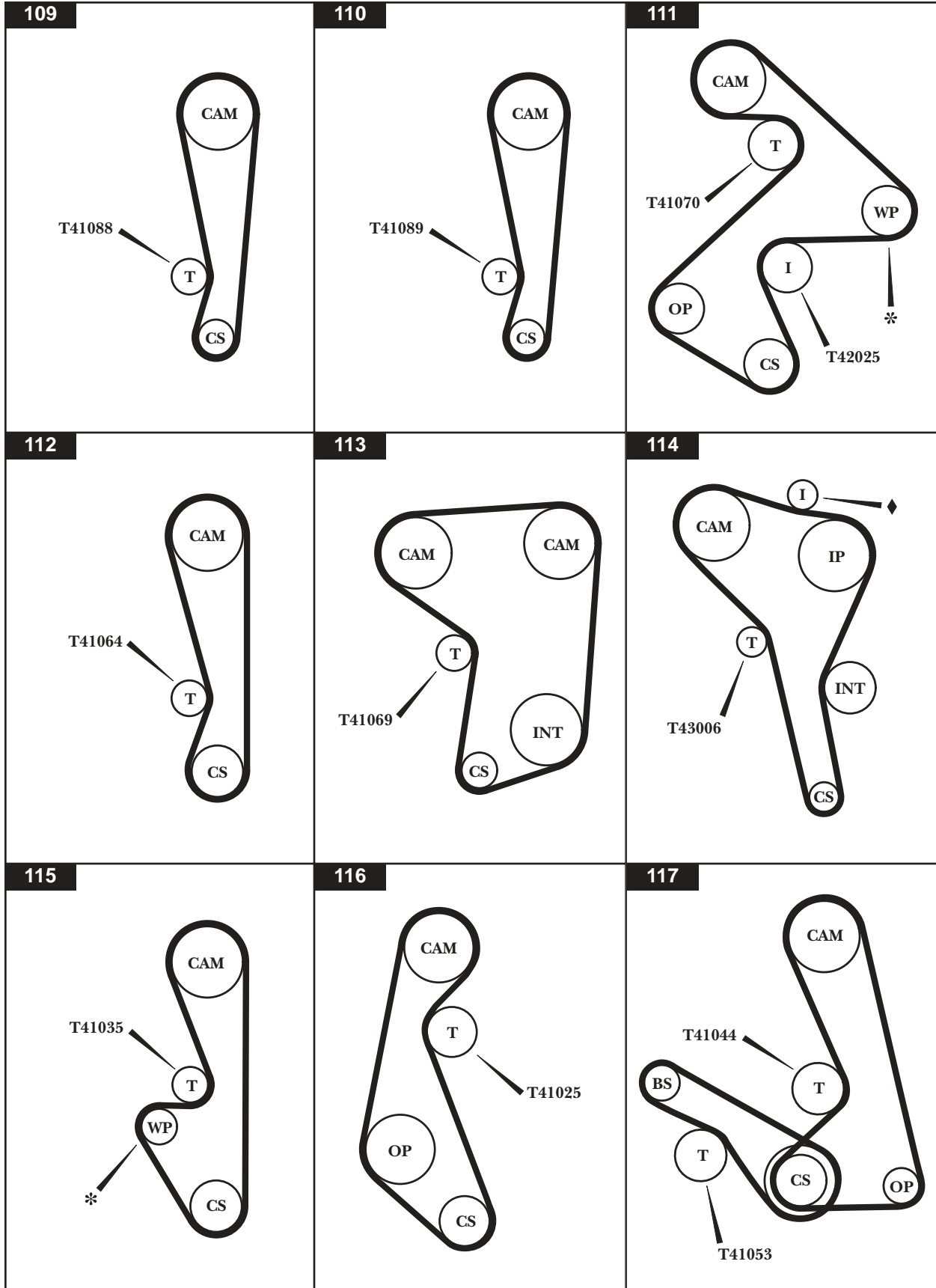
Subaru; 1994-1990; Loyale; 1.8; Timing Component Kit  
Subaru; 1991-1985; XT; 1.8; Timing Component Kit  
Subaru; 1989-1985; DL; 1.8; Timing Component Kit  
Subaru; 1989-1985; GL; 1.8; Timing Component Kit  
Subaru; 1989-1985; GL-10; 1.8; Timing Component Kit  
Subaru; 1989-1985; RX; 1.8; Timing Component Kit

# Timing Component Routing Diagrams



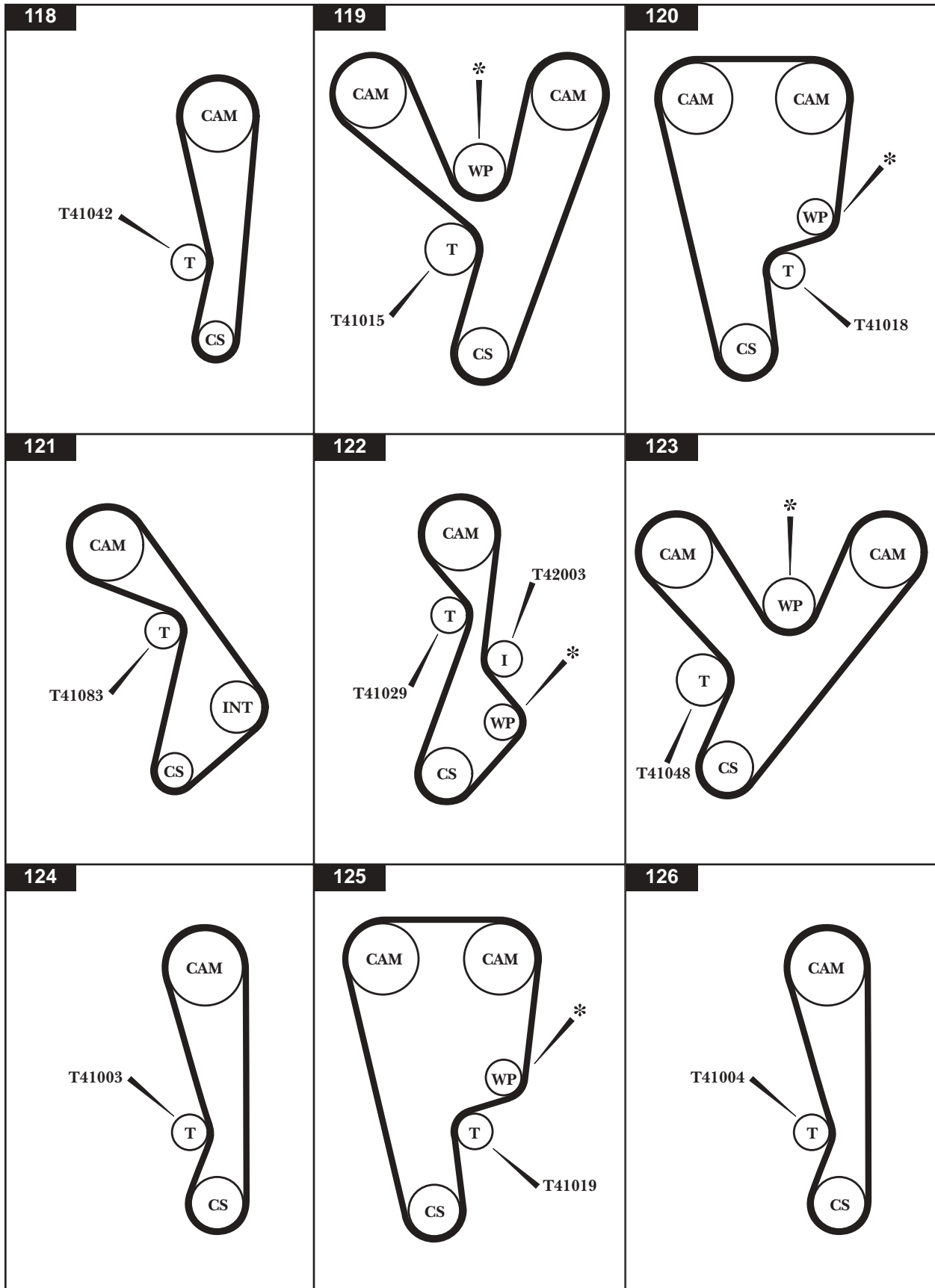
BS – Balance Shaft	I – Idler Pulley	OP – Oil Pump	VP – Vacuum pump
CAM – Camshaft	INT – Intermediate shaft	T – Tensioner	* – See Gates Water Pump Catalog 431-2085
CS – Crankshaft	IP – Injection pump (diesel)	WP – Water pump	◆ – Part number to be announced

# Timing Component Routing Diagrams



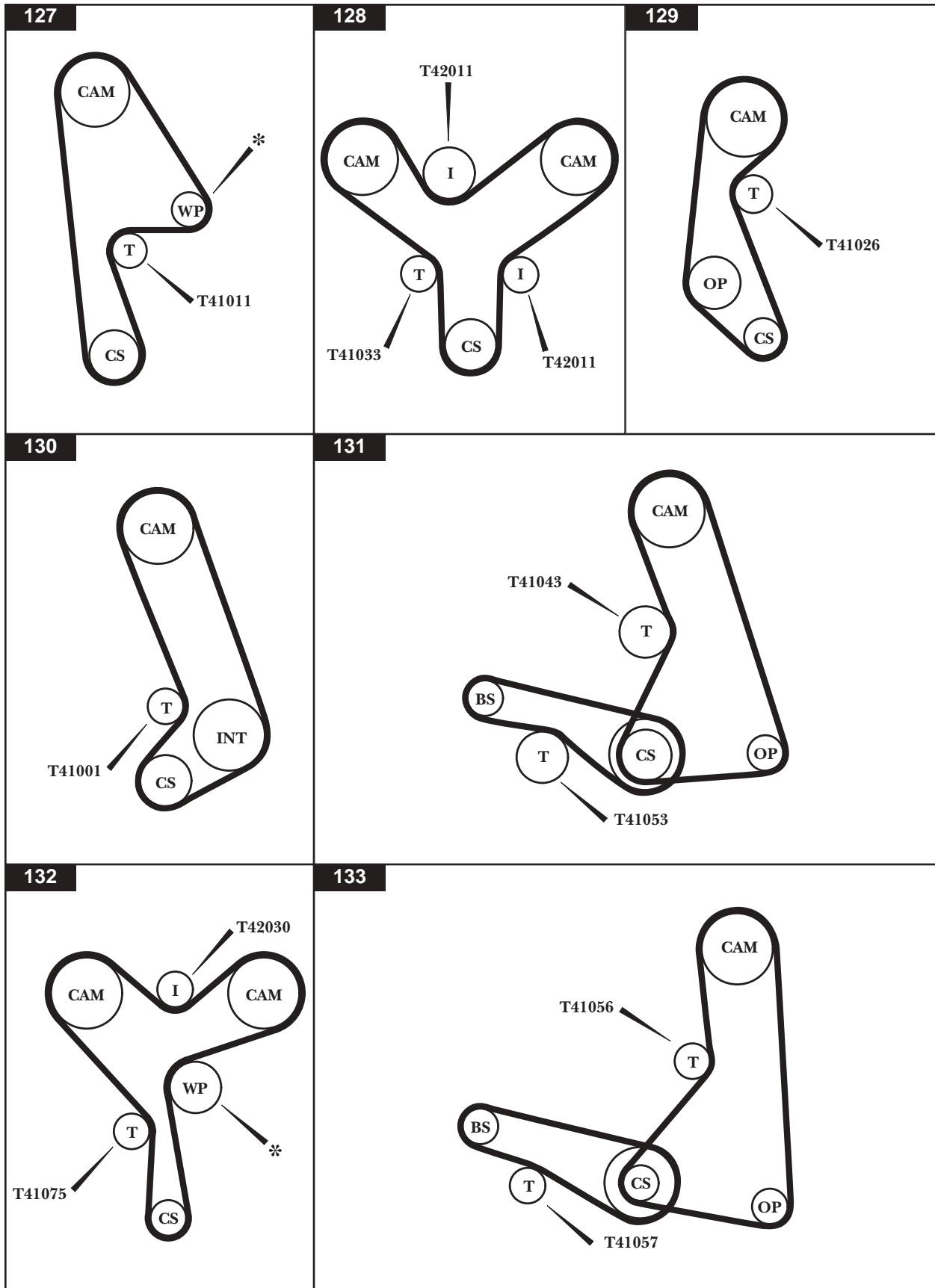
BS – Balance Shaft	I – Idler Pulley	OP – Oil Pump	VP – Vacuum pump
CAM – Camshaft	INT – Intermediate shaft	T – Tensioner	* – See Gates Water Pump Catalog 431-2085
CS – Crankshaft	IP – Injection pump (diesel)	WP – Water pump	◆ – Part number to be announced

# Timing Component Routing Diagrams



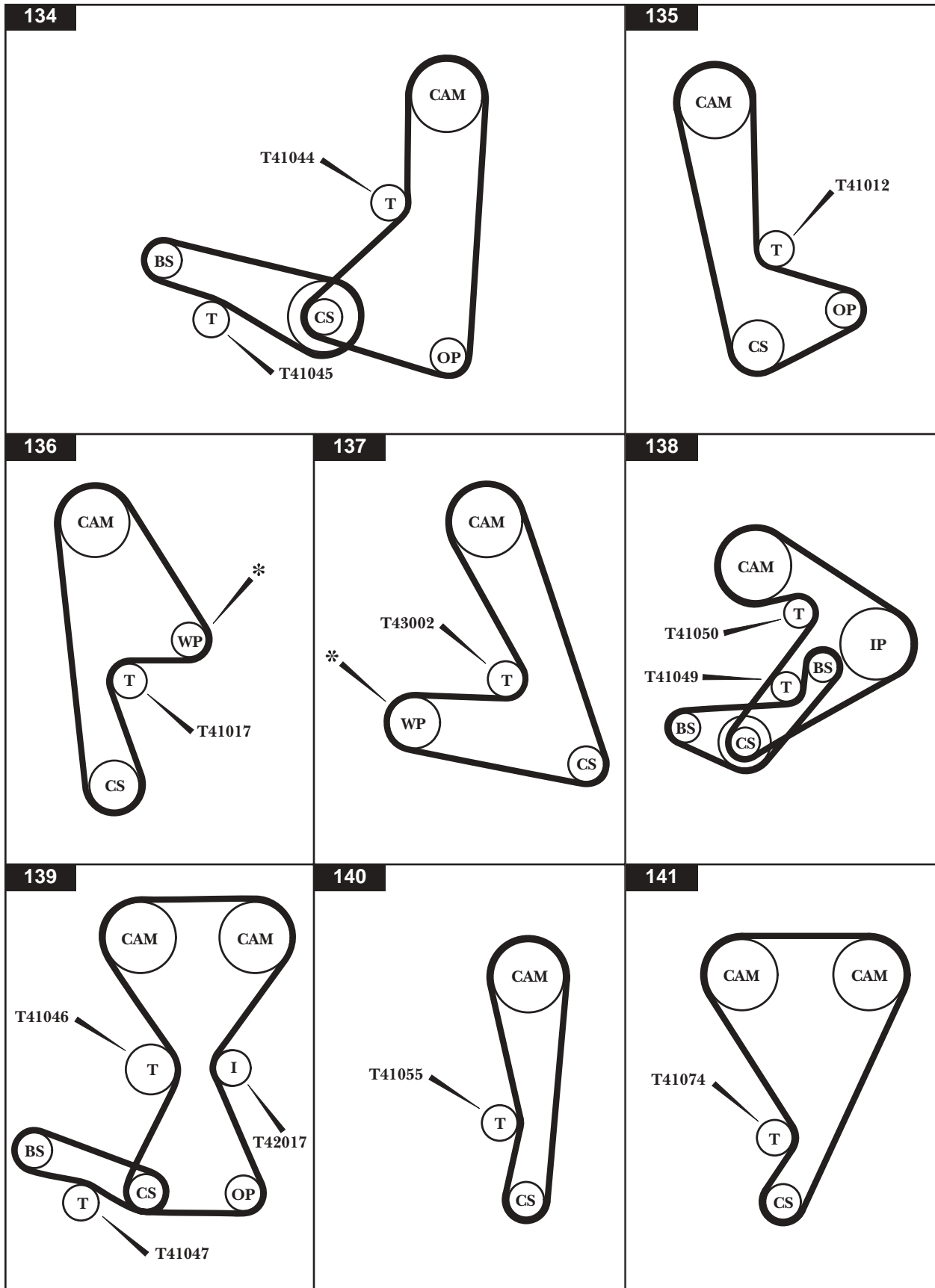
BS - Balance Shaft	I - Idler Pulley	OP - Oil Pump	VP - Vacuum pump
CAM - Camshaft	INT - Intermediate shaft	T - Tensioner	* - See Gates Water Pump Catalog 431-2085
CS - Crankshaft	IP - Injection pump (diesel)	WP - Water pump	◆ - Part number to be announced

# Timing Component Routing Diagrams



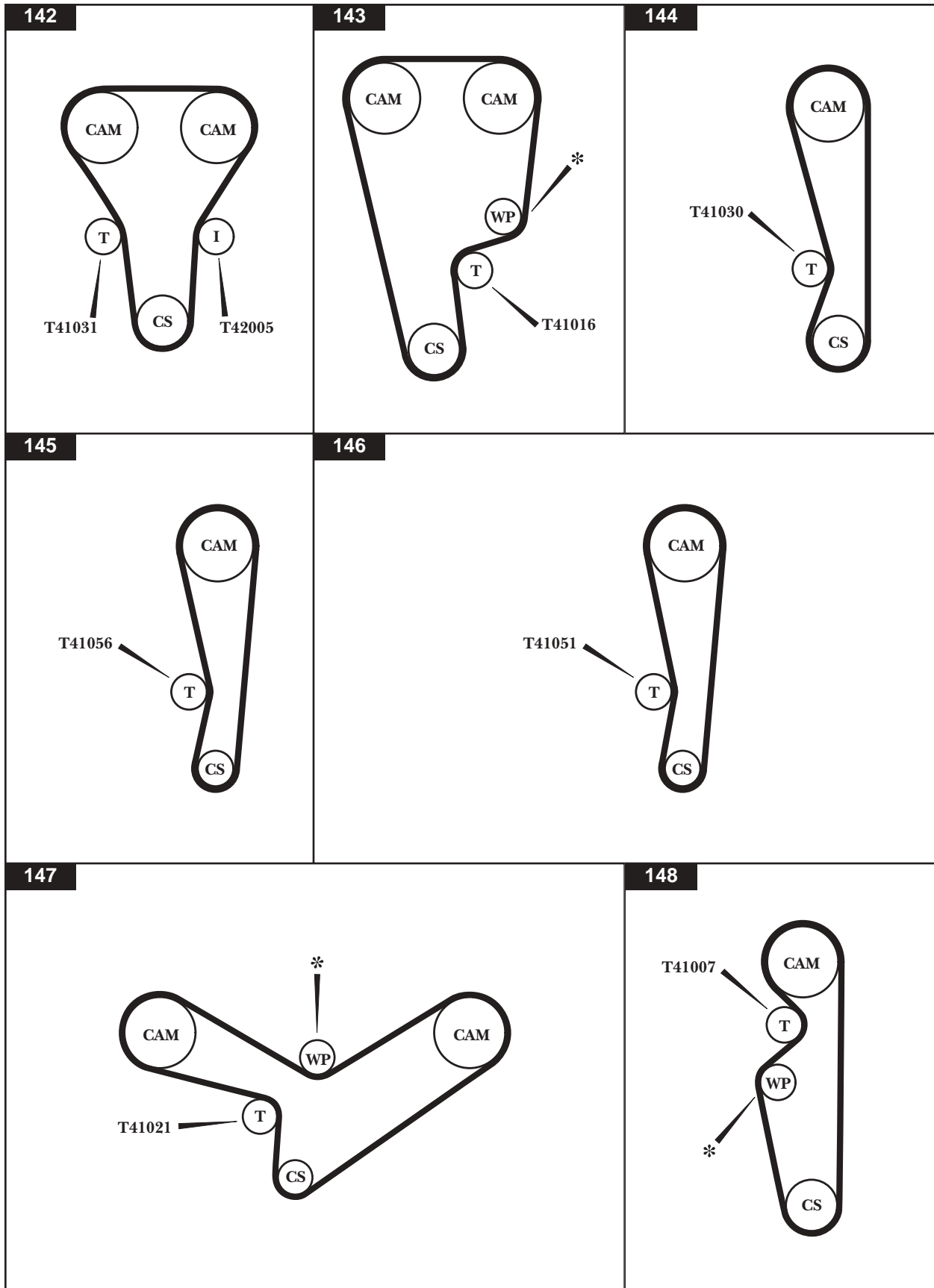
BS - Balance Shaft	I - Idler Pulley	OP - Oil Pump	VP - Vacuum pump
CAM - Camshaft	INT - Intermediate shaft	T - Tensioner	* - See Gates Water Pump Catalog 431-2085
CS - Crankshaft	IP - Injection pump (diesel)	WP - Water pump	◆ - Part number to be announced

# Timing Component Routing Diagrams



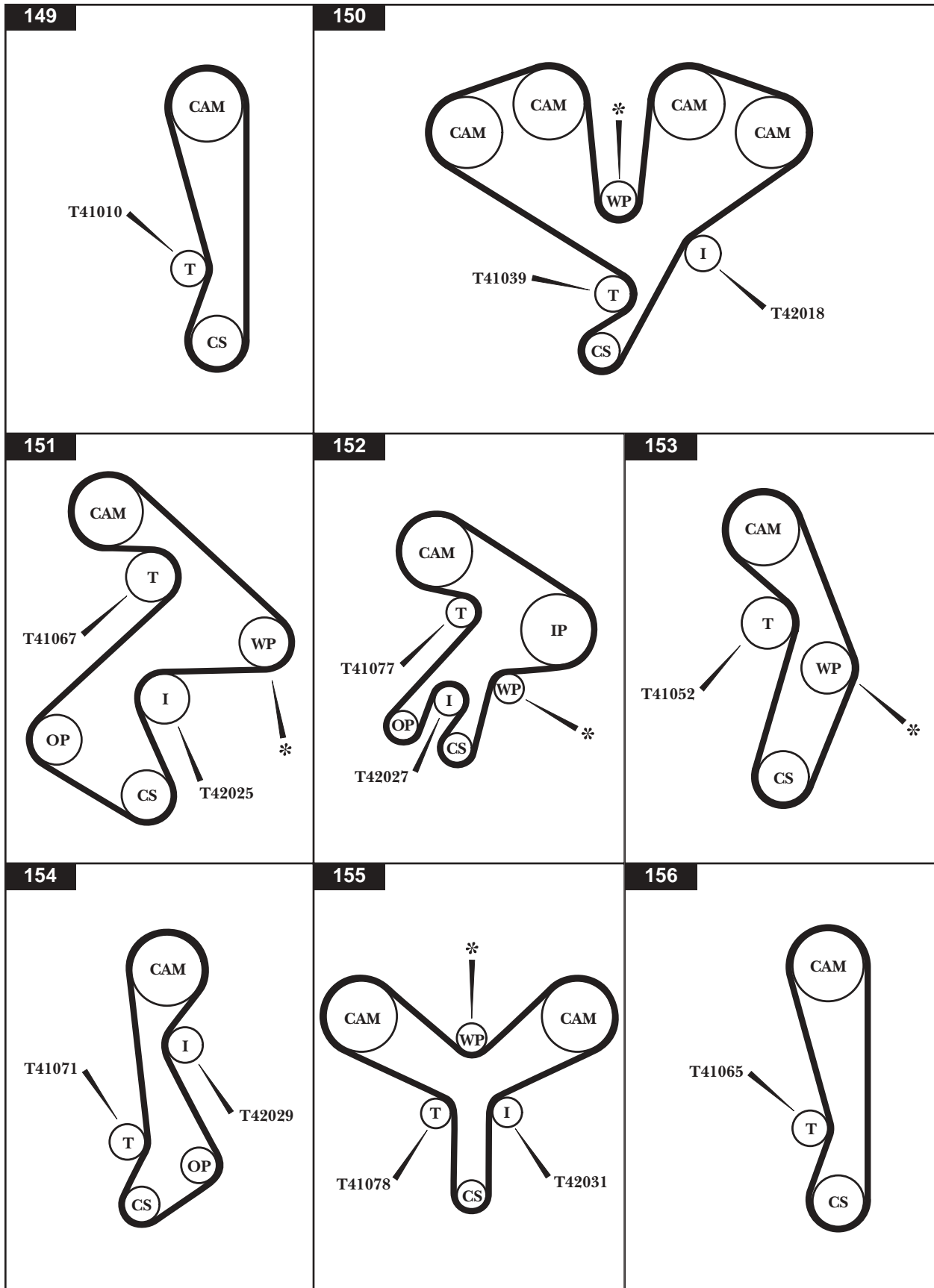
BS - Balance Shaft	I - Idler Pulley	OP - Oil Pump	VP - Vacuum pump
CAM - Camshaft	INT - Intermediate shaft	T - Tensioner	* - See Gates Water Pump Catalog 431-2085
CS - Crankshaft	IP - Injection pump (diesel)	WP - Water pump	◆ - Part number to be announced

# Timing Component Routing Diagrams



BS - Balance Shaft	I - Idler Pulley	OP - Oil Pump	VP - Vacuum pump
CAM - Camshaft	INT - Intermediate shaft	T - Tensioner	* - See Gates Water Pump Catalog 431-2085
CS - Crankshaft	IP - Injection pump (diesel)	WP - Water pump	◆ - Part number to be announced

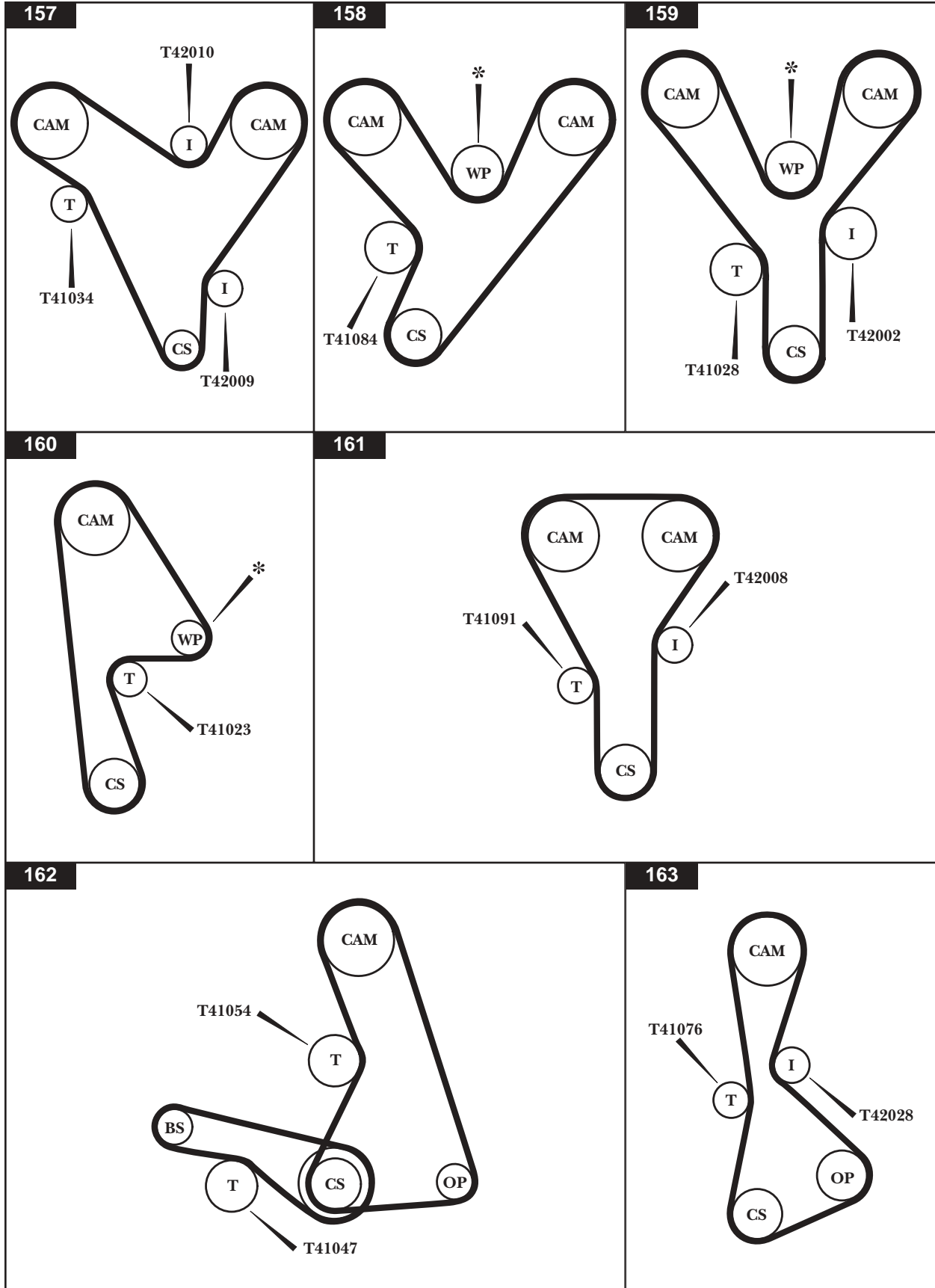
# Timing Component Routing Diagrams



BS - Balance Shaft	I - Idler Pulley	OP - Oil Pump	VP - Vacuum pump
CAM - Camshaft	INT - Intermediate shaft	T - Tensioner	* - See Gates Water Pump Catalog 431-2085
CS - Crankshaft	IP - Injection pump (diesel)	WP - Water pump	◆ - Part number to be announced



# Timing Component Routing Diagrams



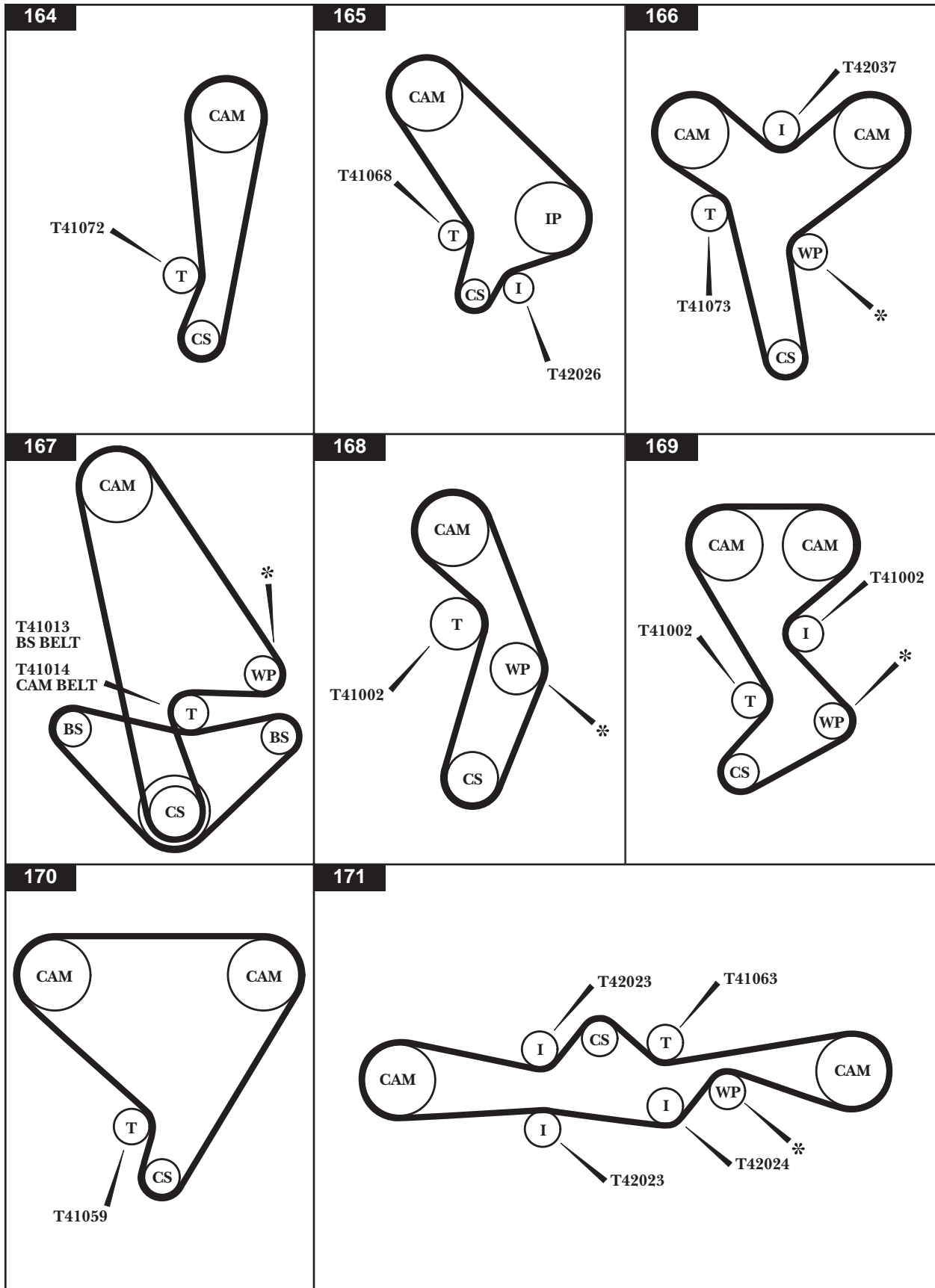
BS - Balance Shaft  
 CAM - Camshaft  
 CS - Crankshaft

I - Idler Pulley  
 INT - Intermediate shaft  
 IP - Injection pump (diesel)

OP - Oil Pump  
 T - Tensioner  
 WP - Water pump

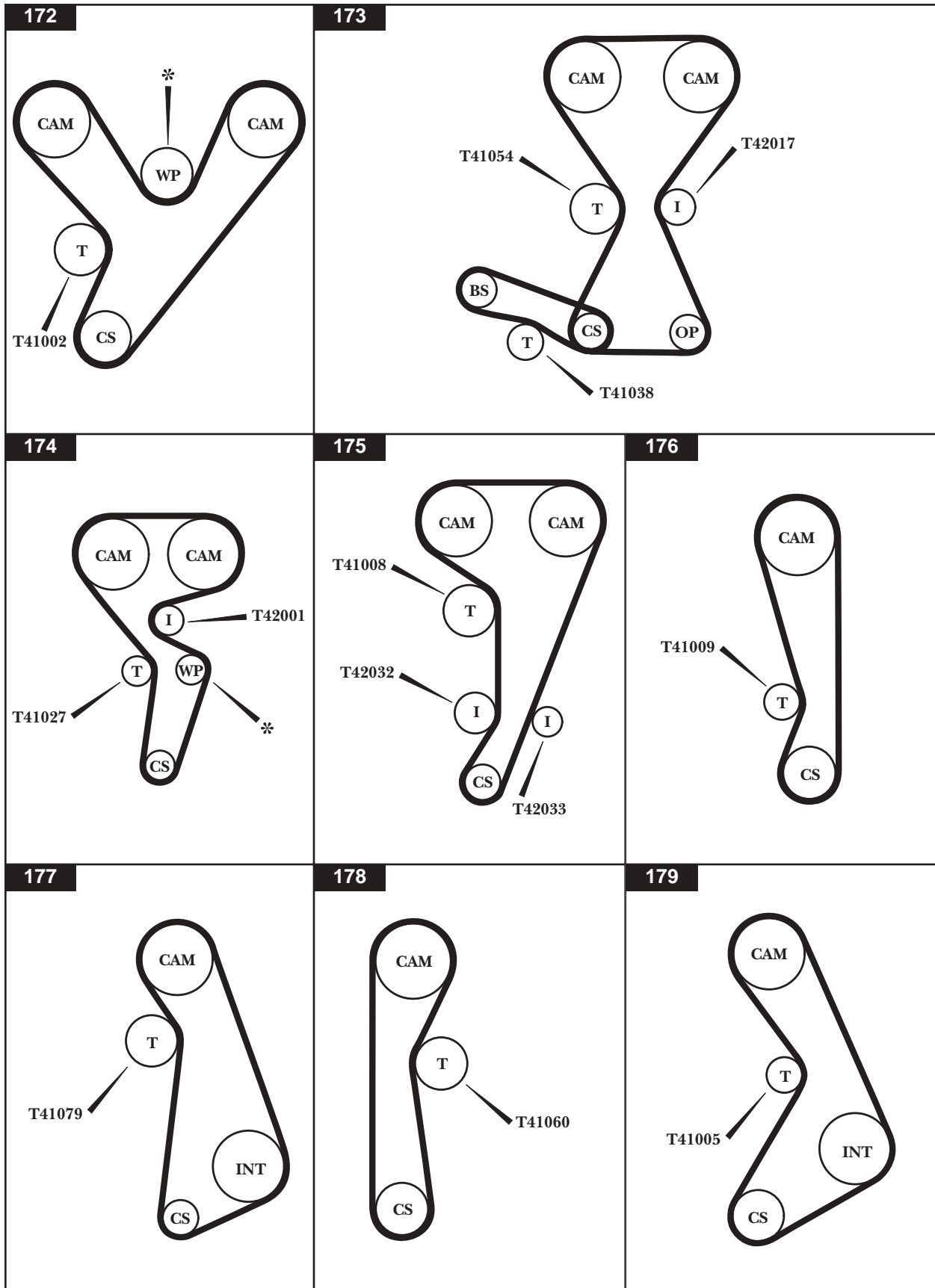
VP - Vacuum pump  
 \* - See Gates Water Pump Catalog 431-2085  
 ◆ - Part number to be announced

# Timing Component Routing Diagrams



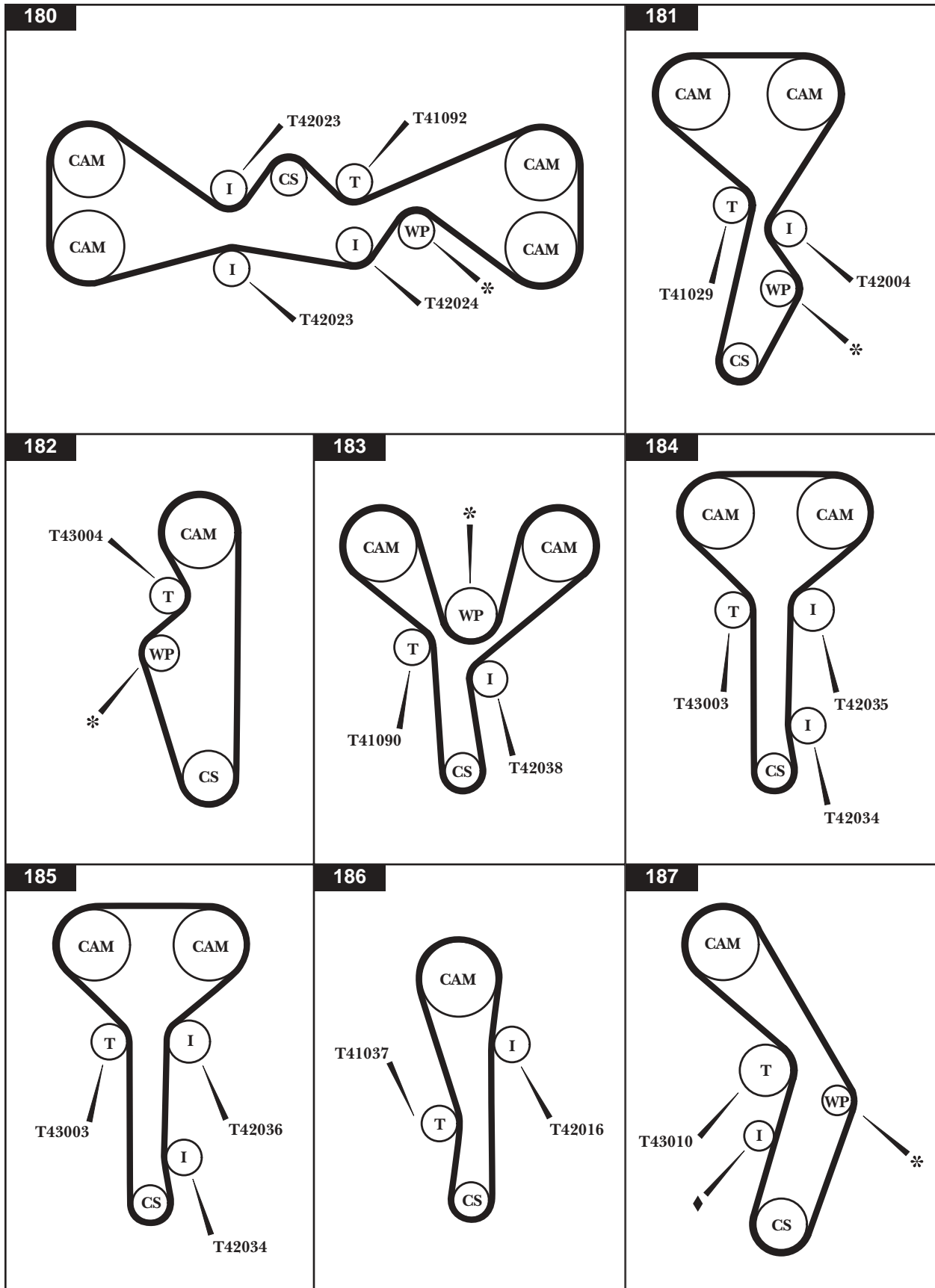
BS - Balance Shaft	I - Idler Pulley	OP - Oil Pump	VP - Vacuum pump
CAM - Camshaft	INT - Intermediate shaft	T - Tensioner	* - See Gates Water Pump Catalog 431-2085
CS - Crankshaft	IP - Injection pump (diesel)	WP - Water pump	◆ - Part number to be announced

# Timing Component Routing Diagrams



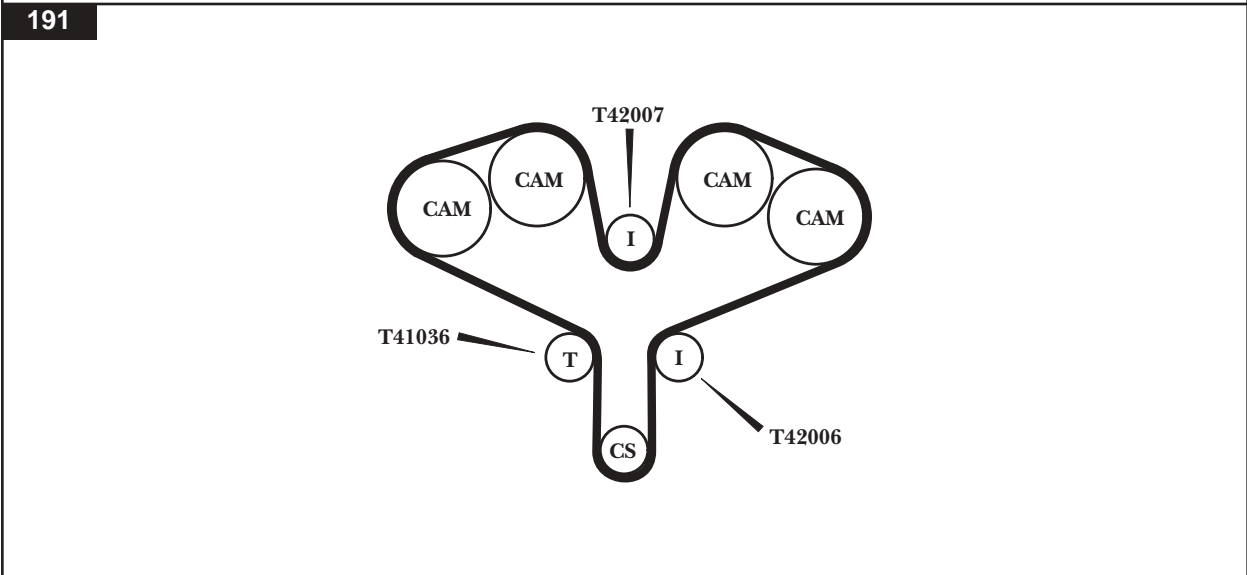
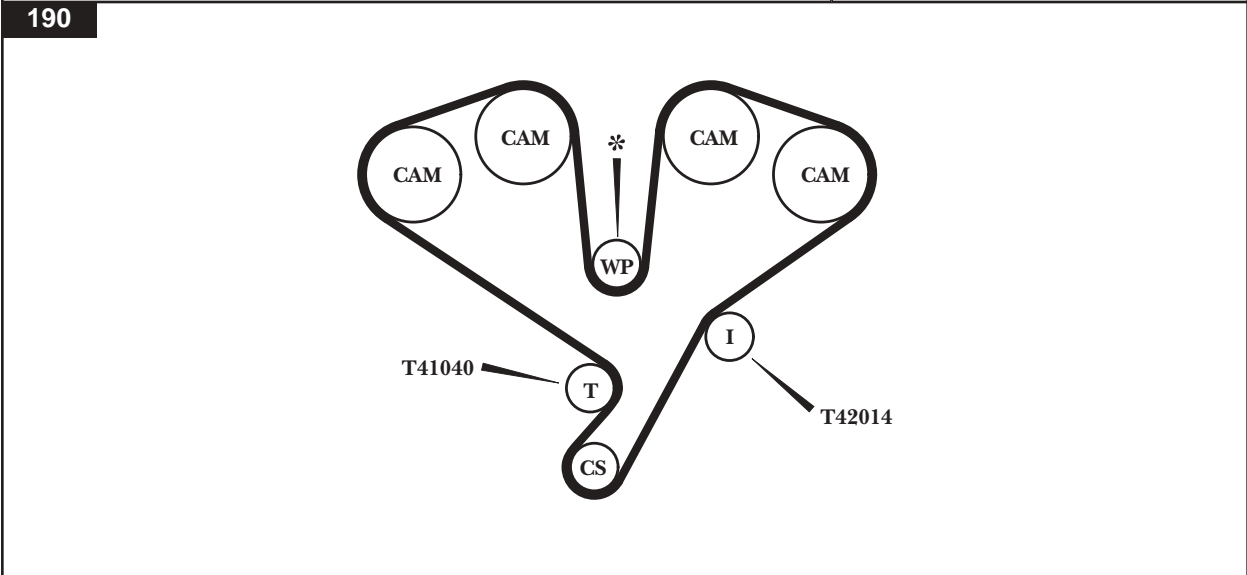
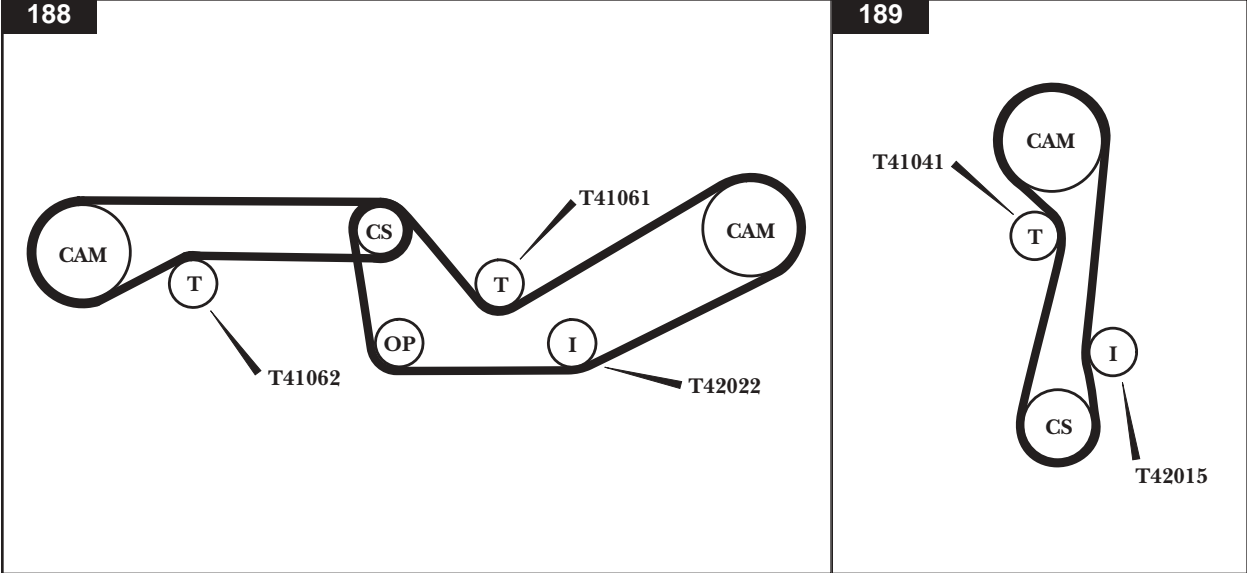
BS - Balance Shaft	I - Idler Pulley	OP - Oil Pump	VP - Vacuum pump
CAM - Camshaft	INT - Intermediate shaft	T - Tensioner	* - See Gates Water Pump Catalog 431-2085
CS - Crankshaft	IP - Injection pump (diesel)	WP - Water pump	◆ - Part number to be announced

# Timing Component Routing Diagrams



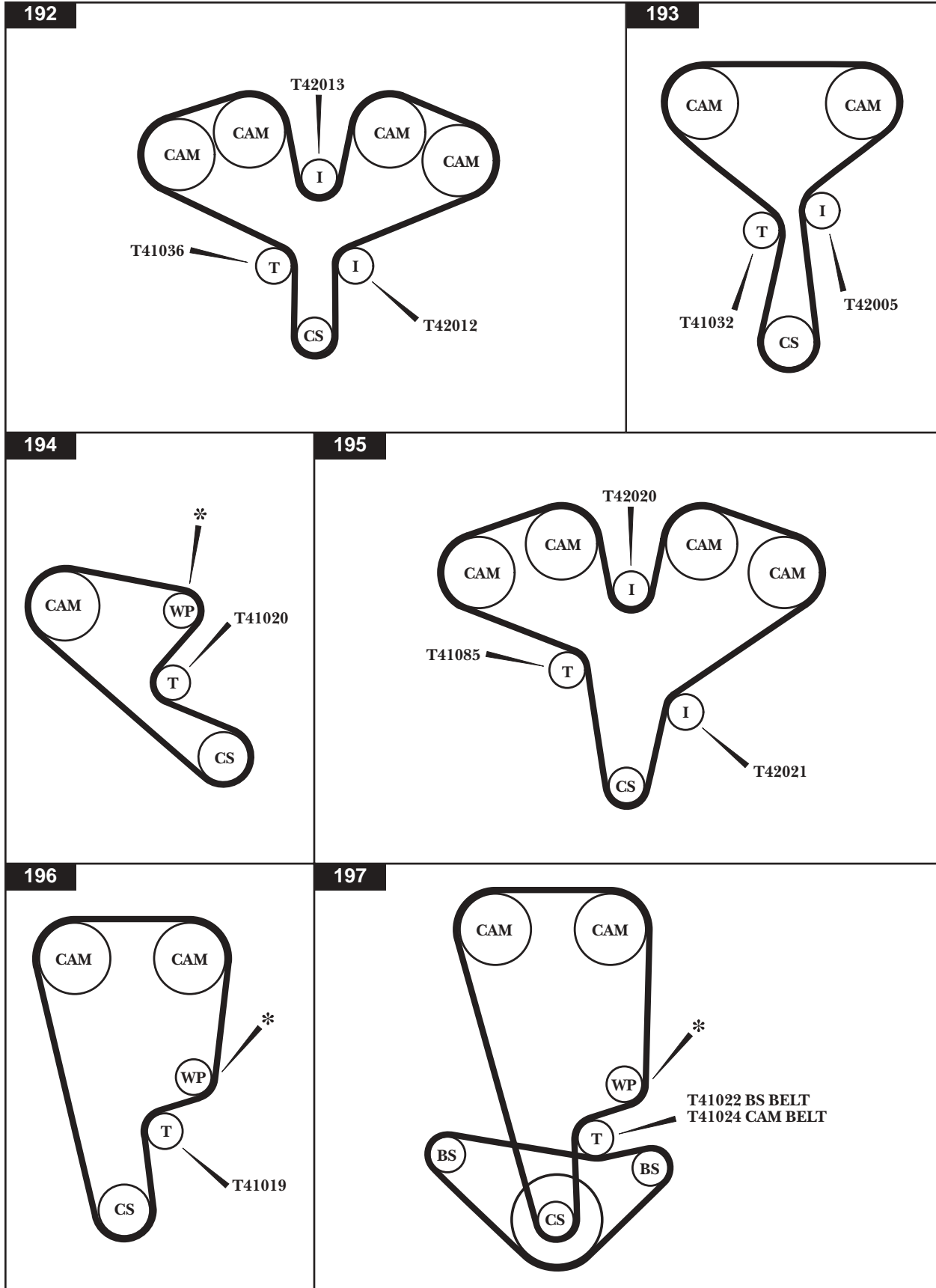
BS – Balance Shaft	I – Idler Pulley	OP – Oil Pump	VP – Vacuum pump
CAM – Camshaft	INT – Intermediate shaft	T – Tensioner	* – See Gates Water Pump Catalog 431-2085
CS – Crankshaft	IP – Injection pump (diesel)	WP – Water pump	◆ – Part number to be announced

# Timing Component Routing Diagrams



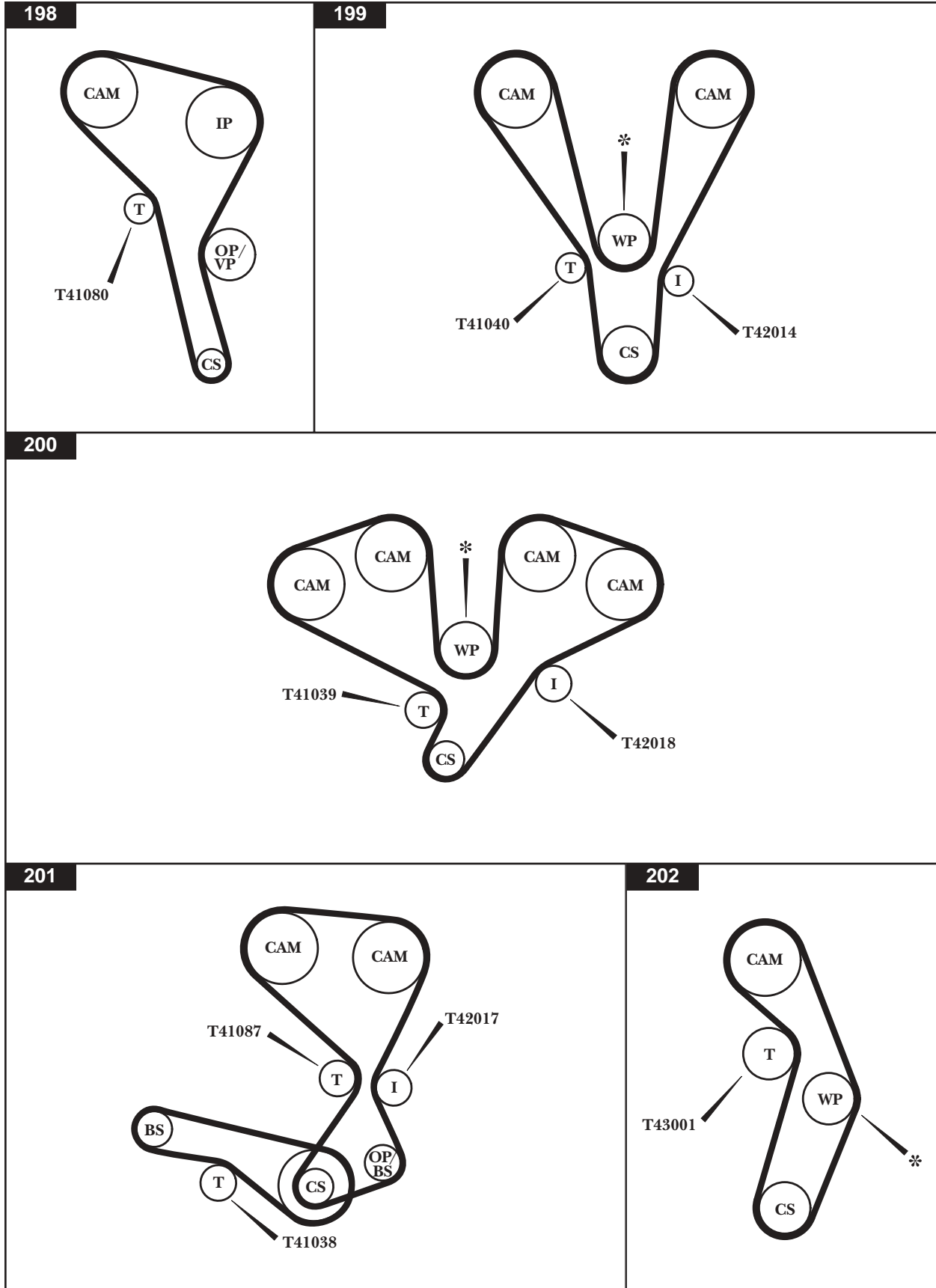
BS - Balance Shaft	I - Idler Pulley	OP - Oil Pump	VP - Vacuum pump
CAM - Camshaft	INT - Intermediate shaft	T - Tensioner	* - See Gates Water Pump Catalog 431-2085
CS - Crankshaft	IP - Injection pump (diesel)	WP - Water pump	◆ - Part number to be announced

# Timing Component Routing Diagrams



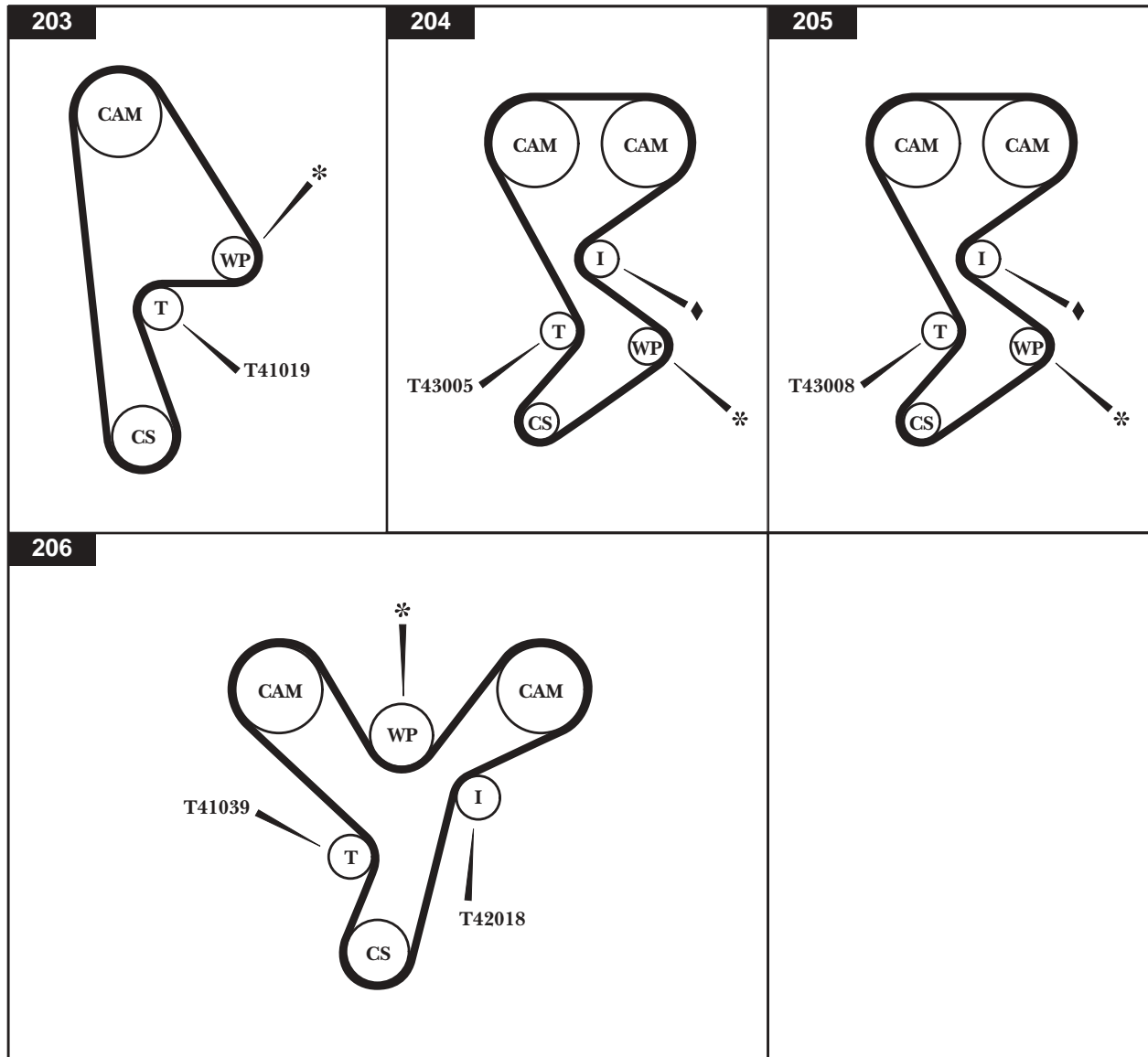
BS - Balance Shaft	I - Idler Pulley	OP - Oil Pump	VP - Vacuum pump
CAM - Camshaft	INT - Intermediate shaft	T - Tensioner	* - See Gates Water Pump Catalog 431-2085
CS - Crankshaft	IP - Injection pump (diesel)	WP - Water pump	◆ - Part number to be announced

# Timing Component Routing Diagrams



BS – Balance Shaft	I – Idler Pulley	OP – Oil Pump	VP – Vacuum pump
CAM – Camshaft	INT – Intermediate shaft	T – Tensioner	* – See Gates Water Pump Catalog 431-2085
CS – Crankshaft	IP – Injection pump (diesel)	WP – Water pump	◆ – Part number to be announced

# Timing Component Routing Diagrams



BS - Balance Shaft	I - Idler Pulley	OP - Oil Pump	VP - Vacuum pump
CAM - Camshaft	INT - Intermediate shaft	T - Tensioner	* - See Gates Water Pump Catalog 431-2085
CS - Crankshaft	IP - Injection pump (diesel)	WP - Water pump	◆ - Part number to be announced