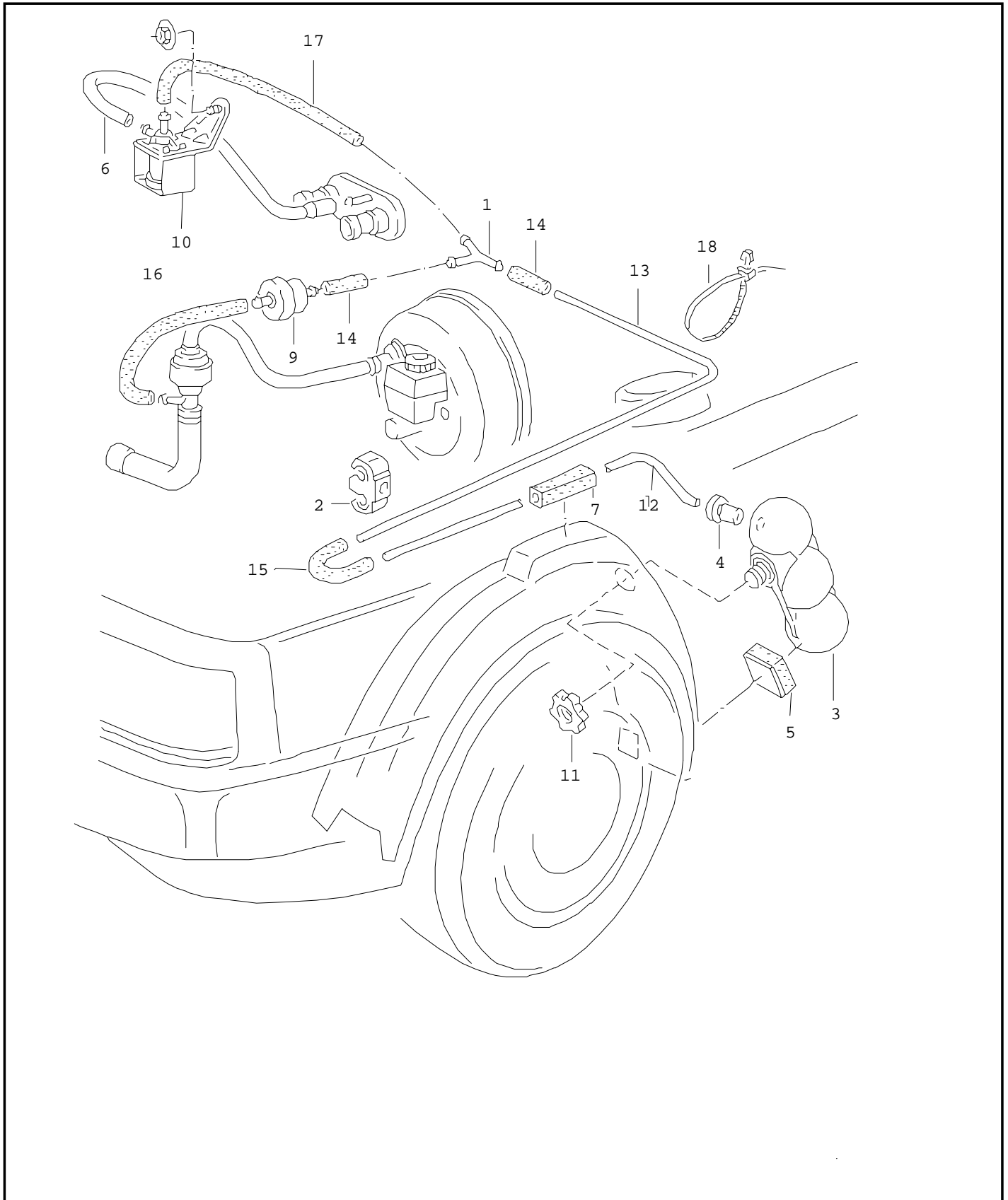




ETKA



Model	Year	MG	SG	Illustration	Restrictions	Update		
PA	92	8	20	120-00		450	11:37	05.11.2005





E T K A



Model PA	Year 92	MG 8	SG 20	Illustration 120-00	Restrictions	Update 450	11:37	05.11.2005
-------------	------------	---------	----------	------------------------	--------------	---------------	-------	------------

Pos	Part Number	Name	Remarks	Qty	Model
		vacuum reservoir vacuum hoses	air condit.		
1	056 129 971	y-piece	4/4/4	1	
(1)	113 201 943 B	t-piece	4/4/4	X	
(1)	052 201 943	junction		1	
-	056 129 777	cap	4MM	1	
2	811 611 797	retainer	2 point	1	
3	357 820 601	vacuum reservoir		1	
4	357 820 609	grommet		1	
-	321 971 905	grommet	16,5/1,7	1	
5	--- --- ---	no longer available			
6	6N0 820 641 A	reducer hose		1	
7	357 820 763	plastic foam tube (self-adhesive)		1	
9	433 862 117	non-return valve		1	
10	437 906 283 A	two-way valve		1	
11	311 955 461	nut		1	
-	055 129 638	reducing piece	4/11,4MM	X	
	N 020 139 1	tube in coils of 5m 'order unit 5'	4X1	*	
12		shorten to:	460MM	1	
13		shorten to:	850MM	1	
	N 020 353 5	hose in coils of 5m 'order unit 5'	3,5X2	*	
14		shorten to:	90MM	2	
15		shorten to:	150MM	1	
(15)	034 133 784	angled hose	3,5MM	1	
16		shorten to:	200MM	1	
17		shorten to:	350MM	1	
18	N 906 661 01	cable tie	4,5X200	X	
-	N 100 911 01	pipe clip	7,5-9	7	
- - - E N D - - -					