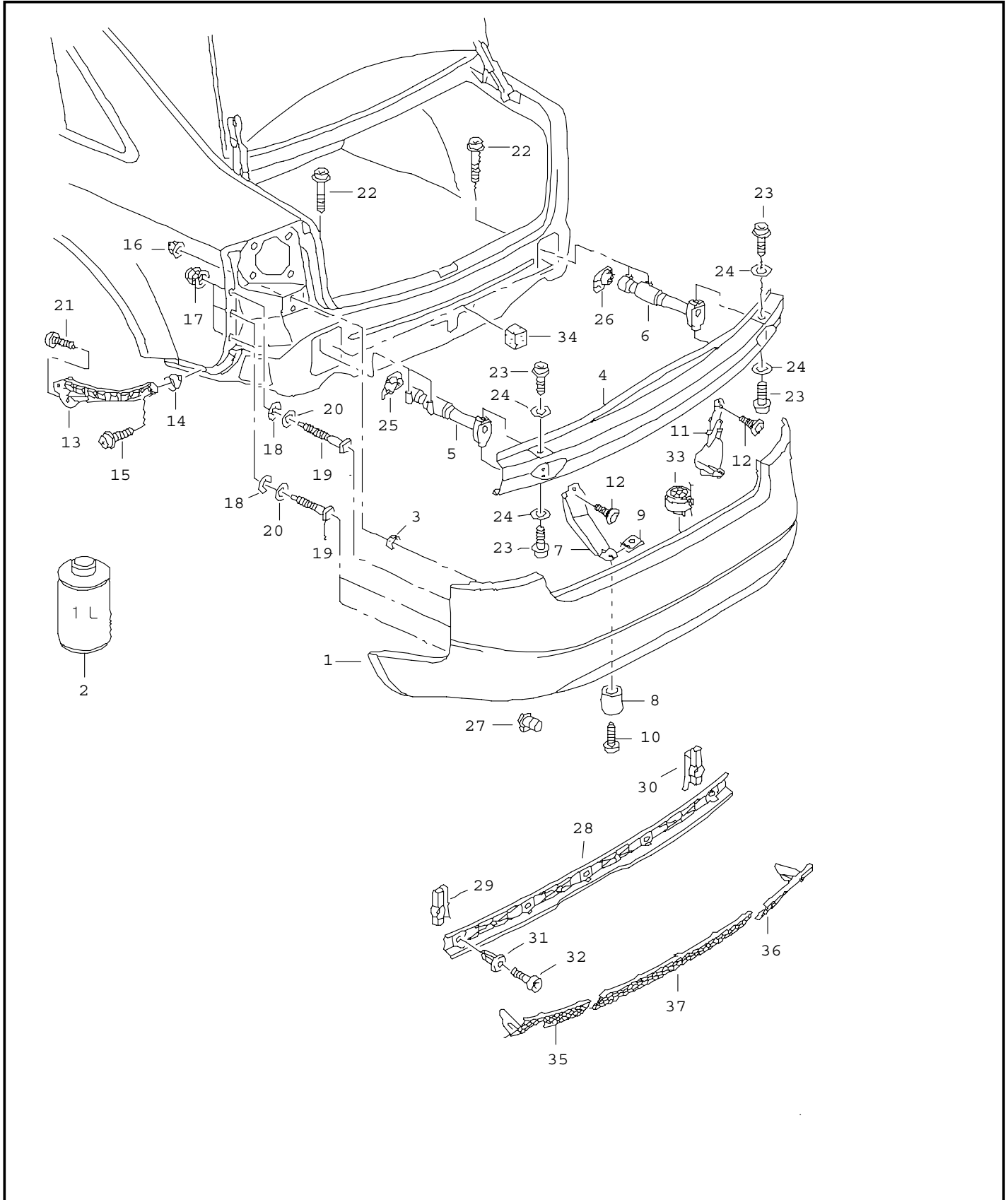




ETKA



Model	Year	MG	SG	Illustration	Restrictions	Update		
RS6	05	8	07	807-50		512	8:06	12.04.2005





ETKA



Model	Year	MG	SG	Illustration	Restrictions	Update	8:06	12.04.2005
RS6	05	8	07	807-50		512		

Pos	Part Number	Name	Remarks	Qty	Model
		bumper	rear		
1	4B4 807 303 H	bumper		1	sedan
	7/02 9/04 GRU	primed			
(1)	4B6 807 303 F	bumper		1	AVANT
	7/02 9/04 GRU	primed			
2	b L2K 769 7DL A2	grey	1.0 ltr.	X	
3	4B0 807 405 A	sealing washer	5,5X13X24MM	4	
4	4B0 807 313 F	side reinforcement		1	
5	4B0 807 331 E	retainer	left	1	
6	4B0 807 332 E	retainer	right	1	
7	4B0 807 329	retainer	left lower	1	
8	4B3 807 083	adapter	lower	1	
9	N 015 437 3	snap nut	B4,8X16,5X11	2	
10	N 908 311 01	oval head panel screw	ST4,8X28-C	1	
11	4B0 807 330	retainer	right lower	1	
12	+ N 907 750 01	torx socket head panel screw	4,8X16	2	
13	4B4 807 453	guide piece	left	1	sedan
(13)	4B4 807 454	guide piece	right	1	sedan
(13)	4B6 807 453	guide piece	left	1	AVANT
(13)	4B6 807 454	guide piece	right	1	AVANT
14	+ 443 807 300 A	expanding nut	10,4	6	
15	+ N 900 626 03	oval head panel screw (combi)	B5,5X13	6	
16	+ N 901 752 03	hexagon nut, shouldered	M6	4	