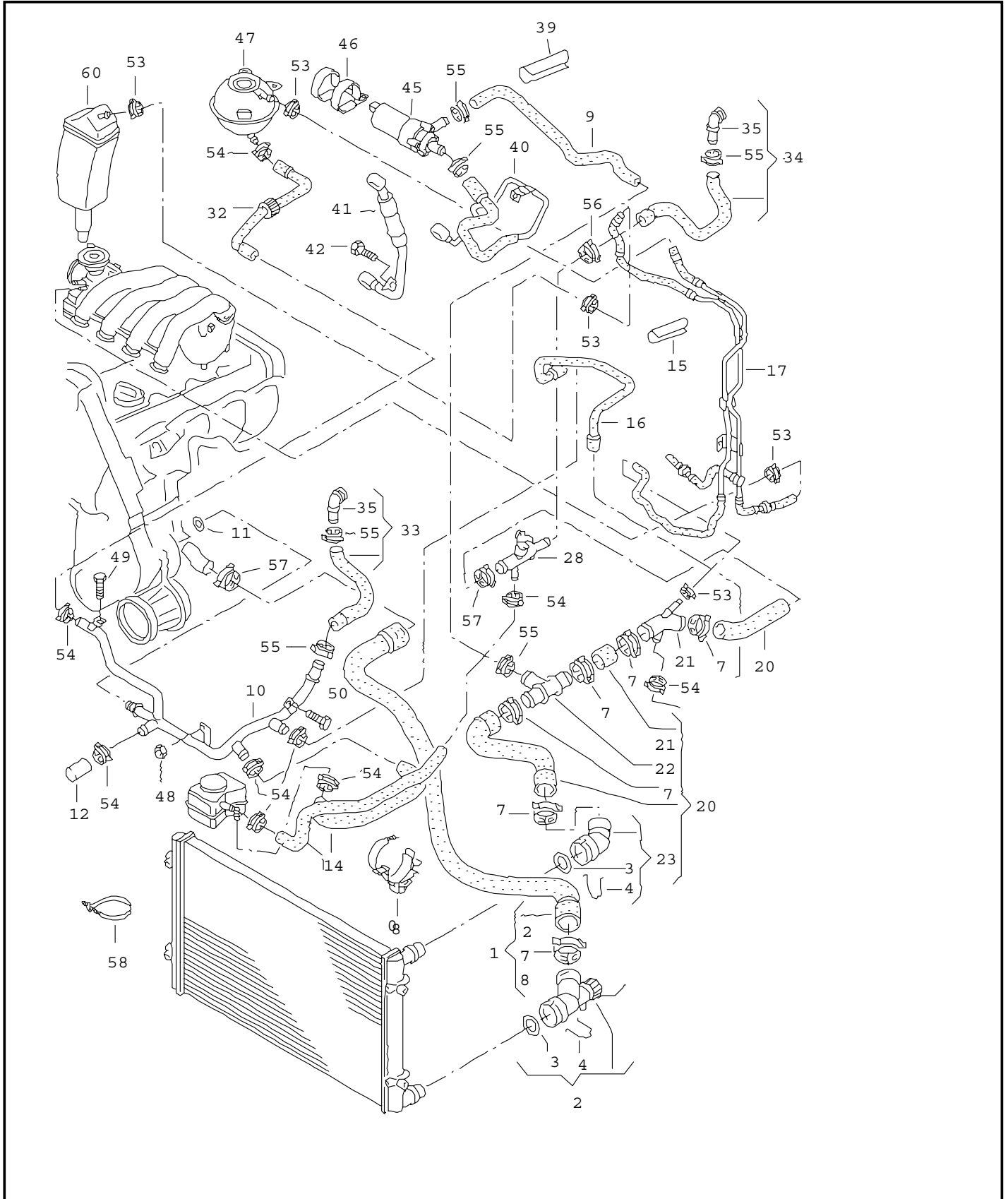




# ETKA



Model	Year	MG	SG	Illustration	Restrictions	Update		
ATT	00	1	21	121-38		436	20:38	10.11.2004





# ETKA



Model	Year	MG	SG	Illustration	Restrictions	Update	20:38	10.11.2004
ATT	00	1	21	121-38		436		

Pos	Part Number	Name	Remarks	Qty	Model
		water cooling			APX, BAM
1	8N0 121 051 B	water hose (radiator > water pump)		1	
2	1J0 122 291 A	quick coupling piece		1	
3	N 907 653 01	round seal	32X4-N	X	
4	1J0 121 142	retaining spring		1	
7	N 906 558 01	spring-type clip	40X12	X	
8	1J0 121 093 C	bracket		1	
9	8L9 121 053 A	water hose		1	APX
10	06A 121 065 AG	water pipe		1	APX
(10)	06A 121 065 BE	water pipe for vehicles with electronic stability program -esp-		1	APX
(10)	06A 121 065 BQ	water pipe for vehicles with electronic stability program -esp-		1	BAM
-	06A 121 103	water hose (flange > water pipe)  only for:  for vehicles with electronic stability program -esp-	06A 121 065 BE 06A 121 065 BQ	1	
11	N 903 653 02	round seal	20X3	1	
12	078 133 335 A	cap		1	
14	8N0 121 088	water hose (flange > oil cooler > water pipe)		1	APX, BAM
15	8L9 121 653	heat deflector		2	APX, BAM
16/20	8L9 121 086 K	water hose for vehicles with electronic stability program -esp- for vehicles with retrofitted electronic stability programme -esp- (adapter > water pipe) (adapter > cylinder head)		1	APX, BAM
-	8L9 121 096 F	water hose for vehicles with retrofitted electronic stability programme -esp- (adapter > water pipe)		1	APX, BAM



# ETKA



Model ATT	Year 00	MG 1	SG 21	Illustration 121-38	Restrictions	Update 436	20:38	10.11.2004
--------------	------------	---------	----------	------------------------	--------------	---------------	-------	------------

Pos	Part Number	Name	Remarks	Qty	Model
17		water hose water pipe F >> 8N-Y-036 000* see illustration:	121-42	1	APX
-	1J0 121 093 J	bracket	left	1	
-	1J0 121 093 L	bracket	right	1	
16/17	8N0 121 086 G	water hose for vehicles with anti-slip regulation -asr- or for vehicles with electronic differential lock -edl- F 8N-Y-036 001>>*		1	APX
(17)	8N0 121 086 F	water hose electronic stability programme -esp- F 8N-Y-036 001>>*		1	APX
(17)	8N0 121 086 M	water hose for vehicles with electronic stability program -esp-		1	BAM
-	8N0 121 070 B	water pipe		1	
-	8L9 121 651	heat deflector		1	APX,BAM
-	8L9 121 653	heat deflector		2	APX,BAM
-	8L9 121 659	heat deflector		1	APX,BAM
20	8L9 121 101	water hose with: thermo switch for vehicles with air condit. F >> 8N-Y-050 000*		1	APX
(20)	8L9 121 101 A	water hose without: thermo switch for vehicles with air condit. F 8N-Y-050 001>>*		1	APX,BAM
(20)	8L9 121 101 A	water hose for vehicles with no air conditioning system		1	APX,BAM
21	1J0 121 087 A	adapter with: thermo switch		1	
-	N 903 168 02	round seal	19,6X3,6	1	
-	032 121 142	retaining spring		2	
(21)	1J0 121 087 C	adapter without: thermo switch		1	



# ETKA



Model	Year	MG	SG	Illustration	Restrictions	Update	20:38	10.11.2004
ATT	00	1	21	121-38		436		

Pos	Part Number	Name	Remarks	Qty	Model
22	N 906 929 01	adapter	32X20X32	1	APX
23	1J0 122 291	quick coupling piece		1	
28		see illustration:	121-75		
32	8L9 121 109	water hose (expansion chamber > water pipe) F >> 8N-Y-010 490*		1	APX
(32)	8L9 121 109	water hose (expansion chamber > water pipe) F 8N-Y-010 491>> 8N-1-010 000*	lhd	1	APX
(32)	8L9 121 109 C	water hose (expansion chamber > water pipe) F 8N-Y-010 491>> 8N-1-010 000*	rhd	1	APX
32/40	06A 121 081 B	water hose F 8N-1-010 001>>* (expansion chamber > water pipe) (turbocharger > additional water pump)		1	APX,BAM
33	8L9 121 073 D	water hose with quick- coupling piece (heat exchanger > water pipe) for vehicles with electronic differential lock -edl- for vehicles with anti-slip regulation -asr-		1	APX,BAM
(33)	8L9 121 073 C	water hose with quick- coupling piece (heat exchanger > water pipe) for vehicles with electronic stability program -esp-		1	APX,BAM
34	8L9 121 157 C	water hose with quick- coupling piece (flange > heat exchanger) for vehicles with electronic stability program -esp-		1	APX,BAM
(34)	8L9 121 157 D	water hose with quick- coupling piece (flange > heat exchanger) for vehicles with electronic differential lock -edl- for vehicles with anti-slip regulation -asr-		1	APX,BAM
33/34	8N0 121 154 C	water hose with quick- coupling piece for vehicles with retrofitted electronic stability programme -esp-		1	APX,BAM



# ETKA



Model	Year	MG	SG	Illustration	Restrictions	Update	20:38	10.11.2004
ATT	00	1	21	121-38		436		

Pos	Part Number	Name	Remarks	Qty	Model
35	3B0 122 291 B	quick coupling piece		2	APX,BAM
39	8L9 121 655	heat deflector		1	APX,BAM
(39)	8L9 121 655 A	heat deflector		1	APX,BAM
40	06A 121 492 M	water pipe F >> 8N-1-010 000* use if required: (turbocharger > additional water pump)	return N 021 074 2 N 013 814 9	1 1 2	APX
40/32	>06A 121 081 B	water hose F 8N-1-010 001>>* (expansion chamber > water pipe) (turbocharger > additional water pump)		1	APX,BAM
-	06A 121 214	bracket		1	
-	06A 121 232	bracket		1	
-	N 102 278 03	allen key head bolt (combi)	M6X20	2	
41	06A 121 497 G	water hose (turbocharger > cylind. block) F >> 8N-1-011 000* use if required:	feed N 021 074 2 N 013 814 9	1 1 2	APX
41	06A 121 497 K	water hose (turbocharger > cylind. block) F 8N-1-011 001>>* use if required:	feed N 021 074 2 N 013 814 9	1 1 2	APX,BAM
42	N 014 702 10	allen key head bolt	M6X15	2	
45	078 965 561	additional water pump		1	
46	8L9 965 551 A	bracket	only for: 078 965 561	1	
47		see illustration:	121-75		
48	N 907 186 01	hexagonal head bolt	M8X12	1	
49	N 102 390 02	hexagon socket head bolt with collar	M8X11	1	
50	N 901 752 03	hexagon nut, shouldered	M6	1	
53	N 102 922 01	spring-type clip	A14X12	X	
54	N 906 555 01	spring-type clip	23X12	X	
55	N 906 556 01	spring-type clip	27X12	X	



# ETKA



Model	Year	MG	SG	Illustration	Restrictions	Update		
ATT	00	1	21	121-38		436	20:38	10.11.2004

Pos	Part Number	Name	Remarks	Qty	Model
56	N 906 557 01	spring-type clip	32X12	1	
57	N 906 558 01	spring-type clip	40X12	X	
58	N 020 902 2	cable tie	3,6X246	X	
60		see illustration:	201-95		
-	N 104 079 01	bracket	02-25X05-25	1	APX,BAM
-	N 102 918 01	bracket for hose	A01-22XC01-22	1	
-	N 104 312 01	holder - hose	A1-13XC1-14	2	APX,BAM
		- - - E N D - - -			