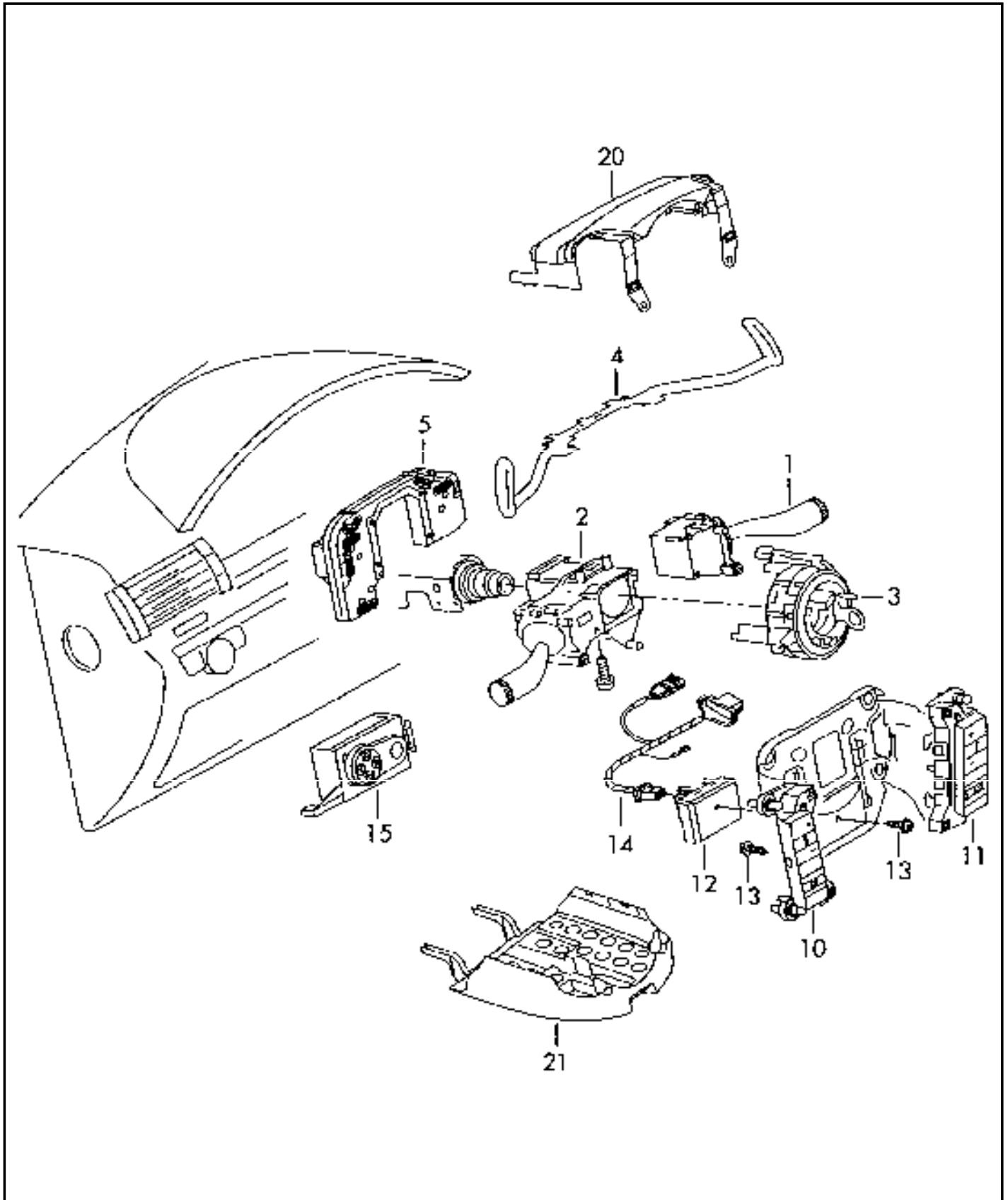




ETKA

Model	Year	MG	SG	Illustration	Restrictions	UPD	9:47	29.04.2008
TOUA	2008	9	53	953-50		697	USA	





ETKA

Model	Year	MG	SG	Illustration	Restrictions	UPD	9:47	29.04.2008
TOUA	2008	9	53	953-50		697	USA	

Pos	Part Number	Name	Remarks	Qty	Model
(1)	7L6 953 503 E	steering column switch and trim		1	
	12/06 B41	switch for wipers/wash-wipe operation			
(1)	7L6 953 503 D	switch for wipers/wash-wipe operation		1	
	12/06 B41	for vehicles with cruise control system			
	12/06 B41	satin black			
(1)	7L6 953 503 C	switch for wipers/wash-wipe operation		1	
	12/06 B41	for vehicles with tiptronic			
	12/06 B41	satin black			
(1)	7L6 953 503 B	switch for wipers/wash-wipe operation		1	
	12/06 B41	for vehicles with cruise control system and tiptronic			
	12/06 B41	satin black			
2	3D0 953 513	switch for turn signals, high and low beams, headlamp flasher and parking light		1	
(2)	7L6 953 513	switch for turn signals, high and low beams, headlamp flasher and parking light		1	
	12/06 B41	for vehicles with auto- matic distance control			
	12/06 B41	satin black			
3	8E0 953 541 E	cancelling ring with slip ring and steering sensor		1	
(4)	3D0 953 543 B	pushbutton for tiptronic		1	
	12/06 01C	satin black			
(5)	7L6 953 549 F	electronic modul for steering col. combination switch		1	



ETKA

Model	Year	MG	SG	Illustration	Restrictions	UPD	9:47	29.04.2008
TOUA	2008	9	53	953-50		697	USA	

Pos	Part Number	Name	Remarks	Qty	Model
(5)	7L6 953 549 G	electronic modul for steering col. combination switch for vehicles with steering wheel, heated or for vehicles with automatic distance control or for vehicles with lane change assist		1	
(10)	7L6 959 537	switch for radio and telephone remote control for vehicles with cruise control system	left 6 buttons	1	
	12/06 3X1	black			
(10)	7L6 959 537 A	switch for radio and telephone remote control for vehicles with cruise control system	left 7 buttons	1	
	12/06 3X1	black			
(11)	7L6 959 538 D	switch for radio and telephone remote control	right 5 buttons	1	PR-4LY, 4LK+ 9ZS
	12/06 3X1	black	right		
(11)	7L6 959 538 E	multiple switch for radio and telephone remote control and multifunction display	right 7 buttons	1	
	12/06 3X1	black	right		
12	3D0 959 542 B	control unit for multi-function steering wheel		1	
13	N 904 997 02	fillister hd. screw with double thread	3X3,1X10	3	
14	3D0 971 582 AE	adapter wiring harness for airbag		1	
15	3D0 953 551	switch for steering column adjustment		1	
	12/06 01C	satin black			
20	7L6 953 515	trim, upper part		1	
	12/06 4A1	brown	-HG, LH, MG, ML, NV, NZ, QJ, QN, MS, NJ, QU		



ETKA

Model	Year	MG	SG	Illustration	Restrictions	UPD	9:47	29.04.2008
TOUA	2008	9	53	953-50		697	USA	

Pos	Part Number	Name	Remarks	Qty	Model
21 (21)	12/06 75R	anthracite	-HF, HH, LF, LZ, MF, MH, MJ, MK, NU, NW, NX, NY, QH, QK, QL, QM, IA, ID, NM, IB, IE, IC, IF, IL	1	
	7L6 953 516	trim, lower part			
	12/06 4A1	brown	-HG, LH, MG, ML, NV, NZ, QJ, QN MS, NJ, QU		
	03/07 75R	anthracite	-HF, HH, LF, LZ, MF, MH, MJ, MK, NU, NW, NX, NY, QH, QK, QL, QM, IA, ID, NM, IB, IE, IC, IF		
	7L6 953 516 A	trim, lower part for vehicles with electric memory-steering column adjustable			
	12/06 4A1	brown	-HG, LH, MG, ML, NV, NZ, QJ, QN, MS, NJ, QU	1	
	12/06 75R	anthracite	-HF, HH, LF, LZ, MF, MH, MJ, MK, NU, NW, NX, NY, QH, QK, QL, QM, IA, ID, IB, IE, IC, IF, NM		