



Front seats

CAUTION!

Before beginning repairs on the electrical system:

- ◆ ***Obtain the anti-theft radio security code.***
- ◆ ***Switch the ignition off.***
- ◆ ***Disconnect the battery Ground (GND) strap.***
- ◆ ***On vehicles equipped with Audi Telematics by OnStar® , switch-off the emergency (back-up) battery for the Telematic/Telephone Control Module prior to disconnecting vehicle battery ⇒ [Repair Manual, Communication, Repair Group 01](#) .***

Vehicle

System

Repair Group

Previous Topic

Next Topic

Technical
Bulletins

Wiring Diagrams

Warnings &
Cautions

Print

Search

Advanced
Search

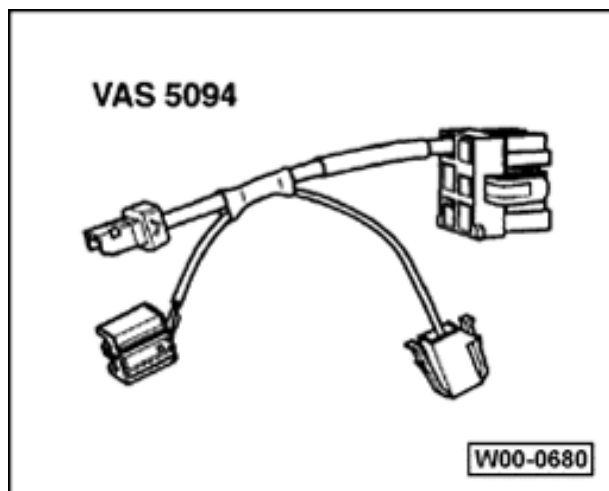
- ✦ ***After reconnecting vehicle battery, re-code and check operation of anti-theft radio. Also check operation of clock and power windows according to Repair Manual and/or Owner's Manual.***

- ✦ ***After reconnecting vehicle battery on vehicles equipped with Audi Telematics by OnStar[®], switch-on the emergency (back-up) battery for the Telematic/Telephone Control Module ⇒ [Repair Manual, Communication, Repair Group 01](#).***

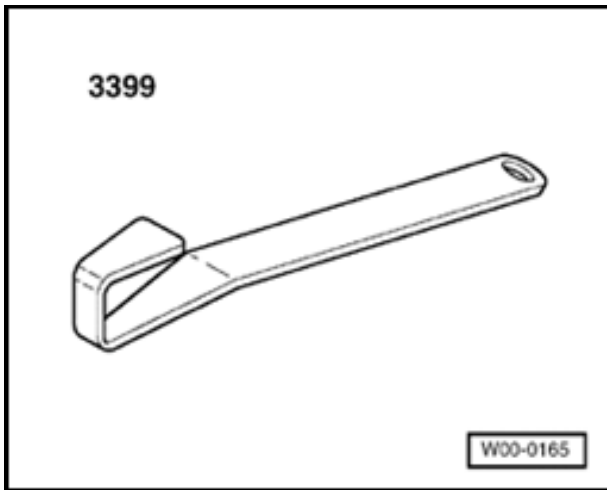


Tools required

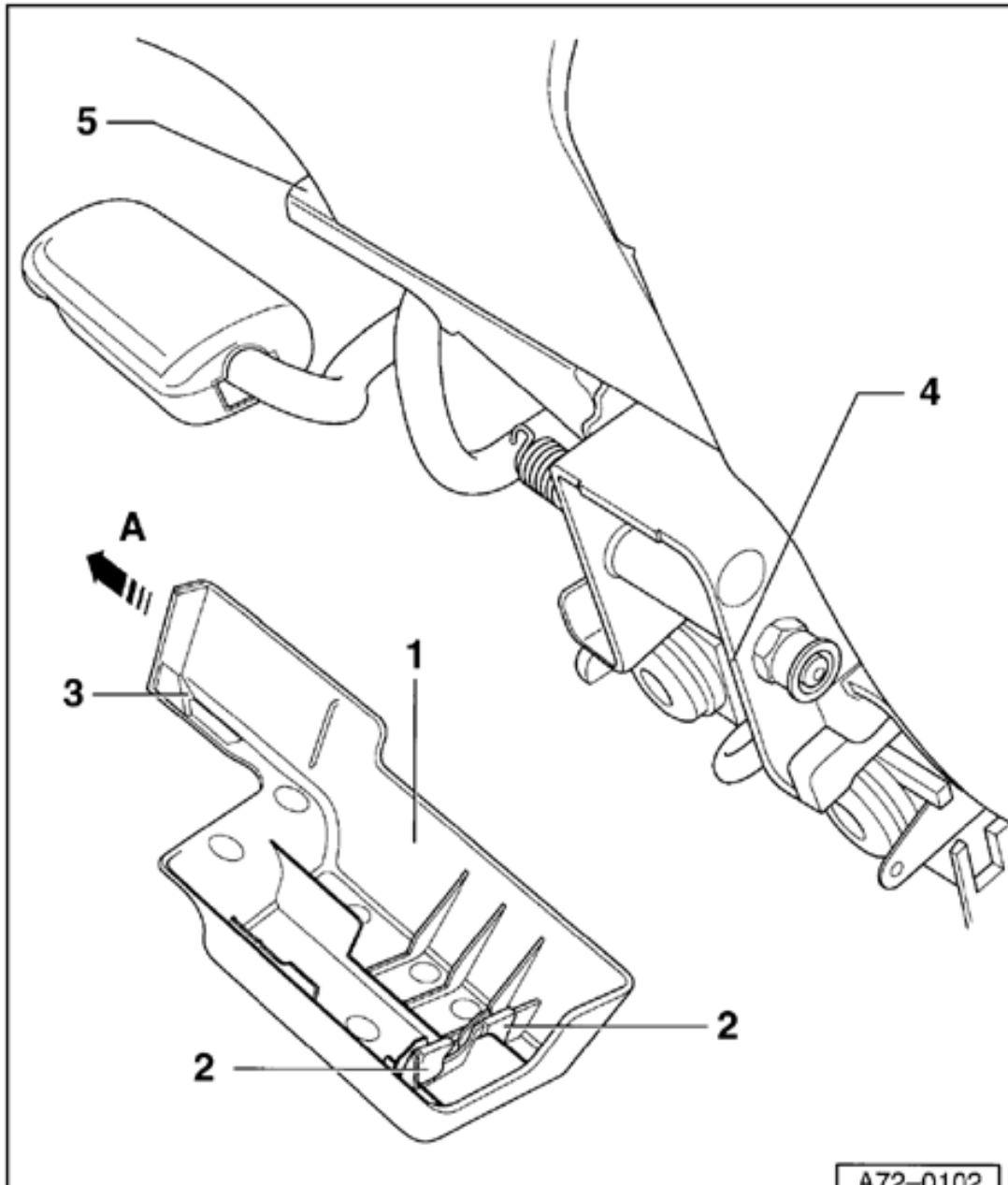
Required special tools and equipment



- ◆ VAS 5094 airbag adapter



◆ Special tool
3399



Trim piece for front seat, removing and installing

1 - Front trim cap

Removing

- Pull front seat rail front-cover -1- off toward the front at retaining clips -2-.
- Pull front seat rail front-cover -1- in direction of -arrow A-.
- Remove front seat rail front-cover -1-.

Installing

A72-0102

- Engage retaining tab -3- on front seat rail front-cover -1- in bar -5-.

- Press on front seat rail front-cover -1- so that retaining clips -2- engage on seat -4-.

2 - Retaining clips (2x)

3 - Retaining tab

4 - Seat

5 - Bar



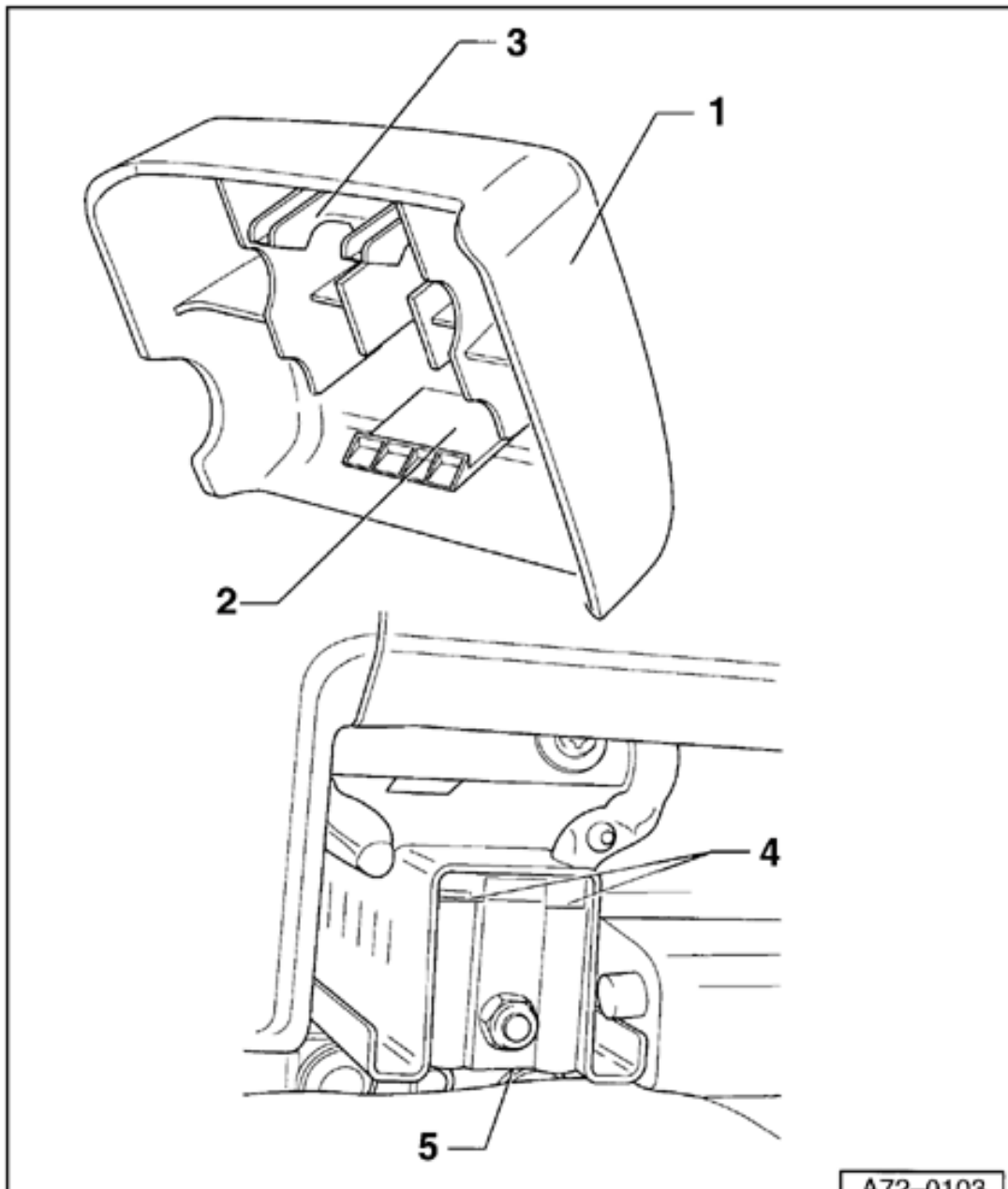
Front seat rail front-cover (power seat with memory), removing and installing

1 - Front trim cap

Removing

- Pull front seat rail front-cover -1- upward slightly so that retaining tabs -3- can be released from mount -4-.
- Pivot top of front seat rail front-cover -1- forward and release retaining tab -2- at the bottom.

Installing



A72-0103

- Engage retaining tab -2- on front seat rail front-cover -1- at mount -5-.

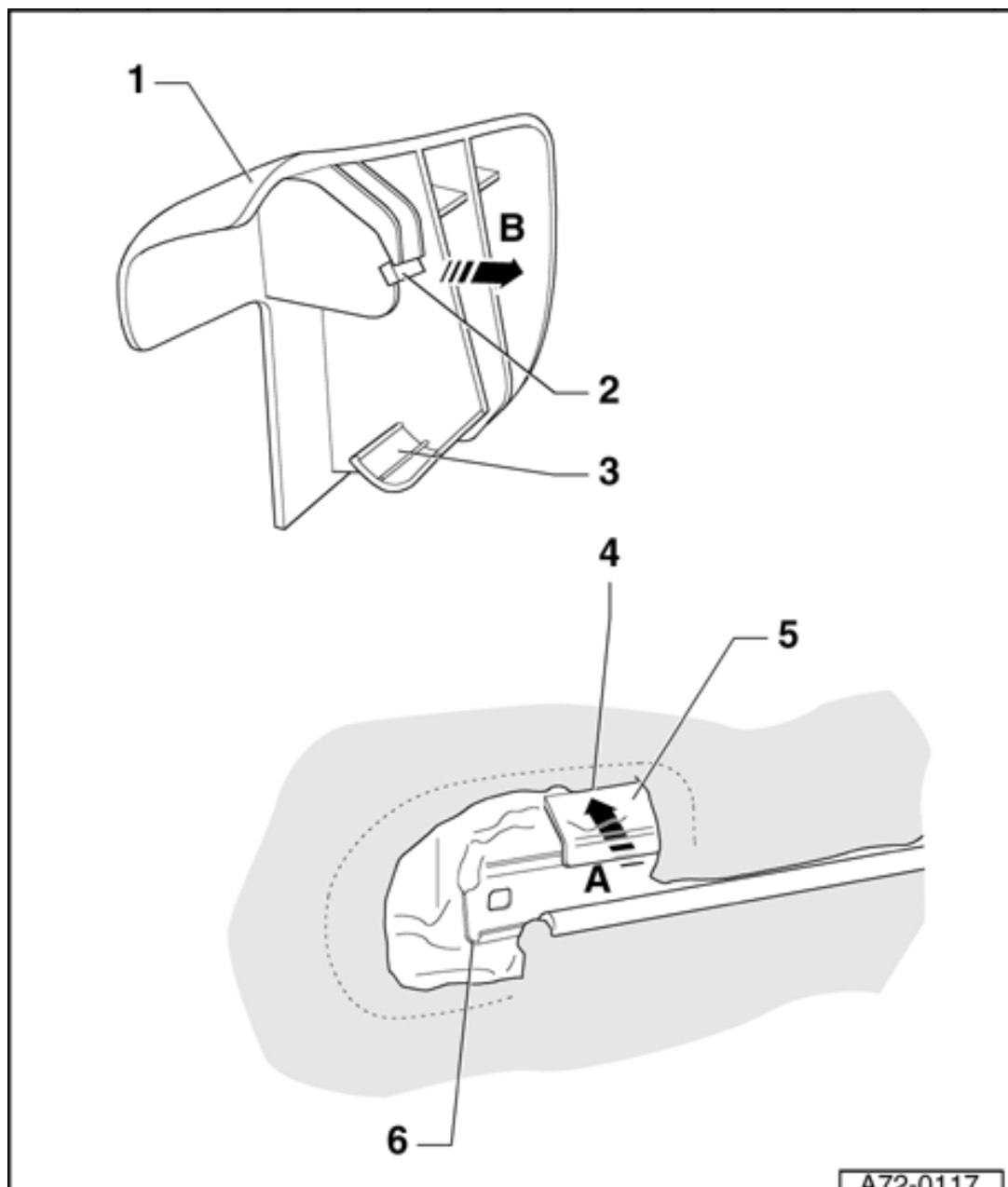
- Guide retaining tabs -3- in front seat rail front-cover -1- onto mounts -4- and snap into position by knocking lightly.

2 - Retaining tab

3 - Retaining tabs (2x)

4 - Mounts (2x)

5 - Mount



Front seat rail rear-cover (outboard side), removing and installing

1 - Front seat rail rear cover (outboard side)

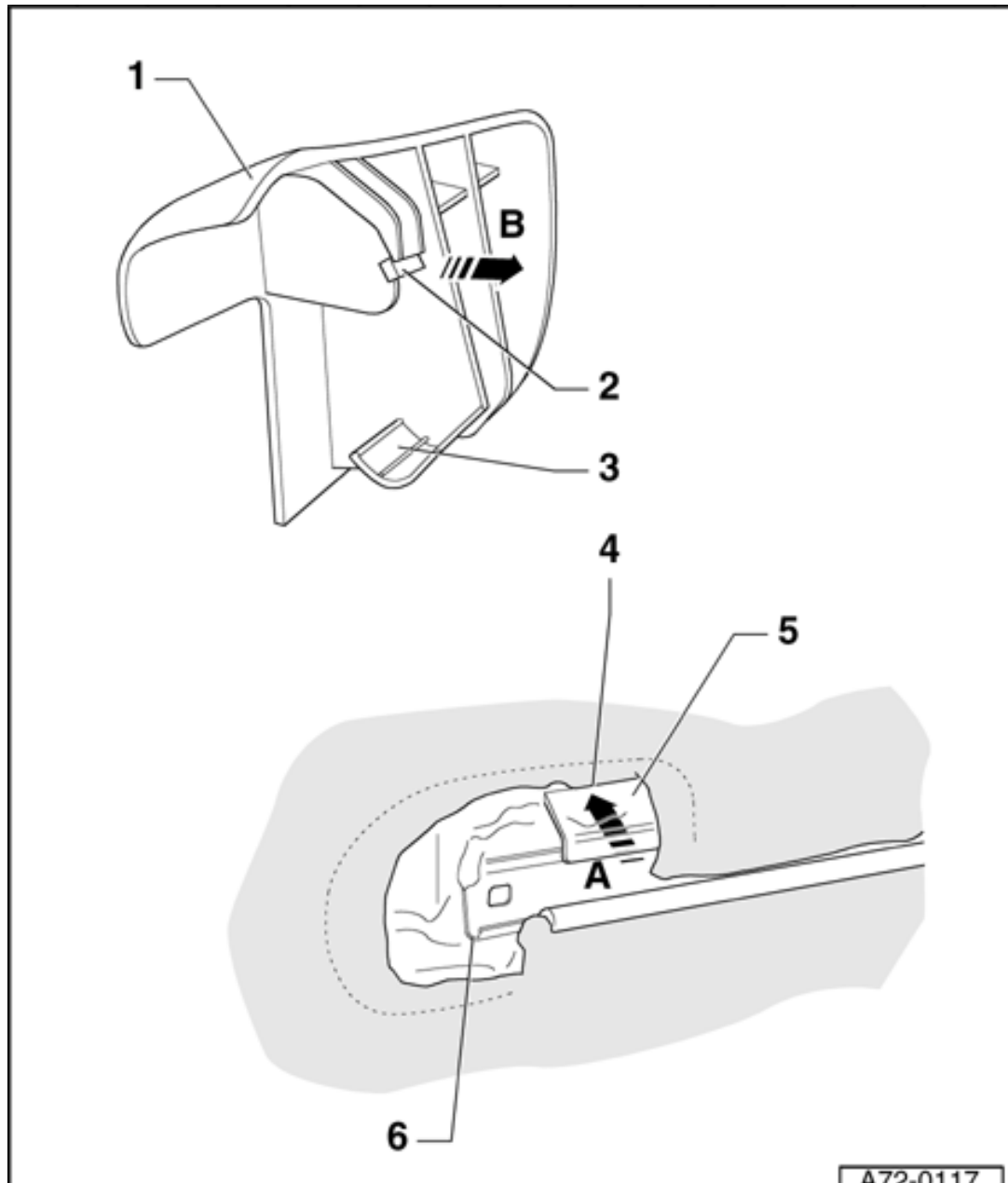
Removing

- Insert a finger under outboard-side cover -1-, - arrow A-, and press retaining tab -2- in direction of - arrow B-.
- At the same time, firmly pull outboard-side cover -1- out toward the rear.

Installing

A72-0117

- Install outboard-side cover -1- so that guide -3- goes under metal tab -6- and retaining tab -2- is above seat rail -5-.



- Press outboard-side cover -1- against carpet, and at the same time push it forward so that retaining tab -2- snaps into mount -4-.

2 - Retaining tab

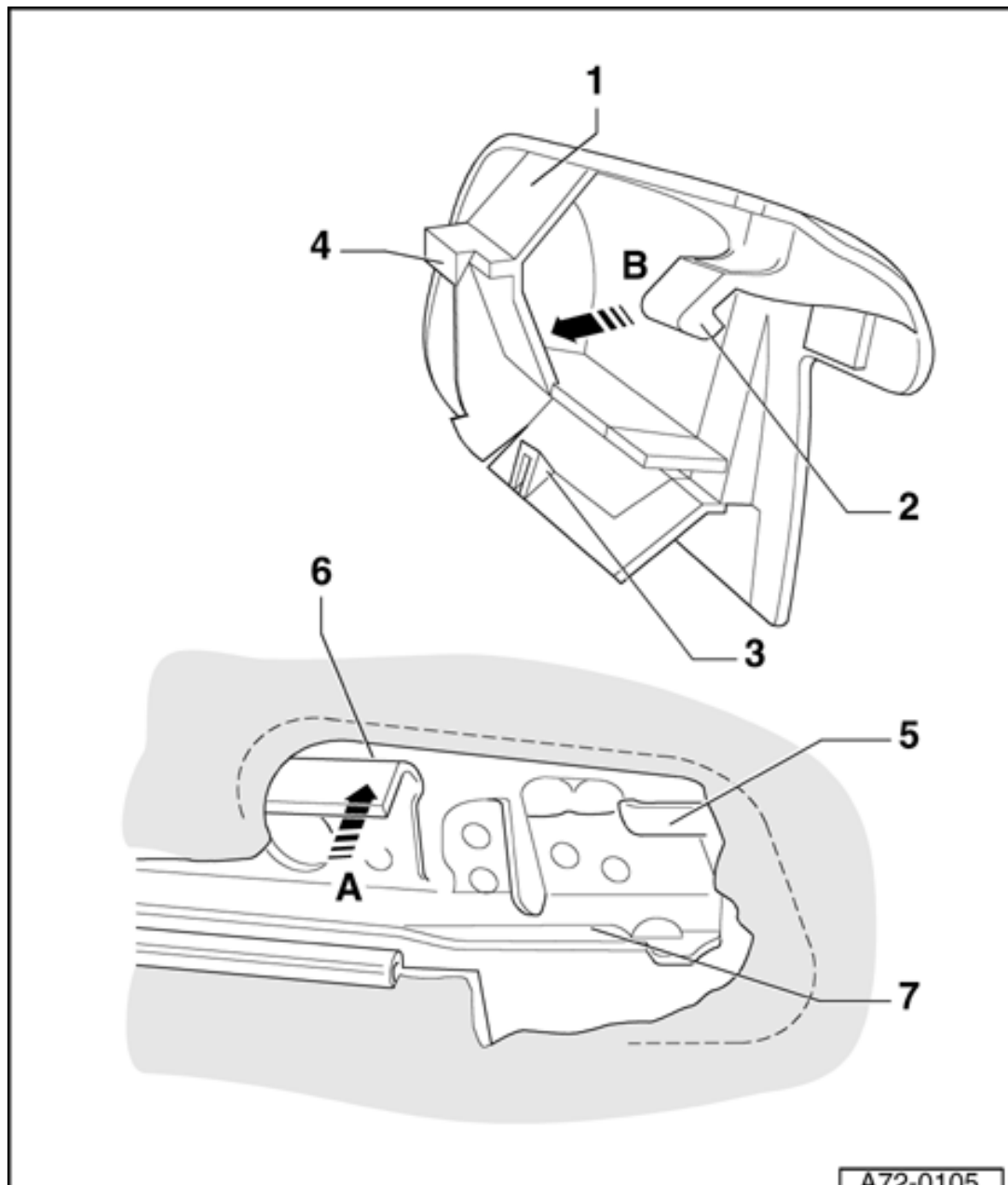
3 - Guide

4 - Mount

5 - Seat rail

6 - Metal tab

A72-0117



Front seat rail rear-cover (inboard side), removing and installing

1 - Front seat rail rear-cover (inboard side)

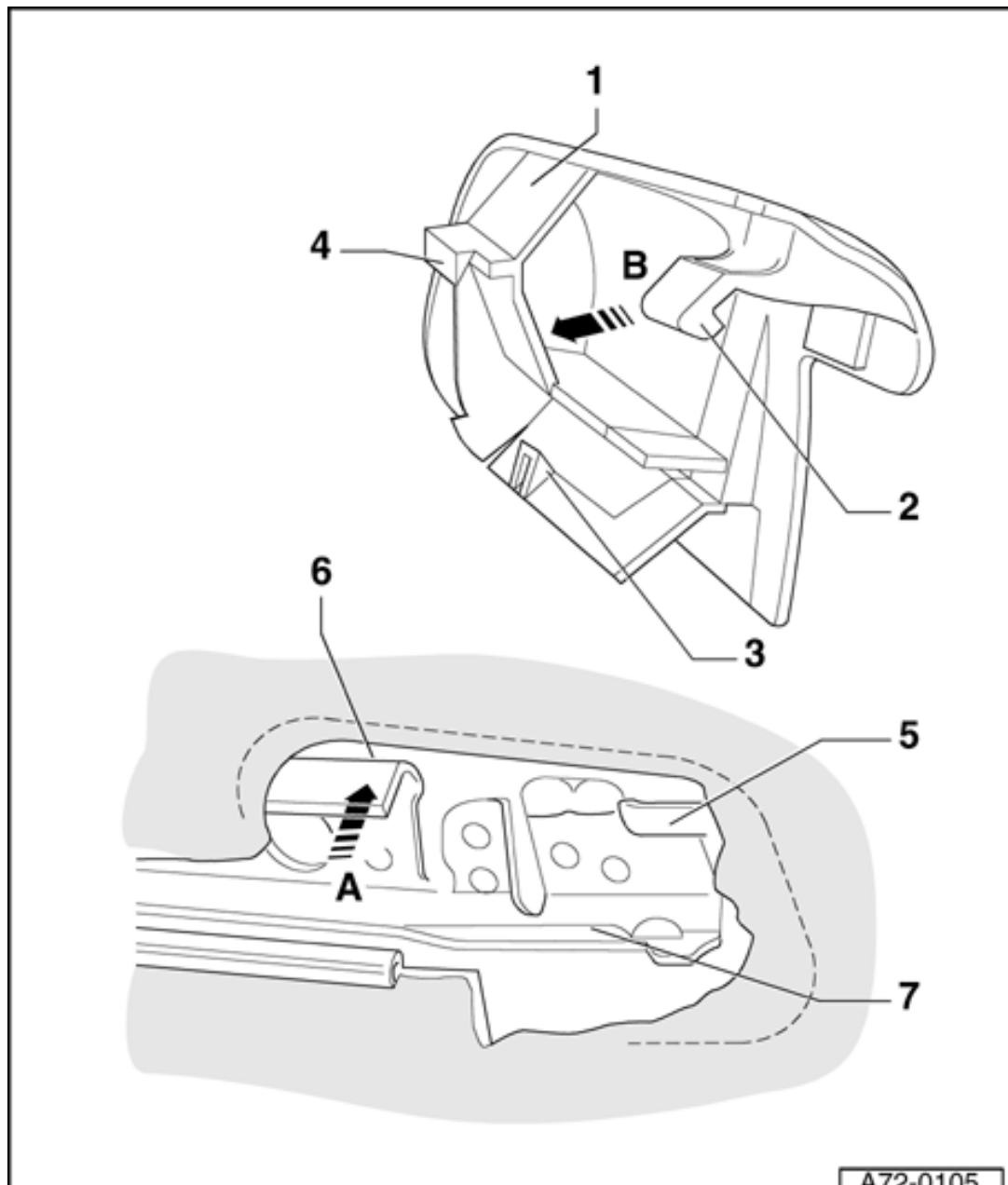
Removing

- Insert a finger under inboard-side cover -1-, - arrow A-, and press retaining tab -2- in direction of - arrow B-.
- Press inboard-side cover -1- downward and at the same time pull it out toward the rear.

Installing

A72-0105

- Locate inboard-side cover -1-, press it against the carpet and at the same time push it forward so that retaining tabs -2- and -3- engage on mounts -6- and -7-.



2 - Retaining tab

3 - Retaining tab

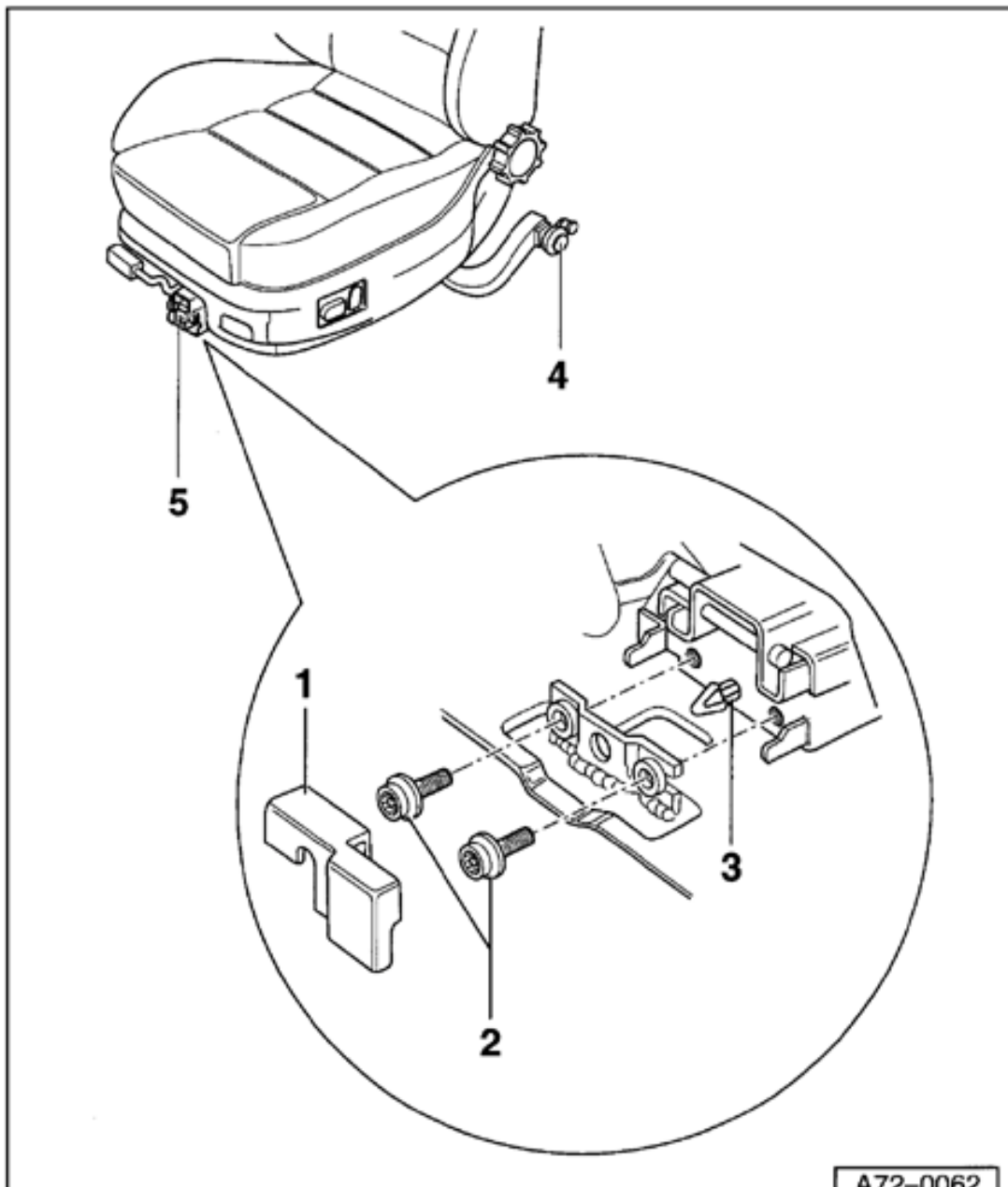
4 - Guide

5 - Metal tab

6 - Mount

7 - Mount

A72-0105



Seat, removing and installing

Note:

- ◆ *The removal and installation procedures may have to be modified slightly depending on variations in equipment.*
- ◆ *On vehicles with power seat with memory, run the seat all the way to the rear and to the top height setting before disconnecting battery.*
- ◆ *Obtain radio code before disconnecting battery.*

See Caution before beginning repairs on electrical system ⇒ [Page 72-1](#)

CAUTION!

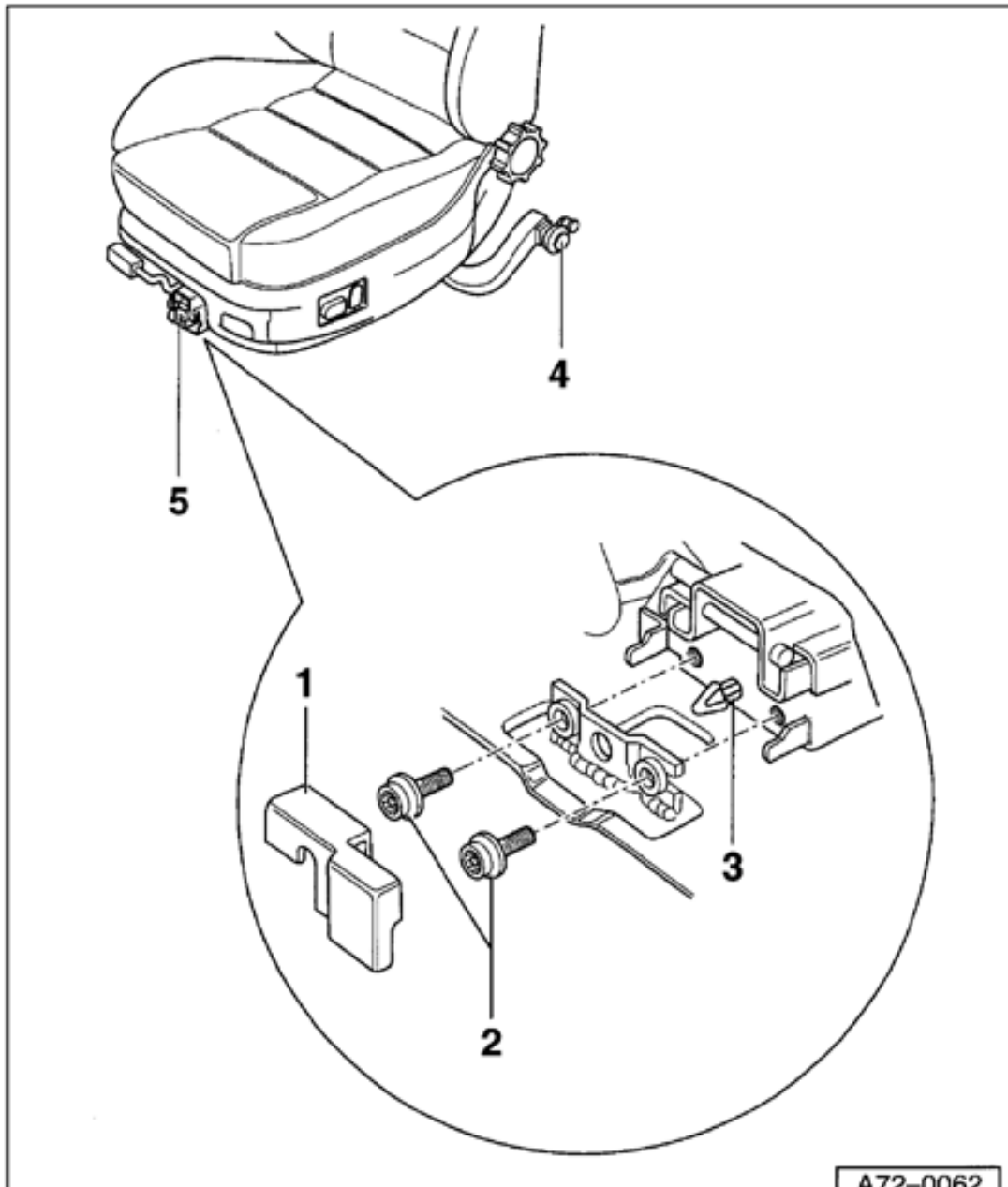
Disconnect battery Ground (GND) strap before

A72-0062

removing seat.

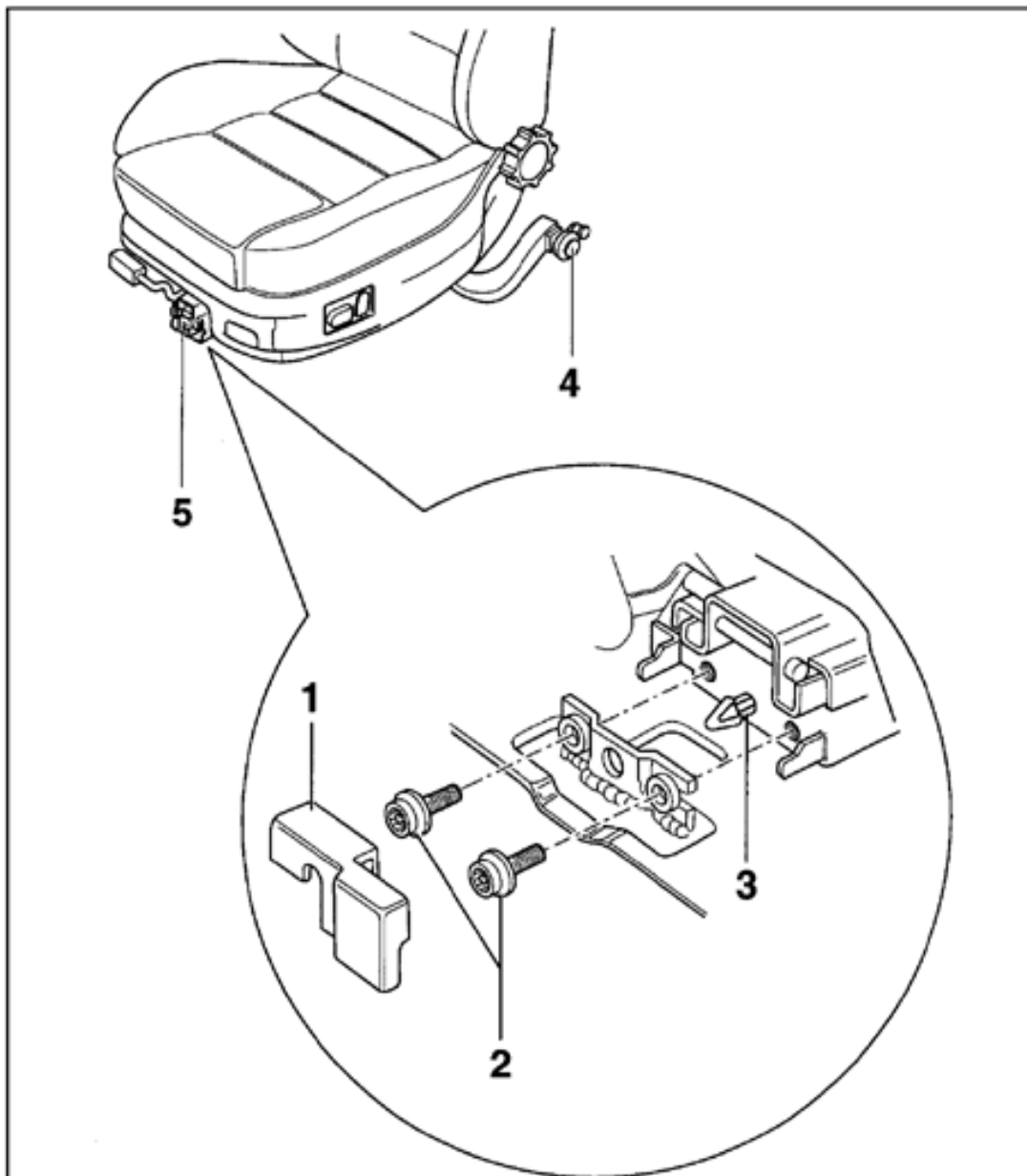
Removing

- Push seat forward.
- Remove on front seat rail rear-cover (outboard side)
⇒ [Page 72-5](#)



- Remove front seat rail rear-cover (inboard side) ⇒ [Page 72-7](#)
- Push back seat.
- Remove cover -1- ⇒ [Page 72-3](#)
- Remove cover -1- (power seat with memory) ⇒ [Page 72-4](#)
- Remove bolts -2- (2x) and unclip seat at clip -3-.
- Connect VAS 5094 airbag adapter ⇒ [Page 72-12](#)
- On vehicles with heated seat, disconnect connector.
- Fold back floor covering at rear around guide rail.
- Push seat backward out of guide.

A72-0062



1 - Cover

2 - Bolts

- ◆ Tightening torque:
23 Nm (17 ft lb)
- ◆ Self-
locking
- ◆ Always
replace
- ◆ Threaded holes for
bolts must always
be cleaned (e.g.
with a thread tap)

3 - Clip

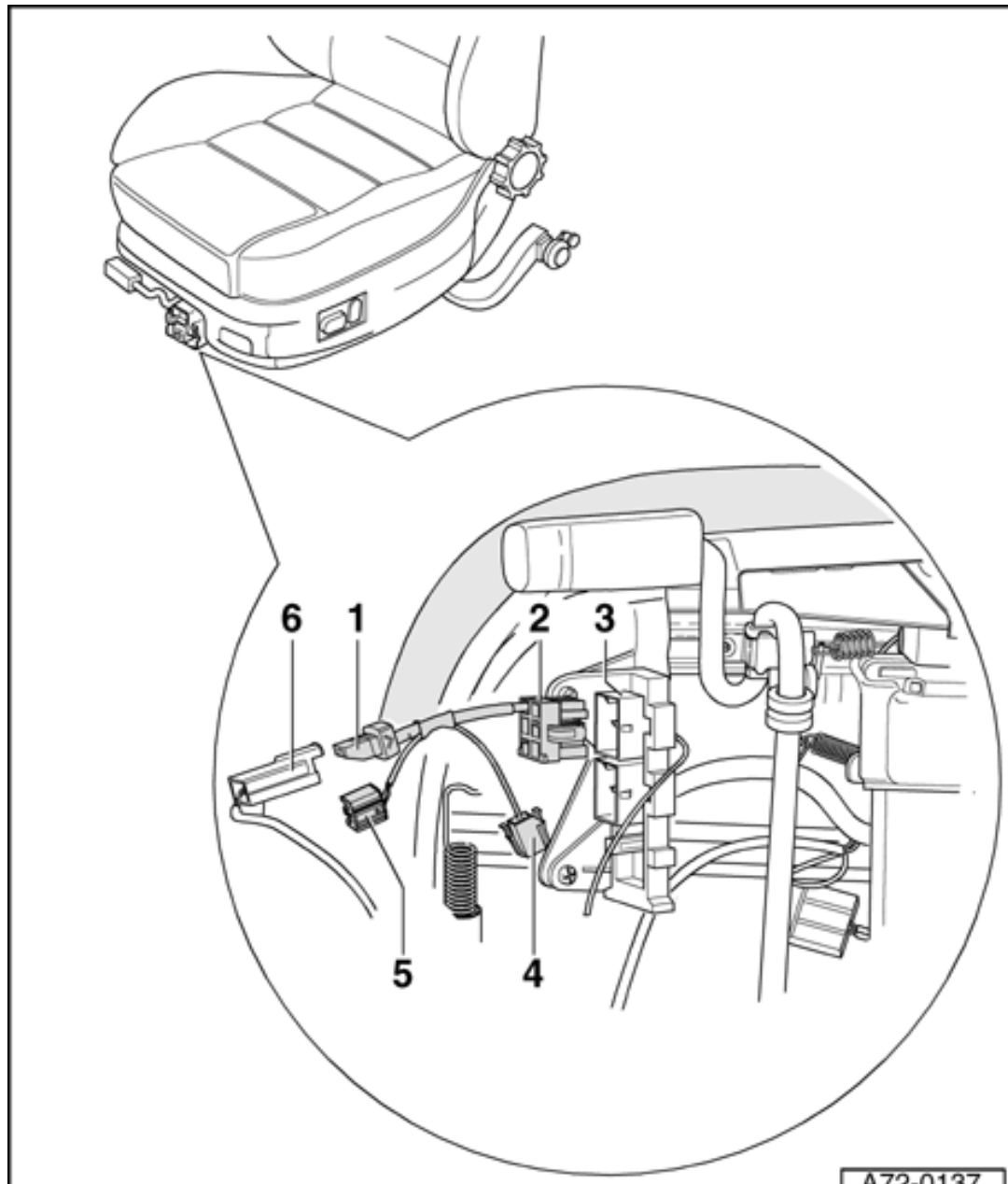
4 - Rear rollers

5 - Front slides

- Lubricate front
slides -5- with
multi-purpose
grease if seat
does not slide
back and forward
smoothly.

A72-0062

72-12



A72-0137

VAS 5094 airbag adapter, connecting

Note:

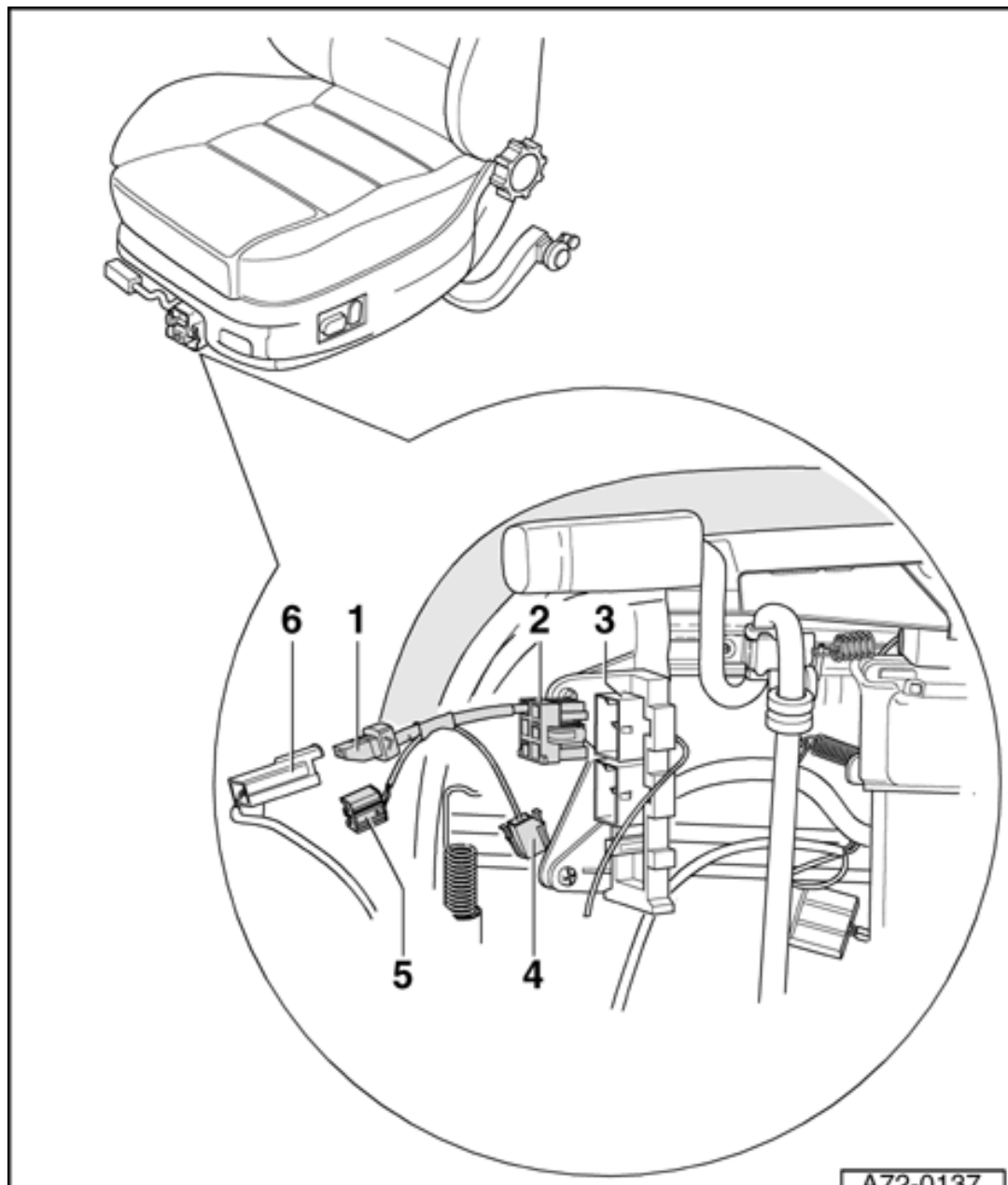
The technician must electrostatically discharge him/herself before separating igniter and Ground (GND) wiring.

Vehicles through 1998

- Disconnect igniter and Ground (GND) wire from side airbag ⇒ [Fig. 1](#) .
- Insert connector -2- ((VAS 5094 airbag adapter) into connector housing -3-.
- Connect igniter wire -6- from airbag module to connector -1- (airbag adapter).

A72-0137

72-13



A72-0137

Vehicles from 1999 on

- Disconnect igniter and Ground (GND) wire from side airbag ⇒ [Fig. 2](#) .
- Connect igniter wire from airbag module to connector -5- (airbag adapter).

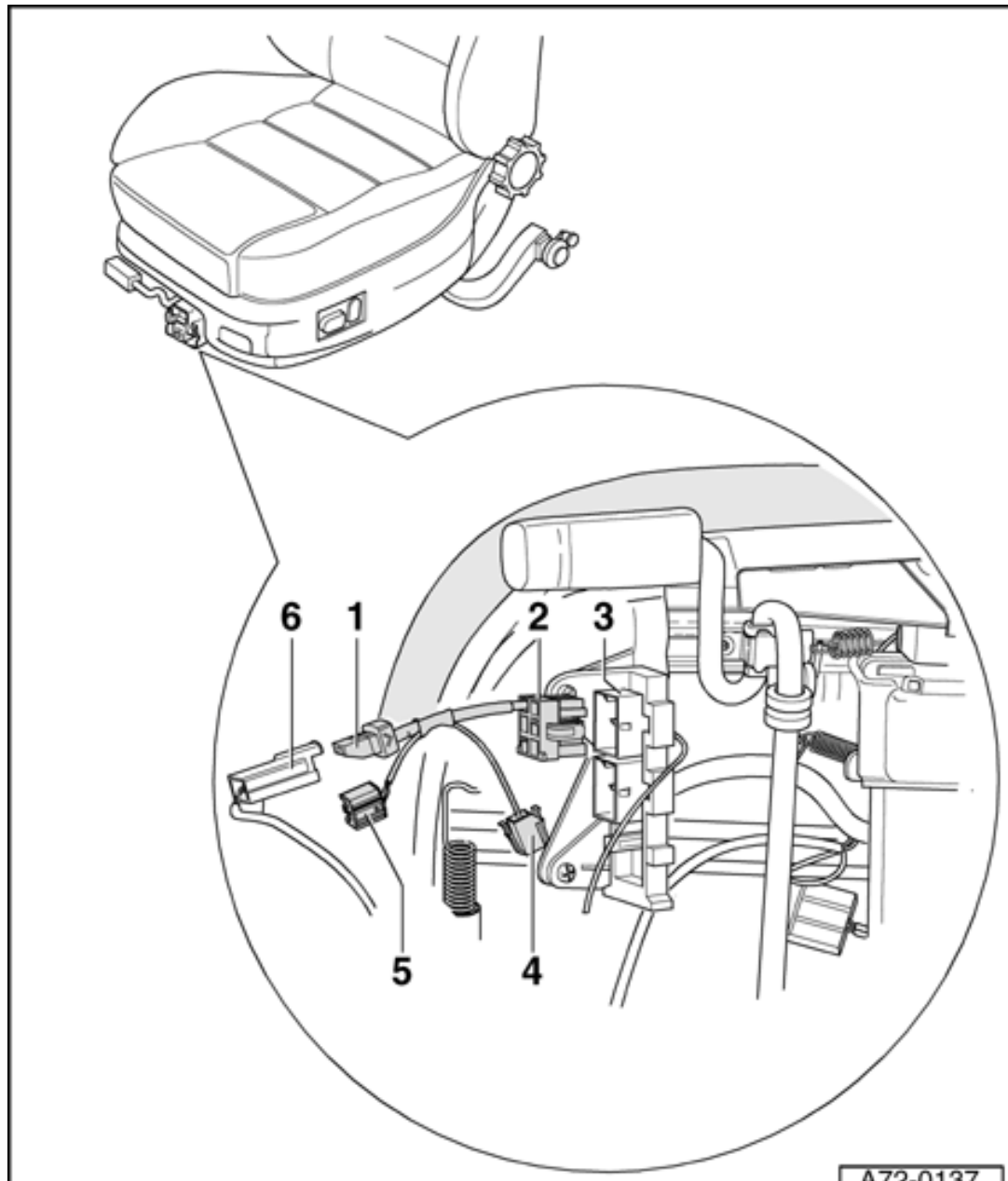
All vehicles

WARNING!

The VAS 5094 airbag adapter must remain connected to the seat until the seat is re-installed.

- 1 - Airbag adapter - igniter wire connector
- 2 - Airbag adapter - Ground (GND) wire connector: m.y. 1998

A72-0137



3 - Ground (GND) wire connector from airbag module

4 - Airbag adapter - Ground (GND) wire connector (only for VW Golf m.y. 1993



5 - Airbag adapter - Ground (GND) wire connector: m.y.1999



6 - Igniter wire connector from airbag module

A72-0137

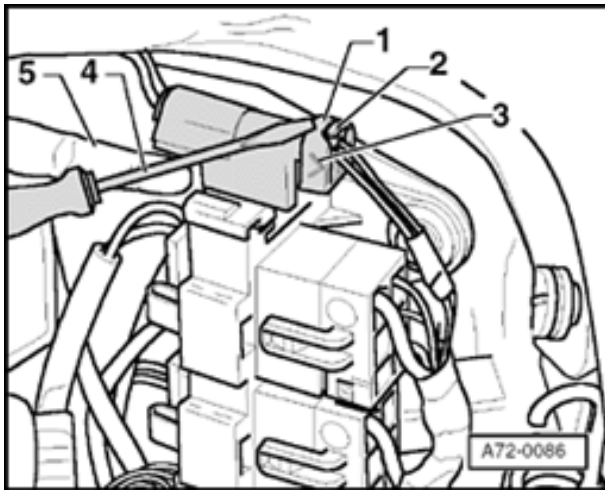
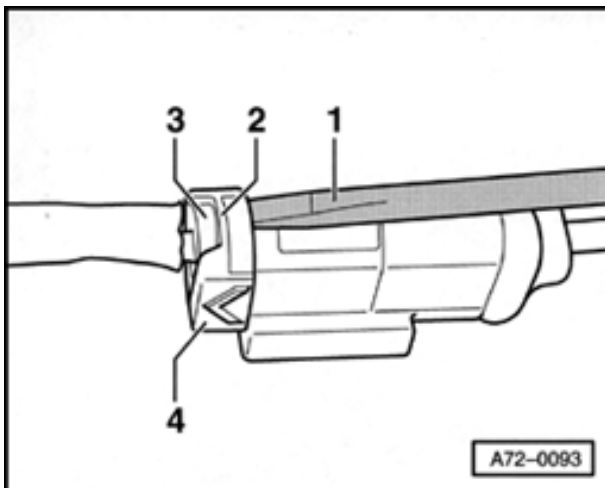


Fig. 1 Disconnecting connector for side airbag

- Using a screwdriver -4-, pry connector -1- for side airbag over retaining tab -2-, and pull off connector in direction of -arrow 3-.
- If it is not possible to pry off the connector for the side airbag with a screwdriver, press retaining catch in side airbag connector to the side with one finger -5-.
- At the same time, pull connector for side airbag toward the front with the other hand.



- Using a screwdriver -1-, pry catch -2- over retaining tab -3- and disconnect connector -4-.

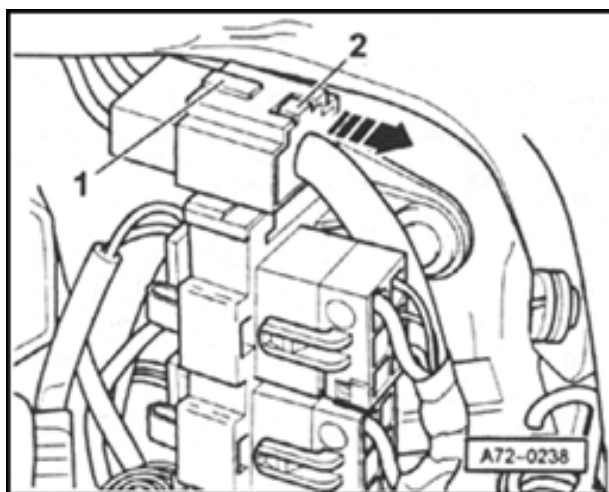


Fig. 2 Disconnecting connector for side airbag (from m.y. 1999)

- Press catch -2- and pull out connector in direction of arrow.

1 - Airbag connector

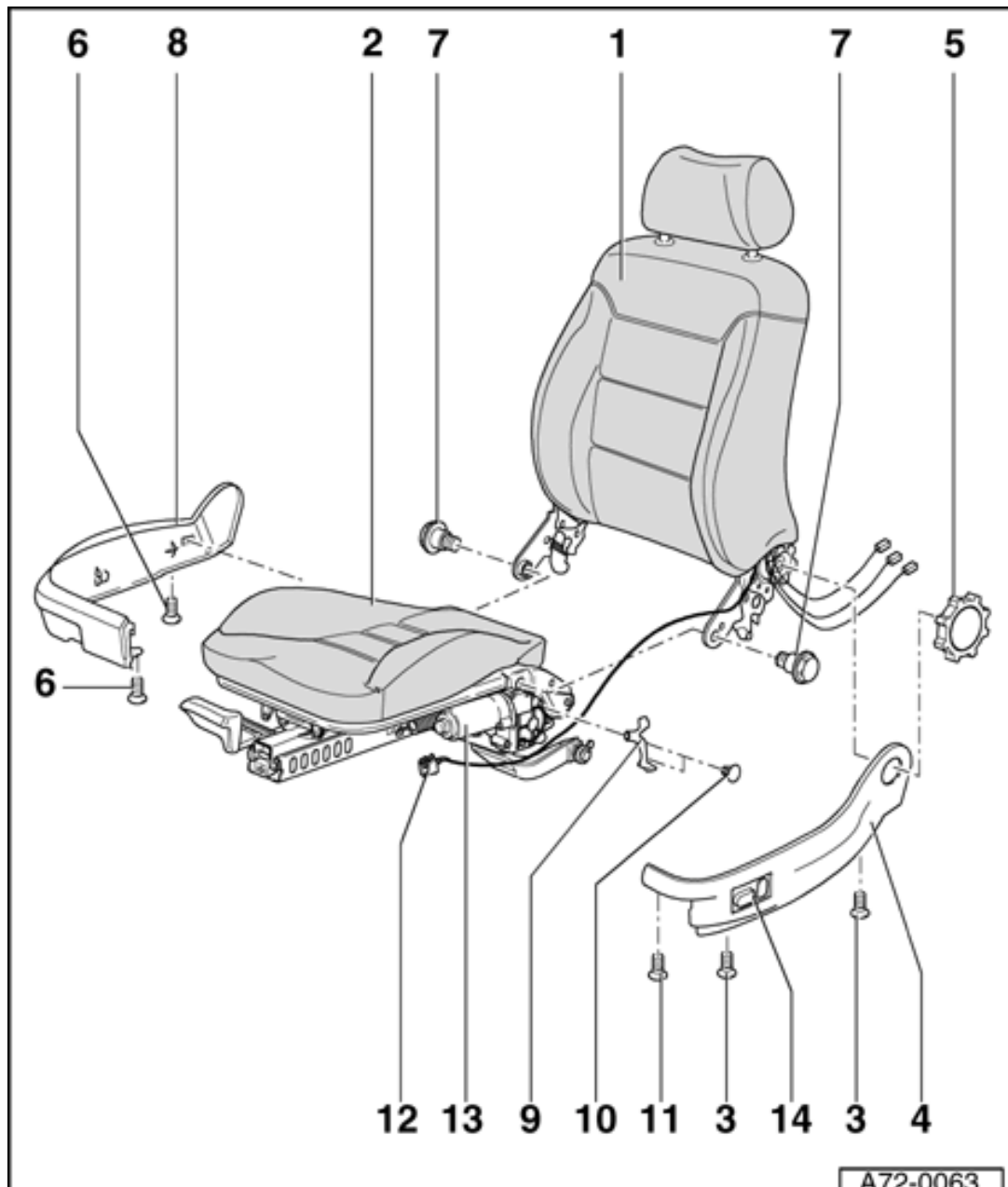
See Caution for connecting Telematics battery ⇒ [Page 72-1](#)

Note:

Install in reverse order of removal.

- ◆ *After connecting battery, check vehicle equipment (radio, clock, power windows) as per Repair manual and/or Owner's manual.*
- ◆ *If the airbag Malfunction Indicator Lamp (MIL) - K75- signals a malfunction after assembling then the DTC memory must be erased and checked again with VAG 1551 scan tool*

⇒ [Repair Manual, Body On Board Diagnostic \(OBD\), Repair Group 01](#)



Front seat backrest, removing and installing

WARNING!

Observe relevant safety precautions on models equipped with side airbags.

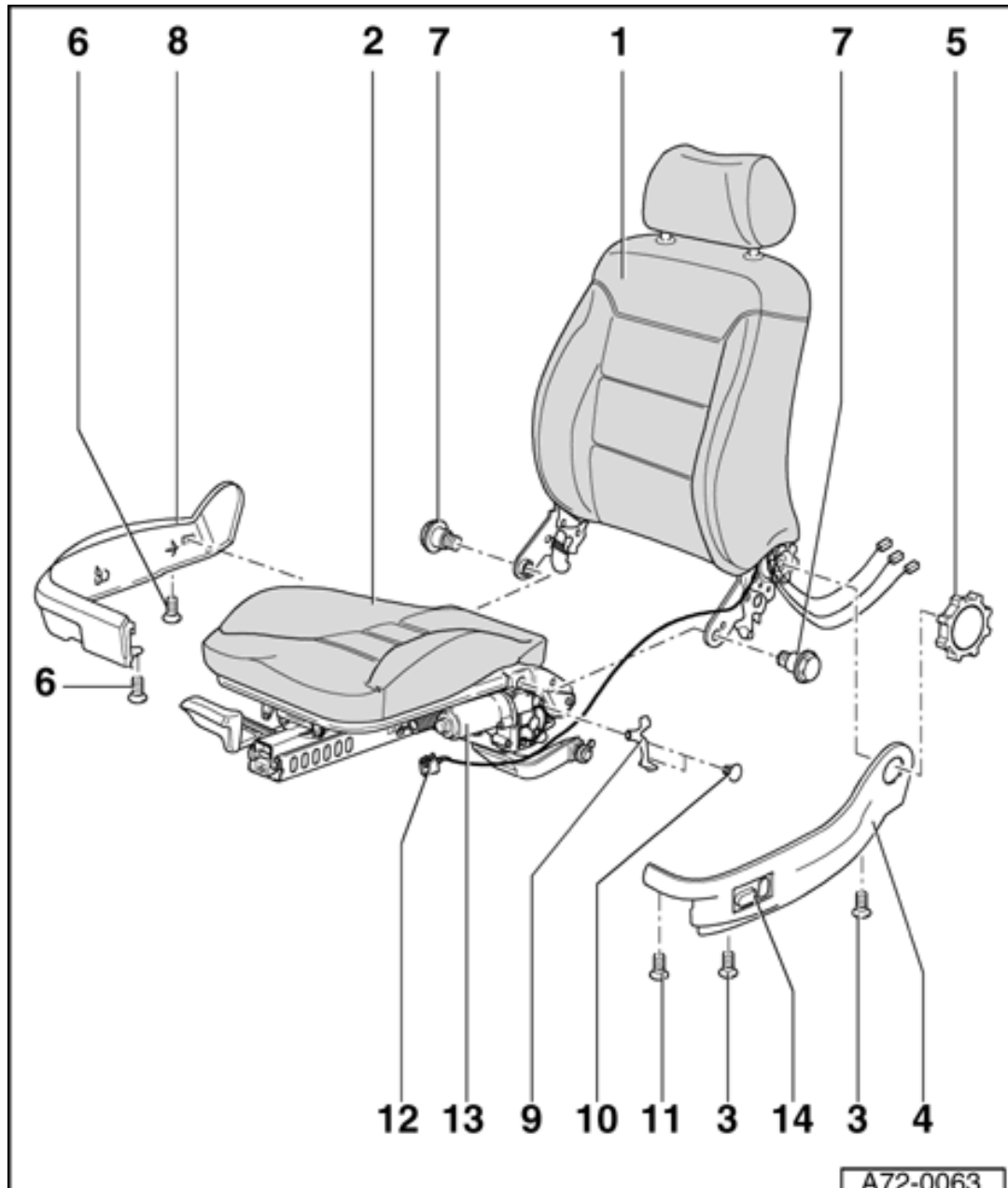
1 - Backrest

- Remove seat ⇒ [Page 72-9](#) .
- Remove drawer ⇒ [Page 72-28](#) .
- Remove bolts -3- (2x).
- Remove bolt -11- (1x).
- Remove bolts -6- (2x).
- Detach connector for seat adjustment switch -14-.

A72-0063

- Remove clip on inside of seat side panel (tunnel side) -8-.
- If necessary, unbolt seat belt buckle ⇒ [Page 69-17](#)
- Push panel on outer side of seat -4- and panel on tunnel side of seat -8- forward together.
- Pull off adjuster knob -5-.
- Disconnect connector for heated backrest -12-.

72-18



- Disconnect connectors from connector console ⇒ [Fig. 1](#)
- Detach cable for side airbag and rear footwell light between connector console and backrest (remove drawer frame if necessary).
- On vehicles with memory seat or electric seat, disconnect connectors for electric motors.
- Remove bolts -7- (4x) from seat pan -2-. A washer is installed on rear bolt on outboard side (side with adjuster knob).

A72-0063

Note:

Always replace bolts -7-. Re-cut threads before installing new bolts.

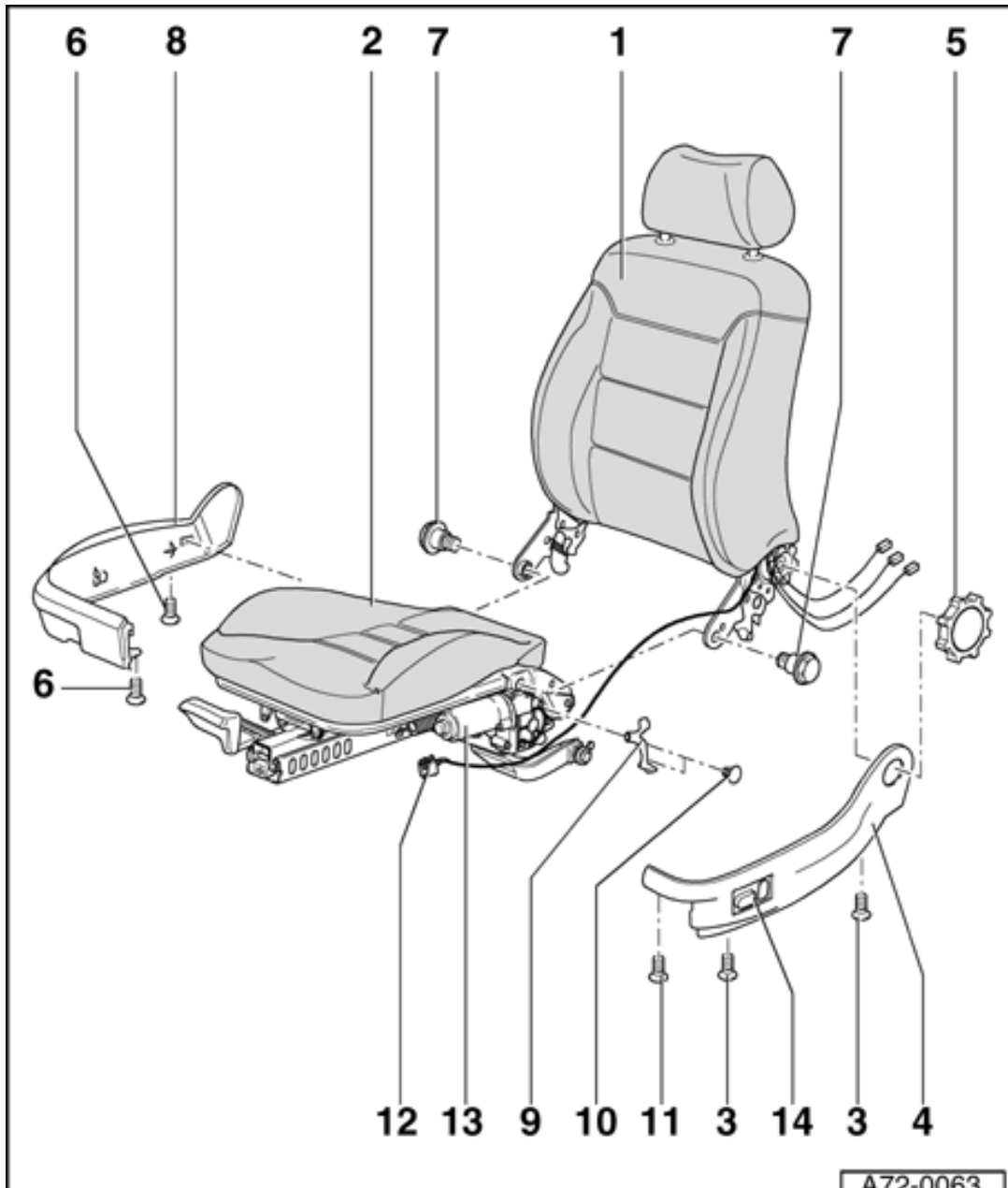
- After installing seat in vehicle, perform basic setting of backrest and seat

⇒ [Repair Manual, Body On Board Diagnostic \(OBD\), Repair Group 01; Self-diagnosis of control module for seat adjustment with memory, Basic setting of seat](#)

2 - Seat pan

3 - Bolts

72-19



4 - Outer side panel of seat

5 - Adjustment knob

Note:

Replace adjuster knob if it is too loose after assembling.

6 - Bolts

7 - Bolts

◆ Tightening torque:
20 Nm (15 ft lb)

8 - Inner side panel of seat

9 - Bracket

10 - Expanding pin

11 - Screw

12 - Connector

13 - Motor for seat height adjuster

A72-0063

◆ Removing ⇒ [Page 72-37](#)

14 - Seat adjustment switch

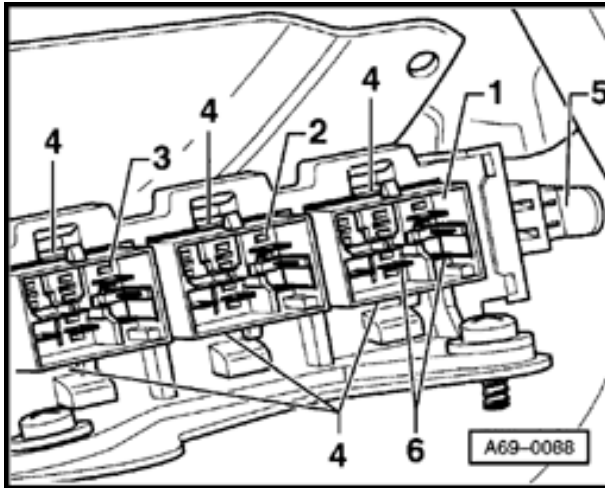


Fig. 1 Disconnecting connectors from console

- ◆ Red connector housing -1- for main power supply; "belt fastened" detector; belt buckle switch on driver's side only (in models for some countries); and "seat occupied" sensor (passenger side only)
- ◆ Green connector housing -2- for heated seats
- ◆ Brown connector housing -3- for seat memory (driver's side only)
- Using a screwdriver, pry out retainer hooks -4- for connector housings -1-, -2- and -3-.
- Push connector housings through toward the rear.
- ◆ Airbag connector - 5-
- ◆ Terminal -6- for "belt fastened" detector



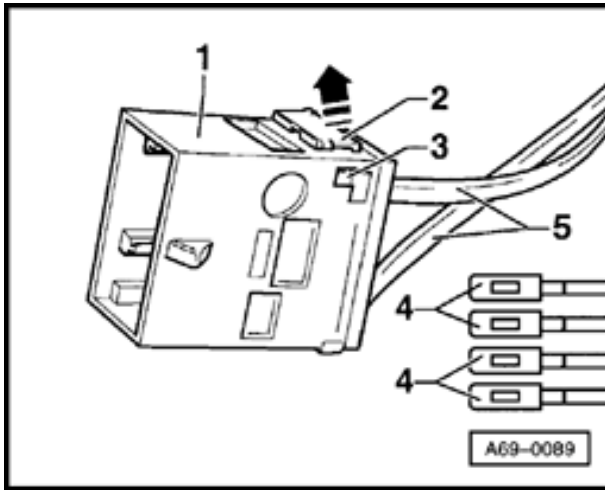
Vehicles with "belt fastened" detector and "seat occupied" sensor.

Note:

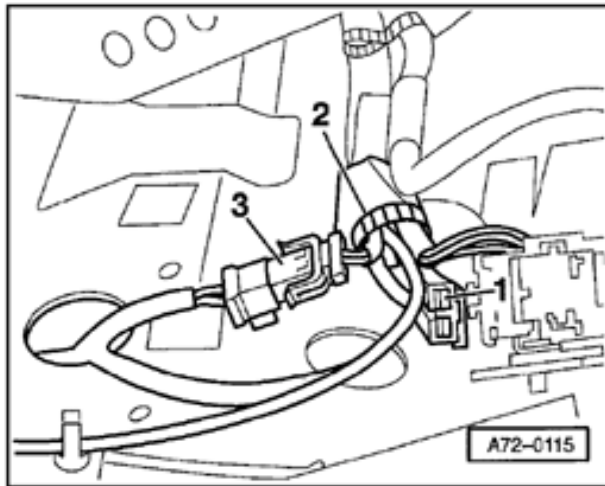
- ◆ *Due to the version of the control module, vehicles between VIN 4BWN 024500 and 4BWN 033300 may have seat occupied sensors and seat belt fastened switches installed which have no function.*

- ◆ *When replacing a seat belt buckle in a vehicle within the above mentioned VIN range, install a seat belt buckle that does not have seat belt fastened switch.*

- ◆ *When replacing a cushion that has a seat occupied sensor in a vehicle within the above mentioned VIN range, install a cushion that does not have seat occupied sensor.*



- Remove terminals for "belt fastened" detector and "seat occupied" sensor functions or belt buckle switch.
 - Release cable retainer -2- on red connector housing -1- in direction of arrow by prying it out at cut-out -3-.
- The illustration shows cable retainer -2- in released position.
- Remove wires -4- (4x) from chambers 5 and 6 (for "belt fastened" detector) and chambers 1 and 2 (for "seat occupied" sensor - passenger side only) or for belt buckle switch (in some countries - driver's side only).

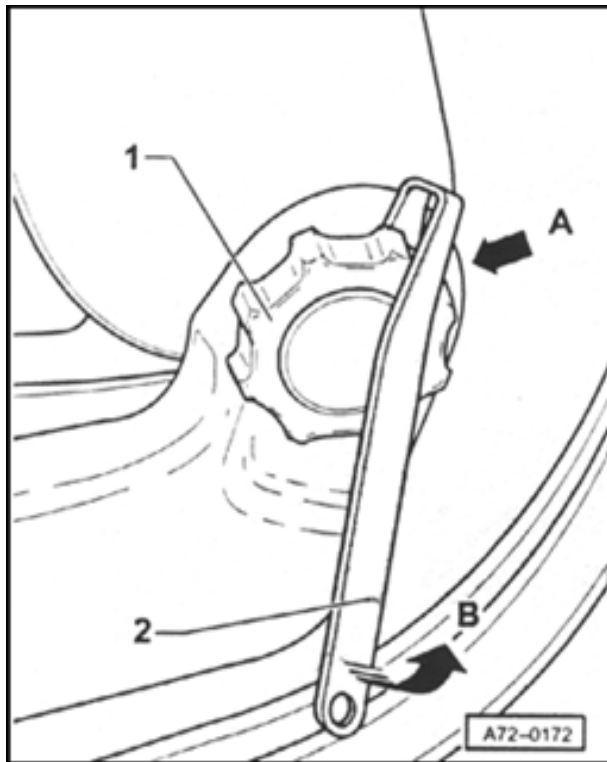


- Unclip connector -1- for rear footwell lighting.
- Disconnect connector -3- for heated seats.
- Open cable tie -2-.

72-22

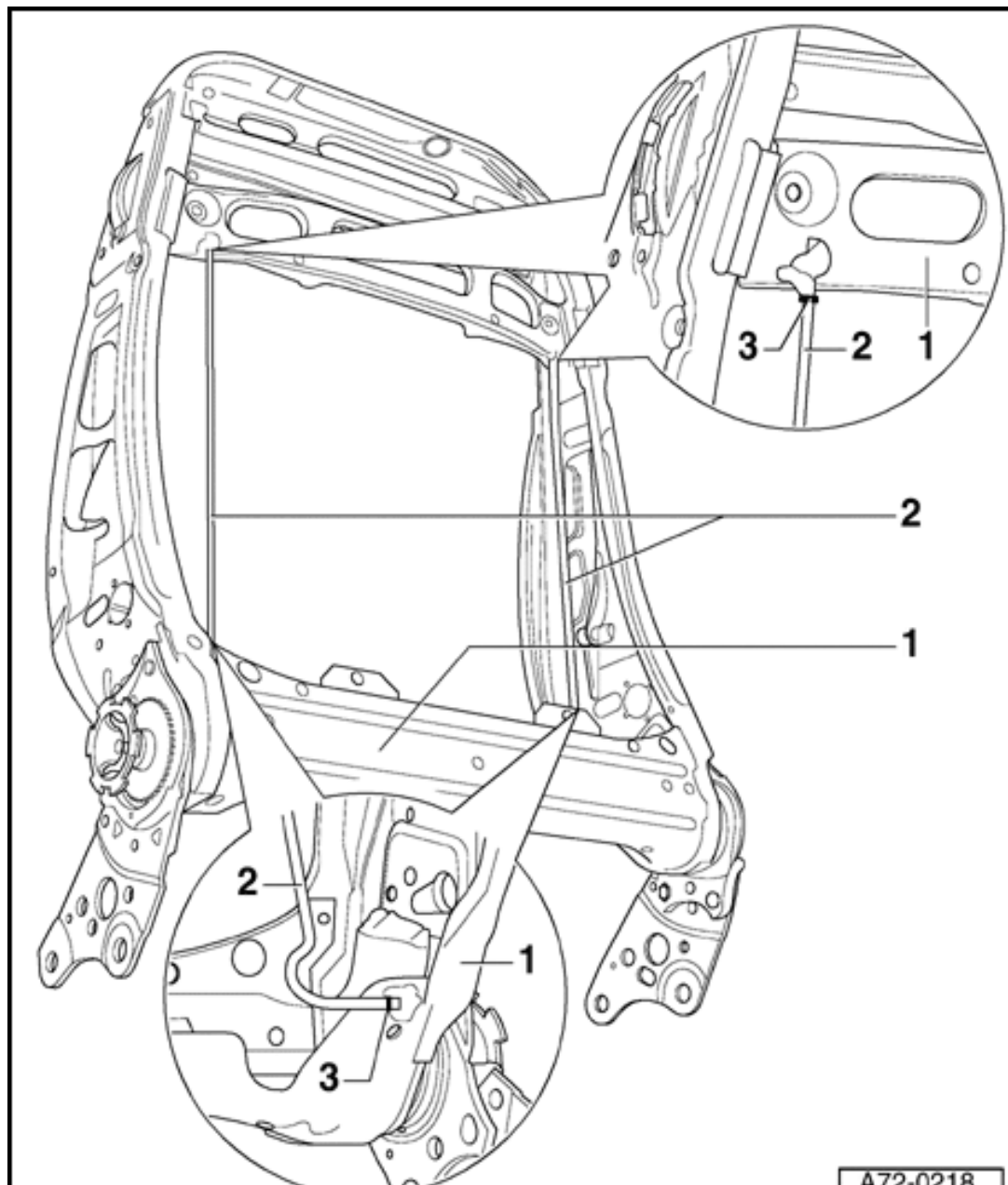


Seatback adjustment wheel, removing



- ◀ - Turn seatback adjustment wheel -1- in direction of - arrow A- until a tab of the seatback adjustment wheel can be seen from behind (if necessary, use flashlight).
- Insert special tool 3399 -2- and pry in direction of - arrow B-.
- Turn seatback adjustment wheel an additional 120° .
- Insert special tool 3399 -2- and pry in direction of - arrow B-.
- Remove seatback adjustment wheel.

72-23



Front seatback, retrofitting from normal seat to sport seat

Note:

Only the sport seatback is available as a replacement part. Exchange sport seatback for normal seat.

1 - Seatback

- For normal seat, separate wire bracket -2- at separating points -3- from seatback -1-.
- Paint structure must be restored as necessary.

2 - Wire bracket

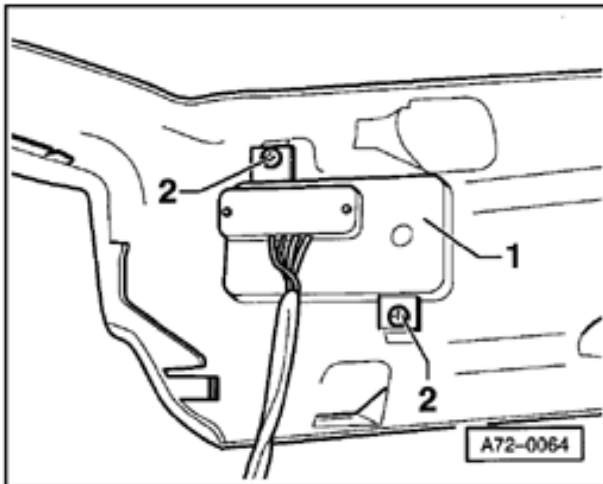
3 - Separating points



A72-0218



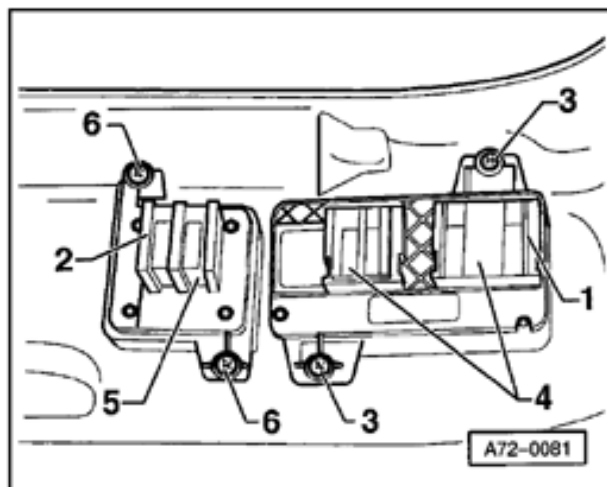
Seat adjustment switch, removing and installing



- Remove seat ⇒ [Page 72-9](#) .
- Remove outer side panel of seat ⇒ [Page 72-17](#) .
- Remove screws -2- (2x).
Tightening torque: 1.5 Nm (13 in. lb)
- Remove seat adjustment switch - 1-



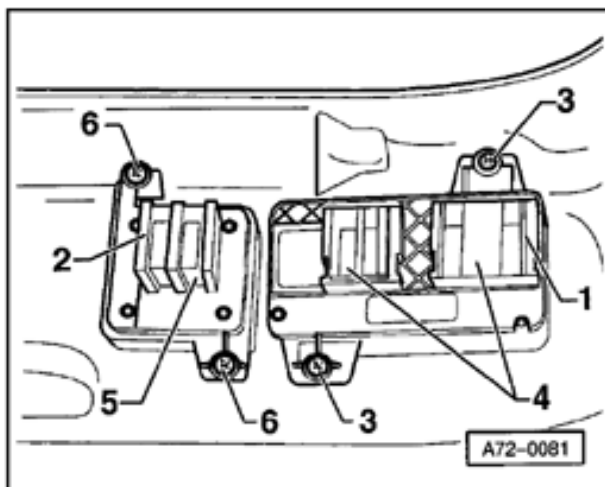
Seat adjustment switch (power seat with memory), removing and installing



- Remove seat ⇒ [Page 72-9](#).
 - Disconnect connectors -4- and -5-.
 - Remove outer side panel of seat ⇒ [Page 72-17](#).
 - Remove screws -3- (2x).
- Tightening torque: 0.4 Nm (4 in. lb)
- Remove seat adjustment switch -1-.



4-way lumbar support switch, removing and installing



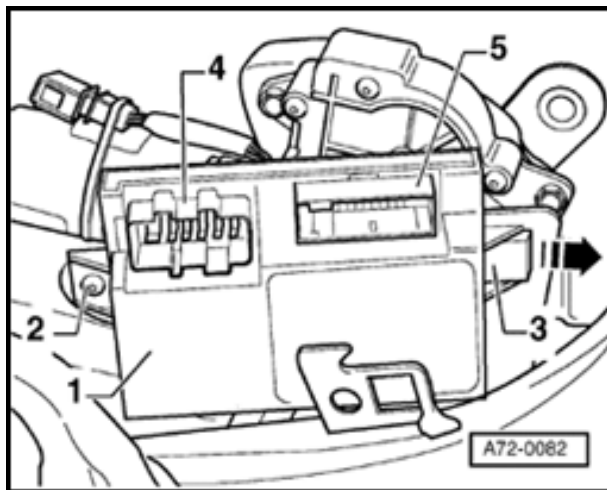
- Remove seat ⇒ [Page 72-9](#).
 - Disconnect connectors -4- and -5-.
 - Remove outer side panel of seat ⇒ [Page 72-17](#).
 - Remove screws -6- (2x).
- Tightening torque: 0.4 Nm (4 in. lb)
- Remove 4-way lumbar support switch -2-.



Control module for power seat with memory, removing and installing

Note:

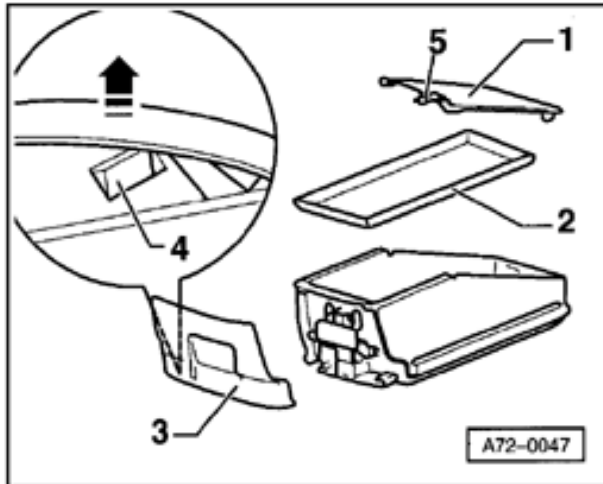
The control module for power seat memory is under the driver's seat.



- Remove seat ⇒ [Page 72-9](#).
- Remove inner side panel of seat ⇒ [Page 72-17](#).
- Disconnect connectors -4- and -5-.
- Remove screw -2-.
- Tightening torque 1.5 Nm (13.5 in. lb)
- Press clip -3- in direction of arrow using a screwdriver.
- Remove control module for power seat memory -1-.



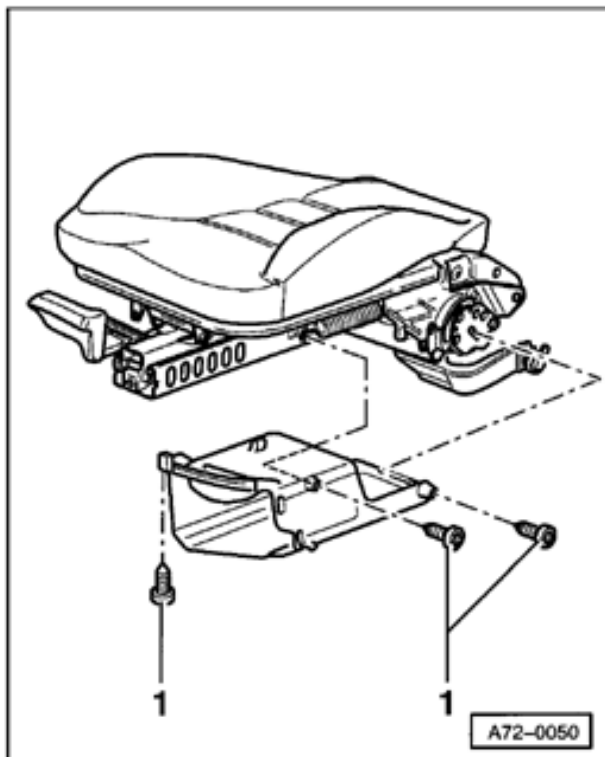
Drawer, disassembling



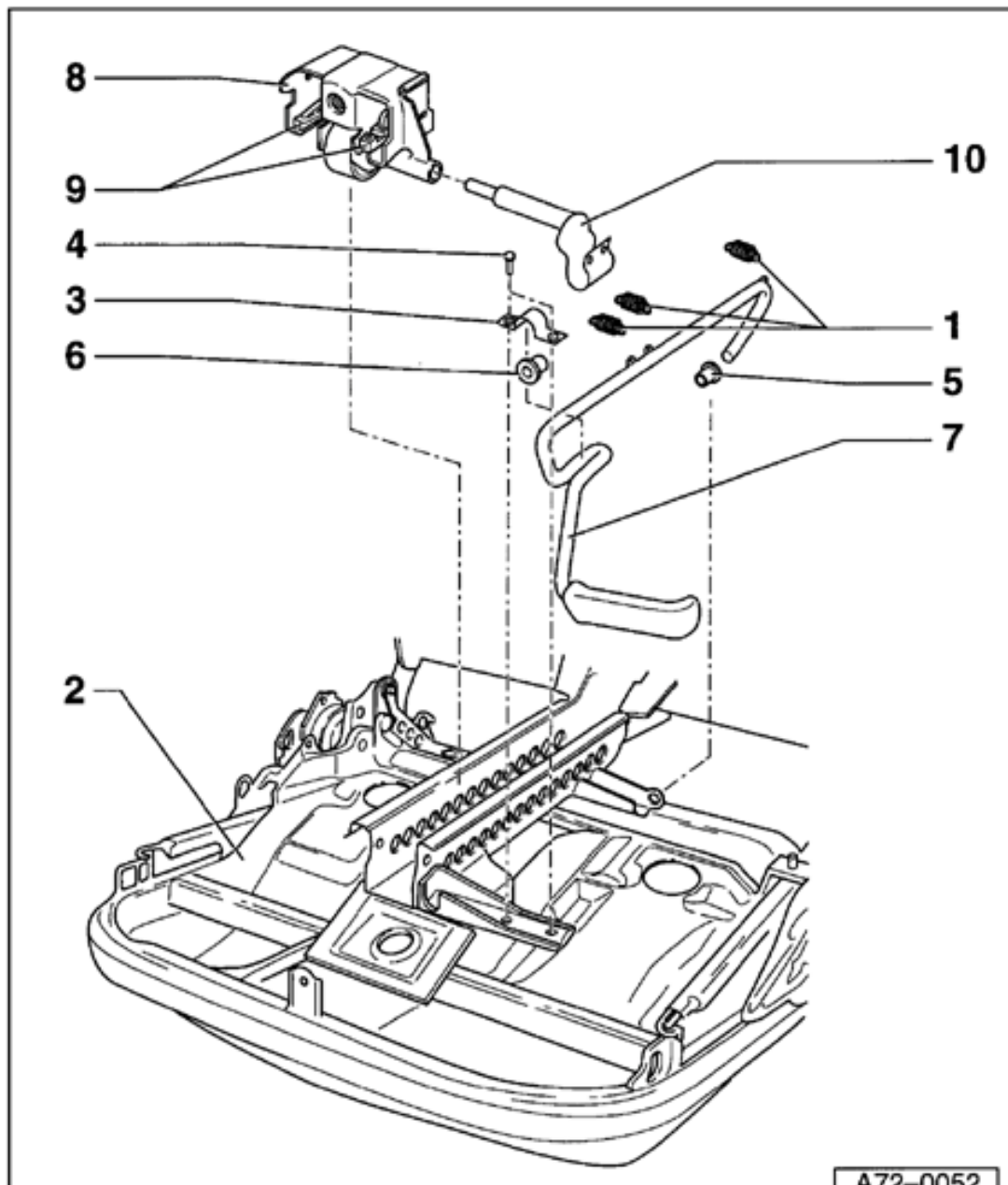
- Press in catch -5- on lid and remove drawer.
- Unclip drawer lid -1- and lift off.
- Use screwdriver to pry out drawer trim panel -3- at catches -4- (magnified view shows drawer trim panel from underneath).
- Tray - 2-.



Drawer frame, removing



- Remove seat ⇒ [Page 72-9](#) .
- Remove seat side panel ⇒ [Page 72-17](#) .
- Remove bolts -1- (3x).



Longitudinal seat adjustment mechanism, servicing

- Remove seat ⇒ [Page 72-9](#).

Note:

For clarity, seat is shown from underneath.

1 - Springs

- Detach (3x).

2 - Seat pan

3 - Clamp

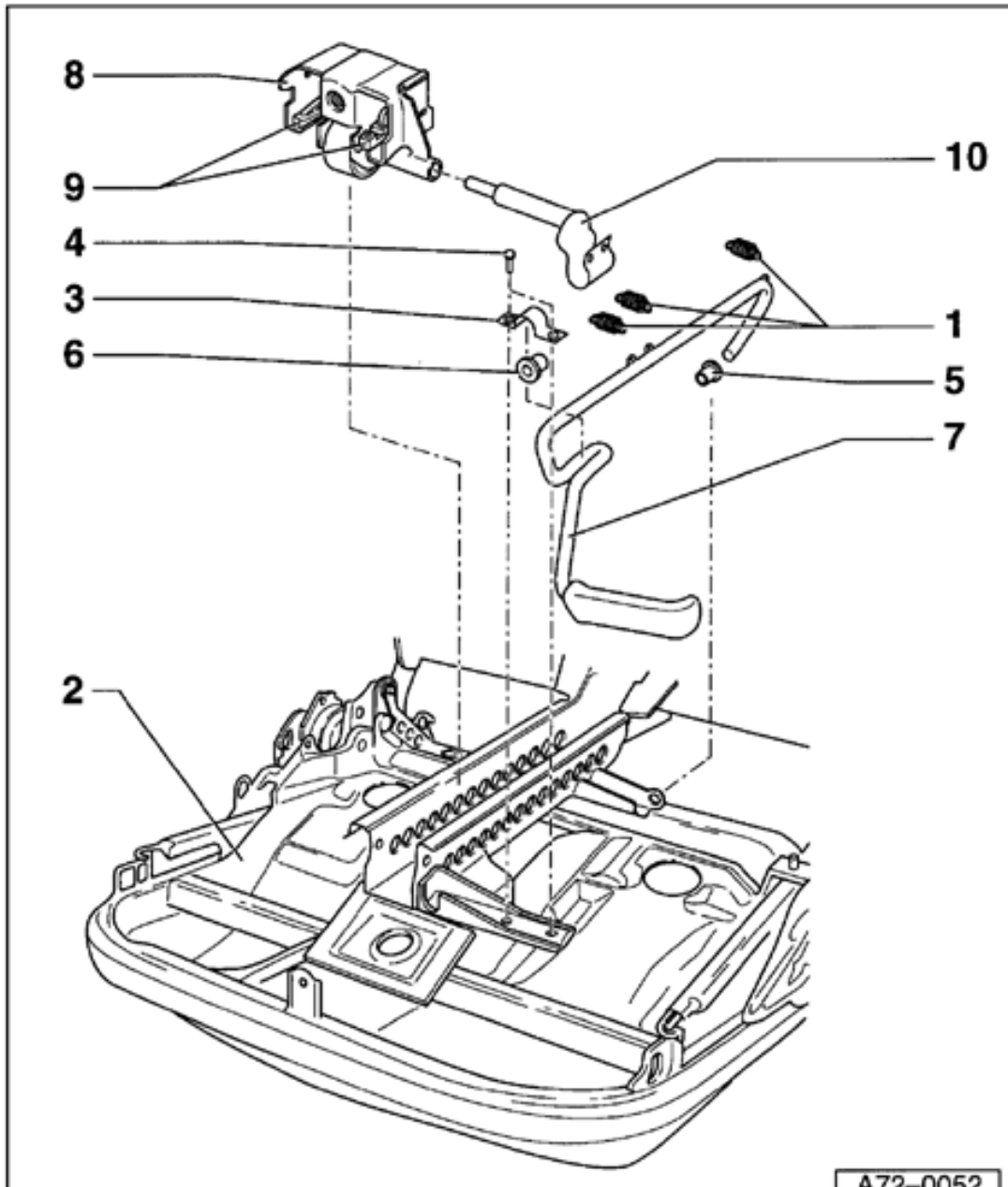
4 - Rivets

- Drill out (2x).

5 - Rear bushing

6 - Front bushing

A72-0052



7 - Longitudinal adjustment mechanism

8 - Slider block

◆ To remove, drill out rivet ⇒ [Fig. 1](#)

9 - Front slides

10 - Locking lever

A72-0052

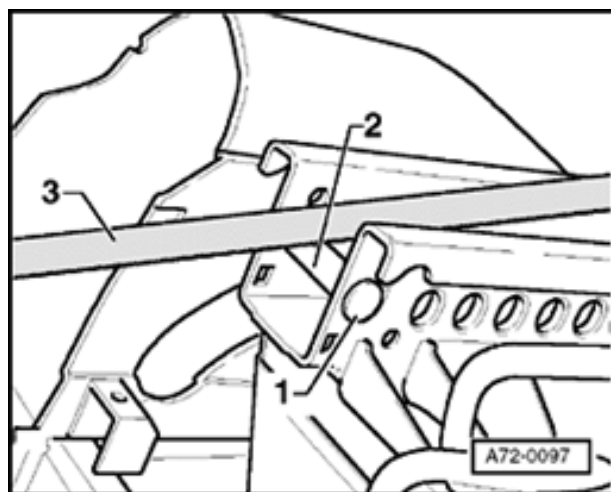
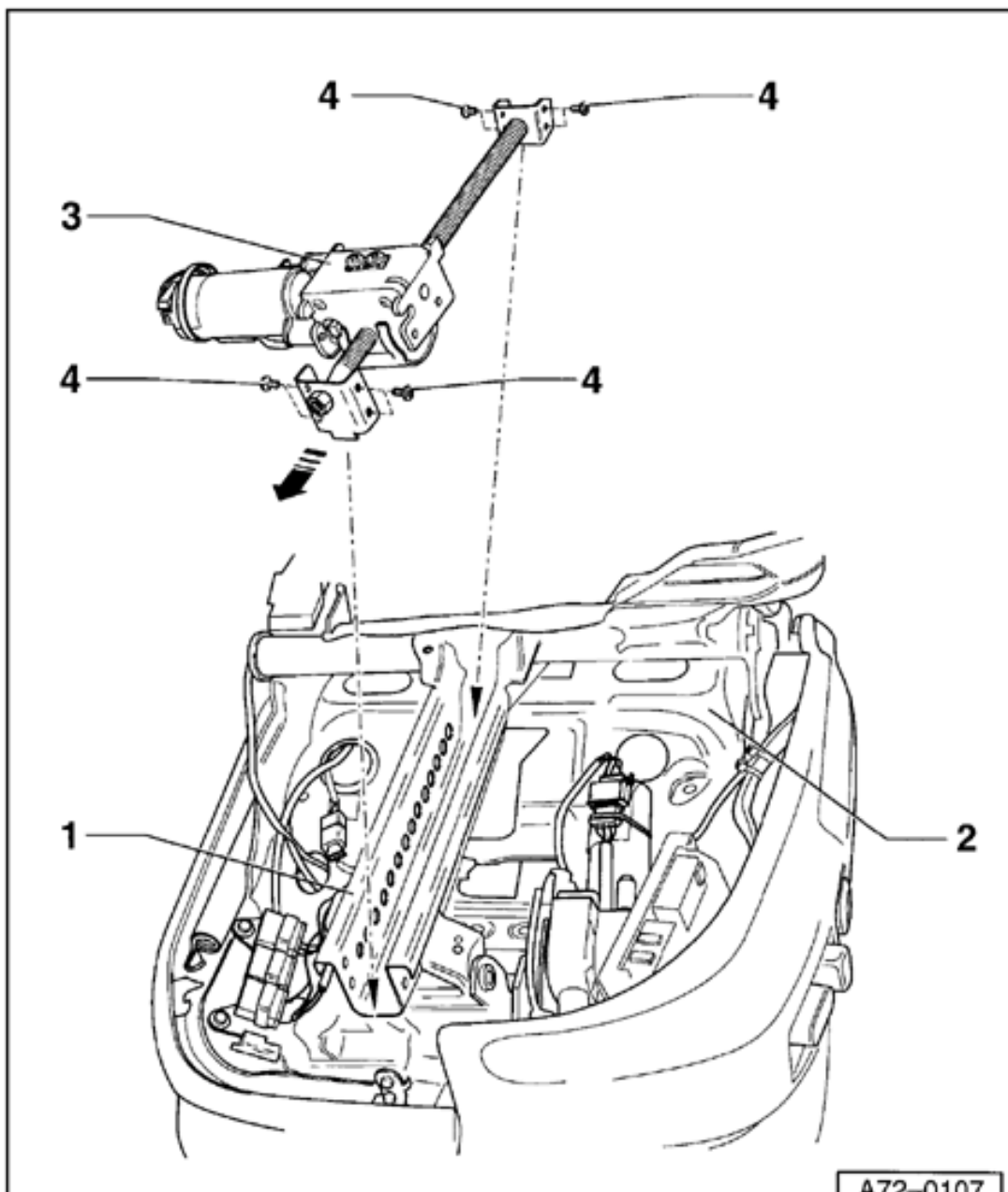


Fig. 1 Cutting through rivet to remove slider block

- Operate release lever for longitudinal seat adjustment and push slider block to the rear.
- Using a hack saw -3-, cut through sleeve -2- and rivet -1-.
- Remove all metal particles from seat pan.
- For repair purposes, install bolt, nut and new sleeve -2- in place of rivet -1-.

Tightening torque 15 Nm (11 ft lb)



Longitudinal seat adjustment mechanism (power seat with memory), removing and installing

- Remove seat ⇒ [Page 72-9](#).

Note:

For greater clarity, the seat is shown from underneath.

- Disconnect connector ⇒ [Fig. 1](#)
- Remove bolts -4- (8x).
- Pull out adjuster unit -3- in direction of arrow

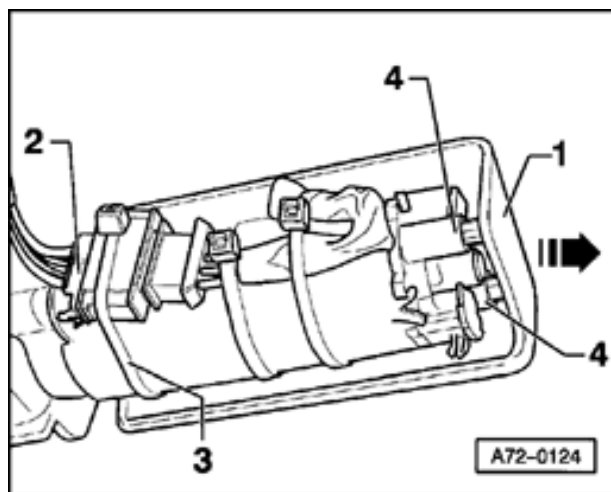
1 - Guide rail

2 - Seat pan

3 - Adjuster unit

A72-0107

4 - Bolts (8x)

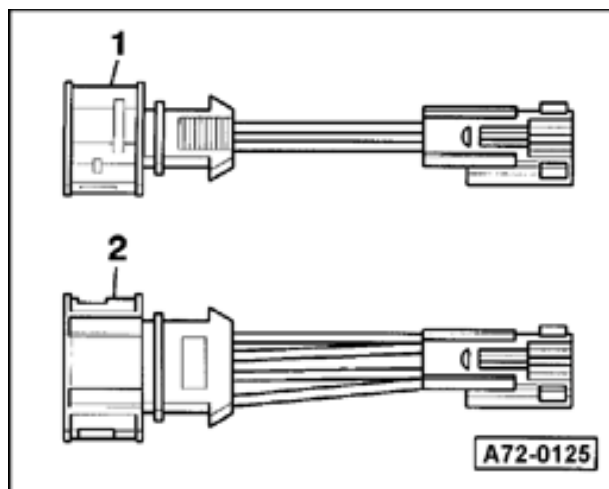


**Fig. 1 Disconnecting
connector**

- Cut open cable tie -3-
(1x).
- Disconnect connector -
2-.



Adapters for electric motors, wiring



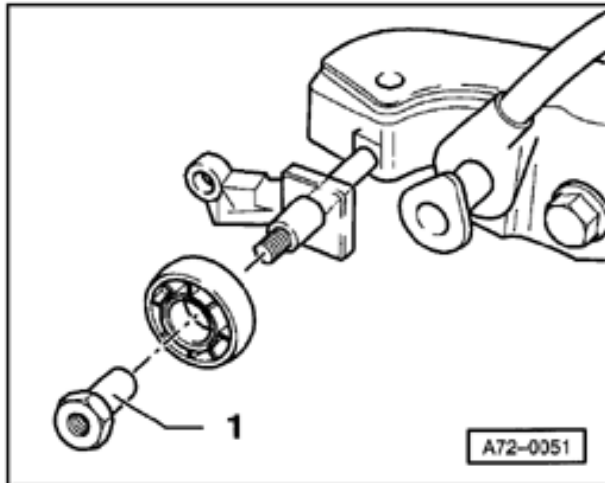
- ◆ Wiring adapter -1- (2-pin) for electric motors without memory function
- ◆ Wiring adapter -2- (4-pin) for electric motors with memory function
- When installing a new motor (with direct connector connection) in vehicles with the old-type seat wiring harness and no wiring adapter, a wiring adapter should be ordered with the motor.

72-36



Rear slides, removing

- Remove nut -
1-



Tightening torque: 17 Nm (13 ft lb)

- The bevels on the guide rollers must face away from the seat.

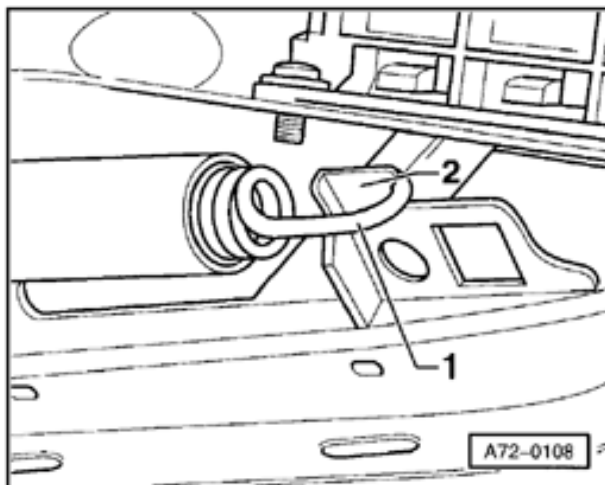


Seat height adjustment motor (power seat with memory), removing and installing

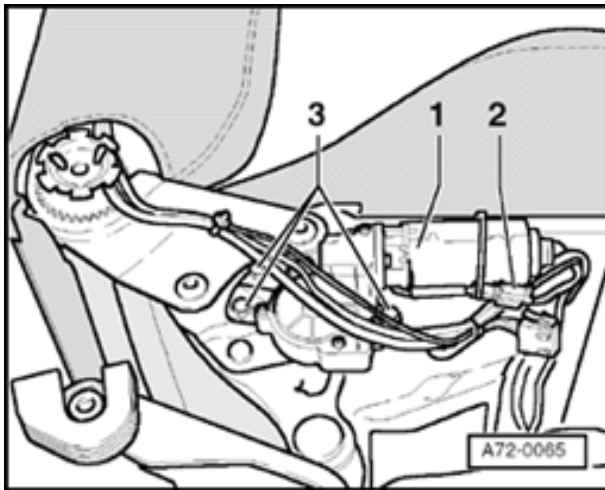
Note:

Observe motor versions for seat height adjustment ⇒ [Page 72-42](#)

- Before removing, run seat to highest position.



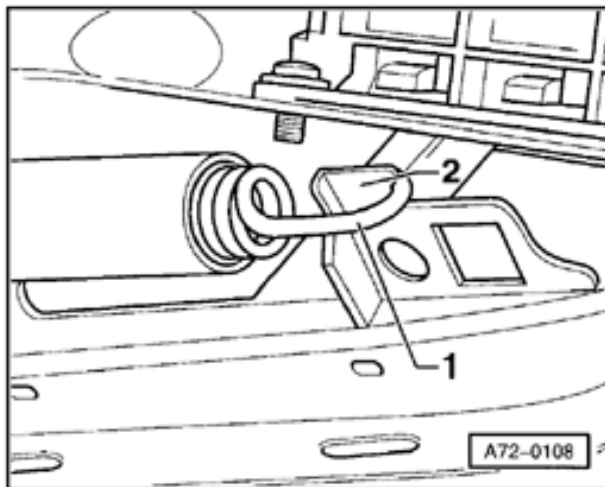
- Remove seat ⇒ [Page 72-9](#).
- Remove outer side panel of seat ⇒ [Page 72-17](#).
- Disengage spring -1- from hook -2-.



- Disconnect connector - 2-
- Remove screws -3- (3x).

Tightening torque: 4 Nm (35 in. lb)

- Motor -1- does not have a basic setting; the motor and seat can be in any position when removing and installing.

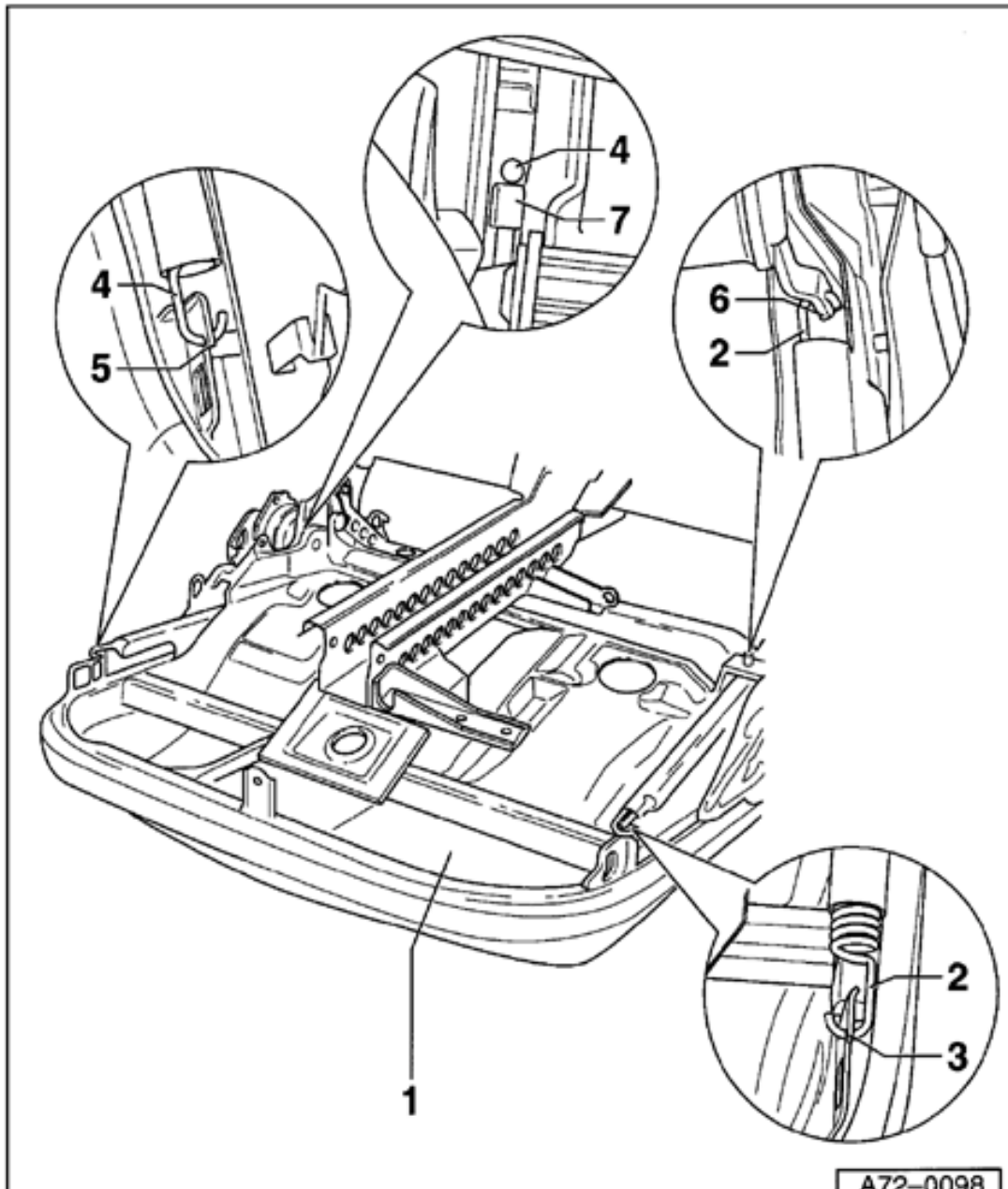


- After installing motor, engage spring -1- over hook - 2-

WARNING!

Injury risk: Spring is under strong tension.

- A wiring adapter will be required; the type of adapter depends on the installation layout ⇒ [Page 72-35](#) .



Seat height adjustment motor, removing and installing

Removing

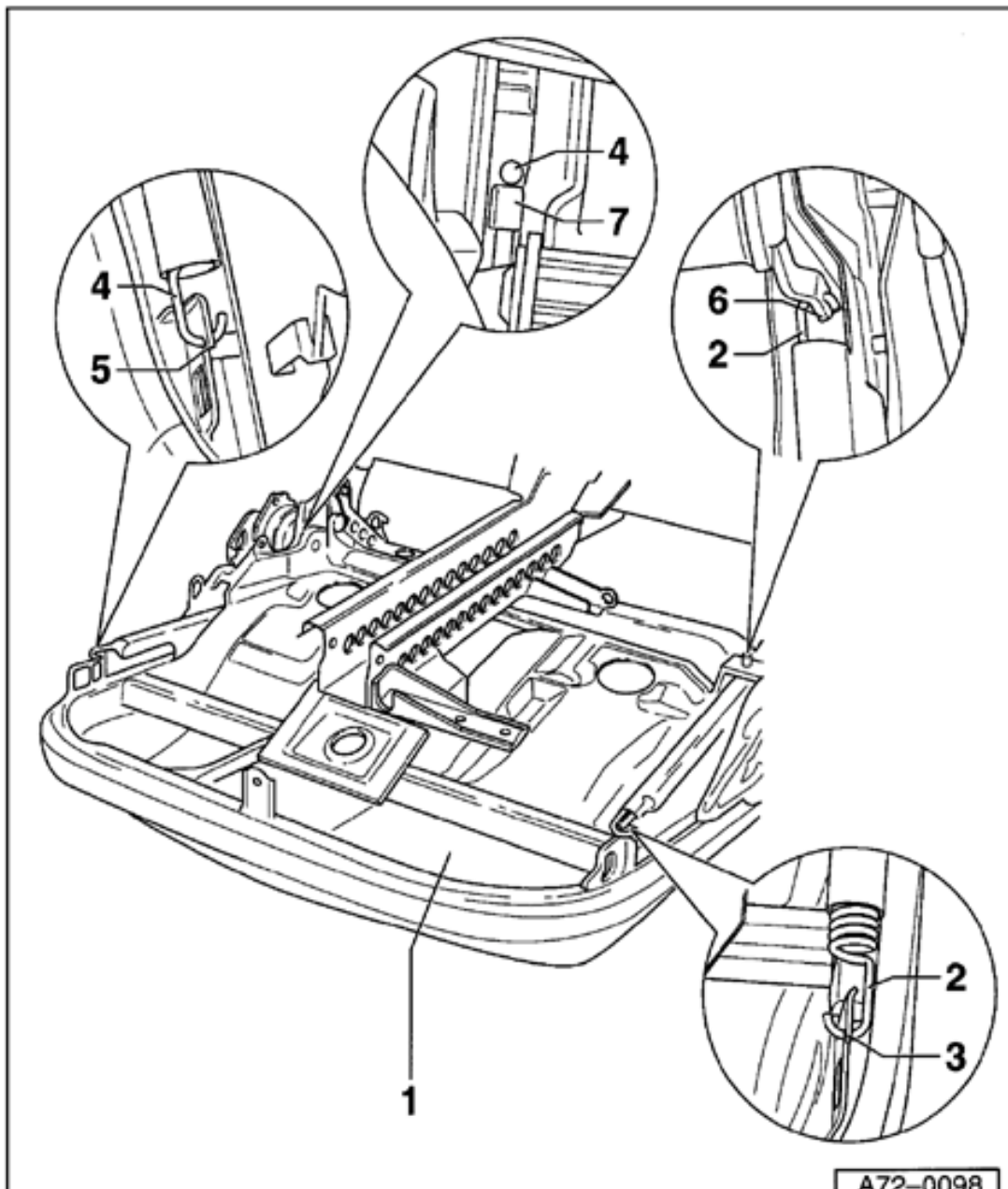
- Before removing, run seat to highest position.
- Removing seat ⇒ [Page 72-9](#) .

Note:

- ◆ *Observe motor versions for seat height adjustment ⇒ [Page 72-42](#)*
- ◆ *For greater clarity, the seat is shown from underneath.*
- Remove outer side panel of seat ⇒ [Page 72-17](#) .
- Disengage spring -2- (inboard side) from retaining hook -3-.

A72-0098

- Disengage spring -4- (outboard side) from retaining hook -5-.
- Remove motor ⇒ [Fig. 1](#)



Installing

- Install motor.
- Springs -2- and -4- may have become disengaged from retaining hooks -6- and -7-.

WARNING!

Injury risk: Springs are under strong tension.

- Engage springs -2- and -4-.

1 - Seat pan

2 - Spring

3 - Retaining hooks

4 - Spring

5 - Retaining hooks

6 - Retaining hooks

7 - Retaining hooks

A72-0098

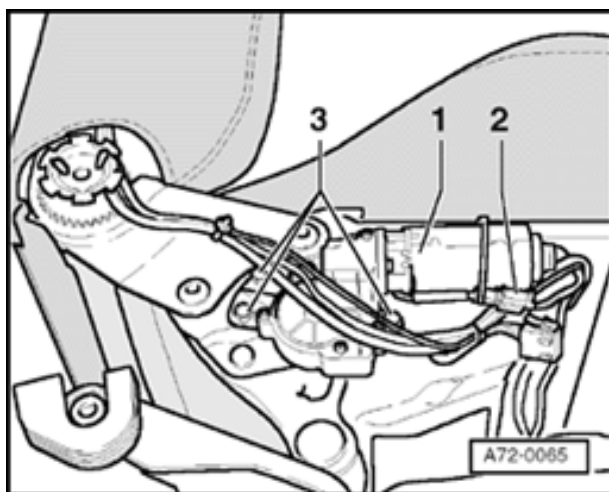
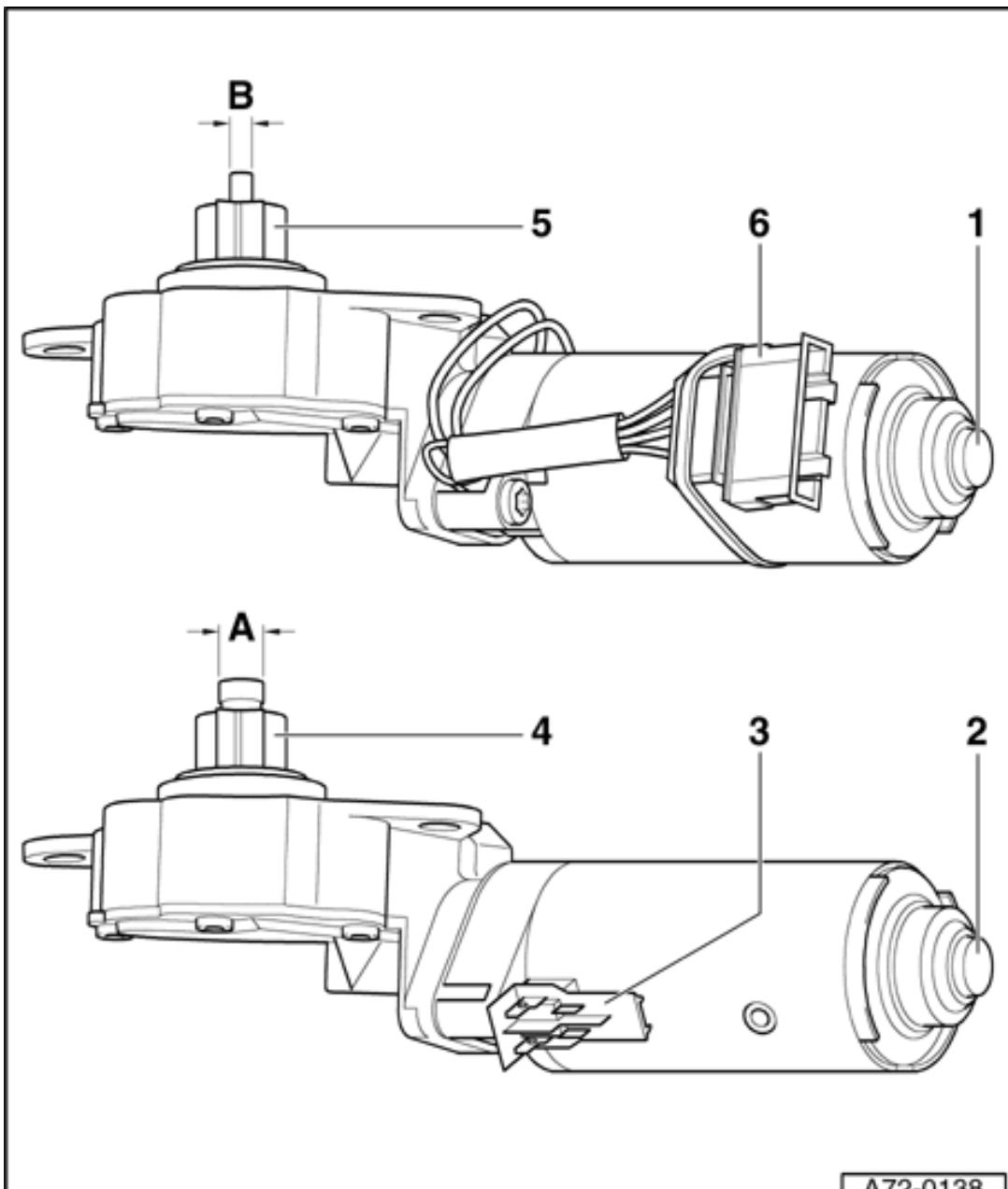


Fig. 1 Removing seat height adjustment motor

- Disconnect connector - 2-
- Remove screws -3- (3x).

Tightening torque: 4 Nm (35 in. lb)

- Motor -1- does not have a basic setting; the motor and seat can be in any position when removing and installing.
- A wiring adapter will be required; the type of adapter depends on the installation layout ⇒ [Page 72-35](#) .



Seat height adjustment motor versions, overview

- Install motor for seat height adjustment after checking seat frame ⇒ [Page 72-43](#) .

1 - Old height adjustment motor

Characteristic:

- ◆ Wire with connector -6-
- ◆ Gear -5- with 6.2 mm shaft (measurement -B-).

2 - New height adjustment motor

Characteristic:

- ◆ Integrated connector -3-

A72-0138

◆ Gear -4- with 9.8
mm shaft
(measurement -A-).

3 - Integrated connector

4 - Gear

5 - Gear

6 - Connector

72-43

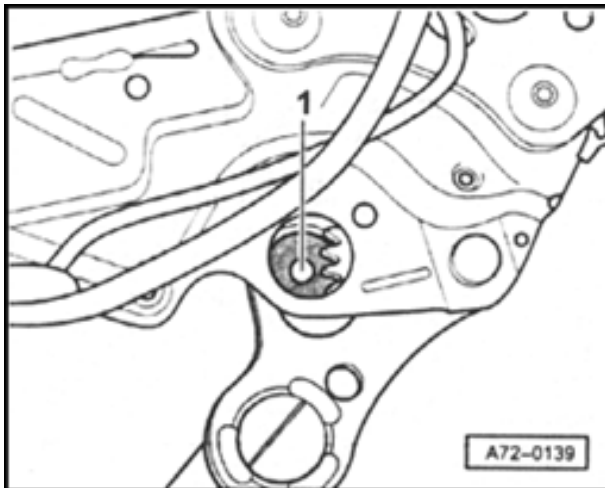


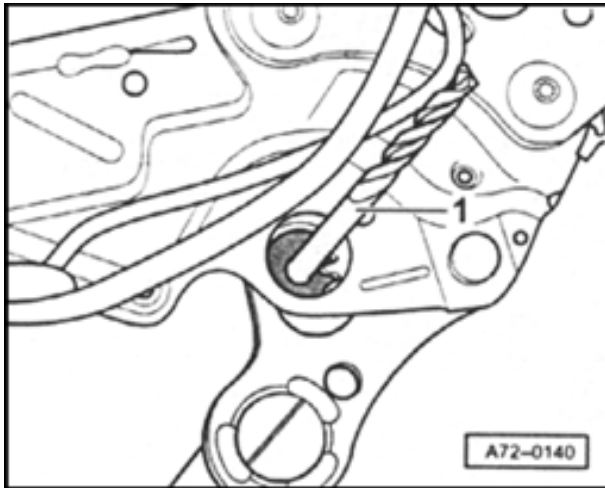
Mount for seat height adjustment motor at seat frame, checking

Note:

⚠ *Shafts at mount -1- on seat frame are available in different diameters*

- ◆ Diameter 6.2 mm old version.
- ◆ Diameter 9.8 mm new version.

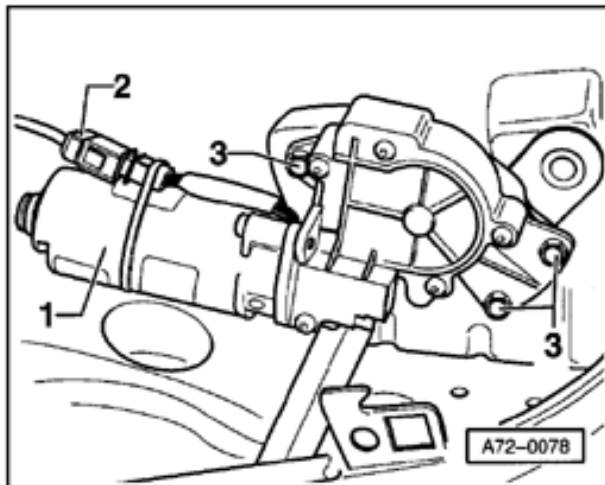




- Check diameter of shaft mount using an 8 mm drill bit -1- to check whether the old (6.2 mm) or new (9.8 mm) version is installed.
- Install an old or new version of the motor as necessary.



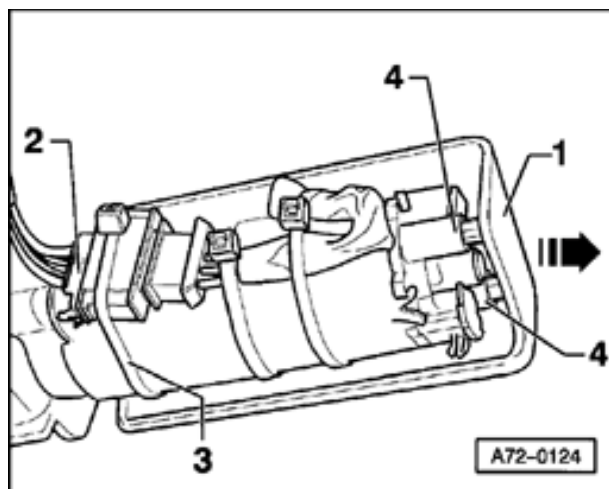
Seat angle adjustment motor (power seat with memory), removing and installing



- Remove seat ⇒ [Page 72-9](#) .
- Disconnect connector - 2-.
- Remove screws -3- (3x).
Tightening torque: 4 Nm (35 in. lb)
- Motor -1- does not have a basic setting; the motor and seat can be in any position when removing and installing.
- A wiring adapter will be required; the type of adapter depends on the installation layout ⇒ [Page 72-35](#) .

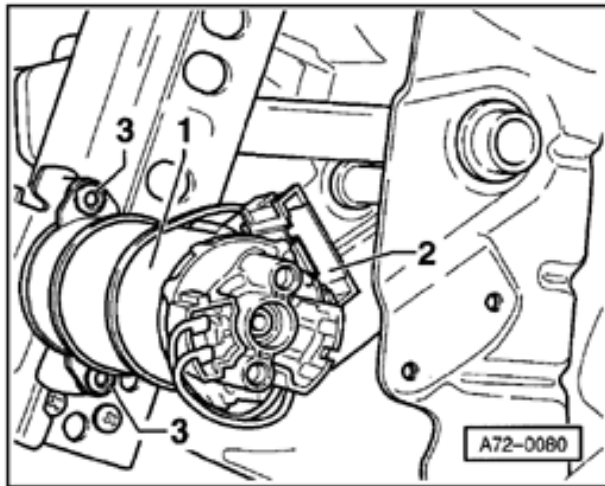


Longitudinal seat adjustment motor (power seat with memory), removing and installing



- Remove seat ⇒ [Page 72-9](#).
- Cut through cable tie -3- (1x).
- Detach trim cover -1- at gearing end.
- Pull trim cover -1- out of guides -4- in direction of arrow.
- Disconnect connector -2-.

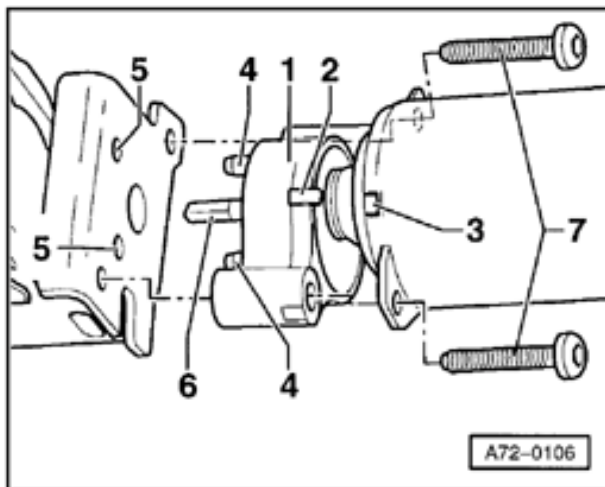
72-46



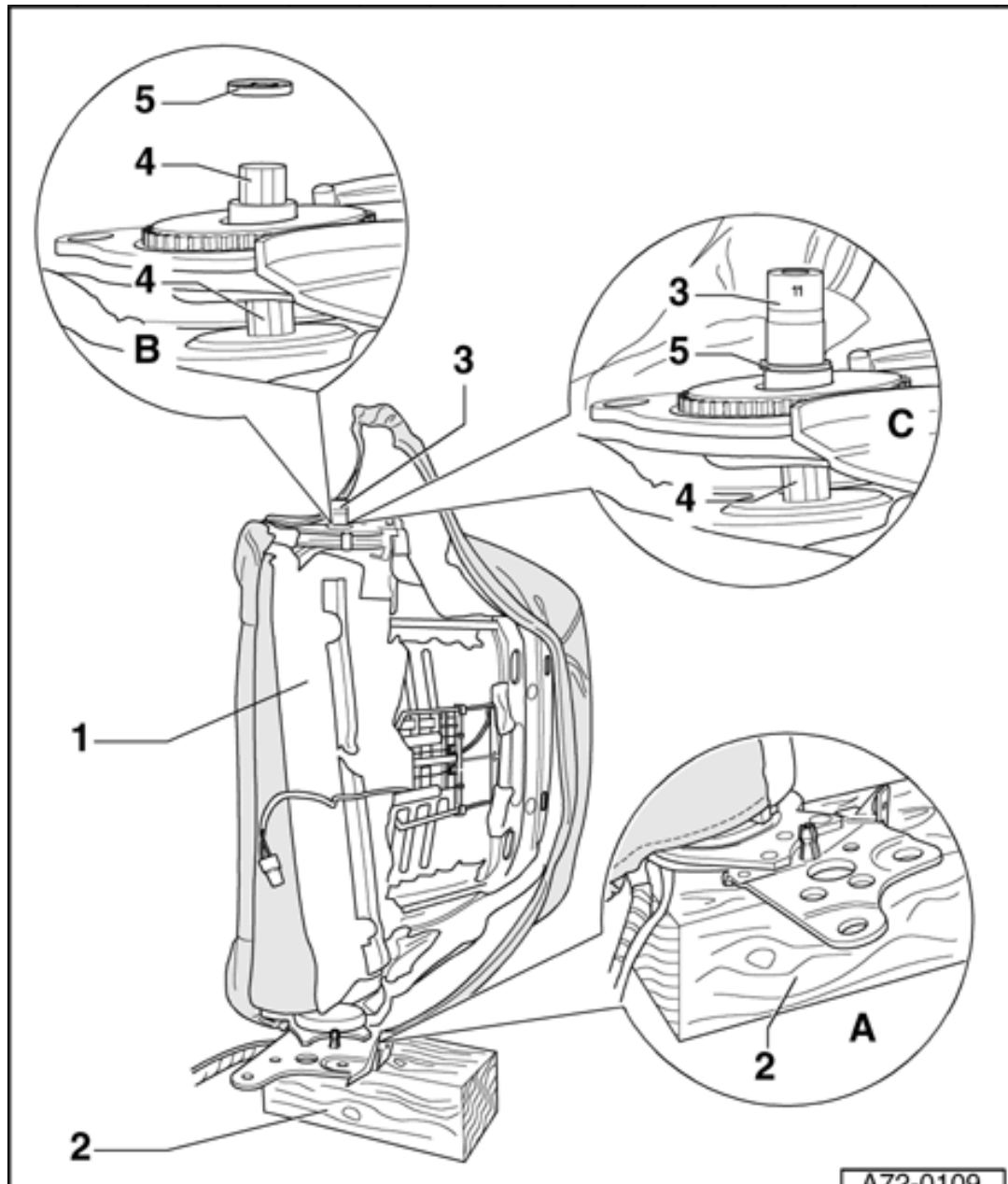
- Remove screws -3- (2x).

Tightening torque: 4 Nm (35 in. lb)

- Motor -1- does not have a basic setting and can be removed and installed in any motor position or seat position.
- A wiring adapter will be required; the type of adapter depends on the installation layout ⇒ [Page 72-35](#) .



- Insert pins -4- on spacer sleeve -1- into mounts -5-.
- Insert square spindle -6- of longitudinal seat adjustment motor into gearing, and at the same time guide locating lug -2- into stop -3-.
- Install screws -7- (2x).



Backrest adjustment motor (power seat with memory), removing and installing

Removing

- Removing seat ⇒ [Page 72-9](#) .
- Remove outer side panel of seat ⇒ [Page 72-17](#)
- Remove backrest cover panel ⇒ [Page 72-17](#)

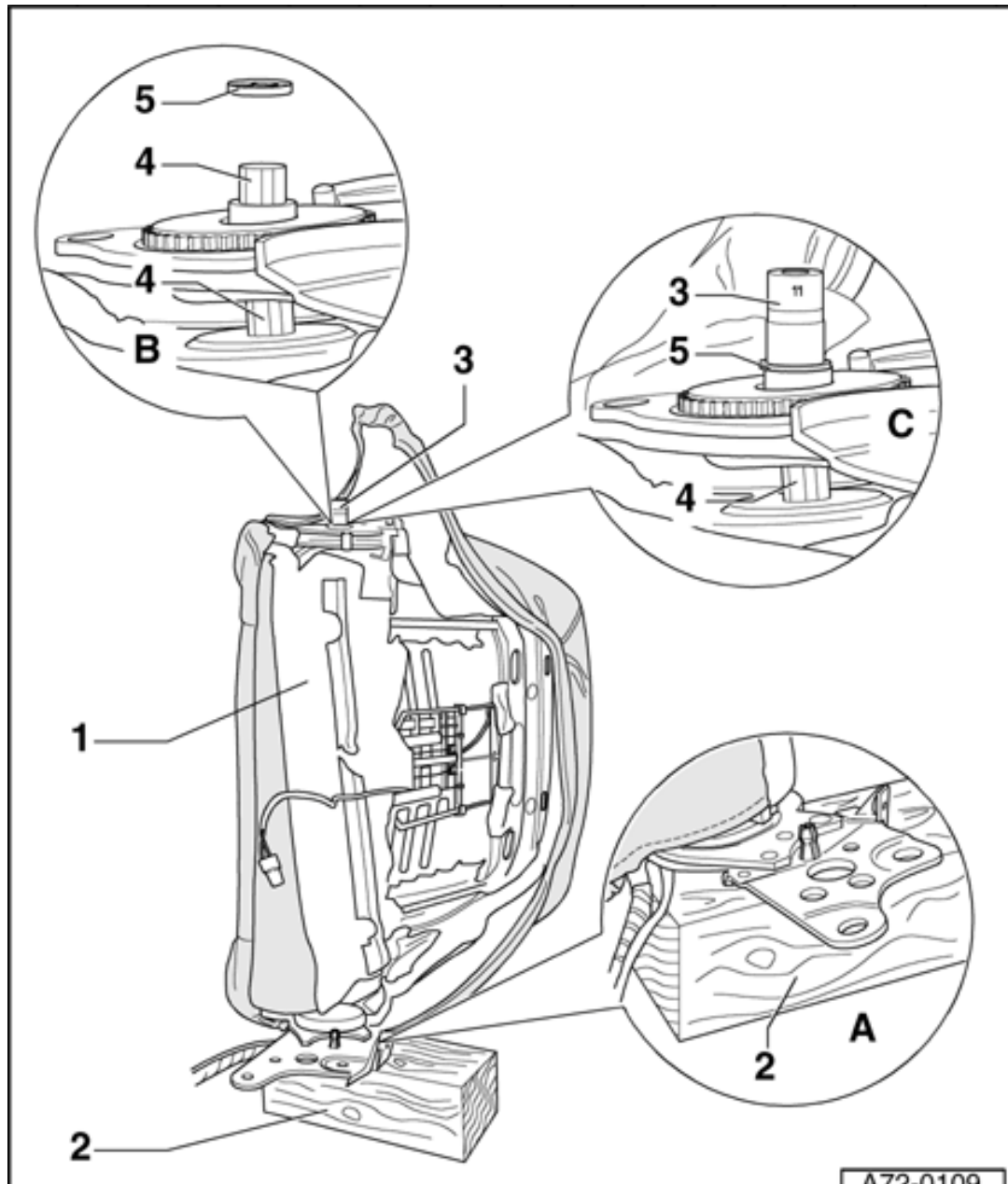
Note:

For greater clarity, the backrest is shown without the seat

- Remove nut from backrest adjustment motor ⇒ [Fig. 1](#) .



- Using a screwdriver, pry off spring washer -5- on same side as motor (inset - B- in illustration)
- Using a hammer and punch, knock shaft -4- through one side of backrest frame.




A72-0109

- Pull shaft out of backrest frame -1- until backrest adjustment motor can be removed.

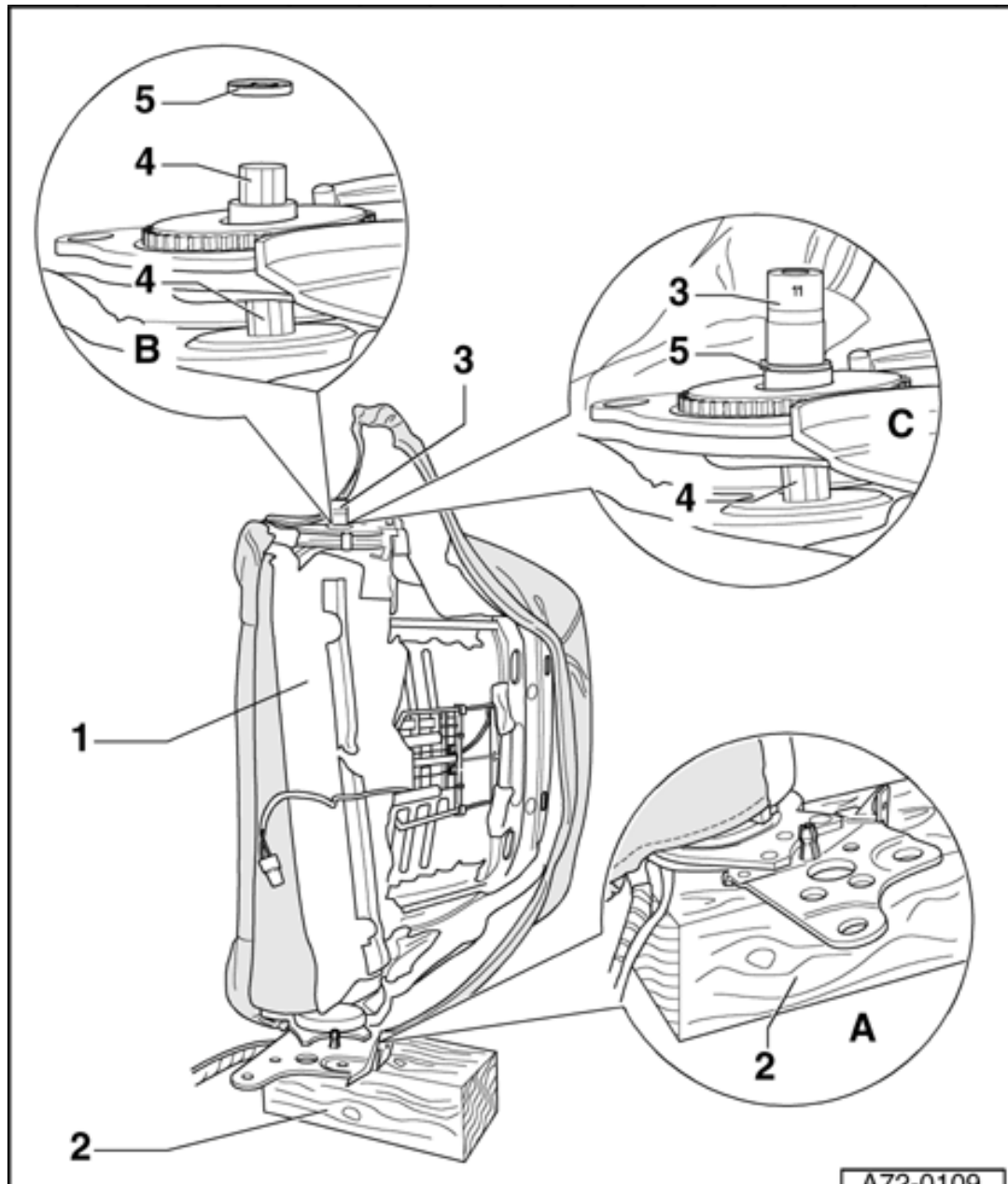
Installing

- If a new backrest adjustment motor is being installed, align teeth in motor with splines on shaft ⇒ [Fig. 2](#)
- Push shaft -4- through backrest adjustment motor and through backrest frame -1-.
- Place seat on its side.
- Place a wooden block -2- under shaft -4- (inset -A- in illustration)



A72-0109

- Using an 11 mm socket, knock spring washer -5- onto shaft -4- (inset -C- in illustration)
- Install nut onto backrest adjustment motor and connect wiring.



A72-0109

- A wiring adapter will be required; the type of adapter depends on the installation layout ⇒ [Page 72-35](#) .

- After installing seat in vehicle, perform basic setting of backrest and seat

⇒ [Repair Manual, Body On Board Diagnostic \(OBD\), Repair Group 01; Seat adjustment with memory, On Board Diagnostic \(OBD\), Basic setting \(function 04\)](#)

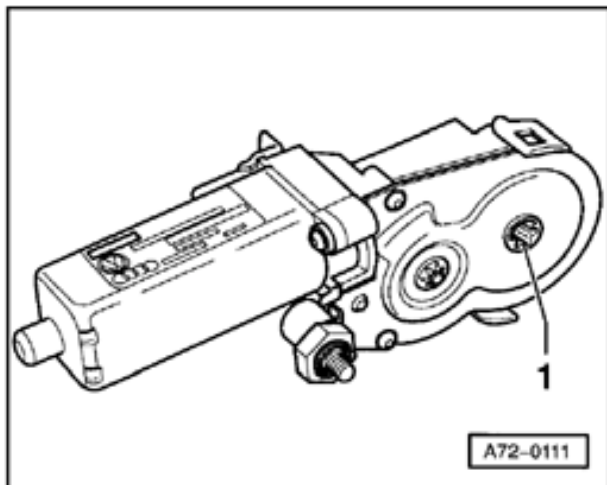
- 1 - Backrest
- 2 - Wooden block
- 3 - Socket (11 mm)
- 4 - Shaft
- 5 - Spring washer

A72-0109



Fig. 1 Detaching mounts for backrest adjustment motor

- Disconnect connector - 5-.
- Pull backrest cover -3- and damper felt -2- to one side.
- A wiring adapter will be required; the type of adapter depends on the adjustment motor installed ⇒ [Page 72-35](#) .
- Remove nut - 4-.



◀ **Fig. 2 Preparing backrest adjustment motor**

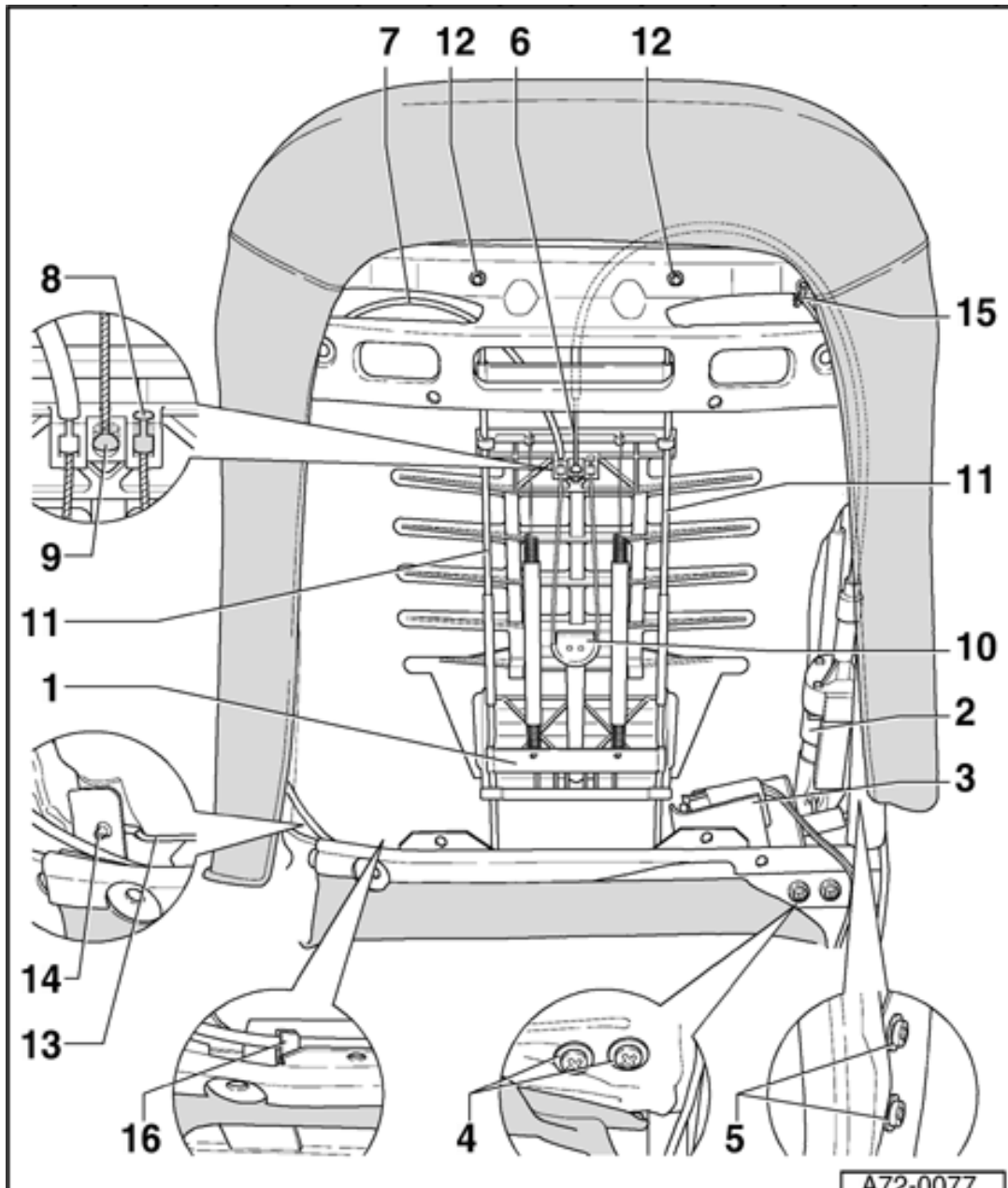
- Using a screwdriver, turn asymmetric section of teeth -1- to align with shaft in backrest frame.



4-way lumbar support, removing and installing

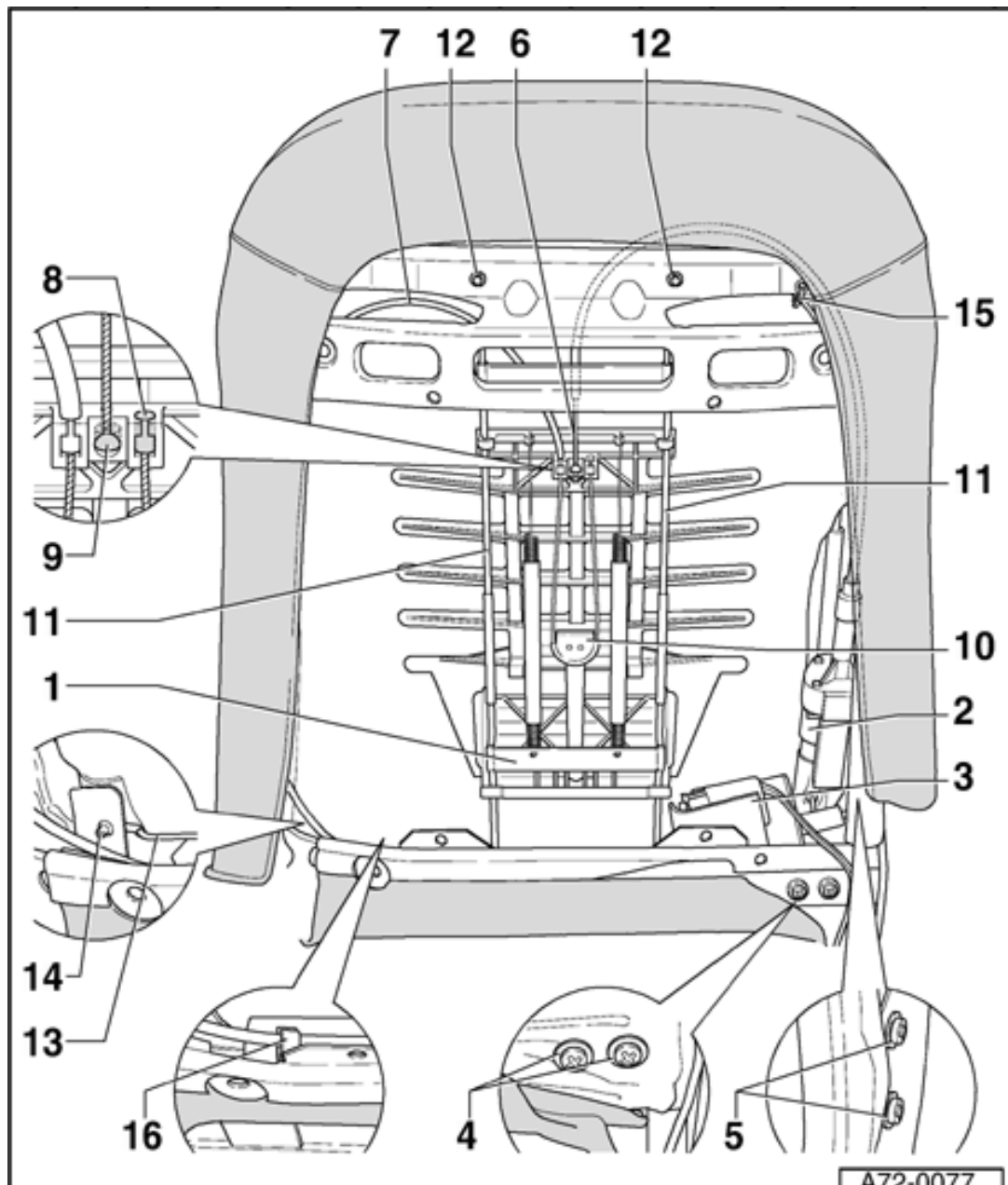
1 - 4-way lumbar support

- Remove seat ⇒ [Page 72-9](#) .
- Pry cover fastening strip out of backrest trim.
- Unclip backrest trim with clips.
- Pull backrest trim downward and out.
- Detach Bowden cable -6- for lumbar support adjuster -2- at retaining pin -9-.



A72-0077

- Detach Bowden cable -7- for lumbar-support height adjuster - 3- at retaining pin -8- and guide roller -10-.
- Detach top left and right wire clips -11- at retaining clips - 12-.
- Detach bottom left and right wire clips -13- at retaining clips - 14-.

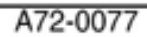


2 - Lumbar support height adjustment motor

- Remove backrest trim.
- Disconnect connector.
- Remove screws - 4- (2x).
- Detach Bowden cable at lumbar support.
- Unclip clip - 16-.

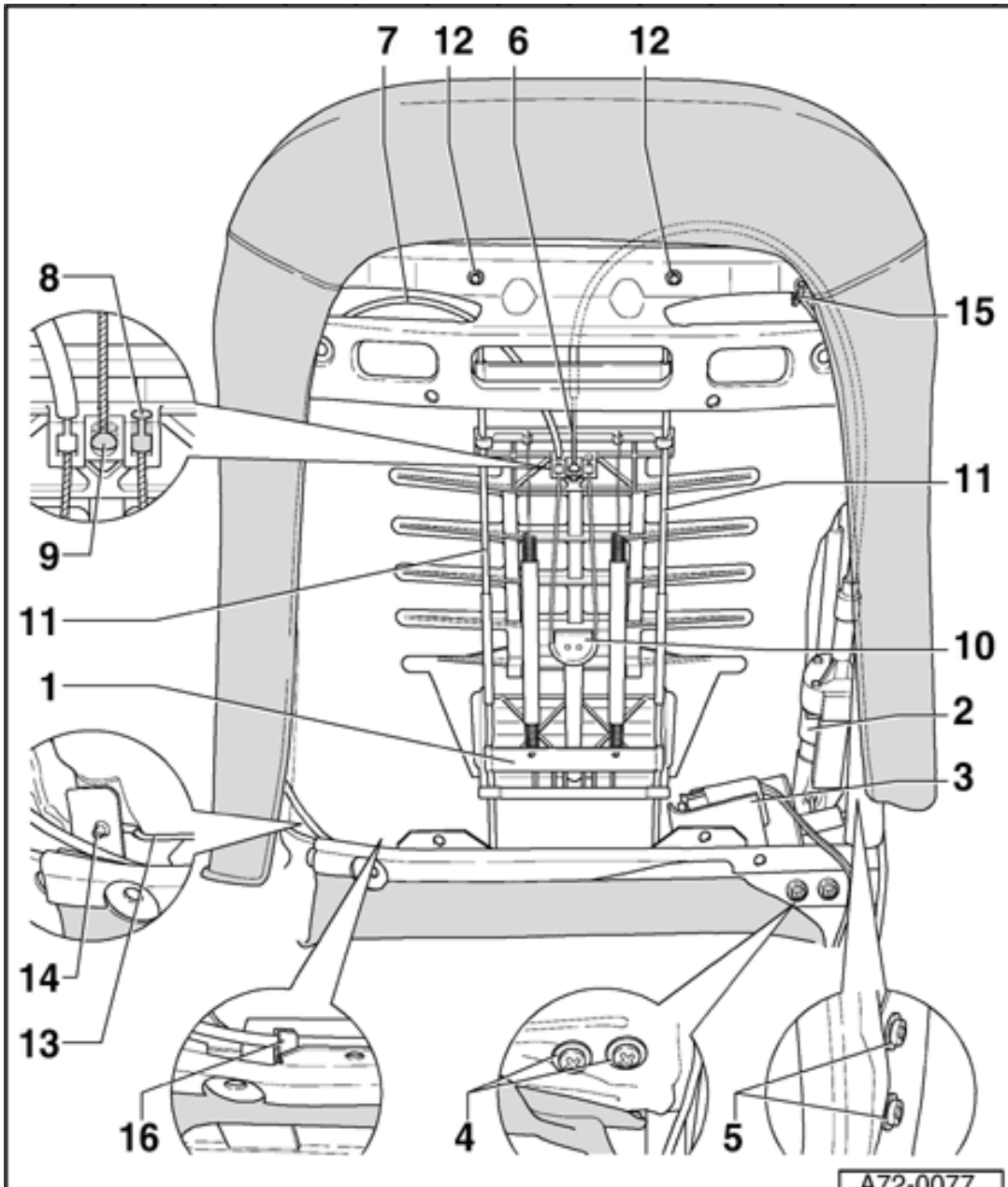
3 - Lumbar support adjustment motor

- Remove backrest trim.
- Fold back backrest cover around lumbar support adjustment motor -2-.



A72-0077

- Disconnect connector.
- Remove screws - 5- (2x).
- Detach Bowden cable at lumbar support.
- Cut through cable tie -15-.

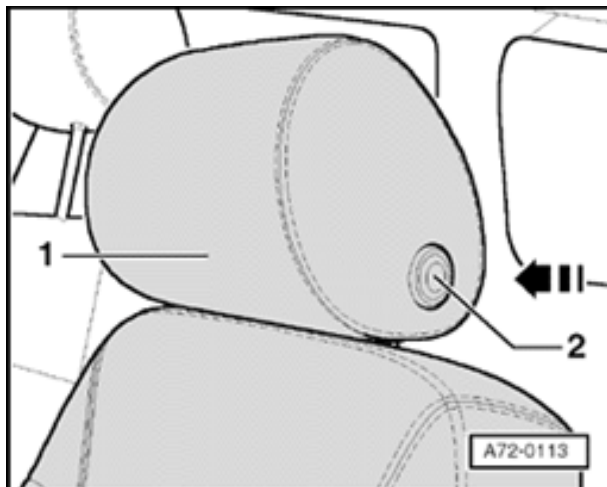


- 4 - Screws (2x)
- 5 - Screws (2x)
- 6 - Bowden cable
- 7 - Bowden cable
- 8 - Retaining pin
- 9 - Retaining pin
- 10 - Guide roller
- 11 - Wire clip
- 12 - Retaining clip
- 13 - Wire clip
- 14 - Retaining clip
- 15 - Cable tie
- 16 - Clip

A72-0077



Head restraints with release button, removing and installing

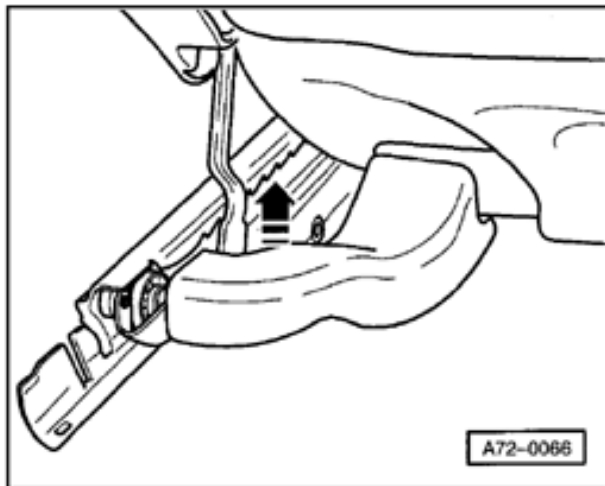


- To install (slide in) head restraint -1-, press release button -2- to first stage.
- To remove head restraint -1-, press release button -2- fully.

72-55



Inner seat-base trim, removing

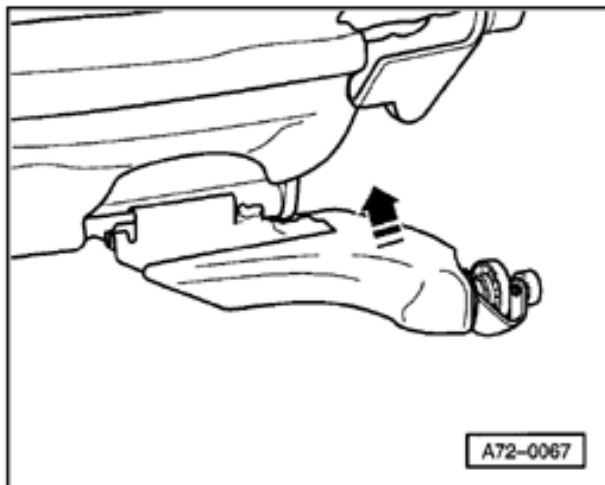


- ◀ - Unclip trim upward in direction of arrow.

72-56



Outer seat-base trim, removing



- ◀ - Unclip trim upward in direction of arrow.

72-105



Vehicle

System

Repair Group

Previous Topic

Next Topic

Technical
Bulletins

Wiring Diagrams

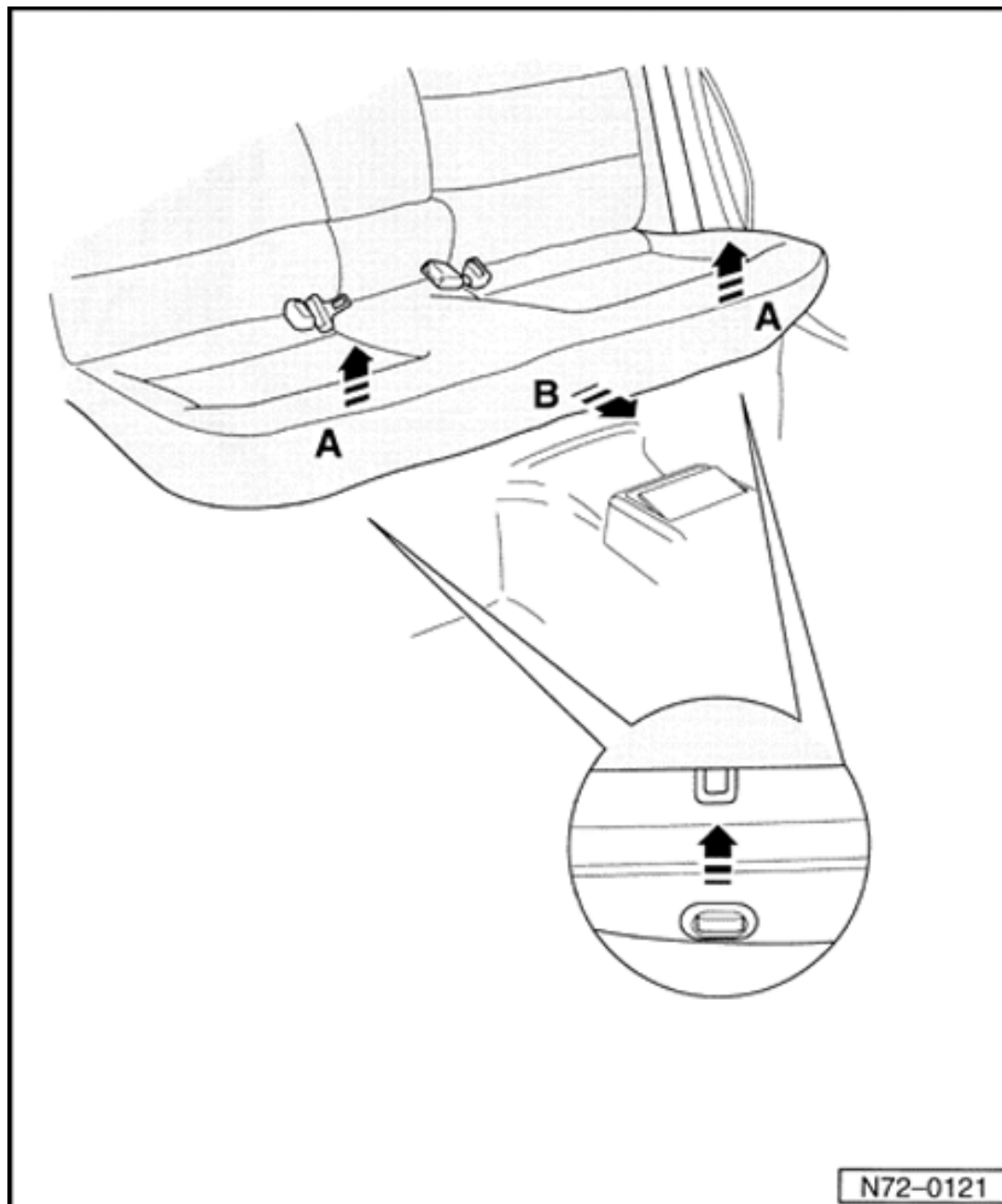
Warnings &
Cautions

Print

Search

Advanced
Search

eBahn®
Version: 2.5r01sp0003



N72-0121

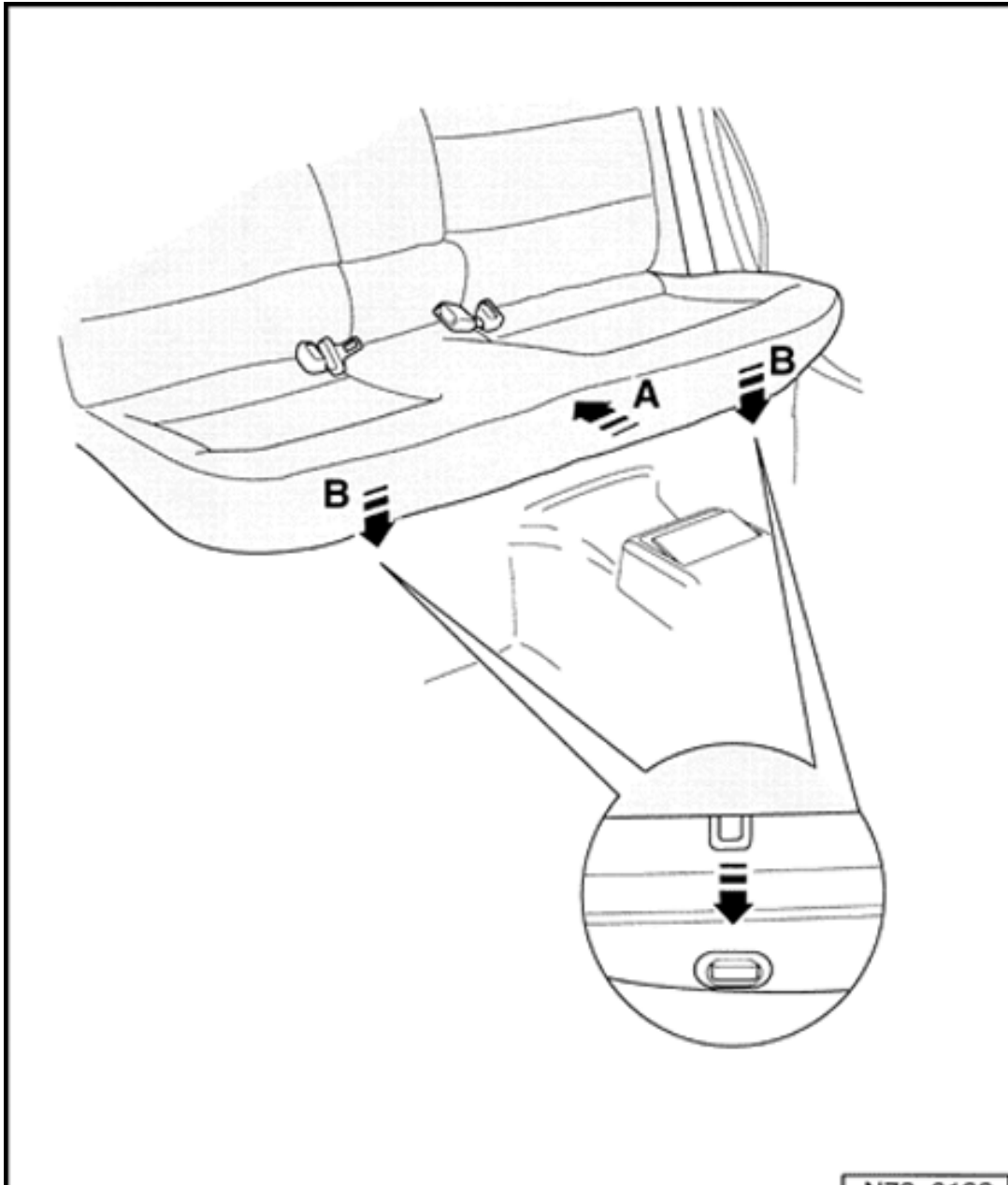
Rear seats

Seat bench, removing and installing

Removing

- Lift seat bench -arrow A- and pull forward -arrow B-.
- Remove harness connector for side airbag from groove ⇒ [Fig. 1](#) .
- Disconnect harness connector for vehicles with heated seats.

72-106



Installing

- Connect harness connector for vehicles with heated seats and side airbag.
- Slide seat bench rearward -arrow A-.
- Guide anchoring eyelets into plastic sleeves -arrow B-.

Be careful not to damage plastic sleeves during installation.

N72-0122

72-107

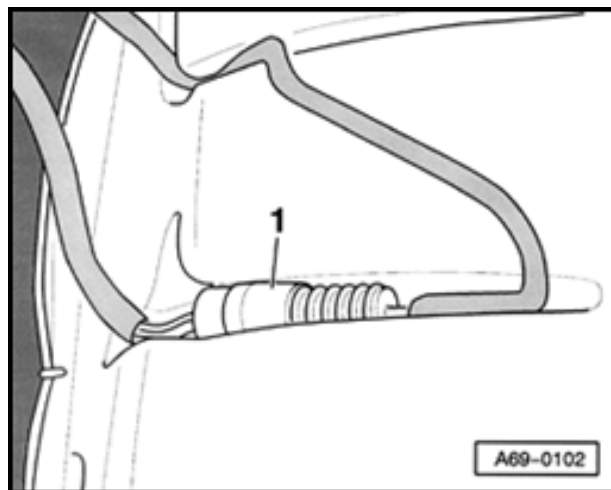
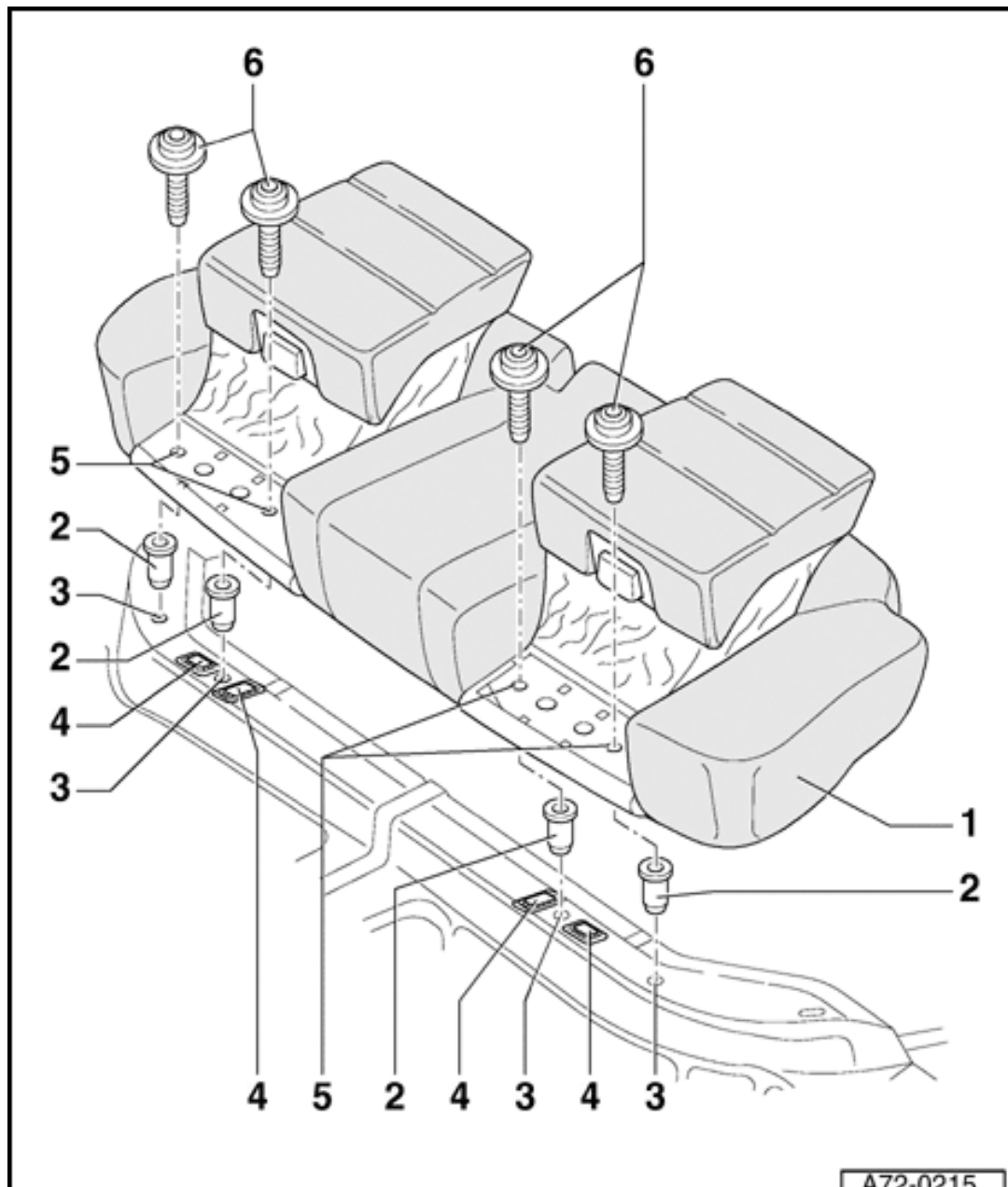


Fig. 1 **Harness connector, side airbag**

- Remove harness connector for side airbag from recess.



Seat bench with integrated child seat, removing and installing

Removing

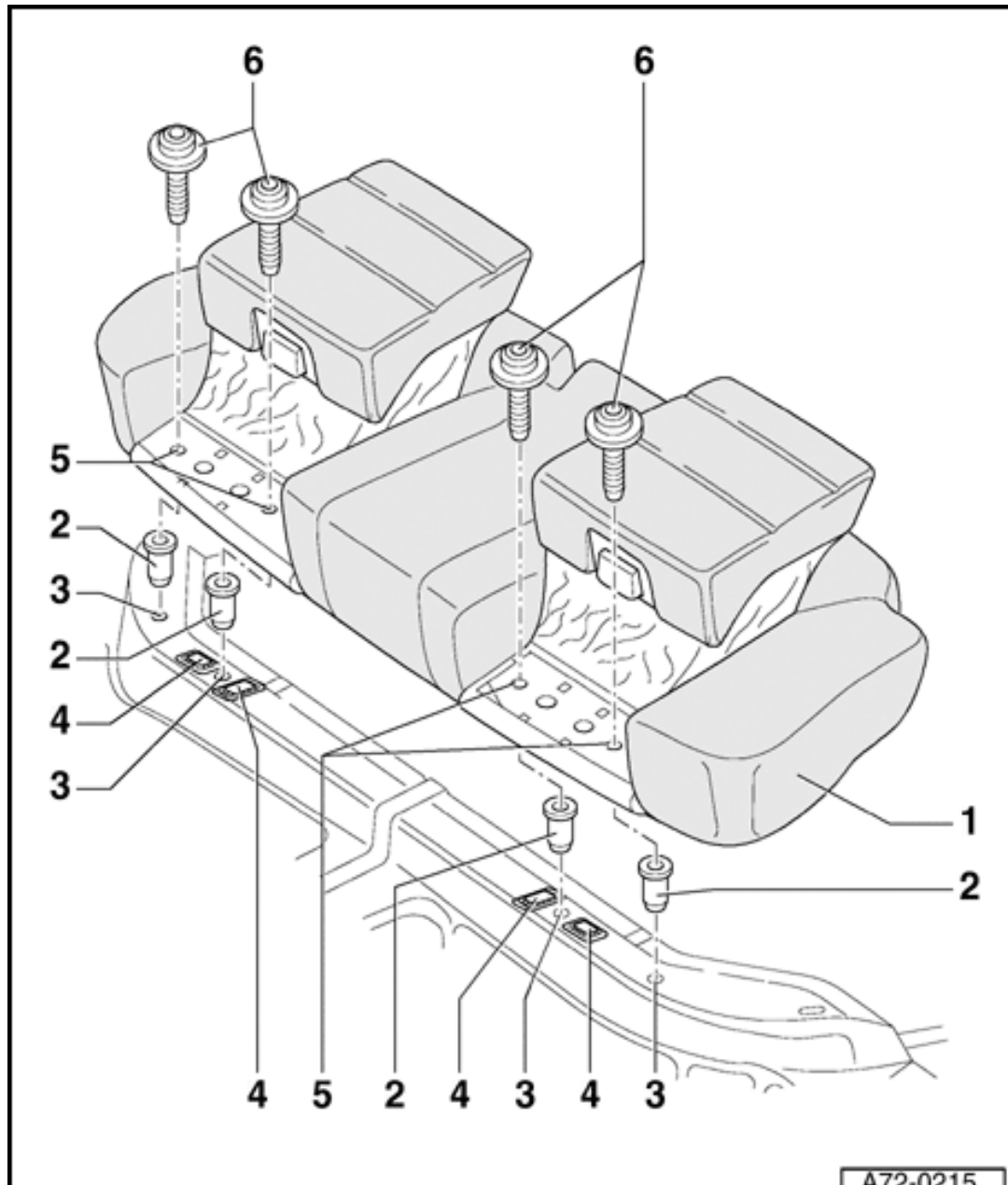
1 - Seat bench with integrated child seat

- Pull integrated child seat upward, by disengaging.
- Remove footrest ⇒ [Page 72-113](#)
- Remove bolts -6- (4x).
- Pull seat bench -1- up and out of plastic sleeves -4-.
- Remove seat bench -1-.

2 - Threaded inserts (4x)

A72-0215

72-109



3 - Holes (4x)

4 - Plastic sleeves

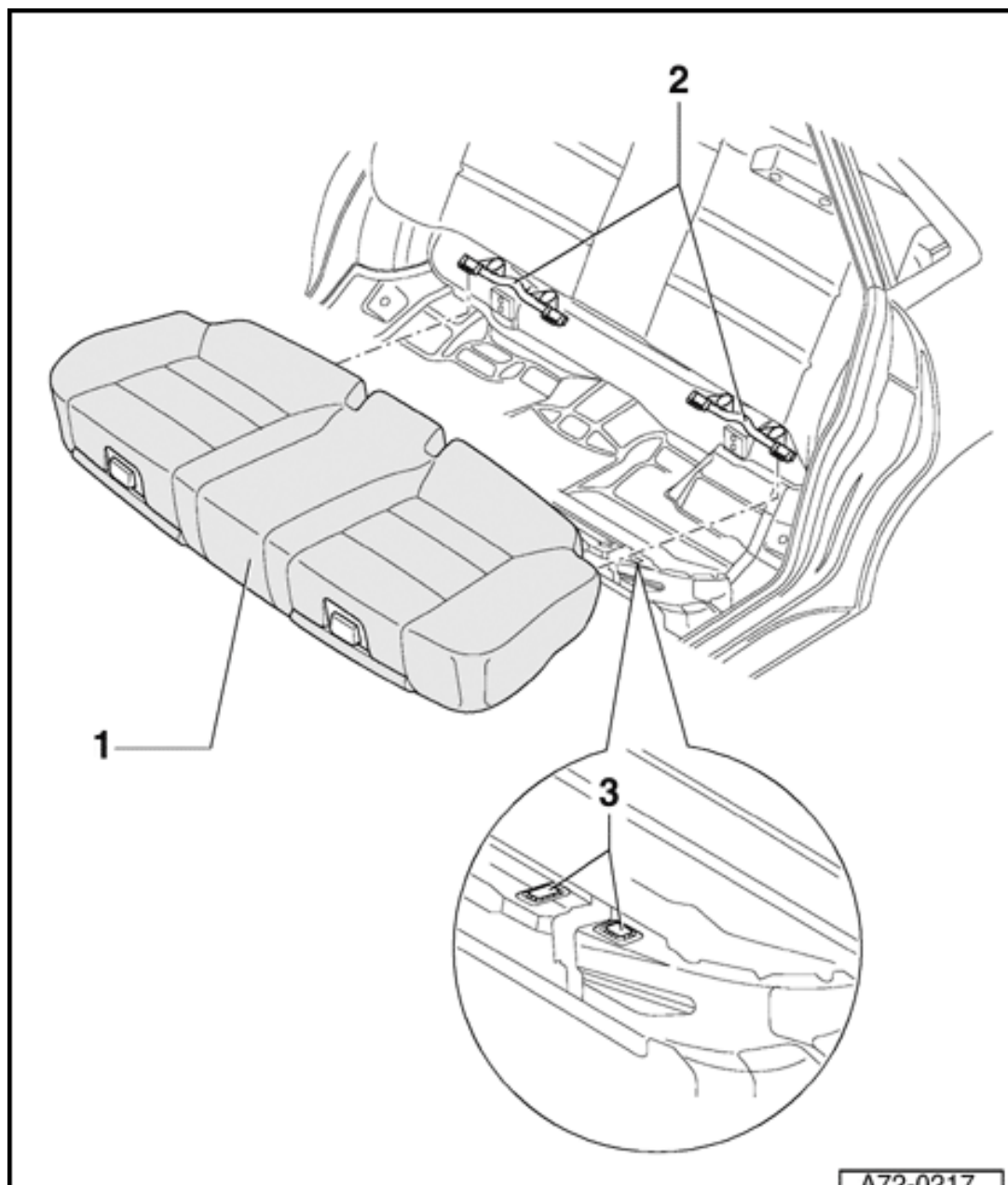
5 - Bolt holes (4x)

6 - Bolts (4x)

◆ Tightening torque:
12 Nm (9 ft lb)

A72-0215

72-110



Installing

1 - Seat bench with integrated child seat

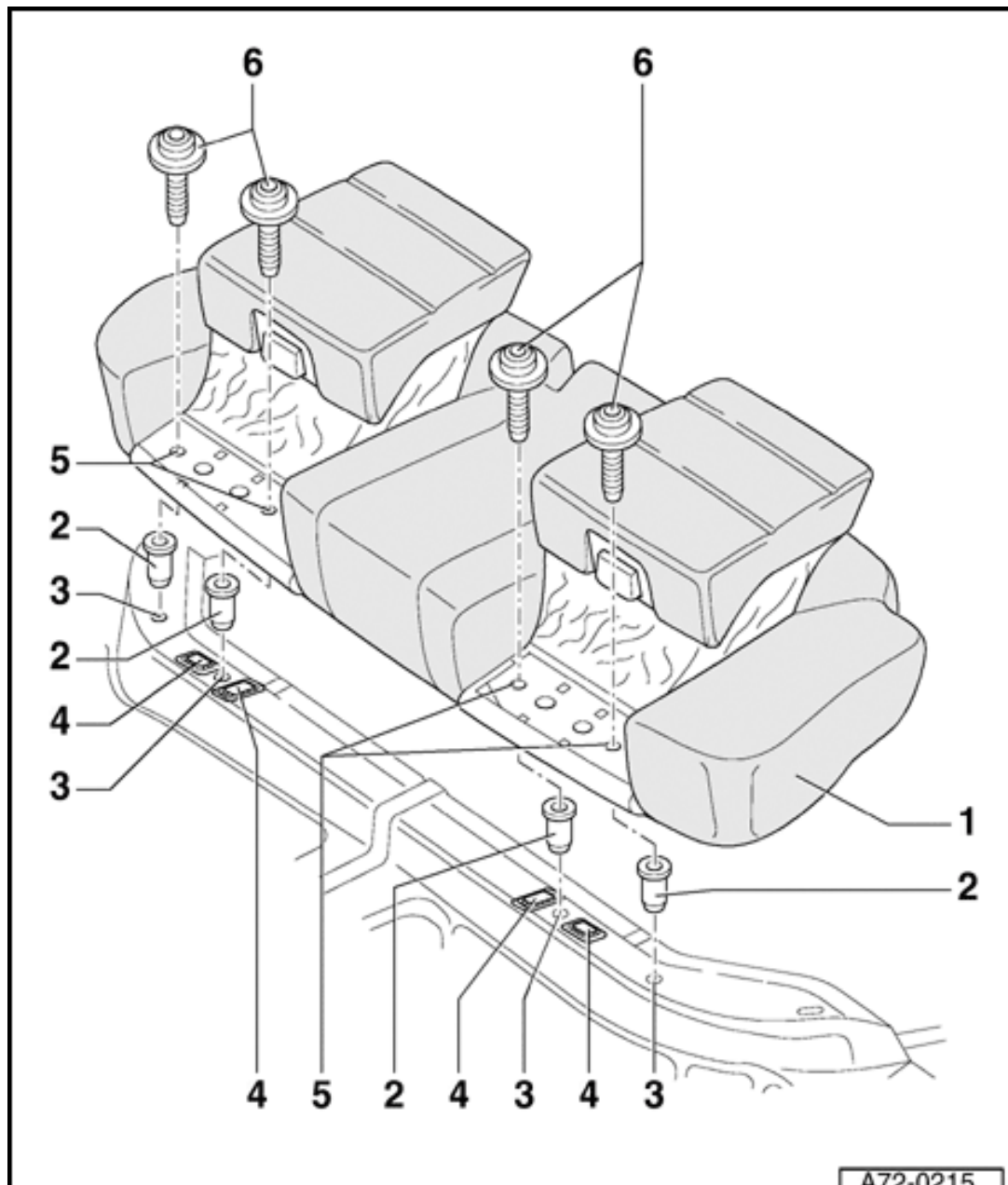
- Slide rear edge of seat bench under mounting bracket -2-.
- Press seat bench -1- into plastic sleeves -3-.
- Pull integrated child seat upward, by disengaging.
- Install bolts ⇒ [Page 72-108](#) , item -6-.
- Install footrest ⇒ [Page 72-113](#)

2 - Mounting bracket

3 - Plastic sleeves (4x)

A72-0217

72-111



A72-0215

Integrated child seat, retrofitting

Note:

Only vehicles as of VIN 4BWN 092 200 can be retrofitted.

1 - Seat bench with integrated child seat

CAUTION!

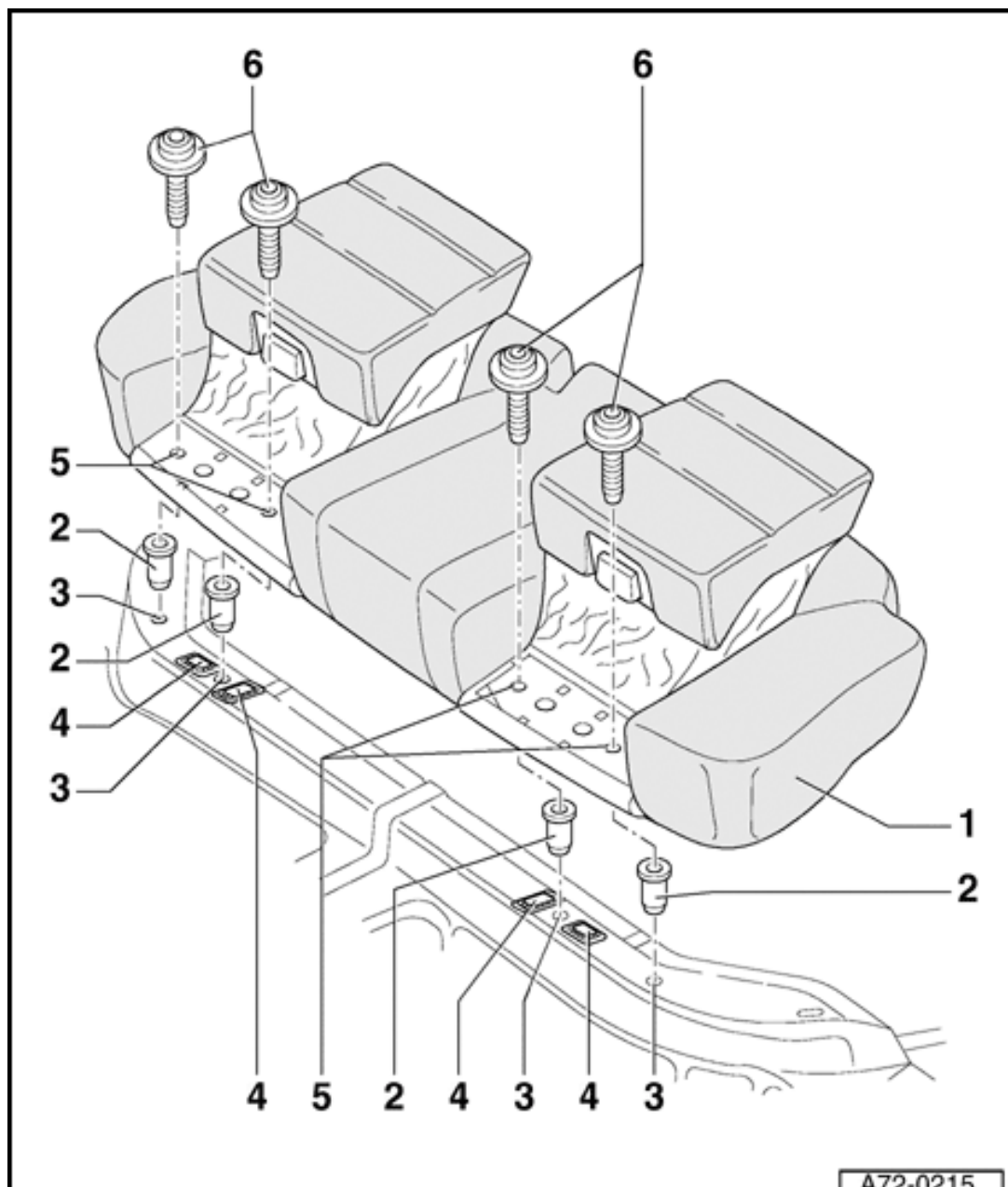
Mounting brackets must always be installed.

- Remove rear seat ⇒ [Page 72-105](#)
- For vehicles without mounting bracket, install mounting bracket ⇒ [Page 72-129](#)

A72-0215

- Enlarge cut-out in floor mat near the plastic sleeves - 4- by approx. 90 mm toward outside.
- Install seat bench with integrated child seat -1-.

72-112



- Mark holes -3- through bolt holes -5-.
- Remove seat bench -1-.
- Drill holes -3- for threaded inserts - 2- Dia. 9mm.
- Remove drill shavings.
- Restore paint structure.
- Install threaded inserts using VAG 1618A.
- Install seat bench with integrated child seat -1- ⇒ [Page 72-108](#) .

2 - Threaded insert (4x)

3 - Holes (4x)

4 - Plastic sleeves

5 - Bolt holes (4x)

A72-0215

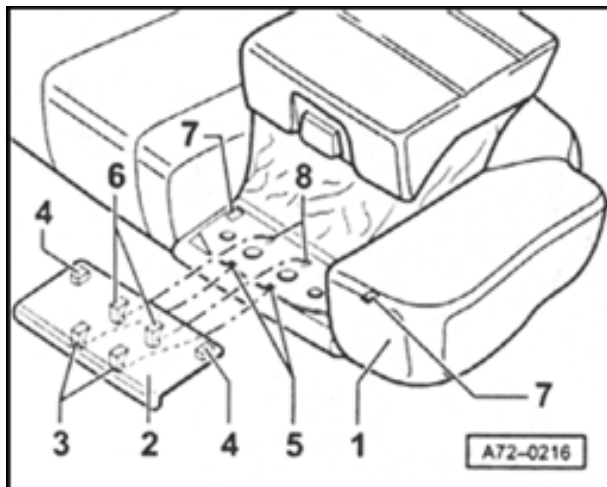
6 - Bolts (4x)

◆ Tightening torque:
12 Nm (9 ft lb)

72-113

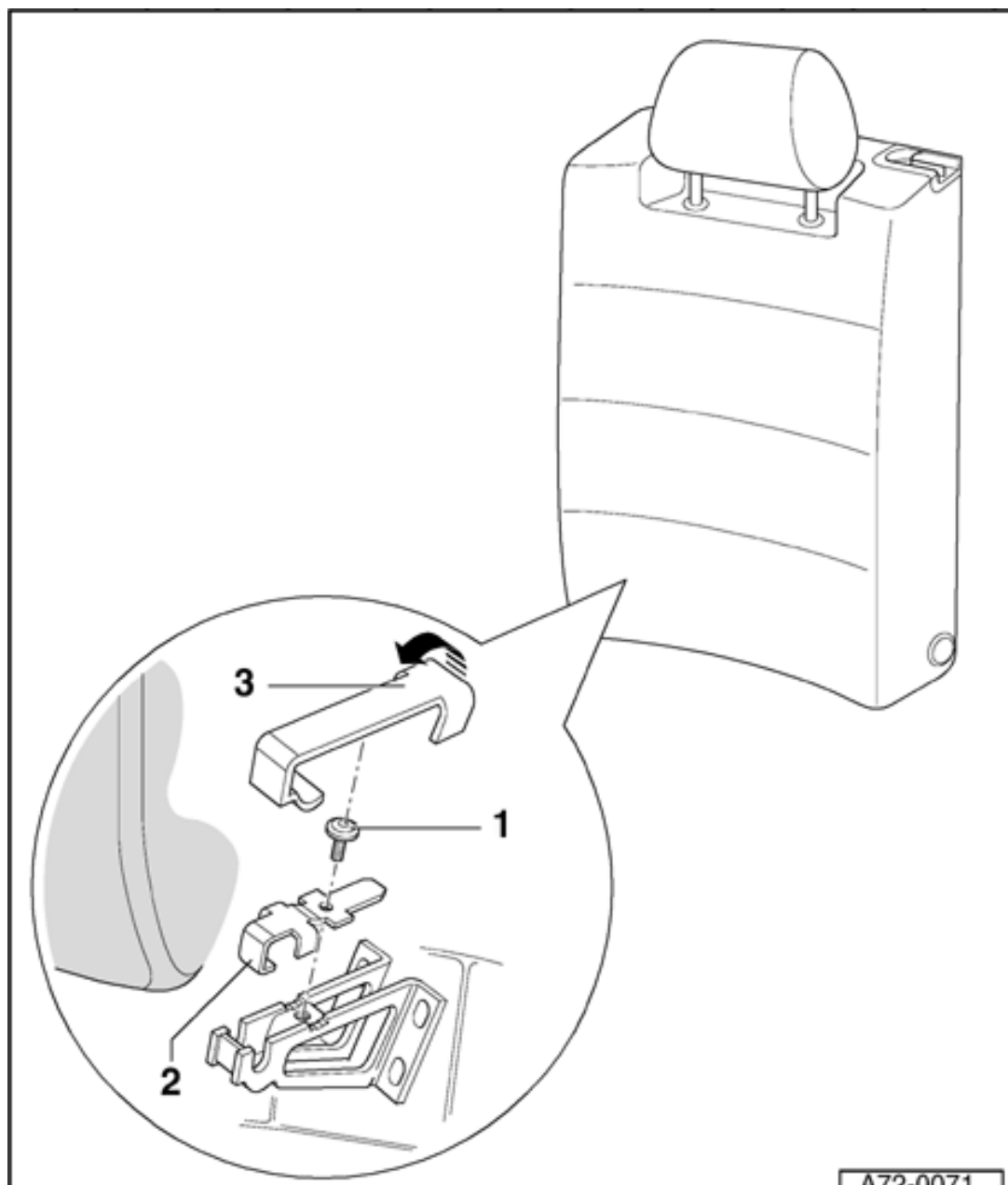


Footrest for seat bench with integrated child seat, removing and installing



- Guide hooks -3- into mounts -5- and hooks -6- into mounts -8-.
- Press footrest -2- downward in center while sliding footrest -2- rearward.
- Engage footrest -2- at mounts -4-.

72-114



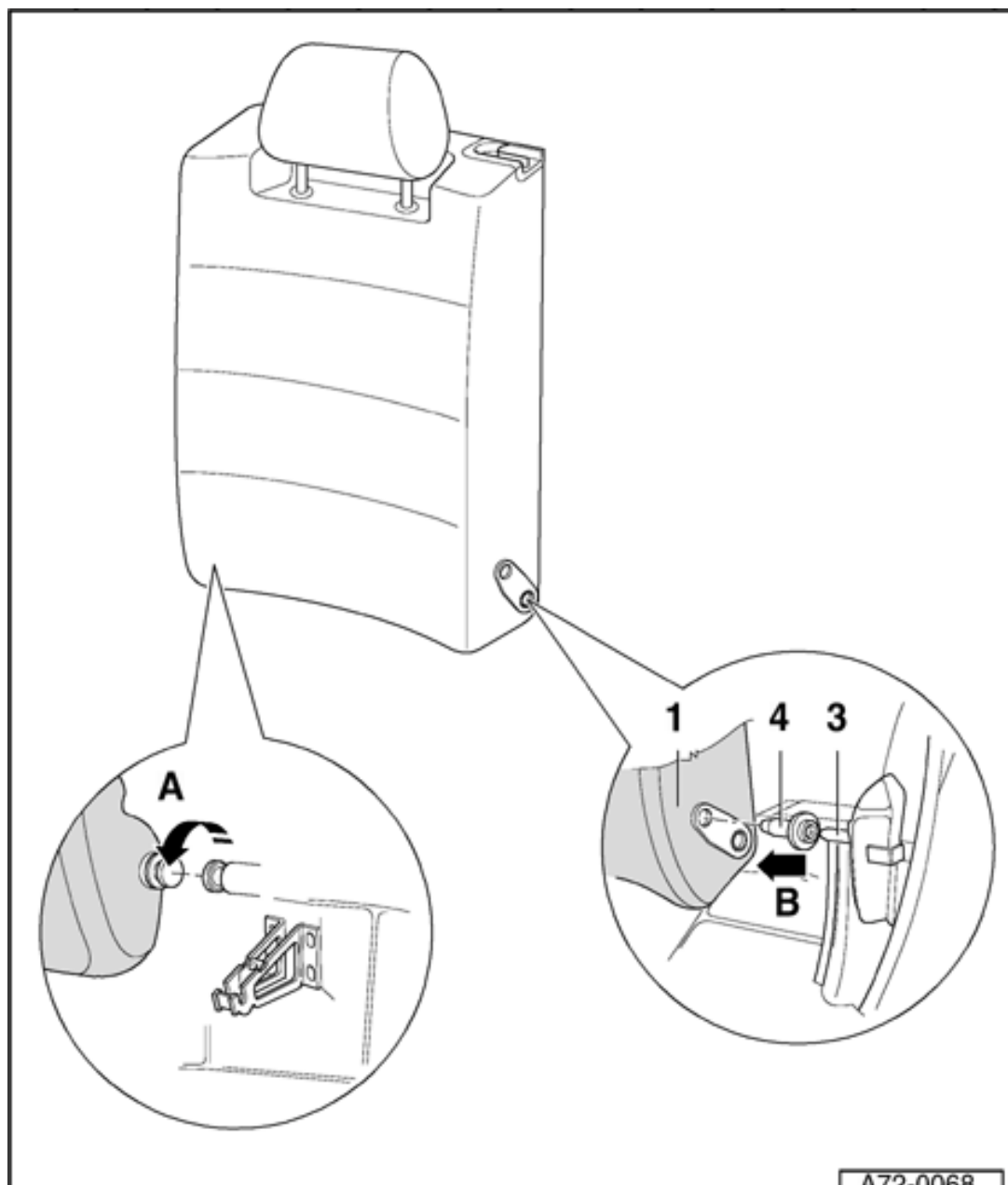
Left (1/3) section of backrest, removing and installing

Removing

- Fold both backrest sections forward.
 - Unclip trim -3- from rear in direction of arrow; if necessary, pry out from rear through hole.
 - Remove bolt -1- and take off clamp -2-.
- ◆ Bolt -1- tightening torque:
10 Nm (7 ft lb)

A72-0071

72-115



- Lift backrest -1- out of center support bracket -2-, -arrow A- and pull off fitting -3-, -arrow B-.
- Disconnect connectors for heated backrest.

Installing

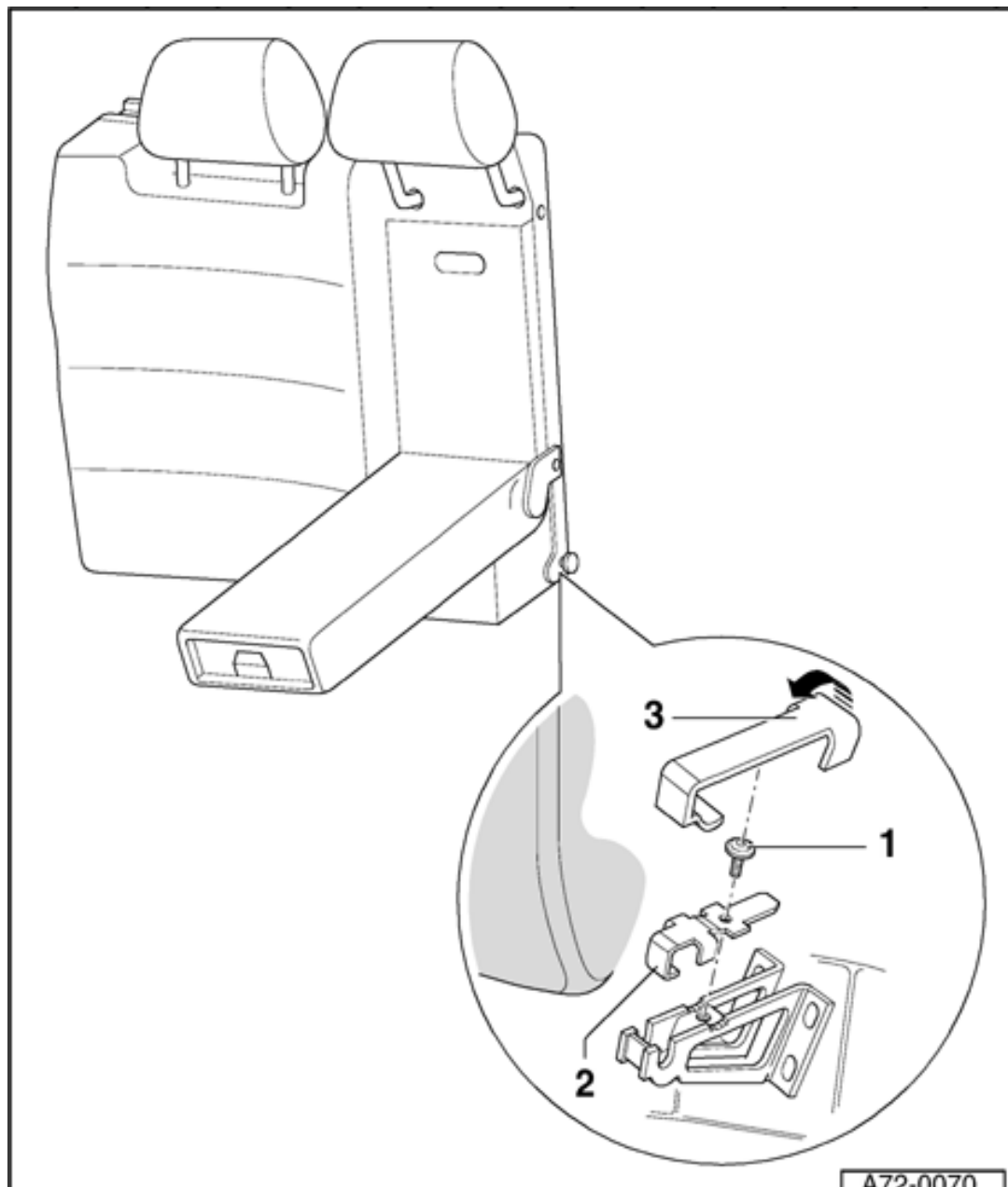
Note:

Re-install grommet -4- if it is pulled out of outer fitting when removing backrest.

Install in reverse order of removal.

A72-0068

72-116



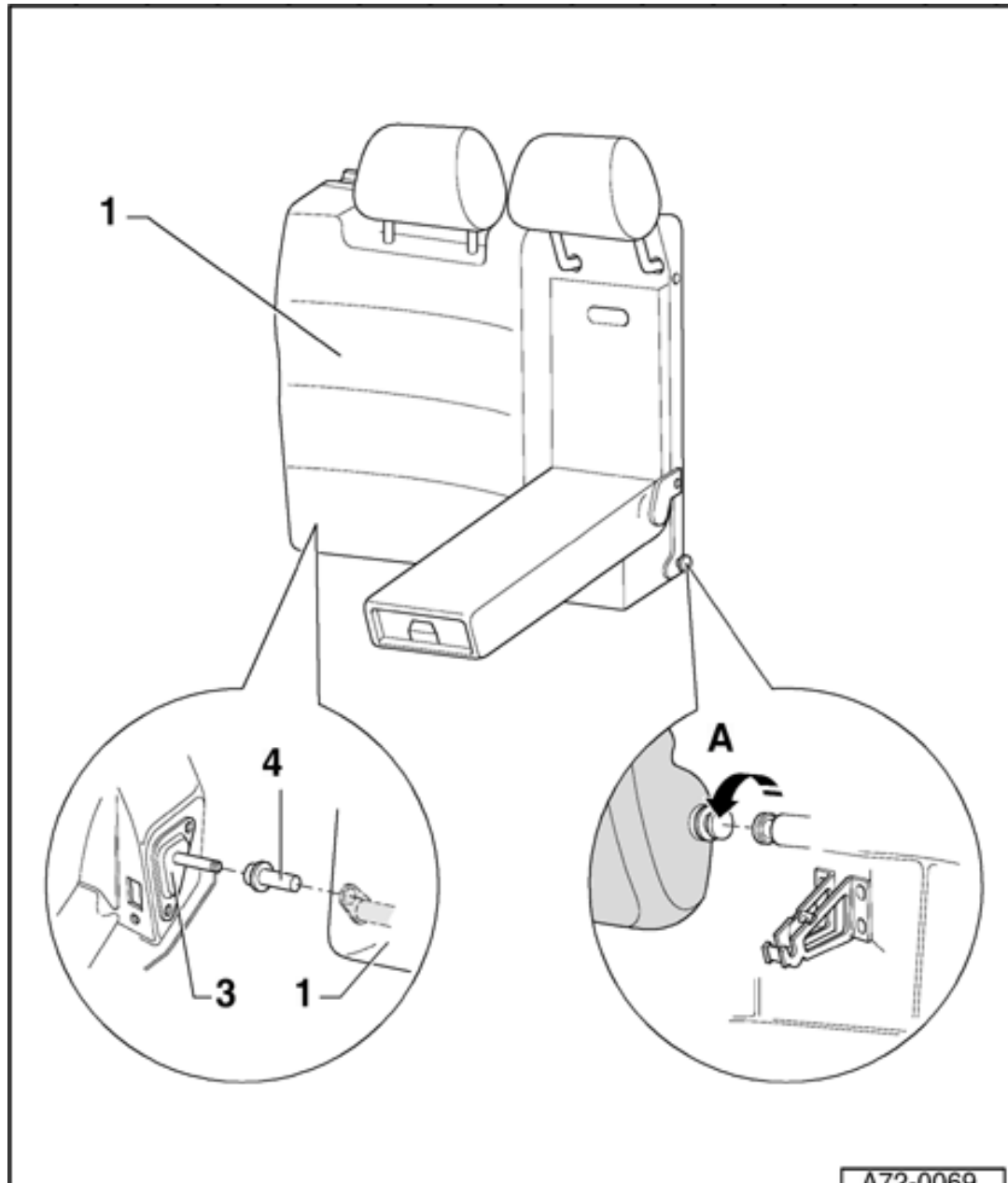
Right (2/3) section of backrest, removing and installing

Removing

- Fold both backrest sections forward.
- Unclip trim -3- from rear in direction of arrow; if necessary, pry out from rear through hole.
- Remove bolt -1- and take off clamp -2-.
- ◆ Bolt -1- tightening torque:
10 Nm (7 ft lb)

A72-0070

72-117



- Lift backrest -1- out of center support bracket -2-, -arrow A- and pull off fitting -3-, -arrow B-.

- Disconnect connectors for heated backrest.

Installing

Note:

Re-install grommet -4- if it is pulled out of outer fitting when removing backrest.

Install in reverse order of removal.

A72-0069

72-118



Side padding for rear seat, removing and installing

1 - Side padding

Removing

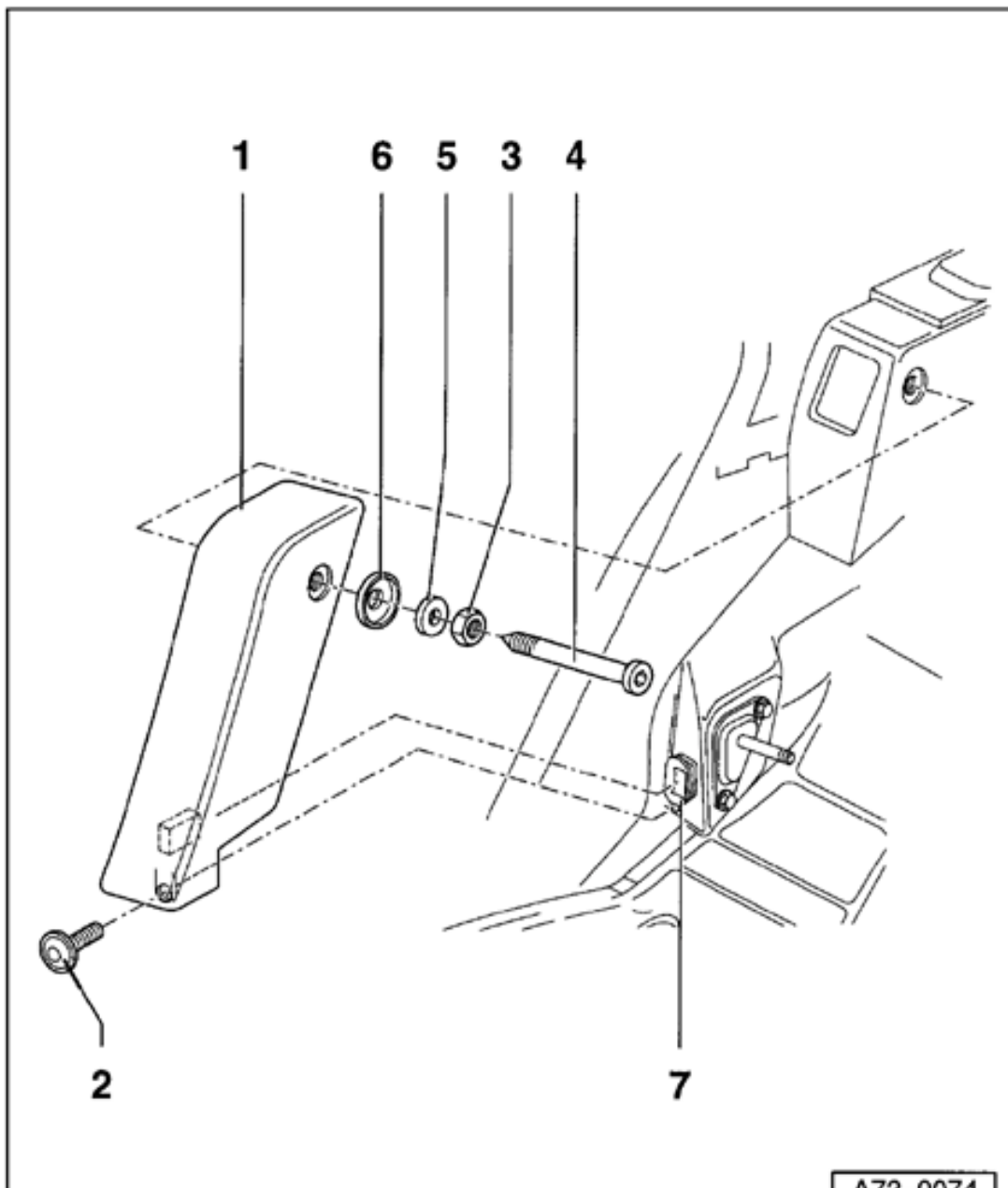
- Remove rear seat bench ⇒ [Page 72-105](#) .

- Remove bolt -1- (1x).

◆ Bolts -2- are only installed on vehicles with side airbag

- On vehicles with side airbags: disconnect connector ⇒ [Fig. 1](#) .

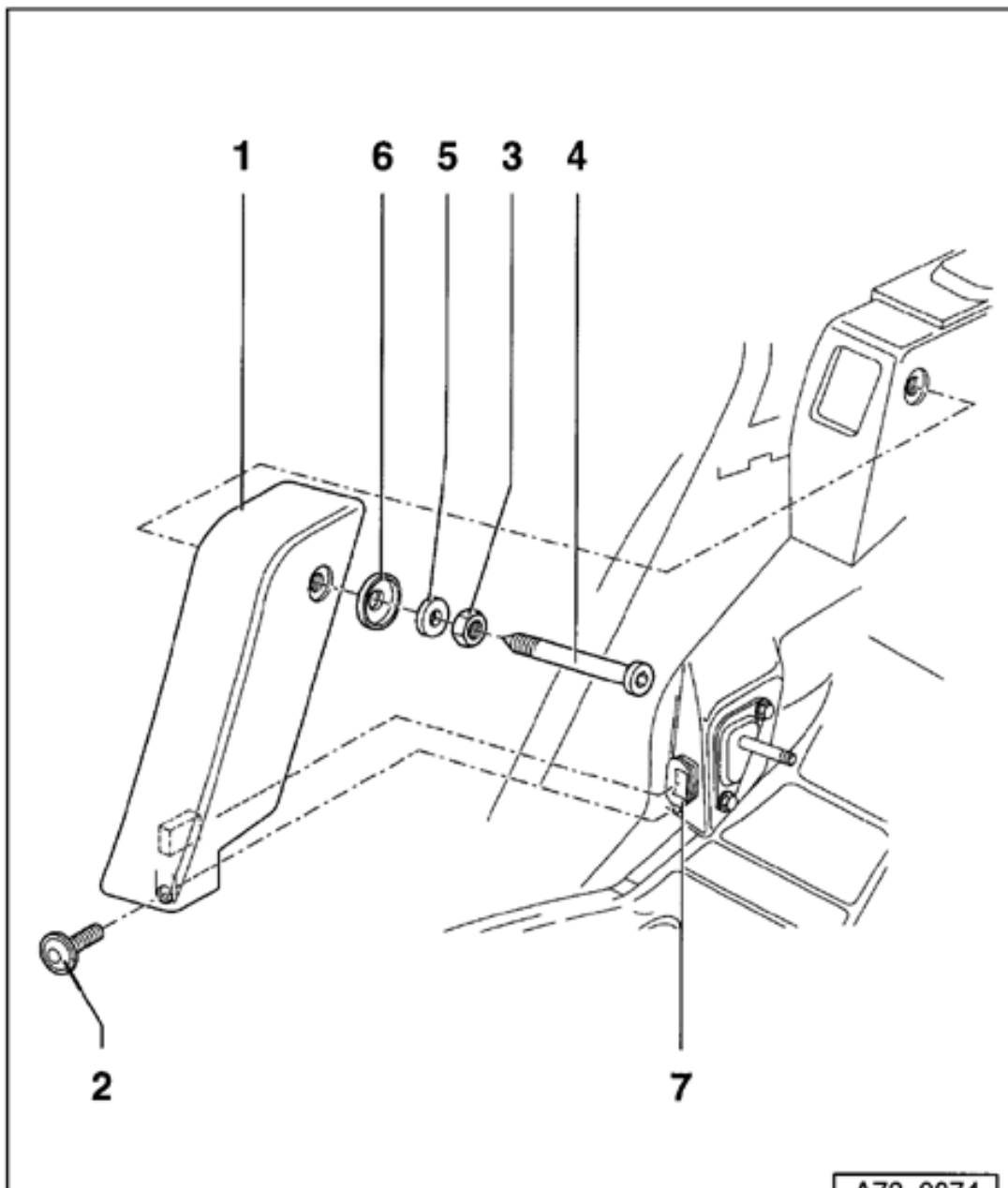
- Loosen nut -3-.



A72-0074

- Remove striker pin -4- together with washer -5- and dished washer -6-.
- Pull side padding -1- out of bottom retainer -7-.

72-119



Installing

- Press side padding -1- into bottom retainer -7-.

- Adjust striker pin -4- and tighten nut -3-.

2 - Screw (1x)

◆ Tightening torque: 8 Nm (71 in. lb)

3 - Nut

◆ Tightening torque: 50 Nm (37 ft lb)

4 - Striker pin

5 - Washer

6 - Dished washer

7 - Retainer

A72-0074

72-120

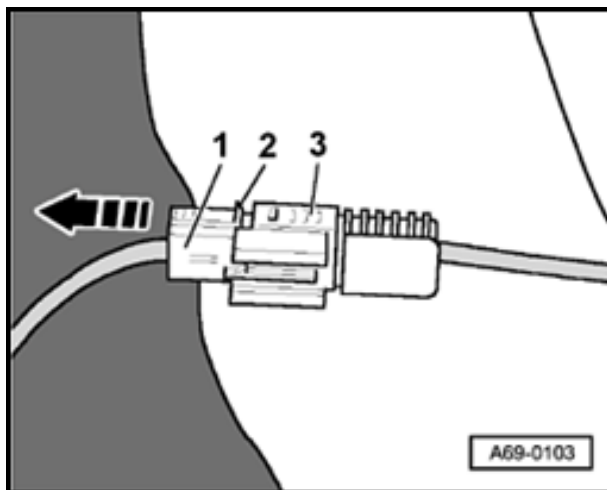


Fig. 1 Disconnecting side airbag connector

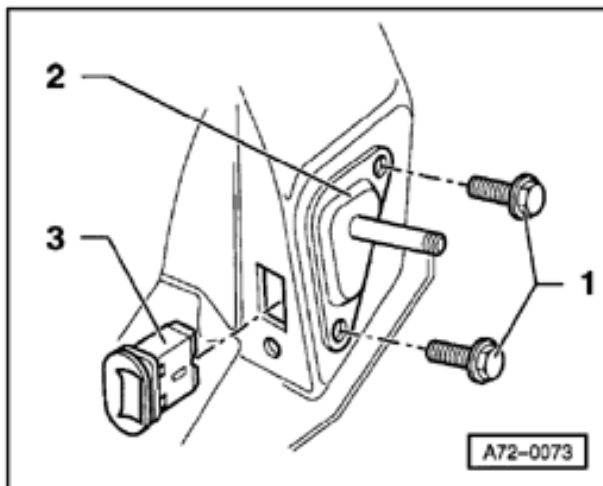
- Press in retainer tab -2- and pull out connector -1- in direction of arrow.

72-121



Retainer for side padding, removing and installing

- Remove left or right section of backrest ⇒ [Page 72-114](#) or ⇒ [Page 72-116](#) .
- Remove side padding ⇒ [Page 72-118](#) .
- ◀ - Use a screwdriver to pry out retainer - 3-.

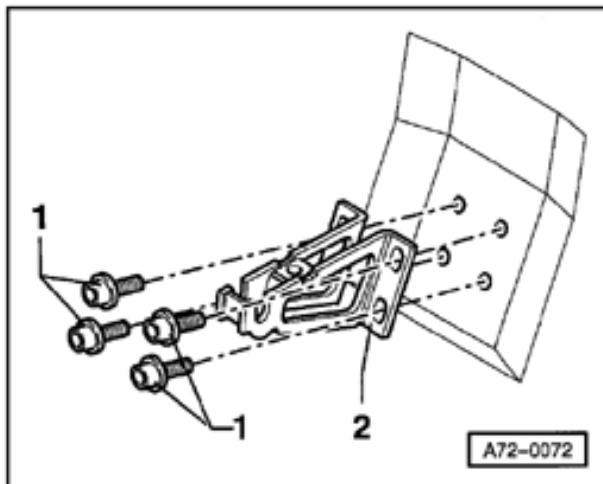


72-122



Center support bracket, removing and installing

- Remove left and right sections of backrest ⇒ [Page 72-114](#) and ⇒ [Page 72-116](#) .



- Remove bolts -1- (4x) from center support bracket - 2-.

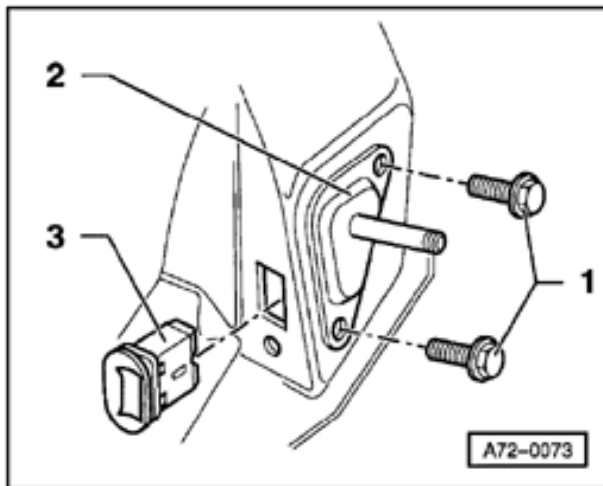
Tightening torque: 16 Nm (12 ft lb)

72-123



Outer backrest fitting, removing and installing

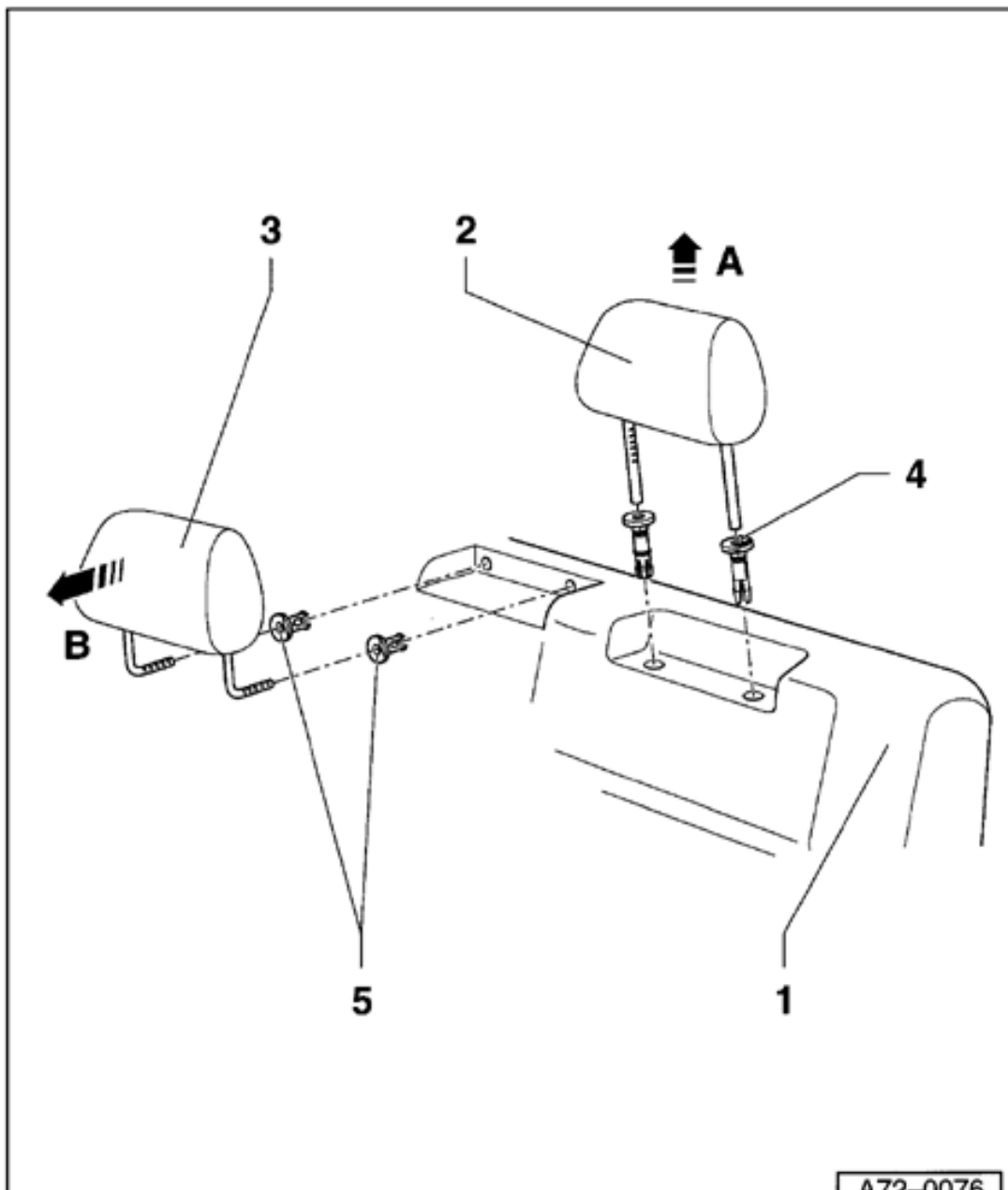
- Remove left and right sections of backrest ⇒ [Page 72-114](#) and ⇒ [Page 72-116](#) .



- Remove bolts -1- (2x) from outer fitting - 2-.

Tightening torque: 16 Nm (12 ft lb)

72-124



Head restraints, removing

1 - Rear backrest

The outer rear head restraints are not identical to the front head restraints. Mark accordingly with adhesive tape if all head restraints are removed together.

2 - Outer head restraint

- Press release button on left guide piece and pull out in direction of - arrow A-.

3 - Center head restraint

- Press release buttons on both guide pieces and pull out in direction of - arrow B-.

A72-0076

**4 - Guide piece with
release button for
outer head restraint**

- ◆ Always installed on left

**5 - Guide pieces with
release buttons for
center head restraint**

- ◆ Release buttons on left and right guide pieces

72-125

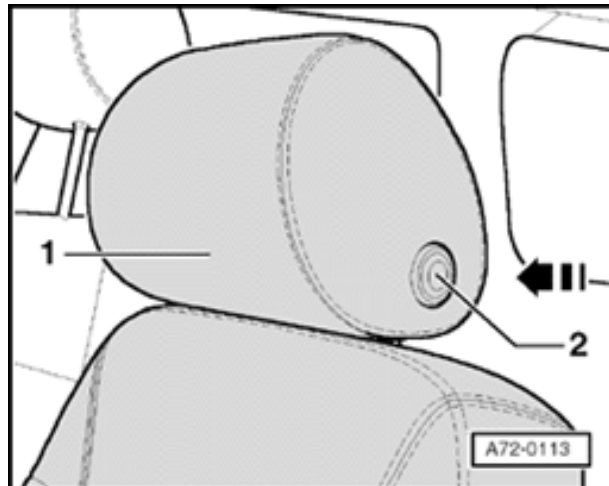


Head restraints with release button, removing

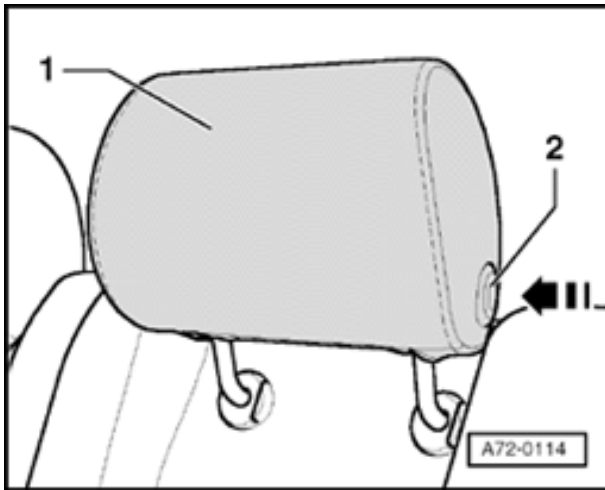
Outer head restraints



- To slide in head restraint -1-, push in knob -2- to first stage.
- To remove head restraint -1-, push in knob -2- as far as it will go.



Center head restraint



- To slide in head restraint -1-, push in knob -2- to first stage.
- To remove head restraint -1-, push in knob -2- as far as it will go.

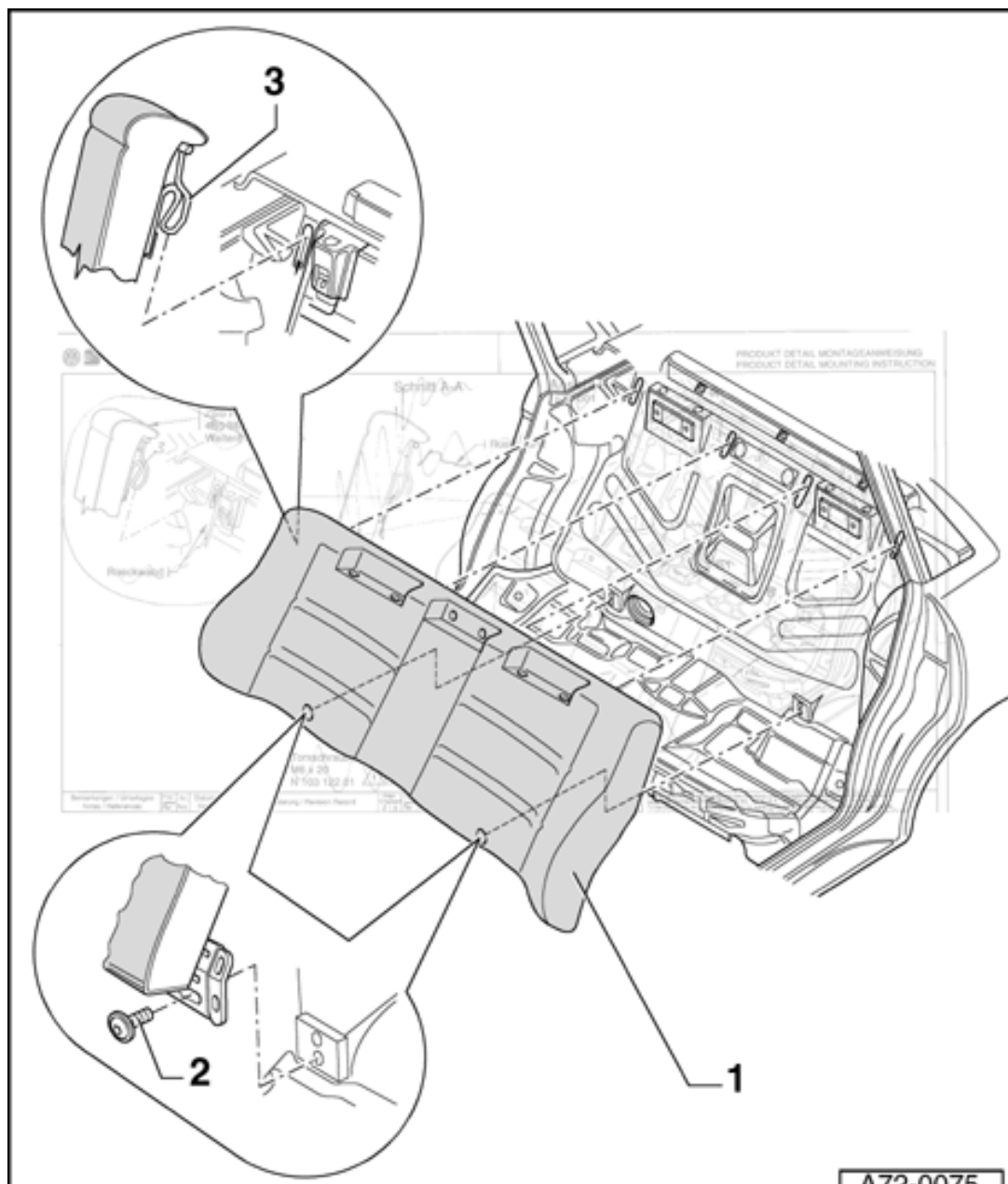
72-126




Fixed backrest, removing and installing

1 - Fixed backrest

- Remove rear seat bench ⇒ [Page 72-105](#) .
- Remove head restraints ⇒ [Page 72-124](#) .
- On vehicles with ski bag, remove ski bag frame ⇒ [Page 74-81](#) .
- Remove guides for outer head restraints ⇒ [Page 74-78](#) .
- Remove guides for center head restraints ⇒ [Page 74-79](#) .

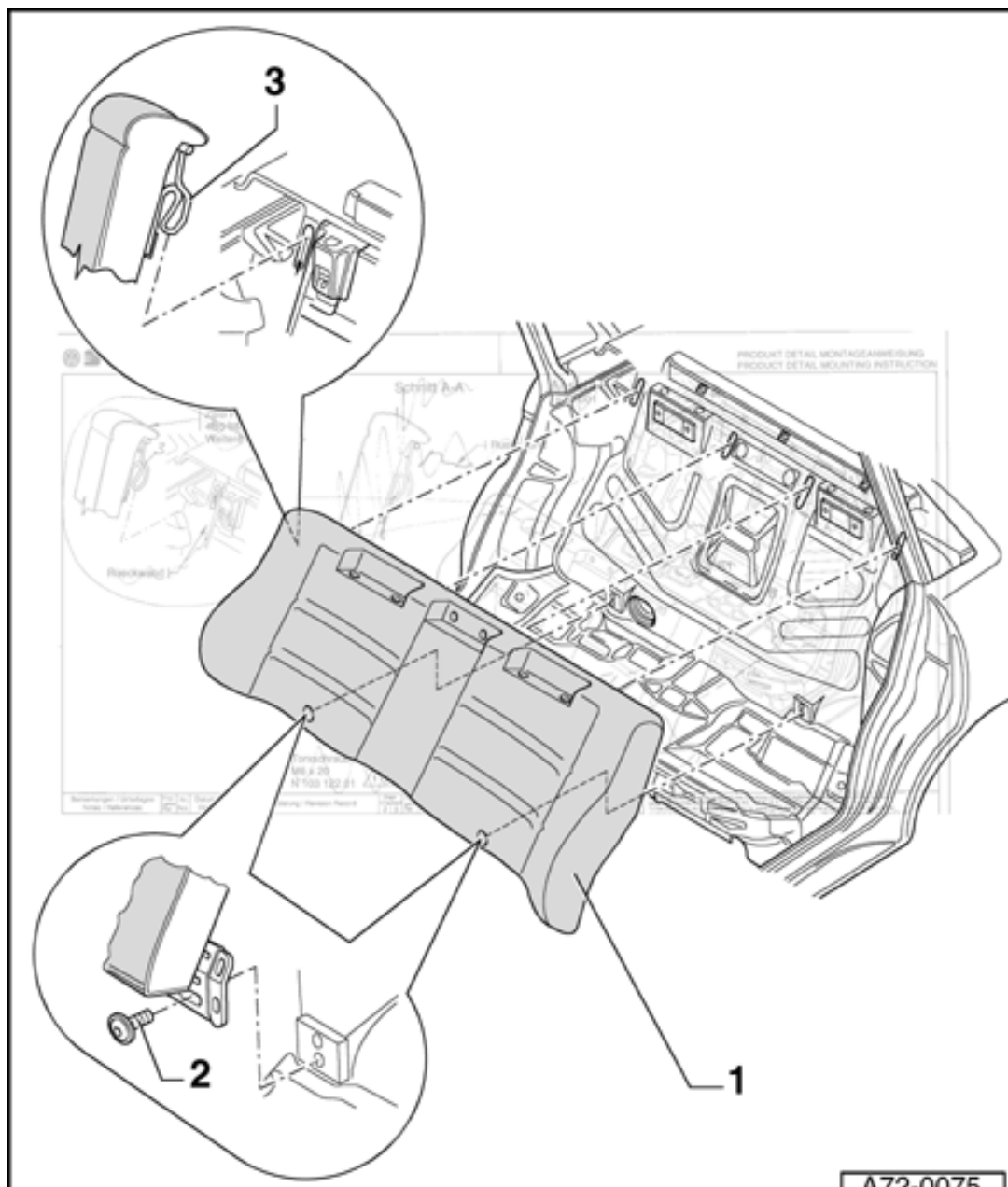




A72-0075

- On vehicles with side airbags:
disconnect
connectors ⇒
[Fig. 1](#) .
- Remove screws -
2- (2x).

72-127



- Push backrest -1- upward and detach at hooks -3- (4x).

- On vehicles with heated seats and side airbag, disconnect harness connectors.

2 - Screws (2x)

◆ Tightening torque: 8 Nm (71 in. lb)

3 - Hook (4x)

A72-0075

72-128

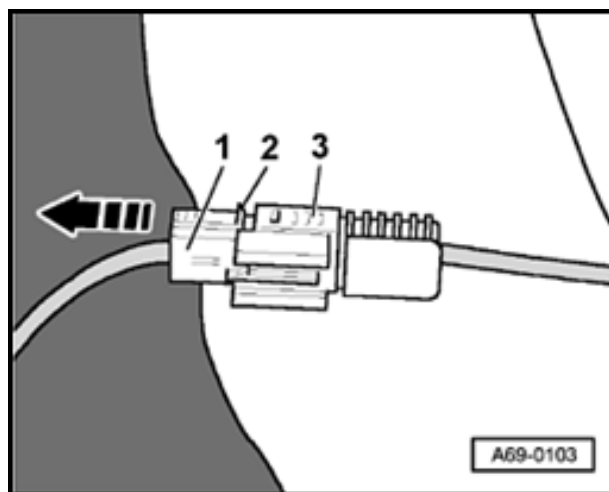


Fig. 1 **Disconnecting side airbag harness connector**

- Press in retainer tab -2- and pull out connector -1- in direction of arrow.

72-129



Mounting bracket for seat cushion, removing and installing

1 - Mounting bracket for seat cushion

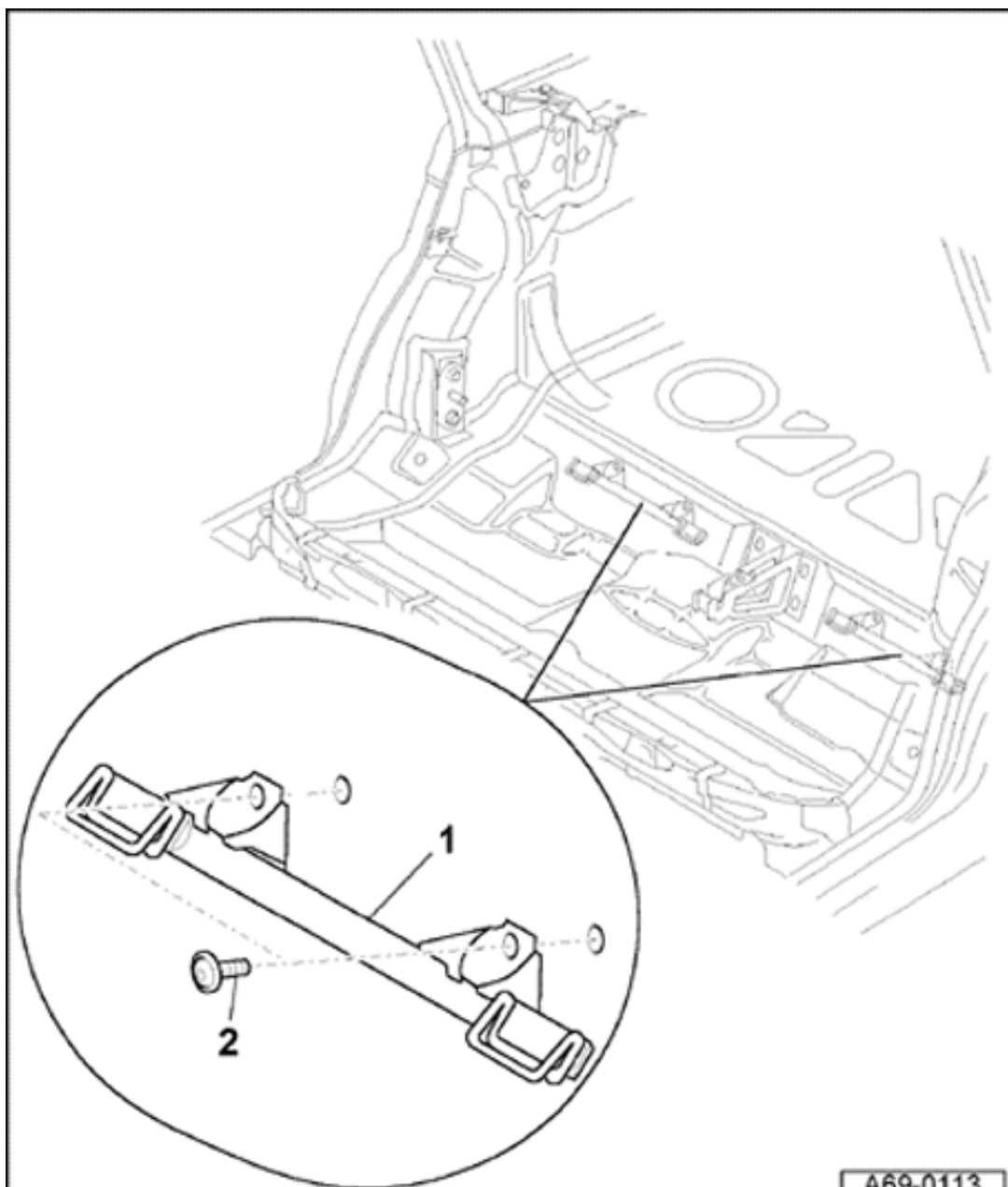
- Remove rear seat bench ⇒ [Page 72-105](#) .
- Remove screws - 4- (2x).

2 - Bolts (4x)

- ◆ Tightening torque: 30 Nm (22 ft lb)

Note:

- ◆ *Slide mounting tabs behind mounting bracket for seat cushion -1- when installing the solid backrest.*



A69-0113



A69-0113

- ◆ *When retrofitting mounting brackets for seat cushion, on some vehicles the mounting tabs must be flattened to approx. 3 mm using a vise.*
- ◆ *When installing, watch for freedom of movement of the lap belt with retractor, and if necessary, turn lap belt with retractor.*

72-57



Recaro seat

CAUTION!

Before beginning repairs on the electrical system:

- ◆ ***Obtain the anti-theft radio security code.***
- ◆ ***Switch the ignition off.***
- ◆ ***Disconnect the battery Ground (GND) strap.***
- ◆ ***On vehicles equipped with Audi Telematics by OnStar® , switch-off the emergency (back-up) battery for the Telematic/Telephone Control Module prior to disconnecting vehicle battery ⇒ [Repair Manual, Communication, Repair Group 01](#) .***

Vehicle

System

Repair Group

Previous Topic

Next Topic

Technical
Bulletins

Wiring Diagrams

Warnings &
Cautions

Print

Search

Advanced
Search

 eBahn®
Version: 2.5r01sp0003

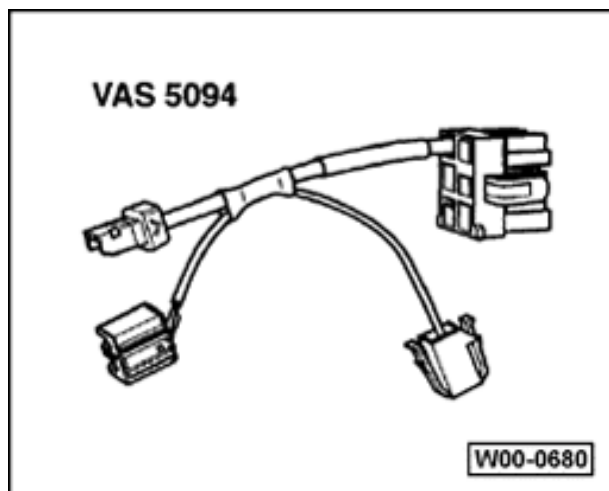
- ◆ **After reconnecting vehicle battery, re-code and check operation of anti-theft radio. Also check operation of clock and power windows according to Repair Manual and/or Owner's Manual.**
- ◆ **After reconnecting vehicle battery on vehicles equipped with Audi Telematics by OnStar[®], switch-on the emergency (back-up) battery for the Telematic/Telephone Control Module ⇒ [Repair Manual, Communication, Repair Group 01](#) .**

72-58

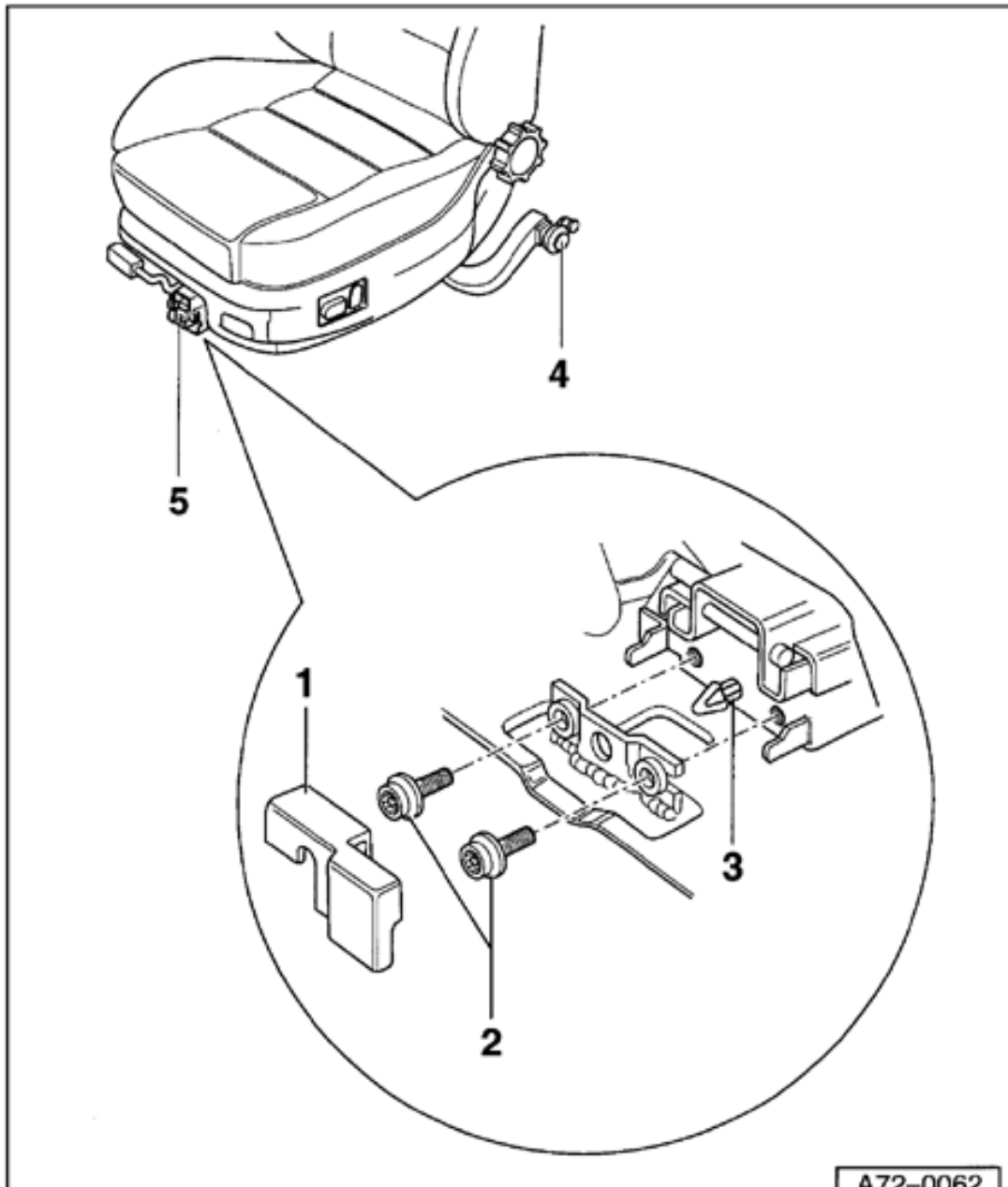


Tools required

Special tools and equipment



- VAS 5094 airbag adapter



Seat, removing and installing

Note:

- ◆ *The removal and installation procedures may have to be modified slightly depending on optional equipment.*
- ◆ *On vehicles with power seat with memory, run the seat all the way to the rear and to the top height setting before disconnecting battery.*
- ◆ *Obtain radio code before disconnecting battery.*

See Caution for disconnecting Telematics battery ⇒ [Page 72-57](#)

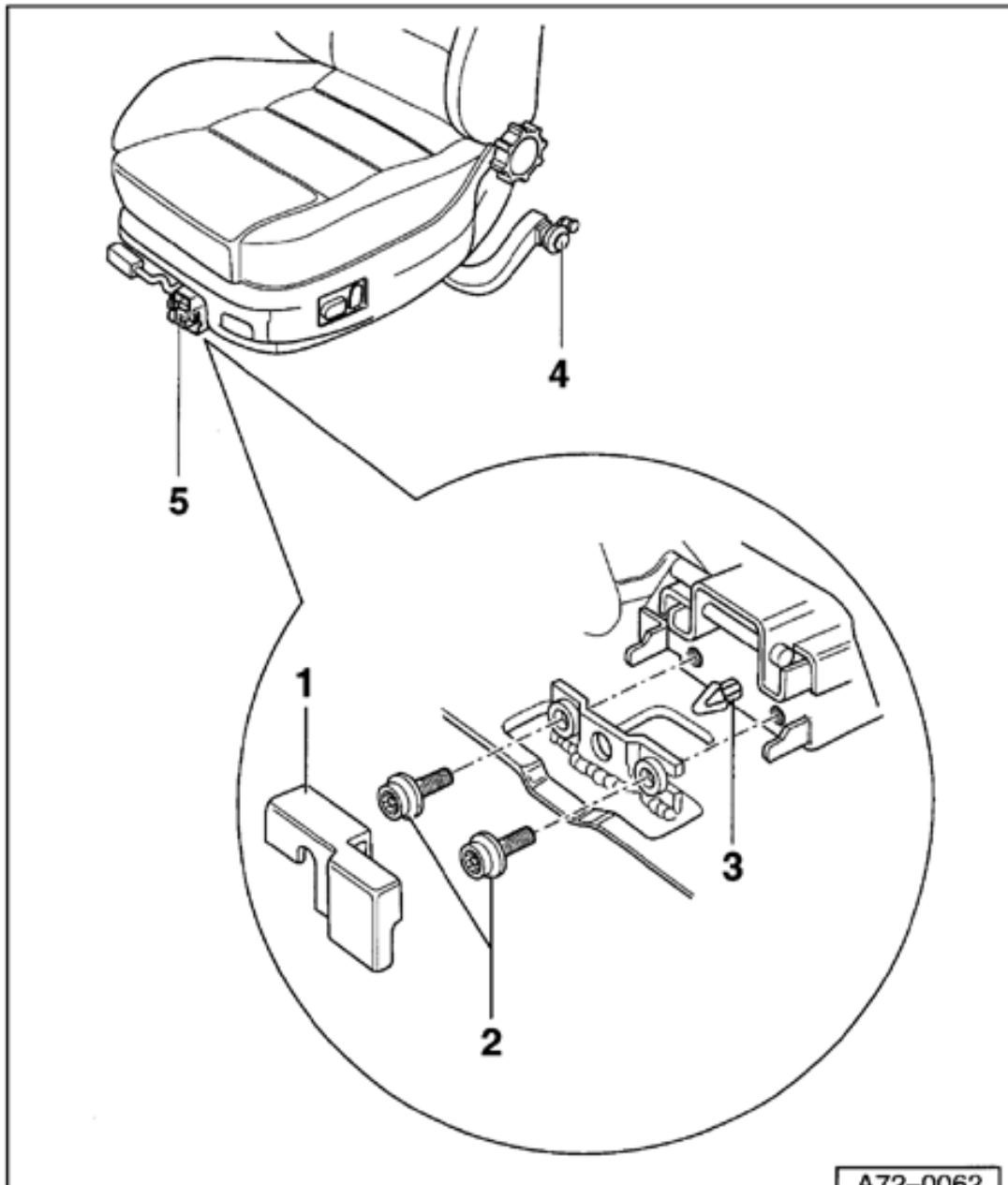
CAUTION!

Disconnect battery Ground (GND) strap before removing seat.

A72-0062

Removing

- Push seat forward.
- Remove rear cover on front seat rail (outer side)
⇒ [Page 72-5](#)
- Remove rear cover on front seat rail (inner side)
⇒ [Page 72-7](#)



A72-0062

- Push back seat.
- Remove cap -1- ⇒ [Page 72-3](#)
- Remove cap -1- (power seat with memory) ⇒ [Page 72-4](#)
- Remove bolts -2- (2x) and unclip seat at clip -3-.
- Connect VAS 5094 airbag adapter ⇒ [Page 72-12](#) .

1 - Cover

2 - Bolts

- ◆ Tightening torque:
23 Nm (17 ft lb)
- ◆ Self-locking
- ◆ Always replace
- ◆ Threaded holes for bolts must always be cleaned (e.g. with a thread tap)

A72-0062

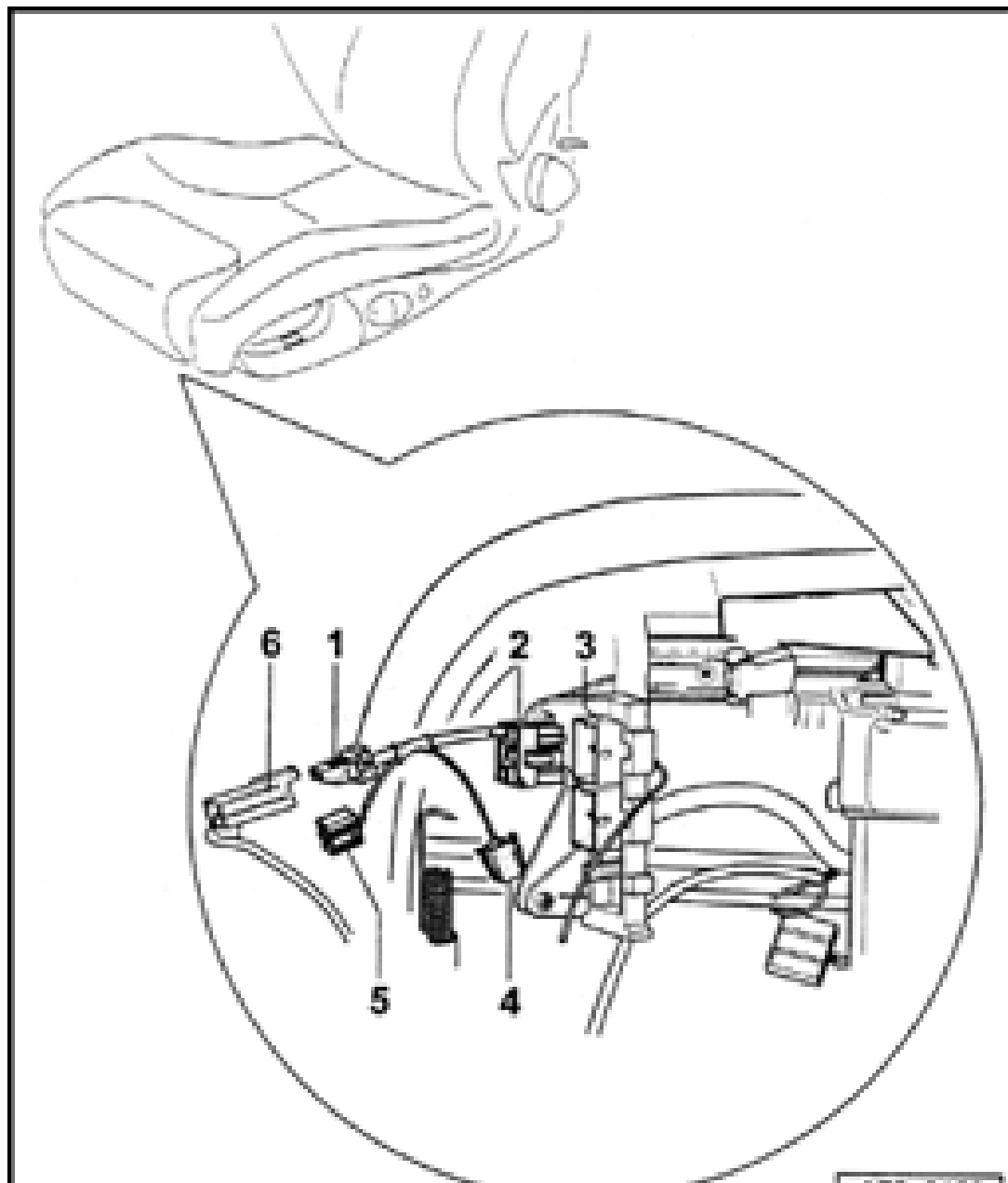
3 - Clip

4 - Rear rollers

5 - Front slides

- Lubricate front slides -5- with multi-purpose grease if seat does not slide back and forward smoothly.

72-61



VAS 5094 airbag adapter, connecting

Note:

The technician must electrostatically discharge him/herself before separating igniter and Ground (GND) wiring.

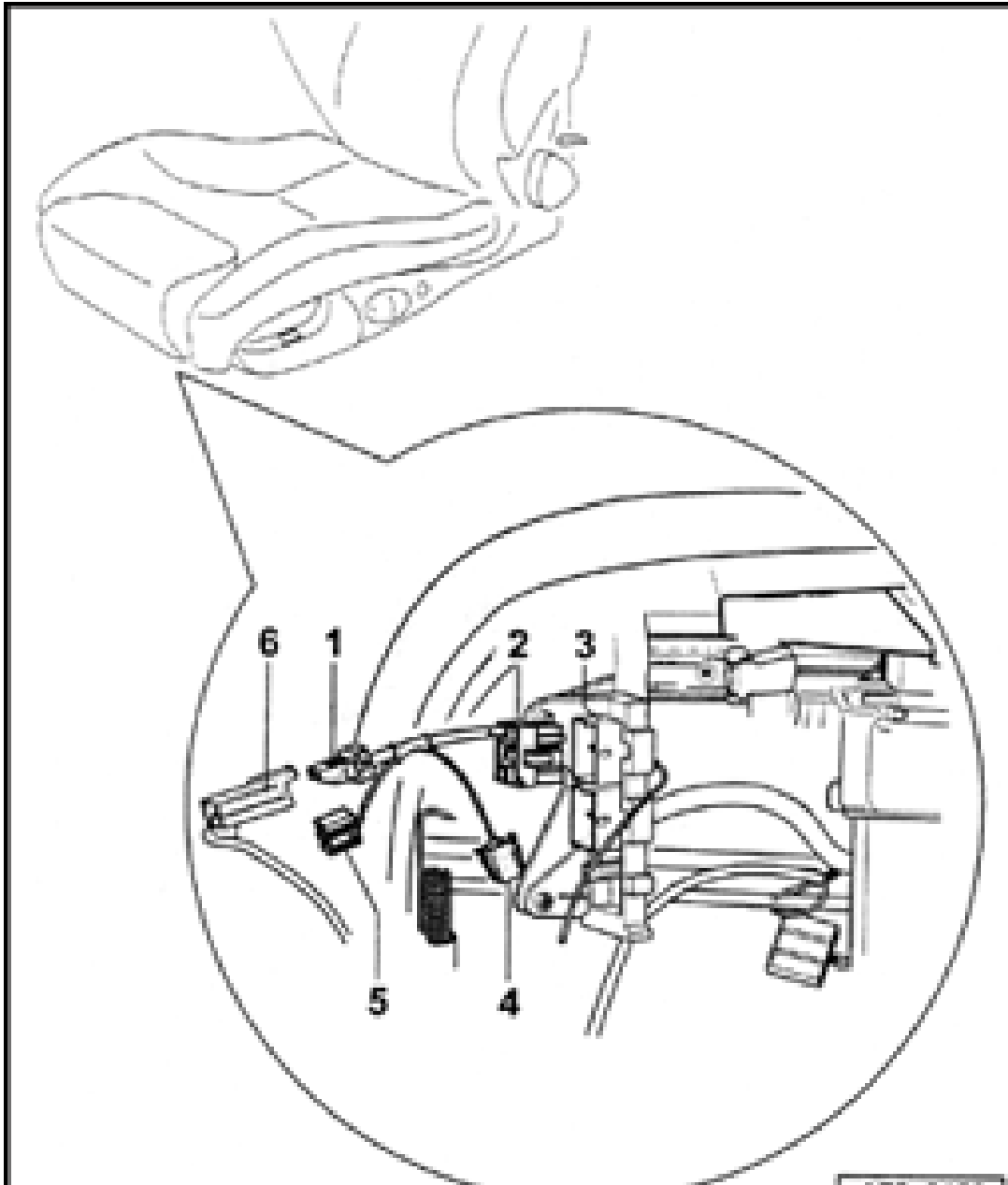
- Disconnect igniter and Ground (GND) wire from side airbag: up to m.y. 1998 ⇒ [Fig. 1](#) .
- Disconnect igniter and Ground (GND) wire from side airbag: from m.y. 1999 ⇒ [Fig. 2](#) , ⇒ [Page 72-65](#) .
- ◆ Vehicles before m.y. 1999:
 - Insert connector -2- (airbag-adapter VAS 5094) in connector housing -3-.



A73-0159

- Connect igniter wire -6- from airbag unit with connector -1- (airbag-adapter).

72-62



◆ Vehicles from m.y.
1999:

- Connect connector -5- to igniter wire -6-
- Leave connector -1- and -2- empty.

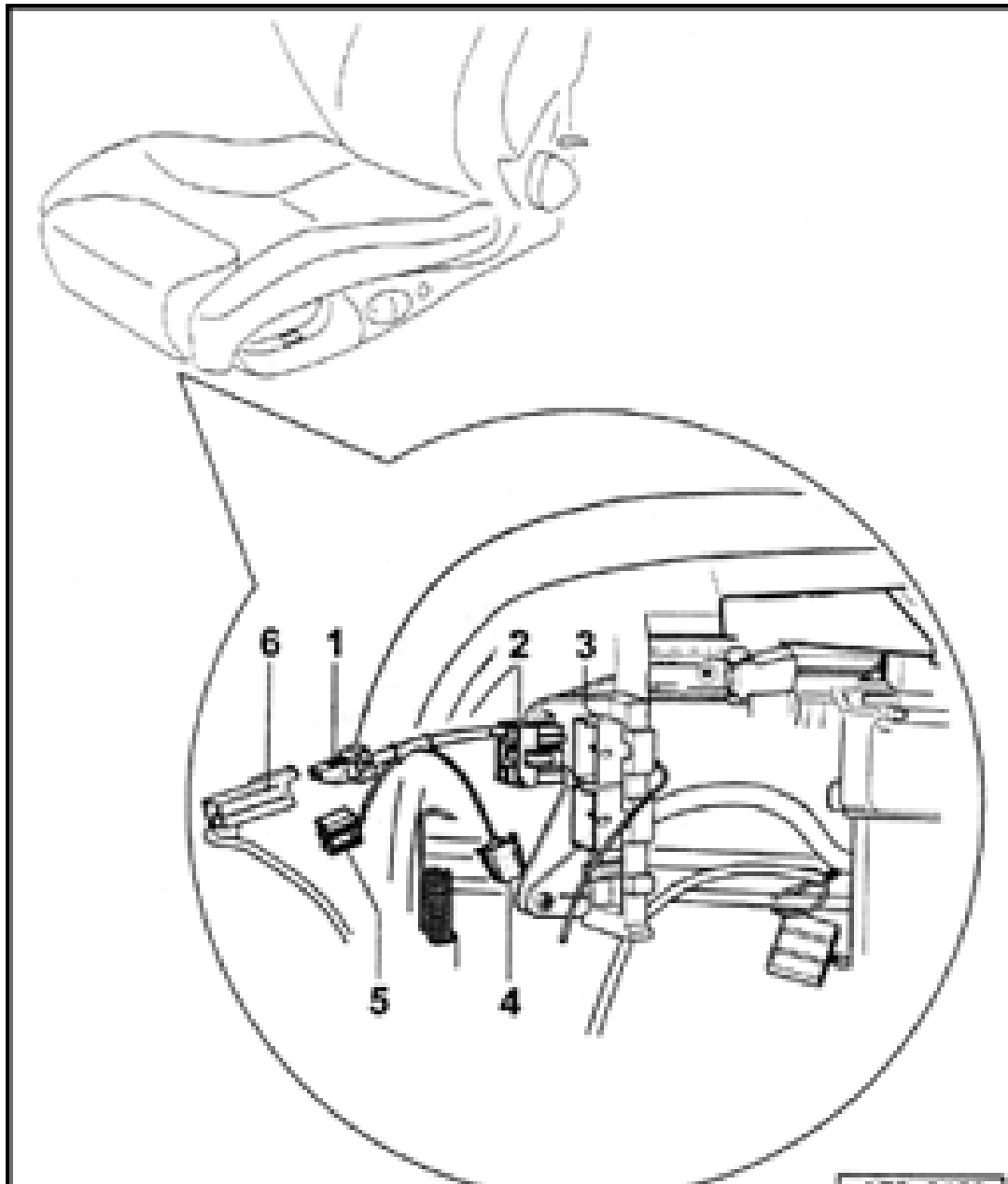
◆ All
vehicles:

- On vehicles with heated seat, disconnect connector.
- Fold back floor covering at rear around guide rail.
- Push seat backward out of guide.
- Lift seat out of vehicle.

WARNING!

***VAS 5094 airbag adapter
must remain connected on
seat until seat has been re-
installed.***

A73-0159



- 1 - Airbag adapter - igniter wire connector
- 2 - Airbag adapter - Ground (GND) wire connector: m.y. 1998
- 3 - Ground (GND) wire connector from airbag module
- 4 - Airbag adapter - Ground (GND) wire connector (VW Golf only m.y. 1991 ➤)
- 5 - Airbag adapter - Ground (GND) wire connector: m.y. 1999 ➤
- 6 - Igniter wire connector from airbag module

A73-0159

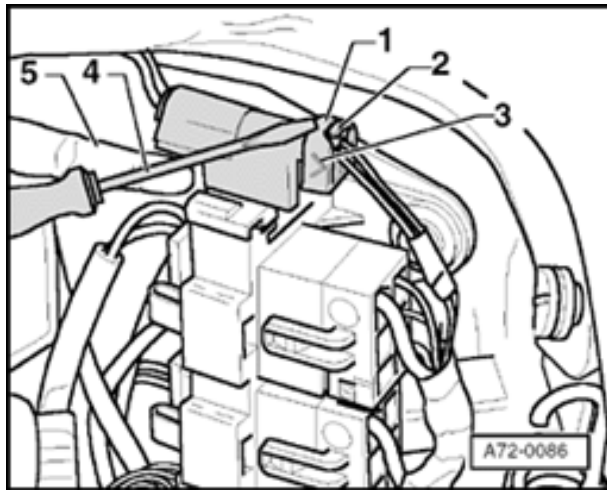
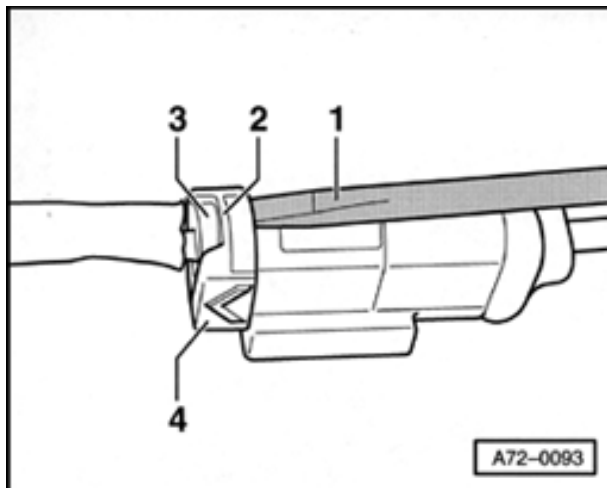


Fig. 1 **Disconnecting connector for side airbag**

- Using a screwdriver -4-, pry catch -1- for side airbag over retaining tab -2-, and pull off catch in direction of -arrow 3-.
- If it is not possible to pry off the catch for the side airbag with a screwdriver, press retaining catch in side airbag connector to the side with one finger -5-.
- At the same time, pull connector for side airbag toward the front with the other hand.



- Using a screwdriver -1-, pry catch -2- over retaining tab -3- and disconnect connector -4-.

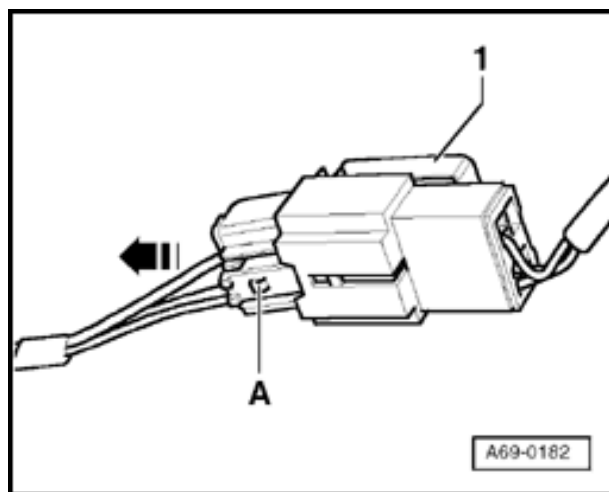


Fig. 2 Disconnecting connector for side airbag from m.y. 1999

- Press release -A- and pull out connector in direction of arrow.

See Caution for connecting Telematics battery ⇒ [Page 72-57](#)

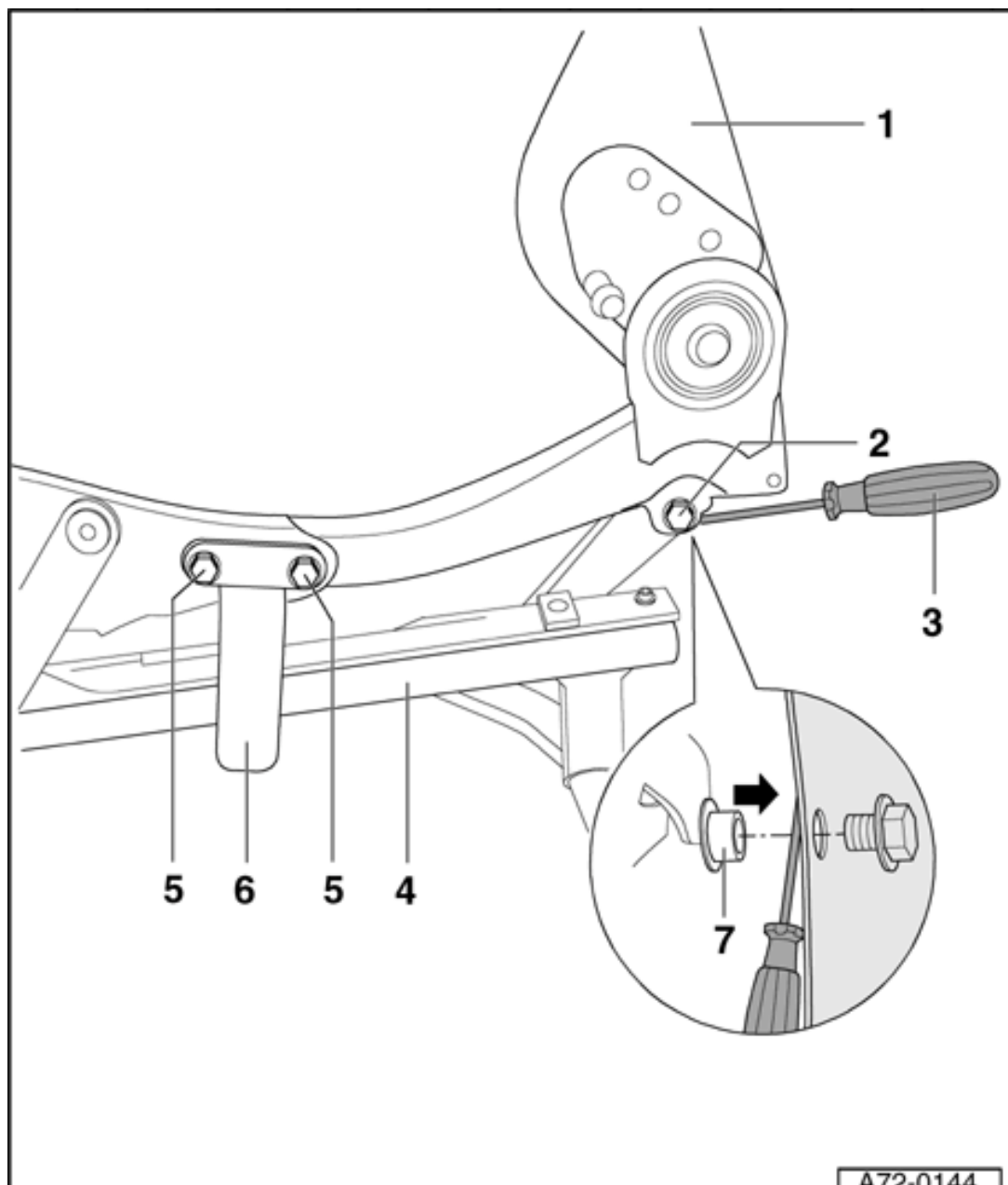
Note:

Install in reverse order of removal.

- ◆ *After connecting battery, check vehicle equipment (radio, clock, power windows) as per Repair manual and/or Owner's manual.*
- ◆ *If the airbag Malfunction Indicator Lamp (MIL) - K75- signals a malfunction after assembling then the DTC memory must be erased and checked again with VAG 1551 scan tool*

⇒ [Repair Manual, Body On Board Diagnostic \(OBD\), Repair Group 01](#)

72-66



Backrest, removing and installing

Note:

Seat is shown without upholstery and from the door sill side in illustration.

1 - Backrest frame

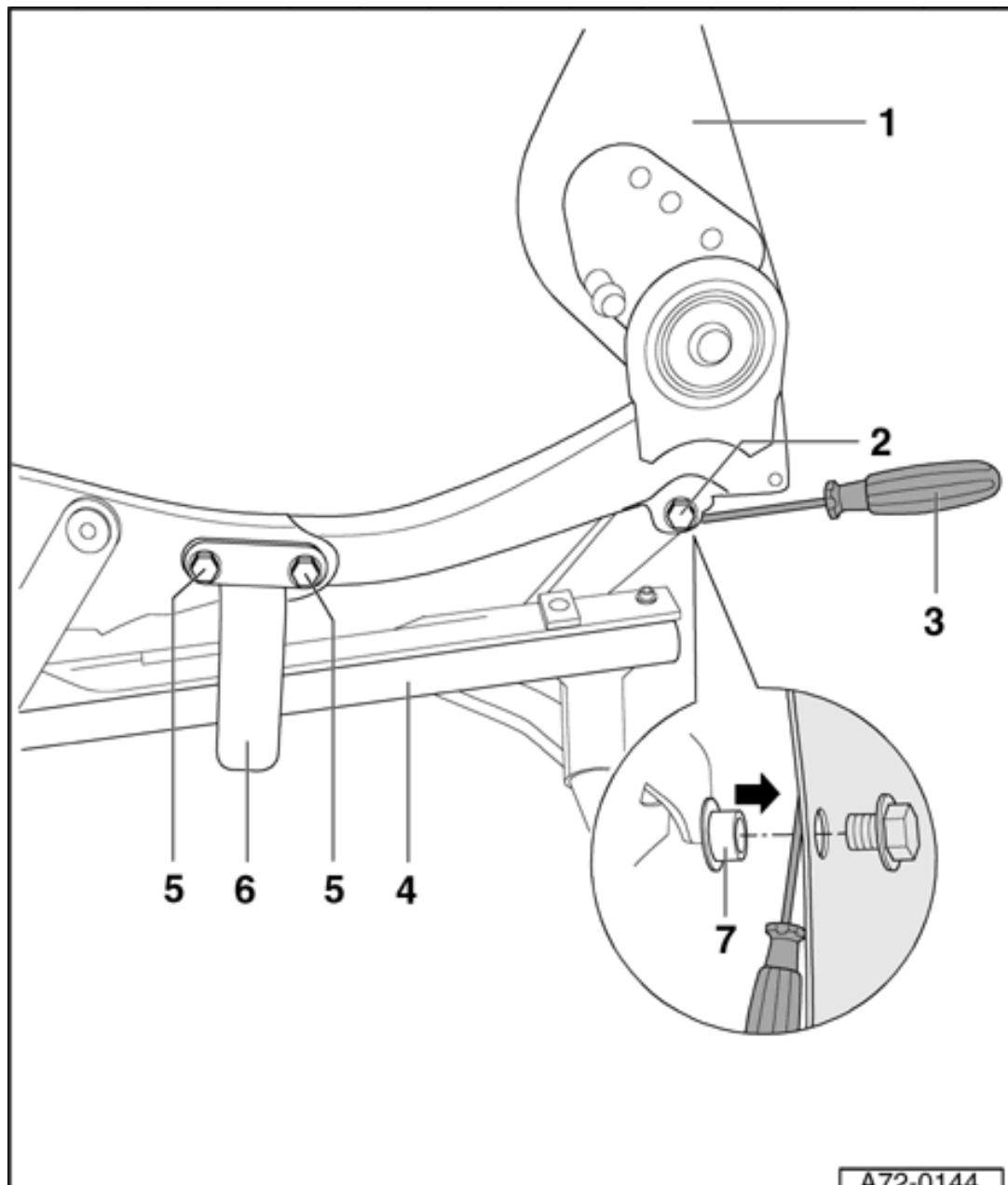
Removing

- Remove seat ⇒ [Page 72-59](#) .
- Remove seat side trim ⇒ [Page 72-74](#) .
- Remove seat bottom ⇒ [Page 72-70](#) .
- Disconnect cable for backrest heater ⇒ [Page 74-46](#) .

A72-0144

- Disconnect purple-yellow side airbag cable ⇒ [Page 69-118](#) .
- Remove bolts -2- (2x).
- Remove bolts -5- (4x).
- Use a screwdriver -3- to pry out backrest frame -1- at mount points.

72-67



Installing

Note:

Always replace bolts -2- and -5-.

- Install bushing -7- on both sides of rear securing points of backrest so that collar faces toward inside.
- Slide backrest frame -1- into seat frame -4- from rear.
- Install bolts -2- and -5- but do not tighten.
- Tighten bolts -2- and -5-.

2 - Bolts (2x)

- ◆ Tightening torque:
23 Nm (17 ft lb)

A72-0144

3 - Screwdriver

4 - Seat frame

5 - Bolts (4x)

- ◆ Tightening torque
23 Nm (17 ft lb)
- ◆ Door sill side longer
than tunnel side.

6 - Bracket

- ◆ Only on door sill
side.

7 - Bushings (2x)



Backrest shell, removing and installing

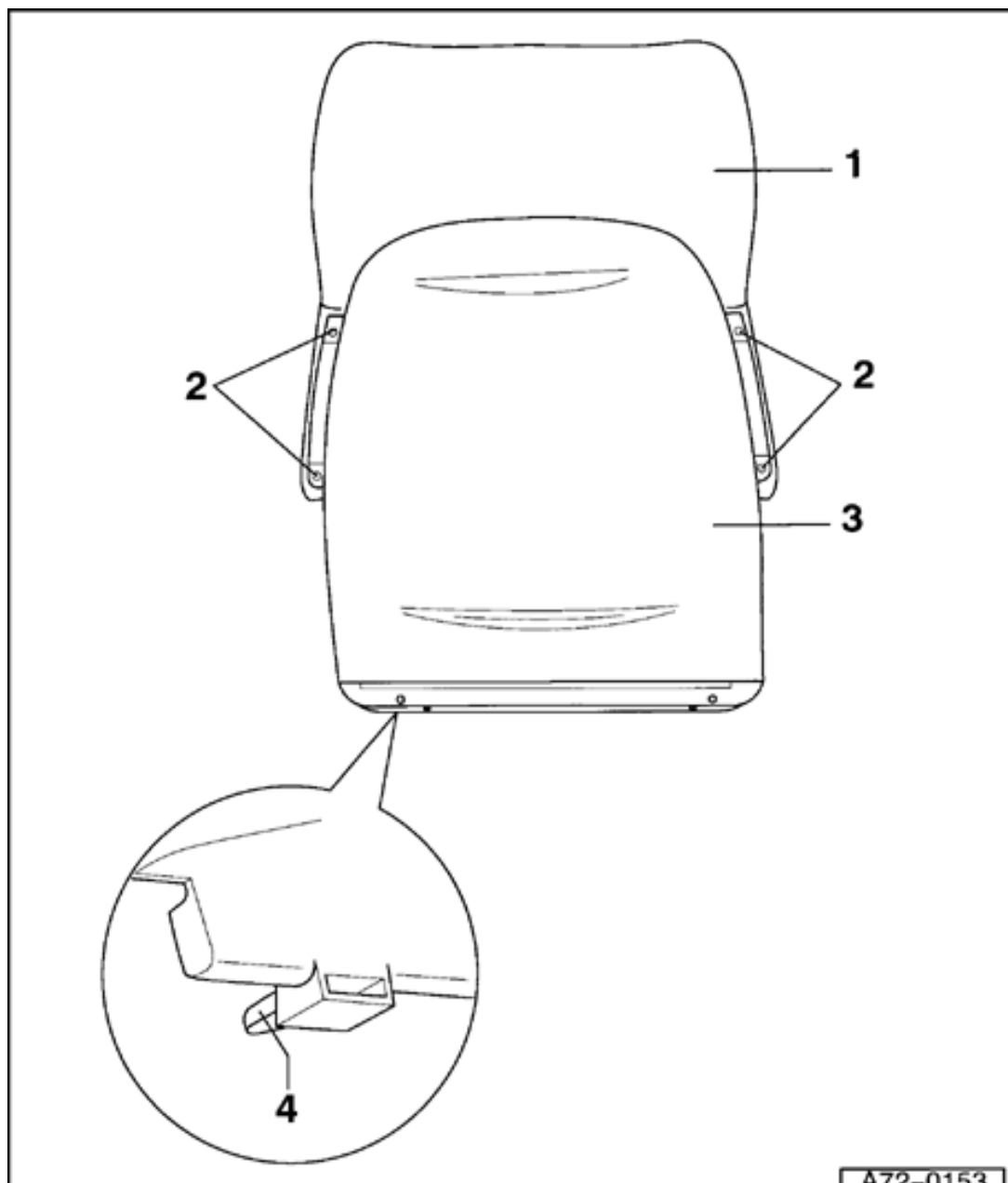
1 - Backrest

2 - Bolts (4x)

3 - Backrest shell

Removing

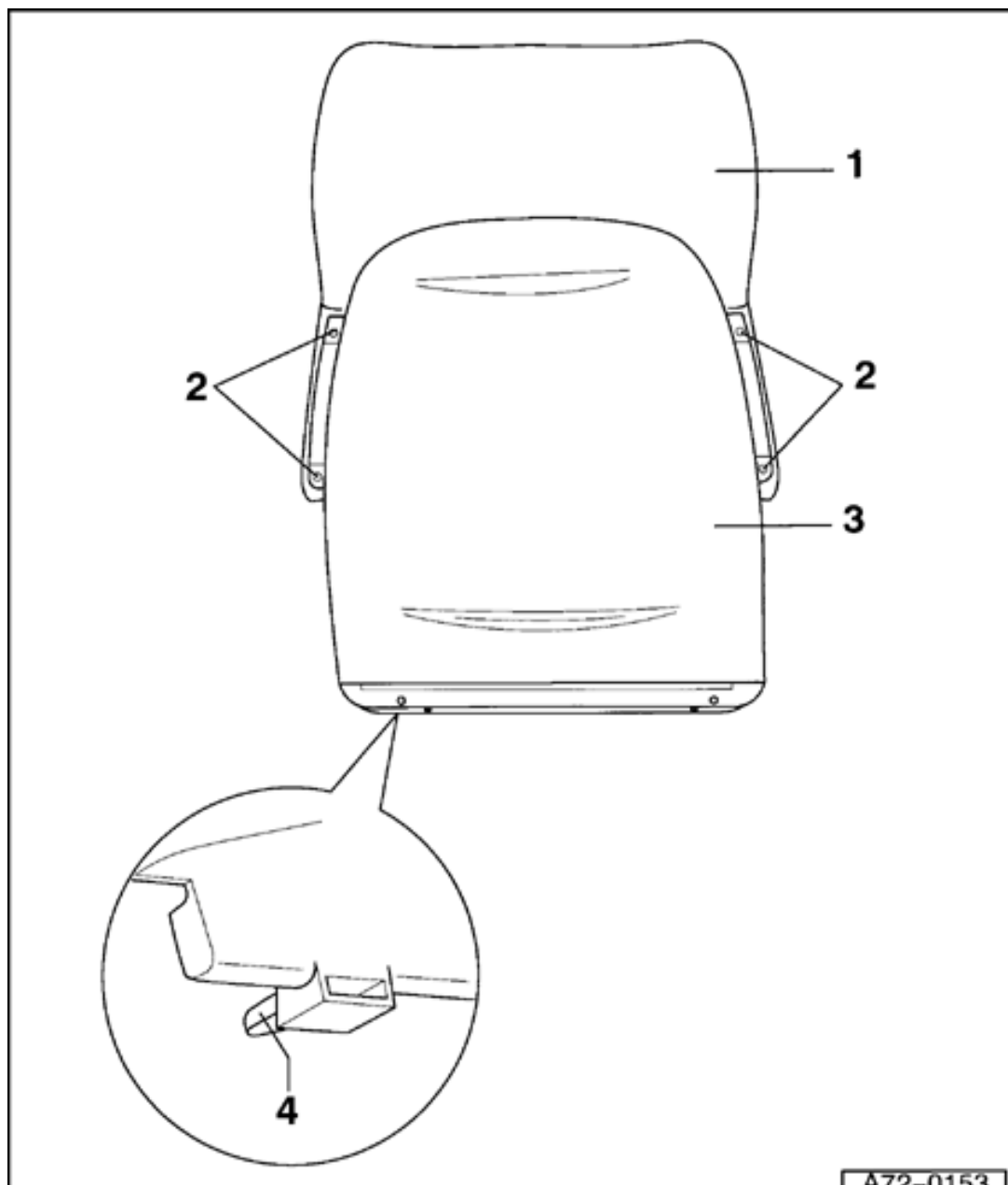
- Move seat fully up.
- Remove seat ⇒ [Page 72-59](#) .
- Remove mounting trim pieces ⇒ [Page 72-77](#) .
- Remove side airbag unit ⇒ [Page 69-118](#) .
- Remove backrest upholstery ⇒ [Page 74-36](#) .



A72-0153

- Remove spring cover ⇒ [Page 72-79](#) .
- Unbolt bolts -2- (4x) at sides of backrest shell -3-.


72-69



- Place seat so that backrest shell -3- is accessible from below.
- Push both clips -4- on bottom of backrest shell -3- slightly toward each other .
- Detach backrest shell from seat -3- from below.
- Remove backrest shell -3- upward.

Installing

- Attach backrest shell -3- at upper part of backrest -1-.
- Push backrest shell -3- down until clips -4- engage.



A72-0153

- Tighten bolts -2-
(4x).

4 - Clips (2x)

72-70

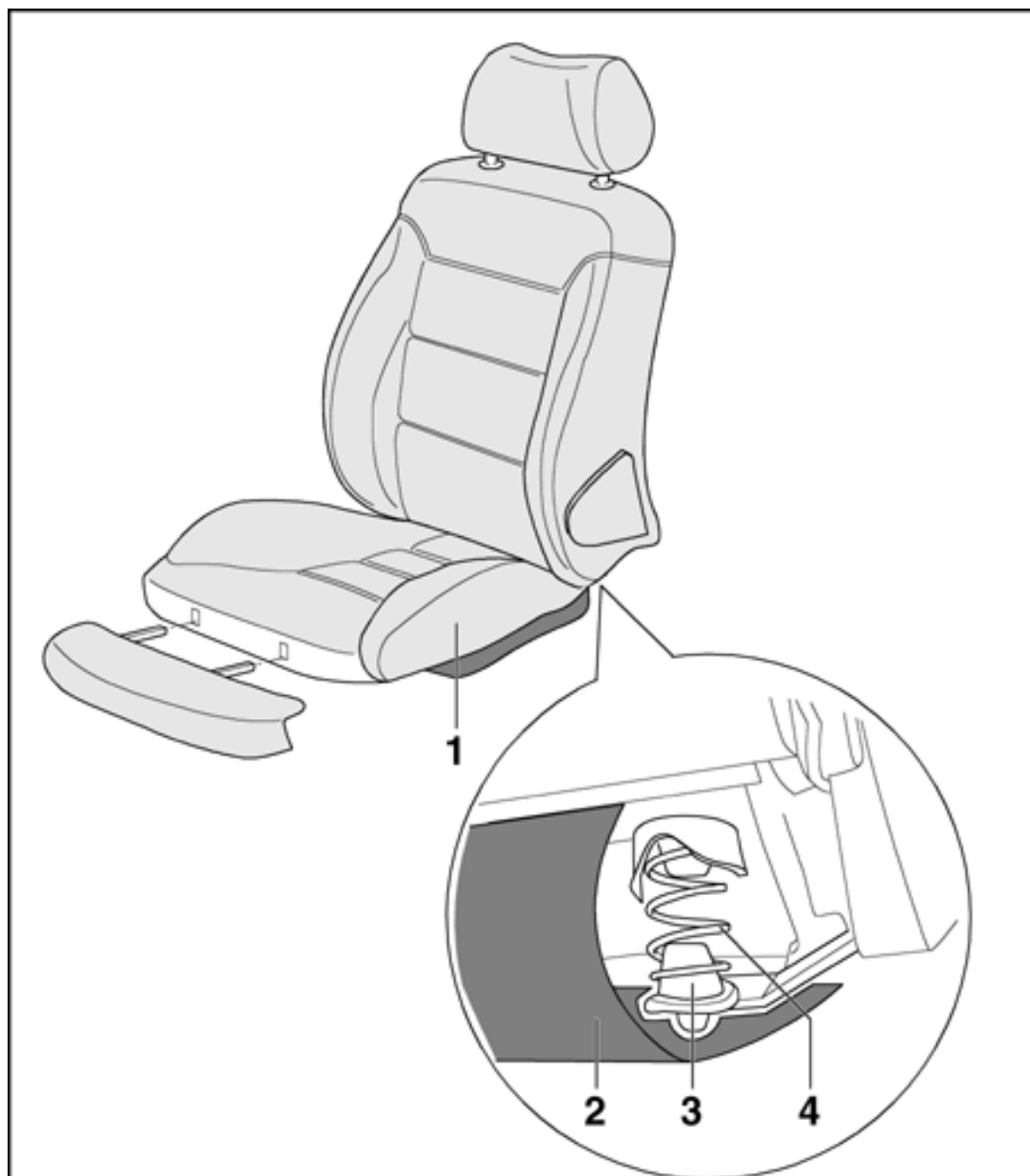


Seat cushion, removing and installing

1 - Seat cushion

Removing

- Move seat fully up.
- Remove seat ⇒ [Page 72-59](#) .
- Remove seat cushion extension, front cover panel and guide sleeves ⇒ [Page 72-72](#) .
- Remove mounting trim pieces ⇒ [Page 72-77](#) .
- Remove spring cover ⇒ [Page 72-79](#) .



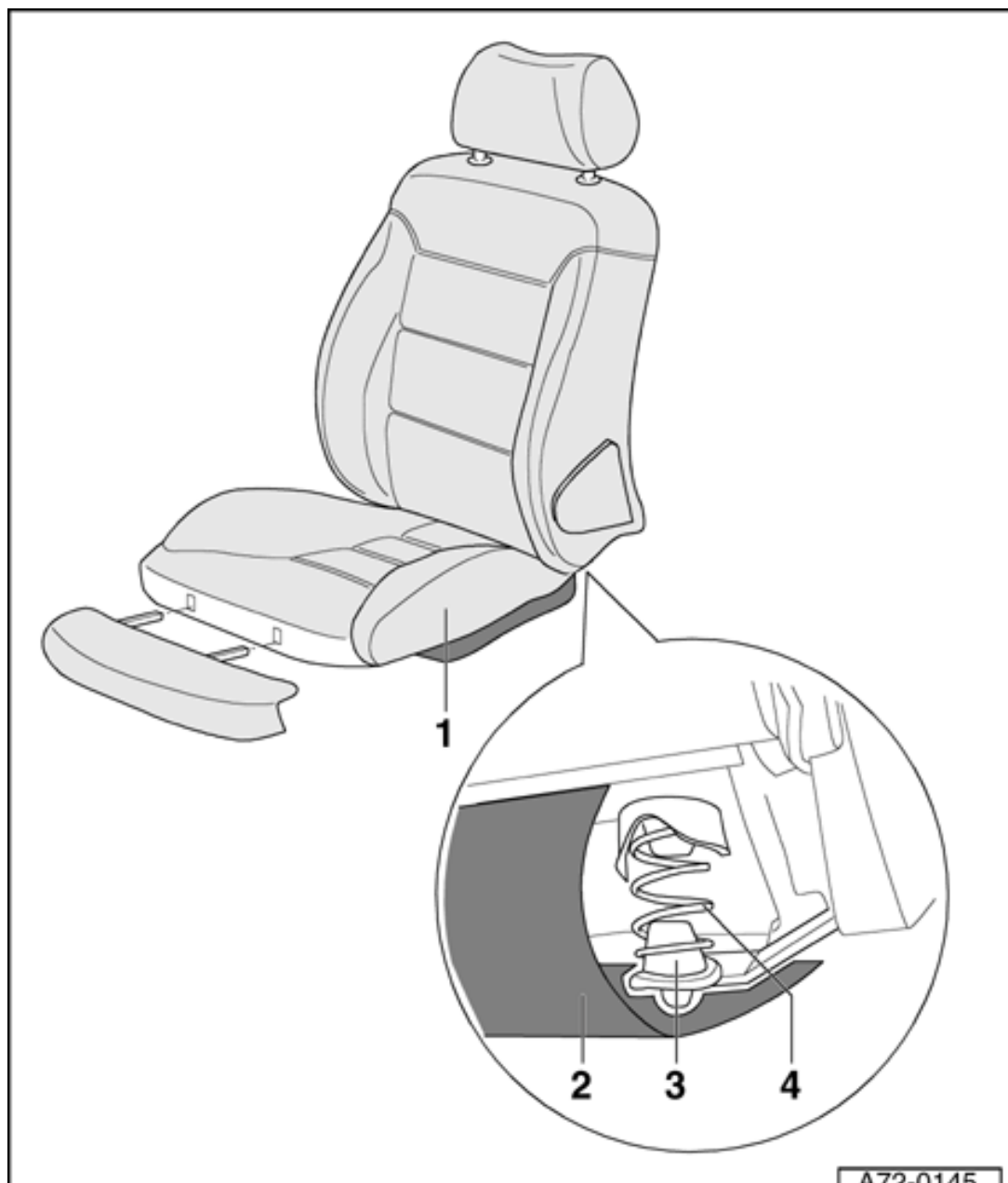
A72-0145

- Detach electrical cover -2- under seat.
- If installed, disconnect seat cushion wiring (seat heater, seat-occupied sensor).
- Push up front of seat cushion -1-.
- Remove seat cushion -1- forward and out.

Note:

Both seat springs and their related rubber buffers located in the rear between seat cushion and backrest fall out by themselves.

72-71



Installing

- Make sure that rubber buffers -3- are correctly located in the mounts on the backrest.
- Install springs -4- in seat cushion.
- Insert electrical cover -2- between backrest and seat frame.
- Install seat cushion -1- so that springs -4- sit on rubber buffers -3- at backrest.
- Push seat cushion -1- toward rear.
- Push down on front of seat cushion -1-.

A72-0145

- If necessary,
attach wiring in
seat cushion.

- Install electrical
cover beneath
seat.

2 - Electrical cover

3 - Rubber buffers (2x)

4 - Springs (2x)

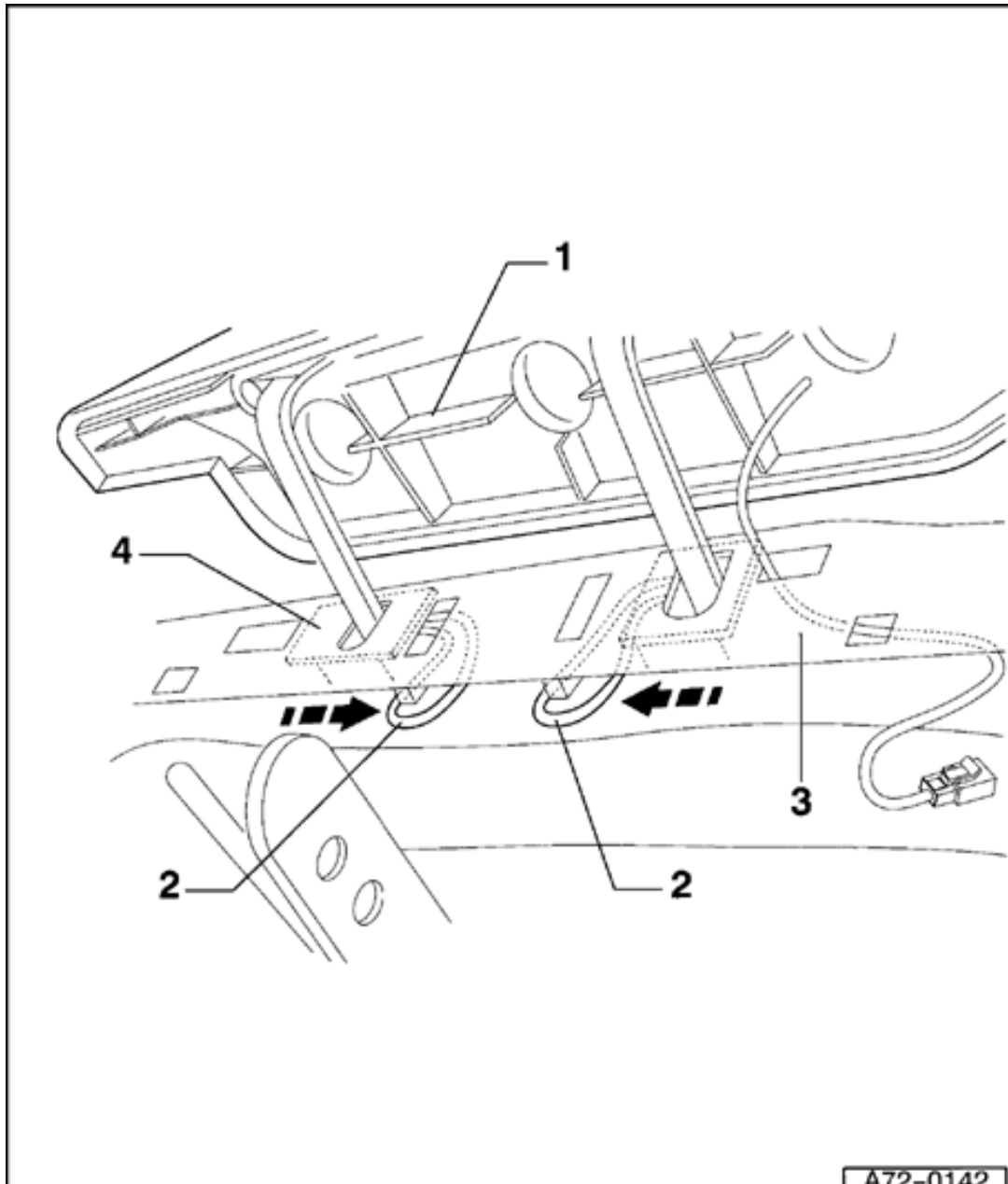


Seat cushion extension, removing and installing

1 - Seat cushion extension

Removing

- Move seat fully up.
- Remove seat ⇒ [Page 72-59](#) .
- Using pliers or a screwdriver push both springs -2- inward -arrow-.
- Remove seat surface extension -1-.
- If necessary, disconnect seat heater wiring on both sides.
- Pull front cover - 3- up and pull cable through.



A72-0142

2 - Springs (2x)

3 - Front cover

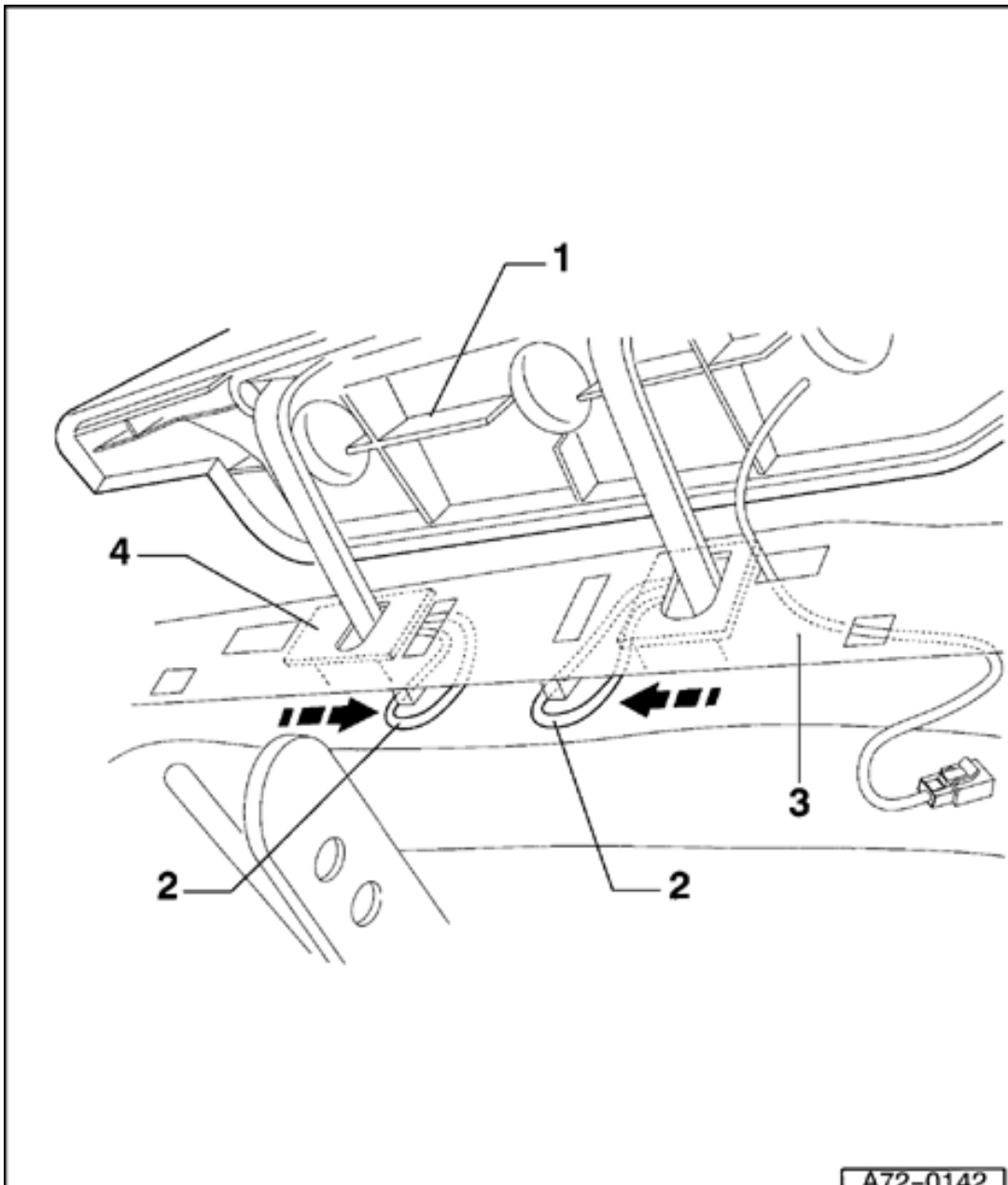
Removing

- If necessary (e.g. when removing seat cushion), remove cover completely).

Installing

- Insert seat heater harness connectors through holes on both sides of cover -3- and connect connectors.
- Attach cover.

72-73



4 - Guide sleeves (2x)

- Always replace

Removing

- If necessary (e.g. when removing seat cushion), push guide sleeves -4- together with groove-lock pliers and pull guide sleeves out.

Installing

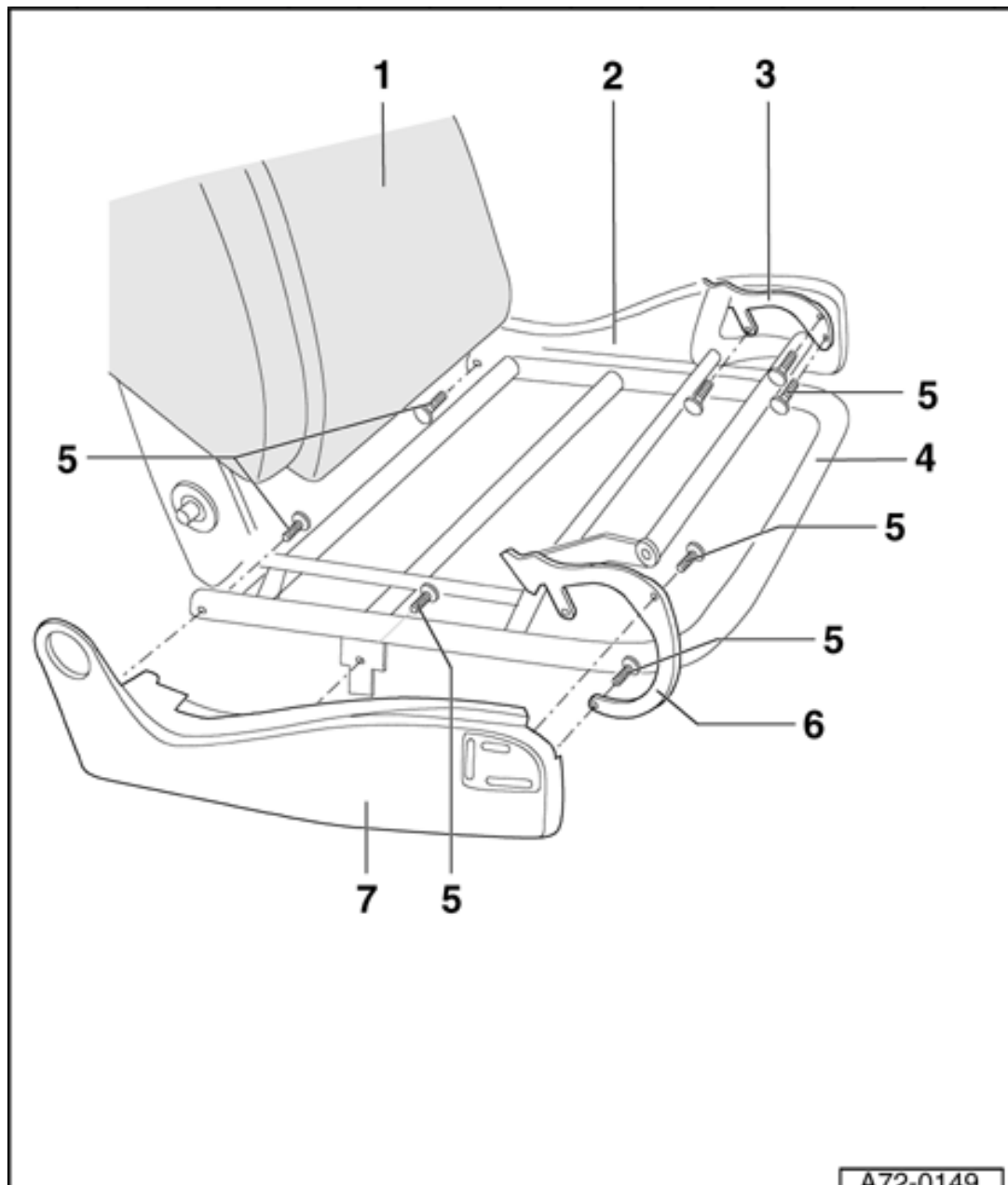
Install in reverse order of removal

Note:

Always replace the two guide sleeves when installing.

A72-0142

72-74



Seat side trim, removing and installing

1 - Backrest

**2 - Seat side trim,
tunnel side**

Note:

It is not necessary to disconnect any wiring when removing seat side trim on tunnel side. Rest of removal is similar to removal of seat side trim on door sill side.

**3 - Bracket for seat side
trim, tunnel side**

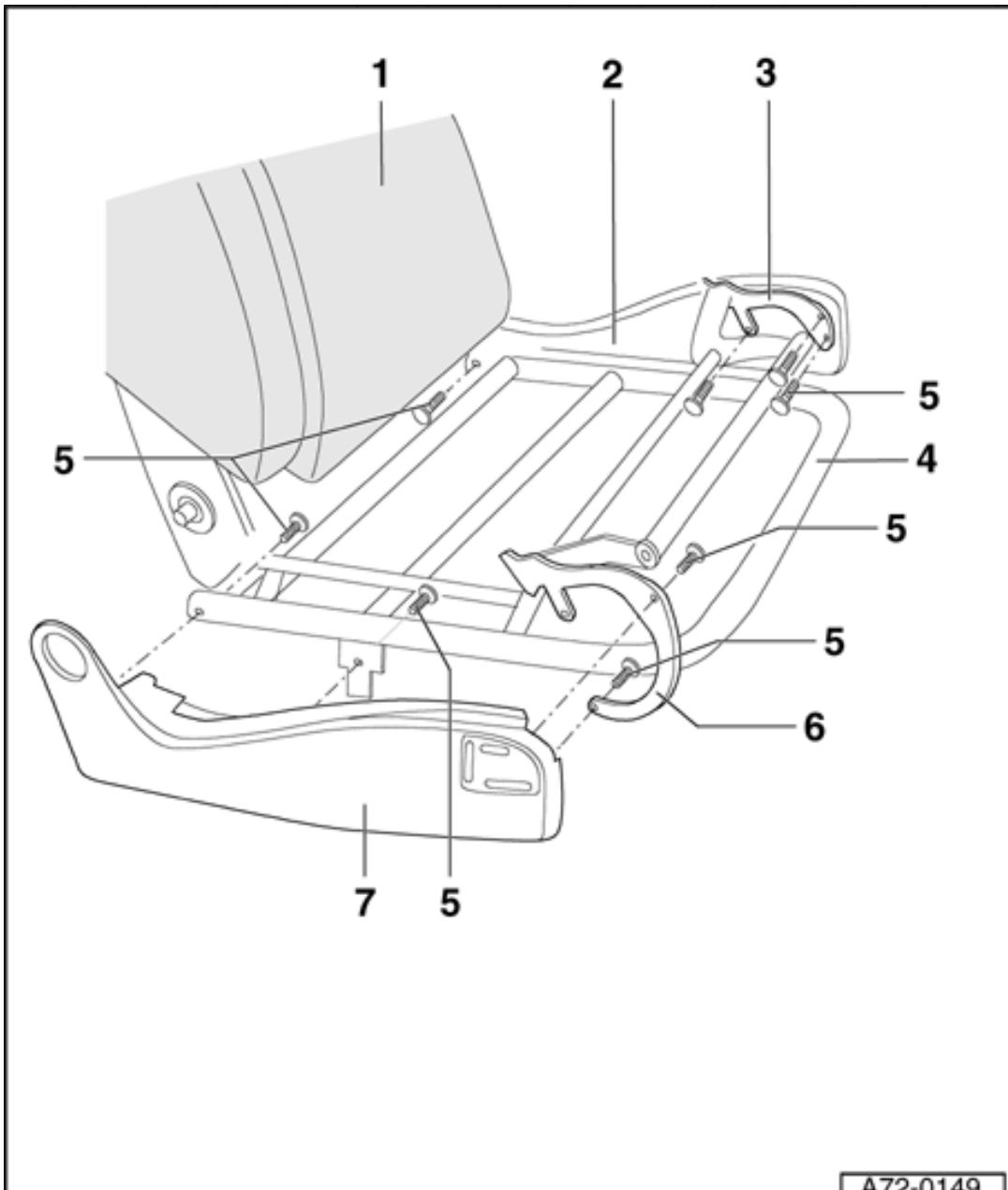
4 - Seat frame

**5 - Bolts (4x per trim
piece)**

**6 - Bracket for seat side
trim, door sill side**

A72-0149

72-75



7 - Seat side trim, door sill side

Removing

- Move seat fully down.
- Remove seat ⇒ [Page 72-59](#) .
- Remove mounting trim ⇒ [Page 72-77](#) .
- Remove seat bottom ⇒ [Page 72-70](#) .
- Rotate belt buckle downward.
- Disconnect all connectors that run from circuit board to seat side trim on door sill side.

A72-0149

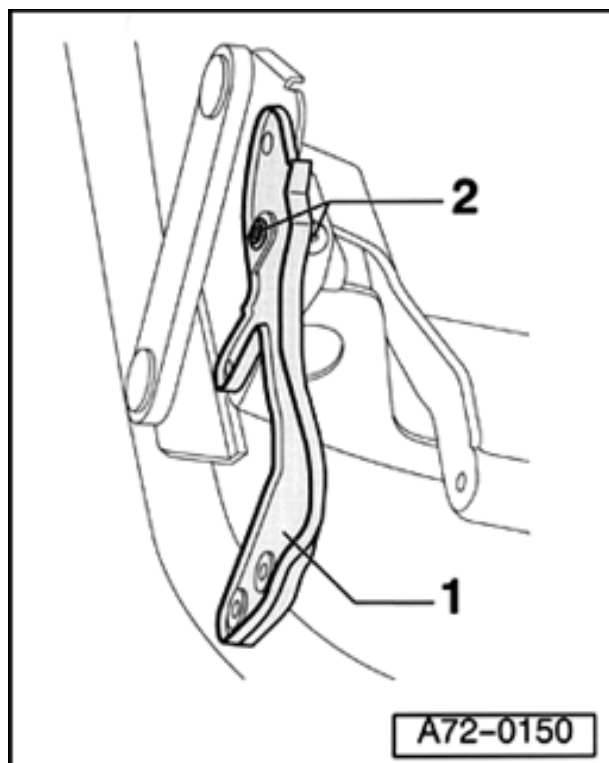
- Cut all cable ties on wiring harness using wire cutters.
- Unbolt bolts -5- (4x) on seat side trim.

Installing

- Attach trim on lower mount of backrest frame.
- Secure seat side trim with bolts -4- (4x).



Seat side trim bracket, removing and installing



- Move seat to upper-most position.
- Remove seat ⇒ [Page 72-59](#) .
- Remove seat side trim ⇒ [Page 72-74](#) .
- Drill through both rivets -2- at front of seat side trim bracket -1- and remove bracket.

72-77



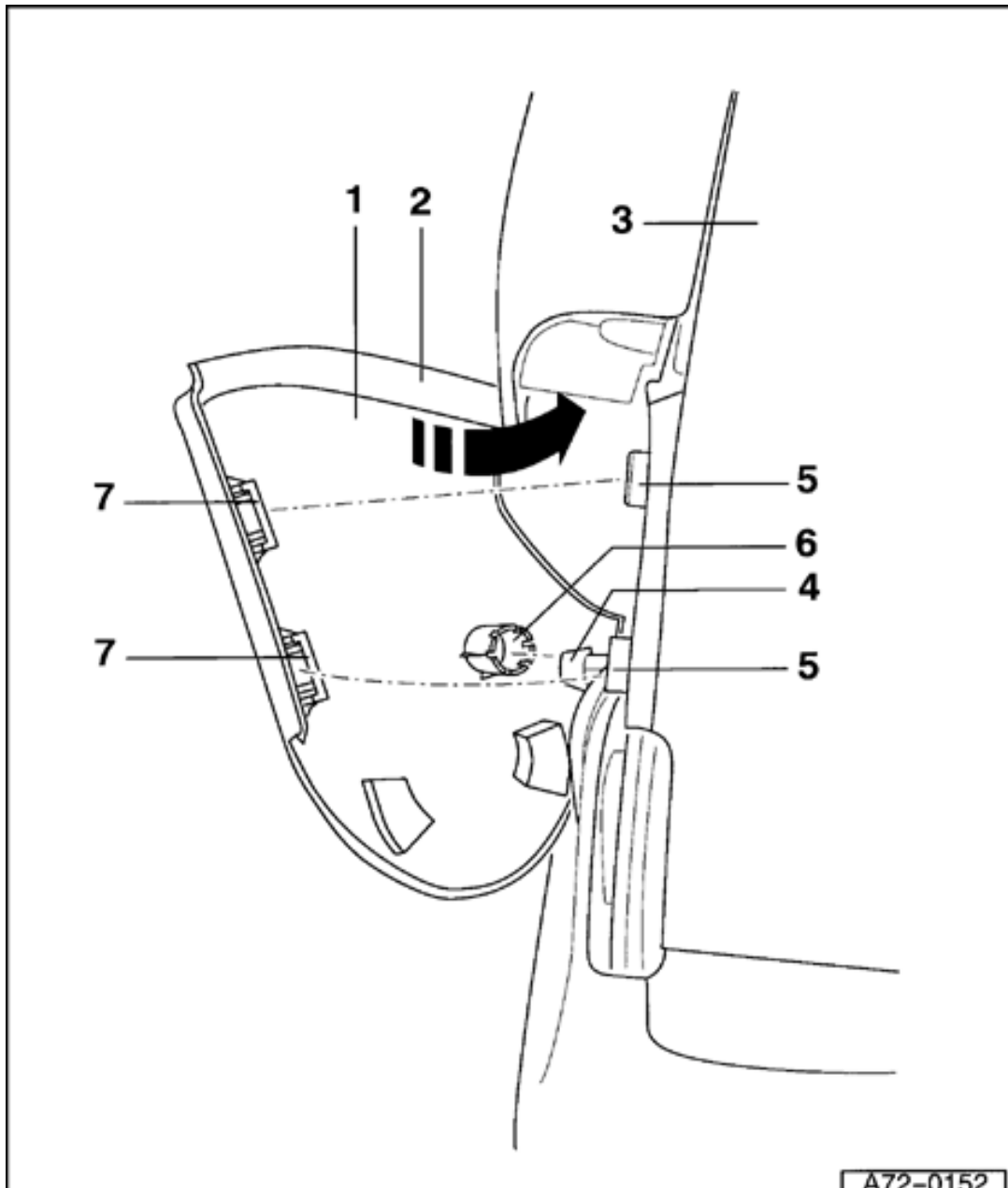
Backrest hinge trim, removing and installing

1 - Mounting trim

Removing

- Remove seat ⇒ [Page 72-59](#) .
- Remove mounting trim -1- downward, so that pins -4- and tabs -5- are pulled out of catches -6- and -7-.
- Pull out mounting trim -1-.

Installing



A72-0152

- On same side of side airbag module, insert insertion edge -2- under side airbag module in direction of arrow.
- Press mounting trim -1- on in a straight line, so that pins -4- and tabs -5- engage in catches -6- and -7-.

72-78



2 - Insertion edge

- ◆ Only on same side of side airbag module.

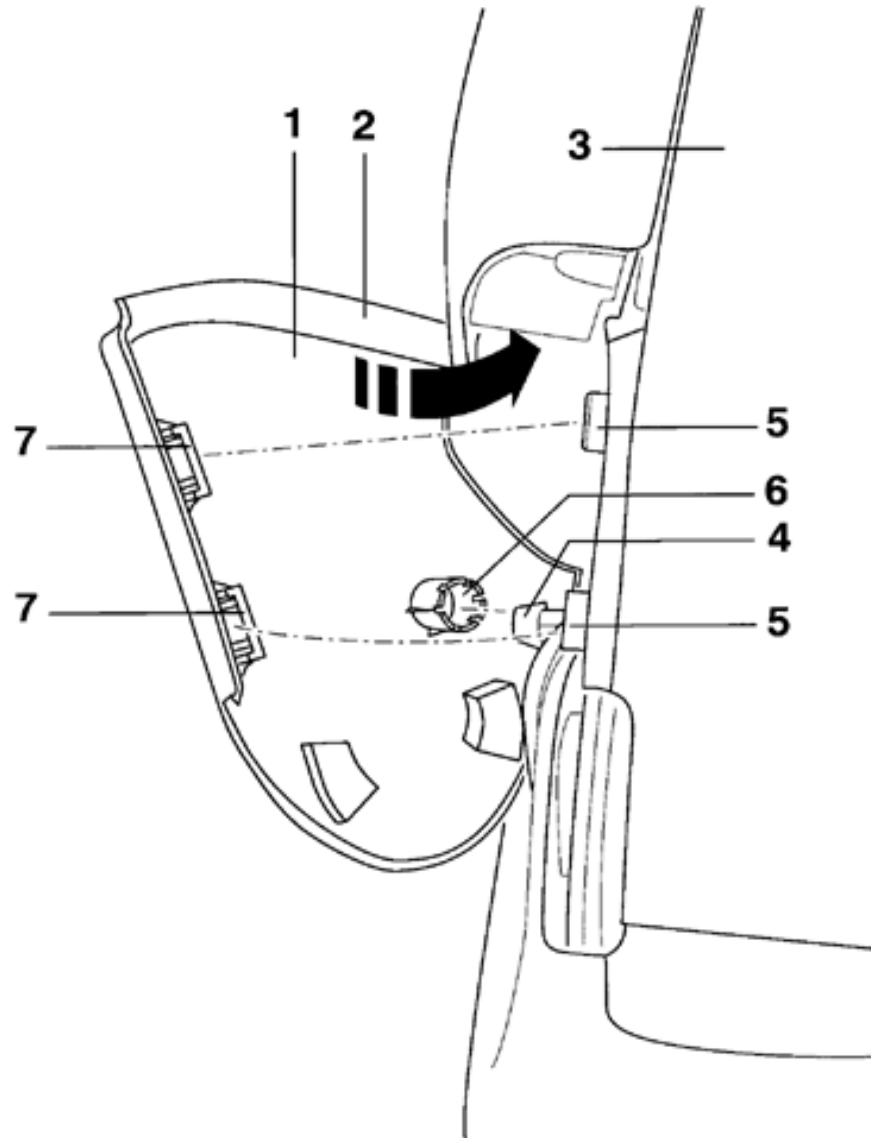
3 - Backrest

4 - Pin

5 - Clip

6 - Pin catch

7 - Tab catches



A72-0152

72-79



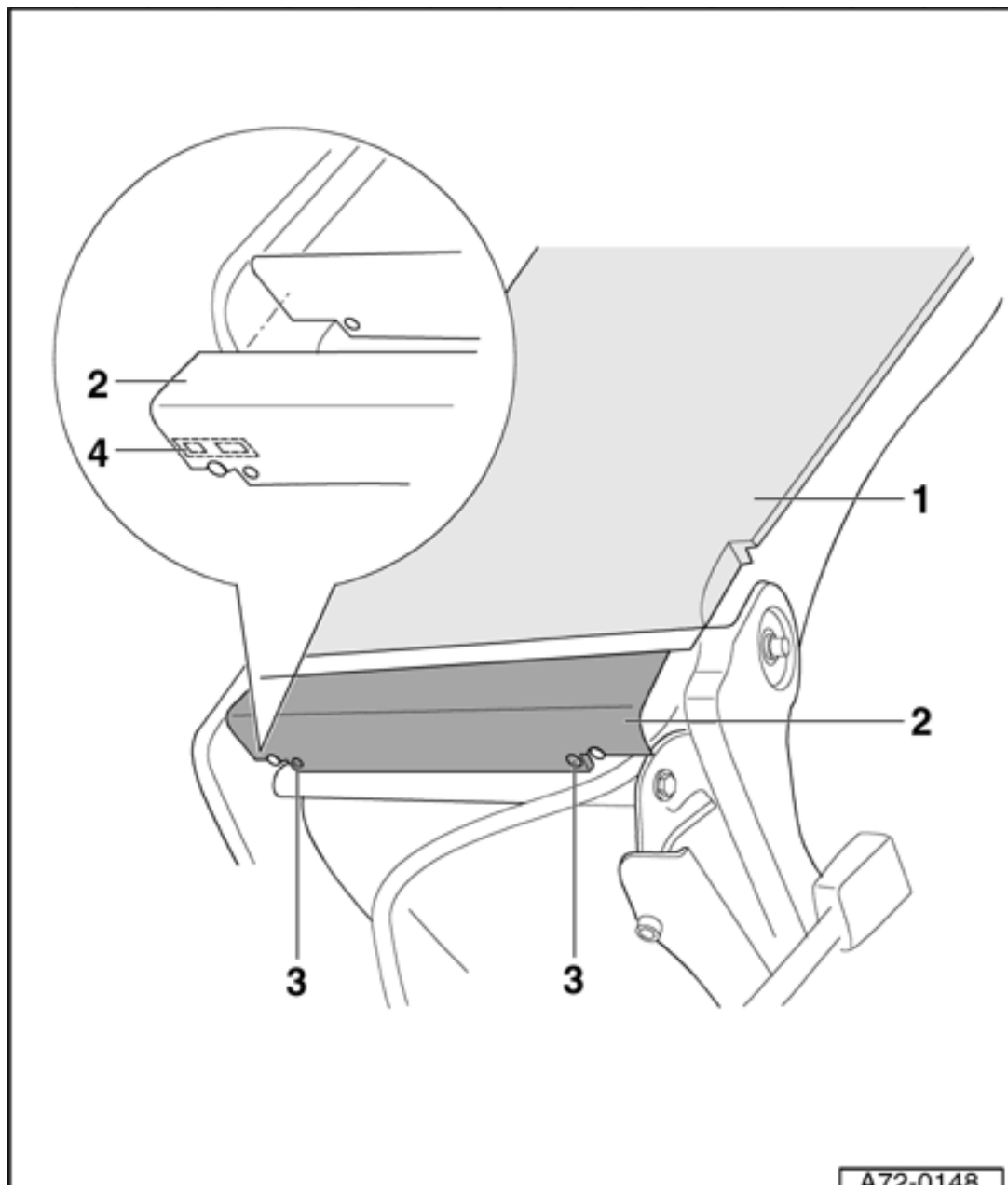
Spring cover, removing and installing

1 - Backrest

2 - Spring cover

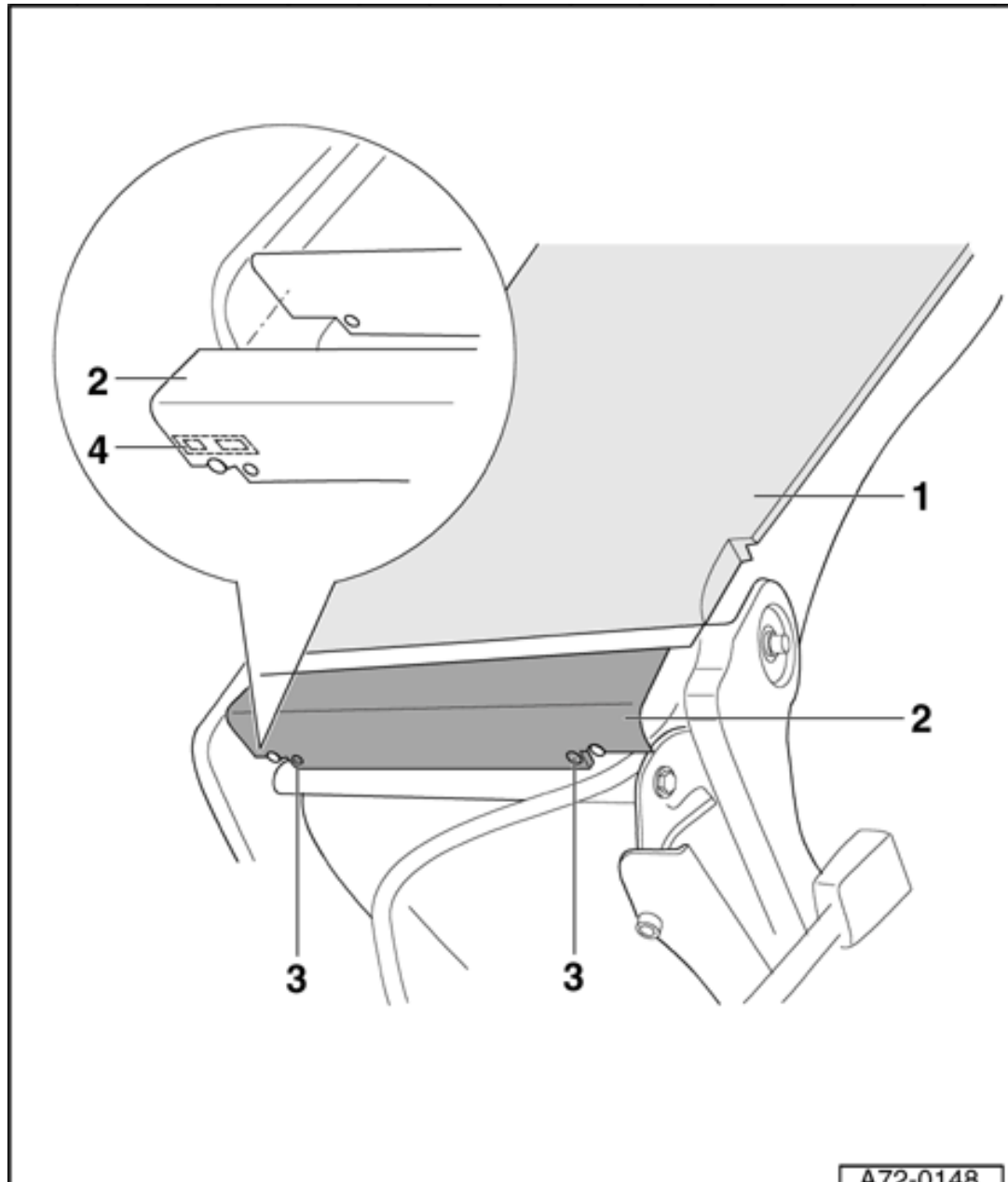
Removing

- Move seat fully up.
- Unbolt two bolts - 3- on left and right of spring cover -2-.
- Pull off spring cover -2- from right side of seat.
- Then pull spring cover toward right so that clip - 4- releases from left of spring cover.
- Remove spring cover -2- from seat.



A72-0148

72-80



Installing

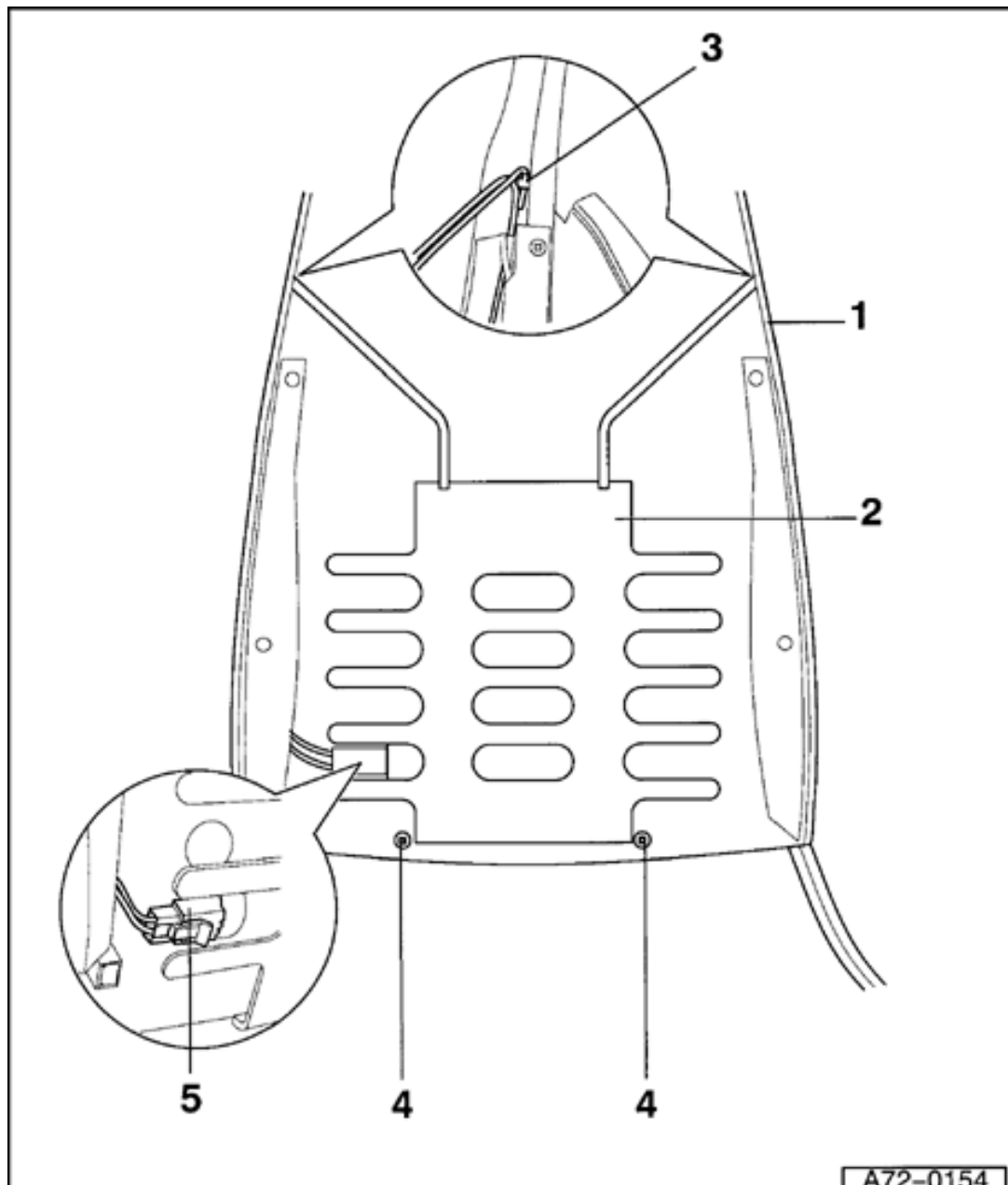
- Install left side of spring cover -1- with clip -4-.
- Push spring cover -2- onto right side until it engages.
- Tighten both bolts -3-.

3 - Bolts (2x)

4 - Clip

A72-0148

72-81



2-way lumbar support, removing and installing

1 - Backrest frame

**2 - 2-way lumbar
support**

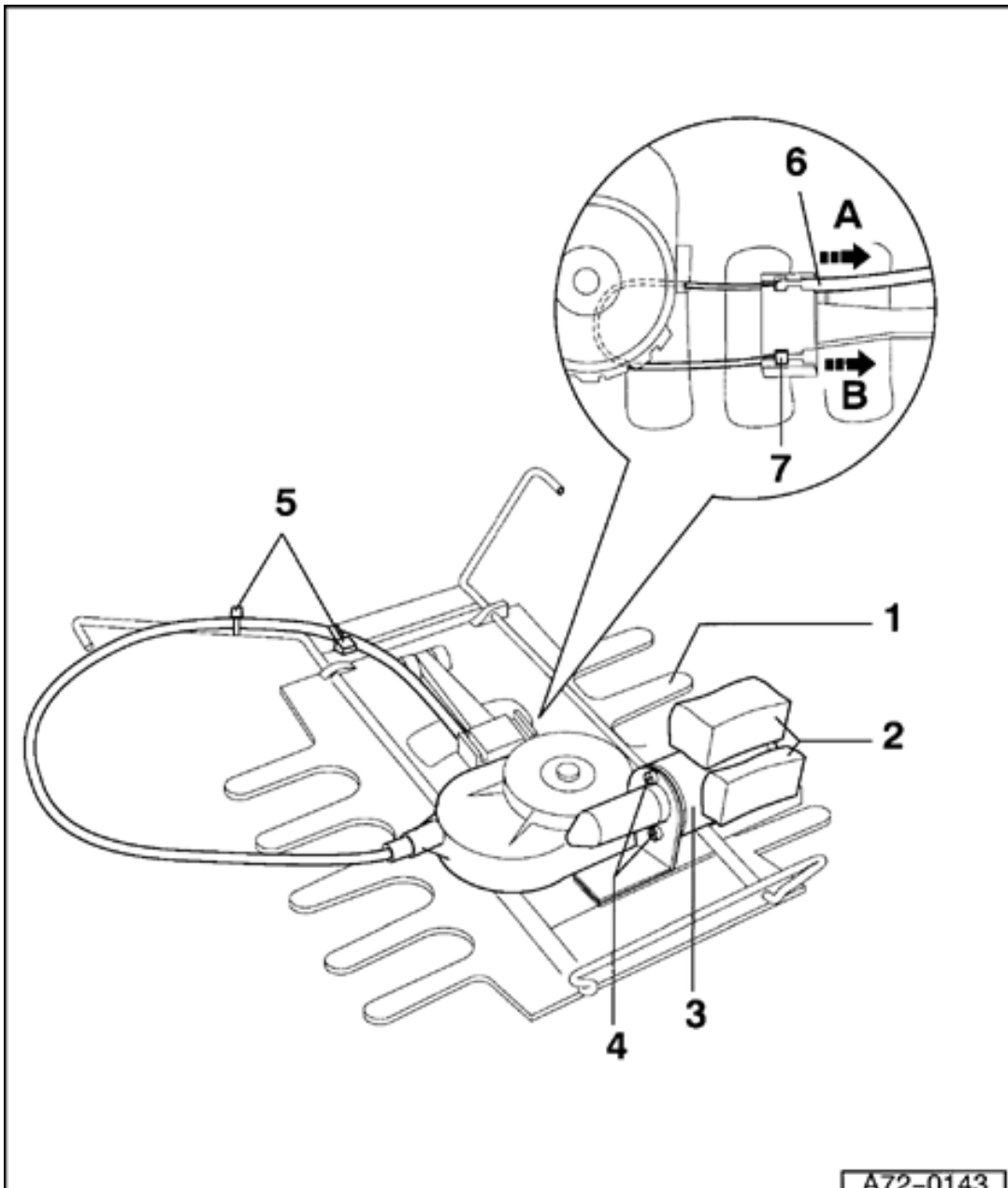
- Remove seat ⇒ [Page 72-59](#) .
- Remove backrest upholstery ⇒ [Page 74-36](#) .
- Disconnect connector of lumbar support motor -5-.
- Remove bolts -4- (2x).

3 - Retaining hook

4 - Bolts (2x)

**5 - Connector for
lumbar support
motor**

A72-0154



Lumbar support motor with gears, removing and installing

1 - Lumbar support body

2 - Foam pieces (2x)

- If not available as a replacement part, detach foam pieces from old motor and attach to new motor.

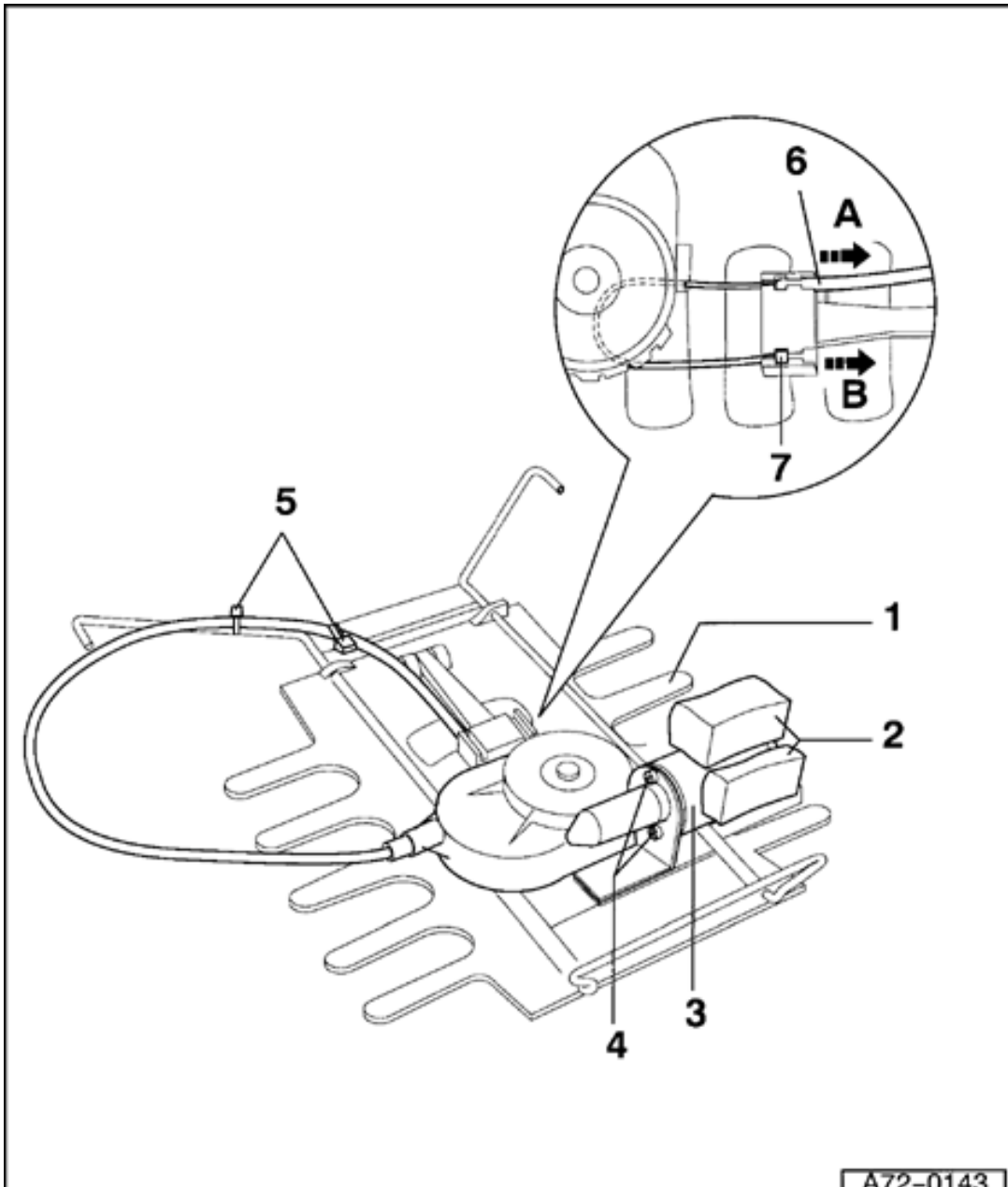
3 - Motor with gears and Bowden cable

- Remove seat ⇒ [Page 72-59](#) .
- Remove 2-way lumbar support ⇒ [Page 72-81](#) .
- Cut cable ties -5- (2x).
- Press lumbar support body together.

A72-0143

- Pull Bowden
cable -6- in
direction of -
arrow A-.

72-83



- Detach Bowden cable -6- at pulley.
- Pull retaining pin - 7- in direction of - arrow B- out of bracket.
- Remove bolts -4- (2x).

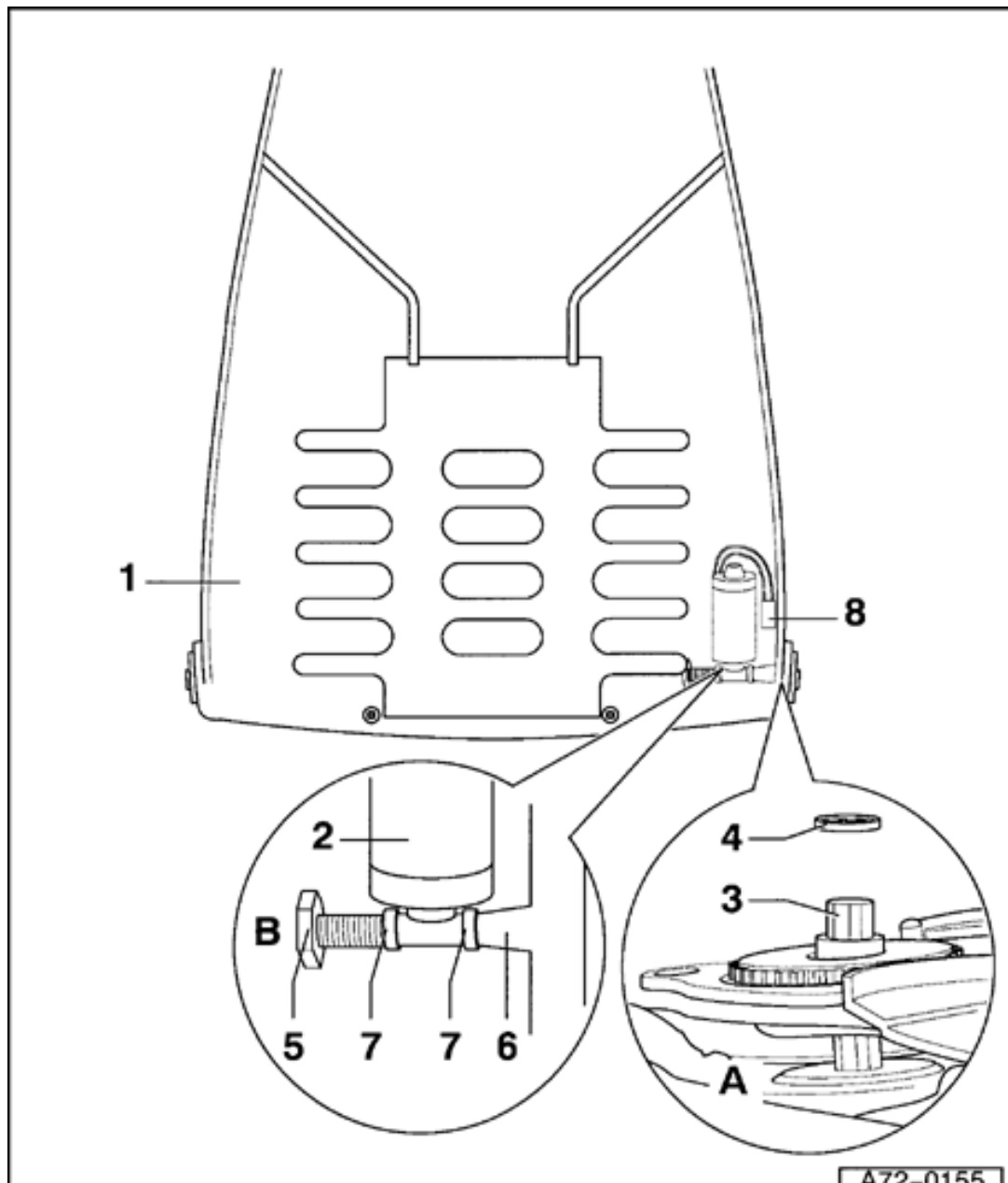
4 - Bolts (2x)

5 - Cable ties

6 - Bowden cable

7 - Retaining pins

A72-0143



Backrest motor with gears, removing and installing

Note:

Illustration only shows backrest.

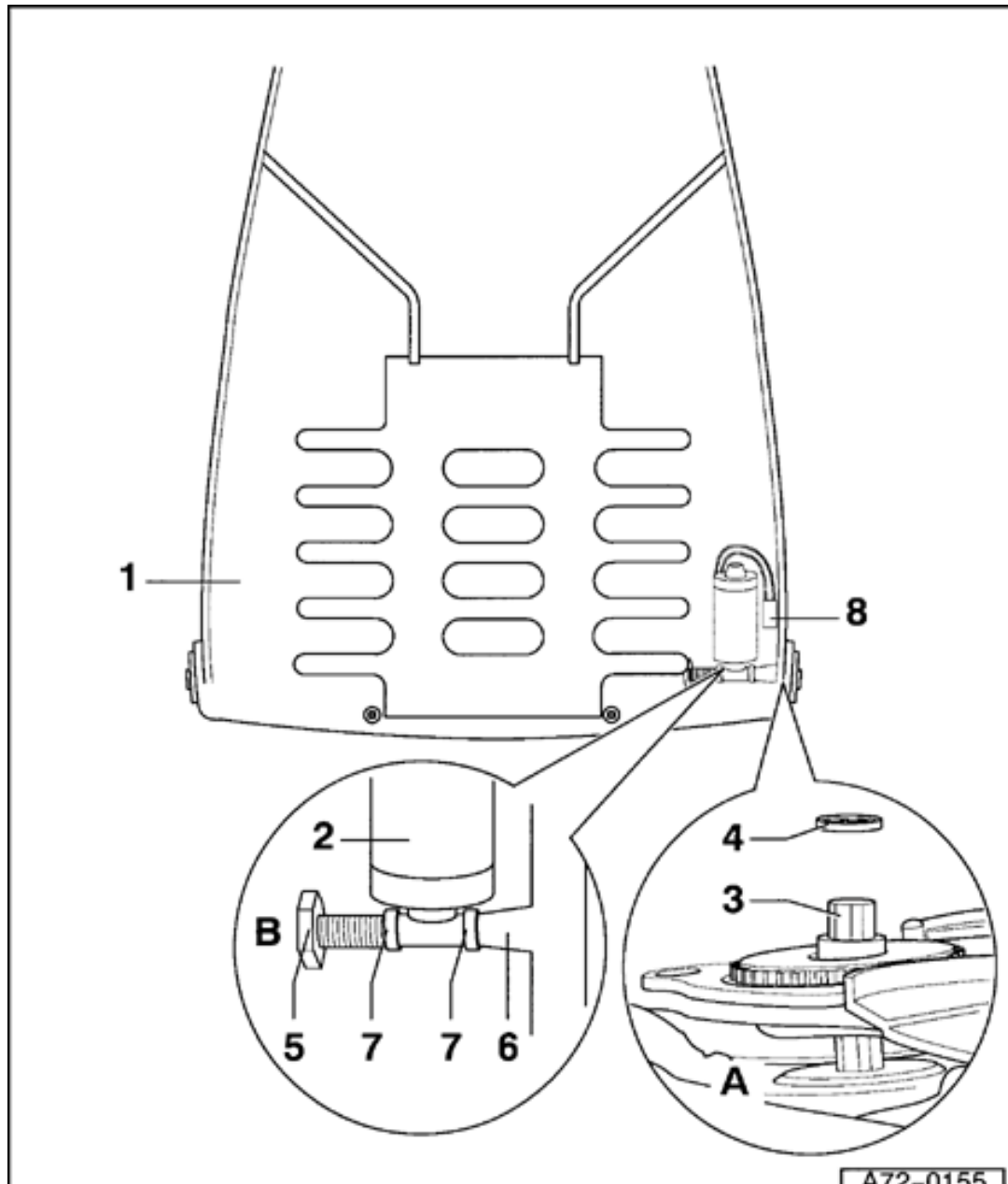
1 - Backrest frame

2 - Backrest motor with transmission

Removing

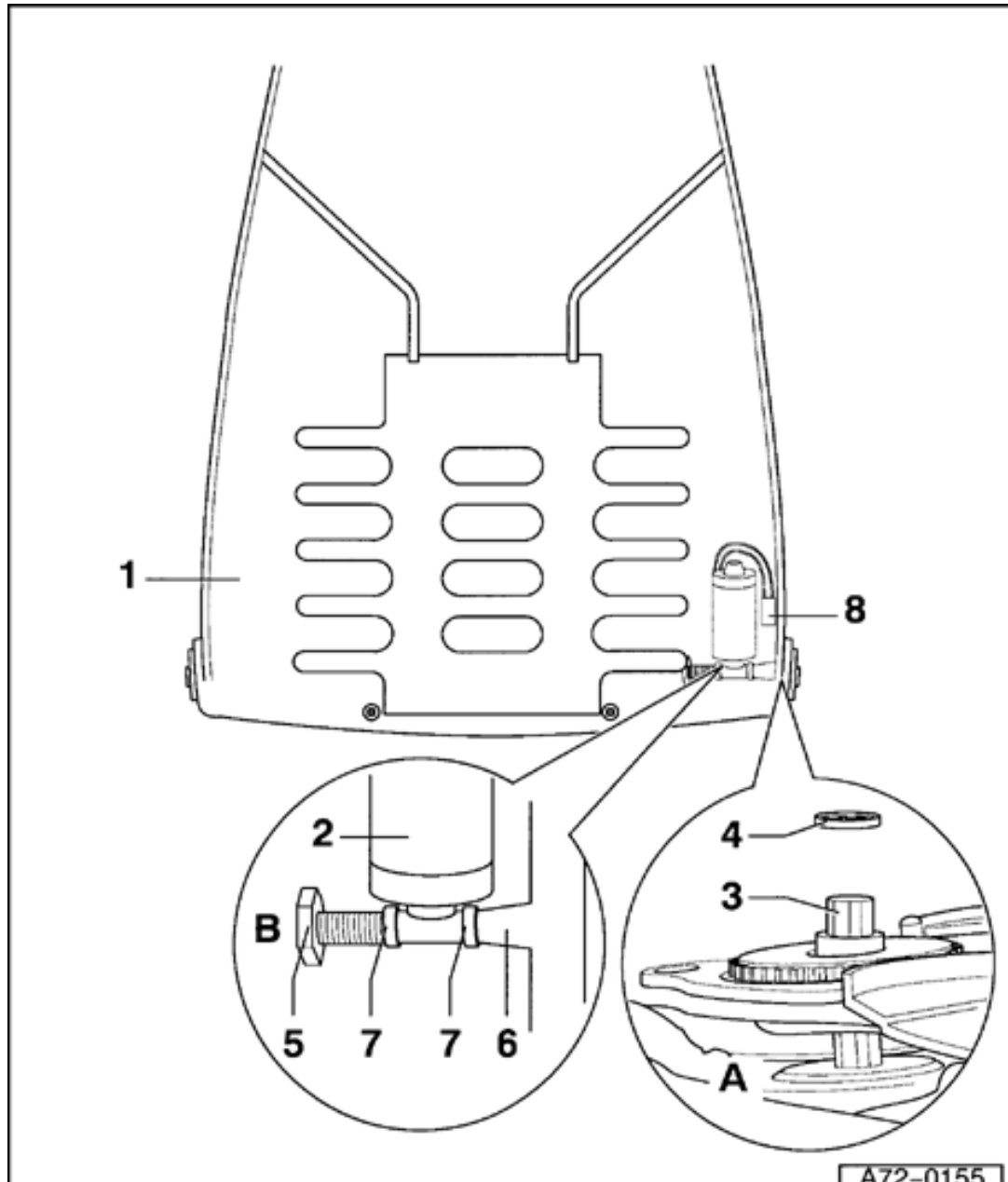
- Move seat fully up.
- Remove seat ⇒ [Page 72-59](#) .
- Remove mounting trim pieces ⇒ [Page 72-77](#) .
- Remove backrest upholstery ⇒ [Page 74-36](#) .

A72-0155



- Using a screwdriver, pry off locking washer -4- on backrest motor side, inset -B-.
- Pull shaft out of backrest frame - 1- far enough so that backrest motor -2- can be removed.
- Cut all cable ties on backrest motor using a wire cutters.
- Disconnect harness connector -8-.
- Unbolt mounting screw of backrest motor -5- from welded threaded sleeve -6-.
- Remove backrest motor -2-.

A72-0155



Installing

- Push shaft -3- through backrest motor -2- and backrest frame -1-.
- Secure backrest motor -2- between two plastic washers -7- at threaded sleeve -6- using mounting bolt -5-.
- Tap locking washer -4- onto shaft -3-.

3 - Shaft

4 - Locking washer

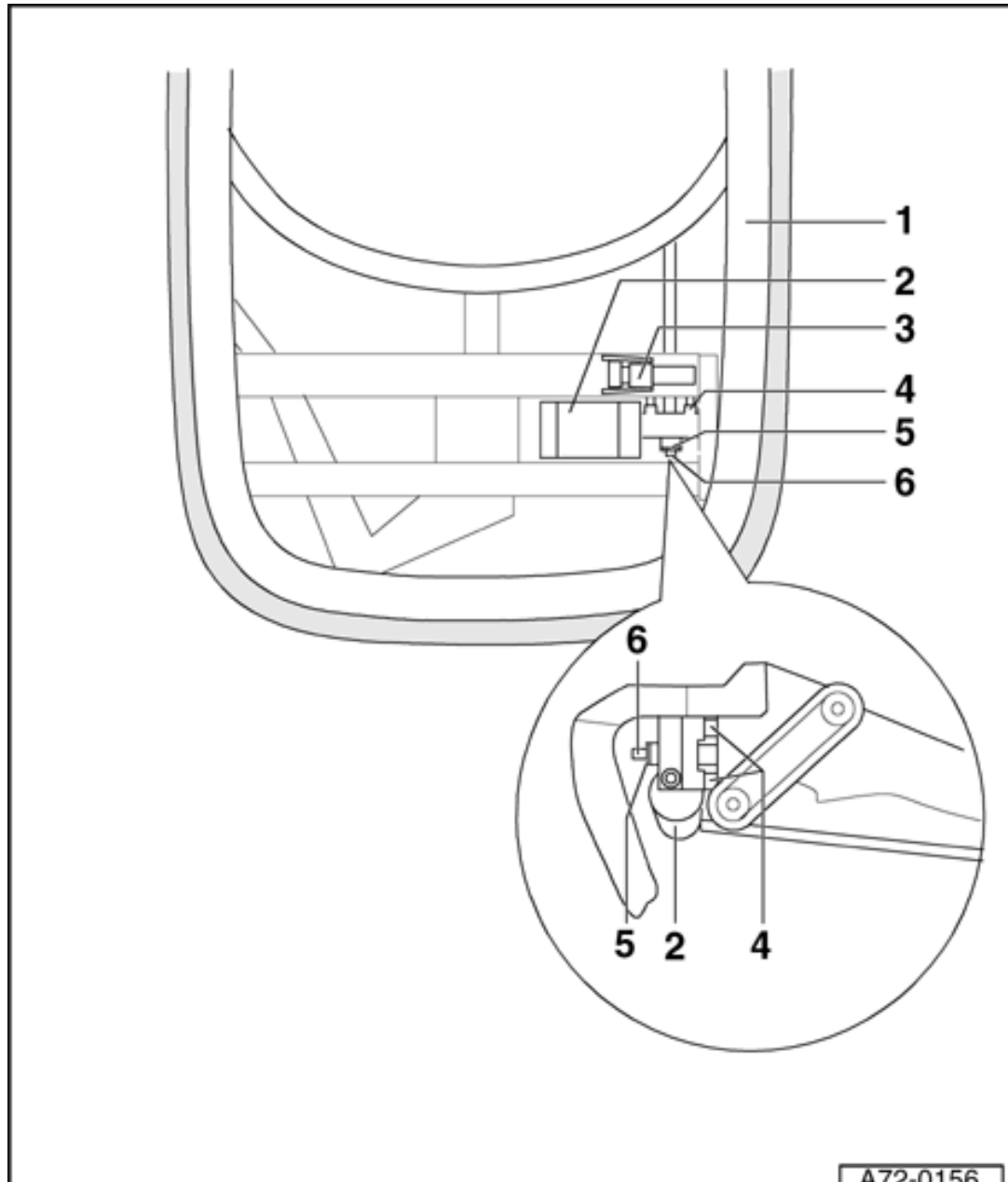
5 - Mounting screw

6 - Threaded sleeve

7 - Plastic washers (2x)

8 - Harness connector

A72-0155



Motor for seat height adjustment, removing and installing

1 - Seat frame

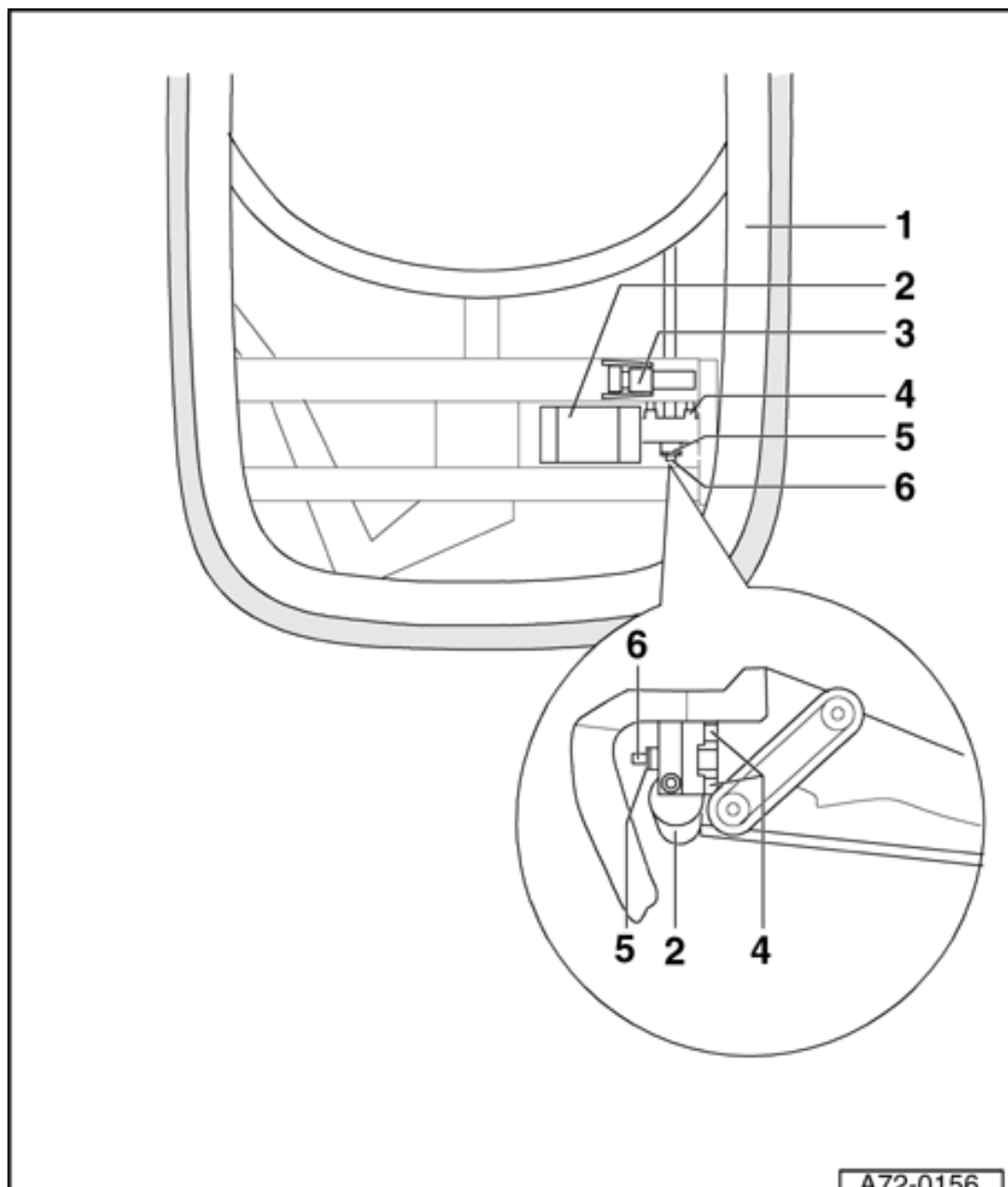
2 - Motor for seat height adjustment

Removing

- Move seat fully up.
- Remove seat ⇒ [Page 72-59](#) .
- Remove seat bottom ⇒ [Page 72-70](#) .

A72-0156

72-88



- Disconnect harness connector -3-.
- Disconnect connector housing -3- from seat frame.
- Using a screwdriver lift locking washer - 5- from shaft -6-.
- Remove motor - 2-.

Installing

Note:

Make sure that bushings -4- are correctly seated in seat frame.

3 - Harness connector for motor

4 - Bushings (2x)

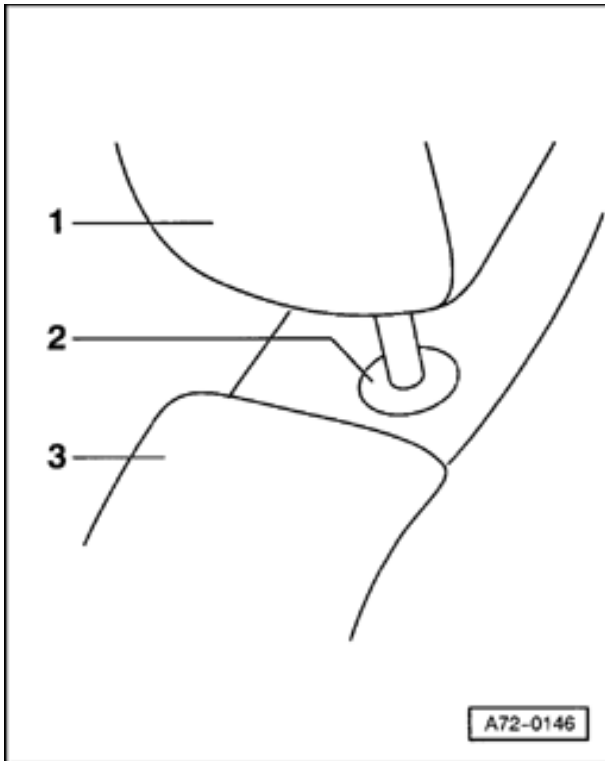
5 - Locking washer

A72-0156

6 - Shaft



Headrest, removing and installing



- Press down on guide sleeves -2- from above.
- Press down slightly on headrest -1- to release catch.
- Pull headrest -1- up and off of backrest -3-.



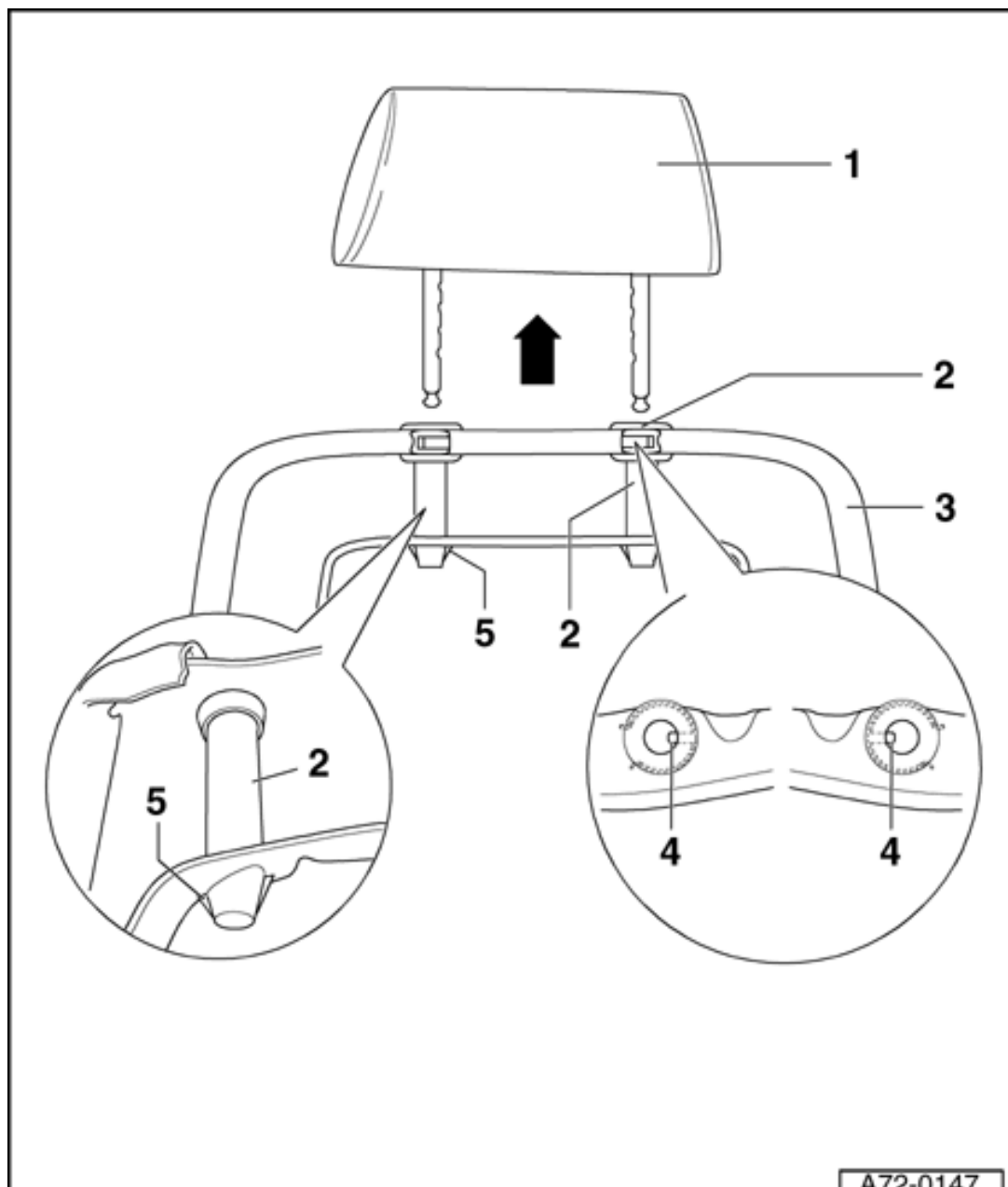
Headrest guide, removing and installing

1 - Headrest

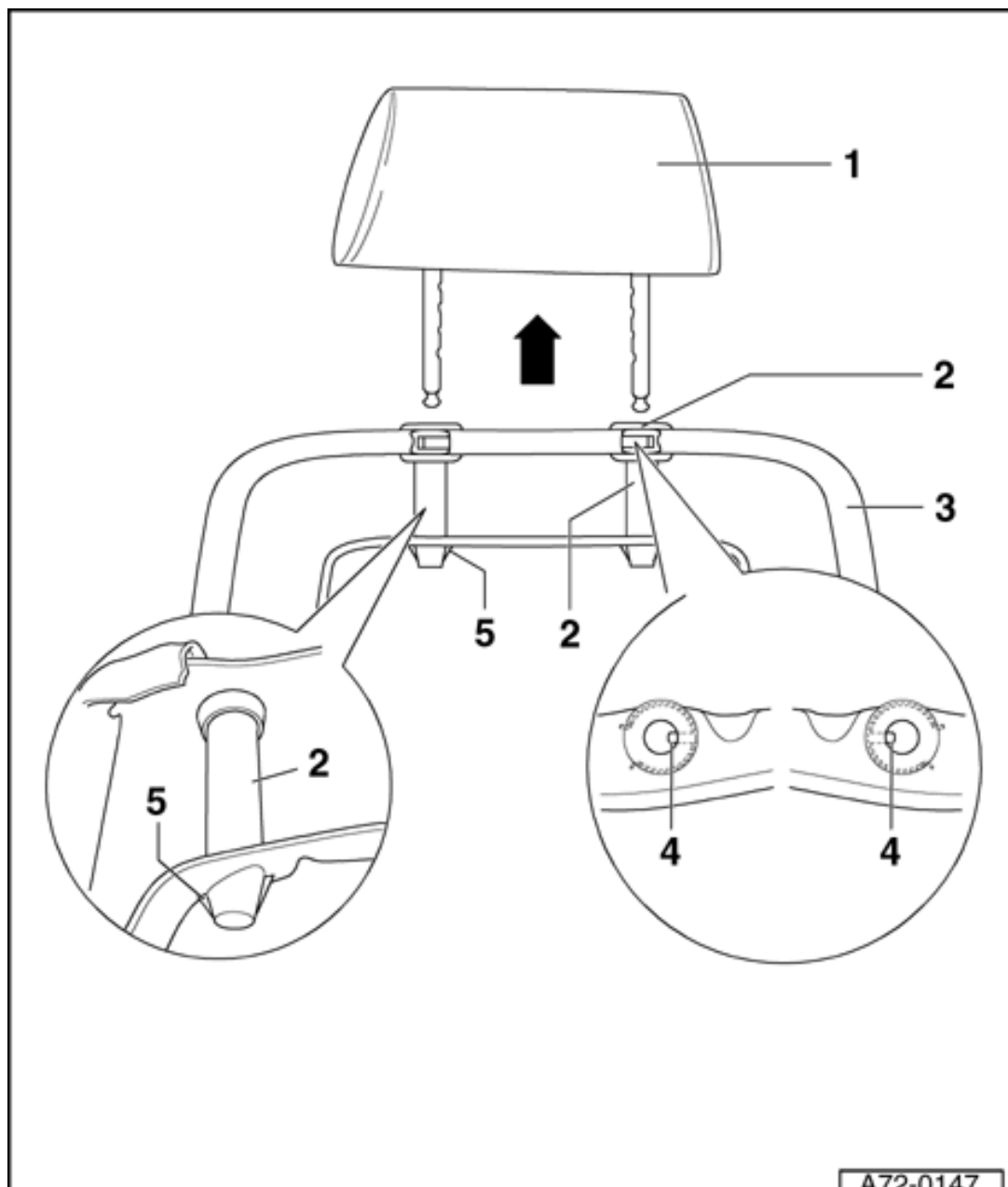
2 - Headrest guide

Removing

- Remove headrest
-1- ⇒ [Page 72-89](#) .
- Remove upholstery from backrest frame -
3- ⇒ [Page 74-36](#) .
- Press catches -5-
of headrest guide
-2- together and
pull headrest
guide -2- up and
off.



A72-0147



Installing

CAUTION!

The locking pins of both headrest guides must be seated on the inside so that the height adjustment tabs of the head rest engage properly.

- Install headrest guides -2- so that locking pins -4- of headrest guides are both on the inside.

3 - Backrest frame

4 - Locking pins

5 - Locking lugs

A72-0147



Console, removing and installing

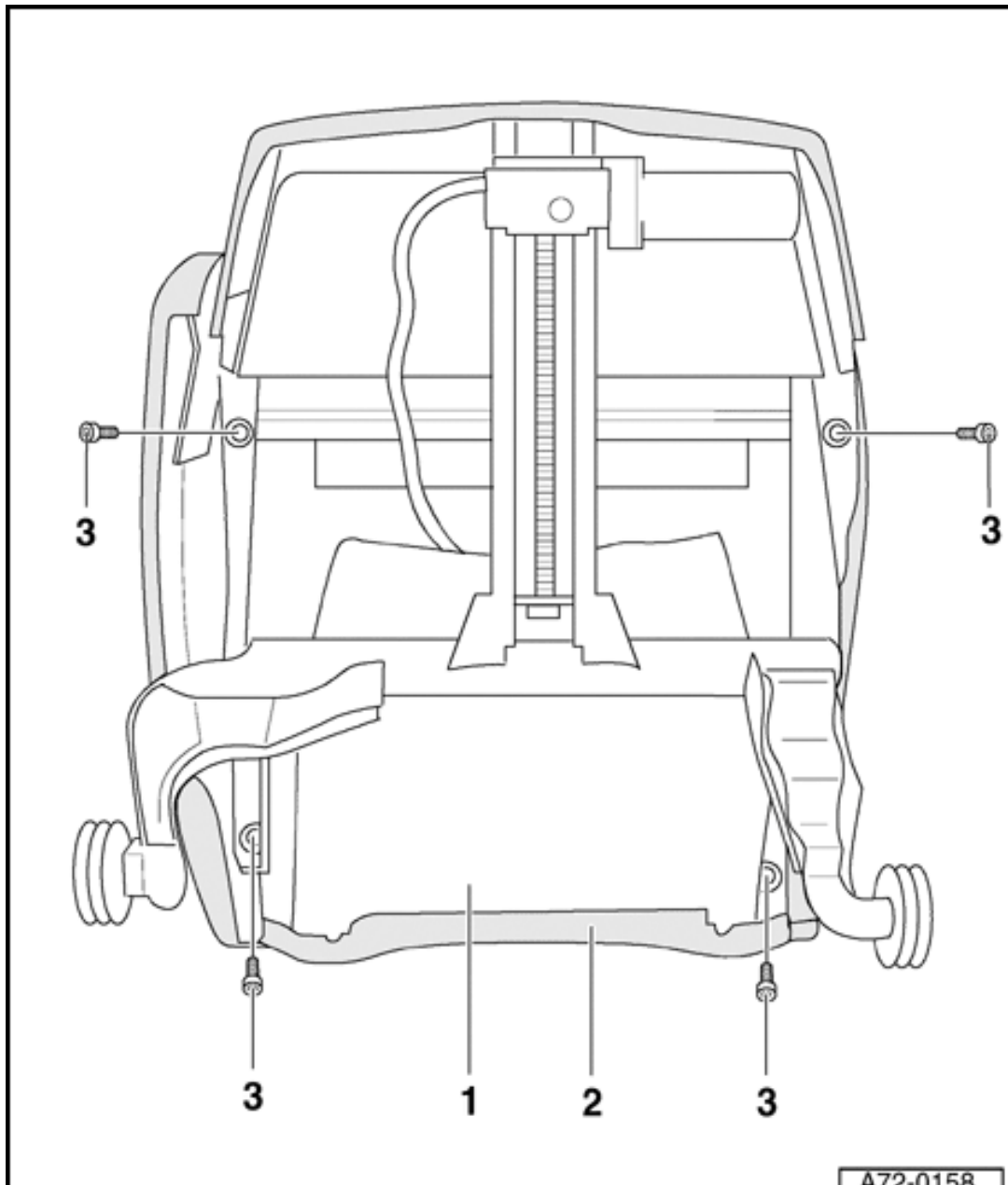
Note:

Illustration shows a right seat.

1 - Console

Removing

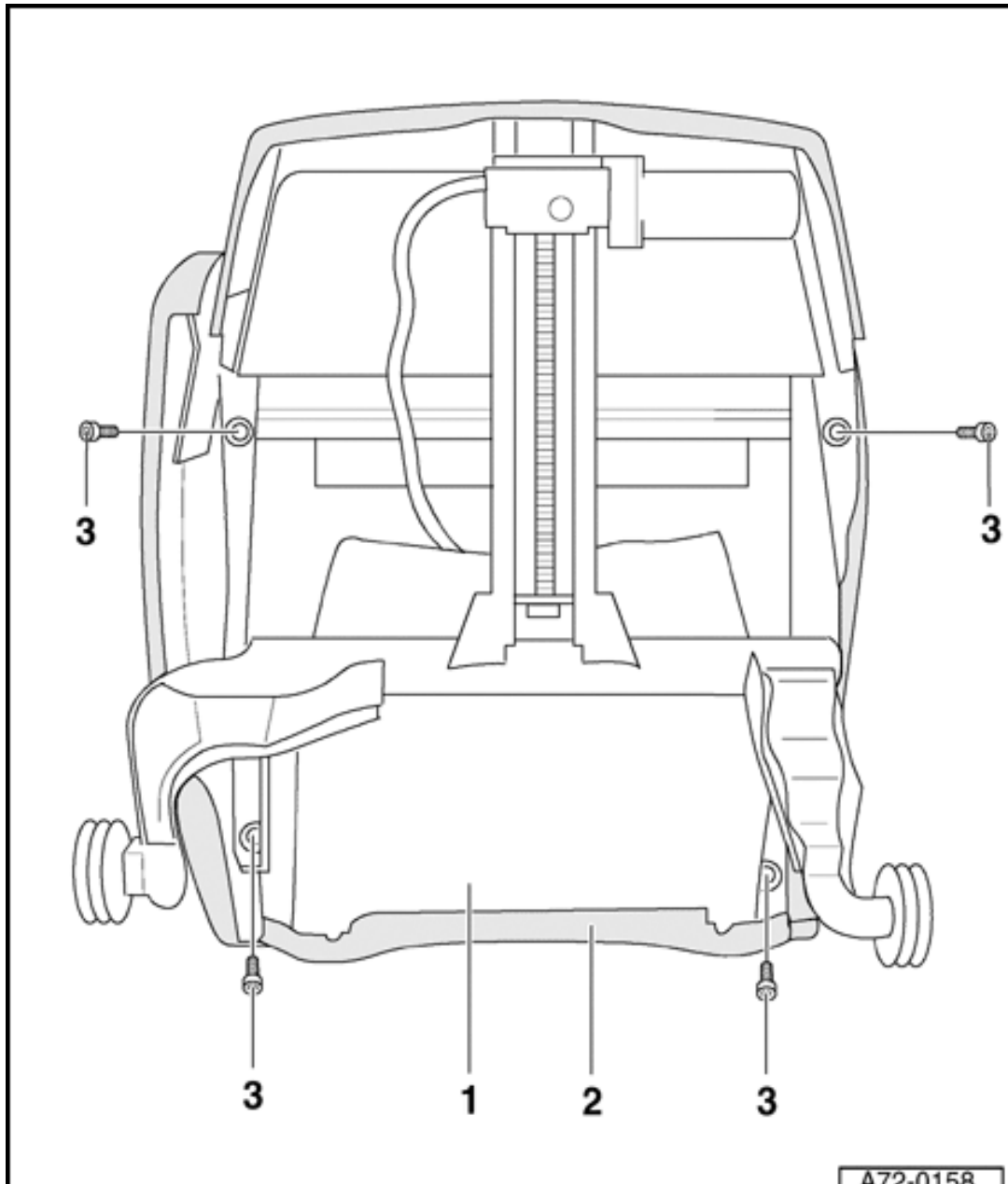
- Remove seat ⇒ [Page 72-59](#) .
- Place seat so that underside of seat cushion is easily accessible
- Disconnect cable ties that are attached to console.
- Remove coupling holder for harness connector (two bolts).



A72-0158

- Unbolt the two relays.
- Unbolt bolts -3- (4x) on console -1-.
- Remove console -1- from seat -2-.

72-93



Installing

Note:

Replace bolts -3-.

- Place the new console -1- on the seat -2-.
- Tighten bolts -3- (4x).

◆ Tightening torque:
23 Nm (17 ft lb)

2 - Seat

3 - Bolts (4x)

◆ Tightening torque:
23 Nm (17 ft lb)