



Vehicle

System

Repair Group

Previous Topic

Next Topic

Technical Bulletins

Wiring Diagrams

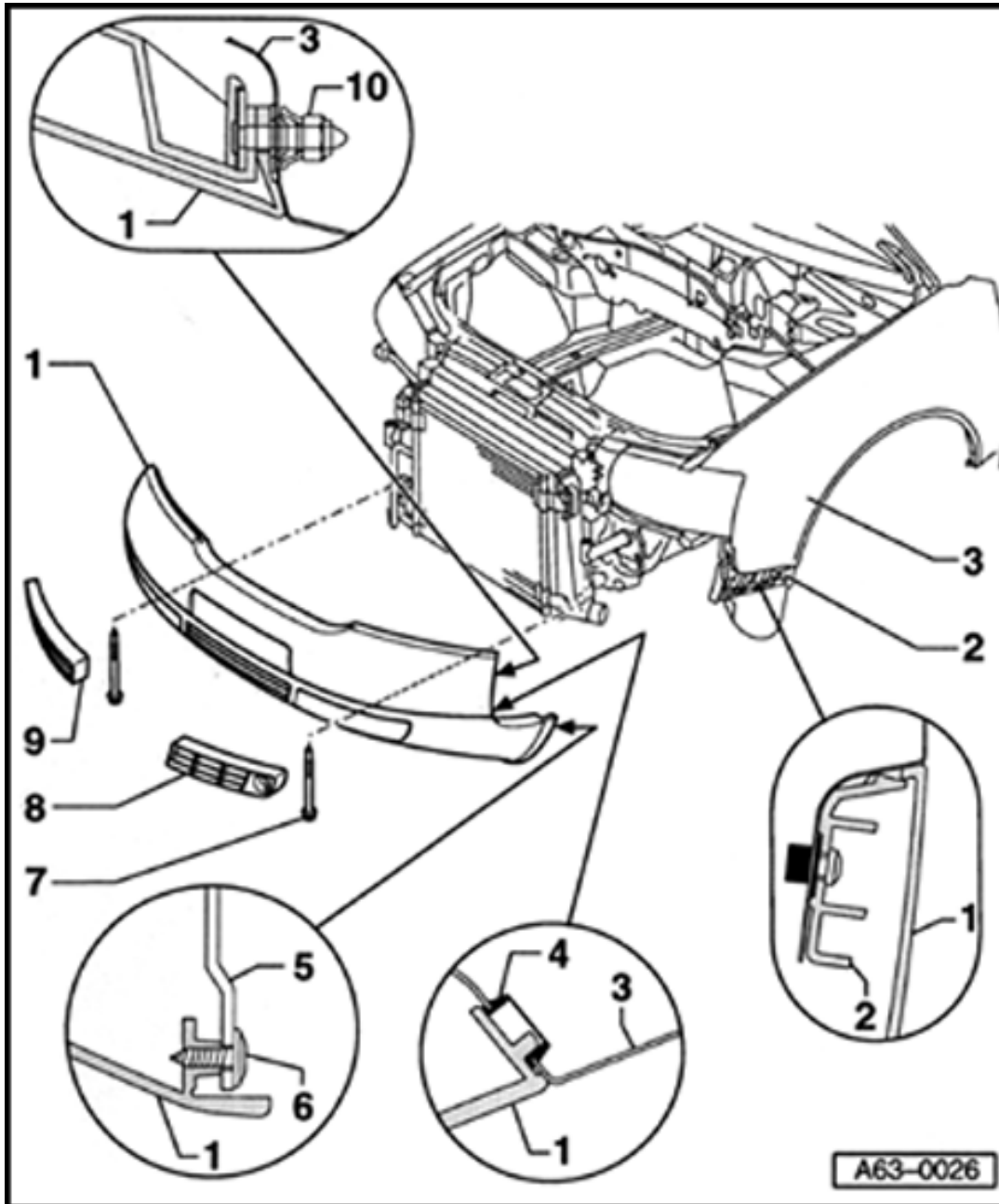
Warnings & Cautions

Print

Search

Advanced Search

eBahn®
Version: 2.5r01sp0003



Front bumper

Front bumper, removing, installing and assembly overview

1 - Bumper cover

Removing:

- Front tires removed
- Front half of wheelhousing loosened ⇒ [Page 66-40](#)

- Unscrew flanged nuts -10- on both sides.

- Unscrew screw w/ washer assembly -6- from wheelhousing liner -5-.

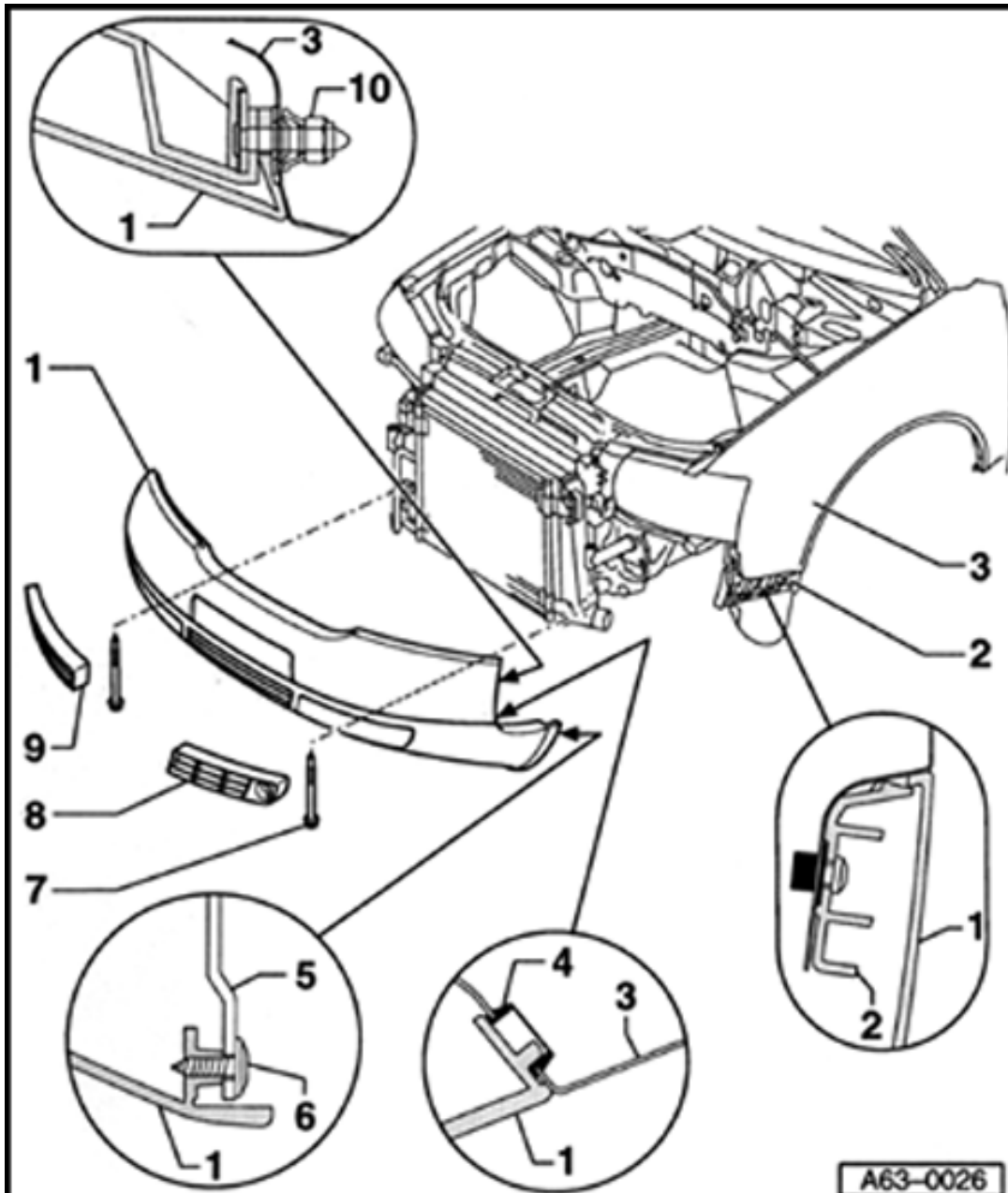
- Remove socket-head bolts -7- and remove bumper cover together with impact absorber toward front.

Installing:

Note:

- ◆ *Before installing the bumper, the expanding clips must be pressed in to the fender ⇒ [Page 63-24](#) .*
- ◆ *When installing the tabs, the bumper cover must latch into clip -4-.*

63-22



- Latch bumper cover -1- into guide -2-.
- Tighten flanged nuts -10- to 6 Nm (53 in. lb).
- Screw in socket-head bolt -7- and tighten to 23 Nm (17 ft lb).

Note:

The impact absorber is installed vertical to the cross member and has height compensating elements ⇒ [Page 63-25](#) .

2 - Guide

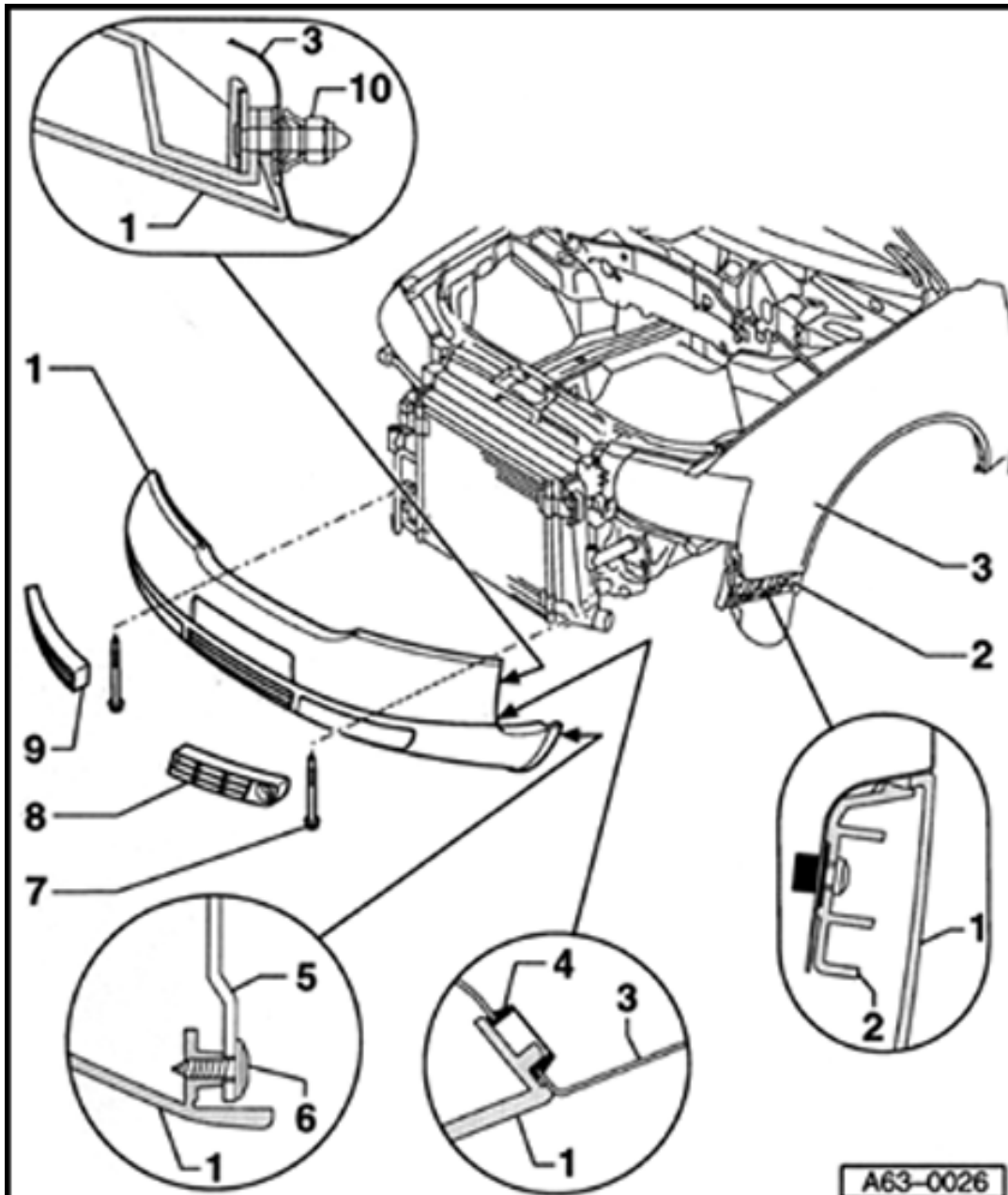
- ◆ Removing and installing ⇒ [Page 63-28](#)

3 - Fender

4 - Clip



- ◆ When installing bumper cover -1-, tab must latch into clip -4-



5 - Wheelhousing liner

6 - Screw w/washer assembly

◆ 1 Nm (9 in. lb)

7 - Socket-head bolt

◆ Install after bumper installation

◆ Height adjustment to cross member is self-compensating
⇒ [Page 63-25](#)

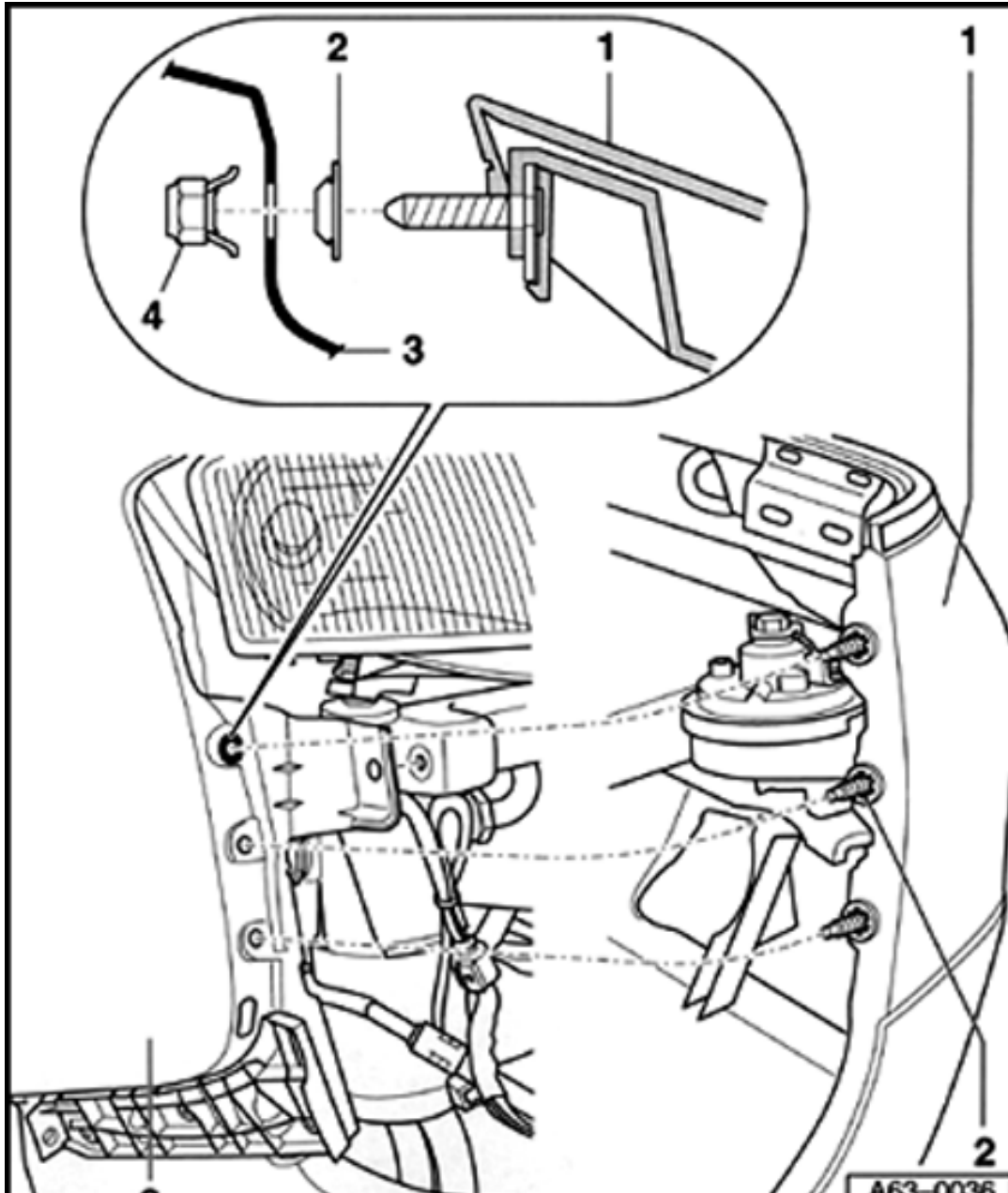
8 - Air inlet grill

9 - Air inlet grill

10 - Flanged nut

◆ 6 Nm (53 in. lb)

63-24



Bumper cover, attaching to fender

1 - Bumper cover

- Slide on together with cross member and impact absorber.
- Clip into left and right guide on fender.
- Install flanged nuts -4- at fenders.

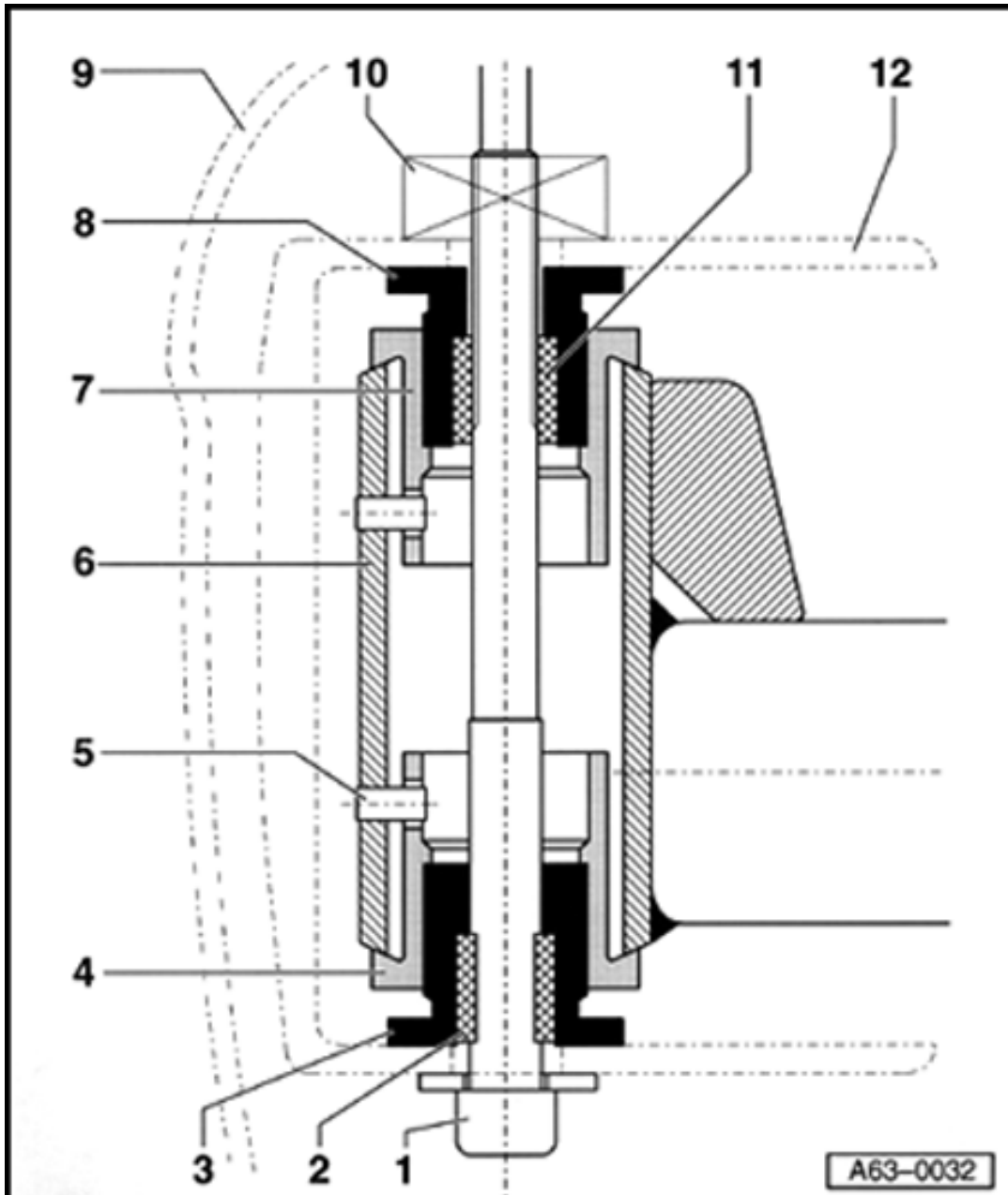
2 - Expanding clip

- ◆ Expanding clips must be pressed in before installing bumper cover -1- in fender

3 - Fender

4 - Flanged nut

- ◆ 6 Nm (53 in. lb)



Bumper, fastening to impact absorber

Note:

- ◆ The bushings in the impact absorber compensate for tolerances in the height between the bumper and the impact absorber when the socket-head bolts are installed.
- ◆ The front bumper is held to the previously set position when socket-head bolts -1- are installed.

1 - Socket-head bolt M8 x 132

- ◆ 23 Nm (17 ft lb)

2 - Carrier bushing, lower

- ◆ Plastic part, pressed into adjusting screw



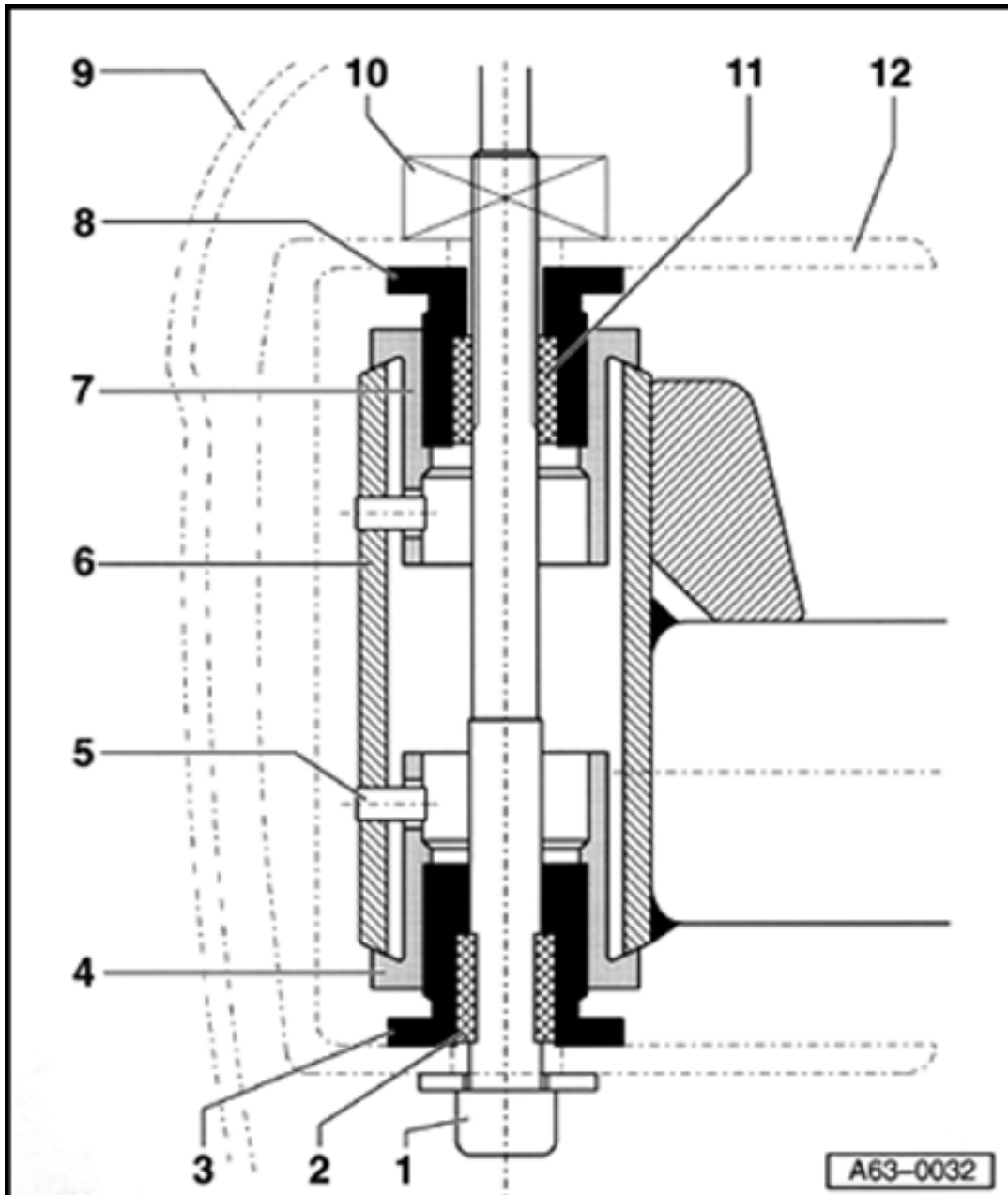
◆ No replacement

3 - Adjusting screw, lower

◆ Screw fully in before installing bumper

◆ Left-hand thread

◆ No replacement



4 - Threaded bushing, lower

- ◆ Secure with locking pin
- ◆ No replacement

5 - Locking pin

- ◆ No replacement

6 - Impact absorber

- ◆ Removing and installing ⇒ [Page 63-30](#)

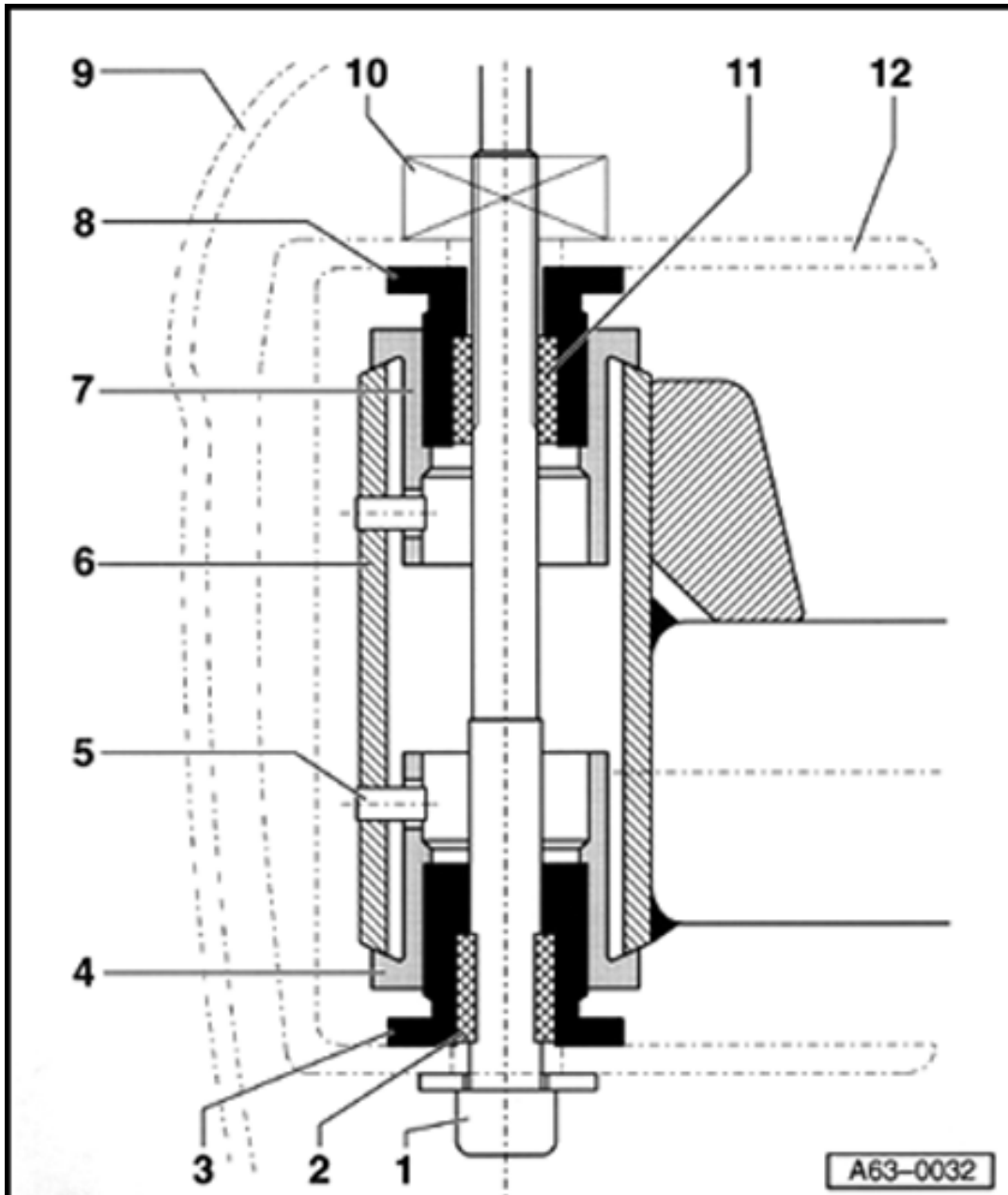
7 - Threaded bushing upper

- ◆ Secure with locking pin
- ◆ No replacement

8 - Adjusting screw, upper



- ◆ Screw fully in before installing bumper
- ◆ Right-hand thread
- ◆ No replacement



9 - Bumper cover

- ◆ Removing and installing ⇒ [Page 63-21](#)

10 - Nut

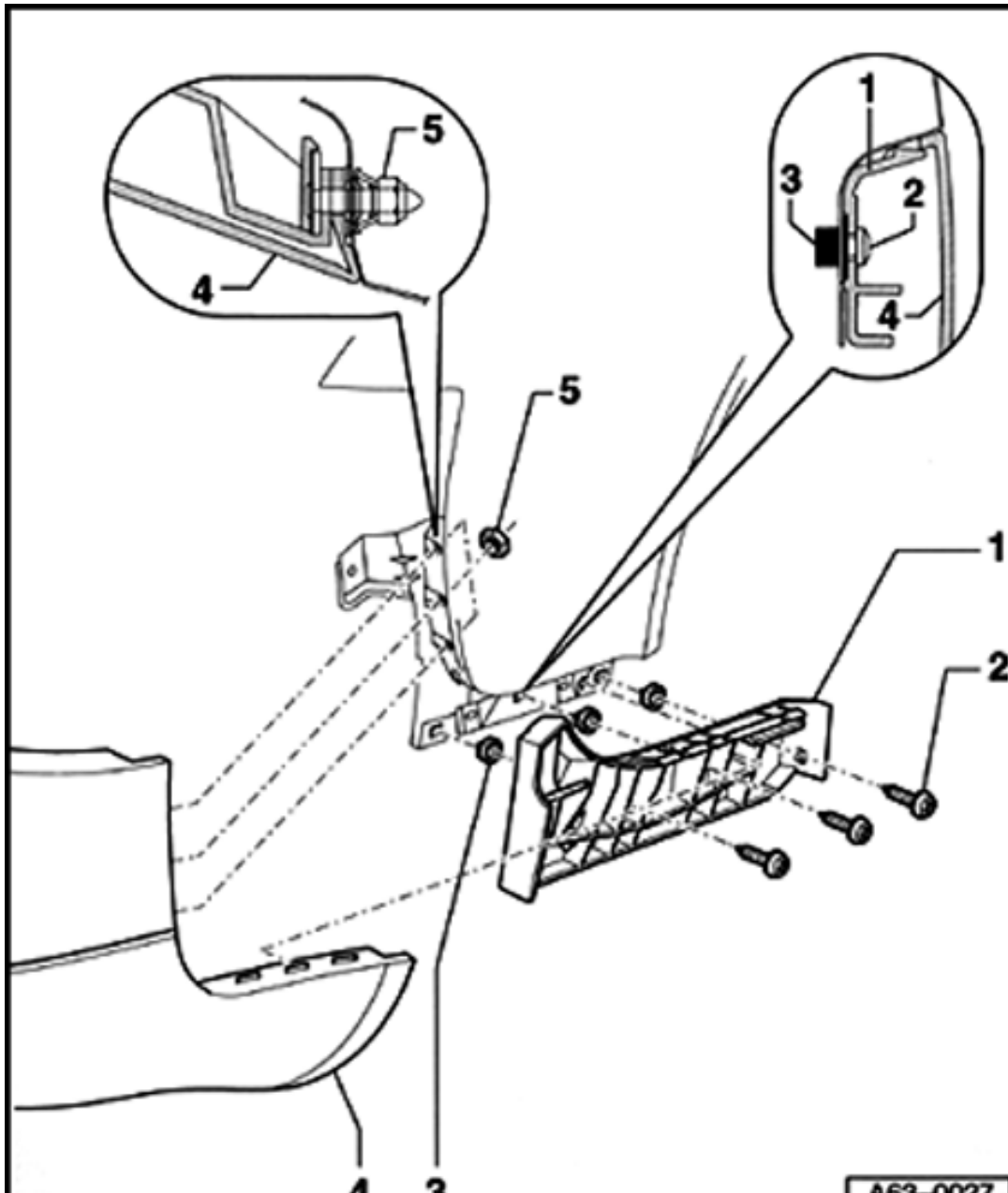
- ◆ Supplied with replacement cross member

11 - Carrier bushing, upper

- ◆ Plastic part, pressed into adjusting screw
- ◆ No replacement

12 - Cross member

- ◆ Removing and installing ⇒ [Page 63-29](#)



Guide, removing and installing

1 - Guide

- Bumper removed
 - To remove, unscrew self-tapping Phillips-head screw -2-

2 - Self-tapping Phillips-head screw

- ◆ 1 Nm (9 in. lb)

3 - Clip

4 - Bumper cover

- ◆ Removing ⇒ [Page 63-21](#)
- ◆ When installing, bumper cover must latch cleanly into guide -2-

5 - Nut

|
4 3

A63-0027

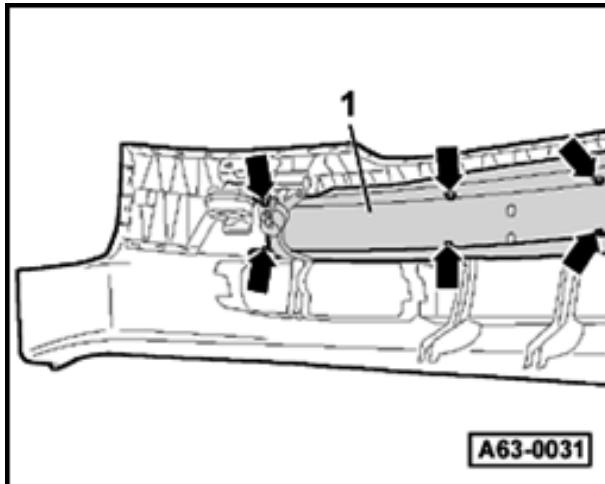
- ◆ 6 Nm (53 in. lb)
- ◆ Accessible only after loosening front half of wheelhousing liner
⇒ [Page 66-40](#)

63-29



Crossmember, removing and installing

- Remove bumper.



- Remove Torx ® screws (arrows) (10x) and remove crossmember.

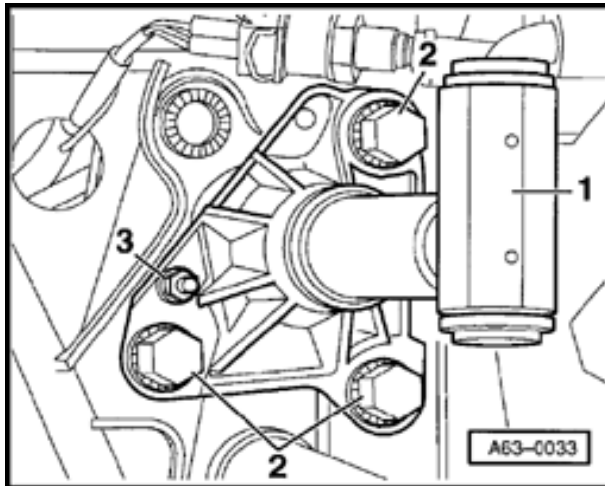
Note:

For vehicles with the headlight washer system, remove only one spray jet.



Impact absorber, removing and installing

- Remove bumper.



- Remove bolts - 2-.
- Remove nut -3- and pull out impact absorber -1- from long member.

When installing:

- ◆ Bolts -2- tightening torque: 50 Nm (37 ft lb)
- ◆ Nut -3- tightening torque: 4 Nm (35 in. lb)



Vehicle

System

Repair Group

Previous Topic

Next Topic

Technical
Bulletins

Wiring Diagrams

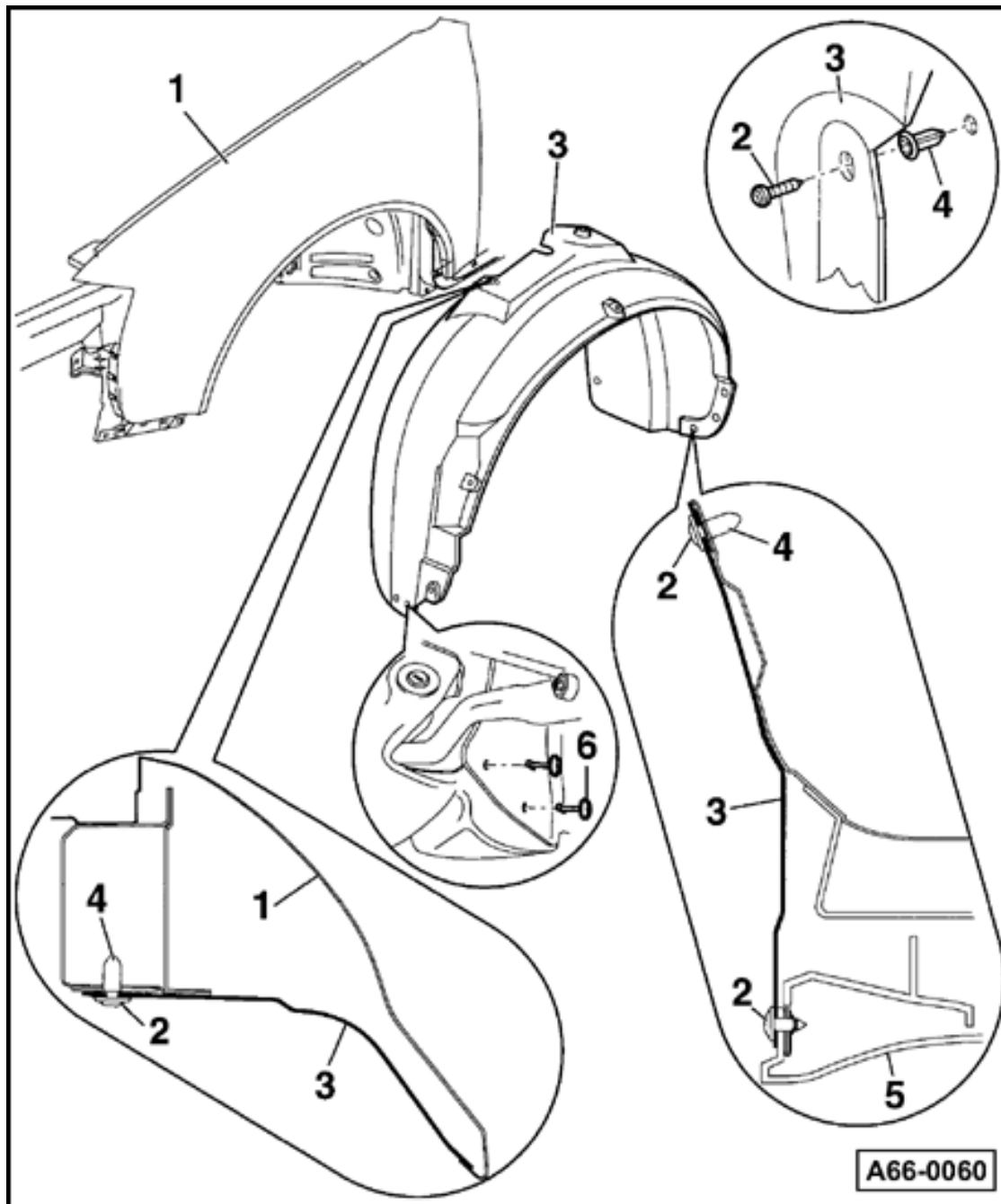
Warnings &
Cautions

Print

Search

Advanced
Search

eBahn®
Version: 2.5r01sp0003



Wheelhousing liners, removing and installing

Wheelhousing liner, front

1 - Fender

2 - Torx® bolt (T25)

◆ 1.5 Nm (13 in. lb)

3 - Wheelhousing liner, front


◆ Remove front wheel prior to removing wheelhousing liner

Removing:

- Release clamping pins -6-

A66-0060



- Remove Torx  bolts -2- (Qty. 3).

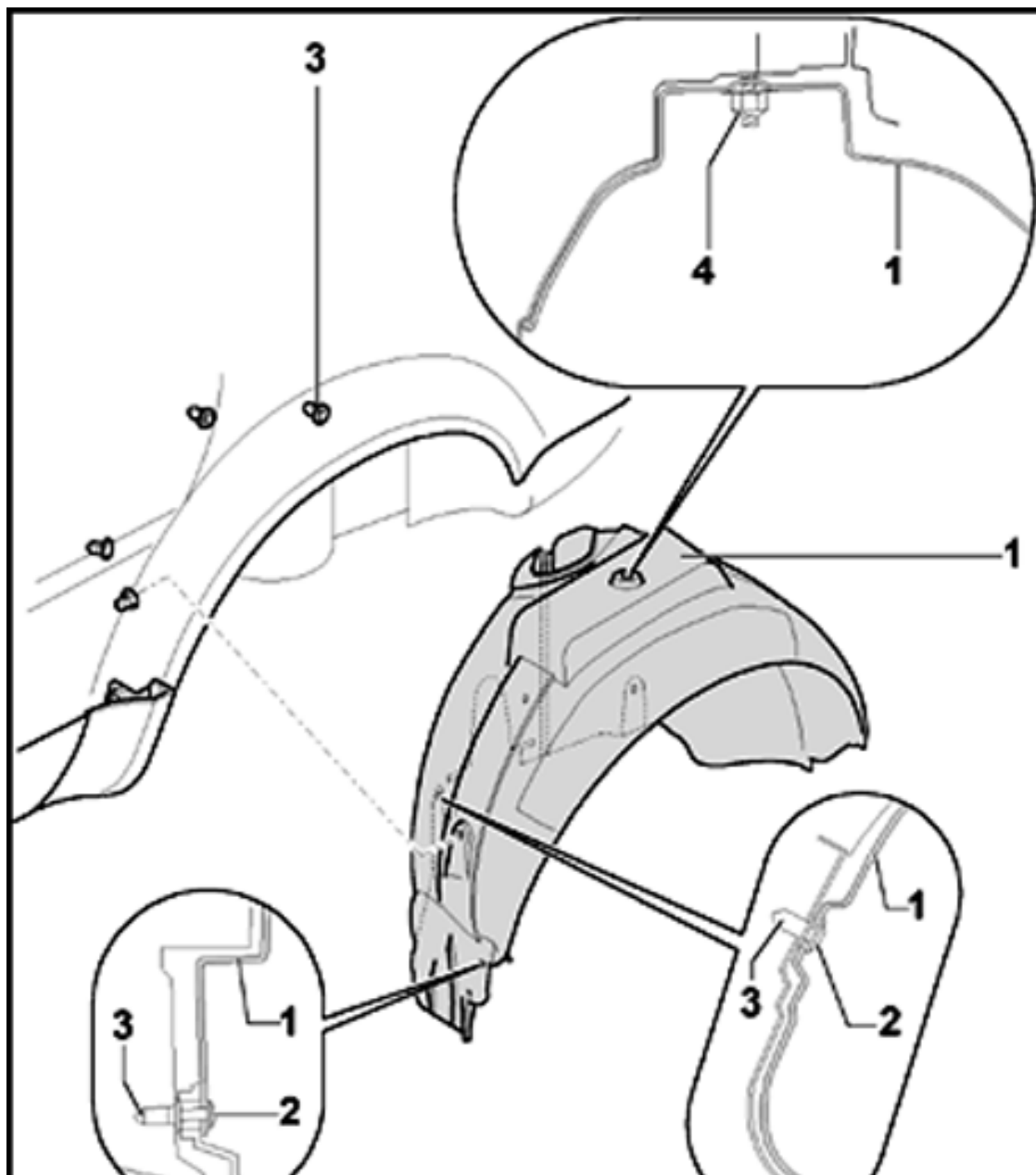
- Disengage wheelhousing liner from fender and pull out in downward direction.

4 - Expanding nuts

◆ Qty.
13

5 - Sill panel trim

66-41



Wheelhousing liner, rear

1 - Rear wheelhousing liner

- ◆ Remove rear wheel before removing wheelhousing liner

- Remove screws -2- and cap nut -4-.

- Remove wheelhousing liner and pull out in downward direction.

2 - Self-tapping screw

- ◆ 1.5 Nm (13 in. lb)



3 - Expanding nut

4 - Cap nut

◆ 1.5 Nm (13 in.
lb)