

Sill panel trim, removing and installing (Audi RS6 only)

1 - Bolt

- ◆ 2 Nm (18 in. lb)

2 - Outer scuff plate

- ◆ After painting, attach -4- to sill panel trim with the tie-clips -13-

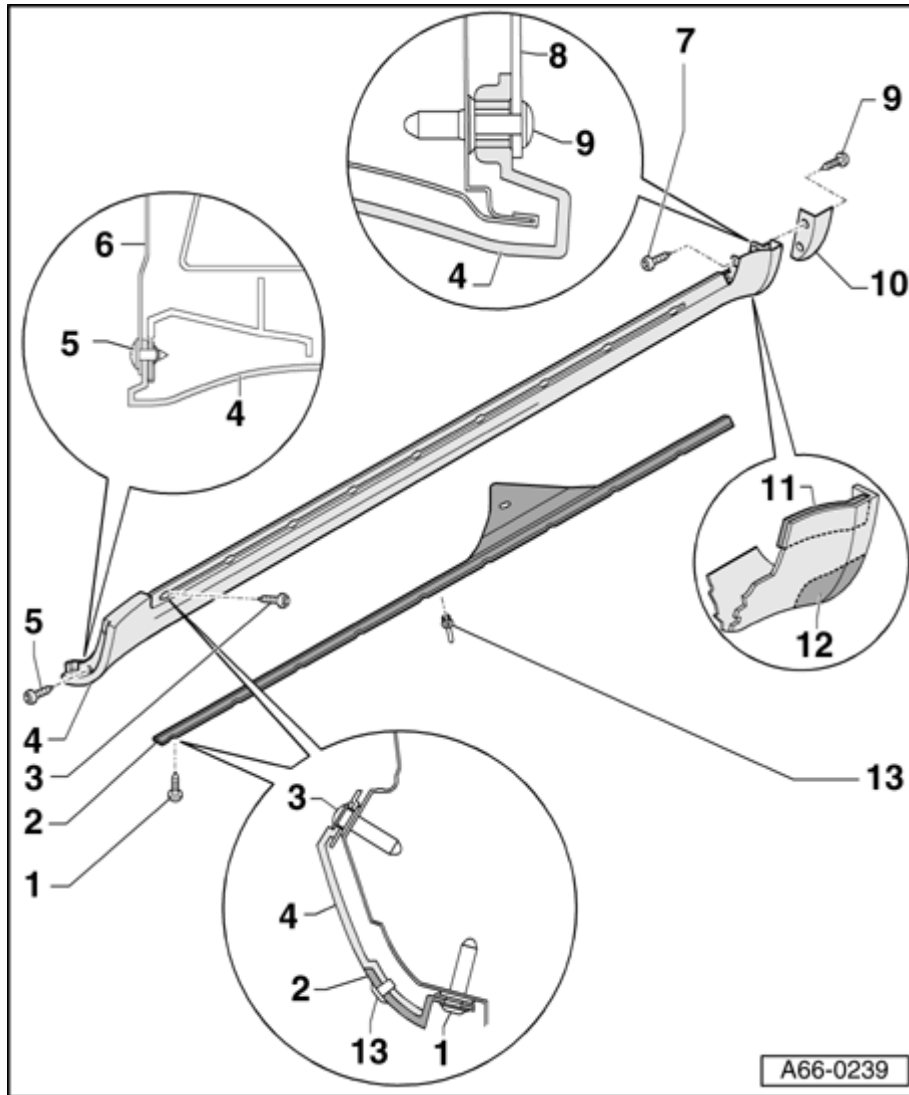
3 - Screw

- ◆ 2 Nm (18 in. lb)
- ◆ 10x

4 - Sill panel trim

- ◆ Remove:

- Unclip outer scuff plate prior to removing sill panel trim ⇒ [Fig. 1](#) .
- Remove screws -1-, -5-, -7- and -9-
- Remove end piece -10-
- Route sill panel trim to side.



◆ Install:

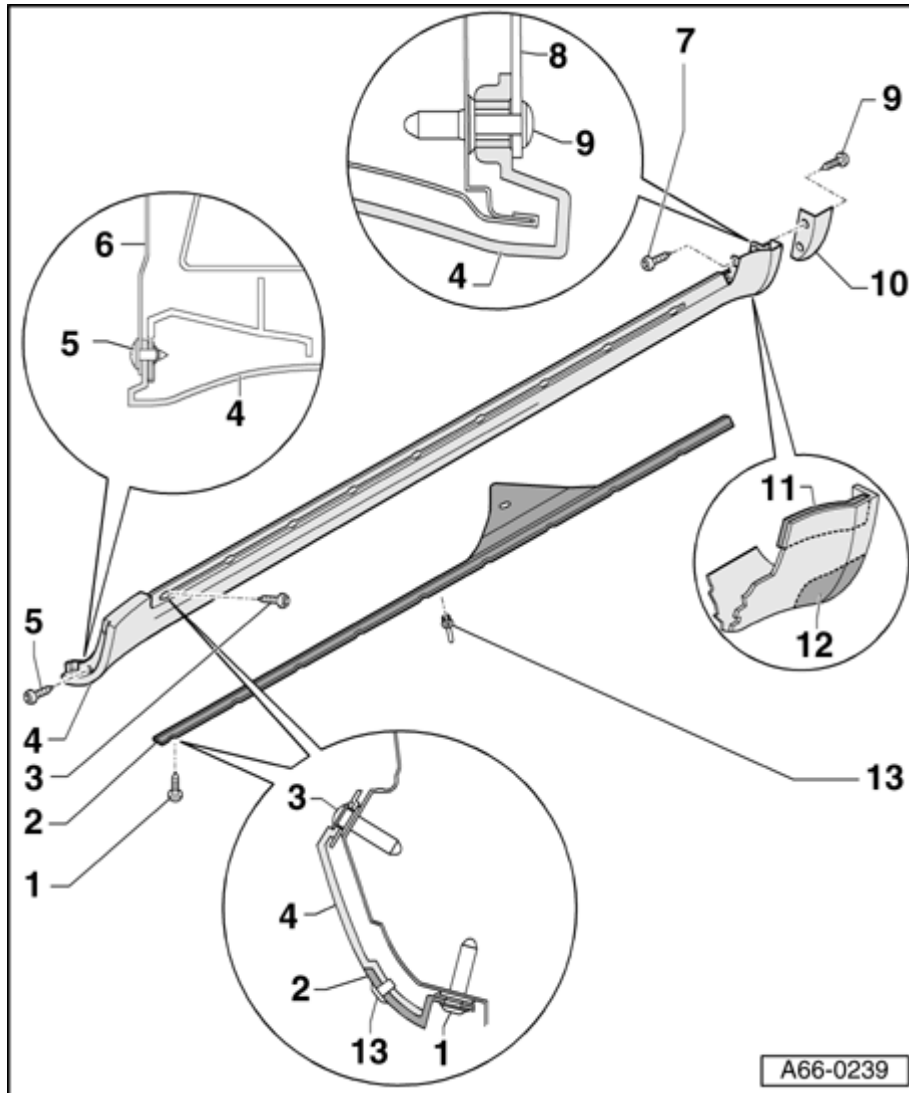
- Attach after painting sill panel protective foil - 12-
- Attach outer scuff plate -2- with tie-clips -13- to sill panel trim
- Bolt sill panel trim on first with screws -1 -, -3- and -7-.
- Remove protective plastic film off of double-sided tape -11- during installation of sill plate
- Attach end piece -10-
- Attach sill panel trim and wheel housing liner - 6- and -8- with the screws -5- and -9-.

5 - Screw

- ◆ 2 Nm (18 in. lb)
- ◆ 3x

6 - Wheel housing liner - Front

A66-0239



7 - Screw

◆ 2 Nm (18 in. lb)

◆ 1x

8 - Wheel housing liner - Rear

9 - Screw

◆ 2 Nm (18 in. lb)

◆ 1x

10 - End piece

11 - Double sided tape

12 - Protective foil

◆ Glued to surface

13 - Clip

◆ 12x



Audi RS6

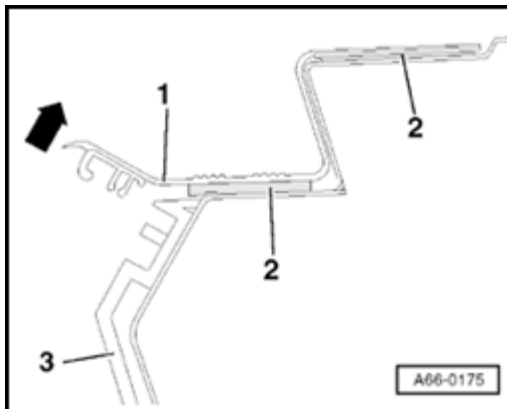


Fig. 1 Outer scuff plate, removing

- Unclip outer scuff plate -1- in direction of -arrow- prior to removing sill panel trim -3-.
- For easier installation, moisten sill panel trim clip areas with soapy lubricant.
- -2- gluing (adhesive)

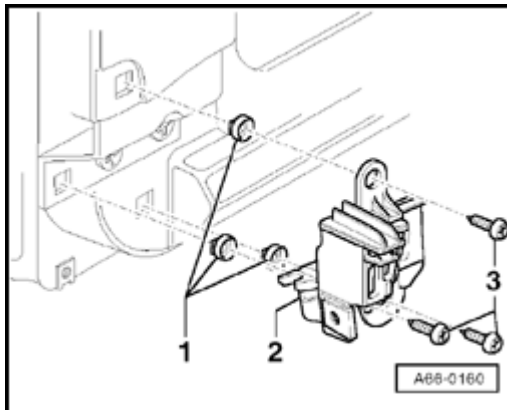


Fig. 2 Sill panel trim holder

- Remove sill panel trim.
- Unclip wheelhousing cover form holder.
- Remove screws -3- from bracket -2- and remove clips -1- to remove holder.