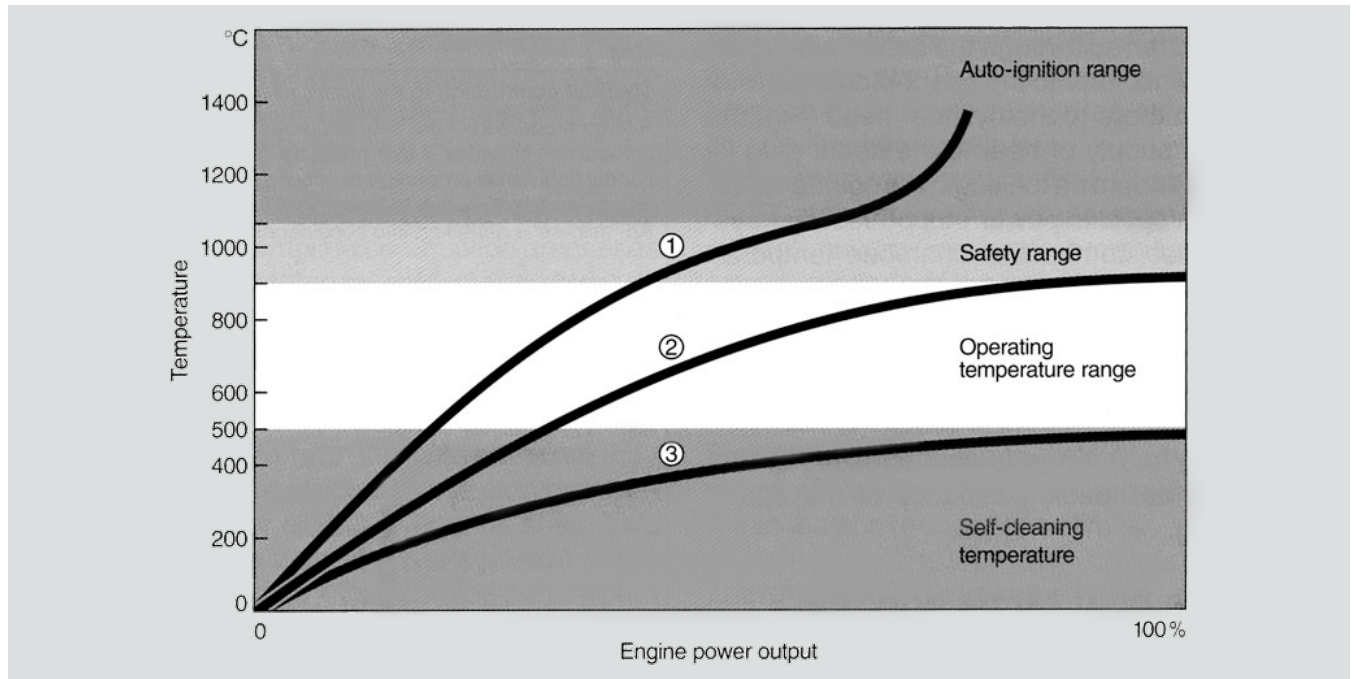


Spark Plug Heat Range

Temperature curves of spark plugs with different heat-range code numbers at full load in the same engine.



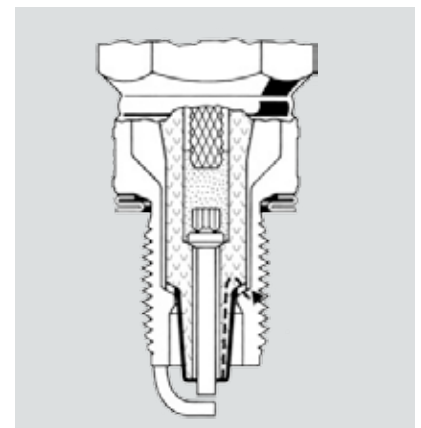
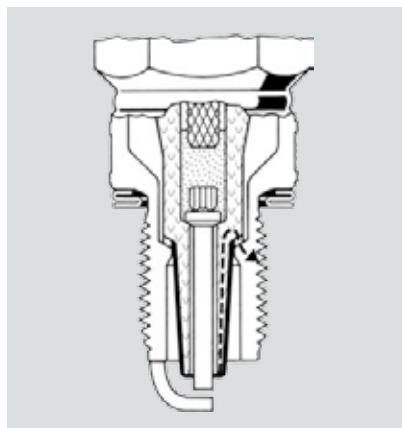
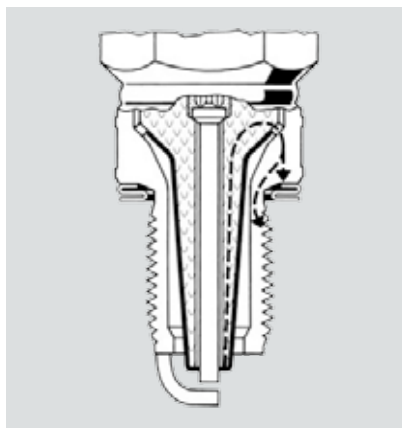
BOSCH



① Spark plug with high heat-range code number (“hot plug”). Large insulator nose area absorbs much heat, low heat dissipation.

② Spark plug with medium heat-range code number. Insulator nose area smaller than in “hot plug”. Lower heat absorption, better heat dissipation.

③ Spark plug with low heat-range code number (“cold plug”). Smaller insulator nose area absorbs little heat. Very good heat dissipation through short thermal conduction path.



—— Heat-absorbing surface
 - - - - Thermal conduction path