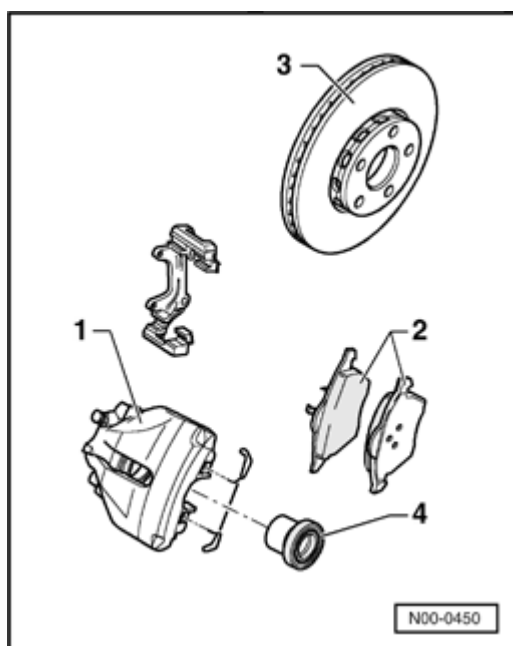
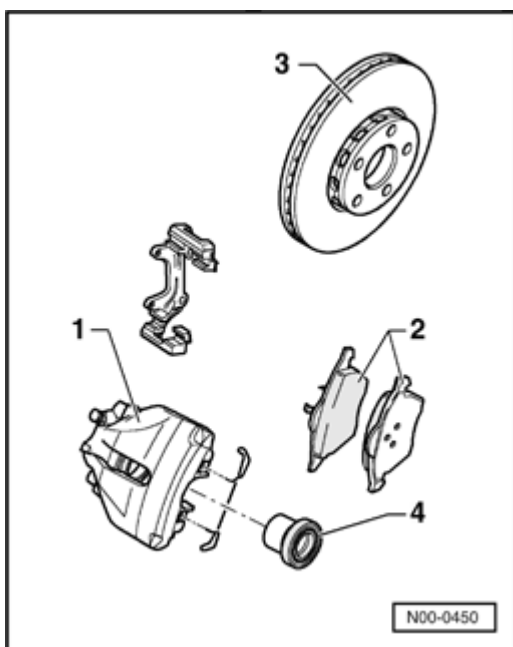


Technical data



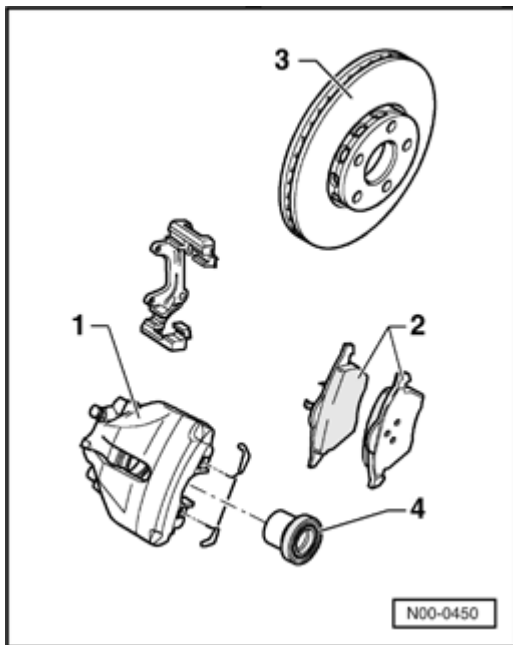
**Vehicles with front brake caliper FN3 up to VIN 3B X 124
107**

Item	Engine displacement		1.8l; 2.8l
	Power output	kW	110, 142
	ABS		yes
	Brake master cylinder	diameter in mm	23.81
	Brake booster	diameter in inches	10
1	Brake caliper		FN3
2	Brake pad, thickness	mm	14
3	Brake disc	diameter in mm	282.5
	Brake disc, thickness	mm	25
4	Brake caliper, piston	diameter in mm	57



Vehicles with front brake caliper FN3 from VIN 3B X 124 108 to VIN 3B X 600 000

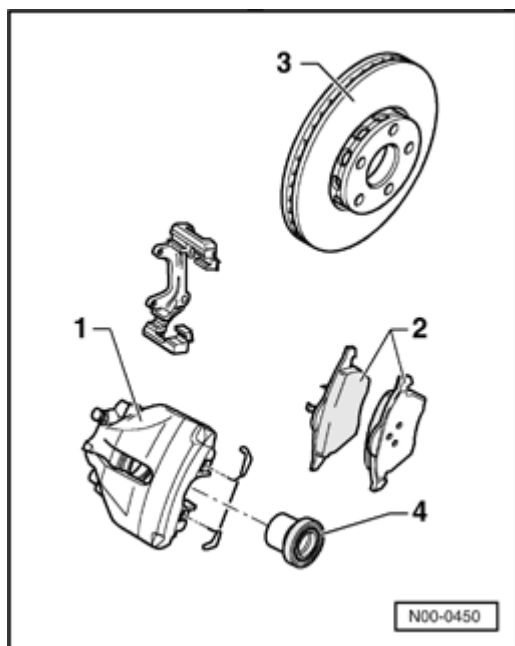
Item	Engine displacement		1.8l; 2.8l
	Power output	kW	110; 142
	ABS		yes
	Brake master cylinder	diameter in mm	23.81
	Brake booster	diameter in inches	10"
1	Brake caliper		FN3
2	Brake pad, thickness	mm	14
3	Brake disc	diameter in mm	288
	Brake disc, thickness	mm	25
4	Brake caliper, piston	diameter in mm	57



Vehicles with front brake caliper FN3, model year 2000

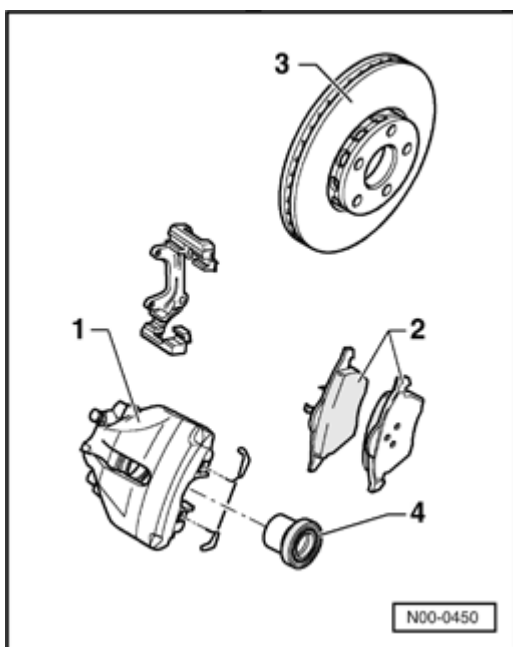
Vehicles from VIN 3B Y 000 001

Item	Engine displacement		1.8l; 2.8l
	Power output	kW	110; 142
	ABS		yes
	Brake master cylinder	diameter in mm	25.4
	Brake booster	diameter in inches	7 and 8
1	Brake caliper		FN3
2	Brake pad, thickness	mm	14
3	Brake disc	diameter in mm	288
	Brake disc, thickness	mm	25
4	Brake caliper, piston	diameter in mm	57



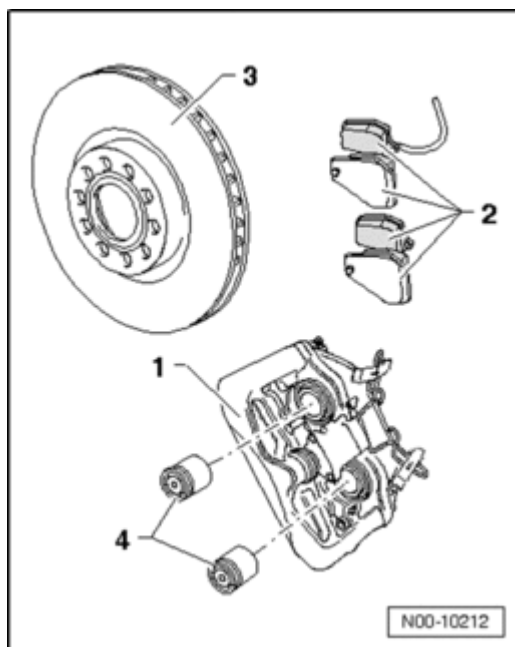
Vehicles with brake caliper FN3, 15" wheel from model year 2001

Item	Engine displacement		1.6l; 1.8l; 1.9l (TDI); 2.0l
	Power output	kW	74 (TDI); 75; 81 (TDI); 85; 85 (TDI); 96 (TDI); 110
	ABS		yes
	Brake master cylinder	diameter in mm	25.4
	Brake booster	diameter in inches	7 and 8
1	Brake caliper		FN3
2	Brake pad, thickness	mm	14
3	Brake disc	diameter in mm	288
	Brake disc, thickness	mm	25
4	Brake caliper, piston	diameter in mm	57



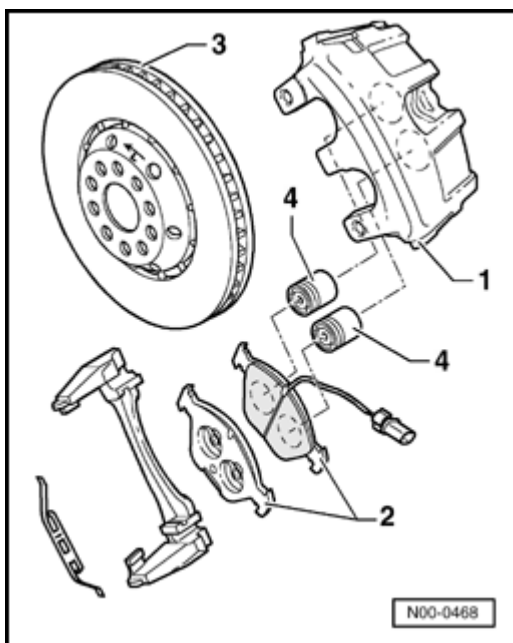
Vehicles with front brake caliper FN3, 16" wheel from model year 2001

Item	Engine displacement		2.8l
	Power output	kW	142
	ABS		with
	Brake master cylinder	diameter in mm	25.4
	Brake booster	diameter in inches	7 and 8
1	Brake caliper		FN3
2	Brake pad, thickness	mm	14
3	Brake disc	diameter in mm	312
	Brake disc, thickness	mm	25
4	Brake caliper, piston	diameter in mm	57



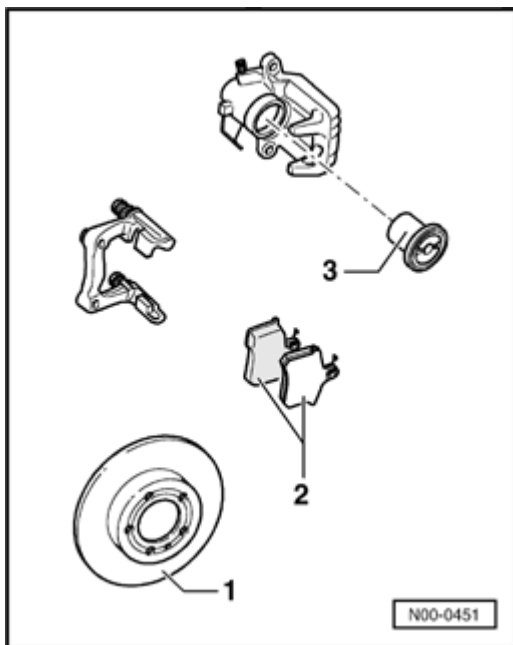
Vehicles with front brake caliper HP2, 16" wheel from model year 2002

Item	Engine displacement		4.0l
	Power output	kW	202
	ABS		with
	Brake master cylinder	diameter in mm	25.4
	Brake booster	diameter in inches	7 and 8
1	Brake caliper		HP2
2	Brake pad, thickness	mm	14
3	Brake disc	diameter in mm	321
	Brake disc, thickness	mm	30
4	Brake caliper, piston	diameter in mm	43



Vehicles with front brake caliper 2FN, 17" wheel from model year 2002

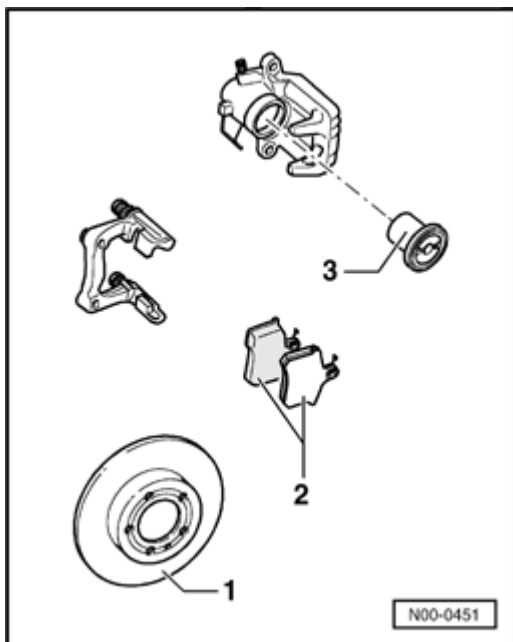
Item	Engine displacement		4.0l
	Power output	kW	202
	ABS		with
	Brake master cylinder	diameter in mm	25.4
	Brake booster	diameter in inches	7 and 8
1	Brake caliper		2FN
2	Brake pad, thickness	mm	14
3	Brake disc	diameter in mm	334
	Brake disc, thickness	mm	32
4	Brake caliper, piston	diameter in mm	42



Vehicles with rear disc brakes, 15" wheel up to model year 1999

Vehicles up to VIN 3B X 600 000

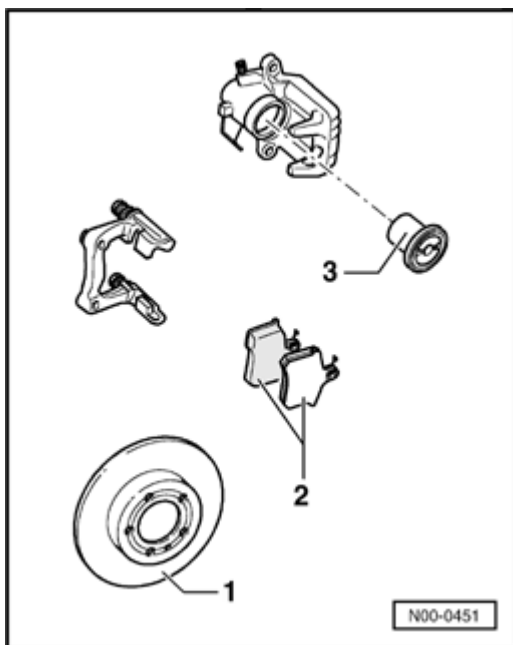
Item	Engine displacement		1.8l; 2.8l
	Power output	kW	110; 142
	ABS		with
	Brake master cylinder	diameter in mm	23.81
	Brake booster	diameter in inches	10
1	Brake disc	diameter in mm	245
	Brake disc, thickness	mm	10
2	Brake pad, thickness	mm	12
3	Brake caliper, piston	diameter in mm	38



Vehicles with rear disc brakes, 15" wheel, model year 2000

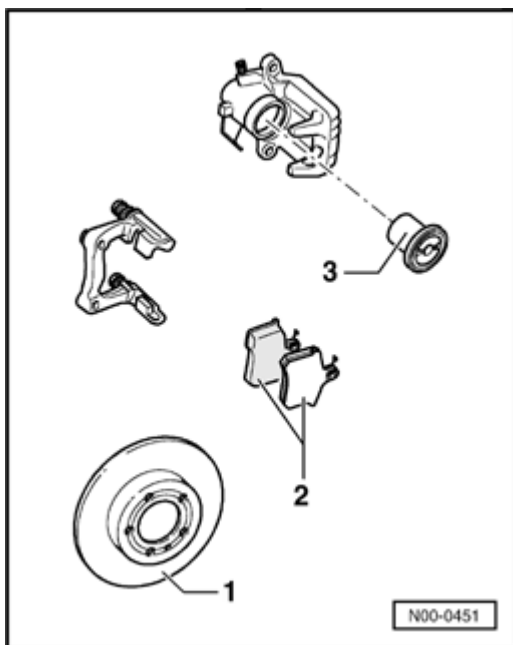
Vehicles from VIN 3B Y 000 001

Item	Engine displacement		1.8l; 2.8l
	Power output	kW	110; 142
	ABS		with
	Brake master cylinder	diameter in mm	25.4
	Brake booster	diameter in inches	7 and 8
1	Brake disc	diameter in mm	245
	Brake disc, thickness	mm	10
2	Brake pad, thickness	mm	12
3	Brake caliper, piston	diameter in mm	38



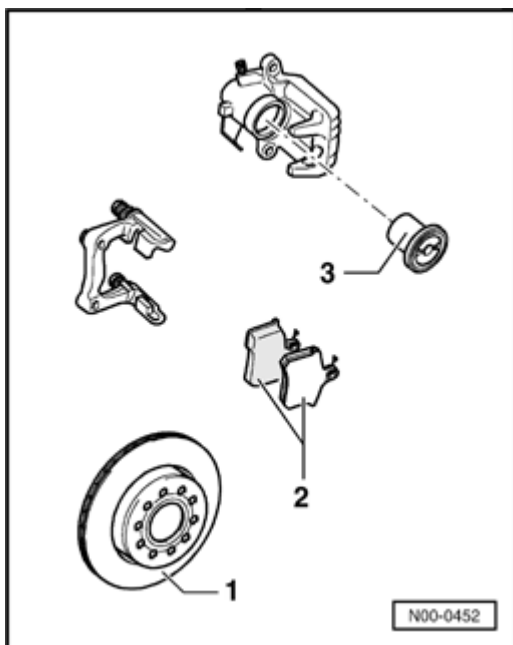
Vehicles with rear disc brakes, 15" and 16" wheel, front-wheel drive, from model year 2001

Item	Engine displacement		1.6l; 1.8l; 1.9l (TDI); 2.0; 2.3l; 2.5l (TDI); 2.8l
	Power output	kW	74 (TDI); 75; 81 (TDI); 85; 85 (TDI); 92; 96 (TDI); 110; 110 (TDI); 142
	ABS		with
	Brake master cylinder	diameter in mm	25.4
	Brake booster	diameter in inches	7 and 8
1	Brake disc	diameter in mm	245
	Brake disc, thickness	mm	10
2	Brake pad, thickness	mm	12
3	Brake caliper, piston	diameter in mm	38



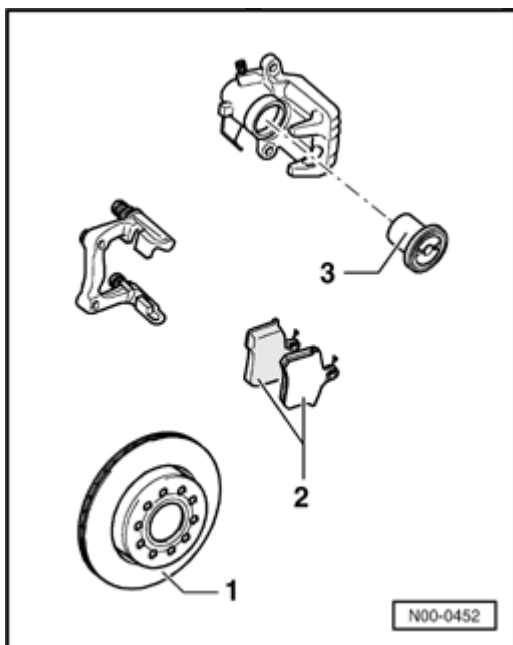
Vehicles with rear disc brakes, 15" wheel, All Wheel Drive (AWD), from model year 2001

Item	Engine displacement		1.8l; 1.9l (TDI); 2.0
	Power output	kW	74 (TDI); 81 (TDI); 85; 85 (TDI); 110
	ABS		with
	Brake master cylinder	diameter in mm	25.4
	Brake booster	diameter in inches	7 and 8
1	Brake disc	diameter in mm	255
	Brake disc, thickness	mm	10
2	Brake pad, thickness	mm	12
3	Brake caliper, piston	diameter in mm	38



Vehicles with rear disc brakes, 16" wheel in, All Wheel Drive (AWD), from model year 2001

Item	Engine displacement		2.8l
	Power output	kW	142
	ABS		with
	Brake master cylinder	diameter in mm	25.4
	Brake booster	diameter in inches	7 and 8
1	Brake disc	diameter in mm	256
	Brake disc, thickness	mm	22
2	Brake pad, thickness	mm	12
3	Brake caliper, piston	diameter in mm	43



Vehicles with rear disc brakes, 16"/17" wheel, All Wheel Drive (AWD), from model year 2002

Item	Engine displacement		4.0l
	Power output	kW	202
	ABS		with
	Brake master cylinder	diameter in mm	25.4
	Brake booster	diameter in inches	7 and 8
1	Brake disc	diameter in mm	269
	Brake disc, thickness	mm	22
2	Brake pad, thickness	mm	12
3	Brake caliper, piston	diameter in mm	43