

## Front bumper cover

### Assembly overview, up to 10.00

#### Note:

The following procedure is for removing the front bumper cover. For instructions on removal of the front bumper reinforcement please see ⇒ [Page 50-2](#), Lock carrier and front bumper reinforcement, removing and installing up to 10.00.

#### 1 - Cover

◆ Material: PP/EPDM

◆ Removing:

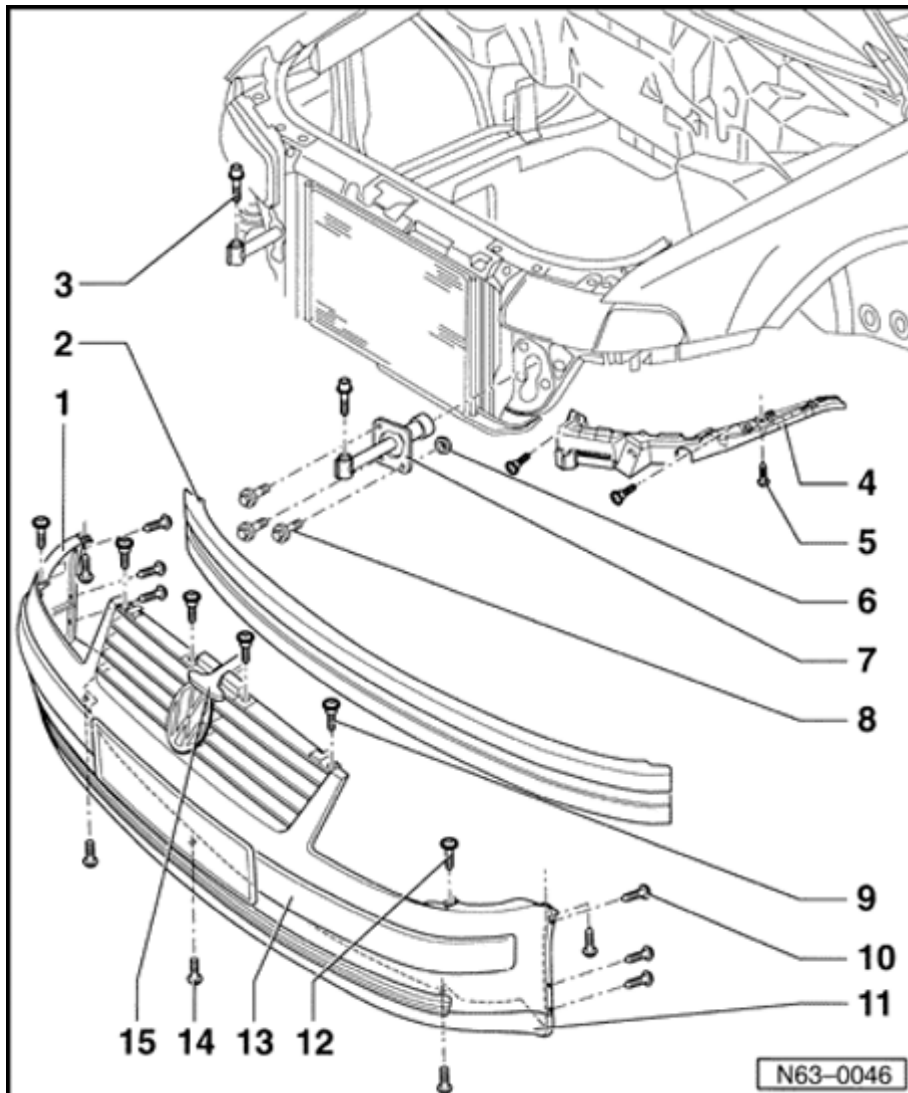
- Remove turn signals.
- Separate release lever - 15 - from trunk lock Page ⇒ [Page 63-7](#) .
- Unscrew screws - 9 -, - 10 - and - 14 - . Pull cover out from guides - 4- (left and right-hand side).

#### 2 - Bumper carrier

#### 3 - Bolt

◆ Qty. 2

◆ 20 Nm



#### 4 - Guide

- ◆ To remove/install bumper cover, pull out or push in parallel to guides at left and right.
- ◆ Adjusting guides ⇒ [Page 63-8](#)

#### 5 - Bolt

- ◆ Qty. 6
- ◆ 2 Nm

#### 6 - Hexagon nut

- ◆ Qty. 2

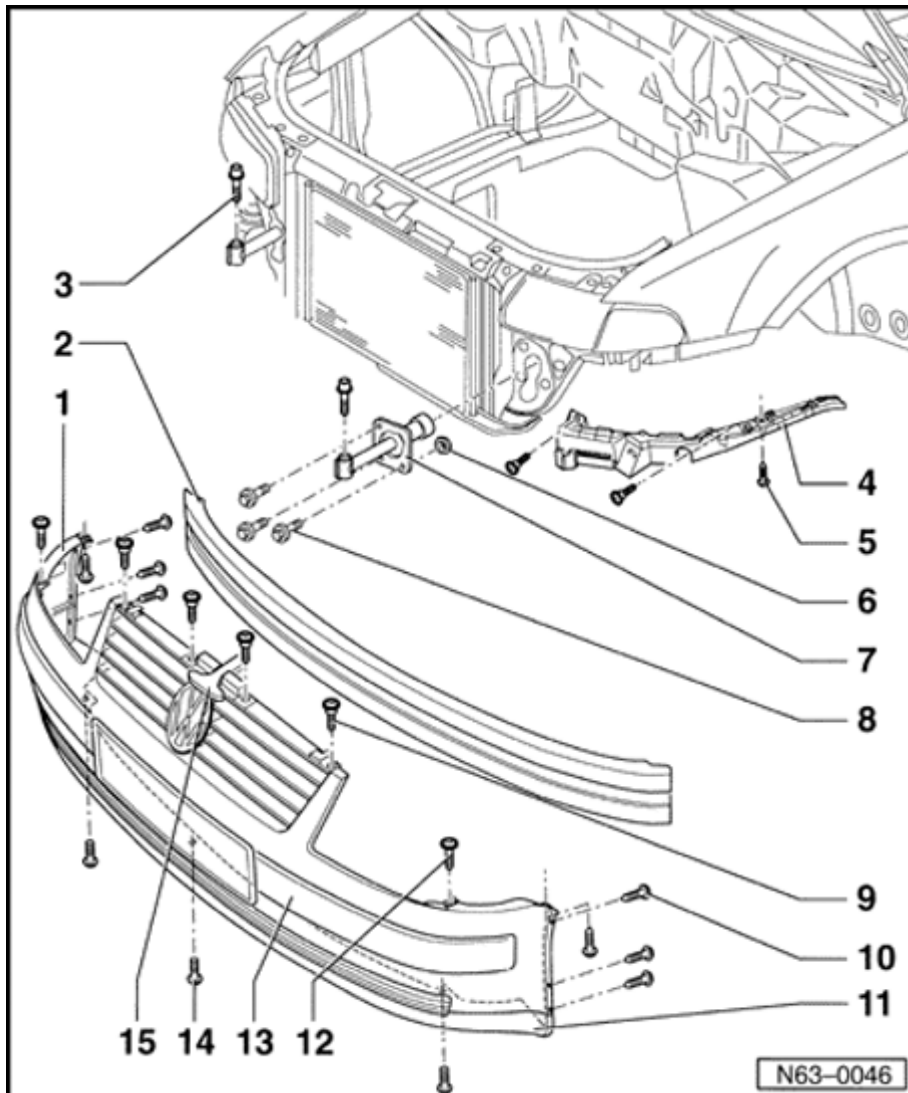
#### 7 - Impact damper

#### 8 - Bolt

- ◆ Qty. 7
- ◆ 50 Nm

#### 9 - Bolt

- ◆ Qty. 4
- ◆ 3 Nm



### 10 - Bolt

◆ Qty. 8

◆ 2 Nm

### 11 - Spoiler

◆ Clipped into cover

◆ Is not necessary to remove when removing the cover

### 12 - Bolt

◆ Qty. 2

### 13 - Bumper strip

◆ Clipped into cover

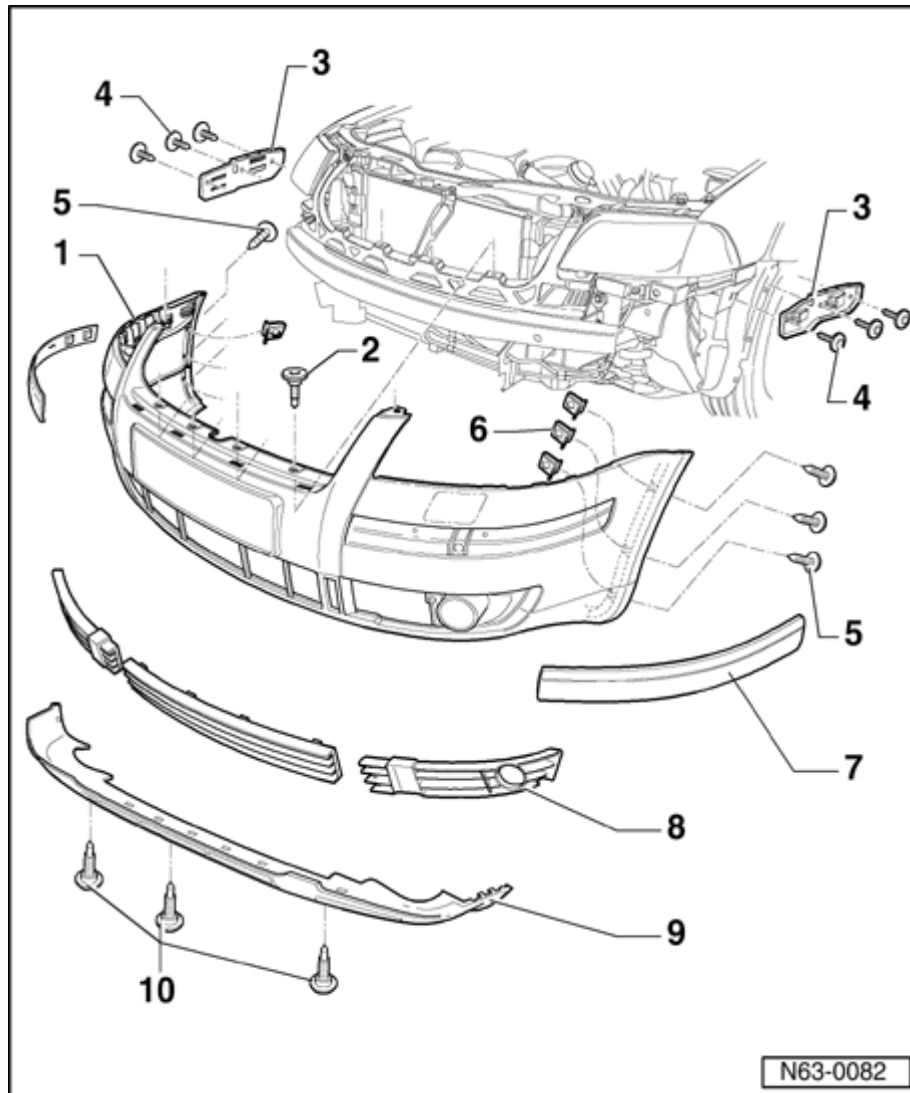
### 14 - Quick release bolt

◆ Qty. 3

◆ 2 Nm

### 15 - Release lever

◆ Removing ⇒ [Page 63-7](#)



## Assembly overview from 10.00 on

### Note:

The following procedure is for removing the front bumper cover. For instructions on removal of the front bumper reinforcement please see ⇒ [Page 50-5](#), Lock carrier and front bumper reinforcement, removing and installing from 10.00 on.

### 1 - Cover

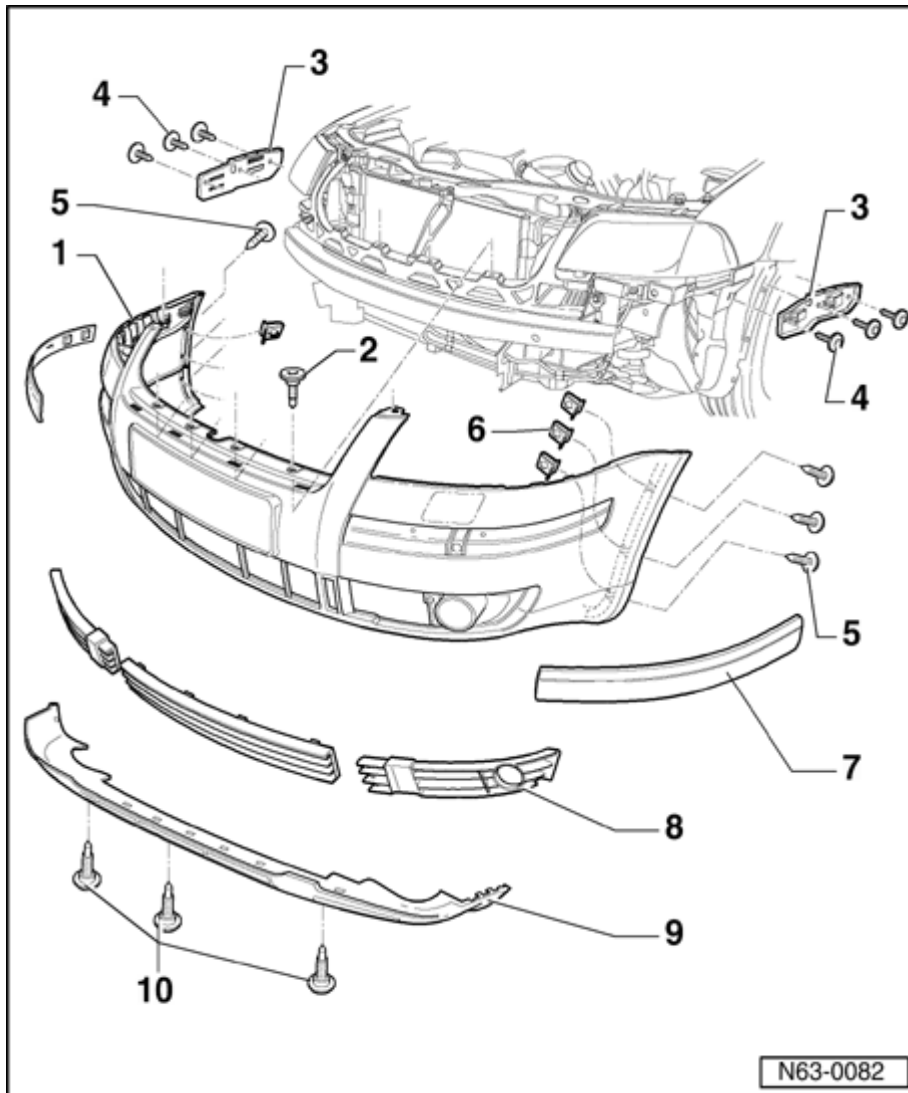
- ◆ Material -PP/EPDM
- ◆ Removing:
  - Remove radiator grille ⇒ [Page 66-10](#)
  - Remove screws -2-, -5- and -10-. Pull cover off guide pieces -3- (left and right).

### 2 - Bolt

- ◆ Qty: 6
- ◆ 6 Nm

### 3 - Guide piece

- ◆ To remove and install bumper cover, pull out or slide into guide pieces in parallel manner (left and right).

**4 - Screw**

- ◆ Qty: 3

- ◆ 2 Nm

**5 - Screw**

- ◆ Qty: 8

- ◆ 2 Nm

**6 - Speed nut**

- ◆ Qty: 6

**7 - Bumper strip**

- ◆ Clipped into cover

**8 - Ventilation grill**

- ◆ Consists of three parts and is clipped into cover

**9 - Spoiler**

- ◆ Clipped into cover

- ◆ Does not have to be removed when removing cover

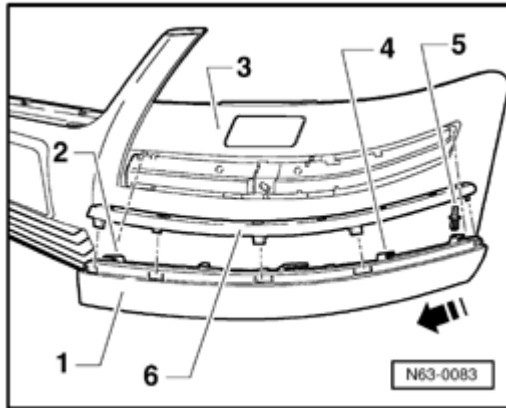
**10 - Quick-release screws**

- ◆ Qty: 3

- ◆ 2 Nm



## Bumper strip, removing and installing from 10.00 on



A

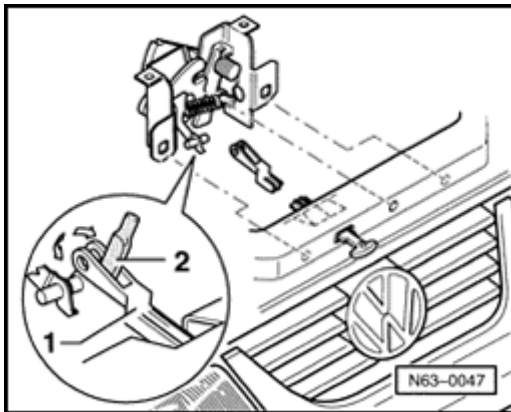
- Loosen clip -5- from inside of cover -3-.
- From center of vehicle, loosen bumper trim -1- from front retaining clip -2- and pull out of guides -4- toward front.
- Chrome strip -6- is only secured to bumper trim via retaining clips in certain versions. These retaining clips must be removed from the inside of the bumper trim.



## Release lever, removing

A

- Open release lever -1- with a screwdriver -2- and pull off hood lock.
- Pull release lever -1- with guide out from lock carrier.





## Guide, adjusting

A

- Adjust slide -2- on guide -1- so that between headlight -4- and upper edge of guide -1- a gap of 2 mm exists (-3- special tool 3371).
- Check and adjust gaps/shut lines with special tool 3371

