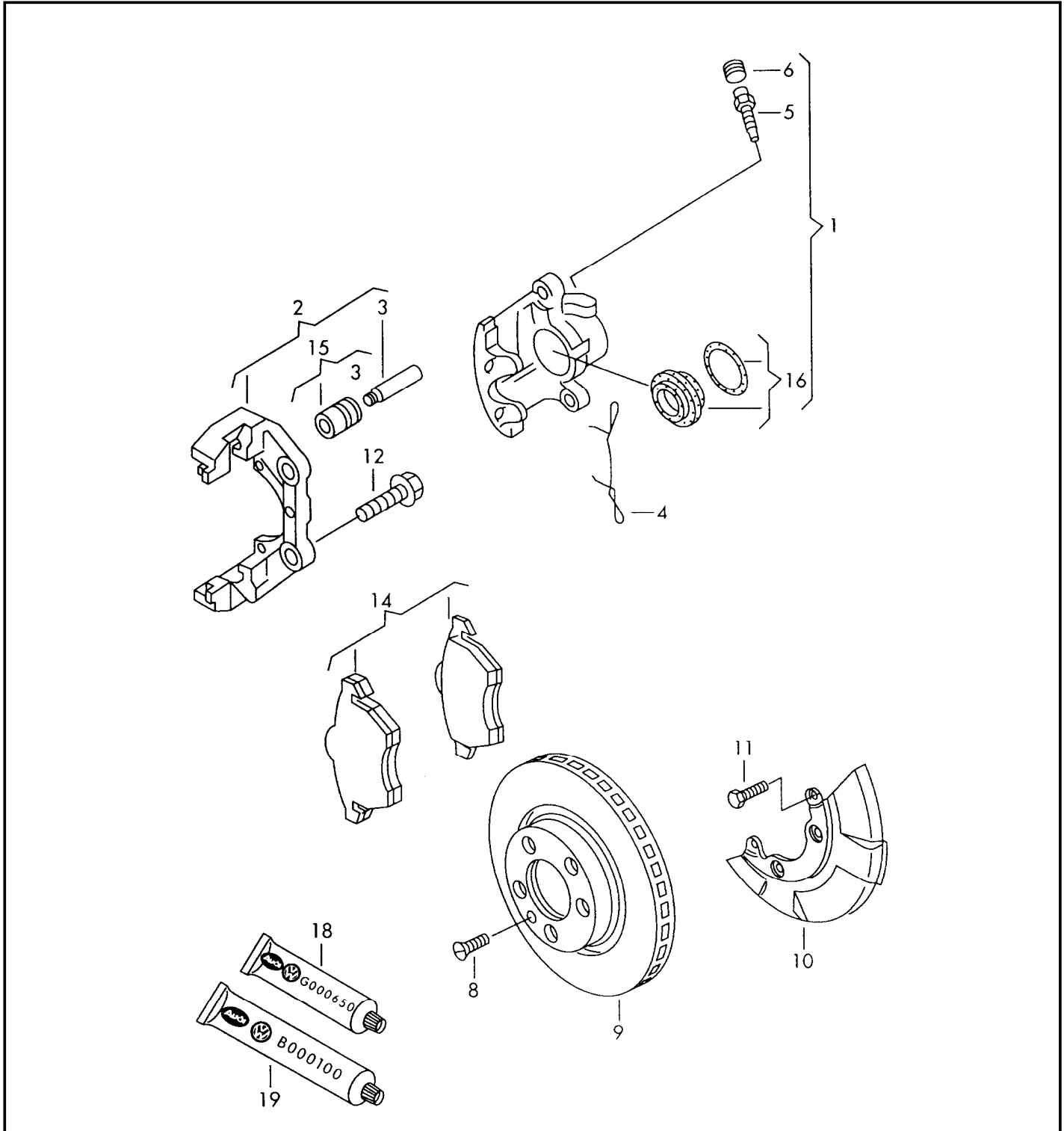




# ETKA

Model	Year	MG	SG	Illustration	Restrictions	UPD	23:19	09.05.2006
JEM	1998	6	15	615-40		618		





# ETKA

Model	Year	MG	SG	Illustration	Restrictions	UPD	23:19	09.05.2006
JEM	1998	6	15	615-40		618		

Pos	Part Number	Name	Remarks	Qty	Model
		disc brake with caliper mark ii brake disc	ATE front 288X25MM-5/100		AAA
1	3A0 615 123	brake caliper F 1H-W-000 001>>	left	1	GOLF GTI VR6 DRIVER EDIT
(1)	3A0 615 123 A	brake caliper F >> 1H-V-999 001	left red	1	GOLF GTI VR6 DRIVER EDIT.
(1)	3A0 615 124	brake caliper F 1H-W-000 001>>	right	1	GOLF GTI VR6 DRIVER EDIT.
(1)	3A0 615 124 A	brake caliper F >> 1H-V-999 000	right red	1	GOLF GTI VR6 DRIVER EDIT.
2	4A0 615 125 A	caliper carrier with pad retaining pin F 1H-W-000 001>>	ATE	2	GOLF GTI VR6 DRIVER EDIT.
(2)	3A0 615 125 A	caliper carrier with pad retaining pin F >> 1H-V-999 000	red	2	GOLF GTI VR6 DRIVER EDIT.
3	251 615 219	guide pin			
4	4A0 615 269	retaining spring		2	
5	447 615 273	bleeder valve		2	
6	211 611 483	dust cap		2	
8	+ N 101 126 03	screw, csk. hd.	M6X15SP	2	
9	3A0 615 301 A	brake disc (ventilated)	288X25 5/100	2	
10	3A0 615 311	splash shield for brake disc	left	1	
(10)	3A0 615 312	splash shield for brake disc	right	1	
11	+ N 905 293 01	screw, hex. hd.	M6X10	6	
12	N 901 740 03	self-locking screw	M12X1,5X35	4	



# ETKA

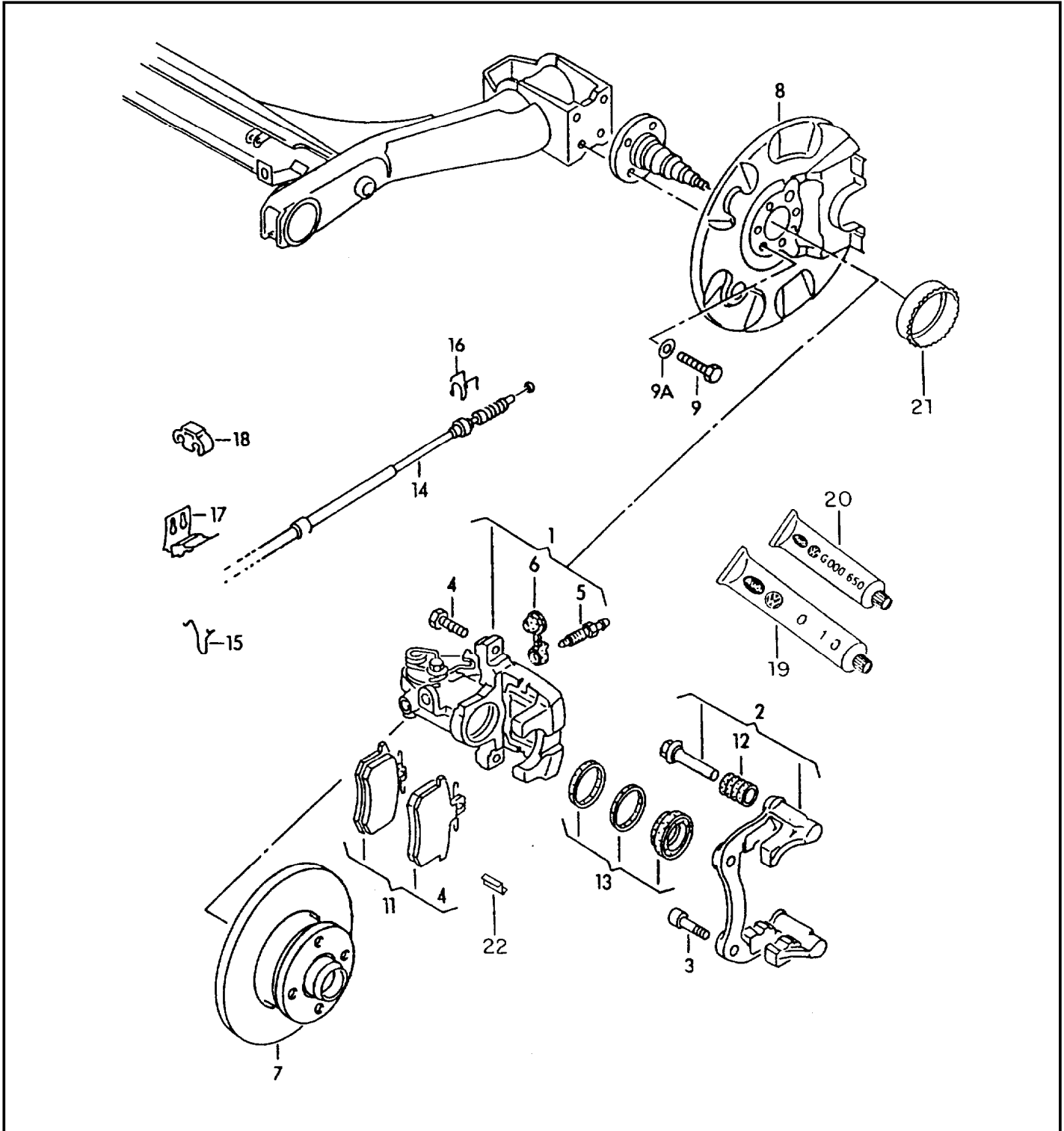
Model	Year	MG	SG	Illustration	Restrictions	UPD	23:19	09.05.2006
JEM	1998	6	15	615-40		618		

Pos	Part Number	Name	Remarks	Qty	Model
14	8N0 698 151	1 set of brake pads for disc brakes (asbestos free)	front 280X25MM	1	
15	4D0 698 647	1 set of guide bushings		2	
16	3A0 698 471	set of seals for piston housing		2	
18	G 052 150 A2	lithium-grease	180G	X	



# ETKA

Model	Year	MG	SG	Illustration	Restrictions	UPD	23:20	09.05.2006
JEM	1998	6	15	615-60		618		





# ETKA

Model	Year	MG	SG	Illustration	Restrictions	UPD	23:20	09.05.2006
JEM	1998	6	15	615-60		618		

Pos	Part Number	Name	Remarks	Qty	Model
		disc brake brake caliper caliper carrier brake disc brake cable	rear  226X10MM		
(1)	1H0 615 423 DX	brake caliper F 1H-W-000 001>>	left	1	AAA,ABA GOLF GTI VR6 DRIVER EDIT.
(1)	1H0 615 423 DX	brake caliper  F >> 1H-V-999 000	left red	1	GOLF GTI VR6 DRIVER EDIT.
(1)	1H0 615 424 DX	brake caliper	right	1	ABA
(1)	1H0 615 424 B	brake caliper F 1H-W-000 001>>	right	1 1	AAA; GOLF GTI VR6 DRIVER EDIT
(1)	1H0 615 424 DX	brake caliper	right	1	
(1)	1H0 615 424 C	brake caliper  F >> 1H-V-999 001	right red	1	GOLF GTI VR6 DRIVER EDIT.
2	1H0 615 425	caliper carrier with pad retaining pin F 1H-W-000 001>>	left  GIRLING	1 1	GOLF GTI VR6 DRIVER EDIT
(2)	1H0 615 425	caliper carrier with pad retaining pin F >> 1H-V-999 000	left red	1	GOLF GTI VR6 DRIVER EDIT
(2)	1H0 615 426	caliper carrier with pad retaining pin F 1H-W-000 001>>	right  GIRLING	1 1	GOLF GTI VR6 DRIVER EDIT.
(2)	1H0 615 426	caliper carrier with pad retaining pin F >> 1H-V-999 001	right red	1	GOLF GTI VR6 DRIVER EDIT.
(3)	+ N 907 294 01	bolt, with hex. socket hd.	M10X1,25X21	4	
4	+ 321 615 141	bolt, hex. hd., self-locking	M8X21	4	



# ETKA

Model	Year	MG	SG	Illustration	Restrictions	UPD	23:20	09.05.2006
JEM	1998	6	15	615-60		618		

Pos	Part Number	Name	Remarks	Qty	Model
5	357 615 273	bleeder valve	M10X1	2	
6	211 611 483	dust cap		2	
7	357 615 601	brake disc	226X10 4/100	2	
(7)	357 615 601 B	brake disc	226X10 5/100	2	AAA
8	191 615 611 D	splash shield for brake disc	left	1	
(8)	191 615 612 B	splash shield for brake disc	right	1	
9	N 905 248 01	bolt, hex. hd. (combi.)	M10X32	8	
9A	321 501 119 A	concave washer	B10	8	
(11)	1H0 698 451 A	1 set of brake pads for disc brakes	rear	1	ABA,AAA
12	443 698 470	1 set of boots for guide pins		2	
13	8D0 698 671	set of seals for piston housing	GIRLING	1	
14	1H0 609 721 E	brake cable disc brake	1613MM	2	
15	1E0 609 745	bracket	left	1	
(15)	1E0 609 746	bracket	right	1	
16	857 609 745 A	spring clip		2	
17	1H0 609 734 C	clip		2	
18	1H0 609 657	spacer		2	
(18)	811 611 797	bracket		2	
19	G 052 150 A2	lithium-grease	180G	X	
20	G 000 650	lubricating paste	100G	X	
21	1J0 614 149	rotor for speed sensor	rear	2	
22	1H0 615 231	intermediate plate disc brake	rear	4	
-	1H0 698 998 C	installation kit balance weight		1	GOLF GTI; GOLF;JETTA: VR6