



## *TURBO INTERNATIONAL*

2151 Las Palmas Drive  
Suite E  
Carlsbad, CA 92011  
USA

North America:            telephone 1 - 800 - 238 - 8726  
   fax 1 - 888 - 368 - 8726

Europe:                    telephone +1 - 760 - 476 - 1444  
   fax +1 - 760 - 476 - 1414

International:            telephone +44 (0) 1522 810545  
   fax +44 (0) 1522 810545

Web Site:                 [www.turbointernational.com](http://www.turbointernational.com)

email:                      [sales@turbointernational.com](mailto:sales@turbointernational.com)



This page is intentionally left blank



# TURBO INTERNATIONAL

## CATALOG

### TURBOCHARGER ASSEMBLIES, KITS & PARTS

#### Contents

##### Introduction

- Catalog and service features
- Conditions of sale
- Warranty

##### Garrett

- Part number cross reference Garrett to Turbo International
- Cartridge applications:

- by vehicle/engine manufacturer
- by turbo model
- by turbo part number
- by cartridge/chra part number

- Major components:

- turbine wheels
- compressor wheels
- bearing housings
- backplates/seal plates
- heat shields/shrouds

- Service kits by turbo model

##### Holset

- Part number cross reference Holset to Turbo International
- Service kits by turbo model

##### Mitsubishi

- Part number cross reference Mitsubishi to Turbo International
- Service kits by turbo model



## Contents cont'd

### I H I

Part number cross reference I H I to Turbo International

Cartridge applications:

by vehicle/engine manufacturer  
by turbo model  
by turbo part number  
by cartridge/chra part number

Major components:

turbine wheels  
compressor wheels  
bearing housings  
backplates/seal plates  
heat shields/shrouds

Service kits by turbo model

### Toyota

Turbo International part number reference

Major components:

turbine wheels  
compressor wheels  
bearing housings  
backplates/seal plates  
heat shields/shrouds

Service kits by turbo model

### K K K ( Borg Warner )

Part number cross reference K K K to Turbo International

Cartridge applications:

by vehicle/engine manufacturer  
by turbo model  
by turbo part number  
by cartridge/chra part number

Major components:

turbine wheels  
compressor wheels  
bearing housings  
backplates/seal plates  
heat shields/shrouds

Service kits by turbo model



## Contents cont'd

### Schwitzer ( Borg Warner )

Part number cross reference Schwitzer to Turbo International  
Service kits by turbo model

### Rotomaster

Part number cross reference Rotomaster to Turbo International  
Service kits Cummins T46/ST50/VT50

### Hitachi

Turbo International part number reference  
Service kits by turbo model

### Komatsu

Part number cross reference Komatsu to Turbo International  
Service kits by turbo model

### Journal Bearings

Standard & over-size/under-size bearings by turbo manufacturer & model

### Piston Rings

Standard & over-size piston rings by turbo manufacturer & model



## Catalog and Service Features

**Contents.** This catalog contains the current range of product manufactured and sold by Turbo International for the worldwide, independent turbocharger aftermarket.

**Changes.** Turbo International has a policy of continuous improvement to both product and service which may result in changes being made without notice.

**Accuracy.** The information contained in this catalog is compiled from a number of different sources and whilst every effort is taken to ensure the accuracy of the contents of this catalog, Turbo International cannot guarantee the information is correct.

**References.** All names, numbers, symbols and descriptions are for reference purposes only and do not imply that any part is the product of these manufacturers.

**Prices.** Copies of Turbo International's latest price list are available on request.

**Packaging.** All product sold by Turbo International is packed in "TI" branded packing materials.

**Returns.** Customers must obtain a Return Merchandise Authorisation (RMA) number before returning product, for any reason, to Turbo International. A re-stocking fee of 15% of the value of goods returned for credit may be applied.

**Shortages.** Any shortages or errors in shipments must be notified to Turbo International in writing within 7 days of receiving the shipment.

### **Conditions of sale**

All transactions are subject to Turbo International's standard terms and conditions of sale. Title and ownership in and to the property supplied by Turbo International to its customers and described in invoices submitted by Turbo International shall not pass to the customer until the entire purchase price, including interest, is paid in cash. In the event of default, the customer shall also pay all costs and expenses and realization, including legal costs.

### **Turbo International Limited Warranty**

Turbo International ("the company") warrants to the original buyer only, that the goods which are the subject of all & any sales (a) conform to "the Company's" specifications and (b) shall be free from defects in material or workmanship for 12 months from the date of delivery. Any failure or non-conformity to specification or defect in material or workmanship discovered within the warranty period must be notified by the buyer to "the Company" in writing & such product returned, freight prepaid, to "the Company" within 13 months from the original delivery date. If after inspection by "the Company" it is determined that the product does not conform to "the Company's" specifications or is defective in material or workmanship, "the Company" shall at its own option, either supply replacement product free of charge & refund any freight charges incurred by the buyer in returning the product, or refund the original sale price of the part or assembly together with any freight charges incurred by the buyer in returning the product. This is the exclusive remedy to the buyer for breach of warranty.

This warranty does not cover damage caused in transit, abuse or misuse, incorrect installation or service, natural disaster or unauthorized modification.

Any claim under warranty will be dis-allowed if the product has been tampered with in anyway before return to "the Company".

The foregoing warranty is in lieu of all other warranties, express or implied, including but not limited to the implied warranties of merchantability & fitness for a particular purpose.

In no case shall "the Company" be liable for any special, incidental or consequential damage ( including, without limitation, loss of profits, loss of revenue, loss of use of the goods or any associated equipment cost of capital, cost of substitute equipment, facilities or services, downtime, claims to third parties, & injury to person or property) based upon breach of warranty, breach of contract, negligence, strict liability in tort, or any other legal theory.

This limited warranty allocates the risks of product failure between "the Company" & the buyer, & that allocation is recognised by both parties & is reflected in the price of the goods.

This written warranty & limitation of remedies is understood to be the complete & exclusive agreement between the parties, superceding all prior agreements, oral & written, & all other communications between the parties relating to the subject matter of this warranty. No employee, agent or distributor of "the Company" or any other person is authorized to state or imply any additional warranties on behalf of "the Company", not to assume for "the Company" any other liability in connection with any of it's products, unless made in writing & signed by an officer of "the company".



## Garrett Index

Garrett Service Kit index	pages i-iii
Cross reference Garrett to Turbo International	pages 1 - 36
Cartridge/chra applications by vehicle/engine manufacturer	pages 37 - 49
Cartridge/chra applications by turbo model	pages 50 - 65
Cartridge/chra applications by turbo part no.	pages 66 - 76
Cartridge/chra applications by cartridge/chra part no.	pages 77 - 88
Major components:	
Turbine wheels	pages 89 - 91
Compressor wheels	pages 92 - 94
Bearing housings	pages 94 - 95
Backplates/seal plates/heatshields/shrouds	pages 96 - 97
Service kits by model	pages 98 - 165
<i>( Turbo illustrations are intended only as a guide &amp; may vary with the actual parts &amp; assemblies ).</i>	
Journal bearings	see journal bearing section
Piston rings	see piston ring section



## Garrett Service Kits by Turbo Model

Turbo Model	Kit page no.
TBO2 carbon seal	98-101
TBO2 360° Perform. & upgrade, carb/seal	102-103
TBO2 dynamic seal	104-105
TBO2 360° Perform. & upgrade, dyn/seal	106-107
TAO3 dynamic seal	119-120
TBO3 floating carbon seal	108-109
TBO3 360° Perform & upgrade,fltg. carb/seal	112-113
TBO3 encapsulated carbon seal	110-111
TBO3 dynamic seal	119-120
TCO3 dynamic seal	119-120
TBP4 dynamic seal - step & smooth bore	118-119
TBP4 360° Perform. & upgrade, dyn/seal	120-121
TO4 step bore	114-115
TO4 step bore - encap. c/seal	116-117
TO4B step bore	114-115
TO4B step bore - encap. c/seal	116-117
TO4B dynamic seal - step & smooth bore	118-119
TO4B 360° Perform. & upgrade, dyn/seal	120-121
TO4E dynamic seal - step & smooth bore	118-119
TO4E 360° Perform. & upgrade, dyn/seal	120-121
TO4S _____	122-123
TO4S 360° Performance & upgrade	124-125
TW4B step bore	114-115
TW4C step bore	114-115
TW4E dynamic seal - step & smooth bore	118-119
TW4E 360° Perform. & upgrade, dyn/seal	120-121
TO5B	126-127
TEO6 step & smooth bore	126-127
THO8A smooth bore	126-127
GT12	128-129
T12 step & smooth bore	130-131
GT15 flatback & superback comp/wheel	132-137
GT15V flatback & superback comp/wheel	132-137

Turbo Model	Kit page no.
GT17 flatback & superback comp/wheel	132-137
GT17V flatback & superback comp/wheel	132-137
GT18 flatback & superback comp/wheel	132-137
T18 step & smooth bore	138-139
T18A 3/8" & 7/16" locknut	140-141
T18C 3/8" & 7/16" locknut	140-141
TL18A 3/8" & 7/16" locknut	140-141
T19A 3/8" & 7/16" locknut4	140-141
TB19 dynamic seal	104-105
TB19 360° Perform. & upgrade, dyn/seal	106-107
GT20 flatback & superback comp/wheel	132-137
GT20V 270° & 360° thrust bearing	132-137
TB22 dynamic seal	104-105
TB22 360° Perform. & upgrade, dyn/seal	106-107
GT22 270° & 360° thrust bearing	132-137
GT22 flatback & superback comp/wheel	132-137
GT23 flatback & superback comp/wheel	132-137
GT25 dynamic seal	104-105
GT25 360° Perform. & upgrade, dyn/seal	106-107
GT25 flatback & superback comp/wheel	132-137
TA25 dynamic seal	104-105
TA25 360° Perform. & upgrade, dyn/seal	106-107
TB25 carbon seal	98-101
TB25 360° Perform. & upgrade, carb/seal	102-103
TB25 dynamic seal	104-105
TB25 360° Perform. & upgrade, dyn/seal	106-107
TD25 dynamic seal	104-105
TD25 360° Perform. & upgrade, dyn/seal	106-107
VAT25 360° Perform & upgrade, dyn/seal	106-107
TE27 dynamic seal	104-105
TE27 360° Perform & upgrade, dyn/seal	106-107
TB28 carbon seal	98-101
TB28 360° Perform. & upgrade, carb/seal	102-103





## Garrett Service Kits by Turbo Model

Turbo Model	Kit page no.
TB28 dynamic seal	104-105
TB28 360° Perform. & upgrade, dyn/seal	106-107
GT30 270° thrust bearing & dyn/seal	142-143
GT32 270° t/bearing - dynamic seal	142-143
TA34 step bore	114-115
TA34 dyn. seal - step & smooth bore	118-119
TA34 360° Perform. & upgrade, dyn/seal	120-121
TB34 dyn. seal - step & smooth bore	118-119
TB34 360° Perform. & upgrade, dyn/seal	120-121
GT35 270° & 360° t/brg - dynamic & c/seal	142-143
GT37 dyn.& c/seal-threaded & boreless c/wheel	144-145
GTA37 dyn.& c/seal-threaded & boreless c/wheel	144-145
TA35 step bore	114-115
TA38 step bore	114-115
GTP38	146-147
TP38	146-147
GT40 dyn.& c/seal-threaded & boreless c/wheel	144-145
GTA40 dyn.& c/seal-threaded & boreless c/wheel	144-145
TB41 step bore	114-115
TB41 dynamic seal - step & smooth bore	118-119
TB41 360° Perform. & upgrade, dyn/seal	120-121
TW41 step bore	114-115
GT42	148-149
GT42S	150-151
GTA42	148-149
TC44 step bore	114-115
CTV45	150-151
GT45	148-151
TA45	150-151
TB45	150-151
TBP45	150-151
TD45	150-151
TV45	150-151

Turbo Model	Kit page no.
GT47	152-153
TA48	150-151
TBP48	150-151
TV48	150-151
GT50	152-153
GTA50	152-153
TA51	150-151
TM51	150-151
TMF51	150-151
TV51	150-151
TW51	150-151
TM54	150-151
BTG55	152-153
BTL55	152-153
BTV55	152-153
GTA55	152-153
TMF55	150-151
TMF5503	150-151
TV58	150-151
T60	126-127
GT60	154-155
TV60	132-133
TL61	156-157
TM61	156-157
TV61	156-157
TW61	156-157
TV63 narrow bearing	158-159
TW63 narrow bearing	158-159
TV65 narrow bearing	158-159
TV70	132-133
TL71	156-157
TV71	156-157
TV72	156-157



## Garrett Service Kits by Turbo Model

Turbo Model	Kit page no.
TW72	156-157
TW73	156-157
TW73 narrow bearing	158-159
TV73 narrow bearing	158-159
TA74	156-157
TV74 narrow bearing	158-159
BTG75 wide bearing	160-161
BTL75 wide bearing	160-161
BTV75 wide bearing	160-161
TA75 narrow bearing	158-159
TBP75 narrow bearing	158-159
TL75 narrow bearing	158-159
TV75 narrow bearing	158-159
TV75 wide bearing	160-161
TW75 narrow bearing	158-159
UTV75 wide bearing	160-161
TL77	156-157
TV77	156-157
TL78	156-157
TV78	156-157
TW78	156-157
UTV78 wide bearing	160-161
TL81 narrow bearing	156-157
TL81 1.2"/30.46mm o/d bearing	162-163
TV81	156-157
TW81	156-157
UTV81 wide bearing	160-161
TV83 narrow bearing	158-159
TW83 narrow bearing	158-159
UTV83 wide bearing	160-161
TV84 narrow bearing	158-159

Turbo Model	Kit page no.
TW84 narrow bearing	158-159
BTL85 wide bearing	160-161
BTV85 wide bearing	160-161
TA85 narrow bearing	158-159
TV85 narrow bearing	158-159
TV85 wide bearing	160-161
UTW85 wide bearing	160-161
UTL89 wide bearing	160-161
TV90	162-163
TV91 1.2"/30.46mm o/d bearing	162-163
TW91 1.2"/30.46mm o/d bearing	162-163
TL92 1.2"/30.46mm o/d bearing	162-163
TV92 1.2"/30.46mm o/d bearing	162-163
TW92 1.2"/30.46mm o/d bearing	162-163
TV94 1.2"/30.46mm o/d bearing	162-163
TW94 1.2"/30.46mm o/d bearing	162-163
UTL94	164-165
UTV94	164-165
TV95 1.2"/30.46mm o/d bearing	162-163
T250 dynamic seal	104-105
T250 360° Perform. & upgrade, dyn/seal	106-107
T300 dyn.seal - step & smooth bore	118-119
TB41 360° Perform. & upgrade, dyn/seal	120-121



## CROSS REFERENCE - Garrett to Turbo International

OEM Part No.	Turbo International Part No.	Description	Turbo Model Application
	1-A-1529	CARTRIDGE/CHRA, W/COOLED, TOYOTA	TB03
	1-A-3108	CARTRIDGE/CHRA	TB2548
	7-A-0606	CARBON SEAL ASSY, FLOATING	TBO3
	7-A-0618	SERVICE KIT, DYNAMIC SEAL, MAJOR	TO4/TO4B
	7-A-0619	SERVICE KIT, DYNAMIC SEAL, MINOR	TO4/TO4B
	7-A-0622	SERVICE KIT, ENCAPSULATED CARBON SEAL	TO4/TO4B
	7-A-0624	SERVICE KIT, C/SEAL, LONG & SHORT BRGS.	TBO2
	7-A-0625	SERVICE KIT, C/SEAL, SHORT BRG.	TBO2
	7-A-0626	SERVICE KIT, C/SEAL, LONG BRG.	TBO2
	7-A-0628	SERVICE KIT, FLOATING CARBON SEAL, MAJOR	TBO3
	7-A-0630	SERVICE KIT, FLOATING CARBON SEAL, MINOR	TBO3
	7-A-0631	SERVICE KIT, ENCAP. CARBON SEAL, MAJOR	TBO3
	7-A-0635	SERVICE KIT, MINOR	TA45/51
	7-A-0638	SERVICE KIT, MAJOR	TV63
	7-A-0686	SERVICE KIT, DYNAMIC SEAL	TBO3
	7-A-0728	INSTALLATION KIT, CARTRIDGE	TBO3
	7-A-0732	SERVICE KIT	TBO3
	7-A-0765	SERVICE KIT, ENCAPSULATED CARBON SEAL	TBO3
	7-A-0792	SERVICE KIT, ENCAPSULATED CARBON SEAL	TO4B
	7-A-0829	SERVICE KIT	TW4103
	7-A-0928	SERVICE KIT	TV61
	7-A-0985	SERVICE KIT	TB45/TM51 & 5
	7-A-1152	SERVICE KIT	TC4303
	7-A-1164	SEAL KIT	TBO3
	7-A-1277	SERVICE KIT, FULL	TB45
	7-A-1314	SERVICE KIT SHORT BEARING	TB02
	7-A-1315	SERVICE KIT LONG BEARING	TB02
	7-A-1488	SERVICE KIT, LESS C/SEAL	T3
	7-A-1508	SERVICE KIT, FULL	T1210/T1224
	7-A-1523	SERVICE KIT	TP38
	7-A-1531	SERVICE KIT	TA3107
	7-A-1543	SERVICE KIT DYNAMIC SEAL narrow bearing	T2
	7-A-1592	SERVICE KIT	TO4
	7-A-1608	SERVICE KIT, LESS BEARINGS	T12
	7-A-1693	SERVICE KIT, BASIC, LESS BEARINGS	TV63/TV73/TV
	7-A-1875	SERVICE KIT, DYNAMIC	T25
	7-A-1940	SERVICE KIT D/SEAL LESS T/COLLAR & BRG	T3
	7-A-1941	SERVICE KIT F/C/S FULL	T3
	7-A-2127	SERVICE KIT, CARBON SEAL, MAJOR	TV75
	7-A-2131	THRUST KIT, 360° DYNAMIC	T2
	7-A-2133	THRUST KIT, 360° DYNAMIC, 20mm T/RING	T3/4
	7-A-2134	THRUST KIT, 360° CARBON SEAL, 19mm	T3/4
	7-A-2135	SERVICE KIT, 360°, DYNAMIC, 19mm T/RING	T3/4
	7-A-2136	SERVICE KIT, 360°, DYNAMIC, 20mm T/RING	T3/4
	7-A-2137	SERVICE KIT, 360°, DYNAMIC	T2
	7-A-2146	SERVICE KIT, MAJOR with bearing spacer	GT42
	7-A-2211	SERVICE KIT, LESS C/SEAL PLUS O/S PISTON RING	T3
	7-A-2221	SERVICE KIT, BASIC	TO4/TO4B



## CROSS REFERENCE - Garrett to Turbo International

OEM Part No.	Turbo International Part No.	Description	Turbo Model Application
	7-A-2222	SERVICE KIT, MINOR	TO4/TO4B
	7-A-2230	GASKET KIT	TP38
	7-A-2262	SERVICE KIT, CARBON SEAL	GT40
	7-A-2290	SERVICE KIT	GT1544
	7-A-2291	SERVICE KIT	TP41
	7-A-2312	SERVICE KIT, T25, less bearings & piston ring	T25
	7-A-2354	SERVICE KIT, DYNAMIC, MAJOR	BGTV75
	7-A-2372	SERVICE KIT, DYNAMIC SEAL, L/HAND THREAD	TO4B
	7-A-2385	JOURNAL BEARING KIT STD/15	TV61/71/81
	7-A-2386	JOURNAL BEARING KIT 5/15	TV61/71/81
	7-A-2387	JOURNAL BEARING KIT 10/15	TV61/71/81
	7-A-2388	JOURNAL BEARING KIT 15/5	TV61/71/81
	7-A-2389	JOURNAL BEARING KIT 15/10	TV61/71/81
	7-A-2390	JOURNAL BEARING KIT 15/15	TV61/71/81
	7-A-2419	SERVICE KIT	TV75
	7-A-2437	SERVICE KIT, DYNAMIC, MINOR	BGTV75
	7-A-2460	SERVICE KIT, DYNAMIC less spacer	GT40
	7-A-2471	SERVICE KIT, MAJOR	GT35
	7-A-2474	SEAL KIT	GT32
	7-A-2481	SERVICE KIT, 270° DYNAMIC	GT35
	7-A-2484	SERVICE KIT, 360° C/SEAL	GT35
	7-A-2485	SERVICE KIT, 270° C/SEAL	GT35
	7-A-2490	SERVICE KIT	GTA40
	7-A-2506	SERVICE KIT, MAJOR	TV7514/TBP75
	7-A-2543	SERVICE KIT	GT60
	7-A-2596	THRUST KIT, 360° DYNAMIC	TO4S
	7-A-2621	ASSEMBLY KIT, TPS	T3
	7-A-2627	SERVICE KIT	GT32
	7-A-2770	THRUST KIT, 360° C/SEAL	T2
	7-A-2809	KIT, 360° THRUST PARTS	T2
	7-A-2810	KIT, 360° THRUST PARTS & STEPPED GAP PISTON RING	T2
	7-A-2811	KIT, 360° THRUST PARTS	T3/T4
	7-A-2812	KIT, 360° THRUST PARTS & STEPPED GAP PISTON RING	T3/T4
	7-A-2931	SERVICE KIT	GTA42
	7-A-3019	SERVICE KIT, MAJOR	BTV7501
	7-A-3025	THRUST KIT, 360° degree, C/SEAL 19mm	T3/T4
	7-A-3026	THRUST KIT, 360°+E3393 DYNAMIC SEAL 20mm	T3/T4
	7-A-3027	THRUST KIT, 360° C/SEAL 20 mm	T3/T4
	7-A-3028	SERVICE KIT	GT12
	7-A-3050	JOURNAL BEARING KIT STD/20	T18
	7-A-3051	JOURNAL BEARING KIT 5/20	T18
	7-A-3052	JOURNAL BEARING KIT 10/20	T18
	7-A-3053	JOURNAL BEARING KIT 15/20	T18
	7-A-3054	JOURNAL BEARING KIT 20/5	T18
	7-A-3055	JOURNAL BEARING KIT 20/15	T18
	7-A-3056	JOURNAL BEARING KIT 20/20	T18
	7-A-3057	JOURNAL BEARING KIT STD/5	TV94
	7-A-3058	JOURNAL BEARING KIT STD/10	TV94



## CROSS REFERENCE - Garrett to Turbo International

OEM Part No.	Turbo International Part No.	Description	Turbo Model Application
	7-A-3059	JOURNAL BEARING KIT 5/STD	TV94
	7-A-3060	JOURNAL BEARING KIT 5/5	TV94
	7-A-3061	JOURNAL BEARING KIT 5/10	TV94
	7-A-3062	JOURNAL BEARING KIT 10/STD	TV94
	7-A-3063	JOURNAL BEARING KIT 10/5	TV94
	7-A-3064	JOURNAL BEARING KIT 10/10	TV94
	7-A-3065	JOURNAL BEARING KIT 15/STD	TV94
	7-A-3066	JOURNAL BEARING KIT STD	TV94
	7-A-3107	SERVICE KIT	TO4
	7-A-3144	SERVICE KIT, DYNAMIC	GT35
	7-A-3145	SERVICE KIT,DYNAMIC SEAL	GT45
	7-A-3151	SERVICE KIT,0.98"/24.89mm flange t/collar w/o p/ring	GTA4294
	7-A-3205	KIT, C/SEAL & THRUST	
	7-A-3214	SERVICE KIT, MINOR	T3
	7-A-3324	SERVICE KIT, COMPLETE, 360°	TO4S
	7-A-3378	SERVICE KIT, MINOR, SLENDER SHAFT	GT15 - GT25
	7-A-3379	SERVICE KIT, MINOR, STANDARD SHAFT	GT15 - GT25
	7-A-3380	THRUST KIT, 9.3mm FLATBACK	GT15 - GT25
	7-A-3381	THRUST KIT, 9.3mm SUPERBACK	GT15 - GT25
	7-A-3382	THRUST KIT, 10.00mm SUPERBACK	GT15 - GT25
	7-A-3384	SERVICE KIT, MAJOR	GT42
	7-A-3440	SERVICE KIT, STEP BORE, r/h locknut	TA31/TA35/TO
	7-A-3507	PEDESTAL KIT	TP38
	7-A-3528	SERVICE KIT, MAJOR, R/RING DESIGN	GT42S
	7-A-3577	SERVICE KIT, DYNAMIC, 360°,step gap piston ring	T3
	7-A-3578	SERVICE KIT, DYNAMIC, 360°,step gap piston ring	T2/T25
	7-A-3638	SERVICE KIT, MAJOR, 9.3mm THRUST F/BACK	GT15-25
	7-A-3639	SERVICE KIT, MAJOR, 9.3mm THRUST S/BACK	GT15-25
	7-A-3640	SERVICE KIT, SLENDER SHAFT, ALL THRUSTS	GT15-25
	7-A-3641	SERVICE KIT,FULL KIT LESS FLINGERS	GT15-25
	7-A-3642	SERVICE KIT, 6.5mm BRG/10mm THRUST	GT1544
	7-A-3643	SERVICE KIT	
	7-A-3646	KIT, JOURNAL BEARING,STD/STD	UTV94
	7-A-3647	KIT, JOURNAL BEARING, STD/5	UTV94
	7-A-3648	KIT, JOURNAL BEARING, STD/10	UTV94
	7-A-3649	KIT, JOURNAL BEARING, 5/STD	UTV94
	7-A-3650	KIT, JOURNAL BEARING, 5/5	UTV94
	7-A-3651	KIT, JOURNAL BEARING, 5/10	UTV94
	7-A-3652	KIT, JOURNAL BEARING, 10/STD	UTV94
	7-A-3653	KIT, JOURNAL BEARING, 10/5	UTV94
	7-A-3654	KIT, JOURNAL BEARING, 10/10	UTV94
	7-A-3655	KIT, JOURNAL BEARING, 15/STD	UTV94
	7-A-3656	KIT, JOURNAL BEARING, 15/5	UTV94
	7-A-3657	KIT, JOURNAL BEARING, 15/10	UTV94
	7-A-3658	KIT, JOURNAL BEARING, 20/STD	UTV94
	7-A-3659	KIT, JOURNAL BEARING, 20/5	UTV94
	7-A-3660	KIT, JOURNAL BEARING, 20/10	UTV94
	7-A-3661	KIT, JOURNAL BEARING, STD/STD	UTV81



## CROSS REFERENCE - Garrett to Turbo International

OEM Part No.	Turbo International Part No.	Description	Turbo Model Application
	7-A-3662	KIT, JOURNAL BEARING, STD/5	UTV81
	7-A-3663	KIT, JOURNAL BEARING, STD/10	UTV81
	7-A-3664	KIT, JOURNAL BEARING, STD/15	UTV81
	7-A-3665	KIT, JOURNAL BEARING, STD/20	UTV81
	7-A-3666	KIT, JOURNAL BEARING, 5/STD	UTV81
	7-A-3667	KIT, JOURNAL BEARING, 5/5	UTV81
	7-A-3668	KIT, JOURNAL BEARING, 5/10	UTV81
	7-A-3669	KIT, JOURNAL BEARING, 5/15	UTV81
	7-A-3670	KIT, JOURNAL BEARING, 5/20	UTV81
	7-A-3671	KIT, JOURNAL BEARING, 10/STD	UTV81
	7-A-3672	KIT, JOURNAL BEARING, 10/5	UTV81
	7-A-3673	KIT, JOURNAL BEARING, 10/10	UTV81
	7-A-3674	KIT, JOURNAL BEARING, 10/15	UTV81
	7-A-3675	KIT, JOURNAL BEARING, 10/20	UTV81
	7-A-3676	KIT, JOURNAL BEARING, 15/STD	UTV81
	7-A-3677	KIT, JOURNAL BEARING, 15/5	UTV81
	7-A-3678	KIT, JOURNAL BEARING, 15/10	UTV81
	7-A-3679	KIT, JOURNAL BEARING, 15/15	UTV81
	7-A-3680	KIT, JOURNAL BEARING, 15/20	UTV81
	7-A-3681	KIT, JOURNAL BEARING, 20/STD	UTV81
	7-A-3682	KIT, JOURNAL BEARING, 20/5	UTV81
	7-A-3683	KIT, JOURNAL BEARING, 20/10	UTV81
	7-A-3684	KIT, JOURNAL BEARING, 20/15	UTV81
	7-A-3755	SERVICE KIT, STRAIGHT SHAFT, ALL THRUSTS	GT15-25
	7-A-3780	JOURNAL BEARING KIT, STD	TV
	7-A-3781	JOURNAL BEARING KIT, 10/STD	TV
	7-A-3784	SERVICE KIT, MAJOR	TD025
	7-A-3788	SERVICE KIT, MINOR	TMF5, TV51
	8-A-0491	JOURNAL BEARING NARROW STD/10	TB02
	8-A-0492	JOURNAL BEARING, WIDE, STD/5	TB02
	8-A-0493	JOURNAL BEARING, WIDE, 5/STD	TB02
	8-A-0494	JOURNAL BEARING, WIDE, 10/STD	TB02
	8-A-0786	JOURNAL BEARING NARROW 10/10	TBO2/T2
	8-A-0801	JOURNAL BEARING NARROW 5/STD	TBO2/T2
	8-A-0827	PISTON RING T/END 10/STD	T2
	8-A-0843	JOURNAL BEARING STD/5	TA45/51
	8-A-0845	JOURNAL BEARING 5/STD	TA45/51
	8-A-0846	JOURNAL BEARING 5/5	TA45/51
	8-A-0847	JOURNAL BEARING 5/10	TA45/51
	8-A-0849	JOURNAL BEARING 10/5	TA45/51
	8-A-0851	JOURNAL BEARING NARROW 5/5	TBO2/T2
	8-A-0852	JOURNAL BEARING NARROW 5/10	TBO2/T2
	8-A-0855	JOURNAL BEARING NARROW 15/STD	TBO2/T2
	8-A-0856	JOURNAL BEARING, WIDE, STD/10	TBO2/T2
	8-A-0857	JOURNAL BEARING, WIDE, 5/5	TBO2/T2
	8-A-0858	JOURNAL BEARING, WIDE, 10/5	TBO2/T2
	8-A-0925	JOURNAL BEARING, WIDE, 10/10	TBO2/T2
	8-A-0929	JOURNAL BEARING, WIDE, 5/10	TBO2/T2



## CROSS REFERENCE - Garrett to Turbo International

OEM Part No.	Turbo International Part No.	Description	Turbo Model Application
	8-A-1019	JOURNAL BEARING STD/15	TA45/51
	8-A-1167	JOURNAL BEARING NARROW 15/10	T2
	8-A-1170	JOURNAL BEARING 5/20	T12/TV
	8-A-1176	JOURNAL BEARING 10/20	T3/T4
	8-A-1183	JOURNAL BEARING 15/20	TV/T12
	8-A-1189	JOURNAL BEARING 10/20	TV/T12
	8-A-1191	JOURNAL BEARING 15/5	TV/T12
	8-A-1192	JOURNAL BEARING 20/5	TV/T12
	8-A-1240	JOURNAL BEARING 20/20	TA45/51
	8-A-1269	JOURNAL BEARING 20/10	T3/T4
	8-A-1356	JOURNAL BEARING 10/15	TA45
	8-A-1357	JOURNAL BEARING 20/STD	TA45
	8-A-1364	JOURNAL BEARING STD/20	TA45
	8-A-1376	JOURNAL BEARING 15/STD	TA45
	8-A-1377	JOURNAL BEARING 20/5	TA45
	8-A-1380	JOURNAL BEARING STD/20	T3/T4
	8-A-1392	JOURNAL BEARING 10/20	TA45
	8-A-1423	PISTON RING T/END STD/10	T2
	8-A-1424	PISTON RING T/END STD/20	T2
	8-A-1426	JOURNAL BEARING 20/STD	T3
	8-A-1427	JOURNAL BEARING 20/5	T3
	8-A-1428	JOURNAL BEARING 20/15	T3
	8-A-1479	JOURNAL BEARING 20/20	TV/T12
	8-A-1493	PISTON RING T/END 10/10	T2
	8-A-1493	PISTON RING T/END 10/10	T2
	8-A-1494	PISTON RING T/END 10/10	T3
	8-A-1501	JOURNAL BEARING NARROW STD/15	T2
	8-A-1507	JOURNAL BEARING 15/15	TA45/51
	8-A-1611	PISTON RING T/END 10/20	T2
	8-A-1612	PISTON RING T/END STEP 10/20	T3/T4
	8-A-1613	PISTON RING T/END SMOOTH 10/STD	T3/T4
	8-A-1614	PISTON RING T/END SMOOTH 10/10	T3/T4
	8-A-1615	PISTON RING T/END SMOOTH 10/20	T3/T4
	8-A-1617	PISTON RING T/END STEP 10/20	TA45/TV
	8-A-1622	PISTON RING T/END SMOOTH 10/STD	TV
	8-A-1623	PISTON RING T/END SMOOTH 10/10	TV
	8-A-1624	PISTON RING T/END SMOOTH 10/20	TV
	8-A-1627	PISTON RING T/END STEP 10/10	T18/T18A
	8-A-1628	PISTON RING T/END SMOOTH 10/STD	T18
	8-A-1629	PISTON RING T/END SMOOTH 10/10	T18
	8-A-1630	PISTON RING T/END SMOOTH 10/20	T18
	8-A-1631	PISTON RING T/END 10/STD	TV94
	8-A-1632	PISTON RING T/END STD/10	TV94
	8-A-1633	PISTON RING T/END 10/10	TV94
	8-A-1634	PISTON RING T/END STD/20	TV94
	8-A-1635	PISTON RING T/END 10/20	TV94
	8-A-1710	JOURNAL BEARING STD/5	T14/T30
	8-A-1711	JOURNAL BEARING STD/10	T14/T30



## CROSS REFERENCE - Garrett to Turbo International

OEM Part No.	Turbo International Part No.	Description	Turbo Model Application
	8-A-1712	JOURNAL BEARING 5/STD	T14/T30
	8-A-1713	JOURNAL BEARING 5/5	T14/T30
	8-A-1714	JOURNAL BEARING 5/10	T14/T30
	8-A-1715	JOURNAL BEARING 10/STD	T14/T30
	8-A-1716	JOURNAL BEARING 10/5	T14/T30
	8-A-1717	JOURNAL BEARING 10/10	T14/T30
	8-A-1718	JOURNAL BEARING 15/STD	T14/T30
	8-A-1720	PISTON RING T/END STEP STD/10	TA45/TV
	8-A-1721	PISTON RING T/END STEP 10/10	TA45/TV
	8-A-1824	THRUST COLLAR/SLEEVE 360°	T2/T25
	8-A-1825	THRUST WASHER/RING 360°	T2/T25
	8-A-1826	THRUST BEARING 360°	T2/T25
	8-A-1896	THRUST SLEEVE, DYNAMIC & C/SEAL 360°	TO4B
	8-A-1897	THRUST WASHER, 18mm, 360° degree, DYN. & C/SEAL	TO4B
	8-A-1898	THRUST WASHER, 20mm, 360° degree, DYN. & C/SEAL	TO4B
	8-A-1899	THRUST BEARING. DYNAMIC & C/SEAL 360°+E3288	TO4B
	8-A-1917	JOURNAL BEARING 5/20	T3/T4
	8-A-1953	JOURNAL BEARING 20/10	TA45
	8-A-1955	THRUST COLLAR	TV7504
	8-A-1956	JOURNAL BEARING STD/20	T14/T30
	8-A-1968	JOURNAL BEARING, STD/5	TV91/92/94
	8-A-1970	JOURNAL BEARING, 5/STD	TV91/92/94
	8-A-1971	JOURNAL BEARING, 5/5	TV91/92/94
	8-A-1972	JOURNAL BEARING, 5/10	TV91/92/94
	8-A-1974	JOURNAL BEARING, 10/5	TV91/92/94
	8-A-1976	JOURNAL BEARING, 15/STD	TV91/92/94
	8-A-1977	JOURNAL BEARING, STD/5	GT15
	8-A-1979	JOURNAL BEARING, 5/STD	GT15
	8-A-1980	JOURNAL BEARING, 5/5	GT15
	8-A-1981	JOURNAL BEARING, 5/10	GT15
	8-A-1982	JOURNAL BEARING, 10/STD	GT15
	8-A-1983	JOURNAL BEARING, 10/5	GT15
	8-A-1984	JOURNAL BEARING, 10/10	GT15
	8-A-1986	JOURNAL BEARING, STD/5	GT50/BTG55/B
	8-A-1988	JOURNAL BEARING, 5/STD	GT50/BTG55/B
	8-A-1989	JOURNAL BEARING, 5/5	GT50/BTG55/B
	8-A-1990	JOURNAL BEARING, 5/10	GT50/BTG55/B
	8-A-1991	JOURNAL BEARING, 10/5	GT50/BTG55/B
	8-A-1993	JOURNAL BEARING, 15/STD	GT50/BTG55/B
	8-A-1994	JOURNAL BEARING, STD/5	TO4S
	8-A-1995	JOURNAL BEARING, STD/10	TO4S
	8-A-1996	JOURNAL BEARING, 5/STD	TO4S
	8-A-1997	JOURNAL BEARING, 5/5	TO4S
	8-A-1998	JOURNAL BEARING, 5/10	TO4S
	8-A-1999	JOURNAL BEARING, 10/STD	TO4S
	8-A-2000	JOURNAL BEARING, 10/5	TO4S
	8-A-2001	JOURNAL BEARING, 10/10	TO4S
	8-A-2002	JOURNAL BEARING, 15/STD	TO4S





## CROSS REFERENCE - Garrett to Turbo International

OEM Part No.	Turbo International Part No.	Description	Turbo Model Application
	8-A-2004	JOURNAL BEARING, STD/5 width 0.450"	GT40
	8-A-2005	JOURNAL BEARING, STD/10 width 0.450"	GT40
	8-A-2006	JOURNAL BEARING, 5/STD width 0.450"	GT40
	8-A-2007	JOURNAL BEARING, 5/5 width 0.450"	GT40
	8-A-2008	JOURNAL BEARING, 5/10 width 0.450"	GT40
	8-A-2009	JOURNAL BEARING, 10/STD width 0.450"	GT40
	8-A-2010	JOURNAL BEARING, 10/5 width 0.450"	GT40
	8-A-2011	JOURNAL BEARING, 10/10 width 0.450"	GT40
	8-A-2012	JOURNAL BEARING, 15/STD width 0.450"	GT40
	8-A-2013	JOURNAL BEARING, STD/5	TP38
	8-A-2014	JOURNAL BEARING, STD/10	TP38
	8-A-2015	JOURNAL BEARING, 5/STD	TP38
	8-A-2016	JOURNAL BEARING, 5/5	TP38
	8-A-2017	JOURNAL BEARING, 5/10	TP38
	8-A-2018	JOURNAL BEARING, 10/STD	TP38
	8-A-2019	JOURNAL BEARING, 10/5	TP38
	8-A-2020	JOURNAL BEARING, 10/10	TP38
	8-A-2021	JOURNAL BEARING, 15/STD	TP38
	8-A-2128	THRUST BEARING 360°	TO4S
	8-A-2129	THRUST COLLAR 360°	TO4S
	8-A-2130	THRUST RING 360°	TO4S
	8-A-2219	PISTON RING C/END STD 20/STD	TV/T12
	8-A-2232	JOURNAL BEARING 20/20	T3
	8-A-2341	PISTON RING C/END 10/STD	GT40
	8-A-2342	PISTON RING T/END 10/STD	GT40
	8-A-2347	JOURNAL BEARING 15/5	TA45
	8-A-2348	JOURNAL BEARING 15/10	TA45
	8-A-2353	THRUST BEARING, OUTBOARD	TV94
	8-A-2410	JOURNAL BEARING, WIDE, 15/STD	TBO2/T2
	8-A-2421	JOURNAL BEARING 20/STD	T14/T30
	8-A-2422	JOURNAL BEARING STD/15	T14/T30
	8-A-2423	JOURNAL BEARING 15/15	T14/T30
	8-A-2424	JOURNAL BEARING 20/10	T14/T30
	8-A-2496	PISTON RING C/END 10/STD	BGTV75
	8-A-2523	PISTON RING T/END STEPPED GAP STD	T2
	8-A-2524	PISTON RING T/END STEPPED GAP STD	T3
	8-A-2538	WEAR WASHER	GT60
	8-A-2539	BOLT, BACKPLATE	GT60
	8-A-2540	BOLT, T/BRG.	GT60
	8-A-2541	O RING, C/HSG	GT60
	8-A-2542	O RING, S/PLATE	GT60
	8-A-2544	JOURNAL BEARING STD/5	GT42/GT42A/G
	8-A-2545	JOURNAL BEARING STD/10	GT42/GT42A/G
	8-A-2546	JOURNAL BEARING 5/STD	GT42/GT42A/G
	8-A-2547	JOURNAL BEARING 5/5	GT42/GT42A/G
	8-A-2548	JOURNAL BEARING 5/10	GT42/GT42A/G
	8-A-2549	JOURNAL BEARING 10/STD	GT42/GT42A/G
	8-A-2550	JOURNAL BEARING 10/5	GT42/GT42A/G



## CROSS REFERENCE - Garrett to Turbo International

OEM Part No.	Turbo International Part No.	Description	Turbo Model Application
	8-A-2551	JOURNAL BEARING 10/10	GT42/GT42A/G
	8-A-2552	THRUST COLLAR, 360° C/SEAL	T3/T4
	8-A-2577	JOURNAL BEARING, STD/5	UTV94
	8-A-2578	JOURNAL BEARING, STD/10	UTV94
	8-A-2579	JOURNAL BEARING, 5/STD	UTV94
	8-A-2580	JOURNAL BEARING, 5/5	UTV94
	8-A-2581	JOURNAL BEARING, 5/10	UTV94
	8-A-2582	JOURNAL BEARING, 10/STD	UTV94
	8-A-2583	JOURNAL BEARING, 10/5	UTV94
	8-A-2584	JOURNAL BEARING, 10/10	UTV94
	8-A-2585	JOURNAL BEARING, 15/STD	UTV94
	8-A-2587	JOURNAL BEARING 5/15	T14/T30
	8-A-2598	JOURNAL BEARING STD/15	TO4S
	8-A-2599	JOURNAL BEARING STD/20	TO4S
	8-A-2600	JOURNAL BEARING 5/15	TO4S
	8-A-2602	JOURNAL BEARING 5/20	TO4S
	8-A-2603	JOURNAL BEARING 10/15	TO4S
	8-A-2604	JOURNAL BEARING 10/20	TO4S
	8-A-2605	JOURNAL BEARING 20/10	TO4S
	8-A-2606	JOURNAL BEARING 15/5	TO4S
	8-A-2607	JOURNAL BEARING 15/10	TO4S
	8-A-2608	JOURNAL BEARING 15/15	TO4S
	8-A-2609	JOURNAL BEARING 15/20	TO4S
	8-A-2610	JOURNAL BEARING 20/STD	TO4S
	8-A-2611	JOURNAL BEARING 20/5	TO4S
	8-A-2612	JOURNAL BEARING 20/15	TO4S
	8-A-2613	JOURNAL BEARING 20/20	TO4S
	8-A-2641	JOURNAL BEARING 15/STD	GT42/GT42A/G
	8-A-2642	JOURNAL BEARING 5/15	TA45
	8-A-2645	JOURNAL BEARING, STD/5	GT32/GT35
	8-A-2646	JOURNAL BEARING, STD/10	GT32/GT35
	8-A-2647	JOURNAL BEARING, 5/STD	GT32/GT35
	8-A-2648	JOURNAL BEARING, 5/5	GT32/GT35
	8-A-2649	JOURNAL BEARING, 5/10	GT32/GT35
	8-A-2650	JOURNAL BEARING, 10/STD	GT32/GT35
	8-A-2651	JOURNAL BEARING, 10/5	GT32/GT35
	8-A-2652	JOURNAL BEARING, 10/10	GT32/GT35
	8-A-2653	JOURNAL BEARING, 15/STD	GT32/GT35
	8-A-2758	JOURNAL BEARING, 15/10	T14/T30
	8-A-2759	JOURNAL BEARING, 15/20	T14/T30
	8-A-2760	JOURNAL BEARING, 20/15	T14/T30
	8-A-2768	THRUST COLLAR/SLEEVE 360° C/SEAL	T2
	8-A-2769	THRUST WASHER/RING 360° C/SEAL	T2
	8-A-2852	JOURNAL BEARING 5/20	TA45
	8-A-2853	JOURNAL BEARING 15/20	TA45
	8-A-2854	JOURNAL BEARING 20/15	TA45
	8-A-2938	SEAL RING, B/HSG	GTA42
	8-A-2945	JOURNAL BEARING STD	GT12



## CROSS REFERENCE - Garrett to Turbo International

OEM Part No.	Turbo International Part No.	Description	Turbo Model Application
	8-A-2946	THRUST SPACER	GT12
	8-A-2947	PISTON RING T/END & C/END STD	GT12
	8-A-2948	THRUST SLEEVE, DYNAMIC, 360°+E3423	GT32/GT35
	8-A-3035	JOURNAL BEARING 5/20	T14/T30
	8-A-3036	JOURNAL BEARING 10/20	T14/T30
	8-A-3037	JOURNAL BEARING 15/5	T14/T30
	8-A-3038	JOURNAL BEARING 20/20	T14/T30
	8-A-3039	JOURNAL BEARING 20/5	T14/T30
	8-A-3040	JOURNAL BEARING, 10/15	TV91/92/94
	8-A-3041	JOURNAL BEARING, 15/10	TV91/92/94
	8-A-3042	JOURNAL BEARING, 20/20	TV91/92/94
	8-A-3072	INSTALLATION KEY, HI-SPEED LOCKNUT	T2/T3/T4
	8-A-3073	LOCKNUT, HI-SPEED "CONE"	TO4S
	8-A-3074	INSTALLATION KEY, HI-SPEED LOCKNUT	TO4S
	8-A-3075	PISTON RING C/END STD/10	T3/T4
	8-A-3076	PISTON RING C/END 10/10	T3/T4
	8-A-3077	PISTON RING C/END STD/20	T3/T4
	8-A-3078	PISTON RING C/END 10/20	T3/T4
	8-A-3079	PISTON RING T/END 10/STD	T18
	8-A-3080	PISTON RING C/END STD/20	T/TV
	8-A-3081	PISTON RING C/END 10/20	T/TV
	8-A-3109	PISTON RING C/END STD/10	T18
	8-A-3110	PISTON RING C/END 10/10	T18
	8-A-3138	BEARING SPACER +0.005" O/D	GT42/GT42A/G
	8-A-3139	BEARING SPACER +0.010" O/D	GT42/GT42A/G
	8-A-3140	BEARING SPACER +0.015" O/D	GT42/GT42A/G
	8-A-3141	BEARING SPACER 0.020" O/D	GT42/GT42A/G
	8-A-3153	JOURNAL BEARING, 15/5	TV91/92/94
	8-A-3177	JOURNAL BEARING, STD/5	GT60
	8-A-3178	JOURNAL BEARING, STD/10	GT60
	8-A-3179	JOURNAL BEARING, 5/STD	GT60
	8-A-3180	JOURNAL BEARING, 5/5	GT60
	8-A-3181	JOURNAL BEARING, 5/10	GT60
	8-A-3182	JOURNAL BEARING, 10/STD	GT60
	8-A-3183	JOURNAL BEARING, 10/5	GT60
	8-A-3184	JOURNAL BEARING, 10/10	GT60
	8-A-3185	JOURNAL BEARING, 15/STD	GT60
	8-A-3208	GASKET, TURBINE INLET	T2/TB25
	8-A-3208	GASKET, TURBINE INLET	T2/TB25
	8-A-3210	JOURNAL BEARING, 20/STD	TV91/92/94
	8-A-3211	JOURNAL BEARING, 20/5	TV91/92/94
	8-A-3212	JOURNAL BEARING, 20/10	TV91/92/94
	8-A-3213	JOURNAL BEARING, 20/15	TV91/92/94
	8-A-3335	PISTON RING C/END 10/STD	TO4S
	8-A-3397	JOURNAL BEARING, STD/15	GT50/BTG55/B
	8-A-3398	JOURNAL BEARING, STD/20	GT50/BTG55/B
	8-A-3399	JOURNAL BEARING, 5/15	GT50/BTG55/B
	8-A-3400	JOURNAL BEARING, 5/20	GT50/BTG55/B



## CROSS REFERENCE - Garrett to Turbo International

OEM Part No.	Turbo International Part No.	Description	Turbo Model Application
	8-A-3401	JOURNAL BEARING, 10/15	GT50/BTG55/B
	8-A-3402	JOURNAL BEARING, 10/20	GT50/BTG55/B
	8-A-3403	JOURNAL BEARING, 15/5	GT50/BTG55/B
	8-A-3404	JOURNAL BEARING, 15/10	GT50/BTG55/B
	8-A-3405	JOURNAL BEARING, 15/15	GT50/BTG55/B
	8-A-3406	JOURNAL BEARING, 15/20	GT50/BTG55/B
	8-A-3407	JOURNAL BEARING, 20/STD	GT50/BTG55/B
	8-A-3408	JOURNAL BEARING, 20/5	GT50/BTG55/B
	8-A-3409	JOURNAL BEARING, 20/10	GT50/BTG55/B
	8-A-3410	JOURNAL BEARING, 20/15	GT50/BTG55/B
	8-A-3425	JOURNAL BEARING, 15/5	UTV94
	8-A-3426	JOURNAL BEARING, 15/10	UTV94
	8-A-3427	JOURNAL BEARING, 20/STD	UTV94
	8-A-3428	JOURNAL BEARING, 20/5	UTV94
	8-A-3429	JOURNAL BEARING, 20/10	UTV94
	8-A-3450	RETAINING RING, BACKPLATE	GT42
	8-A-3539	O RING $\varnothing$ 0.364"X0.07", PLUNGER	TP38
	8-A-3540	O RING $\varnothing$ 0.1.614"X0.07" PLUNGER	TP38
	8-A-3541	VALVE, PAPER, PLUNGER	TP38
	8-A-3542	VALVE, PLASTIC, PLUNGER	TP38
	8-A-3543	SEAL, PLUNGER CAP	TP38
	7-A-1879	SERVICE KIT, MAJOR	UTV7514/78/8
	7-A-2143	SERVICE KIT, DYNAMIC, MINOR	GT40
	7-A-2525	SERVICE KIT, MAJOR	TV75/78/83 &
	7-A-2530	SERVICE KIT	GTP38
	8-A-1978	JOURNAL BEARING, STD/10	GT15
143934-0000	8-A-2435	PISTON RING T/END STD	UTV94
144247-0000	8-B-3089	O RING, C/END	4HD/4MD
144254-0000		USE 3519318	
200100-0717		USE 468404-0000	
200115-0000	7-A-0969	SERVICE KIT	TA/TB/TCO3
200117-0000	7-A-0013	INSTALLATION KIT, HOUSING	TCO3
200130-0001		USE 472518-0001	
200130-0002		USE 472519-0001	
200130-0003		USE 472520-0001	
200131-0001		USE 472521-0001	
200131-0002		USE 472522-0001	
200131-0003		USE 472523-0001	
200132-0000		USE 472524-0001	
200133-0001		USE 472525-0001	
200133-0002		USE 472526-0001	
200134-0001		USE 472527-0001	
200134-0002		USE 472528-0001	
200135-0000		USE 472529-0001	
200136-0000		USE 472530-0001	
200147-0000	7-A-0959	SERVICE KIT, CIRCLIP HSG., STD.JNL.BRG.	T2/T25
200148-0000	7-A-0005	SERVICE KIT, BOLTED HSG., STD JNL. BRG.	T2/T25
200391-0000	7-A-0770	SERVICE KIT, DYNAMIC SEAL, R/HAND THREAD	TO4B



## CROSS REFERENCE - Garrett to Turbo International

OEM Part No.	Turbo International Part No.	Description	Turbo Model Application
200394-0000		USE 468132-0005	
200423-0000	7-A-0627	SERVICE KIT, DYN. SEAL, LONG & SHORT BRG.	TBO2/TB25
200452-0000	7-A-1928	SERVICE KIT, CARBON SEAL	T2/T25
210814-0000	8-A-3082	O RING, SQUARE CUT, OIL OUTLET	TV6/TV7
210943-0000	8-A-3134	RIVET, T/BRG	TV
400140-0313	8-A-0134	LOCKWASHER, C/END	T18
400353-0010	8-A-1567	RETAINING RING	TO4S
400353-0015	8-A-1938	RETAINING RING	GT15
400405-0000	8-A-0135	BOLT, BACKPLATE	T12/T18
400405-0001	8-A-0136	BOLT, SEAL PLATE	T60/T12
400408-0000	8-A-0137	RETAINING RING, J/BRG	TV/T12/T18
400424-0000	8-A-0138	SEAL RING, S/PLATE, VITON i/d 2.183"	Various
400424-0001	8-A-0139	SEAL RING, S/PLATE	T18A
400424-0004	8-A-0140	SEAL RING, S/PLATE	THO8A
400424-0006	8-A-0258	O RING, B/HSG	TV94
400424-0008	8-A-0141	SEAL RING, S/PLATE	TA45/51
400424-0009	8-A-2122	O RING	TV75
400424-0010	8-A-2467	SEAL RING	GT35
400424-0017	8-A-3018	SEAL RING, B/HSG	BTV55/GT50/G
400446-0075		USE 8-B-0518	
400446-0081	8-A-0142	RETAINING RING, J/BRG	TA45/51
400446-0118	8-A-0251	RETAINING RING	TV94
400448-0000	8-A-0143	BOLT, T/END	T18
400448-0001	8-A-0144	BOLT, T/END	TEO6/T12
400448-0002	8-A-0143	BOLT, T/END	T18
400450-0001	8-A-0145	BOLT, C/END	TO4B
400450-0004	8-A-0146	BOLT, T/END	TO4B
400515-0212	8-A-3022	LOCKNUT	TV72/UTV81
400546-0047		USE 403069-0069	
400568-0000	8-A-0149	RETAINING RING, J/BRG	TBO3/TO4B
400569-0002	8-A-0150	NUT	TEO6
400572-0303	8-A-0152	BOLT, C/END	T18
400572-0305		USE 400805-0305	
400580-0000	8-A-0713	NUT, V CLAMP	TEO6/T12
400589-0181	8-A-0950	RETAINING RING, S/PLATE	T2
400589-0334	8-A-0951	RETAINING RING, C/END	T2
400589-0375	8-A-0003	RETAINING RING, C/END	T25
400627-0810	8-A-2495	BOLT, C/END	GT40/GT42/GT
400650-0001	8-A-0154	WASHER	T18A
400670-0810	8-A-0157	BOLT, C/END, metric thread	TBO3
400672-0614		USE 400674-0616	
400674-0516	8-A-3420	BOLT, T/BRG.	UTV94/UTL94
400674-0616	8-A-0155	BOLT, B/HOUSING, metric thread	TBO3
400677-0816	8-A-0156	BOLT, T/END, metric thread	TBO3
400702-0018	8-A-0952	RETAINING RING, ROD END	T2
400702-0025	8-A-1290	RETAINING CLIP	TB03
400724-0510	8-A-3011	BOLT, ACTUATOR BRACKET	GT15-GT25
400724-0610	8-A-3068	BOLT, ACTUATOR BRACKET	T2/T25



## CROSS REFERENCE - Garrett to Turbo International

OEM Part No.	Turbo International Part No.	Description	Turbo Model Application
400724-0810	8-A-0157	BOLT, C/END, metric thread	TBO3
400745-0410	8-A-0159	SCREW , T/BRG	TBO2
400748-0001		USE 403069-0163	
400748-0002		USE 403069-0072	
400748-0003		USE 403069-0164	
400748-0003	8-A-0752	O RING, C/END	T25
400749-0006	8-A-1560	PISTON RING T/END STD	TBO2
400749-0010	8-A-3069	PISTON RING C/END STD	T2
400768-0001		USE 400768-0011	
400768-0002		USE 400768-0012	
400768-0003		USE 400768-0013	
400768-0004		USE 400768-0014	
400768-0011	8-A-0163	LOCKNUT, SHAFT 1/4"-28	T3/T4
400768-0012	8-A-0164	LOCKNUT, SHAFT 5/16"-24	TV/T12/T18
400768-0013	8-A-0165	LOCKNUT, SHAFT 3/8"-24	TV61/63
400768-0014	8-A-0166	LOCKNUT, SHAFT 7/16"-20	T18
400781-0702	8-A-0167	BOLT, B/HOUSING	Various
400787-0410	8-A-0168	SCREW , T/BRG	
400788-0610	8-A-1952	BOLT, T/END	GT15
400788-0610	8-D-0918	BOLT	TA25
400805-0202		USE 400834-0202	
400805-0202	8-A-0169	BOLT, BRG. HSG. std thread	TO4
400805-0205	8-A-0167	BOLT, B/HOUSING	
400805-0305	8-A-0170	BOLT, B/HOUSING	T18A
400810-0410	8-A-0159	SCREW , T/BRG	TBO2
400811-0000	8-A-1870	LOCKNUT, V BAND	TV91
400834-0202	8-A-0172	BOLT	T4
400859-0407	8-A-0162	BOLT	TV94
400868-0001		USE 435255-0001	
400872-0410	8-A-2125	SCREW	TV75
400873-0620	8-A-1912	BOLT, BACKPLATE	TV
400873-0622	8-A-2121	BOLT	TV75
400964-0410	8-A-2142	SCREW , T/BRG	GT42
400975-0203	8-A-1959	BOLT, C/END	T04E
400975-0303	8-A-1564	BOLT	TO4S
402368-0000	8-A-0751	GASKET,OIL INLET	TO6
402588-0000		USE 408593-0000	
402626-0000	8-A-0232	LOCKPLATE, T/END	T18
403069-0010	8-A-0175	O-RING, THRUST PLATE	T18
403069-0012	8-A-0176	O RING, C/END	T12
403069-0023	8-A-1605	O RING, THRUST PLATE	
403069-0024	8-A-0177	O RING, C/END	T18
403069-0026	8-A-3023	O RING	TV72/UTV81
403069-0050		USE 403069-0010	
403069-0051	8-A-0179	O RING, C/END	T12
403069-0060	8-A-0180	SEAL RING	T3
403069-0064	8-A-0828	SEAL RING	TO4B
403069-0068		USE 400424-0000	



## CROSS REFERENCE - Garrett to Turbo International

OEM Part No.	Turbo International Part No.	Description	Turbo Model Application
403069-0069	8-A-0181	O RING, C/END	TA45/51
403069-0071	8-A-2488	O RING	GT37/GT40
403069-0072	8-A-0161	O RING, C/END	TB02
403069-0077	8-A-1843	O RING, C/HSG	TO4E
403069-0084	8-A-3024	O RING	TV72/UTV81
403069-0146	8-A-2052	O RING	GT40
403069-0157	8-A-3013	O RING, B.PLATE/C.HSG. 56mm compressor	GT15-GT25
403069-0162	8-A-2469	O RING	GT35
403069-0163	8-A-0160	O RING, S/PLATE $\phi$ 1.614"x0.07"	TBO2
403069-0164	8-A-2526	O RING, B/PLATE	GT15
403069-0165	8-A-2515	O RING, B/PLATE	GT15
403069-0166	8-A-2061	O RING, OIL INLET	GT/TP38
403069-0167	8-A-2062	O RING, OIL OUTLET	GT/TP38
403069-0177	8-A-3010	O RING, B.PLATE/C.HSG. 52mm compressor	GT15-GT25
403069-0191	8-A-3014	O RING, B.PLATE/C.HSG. 49MM diecast, 59/60mm compressor	GT15-GT25
403069-0197	8-A-3136	O RING, COMP.HSG./B.PLATE	GTP38
403671-0000	8-H-1202	PISTON RING C/END STD	T14/T30
403818-0007		USE 403818-0015	
403818-0008		USE 403818-0015	
403818-0010	8-A-0832	PISTON RING T/END STD	TO6/TO7
403818-0015		USE 408049-0003	
403818-0015	8-A-0184	PISTON RING T/END STD	THO8/TEO6
403818-0023		USE 403818-0000	
403818-0031	8-A-0187	PISTON RING T/END STD	T18A
403818-0034		USE 408049-0009	
403818-0035		USE 408049-0009	
403818-0038		USE 403818-0000	
403818-0041	8-A-1566	PISTON RING C/END STD	TO4S
403818-0043	8-A-1568	PISTON RING C/END STD	T18
403818-0046	8-A-2050	PISTON RING C/END STD	GT40
403818-0047	8-A-2141	PISTON RING C/END STD	GT42
403818-0048		USE 403818-0009	
403818-0048	8-A-2827	PISTON RING C/END STD	GT32
403877-0000	8-A-1709	JOURNAL BEARING STD	T14/T30
404169-0000	8-A-0189	LOCKPLATE, T/END	T18
404223-0000	8-A-0190	LOCKPLATE, T/END	T18A
404375-0000	8-A-0191	CLAMP, C/END	T18
404470-0000		USE 444834-0000	
404470-0001		USE 444834-0001	
404470-0002		USE 444834-0002	
405155-0000		USE 408768-0003	
405155-0001		USE 405155-0000	
405157-0000		USE 405157-0001	
405157-0001	8-A-0196	LOCKPLATE, BACKPLATE	T12/TV60
405466-0000	8-A-0198	THRUST BEARING	TE06/TO5B
405919-0001	8-A-0199	JOURNAL BEARING STD/5	T04B
405919-0002		USE 410775-0012	
405919-0003	8-A-0201	JOURNAL BEARING 5/5	T04B



## CROSS REFERENCE - Garrett to Turbo International

OEM Part No.	Turbo International Part No.	Description	Turbo Model Application
405919-0004		USE 410775-0014	
405919-0005	8-A-0203	JOURNAL BEARING 5/STD	T04B
405919-0006		USE 410775-0016	
405919-0015	8-A-0205	JOURNAL BEARING STD/15	T04B
405919-0510	8-A-0206	JOURNAL BEARING 5/10	T04B
405919-1005	8-A-0208	JOURNAL BEARING 10/5	T04B
405919-1500	8-A-0210	JOURNAL BEARING 15/STD	T04B
405936-0001		USE 441411-0010	
405936-0002		USE 441411-0011	
405936-0003		USE 441411-0012	
405936-0004		USE 441411-0013	
405936-0011		USE 441411-0014	
405936-0012		USE 441411-0015	
405936-0013		USE 441411-0017	
405936-0014		USE 441411-0018	
405936-0015	8-A-0223	JOURNAL BEARING STD/15	T12/T18/TV
405936-0510	8-A-0224	JOURNAL BEARING 5/10	T12/T18/TV
405936-1005	8-A-0225	JOURNAL BEARING 10/5	T12/T18/TV
405936-1015	8-A-0227	JOURNAL BEARING 10/15	T12/T18/TV
405936-1500	8-A-0228	JOURNAL BEARING 15/STD	T12/T18/TV
405936-1510	8-A-0229	JOURNAL BEARING 15/10	T12/T18/TV
406012-0000	8-A-0232	LOCKPLATE, T/END	T18
406063-0000	8-A-0233	CLAMP, T/END	TEO6/T12
406063-0001		USE 406063-0000	
406064-0000	8-A-0234	LOCKPLATE, T/END	TEO6/T12
406385-0000	7-A-1206	SERVICE KIT, THRUST PLATE ASSY.	T18
406499-0001		USE 444834-0002	
406499-0002		USE 444834-0000	
406499-0003		USE 444834-0000	
406765-0002	8-A-0237	THRUST SPRING, BACKPLATE	TO4/TO4B
406906-0000		USE 444506-0002	
406906-0099		USE 444506-0001	
406907-0000		USE 406907-0001	
406907-0001	8-A-0240	THRUST BEARING, 3 HOLE	TBO3/TO4B
406908-0002	8-A-0241	CLAMP, T/END	TBO3/TO4B
406909-0000	8-A-0242	LOCKPLATE, T/END	TO4/TO4B
406909-0001		USE 406909-0000	
406967-0001		USE 408768-0001	
407003-0001		USE 400768-0014	
407134-0000		USE 441411-0001	
407135-0000	8-A-0244	WASHER, WEAR	TV-T18
407135-0001	8-A-1526	WASHER	TM54
407276-0005		USE 410188-0002	
407276-0018		USE 410188-0002	
407285-0018		USE 430027-0051	
407285-0019		USE 430027-0025	
407285-0020		USE 430027-0025	
407285-0021		USE 430027-0025	





## CROSS REFERENCE - Garrett to Turbo International

OEM Part No.	Turbo International Part No.	Description	Turbo Model Application
407285-0024		USE 430027-0051	
407285-0025		USE 430027-0025	
407285-0027		USE 430027-0048	
407285-0029		USE 430027-0051	
407285-0030		USE 430027-0025	
407285-0031		USE 430027-0025	
407285-0034		USE 430027-0020	
407285-0035		USE 430027-0051	
407285-0036		USE 430027-0051	
407285-0039		USE 430027-0025	
407285-0040		USE 430027-0025	
407285-0041		USE 430027-0025	
407285-0043		USE 430027-0025	
407285-0047		USE 430027-0051	
407285-0048		USE 430027-0019	
407285-0050		USE 430027-0051	
407285-0055		USE 430027-0051	
407294-0001	8-A-0709	GASKET, TURBINE INLET, DUAL PORT WIDE	TO4
407294-0002	8-A-0710	GASKET, TURBINE INLET, SINGLE PORT LARGE	TO4B
407403-0000	8-A-0245	CLAMP, T/END	T18A
407484-0001		USE 404470-0002	
407485-0001		USE 408768-0003	
407516-0000		USE 407516-0003	
407516-0003	8-A-0248	THRUST SPACER	TBO3/TO4B
407516-0004		USE 407516-0003	
407517-0000		USE 490558-0001	
407577-0002	8-A-0345	LOCKPLATE, BACKPLATE	TV SERIES
407634-0000		USE 407634-0003	
407634-0002		USE 407634-0000	
407634-0003	8-A-0240	THRUST BEARING, 3 HOLE	T3/4
407648-0001		USE 407648-0002	
407648-0002	8-A-0726	LOCKPLATE, B/HOUSING	T18A
407657-0004	6-A-3165	HEAT SHIELD	TV63/73/81/83/
407684-0000	8-A-0252	LOCKPLATE, B/HOUSING	T4
407684-0001		USE 407684-0000	
407698-0000	8-A-1562	THRUST BEARING	TO4S
407777-0003		USE 408906-0005	
407848-0012		USE 409179-0012	
407875-0000	8-A-0253	CLAMP, C/END	TO4/TO4B
407876-0000	8-A-0254	LOCK PLATE, COMPRESSOR END	TO4/TO4B
408045-0001		USE 408045-0051	
408045-0004		USE 408045-0054	
408045-0012		USE 408045-0034	
408045-0019		USE 408045-0031	
408045-0034		USE 408045-0051	
408045-0051	5-A-1210	BACKPLATE, DYNAMIC	T3/T4
408049-0000	8-A-2051	PISTON RING T/E STD	GT37/GT40/GT
408049-0001	8-A-0832	PISTON RING T/END STD	TO6/TO7



## CROSS REFERENCE - Garrett to Turbo International

OEM Part No.	Turbo International Part No.	Description	Turbo Model Application
408049-0002		USE 408049-0009	
408049-0004	8-A-1616	PISTON RING T/END STEP STD	TA45/TV
408049-0005	8-A-1913	PISTON RING T/END STD	T18
408049-0008	8-A-1914	PISTON RING T/END STD	T18A/TV75
408049-0009	8-A-1555	PISTON RING T/END STD	T3
408049-0011		USE 408049-0009	
408049-0012	8-A-0222	PISTON RING T/END STD	TV94
408049-0013	8-A-1554	PISTON RING M2 STD	TBO3
408049-0013	8-A-1559	PISTON RING T/END STD	GT32/GT35
408049-0021	8-A-2494	PISTON RING T/E STD	GT42/TA45
408049-0023	8-A-2051	PISTON RING T/E STD	GT37/GT40/GT
408049-0024		USE 408049-0013	
408049-0025	8-A-2261	PISTON RING C/END STD	BGTV75
408049-0026	8-A-2434	PISTON RING C/END STD	UTV94
408049-0028	8-A-2537	PISTON RING C/END STD	GT60
408056-0000		USE 410775-0009	
408056-0001		USE 409128-0003	
408196-0000		USE 444506-0001	
408306-0000		USE 441411-0009	
408463-0002	3-A-3169	COMPRESSOR WHEEL	TV81
408463-0004	3-A-3170	COMPRESSOR WHEEL	TV81
408463-0006	3-A-3162	COMPRESSOR WHEEL	TV81
408487-0002	5-A-3621	BACKPLATE ASSEMBLY	TV81
408487-0013	5-A-3622	BACKPLATE ASSEMBLY	TV71/81
408492-0014	2-A-3166	TURBINE WHEEL ASSEMBLY	TV78/81
408492-0016	2-A-3167	TURBINE WHEEL ASSEMBLY	TV81
408492-0021	2-A-3712	TURBINE WHEEL ASSEMBLY	TV81
408492-0022	2-A-3741	TURBINE WHEEL ASSEMBLY	TV81
408492-0023	2-A-3456	TURBINE WHEEL ASSEMBLY	TV
408593-0000	8-A-0261	THRUST BEARING	T18/TV61/THO
408597-0000	8-A-0345	LOCKPLATE, BACKPLATE	TV SERIES
408662-0000		USE 408662-0001	
408662-0001	8-A-0263	THRUST SPACER	T18A
408768-0000		USE 408768-0001	
408768-0001	8-A-0265	THRUST SPACER	TV60/80/THO8
408768-0002	8-A-0266	THRUST SPACER	T18
408768-0003	8-A-0267	THRUST SPACER	T12/TEO6/TO5
408768-0005		USE 408768-0001	
408792-0000		USE 444506-0001	
408848-0002		USE 408848-0003	
408848-0002	8-A-1565	CLAMP, 2 PIECE	TO4S
408848-0003	8-A-1565	CLAMP, 2 PIECE	TO4S
408906-0000	7-A-1833	BEARING KIT STD	TV/T18
408906-0001	7-A-2045	JOURNAL BEARING KIT 5/5	TV
408906-0002	7-A-2044	JOURNAL BEARING KIT 10/10	TV
408906-0003	7-A-2100	JOURNAL BEARING KIT 5/STD	TV61/71/81
408906-0004	7-A-2113	JOURNAL BEARING KIT STD/5	TV61/71/81
408906-0005	7-A-0993	JOURNAL BEARING KIT 10/STD	TV61



## CROSS REFERENCE - Garrett to Turbo International

OEM Part No.	Turbo International Part No.	Description	Turbo Model Application
408906-0006	7-A-2115	JOURNAL BEARING KIT STD/10	TV61/71/81
408906-0007	7-A-2116	JOURNAL BEARING KIT 20/STD	TV61/71/81
408906-0008	7-A-2117	JOURNAL BEARING KIT 20/10	TV61/71/81
408906-0009	7-A-2118	JOURNAL BEARING KIT 5/10	TV61/71/81
408906-0010	7-A-2119	JOURNAL BEARING KIT 10/5	TV61/71/81
408906-0011	7-A-2112	JOURNAL BEARING KIT 15/STD	TV61/71/81
409036-0000	8-A-0062	GASKET, OIL INLET	T04B
409037-0000	8-A-0270	GASKET, OIL OUTLET	T04B
409037-0001	8-A-0270	GASKET, OIL OUTLET	
409038-0000	8-A-0943	GASKET, TURBINE INLET, DUAL PORT	TV81
409038-0001	8-A-0988	GASKET, TURBINE INLET, SINGLE PORT	TV80
409039-0000	8-A-0711	GASKET, TURBINE INLET, DUAL PORT NARROW	TO4
409039-0001	8-A-0271	GASKET, TURBINE INLET, SINGLE PORT NARROW	T3/T4
409049-0034	8-A-3383	PISTON RING, T/END	BTG75
409096-0001		USE 409096-0008	
409096-0002		USE 409096-0009	
409096-0003		USE 409096-0010	
409096-0004		USE 409096-0011	
409096-0005		USE 409096-0014	
409096-0006		USE 409096-0013	
409096-0008	3-A-0278	COMPRESSOR WHEEL	T3
409096-0009	3-A-0279	COMPRESSOR WHEEL	T3
409096-0011	3-A-0281	COMPRESSOR WHEEL	T3
409096-0013	3-A-0277	COMPRESSOR WHEEL	T3
409096-0014	3-A-0283	COMPRESSOR WHEEL	T3
409123-0002	8-A-0753	GASKET, TURBINE INLET	TO4B
409128-0003	8-A-1561	JOURNAL BEARING, STD/STD	TO4S
409132-0001	3-A-3171	COMPRESSOR WHEEL	TV81
409132-0002	3-A-3172	COMPRESSOR WHEEL	
409132-0004	3-A-3173	COMPRESSOR WHEEL	TV81
409172-0009	1-A-3472	CARTRIDGE/CHRA	TA3101
409172-0016	1-A-2697	CARTRIDGE/CHRA	TA3106/TA310
409172-0017	1-A-2698	CARTRIDGE/CHRA	TA3108
409172-0019	1-A-2699	CARTRIDGE/CHRA	TA3113
409172-0022	1-A-2701	CARTRIDGE/CHRA	TA3114
409172-0026	1-A-2702	CARTRIDGE/CHRA	TA3106/TA310
409172-0029	1-A-2559	CARTRIDGE/CHRA	TA3106/TA310
409172-0030	1-A-2703	CARTRIDGE/CHRA	TA3113
409172-0031	1-A-2704	CARTRIDGE/CHRA	TA3101
409172-0033	1-A-2705	CARTRIDGE/CHRA	TA3131/TA311
409172-0034	1-A-2706	CARTRIDGE/CHRA	TA3107
409172-0036	1-A-2707	CARTRIDGE/CHRA	TA3117
409172-0037	1-A-2708	CARTRIDGE/CHRA	TA3112
409172-0038	1-A-2709	CARTRIDGE/CHRA	TA3404/TA340
409172-0044	1-A-2710	CARTRIDGE/CHRA	TA3118
409172-0045	1-A-2711	CARTRIDGE/CHRA	TA3107
409172-0046	1-A-2356	CARTRIDGE/CHRA	TA3107
409172-0047	1-A-2712	CARTRIDGE/CHRA	TA3117



## CROSS REFERENCE - Garrett to Turbo International

OEM Part No.	Turbo International Part No.	Description	Turbo Model Application
409172-0051	1-A-2239	CARTRIDGE/CHRA	TA3106
409172-0053	1-A-2761	CARTRIDGE/CHRA	TA3401/TA340
409172-0054	1-A-2046	CARTRIDGE/CHRA	TA34
409172-0055	1-A-3437	CARTRIDGE/CHRA	TA3122
409172-0056	1-A-2713	CARTRIDGE/CHRA	TA3131/TA312
409172-0057	1-A-2714	CARTRIDGE/CHRA	TA3117
409172-0059	1-A-2715	CARTRIDGE/CHRA	TA3101
409172-0061	1-A-2716	CARTRIDGE/CHRA	TA3119
409172-0062	1-A-2717	CARTRIDGE/CHRA	TA3119
409172-0069	1-A-2083	CARTRIDGE/CHRA	TA3130
409172-0071	1-A-2718	CARTRIDGE/CHRA	TA3131
409172-0072	1-A-2719	CARTRIDGE/CHRA	TA3131
409172-0074	1-A-2720	CARTRIDGE/CHRA	TA3132
409172-0075	1-A-2721	CARTRIDGE/CHRA	TA3134
409172-0077	1-A-2722	CARTRIDGE/CHRA	TA0319
409174-0012	1-A-2667	CARTRIDGE/CHRA	TB0310
409174-0018		USE 409174-0048	
409174-0020		USE 409174-0041	
409174-0021	1-A-2668	CARTRIDGE/CHRA	TC0303
409174-0023	1-A-2669	CARTRIDGE/CHRA	TC0303
409174-0024	1-A-2670	CARTRIDGE/CHRA	TC0303
409174-0026	1-A-2671	CARTRIDGE/CHRA	TC0303
409174-0029	1-A-2672	CARTRIDGE/CHRA	TC0303
409174-0030	1-A-2673	CARTRIDGE/CHRA	TC0303
409174-0031	1-A-2674	CARTRIDGE/CHRA	TC0303
409174-0032	1-A-2675	CARTRIDGE/CHRA	TC0303
409174-0034	1-A-0570	CARTRIDGE/CHRA	TBO327
409174-0039	1-A-1110	CARTRIDGE/CHRA	TBO318
409174-0040	1-A-0560	CARTRIDGE/CHRA	TBO332
409174-0046	1-A-2676	CARTRIDGE/CHRA	TC0303
409174-0047	1-A-1515	CARTRIDGE/CHRA	TAO305
409174-0048	1-A-0581	CARTRIDGE/CHRA	TBO335
409174-0051	1-A-2677	CARTRIDGE/CHRA	TB0331
409174-0052	1-A-0549	CARTRIDGE/CHRA	TBO310
409174-0053	1-A-0561	CARTRIDGE/CHRA	TBO322
409174-0054	1-A-0565	CARTRIDGE/CHRA	TBO344
409174-0056	1-A-0573	CARTRIDGE/CHRA	TBO346
409174-0057	1-A-0623	CARTRIDGE/CHRA	TCO304
409174-0060	1-A-2678	CARTRIDGE/CHRA	TB0374/TB037
409174-0062	1-A-2679	CARTRIDGE/CHRA	TB0327
409174-0063	1-A-2680	CARTRIDGE/CHRA	TB0352
409174-0067	1-A-0619	CARTRIDGE/CHRA	TBO338
409174-0069	1-A-2682	CARTRIDGE/CHRA	RM-60/0.3&RM
409174-0072	1-A-2683	CARTRIDGE/CHRA	TB0369
409174-0073	1-A-2260	CARTRIDGE/CHRA	TBO360
409174-0074	1-A-2684	CARTRIDGE/CHRA	TB0371/TB037
409174-0075	1-A-2685	CARTRIDGE/CHRA	TB0371
409174-0077	1-A-2686	CARTRIDGE/CHRA	TB0371



## CROSS REFERENCE - Garrett to Turbo International

OEM Part No.	Turbo International Part No.	Description	Turbo Model Application
409174-0078	1-A-2687	CARTRIDGE/CHRA	TB0371
409174-0079	1-A-2688	CARTRIDGE/CHRA	TB0371
409174-0080	1-A-2689	CARTRIDGE/CHRA	TB0371
409174-0081	1-A-2690	CARTRIDGE/CHRA	TB0371
409174-0082	1-A-2691	CARTRIDGE/CHRA	TB0371
409174-0083	1-A-2692	CARTRIDGE/CHRA	TB0371
409174-0084	1-A-2693	CARTRIDGE/CHRA	TB0371
409196-0000	8-A-0021	GASKET, TURBINE INLET	TO4B
409196-0001	8-A-0021	GASKET, TURBINE INLET	TO4B
409196-0002	8-A-0754	GASKET, TURBINE INLET	TO4B
409196-0003	8-A-0022	GASKET, TURBINE INLET	TO4B
409196-0004	8-A-0755	GASKET, TUBINE OUTLET, PAPER	T3
409248-0000	8-A-0286	GASKET, COMP.HSG ./BRG.HSG.	TB03
409248-0001		USE 409248-0000	
409266-0002	8-A-0696	GASKET, OIL INLET	TV81
409266-0003	8-A-0696	GASKET, OIL INLET	TV84
409266-0004	8-A-0696	GASKET, OIL INLET	
409267-0001	8-A-0697	GASKET, OIL OUTLET	TV/T12/T18
409267-0002	8-A-0697	GASKET, OIL OUTLET	TV/T12/T18
409267-0003	8-A-0697	GASKET, OIL OUTLET	TV/T12/T18
409299-0000	6-A-1781	SHROUD, WHEEL	T4
409299-0001	6-A-1781	SHROUD, WHEEL	T4
409377-0000	8-A-0987	GASKET, TURBINE INLET, SINGLE PORT	T18
409392-0001		USE 409392-0021	
409392-0002		USE 409392-0022	
409392-0011		USE 409392-0021	
409392-0021		USE 451310-0001	
409392-0022		USE 451310-0003	
409392-0024		USE 451310-0006	TA45/51
409558-0000		USE 409558-0001	
409558-0001	8-A-0290	THRUST COLLAR, C/SEAL	TBO3/TO4B
409627-0000	6-A-0291	HEAT SHIELD	T3
409629-0001		USE 409629-0003	
409629-0001	5-A-0293	BACKPLATE, DYNAMIC, GASKET	T3
409629-0002		USE 409629-0004	
409629-0003	5-A-0717	BACKPLATE, DYNAMIC, GASKET	T3
409629-0004	5-A-1465	BACKPLATE, DYNAMIC	T3
409629-0005	5-A-1194	BACKPLATE, DYNAMIC, O RING	TB03
409629-0008	5-A-1918	BACKPLATE, DYNAMIC	T3
409629-0017	5-A-1015	BACKPLATE, DYNAMIC	TBO3
409639-0000	6-A-0294	HEAT SHIELD	T3
409646-0002		USE 409646-0042	
409646-0021		USE 409646-0051	
409646-0032		USE 451311-0003	
409646-0032		USE 409646-0052	
409646-0051		USE 451311-0001	
409646-0051	2-A-0296	TURBINE WHEEL ASSEMBLY	T3
409695-0000	8-A-0298	CARBON SEAL, ENCAPSULATED	TBO3/TO4B



## CROSS REFERENCE - Garrett to Turbo International

OEM Part No.	Turbo International Part No.	Description	Turbo Model Application
409853-0001	1-A-1159	CARTRIDGE/CHRA	TAO301
409853-0002	1-A-2743	CARTRIDGE/CHRA	TA0302
409853-0004	1-A-2745	CARTRIDGE/CHRA	TB3102
409853-0005	1-A-2746	CARTRIDGE/CHRA	TA0303
409853-0007	1-A-0620	CARTRIDGE/CHRA	TBO311
409853-0008		USE 409853-0020	
409853-0009		USE 409853-0016	
409853-0012		USE 409853-0017	
409853-0014		USE 409853-0038	
409853-0016	1-A-0690	CARTRIDGE/CHRA	TB0312/21
409853-0017	1-A-1145	CARTRIDGE/CHRA	TCO301
409853-0018	1-A-0622	CARTRIDGE/CHRA	TAO307
409853-0019	1-A-0569	CARTRIDGE/CHRA	TBO326
409853-0020	1-A-0550	CARTRIDGE/CHRA	TBO313
409853-0023	1-A-2371	CARTRIDGE/CHRA	TBO329
409853-0025	1-A-0687	CARTRIDGE/CHRA	TB0333
409853-0026	1-A-2747	CARTRIDGE/CHRA	TB0328
409853-0027	1-A-2748	CARTRIDGE/CHRA	TA0308
409853-0029	1-A-2749	CARTRIDGE/CHRA	TB0311
409853-0031	1-A-1492	CARTRIDGE/CHRA	TAO312
409853-0032	1-A-0586	CARTRIDGE/CHRA	TBO324
409853-0033	1-A-0566	CARTRIDGE/CHRA	TBO338
409853-0034	1-A-1147	CARTRIDGE/CHRA	TAO309
409853-0035	1-A-0568	CARTRIDGE/CHRA	TBO339
409853-0037	1-A-0553	CARTRIDGE/CHRA	TBO342
409853-0038	1-A-0552	CARTRIDGE/CHRA	TBO345
409853-0039	1-A-0567	CARTRIDGE/CHRA	TBO341
409853-0040	1-A-1143	CARTRIDGE/CHRA	TAO306
409853-0041	1-A-2750	CARTRIDGE/CHRA	TB0347
409853-0042	1-A-2224	CARTRIDGE/CHRA	TAO315
409853-0043		USE 409853-0089	
409853-0043	1-A-2751	CARTRIDGE/CHRA	TB0350
409853-0044	1-A-2420	CARTRIDGE/CHRA	TAO302
409853-0045	1-A-2370	CARTRIDGE/CHRA	TAO302
409853-0046	1-A-1823	CARTRIDGE/CHRA	TBO352
409853-0047	1-A-0574	CARTRIDGE/CHRA	TBO338 & 367
409853-0048	1-A-1146	CARTRIDGE/CHRA	TAO316
409853-0050	1-A-0554	CARTRIDGE/CHRA	TBO353
409853-0051	1-A-1151	CARTRIDGE/CHRA	TBO359
409853-0052	1-A-0575	CARTRIDGE/CHRA	TBO341
409853-0053	1-A-1144	CARTRIDGE/CHRA	TBO355
409853-0054	1-A-0975	CARTRIDGE/CHRA	TBO358
409853-0055	1-A-0576	CARTRIDGE/CHRA	TBO356 & 357
409853-0056		USE 409853-0076	
409853-0057	1-A-0579	CARTRIDGE/CHRA	TBO363
409853-0061	1-A-0621	CARTRIDGE/CHRA	TBO349
409853-0062	1-A-2374	CARTRIDGE/CHRA	TBO371
409853-0063	1-A-0555	CARTRIDGE/CHRA	TBO368



## CROSS REFERENCE - Garrett to Turbo International

OEM Part No.	Turbo International Part No.	Description	Turbo Model Application
409853-0064	1-A-2753	CARTRIDGE/CHRA	TA0306
409853-0068	1-A-0562	CARTRIDGE/CHRA	TBO367
409853-0069	1-A-0556	CARTRIDGE/CHRA	TBO373
409853-0070	1-A-0572	CARTRIDGE/CHRA	TBO346
409853-0074	1-A-0559	CARTRIDGE/CHRA	TBO381
409853-0076	1-A-0558	CARTRIDGE/CHRA	TBO361
409853-0079	1-A-0564	CARTRIDGE/CHRA	TBO384
409853-0082	1-A-0557	CARTRIDGE/CHRA	TBO386
409853-0083	1-A-0563	CARTRIDGE/CHRA	TBO367
409853-0085	1-A-0580	CARTRIDGE/CHRA	TBO363
409853-0086	1-A-1936	CARTRIDGE/CHRA	TAO302
409853-0088	1-A-0582	CARTRIDGE/CHRA	TBO368
409853-0089	1-A-1724	CARTRIDGE/CHRA	TBO350
409853-0092	1-A-2237	CARTRIDGE/CHRA	TAO318
409853-0096	1-A-0571	CARTRIDGE/CHRA	TBO373
409853-0099		USE 409853-0093	
409853-0101	1-A-3137	CARTRIDGE/CHRA	TAO315
409912-0002		USE 409912-0022	
409912-0014		USE 409912-0024	
409989-0022		USE 409989-0072	
409989-0032		USE 409989-0072	
409989-0072		USE 451311-0014	
409989-0082		USE 451311-0013	
409989-0093		USE 409989-0072	
409989-0094		USE 409989-0082	
410004-0000		USE 400834-0202	
410121-0000		USE 410121-0007	
410121-0007	8-A-0712	JOURNAL BEARING, STD/STD	TV91/92/94
410121-0008	8-A-1969	JOURNAL BEARING, STD/10	TV91/92/94
410121-0009	8-A-1975	JOURNAL BEARING, 10/10	TV91/92/94
410121-0010	8-A-1973	JOURNAL BEARING, 10/STD	TV91/92/94
410122-0000	8-A-0729	WEAR WASHER	TV94
410124-0000	8-A-0207	THRUST BEARING, INBOARD	TV94
410188-0014		USE 410188-0002	
410188-0036		USE 410188-0002	
410218-0002	8-A-0334	CLAMP, C/END	TBO3
410249-0001		USE 410775-0009	
410249-0001	8-A-1522	JOURNAL BEARING STD	TP38
410302-0000	7-A-0930	GASKET KIT	T3/TO4
410393-0001		USE 410393-0002	
410393-0002	8-A-2438	THRUST BEARING, STEEL	TA45 & TV83
410394-0001		USE 410394-0008	
410394-0003		USE 410394-0010	
410394-0005		USE 410394-0012	
410394-0007		USE 410394-0014	
410394-0008	8-A-0312	JOURNAL BEARING STD	TA45/51
410394-0010	8-A-0844	JOURNAL BEARING STD/10	TA45/51
410394-0012	8-A-0850	JOURNAL BEARING 10/10	TA45/51



## CROSS REFERENCE - Garrett to Turbo International

OEM Part No.	Turbo International Part No.	Description	Turbo Model Application
410394-0014	8-A-0848	JOURNAL BEARING 10/STD	TA45/51
410448-0009		USE 435243-0002	
410448-0012		USE 435243-0001	
410450-0001		USE 410450-0014	
410450-0002		USE 410450-0013	
410450-0003		USE 410450-0011	
410450-0004		USE 410450-0012	
410450-0011	3-A-1077	COMPRESSOR WHEEL	TBO2
410450-0012	3-A-1075	COMPRESSOR WHEEL	TBO2
410450-0013	3-A-1463	COMPRESSOR WHEEL	TBO2
410450-0014	3-A-1079	COMPRESSOR WHEEL	TBO2
410480-0001	8-A-0317	THRUST SPACER	TBO2
410581-0006	1-A-1181	CARTRIDGE/CHRA	TB03
410581-0007	1-A-0588	CARTRIDGE/CHRA	TBO306
410581-0008	1-A-1182	CARTRIDGE/CHRA	TB03
410606-0000		USE 441411-0009	
410606-0000		USE 441411-0001	
410606-0000		USE 441411-0001	
410606-0003		USE 441411-0012	
410606-0004		USE 441411-0013	
410606-0006		USE 441411-0015	
410606-0007		USE 441411-0017	
410606-0008		USE 441411-0018	
410644-0000	8-A-2923	GASKET, OIL INLET	TEO6
410775-0001		USE 410775-0009	
410775-0001	8-A-0256	JOURNAL BEARING STD	T3/T4
410775-0004		USE 410775-0012	
410775-0006		USE 410775-0014	
410775-0008		USE 410775-0016	
410775-0009	8-A-0256	JOURNAL BEARING STD	T3/T4
410775-0012	8-A-0200	JOURNAL BEARING STD/10	T04B
410775-0014	8-A-0202	JOURNAL BEARING 10/10	T04B
410775-0016	8-A-0204	JOURNAL BEARING 10/STD	T04B
410800-0001	8-A-0319	THRUST COLLAR	TA45/51
410801-0001	8-A-0320	THRUST SPACER	TA45/51
410987-0000	8-A-0321	CLAMP, C/END	TA45/TA51
411843-0001		USE 441843-0001	
413671-0000	8-A-0270	GASKET, OIL OUTLET	T04B
413943-0000	7-A-2069	SERVICE KIT	TW92
430027-0001		USE 430027-0025	
430027-0002		USE 430027-0025	
430027-0003		USE 430027-0025	
430027-0005		USE 430027-0025	
430027-0009		USE 430027-0025	
430027-0010		USE 430027-0025	
430027-0011		USE 430027-0025	
430027-0012		USE 430027-0025	
430027-0013		USE 430027-0027	





## CROSS REFERENCE - Garrett to Turbo International

OEM Part No.	Turbo International Part No.	Description	Turbo Model Application
430027-0016		USE 430027-0025	
430027-0018		USE 430027-0025	
430027-0020	4-A-3322	BEARING HOUSING, OIL COOLED	T3
430027-0021	4-A-2047	BEARING HOUSING, OIL COOLED	T3
430027-0022		USE 430027-0025	
430027-0024		USE 430027-0025	
430027-0025	4-A-0323	BEARING HOUSING, OIL COOLED	T3/T4
430027-0026		USE 430027-0050	
430027-0027		USE 430027-0050	
430027-0029		USE 430027-0021	
430027-0031		USE 430027-0051	
430027-0032		USE 430027-0021	
430027-0035		USE 430027-0051	
430027-0036		USE 430027-0055	
430027-0036	4-A-0823	BEARING HOUSING, WATER COOLED	T3
430027-0038		USE 430027-0048	
430027-0039	4-A-1214	BEARING HOUSING, WATER COOLED	T3/T4
430027-0041		USE 430027-0039	
430027-0047		USE 430027-0050	
430027-0048	4-A-1333	BEARING HOUSING, OIL COOLED	T3
430027-0050	4-A-1776	BEARING HOUSING, WATER COOLED	T3
430027-0051	4-A-1331	BEARING HOUSING, OIL COOLED	T3/T4
430027-0052		USE 430027-0059	
430027-0055	4-A-1115	BEARING HOUSING, WATER COOLED	T3/T4
430027-0056		USE 430027-0025	
430027-0057		USE 430027-0051	
430027-0059	4-A-0946	BEARING HOUSING, WATER COOLED	T3/T4
430064-0001	8-A-0327	RETAINING RING, J/ BRG & OIL DEFLECTOR	T2
430068-0001		USE 430068-0002	
430068-0002	8-A-0484	SPRING, CARBON SEAL	TBO3
430069-0001		USE 430069-0002	
430069-0002	8-A-0328	CARBON SEAL, FLOATING	TBO3
430071-0001	8-A-0339	RETAINER, SPRING	TBO2/T25
430082-0003	5-A-0992	BACKPLATE, C/SEAL	T3
430090-0001	8-A-0330	O-RING	TBO3
430090-0003	8-A-0331	O-RING	TBO2
430093-0004	8-A-0332	JOURNAL BEARING, NARROW, STD	TBO2/T25
430093-0005		USE 430093-0004	
430093-0006		USE 430093-0004	
430093-0007		USE 430093-0010	
430093-0008		USE 430093-0011	
430093-0009		USE 430093-0012	
430093-0010	8-A-0490	JOURNAL BEARING NARROW 10/STD	TB02
430093-0011	8-A-0488	JOURNAL BEARING NARROW STD/5	TB02
430093-0012	8-A-0853	JOURNAL BEARING NARROW 10/5	TBO2/T2
430093-0013		USE 430093-0010	
430093-0014		USE 430093-0011	
430093-0015		USE 430093-0012	



## CROSS REFERENCE - Garrett to Turbo International

OEM Part No.	Turbo International Part No.	Description	Turbo Model Application
430093-0016	8-A-0332	JOURNAL BEARING NARROW STD/STD	TBO2/T25
430093-0018	8-A-0490	JOURNAL BEARING NARROW 10/STD	TB02
430093-0019	8-A-0488	JOURNAL BEARING NARROW STD/5	TB02
430093-0020	8-A-0853	JOURNAL BEARING NARROW 10/5	TBO2/T2
430108-0001		USE 430108-0003	
430108-0002		USE 430108-0003	
430108-0003	5-A-0333	BACKPLATE, FLOATING C/SEAL, GSKT TYPE	T3
430108-0004	5-A-0718	BACKPLATE, FLOATING C/SEAL, O RING TYPE	T3
430338-0007		USE 435922-0001	
430378-0001	8-A-0334	CLAMP, C/END	TBO3
430425-0002	1-A-2318	CARTRIDGE/CHRA	TBO202
430425-0005	1-A-2754	CARTRIDGE/CHRA	TB0203
430425-0006	1-A-2660	CARTRIDGE/CHRA	TBO204
430425-0007	1-A-2317	CARTRIDGE/CHRA	TBO205
430425-0008	1-A-2755	CARTRIDGE/CHRA	TB0207
430425-0009	1-A-2661	CARTRIDGE/CHRA	TBO206
430425-0010	1-A-1047	CARTRIDGE/CHRA	TBO209
430425-0021	1-A-2756	CARTRIDGE/CHRA	TB0213/TB021
430425-0025	1-A-1046	CARTRIDGE/CHRA	TBO209
430425-0028	1-A-2757	CARTRIDGE/CHRA	TB0203
430425-0032	1-A-2102	CARTRIDGE/CHRA	TB2506/21/22
430425-0033	1-A-2433	CARTRIDGE/CHRA	TBO210
430425-0035		USE 430425-0056	
430425-0037	1-A-2663	CARTRIDGE/CHRA	TBO231
430425-0044		USE 430425-0029	
430425-0053	1-A-1047	CARTRIDGE/CHRA	TBO209
430425-0056	1-A-1280	CARTRIDGE/CHRA	TBO12
430425-0059	1-A-2576	CARTRIDGE/CHRA	TB2568
430604-0001	8-A-0335	SPRING, CARBON SEAL	TBO2/T25
430610-0001	8-A-0336	CARBON SEAL, FLOATING	TBO2/T25
430612-0003	7-A-0337	SEAL PLATE, CARBON SEAL	TBO2/T25
430613-0001	8-A-0337	SEAL PLATE, FLOATING CARBON SEAL	TBO2/T25
430615-0001	8-A-1244	RETAINER, SPRING	TB03
430651-0002		USE 432254-0001	
430670-0004		USE 432257-0009	
430715-0001	8-A-0953	RETAINING RING, T/END	T2
430733-0001		USE 443852-0002	
430735-0001	8-A-0158	SEAL PLATE, DYNAMIC, MACHINED	T2/T25
430763-0001		USE 444379-0003	
430765-0001	8-A-0954	RETAINING RING, OIL DEFLECTOR	T2
430871-0002	6-A-0707	HEAT SHIELD	T2
430875-0001	6-A-1096	SHROUD	TBO2
430936-0003		USE 430936-0008	
430936-0008	4-A-1086	BEARING HOUSING, OIL COOLED	TBO2
431055-0001	6-A-1102	SHROUD	TBO2
431055-0003	6-A-1102	SHROUD	TBO2
431126-0001		USE 435257-0001	
431126-0002		USE 435737-0005	



## CROSS REFERENCE - Garrett to Turbo International

OEM Part No.	Turbo International Part No.	Description	Turbo Model Application
431236-0002		USE 431236-0009	
431236-0009	4-A-1084	BEARING HOUSING, WATER COOLED	T2/T25
431350-0001		USE 431350-0015	
431350-0002		USE 431350-0016	
431350-0002	3-A-1336	COMPRESSOR WHEEL	T25
431350-0005		USE 431350-0016	
431350-0005	3-A-1336	COMPRESSOR WHEEL	T25
431350-0007		USE 431350-0015	
431350-0015	3-A-1053	COMPRESSOR WHEEL	TBO2
431350-0016	3-A-1336	COMPRESSOR WHEEL	T25
431350-0017	3-A-1876	COMPRESSOR WHEEL	T2/T25
431350-0019	3-A-2223	COMPRESSOR WHEEL	T2/T25
431494-0001	1-A-2694	CARTRIDGE/CHRA	TB03
431494-0002	1-A-0589	CARTRIDGE/CHRA	TB03
431494-0003	1-A-2695	CARTRIDGE/CHRA	TB03
431518-0001		USE 432726-0001	
431527-0002	4-A-1885	BEARING HOUSING, OIL COOLED	
431752-0816	8-A-0156	BOLT, T/END, metric thread	T2/T25
431876-0010	1-A-2723	CARTRIDGE/CHRA	TB0210
431876-0011	1-A-2662	CARTRIDGE/CHRA	TBO212
431876-0021	1-A-2733	CARTRIDGE/CHRA	TB2525
431876-0023		USE 431876-0063	
431876-0023	1-A-1283	CARTRIDGE/CHRA	TBO210
431876-0025	1-A-2376	CARTRIDGE/CHRA	TB2519/TB252
431876-0041		USE 431876-0070	
431876-0048	1-A-3716	CARTRIDGE/CHRA	TB2557
431876-0050		USE 431876-0072	
431876-0059	1-A-2509	CARTRIDGE/CHRA	TB2566
431876-0061	1-A-2319	CARTRIDGE/CHRA	TBO211
431876-0063	1-A-1281	CARTRIDGE/CHRA	TBO210
431876-0065	1-A-2620	CARTRIDGE/CHRA	TB2547
431876-0067	1-A-2620	CARTRIDGE/CHRA	TB2541
431876-0070	1-A-2331	CARTRIDGE/CHRA	TB2209, TB22
431876-0071	1-A-2752	CARTRIDGE/CHRA	TB2519
431876-0072	1-A-1282	CARTRIDGE/CHRA	TB2522
431876-0100	1-A-3717	CARTRIDGE/CHRA	TB25
431876-0109	1-A-3470	CARTRIDGE/CHRA	TB28
432197-0001	8-A-3476	GASKET, OIL INLET	TO4B/TA31/TO
432236-0002		USE 432236-0008	
432236-0008	8-A-0341	JOURNAL BEARING, WIDE, STD/STD	TBO2/T25
432236-0009		USE 432236-0008	
432236-0010		USE 432236-0008	
432236-0011		USE 432236-0008	
432254-0001		USE 432254-0002	
432254-0002	8-A-0486	THRUST BEARING, 3 LOCATION HOLES, STEEL	TBO2
432257-0009	4-A-1088	BEARING HOUSING, OIL COOLED	TBO2
432261-0001	8-A-0342	THRUST COLLAR, 3 BOLT, C/SEAL	TBO2
432277-0003	1-A-1313	CARTRIDGE/CHRA	T3



## CROSS REFERENCE - Garrett to Turbo International

OEM Part No.	Turbo International Part No.	Description	Turbo Model Application
432277-0004	1-A-2724	CARTRIDGE/CHRA	TB0391
432280-0001	8-A-0158	SEAL PLATE, DYNAMIC, MACHINED	TBO2/T25
432348-0003	3-A-3206	COMPRESSOR WHEEL	TB2520
432351-0009	4-A-1082	BEARING HOUSING, WATER COOLED	TBO2
432351-0011	4-A-2339	BEARING HOUSING, WATER COOLED	T25
432351-0024	4-A-3714	BEARING HOUSING, WATER COOLED	TB25
432360-0001		USE 435259-0001	
432424-0001		USE 432424-0002	VNT15/GT174
432571-0001		USE 435243-0001	
432571-0002		USE 435243-0002	
432571-0004		USE 435243-0004	
432571-0005		USE 435243-0005	
432620-0001		USE 435257-0001	
432620-0002		USE 435257-0002	
432620-0002	2-A-3252	TURBINE WHEEL ASSEMBLY	TD2502
432726-0001	8-A-0957	CLAMP, T/END	T2
432913-0005		USE 435349-0005	
432958-0002		USE 435350-0002	
433123-0002	8-A-2189	JOURNAL BEARING STD	GT15
433158-0001		USE 433290-0042	
433165-0001		USE 433298-0030	
433165-0007		USE 433298-0030	
433246-0003	3-A-2177	COMPRESSOR WHEEL	GT15
433249-0001	5-A-2187	BACKPLATE	GT15
433254-0001	5-A-2185	BACKPLATE	GT15
433254-0003	5-A-2186	BACKPLATE	GT15
433256-0001	3-A-2178	COMPRESSOR WHEEL	GT15
433257-0010	2-A-3254	TURBINE WHEEL ASSEMBLY	VNT15/GT174
433259-0002	5-A-3301	BACKPLATE	
433275-0002	4-A-2172	BEARING HOUSING, OIL COOLED	GT15
433275-0005	4-A-3715	BEARING HOUSING, OIL COOLED	GT15
433287-0002	3-A-2179	COMPRESSOR WHEEL	GT15
433287-0004	3-A-2180	COMPRESSOR WHEEL	GT15
433287-0009	3-A-2181	COMPRESSOR WHEEL, plain bore	GT15
433287-0011	3-A-2181	COMPRESSOR WHEEL, plain bore	GT15
433289-0006	1-A-2568	CARTRIDGE/CHRA	GT1544
433289-0007	1-A-2159	CARTRIDGE/CHRA	GT1549
433289-0009	1-A-2160	CARTRIDGE/CHRA	GT1544
433289-0010	1-A-3862	CARTRIDGE/CHRA	GT1752
433289-0011	1-A-3734	CARTRIDGE/CHRA GT1544 TYPE	GT1544
433289-0012	1-A-2161	CARTRIDGE/CHRA	GT1544
433289-0014	1-A-2162	CARTRIDGE/CHRA	GT1544
433289-0050	1-A-3735	CARTRIDGE/CHRA GT1544 TYPE	GT1544
433289-0057	1-A-3834	CARTRIDGE/CHRA	GT15/GT17
433289-0058	1-A-2570	CARTRIDGE/CHRA	GT1544
433289-0060	1-A-2164	CARTRIDGE/CHRA	GT1544
433289-0061	1-A-3451	CARTRIDGE/CHRA	GT1544H
433289-0065	1-A-3719	CARTRIDGE/CHRA	GT1544



## CROSS REFERENCE - Garrett to Turbo International

OEM Part No.	Turbo International Part No.	Description	Turbo Model Application
433289-0071	1-A-3777	CARTRIDGE/CHRA GT1544 TYPE	GT1544
433289-0074	1-A-3736	CARTRIDGE/CHRA GT1544 TYPE	GT1544
433289-0075	1-A-3865	CARTRIDGE/CHRA	GT1549
433289-0087	1-A-3868	CARTRIDGE/CHRA	GT15
433289-0104	1-A-3737	CARTRIDGE/CHRA GT1544 TYPE	GT1544
433289-0116	1-A-2940	CARTRIDGE/CHRA	GT1549
433289-0119	1-A-3738	CARTRIDGE/CHRA GT1544 TYPE	GT1544
433289-0127	1-A-3739	CARTRIDGE/CHRA GT1544 TYPE	GT1544
433289-0130	1-A-3845	CARTRIDGE/CHRA	GT1544
433289-0131	1-A-3867	CARTRIDGE/CHRA	GT1549
433289-0132	1-A-3866	CARTRIDGE/CHRA	GT1549
433289-0143	1-A-3864	CARTRIDGE/CHRA	GT1549
433289-0242	1-A-3863	CARTRIDGE/CHRA	GT1549
433290-0004	2-A-3830	TURBINE WHEEL ASSEMBLY	GT15
433290-0042	2-A-2175	TURBINE WHEEL 10 blade	GT15
433298-0001		USE 433298-0030	
433298-0004		USE 433298-0032	
433298-0030	2-A-3508	TURBINE WHEEL ASSY	GT15
433298-0042		USE 433290-0042	
433351-0001	8-A-1951	BOLT, C/END	GT15
433352-0009		USE 433352-0019	
433395-0010		USE 433395-0019	
433395-0012		USE 433395-0007	
434097-0001	8-A-2145	WASHER, B/PLATE	GT42
434302-0001	6-A-2184	SHROUD	GT15
434518-0001	8-A-2196	THRUST COLLAR	GT15-GT25
434533-0002	2-A-3829	TURBINE WHEEL ASSEMBLY	GT15V/GT174
434533-0006	2-A-3255	TURBINE WHEEL ASSEMBLY	GT1749V
434533-0007	2-A-3576	TURBINE WHEEL ASSEMBLY	GT15/GT17V
434533-0009	2-A-3257	TURBINE WHEEL ASSEMBLY	GT1749V
434533-0012	2-A-3831	TURBINE WHEEL ASSEMBLY	GT17V
434533-0035	2-A-3258	TURBINE WHEEL ASSEMBLY	GT1749V
434604-0001	8-A-3008	CLAMP, T/END, 5 washer type	GT15-GT25
434604-0001	8-A-3467	CLAMP/WASHER, T/END	GT15/GT25
434678-0001	8-A-2618	THRUST SPACER	GT20/GT22
434689-0001	5-A-3847	BACKPLATE	GT17
434689-0004	5-A-3848	BACKPLATE	GT17
434713-0001	2-A-3833	TURBINE WHEEL ASSEMBLY	GT15/GT17
434713-0007	2-A-3320	TURBINE WHEEL ASSEMBLY	GT15
434714-0002		USE 454714-0019	
434714-0003	2-A-3260	TURBINE WHEEL ASSEMBLY	GT1749LS
434714-0004		USE 434714-0019	
434714-0009	2-A-3861	TURBINE WHEEL ASSEMBLY	GT17
434714-0019	2-A-3754	TURBINE WHEEL ASSEMBLY	GT1752
434717-0028	2-A-3782	TURBINE WHEEL ASSEMBLY	GT25V
434717-0033	2-A-3832	TURBINE WHEEL ASSEMBLY	GT25V
434812-0001	3-A-3267	COMPRESSOR WHEEL	VNT15/GT174
434882-0005	2-A-3695	TURBINE WHEEL ASSEMBLY	GT22V



## CROSS REFERENCE - Garrett to Turbo International

OEM Part No.	Turbo International Part No.	Description	Turbo Model Application
435034-0002	8-A-1859	O RING, B/HSG	GT15
435243-0001	2-A-1074	TURBINE WHEEL ASSEMBLY	TBO2
435243-0002	2-A-1071	TURBINE WHEEL ASSEMBLY	TBO2
435243-0003	2-A-1335	TURBINE WHEEL ASSEMBLY	TBO2
435243-0004	2-A-2346	TURBINE WHEEL ASSEMBLY	T2
435243-0005	2-A-1285	TURBINE WHEEL ASSEMBLY	TBO2
435243-0006	2-A-2335	TURBINE WHEEL ASSEMBLY	T2
435255-0001	8-A-2589	LOCKNUT, SHAFT, 0.2640"/6.70mm tall	T2/T25
435255-0002	8-A-2470	LOCKNUT, SHAFT, 0.354"/8.99mm tall	T2/T25
435257-0001		USE 435922-0001	
435257-0003	2-A-2338	TURBINE WHEEL ASSEMBLY	T25
435257-0004	2-A-2623	TURBINE WHEEL ASSEMBLY	TB25
435257-0005	2-A-1862	TURBINE WHEEL ASSEMBLY	T2
435259-0001	2-A-1051	TURBINE WHEEL ASSEMBLY	T2
435349-0005	4-A-1848	BEARING HOUSING OIL COOLED	T25
435349-0018	4-A-2336	BEARING HOUSING OIL COOLED	T25
435350-0001	4-A-1850	BEARING HOUSING OIL COOLED	T2
435350-0002	4-A-1092	BEARING HOUSING OIL COOLED	TBO2
435350-0003	4-A-2334	BEARING HOUSING OIL COOLED	T2
435350-0006	4-A-2329	BEARING HOUSING OIL COOLED	T250-04
435350-0007	4-A-2333	BEARING HOUSING OIL COOLED	T2
435350-0008		USE 435350-0003	
435350-0014	4-A-1887	BEARING HOUSING OIL COOLED	T25
435354-0009	2-A-2507	TURBINE WHEEL ASSEMBLY	TBO2/TB25
435362-0006	1-A-2892	CARTRIDGE/CHRA	TB15
435368-0003	2-A-1863	TURBINE WHEEL ASSEMBLY	T2
435368-0007	2-A-2337	TURBINE WHEEL ASSEMBLY	T2
435419-0001	8-A-1856	LOCKNUT	GT15
435419-0002	8-A-2207	LOCKNUT, SHAFT	
435419-0003	8-A-3009	LOCKNUT, T/WHEEL, NON-PLATED	GT15-GT25
435524-0001	6-A-2657	SHROUD	TBO2
435737-0001	2-A-1884	TURBINE WHEEL ASSEMBLY	TBO2
435737-0002	2-A-3449	TURBINE WHEEL ASSEMBLY	VNT25
435737-0004	2-A-3448	TURBINE WHEEL ASSEMBLY	T25
435737-0005	2-A-2369	TURBINE WHEEL ASSEMBLY	TB25
435737-0006	2-A-3446	TURBINE WHEEL ASSEMBLY	T25
435737-0010	2-A-3468	TURBINE WHEEL ASSEMBLY	TB28
435737-0020	2-A-3447	TURBINE WHEEL ASSEMBLY	T2
435772-0001	8-A-1854	BOLT, T/BRG	GT15
435787-0001		USE 433249-0001	
435793-0002		USE 433275-0002	
435793-0010	4-A-2173	BEARING HOUSING, OIL COOLED	GT15
435794-0001	8-A-1937	PIN, J/BRG.	GT15
435795-0001	8-A-1858	JOURNAL BEARING STD	GT15
435795-0001	8-A-3012	JOURNAL BEARING, STD	GT15-GT25
435795-0002		USE 433123-0002	
435796-0015	1-A-2165	CARTRIDGE/CHRA	GT1544
435796-0018	1-A-2166	CARTRIDGE/CHRA	GT1544



## CROSS REFERENCE - Garrett to Turbo International

OEM Part No.	Turbo International Part No.	Description	Turbo Model Application
435796-0020	1-A-3740	CARTRIDGE/CHRA GT1544 TYPE	GT1544
435796-0021	1-A-2569	CARTRIDGE/CHRA	GT1544
435815-0001	8-A-1857	THRUST SPACER, 9.3MM P/RING, FLATBACK C/W	GT15-GT25
435922-0001	2-A-3321	TURBINE WHEEL ASSEMBLY	T2/TB25
435922-0002	2-A-2337	TURBINE WHEEL ASSEMBLY	T2
435922-0003	2-A-2508	TURBINE WHEEL ASSEMBLY	TB25
435922-0016	2-A-3342	TURBINE WHEEL ASSEMBLY	TD25/VNT25
435949-0001	8-A-2198	THRUST COLLAR	GT15
436131-0001	3-A-3704	COMPRESSOR WHEEL	GT2052V
436131-0002	3-A-3269	COMPRESSOR WHEEL	GT2052V
436131-0003	3-A-3270	COMPRESSOR WHEEL	GT2052V
436131-0021	3-A-3351	COMPRESSOR WHEEL	GT1852V
436132-0001	3-A-3323	COMPRESSOR WHEEL	GT15
436132-0002	3-A-3219	COMPRESSOR WHEEL	GT15
436132-0003	3-A-3271	COMPRESSOR WHEEL	GT1549V
436133-0002	3-A-2183	COMPRESSOR WHEEL	GT15
436320-0001	3-A-3272	COMPRESSOR WHEEL	GT1749LS
436336-0019	3-A-3694	COMPRESSOR WHEEL	GT22V
441083-0000		USE 441083-0001	
441083-0001	8-A-0345	LOCKPLATE, BACKPLATE	TV SERIES
441341-0001		USE 441341-0002	
441411-0001		USE 441411-0009	
441411-0006		USE 441411-0014	
441411-0009	8-A-0257	JOURNAL BEARING STD	T12/T18/TV
441411-0010	8-A-0211	JOURNAL BEARING 5/STD	T12/T18/TV
441411-0011	8-A-0213	JOURNAL BEARING STD/5	T12/T18/TV
441411-0012	8-A-0217	JOURNAL BEARING 10/STD	T12/T18/TV
441411-0013	8-A-0215	JOURNAL BEARING STD/10	T12/T18/TV
441411-0014	8-A-0219	JOURNAL BEARING 5/5	T12/T18/TV
441411-0015	8-A-0221	JOURNAL BEARING 10/10	T12/T18/TV
441411-0017	8-A-0230	JOURNAL BEARING 20/STD	T12/T18/TV
441411-0018	8-A-0231	JOURNAL BEARING 20/10	T12/T18/TV
441575-0000	7-A-2233	GASKET KIT	TA74
441829-0002	3-A-3340	COMPRESSOR WHEEL	TV
441829-0003	3-A-3339	COMPRESSOR WHEEL	TV
441843-0001		USE 441411-0009	
441843-0002		USE 441411-0012	
441843-0002		USE 441411-0004	
441843-0003		USE 441411-0013	
441843-0004		USE 441411-0015	
441843-0005		USE 441411-0017	
441843-0006		USE 441411-0018	
441902-0001	6-A-3752	HEAT SHIELD	TV63/73/81/83/
441903-0002	8-A-0348	THRUST SPACER	TV63
441904-0002	8-A-0349	THRUST COLLAR	TV63
441934-0000	8-A-3083	THRUST COLLAR	TV91
442030-0001		USE 443686-0001	
442479-0002	2-A-3168	TURBINE WHEEL ASSEMBLY	TV81



## CROSS REFERENCE - Garrett to Turbo International

OEM Part No.	Turbo International Part No.	Description	Turbo Model Application
443136-0001	8-A-0352	CLAMP, C/END, 2 PIECE	TO4E
443594-0001	6-A-1878	SHROUD	T2/T25
443686-0001	8-A-1209	THRUST BEARING 270° 3 lug design	TA45/TA51
443792-0001	8-A-0209	THRUST COLLAR	TV94
443824-0014		USE 443824-0017	
443852-0001		USE 443852-0002	
443852-0002	8-A-0354	THRUST COLLAR, DYNAMIC	T2/T25
443853-0019	1-A-1043	CARTRIDGE/CHRA	TBO203/214
443853-0020	1-A-2103	CARTRIDGE/CHRA	TB0203
443853-0022	1-A-1045	CARTRIDGE/CHRA	TBO213
443853-0024	1-A-1061	CARTRIDGE/CHRA	TBO218
443853-0027	1-A-2328	CARTRIDGE/CHRA	TBO235
443853-0030	1-A-2105	CARTRIDGE/CHRA	TBO249
443854-0001	1-A-2725	CARTRIDGE/CHRA	TB0218
443854-0007	1-A-2726	CARTRIDGE/CHRA	TB0232
443854-0009	1-A-2665	CARTRIDGE/CHRA	TBO227
443854-0010	1-A-2728	CARTRIDGE/CHRA	TB0227
443854-0013	1-A-2294	CARTRIDGE/CHRA	TBO234
443854-0014	1-A-2326	CARTRIDGE/CHRA	TBO225
443854-0017	1-A-2659	CARTRIDGE/CHRA	TBO245
443854-0019	1-A-1038	CARTRIDGE/CHRA	TBO237
443854-0022	1-A-2729	CARTRIDGE/CHRA	TB0238
443854-0025	1-A-2293	CARTRIDGE/CHRA	TB2530
443854-0027	1-A-2730	CARTRIDGE/CHRA	TB0232
443854-0028	1-A-2295	CARTRIDGE/CHRA	TB0223
443854-0029	1-A-2325	CARTRIDGE/CHRA	TBO259
443854-0031	1-A-2106	CARTRIDGE/CHRA	TBO255
443854-0033	1-A-1060	CARTRIDGE/CHRA	TBO242
443854-0040	1-A-1063	CARTRIDGE/CHRA	TBO228
443854-0046	1-A-2108	CARTRIDGE/CHRA	TB2531
443854-0047	1-A-2735	CARTRIDGE/CHRA	TB0254
443854-0055	1-A-2330	CARTRIDGE/CHRA	TB2531
443854-0058	1-A-2655	CARTRIDGE/CHRA	TBO257/TBO2
443854-0063	1-A-2109	CARTRIDGE/CHRA	TB2508/17
443854-0063	1-A-2736	CARTRIDGE/CHRA	TB2508/TB251
443854-0073	1-A-2737	CARTRIDGE/CHRA	TB0234
443854-0077	1-A-2656	CARTRIDGE/CHRA	TBO262
443854-0084	1-A-2681	CARTRIDGE/CHRA	TB2555
443854-0085	1-A-2323	CARTRIDGE/CHRA	TBO267
443854-0089	1-A-3869	CARTRIDGE/CHRA	TB02
443854-0092	1-A-2321	CARTRIDGE/CHRA	TBO268
443854-0093	1-A-2594	CARTRIDGE/CHRA	TB2531
443854-0098	1-A-2322	CARTRIDGE/CHRA	TB2509
443854-0100	1-A-2739	CARTRIDGE/CHRA	TB0265
443854-0101	1-A-2740	CARTRIDGE/CHRA	TB2509
443854-0104	1-A-2741	CARTRIDGE/CHRA	TB0280
443854-0110	1-A-2327	CARTRIDGE/CHRA	T250-04
443854-0114	1-A-2110	CARTRIDGE/CHRA	TBO264





## CROSS REFERENCE - Garrett to Turbo International

OEM Part No.	Turbo International Part No.	Description	Turbo Model Application
443854-0119	1-A-2571	CARTRIDGE/CHRA	TBO227
443854-0123	1-A-3870	CARTRIDGE/CHRA	TB02
443854-0128	1-A-2742	CARTRIDGE/CHRA	TB0270
443854-0147	1-A-2727	CARTRIDGE/CHRA	TB0289
443876-0620	8-A-2144	BOLT	GT42
443941-0001	4-A-1090	BEARING HOUSING, WATER COOLED	T2/T25
443941-0015	4-A-1886	BEARING HOUSING, OIL COOLED	T2
443989-0001		USE 400768-0011	
443989-0001	8-A-1201	LOCKNUT, SHAFT, R/H THREAD	T3/T4
444101-0202		USE 400834-0202	
444205-0001	8-A-1869	LOCKNUT, SHAFT, L/HAND THREAD	T3
444205-0002	8-A-2352	LOCKNUT, SHAFT, L/HAND THREAD	TMF5, TO4E &
444226-0005	4-A-1093	BEARING HOUSING, WATER COOLED	T2/T25
444226-0009	4-A-1860	BEARING HOUSING, WATER COOLED	T2
444283-0202		USE 400834-0202	
444284-0616		USE 400674-0616	
444321-0009	1-A-3207	CARTRIDGE/CHRA	TB2520
444357-0015	4-A-1851	BEARING HOUSING, WATER COOLED	T2
444360-0003	4-A-1087	BEARING HOUSING, WATER COOLED	T2/T25
444360-0009	4-A-1085	BEARING HOUSING, WATER COOLED	T2/T25
444360-0010	4-A-1852	BEARING HOUSING, WATER COOLED	T25
444360-0011	4-A-1094	BEARING HOUSING, WATER COOLED	T2/T25
444360-0012	4-A-2593	BEARING HOUSING, WATER COOLED	T25
444360-0013	4-A-2315	BEARING HOUSING, WATER COOLED	T25
444360-0017		USE 444360-0003	
444379-0003	8-A-1527	SEAL WASHER	T2/T25
444426-0002	4-A-2314	BEARING HOUSING, OIL COOLED	T2
444428-0001	8-A-0327	RETAINING RING, J/BRG	T2/T25
444506-0001	8-A-1213	THRUST COLLAR, 2 X 8 HOLES	T4
444506-0002	8-A-0355	THRUST COLLAR, 2 X 8 HOLES, BLASTED	T3/T4
444506-0004		USE 444506-0001	
444506-0005		USE 444506-0001	
444507-0004	8-A-1563	THRUST COLLAR	TO4S
444834-0000	8-A-0028	THRUST COLLAR, 3/8" DIA. SHAFT	T18/THO8A
444834-0001	8-A-0193	THRUST COLLAR, 7/16" DIA. SHAFT	T18A
444834-0002	8-A-0029	THRUST COLLAR, 5/16" DIA. SHAFT	TEO6/T12/TO5
445118-0001	6-A-1095	SHROUD	TBO2
445347-0003	3-A-2567	COMPRESSOR WHEEL	TB25
445347-0018	3-A-3441	COMPRESSOR WHEEL	T250-1
445421-0001	8-A-1855	PISTON RING C/END STD	GT15
445421-0003	8-A-2190	PISTON RING C/END STD	GT15-GT25
445436-0001	3-A-3469	COMPRESSOR WHEEL	TB28
445436-0007	3-A-3524	COMPRESSOR WHEEL	TB28
445559-0003		USE 435368-0003	
445559-0007		USE 435368-0007	
446335-0007		USE 446335-0009	
446335-0009	3-A-2340	COMPRESSOR WHEEL	T250-04
446335-0010	3-A-2316	COMPRESSOR WHEEL	T25



## CROSS REFERENCE - Garrett to Turbo International

OEM Part No.	Turbo International Part No.	Description	Turbo Model Application
446335-0012	3-A-3222	COMPRESSOR WHEEL	TB25,TD27,T2
446451-0001	8-A-1275	THRUST COLLAR	TB45
446451-0003	8-A-2463	THRUST COLLAR	TA51/TV7504
446451-0004	8-A-2140	THRUST COLLAR, DYNAMIC, with piston ring groove	GT42
446451-0008	8-A-2486	THRUST COLLAR	TV75/78/83/85
446451-0009	8-A-3771	THRUST COLLAR	TMF5503
446451-0010	8-A-2798	THRUST COLLAR DYNAMIC	GT42
446848-0001	4-A-2622	BEARING HOUSING, WATER COOLED	TB25
446931-0009	4-A-2615	BEARING HOUSING, WATER COOLED	TB25
447077-0001	8-A-1519	THRUST BEARING	TP38
447449-0008	3-A-3575	COMPRESSOR WHEEL	T25
447449-0011	3-A-2355	COMPRESSOR WHEEL	T25
447480-0001	8-A-1521	SPACER	TP38
447546-0003	8-A-2482	THRUST COLLAR, 270° C/SEAL	GT35
447571-0820	8-A-1520	BOLT	TP38
447607-0002	8-A-2139	BEARING SPACER, STD	GT42/GT42A/G
448110-0001	8-A-1511	THRUST BEARING, 3 HOLE	T3/T4
448261-0001		USE 449256-0001	
448263-0002	8-A-2465	THRUST SPACER 360°	GT35
448264-0002	8-A-2468	THRUST WASHER 360° CARBON SEAL	GT35
448283-0002	8-A-2464	JOURNAL BEARING STD	GT35
448295-0004	8-A-2003	JOURNAL BEARING, STD/STD width 0.450"	GT40
448295-0012	8-A-3635	JOURNAL BEARING STD width 0.475"	
448301-0004	8-A-2056	CARBON SEAL ONLY	GT40
448302-0001	8-A-2055	BEARING SPACER, STD	GT40
448308-0004	8-A-2057	THRUST COLLAR, C/SEAL	GT40
448320-0001	8-A-2054	THRUST BEARING	GT40
448508-0001	8-A-1985	JOURNAL BEARING, STD/STD	GT50/BTG55/B
448508-0003	8-A-1987	JOURNAL BEARING, STD/10	GT50/BTG55/B
448508-0004	8-A-1954	JOURNAL BEARING 10/STD	TV7504
448508-0005	8-A-1992	JOURNAL BEARING, 10/10	GT50/BTG55/B
448572-0001	8-A-2138	JOURNAL BEARING STD	GT42/GT42A/G
448613-0004	8-A-0144	BOLT, T/END	TEO6/T12
448764-0001	8-A-2124	THRUST BEARING 270° plain o/d	TMF55/TV75
448845-0001	8-A-2483	THRUST COLLAR, 270° DYNAMIC	GT35
448941-0007	2-A-3582	TURBINE WHEEL ASSEMBLY	GT25V
448941-0008	2-A-3265	TURBINE WHEEL ASSEMBLY	VNT2503
448950-0001	8-A-2123	THRUST COLLAR, C/SEAL	TV75
448957-0001	8-A-2053	THRUST COLLAR, DYNAMIC	GT40
449256-0001	8-A-2479	THRUST BEARING, 270°	GT32
449386-0001	8-A-2478	SEAL WASHER	GT32/GT40
449523-0001	8-A-2504	THRUST BEARING	UTV94
449760-0001	8-A-2553	O RING, COMP. OUTLET	GTP38
449763-0002	8-A-2063	GASKET, TURBINE INLET	TP38
449886-0000	8-A-0261	THRUST BEARING	T18/TV61/THO
449897-0002	8-A-3176	JOURNAL BEARING STD	GT60
449897-0003	8-A-2501	JOURNAL BEARING, STD	UTV94
449899-0002	8-A-2192	THRUST SPACER 9.3mm p/r, 15.67mm flange dia. s/back c/wheel	GT15-GT25



## CROSS REFERENCE - Garrett to Turbo International

OEM Part No.	Turbo International Part No.	Description	Turbo Model Application
451298-0024		USE 451298-0033	
451310-0001	2-A-1889	TURBINE WHEEL ASSY. L/H THREAD	T3
451310-0003	2-A-1890	TURBINE WHEEL ASSY. L/H THREAD	T3
451310-0005	2-A-2528	TURBINE WHEEL ASSEMBLY	T3
451310-0006	2-A-1891	TURBINE WHEEL ASSY. L/H THREAD	T3
451311-0003	2-A-1892	TURBINE WHEEL ASSY. L/H THREAD	T3
451311-0013	2-A-1893	TURBINE WHEEL ASSY. L/H THREAD	T3
451311-0014	2-A-1894	TURBINE WHEEL ASSY. L/H THREAD	T3
451314-0002	2-A-2617	TURBINE WHEEL ASSEMBLY	TA34
451314-0003	2-A-2048	TURBINE WHEEL ASSEMBLY	T3
451362-0001	8-A-2126	CARBON SEAL ONLY	TV75
451383-0002	8-A-2466	THRUST BEARING, 360°	GT35
451444-0002	8-A-2242	THRUST COLLAR, DYNAMIC	BGTV75
451715-0001	8-A-2535	BOLT	UTV94
452612-0002	8-A-2794	RETAINING CLIP, EBPD	GTP38
452654-0001	8-A-3143	THRUST COLLAR, DYNAMIC	GT35
452659-0001	8-A-2527	THRUST BEARING	GTP38
452660-0002	8-A-2575	O RING, S/PLATE	GTP38
452666-0001	8-A-2502	THRUST COLLAR	UTV94
452667-0001	8-A-2503	THRUST SPACER	UTV94
452704-0001	8-A-2536	THRUST COLLAR	GT60
452704-0001	8-A-3142	THRUST COLLAR	GT60
468012-0000	7-A-0609	INSTALLATION KIT, HOUSING	TA31/TA35/TO
468015-0000	7-A-1391	SERVICE KIT	TO4/TO4B
468017-0000	7-A-0611	INSTALLATION KIT, HOUSING	T12/TO5B/TEO
468018-0000	7-A-1873	SERVICE KIT	TEO6
468023-0000	7-A-2264	THRUST KIT	T18/TV
468025-0000	7-A-0977	SERVICE KIT	TV61
468037-0000	7-A-1468	SERVICE KIT	T18A
468038-0000	7-A-0613	INSTALLATION KIT, HOUSING	T18
468042-0000	7-A-2263	SEAL KIT	T12
468088-0000	7-A-1506	BEARING KIT, STD/STD.	TV91/94
468098-0000	7-A-1831	SEAL KIT	TA31
468099-0000	7-A-1469	SERVICE KIT	T18A
468100-0000	7-A-0608	SERVICE KIT, STEP BORE	TA31/TA35/TO
468101-0000	7-A-0019	SERVICE KIT, STRAIGHT BORE	TO4B
468102-0000	7-A-2631	SERVICE KIT	TV60/TV70
468103-0000	7-A-0610	SERVICE KIT, MINOR	TV61
468104-0000	7-A-0616	SERVICE KIT, SMOOTH BORE	TEO6
468105-0000	7-A-0615	SERVICE KIT, STEP BORE	TEO6
468106-0000	7-A-2633	SERVICE KIT	T18A/T18C/TL
468107-0000	7-A-2634	SERVICE KIT	T18A/T19A
468108-0000	7-A-0722	SERVICE KIT, SMOOTH BORE	T12
468109-0000	7-A-0721	SERVICE KIT, STEP BORE	T12
468110-0000	7-A-0617	SERVICE KIT	T60
468111-0000	7-A-0821	SERVICE KIT	THO8A
468112-0000	7-A-0612	SERVICE KIT, STEP BORE	T18
468113-0000	7-A-0614	SERVICE KIT, SMOOTH BORE	T18



## CROSS REFERENCE - Garrett to Turbo International

OEM Part No.	Turbo International Part No.	Description	Turbo Model Application
468114-0000	7-A-1012	SERVICE KIT	T18
468115-0000	7-A-2635	SERVICE KIT	T14/T15
468117-0000	7-A-2637	SERVICE KIT	TO6/TO7
468118-0000	7-A-2638	SERVICE KIT	T11
468132-0000	7-A-0720	SERVICE KIT	TA45/51
468132-0002	7-A-0634	SERVICE KIT, MAJOR	TA45/51
468132-0005	7-A-1933	SERVICE KIT	T45
468139-0000	7-A-0014	SERVICE KIT	TA31
468170-0000	7-A-0794	SERVICE KIT	T18A
468174-0000	7-A-1861	SEAL KIT	TO4B
468186-0000	7-A-1430	GASKET KIT	T4
468187-0000	7-A-0356	GASKET KIT	TO4B
468188-0000	7-A-1278	GASKET KIT	TB03
468189-0000	7-A-2922	GASKET KIT	TEO6
468190-0000	7-A-1381	GASKET KIT	TV61/TV77
468209-0000	7-A-0830	SERVICE KIT	TO4B
468210-0000	7-A-0729	SERVICE KIT, MAJOR, SMOOTH & STEP BORE	TEO6
468211-0000	7-A-0636	SERVICE KIT, MAJOR	TV61
468212-0000	7-A-0724	SERVICE KIT, MAJOR, SMOOTH & STEP BORE	T18
468213-0000	7-A-0725	SERVICE KIT, 3/8" SHAFT NUT	T18A
468214-0000	7-A-0727	SERVICE KIT, 7/16" SHAFT NUT	T18A
468245-0000	7-A-1832	SERVICE KIT	TA31
468259-0001	7-A-2639	SERVICE KIT	TB34
468262-0000	7-A-0804	SERVICE KIT	TV45/TM51
468262-0002	7-A-1312	SERVICE KIT	TMF5
468265-0000	7-A-0719	SERVICE KIT	TO4E
468265-0000UK	7-A-1935	SERVICE KIT, EUROPEAN STYLE	TO4E
468267-0000	7-A-0924	SERVICE KIT	TV63/73/83
468267-0005	7-A-2629	SERVICE KIT, NARROW BEARING	BTV75
468267-0006	7-A-2630	SERVICE KIT, WIDE BEARING	BTV75
468267-0007	7-A-2630	SERVICE KIT, WIDE BEARING	BTL75/BTV75
468267-0009	7-A-2628	SERVICE KIT, NARROW BEARING	TV75
468267-0010	7-A-2640	SERVICE KIT, WIDE BEARING, DYNAMIC	UTV91/TV85/U
468311-0000	7-A-2788	BEARING KIT STD	TA45/TA51/TM
468311-0001	7-A-2789	BEARING KIT 10/STD	TA45/TA51/TM
468311-0002	7-A-2790	BEARING KIT STD/10	TA45/TA51/TM
468311-0003	7-A-2791	BEARING KIT 10/10	TA45/TA51/TM
468313-0000	7-A-1832	SERVICE KIT	TA31
468327-0000	7-A-1276	SERVICE KIT	TB45, TM51 &
468328-0000	7-A-3518	SERVICE KIT	T91
468338-0002	7-A-1932	SERVICE KIT	TO4E
468404-0000	7-A-0967	INSTALLATION KIT, HOUSING	T2/T25
468405-0000	7-A-0967	INSTALLATION KIT, CIRCLIP HSG.	TB02
468416-0000	7-A-1224	SERVICE KIT	TV9406
468426-0001	7-E-0652	SERVICE KIT	TD04
472518-0001	7-A-0966	SERVICE KIT, CIRCLIP HSG., STD.JNL.BRG.	T25
472519-0001	7-A-0006	SERVICE KIT, CIRCLIP HSG.,LONG JNL. BRG.	TBO2
472520-0001	7-A-0964	SERVICE KIT, CIRCLIP HSG., STD.JNL.BRG.	T25



## CROSS REFERENCE - Garrett to Turbo International

OEM Part No.	Turbo International Part No.	Description	Turbo Model Application
472521-0001	7-A-0960	SERVICE KIT, BOLTED HSG., STD. JNL.BRG.	TB02
472522-0001	7-A-0962	SERVICE KIT, BOLTED HSG. LONG JNL.BRG.	TB02
472523-0001	7-A-0007	SERVICE KIT, BOLTED HSG.,STD. JNL.BRG.	T25
472524-0001	7-A-0961	INSTALLATION KIT, BOLTED HSG.	TB02
472526-0001	7-A-0607	SERVICE KIT, CIRCLIP TYPE HOUSING,C/SEAL 3 BOLT T/BRG	TBO2
472527-0001	7-A-0971	DYNAMIC SEAL ASSY. KIT, 2 BOLT TH/BRG.	TBO2/T25
472528-0001	7-A-0972	DYNAMIC SEAL ASSY. KIT, 3 BOLT TH/BRG.	TBO2/T25
472530-0001	7-A-0008	INSTALLATION KIT, HOUSING	T25
472546-0000	7-A-0605	CARBON SEAL ASSEMBLY	TBO2
472559-0001	7-A-2049	SERVICE KIT, DYNAMIC, MAJOR	GT40
472617-0000	7-A-2058	SERVICE KIT	TP38
472617-0001	7-A-2059	SERVICE KIT, BASIC	TP38
472618-0000	7-A-1530	SERVICE KIT	T03
479802-0002	4-A-1081	BEARING HOUSING, WATER COOLED	TBO2
479802-0004	4-A-3147	BEARING HOUSING, WATER COOLED	GT25/TB1901
479807-0002	4-A-2461	BEARING HOUSING, WATER COOLED	TB25
479807-0012	4-A-3466	BEARING HOUSING, WATER COOLED	TB28
700590-0001	8-A-2191	PISTON RING C/END STD	GT15
700593-0001	5-A-2188	BACKPLATE	GT15
700593-0004	5-A-3846	BACKPLATE	GT15/GT17
700593-0006	5-A-3304	BACKPLATE	
700967-0002		USE 722282-0004	
701335-0003	5-A-3305	BACKPLATE	
701335-0005	5-A-3306	BACKPLATE	GT25V
701374-0001	3-A-3783	COMPRESSOR WHEEL	GT25V
701374-0006	3-A-3274	COMPRESSOR WHEEL	GT2556V
701813-0001	7-A-2476	SERVICE KIT, DYNAMIC	TBO2/TA25/TB
701826-0001	7-A-0627	SERVICE KIT	TD25/VNT25
701826-0001	7-A-2476	SERVICE KIT	TD25/VNT25
702137-0001	8-A-3015	THRUST BEARING, 10 PAD	GT15-GT25
702302-0001	7-A-2795	KIT, PEDESTAL	GTP38
702489-0002	3-A-3275	COMPRESSOR WHEEL	GT1749V
702489-0009	3-A-3276	COMPRESSOR WHEEL	GT1749V
703925-0002	3-A-3352	COMPRESSOR WHEEL	GT17
703925-0003	3-A-3637	COMPRESSOR WHEEL	GT1549V
704268-0001	8-A-3016	THRUST SPACER 10mm p/r, 15.67mm flange dia. s/back c/wheel	GT15-GT25
704580-0004	2-A-3344	TURBINE WHEEL ASSEMBLY	GT15
705731-0001	7-A-2409	SERVICE KIT	UTV9406
706164-0003	3-A-3844	COMPRESSOR WHEEL	GT1549V
706317-0002	7-A-1505	SERVICE KIT	TO4S
706832-0001	7-D-1780	SERVICE KIT,L & R/HAND THREAD,PLAIN BRG.	KO3/KO4
707342-0001	7-A-1928	SERVICE KIT, CARBON SEAL	T2/T25
707747-0005	3-A-3278	COMPRESSOR WHEEL	TD2503/VNT25
707897-0001	7-A-0969	SERVICE KIT	TA/TB/TCO3
707899-0001	7-A-2519	SERVICE KIT	TL/TV/TW/91/9
707903-0001	8-A-0957	CLAMP, T/END	T2
707903-0002	7-A-0005	SERVICE KIT, BOLTED HSG., STD JNL. BRG.	T2/T25
707903-0002	7-A-0627	SERVICE KIT, DYN. SEAL, LONG & SHORT BRG.	TBO2/TB25



## CROSS REFERENCE - Garrett to Turbo International

OEM Part No.	Turbo International Part No.	Description	Turbo Model Application
707937-0001	7-D-2521	SERVICE KIT, MINOR, L/HAND THREAD & GR'VD BRG.	KO3/KO4
709143-0001	7-A-0627	SERVICE KIT	TBO2/TB22/TB
709147-0001	7-A-2477	SERVICE KIT	GT32
709147-0002	7-A-2480	SERVICE KIT, 270° UNIVERSAL	GT35
709152-0001	7-A-2489	SERVICE KIT	GT37/GT40
709153-0001	7-A-2614	SERVICE KIT, MINOR	GT42
709153-0002	7-A-2491	SERVICE KIT	GT45
709518-0001	7-A-2132	THRUST KIT, 360° DYNAMIC, 19mm T/RING	T3/4
712338-0001	8-A-2939	THRUST COLLAR, 0.98"/24.89mm flange dia.w/o p/ring	GTA42
712338-0002	8-A-2937	THRUST COLLAR, 1.15"/29.21mm flange dia.w/o p/ring	GTA42
713782-0002	4-A-3843	BEARING HOUSING, OIL COOLED	GT15
715676-0002	8-A-2797	THRUST COLLAR DYNAMIC	GTA40
721085-0001	5-A-3308	BACKPLATE	
732136-0001	7-A-3003	SERVICE KIT slender shaft	GT15 - GT20
732245-0001	7-A-3004	SERVICE KIT standard shaft	GT15 - GT25
732245-0001	7-A-3637	SERVICE KIT, MAJOR, 10mm THRUST	GT15-25
732248-0001	7-A-3005	THRUST KIT flatback compressor wheel	GT15-GT17
732248-0002	7-A-3006	THRUST KIT superback compressor wheel 9.3mm p/ring	GT15-GT25
732248-0003	7-A-3007	THRUST KIT superback compressor wheel 10.0mm p/ring	GT15-GT25
732248-0003	7-A-3637	SERVICE KIT, MAJOR, 10mm THRUST	GT15-25
732252-0001	7-A-3017	SERVICE KIT	GT20/GT22
740244-0001	2-A-3266	TURBINE WHEEL ASSEMBLY	GT2556V
BR7011-01	7-A-1437	BASIC REPAIR KIT	T3
BR7011-03	7-A-0788	BASIC REPAIR KIT	TO4B
BR7011-05	7-A-1433	BASIC REPAIR KIT	T04B
BR7011-06	7-A-1448	BASIC REPAIR KIT	T04B
BR7011-09	7-A-1434	BASIC REPAIR KIT	T04B
BR7011-11	7-A-1436	BASIC REPAIR KIT	T04B
BR7011-12	7-A-1438	BASIC REPAIR KIT	T3
BR7019-03	7-A-1442	BASIC REPAIR KIT	TA45
BR7020-01	7-A-1443	BASIC REPAIR KIT	TV61
BR7020-07	7-A-1455	BASIC REPAIR KIT	TV61
its 703890-0005/6	2-A-3346	TURBINE WHEEL ASSEMBLY	GT1749V



## CARTRIDGE/CHRA - Garrett

by Vehicle

Vehicle Model	Year	Engine	Turbo Model	Turbo Part No	Cart/CHRA Part No	TI Part No	Cooling	Fuel
<b>Alfa Romeo</b>								
<b>Alfa Romeo</b>								
155	1989-92	2.0L 14 16 valve	TB0367	465103-0004	409853-0047	1-A-0574	Water	G
164	1987	2.0L 14 SOFIM	TB0338	466384-0007	409853-0047	1-A-0574	Water	G
75	1986	1.8L 14	TB0353	466858-0001	409853-0050	1-A-0554	Water	G
<b>Alsthom</b>								
Gen Set 472AS		472 AS	TA3112	465896-0003	409172-0037	1-A-2708		
<b>Audi</b>								
80	981-2/86-9	1.6L 14	TA0304	465384-0005	409853-0006	1-A-1587	Oil	D
80	1987-91	1.6L 14/2.0L 14	TB0218	466534-0004	443854-0004	1-A-1050	Water	G
80 TDI	1984-86	1.6L 14	TA0304	465384-0004	409853-0006	1-A-1587	Oil	D
80 TDI	1991-94	1.9L 14 47DK14LK	TB0268	454001-0001	443854-0092	1-A-2321	Oil	D
80 TDI	1995-	1.9L 14 90hp	GT1544	454082-0002	433289-0116	1-A-2940	Oil	D
80 TDI,A4 TDI	1995-	1.9L 14 B5 90 hp	GT1544	454097-0001	435796-0015	1-A-2165	Oil	D
80 TDI,A6 TDI	1994-95	1.9L 14 90 hp	GT1544	454082-0001	435796-0018	1-A-2166	Oil	D
A3 TDI	1997-	1.9L 90 hp	GT1544	454159-0001	433289-0014	1-A-2162	Oil	D
A3 Tdi	1998	1.9L	GT1544	454159-0002	433289-0050	1-A-3735	Oil	D
<b>Austin Rover</b>								
220 SDI,420D,620	1995	2.0L TCI/E 105hp l/c	GT1549	452098-0002	433289-0007	1-A-2159	Oil	D
220,420,62,820 16 valve	1992	2.0l 14 DOHC	TB2555	465199-0003	443854-0084	1-A-2681	Water	G
220,420D/SD	1996-	2.0L 14 TCI/M 86hp	GT1549	452151-0002	433289-0007	1-A-2159	Oil	D
Maestro		Various	TB0342	466564-0001	409853-0037	1-A-0553	Oil	G
Maestro,Montego,Freight Rover 200 ser	1987-94	2.0L 14 SOHC	TB0223	466770-0005	443854-0028	1-A-2295	Oil	D
Metro,Montego	1983	2.0L 14 OHV	TB0342	466564-0002	409853-0037	1-A-0553	Oil	G
MG Metro	1983-89	1.3L 14	TB0329	466146-0001	409853-0023	1-A-2371	Oil	G
<b>BMW</b>								
318TDS	1995-	1.7L 14 M41D	GT1544	454093-0001	435796-0021	1-A-2569	Oil	D
318TDs	1999	1.9L	GT1544S	454093-0003	433289-0127	1-A-3739	Oil	D
318TDs	1999	1.9L	GT1544S	454093-0004	433289-0127	1-A-3739	Oil	D
324TD,500,524TD	1983-87	2.4L 16 MD21	TB0324	466016-0002	409853-0032	1-A-0586	Oil	D
Rayton Fissore	1983-87	2.4L 16 3MD21	TB0324	466016-0003	409853-0032	1-A-0586	Oil	D
<b>Buick</b>								
Century,Le Sabre,Regal	1978	3.8L V6	TB0301	465286-0004	409174-0042	1-A-0035	Oil	G
Regal	1984-85	3.8L V6	TB0330	466112-0001	409174-0040	1-A-0560	Oil	G
Riviera		3.8L V6	TB0332	466218-0001	409174-0046	1-A-2676	Oil	G
Riviera	1980	3.8L V6	TB0315	465738-0003	409174-0041	1-A-0034	Oil	G
Skyhawk		1.8L 14	TB0205	466204-0001	430425-0007	1-A-2317	Oil	G
<b>Chrysler</b>								
Caravelle,Daytona,Lancer,Laser,Le Bar	1986-87	2.2L 14	TB0335	466298-0007	409174-0048	1-A-0581	Oil	G
Daytona Shelby Turbo II	1988	2.2L 14	TB0352	466798-0005	409174-0048	1-A-0581	Oil	G
Daytona Shelby Z,II,Turbo II,	1987	2.2L 14	TB0352	466798-0003	409853-0046	1-A-1823	Water	G
Daytona Z, Laser, Lebaron, 400, 600, 6	1984	2.2L 14	TB0335	466298-0004	409174-0048	1-A-0581	Oil	G
Daytona Z,Lancer,Laser XE,Le Baron G	1985	2.2L 14	TB0335	466298-0007	409174-0048	1-A-0581	Oil	G
Jeep Cherokee	1984-	2.0L 14 J8S 714	TB0216	466452-0001	443853-0022	1-A-1045	Oil	D/G
New Yorker & Magnum	1985	2.2L 14	TB0335	466298-0005	409174-0048	1-A-0581	Oil	G
New Yorker,Omni GLH,Shelby Omni,60	1986-87	2.2L 14	TB0335	466298-0007	409174-0048	1-A-0581	Oil	G
New Yorker,Shelby Charger,400,600,60	1985	2.2L 14	TB0335	466298-0007	409174-0048	1-A-0581	Oil	G
Shelby Daytona, Turbo II	1988	2.2L 14	TB0371	465339-0001	409174-0048	1-A-0581	Oil	G
Turbo II Plus	1985-86	2.2L 14	TB0376	465707-0001	409174-0060	1-A-2678	Water	G
Turbo I Plus	1985-86	2.2L 14	TB0374	465705-0001	409174-0060	1-A-2678	Water	G
Turbo II	1989	2.2L 14	TB0378	465733-0002	409174-0048	1-A-0581	Oil	G
Turbo II,	1987	2.2L 14	TB0352	466798-0002	409853-0046	1-A-1823	Water	G
Unknown	Various	2.2L 14	TB0371	465339-0004	409174-0074	1-A-2684	Water	G
Various			TB0352		409174-0063	1-A-2680	Water	G
Various			TB0371		409174-0077	1-A-2686	Water	
Various			TB0371		409174-0078	1-A-2687	Oil	



## CARTRIDGE/CHRA - Garrett

by Vehicle

Vehicle Model	Year	Engine	Turbo Model	Turbo Part No	Cart/CHRA Part No	TI Part No	Cooling	Fuel
<b>Chrysler</b>								
Various			TB0371		409174-0079	1-A-2688	Water	
Various			TB0371		409174-0080	1-A-2689	Water	
Various			TB0371		409174-0081	1-A-2690	Oil	
Various			TB0371		409174-0082	1-A-2691	Oil	
Various			TB0371		409174-0083	1-A-2692	Water	
Various			TB0371		409174-0084	1-A-2693	Oil	
Various	1988	2.2L 14	TB0371	465339-0002	409853-0062	1-A-2374	Water	G
Various	1988	2.2L 14	TB0371	465339-0003	409174-0074	1-A-2684	Water	G
Various	1988	2.2L 14	TB0378	465733-0003	409174-0074	1-A-2684	Water	G
<b>Citroen</b>								
		1.9L	GT1549S	454176-0006	433289-0132	1-A-3866	Oil	D
806	1996	2.1L	TB02	454113-0001	443854-0123	1-A-3870	Oil	D
BX	1987/90	1.7L 14 D XUD 7TE	TB0234	465343-0001	443854-0013	1-A-2294	Oil	D
BX	1992-93	1.8L 14 XUD7TE	TB0234	465343-0002	443854-0073	1-A-2737	Oil	D
BX/ZX	1992	1.9L	TB0264	465575-0001	443854-0114	1-A-2110	Oil	
C25	1986-87	2.5L 14 CRD93LS2	TB2513	465247-0001	443854-0063	1-A-2109	Oil	D
CX25 Turbo/CX-GTI	1984-85	2.5L 14 EN5T	TC0304	466404-0001	409174-0057	1-A-0623	Oil	G
CX25 Turbo/CX-GTI	1984-86	2.5L 14 EN5TE	TC0304	466404-0003	409174-0057	1-A-0623	Oil	G
CX25D Turbo	1983-86	2.5L 14 CRD93LS	TA0306	465614-0001	409853-0040	1-A-1143	Oil	D
CX25D Turbo II	1987-90	2.5L 14 CRD93LS2	TB2508	466888-0001	443854-0063	1-A-2109	Oil	D
CX25D Turbo/CX 2500	1983-88	2.5L 14 CRD93LS	TA0306	465614-0002	409853-0064	1-A-2753	Oil	D
CX-GTI,CX25 Turbo	1986-90	2.5L 14 EN5TE	TC0304	466404-0002	409174-0057	1-A-0623	Oil	G
Evasion	1996	2.1L	TB02	454113-0001	443854-0123	1-A-3870	Oil	D
Evasion/Synergie	1995-	1.9L	TB0280	454086-0001	443854-0104	1-A-2741	Oil	D
Ulysse	1996	2.1L	TB02	454113-0001	443854-0123	1-A-3870	Oil	D
Various		XUD9	TB0264	465575-0002	443854-0114	1-A-2110	Oil	
Xantia	1996	1.9L	TB0289	454131-0002	443854-0147	1-A-2727	Oil	D
Xantia	1996-	1.9L:	TB0289	454131-0003	443854-0147	1-A-2727	Oil	D
Xantia	1998	1.9L	GT1549	454171-0002	433289-0057	1-A-3834	Oil	D
Xantia	1998	1.9L	GT1549S	454171-0005	433289-0131	1-A-3867	Oil	D
Xsara	1998	1.9L	GT1549	454176-0002	433289-0057	1-A-3834	Oil	D
Xsara	1998	1.9L	GT1549S	454176-0005	433289-0132	1-A-3866	Oil	D
ZX	1992-96	1.9L	TB0265	454027-0001	443854-0100	1-A-2739	Oil	D
ZX	1998	1.9L	GT1549	454176-0002	433289-0057	1-A-3834	Oil	D
ZX	1998	1.9L	GT1549S	454176-0005	433289-0132	1-A-3866	Oil	D
<b>Daewoo</b>								
			GT1549	704281-0001	433289-0075	1-A-3865	Oil	
<b>Deutz-Allis</b>								
Commercial		4331,433T	TA3101	465354-0006	409172-0013	1-A-2696	Oil	
Industrial			TA3101	465354-0002	409172-0009	1-A-3472	Oil	
Industrial			TA3101	465354-0003	409172-0009	1-A-3472	Oil	
Industrial			TA3101	465354-0007	409172-0009	1-A-3472	Oil	
Industrial			TA3101	465354-0008	409172-0009	1-A-3472	Oil	
Industrial		TMDT 2.7	TA3101	465354-0014	409172-0059	1-A-2715	Oil	
Industrial		TMDT 2.7	TA3101	465354-0015	409172-0059	1-A-2715	Oil	
Various			TA3101	465354-0011	409172-0031	1-A-2704	Oil	
Various		4331,433T	TA3101	465354-0012	409172-0031	1-A-2704	Oil	
<b>Fiat</b>								
Brava,Marea,Tipo	1994-96	1.9L M.720.AT.19.T 100hp	GT1544S	454080-0004	433289-0009	1-A-2160	Oil	D
Brava,Marea,Tipo	1994-96	1.9L M.720.AT.19.T	GT1544S	454080-0005	433289-0009	1-A-2160	Oil	D
Brava,Marea,Tipo	1996	1.9L 75hp	GT1544S	454006-0002	433289-0009	1-A-2160	Oil	D
Croma	1991-92	2.0L 8 valve	TB0338	466384-0009	409853-0047	1-A-0574	Water	G
Croma IE	1985-86	2.0L	TB0338	466384-0003	409853-0033	1-A-0566	Oil	G
Croma IE	1986-87	2.0L	TB0338	466384-0004	409853-0033	1-A-0566	Oil	G
Croma IE	1988-91	2.0L	TB0338	466384-0008	409853-0033	1-A-0566	Oil	G





## CARTRIDGE/CHRA - Garrett

by Vehicle

Vehicle Model	Year	Engine	Turbo Model	Turbo Part No	Cart/CHRA Part No	TI Part No	Cooling	Fuel
<b>Fiat</b>								
Daily	1992-	2.5L	TB2509	466974-0006	443854-0101	1-A-2740	Oil	D
Daily	1996	2.8L	GT1752H	454061-0008	433289-0010	1-A-3862	Oil	D
Daily	1996	2.8L	GT1752H	454061-0009	433289-0010	1-A-3862	Oil	D
Ducato	1996	1.9L M.720.CT.19.T	GT1544	454080-0005	433289-0017	1-A-2163	Oil	D
Ducato Van			TB0267	454052-0001	443854-0085	1-A-2323	Oil	D
Euro Cargo 60/70/75		8045.25.306	TA3118	466698-0007	409172-0044	1-A-2710	Oil	D
Marea	1996	1.9L 100hp	GT1544S	454006-0004	433289-0009	1-A-2160	Oil	D
Nuovo Ducato Van	1994-	1.9L M705 V6.19D	TB0269	454055-0002	443854-0085	1-A-2323	Oil	D
Punto DS	1994-	1.7L	TB0227	466856-0004	443854-0119	1-A-2571	Oil	D
Punto TD	1996	1.9L M720BT19T100hp	GT1544S	454080-0001	433289-0009	1-A-2160	Oil	D
Punto TDS	1994-	1.7L M.708.HT.17.D	TB0227	466856-0003	443854-0119	1-A-2571	Oil	D
Regata TD, Ritmo TD, Tempra, Tipo	1986-90	1.9L	TB0232	465265-0001	443854-0007	1-A-2726	Oil	D
Tempra	1994	1.9L	TB0269	454055-0001	443854-0089	1-A-3869	Oil	D
Tempra, Tipo	1990-94	1.9L	TB0232	465265-0002	443854-0027	1-A-2730	Oil	D
Tempra, Tipo Eco	1995-	1.9L M710HT.19	TB0269	454055-0001	443854-0085	1-A-2323	Oil	D
Tipo	1994	1.9L	TB0269	454055-0001	443854-0089	1-A-3869	Oil	D
Tipo	1996	1.9L M720LT19T 75hp	GT1544S	454080-0002	433289-0009	1-A-2160	Oil	D
Tipo, Uno IE	1989-94	1.3L 115 bhp	TB0245	465557-0001	443854-0017	1-A-2659	Water	G
Truck		3.9L 14 4 cyl. 8040.25.4980	TA0303	465632-0007	409853-0044	1-A-2420	Oil	D
Uno TD	1986-88	1.4L M.709.AT.13.0	TB0227	466856-0001	443854-0009	1-A-2665	Oil	D
Uno TD	1988-94	1.4L M.709.BT.13.0	TB0227	466856-0002	443854-0119	1-A-2571	Oil	D
<b>Ford</b>								
Capri, Cougar, Mustang, Thunderbird	1983-84	2.3L 14	TB0322	465978-0009	409174-0054	1-A-0565	Water	G
Capri, Mustang	1980	2.3L 14	TB0307	465564-0006	409174-0015	1-A-1827	Oil	G
Cosworth-performance-MAR M 247 whe			TB3403	452059-0001	409853-0093	1-A-2942	Water	G
Cougar	1985	2.3L 14	TB0344	466586-0004	409174-0054	1-A-0565	Water	G
Cougar, Merkur, Merkur XR4T, Thunderbi	1985-88	2.3L 14	TB0344	466586-0002	409174-0054	1-A-0565	Water	G
Cougar, Mustang, Thunderbird	1984	2.3L 14	TB0322	465978-0007	409174-0053	1-A-0561	Oil	G
Escort	1993-	1.8L	TB0259	452014-0005	443854-0029	1-A-2325	Oil	D
Escort RS	1986-91	1.6L 14 16 valve	TB0355	466944-0001	409853-0053	1-A-1144	Water	G
Escort RS Mk III	1984-86	1.6L 14	TB0345	466644-0001	409853-0038	1-A-0552	Oil	G
Escort TD	1996-	1.8L	GT1544	452084-0004	433289-0006	1-A-2568	Oil	D
Escort TD	1996-	1.8L	GT1544	452084-0007	433289-0006	1-A-2568	Oil	D
Escort TD	1996-	1.8L	GT1544S	452084-0009	433289-0060	1-A-2164	Oil	D
Fiesta RS	1989-91	1.6L 14	TB0250	465187-0002	443854-0032	1-A-2324	Water	G
Mondeo	1993-	1.8L	TB0273	452063-0003	443854-0029	1-A-2325	Oil	D
Mondeo	1996-	1.8L	GT1544	452124-0005	433289-0012	1-A-2161	Oil	D
Mondeo TD	1993-	1.8L	TB0273	452063-0002	443854-0029	1-A-2325	Oil	D
Mondeo TD	1996-	1.8L Endura	GT1544	452124-0004	433289-0012	1-A-2161	Oil	D
Mondeo TD	1996-	1.8L Endura	GT1544	452124-0006	433289-0058	1-A-2570	Oil	D
Mustang SVO	1983-84	2.3L 14	TB0322	465978-0010	409174-0054	1-A-0565	Water	G
Mustang SVO	1984	2.3L 14	TB0322	465978-0008	409174-0053	1-A-0561	Oil	G
Mustang SVO	1985	2.3L 14	TB0344	466586-0003	409174-0054	1-A-0565	Water	G
Panther			TB0361	466962-0002	409853-0076	1-A-0558	Water	G
Sierra Cosworth	1986-89	2.0L 14	TB0361	466962-0001	409853-0076	1-A-0558	Water	G
Sierra Cosworth 4WD	1989-90	2.0L 14 16 valve	TB0384	465189-0001	409853-0079	1-A-0564	Water	G
Sierra Cosworth 4WD	1989-90	2.0L 14 16 valve	TB0384	465189-0001	409853-0079	1-A-0564	Water	G
Sierra Cosworth 4WD	1990-93	2.0L 14 16 valve, Cat.Convert.	TB0384	465189-0003	409853-0079	1-A-0564	Water	G
Sierra TD, P100 Pick-up	1989	1.8 IDI	TB0237	465137-0001	443854-0019	1-A-1038	Oil	D
Tractor 7600 Force II		256	TA3119	466746-0001	409172-0061	1-A-2716	Oil	
Tractor 7600, 7700 Force II		256	TA3119	466746-0002	409172-0061	1-A-2716	Oil	
Transit	1988	2.5L 14 DI	TB0238	465165-0001	443854-0022	1-A-2729	Oil	D
Various		4.0L Altitude Compensation	TA3119	466746-0003	409172-0062	1-A-2717	Oil	
Various		4.0L Altitude Compensation	TA3119	466746-0004	409172-0062	1-A-2717	Oil	
Various		4.0L Altitude Compensation	TA3119	466746-0005	409172-0062	1-A-2717	Oil	
Various			TA3119	466746-0006	409172-0061	1-A-2716	Oil	



## CARTRIDGE/CHRA - Garrett

by Vehicle

Vehicle Model	Year	Engine	Turbo Model	Turbo Part No	Cart/CHRA Part No	TI Part No	Cooling	Fuel
<b>Ford</b>								
Various			TA3119	466746-0009	409172-0061	1-A-2716	Oil	
Various	Unknown	Various	TB0340	466440-0004	409174-0053	1-A-0561	Oil	G
Various	Unknown	Various	TB0340	466440-0005	409174-0053	1-A-0561	Oil	G
Various	Unknown	Various	TB0340	466440-0006	409174-0053	1-A-0561	Oil	G
Various	Unknown	Various	TB0344	466586-0005	409174-0060	1-A-2678	Water	G
Various	Unknown	Various	TB0344	466586-0006	409174-0054	1-A-0565	Water	G
Various	Unknown	Various	TB0344	466586-0006	409174-0060	1-A-2678	Water	G
Various	Unknown	Various	TB0344	466586-0007	409174-0054	1-A-0565	Water	G
Various	Unknown	Various	TB0344	466586-0007	409174-0060	1-A-2678	Water	G
Various	Various		TB0344	466586-0005	409174-0054	1-A-0565	Water	
<b>Ford Tractor</b>								
7610	Unknown	268	TA3108	465752-0001	409172-0017	1-A-2698	Oil	
7610	Unknown	268	TA3108	465752-0002	409172-0017	1-A-2698	Oil	
<b>Garrett Auto</b>								
			TC0303	465954-0001	409174-0026	1-A-2671	Oil	
			TC0303	465954-0002	409174-0026	1-A-2671	Oil	
			TC0303	465954-0003	409174-0026	1-A-2671	Oil	
			TC0303	465954-0005	409174-0023	1-A-2669	Oil	
			TC0303	465954-0006	409174-0023	1-A-2669	Oil	
			TC0303	465954-0007	409174-0023	1-A-2669	Oil	
			TC0303	465954-0008	409174-0024	1-A-2670	Oil	
			TC0303	465954-0009	409174-0029	1-A-2672	Oil	
			TC0303	465954-0010	409174-0029	1-A-2672	Oil	
			TC0303	465954-0011	409174-0029	1-A-2672	Oil	
			TC0303	465954-0012	409174-0030	1-A-2673	Oil	
			TC0303	465954-0013	409174-0031	1-A-2674	Oil	
			TC0303	465954-0014	409174-0031	1-A-2674	Oil	
			TC0303	465954-0015	409174-0031	1-A-2674	Oil	
			TC0303	465954-0016	409174-0032	1-A-2675	Oil	
			TC0303	465954-0004	409174-0021	1-A-2668	Oil	
<b>H K S</b>								
Various			TB0391		432277-0003	1-A-1313	Water	
Various			TB0391		432277-0004	1-A-2724	Water	
<b>Isuzu</b>								
NPR	1995	4BD2-TC	TB2568	466409-0001	430425-0059	1-A-2576	Water	
Trooper	1984/85	2.2L 14	TB0209	466272-0002	430425-0025	1-A-1046	Oil	D
Trooper	1984/85	2.2L 14	TB0209	466272-0003	430425-0025	1-A-1046	Oil	D
Trooper	1984-85	2.2L 14	TB0209	466272-0001	430425-0010	1-A-1047	Oil	D
Various	Unknown		TB0209	466272-0005	430425-0053	1-A-1047	Oil	D
<b>Iveco</b>								
Daily	1986-	2.5L 8140.21.2100	TA0302	465318-0006	409853-0045	1-A-2370	Oil	D
Daily	1987-	2.5L 81410.27.2150	TA0302	465318-0009	409853-0045	1-A-2370	Oil	D
Daily	1992-	2.5L 8140.47.2700	TB2509	466974-0008	443854-0098	1-A-2322	Oil	D
Daily	1996	2.8L	GT1752H	454061-0006	433289-0010	1-A-3862	Oil	D
Daily	1996	2.8L	GT1752H	454061-0007	433289-0010	1-A-3862	Oil	D
Daily TC	1992	2.5L	TB2509	466974-0005	443854-0098	1-A-2322	Oil	D
Diverse		3.9L 7040.25.200	TA0302	465318-0007	409853-0044	1-A-2420	Oil	D
Hitachi Digger		3.9L 8045.25.380/385/395	TA3118	466698-0004	409172-0044	1-A-2710	Oil	D
Military		8040345.4	TA0318	465379-0004	409853-0092	1-A-2237	Oil	
RNUR Master		Various	TB2536	465589-0004	443854-0098	1-A-2322	Oil	D
Tractor		8045.25.382	TA0302	465318-0010	409853-0044	1-A-2420	Oil	D
Tractor		3.9L 8045.25.390	TA3118	466698-0005	409172-0044	1-A-2710	Oil	D
Tractor		3.9L 8041.25.306	TA3118	466698-0006	409172-0044	1-A-2710	Oil	D
Truck		8040.45.261&271	TA0318	465379-0001	409853-0044	1-A-2420	Oil	D
Truck		8040.45.400	TA0318	465379-0003	409853-0044	1-A-2420	Oil	D



## CARTRIDGE/CHRA - Garrett

by Vehicle

Vehicle Model	Year	Engine	Turbo Model	Turbo Part No	Cart/CHRA Part No	TI Part No	Cooling	Fuel
<b>Iveco</b>								
Truck		8040.25.400	TA0303	465632-0005	409853-0044	1-A-2420	Oil	D
<b>Iveco Tractor</b>								
		3.9L 8040.25.230	TA0302	465318-0008	409853-0044	1-A-2420	Oil	D
<b>Iveco Truck</b>								
		3.9L 14 4 cyl. 8045.25.381	TA0303	465632-0006	409853-0044	1-A-2420	Oil	D
<b>J C B</b>								
Various		Perkins CA4.263	TA3107	465778-0016	409172-0045	1-A-2711	Oil	
Various		Perkins C4.263	TA3107	465778-0017	409172-0045	1-A-2711	Oil	
Various		Perkins T4.40	TA3123	466674-0001	409172-0056	1-A-2713	Oil	
<b>John Deere</b>								
300 Series		6359T(300 Series)	TA3401	466334-0007	409172-0054	1-A-2046	Oil	
300 Series		6359T(300 Series)	TA3401	466334-0008	409172-0054	1-A-2046	Oil	
544E,570,624&E,643,670,693D,750,75624		6059T,6068T,6414T(300 Series)	TA3401	466334-0010	409172-0054	1-A-2046	Oil	
		Various	TA3404	465593-0010	409172-0038	1-A-2709	Oil	
Backhoe 310D & 410,3840(300 series)		4039T,4045T,4239T,4276T	TA3401	466334-0004	409172-0053	1-A-2761	Oil	
Combine 9930,Skidder 640E(300 series)		5.9L 16/6.8L 16 6068T,6059T	TA3404	465593-0001	409172-0054	1-A-2046	Oil	
Excavator 490E,590E		4045T(300 Series)	TA3404	465593-0006	409172-0038	1-A-2709	Oil	
Excavator 690E,790E		6068T(300 Series)	TA3404	465593-0007	409172-0054	1-A-2046	Oil	
Gen Set		4039T(300 Series)	TA3404	465593-0004	409172-0053	1-A-2761	Oil	
Gen Set		300 Series	TA3404	465593-0005	409172-0038	1-A-2709	Oil	
Gen Set		6059TF(300 Series)	TA3404	465593-0008	409172-0053	1-A-2761	Oil	
Gen Set		6059T(300 Series)	TA3401	466334-0015	409172-0038	1-A-2709	Oil	
Loader 444E,450G & 650G,510D,595D		4045T,4239T,4276T(300 Series)	TA3401	466334-0005	409172-0038	1-A-2709	Oil	
Marmon		4039T,4239T,4276T(300 Series)	TA3404	465593-0002	409172-0038	1-A-2709	Oil	
Saran		4239T(300 Series)	TA3401	466334-0002	409172-0053	1-A-2761	Oil	
Saran		4239T(300 Series)	TA3401	466334-0003	409172-0053	1-A-2761	Oil	
Saran		6059T,6068T,6359T(300 Series)	TA3403	466980-0001	409172-0054	1-A-2046	Oil	
Skidder		4276T(300 Series)	TA3401	466334-0001	409172-0038	1-A-2709	Oil	
Various		4039T,6359T(300 Series)	TA3404	465593-0003	409172-0054	1-A-2046	Oil	
Various			TA3404	465593-0009	409172-0054	1-A-2046	Oil	
Various			TA3404	465593-0011	409172-0053	1-A-2761	Oil	
various		Various	TA3404	465593-0012	409172-0038	1-A-2709	Oil	
Various			TA3404	465593-0013	409172-0054	1-A-2046	Oil	
Various			TA3404	465593-0014	409172-0053	1-A-2761	Oil	
Various		6359T(300 Series)	TA3401	466334-0006	409172-0054	1-A-2046	Oil	
Various		6359A(300 Series)	TA3401	466334-0009	409172-0054	1-A-2046	Oil	
Various		6414T(300 Series)	TA3401	466334-0011	409172-0054	1-A-2046	Oil	
Various		6414T(300 Series)	TA3401	466334-0012	409172-0054	1-A-2046	Oil	
Various		6414T(300 Series)	TA3401	466334-0013	409172-0054	1-A-2046	Oil	
Various		4239AF	TA3401	466334-0014	409172-0053	1-A-2761	Oil	
Various		Various	TA3401	466334-0016	409172-0053	1-A-2761	Oil	
Various		Various	TA3401	466334-0017	409172-0038	1-A-2709	Oil	
Various		Various	TA3401	466334-0018	409172-0054	1-A-2046	Oil	
Various		Various	TA3401	466334-0019	409172-0038	1-A-2709	Oil	
<b>K H D</b>								
Diter		TD203-3	TB0275	452074-0001	443854-0058	1-A-2655	Oil	D
Diter		TD203-3	TB0275	452074-0002	443854-0058	1-A-2655	Oil	D
<b>Kubota</b>								
Tractor		VT1502	TB3101	435558-0001	409853-0003	1-A-2744	Oil	
Tractor		VT4300	TA3113	465936-0001	409172-0019	1-A-2699	Oil	
<b>Lancia</b>								
Croma	1991	2.0L 14 8 valve	TB0367	465103-0007	409853-0047	1-A-0574	Water	G
Dedra 4WD	Unknown	2.0L 14	TB0367	465103-0010	409853-0068	1-A-0562	Water	G
Dedra Ecologico,Delta ECO	1991-94	2.0L 8 valve	TB0367	465103-0009	409853-0068	1-A-0562	Water	G
Delta 4WD	1986-88	2.0L M643AT20C	TB0338	466384-0002	409853-0047	1-A-0574	Water	G



## CARTRIDGE/CHRA - Garrett

by Vehicle

Vehicle Model	Year	Engine	Turbo Model	Turbo Part No	Cart/CHRA Part No	TI Part No	Cooling	Fuel
<b>Lancia</b>								
Delta HF		1.6L 8 valve 130 hp 130 hp	TB0333	466194-0001	409853-0025	1-A-0687	Oil	G
Delta HF	1986-91	1.6L 8 valve 130 bhp	TB0225	466728-0001	443854-0014	1-A-2326	Water	G
Delta Integrale		M407.CT.20.C	TB0367	465103-0006	409853-0047	1-A-0574	Water	G
Delta Integrale	1987-94	2.0L 8 valve	TB0338	466384-0006	409853-0067	1-A-0584	Water	G
Delta Integrale 4WD	1988-94	2.0L 14 8 valve	TB0367	465103-0002	409853-0068	1-A-0562	Water	G
Delta TD/Prisma TD	1986-90	1.9L	TB0232	465265-0001	443854-0007	1-A-2726	Oil	D
Delta,Tipo,155	1994-	2.0L 14 16 valve	TB0367	465103-0004	409853-0047	1-A-0574	Water	G
Thema DS	1985-87	2.5L	TA0316	466868-0001	409853-0048	1-A-1146	Oil	D
Thema IE	1984-86	2.0L	TB0338	466384-0001	409853-0033	1-A-0566	Oil	G
Thema IE	1988	2.0L 16 valve	TB0367	465103-0003	409853-0047	1-A-0574	Water	G
Thema IE Eco	1987-89	2.0L	TB0367	465103-0001	409853-0033	1-A-0566	Oil	G
Thema Motronic	1992-94	2.0L 16 valve	TB0367	465103-0005	409853-0047	1-A-0574	Water	G
<b>Land Rover</b>								
90,110,Defender,Discovery TDI	1994-95	2.5L Gemini 3	T250-04	452055-0004	443854-0110	1-A-2327	Oil	D
90/110 Defender	1992-94	2.5L 14 Gemini	TB0242	465171-0002	443854-0033	1-A-1060	Oil	D
Discovery TDI,Range Rover	1990-94	2.5L 14	TB0243	465175-0001	443854-0033	1-A-1060	Oil	D
Falcon,90/110 Turbo D	1986-88	2.5L 14	TB0226	466842-0002	430425-0029	1-A-2664	Oil	D
Falcon,90/110 Turbo D	1988-89	2.5L 14	TB0249	452005-0001	443853-0030	1-A-2105	Oil	D
Santana		2.25L 14	TA0309	466184-0001	409853-0034	1-A-1147	Oil	D
Various			T250-04	452055-0005	443854-0110	1-A-2327	Oil	D
<b>Leyland</b>								
Tractor		4/98TV	TA3117	466346-0002	409172-0036	1-A-2707	Oil	
Tractor		4/98TT	TA3117	466346-0003	409172-0047	1-A-2712	Oil	
<b>Lotus</b>								
		2.2L 14	TB0377	465159-0001	409853-0072	1-A-2357	Water	G
Esprit	1987-	2.2L	TB0373	465133-0001	409853-0069	1-A-0556	Water	G
Esprit	1988-	2.2L	TB0373	465133-0002	409853-0069	1-A-0556	Water	G
Esprit	1991-	2.2L	TB0373	465133-0003	409853-0096	1-A-0571	Water	G
Turbo III,Phantom		2.2L 14	TB0377	465159-0002	409853-0094	1-A-2068	Water	G
<b>Mercedes Benz</b>								
" S" Class (W124)		3.0L 16 OM603A	TB0360	466846-0002	409174-0073	1-A-2260	Oil	D
"S" Class	1994-	3.5L W140	TB0390	454039-0001	409174-0067	1-A-0619	Oil	D
190D		2.5L 15	TB2511	466852-0001	443854-0002	1-A-2320	Oil	D
190D	1990-	2.5L 15 OM602A	TB2535	465445-0001	443853-0029	1-A-2624	Oil	D
250D	1987-	2.5L 15 OM602A	TB2510	466880-0001	443854-0002	1-A-2320	Oil	D
300 SDL(W124)	1986	3.0L 16	TB0360	466846-0001	409853-0051	1-A-1151	Oil	D
300 TD		3.0L 15	TA0301	465228-0003	409853-0001	1-A-1159	Oil	D
300 TD		3.0L 15	TA0310	466246-0001	409853-0001	1-A-1159	Oil	D
300 TD		3.0L 15	TA0314	466424-0001	409853-0001	1-A-1159	Oil	D
300D/SDL/TD		3.0L 16	TB0369	465285-0001	409853-0051	1-A-1151	Oil	D
300SDL		3.0L 16 OM603A	TB0359	466802-0001	409853-0051	1-A-1151	Oil	D
300TD		3.0L 16 OM603	TB0369	465285-0002	409853-0051	1-A-1151	Oil	D
Gelände Wagen		3.5L16 OM603	TB0369	465285-0003	409174-0072	1-A-2683	Oil	D
MB-Tractor		OM314A	TA3114	465722-0001	409172-0022	1-A-2701	Oil	
MB-Tractor		OM314A	TA3114	465722-0002	409172-0022	1-A-2701	Oil	
Truck		3.8L 14 OM314A	TA3114	465722-0004	409172-0022	1-A-2701	Oil	
Truck		3.8L 14 OM314A	TA3114	465722-0005	409172-0022	1-A-2701	Oil	
<b>Minsk Motor</b>								
Tractor			TA3133	454114-0001	409172-0069	1-A-2083	Oil	
Tractor			TA3133	454114-0002	409172-0069	1-A-2083	Oil	
<b>Mitsubishi</b>								
Eclipse	1994-97	2.0L 14 4G6N	TB2566	466491-0003	431876-0059	1-A-2509	Water	G
Various		6D31-T	TA3134	466129-0001	409172-0075	1-A-2721	Oil	
Various	1994-97	2.0L 14 4G6N	TB2566	466491-0004	431876-0059	1-A-2509	Water	G



## CARTRIDGE/CHRA - Garrett

by Vehicle

Vehicle Model	Year	Engine	Turbo Model	Turbo Part No	Cart/CHRA Part No	TI Part No	Cooling	Fuel
<b>Motor Iberica</b>								
<b>Motor Iberica</b>								
Tractor		T4.236(Perkins)	TA3106	465776-0004	409172-0026	1-A-2702	Oil	
Truck		T4.236(Perkins)	TA3106	465776-0003	409172-0026	1-A-2702	Oil	
<b>Navistar</b>								
Tractor		DT239	TA3107	465778-0009	409172-0026	1-A-2702	Oil	
Tractor		DT239	TA3107	465778-0010	409172-0034	1-A-2706	Oil	
<b>Nissan</b>								
200SX	1984	1.8L 14	TB0210	466370-0022	431876-0063	1-A-1281	Oil	G
200SX	1988	1.8L	TB2525	465795-0001	431876-0021	1-A-2733	Water	G
200SX	1988-94	1.8L	TB2525	465795-0004	431876-0072	1-A-1282	Water	G
300ZX Single		3.0L V6	TB03		431494-0001	1-A-2694	Water	G
300ZX Single		3.0L V6	TB03		431494-0002	1-A-0589	Water	G
300ZX Single		3.0L V6	TB03		431494-0003	1-A-2695	Water	G
300ZX Twin		3.0L V6 l/hand	TB2209	466073-0007	431876-0070	1-A-2331	Water	G
300ZX Twin		3.0L V6 l/hand	TB2209	466073-0008	431876-0070	1-A-2331	Water	G
300ZX Twin		3.0L V6 r/hand	TB2210	466135-0003	431876-0070	1-A-2331	Water	G
300ZX Twin		3.0L V6 r/hand	TB2210	466135-0005	431876-0070	1-A-2331	Water	G
300ZX Twin		3.0L V6 r/hand	TB2211	466252-0003	431876-0070	1-A-2331	Water	G
300ZX Twin		3.0L V6 r/hand	TB2211	466252-0005	431876-0070	1-A-2331	Water	G
300ZX Twin	1990-94	3.0L V6 l/hand	TB2207	466083-0006	431876-0070	1-A-2331	Water	G
Bluebird		1.4L	TB2519	465667-0003	431876-0025	1-A-2376	Water	G
Bluebird		1.4L	TB2519	465667-0004	431876-0025	1-A-2376	Water	G
Bluebird	1985	1.8L 14 CA18ET	TB0210	466370-0005	430425-0033	1-A-2433	Water	G
Bluebird	1985	1.8L 14 CA18ET	TB0210	466370-0006	430425-0033	1-A-2433	Water	G
Cherry	1985-86	1.5L 14 E15ET	TB0212	466416-0003	431876-0011	1-A-2662	Water	G
Gen Set		ED33T	TA3113	465936-0003	409172-0030	1-A-2703	Oil	
Patrol	1985-90	2.5L MT4T	TB0347	466726-0001	409853-0041	1-A-2750	Oil	D
Pulsar		1.5L 14	TB0202	466028-0001	430425-0002	1-A-2318	Oil	G
Scout II	1979-80		TB3102	465606-0002	409853-0004	1-A-2745	Oil	D
Silvia SU	1988	1.8L 14	TB2523	465767-0001	431876-0019	1-A-2331	Water	G
Silvia SU	1988	1.8L 14	TB2523	465767-0002	431876-0019	1-A-2331	Water	G
Various			TB0306		410581-0006	1-A-1181	Oil	
Various			TB0306		410581-0007	1-A-0588	Oil	
Various			TB0306		410581-0008	1-A-1182	Oil	
Various			TB2519	465667-0009	431876-0071	1-A-2752	Water	
Various			TB2519	465667-0010	431876-0071	1-A-2752	Water	
Various			TB2520	465723-0004	444321-0009	1-A-3207	Water	
Various		1.8L	TB2523	465767-0003	431876-0025	1-A-2376	Water	G
Various			TB2523	465767-0006	431876-0071	1-A-2752	Water	
Various		ED33T	TA3113	465936-0002	409172-0019	1-A-2699	Oil	
Various			TB2527	465941-0004	431876-0071	1-A-2752	Water	
Various			TB2527	465941-0006	431876-0071	1-A-2752	Water	
Various			TB2527	465941-0007	431876-0071	1-A-2752	Water	
Various			TB2539	466075-0004	431876-0065	1-A-2620	Water	
Various		SR20DET	TB2541	466113-0003	431876-0067	1-A-2620	Water	
Various		SR20DET	TB2547	466173-0003	431876-0065	1-A-2620	Water	
Various		ED33T	TB0331	466216-0001	409174-0051	1-A-2677	Oil	
Various			TB0206	466224-0001	430425-0009	1-A-2661	Oil	
Various			TB0207	466230-0002	430425-0008	1-A-2755	Oil	
Various		1.8L 14 CA18ET	TB0210	466370-0013	431876-0010	1-A-2723	Water	
Various		1.8L 14 CA18ET	TB0210	466370-0014	431876-0010	1-A-2723	Water	
Various		1.8L 14 CA18ET	TB0210	466370-0017	431876-0023	1-A-1283	Water	
Various		1.8L 14 CA18ET	TB0210	466370-0019	431876-0023	1-A-1283	Water	
Various			TB0210	466370-0023	431876-0063	1-A-1281	Oil	
Various			TB0211	466414-0006	431876-0061	1-A-2319	Water	
Various			TB0212	466416-0007	430425-0056	1-A-1280	Water	



## CARTRIDGE/CHRA - Garrett

by Vehicle

Vehicle Model	Year	Engine	Turbo Model	Turbo Part No	Cart/CHRA Part No	TI Part No	Cooling	Fuel
<b>Nissan</b>								
Various		1.6L 14	TB0231	466686-0001	430425-0037	1-A-2663	Water	G
Various			TB0220	466710-0006	431876-0061	1-A-2319	Water	
ZX 1.5		1.5L 14	TB0208	466250-0002	431876-0015	1-A-2658	Oil	G
<b>Opel</b>								
Astra	1996	2.0L 20LC	GT1544	454098-0001	433289-0014	1-A-2162	Oil	D
Astra eco D	1998	1.7L	GT1544	454187-0001	433289-0074	1-A-3736	Oil	D
Corsa TD		1.7L 17DTL	GT1544	454092-0001	435796-0018	1-A-2166	Oil	D
Unknown	1998	1.7L	GT1544H	704345-0001	433289-0050	1-A-3735	Oil	D
Unknown	Unknown	1.7L	GT1544S	708867-0001	433289-0104	1-A-3737	Oil	D
<b>Otosan</b>								
			GT1549	452213-0002	433289-0087	1-A-3868	Oil	
			GT1549	452213-0003	433289-0087	1-A-3868	Oil	
<b>Perkins</b>								
Automotive		T4.236	TA0315	466778-0002	409853-0042	1-A-2224	Oil	
Gen Set		T4.236	TA3107	465778-0019	409172-0045	1-A-2711	Oil	
Industrial		T4.236	TA0312	466342-0001	409853-0031	1-A-1492	Oil	
Industrial		T4.236	TA0312	466342-0002	409853-0031	1-A-1492	Oil	
Industrial		T4.236	TA0312	466342-0003	409853-0031	1-A-1492	Oil	
Industrial		T3.152	TA3117	466346-0001	409172-0033	1-A-2705	Oil	
Industrial		T4.40	TA3123	466674-0002	409172-0056	1-A-2713	Oil	
Marine		T4.20	TB0223	466770-0006	443854-0028	1-A-2295	Oil	D
Massey Ferguson 698		T4.236	TA0315	466778-0001	409853-0101	1-A-3137	Oil	
Massey Ferguson 698		T4.236	TA0315	466778-0003	409853-0101	1-A-3137	Oil	
Massey Ferguson 698		T4.236	TA0315	466778-0004	409853-0101	1-A-3137	Oil	
Massey Ferguson 698		T4.236	TA0315	466778-0006	409853-0101	1-A-3137	Oil	
Phaser		T4.40	TB2548	452044-0001	443854-0083	1-A-3108	Oil	
Phaser		T4.40	TA0315	466778-0008	409853-0101	1-A-3137	Oil	
Prima		504.2T	TB0257	452048-0001	443854-0058	1-A-2655	Oil	D
rolls royce		T4.236	TA3107	465778-0005	409172-0046	1-A-2356	Oil	
Tractor		T4.236	TA3107	465778-0004	409172-0046	1-A-2356	Oil	
Tractor		T4.236	TA3107	465778-0007	409172-0046	1-A-2356	Oil	
Tractor		T4.236	TA3107	465778-0011	409172-0046	1-A-2356	Oil	
Tractor		T4.236	TA3107	465778-0018	409172-0046	1-A-2356	Oil	
Various		C4.236	TA3107	465778-0002	409172-0045	1-A-2711	Oil	
Various		C4.236	TA3107	465778-0003	409172-0045	1-A-2711	Oil	
Various		C4.236	TA3107	465778-0020	409172-0045	1-A-2711	Oil	
Various		T4.236	TA3107	465778-0021	409172-0046	1-A-2356	Oil	
Various			TA0319	465807-0001	409172-0077	1-A-2722	Oil	
Various			TA3132	465809-0001	409172-0074	1-A-2720	Oil	
Various			TA0315	466778-0005	409853-0042	1-A-2224	Oil	
<b>Peugeot</b>								
		1.9L	GT1549S	454176-0006	433289-0132	1-A-3866	Oil	D
306	1998	1.9L	GT1549	454176-0002	433289-0057	1-A-3834	Oil	D
306	1998	1.9L	GT1549S	454176-0005	433289-0132	1-A-3866	Oil	D
406	1998	1.9L	GT1549	454171-0002	433289-0057	1-A-3834	Oil	D
406	1998	1.9L	GT1549	454171-0004	433289-0131	1-A-3867	Oil	D
406	1998	1.9L	GT1549S	454171-0005	433289-0131	1-A-3867	Oil	D
505		2.2L 14 N9TE	TB0346	466718-0003	409174-0056	1-A-0573	Water	G
505 Injection	1986-90	2.2L 14 N9TE i/c	TB0327	465994-0001	409174-0034	1-A-0570	Water	G
505 Injection	1986-90	2.2L 14 N9TE i/c	TB0327	465994-0002	409174-0034	1-A-0570	Water	G
505 Injection	1986-90	2.2L 14 N9TE i/c	TB0327	465994-0003	409174-0034	1-A-0570	Water	G
505 Injection	1986-90	2.2L 14 N9TE i/c	TB0327	465994-0004	409174-0056	1-A-0573	Water	G
505,50STI		2.2L 14 N9TE	TB0346	466718-0001	409174-0056	1-A-0573	Water	G
505D,Tagora	1983	2.5L 14 XD3S/XD3T	TA0302	465318-0003	409853-0086	1-A-1936	Oil	D
505STI		2.2L 14	TB0327	465994-0005	409174-0062	1-A-2679	Water	G



## CARTRIDGE/CHRA - Garrett

by Vehicle

Vehicle Model	Year	Engine	Turbo Model	Turbo Part No	Cart/CHRA Part No	TI Part No	Cooling	Fuel
<b>Peugeot</b>								
505STI		2.2L 14 N9TE	TB0346	466718-0002	409853-0070	1-A-0572	Water	G
605 TD	1990-95	2.1L D XUD11ATE 115hp	TB0251	465429-0001	443854-0021	1-A-2104	Oil	D
Military		XD3S	TA0302	465318-0004	409853-0005	1-A-2746	Oil	
Panhard		2.5L 14 XD3S	TB0364	466972-0001	409853-0034	1-A-1147	Oil	D
Tagora,505D,505STI,505TD,604D,604	1980	2.3L 14 XD2S	TA0302	465318-0002	409853-0002	1-A-2743	Oil	D
Tractor	Unknown	2.1L XUDIIAT	TB0271	454088-0001	443854-0021	1-A-2104	Oil	D
<b>Pontiac</b>								
Grand AM,Sunbird		2.0L 14	TB2521	465365-0001	430425-0032	1-A-2102	Water	G
Grand AM,Sunbird		2.0L 14	TB2506	466876-0001	430425-0032	1-A-2102	Water	G
Sunbird		2.0L 14	TB2522	465749-0001	430425-0032	1-A-2102	Water	G
Sunbird.2000&6000series		1.8L 14	TB0205	466204-0001	430425-0007	1-A-2317	Oil	G
Various			TB2521	465365-0002	430425-0032	1-A-2102	Water	G
<b>Renault</b>								
		1.9L	GT1549	717345-0001	433289-0143	1-A-3864	Oil	D
Alpine A610	1990-94	3.0L V6 Z7X 744	TB0387	465503-0001	409853-0083	1-A-0563	Water	G
Alpine GT,R25	1985-86	2.4L V6 Z7U	TB0341	466448-0001	409853-0039	1-A-0567	Oil	G
Alpine GTA,R25	1986-90	2.4L V6 Z7U	TB0341	466448-0002	409853-0052	1-A-0575	Water	G
C40 Sport,R5,R5GT	1986-87	1.4L 14 C1J 782	TB0214	466506-0006	443853-0024	1-A-1061	Water	G
C40 Sport,R5,R9,R11	1986-87	1.4L 14 C1J 782	TB0214	466506-0008	443853-0027	1-A-2328	Water	G
Centauri,Le Sharo-Phasar(Winnebego)	1983-91	2.0L 14 J8S234	TA0305	465764-0003	409174-0047	1-A-1515	Oil	D
Centauri,Le Sharo-Phasar(Winnebego)/	1986-91	2.0L 14 J8S702	TA0305	465764-0001	409174-0047	1-A-1515	Oil	D
Daily	1996	2.8L	GT1752H	454061-0010	433289-0010	1-A-3862	Oil	D
Ducato Maxi	1997	2.8L	GT1752H	454061-0010	433289-0010	1-A-3862	Oil	D
Espace	1993-95	2.0L 14 J8S786	TB0270	454067-0002	443854-0128	1-A-2742	Oil	D
Espace, Laguna TD	1998	1.9L	GT1544S	700830-0001	433289-0065	1-A-3719	Oil	D
Espace,R21,R25	1986-92	2.1L 14 J8S 814	TB0213	466450-0001	443853-0022	1-A-1045	Oil	D
Fuego	1982	1.6L 14 A7L 723	TB0325	466042-0001	409853-0029	1-A-2749	Oil	G
Fuego	1983	1.6L 14 A5L 750	TB0311	465544-0004	409853-0029	1-A-2749	Oil	G
Kangoo	2001	1.9L	GT1549	717348-0001	433289-0143	1-A-3864	Oil	D
Kangoo	2001	1.9L	GT1549	717348-0002	433289-0143	1-A-3864	Oil	D
Laguna dCi	2000	1.9L	GT1549	703245-0001	433289-0143	1-A-3864	Oil	D
Laguna dCi	2002	1.9L	GT1549	717345-0002	433289-0143	1-A-3864	Oil	D
Laguna dCi	2004	1.9L	GT1549S	751768-0001	433289-0242	1-A-3863	Oil	D
Master	1996	2.8L	GT1752H	454061-0012	433289-0010	1-A-3862	Oil	D
Master	1997	2.8L	GT1752H	454061-0010	433289-0010	1-A-3862	Oil	D
Master	1997	2.8L	GT1752H	454061-0011	433289-0010	1-A-3862	Oil	D
Master	2003	2.8L	GT1752H	454061-0010	433289-0010	1-A-3862	Oil	D
Megane dCi	2000	1.9L	GT1549	703245-0001	433289-0143	1-A-3864	Oil	D
Megane dCi	2000	1.9L	GT1549	703245-0002	433289-0143	1-A-3864	Oil	D
Megane dCi	2001	1.9L	GT1549	717345-0002	433289-0143	1-A-3864	Oil	D
Megane dCi	2001	1.9L	GT1549	717348-0001	433289-0143	1-A-3864	Oil	D
Megane dCi	2001	1.9L	GT1549	717348-0002	433289-0143	1-A-3864	Oil	D
Megane dCi	2004	1.9L	GT1549S	751768-0001	433289-0242	1-A-3863	Oil	D
Megane TD	1997	1.9L	GT1544	454165-0001	433289-0011	1-A-3734	Oil	D
Megane TD	1998	1.9L	GT1544	700830-0001	433289-0065	1-A-3719	Oil	D
Megane TD	1999	1.9L	GT1544	700830-0003	433289-0065	1-A-3719	Oil	D
Messenger B110	1993-	2.5L 8140.27.2530	TB2534	465489-0004	443854-0098	1-A-2322	Oil	D
Military			TA0308	466232-0001	409853-0027	1-A-2748		
Movano	1997	2.8L	GT1752H	454061-0010	433289-0010	1-A-3862	Oil	D
Movano	2002	1.9L	GT1549	717345-0002	433289-0143	1-A-3864	Oil	D
R11	1986	1.4L 14 C1J ARG	TB0203	466196-0005	443853-0027	1-A-2328	Water	G
R11	1986-87	1.4L 14 C1J 760	TB0203	466196-0003	443853-0020	1-A-2103	Water	G
R11 Coupe	1986-87	1.4L 14 C1J 760	TB0203	466196-0004	443853-0020	1-A-2103	Water	G
R18	1980-83	1.6L 14 A5L 727	TB0311	465544-0002	409853-0007	1-A-0620	Oil	G
R18,R25	1983-85	1.6L 14 A5L 717	TB0311	465544-0003	409853-0029	1-A-2749	Oil	G
R19 DT	1991-94	1.9L 14 F8Q 740	TB0255	465465-0001	443854-0031	1-A-2106	Water	D



## CARTRIDGE/CHRA - Garrett

by Vehicle

Vehicle Model	Year	Engine	Turbo Model	Turbo Part No	Cart/CHRA Part No	TI Part No	Cooling	Fuel
<b>Renault</b>								
R19 TD	1994-96	1.9L 14 F8Q 744	TB0277	454087-0002	443854-0031	1-A-2106	Water	D
R21,Espace	1993-96	2.1L 14 J8S786	TB0270	454067-0001	443853-0022	1-A-1045	Oil	D
R21/R21 4x4	1986-92	1.9L 14/2.0L 14	TB0370	466948-0001	409853-0088	1-A-0582	Oil	G
R25	1990-91	2.4L V6 Z7U 700	TB0386	465499-0001	409853-0082	1-A-0557	Water	G
R5	1982	1.4L 14 C7J 700	TB0310	465646-0001	409174-0012	1-A-2667	Oil	G
R5	1982	1.4L 14 C7J 700	TB0310	465646-0002	409174-0012	1-A-2667	Oil	G
R5 Alpine	1981-83	1.4L 14 C6J 750	TB0319	465916-0001	409174-0048	1-A-0581	Oil	G
R5 Alpine	1981-83	1.4L 14 C6J 750	TB0319	465916-0002	409174-0048	1-A-0581	Oil	G
R5 GTII	1987-90	1.4L 14 C1J 788	TB0235	465367-0001	443853-0027	1-A-2328	Water	G
R5 GTII	1987-90	1.4L 14 C1J 784	TB0235	465367-0002	443853-0027	1-A-2328	Water	G
R5 Turbo II		1.4L 14 C7K 700	TB0310	465646-0004	409174-0052	1-A-0549	Oil	G
R5 Turbo II	1983	1.4L 14 C7J 730	TB0310	465646-0003	409174-0052	1-A-0549	Oil	G
R5,R5GT	1984	1.4L 14 C1J 782	TB0214	466506-0002	443853-0019	1-A-1043	Oil	G
R5,R5GT	1984-86	1.4L 14 C1J 782	TB0214	466506-0001	443853-0019	1-A-1043	Oil	G
R5,R5GT,R9,R11		1.4L 14 C1J 784	TB0203	466196-0002	443853-0019	1-A-1043	Oil	G
R5,R5GT,R9,R11/Alliance,Encore	1985-87	1.4L 14/2.0L 14	TB0203	466196-0001	443853-0019	1-A-1043	Oil	G
R5GT	1986-87	1.4L 14 C1J 782	TB0214	466506-0005	443853-0024	1-A-1061	Water	G
R5GT II,R9,R11	1987-88	1.4L 14 C1J 782	TB0214	466506-0007	443853-0027	1-A-2328	Water	G
Scenic dCi	2004	1.9L	GT1549S	751768-0001	433289-0242	1-A-3863	Oil	D
SOFIM		Various	TB2534	465489-0005	443854-0098	1-A-2322	Oil	D
Trafic	1997	2.8L	GT1752H	454061-0011	433289-0010	1-A-3862	Oil	D
Trafic dCi	2004	1.9L	GT1549S	751768-0001	433289-0242	1-A-3863	Oil	D
Unknown	Unknown	1.9L	GT1544	703753-0001	433289-0065	1-A-3719	Oil	D
Various			TB0213		430425-0021	1-A-2756	Oil	
Various			TB0203	466196-0005	430425-0005	1-A-2754	Oil	
Various			TB0203	466196-0005	430425-0028	1-A-2757	Water	
<b>Rolls Royce</b>								
Various		C4.236	TA3107	465778-0006	409172-0045	1-A-2711	Oil	
<b>Rotomaster</b>								
Unknown			RM-60/.3	103601-0000	409174-0069	1-A-2682	Oil	
Unknown			RM-60/.5	103603-0000	409174-0069	1-A-2682	Oil	
<b>Ruston &amp; Hornsby</b>								
various		3YDXSRIII	TA3131	452012-0001	409172-0033	1-A-2705	Oil	
various		3YDCSRIII	TA3131	452012-0002	409172-0071	1-A-2718	Oil	
various		4YDCSRIII	TA3131	452012-0003	409172-0072	1-A-2719	Oil	
various		HA 494	TA3131	452012-0004	409172-0056	1-A-2713	Oil	
various		4YD	TA3106	465776-0002	409172-0016	1-A-2697	Oil	
<b>S L H</b>								
Industrial		1000 4 AT & WT	TA3130	465493-0001	409172-0069	1-A-2083	Oil	
Tractor		1000 4 AT & WT	TA3130	465493-0002	409172-0069	1-A-2083	Oil	
Tractor		1000 4 ATI	TA3130	465493-0003	409172-0069	1-A-2083	Oil	
<b>S O F I M</b>								
Van(DAF)		8140.27.2600	TB2536	465589-0002	443854-0098	1-A-2322	Oil	D
Various			TA0302	465318-0005	409853-0002	1-A-2743	Oil	D
Various		8140.27.2600	TB2536	465589-0003	443854-0098	1-A-2322	Oil	D
<b>Saab</b>								
900	1981	2.0L 14	TB0312	465514-0003	409853-0016	1-A-0690	Oil	G
900	1981-84	2.0L 14	TB0312	465514-0004	409853-0016	1-A-0690	Oil	G
900	1983	2.0L 14 16 valve	TB0339	466420-0001	409853-0035	1-A-0568	Oil	G
900	1987-89	2.0L 14 16 valve	TB0357	466954-0001	409853-0055	1-A-0576	Water	G
900	1989	2.0L 14 B202F 16 valve	TB0382	465163-0002	409853-0055	1-A-0576	Water	G
900	1989	2.0L 14 B202F 16 valve	TB0382	465163-0004	409853-0073	1-A-0577	Water	G
900	1989-94	2.0L 14 16 valve 175hp	TB0382	465163-0001	409853-0055	1-A-0576	Water	G
900	1989-94	2.0L 14 B202F 16 valve	TB0382	465163-0003	409853-0073	1-A-0577	Water	G
900	1994-99	2.0L B204	TB2531	452068-0001	443854-0093	1-A-2594	Water	G





## CARTRIDGE/CHRA - Garrett

by Vehicle

Vehicle Model	Year	Engine	Turbo Model	Turbo Part No	Cart/CHRA Part No	TI Part No	Cooling	Fuel
<b>Saab</b>								
900 APC	1982-86	2.0L 14 8 valve	TB0321	465904-0002	409853-0016	1-A-0690	Oil	G
900 APC	1987-90	2.0L 14 8 valve	TB0358	466956-0001	409853-0054	1-A-0975	Water	G
900,900 APC	1986-87	2.0L 14 8 valve	TB0321	465904-0003	409853-0016	1-A-0690	Oil	G
900,9000	1984-86	2.0L 14 16 valve	TB0343	466456-0001	409853-0035	1-A-0568	Oil	G
900,9000	1987-89	2.0L 14 16 valve i/c	TB0357	466954-0002	409853-0055	1-A-0576	Water	G
900,9000	1994-99	2.0L 14 B204,2.3L B234	TB2559	452083-0001	443854-0055	1-A-2330	Water	G
900,99 EMS	1978-80	2.0L 14	TC0301	465296-0005	409853-0017	1-A-1145	Oil	G
900,99 EMS	1978-80	2.0L 14	TC0301	465296-0007	409853-0017	1-A-1145	Oil	G
900.900 APC,9000	1984-87	2.0L 14 B202 16 valve i/c	TB0339	466420-0002	409853-0035	1-A-0568	Oil	G
9000	1985	2.0L 14 16 valve	TB0343	466456-0002	409853-0035	1-A-0568	Oil	G
9000	1986-87	2.0L 14	TB0356	466952-0001	409853-0055	1-A-0576	Water	G
9000	1986-87	2.0L 14 16 valve i/c	TB0356	466952-0002	409853-0055	1-A-0576	Water	G
9000	1987-90	2.0L 14 B202E 16 valve	TB0356	466952-0004	409853-0055	1-A-0576	Water	G
9000	1989	2.0L 14 B202F 16 valve	TB0356	466952-0005	409853-0055	1-A-0576	Water	G
9000	1990-97	2.0L 14 B202E 16 valve	TB2529	465181-0001	443854-0025	1-A-2293	Water	G
9000	1990-97	2.0L 14 B202F 16 valve	TB2529	465181-0002	443854-0025	1-A-2293	Water	G
9000	1990-98	2.3L 16 valve 185hp	TB2531	465183-0006	443854-0046	1-A-2108	Water	G
9000	1990-98	2.3L 16 valve 200hp	TB2531	465183-0008	443854-0055	1-A-2330	Water	G
9000	1993-98	2.3L 16 valve 175hp Cat.Con	TB2531	465183-0007	443854-0046	1-A-2108	Water	G
Various		Various	TB0382	465163-0005	409853-0073	1-A-0577	Water	
Various		Various	TB0382	465163-0006	409853-0073	1-A-0577	Water	
Various		Various	TB0356	466952-0006	409853-0073	1-A-0577	Water	
Various		Various	TB0356	466952-0007	409853-0073	1-A-0577	Water	
<b>Seat</b>								
Ibiza TDI,Cordoba TDI, Toledo TDI,Alha	1997-98	1.9L 14 90 hp	GT1544	454083-0001	435796-0015	1-A-2165	Oil	D
Ibiza TDI,Cordoba TDI, Toledo TDI,Alha	1997-98	1.9L 14 90 hp	GT1544	454083-0002	433289-0050	1-A-3735	Oil	D
Ibiza,Toledo	1993-94	1.9L 14 75hp	TB0261	465577-0001	443854-0047	1-A-2735	Oil	D
Toledo	1994	1.9L 14 75hp	GT1544	454065-0002	435796-0018	1-A-2166	Oil	D
Toledo Tdi	1997	1.9L	GT1544	454083-0002	433289-0050	1-A-3735	Oil	D
<b>Skoda</b>								
Octavia	1997-98	1.9L 14 90 hp	GT1544	454083-0001	435796-0015	1-A-2165	Oil	D
Octavia	1997-98	1.9L 14 90 hp	GT1544	454083-0002	433289-0050	1-A-3735	Oil	D
<b>Toyota</b>								
Crown	1981	2.0L	TB0318	465838-0002	409174-0039	1-A-1110	Oil	G
Various			TB03			1-A-1529	Water	
Various		2.0L 14	TB0328	466172-0001	409853-0026	1-A-2747	Oil	G
<b>Unknown</b>								
			GT1544S	452254-0003	433289-0060	1-A-2164	Oil	D
Unknown			TB0295	454228-0001	443854-0104	1-A-2741	Oil	D
Unknown			TB0204	466206-0001	430425-0006	1-A-2660	Oil	
<b>Vauxhall</b>								
Astra, Vectra,Zafira	1998-	2.0L 82hp	GT1544	454098-0001	433289-0014	1-A-2162	Oil	D
Astra,Vectra	1995-98	1.7L 68 hp	GT1544	454092-0001	435796-0018	1-A-2166	Oil	D
various		220	TA3109	465844-0001	409172-0016	1-A-2697	Oil	
<b>Volkswagen</b>								
			GT1544	706120-0001	433289-0130	1-A-3845	Oil	
Golf		1.6L	TB0218	466534-0001	443854-0001	1-A-2725	Oil	D
Golf	1986	1.6L 14/2.0L 14	TB0218	466534-0003	443854-0037	1-A-2107	Water	D
Golf	1986-89	1.6L 14	TB0218	466534-0002	443854-0001	1-A-2725	Oil	D
Golf	1989-93	1.6L 14	TB0218	466534-0005	443854-0037	1-A-2107	Water	D
Golf Mk II TDI,Passat TDI,Vento TDI,Sh	1994-97	1.9L 14 90hp	GT1544	454083-0001	435796-0015	1-A-2165	Oil	D
Golf Mk II TDI,Passat TDI,Vento TDI,Sh	1994-97	1.9L 14 90hp	GT1544	454083-0002	433289-0050	1-A-3735	Oil	D
Golf Synchro	1996-	1.9L 14 90 hp	GT1544	454172-0001	435796-0015	1-A-2165	Oil	D
Golf Synchro	1996-	1.9L 14 90hp	GT1544	454172-0002	435796-0015	1-A-2165	Oil	D
Golf Synchro,Passat TDI	1995-	1.9L 14 90hp	GT1544	454097-0001	435796-0015	1-A-2165	Oil	D



## CARTRIDGE/CHRA - Garrett

by Vehicle

Vehicle Model	Year	Engine	Turbo Model	Turbo Part No	Cart/CHRA Part No	TI Part No	Cooling	Fuel
<b>Volkswagen</b>								
Golf Tdi	1997	1.9L	GT1544S	454172-0002	433289-0119	1-A-3738	Oil	D
Golf, Jetta, Passat, Quantum, Rabbit	1981-86	1.6L 14	TA0304	465384-0003	409853-0006	1-A-1587	Oil	D
Golf, Passat	1981-86	1.6L 14	TA0304	465384-0002	409853-0006	1-A-1587	Oil	D
Golf, Passat	1994-	1.9L 14 75hp	GT1544	454065-0002	435796-0018	1-A-2166	Oil	D
Golf, Passat, Santana	1981-86	1.6L 14	TA0304	465384-0005	409853-0006	1-A-1587	Oil	D
Golf, Passat, Vento	1990-94	1.9L 14 75hp	TB0261	465577-0001	443854-0047	1-A-2735	Oil	D
LT Van	1982-92	2.4L 14	TA0307	466088-0001	409853-0018	1-A-0622	Oil	D
Passat	1984-86	1.6L 14	TA0304	465384-0004	409853-0006	1-A-1587	Oil	D
Passat TDI	1995-	1.9L 14 90hp	GT1549	454097-0002	433289-0116	1-A-2940	Oil	D
Passat Tdi	1997	1.9L	GT1544S	454083-0002	433289-0050	1-A-3735	Oil	D
Passat, Quantum	1984-86	1.6L 14	TA0304	465384-0001	409853-0006	1-A-1587	Oil	D
Transporter	1993-95	1.9L 14 75hp	TB0254	454002-0101	443854-0047	1-A-2735	Oil	D
Transporter TD	1995	1.9L	GT1544	454064-0001	435796-0020	1-A-3740	Oil	D
Unknown	Unknown	1.9L	GT1544	454064-0002	435796-0020	1-A-3740	Oil	D
<b>Volvo</b>								
200	1987	1.9L 14/2.1L 14	TB0368	465115-0001	409853-0063	1-A-0555	Water	G
200, 240, GLT	1987	2.1L 14	TB0368	465115-0003	409853-0063	1-A-0555	Water	G
200, 240, GLT, Turbo	1987	2.1L 14	TB0368	465115-0002	409853-0063	1-A-0555	Water	G
200, GLT	1982	2.1L 14	TB0313	465446-0006	409853-0020	1-A-0550	Oil	G
200, GLT/Rally	1984	2.1L 14/2.3L 14	TB0313	465446-0011	409853-0019	1-A-0569	Oil	G
400700	1987-96	2.4L 16 i/c	TB0349	466794-0002	409853-0061	1-A-0621	Oil	D
400700900	1987-96	2.4L 16 i/c	TB0349	466794-0001	409853-0061	1-A-0621	Oil	D
440460480	1990-91	1.7L 14	TB0253	465567-0001	443854-0040	1-A-1063	Water	G
440460480	1991-97	1.7L 14	TB0262	465407-0001	443854-0040	1-A-1063	Water	G
440460480	1991-97	1.7L 14	TB0262	465407-0002	443854-0077	1-A-2656	Water	G
440480	1988-90	1.7L 14	TB0228	466884-0001	443854-0040	1-A-1063	Water	G
440480	1988-90	1.7L 14	TB0228	466884-0002	443854-0040	1-A-1063	Water	G
700	1983-86	2.3L 14	TB0326	466032-0001	409853-0019	1-A-0569	Oil	G
700	1985	2.0L 14	TB0326	466032-0003	409853-0019	1-A-0569	Oil	G
700	1986	2.0L 14	TB0363	466672-0003	409853-0057	1-A-0579	Water	G
700	1987-90	2.3L 14	TB0363	466672-0001	409853-0057	1-A-0579	Water	G
700	1989	2.3L 14 B230FET	TB0381	465177-0004	409853-0074	1-A-0559	Water	G
700, 740, 760, Turbo		2.3L 14	TB0363	466672-0002	409853-0057	1-A-0579	Water	G
700, 740, 760, Turbo	1984	2.3L 14 i/c	TB0326	466032-0002	409853-0019	1-A-0569	Oil	G
700900940	1990-91	2.3L 14 B230, B230FET	TB0381	465177-0005	409853-0074	1-A-0559	Water	G
Commercial		Various	TB0350	466800-0003	409853-0043	1-A-2751	Oil	
Fork Lift		TD61GW, TD71GW	TB0350	466800-0001	409853-0043	1-A-2751	Oil	
Fork Lift		TD61GW, TD71GW	TB0350	466800-0002	409853-0043	1-A-2751	Oil	
Gen Set		TD61	TA3106	465776-0007	409172-0029	1-A-2559	Oil	
Loader		TD45B	TA3106	465776-0005	409172-0029	1-A-2559	Oil	
Loader		TD45B	TA3106	465776-0008	409172-0051	1-A-2239	Oil	
Loader		TD45B	TA3107	465778-0008	409172-0029	1-A-2559	Oil	
Loader		TD45B	TA3107	465778-0014	409172-0029	1-A-2559	Oil	
Loader		TD45B	TA3107	465778-0015	409172-0051	1-A-2239	Oil	
Penta		Various	TB0350	466800-0004	409853-0089	1-A-1724	Oil	
Penta		Various	TB0350	466800-0005	409853-0089	1-A-1724	Oil	
S40	2001	1.9L	GT1549	717348-0001	433289-0143	1-A-3864	Oil	D
S40, S90, V40	1998-99	1.9L	GT1544	703753-0001	433289-0065	1-A-3719	Oil	D
V40	2001	1.9L	GT1549	717348-0001	433289-0143	1-A-3864	Oil	D
Various		Various	TB0379	465143-0007	409853-0078	1-A-1162	Water	
Various		Various	TB0379	465143-0008	409853-0078	1-A-1162	Water	
Various		Various	TB0379	465143-0009	409853-0078	1-A-1162	Water	
Various		Various	TB0379	465143-0010	409853-0071	1-A-0578	Water	
Various		Various	TB0379	465143-0011	409853-0071	1-A-0578	Water	
Various		Various	TB0379	465143-0012	409853-0071	1-A-0578	Water	
Various		Various	TB2555	465199-0004	443854-0084	1-A-2681	Water	G



## CARTRIDGE/CHRA - Garrett

by Vehicle

Vehicle Model	Year	Engine	Turbo Model	Turbo Part No	Cart/CHRA Part No	TI Part No	Cooling	Fuel
<b>Volvo</b>								
Various		Various	TB0363	466672-0007	409853-0085	1-A-0580	Water	
Various		Various	TB0363	466672-0008	409853-0085	1-A-0580	Water	
Various		Various	TB0363	466672-0009	409853-0085	1-A-0580	Water	



## CARTRIDGE/CHRA - Garrett

by Turbo Model

Turbo Part No	Cart/CHRA Part No	TI Part No	Cooling	Manufacturer	Vehicle Model	Year	Engine	Fuel
<b>GT1544</b>								
452084-0004	433289-0006	1-A-2568	Oil	Ford	Escort TD	1996-	1.8L	D
452084-0007	433289-0006	1-A-2568	Oil	Ford	Escort TD	1996-	1.8L	D
452124-0004	433289-0012	1-A-2161	Oil	Ford	Mondeo TD	1996-	1.8L Endura	D
452124-0005	433289-0012	1-A-2161	Oil	Ford	Mondeo	1996-	1.8L	D
452124-0006	433289-0058	1-A-2570	Oil	Ford	Mondeo TD	1996-	1.8L Endura	D
454064-0001	435796-0020	1-A-3740	Oil	Volkswagen	Transporter TD	1995	1.9L	D
454064-0002	435796-0020	1-A-3740	Oil	Volkswagen	Unknown	Unknown	1.9L	D
454065-0002	435796-0018	1-A-2166	Oil	Seat	Toledo	1994	1.9L 14 75hp	D
454065-0002	435796-0018	1-A-2166	Oil	Volkswagen	Golf,Passat	1994-	1.9L 14 75hp	D
454080-0005	433289-0017	1-A-2163	Oil	Fiat	Ducato	1996	1.9L M.720.CT.19.T	D
454082-0001	435796-0018	1-A-2166	Oil	Audi	80 TDI,A6 TDI	1994-95	1.9L 14 90 hp	D
454082-0002	433289-0116	1-A-2940	Oil	Audi	80 TDI	1995-	1.9L 14 90hp	D
454083-0001	435796-0015	1-A-2165	Oil	Seat	Ibiza TDI,Cordoba TDI, Toledo	1997-98	1.9L 14 90 hp	D
454083-0001	435796-0015	1-A-2165	Oil	Skoda	Octavia	1997-98	1.9L 14 90 hp	D
454083-0001	435796-0015	1-A-2165	Oil	Volkswagen	Golf Mk II TDI,Passat TDI,Vent	1994-97	1.9L 14 90hp	D
454083-0002	433289-0050	1-A-3735	Oil	Seat	Ibiza TDI,Cordoba TDI, Toledo	1997-98	1.9L 14 90 hp	D
454083-0002	433289-0050	1-A-3735	Oil	Seat	Toledo Tdi	1997	1.9L	D
454083-0002	433289-0050	1-A-3735	Oil	Skoda	Octavia	1997-98	1.9L 14 90 hp	D
454083-0002	433289-0050	1-A-3735	Oil	Volkswagen	Golf Mk II TDI,Passat TDI,Vent	1994-97	1.9L 14 90hp	D
454092-0001	435796-0018	1-A-2166	Oil	Opel	Corsa TD		1.7L 17DTL	D
454092-0001	435796-0018	1-A-2166	Oil	Vauxhall	Astra,Vectra	1995-98	1.7L 68 hp	D
454093-0001	435796-0021	1-A-2569	Oil	BMW	318TDS	1995-	1.7L 14 M41D	D
454097-0001	435796-0015	1-A-2165	Oil	Audi	80 TDI,A4 TDI	1995-	1.9L 14 B5 90 hp	D
454097-0001	435796-0015	1-A-2165	Oil	Volkswagen	Golf Synchro,Passat TDI	1995-	1.9L 14 90hp	D
454098-0001	433289-0014	1-A-2162	Oil	Opel	Astra	1996	2.0L 20LC	D
454098-0001	433289-0014	1-A-2162	Oil	Vauxhall	Astra, Vectra,Zafira	1998-	2.0L 82hp	D
454159-0001	433289-0014	1-A-2162	Oil	Audi	A3 TDI	1997-	1.9L 90 hp	D
454159-0002	433289-0050	1-A-3735	Oil	Audi	A3 Tdi	1998	1.9L	D
454165-0001	433289-0011	1-A-3734	Oil	Renault	Megane TD	1997	1.9L	D
454172-0001	435796-0015	1-A-2165	Oil	Volkswagen	Golf Synchro	1996-	1.9L 14 90 hp	D
454172-0002	435796-0015	1-A-2165	Oil	Volkswagen	Golf Synchro	1996-	1.9L 14 90hp	D
454187-0001	433289-0074	1-A-3736	Oil	Opel	Astra eco D	1998	1.7L	D
700830-0001	433289-0065	1-A-3719	Oil	Renault	Megane TD	1998	1.9L	D
700830-0003	433289-0065	1-A-3719	Oil	Renault	Megane TD	1999	1.9L	D
703753-0001	433289-0065	1-A-3719	Oil	Renault	Unknown	Unknown	1.9L	D
703753-0001	433289-0065	1-A-3719	Oil	Volvo	S40, S90, V40	1998-99	1.9L	D
706120-0001	433289-0130	1-A-3845	Oil	Volkswagen				
<b>GT1544H</b>								
704345-0001	433289-0050	1-A-3735	Oil	Opel	Unknown	1998	1.7L	D
<b>GT1544S</b>								
452084-0009	433289-0060	1-A-2164	Oil	Ford	Escort TD	1996-	1.8L	D
452254-0003	433289-0060	1-A-2164	Oil	Unknown				D
454006-0002	433289-0009	1-A-2160	Oil	Fiat	Brava,Marea,Tipo	1996	1.9L 75hp	D
454006-0004	433289-0009	1-A-2160	Oil	Fiat	Marea	1996	1.9L 100hp	D
454080-0001	433289-0009	1-A-2160	Oil	Fiat	Punto TD	1996	1.9L M720BT19T100hp	D
454080-0002	433289-0009	1-A-2160	Oil	Fiat	Tipo	1996	1.9L M720LT19T 75hp	D
454080-0004	433289-0009	1-A-2160	Oil	Fiat	Brava,Marea,Tipo	1994-96	1.9L M.720.AT.19.T 100hp	D
454080-0005	433289-0009	1-A-2160	Oil	Fiat	Brava,Marea,Tipo	1994-96	1.9L M.720.AT.19.T	D
454083-0002	433289-0050	1-A-3735	Oil	Volkswagen	Passat Tdi	1997	1.9L	D
454093-0003	433289-0127	1-A-3739	Oil	BMW	318TDs	1999	1.9L	D
454093-0004	433289-0127	1-A-3739	Oil	BMW	318TDs	1999	1.9L	D
454172-0002	433289-0119	1-A-3738	Oil	Volkswagen	Golf Tdi	1997	1.9L	D
700830-0001	433289-0065	1-A-3719	Oil	Renault	Espace, Laguna TD	1998	1.9L	D
708867-0001	433289-0104	1-A-3737	Oil	Opel	Unknown	Unknown	1.7L	D



## CARTRIDGE/CHRA - Garrett

by Turbo Model

Turbo Part No	Cart/CHRA Part No	TI Part No	Cooling	Manufacturer	Vehicle Model	Year	Engine	Fuel
<b>GT1549</b>								
452098-0002	433289-0007	1-A-2159	Oil	Austin Rover	220 SDI,420D,620	1995	2.0L TCI/E 105hp l/c	D
452151-0002	433289-0007	1-A-2159	Oil	Austin Rover	220,420D/SD	1996-	2.0L 14 TCI/M 86hp	D
452213-0002	433289-0087	1-A-3868	Oil	Otosan				
452213-0003	433289-0087	1-A-3868	Oil	Otosan				
454097-0002	433289-0116	1-A-2940	Oil	Volkswagen	Passat TDI	1995-	1.9L 14 90hp	D
454171-0002	433289-0057	1-A-3834	Oil	Citroen	Xantia	1998	1.9L	D
454171-0002	433289-0057	1-A-3834	Oil	Peugeot	406	1998	1.9L	D
454171-0004	433289-0131	1-A-3867	Oil	Peugeot	406	1998	1.9L	D
454176-0002	433289-0057	1-A-3834	Oil	Citroen	Xsara	1998	1.9L	D
454176-0002	433289-0057	1-A-3834	Oil	Citroen	ZX	1998	1.9L	D
454176-0002	433289-0057	1-A-3834	Oil	Peugeot	306	1998	1.9L	D
703245-0001	433289-0143	1-A-3864	Oil	Renault	Laguna dCi	2000	1.9L	D
703245-0001	433289-0143	1-A-3864	Oil	Renault	Megane dCi	2000	1.9L	D
703245-0002	433289-0143	1-A-3864	Oil	Renault	Megane dCi	2000	1.9L	D
704281-0001	433289-0075	1-A-3865	Oil	Daewoo				
717345-0001	433289-0143	1-A-3864	Oil	Renault			1.9L	D
717345-0002	433289-0143	1-A-3864	Oil	Renault	Laguna dCi	2002	1.9L	D
717345-0002	433289-0143	1-A-3864	Oil	Renault	Megane dCi	2001	1.9L	D
717345-0002	433289-0143	1-A-3864	Oil	Renault	Movano	2002	1.9L	D
717348-0001	433289-0143	1-A-3864	Oil	Renault	Kangoo	2001	1.9L	D
717348-0001	433289-0143	1-A-3864	Oil	Renault	Megane dCi	2001	1.9L	D
717348-0001	433289-0143	1-A-3864	Oil	Volvo	S40	2001	1.9L	D
717348-0001	433289-0143	1-A-3864	Oil	Volvo	V40	2001	1.9L	D
717348-0002	433289-0143	1-A-3864	Oil	Renault	Kangoo	2001	1.9L	D
717348-0002	433289-0143	1-A-3864	Oil	Renault	Megane dCi	2001	1.9L	D
<b>GT1549S</b>								
454171-0005	433289-0131	1-A-3867	Oil	Citroen	Xantia	1998	1.9L	D
454171-0005	433289-0131	1-A-3867	Oil	Peugeot	406	1998	1.9L	D
454176-0005	433289-0132	1-A-3866	Oil	Citroen	Xsara	1998	1.9L	D
454176-0005	433289-0132	1-A-3866	Oil	Citroen	ZX	1998	1.9L	D
454176-0005	433289-0132	1-A-3866	Oil	Peugeot	306	1998	1.9L	D
454176-0006	433289-0132	1-A-3866	Oil	Citroen			1.9L	D
454176-0006	433289-0132	1-A-3866	Oil	Peugeot			1.9L	D
751768-0001	433289-0242	1-A-3863	Oil	Renault	Laguna dCi	2004	1.9L	D
751768-0001	433289-0242	1-A-3863	Oil	Renault	Megane dCi	2004	1.9L	D
751768-0001	433289-0242	1-A-3863	Oil	Renault	Scenic dCi	2004	1.9L	D
751768-0001	433289-0242	1-A-3863	Oil	Renault	Trafic dCi	2004	1.9L	D
<b>GT1752H</b>								
454061-0006	433289-0010	1-A-3862	Oil	Iveco	Daily	1996	2.8L	D
454061-0007	433289-0010	1-A-3862	Oil	Iveco	Daily	1996	2.8L	D
454061-0008	433289-0010	1-A-3862	Oil	Fiat	Daily	1996	2.8L	D
454061-0009	433289-0010	1-A-3862	Oil	Fiat	Daily	1996	2.8L	D
454061-0010	433289-0010	1-A-3862	Oil	Renault	Daily	1996	2.8L	D
454061-0010	433289-0010	1-A-3862	Oil	Renault	Ducato Maxi	1997	2.8L	D
454061-0010	433289-0010	1-A-3862	Oil	Renault	Master	1997	2.8L	D
454061-0010	433289-0010	1-A-3862	Oil	Renault	Master	2003	2.8L	D
454061-0010	433289-0010	1-A-3862	Oil	Renault	Movano	1997	2.8L	D
454061-0011	433289-0010	1-A-3862	Oil	Renault	Master	1997	2.8L	D
454061-0011	433289-0010	1-A-3862	Oil	Renault	Trafic	1997	2.8L	D
454061-0012	433289-0010	1-A-3862	Oil	Renault	Master	1996	2.8L	D
<b>RM-60/.3</b>								
103601-0000	409174-0069	1-A-2682	Oil	Rotomaster	Unknown			
<b>RM-60/.5</b>								
103603-0000	409174-0069	1-A-2682	Oil	Rotomaster	Unknown			



## CARTRIDGE/CHRA - Garrett

by Turbo Model

Turbo Part No	Cart/CHRA Part No	TI Part No	Cooling	Manufacturer	Vehicle Model	Year	Engine	Fuel
<b>T250-04</b>								
452055-0004	443854-0110	1-A-2327	Oil	Land Rover	90,110,Defender,Discovery TD	1994-95	2.5L Gemini 3	D
452055-0005	443854-0110	1-A-2327	Oil	Land Rover	Various			D
<b>TA0301</b>								
465228-0003	409853-0001	1-A-1159	Oil	Mercedes Benz	300 TD		3.0L 15	D
<b>TA0302</b>								
465318-0002	409853-0002	1-A-2743	Oil	Peugeot	Tagora,505D,505STI,505TD,6	1980	2.3L 14 XD2S	D
465318-0003	409853-0086	1-A-1936	Oil	Peugeot	505D,Tagora	1983	2.5L 14 XD3S/XD3T	D
465318-0004	409853-0005	1-A-2746	Oil	Peugeot	Military		XD3S	
465318-0005	409853-0002	1-A-2743	Oil	S O F I M	Various			D
465318-0006	409853-0045	1-A-2370	Oil	Iveco	Daily	1986-	2.5L 8140.21.2100	D
465318-0007	409853-0044	1-A-2420	Oil	Iveco	Diverse		3.9L 7040.25.200	D
465318-0008	409853-0044	1-A-2420	Oil	Iveco Tractor			3.9L 8040.25.230	D
465318-0009	409853-0045	1-A-2370	Oil	Iveco	Daily	1987-	2.5L 81410.27.2150	D
465318-0010	409853-0044	1-A-2420	Oil	Iveco	Tractor		8045.25.382	D
<b>TA0303</b>								
465632-0005	409853-0044	1-A-2420	Oil	Iveco	Truck		8040.25.400	D
465632-0006	409853-0044	1-A-2420	Oil	Iveco Truck			3.9L 14 4 cyl. 8045.25.381	D
465632-0007	409853-0044	1-A-2420	Oil	Fiat	Truck		3.9L 14 4 cyl. 8040.25.4980	D
<b>TA0304</b>								
465384-0001	409853-0006	1-A-1587	Oil	Volkswagen	Passat,Quantum	1984-86	1.6L 14	D
465384-0002	409853-0006	1-A-1587	Oil	Volkswagen	Golf,Passat	1981-86	1.6L 14	D
465384-0003	409853-0006	1-A-1587	Oil	Volkswagen	Golf,Jetta,Passat,Quantum,Ra	1981-86	1.6L 14	D
465384-0004	409853-0006	1-A-1587	Oil	Audi	80 TDI	1984-86	1.6L 14	D
465384-0004	409853-0006	1-A-1587	Oil	Volkswagen	Passat	1984-86	1.6L 14	D
465384-0005	409853-0006	1-A-1587	Oil	Audi	80	981-2/86-9	1.6L 14	D
465384-0005	409853-0006	1-A-1587	Oil	Volkswagen	Golf,Passat,Santana	1981-86	1.6L 14	D
<b>TA0305</b>								
465764-0001	409174-0047	1-A-1515	Oil	Renault	Centauri,Le Sharo-Phasar(Win	1986-91	2.0L 14 J8S702	D
465764-0003	409174-0047	1-A-1515	Oil	Renault	Centauri,Le Sharo-Phasar(Win	1983-91	2.0L 14 J8S234	D
<b>TA0306</b>								
465614-0001	409853-0040	1-A-1143	Oil	Citroen	CX25D Turbo	1983-86	2.5L 14 CRD93LS	D
465614-0002	409853-0064	1-A-2753	Oil	Citroen	CX25D Turbo/CX 2500	1983-88	2.5L 14 CRD93LS	D
<b>TA0307</b>								
466088-0001	409853-0018	1-A-0622	Oil	Volkswagen	LT Van	1982-92	2.4L 14	D
<b>TA0308</b>								
466232-0001	409853-0027	1-A-2748		Renault	Military			
<b>TA0309</b>								
466184-0001	409853-0034	1-A-1147	Oil	Land Rover	Santana		2.25L 14	D
<b>TA0310</b>								
466246-0001	409853-0001	1-A-1159	Oil	Mercedes Benz	300 TD		3.0L 15	D
<b>TA0312</b>								
466342-0001	409853-0031	1-A-1492	Oil	Perkins	Industrial		T4.236	
466342-0002	409853-0031	1-A-1492	Oil	Perkins	Industrial		T4.236	
466342-0003	409853-0031	1-A-1492	Oil	Perkins	Industrial		T4.236	
<b>TA0314</b>								
466424-0001	409853-0001	1-A-1159	Oil	Mercedes Benz	300 TD		3.0L 15	D
<b>TA0315</b>								
466778-0001	409853-0101	1-A-3137	Oil	Perkins	Massey Ferguson 698		T4.236	
466778-0002	409853-0042	1-A-2224	Oil	Perkins	Automotive		T4.236	
466778-0003	409853-0101	1-A-3137	Oil	Perkins	Massey Ferguson 698		T4.236	
466778-0004	409853-0101	1-A-3137	Oil	Perkins	Massey Ferguson 698		T4.236	
466778-0005	409853-0042	1-A-2224	Oil	Perkins	Various			
466778-0006	409853-0101	1-A-3137	Oil	Perkins	Massey Ferguson 698		T4.236	
466778-0008	409853-0101	1-A-3137	Oil	Perkins	Phaser		T4.40	



## CARTRIDGE/CHRA - Garrett

by Turbo Model

Turbo Part No	Cart/CHRA Part No	TI Part No	Cooling	Manufacturer	Vehicle Model	Year	Engine	Fuel
<b>TA0316</b>								
466868-0001	409853-0048	1-A-1146	Oil	Lancia	Thema DS	1985-87	2.5L	D
<b>TA0318</b>								
465379-0001	409853-0044	1-A-2420	Oil	Iveco	Truck		8040.45.261&271	D
465379-0003	409853-0044	1-A-2420	Oil	Iveco	Truck		8040.45.400	D
465379-0004	409853-0092	1-A-2237	Oil	Iveco	Military		8040345.4	
<b>TA0319</b>								
465807-0001	409172-0077	1-A-2722	Oil	Perkins	Various			
<b>TA3101</b>								
465354-0002	409172-0009	1-A-3472	Oil	Deutz-Allis	Industrial			
465354-0003	409172-0009	1-A-3472	Oil	Deutz-Allis	Industrial			
465354-0006	409172-0013	1-A-2696	Oil	Deutz-Allis	Commercial		4331,433T	
465354-0007	409172-0009	1-A-3472	Oil	Deutz-Allis	Industrial			
465354-0008	409172-0009	1-A-3472	Oil	Deutz-Allis	Industrial			
465354-0011	409172-0031	1-A-2704	Oil	Deutz-Allis	Various			
465354-0012	409172-0031	1-A-2704	Oil	Deutz-Allis	Various		4331,433T	
465354-0014	409172-0059	1-A-2715	Oil	Deutz-Allis	Industrial		TMDT 2.7	
465354-0015	409172-0059	1-A-2715	Oil	Deutz-Allis	Industrial		TMDT 2.7	
<b>TA3106</b>								
465776-0002	409172-0016	1-A-2697	Oil	Ruston & Hornsby	various		4YD	
465776-0003	409172-0026	1-A-2702	Oil	Motor Iberica	Truck		T4.236(Perkins)	
465776-0004	409172-0026	1-A-2702	Oil	Motor Iberica	Tractor		T4.236(Perkins)	
465776-0005	409172-0029	1-A-2559	Oil	Volvo	Loader		TD45B	
465776-0007	409172-0029	1-A-2559	Oil	Volvo	Gen Set		TD61	
465776-0008	409172-0051	1-A-2239	Oil	Volvo	Loader		TD45B	
<b>TA3107</b>								
465778-0002	409172-0045	1-A-2711	Oil	Perkins	Various		C4.236	
465778-0003	409172-0045	1-A-2711	Oil	Perkins	Various		C4.236	
465778-0004	409172-0046	1-A-2356	Oil	Perkins	Tractor		T4.236	
465778-0005	409172-0046	1-A-2356	Oil	Perkins	rolls royce		T4.236	
465778-0006	409172-0045	1-A-2711	Oil	Rolls Royce	Various		C4.236	
465778-0007	409172-0046	1-A-2356	Oil	Perkins	Tractor		T4.236	
465778-0008	409172-0029	1-A-2559	Oil	Volvo	Loader		TD45B	
465778-0009	409172-0026	1-A-2702	Oil	Navistar	Tractor		DT239	
465778-0010	409172-0034	1-A-2706	Oil	Navistar	Tractor		DT239	
465778-0011	409172-0046	1-A-2356	Oil	Perkins	Tractor		T4.236	
465778-0014	409172-0029	1-A-2559	Oil	Volvo	Loader		TD45B	
465778-0015	409172-0051	1-A-2239	Oil	Volvo	Loader		TD45B	
465778-0016	409172-0045	1-A-2711	Oil	J C B	Various		Perkins CA4.263	
465778-0017	409172-0045	1-A-2711	Oil	J C B	Various		Perkins C4.263	
465778-0018	409172-0046	1-A-2356	Oil	Perkins	Tractor		T4.236	
465778-0019	409172-0045	1-A-2711	Oil	Perkins	Gen Set		T4.236	
465778-0020	409172-0045	1-A-2711	Oil	Perkins	Various		C4.236	
465778-0021	409172-0046	1-A-2356	Oil	Perkins	Various		T4.236	
<b>TA3108</b>								
465752-0001	409172-0017	1-A-2698	Oil	Ford Tractor	7610	Unknown	268	
465752-0002	409172-0017	1-A-2698	Oil	Ford Tractor	7610	Unknown	268	
<b>TA3109</b>								
465844-0001	409172-0016	1-A-2697	Oil	Vauxhall	various		220	
<b>TA3112</b>								
465896-0003	409172-0037	1-A-2708		Alsthom	Gen Set 472AS		472 AS	
<b>TA3113</b>								
465936-0001	409172-0019	1-A-2699	Oil	Kubota	Tractor		VT4300	
465936-0002	409172-0019	1-A-2699	Oil	Nissan	Various		ED33T	
465936-0003	409172-0030	1-A-2703	Oil	Nissan	Gen Set		ED33T	



## CARTRIDGE/CHRA - Garrett

by Turbo Model

Turbo Part No	Cart/CHRA Part No	TI Part No	Cooling	Manufacturer	Vehicle Model	Year	Engine	Fuel
<b>TA3114</b>								
465722-0001	409172-0022	1-A-2701	Oil	Mercedes Benz	MB-Tractor		OM314A	
465722-0002	409172-0022	1-A-2701	Oil	Mercedes Benz	MB-Tractor		OM314A	
465722-0004	409172-0022	1-A-2701	Oil	Mercedes Benz	Truck		3.8L 14 OM314A	
465722-0005	409172-0022	1-A-2701	Oil	Mercedes Benz	Truck		3.8L 14 OM314A	
<b>TA3117</b>								
466346-0001	409172-0033	1-A-2705	Oil	Perkins	Industrial		T3.152	
466346-0002	409172-0036	1-A-2707	Oil	Leyland	Tractor		4/98TV	
466346-0003	409172-0047	1-A-2712	Oil	Leyland	Tractor		4/98TT	
<b>TA3118</b>								
466698-0004	409172-0044	1-A-2710	Oil	Iveco	Hitachi Digger		3.9L 8045.25.380/385/395	D
466698-0005	409172-0044	1-A-2710	Oil	Iveco	Tractor		3.9L 8045.25.390	D
466698-0006	409172-0044	1-A-2710	Oil	Iveco	Tractor		3.9L 8041.25.306	D
466698-0007	409172-0044	1-A-2710	Oil	Fiat	Euro Cargo 60/70/75		8045.25.306	D
<b>TA3119</b>								
466746-0001	409172-0061	1-A-2716	Oil	Ford	Tractor 7600 Force II		256	
466746-0002	409172-0061	1-A-2716	Oil	Ford	Tractor 7600,7700 Force II		256	
466746-0003	409172-0062	1-A-2717	Oil	Ford	Various		4.0L Altitude Compensation	
466746-0004	409172-0062	1-A-2717	Oil	Ford	Various		4.0L Altitude Compensation	
466746-0005	409172-0062	1-A-2717	Oil	Ford	Various		4.0L Altitude Compensation	
466746-0006	409172-0061	1-A-2716	Oil	Ford	Various			
466746-0009	409172-0061	1-A-2716	Oil	Ford	Various			
<b>TA3123</b>								
466674-0001	409172-0056	1-A-2713	Oil	J C B	Various		Perkins T4.40	
466674-0002	409172-0056	1-A-2713	Oil	Perkins	Industrial		T4.40	
<b>TA3130</b>								
465493-0001	409172-0069	1-A-2083	Oil	S L H	Industrial		1000 4 AT & WT	
465493-0002	409172-0069	1-A-2083	Oil	S L H	Tractor		1000 4 AT & WT	
465493-0003	409172-0069	1-A-2083	Oil	S L H	Tractor		1000 4 ATI	
<b>TA3131</b>								
452012-0001	409172-0033	1-A-2705	Oil	Ruston & Hornsby	various		3YDXSRIII	
452012-0002	409172-0071	1-A-2718	Oil	Ruston & Hornsby	various		3YDCSRIII	
452012-0003	409172-0072	1-A-2719	Oil	Ruston & Hornsby	various		4YDCSRIII	
452012-0004	409172-0056	1-A-2713	Oil	Ruston & Hornsby	various		HA 494	
<b>TA3132</b>								
465809-0001	409172-0074	1-A-2720	Oil	Perkins	Various			
<b>TA3133</b>								
454114-0001	409172-0069	1-A-2083	Oil	Minsk Motor	Tractor			
454114-0002	409172-0069	1-A-2083	Oil	Minsk Motor	Tractor			
<b>TA3134</b>								
466129-0001	409172-0075	1-A-2721	Oil	Mitsubishi	Various		6D31-T	





## CARTRIDGE/CHRA - Garrett

by Turbo Model

Turbo Part No	Cart/CHRA Part No	TI Part No	Cooling	Manufacturer	Vehicle Model	Year	Engine	Fuel
<b>TA3401</b>								
466334-0001	409172-0038	1-A-2709	Oil	John Deere	Skidder		4276T(300 Series)	
466334-0002	409172-0053	1-A-2761	Oil	John Deere	Saran		4239T(300 Series)	
466334-0003	409172-0053	1-A-2761	Oil	John Deere	Saran		4239T(300 Series)	
466334-0004	409172-0053	1-A-2761	Oil	John Deere	Backhoe 310D & 410,3840(30		4039T,4045T,4239T,4276T	
466334-0005	409172-0038	1-A-2709	Oil	John Deere	Loader 444E,450G & 650G,51		4045T,4239T,4276T(300 Series)	
466334-0006	409172-0054	1-A-2046	Oil	John Deere	Various		6359T(300 Series)	
466334-0007	409172-0054	1-A-2046	Oil	John Deere	300 Series		6359T(300 Series)	
466334-0008	409172-0054	1-A-2046	Oil	John Deere	300 Series		6359T(300 Series)	
466334-0009	409172-0054	1-A-2046	Oil	John Deere	Various		6359A(300 Series)	
466334-0010	409172-0054	1-A-2046	Oil	John Deere	544E,570,624&E,643,670,693		6059T,6068T,6414T(300 Series)	
466334-0011	409172-0054	1-A-2046	Oil	John Deere	Various		6414T(300 Series)	
466334-0012	409172-0054	1-A-2046	Oil	John Deere	Various		6414T(300 Series)	
466334-0013	409172-0054	1-A-2046	Oil	John Deere	Various		6414T(300 Series)	
466334-0014	409172-0053	1-A-2761	Oil	John Deere	Various		4239AF	
466334-0015	409172-0038	1-A-2709	Oil	John Deere	Gen Set		6059T(300 Series)	
466334-0016	409172-0053	1-A-2761	Oil	John Deere	Various		Various	
466334-0017	409172-0038	1-A-2709	Oil	John Deere	Various		Various	
466334-0018	409172-0054	1-A-2046	Oil	John Deere	Various		Various	
466334-0019	409172-0038	1-A-2709	Oil	John Deere	Various		Various	
<b>TA3403</b>								
466980-0001	409172-0054	1-A-2046	Oil	John Deere	Saran		6059T,6068T6359T(300 Series)	
<b>TA3404</b>								
465593-0001	409172-0054	1-A-2046	Oil	John Deere	Combine 9930,Skidder 640E(3		5.9L 16/6.8L 16 6068T,6059T	
465593-0002	409172-0038	1-A-2709	Oil	John Deere	Marmon		4039T,4239T,4276T(300 Series)	
465593-0003	409172-0054	1-A-2046	Oil	John Deere	Various		4039T,6359T(300 Series)	
465593-0004	409172-0053	1-A-2761	Oil	John Deere	Gen Set		4039T(300 Series)	
465593-0005	409172-0038	1-A-2709	Oil	John Deere	Gen Set		300 Series	
465593-0006	409172-0038	1-A-2709	Oil	John Deere	Excavator 490E,590E		4045T(300 Series)	
465593-0007	409172-0054	1-A-2046	Oil	John Deere	Excavator 690E,790E		6068T(300 Series)	
465593-0008	409172-0053	1-A-2761	Oil	John Deere	Gen Set		6059TF(300 Series)	
465593-0009	409172-0054	1-A-2046	Oil	John Deere	Various			
465593-0010	409172-0038	1-A-2709	Oil	John Deere	624		Various	
465593-0011	409172-0053	1-A-2761	Oil	John Deere	Various			
465593-0012	409172-0038	1-A-2709	Oil	John Deere	various		Various	
465593-0013	409172-0054	1-A-2046	Oil	John Deere	Various			
465593-0014	409172-0053	1-A-2761	Oil	John Deere	Various			
<b>TB02</b>								
454113-0001	443854-0123	1-A-3870	Oil	Citroen	806	1996	2.1L	D
454113-0001	443854-0123	1-A-3870	Oil	Citroen	Evasioin	1996	2.1L	D
454113-0001	443854-0123	1-A-3870	Oil	Citroen	Ulysse	1996	2.1L	D
<b>TB0202</b>								
466028-0001	430425-0002	1-A-2318	Oil	Nissan	Pulsar		1.5L 14	G
<b>TB0203</b>								
466196-0001	443853-0019	1-A-1043	Oil	Renault	R5,R5GT,R9,R11/Alliance,Enc	1985-87	1.4L 14/2.0L 14	G
466196-0002	443853-0019	1-A-1043	Oil	Renault	R5,R5GT,R9,R11		1.4L 14 C1J 784	G
466196-0003	443853-0020	1-A-2103	Water	Renault	R11	1986-87	1.4L 14 C1J 760	G
466196-0004	443853-0020	1-A-2103	Water	Renault	R11 Coupe	1986-87	1.4L 14 C1J 760	G
466196-0005	430425-0005	1-A-2754	Oil	Renault	Various			
466196-0005	430425-0028	1-A-2757	Water	Renault	Various			
466196-0005	443853-0027	1-A-2328	Water	Renault	R11	1986	1.4L 14 C1J ARG	G
<b>TB0204</b>								
466206-0001	430425-0006	1-A-2660	Oil	Unknown	Unknown			
<b>TB0205</b>								
466204-0001	430425-0007	1-A-2317	Oil	Buick	Skyhawk		1.8L 14	G
466204-0001	430425-0007	1-A-2317	Oil	Pontiac	Sunbird.2000&6000series		1.8L 14	G



## CARTRIDGE/CHRA - Garrett

by Turbo Model

Turbo Part No	Cart/CHRA Part No	TI Part No	Cooling	Manufacturer	Vehicle Model	Year	Engine	Fuel
<b>TB0206</b>								
466224-0001	430425-0009	1-A-2661	Oil	Nissan	Various			
<b>TB0207</b>								
466230-0002	430425-0008	1-A-2755	Oil	Nissan	Various			
<b>TB0208</b>								
466250-0002	431876-0015	1-A-2658	Oil	Nissan	ZX 1.5		1.5L 14	G
<b>TB0209</b>								
466272-0001	430425-0010	1-A-1047	Oil	Isuzu	Trooper	1984-85	2.2L 14	D
466272-0002	430425-0025	1-A-1046	Oil	Isuzu	Trooper	1984/85	2.2L 14	D
466272-0003	430425-0025	1-A-1046	Oil	Isuzu	Trooper	1984/85	2.2L 14	D
466272-0005	430425-0053	1-A-1047	Oil	Isuzu	Various	Unknown		D
<b>TB0210</b>								
466370-0005	430425-0033	1-A-2433	Water	Nissan	Bluebird	1985	1.8L 14 CA18ET	G
466370-0006	430425-0033	1-A-2433	Water	Nissan	Bluebird	1985	1.8L 14 CA18ET	G
466370-0013	431876-0010	1-A-2723	Water	Nissan	Various		1.8L 14 CA18ET	
466370-0014	431876-0010	1-A-2723	Water	Nissan	Various		1.8L 14 CA18ET	
466370-0017	431876-0023	1-A-1283	Water	Nissan	Various		1.8L 14 CA18ET	
466370-0019	431876-0023	1-A-1283	Water	Nissan	Various		1.8L 14 CA18ET	
466370-0022	431876-0063	1-A-1281	Oil	Nissan	200SX	1984	1.8L 14	G
466370-0023	431876-0063	1-A-1281	Oil	Nissan	Various			
<b>TB0211</b>								
466414-0006	431876-0061	1-A-2319	Water	Nissan	Various			
<b>TB0212</b>								
466416-0003	431876-0011	1-A-2662	Water	Nissan	Cherry	1985-86	1.5L 14 E15ET	G
466416-0007	430425-0056	1-A-1280	Water	Nissan	Various			
<b>TB0213</b>								
	430425-0021	1-A-2756	Oil	Renault	Various			
466450-0001	443853-0022	1-A-1045	Oil	Renault	Espace,R21,R25	1986-92	2.1L 14 J8S 814	D
<b>TB0214</b>								
466506-0001	443853-0019	1-A-1043	Oil	Renault	R5,R5GT	1984-86	1.4L 14 C1J 782	G
466506-0002	443853-0019	1-A-1043	Oil	Renault	R5,R5GT	1984	1.4L 14 C1J 782	G
466506-0005	443853-0024	1-A-1061	Water	Renault	R5GT	1986-87	1.4L 14 C1J 782	G
466506-0006	443853-0024	1-A-1061	Water	Renault	C40 Sport,R5,R5GT	1986-87	1.4L 14 C1J 782	G
466506-0007	443853-0027	1-A-2328	Water	Renault	R5GT II,R9,R11	1987-88	1.4L 14 C1J 782	G
466506-0008	443853-0027	1-A-2328	Water	Renault	C40 Sport,R5,R9,R11	1986-87	1.4L 14 C1J 782	G
<b>TB0216</b>								
466452-0001	443853-0022	1-A-1045	Oil	Chrysler	Jeep Cherokee	1984-	2.0L 14 J8S 714	D/G
<b>TB0218</b>								
466534-0001	443854-0001	1-A-2725	Oil	Volkswagen	Golf		1.6L	D
466534-0002	443854-0001	1-A-2725	Oil	Volkswagen	Golf	1986-89	1.6L 14	D
466534-0003	443854-0037	1-A-2107	Water	Volkswagen	Golf	1986	1.6L 14/2.0L 14	D
466534-0004	443854-0004	1-A-1050	Water	Audi	80	1987-91	1.6L 14/2.0L 14	G
466534-0005	443854-0037	1-A-2107	Water	Volkswagen	Golf	1989-93	1.6L 14	D
<b>TB0220</b>								
466710-0006	431876-0061	1-A-2319	Water	Nissan	Various			
<b>TB0223</b>								
466770-0005	443854-0028	1-A-2295	Oil	Austin Rover	Maestro, Montego, Freight Rove	1987-94	2.0L 14 SOHC	D
466770-0006	443854-0028	1-A-2295	Oil	Perkins	Marine		T4.20	D
<b>TB0225</b>								
466728-0001	443854-0014	1-A-2326	Water	Lancia	Delta HF	1986-91	1.6L 8 valve 130 bhp	G
<b>TB0226</b>								
466842-0002	430425-0029	1-A-2664	Oil	Land Rover	Falcon,90/110 Turbo D	1986-88	2.5L 14	D



## CARTRIDGE/CHRA - Garrett

by Turbo Model

Turbo Part No	Cart/CHRA Part No	TI Part No	Cooling	Manufacturer	Vehicle Model	Year	Engine	Fuel
<b>TB0227</b>								
466856-0001	443854-0009	1-A-2665	Oil	Fiat	Uno TD	1986-88	1.4L M.709.AT.13.0	D
466856-0002	443854-0119	1-A-2571	Oil	Fiat	Uno TD	1988-94	1.4L M.709.BT.13.0	D
466856-0003	443854-0119	1-A-2571	Oil	Fiat	Punto TDS	1994-	1.7L M.708.HT.17.D	D
466856-0004	443854-0119	1-A-2571	Oil	Fiat	Punto DS	1994-	1.7L	D
<b>TB0228</b>								
466884-0001	443854-0040	1-A-1063	Water	Volvo	440480	1988-90	1.7L 14	G
466884-0002	443854-0040	1-A-1063	Water	Volvo	440480	1988-90	1.7L 14	G
<b>TB0231</b>								
466686-0001	430425-0037	1-A-2663	Water	Nissan	Various		1.6L 14	G
<b>TB0232</b>								
465265-0001	443854-0007	1-A-2726	Oil	Fiat	Regata TD, Ritmo TD, Tempra,	1986-90	1.9L	D
465265-0001	443854-0007	1-A-2726	Oil	Lancia	Delta TD/Prisma TD	1986-90	1.9L	D
465265-0002	443854-0027	1-A-2730	Oil	Fiat	Tempra, Tipo	1990-94	1.9L	D
<b>TB0234</b>								
465343-0001	443854-0013	1-A-2294	Oil	Citroen	BX	1987/90	1.7L 14 D XUD 7TE	D
465343-0002	443854-0073	1-A-2737	Oil	Citroen	BX	1992-93	1.8L 14 XUD7TE	D
<b>TB0235</b>								
465367-0001	443853-0027	1-A-2328	Water	Renault	R5 GTII	1987-90	1.4L 14 C1J 788	G
465367-0002	443853-0027	1-A-2328	Water	Renault	R5 GTII	1987-90	1.4L 14 C1J 784	G
<b>TB0237</b>								
465137-0001	443854-0019	1-A-1038	Oil	Ford	Sierra TD, P100 Pick-up	1989	1.8 IDI	D
<b>TB0238</b>								
465165-0001	443854-0022	1-A-2729	Oil	Ford	Transit	1988	2.5L 14 DI	D
<b>TB0242</b>								
465171-0002	443854-0033	1-A-1060	Oil	Land Rover	90/110 Defender	1992-94	2.5L 14 Gemini	D
<b>TB0243</b>								
465175-0001	443854-0033	1-A-1060	Oil	Land Rover	Discovery TDI, Range Rover	1990-94	2.5L 14	D
<b>TB0245</b>								
465557-0001	443854-0017	1-A-2659	Water	Fiat	Tipo, Uno IE	1989-94	1.3L 115 bhp	G
<b>TB0249</b>								
452005-0001	443853-0030	1-A-2105	Oil	Land Rover	Falcon, 90/110 Turbo D	1988-89	2.5L 14	D
<b>TB0250</b>								
465187-0002	443854-0032	1-A-2324	Water	Ford	Fiesta RS	1989-91	1.6L 14	G
<b>TB0251</b>								
465429-0001	443854-0021	1-A-2104	Oil	Peugeot	605 TD	1990-95	2.1L D XUD11ATE 115hp	D
<b>TB0253</b>								
465567-0001	443854-0040	1-A-1063	Water	Volvo	440460480	1990-91	1.7L 14	G
<b>TB0254</b>								
454002-0101	443854-0047	1-A-2735	Oil	Volkswagen	Transporter	1993-95	1.9L 14 75hp	D
<b>TB0255</b>								
465465-0001	443854-0031	1-A-2106	Water	Renault	R19 DT	1991-94	1.9L 14 F8Q 740	D
<b>TB0257</b>								
452048-0001	443854-0058	1-A-2655	Oil	Perkins	Prima		504.2T	D
<b>TB0259</b>								
452014-0005	443854-0029	1-A-2325	Oil	Ford	Escort	1993-	1.8L	D
<b>TB0261</b>								
465577-0001	443854-0047	1-A-2735	Oil	Seat	Ibiza, Toledo	1993-94	1.9L 14 75hp	D
465577-0001	443854-0047	1-A-2735	Oil	Volkswagen	Golf, Passat, Vento	1990-94	1.9L 14 75hp	D
<b>TB0262</b>								
465407-0001	443854-0040	1-A-1063	Water	Volvo	440460480	1991-97	1.7L 14	G
465407-0002	443854-0077	1-A-2656	Water	Volvo	440460480	1991-97	1.7L 14	G



## CARTRIDGE/CHRA - Garrett

by Turbo Model

Turbo Part No	Cart/CHRA Part No	TI Part No	Cooling	Manufacturer	Vehicle Model	Year	Engine	Fuel
<b>TB0264</b>								
465575-0001	443854-0114	1-A-2110	Oil	Citroen	BX/ZX	1992	1.9L	
465575-0002	443854-0114	1-A-2110	Oil	Citroen	Various		XUD9	
<b>TB0265</b>								
454027-0001	443854-0100	1-A-2739	Oil	Citroen	ZX	1992-96	1.9L	D
<b>TB0267</b>								
454052-0001	443854-0085	1-A-2323	Oil	Fiat	Ducato Van			D
<b>TB0268</b>								
454001-0001	443854-0092	1-A-2321	Oil	Audi	80 TDI	1991-94	1.9L 14 47DK14LK	D
<b>TB0269</b>								
454055-0001	443854-0085	1-A-2323	Oil	Fiat	Tempra, Tipo Eco	1995-	1.9L M710HT.19	D
454055-0001	443854-0089	1-A-3869	Oil	Fiat	Tempra	1994	1.9L	D
454055-0001	443854-0089	1-A-3869	Oil	Fiat	Tipo	1994	1.9L	D
454055-0002	443854-0085	1-A-2323	Oil	Fiat	Nuovo Ducato Van	1994-	1.9L M705 V6.19D	D
<b>TB0270</b>								
454067-0001	443853-0022	1-A-1045	Oil	Renault	R21, Espace	1993-96	2.1L 14 J8S786	D
454067-0002	443854-0128	1-A-2742	Oil	Renault	Espace	1993-95	2.0L 14 J8S786	D
<b>TB0271</b>								
454088-0001	443854-0021	1-A-2104	Oil	Peugeot	Tractor	Unknown	2.1L XUDIAT	D
<b>TB0273</b>								
452063-0002	443854-0029	1-A-2325	Oil	Ford	Mondeo TD	1993-	1.8L	D
452063-0003	443854-0029	1-A-2325	Oil	Ford	Mondeo	1993-	1.8L	D
<b>TB0275</b>								
452074-0001	443854-0058	1-A-2655	Oil	K H D	Diter		TD203-3	D
452074-0002	443854-0058	1-A-2655	Oil	K H D	Diter		TD203-3	D
<b>TB0277</b>								
454087-0002	443854-0031	1-A-2106	Water	Renault	R19 TD	1994-96	1.9L 14 F8Q 744	D
<b>TB0280</b>								
454086-0001	443854-0104	1-A-2741	Oil	Citroen	Evasion/Synergie	1995-	1.9L	D
<b>TB0289</b>								
454131-0002	443854-0147	1-A-2727	Oil	Citroen	Xantia	1996	1.9L	D
454131-0003	443854-0147	1-A-2727	Oil	Citroen	Xantia	1996-	1.9L:	D
<b>TB0295</b>								
454228-0001	443854-0104	1-A-2741	Oil	Unknown	Unknown			D
<b>TB03</b>								
		1-A-1529	Water	Toyota	Various			
	431494-0001	1-A-2694	Water	Nissan	300ZX Single		3.0L V6	G
	431494-0002	1-A-0589	Water	Nissan	300ZX Single		3.0L V6	G
	431494-0003	1-A-2695	Water	Nissan	300ZX Single		3.0L V6	G
<b>TB0301</b>								
465286-0004	409174-0042	1-A-0035	Oil	Buick	Century, Le Sabre, Regal	1978	3.8L V6	G
<b>TB0306</b>								
	410581-0006	1-A-1181	Oil	Nissan	Various			
	410581-0007	1-A-0588	Oil	Nissan	Various			
	410581-0008	1-A-1182	Oil	Nissan	Various			
<b>TB0307</b>								
465564-0006	409174-0015	1-A-1827	Oil	Ford	Capri, Mustang	1980	2.3L 14	G
<b>TB0310</b>								
465646-0001	409174-0012	1-A-2667	Oil	Renault	R5	1982	1.4L 14 C7J 700	G
465646-0002	409174-0012	1-A-2667	Oil	Renault	R5	1982	1.4L 14 C7J 700	G
465646-0003	409174-0052	1-A-0549	Oil	Renault	R5 Turbo II	1983	1.4L 14 C7J 730	G
465646-0004	409174-0052	1-A-0549	Oil	Renault	R5 Turbo II		1.4L 14 C7K 700	G



## CARTRIDGE/CHRA - Garrett

by Turbo Model

Turbo Part No	Cart/CHRA Part No	TI Part No	Cooling	Manufacturer	Vehicle Model	Year	Engine	Fuel
<b>TB0311</b>								
465544-0002	409853-0007	1-A-0620	Oil	Renault	R18	1980-83	1.6L 14 A5L 727	G
465544-0003	409853-0029	1-A-2749	Oil	Renault	R18,R25	1983-85	1.6L 14 A5I 717	G
465544-0004	409853-0029	1-A-2749	Oil	Renault	Fuego	1983	1.6L 14 A5L 750	G
<b>TB0312</b>								
465514-0003	409853-0016	1-A-0690	Oil	Saab	900	1981	2.0L 14	G
465514-0004	409853-0016	1-A-0690	Oil	Saab	900	1981-84	2.0L 14	G
<b>TB0313</b>								
465446-0006	409853-0020	1-A-0550	Oil	Volvo	200,GLT	1982	2.1L 14	G
465446-0011	409853-0019	1-A-0569	Oil	Volvo	200,GLT/Rally	1984	2.1L 14/2.3L 14	G
<b>TB0315</b>								
465738-0003	409174-0041	1-A-0034	Oil	Buick	Riviera	1980	3.8L V6	G
<b>TB0318</b>								
465838-0002	409174-0039	1-A-1110	Oil	Toyota	Crown	1981	2.0L	G
<b>TB0319</b>								
465916-0001	409174-0048	1-A-0581	Oil	Renault	R5 Alpine	1981-83	1.4L 14 C6J 750	G
465916-0002	409174-0048	1-A-0581	Oil	Renault	R5 Alpine	1981-83	1.4L 14 C6J 750	G
<b>TB0321</b>								
465904-0002	409853-0016	1-A-0690	Oil	Saab	900 APC	1982-86	2.0L 14 8 valve	G
465904-0003	409853-0016	1-A-0690	Oil	Saab	900,900 APC	1986-87	2.0L 14 8 valve	G
<b>TB0322</b>								
465978-0007	409174-0053	1-A-0561	Oil	Ford	Cougar, Mustang, Thunderbird	1984	2.3L 14	G
465978-0008	409174-0053	1-A-0561	Oil	Ford	Mustang SVO	1984	2.3L 14	G
465978-0009	409174-0054	1-A-0565	Water	Ford	Capri, Cougar, Mustang, Thunde	1983-84	2.3L 14	G
465978-0010	409174-0054	1-A-0565	Water	Ford	Mustang SVO	1983-84	2.3L 14	G
<b>TB0324</b>								
466016-0002	409853-0032	1-A-0586	Oil	BMW	324TD,500,524TD	1983-87	2.4L 16 MD21	D
466016-0003	409853-0032	1-A-0586	Oil	BMW	Rayton Fissore	1983-87	2.4L 16 3MD21	D
<b>TB0325</b>								
466042-0001	409853-0029	1-A-2749	Oil	Renault	Fuego	1982	1.6L 14 A7L 723	G
<b>TB0326</b>								
466032-0001	409853-0019	1-A-0569	Oil	Volvo	700	1983-86	2.3L 14	G
466032-0002	409853-0019	1-A-0569	Oil	Volvo	700,740,760,Turbo	1984	2.3L 14 i/c	G
466032-0003	409853-0019	1-A-0569	Oil	Volvo	700	1985	2.0L 14	G
<b>TB0327</b>								
465994-0001	409174-0034	1-A-0570	Water	Peugeot	505 Injection	1986-90	2.2L 14 N9TE i/c	G
465994-0002	409174-0034	1-A-0570	Water	Peugeot	505 Injection	1986-90	2.2L 14 N9TE i/c	G
465994-0003	409174-0034	1-A-0570	Water	Peugeot	505 Injection	1986-90	2.2L 14 N9TE i/c	G
465994-0004	409174-0056	1-A-0573	Water	Peugeot	505 Injection	1986-90	2.2L 14 N9TE i/c	G
465994-0005	409174-0062	1-A-2679	Water	Peugeot	505STI		2.2L 14	G
<b>TB0328</b>								
466172-0001	409853-0026	1-A-2747	Oil	Toyota	Various		2.0L 14	G
<b>TB0329</b>								
466146-0001	409853-0023	1-A-2371	Oil	Austin Rover	MG Metro	1983-89	1.3L 14	G
<b>TB0330</b>								
466112-0001	409174-0040	1-A-0560	Oil	Buick	Regal	1984-85	3.8L V6	G
<b>TB0331</b>								
466216-0001	409174-0051	1-A-2677	Oil	Nissan	Various		ED33T	
<b>TB0332</b>								
466218-0001	409174-0046	1-A-2676	Oil	Buick	Riviera		3.8L V6	G
<b>TB0333</b>								
466194-0001	409853-0025	1-A-0687	Oil	Lancia	Delta HF		1.6L 8 valve 130 hp 130 hp	G



## CARTRIDGE/CHRA - Garrett

by Turbo Model

Turbo Part No	Cart/CHRA Part No	TI Part No	Cooling	Manufacturer	Vehicle Model	Year	Engine	Fuel
<b>TB0335</b>								
466298-0004	409174-0048	1-A-0581	Oil	Chrysler	Daytona Z, Laser, Lebaron, 40	1984	2.2L 14	G
466298-0005	409174-0048	1-A-0581	Oil	Chrysler	New Yorker & Magnum	1985	2.2L 14	G
466298-0007	409174-0048	1-A-0581	Oil	Chrysler	Caravelle, Daytona, Lancer, Las	1986-87	2.2L 14	G
466298-0007	409174-0048	1-A-0581	Oil	Chrysler	Daytona Z, Lancer, Laser XE, Le	1985	2.2L 14	G
466298-0007	409174-0048	1-A-0581	Oil	Chrysler	New Yorker, Omni GLH, Shelby	1986-87	2.2L 14	G
466298-0007	409174-0048	1-A-0581	Oil	Chrysler	New Yorker, Shelby Charger, 4	1985	2.2L 14	G
<b>TB0338</b>								
466384-0001	409853-0033	1-A-0566	Oil	Lancia	Thema IE	1984-86	2.0L	G
466384-0002	409853-0047	1-A-0574	Water	Lancia	Delta 4WD	1986-88	2.0L M643AT20C	G
466384-0003	409853-0033	1-A-0566	Oil	Fiat	Croma IE	1985-86	2.0L	G
466384-0004	409853-0033	1-A-0566	Oil	Fiat	Croma IE	1986-87	2.0L	G
466384-0006	409853-0067	1-A-0584	Water	Lancia	Delta Integrale	1987-94	2.0L 8 valve	G
466384-0007	409853-0047	1-A-0574	Water	Alfa Romeo	164	1987	2.0L 14 SOFIM	G
466384-0008	409853-0033	1-A-0566	Oil	Fiat	Croma IE	1988-91	2.0L	G
466384-0009	409853-0047	1-A-0574	Water	Fiat	Croma	1991-92	2.0L 8 valve	G
<b>TB0339</b>								
466420-0001	409853-0035	1-A-0568	Oil	Saab	900	1983	2.0L 14 16 valve	G
466420-0002	409853-0035	1-A-0568	Oil	Saab	900,900 APC,9000	1984-87	2.0L 14 B202 16 valve i/c	G
<b>TB0340</b>								
466440-0004	409174-0053	1-A-0561	Oil	Ford	Various	Unknown	Various	G
466440-0005	409174-0053	1-A-0561	Oil	Ford	Various	Unknown	Various	G
466440-0006	409174-0053	1-A-0561	Oil	Ford	Various	Unknown	Various	G
<b>TB0341</b>								
466448-0001	409853-0039	1-A-0567	Oil	Renault	Alpine GT,R25	1985-86	2.4L V6 Z7U	G
466448-0002	409853-0052	1-A-0575	Water	Renault	Alpine GTA,R25	1986-90	2.4L V6 Z7U	G
<b>TB0342</b>								
466564-0001	409853-0037	1-A-0553	Oil	Austin Rover	Maestro		Various	G
466564-0002	409853-0037	1-A-0553	Oil	Austin Rover	Metro, Montego	1983	2.0L 14 OHV	G
<b>TB0343</b>								
466456-0001	409853-0035	1-A-0568	Oil	Saab	900,9000	1984-86	2.0L 14 16 valve	G
466456-0002	409853-0035	1-A-0568	Oil	Saab	9000	1985	2.0L 14 16 valve	G
<b>TB0344</b>								
466586-0002	409174-0054	1-A-0565	Water	Ford	Cougar, Merkur, Merkur XR4T, T	1985-88	2.3L 14	G
466586-0003	409174-0054	1-A-0565	Water	Ford	Mustang SVO	1985	2.3L 14	G
466586-0004	409174-0054	1-A-0565	Water	Ford	Cougar	1985	2.3L 14	G
466586-0005	409174-0054	1-A-0565	Water	Ford	Various	Various		
466586-0005	409174-0060	1-A-2678	Water	Ford	Various	Unknown	Various	G
466586-0006	409174-0054	1-A-0565	Water	Ford	Various	Unknown	Various	G
466586-0006	409174-0060	1-A-2678	Water	Ford	Various	Unknown	Various	G
466586-0007	409174-0054	1-A-0565	Water	Ford	Various	Unknown	Various	G
466586-0007	409174-0060	1-A-2678	Water	Ford	Various	Unknown	Various	G
<b>TB0345</b>								
466644-0001	409853-0038	1-A-0552	Oil	Ford	Escort RS Mk III	1984-86	1.6L 14	G
<b>TB0346</b>								
466718-0001	409174-0056	1-A-0573	Water	Peugeot	505,50STI		2.2L 14 N9TE	G
466718-0002	409853-0070	1-A-0572	Water	Peugeot	505STI		2.2L 14 N9TE	G
466718-0003	409174-0056	1-A-0573	Water	Peugeot	505		2.2L 14 N9TE	G
<b>TB0347</b>								
466726-0001	409853-0041	1-A-2750	Oil	Nissan	Patrol	1985-90	2.5L MT4T	D
<b>TB0349</b>								
466794-0001	409853-0061	1-A-0621	Oil	Volvo	400700900	1987-96	2.4L 16 i/c	D
466794-0002	409853-0061	1-A-0621	Oil	Volvo	400700	1987-96	2.4L 16 i/c	D



## CARTRIDGE/CHRA - Garrett

by Turbo Model

Turbo Part No	Cart/CHRA Part No	TI Part No	Cooling	Manufacturer	Vehicle Model	Year	Engine	Fuel
<b>TB0350</b>								
466800-0001	409853-0043	1-A-2751	Oil	Volvo	Fork Lift		TD61GW,TD71GW	
466800-0002	409853-0043	1-A-2751	Oil	Volvo	Fork Lift		TD61GW,TD71GW	
466800-0003	409853-0043	1-A-2751	Oil	Volvo	Commercial		Various	
466800-0004	409853-0089	1-A-1724	Oil	Volvo	Penta		Various	
466800-0005	409853-0089	1-A-1724	Oil	Volvo	Penta		Various	
<b>TB0352</b>								
	409174-0063	1-A-2680	Water	Chrysler	Various			G
466798-0002	409853-0046	1-A-1823	Water	Chrysler	Turbo II,	1987	2.2L 14	G
466798-0003	409853-0046	1-A-1823	Water	Chrysler	Daytona Shelby Z,II,Turbo II,	1987	2.2L 14	G
466798-0005	409174-0048	1-A-0581	Oil	Chrysler	Daytona Shelby Turbo II	1988	2.2L 14	G
<b>TB0353</b>								
466858-0001	409853-0050	1-A-0554	Water	Alfa Romeo	75	1986	1.8L 14	G
<b>TB0355</b>								
466944-0001	409853-0053	1-A-1144	Water	Ford	Escort RS	1986-91	1.6L 14 16 valve	G
<b>TB0356</b>								
466952-0001	409853-0055	1-A-0576	Water	Saab	9000	1986-87	2.0L 14	G
466952-0002	409853-0055	1-A-0576	Water	Saab	9000	1986-87	2.0L 14 16 valve i/c	G
466952-0004	409853-0055	1-A-0576	Water	Saab	9000	1987-90	2.0L 14 B202E 16 valve	G
466952-0005	409853-0055	1-A-0576	Water	Saab	9000	1989	2.0L 14 B202F 16 valve	G
466952-0006	409853-0073	1-A-0577	Water	Saab	Various		Various	
466952-0007	409853-0073	1-A-0577	Water	Saab	Various		Various	
<b>TB0357</b>								
466954-0001	409853-0055	1-A-0576	Water	Saab	900	1987-89	2.0L 14 16 valve	G
466954-0002	409853-0055	1-A-0576	Water	Saab	900,9000	1987-89	2.0L 14 16 valve i/c	G
<b>TB0358</b>								
466956-0001	409853-0054	1-A-0975	Water	Saab	900 APC	1987-90	2.0L 14 8 valve	G
<b>TB0359</b>								
466802-0001	409853-0051	1-A-1151	Oil	Mercedes Benz	300SDL		3.0L 16 OM603A	D
<b>TB0360</b>								
466846-0001	409853-0051	1-A-1151	Oil	Mercedes Benz	300 SDL(W124)	1986	3.0L 16	D
466846-0002	409174-0073	1-A-2260	Oil	Mercedes Benz	" S" Class (W124)		3.0L 16 OM603A	D
<b>TB0361</b>								
466962-0001	409853-0076	1-A-0558	Water	Ford	Sierra Cosworth	1986-89	2.0L 14	G
466962-0002	409853-0076	1-A-0558	Water	Ford	Panther			G
<b>TB0363</b>								
466672-0001	409853-0057	1-A-0579	Water	Volvo	700	1987-90	2.3L 14	G
466672-0002	409853-0057	1-A-0579	Water	Volvo	700,740,760,Turbo		2.3L 14	G
466672-0003	409853-0057	1-A-0579	Water	Volvo	700	1986	2.0L 14	G
466672-0007	409853-0085	1-A-0580	Water	Volvo	Various		Various	
466672-0008	409853-0085	1-A-0580	Water	Volvo	Various		Various	
466672-0009	409853-0085	1-A-0580	Water	Volvo	Various		Various	
<b>TB0364</b>								
466972-0001	409853-0034	1-A-1147	Oil	Peugeot	Panhard		2.5L 14 XD3S	D
<b>TB0367</b>								
465103-0001	409853-0033	1-A-0566	Oil	Lancia	Thema IE Eco	1987-89	2.0L	G
465103-0002	409853-0068	1-A-0562	Water	Lancia	Delta Integrale 4WD	1988-94	2.0L 14 8 valve	G
465103-0003	409853-0047	1-A-0574	Water	Lancia	Thema IE	1988	2.0L 16 valve	G
465103-0004	409853-0047	1-A-0574	Water	Alfa Romeo	155	1989-92	2.0L 14 16 valve	G
465103-0004	409853-0047	1-A-0574	Water	Lancia	Delta,Tipo, 155	1994-	2.0L 14 16 valve	G
465103-0005	409853-0047	1-A-0574	Water	Lancia	Thema Motronic	1992-94	2.0L 16 valve	G
465103-0006	409853-0047	1-A-0574	Water	Lancia	Delta Integrale		M407.CT.20.C	G
465103-0007	409853-0047	1-A-0574	Water	Lancia	Croma	1991	2.0L 14 8 valve	G
465103-0009	409853-0068	1-A-0562	Water	Lancia	Dedra Ecologico,Delta ECO	1991-94	2.0L 8 valve	G
465103-0010	409853-0068	1-A-0562	Water	Lancia	Dedra 4WD	Unknown	2.0L 14	G



## CARTRIDGE/CHRA - Garrett

by Turbo Model

Turbo Part No	Cart/CHRA Part No	TI Part No	Cooling	Manufacturer	Vehicle Model	Year	Engine	Fuel
<b>TB0368</b>								
465115-0001	409853-0063	1-A-0555	Water	Volvo	200	1987	1.9L 14/2.1L 14	G
465115-0002	409853-0063	1-A-0555	Water	Volvo	200,240,GLT,Turbo	1987	2.1L 14	G
465115-0003	409853-0063	1-A-0555	Water	Volvo	200,240,GLT	1987	2.1L 14	G
<b>TB0369</b>								
465285-0001	409853-0051	1-A-1151	Oil	Mercedes Benz	300D/SDL/TD		3.0L 16	D
465285-0002	409853-0051	1-A-1151	Oil	Mercedes Benz	300TD		3.0L 16 OM603	D
465285-0003	409174-0072	1-A-2683	Oil	Mercedes Benz	Gelande Wagen		3.5L16 OM603	D
<b>TB0370</b>								
466948-0001	409853-0088	1-A-0582	Oil	Renault	R21/R21 4x4	1986-92	1.9L 14/2.0L 14	G
<b>TB0371</b>								
	409174-0077	1-A-2686	Water	Chrysler	Various			
	409174-0078	1-A-2687	Oil	Chrysler	Various			
	409174-0079	1-A-2688	Water	Chrysler	Various			
	409174-0080	1-A-2689	Water	Chrysler	Various			
	409174-0081	1-A-2690	Oil	Chrysler	Various			
	409174-0082	1-A-2691	Oil	Chrysler	Various			
	409174-0083	1-A-2692	Water	Chrysler	Various			
	409174-0084	1-A-2693	Oil	Chrysler	Various			
465339-0001	409174-0048	1-A-0581	Oil	Chrysler	Shelby Daytona, Turbo II	1988	2.2L 14	G
465339-0002	409853-0062	1-A-2374	Water	Chrysler	Various	1988	2.2L 14	G
465339-0003	409174-0074	1-A-2684	Water	Chrysler	Various	1988	2.2L 14	G
465339-0004	409174-0074	1-A-2684	Water	Chrysler	Unknown	Various	2.2L 14	G
<b>TB0373</b>								
465133-0001	409853-0069	1-A-0556	Water	Lotus	Esprit	1987-	2.2L	G
465133-0002	409853-0069	1-A-0556	Water	Lotus	Esprit	1988-	2.2L	G
465133-0003	409853-0096	1-A-0571	Water	Lotus	Esprit	1991-	2.2L	G
<b>TB0374</b>								
465705-0001	409174-0060	1-A-2678	Water	Chrysler	Turbo I Plus	1985-86	2.2L 14	G
<b>TB0376</b>								
465707-0001	409174-0060	1-A-2678	Water	Chrysler	Turbo II Plus	1985-86	2.2L 14	G
<b>TB0377</b>								
465159-0001	409853-0072	1-A-2357	Water	Lotus			2.2L 14	G
465159-0002	409853-0094	1-A-2068	Water	Lotus	Turbo III,Phantom		2.2L 14	G
<b>TB0378</b>								
465733-0002	409174-0048	1-A-0581	Oil	Chrysler	Turbo II	1989	2.2L 14	G
465733-0003	409174-0074	1-A-2684	Water	Chrysler	Various	1988	2.2L 14	G
<b>TB0379</b>								
465143-0007	409853-0078	1-A-1162	Water	Volvo	Various		Various	
465143-0008	409853-0078	1-A-1162	Water	Volvo	Various		Various	
465143-0009	409853-0078	1-A-1162	Water	Volvo	Various		Various	
465143-0010	409853-0071	1-A-0578	Water	Volvo	Various		Various	
465143-0011	409853-0071	1-A-0578	Water	Volvo	Various		Various	
465143-0012	409853-0071	1-A-0578	Water	Volvo	Various		Various	
<b>TB0381</b>								
465177-0004	409853-0074	1-A-0559	Water	Volvo	700	1989	2.3L 14 B230FET	G
465177-0005	409853-0074	1-A-0559	Water	Volvo	700900940	1990-91	2.3L 14 B230,B230FET	G
<b>TB0382</b>								
465163-0001	409853-0055	1-A-0576	Water	Saab	900	1989-94	2.0L 14 16 valve 175hp	G
465163-0002	409853-0055	1-A-0576	Water	Saab	900	1989	2.0L 14 B202F 16 valve	G
465163-0003	409853-0073	1-A-0577	Water	Saab	900	1989-94	2.0L 14 B202F 16 valve	G
465163-0004	409853-0073	1-A-0577	Water	Saab	900	1989	2.0L 14 B202F 16 valve	G
465163-0005	409853-0073	1-A-0577	Water	Saab	Various		Various	
465163-0006	409853-0073	1-A-0577	Water	Saab	Various		Various	





## CARTRIDGE/CHRA - Garrett

by Turbo Model

Turbo Part No	Cart/CHRA Part No	TI Part No	Cooling	Manufacturer	Vehicle Model	Year	Engine	Fuel
<b>TB0384</b>								
465189-0001	409853-0079	1-A-0564	Water	Ford	Sierra Cosworth 4WD	1989-90	2.0L 14 16 valve	G
465189-0001	409853-0079	1-A-0564	Water	Ford	Sierra Cosworth 4WD	1989-90	2.0L 14 16 valve	G
465189-0003	409853-0079	1-A-0564	Water	Ford	Sierra Cosworth 4WD	1990-93	2.0L 14 16 valve, Cat. Convert.	G
<b>TB0386</b>								
465499-0001	409853-0082	1-A-0557	Water	Renault	R25	1990-91	2.4L V6 Z7U 700	G
<b>TB0387</b>								
465503-0001	409853-0083	1-A-0563	Water	Renault	Alpine A610	1990-94	3.0L V6 Z7X 744	G
<b>TB0390</b>								
454039-0001	409174-0067	1-A-0619	Oil	Mercedes Benz	"S" Class	1994-	3.5L W140	D
<b>TB0391</b>								
	432277-0003	1-A-1313	Water	H K S	Various			
	432277-0004	1-A-2724	Water	H K S	Various			
<b>TB2207</b>								
466083-0006	431876-0070	1-A-2331	Water	Nissan	300ZX Twin	1990-94	3.0L V6 l/hand	G
<b>TB2209</b>								
466073-0007	431876-0070	1-A-2331	Water	Nissan	300ZX Twin		3.0L V6 l/hand	G
466073-0008	431876-0070	1-A-2331	Water	Nissan	300ZX Twin		3.0L V6 l/hand	G
<b>TB2210</b>								
466135-0003	431876-0070	1-A-2331	Water	Nissan	300ZX Twin		3.0L V6 r/hand	G
466135-0005	431876-0070	1-A-2331	Water	Nissan	300ZX Twin		3.0L V6 r/hand	G
<b>TB2211</b>								
466252-0003	431876-0070	1-A-2331	Water	Nissan	300ZX Twin		3.0L V6 r/hand	G
466252-0005	431876-0070	1-A-2331	Water	Nissan	300ZX Twin		3.0L V6 r/hand	G
<b>TB2506</b>								
466876-0001	430425-0032	1-A-2102	Water	Pontiac	Grand AM, Sunbird		2.0L 14	G
<b>TB2508</b>								
466888-0001	443854-0063	1-A-2109	Oil	Citroen	CX25D Turbo II	1987-90	2.5L 14 CRD93LS2	D
<b>TB2509</b>								
466974-0005	443854-0098	1-A-2322	Oil	Iveco	Daily TC	1992	2.5L	D
466974-0006	443854-0101	1-A-2740	Oil	Fiat	Daily	1992-	2.5L	D
466974-0008	443854-0098	1-A-2322	Oil	Iveco	Daily	1992-	2.5L 8140.47.2700	D
<b>TB2510</b>								
466880-0001	443854-0002	1-A-2320	Oil	Mercedes Benz	250D	1987-	2.5L 15 OM602A	D
<b>TB2511</b>								
466852-0001	443854-0002	1-A-2320	Oil	Mercedes Benz	190D		2.5L 15	D
<b>TB2513</b>								
465247-0001	443854-0063	1-A-2109	Oil	Citroen	C25	1986-87	2.5L 14 CRD93LS2	D
<b>TB2519</b>								
465667-0003	431876-0025	1-A-2376	Water	Nissan	Bluebird		1.4L	G
465667-0004	431876-0025	1-A-2376	Water	Nissan	Bluebird		1.4L	G
465667-0009	431876-0071	1-A-2752	Water	Nissan	Various			
465667-0010	431876-0071	1-A-2752	Water	Nissan	Various			
<b>TB2520</b>								
465723-0004	444321-0009	1-A-3207	Water	Nissan	Various			
<b>TB2521</b>								
465365-0001	430425-0032	1-A-2102	Water	Pontiac	Grand AM, Sunbird		2.0L 14	G
465365-0002	430425-0032	1-A-2102	Water	Pontiac	Various			G
<b>TB2522</b>								
465749-0001	430425-0032	1-A-2102	Water	Pontiac	Sunbird		2.0L 14	G



## CARTRIDGE/CHRA - Garrett

by Turbo Model

Turbo Part No	Cart/CHRA Part No	TI Part No	Cooling	Manufacturer	Vehicle Model	Year	Engine	Fuel
<b>TB2523</b>								
465767-0001	431876-0019	1-A-2331	Water	Nissan	Silvia SU	1988	1.8L 14	G
465767-0002	431876-0019	1-A-2331	Water	Nissan	Silvia SU	1988	1.8L 14	G
465767-0003	431876-0025	1-A-2376	Water	Nissan	Various		1.8L	G
465767-0006	431876-0071	1-A-2752	Water	Nissan	Various			
<b>TB2525</b>								
465795-0001	431876-0021	1-A-2733	Water	Nissan	200SX	1988	1.8L	G
465795-0004	431876-0072	1-A-1282	Water	Nissan	200SX	1988-94	1.8L	G
<b>TB2527</b>								
465941-0004	431876-0071	1-A-2752	Water	Nissan	Various			
465941-0006	431876-0071	1-A-2752	Water	Nissan	Various			
465941-0007	431876-0071	1-A-2752	Water	Nissan	Various			
<b>TB2529</b>								
465181-0001	443854-0025	1-A-2293	Water	Saab	9000	1990-97	2.0L 14 B202E 16 valve	G
465181-0002	443854-0025	1-A-2293	Water	Saab	9000	1990-97	2.0L 14 B202F 16 valve	G
<b>TB2531</b>								
452068-0001	443854-0093	1-A-2594	Water	Saab	900	1994-99	2.0L B204	G
465183-0006	443854-0046	1-A-2108	Water	Saab	9000	1990-98	2.3L 16 valve 185hp	G
465183-0007	443854-0046	1-A-2108	Water	Saab	9000	1993-98	2.3L 16 valve 175hp Cat.Con	G
465183-0008	443854-0055	1-A-2330	Water	Saab	9000	1990-98	2.3L 16 valve 200hp	G
<b>TB2534</b>								
465489-0004	443854-0098	1-A-2322	Oil	Renault	Messenger B110	1993-	2.5L 8140.27.2530	D
465489-0005	443854-0098	1-A-2322	Oil	Renault	SOFIM		Various	D
<b>TB2535</b>								
465445-0001	443853-0029	1-A-2624	Oil	Mercedes Benz	190D	1990-	2.5L 15 OM602A	D
<b>TB2536</b>								
465589-0002	443854-0098	1-A-2322	Oil	S O F I M	Van(DAF)		8140.27.2600	D
465589-0003	443854-0098	1-A-2322	Oil	S O F I M	Various		8140.27.2600	D
465589-0004	443854-0098	1-A-2322	Oil	Iveco	RNUR Master		Various	D
<b>TB2539</b>								
466075-0004	431876-0065	1-A-2620	Water	Nissan	Various			
<b>TB2541</b>								
466113-0003	431876-0067	1-A-2620	Water	Nissan	Various		SR20DET	
<b>TB2547</b>								
466173-0003	431876-0065	1-A-2620	Water	Nissan	Various		SR20DET	
<b>TB2548</b>								
452044-0001	443854-0083	1-A-3108	Oil	Perkins	Phaser		T4.40	
<b>TB2555</b>								
465199-0003	443854-0084	1-A-2681	Water	Austin Rover	220,420,62,820 16 valve	1992	2.0l 14 DOHC	G
465199-0004	443854-0084	1-A-2681	Water	Volvo	Various		Various	G
<b>TB2559</b>								
452083-0001	443854-0055	1-A-2330	Water	Saab	900,9000	1994-99	2.0L 14 B204,2.3L B234	G
<b>TB2566</b>								
466491-0003	431876-0059	1-A-2509	Water	Mitsubishi	Eclipse	1994-97	2.0L 14 4G6N	G
466491-0004	431876-0059	1-A-2509	Water	Mitsubishi	Various	1994-97	2.0L 14 4G6N	G
<b>TB2568</b>								
466409-0001	430425-0059	1-A-2576	Water	Isuzu	NPR	1995	4BD2-TC	
<b>TB3101</b>								
435558-0001	409853-0003	1-A-2744	Oil	Kubota	Tractor		VT1502	
<b>TB3102</b>								
465606-0002	409853-0004	1-A-2745	Oil	Nissan	Scout II	1979-80		D
<b>TB3403</b>								
452059-0001	409853-0093	1-A-2942	Water	Ford	Cosworth-performance-MAR M			G



## CARTRIDGE/CHRA - Garrett

by Turbo Model

Turbo Part No	Cart/CHRA Part No	TI Part No	Cooling	Manufacturer	Vehicle Model	Year	Engine	Fuel
<b>TC0301</b>								
465296-0005	409853-0017	1-A-1145	Oil	Saab	900,99 EMS	1978-80	2.0L 14	G
465296-0007	409853-0017	1-A-1145	Oil	Saab	900,99 EMS	1978-80	2.0L 14	G
<b>TC0303</b>								
465954-0001	409174-0026	1-A-2671	Oil	Garrett Auto				
465954-0002	409174-0026	1-A-2671	Oil	Garrett Auto				
465954-0003	409174-0026	1-A-2671	Oil	Garrett Auto				
465954-0004	409174-0021	1-A-2668	Oil	Garrett Auto				
465954-0005	409174-0023	1-A-2669	Oil	Garrett Auto				
465954-0006	409174-0023	1-A-2669	Oil	Garrett Auto				
465954-0007	409174-0023	1-A-2669	Oil	Garrett Auto				
465954-0008	409174-0024	1-A-2670	Oil	Garrett Auto				
465954-0009	409174-0029	1-A-2672	Oil	Garrett Auto				
465954-0010	409174-0029	1-A-2672	Oil	Garrett Auto				
465954-0011	409174-0029	1-A-2672	Oil	Garrett Auto				
465954-0012	409174-0030	1-A-2673	Oil	Garrett Auto				
465954-0013	409174-0031	1-A-2674	Oil	Garrett Auto				
465954-0014	409174-0031	1-A-2674	Oil	Garrett Auto				
465954-0015	409174-0031	1-A-2674	Oil	Garrett Auto				
465954-0016	409174-0032	1-A-2675	Oil	Garrett Auto				
<b>TC0304</b>								
466404-0001	409174-0057	1-A-0623	Oil	Citroen	CX25 Turbo/CX-GTI	1984-85	2.5L 14 EN5T	G
466404-0002	409174-0057	1-A-0623	Oil	Citroen	CX-GTI,CX25 Turbo	1986-90	2.5L 14 EN5TE	G
466404-0003	409174-0057	1-A-0623	Oil	Citroen	CX25 Turbo/CX-GTI	1984-86	2.5L 14 EN5TE	G



## CARTRIDGE/CHRA - Garrett

by Turbo Part Number

Turbo Part No	Cart/CHRA Part No	Turbo Model	TI Part No	Cooling	Manufacturer	Vehicle Model	Year	Engine	Fuel
103601-0000	409174-0069	RM-60/.3	1-A-2682	Oil	Rotomaster	Unknown			
103603-0000	409174-0069	RM-60/.5	1-A-2682	Oil	Rotomaster	Unknown			
435558-0001	409853-0003	TB3101	1-A-2744	Oil	Kubota	Tractor		VT1502	
452005-0001	443853-0030	TB0249	1-A-2105	Oil	Land Rover	Falcon,90/110 Turbo D	1988-89	2.5L 14	D
452012-0001	409172-0033	TA3131	1-A-2705	Oil	Ruston & Hornsby	various		3YDXSRIII	
452012-0002	409172-0071	TA3131	1-A-2718	Oil	Ruston & Hornsby	various		3YDCSRIII	
452012-0003	409172-0072	TA3131	1-A-2719	Oil	Ruston & Hornsby	various		4YDCSRIII	
452012-0004	409172-0056	TA3131	1-A-2713	Oil	Ruston & Hornsby	various		HA 494	
452014-0005	443854-0029	TB0259	1-A-2325	Oil	Ford	Escort	1993-	1.8L	D
452044-0001	443854-0083	TB2548	1-A-3108	Oil	Perkins	Phaser		T4.40	
452048-0001	443854-0058	TB0257	1-A-2655	Oil	Perkins	Prima		504.2T	D
452055-0004	443854-0110	T250-04	1-A-2327	Oil	Land Rover	90,110,Defender,Discovery	1994-95	2.5L Gemini 3	D
452055-0005	443854-0110	T250-04	1-A-2327	Oil	Land Rover	Various			D
452059-0001	409853-0093	TB3403	1-A-2942	Water	Ford	Cosworth-performance-MAR			G
452063-0002	443854-0029	TB0273	1-A-2325	Oil	Ford	Mondeo TD	1993-	1.8L	D
452063-0003	443854-0029	TB0273	1-A-2325	Oil	Ford	Mondeo	1993-	1.8L	D
452068-0001	443854-0093	TB2531	1-A-2594	Water	Saab	900	1994-99	2.0L B204	G
452074-0001	443854-0058	TB0275	1-A-2655	Oil	K H D	Diter		TD203-3	D
452074-0002	443854-0058	TB0275	1-A-2655	Oil	K H D	Diter		TD203-3	D
452083-0001	443854-0055	TB2559	1-A-2330	Water	Saab	900,9000	1994-99	2.0L 14 B204,2.3L B234	G
452084-0004	433289-0006	GT1544	1-A-2568	Oil	Ford	Escort TD	1996-	1.8L	D
452084-0007	433289-0006	GT1544	1-A-2568	Oil	Ford	Escort TD	1996-	1.8L	D
452084-0009	433289-0060	GT1544S	1-A-2164	Oil	Ford	Escort TD	1996-	1.8L	D
452098-0002	433289-0007	GT1549	1-A-2159	Oil	Austin Rover	220 SDI,420D,620	1995	2.0L TCI/E 105hp I/c	D
452124-0004	433289-0012	GT1544	1-A-2161	Oil	Ford	Mondeo TD	1996-	1.8L Endura	D
452124-0005	433289-0012	GT1544	1-A-2161	Oil	Ford	Mondeo	1996-	1.8L	D
452124-0006	433289-0058	GT1544	1-A-2570	Oil	Ford	Mondeo TD	1996-	1.8L Endura	D
452151-0002	433289-0007	GT1549	1-A-2159	Oil	Austin Rover	220,420D/SD	1996-	2.0L 14 TCI/M 86hp	D
452213-0002	433289-0087	GT1549	1-A-3868	Oil	Otosan				
452213-0003	433289-0087	GT1549	1-A-3868	Oil	Otosan				
452254-0003	433289-0060	GT1544S	1-A-2164	Oil	Unknown				D
454001-0001	443854-0092	TB0268	1-A-2321	Oil	Audi	80 TDI	1991-94	1.9L 14 47DK14LK	D
454002-0101	443854-0047	TB0254	1-A-2735	Oil	Volkswagen	Transporter	1993-95	1.9L 14 75hp	D
454006-0002	433289-0009	GT1544S	1-A-2160	Oil	Fiat	Brava,Marea,Tipo	1996	1.9L 75hp	D
454006-0004	433289-0009	GT1544S	1-A-2160	Oil	Fiat	Marea	1996	1.9L 100hp	D
454027-0001	443854-0100	TB0265	1-A-2739	Oil	Citroen	ZX	1992-96	1.9L	D
454039-0001	409174-0067	TB0390	1-A-0619	Oil	Mercedes Benz	"S" Class	1994-	3.5L W140	D
454052-0001	443854-0085	TB0267	1-A-2323	Oil	Fiat	Ducato Van			D
454055-0001	443854-0085	TB0269	1-A-2323	Oil	Fiat	Tempra,Tipo Eco	1995-	1.9L M710HT.19	D
454055-0001	443854-0089	TB0269	1-A-3869	Oil	Fiat	Tempra	1994	1.9L	D
454055-0001	443854-0089	TB0269	1-A-3869	Oil	Fiat	Tipo	1994	1.9L	D
454055-0002	443854-0085	TB0269	1-A-2323	Oil	Fiat	Nuovo Ducato Van	1994-	1.9L M705 V6.19D	D
454061-0006	433289-0010	GT1752H	1-A-3862	Oil	Iveco	Daily	1996	2.8L	D
454061-0007	433289-0010	GT1752H	1-A-3862	Oil	Iveco	Daily	1996	2.8L	D
454061-0008	433289-0010	GT1752H	1-A-3862	Oil	Fiat	Daily	1996	2.8L	D
454061-0009	433289-0010	GT1752H	1-A-3862	Oil	Fiat	Daily	1996	2.8L	D
454061-0010	433289-0010	GT1752H	1-A-3862	Oil	Renault	Daily	1996	2.8L	D
454061-0010	433289-0010	GT1752H	1-A-3862	Oil	Renault	Ducato Maxi	1997	2.8L	D
454061-0010	433289-0010	GT1752H	1-A-3862	Oil	Renault	Master	1997	2.8L	D
454061-0010	433289-0010	GT1752H	1-A-3862	Oil	Renault	Master	2003	2.8L	D
454061-0010	433289-0010	GT1752H	1-A-3862	Oil	Renault	Movano	1997	2.8L	D
454061-0011	433289-0010	GT1752H	1-A-3862	Oil	Renault	Master	1997	2.8L	D
454061-0011	433289-0010	GT1752H	1-A-3862	Oil	Renault	Trafic	1997	2.8L	D
454061-0012	433289-0010	GT1752H	1-A-3862	Oil	Renault	Master	1996	2.8L	D
454064-0001	435796-0020	GT1544	1-A-3740	Oil	Volkswagen	Transporter TD	1995	1.9L	D
454064-0002	435796-0020	GT1544	1-A-3740	Oil	Volkswagen	Unknown	Unknown	1.9L	D
454065-0002	435796-0018	GT1544	1-A-2166	Oil	Seat	Toledo	1994	1.9L 14 75hp	D



## CARTRIDGE/CHRA - Garrett

by Turbo Part Number

Turbo Part No	Cart/CHRA Part No	Turbo Model	TI Part No	Cooling	Manufacturer	Vehicle Model	Year	Engine	Fuel
454065-0002	435796-0018	GT1544	1-A-2166	Oil	Volkswagen	Golf,Passat	1994-	1.9L 14 75hp	D
454067-0001	443853-0022	TB0270	1-A-1045	Oil	Renault	R21,Espace	1993-96	2.1L 14 J8S786	D
454067-0002	443854-0128	TB0270	1-A-2742	Oil	Renault	Espace	1993-95	2.0L 14 J8S786	D
454080-0001	433289-0009	GT1544S	1-A-2160	Oil	Fiat	Punto TD	1996	1.9L M720BT19T100hp	D
454080-0002	433289-0009	GT1544S	1-A-2160	Oil	Fiat	Tipo	1996	1.9L M720LT19T 75hp	D
454080-0004	433289-0009	GT1544S	1-A-2160	Oil	Fiat	Brava,Marea,Tipo	1994-96	1.9L M.720.AT.19.T 100hp	D
454080-0005	433289-0009	GT1544S	1-A-2160	Oil	Fiat	Brava,Marea,Tipo	1994-96	1.9L M.720.AT.19.T	D
454080-0005	433289-0017	GT1544	1-A-2163	Oil	Fiat	Ducato	1996	1.9L M.720.CT.19.T	D
454082-0001	435796-0018	GT1544	1-A-2166	Oil	Audi	80 TDI,A6 TDI	1994-95	1.9L 14 90 hp	D
454082-0002	433289-0116	GT1544	1-A-2940	Oil	Audi	80 TDI	1995-	1.9L 14 90hp	D
454083-0001	435796-0015	GT1544	1-A-2165	Oil	Seat	Ibiza TDI,Cordoba TDI, Tole	1997-98	1.9L 14 90 hp	D
454083-0001	435796-0015	GT1544	1-A-2165	Oil	Skoda	Octavia	1997-98	1.9L 14 90 hp	D
454083-0001	435796-0015	GT1544	1-A-2165	Oil	Volkswagen	Golf Mk II TDI,Passat TDI,V	1994-97	1.9L 14 90hp	D
454083-0002	433289-0050	GT1544	1-A-3735	Oil	Seat	Ibiza TDI,Cordoba TDI, Tole	1997-98	1.9L 14 90 hp	D
454083-0002	433289-0050	GT1544	1-A-3735	Oil	Seat	Toledo Tdi	1997	1.9L	D
454083-0002	433289-0050	GT1544	1-A-3735	Oil	Skoda	Octavia	1997-98	1.9L 14 90 hp	D
454083-0002	433289-0050	GT1544	1-A-3735	Oil	Volkswagen	Golf Mk II TDI,Passat TDI,V	1994-97	1.9L 14 90hp	D
454083-0002	433289-0050	GT1544S	1-A-3735	Oil	Volkswagen	Passat Tdi	1997	1.9L	D
454086-0001	443854-0104	TB0280	1-A-2741	Oil	Citroen	Evasion/Synergie	1995-	1.9L	D
454087-0002	443854-0031	TB0277	1-A-2106	Water	Renault	R19 TD	1994-96	1.9L 14 F8Q 744	D
454088-0001	443854-0021	TB0271	1-A-2104	Oil	Peugeot	Tractor	Unknown	2.1L XUDIAT	D
454092-0001	435796-0018	GT1544	1-A-2166	Oil	Opel	Corsa TD		1.7L 17DTL	D
454092-0001	435796-0018	GT1544	1-A-2166	Oil	Vauxhall	Astra,Vectra	1995-98	1.7L 68 hp	D
454093-0001	435796-0021	GT1544	1-A-2569	Oil	BMW	318TDS	1995-	1.7L 14 M41D	D
454093-0003	433289-0127	GT1544S	1-A-3739	Oil	BMW	318TDs	1999	1.9L	D
454093-0004	433289-0127	GT1544S	1-A-3739	Oil	BMW	318TDs	1999	1.9L	D
454097-0001	435796-0015	GT1544	1-A-2165	Oil	Audi	80 TDI,A4 TDI	1995-	1.9L 14 B5 90 hp	D
454097-0001	435796-0015	GT1544	1-A-2165	Oil	Volkswagen	Golf Synchro,Passat TDI	1995-	1.9L 14 90hp	D
454097-0002	433289-0116	GT1549	1-A-2940	Oil	Volkswagen	Passat TDI	1995-	1.9L 14 90hp	D
454098-0001	433289-0014	GT1544	1-A-2162	Oil	Opel	Astra	1996	2.0L 20LC	D
454098-0001	433289-0014	GT1544	1-A-2162	Oil	Vauxhall	Astra, Vectra,Zafira	1998-	2.0L 82hp	D
454113-0001	443854-0123	TB02	1-A-3870	Oil	Citroen	806	1996	2.1L	D
454113-0001	443854-0123	TB02	1-A-3870	Oil	Citroen	Evasioin	1996	2.1L	D
454113-0001	443854-0123	TB02	1-A-3870	Oil	Citroen	Ulysse	1996	2.1L	D
454114-0001	409172-0069	TA3133	1-A-2083	Oil	Minsk Motor	Tractor			
454114-0002	409172-0069	TA3133	1-A-2083	Oil	Minsk Motor	Tractor			
454131-0002	443854-0147	TB0289	1-A-2727	Oil	Citroen	Xantia	1996	1.9L	D
454131-0003	443854-0147	TB0289	1-A-2727	Oil	Citroen	Xantia	1996-	1.9L:	D
454159-0001	433289-0014	GT1544	1-A-2162	Oil	Audi	A3 TDI	1997-	1.9L 90 hp	D
454159-0002	433289-0050	GT1544	1-A-3735	Oil	Audi	A3 Tdi	1998	1.9L	D
454165-0001	433289-0011	GT1544	1-A-3734	Oil	Renault	Megane TD	1997	1.9L	D
454171-0002	433289-0057	GT1549	1-A-3834	Oil	Citroen	Xantia	1998	1.9L	D
454171-0002	433289-0057	GT1549	1-A-3834	Oil	Peugeot	406	1998	1.9L	D
454171-0004	433289-0131	GT1549	1-A-3867	Oil	Peugeot	406	1998	1.9L	D
454171-0005	433289-0131	GT1549S	1-A-3867	Oil	Citroen	Xantia	1998	1.9L	D
454171-0005	433289-0131	GT1549S	1-A-3867	Oil	Peugeot	406	1998	1.9L	D
454172-0001	435796-0015	GT1544	1-A-2165	Oil	Volkswagen	Golf Synchro	1996-	1.9L 14 90 hp	D
454172-0002	435796-0015	GT1544	1-A-2165	Oil	Volkswagen	Golf Synchro	1996-	1.9L 14 90hp	D
454172-0002	433289-0119	GT1544S	1-A-3738	Oil	Volkswagen	Golf Tdi	1997	1.9L	D
454176-0002	433289-0057	GT1549	1-A-3834	Oil	Citroen	Xsara	1998	1.9L	D
454176-0002	433289-0057	GT1549	1-A-3834	Oil	Citroen	ZX	1998	1.9L	D
454176-0002	433289-0057	GT1549	1-A-3834	Oil	Peugeot	306	1998	1.9L	D
454176-0005	433289-0132	GT1549S	1-A-3866	Oil	Citroen	Xsara	1998	1.9L	D
454176-0005	433289-0132	GT1549S	1-A-3866	Oil	Citroen	ZX	1998	1.9L	D
454176-0005	433289-0132	GT1549S	1-A-3866	Oil	Peugeot	306	1998	1.9L	D
454176-0006	433289-0132	GT1549S	1-A-3866	Oil	Citroen			1.9L	D
454176-0006	433289-0132	GT1549S	1-A-3866	Oil	Peugeot			1.9L	D



## CARTRIDGE/CHRA - Garrett

by Turbo Part Number

Turbo Part No	Cart/CHRA Part No	Turbo Model	TI Part No	Cooling	Manufacturer	Vehicle Model	Year	Engine	Fuel
454187-0001	433289-0074	GT1544	1-A-3736	Oil	Opel	Astra eco D	1998	1.7L	D
454228-0001	443854-0104	TB0295	1-A-2741	Oil	Unknown	Unknown			D
465103-0001	409853-0033	TB0367	1-A-0566	Oil	Lancia	Thema IE Eco	1987-89	2.0L	G
465103-0002	409853-0068	TB0367	1-A-0562	Water	Lancia	Delta Integrale 4WD	1988-94	2.0L 14 8 valve	G
465103-0003	409853-0047	TB0367	1-A-0574	Water	Lancia	Thema IE	1988	2.0L 16 valve	G
465103-0004	409853-0047	TB0367	1-A-0574	Water	Alfa Romeo	155	1989-92	2.0L 14 16 valve	G
465103-0004	409853-0047	TB0367	1-A-0574	Water	Lancia	Delta,Tipo,155	1994-	2.0L 14 16 valve	G
465103-0005	409853-0047	TB0367	1-A-0574	Water	Lancia	Thema Motronic	1992-94	2.0L 16 valve	G
465103-0006	409853-0047	TB0367	1-A-0574	Water	Lancia	Delta Integrale		M407.CT.20.C	G
465103-0007	409853-0047	TB0367	1-A-0574	Water	Lancia	Croma	1991	2.0L 14 8 valve	G
465103-0009	409853-0068	TB0367	1-A-0562	Water	Lancia	Dedra Ecologico,Delta ECO	1991-94	2.0L 8 valve	G
465103-0010	409853-0068	TB0367	1-A-0562	Water	Lancia	Dedra 4WD	Unknown	2.0L 14	G
465115-0001	409853-0063	TB0368	1-A-0555	Water	Volvo	200	1987	1.9L 14/2.1L 14	G
465115-0002	409853-0063	TB0368	1-A-0555	Water	Volvo	200,240,GLT,Turbo	1987	2.1L 14	G
465115-0003	409853-0063	TB0368	1-A-0555	Water	Volvo	200,240,GLT	1987	2.1L 14	G
465133-0001	409853-0069	TB0373	1-A-0556	Water	Lotus	Esprit	1987-	2.2L	G
465133-0002	409853-0069	TB0373	1-A-0556	Water	Lotus	Esprit	1988-	2.2L	G
465133-0003	409853-0096	TB0373	1-A-0571	Water	Lotus	Esprit	1991-	2.2L	G
465137-0001	443854-0019	TB0237	1-A-1038	Oil	Ford	Sierra TD,P100 Pick-up	1989	1.8 IDI	D
465143-0007	409853-0078	TB0379	1-A-1162	Water	Volvo	Various		Various	
465143-0008	409853-0078	TB0379	1-A-1162	Water	Volvo	Various		Various	
465143-0009	409853-0078	TB0379	1-A-1162	Water	Volvo	Various		Various	
465143-0010	409853-0071	TB0379	1-A-0578	Water	Volvo	Various		Various	
465143-0011	409853-0071	TB0379	1-A-0578	Water	Volvo	Various		Various	
465143-0012	409853-0071	TB0379	1-A-0578	Water	Volvo	Various		Various	
465159-0001	409853-0072	TB0377	1-A-2357	Water	Lotus			2.2L 14	G
465159-0002	409853-0094	TB0377	1-A-2068	Water	Lotus	Turbo III,Phantom		2.2L 14	G
465163-0001	409853-0055	TB0382	1-A-0576	Water	Saab	900	1989-94	2.0L 14 16 valve 175hp	G
465163-0002	409853-0055	TB0382	1-A-0576	Water	Saab	900	1989	2.0L 14 B202F 16 valve	G
465163-0003	409853-0073	TB0382	1-A-0577	Water	Saab	900	1989-94	2.0L 14 B202F 16 valve	G
465163-0004	409853-0073	TB0382	1-A-0577	Water	Saab	900	1989	2.0L 14 B202F 16 valve	G
465163-0005	409853-0073	TB0382	1-A-0577	Water	Saab	Various		Various	
465163-0006	409853-0073	TB0382	1-A-0577	Water	Saab	Various		Various	
465165-0001	443854-0022	TB0238	1-A-2729	Oil	Ford	Transit	1988	2.5L 14 DI	D
465171-0002	443854-0033	TB0242	1-A-1060	Oil	Land Rover	90/110 Defender	1992-94	2.5L 14 Gemini	D
465175-0001	443854-0033	TB0243	1-A-1060	Oil	Land Rover	Discovery TDI,Range Rover	1990-94	2.5L 14	D
465177-0004	409853-0074	TB0381	1-A-0559	Water	Volvo	700	1989	2.3L 14 B230FET	G
465177-0005	409853-0074	TB0381	1-A-0559	Water	Volvo	700900940	1990-91	2.3L 14 B230,B230FET	G
465181-0001	443854-0025	TB2529	1-A-2293	Water	Saab	9000	1990-97	2.0L 14 B202E 16 valve	G
465181-0002	443854-0025	TB2529	1-A-2293	Water	Saab	9000	1990-97	2.0L 14 B202F 16 valve	G
465183-0006	443854-0046	TB2531	1-A-2108	Water	Saab	9000	1990-98	2.3L 16 valve 185hp	G
465183-0007	443854-0046	TB2531	1-A-2108	Water	Saab	9000	1993-98	2.3L 16 valve 175hp Cat.Con	G
465183-0008	443854-0055	TB2531	1-A-2330	Water	Saab	9000	1990-98	2.3L 16 valve 200hp	G
465187-0002	443854-0032	TB0250	1-A-2324	Water	Ford	Fiesta RS	1989-91	1.6L 14	G
465189-0001	409853-0079	TB0384	1-A-0564	Water	Ford	Sierra Cosworth 4WD	1989-90	2.0L 14 16 valve	G
465189-0001	409853-0079	TB0384	1-A-0564	Water	Ford	Sierra Cosworth 4WD	1989-90	2.0L 14 16 valve	G
465189-0003	409853-0079	TB0384	1-A-0564	Water	Ford	Sierra Cosworth 4WD	1990-93	2.0L 14 16 valve,Cat.Convert.	G
465199-0003	443854-0084	TB2555	1-A-2681	Water	Austin Rover	220,420,62,820 16 valve	1992	2.0l 14 DOHC	G
465199-0004	443854-0084	TB2555	1-A-2681	Water	Volvo	Various		Various	G
465228-0003	409853-0001	TA0301	1-A-1159	Oil	Mercedes Benz	300 TD		3.0L 15	D
465247-0001	443854-0063	TB2513	1-A-2109	Oil	Citroen	C25	1986-87	2.5L 14 CRD93LS2	D
465265-0001	443854-0007	TB0232	1-A-2726	Oil	Fiat	Regata TD, Ritmo TD,Temp	1986-90	1.9L	D
465265-0001	443854-0007	TB0232	1-A-2726	Oil	Lancia	Delta TD/Prisma TD	1986-90	1.9L	D
465265-0002	443854-0027	TB0232	1-A-2730	Oil	Fiat	Tempra, Tipo	1990-94	1.9L	D
465285-0001	409853-0051	TB0369	1-A-1151	Oil	Mercedes Benz	300D/SDL/TD		3.0L 16	D
465285-0002	409853-0051	TB0369	1-A-1151	Oil	Mercedes Benz	300TD		3.0l 16 OM603	D
465285-0003	409174-0072	TB0369	1-A-2683	Oil	Mercedes Benz	Gelande Wagen		3.5L16 OM603	D



## CARTRIDGE/CHRA - Garrett

by Turbo Part Number

Turbo Part No	Cart/CHRA Part No	Turbo Model	TI Part No	Cooling	Manufacturer	Vehicle Model	Year	Engine	Fuel
465286-0004	409174-0042	TB0301	1-A-0035	Oil	Buick	Century,Le Sabre,Regal	1978	3.8L V6	G
465296-0005	409853-0017	TC0301	1-A-1145	Oil	Saab	900,99 EMS	1978-80	2.0L 14	G
465296-0007	409853-0017	TC0301	1-A-1145	Oil	Saab	900,99 EMS	1978-80	2.0L 14	G
465318-0002	409853-0002	TA0302	1-A-2743	Oil	Peugeot	Tagora,505D,505STI,505TD	1980	2.3L 14 XD2S	D
465318-0003	409853-0086	TA0302	1-A-1936	Oil	Peugeot	505D,Tagora	1983	2.5L 14 XD3S/XD3T	D
465318-0004	409853-0005	TA0302	1-A-2746	Oil	Peugeot	Military		XD3S	
465318-0005	409853-0002	TA0302	1-A-2743	Oil	S O F I M	Various			D
465318-0006	409853-0045	TA0302	1-A-2370	Oil	Iveco	Daily	1986-	2.5L 8140.21.2100	D
465318-0007	409853-0044	TA0302	1-A-2420	Oil	Iveco	Diverse		3.9L 7040.25.200	D
465318-0008	409853-0044	TA0302	1-A-2420	Oil	Iveco Tractor			3.9L 8040.25.230	D
465318-0009	409853-0045	TA0302	1-A-2370	Oil	Iveco	Daily	1987-	2.5L 81410.27.2150	D
465318-0010	409853-0044	TA0302	1-A-2420	Oil	Iveco	Tractor		8045.25.382	D
465339-0001	409174-0048	TB0371	1-A-0581	Oil	Chrysler	Shelby Daytona, Turbo II	1988	2.2L 14	G
465339-0002	409853-0062	TB0371	1-A-2374	Water	Chrysler	Various	1988	2.2L 14	G
465339-0003	409174-0074	TB0371	1-A-2684	Water	Chrysler	Various	1988	2.2L 14	G
465339-0004	409174-0074	TB0371	1-A-2684	Water	Chrysler	Unknown	Various	2.2L 14	G
465343-0001	443854-0013	TB0234	1-A-2294	Oil	Citroen	BX	1987/90	1.7L 14 D XUD 7TE	D
465343-0002	443854-0073	TB0234	1-A-2737	Oil	Citroen	BX	1992-93	1.8L 14 XUD7TE	D
465354-0002	409172-0009	TA3101	1-A-3472	Oil	Deutz-Allis	Industrial			
465354-0003	409172-0009	TA3101	1-A-3472	Oil	Deutz-Allis	Industrial			
465354-0006	409172-0013	TA3101	1-A-2696	Oil	Deutz-Allis	Commercial		4331,433T	
465354-0007	409172-0009	TA3101	1-A-3472	Oil	Deutz-Allis	Industrial			
465354-0008	409172-0009	TA3101	1-A-3472	Oil	Deutz-Allis	Industrial			
465354-0011	409172-0031	TA3101	1-A-2704	Oil	Deutz-Allis	Various		4331,433T	
465354-0012	409172-0031	TA3101	1-A-2704	Oil	Deutz-Allis	Various		4331,433T	
465354-0014	409172-0059	TA3101	1-A-2715	Oil	Deutz-Allis	Industrial		TMDT 2.7	
465354-0015	409172-0059	TA3101	1-A-2715	Oil	Deutz-Allis	Industrial		TMDT 2.7	
465365-0001	430425-0032	TB2521	1-A-2102	Water	Pontiac	Grand AM,Sunbird		2.0L 14	G
465365-0002	430425-0032	TB2521	1-A-2102	Water	Pontiac	Various			G
465367-0001	443853-0027	TB0235	1-A-2328	Water	Renault	R5 GTII	1987-90	1.4L 14 C1J 788	G
465367-0002	443853-0027	TB0235	1-A-2328	Water	Renault	R5 GTII	1987-90	1.4L 14 C1J 784	G
465379-0001	409853-0044	TA0318	1-A-2420	Oil	Iveco	Truck		8040.45.261&271	D
465379-0003	409853-0044	TA0318	1-A-2420	Oil	Iveco	Truck		8040.45.400	D
465379-0004	409853-0092	TA0318	1-A-2237	Oil	Iveco	Military		8040345.4	
465384-0001	409853-0006	TA0304	1-A-1587	Oil	Volkswagen	Passat,Quantum	1984-86	1.6L 14	D
465384-0002	409853-0006	TA0304	1-A-1587	Oil	Volkswagen	Golf,Passat	1981-86	1.6L 14	D
465384-0003	409853-0006	TA0304	1-A-1587	Oil	Volkswagen	Golf,Jetta,Passat,Quantum,	1981-86	1.6L 14	D
465384-0004	409853-0006	TA0304	1-A-1587	Oil	Audi	80 TDI	1984-86	1.6L 14	D
465384-0004	409853-0006	TA0304	1-A-1587	Oil	Volkswagen	Passat	1984-86	1.6L 14	D
465384-0005	409853-0006	TA0304	1-A-1587	Oil	Audi	80	981-2/86-9	1.6L 14	D
465384-0005	409853-0006	TA0304	1-A-1587	Oil	Volkswagen	Golf,Passat,Santana	1981-86	1.6L 14	D
465407-0001	443854-0040	TB0262	1-A-1063	Water	Volvo	440460480	1991-97	1.7L 14	G
465407-0002	443854-0077	TB0262	1-A-2656	Water	Volvo	440460480	1991-97	1.7L 14	G
465429-0001	443854-0021	TB0251	1-A-2104	Oil	Peugeot	605 TD	1990-95	2.1L D XUD11ATE 115hp	D
465445-0001	443853-0029	TB2535	1-A-2624	Oil	Mercedes Benz	190D	1990-	2.5L 15 OM602A	D
465446-0006	409853-0020	TB0313	1-A-0550	Oil	Volvo	200,GLT	1982	2.1L 14	G
465446-0011	409853-0019	TB0313	1-A-0569	Oil	Volvo	200,GLT/Rally	1984	2.1L 14/2.3L 14	G
465465-0001	443854-0031	TB0255	1-A-2106	Water	Renault	R19 DT	1991-94	1.9L 14 F8Q 740	D
465489-0004	443854-0098	TB2534	1-A-2322	Oil	Renault	Messenger B110	1993-	2.5L 8140.27.2530	D
465489-0005	443854-0098	TB2534	1-A-2322	Oil	Renault	SOFIM		Various	D
465493-0001	409172-0069	TA3130	1-A-2083	Oil	S L H	Industrial		1000 4 AT & WT	
465493-0002	409172-0069	TA3130	1-A-2083	Oil	S L H	Tractor		1000 4 AT & WT	
465493-0003	409172-0069	TA3130	1-A-2083	Oil	S L H	Tractor		1000 4 ATI	
465499-0001	409853-0082	TB0386	1-A-0557	Water	Renault	R25	1990-91	2.4L V6 Z7U 700	G
465503-0001	409853-0083	TB0387	1-A-0563	Water	Renault	Alpine A610	1990-94	3.0L V6 Z7X 744	G
465514-0003	409853-0016	TB0312	1-A-0690	Oil	Saab	900	1981	2.0L 14	G
465514-0004	409853-0016	TB0312	1-A-0690	Oil	Saab	900	1981-84	2.0L 14	G



## CARTRIDGE/CHRA - Garrett

by Turbo Part Number

Turbo Part No	Cart/CHRA Part No	Turbo Model	TI Part No	Cooling	Manufacturer	Vehicle Model	Year	Engine	Fuel
465544-0002	409853-0007	TB0311	1-A-0620	Oil	Renault	R18	1980-83	1.6L 14 A5L 727	G
465544-0003	409853-0029	TB0311	1-A-2749	Oil	Renault	R18,R25	1983-85	1.6L 14 A5L 717	G
465544-0004	409853-0029	TB0311	1-A-2749	Oil	Renault	Fuego	1983	1.6L 14 A5L 750	G
465557-0001	443854-0017	TB0245	1-A-2659	Water	Fiat	Tipo,Uno IE	1989-94	1.3L 115 bhp	G
465564-0006	409174-0015	TB0307	1-A-1827	Oil	Ford	Capri,Mustang	1980	2.3L 14	G
465567-0001	443854-0040	TB0253	1-A-1063	Water	Volvo	440460480	1990-91	1.7L 14	G
465575-0001	443854-0114	TB0264	1-A-2110	Oil	Citroen	BX/ZX	1992	1.9L	
465575-0002	443854-0114	TB0264	1-A-2110	Oil	Citroen	Various		XUD9	
465577-0001	443854-0047	TB0261	1-A-2735	Oil	Seat	Ibiza,Toledo	1993-94	1.9L 14 75hp	D
465577-0001	443854-0047	TB0261	1-A-2735	Oil	Volkswagen	Golf,Passat,Vento	1990-94	1.9L 14 75hp	D
465589-0002	443854-0098	TB2536	1-A-2322	Oil	S O F I M	Van(DAF)		8140.27.2600	D
465589-0003	443854-0098	TB2536	1-A-2322	Oil	S O F I M	Various		8140.27.2600	D
465589-0004	443854-0098	TB2536	1-A-2322	Oil	Iveco	RNUR Master		Various	D
465593-0001	409172-0054	TA3404	1-A-2046	Oil	John Deere	Combine 9930,Skidder 640		5.9L 16/6.8L 16 6068T,6059T	
465593-0002	409172-0038	TA3404	1-A-2709	Oil	John Deere	Marmon		4039T,4239T,4276T(300 Series)	
465593-0003	409172-0054	TA3404	1-A-2046	Oil	John Deere	Various		4039T,6359T(300 Series)	
465593-0004	409172-0053	TA3404	1-A-2761	Oil	John Deere	Gen Set		4039T(300 Series)	
465593-0005	409172-0038	TA3404	1-A-2709	Oil	John Deere	Gen Set		300 Series	
465593-0006	409172-0038	TA3404	1-A-2709	Oil	John Deere	Excavator 490E,590E		4045T(300 Series)	
465593-0007	409172-0054	TA3404	1-A-2046	Oil	John Deere	Excavator 690E,790E		6068T(300 Series)	
465593-0008	409172-0053	TA3404	1-A-2761	Oil	John Deere	Gen Set		6059TF(300 Series)	
465593-0009	409172-0054	TA3404	1-A-2046	Oil	John Deere	Various			
465593-0010	409172-0038	TA3404	1-A-2709	Oil	John Deere	624		Various	
465593-0011	409172-0053	TA3404	1-A-2761	Oil	John Deere	Various			
465593-0012	409172-0038	TA3404	1-A-2709	Oil	John Deere	various		Various	
465593-0013	409172-0054	TA3404	1-A-2046	Oil	John Deere	Various			
465593-0014	409172-0053	TA3404	1-A-2761	Oil	John Deere	Various			
465606-0002	409853-0004	TB3102	1-A-2745	Oil	Nissan	Scout II	1979-80		D
465614-0001	409853-0040	TA0306	1-A-1143	Oil	Citroen	CX25D Turbo	1983-86	2.5L 14 CRD93LS	D
465614-0002	409853-0064	TA0306	1-A-2753	Oil	Citroen	CX25D Turbo/CX 2500	1983-88	2.5L 14 CRD93LS	D
465632-0005	409853-0044	TA0303	1-A-2420	Oil	Iveco	Truck		8040.25.400	D
465632-0006	409853-0044	TA0303	1-A-2420	Oil	Iveco Truck			3.9L 14 4 cyl. 8045.25.381	D
465632-0007	409853-0044	TA0303	1-A-2420	Oil	Fiat	Truck		3.9L 14 4 cyl. 8040.25.4980	D
465646-0001	409174-0012	TB0310	1-A-2667	Oil	Renault	R5	1982	1.4L 14 C7J 700	G
465646-0002	409174-0012	TB0310	1-A-2667	Oil	Renault	R5	1982	1.4L 14 C7J 700	G
465646-0003	409174-0052	TB0310	1-A-0549	Oil	Renault	R5 Turbo II	1983	1.4L 14 C7J 730	G
465646-0004	409174-0052	TB0310	1-A-0549	Oil	Renault	R5 Turbo II		1.4L 14 C7K 700	G
465667-0003	431876-0025	TB2519	1-A-2376	Water	Nissan	Bluebird		1.4L	G
465667-0004	431876-0025	TB2519	1-A-2376	Water	Nissan	Bluebird		1.4L	G
465667-0009	431876-0071	TB2519	1-A-2752	Water	Nissan	Various			
465667-0010	431876-0071	TB2519	1-A-2752	Water	Nissan	Various			
465705-0001	409174-0060	TB0374	1-A-2678	Water	Chrysler	Turbo I Plus	1985-86	2.2L 14	G
465707-0001	409174-0060	TB0376	1-A-2678	Water	Chrysler	Turbo II Plus	1985-86	2.2L 14	G
465722-0001	409172-0022	TA3114	1-A-2701	Oil	Mercedes Benz	MB-Tractor		OM314A	
465722-0002	409172-0022	TA3114	1-A-2701	Oil	Mercedes Benz	MB-Tractor		OM314A	
465722-0004	409172-0022	TA3114	1-A-2701	Oil	Mercedes Benz	Truck		3.8L 14 OM314A	
465722-0005	409172-0022	TA3114	1-A-2701	Oil	Mercedes Benz	Truck		3.8L 14 OM314A	
465723-0004	444321-0009	TB2520	1-A-3207	Water	Nissan	Various			
465733-0002	409174-0048	TB0378	1-A-0581	Oil	Chrysler	Turbo II	1989	2.2L 14	G
465733-0003	409174-0074	TB0378	1-A-2684	Water	Chrysler	Various	1988	2.2L 14	G
465738-0003	409174-0041	TB0315	1-A-0034	Oil	Buick	Riviera	1980	3.8L V6	G
465749-0001	430425-0032	TB2522	1-A-2102	Water	Pontiac	Sunbird		2.0L 14	G
465752-0001	409172-0017	TA3108	1-A-2698	Oil	Ford Tractor	7610	Unknown	268	
465752-0002	409172-0017	TA3108	1-A-2698	Oil	Ford Tractor	7610	Unknown	268	
465764-0001	409174-0047	TA0305	1-A-1515	Oil	Renault	Centauri,Le Sharo-Phasar(	1986-91	2.0L 14 J8S702	D
465764-0003	409174-0047	TA0305	1-A-1515	Oil	Renault	Centauri,Le Sharo-Phasar(	1983-91	2.0L 14 J8S234	D
465767-0001	431876-0019	TB2523	1-A-2331	Water	Nissan	Silvia SU	1988	1.8L 14	G





## CARTRIDGE/CHRA - Garrett

by Turbo Part Number

Turbo Part No	Cart/CHRA Part No	Turbo Model	TI Part No	Cooling	Manufacturer	Vehicle Model	Year	Engine	Fuel
465767-0002	431876-0019	TB2523	1-A-2331	Water	Nissan	Silvia SU	1988	1.8L 14	G
465767-0003	431876-0025	TB2523	1-A-2376	Water	Nissan	Various		1.8L	G
465767-0006	431876-0071	TB2523	1-A-2752	Water	Nissan	Various			
465776-0002	409172-0016	TA3106	1-A-2697	Oil	Ruston & Hornsby	various		4YD	
465776-0003	409172-0026	TA3106	1-A-2702	Oil	Motor Iberica	Truck		T4.236(Perkins)	
465776-0004	409172-0026	TA3106	1-A-2702	Oil	Motor Iberica	Tractor		T4.236(Perkins)	
465776-0005	409172-0029	TA3106	1-A-2559	Oil	Volvo	Loader		TD45B	
465776-0007	409172-0029	TA3106	1-A-2559	Oil	Volvo	Gen Set		TD61	
465776-0008	409172-0051	TA3106	1-A-2239	Oil	Volvo	Loader		TD45B	
465778-0002	409172-0045	TA3107	1-A-2711	Oil	Perkins	Various		C4.236	
465778-0003	409172-0045	TA3107	1-A-2711	Oil	Perkins	Various		C4.236	
465778-0004	409172-0046	TA3107	1-A-2356	Oil	Perkins	Tractor		T4.236	
465778-0005	409172-0046	TA3107	1-A-2356	Oil	Perkins	rolls royce		T4.236	
465778-0006	409172-0045	TA3107	1-A-2711	Oil	Rolls Royce	Various		C4.236	
465778-0007	409172-0046	TA3107	1-A-2356	Oil	Perkins	Tractor		T4.236	
465778-0008	409172-0029	TA3107	1-A-2559	Oil	Volvo	Loader		TD45B	
465778-0009	409172-0026	TA3107	1-A-2702	Oil	Navistar	Tractor		DT239	
465778-0010	409172-0034	TA3107	1-A-2706	Oil	Navistar	Tractor		DT239	
465778-0011	409172-0046	TA3107	1-A-2356	Oil	Perkins	Tractor		T4.236	
465778-0014	409172-0029	TA3107	1-A-2559	Oil	Volvo	Loader		TD45B	
465778-0015	409172-0051	TA3107	1-A-2239	Oil	Volvo	Loader		TD45B	
465778-0016	409172-0045	TA3107	1-A-2711	Oil	J C B	Various		Perkins CA4.263	
465778-0017	409172-0045	TA3107	1-A-2711	Oil	J C B	Various		Perkins C4.263	
465778-0018	409172-0046	TA3107	1-A-2356	Oil	Perkins	Tractor		T4.236	
465778-0019	409172-0045	TA3107	1-A-2711	Oil	Perkins	Gen Set		T4.236	
465778-0020	409172-0045	TA3107	1-A-2711	Oil	Perkins	Various		C4.236	
465778-0021	409172-0046	TA3107	1-A-2356	Oil	Perkins	Various		T4.236	
465795-0001	431876-0021	TB2525	1-A-2733	Water	Nissan	200SX	1988	1.8L	G
465795-0004	431876-0072	TB2525	1-A-1282	Water	Nissan	200SX	1988-94	1.8L	G
465807-0001	409172-0077	TA0319	1-A-2722	Oil	Perkins	Various			
465809-0001	409172-0074	TA3132	1-A-2720	Oil	Perkins	Various			
465838-0002	409174-0039	TB0318	1-A-1110	Oil	Toyota	Crown	1981	2.0L	G
465844-0001	409172-0016	TA3109	1-A-2697	Oil	Vauxhall	various		220	
465896-0003	409172-0037	TA3112	1-A-2708		Alsthom	Gen Set 472AS		472 AS	
465904-0002	409853-0016	TB0321	1-A-0690	Oil	Saab	900 APC	1982-86	2.0L 14 8 valve	G
465904-0003	409853-0016	TB0321	1-A-0690	Oil	Saab	900,900 APC	1986-87	2.0L 14 8 valve	G
465916-0001	409174-0048	TB0319	1-A-0581	Oil	Renault	R5 Alpine	1981-83	1.4L 14 C6J 750	G
465916-0002	409174-0048	TB0319	1-A-0581	Oil	Renault	R5 Alpine	1981-83	1.4L 14 C6J 750	G
465936-0001	409172-0019	TA3113	1-A-2699	Oil	Kubota	Tractor		VT4300	
465936-0002	409172-0019	TA3113	1-A-2699	Oil	Nissan	Various		ED33T	
465936-0003	409172-0030	TA3113	1-A-2703	Oil	Nissan	Gen Set		ED33T	
465941-0004	431876-0071	TB2527	1-A-2752	Water	Nissan	Various			
465941-0006	431876-0071	TB2527	1-A-2752	Water	Nissan	Various			
465941-0007	431876-0071	TB2527	1-A-2752	Water	Nissan	Various			
465954-0001	409174-0026	TC0303	1-A-2671	Oil	Garrett Auto				
465954-0002	409174-0026	TC0303	1-A-2671	Oil	Garrett Auto				
465954-0003	409174-0026	TC0303	1-A-2671	Oil	Garrett Auto				
465954-0004	409174-0021	TC0303	1-A-2668	Oil	Garrett Auto				
465954-0005	409174-0023	TC0303	1-A-2669	Oil	Garrett Auto				
465954-0006	409174-0023	TC0303	1-A-2669	Oil	Garrett Auto				
465954-0007	409174-0023	TC0303	1-A-2669	Oil	Garrett Auto				
465954-0008	409174-0024	TC0303	1-A-2670	Oil	Garrett Auto				
465954-0009	409174-0029	TC0303	1-A-2672	Oil	Garrett Auto				
465954-0010	409174-0029	TC0303	1-A-2672	Oil	Garrett Auto				
465954-0011	409174-0029	TC0303	1-A-2672	Oil	Garrett Auto				
465954-0012	409174-0030	TC0303	1-A-2673	Oil	Garrett Auto				
465954-0013	409174-0031	TC0303	1-A-2674	Oil	Garrett Auto				



## CARTRIDGE/CHRA - Garrett

by Turbo Part Number

Turbo Part No	Cart/CHRA Part No	Turbo Model	TI Part No	Cooling	Manufacturer	Vehicle Model	Year	Engine	Fuel
465954-0014	409174-0031	TC0303	1-A-2674	Oil	Garrett Auto				
465954-0015	409174-0031	TC0303	1-A-2674	Oil	Garrett Auto				
465954-0016	409174-0032	TC0303	1-A-2675	Oil	Garrett Auto				
465978-0007	409174-0053	TB0322	1-A-0561	Oil	Ford	Cougar, Mustang, Thunderbir	1984	2.3L 14	G
465978-0008	409174-0053	TB0322	1-A-0561	Oil	Ford	Mustang SVO	1984	2.3L 14	G
465978-0009	409174-0054	TB0322	1-A-0565	Water	Ford	Capri, Cougar, Mustang, Thun	1983-84	2.3L 14	G
465978-0010	409174-0054	TB0322	1-A-0565	Water	Ford	Mustang SVO	1983-84	2.3L 14	G
465994-0001	409174-0034	TB0327	1-A-0570	Water	Peugeot	505 Injection	1986-90	2.2L 14 N9TE i/c	G
465994-0002	409174-0034	TB0327	1-A-0570	Water	Peugeot	505 Injection	1986-90	2.2L 14 N9TE i/c	G
465994-0003	409174-0034	TB0327	1-A-0570	Water	Peugeot	505 Injection	1986-90	2.2L 14 N9TE i/c	G
465994-0004	409174-0056	TB0327	1-A-0573	Water	Peugeot	505 Injection	1986-90	2.2L 14 N9TE i/c	G
465994-0005	409174-0062	TB0327	1-A-2679	Water	Peugeot	505STI		2.2L 14	G
466016-0002	409853-0032	TB0324	1-A-0586	Oil	BMW	324TD,500,524TD	1983-87	2.4L 16 MD21	D
466016-0003	409853-0032	TB0324	1-A-0586	Oil	BMW	Rayton Fissore	1983-87	2.4L 16 3MD21	D
466028-0001	430425-0002	TB0202	1-A-2318	Oil	Nissan	Pulsar		1.5L 14	G
466032-0001	409853-0019	TB0326	1-A-0569	Oil	Volvo	700	1983-86	2.3L 14	G
466032-0002	409853-0019	TB0326	1-A-0569	Oil	Volvo	700,740,760,Turbo	1984	2.3L 14 i/c	G
466032-0003	409853-0019	TB0326	1-A-0569	Oil	Volvo	700	1985	2.0L 14	G
466042-0001	409853-0029	TB0325	1-A-2749	Oil	Renault	Fuego	1982	1.6L 14 A7L 723	G
466073-0007	431876-0070	TB2209	1-A-2331	Water	Nissan	300ZX Twin		3.0L V6 l/hand	G
466073-0008	431876-0070	TB2209	1-A-2331	Water	Nissan	300ZX Twin		3.0L V6 l/hand	G
466075-0004	431876-0065	TB2539	1-A-2620	Water	Nissan	Various			
466083-0006	431876-0070	TB2207	1-A-2331	Water	Nissan	300ZX Twin	1990-94	3.0L V6 l/hand	G
466088-0001	409853-0018	TA0307	1-A-0622	Oil	Volkswagen	LT Van	1982-92	2.4L 14	D
466112-0001	409174-0040	TB0330	1-A-0560	Oil	Buick	Regal	1984-85	3.8L V6	G
466113-0003	431876-0067	TB2541	1-A-2620	Water	Nissan	Various		SR20DET	
466129-0001	409172-0075	TA3134	1-A-2721	Oil	Mitsubishi	Various		6D31-T	
466135-0003	431876-0070	TB2210	1-A-2331	Water	Nissan	300ZX Twin		3.0L V6 r/hand	G
466135-0005	431876-0070	TB2210	1-A-2331	Water	Nissan	300ZX Twin		3.0L V6 r/hand	G
466146-0001	409853-0023	TB0329	1-A-2371	Oil	Austin Rover	MG Metro	1983-89	1.3L 14	G
466172-0001	409853-0026	TB0328	1-A-2747	Oil	Toyota	Various		2.0L 14	G
466173-0003	431876-0065	TB2547	1-A-2620	Water	Nissan	Various		SR20DET	
466184-0001	409853-0034	TA0309	1-A-1147	Oil	Land Rover	Santana		2.25L 14	D
466194-0001	409853-0025	TB0333	1-A-0687	Oil	Lancia	Delta HF		1.6L 8 valve 130 hp 130 hp	G
466196-0001	443853-0019	TB0203	1-A-1043	Oil	Renault	R5,R5GT,R9,R11/Alliance,E	1985-87	1.4L 14/2.0L 14	G
466196-0002	443853-0019	TB0203	1-A-1043	Oil	Renault	R5,R5GT,R9,R11		1.4L 14 C1J 784	G
466196-0003	443853-0020	TB0203	1-A-2103	Water	Renault	R11	1986-87	1.4L 14 C1J 760	G
466196-0004	443853-0020	TB0203	1-A-2103	Water	Renault	R11 Coupe	1986-87	1.4L 14 C1J 760	G
466196-0005	430425-0005	TB0203	1-A-2754	Oil	Renault	Various			
466196-0005	443853-0027	TB0203	1-A-2328	Water	Renault	R11	1986	1.4L 14 C1J ARG	G
466196-0005	430425-0028	TB0203	1-A-2757	Water	Renault	Various			
466204-0001	430425-0007	TB0205	1-A-2317	Oil	Buick	Skyhawk		1.8L 14	G
466204-0001	430425-0007	TB0205	1-A-2317	Oil	Pontiac	Sunbird.2000&6000series		1.8L 14	G
466206-0001	430425-0006	TB0204	1-A-2660	Oil	Unknown	Unknown			
466216-0001	409174-0051	TB0331	1-A-2677	Oil	Nissan	Various		ED33T	
466218-0001	409174-0046	TB0332	1-A-2676	Oil	Buick	Riviera		3.8L V6	G
466224-0001	430425-0009	TB0206	1-A-2661	Oil	Nissan	Various			
466230-0002	430425-0008	TB0207	1-A-2755	Oil	Nissan	Various			
466232-0001	409853-0027	TA0308	1-A-2748		Renault	Military			
466246-0001	409853-0001	TA0310	1-A-1159	Oil	Mercedes Benz	300 TD		3.0L 15	D
466250-0002	431876-0015	TB0208	1-A-2658	Oil	Nissan	ZX 1.5		1.5L 14	G
466252-0003	431876-0070	TB2211	1-A-2331	Water	Nissan	300ZX Twin		3.0L V6 r/hand	G
466252-0005	431876-0070	TB2211	1-A-2331	Water	Nissan	300ZX Twin		3.0L V6 r/hand	G
466272-0001	430425-0010	TB0209	1-A-1047	Oil	Isuzu	Trooper	1984-85	2.2L 14	D
466272-0002	430425-0025	TB0209	1-A-1046	Oil	Isuzu	Trooper	1984/85	2.2L 14	D
466272-0003	430425-0025	TB0209	1-A-1046	Oil	Isuzu	Trooper	1984/85	2.2L 14	D
466272-0005	430425-0053	TB0209	1-A-1047	Oil	Isuzu	Various	Unknown		D



## CARTRIDGE/CHRA - Garrett

by Turbo Part Number

Turbo Part No	Cart/CHRA Part No	Turbo Model	TI Part No	Cooling	Manufacturer	Vehicle Model	Year	Engine	Fuel
466298-0004	409174-0048	TB0335	1-A-0581	Oil	Chrysler	Daytona Z, Laser, Lebaron,	1984	2.2L 14	G
466298-0005	409174-0048	TB0335	1-A-0581	Oil	Chrysler	New Yorker & Magnum	1985	2.2L 14	G
466298-0007	409174-0048	TB0335	1-A-0581	Oil	Chrysler	Caravelle,Daytona,Lancer,L	1986-87	2.2L 14	G
466298-0007	409174-0048	TB0335	1-A-0581	Oil	Chrysler	Daytona Z,Lancer,Laser XE,	1985	2.2L 14	G
466298-0007	409174-0048	TB0335	1-A-0581	Oil	Chrysler	New Yorker,Omni GLH,Shel	1986-87	2.2L 14	G
466298-0007	409174-0048	TB0335	1-A-0581	Oil	Chrysler	New Yorker,Shelby Charger,	1985	2.2L 14	G
466334-0001	409172-0038	TA3401	1-A-2709	Oil	John Deere	Skidder		4276T(300 Series)	
466334-0002	409172-0053	TA3401	1-A-2761	Oil	John Deere	Saran		4239T(300 Series)	
466334-0003	409172-0053	TA3401	1-A-2761	Oil	John Deere	Saran		4239T(300 Series)	
466334-0004	409172-0053	TA3401	1-A-2761	Oil	John Deere	Backhoe 310D & 410,3840(		4039T,4045T,4239T,4276T	
466334-0005	409172-0038	TA3401	1-A-2709	Oil	John Deere	Loader 444E,450G & 650G,		4045T,4239T,4276T(300 Series)	
466334-0006	409172-0054	TA3401	1-A-2046	Oil	John Deere	Various		6359T(300 Series)	
466334-0007	409172-0054	TA3401	1-A-2046	Oil	John Deere	300 Series		6359T(300 Series)	
466334-0008	409172-0054	TA3401	1-A-2046	Oil	John Deere	300 Series		6359T(300 Series)	
466334-0009	409172-0054	TA3401	1-A-2046	Oil	John Deere	Various		6359A(300 Series)	
466334-0010	409172-0054	TA3401	1-A-2046	Oil	John Deere	544E,570,624&E,643,670,6		6059T,6068T,6414T(300 Series)	
466334-0011	409172-0054	TA3401	1-A-2046	Oil	John Deere	Various		6414T(300 Series)	
466334-0012	409172-0054	TA3401	1-A-2046	Oil	John Deere	Various		6414T(300 Series)	
466334-0013	409172-0054	TA3401	1-A-2046	Oil	John Deere	Various		6414T(300 Series)	
466334-0014	409172-0053	TA3401	1-A-2761	Oil	John Deere	Various		4239AF	
466334-0015	409172-0038	TA3401	1-A-2709	Oil	John Deere	Gen Set		6059T(300 Series)	
466334-0016	409172-0053	TA3401	1-A-2761	Oil	John Deere	Various		Various	
466334-0017	409172-0038	TA3401	1-A-2709	Oil	John Deere	Various		Various	
466334-0018	409172-0054	TA3401	1-A-2046	Oil	John Deere	Various		Various	
466334-0019	409172-0038	TA3401	1-A-2709	Oil	John Deere	Various		Various	
466342-0001	409853-0031	TA0312	1-A-1492	Oil	Perkins	Industrial		T4.236	
466342-0002	409853-0031	TA0312	1-A-1492	Oil	Perkins	Industrial		T4.236	
466342-0003	409853-0031	TA0312	1-A-1492	Oil	Perkins	Industrial		T4.236	
466346-0001	409172-0033	TA3117	1-A-2705	Oil	Perkins	Industrial		T3.152	
466346-0002	409172-0036	TA3117	1-A-2707	Oil	Leyland	Tractor		4/98TV	
466346-0003	409172-0047	TA3117	1-A-2712	Oil	Leyland	Tractor		4/98TT	
466370-0005	430425-0033	TB0210	1-A-2433	Water	Nissan	Bluebird	1985	1.8L 14 CA18ET	G
466370-0006	430425-0033	TB0210	1-A-2433	Water	Nissan	Bluebird	1985	1.8L 14 CA18ET	G
466370-0013	431876-0010	TB0210	1-A-2723	Water	Nissan	Various		1.8L 14 CA18ET	
466370-0014	431876-0010	TB0210	1-A-2723	Water	Nissan	Various		1.8L 14 CA18ET	
466370-0017	431876-0023	TB0210	1-A-1283	Water	Nissan	Various		1.8L 14 CA18ET	
466370-0019	431876-0023	TB0210	1-A-1283	Water	Nissan	Various		1.8L 14 CA18ET	
466370-0022	431876-0063	TB0210	1-A-1281	Oil	Nissan	200SX	1984	1.8L 14	G
466370-0023	431876-0063	TB0210	1-A-1281	Oil	Nissan	Various			
466384-0001	409853-0033	TB0338	1-A-0566	Oil	Lancia	Thema IE	1984-86	2.0L	G
466384-0002	409853-0047	TB0338	1-A-0574	Water	Lancia	Delta 4WD	1986-88	2.0L M643AT20C	G
466384-0003	409853-0033	TB0338	1-A-0566	Oil	Fiat	Croma IE	1985-86	2.0L	G
466384-0004	409853-0033	TB0338	1-A-0566	Oil	Fiat	Croma IE	1986-87	2.0L	G
466384-0006	409853-0067	TB0338	1-A-0584	Water	Lancia	Delta Integrale	1987-94	2.0L 8 valve	G
466384-0007	409853-0047	TB0338	1-A-0574	Water	Alfa Romeo	164	1987	2.0L 14 SOFIM	G
466384-0008	409853-0033	TB0338	1-A-0566	Oil	Fiat	Croma IE	1988-91	2.0L	G
466384-0009	409853-0047	TB0338	1-A-0574	Water	Fiat	Croma	1991-92	2.0L 8 valve	G
466404-0001	409174-0057	TC0304	1-A-0623	Oil	Citroen	CX25 Turbo/CX-GTI	1984-85	2.5L 14 EN5T	G
466404-0002	409174-0057	TC0304	1-A-0623	Oil	Citroen	CX-GTI,CX25 Turbo	1986-90	2.5L 14 EN5TE	G
466404-0003	409174-0057	TC0304	1-A-0623	Oil	Citroen	CX25 Turbo/CX-GTI	1984-86	2.5L 14 EN5TE	G
466409-0001	430425-0059	TB2568	1-A-2576	Water	Isuzu	NPR	1995	4BD2-TC	
466414-0006	431876-0061	TB0211	1-A-2319	Water	Nissan	Various			
466416-0003	431876-0011	TB0212	1-A-2662	Water	Nissan	Cherry	1985-86	1.5L 14 E15ET	G
466416-0007	430425-0056	TB0212	1-A-1280	Water	Nissan	Various			
466420-0001	409853-0035	TB0339	1-A-0568	Oil	Saab	900	1983	2.0L 14 16 valve	G
466420-0002	409853-0035	TB0339	1-A-0568	Oil	Saab	900.900 APC,9000	1984-87	2.0L 14 B202 16 valve i/c	G
466424-0001	409853-0001	TA0314	1-A-1159	Oil	Mercedes Benz	300 TD		3.0L 15	D



## CARTRIDGE/CHRA - Garrett

by Turbo Part Number

Turbo Part No	Cart/CHRA Part No	Turbo Model	TI Part No	Cooling	Manufacturer	Vehicle Model	Year	Engine	Fuel
466440-0004	409174-0053	TB0340	1-A-0561	Oil	Ford	Various	Unknown	Various	G
466440-0005	409174-0053	TB0340	1-A-0561	Oil	Ford	Various	Unknown	Various	G
466440-0006	409174-0053	TB0340	1-A-0561	Oil	Ford	Various	Unknown	Various	G
466448-0001	409853-0039	TB0341	1-A-0567	Oil	Renault	Alpine GT,R25	1985-86	2.4L V6 Z7U	G
466448-0002	409853-0052	TB0341	1-A-0575	Water	Renault	Alpine GTA,R25	1986-90	2.4L V6 Z7U	G
466450-0001	443853-0022	TB0213	1-A-1045	Oil	Renault	Espace,R21,R25	1986-92	2.1L 14 J8S 814	D
466452-0001	443853-0022	TB0216	1-A-1045	Oil	Chrysler	Jeep Cherokee	1984-	2.0L 14 J8S 714	D/G
466456-0001	409853-0035	TB0343	1-A-0568	Oil	Saab	900,9000	1984-86	2.0L 14 16 valve	G
466456-0002	409853-0035	TB0343	1-A-0568	Oil	Saab	9000	1985	2.0L 14 16 valve	G
466491-0003	431876-0059	TB2566	1-A-2509	Water	Mitsubishi	Eclipse	1994-97	2.0L 14 4G6N	G
466491-0004	431876-0059	TB2566	1-A-2509	Water	Mitsubishi	Various	1994-97	2.0L 14 4G6N	G
466506-0001	443853-0019	TB0214	1-A-1043	Oil	Renault	R5,R5GT	1984-86	1.4L 14 C1J 782	G
466506-0002	443853-0019	TB0214	1-A-1043	Oil	Renault	R5,R5GT	1984	1.4L 14 C1J 782	G
466506-0005	443853-0024	TB0214	1-A-1061	Water	Renault	R5GT	1986-87	1.4L 14 C1J 782	G
466506-0006	443853-0024	TB0214	1-A-1061	Water	Renault	C40 Sport,R5,R5GT	1986-87	1.4L 14 C1J 782	G
466506-0007	443853-0027	TB0214	1-A-2328	Water	Renault	R5GT II,R9,R11	1987-88	1.4L 14 C1J 782	G
466506-0008	443853-0027	TB0214	1-A-2328	Water	Renault	C40 Sport,R5,R9,R11	1986-87	1.4L 14 C1J 782	G
466534-0001	443854-0001	TB0218	1-A-2725	Oil	Volkswagen	Golf		1.6L	D
466534-0002	443854-0001	TB0218	1-A-2725	Oil	Volkswagen	Golf	1986-89	1.6L 14	D
466534-0003	443854-0037	TB0218	1-A-2107	Water	Volkswagen	Golf	1986	1.6L 14/2.0L 14	D
466534-0004	443854-0004	TB0218	1-A-1050	Water	Audi	80	1987-91	1.6L 14/2.0L 14	G
466534-0005	443854-0037	TB0218	1-A-2107	Water	Volkswagen	Golf	1989-93	1.6L 14	D
466564-0001	409853-0037	TB0342	1-A-0553	Oil	Austin Rover	Maestro		Various	G
466564-0002	409853-0037	TB0342	1-A-0553	Oil	Austin Rover	Metro,Montego	1983	2.0L 14 OHV	G
466586-0002	409174-0054	TB0344	1-A-0565	Water	Ford	Cougar,Merkur,Merkur XR4	1985-88	2.3L 14	G
466586-0003	409174-0054	TB0344	1-A-0565	Water	Ford	Mustang SVO	1985	2.3L 14	G
466586-0004	409174-0054	TB0344	1-A-0565	Water	Ford	Cougar	1985	2.3L 14	G
466586-0005	409174-0054	TB0344	1-A-0565	Water	Ford	Various	Various		
466586-0005	409174-0060	TB0344	1-A-2678	Water	Ford	Various	Unknown	Various	G
466586-0006	409174-0054	TB0344	1-A-0565	Water	Ford	Various	Unknown	Various	G
466586-0006	409174-0060	TB0344	1-A-2678	Water	Ford	Various	Unknown	Various	G
466586-0007	409174-0054	TB0344	1-A-0565	Water	Ford	Various	Unknown	Various	G
466586-0007	409174-0060	TB0344	1-A-2678	Water	Ford	Various	Unknown	Various	G
466644-0001	409853-0038	TB0345	1-A-0552	Oil	Ford	Escort RS Mk III	1984-86	1.6L 14	G
466672-0001	409853-0057	TB0363	1-A-0579	Water	Volvo	700	1987-90	2.3L 14	G
466672-0002	409853-0057	TB0363	1-A-0579	Water	Volvo	700,740,760,Turbo		2.3L 14	G
466672-0003	409853-0057	TB0363	1-A-0579	Water	Volvo	700	1986	2.0L 14	G
466672-0007	409853-0085	TB0363	1-A-0580	Water	Volvo	Various		Various	
466672-0008	409853-0085	TB0363	1-A-0580	Water	Volvo	Various		Various	
466672-0009	409853-0085	TB0363	1-A-0580	Water	Volvo	Various		Various	
466674-0001	409172-0056	TA3123	1-A-2713	Oil	J C B	Various		Perkins T4.40	
466674-0002	409172-0056	TA3123	1-A-2713	Oil	Perkins	Industrial		T4.40	
466686-0001	430425-0037	TB0231	1-A-2663	Water	Nissan	Various		1.6L 14	G
466698-0004	409172-0044	TA3118	1-A-2710	Oil	Iveco	Hitachi Digger		3.9L 8045.25.380/385/395	D
466698-0005	409172-0044	TA3118	1-A-2710	Oil	Iveco	Tractor		3.9L 8045.25.390	D
466698-0006	409172-0044	TA3118	1-A-2710	Oil	Iveco	Tractor		3.9L 8041.25.306	D
466698-0007	409172-0044	TA3118	1-A-2710	Oil	Fiat	Euro Cargo 60/70/75		8045.25.306	D
466710-0006	431876-0061	TB0220	1-A-2319	Water	Nissan	Various			
466718-0001	409174-0056	TB0346	1-A-0573	Water	Peugeot	505,50STI		2.2L 14 N9TE	G
466718-0002	409853-0070	TB0346	1-A-0572	Water	Peugeot	505STI		2.2L 14 N9TE	G
466718-0003	409174-0056	TB0346	1-A-0573	Water	Peugeot	505		2.2L 14 N9TE	G
466726-0001	409853-0041	TB0347	1-A-2750	Oil	Nissan	Patrol	1985-90	2.5L MT4T	D
466728-0001	443854-0014	TB0225	1-A-2326	Water	Lancia	Delta HF	1986-91	1.6L 8 valve 130 bhp	G
466746-0001	409172-0061	TA3119	1-A-2716	Oil	Ford	Tractor 7600 Force II		256	
466746-0002	409172-0061	TA3119	1-A-2716	Oil	Ford	Tractor 7600,7700 Force II		256	
466746-0003	409172-0062	TA3119	1-A-2717	Oil	Ford	Various		4.0L Altitude Compensation	
466746-0004	409172-0062	TA3119	1-A-2717	Oil	Ford	Various		4.0L Altitude Compensation	



## CARTRIDGE/CHRA - Garrett

by Turbo Part Number

Turbo Part No	Cart/CHRA Part No	Turbo Model	TI Part No	Cooling	Manufacturer	Vehicle Model	Year	Engine	Fuel
466746-0005	409172-0062	TA3119	1-A-2717	Oil	Ford	Various		4.0L Altitude Compensation	
466746-0006	409172-0061	TA3119	1-A-2716	Oil	Ford	Various			
466746-0009	409172-0061	TA3119	1-A-2716	Oil	Ford	Various			
466770-0005	443854-0028	TB0223	1-A-2295	Oil	Austin Rover	Maestro, Montego, Freight Rd	1987-94	2.0L 14 SOHC	D
466770-0006	443854-0028	TB0223	1-A-2295	Oil	Perkins	Marine		T4.20	D
466778-0001	409853-0101	TA0315	1-A-3137	Oil	Perkins	Massey Ferguson 698		T4.236	
466778-0002	409853-0042	TA0315	1-A-2224	Oil	Perkins	Automotive		T4.236	
466778-0003	409853-0101	TA0315	1-A-3137	Oil	Perkins	Massey Ferguson 698		T4.236	
466778-0004	409853-0101	TA0315	1-A-3137	Oil	Perkins	Massey Ferguson 698		T4.236	
466778-0005	409853-0042	TA0315	1-A-2224	Oil	Perkins	Various			
466778-0006	409853-0101	TA0315	1-A-3137	Oil	Perkins	Massey Ferguson 698		T4.236	
466778-0008	409853-0101	TA0315	1-A-3137	Oil	Perkins	Phaser		T4.40	
466794-0001	409853-0061	TB0349	1-A-0621	Oil	Volvo	400700900	1987-96	2.4L 16 i/c	D
466794-0002	409853-0061	TB0349	1-A-0621	Oil	Volvo	400700	1987-96	2.4L 16 i/c	D
466798-0002	409853-0046	TB0352	1-A-1823	Water	Chrysler	Turbo II,	1987	2.2L 14	G
466798-0003	409853-0046	TB0352	1-A-1823	Water	Chrysler	Daytona Shelby Z,II,Turbo II,	1987	2.2L 14	G
466798-0005	409174-0048	TB0352	1-A-0581	Oil	Chrysler	Daytona Shelby Turbo II	1988	2.2L 14	G
466800-0001	409853-0043	TB0350	1-A-2751	Oil	Volvo	Fork Lift		TD61GW,TD71GW	
466800-0002	409853-0043	TB0350	1-A-2751	Oil	Volvo	Fork Lift		TD61GW,TD71GW	
466800-0003	409853-0043	TB0350	1-A-2751	Oil	Volvo	Commercial		Various	
466800-0004	409853-0089	TB0350	1-A-1724	Oil	Volvo	Penta		Various	
466800-0005	409853-0089	TB0350	1-A-1724	Oil	Volvo	Penta		Various	
466802-0001	409853-0051	TB0359	1-A-1151	Oil	Mercedes Benz	300SDL		3.0L 16 OM603A	D
466842-0002	430425-0029	TB0226	1-A-2664	Oil	Land Rover	Falcon,90/110 Turbo D	1986-88	2.5L 14	D
466846-0001	409853-0051	TB0360	1-A-1151	Oil	Mercedes Benz	300 SDL(W124)	1986	3.0L 16	D
466846-0002	409174-0073	TB0360	1-A-2260	Oil	Mercedes Benz	" S" Class (W124)		3.0L 16 OM603A	D
466852-0001	443854-0002	TB2511	1-A-2320	Oil	Mercedes Benz	190D		2.5L 15	D
466856-0001	443854-0009	TB0227	1-A-2665	Oil	Fiat	Uno TD	1986-88	1.4L M.709.AT.13.0	D
466856-0002	443854-0119	TB0227	1-A-2571	Oil	Fiat	Uno TD	1988-94	1.4L M.709.BT.13.0	D
466856-0003	443854-0119	TB0227	1-A-2571	Oil	Fiat	Punto TDS	1994-	1.7L M.708.HT.17.D	D
466856-0004	443854-0119	TB0227	1-A-2571	Oil	Fiat	Punto DS	1994-	1.7L	D
466858-0001	409853-0050	TB0353	1-A-0554	Water	Alfa Romeo	75	1986	1.8L 14	G
466868-0001	409853-0048	TA0316	1-A-1146	Oil	Lancia	Thema DS	1985-87	2.5L	D
466876-0001	430425-0032	TB2506	1-A-2102	Water	Pontiac	Grand AM,Sunbird		2.0L 14	G
466880-0001	443854-0002	TB2510	1-A-2320	Oil	Mercedes Benz	250D	1987-	2.5L 15 OM602A	D
466884-0001	443854-0040	TB0228	1-A-1063	Water	Volvo	440480	1988-90	1.7L 14	G
466884-0002	443854-0040	TB0228	1-A-1063	Water	Volvo	440480	1988-90	1.7L 14	G
466888-0001	443854-0063	TB2508	1-A-2109	Oil	Citroen	CX25D Turbo II	1987-90	2.5L 14 CRD93LS2	D
466944-0001	409853-0053	TB0355	1-A-1144	Water	Ford	Escort RS	1986-91	1.6L 14 16 valve	G
466948-0001	409853-0088	TB0370	1-A-0582	Oil	Renault	R21/R21 4x4	1986-92	1.9L 14/2.0L 14	G
466952-0001	409853-0055	TB0356	1-A-0576	Water	Saab	9000	1986-87	2.0L 14	G
466952-0002	409853-0055	TB0356	1-A-0576	Water	Saab	9000	1986-87	2.0L 14 16 valve i/c	G
466952-0004	409853-0055	TB0356	1-A-0576	Water	Saab	9000	1987-90	2.0L 14 B202E 16 valve	G
466952-0005	409853-0055	TB0356	1-A-0576	Water	Saab	9000	1989	2.0L 14 B202F 16 valve	G
466952-0006	409853-0073	TB0356	1-A-0577	Water	Saab	Various		Various	
466952-0007	409853-0073	TB0356	1-A-0577	Water	Saab	Various		Various	
466954-0001	409853-0055	TB0357	1-A-0576	Water	Saab	900	1987-89	2.0L 14 16 valve	G
466954-0002	409853-0055	TB0357	1-A-0576	Water	Saab	900,9000	1987-89	2.0L 14 16 valve i/c	G
466956-0001	409853-0054	TB0358	1-A-0975	Water	Saab	900 APC	1987-90	2.0L 14 8 valve	G
466962-0001	409853-0076	TB0361	1-A-0558	Water	Ford	Sierra Cosworth	1986-89	2.0L 14	G
466962-0002	409853-0076	TB0361	1-A-0558	Water	Ford	Panther			G
466972-0001	409853-0034	TB0364	1-A-1147	Oil	Peugeot	Panhard		2.5L 14 XD3S	D
466974-0005	443854-0098	TB2509	1-A-2322	Oil	Iveco	Daily TC	1992	2.5L	D
466974-0006	443854-0101	TB2509	1-A-2740	Oil	Fiat	Daily	1992-	2.5L	D
466974-0008	443854-0098	TB2509	1-A-2322	Oil	Iveco	Daily	1992-	2.5L 8140.47.2700	D
466980-0001	409172-0054	TA3403	1-A-2046	Oil	John Deere	Saran		6059T,6068T6359T(300 Series)	
700830-0001	433289-0065	GT1544S	1-A-3719	Oil	Renault	Espace, Laguna TD	1998	1.9L	D



## CARTRIDGE/CHRA - Garrett

by Turbo Part Number

Turbo Part No	Cart/CHRA Part No	Turbo Model	TI Part No	Cooling	Manufacturer	Vehicle Model	Year	Engine	Fuel
700830-0001	433289-0065	GT1544	1-A-3719	Oil	Renault	Megane TD	1998	1.9L	D
700830-0003	433289-0065	GT1544	1-A-3719	Oil	Renault	Megane TD	1999	1.9L	D
703245-0001	433289-0143	GT1549	1-A-3864	Oil	Renault	Laguna dCi	2000	1.9L	D
703245-0001	433289-0143	GT1549	1-A-3864	Oil	Renault	Megane dCi	2000	1.9L	D
703245-0002	433289-0143	GT1549	1-A-3864	Oil	Renault	Megane dCi	2000	1.9L	D
703753-0001	433289-0065	GT1544	1-A-3719	Oil	Renault	Unknown	Unknown	1.9L	D
703753-0001	433289-0065	GT1544	1-A-3719	Oil	Volvo	S40, S90, V40	1998-99	1.9L	D
704281-0001	433289-0075	GT1549	1-A-3865	Oil	Daewoo				
704345-0001	433289-0050	GT1544H	1-A-3735	Oil	Opel	Unknown	1998	1.7L	D
706120-0001	433289-0130	GT1544	1-A-3845	Oil	Volkswagen				
708867-0001	433289-0104	GT1544S	1-A-3737	Oil	Opel	Unknown	Unknown	1.7L	D
717345-0001	433289-0143	GT1549	1-A-3864	Oil	Renault			1.9L	D
717345-0002	433289-0143	GT1549	1-A-3864	Oil	Renault	Laguna dCi	2002	1.9L	D
717345-0002	433289-0143	GT1549	1-A-3864	Oil	Renault	Megane dCi	2001	1.9L	D
717345-0002	433289-0143	GT1549	1-A-3864	Oil	Renault	Movano	2002	1.9L	D
717348-0001	433289-0143	GT1549	1-A-3864	Oil	Renault	Kangoo	2001	1.9L	D
717348-0001	433289-0143	GT1549	1-A-3864	Oil	Renault	Megane dCi	2001	1.9L	D
717348-0001	433289-0143	GT1549	1-A-3864	Oil	Volvo	S40	2001	1.9L	D
717348-0001	433289-0143	GT1549	1-A-3864	Oil	Volvo	V40	2001	1.9L	D
717348-0002	433289-0143	GT1549	1-A-3864	Oil	Renault	Kangoo	2001	1.9L	D
717348-0002	433289-0143	GT1549	1-A-3864	Oil	Renault	Megane dCi	2001	1.9L	D
751768-0001	433289-0242	GT1549S	1-A-3863	Oil	Renault	Laguna dCi	2004	1.9L	D
751768-0001	433289-0242	GT1549S	1-A-3863	Oil	Renault	Megane dCi	2004	1.9L	D
751768-0001	433289-0242	GT1549S	1-A-3863	Oil	Renault	Scenic dCi	2004	1.9L	D
751768-0001	433289-0242	GT1549S	1-A-3863	Oil	Renault	Trafic dCi	2004	1.9L	D



## CARTRIDGE/CHRA - Garrett

by Cartridge/CHRA Number

Cart/CHRA Part No	Turbo Part No	Turbo Model	TI Part No	Cooling	Manufacturer	Vehicle Model	Year	Engine	Fuel
409172									
409172									
-0009	465354-0002	TA3101	1-A-3472	Oil	Deutz-Allis	Industrial			
-0009	465354-0003	TA3101	1-A-3472	Oil	Deutz-Allis	Industrial			
-0009	465354-0007	TA3101	1-A-3472	Oil	Deutz-Allis	Industrial			
-0009	465354-0008	TA3101	1-A-3472	Oil	Deutz-Allis	Industrial			
-0013	465354-0006	TA3101	1-A-2696	Oil	Deutz-Allis	Commercial		4331,433T	
-0016	465776-0002	TA3106	1-A-2697	Oil	Ruston & Hornsby	various		4YD	
-0016	465844-0001	TA3109	1-A-2697	Oil	Vauxhall	various		220	
-0017	465752-0001	TA3108	1-A-2698	Oil	Ford Tractor	7610	Unknown	268	
-0017	465752-0002	TA3108	1-A-2698	Oil	Ford Tractor	7610	Unknown	268	
-0019	465936-0001	TA3113	1-A-2699	Oil	Kubota	Tractor		VT4300	
-0019	465936-0002	TA3113	1-A-2699	Oil	Nissan	Various		ED33T	
-0022	465722-0001	TA3114	1-A-2701	Oil	Mercedes Benz	MB-Tractor		OM314A	
-0022	465722-0002	TA3114	1-A-2701	Oil	Mercedes Benz	MB-Tractor		OM314A	
-0022	465722-0004	TA3114	1-A-2701	Oil	Mercedes Benz	Truck		3.8L 14 OM314A	
-0022	465722-0005	TA3114	1-A-2701	Oil	Mercedes Benz	Truck		3.8L 14 OM314A	
-0026	465776-0003	TA3106	1-A-2702	Oil	Motor Iberica	Truck		T4.236(Perkins)	
-0026	465776-0004	TA3106	1-A-2702	Oil	Motor Iberica	Tractor		T4.236(Perkins)	
-0026	465778-0009	TA3107	1-A-2702	Oil	Navistar	Tractor		DT239	
-0029	465776-0005	TA3106	1-A-2559	Oil	Volvo	Loader		TD45B	
-0029	465776-0007	TA3106	1-A-2559	Oil	Volvo	Gen Set		TD61	
-0029	465778-0008	TA3107	1-A-2559	Oil	Volvo	Loader		TD45B	
-0029	465778-0014	TA3107	1-A-2559	Oil	Volvo	Loader		TD45B	
-0030	465936-0003	TA3113	1-A-2703	Oil	Nissan	Gen Set		ED33T	
-0031	465354-0011	TA3101	1-A-2704	Oil	Deutz-Allis	Various			
-0031	465354-0012	TA3101	1-A-2704	Oil	Deutz-Allis	Various		4331,433T	
-0033	452012-0001	TA3131	1-A-2705	Oil	Ruston & Hornsby	various		3YDXSRIII	
-0033	466346-0001	TA3117	1-A-2705	Oil	Perkins	Industrial		T3.152	
-0034	465778-0010	TA3107	1-A-2706	Oil	Navistar	Tractor		DT239	
-0036	466346-0002	TA3117	1-A-2707	Oil	Leyland	Tractor		4/98TV	
-0037	465896-0003	TA3112	1-A-2708		Alsthom	Gen Set 472AS		472 AS	
-0038	465593-0002	TA3404	1-A-2709	Oil	John Deere	Marmon		4039T,4239T,4276T(300 Series)	
-0038	465593-0005	TA3404	1-A-2709	Oil	John Deere	Gen Set		300 Series	
-0038	465593-0006	TA3404	1-A-2709	Oil	John Deere	Excavator 490E,590E		4045T(300 Series)	
-0038	465593-0010	TA3404	1-A-2709	Oil	John Deere	624		Various	
-0038	465593-0012	TA3404	1-A-2709	Oil	John Deere	various		Various	
-0038	466334-0001	TA3401	1-A-2709	Oil	John Deere	Skidder		4276T(300 Series)	
-0038	466334-0005	TA3401	1-A-2709	Oil	John Deere	Loader 444E,450G & 650G,		4045T,4239T,4276T(300 Series)	
-0038	466334-0015	TA3401	1-A-2709	Oil	John Deere	Gen Set		6059T(300 Series)	
-0038	466334-0017	TA3401	1-A-2709	Oil	John Deere	Various		Various	
-0038	466334-0019	TA3401	1-A-2709	Oil	John Deere	Various		Various	
-0044	466698-0004	TA3118	1-A-2710	Oil	Iveco	Hitachi Digger		3.9L 8045.25.380/385/395	D
-0044	466698-0005	TA3118	1-A-2710	Oil	Iveco	Tractor		3.9L 8045.25.390	D
-0044	466698-0006	TA3118	1-A-2710	Oil	Iveco	Tractor		3.9L 8041.25.306	D
-0044	466698-0007	TA3118	1-A-2710	Oil	Fiat	Euro Cargo 60/70/75		8045.25.306	D
-0045	465778-0002	TA3107	1-A-2711	Oil	Perkins	Various		C4.236	
-0045	465778-0003	TA3107	1-A-2711	Oil	Perkins	Various		C4.236	
-0045	465778-0006	TA3107	1-A-2711	Oil	Rolls Royce	Various		C4.236	
-0045	465778-0016	TA3107	1-A-2711	Oil	J C B	Various		Perkins CA4.263	
-0045	465778-0017	TA3107	1-A-2711	Oil	J C B	Various		Perkins C4.263	
-0045	465778-0019	TA3107	1-A-2711	Oil	Perkins	Gen Set		T4.236	
-0045	465778-0020	TA3107	1-A-2711	Oil	Perkins	Various		C4.236	
-0046	465778-0004	TA3107	1-A-2356	Oil	Perkins	Tractor		T4.236	
-0046	465778-0005	TA3107	1-A-2356	Oil	Perkins	rolls royce		T4.236	
-0046	465778-0007	TA3107	1-A-2356	Oil	Perkins	Tractor		T4.236	
-0046	465778-0011	TA3107	1-A-2356	Oil	Perkins	Tractor		T4.236	



## CARTRIDGE/CHRA - Garrett

by Cartridge/CHRA Number

Cart/CHRA Part No	Turbo Part No	Turbo Model	TI Part No	Cooling	Manufacturer	Vehicle Model	Year	Engine	Fuel
<b>409172</b>									
-0046	465778-0018	TA3107	1-A-2356	Oil	Perkins	Tractor		T4.236	
-0046	465778-0021	TA3107	1-A-2356	Oil	Perkins	Various		T4.236	
-0047	466346-0003	TA3117	1-A-2712	Oil	Leyland	Tractor		4/98TT	
-0051	465776-0008	TA3106	1-A-2239	Oil	Volvo	Loader		TD45B	
-0051	465778-0015	TA3107	1-A-2239	Oil	Volvo	Loader		TD45B	
-0053	465593-0004	TA3404	1-A-2761	Oil	John Deere	Gen Set		4039T(300 Series)	
-0053	465593-0008	TA3404	1-A-2761	Oil	John Deere	Gen Set		6059TF(300 Series)	
-0053	465593-0011	TA3404	1-A-2761	Oil	John Deere	Various			
-0053	465593-0014	TA3404	1-A-2761	Oil	John Deere	Various			
-0053	466334-0002	TA3401	1-A-2761	Oil	John Deere	Saran		4239T(300 Series)	
-0053	466334-0003	TA3401	1-A-2761	Oil	John Deere	Saran		4239T(300 Series)	
-0053	466334-0004	TA3401	1-A-2761	Oil	John Deere	Backhoe 310D & 410,3840(		4039T,4045T,4239T,4276T	
-0053	466334-0014	TA3401	1-A-2761	Oil	John Deere	Various		4239AF	
-0053	466334-0016	TA3401	1-A-2761	Oil	John Deere	Various		Various	
-0054	465593-0001	TA3404	1-A-2046	Oil	John Deere	Combine 9930,Skidder 640		5.9L 16/6.8L 16 6068T,6059T	
-0054	465593-0003	TA3404	1-A-2046	Oil	John Deere	Various		4039T,6359T(300 Series)	
-0054	465593-0007	TA3404	1-A-2046	Oil	John Deere	Excavator 690E,790E		6068T(300 Series)	
-0054	465593-0009	TA3404	1-A-2046	Oil	John Deere	Various			
-0054	465593-0013	TA3404	1-A-2046	Oil	John Deere	Various			
-0054	466334-0006	TA3401	1-A-2046	Oil	John Deere	Various		6359T(300 Series)	
-0054	466334-0007	TA3401	1-A-2046	Oil	John Deere	300 Series		6359T(300 Series)	
-0054	466334-0008	TA3401	1-A-2046	Oil	John Deere	300 Series		6359T(300 Series)	
-0054	466334-0009	TA3401	1-A-2046	Oil	John Deere	Various		6359A(300 Series)	
-0054	466334-0010	TA3401	1-A-2046	Oil	John Deere	544E,570,624&E,643,670,6		6059T,6068T,6414T(300 Series)	
-0054	466334-0011	TA3401	1-A-2046	Oil	John Deere	Various		6414T(300 Series)	
-0054	466334-0012	TA3401	1-A-2046	Oil	John Deere	Various		6414T(300 Series)	
-0054	466334-0013	TA3401	1-A-2046	Oil	John Deere	Various		6414T(300 Series)	
-0054	466334-0018	TA3401	1-A-2046	Oil	John Deere	Various		Various	
-0054	466980-0001	TA3403	1-A-2046	Oil	John Deere	Saran		6059T,6068T,6359T(300 Series)	
-0056	452012-0004	TA3131	1-A-2713	Oil	Ruston & Hornsby	various		HA 494	
-0056	466674-0001	TA3123	1-A-2713	Oil	J C B	Various		Perkins T4.40	
-0056	466674-0002	TA3123	1-A-2713	Oil	Perkins	Industrial		T4.40	
-0059	465354-0014	TA3101	1-A-2715	Oil	Deutz-Allis	Industrial		TMDT 2.7	
-0059	465354-0015	TA3101	1-A-2715	Oil	Deutz-Allis	Industrial		TMDT 2.7	
-0061	466746-0001	TA3119	1-A-2716	Oil	Ford	Tractor 7600 Force II		256	
-0061	466746-0002	TA3119	1-A-2716	Oil	Ford	Tractor 7600,7700 Force II		256	
-0061	466746-0006	TA3119	1-A-2716	Oil	Ford	Various			
-0061	466746-0009	TA3119	1-A-2716	Oil	Ford	Various			
-0062	466746-0003	TA3119	1-A-2717	Oil	Ford	Various		4.0L Altitude Compensation	
-0062	466746-0004	TA3119	1-A-2717	Oil	Ford	Various		4.0L Altitude Compensation	
-0062	466746-0005	TA3119	1-A-2717	Oil	Ford	Various		4.0L Altitude Compensation	
-0069	454114-0001	TA3133	1-A-2083	Oil	Minsk Motor	Tractor			
-0069	454114-0002	TA3133	1-A-2083	Oil	Minsk Motor	Tractor			
-0069	465493-0001	TA3130	1-A-2083	Oil	S L H	Industrial		1000 4 AT & WT	
-0069	465493-0002	TA3130	1-A-2083	Oil	S L H	Tractor		1000 4 AT & WT	
-0069	465493-0003	TA3130	1-A-2083	Oil	S L H	Tractor		1000 4 ATI	
-0071	452012-0002	TA3131	1-A-2718	Oil	Ruston & Hornsby	various		3YDCSRIII	
-0072	452012-0003	TA3131	1-A-2719	Oil	Ruston & Hornsby	various		4YDCSRIII	
-0074	465809-0001	TA3132	1-A-2720	Oil	Perkins	Various			
-0075	466129-0001	TA3134	1-A-2721	Oil	Mitsubishi	Various		6D31-T	
-0077	465807-0001	TA0319	1-A-2722	Oil	Perkins	Various			
<b>409174</b>									
-0012	465646-0001	TB0310	1-A-2667	Oil	Renault	R5	1982	1.4L 14 C7J 700	G
-0012	465646-0002	TB0310	1-A-2667	Oil	Renault	R5	1982	1.4L 14 C7J 700	G
-0015	465564-0006	TB0307	1-A-1827	Oil	Ford	Capri, Mustang	1980	2.3L 14	G
-0021	465954-0004	TC0303	1-A-2668	Oil	Garrett Auto				





## CARTRIDGE/CHRA - Garrett

by Cartridge/CHRA Number

Cart/CHRA Part No	Turbo Part No	Turbo Model	TI Part No	Cooling	Manufacturer	Vehicle Model	Year	Engine	Fuel
409174									
-0023	465954-0005	TC0303	1-A-2669	Oil	Garrett Auto				
-0023	465954-0006	TC0303	1-A-2669	Oil	Garrett Auto				
-0023	465954-0007	TC0303	1-A-2669	Oil	Garrett Auto				
-0024	465954-0008	TC0303	1-A-2670	Oil	Garrett Auto				
-0026	465954-0001	TC0303	1-A-2671	Oil	Garrett Auto				
-0026	465954-0002	TC0303	1-A-2671	Oil	Garrett Auto				
-0026	465954-0003	TC0303	1-A-2671	Oil	Garrett Auto				
-0029	465954-0009	TC0303	1-A-2672	Oil	Garrett Auto				
-0029	465954-0010	TC0303	1-A-2672	Oil	Garrett Auto				
-0029	465954-0011	TC0303	1-A-2672	Oil	Garrett Auto				
-0030	465954-0012	TC0303	1-A-2673	Oil	Garrett Auto				
-0031	465954-0013	TC0303	1-A-2674	Oil	Garrett Auto				
-0031	465954-0014	TC0303	1-A-2674	Oil	Garrett Auto				
-0031	465954-0015	TC0303	1-A-2674	Oil	Garrett Auto				
-0032	465954-0016	TC0303	1-A-2675	Oil	Garrett Auto				
-0034	465994-0001	TB0327	1-A-0570	Water	Peugeot	505 Injection	1986-90	2.2L 14 N9TE i/c	G
-0034	465994-0002	TB0327	1-A-0570	Water	Peugeot	505 Injection	1986-90	2.2L 14 N9TE i/c	G
-0034	465994-0003	TB0327	1-A-0570	Water	Peugeot	505 Injection	1986-90	2.2L 14 N9TE i/c	G
-0039	465838-0002	TB0318	1-A-1110	Oil	Toyota	Crown	1981	2.0L	G
-0040	466112-0001	TB0330	1-A-0560	Oil	Buick	Regal	1984-85	3.8L V6	G
-0041	465738-0003	TB0315	1-A-0034	Oil	Buick	Riviera	1980	3.8L V6	G
-0042	465286-0004	TB0301	1-A-0035	Oil	Buick	Century,Le Sabre,Regal	1978	3.8L V6	G
-0046	466218-0001	TB0332	1-A-2676	Oil	Buick	Riviera		3.8L V6	G
-0047	465764-0001	TA0305	1-A-1515	Oil	Renault	Centauri,Le Sharo-Phasar(	1986-91	2.0L 14 J8S702	D
-0047	465764-0003	TA0305	1-A-1515	Oil	Renault	Centauri,Le Sharo-Phasar(	1983-91	2.0L 14 J8S234	D
-0048	465339-0001	TB0371	1-A-0581	Oil	Chrysler	Shelby Daytona, Turbo II	1988	2.2L 14	G
-0048	465733-0002	TB0378	1-A-0581	Oil	Chrysler	Turbo II	1989	2.2L 14	G
-0048	465916-0001	TB0319	1-A-0581	Oil	Renault	R5 Alpine	1981-83	1.4L 14 C6J 750	G
-0048	465916-0002	TB0319	1-A-0581	Oil	Renault	R5 Alpine	1981-83	1.4L 14 C6J 750	G
-0048	466298-0004	TB0335	1-A-0581	Oil	Chrysler	Daytona Z, Laser, Lebaron,	1984	2.2L 14	G
-0048	466298-0005	TB0335	1-A-0581	Oil	Chrysler	New Yorker & Magnum	1985	2.2L 14	G
-0048	466298-0007	TB0335	1-A-0581	Oil	Chrysler	Caravelle,Daytona,Lancer,L	1986-87	2.2L 14	G
-0048	466298-0007	TB0335	1-A-0581	Oil	Chrysler	Daytona Z,Lancer,Laser XE,	1985	2.2L 14	G
-0048	466298-0007	TB0335	1-A-0581	Oil	Chrysler	New Yorker,Omni GLH,Shel	1986-87	2.2L 14	G
-0048	466298-0007	TB0335	1-A-0581	Oil	Chrysler	New Yorker,Shelby Charger,	1985	2.2L 14	G
-0048	466798-0005	TB0352	1-A-0581	Oil	Chrysler	Daytona Shelby Turbo II	1988	2.2L 14	G
-0051	466216-0001	TB0331	1-A-2677	Oil	Nissan	Various		ED33T	
-0052	465646-0003	TB0310	1-A-0549	Oil	Renault	R5 Turbo II	1983	1.4L 14 C7J 730	G
-0052	465646-0004	TB0310	1-A-0549	Oil	Renault	R5 Turbo II		1.4L 14 C7K 700	G
-0053	465978-0007	TB0322	1-A-0561	Oil	Ford	Cougar,Mustang,Thunderbir	1984	2.3L 14	G
-0053	465978-0008	TB0322	1-A-0561	Oil	Ford	Mustang SVO	1984	2.3L 14	G
-0053	466440-0004	TB0340	1-A-0561	Oil	Ford	Various	Unknown	Various	G
-0053	466440-0005	TB0340	1-A-0561	Oil	Ford	Various	Unknown	Various	G
-0053	466440-0006	TB0340	1-A-0561	Oil	Ford	Various	Unknown	Various	G
-0054	465978-0009	TB0322	1-A-0565	Water	Ford	Capri,Cougar,Mustang,Thun	1983-84	2.3L 14	G
-0054	465978-0010	TB0322	1-A-0565	Water	Ford	Mustang SVO	1983-84	2.3L 14	G
-0054	466586-0002	TB0344	1-A-0565	Water	Ford	Cougar,Merkur,Merkur XR4	1985-88	2.3L 14	G
-0054	466586-0003	TB0344	1-A-0565	Water	Ford	Mustang SVO	1985	2.3L 14	G
-0054	466586-0004	TB0344	1-A-0565	Water	Ford	Cougar	1985	2.3L 14	G
-0054	466586-0005	TB0344	1-A-0565	Water	Ford	Various	Various		
-0054	466586-0006	TB0344	1-A-0565	Water	Ford	Various	Unknown	Various	G
-0054	466586-0007	TB0344	1-A-0565	Water	Ford	Various	Unknown	Various	G
-0056	465994-0004	TB0327	1-A-0573	Water	Peugeot	505 Injection	1986-90	2.2L 14 N9TE i/c	G
-0056	466718-0001	TB0346	1-A-0573	Water	Peugeot	505,50STI		2.2L 14 N9TE	G
-0056	466718-0003	TB0346	1-A-0573	Water	Peugeot	505		2.2L 14 N9TE	G
-0057	466404-0001	TC0304	1-A-0623	Oil	Citroen	CX25 Turbo/CX-GTI	1984-85	2.5L 14 EN5T	G



## CARTRIDGE/CHRA - Garrett

by Cartridge/CHRA Number

Cart/CHRA Part No	Turbo Part No	Turbo Model	TI Part No	Cooling	Manufacturer	Vehicle Model	Year	Engine	Fuel
<b>409174</b>									
-0057	466404-0002	TC0304	1-A-0623	Oil	Citroen	CX-GTI,CX25 Turbo	1986-90	2.5L 14 EN5TE	G
-0057	466404-0003	TC0304	1-A-0623	Oil	Citroen	CX25 Turbo/CX-GTI	1984-86	2.5L 14 EN5TE	G
-0060	465705-0001	TB0374	1-A-2678	Water	Chrysler	Turbo I Plus	1985-86	2.2L 14	G
-0060	465707-0001	TB0376	1-A-2678	Water	Chrysler	Turbo II Plus	1985-86	2.2L 14	G
-0060	466586-0005	TB0344	1-A-2678	Water	Ford	Various	Unknown	Various	G
-0060	466586-0006	TB0344	1-A-2678	Water	Ford	Various	Unknown	Various	G
-0060	466586-0007	TB0344	1-A-2678	Water	Ford	Various	Unknown	Various	G
-0062	465994-0005	TB0327	1-A-2679	Water	Peugeot	505STI		2.2L 14	G
-0063		TB0352	1-A-2680	Water	Chrysler	Various			G
-0067	454039-0001	TB0390	1-A-0619	Oil	Mercedes Benz	"S" Class	1994-	3.5L W140	D
-0069	103601-0000	RM-60/.3	1-A-2682	Oil	Rotomaster	Unknown			
-0069	103603-0000	RM-60/.5	1-A-2682	Oil	Rotomaster	Unknown			
-0072	465285-0003	TB0369	1-A-2683	Oil	Mercedes Benz	Gelande Wagen		3.5L16 OM603	D
-0073	466846-0002	TB0360	1-A-2260	Oil	Mercedes Benz	" S" Class (W124)		3.0L 16 OM603A	D
-0074	465339-0003	TB0371	1-A-2684	Water	Chrysler	Various	1988	2.2L 14	G
-0074	465339-0004	TB0371	1-A-2684	Water	Chrysler	Unknown	Various	2.2L 14	G
-0074	465733-0003	TB0378	1-A-2684	Water	Chrysler	Various	1988	2.2L 14	G
-0077		TB0371	1-A-2686	Water	Chrysler	Various			
-0078		TB0371	1-A-2687	Oil	Chrysler	Various			
-0079		TB0371	1-A-2688	Water	Chrysler	Various			
-0080		TB0371	1-A-2689	Water	Chrysler	Various			
-0081		TB0371	1-A-2690	Oil	Chrysler	Various			
-0082		TB0371	1-A-2691	Oil	Chrysler	Various			
-0083		TB0371	1-A-2692	Water	Chrysler	Various			
-0084		TB0371	1-A-2693	Oil	Chrysler	Various			
<b>409853</b>									
-0001	465228-0003	TA0301	1-A-1159	Oil	Mercedes Benz	300 TD		3.0L 15	D
-0001	466246-0001	TA0310	1-A-1159	Oil	Mercedes Benz	300 TD		3.0L 15	D
-0001	466424-0001	TA0314	1-A-1159	Oil	Mercedes Benz	300 TD		3.0L 15	D
-0002	465318-0002	TA0302	1-A-2743	Oil	Peugeot	Tagora,505D,505STI,505TD	1980	2.3L 14 XD2S	D
-0002	465318-0005	TA0302	1-A-2743	Oil	S O F I M	Various			D
-0003	435558-0001	TB3101	1-A-2744	Oil	Kubota	Tractor		VT1502	
-0004	465606-0002	TB3102	1-A-2745	Oil	Nissan	Scout II	1979-80		D
-0005	465318-0004	TA0302	1-A-2746	Oil	Peugeot	Military		XD3S	
-0006	465384-0001	TA0304	1-A-1587	Oil	Volkswagen	Passat,Quantum	1984-86	1.6L 14	D
-0006	465384-0002	TA0304	1-A-1587	Oil	Volkswagen	Golf,Passat	1981-86	1.6L 14	D
-0006	465384-0003	TA0304	1-A-1587	Oil	Volkswagen	Golf,Jetta,Passat,Quantum,	1981-86	1.6L 14	D
-0006	465384-0004	TA0304	1-A-1587	Oil	Audi	80 TDI	1984-86	1.6L 14	D
-0006	465384-0004	TA0304	1-A-1587	Oil	Volkswagen	Passat	1984-86	1.6L 14	D
-0006	465384-0005	TA0304	1-A-1587	Oil	Audi	80	981-2/86-9	1.6L 14	D
-0006	465384-0005	TA0304	1-A-1587	Oil	Volkswagen	Golf,Passat,Santana	1981-86	1.6L 14	D
-0007	465544-0002	TB0311	1-A-0620	Oil	Renault	R18	1980-83	1.6L 14 A5L 727	G
-0016	465514-0003	TB0312	1-A-0690	Oil	Saab	900	1981	2.0L 14	G
-0016	465514-0004	TB0312	1-A-0690	Oil	Saab	900	1981-84	2.0L 14	G
-0016	465904-0002	TB0321	1-A-0690	Oil	Saab	900 APC	1982-86	2.0L 14 8 valve	G
-0016	465904-0003	TB0321	1-A-0690	Oil	Saab	900,900 APC	1986-87	2.0L 14 8 valve	G
-0017	465296-0005	TC0301	1-A-1145	Oil	Saab	900,99 EMS	1978-80	2.0L 14	G
-0017	465296-0007	TC0301	1-A-1145	Oil	Saab	900,99 EMS	1978-80	2.0L 14	G
-0018	466088-0001	TA0307	1-A-0622	Oil	Volkswagen	LT Van	1982-92	2.4L 14	D
-0019	465446-0011	TB0313	1-A-0569	Oil	Volvo	200,GLT/Rally	1984	2.1L 14/2.3L 14	G
-0019	466032-0001	TB0326	1-A-0569	Oil	Volvo	700	1983-86	2.3L 14	G
-0019	466032-0002	TB0326	1-A-0569	Oil	Volvo	700,740,760,Turbo	1984	2.3L 14 i/c	G
-0019	466032-0003	TB0326	1-A-0569	Oil	Volvo	700	1985	2.0L 14	G
-0020	465446-0006	TB0313	1-A-0550	Oil	Volvo	200,GLT	1982	2.1L 14	G
-0023	466146-0001	TB0329	1-A-2371	Oil	Austin Rover	MG Metro	1983-89	1.3L 14	G
-0025	466194-0001	TB0333	1-A-0687	Oil	Lancia	Delta HF		1.6L 8 valve 130 hp 130 hp	G

Garrett- 7/20/2008 -80

All names, numbers, symbols and descriptions are for reference purposes only, and do not imply that any part is the product of these manufacturers.



## CARTRIDGE/CHRA - Garrett

by Cartridge/CHRA Number

Cart/CHRA Part No	Turbo Part No	Turbo Model	TI Part No	Cooling	Manufacturer	Vehicle Model	Year	Engine	Fuel
<b>409853</b>									
-0026	466172-0001	TB0328	1-A-2747	Oil	Toyota	Various		2.0L 14	G
-0027	466232-0001	TA0308	1-A-2748		Renault	Military			
-0029	465544-0003	TB0311	1-A-2749	Oil	Renault	R18,R25	1983-85	1.6L 14 A5I 717	G
-0029	465544-0004	TB0311	1-A-2749	Oil	Renault	Fuego	1983	1.6L 14 A5L 750	G
-0029	466042-0001	TB0325	1-A-2749	Oil	Renault	Fuego	1982	1.6L 14 A7L 723	G
-0031	466342-0001	TA0312	1-A-1492	Oil	Perkins	Industrial		T4.236	
-0031	466342-0002	TA0312	1-A-1492	Oil	Perkins	Industrial		T4.236	
-0031	466342-0003	TA0312	1-A-1492	Oil	Perkins	Industrial		T4.236	
-0032	466016-0002	TB0324	1-A-0586	Oil	BMW	324TD,500,524TD	1983-87	2.4L 16 MD21	D
-0032	466016-0003	TB0324	1-A-0586	Oil	BMW	Rayton Fissore	1983-87	2.4L 16 3MD21	D
-0033	465103-0001	TB0367	1-A-0566	Oil	Lancia	Thema IE Eco	1987-89	2.0L	G
-0033	466384-0001	TB0338	1-A-0566	Oil	Lancia	Thema IE	1984-86	2.0L	G
-0033	466384-0003	TB0338	1-A-0566	Oil	Fiat	Croma IE	1985-86	2.0L	G
-0033	466384-0004	TB0338	1-A-0566	Oil	Fiat	Croma IE	1986-87	2.0L	G
-0033	466384-0008	TB0338	1-A-0566	Oil	Fiat	Croma IE	1988-91	2.0L	G
-0034	466184-0001	TA0309	1-A-1147	Oil	Land Rover	Santana		2.25L 14	D
-0034	466972-0001	TB0364	1-A-1147	Oil	Peugeot	Panhard		2.5L 14 XD3S	D
-0035	466420-0001	TB0339	1-A-0568	Oil	Saab	900	1983	2.0L 14 16 valve	G
-0035	466420-0002	TB0339	1-A-0568	Oil	Saab	900.900 APC,9000	1984-87	2.0L 14 B202 16 valve i/c	G
-0035	466456-0001	TB0343	1-A-0568	Oil	Saab	900,9000	1984-86	2.0L 14 16 valve	G
-0035	466456-0002	TB0343	1-A-0568	Oil	Saab	9000	1985	2.0L 14 16 valve	G
-0037	466564-0001	TB0342	1-A-0553	Oil	Austin Rover	Maestro		Various	G
-0037	466564-0002	TB0342	1-A-0553	Oil	Austin Rover	Metro, Montego	1983	2.0L 14 OHV	G
-0038	466644-0001	TB0345	1-A-0552	Oil	Ford	Escort RS Mk III	1984-86	1.6L 14	G
-0039	466448-0001	TB0341	1-A-0567	Oil	Renault	Alpine GT,R25	1985-86	2.4L V6 Z7U	G
-0040	465614-0001	TA0306	1-A-1143	Oil	Citroen	CX25D Turbo	1983-86	2.5L 14 CRD93LS	D
-0041	466726-0001	TB0347	1-A-2750	Oil	Nissan	Patrol	1985-90	2.5L MT4T	D
-0042	466778-0002	TA0315	1-A-2224	Oil	Perkins	Automotive		T4.236	
-0042	466778-0005	TA0315	1-A-2224	Oil	Perkins	Various			
-0043	466800-0001	TB0350	1-A-2751	Oil	Volvo	Fork Lift		TD61GW,TD71GW	
-0043	466800-0002	TB0350	1-A-2751	Oil	Volvo	Fork Lift		TD61GW,TD71GW	
-0043	466800-0003	TB0350	1-A-2751	Oil	Volvo	Commercial		Various	
-0044	465318-0007	TA0302	1-A-2420	Oil	Iveco	Diverse		3.9L 7040.25.200	D
-0044	465318-0008	TA0302	1-A-2420	Oil	Iveco	Iveco Tractor		3.9L 8040.25.230	D
-0044	465318-0010	TA0302	1-A-2420	Oil	Iveco	Tractor		8045.25.382	D
-0044	465379-0001	TA0318	1-A-2420	Oil	Iveco	Truck		8040.45.261&271	D
-0044	465379-0003	TA0318	1-A-2420	Oil	Iveco	Truck		8040.45.400	D
-0044	465632-0005	TA0303	1-A-2420	Oil	Iveco	Truck		8040.25.400	D
-0044	465632-0006	TA0303	1-A-2420	Oil	Iveco	Truck		3.9L 14 4 cyl. 8045.25.381	D
-0044	465632-0007	TA0303	1-A-2420	Oil	Fiat	Truck		3.9L 14 4 cyl. 8040.25.4980	D
-0045	465318-0006	TA0302	1-A-2370	Oil	Iveco	Daily	1986-	2.5L 8140.21.2100	D
-0045	465318-0009	TA0302	1-A-2370	Oil	Iveco	Daily	1987-	2.5L 81410.27.2150	D
-0046	466798-0002	TB0352	1-A-1823	Water	Chrysler	Turbo II,	1987	2.2L 14	G
-0046	466798-0003	TB0352	1-A-1823	Water	Chrysler	Daytona Shelby Z,II,Turbo II	1987	2.2L 14	G
-0047	465103-0003	TB0367	1-A-0574	Water	Lancia	Thema IE	1988	2.0L 16 valve	G
-0047	465103-0004	TB0367	1-A-0574	Water	Alfa Romeo	155	1989-92	2.0L 14 16 valve	G
-0047	465103-0004	TB0367	1-A-0574	Water	Lancia	Delta,Tipo,155	1994-	2.0L 14 16 valve	G
-0047	465103-0005	TB0367	1-A-0574	Water	Lancia	Thema Motronic	1992-94	2.0L 16 valve	G
-0047	465103-0006	TB0367	1-A-0574	Water	Lancia	Delta Integrale		M407.CT.20.C	G
-0047	465103-0007	TB0367	1-A-0574	Water	Lancia	Croma	1991	2.0L 14 8 valve	G
-0047	466384-0002	TB0338	1-A-0574	Water	Lancia	Delta 4WD	1986-88	2.0L M643AT20C	G
-0047	466384-0007	TB0338	1-A-0574	Water	Alfa Romeo	164	1987	2.0L 14 SOFIM	G
-0047	466384-0009	TB0338	1-A-0574	Water	Fiat	Croma	1991-92	2.0L 8 valve	G
-0048	466868-0001	TA0316	1-A-1146	Oil	Lancia	Thema DS	1985-87	2.5L	D
-0050	466858-0001	TB0353	1-A-0554	Water	Alfa Romeo	75	1986	1.8L 14	G
-0051	465285-0001	TB0369	1-A-1151	Oil	Mercedes Benz	300D/SDL/TD		3.0L 16	D



## CARTRIDGE/CHRA - Garrett

by Cartridge/CHRA Number

Cart/CHRA Part No	Turbo Part No	Turbo Model	TI Part No	Cooling	Manufacturer	Vehicle Model	Year	Engine	Fuel
<b>409853</b>									
-0051	465285-0002	TB0369	1-A-1151	Oil	Mercedes Benz	300TD		3.0l 16 OM603	D
-0051	466802-0001	TB0359	1-A-1151	Oil	Mercedes Benz	300SDL		3.0L 16 OM603A	D
-0051	466846-0001	TB0360	1-A-1151	Oil	Mercedes Benz	300 SDL(W124)	1986	3.0L 16	D
-0052	466448-0002	TB0341	1-A-0575	Water	Renault	Alpine GTA,R25	1986-90	2.4L V6 Z7U	G
-0053	466944-0001	TB0355	1-A-1144	Water	Ford	Escort RS	1986-91	1.6L 14 16 valve	G
-0054	466956-0001	TB0358	1-A-0975	Water	Saab	900 APC	1987-90	2.0L 14 8 valve	G
-0055	465163-0001	TB0382	1-A-0576	Water	Saab	900	1989-94	2.0L 14 16 valve 175hp	G
-0055	465163-0002	TB0382	1-A-0576	Water	Saab	900	1989	2.0L 14 B202F 16 valve	G
-0055	466952-0001	TB0356	1-A-0576	Water	Saab	9000	1986-87	2.0L 14	G
-0055	466952-0002	TB0356	1-A-0576	Water	Saab	9000	1986-87	2.0L 14 16 valve i/c	G
-0055	466952-0004	TB0356	1-A-0576	Water	Saab	9000	1987-90	2.0L 14 B202E 16 valve	G
-0055	466952-0005	TB0356	1-A-0576	Water	Saab	9000	1989	2.0L 14 B202F 16 valve	G
-0055	466954-0001	TB0357	1-A-0576	Water	Saab	900	1987-89	2.0L 14 16 valve	G
-0055	466954-0002	TB0357	1-A-0576	Water	Saab	900,9000	1987-89	2.0L 14 16 valve i/c	G
-0057	466672-0001	TB0363	1-A-0579	Water	Volvo	700	1987-90	2.3L 14	G
-0057	466672-0002	TB0363	1-A-0579	Water	Volvo	700,740,760,Turbo		2.3L 14	G
-0057	466672-0003	TB0363	1-A-0579	Water	Volvo	700	1986	2.0L 14	G
-0061	466794-0001	TB0349	1-A-0621	Oil	Volvo	400700900	1987-96	2.4L 16 i/c	D
-0061	466794-0002	TB0349	1-A-0621	Oil	Volvo	400700	1987-96	2.4L 16 i/c	D
-0062	465339-0002	TB0371	1-A-2374	Water	Chrysler	Various	1988	2.2L 14	G
-0063	465115-0001	TB0368	1-A-0555	Water	Volvo	200	1987	1.9L 14/2.1L 14	G
-0063	465115-0002	TB0368	1-A-0555	Water	Volvo	200,240,GLT,Turbo	1987	2.1L 14	G
-0063	465115-0003	TB0368	1-A-0555	Water	Volvo	200,240,GLT	1987	2.1L 14	G
-0064	465614-0002	TA0306	1-A-2753	Oil	Citroen	CX25D Turbo/CX 2500	1983-88	2.5L 14 CRD93LS	D
-0067	466384-0006	TB0338	1-A-0584	Water	Lancia	Delta Integrale	1987-94	2.0L 8 valve	G
-0068	465103-0002	TB0367	1-A-0562	Water	Lancia	Delta Integrale 4WD	1988-94	2.0L 14 8 valve	G
-0068	465103-0009	TB0367	1-A-0562	Water	Lancia	Dedra Ecologico,Delta ECO	1991-94	2.0L 8 valve	G
-0068	465103-0010	TB0367	1-A-0562	Water	Lancia	Dedra 4WD	Unknown	2.0L 14	G
-0069	465133-0001	TB0373	1-A-0556	Water	Lotus	Esprit	1987-	2.2L	G
-0069	465133-0002	TB0373	1-A-0556	Water	Lotus	Esprit	1988-	2.2L	G
-0070	466718-0002	TB0346	1-A-0572	Water	Peugeot	505STI		2.2L 14 N9TE	G
-0071	465143-0010	TB0379	1-A-0578	Water	Volvo	Various		Various	
-0071	465143-0011	TB0379	1-A-0578	Water	Volvo	Various		Various	
-0071	465143-0012	TB0379	1-A-0578	Water	Volvo	Various		Various	
-0072	465159-0001	TB0377	1-A-2357	Water	Lotus			2.2L 14	G
-0073	465163-0003	TB0382	1-A-0577	Water	Saab	900	1989-94	2.0L 14 B202F 16 valve	G
-0073	465163-0004	TB0382	1-A-0577	Water	Saab	900	1989	2.0L 14 B202F 16 valve	G
-0073	465163-0005	TB0382	1-A-0577	Water	Saab	Various		Various	
-0073	465163-0006	TB0382	1-A-0577	Water	Saab	Various		Various	
-0073	466952-0006	TB0356	1-A-0577	Water	Saab	Various		Various	
-0073	466952-0007	TB0356	1-A-0577	Water	Saab	Various		Various	
-0074	465177-0004	TB0381	1-A-0559	Water	Volvo	700	1989	2.3L 14 B230FET	G
-0074	465177-0005	TB0381	1-A-0559	Water	Volvo	700900940	1990-91	2.3L 14 B230,B230FET	G
-0076	466962-0001	TB0361	1-A-0558	Water	Ford	Sierra Cosworth	1986-89	2.0L 14	G
-0076	466962-0002	TB0361	1-A-0558	Water	Ford	Panther			G
-0078	465143-0007	TB0379	1-A-1162	Water	Volvo	Various		Various	
-0078	465143-0008	TB0379	1-A-1162	Water	Volvo	Various		Various	
-0078	465143-0009	TB0379	1-A-1162	Water	Volvo	Various		Various	
-0079	465189-0001	TB0384	1-A-0564	Water	Ford	Sierra Cosworth 4WD	1989-90	2.0L 14 16 valve	G
-0079	465189-0001	TB0384	1-A-0564	Water	Ford	Sierra Cosworth 4WD	1989-90	2.0L 14 16 valve	G
-0079	465189-0003	TB0384	1-A-0564	Water	Ford	Sierra Cosworth 4WD	1990-93	2.0L 14 16 valve,Cat.Convert.	G
-0082	465499-0001	TB0386	1-A-0557	Water	Renault	R25	1990-91	2.4L V6 Z7U 700	G
-0083	465503-0001	TB0387	1-A-0563	Water	Renault	Alpine A610	1990-94	3.0L V6 Z7X 744	G
-0085	466672-0007	TB0363	1-A-0580	Water	Volvo	Various		Various	
-0085	466672-0008	TB0363	1-A-0580	Water	Volvo	Various		Various	
-0085	466672-0009	TB0363	1-A-0580	Water	Volvo	Various		Various	



## CARTRIDGE/CHRA - Garrett

by Cartridge/CHRA Number

Cart/CHRA Part No	Turbo Part No	Turbo Model	TI Part No	Cooling	Manufacturer	Vehicle Model	Year	Engine	Fuel
<b>409853</b>									
-0086	465318-0003	TA0302	1-A-1936	Oil	Peugeot	505D, Tagora	1983	2.5L 14 XD3S/XD3T	D
-0088	466948-0001	TB0370	1-A-0582	Oil	Renault	R21/R21 4x4	1986-92	1.9L 14/2.0L 14	G
-0089	466800-0004	TB0350	1-A-1724	Oil	Volvo	Penta		Various	
-0089	466800-0005	TB0350	1-A-1724	Oil	Volvo	Penta		Various	
-0092	465379-0004	TA0318	1-A-2237	Oil	Iveco	Military		8040345.4	
-0093	452059-0001	TB3403	1-A-2942	Water	Ford	Cosworth-performance-MAR			G
-0094	465159-0002	TB0377	1-A-2068	Water	Lotus	Turbo III, Phantom		2.2L 14	G
-0096	465133-0003	TB0373	1-A-0571	Water	Lotus	Esprit	1991-	2.2L	G
-0101	466778-0001	TA0315	1-A-3137	Oil	Perkins	Massey Ferguson 698		T4.236	
-0101	466778-0003	TA0315	1-A-3137	Oil	Perkins	Massey Ferguson 698		T4.236	
-0101	466778-0004	TA0315	1-A-3137	Oil	Perkins	Massey Ferguson 698		T4.236	
-0101	466778-0006	TA0315	1-A-3137	Oil	Perkins	Massey Ferguson 698		T4.236	
-0101	466778-0008	TA0315	1-A-3137	Oil	Perkins	Phaser		T4.40	
<b>410581</b>									
-0006		TB0306	1-A-1181	Oil	Nissan	Various			
-0007		TB0306	1-A-0588	Oil	Nissan	Various			
-0008		TB0306	1-A-1182	Oil	Nissan	Various			
<b>430425</b>									
-0002	466028-0001	TB0202	1-A-2318	Oil	Nissan	Pulsar		1.5L 14	G
-0005	466196-0005	TB0203	1-A-2754	Oil	Renault	Various			
-0006	466206-0001	TB0204	1-A-2660	Oil	Unknown	Unknown			
-0007	466204-0001	TB0205	1-A-2317	Oil	Buick	Skyhawk		1.8L 14	G
-0007	466204-0001	TB0205	1-A-2317	Oil	Pontiac	Sunbird.2000&6000series		1.8L 14	G
-0008	466230-0002	TB0207	1-A-2755	Oil	Nissan	Various			
-0009	466224-0001	TB0206	1-A-2661	Oil	Nissan	Various			
-0010	466272-0001	TB0209	1-A-1047	Oil	Isuzu	Trooper	1984-85	2.2L 14	D
-0021		TB0213	1-A-2756	Oil	Renault	Various			
-0025	466272-0002	TB0209	1-A-1046	Oil	Isuzu	Trooper	1984/85	2.2L 14	D
-0025	466272-0003	TB0209	1-A-1046	Oil	Isuzu	Trooper	1984/85	2.2L 14	D
-0028	466196-0005	TB0203	1-A-2757	Water	Renault	Various			
-0029	466842-0002	TB0226	1-A-2664	Oil	Land Rover	Falcon,90/110 Turbo D	1986-88	2.5L 14	D
-0032	465365-0001	TB2521	1-A-2102	Water	Pontiac	Grand AM,Sunbird		2.0L 14	G
-0032	465365-0002	TB2521	1-A-2102	Water	Pontiac	Various			G
-0032	465749-0001	TB2522	1-A-2102	Water	Pontiac	Sunbird		2.0L 14	G
-0032	466876-0001	TB2506	1-A-2102	Water	Pontiac	Grand AM,Sunbird		2.0L 14	G
-0033	466370-0005	TB0210	1-A-2433	Water	Nissan	Bluebird	1985	1.8L 14 CA18ET	G
-0033	466370-0006	TB0210	1-A-2433	Water	Nissan	Bluebird	1985	1.8L 14 CA18ET	G
-0037	466686-0001	TB0231	1-A-2663	Water	Nissan	Various		1.6L 14	G
-0053	466272-0005	TB0209	1-A-1047	Oil	Isuzu	Various	Unknown		D
-0056	466416-0007	TB0212	1-A-1280	Water	Nissan	Various			
-0059	466409-0001	TB2568	1-A-2576	Water	Isuzu	NPR	1995	4BD2-TC	
<b>431494</b>									
-0001		TB03	1-A-2694	Water	Nissan	300ZX Single		3.0L V6	G
-0002		TB03	1-A-0589	Water	Nissan	300ZX Single		3.0L V6	G
-0003		TB03	1-A-2695	Water	Nissan	300ZX Single		3.0L V6	G
<b>431876</b>									
-0010	466370-0013	TB0210	1-A-2723	Water	Nissan	Various		1.8L 14 CA18ET	
-0010	466370-0014	TB0210	1-A-2723	Water	Nissan	Various		1.8L 14 CA18ET	
-0011	466416-0003	TB0212	1-A-2662	Water	Nissan	Cherry	1985-86	1.5L 14 E15ET	G
-0015	466250-0002	TB0208	1-A-2658	Oil	Nissan	ZX 1.5		1.5L 14	G
-0019	465767-0001	TB2523	1-A-2331	Water	Nissan	Silvia SU	1988	1.8L 14	G
-0019	465767-0002	TB2523	1-A-2331	Water	Nissan	Silvia SU	1988	1.8L 14	G
-0021	465795-0001	TB2525	1-A-2733	Water	Nissan	200SX	1988	1.8L	G
-0023	466370-0017	TB0210	1-A-1283	Water	Nissan	Various		1.8L 14 CA18ET	
-0023	466370-0019	TB0210	1-A-1283	Water	Nissan	Various		1.8L 14 CA18ET	



## CARTRIDGE/CHRA - Garrett

by Cartridge/CHRA Number

Cart/CHRA Part No	Turbo Part No	Turbo Model	TI Part No	Cooling	Manufacturer	Vehicle Model	Year	Engine	Fuel
<b>431876</b>									
-0025	465667-0003	TB2519	1-A-2376	Water	Nissan	Bluebird		1.4L	G
-0025	465667-0004	TB2519	1-A-2376	Water	Nissan	Bluebird		1.4L	G
-0025	465767-0003	TB2523	1-A-2376	Water	Nissan	Various		1.8L	G
-0059	466491-0003	TB2566	1-A-2509	Water	Mitsubishi	Eclipse	1994-97	2.0L 14 4G6N	G
-0059	466491-0004	TB2566	1-A-2509	Water	Mitsubishi	Various	1994-97	2.0L 14 4G6N	G
-0061	466414-0006	TB0211	1-A-2319	Water	Nissan	Various			
-0061	466710-0006	TB0220	1-A-2319	Water	Nissan	Various			
-0063	466370-0022	TB0210	1-A-1281	Oil	Nissan	200SX	1984	1.8L 14	G
-0063	466370-0023	TB0210	1-A-1281	Oil	Nissan	Various			
-0065	466075-0004	TB2539	1-A-2620	Water	Nissan	Various			
-0065	466173-0003	TB2547	1-A-2620	Water	Nissan	Various		SR20DET	
-0067	466113-0003	TB2541	1-A-2620	Water	Nissan	Various		SR20DET	
-0070	466073-0007	TB2209	1-A-2331	Water	Nissan	300ZX Twin		3.0L V6 l/hand	G
-0070	466073-0008	TB2209	1-A-2331	Water	Nissan	300ZX Twin		3.0L V6 l/hand	G
-0070	466083-0006	TB2207	1-A-2331	Water	Nissan	300ZX Twin	1990-94	3.0L V6 l/hand	G
-0070	466135-0003	TB2210	1-A-2331	Water	Nissan	300ZX Twin		3.0L V6 r/hand	G
-0070	466135-0005	TB2210	1-A-2331	Water	Nissan	300ZX Twin		3.0L V6 r/hand	G
-0070	466252-0003	TB2211	1-A-2331	Water	Nissan	300ZX Twin		3.0L V6 r/hand	G
-0070	466252-0005	TB2211	1-A-2331	Water	Nissan	300ZX Twin		3.0L V6 r/hand	G
-0071	465667-0009	TB2519	1-A-2752	Water	Nissan	Various			
-0071	465667-0010	TB2519	1-A-2752	Water	Nissan	Various			
-0071	465767-0006	TB2523	1-A-2752	Water	Nissan	Various			
-0071	465941-0004	TB2527	1-A-2752	Water	Nissan	Various			
-0071	465941-0006	TB2527	1-A-2752	Water	Nissan	Various			
-0071	465941-0007	TB2527	1-A-2752	Water	Nissan	Various			
-0072	465795-0004	TB2525	1-A-1282	Water	Nissan	200SX	1988-94	1.8L	G
<b>432277</b>									
-0003		TB0391	1-A-1313	Water	H K S	Various			
-0004		TB0391	1-A-2724	Water	H K S	Various			
<b>433289</b>									
-0006	452084-0004	GT1544	1-A-2568	Oil	Ford	Escort TD	1996-	1.8L	D
-0006	452084-0007	GT1544	1-A-2568	Oil	Ford	Escort TD	1996-	1.8L	D
-0007	452098-0002	GT1549	1-A-2159	Oil	Austin Rover	220 SDI,420D,620	1995	2.0L TCI/E 105hp l/c	D
-0007	452151-0002	GT1549	1-A-2159	Oil	Austin Rover	220,420D/SD	1996-	2.0L 14 TCI/M 86hp	D
-0009	454006-0002	GT1544S	1-A-2160	Oil	Fiat	Brava,Marea,Tipo	1996	1.9L 75hp	D
-0009	454006-0004	GT1544S	1-A-2160	Oil	Fiat	Marea	1996	1.9L 100hp	D
-0009	454080-0001	GT1544S	1-A-2160	Oil	Fiat	Punto TD	1996	1.9L M720BT19T100hp	D
-0009	454080-0002	GT1544S	1-A-2160	Oil	Fiat	Tipo	1996	1.9L M720LT19T 75hp	D
-0009	454080-0004	GT1544S	1-A-2160	Oil	Fiat	Brava,Marea,Tipo	1994-96	1.9L M.720.AT.19.T 100hp	D
-0009	454080-0005	GT1544S	1-A-2160	Oil	Fiat	Brava,Marea,Tipo	1994-96	1.9L M.720.AT.19.T	D
-0010	454061-0006	GT1752H	1-A-3862	Oil	Iveco	Daily	1996	2.8L	D
-0010	454061-0007	GT1752H	1-A-3862	Oil	Iveco	Daily	1996	2.8L	D
-0010	454061-0008	GT1752H	1-A-3862	Oil	Fiat	Daily	1996	2.8L	D
-0010	454061-0009	GT1752H	1-A-3862	Oil	Fiat	Daily	1996	2.8L	D
-0010	454061-0010	GT1752H	1-A-3862	Oil	Renault	Daily	1996	2.8L	D
-0010	454061-0010	GT1752H	1-A-3862	Oil	Renault	Ducato Maxi	1997	2.8L	D
-0010	454061-0010	GT1752H	1-A-3862	Oil	Renault	Master	1997	2.8L	D
-0010	454061-0010	GT1752H	1-A-3862	Oil	Renault	Master	2003	2.8L	D
-0010	454061-0010	GT1752H	1-A-3862	Oil	Renault	Movano	1997	2.8L	D
-0010	454061-0011	GT1752H	1-A-3862	Oil	Renault	Master	1997	2.8L	D
-0010	454061-0011	GT1752H	1-A-3862	Oil	Renault	Trafic	1997	2.8L	D
-0010	454061-0012	GT1752H	1-A-3862	Oil	Renault	Master	1996	2.8L	D
-0011	454165-0001	GT1544	1-A-3734	Oil	Renault	Megane TD	1997	1.9L	D
-0012	452124-0004	GT1544	1-A-2161	Oil	Ford	Mondeo TD	1996-	1.8L Endura	D
-0012	452124-0005	GT1544	1-A-2161	Oil	Ford	Mondeo	1996-	1.8L	D
-0014	454098-0001	GT1544	1-A-2162	Oil	Opel	Astra	1996	2.0L 20LC	D



## CARTRIDGE/CHRA - Garrett

by Cartridge/CHRA Number

Cart/CHRA Part No	Turbo Part No	Turbo Model	TI Part No	Cooling	Manufacturer	Vehicle Model	Year	Engine	Fuel
<b>433289</b>									
-0014	454098-0001	GT1544	1-A-2162	Oil	Vauxhall	Astra, Vectra,Zafira	1998-	2.0L 82hp	D
-0014	454159-0001	GT1544	1-A-2162	Oil	Audi	A3 TDI	1997-	1.9L 90 hp	D
-0017	454080-0005	GT1544	1-A-2163	Oil	Fiat	Ducato	1996	1.9L M.720.CT.19.T	D
-0050	454083-0002	GT1544	1-A-3735	Oil	Seat	Ibiza TDI,Cordoba TDI, Tole	1997-98	1.9L 14 90 hp	D
-0050	454083-0002	GT1544	1-A-3735	Oil	Seat	Toledo Tdi	1997	1.9L	D
-0050	454083-0002	GT1544	1-A-3735	Oil	Skoda	Octavia	1997-98	1.9L 14 90 hp	D
-0050	454083-0002	GT1544	1-A-3735	Oil	Volkswagen	Golf Mk II TDI,Passat TDI,V	1994-97	1.9L 14 90hp	D
-0050	454083-0002	GT1544S	1-A-3735	Oil	Volkswagen	Passat Tdi	1997	1.9L	D
-0050	454159-0002	GT1544	1-A-3735	Oil	Audi	A3 Tdi	1998	1.9L	D
-0050	704345-0001	GT1544H	1-A-3735	Oil	Opel	Unknown	1998	1.7L	D
-0057	454171-0002	GT1549	1-A-3834	Oil	Citroen	Xantia	1998	1.9L	D
-0057	454171-0002	GT1549	1-A-3834	Oil	Peugeot	406	1998	1.9L	D
-0057	454176-0002	GT1549	1-A-3834	Oil	Citroen	Xsara	1998	1.9L	D
-0057	454176-0002	GT1549	1-A-3834	Oil	Citroen	ZX	1998	1.9L	D
-0057	454176-0002	GT1549	1-A-3834	Oil	Peugeot	306	1998	1.9L	D
-0058	452124-0006	GT1544	1-A-2570	Oil	Ford	Mondeo TD	1996-	1.8L Endura	D
-0060	452084-0009	GT1544S	1-A-2164	Oil	Ford	Escort TD	1996-	1.8L	D
-0060	452254-0003	GT1544S	1-A-2164	Oil	Unknown				D
-0065	700830-0001	GT1544S	1-A-3719	Oil	Renault	Espace, Laguna TD	1998	1.9L	D
-0065	700830-0001	GT1544	1-A-3719	Oil	Renault	Megane TD	1998	1.9L	D
-0065	700830-0003	GT1544	1-A-3719	Oil	Renault	Megane TD	1999	1.9L	D
-0065	703753-0001	GT1544	1-A-3719	Oil	Renault	Unknown	Unknown	1.9L	D
-0065	703753-0001	GT1544	1-A-3719	Oil	Volvo	S40, S90, V40	1998-99	1.9L	D
-0074	454187-0001	GT1544	1-A-3736	Oil	Opel	Astra eco D	1998	1.7L	D
-0075	704281-0001	GT1549	1-A-3865	Oil	Daewoo				
-0087	452213-0002	GT1549	1-A-3868	Oil	Otosan				
-0087	452213-0003	GT1549	1-A-3868	Oil	Otosan				
-0104	708867-0001	GT1544S	1-A-3737	Oil	Opel	Unknown	Unknown	1.7L	D
-0116	454082-0002	GT1544	1-A-2940	Oil	Audi	80 TDI	1995-	1.9L 14 90hp	D
-0116	454097-0002	GT1549	1-A-2940	Oil	Volkswagen	Passat TDI	1995-	1.9L 14 90hp	D
-0119	454172-0002	GT1544S	1-A-3738	Oil	Volkswagen	Golf Tdi	1997	1.9L	D
-0127	454093-0003	GT1544S	1-A-3739	Oil	BMW	318TDs	1999	1.9L	D
-0127	454093-0004	GT1544S	1-A-3739	Oil	BMW	318TDs	1999	1.9L	D
-0130	706120-0001	GT1544	1-A-3845	Oil	Volkswagen				
-0131	454171-0004	GT1549	1-A-3867	Oil	Peugeot	406	1998	1.9L	D
-0131	454171-0005	GT1549S	1-A-3867	Oil	Citroen	Xantia	1998	1.9L	D
-0131	454171-0005	GT1549S	1-A-3867	Oil	Peugeot	406	1998	1.9L	D
-0132	454176-0005	GT1549S	1-A-3866	Oil	Citroen	Xsara	1998	1.9L	D
-0132	454176-0005	GT1549S	1-A-3866	Oil	Citroen	ZX	1998	1.9L	D
-0132	454176-0005	GT1549S	1-A-3866	Oil	Peugeot	306	1998	1.9L	D
-0132	454176-0006	GT1549S	1-A-3866	Oil	Citroen			1.9L	D
-0132	454176-0006	GT1549S	1-A-3866	Oil	Peugeot			1.9L	D
-0143	703245-0001	GT1549	1-A-3864	Oil	Renault	Laguna dCi	2000	1.9L	D
-0143	703245-0001	GT1549	1-A-3864	Oil	Renault	Megane dCi	2000	1.9L	D
-0143	703245-0002	GT1549	1-A-3864	Oil	Renault	Megane dCi	2000	1.9L	D
-0143	717345-0001	GT1549	1-A-3864	Oil	Renault			1.9L	D
-0143	717345-0002	GT1549	1-A-3864	Oil	Renault	Laguna dCi	2002	1.9L	D
-0143	717345-0002	GT1549	1-A-3864	Oil	Renault	Megane dCi	2001	1.9L	D
-0143	717345-0002	GT1549	1-A-3864	Oil	Renault	Movano	2002	1.9L	D
-0143	717348-0001	GT1549	1-A-3864	Oil	Renault	Kangoo	2001	1.9L	D
-0143	717348-0001	GT1549	1-A-3864	Oil	Renault	Megane dCi	2001	1.9L	D
-0143	717348-0001	GT1549	1-A-3864	Oil	Volvo	S40	2001	1.9L	D
-0143	717348-0001	GT1549	1-A-3864	Oil	Volvo	V40	2001	1.9L	D
-0143	717348-0002	GT1549	1-A-3864	Oil	Renault	Kangoo	2001	1.9L	D
-0143	717348-0002	GT1549	1-A-3864	Oil	Renault	Megane dCi	2001	1.9L	D
-0242	751768-0001	GT1549S	1-A-3863	Oil	Renault	Laguna dCi	2004	1.9L	D



## CARTRIDGE/CHRA - Garrett

by Cartridge/CHRA Number

Cart/CHRA Part No	Turbo Part No	Turbo Model	TI Part No	Cooling	Manufacturer	Vehicle Model	Year	Engine	Fuel
<b>433289</b>									
-0242	751768-0001	GT1549S	1-A-3863	Oil	Renault	Megane dCi	2004	1.9L	D
-0242	751768-0001	GT1549S	1-A-3863	Oil	Renault	Scenic dCi	2004	1.9L	D
-0242	751768-0001	GT1549S	1-A-3863	Oil	Renault	Trafic dCi	2004	1.9L	D
<b>435796</b>									
-0015	454083-0001	GT1544	1-A-2165	Oil	Seat	Ibiza TDI,Cordoba TDI, Tole	1997-98	1.9L 14 90 hp	D
-0015	454083-0001	GT1544	1-A-2165	Oil	Skoda	Octavia	1997-98	1.9L 14 90 hp	D
-0015	454083-0001	GT1544	1-A-2165	Oil	Volkswagen	Golf Mk II TDI,Passat TDI,V	1994-97	1.9L 14 90hp	D
-0015	454097-0001	GT1544	1-A-2165	Oil	Audi	80 TDI,A4 TDI	1995-	1.9L 14 B5 90 hp	D
-0015	454097-0001	GT1544	1-A-2165	Oil	Volkswagen	Golf Synchro,Passat TDI	1995-	1.9L 14 90hp	D
-0015	454172-0001	GT1544	1-A-2165	Oil	Volkswagen	Golf Synchro	1996-	1.9L 14 90 hp	D
-0015	454172-0002	GT1544	1-A-2165	Oil	Volkswagen	Golf Synchro	1996-	1.9L 14 90hp	D
-0018	454065-0002	GT1544	1-A-2166	Oil	Seat	Toledo	1994	1.9L 14 75hp	D
-0018	454065-0002	GT1544	1-A-2166	Oil	Volkswagen	Golf,Passat	1994-	1.9L 14 75hp	D
-0018	454082-0001	GT1544	1-A-2166	Oil	Audi	80 TDI,A6 TDI	1994-95	1.9L 14 90 hp	D
-0018	454092-0001	GT1544	1-A-2166	Oil	Opel	Corsa TD		1.7L 17DTL	D
-0018	454092-0001	GT1544	1-A-2166	Oil	Vauxhall	Astra, Vectra	1995-98	1.7L 68 hp	D
-0020	454064-0001	GT1544	1-A-3740	Oil	Volkswagen	Transporter TD	1995	1.9L	D
-0020	454064-0002	GT1544	1-A-3740	Oil	Volkswagen	Unknown	Unknown	1.9L	D
-0021	454093-0001	GT1544	1-A-2569	Oil	BMW	318TDS	1995-	1.7L 14 M41D	D
<b>443853</b>									
-0019	466196-0001	TB0203	1-A-1043	Oil	Renault	R5,R5GT,R9,R11/Alliance,E	1985-87	1.4L 14/2.0L 14	G
-0019	466196-0002	TB0203	1-A-1043	Oil	Renault	R5,R5GT,R9,R11		1.4L 14 C1J 784	G
-0019	466506-0001	TB0214	1-A-1043	Oil	Renault	R5,R5GT	1984-86	1.4L 14 C1J 782	G
-0019	466506-0002	TB0214	1-A-1043	Oil	Renault	R5,R5GT	1984	1.4L 14 C1J 782	G
-0020	466196-0003	TB0203	1-A-2103	Water	Renault	R11	1986-87	1.4L 14 C1J 760	G
-0020	466196-0004	TB0203	1-A-2103	Water	Renault	R11 Coupe	1986-87	1.4L 14 C1J 760	G
-0022	454067-0001	TB0270	1-A-1045	Oil	Renault	R21,Espace	1993-96	2.1L 14 J8S786	D
-0022	466450-0001	TB0213	1-A-1045	Oil	Renault	Espace,R21,R25	1986-92	2.1L 14 J8S 814	D
-0022	466452-0001	TB0216	1-A-1045	Oil	Chrysler	Jeep Cherokee	1984-	2.0L 14 J8S 714	D/G
-0024	466506-0005	TB0214	1-A-1061	Water	Renault	R5GT	1986-87	1.4L 14 C1J 782	G
-0024	466506-0006	TB0214	1-A-1061	Water	Renault	C40 Sport,R5,R5GT	1986-87	1.4L 14 C1J 782	G
-0027	465367-0001	TB0235	1-A-2328	Water	Renault	R5 GTII	1987-90	1.4L 14 C1J 788	G
-0027	465367-0002	TB0235	1-A-2328	Water	Renault	R5 GTII	1987-90	1.4L 14 C1J 784	G
-0027	466196-0005	TB0203	1-A-2328	Water	Renault	R11	1986	1.4L 14 C1J ARG	G
-0027	466506-0007	TB0214	1-A-2328	Water	Renault	R5GT II,R9,R11	1987-88	1.4L 14 C1J 782	G
-0027	466506-0008	TB0214	1-A-2328	Water	Renault	C40 Sport,R5,R9,R11	1986-87	1.4L 14 C1J 782	G
-0029	465445-0001	TB2535	1-A-2624	Oil	Mercedes Benz	190D	1990-	2.5L 15 OM602A	D
-0030	452005-0001	TB0249	1-A-2105	Oil	Land Rover	Falcon,90/110 Turbo D	1988-89	2.5L 14	D
<b>443854</b>									
-0001	466534-0001	TB0218	1-A-2725	Oil	Volkswagen	Golf		1.6L	D
-0001	466534-0002	TB0218	1-A-2725	Oil	Volkswagen	Golf	1986-89	1.6L 14	D
-0002	466852-0001	TB2511	1-A-2320	Oil	Mercedes Benz	190D		2.5L 15	D
-0002	466880-0001	TB2510	1-A-2320	Oil	Mercedes Benz	250D	1987-	2.5L 15 OM602A	D
-0004	466534-0004	TB0218	1-A-1050	Water	Audi	80	1987-91	1.6L 14/2.0L 14	G
-0007	465265-0001	TB0232	1-A-2726	Oil	Fiat	Regata TD, Ritmo TD,Temp	1986-90	1.9L	D
-0007	465265-0001	TB0232	1-A-2726	Oil	Lancia	Delta TD/Prisma TD	1986-90	1.9L	D
-0009	466856-0001	TB0227	1-A-2665	Oil	Fiat	Uno TD	1986-88	1.4L M.709.AT.13.0	D
-0013	465343-0001	TB0234	1-A-2294	Oil	Citroen	BX	1987/90	1.7L 14 D XUD 7TE	D
-0014	466728-0001	TB0225	1-A-2326	Water	Lancia	Delta HF	1986-91	1.6L 8 valve 130 bhp	G
-0017	465557-0001	TB0245	1-A-2659	Water	Fiat	Tipo,Uno IE	1989-94	1.3L 115 bhp	G
-0019	465137-0001	TB0237	1-A-1038	Oil	Ford	Sierra TD,P100 Pick-up	1989	1.8 IDI	D
-0021	454088-0001	TB0271	1-A-2104	Oil	Peugeot	Tractor	Unknown	2.1L XUDIAT	D
-0021	465429-0001	TB0251	1-A-2104	Oil	Peugeot	605 TD	1990-95	2.1L D XUD11ATE 115hp	D
-0022	465165-0001	TB0238	1-A-2729	Oil	Ford	Transit	1988	2.5L 14 DI	D
-0025	465181-0001	TB2529	1-A-2293	Water	Saab	9000	1990-97	2.0L 14 B202E 16 valve	G
-0025	465181-0002	TB2529	1-A-2293	Water	Saab	9000	1990-97	2.0L 14 B202F 16 valve	G





## CARTRIDGE/CHRA - Garrett

by Cartridge/CHRA Number

Cart/CHRA Part No	Turbo Part No	Turbo Model	TI Part No	Cooling	Manufacturer	Vehicle Model	Year	Engine	Fuel
443854									
-0027	465265-0002	TB0232	1-A-2730	Oil	Fiat	Tempra, Tipo	1990-94	1.9L	D
-0028	466770-0005	TB0223	1-A-2295	Oil	Austin Rover	Maestro, Montego, Freight Ro	1987-94	2.0L 14 SOHC	D
-0028	466770-0006	TB0223	1-A-2295	Oil	Perkins	Marine		T4.20	D
-0029	452014-0005	TB0259	1-A-2325	Oil	Ford	Escort	1993-	1.8L	D
-0029	452063-0002	TB0273	1-A-2325	Oil	Ford	Mondeo TD	1993-	1.8L	D
-0029	452063-0003	TB0273	1-A-2325	Oil	Ford	Mondeo	1993-	1.8L	D
-0031	454087-0002	TB0277	1-A-2106	Water	Renault	R19 TD	1994-96	1.9L 14 F8Q 744	D
-0031	465465-0001	TB0255	1-A-2106	Water	Renault	R19 DT	1991-94	1.9L 14 F8Q 740	D
-0032	465187-0002	TB0250	1-A-2324	Water	Ford	Fiesta RS	1989-91	1.6L 14	G
-0033	465171-0002	TB0242	1-A-1060	Oil	Land Rover	90/110 Defender	1992-94	2.5L 14 Gemini	D
-0033	465175-0001	TB0243	1-A-1060	Oil	Land Rover	Discovery TDI, Range Rover	1990-94	2.5L 14	D
-0037	466534-0003	TB0218	1-A-2107	Water	Volkswagen	Golf	1986	1.6L 14/2.0L 14	D
-0037	466534-0005	TB0218	1-A-2107	Water	Volkswagen	Golf	1989-93	1.6L 14	D
-0040	465407-0001	TB0262	1-A-1063	Water	Volvo	440460480	1991-97	1.7L 14	G
-0040	465567-0001	TB0253	1-A-1063	Water	Volvo	440460480	1990-91	1.7L 14	G
-0040	466884-0001	TB0228	1-A-1063	Water	Volvo	440480	1988-90	1.7L 14	G
-0040	466884-0002	TB0228	1-A-1063	Water	Volvo	440480	1988-90	1.7L 14	G
-0046	465183-0006	TB2531	1-A-2108	Water	Saab	9000	1990-98	2.3L 16 valve 185hp	G
-0046	465183-0007	TB2531	1-A-2108	Water	Saab	9000	1993-98	2.3L 16 valve 175hp Cat.Con	G
-0047	454002-0101	TB0254	1-A-2735	Oil	Volkswagen	Transporter	1993-95	1.9L 14 75hp	D
-0047	465577-0001	TB0261	1-A-2735	Oil	Seat	Ibiza, Toledo	1993-94	1.9L 14 75hp	D
-0047	465577-0001	TB0261	1-A-2735	Oil	Volkswagen	Golf, Passat, Vento	1990-94	1.9L 14 75hp	D
-0055	452083-0001	TB2559	1-A-2330	Water	Saab	900, 9000	1994-99	2.0L 14 B204, 2.3L B234	G
-0055	465183-0008	TB2531	1-A-2330	Water	Saab	9000	1990-98	2.3L 16 valve 200hp	G
-0058	452048-0001	TB0257	1-A-2655	Oil	Perkins	Prima		504.2T	D
-0058	452074-0001	TB0275	1-A-2655	Oil	K H D	Diter		TD203-3	D
-0058	452074-0002	TB0275	1-A-2655	Oil	K H D	Diter		TD203-3	D
-0063	465247-0001	TB2513	1-A-2109	Oil	Citroen	C25	1986-87	2.5L 14 CRD93LS2	D
-0063	466888-0001	TB2508	1-A-2109	Oil	Citroen	CX25D Turbo II	1987-90	2.5L 14 CRD93LS2	D
-0073	465343-0002	TB0234	1-A-2737	Oil	Citroen	BX	1992-93	1.8L 14 XUD7TE	D
-0077	465407-0002	TB0262	1-A-2656	Water	Volvo	440460480	1991-97	1.7L 14	G
-0083	452044-0001	TB2548	1-A-3108	Oil	Perkins	Phaser		T4.40	
-0084	465199-0003	TB2555	1-A-2681	Water	Austin Rover	220, 420, 62, 820 16 valve	1992	2.0l 14 DOHC	G
-0084	465199-0004	TB2555	1-A-2681	Water	Volvo	Various		Various	G
-0085	454052-0001	TB0267	1-A-2323	Oil	Fiat	Ducato Van			D
-0085	454055-0001	TB0269	1-A-2323	Oil	Fiat	Tempra, Tipo Eco	1995-	1.9L M710HT.19	D
-0085	454055-0002	TB0269	1-A-2323	Oil	Fiat	Nuovo Ducato Van	1994-	1.9L M705 V6.19D	D
-0089	454055-0001	TB0269	1-A-3869	Oil	Fiat	Tempra	1994	1.9L	D
-0089	454055-0001	TB0269	1-A-3869	Oil	Fiat	Tipo	1994	1.9L	D
-0092	454001-0001	TB0268	1-A-2321	Oil	Audi	80 TDI	1991-94	1.9L 14 47DK14LK	D
-0093	452068-0001	TB2531	1-A-2594	Water	Saab	900	1994-99	2.0L B204	G
-0098	465489-0004	TB2534	1-A-2322	Oil	Renault	Messenger B110	1993-	2.5L 8140.27.2530	D
-0098	465489-0005	TB2534	1-A-2322	Oil	Renault	SOFIM		Various	D
-0098	465589-0002	TB2536	1-A-2322	Oil	S O F I M	Van(DAF)		8140.27.2600	D
-0098	465589-0003	TB2536	1-A-2322	Oil	S O F I M	Various		8140.27.2600	D
-0098	465589-0004	TB2536	1-A-2322	Oil	Iveco	RNUR Master		Various	D
-0098	466974-0005	TB2509	1-A-2322	Oil	Iveco	Daily TC	1992	2.5L	D
-0098	466974-0008	TB2509	1-A-2322	Oil	Iveco	Daily	1992-	2.5L 8140.47.2700	D
-0100	454027-0001	TB0265	1-A-2739	Oil	Citroen	ZX	1992-96	1.9L	D
-0101	466974-0006	TB2509	1-A-2740	Oil	Fiat	Daily	1992-	2.5L	D
-0104	454086-0001	TB0280	1-A-2741	Oil	Citroen	Evasion/Synergie	1995-	1.9L	D
-0104	454228-0001	TB0295	1-A-2741	Oil	Unknown	Unknown			D
-0110	452055-0004	T250-04	1-A-2327	Oil	Land Rover	90, 110, Defender, Discovery	1994-95	2.5L Gemini 3	D
-0110	452055-0005	T250-04	1-A-2327	Oil	Land Rover	Various			D
-0114	465575-0001	TB0264	1-A-2110	Oil	Citroen	BX/ZX	1992	1.9L	
-0114	465575-0002	TB0264	1-A-2110	Oil	Citroen	Various		XUD9	



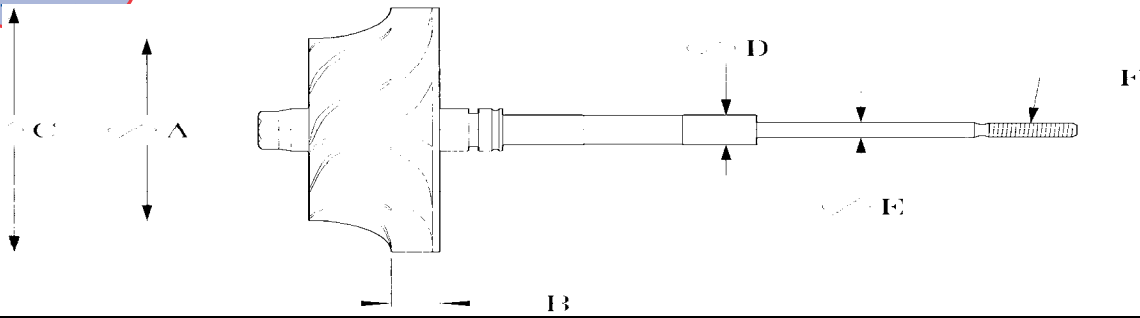
## CARTRIDGE/CHRA - Garrett

by Cartridge/CHRA Number

Cart/CHRA Part No	Turbo Part No	Turbo Model	TI Part No	Cooling	Manufacturer	Vehicle Model	Year	Engine	Fuel
<b>443854</b>									
-0119	466856-0002	TB0227	1-A-2571	Oil	Fiat	Uno TD	1988-94	1.4L M.709.BT.13.0	D
-0119	466856-0003	TB0227	1-A-2571	Oil	Fiat	Punto TDS	1994-	1.7L M.708.HT.17.D	D
-0119	466856-0004	TB0227	1-A-2571	Oil	Fiat	Punto DS	1994-	1.7L	D
-0123	454113-0001	TB02	1-A-3870	Oil	Citroen	806	1996	2.1L	D
-0123	454113-0001	TB02	1-A-3870	Oil	Citroen	Evasion	1996	2.1L	D
-0123	454113-0001	TB02	1-A-3870	Oil	Citroen	Ulysse	1996	2.1L	D
-0128	454067-0002	TB0270	1-A-2742	Oil	Renault	Espace	1993-95	2.0L 14 J8S786	D
-0147	454131-0002	TB0289	1-A-2727	Oil	Citroen	Xantia	1996	1.9L	D
-0147	454131-0003	TB0289	1-A-2727	Oil	Citroen	Xantia	1996-	1.9L:	D
<b>444321</b>									
-0009	465723-0004	TB2520	1-A-3207	Water	Nissan	Various			



## MAJOR COMPONENT - Garrett - Turbine Wheel



OEM Part no.	TI Part no.	Turbo Model/ Application	Exducer "OA"	Tip Height "B"	Inducer "OC"	Journal "OD"	Stem "OE"	Trim/No. of blades	Shaft thread "F"	
432620-0002	2-A-3252	TD25O2	1.642	0.252	2.088	0.362	0.236	62 trim/11	M6 X 1.0-3G LH	ins.
			41.71	6.40	53.04	9.19	6.00			mms.
435243-0001	2-A-1074	TBO2/T250	1.394	0.300	1.860	0.362	0.236	57 trim/11	M6 X 1.0-3G LH	ins.
			35.41	7.62	47.24	9.19	6.00			mms.
435243-0002	2-A-1071	TBO2	1.394	0.300	1.860	0.362	0.236	56 trim/11	M6 X 1.0-3G LH	ins.
			35.25	7.62	47.00	9.19	6.00			mms.
435243-0004	2-A-2346	TBO2	1.400	0.300	1.852	0.362	0.236	57 trim/11	M6 X 1.0-3G LH	ins.
			35.56	7.62	47.04	9.19	6.00			mms.
435243-0005	2-A-1285	TBO2	1.394	0.300	1.860	0.362	0.236	57 trim/11	M6 X 1.0-3G LH	ins.
			35.41	7.62	47.24	9.19	6.00			mms.
435243-0006	2-A-2335	TBO2	1.320	0.255	1.850	0.362	0.236	51 trim/11	M6 X 1.0-3G LH	ins.
			33.50	6.48	47.00	9.19	6.00			mms.
435257-0001	2-A-3321	TA25/TB25/TD25 TD27/T250	1.642	0.252	2.088	0.362	0.236	62 trim/11	M6 X 1.0-3G LH	ins.
			41.71	6.40	53.04	9.19	6.00			mms.
435257-0003	2-A-2338	TB25	1.550	0.220	2.080	0.362	0.236	55 trim/11	M6 X 1.0-3G LH	ins.
			39.37	5.59	52.83	9.19	6.00			mms.
435257-0004	2-A-2623	TB25	1.642	0.252	2.088	0.362	0.236	62 trim/11	M6 X 1.0-3G LH	ins.
			41.71	6.40	53.04	9.19	6.00			mms.
435257-0005	2-A-1862	TB25	1.550	0.226	2.090	0.362	0.236	54 trim/11	M6 X 1.0-3G LH	ins.
			39.00	5.74	53.00	9.19	6.00			mms.
435259-0001	2-A-1051	TBO2	1.397	0.300	1.855	0.362	0.236	57 trim/11	M6 X 1.0-3G LH	ins.
			35.48	7.62	47.12	9.19	6.00			mms.
435354-0009	2-A-2507	TBO2/TB25	1.520	0.349	2.087	0.362	0.236	68 trim/11	M6 X 1.0-3G LH	ins.
			38.96	8.86	47.09	9.19	6.00			mms.
435368-0003	2-A-1863	TBO251/TBO271	1.534	0.214	1.854	0.362	0.236	68 trim/11	M6 X 1.0-3G LH	ins.
			38.96	5.44	47.09	9.19	6.00			mms.
435368-0007	2-A-2337	TB22	1.531	0.214	1.854	0.362	0.236	65 trim/11	M6 X 1.0-3G LH	ins.
			38.89	5.44	47.09	9.19	6.00			mms.
435737-0001	2-A-1884	TBO2	1.397	0.300	1.855	0.362	0.236	57 trim/11	M6 X 1.0-3G LH	ins.
			35.48	7.62	47.12	9.19	6.00			mms.
435737-0002	2-A-3449	TBO2/GT25V	1.520	0.309	1.850	0.362	0.236	9	M6 X 1.0-3G LH	ins.
			38.61	7.85	46.99	9.19	6.00			mms.
435737-0004	2-A-3448	TB25	1.550	0.220	2.080	0.362	0.236	55 trim/11	M6 X 1.0-3G LH	ins.
			39.37	5.59	52.83	9.19	6.00			mms.
435737-0005	2-A-2369	TB25	1.644	0.253	2.076	0.362	0.236	62 trim/11	M6 X 1.0-3G LH	ins.
			41.76	6.43	52.73	9.19	6.00			mms.
435737-0006	2-A-3446	TB25	1.397	0.300	1.855	0.362	0.236	57 trim/11	M6 X 1.0-3G LH	ins.
			35.48	7.62	47.12	9.19	6.00			mms.



MAJOR COMPONENT - Garrett - Turbine Wheel cont'd

OEM Part no.	TI Part no.	Turbo Model/ Application	Exducer "OA"	Tip Height "B"	Inducer "OC"	Journal "OD"	Stem "OE"	Trim/No. of blades	Shaft thread "F"	
435737-0010	2-A-3468	TB28	1.849	0.365	2.119	0.362	0.236	9	M6 X 1.0-3G LH	ins.
			46.96	9.27	53.82	9.19	5.99			mms.
435737-0020	2-A-3447	TBO2	1.397	0.300	1.855	0.362	0.236	57 trim/11	M6 X 1.0-3G LH	ins.
			35.48	7.62	47.12	9.19	6.00			mms.
435922-0003	2-A-2508	TB2566	1.612	0.260	1.852	0.362	0.236	76 trim/11	M6 X 1.0-3G LH	ins.
			41.00	6.60	47.00	9.19	6.00			mms.
435922-0016	2-A-3342	TB2566	1.848	0.282	2.084	0.362	0.236	76 trim/11	M6 X 1.0-3G LH	ins.
			46.94	7.16	52.93	9.19	6.00			mms.
409646-0051	2-A-0296	T3	1.802	0.391	2.324	0.400	0.250	60 trim/11	1/4-28 UNF RH	ins.
			45.77	9.93	59.03	10.16	6.35			mms.
451310-0001	2-A-1889	T3	1.822	0.365	2.558	0.400	0.250	51 trim/11	1/4-28 UNF LH	ins.
			46.28	9.27	64.97	10.16	6.35			mms.
451310-0003	2-A-1890	T3	1.934	0.411	2.558	0.400	0.250	57 trim/11	1/4-28 UNF LH	ins.
			49.12	10.44	64.97	10.16	6.35			mms.
451310-0005	2-A-2528	T3	1.934	0.423	2.558	0.400	0.250	57 trim/11	1/4-28 UNF LH	ins.
			49.12	10.74	64.97	10.16	6.35			mms.
451310-0006	2-A-1891	T3	1.938	0.416	2.558	0.400	0.250	57 trim/11	1/4-28 UNF LH	ins.
			49.23	10.57	64.97	10.16	6.35			mms.
451311-0003	2-A-1892	T3	1.914	0.450	2.322	0.400	0.250	68 trim/11	1/4-28 UNF LH	ins.
			48.62	11.43	58.98	10.16	6.35			mms.
451311-0013	2-A-1893	T3	1.894	0.446	2.336	0.400	0.250	66 trim/11	1/4-28 UNF LH	ins.
			48.11	11.33	59.33	10.16	6.35			mms.
451311-0014	2-A-1894	T3	1.914	0.450	2.322	0.400	0.250	68 trim/11	1/4-28 UNF LH	ins.
			48.62	11.43	58.98	10.16	6.35			mms.
451314-0002	2-A-2617	TA34	2.120	0.374	2.558	0.400	0.250	69 trim/11	1/4-28 UNF LH	ins.
			53.85	9.50	64.97	10.16	6.35			mms.
451314-0003	2-A-2048	TA3/TA34	2.223	0.366	2.558	0.400	0.250	76 trim/11	1/4-28 UNF LH	ins.
			56.46	9.30	64.97	10.16	6.35			mms.
433257-0010	2-A-3254	GT15V/GT1749V	1.418	0.284	1.693	0.310	0.200	9	M5 X 0.8-3G LH	ins.
			36.02	7.21	43.00	7.87	5.08			mms.
433290-0004	2-A-3830	GT15	1.268	0.233	1.665	0.310	0.200	59 trim/10	M5 X 0.8-3G LH	ins.
			32.20	5.92	42.00	7.87	5.00			mms.
433290-0042	2-A-2175	GT15	1.268	0.233	1.665	0.310	0.200	59 trim/10	M5 X 0.8-3G LH	ins.
			32.20	5.92	42.00	7.87	5.00			mms.
433298-0030	2-A-3508	GT15	1.378	0.280	1.634	0.310	0.200	72 trim/9	M5 X 0.8-3G LH	ins.
			34.75	7.11	41.00	7.87	5.00			mms.
433298-0032	2-A-2176	GT15	1.338	0.284	1.634	0.310	0.200	67 trim/9	M5 X 0.8-3G LH	ins.
			33.99	7.21	41.00	7.87	5.08			mms.
434533-0002	2-A-3829	GT15V/GT1749V	1.418	0.221	1.693	0.310	0.200	9	M5 X 0.8-3G LH	ins.
			36.02	5.61	43.00	7.87	5.08			mms.
434533-0006	2-A-3255	GT1749V	1.476	0.242	1.693	0.310	0.200	9	M5 X 0.8-3G LH	ins.
			37.49	6.15	43.00	7.87	5.08			mms.
434533-0007	2-A-3576	GT15/GT127V	1.418	0.284	1.693	0.310	0.200	9	M5 X 0.8-3G LH	ins.
			36.02	7.21	43.00	7.87	5.08			mms.
434533-0009	2-A-3257	GT1749V	1.418	0.284	1.693	0.310	0.200	9	M5 X 0.8-3G LH	ins.
			36.02	7.21	43.00	7.87	5.08			mms.

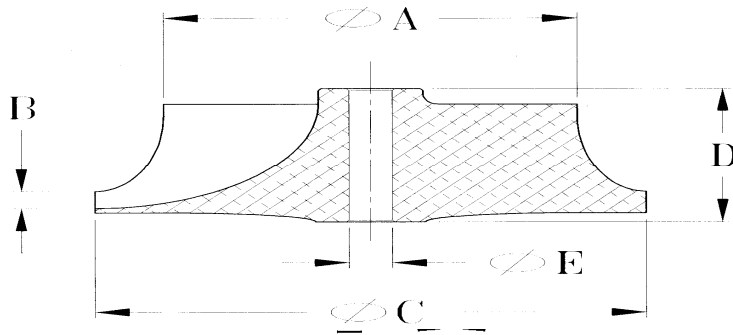


MAJOR COMPONENT - Garrett - Turbine Wheel cont'd

OEM Part no.	TI Part no.	Turbo Model/ Application	Exducer "OA"	Tip Height "B"	Inducer "OC"	Journal "OD"	Stem "OE"	Trim/No. of blades	Shaft thread "F"	
434533-0012	2-A-3831	GT1749V	1.476	0.242	1.693	0.310	0.200	9	M5 X 0.8-3G LH	ins.
			37.49	6.15	43.00	7.87	5.08			mms.
434533-0035	2-A-3258	GT1749V	1.334	0.284	1.625	0.310	0.200	9	M5 X 0.8-3G LH	ins.
			33.88	7.21	41.28	7.87	5.08			mms.
434707-0001	2-A-3583	GT22V	1.614	0.339	1.850	0.310	0.200	9	M5 X 0.8-3G LH	ins.
			41.00	8.61	46.99	7.87	5.08			mms.
434713-0001	2-A-3833	GT15	1.378	0.280	1.634	0.310	0.200	72 trim/9	M5 X 0.8-3G LH	ins.
			34.75	7.11	41.00	7.87	5.00			mms.
434713-0007	2-A-3320	GT15	1.338	0.284	1.634	0.310	0.200	67 trim/9	M5 X 0.8-3G LH	ins.
			33.99	7.21	41.00	7.87	5.08			mms.
434714-0003	2-A-3260	GT1749LS	1.476	0.290	1.754	0.310	0.200	9	M5 X 0.8-3G LH	ins.
			37.49	7.37	44.55	7.87	5.08			mms.
434714-0009	2-A-3861	GT1752	1.476	0.296	1.740	0.310	0.200	9	M5 X 0.8-3G LH	ins.
			37.49	7.52	44.20	7.87	5.08			mms.
434714-0019	2-A-3754	GT1752	1.476	0.296	1.740	0.310	0.200	9	M5 X 0.8-3G LH	ins.
			37.49	7.52	44.20	7.87	5.08			mms.
434717-0028	2-A-3782	GT25V	1.804	0.35	1.968	0.31	0.20	9	M5 X 0.8-3G LH	ins.
			45.82	8.84	49.99	7.87	5.08			mms.
434717-0033	2-A-3832	GT2556V	1.804	0.348	1.968	0.310	0.200	9	M5 X 0.8-3G LH	ins.
			45.82	8.84	49.99	7.87	5.08			mms.
434882-0005	2-A-3695	GT22V	1.681	0.323	1.968	0.310	0.200	9	M5 X 0.8-3G LH	ins.
			42.70	8.20	49.99	7.87	5.08			mms.
435737-0002	2-A-3449	GT25V	1.520	0.309	1.850	0.362	0.236	9	M6 X 1.0 3G LH	ins.
			38.61	7.85	46.99	9.19	6.00			mms.
448941-0007	2-A-3582	GT25V	1.614	0.287	1.850	0.362	0.236	9	M6 X 1.0 3G LH	ins.
			41.00	7.29	46.99	9.19	5.99			mms.
448941-0008	2-A-3265	GT2503V	1.520	0.309	1.850	0.362	0.236	9	M6 X 1.0 3G LH	ins.
			38.61	7.85	46.99	9.19	5.99			mms.
704580-0004	2-A-3344	GT15	1.568	0.330	1.745	0.310	0.200	9	M5 X 0.8-3G LH	ins.
			39.83	8.38	44.32	7.87	5.08			mms.
740244-0001	2-A-3266	GT2556V	1.804	0.348	1.968	0.310	0.200	9	M5 X 0.8-3G LH	ins.
			45.82	8.84	49.99	7.87	5.08			mms.
<i>Fits turbos 703672/3-0001/2</i>	2-A-3346	GT1749V	1.476	0.242	1.693	0.310	0.200	9	M5 X 0.8-3G LH	ins.
			37.49	6.15	43.00	7.87	5.08			mms.
408942-0014	2-A-3166	TV78/TV81	3.824	0.624	4.404	0.625	0.375	11	3/8-24 UNC RH	ins.
			97.13	15.85	111.86	15.88	9.53			mms.
408942-0016	2-A-3167	TV81	3.454	0.549	4.404	0.625	0.375	11	3/8-24 UNC RH	ins.
			87.73	13.94	111.86	15.88	9.53			mms.
408942-0021	2-A-3712	TV81	3.824	0.624	4.404	0.625	0.375	11	3/8-24 UNC RH	ins.
			97.13	15.85	111.86	15.88	9.53			mms.
408942-0022	2-A-3741	TV81	3.454	0.552	4.386	0.625	0.375	11	3/8-24 UNC RH	ins.
			87.73	14.02	111.40	15.88	9.53			mms.
408942-0023	2-A-3456	TV	3.454	0.552	4.386	0.625	0.375	11	3/8-24 UNC RH	ins.
			87.73	14.02	111.40	15.88	9.53			mms.
442479-0002	2-A-3168	TV81	3.654	0.594	4.129	0.625	0.375	11	3/8-24 UNC RH	ins.
			92.81	15.09	104.88	15.88	9.53			mms.



## MAJOR COMPONENT - Garrett - Compressor Wheel



OEM Part no.	TI Part no.	Turbo Model/ Application	Inducer "OA"	Tip height "B"	Exducer "OC"	Hub Length "D"	Bore "OE"	Trim/ No. of blades	
410450-0011	3-A-1077	TBO2	1.333	0.150	1.891	0.970	0.236	50 trim/6-6	ins.
			33.86	3.81	48.03	24.64	5.99		mms.
410450-0012	3-A-1075	TBO2	1.267	0.132	1.891	0.970	0.236	45 trim/6-6	ins.
			32.18	3.35	48.03	24.64	5.99		mms.
410450-0013	3-A-1463	TBO2	1.402	0.167	1.891	0.970	0.236	55 trim/6-6	ins.
			35.61	4.24	48.03	24.64	5.99		mms.
410450-0014	3-A-1079	TBO2	1.466	0.182	1.891	0.970	0.236	60 trim/ 6-6	ins.
			37.24	4.62	48.03	24.64	5.99		mms.
431350-0002	3-A-1336	TB25	1.502	0.197	2.025	0.970	0.236	55 trim/6-6	ins.
			38.15	5.00	51.44	24.64	5.99		mms.
431350-0005	3-A-1336	TB25	1.502	0.197	2.025	0.970	0.236	60 trim/ 6-6	ins.
			38.15	5.00	51.44	24.64	5.99		mms.
431350-0015	3-A-1053	TB25	1.566	0.209	2.025	0.970	0.236	60 trim/6-6	ins.
			39.78	5.31	51.44	24.64	5.99		mms.
431350-0016	3-A-1336	TB25	1.502	0.197	2.025	0.970	0.236	55 trim/6-6	ins.
			38.15	5.00	51.44	24.64	5.99		mms.
431350-0017	3-A-1876	TA25/TB25/TD25	1.430	0.181	2.025	0.965	0.236	50 trim/6-6	ins.
			36.32	4.60	51.44	24.51	5.99		mms.
431350-0019	3-A-2223	TBO2	1.430	0.181	2.030	0.965	0.236	50 trim/6-6	ins.
			36.32	4.60	51.56	24.51	5.99		mms.
432348-0003	3-A-3206	TB2520	1.692	0.194	2.025	1.013	0.236	6/6	ins.
			42.98	4.93	51.44	25.73	5.99		mms.
445346-0001	3-A-3469	TB28	1.829	0.202	2.366	0.965	0.236	6/6	ins.
			46.46	5.13	60.10	24.51	5.99		mms.
445346-0007	3-A-3524	TB28	1.858	0.171	2.366	0.965	0.236	62 trim 6/6	ins.
			47.19	4.34	60.10	24.51	5.99		mms.
445347-0003	3-A-2567	TB25	1.660	0.172	2.142	0.970	0.236	60 trim/ 6-6	ins.
			42.16	4.37	54.41	24.64	5.99		mms.
445347-0018	3-A-3441	T250-1	1.588	0.159	2.142	0.965	0.236	6/6	ins.
			40.34	4.04	54.41	24.51	5.99		mms.
446335-0009	3-A-2340	TB25/T250-04	1.502	0.187	2.115	0.970	0.236	50 trim/5-5	ins.
			38.15	4.75	53.72	24.64	5.99		mms.
446335-0010	3-A-2316	TB25	1.648	0.190	2.115	0.970	0.236	61 trim/5-5	ins.
			41.86	4.83	53.72	24.64	5.99		mms.
446335-0012	3-A-3222	TB25/TD27/T250	1.502	0.138	2.115	0.970	0.236	5/5	ins.
			38.15	3.51	53.72	24.64	5.99		mms.
447449-0008	3-A-3575	TB25	1.522	0.189	2.054	0.970	0.236	55 trim/6-6	ins.
			38.66	4.80	52.17	24.64	5.99		mms.
447449-0011	3-A-2355	TB2566	1.522	0.189	2.054	0.970	0.236	55 trim/6-6	ins.
			38.66	4.80	52.17	24.64	5.99		mms.



MAJOR COMPONENT - Garrett - Compressor Wheel cont'd

OEM Part no.	TI Part no.	Turbo Model/ Application	Inducer "OA"	Tip height "B"	Exducer "OC"	Hub Length "D"	Bore "OE"	Trim/ No. of blades	
409096-0008	3-A-0278	T3	1.595	0.165	2.366	1.260	0.250	45 trim/6-6	ins.
			40.51	4.19	60.10	32.00	6.35		mms.
409096-0009	3-A-0279	T3	1.756	2.040	2.366	1.260	0.250	55 trim/ 6-6	ins.
			44.60	51.82	60.10	32.00	6.35		mms.
409096-0011	3-A-0281	T3	1.485	0.131	2.366	1.260	0.250	40 trim/ 6-6	ins.
			37.72	3.33	60.10	32.00	6.35		mms.
409096-0013	3-A-0277	T3	1.829	0.202	2.366	1.260	0.250	60 trim/ 6-6	ins.
			46.46	5.13	60.10	32.00	6.35		mms.
409096-0014	3-A-0283	T3	1.674	0.162	2.366	1.260	0.250	50 trim/ 6-6	ins.
			42.52	4.11	60.10	32.00	6.35		mms.
433246-0003	3-A-2177	GT1544	1.296	0.128	1.732	0.800	0.200	56 trim/6-6	ins.
			32.92	3.25	43.99	20.32	5.08		mms.
433256-0001	3-A-2178	GT1549	1.366	0.175	1.932	0.875	0.200	48 trim/6-6	ins.
			34.70	4.45	49.07	22.23	5.08		mms.
433287-0002	3-A-2179	GT1544	1.250	0.133	1.732	0.875	0.200	52 trim/6-6	ins.
			31.75	3.38	43.99	22.23	5.08		mms.
433287-0004	3-A-2180	GT1544	1.300	0.149	1.732	0.876	0.200	56 trim/6-6	ins.
			33.02	3.78	43.99	22.25	5.08		mms.
433287-0009	3-A-2181	GT1544	1.294	0.138	1.732	0.875	0.200	56 trim/6-6	ins.
			32.87	3.51	43.99	22.23	5.08		mms.
434812-0001	3-A-3267	GT15V/GT1749V	1.300	0.120	1.929	0.876	0.200	6/6	ins.
			33.02	3.05	49.00	22.25	5.08		mms.
436131-0001	3-A-3704	GT2052V	1.583	0.174	2.047	1.027	0.200	6/6	ins.
			40.21	4.42	51.99	26.09	5.08		mms.
436131-0002	3-A-3269	GT2052V	1.520	0.164	2.047	1.027	0.200	6/6	ins.
			38.61	4.17	51.99	26.09	5.08		mms.
436131-0003	3-A-3270	GT2052V	1.448	0.149	2.047	1.027	0.200	6/6	ins.
			36.78	3.78	51.99	26.09	5.08		mms.
436131-0021	3-A-3351	GT1852V	1.448	0.149	2.047	1.027	0.200	6/6	ins.
			36.78	3.78	51.99	26.09	5.08		mms.
436132-0001	3-A-3323	GT15	1.448	0.162	1.929	0.976	0.200	6/6	ins.
			36.78	4.11	49.00	24.79	5.08		mms.
436132-0002	3-A-3219	GT15	1.432	0.154	1.929	0.976	0.200	6/6	ins.
			36.37	3.91	49.00	24.79	5.08		mms.
436132-0003	3-A-3271	GT1549V	1.365	0.139	1.929	0.976	0.200	6/6	ins.
			34.67	3.53	49.00	24.79	5.08		mms.
436133-0002	3-A-2183	GT1544	1.284	0.136	1.732	0.892	0.200	56 trim/6-6	ins.
			32.61	3.45	43.99	22.66	5.08		mms.
436320-0001	3-A-3272	GT1749LS	1.488	0.131	1.929	0.976	0.200	6/6	ins.
			37.80	3.33	49.00	24.79	5.08		mms.
436336-0019	3-A-3694	GT22V	1.558	0.120	2.205	1.216	0.200	6/6	ins.
			39.57	3.05	56.01	30.89	5.08		mms.
701374-0001	3-A-3783	GT25V	1.64	0.17	2.21	1.15	0.20	6/6	ins.
			41.55	4.39	56.01	29.31	5.08		mms.
701374-0006	3-A-3274	GT2556V	1.636	0.173	2.205	1.154	0.200	6/6	ins.
			41.55	4.39	56.01	29.31	5.08		mms.
702489-0002	3-A-3275	GT1749V	1.365	0.107	1.929	0.976	0.200	6/6	ins.
			34.67	2.72	49.00	24.79	5.08		mms.
702489-0009	3-A-3276	GT1749V	1.365	0.107	1.929	0.976	0.200	6/6	ins.
			34.67	2.72	49.00	24.79	5.08		mms.
703925-0002	3-A-3352	GT17	1.432	0.154	1.929	0.976	0.200	6/6	ins.
			36.37	3.91	49.00	24.79	5.08		mms.
703925-0003	3-A-3637	GT1549V	1.354	0.139	1.929	0.976	0.200	6/6	ins.
			34.39	3.53	49.00	24.79	5.08		mms.
707747-0005	3-A-3278	GT25V/TD2503	1.560	0.124	2.205	1.027	0.236	6/6	ins.
			39.62	3.15	56.01	26.09	5.99		mms.



## MAJOR COMPONENT - Garrett - Compressor Wheel cont'd

OEM Part no.	TI Part no.	Turbo Model/ Application	Inducer "OA"	Tip height "B"	Exducer "OC"	Hub Length "D"	Bore "OE"	Trim/ No. of blades	
408463-0006	3-A-3162	TV81	2.994	0.266	4.250	1.746	0.374	6/6	ins.
			76.05	6.76	107.95	44.35	9.50		mms.
408463-0002	3-A-3169	TV81	3.050	0.351	4.250	1.746	0.374	6/6	ins.
			77.47	8.92	107.95	44.35	9.50		mms.
408463-0004	3-A-3170	TV81	3.360	0.443	4.250	1.746	0.374	6/6	ins.
			85.34	11.25	107.95	44.35	9.50		mms.
409132-0001	3-A-3171	TV81	2.996	0.271	4.250	2.028	0.374	6/6	ins.
			76.10	6.88	107.95	51.51	9.50		mms.
409132-0002	3-A-3172	TV81	3.360	0.401	4.250	2.028	0.374	6/6	ins.
			85.34	10.19	107.95	51.51	9.50		mms.
409132-0004	3-A-3173	TV81	2.858	0.302	4.250	2.028	0.374	6/6	ins.
			72.59	7.67	107.95	51.51	9.50		mms.
441829-0003	3-A-3339	TV81	2.856	0.276	4.033	1.973	0.374	6/6	ins.
			72.54	7.01	102.44	50.11	9.50		mms.
442829-0002	3-A-3340	TV81	3.021	0.310	4.033	1.973	0.374	6/6	ins.
			76.73	7.87	102.44	50.11	9.50		mms.

## MAJOR COMPONENT - Garrett - Bearing Housing

OEM Part no.	TI Part no.	Turbo Model/ Application	Oil		Outlet Flange Holes	Water Ports	Design features	cooling/ bearing type
			Inlet	Outlet				
430936-0008	4-A-1086	TBO2	7/16-24UNS	7/8-18UNS	n/a	n/a	Straight Inlet Hole	oil
			inverted flare					Angled brg. feed
431236-0009	4-A-1084	TBO2/TB25	7/16-24UNS	7/8-18UNS	n/a	M14X1.5	Straight Inlet Hole	water
			inverted flare					Angled brg. feed
431527-0002	4-A-1885	TBO2	M12X1.5	13.5mm bore	M8X1.25	n/a	Straight Inlet Hole	oil
								Angled brg. feed
432257-0009	4-A-1088	TBO2	7/16-24UNS	7/8-18UNS		n/a	Straight Inlet Hole	oil
			inverted flare					Angled brg. feed
432351-0009	4-A-1082	TBO210	7/16X24UNS	7/8-18UNS	n/a	M14X1.5	Straight Inlet Hole	water
			inverted flare					Angled brg. feed
432351-0011	4-A-2339	TB25	7/16X24UNS	13.5mm bore	M8X1.25	M14X1.5	Straight Inlet Hole	water
			inverted flare					Angled brg. feed
432351-0024	4-A-3714	TB25	M12X1.5	13.5mm bore	M8X1.25	M14X1.5	Straight Inlet Hole	water
								Angled brg. feed
435349-0005	4-A-1848	TB25	1/2X20 UNF	7/8-18UNS	n/a		Straight Inlet Hole	oil
			inverted flare		Angled brg. feed	wide		
435349-0007	4-A-1849	T2	M12X1.5	13.5mm bore	M8X1.25	n/a	Straight Inlet Hole	oil
								Angled brg. feed
435349-0018	4-A-2336	TB25	M12X1.5	M16 X 1.5	n/a	n/a	Straight Inlet Hole	oil
								Angled brg. feed
435350-0001	4-A-1850	TBO249	M12X1.5	7/8-18UNS	n/a	n/a	Straight Inlet Hole	oil
			inverted flare					Angled brg. feed
435350-0002	4-A-1092	TBO242/ TBO243	M12X1.5	7/8-18UNS	n/a	n/a	Straight Inlet Hole	oil
			inverted flare					Angled brg. feed
435350-0003	4-A-2334	TBO2	M12X1.5	M16 X 1.5	n/a	n/a	Straight Inlet Hole	oil
								Angled brg. feed
435350-0006	4-A-2329	T250-04	M12X1.5	13.5mm bore	M8X1.25	n/a	Straight Inlet Hole	oil
								Angled brg. feed
435350-0007	4-A-2333	TBO2	M12X1.5	13.5mm bore	M8X1.25	n/a	Straight Inlet Hole	oil
								Angled brg. feed
435350-0014	4-A-1887	TBO2	M12X1.5	13.5mm bore	M8X1.25	n/a	Straight Inlet Hole	oil
								Angled brg. feed
443941-0001	4-A-1090	TBO2	7/16-24UNS	7/8 - 18UNS	n/a	M14 X 1.5	Straight Inlet Hole	water
			inverted flare					Angled brg. feed
443941-0015	4-A-1886	TBO2	7/16-24UNS	7/8 - 18UNS	n/a	n/a	Straight Inlet Hole	oil
			inverted flare					Angled brg. feed





MAJOR COMPONENT - Garrett - Bearing Housing cont'd

OEM Part no.	TI Part no.	Turbo Model/ Application	Oil		Outlet Flange Holes	Water Ports	Design features	cooling/ bearing type
			Inlet	Outlet				
444226-0005	4-A-1093	TBO214	7/16 - 24UNS inverted flare	7/8 X 18UNS	n/a	M14X1.5	Straight Inlet Hole Angled brg. feed	water wide
444226-0009	4-A-1860	TBO2	1/2" x 20UNF inverted flare	7/8 X 18UNS	n/a	M14X1.5	Straight Inlet Hole Angled brg. feed	water wide
444357-0015	4-A-1851	TBO255/ TBO277	1/2" x 20UNF inverted flare	7/8 X 18UNS	n/a	M14X1.5	Angled Inlet Hole Angled brg. feed	water wide
444360-0003	4-A-1087	TBO250/ TBO262	M12 x 1.5	13.5mm bore	M8X1.25	M14X1.5	Straight Inlet Hole Angled brg. feed	water narrow
444360-0009	4-A-1085	TBO245	M10 x 1.0	13.5mm bore	M8X1.25	M14X1.5	Straight Inlet Hole Angled brg. feed	water narrow
444360-0010	4-A-1852	TB2529/ TB2531	M12 x 1.5	13.5mm bore	M8X1.25	M14X1.5	Straight Inlet Hole Angled brg. feed	water wide
444360-0011	4-A-1094	TBO228/ TBO262	M12 x 1.5	M16 X 1.5	M8X1.25	M14X1.5	Straight Inlet Hole Angled brg. feed	water narrow
444360-0012	4-A-2593	TB2531/ TB2555	M12 x 1.5	13.5mm bore	M8X1.25	M14X1.5	Straight Inlet Hole Angled brg. feed	water wide
444360-0013	4-A-2315	TB2531/ TB2559	M12 x 1.5	13.5mm bore	M8X1.25	M14x1.5	Straight Inlet Hole Angled brg. feed	water wide
444426-0002	4-A-2314	TBO232/ TBO234	M12 x 1.5 inverted flare	7/8 X 18UNS	n/a	n/a	Straight Inlet Hole Angled brg. feed	oil narrow
446848-0001	4-A-2622	TB25	7/16-24UNS inverted flare	13.5mm bore	M8X1.25	M14X1.5	Straight Inlet Hole Angled brg. feed	water narrow
446931-0009	4-A-2615	TB2566	7/16-24UNS inverted flare	13.5mm bore	M8X1.25	M14X1.5	Straight Inlet Hole Angled brg. feed	water wide
479802-0002	4-A-1081	TBO2	7/16-24UNS inverted flare	13.5mm bore	M8X1.25	M14X1.5	Straight Inlet Hole Angled brg. feed	water narrow
479807-0002	4-A-2461	TB25	1/2" x 20UNF inverted flare	13.5mm bore	M8X1.25	M14X1.5	Straight Inlet Hole Angled brg. feed	water wide
479807-0012	4-A-3466	TB28	1/2" x 20UNS inverted flare	0.531" bore 13.5mm bore	M6X1.00	M14X1.5	Straight Inlet Hole Angled brg. feed	water wide
430027-0020	4-A-3322	T3	1/4-18 NPT	AS CAST	M8X1.25	n/a		oil
430027-0021	4-A-2047	T3/T4	1/4-18 NPT	AS CAST	3/8-16UNC	n/a		oil
430027-0025	4-A-0323	T3/T4	1/8-27 NPT	AS CAST	M8X1.25	n/a		oil
430027-0036	4-A-0823	T3/T4	1/8-27 NPT	AS CAST	M8X1.25	M16X1.5		water
430027-0039	4-A-1214	T3	1/8-27 NPT	AS CAST	M8X1.25	M18X1.5		water
430027-0048	4-A-1333	T3/T4	0.375" 9.53mm	AS CAST	M8X1.25	n/a		oil
430027-0050	4-A-1776	T3/T4	1/8-27 NPT	AS CAST	M8X1.25	3/8-18NPT		water
430027-0051	4-A-1331	T4	0.380 9.650	AS CAST	3/8-16UNC	n/a		oil
430027-0055	4-A-1115	T3	1/8-27 NPT	AS CAST	M8X1.25	M16X1.5		water
430027-0059	4-A-0946	T3	M12X1.5	AS CAST	M8X1.25	M16X1.5		water
433275-0002	4-A-2172	GT15	M10X1.0	12.2mm bore	M6X1.0	n/a	Straight Inlet Hole Angled brg. feed	oil N/A
433275-0005	4-A-3715	GT15	M12X1.5	12.2mm bore	M6X1.0	n/a	Straight Inlet Hole Angled brg. feed	oil N/A
435793-0010	4-A-2173	GT1544	M8X1.25	15.3mm bore	M6X1.0	n/a	Straight Inlet Hole Angled brg. feed	oil N/A
479802-0004	4-A-3147	GT25/TB19	7/16" - 24 UNS inverted flare	0.531 bore	M8 x 1.25	m14 x 1.5	Straight Inlet Hole Angled brg. feed	water narrow



## MAJOR COMPONENT - Garrett - Backplate/Seal Plate

OEM Part no.	TI Part no.	Turbo Model/ Application	P-ring / Seal design	Comp/hsg seal design	Note	
430612-0003	7-A-0337	TBO2/TA25/TB25	Floating		Assembly	
430613-0001	8-A-0337	TD25/T250-05	Carbon seal		Seal plate only	
430735-0001	8-A-0158	TBO2/TB19/TB22/TB25/TD25	Piston ring		Machined part only	
432280-0001		TB27/TB28/GT15/VNT25	Dynamic seal			
409629-0001	5-A-0293	T3	P/ring-Dynamic seal	Gasket	Seal plate only	
409629-0003	5-A-0717	T3	P/ring-Dynamic seal	Gasket		
409629-0004	5-A-1465	T3	P/ring-Dynamic seal	Gasket		
409629-0005	5-A-1194	T3	P/ring-Dynamic seal	O Ring		
409629-0008	5-A-1918	T3	P/ring-Dynamic seal			
409629-0017	5-A-1015	T3	P/ring-Dynamic seal	Gasket		
430108-0003	5-A-0333	T3	Floating Carb/seal	Gasket		
430108-0004	5-A-0718	T3	Floating Carb/seal	O Ring		
408045-0051	5-A-1210	T3/T4	P/ring-Dynamic seal			
433249-0001	5-A-2187	GT1544	9.3 mm P-ring/ Dynamic seal	O Ring, C'Whl dia 1.78"/45.2 mm		Flatback, B/P OD 3.74"/95.0 mm
433254-0001	5-A-2185	GT1544	9.3 mm P-ring/ Dynamic seal	O Ring, C'Whl dia 1.78"/45.2 mm		Superback, B/P OD 3.74"/95.0 mm
433254-0003	5-A-2186	GT15/GT1549	9.3 mm P-ring/ Dynamic seal	O Ring, C'Whl dia 1.99"/50.5 mm		Superback, B/P OD 4.37"/111.0 mm
700593-0001	5-A-2188	GT1544/GT1549/GT1749	10.0 mm P-ring/ Dynamic seal	O Ring, C'Whl dia 1.78"/45.2 mm	Superback, B/P OD 3.74"/95.0 mm	
433259-0002	5-A-3301	GT1749/GT1752	9.3 mm P-ring/ Dynamic seal	O Ring, C'Whl dia 1.99"/50.5 mm	Superback, B/P OD 4.72"/120 mm	
700593-0003	5-A-3303	GT1549/GT1749/GT2049	10.0 mm P-ring/ Dynamic seal	O Ring, C'Whl dia 1.99"/50.5 mm	Superback, B/P OD 4.37"/111.0 mm	
700593-0006	5-A-3304	GT15/GT15V/GT17V	10.0 mm P-ring/ Dynamic seal	O Ring, C'Whl dia 1.99"/50.5 mm	Superback, B/P OD 3.90"/99.0 mm	
701335-0003	5-A-3305	GT18V/GT20/GT20V	10.0 mm P-ring/ Dynamic seal	O Ring, C'Whl dia 2.10"/53.3 mm	Superback, B/P OD 4.88"/124.0 mm	
701335-0005	5-A-3306	GT22V/GT25V	10.0 mm P-ring/ Dynamic seal	O Ring, C'Whl dia 2.26"/57.4 mm	Superback, B/P OD 5.08"/129.0 mm	
721085-0001	5-A-3308	GT2052	10.0 mm P-ring/ Dynamic seal	Gasket, C'Whl dia 2.10"/53.3 mm	Superback, B/P OD 4.23"/107.5 mm	
700593-0004	5-A-3846	GT17	10.0 mm P-ring/ Dynamic seal	O Ring, C'Whl dia 1.99"/50.5 mm	Superback, B/P OD 4.72"/120 mm	
434689-0001	5-A-3847	GT1752	9.3 mm P-ring/ Dynamic seal	O Ring, C'Whl dia 2.10"/53.3 mm	Superback, B/P OD 4.37"/111.0 mm	
434689-0004	5-A-3848	GT1752	10.0 mm P-ring/ Dynamic seal	O Ring, C'Whl dia 2.10"/53.3 mm	Superback, B/P OD 5.08"/129.0 mm	
408487-0002	5-A-3621	TV	P-ring/Dynamic seal			
408487-0013	5-A-3622	TV	P-ring/Dynamic seal			



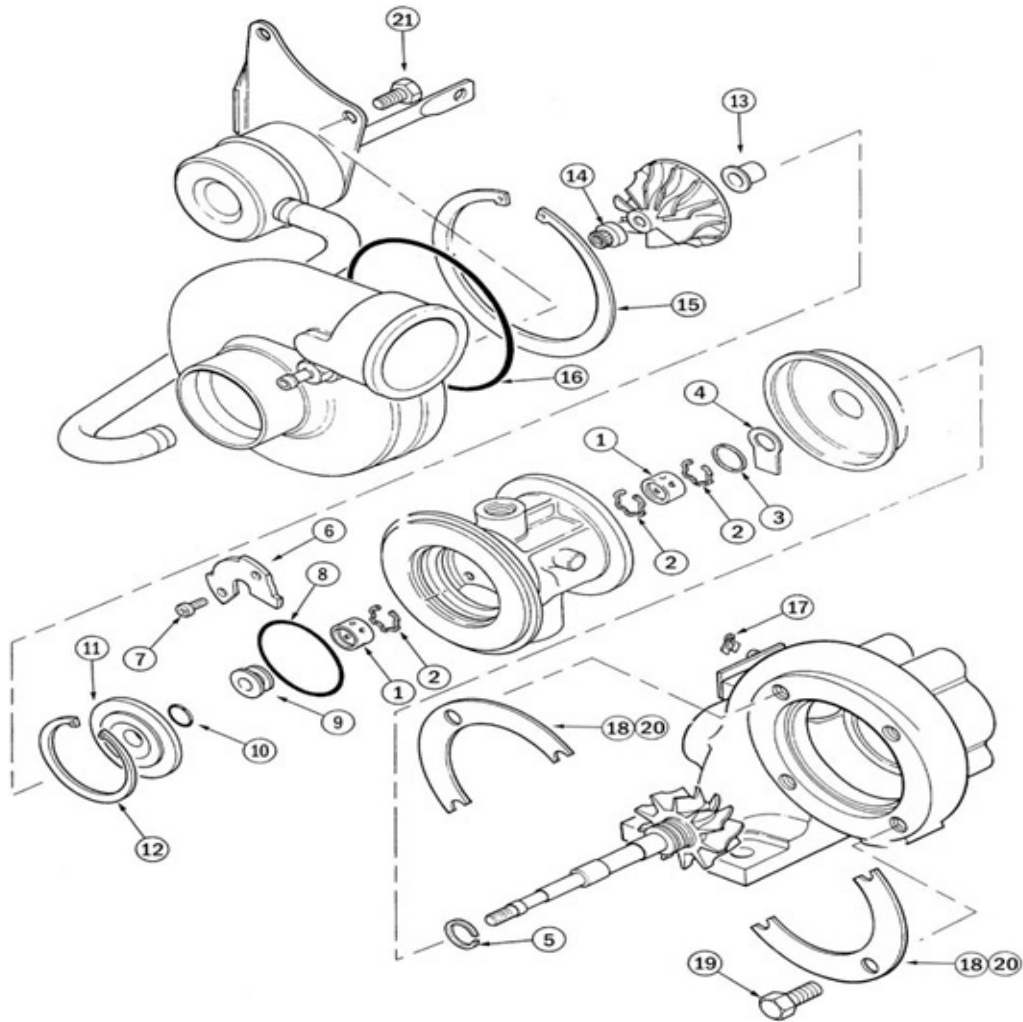
MAJOR COMPONENT - Garrett - Shroud/Heatshield

OEM Part no.	TI Part no.	Turbo Model/ Application	Diameter			
			Inside	Outside	Inducer	
430871-0002	6-A-0707	TBO2/T25/TB25	0.70	2.66	1.85	ins.
			17.7	67.6	47.0	mms.
430875-0001	6-A-1096	TBO2	0.70	2.66	1.86	ins.
			17.7	67.6	47.2	mms.
431055-0001	6-A-1102	TBO2/TB25/ TB28	0.70	2.66	2.09	ins.
			17.7	67.6	53.1	mms.
431055-0003	6-A-1102	TBO2/TB25/ TB28	0.70	2.66	2.09	ins.
			17.7	67.6	53.1	mms.
435524-0001	6-A-2657	TBO262				ins.
						mms.
443594-0001	6-A-1878	TBO2/TB25/ GT25/TD27/T250	0.70	2.66	2.20	ins.
			17.7	67.6	55.9	mms.
445118-0001	6-A-1095	TBO2/GT25/ T250	0.70	2.66	1.86	ins.
			17.7	67.6	47.2	mms.
409627-0000	6-A-0291	T3	0.77	3.17	2.40	ins.
			19.4	80.5	61.0	mms.
409639-0000	6-A-0294	T3	0.77	3.17	2.33	ins.
			19.4	80.5	59.2	mms.
409299-0000	6-A-1781	T4	0.77	3.18	2.92	ins.
			19.5	80.8	74.1	mms.
409299-0001	6-A-1781	T4	0.77	3.18	2.92	ins.
			19.5	80.8	74.1	mms.
433112-0001	6-A-3309	GT15V/GT17V/ GT18V	0.77	1.93	1.93	ins.
			19.4	49.0	49.0	mms.
434302-0001	6-A-2184	GT15/GT17	0.73	2.66	2.34	ins.
			18.4	67.6	59.3	mms.
434684-0001	6-A-3311	GT20/GT22	0.73	2.66	1.90	ins.
			18.5	67.6	48.3	mms.
443768-0003	6-A-3312	GT22V/GT25V	0.76	2.24	2.24	ins.
			19.3	56.9	56.9	mms.
407657-0004	6-A-3165	TV	0.87	4.68	4.31	ins.
			22.0	118.7	109.3	mms.
441902-0001	6-A-3752	TV	0.87	4.68	4.31	ins.
			22.0	118.7	109.3	mms.

TBO2

TB25  
carbon seal

TB28



*This illustration is intended only as a guide. The actual part or assembly may vary from one model to another.*



## SERVICE KIT - Garrett - carbon seal

**TBO2**

**TB25**

**TB28**

Item no.	SERVICE KIT	TI Part no.	Qty/ Turbo	TI Kit no.					
				7-A-1928	7-A-0624	7-A-0966	7-A-0625	7-A-3205	
1	Journal bearing, narrow	8-A-0332	2	✓	✓	✓	✓	-	
1	Journal bearing, wide	8-A-0341	2	✓	✓	-	-	-	
2	Retaining ring, jnl/brg.	8-A-0327	3	✓	✓	✓	✓	-	
3	Retaining ring, o/defl.	8-A-0954	1	✓	-	✓	-	-	
4	Oil deflector/seal washer	8-A-1527	1	✓	-	✓	-	-	
5	Piston ring, t/end	8-A-1560	1	✓	✓	✓	✓	-	
6	Thrust bearing	8-A-0486	1	✓	✓	-	✓	-	
7	Bolt, th/brg.	8-A-0159	3	✓	✓	✓	✓	-	
8	Seal ring, b/hsg to s/plate	8-A-0160	1	✓	✓	✓	✓	-	
9	Thrust collar	8-A-0342	1	✓	✓	-	✓	✓	
10	Piston ring, c/end	8-A-1554	1	✓	-	✓	-	-	
11	Sealplate assy. *	7-A-0337	1	✓	✓	-	✓	✓	
12	Retaining ring, s/plate	8-A-0950	1	-	-	✓	-	-	
13	Thrust spacer	8-A-0317	1	✓	✓	-	✓	✓	
14	Locknut, 0.264"/6.70mm tall	8-A-2589	1	✓	✓	✓	✓	✓	
14	Locknut, 0.354"/8.99mm tall	8-A-2470	1	-	-	-	-	-	
15	Retaining ring, c/end	8-A-0951	1	-	-	✓	-	-	
16	O ring, b/hsg to c/hsg	8-A-0161	1	✓	✓	✓	✓	-	
16	O ring, b/hsg to c/hsg	8-A-2526	1	✓	-	-	-	-	
17	Retaining ring, r/end	8-A-0952	1	✓	-	✓	-	-	
18	Retaining ring, t/end	8-A-0953	1	✓	-	✓	-	-	
19	Bolt, t/end	8-A-0156	4	✓	-	-	-	-	
20	Clamp, t/end	8-A-0957	2	✓	-	-	-	-	
21	Bolt, actuator bracket	8-A-3068	1	✓	✓	✓	✓	✓	
11	* Sealplate assy. 7-A-0337 contains:								
	Carbon seal	8-A-0336	1						
	O ring	8-A-0331	1						
	Spring	8-A-0335	1						
	Retainer	8-A-1244	1						
	Sealplate	8-A-0337	1						

See JOURNAL BEARING section for oversize & under-size parts - page 4

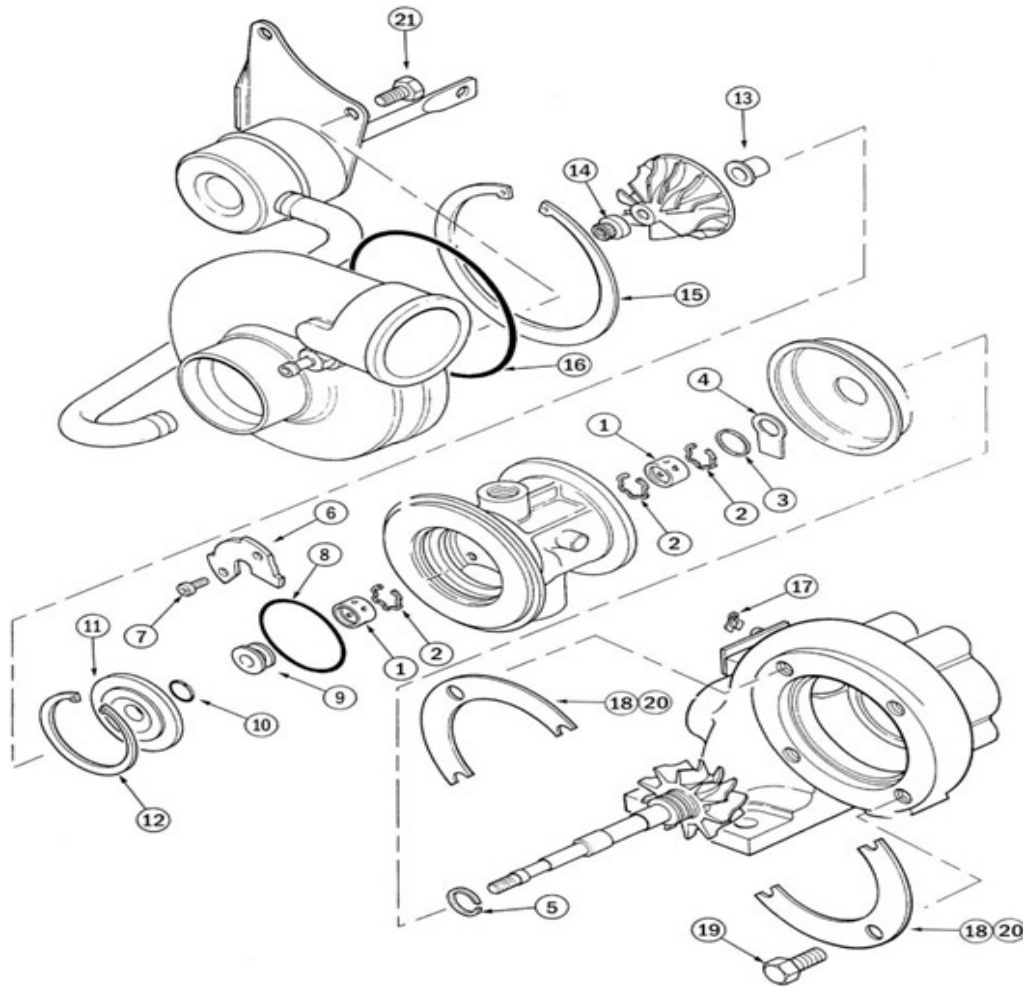
See PISTON RING section for oversize parts - page 5

See GASKET section

**TBO2**

**TB25**  
**carbon seal**

**TB28**



*This illustration is intended only as a guide. The actual part or assembly may vary from one model to another.*



## SERVICE KIT - Garrett - carbon seal

**TBO2**

**TB25**

**TB28**

Item no.	Description	TI Part no.	Qty/ Turbo	TI Kit no.			
				7-A-0962	7-A-0626	7-A-0607	7-A-0605
1	Journal bearing,narrow	8-A-0332	2	-	-	-	-
1	Journal bearing,wide	8-A-0341	2	✓	✓	-	-
2	Retaining ring, jnl/brg.	8-A-0327	3	✓	✓	-	-
3	Retaining ring,o/defl.	8-A-0954	1	✓	-	-	-
4	Oil deflector/seal washer	8-A-1527	1	-	-	-	-
5	Piston ring, t/end	8-A-1560	1	✓	✓	-	-
6	Thrust bearing	8-A-0486	1	-	✓	✓	-
7	Bolt, th/brg.	8-A-0159	3	✓	✓	-	-
8	Seal ring, b/hsg to s/plate	8-A-0160	1	✓	✓	-	-
9	Thrust collar	8-A-0342	1	-	✓	✓	-
10	Piston ring, c/end	8-A-1554	1	✓	-	-	-
11	Sealplate assy. *	7-A-0337	1	-	✓	✓	-
12	Retaining ring, s/plate	8-A-0950	1	✓	-	-	-
13	Thrust spacer	8-A-0317	1	-	✓	✓	-
14	Locknut, 0.264"/6.70mm tall	8-A-2589	1	✓	✓	-	-
14	Locknut, 0.354"/8.99mm tall	8-A-2470	1	-	-	-	-
15	Retaining ring, c/end	8-A-0951	1	✓	-	-	-
16	O ring, b/hsg to c/hsg	8-A-0161	1	✓	✓	-	-
16	O ring, b/hsg to c/hsg	8-A-2526	1	-	-	-	-
17	Retaining ring, r/end	8-A-0952	1	-	-	-	-
18	Retaining ring, t/end	8-A-0953	1	-	-	-	-
19	Bolt, t/end	8-A-0156	4	✓	-	-	-
20	Clamp, t/end	8-A-0957	2	✓	-	-	-
21	Bolt, actuator bracket	8-A-3068	1	✓	✓	✓	-

11 \* Sealplate assy. 7-A-0337 contains:

Carbon seal	8-A-0336	1	-	-	-	✓
O ring	8-A-0331	1	-	-	-	✓
Spring	8-A-0335	1	-	-	-	✓
Retainer	8-A-1244	1	-	-	-	✓
Sealplate	8-A-0337	1	-	-	-	✓

See JOURNAL BEARING section for oversize & under-size parts - page 4

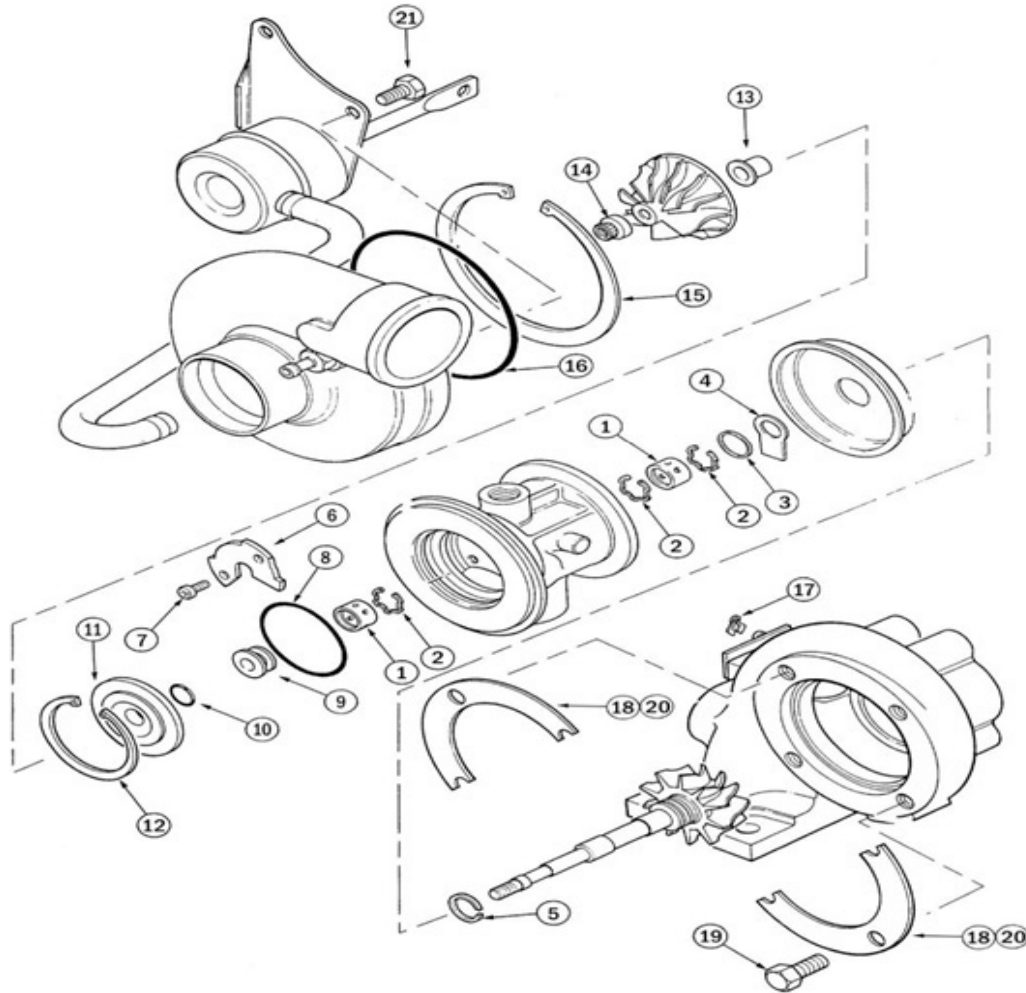
See PISTON RING section for oversize parts - page 5

See GASKET section

**TBO2**

**TB25**  
carbon seal

**TB28**



*This illustration is intended only as a guide. The actual part or assembly may vary from one model to another.*





## SERVICE KIT - Garrett - carbon seal

360° Performance and Upgrade

**TBO2**

**TB25**

**TB28**

Item no.	Description	TI Part no.	Qty/ Turbo	TI Kit no.	
				7-A-2770	7-A-2810
1	Journal bearing,narrow	8-A-0332	2	-	-
1	Journal bearing,wide	8-A-0341	2	-	-
2	Retaining ring, jnl/brg.	8-A-0327	3	-	-
3	Retaining ring,o/defl.	8-A-0954	1	-	-
4	Oil deflector/seal washer	8-A-1527	1	-	-
5	Piston ring, t/end	8-A-1560	1	-	-
5	Piston ring, t/e,step gap	8-A-2523	1	-	✓
6	Thrust bearing, 360°	8-A-1826	1	✓	✓
7	Bolt, th/brg.	8-A-0159	3	✓	✓
8	Seal ring, b/hsg to s/plate	8-A-0160	1	-	-
9	Thrust collar, 360°	8-A-2768	1	✓	✓
	Thrust washer	8-A-1825	1	✓	✓
10	Piston ring, c/end	8-A-1554	1	-	-
11	Sealplate assy. *	7-A-0337	1	-	-
12	Retaining ring, s/plate	8-A-0950	1	-	-
13	Thrust spacer	8-A-0317	1	-	-
14	Locknut, 0.264"/6.70mm tall	8-A-2589	1	-	-
14	Locknut, 0.354"/8.99mm tall	8-A-2470	1	-	-
15	Retaining ring, c/end	8-A-0951	1	-	-
16	O ring, b/hsg to c/hsg	8-A-0161	1	-	-
16	O ring, b/hsg to c/hsg	8-A-2526	1	-	-
17	Retaining ring, r/end	8-A0952	1	-	-
18	Retaining ring, t/end	8-A-0953	1	-	-
19	Bolt, t/end	8-A-0156	4	-	-
20	Clamp, t/end	8-A-0957	2	-	-
21	Bolt, actuator bracket	8-A-3068	1	-	-

See JOURNAL BEARING section for oversize & under-size parts - page 4

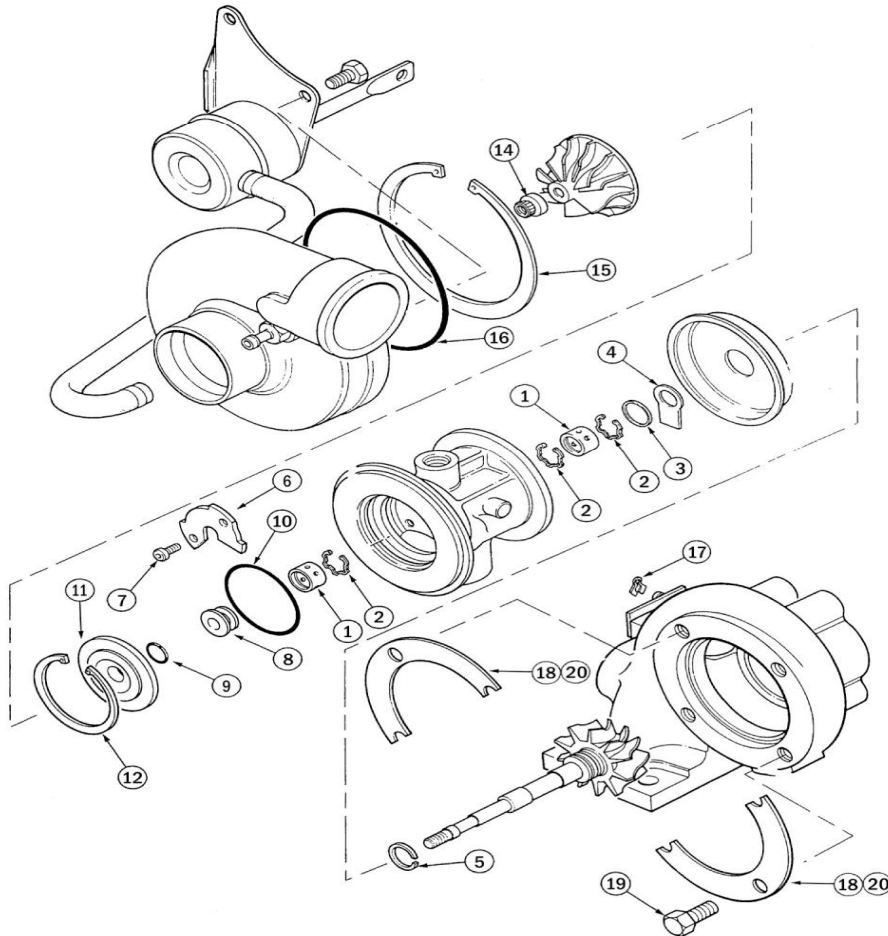
See PISTON RING section for oversize parts - page 5

See GASKET section



TBO2 TB19 TB22 TA25 VAT25 TE27 TB28 T250  
TB25 GT25 GT25V

### dynamic seal



*This illustration is intended only as a guide. The actual part or assembly may vary from one model to another.*



## SERVICE KIT - Garrett - dynamic seal

TB02 TB19 TB22 TA25 TD25 VAT25 TE27 TB28 T250  
TB25 GT25 GT25V

Item no.	Description	TI Part no.	Qty/ Turbo	TI Kit no.		
				7-A-0627	7-A-2312	7-A-1543
1	Journal bearing,narrow	8-A-0332	2	✓	-	✓
1	Journal bearing,wide	8-A-0341	2	✓	-	-
2	Retaining ring, jnl/brg.	8-A-0327	3	✓	✓	✓
3	Retaining ring,o/defl.	8-A-0954	1	✓	✓	-
4	Oil deflector/seal washer	8-A-1527	1	✓	✓	-
5	Piston ring, t/end	8-A-1560	1	✓	-	✓
6	Thrust bearing	8-A-0486	1	✓	✓	✓
7	Bolt, th/brg.	8-A-0159	3	✓	✓	✓
8	Thrust collar	8-A-0353	1	-	-	-
8	Thrust collar	8-A-0354	1	✓	✓	✓
9	Piston ring, c/end	8-A-1554	1	✓	-	✓
10	Seal ring, b/hsg to s/plate	8-A-0160	1	✓	✓	✓
11	Sealplate	8-A-0158	1	✓	✓	-
12	Retaining ring, s/plate	8-A-0950	1	✓	✓	-
14	Locknut, 0.264"/6.70mm tall	8-A-2589	1	✓	✓	✓
14	Locknut, 0.354"/8.99mm tall	8-A-2470	1	-	-	-
15	Retaining ring, c/end	8-A-0003	1	-	-	-
15	Retaining ring, c/end	8-A-0951	1	-	-	-
16	O ring, b/hsg to c/hsg	8-A-0161	1	✓	✓	-
16	O ring, b/hsg to c/hsg	8-A-0752	1	-	-	-
16	O ring, b/hsg to c/hsg	8-A-2526	1	✓	✓	✓
17	Retaining ring, r/end	8-A-0952	1	✓	✓	-
18	Retaining ring, t/end	8-A-0953	1	✓	✓	-
19	Bolt, t/end	8-A-0156	4	✓	✓	-
20	Clamp, t/end	8-A-0957	2	✓	✓	-
21	Bolt, actuator bracket	8-A-3068	1	-	-	-

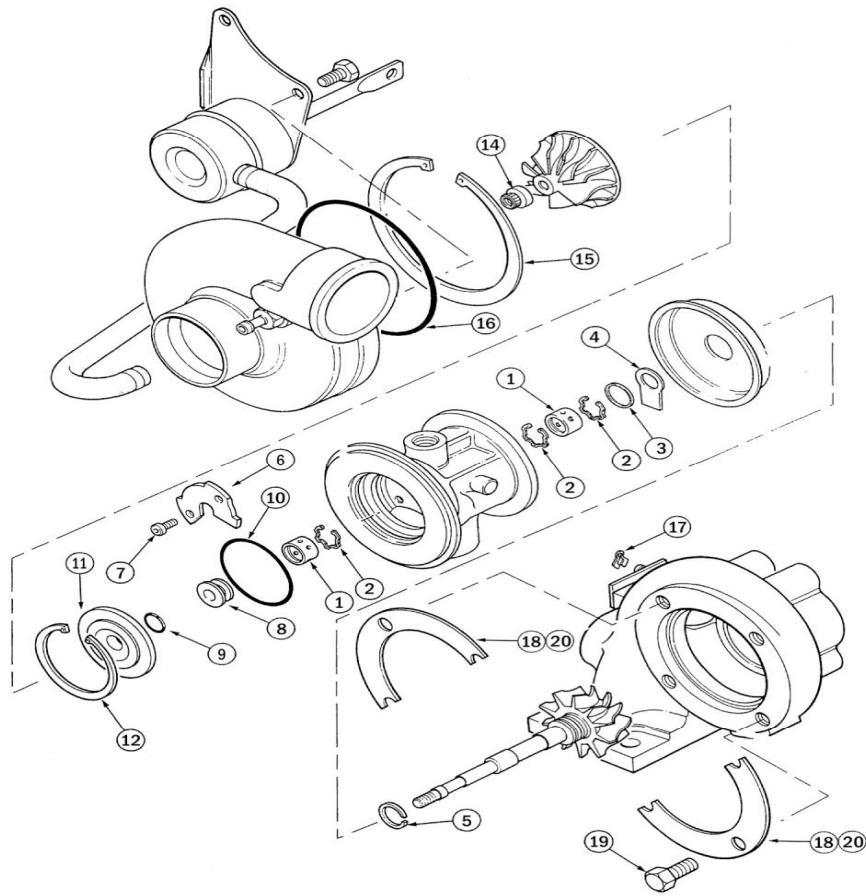
Note (i) Dynamic & carbon seal application  
(ii) VW application

See JOURNAL BEARING section for oversize & under-size parts - page 4  
See PISTON RING section for oversize parts - page 5  
See GASKET section



TB02 TB19 TB22 TA25 VAT25 TE27 TB28 T250  
TB25 GT25 GT25V

### dynamic seal



*This illustration is intended only as a guide. The actual part or assembly may vary from one model to another.*



## SERVICE KIT - Garrett - dynamic seal

360° Performance and Upgrade

TBO2 TB19 TB22 TA25 TD25 VAT25 TE27 TB28 T250  
TB25 GT25 GT25V

Item no.	Description	TI Part no.	Qty/ Turbo	TI Kit no.				
				7-A-2137	7-A-3444	7-A-3578	7-A-2809	7-A-2131
1	Journal bearing,narrow	8-A-0332	2	✓	✓	✓	-	-
1	Journal bearing,wide	8-A-0341	2	✓	✓	✓	-	-
2	Retaining ring, jnl/brg.	8-A-0327	3	✓	✓	✓	-	-
3	Retaining ring,o/defl.	8-A-0954	1	✓	✓	-	-	-
4	Oil deflector/seal washer	8-A-1527	1	✓	-	-	-	-
5	Piston ring, t/end	8-A-1560	1	✓	-	-	-	-
5	Piston ring, t/e step gap	8-A-2523	1	-	✓	✓	✓	-
6	Thrust bearing,B240	8-A-1826	1	✓	✓	✓	✓	✓
7	Bolt, th/brg.	8-A-0159	3	✓	✓	✓	✓	✓
8	Thrust washer, 360°	8-A-1825	1	✓	✓	✓	✓	✓
8	Thrust collar, 360°	8-A-1824	1	✓	✓	✓	✓	✓
9	Piston ring, c/end	8-A-1554	1	✓	✓	✓	-	-
10	Seal ring, b/hsg to s/plate	8-A-0160	1	✓	✓	✓	-	-
11	Sealplate	8-A-0158	1	✓	✓	✓	-	-
12	Retaining ring, s/plate	8-A-0950	1	✓	✓	-	-	-
14	Locknut, 0.264"/6.70mm tall	8-A-2589	1	✓	✓	✓	-	-
14	Locknut, 0.354"/8.99mm tall	8-A-2470	1	-	-	-	-	-
15	Retaining ring, c/end	8-A-0003	1	-	-	-	-	-
15	Retaining ring, c/end	8-A-0951	1	-	-	-	-	-
16	O ring, b/hsg to c/hsg	8-A-0161	1	✓	✓	-	-	-
16	O ring, b/hsg to c/hsg	8-A-0752	1	-	-	-	-	-
16	O ring, b/hsg to c/hsg	8-A-2526	1	✓	✓	-	-	-
17	Retaining ring, r/end	8-A-0952	1	✓	✓	-	-	-
18	Retaining ring, t/end	8-A-0953	1	✓	✓	-	-	-
19	Bolt, t/end	8-A-0156	4	✓	✓	-	-	-
20	Clamp, t/end	8-A-0957	2	✓	✓	-	-	-
21	Bolt, actuator bracket	8-A-3068	1	-	-	-	-	-

Note (i) Dynamic & carbon seal application

(ii) VW application

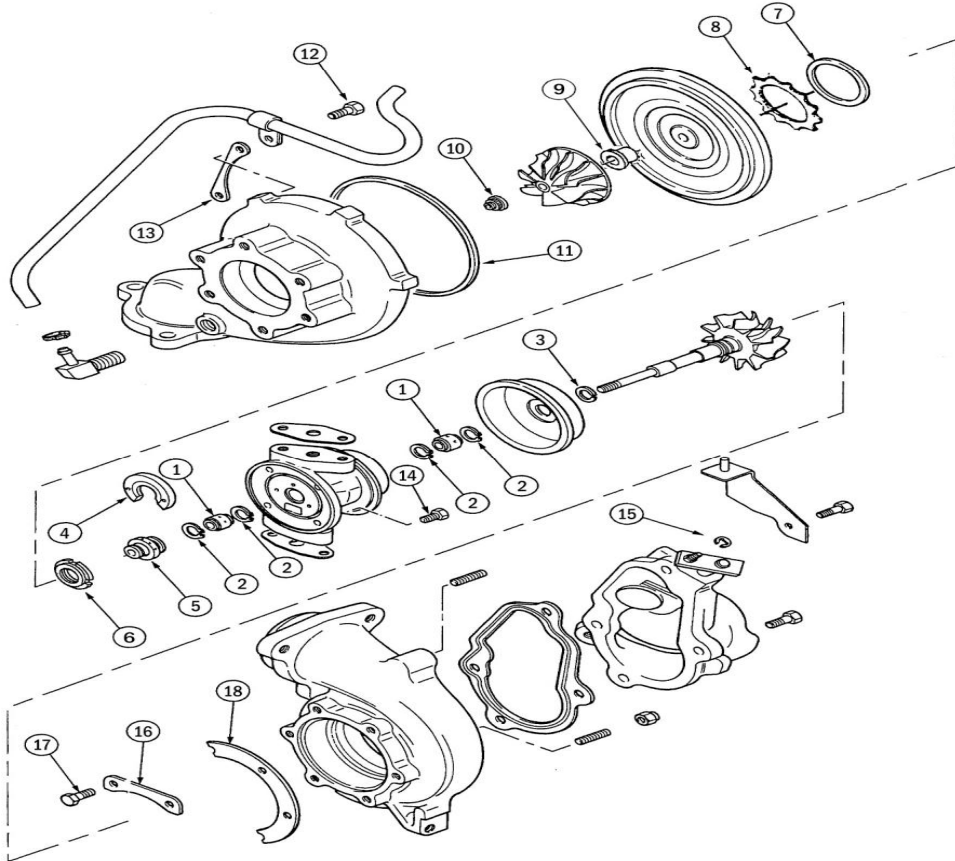
See JOURNAL BEARING section for oversize & under-size parts - page 4

See PISTON RING section for oversize parts - page 5 and 6

See GASKET section



## TB03 floating carbon seal



*This illustration is intended only as a guide. The actual part or assembly may vary from one model to another.*



## SERVICE KIT - Garrett - floating carbon seal

### TBO3

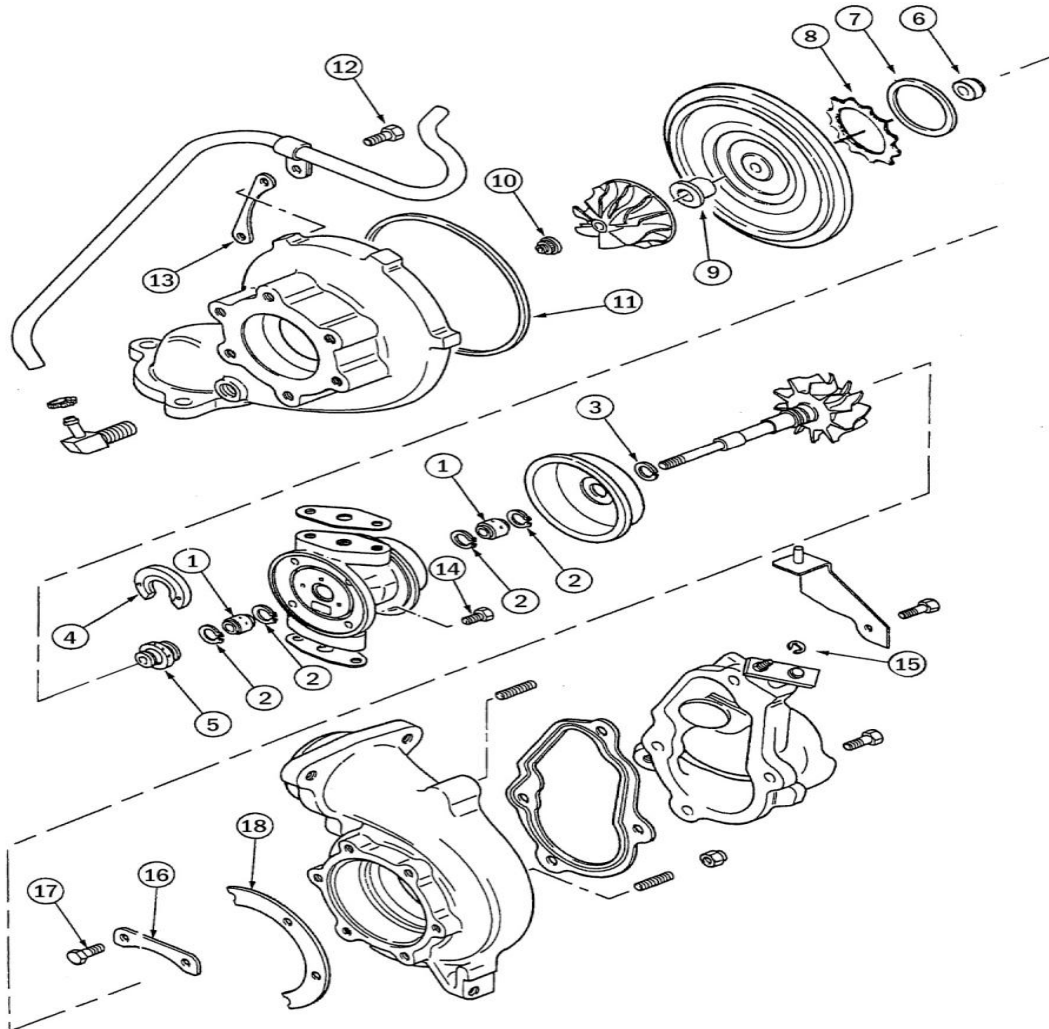
Item no.	Description	TI Part no.	Qty/ Turbo	TI Kit no.		
				7-A-1941	7-A-0628	7-A-0630
1	Journal bearing	8-A-0256	2	✓	✓	✓
2	Retaining ring, jnl/brg.	8-A-0149	4	✓	✓	✓
3	Piston ring, t/end	8-A-1555	1	✓	✓	✓
4	Thrust bearing	8-A-1511	1	✓	✓	✓
5	Thrust collar	8-A-0290	1	✓	✓	-
6	Carbon seal assy. *	7-A-0606	1	✓	✓	✓
7	Seal ring, brg/hsg	8-A-0138	1	✓	✓	✓
8	Thrust spring, b/plate	8-A-0237	1	✓	-	-
9	Thrust spacer	8-A-0248	1	✓	✓	-
10	Locknut, t/shaft, r/hand	8-A-0163	1	✓	✓	✓
10	Locknut, t/shaft, l/hand	8-A-1869	1	✓	✓	-
11	O ring, c/end	8-A-0180	1	✓	-	-
11	Gasket, c/end	8-A-0286	1	✓	✓	✓
12	Bolt, c/end	8-A-0157	6	✓	✓	-
13	Clamp, c/end	8-A-0334	3	✓	✓	-
14	Bolt, brg/hsg	8-A-0155	4	✓	✓	-
15	Retaining ring, r/end	8-A-1290	1	✓	-	-
16	Lockplate t/end	8-A-0242	3	✓	✓	-
17	Bolt, t/end	8-A-0156	6	✓	✓	-
18	Clamp, t/end	8-A-0241	3	✓	✓	-
18	Clamp, t/end	8-A-1565	2	-	-	-
	Gasket, oil inlet	8-A-0062	1	✓		
	Gasket, oil outlet	8-A-0270	1	✓		
11	* Sealplate assy. 7-A-0606 contains:					
	Carbon seal	8-A-0328	1			
	O ring	8-A-0330	1			
	Spring	8-A-0484	1			
	Retainer	8-A-0339	1			

See JOURNAL BEARING section for oversize & under-size parts - page 5

See PISTON RING section for oversize parts - page 7

See GASKET section

# TB03 encapsulated carbon seal



*This illustration is intended only as a guide. The actual part or assembly may vary from one model to another.*





## SERVICE KIT - Garrett - encapsulated carbon seal

### TBO3

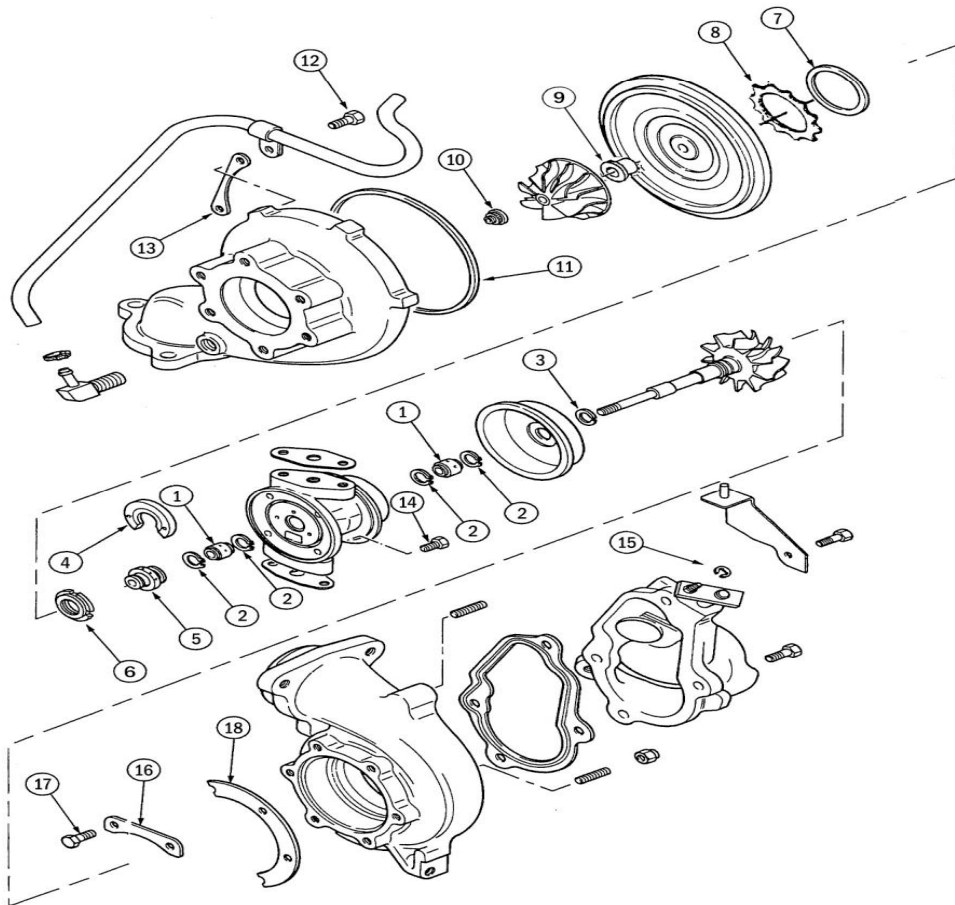
Item no.	Description	TI Part no.	Qty/ Turbo	TI Kit no.	
				7-A-0631	7-A-0765
1	Journal bearing	8-A-0256	2	✓	✓
2	Retaining ring, jnl/brg.	8-A-0149	4	✓	✓
3	Piston ring, t/end	8-A-1555	1	✓	✓
4	Thrust bearing	8-A-1511	1	✓	✓
5	Thrust collar	8-A-0290	1	✓	-
6	Carbon seal, encap.	8-A-0298	1	✓	✓
7	Seal ring, brg/hsg	8-A-0138	1	✓	✓
8	Thrust spring, b/plate	8-A-0237	1	-	-
9	Thrust spacer	8-A-0248	1	✓	-
10	Locknut, t/shaft, r/hand	8-A-0163	1	✓	✓
10	Locknut, t/shaft, l/hand	8-A-1869	1	✓	-
11	O ring, c/end	8-A-0180	1	-	-
11	Gasket, c/end	8-A-0286	1	✓	✓
12	Bolt, c/end	8-A-0157	6	✓	-
13	Clamp, c/end	8-A-0334	3	✓	-
14	Bolt, brg/hsg	8-A-0155	4	✓	-
15	Retaining ring, r/end	8-A-1290	1	-	-
16	Lockplate t/end	8-A-0242	3	✓	-
17	Bolt, t/end	8-A-0156	6	✓	-
18	Clamp, t/end	8-A-0241	3	✓	-
18	Clamp, t/end	8-A-1565	2	-	-

See JOURNAL BEARING section for oversize & under-size parts - page 5

See PISTON RING section for oversize parts - page 7

See GASKET section

# TB03 floating carbon seal



*This illustration is intended only as a guide. The actual part or assembly may vary from one model to another.*



## SERVICE KIT - Garrett - floating carbon seal

360° Performance and Upgrade  
**TBO3**

Item no.	Description	TI Part no.	Qty/ Turbo	TI Kit no.			
				7-A-2134	7-A-2811	7-A-3025	7-A-3027
1	Journal bearing	8-A-0256	2	-	-	-	-
2	Retaining ring, jnl/brg.	8-A-0149	4	-	-	-	-
3	Piston ring, t/end	8-A-1555	1	-	-	-	-
3	Piston ring, t/e step gap	8-A-2524	1	-	-	✓	✓
4	Thrust bearing	8-A-1899	1	✓	✓	✓	✓
4	Bolt, thrust bearing	8-A159	3	✓	✓	✓	✓
5	Thrust washer 19mm.	8-A-1897		✓	-	✓	✓
5	Thrust washer 20mm.	8-A-1898		-	✓	-	-
5	Thrust collar	8-A-2552	1	✓	✓	✓	✓
6	Carbon seal assy. *	7-A-0606	1	-	-	-	-
7	Seal ring, brg/hsg	8-A-0138	1	-	-	-	✓
8	Thrust spring, b/plate	8-A-0237	1	-	-	-	-
9	Thrust spacer	8-A-0248	1	-	-	-	-
10	Locknut, t/shaft, r/hand	8-A-0163	1	-	-	-	-
10	Locknut, t/shaft, l/hand	8-A-1869	1	-	-	-	-
11	O ring, c/end	8-A-0180	1	-	-	-	-
11	Gasket, c/end	8-A-0286	1	-	-	-	-
12	Bolt, c/end	8-A-0157	6	-	-	-	-
13	Clamp, c/end	8-A-0334	3	-	-	-	-
14	Bolt, brg/hsg	8-A-0155	4	-	-	-	-
15	Retaining ring, r/end	8-A-1290	1	-	-	-	-
16	Lockplate t/end	8-A-0242	3	-	-	-	-
17	Bolt, t/end	8-A-0156	6	-	-	-	-
18	Clamp, t/end	8-A-0241	3	-	-	-	-
18	Clamp, t/end	8-A-1565	2	-	-	-	-
11	* Sealplate assy. 7-A-0606 contains:						
	Carbon seal	8-A-0328	1				
	O ring	8-A-0330	1				
	Spring	8-A-0484	1				
	Retainer	8-A-0339	1				

See JOURNAL BEARING section for oversize & under-size parts - page 5

See PISTON RING section for oversize parts - page 7 and 8

See GASKET section



T04  
T04B  
TW4B  
TW4C

TA34

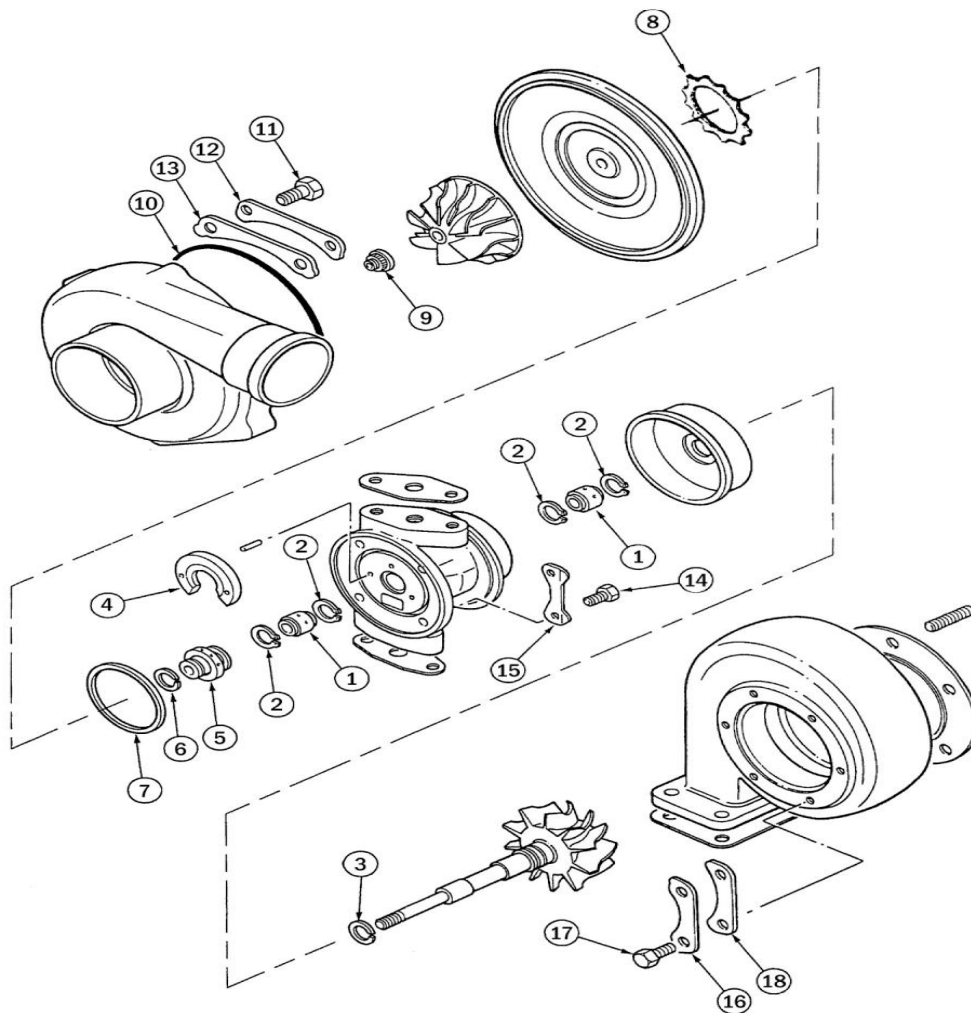
TA35

TA38

TB41  
TW41

TC44

step bore



*This illustration is intended only as a guide. The actual part or assembly may vary from one model to another.*



## SERVICE KIT - Garrett - step bore

TO4

TA34  
TO4B  
TW4B  
TW4C

TA35

TA38

TB41  
TW41

TC44

Item no.	Description	TI Part no.	Qty/ Turbo	TI Kit no.				
				7-A-0608	7-A-0770	7-A-0609	7-A-3214	7-A-0788
1	Journal bearing	8-A-0256	2	✓	✓	-	✓	✓
2	Retaining ring, jnl/brg.	8-A-0149	4	✓	✓	-	✓	✓
3	Piston ring, t/e, st/bore	8-A-1555	1	✓	✓	-	✓	✓
4	Thrust bearing	8-A-1511	1	✓	✓	-	✓	✓
5	Thrust collar	-	1	-	-	-	-	-
6	Piston ring, c/end	8-A-1554	1	✓	✓	-	✓	✓
7	Seal ring, brg/hsg	8-A-0138	1	✓	✓	-	✓	✓
8	Thrust spring, b/plate	8-A-0237	1	-	-	-	-	-
9	Locknut, t/shaft, r/hand	8-A-0163	1	✓	✓	-	-	✓
9	Locknut, t/shaft, l/hand	8-A-1869	1	✓	-	-	-	-
10	Seal ring, c/end		1	-	-	-	-	-
11	Bolt, c/end	8-A-0145	6	✓	-	✓	-	-
12	Clamp, c/end	8-A-0253	3	✓	-	✓	-	-
13	Lockplate, c/end	8-A-0254	3	✓	-	✓	-	-
14	Bolt, brg/hsg	8-A-0169	4	✓	-		-	✓
15	Lockplate, brg/hsg	8-A-0252	2	✓	-		-	-
16	Lockplate t/end	8-A-0242	3	✓	-	✓	-	-
17	Bolt, t/end	8-A-0146	6	✓	-	✓	-	-
18	Clamp, t/end	8-A-0241	3	✓	-	✓	-	-

See JOURNAL BEARING section for oversize & under-size parts - page 5

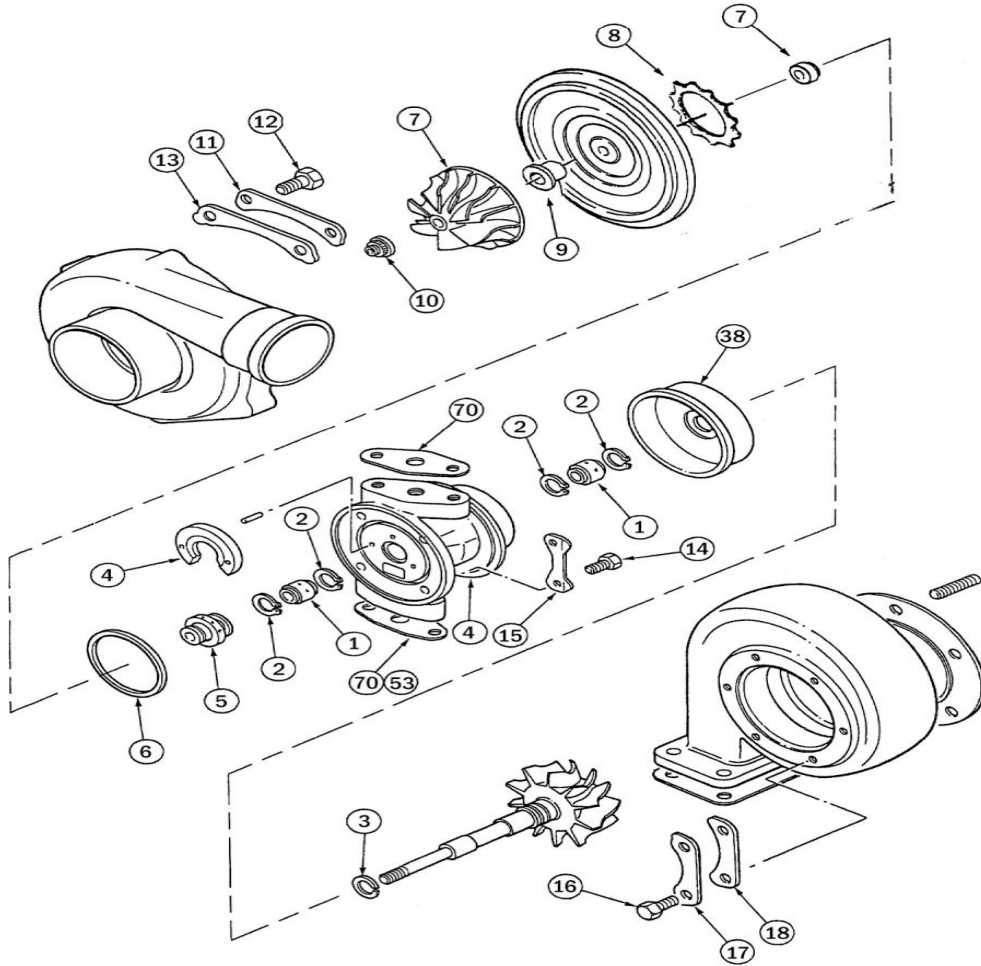
See PISTON RING section for oversize parts - page 7

See GASKET section



# T04      T04B

## encapsulated carbon seal - step bore



*This illustration is intended only as a guide. The actual part or assembly may vary from one model to another.*



# SERVICE KIT - Garrett - encapsulated carbon seal - step bore

## TO4 TO4B

Item no.	Description	TI Part no.	Qty/ Turbo	TI Kit no.	
				7-A-0622	7-A-0792
1	Journal bearing	8-A-0256	2	✓	✓
2	Retaining ring, jnl/brg.	8-A-0149	4	✓	✓
3	Piston ring, t/end	8-A-1555	1	✓	✓
4	Thrust bearing	8-A-1511	1	✓	✓
5	Thrust collar	8-A-0290	1	✓	-
6	Seal ring, brg/hsg	8-A-0138	1	✓	✓
7	Encapsulated c/seal	8-A-0298	1	✓	✓
8	Thrust spring, b/plate	8-A-0237	1	-	-
9	Thrust spacer	8-A-0248	1	✓	-
10	Locknut, t/shaft, r/hand	8-A-0163	1	✓	✓
10	Locknut, t/shaft, l/hand	8-A-1869	1	-	-
11	Lockplate, c/end	8-A-0254	3	✓	-
12	Bolt, c/end	8-A-0145	6	✓	-
13	Clamp, c/end	8-A-0253	1	-	-
14	Bolt, brg/hsg.	8-A-0169	4	✓	-
15	Lockplate, brg/hsg.	8-A-0252	2	✓	-
16	Bolt, t/end	8-A-0146	6	✓	-
16	Bolt, t/end	8-A-1564	6	-	-
17	Lockplate t/end	8-A-0242	3	✓	-
18	Clamp, t/end	8-A-0241	3	-	-
18	Clamp, t/end	8-A-1565	2	-	-
	Gasket, oil inlet	8-A-0062	1	✓	-
	Gasket, oil outlet	8-A-0270	1	✓	-

See JOURNAL BEARING section for oversize & under-size parts - page 5

See PISTON RING section for oversize parts - page 7

See GASKET section



TBP4

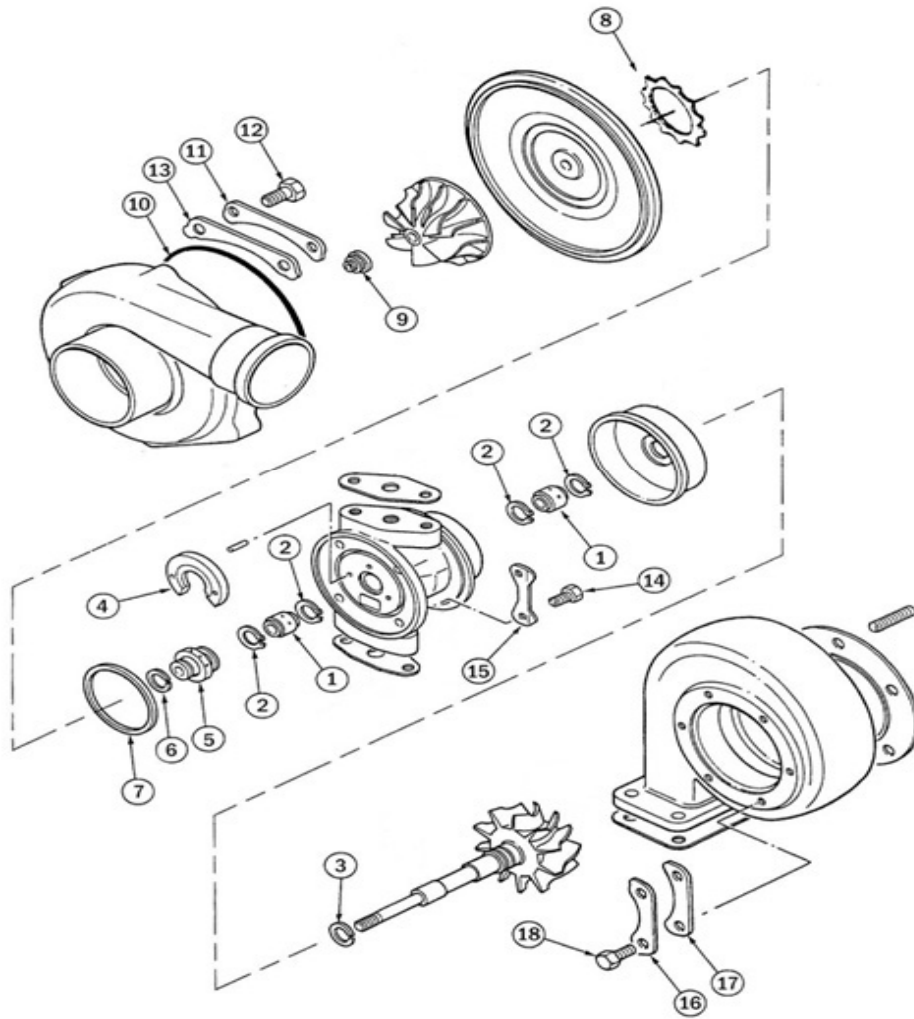
T04B  
T04E  
TW4E

TA34

TB41

T300

dynamic seal - step & smooth bore



*This illustration is intended only as a guide. The actual part or assembly may vary from one model to another.*





# SERVICE KIT - Garrett - dynamic seal - step & smooth bore

**TO4B  
TO4E  
TW4E**

**TA34  
TB34**

**TB41**

**T300**

Item	Description	TI Part no.	Qty/ Turbo	TI Kit no.						
				7-A-0618	7-A-0830	7-A-0826	7-A-0719	7-A-3107	7-A-3440	7-A-1935
				<i>note (i)</i>	<i>note (i)</i>	<i>note (i)</i>	<i>note (i)</i>			
1	Journal bearing	8-A-0256	2	✓	✓	✓	✓	✓	✓	✓
2	Retaining ring, jnl/brg.	8-A-0149	4	✓	✓	✓	✓	✓	✓	✓
3	Piston ring,t/e,st/bore	8-A-1555	1	✓	✓	✓	✓	✓	✓	✓
3	Piston ring,t/e,sm/bore	8-A-0832	1	-	-	-	-	-	-	-
4	Thrust bearing, steel	8-A-1511	1	✓	✓	✓	✓	✓	✓	✓
4	Thrust bearing, bronze	8-A-0240	1	-	-	-	-	-	-	-
5	Thrust collar	8-A-1213	1	✓	✓	-	-	✓	-	-
6	Piston ring, c/end	8-A-1554	1	✓	✓	✓	✓	✓	✓	✓
7	Seal ring, brg/hsg	8-A-0138	1	✓	✓	✓	✓	✓	✓	✓
8	Thrust spring, b/plate	8-A-0237	1	-	-	-	-	-	-	-
9	Locknut,t/shaft,r/hand	8-A-0163	1	✓	✓	✓	✓	✓	✓	✓
9	Locknut,t/shaft,l/hand	8-A-1869	1	✓	✓	-	✓	-	-	✓
10	Seal ring, c/end	8-A-0180		✓	-	-	-	-	-	-
10	Seal ring, c/end	8-A-0828		-	✓	-	-	✓	-	-
10	Seal ring, c/end	8-A-1843		-	-	-	-	-	-	-
11	Lockplate, c/end	8-A-0254	3	✓	✓	✓	-	-	✓	-
12	Bolt, c/end	8-A-0145	6/12	✓	✓	✓	✓	✓	✓	✓
12	Bolt, c/end, TO4E	8-A-1959	6	-	-	-	-	-	-	-
13	Clamp, c/end	8-A-0253	3	✓	✓	-	-	✓	✓	-
13	Clamp, c/end	8-A-0352	2	-	-	-	✓	-	-	✓
13	Clamp, c/end	8-A-0321	1	-	-	-	✓	-	-	✓
14	Bolt, brg/hsg.	8-A-0169	4	✓	-	✓	-	-	✓	-
14	Bolt, brg/hsg.	8-A-0172	4	-	✓	-	✓	✓	-	✓
15	Lockplate, brg/hsg.	8-A-0252	2	✓	-	✓	-	-	✓	-
16	Lockplate t/end	8-A-0242	3	✓	✓	✓	✓	✓	✓	✓
17	Clamp, t/end	8-A-0241	3	✓	✓	-	✓	-	✓	✓
17	Clamp, t/end	8-A-1565	2	-	-	-	-	✓	-	-
18	Bolt, t/end	8-A-0146	6	✓	✓	-	✓	✓	✓	✓
18	Bolt, t/end	8-A-1564	6	-	-	-	-	-	-	-
	Gasket, oil inlet	8-A-0062	1	-	-	-	-	✓	-	-
	Gasket, oil outlet	8-A-0270	1	-	-	-	-	✓	-	-

Note (i) Step bore

(ii) Step & smooth bore

(iii) TB34 & TB41

See JOURNAL BEARING section for oversize & under-size parts - page 5

See PISTON RING section for oversize parts - page 7

See GASKET section



TBP4

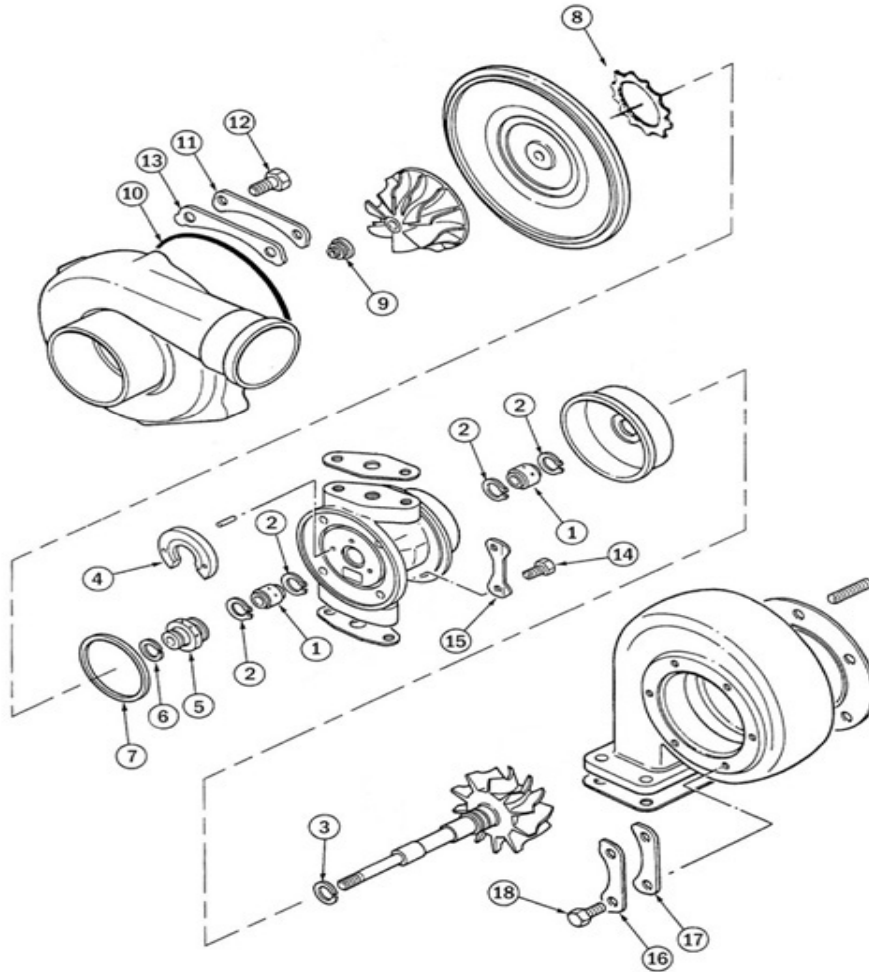
TO4B  
TO4E  
TW4E

TA34

TB41

T300

dynamic seal - step & smooth bore



*This illustration is intended only as a guide. The actual part or assembly may vary from one model to another.*



# SERVICE KIT - Garrett - dynamic seal

360° Performance and Upgrade

**TBP4**

**TO4B  
TO4E  
TW4E**

**TA34  
TB34**

**TB41**

**T300**

Item no.	Description	TI Part no.	Qty/ Turbo	TI Kit no.						
				7A-2136	7A-3577	7A-2135	7A-2812	7A-2132	7A-2133	7A-3026
1	Journal bearing	8-A-0256	2	✓	✓	✓	-	-	-	-
2	Retaining ring, jnl/brg.	8-A-0149	4	✓	✓	✓	-	-	-	-
3	Piston ring, t/e, st/bore	8-A-1555	1	✓	-	✓	-	-	-	-
3	Piston ring, t/e, step gap	8-A-2524	1	-	✓	-	✓	-	-	✓
4	Thrust bearing, 360°	8-A-1899	1	✓	✓	✓	✓	✓	✓	✓
4	Bolt, th/brg.	8-A-0159	3	✓	✓	✓	✓	✓	✓	✓
5	Thrust washer, 360° 19mm	8-A-1897	1	-	✓	✓	✓	✓	-	-
5	Thrust washer, 360° 20mm	8-A-1898	1	✓	-	-	-	-	✓	✓
5	Thrust collar, 360°	8-A-1896	1	✓	✓	✓	✓	✓	✓	✓
6	Piston ring, c/end	8-A-1554	1	✓	✓	✓	-	-	-	-
7	Seal ring, brg/hsg	8-A-0138	1	✓	✓	✓	-	-	-	-
8	Thrust spring, b/plate	8-A-0237	1	-	-	-	-	-	-	-
9	Locknut, t/shaft, r/hand	8-A-0163	1	✓	-	✓	-	-	-	-
9	Locknut, t/shaft, l/hand	8-A-1869	1	-	✓	-	-	-	-	-
10	Gasket, c/end	8-A-0286	1	✓	-	✓	-	-	-	-
10	Seal ring, c/end	8-A-0828	1	-	-	-	-	-	-	-
10	Seal ring, c/end	8-A-1843	1	-	-	-	-	-	-	-
11	Lockplate, c/end	8-A-0254	3	-	-	-	-	-	-	-
12	Bolt, c/end	8-A-0157	6	✓	-	✓	-	-	-	-
12	Bolt, c/end, TO4E	8-A-1959	6	-	-	-	-	-	-	-
13	Clamp, c/end	8-A-0334	3	✓	-	✓	-	-	-	-
13	Clamp, c/end	8-A-0352	2	-	-	-	-	-	-	-
13	Clamp, c/end	8-A-0321	1	-	-	-	-	-	-	-
14	Bolt, brg/hsg.	8-A-0155	4	✓	✓	✓	-	-	-	-
14	Bolt, brg/hsg.	8-A-0172	4	-	-	-	-	-	-	-
15	Lockplate, brg/hsg.	8-A-0252	2	-	-	-	-	-	-	-
16	Lockplate t/end	8-A-0242	3	✓	-	✓	-	-	-	-
17	Clamp, t/end	8-A-0241	3	✓	-	✓	-	-	-	-
17	Clamp, t/end	8-A-1565	2	-	-	-	-	-	-	-
18	Bolt, t/end	8-A-0156	6	✓	-	✓	-	-	-	-
18	Bolt, t/end	8-A-1564	6	-	-	-	-	-	-	-

Note (i) Step bore

(ii) Step & smooth bore

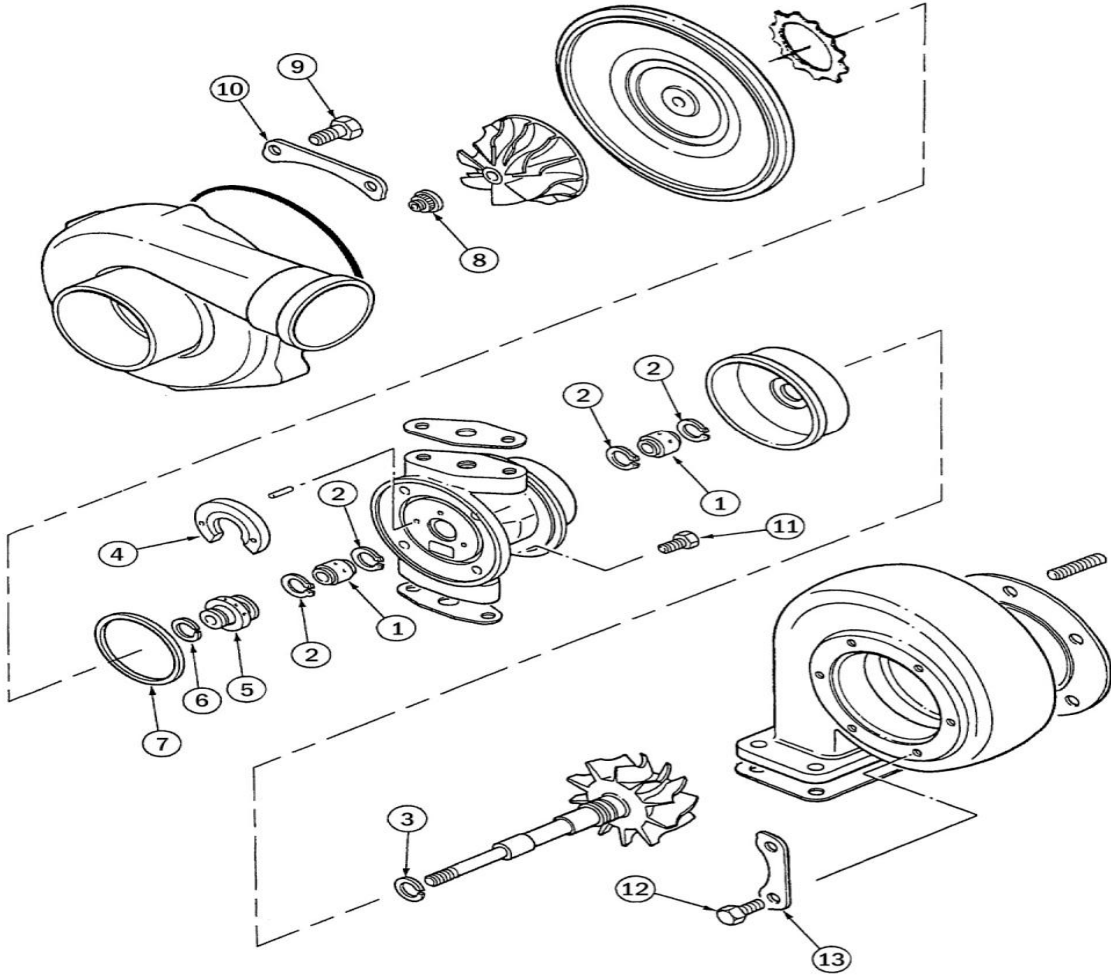
(iii) TB34 & TB41

See JOURNAL BEARING section for oversize & under-size parts - page 5

See PISTON RING section for oversize parts - page 7 and 8

See GASKET section

# TO4S



*This illustration is intended only as a guide. The actual part or assembly may vary from one model to another.*



## SERVICE KIT - Garrett

### TO4S

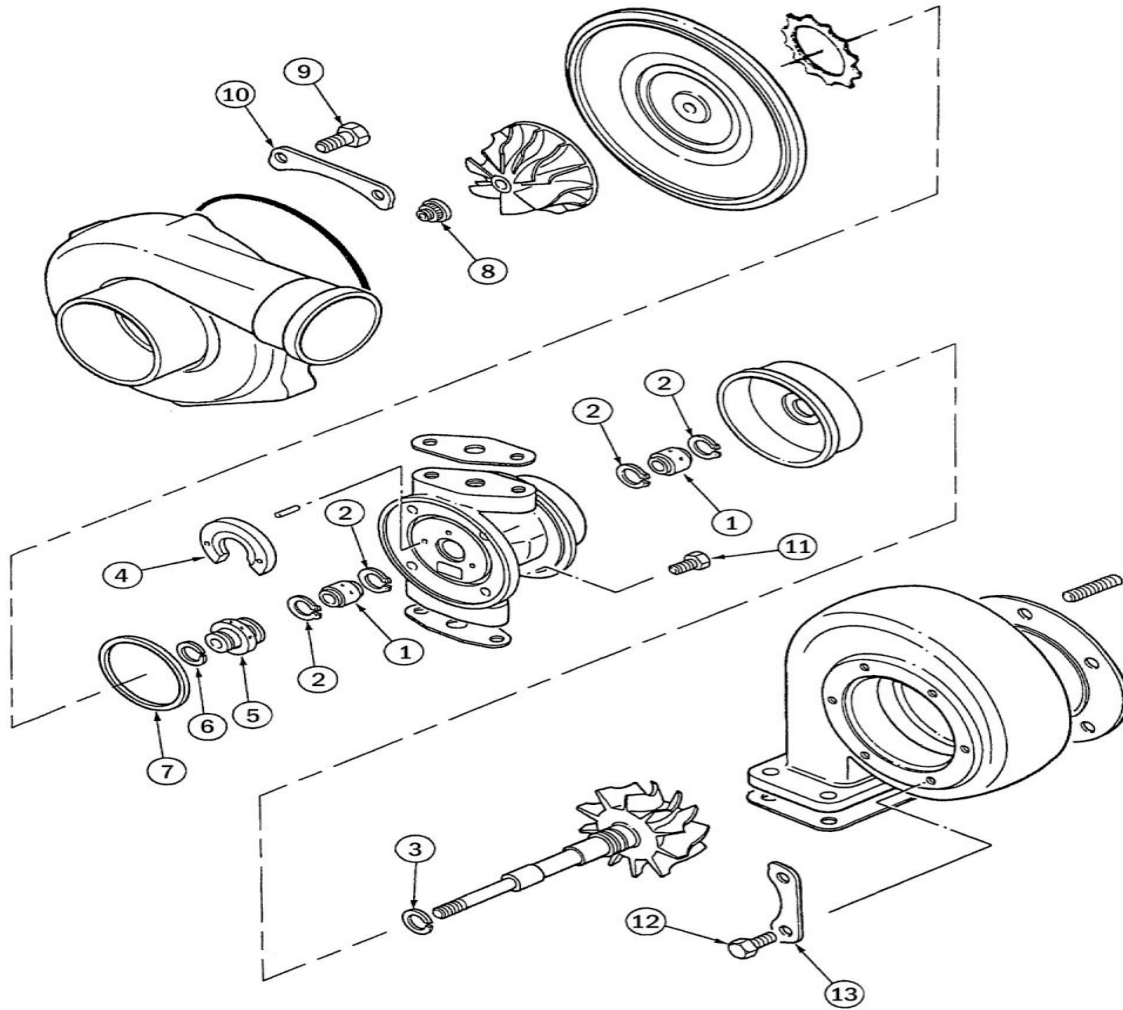
Item no.	Description	TI Part no.	Qty/ Turbo	TI Kit no. 7-A-1505
1	Journal bearing	8-A-1561	2	✓
2	Retaining ring, jnl/brg.	8-A-1567	4	✓
3	Piston ring, t/end	8-A-1555	1	✓
4	Thrust bearing	8-A-1562	1	✓
4	Bolt, t/brg	8-A-0168	3	✓
5	Thrust collar	8-A-1563	1	✓
6	Piston ring, c/end	8-A-1566	1	✓
7	Seal ring, brg/hsg	8-A-0138	1	✓
8	Locknut, t/shaft, l/hand	8-A-2352	1	✓
8	Locknut, t/shaft, r/hand	8-A-0164	1	✓
9	Bolt, c/end	8-A-0145	6	✓
10	Clamp, c/end	8-A-0321	4	✓
11	Bolt, brg/hsg.	8-A-0172	4	✓
12	Bolt, t/end	8-A-1564	8	✓
13	Clamp, t/end	8-A-1565	2	✓

See JOURNAL BEARING section for oversize & under-size parts - page 6

See PISTON RING section for oversize parts - page 9

See GASKET section

# TO4S



*This illustration is intended only as a guide. The actual part or assembly may vary from one model to another.*



## SERVICE KIT - Garrett

360° Performance and Upgrade

### TO4S

Item no.	Description	TI Part no.	Qty/ Turbo	TI Kit no. 7-A-2596
1	Journal bearing	8-A-1561	2	-
2	Retaining ring, jnl/brg.	8-A-1567	4	-
3	Piston ring, t/end	8-A-1555	1	-
4	Thrust bearing	8-A-2128	1	✓
4	Bolt, t/brg	8-A-0159	3	✓
5	Thrust ring	8-A-2130	1	✓
5	Thrust collar	8-A-2129	1	✓
6	Piston ring, c/end	8-A-1566	1	-
7	Seal ring, brg/hsg	8-A-0138	1	-
8	Locknut, t/shaft, l/hand	8-A-2352	1	-
8	Locknut, t/shaft, r/hand	8-A-0164	1	-
9	Bolt, c/end	8-A-0145	6	-
10	Clamp, c/end	8-A-0321	4	-
11	Bolt, brg/hsg.	8-A-0172	4	-
12	Bolt, t/end	8-A-1564	8	-
13	Clamp, t/end	8-A-1565	2	-

See JOURNAL BEARING section for oversize & under-size parts - page 6

See PISTON RING section for oversize parts - page 9

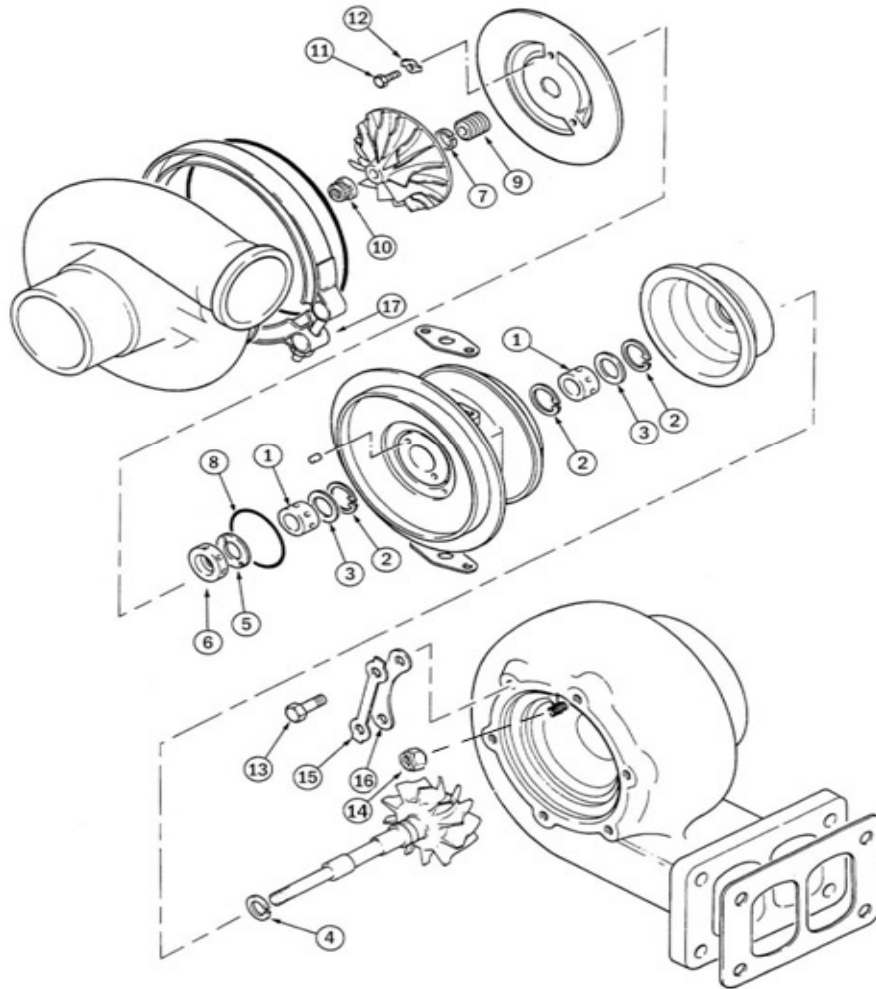
See GASKET section

**T05B**

**TE06**  
step & smooth bore

**TH08A**

**T60**



*This illustration is intended only as a guide. The actual part or assembly may vary from one model to another.*





## SERVICE KIT - Garrett

**TO5B**

**TEO6 step & smooth bore**

**THO8A**

**T60**

Item no.	Description	TI Part no.	Qty/ Turbo	TI Kit no.			
				7-A-0615	7-A-0729	7-A-0821	7-A-0617
				<i>note (i)</i>	<i>note (iii)</i>	<i>note (iv)</i>	<i>note (v)</i>
1	Journal bearing	8-A-0257	2	✓	✓	✓	✓
2	Retaining ring, jnl/brg.	8-A-0137	3	✓	✓	✓	✓
3	Wear washer	8-A-0244	2	✓	✓	✓	✓
4	Piston ring, t/e,smooth bore	8-A-0184	1	-	✓	✓	-
4	Piston ring, t/e,step bore	8-A-1616	1	✓	✓	-	✓
5	Thrust bearing	8-A-0198	1	✓	✓	-	-
5	Thrust bearing	8-A-0261	1	-	-	✓	✓
6	Thrust collar	8-A-0028	1	-	-	-	-
6	Thrust collar	8-A-0029	1	-	✓	-	-
7	Piston ring, c/end	8-A-2141	1/2	✓	✓	✓	✓
8	Seal ring, brg/hsg	8-A-0138	1	✓	✓	-	✓
8	Seal ring, brg/hsg	8-A-0140	1	-	-	✓	-
9	Thrust spacer	8-A-0265	1	-	-	-	-
9	Thrust spacer	8-A-0267	1	-	✓	-	-
10	Locknut,t/shaft 3/8"dia.	8-A-0165	1	-	-	✓	-
10	Locknut,t/shaft 5/16"dia.	8-A-0164	1	✓	✓	-	✓
11	Bolt, brg/hsg.	8-A-0136	3	-	-	-	✓
11	Bolt, brg/hsg.	8-A-0167	4	-	-	✓	-
11	Bolt, brg/hsg.	8-A-0169	4	✓	✓	-	-
12	Lockplate, brg/hsg.	8-A-0196	3	-	-	-	✓
12	Lockplate, brg/hsg.	8-A-0252	2	✓	-	-	-
12	Lockplate, brg/hsg.	8-A-0345	4	-	-	✓	-
12	Lockplate, brg/hsg.	8-A-0819	2	-	-	-	-
13	Bolt, t/end	8-A-0144	6	✓	✓	✓	✓
14	Nut, t/end	8-A-0150	6	-	✓	-	-
15	Lockplate t/end	8-A-0234	3	✓	✓	✓	✓
16	Clamp, t/end	8-A-0233	3	✓	✓	✓	✓
17	Nut, V band	8-A-0713	1	-	-	-	-

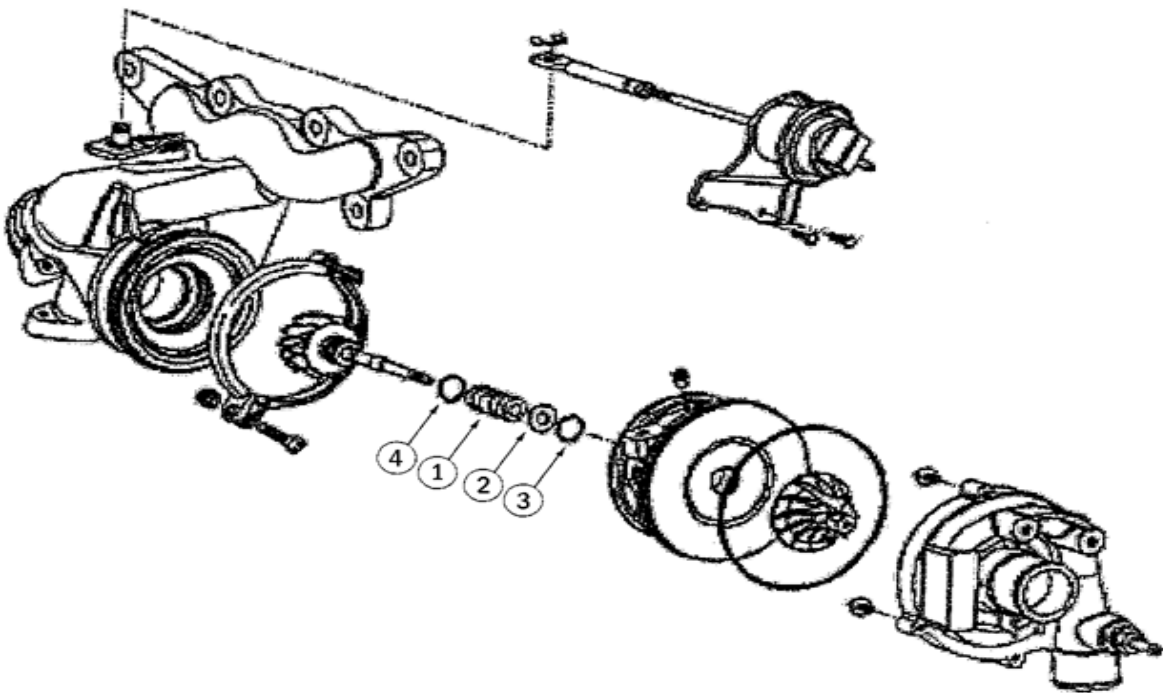
Note (i) TO5B & TEO6 step bore      (ii) TEO6 step bore      (iii) TEO6 step & smooth bore  
 (iv) THO8A smooth bore      (v) T60

See JOURNAL BEARING section for oversize & under-size parts - page 7

See PISTON RING section for oversize parts - page 10

See GASKET section

# GT12



*This illustration is intended only as a guide. The actual part or assembly may vary from one model to another.*



## SERVICE KIT - Garrett

### GT12

Item no.	Description	TI Part no.	Qty/ Turbo	TI Kit no. 7-A-3028
1	Journal bearing	8-A-2945	1	✓
2	Thrust washer	8-A-2946	1	✓
3	Piston ring, t/end	8-A-2947	1	✓
4	Piston ring, c/end	8-A-2947	1	✓

See JOURNAL BEARING section for oversize & under-size parts - page 8

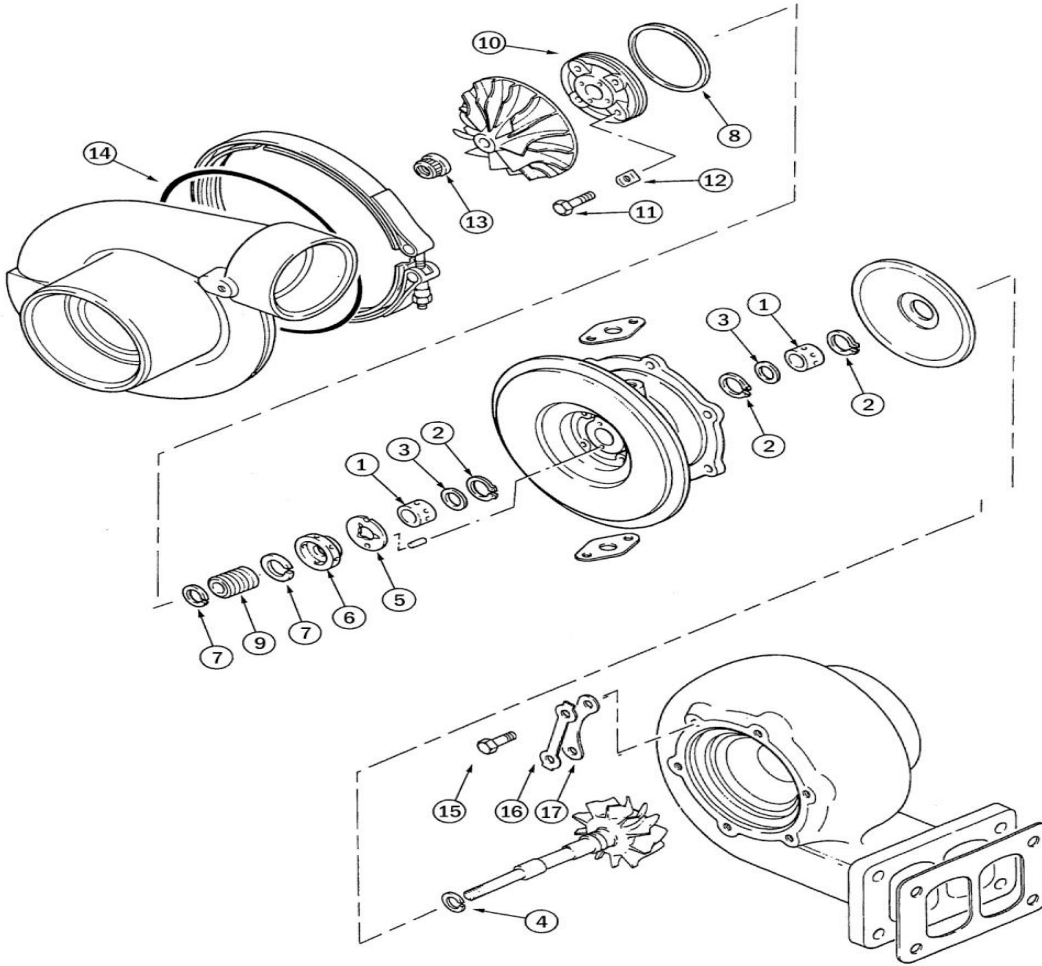
See PISTON RING section for oversize parts - page 12

See GASKET section



# T12

step & smooth bore



*This illustration is intended only as a guide. The actual part or assembly may vary from one model to another.*



## SERVICE KIT - Garrett - step & smooth bore

### T12

Item no.	Description	TI Part no.	Qty/ Turbo	TI Kit no.		
				7-A-1508	7-A-0721	7-A-2263
1	Journal bearing	8-A-0257	2	✓	✓	-
2	Retaining ring, jnl/brg.	8-A-0137	3	✓	✓	✓
3	Wear washer	8-A-0244	2	✓	✓	-
4	Piston ring,t/e,st/bore	8-A-1616	1	✓	✓	✓
4	Piston ring,t/e,sm/bore	8-A-0184	1	✓	-	✓
5	Thrust bearing	8-A-0261	1	✓	✓	✓
6	Thrust collar	8-A-0029	1	✓	-	-
7	Piston ring, c/end	8-A-2141	2	✓	✓	✓
8	Seal ring, brg/hsg	8-A-0179	1	✓	✓	✓
8	Seal ring, brg/hsg	8-A-1605	1	-	-	-
9	Thrust spacer	8-A-0267	1	✓	-	-
10	Thrust plate assy	8-A-2240	1	-	-	-
11	Bolt, t/plate to b/plate	8-A-0136	3	✓	✓	✓
12	Lockplate, t/plate to b/plate	8-A-0196	3	✓	✓	✓
13	Locknut,turbine shaft	8-A-0164	1	✓	✓	✓
14	O ring, c/end	8-A-0176	1	✓	✓	✓
15	Bolt, t/end	8-A-0144	6	✓	✓	-
16	Lockplate t/end	8-A-0234	3	✓	✓	-
17	Clamp, t/end	8-A-0233	3	✓	✓	-

See JOURNAL BEARING section for oversize & under-size parts - page 7

See PISTON RING section for oversize parts - page 10

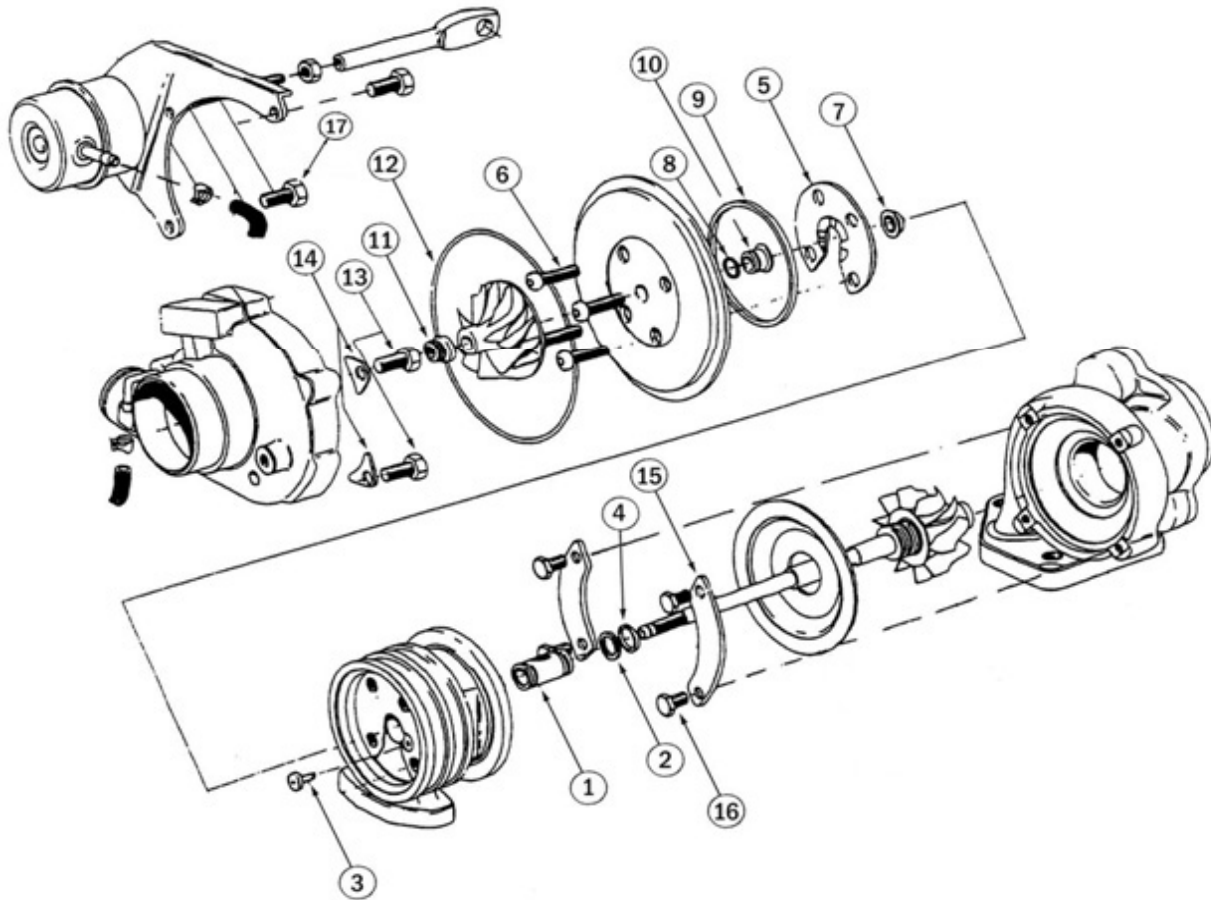
See GASKET section



GT15 GT17 GT18 GT20 GT22 GT23 GT25

plus **Variable Nozzle Models**

Flatback & superback compressor wheel, slender & straight shaft



*This illustration is intended only as a guide. The actual part or assembly may vary from one model to another.*



SERVICE KIT - Garrett - flatback & superback  
compressor wheel, slender & straight shaft

GT15 GT17 GT18 GT20 GT22 GT23 GT25  
plus Variable Nozzle Models

Item no.	Description	TI Part no.	Qty/ Turbo	TI Kit no.					
				7-A-3017	7-A-3003	7-A-3004	7-A-3005	7-A-3006	7-A-3007
				Note (i)	Note (ii)	Note (iii)	Note (iv)	Note (v)	Note (vi)
1	Journal bearing, slender shaft	8-A-2189	1	✓	✓	-	-	-	-
1	Journal bearing, standard shaft	8-A-3012	1	✓	-	✓	-	-	-
2	Retaining ring, jnl/brg	8-A-1938	1	✓	✓	✓	-	-	-
3	Pin, anti-rotation, jnl/brg.	8-A-1937	1	✓	✓	✓	-	-	-
4	Piston ring, t/end	8-A-1560	1	✓	✓	✓	-	-	-
5	Thrust bearing, 10 pad	8-A-3015	1	✓	-	-	✓	✓	✓
6	Bolt, seal plate/th.brg.	8-A-1854	4	✓	✓	✓	-	-	-
7	Thrust spacer 9.3mm s/ba	8-A-2192	1	✓	-	-	-	✓	-
7	Thrust spacer 9.3mm flatb	8-A-1857	1	✓	-	-	✓	-	-
7	Thrust spacer 10.0mm	8-A-3016	1	✓	-	-	-	-	✓
8	Piston ring, c/end 9.3mm	8-A-2190	1	✓	-	-	✓	✓	-
8	Piston ring, c/end 10.0mm	8-A-2191	1	✓	-	-	-	-	✓
9	O ring, seal plate/brg.hsg.	8-A-1859	1	✓	✓	✓	-	-	-
10	Thrust collar	8-A-2196	1	✓	-	-	✓	✓	✓
11	Locknut, turbine shaft	8-A-3009	1	✓	✓	✓	-	-	-
12	O ring, c.hsg, 108 mm	8-A-3013	1	✓	-	✓	-	-	-
12	O ring, c.hsg, 89 mm	8-A-2515	1	✓	✓	✓	-	-	-
12	O ring, c.hsg, 95 mm	8-A-3010	1	✓	✓	✓	-	-	-
12	O ring, c.hsg, 114 mm	8-A-3014	1	✓	-	✓	-	-	-
12	O ring, c.hsg, 82 mm	8-A-2526	1	✓	✓	✓	-	-	-
13	Bolt, c/end	8-A-1951	3	✓	✓	✓	-	-	-
14	Clamp, c/end	-		-	-	-	-	-	-
15	Clamp, t/end	-		-	-	-	-	-	-
16	Bolt, t/end	8-A-1952	5	✓	✓	✓	-	-	-
17	Bolt, actuator bracket	8-A-3011	6	✓	✓	✓	-	-	-
18	Washer, t/end	8-A-3467	6	✓	✓	✓	-	-	-

Note (i) Universal kit fits all flatback & superback compressor wheels, slender & standard bearings, 9.33mm & 10.00mm piston rings

(ii) Fits slender shaft. Compressor end piston ring, thrust collar & spacer & thrust bearing not included

(iii) Fits standard shaft. Compressor end piston ring, thrust collar & spacer & thrust bearing not included

(iv) Thrust bearing kit fits flatback compressor wheels

(v) Thrust bearing kit fits superback compressor wheels with 9.3mm c/end piston ring

(vi) Thrust bearing kit fits superback compressor wheels with 10.00mm c/end piston ring

See JOURNAL BEARING section for oversize & under-size parts - page 10

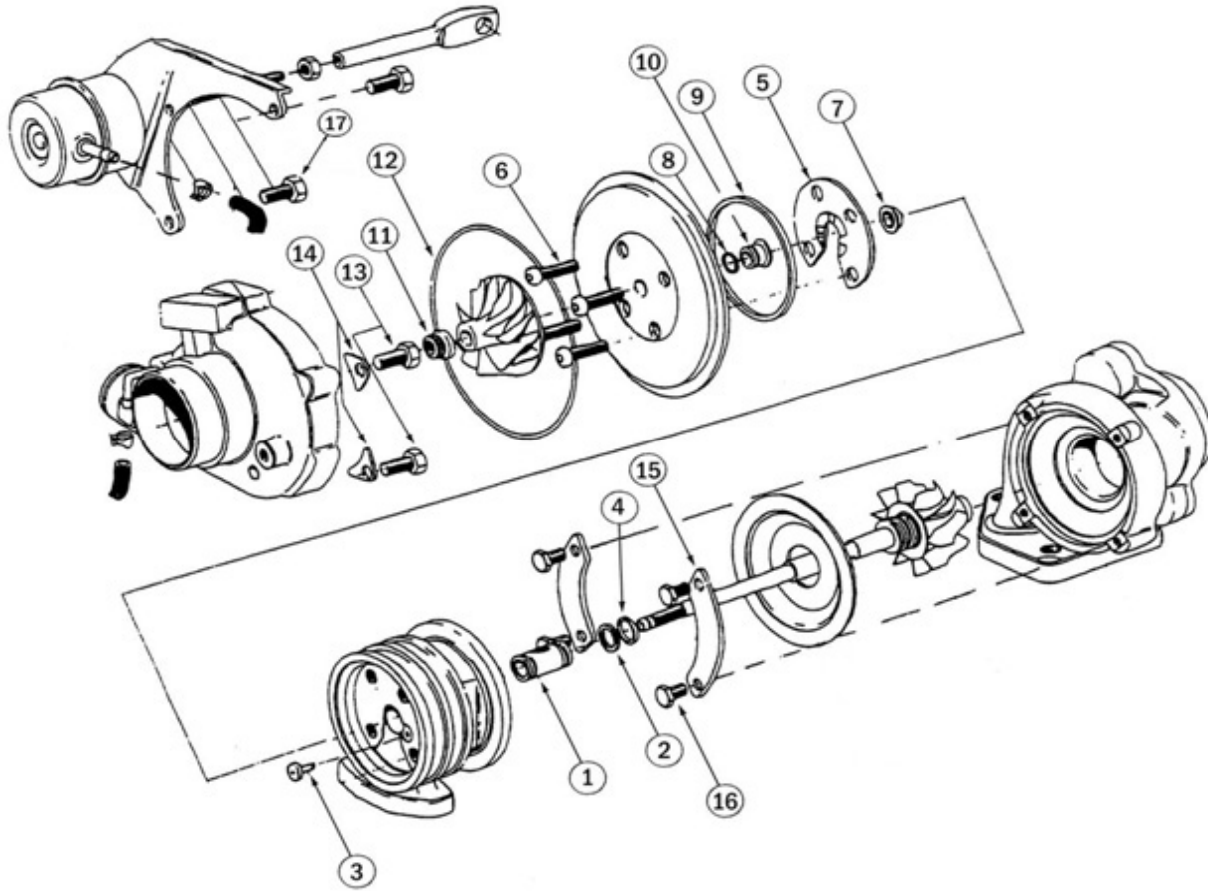
See PISTON RING section for oversize parts - page 14

See GASKET section



GT15 GT17 GT18 GT20 GT22 GT23 GT25  
plus Variable Nozzle Models

Flatback & superback compressor wheel, slender & straight shaft



*This illustration is intended only as a guide. The actual part or assembly may vary from one model to another.*





SERVICE KIT - Garrett - flatback & superback  
compressor wheel, slender shaft

**GT15 GT17 GT18 GT20 GT22 GT23 GT25**  
plus **Variable Nozzle Models**

Item no.	Description	TI Part no.	Qty/ Turbo	TI Kit no.			
				7-A-3640	7-A-3638	7-A-3639	7-A-3637
1	Journal bearing,slender shaft	8-A-2189	1	✓	✓	✓	✓
1	Journal bearing,standard shaft	8-A-3012	1	-	-	-	-
2	Retaining ring, jnl/brg	8-A-1938	1	✓	✓	✓	✓
3	Pin, anti-rotation,jnl/brg.	8-A-1937	1	✓	✓	✓	✓
4	Piston ring, t/end	8-A-1560	1	✓	✓	✓	✓
5	Thrust bearing , 10 pad	8-A-3015	1	✓	✓	✓	✓
6	Bolt, seal plate/th.brg.	8-A-1854	4	✓	✓	✓	✓
7	Thrust spacer 9.3mm s/ba	8-A-2192	1	✓	-	✓	-
7	Thrust spacer 9.3mm flatb	8-A-1857	1	✓	✓	-	-
7	Thrust spacer 10.0mm	8-A-3016	1	✓	-	-	✓
8	Piston ring, c/end 9.3mm	8-A-2190	1	✓	✓	✓	-
8	Piston ring, c/end 10.0mm	8-A-2191	1	✓	-	-	✓
9	O ring, seal plate/brg.hsg.	8-A-1859	1	✓	✓	✓	✓
10	Thrust collar	8-A-2196	1	✓	✓	✓	✓
11	Locknut,turbine shaft	8-A-3009	1	✓	✓	✓	✓
12	O ring, c.hsg, 108 mm	8-A-3013	1	✓	✓	✓	✓
12	O ring, c.hsg, 89 mm	8-A-2515	1	✓	✓	✓	✓
12	O ring, c.hsg, 95 mm	8-A-3010	1	✓	✓	✓	✓
12	O ring, c.hsg, 114 mm	8-A-3014	1	✓	✓	✓	✓
12	O ring, c.hsg, 82 mm	8-A-2526	1	✓	✓	✓	✓
13	Bolt, c/end	8-A-1951	6	✓	✓	✓	✓
14	Clamp, c/end	-		-	-	-	-
15	Clamp, t/end	-		-	-	-	-
16	Bolt, t/end	8-A-1952	5	✓	✓	✓	✓
17	Bolt, actuator bracket	8-A-3011	3	✓	✓	✓	✓
18	Washer, t/end	8-A-3467	6	✓	✓	✓	✓

Note (i) Fits slender shaft.

(ii) Fits standard shaft.

(iii) Thrust kit. Fits GT1544 - GT1749 flatback compressor wheels using 9.3mm c/end piston ring.

(iv) Thrust kit. Fits GT1544 - GT2560 superback compressor wheels with 9.3mm c/end piston ring

(v) Thrust kit. Fits GT1544 - GT2560 superback compressor wheels with 10.00mm c/end piston ring

See JOURNAL BEARING section for oversize & under-size parts - page 10

See PISTON RING section for oversize parts - page 14

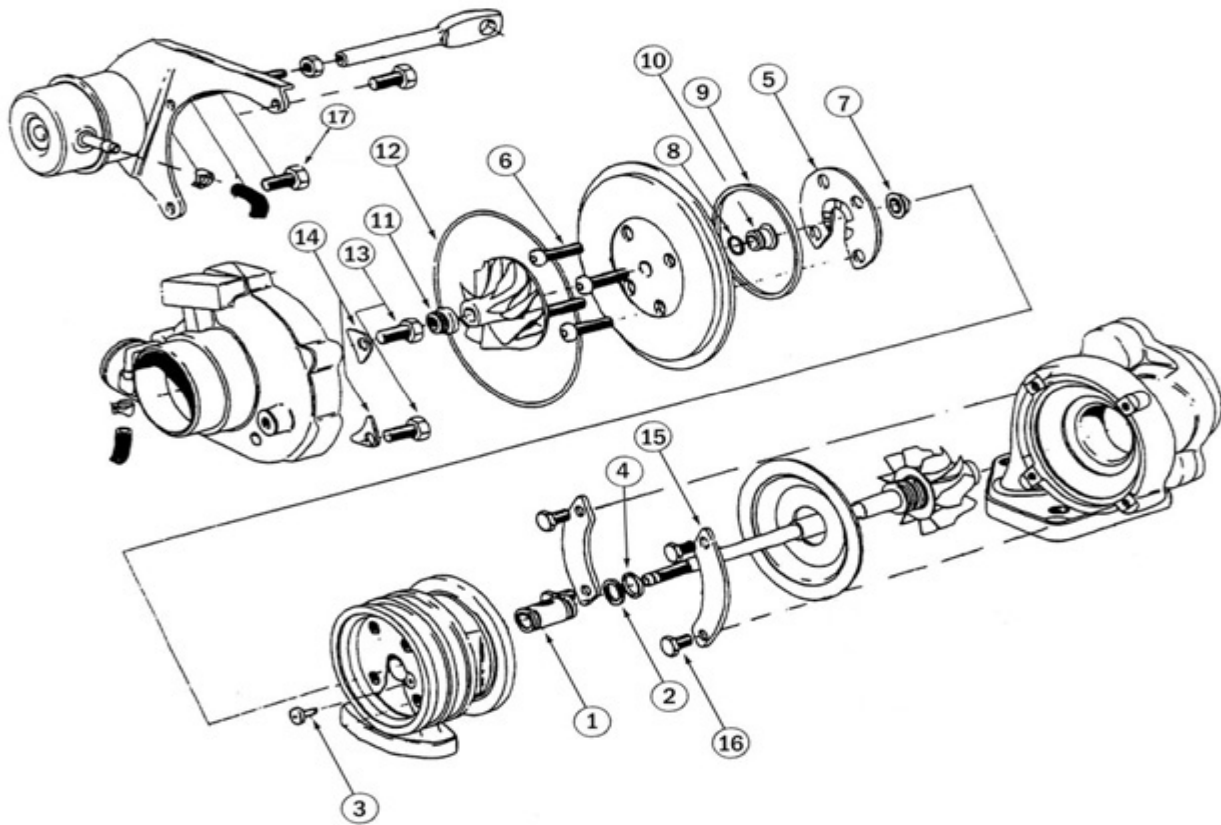
See GASKET section



GT15 GT17 GT18 GT20 GT22 GT23 GT25

plus **Variable Nozzle Models**

Flatback & superback compressor wheel, slender & straight shaft



*This illustration is intended only as a guide. The actual part or assembly may vary from one model to another.*



SERVICE KIT - Garrett - flatback & superback  
compressor wheel, straight shaft

**GT15 GT17 GT18 GT20 GT22 GT23 GT25**  
plus **Variable Nozzle Models**

Item no.	Description	TI Part no.	Qty/ Turbo	TI Kit no.	
				7-A-3755	7-A-3641
1	Journal bearing,slender shaft	8-A-2189	1	-	-
1	Journal bearing,standard shaft	8-A-3012	1	✓	✓
2	Retaining ring, jnl/brg	8-A-1938	1	✓	✓
3	Pin, anti-rotation,jnl/brg.	8-A-1937	1	✓	✓
4	Piston ring, t/end	8-A-1560	1	✓	✓
5	Thrust bearing , 10 pad	8-A-3015	1	✓	✓
6	Bolt, seal plate/th.brg.	8-A-1854	4	✓	✓
7	Thrust spacer 9.3mm s/ba	8-A-2192	1	✓	-
7	Thrust spacer 9.3mm flatb	8-A-1857	1	✓	-
7	Thrust spacer 10.0mm	8-A-3016	1	✓	-
8	Piston ring, c/end 9.3mm	8-A-2190	1	✓	✓
8	Piston ring, c/end 10.0mm	8-A-2191	1	✓	✓
9	O ring, seal plate/brg.hsg.	8-A-1859	1	✓	✓
10	Thrust collar	8-A-2196	1	✓	✓
11	Locknut,turbine shaft	8-A-3009	1	✓	✓
12	O ring, c.hsg, 108 mm	8-A-3013	1	✓	✓
12	O ring, c.hsg, 89 mm	8-A-2515	1	✓	✓
12	O ring, c.hsg, 95 mm	8-A-3010	1	✓	✓
12	O ring, c.hsg, 114 mm	8-A-3014	1	✓	✓
12	O ring, c.hsg, 82 mm	8-A-2526	1	✓	✓
13	Bolt, c/end	8-A-1951	6	✓	✓
14	Clamp, c/end	-		-	-
15	Clamp, t/end	-		-	-
16	Bolt, t/end	8-A-1952	5	✓	✓
17	Bolt, actuator bracket	8-A-3011	3	✓	✓
18	Washer, t/end	8-A-3467	6	✓	✓

See JOURNAL BEARING section for oversize & under-size parts - page 10

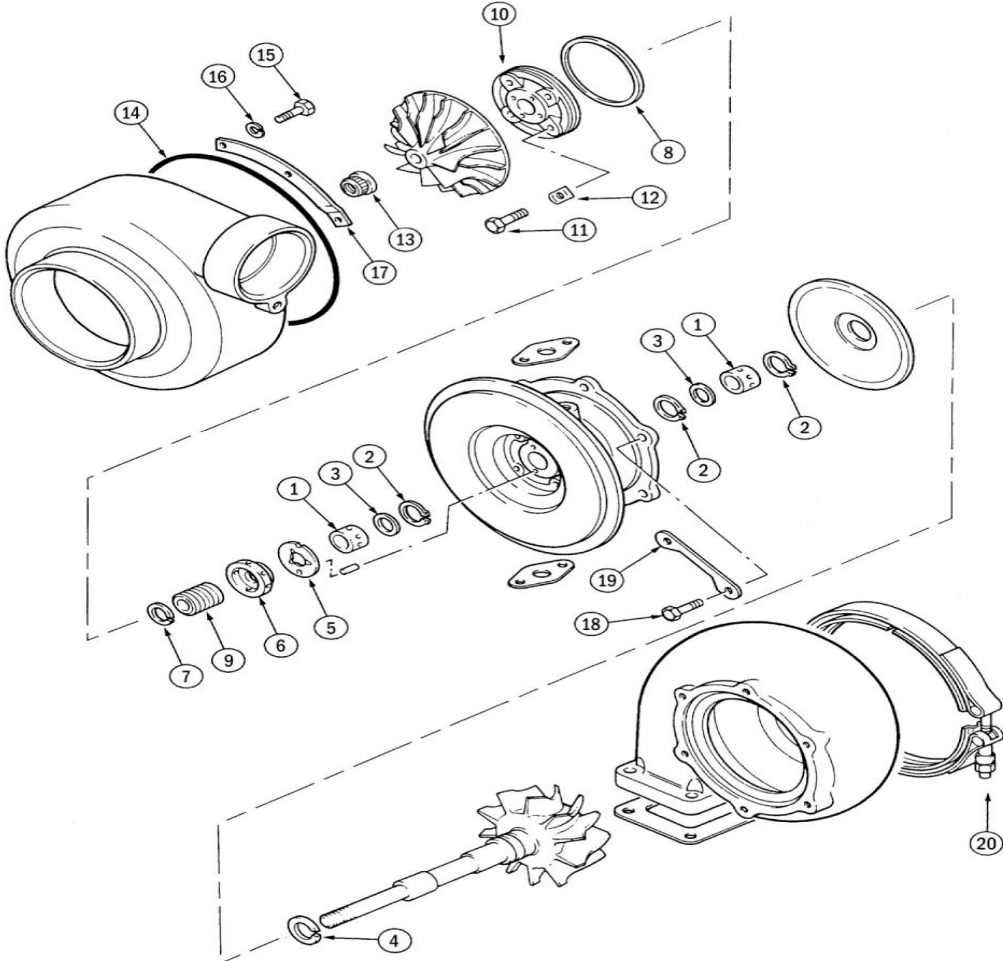
See PISTON RING section for oversize parts - page 14

See GASKET section



# T18

step & smooth bore



*This illustration is intended only as a guide. The actual part or assembly may vary from one model to another.*



## SERVICE KIT - Garrett - step & smooth bore

### T18

Item no.	Description	TI Part no.	Qty/ Turbo	TI Kit no.	
				7-A-0724	7-A-0612
				<i>Note (iii)</i>	<i>Note (i)</i>
1	Journal bearing	8-A-0257	2	✓	✓
2	Retaining ring, jnl/brg.	8-A-0137	3	✓	✓
3	Wear washer	8-A-0244	2	✓	✓
4	Piston ring,t/e,st/bore	8-A-0187	1	✓	✓
4	Piston ring,t/e,sm/bore	8-A-1913	1	✓	-
5	Thrust bearing	8-A-0261	1	✓	✓
6	Thrust collar	8-A-0028	1	✓	-
7	Piston ring, c/end	8-A-2141	2	✓	✓
8	Seal ring, brg/hsg	8-A-0175	1	✓	✓
9	Thrust spacer	8-A-0266	1	✓	-
10	Thrust plate assy	7-A-1206	1	-	-
11	Bolt, t/plate to b/plate	8-A-0135	4	✓	✓
11	Bolt, b/plate to b/hsg	8-A-0170	4	-	-
12	Lockplate, t/plate to b/plate	8-A-0189	4	✓	✓
13	Locknut,t/shaft 3/8"dia.	8-A-0165	1	✓	✓
14	O ring, c/end	8-A-0177	1	✓	✓
15	Bolt, c/end	8-A-0152	12	✓	✓
16	Lockplate, c/end	8-A-0134	12	✓	✓
17	Clamp, c/end	8-A-0191	6	✓	✓
18	Bolt, t/end	8-A-0143	6	✓	✓
19	Lockplate t/end	8-A-0232	3	✓	✓
20	Nut, V band	8-A-0713	1	-	-

Note (i) step bore

(ii) Smooth bore

(iii) Step & smooth bore

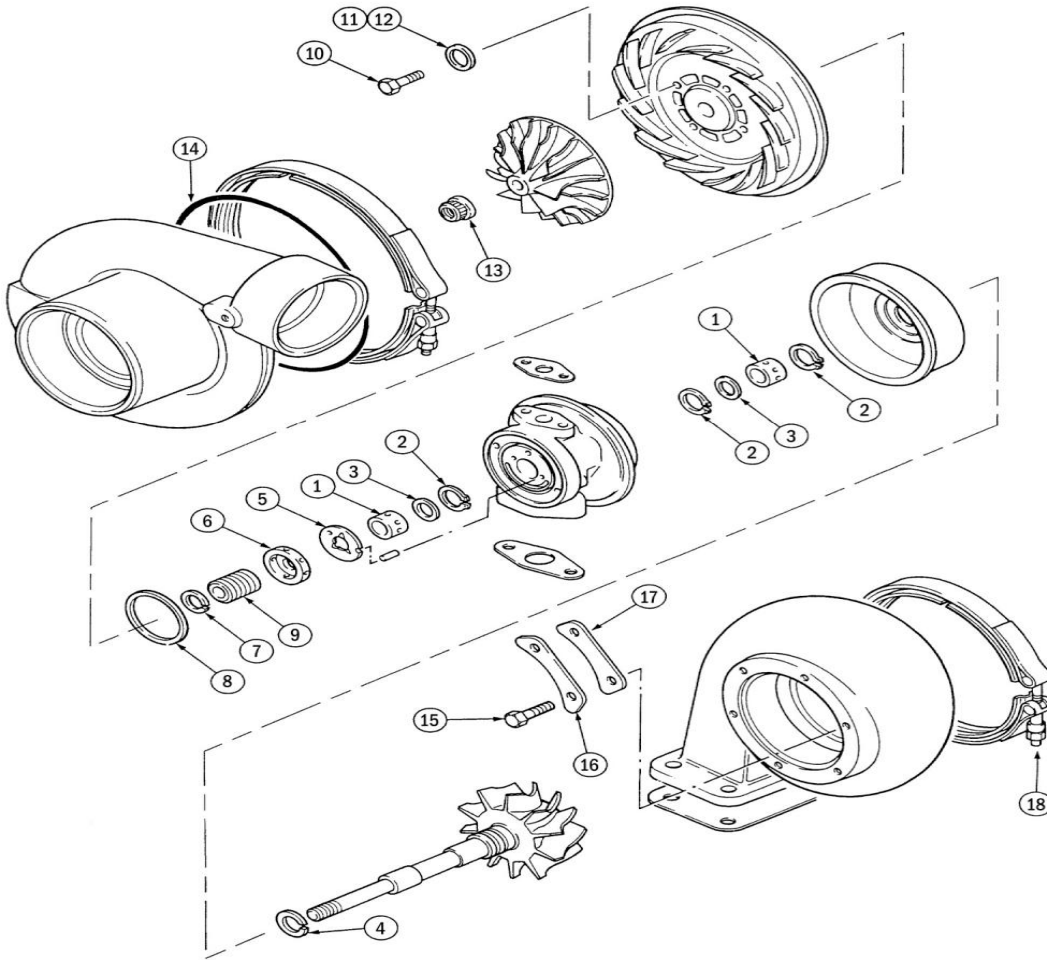
See JOURNAL BEARING section for oversize & under-size parts - page 7

See PISTON RING section for oversize parts - page 15

See GASKET section



**T18A    T19A**  
**T18C**  
**TL18A**  
3/8" & 7/16" locknut



*This illustration is intended only as a guide. The actual part or assembly may vary from one model to another.*



## SERVICE KIT - Garrett - 3/8" & 7/16" locknut

**T18A**      **T19A**  
**T18C**  
**TL18A**

Item no.	Description	TI Part no.	Qty/ Turbo	TI Kit no.		
				7-A-0727	7-A-0725	7-A-0794
1	Journal bearing	8-A-0257	2	✓	✓	✓
2	Retaining ring, jnl/brg.	8-A-0137	3	✓	✓	✓
3	Wear washer	8-A-0244	2	✓	✓	✓
4	Piston ring,t/e	8-A-0187	1	✓	✓	✓
5	Thrust bearing	8-A-0261	1	✓	✓	✓
6	Thrust collar	8-A-0028	1	-	✓	-
6	Thrust collar	8-A-0193	1	✓	-	-
7	Piston ring, c/end	8-A-2141	2	✓	✓	✓
8	Seal ring, brg/hsg	8-A-0139	1	✓	✓	✓
9	Thrust spacer	8-A-0265	1	-	✓	-
9	Thrust spacer	8-A-0263	1	✓	-	-
10	Bolt, b/plate to b/hsg	8-A-0170	4	✓	✓	✓
11	Lockplate, b/plate to b/hsg	8-A-0726	4	✓	✓	✓
12	Washer, b/plate	8-A-0154	4	✓	✓	-
13	Locknut,t/shaft 3/8"dia.	8-A-0165	1	-	✓	✓
13	Locknut,t/shaft 7/16"dia.	8-A-0166	1	✓	-	-
14	O ring, c/end	8-A-0177	1	-	-	-
15	Bolt, t/end	8-A-0146	6	✓	✓	-
16	Lockplate, t/end	8-A-0232	3	-	-	-
16	Lockplate t/end	8-A-0190	3	✓	✓	✓
17	Clamp, t/end	8-A-0245	4	✓	✓	-
18	Nut, V band	8-A-0713	1	✓	✓	-

See JOURNAL BEARING section for oversize & under-size parts - page 7

See PISTON RING section for oversize parts - page 15

See GASKET section

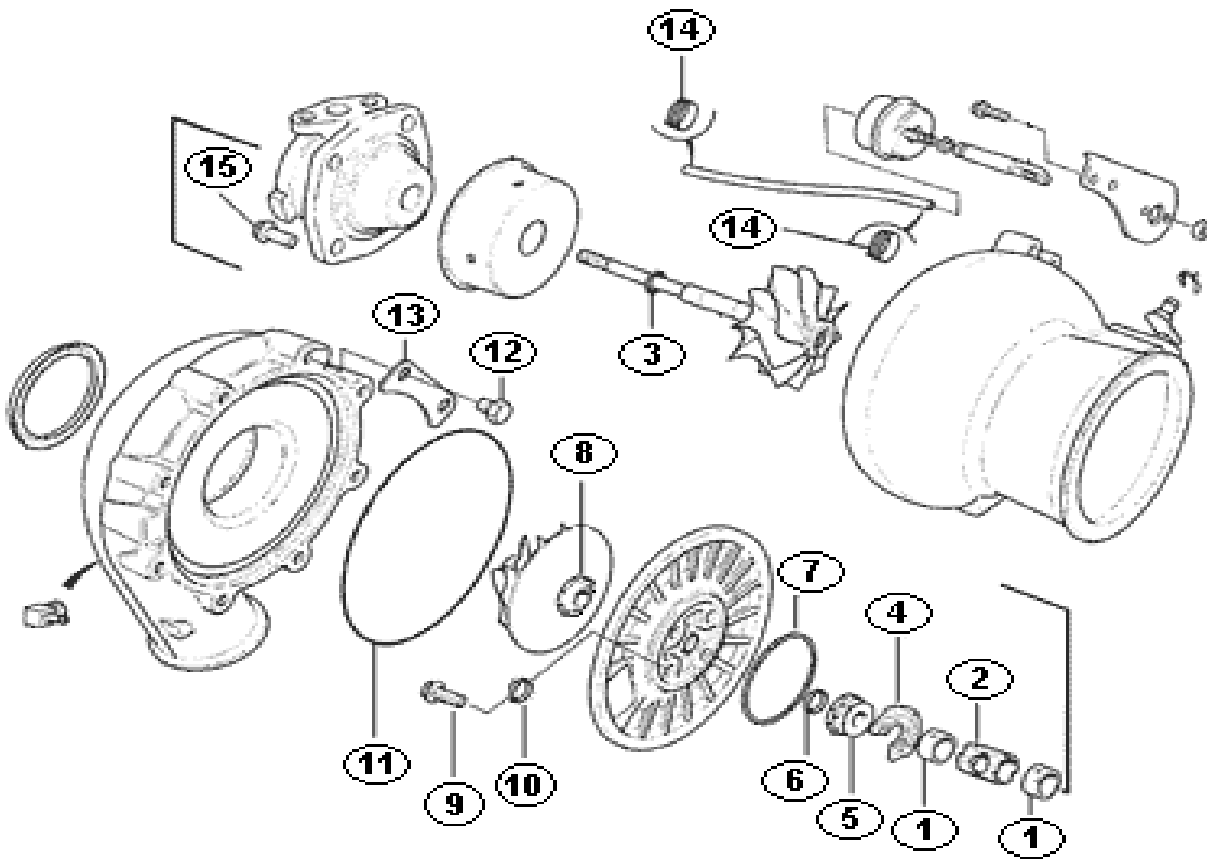


GT30

GT32

GT35

270° & 360° thrust bearing - dynamic & carbon seal



*This illustration is intended only as a guide. The actual part or assembly may vary from one model to another.*





## SERVICE KIT - Garrett - 270° & 360° thrust bearing - dynamic & carbon seal

**GT30                      GT32                      GT35**

Item no.	Description	TI Part no.	Qty/ Turbo	TI Kit no.			
				7-A-2627	7-A-2480	7-A-3144	7-A-2481
				<i>Note (i)</i>	<i>Note (i)</i>	<i>Note (iv)</i>	
1	Journal bearing	8-A-2464	2	✓	✓	✓	✓
2	Bearing spacer	8-A-2626	1	-	-	-	-
3	Piston ring, t/end	8-A-1559	1	✓	✓	✓	✓
4	Thrust bearing 270°	8-A-2479	1	✓	✓	-	✓
4	Thrust bearing 360°	8-A-2466	1	-	-	✓	-
5	Thrust collar, 270° dynam	8-A-2483	1	✓	-	-	✓
5	Thrust collar, 270° c/seal	8-A-2482	1	-	-	-	-
5	Thrust collar, 360° dynam	8-A-3143	1	-	-	✓	-
6	Piston ring, c/end	8-A-1554	1	✓	✓	✓	✓
6	Piston ring, c/end [ <i>note (v)</i>	8-A-2050	1	-	-	-	-
6	Piston ring, c/end [ <i>note (vi)</i>	8-A-2827	1	-	-	-	-
7	O ring, s/plate	8-A-2467	1	✓	✓	✓	✓
8	Thrust spacer, 360°	8-A-2465	1	-	-	✓	-
8	Thrust sleeve, 360° dynam	8-A-2948	1	-	-	-	-
8	Thrust washer, 360° c/seal	8-A-2468	1	-	-	-	-
9	Bolt, b/plate	8-A-1520	4	✓	✓	✓	✓
10	Washer, seal, b/plate bolt	8-A-2478	4	✓	-	-	-
11	O ring, c/end	8-A-1843	1	✓	✓	✓	✓
11	O ring, c/end	8-A-2469	1	-	-	-	-
11	O ring, c/end	8-A-0828	1	✓	-	-	-
12	Bolt, c/end	8-A-0157	6	✓	-	✓	-
12	Bolt, c/end	8-A-1959	6	-	✓	-	✓
13	Clamp, c/end	8-A-0352	2	✓	✓	✓	✓
14	Retaining ring, r/end	8-A-1290	2	-	-	✓	-
15	Bolt, t/end	8-A-1520	4/7	✓	✓	✓	✓

*Note (i) GT30, GT32 & GT35 dynamic seal with 270 ° thrust bearing*

*(ii) GT35 carbon seal with 360 ° thrust bearing*

*(iii) GT35 carbon seal with 270 ° thrust bearing*

*(iv) GT35 dynamic seal with 360 ° thrust bearing*

*(v) GT3536 application, 0.5618"/14.27mm o/d*

*(vi) GT3271 application, 0.5000"/12.70mm o/d*

See JOURNAL BEARING section for oversize & under-size parts - page 11

See PISTON RING section for oversize parts - page 16

See GASKET section



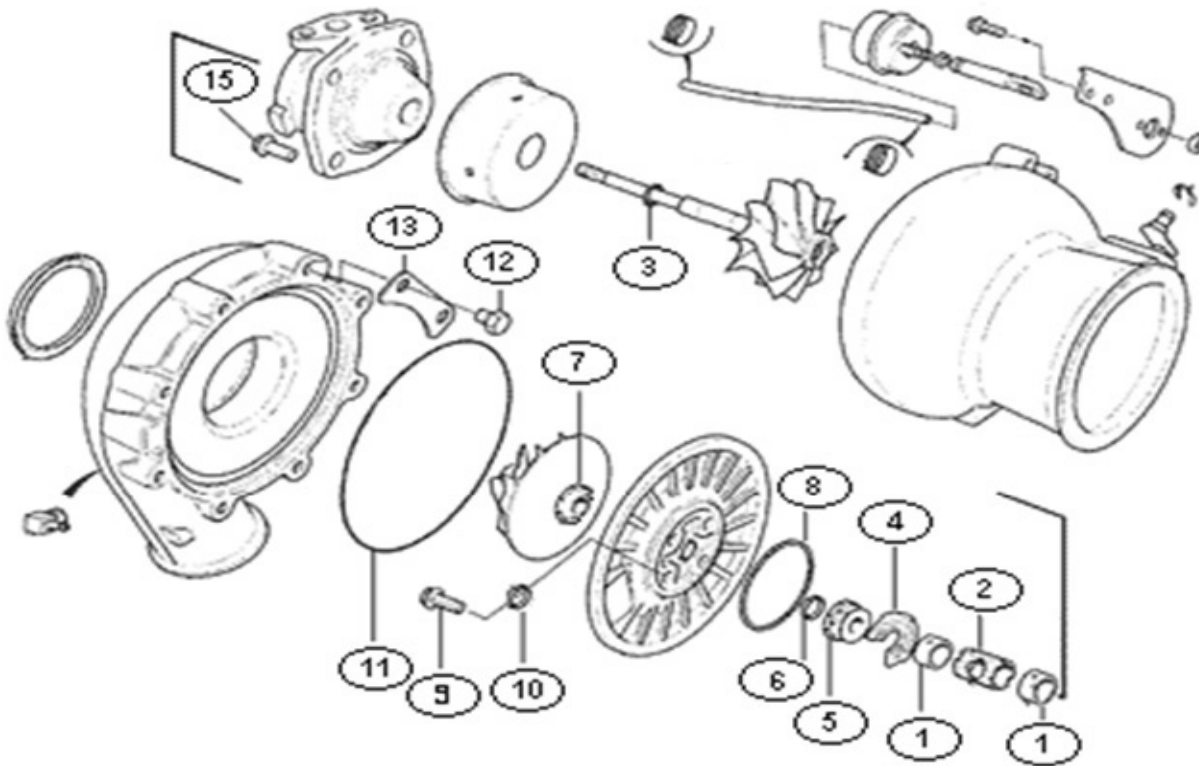
GT37

GTA37

GT40

GTA40

270° & 360° thrust bearing - dynamic & carbon seal  
threaded & boreless c/wheel



*This illustration is intended only as a guide. The actual part or assembly may vary from one model to another.*



SERVICE KIT - Garrett - dynamic & carbon seal -  
threaded & boreless c/wheel

**GT37**                      **GT40**  
**GTA37**                    **GTA40**

Item no.	Description	TI Part no.	Qty/ Turbo	TI Kit no.					
				7-A-2049	7-A-2460	7-A-2489	7-A-2262	7-A-2490	7-A-2143
				Note (i)	Note (i)	Note (ii)	Note (iii)	Note (iv)	
1	Journal bearing	8-A-2003	2	✓	✓	✓	✓	✓	✓
2	Bearing spacer	8-A-2055	1	✓	-	-	✓	-	✓
3	Piston ring, t/end	8-A-2051	1	✓	✓	✓	✓	✓	✓
4	Thrust bearing	8-A-2054	1	✓	✓	✓	✓	✓	✓
5	Thrust collar, dynamic	8-A-2053	1	✓	✓	-	-	-	-
5	Thrust collar, dynamic	8-A-2796	1	-	-	-	-	-	-
5	Thrust collar, dynamic	8-A-2797	1	-	-	-	-	✓	-
5	Thrust collar, c/seal	8-A-2057	1	-	-	-	✓	-	-
6	Piston ring, c/end ( note v)	8-A-2050	1	✓	✓	✓	-	-	✓
6	Piston ring, c/end ( note vi)	8-A-0832	1	-	-	-	-	✓	-
7	Carbon seal, encapsulated	8-A-2056	1	-	-	-	✓	-	-
8	O ring, s/plate	8-A-0258	1	✓	✓	✓	✓	-	✓
8	O ring, s/plate	8-A-2122	1	-	-	-	-	✓	-
9	Bolt, b/plate	8-A-1520	4	✓	✓	✓	✓	-	✓
10	Washer, seal, b/plate bolt	8-A-2478	4	-	-	-	-	-	-
11	O ring, c/end	8-A-2487	1	-	-	-	-	-	-
11	O ring, c/end	8-A-2488	1	-	-	-	-	-	-
11	O ring, c/end	8-A-2052	1	✓	✓	-	✓	-	✓
11	O ring, c/end	8-A-0828	1	-	-	✓	-	-	-
12	Bolt, c/end	8-A-0157	6	-	-	✓	-	-	-
12	Bolt, c/end	8-A-2495	8	-	-	-	-	-	-
13	Clamp, c/end	8-A-0321	2	-	-	-	-	-	-
14	Retaining ring, r/end	8-A-1290	1	-	-	-	-	✓	-
15	Bolt, t/end	8-A-1520	8	✓	✓	✓	✓	✓	✓

Note (i) GT37 & GT40 dynamic seal - threaded compressor wheel.

(ii) GT37 & GT40 dynamic & carbon seal - threaded compressor wheel.

(iii) GT37 & GT40 carbon seal - boreless compressor wheel.

(iv) GTA40

(v) GT37 & GT40

(vi) GTA40

See JOURNAL BEARING section for oversize & under-size parts - page 12

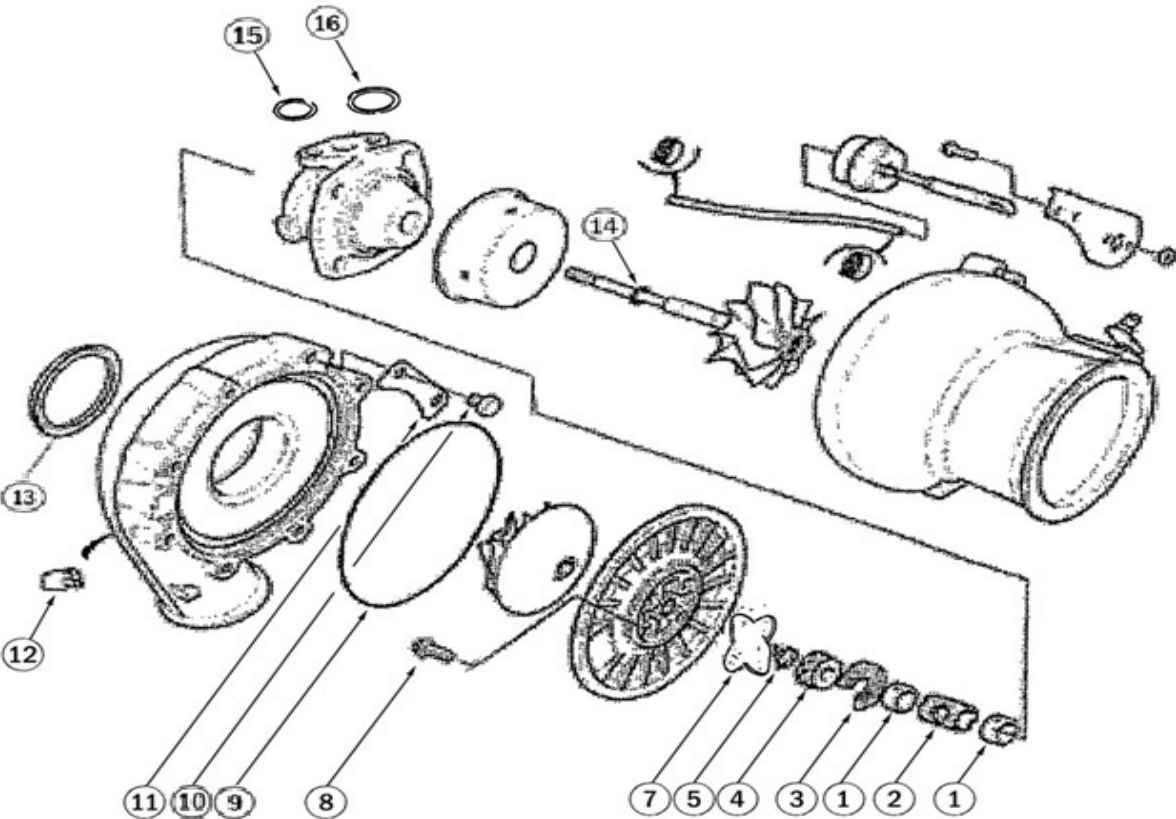
See PISTON RING section for oversize parts - page 17

See GASKET section



GTP38

TP38



*This illustration is intended only as a guide. The actual part or assembly may vary from one model to another.*



## SERVICE KIT - Garrett

### GTP38 TP38

Item no.	Description	TI Part no.	Qty/ Turbo	TI Kit no.						
				7-A-2530	7-A-2058	7-A-2059	7-A-1523	7-A-2795	7-A-2230	7-A-3507
				<i>Note (i)</i>	<i>Note (ii)</i>	<i>Note (ii)</i>				<i>Note (iii)</i>
1	Journal bearing	8-A-1522	2	✓	✓	✓	✓	-	-	-
2	Bearing spacer	8-A-1521	1	-	-	-	-	-	-	-
3	Thrust bearing	8-A-2527	1	✓	✓	-	✓	-	-	-
4	Thrust collar	8-A-1213	1	✓	✓	-	✓	-	-	-
5	Piston ring, c/end	8-A-1554	1	✓	✓	✓	✓	-	-	-
7	O ring, brg/hsg to s/plate	8-A-0258	1	✓	✓	✓	✓	-	-	-
7	O ring, brg/hsg to s/plate	8-A-2575	1	✓	-	-	-	-	-	-
8	Bolt, b/plate	8-A-1520	4	✓	✓	✓	✓	✓	-	-
9	O ring, comp/hsg to s/plate	8-A-3136	1	✓	-	-	-	-	-	-
10	Bolt, c/end	8-A-1520	4	✓	✓	✓	✓	✓	-	-
11	Clamp, c/end	-		-	-	-	-	-	-	-
12	Retaining clip EBPD	8-A-2794	1	-	-	-	-	✓	-	-
13	O ring, comp/outlet,sq.cut	8-A-2553	1	✓	-	-	-	✓	-	-
14	Piston ring, t/end	8-A-1555	1	✓	✓	✓	✓	-	-	-
15	O ring, oil inlet	8-A-2061	1	✓	✓	-	-	✓	✓	✓
16	O ring, oil outlet	8-A-2062	1	✓	✓	-	-	✓	✓	✓
	Bolt, t/end	8-A-1520	4	✓	✓	✓	✓	-	-	-
	Gasket, t/inlet	8-A-2063	1	-	✓	-	-	-	✓	-
	O ring,plunger 0.364"	8-A-3539	1	-	-	-	-	-	-	✓
	O ring, 1.614" x 0.07"	8-A-0160	1	-	-	-	-	-	-	✓
	O ring,plunger 0.489"	8-A-3540	1	-	-	-	-	-	-	✓
	Valve, paper	8-A-3541	1	-	-	-	-	-	-	✓
	Valve, plastic	8-A-3542	1	-	-	-	-	-	-	✓
	Seal, plunger cap	8-A-3543	1	-	-	-	-	-	-	✓

Note (i) GTP38 used on Powerstroke 7.3 litre engine from 1999

(ii) TP38 used on Powerstroke 7.3 litre engine until 1998

(iii) Pedestal Kit

See JOURNAL BEARING section for oversize & under-size parts - page 13

See PISTON RING section for oversize parts - page 18

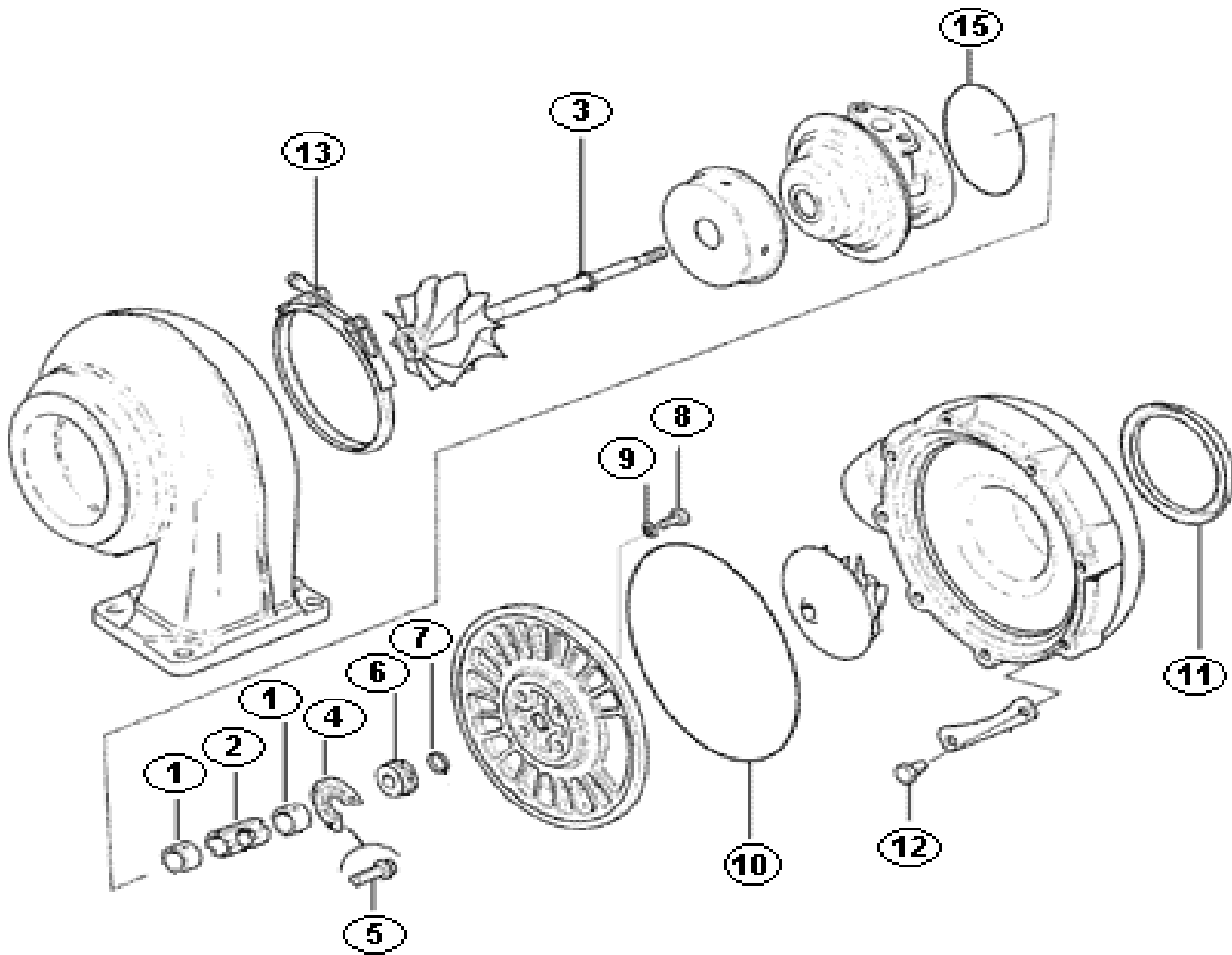
See GASKET section



GT42

GTA42

GT45



*This illustration is intended only as a guide. The actual part or assembly may vary from one model to another.*



## SERVICE KIT - Garrett

**GT42  
GTA42**

**GT45**

Item no.	Description	TI Part no.	Qty/ Turbo	TI Kit no.				
				7-A-2146	7-A-3384	7-A-2614	7-A-2931	7-A-3151
				<i>Note (i)</i>	<i>Note (i)</i>	<i>Note (i)</i>	<i>Note (ii)</i>	<i>Note (ii)</i>
1	Journal bearing,6 oil feed h	8-A-2138	2	✓	✓	✓	✓	✓
2	Bearing spacer	8-A-2139	1	✓	-	-	-	-
3	Piston ring, t/end ( <i>note i</i> )	8-A-2051	1	✓	✓	✓	✓	-
3	Piston ring, t/end ( <i>note ii</i> )	8-A-2494	1	-	-	-	-	✓
4	Thrust bearing 270° 3 lug	8-A-1209	1	✓	✓	✓	-	✓
4	Thrust bearing 270° solid	8-A-2124	1	-	-	-	✓	-
5	Bolt, th/brg.	8-A-2142	3	✓	✓	✓	✓	-
5	Bolt, th/brg.	8-A-2125	3	-	-	-	-	✓
6	Thrust collar, ( <i>note iii</i> )	8-A-2140	1	✓	✓	-	-	-
6	Thrust collar, ( <i>note iv</i> )	8-A-2798	1	-	-	-	-	-
6	Thrust collar, ( <i>note v</i> )	8-A-2937	1	-	-	-	✓	-
6	Thrust collar, ( <i>note vi</i> )	8-A-2939	1	-	-	-	-	✓
7	Piston ring, c/end ( <i>note vii</i> )	8-A-2141	1	✓	✓	✓	-	✓
7	Piston ring, c/end ( <i>note vii</i> )	8-A-0832	1	-	-	-	✓	-
8	Bolt, b/plate	8-A-2144	4	✓	✓	✓	-	-
8	Bolt, b/plate	8-A-1520	4	-	-	-	✓	✓
9	Washer, seal	8-A-2145	4	✓	✓	✓	-	-
10	Seal ring, brg. hsg.	8-A-2122	1	✓	✓	✓	-	-
10	Seal ring, brg. hsg.	8-A-2938	1	-	-	-	✓	✓
10	Seal ring, brg. hsg.	8-A-3018	1	-	-	-	-	-
11	O ring, c/end	8-A-0181	1	-	✓	✓	-	-
11	O ring, c/end	8-A-2492	1	-	-	-	-	-
12	Bolt, c/end	8-A-2495	8	-	✓	✓	-	-
13	Nut, V band	8-A-0713	2	-	✓	✓	-	-
	Bolt, actuator bracket	8-A-0156	3	-	-	-	-	-

Note (i) GT42 & GT45

(ii) GTA42

(iii) GT42 with piston ring groove thrust collar, 0.98" diam. flange

(iv) GT42 with piston ring groove thrust collar, 1.15" diam. flange

(v) GTA42 without piston ring groove thrust collar, 1.15" diam. flange

(vi) GTA42 without piston ring groove thrust collar, 0.98" diam. flange

(vii) GT42, GTA42 & GT45

(viii) GTA42

See JOURNAL BEARING section for oversize & under-size parts - page 14

See PISTON RING section for oversize parts - page 19

See GASKET section



CTV45  
GT45  
TA45  
TB45  
TBP45  
TD45  
TV45

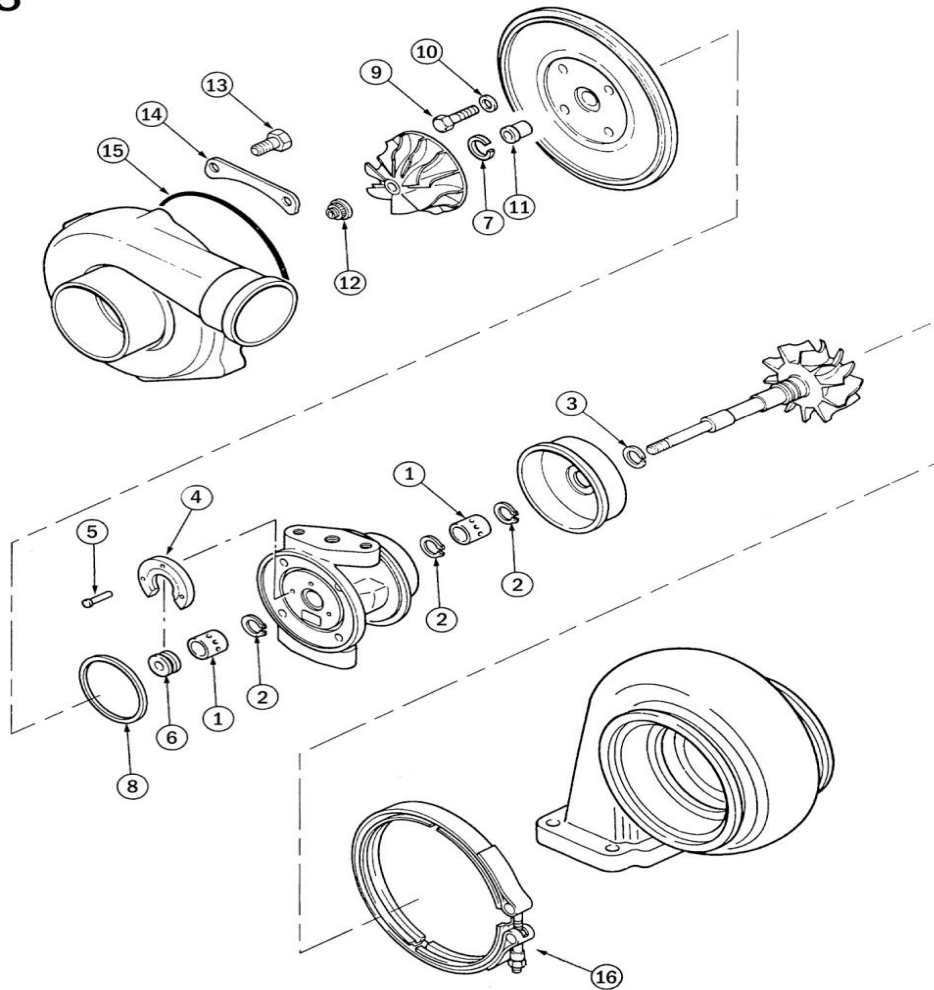
TA48  
TBP48  
TV48

TA51  
TM51  
TMF51  
TV51  
TW51

TM54

TMF55

TV58



*This illustration is intended only as a guide. The actual part or assembly may vary from one model to another.*





## SERVICE KIT - Garrett

<b>CTV45</b>	<b>TA48</b>	<b>TA51</b>	<b>TM54</b>	<b>TMF55</b>	<b>TV58</b>
<b>GT45</b>	<b>TBP48</b>	<b>TM51</b>		<b>TMF5503</b>	
<b>TA45</b>	<b>TV48</b>	<b>TMF51</b>			
<b>TB45</b>		<b>TV51</b>			
<b>TBP45</b>		<b>TW51</b>			
<b>TD45</b>					
<b>TV45</b>					

Item no.	Description	TI Part no.	Qty/ Turbo	TI Kit no.						
				7-A-0634	7-A-0635	7-A-0804	7-A-3528	7-A-0720	7-A-1312	7-A-3145
				Note (i)	Note (i)	Note (i)		Note (ii)	Note (iii)	Note (iv)
1	Journal bearing, 4 oil feed h	8-A-0312	2	✓	✓	✓	✓	✓	✓	✓
2	Retaining ring, jnl/brg.	8-A-0142	3	✓	✓	✓	✓	✓	✓	✓
3	Piston ring, t/end	8-A-1616	1	✓	✓	✓	-	✓	✓	-
3	Piston ring, t/end	8-A-2494	1	-	-	-	✓	-	-	✓
4	Thrust bearing	8-A-1209	1	✓	✓	✓	✓	-	✓	✓
4	Thrust bearing	8-A-2438	1	-	-	-	-	✓	-	-
4	Thrust bearing see note (v)	8-A-2124	1	-	-	-	-	-	-	-
5	Bolt, th/brg.	8-A-2142	3	✓	✓	✓	✓	✓	✓	✓
6	Thrust collar	8-A-0319	1	✓	-	✓	-	-	-	-
6	Thrust collar, 0.312" bore	8-A-1275	1	-	-	-	-	-	✓	-
6	Thrust collar, 0.324" bore	8-A-2140	1	-	-	-	✓	-	-	✓
6	Thrust collar see note (v)	8-A-3711	1	-	-	-	-	-	-	-
7	Piston ring, c/end	8-A-2141	2	✓	✓	✓	-	✓	✓	✓
8	Seal ring, brg/hsg	8-A-2122	1	✓	✓	✓	-	✓	✓	✓
8	Seal ring, brg/hsg	8-A-2938	1	-	-	-	✓	-	-	-
9	Bolt, b/plate to brg/hsg	8-A-2144	4	✓	✓	-	✓	✓	-	✓
9	Bolt, b/plate to brg/hsg	8-A-1912	4	-	-	✓	-	-	✓	-
10	Washer, b/plate to brg/hsg	8-A-2145	4	✓	-	-	-	-	-	✓
11	Thrust spacer	8-A-0320	1	✓	-	✓	-	✓	-	-
12	Locknut, t/shaft r/h thread	8-A-0164	1	✓	✓	✓	-	✓	✓	-
12	Locknut, t/shaft l/h thread	8-A-2352	1	-	-	-	-	-	✓	-
12	Locknut, t/shaft l/h thread	8-A-3022	1	-	-	-	✓	-	-	-
13	Bolt, c/end	8-A-2495	8	✓	✓	-	-	✓	-	✓
14	Clamp, c/end	8-A-0321	4	✓	✓	-	-	✓	-	-
15	O ring, c/end	8-A-0181	1	✓	✓	-	-	✓	-	-
15	O ring, c/end	8-A-0984	1	-	-	-	-	-	-	-
16	Nut, V band, t/end	8-A-0713	1	-	✓	-	-	-	-	✓

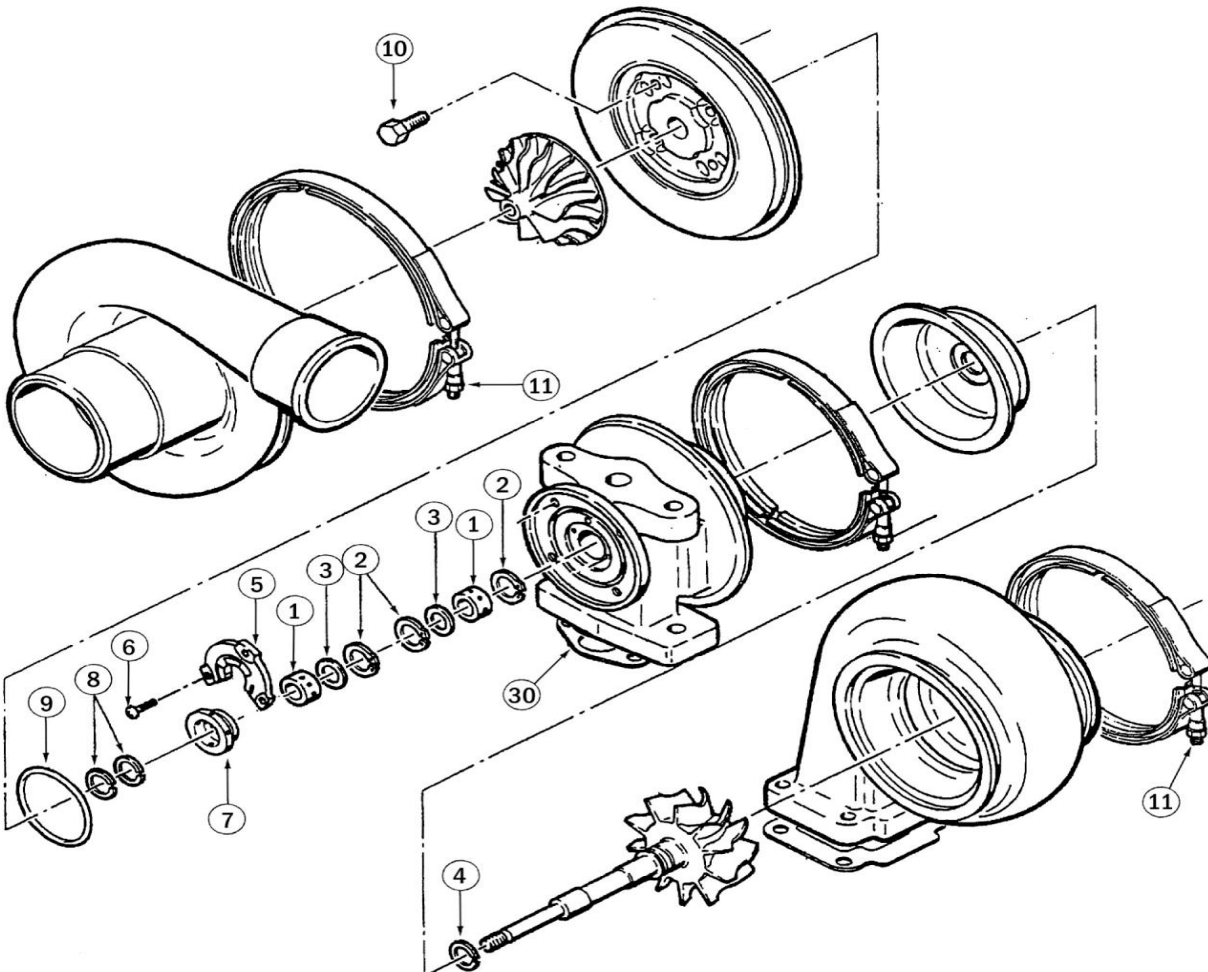
- Note (i) TBP45, TM51, TW51, TV58 with separate thrust collar & thrust spacer design  
 (ii) TA45, TB45, TBP45, TBP48, TA51, TM51, TW51, TM54 with separate thrust collar & thrust spacer design  
 (iii) CTV45, TV45, TV48, TMF51, TV51, TMF55 with thrust collar & thrust spacer combined design  
 (iv) GT45 with thrust collar & thrust spacer combined design  
 (v) Used in John Deere application

See JOURNAL BEARING section for oversize & under-size parts - page 15  
 See PISTON RING section for oversize parts - page 20  
 See GASKET section



GT50  
GTA50

BTG55  
BTL55  
BTV55  
GTA55



*This illustration is intended only as a guide. The actual part or assembly may vary from one model to another.*



## SERVICE KIT - Garrett

**GT47**

**GT50  
GTA50**

**BTG55  
BTL55  
BTV55  
GTA55**

**BTG75**

Item no.	Description	TI Part no.	Qty/ Turbo	TI Kit no.	
				7-A-2354	7-A-2437
1	Journal bearing, wide	8-A-1985	2	✓	✓
2	Retaining ring, jnl/brg.	8-A-0137	3	✓	✓
3	Wear washer	8-A-0244	2	✓	✓
4	Piston ring, t/end	8-A-1914	1	✓	✓
5	Thrust bearing	8-A-2124	1	✓	✓
6	Bolt, th/brg.	8-A-2125	3	✓	✓
7	Thrust collar	8-A-2242	1	✓	-
8	Piston ring, c/end	8-A-2261	2	✓	✓
9	Seal ring, brg/hsg	8-A-3018	1	-	-
9	Seal ring, brg/hsg	8-A-2122	1	✓	✓
10	Bolt, b/plate to b/hsg	8-A-2121	4	✓	✓
11	Nut, V band, c & t+B2539/	8-A-0713	2	✓	✓

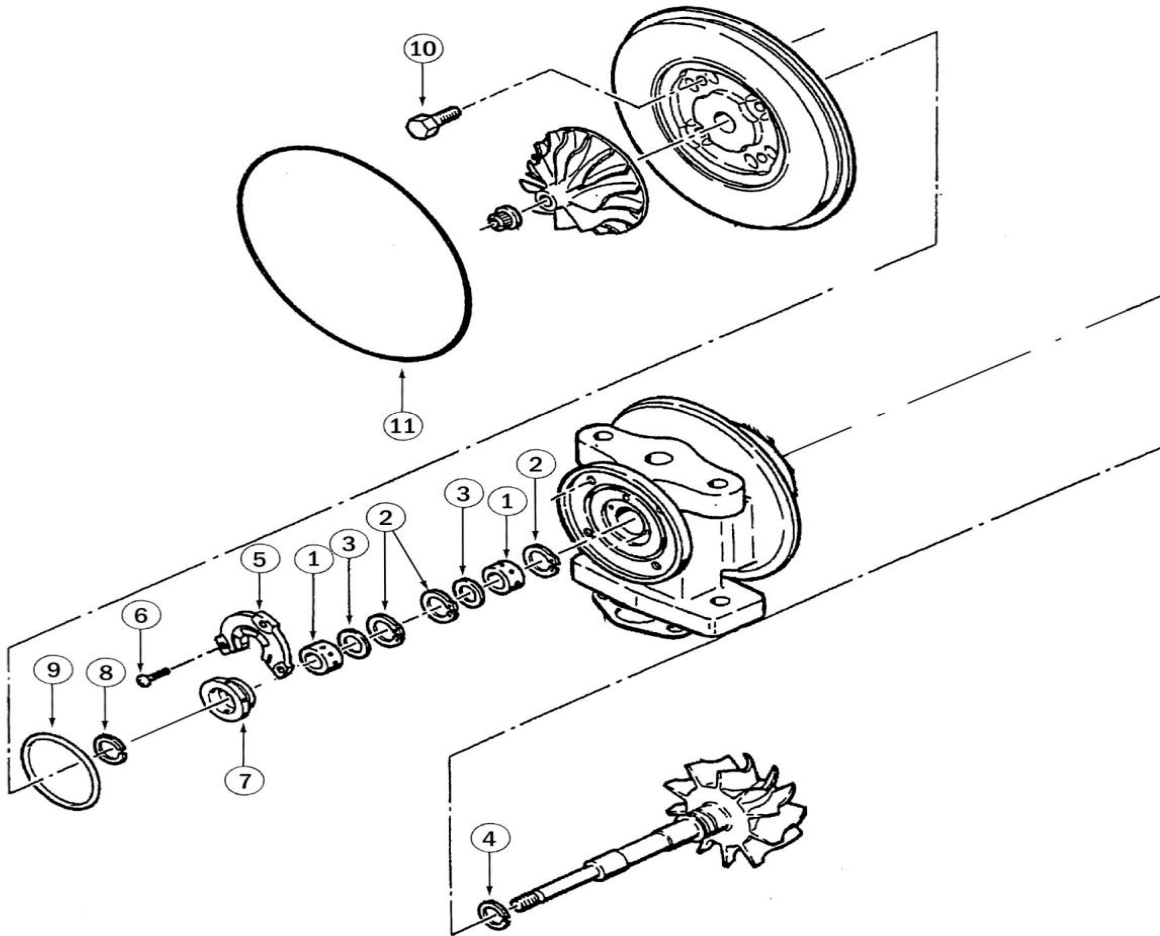
See JOURNAL BEARING section for oversize & under-size parts - page 16

See PISTON RING section for oversize parts - page 21

See GASKET section



# GT60



*This illustration is intended only as a guide. The actual part or assembly may vary from one model to another.*



## SERVICE KIT - Garrett

### GT60

Item no.	Description	TI Part no.	Qty/ Turbo	TI Kit no. 7-A-2543
1	Journal bearing	8-A-3176	2	✓
2	Retaining ring, jnl/brg.	8-A-0251	3	✓
3	Wear washer	8-A-2538	2	✓
4	Piston ring, t/end	8-A-2434	1	✓
5	Thrust bearing	8-A-2504	1	✓
6	Bolt, th/brg.	8-A-2540	3	✓
7	Thrust collar	8-A-3142	1	✓
8	Piston ring, c/end	8-A-2537	1	✓
9	O ring, s/plate	8-A-2542	1	✓
10	Bolt, b/plate	8-A-2539	4	✓
11	O ring, c/end	8-A-2541	1	✓

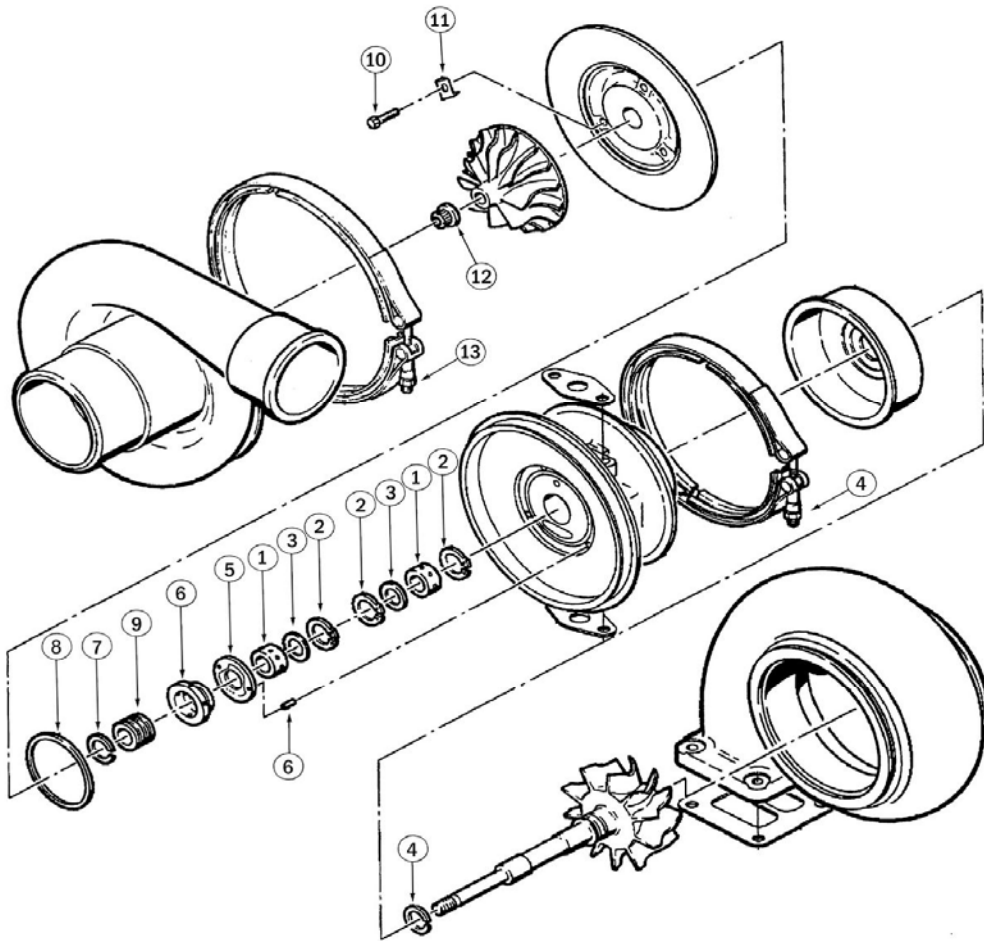
See JOURNAL BEARING section for oversize & under-size parts - page 17

See PISTON RING section for oversize parts - page 22

See GASKET section



TV60 TL61 TV70 TL71 TV72 TW73 TA74 TL77 TL78 TL81  
TM61 TV71 TW72 TV77 TV78 TV81  
TV61 TW78 TW81  
TW61



*This illustration is intended only as a guide. The actual part or assembly may vary from one model to another.*



## SERVICE KIT - Garrett - narrow bearing

seperate thrust collar & thrust spacer design

TL61	TL71	TV72	TW73	TA74	TL77	TL78	TL81
TM61	TV71	TW72			TV77	TV78	TV81
TV61						TW78	TW81
TW61							

Item no.	Description	TI Part no.	Qty/ Turbo	TI Kit no.				
				7-A-0636	7-A-0610	7-A-0977	7-A-1381	7-A-2233
				<i>note (i)</i>	<i>note (i)</i>	<i>note (i)</i>		
1	Journal bearing	8-A-0257	2	✓	✓	-	-	-
2	Retaining ring, jnl/brg.	8-A-0137	3	✓	✓	✓	-	-
3	Wear washer	8-A-0244	2	✓	✓	-	-	-
4	Piston ring, t/end	8-A-1616	1	✓	✓	✓	-	-
5	Thrust bearing	8-A-0261	1	✓	✓	✓	-	-
6	Thrust collar	8-A-0028	1	✓	-	-	-	-
7	Piston ring, c/end	8-A-0184	2	✓	✓	✓	-	-
8	Seal ring, brg/hsg	8-A-0138	1	✓	✓	✓	-	-
9	Thrust spacer	8-A-0265	1	✓	-	-	-	-
10	Bolt, b/plate to b/hsg	8-A-0167	4	✓	✓	✓	-	-
10	Bolt, b/plate to b/hsg	8-A-0136	3	-	-	-	-	-
11	Lockplate, b/plate	8-A-0345	4	✓	✓	✓	-	-
11	Lockplate, b/plate	8-A-0196	3	-	-	-	-	-
12	Locknut, t/shaft 7/16" dia.	8-A-0164	1	✓	✓	✓	-	-
12	Locknut, t/shaft 3/8" dia.	8-A-0165	1	✓	✓	✓	-	-
13	Nut, V band	8-A-0713	1	-	-	-	-	-
	Gasket, oil inlet	8-A-0696	1				✓	✓
	Gasket, oil outlet	8-A-0697	1				✓	✓
	Gasket, t/inlet	8-A-0943	1	Dual port, 4.25"x3.75"			✓	-
	Gasket, t/inlet	8-A-0988	1	Single port, 5.375"x3.625"			-	✓
	O ring, oil outlet	8-A-3082	1	-	-	-		

See JOURNAL BEARING section for oversize & under-size parts - page 7

See PISTON RING section for oversize parts - page 10

See GASKET section



TV63 TV65  
TW63

TV73  
TW73

TV74

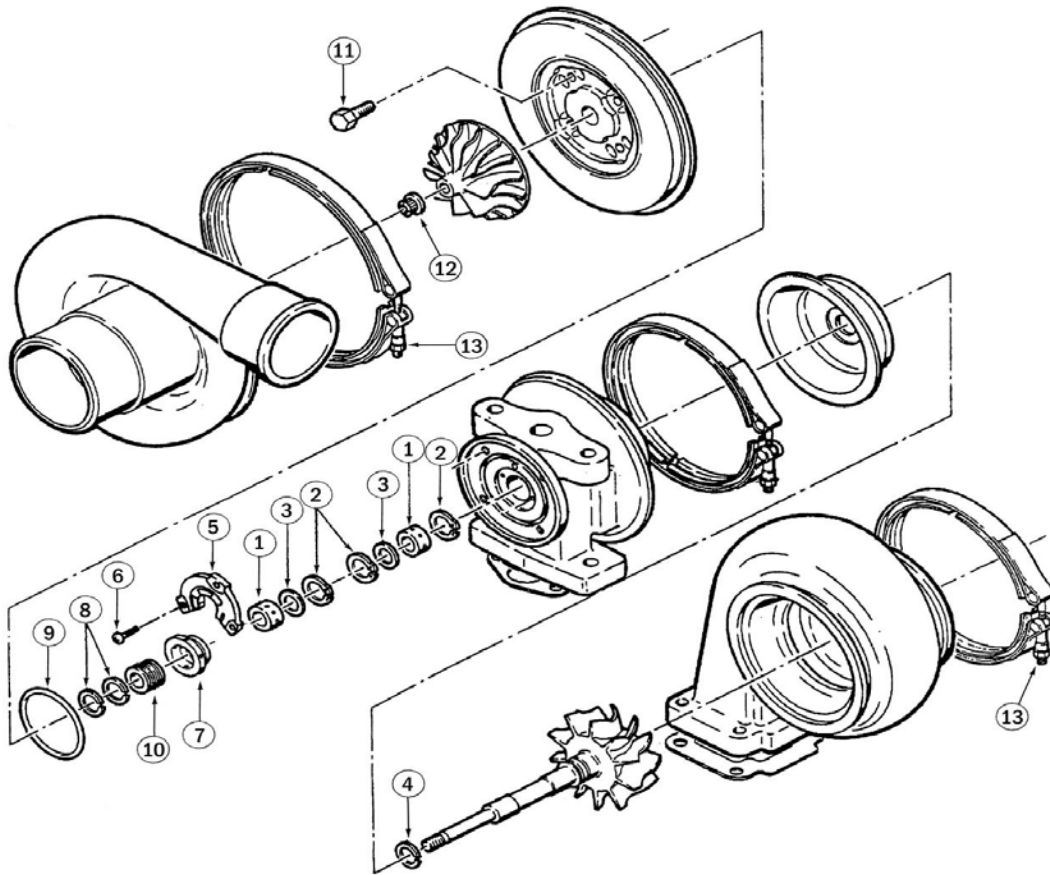
BTV75  
5A75  
TBP75  
TV75  
TW75

TV83  
TW83

TV84  
TW84

BTL85  
TA85  
TV85

narrow bearing



*This illustration is intended only as a guide. The actual part or assembly may vary from one model to another.*





## SERVICE KIT - Garrett - narrow bearing

TV63  
TW63

TV65

TV73  
TW73

TV74

TA75  
TBP75  
TL75  
TV75  
TW75

TV83  
TW83

TV84  
TW84

TA85  
TV85

Item no.	Description	TI Part no.	Qty/ Turbo	TI Kit no.		
				7-A-0924	7-A-2628	7-A-2506
				<i>Note (i)</i>	<i>Note (ii)</i>	<i>Note (ii)</i>
1	Journal bearing, narrow	8-A-0257	2	✓	✓	✓
2	Retaining ring, jnl/brg.	8-A-0137	3	✓	✓	✓
3	Wear washer	8-A-0244	2	✓	✓	✓
4	Piston ring, t/end	8-A-1616	2	✓	-	-
4	Piston ring, t/end	8-A-1914	1	-	✓	✓
5	Thrust bearing	8-A-1209	1	✓	✓	✓
5	Thrust bearing	8-A-2124	1	-	-	-
6	Bolt, th/brg.	8-A-2142	3	✓	-	-
6	Bolt, th/brg.	8-A-2125	3		✓	✓
7	Thrust collar, dynamic	8-A-0349	1	✓	-	-
7	Thrust collar, dynamic	8-A-2463	1	-	-	✓
7	Thrust collar c/seal	8-A-2123	1	-	-	-
8	Piston ring, c/end	8-A-2141	1/2	✓	✓	✓
9	Seal ring, brg/hsg	8-A-0138	1	✓	✓	✓
10	Thrust spacer	8-A-0348	1	✓	-	-
11	Bolt, b/plate to b/hsg	8-A-0153	4	✓	-	✓
11	Bolt, b/plate to b/hsg	8-A-2121	4	-	✓	-
12	Locknut, t/shaft 7/16" dia.	8-A-0164	1	✓	-	-
12	Locknut, t/shaft 3/8" dia.	8-A-0165	1	✓	✓	✓
13	Nut, V band, c/end	8-A-0713	2	-	-	✓

Note (i) TV63, TW63, TV65, TV73, TW73, TV74, TA75, TV75, TW83, TV84, TW84, TA85 & TV85 with separate thrust collar & spacer design

(ii) TBP75, TL75, TV7504, TV7514 & TV8302 with combined thrust collar & spacer design

See JOURNAL BEARING section for oversize & under-size parts - page 7

See PISTON RING section for oversize parts - page 23 and 26

See GASKET section



BGTV75  
BTL75  
BTV75  
TV75  
UTV75

UTV78

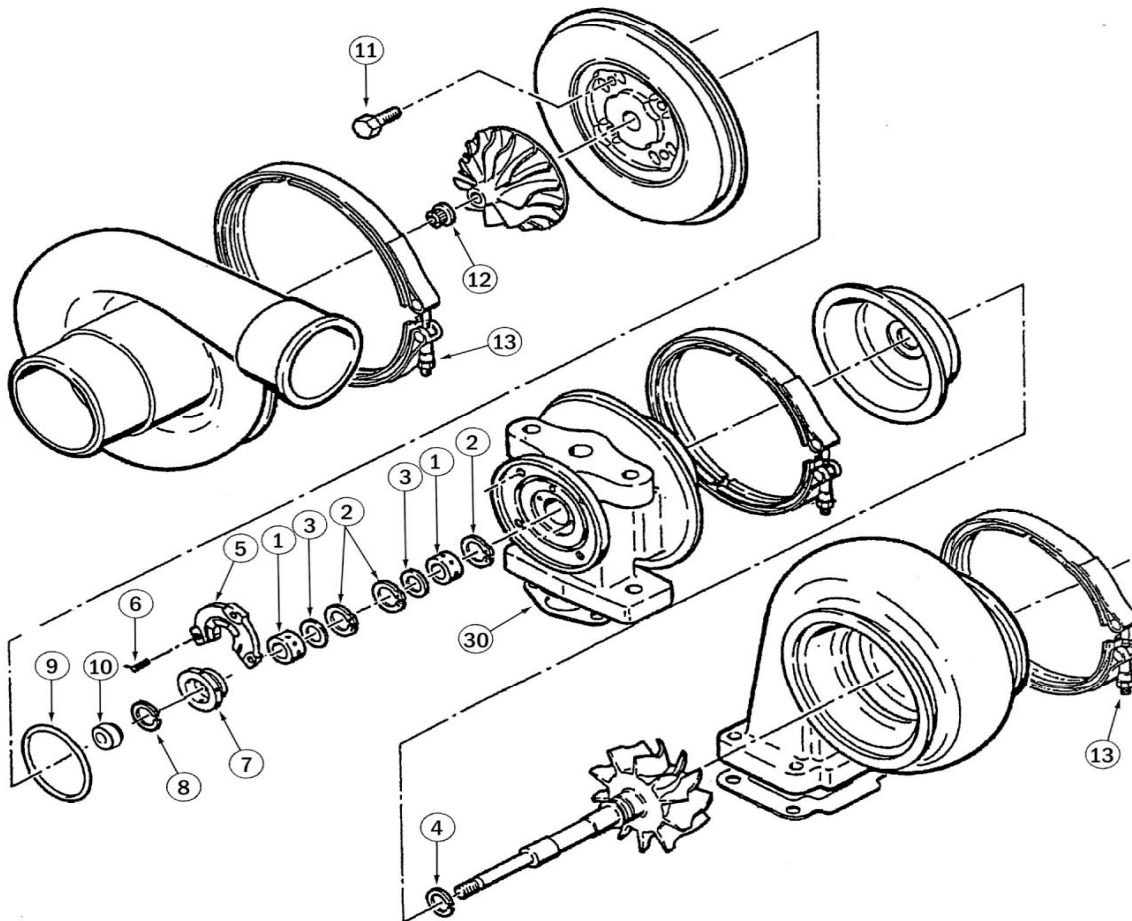
UTV81

UTV83

BTL85  
BTV85  
TV85

UTL89

wide bearing



*This illustration is intended only as a guide. The actual part or assembly may vary from one model to another.*



## SERVICE KIT - Garrett - wide bearing

**BTG75    UTV78                  UTV81                  UTV83                  BTL85                  UTL89**  
**BTL75**  
**BTV75**  
**TV75**  
**UTV75**  
  
**BTV85**  
**TV85**  
**UTW85**

Item no.	Description	TI Part no.	Qty/ Turbo	TI Kit no.				
				7-A-2127	7-A-2354	7-A-2437	7-A-1879	7-A-2525
				<i>Note (i)</i>	<i>Note (ii)</i>	<i>Note (ii)</i>	<i>Note (iii)</i>	<i>Note (iv)</i>
1	Journal bearing, wide	8-A-1985	2	✓	✓	✓	✓	✓
2	Retaining ring, jnl/brg.	8-A-0137	3	✓	✓	✓	✓	✓
3	Wear washer	8-A-0244	2	✓	✓	✓	✓	✓
4	Piston ring, t/end	8-A-1914	1	✓	✓	✓	✓	-
4	Piston ring, t/end	8-A-1616	1	-	-	-	-	✓
5	Thrust bearing	8-A-2124	1	✓	✓	✓	✓	✓
6	Bolt, th/brg.	8-A-2125	3	✓	✓	✓	✓	✓
7	Thrust collar, c/seal	8-A-2123	1	✓	-	-	-	-
7	Thrust collar, dynamic	8-A-2242	1	-	✓	-	-	-
7	Thrust collar, dynamic	8-A-2486	1	-	-	-	✓	✓
8	Piston ring, c/end	8-A-2261	2	-	✓	✓	-	-
8	Piston ring, c/end	8-A-2141	1	-	-	-	✓	✓
9	Seal ring, brg/hsg	8-A-2122	1	✓	✓	✓	-	-
9	Seal ring, brg/hsg	8-A-0138	1	-	✓	✓	✓	✓
9	Seal ring, brg/hsg	8-A-3017	1	-	-	-	-	-
10	Carbon seal	8-A-2126	1	✓	-	-	-	-
11	Bolt, b/plate to b/hsg	8-A-2121	4	✓	✓	✓	-	-
11	Bolt, b/plate to b/hsg	8-A-0153	4	-	-	-	✓	✓
12	Locknut, turbine shaft	8-A-0165	1	-	-	-	✓	✓
13	Nut, V band, c/end	8-A-0713	2	-	-	-	✓	✓

- Note (i) BTG75, BTL75, & BTV75 carbon seal with boreless compressor wheel*  
*ii) BTG75, BTL75 & BTV75 dynamic seal with thru' bore compressor wheel*  
*(iii) UTV7514, UTV78 & UTV83 dynamic seal with boreless & thru' bore compressor wheel*  
*(iv) TV75, TV78, TV83 & TV85 dynamic seal*  
*(v) UTV81, TV85 & UTL89 dynamic seal & thru' bore compressor wheel*

See JOURNAL BEARING section for oversize & under-size parts - page 16

See PISTON RING section for oversize parts - pages 21, 23 and 25

See GASKET section

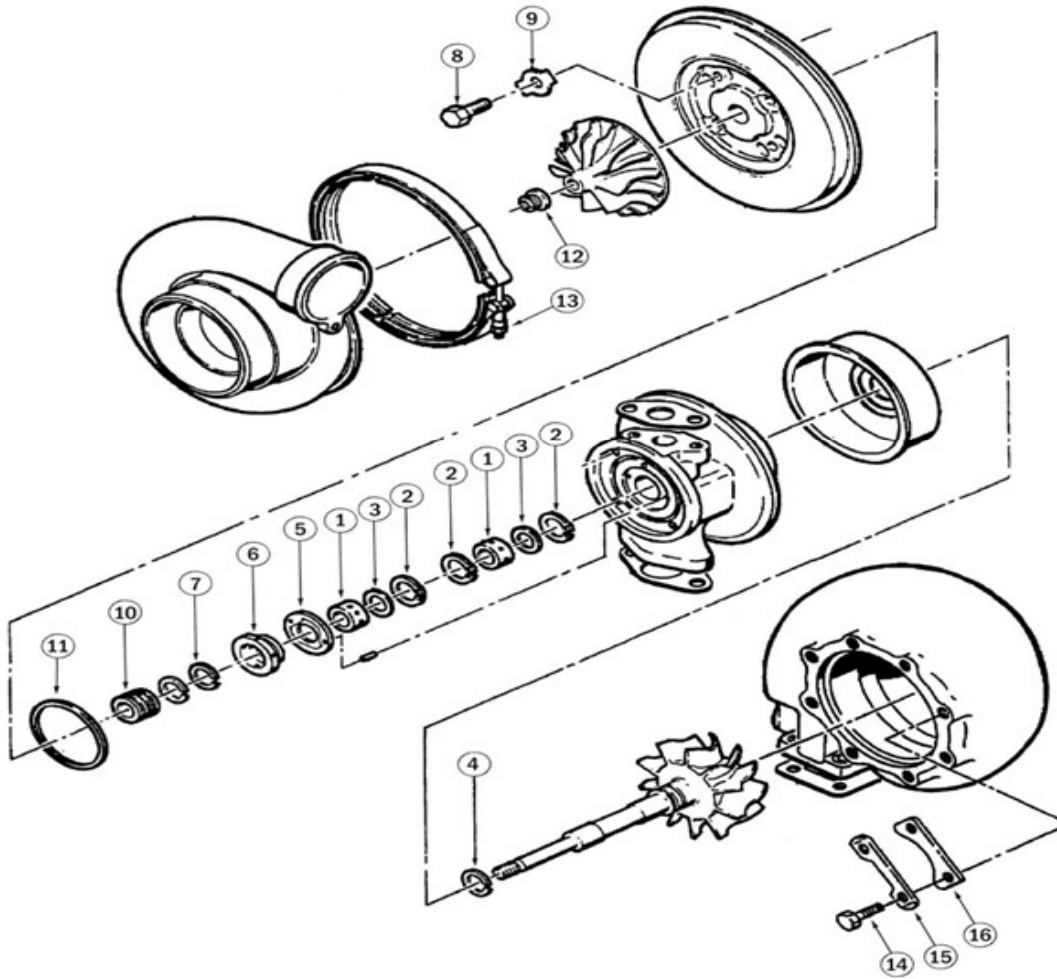
TL81

TV91  
TW91

TL92  
TV92  
TW92

TV94  
TW94

TV95



*This illustration is intended only as a guide. The actual part or assembly may vary from one model to another.*



## SERVICE KIT - Garrett

TL81

TV90

TV91  
TW91

TL92  
TV92  
TW92

TV94  
TW94

TV95

Item no.	Description	TI Part no.	Qty/ Turbo	TI Kit no.			
				7-A-1224	7-A-2519	7-A-2069	7-A-3518
1	Journal bearing	8-A-0712	2	✓	✓	✓	✓
2	Retaining ring, jnl/brg.	8-A-0251	3	✓	✓	✓	✓
3	Wear washer	8-A-0729	2	✓	✓	✓	✓
4	Piston ring, t/end	8-A-0222	1	✓	✓	✓	✓
4	Piston ring, t/e tool steel	8-A-2434	1	-	-	-	-
5	Thrust bearing	8-A-0207	1	✓	✓	✓	✓
5	Thrust bearing, <i>note (i)</i>	8-A-2353	1	-	-	-	-
6	Thrust Collar <i>note (ii)</i>	8-A-0209	1	✓	-	-	-
6	Thrust collar <i>note (iii)</i>	8-A-3083	1	-	-	-	-
7	Piston ring, c/end	8-A-2141	2	✓	✓	✓	-
8	Bolt, b/plate to b/hsg	8-A-0162	4	✓	✓	✓	-
9	Lockplate, b/plate	8-A-0345	4	-	-	-	-
10	Thrust spacer	8-A-0263	1	✓	-	-	-
11	Seal ring, brg/hsg	8-A-0258	1	✓	✓	✓	✓
12	Locknut, turbine shaft	8-A-0166	1	✓	✓	✓	✓
13	Nut, V band, c/end	8-A-1870	1	-	-	-	-
14	Bolt, t/end	8-A-0144	8	-	-	-	-
15	Lockplate t/end	8-A-1871	4	-	-	-	-
16	Clamp, t/end	8-A-1872	4	-	-	-	-

Note (i) Outboard thrust bearing, 6 pad, 6 oil feed holes, 3 locating bolt holes

(ii) 8 oil feed holes, 0.129" dia.

(iii) 24 oil feed holes, 0.062" dia.

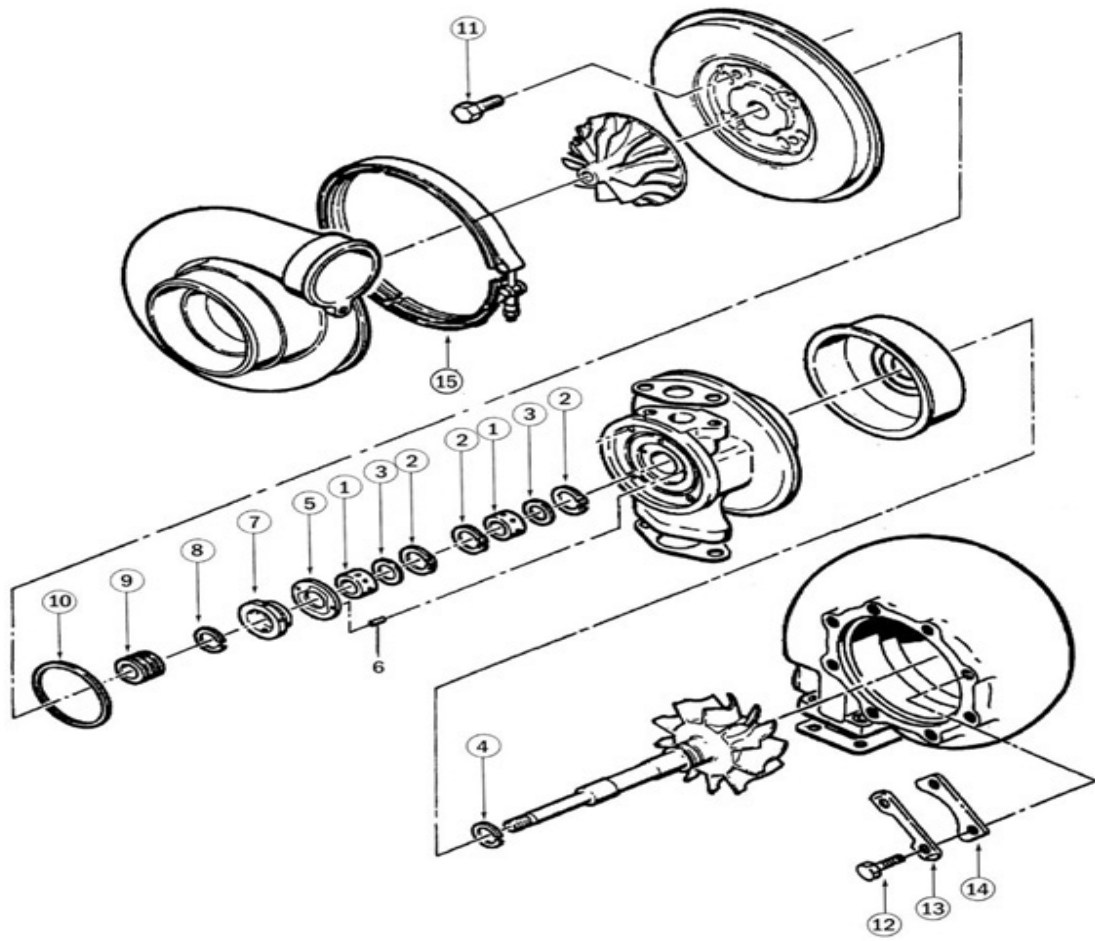
See JOURNAL BEARING section for oversize & under-size parts - page 18

See PISTON RING section for oversize parts - page 22 for 8-A-2434 and 27

See GASKET section



# UTV94



*This illustration is intended only as a guide. The actual part or assembly may vary from one model to another.*



## SERVICE KIT - Garrett

UTL94

UTV94

Item no.	Description	TI Part no.	Qty/ Turbo	TI Kit no. 7-A-2409
1	Journal bearing	8-A-2501	2	✓
2	Retaining ring, jnl/brg.	8-A-0251	3	✓
3	Wear washer	8-A-0729	2	✓
4	Piston ring, t/end	8-A-2435	1	✓
5	Thrust bearing	8-A-2504	1	✓
6	Bolt, t/brg	8-A-3420	3	✓
7	Thrust collar	8-A-2502	1	✓
8	Piston ring, c/end	8-A-2434	1	✓
9	Thrust spacer	8-A-2503	1	✓
10	Seal ring, brg/hsg	8-A-0258	1	✓
11	Bolt, b/plate to b/hsg	8-A-2535	4	✓
12	Bolt, t/end	8-A-0144	8	-
13	Lockplate, t/end	8-A-0190	4	-
14	Clamp, t/end	8-A-0245	4	-
15	Nut, V band	8-A-0713	1	-

See JOURNAL BEARING section for oversize & under-size parts - page 19

See PISTON RING section for oversize parts - page 26

See GASKET section



# Holset Index

Cross reference Holset to Turbo International

pages 1 - 9

Service kits by model

pages 11 - 38

## Holset service kits by turbo model

Turbo Model	Kit page no
H1A	11-12
H1B	11-12
H1C	13-14
H1D	13-14
H1E	13-14
WH1C	13-14
WH1E	13-14
H2A	13-14
H2B	15-16
H2C	15-16
H2C	17-18
H2D	15-16
H2E	15-16
H2S	15-16
WH2D	15-16
WH2D	17-18
3LD	19-20
H3B	21-22
HC3	21-22
HC3B	21-22

Turbo Model	Kit page no
BHT3E	23-24
HT3B	23-24
4LE	25-26
HT4B	27-28
HC5	29-30
HC5A	29-30
HX30	31-32
HX35W	31-32
HX40	31-32
HX40W	31-32
HX50	17-18
HX50	33-34
HX50W	33-34
HX55	35-36
HT60	23-24
HX60	37-38
HX60W	37-38
HX80	29-30
HX82	29-30





## CROSS REFERENCE - Holset to Turbo International

OEM Part No.	Turbo International Part No.	Description	Turbo Model Application
	7-B-1609	SERVICE KIT, LESS BEARINGS	4LE
	7-B-3803	SERVICE KIT, MAJOR	H1C
	7-B-3804	SERVICE KIT, MAJOR	WH1C
	7-B-3805	SERVICE KIT, MAJOR	H2B
	7-B-3806	SERVICE KIT, MAJOR	H2C
	7-B-3807	SERVICE KIT, MAJOR	H3B
	7-B-3808	SERVICE KIT, MAJOR	HX30
	7-B-3809	SERVICE KIT, MAJOR	HX40
	7-B-3810	SERVICE KIT, MAJOR	HX50
	7-B-3811	SERVICE KIT, MAJOR	HX55
	7-B-3812	SERVICE KIT, MAJOR	HX60
	7-B-3813	SERVICE KIT, MAJOR	H2E
	8-B-0883	JOURNAL BEARING STD/5	4LE/HT3
	8-B-0884	JOURNAL BEARING STD/10	4LE/HT3
	8-B-0885	JOURNAL BEARING 5/STD	4LE/HT3
	8-B-0886	JOURNAL BEARING 5/5	4LE/HT3
	8-B-0887	JOURNAL BEARING 5/10	4LE/HT3
	8-B-0888	JOURNAL BEARING 10/STD	4LE/HT3
	8-B-0889	JOURNAL BEARING 10/5	4LE/HT3
	8-B-0890	JOURNAL BEARING 10/10	4LE/HT3
	8-B-0891	JOURNAL BEARING STD/5	H1C
	8-B-0893	JOURNAL BEARING STD/15	H1C
	8-B-0894	JOURNAL BEARING 5/STD	H1C
	8-B-0895	JOURNAL BEARING 5/5	H1C
	8-B-0896	JOURNAL BEARING 5/10	H1C
	8-B-0897	JOURNAL BEARING 10/STD	H1C
	8-B-0898	JOURNAL BEARING 10/5	H1C
	8-B-0900	JOURNAL BEARING 15/STD	H1C
	8-B-1097	JOURNAL BEARING 20/20	4LE
	8-B-1098	JOURNAL BEARING 10/20	4LE
	8-B-1099	JOURNAL BEARING STD/20	4LE
	8-B-1129	JOURNAL BEARING 20/STD	4LE
	8-B-1188	JOURNAL BEARING 20/10	4LE/HT3B
	8-B-1200	JOURNAL BEARING 15/STD	4LE/HT3B
	8-B-1268	JOURNAL BEARING 15/15	4LE
	8-B-1398	JOURNAL BEARING STD/10	3LD
	8-B-1557	JOURNAL BEARING 15/10	HT3B/4LE
	8-B-1573	PISTON RING T/END 10/20	4L
	8-B-1653	INSERT	4LE
	8-B-1660	PISTON RING T/END SMOOTH STD	3LD/4L/HT3B
	8-B-1661	PISTON RING T/END SMOOTH 10/STD	3LD/4L/HT3B
	8-B-1662	PISTON RING T/END SMOOTH STD/10	3LD/4L/HT3B
	8-B-1663	PISTON RING T/END SMOOTH 10/10	3LD/4L/HT3B
	8-B-1664	PISTON RING T/END SMOOTH STD/20	3LD/4L/HT3B
	8-B-1666	PISTON RING T/END STEP STD	3LD/4L/HT3B
	8-B-1668	PISTON RING T/END STEP STD/10	3LD/4L/HT3B/
	8-B-1669	PISTON RING T/END STEP 10/10	3LD/4L/HT3B/
	8-B-1670	PISTON RING T/END STEP STD/20	3LD/4L/HT3B/



## CROSS REFERENCE - Holset to Turbo International

OEM Part No.	Turbo International Part No.	Description	Turbo Model Application
	8-B-1671	PISTON RING T/END STEP 10/20	3LD/4L/HT3B/
	8-B-1672	PISTON RING C/END.750" BORE 10/STD	4L/HT3B
	8-B-1673	PISTON RING C/END.850" BORE STD	4L/HT3B
	8-B-1674	PISTON RING C/END.850" BORE 10/STD	4L/HT3B
	8-B-1675	PISTON RING T/END 10/STD	H1/H2
	8-B-1676	PISTON RING T/END STD/10	H1/H2
	8-B-1677	PISTON RING T/END 10/10	H1/H2
	8-B-1678	PISTON RING T/END 10/20	H1/H2
	8-B-1679	PISTON RING T/END 10/STD	H1/H2
	8-B-1680	PISTON RING C/END 10/STD	H3
	8-B-1920	JOURNAL BEARING STD/5	H1A
	8-B-1921	JOURNAL BEARING STD/10	H1A
	8-B-1922	JOURNAL BEARING 5/STD	H1A
	8-B-1923	JOURNAL BEARING 5/5	H1A
	8-B-1924	JOURNAL BEARING 5/10	H1A
	8-B-1925	JOURNAL BEARING 10/STD	H1A
	8-B-1926	JOURNAL BEARING 10/5	H1A
	8-B-1927	JOURNAL BEARING 10/10	H1A
	8-B-2401	JOURNAL BEARING STD/5	H2B/H2C/H2D/
	8-B-2402	JOURNAL BEARING 5/STD	H2B/H2C/H2D/
	8-B-2403	JOURNAL BEARING 5/5	H2B/H2C/H2D/
	8-B-2404	JOURNAL BEARING 5/10	H2B/H2C/H2D/
	8-B-2405	JOURNAL BEARING 10/5	H2B/H2C/H2D/
	8-B-2510	JOURNAL BEARING STD/5	HC5/HC5A/HT
	8-B-2511	JOURNAL BEARING 5/STD	HC5/HC5A/HT
	8-B-2512	JOURNAL BEARING 5/5	HC5/HC5A/HT
	8-B-2513	JOURNAL BEARING 5/10	HC5/HC5A/HT
	8-B-2514	JOURNAL BEARING 10/5	HC5/HC5A/HT
	8-B-2839	JOURNAL BEARING 15/STD	HC5/HC5A/HT
	8-B-2840	JOURNAL BEARING 15/5	HC5/HC5A/HT
	8-B-2841	JOURNAL BEARING 15/10	HC5/HC5A/HT
	8-B-2842	JOURNAL BEARING 15/15	HC5/HC5A/HT
	8-B-2843	JOURNAL BEARING 15/20	HC5/HC5A/HT
	8-B-2844	JOURNAL BEARING 20/STD	HC5/HC5A/HT
	8-B-2845	JOURNAL BEARING 20/5	HC5/HC5A/HT
	8-B-2846	JOURNAL BEARING 20/10	HC5/HC5A/HT
	8-B-2847	JOURNAL BEARING 20/15	HC5/HC5A/HT
	8-B-2848	JOURNAL BEARING 20/20	HC5/HC5A/HT
	8-B-2954	JOURNAL BEARING, STD/15	4LE
	8-B-3043	JOURNAL BEARING STD/20	HC5/HC5A/HT
	8-B-3044	JOURNAL BEARING 10/20	HC5/HC5A/HT
	8-B-3097	PISTON RING C/END STD/10	3L
	8-B-3098	PISTON RING C/END 10/10	3L
	8-B-3099	PISTON RING C/END STD/20	3L
	8-B-3100	PISTON RING C/END 10/20	3L
	8-B-3103	PISTON RING T/END 10/10	4LE
	8-B-3186	JOURNAL BEARING, STD/5	HX55
	8-B-3187	JOURNAL BEARING, STD/10	HX55



## CROSS REFERENCE - Holset to Turbo International

OEM Part No.	Turbo International Part No.	Description	Turbo Model Application
	8-B-3188	JOURNAL BEARING, 5/STD	HX55
	8-B-3189	JOURNAL BEARING, 5/5	HX55
	8-B-3190	JOURNAL BEARING, 5/10	HX55
	8-B-3191	JOURNAL BEARING, 10/STD	HX55
	8-B-3192	JOURNAL BEARING, 10/5	HX55
	8-B-3193	JOURNAL BEARING, 10/10	HX55
18373	8-B-0047	RETAINING RING	4"
18455	8-B-0982	THRUST SPACER	4LGK
201048	8-B-3119	GASKET, OIL OUTLET	4LE/HT4B
201049	8-A-0696	GASKET, OIL INLET	VARIOUS
22366	8-B-0076	JOURNAL BEARING STD	4LE
22447		USE 3518579	
23863	8-B-0077	RETAINING RING, INSERT	4LE
25279	8-B-0078	THRUST RING	3LD
3037537	8-B-1841	O RING	HT4B/HC5
3166115	7-B-0675	SERVICE KIT	H2C
3501102	8-B-0079	LOCKPLATE	H2A
3501935	8-B-3459	LOCKWASHER	H1/ H1A/H1B
3502231	8-B-3767	OIL SLINGER	H2B/H2C/H2D/
3502442		USE 3523613	
3502449	8-B-0119	O RING, B/HSG., VITON, i/d 2.736"	H2A/HT4B/HC
3503054	8-B-0050	THRUST BEARING	H1C/H2A
3503100	8-B-0082	JOURNAL BEARING STD	H1B/H1C
3503335		USE 3529372	
3503347	8-B-0084	SCREW , T/BRG	H1A/H2C
3503562	8-B-1006	LOCKNUT, SHAFT	H1C/D/E/H2A
3503662	8-B-3769	THRUST COLLAR	H1C/H1D/H1E/
3504413	8-B-0085	JOURNAL BEARING STD	H2B/H2C/H2D/
3518004	8-B-0086	LOCKWASHER, C/END	H2C
3518579	8-B-0387	PISTON RING T/END STD	3LD
3518980	8-B-1005	THRUST COLLAR	H1C/H1D/H1E/
3519290		USE 3536075	
3519318	8-B-0088	THRUST BEARING	H3/HC3/4LE
3519401	8-B-0979	OIL BAFFLE	HT3B
3519471	8-B-0089	LOCKNUT	HC3
3519535	8-B-2867	LOCKNUT, SHAFT	4LE
3519627	8-B-0090	JOURNAL BEARING STD	HC5A/HT4B
3519641	8-B-0092	RETAINING RING, J/BRG	HT4B/HC5A
3519762	8-B-0093	GASKET, OIL INLET	3LD
3519763	8-B-3119	GASKET, OIL OUTLET	4LE/HT4B
3519770	8-B-0094	GASKET, OIL OUTLET	3LD
3519805	8-B-3506	GASKET, OIL INLET/OUTLET	H2B/C, HX50
3519807	8-B-3461	GASKET, OIL OUTLET	H2B/C
3521119	8-B-0096	LOCKWASHER	H1C/HC3B
3521225	8-B-3462	BOLT, T/END, metric thread	HC3/HT4B/HC
3521439	8-B-0098	OIL SLINGER	HT3B
3521440	8-B-0099	THRUST COLLAR	HT3B/HC3B/H
3521441	8-B-0387	PISTON RING T/END STD	HT3B/HC3B/H



## CROSS REFERENCE - Holset to Turbo International

OEM Part No.	Turbo International Part No.	Description	Turbo Model Application
3521442	8-B-0527	PISTON RING C/END STD	HC3B/HT4B
3522829	8-B-0102	O-RING	H1A
3522904	8-B-0103	LOCKPLATE, T/END	HC5A
3523219		USE 3533674	
3523275	8-B-0106	O-RING	H2C
3523412	8-B-0108	PISTON RING T/END STD	HC5A
3523613	8-B-0109	THRUST BEARING	H1A/H2C
3523958	8-B-0110	O RING, C/HSG	H1D
3524262	8-B-0111	SCREW, HEX HEAD	H2C
3524263	8-B-3460	GASKET, COMP/HSG.	H2C
3524264	8-B-0113	LOCK WASHER	H2C
3524418	8-B-0114	SHIM, THRUST BEARING	HC5A
3524419	8-B-0115	OIL DEFLECTOR	HC5A
3524708	8-B-1574	PISTON RING T/END 10/STD	4L
3524754	8-A-0256	JOURNAL BEARING STD	TO4B
3524769	8-A-0138	SEAL RING, S/PLATE, VITON i/d 2.183"	Various
3524770	8-A-0240	THRUST BEARING, 3 HOLE	TO4B
3524774	8-A-0163	LOCKNUT, SHAFT	TO4B
3524775	8-A-0254	LOCKPLATE, C/END	TO4B
3524776	8-A-0242	LOCKPLATE, T/END	TO4B
3524777	8-A-0252	LOCKPLATE, B/HOUSING	TO4B
3524778	8-A-0145	BOLT, C/END	TO4B
3524780	8-A-0253	CLAMP, C/END	TO4B
3524781	8-A-0241	CLAMP, T/END	TO4B
3524796	7-A-0608	SERVICE KIT	TO4B
3524840	7-C-1830	SERVICE KIT	4LGZ
3525073	8-B-0116	SCREW, B/HSG.	HT4B/HC5A
3525344	8-B-2838	THRUST BEARING, COUNTER CLOCKWISE FLOW	HT4B
3525568	8-B-1177	JOURNAL BEARING 10/STD	H2B/H2C/H2D/
3525569	8-B-1178	JOURNAL BEARING STD/10	H2B/H2C/H2D/
3525570	8-B-1179	JOURNAL BEARING 10/10	H2B/H2C/H2D/
3525739	8-B-0117	THRUST BEARING	H1C/E
3526275	8-A-0257	JOURNAL BEARING STD	TV-T18
3526280	8-A-0177	O RING, C/END	T18
3526282	8-A-0139	SEAL RING, S/PLATE	T18A
3526283	8-A-0181	O RING, C/END	TA45/51
3526284	8-A-0141	SEAL RING, S/PLATE	TA45/51
3526288	8-A-1616	PISTON RING T/END STEP STD	TA45/TV
3526291	8-A-0187	PISTON RING T/END STD	T18
3526293	8-A-0196	LOCKPLATE, BACKPLATE	T12/TV60
3526294	8-A-0189	LOCKPLATE, T/END	T18
3526295	8-A-0234	LOCKPLATE, T/END	T60/T12
3526296	8-A-0232	LOCKPLATE, T/END	T18
3526297	8-A-0190	LOCKPLATE, T/END	T18A
3526298	8-A-0345	LOCKPLATE, BACKPLATE	TV SERIES
3526299	8-A-0233	CLAMP, T/END	T12
3526300	8-A-0191	CLAMP, C/END	T18
3526301	8-A-0245	CLAMP, T/END	T18A



## CROSS REFERENCE - Holset to Turbo International

OEM Part No.	Turbo International Part No.	Description	Turbo Model Application
3526302	8-A-0321	CLAMP, C/END	TA45
3526303	8-A-0136	BOLT, SEAL PLATE	T60/T12
3526304	8-A-0144	BOLT, T/END	T60/T12
3526305	8-A-0167	BOLT, B/HOUSING	TV61
3526306	8-A-0135	BOLT, BACKPLATE	T18
3526307	8-A-0152	BOLT, C/END	TV61
3526308	8-A-0143	BOLT, T/END	T18
3526309	8-A-0170	BOLT, B/HOUSING	T18A
3526311	8-A-0168	SCREW , T/BRG	TA45
3526314	8-A-0164	LOCKNUT, SHAFT	TV/T12/T18
3526315	8-A-0165	LOCKNUT, SHAFT, 3/8"	TV61/63
3526316	8-A-0166	LOCKNUT, SHAFT, 7/16"	T18A
3526318	8-A-0137	RETAINING RING, J/BRG	TV61/71/81
3526319	8-A-0142	RETAINING RING, J/BRG	TA45/51
3526320	8-A-0244	WASHER, WEAR	TV-T18
3526321	8-A-0134	LOCKWASHER, C/END	T18
3526322	8-A-0154	WASHER	T18A
3526327	8-A-0312	JOURNAL BEARING STD	TA45/51
3526384	8-A-0141	SEAL RING, S/PLATE	TA45/51
3526552	8-A-0327	RETAINING RING, J/BRG	T2
3526673	8-A-0204	JOURNAL BEARING 10/STD	TO4B
3526674	8-A-0200	JOURNAL BEARING STD/10	TO4B
3526675	8-A-0202	JOURNAL BEARING 10/10	TO4B
3527184	8-B-3463	BOLT, B/HOUSING, metric thread	H1E
3527566	8-B-2872	RETAINING TING, INSERT	HX30/HX40
3528075		USE 3532807	
3528104	8-B-2870	OIL BAFFLE	HX30/HX40
3528221	8-B-3835	RETAINING RING, END LINK	HX40
3528522	8-B-2862	PISTON RING T/END STD	H2S
3528933	8-B-2869	O RING, B/HSG	HX30/HX40
3529158	8-A-0240	THRUST BEARING, 3 HOLE	TBO3/TO4B
3529372	8-B-0523	LOCKNUT, V BAND	4MD/HC3
3529913	8-B-2860	JOURNAL BEARING STD	H2C/HX50
3530924	8-B-3763	OIL SLINGER	HX30/HX32W/
3530998	8-B-1016	JOURNAL BEARING 10/10	HC5/HC5A/HT
3530999	8-B-1017	JOURNAL BEARING 10/STD	HC5/HC5A/HT
3531000	8-B-1397	JOURNAL BEARING STD/10	HC5/HC5A/HT
3531419	8-B-2868	THRUST BEARING 2 hole	HX30
3531582	8-B-2871	LOCKNUT, V BAND	HX30
3531598	8-B-2873	SCREW, V BAND	HX30
3531776	8-B-3765	THRUST COLLAR	HX60/HX60W
3531916	8-B-3764	OIL SLINGER	H3B/HX60/HX6
3531917	8-B-3766	INSERT	H3B/HX60/HX6
3532215	8-B-2876	THRUST BEARING 3 hole	HX40
3532217	8-B-3762	THRUST COLLAR	WH1E/HX32/H
3532807	8-B-1184	THRUST BEARING	H2E
3532814	8-B-2879	PISTON RING T/END	HX50
3533202		USE 4038358	



## CROSS REFERENCE - Holset to Turbo International

OEM Part No.	Turbo International Part No.	Description	Turbo Model Application
3534833	8-B-2885	JOURNAL BEARING STD	HX55
3535109	8-B-3455	O RING, C/HSG.	HX60
3536075	8-B-3445	THRUST BEARING	BHT3B/C/E,HT
3536109	8-B-3768	THRUST COLLAR	WH1C
3536413	8-B-2890	PISTON RING T/END STD	HX82
3536914	8-B-2425	THRUST BEARING, CLOCKWISE FLOW	HC5A
3545039	7-B-0640	SERVICE KIT, STEP BORE	4LE/4LF
3545040	7-B-0730	SERVICE KIT	3LD
3545115	8-A-0298	CARBON SEAL, ENCAPSULATED	TBO3/TO4B
3545121	8-A-0160	O RING, S/PLATE $\varnothing$ 1.614"x0.07"	TB02
3545122	8-A-0161	O RING, C/END	TB02
3545123	8-A-0159	SCREW , T/BRG	TB02
3545126	8-A-0332	JOURNAL BEARING NARROW STD/STD	TBO2/T25
3545132	8-A-0266	THRUST SPACER	T18
3545136	8-A-0219	JOURNAL BEARING 5/5	T12/T18/TV
3545137	8-A-0225	JOURNAL BEARING 10/5	T12/T18/TV
3545162	8-A-0221	JOURNAL BEARING 10/10	T12/T18/TV
3545163	8-A-0215	JOURNAL BEARING STD/10	T12/T18/TV
3545164	8-A-0184	PISTON RING T/END STD	T12
3545170	8-A-0348	THRUST SPACER	TV63
3545171		USE 444506-0001	
3545173	8-A-0241	CLAMP, T/END	T3
3545219	8-A-0352	CLAMP, C/END, 2 PIECE	TO4E
3545220	8-A-0172	BOLT	T04E
3545226	8-A-0157	BOLT, C/END, metric thread	TA31
3545299	8-C-0067	THRUST BEARING	3LM
3545301	7-A-2462	SERVICE KIT	TO4/TO4B
3545332	8-A-0286	GASKET, COMP.HSG ./BRG.HSG.	TB03
3545334		USE 435255-0001	
3545337	8-B-0892	JOURNAL BEARING STD/10	H1C
3545338	8-B-0899	JOURNAL BEARING 10/10	H1C
3545341	8-A-0179	O RING, C/END	T12
3545342	8-A-0176	O RING, C/END	T12
3545345	7-B-3394	SERVICE KIT	HX60 & HX60
3545346	7-B-2865	SERVICE KIT	H3B
3545364	8-A-0850	JOURNAL BEARING 10/10	TA45/51
3545365	8-C-0068	JOURNAL BEARING STD	3LM
3545377	8-A-0217	JOURNAL BEARING 10/STD	T12/T18/TV
3545395	8-C-0066	FLINGER SLEEVE	3LM
3545424	7-A-0830	SERVICE KIT, LESS THRUST COLLAR	TO4B
3545431	7-C-0787	SERVICE KIT	4LE/4LF/4MF
3545503	7-B-0676	SERVICE KIT	H2C
3545504	7-B-0678	SERVICE KIT	H2C
3545543	8-E-0357	JOURNAL BEARING STD	TCO5
3545556	8-E-0363	JOURNAL BEARING STD	TCO4
3545575	7-B-2924	GASKET KIT	H2A
3545576	7-B-2235	GASKET KIT	H2B/C & HX50
3545577	7-B-2926	GASKET KIT	4LE



## CROSS REFERENCE - Holset to Turbo International

OEM Part No.	Turbo International Part No.	Description	Turbo Model Application
3545627	7-B-2234	SERVICE KIT, BASIC	HX50
3545645	7-A-0788	SERVICE KIT	TO4B
3545647	7-B-0647	SERVICE KIT	HC5/HC5A
3545648	7-B-2866	SERVICE KIT	HC3
3545650	7-B-0671	SERVICE KIT	H1A
3545651	7-B-0672	SERVICE KIT	H1B
3545652	7-B-0673	SERVICE KIT	H1C
3545653	7-B-0674	SERVICE KIT	H2B
3545659	7-B-0641	SERVICE KIT, SMOOTH BORE	4LE/4LF
3545660	7-B-0640	SERVICE KIT, STEP BORE	4LE/4LF
3545661	7-B-0642	SERVICE KIT, STEP BORE	4LG
3545662	7-B-0646	SERVICE KIT	HC3
3545664	7-B-0643	SERVICE KIT	H3B
3545669	7-B-0644	SERVICE KIT, MINOR	HT3B/4LHR
3545678	7-B-0051	SERVICE KIT	H1C/H2A
3545769	7-B-2927	GASKET KIT	H1C
3545824	7-A-0610	SERVICE KIT, MINOR	TV61
3545827	7-A-0960	SERVICE KIT, BOLTED HSG., STD. JNL.BRG.	TB02
3545828	7-A-0962	SERVICE KIT, BOLTED HSG. LONG JNL.BRG.	TB02
3545829	7-A-0720	SERVICE KIT	TA45/51
3545830	7-A-0969	SERVICE KIT	TA/TB/TCO3
3545831	7-A-0719	SERVICE KIT	TO4E
3545832	7-A-0612	SERVICE KIT, STEP BORE	T18
3545833	7-A-0614	SERVICE KIT, SMOOTH BORE	T18
3545836	7-A-0636	SERVICE KIT, MAJOR	TV61
3545840	7-A-0830	SERVICE KIT	TO4B
3545842	7-A-0724	SERVICE KIT, MAJOR, SMOOTH & STEP BORE	T18
3545845	7-B-0747	SERVICE KIT	4LE
3545846	7-B-0730	SERVICE KIT	3LD
3545889	7-A-0725	SERVICE KIT, 3/8" SHAFT NUT	T18A
3545906	7-E-1193	SERVICE KIT, MAJOR, WITH THRUST COLLAR	TDO5/6
3545945	7-B-0981	SERVICE KIT	HT3B
3545987	7-B-2859	SERVICE KIT	H1C
3545997	7-B-1185	SERVICE KIT	H2E
3575015	7-B-1822	SERVICE KIT	H2E
3575139	7-B-2861	SERVICE KIT	H2C
3575153	7-B-2863	SERVICE KIT	H2S
3575169	7-B-2878	SERVICE KIT, 3 hole t/brg.	HX40
3575181	7-B-2886	SERVICE KIT	HX55
3575193	7-B-2880	SERVICE KIT	HX50
3575205	7-B-2874	SERVICE KIT, 2 hole t/brg.	HX30
3575210	7-B-0642	SERVICE KIT, STEP BORE	4LG
3575230	7-B-2731	SERVICE KIT	HT60
3575234	7-B-2891	SERVICE KIT	HX82
3575680	7-B-2929	GASKET KIT	H1A
3575687	7-B-2930	GASKET KIT	H2C
3580252	7-B-0673	SERVICE KIT	H1C
3580568	7-B-2888	SERVICE KIT	HX60



## CROSS REFERENCE - Holset to Turbo International

OEM Part No.	Turbo International Part No.	Description	Turbo Model Application
3580758	7-B-2881	SERVICE KIT	HX50
3590051	8-B-2887	THRUST BEARING	HX60
3591425	8-B-2883	O RING	HX50
3591655	8-B-1184	THRUST BEARING	H2E
3592027	8-B-3791	O-RING, SEAL PLATE	HY55
3595651	8-B-3514	THRUST BEARING, 3 hole	HX40
3595981	8-B-3790	THRUST BEARING, HY55	HY55
3709510	8-B-0517	RETAINING RING, J/BRG	4LE/HT3B
3709765	8-B-0527	PISTON RING C/END STD	HC3B/HT4B
3722368	8-B-0076	JOURNAL BEARING STD	4LE
3722447	8-B-0387	PISTON RING T/END 10/ STD	3LD
3751948	8-B-0064	O RING, OIL PLATE	Various
3752869	8-B-0088	THRUST BEARING	H3/HC3/4LE
3756754	8-B-0395	PISTON RING T/END STD	H1C
3758848	8-B-0070	PISTON RING C/END STD	H2C/H2B
3800196	7-B-2928	GASKET KIT	H2C
3801096	7-H-1011	SERVICE KIT	ST/VT50
3801099	7-H-1482	SERVICE KIT	ST/VT50
3801522	7-B-1839	SEAL KIT	HT3B
3801523	7-B-0645	SERVICE KIT, MAJOR	HT3B/4LHR
3801639	7-B-1842	SEAL KIT	HT4B/HC5
4027309	7-B-3458	SERVICE KIT	H1C/H1D/H1D/
4027880	7-B-3394	SERVICE KIT	HX60 & HX60
4031455	7-B-3794	SERVICE KIT, HY55, MINOR	HY55
4038358	8-B-2864	THRUST BEARING	H3B
446335-0001		USE 446335-0010	
446848-0002		USE 479802-0002	
51136	8-B-0731	THRUST BEARING	3LD
51140	8-B-1025	JOURNAL BEARING STD	3LD
51145	8-A-0172	BOLT	TO4B/HC3
51240	8-B-0052	THRUST COLLAR	4LE
51914	8-B-0063	GASKET, OIL OUTLET	3LD
51948	8-B-0064	O RING, OIL PLATE	3LD
52195	8-B-0387	PISTON RING T/END STD	4LE
52231586501	8-D-3096	GASKET, OIL OUTLET	K23/K26/K27/K
52799	8-B-0390	O RING, C/END	4LE
52869	8-B-0088	THRUST BEARING	H3/HC3/4LE
52951	8-B-0391	PISTON RING T/END STD	3LD
52981	8-B-3089	O RING, C/END	4HD/4MD
52987	8-B-1584	OIL SLINGER	4LE
55739	8-A-0062	GASKET, OIL INLET	H Series
55843	8-B-0525	GASKET, TURBINE INLET	3LD
56495	8-B-0521	LOCKWASHER	3LD
56754	8-B-0395	PISTON RING T/END STD	H1C
57736		USE 3519318	
57753	8-B-0396	OIL CONTROL SLEEVE	4LE/HT3B
58656	8-B-0397	LOCKNUT, SHAFT	HT3B/HC3/4LE
58848	8-B-0070	PISTON RING C/END STD	H2C/H2B





## CROSS REFERENCE - Holset to Turbo International

OEM Part No.	Turbo International Part No.	Description	Turbo Model Application
59523	8-B-0833	LOCKNUT	H1A
59527	8-B-0790	WASHER, C/END	3LD
59618	8-B-0980	OIL SEAL PLATE	HT3B
59721	8-B-0400	O-RING	H1A
59917	8-B-0401	SCREW, T/END	H2C/H2B
60250	8-B-0417	LOCKNUT, SHAFT	H2C/H2B
61210	8-B-0418	LOCKPLATE	4LE
61867	8-B-0391	PISTON RING T/END STD	3LD
62042	8-B-0420	O-RING	H1B
62259	8-B-3464	RETAINING RING, J/BRG	H1A/B/C/D,H2
62449	8-B-0422	RETAINING RING, S/PLATE	H2C/H2B
62915	8-B-0423	O RING, S/PLATE	H2C/H2B
63096	8-B-0424	JOURNAL BEARING STD/STD	H1A
65575		USE 3519807	
9510	8-B-0517	RETAINING RING, J/BRG	4LE/HT3B
9516	8-B-0391	PISTON RING T/END STD	3LD
9749	8-B-3696	GASKET, TURBINE INLET, SINGLE PORT	4L/H2D
9753	8-B-0518	RETAINING RING, J/BRG	H2C/H2B
9764	8-B-1771	PISTON RING T/END STD	3"
9765	8-B-0527	PISTON RING C/END STD	4LGK
9774	8-B-0795	LOCKPLATE	3"
9779	8-B-0521	LOCKWASHER, C/END	4LGK/HC3
9861	8-B-3465	GASKET, TURBINE INLET, SINGLE PORT NARROW	3LD

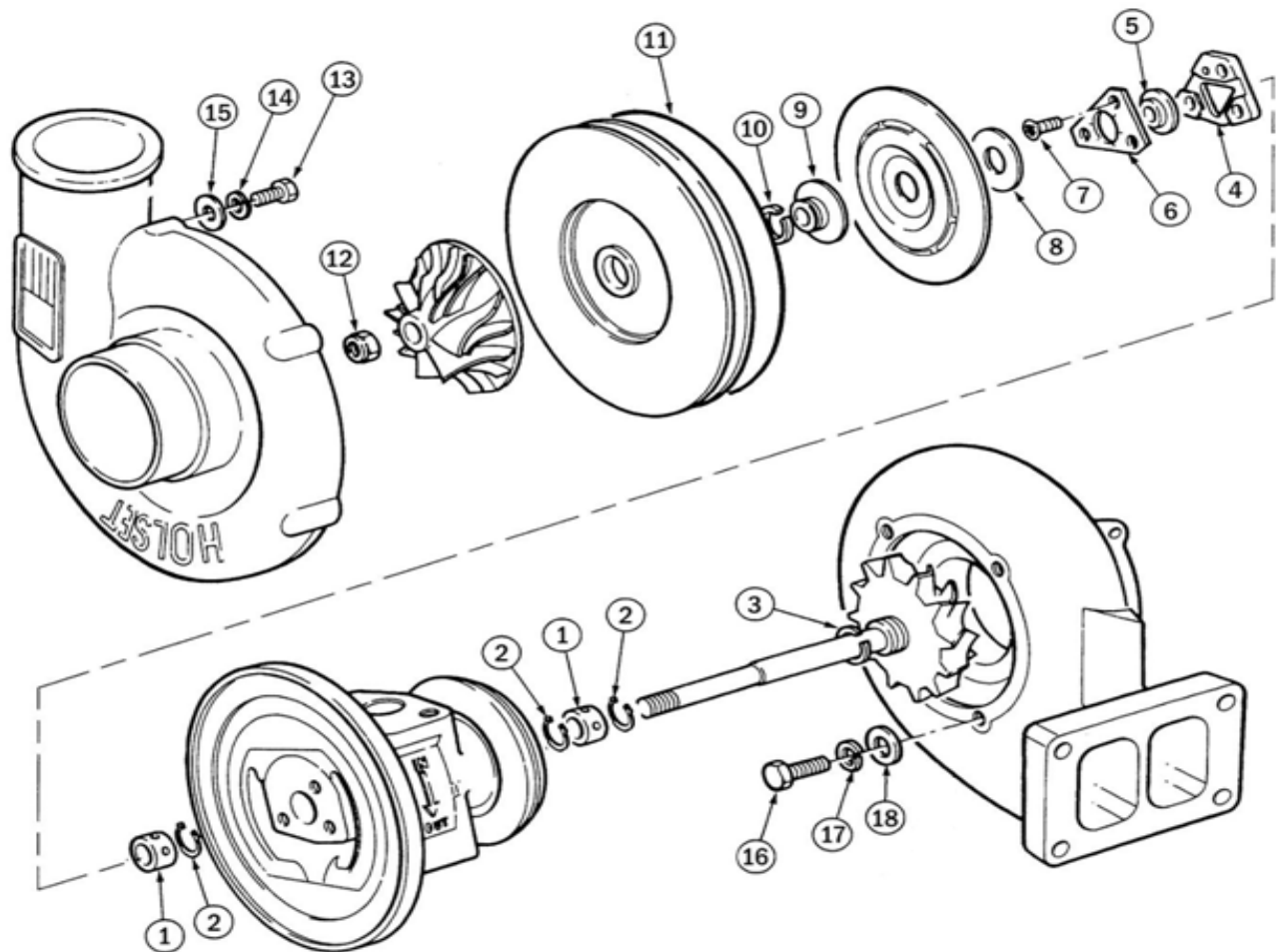


This page has been intentionally left blank



H1A

H1B



*This illustration is intended only as a guide. The actual part or assembly may vary from one model to another.*

Holset-6/30/2008-11

All names, numbers, symbols and descriptions are for reference purposes only, and do not imply that any part is the product of these manufacturers.



## SERVICE KIT - Holset

### H1A

### H1B

Item no.	Description	TI Part no.	Qty/ Turbo	TI Kit no.	
				7-B-0671	7-B-0672
				<i>Note (i)</i>	<i>Note (ii)</i>
1	Journal bearing	8-B-0424	2	✓	-
1	Journal bearing	8-B-0082	2	-	✓
2	Retaining ring, jnl/brg.	8-A-0149	3	✓	✓
3	Piston ring, t/end	8-B-0395	1	✓	✓
4	Spacer, thrust bearing	-	1	-	-
5	Thrust collar	8-B-0791	1	-	-
6	Thrust bearing	8-B-0109	1	✓	✓
7	Bolt, th/brg.	8-B-0084	3	✓	✓
8	Thrust washer	-	1	-	-
9	Thrust ring	-	1	-	-
10	Piston ring, c/end	8-B-0070	1	✓	✓
11	O ring, b/hsg to s/plate	8-B-0400	1	✓	✓
11	O ring, b/hsg to s/plate	8-B-0420	1	-	✓
12	Locknut, shaft	8-B-0833	1	-	-
13	Bolt, c/end	-	6	-	-
14	Lockwasher, c/end	8-B-0521	6	✓	✓
15	Washer, c/end	8-B-0790	6	-	-
16	Bolt, t/end	8-A-0156	4	✓	✓
17	Lockwasher, t/end	8-B-3459	4	✓	✓
18	Washer, t/end	-	4	-	-
	Gasket, oil inlet	8-B-0093	1		
	Gasket, oil outlet	8-B-0094	1		
	Gasket, oil outlet	8-A-0270	1		
	Gasket, turbine inlet	8-A-0271	1	Single port, 4.25" x 2.375"	

Note (i) H1A

(ii) H1B

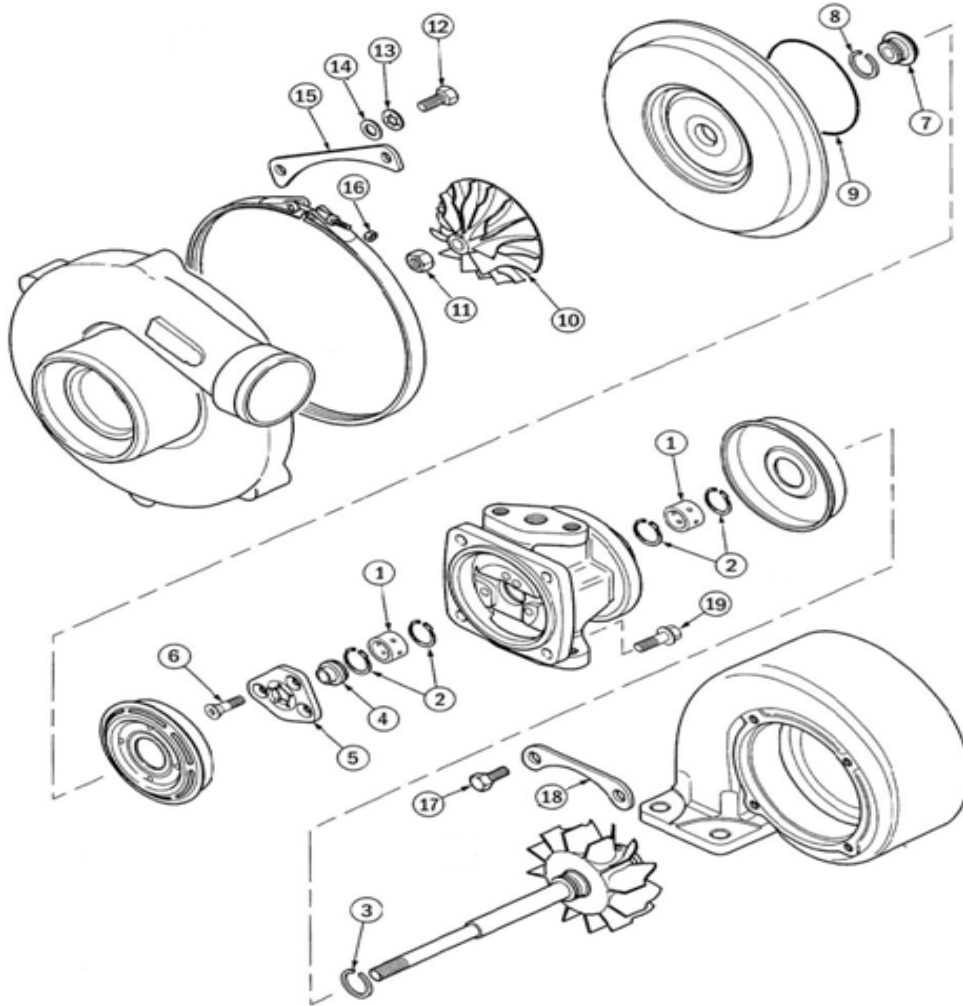
See JOURNAL BEARING section for oversize & under-size parts - page 20

See PISTON RING section for oversize parts - page 27



H1C  
H1D  
H1E

H2A  
WH1C  
WH1E



*This illustration is intended only as a guide. The actual part or assembly may vary from one model to another.*

Holset-6/30/2008-13

All names, numbers, symbols and descriptions are for reference purposes only, and do not imply that any part is the product of these manufacturers.



## SERVICE KIT - Holset

**H1C  
H1D  
H1E**

**H2A  
WH1C  
WH1E**

Item no.	Description	TI Part no.	Qty/ Turbo	TI Kit no.					
				7-B-0673	7-B-0051	7-B-2859	7-B-3458	7-B-3803	7-B-3804
				<i>Note (i)</i>	<i>Note (ii)</i>	<i>Note (iii)</i>			
1	Journal bearing	8-B-0082	2	✓	✓	-	✓	✓	✓
1	Journal bearing	8-B-2858	2	-	-	✓	-	-	-
2	Retaining ring, jnl/brg.	8-A-0149	4	✓	✓	✓	✓	✓	✓
3	Piston ring, t/end	8-B-0395	1	✓	✓	✓	✓	✓	✓
4	Thrust collar	8-B-1005	1	-	-	-	-	✓	-
4	Thrust collar WH1C only	8-B-3768	1	-	-	-	-	-	✓
5	Thrust bearing, 5 sided	8-B-0117	1	✓	-	✓	✓	✓	✓
5	Thrust bearing, 4 sided	8-B-0050	1	-	✓	-	-	-	-
6	Bolt, th/brg.	8-B-0084	3	✓	✓	✓	✓	✓	✓
7	Thrust collar	8-B-3769	1	-	-	-	-	✓	✓
8	Piston ring, c/end	8-B-0070	1	✓	✓	✓	✓	✓	✓
9	O ring, oil baffle	8-B-0119	1	✓	✓	✓	✓	✓	✓
10	O ring, c/hsg	8-B-0110	1	✓	-	✓	✓	✓	✓
11	Locknut, shaft	8-B-1006	1	-	-	-	-	-	-
12	Bolt, c/end	-	-	-	-	-	-	-	-
13	Lockwasher, c/end	8-B-0086	8	✓	✓	✓	✓	✓	✓
14	Washer, c/end	8-B-0790	6	-	-	-	-	-	-
15	Clamp plate, c/end	-	-	-	-	-	-	-	-
16	Locknut, V band	8-B-0523	1	-	-	-	✓	-	-
17	Bolt, t/end	8-B-0401	4	✓	✓	✓	✓	✓	✓
18	Lockplate, t/end	8-B-0079	2	✓	✓	✓	✓	✓	✓
19	Bolt, b/hsg	8-A-0155	4	✓	✓	✓	✓	✓	✓
	Gasket, oil inlet	8-B-0093	1				-		
	Gasket, oil inlet	8-A-0696	1				-		
	Gasket, oil outlet	8-B-0094	1				-		
	Gasket, oil outlet	8-A-0697	1				-		
	Gasket, oil outlet	8-A-0270	1				✓		
	Gasket, turbine inlet	8-A-0271	1	Single port, 4.25" x 2.75"			✓		
	Gasket, turbine outlet	8-B-0525	1	Single port, 4.25" x 3.75"			✓		

Note (i) H1C, H1D, H1E, H2A, WH1C & WH1E

(ii) H2A

(iii) H1C

See JOURNAL BEARING section for oversize & under-size parts - page 20 - 21

See PISTON RING section for oversize parts - page 27



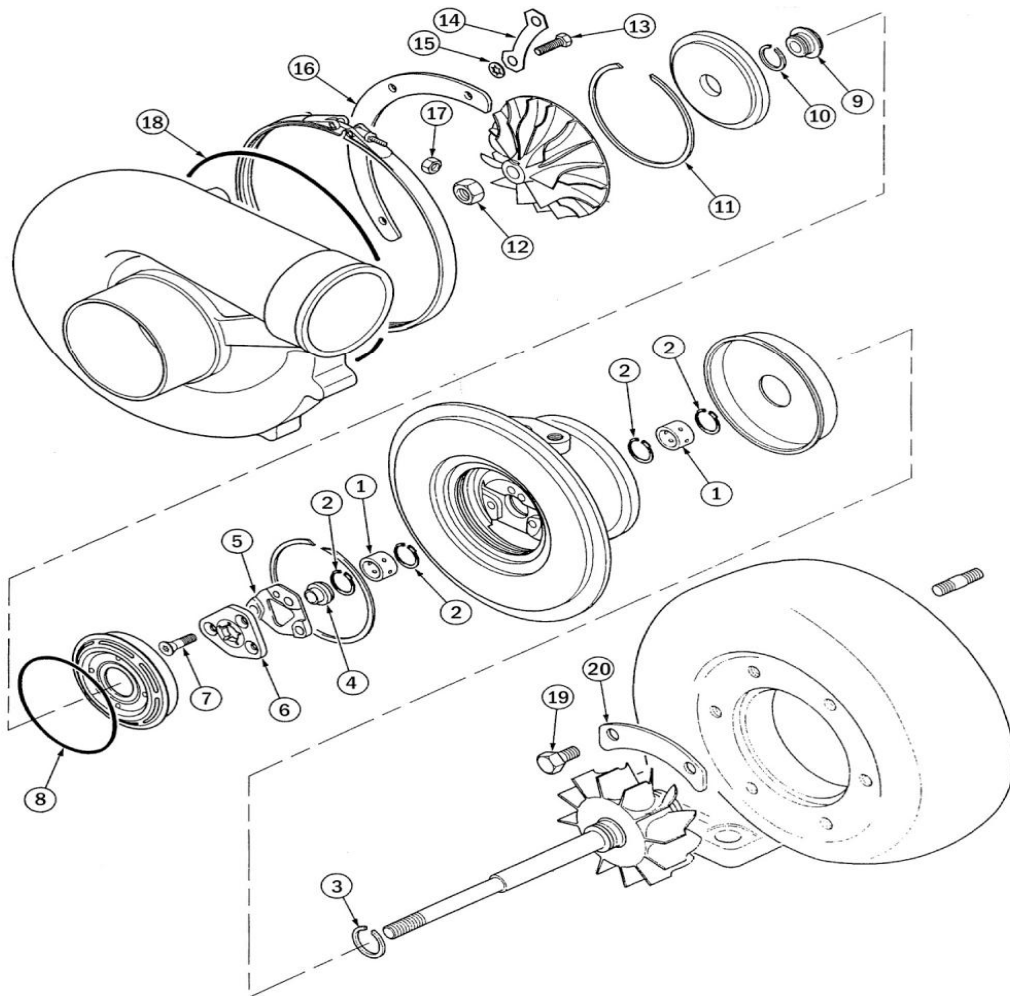
H2B

H2C

H2D

H2E

WH2D



*This illustration is intended only as a guide. The actual part or assembly may vary from one model to another.*

Holset-6/30/2008-15

All names, numbers, symbols and descriptions are for reference purposes only, and do not imply that any part is the product of these manufacturers.



## SERVICE KIT - Holset

**H2B                    H2D                    WH2D                    H2S**  
**H2C                    H2E**

Item no.	Description	TI Part no.	Qty/ Turbo	TI Kit no.					
				7-B-0674	7-B-0678	7-B-1185	7-B-2863	7-B-3805	7-B-3813
				<i>Note (i)</i>	<i>Note (ii)</i>	<i>Note (iii)</i>	<i>Note (iv)</i>	<i>Note (i)</i>	<i>Note (iii)</i>
1	Journal bearing	8-B-0085	2	✓	✓	✓	✓	✓	✓
2	Retaining ring, jnl/brg.	8-B-0518	4	✓	✓	✓	✓	✓	✓
3	Piston ring, t/end	8-B-0395	1	✓	✓	✓	-	✓	✓
3	Piston ring, t/end	8-B-2862	1	-	-	-	✓	-	-
4	Thrust collar	-	1	-	-	-	-	-	-
5	Spacer, thrust bearing	-	1	-	-	-	-	-	-
6	Thrust bearing, bolted	8-B-0109	1	✓	✓	-	✓	✓	-
6	Thrust bearing, not bolted	8-B-1184	1	-	-	✓	-	-	✓
7	Bolt, th/brg.	8-B-0084	3	✓	✓	-	✓	✓	-
8	O ring, s/plate	8-B-0423	1	✓	✓	✓	✓	✓	✓
9	Oil slinger	8-B-3767	1	-	-	-	-	✓	✓
10	Piston ring, c/end	8-B-0070	1	✓	✓	✓	✓	✓	✓
11	Retaining ring, s/plate	8-B-0422	1	✓	✓	-	✓	✓	-
11	Retaining ring, s/plate	8-B-0077	1	-	-	✓	-	-	✓
12	Locknut, shaft	8-B-0417	1	-	✓	✓	-	-	✓
13	Bolt, c/end	8-B-0111	8	-	✓	-	-	-	-
14	Lockplate, c/end	8-B-0795	3	✓	-	-	✓	✓	-
15	Lockwasher, c/end	8-B-0086	8	✓	-	✓	✓	✓	✓
15	Lockwasher, c/end	8-B-0113	8	-	✓	-	-	-	-
16	Clamp plate c/end	-	8	-	-	-	-	-	-
17	Locknut, V band	8-B-0523	1	-	-	✓	-	-	✓
18	O ring, b/hsg to c/hsg	8-B-0106	1	-	✓	-	-	-	-
18	O ring, b/hsg to c/hsg	8-B-0102	1	-	✓	-	-	-	-
19	Bolt, t/end	8-B-0401	6	✓	✓	✓	✓	✓	✓
20	Clamp plate, t/end	-	3	-	-	-	-	-	-
	Gasket, oil inlet	8-B-0093	1	-	✓				
	Gasket, oil inlet	8-A-0696	1	-	-				
	Gasket, oil outlet	8-B-0094	1	-	-				
	Gasket, oil outlet	8-B-3119	1	-	-				
	Gasket, oil outlet	8-A-0270	1	-	✓				
	Gasket, turbine inlet	8-A-0271	1	-	-			Single port 4.25"x2.75	Single port 4.25"x2.75
	Gasket, turbine outlet	8-B-0525	1	-	✓			Single port 4.25"x3.75	Single port 4.25"x3.75

Note (i) H2B, H2C, H2D & WH2D

(ii) H2C

(iii) H2D, H2E & WH2D

(iv) H2S

See JOURNAL BEARING section for oversize & under-size parts - page 23

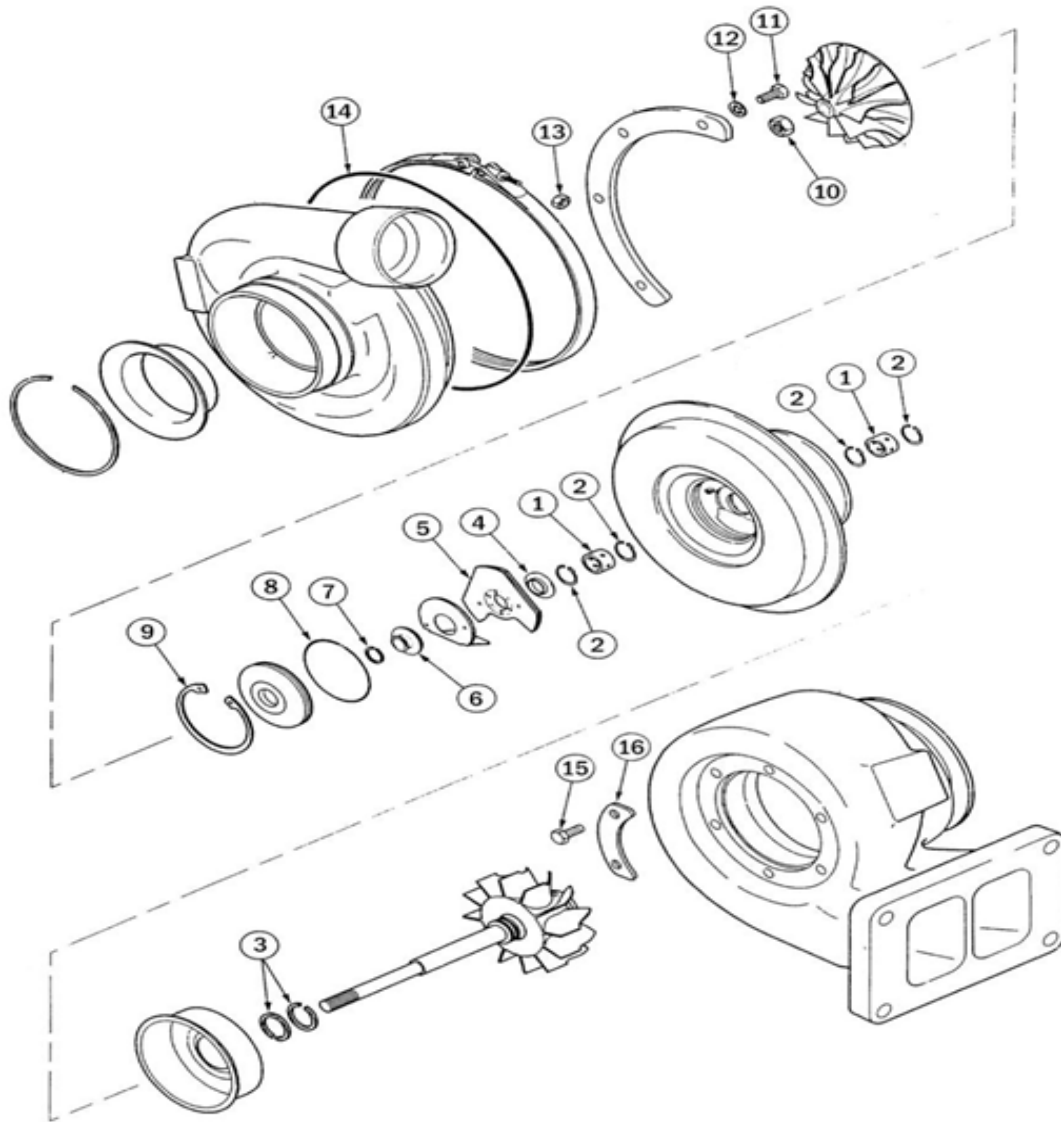
See PISTON RING section for oversize parts - page 27 - 28





## H2C WH2D

## HX50



*This illustration is intended only as a guide. The actual part or assembly may vary from one model to another.*



## SERVICE KIT - Holset

H2C

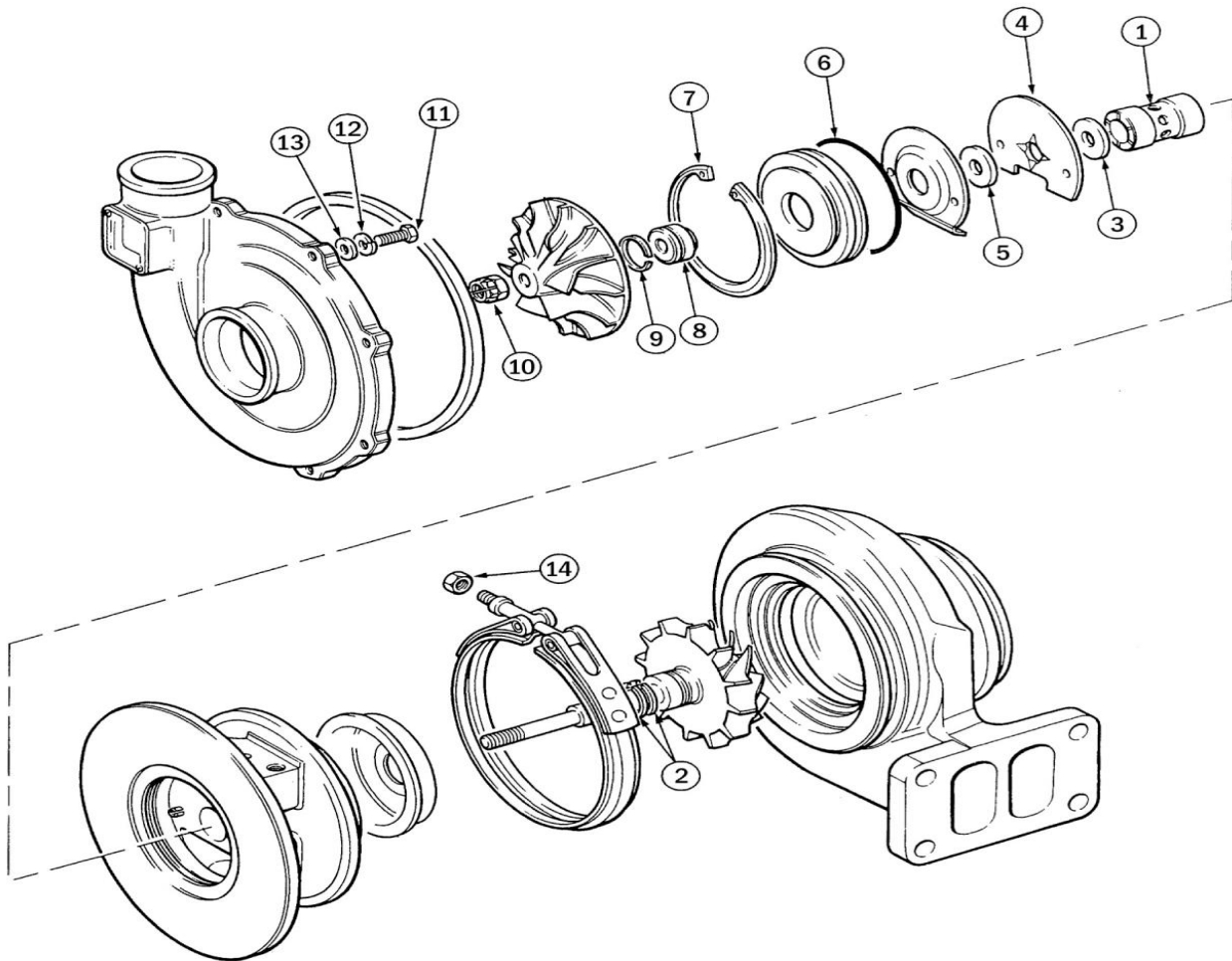
WH2D

Item no.	Description	TI Part no.	Qty/ Turbo	TI Kit no.	
				7-B-2861	7-B-3806
1	Journal bearing	8-B-2860	2	✓	✓
2	Retaining ring, jnl/brg.	8-B-0518	4	✓	✓
2	Retaining ring, jnl/brg.	8-B-0517	4	-	-
3	Piston ring, t/end	8-B-0395	2	✓	✓
3	Piston ring, t/end	8-B-2879	2	-	-
4	Thrust collar	-	1	-	-
5	Thrust bearing	8-B-1184	1	✓	✓
6	Oil slinger	8-B-3767	1	-	✓
7	Piston ring, c/end	8-B-0070	1	✓	✓
8	O ring, s/plate	8-B-0423	1	✓	✓
9	Retaining ring, s/plate	8-B-0077	1	✓	✓
10	Locknut, shaft	8-B-0417	1	✓	✓
11	Bolt, c/end	8-B-0111	8	-	-
12	Lockwasher, c/end	8-B-0086	8	✓	✓
13	Locknut, V band	8-B-0523	1	✓	✓
14	O ring, c/hsg	-	1	-	-
15	Bolt, t/end	8-B-0401	6	✓	✓
16	Clamp plate, t/end		3	-	-
	Gasket, oil inlet	8-B-0093	1		
	Gasket, oil inlet	8-A-0696	1		
	Gasket, oil outlet	8-B-0094	1		
	Gasket, oil outlet	8-B-3119	1		
	Gasket, oil outlet	8-A-0270	1		
	Gasket, turbine inlet	8-A-0271	1	Single port, 4.25" x 2.75"	
	Gasket, turbine outlet	8-B-0525	1	Single port, 4.25" x 3.75"	

See JOURNAL BEARING section for oversize & under-size parts - page 24

See PISTON RING section for oversize parts - page 27 & 33

### 3LD





## SERVICE KIT - Holset

### 3LD

Item no.	Description	TI Part no.	Qty/ Turbo	TI Kit no. 7-B-0730
1	Journal bearing, 1.483"/37.67mm w	8-B-1025	1	✓
2	Piston ring, t/end, smooth bore	8-B-0391	2	✓
2	Piston ring, t/end, step bore	8-B-0387	1	✓
3	Thrust washer, 1.438" wide brg. only	8-B-0384	1	-
4	Thrust bearing	8-B-0731	1	✓
5	Thrust ring	8-B-0078	1	-
6	O ring, s/plate	8-B-0064	1	✓
7	Retaining ring, s/plate	8-B-0077	1	-
8	Oil slinger	-	1	-
9	Piston ring, c/end	8-B-0391	3	✓
10	Locknut, shaft	8-B-0417	1	✓
11	Bolt, c/end	-	6	-
12	Lockwasher, c/end	8-B-0521	8	✓
13	Washer, c/end	8-B-0790	8	-
14	Locknut, V band	8-B-0523	2	✓
	Gasket, oil inlet	8-B-0093	1	✓
	Gasket, oil outlet	8-B-0094	1	✓
	Gasket, turbine inlet	8-A-0271	1	✓

Single port, 4.25" x 2.375"

See JOURNAL BEARING section for oversize & under-size parts - page 25

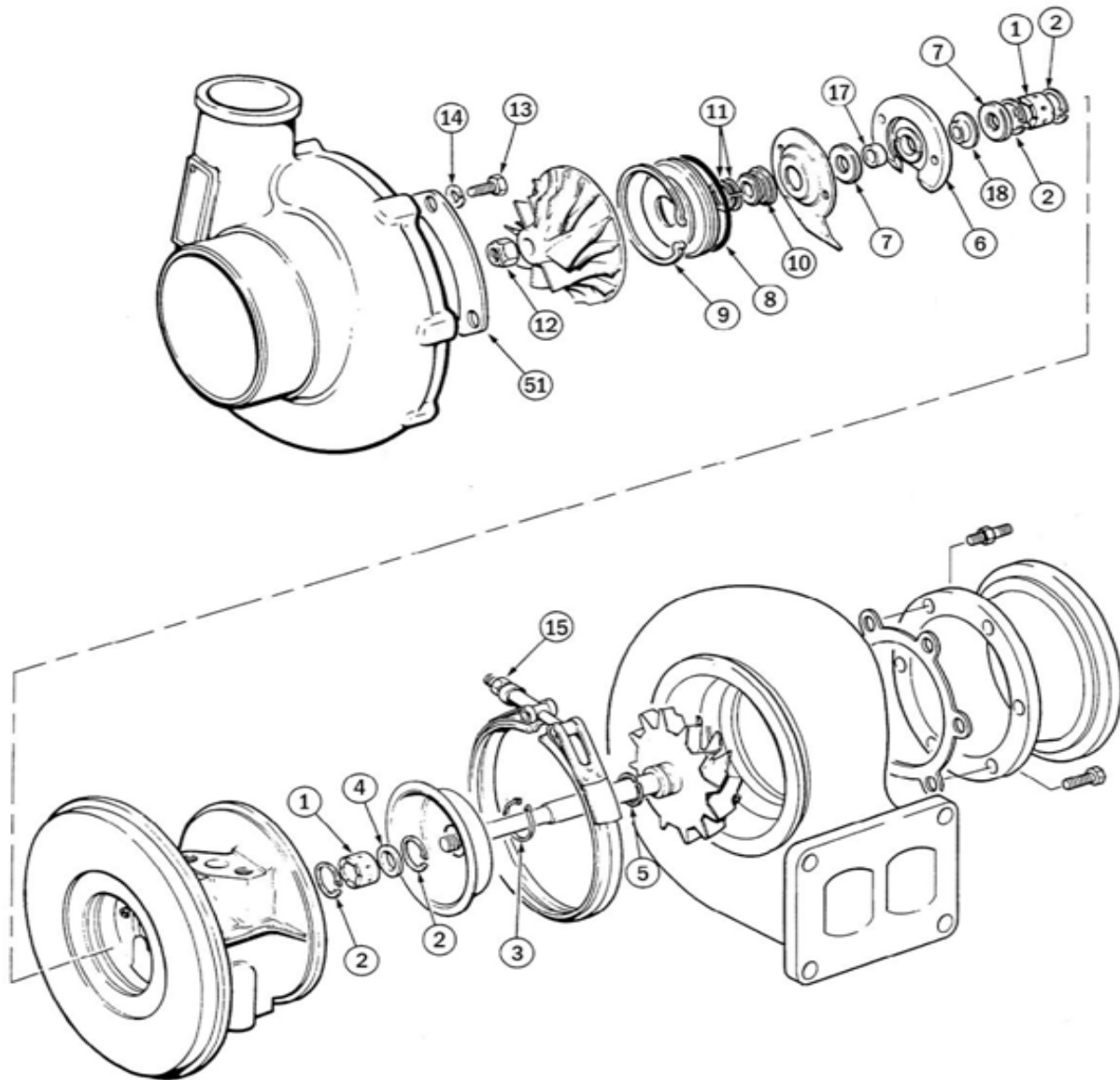
See PISTON RING section for oversize parts - page 29



HC3

HC3B

H3B



Holset-6/30/2008-21

All names, numbers, symbols and descriptions are for reference purposes only,  
and do not imply that any part is the product of these manufacturers.



## SERVICE KIT - Holset

**HC3  
HC3B**

**H3B**

Item no.	Description	TI Part no.	Qty/ Turbo	TI Kit no.					
				7-B-0642	7-B-0643	7-B-0646	7-B-2865	7-B-2866	7-B-3807
				<i>Note (iii)</i>	<i>Note (i)</i>	<i>Note (iii)</i>	<i>Note (ii)</i>	<i>Note (iii)</i>	<i>Note (i)</i>
1	Journal bearing	8-B-0076	2	✓	✓	✓	✓	✓	✓
2	Retaining ring, j/brg.	8-B-0517	4	✓	✓	✓	✓	✓	✓
3	Retaining ring, shield	8-B-0047	1	-	-	-	✓	-	-
4	Oil control sleeve	8-B-0396	1	✓	✓	✓	-	✓	✓
5	Piston ring, t/end	8-B-0387	1/2	✓	✓	✓	✓	✓	✓
6	Thrust bearing	8-B-0088	1	✓	✓	✓	-	✓	✓
6	Thrust bearing	8-B-2864	1	-	-	-	✓	-	-
7	Thrust ring	8-B-0052	2	-	-	-	-	-	✓
8	O ring, s/plate	8-B-0064	1	✓	✓	✓	✓	✓	✓
	Oil seal plate	8-B-3766	1	-	-	-	-	-	✓
9	Retaining ring, s/plate	8-B-0077	1	✓	✓	✓	✓	✓	✓
10	Oil slinger	8-B-3764	1	-	-	-	-	-	✓
11	Piston ring, c/end	8-B-0527	1/2	✓	✓	✓	✓	✓	✓
12	Locknut, shaft	8-B-0397	1	✓	-	✓	-	-	-
13	Bolt, c/end	8-A-0169	10	-	-	-	-	-	-
14	Lockwasher, c/end	8-B-0096	10	-	✓	-	✓	✓	✓
14	Lockwasher, c/end	8-B-0521	10	✓	-	✓	-	-	-
15	Locknut, V band	8-B-0523	1/2	✓	✓	✓	✓	✓	✓
16	Lockplate, t/end	8-B-0418	4	✓	-	-	✓	-	-
17	Thrust spacer	8-B-0982	1	-	-	-	-	-	✓
18	Thrust collar	8-B-0099	1	-	-	-	-	-	✓
	Gasket, oil inlet	8-B-0093	1						
	Gasket, oil outlet	8-B-0094	1						
	Gasket, turbine inlet	8-B-0987	1	Dual port 4.25" x 2.75"					
	Gasket, oil outlet	8-B-3119	1						
	Gasket, oil outlet	8-A-0270	1						

(i) HC3B, H3B

(ii) H3B

(iii) HC3

See JOURNAL BEARING section for oversize & under-size parts - page 26

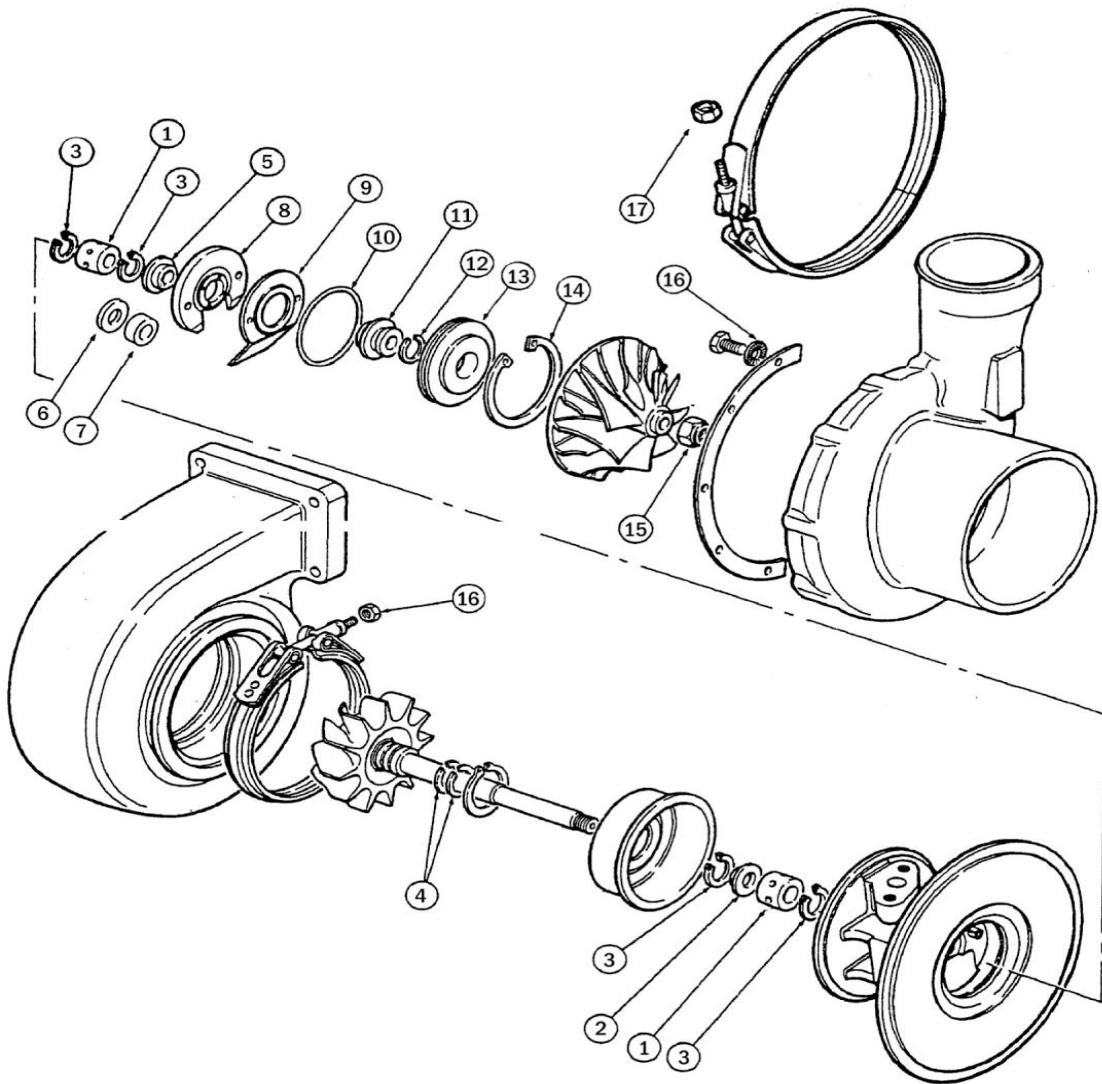
See PISTON RING section for oversize parts - page 30



HT3B

BHT3E

HT60



Holset-6/30/2008-23

All names, numbers, symbols and descriptions are for reference purposes only, and do not imply that any part is the product of these manufacturers.



## SERVICE KIT - Holset

**HT3B**

**BHT3E**

**HT60**

Item no.	Description	TI Part no.	Qty/ Turbo	TI Kit no.			
				7-B-0645	7-B-0644	7-B-0981	7-B-2731
						<i>Note (i)</i>	<i>Note (ii)</i>
1	Journal bearing	8-B-0076	2	✓	✓	✓	✓
2	Oil control sleeve	8-B-0396	1	-	✓	✓	✓
3	Retaining ring, j/brg.	8-B-0517	4	✓	✓	✓	✓
4	Piston ring, t/end	8-B-0387	2	✓	✓	✓	✓
5	Thrust collar	8-B-0099	1	✓	-	-	-
6	Thrust ring	8-B-0052	1	-	-	✓	-
7	Thrust spacer	8-B-0982	1	-	-	✓	-
8	Thrust bearing	8-B-3445	1	✓	✓	✓	✓
9	Oil deflector	8-B-0979	1	-	-	✓	-
10	O ring, s/plate	8-B-0064	1	✓	✓	✓	✓
11	Oil slinger	8-B-0098	1	✓	-	✓	-
12	Piston ring, c/end	8-B-0527	1	✓	✓	✓	✓
13	Oil seal plate	8-B-0980	1	-	-	✓	-
14	Retaining ring, s/plate	8-B-0047	1	-	-	-	-
15	Locknut, shaft	8-B-0397	1	-	-	✓	-
16	Lockwasher, c/end	8-B-0096	10	-	✓	-	-
17	Locknut, V band	8-B-0523	2	-	✓	✓	✓
	Gasket, oil inlet	8-A-0696	1	✓			
	Gasket, oil inlet	8-B-0093	1	-			
	Gasket, oil outlet	8-A-0697	1	✓			
	O ring seal/gasket	8-B-1841	1	-			

*Note (i) Used in Schwitzer 4LHR turbo*

*(ii) HT60*

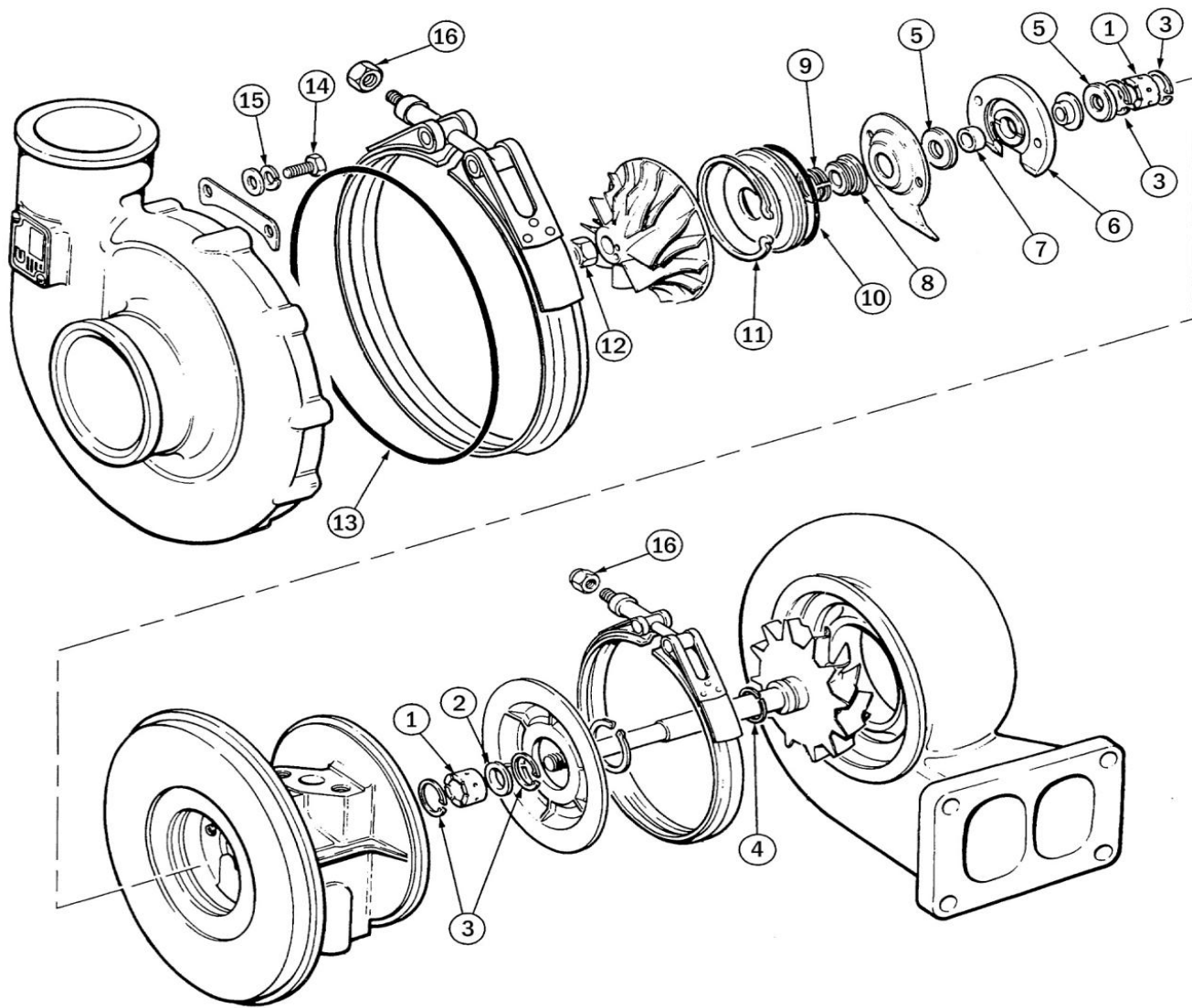
See JOURNAL BEARING section for oversize & under-size parts - page 26

See PISTON RING section for oversize parts - page 30





# 4LE



Holset-7/23/2008-25

All names, numbers, symbols and descriptions are for reference purposes only, and do not imply that any part is the product of these manufacturers.



## SERVICE KIT - Holset

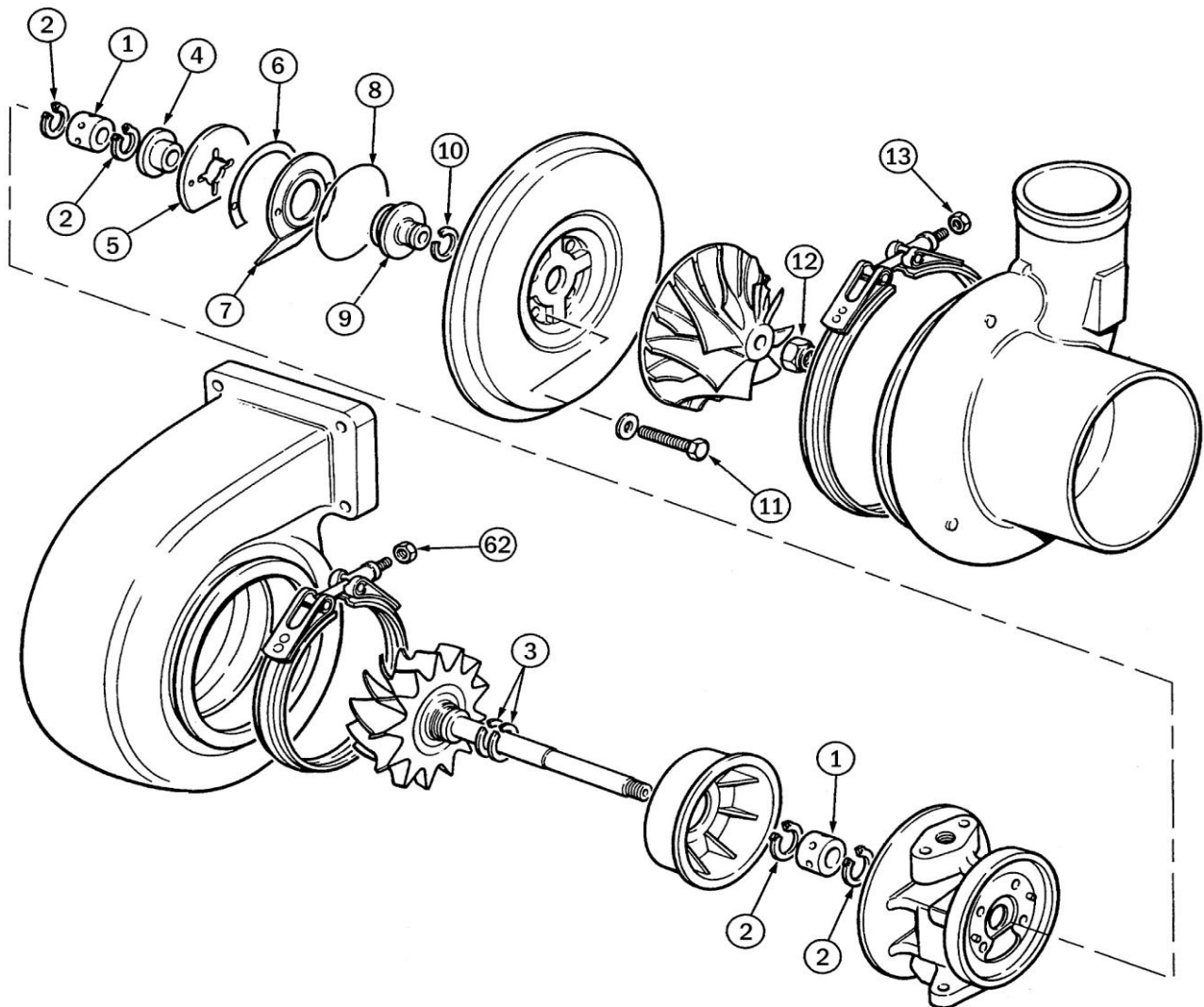
### 4LE

Item no.	Description	TI Part no.	Qty/ Turbo	TI Kit no.		
				7-B-0640	7-B-0642	7-C-1830
				Note (i)	Note (ii)	Note (iii)
1	Journal bearing	8-B-0076	1	✓	✓	✓
2	Oil control sleeve	8-B-0396	1	✓	✓	✓
3	Retaining ring, j/brg.	8-B-0517	4	✓	✓	✓
4	Piston ring, t/end, step bore	8-B-0387	1/2	✓	✓	✓
4	Piston ring, t/end,smooth bore	8-B-0391	1/2	✓	-	✓
5	Thrust ring	8-B-0052	2	-	-	✓
6	Thrust bearing	8-B-0088	1	✓	✓	✓
7	Thrust spacer	8-B-0982	1	-	-	-
8	Oil slinger	8-B-1584	1	-	-	-
9	Piston ring, c/end	8-B-0527	1/2	-	✓	-
9	Piston ring, c/end	8-B-0391	2	✓	-	-
10	O ring, s/plate	8-B-0064	1	✓	✓	✓
11	Retaining ring, s/plate	8-B-0077	1	✓	✓	-
12	Locknut, shaft	8-B-0397	1	✓	✓	✓
12	Locknut, shaft	8-B-2867	1	-	-	-
13	O ring, c/hsg	8-B-0390	1	✓	-	✓
14	Bolt, c/end	8-A-0169	10	-	-	-
15	Lockwasher, c/end	8-B-0096	10	-	-	-
15	Lockwasher, c/end	8-B-0521	10	-	✓	-
16	Locknut, V band	8-B-0523	2	✓	✓	-
	Lockplate, t/end	8-B-0418	4	-	✓	-
	Bolt, t/end	8-A-0172	10	-	-	-
	Gasket, oil inlet	8-B-0093	1			
	Gasket, oil outlet	8-B-0094	1			
	Gasket, turbine inlet	8-B-0987	1			
	Gasket, oil outlet	8-B-3119	1			
	Gasket, oil outlet	8-A-0270	1			

See JOURNAL BEARING section for oversize & under-size parts - page 26

See PISTON RING section for oversize parts - page 31

# HT4B





## SERVICE KIT - Holset

### HT4B

Item no.	Description	TI Part no.	Qty/ Turbo	TI Kit no. 7-B-0648
1	Journal bearing	8-B-0090	2	✓
2	Retaining ring, j/brg.	8-B-0092	4	✓
3	Piston ring, t/end	8-B-0108	2	✓
4	Thrust collar	-	1	-
5	Thrust bearing	8-B-2838	1	✓
6	Shim, t/brg	8-B-0114	1	✓
7	Oil deflector	8-B-0115	1	✓
8	O ring, s/plate	8-B-0119	1	✓
9	Thrust sleeve	-	1	-
10	Piston ring, c/end	8-B-0527	1	✓
11	Screw, diffuser	8-B-0116	4	-
12	Locknut, shaft	8-B-0891	1	-
13	Locknut, V band	8-B-0523	2	✓
	Gasket, oil inlet	8-A-0696	1	-
	Gasket, oil inlet	8-B-0093	1	-
	Gasket, oil outlet	8-A-0697	1	-
	O ring seal/gasket	8-B-1841	1	-

See JOURNAL BEARING section for oversize & under-size parts - page 27

See PISTON RING section for oversize parts - page 32

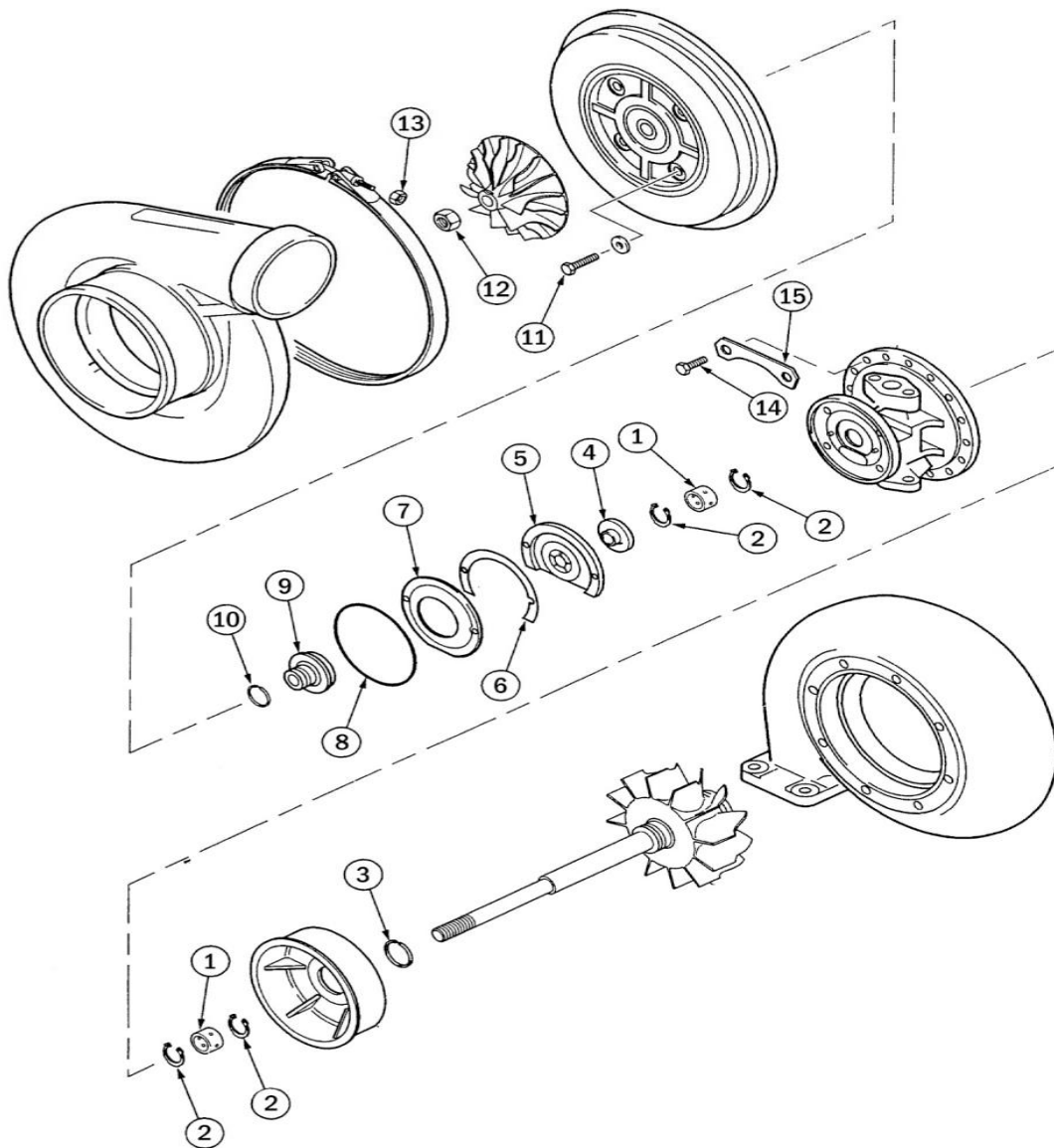


HC5

HX80

HC5A

HX82



Holset-6/30/2008-29

All names, numbers, symbols and descriptions are for reference purposes only, and do not imply that any part is the product of these manufacturers.



## SERVICE KIT - Holset

**HC5  
HC5A**

**HX80**

**HX82**

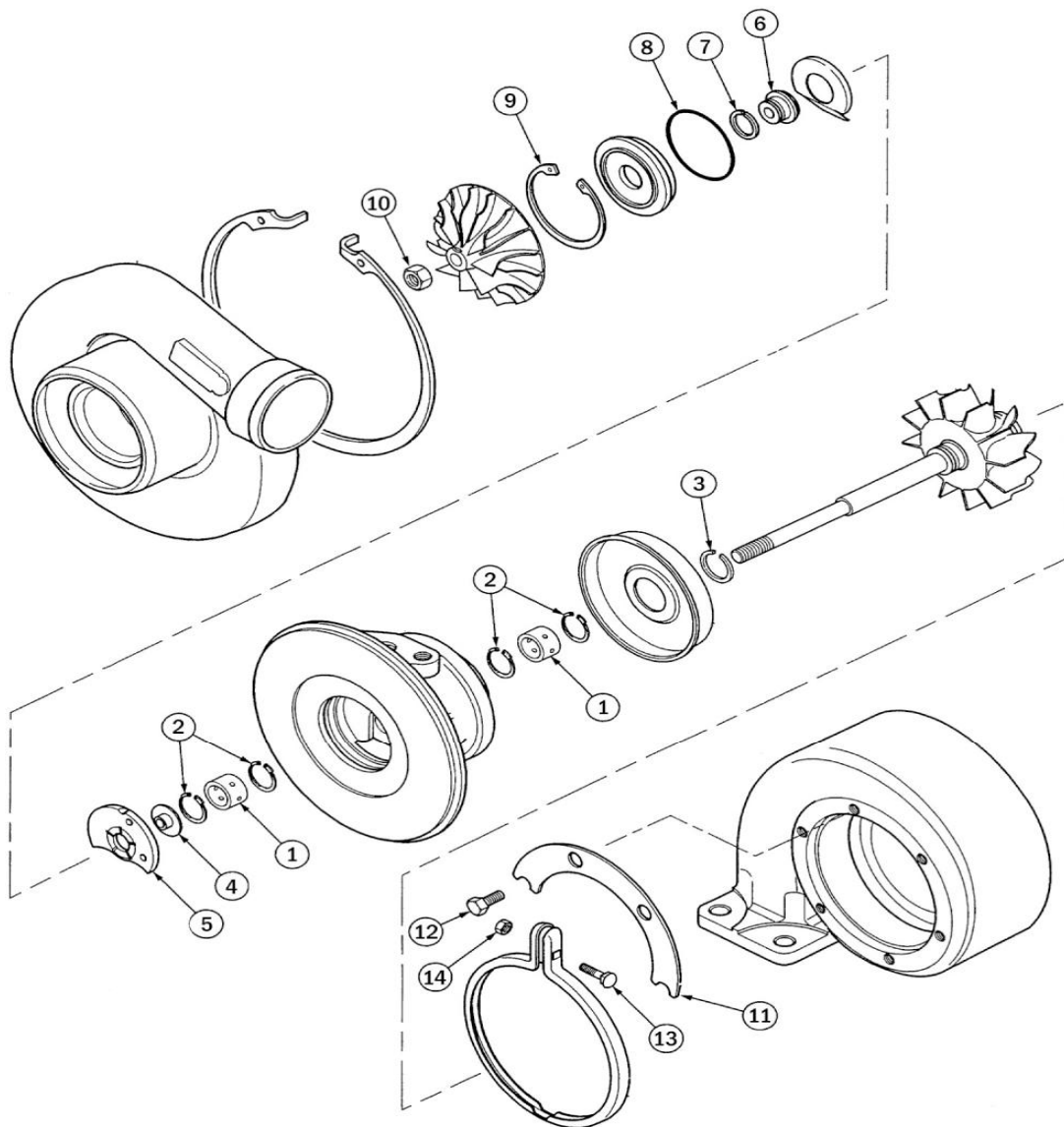
Item no.	Description	TI Part no.	Qty/ Turbo	TI Kit no.
				7-B-0647
1	Journal bearing	8-B-0090	2	✓
2	Retaining ring, j/brg.	8-B-0092	4	✓
3	Piston ring, t/end	8-B-0108	1	✓
4	Thrust collar	-	1	-
5	Thrust bearing	8-B-2425	1	✓
6	Shim, t/brg	8-B-0114	1	✓
7	Oil baffle	8-B-0115	1	✓
8	O ring, s/plate	8-B-0119	1	✓
9	Oil slinger	-	1	-
10	Piston ring, c/end	8-B-0527	1	✓
11	Screw, diffuser	8-B-0116	4	✓
12	Locknut, shaft	8-B-2867	1	✓
13	Locknut, V band	8-B-0523	1	✓
14	Bolt, t/end	8-A-0156	8	✓
15	Lockplate, t/end	8-B-0103	4	✓
	Gasket, oil inlet	8-B-0093	1	
	Gasket, oil outlet	8-B-3119	1	

See JOURNAL BEARING section for oversize & under-size parts - page 27

See PISTON RING section for oversize parts - page 32



HX30      HX40      HX35W  
HX40W



Holset-6/30/2008-31

All names, numbers, symbols and descriptions are for reference purposes only,  
and do not imply that any part is the product of these manufacturers.



## SERVICE KIT - Holset

**HX30  
HX40**

**HX35W  
HX40W**

Item no.	Description	TI Part no.	Qty/ Turbo	TI Kit no.				
				7-B-2874	7-B-2877	7-B-2878	7-B-3808	7-B-3809
				<i>Note (i)</i>	<i>Note (ii)</i>	<i>Note (iii)</i>	<i>Note (i)</i>	<i>Note (iii)</i>
1	Journal bearing	8-B-0082	2	✓	-	✓	✓	✓
1	Journal bearing	8-B-2858	2	-	✓	-	-	-
2	Retaining ring, jnl/brg.	8-A-0149	4	✓	✓	✓	✓	✓
3	Piston ring, t/end	8-B-0395	1	✓	✓	✓	✓	✓
4	Thrust collar	8-B-3762	1	-	-	-	✓	✓
5	Thrust bearing	8-B-2868	1	✓	-	-	✓	-
5	Thrust bearing	8-B-3514	1	-	✓	✓	-	✓
6	Oil slinger	8-B-3763	1	-	-	-	✓	✓
7	Piston ring, c/end	8-B-0070	1	✓	✓	✓	✓	✓
8	O ring, b/hsg to s/plate	8-B-2869	1	✓	✓	✓	✓	✓
9	Retaining ring, s/plate	8-B-2872	1	✓	✓	✓	✓	✓
10	Locknut, shaft	8-B-1006	1	✓	✓	✓	✓	✓
11	Clamp plate, t/end	-	2	-	-	-	-	-
12	Bolt, t/end	8-B-0401	6	-	✓	✓	-	✓
13	Bolt, V band	8-B-2873	1	✓	-	-	✓	-
14	Locknut, V band	8-B-2871	1	✓	-	-	✓	-
15	Oil baffle	8-B-2870	1	✓	✓	✓	✓	✓
16	O ring, comp. hsg.	8-B-0106	1	-	-	✓	-	✓
	Gasket, oil inlet	8-B-0093	1					
	Gasket, oil outlet	8-B-0094	1					
	Gasket, oil outlet	8-A-0270	1					
	Gasket, turbine inlet	8-A-0271	1	Single port, 4.25" x 2.75"				

*Note (i) HX30 & HX30W*

*(ii) HX40 & HX40W*

*(iii) HX35, HX35G, HX35W & HX40W*

See JOURNAL BEARING section for oversize & under-size parts - page 21 - 22

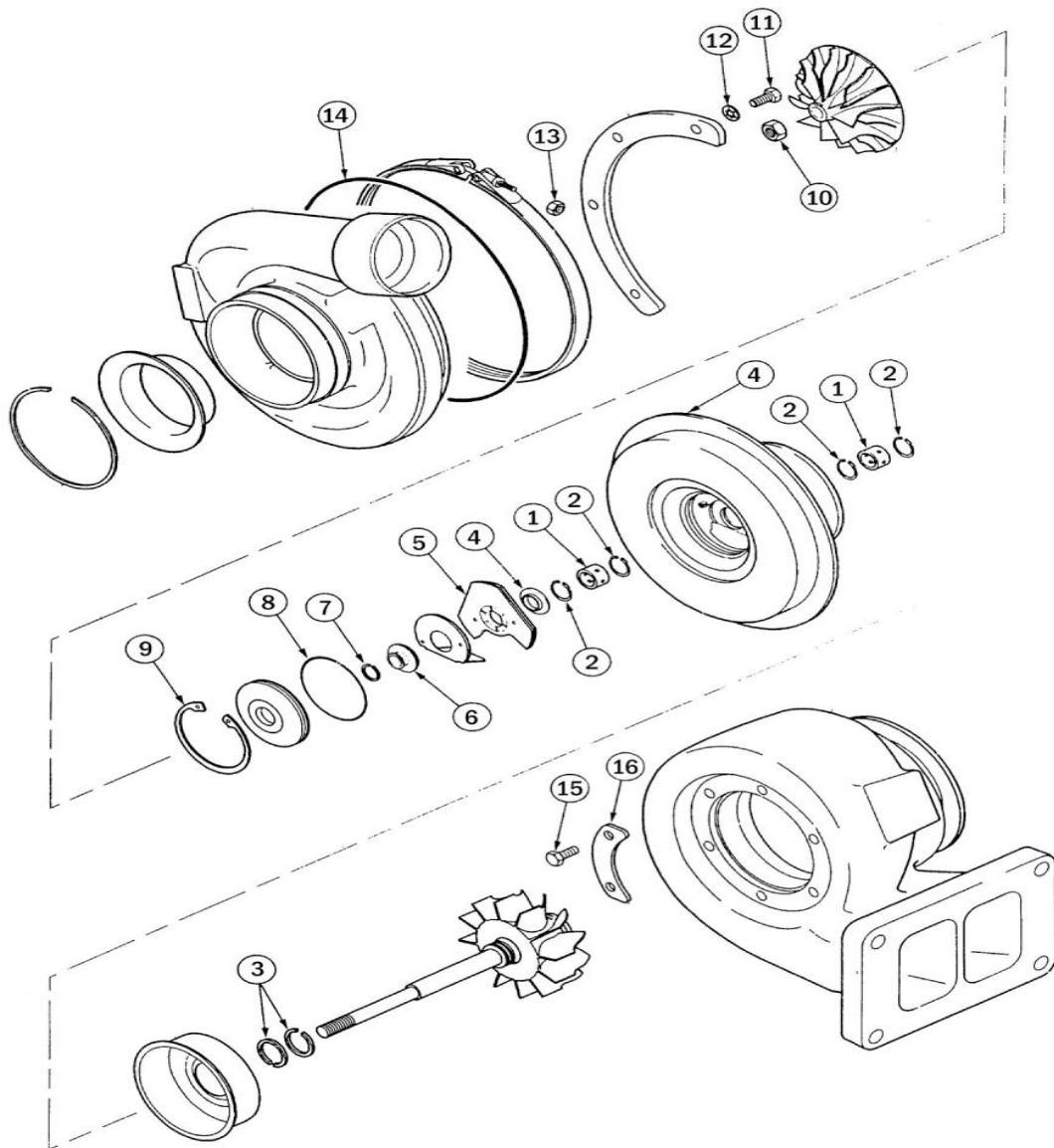
See PISTON RING section for oversize parts - page 27





## HX50

## HX50W



Holset-6/30/2008-33

All names, numbers, symbols and descriptions are for reference purposes only, and do not imply that any part is the product of these manufacturers.



## SERVICE KIT - Holset

**HX50**

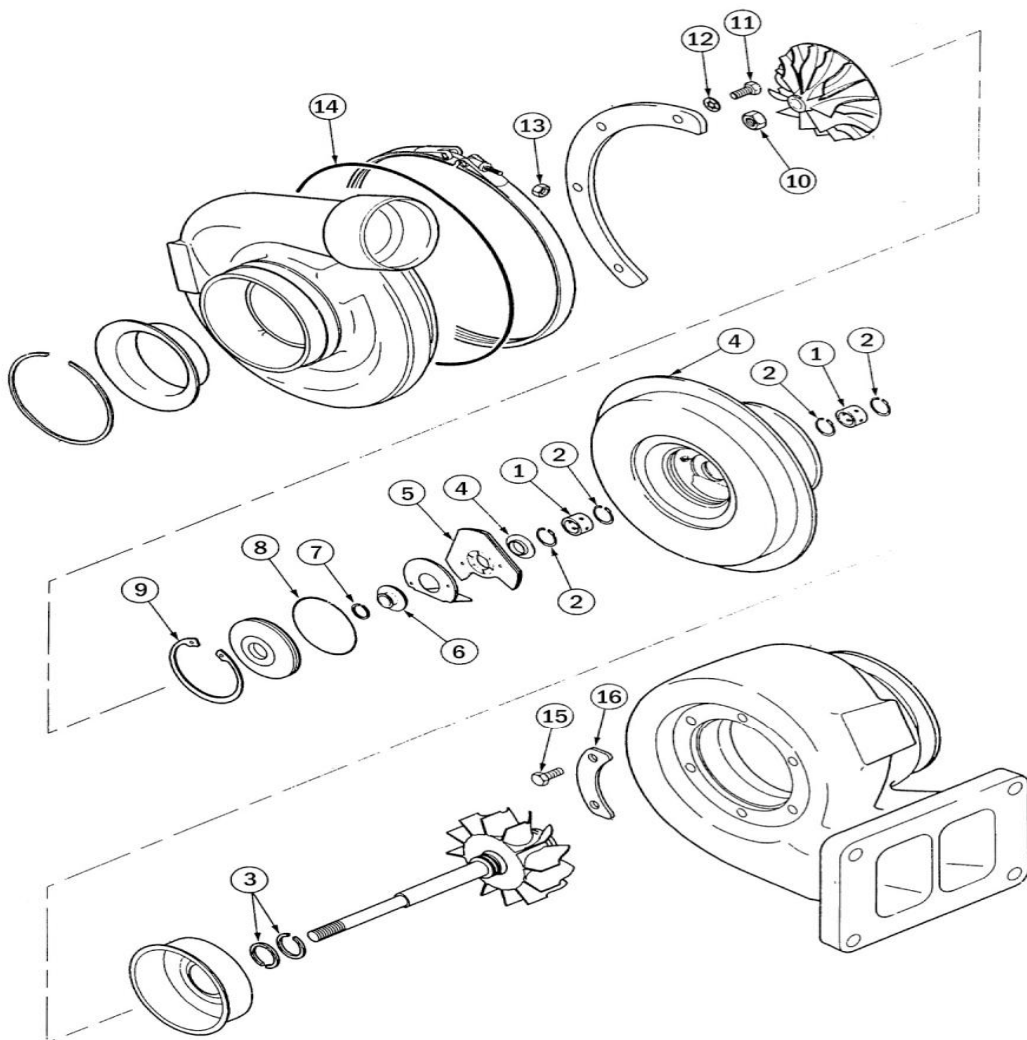
**HX50W**

Item no.	Description	TI Part no.	Qty/ Turbo	TI Kit no.				
				7-B-2234	7-B-2881	7-B-2891	7-B-2880	7-B-3810
1	Journal bearing	8-B-0085	2	✓	✓	✓	✓	✓
2	Retaining ring, jnl/brg.	8-B-0518	4	✓	✓	✓	✓	✓
3	Piston ring, t/end	8-B-2879	2	✓	✓	-	✓	✓
3	Piston ring, t/end	8-B-2890	2	-	-	✓	-	✓
4	Thrust collar	-	1	-	-	-	-	-
5	Thrust bearing	8-B-1184	1	✓	✓	✓	✓	✓
6	Oil slinger	8-B-3767	1	-	-	-	-	✓
7	Piston ring, c/end	8-B-0070	1	✓	✓	✓	✓	✓
8	O ring, s/plate	8-B-0423	1	✓	✓	✓	✓	✓
9	Retaining ring, s/plate	8-B-0077	1	✓	✓	✓	✓	✓
10	Locknut, shaft	8-B-0417	1	✓	✓	-	✓	✓
11	Screw, c/end	-	8	-	-	-	-	-
12	Lockwasher, c/end	8-B-0086	8	✓	✓	✓	✓	✓
13	Locknut, V band	8-B-0523	1	✓	✓	-	-	✓
14	O ring, b/hsg to c/hsg	8-B-0102	1	✓	-	✓	-	✓
14	O ring, b/hsg to c/hsg	8-B-2883	1	-	✓	-	-	✓
15	Bolt, t/end	8-B-0401	6	✓	✓	✓	✓	✓
16	Clamp plate, t/end	-	3	-	-	-	-	-
	Gasket, oil inlet	8-B-0093	1					
	Gasket, oil inlet	8-A-0696	1					
	Gasket, oil outlet	8-B-0094	1					
	Gasket, oil outlet	8-A-0697	1					
	Gasket, oil outlet	8-A-0270	1					
	Gasket, turbine inlet	8-A-0271	1	Single port, 4.25" x 2.75"				
	Gasket, turbine outlet	8-B-0525	1	Single port, 4.25" x 3.75"				

See JOURNAL BEARING section for oversize & under-size parts - page 23

See PISTON RING section for oversize parts - page 33 - 34

# HX55



Holset-6/30/2008-35

All names, numbers, symbols and descriptions are for reference purposes only, and do not imply that any part is the product of these manufacturers.



## HX55

Item no.	Description	TI Part no.	Qty/ Turbo	TI Kit no.	
				7-B-2886	7-B-3811
1	Journal bearing	8-B-2885	2	✓	✓
2	Retaining ring, jnl/brg.	8-B-0517	4	✓	✓
3	Piston ring, t/end	8-B-0387	2	✓	✓
4	Thrust collar	-	1	-	-
5	Thrust bearing	8-B-1184	1	✓	✓
6	Oil slinger	8-B-3767	1	-	✓
7	Piston ring, c/end	8-B-0070	1	✓	✓
8	O ring, s/plate	8-B-0423	1	✓	✓
9	Retaining ring, s/plate	8-B-0077	1	✓	✓
10	Locknut, shaft	8-B-0417	1	✓	✓
11	Screw, c/end	-	8	-	-
12	Lockwasher, c/end	8-B-0086	8	-	-
13	Locknut, V band	8-B-0523	1	✓	✓
14	O ring, b/hsg to c/hsg		1	-	-
15	Bolt, t/end	8-B-0401	6	✓	✓
16	Clamp plate, t/end	-	3	-	-
	Gasket, oil inlet	8-B-0093	1	-	-
	Gasket, oil inlet	8-A-0696	1	-	-
	Gasket, oil outlet	8-B-0094	1	-	-
	Gasket, oil outlet	8-A-0697	1	-	-
	Gasket, oil outlet	8-A-0270	1	-	-
	Gasket, turbine inlet	8-A-0271	1	Single port, 4.25" x 2.75"	
	Gasket, turbine outlet	8-B-0525	1	Single port, 4.25" x 3.75"	

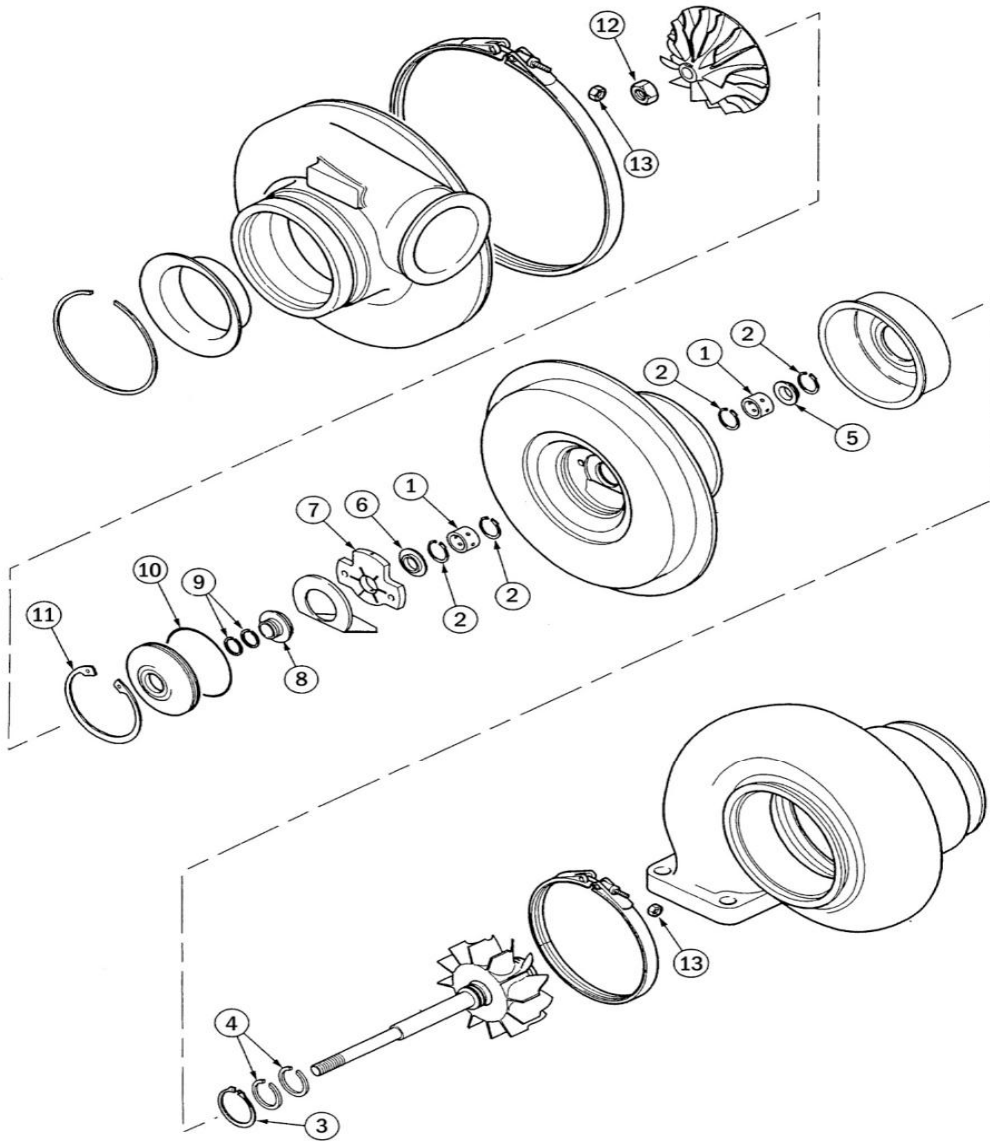
See JOURNAL BEARING section for oversize & under-size parts - page 28

See PISTON RING section for oversize parts - page 35



## HX60

## HX60W



Holset-6/30/2008-37

All names, numbers, symbols and descriptions are for reference purposes only, and do not imply that any part is the product of these manufacturers.



## SERVICE KIT - Holset

**HX60**

**HX60W**

Item no.	Description	TI Part no.	Qty/ Turbo	TI Kit no.		
				7-B-2888	7-B-3394	7-B-3812
1	Journal bearing	8-B-0076	2	✓	✓	✓
2	Retaining ring, j/brg.	8-B-0517	4	✓	✓	✓
3	Retaining ring, shield	8-B-0047	1	✓	✓	✓
4	Piston ring, t/end	8-B-0387	2	✓	✓	✓
5	Oil control sleeve	8-B-0396	1	-	-	-
6	Thrust collar	8-B-3765	1	-	-	✓
7	Thrust bearing	8-B-2887	1	✓	-	-
7	Thrust bearing	8-B-2864	1	-	✓	✓
8	Oil slinger	8-B-3764	1	-	-	✓
9	Piston ring, c/end	8-B-0527	2	✓	✓	✓
10	O ring, s/plate	8-B-0064	1	✓	✓	✓
	Oil seal plate	8-B-3766	1	-	-	✓
11	Retaining ring, s/plate	8-B-0077	1	✓	✓	✓
12	Locknut, shaft	-	1	-	-	-
13	Locknut, V band	8-B-0523	2	✓	✓	✓
	Lockwasher	8-B-0096	10	-	✓	✓
	O ring, c/hsg .	8-B-3455	1	-	✓	✓

Gasket, oil inlet	8-B-0093	1	-
Gasket, oil outlet	8-B-3119	1	-
Gasket, oil outlet	8-A-0270	1	-
Gasket, turbine inlet	8-A-0987	1	Dual port 4.25" x 2.75"

See JOURNAL BEARING section for oversize & under-size parts - page 26

See PISTON RING section for oversize parts - page 30



This page has been intentionally left blank



## Mitsubishi Index

Cross reference Mitsubishi to Turbo International

pages 1 - 5

Service kits by model

pages 7 - 26

Turbo Model	Kit page no
TDO2	7-8
TDO25	7-8
TCO3	9-10
TDO3	11-12
TCO4	13-14
TDO4	15-16
TEO4H	15-16
TCO5	17-18
TDO5	19-20
TCO6	17-18
TDO6	19-20
TEO6 Banks Sidewinder	21-22
TDO7	23-24
TDO7S	23-24
TDO8	25-26
TDO8H	20-21
TF035	11-12





## CROSS REFERENCE - Mitsubishi to Turbo International

OEM Part No.	Turbo International Part No.	Description	Turbo Model Application
	7-E-0651	SERVICE KIT, S/PLATE 10mm HOLE	TC04
	7-E-0653	SERVICE KIT	TD04
	7-E-0655	SERVICE KIT	TE04H
	7-E-0687	SERVICE KIT	TC05/6
	7-E-1171	SERVICE KIT, MINOR	TDO5/6
	7-E-1172	SERVICE KIT, FULL	TDO5/TDO6
	7-E-1193	SERVICE KIT, MAJOR, WITH THRUST COLLAR	TDO5/6
	7-E-1396	SERVICE KIT BASIC	TD04/TE04H
	7-E-1499	SERVICE KIT, FULL	TCO5/TCO6
	7-E-1582	SERVICE KIT, MINI	TCO5
	7-E-1599	SERVICE KIT	TCO5
	7-E-1655	SERVICE KIT, BASIC	TDO4
	7-E-1656	SERVICE KIT, BASIC	TDO5
	7-E-1887	SERVICE KIT, SHORT, 10.5mm S/PLATE HOLE	TCO3
	7-E-1888	SERVICE KIT, FULL, 10.5mm S/PLATE HOLE	TCO3
	7-E-2212	SERVICE KIT, BASIC, LESS BEARINGS	TDO4
	7-E-2220	SERVICE KIT, LESS BEARINGS	TDO5
	7-E-2411	SERVICE KIT	TFO35/TDO3
	7-E-2799	SERVICE KIT, MAJOR	TDO2
	7-E-2800	SERVICE KIT	TDO7/TDO8
	7-E-2801	SERVICE KIT	TDO7/TDO8 &
	7-E-2919	SERVICE KIT, BANKS SIDEWINDER	TE06
	7-E-3034	SERVICE KIT, MINOR	TDO2
	7-E-3709	SERVICE KIT, MAJOR	TDO25
	7-E-3710	SERVICE KIT, MINOR	TDO25
	7-E-3774	SERVICE KIT	TD05/TD05H/T
	7-E-3839	THRUST KIT, 360 PERFORMANCE	TD04
	8-E-0361	OIL DEFLECTOR	TC04
	8-E-0373	RETAINING RING, JNL BRG	TD04
	8-E-0591	JOURNAL BEARING 5/STD	TDO4
	8-E-0592	JOURNAL BEARING STD/5	TDO4
	8-E-0593	JOURNAL BEARING 5/5	TDO4
	8-E-0594	JOURNAL BEARING 10/STD	TDO4
	8-E-0595	JOURNAL BEARING STD/10	TDO4
	8-E-0596	JOURNAL BEARING 10/10	TDO4
	8-E-0800	JOURNAL BEARING 5/5	TDO5/6
	8-E-0813	JOURNAL BEARING 5/STD	TDO5/6
	8-E-0814	JOURNAL BEARING 10/STD	TDO5/6
	8-E-0816	JOURNAL BEARING STD/10	TDO5/6
	8-E-0817	JOURNAL BEARING 10/10	TDO5/6
	8-E-0863	JOURNAL BEARING STD/5	TCO4
	8-E-0864	JOURNAL BEARING STD/10	TCO4
	8-E-0865	JOURNAL BEARING 5/STD	TCO4
	8-E-0866	JOURNAL BEARING 5/5	TCO4
	8-E-0867	JOURNAL BEARING 10/STD	TCO4
	8-E-0868	JOURNAL BEARING 10/5	TCO4
	8-E-0869	JOURNAL BEARING 10/10	TCO4
	8-E-0870	JOURNAL BEARING 10/5	TDO4



## CROSS REFERENCE - Mitsubishi to Turbo International

OEM Part No.	Turbo International Part No.	Description	Turbo Model Application
	8-E-0871	JOURNAL BEARING STD/5	TCO5/6
	8-E-0872	JOURNAL BEARING STD/10	TCO5/6
	8-E-0873	JOURNAL BEARING 5/STD	TCO5/6
	8-E-0874	JOURNAL BEARING 5/5	TCO5/6
	8-E-0875	JOURNAL BEARING 10/STD	TCO5/6
	8-E-0876	JOURNAL BEARING 10/5	TCO5/6
	8-E-0877	JOURNAL BEARING 10/10	TCO5/6
	8-E-0878	JOURNAL BEARING STD/5	TDO5/6
	8-E-0879	JOURNAL BEARING 10/5	TDO5/6
	8-E-1190	JOURNAL BEARING 5/10	TDO4
	8-E-1382	JOURNAL BEARING 5/10	TDO5
	8-E-1411	JOURNAL BEARING 5/10	TCO4
	8-E-1412	JOURNAL BEARING 5/10	TCO5
	8-E-1431	PISTON RING T/END STD/10	TDO4
	8-E-1432	PISTON RING T/END STD/20	TDO4
	8-E-1495	PISTON RING T/END 10/10	TDO4
	8-E-1495	PISTON RING T/END 10/10	TD04
	8-E-1601	PISTON RING T/END STD/10	TDO5
	8-E-1646	PISTON RING T/END 10/STD	TCO4/TDO4
	8-E-1647	PISTON RING T/END 10/20	TCO4/TDO4
	8-E-1648	PISTON RING T/END 10/STD	TCO5-6/TDO5-
	8-E-1650	PISTON RING T/END 10/10	TCO5-6/TDO5-
	8-E-1651	PISTON RING T/END STD/20	TCO5-6/TDO5-
	8-E-1652	PISTON RING T/END 10/20	TCO5-6/TDO5-
	8-E-2032	LOCKNUT, SHAFT, L/HAND THREAD	TDO5
	8-E-2039	PISTON RING C/END 10/STD	TCO5/6 & TDO
	8-E-2065	LOCKNUT, SHAFT, L/HAND THREAD	TDO4
	8-E-2081	JOURNAL BEARING, 15/STD	TCO4
	8-E-2412	JOURNAL BEARING STD	TFO35/TDO3
	8-E-2473	PISTON RING C/END 10/STD	TCO4/TDO4
	8-E-2616	JOURNAL BEARING, STD/15	TDO4/TEO4H
	8-E-2772	JOURNAL BEARING STD	TDO2
	8-E-2773	JOURNAL BEARING STD/5	TDO2
	8-E-2774	JOURNAL BEARING STD/10	TDO2
	8-E-2775	JOURNAL BEARING 5/STD	TDO2
	8-E-2776	JOURNAL BEARING 5/5	TDO2
	8-E-2777	JOURNAL BEARING 5/10	TDO2
	8-E-2778	JOURNAL BEARING 10/STD	TDO2
	8-E-2779	JOURNAL BEARING 10/5	TDO2
	8-E-2780	JOURNAL BEARING 10/10	TDO2
	8-E-2783	THRUST BEARING, single locating hole	TDO2
	8-E-2784	THRUST SPACER	TDO2
	8-E-2785	THRUST COLLAR	TDO2
	8-E-2786	GASKET, OIL OUTLET	TDO2
	8-E-2814	JOURNAL BEARING STD/5	TDO7S
	8-E-2815	JOURNAL BEARING STD/10	TDO7S
	8-E-2816	JOURNAL BEARING 5/STD	TDO7S
	8-E-2817	JOURNAL BEARING 5/5	TDO7S



## CROSS REFERENCE - Mitsubishi to Turbo International

OEM Part No.	Turbo International Part No.	Description	Turbo Model Application
	8-E-2818	JOURNAL BEARING 5/10	TDO7S
	8-E-2819	JOURNAL BEARING 10/STD	TDO7S
	8-E-2820	JOURNAL BEARING 10/5	TDO7S
	8-E-2821	JOURNAL BEARING 10/10	TDO7S
	8-E-2889	PISTON RING C/END STD	TDO2
	8-E-2910	JOURNAL BEARING STD/5	TDO7/TDO8/T
	8-E-2911	JOURNAL BEARING STD/10	TDO7/TDO8/T
	8-E-2912	JOURNAL BEARING 5/STD	TDO7/TDO8/T
	8-E-2913	JOURNAL BEARING 5/5	TDO7/TDO8/T
	8-E-2914	JOURNAL BEARING 5/10	TDO7/TDO8/T
	8-E-2915	JOURNAL BEARING 10/STD	TDO7/TDO8/T
	8-E-2916	JOURNAL BEARING 10/5	TDO7/TDO8/T
	8-E-2917	JOURNAL BEARING 10/10	TDO7/TDO8/T
	8-E-2932	JOURNAL BEARING, STD	TEO6
	8-E-3029	RETAINING RING, J/BRG	TDO2
	8-E-3032	LOCKNUT, SHAFT, R/HAND THREAD	TDO2
	8-E-3033	LOCKNUT, SHAFT, L/HAND THREAD	TDO2
	8-E-3067	GASKET, C.HSG/BRG.HSG.	TDO2
	8-E-3161	THRUST BEARING, double locating hole	TDO2
	8-E-3720	THRUST SLEEVE	TD05HR
	8-E-3723	SEAL PLATE	TD05HR
	7-E-1498	SERVICE KIT, FULL, 10mm S/PLATE HOLE	TC04
	7-E-2418	SERVICE KIT, MINOR	TDO5/6
	8-E-0706	O-RING, CARBON SEAL $\varnothing$ 0.364"x0.07"	TCO4
	8-E-2426	THRUST BEARING, STEEL	TDO5
34336-04100	8-E-1243	GASKET, OIL OUTLET	TC/TD05 & 6
49134-42200	8-E-2904	LOCKNUT, SHAFT, L/HAND THREAD	TDO7/TDO8/T
49168-18900	8-E-1104	HEAT SHIELD	TCO5/6
49168-21100	8-E-0357	JOURNAL BEARING STD	TCO5
49168-21600	8-E-0358	THRUST BEARING	TCO5
49168-22100	8-E-0359	O RING, S/PLATE	TCO5/TDO5
49168-22500	8-E-1106	SEAL PLATE	TC & TDO5/6
49168-23200	8-E-1107	RETAINING RING, S/PLATE	TCO5/6
49168-42100	8-E-0745	THRUST RING	TDO5
49168-42200	8-A-0163	LOCKNUT, SHAFT	TCO5/TDO5
49168-42200	8-E-1173	LOCKNUT, SHAFT	TCO5/6 & TDO
49168-84100	7-E-0656	SERVICE KIT	TCO5/6
49168-84105	7-E-0649	SERVICE KIT, S/PLATE 10mm HOLE	TC04
49170-19100	8-E-0842	HEATSHIELD	TC04
49170-21100	8-E-0363	JOURNAL BEARING STD	TCO4
49170-21500	8-E-0364	THRUST BEARING	TCO4
49170-22501	8-E-0151	SEAL PLATE, 12.4mm BORE	TCO4
49170-23100	8-E-0379	PISTON RINGT/END STD	TCO5/TDO5
49170-23200	8-E-0746	CIRCLIP, S/PLATE	TC04
49170-23400	8-E-0374	PISTON RING T/END STD	TCO5/TDO5
49170-42100	8-E-1289	THRUST SLEEVE	TC04
49170-42200	8-E-0366	LOCKNUT, SHAFT	TCO4/TDO4
49171-22100	8-E-0367	O RING, C/END	TCO4/TDO4



## CROSS REFERENCE - Mitsubishi to Turbo International

OEM Part No.	Turbo International Part No.	Description	Turbo Model Application
49171-22200	8-E-0368	O RING, S/PLATE	TCO4/TDO4
49171-80200	7-E-3529	SERVICE KIT, MAJOR	TCO3
49172-23200	8-E-0369	PISTON RING C/END STD	TCO4/TDO4
49173-22200	8-E-2428	OIL DEFLECTOR	TDO4
49173-22500	8-E-0147	SEAL PLATE, 10.0mm BORE	TD04
49174-21100	8-E-2894	JOURNAL BEARING STD	TDO7/TDO8/T
49174-22300	8-E-2899	RETAINING RING, J/BRG	TDO7/TDO8/T
49174-22600	8-E-2901	O RING, S/PLATE	TDO7/TDO8/T
49174-22700	8-E-2900	O RING, C/END	TDO7/TDO8/T
49174-23200	8-E-2898	RETAINING RING, S/PLATE	TDO7/TDO8/T
49174-42130	8-E-2895	THRUST BUSHING	TDO7/TDO8
49174-42200	8-E-2903	LOCKNUT, SHAFT, R/HAND THREAD	TDO7/TDO8/T
49174-85010	7-E-2837	SERVICE KIT	TDO7/TDO8
49177-21100	8-E-0371	JOURNAL BEARING STD	TDO4
49177-21600	8-E-0372	THRUST BEARING	TDO4
49177-22300	8-F-0443	RETAINING RING, J/BRG	TD04
49177-23100	8-E-0374	PISTON RING T/END STD	TCO4/TDO4
49177-42100	8-E-0121	THRUST SPACER/SLEEVE	TE04H
49177-42300	8-E-0120	THRUST RING/COLLAR	TDO3&4/TE04
49177-42400	8-E-0120	THRUST RING/COLLAR	TDO3&4/TE04
49177-80400	7-E-0654	SERVICE KIT	TE04H
49177-80405	7-E-0652	SERVICE KIT	TD04
49177-80410	7-E-2085	SERVICE KIT, FULL	TDO4
49178-21400	8-E-0376	JOURNAL BEARING STD	TDO5
49178-21600	8-E-0377	THRUST BEARING, BRONZE	TDO5
49178-22300	8-E-0378	PISTON RING T/END STD	TD04
49178-23100	8-E-0365	PISTON RING T/E STD	TCO5/TDO5
49178-42100	8-E-0659	THRUST SPACER/SLEEVE	TDO5/6
49178-42300	8-E-0658	THRUST RING/COLLAR, DYNAMIC	TDO5/6
49178-43300	3-E-3457	COMPRESSOR WHEEL	TDO5
49178-81100	7-E-0657	SERVICE KIT	TD05/6
49178-81100	7-E-1874	SERVICE KIT, LONG	TDO5/TDO6
49178-89200	7-E-1172	SERVICE KIT, MAJOR	TDO5/6
49181-23100	8-E-2902	PISTON RING T/E STD	TDO7/TDO8/T
49183-21100	8-E-0371	JOURNAL BEARING STD	TE04H
49183-4220	8-E-0366	LOCKNUT, SHAFT	TCO4/TDO4
49186-42200	8-E-2833	LOCKNUT, SHAFT, L/HAND THREAD cadmium coated	TDO7S
49187-21100	8-E-2813	JOURNAL BEARING STD	TDO7S
49187-21500	8-E-2822	THRUST BEARING	TDO7S
49187-23100	8-E-2875	PISTON RING C/END STD	TDO7S
49187-23300	8-E-2830	RETAINING RING, T/END	TDO7S
49187-42110	8-E-2825	THRUST SLEEVE	TDO7S
49187-42200	8-E-2832	LOCKNUT, SHAFT, R/HAND THREAD cu plated	TDO7S
49187-42300	8-E-2826	THRUST RING	TDO7S
49187-80110	7-E-2835	SERVICE KIT	TDO7S
49188-21500	8-E-2893	THRUST BEARING	TDO7/TDO8/T
49188-42100	8-E-2907	THRUST BUSHING	TDO8H
49188-42300	8-E-2908	THRUST WASHER	TDO8H

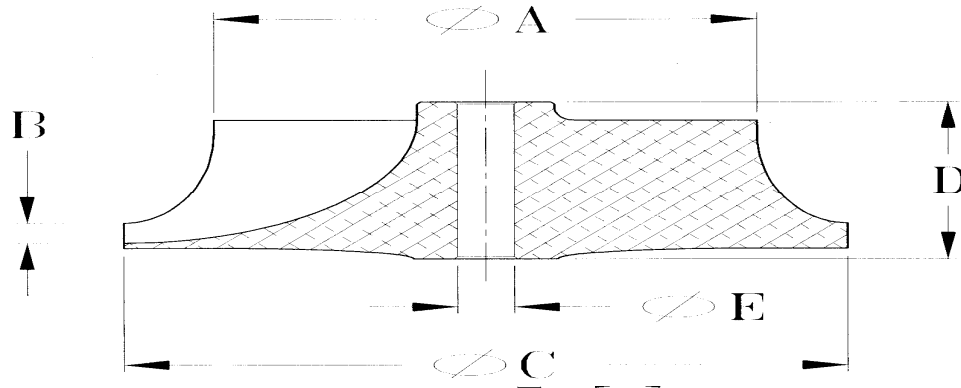


## CROSS REFERENCE - Mitsubishi to Turbo International

OEM Part No.	Turbo International Part No.	Description	Turbo Model Application
49188-42400	8-E-2896	THRUST SPACER	TDO7/TDO8/T
49188-80200	7-E-2836	SERVICE KIT	TDO8H
59178-81100	7-E-0661	SERVICE KIT	TD05/6
EE231-42	8-E-2834	GASKET, PACKING	TDO7S
F3153-10000	8-E-0362	O RING, C/END	TCO5/TDO5
F3156-13000	8-E-2831	O RING, C/END	TDO7S



MAJOR COMPONENT - Mitsubishi - Compressor Wheel



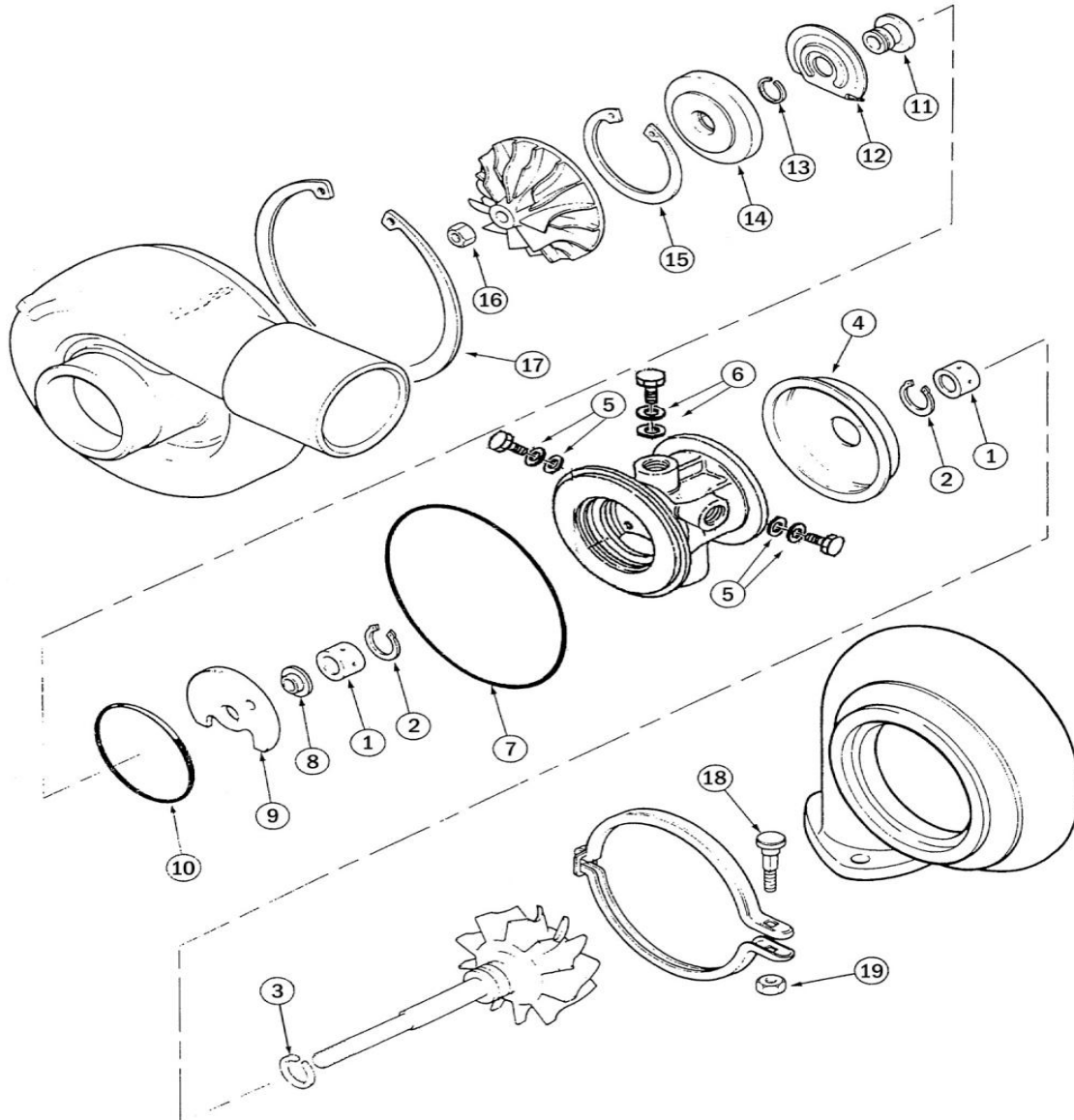
OEM Part no.	TI Part no.	Turbo model	Inducer "OA"	Tip height "B"	Exducer "OC"	Hub Length "D"	Bore "OE"	Trim/ No. of blades
--------------	-------------	-------------	--------------	----------------	--------------	----------------	-----------	---------------------

ins.	3-E-3457	TDO5						
mms.		16G						



TDO2

TDO25



Mitsubishi-6/23/2008-7

All names, numbers, symbols and descriptions are for reference purposes only, and do not imply that any part is the product of these manufacturers.



## SERVICE KIT - Mitsubishi

### TDO2      TDO25

Item no.	Description	TI Part no.	Qty/ Turbo	TI Kit no.			
				7-E-2799	7-E-3034	7-E-3709	7-E-3710
				<i>note (i)</i>	<i>note (i)</i>	<i>note (ii)</i>	<i>note (ii)</i>
1	Journal bearing	8-E-2772	2	✓	✓	✓	✓
2	Retaining ring, jnl/brg	8-E-3029	2	✓	✓	✓	✓
3	Piston ring, t/end	8-E-0379	1	✓	✓	✓	✓
4	Heat shield	-	1	-	-	-	-
5	Washer, cu, water inlet	8-E-2781	4	-	-	-	-
6	Washer, cu, oil inlet	8-E-2782	2	-	-	-	-
7	O ring, b/hsg to c/hsg	8-E-3067	1	✓	✓	✓	✓
8	Thrust ring	8-E-2784	1	✓	-	✓	-
9	Thrust bearing, 1 hole (i)	8-E-2783	1	✓	✓	-	-
9	Thrust bearing, 2 hole (ii)	8-E-3161	1	-	-	✓	✓
10	O ring, s/plate	8-E-0368	1	✓	✓	✓	✓
11	Thrust sleeve	8-E-2785	1	✓	-	✓	-
12	Oil deflector	-	1	-	-	-	-
13	Piston ring, c/end	8-E-2889	1	✓	✓	✓	✓
14	Seal plate	-	1	-	-	-	-
15	Retaining ring, s/plate	8-E-1107	1	-	-	-	-
16	Locknut, shaft rh thread	8-E-3032	1	✓	✓	✓	✓
16	Locknut, shaft lh thread	8-E-3033	1	✓	✓	✓	✓
17	Retaining ring, c/end	-	1	-	-	-	-
18	Bolt, V band	-	1	-	-	-	-
19	Locknut, V band	-	1	-	-	-	-
	Gasket, oil outlet	8-E-2786	1	✓	✓	✓	✓

Note (i) TDO2

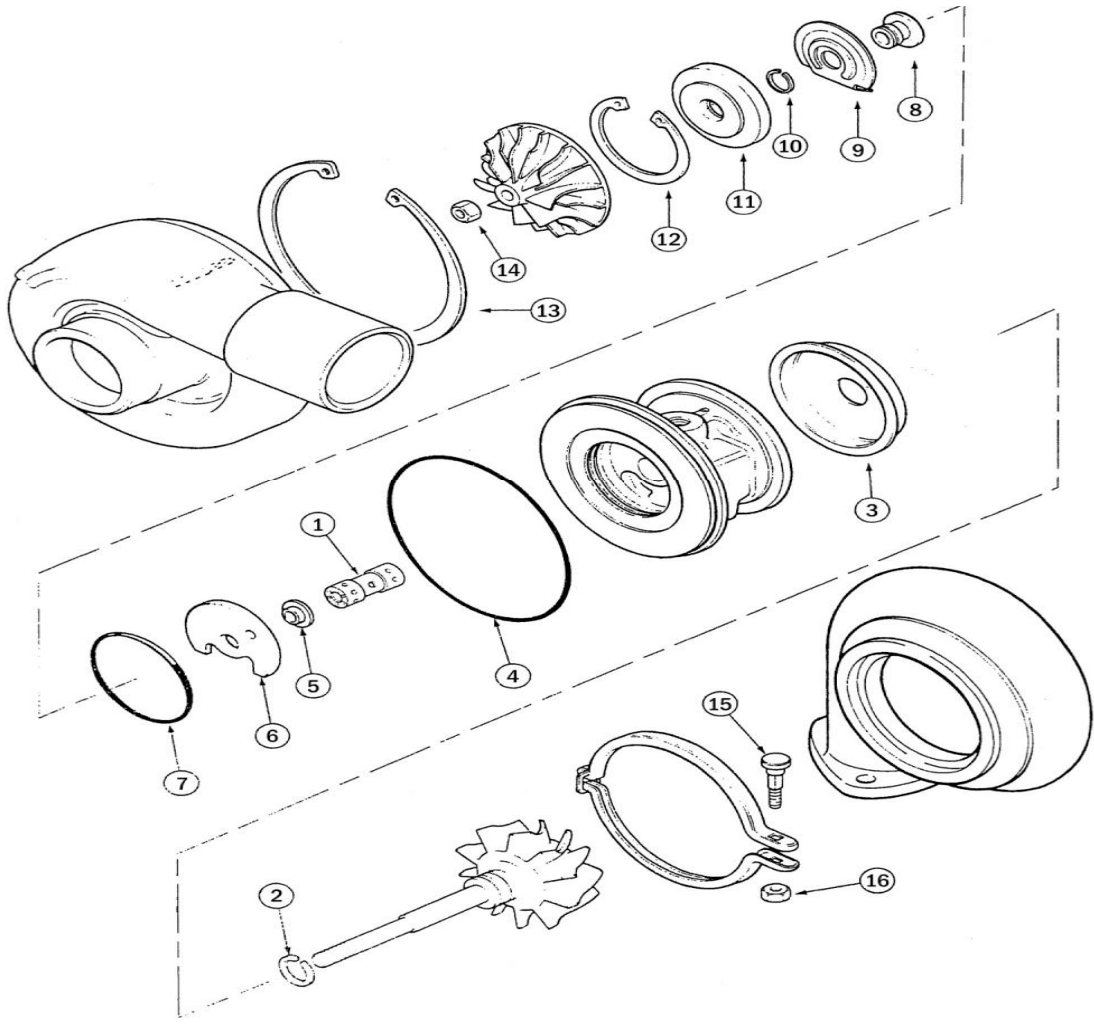
(ii) TDO25

See JOURNAL BEARING section for oversize & under-size parts - page 29

See PISTON RING section for oversize parts - page 36



# TC03



Mitsubishi-6/23/2008-9

All names, numbers, symbols and descriptions are for reference purposes only, and do not imply that any part is the product of these manufacturers.



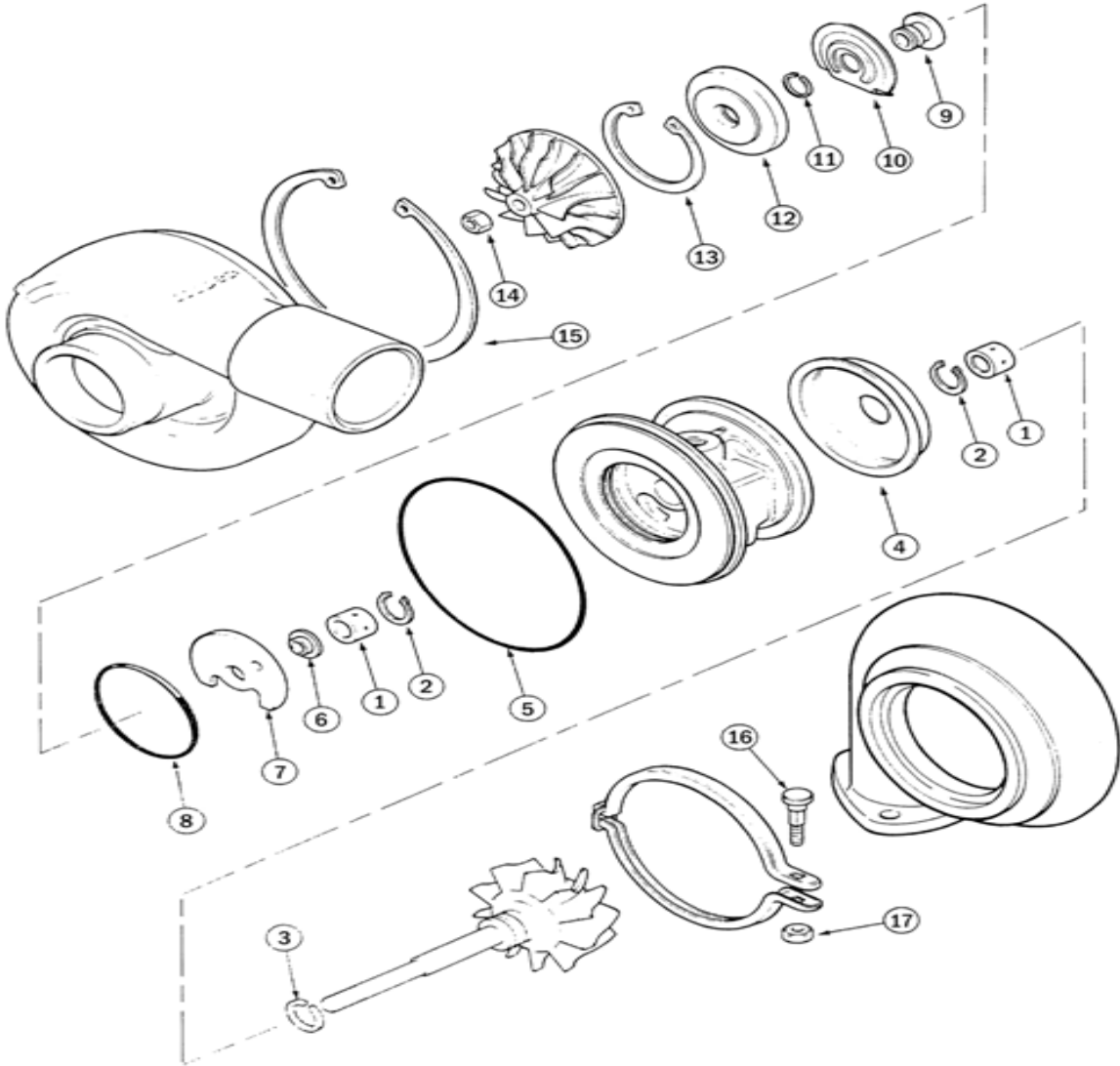
## SERVICE KIT - Mitsubishi

### TCO3

Item no.	Description	TI Part no.	Qty/ Turbo	TI Kit no.		
				7-E-1888	7-E-1887	7-E-3529
1	Journal bearing	8-E-0363	1	✓	✓	✓
2	Piston ring, t/end	8-E-0374	1	✓	✓	✓
3	Heat shield	8-E-0842	1	-	-	✓
4	O ring, b/hsg to c/hsg	8-E-0367	1	✓	✓	✓
5	Thrust ring	8-E-0120	1	✓	✓	✓
6	Thrust bearing	8-E-0364	1	✓	✓	✓
7	O ring, s/plate	8-E-0368	1	✓	✓	✓
8	Thrust sleeve	8-E-1289	1	✓	-	✓
9	Oil deflector	-	1	-	-	-
10	Piston ring, c/end	8-E-0379	1	✓	✓	✓
11	Seal plate 12.40 mm bor	8-E-0151	1	✓	-	✓
12	Retaining ring, s/plate	8-E-0746	1	✓	-	✓
13	Retaining ring, c/end	-	1	-	-	-
14	Locknut, turbine shaft	8-E-0366	1	✓	✓	✓
15	Bolt, V band	-	1	-	-	-
16	Locknut, V band	-	1	-	-	-
	Gasket, oil outlet	8-E-1243	1	✓	✓	✓

See JOURNAL BEARING section for oversize & under-size parts - page 30

See PISTON RING section for oversize parts - page 37





## SERVICE KIT - Mitsubishi

TDO3

TFO35

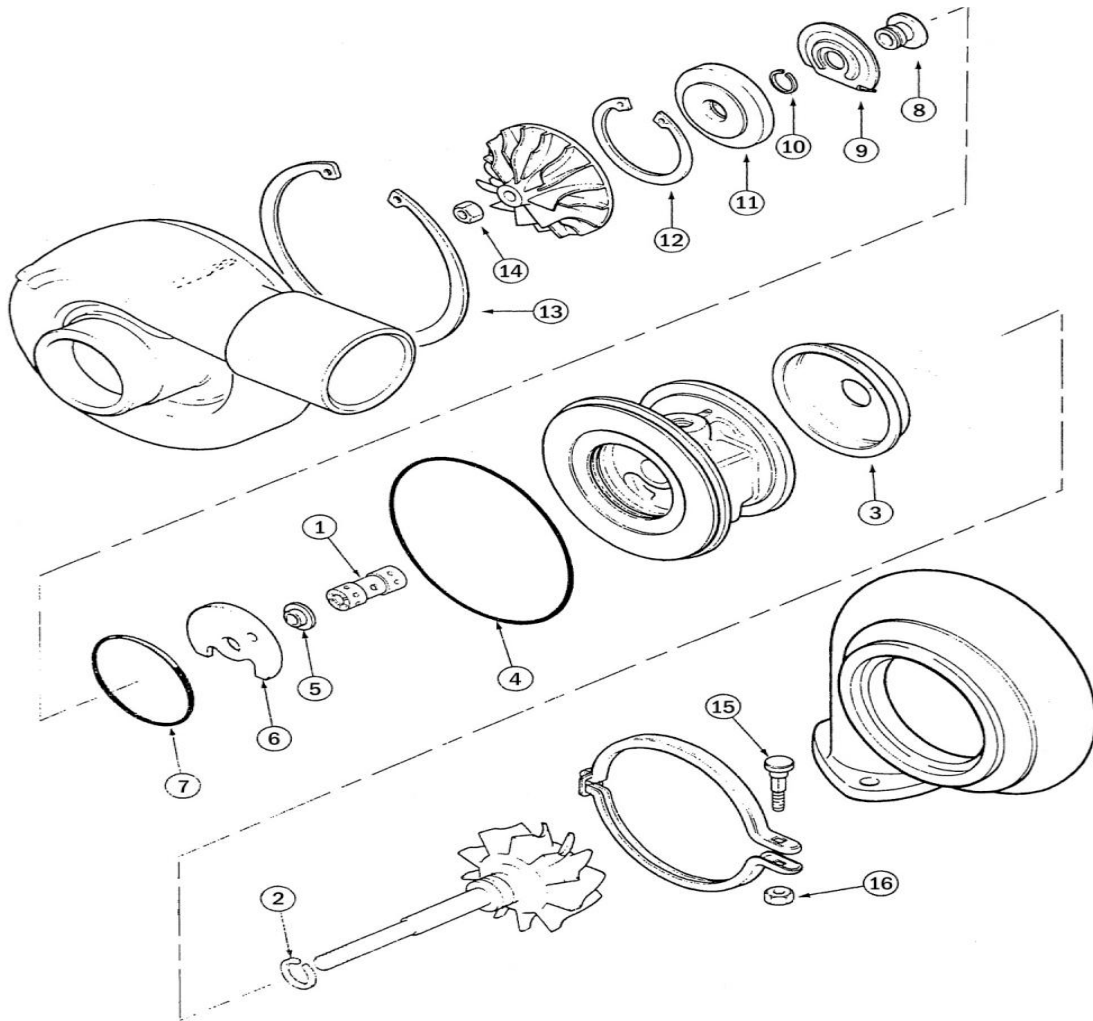
Item no.	Description	TI Part no.	Qty/ Turbo	TI Kit no. 7-E-2411
1	Journal bearing	8-E-2412	2	✓
2	Retaining ring, jnl/brg	8-E-0373	2	✓
3	Piston ring, t/end	8-E-0374	1	✓
4	Heat shield	-	1	
5	O ring, b/hsg to c/hsg	8-E-0367	1	✓
6	Thrust ring	8-E-0120	1	-
7	Thrust bearing	8-E-0372	1	✓
8	O ring, s/plate	8-E-0368	1	✓
9	Thrust sleeve	8-E-0121	1	-
10	Oil deflector	8-E-2428	1	-
11	Piston ring, c/end	8-E-0369	1	✓
12	Seal plate 10.00 mm bor	8-E-0147	1	-
13	Retaining ring, s/plate	8-E-0746	1	-
14	Locknut, shaft, l/hand	8-E-2065	1	✓
15	Retaining ring, c/end	-	1	-
16	Bolt, V band	-	1	-
17	Locknut, V band	-	1	-
	Washer, copper, large	-	4	-
	Washer, copper, small	-	2	-
	Gasket, oil outlet	8-E-1243	1	-

See JOURNAL BEARING section for oversize & under-size parts - page 31

See PISTON RING section for oversize parts - page 38



# TCO4



Mitsubishi-6/23/2008-13

All names, numbers, symbols and descriptions are for reference purposes only, and do not imply that any part is the product of these manufacturers.



## SERVICE KIT - Mitsubishi

### TCO4

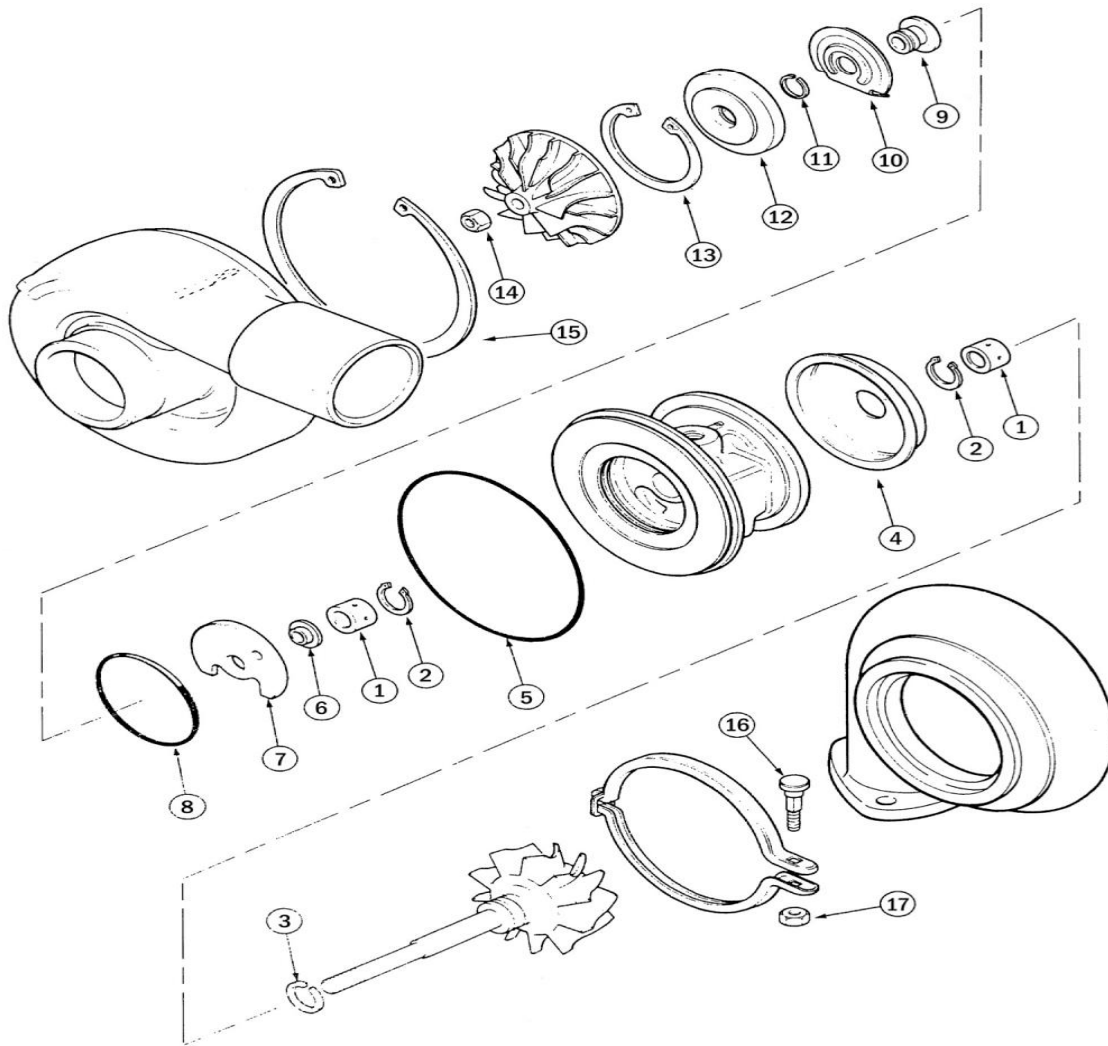
Item no.	Description	TI Part no.	Qty/ Turbo	TI Kit no.		
				7-E-1498	7-E-0649	7-E-0651
1	Journal bearing	8-E-0363	1	✓	✓	✓
2	Piston ring, t/end	8-E-0374	1	✓	✓	✓
3	Heat shield	8-E-0842	1	✓	-	-
4	O ring, b/hsg to c/hsg	8-E-0367	1	✓	✓	✓
5	Thrust ring	8-E-0120	1	-	✓	-
6	Thrust bearing	8-E-0364	1	✓	✓	-
7	O ring, s/plate	8-E-0368	1	✓	✓	✓
8	Thrust sleeve	8-E-0121	1	✓	-	-
9	Oil deflector	-	1	-	-	-
10	Piston ring, c/end	8-E-0369	1	✓	✓	✓
11	Seal plate 10.00 mm bor	8-E-0147	1	✓	-	-
12	Retaining ring, s/plate	8-E-0746	1	✓	-	-
13	Retaining ring, c/end	-	1	✓	-	-
14	Locknut, turbine shaft	8-E-0366	1	✓	✓	✓
15	Bolt, V band	-	1	-	-	-
16	Locknut, V band	-	1	-	-	-
	Gasket, oil outlet	8-E-1243	1	✓	✓	✓

See JOURNAL BEARING section for oversize & under-size parts - page 30

See PISTON RING section for oversize parts - page 38



# TD04 TE04H



Mitsubishi-6/23/2008-15

All names, numbers, symbols and descriptions are for reference purposes only, and do not imply that any part is the product of these manufacturers.



## SERVICE KIT - Mitsubishi

### TDO4 TEO4H

Item no.	Description	TI Part no.	Qty/ Turbo	TI Kit no.					
				7-E-2085	7-E-0654	7-E-0652	7-E-0653	7-E-0655	7-E-1396
1	Journal bearing	8-E-0371	2	✓	✓	✓	✓	✓	✓
2	Retaining ring, inl/brg	8-E-0373	2	✓	✓	✓	✓	✓	✓
3	Piston ring, t/end	8-E-0374	1	✓	✓	✓	✓	✓	✓
4	Heat shield	8-E-0842	1	✓	-	-	-	-	-
5	O ring, b/hsg to c/hsg	8-E-0367	1	✓	✓	✓	✓	✓	✓
6	Thrust ring	8-E-0120	1	✓	✓	-	-	✓	-
7	Thrust bearing	8-E-0372	1	✓	✓	✓	-	-	✓
8	O ring, s/plate	8-E-0368	1	✓	✓	✓	✓	✓	✓
9	Thrust sleeve	8-E-0121	1	✓	✓	-	-	✓	-
10	Oil deflector	8-E-2428	1	✓	-	-	-	-	-
11	Piston ring, c/end	8-E-0369	1	✓	✓	✓	✓	✓	✓
12	Seal plate 10.00 mm bor	8-E-0147	1	✓	✓	-	-	✓	-
13	Retaining ring, s/plate	8-E-0746	1	✓	-	-	-	-	-
14	Locknut, shaft,r/hand	8-E-0366	1	✓	✓	✓	✓	✓	-
14	Locknut, shaft,l/hand	8-E-2065	1	✓	✓	✓	✓	✓	-
15	Retaining ring, c/end	-	1	-	-	-	-	-	-
16	Bolt, V band	-	1	-	-	-	-	-	-
17	Locknut, V band	-	1	-	-	-	-	-	-
	Gasket, oil outlet	8-E-1243	1	✓	✓	✓			

See JOURNAL BEARING section for oversize & under-size parts - page 32

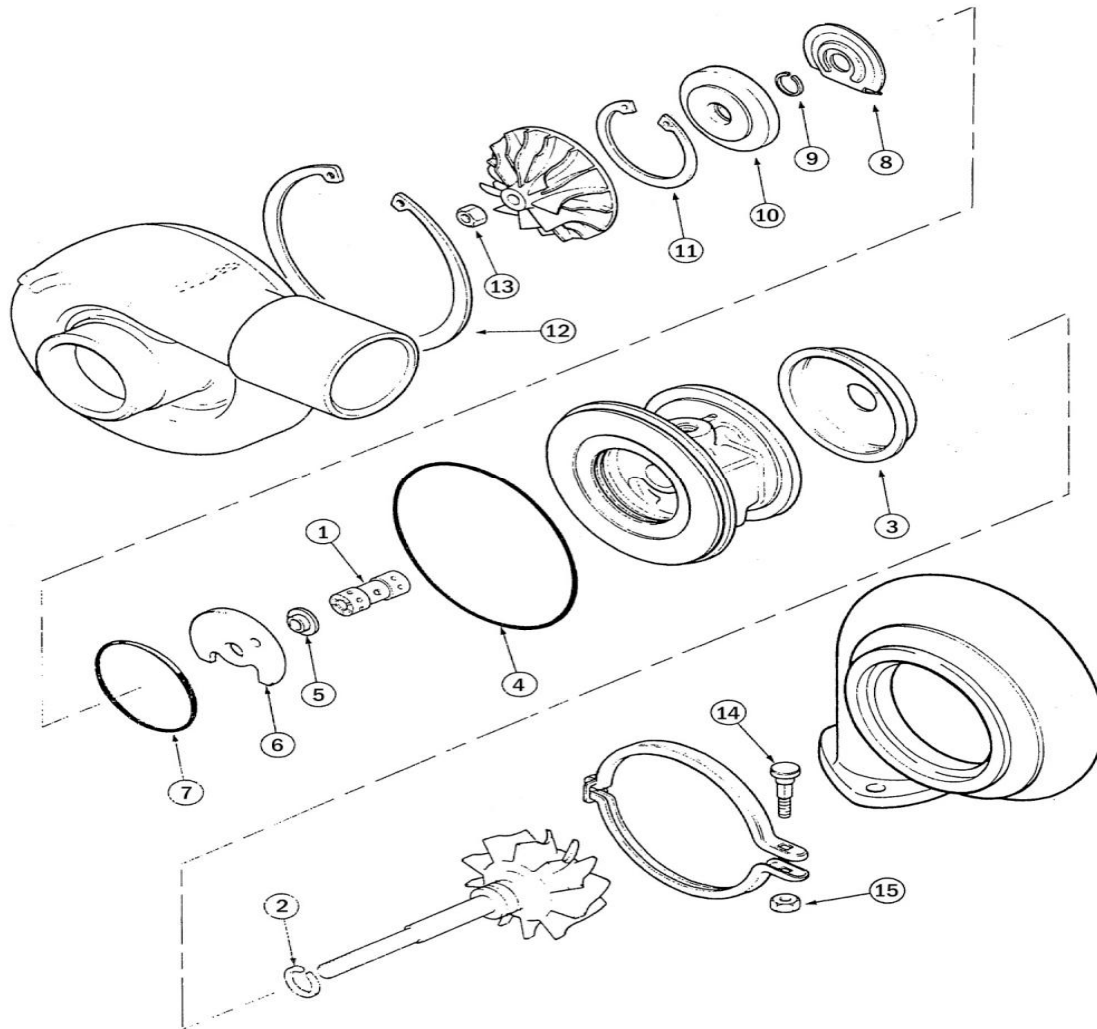
See PISTON RING section for oversize parts - page 38





TC05

TC06



Mitsubishi-6/23/2008-17

All names, numbers, symbols and descriptions are for reference purposes only, and do not imply that any part is the product of these manufacturers.



## SERVICE KIT - Mitsubishi

### TC05 TC06

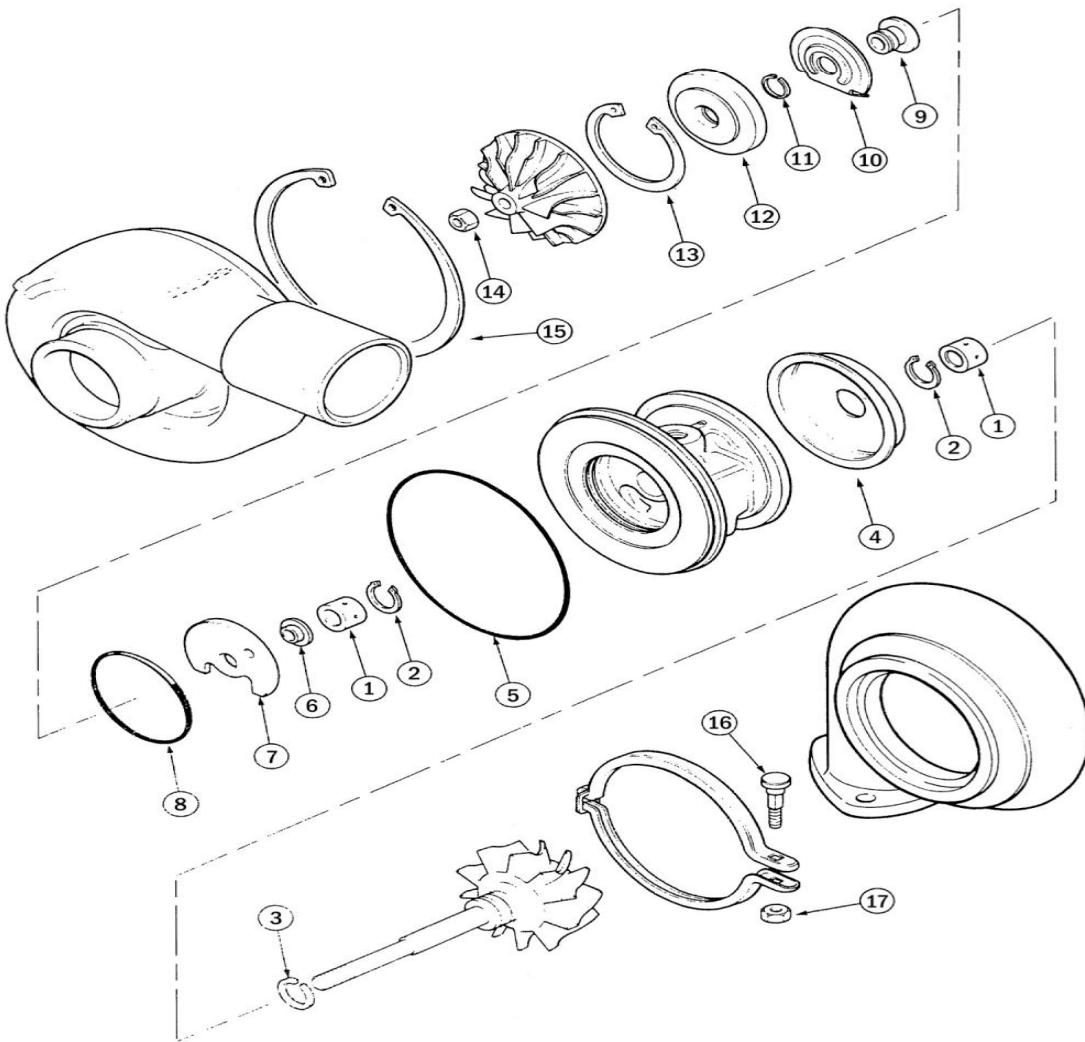
Item no.	Description	TI Part no.	Qty/ Turbo	TI Kit no.				
				7-E-1499	7-E-1599	7-E-0656	7-E-0687	7-E-1582
1	Journal bearing	8-E-0357	1	✓	✓	✓	✓	-
2	Piston ring, t/end	8-E-0365	1	✓	✓	✓	✓	✓
3	Heat shield	8-E-1104	1	-	-	-	-	-
4	O ring, b/hsg to c/hsg	8-E-0362	1	✓	✓	✓	✓	✓
5	Thrust sleeve	8-E-0745	1	✓	✓	-	-	-
6	Thrust bearing	8-E-0358	1	✓	✓	✓	-	✓
7	O ring, s/plate	8-E-0359	1	✓	✓	✓	✓	✓
8	Oil deflector	8-E-1105	1	✓	✓	-	-	-
9	Piston ring, c/end	8-E-0379	1	✓	✓	✓	✓	✓
10	Seal plate	-	1	-	-	-	-	-
11	Retaining ring, s/plate	8-E-1107	1	✓	-	-	-	-
12	Retaining ring, c/end	-	1	-	-	-	-	-
13	Locknut, t/shaft l/h thr.	8-E-1163	1	✓	✓	✓	✓	✓
14	Bolt, V band	-	1	-	-	-	-	-
15	Locknut, V band	-	1	-	-	-	-	-
	Gasket, oil outlet	8-E-1243	1	✓	✓			

See JOURNAL BEARING section for oversize & under-size parts - page 33

See PISTON RING section for oversize parts - page 39



# TD05 TD06





## SERVICE KIT - Mitsubishi

### TDO5 TDO6

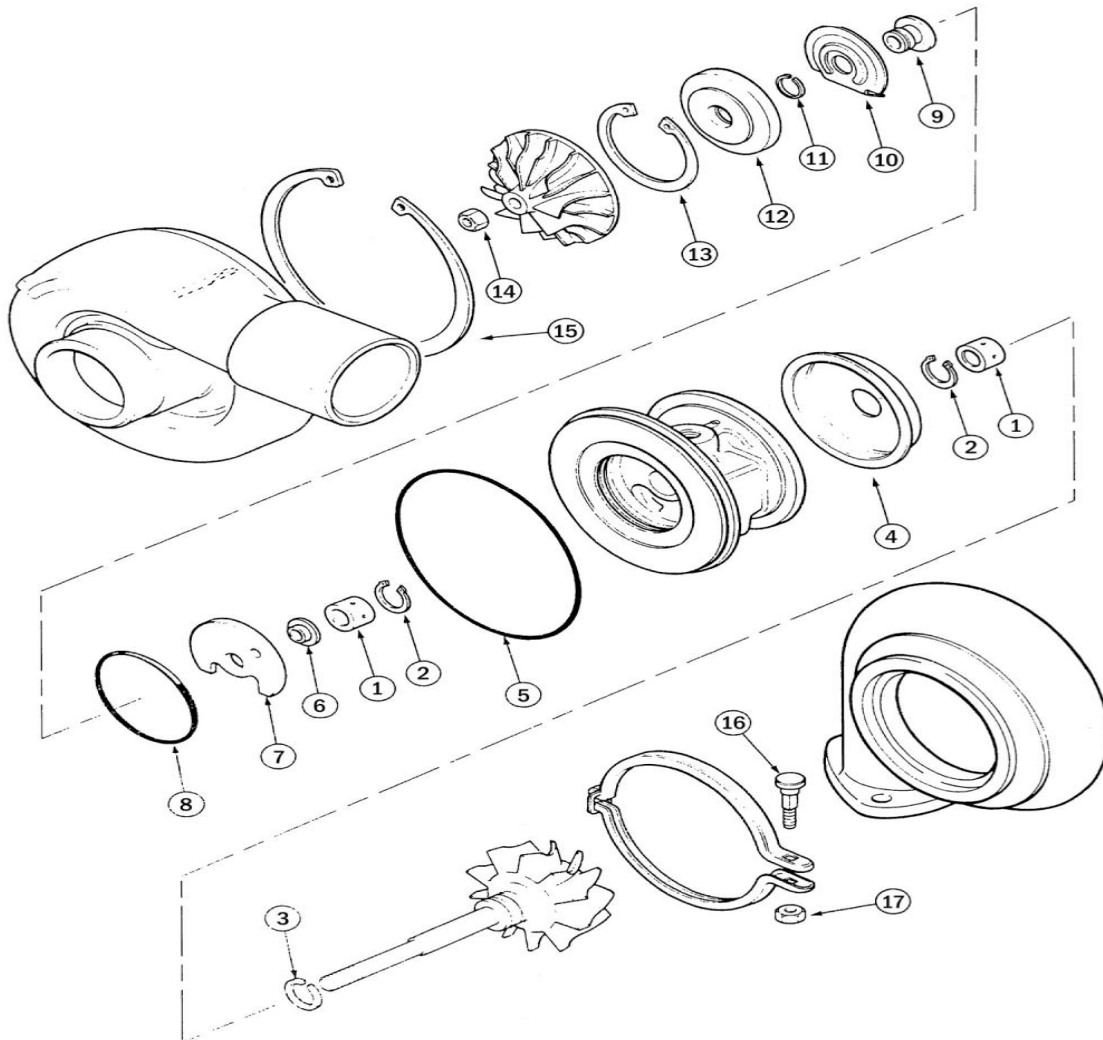
Item no.	Description	TI Part no.	Qty/ Turbo	TI Kit no.					
				7-E-1874	7-E-0657	7-E-1193	7-E-1171	7-E-1172	7-E-3774
									<i>note (i)</i>
1	Journal bearing	8-E-0376	2	✓	✓	✓	✓	✓	✓
2	Retaining ring, jnl/brg	8-E-0378	2	✓	✓	✓	✓	✓	✓
3	Piston ring, t/end	8-E-0365	1	✓	✓	✓	✓	✓	✓
4	Heat shield	8-E-1104	1	-	-	-	-	-	-
5	O ring, b/hsg to c/hsg	8-E-0362	1	✓	✓	✓	✓	✓	✓
6	Thrust ring	8-E-0658	1	✓	✓	✓	-	-	✓
7	Thrust bearing, bronze	8-E-0377	1	✓	✓	✓	-	✓	✓
8	O ring, s/plate	8-E-0359	1	✓	✓	✓	✓	✓	✓
9	Thrust sleeve	8-E-0659	1	✓	✓	-	-	-	-
9	Thrust sleeve (i)	8-E-3720	1	-	-	-	-	-	✓
10	Oil deflector	8-E-1105	1	✓	-	-	-	-	-
11	Piston ring, c/end	8-E-0379	1	✓	✓	✓	✓	✓	✓
12	Seal plate	8-E-1106	1	✓	-	-	-	-	-
12	Seal plate (i)	8-E-3723	1	-	-	-	-	-	✓
13	Retaining ring, s/plate	8-E-1107	1	✓	-	-	-	✓	✓
14	Locknut, shaft,r/hand	8-E-1173	1	✓	✓	✓	✓	✓	-
14	Locknut, shaft,l/hand	8-E-2032	1	-	-	-	-	-	✓
15	Retaining ring, c/end	-	1	-	-	-	-	-	-
16	Bolt, V band	-	1	-	-	-	-	-	-
17	Locknut, V band	-	1	-	-	-	-	-	-
	Gasket, oil outlet	8-E-1243	1	✓	-	-	✓	✓	✓

Note (i) EVO application

See JOURNAL BEARING section for oversize & under-size parts - page 34

See PISTON RING section for oversize parts - page 39

# TEO6





## SERVICE KIT - Mitsubishi

### TEO6 - Banks Sidewinder Application

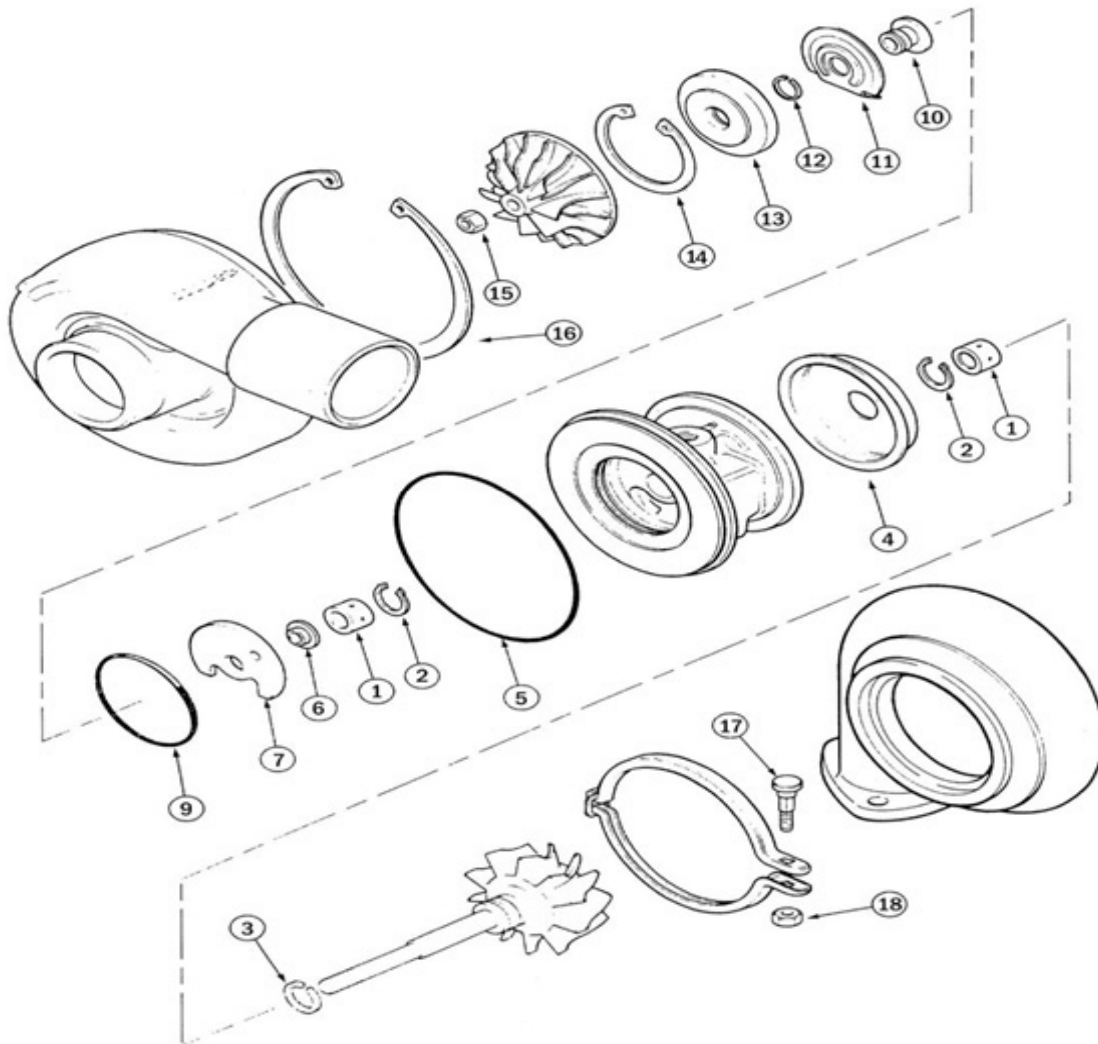
Item no.	Description	TI Part no.	Qty/ Turbo	TI Kit no. 7-E-2919
1	Journal bearing	8-E-2932	2	✓
2	Retaining ring, jnl/brg	8-E-2935	3	✓
3	Piston ring, t/end	8-E-0365	1	✓
4	Heat shield	-	1	-
5	O ring, b/hsg to c/hsg	8-E-2933	1	✓
6	Thrust ring	-	1	-
7	Thrust bearing	8-E-2936	1	✓
8	O ring, s/plate	8-E-0359	1	✓
9	Thrust sleeve	-	1	-
10	Oil deflector	-	1	-
11	Piston ring, c/end	8-E-2934	1	✓
12	Seal plate 10.00 mm bor	-	1	-
13	Retaining ring, s/plate	-	1	-
14	Locknut, shaft, l/hand	-	1	-
15	Retaining ring, c/end	-	1	-
16	Bolt, V band	-	1	-
17	Locknut, V band	-	1	-
	Gasket, oil outlet	8-E-1243	1	-

See JOURNAL BEARING section for oversize & under-size parts - page 35

See PISTON RING section for oversize parts - page 40



# TDO7S



Mitsubishi-6/23/2008-23

All names, numbers, symbols and descriptions are for reference purposes only, and do not imply that any part is the product of these manufacturers.



## SERVICE KIT - Mitsubishi

### TDO7S

Item no.	Description	TI Part no.	Qty/ Turbo	TI Kit no.	
				7-E-2835	7-E-2800
1	Journal bearing	8-E-2813	2	✓	✓
2	Retaining ring, jnl/brg	8-E-2830	2	✓	✓
3	Piston ring, t/end	8-E-0365	1	✓	✓
4	Heat shield	6-E-2824	1	-	-
5	O ring, b/hsg to c/hsg	8-E-2831	1	✓	✓
6	Thrust ring	8-E-2825	1	✓	-
7	Thrust bearing	8-E-2822	1	✓	✓
9	O ring, s/plate	8-E-0359	1	✓	✓
10	Thrust sleeve	8-E-2826	1	✓	-
11	Oil deflector	8-E-2829	1	-	-
12	Piston ring, c/end	8-E-2875	1	✓	✓
13	Seal plate	5-E-2828	1	-	-
14	Retaining ring, s/plate	8-E-1107	1	✓	✓
15	Locknut, shaft,r/hand	8-E-2832	1	✓	✓
15	Locknut, shaft,l/hand	8-E-2833	1	✓	✓
16	Retaining ring, c/end	-	1	-	-
17	Bolt, V band	-	1	-	-
18	Locknut, V band		1	-	-
	Gasket, oil outlet	8-E-2834	1	✓	✓

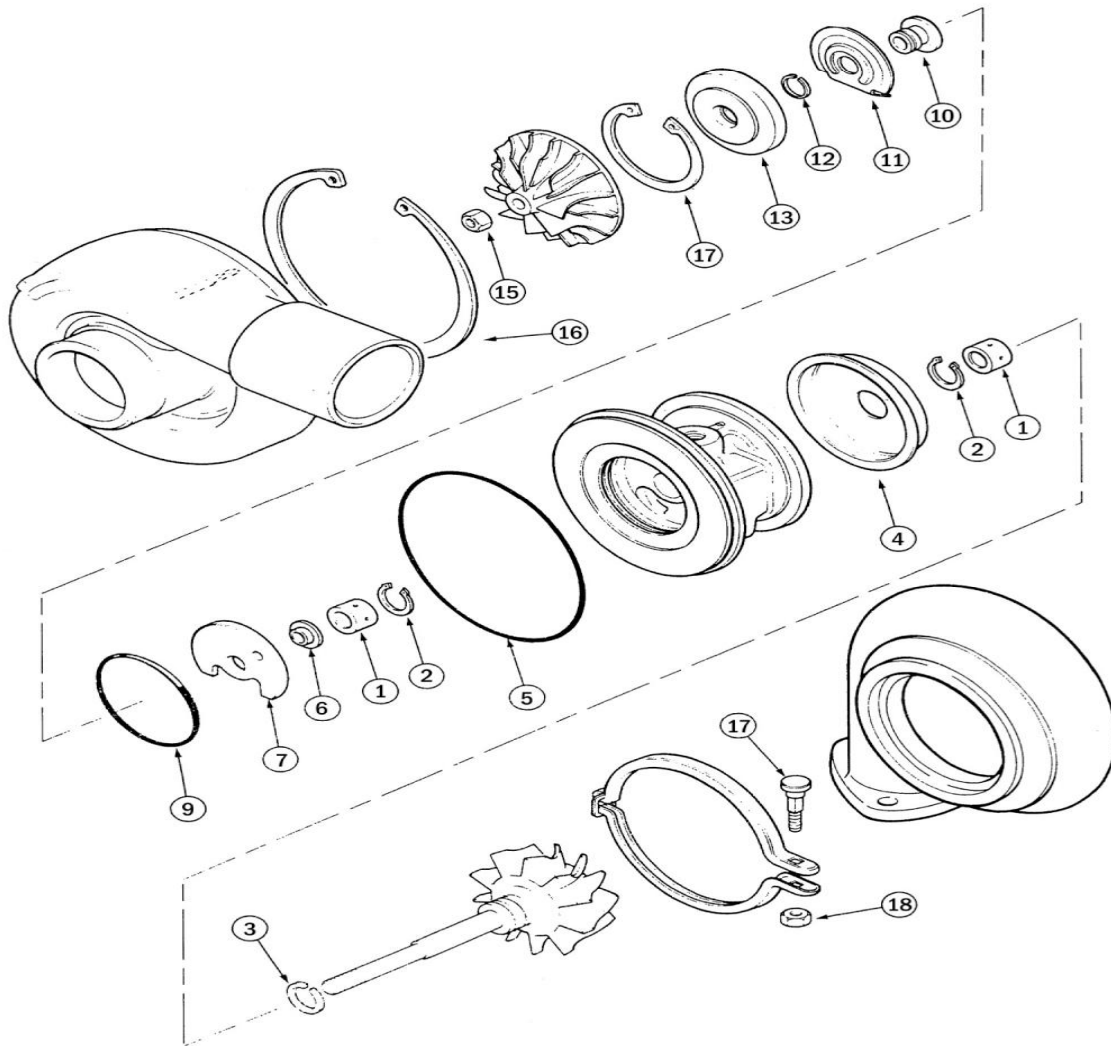
See JOURNAL BEARING section for oversize & under-size parts - page 36

See PISTON RING section for oversize parts - page 41



TD07

TD08  
TD08H





## SERVICE KIT - Mitsubishi

### TDO7 TDO8 TDO8H

Item no.	Description	TI Part no.	Qty/ Turbo	TI Kit no.		
				7-E-2837 <i>note (i)</i>	7-E-2801 <i>note (ii)</i>	7-E-2836 <i>note (iii)</i>
1	Journal bearing	8-E-2894	2	✓	✓	✓
2	Retaining ring, jnl/brg	8-E-2899	2	✓	✓	✓
3	Piston ring, t/end	8-E-2902	1	✓	✓	✓
4	Heat shield TDO7/TDO8	6-E-2857	1	-	-	-
4	Heat shield TDO8H	6-E-2905	1	-	-	-
5	O ring, b/hsg to c/hsg	8-E-2900	1	✓	✓	✓
6	Thrust bushing TDO7/TL	8-E-2895	1	✓	-	-
6	Thrust bushing TDO8H	8-E-2907	1	-	-	✓
7	Thrust bearing	8-E-2893	1	✓	✓	✓
9	O ring, s/plate	8-E-2901	1	✓	✓	✓
10	Thrust washer	8-E-2908	1	✓	-	✓
	Thrust sleeve	8-E-2896	1	✓	-	✓
11	Oil deflector TDO7/TDO8	8-E-2897	1	-	-	-
11	Oil deflector TDO8H	8-E-2909	1	-	-	-
12	Piston ring, c/end	8-E-0374	1	✓	✓	✓
13	Seal plate TDO7/TDO8	-	1	-	-	-
13	Seal plate TDO8H	-	1	-	-	-
14	Retaining ring, s/plate	8-E-2898	1	✓	✓	✓
15	Locknut, shaft, r/hand	8-E-2903	1	✓	✓	✓
15	Locknut, shaft, l/hand	8-E-2904	1	✓	✓	✓
16	Retaining ring, c/end	-	1	-	-	-
17	Bolt, V band	-	1	-	-	-
18	Locknut, V band		1	-	-	-
	Gasket, , oil outlet	8-E-2834	1	✓	✓	✓

Note (i) TDO7, TDO8

(ii) TDO7, TDO8& TDO8H

(ii) TDO8H

See JOURNAL BEARING section for oversize & under-size parts - page 37

See PISTON RING section for oversize parts - page 42



This page has been intentionally left blank



# I H I Index

Cross reference I H I to Turbo International	pages 1 - 6
Major components:	pages 7-8
Turbine wheels	
Compressor wheels	
Backplates/seal plates	
Heat shields/shrouds	
Service kits by model	pages 9-20

Turbo Model	Kit page no
RHB3 narrow & wide journal bearing	9-10
RHF4	11-12
RHF5	11-12
RHB5 narrow & wide journal bearing, d/seal	13-14
RHB6 narrow & wide journal bearing	15-16
RHC6 wide journal bearing	17-18
RHB7 wide journal bearing	19-20
RHC7 wide journal bearing	19-20



## CROSS REFERENCE - I H I to Turbo International

OEM Part No.	Turbo International Part No.	Description	Turbo Model Application
	7-F-0682	SERVICE KIT	RHB51
	7-F-0825	SERVICE KIT	RHB52
	7-F-1024	SERVICE KIT, MAJOR, WIDE BEARING	RHB6
	7-F-1150	SERVICE KIT	RHC6
	7-F-2432	SERVICE KIT, FULL, [VX APPLICATION] wide brg.	RHC6
	7-F-2918	SERVICE KIT	RHB3
	7-F-3424	SERVICE KIT, LESS JOURNAL BEARINGS	RHB5
	7-F-3520	SERVICE KIT wide bearing only	RHB3
	7-F-3711	SERVICE KIT, MAJOR, WIDE BEARING	RHB5
	7-F-3728	SERVICE KIT, RHF4, MAJOR	RHF4
	7-F-3729	SERVICE KIT, RHF5, MAJOR	RHF5
	7-F-3730	SERVICE KIT, RHF4/5, MAJOR	RHF4/5
	7-F-3731	SERVICE KIT, RHF4, MINOR	RHF4
	7-F-3732	SERVICE KIT, RHF5, MINOR	RHF5
	8-F-0041	JOURNAL BEARING 10/STD	RHC6
	8-F-0880	JOURNAL BEARING NARROW STD/5	RHB51
	8-F-0881	JOURNAL BEARING NARROW STD/10	RHB51
	8-F-0882	JOURNAL BEARING NARROW 5/STD	RHB51
	8-F-0995	JOURNAL BEARING, WIDE, STD	RHC6
	8-F-1198	JOURNAL BEARING 5/STD	RHB6
	8-F-1199	JOURNAL BEARING 10/STD	RHB6
	8-F-1239	PISTON RING C/E LARGE STD	RHB6/RHC6
	8-F-1310	SLEEVE BEARING HOUSING	RHB5
	8-F-1413	JOURNAL BEARING STD/10	RHB6
	8-F-1414	JOURNAL BEARING 10/10	RHB6
	8-F-1415	JOURNAL BEARING NARROW 10/10	RHB5
	8-F-1416	JOURNAL BEARING NARROW 10/STD	RHB5
	8-F-1417	JOURNAL BEARING STD/10	RHC7
	8-F-1418	JOURNAL BEARING 10/10	RHC7
	8-F-1419	JOURNAL BEARING 10/STD	RHC7
	8-F-1420	JOURNAL BEARING STD/10	RHC6
	8-F-1421	JOURNAL BEARING 10/10	RHC6
	8-F-1491	JOURNAL BEARING STD/5	RHB6
	8-F-1570	JOURNAL BEARING, WIDE, STD/10	RHB5
	8-F-1767	GASKET, OIL OUTLET	RHB6/RHC6
	8-F-1768	GASKET, OIL OUTLET	RHB7/RHC7
	8-F-1769	GASKET, OIL INLET	RHB7/RHC7
	8-F-1783	PISTON RING C/E SMALL 10/STD	RHB5
	8-F-1784	PISTON RING C/E LARGE 10/STD	RHB5
	8-F-1785	PISTON RING C/E SMALL 10/STD	RHB6/RHC6
	8-F-1786	PISTON RING T/E 10/STD	RHB5
	8-F-1787	PISTON RING T/E STD/10	RHB5
	8-F-1788	PISTON RING T/E 10/10	RHB5
	8-F-1789	PISTON RING T/E STD/20	RHB5
	8-F-1790	PISTON RING T/E 10/20	RHB5
	8-F-1791	PISTON RING C/E LARGE 10/STD	RHB6/RHC6
	8-F-1792	PISTON RING C/E SMALL 10/STD	RHB7/RHC7
	8-F-1793	PISTON RING T/E 10/STD	RHB6/RHC6



## CROSS REFERENCE - I H I to Turbo International

OEM Part No.	Turbo International Part No.	Description	Turbo Model Application
	8-F-1794	PISTON RING T/E STD/10	RHB6/RHC6
	8-F-1795	PISTON RING T/E 10/10	RHB6/RHC6
	8-F-1796	PISTON RING T/E STD/20	RHB6/RHC6
	8-F-1797	PISTON RING T/E 10/20	RHB6/RHC6
	8-F-1798	PISTON RING C/E LARGE 10/STD	RHB7/RHC7
	8-F-1799	PISTON RING T/E 10/STD	RHB7/RHC7
	8-F-1800	PISTON RING T/E STD/10	RHB7/RHC7
	8-F-1801	PISTON RING T/E 10/10	RHB7/RHC7
	8-F-1802	PISTON RING T/E STD/20	RHB7/RHC7
	8-F-1803	PISTON RING T/E 10/20	RHB7/RHC7
	8-F-1902	JOURNAL BEARING NARROW 5/5	RHB5
	8-F-1903	JOURNAL BEARING NARROW 5/10	RHB5
	8-F-1904	JOURNAL BEARING NARROW 10/5	RHB5
	8-F-1905	JOURNAL BEARING, WIDE, STD/5	RHB5
	8-F-1906	JOURNAL BEARING, WID,E 5/STD	RHB5
	8-F-1907	JOURNAL BEARING, WIDE, 5/5	RHB5
	8-F-1908	JOURNAL BEARING, WIDE, 5/10	RHB5
	8-F-1909	JOURNAL BEARING, WID,E 10/STD	RHB5
	8-F-1910	JOURNAL BEARING, WIDE, 10/5	RHB5
	8-F-1911	JOURNAL BEARING, WIDE, 10/10	RHB5
	8-F-2066	FREEZE PLUG, BEARING HOUSING	RHB5
	8-F-2071	JOURNAL BEARING, WIDE, STD/5	RHB6/RHC6
	8-F-2072	JOURNAL BEARING, WIDE, 5/STD	RHB6/RHC6
	8-F-2073	JOURNAL BEARING, WIDE, 5/5	RHB6/RHC6
	8-F-2074	JOURNAL BEARING, WIDE, 5/10	RHB6/RHC6
	8-F-2075	JOURNAL BEARING, WIDE, 10/5	RHB6/RHC6
	8-F-2076	JOURNAL BEARING, STD/5	RHB7/RHC7
	8-F-2077	JOURNAL BEARING, 5/STD	RHB7/RHC7
	8-F-2078	JOURNAL BEARING, 5/5	RHB7/RHC7
	8-F-2079	JOURNAL BEARING, 5/10	RHB7/RHC7
	8-F-2080	JOURNAL BEARING, 10/5	RHB7/RHC7
	8-F-2236	JOURNAL BEARING, 10/STD	RHB7/RHC7
	8-F-2431	THRUST COLLAR/OIL THROWER, (VX APPLICATION)	RHC6
	8-F-2441	JOURNAL BEARING STD	RHF4H
	8-F-2442	JOURNAL BEARING STD/5	RHF4H
	8-F-2443	JOURNAL BEARING STD/10	RHF4H
	8-F-2444	JOURNAL BEARING 5/STD	RHF4H
	8-F-2445	JOURNAL BEARING 5/5	RHF4H
	8-F-2446	JOURNAL BEARING 5/10	RHF4H
	8-F-2447	JOURNAL BEARING 10/STD	RHF4H
	8-F-2448	JOURNAL BEARING 10/5	RHF4H
	8-F-2449	JOURNAL BEARING 10/10	RHF4H
	8-F-2450	PISTON RING C/END LARGE 10/STD	RHB3
	8-F-2451	PISTON RING C/END STD	RHF4H
	8-F-2452	PISTON RING C/END 10/STD	RHF4H
	8-F-2453	PISTON RING T/END STD	RHF4H
	8-F-2454	PISTON RING T/END STD/10	RHF4H
	8-F-2455	PISTON RING T/END STD/20	RHF4H



## CROSS REFERENCE - I H I to Turbo International

OEM Part No.	Turbo International Part No.	Description	Turbo Model Application
	8-F-2456	PISTON RING T/END 10/STD	RHF4H
	8-F-2457	PISTON RING T/END 10/10	RHF4H
	8-F-2458	PISTON RING T/END 10/20	RHF4H
	8-F-2850	JOURNAL BEARING NARROW 5/5	RHB6/RHC6
	8-F-2851	JOURNAL BEARING NARROW 5/10	RHB6/RHC6
	8-F-3085	PISTON RING C/END STD	RHB4
	8-F-3149	JOURNAL BEARING, WIDE, 20/STD	RHB6/RHC6
	8-F-3560	SEAL PLATE	RHC7
	8-F-3561	THRUST SPACER	RHC7
	8-F-3562	THRUST BEARING	RHC7
	8-F-3563	OIL THROWER	RHC7
	8-F-3564	SCREW, SEAL PLATE, M3 x 0.5	RHC7
	8-F-3565	SCREW, BACK PLATE, M8 x 1.25	RHC7
	8-F-3566	GASKET, TURB END	RHC7
	8-F-3688	SEAL PLATE	RHF4/RHF5
	8-F-3691	SCREW, SEAL PLATE, M3 x 0.5	RHF5
	8-F-3692	BOLT, BACK PLATE, M6 x 1.0	RHF5
	8-F-3693	PISTON RING, T-END	RHF5
	8-F-3697	RETAINING CLIP, JOURNAL BEARING	RHF4
	8-F-3698	BOLT, BACK PLATE, M5 x 0.8	RHF4
	7-F-0803	SERVICE KIT	RHB3
	8-F-2430	THRUST BUSHING/SPACER, (VX APPLICATION)	RHC6
015T-007		USE 015T-033	
015T-010		USE 015T-030	
015T-030	8-F-0476	SCREW , T/BRG	RHB3/5/6/7
015T-031	8-F-0042	SCREW, S/PLATE	RHB7
015T-033	8-F-0433	SCREW , T/BRG	RHB5
016T-007	8-F-1215	GASKET, OIL OUTLET, PAPER	RHB5
023T-001	8-F-1590	OIL THROWER	RHB7
023T-004	8-F-1723	THRUST COLLAR/OIL THROWER	RHB6
023T-009	8-F-1589	OIL THROWER	RHC7
023T-011	8-F-1698	OIL THROWER	RHC6
023T-013	8-F-0771	OIL THROWER	RHB5
033T-002		USE 033T-013	
033T-003		USE 033T-010	
033T-004	8-F-1288	THRUST BEARING	RHB7
033T-010	8-F-0475	THRUST BEARING - HALF MOON	RHB6
033T-011	8-F-0037	THRUST BEARING	RHC7
033T-012	8-F-1237	THRUST BEARING	RHC6
033T-014	8-F-0432	THRUST BEARING - HALF MOON	RHB3
033T-018	8-F-0444	THRUST BEARING - HALF MOON	RHB5
038T-013	6-F-1308	HEAT PROTECTOR 75 mm	RHB5
039T-004	3-F-1291	COMPRESSOR WHEEL BR353B	RHB5
039T-025	3-F-1292	COMPRESSOR WHEEL BR338C	RHB5
039T-027	3-F-1719	COMPRESSOR WHEEL BR348C	RHB5
039T-027	3-F-1719	COMPRESSOR WHEEL BR348C	RHB5
039T-039	3-F-1293	COMPRESSOR WHEEL BR358C	RHB5
039T-044	3-F-1294	COMPRESSOR WHEEL BR3911E	RHB5



## CROSS REFERENCE - I H I to Turbo International

OEM Part No.	Turbo International Part No.	Description	Turbo Model Application
039T-049	3-F-1295	COMPRESSOR WHEEL BR4219E	RHB5
039T-052	3-F-1967	COMPRESSOR WHEEL BR3711E	RHB5MW
039T-059	3-F-1296	COMPRESSOR WHEEL BR4016E	RHB5
041T-002		USE 041T-08	
041T-003		USE 041T-09	
041T-004	8-F-0036	JOURNAL BEARING STD	RHC7
041T-008	8-F-0439	JOURNAL BEARING NARROW STD/STD	RHB5
041T-009	8-F-0471	JOURNAL BEARING, STD	RHB6
041T-010	8-F-0699	JOURNAL BEARING, WIDE, STD	RHB5
041T-013	8-F-0434	JOURNAL BEARING NARROW STD/STD	RHB3
041T-014	8-F-0427	JOURNAL BEARING, WIDE, STD	RHB3
053T-515	4-F-1778	BEARING HOUSING, WATER COOLED	RHB5
053T-520	4-F-1303	BEARING HOUSING, WATER COOLED	RHB52MW
060T-002		USE 060T-19	
060T-003	8-F-1722	THRUST BUSHING	RHB6
060T-004	8-F-1588	THRUST BUSHING	RHB7/RHC7
060T-013	8-F-1697	THRUST BUSHING	RHC7
060T-019	8-F-0772	THRUST BUSHING	RHB5
064T-002	5-F-1316	SEAL PLATE PISTON RING SEAL	RHB5
070T-001	8-F-0040	PISTON RING C/END LARGE STD	RHC7
070T-003		USE 070T-017	
070T-004		USE 070T-022	
070T-006		USE 070T-018	
070T-007	8-F-0039	PISTON RING T/END STD	RHC7
070T-010	8-F-0441	PISTON RING C/END SMALL STD	RHC7
070T-014	8-F-0428	PISTON RING T/END STD	RHB3
070T-015	8-F-0430	PISTON RING C/END SMALL STD	RHB3
070T-016	8-F-0441	PISTON RING C/END LARGE STD	RHC6
070T-017	8-E-0369	PISTON RING C/END STD	RHB51/52/6/6B
070T-017	8-F-1638	PISTON RING C/END LARGE STD	RHB5
070T-017	8-F-1639	PISTON RING C/END SMALL STD	RHB6/RHC6
070T-018	8-F-0472	PISTON RING T/END STD	RHB6
070T-020	8-F-0440	PISTON RING T/END STD	RHB5
070T-022	8-E-0379	PISTON RING C/END STD	RHB5
070T-022	8-F-1636	PISTON RING C/END LARGE STD	RHB3
070T-022	8-F-1637	PISTON RING C/END SMALL STD	RHB5
081T-002	8-F-0447	LOCKNUT, SHAFT	RHB5
081T-004	8-F-1231	LOCKNUT, SHAFT	RHB7 & RHC7
081T-011	8-F-0478	LOCKNUT, SHAFT	RHB6
081T-019	8-F-0912	LOCKNUT, SHAFT	RHB3
15T-037	8-F-3117	SCREW, S/PLATE	RHC7
223T-515	2-F-1306	TURBINE WHEEL 5200II-N-L 43mm	RHB52
258T-0007	8-F-3086	RETAINING RING, ACTUATOR	RHB51/RHB52
258T-002		USE 258T-012	
258T-003	8-F-0474	RETAINING RING, J/BRG	RHB6
258T-004	8-F-0038	RETAINING RING, J/BRG	RHC7
258T-009	8-F-3084	RETAINING RING, ACTUATOR	RHB3
258T-011	8-F-0431	RETAINING RING, J/BRG	RHB3





## CROSS REFERENCE - I H I to Turbo International

OEM Part No.	Turbo International Part No.	Description	Turbo Model Application
258T-012	8-F-0443	RETAINING RING, J/BRG	RHB51/52
509T-521	7-F-1020	SERVICE KIT, MAJOR, NARROW BEARING	RHB5
509T-524	7-F-2209	SERVICE KIT, FULL	RHB6
509T-525	7-F-3423	SERVICE KIT, FULL	RHB7
509T-526	7-F-1591	SERVICE KIT	RHC7
509T-530	7-F-0716	SERVICE KIT	RHB52
509T-532	7-F-0683	SERVICE KIT	RHB6
509T-533	7-F-1149	SERVICE KIT	RHB7
509T-534	7-F-0044	SERVICE KIT	RHC7
509T-536	7-F-0684	SERVICE KIT	RHB3
509T-538	7-F-1696	SERVICE KIT, FULL, [GM APPLICATION]	RHC6
5327-711-0019		USE 5327-711-0008	
81T-020	8-F-3087	LOCKNUT, SHAFT	RHB6/RHC6
NB131005	8-F-2591	THRUST COLLAR/OIL THROWER	RHB3
NB131006	8-F-2590	THRUST BUSHING/SPACER	RHB3
NB131009	8-F-0430	PISTON RING C/END SMALL STD	RHB3
NB131010	8-F-0912	LOCKNUT, SHAFT	RHB3
NB131013	8-F-0428	PISTON RING T/END STD	RHB3
NB133206	8-F-0476	SCREW , T/BRG	RHB3/5/6/7
NB133208	8-F-0433	SCREW , T/BRG	RHB5
NB133208	8-F-0446	SCREW, S/PLATE	RHB3/5
NB133214	8-F-0431	RETAINING RING, J/BRG	RHB3
NB133521	8-F-0434	JOURNAL BEARING NARROW STD/STD	RHB3
NB133523	8-F-0427	JOURNAL BEARING, WIDE, STD	RHB3
NB133607	8-F-0432	THRUST BEARING - HALF MOON	RHB3
NB139838	7-F-0803	SERVICE KIT	RHB3
NB139921	7-F-0716	SERVICE KIT	RHB52
NH131576	8-F-0441	PISTON RING C/END LARGE RHB6 STD	RHB6
NH171302	8-F-1589	OIL THROWER	RHC7
NH171302	8-F-1698	OIL THROWER	RHC6
NH173502	8-F-1588	THRUST BUSHING	RHB7/RHC7
NH191305	8-F-0040	PISTON RING C/END SMALL STD	RHC7
NH193006	8-F-0042	SCREW, S/PLATE	RHC7
NH26112	8-F-1697	THRUST BUSHING	RHC6
NH261604	8-F-0472	PISTON RING T/END STD	RHB6
NH261605	8-F-0441	PISTON RING C/END SMALL STD	RHB6/RHC7
NH441604	8-F-3690	OIL THROWER	RHF5
NH441605	8-F-3689	THRUST SPACER	RHF5
NH442452	8-F-3686	RETAINING CLIP, JOURNAL BEARING	RHF5
NH442652	8-F-3687	THRUST BEARING	RHF5
NN131108	8-F-0447	LOCKNUT, SHAFT	RHB5
NN131502		USE NN131612	
NN131575	8-F-0440	PISTON RING T/END STD	RHB5
NN131576	8-F-1638	PISTON RING C/END LARGE STD	RHB5
NN131576	8-F-1639	PISTON RING C/END SMALL STD	RHB6/RHC6
NN131577	8-F-1636	PISTON RING C/END LARGE STD	RHB3
NN131577	8-F-1637	PISTON RING C/END SMALL STD	RHB5
NN131578	8-F-0771	OIL THROWER	RHB5



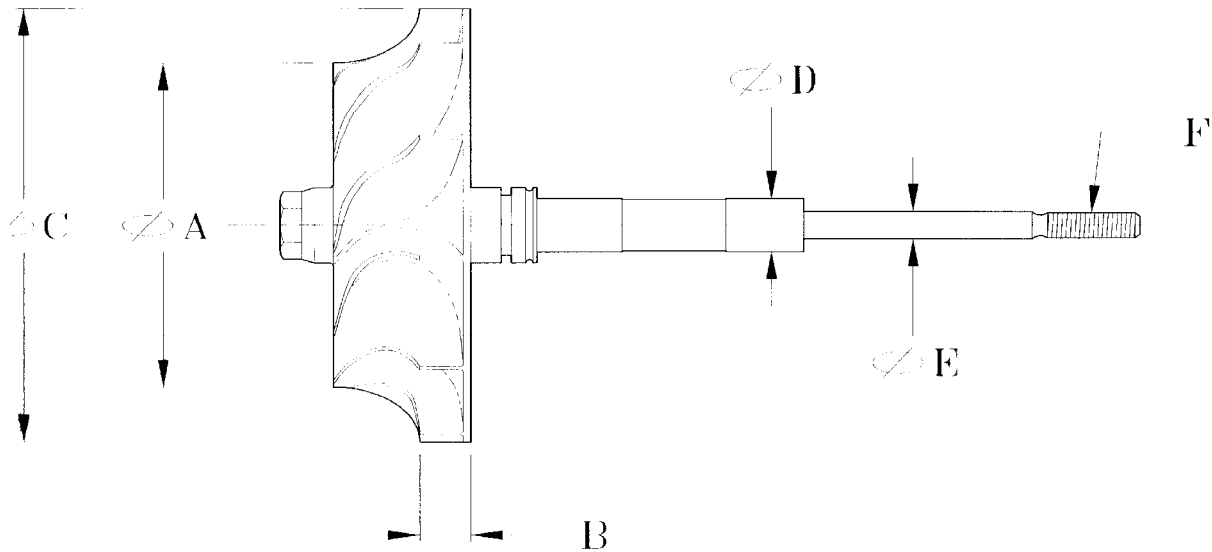
## CROSS REFERENCE - I H I to Turbo International

OEM Part No.	Turbo International Part No.	Description	Turbo Model Application
NN131579	8-F-0772	THRUST BUSHING	RHB5
NN131612	2-F-1306	TURBINE WHEEL 5200II-N-L 43mm	RHB52
NN133021	5-F-1316	SEAL PLATE PISTON RING SEAL	RHB5
NN133208	8-F-0443	RETAINING RING, J/BRG	RHB51/52
NN133362		USE NN133378	
NN133378	4-F-1303	BEARING HOUSING , WATER COOLED	RHB52MW
NN133504	8-F-0439	JOURNAL BEARING NARROW STD/STD	RHB5
NN133515	8-F-0699	JOURNAL BEARING, WIDE, STD	RHB5
NN133589		USE NN133596	
NN133596	8-F-0444	THRUST BEARING - HALF MOON	RHB5
NN136511	3-F-1292	COMPRESSOR WHEEL BR338C	RHB5
NN136604	3-F-1296	COMPRESSOR WHEEL BR4016E	RHB5
NN136610	3-F-1294	COMPRESSOR WHEEL BR3911E	RHB5
NN136611	3-F-1967	COMPRESSOR WHEEL BR3711E	RHB5MW
NN139922	7-F-0825	SERVICE KIT	RHB52
NN171004	8-F-1590	OIL THROWER	RHB7
NN171005	8-F-0037	THRUST BEARING	RHC7
NN171107	8-F-0039	PISTON RING T/END STD	RHC7
NN171110	8-F-1231	LOCKNUT, SHAFT	RHB7 & RHC7
NN173204	8-F-0038	RETAINING RING, J/BRG	RHC7
NN173504	8-F-0036	JOURNAL BEARING STD	RHC7
NN179810	7-F-0044	SERVICE KIT	RHC7
NN179810	7-F-1149	SERVICE KIT	RHB7
NN191109	8-F-0478	LOCKNUT, SHAFT	RHB6
NN191113	8-F-1723	THRUST COLLAR/OIL THROWER	RHB6
NN193502	8-F-0475	THRUST BEARING - HALF MOON	RHB6
NN193513	8-F-0471	JOURNAL BEARING, STD	RHB6
NN199832	7-F-0683	SERVICE KIT	RHB6
NN971005	8-F-1722	THRUST BUSHING	RHB6
NN973513	8-F-0995	JOURNAL BEARING, WIDE, STD	RHC6
NN977003	8-F-0474	RETAINING RING, J/BRG	RHB6



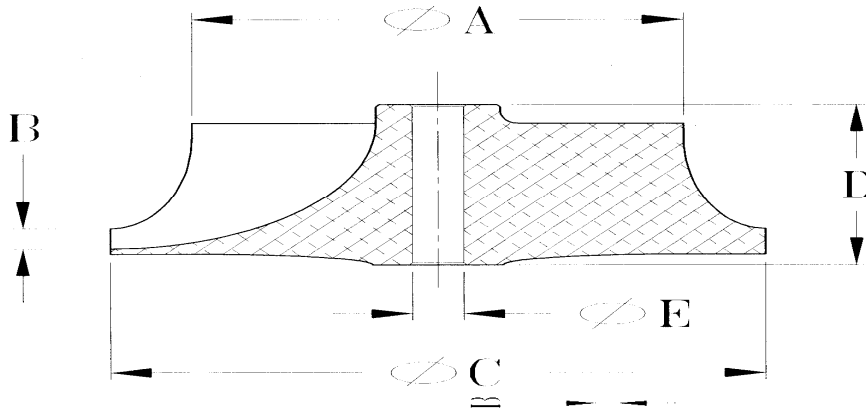
# MAJOR COMPONENT - I H I

## Turbine Wheel



DEM Part No North America Europe	TI Part no.	Turbo Model/ Application	Exducer "OA"	Tip Height "B"	Inducer "OC"	Journal "OD"	Stem "OE"	Trim/No. of blades	Shaft thread "F"	Inches /Metric
223T-515	2-F-1306	RHB5	1.692	0.202	2.066	0.315	0.201	67 trim/ 9	M5 X 0.5 LH	ins.
NN161312		5.2 II-N-L	42.98	5.13	52.48	8.00	5.11			mms.

## Compressor Wheel



DEM Part No North America Europe	TI Part no.	Turbo Model/ Application	Inducer "OA"	Tip height "B"	Exducer "OC"	Hub Length "D"	Bore "OE"	Trim/ No. of blades	Inches /Metric
39T-004	3-F-1291	RHB5	1.377	0.123	1.968	0.950	0.201	49 trim/ 10	ins.
		BR353B	34.98	3.12	49.99	24.13	5.11		mms.
39T-025	3-F-1292	RHB5	1.262	0.096	2.010	0.891	0.201	39 trim/ 5	ins.
NN136511		BR338C	32.05	2.44	51.05	22.63	5.11		5
39T-027	3-F-1719	RHB5	1.320	0.112	2.010	0.950	0.201	43 trim/ 5	ins.
NN136512		BR348C	33.53	2.84	51.05	24.13	5.11		5



## MAJOR COMPONENT - I H I

### Compressor Wheel

DEM Part No. North America Europe	TI Part no.	Turbo Model/ Application	Inducer "OA"	Tip height "B"	Exducer "OC"	Hub Length "D"	Bore "OE"	Trim/ No. of blades	Inches /Metric
39T-039	3-F-1293	RHB5	1.337	0.121	2.010	0.891	0.201	44 trim/ 5	ins.
		BR358C	33.96	3.07	51.05	22.63	5.11	5	mms.
39T-044	3-F-1294	RHB5	1.517	0.163	2.055	0.891	0.201	54 trim/ 5	ins.
NN136610		BR3911E	38.53	4.14	52.20	22.63	5.11	5	mms.
39T-049	3-F-1295	RHB5	1.625	0.190	2.068	0.950	0.201	62 trim/ 5	ins.
		BR4219E	41.28	4.83	52.53	24.13	5.11	5	mms.
39T-052	3-F-1967	RHB5	1.448	0.147	2.068	0.950	0.201	49 trim/ 5	ins.
NN136611		BR3711E	36.78	3.73	52.53	24.13	5.11	5	mms.
39T-059	3-F-1296	RHB5	1.552	0.175	2.068	0.891	0.201	56 trim/ 5	ins.
NN136604		BR4016E	39.42	4.45	52.53	22.63	5.11	5	mms.

### Backplate

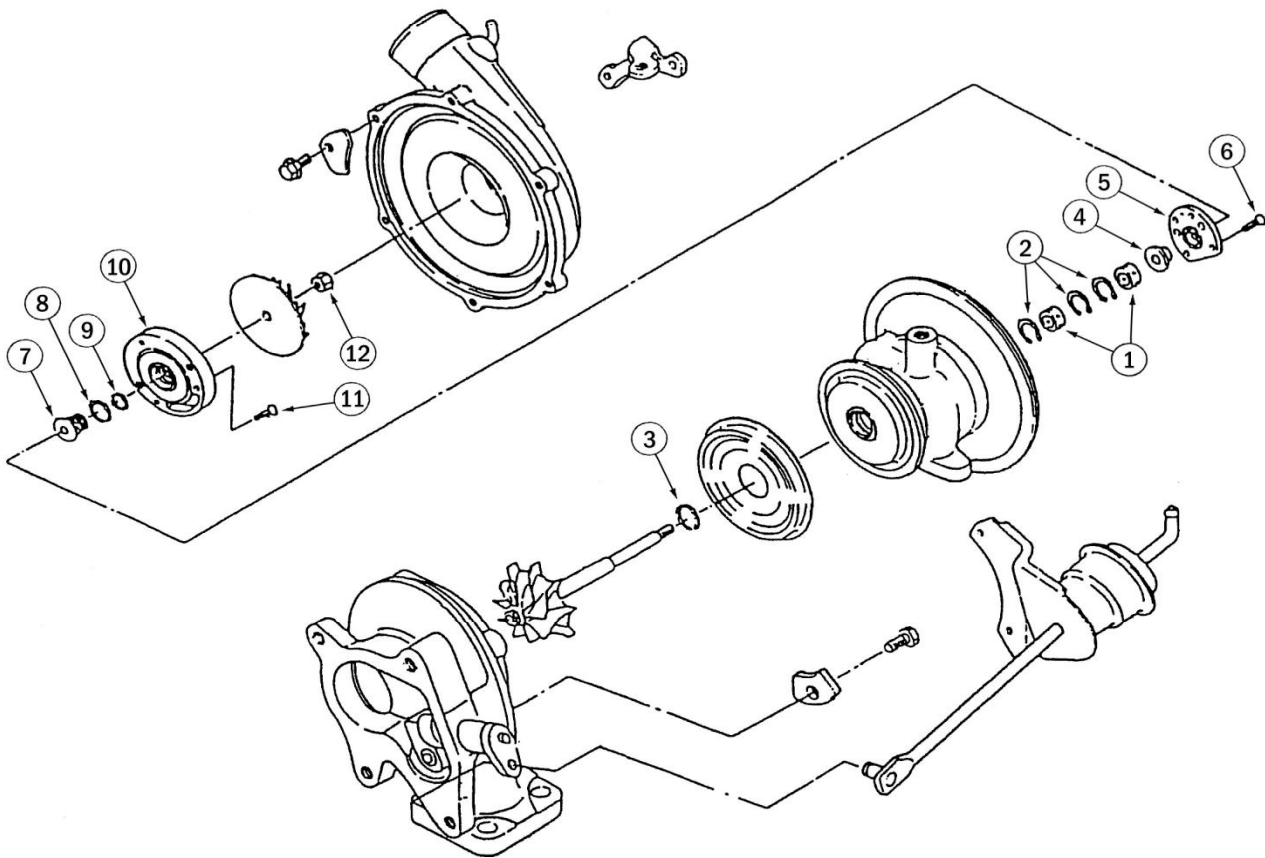
OEM Part No. North America/ Europe	TI Part no.	Turbo Model/ Application	Design
64T-002	5-F-1316	RHB5	Dynamic
NN133021			

### Heat Shield

OEM Part No. North America/ Europe	TI Part no.	Turbo Model/ Application	Diameter			
			Inside	Outside	Inducer	
38T-013	6-F-1308	RHB5	0.71	2.94	2.62	ins.
NN137055			18.0	74.7	66.5	mms.



# RHB3 360° thrust bearing



IHI-9/30/2008-9

All names, numbers, symbols and descriptions are for reference purposes only, and do not imply that any part is the product of these manufacturers.



## SERVICE KIT - I H I - 360° thrust bearing

RHB3

Item no.	Description	TI Part no.	Qty/ Turbo	TI Kit no.			
				7-F-2918	7-F-0684	7-F-0803	7-F-3520
1	Journal bearing,narrow	8-F-0434	2	✓	✓	-	-
1	Journal bearing,wide	8-F-0427	2	✓	✓	✓	✓
2	Retaining ring, jnl/brg.	8-F-0431	3	✓	✓	✓	✓
3	Piston ring, t/end	8-F-0428	1	✓	✓	✓	✓
4	Thrust bushing/spacer	8-F-2590	1	✓	-	-	-
5	Thrust bearing, 360°	8-F-0432	1	✓	✓	✓	✓
6	Bolt, th/brg.	8-F-0476	2	✓	✓	✓	✓
7	Thrust collar/oil throwe	8-F-2591	1	✓	-	-	-
8	Piston ring, c/end, larg	8-F-1636	1	✓	✓	✓	✓
9	Piston ring, c/end, sm	8-F-0430	1	✓	✓	✓	✓
10	Sealplate	-	1	-	-	-	-
11	Bolt, seal plate	8-F-0433	2	✓	✓	✓	✓
12	Locknut, shaft	8-F-0912	1	✓	✓	✓	✓
	Retaining ring, actuac	8-F-3084	1	-	-	-	-

See JOURNAL BEARING section for oversize & under-size parts - page 38

See PISTON RING section for oversize parts - page 43



RHF4

RHF5

Illustration not available



# SERVICE KIT - I H I

RHF4

RHF5

Item no.	Description	TI Part no.	Qty/ Turbo	TI Kit no.						
				7-F-3728	7-F-3731	7-F-3729	7-F-3732	7-F-3730	7-F-3880	7-F-3881
				<i>Note (i)</i>	<i>Note (i)</i>	<i>Note (ii)</i>	<i>Note (ii)</i>	<i>Note (iii)</i>	<i>Note (ii)</i>	<i>Note (iii)</i>
1	Journal bearing RHF4	8-F-2441	2	✓	✓	-	-	✓	-	✓
1	Journal bearing RHF5	8-F-0699	2	-	-	✓	✓	✓	✓	✓
2	Retaining clip,j/brg.RHF4	8-F-3697	1	✓	✓	-	-	✓	-	✓
2	Retaining clip,j/brg.RHF5	8-F-3686	1	-	-	✓	✓	✓	✓	✓
3	Piston ring, t/e RHF4	8-F-3085	1	✓	✓	-	-	✓	-	✓
3	Piston ring, t/e RHF5	8-F-3693	1	-	-	✓	✓	✓	✓	✓
4	Thrust spacer	8-F-3689	1	✓	-	✓	-	✓	✓	✓
5	Thrust plate	8-F-3687	1	✓	-	✓	-	✓	✓	✓
6	Oil thrower	8-F-3690	1	✓	-	✓	-	✓	✓	✓
7	Piston ring, c/end	8-F-1637	1	✓	✓	✓	✓	✓	✓	✓
8	Thrust bearing	8-F-3688	1	✓	-	✓	-	✓	-	-
8	Thrust bearing	8-F-3877	1	-	-	-	-	-	✓	✓
9	Bolt, s/plate	8-F-3691	3	✓	✓	✓	✓	✓	✓	✓
9	Bolt,b/plate, M5x0.80 RHF4	8-F-3698	4	✓	✓	-	-	✓	-	✓
9	Bolt,b/plate, M6x1.00 RHF5	8-F-3692	4	-	-	✓	✓	✓	✓	✓
10	Locknut,shaft,M5x0.5 LH	8-F-0447	1	✓	✓	✓	✓	✓	✓	✓

Note: (i) Services RHF4 applications

(ii) Services RHF5 applications

(iii) Services RHF4 & RHF5 applications

See JOURNAL BEARING section for oversize & under-size parts - page 3E

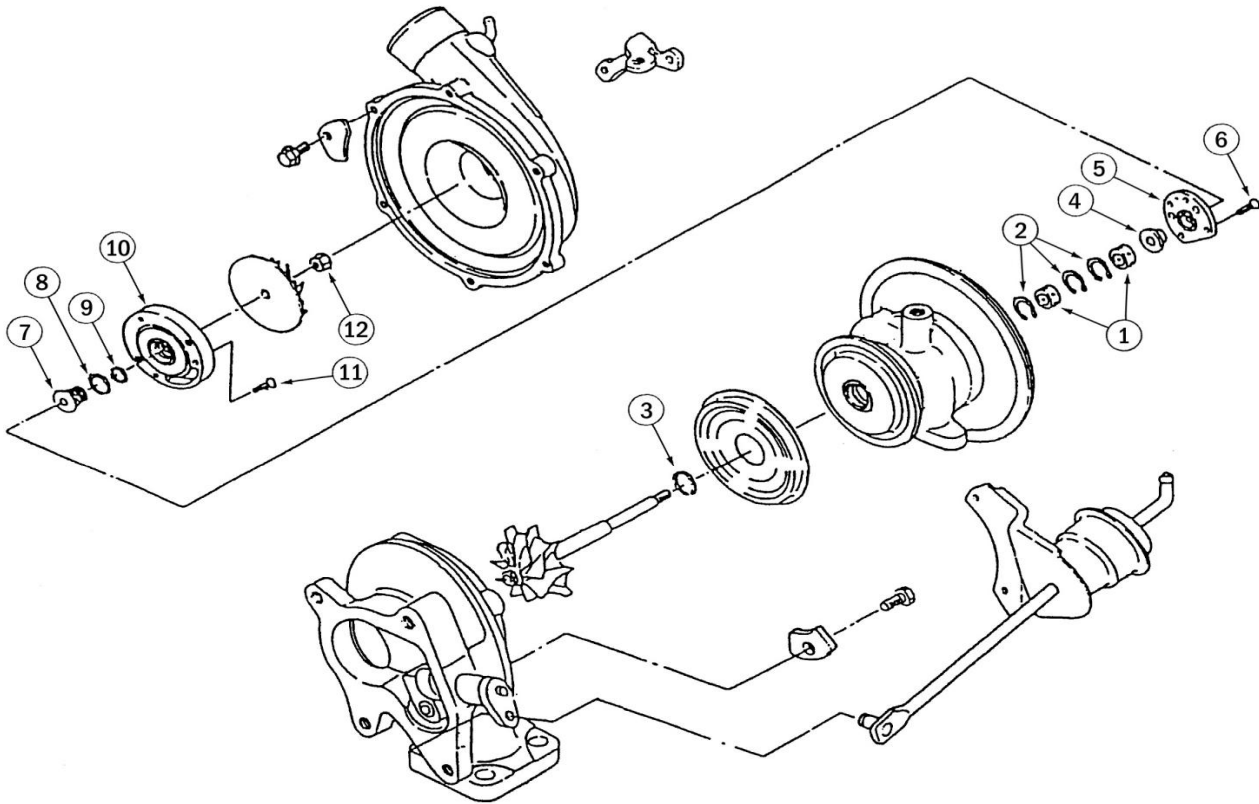
See PISTON RING section for oversize parts - page 4G





## RHB5

### 360° thrust bearing - dynamic seal



IHI-9/30/2008-13

All names, numbers, symbols and descriptions are for reference purposes only, and do not imply that any part is the product of these manufacturers.



## SERVICE KIT - I H I - 360° thrust bearing - dynamic seal

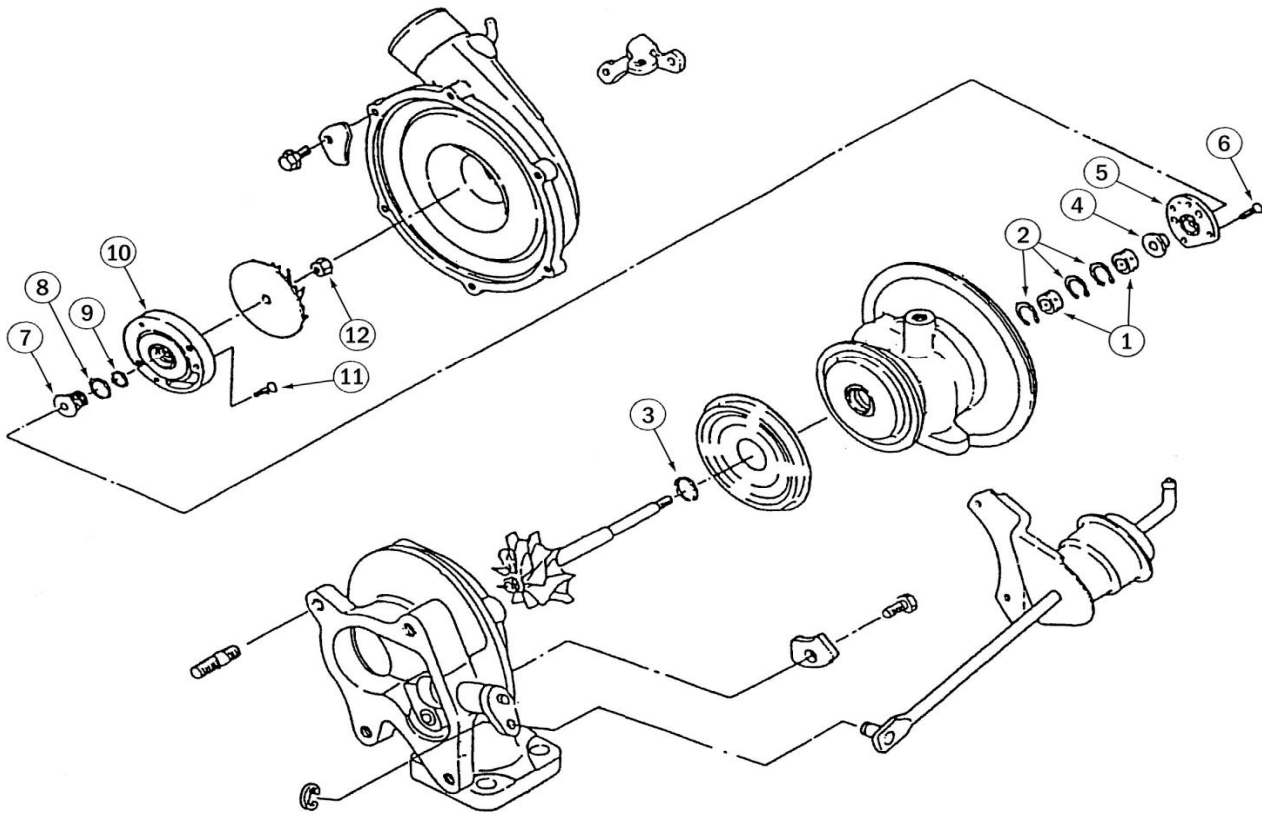
RHB5

Item no.	Description	TI Part no.	Qty/ Turbo	TI Kit no.			
				7-F-1020	7-F-0716	7-F-0825	7-F-0682
1	Journal bearing,narrow	8-F-0439	2	✓	✓	-	✓
1	Journal bearing,wide	8-F-0699	2	-	-	✓	✓
2	Retaining ring, jnl/brg.	8-F-0443	3	✓	✓	✓	✓
3	Piston ring, t/end	8-F-0440	1	✓	✓	✓	✓
4	Thrust bushing/spacer	8-F-0772	1	✓	-	-	-
5	Thrust bearing, 360°	8-F-0444	1	✓	✓	✓	-
6	Bolt, th/brg.	8-F-0476	4	✓	✓	✓	✓
7	Thrust collar/oil thrower	8-F-0771	1	✓	-	-	-
8	Piston ring, c/end, larg	8-F-1638	1	✓	✓	✓	✓
9	Piston ring, c/end, sm	8-F-1637	1	✓	✓	✓	✓
10	Sealplate	5-F-1316	1	-	-	-	-
11	Bolt, seal plate	8-F-0433	3	✓	✓	✓	✓
12	Locknut, shaft	8-F-0447	1	✓	✓	✓	✓
	Retaining ring, actuator	8-F-3086	1	-	-	-	-
	Gasket, oil outlet ( paper)	8-F-1215	1				

See JOURNAL BEARING section for oversize & under-size parts - page 4C

See PISTON RING section for oversize parts - page 45

# RHB6





# SERVICE KIT - I H I

## RHB6

Item no.	Description	TI Part no.	Qty/ Turbo	TI Kit no.		
				7-F-2209	7-F-0683	7-F-1024
				<i>Note (i)</i>	<i>Note (i)</i>	
1	Journal bearing,narrow	8-F-0471	2	✓	✓	-
1	Journal bearing,wide	8-F-0995	2	-	-	✓
2	Retaining ring, jnl/brg.	8-F-0474	4	✓	✓	✓
3	Piston ring, t/end	8-F-0472	1	✓	✓	✓
4	Thrust bushing/spacer	8-F-1722	1	✓	-	-
5	Thrust bearing, 360°	8-F-0475	1	✓	✓	✓
6	Bolt, th/brg.	8-F-0476	4	✓	✓	✓
7	Thrust collar/oil throwe	8-F-1723	1	✓	-	-
8	Piston ring, c/end, larg	8-F-1239	1	✓	✓	✓
9	Piston ring, c/end, sm	8-F-1639	1	✓	✓	✓
10	Sealplate	-	1	-	-	-
11	Bolt, seal plate	8-F-0446	3	✓	✓	✓
12	Locknut, shaft	8-F-0478	1	✓	✓	✓

Gasket, oil outlet ( pap 8-F-1767 1

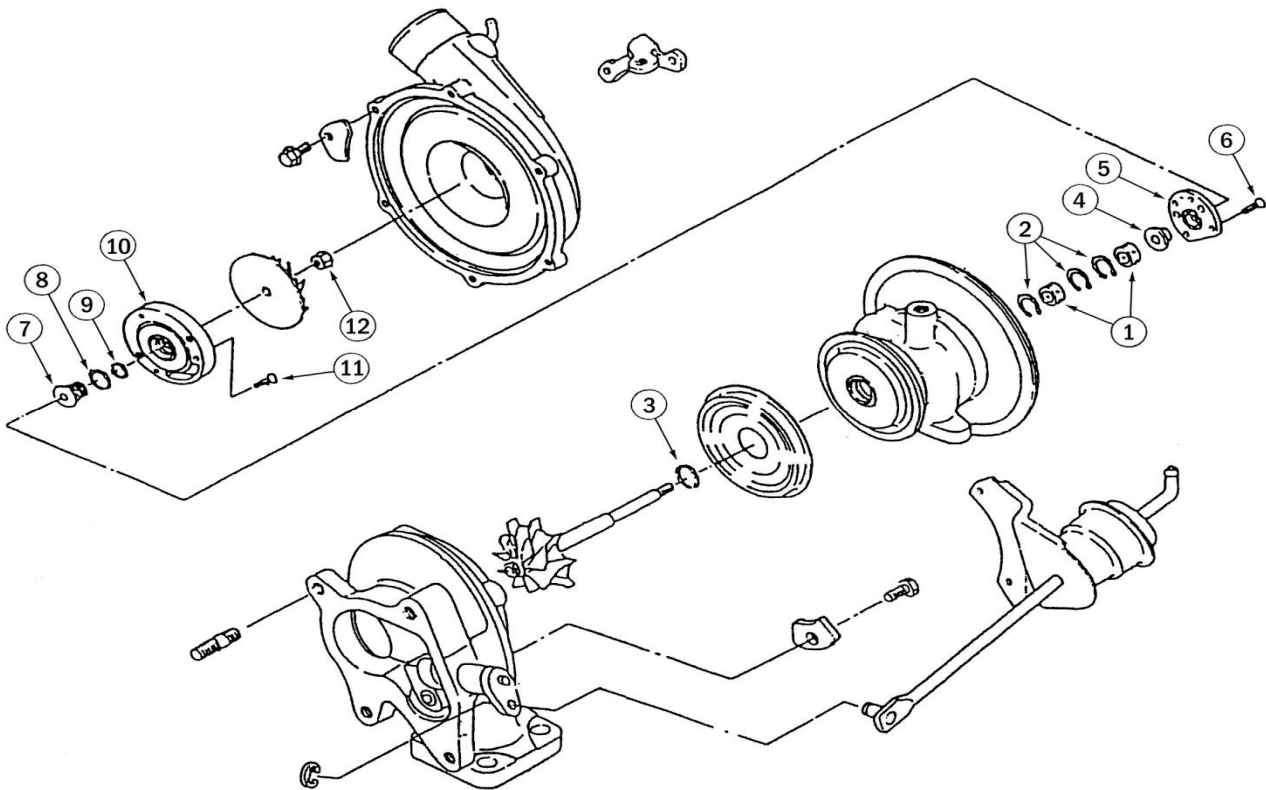
*Note: (i) Fits short specs.VI-35 & MX-33*

See JOURNAL BEARING section for oversize & under-size parts - page 41

See PISTON RING section for oversize parts - page 46



# RHC6



IHI-9/30/2008-17

All names, numbers, symbols and descriptions are for reference purposes only, and do not imply that any part is the product of these manufacturers.



# SERVICE KIT - I H I

## RHC6

Item no.	Description	TI Part no.	Qty/ Turbo	TI Kit no.		
				7-F-1696	7-F-2432	7-F-1150
				<i>Note (i)</i>	<i>Note (ii)</i>	<i>Note (iii)</i>
1	Journal bearing, wide	8-F-0995	2	✓	✓	✓
2	Retaining ring, jnl/brg.	8-F-0474	4	✓	✓	✓
3	Piston ring, t/end	8-F-0472	1	✓	✓	✓
4	Thrust bushing/spacer	8-F-1697	1	✓	-	-
4	Thrust bushing/spacer	8-F-2430	1	-	✓	-
5	Thrust bearing, 360°	8-F-1237	1	✓	✓	✓
6	Bolt, th/brg.	8-F-0476	4	✓	✓	✓
7	Thrust collar/oil throwe	8-F-1698	1	✓	-	-
7	Thrust collar/oil throwe	8-F-2431	1	-	✓	-
8	Piston ring, c/end, larg	8-F-1239	1	✓	✓	✓
9	Piston ring, c/end, sm	8-F-1639	1	✓	✓	✓
10	Sealplate	-	1	-	-	-
11	Bolt, seal plate	8-F-0446	4	✓	✓	✓
12	Locknut, shaft	8-F-3087	1	✓	✓	✓

Gasket, oil outlet ( pap 8-F-1767 1

*Note (i) Fits short specs. GM-1, GM-2, GM-3, GM-4, GM-5, GM6 & GM8*

*(ii) Fits short specs. VX-53*

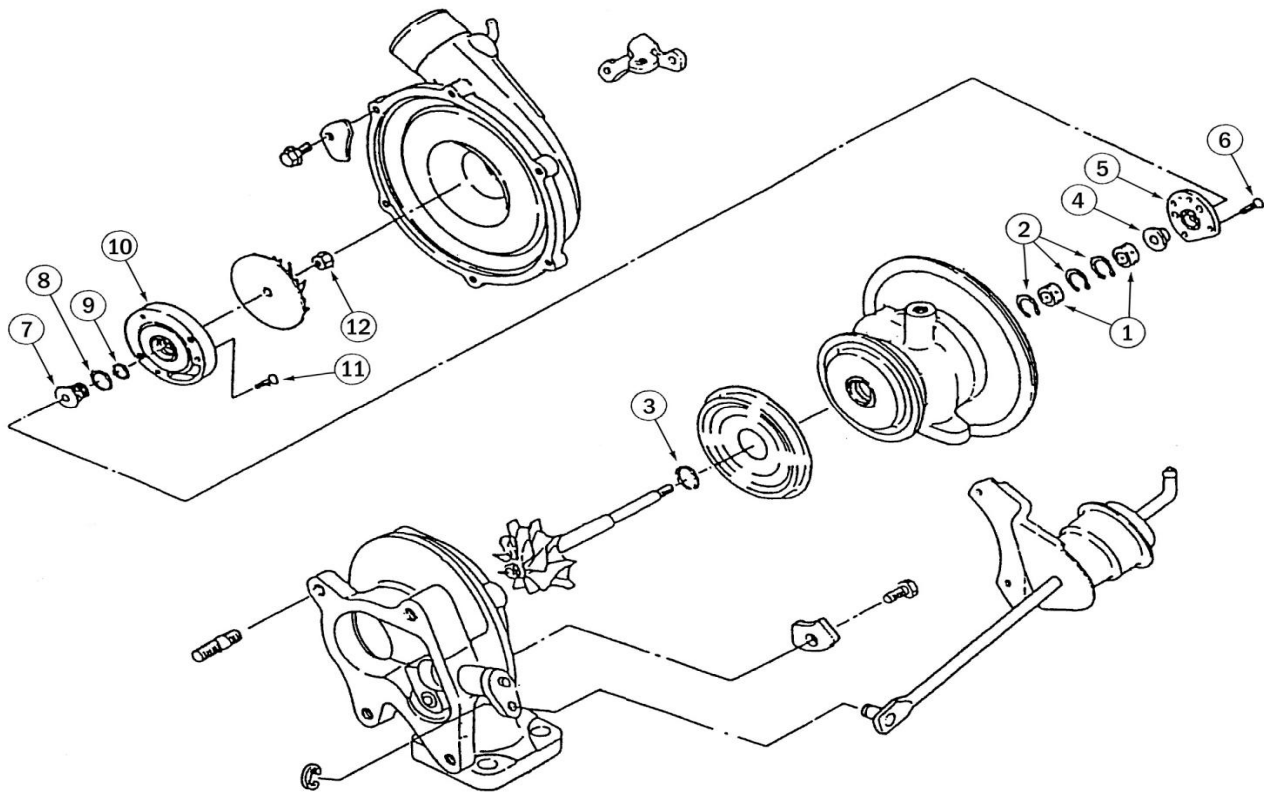
*(iii) Fits short specs. GM-1, GM-2, GM-3, GM-4, GM-5, GM6, GM8 & VX-53*

See JOURNAL BEARING section for oversize & under-size parts - page 41

See PISTON RING section for oversize parts - page 46



# RHB7 RHC7



IHI-9/30/2008-19

All names, numbers, symbols and descriptions are for reference purposes only, and do not imply that any part is the product of these manufacturers.



## SERVICE KIT - I H I

RHB7  
RHC7

Item no.	Description	TI Part no.	Qty/ Turbo	TI Kit no.			
				7-F-3423	7-F-1149	7-F-1591	7-F-0044
				<i>Note (i)</i>	<i>Note (i)</i>	<i>Note (ii)</i>	<i>Note (ii)</i>
1	Journal bearing	8-F-0036	2	✓	✓	✓	✓
2	Retaining ring, jnl/brg.	8-F-0038	4	✓	✓	✓	✓
3	Piston ring, t/end	8-F-0039	1	✓	✓	✓	✓
4	Thrust bushing/spacer	8-F-1588	1	✓	-	✓	-
5	Thrust bearing, 360°	8-F-1288	1	✓	✓	-	-
5	Thrust bearing, 360°	8-F-0037	1	-	-	✓	✓
6	Bolt, th/brg.	8-F-0476	4	✓	✓	✓	✓
7	Thrust collar/oil throwe	8-F-1590	1	✓	-	-	-
7	Thrust collar/oil throwe	8-F-1589	1	-	-	✓	-
8	Piston ring, c/end, larg	8-F-0040	1	-	-	✓	✓
9	Piston ring, c/end, sm	8-F-0441	1/2	✓	✓	✓	✓
10	Sealplate	-	1	-	-	-	-
11	Bolt, seal plate	8-F-0042	4	-	-	✓	✓
11	Bolt, seal plate	8-F-3117	4	✓	✓	-	-
12	Locknut, shaft	8-F-1231	1	✓	✓	✓	✓
	Gasket, oil inlet	8-F-1769	1				
	Gasket, oil outlet ( pap	8-F-1768	1				

*Note (i) Fits RHB7*

*(ii) Fits RHC7*

See JOURNAL BEARING section for oversize & under-size parts - page 42

See PISTON RING section for oversize parts - page 47





This page has been intentionally left blank



# Toyota Index

Turbo International part number reference

pages 2 - 3

Major components:

pages 4 - 5

Turbine wheels

Compressor wheels

Seal plates

Service kits by model

pages 6 - 17

Turbo Model	Kit page no
CT9	6-7
CT12	10-11
CT12B	8-9
CT20 dynamic & carbon seal	12-13
CT20 dynamic & carbon seal	16-17
CT26 dynamic & carbon seal	14-15
CT26 dynamic & carbon seal	16-17



## CROSS REFERENCE - Toyota to Turbo International

OEM Part No.	Turbo International Part No.	Description	Turbo Model Application
	2-G-1606	TURBINE WHEEL ASSEMBLY, 48.21mm exducer dia.	CT20
	2-G-1607	TURBINE WHEEL ASSEMBLY, 51.92mm exducer dia.	CT26
	2-G-2497	TURBINE WHEEL ASSEMBLY, 43.99mm exducer dia.	CT20
	2-G-3174	TURBINE WHEEL ASSEMBLY inducer 50.81mm	CT12B
	2-G-3733	TURBINE WHEEL ASSEMBLY	CT12A
	3-G-1877	COMPRESSOR WHEEL RECESSED BACK Ind dia.1.42"/26.068mm	CT20
	3-G-1878	COMPRESSOR WHEEL SUPERBACK Ind dia. 1.56"/39.624mm	CT20A
	3-G-1900	COMPRESSOR WHEEL RECESSED BACK Ind dia.1.792"/45.417mm	CT26
	3-G-1901	COMPRESSOR WHEEL RECESSED BACK Ind dia 1.655"/42.037mm	CT26
	3-G-3202	COMPRESSOR WHEEL	CT12B
	3-G-3223	COMPRESSOR WHEEL Ind dia.1.54"/39.00mm	CT20
	7-G-0032	SERVICE KIT, DYNAMIC, CAMRY	CAMRY
	7-G-0497	SEAL PLATE ASSY. ENCAP 0.24"/6.1mm FLANGE	CT20/26
	7-G-0662	SERVICE KIT, GASOLINE, CARBON SEAL	CT26
	7-G-0665	SERVICE KIT, MINOR, GASOLINE, CARBON SEAL	CT20
	7-G-0839	SERVICE KIT, DIESEL, DYNAMIC SEAL	CT26
	7-G-0989	GASKET KIT	CT20/CT26
	7-G-1108	SEAL KIT 270°	CT12
	7-G-1122	SERVICE KIT, MAJOR, GASOLINE, CARBON SEAL	CT20
	7-G-1203	SERVICE KIT, MINOR, CARBON SEAL	CT26
	7-G-1597	SERVICE KIT, BASIC	CT26
	7-G-1598	SERVICE KIT, BASIC	CT20
	7-G-1657	SERVICE KIT, BASIC plus C/SEAL ASSEMBLY	CT20/CT26
	7-G-1890	SERVICE KIT, MAJOR, C/SEAL, plus SPACER	CT20/CT26
	7-G-2154	SERVICE KIT 270°	CT12
	7-G-2155	SEAL KIT 360°	CT12
	7-G-2156	SERVICE KIT 360°	CT12
	7-G-2157	SEAL KIT 270°	CT9
	7-G-2158	SERVICE KIT 270°	CT9
	7-G-2210	SERVICE KIT, MINOR, CARBON SEAL, less bearings	CT20
	7-G-2343	SEAL PLATE ASSY. ENCAP. 0.298"/7.57mm FLANGE	CT20/26
	7-G-2400	SERVICE KIT, MAJOR, DYNAMIC SEAL	CT26
	7-G-2595	SERVICE KIT, CELICA, 8.97mm wide bearings	CT12
	7-G-3454	SERVICE KIT, CARBON SEAL, MAJOR, Ø104	CT20
	7-G-3475	SERVICE KIT, MAJOR	CT12B
	7-G-3527	SERVICE KIT, DYNAMIC SEAL	CT20/CT26
	7-G-3849	SERVICE KIT, TOYOTA	
	8-G-0030	THRUST SPACER, DYNAMIC, DIESEL	CT26
	8-G-0031	THRUST COLLAR, DYNAMIC, DIESEL	CAMRY
	8-G-0495	THRUST BEARING, STEEL	CT20/26
	8-G-0497	SEAL PLATE ENCAP 0.24"/6.1mm FLANGE	CT20/26
	8-G-0499	O-RING, BEARING HOUSING	CT20/26
	8-G-0511	THRUST COLLAR, C/SEAL	CT20/26
	8-G-0512	THRUST SPACER, C/SEAL	CT20/26
	8-G-0513	PISTON RING C/END STD	CT20/26
17216-54010	8-G-0516	JOURNAL BEARING STD	CT20/26
	8-G-0597	JOURNAL BEARING 10/10	CT20/26



## CROSS REFERENCE - Toyota to Turbo International

OEM Part No.	Turbo International Part No.	Description	Turbo Model Application
	8-G-0598	JOURNAL BEARING 5/5	CT20/26
	8-G-0599	JOURNAL BEARING 5/STD	CT20/26
	8-G-0600	JOURNAL BEARING STD/10	CT20/26
	8-G-0601	JOURNAL BEARING STD/5	CT20/26
	8-G-0602	JOURNAL BEARING 10/STD	CT20/26
	8-G-0603	JOURNAL BEARING 10/5	CT20/26
	8-G-0604	JOURNAL BEARING 5/10	CT20/26
	8-G-0698	O RING, C/HSG. Ø125	CT26
	8-G-0736	JOURNAL BEARING, WIDE, STD	CT12
	8-G-0737	PISTON RING C/END STD	CT9/CT12
	8-G-0738	PISTON RING T/END STD	CT9/CT12
	8-G-0739	O RING 270°	CT9/CT12
	8-G-0740	O RING 270°	CT9/CT12
	8-G-0741	GASKET, WATER JACKET	CT20/26
	8-G-0742	GASKET, AIR OUTLET	CT20
	8-G-0743	GASKET, OIL INLET/OUTLET	CT20/26
	8-G-0796	BEARING SPACER +0.010" O/D	CT20
	8-G-0797	BEARING SPACER +0.010" O/D	CT26
	8-G-0948	BEARING SPACER +0.005" O/D	CT26
	8-G-0992	BEARING SPACER, STD	CT20
	8-G-1023	SEAL PLATE , DYNAMIC	CT20/26
	8-G-1100	O RING, C/HSG. Ø114	CT20
	8-G-1131	CARBON SEAL, ENCAPSULATED	CT20/CT26
	8-G-1133	LOCKNUT, SHAFT	CT20/CT26
	8-G-1241	BEARING SPACER +0.005" O/D	CT20
	8-G-1640	PISTON RING T/END STD	CT20/CT26
	8-G-1641	PISTON RING T/END 10/STD	CT20/CT26
	8-G-1642	PISTON RING T/END STD/10	CT20/CT26
	8-G-1643	PISTON RING T/END 10/10	CT20/CT26
	8-G-1644	PISTON RING T/END STD/20	CT20/CT26
	8-G-1645	PISTON RING T/END 10/20	CT20/CT26
	8-G-1759	JOURNAL BEARING STD/5	CT12
	8-G-1760	JOURNAL BEARING STD/10	CT12
	8-G-1761	JOURNAL BEARING 5/STD	CT12
	8-G-1762	JOURNAL BEARING 5/5	CT12
	8-G-1763	JOURNAL BEARING 5/10	CT12
	8-G-1764	JOURNAL BEARING 10/STD	CT12
	8-G-1765	JOURNAL BEARING 10/5	CT12
	8-G-1766	JOURNAL BEARING 10/10	CT12
	8-G-1804	PISTON RING C/E 10/STD	CT20/CT26
	8-G-2147	THRUST BEARING 270°	CT12
	8-G-2148	THRUST BEARING 270°	CT9
	8-G-2149	JOURNAL BEARING 270 STD°	CT9
	8-G-2150	THRUST BEARING 360°	CT12
	8-G-2151	JOURNAL BEARING NARROW STD	CT12
	8-G-2152	O RING S/PLATE 360°	CT12
	8-G-2153	O RING C/HSG 360°	CT12



## CROSS REFERENCE - Toyota to Turbo International

OEM Part No.	Turbo International Part No.	Description	Turbo Model Application
	8-G-2214	JOURNAL BEARING 270° 5/STD	CT9
	8-G-2215	JOURNAL BEARING 270° 5/5	CT9
	8-G-2216	JOURNAL BEARING 270° STD/5	CT9
	8-G-2217	JOURNAL BEARING 270° 10/STD	CT9
	8-G-2218	JOURNAL BEARING 270° STD/10	CT9
	8-G-2225	JOURNAL BEARING 360° 5/STD	CT12B
	8-G-2226	JOURNAL BEARING 360° 5/5	CT12B
	8-G-2227	JOURNAL BEARING 360° STD/5	CT12B
	8-G-2228	JOURNAL BEARING 360° 10/STD	CT12B
	8-G-2229	JOURNAL BEARING 360° 10/5	CT12B
	8-G-2231	RETAINING RING, J/BRG	CT12
	8-G-2265	LOCKNUT, SHAFT, 0.297" dia.	CT12
	8-G-2343	SEAL PLATE, ENCAPSULATED, 0.298"/7.57mm FLANGE	CT20/26
	8-G-2849	JOURNAL BEARING 15/STD	CT20/CT26
	8-G-2955	JOURNAL BEARING, 15/5	CT20/CT26
	8-G-2980	JOURNAL BEARING 20/STD	CT20/CT26
	8-G-3221	LOCKNUT, SHAFT	CT12
	8-G-3453	O RING, C/HSG. Ø104	CT20
	8-G-3473	THRUST COLLAR	CT12B
	8-G-3474	THRUST FLINGER	CT12B
	8-G-3538	BEARING SPACER 20/STD	CT20
	8-G-3840	THRUST BEARING	
	8-G-3841	PISTON RING, T/END, STD	
	8-G-3842	JRNL BRG, STD	

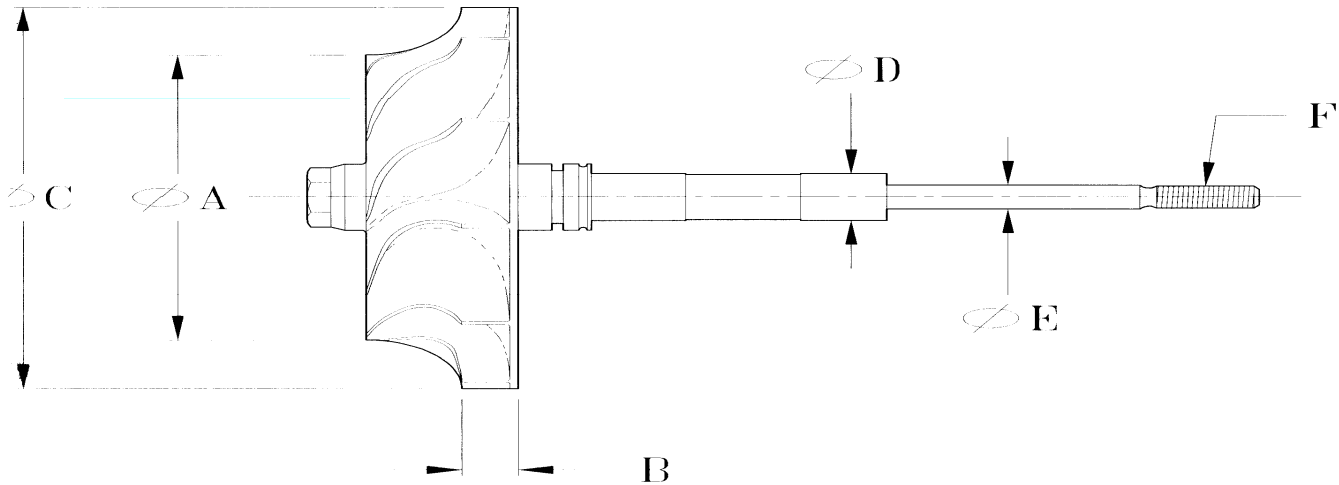


This page has been intentionally left blank



## MAJOR COMPONENT - Toyota

### Turbine Wheel

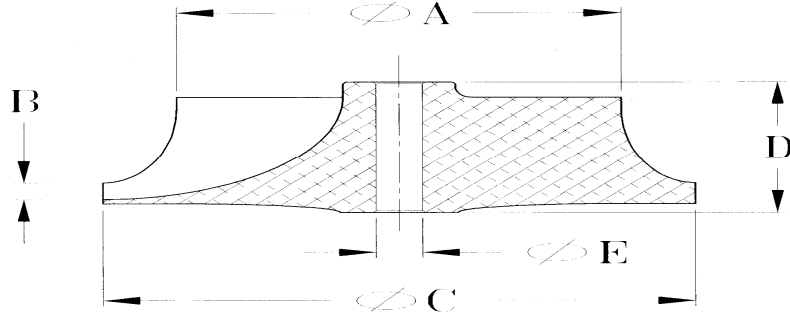


TI Part no.	Turbo Model	Exducer "OA"	Tip Height "B"	Inducer "OC"	Journal "OD"	Stem "OE"	Trim/No. of blades	Shaft thread "F"	Inches	Metric
2-G-3733	CT12A	1.651	0.340	1.977	0.334	0.224	8	M5 X 0.5 LH	ins.	
									mms	
2-G-3174	CT12B	1.732	0.246	2.044	0.295	0.201	9	M5 X 0.5 LH	ins.	
		43.99	6.25	51.92	7.49	5.11			mms	
2-G-1606	CT20	1.898	0.400	2.352	0.394	0.256	65 trim/11	M6X1.0-6H LH	ins.	
		48.21	10.16	59.74	10.01	6.50			mms	
2-G-2497	CT20 LJ	1.732	0.390	2.352	0.394	0.256	54 trim/11	M6X1.0-6H LH	ins.	
		43.99	9.91	59.74	10.01	6.50			mms	
2-G-1607	CT26	2.044	0.446	2.670	0.394	0.256	59 trim/11	M6X1.0-6H LH	ins.	
		51.92	11.33	67.82	10.01	6.50			mms	



## MAJOR COMPONENT - Toyota

### Compressor Wheel

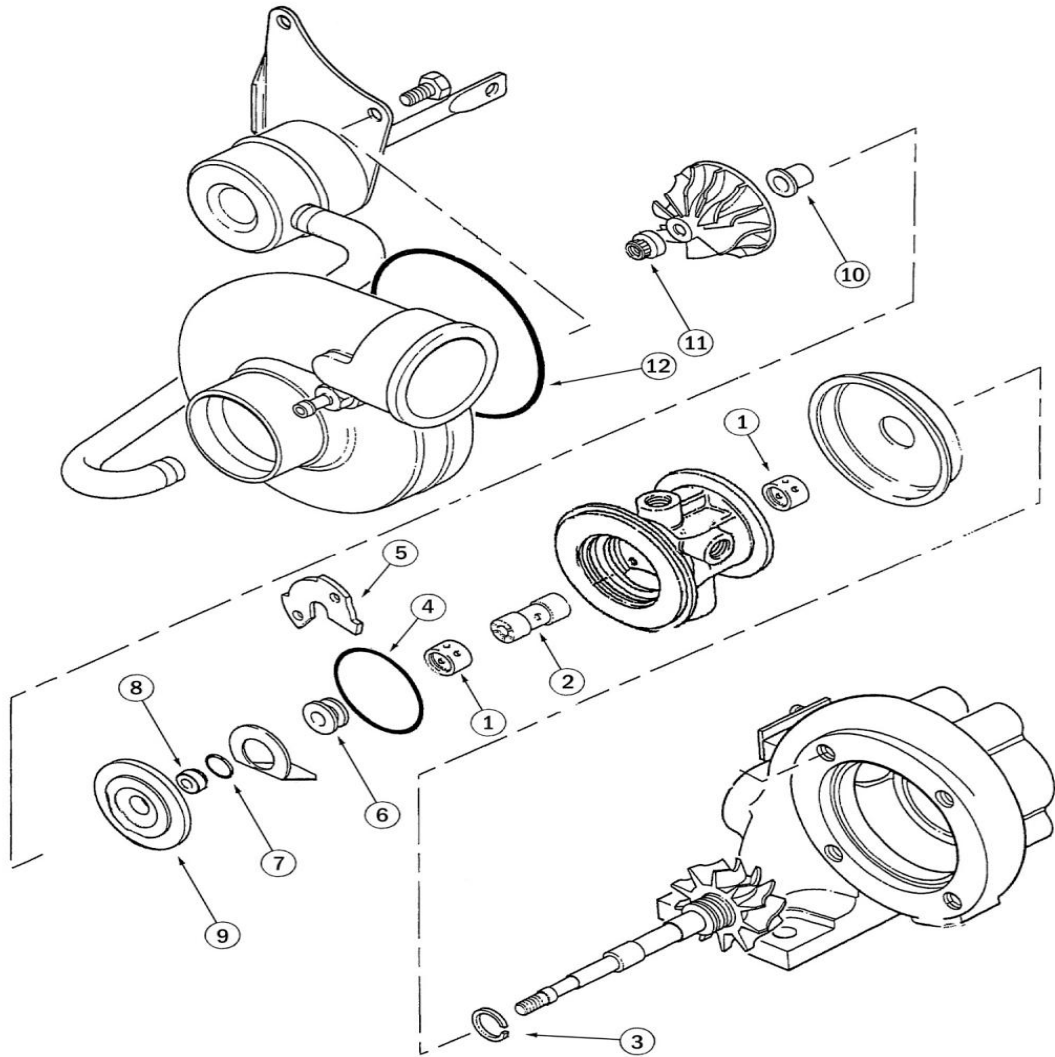


TI Part no.	Turbo Model	Inducer "OA"	Tip height "B"	Exducer "OC"	Hub Length "D"	Bore "OE"	Trim/ No. of blades	Inches /Metric
3-G-3202	CT12B	1.694	0.164	2.286	1.116	0.201	6/6	ins.
		43.03	4.17	58.06	28.35	5.11		mms.
3-G-1877	CT20	1.422	0.127	2.240	0.960	0.256	40 trim/6-6	ins.
		36.12	3.23	56.90	24.38	6.50		mms.
3-G-1878	CT20A	1.560	0.120	2.240	0.960	0.256	48 trim/6-6	ins.
		39.62	3.05	56.90	24.38	6.50		mms.
3-G-1900	CT26	1.792	0.150	2.560	1.085	0.256	49 trim/5-5	ins.
		45.52	3.81	65.02	27.56	6.50		mms.
3-G-1901	CT26	1.655	0.142	2.560	1.085	0.256	42 trim/5-5	ins.
		42.04	3.61	65.02	27.56	6.50		mms.

### Seal Plate

TI Part no.	Turbo Model/ Application	Seal Design	Flange Thickness inches	Flange Thickness mms
8-G-0497	CT20/CT26	C/seal	0.240	6.100
8-G-2343	CT20/CT26	C/seal	0.298	7.570
8-G-1023	CT20/CT26	Dynamic	0.240	6.100





*This illustration is intended only as a guide. The actual part or assembly may vary from one model to another.*



## SERVICE KIT - Toyota - 270° thrust bearing

### CT9

Item no.	Description	TI Part no.	Qty/ Turbo	TI Kit no.	
				7-G-2158	7-G-2157
1	Journal bearing	8-G-2149	2	✓	✓
2	Bearing Spacer	-	1	-	-
3	Piston ring, t/end	8-G-0738	1	✓	✓
4	O ring, seal plate	8-G-0740	1	✓	✓
5	Thrust bearing, 270°	8-G-2148	1	✓	-
6	Thrust collar	-	1	-	-
7	Piston ring, c/end	8-G-0737	1	✓	✓
9	Sealplate	-	1	-	-
10	Thrust spacer	-	1	-	-
11	Locknut, shaft	8-G-2265	1	✓	✓
12	O ring, c/end	8-G-0739	1	✓	✓

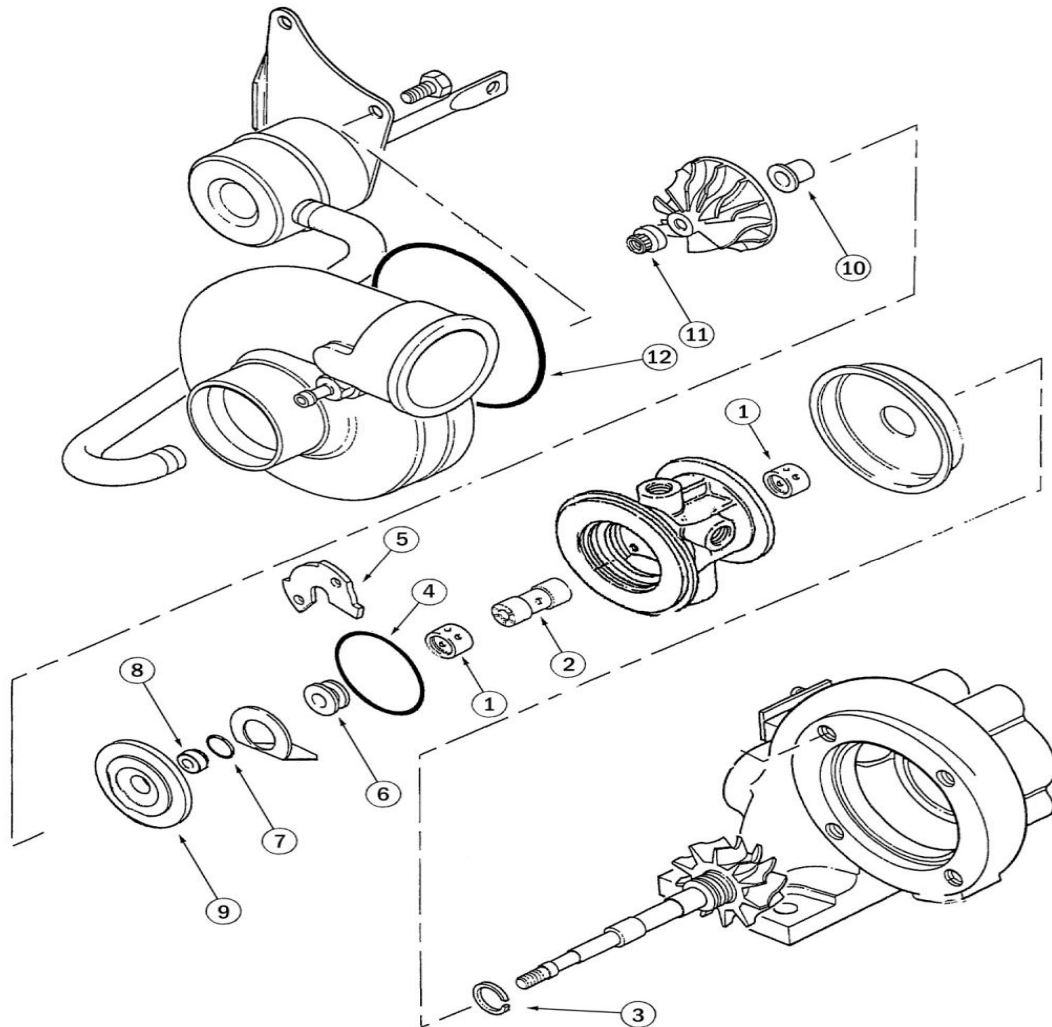
See JOURNAL BEARING section for oversize & under-size parts - page 43

See PISTON RING section for oversize parts - page 50

See GASKET section



# CT12B



*This illustration is intended only as a guide. The actual part or assembly may vary from one model to another.*



# SERVICE KIT - Toyota - 360° thrust bearing - narrow journal bearing

## CT12B

Item no.	Description	TI Part no.	Qty/ Turbo	TI Kit no.		
				7-G-2156	7-G-2155	7-G-3475
1	Journal bearing	8-G-2151	2	✓	✓	✓
2	Bearing Spacer	-	1	-	-	-
3	Piston ring, t/end	8-G-0738	1	✓	✓	✓
4	O ring, seal plate	8-G-2153	1	✓	✓	✓
5	Thrust bearing, 360°	8-G-2150	1	✓	-	✓
6	Thrust collar	8-G-3473	1	✓	-	✓
7	Piston ring, c/end	8-G-0737	1	✓	✓	✓
9	Sealplate	-	1	-	-	-
10	Thrust spacer	8-G-3474	-	-	-	✓
11	Locknut, shaft	8-G-2265	1	✓	✓	✓
12	O ring, c/end	8-G-2152	1	✓	✓	✓
	Retaining Ring, jnl.brg.	8-G-2231	3	✓	✓	✓

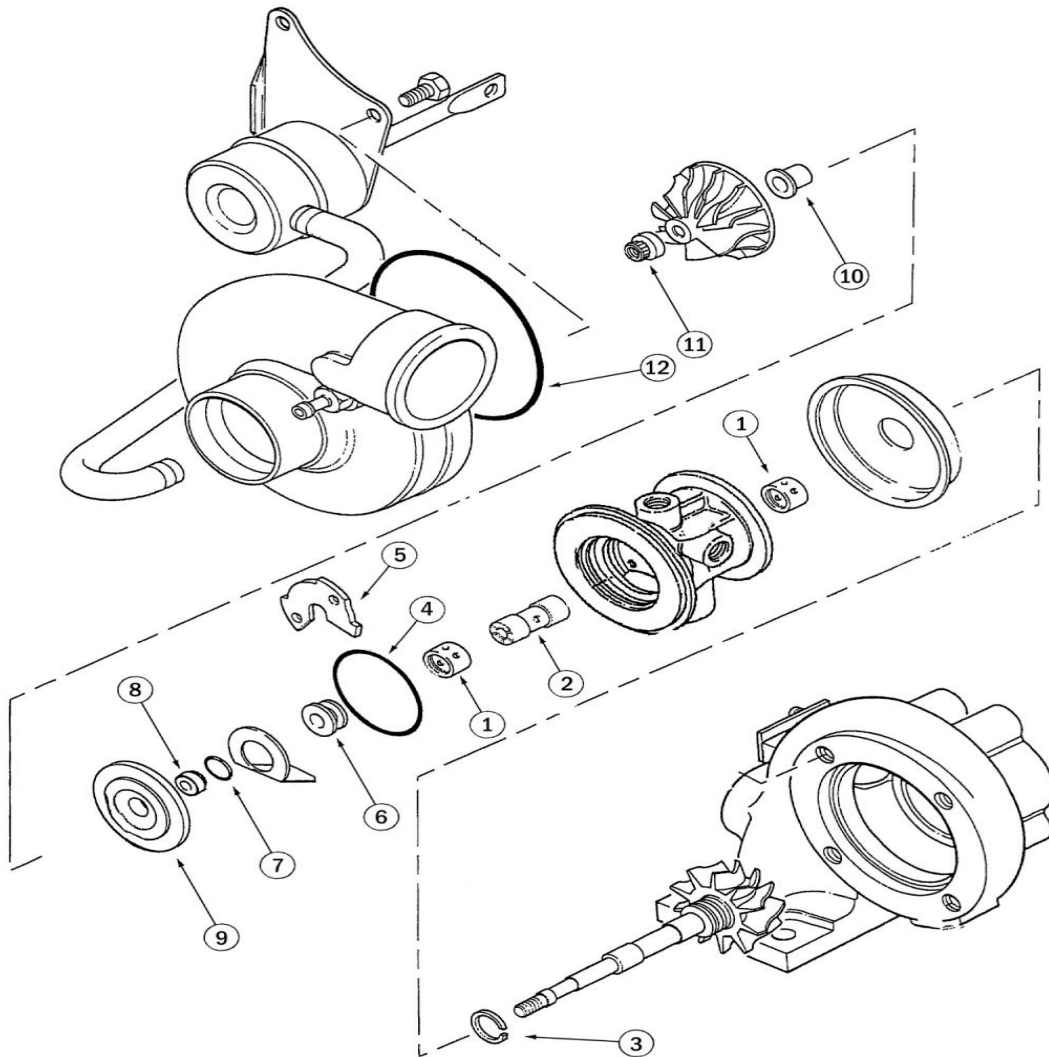
See JOURNAL BEARING section for oversize & under-size parts - page 44

See PISTON RING section for oversize parts - page 50

See GASKET section



## CT12



*This illustration is intended only as a guide. The actual part or assembly may vary from one model to another.*

Toyota-6/23/2008-11

All names, numbers, symbols and descriptions are for reference purposes only, and do not imply that any part is the product of these manufacturers.



## SERVICE KIT - Toyota - 270° thrust bearing - wide journal bearing

### CT12

Item no.	Description	TI Part no.	Qty/ Turbo	TI Kit no.	
				7-G-2154	7-G-1108
1	Journal bearing	8-G-0736	2	✓	✓
2	Bearing Spacer	-	1	-	-
3	Piston ring, t/end	8-G-0738	1	✓	✓
4	O ring, seal plate	8-G-0740	1	✓	✓
5	Thrust bearing, 270°	8-G-2148	1	✓	-
6	Thrust collar	-	1	-	-
7	Piston ring, c/end	8-G-0737	1	✓	✓
9	Sealplate	-	1	-	-
10	Thrust spacer	-	1	-	-
11	Locknut, shaft	8-G-3221	1	✓	✓
12	O ring, c/end	8-G-0739	1	✓	✓
	Retaining Ring, jnl.brg.	8-G-2231	3	✓	✓

See JOURNAL BEARING section for oversize & under-size parts - page 45

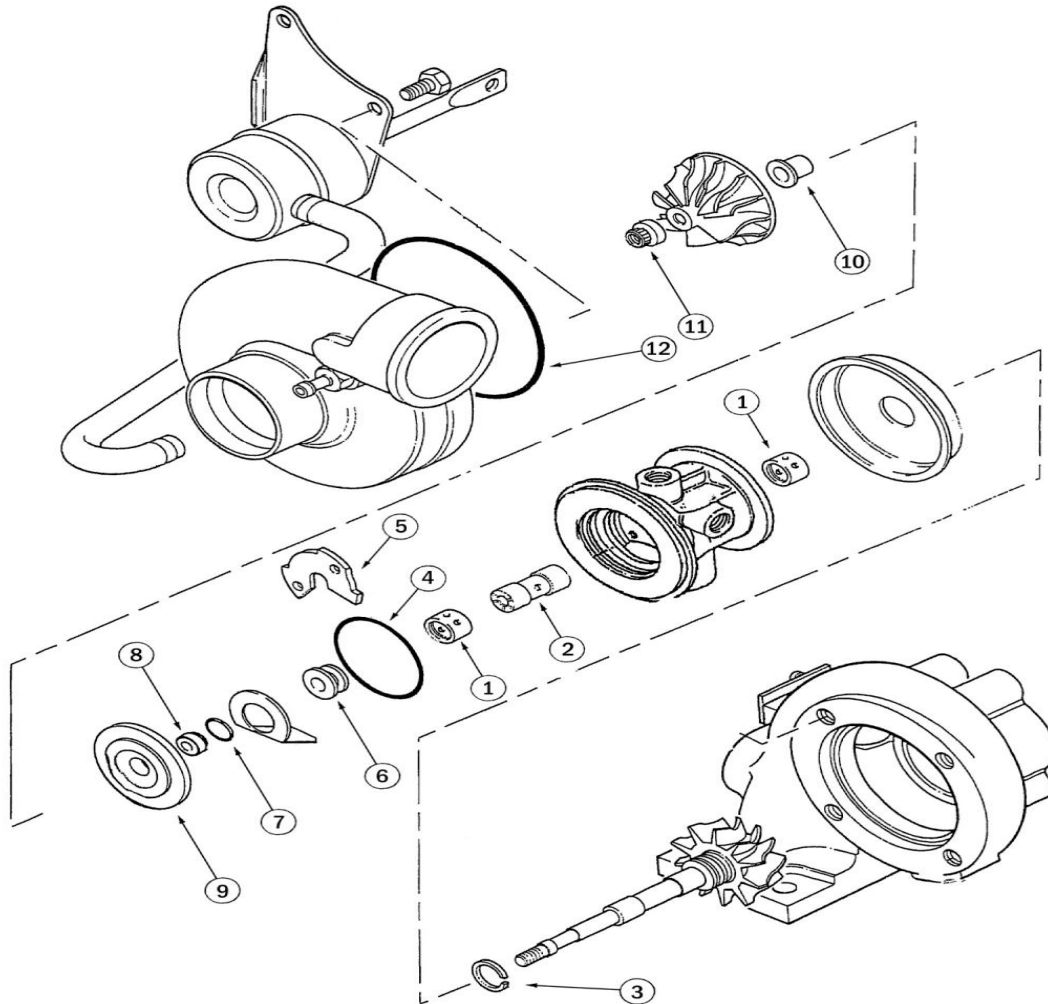
See PISTON RING section for oversize parts - page 50

See GASKET section



# CT20

carbon seal & dynamic



*This illustration is intended only as a guide. The actual part or assembly may vary from one model to another.*



## SERVICE KIT - Toyota - carbon seal & dynamic

### CT20

Item no.	Description	TI Part no.	Qty/ Turbo	TI Kit no.					
				7-G-1122	7-G-0665	7-G-1657	7-G-0032	7-G-3454	7-G-1598
				<i>note (i)</i>	<i>note (i)</i>	<i>note (i)</i>	<i>note (ii)</i>		
1	Journal bearing	8-G-0516	2	✓	✓	✓	✓	✓	✓
2	Bearing spacer	8-G-0992	1	-	-	-	-	-	-
3	Piston ring, t/end	8-G-1640	1	✓	✓	✓	✓	✓	✓
4	O ring, brg/hsg	8-G-0499	1	✓	✓	✓	✓	✓	✓
5	Thrust bearing	8-G-0495	1	✓	✓	-	✓	✓	✓
6	Thrust collar, c/seal	8-G-0511	1	✓	-	-	-	✓	-
6	Thrust collar, dynamic	8-G-0031	1	-	-	-	✓	-	-
7	Piston ring, c/end	8-G-0513	1	✓	-	-	✓	✓	-
8	Carbon seal, encap.	8-G-1131	1	-	-	-	-	-	-
9	Seal plate, c/seal, 0.24"/6.1	8-G-0497	1	-	-	-	-	-	-
9	Seal plate assy. c/seal *	7-G-0497	1	✓	✓	✓	-	-	-
9	Seal plate, dyn, 0.24"/6.1mm	8-G-1023	1	-	-	-	-	-	-
9	Seal plate, c/seal, 0.298"/7.57	8-G-2343	1	-	-	-	-	-	-
9	Seal plate assy., c/seal *	7-G-2343	1	-	-	-	-	✓	-
10	Thrust spacer, c/seal	8-G-0512	1	✓	-	-	-	✓	-
10	Thrust spacer, dynamic	8-G-0030	1	-	-	-	✓	-	-
11	Locknut, t/shaft, l/hand	8-G-1133	1	✓	✓	✓	✓	✓	✓
12	O ring, c/end Ø 114	8-G-1100	1	✓	✓	-	✓	-	-
12	O ring, c/end Ø 104	8-G-3453	1	-	-	-	-	✓	-

Note \* Sealplate assy. 7-G-0497 contains:

Seal plate	8-G-0497	1
Carbon seal, encap.	8-G-1131	1

8-G-0497 & 8-G-1023 seal plates both have a flange thickness of 0.24"/6.1mm

Note \* Sealplate assy. 7-G-2343 contains:

Seal plate	8-G-2343	1
Carbon seal, encap.	8-G-1131	1

8-G-2343 seal plate has a flange thickness of 0.298"/7.57mm

Note (i) Carbon seal

(ii) Dynamic seal

See JOURNAL BEARING section for oversize & under-size parts - page 46

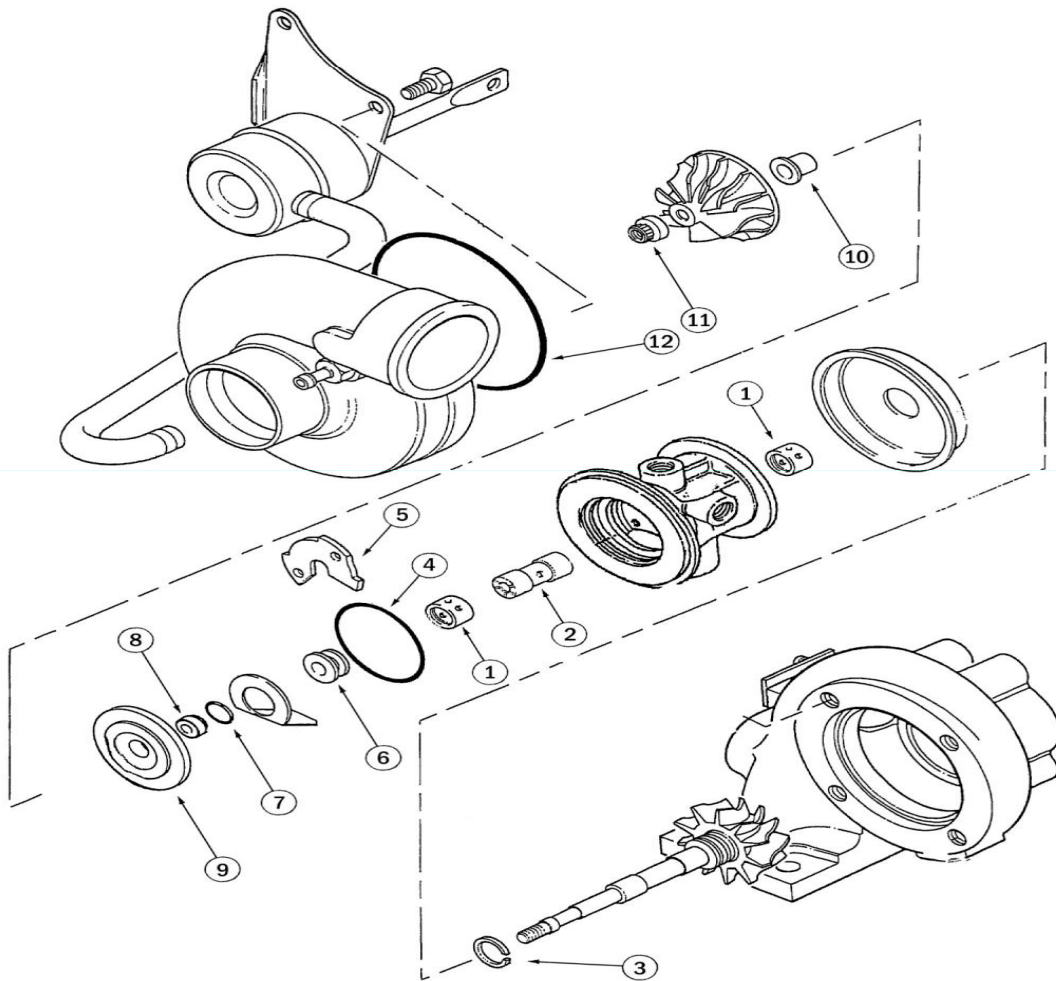
See PISTON RING section for oversize parts - page 51

See GASKET section





## CT26 carbon seal & dynamic



*This illustration is intended only as a guide. The actual part or assembly may vary from one model to another.*



# SERVICE KIT - Toyota - carbon seal & dynamic

## CT26

Item no.	Description	TI Part no.	Qty/ Turbo	TI Kit no.				
				7-G-0662	7-G-1203	7-G-2400	7-G-0839	7-G-1597
				<i>note (i)</i>	<i>note (i)</i>	<i>note (ii)</i>	<i>note (ii)</i>	<i>note (ii)</i>
1	Journal bearing	8-G-0516	2	✓	✓	✓	✓	✓
2	Bearing spacer	8-G-0992	1	-	-	-	-	-
3	Piston ring, t/end	8-G-1640	1	✓	✓	✓	✓	✓
4	O ring, brg/hsg	8-G-0499	1	✓	✓	✓	✓	✓
5	Thrust bearing	8-G-0495	1	✓	✓	✓	✓	✓
6	Thrust collar, c/seal	8-G-0511	1	✓	-	-	-	-
6	Thrust collar, dynamic	8-G-0031	1	-	-	✓	✓	-
7	Piston ring, c/end	8-G-0513	1	✓	-	✓	✓	✓
8	Carbon seal, encap.	8-G-1131	1	-	-	-	-	-
9	Seal plate, c/seal, 0.24"/6.1	8-G-0497	1	-	-	-	-	-
9	Seal plate assy. c/seal *	7-G-0497	1	✓	✓	-	-	-
9	Seal plate, dyn, 0.24"/6.1mm	8-G-1023	1	-	-	✓	-	-
9	Seal plate, c/seal, 0.298"/7.57	8-G-2343	1	-	-	-	-	-
9	Seal plate assy. c/seal *	7-G-2343	1	-	-	-	-	-
10	Thrust spacer, c/seal	8-G-0512	1	✓	-	-	-	-
10	Thrust spacer, dynamic	8-G-0030	1	-	-	✓	✓	-
11	Locknut, t/shaft, l/hand	8-G-1133	1	✓	✓	✓	✓	✓
12	O ring, c/end Ø 125	8-G-0698	1	✓	✓	✓	✓	✓

Note \* Sealplate assy. 7-G-0497 contains:

Seal plate	8-G-0497	1
Carbon seal, encap.	8-G-1131	1

8-G-0497 & 8-G-1023 seal plates both have a flange thickness of 0.24"/6.1mm

Note \* Sealplate assy. 7-G-2343 contains:

Seal plate	8-G-2343	1
Carbon seal, encap.	8-G-1131	1

8-G-2343 seal plate has a flange thickness of 0.298"/7.57mm

Note (i) Carbon seal

(ii) Dynamic seal

See JOURNAL BEARING section for oversize & under-size parts - page 46

See PISTON RING section for oversize parts - page 51

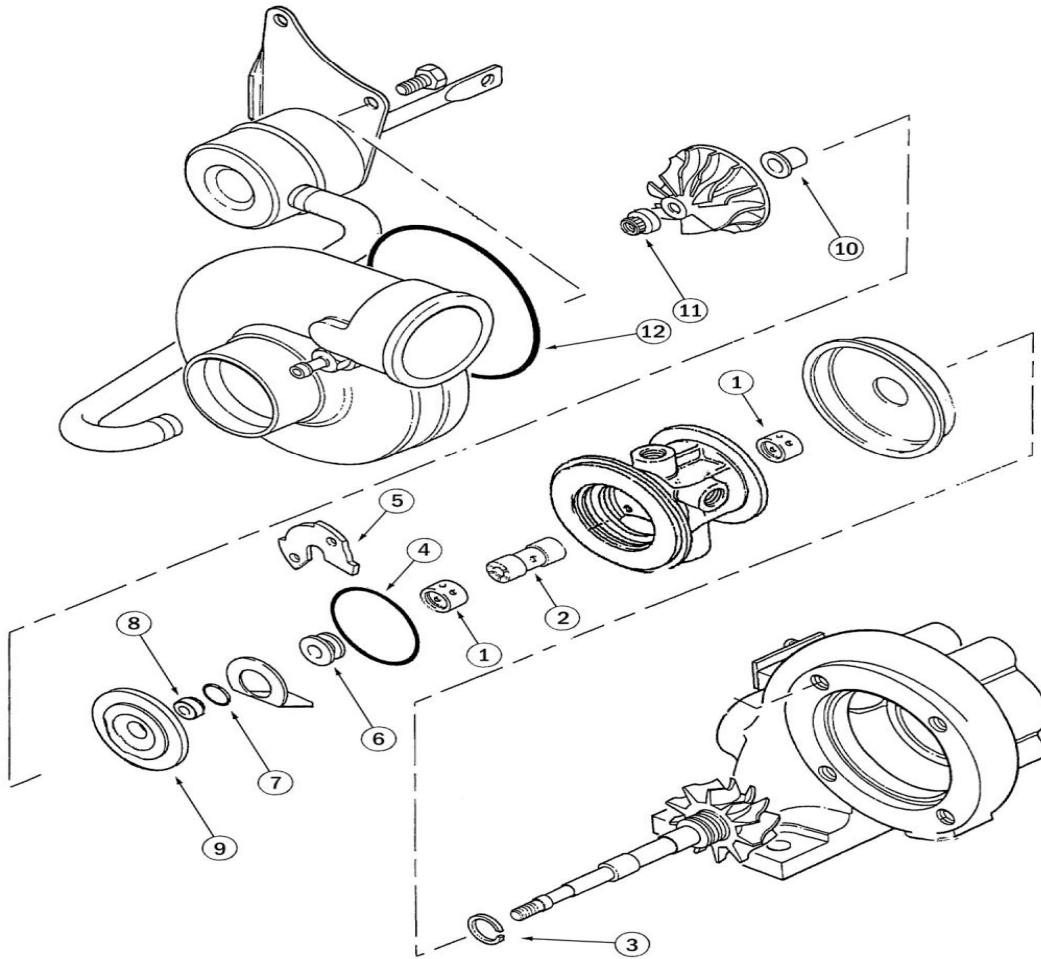
See GASKET section



## CT20

## CT26

carbon seal & dynamic



*This illustration is intended only as a guide. The actual part or assembly may vary from one model to another.*



# SERVICE KIT - Toyota - carbon seal & dynamic

CT20

CT26

Item no.	Description	TI Part no.	Qty/ Turbo	TI Kit no.			
				7-G-1890	7-G-2666	7-G-0989	7-G-3527
				<i>note (i)</i>	<i>note (ii)</i>		
1	Journal bearing	8-G-0516	2	✓	✓	-	✓
2	Bearing spacer	8-G-0992	1	✓	-	-	-
3	Piston ring, t/end	8-G-1640	1	✓	✓	-	✓
4	O ring, brg/hsg	8-G-0499	1	✓	✓	-	✓
5	Thrust bearing	8-G-0495	1	✓	✓	-	✓
6	Thrust collar, c/seal	8-G-0511	1	✓	✓	-	-
6	Thrust collar, dyn.	8-G-0031	1	-	-	-	✓
7	Piston ring, c/end	8-G-0513	1	✓	-	-	✓
8	Carbon seal, encap.	8-G-1131	1	-	-	-	-
9	Seal plate, c/seal, 0.24"/6.1mm	8-G-0497	1	-	-	-	-
9	Seal plate assy. c/seal *	7-G-0497	1	✓	✓	-	-
9	Seal plate, dyn. 0.24"/6.1mm	8-G-1023	1	-	-	-	✓
9	Seal plate, c/seal, 0.298"/7.57mm	8-G-2343	1	-	-	-	-
9	Seal plate assy., c/seal *	7-G-2343	1	-	-	-	-
10	Thrust spacer, c/seal	8-G-0512	1	✓	✓	-	-
10	Thrust spacer, dyn.	8-G-0030	1	-	-	-	✓
11	Locknut, t/shaft, l/hand	8-G-1133	1	✓	-	-	✓
12	O ring, c/end CT20	8-G-1100	1	✓	-	-	✓
12	O ring, c/end CT26	8-G-0698	1	✓	-	-	✓
	Gasket, water jacket	8-G-0741	2	✓	-	✓	-
	Gasket, air outlet	8-G-0742	1	✓	-	✓	-
	Gasket, oil inlet/outlet	8-G-0743	1	✓	-	✓	-

Note \* Sealplate assy. 7-G-0497 contains:

Seal plate	8-G-0497	1
Carbon seal, encap.	8-G-1131	1

8-G-0497 & 8-G-1023 seal plates both have a flange thickness of 0.24"/6.1mm

Note \* Sealplate assy. 7-G-2343 contains:

Seal plate	8-G-2343	1
Carbon seal, encap.	8-G-1131	1

8-G-2343 seal plate has a flange thickness of 0.298"/7.57mm

Note (i) Carbon seal

(ii) Dynamic seal

See JOURNAL BEARING section for oversize & under-size parts - page 46

See PISTON RING section for oversize parts - page 51

See GASKET section



This page has been intentionally left blank



## Borg Warner ( K K K ) Index

Cross reference K K K to Turbo International	pages 1 - 8
Cartridge/chra applications by vehicle/engine model	pages 10 - 14
Cartridge/chra applications by turbo part no.	pages 15 - 18
Cartridge/chra applications by cartridge/chra part no.	pages 19 - 22
Major components:	pages 23 - 26
Turbine Wheels	
Compressor Wheels	
Bearing Housings	
Backplates/Seal Plates	
Heat Shields/Shrouds	
Service kits by model	pages 27 - 38

### K K K Service Kits by Turbo Model

Turbo Model	Kit page no
3LD	27-28
3LDZ	26-27
KO3	26-27
4LE	30-31
4LF	30-31
4LG	30-31
4LGZ	30-31
KO4	26-27
KO6	26-27
K14	32-33
K16	32-33
K24 - Journal bearing 0.5115"/12.99mm o/d	32-33
K24 - Journal bearing 0.6292"/0.15.98mm o/d	34-35
K26	34-35
K27	34-35
K28	34-35
K29	34-35
KP31	37-38
KP35	37-38
BV39	37-38
KP39	37-38



## CROSS REFERENCE - Borg Warner (KKK) to Turbo International

OEM Part No.	Turbo International Part No.	Description	Turbo Model Application
	7-D-2557	SERVICE KIT, MAJOR, 0.181"/4.60mm bore, grv'd brg.	KO3
	7-D-2562	SERVICE KIT, MAJOR, 0.181"/4.60mm bore, plain brg.	KO3/KO4
	7-D-3557	SERVICE KIT, MAJOR, KP35, 12.6 mm	KP31/35/39/BV
	7-D-3616	SERVICE KIT, MINOR, KP35	KP31/35/39/BV
	7-D-3707	SERVICE KIT, MAJOR, KP35, 9.8 mm	KP31/35/39/BV
	7-D-3708	SERVICE KIT, UNIVERSAL, KP35	KP31/35/39/BV
	8-D-0836	JOURNAL BEARING 5/STD	K26
	8-D-0837	JOURNAL BEARING 5/5	K26
	8-D-0838	JOURNAL BEARING 10/STD	K26
	8-D-0840	JOURNAL BEARING STD/10	K26
	8-D-0859	JOURNAL BEARING STD/5	K26
	8-D-0860	JOURNAL BEARING 5/10	K26
	8-D-0861	JOURNAL BEARING 10/5	K26
	8-D-0862	JOURNAL BEARING 15/STD	K26
	8-D-1405	JOURNAL BEARING STD/10	K14
	8-D-1406	JOURNAL BEARING 10/10	K14
	8-D-1407	JOURNAL BEARING 20/STD	K14
	8-D-1408	JOURNAL BEARING 20/10	K14
	8-D-1409	JOURNAL BEARING 10/STD	K14
	8-D-1410	JOURNAL BEARING STD/20	K14
	8-D-1525	JOURNAL BEARING 5/5	K14/K16
	8-D-1595	JOURNAL BEARING 10/5	K14/K16
	8-D-1596	JOURNAL BEARING 5/STD	K14/K16
	8-D-1805	PISTON RING C/E & T/E 10/STD	K14/K16
	8-D-1806	PISTON RING C/E & T/E STD/10	K14/K16
	8-D-1807	PISTON RING C/E & T/E 10/10	K14/K16
	8-D-1808	PISTON RING C/E & T/E STD/20	K14/K16
	8-D-1809	PISTON RING C/E & T/E 10/20	K14/K16
	8-D-1810	PISTON RING C/E & T/E LARGE 10/STD	K26
	8-D-1811	PISTON RING C/E & T/E LARGE STD/10	K26
	8-D-1812	PISTON RING C/E & T/E LARGE 10/10	K26
	8-D-1813	PISTON RING C/E & T/E LARGE STD/20	K26
	8-D-1814	PISTON RING C/E & T/E LARGE 10/20	K26
	8-D-1815	PISTON RING C/E SMALL 10/STD	K26
	8-D-2022	JOURNAL BEARING, 5/STD	KO3/KO4
	8-D-2036	JOURNAL BEARING STD/5	K14/K16
	8-D-2499	JOURNAL BEARING, STD/5	KO3
	8-D-2500	JOURNAL BEARING, STD/10	KO3
	8-D-2510	THRUST SPACER 0.174"/4.420mm bore	KO3/KO4/KO6
	8-D-2556	WASHER, ALUMINUM	KO3
	8-D-3118	THRUST COLLAR 4.42mm bore, 1.00mm thick flange	KO4
	8-D-3325	JOURNAL BEARING STD/5	3LEP
	8-D-3326	JOURNAL BEARING STD/10	3LEP
	8-D-3757	PISTON RING T/E STD/10	K36
	8-D-3758	PISTON RING T/E STD/203531	K36
	8-D-3759	PISTON RING T/E 10/STD	K36
	8-D-3760	PISTON RING T/E 10/10	K36
	8-D-3761	PISTON RING T/E 10/20	K36



## CROSS REFERENCE - Borg Warner (KKK) to Turbo International

OEM Part No.	Turbo International Part No.	Description	Turbo Model Application
	8-D-0381	JOURNAL BEARING 10/10	K26
	8-D-1594	JOURNAL BEARING, 5/10	K14/K16
50035192251	8-D-0916	BOLT	K16
50035192601	8-D-0412	BOLT, B/HOUSING	K26
50035355219	8-D-0917	BOLT, HEX HEAD, M6 x 1.0-6H x 12 mm	K16/KO3/KO4
50035355222	8-D-0917	BOLT, HEX HEAD, M6 x 1.0-6H x 12 mm	K16/KO3/KO4
50035360293	8-D-2943	BOLT, T/END	K14/K16
50035360328	8-D-1708	BOLT	K26
50035360810	8-D-1116	BOLT, T/END	K14/16
50035505281	8-D-0410	NUT, T/END	K26
50035840900	8-D-1320	SPRING RING	K24
50040720016	8-D-2417	CIRCLIP	KO3/KO4
50040790007	8-D-0919	RETAINING RING	KO3/KO4/KO6/
50080372081	8-D-2555	GASKET RING	KO3
52221090403	8-D-0411	BOLT, C/END	K26
52221270100	8-D-1625	PISTON RING T/E STEP STD	3L/4L
52221270103	8-D-1702	PISTON RING T/END STD	K22K36
52221280202	8-A-0164	LOCKNUT, SHAFT	
52221580501	8-B-0064	O RING, S/PLATE	
52227110002	7-D-1703	SERVICE KIT	3LD/3LDZ
52227110005	7-B-0730	SERVICE KIT	3LD/3LDZ
52231090805	8-D-1346	CLAMP PLATE	K28
52231270102	8-D-0406	PISTON RING C/END STD	K26
52231551001	8-D-0818	JOURNAL BEARING STD	K23/3LEP
52231586500	8-D-3088	GASKET, OIL INLET	K23/K26/K27/K
52237110002	7-D-1358	SERVICE KIT	3LKS
52321270100	8-D-1480	PISTON RING C/END STD DUCTILE	3LD/4L
52321270104	8-D-1701	PISTON RING C/END STD	K32
52327110004	7-B-0640	SERVICE KIT, STEP BORE	4LE/4LF/4LG
53031030802		USE 5303-103-0803	
53031030803	8-D-1963	RETAINING RING, J & T/ BRG	KO3/KO4
53031205002		USE 5303-120-5029	
53031205006		USE 5303-120-5016	
53031205010	2-D-3031	TURBINE WHEEL ASSEMBLY	KO3
53031205012		USE 5303-120-5029	
53031205013		USE 5303-120-5029	
53031205014	2-D-3130	TURBINE WHEEL ASSEMBLY	KO3
53031205015	2-D-3123	TURBINE WHEEL ASSEMBLY	KO3
53031205018		USE 5303-120-5016	
53031205023	2-D-3195	TURBINE WHEEL ASSEMBLY	KO3
53031205027	2-D-3630	TURBINE WHEEL ASSEMBLY	KO3
53031205037	2-D-3195	TURBINE WHEEL ASSEMBLY	KO3
53031232003		USE 5303-123-2011	
53031232004		USE 5303-123-2011	
53031232007	3-D-3517	COMPRESSOR WHEEL	KO3
53031232011	3-D-2276	COMPRESSOR WHEEL, 8 blade,long nose 1870E_A	KO3
53031232016		USE 5303-123-2018	
53031232018	3-D-3124	COMPRESSOR WHEEL	KO3





## CROSS REFERENCE - Borg Warner (KKK) to Turbo International

OEM Part No.	Turbo International Part No.	Description	Turbo Model Application
53031232021	3-D-3558	COMPRESSOR WHEEL, 1875E_E	KO3
53031240001	8-D-2285	THRUST COLLAR0.181"/4.60mm bore	KO3/KO4
53031270100	8-D-1782	PISTON RING C/END STD	KO3/KO4/KO6
53031270500		USE 5303-127-0501	
53031270501	8-D-2283	FLINGER SLEEVE 0.181"/4.60mm bore	KO3/KO4/KO6
53031515700		USE 5303-151-5701	
53031515700	5-D-2572	BACKPLATE C/W bore 1.82"/46.228mm.P/R bore thickness 0.125"/3.18	KO3
53031515701	5-D-2278	BACKPLATE C/W bore 1.82"/46.228mm.P/R bore thickness 0.155"/3.94	KO3
53031551001	8-D-2498	JOURNAL BEARING, dual oil feed, STD	KO3
53031551007	8-D-1816	JOURNAL BEARING, SINGLE OIL FEED, STD	KO4
53031560801	8-D-2472	OIL DEFLECTOR	KO3/KO4
5303158-050		USE 5303-158-0501	
53031580501	8-D-1818	O RING	KO3/KO4
53031652000	6-D-2281	HEAT SHIELD	KO3
53037100500	1-D-2167	CARTRIDGE/CHRA	KO3
53037100501	1-D-2597	CARTRIDGE/CHRA	KO3
53037100502	1-D-2168	CARTRIDGE/CHRA	KO3
53037100503	1-D-3129	CARTRIDGE/CHRA	KO3
53037100504	1-D-3337	CARTRIDGE/CHRA	KO3
53037100505	1-D-3126	CARTRIDGE/CHRA	KO3
53037100506	1-D-3125	CARTRIDGE/CHRA	KO3
53037100507	1-D-3121	CARTRIDGE/CHRA	KO3
53037100507	1-D-3439	CARTRIDGE/CHRA	KO3
53037100508	1-D-3901	CARTRIDGE/CHRA	KO3
53037100509	1-D-3573	CARTRIDGE/CHRA	KO3
53037100511	1-D-3194	CARTRIDGE/CHRA	KO3
53037100513	1-D-3131	CARTRIDGE/CHRA	KO3
53037100514	1-D-3150	CARTRIDGE/CHRA	KO3
53037100515	1-D-3587	CARTRIDGE/CHRA	KO3
53037100516	1-D-3203	CARTRIDGE/CHRA	KO3
53037100517	1-D-3611	CARTRIDGE/CHRA	KO3
53037100518	1-D-3590	CARTRIDGE/CHRA	KO3
53037100519	1-D-3591	CARTRIDGE/CHRA	KO3
53037100521	1-D-3612	CARTRIDGE/CHRA	KO3
53037100523	1-D-3597	CARTRIDGE/CHRA	KO3
53037110000	7-D-1780	SERVICE KIT,MINOR,L & R/HAND THREAD,PLAIN BRG.	KO3/KO4
53037110001	7-D-2520	SERVICE KIT, L/HAND THREAD & GR'VD BRG.	KO3
53041202101		USE 5304-120-2100	
53041205008	2-D-2272	TURBINE WHEEL ASSEMBLY, L/HAND THREAD	KO4
53041205009	2-D-3599	TURBINE WHEEL ASSEMBLY	KO4
53041205010	2-D-2793	TURBINE WHEEL ASSEMBLY, LONG NOSE	KO4
53041205015	2-D-3602	TURBINE WHEEL ASSEMBLY	KO4
53041205018	2-D-3609	TURBINE WHEEL ASSEMBLY	KO4
53041232000	3-D-2558	COMPRESSOR WHEEL,12 blade,short nose,2070GGA	KO3
53041232001		USE 5304-123-2018	
53041232005	3-D-2736	COMPRESSOR WHEEL 2070GGA	KO4
53041232007	3-D-2277	COMPRESSOR WHEEL,12 blade,short nose,2072GAA	KO3/KO4
53041232015	3-D-3603	COMPRESSOR WHEEL	KO4



## CROSS REFERENCE - Borg Warner (KKK) to Turbo International

OEM Part No.	Turbo International Part No.	Description	Turbo Model Application
53041232018	3-D-3196	COMPRESSOR WHEEL	KO3/KO4
53041232023	3-D-3593	COMPRESSOR WHEEL	KO4
53041232029	3-D-3204	COMPRESSOR WHEEL	KO3
53041232032	3-D-3588	COMPRESSOR WHEEL	KO4
53041232201	3-D-3133	COMPRESSOR WHEEL	KO3
53041232202	3-D-3592	COMPRESSOR WHEEL	KO4
53041280200	8-D-2287	LOCKNUT, SHAFT, R/HAND THREAD	KO4
53041285000		USE 5304-128-5003	
53041285001		USE 5304-128-5004	
53041285002		USE 5304-128-5003	
53041285003	8-D-2574	LOCKNUT , SHAFT, L/HAND THREAD 5/16" HEX.	KO3
53041285004	8-D-2288	LOCKNUT, SHAFT, L/HAND THREAD, 3/8" HEX.	KO3/KO4/KO6
53041500000		USE 5304-150-0010	
53041500001		USE 5304-150-0010	
53041500004		USE 5304-150-0011	
53041500004	4-D-2430	BEARING HOUSING, OIL COOLED	KO4
53041500006	4-D-2275	BEARING HOUSING, WATER COOLED	KO3
53041500009	4-D-3336	BEARING HOUSING, WATER COOLED	KO3
53041500010		USE 5304-150-0004	KO3/KO4
53041500011	4-D-2274	BEARING HOUSING, OIL COOLED	KO3/KO4
53041500013		USE 5304-150-0011	KO3/KO4
53041500015	4-D-3604	BEARING HOUSING, WATER COOLED	KO4
53041500016	4-D-3610	BEARING HOUSING, WATER COOLED	KO4
53041500017	4-D-2275	BEARING HOUSING, WATER COOLED	KO3
53041500017	4-D-3614	BEARING HOUSING, WATER COOLED	KO4
53041510003	4-D-3631	BEARING HOUSING, OIL COOLED	KO4
53041510006	4-D-3338	BEARING HOUSING, OIL COOLED	KO3
53041510014	4-D-3631	BEARING HOUSING, OIL COOLED	KO4
53041515700	5-D-2280	BACKPLATE C/W bore 2.016"/51.21mm.P/R bore thickness 0.125"/3.18	KO4
53041515702	5-D-2279	BACKPLATE C/WI bore 2.016"/51.21mm.P/R bore thickness 0.155"/3.94	KO3/KO4
53041515703	5-D-3127	BACKPLATE	KO3/KO4
53041515705	5-D-3122	BACKPLATE	KO3
53041515708	5-D-3605	BACKPLATE	KO4
53041515712	5-D-3132	BACKPLATE	KO3
53041515713	5-D-3128	BACKPLATE	KO3
53041515714	5-D-3589	BACKPLATE	KO4
53041515716	5-D-3633	BACKPLATE	KO4
53041580501	8-D-3175	O RING, B/PLATE	KO3/KO4
53041652000	6-D-2282	HEAT SHIELD	KO4
53047100500	1-D-3095	CARTRIDGE/CHRA	KO4
53047100501	1-D-2170	CARTRIDGE/CHRA	KO4
53047100504	1-D-3632	CARTRIDGE/CHRA	KO4
53047100505	1-D-3615	CARTRIDGE/CHRA	KO4
53047100506	1-D-2169	CARTRIDGE/CHRA	KO4
53047100507	1-D-3601	CARTRIDGE/CHRA	KO4
53047100509	1-D-3607	CARTRIDGE/CHRA	KO4
53047100511	1-D-3608	CARTRIDGE/CHRA	KO4
53047100512	1-D-3606	CARTRIDGE/CHRA	KO4



## CROSS REFERENCE - Borg Warner (KKK) to Turbo International

OEM Part No.	Turbo International Part No.	Description	Turbo Model Application
53141095801	8-D-1034	CLAMP, C/END	K14
53141095802	8-D-1363	CLAMP PLATE	K24
53141095803	8-D-1286	CLAMP, C/END	K14
53141095806	8-D-1035	CLAMP, T/END, 6 mm hole	K14
53141270100	8-D-0923	PISTON RING T/END STD	KO3/KO4/KO6
53141270102	8-D-0923	PISTON RING T/END STD	KO3/KO4/KO6
53141280200	8-D-0920	LOCKNUT, SHAFT, R/HAND THREAD	K14/K16
53141280201	8-D-0920	LOCKNUT, SHAFT, R/HAND THREAD	K14/K16
53141280202	8-D-0920	LOCKNUT, SHAFT, R/HAND THREAD	K14/K16
53141285000	8-D-2373	LOCKNUT, SHAFT, L/HAND THREAD	K14/K16
53141551005	8-D-0910	JOURNAL BEARING STD	K16
53141551300		USE 5314-155-1302	
53141551301		USE 5314-155-1302	
53141551302	8-D-1961	THRUST BEARING, 360°	KO3/O4 & K14/
53141560801	8-D-0914	OIL DEFLECTOR	KO3/KO4/K16
53141560803	8-D-0914	OIL DEFLECTOR	KO3/KO4/K16
53141580500	8-D-1117	O RING, B/HSG, Ø104x2.5mm	K14/16 & KP35
53141580501	8-D-0922	O RING, S/PLATE	K16
53141593300	8-D-1118	WASHER, SEAL PLATE	K14/16
53147110006		USE 5314-711-0010	
53147110007	7-D-1168	SERVICE KIT less clamps	K14
53147110008		USE 5314-155-1005	
53147110010	7-D-1168	SERVICE KIT less clamps	K14/K16
53147110014		USE 5314-711-0007	
53147110016	7-D-1168	SERVICE KIT less clamps	K14/K16
53147110022	7-D-1148	SERVICE KIT less clamps	K14/K16/K24
53161095801	8-D-0915	CLAMP PLATE, C/END	K16
53161095805	8-D-0913	CLAMP PLATE, T/END	K16
53161095807	8-D-0913	CLAMP PLATE, T/END	K16
53161095810	8-D-0913	CLAMP	K16
53161580500	8-D-0921	O RING, C/END	K16
53161580501	8-D-2941	O RING, C/END	K14/K16
53167110002	7-D-1168	SERVICE KIT less clamps	K14/K16
53167110019	7-D-1148	SERVICE KIT less clamps	K14/K16/K24
53167110020	7-D-1148	SERVICE KIT less clamps	K14/K16/K24
53241095800	8-D-1317	CLAMP PLATE, C/END	K24
53241095803	8-D-1363	CLAMP PLATE	K24
53241270401	8-D-3116	FLINGER SLEEVE	K14/K24
53241560800	8-D-1323	OIL DEFLECTOR	K24
53241580500	8-D-1125	O RING	K24
53241580501	8-D-1125	O RING, S/PLATE	K16
53247110001	7-D-1327	SERVICE KIT	K24
53247110008		USE 5324-711-0023	
53247110009	7-D-1328	SERVICE KIT less clamps	K16/K24
53247110020	7-D-1328	SERVICE KIT less clamps	K16/K24
53247110021	7-D-1328	SERVICE KIT less clamps	K16/K24
53247110023	7-D-0669	SERVICE KIT less clamps	K24/K26K27/K
53247110025	7-D-0669	SERVICE KIT less clamps	K24/K26K27/K



## CROSS REFERENCE - Borg Warner (KKK) to Turbo International

OEM Part No.	Turbo International Part No.	Description	Turbo Model Application
53247110026		USE 5324-711-0009	
53261095804	8-D-1318	CLAMP PLATE, T/END	K24
53261240000	8-D-1586	THRUST RING	K26
53261270101	8-D-0668	PISTON RING LARGE T/END STD	K26
53261270102	8-D-0668	PISTON RING T/END STD	K14/K16
53261270103	8-D-0406	PISTON RING C/END & T/END STD	K24
53261270402	8-D-1524	OIL FLINGER	K26
53261270500	8-D-1361	SPACER SLEEVE	K26
53261280210	8-D-1707	LOCKNUT, SHAFT, R/HAND THREAD	K26
53261285000	8-D-2273	LOCKNUT, SHAFT, L/HAND THREAD	K26/K27
53261551001	8-D-0670	JOURNAL BEARING STD	K26
53261551003	8-D-0670	JOURNAL BEARING STD	K26
53261551005	8-D-0392	JOURNAL BEARING STD	K26
53261551007	8-D-0392	JOURNAL BEARING STD	K26
53261551303	8-D-0403	THRUST BEARING	K26
53261551305	8-D-1706	THRUST BEARING E1360	K26
53261560800	8-D-0413	OIL SHIELD	K26
53261570400	8-A-0149	RETAINING RING, J/BRG	K26
53261580500	8-D-0407	O RING, C/END	K26
53267110001	7-D-0669	SERVICE KIT	K26
53267110005		USE 5327-711-0008	
53267110010	7-D-0666	SERVICE KIT less clamps	K26
53267110012		USE 5327-711-0008	
53267110015	7-D-0669	SERVICE KIT less clamps	K24/K26K27/K
53267110019		USE 5327-711-0008	
53267110021	7-D-0666	SERVICE KIT less clamps	K26
53267110023	7-D-1705	SERVICE KIT less clamps	K26/K27
53267110024	7-D-0669	SERVICE KIT less clamps	K24/K26K27/K
53267110025	7-D-0669	SERVICE KIT less clamps	K24/K26K27/K
53267110027	7-D-0669	SERVICE KIT less clamps	K24/K26K27/K
53267110028	7-D-0669	SERVICE KIT less clamps	K24/K26K27/K
53267110029	7-D-0669	SERVICE KIT less clamps	K24/K26K27/K
53267110036		USE 5326-711-0021	
53267110037		USE 5326-711-0015	
53267110038	7-D-0669	SERVICE KIT less clamps	K24/K26K27/K
53267110039		USE 5327-711-0053	
53267110044		USE 5326-711-0042	
53267110047	7-D-1866	SERVICE KIT less clamps	K24/K26/K27/K
53267110048	7-D-1866	SERVICE KIT less clamps	K24/K26/K27/K
53267110050	7-D-1866	SERVICE KIT less clamps	K24/K26/K27/K
53267110051	7-D-2944	SERVICE KIT less clamps	K26/K27
53271090400	8-D-1325	BOLT, T/END	K24
53271095803	8-D-1341	CLAMP PLATE	K27
53271270100	8-D-0668	PISTON RING	K24
53271270102	8-D-0668	PISTON RING T/END LARGE STD	K26
53271285001	8-D-2273	LOCKNUT, SHAFT, L/HAND THREAD	K26/K27
53271580500	8-D-1337	O RING	K27
53271580501	8-D-1373	O RING	K24/K26



## CROSS REFERENCE - Borg Warner (KKK) to Turbo International

OEM Part No.	Turbo International Part No.	Description	Turbo Model Application
53277110000		USE 5327-711-0008	
53277110001	7-D-0669	SERVICE KIT less clamps	K24/K26K27/K
53277110004	7-D-0669	SERVICE KIT less clamps	K24/K26K27/K
53277110007		USE 5327-711-0008	
53277110008	7-D-0669	SERVICE KIT less clamps	K24/K26K27/K
53277110010	7-D-0669	SERVICE KIT less clamps	K24/K26K27/K
53277110017	7-D-1840	SERVICE KIT, K27	K27
53277110018	7-D-0669	SERVICE KIT less clamps	K24/K26K27/K
53277110020	7-D-0669	SERVICE KIT less clamps	K24/K26K27/K
53277110021	7-D-0669	SERVICE KIT less clamps	K24/K26K27/K
53277110022		USE 5327-711-0053	
53277110023	7-D-1705	SERVICE KIT less clamps	K26/K27
53277110024		USE 5326-711-0029	
53277110028		USE 5326-711-0029	
53277110029	7-D-1429	SERVICE KIT	K27
53277110030	7-D-0669	SERVICE KIT less clamps	K24/K26K27/K
53277110032		USE 5326-711-0015	
53277110040	7-D-0669	SERVICE KIT less clamps	K24/K26K27/K
53277110048		USE 5327-711-0070	
53277110050		USE 5327-711-0055	
53277110053	7-D-1705	SERVICE KIT less clamps	K26/K27
53277110055	7-D-1705	SERVICE KIT less clamps	K26/K27
53277110061	7-D-0669	SERVICE KIT less clamps	K24/K26K27/K
53277110070	7-D-2944	SERVICE KIT less clamps	K26/K27
53281580500	8-D-1352	O RING	K28
53281593300	8-D-1516	WASHER	K26
53287110000	7-D-1355	SERVICE KIT	K28
53287110002	7-D-1355	SERVICE KIT	K28
53287110009	7-D-0669	SERVICE KIT less clamps	K24/K26K27/K
54311240000	8-D-3547	THRUST RING, KP35	KP35
54311270102	8-D-3636	PISTON RING, T/END, STD.	KP31/35/39/BV
54311270402	8-D-3549	FLINGER SLEEVE, KP35, 12.6mm TALL	KP35
54311270405	8-D-3628	FLINGER SLEEVE, KP35, 9.8mm TALL	KP35
54311285000	8-D-3553	LOCKNUT, SHAFT, M4 x 0.5, LH	KP35
54311285001	8-D-3553	LOCKNUT, SHAFT, M4 x 0.5, LH	KP35
54311285002	8-D-3553	LOCKNUT, SHAFT, M4 x 0.5, LH	KP35
54311551002	8-D-3546	JOURNAL BEARING, KP35, STD/STD	KP35
54311551301	8-D-3548	THRUST BEARING, KP35	KP35
54311580501	8-D-3550	O RING $\varnothing$ 1.280"X.059"	KP35
54311580502	8-D-3618	O RING, SEAL PLATE, $\varnothing$ 63 X 1.5	KP31
54351580501	8-D-3619	O RING, SEAL PLATE, $\varnothing$ 92 X 2.5	KP35
54391580500	8-D-3617	O RING, SEAL PLATE, $\varnothing$ 76 X 1.5	KP39
56361095300	8-D-1319	NUT	K24
58061115806	8-D-2554	CONNECTING ADAPTOR	KO3
59001090400	8-D-0918	BOLT, HEX HEAD, M6 x 1.0-6H x 10 mm	KO3/KO4/K16
59001174500	8-D-3552	BOLT, M3 x 0.5	KP35
59001174501	8-D-3555	HEX BOLT, M6 x 1.0	KP35
59001174507	8-D-3552	BOLT, M3 x 0.5	KP35



## CROSS REFERENCE - Borg Warner (KKK) to Turbo International

OEM Part No.	Turbo International Part No.	Description	Turbo Model Application
59001290200	8-D-0916	BOLT	K16
59001290201	8-D-0412	BOLT, B/HOUSING	K26
59001290202	8-D-0916	BOLT, SOCKET HEAD, S/PLATE, M5 x 13	K16



This page has been intentionally left blank



## CARTRIDGE/CHRA - Borg Warner (KKK)

by Vehicle Manufacturer

Manufacturer/Model	Manf'r Part No	Fuel	Turbo Part No	Cart/CHRA Part No	TI Part No	Cooling	Year	Engine
<b>AUDI</b>								
80 TD	028145701R	G	5303-988-0003	5303-710-0500	1-D-2167	Oil	1994	1.9L
A3 1.8T	06A145704A	G	5303-988-0026	5304-710-0504	1-D-3337	Water	1996,99	1.8L
A3 1.8T	06A145704T	G	5303-988-0052	5303-710-0516	1-D-3203	Water	2000	1.8L
A3 1.8T	06A145713D	G	5303-988-0052	5303-710-0516	1-D-3203	Water	2001	1.8L
A3 1.8T	06A145704T	G	5303-988-0053	5303-710-0516	1-D-3203	Water	2000	1.8L
A3 TDI	038145701D	D	5303-988-0015	5303-710-0501	1-D-2597	Oil	1996	1.9L
A4	028145701R	G	5303-988-0003	5303-710-0500	1-D-2167	Oil	1996	1.9L
A4/A6 1.8T	58145703H	G	5303-988-0005	5303-710-0502	1-D-2168	Water	1996	1.8L
A4/A6 1.8T	58145703L	G	5303-988-0005	5303-710-0502	1-D-2168	Water	1998	1.8L
A4/A6 1.8T	58145703E	G	5303-988-0005	5303-710-0502	1-D-2168	Water	1996	1.8L
A4/A6 1.8T	58145703C	G	5303-988-0005	5303-710-0502	1-D-2168	Water	1995	1.8L
A4/A6 1.8T	058145703K	G	5303-988-0025	5303-710-0511	1-D-3194	Water	1999	1.8L
A4/A6 1.8T	058145703J	G	5303-988-0029	5303-710-0511	1-D-3194	Water	1999	1.8L
A6		G	5303-988-0016	5303-710-0509	1-D-3573	Water	1997-98	2.67L
A6		G	5303-988-0017	5303-710-0509	1-D-3573	Water	1997-98	2.67L
A6/allroad		G	5303-988-0016	5303-710-0509	1-D-3573	Water	2000-02	2.67L
Allroad		G	5303-988-0017	5303-710-0509	1-D-3573	Water	2000-02	2.67L
RS6 4.2-V8	077145703P	G	5304-988-0028	5304-710-0512	1-D-3606	Water	2002	4.2L
RS6 4.2-V8	077145704K	G	5304-988-0029	5304-710-0512	1-D-3606	Water	2002	4.2L
S3 1.8	06A145704M	G	5304-988-0020	5304-710-0507	1-D-3601	Water	1999	1.8L
S3 1.8	06A145704P	G	5304-988-0022	5304-710-0507	1-D-3601	Water	1999	1.8L
S3 1.8	06A145704Q	G	5304-988-0023	5304-710-0507	1-D-3601	Water	2000	1.8L
S4		G	5303-988-0016	5303-710-0509	1-D-3573	Water	1997-2000	2.67L
S4		G	5303-988-0017	5303-710-0509	1-D-3573	Water	1997-2000	2.67L
TT	06A145704A	G	5303-988-0035	5304-710-0504	1-D-3337	Water	1998	1.8L
TT	06A145713D	G	5303-988-0052	5303-710-0516	1-D-3203	Water	2001	1.8L
TT	06A145704T	G	5303-988-0052	5303-710-0516	1-D-3203	Water	2000	1.8L
TT 1.8	06A145704M	G	5304-988-0020	5304-710-0507	1-D-3601	Water	1999	1.8L
TT 1.8	06A145704P	G	5304-988-0022	5304-710-0507	1-D-3601	Water	1999	1.8L
TT 1.8	06A145704Q	G	5304-988-0023	5304-710-0507	1-D-3601	Water	2000	1.8L
<b>AVIA</b>								
Vehicle		D	5304-988-0016	5304-710-0504	1-D-3632	Oil	1996	3.6L
<b>BAJAJ</b>								
Passenger Car	-	D	5304-988-0012	5304-710-0501	1-D-2170	Oil	1995	2.4L
<b>BMC</b>								
Levend		D	5303-988-0008	5303-710-0518	1-D-3590	Oil	1998-2001	1.8L
<b>CHRYSLER</b>								
Voyager	35242037F	D	5304-988-0002	5304-710-0501	1-D-2170	Oil	1992	2.5L
<b>CITROEN</b>								
C5 HDI	9632124680	D	5303-988-0024	5303-710-0506	1-D-3125	Oil	2001	2.0L
C5 HDI	0375C9,0375F5	D	5303-988-0024	5303-710-0506	1-D-3125	Oil	2001	2.0L
C5 HDI	0375C9,0375F5	D	5303-988-0024	5303-710-0514	1-D-3150	Oil	2001	2.0L
C5 HDI	9632124680	D	5303-988-0024	5303-710-0514	1-D-3150	Oil	2001	2.0L
C5 HDI	9640168280	D	5303-988-0050	5303-710-0514	1-D-3150	Oil	2001	2.0L
Jumper	9636473280	D	5303-988-0061	5303-710-0514	1-D-3150	Oil	2001	2.0L
Jumper		D	5303-988-0062	5303-710-0520	1-D-3594	Oil	2001	2.2L
Jumper 2.8 HDI	500364493	D	5303-988-0054	5303-710-0513	1-D-3131	Oil	2001	2.8L
Xantia HDI	9633382180	D	5303-988-0009	5303-710-0506	1-D-3125	Oil	1999	2.0L
Xantia HDI	9633382180	D	5303-988-0009	5303-710-0514	1-D-3150	Oil	1999	2.0L





## CARTRIDGE/CHRA - Borg Warner (KKK)

by Vehicle Manufacturer

Manufacturer/Model	Manf'r Part No	Fuel	Turbo Part No	Cart/CHRA Part No	TI Part No	Cooling	Year	Engine
Xantia HDI	0375A6	D	5303-988-0018	5303-710-0506	1-D-3125	Oil	1998	2.0L
Xantia HDI	9632427880	D	5303-988-0018	5303-710-0506	1-D-3125	Oil	1998	2.0L
Xantia HDI	9632427880	D	5303-988-0018	5303-710-0514	1-D-3150	Oil	1998	2.0L
Xantia HDI	0375A6	D	5303-988-0018	5303-710-0514	1-D-3150	Oil	1998	2.0L
Xantia HDI	9632406680	D	5303-988-0023	5303-710-0506	1-D-3125	Oil	1999	2.0L
Xantia HDI	963240668	D	5303-988-0023	5303-710-0514	1-D-3150	Oil	1999	2.0L
Xantia HDI	9632124680	D	5303-988-0024	5303-710-0506	1-D-3125	Oil	1999	2.0L
Xantia HDI	0375C9,0375F5	D	5303-988-0024	5303-710-0506	1-D-3125	Oil	1999	2.0L
Xantia HDI	0375C9,0375F5	D	5303-988-0024	5303-710-0514	1-D-3150	Oil	1999	2.0L
Xantia HDI	9632124680	D	5303-988-0024	5303-710-0514	1-D-3150	Oil	1999	2.0L
Xsara	0375C7	D	5303-988-0028	5303-710-0505	1-D-3126	Oil	1998	1.9L
Xsara	9635220680	D	5303-988-0028	5303-710-0505	1-D-3126	Oil	1998	1.9L
Xsara HDI	9632406680	D	5303-988-0023	5303-710-0506	1-D-3125	Oil	1999	2.0L
Xsara HDI	963240668	D	5303-988-0023	5303-710-0514	1-D-3150	Oil	1999	2.0L
Xsara HDI	9640873380	D	5303-988-0056	5303-710-0514	1-D-3150	Oil	2000	2.0L
Xsara HDI	9640355080	D	5303-988-0057	5303-710-0514	1-D-3150	Oil	2002	2.0L
ZX Xantia	9619991180	D	5304-988-0011	5304-710-0502	1-D-3598	Oil	1996	1.9L
ZX XUD9BSD	0375C0	D	5304-988-0013	5304-710-0505	1-D-3615	Oil	1998-00	1.9L
<b>FIAT</b>								
Ducato	9636473280	D	5303-988-0061	5303-710-0514	1-D-3150	Oil	2001	2.0L
Ducato 2.8 JTD	500364493	D	5303-988-0054	5303-710-0513	1-D-3131	Oil	2001	2.8L
<b>FORD</b>								
Galaxy	028145701J	D	5303-988-0006	5303-710-0501	1-D-2597	Oil	1995	1.9L
Transit	954F6K682AD	D	5304-988-0006	5304-710-0500	1-D-3095	Oil	1994	2.5DI
Transit	974F6K682AF	D	5304-988-0008	5304-710-0500	1-D-3095	Oil	1996	2.5DI
Transit	974F6K682AF	D	5304-988-0017	5304-710-0500	1-D-3095	Oil	1999	2.5DI
Transit -	984F6K682AF/AG	D	5304-988-0017	5304-710-0506	1-D-2169	Oil	1999	2.5L
Transit FT 190	984F6K682AF	D	5304-988-0001	5304-710-0500	1-D-3095	Oil	1991	2.5DI
<b>IVECO-SOFIM</b>								
Daily 2.3 TD	504014911	D	5303-988-0066	5303-710-0519	1-D-3591	Oil	2002	2.3L
Daily 2.3 TD	504071262	D	5303-988-0089	5303-710-0519	1-D-3591	Oil	2003	2.3L
Daily 2.8 TD	500335369	D	5303-988-0034	5303-710-0513	1-D-3131	Oil	1999	2.8L
Daily 2.8 TD	500358190	D	5303-988-0037	5303-710-0513	1-D-3131	Oil	1999	2.8L
Daily 2.8 TD	500335369	D	5303-988-0075	5303-710-0523	1-D-3597	Oil	2003	2.8L
Daily 2.8 TD	500358190	D	5303-988-0076	5303-710-0523	1-D-3597	Oil	2003	2.8L
Ducato 2.3 TD	504014915	D	5303-988-0067	5303-710-0519	1-D-3591	Oil	2001	2.3L
Ducato 2.3 TD	504070186	D	5303-988-0090	5303-710-0519	1-D-3591	Oil	2003	2.3L
Passenger Car	504078436	D	5303-988-0078	5303-710-0519	1-D-3591	Oil	N/A	2.3L
Road Sweeper	504016280	D	5303-988-0071	5303-710-0513	1-D-3131	Oil	2001	2.8L
Road Sweeper	504016280	D	5303-988-0071	5303-710-0523	1-D-3597	Oil	2001	2.8L
Road Sweeper	504016279	D	5303-988-0072	5303-710-0513	1-D-3131	Oil	2001	2.8L
<b>MERCEDES</b>								
Vito 110D/V	6010960299	D	5303-988-0007	5303-710-0503	1-D-3129	Oil	1995	2.3L
Vito 110D/V	6010960299	D	5303-988-0020	5303-710-0503	1-D-3129	Oil	1996	2.3L
Vito 110D/V	6010960299	D	5303-988-0020	5303-710-0508	1-D-3901	Oil	1996	2.3L
<b>OPEL</b>								
Astra Coupe	90423508	G	5304-988-0024	5304-710-0511	1-D-3608	Oil	2000	2.0L
Movano 2.5 DT11	8200036999	D	5303-988-0055	5303-710-0517	1-D-3611	Oil	2001	2.5L
Movano 2.8 DTI	99462607	D	5303-988-0034	5303-710-0513	1-D-3131	Oil	1999	2.8L
Movano 2.8 DTI	99462607	D	5303-988-0075	5303-710-0523	1-D-3597	Oil	1999	2.8L
Zafira OPC	90423508	G	5304-988-0024	5304-710-0511	1-D-3608	Oil	2000	2.0L



## CARTRIDGE/CHRA - Borg Warner (KKK)

by Vehicle Manufacturer

Manufacturer/Model	Manf'r Part No	Fuel	Turbo Part No	Cart/CHRA Part No	TI Part No	Cooling	Year	Engine
<b>PEUGEOT</b>								
206 2.0 HDI	9633382180	D	5303-988-0009	5303-710-0506	1-D-3125	Oil	1999	2.0L
206 2.0 HDI	9633382180	D	5303-988-0009	5303-710-0514	1-D-3150	Oil	1999	2.0L
206 HDI	9640355080	D	5303-988-0057	5303-710-0514	1-D-3150	Oil	2000	2.0L
306	9633647480	D	5303-988-0010	5303-710-0505	1-D-3126	Oil	1998	1.9L
306	0375C6,037594	D	5303-988-0010	5303-710-0505	1-D-3126	Oil	1998	1.9L
306 HDI	9632406680	D	5303-988-0023	5303-710-0506	1-D-3125	Oil	1999	2.0L
306 HDI	963240668	D	5303-988-0023	5303-710-0514	1-D-3150	Oil	1999	2.0L
306 XUD9BSD	9633828080	D	5304-988-0013	5304-710-0505	1-D-3615	Oil	1998	1.9L
306, 405	037590	D	5304-988-0011	5304-710-0502	1-D-3598	Oil	1996	1.9L
307 HDI	9640355080	D	5303-988-0057	5303-710-0514	1-D-3150	Oil	2000	2.0L
406 HDI	0375C8	D	5303-988-0009	5303-710-0506	1-D-3125	Oil	1999	2.0L
406 HDI	962252698	D	5303-988-0009	5303-710-0506	1-D-3125	Oil	1999	2.0L
406 HDI	9622526980	D	5303-988-0009	5303-710-0514	1-D-3150	Oil	1999	2.0L
406 HDI	0375C8	D	5303-988-0009	5303-710-0514	1-D-3150	Oil	1999	2.0L
406 HDI	0375A6	D	5303-988-0015	5303-710-0506	1-D-3125	Oil	1998	2.0L
406 HDI	9632427880	D	5303-988-0018	5303-710-0506	1-D-3125	Oil	1998	2.0L
406 HDI	9632427880	D	5303-988-0018	5303-710-0514	1-D-3150	Oil	1998	2.0L
406 HDI	0375A6	D	5303-988-0018	5303-710-0514	1-D-3150	Oil	1998	2.0L
406 HDI	0375C9,0375F5	D	5303-988-0024	5303-710-0506	1-D-3125	Oil	1999	2.0L
406 HDI	9632124680	D	5303-988-0024	5303-710-0506	1-D-3125	Oil	1999	2.0L
406 HDI	0375C9,0375F5	D	5303-988-0024	5303-710-0514	1-D-3150	Oil	1999	2.0L
406 HDI	9632124680	D	5303-988-0024	5303-710-0514	1-D-3150	Oil	1999	2.0L
406 HDI	9640168280	D	5303-988-0050	5303-710-0514	1-D-3150	Oil	2001	2.0L
607 HDI	9640168280	D	5303-988-0050	5303-710-0514	1-D-3150	Oil	2001	2.0L
Boxer	9636473280	D	5303-988-0061	5303-710-0514	1-D-3150	Oil	2001	2.0L
Boxer		D	5303-988-0062	5303-710-0520	1-D-3594	Oil	2001	2.2L
Boxer 2.8 HDI	500364493	D	5303-988-0054	5303-710-0513	1-D-3131	Oil	2001	2.8L
<b>RENAULT</b>								
Clio 1.9 TDI	7700115414	D	5303-988-0038	5303-710-0507	1-D-3121	Oil	1999	1.9L
Clio 1.9dTi, Kangoo 1.9dTi		D	5303-988-0038	5303-710-0507	1-D-3439	Oil	1999	1.87L
Espace 1.9 TDI	7700108948	D	5303-988-0014	5303-710-0507	1-D-3121	Oil	2000	1.9L
Espace 1.9dTi		D	5303-988-0014	5303-710-0507	1-D-3439	Oil	2000	1.87L
Kangoo 1.9 DTI	7700115414	D	5303-988-0038	5303-710-0507	1-D-3121	Oil	1999	1.9L
Laguna 1.9 DCI	8200084399	D	5303-988-0048	5303-710-0515	1-D-3587	Oil	2001	1.9L
Laguna 1.9 DTI	7700108948	D	5303-988-0014	5303-710-0507	1-D-3121	Oil	1998	1.9L
Laguna 1.9dTi		D	5303-988-0014	5303-710-0507	1-D-3439	Oil	1996	1.87L
Master 1.9 DTI	7700315460	D	5303-988-0047	5303-710-0507	1-D-3121	Oil	2000	1.9L
Master 1.9dTi		D	5303-988-0038	5303-710-0507	1-D-3439	Oil	2000	1.87L
Master 2.5 DCI	8200036999	D	5303-988-0055	5303-710-0517	1-D-3611	Oil	2001	2.5L
Master 2.5 DCI	8200036999	D	5303-988-0055	5303-710-0517	1-D-3611	Oil	2001	2.5L
Master 2.8 DTI	99462607	D	5303-988-0034	5303-710-0513	1-D-3131	Oil	1999	2.8L
Master 2.8 DTI	99462607	D	5303-988-0075	5303-710-0523	1-D-3597	Oil	1999	2.8L
Master 2.8 DTI	99762607	D	5303-988-0075	5303-710-0523	1-D-3597	Oil	1999	2.8L
Megane 1.9 DCI	8200084399	D	5303-988-0048	5303-710-0515	1-D-3587	Oil	2001	1.9L
Megane 1.9 DTI	7700115414	D	5303-988-0014	5303-710-0507	1-D-3121	Oil	1997	1.9L
Megane 1.9dTi		D	5303-988-0014	5303-710-0507	1-D-3439	Oil	1997	1.87L
Scenic 1.9 DCI	8200084399	D	5303-988-0048	5303-710-0515	1-D-3587	Oil	2001	1.9L
<b>SEAT</b>								
Alhambra 1.8T	06A145703C	G	5303-988-0022	5303-710-0502	1-D-2168	Water	1998	1.8L
Alhambra 1.8T	06A145704H	G	5303-988-0049	5303-710-0511	1-D-3194	Water	2000	1.8L



## CARTRIDGE/CHRA - Borg Warner (KKK)

by Vehicle Manufacturer

Manufacturer/Model	Manf'r Part No	Fuel	Turbo Part No	Cart/CHRA Part No	TI Part No	Cooling	Year	Engine
Alhambra TDI	028145701J	D	5303-988-0006	5303-710-0501	1-D-2597	Oil	1995	1.9L
Cordoba		D	5303-988-0003	5303-710-0500	1-D-2167	Oil	1993	1.9L
Ibiza Cupra 1.8T		G	5303-988-0011	5303-710-0504	1-D-3337	Water	1999	1.78L
Ibiza TD	028145701R	D	5303-988-0003	5303-710-0500	1-D-2167	Oil	1993	1.9L
Leon 1.8T	06A145713D	G	5303-988-0052	5303-710-0516	1-D-3203	Water	2001	1.8L
Leon 1.8T	06A145704T	G	5303-988-0052	5303-710-0516	1-D-3203	Water	2000	1.8L
Toledo	028145701R	D	5303-988-0003	5303-710-0500	1-D-2167	Oil	1993	1.9L
Toledo TDI	028145701J	D	5303-988-0006	5303-710-0501	1-D-2597	Oil	1995	1.9L
Toledo/Leon TDI	038145701D	D	5303-988-0015	5303-710-0501	1-D-2597	Oil	1996	1.9L

### SKODA

Octavia 1.8T		G	5303-988-0011	5303-710-0504	1-D-3337	Water	1998	1.78L
Octavia 1.8T	06A145704T	G	5303-988-0052	5303-710-0516	1-D-3203	Water	2000	1.8L
Octavia 1.8T	06A145713D	G	5303-988-0052	5303-710-0516	1-D-3203	Water	2001	1.8L
Octavia 1.8T	06A145704T	G	5303-988-0053	5303-710-0516	1-D-3203	Water	2000	1.8L
Octavia TDI	038145701D	D	5303-988-0015	5303-710-0501	1-D-2597	Oil	1996	1.9L

### STEYR

M14		D	5304-988-0019	5304-710-0509	1-D-3607	Oil	1998	2.13L
-----	--	---	---------------	---------------	----------	-----	------	-------

### SUZUKI

Baleno	ZY34026857	D	5304-988-0021	5304-710-0502	1-D-3598	Oil	1998	1.9L
Grand Vitara	ZY34027010	D	5303-988-0051	5303-710-0514	1-D-3150	Oil	2000	2.0L
Vitara	ZY34027308	D	5303-988-0063	5303-710-0514	1-D-3150	Oil	2001	2.0L

### TATA

Sierra Pick-Up	254714510104	D	5304-988-0007	5304-710-0501	1-D-2170	Oil	1994	2.0L
Sierra Pick-Up		D	5304-988-0007	5304-710-0509	1-D-3607	Oil	1994	1.95L

### VM

Chrysler Voyager	35242037F	D	5304-988-0002	5304-710-0501	1-D-2170	Oil	1992	2.5L
Pick-up	35242042F	D	5304-988-0003	5304-710-0501	1-D-2170	Oil	1992	2.5L

### VOLKSWAGEN

Gol/Bora 1.8T	06A145704T	G	5303-988-0053	5303-710-0516	1-D-3203	Water	2000	1.8L
Golf III TDI	028145701J	D	5303-988-0006	5303-710-0501	1-D-2597	Oil	1993	1.9L
Golf III/Vento TD	028145701R	D	5303-988-0003	5303-710-0500	1-D-2167	Oil	1993	1.9L
Golf IV 1.8T, Bora 1.8T		G	5303-988-0011	5303-710-0504	1-D-3337	Water	1996	1.78L
Golf IV/Bora/New Beetle T	038145701D	D	5303-988-0015	5303-710-0501	1-D-2597	Oil	1997	1.9L
Golf/Bora/Jetta 1.8	06A145704T	G	5303-988-0052	5303-710-0516	1-D-3203	Water	2000	1.8L
Golf/Bora/Jetta 1.8	06A145713D	G	5303-988-0052	5303-710-0516	1-D-3203	Water	2001	1.8L
New Beetle 1.8T		G	5303-988-0011	5303-710-0504	1-D-3337	Water	1999	1.78L
New Beetle 1.8T	06A145713B	G	5303-988-0058	5303-710-0516	1-D-3203	Water	2000	1.8L
Passat 1.8T	58145703L	G	5303-988-0005	5303-710-0502	1-D-2168	Water	1998	1.8L
Passat 1.8T	58145703C	G	5303-988-0005	5303-710-0502	1-D-2168	Water	1995	1.8L
Passat 1.8T	58145703H	G	5303-988-0005	5303-710-0502	1-D-2168	Water	1996	1.8L
Passat 1.8T	58145703E	G	5303-988-0005	5303-710-0502	1-D-2168	Water	1996	1.8L
Passat 1.8T	058145703K	G	5303-988-0025	5303-710-0511	1-D-3194	Water	1999	1.8L
Passat 1.8T	058145703J	G	5303-988-0029	5303-710-0511	1-D-3194	Water	1999	1.8L
Passat III TD	028145701R	D	5303-988-0003	5303-710-0500	1-D-2167	Oil	1993	1.9L
Passat TDI	028145701J	D	5303-988-0006	5303-710-0501	1-D-2597	Oil	1993	1.9L
Sharan 1.8T	06A145703C	G	5303-988-0022	5303-710-0502	1-D-2168	Water	1997	1.8L
Sharan 1.8T	06A145704H	G	5303-988-0049	5303-710-0511	1-D-3194	Water	2000	1.8L
Sharan TDI	028145701J	D	5303-988-0006	5303-710-0501	1-D-2597	Oil	1993	1.9L
Sharan TDI	28253019	D	5303-988-0015	5303-710-0501	1-D-2597	Oil	1999	1.9L
Vento TD		D	5303-988-0003	5303-710-0500	1-D-2167	Oil	1993	1.6L



## CARTRIDGE/CHRA - Borg Warner (KKK)

by Vehicle Manufacturer

Manufacturer/Model	Manf'r Part No	Fuel	Turbo Part No	Cart/CHRA Part No	TI Part No	Cooling	Year	Engine
<b>YEUTYAN</b>								
Pick-Up	35242042F	D	5304-988-0003	5304-710-0501	1-D-2170	Oil	1992	3.0L

NOTE: TRANSIT Turbine wheel tip height ("B" on Major Components) 0.311"/7.90mm on early models to 1997, 0.245"/6.22mm on later models.



## CARTRIDGE/CHRA - Borg Warner (KKK)

by Turbo Part Number

Turbo Part No	Cart/CHRA Part No	Cooling	TI Part No	Manufacturer	Manf'r Part No	Vehicle Model	Year	Engine	Fuel
5303-988-0003	5303-710-0500	Oil	1-D-2167	AUDI	028145701R	80 TD	1994	1.9L	G
5303-988-0003	5303-710-0500	Oil	1-D-2167	AUDI	028145701R	A4	1996	1.9L	G
5303-988-0003	5303-710-0500	Oil	1-D-2167	SEAT		Cordoba	1993	1.9L	D
5303-988-0003	5303-710-0500	Oil	1-D-2167	SEAT	028145701R	Ibiza TD	1993	1.9L	D
5303-988-0003	5303-710-0500	Oil	1-D-2167	SEAT	028145701R	Toledo	1993	1.9L	D
5303-988-0003	5303-710-0500	Oil	1-D-2167	VOLKSWAGEN	028145701R	Golf III/Vento TD	1993	1.9L	D
5303-988-0003	5303-710-0500	Oil	1-D-2167	VOLKSWAGEN	028145701R	Passat III TD	1993	1.9L	D
5303-988-0003	5303-710-0500	Oil	1-D-2167	VOLKSWAGEN		Vento TD	1993	1.6L	D
5303-988-0005	5303-710-0502	Water	1-D-2168	AUDI	58145703C	A4/A6 1.8T	1995	1.8L	G
5303-988-0005	5303-710-0502	Water	1-D-2168	AUDI	58145703E	A4/A6 1.8T	1996	1.8L	G
5303-988-0005	5303-710-0502	Water	1-D-2168	AUDI	58145703H	A4/A6 1.8T	1996	1.8L	G
5303-988-0005	5303-710-0502	Water	1-D-2168	AUDI	58145703L	A4/A6 1.8T	1998	1.8L	G
5303-988-0005	5303-710-0502	Water	1-D-2168	VOLKSWAGEN	58145703C	Passat 1.8T	1995	1.8L	G
5303-988-0005	5303-710-0502	Water	1-D-2168	VOLKSWAGEN	58145703H	Passat 1.8T	1996	1.8L	G
5303-988-0005	5303-710-0502	Water	1-D-2168	VOLKSWAGEN	58145703E	Passat 1.8T	1996	1.8L	G
5303-988-0005	5303-710-0502	Water	1-D-2168	VOLKSWAGEN	58145703L	Passat 1.8T	1998	1.8L	G
5303-988-0006	5303-710-0501	Oil	1-D-2597	FORD	028145701J	Galaxy	1995	1.9L	D
5303-988-0006	5303-710-0501	Oil	1-D-2597	SEAT	028145701J	Alhambra TDI	1995	1.9L	D
5303-988-0006	5303-710-0501	Oil	1-D-2597	SEAT	028145701J	Toledo TDI	1995	1.9L	D
5303-988-0006	5303-710-0501	Oil	1-D-2597	VOLKSWAGEN	028145701J	Golf III TDI	1993	1.9L	D
5303-988-0006	5303-710-0501	Oil	1-D-2597	VOLKSWAGEN	028145701J	Passat TDI	1993	1.9L	D
5303-988-0006	5303-710-0501	Oil	1-D-2597	VOLKSWAGEN	028145701J	Sharan TDI	1993	1.9L	D
5303-988-0007	5303-710-0503	Oil	1-D-3129	MERCEDES	6010960299	Vito 110D/V	1995	2.3L	D
5303-988-0008	5303-710-0518	Oil	1-D-3590	BMC		Levend	1998-2001	1.8L	D
5303-988-0009	5303-710-0506	Oil	1-D-3125	CITROEN	9633382180	Xantia HDI	1999	2.0L	D
5303-988-0009	5303-710-0506	Oil	1-D-3125	PEUGEOT	9633382180	206 2.0 HDI	1999	2.0L	D
5303-988-0009	5303-710-0506	Oil	1-D-3125	PEUGEOT	962252698	406 HDI	1999	2.0L	D
5303-988-0009	5303-710-0506	Oil	1-D-3125	PEUGEOT	0375C8	406 HDI	1999	2.0L	D
5303-988-0009	5303-710-0514	Oil	1-D-3150	CITROEN	9633382180	Xantia HDI	1999	2.0L	D
5303-988-0009	5303-710-0514	Oil	1-D-3150	PEUGEOT	9633382180	206 2.0 HDI	1999	2.0L	D
5303-988-0009	5303-710-0514	Oil	1-D-3150	PEUGEOT	9622526980	406 HDI	1999	2.0L	D
5303-988-0009	5303-710-0514	Oil	1-D-3150	PEUGEOT	0375C8	406 HDI	1999	2.0L	D
5303-988-0010	5303-710-0505	Oil	1-D-3126	PEUGEOT	0375C6,037594	306	1998	1.9L	D
5303-988-0010	5303-710-0505	Oil	1-D-3126	PEUGEOT	9633647480	306	1998	1.9L	D
5303-988-0011	5303-710-0504	Water	1-D-3337	SEAT		Ibiza Cupra 1.8T	1999	1.78L	G
5303-988-0011	5303-710-0504	Water	1-D-3337	SKODA		Octavia 1.8T	1998	1.78L	G
5303-988-0011	5303-710-0504	Water	1-D-3337	VOLKSWAGEN		Golf IV 1.8T, Bora 1.8T	1996	1.78L	G
5303-988-0011	5303-710-0504	Water	1-D-3337	VOLKSWAGEN		New Beetle 1.8T	1999	1.78L	G
5303-988-0014	5303-710-0507	Oil	1-D-3121	RENAULT	7700108948	Espace 1.9 TDI	2000	1.9L	D
5303-988-0014	5303-710-0507	Oil	1-D-3439	RENAULT		Espace 1.9dTi	2000	1.87L	D
5303-988-0014	5303-710-0507	Oil	1-D-3121	RENAULT	7700108948	Laguna 1.9 DTI	1998	1.9L	D
5303-988-0014	5303-710-0507	Oil	1-D-3439	RENAULT		Laguna 1.9dTi	1996	1.87L	D
5303-988-0014	5303-710-0507	Oil	1-D-3121	RENAULT	7700115414	Megane 1.9 DTI	1997	1.9L	D
5303-988-0014	5303-710-0507	Oil	1-D-3439	RENAULT		Megane 1.9dTi	1997	1.87L	D
5303-988-0015	5303-710-0501	Oil	1-D-2597	AUDI	038145701D	A3 TDI	1996	1.9L	D
5303-988-0015	5303-710-0501	Oil	1-D-2597	SEAT	038145701D	Toledo/Leon TDI	1996	1.9L	D
5303-988-0015	5303-710-0501	Oil	1-D-2597	SKODA	038145701D	Octavia TDI	1996	1.9L	D
5303-988-0015	5303-710-0501	Oil	1-D-2597	VOLKSWAGEN	038145701D	Golf IV/Bora/New Beetle	1997	1.9L	D
5303-988-0015	5303-710-0501	Oil	1-D-2597	VOLKSWAGEN	28253019	Sharan TDI	1999	1.9L	D
5303-988-0015	5303-710-0506	Oil	1-D-3125	PEUGEOT	0375A6	406 HDI	1998	2.0L	D
5303-988-0016	5303-710-0509	Water	1-D-3573	AUDI		A6	1997-98	2.67L	G



## CARTRIDGE/CHRA - Borg Warner (KKK)

by Turbo Part Number

Turbo Part No	Cart/CHRA Part No	Cooling	TI Part No	Manufacturer	Manf'r Part No	Vehicle Model	Year	Engine	Fuel
5303-988-0016	5303-710-0509	Water	1-D-3573	AUDI		A6/allroad	2000-02	2.67L	G
5303-988-0016	5303-710-0509	Water	1-D-3573	AUDI		S4	1997-2000	2.67L	G
5303-988-0017	5303-710-0509	Water	1-D-3573	AUDI		A6	1997-98	2.67L	G
5303-988-0017	5303-710-0509	Water	1-D-3573	AUDI		A1/allroad	2000-02	2.67L	G
5303-988-0017	5303-710-0509	Water	1-D-3573	AUDI		S4	1997-2000	2.67L	G
5303-988-0018	5303-710-0506	Oil	1-D-3125	CITROEN	0375A6	Xantia HDI	1998	2.0L	D
5303-988-0018	5303-710-0506	Oil	1-D-3125	CITROEN	9632427880	Xantia HDI	1998	2.0L	D
5303-988-0018	5303-710-0506	Oil	1-D-3125	PEUGEOT	9632427880	406 HDI	1998	2.0L	D
5303-988-0018	5303-710-0514	Oil	1-D-3150	CITROEN	9632427880	Xantia HDI	1998	2.0L	D
5303-988-0018	5303-710-0514	Oil	1-D-3150	CITROEN	0375A6	Xantia HDI	1998	2.0L	D
5303-988-0018	5303-710-0514	Oil	1-D-3150	PEUGEOT	9632427880	406 HDI	1998	2.0L	D
5303-988-0018	5303-710-0514	Oil	1-D-3150	PEUGEOT	0375A6	406 HDI	1998	2.0L	D
5303-988-0020	5303-710-0503	Oil	1-D-3129	MERCEDES	6010960299	Vito 110D/V	1996	2.3L	D
5303-988-0020	5303-710-0508	Oil	1-D-3901	MERCEDES	6010960299	Vito 110D/V	1996	2.3L	D
5303-988-0022	5303-710-0502	Water	1-D-2168	SEAT	06A145703C	Alhambra 1.8T	1998	1.8L	G
5303-988-0022	5303-710-0502	Water	1-D-2168	VOLKSWAGEN	06A145703C	Sharan 1.8T	1997	1.8L	G
5303-988-0023	5303-710-0506	Oil	1-D-3125	CITROEN	9632406680	Xantia HDI	1999	2.0L	D
5303-988-0023	5303-710-0506	Oil	1-D-3125	CITROEN	9632406680	Xsara HDI	1999	2.0L	D
5303-988-0023	5303-710-0506	Oil	1-D-3125	PEUGEOT	9632406680	306 HDI	1999	2.0L	D
5303-988-0023	5303-710-0514	Oil	1-D-3150	CITROEN	963240668	Xantia HDI	1999	2.0L	D
5303-988-0023	5303-710-0514	Oil	1-D-3150	CITROEN	963240668	Xsara HDI	1999	2.0L	D
5303-988-0023	5303-710-0514	Oil	1-D-3150	PEUGEOT	963240668	306 HDI	1999	2.0L	D
5303-988-0024	5303-710-0506	Oil	1-D-3125	CITROEN	0375C9,0375F5	C5 HDI	2001	2.0L	D
5303-988-0024	5303-710-0506	Oil	1-D-3125	CITROEN	9632124680	C5 HDI	2001	2.0L	D
5303-988-0024	5303-710-0506	Oil	1-D-3125	CITROEN	0375C9,0375F5	Xantia HDI	1999	2.0L	D
5303-988-0024	5303-710-0506	Oil	1-D-3125	CITROEN	9632124680	Xantia HDI	1999	2.0L	D
5303-988-0024	5303-710-0506	Oil	1-D-3125	PEUGEOT	9632124680	406 HDI	1999	2.0L	D
5303-988-0024	5303-710-0506	Oil	1-D-3125	PEUGEOT	0375C9,0375F5	406 HDI	1999	2.0L	D
5303-988-0024	5303-710-0514	Oil	1-D-3150	CITROEN	0375C9,0375F5	C5 HDI	2001	2.0L	D
5303-988-0024	5303-710-0514	Oil	1-D-3150	CITROEN	9632124680	C5 HDI	2001	2.0L	D
5303-988-0024	5303-710-0514	Oil	1-D-3150	CITROEN	9632124680	Xantia HDI	1999	2.0L	D
5303-988-0024	5303-710-0514	Oil	1-D-3150	CITROEN	0375C9,0375F5	Xantia HDI	1999	2.0L	D
5303-988-0024	5303-710-0514	Oil	1-D-3150	PEUGEOT	9632124680	406 HDI	1999	2.0L	D
5303-988-0024	5303-710-0514	Oil	1-D-3150	PEUGEOT	0375C9,0375F5	406 HDI	1999	2.0L	D
5303-988-0025	5303-710-0511	Water	1-D-3194	AUDI	058145703K	A4/A6 1.8T	1999	1.8L	G
5303-988-0025	5303-710-0511	Water	1-D-3194	VOLKSWAGEN	058145703K	Passat 1.8T	1999	1.8L	G
5303-988-0026	5304-710-0504	Water	1-D-3337	AUDI	06A145704A	A3 1.8T	1996,99	1.8L	G
5303-988-0028	5303-710-0505	Oil	1-D-3126	CITROEN	0375C7	Xsara	1998	1.9L	D
5303-988-0028	5303-710-0505	Oil	1-D-3126	CITROEN	9635220680	Xsara	1998	1.9L	D
5303-988-0029	5303-710-0511	Water	1-D-3194	AUDI	058145703J	A4/A6 1.8T	1999	1.8L	G
5303-988-0029	5303-710-0511	Water	1-D-3194	VOLKSWAGEN	058145703J	Passat 1.8T	1999	1.8L	G
5303-988-0034	5303-710-0513	Oil	1-D-3131	IVECO-SOFIM	500335369	Daily 2.8 TD	1999	2.8L	D
5303-988-0034	5303-710-0513	Oil	1-D-3131	OPEL	99462607	Movano 2.8 DTI	1999	2.8L	D
5303-988-0034	5303-710-0513	Oil	1-D-3131	RENAULT	99462607	Master 2.8 DTI	1999	2.8L	D
5303-988-0035	5304-710-0504	Water	1-D-3337	AUDI	06A145704A	TT	1998	1.8L	G
5303-988-0037	5303-710-0513	Oil	1-D-3131	IVECO-SOFIM	500358190	Daily 2.8 TD	1999	2.8L	D
5303-988-0038	5303-710-0507	Oil	1-D-3121	RENAULT	7700115414	Clio 1.9 TDI	1999	1.9L	D
5303-988-0038	5303-710-0507	Oil	1-D-3439	RENAULT		Clio 1.9dTi, Kangoo 1.9	1999	1.87L	D
5303-988-0038	5303-710-0507	Oil	1-D-3121	RENAULT	7700115414	Kangoo 1.9 DTI	1999	1.9L	D
5303-988-0038	5303-710-0507	Oil	1-D-3439	RENAULT		Master 1.9dTi	2000	1.87L	D
5303-988-0047	5303-710-0507	Oil	1-D-3121	RENAULT	7700315460	Master 1.9 DTI	2000	1.9L	D



## CARTRIDGE/CHRA - Borg Warner (KKK)

by Turbo Part Number

Turbo Part No	Cart/CHRA Part No	Cooling	TI Part No	Manufacturer	Manf'r Part No	Vehicle Model	Year	Engine	Fuel
5303-988-0048	5303-710-0515	Oil	1-D-3587	RENAULT	8200084399	Laguna 1.9 DCI	2001	1.9L	D
5303-988-0048	5303-710-0515	Oil	1-D-3587	RENAULT	8200084399	Megane 1.9 DCI	2001	1.9L	D
5303-988-0048	5303-710-0515	Oil	1-D-3587	RENAULT	8200084399	Scenic 1.9 DCI	2001	1.9L	D
5303-988-0049	5303-710-0511	Water	1-D-3194	SEAT	06A145704H	Alhambra 1.8T	2000	1.8L	G
5303-988-0049	5303-710-0511	Water	1-D-3194	VOLKSWAGEN	06A145704H	Sharan 1.8T	2000	1.8L	G
5303-988-0050	5303-710-0514	Oil	1-D-3150	CITROEN	9640168280	C5 HDI	2001	2.0L	D
5303-988-0050	5303-710-0514	Oil	1-D-3150	PEUGEOT	9640168280	406 HDI	2001	2.0L	D
5303-988-0050	5303-710-0514	Oil	1-D-3150	PEUGEOT	9640168280	607 HDI	2001	2.0L	D
5303-988-0051	5303-710-0514	Oil	1-D-3150	SUZUKI	ZY34027010	Grand Vitara	2000	2.0L	D
5303-988-0052	5303-710-0516	Water	1-D-3203	AUDI	06A145704T	A3 1.8T	2000	1.8L	G
5303-988-0052	5303-710-0516	Water	1-D-3203	AUDI	06A145713D	A3 1.8T	2001	1.8L	G
5303-988-0052	5303-710-0516	Water	1-D-3203	AUDI	06A145704T	TT	2000	1.8L	G
5303-988-0052	5303-710-0516	Water	1-D-3203	AUDI	06A145713D	TT	2001	1.8L	G
5303-988-0052	5303-710-0516	Water	1-D-3203	SEAT	06A145704T	Leon 1.8T	2000	1.8L	G
5303-988-0052	5303-710-0516	Water	1-D-3203	SEAT	06A145713D	Leon 1.8T	2001	1.8L	G
5303-988-0052	5303-710-0516	Water	1-D-3203	SKODA	06A145704T	Octavia 1.8T	2000	1.8L	G
5303-988-0052	5303-710-0516	Water	1-D-3203	SKODA	06A145713D	Octavia 1.8T	2001	1.8L	G
5303-988-0052	5303-710-0516	Water	1-D-3203	VOLKSWAGEN	06A145704T	Golf/Bora/Jetta 1.8	2000	1.8L	G
5303-988-0052	5303-710-0516	Water	1-D-3203	VOLKSWAGEN	06A145713D	Golf/Bora/Jetta 1.8	2001	1.8L	G
5303-988-0053	5303-710-0516	Water	1-D-3203	AUDI	06A145704T	A3 1.8T	2000	1.8L	G
5303-988-0053	5303-710-0516	Water	1-D-3203	SKODA	06A145704T	Octavia 1.8T	2000	1.8L	G
5303-988-0053	5303-710-0516	Water	1-D-3203	VOLKSWAGEN	06A145704T	Gol//Bora 1.8T	2000	1.8L	G
5303-988-0054	5303-710-0513	Oil	1-D-3131	CITROEN	500364493	Jumper 2.8 HDI	2001	2.8L	D
5303-988-0054	5303-710-0513	Oil	1-D-3131	FIAT	500364493	Ducato 2.8 JTD	2001	2.8L	D
5303-988-0054	5303-710-0513	Oil	1-D-3131	PEUGEOT	500364493	Boxer 2.8 HDI	2001	2.8L	D
5303-988-0055	5303-710-0517	Oil	1-D-3611	OPEL	8200036999	Movano 2.5 DT11	2001	2.5L	D
5303-988-0055	5303-710-0517	Oil	1-D-3611	RENAULT	8200036999	Master 2.5 DCI	2001	2.5L	D
5303-988-0055	5303-710-0517	Oil	1-D-3611	RENAULT	8200036999	Master 2.5 DCI	2001	2.5L	D
5303-988-0056	5303-710-0514	Oil	1-D-3150	CITROEN	9640873380	Xsara HDI	2000	2.0L	D
5303-988-0057	5303-710-0514	Oil	1-D-3150	CITROEN	9640355080	Xsara HDI	2002	2.0L	D
5303-988-0057	5303-710-0514	Oil	1-D-3150	PEUGEOT	9640355080	206 HDI	2000	2.0L	D
5303-988-0057	5303-710-0514	Oil	1-D-3150	PEUGEOT	9640355080	307 HDI	2000	2.0L	D
5303-988-0058	5303-710-0516	Water	1-D-3203	VOLKSWAGEN	06A145713B	New Beetle 1.8T	2000	1.8L	G
5303-988-0061	5303-710-0514	Oil	1-D-3150	CITROEN	9636473280	Jumper	2001	2.0L	D
5303-988-0061	5303-710-0514	Oil	1-D-3150	FIAT	9636473280	Ducato	2001	2.0L	D
5303-988-0061	5303-710-0514	Oil	1-D-3150	PEUGEOT	9636473280	Boxer	2001	2.0L	D
5303-988-0062	5303-710-0520	Oil	1-D-3594	CITROEN		Jumper	2001	2.2L	D
5303-988-0062	5303-710-0520	Oil	1-D-3594	PEUGEOT		Boxer	2001	2.2L	D
5303-988-0063	5303-710-0514	Oil	1-D-3150	SUZUKI	ZY34027308	Vitara	2001	2.0L	D
5303-988-0066	5303-710-0519	Oil	1-D-3591	IVECO-SOFIM	504014911	Daily 2.3 TD	2002	2.3L	D
5303-988-0067	5303-710-0519	Oil	1-D-3591	IVECO-SOFIM	504014915	Ducato 2.3 TD	2001	2.3L	D
5303-988-0071	5303-710-0513	Oil	1-D-3131	IVECO-SOFIM	504016280	Road Sweeper	2001	2.8L	D
5303-988-0071	5303-710-0523	Oil	1-D-3597	IVECO-SOFIM	504016280	Road Sweeper	2001	2.8L	D
5303-988-0072	5303-710-0513	Oil	1-D-3131	IVECO-SOFIM	504016279	Road Sweeper	2001	2.8L	D
5303-988-0075	5303-710-0523	Oil	1-D-3597	IVECO-SOFIM	500335369	Daily 2.8 TD	2003	2.8L	D
5303-988-0075	5303-710-0523	Oil	1-D-3597	OPEL	99462607	Movano 2.8 DTI	1999	2.8L	D
5303-988-0075	5303-710-0523	Oil	1-D-3597	RENAULT	99462607	Master 2.8 DTI	1999	2.8L	D
5303-988-0075	5303-710-0523	Oil	1-D-3597	RENAULT	99762607	Master 2.8 DTI	1999	2.8L	D
5303-988-0076	5303-710-0523	Oil	1-D-3597	IVECO-SOFIM	500358190	Daily 2.8 TD	2003	2.8L	D
5303-988-0078	5303-710-0519	Oil	1-D-3591	IVECO-SOFIM	504078436	Passenger Car	N/A	2.3L	D
5303-988-0089	5303-710-0519	Oil	1-D-3591	IVECO-SOFIM	504071262	Daily 2.3 TD	2003	2.3L	D



## CARTRIDGE/CHRA - Borg Warner (KKK)

by Turbo Part Number

Turbo Part No	Cart/CHRA Part No	Cooling	TI Part No	Manufacturer	Manf'r Part No	Vehicle Model	Year	Engine	Fuel
5303-988-0090	5303-710-0519	Oil	1-D-3591	IVECO-SOFIM	504070186	Ducato 2.3 TD	2003	2.3L	D
5304-988-0001	5304-710-0500	Oil	1-D-3095	FORD	984F6K682AF	Transit FT 190	1991	2.5DI	D
5304-988-0002	5304-710-0501	Oil	1-D-2170	CHRYSLER	35242037F	Voyager	1992	2.5L	D
5304-988-0002	5304-710-0501	Oil	1-D-2170	VM	35242037F	Chrysler Voyager	1992	2.5L	D
5304-988-0003	5304-710-0501	Oil	1-D-2170	VM	35242042F	Pick-up	1992	2.5L	D
5304-988-0003	5304-710-0501	Oil	1-D-2170	YEUTYAN	35242042F	Pick-Up	1992	3.0L	D
5304-988-0006	5304-710-0500	Oil	1-D-3095	FORD	954F6K682AD	Transit	1994	2.5DI	D
5304-988-0007	5304-710-0501	Oil	1-D-2170	TATA	254714510104	Sierra Pick-Up	1994	2.0L	D
5304-988-0007	5304-710-0509	Oil	1-D-3607	TATA		Sierra Pick-Up	1994	1.95L	D
5304-988-0008	5304-710-0500	Oil	1-D-3095	FORD	974F6K682AF	Transit	1996	2.5DI	D
5304-988-0011	5304-710-0502	Oil	1-D-3598	CITROEN	9619991180	ZX Xantia	1996	1.9L	D
5304-988-0011	5304-710-0502	Oil	1-D-3598	PEUGEOT	037590	306, 405	1996	1.9L	D
5304-988-0012	5304-710-0501	Oil	1-D-2170	BAJAJ	-	Passenger Car	1995	2.4L	D
5304-988-0013	5304-710-0505	Oil	1-D-3615	CITROEN	0375C0	ZX XUD9BSD	1998-00	1.9L	D
5304-988-0013	5304-710-0505	Oil	1-D-3615	PEUGEOT	9633828080	306 XUD9BSD	1998	1.9L	D
5304-988-0016	5304-710-0504	Oil	1-D-3632	AVIA		Vehicle	1996	3.6L	D
5304-988-0017	5304-710-0500	Oil	1-D-3095	FORD	974F6K682AF	Transit	1999	2.5DI	D
5304-988-0017	5304-710-0506	Oil	1-D-2169	FORD	984F6K682AF/AG	Transit -	1999	2.5L	D
5304-988-0019	5304-710-0509	Oil	1-D-3607	STEYR		M14	1998	2.13L	D
5304-988-0020	5304-710-0507	Water	1-D-3601	AUDI	06A145704M	S3 1.8	1999	1.8L	G
5304-988-0020	5304-710-0507	Water	1-D-3601	AUDI	06A145704M	TT 1.8	1999	1.8L	G
5304-988-0021	5304-710-0502	Oil	1-D-3598	SUZUKI	ZY34026857	Baleno	1998	1.9L	D
5304-988-0022	5304-710-0507	Water	1-D-3601	AUDI	06A145704P	S3 1.8	1999	1.8L	G
5304-988-0022	5304-710-0507	Water	1-D-3601	AUDI	06A145704P	TT 1.8	1999	1.8L	G
5304-988-0023	5304-710-0507	Water	1-D-3601	AUDI	06A145704Q	S3 1.8	2000	1.8L	G
5304-988-0023	5304-710-0507	Water	1-D-3601	AUDI	06A145704Q	TT 1.8	2000	1.8L	G
5304-988-0024	5304-710-0511	Oil	1-D-3608	OPEL	90423508	Astra Coupe	2000	2.0L	G
5304-988-0024	5304-710-0511	Oil	1-D-3608	OPEL	90423508	Zafira OPC	2000	2.0L	G
5304-988-0028	5304-710-0512	Water	1-D-3606	AUDI	077145703P	RS6 4.2-V8	2002	4.2L	G
5304-988-0029	5304-710-0512	Water	1-D-3606	AUDI	077145704K	RS6 4.2-V8	2002	4.2L	G

NOTE: TRANSIT Turbine wheel tip height ("B" on Major Components) 0.311"/7.90mm on early models to 1997, 0.245"/6.22mm on later models.





## CARTRIDGE/CHRA - Borg Warner (KKK)

by Cartridge/CHRA Number

Cart/CHRA Part No	TI Part No	Cooling	Turbo Part No	Manufacturer	Manf'r Part No	Vehicle Model	Year	Engine	Fuel
5303-710-0500	1-D-2167	Oil	5303-988-0003	AUDI	028145701R	80 TD	1994	1.9L	G
5303-710-0500	1-D-2167	Oil	5303-988-0003	AUDI	028145701R	A4	1996	1.9L	G
5303-710-0500	1-D-2167	Oil	5303-988-0003	SEAT		Cordoba	1993	1.9L	D
5303-710-0500	1-D-2167	Oil	5303-988-0003	SEAT	028145701R	Ibiza TD	1993	1.9L	D
5303-710-0500	1-D-2167	Oil	5303-988-0003	SEAT	028145701R	Toledo	1993	1.9L	D
5303-710-0500	1-D-2167	Oil	5303-988-0003	VOLKSWAGEN	028145701R	Golf III/Vento TD	1993	1.9L	D
5303-710-0500	1-D-2167	Oil	5303-988-0003	VOLKSWAGEN	028145701R	Passat III TD	1993	1.9L	D
5303-710-0500	1-D-2167	Oil	5303-988-0003	VOLKSWAGEN		Vento TD	1993	1.6L	D
5303-710-0501	1-D-2597	Oil	5303-988-0006	FORD	028145701J	Galaxy	1995	1.9L	D
5303-710-0501	1-D-2597	Oil	5303-988-0006	SEAT	028145701J	Alhambra TDI	1995	1.9L	D
5303-710-0501	1-D-2597	Oil	5303-988-0006	SEAT	028145701J	Toledo TDI	1995	1.9L	D
5303-710-0501	1-D-2597	Oil	5303-988-0006	VOLKSWAGEN	028145701J	Golf III TDI	1993	1.9L	D
5303-710-0501	1-D-2597	Oil	5303-988-0006	VOLKSWAGEN	028145701J	Passat TDI	1993	1.9L	D
5303-710-0501	1-D-2597	Oil	5303-988-0006	VOLKSWAGEN	028145701J	Sharan TDI	1993	1.9L	D
5303-710-0501	1-D-2597	Oil	5303-988-0015	AUDI	038145701D	A3 TDI	1996	1.9L	D
5303-710-0501	1-D-2597	Oil	5303-988-0015	SEAT	038145701D	Toledo/Leon TDI	1996	1.9L	D
5303-710-0501	1-D-2597	Oil	5303-988-0015	SKODA	038145701D	Octavia TDI	1996	1.9L	D
5303-710-0501	1-D-2597	Oil	5303-988-0015	VOLKSWAGEN	038145701D	Golf IV/Bora/New Beetle	1997	1.9L	D
5303-710-0501	1-D-2597	Oil	5303-988-0015	VOLKSWAGEN	28253019	Sharan TDI	1999	1.9L	D
5303-710-0502	1-D-2168	Water	5303-988-0005	AUDI	58145703C	A4/A6 1.8T	1995	1.8L	G
5303-710-0502	1-D-2168	Water	5303-988-0005	AUDI	58145703E	A4/A6 1.8T	1996	1.8L	G
5303-710-0502	1-D-2168	Water	5303-988-0005	AUDI	58145703H	A4/A6 1.8T	1996	1.8L	G
5303-710-0502	1-D-2168	Water	5303-988-0005	AUDI	58145703L	A4/A6 1.8T	1998	1.8L	G
5303-710-0502	1-D-2168	Water	5303-988-0005	VOLKSWAGEN	58145703C	Passat 1.8T	1995	1.8L	G
5303-710-0502	1-D-2168	Water	5303-988-0005	VOLKSWAGEN	58145703H	Passat 1.8T	1996	1.8L	G
5303-710-0502	1-D-2168	Water	5303-988-0005	VOLKSWAGEN	58145703E	Passat 1.8T	1996	1.8L	G
5303-710-0502	1-D-2168	Water	5303-988-0005	VOLKSWAGEN	58145703L	Passat 1.8T	1998	1.8L	G
5303-710-0502	1-D-2168	Water	5303-988-0022	SEAT	06A145703C	Alhambra 1.8T	1998	1.8L	G
5303-710-0502	1-D-2168	Water	5303-988-0022	VOLKSWAGEN	06A145703C	Sharan 1.8T	1997	1.8L	G
5303-710-0503	1-D-3129	Oil	5303-988-0007	MERCEDES	6010960299	Vito 110D/V	1995	2.3L	D
5303-710-0503	1-D-3129	Oil	5303-988-0020	MERCEDES	6010960299	Vito 110D/V	1996	2.3L	D
5303-710-0504	1-D-3337	Water	5303-988-0011	SEAT		Ibiza Cupra 1.8T	1999	1.78L	G
5303-710-0504	1-D-3337	Water	5303-988-0011	SKODA		Octavia 1.8T	1998	1.78L	G
5303-710-0504	1-D-3337	Water	5303-988-0011	VOLKSWAGEN		Golf IV 1.8T, Bora 1.8T	1996	1.78L	G
5303-710-0504	1-D-3337	Water	5303-988-0011	VOLKSWAGEN		New Beetle 1.8T	1999	1.78L	G
5303-710-0505	1-D-3126	Oil	5303-988-0010	PEUGEOT	0375C6,037594	306	1998	1.9L	D
5303-710-0505	1-D-3126	Oil	5303-988-0010	PEUGEOT	9633647480	306	1998	1.9L	D
5303-710-0505	1-D-3126	Oil	5303-988-0028	CITROEN	9635220680	Xsara	1998	1.9L	D
5303-710-0505	1-D-3126	Oil	5303-988-0028	CITROEN	0375C7	Xsara	1998	1.9L	D
5303-710-0506	1-D-3125	Oil	5303-988-0009	CITROEN	9633382180	Xantia HDI	1999	2.0L	D
5303-710-0506	1-D-3125	Oil	5303-988-0009	PEUGEOT	9633382180	206 2.0 HDI	1999	2.0L	D
5303-710-0506	1-D-3125	Oil	5303-988-0009	PEUGEOT	0375C8	406 HDI	1999	2.0L	D
5303-710-0506	1-D-3125	Oil	5303-988-0009	PEUGEOT	962252698	406 HDI	1999	2.0L	D
5303-710-0506	1-D-3125	Oil	5303-988-0015	PEUGEOT	0375A6	406 HDI	1998	2.0L	D
5303-710-0506	1-D-3125	Oil	5303-988-0018	CITROEN	0375A6	Xantia HDI	1998	2.0L	D
5303-710-0506	1-D-3125	Oil	5303-988-0018	CITROEN	9632427880	Xantia HDI	1998	2.0L	D
5303-710-0506	1-D-3125	Oil	5303-988-0018	PEUGEOT	9632427880	406 HDI	1998	2.0L	D
5303-710-0506	1-D-3125	Oil	5303-988-0023	CITROEN	9632406680	Xantia HDI	1999	2.0L	D
5303-710-0506	1-D-3125	Oil	5303-988-0023	CITROEN	9632406680	Xsara HDI	1999	2.0L	D
5303-710-0506	1-D-3125	Oil	5303-988-0023	PEUGEOT	9632406680	306 HDI	1999	2.0L	D



## CARTRIDGE/CHRA - Borg Warner (KKK)

by Cartridge/CHRA Number

Cart/CHRA Part No	TI Part No	Cooling	Turbo Part No	Manufacturer	Manf'r Part No	Vehicle Model	Year	Engine	Fuel
5303-710-0506	1-D-3125	Oil	5303-988-0024	CITROEN	0375C9,0375F5	C5 HDI	2001	2.0L	D
5303-710-0506	1-D-3125	Oil	5303-988-0024	CITROEN	9632124680	C5 HDI	2001	2.0L	D
5303-710-0506	1-D-3125	Oil	5303-988-0024	CITROEN	9632124680	Xantia HDI	1999	2.0L	D
5303-710-0506	1-D-3125	Oil	5303-988-0024	CITROEN	0375C9,0375F5	Xantia HDI	1999	2.0L	D
5303-710-0506	1-D-3125	Oil	5303-988-0024	PEUGEOT	0375C9,0375F5	406 HDI	1999	2.0L	D
5303-710-0506	1-D-3125	Oil	5303-988-0024	PEUGEOT	9632124680	406 HDI	1999	2.0L	D
5303-710-0507	1-D-3121	Oil	5303-988-0014	RENAULT	7700108948	Espace 1.9 TDI	2000	1.9L	D
5303-710-0507	1-D-3439	Oil	5303-988-0014	RENAULT		Espace 1.9dTi	2000	1.87L	D
5303-710-0507	1-D-3121	Oil	5303-988-0014	RENAULT	7700108948	Laguna 1.9 DTI	1998	1.9L	D
5303-710-0507	1-D-3439	Oil	5303-988-0014	RENAULT		Laguna 1.9dTi	1996	1.87L	D
5303-710-0507	1-D-3121	Oil	5303-988-0014	RENAULT	7700115414	Megane 1.9 DTI	1997	1.9L	D
5303-710-0507	1-D-3439	Oil	5303-988-0014	RENAULT		Megane 1.9dTi	1997	1.87L	D
5303-710-0507	1-D-3121	Oil	5303-988-0038	RENAULT	7700115414	Clio 1.9 TDI	1999	1.9L	D
5303-710-0507	1-D-3439	Oil	5303-988-0038	RENAULT		Clio 1.9dTi, Kangoo 1.9	1999	1.87L	D
5303-710-0507	1-D-3121	Oil	5303-988-0038	RENAULT	7700115414	Kangoo 1.9 DTI	1999	1.9L	D
5303-710-0507	1-D-3439	Oil	5303-988-0038	RENAULT		Master 1.9dTi	2000	1.87L	D
5303-710-0507	1-D-3121	Oil	5303-988-0047	RENAULT	7700315460	Master 1.9 DTI	2000	1.9L	D
5303-710-0508	1-D-3901	Oil	5303-988-0020	MERCEDES	6010960299	Vito 110D/V	1996	2.3L	D
5303-710-0509	1-D-3573	Water	5303-988-0016	AUDI		A6	1997-98	2.67L	G
5303-710-0509	1-D-3573	Water	5303-988-0016	AUDI		A6/allroad	2000-02	2.67L	G
5303-710-0509	1-D-3573	Water	5303-988-0016	AUDI		S4	1997-2000	2.67L	G
5303-710-0509	1-D-3573	Water	5303-988-0017	AUDI		A6	1997-98	2.67L	G
5303-710-0509	1-D-3573	Water	5303-988-0017	AUDI		A1/allroad	2000-02	2.67L	G
5303-710-0509	1-D-3573	Water	5303-988-0017	AUDI		S4	1997-2000	2.67L	G
5303-710-0511	1-D-3194	Water	5303-988-0025	AUDI	058145703K	A4/A6 1.8T	1999	1.8L	G
5303-710-0511	1-D-3194	Water	5303-988-0025	VOLKSWAGEN	058145703K	Passat 1.8T	1999	1.8L	G
5303-710-0511	1-D-3194	Water	5303-988-0029	AUDI	058145703J	A4/A6 1.8T	1999	1.8L	G
5303-710-0511	1-D-3194	Water	5303-988-0029	VOLKSWAGEN	058145703J	Passat 1.8T	1999	1.8L	G
5303-710-0511	1-D-3194	Water	5303-988-0049	SEAT	06A145704H	Alhambra 1.8T	2000	1.8L	G
5303-710-0511	1-D-3194	Water	5303-988-0049	VOLKSWAGEN	06A145704H	Sharan 1.8T	2000	1.8L	G
5303-710-0513	1-D-3131	Oil	5303-988-0034	IVECO-SOFIM	500335369	Daily 2.8 TD	1999	2.8L	D
5303-710-0513	1-D-3131	Oil	5303-988-0034	OPEL	99462607	Movano 2.8 DTI	1999	2.8L	D
5303-710-0513	1-D-3131	Oil	5303-988-0034	RENAULT	99462607	Master 2.8 DTI	1999	2.8L	D
5303-710-0513	1-D-3131	Oil	5303-988-0037	IVECO-SOFIM	500358190	Daily 2.8 TD	1999	2.8L	D
5303-710-0513	1-D-3131	Oil	5303-988-0054	CITROEN	500364493	Jumper 2.8 HDI	2001	2.8L	D
5303-710-0513	1-D-3131	Oil	5303-988-0054	FIAT	500364493	Ducato 2.8 JTD	2001	2.8L	D
5303-710-0513	1-D-3131	Oil	5303-988-0054	PEUGEOT	500364493	Boxer 2.8 HDI	2001	2.8L	D
5303-710-0513	1-D-3131	Oil	5303-988-0071	IVECO-SOFIM	504016280	Road Sweeper	2001	2.8L	D
5303-710-0513	1-D-3131	Oil	5303-988-0072	IVECO-SOFIM	504016279	Road Sweeper	2001	2.8L	D
5303-710-0514	1-D-3150	Oil	5303-988-0009	CITROEN	9633382180	Xantia HDI	1999	2.0L	D
5303-710-0514	1-D-3150	Oil	5303-988-0009	PEUGEOT	9633382180	206 2.0 HDI	1999	2.0L	D
5303-710-0514	1-D-3150	Oil	5303-988-0009	PEUGEOT	0375C8	406 HDI	1999	2.0L	D
5303-710-0514	1-D-3150	Oil	5303-988-0009	PEUGEOT	9622526980	406 HDI	1999	2.0L	D
5303-710-0514	1-D-3150	Oil	5303-988-0018	CITROEN	0375A6	Xantia HDI	1998	2.0L	D
5303-710-0514	1-D-3150	Oil	5303-988-0018	CITROEN	9632427880	Xantia HDI	1998	2.0L	D
5303-710-0514	1-D-3150	Oil	5303-988-0018	PEUGEOT	9632427880	406 HDI	1998	2.0L	D
5303-710-0514	1-D-3150	Oil	5303-988-0018	PEUGEOT	0375A6	406 HDI	1998	2.0L	D
5303-710-0514	1-D-3150	Oil	5303-988-0023	CITROEN	963240668	Xantia HDI	1999	2.0L	D
5303-710-0514	1-D-3150	Oil	5303-988-0023	CITROEN	963240668	Xsara HDI	1999	2.0L	D
5303-710-0514	1-D-3150	Oil	5303-988-0023	PEUGEOT	963240668	306 HDI	1999	2.0L	D



## CARTRIDGE/CHRA - Borg Warner (KKK)

by Cartridge/CHRA Number

Cart/CHRA Part No	TI Part No	Cooling	Turbo Part No	Manufacturer	Manf'r Part No	Vehicle Model	Year	Engine	Fuel
5303-710-0514	1-D-3150	Oil	5303-988-0024	CITROEN	0375C9,0375F5	C5 HDI	2001	2.0L	D
5303-710-0514	1-D-3150	Oil	5303-988-0024	CITROEN	9632124680	C5 HDI	2001	2.0L	D
5303-710-0514	1-D-3150	Oil	5303-988-0024	CITROEN	9632124680	Xantia HDI	1999	2.0L	D
5303-710-0514	1-D-3150	Oil	5303-988-0024	CITROEN	0375C9,0375F5	Xantia HDI	1999	2.0L	D
5303-710-0514	1-D-3150	Oil	5303-988-0024	PEUGEOT	0375C9,0375F5	406 HDI	1999	2.0L	D
5303-710-0514	1-D-3150	Oil	5303-988-0024	PEUGEOT	9632124680	406 HDI	1999	2.0L	D
5303-710-0514	1-D-3150	Oil	5303-988-0050	CITROEN	9640168280	C5 HDI	2001	2.0L	D
5303-710-0514	1-D-3150	Oil	5303-988-0050	PEUGEOT	9640168280	406 HDI	2001	2.0L	D
5303-710-0514	1-D-3150	Oil	5303-988-0050	PEUGEOT	9640168280	607 HDI	2001	2.0L	D
5303-710-0514	1-D-3150	Oil	5303-988-0051	SUZUKI	ZY34027010	Grand Vitara	2000	2.0L	D
5303-710-0514	1-D-3150	Oil	5303-988-0056	CITROEN	9640873380	Xsara HDI	2000	2.0L	D
5303-710-0514	1-D-3150	Oil	5303-988-0057	CITROEN	9640355080	Xsara HDI	2002	2.0L	D
5303-710-0514	1-D-3150	Oil	5303-988-0057	PEUGEOT	9640355080	206 HDI	2000	2.0L	D
5303-710-0514	1-D-3150	Oil	5303-988-0057	PEUGEOT	9640355080	307 HDI	2000	2.0L	D
5303-710-0514	1-D-3150	Oil	5303-988-0061	CITROEN	9636473280	Jumper	2001	2.0L	D
5303-710-0514	1-D-3150	Oil	5303-988-0061	FIAT	9636473280	Ducato	2001	2.0L	D
5303-710-0514	1-D-3150	Oil	5303-988-0061	PEUGEOT	9636473280	Boxer	2001	2.0L	D
5303-710-0514	1-D-3150	Oil	5303-988-0063	SUZUKI	ZY34027308	Vitara	2001	2.0L	D
5303-710-0515	1-D-3587	Oil	5303-988-0048	RENAULT	8200084399	Laguna 1.9 DCI	2001	1.9L	D
5303-710-0515	1-D-3587	Oil	5303-988-0048	RENAULT	8200084399	Megane 1.9 DCI	2001	1.9L	D
5303-710-0515	1-D-3587	Oil	5303-988-0048	RENAULT	8200084399	Scenic 1.9 DCI	2001	1.9L	D
5303-710-0516	1-D-3203	Water	5303-988-0052	AUDI	06A145704T	A3 1.8T	2000	1.8L	G
5303-710-0516	1-D-3203	Water	5303-988-0052	AUDI	06A145713D	A3 1.8T	2001	1.8L	G
5303-710-0516	1-D-3203	Water	5303-988-0052	AUDI	06A145704T	TT	2000	1.8L	G
5303-710-0516	1-D-3203	Water	5303-988-0052	AUDI	06A145713D	TT	2001	1.8L	G
5303-710-0516	1-D-3203	Water	5303-988-0052	SEAT	06A145704T	Leon 1.8T	2000	1.8L	G
5303-710-0516	1-D-3203	Water	5303-988-0052	SEAT	06A145713D	Leon 1.8T	2001	1.8L	G
5303-710-0516	1-D-3203	Water	5303-988-0052	SKODA	06A145704T	Octavia 1.8T	2000	1.8L	G
5303-710-0516	1-D-3203	Water	5303-988-0052	SKODA	06A145713D	Octavia 1.8T	2001	1.8L	G
5303-710-0516	1-D-3203	Water	5303-988-0052	VOLKSWAGEN	06A145704T	Golf/Bora/Jetta 1.8	2000	1.8L	G
5303-710-0516	1-D-3203	Water	5303-988-0052	VOLKSWAGEN	06A145713D	Golf/Bora/Jetta 1.8	2001	1.8L	G
5303-710-0516	1-D-3203	Water	5303-988-0053	AUDI	06A145704T	A3 1.8T	2000	1.8L	G
5303-710-0516	1-D-3203	Water	5303-988-0053	SKODA	06A145704T	Octavia 1.8T	2000	1.8L	G
5303-710-0516	1-D-3203	Water	5303-988-0053	VOLKSWAGEN	06A145704T	Gol//Bora 1.8T	2000	1.8L	G
5303-710-0516	1-D-3203	Water	5303-988-0058	VOLKSWAGEN	06A145713B	New Beetle 1.8T	2000	1.8L	G
5303-710-0517	1-D-3611	Oil	5303-988-0055	OPEL	8200036999	Movano 2.5 DT11	2001	2.5L	D
5303-710-0517	1-D-3611	Oil	5303-988-0055	RENAULT	8200036999	Master 2.5 DCI	2001	2.5L	D
5303-710-0517	1-D-3611	Oil	5303-988-0055	RENAULT	8200036999	Master 2.5 DCI	2001	2.5L	D
5303-710-0518	1-D-3590	Oil	5303-988-0008	BMC		Levend	1998-2001	1.8L	D
5303-710-0519	1-D-3591	Oil	5303-988-0066	IVECO-SOFIM	504014911	Daily 2.3 TD	2002	2.3L	D
5303-710-0519	1-D-3591	Oil	5303-988-0067	IVECO-SOFIM	504014915	Ducato 2.3 TD	2001	2.3L	D
5303-710-0519	1-D-3591	Oil	5303-988-0078	IVECO-SOFIM	504078436	Passenger Car	N/A	2.3L	D
5303-710-0519	1-D-3591	Oil	5303-988-0089	IVECO-SOFIM	504071262	Daily 2.3 TD	2003	2.3L	D
5303-710-0519	1-D-3591	Oil	5303-988-0090	IVECO-SOFIM	504070186	Ducato 2.3 TD	2003	2.3L	D
5303-710-0520	1-D-3594	Oil	5303-988-0062	CITROEN		Jumper	2001	2.2L	D
5303-710-0520	1-D-3594	Oil	5303-988-0062	PEUGEOT		Boxer	2001	2.2L	D
5303-710-0523	1-D-3597	Oil	5303-988-0071	IVECO-SOFIM	504016280	Road Sweeper	2001	2.8L	D
5303-710-0523	1-D-3597	Oil	5303-988-0075	IVECO-SOFIM	500335369	Daily 2.8 TD	2003	2.8L	D
5303-710-0523	1-D-3597	Oil	5303-988-0075	OPEL	99462607	Movano 2.8 DTI	1999	2.8L	D
5303-710-0523	1-D-3597	Oil	5303-988-0075	RENAULT	99462607	Master 2.8 DTI	1999	2.8L	D



## CARTRIDGE/CHRA - Borg Warner (KKK)

by Cartridge/CHRA Number

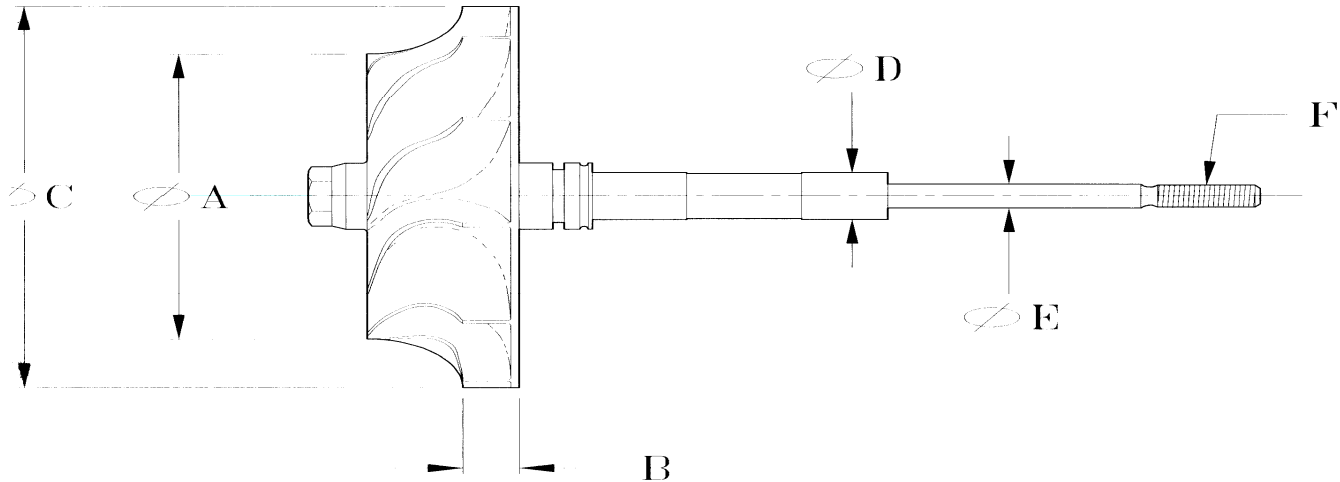
Cart/CHRA Part No	TI Part No	Cooling	Turbo Part No	Manufacturer	Manf'r Part No	Vehicle Model	Year	Engine	Fuel
5303-710-0523	1-D-3597	Oil	5303-988-0075	RENAULT	99762607	Master 2.8 DTI	1999	2.8L	D
5303-710-0523	1-D-3597	Oil	5303-988-0076	IVECO-SOFIM	500358190	Daily 2.8 TD	2003	2.8L	D
5304-710-0500	1-D-3095	Oil	5304-988-0001	FORD	984F6K682AF	Transit FT 190	1991	2.5DI	D
5304-710-0500	1-D-3095	Oil	5304-988-0006	FORD	954F6K682AD	Transit	1994	2.5DI	D
5304-710-0500	1-D-3095	Oil	5304-988-0008	FORD	974F6K682AF	Transit	1996	2.5DI	D
5304-710-0500	1-D-3095	Oil	5304-988-0017	FORD	974F6K682AF	Transit	1999	2.5DI	D
5304-710-0501	1-D-2170	Oil	5304-988-0002	CHRYSLER	35242037F	Voyager	1992	2.5L	D
5304-710-0501	1-D-2170	Oil	5304-988-0002	VM	35242037F	Chrysler Voyager	1992	2.5L	D
5304-710-0501	1-D-2170	Oil	5304-988-0003	VM	35242042F	Pick-up	1992	2.5L	D
5304-710-0501	1-D-2170	Oil	5304-988-0003	YEUTYAN	35242042F	Pick-Up	1992	3.0L	D
5304-710-0501	1-D-2170	Oil	5304-988-0007	TATA	254714510104	Sierra Pick-Up	1994	2.0L	D
5304-710-0501	1-D-2170	Oil	5304-988-0012	BAJAJ	-	Passenger Car	1995	2.4L	D
5304-710-0502	1-D-3598	Oil	5304-988-0011	CITROEN	9619991180	ZX Xantia	1996	1.9L	D
5304-710-0502	1-D-3598	Oil	5304-988-0011	PEUGEOT	037590	306, 405	1996	1.9L	D
5304-710-0502	1-D-3598	Oil	5304-988-0021	SUZUKI	ZY34026857	Baleno	1998	1.9L	D
5304-710-0504	1-D-3337	Water	5303-988-0026	AUDI	06A145704A	A3 1.8T	1996,99	1.8L	G
5304-710-0504	1-D-3337	Water	5303-988-0035	AUDI	06A145704A	TT	1998	1.8L	G
5304-710-0504	1-D-3632	Oil	5304-988-0016	AVIA		Vehicle	1996	3.6L	D
5304-710-0505	1-D-3615	Oil	5304-988-0013	CITROEN	0375C0	ZX XUD9BSD	1998-00	1.9L	D
5304-710-0505	1-D-3615	Oil	5304-988-0013	PEUGEOT	9633828080	306 XUD9BSD	1998	1.9L	D
5304-710-0506	1-D-2169	Oil	5304-988-0017	FORD	984F6K682AF/AG	Transit -	1999	2.5L	D
5304-710-0507	1-D-3601	Water	5304-988-0020	AUDI	06A145704M	S3 1.8	1999	1.8L	G
5304-710-0507	1-D-3601	Water	5304-988-0020	AUDI	06A145704M	TT 1.8	1999	1.8L	G
5304-710-0507	1-D-3601	Water	5304-988-0022	AUDI	06A145704P	S3 1.8	1999	1.8L	G
5304-710-0507	1-D-3601	Water	5304-988-0022	AUDI	06A145704P	TT 1.8	1999	1.8L	G
5304-710-0507	1-D-3601	Water	5304-988-0023	AUDI	06A145704Q	S3 1.8	2000	1.8L	G
5304-710-0507	1-D-3601	Water	5304-988-0023	AUDI	06A145704Q	TT 1.8	2000	1.8L	G
5304-710-0509	1-D-3607	Oil	5304-988-0007	TATA		Sierra Pick-Up	1994	1.95L	D
5304-710-0509	1-D-3607	Oil	5304-988-0019	STEYR		M14	1998	2.13L	D
5304-710-0511	1-D-3608	Oil	5304-988-0024	OPEL	90423508	Astra Coupe	2000	2.0L	G
5304-710-0511	1-D-3608	Oil	5304-988-0024	OPEL	90423508	Zafira OPC	2000	2.0L	G
5304-710-0512	1-D-3606	Water	5304-988-0028	AUDI	077145703P	RS6 4.2-V8	2002	4.2L	G
5304-710-0512	1-D-3606	Water	5304-988-0029	AUDI	077145704K	RS6 4.2-V8	2002	4.2L	G

NOTE: TRANSIT Turbine wheel tip height ("B" on Major Components) 0.311"/7.90mm on early models to 1997, 0.245"/6.22mm on later models.



## MAJOR COMPONENT - Borg Warner (K K K)

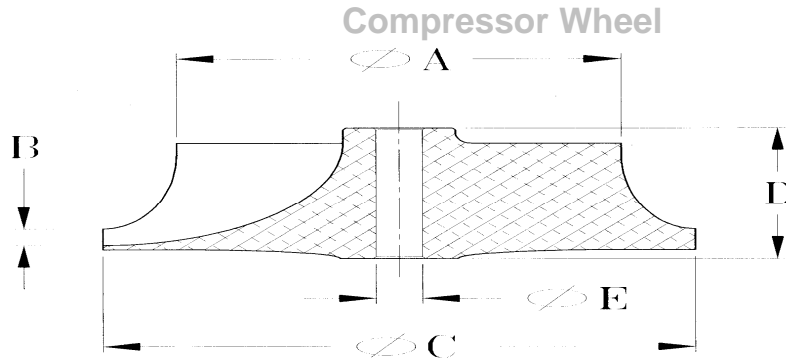
### Turbine Wheel



OEM Part No.	TI Part no.	Turbo Model/ Application	Exducer "OA"	Tip Height "B"	Inducer "OC"	Journal "OD"	Stem "OE"	Nose style/ No. of blades	Shaft thread "F"	Inches/ Metric
5303-120-5010	2-D-3031	KO3	1.484	0.274	1.773	0.275	0.181	Long 11	M4.5 X 0.5 LH Fine thread	ins.
			37.69	6.96	45.03	6.99	4.60			mms.
5303-120-5014	2-D-3130	KO3	1.484	0.270	1.773	0.275	0.181	Long 11	M4.5 X 0.5 LH Fine thread	ins.
			37.69	6.86	45.03	6.99	4.60			mms.
5303-120-5015	2-D-3123	KO3	1.324	0.267	1.773	0.275	0.181	Long 11	M4.5 X 0.5 LH Fine thread	ins.
			33.63	6.78	45.03	6.99	4.60			mms.
5303-120-5023	2-D-3195	KO3	1.588	0.268	1.773	0.275	0.181	Long 11	M4.5 X 0.5 LH Fine thread	ins.
			40.34	6.81	45.03	6.99	4.60			mms.
5303-120-5027	2-D-3630	KO3	1.484	0.270	1.773	0.275	0.181	Long 11	M4.5 X 0.5 LH Fine thread	ins.
			37.69	6.86	45.03	6.99	4.60			mms.
5304-120-5008	2-D-2272	KO4	1.654	0.311	1.968	0.275	0.181	Short 12	M4.5 X 0.5 LH Fine thread	ins.
			42.01	7.90	49.99	6.99	4.60			mms.
5304-120-5009	2-D-3599	KO4	1.752	0.287	1.968	0.275	0.181	11	M4.5 X 0.5 LH Fine thread	ins.
			44.50	7.29	49.99	6.99	4.60			mms.
5304-120-5010	2-D-2793	KO4	1.650	0.254	1.968	0.275	0.181	Long 11	M4.5 X 0.5 LH Fine thread	ins.
			41.91	6.45	49.99	6.99	4.60			mms.
5304-120-5015	2-D-3602	KO4	1.650	0.254	1.968	0.275	0.181	Long 11	M4.5 X 0.5 LH Fine thread	ins.
			41.91	6.45	49.99	6.99	4.60			mms.
5304-120-5018	2-D-3609	KO4	1.752	0.234	1.968	0.275	0.181	Long 11	M4.5 X 0.5 LH Fine thread	ins.
			44.50	5.94	49.99	6.99	4.60			mms.



## MAJOR COMPONENT - Borg Warner (K K K )



OEM Part No.	TI Part no.	Turbo Model/ Application	Inducer "OA"	Tip height "B"	Exducer "OC"	Hub Length "D"	Bore "OE"	No. of blades	Inches/metric
5303-123-2007	3-D-3517	KO3	1.326	0.182	1.770	1.010	0.181	4/4	ins.
			33.68	4.62	44.96	25.65	4.60		mms.
5303-123-2011	3-D-2276	KO3	1.238	0.123	1.770	1.010	0.181	4/4	ins.
			31.45	3.12	44.96	25.65	4.60		mms.
5303-123-2018	3-D-3124	KO3	1.324	0.146	1.812	1.010		6/6	ins.
			33.63	3.71	46.02	25.65	0.00		mms.
5303-123-2021	3-D-3558	KO3	1.356	0.160	1.812	1.010	0.181	4/4	ins.
			34.44	4.06	46.02	25.65	4.60		mms.
5304-123-2000	3-D-2558	KO4	1.374	0.147	1.967	1.010	0.174	6/6	ins.
			34.90	3.73	49.96	25.65	4.42		mms.
5304-123-2005	3-D-2736	KO4	1.374	0.142	1.967	1.010	0.181	6/6	ins.
			34.90	3.61	49.96	25.65	4.60		mms.
5304-123-2007	3-D-2277	KO3/KO4	1.416	0.145	1.967	1.010	0.181	6/6	ins.
			35.97	3.68	49.96	25.65	4.60		mms.
5304-123-2015	3-D-3603	KO4	1.648	0.229	2.207	1.010	0.181	4/4	ins.
			41.86	5.82	56.06	25.65	4.60		mms.
5304-123-2023	3-D-3593	KO4	1.443	0.159	2.006	1.010	0.181	6/6	ins.
			36.65	4.04	50.95	25.65	4.60		mms.
5304-123-2029	3-D-3204	KO4	1.494	0.173	2.006	1.010	0.181	5/5	ins.
			37.95	4.39	50.95	25.65	4.60		mms.
5304-123-2201	3-D-3133	KO3	1.515	0.184	2.006	1.010	0.181	6/6	ins.
			38.48	4.67	50.95	25.65	4.60		mms.
5304-123-2202	3-D-3592	KO4	1.486	0.174	2.006	1.010	0.181	6/6	ins.
			37.74	4.42	50.95	25.65	4.60		mms.



## MAJOR COMPONENT - Borg Warner (K K K )

### Bearing Housing

OEM Part No.	TI Part no.	Turbo Model/ Application	Oil Inlet	OutletOil	Outlet Flange Holes	Water Ports	Oil feed syle	Cooling
5304-150-0006	4-D-2275	KO3/KO4	M12X1.5	M15.9 bore	M6X1.0	M14X1.5	Single	Water
5304-150-0004	4-D-2430	KO4	M12X1.5	M12.2 bore	M6X1.0	N/A	Single	Oil
5304-151-0006	4-D-3338	KO4	M10X1.0	M12.2 bore	M6X1.0	N/A	Dual	Oil
5304-150-0009	4-D-3336	KO3/KO4	M12X1.5	M15.9 bore	M6X1.0	M14X1.5	Single	Water
5304-150-0011	4-D-2274	KO3/KO4	M12X1.5	M12.2 bore	M6X1.0	N/A	Dual	Oil
5304-150-0014	4-D-3631	KO3	M12X1.5	M12.2 bore	M6X1.0	N/A	Dual	Oil
5304-150-0015	4-D-3604	KO3	M12X1.5	M15.9 bore	M6X1.0	M14X1.5	Single	Water
5304-150-0016	4-D-3610	KO3	M12 X 1.5	M15.9 bore	M6 X 1.0	M14X1.5	Single	Water
5304-101-0017	4-D-3614	KO3	M12 X 1.5	M15.9 bore	M6 X 1.0	M14X1.5	Single	Water



## MAJOR COMPONENT - Borg Warner (K K K)

### Backplate

OEM Part No.	TI Part no.	Turbo Model	Compressor wheel bore	Backplate OD	
				Main	Secondary
5303-151-5700	5-D-2572	KO3	1.82" 46.2 mm	4.445" 112.90 mm	2.81" 71.4 mm
5303-151-5701	5-D-2278	KO3	1.82" 46.2 mm	4.445" 112.90 mm	2.82" 71.7 mm
5304-151-5702	5-D-2279	KO3/4	2.02" 51.2 mm	4.445" 112.90 mm	2.98" 75.7 mm
5304-151-5700	5-D-2280	KO3/4	2.02" 51.2 mm	4.445" 112.90 mm	2.98" 75.7 mm
5304-151-5705	5-D-3122	KO3/4	1.86" 47.3 mm	4.445" 112.90 mm	2.98" 75.7 mm
5304-151-5703	5-D-3127	KO3/4	1.82" 46.2 mm	4.445" 112.90 mm	2.98" 75.7 mm
5304-151-5708	5-D-3605	KO3/4	2.26" 57.4 mm	4.445" 112.90 mm	3.42" 86.8 mm
5304-151-5713a	5-D-3128	KO3/4	1.85" 47.0 mm	4.285" 108.84 mm	2.98" 75.7 mm
5304-151-5712a	5-D-3132	KO3/4	2.05" 52.1 mm	4.445" 112.90 mm	3.36" 85.2 mm
5304-151-5714	5-D-3589	KO3/4	2.05" 52.1 mm	4.363" 110.82 mm	3.56" 90.3 mm
5304-151-5716	5-D-3633	KO3/4	2.05" 52.1 mm	4.285" 108.84 mm	3.36" 85.2 mm

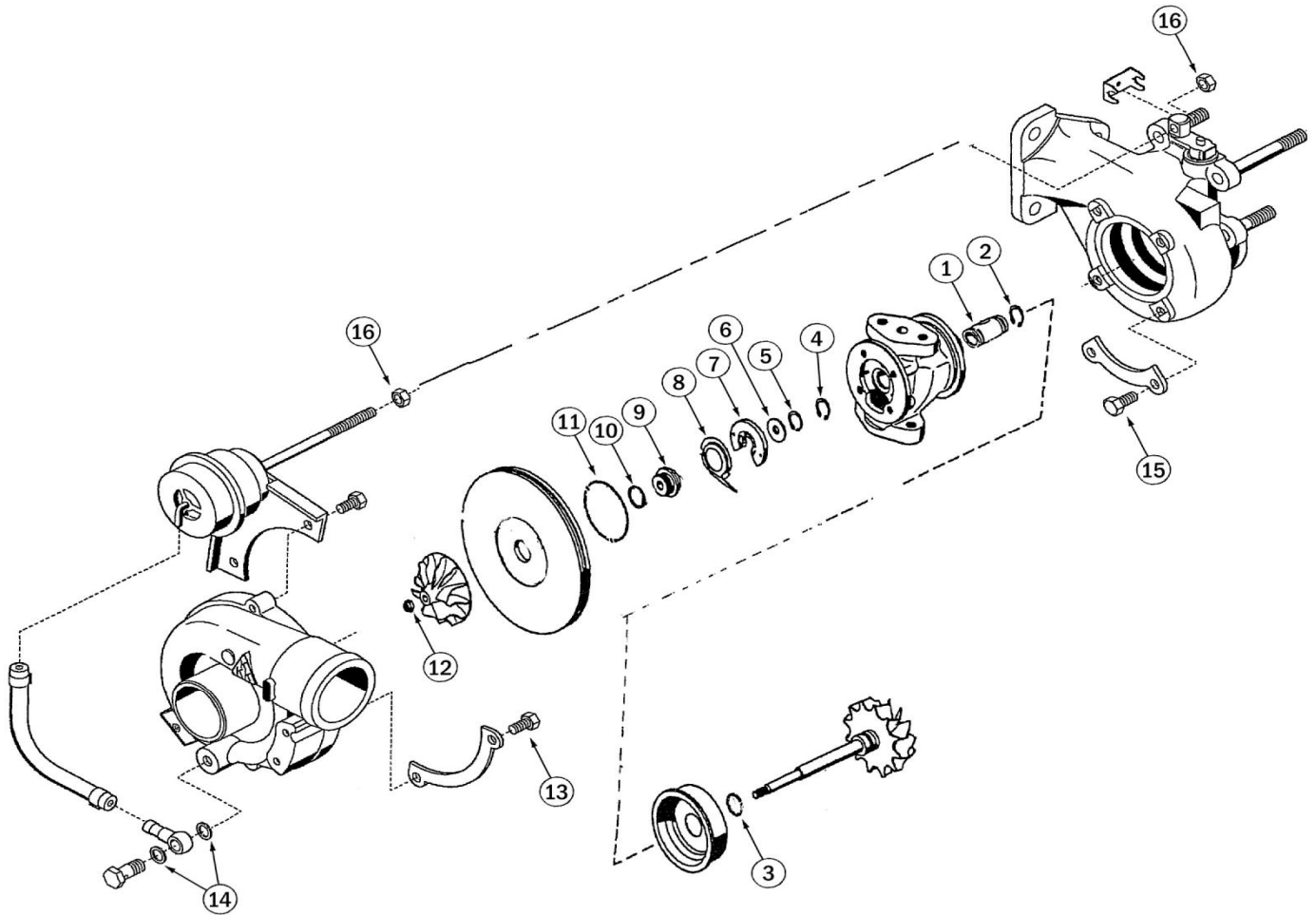
### Heatshield

OEM Part No.	TI Part No.	Turbo Model/ Application	Design	Diameter			
				Inside	Outside	Inducer	
5303-165-2000	6-D-2281	K03/K04	Recessed dome	0.61	2.43	1.80	ins.
				15.5	61.7	45.7	mms.
5304-165-2000	6-D-2282	K04	Flat dome	0.61	2.43	1.98	ins.
				15.5	61.7	50.3	mms.



**K03**

**K04**





## SERVICE KIT - K K K

KO3

KO4

KO6

Item no.	Description	TI Part no.	Qty/ Turbo	TI Kit no.			
				7-D-2557	7-D-2520	7-D-2562	7-D-1780
				<i>note (i)</i>	<i>note(i)</i>	<i>note(ii)</i>	<i>note(ii)</i>
1	Journal bearing,single oil feed	8-D-1816	1	-	-	✓	✓
1	Journal bearing,dual oil feed	8-D-2498	1	✓	✓	-	-
2	Retaining ring/circlip	8-D-0919	1	✓	✓	✓	✓
3	Piston ring, t/end	8-D-0923	1	✓	✓	✓	✓
4	Locking clip, jnl/brg.	8-D-1963	1	✓	✓	✓	✓
5	Retaining ring, circlip, t/brg.	8-D-2417	1	✓	✓	✓	✓
6	Flinger sleeve,0.182"/4.60mm bore	8-D-2283	1	✓	-	✓	-
7	Thrust bearing	8-D-1961	1	✓	✓	✓	✓
8	Oil deflector	8-D-2472	1	✓	-	✓	-
9	Thrust collar,0.182"/4.60mm bore	8-D-2285	1	✓	-	✓	-
10	Piston ring, c/end	8-D-1782	1	✓	✓	✓	✓
11	O ring, brg/hsg.	8-D-1818	1	✓	✓	✓	✓
	O ring, b/plate-brg/hsg.	8-D-3175	1	-	-	-	-
12	Locknut,M4x0.7-6H RH	8-D-2287	1	-	-	-	✓
12	Locknut,M4.5x0.5-6H LH	8-D-2288	1	✓	✓	✓	✓
13	Bolt,c/e,hex.head M6x1.0-6Hx12mm	8-D-0917	4	✓	✓	✓	✓
14	Washer, hose, aluminum	8-D-2556	2	✓	✓	✓	✓
15	Bolt,t/e,hex.head M6x1.0-6Hx10mm	8-D-0918	4	✓	✓	✓	✓
16	Locknut, hex head M6x1.0	8-D-1319	2	✓	✓	✓	✓
	Washer, water port, copper	8-D-2555	1	✓	✓	✓	✓
	Plug, water port	8-D-2554	1	-	-	-	-
		8-D-3175					

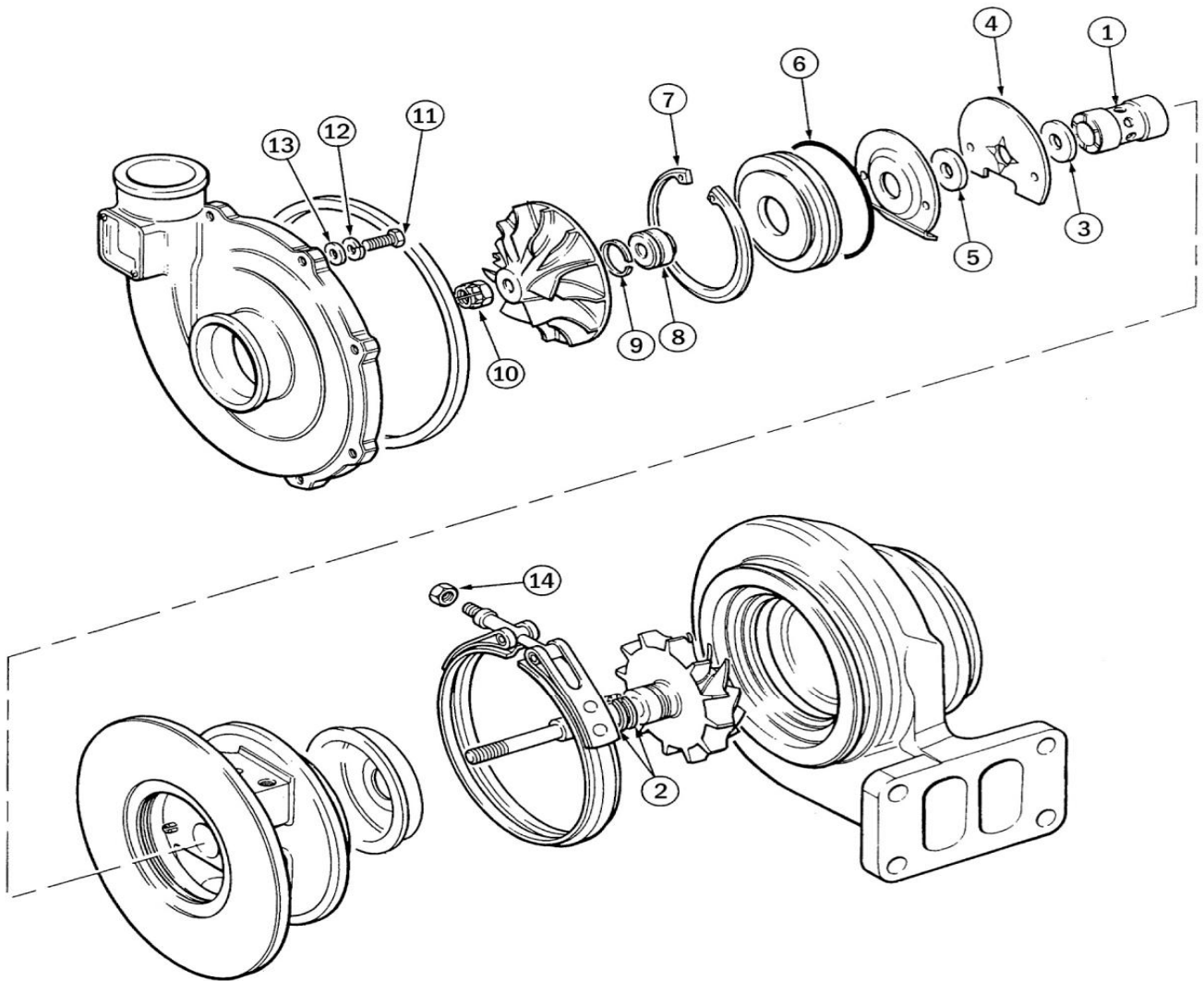
Note (i) Fits KO3 with dual oil feed grooved bearing

(ii) Fits KO3 & KO4 with plain o/d bearing

See JOURNAL BEARING section for oversize & under-size parts - page 47

See PISTON RING section for oversize parts - page 51

# 3LD



K K K-6/23/2008-29

All names, numbers, symbols and descriptions are for reference purposes only, and do not imply that any part is the product of these manufacturers.



## SERVICE KIT - K K K

3LD

3LDZ

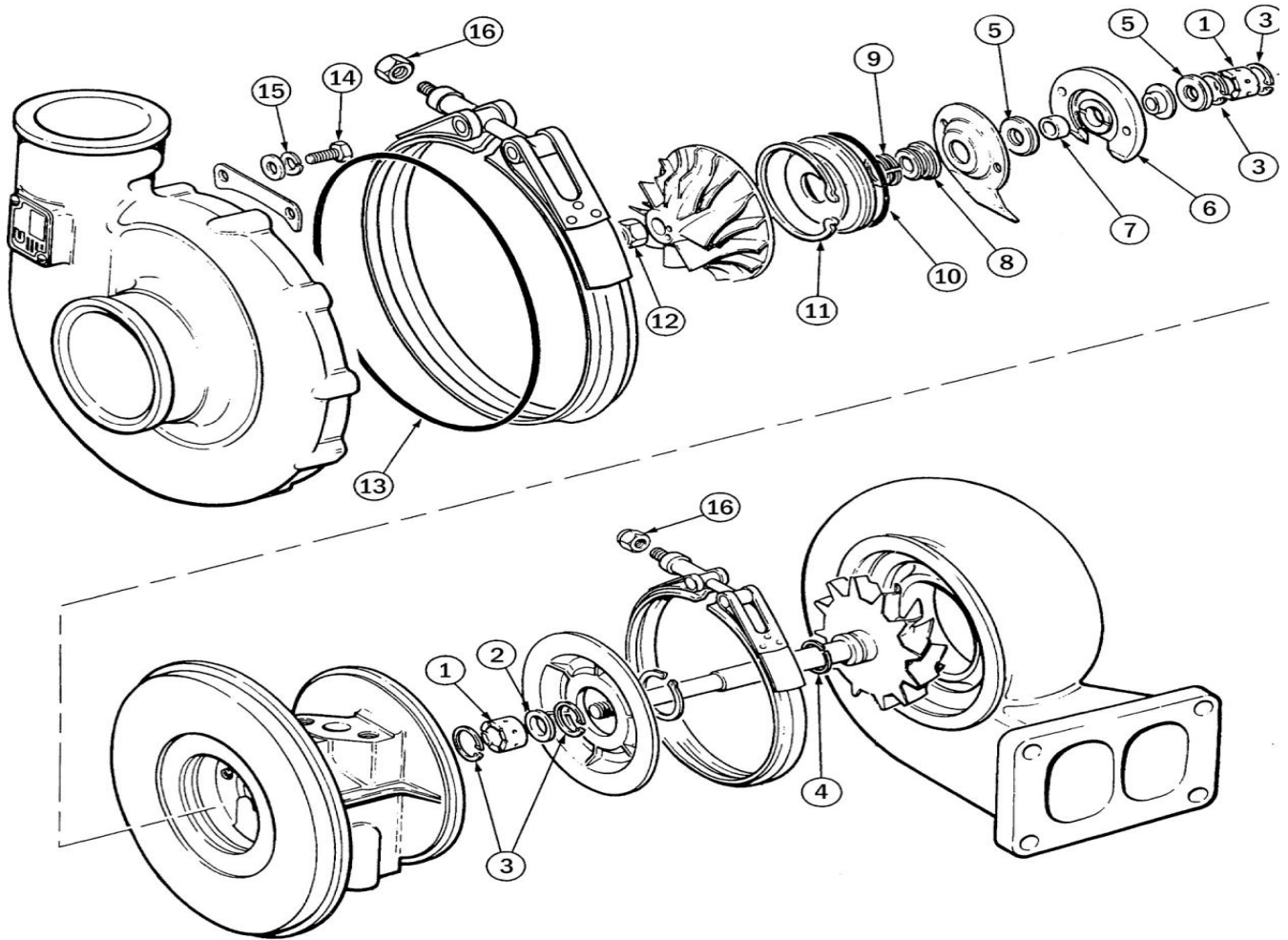
Item no.	Description	TI Part no.	Qty/ Turbo	TI Kit no.	
				7-B-0730	7-D-1703
1	Journal bearing	8-B-1025	1	✓	✓
2	Piston ring, t/end,smooth bore	8-B-0391	2	✓	✓
2	Piston ring, t/end,step bore	8-B-0387	1	✓	✓
3	Thrust washer	8-B-0384	1	-	-
4	Thrust bearing	8-B-0731	1	✓	✓
5	Thrust ring	8-B-0078	1	-	-
6	O ring, s/plate	8-B-0064	1	✓	✓
7	Retaining ring, s/plate	8-B-0077	1	✓	-
8	Oil slinger	-	1	-	-
9	Piston ring, c/end	8-B-0391	1	✓	✓
10	Locknut, shaft	8-B-0417	1	✓	✓
11	Bolt, c/end	-	6	-	-
12	Lockwasher, c/end	8-B-0521	8	✓	✓
13	Washer, c/end	8-B-0790	8	-	✓
14	Locknut, V band	8-B-0523	1	✓	-
	Gasket, oil inlet	8-B-0093	1	✓	
	Gasket, oil outlet	8-B-0094	1	✓	
	Gasket, turbine inlet	8-A-0271	1	✓	

Single port, 4.25" x 2.375"

See JOURNAL BEARING section for oversize & under-size parts - page 48

See PISTON RING section for oversize parts - page 50

# 4LE



K K K-6/23/2008-31

All names, numbers, symbols and descriptions are for reference purposes only, and do not imply that any part is the product of these manufacturers.



## SERVICE KIT - K K K

4LE

4LF

4LG

4LGZ

Item no.	Description	TI	Qty/	TI kit no.
		Part no.	Turbo	7-B-0640
1	Journal bearing	8-B-0076	1	✓
2	Oil control sleeve	8-B-0396	1	✓
3	Retaining ring, j/brg.	8-B-0517	4	✓
4	Piston ring, t/end, step bore	8-B-0387	1/2	✓
4	Piston ring, t/end, smooth bore	8-B-0391	1/2	✓
5	Thrust ring	8-B-0052	2	-
6	Thrust bearing	8-B-0088	1	✓
7	Thrust spacer	8-B-0982	1	-
8	Oil slinger	8-B-1584	1	-
9	Piston ring, c/end	8-B-0527	1/2	-
9	Piston ring, c/end	8-B-0391	2	✓
10	O ring, s/plate	8-B-0064	1	✓
11	Retaining ring, s/plate	8-B-0077	1	✓
12	Locknut, shaft	8-B-0397	1	✓
12	Locknut, shaft	8-B-2867	1	-
13	O ring, c/hsg	8-B-0390	1	✓
14	Bolt, c/end	8-A-0169	10	-
15	Lockwasher, c/end	8-B-0096	10	-
15	Lockwasher, c/end	8-B-0521	10	-
16	Locknut, V band	8-B-0523	2	✓
	Lockplate, t/end	8-B-0418	4	-
	Bolt, t/end	8-A-0172	10	-
	Gasket, oil inlet	8-B-0093	1	✓
	Gasket, oil outlet	8-B-0094	1	✓
	Gasket, turbine inlet	8-B-0987	1	✓
	Gasket, oil outlet	8-B-3119	1	
	Gasket, oil outlet	8-A-0270	1	

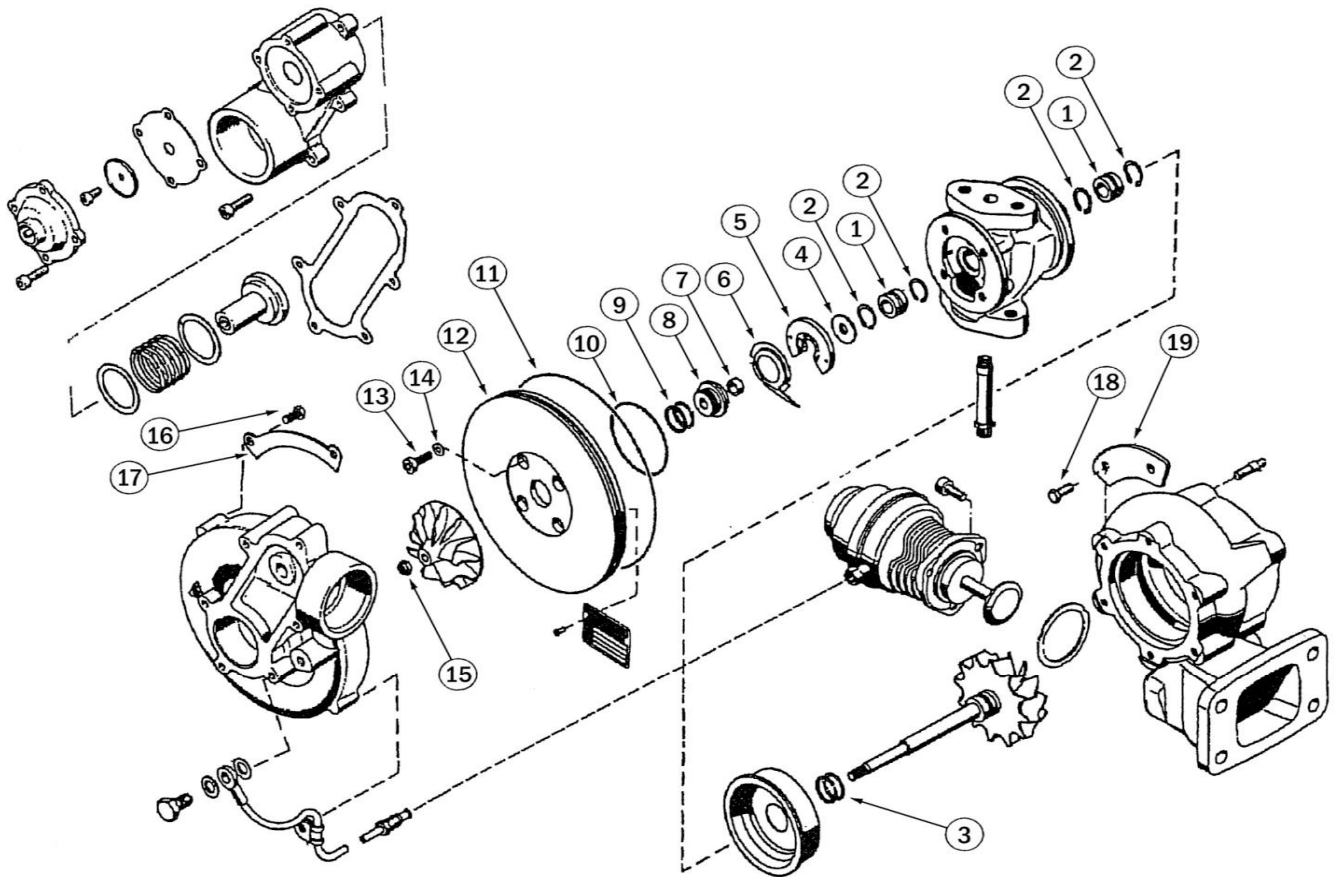
See JOURNAL BEARING section for oversize & under-size parts - page 26

See PISTON RING section for oversize parts - page 52

**K14**

**K16**

**K24**





# SERVICE KIT-K K K

K14

K16

K24

j/brg o/d .5113-.5118", i/d .3344-.3349"

j/brg o/d 12.99-13.00mm, i/d 8.49-8.51mm

Item no.	Description	TI Part no.	Qty/ Turbo	TI Kit no.			
				7-D-1168	7-D-1148	7-D-2566	7-D-1328
				<i>Note (i)</i>	<i>Note (ii)</i>	<i>Note (i)</i>	<i>Note (iii)</i>
1	Journal bearing	8-D-0910	2	✓	✓	✓	✓
2	Retaining ring, jnl/brg.	8-D-0919	4	✓	✓	✓	✓
3	Piston ring, t/end	8-D-0406	1	-	-	-	✓
3	Piston ring, t/end	8-D-0923	1/2	✓	✓	✓	-
4	Thrust ring	8-D-2534	1	-	-	✓	-
5	Thrust bearing, 360°	8-D-1706	1	-	-	-	✓
5	Thrust bearing, 360°	8-D-1961	1	✓	✓	✓	-
6	Oil deflector, K14/K16	8-D-0914	1	✓	✓	✓	-
6	Oil deflector, K24	8-D-1323	1	-	-	-	✓
7	Spacer sleeve	8-D-2533	1	-	-	✓	-
8	Flinger sleeve	8-D-2532	1	-	-	✓	-
9	Piston ring, c/end	8-D-0668	1/2	-	-	-	✓
9	Piston ring, c/end	8-D-0923	1/2	✓	✓	✓	-
10	O ring, s/plate to b/hsg	8-D-0922	1	✓	-	✓	-
10	O ring, s/plate to b/hsg	8-B-0064	1	-	-	-	✓
10	O ring, s/plate to b/hsg	8-D-0921	1	-	✓	✓	-
11	O ring, s/plate to comp/hsg	8-D-1117	1	✓	-	✓	-
11	O ring, s/plate to comp/hsg	8-D-2941	1	✓	-	-	-
11	O ring, s/plate to comp/hsg	8-D-0407	1	-	-	-	✓
11	O ring, s/plate to comp/hsg	8-D-1125	1	-	-	-	✓
12	Sealplate	-	1	-	-	-	-
13	Bolt, seal plate	8-D-0412	4	-	-	-	✓
13	Bolt, seal plate	8-D-0916	4	✓	✓	✓	-
14	Washer, seal plate	8-D-1118	4	✓	✓	✓	-
14	Washer, seal plate	8-D-1516	4	-	-	-	✓
15	Locknut, shaft RH thread	8-D-0920	1	✓	✓	✓	✓
15	Locknut, shaft LH thread	8-D-2373	1	✓	✓	✓	✓
16	Bolt, c/end	8-D-0917	4	✓	✓	✓	-
16	Bolt, c/end	8-D-0411	6	-	-	-	✓
17	Clamp, c/end	8-D-1286	1	-	-	-	-
17	Clamp, c/end	8-D-1034	1	-	-	-	-
17	Clamp, c/end	8-D-1317	3	-	-	-	-
17	Clamp, c/end	8-D-1326	1	-	-	-	-
17	Clamp, c/end	8-D-0915	2	-	-	-	-
18	Bolt, t/end	8-D-0918	6	✓	✓	✓	-
18	Bolt, t/end	8-D-1708	6	-	-	-	-
18	Bolt, t/end	8-D-0410	4	-	-	-	✓
18	Bolt, t/end	8-D-1116	4	✓	✓	-	-
18	Bolt, t/end	8-D-1325	4	-	-	-	✓
19	Clamp, t/end	8-D-1035	3	-	-	-	-
19	Clamp, t/end	8-D-0409	3	-	-	-	-
19	Clamp, t/end	8-D-0913	3	-	-	-	-
19	Clamp, t/end	8-D-1286	3	-	-	-	-
20	Bolt, wastegate	8-D-1119	3	-	-	-	-

Note (i) K14 & K16 360° thrust bearing

(ii) K14, K16 & K24 360° thrust bearing

(iii) K16 & K24 270° thrust bearing

See JOURNAL BEARING section for o/size & u/size parts-page 5 See PISTON RING section for o/size parts-page 53





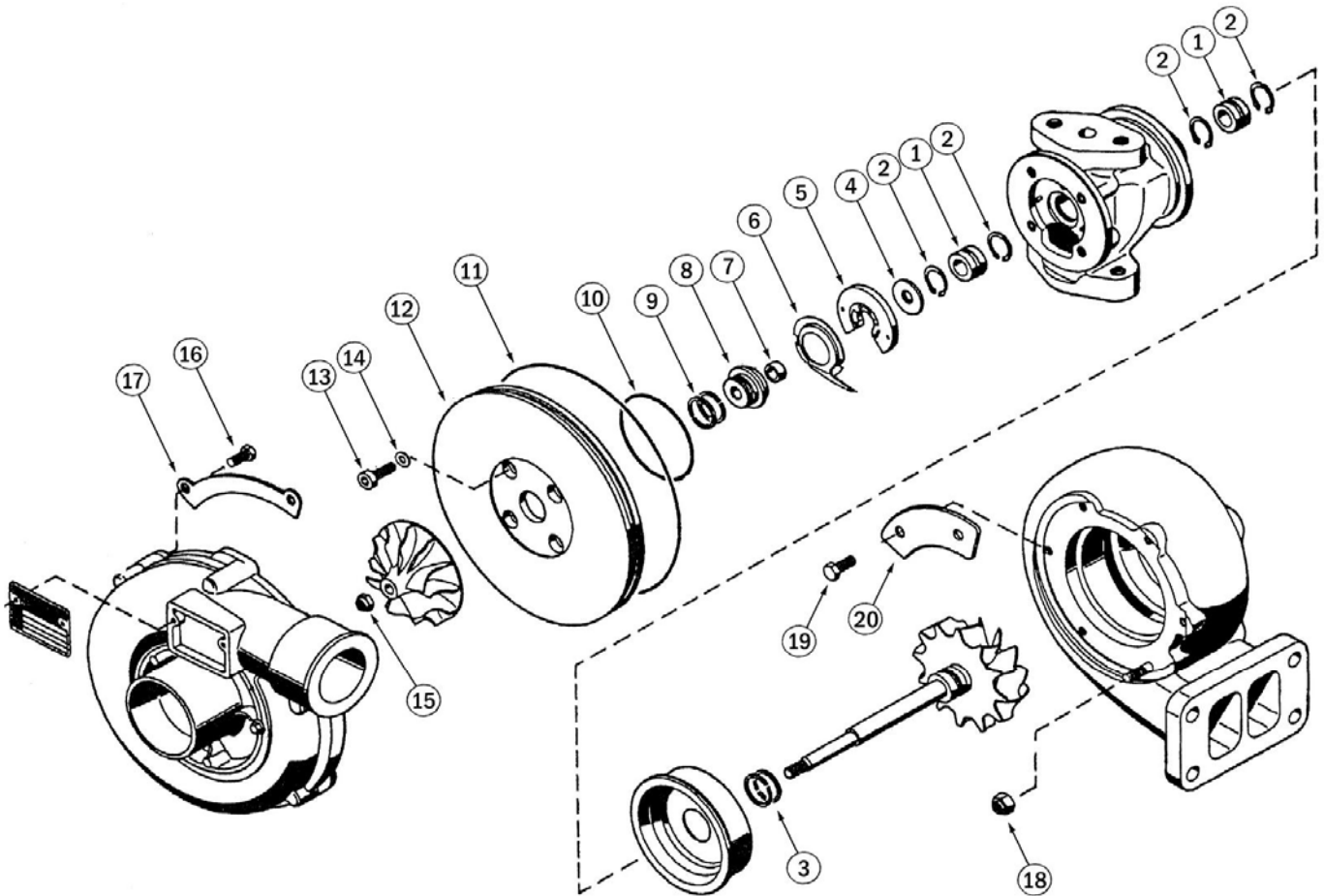
K24

K26

K27

K28

K29



K K K-6/23/2008-35

All names, numbers, symbols and descriptions are for reference purposes only, and do not imply that any part is the product of these manufacturers.



## SERVICE KIT - K K K

K24

K26

K27

K28

K29

Item no.	Description	TI Part no.	Qty/ Turbo	TI Kit no.				
				7-D-0666	7-D-0669	7-D-1355	7-D-1705	7-D-2944
				Note (i)	Note (ii)	Note (ii)	Note (iii)	
1	Journal bearing, 0.052" oil feed hole	8-D-0670	2	-	✓	✓	✓	✓
1	Journal bearing, 0.078" oil feed hole	8-D-0392	2	✓	-	-	-	-
2	Retaining ring, jnl/brg.	8-A-0149	4	✓	✓	✓	✓	✓
3	Piston ring, t/end	8-D-0668	2	✓	✓	✓	✓	✓
4	Thrust ring	8-D-1586	1	-	-	-	-	-
5	Thrust bearing, 270°	8-D-0403	1	✓	✓	✓	-	-
5	Thrust bearing, 360°	8-D-1706	1	-	-	-	✓	✓
6	Oil deflector	8-D-0413	1	✓	✓	-	✓	-
7	Spacer sleeve	8-D-1361	1	-	-	-	-	-
8	Flinger sleeve	8-D-1524	1	-	-	-	-	-
9	Piston ring, c/end	8-D-0406	1/2/4	✓	✓	✓	✓	✓
10	O ring, s/plate to b/hsg	8-B-0064	1	✓	✓	✓	✓	✓
11	O ring, b/hsg to comp/hsg	8-D-0407	1	✓	✓	-	-	-
11	O ring, b/hsg to comp/hsg	8-D-1373	1	-	-	-	✓	✓
11	O ring, b/hsg to comp/hsg	8-D-1337	1	-	-	✓	-	-
11	O ring, b/hsg to comp/hsg	8-D-1352	1	-	-	-	-	-
11	O ring, b/hsg to comp/hsg	8-D-1125	1	-	-	-	-	-
12	Sealplate	-	1	-	-	-	-	-
13	Bolt, seal plate	8-D-0412	4	✓	✓	✓	✓	✓
14	Washer, seal plate	8-D-1516	4	✓	✓	✓	✓	✓
15	Locknut, shaft RH thread	8-D-0402	1	-	-	-	-	-
15	Locknut, shaft RH thread	8-D-1707	1	✓	✓	✓	✓	✓
15	Locknut, shaft LH thread	8-D-2273	1	-	-	-	-	-
16	Bolt, c/end	8-D-0411	6	✓	✓	✓	-	-
16	Bolt, c/end	8-D-0917	8	-	-	✓	✓	-
17	Clamp, c/end	8-D-0408	3	-	-	-	-	-
17	Clamp, c/end	8-D-1326	6	-	-	-	-	-
17	Clamp, c/end	8-D-1346	3	-	-	-	-	-
17	Clamp, c/end	8-D-1034	3	-	-	-	-	-
17	Clamp, c/end	8-D-1338	3	-	-	-	-	-
17	Clamp, c/end	8-D-1317	3	-	-	-	-	-
18	Nut, t/end	8-D-0410	6	✓	✓	-	-	-
19	Bolt, t/end	8-B-1708	6	-	-	-	✓	✓
19	Bolt, t/end	8-D-1325	6	-	-	-	-	-
19	Bolt, t/end	8-B-0401	6	-	-	✓	-	-
19	Bolt, t/end	8-D-2943	6	-	-	-	-	-
20	Clamp, t/end	8-D-1363	3	-	-	-	-	-
20	Clamp, t/end	8-D-1318	3	-	-	-	-	-
20	Clamp, t/end	8-D-1340	3	-	-	-	-	-
	Gasket, oil outlet ( paper )	8-D-3096	1	-	-	-	-	-
	Gasket, oil inlet ( paper )	8-D-3088	1	-	-	-	-	-

Note (i) Fits K26 with bearing oil feed hole dia. of 0.078"/1.98mm & 270° thrust bearing

(ii) Fits K24, K26, K27, K28 & K29 with oil feed hole dia. of 0.052"/1.32mm oil feed hole dia. & 270° thrust bearing

(iii) Fits K26 & K27 with oil feed hole dia. of 0.052"/1.32mm oil feed hole dia. & 360° thrust bearing

See JOURNAL BEARING section for o/size & u/size parts-page 5 See PISTON RING section for o/size parts-page 54

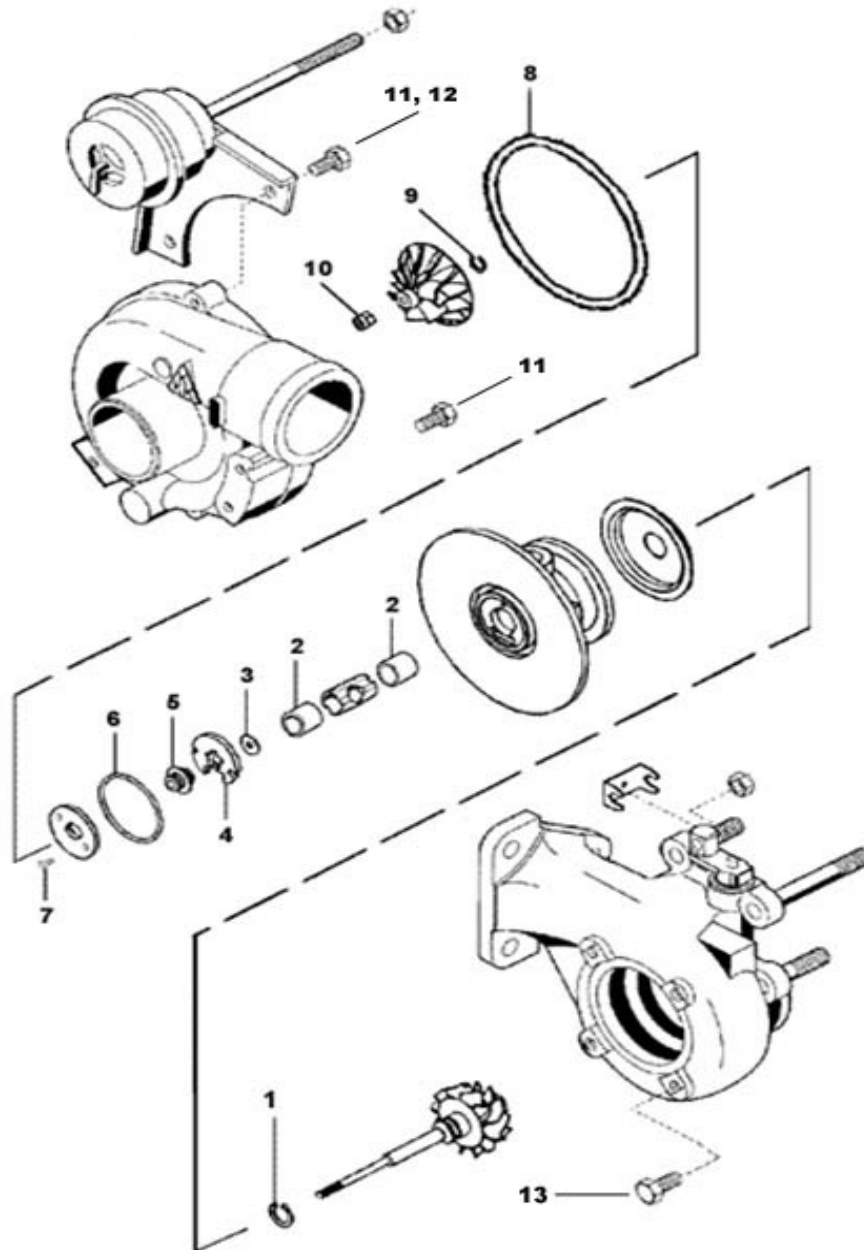


KP31

KP35

BV39

KP39



K K K-7/17/2009-37

All names, numbers, symbols and descriptions are for reference purposes only, and do not imply that any part is the product of these manufacturers.



## SERVICE KIT - K K K

KP31

KP35

BV39

KP39

Item no.	Description	TI Part no.	Qty/ Turbo	TI Kit no.			
				7-D-3708	7-D-3557	7-D-3707	7-D-3616
1	Piston ring, t/end	8-D-3636	1	✓	✓	✓	✓
2	Journal bearing	8-D-3546	2	✓	✓	✓	✓
5	Flinger sleeve, 12.6 mm tall	8-D-3549	1	✓	✓	-	-
5	Flinger sleeve, 9.8 mm tall	8-D-3628	1	✓	-	✓	-
4	Thrust bearing	8-D-3548	1	✓	✓	✓	✓
3	Thrust ring	8-D-3547	1	✓	✓	✓	-
6	O ring, brg/hsg.Ø 35x1.5mm	8-D-3550	1	✓	✓	✓	✓
10	Locknut,M4x0.5 LH	8-D-3553	1	✓	✓	✓	✓
7	Bolt,b'hsg. insert M3x0.50	8-D-3552	2	✓	✓	✓	✓
9	Piston ring, c/end	8-D-3636	1	✓	✓	✓	✓
8	O ring, s/plate KP35 Ø 76x1.5mm	8-D-1117	1	✓	✓	✓	✓
8	O ring, s/plate KP39 Ø 102x2.5mm	8-D-3617	1	✓	✓	✓	✓
8	O ring, s/plate KP31 Ø 63x1.5mm	8-D-3618	1	✓	✓	✓	✓
8	O ring, s/plate KP35 Ø 92x2.5mm	8-D-3619	1	✓	✓	✓	✓
11	Bolt, c'hsg, actuator, M6x1.0	8-D-3554	6	✓	✓	✓	-
12	Clamp washer	8-D-4034	2	✓	✓	✓	-
13	Bolt, t'hsg, M6x1.0	8-D-0917	3	✓	✓	✓	-

See JOURNAL BEARING section for oversize & under-size parts - page 47

See PISTON RING section for oversize parts - page 51



This page has been intentionally left blank



## Borg-Warner ( Schwitzer ) Index

Cross reference Schwitzer to Turbo International	pages 1 - 10
Service kits by model	pages 11 - 42
Journal Bearings	see journal bearing section
Piston Rings	see piston ring section

### Schwitzer service kits by turbo model

Turbo Model	Kit page no
S1B	11-12
S2A	13-14
S2B wide bearing	15-16
S2B narrow bearing	17-18
S2D	19-20
S2E wide bearing	15-16
3LD	21-22
3LM	23-24
S3	27-28
S3A	27-28
S3B	29-30
4LE	31-32
4LF	31-32
4LG	31-32
4LGK	31-32
4LGZ	31-32
4LHR	25-26
S4	33-34
S4D	33-34
S4T	35-36
S76	23-24
S100	11-12
S200	37-38
S300	39-40
S400	41-42
S500	35-36



## CROSS REFERENCE - Borg Warner (Schwitzer) to Turbo International

OEM Part No.	Turbo International Part No.	Description	Turbo Model Application
	7-B-0674	SERVICE KIT	H2B
	7-C-1271	SERVICE KIT	4LGK/4LGZ
	7-C-3515	SERVICE KIT	S4D
	7-C-3645	SERVICE KIT	S3A
	8-C-0901	JOURNAL BEARING STD/5	3LM
	8-C-0902	JOURNAL BEARING STD/10	3LM
	8-C-0903	JOURNAL BEARING 5/STD	3LM
	8-C-0904	JOURNAL BEARING 5/5	3LM
	8-C-0905	JOURNAL BEARING 5/10	3LM
	8-C-0907	JOURNAL BEARING 10/5	3LM
	8-C-0908	JOURNAL BEARING 10/10	3LM
	8-C-0909	JOURNAL BEARING 15/STD	3LM
	8-C-1394	JOURNAL BEARING 20/5	3LM
	8-C-1395	JOURNAL BEARING 20/10	3LM
	8-C-1399	JOURNAL BEARING 10/STD	S2A
	8-C-1400	JOURNAL BEARING 20/STD	S2A
	8-C-1401	JOURNAL BEARING 10/10	S2A
	8-C-1402	JOURNAL BEARING STD/10	S2A
	8-C-1532	PISTON RING T/END 10/STD	3LM
	8-C-1552	PISTON RING T/END STD/10	3LM
	8-C-1553	PISTON RING T/END STD/20	3LM
	8-C-1667	JOURNAL BEARING, GROOVED I/D & END, 10/20	4HD/4MD
	8-C-1681	PISTON RING C/END 10/STD	3LM
	8-C-1683	PISTON RING T/END 10/10	3LM
	8-C-1684	PISTON RING T/END 10/20	3LM
	8-C-1686	PISTON RING C/END 10/STD	4HD/MD
	8-C-1688	PISTON RING T/END 10/STD	4HD/MD
	8-C-1689	PISTON RING T/END STD/10	4HD/MD
	8-C-1690	PISTON RING T/END 10/10	4HD/MD
	8-C-1691	PISTON RING T/END STD/20	4HD/MD
	8-C-1692	PISTON RING T/END 10/20	4HD/MD
	8-C-1746	JOURNAL BEARING, GROOVED END ONLY, 10/20	4HD/4MD
	8-C-1770	PISTON RING T/E 10/STD	S2A/S2B
	8-C-1773	PISTON RING C/E 10/STD	S2A/S2B
	8-C-1774	PISTON RING C/E 10/STD	S3A
	8-C-1775	PISTON RING C/E 10/STD	S4/S4A/S4D/S
	8-C-2024	JOURNAL BEARING, 0.341" wide, STD/5	S2B
	8-C-2025	JOURNAL BEARING, 0.341" wide, STD/10	S2B
	8-C-2026	JOURNAL BEARING, 0.341" wide, 5/STD	S2B
	8-C-2027	JOURNAL BEARING, 0.341" wide, 5/5	S2B
	8-C-2028	JOURNAL BEARING, 0.341" wide, 5/10	S2B
	8-C-2029	JOURNAL BEARING, 0.341" wide+E1632, 10/STD	S2B
	8-C-2030	JOURNAL BEARING, 0.341" wide, 10/5	S2B
	8-C-2031	JOURNAL BEARING, 0.341" wide, 10/10	S2B
	8-C-2037	PISTON RING T/END 10/STD	S3/S4
	8-C-2095	JOURNAL BEARING, STD/10	S3A
	8-C-2096	JOURNAL BEARING, 10/STD	S3A



## CROSS REFERENCE - Borg Warner (Schwitzer) to Turbo International

OEM Part No.	Turbo International Part No.	Description	Turbo Model Application
	8-C-2097	JOURNAL BEARING, 10/10	S3A
	8-C-2098	JOURNAL BEARING, 20/STD	S3A
	8-C-2099	JOURNAL BEARING, 20/10	S3A
	8-C-2267	JOURNAL BEARING, GROOVED I/D & END, STD/20	4HD/4MD
	8-C-2292	JOURNAL BEARING, GROOVED I/D & END, 20/20	4HD/4MD
	8-C-2392	JOURNAL BEARING STD/5	S2B
	8-C-2393	JOURNAL BEARING STD/10	S2B
	8-C-2394	JOURNAL BEARING 5/STD	S2B
	8-C-2395	JOURNAL BEARING 5/5	S2B
	8-C-2396	JOURNAL BEARING 5/10	S2B
	8-C-2397	JOURNAL BEARING 10/STD	S2B
	8-C-2398	JOURNAL BEARING 10/5	S2B
	8-C-2399	JOURNAL BEARING 10/10	S2B
	8-C-2414	JOURNAL BEARING STD/10	S1B
	8-C-2415	JOURNAL BEARING 10/STD	S1B
	8-C-2416	JOURNAL BEARING 10/10	S1B
	8-C-2920	PISTON RING T/END STD/10	S3A/S3B/S4/S
	8-C-2921	PISTON RING T/END STD/20	S3A/S3B/S4/S
	8-C-2949	PISTON RING T/END STD/10	S2A
	8-C-2951	PISTON RING T/END 10/STD	S2A
	8-C-2952	PISTON RING T/END 10/10	S2A
	8-C-2953	PISTON RING T/END 10/20	S2A
	8-C-3030	JOURNAL BEARING, GROOVED END ONLY, 20/20	4HD/4MD
	8-C-3045	JOURNAL BEARING STD/20	3LM
	8-C-3046	JOURNAL BEARING 15/5	3LM
	8-C-3047	JOURNAL BEARING 15/15	3LM
	8-C-3090	PISTON RING T/END STD/10	S4H
	8-C-3091	PISTON RING C/END 10/10	S4H
	8-C-3092	PISTON RING C/END STD/20	S4H
	8-C-3101	PISTON RING C/END 10/20	S4H
	8-C-3102	PISTON RING C/END STD/10	S4H
	8-C-3104	PISTON RING C/END STD/20	S4H
	8-C-3111	PISTON RING C/END STD/10	S2A
	8-C-3112	PISTON RING C/END 10/10	S2A
	8-C-3113	PISTON RING C/END STD/20	S2A
	8-C-3114	PISTON RING C/END 10/20	S2A
	8-C-3386	JOURNAL BEARING, STD/5	S300
	8-C-3387	JOURNAL BEARING, STD/10	S300
	8-C-3388	JOURNAL BEARING, 5/STD	S300
	8-C-3389	JOURNAL BEARING, 5/5	S300
	8-C-3390	JOURNAL BEARING, 5/10	S300
	8-C-3391	JOURNAL BEARING, 10/STD	S300
	8-C-3392	JOURNAL BEARING, 10/5	S300
	8-C-3393	JOURNAL BEARING, 10/10	S300
	8-C-3452	JOURNAL BEARING, GROOVED END ONLY, STD/20	4HD/4MD
	8-C-3537	JOURNAL BEARING STD/15	3LM
	8-C-3579	PISTON RING T/END STD/10	S3B





## CROSS REFERENCE - Borg Warner (Schwitzer) to Turbo International

OEM Part No.	Turbo International Part No.	Description	Turbo Model Application
	8-C-3623	JOURNAL BEARING, 5/STD	S200
	8-C-3624	JOURNAL BEARING, 10/STD	S200
	8-C-3625	JOURNAL BEARING, 20/STD	S200
	8-C-3626	JOURNAL BEARING, 5/5	S200
	8-C-3627	JOURNAL BEARING, 10/10	S200
	8-C-3700	JOURNAL BEARING STD/5	S200
	8-C-3701	JOURNAL BEARING STD/10	S200
	8-C-3744	JNL.BRG, NON-GROOVED, RAD.DRILLED HOLES, STD/5	4HD/4MD
	8-C-3746	JNL.BRG, NON-GROOVED, RAD.DRILLED HOLES, 5/STD	4HD/4MD
	8-C-3748	JNL.BRG, NON-GROOVED, RAD.DRILLED HOLES, 5/5	4HD/4MD
	8-C-3775	JOURNAL BEARING, 10/STD	S400/S410W
	8-D-2023	JOURNAL BEARING, 10/STD	K03/K04
	8-C-2787	JOURNAL BEARING 5/STD	S3B
125647	8-B-0391	PISTON RING T/END STD	3LD
125647	8-C-1685	PISTON RING C/END STD	4HD/MD
125647	8-C-1687	PISTON RING T/END STD	4HD/MD
127305	8-B-0077	RETAINING RING, INSERT	3"/VARIOUS
128936	8-C-1772	PISTON RING C/E STD	S3A
129119	8-A-0696	GASKET, OIL INLET	VARIOUS
129119	8-C-3415	GASKET, OIL INLET	S2B
129120	8-B-3119	GASKET, OIL OUTLET	4MF
129533	8-B-0047	RETAINING RING	4"
129577	8-B-0527	PISTON RING C/END STD	4LGK
130282	8-B-0517	RETAINING RING, J/BRG	4LE/HT3B
132040	8-A-0987	GASKET, TURBINE INLET, SINGLE PORT	
132040	8-C-3419	GASKET, TURBINE INLET, SINGLE PORT	S3A
132044	8-A-0271	GASKET, TURBINE INLET, SINGLE PORT NARROW	3LM/3LD
132044	8-C-3416	GASKET, TURBINE INLET, SINGLE PORT NARROW	S2B
135209	8-B-0387	PISTON RING T/END STD	HT3B/HC3B
137943		USE 140964	
138363	8-B-0076	JOURNAL BEARING STD	4"/Various
139055	8-B-0045	JNL.BRG, NON-GROOVED, RAD.DRILLED HOLES, STD	4HD/4MD
139265	8-B-3089	O RING, C/END	4HD/4MD
139572	8-B-0982	THRUST SPACER	HT3B
140964	8-C-0835	THRUST BEARING	4"/Various
141073	8-B-0397	LOCKNUT, SHAFT	4MF
141525	8-B-0078	THRUST RING	3LD
142228	8-B-0390	O RING, C/END	4LE/HT3B
142229	8-B-0396	OIL CONTROL SLEEVE	4LE
142869	8-C-1196	JOURNAL BEARING, GROOVED END ONLY, STD	4HD/4MD
144079	8-B-0731	THRUST BEARING	3LD
144080	8-B-1025	JOURNAL BEARING STD	3LD
144315		USE 182250	
144334	8-B-0052	THRUST COLLAR	HT3B
146608	8-C-2985	O RING, B/HSG.	S3B/3LK
146740		USE 192871	
146808	8-B-0387	PISTON RING T/END STD	4LE



## CROSS REFERENCE - Borg Warner (Schwitzer) to Turbo International

OEM Part No.	Turbo International Part No.	Description	Turbo Model Application
147837	8-A-0062	GASKET, OIL INLET	VARIOUS
147837	8-C-3413	GASKET, OIL INLET	S1A, S1B, S2A
148062	8-B-0063	GASKET, OIL OUTLET	3LD
148062	8-C-3418	GASKET, OIL OUTLET	S3A
148225	8-B-0890	JOURNAL BEARING 10/10	4LE/HT3
148337	8-B-1584	OIL SLINGER	4LE
151242	8-B-0064	O RING, OIL PLATE	3"/4"/HT3B
151242	8-C-3501	O RING, SEAL PLATE	3"/4"/HT3B/S4
152408	8-B-0052	THRUST COLLAR	HT3B
155290	8-C-1366	SPACER SLEEVE	3LKS
155433	8-C-1368	WEAR RING	3LKS
155434		USE 186135	
157458	8-C-3749	JNL.BRG, NON-GROOVED, RAD.DRILLED HOLES, 10/10	4HD/4MD
157602	8-B-3119	GASKET, OIL OUTLET	HT3B
157962	8-C-0066	FLINGER SLEEVE	3LM
158144	8-C-0067	THRUST BEARING	3LM
158146	8-C-1741	JOURNAL BEARING, GROOVED END ONLY, 10/STD	4HD/4MD
158147	8-B-0888	JOURNAL BEARING 10/STD	4LE/HT3
166084	8-B-0980	OIL SEAL PLATE	HT3B
166118	8-C-1226	JOURNAL BEARING 10/STD	S4A & D
166119	8-C-1227	JOURNAL BEARING 20/STD	S4A & D
166120	8-C-1225	JOURNAL BEARING 10/10	S4A & D
166121	8-C-1228	JOURNAL BEARING STD/10	S4A & D
166122	8-C-1229	JOURNAL BEARING 20/10	S4A & D
166193	8-C-1725	GASKET, OIL OUTLET	S3B
166496	8-C-2986	LOCKNUT, SHAFT, L/HAND THREAD	S3/S3A/S3B
167048	7-C-3491	CAPSCREW & LOCKWASHER, C/END	S300
167416	8-C-3385	JOURNAL BEARING STD	S300
167492	8-C-3482	LOCKNUT, SHAFT, L/HAND THREAD	S2B/S200
167541	8-C-3490	LOCKNUT, SHAFT, L/HAND THREAD	S300
167546	8-C-3488	THRUST SLEEVE	S300
167548	8-C-3487	RETAINING RING, J/BRG.	S300
167558	8-C-3489	THRUST BEARING	S300
167657	8-C-3479	JOURNAL BEARING STD	S200
167743	8-C-3481	THRUST BEARING	S200
167747	8-C-2990	PISTON RING STD	S100/S200+F2
167748	8-C-2991	PISTON RING STD	S100
167750	8-C-3480	THRUST SLEEVE	S200
167785	8-C-3498	THRUST SLEEVE	S400/S410W
167786	8-C-3499	THRUST BEARING	S400/S410W
167787	8-C-3496	JOURNAL BEARING STD	S400/S410W
167788	8-C-3495	RETAINING RING, J/BRG.	S400/S410W
167799	8-C-3502	LOCKNUT, SHAFT, L/HAND THREAD	S400/S410W
168984		USE 318372	
168984	7-A-0608	SERVICE KIT, STEP BORE	TA31/TA35/TO
181750		USE 318364	
181751		USE 318350	



## CROSS REFERENCE - Borg Warner (Schwitzer) to Turbo International

OEM Part No.	Turbo International Part No.	Description	Turbo Model Application
181751	7-C-0815	SERVICE KIT	4LE/4LF
181929	8-C-0068	JOURNAL BEARING STD	3LM
182042	8-D-0406	PISTON RING C/END STD	K26
182250	8-B-1129	JOURNAL BEARING 20/STD	4LE
182252	8-C-0906	JOURNAL BEARING 10/STD	3LM
182253	8-C-1270	JOURNAL BEARING 20/STD	3LM
182255	8-C-1273	JOURNAL BEARING 20/STD	3LDA
182258	8-C-3747	JNL.BRG, NON-GROOVED, RAD.DRILLED HOLES, 10/STD	4HD/4MD
182260	8-C-1743	JOURNAL BEARING, GROOVED END ONLY, 20/STD	4HD/4MD
182421	8-D-1708	BOLT	K26
182438	8-C-1369	CAP SCREW	3LKS
182561		USE 188379	
182562		USE 138363	3LKS
182668		USE 192510	
183188	8-C-1378	FILTER	4HD
183211	7-C-0787	SERVICE KIT	4LE/4LF/4MF
183223	7-C-0670	SERVICE KIT	3LM
183225		USE 318367	
183472		USE 166084	
184798	8-C-3093	PISTON RING T/END 10/20	S4H
185299		USE 5223-711-0002	
185319	8-B-0064	O RING, OIL PLATE	3LD
185727	8-B-0089	LOCKNUT	HC3
185854	8-B-0884	JOURNAL BEARING STD/10	4LE/HT3
185856	8-C-1744	JOURNAL BEARING, GROOVED END ONLY, STD/10	4HD/4MD
185857	8-C-1745	JOURNAL BEARING, GROOVED END ONLY, 20/10	4HD/4MD
185859	8-C-1497	JOURNAL BEARING, GROOVED END ONLY, STD/10	4HD/4MD
185860	8-C-1665	JOURNAL BEARING, GROOVED I/D & END, 20/10	4HD/4MD
186135	8-B-0395	PISTON RING T/END STD	S2/3FD
186135	8-C-1682	PISTON RING T/END,5/STD-C/END STD	3LM/S2B
186147		USE 142869	3LKS
186147	8-C-1196	JOURNAL BEARING, GROOVED END ONLY, STD	4HD/4MD
186148		USE 192871	
186790		USE 444506-0001	
186790	8-A-1213	THRUST COLLAR, 2 X 8 HOLES	T4
186791	8-A-0252	LOCKPLATE, B/HOUSING	TO4
186794	8-A-0256	JOURNAL BEARING STD	T3/4
186796	8-A-0149	RETAINING RING, J/BRG	TB03/TO4B
186830	8-A-0240	THRUST BEARING, 3 HOLE	T3/4
186835	8-A-0254	LOCKPLATE, C/END	TO4/TO4B
186838	8-A-0253	CLAMP, C/END	TO4
186839	8-A-0241	CLAMP, T/END	TB03/TO4B
186840	8-A-0138	SEAL RING, S/PLATE, VITON i/d 2.183"	Various
186841	8-A-1555	PISTON RING T/END STD	T3
186841	8-C-1748	PISTON RING T/END STD	S2A
186841	8-C-3477	PISTON RING C/END STD	S300
186842	8-C-1749	PISTON RING C/END STD	S2A/S2B



## CROSS REFERENCE - Borg Warner (Schwitzer) to Turbo International

OEM Part No.	Turbo International Part No.	Description	Turbo Model Application
186844	8-C-1618	BOLT, T/END	S2B
186847	8-A-0242	LOCKPLATE, T/END	TO4/TO4B
186879	4-A-0323	BEARING HOUSING, OIL COOLED	T3/T4
186880	4-A-1331	BEARING HOUSING, OIL COOLED	T3/T4
186881	4-A-0323	BEARING HOUSING, OIL COOLED	T3/T4
186882	4-A-1331	BEARING HOUSING, OIL COOLED	T3/T4
186882	4-A-2047	BEARING HOUSING, OIL COOLED	T3
186891	8-C-0835	THRUST BEARING	4"/Various
187197		USE 318354	
187197	7-B-0981	SERVICE KIT	4LHR
187248	8-C-1366	SPACER SLEEVE	3LKS
188379	8-B-0088	THRUST BEARING	3LD
188470	8-C-0069	GASKET, BACKPLATE/BEARING HOUSING	3LM
188956	8-B-0087	THRUST BEARING	HT3B
188985	8-C-2573	JOURNAL BEARING STD	S4A/H
188990	8-A-0137	RETAINING RING, J/BRG	TV/T12/T18
189906	8-C-2094	JOURNAL BEARING, STD	S3A
189909	8-C-1728	THRUST RING	S3B
191750	8-B-0070	PISTON RING C/END STD DUCTILE	3LM
191975		USE 318368	
191996	8-C-3000	LOCKNUT	S4D
192510	8-A-0164	LOCKNUT, SHAFT	3LM/3LD
192511	8-B-0397	LOCKNUT, SHAFT	4MF
192512	8-A-0163	LOCKNUT, SHAFT	TB03/TO4B
192871	8-C-1197	JOURNAL BEARING, GROOVED I/D & END, STD	4HD/4MD
192879	8-C-1626	JOURNAL BEARING, GROOVED I/D & END, 10/10	4HD/4MD
192880	8-C-1496	JOURNAL BEARING, GROOVED I/D & END, 10/STD	4HD/4MD
192881	8-C-1658	JOURNAL BEARING, GROOVED I/D & END, 20/STD	4HD/4MD
193710	8-C-1245	O RING	S2A
194279	8-C-1579	LOCKNUT, SHAFT	S2B
194281	8-C-1246	O RING	S2A
194581	8-C-1576	CLAMP T/END	S2B
194658	8-C-1730	O RING	S3B
194798	8-C-1726	PISTON RING T/END STD	S3A/S3B/S4/S
194914	8-C-1247	JOURNAL BEARING STD	S2A
194931	8-C-1704	JOURNAL BEARING, 0.341" wide, STD	S2B
194932	8-C-1468	SPACER RING	S2B
196007	8-B-0098	FLINGER SLEEVE	HT3B
196009	8-B-0979	OIL BAFFLE	HT3B
196021	8-C-1729	RETAINING RING	S3B
196284		USE 197752	
196284	8-C-3770	THRUST BEARING	S3A/S3B
196424	8-C-3485	BOLT, T/END	S2B/S200/S30
196457	8-C-1246	O RING	S200/S300
197275	8-C-1248	SPACER	S2A
197276	8-C-1915	THRUST WASHER	S2D
197470	8-C-1731	WEAR WASHER	S3B



## CROSS REFERENCE - Borg Warner (Schwitzer) to Turbo International

OEM Part No.	Turbo International Part No.	Description	Turbo Model Application
197651	8-B-1653	INSERT	4LE
198291	8-C-3745	JNL.BRG, NON-GROOVED, RAD.DRILLED HOLES, STD/10	4HD/4MD
198354	8-C-1393	JOURNAL BEARING, GROOVED, 10/10	4MD
198689	8-C-1249	LOCKNUT, V CLAMP	S2A
199113	8-C-1216	JOURNAL BEARING STD	S3B
199909	8-C-1230	WASHER, SPEED CONTROL	S4A & D
199910	8-C-1217	JOURNAL BEARING STD	S4
199973	8-C-1220	JOURNAL BEARING 10/STD	S3B
199974	8-C-1221	JOURNAL BEARING 20/STD	S3B
199975	8-C-1219	JOURNAL BEARING 10/10	S3B
199976	8-C-1222	JOURNAL BEARING STD/10	S3B
199977	8-C-1223	JOURNAL BEARING 20/10	S3B
310042	4-A-0323	BEARING HOUSING, OIL COOLED	T3/T4
310062	7-D-1931	SERVICE KIT	4LGZ
310063		USE 318372	
310063	7-A-0608	SERVICE KIT, STEP BORE, l/h & r/h locknuts	TA31/TA35/TO
310063	7-A-2436	SERVICE KIT	TO4B
310278	8-B-0527	PISTON RING C/END STD	HC3B/HT4B
310279	8-C-1649	PISTON RING C/END STD	3LM
310291	8-C-1370	S/WASHER	3LKS
310503	8-B-0391	PISTON RING	4MF
310628	7-E-0656	SERVICE KIT	TCO5/6
310668	8-E-0706	O-RING, CARBON SEAL $\varnothing$ 0.364"x0.07"	TCO4
310671	7-E-0649	SERVICE KIT, S/PLATE 10mm HOLE	TC04
310694	8-A-0709	GASKET, TURBINE INLET, DUAL PORT WIDE	TO4
310694	8-C-3417	GASKET, TURBINE INLET, DUAL PORT WIDE	S2A/S2B
310719	8-C-2998	O RING, INSERT	S3/S3A
310724	8-C-1351	PISTON RING C/E STD	4LGZ/S4D
310797	7-C-1864	SERVICE KIT	3LM
310871	8-B-0423	O RING, S/PLATE	H2C/H2B
310871	8-C-2999	O RING	S4D
310938	8-D-1516	WASHER	K26
310946	8-D-0670	JOURNAL BEARING STD	K26
310947	8-D-0413	OIL SHIELD	K26
310979	8-D-0917	BOLT, HEX HEAD, M6 x 1.0-6H x 12 mm	K16/KO3/KO4
310987	8-C-1347	THRUST COLLAR	S2A
310996	8-D-0412	BOLT, B/HOUSING	K26
311013	7-D-1355	SERVICE KIT	K28
311020	8-C-1379	RETAINING RING, J/BRG	S2B
311300	7-C-1255	SERVICE KIT	S2A
311438	4-A-0323	BEARING HOUSING, OIL COOLED	T3/T4
311496	8-A-0270	GASKET, OIL OUTLET	TO4B
311496	8-C-3412	GASKET, OIL OUTLET	S1A, S1B, S2A
311534	7-C-1583	SERVICE KIT	S2B
311585	8-C-1348	GASKET, OIL OUTLET	S2A
311588	8-C-1251	SEYSCREW	S2A
311589	8-C-1252	LOCKNUT	S2A



## CROSS REFERENCE - Borg Warner (Schwitzer) to Turbo International

OEM Part No.	Turbo International Part No.	Description	Turbo Model Application
311698	8-C-1349	GASKET, TURBINE INLET	S2A
311699	8-C-1350	GASKET, OIL OUTLET	S2A
311708	5-A-1210	BACKPLATE, DYNAMIC	T3/T4
311740	8-A-0257	JOURNAL BEARING STD	VARIOUS
311750	8-B-0397	LOCKNUT, SHAFT	4MF
311754	8-D-0407	O RING, C/END	K26
311857	8-C-2982	PISTON RING C/END STD	S1B/S100
311876	8-A-0345	LOCKPLATE, BACKPLATE	TV SERIES
311888	8-A-0028	THRUST COLLAR, 3/8" DIA. SHAFT	T18/THO8A
311889	8-A-0265	THRUST SPACER	TV60/80/THO8
311899	8-A-0244	WASHER, WEAR	TV/T18
311901	8-A-0164	LOCKNUT, SHAFT	TV/12/18
311902	8-A-0165	LOCKNUT, SHAFT, 3/8"	TV61/63
311903	8-A-0167	BOLT, B/HOUSING	VARIOUS
311979	8-A-0172	BOLT	T4
311994	7-C-1287	SERVICE KIT	S2A
312336	8-A-0334	CLAMP, C/END	TBO3
312344	8-A-0156	BOLT, T/END, metric thread	TBO3
312345	8-A-0157	BOLT, C/END, metric thread	TBO3
312346	8-A-0155	BOLT, B/HOUSING, metric thread	TBO3
312347	8-A-0286	GASKET, COMP.HSG ./BRG.HSG.	TBO3
312379	4-A-1333	BEARING HOUSING, OIL COOLED	T3
312431	7-A-0830	SERVICE KIT	TO4
312455	8-C-2391	JOURNAL BEARING STD	S2B
312617	8-A-0271	GASKET, TURBINE INLET, SINGLE PORT NARROW	S2A
312617	8-C-3414	GASKET, TURBINE INLET, SINGLE PORT NARROW	S2B
312638	7-C-1403	SERVICE KIT	S3B
312690	7-A-0014	SERVICE KIT	TA31
312690	7-A-0802	SERVICE KIT	TA/TB/T3
312696	7-C-1733	SERVICE KIT	S3B
312697	8-D-0406	PISTON RING C/END STD	K26
312719	8-C-1254	THRUST BEARING	S2A
312746	8-C-3201	GASKET, TURBINE INLET	S2A/S1B/S1A/
312758	8-C-2427	JOURNAL BEARING STD	S1B
312868	8-C-1462	PISTON RING T/E STD	S4D
313015	7-C-3484	CAPSCREW & LOCKWASHER, C/END	S200
313248	8-A-0240	THRUST BEARING, 3 HOLE	T3/4
313286	8-C-3483	O RING ø	S200
313566	7-D-1930	SERVICE KIT	K27
313627	8-D-0403	THRUST BEARING	K26
313765	8-C-3492	O RING	S300
313783	8-C-2989	PISTON RING STD	S100
313805	7-C-1461	SERVICE KIT	S2D
313861	8-C-2983	PISTON RING T/END STD	S2B/S2D
315320		USE 313805	
315377	8-C-3493	O RING	S300
315534	8-C-2992	PISTON RING STD	S100/S200



## CROSS REFERENCE - Borg Warner (Schwitzer) to Turbo International

OEM Part No.	Turbo International Part No.	Description	Turbo Model Application
315535	8-C-2993	PISTON RING STD	S300
315536	8-C-3497	PISTON RING T/END	S400/S410W
315962	8-B-0090	JOURNAL BEARING STD	HC5A/HT4B
315963	8-B-2425	THRUST BEARING, CLOCKWISE FLOW	HC5A
316065	8-B-0115	OIL DEFLECTOR	HC5A
316069	8-B-0114	SHIM, THRUST BEARING	HC5A
316074	8-B-0103	LOCKPLATE, T/END	HC5A
316077	8-B-0119	O RING, B/HSG., VITON, i/d 2.736"	H2A/HT4B/HC
316078	8-B-0116	SCREW, B/HSG.	HT4B/HC5A
316080	8-B-0092	RETAINING RING, J/BRG	HT4B/HC5A
316081	8-B-0527	PISTON RING C/END STD	HC3B/HT4B
316082	8-B-0108	PISTON RING T/END STD	HC5A
316093	7-B-0647	SERVICE KIT	HC5/HC5A
316193	8-C-2984	PISTON RING T/END STD	S3B
316328	8-C-3503	LOCKNUT, V BAND	4MD/HC3/S40
316557	8-C-2997	PISTON RING STD	S500
316616	8-B-0109	THRUST BEARING	H1A/H2C
316617	8-B-0085	JOURNAL BEARING STD	H2B/H2C
316618	8-B-0070	PISTON RING C/END STD DUCTILE	H2C
316619	8-B-0395	PISTON RING T/END STD	H2C/H2B
316620	8-B-0422	RETAINING RING, S/PLATE	H2C/H2B
316621	8-B-0795	LOCKPLATE	HC2
316622	8-B-0084	SCREW , T/BRG	H1A/H2C
316624	8-B-0086	LOCKWASHER, C/END	H2C
317324	8-C-3500	PISTON RING C/END STD	S400/S410W
317589	8-C-3504	PISTON RING T/END	S400
318350	7-C-1830	SERVICE KIT	4LGZ
318351	7-B-0642	SERVICE KIT, STEP BORE	4LG
318352	7-C-0983	SERVICE KIT	HT3B/4LHR
318352	7-C-3753	SERVICE KIT	HT3B
318354	7-B-0981	SERVICE KIT	4LHR
318355	7-C-1830	SERVICE KIT	4LGZ
318364	7-B-0730	SERVICE KIT	3LD/3LDJ
318366		USE 5223-711-0002	
318366		USE 523-711-0002	
318367	7-D-1358	SERVICE KIT	3LK
318368	7-C-0670	SERVICE KIT	3LM
318372	7-A-0830	SERVICE KIT	TO4
318372	7-A-2823	SERVICE KIT	TO4B
318377	7-C-2981	SERVICE KIT	S2A
318378	7-C-3512	SERVICE KIT, less thrust ring	S2B
318383	7-C-3478	SERVICE KIT	S200
318385	7-C-0670	SERVICE KIT	3LM
318386	7-C-1733	SERVICE KIT	S3B
318389	7-C-3513	SERVICE KIT	S3B
318391	7-C-3773	SERVICE KIT	S3A
318392	7-C-3772	SERVICE KIT	S3A



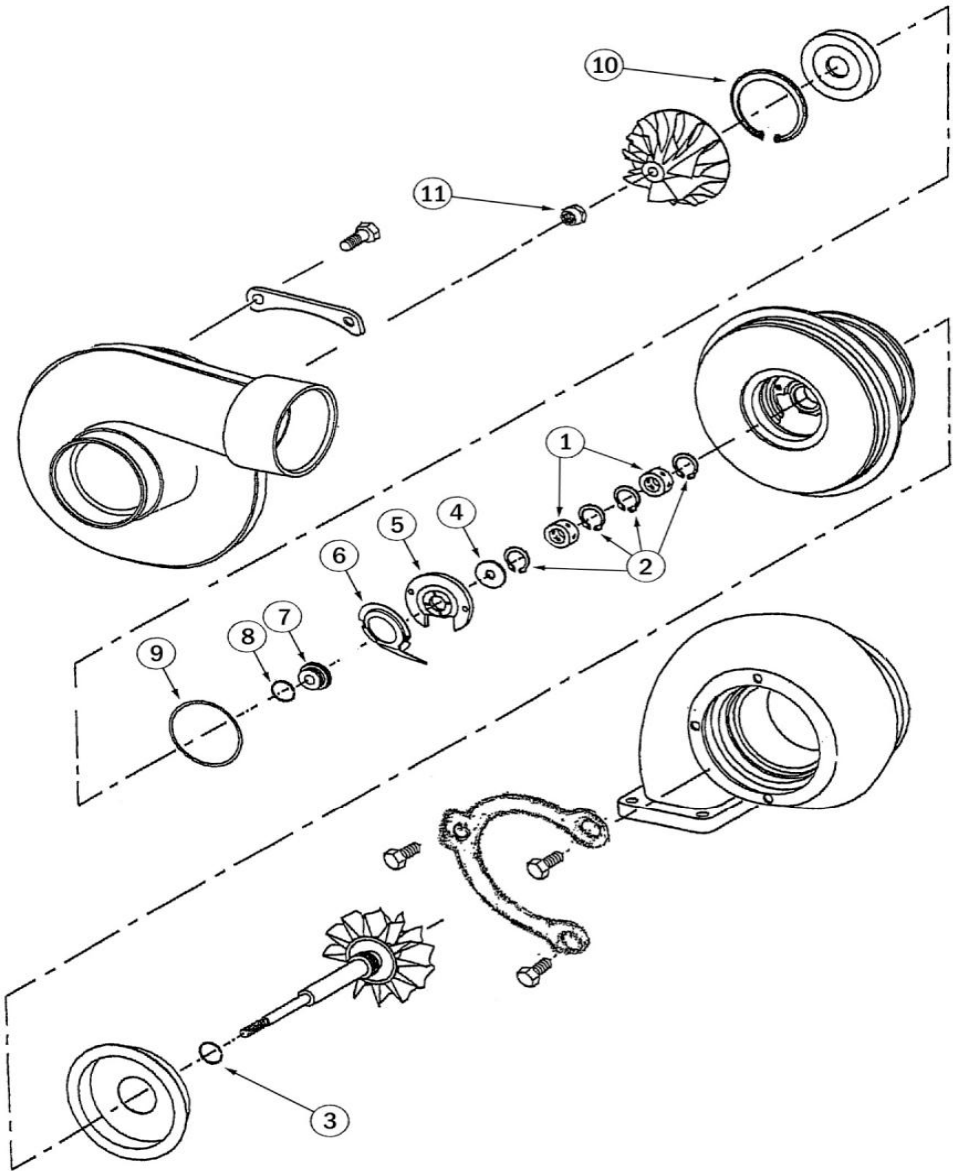
## CROSS REFERENCE - Borg Warner (Schwitzer) to Turbo International

OEM Part No.	Turbo International Part No.	Description	Turbo Model Application
318393	7-C-3486	SERVICE KIT	S300
318396	7-C-3494	SERVICE KIT	S400/S410W
318397	7-C-3494	SERVICE KIT	S400
318417	7-C-3197	GASKET KIT	S4T
318418	7-C-3198	GASKET KIT	S300
318419	7-C-3199	GASKET KIT	S2B
318421	7-C-3200	GASKET KIT	S2A/S1B/S1A/
510042		USE 318350	
510927	8-B-0523	LOCKNUT, V BAND	4MD/HC3
52786		USE 192510	



S1B

S100



*This illustration is intended only as a guide. The actual part or assembly may vary from one model to another.*



## SERVICE KIT - Schwitzer

S1B

S100

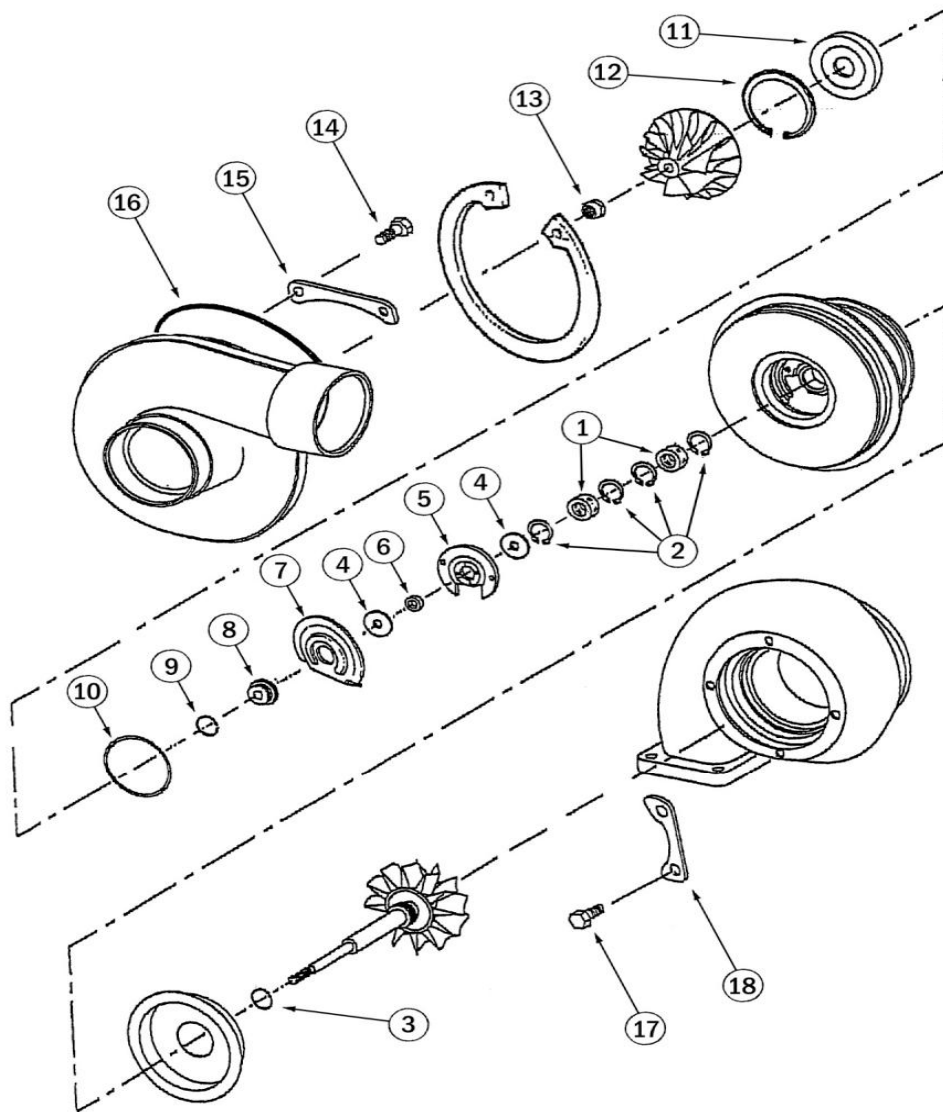
Item no.	Description	TI	Qty/ Turbo	TI Kit no.
		Part no.		n/a
1	Journal bearing	8-C-2427	2	
2	Retaining ring, jnl/brg.	-	4	
3	Piston ring,t/end	8-C-1772	1	
4	Thrust sleeve	-	1	
5	Thrust bearing	-	1	
6	Oil deflector	-	1	
7	Flinger sleeve	-	1	
8	Piston ring, c/end	8-C-2982	1	
9	Seal ring, brg/hsg	-	1	
10	Retaining ring, insert	-	1	
11	Locknut, r/h thread	-	1	

See JOURNAL BEARING section for oversize & under-size parts - page 53

See PISTON RING section for oversize parts - page 58

See GASKET section

# S2A



*This illustration is intended only as a guide. The actual part or assembly may vary from one model to another.*



## SERVICE KIT - Schwitzer

S2A

Item no.	Description	TI	Qty/	TI Kit no.
		Part no.	Turbo	7-C-2981
1	Journal bearing	8-C-1247	2	✓
2	Retaining ring, jnl/brg.	8-A-0149	4	✓
3	Piston ring, t/end	8-C-1462	1	✓
4	Thrust ring	8-C-1915	2	✓
5	Thrust bearing	8-C-1254	1	✓
6	Spacer sleeve	8-C-1248	1	-
7	Oil deflector	-	1	-
8	Flinger sleeve	-	1	-
9	Piston ring, c/end	8-C-1749	1	✓
10	Seal ring, insert	8-C-1246	1	✓
11	Insert	-	1	-
12	Retaining ring, insert	-	1	-
13	Locknut, r/h thread	8-A-0163	1	✓
13	Locknut, l/h thread	8-A-1869	1	✓
14	Bolt, c/end	-		
15	Clamp, c/end	-		
16	O ring, brg.hsg/c.hsg	8-C-1245	1	-
17	Bolt, t/end	-		
18	Clamp, t/end	-		
	Nut, v band	8-C-1249	1	✓

See JOURNAL BEARING section for oversize & under-size parts - page 54

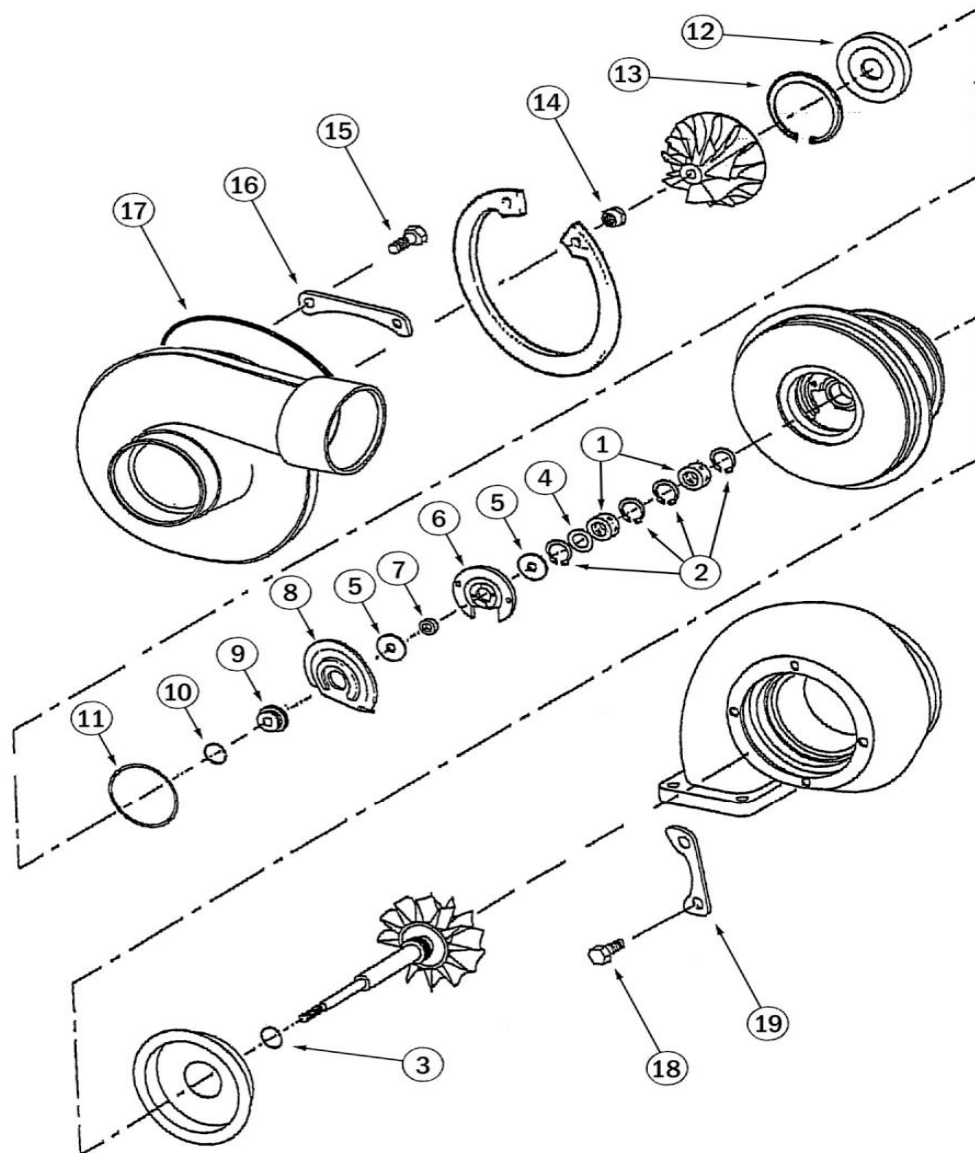
See PISTON RING section for oversize parts - page 59

See GASKET section

S2B

S2E

wide bearing



*This illustration is intended only as a guide. The actual part or assembly may vary from one model to another.*



## SERVICE KIT - Schwitzer

S2B - wide bearing

S2E - wide bearing

Item no.	Description	TI	Qty/	TI Kit no.
		Part no.	Turbo	7-C-3512
1	Journal bearing, wide	8-C-2391	2	✓
2	Retaining ring, jnl/brg.	8-C-1379	4	✓
3	Piston ring, t/end	8-C-1682	1	✓
4	Spacer ring	8-C-1468	1	✓
5	Thrust ring	-	2	-
6	Thrust bearing S2B	8-C-1254	1	✓
6	Thrust bearing S2E	-	1	-
6	Thrust bearing S2B	-	1	-
7	Thrust ring	-	1	-
8	Oil deflector	-	1	-
9	Flinger	-		
10	Piston ring, c/end	8-C-1749	1	✓
11	Seal ring, insert	8-C-1246	1	✓
12	Insert	-		-
13	Retaining ring, insert	-	1	-
14	Locknut, l/h thread	8-C-1579	1	✓
14	Locknut, r/h thread	8-C-3482	1	✓
15	Bolt, c/end	8-C-3485	4	✓
16	Clamp, c/end	-		-
17	O ring	8-C-1245	1	✓
18	Bolt, t/end	8-C-1618	4	✓

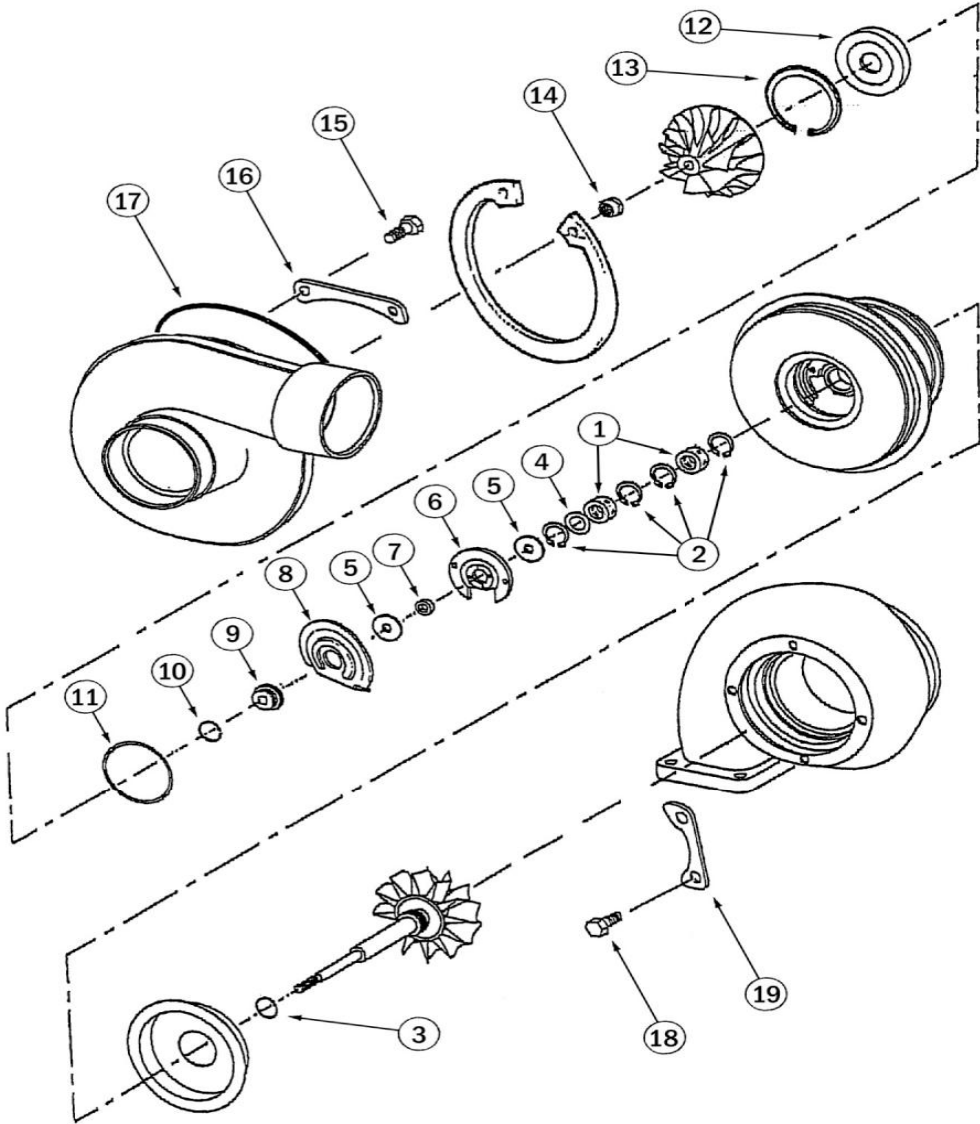
See JOURNAL BEARING section for oversize & under-size parts - page 56

See PISTON RING section for oversize parts - page 59

See GASKET section

# S2B

narrow bearing



*This illustration is intended only as a guide. The actual part or assembly may vary from one model to another.*



## SERVICE KIT - Schwitzer

### S2B - narrow bearing

Item no.	Description	TI	Qty/	TI Kit no.
		Part no.	Turbo	7-C-1583
1	Journal bearing, narrow	8-C-1704	2	✓
2	Retaining ring, jnl/brg.	8-C-1379	4	✓
3	Piston ring, t/end	8-C-1682	1	✓
4	Wear washer	8-C-1468	2	✓
5	Thrust ring	-	2	-
6	Thrust bearing	8-C-1254	1	✓
7	Spacer sleeve			-
8	Oil deflector	-	1	-
9	Flinger sleeve	-		-
10	Piston ring, c/end	8-C-1749	1	✓
11	Seal ring, insert	8-C-1246	1	✓
12	Insert	-		-
13	Retaining ring, insert	-	1	-
14	Locknut, l/h thread	8-C-1579	1	-
15	Bolt, c/end	-		-
16	Clamp, c/end	-		-
17	O ring, brg.hsg/c.hsg	8-C-1245	1	-
18	Bolt, t/end	8-C-1618	4	✓
19	Clamp, t/end	8-C-1576	2	✓
	Gasket, oil inlet	8-C-3413	1	✓
	Gasket, oil outlet	8-C-1348	1	✓
	Gasket, t/inlet	8-C-3414	1	✓

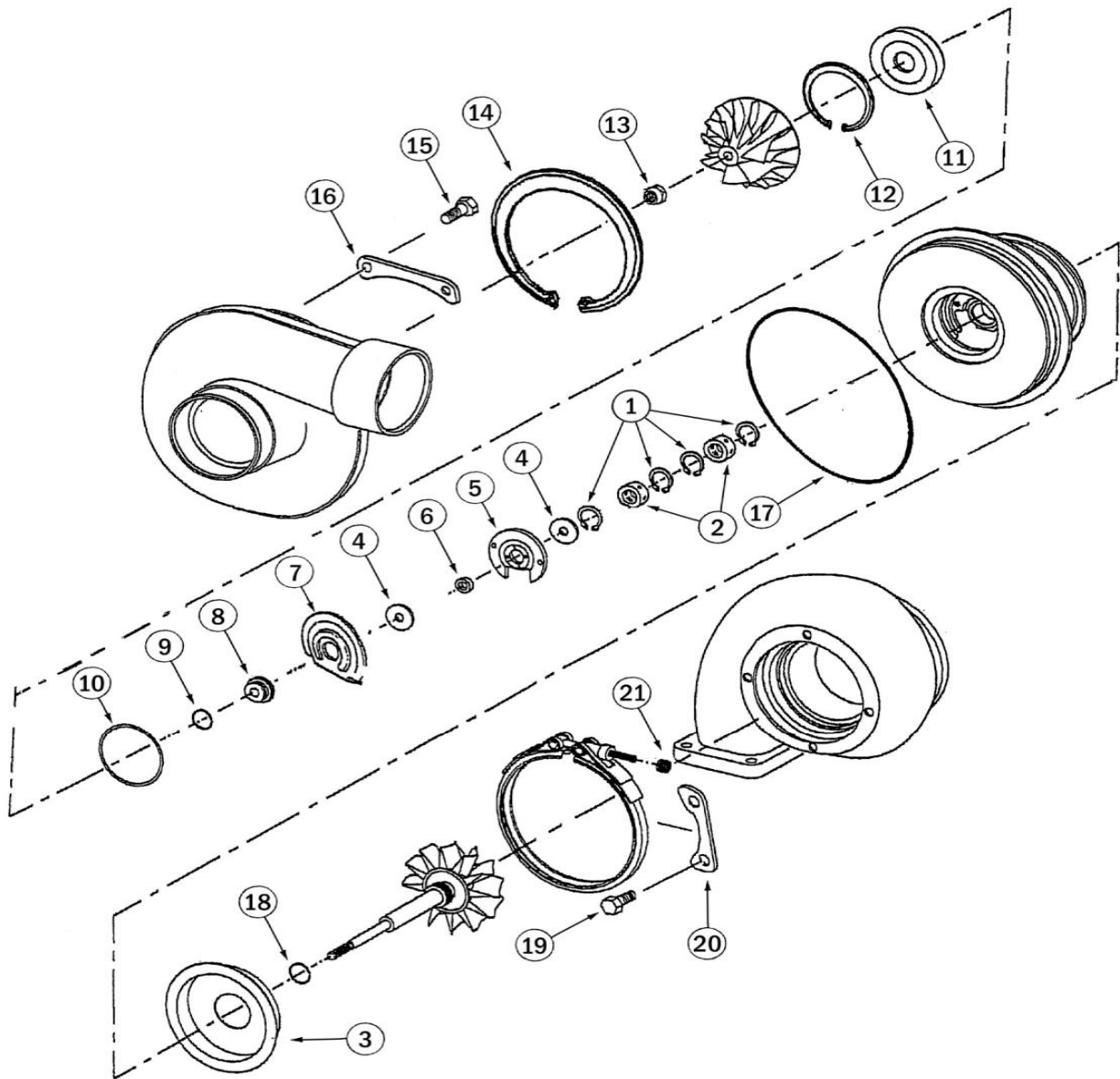
See JOURNAL BEARING section for oversize & under-size parts - page 55

See PISTON RING section for oversize parts - page 59

See GASKET section



# S2D



*This illustration is intended only as a guide. The actual part or assembly may vary from one model to another.*



## SERVICE KIT - Schwitzer

S2D

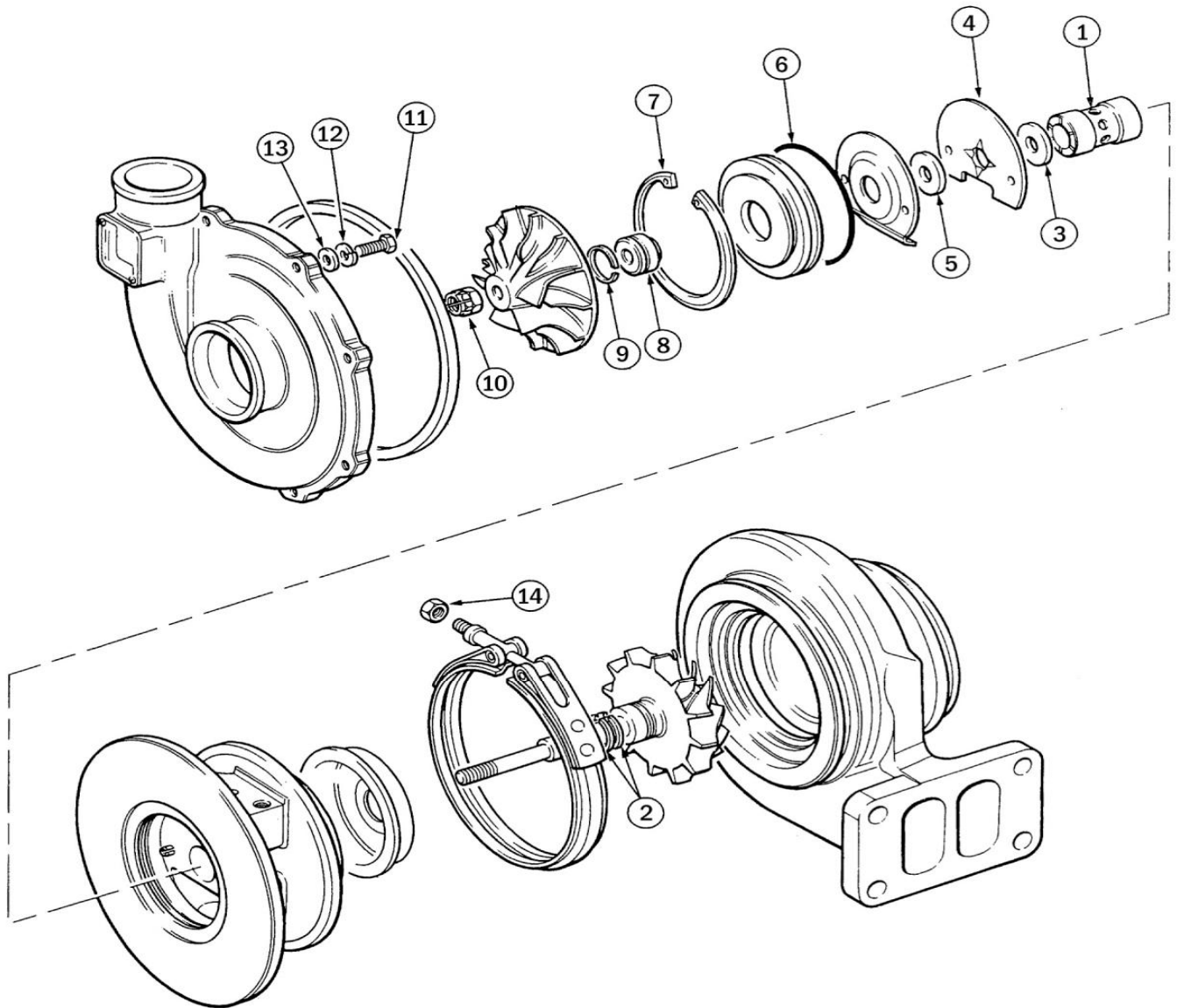
Item no.	Description	TI Part no.	Qty/ Turbo	TI Kit no.	
				7-C-2439	7-C-1461
1	Retaining ring, jnl/brg.	8-A-0149	4	✓	✓
2	Journal bearing	8-A-0256	2	✓	✓
3	Piston ring, t/end	8-C-1462	1	✓	✓
4	Thrust bearing	8-C-1254	1	✓	✓
5	Thrust ring	8-C-1915	1	✓	✓
6	Piston ring, c/end	8-C-1749	1	✓	✓
7	Seal ring, brg/hsg	8-C-1246	1	✓	✓
9	Locknut, r/h thread	8-A-0163	1	✓	✓
9	Locknut, l/h thread	8-A-1869	1	✓	-
10	Seal ring, c/end	8-C-1245	1	✓	-
11	Nut, v band	8-C-1249	1	✓	✓
	Gasket, oil inlet	8-A-0062	1	-	✓
	Gasket, oil outlet	8-C-1348	1	-	✓
	Gasket, t/inlet	8-C-1349	1	-	✓

See JOURNAL BEARING section for oversize & under-size parts - page 5

See PISTON RING section for oversize parts - page 59

See GASKET section

# 3LD



*This illustration is intended only as a guide. The actual part or assembly may vary from one model to another.*



## SERVICE KIT - Schwitzer

3LD

Item no.	Description	TI Part no.	Qty/ Turbo	TI Kit no.
				7-B-0730
1	Journal bearing	8-B-1025	1	✓
2	Piston ring, t/end,smooth bc	8-B-0391	2	✓
2	Piston ring, t/end,step bore	8-B-0387	1	✓
3	Thrust washer	8-B-0384	1	-
4	Thrust bearing	8-B-0731	1	✓
5	Thrust ring	8-B-0078	1	-
6	O ring, s/plate	8-B-0064	1	✓
7	Retaining ring, s/plate	8-B-0077	1	✓
8	Oil slinger	-	1	-
9	Piston ring, c/end	8-B-0391	3	✓
10	Locknut, shaft	8-B-0417	1	✓
11	Bolt, c/end	-	6	-
12	Lockwasher, c/end	8-B-0521	8	✓
13	Washer, c/end	8-B-0790	8	-
14	Locknut, V band	8-B-0523	2	✓
	Gasket, oil inlet	8-B-0093	1	✓
	Gasket, oil outlet	8-B-0094	1	✓
	Gasket, turbine inlet	8-A-0271	1	✓

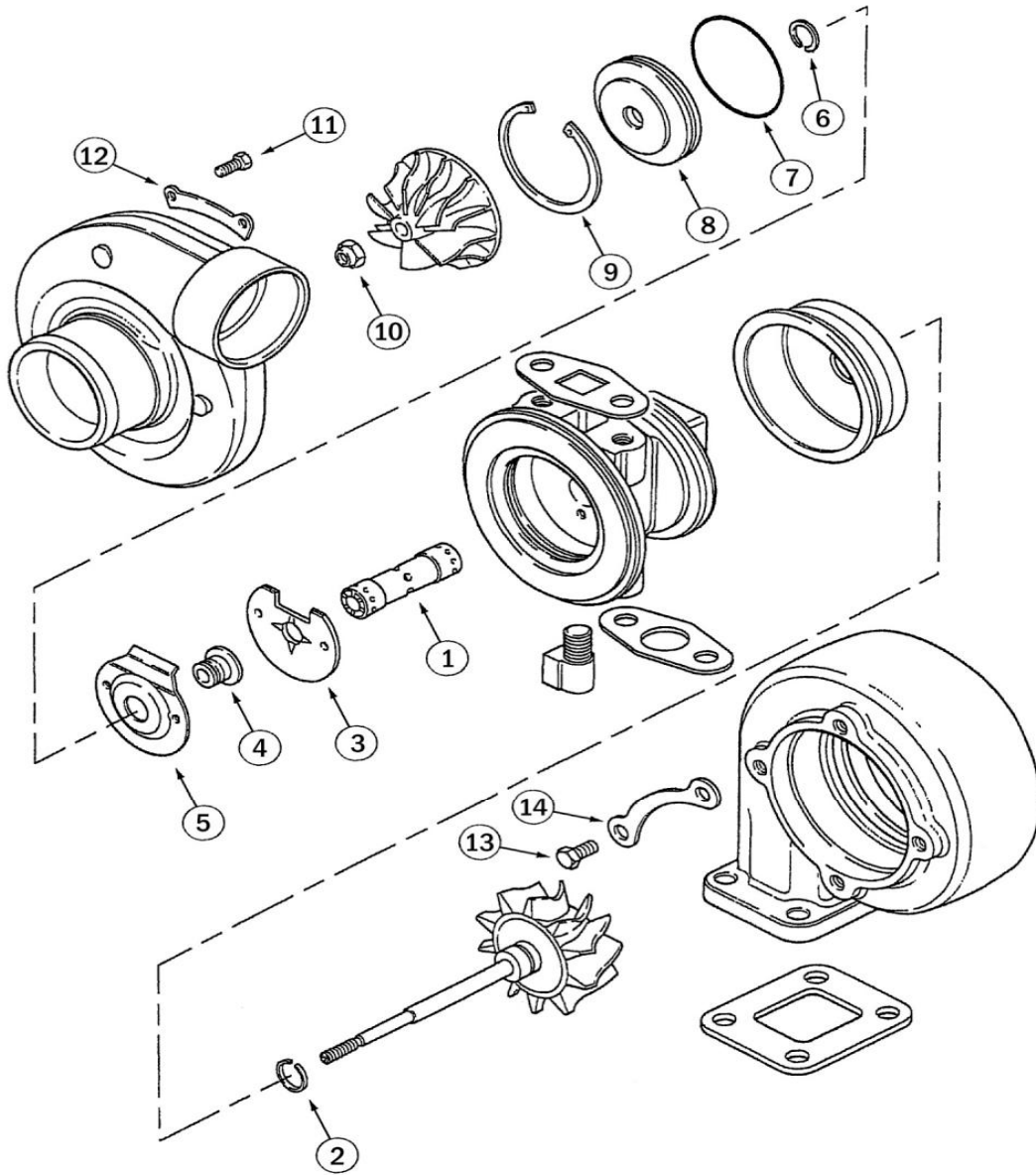
See JOURNAL BEARING section for oversize & under-size parts - page 57

See PISTON RING section for oversize parts - page 60

See GASKET section

3LM

S76



*This illustration is intended only as a guide. The actual part or assembly may vary from one model to another.*



## SERVICE KIT - Schwitzer

3LM

S76

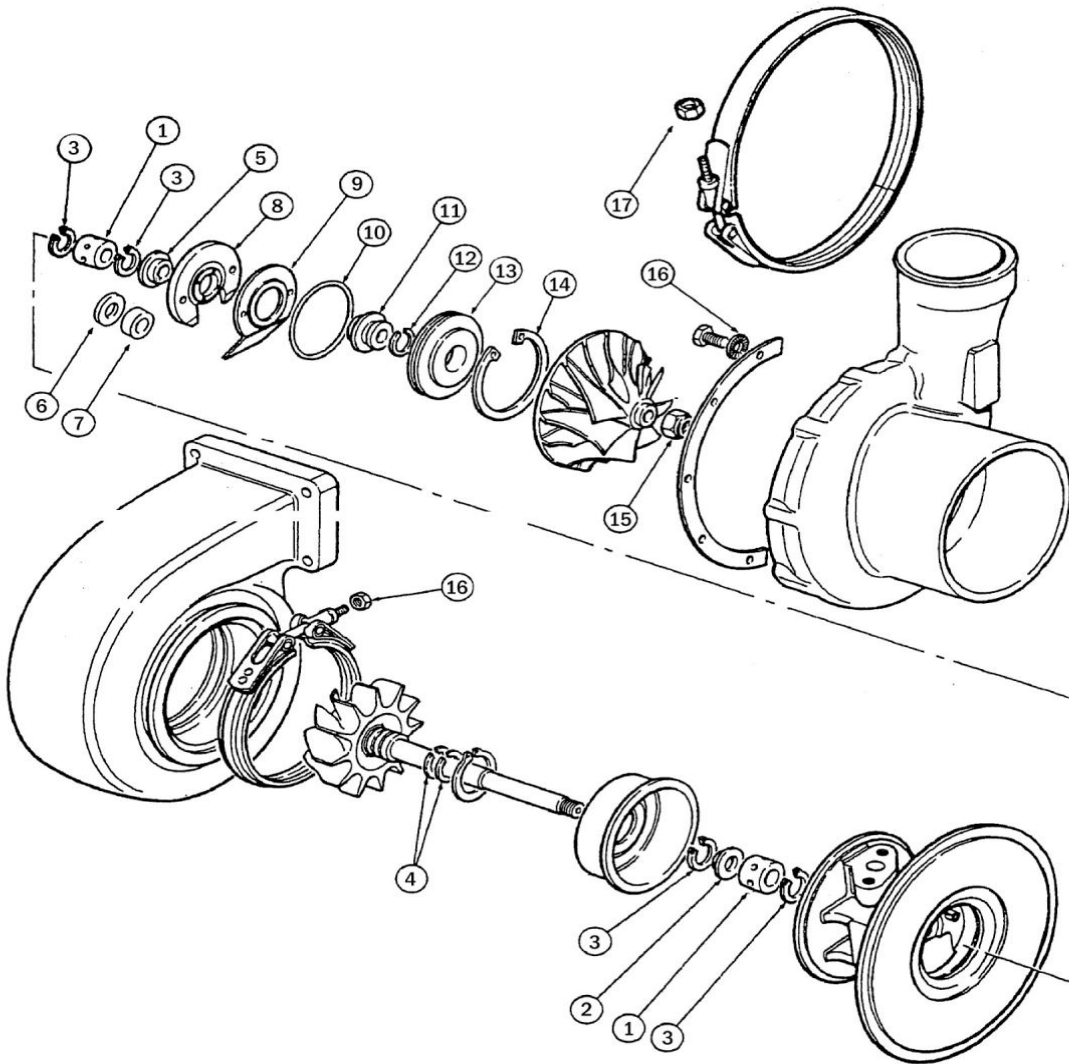
Item no.	Description	TI Part no.	Qty/ Turbo	TI Kit no.	TI Kit no.
				7-C-0670	7-C-1864
1	Journal bearing	8-C-0068	1	✓	✓
2	Piston ring, t/end	8-B-0395	1	✓	✓
3	Thrust bearing	8-C-0067	1	✓	✓
4	Flinger sleeve	8-C-0066	1	✓	-
5	Oil deflector	-	1	-	-
6	Piston ring, c/end	8-C-1649	1	✓	✓
7	O ring, s/plate	8-B-0064	1	✓	✓
8	Insert	-	1	-	-
9	Retaining ring, insert	8-B-0077	1	-	-
10	Locknut, shaft	8-A-0164	1	✓	✓
11	Bolt, c/end	-	4	-	-
12	Clamp, t/end	-	8	-	-
13	Bolt, t/end	-	4	-	-
14	Clamp, t/end	-	2	-	-
	Gasket, backplate	8-C-0069	1	✓	✓
	Gasket, oil inlet	8-B-0062	1	✓	✓
	Gasket, oil outlet	8-A-0697	1	✓	✓
	Gasket, turbine inlet	8-A-0271	1	✓	✓

See JOURNAL BEARING section for oversize & under-size parts - page 59

See PISTON RING section for oversize parts - page 58

See GASKET section

# HT3B



*This illustration is intended only as a guide. The actual part or assembly may vary from one model to another.*



## SERVICE KIT - Schwitzer

HT3B

4LHR

Item no.	Description	TI Part no.	Qty/ Turbo	TI Kit no.	
				7-B-0645	7-B-0981
				Note (i)	Note (ii)
1	Journal bearing	8-B-0076	2	✓	✓
2	Oil control sleeve	8-B-0396	1	-	✓
3	Retaining ring, j/brg.	8-B-0517	4	✓	✓
4	Piston ring, t/end	8-B-0387	2	✓	✓
5	Thrust collar	8-B-0099	1	✓	-
6	Thrust ring	8-B-0052	1	-	✓
7	Thrust spacer	8-B-0982	1	-	✓
8	Thrust bearing	8-B-0087	1	✓	✓
9	Oil deflector	8-B-0979	1	-	✓
10	O ring, s/plate	8-B-0064	1	✓	✓
11	Oil slinger	8-B-0098	1	✓	✓
12	Piston ring, c/end	8-B-0527	1	✓	✓
13	Oil seal plate	8-B-0980	1	-	✓
14	Retaining ring, s/plate	8-B-0047	1	-	-
15	Locknut, shaft	8-B-0397	1	-	✓
16	Lockwasher, c/end	8-B-0096	10	-	-
16	Locknut, V band	8-B-0523	2	-	✓
	Gasket, oil inlet	8-A-0696	1	✓	✓
	Gasket, oil outlet	8-B-3119	1	✓	✓

Note (i) HT3B

(ii) 4LHR

See JOURNAL BEARING section for oversize & under-size parts - page 26

See PISTON RING section for oversize parts - page 32

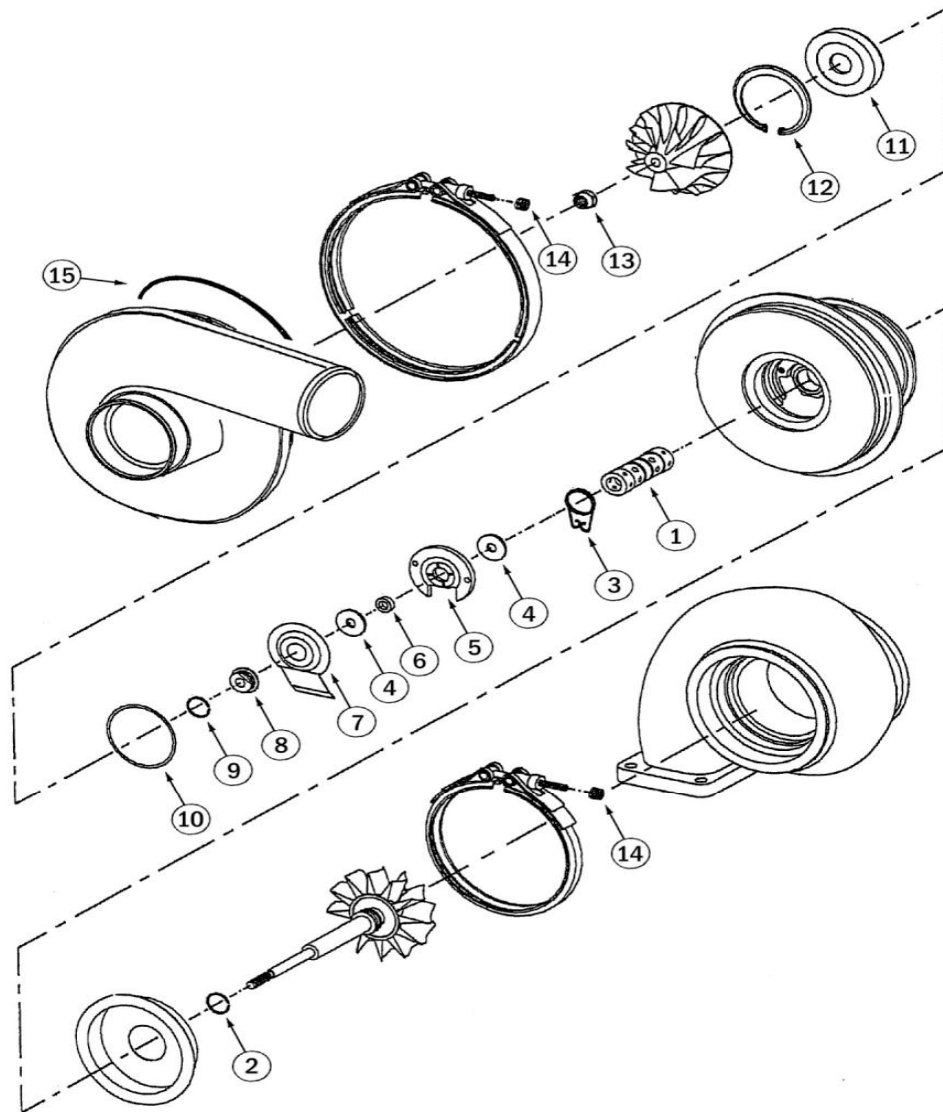
See GASKET section



S3

S3A

S81



*This illustration is intended only as a guide. The actual part or assembly may vary from one model to another.*



## SERVICE KIT - Schwitzer

S3

S3A

S81

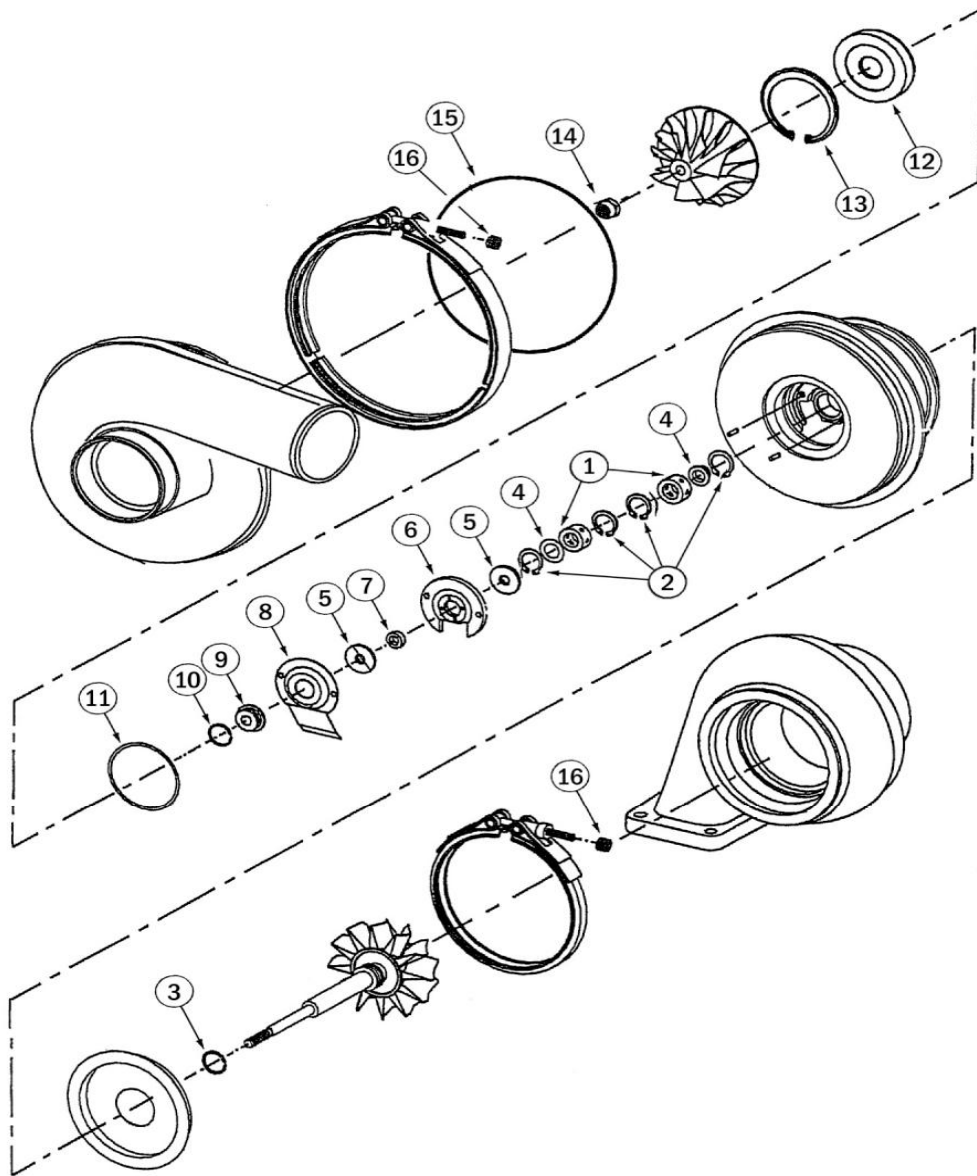
Item no.	Description	TI	Qty/	TI Kit no.
		Part no.	Turbo	7-C-3645
1	Journal bearing	8-C-2094	1	✓
2	Piston ring,t/end	8-C-1726	1	✓
2	Piston ring,t/end S81 only	8-B-0387	1	✓
3	Spring clamp	-	1	-
4	Thrust ring S3A only	8-C-1728	2	✓
5	Thrust bearing S3A only	8-C-1727	1	✓
6	Spacer sleeve	-	1	-
7	Oil deflector	-	1	-
8	Flinger	-	1	-
9	Piston ring, c/end	8-C-1649	1	✓
10	Seal ring, insert S3A ,S81	8-B-0064	1	✓
11	Insert			-
12	Retaining ring, insert	-	1	-
13	Locknut, l/h thread	8-A-0164	1	✓
14	Locknut, v band	-	-	-
15	O ring, brg.hsg/c.hsg.	-	1	-
	Gasket, oil inlet	8-C-3413	1	✓
	Gasket, oil outlet	8-C-1348	1	✓
	Gasket, oil outlet	8-B-0063	1	✓
	Gasket, oil outlet	8-C-3412	1	✓
	Gasket, t/inlet	8-C-3417	1	✓

See JOURNAL BEARING section for oversize & under-size parts - page 60

See PISTON RING section for oversize parts - page 62

See GASKET section

# S3B



*This illustration is intended only as a guide. The actual part or assembly may vary from one model to another.*



## SERVICE KIT - Schwitzer

S3B

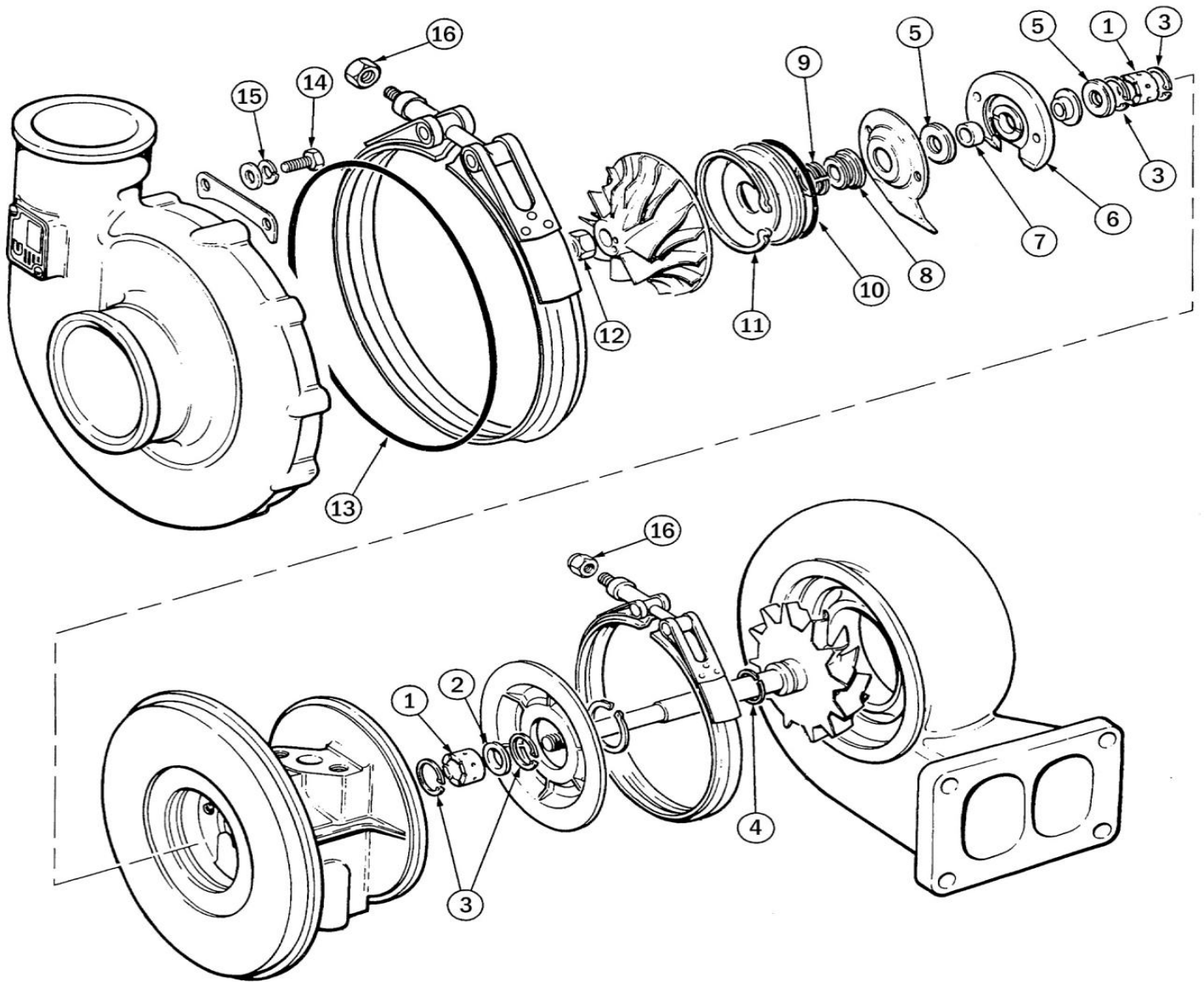
Item no.	Description	TI Part no.	Qty/ Turbo	TI Kit no.	
				7-C-1733	7-C-3513
1	Journal bearing	8-C-1216	2	✓	✓
2	Retaining ring, jnl/brg.	8-C-1729	4	✓	✓
3	Piston ring, t/end	8-C-1726	1	✓	✓
4	Speed control washer	8-C-1731	2	✓	✓
5	Thrust washer	8-C-1728	2	✓	✓
6	Thrust bearing	8-C-3770	1	✓	✓
7	Spacer sleeve	-	1	-	
8	Oil deflector	-	1	-	
9	Flinger	-	1	-	
10	Piston ring, c/end	8-C-1649	1	✓	✓
11	Seal ring, brg/hsg	8-B-0064	1	✓	✓
12	Insert	-			
13	Retaining ring, insert	8-B-0077	1	-	
14	Locknut, l/h thread	8-A-0164	1	✓	✓
14	Locknut, l/h thread	8-C-2986	1	✓	✓
15	O ring, brg.hsg/c.hsg	8-C-2985	1	✓	-
16	Locknut, V band	8-D-3503	2	✓	✓

See JOURNAL BEARING section for oversize & under-size parts - page 61

See PISTON RING section for oversize parts - page 62

See GASKET section

# 4LE



*This illustration is intended only as a guide. The actual part or assembly may vary from one model to another.*



## SERVICE KIT - Schwitzer

4LE

4LF

4LG

4LGK

4LGZ

Item no.	Description	TI Part no.	Qty/ Turbo	TI Part no.			
				7-B-0642	7-C-1830	7-C-0787	7-C-0815
				Note (i)	Note (ii)	Note (iii)	Note (iv)
1	Journal bearing	8-B-0076	1	✓	✓	✓	✓
2	Oil control sleeve	8-B-0396	1	✓	✓	✓	✓
3	Retaining ring, j/brg.	8-B-0517	4	✓	✓	✓	✓
4	Piston ring, t/end, step bor	8-B-0387	1	✓	✓	✓	✓
4	Piston ring, t/end,smooth bo	8-B-0391	2	-	✓	✓	✓
10	Piston ring, t/end	8-B-0527	1/2	-	✓	-	-
10	Piston ring, t/end	8-B-0387	1	-	-	✓	✓
5	Thrust ring	8-B-0052	1	✓	✓	✓	-
6	Thrust bearing	8-B-0088	1	-	✓	✓	✓
7	Thrust spacer	8-B-0982	1	-	-	-	-
8	Oil slinger	8-B-1584	1	✓	-	-	-
9	Piston ring, c/end	8-B-0391	2	-	-	-	-
10	O ring, s/plate	8-B-0064	1	✓	✓	✓	✓
11	Retaining ring, s/plate	8-B-0077	1	✓	-	-	-
11	Retaining ring, s/plate	8-B-0047	1	-	-	✓	-
12	Locknut, shaft	8-B-0397	1	✓	✓	✓	-
12	Locknut, shaft	8-B-2867	1	-	-	-	-
13	O ring, c/hsg	8-B-0390	1	-	✓	✓	-
14	Bolt, c/end	8-A-0169	10	-	-	-	-
15	Lockwasher, c/end	8-B-0096	10	-	-	-	-
15	Lockwasher, c/end	8-B-0521	10	✓	-	-	-
16	Locknut, V band	8-B-0523	2	✓	-	✓	✓
	Lockplate, t/end	8-B-0418	4	✓	-	-	-
	Bolt, t/end	8-A-0172	10	-	-	-	-
	Gasket, oil inlet	8-C-3415	1	-	-	✓	✓
	Gasket, oil outlet	8-A-0697	1	-	-	✓	✓
	Gasket, turbine inlet	8-C-3419	1	-	-	✓	✓

Note (i) 4LGK

(ii) 4L, 4LE, 4LF, 4LG, 4LGK, 4LGZ

(iii) 4LE, 4LY & 4MF

(iv) 4LE & 4LF

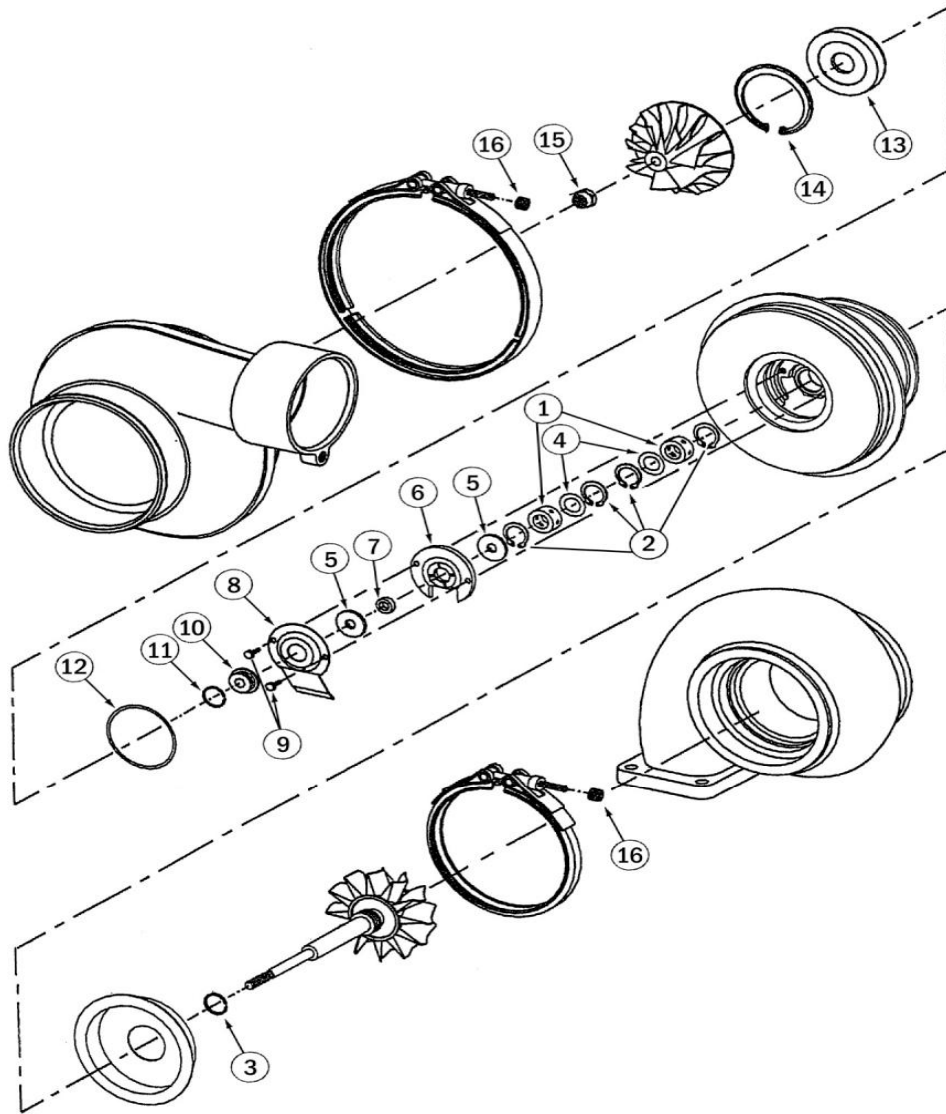
See JOURNAL BEARING section for oversize & under-size parts - page 63

See PISTON RING section for oversize parts - page 64

See GASKET section

S4

S4D



*This illustration is intended only as a guide. The actual part or assembly may vary from one model to another.*



## SERVICE KIT - Schwitzer

S4

S4D

Item no.	Description	TI	Qty/	TI Kit no.
		Part no.	Turbo	7-C-3515
1	Journal bearing	8-C-1217	2	✓
2	Retaining ring	8-A-0137	4	✓
3	Piston ring, t/end	8-C-1726	2	✓
4	Speed control washer	8-C-1230	2	✓
5	Thrust ring S4D only	8-B-0052	2	✓
5	Thrust ring S4 only	8-C-1367	2	-
6	Thrust bearing S4D only	8-B-0088	1	✓
7	Spacer sleeve S4D only	8-B-0982	1	✓
7	Spacer sleeve S4 only	8-C-1366	1	-
8	Oil deflector	-	1	-
9	Screw, oil deflector	-	2	-
10	Flinger sleeve	-	1	-
11	Piston ring, c/end	8-C-1351	2	✓
12	O ring, s/plate S4D only	8-B-0064	1	✓
13	Insert	-	1	-
14	Retaining ring, insert	8-B-0077	1	✓
15	Locknut, shaft S4D only	8-B-0397	1	✓
16	Locknut, V band	-	2	-

S4D ONLY

See JOURNAL BEARING section for oversize & under-size parts - page 64

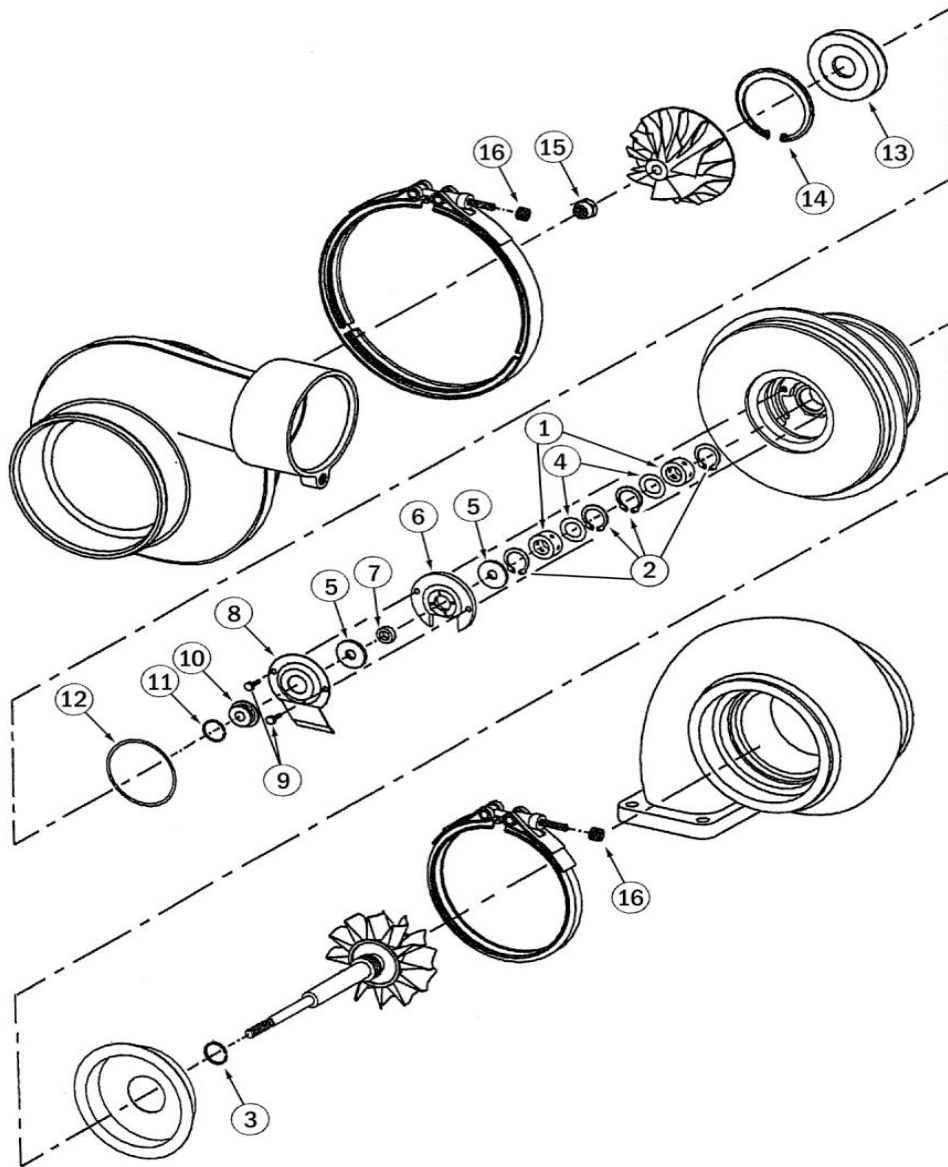
See PISTON RING section for oversize parts - page 65

See GASKET section



S4T

S500



*This illustration is intended only as a guide. The actual part or assembly may vary from one model to another.*



## SERVICE KIT - Schwitzer

S4T

S500

Item no.	Description	TI	Qty/	TI Kit no.
		Part no.	Turbo	n/a
1	Journal bearing	8-B-0045	2	✓
2	Retaining ring, jnl. brg.	-	4	-
3	Piston ring, t/end S4T only	8-C-1726	2	✓
4	Washer, speed control	-	2	-
5	Thrust ring S4T only	8-B-0052	1	-
6	Thrust bearing		1	✓
7	Spacer sleeve S500	-	1	-
7	Flinger sleeve S4T only	8-C-1584	1	✓
8	Oil deflector	-	1	-
10	Spacer	-	1	-
11	Piston ring, c/end S4T only	8-C-1351	2	✓
12	O ring, s/plate	8-B-0064	1	✓
14	Retaining ring, insert S500	8-B-0077	1	-
15	Locknut, shaft S4T only	8-B-0397	1	✓
16	Locknut, V band S4T only	8-B-0523	2	-

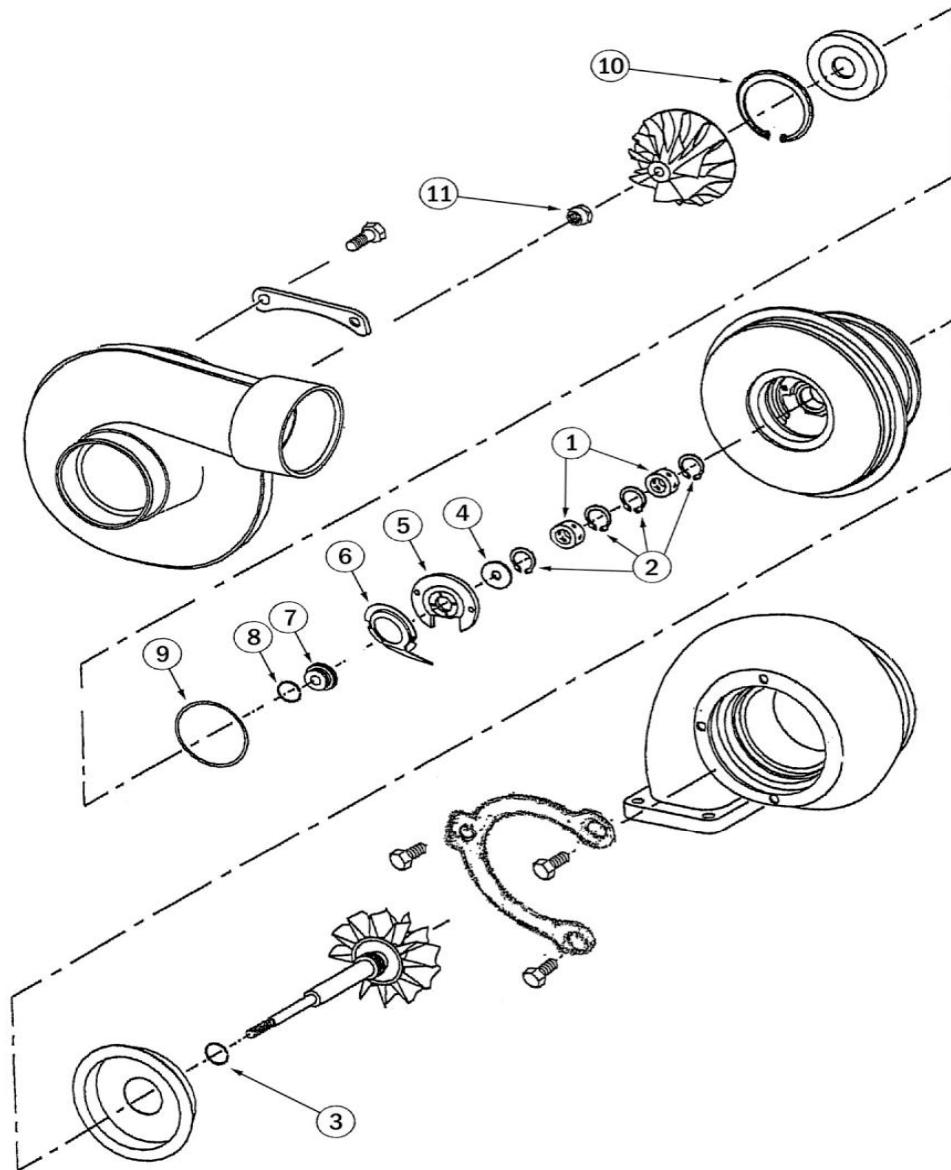
See JOURNAL BEARING section for oversize & under-size parts - page 62

See PISTON RING section for oversize parts - page 65

See GASKET section



S200



*This illustration is intended only as a guide. The actual part or assembly may vary from one model to another.*



## SERVICE KIT - Schwitzer

S200

Item no.	Description	TI	Qty/ Turbo	TI Kit no.
		Part no.		7-C-3478
1	Journal bearing	8-C-3479	2	✓
2	Retaining ring, jnl/brg.	8-C-1379	4	✓
3	Piston ring,t/end	8-C-2992	1	✓
4	Thrust sleeve	8-C-3480	1	✓
5	Thrust bearing	8-C-3481	1	✓
6	Oil deflector	-	1	-
7	Flinger sleeve	-	1	-
8	Piston ring, c/end	8-C-2990	1	✓
9	O Ring, insert	8-C-1246	1	✓
10	Retaining ring, insert	-	1	-
11	Locknut, shaft, l/h	8-C-3482	1	✓
12	O Ring, c/hsg, 120 mm	8-C-3483	1	✓
13	Bolt, c/end, hex.	8-C-3485	4	✓
3	Capscrew & lockwasher	7-C-3484	6	✓

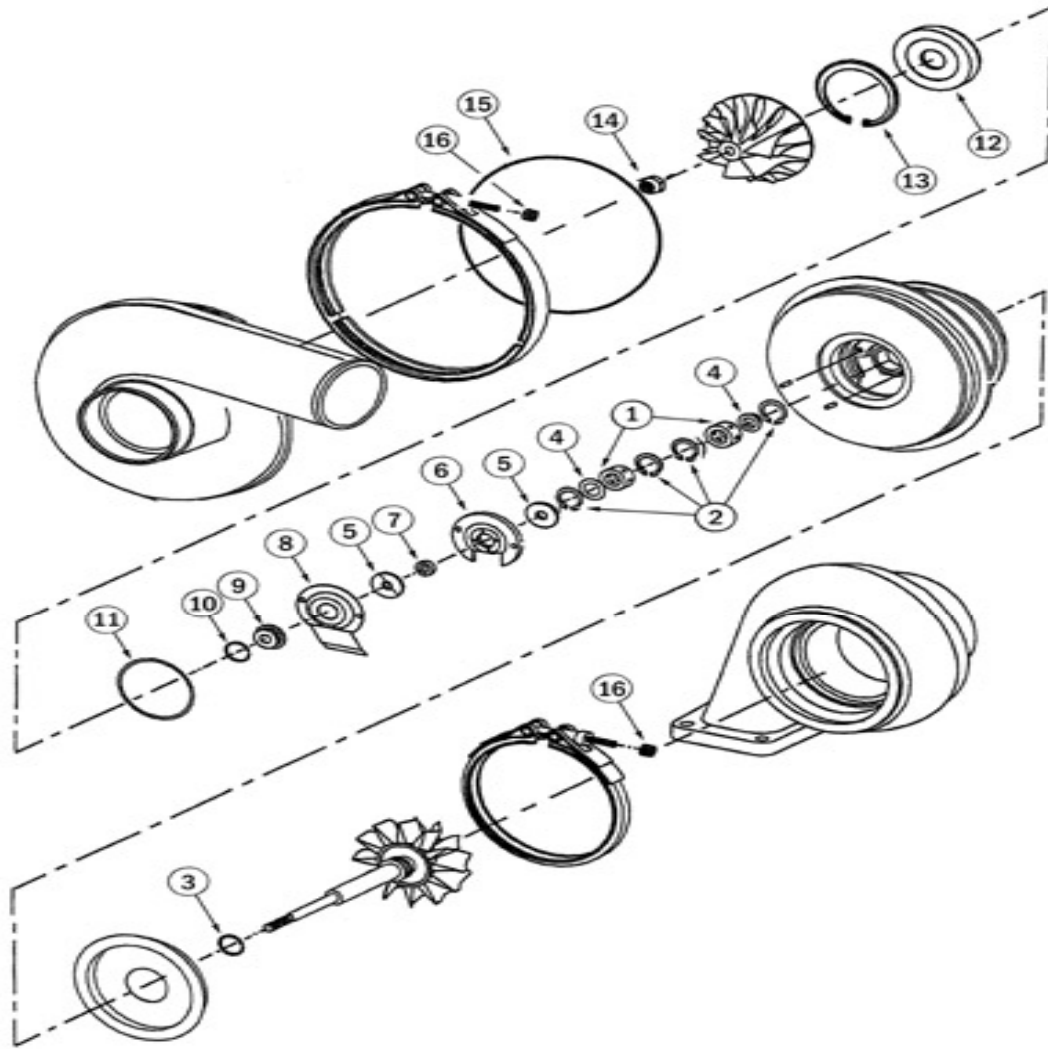
See JOURNAL BEARING section for oversize & under-size parts - page 65

See PISTON RING section for oversize parts - page 67

See GASKET section



S300



*This illustration is intended only as a guide. The actual part or assembly may vary from one model to another.*



## SERVICE KIT - Schwitzer

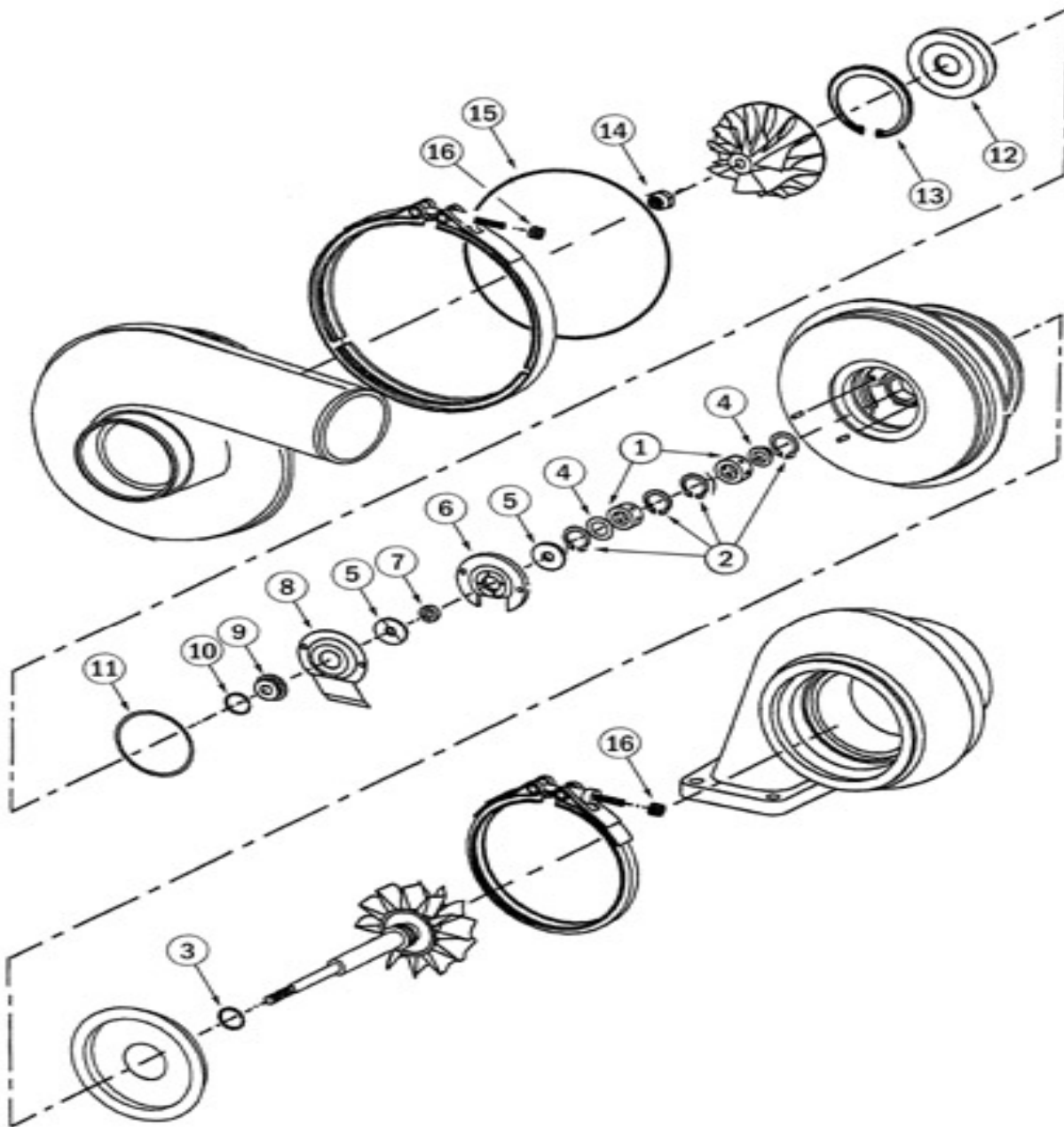
S300

Item no.	Description	TI	Qty/ Turbo	TI Kit no.
		Part no.		7-C-3486
1	Journal bearing	8-C-3385	2	✓
2	Retaining ring, jnl/brg.	8-C-3487	4	✓
3	Piston ring,t/end	8-C-2993	1	✓
4	Not used	-		
5	Not used	-		
6	Thrust bearing	8-C-3489	1	✓
7	Thrust sleeve	8-C-3488	1	✓
8	Oil deflector	-	1	-
9	Flinger sleeve	-	1	-
10	Piston ring,t/end	8-C-3477	1	✓
11	Not used			
12	Insert	-	1	
13	Retaining ring, insert	-	1	
14	Locknut, shaft, l/h	8-C-3490	1	✓
15	O ring, c/hsg, 142 mm	8-C-3492	1	✓
15	O ring, c/hsg, 165 mm	8-C-3493	1	✓
16	Not used			
	Bolt, c/end, hex.	8-C-3485	6	✓
	Capscrew & lockwasher	7-C-3491	8	✓

See JOURNAL BEARING section for oversize & under-size parts - page 66

See PISTON RING section for oversize parts - page 68

See GASKET section



*This illustration is intended only as a guide. The actual part or assembly may vary from one model to another.*



## SERVICE KIT - Schwitzer

S400

S410

Item no.	Description	TI	Qty/ Turbo	TI Kit no.
		Part no.		7-C-3494
1	Journal bearing	8-C-3496	2	✓
2	Retaining ring, jnl/brg.	8-C-3495	4	✓
3	Piston ring, t/e, S400 only	8-C-3504	2	✓
3	Piston ring, t/e	8-C-3497	1	✓
4	Not used	-		
5	Not used	-		
6	Thrust bearing	8-C-3499	1	✓
7	Thrust sleeve	8-C-3498	1	✓
8	Oil deflector	-	1	-
9	Flinger sleeve	-	1	-
10	Piston ring, c/end	8-C-3500	1	✓
11	O Ring, insert	8-C-3501	1	✓
12	Insert	-	1	
13	Retaining ring, insert	-	1	
14	Locknut, shaft, l/h	8-C-3502	1	✓
15	O ring, c/hsg.			-

See JOURNAL BEARING section for oversize & under-size parts - page 67

See PISTON RING section for oversize parts - page 69

See GASKET section





## Cummins Index

---

Cross reference Cummins to Turbo International	pages 2- 7
Service kits by model - <b>T46, ST50 &amp; VT50</b>	pages 8 - 9

Journal Bearings see journal bearing section

Piston Rings see piston ring section



## CROSS REFERENCE - Cummins to Turbo International

OEM Part no.	Turbo International Part no.	Description	Turbo Model Application
103001-0000	7-A-0805	SERVICE KIT	T3
103003-0000	7-H-1459	S/PLATE SERVICE KIT, ENCAP. C.SEA	T3
103007-0000	1-A-0034	CARTRIDGE/CHRA	TB0303/4/8/9
103008-0000	1-A-1159	CARTRIDGE/CHRA	TAO301
103013-0000	8-A-0155	BOLT, B/HOUSING, metric thread	TBO3
103015-0000		COMPRESSOR WHEEL	T3
103016-0000		COMPRESSOR WHEEL	T3
103017-0000		COMPRESSOR WHEEL	T3
103019-0000	8-A-0334	CLAMP, C/END	T3
103020-0000	8-A-0157	BOLT, C/END, metric thread	TBO3
103022-0000		BOLT, T/END, metric thread	TBO3
103027-0000		GASKET, C/END	TBO3
103037-0000		CARTRIDGE/CHRA	TBO301
103056-0000	1-A-0550	CARTRIDGE/CHRA	TBO313
103057-0000	1-A-0588	CARTRIDGE/CHRA	TBO306
103121-0000		HEAT SHIELD	T3
103217-0000		COMPRESSOR WHEEL	T3
104026-0000		JOURNAL BEARING STD/STD	T3/TO4B
104030-0000	8-A-0149	RETAINING RING, JNL. BRG.	TBO3/TO4B
104032-0000	8-A-0832	PISTON RING T/END STD HI-TEMP	TO4/TO4B
104033-0000		PISTON RING C/END STD DUCTILE	TB03/TO4B
104034-0000		PISTON RING T/END STD DUCTILE	TB03/TO4B
104035-0000		USE 444506-0001	
104052-0000	8-A-0240	THRUST BEARING, 3 HOLE	TBO3/TO4B
104053-0000	8-A-0237	THRUST SPRING, BACKPLATE	TO4/TO4B
104064-0000		BOLT, C/END	TO4B
104065-0000		CLAMP, C/END	TO4/TO4B
104066-0000		LOCKPLATE, C/END	TO4/TO4B
104072-0000	8-A-0242	LOCKPLATE, T/END	TO4/TO4B
104095-0000	7-A-0930	GASKET KIT	T3/TO4B
104097-0000		GASKET KIT	T4
104098-0000		GASKET KIT	T4
104100-0000		JOURNAL BEARING STD/5	TBO3/TO4B
104101-0000	8-A-0200	JOURNAL BEARING STD/10	TBO3/TO4B
104103-0000	8-A-0203	JOURNAL BEARING 5/STD	TO4B
104104-0000		JOURNAL BEARING 5/5	TO4B
104105-0000		JOURNAL BEARING 5/10	TO4B
104106-0000		JOURNAL BEARING 15/5	T3/TO4B
104107-0000	8-A-0204	JOURNAL BEARING 10/STD	TO4B
104108-0000	8-A-0208	JOURNAL BEARING 10/5	TO4B
104109-0000		JOURNAL BEARING 10/10	TBO3/TO4B
104110-0000		JOURNAL BEARING 15/10	T3/T4
104113-0000		JOURNAL BEARING STD/15	TBO3/TO4B
104114-0000	8-A-1130	JOURNAL BEARING 5/15	T3/T4
104115-0000	8-A-1021	JOURNAL BEARING 10/15	TBO3
104117-0000		JOURNAL BEARING 15/15	T3/T4
104135-0000		SERVICE KIT	TO4B
104138-0000		SERVICE KIT	TO4B



## CROSS REFERENCE - Cummins to Turbo International

OEM Part no.	Turbo International Part no.	Description	Turbo Model Application
104204-0000		SERVICE KIT	TO4
104220-0000		COMPRESSOR WHEEL	TO4B
104326-0000		CARBON SEAL, ENCAPSULATED	TBO3/TO4B
104327-0000	8-A-0290	THRUST COLLAR/CARBON SEAL	TBO3/TO4B
104328-0000	8-A-0248	THRUST SPACER	TBO3/TO4B
104533-0000		PISTON RING C/END 10/STD HI-TEMP	T3/T4
104534-0000		PISTON RING T/END 10/STD HI-TEMP	T3/T4
104634-0000		PISTON RING T/END STD/10 HI-TEMP	T3/T4
104642-0000	8-A-0163	LOCKNUT, SHAFT	Various
104661-0000	8-A-0241	CLAMP, T/END	TBO3/TO4B
104834-0000		PISTON RING T/END STD/20 HI-TEMP	T3/T4
104926-0000		JOURNAL BEARING STD/STD	T3/T4
106052-0000		THRUST BEARING	TE06/TO5B
106060-0000	8-A-0138	SEAL RING, S/PLATE, VITON i/d 2.183"	Various
106072-0000	8-A-0150	NUT	TE06
106073-0000		LOCKPLATE, B/HOUSING	Various
112033-0000		PISTON RING T/END STD DUCTILE	Various
112038-0000		THRUST COLLAR	T12
112047-0000	8-A-1605	O RING, THRUST PLATE	
112048-0000	8-A-0713	NUT, V CLAMP	TE06/T12
112049-0000		BOLT, SEAL PLATE	T60/T12
112050-0000		LOCKPLATE, BACKPLATE	T12/TV60
112060-0000		O RING, C/END	T12
112061-0000	8-A-0233	CLAMP, T/END	TE06/T12
112064-0000	8-A-0144	BOLT, T/END	TE06/T12
112072-0000		LOCKPLATE, T/END	TE06/T12
112098-0000		SERVICE KIT, STEP BORE	T12
112242-0000		LOCKNUT, SHAFT	TV/T12/T18
114033-0000	8-H-1202	PISTON RING C/END STD	T14/T30
114533-0000	8-H-1174	PISTON RING C/END 10/STD	T14/T30
115026-0000		JOURNAL BEARING NARROW STD/ST	RHB5
115030-0000		RETAINING RING, JNL. BRG.	RHB51/52
115033-0000		PISTON RING C/END STD HI-TEMP	RHB6/RHC7
115034-0000	8-F-0440	PISTON RING T/END STD HI-TEMP	RHB5
115035-0000	8-F-0772	THRUST BUSHING	RHB5
115300-0000		JOURNAL BEARING NARROW STD/5	RHB51
116120-0000		LOCKWASHER, C/END	T18
118030-0000		RETAINING RING, JNL. BRG.	TV/T12/T18
118032-0000	8-A-0185	PISTON RING T/END STD HI-TEMP	T18
118033-0000	8-A-0182	PISTON RING C/END STD DUCTILE	T18A/TV61/TV63
118034-0000		PISTON RING T/END STD DUCTILE	T18A
118047-0000		O-RING, BACKPLATE	T18
118049-0000		BOLT, BACKPLATE	T18
118050-0000	8-A-0189	LOCKPLATE, T/END	T18
118060-0000	8-A-0177	O RING, C/END	T18
118062-0000		BOLT, C/END	T18
118064-0000		CLAMP, C/END	T18
118070-0000		BOLT, T/END	T18



## CROSS REFERENCE - Cummins to Turbo International

OEM Part no.	Turbo International Part no.	Description	Turbo Model Application
118071-0000	7-A-1012 7-H-1457	CLAMP, T/END	T18A
118072-0000		LOCKPLATE, T/END	T18
118073-0000		BOLT, B/HOUSING	T18A
118078-0000		SERVICE KIT	T18
118097-0000		GASKET KIT	T18
118135-0000	8-A-0139 8-A-0726	THRUST SPACER	T18A
118139-0000		THRUST COLLAR, 7/16" DIA. SHAFT	T18A
118235-0000		THRUST SPACER	T18
118247-0000		SEAL RING, SEAL PLATE	T18A
118249-0000		LOCKPLATE, B/HOUSING	T18A
118252-0000	8-A-0166 8-A-0165	THRUST BEARING	T18/TV61/THO8A/T
118273-0000		LOCKPLATE, T/END	T18A
118328-0000		WASHER, WEAR	TV-T18
118342-0000		LOCKNUT, SHAFT, 7/16"	
118442-0000		LOCKNUT, SHAFT, 3/8"	TV61/63
118500-0000	7-A-2045 7-A-0993	JOURNAL BEARING KIT STD/5	TV61/71/81
118501-0000		JOURNAL BEARING KIT STD/10	TV61/71/81
118503-0000		JOURNAL BEARING KIT 5/STD	TV61/71/81
118504-0000		JOURNAL BEARING KIT, 5/5	TV
118507-0000		JOURNAL BEARING KIT, 10/STD	TV61
118509-0000	8-H-1161 8-A-0213	JOURNAL BEARING KIT, 10/10	TV
118526-0000		BEARING KIT, STD.	TV/T18
118533-0000		PISTON RING C/END 10/STD HI-TEMP	T12/TV
118534-0000		PISTON RING T/END 10/STD HI-TEMP	T18/T18A
118600-0000		JOURNAL BEARING STD/5	T12/T18/TV
118601-0000	8-A-0219 8-A-0224	JOURNAL BEARING 10/STD	T12/T18/TV
118602-0000		JOURNAL BEARING 15/10	T12/T18/TV
118603-0000		JOURNAL BEARING 5/STD	T12/T18/TV
118604-0000		JOURNAL BEARING 5/5	T12/T18/TV
118605-0000		JOURNAL BEARING 5/10	T12/T18/TV
118607-0000	8-A-0228 8-A-0227	JOURNAL BEARING 10/STD	T12/T18/TV
118608-0000		JOURNAL BEARING 10/5	T12/T18/TV
118609-0000		JOURNAL BEARING 10/10	T12/T18/TV
118611-0000		JOURNAL BEARING 15/STD	T12/T18/TV
118615-0000		JOURNAL BEARING 10/15	T12/T18/TV
118616-0000	8-A-1114 8-A-1170	JOURNAL BEARING 5/15	TV/T12/T18
118617-0000		JOURNAL BEARING 15/15	TV/T12/T18
118618-0000		JOURNAL BEARING 20/15	TV/T12/T18
118620-0000		JOURNAL BEARING STD/20	TV/T12/T18
118621-0000		JOURNAL BEARING 5/20	T12/TV
118622-0000	8-A-0257 8-A-1627	JOURNAL BEARING 10/20	TV/T12
118623-0000		JOURNAL BEARING 15/20	TV/T12
118624-0000		JOURNAL BEARING 20/20	TV/T12
118626-0000		JOURNAL BEARING STD/STD	Various
118734-0000		PISTON RING T/E STEP 10/10	T18/T18A
118834-0000		PISTON RING T/END STD/20 HI-TEMP	T18/T18A
118934-0000		PISTON RING T/END 10/20 HI-TEMP	T18
127026-0000		JOURNAL BEARING STD/STD	K26



## CROSS REFERENCE - Cummins to Turbo International

OEM Part no.	Turbo International Part no.	Description	Turbo Model Application
127032-0000		PISTON RING C/END STD HI-TEMP	K26
127033-0000		PISTON RING T/END LARGE STD HI-TEMP	K26
127052-0000		THRUST BEARING	K26
127101-0000	8-D-0840	JOURNAL BEARING (STD/10)	K26
127107-0000	8-D-0838	JOURNAL BEARING 10/STD	K26
127109-0000		JOURNAL BEARING 10/10	K26
141026-0000		JOURNAL BEARING STD/STD	H1B/H1C
141301-0000		JOURNAL BEARING STD/10	H1C
141307-0000	8-B-0897	JOURNAL BEARING 10/STD	H1C
141309-0000	8-B-0899	JOURNAL BEARING 10/10	H1C
143006-0000		PISTON RING C/END STD HI-TEMP	3LD
143007-0000		PISTON RING T/END STD HI-TEMP	4LE
143026-0000		JOURNAL BEARING STD/STD	3LD
143031-0000	8-B-0077	RETAINING RING, INSERT	3"/Various
143032-0000	8-B-0391	PISTON RING C/END STD HI-TEMP	3LD
143034-0000		PISTON RING T/END STD HI-TEMP	HT3B/HC3B
143037-0000		FLINGER SLEEVE	3LM
143048-0000		O RING, OIL PLATE	Various
143052-0000	8-B-0731	THRUST BEARING	3LD
143053-0000	8-B-0078	THRUST RING	3LD
143132-0000		PISTON RING T/END STD HI-TEMP	3" various
143144-0000		OIL SEAL PLATE	HT3B
143152-0000		THRUST BEARING	3LM
143401-0000	8-C-0902	JOURNAL BEARING STD/10	3LM
143407-0000	8-C-0906	JOURNAL BEARING 10/STD	3LM
143409-0000		JOURNAL BEARING 10/10	3LM
143426-0000		JOURNAL BEARING STD/STD	3LM
143532-0000		PISTON RING C/END STD HI-TEMP	3LM
143534-0000	8-B-1574	PISTON RING T/END 10/STD HI-TEMP	4L
143934-0000	8-B-1573	PISTON RING T/END 10/20 HI-TEMP	4L
144025-0000		JOURNAL BEARING STD/STD GROOVED	4HD/4MD
144026-0000		JOURNAL BEARING STD/STD	4"/Various
144027-0000		JOURNAL BEARING STD/STD GROOVED	4HD/4MD
144028-0000	8-B-0045	JOURNAL BEARING STD/STD NO GROOVE	4HD/4MD
144030-0000	8-B-0517	RETAINING RING, JNL. BRG.	4LE/HT3B
144034-0000		RETAINING RING	4"
144035-0000		OIL CONTROL SLEEVE	4LE/HT3B
144036-0000		THRUST SPACER	4LGK
144048-0000	8-B-0390	O-RING, C/END	4LE
144069-0000	8-B-0052	THRUST COLLAR	HT3B
144150-0000		KIT	HC3
144169-0000		THRUST COLLAR	HT3B/HC3B
144232-0000		PISTON RING C/END STD HI-TEMP	HC3B
144238-0000	8-B-0098	FLINGER SLEEVE	HT3B
144242-0000	8-B-0397	LOCKNUT, SHAFT	HT3B/HC3/4LE
144253-0000		THRUST BEARING	4"/VARIOUS
144307-0000		JOURNAL BEARING 10/STD	4LE/HT3
144309-0000		JOURNAL BEARING 10/10	4LE/HT3



## CROSS REFERENCE - Cummins to Turbo International

OEM Part no.	Turbo International Part no.	Description	Turbo Model Application
145026-0000		JOURNAL BEARING STD/STD	H2B/H2C/H2D/HX5C
145030-0000		RETAINING RING, JNL. BRG.	H2C/H2B
145042-0000		LOCKNUT, SHAFT	H2C/H2B
145060-0000	8-B-0423	O-RING, SEAL PLATE	H2C/H2B
145230-0000	8-B-0422	RETAINING RING, SEAL PLATE	H2C/H2B
148933-0000		PISTON RING, C/END 20/STD	TV
150021-0000		HEAT SHIELD	ST/VT50
150024-0000		BEARING HOUSING	ST/VT50
150025-0000	8-H-1261	PACKING	T46, T/ST/VT50
150026-0000	8-H-1265	FIBER INSERT	T46, T/ST/VT50
150027-0000		JOURNAL BEARING STD/STD	T46, T/ST/VT50
150032-0000		PISTON RING C/END STD	T46, T/ST/VT50
150033-0000		PISTON RING T/END STD	T46, T/ST/VT50
150037-0000	8-H-1503	JOURNAL BEARING STD/10	ST/VT50
150042-0000	8-H-1257	NUT, SHAFT	T46, T/ST/VT50
150047-0000		O RING, S/PLATE	T46, T/ST/VT50
150048-0000		O RING, BRG HSG	T46, T/ST/VT50
150051-0000		CLAMP, 2-PIECE	ST/VT50
150054-0000	8-H-1256	BOLT	T46, T/ST/VT50
150055-0000	8-H-1259	LOCKNUT	T46, T/ST/VT50
150056-0000		LOCKWASHER, C/END	4LGK/HC3
150060-0000		O RING	T46, T/ST/VT50
150127-0000		JOURNAL BEARING STD/5	T46, T/ST/VT50
150309-0000	7-H-1835	MAINTENANCE KIT, 2 PIECE CLAMP	ST50/VT50
150310-0000	7-H-1008	SERVICE KIT, WITH BEARING	ST/VT50
150314-0000		SERVICE KIT	ST/VT50
150510-0000		SERVICE KIT	ST/VT50
150516-0000		COMPRESSOR WHEEL	ST/VT50
150532-0000	8-H-1600	PISTON RING C/END 10/STD	ST/VT50
150533-0000	8-H-1695	PISTON RING T/END 10/STD	ST50/VT50
150534-0000		PISTON RING T/END STD/-0.025	ST/VT50
150536-0000		THRUST COLLAR	ST/VT50
150544-0000		BACKPLATE	ST/VT50
150700-0000	7-H-1471	KIT	ST/VT50
150834-0000	8-H-1513	PISTON RING T/END 0.010/-0.025	ST/VT50
150914-0000		MINOR KIT, LESS CLAMPS	ST/VT50
150933-0000		PISTON RING T/END 10/10	ST/VT50
150934-0000		PISTON RING T/END STD/10	ST/VT50
150951-0000	8-H-1343	CLAMP	ST50
160003-0000	8-A-0345	LOCKPLATE, BACKPLATE	TV SERIES
160032-0000		PISTON RING T/END STD HI-TEMP	Various
160532-0000		PISTON RING T/END 10/STD HI-TEMP	T12/TV
160832-0000		PISTON RING T/END STD/20 HI-TEMP	T12/TV
160932-0000	8-H-0926	PISTON RING T/END10/20 HI-TEMP	T12/TV
188000-0000	7-A-0830	SERVICE KIT	TO4B
188001-0000		SERVICE KIT, MAJOR, SMOOTH & STE	TEO6
188002-0000		SERVICE KIT, MAJOR	TV61
188003-0000		SERVICE KIT, MAJOR, SMOOTH & STE	T18



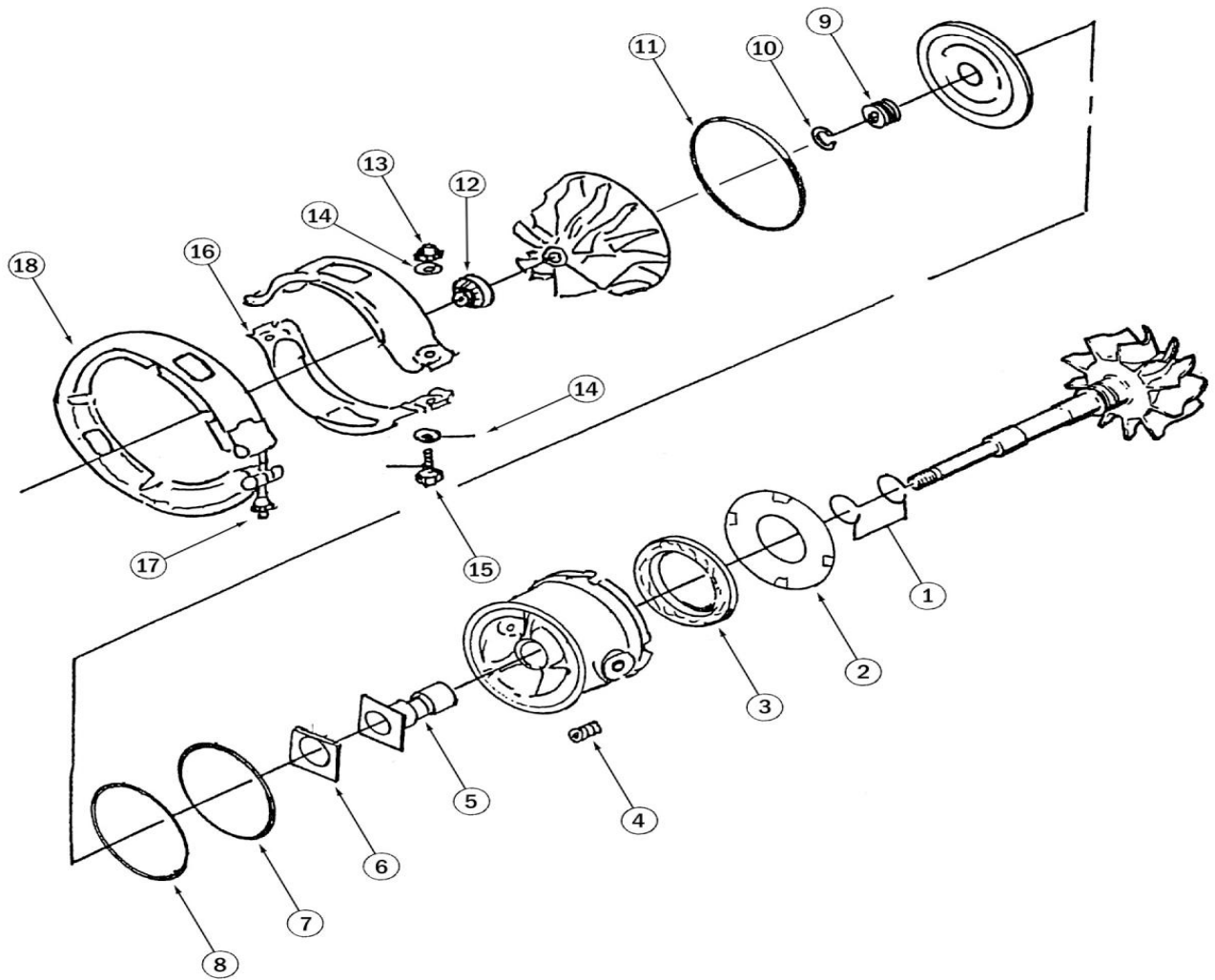
## CROSS REFERENCE - Cummins to Turbo International

OEM Part no.	Turbo International Part no.	Description	Turbo Model Application
188004-0000		SERVICE KIT, 3/8" SHAFT NUT	T18A
188005-0000		SERVICE KIT	T18A
188006-0000		SERVICE KIT, STEP BORE	TA31/TA35/TO4B
188007-0000	7-A-0019	SERVICE KIT, STRAIGHT BORE	TO4B
188008-0000	7-A-0615	SERVICE KIT, STEP BORE	TE06
188010-0000		SERVICE KIT, STEP BORE	T18
188100-0000		SERVICE KIT	ST/VT50
188101-0000		SERVICE KIT	ST/VT50
188102-0000	7-H-1482	SERVICE KIT	ST/VT50
188103-0000	7-H-1483	SERVICE KIT	ST/VT50
188104-0000		SERVICE KIT	ST/VT50
188105-0000		SEAL KIT	HT3B
188106-0000		SERVICE KIT	HT3B
188200-0000	7-C-0815	SERVICE KIT	4LE/4LF
188201-0000	7-C-0787	SERVICE KIT	4LE/4LF/4MF
188210-0000		SERVICE KIT	3LM
188211-0000		SERVICE KIT	4LHR
188212-0000		SERVICE KIT	HT3B/4LHR
188300-0000	7-H-1478	SERVICE KIT	H2C
188401-0000	7-A-1861	SEAL KIT	TO4B
188402-0000		SERVICE KIT, LESS BEARINGS	T12
188404-0000		SERVICE KIT, LESS BEARINGS	4LE
188406-0000		SERVICE KIT, LESS BEARINGS	4MF
210017-0000	8-A-0943	GASKET, TURBINE INLET, DUAL PORT	TV81
210018-0000	8-B-3119	GASKET, OIL OUTLET	HT3B
210019-0000		GASKET, OIL INLET	
210021-0000		GASKET, OIL OUTLET	H2C
210022-0000		GASKET, TURBINE INLET DUAL PORT	TO4
210023-0000	8-A-0062	GASKET, OIL INLET	VARIOUS
210060-0000	8-B-0063	GASKET, OIL OUTLET	3LD
210085-0000		GASKET, T/INLET	T46, T/ST/VT50
210087-0000		GASKET, TURBINE INLET	
210152-0000		GASKET, TURBINE INLET	3LD
210190-0000	8-A-0271	GASKET, TURBINE INLET, SINGLE PORT	3LM/3LD
210191-0000	7-B-2379	GASKET KIT	3LD
210359-0000		GASKET, TURBINE OUTLET, PAPER	T3
210436-0000		GASKET KIT	TO4B
210830-0000		SERVICE KIT, THRUST PLATE ASSY.	T18
210832-0000	8-A-0709	GASKET, TURBINE INLET DUAL PORT	TO4
210834-0000	8-C-0069	GASKET	3LM
210835-0000		GASKET, TURBINE INLET	VARIOUS

T46

ST50

VT50







## SERVICE KIT - Cummins

T46

ST50

VT50

Item no.	Description	TI Part no.	Qty/ Turbo	TI Kit no.					
				7-H-1008	7-H-1011	7-H-1483	7-H-1464	7-H-1481	7-H-1470
1	Piston ring, t/e, step gap	8-H-3706	2	✓	✓	✓	✓	✓	✓
2	Heat shield	-	1	-	-	-	-	-	-
3	Heat packing	8-H-1261	1	✓	✓	✓	✓	✓	✓
4	Plug	-	1	-	-	-	-	-	-
5	Journal bearing	8-H-1232	1	✓	-	-	✓	✓	-
6	Bearing insert, fiber	8-H-1265	1	✓	✓	✓	✓	✓	✓
7	O ring, brg/hsg	8-H-1264	1	✓	✓	✓	✓	-	✓
8	O ring, seal plate	8-H-1263	1	✓	✓	-	✓	✓	✓
9	Thrust spacer, superback	8-H-1466	1	-	-	✓	-	✓	-
10	Piston ring, c/end	8-H-3705	1	✓	✓	✓	✓	✓	✓
11	O ring, diffuser	8-H-1260	1	✓	✓	✓	✓	-	✓
12	Locknut, t/shaft	8-H-1257	1	✓	✓	✓	✓	✓	✓
13	Locknut, 2 piece clamp	8-H-1259	2	✓	✓	✓	✓	✓	-
14	Washer, 2 piece clamp	8-H-1258	4	✓	✓	✓	✓	✓	-
15	Bolt, 2 piece clamp	8-H-1256	2	✓	✓	✓	✓	✓	-
16	Clamp, 2 piece	8-H-1486	2	-	-	-	-	-	-
17	Locknut, 1 piece clamp	8-A-0713	1	-	-	-	-	-	-
18	Clamp, 1 piece	8-H-1343	1	-	-	-	-	-	-
	Gasket, turbine inlet, 4 bolt	8-H-1218	1	-	-	-	✓	-	-

See JOURNAL BEARING section for oversize & under-size parts - page 68

See PISTON RING section for oversize parts - page 71



This page has been intentionally left blank



## Hitachi Index

Turbo International part number reference	pages 2 - 3
Service kits by model	pages 4 - 7
Journal Bearings	see journal bearing section
Piston Rings	see piston ring section
Gaskets	see gasket section

### Hitachi Service Kits by Turbo Model

Turbo model	Kit page no
HT10 & HT12	4-5
HT18-2S	6-7



## CROSS REFERENCE - Hitachi to Turbo International

OEM Part No.	Turbo International Part No.	Description	Turbo Model Application
	7-K-1132	SERVICE KIT, MAJOR	HT12
	7-K-1141	SERVICE KIT, MINOR	HT10
	7-K-1195	SERVICE KIT, MINOR	HT12
	7-K-1603	SERVICE KIT, MINOR, DYNAMIC	HT12
	7-K-1604	SERVICE KIT, MINOR, NARROW BEARING	HT10
	7-K-2084	SERVICE KIT, MINOR, DYNAMIC	HT12
	7-K-2966	SERVICE KIT	HT-18S-2S
	7-K-3421	SERVICE KIT, MINOR, DYNAMIC,Nissan P/up application	HT12
	8-K-1001	JOURNAL BEARING STD	HT12
	8-K-1135	THRUST COLLAR	HT12
	8-K-1136	THRUST SPACER	HT12
	8-K-1138	O RING, S/PLATE	HT12
	8-K-1139	RETAINING RING	HT12
	8-K-1140	CARBON SEAL ONLY	HT12
	8-K-1233	PISTON RING C/END STD	HT10
	8-K-1234	JOURNAL BEARING STD	HT10
	8-K-1235	THRUST BEARING	HT10
	8-K-1236	RETAINING RING, J/BRG	HT10
	8-K-1734	JOURNAL BEARING STD/5	HT-10
	8-K-1735	JOURNAL BEARING STD/10	HT-10
	8-K-1736	JOURNAL BEARING 5/STD	HT-10
	8-K-1737	JOURNAL BEARING 5/5	HT-10
	8-K-1738	JOURNAL BEARING 5/10	HT-10
	8-K-1739	JOURNAL BEARING 10/STD	HT-10
	8-K-1740	JOURNAL BEARING 10/5	HT-10
	8-K-1750	JOURNAL BEARING 10/10	HT-10
	8-K-1751	JOURNAL BEARING STD/5	HT-12
	8-K-1752	JOURNAL BEARING STD/10	HT-12
	8-K-1753	JOURNAL BEARING 5/STD	HT-12
	8-K-1754	JOURNAL BEARING 5/5	HT-12
	8-K-1755	JOURNAL BEARING 5/10	HT-12
	8-K-1756	JOURNAL BEARING 10/STD	HT-12
	8-K-1757	JOURNAL BEARING 10/5	HT-12
	8-K-1758	JOURNAL BEARING 10/10	HT-12
	8-K-2033	LOCKNUT, SHAFT, L/HAND THREAD	HT-12
	8-K-2034	SCREW , T/BRG	HT-12
	8-K-2959	JOURNAL BEARING, STD	HT-18S-2S
	8-K-2960	RETAINING RING, J/BRG	HT-18S-2S
	8-K-2961	PISTON RING T/END STD	HT-18S-2S
	8-K-2962	THRUST BEARING	HT-18S-2S
	8-K-2963	BOLT, T/BRG	HT-18S-2S
	8-K-2964	THRUST COLLAR	HT-18S-2S
	8-K-2965	THRUST SPACER	HT-18S-2S
	8-K-2967	JOURNAL BEARING STD/5	HT-18S-2S
	8-K-2968	JOURNAL BEARING STD/10	HT-18S-2S
	8-K-2969	JOURNAL BEARING 5/STD	HT-18S-2S
	8-K-2970	JOURNAL BEARING 5/5	HT-18S-2S
	8-K-2971	JOURNAL BEARING 5/10	HT-18S-2S

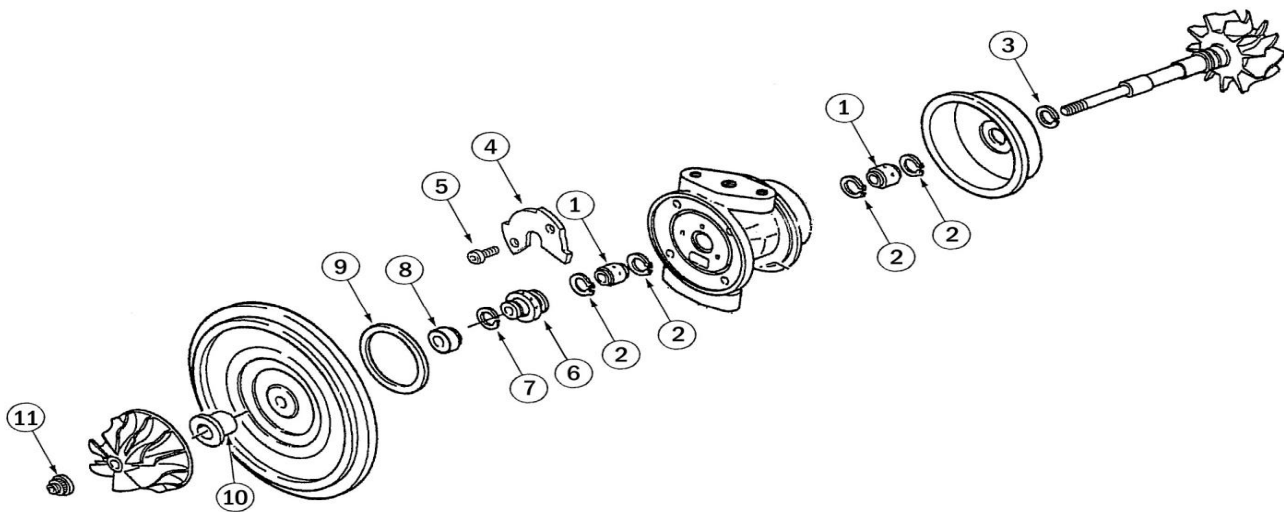


## CROSS REFERENCE - Hitachi to Turbo International

OEM Part No.	Turbo International Part No.	Description	Turbo Model Application
	8-K-2972	JOURNAL BEARING 10/STD	HT-18S-2S
	8-K-2973	JOURNAL BEARING 10/5	HT-18S-2S
	8-K-2974	JOURNAL BEARING 10/10	HT-18S-2S
	8-K-2975	PISTON RING T/END STD/10	HT-18S-2S
	8-K-2976	PISTON RING T/END STD/20	HT-18S-2S
	8-K-2977	PISTON RING T/END 10/STD	HT-18S-2S
	8-K-2978	PISTON RING T/END 10/10	HT-18S-2S
	8-K-2979	PISTON RING T/END 10/20	HT-18S-2S
	8-K-3152	THRUST BEARING 39.87mm o/d	HT12-18S
	8-K-1003	PISTON RING T/END STD	HT12
	8-K-1134	THRUST BEARING	HT12

**HT10**  
carbon seal

**HT12**  
carbon seal & dynamic seal





## SERVICE KIT - Hitachi

HT10 carbon seal

HT12 carbon seal & dynamic

Item no.	Description	TI Part no.	Qty/ Turbo	TI Kit no.						
				7-K-1141	7-K-1604	7-K-1195	7-K-1132	7-K-1603	7-K-2084	7-K-3421
				<i>Note (i)</i>	<i>Note (ii)</i>	<i>Note (iii)</i>	<i>Note (iii)</i>	<i>Note (ii)</i>	<i>Note (iv)</i>	<i>Note (v)</i>
1	Journal bearing, 0.587" o/d	8-K-1234	2	✓	-	-	-	-	-	-
1	Journal bearing, 0.470" o/d	8-K-1001	2	-	✓	✓	✓	✓	✓	✓
2	Retaining ring, j/brg 0.587"	8-K-1236	4	✓	-	-	-	-	-	-
2	Retaining ring, j/brg 0.470"	8-K-1139	4	-	✓	✓	✓	✓	✓	✓
3	Piston ring, t/end	8-K-1003	1	✓	✓	✓	✓	✓	✓	✓
4	Thrust bearing 45.82mm	8-K-1235	1	-	✓	-	-	-	-	-
4	Thrust bearing 45.82mm	8-K-1134	1	✓	-	✓	✓	✓	✓	-
4	Thrust bearing 39.87mm (v)	8-K-3152	1	-	-	-	-	-	-	✓
5	Bolt, thrust bearing	8-K-2034	4	✓	✓	✓	✓	✓	✓	✓
6	Thrust collar, c/seal	8-K-1135	1	-	-	-	✓	-	-	-
7	Piston ring, c/end	8-K-1233	1	✓	✓	-	-	-	✓	✓
8	Carbon seal, encapsulatec	8-K-1140	1	-	-	✓	✓	-	-	-
9	O ring, brg/hsg	8-K-1138	1	✓	✓	✓	✓	✓	✓	✓
10	Thrust spacer, c/seal	8-K-1136	1	-	-	-	✓	-	-	-
11	Locknut, t/shaft	8-K-2033	1	✓	✓	✓	✓	✓	✓	✓

*Note (i) HT10 carbon seal with 0.587"/14.90mm o/d*

*(ii) HT12 carbon seal with 0.469"/11.93mm o/d*

*(iii) HT12 carbon seal with 0.469"/11.93mm o/d Mazda RX7 twin turbo application*

*(iv) HT12 dynamic seal with 0.469"/11.93mm o/d*

*(v) HT12 thrust bearing Nissan Pick-up application*

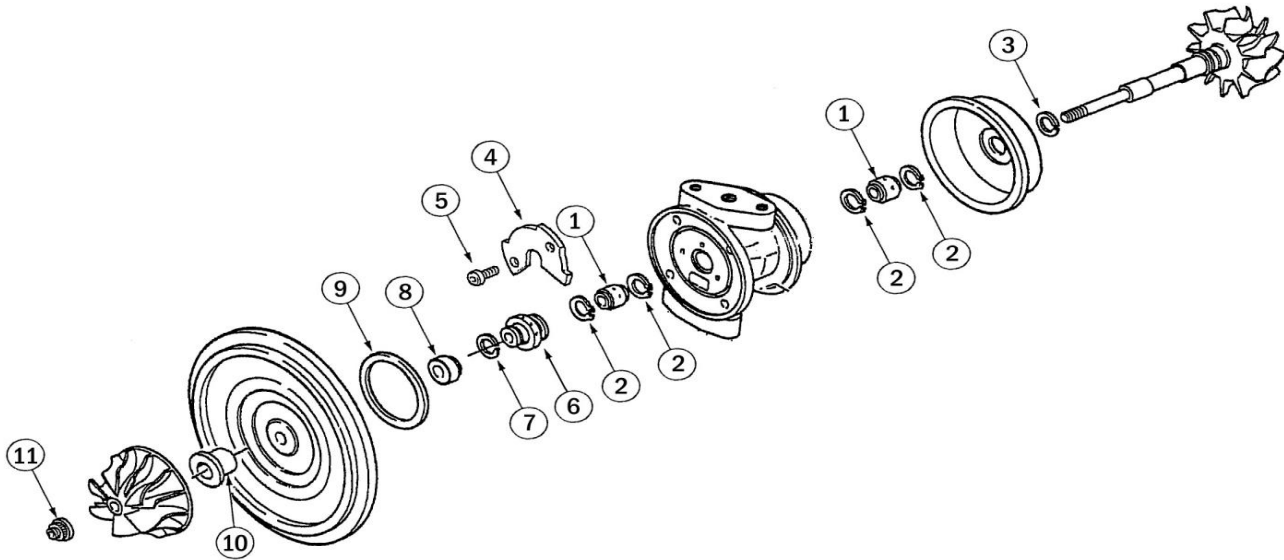
See JOURNAL BEARING section for oversize & under-size parts - page 69 - 70

See PISTON RING section for oversize parts - page 72

See GASKET section

# HT18-2S

carbon seal







## SERVICE KIT - Hitachi

HT18-2S

Item no.	Description	TI Part no.	Qty/ Turbo	TI Kit no. 7-K-2966
1	Journal bearing	8-K-2959	2	✓
2	Retaining ring, j/brg.	8-K-2960	4	✓
3	Piston ring, t/end	8-K-2961	1	✓
4	Thrust bearing	8-K-2962	1	✓
5	Bolt, thrust bearing	8-K-2963	4	✓
6	Thrust collar	8-K-2964	1	✓
7	Thrust spacer	8-K-2965	1	✓
8	Carbon seal, encapsulated		1	-
9	O ring, brg/hsg		1	-
10	Thrust spacer, c/seal		1	-
11	Locknut, t/shaft		1	-

To achieve the correct stacked tolerance, **all** the above parts must be used in rebuilding.

See JOURNAL BEARING section for oversize & under-size parts - page 70

See PISTON RING section for oversize parts - page 72

See GASKET section



This page has been intentionally left blank



## Komatsu Index

Cross reference Komatsu to Turbo International	page 2
Service kits by model	pages 4 - 7
Journal Bearings	see journal bearing section
Piston Rings	see piston ring section

### Komatsu service kits by turbo model

Turbo Model	Kit page no.
KTR110A	4-5
KTR110G	4-5
KTR130	6-7



## CROSS REFERENCE - Komatsu to Turbo International

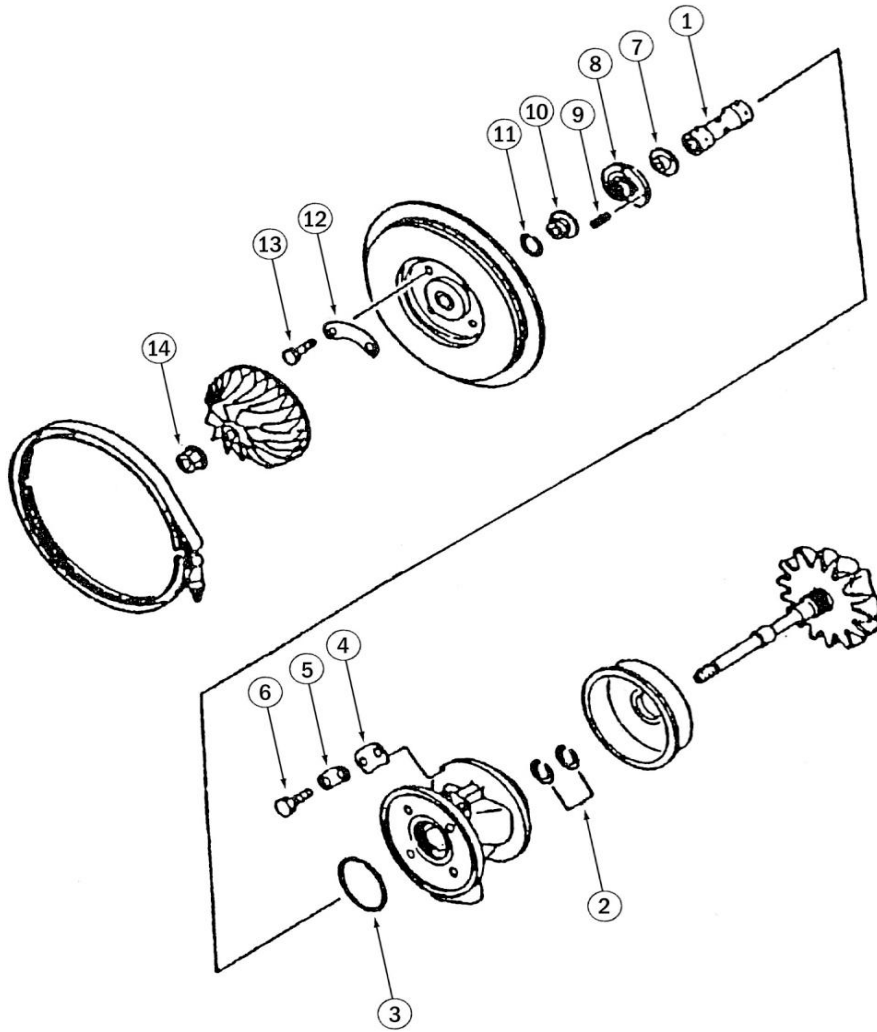
OEM Part No.	Turbo International Part No.	Description	Turbo Model Application
	7-L-2258	SERVICE KIT, MINOR	KTR 110A
	7-L-2259	SERVICE KIT, MINOR	KTR 130
	7-L-2268	SERVICE KIT, MINOR	KTR110G
	7-L-2296	SERVICE KIT, FULL with insert plate	KTR130
	7-L-2301	SERVICE KIT, MAJOR, with thrust bearing & collar	KTR130
	7-L-2351	SERVICE KIT, MAJOR, with thrust bearing & collar	KTR110A
	7-L-2958	SERVICE KIT	KTR110G
	7-L-3002	SERVICE KIT, MAJOR	KTR110G
	8-L-2244	JOURNAL BEARING, 10/10	KTR 110A
	8-L-2245	JOURNAL BEARING, 10/STD	KTR 110A
	8-L-2246	JOURNAL BEARING, STD/10	KTR 110A
	8-L-2252	JOURNAL BEARING, 10/10	KTR 130
	8-L-2253	JOURNAL BEARING, 10/STD	KTR 130
	8-L-2254	JOURNAL BEARING, STD/10	KTR 130
	8-L-2260	JOURNAL BEARING STD	KTR110G
	8-L-2261	JOURNAL BEARING 10/10	KTR110G
	8-L-2262	JOURNAL BEARING 10/STD	KTR110G
	8-L-2263	JOURNAL BEARING STD/10	KTR110G
	8-L-2264	O RING BRG.HSG.	KTR110G
	8-L-2265	PISTON RING T/E STD	KTR110G
	8-L-2266	PISTON RING C/END STD	KTR110G
	8-L-2267	THRUST BEARING	KTR110G
	8-L-2297	THRUST COLLAR	KTR130
	8-L-2298	THRUST RING	KTR130
	8-L-2299	INSERT PLATE	KTR130
	8-L-2300	LOCK PLATE, SEAL PLATE	KTR130
	8-L-2349	THRUST FLINGER	KTR110A
	8-L-2350	THRUST COLLAR	KTR110A
01010-30816	8-L-2358	BOLT, SEAL PLATE	KTR110A
01010-61016	8-L-2359	BOLT, T/END	KTR110A
07000-62055	8-L-2247	O RING, B/HSG	KTR 110A
07000-63095	8-L-2255	O RING, B/HSG	KTR 130
160002-0000		USE 118235-0000	
6501-51-0210	8-L-2956	THRUST COLLAR	KTR110G
6501-51-0251	8-L-2957	THRUST FLINGER	KTR110G
6502-12-1340	8-L-2256	PISTON RING C/END & T/END STD	KTR 130
6502-12-1620		USE 6502-14-1620	
6502-12-1630		USE 6502-12-1631	
6502-12-1631	8-L-2257	THRUST BEARING	KTR 130
6502-14-1300	7-L-2459	SEAL KIT	KTR 130
6502-14-1620	8-L-2251	JOURNAL BEARING, STD	KTR 130
6505-11-0110	8-L-2243	JOURNAL BEARING, STD	KTR 110A
6505-11-0150	8-L-2250	THRUST BEARING	KTR 110A
6505-11-0310	8-L-2248	PISTON RING T/E STD	KTR 110A
6505-11-0350	8-L-2249	PISTON RING C/END STD	KTR 110A



This page has been intentionally left blank

# KTR110A

# KTR110G





## SERVICE KIT - Komatsu

### KTR110A

Item no.	Description	TI Part no.	Qty/ Turbo	TI Kit no.	
				7-L-2258	7-L-2351
1	Journal bearing	8-L-2243	1	✓	✓
2	Piston ring, t/end	8-L-2248	2	✓	✓
3	O ring, brg. hsg.	8-L-2247	1	✓	✓
4	Clamp, t/end	-	4	-	-
5	Lockplate, t/end	-	4	-	-
6	Bolt, b/hsg. to t/end	8-L-2259	8	-	-
7	Thrust collar	8-L-2350	1	-	✓
8	Thrust bearing	8-L-2250	1	✓	✓
9	Retaining pin	-	1	-	-
10	Thrust flinger	8-L-2349	1	-	✓
11	Piston ring, c/end	8-L-2249	1	✓	✓
12	Clamp, s/plate	-	2	-	-
13	Bolt, seal plate	8-L-2258	4	-	-
14	Locknut	-	1	-	-

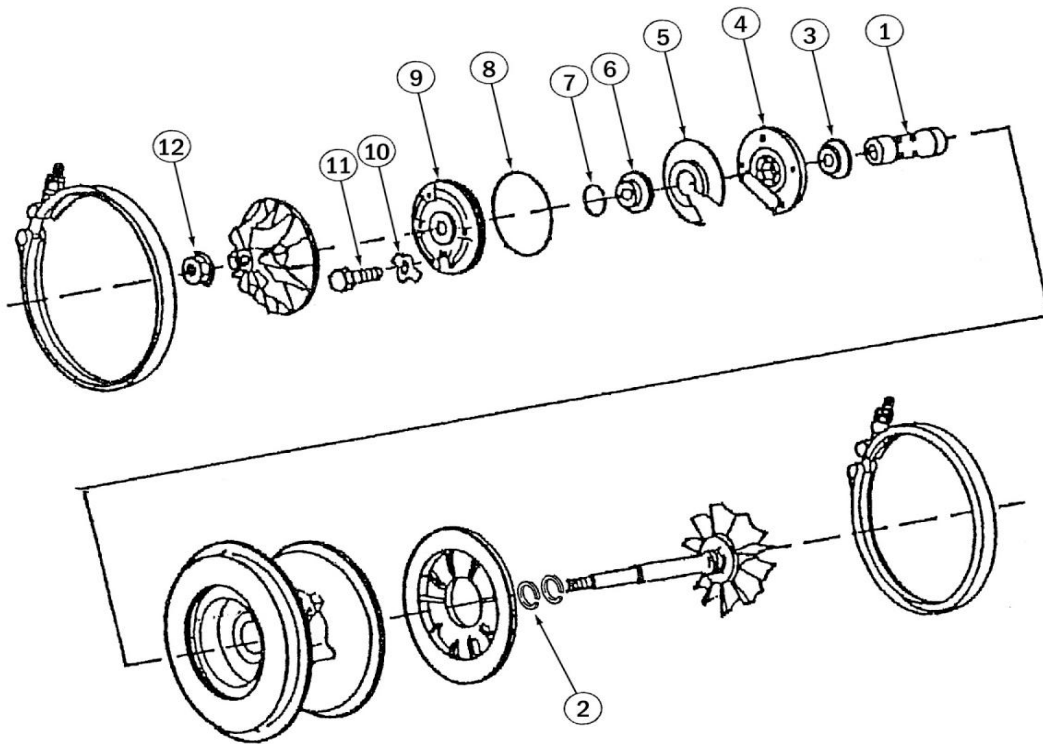
### KTR110G

Item no.	Description	TI Part no.	Qty/ Turbo	TI Kit no.	
				7-L-2268	7-L-2958
1	Journal bearing	8-L-2260	1	✓	✓
2	Piston ring, t/end	8-L-2265	2	✓	✓
3	O ring, brg. hsg.	8-L-2264	1	✓	✓
4	Clamp, t/end	-	4	-	-
5	Lockplate, t/end	-	4	-	-
6	Bolt, b/hsg. to t/end	-	8	-	-
7	Thrust collar	8-L-2956	1	-	✓
8	Thrust bearing	8-L-2267	1	✓	✓
9	Retaining pin	-	1	-	-
10	Thrust flinger	8-L-2957	1	-	✓
11	Piston ring, c/end	8-L-2266	2	✓	✓
12	Clamp, s/plate	-	2	-	-
13	Bolt, seal plate	-	4	-	-
14	Locknut	-	1	-	-

See JOURNAL BEARING section for oversize & under-size parts - page 72

See PISTON RING section for oversize parts - page 73

# KTR130







## SERVICE KIT - Komatsu

### KTR130

Item no.	Description	TI Part no.	Qty/ Turbo	TI Kit no.			
				7-L-2259	7-L-2301	7-L-2296	7-L-2459
1	Journal bearing	8-L-2251	1	✓	✓	✓	-
2	Piston ring, t/end	8-L-2256	2	✓	✓	✓	✓
3	Thrust collar	8-L-2297	1	-	✓	✓	-
4	Thrust bearing	8-L-2257	1	✓	✓	✓	-
5	Oil deflector	-					
6	Thrust ring/spacer	8-L-2298	1	-	✓	✓	-
7	Piston ring, c/end	8-L-2256	1	✓	✓	✓	✓
8	O ring, brg. hsg.	8-L-2255	1	✓	✓	✓	✓
9	Insert plate	8-L-2299	1	-	-	✓	-
10	Lockplate, insert	8-L-2300	4	-	✓	✓	-
11	Bolt, insert	-	4	-	-	-	-
12	Locknut	-	1	-	-	-	-

See JOURNAL BEARING section for oversize & under-size parts - page 72

See PISTON RING section for oversize parts - page 73



This page has been intentionally left blank



## Journal Bearing Index

Garrett	
Turbo Model	Page no.
TBO2	4
TAO3	5
TBO3	5
TCO3	5
TDO3	5
TBP4	5
TO4	5
TO4B	5
TO4E	5
TO4S	6
TW4B	5
TW4C	5
TW4E	5
TO4N	6
TO4S	6
TO5B	7
TEO6	7
THO8A	7
GT12	8
T12	7
T14	9
GT15	10
GT15P	10
GT15V	10
GT17	10
GT17V	10
GT18V	10
T18	7
T18A	7
T18C	7
TL18A	7
TB19	4
T19A	7
GT20	10
GT20V	10
TB22	4
GT22	10
GT22V	10
GT23V	10

Garrett	
Turbo Model	Page no.
T24	9
GT25	4 & 10
GT25V	10
TA25	4
TB25	4
TD25	4
VAT25	4
TE27	4
TB28	4
GT30	11
T30	9
TB31	5
GT32	11
TA34	5
TB34	5
TA35	5
GT35	11
GT37	12
TA38	5
GTP38	13
TP38	13
GT40	12
GTA40	12
TB41	5
TW41	5
GT42	14
GTA42	14
TC43	5
TC44	5
CTV45	15
GT45	14 & 15
TA45	15
TB45	15
TBP45	15
TD45	15
TV45	15
TA48	15
TBP48	15

Garrett	
Turbo Model	Page no.
TV48	15
GT50	16
GTA50	16
TA51	15
TM51	15
TMF51	15
TV51	15
TW51	15
TM54	15
TMF54	15
TMF55	15
BTG55	16
BTL55	16
BTV55	16
GTA55	16
TV58	15
T60	7
GT60	17
TV60	7
TL61	7
TM61	7
TV61	7
TW61	7
TV63	7
TW63	7
TV65	7
TV70	7
TL71	7
TV71	7
TV72	7
TW72	7
TV73	7
TW73	7
TA74	7
TV74	7
BGTV75	16
BTL75	16
BTV75	7 & 16
TA75	7



## Journal Bearing Index cont'd

<b>Garrett</b>	
Turbo Model	Page no.
TBP75	7
TV75	7 & 16
TW75	7
UTV75	16
TL77	7
TV77	7
TL78	7
TV78	7
TW78	7
UTV78	16
TL81	7 & 18
TV81	7
TW81	7
UTV81	16
TV83	7
TW83	7
UTV83	16
UTW83	16
TV84	7
TW84	7
BTL85	16
BTV85	16
TA85	7
TV85	7 & 16
UTL89	7 & 16
TL91	18
TV91	18
TW91	18
TL92	18
TV92	18
TW92	18
TV94	18
TW94	18
ULT94	19
UTV94	19
TV95	18
T250	4
T300	5
T350	5

<b>Holset</b>	
Turbo Model	Page no.
H1A	20
H1B	21
H1C	21 & 22
H1D	21
H1E	21
WH1C	21
WH1E	21
H2A	21
H2B	23
H2C	23 & 24
H2D	23
H2E	23
H2S	23
WH2D	23 & 24
3LD	25
H3B	26
HC3	26
HC3B	26
HT3B	26
4LE	26
4LF	26
4LG	26
HT4B	27
HT4C	27
HC5	27
HC5A	27
HX30	21
HX35W	21
HX40	21 & 22
HX40W	21
HX50	23 & 24
HX50W	23
HX55	28
HT60	26
HX60	26
HX60W	26
HX82	23

<b>Mitsubishi</b>	
Turbo Model	Page no.
TDO2	29
TCO3	30
TCO4	30
TDO4	32
TEO4H	32
TFO35	31
TCO5	33
TDO5	34
TCO6	33
TDO6	34
TEO6H	35
TDO7	37
TDO7S	36
TDO8	37
TDO8H	37

<b>IHI</b>	
Turbo Model	Page no.
RHB3	38
RHF4H	39
RHB5	40
RHF5	40
RHB6	41
RHC6	41
RHE6	42
RHB7	42
RHC7	42

<b>Toyota</b>	
Turbo Model	Page no.
CT9	43
CT12	45
CT12B	44
CT20 *	46
CT26 *	46

\*Bearing spacers  
CT20/CT26 page 46



## Journal Bearing Index cont'd

<b>K K K</b>	
Turbo Model	Page no.
3LD	48
3LDZ	48
3LEP	49
3LKZ	48
KO3	47
4LE	26
4LF	26
4LG	26
4LGZ	26
KO4	47
K14	50
K16	50
K23	49
K24	50 & 51
K26	51
K27	51
K28	51
KP31	52
KP35	52
K36	26
BV39	52
KP39	52

<b>Schwitzer</b>	
Turbo Model	Page no.
S1B	53
S2A	54
S2B	55 & 56
S2E	56
3LD	57
3LDA	58
3LM	59
S3A	60
S3B	61
4B	62
4D	62
4HD	62

<b>Schwitzer</b> cont'd	
Turbo Model	Page no.
4HF	62
4LE	63
4MD	62
V4MD	62
V4HD	62
4LF	63
4LG	63
4MF	63
S4	64
S4D	64
S200	65
S300	66
S400	67

<b>Rotomaster</b>	
Turbo Model	Page no.
T46	68
ST50	68
VT50	68

<b>Hitachi</b>	
Turbo Model	Page no.
HT-10	69
HT-12	70
HT-18-2S	71

<b>Komatsu</b>	
Turbo Model	Page no.
KTR110A	72
KTR110G	72
KTR130	72



## JOURNAL BEARING - Garrett

TBO2 TB19 TB22 GT25 GT25V TE27 TB28 T250  
 TA25 VAT25  
 TB25  
 TD25

### Narrow

Standard dimensions	O/D min	O/D max	I/D min	I/D max	Width	No. oil feed holes	CS or CB
Inches	0.5432	0.5437	0.3631	0.3636	0.3020	6	CB
Millimeters	13.80	13.81	9.22	9.24	7.67	6	CB

O/D	I/D	TI part no	OEM part no.	Rotomaster part no.	Holset part no.
STD	STD	8-A-0332	430093-0004/0016	102026	3545126
STD	0.005	8-A-0488	430093-0008/0011	102100	
STD	0.010	8-A-0491		102101	
STD	0.015	8-A-1501		102114	
0.005	STD	8-A-0801		102103	
0.005	0.005	8-A-0851		102104	
0.005	0.010	8-A-0852		102105	
0.010	STD	8-A-0490	430093-0010/0013	102107	
0.010	0.005	8-A-0853	430093-0012	102108	
0.010	0.010	8-A-0786		102109	
0.015	STD	8-A-0855		102111	
0.015	0.010	8-A-1167		102102	

### Wide

Standard dimensions	O/D min	O/D max	I/D min	I/D max	Width min	No. oil feed holes	CS or CB
Inches	0.5432	0.5437	0.3631	0.3636	0.3690	6	CB
Millimeters	13.80	13.81	9.22	9.24	9.37	6	CB

O/D	I/D	TI part no	OEM part no.	Rotomaster part no.	Holset part no.
STD	STD	8-A-0341	432236-0003/0008	102226	3545127
STD	0.005	8-A-0492	432236-00010	102200	
STD	0.010	8-A-0856		102201	
0.005	STD	8-A-0493		102203	
0.005	0.005	8-A-0857		102204	
0.005	0.010	8-A-0929		102205	
0.010	STD	8-A-0494	432236-0007	102207	
0.010	0.005	8-A-0858	432236-0009	102208	
0.010	0.010	8-A-0925		102209	
0.015	STD	8-A-2410		102211	

End bore - CB is counter bore, CS is countersunk

Standard dimensions are shown in inches & millimeters. "Over" & "under-sizes" are shown only in inches.

Non-standard sizes are shown by O/D ( outside diameter ) first, followed by I/D ( inside diameter ).



## JOURNAL BEARING - Garrett

TAO3	TBP4	TB31	TA34	TA35	TA38	TB41	TC43	TC44	T300
TBO3	TO4		TB34			TW41			
TCO3	TO4B								T350
TDO3	TO4E								
	TW4B								
	TW4C								
	TW4E								

Standard dimensions	O/D min	O/D max	I/D min	I/D max	Width	No. oil feed holes	CS or CB
Inches	0.6183	0.6188	0.4009	0.4014	0.4060	6	CB
Millimeters	15.70	15.72	10.18	10.20	10.31	6	CS

O/D	I/D	TI part no	OEM part no.	OEM part no.	Rotomaster part no.	Holset part no.	Schwitzer part no.
STD	STD	8-A-0256	410775-0001	408056-0001	104026	3524754	185794
STD	0.005	8-A-0199		405919-0001	104100		
STD	0.010	8-A-0200	410775-0004	405919-0002	104101	3426674	
STD	0.015	8-A-0205			104114		
STD	0.020	8-A-1380			104120		
0.005	STD	8-A-0203		405919-0005	104103		
0.005	0.005	8-A-0201		405919-0003	104104		
0.005	0.010	8-A-0206		405919-0017	104105		
0.005	0.015	8-A-1130			104116		
0.005	0.020	8-A-1917					
0.010	STD	8-A-0204	410775-0008	405919-0006	104107	3526673	
0.010	0.005	8-A-0208		405919-0018	104108		
0.010	0.010	8-A-0202		405919-0004	104109	3526675	
0.010	0.015	8-A-1021			104115		
0.010	0.020	8-A-1176					
0.015	STD	8-A-0210			104111		
0.015	0.005	8-A-1014			104106		
0.015	0.010	8-A-1031			104102		
0.015	0.015	8-A-1028			104117		
0.020	STD	8-A-1426			104110		
0.020	0.005	8-A-1427			104112		
0.020	0.010	8-A-1269			104113		
0.020	0.015	8-A-1428			104118		
0.020	0.020	8-A-2232					

End bore - CB is counter bore, CS is countersunk

Standard dimensions are shown in inches & millimeters. "Over" & "under-sizes" are shown only in inches.

Non-standard sizes are shown by O/D ( outside diameter ) first, followed by I/D ( inside diameter ).



## JOURNAL BEARING - Garrett

TO4N

TO4S

Standard dimensions	O/D min	O/D max	I/D min	I/D max	Width	No. oil feed holes	CS or CB
Inches	0.6797	0.6802	0.4607	0.4612	0.4060	6	CB
Millimeters	17.26	17.28	11.70	11.71	10.31	6	CS

O/D	I/D	TI part no.	OEM part no.
-----	-----	-------------	--------------

STD	STD	8-A-1561	409128-0003
STD	0.005	8-A-1994	
STD	0.010	8-A-1995	
STD	0.015	8-A-2598	
STD	0.020	8-A-2599	
0.005	STD	8-A-1996	
0.005	0.005	8-A-1997	
0.005	0.010	8-A-1998	
0.005	0.015	8-A-2600	
0.005	0.020	8-A-2602	
0.010	STD	8-A-1999	
0.010	0.005	8-A-2000	
0.010	0.010	8-A-2001	
0.010	0.015	8-A-2603	
0.010	0.020	8-A-2604	
0.015	STD	8-A-2002	
0.015	0.005	8-A-2606	
0.015	0.010	8-A-2607	
0.015	0.015	8-A-2608	
0.015	0.020	8-A-2609	
0.020	STD	8-A-2610	
0.020	0.005	8-A-2611	
0.020	0.010	8-A-2605	
0.020	0.015	8-A-2612	
0.020	0.020	8-A-2613	

*End bore - CB is counter bore, CS is countersunk*

*Standard dimensions are shown in inches & millimeters. "Over" & "under-sizes" are shown only in inches.*

*Non-standard sizes are shown by O/D ( outside diameter ) first, followed by I/D ( inside diameter ).*





## JOURNAL BEARING - Garrett - narrow

TO5B	TEO6	THO8A	T12	T18 T18A TL18A T18C	T19A	T60 TV60	TL61 TM61 TV61 TW61	TV63 TW63	TV65
TV70	TL71 TV71	TV72 TW72		TV73 TW73	TA74 TV74	BTV75 TA75 TBP75 TV75 TW75	TL77 TV77	TL78 TV78 TW78	TL81 TV81 TW81
TV83 TW83		TV84 TW84		BTL85 TA85 TV85					

Standard dimensions	O/D min	O/D max	I/D min	I/D max	Width	No. oil feed holes	CS or CB
Inches	0.9782	0.9787	0.6267	0.6272	0.4100	6	CS
Millimeters	24.85	24.86	15.92	15.93	10.41		

O/D	I/D	TI part no.	OEM part no.	Rotomaster part no.	Holset part no.	Schwitzer part no.	Bearing kit TI part no.
STD	STD	8-A-0257	441411-0001	118626	3526275	311740	7-A-3780
STD	0.005	8-A-0213	441411-0003	118600			7-A-2113
STD	0.010	8-A-0215	441411-0005	118601	3545163		7-A-2115
STD	0.015	8-A-0223		118614			7-A-2385
STD	0.020	8-A-1114		118620			7-A-3050
0.005	STD	8-A-0211	441411-0002	118603			7-A-2100
0.005	0.005	8-A-0219	441411-0006	118604	3545136		7-A-2045
0.005	0.010	8-A-0224	441411-0020	118605			7-A-2118
0.005	0.015	8-A-1113		118616			7-A-2386
0.005	0.020	8-A-1170		118621			7-A-3051
0.010	STD	8-A-0217	441411-0004	118607	3545377		7-A-3781
0.010	0.005	8-A-0225	441411-0021	118608	3545137		7-A-2119
0.010	0.010	8-A-0221	441411-0007	118609	3545162		7-A-2044
0.010	0.015	8-A-0227		118615			7-A-2387
0.010	0.020	8-A-1189		118622			7-A-3052
0.015	STD	8-A-0228	441411-0022	118611			7-A-2112
0.015	0.005	8-A-1191		118606	3545159		7-A-2388
0.015	0.010	8-A-0229		118602			7-A-2389
0.015	0.015	8-A-1112		118617			7-A-2390
0.015	0.020	8-A-1183		118623			7-A-3053
0.020	STD	8-A-0230	441411-0017	118610			7-A-2116
0.020	0.005	8-A-1192		118612			7-A-3054
0.020	0.010	8-A-0231	441411-0018	118613			7-A-2117
0.020	0.015	8-A-1111		118624			7-A-3055
0.020	0.020	8-A-1479					7-A-3056

Bearing kits include 2 bearings and 2 wear washers

End bore - CB is counter bore, CS is countersunk

Standard dimensions are shown in inches & millimeters. "Over" & "under-sizes" are shown only in inches.

Non-standard sizes are shown by O/D ( outside diameter ) first, followed by I/D ( inside diameter ).



## JOURNAL BEARING - Garrett

### GT12

Standard dimensions	O/D min	O/D max	I/D min	I/D max	Width	No. oil feed holes	CS or CB
Inches	0.4300	0.4304	0.2364	0.2368	1.0700	2	CS
Millimeters	10.92	10.93	6.00	6.01	27.18	2	CS

O/D	Width	TI part no.	OEM part no.
-----	-------	-------------	--------------

STD | STD 8-A-2945 n/a

*End bore - CB is counter bore, CS is countersunk*

*Standard dimensions are shown in inches & millimeters. "Over" & "under-sizes" are shown only in inches.*

*Non-standard sizes are shown by O/D ( outside diameter ) first, followed by I/D ( inside diameter ).*



## JOURNAL BEARING - Garrett

T14

T24

T30

Standard dimensions	O/D min	O/D max	I/D min	I/D max	Width	No. oil feed holes	CS or CB
Inches	0.9780	0.9785	0.8018	0.8022	0.5680		
Millimeters	24.84	24.85	20.37	20.38	14.43	6	CS

O/D	Width	TI part no	OEM part no.	Rotomaster part no.
STD	STD	8-A-1709	403877-0000	114026
STD	0.005	8-A-1710		114100
STD	0.010	8-A-1711		114101
STD	0.015	8-A-2422		114114
STD	0.020	8-A-1956		
0.005	STD	8-A-1712		114103
0.005	0.005	8-A-1713	405802-0001	114104
0.005	0.010	8-A-1714		110105
0.005	0.015	8-A-2587		
0.005	0.020	8-A-3035		
0.010	STD	8-A-1715	405802-0003	114107
0.010	0.005	8-A-1716		114108
0.010	0.010	8-A-1717	405802-0002	114109
0.010	0.020	8-A-3036		
0.015	STD	8-A-1718		114111
0.015	0.005	8-A-3037		
0.015	0.010	8-A-2758		114102
0.015	0.015	8-A-2423		114117
0.015	0.020	8-A-2759		
0.020	STD	8-A-2421		114110
0.020	0.005	8-A-3039		
0.020	0.010	8-A-2424		
0.020	0.015	8-A-2760		114118
0.020	0.020	8-A-3038		

End bore - CB is counter bore, CS is countersunk

Standard dimensions are shown in inches & millimeters. "Over" & "under-sizes" are shown only in inches.

Non-standard sizes are shown by O/D ( outside diameter ) first, followed by I/D ( inside diameter ).



## JOURNAL BEARING - Garrett

GT15      GT17              GT18V              GT20      GT22      GT23V      GT25  
 GT15P    GT17V                              GT20V      GT22V                              GT25V  
 GT15V

"Slender" shaft, oil feed groove 0.110"/2.79mm wide, oil feed holes 0.054"/1.37mm diameter

Standard dimensions	O/D min	O/D max	I/D min	I/D max	Width	No. oil feed holes	CS or CB
Inches	0.5432	0.5437	0.3108	0.3113	1.1770	8	CB
Millimeters	13.80	13.81	7.89	7.91	29.90	8	CB

O/D	I/D	TI part no	OEM part no.
-----	-----	------------	--------------

STD    STD    8-A-2189    433123-0002

"Standard" shaft, oil feed groove 0.072"/1.83mm wide, oil feed holes 0.040"/1.02mm diameter

Standard dimensions	O/D min	O/D max	I/D min	I/D max	Width	No. oil feed holes	CS or CB
Inches	0.5432	0.5437	0.3108	0.3113	1.1770	8	CB
Millimeters	13.80	13.81	7.89	7.91	29.90	8	CB

O/D	I/D	TI part no	OEM part no.
-----	-----	------------	--------------

STD	STD	8-A-1858	435795-0001
STD	0.005	8-A-1977	
STD	0.010	8-A-1978	

0.005	0.005	8-A-1980	
-------	-------	----------	--

0.010	STD	8-A-1982	
-------	-----	----------	--

0.010	0.005	8-A-1983	
-------	-------	----------	--

0.010	0.010	8-A-1984	
-------	-------	----------	--

End bore - CB is counter bore, CS is countersunk

Standard dimensions are shown in inches & millimeters. "Over" & "under-sizes" are shown only in inches.

Non-standard sizes are shown by O/D ( outside diameter ) first, followed by I/D ( inside diameter ).



## JOURNAL BEARING - Garrett

GT30

GT32

GT35

Standard dimensions	O/D min	O/D max	I/D min	I/D max	Width	No. oil feed holes	CS or CB
Inches	0.6186	0.6190	0.4007	0.4011	0.4060	4	CB
Millimeters	15.71	15.72	10.18	10.19	10.31	4	CB

O/D	I/D	TI part no	OEM part no.
-----	-----	------------	--------------

STD	STD	8-A-2464	448283-0002
STD	0.005	8-A-2645	
STD	0.010	8-A-2646	
0.005	STD	8-A-2647	
0.005	0.005	8-A-2648	
0.005	0.010	8-A-2649	
0.010	STD	8-A-2650	
0.010	0.005	8-A-2651	
0.010	0.010	8-A-2652	
0.015	STD	8-A-2653	

End bore - CB is counter bore, CS is countersunk

Standard dimensions are shown in inches & millimeters. "Over" & "under-sizes" are shown only in inches.

Non-standard sizes are shown by O/D ( outside diameter ) first, followed by I/D ( inside diameter ).



## JOURNAL BEARING - Garrett

GT37

GT40

GTA40

Standard dimensions	O/D min	O/D max	I/D min	I/D max	Width	No. oil feed holes	CS or CB
Inches	0.6996	0.7001	0.4537	0.4542	0.4500		
Millimeters	17.77	17.78	11.52	11.54	11.43	4	CS

O/D	I/D	TI part no	OEM part no.
-----	-----	------------	--------------

STD	STD	8-A-2003	448295-0004
STD	0.005	8-A-2004	
STD	0.010	8-A-2005	
0.005	STD	8-A-2006	
0.005	0.005	8-A-2007	
0.005	0.010	8-A-2008	
0.010	STD	8-A-2009	
0.010	0.005	8-A-2010	
0.010	0.010	8-A-2011	
0.015	STD	8-A-2012	

*End bore - CB is counter bore, CS is countersunk*

*Standard dimensions are shown in inches & millimeters. "Over" & "under-sizes" are shown only in inches.*

*Non-standard sizes are shown by O/D ( outside diameter ) first, followed by I/D ( inside diameter ).*



## JOURNAL BEARING - Garrett

TP38

GTP38

Standard dimensions	O/D min	O/D max	I/D min	I/D max	Width	No. oil feed holes	CS or CB
Inches	0.6183	0.6188	0.4011	0.4016	0.4040		
Millimeters	15.70	15.72	10.19	10.20	10.26	6	CS

O/D	I/D	TI part no	OEM part no.
-----	-----	------------	--------------

STD	STD	8-A-1522	410249-0001
STD	0.005	8-A-2013	
STD	0.010	8-A-2014	
0.005	STD	8-A-2015	410249-0004
0.005	0.005	8-A-2016	
0.005	0.010	8-A-2017	
0.010	STD	8-A-2018	410249-0004
0.010	0.005	8-A-2019	
0.010	0.010	8-A-2020	
0.015	STD	8-A-2021	

*End bore - CB is counter bore, CS is countersunk*

*Standard dimensions are shown in inches & millimeters. "Over" & "under-sizes" are shown only in inches.*

*Non-standard sizes are shown by O/D ( outside diameter ) first, followed by I/D ( inside diameter ).*



## JOURNAL BEARING - Garrett

GT42  
GTA42

GT45

Standard dimensions	O/D min	O/D max	I/D min	I/D max	Width	No. oil feed holes	CS or CB
Inches	0.7904	0.7909	0.5128	0.5132	0.5050	4	CB
Millimeters	20.08	20.09	13.03	13.04	12.83	4	CB

O/D	I/D	TI part no	OEM part no.
-----	-----	------------	--------------

STD	STD	8-A-2138	448572-0001
STD	0.005	8-A-2544	
STD	0.010	8-A-2545	
0.005	STD	8-A-2546	
0.005	0.005	8-A-2547	
0.005	0.010	8-A-2548	
0.010	STD	8-A-2549	
0.010	0.005	8-A-2550	
0.010	0.010	8-A-2551	
0.015	STD	8-A-2641	

End bore - CB is counter bore, CS is countersunk

Standard dimensions are shown in inches & millimeters. "Over" & "under-sizes" are shown only in inches.

Non-standard sizes are shown by O/D ( outside diameter ) first, followed by I/D ( inside diameter ).





## JOURNAL BEARING - Garrett

CTV45	TA48	TA51	TM54	TMF55	TV58
GT45	TBP48	TM51	TMF54		
TA45	TV48	TMF51			
TB45		TV51			
TBP45		TW51			
TD45					
TV45					

Standard dimensions	O/D min	O/D max	I/D min	I/D max	Width	No. oil feed holes	CS or CB
Inches	0.7903	0.7908	0.5128	0.5133	0.5080	6	CB
Millimeters	20.07	20.09	13.03	13.04	12.90	6	CS

O/D	I/D	TI part no.	OEM part no.	Rotomaster part no.	Holset part no.	Bearing kit TI part no.
STD	STD	8-A-0312	410394-0001	115526	3526327	7-A-2788
STD	0.005	8-A-0843		116500		
STD	0.010	8-A-0844	410394-0003	116501	3545363	7-A-2790
STD	0.015	8-A-1019		116514		
STD	0.020	8-A-1364		116520		
0.005	STD	8-A-0845		116503		
0.005	0.005	8-A-0846		116504		
0.005	0.010	8-A-0847		116505		
0.005	0.015	8-A-2642		116116		
0.005	0.020	8-A-2852				
0.010	STD	8-A-0848	410394-0007	116507	3545362	7-A-2789
0.010	0.005	8-A-0849		116508		
0.010	0.010	8-A-0850	410394-0005	116509	3545364	7-A-2791
0.010	0.015	8-A-1356				
0.010	0.020	8-A-1392				
0.015	STD	8-A-1376		116511		
0.015	0.005	8-A-2347				
0.015	0.010	8-A-2348				
0.015	0.015	8-A-1507		116517		
0.015	0.020	8-A-2853				
0.020	STD	8-A-1357		116510		
0.020	0.005	8-A-1377				
0.020	0.010	8-A-1953				
0.020	0.015	8-A-2854				
0.020	0.020	8-A-1240				

Bearing kits include 2 bearings and 2 wear washers

End bore - CB is counter bore, CS is countersunk

Standard dimensions are shown in inches & millimeters. "Over" & "under-sizes" are shown only in inches.

Non-standard sizes are shown by O/D ( outside diameter ) first, followed by I/D ( inside diameter ).



## JOURNAL BEARING - Garrett - wide

GT50	BTG55	BGTV75	UTV78	UTV81	UTV83	BTL85	UTL89
GTA50	BTL55	BTL75			UTW83	BTV85	
	BTV55	BTV75				TV85	
	GTA55	TV75					
		UTV75					

Standard dimensions	O/D min	O/D max	I/D min	I/D max	Width	No. oil feed holes	CS or CB
Inches	0.9783	0.9788	0.6261	0.6266	0.5090	4	CS
Millimeters	24.85	24.86	15.90	15.92	12.93		

O/D	I/D	TI part no	OEM part no.	Bearing kit TI part no.
STD	STD	8-A-1985	448508-0001	7-A-3661
STD	0.005	8-A-1986		7-A-3662
STD	0.010	8-A-1987		7-A-3663
STD	0.015	8-A-3397		7-A-3664
STD	0.020	8-A-3398		7-A-3665
0.005	STD	8-A-1988		7-A-3666
0.005	0.005	8-A-1989		7-A-3667
0.005	0.010	8-A-1990		7-A-3668
0.005	0.015	8-A-3399		7-A-3669
0.005	0.020	8-A-3400		7-A-3670
0.010	STD	8-A-1954		7-A-3671
0.010	0.005	8-A-1991		7-A-3672
0.010	0.010	8-A-1992		7-A-3673
0.010	0.015	8-A-3401		7-A-3674
0.010	0.020	8-A-3402		7-A-3675
0.015	STD	8-A-1993		7-A-3676
0.015	0.005	8-A-3403		7-A-3677
0.015	0.010	8-A-3404		7-A-3678
0.015	0.015	8-A-3405		7-A-3679
0.015	0.020	8-A-3406		7-A-3680
0.020	STD	8-A-3407		7-A-3681
0.020	0.005	8-A-3408		7-A-3682
0.020	0.010	8-A-3409		7-A-3683
0.020	0.015	8-A-3410		7-A-3684

Bearing kits include 2 bearings and 2 wear washers

End bore - CB is counter bore, CS is countersunk

Standard dimensions are shown in inches & millimeters. "Over" & "under-sizes" are shown only in inches.

Non-standard sizes are shown by O/D ( outside diameter ) first, followed by I/D ( inside diameter ).



## JOURNAL BEARING - Garrett

GT60

Standard dimensions	O/D min	O/D max	I/D min	I/D max	Width	No. oil feed holes	CS or CB
Inches	1.1997	1.2002	0.8495	0.8500	0.6720	4	CB
Millimeters	30.47	30.49	21.58	21.59	17.07	4	CS

O/D	I/D	TI part no	OEM part no.
-----	-----	------------	--------------

STD	STD	8-A-3176	449897-0002
STD	0.005	8-A-3177	
STD	0.010	8-A-3178	
0.005	STD	8-A-3179	
0.005	0.005	8-A-3180	
0.005	0.010	8-A-3181	
0.010	STD	8-A-3182	
0.010	0.005	8-A-3183	
0.010	0.010	8-A-3184	
0.015	STD	8-A-3185	

End bore - CB is counter bore, CS is countersunk

Standard dimensions are shown in inches & millimeters. "Over" & "under-sizes" are shown only in inches.

Non-standard sizes are shown by O/D ( outside diameter ) first, followed by I/D ( inside diameter ).



## JOURNAL BEARING - Garrett

TL81	TL91	TL92	TV94	TV95
	TV91	TV92	TW94	
	TW91	TW92		

Standard dimensions	O/D min	O/D max	I/D min	I/D max	Width	No. oil feed holes	CS or CB
Inches	1.1992	1.1997	0.8498	0.8503	0.5460	6	CB
Millimeters	30.46	30.47	21.58	21.60	13.87		CS

O/D	I/D	TI part no.	OEM part no.	Bearing kit TI part no.
STD	STD	8-A-0712	410121-0007	7-A-3066
STD	0.005	8-A-1968		7-A-3057
STD	0.010	8-A-1969	410121-0008	7-A-3058
0.005	STD	8-A-1970		7-A-3059
0.005	0.005	8-A-1971		7-A-3060
0.005	0.010	8-A-1972		7-A-3061
0.010	STD	8-A-1973	410121-0010	7-A-3062
0.010	0.005	8-A-1974		7-A-3063
0.010	0.010	8-A-1975	410121-0009	7-A-3064
0.010	0.015	8-A-3040		
0.015	STD	8-A-1976		7-A-3065
0.015	0.005	8-A-3153		
0.015	0.010	8-A-3041		
0.020	STD	8-A-3210		
0.020	0.005	8-A-3211		
0.020	0.010	8-A-3212		
0.020	0.015	8-A-3213		
0.020	0.020	8-A-3042		

*Bearing kits include 2 bearings and 2 wear washers*

*End bore - CB is counter bore, CS is countersunk*

*Standard dimensions are shown in inches & millimeters. "Over" & "under-sizes" are shown only in inches.*

*Non-standard sizes are shown by O/D ( outside diameter ) first, followed by I/D ( inside diameter ).*



## JOURNAL BEARING - Garrett

ULT94

UTV94

Standard dimensions	O/D min	O/D max	I/D min	I/D max	Width	No. oil feed holes	CS or CB
Inches	1.1998	1.2003	0.8492	0.8497	0.5560	4	CB
Millimeters	30.47	30.49	21.57	21.58	14.12	4	CS

O/D	I/D	TI part no	OEM part no.	Bearing kit TI part no.
STD	STD	8-A-2501	449897-0003	7-A-3646
STD	0.005	8-A-2577		7-A-3647
STD	0.010	8-A-2578		7-A-3648
0.005	STD	8-A-2579		7-A-3649
0.005	0.005	8-A-2580		7-A-3650
0.005	0.010	8-A-2581		7-A-3651
0.010	STD	8-A-2582		7-A-3652
0.010	0.005	8-A-2583		7-A-3653
0.010	0.010	8-A-2584		7-A-3654
0.015	STD	8-A-2585		7-A-3655
0.015	0.005	8-A-3425		7-A-3656
0.015	0.010	8-A-3426		7-A-3657
0.020	STD	8-A-3427		7-A-3658
0.020	0.005	8-A-3428		7-A-3659
0.020	0.010	8-A-3429		7-A-3660

*Bearing kits include 2 bearings and 2 wear washers*

*End bore - CB is counter bore, CS is countersunk*

*Standard dimensions are shown in inches & millimeters. "Over" & "under-sizes" are shown only in inches.*

*Non-standard sizes are shown by O/D ( outside diameter ) first, followed by I/D ( inside diameter ).*



## JOURNAL BEARING - Holset

### H1A

Standard dimensions	O/D min	O/D max	I/D min	I/D max	Width	No. oil feed holes	CS or CB
Inches	0.6213	0.6218	0.3994	0.3999	0.3840	6	CB
Millimeters	15.78	15.79	10.14	10.16	9.75	6	CS

O/D	I/D	TI part no	OEM part no.
-----	-----	------------	--------------

STD	STD	8-B-0424	63096
-----	-----	----------	-------

STD	0.005	8-B-1920	
-----	-------	----------	--

STD	0.010	8-B-1921	
-----	-------	----------	--

0.005	STD	8-B-1922	
-------	-----	----------	--

0.005	0.005	8-B-1923	
-------	-------	----------	--

0.005	0.010	8-B-1924	
-------	-------	----------	--

0.010	STD	8-B-1925	
-------	-----	----------	--

0.010	0.005	8-B-1926	
-------	-------	----------	--

0.010	0.010	8-B-1927	
-------	-------	----------	--

End bore - CB is counter bore, CS is countersunk

Standard dimensions are shown in inches & millimeters. "Over" & "under-sizes" are shown only in inches.

Non-standard sizes are shown by O/D ( outside diameter ) first, followed by I/D ( inside diameter ).



## JOURNAL BEARING - Holset

H1B  
H1C  
H1D  
H1E

WH1C  
WH1E

H2A

HX30  
HX35W  
HX40  
HX40W

Standard dimensions	O/D min	O/D max	I/D min	I/D max	Width	No. oil feed holes	CS or CB
Inches	0.6221	0.6226	0.4331	0.4336	0.3850	6	CB
Millimeters	15.80	15.81	11.00	11.01	9.78	6	CS

O/D	I/D	TI part no.	OEM part no.	Rotomaster part no.
-----	-----	-------------	--------------	---------------------

STD	STD	8-B-0082	3503100	141026
STD	0.005	8-B-0891		
STD	0.010	8-B-0892	3545337	141301
STD	0.015	8-B-0893		

0.005	STD	8-B-0894		
0.005	0.005	8-B-0895		
0.005	0.010	8-B-0896		

0.010	STD	8-B-0897	3545339	140307
0.010	0.005	8-B-0898		
0.010	0.010	8-B-0899	3545338	141309

0.015	STD	8-B-0900		
-------	-----	----------	--	--

End bore - CB is counter bore, CS is countersunk

Standard dimensions are shown in inches & millimeters. "Over" & "under-sizes" are shown only in inches.

Non-standard sizes are shown by O/D ( outside diameter ) first, followed by I/D ( inside diameter ).



## JOURNAL BEARING - Holset

H1C

HX40

Standard dimensions	O/D min	O/D max	I/D min	I/D max	Width	No. oil feed holes	CS or CB
Inches	0.6221	0.6226	0.4331	0.4336	0.3850	6	CB
Millimeters	15.80	15.81	11.00	11.01	9.78	6	CS

O/D	I/D	TI part no	OEM part no.
STD	STD	8-B-2858	3530882

STD | STD 8-B-2858 3530882

*End bore - CB is counter bore, CS is countersunk*

*Standard dimensions are shown in inches & millimeters. "Over" & "under-sizes" are shown only in inches.*

*Non-standard sizes are shown by O/D ( outside diameter ) first, followed by I/D ( inside diameter ).*





## JOURNAL BEARING - Holset

H2B	H2E	HX50	HX82
H2C	H2S	HX50W	
H2D	WH2D		

Standard dimensions	O/D min	O/D max	I/D min	I/D max	Width	No. oil	CS or
Inches	0.7462	0.7467	0.4811	0.4816	0.4910	feed holes	CB
Millimeters	18.95	18.97	12.22	12.23	12.47	6	CS

O/D	I/D	TI part no	OEM part no.	Rotomaster part no.
-----	-----	------------	--------------	---------------------

STD	STD	8-B-0085	3504413	145026
STD	0.005	8-B-2401		
STD	0.010	8-B-1178	3525569	
0.005	STD	8-B-2402		
0.005	0.005	8-B-2403		
0.005	0.010	8-B-2404		
0.010	STD	8-B-1177	3525568	
0.010	0.005	8-B-2405		
0.010	0.010	8-B-1179	3525570	

End bore - CB is counter bore, CS is countersunk

Standard dimensions are shown in inches & millimeters. "Over" & "under-sizes" are shown only in inches.

Non-standard sizes are shown by O/D ( outside diameter ) first, followed by I/D ( inside diameter ).



## JOURNAL BEARING - Holset

H2C  
WH2D

HX50

Standard dimensions	O/D min	O/D max	I/D min	I/D max	Width	No. oil feed holes	CS or CB
Inches	0.7462	0.7467	0.4811	0.4816	0.4910	6	CB
Millimeters	18.95	18.97	12.22	12.23	12.47	6	CS

O/D	I/D	TI part no	OEM part no.
STD	STD	8-B-2860	3529913

STD | STD 8-B-2860 3529913

*End bore - CB is counter bore, CS is countersunk*

*Standard dimensions are shown in inches & millimeters. "Over" & "under-sizes" are shown only in inches.*

*Non-standard sizes are shown by O/D ( outside diameter ) first, followed by I/D ( inside diameter ).*



## JOURNAL BEARING - Holset

3LD

Standard dimensions	O/D min	O/D max	I/D min	I/D max	Width	No. oil feed holes	CS or CB
Inches	0.8715	0.8720	0.4814	0.4819	1.4830	6	CB
Millimeters	22.14	22.15	12.23	12.24	37.67	6	CS

O/D	I/D	TI part no	OEM part no.	Rotomaster part no.	Schwitzer part no.
STD	STD	8-B-1025	51140	143026	144080
STD	0.010	8-B-1398			
0.020	STD	8-B-2111	3525520		182254

End bore - CB is counter bore, CS is countersunk

Standard dimensions are shown in inches & millimeters. "Over" & "under-sizes" are shown only in inches.

Non-standard sizes are shown by O/D ( outside diameter ) first, followed by I/D ( inside diameter ).



## JOURNAL BEARING - Holset

HC3	4LE	HT60
HC3B	4LF	HX60
HT3B	4LG	HX60W
H3B		

Standard dimensions	O/D min	O/D max	I/D min	I/D max	Width	No. oil feed holes	CS or CB
Inches	0.8718	0.8723	0.5626	0.5631	0.5000	6	CB
Millimeters	22.14	22.16	14.29	14.30	12.70	6	CS

O/D	I/D	TI part no.	OEM part no.	Rotomaster part no.	Schwitzer part no.
STD	STD	8-B-0076	22366	144026	38363/182562
STD	0.005	8-B-0883		144300	
STD	0.010	8-B-0884	3527039	144301	185854
STD	0.015	8-B-2954			
STD	0.020	8-B-1099		144320	
0.005	STD	8-B-0885		144303	
0.005	0.005	8-B-0886		144304	
0.005	0.010	8-B-0887		144305	
0.010	STD	8-B-0888	3523163	144307	158147
0.010	0.005	8-B-0889		144308	
0.010	0.010	8-B-0890	3523164	144309	148225
0.010	0.020	8-B-1098			
0.015	STD	8-B-1200		144311	
0.015	0.010	8-B-1557		144302	
0.015	0.015	8-B-1268			
0.020	STD	8-B-1129		144310	182250
0.020	0.010	8-B-1188		144313	185855
0.020	0.020	8-B-1097			

End bore - CB is counter bore, CS is countersunk

Standard dimensions are shown in inches & millimeters. "Over" & "under-sizes" are shown only in inches.

Non-standard sizes are shown by O/D ( outside diameter ) first, followed by I/D ( inside diameter ).



## JOURNAL BEARING - Holset

HT4B  
HT4C

HC5  
HC5A

Standard dimensions	O/D min	O/D max	I/D min	I/D max	Width	No. oil feed holes	CS or CB
Inches	1.0973	1.0978	0.6298	0.6303	0.5820	6	CS
Millimeters	27.87	27.88	16.00	16.01	14.78	6	CS

O/D	I/D	TI part no	OEM part no.	Rotomaster part no.
-----	-----	------------	--------------	---------------------

STD	STD	8-B-0090	3519627	
STD	0.005	8-B-2510		
STD	0.010	8-B-1397	3531000	
STD	0.020	8-B-3043		

0.005	STD	8-B-2511		
0.005	0.005	8-B-2512		
0.005	0.010	8-B-2513		

0.010	STD	8-B-1017	3530999	
0.010	0.005	8-B-2514		
0.010	0.010	8-B-1016	3530998	
0.010	0.020	8-B-3044		

0.015	STD	8-B-2839		
0.015	0.005	8-B-2840		
0.015	0.010	8-B-2841		
0.015	0.015	8-B-2842		
0.015	0.020	8-B-2843		

0.020	STD	8-B-2844		
0.020	0.005	8-B-2845		
0.020	0.010	8-B-2846		
0.020	0.015	8-B-2847		
0.020	0.020	8-B-2848		

End bore - CB is counter bore, CS is countersunk

Standard dimensions are shown in inches & millimeters. "Over" & "under-sizes" are shown only in inches.

Non-standard sizes are shown by O/D ( outside diameter ) first, followed by I/D ( inside diameter ).



## JOURNAL BEARING - Holset

HX55

Standard dimensions	O/D min	O/D max	I/D min	I/D max	Width	No. oil feed holes	CS or CB
Inches	0.8715	0.8720	0.4814	0.4819	0.4731	6	CB
Millimeters	22.14	22.15	12.23	12.24	12.02	6	CS

O/D	I/D	TI part no	OEM part no.
-----	-----	------------	--------------

STD	STD	8-B-2885	3534833
-----	-----	----------	---------

STD	0.005	8-B-3186	
-----	-------	----------	--

STD	0.010	8-B-3187	
-----	-------	----------	--

0.005	STD	8-B-3188	
-------	-----	----------	--

0.005	0.005	8-B-3189	
-------	-------	----------	--

0.005	0.010	8-B-3190	
-------	-------	----------	--

0.010	STD	8-B-3191	
-------	-----	----------	--

0.010	0.005	8-B-3192	
-------	-------	----------	--

0.010	0.010	8-B-3193	
-------	-------	----------	--

End bore - CB is counter bore, CS is countersunk

Standard dimensions are shown in inches & millimeters. "Over" & "under-sizes" are shown only in inches.

Non-standard sizes are shown by O/D ( outside diameter ) first, followed by I/D ( inside diameter ).



## JOURNAL BEARING - Mitsubishi

TDO2

TDO25

Standard dimensions	O/D min	O/D max	I/D min	I/D max	Width	No. oil feed holes	CS or CB
Inches	0.4302	0.4306	0.2368	0.2373	0.2730	6	CB
Millimeters	10.93	10.94	6.01	6.03	6.93	6	CS

O/D	I/D	TI part no
-----	-----	------------

STD	STD	8-E-2772
STD	0.005	8-E-2773
STD	0.010	8-E-2774

0.005	STD	8-E-2775
0.005	0.005	8-E-2776
0.005	0.010	8-E-2777

0.010	STD	8-E-2778
0.010	0.005	8-E-2779
0.010	0.010	8-E-2780

End bore - CB is counter bore, CS is countersunk

Standard dimensions are shown in inches & millimeters. "Over" & "under-sizes" are shown only in inches.

Non-standard sizes are shown by O/D ( outside diameter ) first, followed by I/D ( inside diameter ).



## JOURNAL BEARING - Mitsubishi

TCO3

TCO4

Standard dimensions	O/D min	O/D max	I/D min	I/D max	Width	No. oil feed holes	CS or CB
Inches	0.5088	0.5093	0.2960	0.2965	1.3190	16	CB
Millimeters	12.92	12.94	7.52	7.53	33.50	16	CS

O/D	I/D	TI part no	OEM part no.	Holset part no.	Schwitzer part no.
-----	-----	------------	--------------	-----------------	--------------------

STD	STD	8-E-0363	49170-21100	3545556	310645
-----	-----	----------	-------------	---------	--------

STD	0.005	8-E-0863			
-----	-------	----------	--	--	--

STD	0.010	8-E-0864			
-----	-------	----------	--	--	--

0.005	STD	8-E-0865			
-------	-----	----------	--	--	--

0.005	0.005	8-E-0866			
-------	-------	----------	--	--	--

0.005	0.010	8-E-1411			
-------	-------	----------	--	--	--

0.010	STD	8-E-0867			
-------	-----	----------	--	--	--

0.010	0.005	8-E-0868			
-------	-------	----------	--	--	--

0.010	0.010	8-E-0869			
-------	-------	----------	--	--	--

STD	0.015	8-E-2081			
-----	-------	----------	--	--	--

End bore - CB is counter bore, CS is countersunk

Standard dimensions are shown in inches & millimeters. "Over" & "under-sizes" are shown only in inches.

Non-standard sizes are shown by O/D ( outside diameter ) first, followed by I/D ( inside diameter ).





## JOURNAL BEARING - Mitsubishi

TFO35

Standard dimensions	O/D min	O/D max	I/D min	I/D max	Width	No. oil feed holes	CS or CB
Inches	0.5088	0.5093	0.2760	0.2765	0.3150	6	CB
Millimeters	12.92	12.94	7.01	7.02	8.00	6	CS

O/D	I/D	TI part no
-----	-----	------------

STD | STD 8-E-2412

*End bore - CB is counter bore, CS is countersunk*

*Standard dimensions are shown in inches & millimeters. "Over" & "under-sizes" are shown only in inches.*

*Non-standard sizes are shown by O/D ( outside diameter ) first, followed by I/D ( inside diameter ).*



## JOURNAL BEARING - Mitsubishi

TDO4  
TEO4H

Standard dimensions	O/D min	O/D max	I/D min	I/D max	Width	No. oil feed holes	CS or CB
Inches	0.5088	0.5093	0.2960	0.2965	0.3150	6	CB
Millimeters	12.92	12.94	7.52	7.53	8.00	6	CS

O/D	I/D	TI part no	OEM part no.	Garrett part no.
-----	-----	------------	--------------	------------------

STD	STD	8-E-0371	49177-21100	125026-0001
-----	-----	----------	-------------	-------------

STD	0.005	8-E-0592		
-----	-------	----------	--	--

STD	0.010	8-E-0595		
-----	-------	----------	--	--

STD	0.015	8-E-2616		
-----	-------	----------	--	--

0.005	STD	8-E-0591		
-------	-----	----------	--	--

0.005	0.005	8-E-0593		
-------	-------	----------	--	--

0.005	0.010	8-E-1190		
-------	-------	----------	--	--

0.010	STD	8-E-0594		
-------	-----	----------	--	--

0.010	0.005	8-E-0870		
-------	-------	----------	--	--

0.010	0.010	8-E-0596		
-------	-------	----------	--	--

End bore - CB is counter bore, CS is countersunk

Standard dimensions are shown in inches & millimeters. "Over" & "under-sizes" are shown only in inches.

Non-standard sizes are shown by O/D ( outside diameter ) first, followed by I/D ( inside diameter ).



## JOURNAL BEARING - Mitsubishi

TC05

TC06

Standard dimensions	O/D min	O/D max	I/D min	I/D max	Width	No. oil feed holes	CS or CB
Inches	0.6131	0.6136	0.3554	0.3559	1.4840	16	CB
Millimeters	15.57	15.59	9.03	9.04	37.69	16	CS

O/D	I/D	TI part no	OEM part no.	Holset part no.	Schwitzer part no.
-----	-----	------------	--------------	-----------------	--------------------

STD	STD	8-E-0357	49168-2110	3545543	310662
-----	-----	----------	------------	---------	--------

STD	0.005	8-E-0871			
-----	-------	----------	--	--	--

STD	0.010	8-E-0872			
-----	-------	----------	--	--	--

0.005	STD	8-E-0873			
-------	-----	----------	--	--	--

0.005	0.005	8-E-0874			
-------	-------	----------	--	--	--

0.005	0.010	8-E-1412			
-------	-------	----------	--	--	--

0.010	STD	8-E-0875			
-------	-----	----------	--	--	--

0.010	0.005	8-E-0876			
-------	-------	----------	--	--	--

0.010	0.010	8-E-0877			
-------	-------	----------	--	--	--

End bore - CB is counter bore, CS is countersunk

Standard dimensions are shown in inches & millimeters. "Over" & "under-sizes" are shown only in inches.

Non-standard sizes are shown by O/D ( outside diameter ) first, followed by I/D ( inside diameter ).



## JOURNAL BEARING - Mitsubishi

TDO5

TDO6

Standard dimensions	O/D min	O/D max	I/D min	I/D max	Width	No. oil feed holes	CS or CB
Inches	0.6139	0.6144	0.3551	0.3556	0.3700	6	CB
Millimeters	15.59	15.61	9.02	9.03	9.40	6	CS

O/D	I/D	TI part no.	OEM part no.	Holset part no.
-----	-----	-------------	--------------	-----------------

STD	STD	8-E-0376	49178-21400	3545393
-----	-----	----------	-------------	---------

STD	0.005	8-E-0878		
-----	-------	----------	--	--

STD	0.010	8-E-0816		
-----	-------	----------	--	--

0.005	STD	8-E-0813		
-------	-----	----------	--	--

0.005	0.005	8-E-0800		
-------	-------	----------	--	--

0.005	0.010	8-E-1382		
-------	-------	----------	--	--

0.010	STD	8-E-0814		
-------	-----	----------	--	--

0.010	0.005	8-E-0879		
-------	-------	----------	--	--

0.010	0.010	8-E-0817		
-------	-------	----------	--	--

End bore - CB is counter bore, CS is countersunk

Standard dimensions are shown in inches & millimeters. "Over" & "under-sizes" are shown only in inches.

Non-standard sizes are shown by O/D ( outside diameter ) first, followed by I/D ( inside diameter ).



## JOURNAL BEARING - Mitsubishi

### TEO6H

Standard dimensions	O/D min	O/D max	I/D min	I/D max	Width	No. oil feed holes	CS or CB
Inches	0.6658	0.6662	0.3946	0.3950	0.4290	6	CB
Millimeters	16.91	16.92	10.02	10.03	10.90	6	CS

O/D	I/D	TI part no
-----	-----	------------

STD | STD 8-E-2932

*End bore - CB is counter bore, CS is countersunk*

*Standard dimensions are shown in inches & millimeters. "Over" & "under-sizes" are shown only in inches.*

*Non-standard sizes are shown by O/D ( outside diameter ) first, followed by I/D ( inside diameter ).*



## JOURNAL BEARING - Mitsubishi

### TDO7S

Standard dimensions	O/D min	O/D max	I/D min	I/D max	Width	No. oil feed holes	CS or CB
Inches	0.6648	0.6652	0.3951	0.3955	0.4290	6	CB
Millimeters	16.89	16.90	10.04	10.05	10.90	6	CS

O/D	I/D	TI part no	OEM part no.
-----	-----	------------	--------------

STD	STD	8-E-2813	49187-21100
-----	-----	----------	-------------

STD	0.005	8-E-2814	
-----	-------	----------	--

STD	0.010	8-E-2815	
-----	-------	----------	--

0.005	STD	8-E-2816	
-------	-----	----------	--

0.005	0.005	8-E-2817	
-------	-------	----------	--

0.005	0.010	8-E-2818	
-------	-------	----------	--

0.010	STD	8-E-2819	
-------	-----	----------	--

0.010	0.005	8-E-2820	
-------	-------	----------	--

0.010	0.010	8-E-2821	
-------	-------	----------	--

End bore - CB is counter bore, CS is countersunk

Standard dimensions are shown in inches & millimeters. "Over" & "under-sizes" are shown only in inches.

Non-standard sizes are shown by O/D ( outside diameter ) first, followed by I/D ( inside diameter ).



## JOURNAL BEARING - Mitsubishi

TDO7

TDO8  
TDO8H

Standard dimensions	O/D min	O/D max	I/D min	I/D max	Width	No. oil feed holes	CS or CB
Inches	0.8025	0.8029	0.4737	0.4742	0.4738	6	CB
Millimeters	20.38	20.39	12.03	12.04	12.03	6	CS

O/D	I/D	TI part no	OEM part no.
-----	-----	------------	--------------

STD	STD	8-E-2894	49174-21100
STD	0.005	8-E-2910	
STD	0.010	8-E-2911	

0.005	STD	8-E-2912	
0.005	0.005	8-E-2913	
0.005	0.010	8-E-2914	

0.010	STD	8-E-2915	
0.010	0.005	8-E-2916	
0.010	0.010	8-E-2917	

End bore - CB is counter bore, CS is countersunk

Standard dimensions are shown in inches & millimeters. "Over" & "under-sizes" are shown only in inches.

Non-standard sizes are shown by O/D ( outside diameter ) first, followed by I/D ( inside diameter ).



# JOURNAL BEARING - I H I

## RHB3

### Narrow

Standard dimensions	O/D min	O/D max	I/D min	I/D max	Width	No. oil feed holes	CS or CB
Inches	0.3913	0.3918	0.2470	0.2475	0.1880	6	CB
Millimeters	9.94	9.95	6.27	6.29	4.78	6	CS

O/D	I/D	TI part no	OEM part no. (North American)	OEM part no. (Europe)
-----	-----	------------	----------------------------------	--------------------------

STD | STD 8-F-0434 41T-013 | NB133521

### Wide

Standard dimensions	O/D min	O/D max	I/D min	I/D max	Width	No. oil feed holes	CS or CB
Inches	0.3913	0.3918	0.2470	0.2475	0.2270	6	CB
Millimeters	9.94	9.95	6.27	6.29	5.77	6	CS

O/D	I/D	TI part no	OEM part no. (North American)	OEM part no. (Europe)
-----	-----	------------	----------------------------------	--------------------------

STD | STD 8-F-0427 41T-014 | NB133523

*End bore - CB is counter bore, CS is countersunk*

*Standard dimensions are shown in inches & millimeters. "Over" & "under-sizes" are shown only in inches.*

*Non-standard sizes are shown by O/D ( outside diameter ) first, followed by I/D ( inside diameter ).*





# JOURNAL BEARING - I H I

## RHF4H

Standard dimensions	O/D min	O/D max	I/D min	I/D max	Width	No. oil feed holes	CS or CB
Inches	0.4539	0.4544	0.2917	0.2922	0.2600	6	CB
Millimeters	11.53	11.54	7.41	7.42	6.60	6	CS

O/D	I/D	TI part no	OEM part no. (North American)	OEM part no. (Europe)
-----	-----	------------	----------------------------------	--------------------------

STD	STD	8-F-2441		
STD	0.005	8-F-2442		
STD	0.010	8-F-2443		

0.005	STD	8-F-2444		
0.005	0.005	8-F-2445		
0.005	0.010	8-F-2446		

0.010	STD	8-F-2447		
0.010	0.005	8-F-2448		
0.010	0.010	8-F-2449		

End bore - CB is counter bore, CS is countersunk

Standard dimensions are shown in inches & millimeters. "Over" & "under-sizes" are shown only in inches.

Non-standard sizes are shown by O/D ( outside diameter ) first, followed by I/D ( inside diameter ).



# JOURNAL BEARING - I H I

## RHB5

### Narrow

Standard dimensions	O/D min	O/D max	I/D min	I/D max	Width	No. oil feed holes	CS or CB
Inches	0.4851	0.4856	0.3158	0.3163	0.2340	6	CB
Millimeters	12.32	12.33	8.02	8.03	5.94	6	CS

O/D	I/D	TI part no	OEM part no. (North American)	OEM part no. (Europe)
STD	STD	8-F-0439	041T-008	NN133504
STD	0.005	8-F-0880		
STD	0.010	8-F-0881		
0.005	STD	8-F-0882		
0.005	0.005	8-F-1902		
0.005	0.010	8-F-1903		
0.010	STD	8-F-1416		
0.010	0.005	8-F-1904		
0.010	0.010	8-F-1415		

## RHB5

## RHF5

### Wide

Standard dimensions	O/D min	O/D max	I/D min	I/D max	Width	No. oil feed holes	CS or CB
Inches	0.4851	0.4856	0.3158	0.3163	0.2740	6	CB
Millimeters	12.32	12.33	8.02	8.03	6.96	6	CS

O/D	I/D	TI part no	OEM part no. (North American)	OEM part no. (Europe)
STD	STD	8-F-0699	41T-010	NN133506
STD	0.005	8-F-1905		
STD	0.010	8-F-1570		
0.005	STD	8-F-1906		
0.005	0.005	8-F-1907		
0.005	0.010	8-F-1908		
0.010	STD	8-F-1909		
0.010	0.005	8-F-1910		
0.010	0.010	8-F-1911		

End bore - CB is counter bore, CS is countersunk

Standard dimensions are shown in inches & millimeters. "Over" & "under-sizes" are shown only in inches.

Non-standard sizes are shown by O/D ( outside diameter ) first, followed by I/D ( inside diameter ).



# JOURNAL BEARING - I H I

RHB6  
RHC6

## Narrow

Standard dimensions			O/D min	O/D max	I/D min	I/D max	Width	No. oil feed holes	CS or CB
Inches			0.5907	0.5912	0.4104	0.4109	0.2950		6
Millimeters			15.00	15.02	10.42	10.44	7.49	CS	

O/D	I/D	TI part no	OEM part no. (North American)	OEM part no. (Europe)
STD	STD	8-F-0471	041T-009	NN193513
STD	0.005	8-F-1491		
STD	0.010	8-F-1413		
0.005	STD	8-F-1198		
0.005	0.005	8-F-2850		
0.005	0.010	8-F-2851		
0.010	STD	8-F-1199		
0.010	0.010	8-F-1414		

## Wide

Standard dimensions			O/D min	O/D max	I/D min	I/D max	Width	No. oil feed holes	CS or CB
Inches			0.5907	0.5912	0.4102	0.4107	0.3340		6
Millimeters			15.00	15.02	10.42	10.43	8.48	CS	

O/D	I/D	TI part no	OEM part no. (North American)	OEM part no. (Europe)
STD	STD	8-F-0995	41T-012	NN197503
STD	0.005	8-F-2071		
STD	0.010	8-F-1420		
0.005	STD	8-F-2072		
0.005	0.005	8-F-2073		
0.005	0.010	8-F-2074		
0.010	STD	8-F-0041		
0.010	0.005	8-F-2075		
0.010	0.010	8-F-1421		
0.020	STD	8-F-3149		

End bore - CB is counter bore, CS is countersunk

Standard dimensions are shown in inches & millimeters. "Over" & "under-sizes" are shown only in inches.

Non-standard sizes are shown by O/D ( outside diameter ) first, followed by I/D ( inside diameter ).



# JOURNAL BEARING - I H I

RHE6

RHB7  
RHC7

Standard dimensions	O/D min	O/D max	I/D min	I/D max	Width	No. oil feed holes	CS or CB
Inches	0.6691	0.6696	0.4850	0.4855	0.3450	6	CB
Millimeters	17.00	17.01	12.32	12.33	8.76	6	CS

O/D	I/D	TI part no	OEM part no. (North American)	OEM part no. (Europe)
-----	-----	------------	----------------------------------	--------------------------

STD	STD	8-F-0036	041T-004	NN173504
-----	-----	----------	----------	----------

STD	0.005	8-F-2076		
-----	-------	----------	--	--

STD	0.010	8-F-1417		
-----	-------	----------	--	--

0.005	STD	8-F-2077		
-------	-----	----------	--	--

0.005	0.005	8-F-2078		
-------	-------	----------	--	--

0.005	0.010	8-F-2079		
-------	-------	----------	--	--

0.010	STD	8-F-1419		
-------	-----	----------	--	--

0.010	0.005	8-F-2080		
-------	-------	----------	--	--

0.010	0.010	8-F-1418		
-------	-------	----------	--	--

End bore - CB is counter bore, CS is countersunk

Standard dimensions are shown in inches & millimeters. "Over" & "under-sizes" are shown only in inches.

Non-standard sizes are shown by O/D ( outside diameter ) first, followed by I/D ( inside diameter ).



## JOURNAL BEARING - Toyota

### CT9

Standard dimensions	O/D min	O/D max	I/D min	I/D max	Width	No. oil feed holes	CS or CB
Inches	0.5320	0.5325	0.2955	0.2960	0.3530	6	CB
Millimeters	13.51	13.53	7.51	7.52	8.97	6	CS

O/D	I/D	TI part no
-----	-----	------------

STD	STD	8-G-2149
-----	-----	----------

STD	0.005	8-G-2216
-----	-------	----------

STD	0.010	8-G-2218
-----	-------	----------

0.005	STD	8-G-2214
-------	-----	----------

0.005	0.005	8-G-2215
-------	-------	----------

0.010	STD	8-G-2217
-------	-----	----------

End bore - CB is counter bore, CS is countersunk

Standard dimensions are shown in inches & millimeters. "Over" & "under-sizes" are shown only in inches.

Non-standard sizes are shown by O/D ( outside diameter ) first, followed by I/D ( inside diameter ).



# JOURNAL BEARING - Toyota

## CT12B

Narrow

Standard dimensions	O/D min	O/D max	I/D min	I/D max	Width	No. oil feed holes	CS or CB
Inches	0.4692	0.4697	0.2956	0.2961	0.3130	6	CB
Millimeters	11.92	11.93	7.51	7.52	7.95	6	CS

O/D	I/D	TI part no
-----	-----	------------

STD	STD	8-G-2151
STD	0.005	8-G-2227

0.005	STD	8-G-2225
0.005	0.005	8-G-2226

0.010	STD	8-G-2228
0.010	0.005	8-G-2229

End bore - CB is counter bore, CS is countersunk

Standard dimensions are shown in inches & millimeters. "Over" & "under-sizes" are shown only in inches.

Non-standard sizes are shown by O/D ( outside diameter ) first, followed by I/D ( inside diameter ).



## JOURNAL BEARING - Toyota

### CT12

Wide

Standard dimensions	O/D min	O/D max	I/D min	I/D max	Width	No. oil feed holes	CS or CB
Inches	0.5322	0.5327	0.3356	0.3361	0.3530	6	CB
Millimeters	13.52	13.53	8.52	8.54	8.97	6	CS

O/D	I/D	TI part no
-----	-----	------------

STD	STD	8-G-0736
-----	-----	----------

STD	0.005	8-G-1759
-----	-------	----------

STD	0.010	8-G-1760
-----	-------	----------

0.005	STD	8-G-1761
-------	-----	----------

0.005	0.005	8-G-1762
-------	-------	----------

0.005	0.010	8-G-1763
-------	-------	----------

0.010	STD	8-G-1764
-------	-----	----------

0.010	0.005	8-G-1765
-------	-------	----------

0.010	0.010	8-G-1766
-------	-------	----------

End bore - CB is counter bore, CS is countersunk

Standard dimensions are shown in inches & millimeters. "Over" & "under-sizes" are shown only in inches.

Non-standard sizes are shown by O/D ( outside diameter ) first, followed by I/D ( inside diameter ).



## JOURNAL BEARING - Toyota

CT20

CT26

Standard dimensions	O/D min	O/D max	I/D min	I/D max	Width	No. oil feed holes	CS or CB
Inches	0.6266	0.6271	0.3945	0.3950	0.3520	6	CB
Millimeters	15.92	15.93	10.02	10.03	8.94	6	CS

O/D	I/D	TI part no
-----	-----	------------

STD	STD	8-G-0516
STD	0.005	8-G-0601
STD	0.010	8-G-0600

0.005	STD	8-G-0599
0.005	0.005	8-G-0598
0.005	0.010	8-G-0604

0.010	STD	8-G-0602
0.010	0.005	8-G-0603
0.010	0.010	8-G-0597

0.015	STD	8-G-2849
0.015	0.005	8-G-2955

0.020	STD	8-G-2980
-------	-----	----------

End bore - CB is counter bore, CS is countersunk

Standard dimensions are shown in inches & millimeters. "Over" & "under-sizes" are shown only in inches.

Non-standard sizes are shown by O/D ( outside diameter ) first, followed by I/D ( inside diameter ).

## BEARING SPACER - Toyota

CT20

CT26

O/D	CT20	CT26
-----	------	------

STD	8-G-0992	-
0.005	8-G-1241	8-G-0948
0.010	8-G-0796	8-G-0797





## JOURNAL BEARING - Borg Warner ( K K K )

KO3

KO4

### Single oil feed

Standard dimensions	O/D min	O/D max	I/D min	I/D max	Width	No. oil feed holes	CS or CB
Inches	0.5115	0.5120	0.2761	0.2766	1.0950	0	CS
Millimeters	12.99	13.00	7.01	7.03	27.81	0	CS

O/D	I/D	TI part no	OEM part no.
-----	-----	------------	--------------

STD	STD	8-D-1816	5303-155-1007
STD	0.005	8-D-2022	
STD	0.010	8-D-2023	

### Dual oil feed

Standard dimensions	O/D min	O/D max	I/D min	I/D max	Width	No. oil feed holes	CS or CB
Inches	0.5110	0.5115	0.2761	0.2766	1.0950	8	CS
Millimeters	12.98	12.99	7.01	7.03	27.81	8	CS

O/D	I/D	TI part no	OEM part no.
-----	-----	------------	--------------

STD	STD	8-D-2498	5303-155-1010
STD	0.005	8-D-2499	
STD	0.010	8-D-2500	

End bore - CB is counter bore, CS is countersunk

Standard dimensions are shown in inches & millimeters. "Over" & "under-sizes" are shown only in inches.

Non-standard sizes are shown by O/D ( outside diameter ) first, followed by I/D ( inside diameter ).



## JOURNAL BEARING - Borg Warner ( K K K )

3LD  
3LDZ

Standard dimensions	O/D min	O/D max	I/D min	I/D max	Width	No. oil feed holes	CS or CB
Inches	0.8715	0.8720	0.4814	0.4819	1.4830	6	CB
Millimeters	22.14	22.15	12.23	12.24	37.67	6	CS

O/D	I/D	TI part no	OEM part no.	Rotomaster part no.	Schwitzer part no.	Holset part no.
-----	-----	------------	--------------	---------------------	--------------------	-----------------

STD	STD	8-B-1025	5222-155-1000	143026	144080	51140
-----	-----	----------	---------------	--------	--------	-------

STD	0.010	8-B-1398				
-----	-------	----------	--	--	--	--

0.020	STD	8-B-2111			182254	
-------	-----	----------	--	--	--------	--

End bore - CB is counter bore, CS is countersunk

Standard dimensions are shown in inches & millimeters. "Over" & "under-sizes" are shown only in inches.

Non-standard sizes are shown by O/D ( outside diameter ) first, followed by I/D ( inside diameter ).



# JOURNAL BEARING - Borg Warner ( K K K )

3LEP

K23

Standard dimensions	O/D min	O/D max	I/D min	I/D max	Width	No. oil feed holes	CS or CB
Inches	0.7460	0.7465	0.4414	0.4419	0.4560	6	CB
Millimeters	18.95	18.96	11.21	11.22	11.58	6	CS

O/D	I/D	TI part no	OEM part no.
-----	-----	------------	--------------

STD	STD	8-D-0818	5223-155-1001
-----	-----	----------	---------------

STD	0.005	8-D-3325	
-----	-------	----------	--

STD	0.010	8-D-3326	
-----	-------	----------	--

0.010	STD	8-D-1882	
-------	-----	----------	--

0.010	0.010	8-D-1883	
-------	-------	----------	--

End bore - CB is counter bore, CS is countersunk

Standard dimensions are shown in inches & millimeters. "Over" & "under-sizes" are shown only in inches.

Non-standard sizes are shown by O/D ( outside diameter ) first, followed by I/D ( inside diameter ).



## JOURNAL BEARING - Borg Warner ( K K K )

K14

K16

K24

Standard dimensions	O/D min	O/D max	I/D min	I/D max	Width	No. oil feed holes	CS or CB
Inches	0.5113	0.5118	0.3347	0.3352	0.3770	4	CB
Millimeters	12.99	13.00	8.50	8.51	9.58	4	CS

O/D	I/D	TI part no	OEM part no.
-----	-----	------------	--------------

STD	STD	8-D-0910	5314-155-1003
-----	-----	----------	---------------

STD	0.005	8-D-2036	
-----	-------	----------	--

STD	0.010	8-D-1405	
-----	-------	----------	--

STD	0.020	8-D-1410	
-----	-------	----------	--

0.005	STD	8-D-1596	
-------	-----	----------	--

0.005	0.005	8-D-1525	
-------	-------	----------	--

0.005	0.010	8-D-1594	
-------	-------	----------	--

0.010	STD	8-D-1409	
-------	-----	----------	--

0.010	0.005	8-D-1595	
-------	-------	----------	--

0.010	0.010	8-D-1406	
-------	-------	----------	--

0.020	STD	8-D-1407	
-------	-----	----------	--

0.020	0.010	8-D-1408	
-------	-------	----------	--

End bore - CB is counter bore, CS is countersunk

Standard dimensions are shown in inches & millimeters. "Over" & "under-sizes" are shown only in inches.

Non-standard sizes are shown by O/D ( outside diameter ) first, followed by I/D ( inside diameter ).



## JOURNAL BEARING - Borg Warner ( K K K )

K24

K26

K27

K28

Standard dimensions	O/D min	O/D max	I/D min	I/D max	Width	No. oil feed holes	CS or CB
Inches	0.6290	0.6295	0.3931	0.3936	0.4470	6	CB
Millimeters	15.98	15.99	9.98	10.00	11.35	6	CS

O/D	I/D	TI part no	OEM part no.
-----	-----	------------	--------------

Oil feed hole diameter .078"/1.98mm

Note: Oil feed hole diameter in OEM part is 0.082"/2.08mm

STD	STD	8-D-0392	5326-155-1007
STD	0.005	8-D-0859	
STD	0.010	8-D-0840	

0.005	STD	8-D-0836	
0.005	0.005	8-D-0837	
0.005	0.010	8-D-0860	

0.010	STD	8-D-0838	
0.010	0.005	8-D-0861	
0.010	0.010	8-D-0381	

0.015	STD	8-D-0862	
-------	-----	----------	--

O/D	I/D	TI part no	OEM part no.
-----	-----	------------	--------------

Oil feed hole diameter 0.052"/1.32mm

STD | STD | 8-D-0670 | 5326-155-1003

End bore - CB is counter bore, CS is countersunk

Standard dimensions are shown in inches & millimeters. "Over" & "under-sizes" are shown only in inches.

Non-standard sizes are shown by O/D ( outside diameter ) first, followed by I/D ( inside diameter ).



## JOURNAL BEARING - Borg Warner ( K K K )

KP31

KP35

BV39

KP39

Standard dimensions	O/D min	O/D max	I/D min	I/D max	Width	No. oil feed holes	CS or CB
Inches	0.3753	0.3758	0.2362	0.2367	0.2830	6	CB
Millimeters	9.53	9.55	6.00	6.01	7.19	6	CS

O/D	I/D	TI part no	OEM part no.
STD	STD	8-D-3546	5431-155-1002

STD | STD 8-D-3546 5431-155-1002

*End bore - CB is counter bore, CS is countersunk*

*Standard dimensions are shown in inches & millimeters. "Over" & "under-sizes" are shown only in inches.*

*Non-standard sizes are shown by O/D ( outside diameter ) first, followed by I/D ( inside diameter ).*



# JOURNAL BEARING - Borg Warner ( Schwitzer )

## S1B

Standard dimensions	O/D min	O/D max	I/D min	I/D max	Width	No. oil feed holes	CS or CB
Inches	0.5783	0.5788	0.3396	0.3401	0.3650	4	CB
Millimeters	14.69	14.70	8.63	8.64	9.27	4	CB

O/D	I/D	TI part no	OEM part no.
-----	-----	------------	--------------

STD	STD	8-C-2427	312758
STD	0.010	8-C-2414	

0.010	STD	8-C-2415	
0.010	0.010	8-C-2416	

End bore - CB is counter bore, CS is countersunk

Standard dimensions are shown in inches & millimeters. "Over" & "under-sizes" are shown only in inches.

Non-standard sizes are shown by O/D ( outside diameter ) first, followed by I/D ( inside diameter ).



## JOURNAL BEARING - Borg Warner ( Schwitzer )

S2A

Standard dimensions	O/D min	O/D max	I/D min	I/D max	Width	No. oil feed holes	CS or CB
Inches	0.6173	0.6178	0.3554	0.3559	0.3410	3	CB
Millimeters	15.68	15.69	9.03	9.04	8.66	3	CS

O/D	I/D	TI part no.	OEM part no.
-----	-----	-------------	--------------

STD	STD	8-C-1247	194914
STD	0.010	8-C-1402	

0.010	STD	8-C-1399	
0.010	0.010	8-C-1401	

0.020	STD	8-C-1400	
-------	-----	----------	--

*End bore - CB is counter bore, CS is countersunk*

*Standard dimensions are shown in inches & millimeters. "Over" & "under-sizes" are shown only in inches.*

*Non-standard sizes are shown by O/D ( outside diameter ) first, followed by I/D ( inside diameter ).*





# JOURNAL BEARING - Borg Warner ( Schwitzer )

## S2B

Narrow

Standard dimensions	O/D min	O/D max	I/D min	I/D max	Width	No. oil feed holes	CS or CB
Inches	0.7035	0.7040	0.4010	0.4015	0.3410	3	CB
Millimeters	17.87	17.88	10.19	10.20	8.66	3	CB

O/D	I/D	TI part no	OEM part no.
-----	-----	------------	--------------

STD	STD	8-C-1704	194931
-----	-----	----------	--------

STD	0.005	8-C-2024	
-----	-------	----------	--

STD	0.010	8-C-2025	
-----	-------	----------	--

0.005	STD	8-C-2026	
-------	-----	----------	--

0.005	0.005	8-C-2027	
-------	-------	----------	--

0.005	0.010	8-C-2028	
-------	-------	----------	--

0.010	STD	8-C-2029	
-------	-----	----------	--

0.010	0.005	8-C-2030	
-------	-------	----------	--

0.010	0.010	8-C-2031	
-------	-------	----------	--



## JOURNAL BEARING - Borg Warner ( Schwitzer )

S2B

S2E

Wide

Standard dimensions	O/D min	O/D max	I/D min	I/D max	Width min	No. oil feed holes	CS or CB
Inches	0.7035	0.7040	0.4010	0.4015	0.3850	3	CB
Millimeters	17.87	17.88	10.19	10.20	9.78	3	CS

O/D	I/D	TI part no	OEM part no.
-----	-----	------------	--------------

STD	STD	8-C-2391	312455
-----	-----	----------	--------

STD	0.005	8-C-2392	
-----	-------	----------	--

STD	0.010	8-C-2393	
-----	-------	----------	--

0.005	STD	8-C-2394	
-------	-----	----------	--

0.005	0.005	8-C-2395	
-------	-------	----------	--

0.005	0.010	8-C-2396	
-------	-------	----------	--

0.010	STD	8-C-2397	
-------	-----	----------	--

0.010	0.005	8-C-2398	
-------	-------	----------	--

0.010	0.010	8-C-2399	
-------	-------	----------	--

End bore - CB is counter bore, CS is countersunk

Standard dimensions are shown in inches & millimeters. "Over" & "under-sizes" are shown only in inches.

Non-standard sizes are shown by O/D ( outside diameter ) first, followed by I/D ( inside diameter ).



## JOURNAL BEARING - Borg Warner ( Schwitzer )

3LD

Standard dimensions	O/D min	O/D max	I/D min	I/D max	Width	No. oil feed holes	CS or CB
Inches	0.8715	0.8720	0.4814	0.4819	1.4830	6	CB
Millimeters	22.14	22.15	12.23	12.24	37.67	6	CS

O/D	I/D	TI part no	OEM part no.	Rotomaster part no.	Holset part no.
-----	-----	------------	--------------	---------------------	-----------------

STD	STD	8-B-1025	144080	143026	51140
-----	-----	----------	--------	--------	-------

STD	0.010	8-B-1398			
-----	-------	----------	--	--	--

0.020	STD	8-B-2111	182254		3525520
-------	-----	----------	--------	--	---------

*End bore - CB is counter bore, CS is countersunk*

*Standard dimensions are shown in inches & millimeters. "Over" & "under-sizes" are shown only in inches.*

*Non-standard sizes are shown by O/D ( outside diameter ) first, followed by I/D ( inside diameter ).*



## JOURNAL BEARING - Borg Warner ( Schwitzer )

### 3LDA

Standard dimensions	O/D min	O/D max	I/D min	I/D max	Width	No. oil feed holes	CS or CB
Inches	0.8714	0.8719	0.4814	0.4819	1.4890	18	CB
Millimeters	22.13	22.15	12.23	12.24	37.82	18	CS

O/D	I/D	TI part no	OEM part no.	Rotomaster part no.	Holset part no.
-----	-----	------------	--------------	---------------------	-----------------

STD | STD -

0.010 | STD 8-C-1272 159976

0.020 | STD 8-C-1273 182255

*End bore - CB is counter bore, CS is countersunk*

*Standard dimensions are shown in inches & millimeters. "Over" & "under-sizes" are shown only in inches.*

*Non-standard sizes are shown by O/D ( outside diameter ) first, followed by I/D ( inside diameter ).*



# JOURNAL BEARING - Borg Warner ( Schwitzer )

3LM

Standard dimensions	O/D min	O/D max	I/D min	I/D max	Width	No. oil feed holes	CS or CB
Inches	0.7460	0.7465	0.4414	0.4419	2.4240	18	CB
Millimeters	18.95	18.96	11.21	11.22	61.57	18	CB

O/D	I/D	TI part no	OEM part no.
-----	-----	------------	--------------

STD	STD	8-C-0068	181929	143426	3545365
STD	0.005	8-C-0901			
STD	0.010	8-C-0902		143401	
STD	0.020	8-C-3045			

0.005	STD	8-C-0903			
0.005	0.005	8-C-0904			
0.005	0.010	8-C-0905			

0.010	STD	8-C-0906	182252	143407	
0.010	0.005	8-C-0907			
0.010	0.010	8-C-0908		143409	

0.015	STD	8-C-0909			
0.015	0.005	8-C-3046			
0.015	0.015	8-C-3047			

0.020	STD	8-C-1270	182253		
0.020	0.005	8-C-1394			
0.020	0.010	8-C-1395			

End bore - CB is counter bore, CS is countersunk

Standard dimensions are shown in inches & millimeters. "Over" & "under-sizes" are shown only in inches.

Non-standard sizes are shown by O/D ( outside diameter ) first, followed by I/D ( inside diameter ).



# JOURNAL BEARING - Borg Warner ( Schwitzer )

## S3A

Standard dimensions	O/D min	O/D max	I/D min	I/D max	Width	No. oil feed holes	CS or CB
Inches	0.7453	0.7458	0.4572	0.4577	2.4250	24	CB
Millimeters	18.93	18.94	11.61	11.63	61.60	24	CB

O/D	I/D	TI part no	OEM part no.
-----	-----	------------	--------------

STD	STD	8-C-2094	189906
STD	0.010	8-C-2095	

0.010	STD	8-C-2096	
0.010	0.010	8-C-2097	

0.020	STD	8-C-2098	
0.020	0.010	8-C-2099	

End bore - CB is counter bore, CS is countersunk

Standard dimensions are shown in inches & millimeters. "Over" & "under-sizes" are shown only in inches.

Non-standard sizes are shown by O/D ( outside diameter ) first, followed by I/D ( inside diameter ).



## JOURNAL BEARING - Borg Warner ( Schwitzer )

### S3B

Standard dimensions	O/D min	O/D max	I/D min	I/D max	Width	No. oil feed holes	CS or CB
Inches	0.8120	0.8125	0.5008	0.5013	0.4840	4	CB
Millimeters	20.62	20.64	12.72	12.73	12.29	4	CS

O/D	I/D	TI part no	OEM part no.
-----	-----	------------	--------------

STD	STD	8-C-1216	199113
-----	-----	----------	--------

STD	0.010	8-C-1222	199976
-----	-------	----------	--------

0.005	STD	8-C-2787	
-------	-----	----------	--

0.010	STD	8-C-1220	199973
-------	-----	----------	--------

0.010	0.010	8-C-1219	199975
-------	-------	----------	--------

0.020	STD	8-C-1221	199974
-------	-----	----------	--------

0.020	0.010	8-C-1223	199977
-------	-------	----------	--------

*End bore - CB is counter bore, CS is countersunk*

*Standard dimensions are shown in inches & millimeters. "Over" & "under-sizes" are shown only in inches.*

*Non-standard sizes are shown by O/D ( outside diameter ) first, followed by I/D ( inside diameter ).*



## JOURNAL BEARING - Borg Warner ( Schwitzer )

4B            4HD            4MD            V4HD  
 4D            4HF                            V4MD

Standard dimensions	O/D min	O/D max	I/D min	I/D max	Width	No. oil feed holes	CS or CB
Inches	1.0583	1.0588	0.6877	0.6882	0.5035		
Millimeters	26.88	26.89	17.47	17.48	12.79	0	CS

O/D	I/D	TI part no	OEM part no.	Rotomaster part no.
-----	-----	------------	--------------	---------------------

*Radially drilled oil feed holes (6x) on o/d. No grooves*

STD	STD	8-B-0045	139055	144028
STD	0.005	8-C-3744		
STD	0.010	8-C-3745	198291	144301
0.005	STD	8-C-3746		
0.005	0.005	8-C-3748		
0.010	STD	8-C-3747	182258	144307
0.010	0.010	8-C-3749	157458	144309

*Grooved ends only*

STD	STD	8-C-1196	142869	144025
STD	0.010	8-C-1744	185856	
STD	0.020	8-C-3452		
0.010	STD	8-C-1741	158146	
0.010	0.010	8-C-1393	143551	
0.010	0.020	8-C-1746		
0.020	STD	8-C-1743	182260	
0.020	0.010	8-C-1745	185857	
0.020	0.020	8-C-3030		

*Grooved I/d & ends*

STD	STD	8-C-1197	192871	144027
STD	0.010	8-C-1497	185859	
STD	0.020	8-C-2267		
0.010	STD	8-C-1496	192880	
0.010	0.010	8-C-1626	192879	
0.010	0.020	8-C-1667		
0.020	STD	8-C-1658	192881	
0.020	0.010	8-C-1665	185860	
0.020	0.020	8-C-2292		

*Bearing combinations:*

Compressor end

- (1) Grooved I/d & ends
- (2) Grooved I/d & ends
- (3) Radially drilled oil feed holes on o/d. No grooves

Turbine end

- Grooved ends only  
 Grooved I/d & ends  
 Radially drilled oil feed holes on o/d. No grooves

*End bore - CB is counter bore, CS is countersunk*

*Standard dimensions are shown in inches & millimeters. "Over" & "under-sizes" are shown only in inches.*

*Non-standard sizes are shown by O/D ( outside diameter ) first, followed by I/D ( inside diameter ).*





# JOURNAL BEARING - Borg Warner ( Schwitzer )

4LE  
4LF  
4LG

4MF

Standard dimensions	O/D min	O/D max	I/D min	I/D max	Width	No. oil feed holes	CS or CB
Inches	0.8718	0.8723	0.5626	0.5631	0.5000	6	CS
Millimeters	22.14	22.16	14.29	14.30	12.70	6	CS

O/D	I/D	TI part no.	OEM part no.	Rotomaster part no.	Holset part no.
STD	STD	8-B-0076	138363/182562	144026	22366
STD	0.005	8-B-0883		144300	
STD	0.010	8-B-0884	185854	144301	3527039
STD	0.015	8-B-2954			
STD	0.020	8-B-1099		144320	
0.005	STD	8-B-0885		144303	
0.005	0.005	8-B-0886		144304	
0.005	0.010	8-B-0887		144305	
0.010	STD	8-B-0888	158147	144307	352163
0.010	0.005	8-B-0889		144308	
0.010	0.010	8-B-0890	148225	144309	3523164
0.010	0.020	8-B-1098			
0.015	STD	8-B-1200		144311	
0.015	0.010	8-B-1557		144302	
0.015	0.015	8-B-1268			
0.020	STD	8-B-1129	182250	144310	
0.020	0.010	8-B-1188	185855	144313	
0.020	0.020	8-B-1097			

End bore - CB is counter bore, CS is countersunk

Standard dimensions are shown in inches & millimeters. "Over" & "under-sizes" are shown only in inches.

Non-standard sizes are shown by O/D ( outside diameter ) first, followed by I/D ( inside diameter ).



## JOURNAL BEARING - Borg Warner ( Schwitzer )

S4  
S4D

Standard dimensions	O/D min	O/D max	I/D min	I/D max	Width	No. oil	CS or
Inches	0.9796	0.9801	0.6312	0.6317	0.5000	feed holes	CB
Millimeters	24.88	24.89	16.03	16.05	12.70	6	CS

O/D	I/D	TI part no	OEM part no.
-----	-----	------------	--------------

STD	STD	8-C-1217	199910
STD	0.010	8-C-1228	166121
0.010	STD	8-C-1226	166118
0.010	0.010	8-C-1225	166120
0.020	STD	8-C-1227	166119
0.020	0.010	8-C-1229	166122

S4  
S4D

Standard dimensions	O/D min	O/D max	I/D min	I/D max	Width	No. oil	CS or
Inches	0.9796	0.9801	0.6312	0.6317	0.5050	feed holes	CB
Millimeters	24.88	24.89	16.03	16.05	12.83	6	CS

O/D	I/D	TI part no	OEM part no.
-----	-----	------------	--------------

STD	STD	8-C-2573	188985
-----	-----	----------	--------

*End bore - CB is counter bore, CS is countersunk*

*Standard dimensions are shown in inches & millimeters. "Over" & "under-sizes" are shown only in inches.*

*Non-standard sizes are shown by O/D ( outside diameter ) first, followed by I/D ( inside diameter ).*



## JOURNAL BEARING - Borg Warner ( Schwitzer )

S200

Standard dimensions	O/D min	O/D max	I/D min	I/D max	Width	No. oil feed holes	CS or CB
Inches	0.7114	0.7119	0.4171	0.4176	0.4310	6	CB
Millimeters	18.07	18.08	10.59	10.61	10.95	6	CS

O/D	I/D	TI part no	OEM part no.
-----	-----	------------	--------------

STD	STD	8-C-3479	167657
-----	-----	----------	--------

STD	0.005	8-C-3700	
-----	-------	----------	--

STD	0.010	8-C-3701	
-----	-------	----------	--

0.005	STD	8-C-3623	
-------	-----	----------	--

0.005	0.005	8-C-3626	
-------	-------	----------	--

0.010	STD	8-C-3624	
-------	-----	----------	--

0.010	0.010	8-C-3627	
-------	-------	----------	--

0.020	STD	8-C-3625	
-------	-----	----------	--

End bore - CB is counter bore, CS is countersunk

Standard dimensions are shown in inches & millimeters. "Over" & "under-sizes" are shown only in inches.

Non-standard sizes are shown by O/D ( outside diameter ) first, followed by I/D ( inside diameter ).



# JOURNAL BEARING - Borg Warner ( Schwitzer )

S300

Standard dimensions	O/D min	O/D max	I/D min	I/D max	Width	No. oil feed holes	CS or CB
Inches	0.7510	0.7515	0.4569	0.4574	0.4525	6	CB
Millimeters	19.08	19.09	11.61	11.62	11.49	6	CB

O/D	I/D	TI part no	OEM part no.
-----	-----	------------	--------------

STD	STD	8-C-3385	167416
STD	0.005	8-C-3386	
STD	0.010	8-C-3387	

0.005	STD	8-C-3388	
0.005	0.005	8-C-3389	
0.005	0.010	8-C-3390	

0.010	STD	8-C-3391	
0.010	0.005	8-C-3392	
0.010	0.010	8-C-3393	

End bore - CB is counter bore, CS is countersunk

Standard dimensions are shown in inches & millimeters. "Over" & "under-sizes" are shown only in inches.

Non-standard sizes are shown by O/D ( outside diameter ) first, followed by I/D ( inside diameter ).



## JOURNAL BEARING - Borg Warner ( Schwitzer )

S400

Standard dimensions	O/D min	O/D max	I/D min	I/D max	Width	No. oil feed holes	CS or CB
Inches	0.8711	0.8716	0.5714	0.5719	0.4930	6	CB
Millimeters	22.13	22.14	14.51	14.53	12.52	6	CS

O/D	I/D	TI part no	OEM part no.
-----	-----	------------	--------------

STD	STD	8-C-3496	167787
0.010	STD	8-C-3775	

*End bore - CB is counter bore, CS is countersunk*

*Standard dimensions are shown in inches & millimeters. "Over" & "under-sizes" are shown only in inches.*

*Non-standard sizes are shown by O/D ( outside diameter ) first, followed by I/D ( inside diameter ).*



# JOURNAL BEARING - Cummins/Rotomaster

T46

ST50

VT50

Standard dimensions	O/D min	O/D max	I/D min	I/D max	Width min
Inches	1.2715	1.2720	0.7520	0.7525	3.0770
Millimeters	32.30	32.31	19.10	19.11	78.16

O/D	I/D	TI part no	OEM part no.	Rotomaster part no.	Schwitzer part no.
-----	-----	------------	--------------	---------------------	--------------------

STD	STD	8-H-1232	156420	150027	188203
STD	0.050	8-H-1267		150037	
STD	0.010	8-H-1503		150127	

0.010	STD	8-H-1504			
0.010	0.010	8-H-1502			

Standard dimensions are shown in inches & millimeters. "Over" & "under-sizes" are shown only in inches. Non-standard sizes are shown by O/D ( outside diameter ) first, followed by I/D ( inside diameter ).



# JOURNAL BEARING - Hitachi

## HT10

Standard dimensions	O/D min	O/D max	I/D min	I/D max	Width	No. oil feed holes	CS or CB
Inches	0.5869	0.5874	0.3555	0.3560	0.2780	6	CB
Millimeters	14.91	14.92	9.03	9.04	7.06	6	CS

O/D	I/D	TI part no	OEM part no.
-----	-----	------------	--------------

STD	STD	8-K-1234	Not known
-----	-----	----------	-----------

STD	0.005	8-K-1734	
-----	-------	----------	--

STD	0.010	8-K-1735	
-----	-------	----------	--

0.005	STD	8-K-1736	
-------	-----	----------	--

0.005	0.005	8-K-1737	
-------	-------	----------	--

0.005	0.010	8-K-1738	
-------	-------	----------	--

0.010	STD	8-K-1739	
-------	-----	----------	--

0.010	0.005	8-K-1740	
-------	-------	----------	--

0.010	0.010	8-K-1750	
-------	-------	----------	--

End bore - CB is counter bore, CS is countersunk

Standard dimensions are shown in inches & millimeters. "Over" & "under-sizes" are shown only in inches.

Non-standard sizes are shown by O/D ( outside diameter ) first, followed by I/D ( inside diameter ).



# JOURNAL BEARING - Hitachi

## HT12

Standard dimensions	O/D min	O/D max	I/D min	I/D max	Width min	No. oil feed holes	CS or CB
Inches	0.4695	0.4699	0.3076	0.3080	0.2740	6	CB
Millimeters	11.93	11.94	7.81	7.82	6.96	6	CS

O/D	I/D	TI part no	OEM part no.
-----	-----	------------	--------------

STD	STD	8-K-1001	Not known
-----	-----	----------	-----------

STD	0.005	8-K-1751
-----	-------	----------

STD	0.010	8-K-1752
-----	-------	----------

0.005	STD	8-K-1753
-------	-----	----------

0.005	0.005	8-K-1754
-------	-------	----------

0.005	0.010	8-K-1755
-------	-------	----------

0.010	STD	8-K-1756
-------	-----	----------

0.010	0.005	8-K-1757
-------	-------	----------

0.010	0.010	8-K-1758
-------	-------	----------

End bore - CB is counter bore, CS is countersunk

Standard dimensions are shown in inches & millimeters. "Over" & "under-sizes" are shown only in inches.

Non-standard sizes are shown by O/D ( outside diameter ) first, followed by I/D ( inside diameter ).





## JOURNAL BEARING - Hitachi

### HT18-2S

Standard dimensions	O/D min	O/D max	I/D min	I/D max	Width	No. oil feed holes	CS or CB
Inches	0.6183	0.6188	0.4009	0.4014	0.4060	6	CB
Millimeters	15.70	15.72	10.18	10.20	10.31	6	CS

O/D	I/D	TI part no
-----	-----	------------

STD	STD	8-K-2959
-----	-----	----------

STD	0.005	8-K-2967
-----	-------	----------

STD	0.010	8-K-2968
-----	-------	----------

0.005	STD	8-K-2969
-------	-----	----------

0.005	0.005	8-K-2970
-------	-------	----------

0.005	0.010	8-K-2971
-------	-------	----------

0.010	STD	8-K-2972
-------	-----	----------

0.010	0.005	8-K-2973
-------	-------	----------

0.010	0.010	8-K-2974
-------	-------	----------

End bore - CB is counter bore, CS is countersunk

Standard dimensions are shown in inches & millimeters. "Over" & "under-sizes" are shown only in inches.

Non-standard sizes are shown by O/D ( outside diameter ) first, followed by I/D ( inside diameter ).



## JOURNAL BEARING - Komatsu

### KTR110A

Standard dimensions	O/D min	O/D max	I/D min	I/D max	Width
Inches	0.9036	0.9040	0.5907	0.5911	2.7150
Millimeters	22.95	22.96	15.00	15.01	68.96

O/D	I/D	TI part no.	OEM part no.
STD	STD	8-L-2243	6505-11-0112
STD	0.010	8-L-2246	
0.010	STD	8-L-2245	
0.010	0.010	8-L-2244	

### KTR110G

Standard dimensions	O/D min	O/D max	I/D min	I/D max	Width
Inches	0.9819	0.9823	0.6701	0.6705	2.9870
Millimeters	24.94	24.95	17.02	17.03	75.87

O/D	I/D	TI part no.	OEM part no.
STD	STD	8-L-2260	
STD	0.010	8-L-2263	
0.010	STD	8-L-2262	
0.010	0.010	8-L-2261	

### KTR130

Standard dimensions	O/D min	O/D max	I/D min	I/D max	Width
Inches	1.1781	1.1785	0.7876	0.7880	3.1314
Millimeters	29.92	29.93	20.01	20.02	79.54

O/D	I/D	TI part no.	OEM part no.	Rotomaster Part no.
STD	STD	8-L-2251	6502-14-1620	105026
STD	0.010	8-L-2254		105101
0.010	STD	8-L-2253		105107
0.010	0.010	8-L-2252		105109

Standard dimensions are shown in inches & millimeters. "Over" & "under-sizes" are shown only in inches. Non-standard sizes are shown by O/D ( outside diameter ) first, followed by I/D ( inside diameter ).



## Piston Ring Index

Garrett	
Turbo Model	Page no.
TBO2	5
TAO3	7
TBO3	7
TCO3	7
TDO3	7
TBP4	7
TO4	7
TO4B	7
TO4E	7
TW4B	7
TW4C	7
TW4E	7
TO4N	9
TO4S	9
TO5B	10
TEO6	10
THO8A	10
TO6	11
TO7	11
T11	11
GT12	12
T12	10
T14	13
GT15	14
GT15P	14
GT15V	14
GT17	14
GT17V	14
GT18V	14
T18	15
T18A	15
T18C	15
TL18A	15
TB19	5

Garrett	
Turbo Model	Page no.
T19A	15
GT20	14
GT20V	14
GT22	14
GT22V	14
TB22	5
GT23V	14
T24	13
GT25	5
GT25V	5 & 14
TA25	5
TB25	5
TD25	5
VAT25	5
TE27	5
TB28	5
GT30	16
T30	13
TA31	7
TB31	7
GT32	16
TA34	7
TB34	7
TA35	7
GT35	16
GT37	17
TA38	7
GTP38	18
TP38	18
GT40	17
GTA40	17
TB41	7
TW41	7
GT42	19

Garrett	
Turbo Model	Page no.
GTA42	19
TC43	7
TC44	7
CTV45	20
GT45	19 & 20
TA45	20
TB45	20
TBP45	20
TD45	20
TV45	20
TA48	20
TBP48	20
TV48	20
GT50	21
GTA50	21
TA51	20
TM51	20
TMF51	20
TV51	20
TW51	20
TM54	20
BTG55	21
BTL55	21
BTV55	21
GTA55	21
TMF55	20
TV58	20
T60	10
GT60	22
TV60	23 & 24
TL61	23 & 24
TM61	23 & 24
TV61	23 & 24
TW61	23 & 24



## Piston Ring Index cont'd

<b>Garrett</b>	
Turbo Model	Page no.
TV63	23 & 24
TW63	23 & 24
TV65	23 & 24
TV70	23 & 24
TL71	23 & 24
TV71	23 & 24
TV72	23 & 24
TW72	23 & 24
TV73	23 & 24
TW73	23 & 24
TA74	23 & 24
TV74	23 & 24
BGTV75	20 & 21
BTG75	21 & 26
BTL75	20 & 21
BTV75	20 & 21
TA75	23 & 24
TBP75	20,23 & 26
TL75	26
TV75	20,23,25,26
TW75	23 & 24
UTV75	21 & 26
TL77	23 & 24
TV77	23 & 24
TL78	23 & 24
TV78	20,23,25
TW78	23 & 24
UTV78	26
TL81	23,24 & 26V7
TV81	23 & 24
TW81	23 & 24
UTV81	26
TV83	20,23-26
TW83	23 & 24

<b>Garrett</b>	
Turbo Model	Page no.
UTV83	26
TV84	23 & 24
TW84	23 & 24
BTL85	26
BTV85	20
TA85	23 & 24
TV85	20,23-26
UTL89	26
TL91	27
TV91	27
TW91	27
TL92	27
TV92	27
TW92	27
TV94	27
TW94	27
UTL94	28
UTV94	28
TV95	27
T250	5
T300	7

<b>Stepped Gap</b>	
T2	6
T3/T4	8

<b>Ball-Bearing</b>	
T2	6

<b>Holset</b>	
Turbo Model	Page no.
H1A	29
H1B	29
H1C	29
H1D	29
H1E	29
WH1C	29
WH1E	29
H2A	29
H2B	29
H2C	29
H2D	29
H2E	29
H2S	20
WH2D	29
3LD	31
HC3	32
HC3B	32
H3B	32
HT3B	32
4L	33
HT4B	34
HC5	34
HC5A	34
HX30	29
HX35W	29
HX40	29
HX40W	29
HX50	35/36
HX50W	36
HX55	37
HT60	32
HX60	32
HX60W	32
HX82	36



## Piston Ring Index cont'd

<b>Mitsubishi</b>	
Turbo Model	Page no.
TDO2	38
TCO3	39
TCO4	40
TDO4	40
TEO4H	40
TCO5	41
TDO5	41
TCO6	41
TDO6	41
TEO6	42
TDO7	44
TDO7S	43
TDO8	44
TDO8H	44
TFO35	40

<b>IHI</b>	
Turbo Model	Page no.
RHB3	45
RHB4	46
RHF4H	46
RHB5	47
RHF5	47
RHB6	48
RHC6	48
RHB7	49
RHC7	49

<b>Toyota</b>	
Turbo Model	Page no.
CT9	50
CT12	50
CT12B	50
CT20	51
CT26	51

<b>KKK</b>	
Turbo Model	Page no.
3LD	52
3LDZ	52
3LEP	52
3LKS	52
3LKZ	52
KO3	53
4LB	54
4LE	54
4LF	54
4LG	54
4LGZ	54
KO4	53
K14	55
K16	55
K24	56
K26	56
K27	56
K28	56
K29	56
KP31	57
KP35	57
K36	54
BV39	57
KP39	57

<b>Schwitzer</b>	
Turbo Model	Page no.
S1B	58
S2A	59
S2B	59
S2D	59
S2E	59
3LD	60
3LM	61
S3	62
S3A	62
S3B	62
4B	63
4D	63
4HD	63
4HF	63
4L	64
4MD	63
S4	64
S4D	65
S4DW	65
S4T	65
V4MD	63
V4HD	63
S76	61
S76A	61
S81	66
S200	67
S300	68
S400	69
S410	69
S500	70



## Piston Ring Index cont'd

<b>Cummins</b>	
Turbo Model	Page no.
T46	71
ST50	71
VT50	71

<b>Hitachi</b>	
Turbo Model	Page no.
HT-10	72
HT-12	72
HT-18-2S	72

<b>Komatsu</b>	
Turbo Model	Page no.
KTR110A	73
KTR110G	73
KTR130	73





## Piston Ring - Garrett

### T2 "stepped gap" design

#### Turbine End

Standard dimensions	O/D min	O/D max	Width min	Width max	I/Gap min	I/Gap max
Inches	0.6200	0.6300	0.0620	0.0630	0.0050	0.0100
Millimeters	15.75	16.00	1.57	1.60	0.13	0.25

O/D	Width	TI part no

STD | STD 8-A-2523

### T2 "ball bearing" design

#### Compressor End

Standard dimensions	O/D min	O/D max	Width min	Width max	I/Gap min	I/Gap max
Inches	0.5265	0.5365	0.0620	0.0630	0.0030	0.0080
Millimeters	13.37	13.63	1.57	1.60	0.08	0.20

O/D	Width	TI part no	OEM part no.

STD | STD 8-A-3069 400749-0010

Note: O/D is the outside diameter. I/Gap is the "installed gap". The O/D includes the installed gap  
 Non-standard dimensions are quoted in inches. All piston rings are manufactured of "hi-temperature" material





## Piston Ring - Garrett

TAO3	TBP4	TA31	TA34	TA35	TA38
TBO3	TO4	TB31	TB34		
TCO3	TO4B step & smooth bore				
TDO3	TO4E				
	TW4B				
	TW4C	TB41	TC43	TC44	T300
	TW4E	TW41			

### Turbine End - step bore

Standard dimensions	O/D min	O/D max	Width min	Width max	I/Gap min	I/Gap max
Inches	0.7050	0.7150	0.0615	0.0625	0.0080	0.0150
Millimeters	17.91	18.16	1.56	1.59	0.20	0.38

O/D	Width	TI part no	OEM part no.	Holset part no.	Schwitzer part no.
STD	STD	8-A-1555	408049-0009	3524771	186841
STD	STD	8-A-1555	403818-0034	3524771	186841
STD	0.010	8-A-1460		3525403	
STD	0.020	8-A-1127			
0.010	STD	8-A-0017		3525404	
0.010	0.010	8-A-1494		3545343	
0.010	0.020	8-A-1612			

### Turbine End - smooth bore

Standard dimensions	O/D min	O/D max	Width min	Width max	I/Gap min	I/Gap max
Inches	0.6950	0.7050	0.0620	0.0625	0.0080	0.0150
Millimeters	17.65	17.91	1.57	1.59	0.20	0.38

O/D	Width	TI part no	OEM part no.	Holset part no.
STD	STD	8-A-0832	403818-0010	3526290
0.010	STD	8-A-1613		
0.010	0.010	8-A-1614		
0.010	0.020	8-A-1615		

### Compressor End

Standard dimensions	O/D min	O/D max	Width min	Width max	I/Gap min	I/Gap max
Inches	0.4950	0.5050	0.0620	0.0630	0.0030	0.0080
Millimeters	12.57	12.83	1.57	1.60	0.08	0.20

O/D	Width	TI part no	OEM part no.	Holset part no.	Schwitzer part no.
STD	STD	8-A-1554	403818-0009	3524772	186842
STD	0.010	8-A-3075			
STD	0.020	8-A-3077			
0.010	STD	8-A-0016		3525402	
0.010	0.010	8-A-3076			
0.010	0.020	8-A-3078			

Note: O/D is the outside diameter. I/Gap is the "installed gap". The O/D includes the installed gap  
 Non-standard dimensions are quoted in inches. All piston rings are manufactured of "hi-temperature" material



## Piston Ring - Garrett

### T3 "stepped gap" design

Turbine End

Standard dimensions	O/D min	O/D max	Width min	Width max	I/Gap min	I/Gap max
Inches	0.7050	0.7150	0.0615	0.0625	0.0080	0.0150
Millimeters	17.91	18.16	1.56	1.59	0.20	0.38

O/D	Width	TI part no
-----	-------	------------

STD | STD 8-A-2524

Note: O/D is the outside diameter. I/Gap is the "installed gap". The O/D includes the installed gap  
Non-standard dimensions are quoted in inches. All piston rings are manufactured of "hi-temperature" material



## Piston Ring - Garrett

TO4N

TO4S

### Turbine End

Standard dimensions	O/D min	O/D max	Width min	Width max	I/Gap min	I/Gap max
Inches	0.7050	0.7150	0.0615	0.0625	0.0080	0.0150
Millimeters	17.91	18.16	1.56	1.59	0.20	0.38

O/D	Width	TI part no.	OEM part no.	Holset part no.	Schwitzer part no.
STD	STD	8-A-1555	408049-0009	3524771	186841
STD	STD	8-A-1555	403818-0034	3524771	186841
STD	0.010	8-A-1460			
STD	0.020	8-A-1127			
0.010	STD	8-A-0017			
0.010	0.010	8-A-1494			
0.010	0.020	8-A-1612			

### Compressor End

Standard dimensions	O/D min	O/D max	Width min	Width max	I/Gap min	I/Gap max
Inches	0.5856	0.5956	0.0620	0.0630	0.0030	0.0080
Millimeters	14.87	15.13	1.57	1.60	0.08	0.20

O/D	Width	TI part no.	OEM part no.
STD	STD	8-A-1566	403818-0041
0.010	STD	8-A-3335	

Note: O/D is the outside diameter. I/Gap is the "installed gap". The O/D includes the installed gap  
 Non-standard dimensions are quoted in inches. All piston rings are manufactured of "hi-temperature" materia



# Piston Ring - Garrett

T05B step & smooth bore

T12 step & smooth bore

TEO6 step & smooth bore

T60

THO8A step & smooth bore

## Turbine End - step bore

Standard dimensions	O/D min	O/D max	Width min	Width max	I/Gap min	I/Gap max
Inches	0.8180	0.8280	0.0635	0.0640	0.0040	0.0110
Millimeters	20.78	21.03	1.61	1.63	0.10	0.28

O/D	Width	TI part no.	OEM part no.	Holset part no.	Schwitzer part no.
STD	STD	8-A-1616	408049-0004	3526288	311862
STD	0.010	8-A-1720			
STD	0.020	8-H-1169		3545153	
0.010	STD	8-H-0807		3545155	
0.010	0.010	8-A-1721			
0.010	0.020	8-H-0926		3545154	

## Turbine End - smooth bore

Standard dimensions	O/D min	O/D max	Width min	Width max	I/Gap min	I/Gap max
Inches	0.8075	0.8175	0.0620	0.0625	0.0080	0.0150
Millimeters	20.51	20.76	1.57	1.59	0.20	0.38

O/D	Width	TI part no.	OEM part no.	Holset part no.	Schwitzer part no.
STD	STD	8-A-0184	403818-0015	3545164	311882
0.010	STD	8-A-1622			
0.010	0.010	8-A-1623			
0.010	0.020	8-A-1624			

## Compressor End

Standard dimensions	O/D min	O/D max	Width min	Width max	I/Gap min	I/Gap max
Inches	0.6825	0.6925	0.0665	0.0675	0.0030	0.0080
Millimeters	17.34	17.59	1.69	1.71	0.08	0.20

O/D	Width	TI part no.	OEM part no.	Holset part no.	Schwitzer part no.
STD	STD	8-A-2141	403818-0047	3526287	311883
STD	0.010	8-A-3109			
STD	0.020	8-A-3080			
0.010	STD	8-A-0033			
0.010	0.010	8-A-3110			
0.010	0.020	8-A-3081			
0.020	STD	8-A-2219			

Note: O/D is the outside diameter. I/Gap is the "installed gap". The O/D includes the installed gap  
 Non-standard dimensions are quoted in inches. All piston rings are manufactured of "hi-temperature" material



# Piston Ring - Garrett

TO6                      TO7                      T11

## Turbine End

Standard dimensions	O/D min	O/D max	Width min	Width max	I/Gap min	I/Gap max
Inches	0.6950	0.7050	0.0620	0.0625	0.0080	0.0150
Millimeters	17.65	17.91	1.57	1.59	0.20	0.38

O/D	Width	TI part no	OEM part no.	Holset part no.
-----	-------	------------	--------------	-----------------

STD	STD	8-A-0832	403818-0010	3526290
0.010	STD	8-A-1613		
0.010	0.010	8-A-1614		
0.010	0.020	8-A-1615		

## Compressor End

Standard dimensions	O/D min	O/D max	Width min	Width max	I/Gap min	I/Gap max
Inches	0.6825	0.6925	0.0665	0.0675	0.0030	0.0080
Millimeters	17.34	17.59	1.69	1.71	0.08	0.20

O/D	Width	TI part no	OEM part no.	Holset part no.	Schwitzer part no.
-----	-------	------------	--------------	-----------------	--------------------

STD	STD	8-A-2141	403818-0047	3526287	311883
STD	0.010	8-A-3109			
STD	0.020	8-A-3080			
0.010	STD	8-A-0033			
0.010	0.010	8-A-3110			
0.010	0.020	8-A-3081			
0.020	STD	8-A-2219			

Note: O/D is the outside diameter. I/Gap is the "installed gap". The O/D includes the installed gap  
 Non-standard dimensions are quoted in inches. All piston rings are manufactured of "hi-temperature" material



## Piston Ring - Garrett

GT12

### Turbine & Compressor End

Standard dimensions	O/D min	O/D max	Width min	Width max	I/Gap min	I/Gap max
Inches	0.4830	0.4930	0.0460	0.0470	0.0010	0.0040
Millimeters	12.27	12.52	1.17	1.19	0.03	0.10

O/D	Width	TI part no.	OEM part no.
STD	STD	8-A-2947	n/a
0.010	STD	8-A-3889	n/a

Note: O/D is the outside diameter. I/Gap is the "installed gap". The O/D includes the installed gap  
 Non-standard dimensions are quoted in inches. All piston rings are manufactured of "hi-temperature" material



## Piston Ring - Garrett

T14

T24

T30

### Compressor End

Standard dimensions	O/D min	O/D max	Width min	Width max	I/Gap min	I/Gap max
Inches	1.1195	1.1245	0.0925	0.0935	0.0020	0.0080
Millimeters	28.44	28.56	2.35	2.37	0.05	0.20

O/D	Width	TI part no	OEM part no.
-----	-------	------------	--------------

STD	STD	8-H-1202	403671-0000
0.010	STD	8-H-1174	

*Note: The seal design on this model of turbos does not require turbine end piston rings.  
 O/D is the outside diameter. I/Gap is the "installed gap". The O/D includes the installed gap  
 Non-standard dimensions are quoted in inches. All piston rings are manufactured of "hi-temperature" material*



# Piston Ring - Garrett

GT15 GT17 GT18V GT20 GT22 GT23V GT25  
 GT15P GT17V GT20V GT22V GT25V  
 GT15V

## Turbine End

Standard dimensions	O/D min	O/D max	Width min	Width max	I/Gap min	I/Gap max
Inches	0.6200	0.6300	0.0620	0.0630	0.0050	0.0100
Millimeters	15.75	16.00	1.57	1.60	0.13	0.25

O/D	Width	TI part no	OEM part no.	Holset part no.
-----	-------	------------	--------------	-----------------

STD	STD	8-A-1560	400749-0006	3545928
STD	0.010	8-A-1423		
STD	0.020	8-A-1424		
0.010	STD	8-A-0827		
0.010	0.010	8-A-1493		
0.010	0.020	8-A-1611		

## Compressor End

Standard dimensions	O/D min	O/D max	Width min	Width max	I/Gap min	I/Gap max
Inches	0.3630	0.3730	0.0290	0.0300	0.0010	0.0050
Millimeters	9.22	9.47	0.74	0.76	0.03	0.13

O/D	Width	TI part no	OEM part no.
-----	-------	------------	--------------

STD	STD	8-A-2190	445421-0003
-----	-----	----------	-------------

## Compressor End

Standard dimensions	O/D min	O/D max	Width min	Width max	I/Gap min	I/Gap max
Inches	0.3888	0.3987	0.0540	0.0550	0.0010	0.0050
Millimeters	9.87	10.13	1.37	1.40	0.03	0.13

O/D	Width	TI part no	OEM part no.
-----	-------	------------	--------------

STD	STD	8-A-2191	700590-0001
-----	-----	----------	-------------

Note: O/D is the outside diameter. I/Gap is the "installed gap". The O/D includes the installed gap  
 Non-standard dimensions are quoted in inches. All piston rings are manufactured of "hi-temperature" material





# Piston Ring - Garrett

T18 step & smooth bore T18A  
T18C  
TL18A

T19A

## Turbine End - step bore

Standard dimensions	O/D min	O/D max	Width min	Width max	I/Gap min	I/Gap max
Inches	1.0250	1.0350	0.0610	0.0625	0.0080	0.0150
Millimeters	26.04	26.29	1.55	1.59	0.20	0.38

O/D	Width	TI part no	OEM part no.	Holset part no.
-----	-------	------------	--------------	-----------------

STD	STD	8-A-0187	403818-0031	3526291
STD	0.010	8-H-1359		
STD	0.020	8-H-1360		
0.010	STD	8-H-1161		
0.010	0.010	8-A-1627		
0.010	0.020	8-H-1374		

## Turbine End - smooth bore

Standard dimensions	O/D min	O/D max	Width min	Width max	I/Gap min	I/Gap max
Inches	1.0150	1.0250	0.0620	0.0625	0.0080	0.0150
Millimeters	25.78	26.04	1.57	1.59	0.20	0.38

O/D	Width	TI part no	OEM part no.	Holset part no.
-----	-------	------------	--------------	-----------------

STD	STD	8-A-1913	403818-0016	
STD	STD	8-A-1913	403818-0018	3545158
0.010	STD	8-A-1628		
0.010	0.010	8-A-1629		
0.010	0.020	8-A-1630		

## Compressor End

Standard dimensions	O/D min	O/D max	Width min	Width max	I/Gap min	I/Gap max
Inches	0.6825	0.6925	0.0665	0.0675	0.0030	0.0080
Millimeters	17.34	17.59	1.69	1.71	0.08	0.20

O/D	Width	TI part no	OEM part no.	Holset part no.	Schwitzer part no.
-----	-------	------------	--------------	-----------------	--------------------

STD	STD	8-A-2141	403818-0047	3526287	311883
STD	0.010	8-A-3109			
STD	0.020	8-A-3080			
0.010	STD	8-A-0033			
0.010	0.010	8-A-3110			
0.010	0.020	8-A-3081			
0.020	STD	8-A-2219			

Note: O/D is the outside diameter. I/Gap is the "installed gap". The O/D includes the installed gap  
Non-standard dimensions are quoted in inches. All piston rings are manufactured of "hi-temperature" material



# Piston Ring - Garrett

GT30

GT32

GT35

## Turbine End

Standard dimensions	O/D min	O/D max	Width min	Width max	I/Gap min	I/Gap max
Inches	0.7050	0.7150	0.0620	0.0625	0.0070	0.0110
Millimeters	17.91	18.16	1.57	1.59	0.18	0.28

O/D	Width	TI part no.	OEM part no.
-----	-------	-------------	--------------

STD | STD | 8-A-1559 | 408049-0013

## Compressor End

Standard dimensions	O/D min	O/D max	Width min	Width max	I/Gap min	I/Gap max
Inches	0.4950	0.5050	0.0620	0.0630	0.0030	0.0080
Millimeters	12.57	12.83	1.57	1.60	0.08	0.20

O/D	Width	TI part no.	OEM part no.	Holset part no.	Schwitzer part no.
-----	-------	-------------	--------------	-----------------	--------------------

STD	STD	8-A-1554	403818-0009	3524772	186842
STD	0.010	8-A-3075			
STD	0.020	8-A-3077			
0.010	STD	8-A-0016		3525402	
0.010	0.010	8-A-3076			
0.010	0.020	8-A-3078			

## Compressor End *Note: GT3576 application*

Standard dimensions	O/D min	O/D max	Width min	Width max	I/Gap min	I/Gap max
Inches	0.5570	0.5670	0.0620	0.0625	0.0030	0.0080
Millimeters	14.15	14.40	1.57	1.59	0.08	0.20

O/D	Width	TI part no.	OEM part no.
-----	-------	-------------	--------------

STD	STD	8-A-2050	403818-0046
0.010	STD	8-A-2341	

## Compressor End *Note: GT3271 application*

Standard dimensions	O/D min	O/D max	Width min	Width max	I/Gap min	I/Gap max
Inches	0.4950	0.5050	0.0620	0.0630	0.0030	0.0080
Millimeters	12.57	12.83	1.57	1.60	0.08	0.20

O/D	Width	TI part no.	OEM part no.	Holset part no.
-----	-------	-------------	--------------	-----------------

STD	STD	8-A-2827	403818-0048	
STD	0.010	8-A-3075		
STD	0.020	8-A-3077		
0.010	STD	8-A-0016		3525402
0.010	0.010	8-A-3076		
0.010	0.020	8-A-3078		

*Note: O/D is the outside diameter. I/Gap is the "installed gap". The O/D includes the installed gap  
Non-standard dimensions are quoted in inches. All piston rings are manufactured of "hi-temperature" material*



# Piston Ring - Garrett

GT37

GT40

GTA40

## Turbine End

Standard dimensions	O/D min	O/D max	Width min	Width max	I/Gap min	I/Gap max
Inches	0.8180	0.8280	0.0620	0.0625	0.0070	0.0110
Millimeters	20.78	21.03	1.57	1.59	0.18	0.28

O/D	Width	TI part no	OEM part no.
-----	-------	------------	--------------

STD	STD	8-A-2051	408049-0023
0.010	STD	8-A-2342	

## Compressor End

*Note: GT37 & GT40 application*

Standard dimensions	O/D min	O/D max	Width min	Width max	I/Gap min	I/Gap max
Inches	0.5570	0.5670	0.0620	0.0625	0.0030	0.0080
Millimeters	14.15	14.40	1.57	1.59	0.08	0.20

O/D	Width	TI part no	OEM part no.
-----	-------	------------	--------------

STD	STD	8-A-2050	403818-0046
0.010	STD	8-A-2341	

## Compressor End

*Note: GTA40 application*

Standard dimensions	O/D min	O/D max	Width min	Width max	I/Gap min	I/Gap max
Inches	0.6950	0.7050	0.0620	0.0625	0.0080	0.0150
Millimeters	17.65	17.91	1.57	1.59	0.20	0.38

O/D	Width	TI part no	OEM part no.	Holset part no.
-----	-------	------------	--------------	-----------------

STD	STD	8-A-0832	403818-0010	3526290
0.010	STD	8-A-1613		
0.010	0.010	8-A-1614		
0.010	0.020	8-A-1615		

*Note: O/D is the outside diameter. I/Gap is the "installed gap". The O/D includes the installed gap  
Non-standard dimensions are quoted in inches. All piston rings are manufactured of "hi-temperature" material*



# Piston Ring - Garrett

GTP38

TP38

## Turbine End

Standard dimensions	O/D min	O/D max	Width min	Width max	I/Gap min	I/Gap max
Inches	0.7050	0.7150	0.0615	0.0625	0.0080	0.0150
Millimeters	17.91	18.16	1.56	1.59	0.20	0.38

O/D	Width	TI part no.	OEM part no.	Holset part no.	Schwitzer part no.
STD	STD	8-A-1555	408049-0009	3524771	186841
STD	STD	8-A-1555	403818-0034	3524771	186841
STD	0.010	8-A-1423			
STD	0.020	8-A-1127			
0.010	STD	8-A-0017			
0.010	0.010	8-A-1494			
0.010	0.020	8-A-1612			

## Compressor End

Standard dimensions	O/D min	O/D max	Width min	Width max	I/Gap min	I/Gap max
Inches	0.4950	0.5050	0.0620	0.0630	0.0030	0.0080
Millimeters	12.57	12.83	1.57	1.60	0.08	0.20

O/D	Width	TI part no.	OEM part no.	Holset part no.	Schwitzer part no.
STD	STD	8-A-1554	403818-0009	3524772	186842
STD	0.010	8-A-3075			
STD	0.020	8-A-3077			
0.010	STD	8-A-0016		3525402	
0.010	0.010	8-A-3076			
0.010	0.020	8-A-3078			

Note: O/D is the outside diameter. I/Gap is the "installed gap". The O/D includes the installed gap  
 Non-standard dimensions are quoted in inches. All piston rings are manufactured of "hi-temperature" material



# Piston Ring - Garrett

GT42      GTA42      GT45

Turbine End *Note: GT42 & GT45 applications. Thickness 0.040-0.046"/1.02-1.17mm*

Standard dimensions	O/D min	O/D max	Width min	Width max	I/Gap min	I/Gap max
Inches	0.8180	0.8280	0.0620	0.0625	0.0070	0.0110
Millimeters	20.78	21.03	1.57	1.59	0.18	0.28

O/D	Width	TI part no	OEM part no.
STD	STD	8-A-2051	408049-0023
0.010	STD	8-A-2342	

Turbine End *Note: GTA42 application. Thickness 0.048-0.054"/1.22-1.37mm*

Standard dimensions	O/D min	O/D max	Width min	Width max	I/Gap min	I/Gap max
Inches	0.8180	0.8280	0.0620	0.0625	0.0070	0.0110
Millimeters	20.78	21.03	1.57	1.59	0.18	0.28

O/D	Width	TI part no	OEM part no.
STD	STD	8-A-2494	408049-0021

Compressor End *Note: GT42 & GT45 application*

Standard dimensions	O/D min	O/D max	Width min	Width max	I/Gap min	I/Gap max
Inches	0.6825	0.6925	0.0665	0.0675	0.0030	0.0080
Millimeters	17.34	17.59	1.69	1.71	0.08	0.20

O/D	Width	TI part no	OEM part no.	Holset part no.	Schwitzer part no.
STD	STD	8-A-2141	403818-0047	3526287	311883
STD	0.010	8-A-3109			
STD	0.020	8-A-3080			
0.010	STD	8-A-0033			
0.010	0.010	8-A-3110			
0.010	0.020	8-A-3081			
0.020	STD	8-A-2219			

Compressor End *Note: GTA42 application*

Standard dimensions	O/D min	O/D max	Width min	Width max	I/Gap min	I/Gap max
Inches	0.6950	0.7050	0.0620	0.0625	0.0080	0.0150
Millimeters	17.65	17.91	1.57	1.59	0.20	0.38

O/D	Width	TI part no	OEM part no.	Holset part no.
STD	STD	8-A-0832	403818-0010	3526290
0.010	STD	8-A-1613		
0.010	0.010	8-A-1614		
0.010	0.020	8-A-1615		

*Note: O/D is the outside diameter. I/Gap is the "installed gap". The O/D includes the installed gap  
Non-standard dimensions are quoted in inches. All piston rings are manufactured of "hi-temperature" material*



## Piston Ring - Garrett

CTV45	TA48	TA51	TM54	TMF55	TV58
GT45	TBP48	TM51			
TA45	TV48	TMF51			
TB45		TV51			
TBP45		TW51			
TD45					
TV45					
BGTV75	TBP75	TV78	TV83	TV85	
BTL75	TV75			BTV85	
BTV75					

### Turbine End

Standard dimensions	O/D min	O/D max	Width min	Width max	I/Gap min	I/Gap max
Inches	0.8180	0.8280	0.0635	0.0640	0.0040	0.0110
Millimeters	20.78	21.03	1.61	1.63	0.10	0.28

O/D	Width	TI part no	OEM part no.	Holset part no.	Schwitzer part no.
STD	STD	8-A-1616	408049-0004	3526288	311862
STD	STD	8-A-1616	403818-0030	3526288	311862
STD	0.010	8-A-1720			
STD	0.020	8-H-1169		3545153	
0.010	STD	8-H-0807		3545155	
0.010	0.010	8-A-1721			
0.010	0.020	8-H-0926		3545154	

### Turbine End

Note: GT45 application. Thickness 0.048-0.054"/1.22-1.37mm

Standard dimensions	O/D min	O/D max	Width min	Width max	I/Gap min	I/Gap max
Inches	0.8180	0.8280	0.0620	0.0625	0.0070	0.0110
Millimeters	20.78	21.03	1.57	1.59	0.18	0.28

O/D	Width	TI part no	OEM part no.
STD	STD	8-A-2494	408049-0021

### Compressor End

Standard dimensions	O/D min	O/D max	Width min	Width max	I/Gap min	I/Gap max
Inches	0.6825	0.6925	0.0665	0.0675	0.0030	0.0080
Millimeters	17.34	17.59	1.69	1.71	0.08	0.20

O/D	Width	TI part no	OEM part no.	Holset part no.	Schwitzer part no.
STD	STD	8-A-2141	403818-0047	3526287	311883
STD	0.010	8-A-3109			
STD	0.020	8-A-3080			
0.010	STD	8-A-0033			
0.010	0.010	8-A-3110			
0.010	0.020	8-A-3081			
0.020	STD	8-A-2219			

Note: O/D is the outside diameter. I/Gap is the "installed gap". The O/D includes the installed gap  
Non-standard dimensions are quoted in inches. All piston rings are manufactured of "hi-temperature" material



## Piston Ring - Garrett

GT50  
GTA50

BTG55  
BTL55  
BTV55  
GTA55

BGTV75  
BTG75  
BTL75  
BTV75  
UTV75

### Turbine End

Standard dimensions	O/D min	O/D max	Width min	Width max	I/Gap min	I/Gap max
Inches	1.0250	1.0350	0.0630	0.0635	0.0040	0.0110
Millimeters	26.04	26.29	1.60	1.61	0.10	0.28

O/D	Width	TI part no.	OEM part no.
STD	STD	8-A-1914	408049-0008
STD	0.010	8-H-1359	
STD	0.020	8-H-1360	
0.010	STD	8-H-1161	
0.010	0.010	8-A-1627	
0.010	0.020	8-H-1374	

### Compressor End

Standard dimensions	O/D min	O/D max	Width min	Width max	I/Gap min	I/Gap max
Inches	0.9150	0.9250	0.0632	0.0638	0.0040	0.0110
Millimeters	23.24	23.50	1.61	1.62	0.10	0.28

O/D	Width	TI part no.	OEM part no.
STD	STD	8-A-2261	408049-0025
0.010	STD	8-A-2496	

Note: O/D is the outside diameter. I/Gap is the "installed gap". The O/D includes the installed gap  
Non-standard dimensions are quoted in inches. All piston rings are manufactured of "hi-temperature" material



## Piston Ring - Garrett

GT60

### Turbine End

Standard dimensions	O/D min	O/D max	Width min	Width max	I/Gap min	I/Gap max
	1.2450	1.2550	0.0925	0.0930	0.0410	0.0510
Millimeters	31.62	31.88	2.35	2.36	1.04	1.30

O/D	Width	TI part no	OEM part no.
-----	-------	------------	--------------

STD | STD | 8-A-2434 | 408049-0026

### Compressor End

Standard dimensions	O/D min	O/D max	Width min	Width max	I/Gap min	I/Gap max
Inches	1.0570	1.0670	0.0920	0.0930	0.0010	0.0060
Millimeters	26.85	27.10	2.34	2.36	0.03	0.15

O/D	Width	TI part no	OEM part no.
-----	-------	------------	--------------

STD | STD | 8-A-2537 | 408049-0028

Note: O/D is the outside diameter. I/Gap is the "installed gap". The O/D includes the installed gap  
Non-standard dimensions are quoted in inches. All piston rings are manufactured of "hi-temperature" material





## Piston Ring - Garrett

TV60	TL61 TM61 TV61 TW61	TV63 TW63	TV65	TV70	TL71 TV71	TV72 TW72	TV73 TW73
TA74 TV74	TA75 TBP75 TV75 TW75	TL77 TV77	TL78 TV78 TW78	TL81 TV81 TW81	TV83 TW83	TV84 TW84	TA85 TW85

### Turbine End

Standard dimensions	O/D min	O/D max	Width min	Width max	I/Gap min	I/Gap max
Inches	0.8180	0.8280	0.0635	0.0640	0.0040	0.0110
Millimeters	20.78	21.03	1.61	1.63	0.10	0.28

O/D	Width	TI part no	OEM part no.	Holset part no.	Schwitzer part no.
STD	STD	8-A-1616	408049-0004	3526288	311862
STD	STD	8-A-1616	403818-0030	3526288	311862
STD	0.010	8-A-1720			
STD	0.020	8-H-1169		3545153	
0.010	STD	8-H-0807		3545155	
0.010	0.010	8-A-1721			
0.010	0.020	8-H-0926		3545154	

### Compressor End

Standard dimensions	O/D min	O/D max	Width min	Width max	I/Gap min	I/Gap max
Inches	0.6825	0.6925	0.0665	0.0675	0.0030	0.0080
Millimeters	17.34	17.59	1.69	1.71	0.08	0.20

O/D	Width	TI part no	OEM part no.	Holset part no.	Schwitzer part no.
STD	STD	8-A-2141	403818-0047	3526287	311883
STD	0.010	8-A-3109			
STD	0.020	8-A-3080			
0.010	STD	8-A-0033			
0.010	0.010	8-A-3110			
0.010	0.020	8-A-3081			
0.020	STD	8-A-2219			

*Note: O/D is the outside diameter. I/Gap is the "installed gap". The O/D includes the installed gap  
Non-standard dimensions are quoted in inches. All piston rings are manufactured of "hi-temperature" material*



## Piston Ring - Garrett

TV60	TL61 TM61 TV61 TW61	TV63 TW63	TV65	TV70	TL71 TV71	TV72 TW72	TV73 TW73
TA74 TV74	TA75 TW75	TL77 TV77	TL78 TV78 TW78	TL81 TV81 TW81	TV83 TW83	TV84 TW84	TA85 TV85

### Turbine End

Standard dimensions	O/D min	O/D max	Width min	Width max	I/Gap min	I/Gap max
Inches	0.8180	0.8280	0.0635	0.0640	0.0040	0.0110
Millimeters	20.78	21.03	1.61	1.63	0.10	0.28

O/D	Width	TI part no.	OEM part no.	Holset part no.	Schwitzer part no.
STD	STD	8-A-1616	408049-0004	3526288	311862
STD	STD	8-A-1616	403818-0030	3526288	311862
STD	0.010	8-A-1720			
STD	0.020	8-H-1169		3545153	
0.010	STD	8-H-0807		3545155	
0.010	0.010	8-A-1721			
0.010	0.020	8-H-0926		3545154	

### Compressor End

Standard dimensions	O/D min	O/D max	Width min	Width max	I/Gap min	I/Gap max
Inches	0.8075	0.8175	0.0620	0.0625	0.0080	0.0150
Millimeters	20.51	20.76	1.57	1.59	0.20	0.38

O/D	Width	TI part no.	OEM part no.	Holset part no.	Schwitzer part no.
STD	STD	8-A-0184	403818-0015	3526288	311882
0.010	STD	8-A-1622		3526288	311862
0.010	0.010	8-A-1623			
0.010	0.02	8-A-1624			

Note: O/D is the outside diameter. I/Gap is the "installed gap". The O/D includes the installed gap  
 Non-standard dimensions are quoted in inches. All piston rings are manufactured of "hi-temperature" material



## Piston Ring - Garrett

TV75

TV78

TV83

TV85

### Turbine End

Standard dimensions	O/D min	O/D max	Width min	Width max	I/Gap min	I/Gap max
Inches	0.8180	0.8280	0.0635	0.0640	0.0040	0.0110
Millimeters	20.78	21.03	1.61	1.63	0.10	0.28

O/D	Width	TI part no.	OEM part no.	Holset part no.	Schwitzer part no.
STD	STD	8-A-1616	408049-0004	3526288	311862
STD	STD	8-A-1616	403818-0030	3526288	311862
STD	0.010	8-A-1720			
STD	0.020	8-H-1169		3545153	
0.010	STD	8-H-0807		3545155	
0.010	0.010	8-A-1721			
0.010	0.020	8-H-0926		3545154	

### Compressor End

Standard dimensions	O/D min	O/D max	Width min	Width max	I/Gap min	I/Gap max
Inches	0.9150	0.9250	0.0632	0.0638	0.0040	0.0110
Millimeters	23.24	23.50	1.61	1.62	0.10	0.28

O/D	Width	TI part no.	OEM part no.
STD	STD	8-A-2261	408049-0025
0.010	STD	8-A-2496	

Note: O/D is the outside diameter. I/Gap is the "installed gap". The O/D includes the installed gap  
 Non-standard dimensions are quoted in inches. All piston rings are manufactured of "hi-temperature" material



## Piston Ring - Garrett

BTG75  
BTV75  
TBP7501

TL75  
TV75  
UTV7514

UTV78

UTV81

UTV83

BTL85  
TV85

UTL89

### Turbine End

Standard dimensions	O/D min	O/D max	Width min	Width max	I/Gap min	I/Gap max
Inches	1.0250	1.0350	0.0610	0.0625	0.0080	0.0150
Millimeters	26.04	26.29	1.55	1.59	0.20	0.38

O/D	Width	TI part no	OEM part no.
-----	-------	------------	--------------

STD	STD	8-A-1914	408049-0008
STD	0.010	8-H-1359	
STD	0.020	8-H-1360	
0.010	STD	8-H-1161	
0.010	0.010	8-A-1627	
0.010	0.020	8-H-1374	

### Compressor End

Standard dimensions	O/D min	O/D max	Width min	Width max	I/Gap min	I/Gap max
Inches	0.6825	0.6925	0.0665	0.0675	0.0030	0.0080
Millimeters	17.34	17.59	1.69	1.71	0.08	0.20

O/D	Width	TI part no	OEM part no.	Holset	Schwitzer
-----	-------	------------	--------------	--------	-----------

STD	STD	8-A-2141	403818-0047	3526287	311883
STD	0.010	8-A-3109			
STD	0.020	8-A-3080			
0.010	STD	8-A-0033			
0.010	0.010	8-A-3110			
0.010	0.020	8-A-3081			
0.020	STD	8-A-2219			

### Compressor End

Note: O/D is the outside diameter. I/Gap is the "installed gap". The O/D includes the installed gap  
Non-standard dimensions are quoted in inches. All piston rings are manufactured of "hi-temperature" material



## Piston Ring - Garrett

TL81

TL91  
TV91  
TW91

TL92  
TV92  
TW92

TV94  
TW94

TV95

### Turbine End

Standard dimensions	O/D min	O/D max	Width min	Width max	I/Gap min	I/Gap max
Inches	1.2450	1.2550	0.0925	0.0930	0.0040	0.0110
Millimeters	31.62	31.88	2.35	2.36	0.10	0.28

O/D	Width	TI part no.	OEM part no.
-----	-------	-------------	--------------

STD	STD	8-A-0222	408049-0012
STD	0.010	8-A-1632	
STD	0.020	8-A-1634	
0.010	STD	8-A-1631	
0.010	0.010	8-A-1633	
0.010	0.020	8-A-1635	

### Compressor End

Standard dimensions	O/D min	O/D max	Width min	Width max	I/Gap min	I/Gap max
Inches	0.6820	0.6920	0.0660	0.0670	0.0030	0.0080
Millimeters	17.32	17.58	1.68	1.70	0.08	0.20

O/D	Width	TI part no.	OEM part no.	Holset part no.	Schwitzer part no.
-----	-------	-------------	--------------	-----------------	--------------------

STD	STD	8-A-2141	403818-0047	3526287	311883
STD	0.010	8-A-3109			
STD	0.020	8-A-3080			
0.010	STD	8-A-0033			
0.010	0.010	8-A-3110			
0.010	0.020	8-A-3081			
0.020	STD	8-A-2219			

Note: O/D is the outside diameter. I/Gap is the "installed gap". The O/D includes the installed gap  
Non-standard dimensions are quoted in inches. All piston rings are manufactured of "hi-temperature" material



## Piston Ring - Garrett

UTL94

UTV94

### Turbine End

Standard dimensions	O/D min	O/D max	Width min	Width max	I/Gap min	I/Gap max
Inches	0.8900	0.9000	0.0820	0.0830	0.0020	0.0080
Millimeters	22.61	22.86	2.08	2.11	0.05	0.20

O/D	Width	TI part no	OEM part no.
-----	-------	------------	--------------

STD | STD 8-A-2435 143934-0000

### Compressor End

Standard dimensions	O/D min	O/D max	Width min	Width max	I/Gap min	I/Gap max
Inches	1.2450	1.2550	0.9250	0.0930	0.0040	0.0110
Millimeters	31.62	31.88	23.50	2.36	0.10	0.28

O/D	Width	TI part no	OEM part no.
-----	-------	------------	--------------

STD | STD 8-A-2434 408049-0026

Note: O/D is the outside diameter. I/Gap is the "installed gap". The O/D includes the installed gap  
 Non-standard dimensions are quoted in inches. All piston rings are manufactured of "hi-temperature" material



## Piston Ring - Holset

H1A	H2A	WH1C	WH2D	HX30	HX40
H1B	H2B	WH1E		HX35W	HX40W
H1C	H2C				
H1D	H2D				
H1E	H2E				

### Turbine End

Standard dimensions	O/D min	O/D max	Width min	Width max	I/Gap min	I/Gap max
Inches	0.7550	0.7650	0.0620	0.0630	0.0010	0.0060
Millimeters	19.18	19.43	1.57	1.60	0.03	0.15

O/D	Width	TI part no	OEM part no.	Schwitzer part no.
-----	-------	------------	--------------	--------------------

STD	STD	8-B-0395	56754	186135
STD	0.010	8-B-1676		
STD	0.020	8-B-1678		
0.010	STD	8-B-1675	3524707	
0.010	0.010	8-B-1677		
0.010	0.020	8-B-1679		

### Compressor End

Standard dimensions	O/D min	O/D max	Width min	Width max	I/Gap min	I/Gap max
Inches	0.6300	0.6400	0.0620	0.0630	0.0020	0.0060
Millimeters	16.00	16.26	1.57	1.60	0.05	0.15

O/D	Width	TI part no	OEM part no.
-----	-------	------------	--------------

STD	STD	8-B-0070	58848
-----	-----	----------	-------

Note: O/D is the outside diameter. I/Gap is the "installed gap". The O/D includes the installed gap  
 Non-standard dimensions are quoted in inches. All piston rings are manufactured of "hi-temperature" material



## Piston Ring - Holset

H2S

### Turbine End

Standard dimensions	O/D min	O/D max	Width min	Width max	I/Gap min	I/Gap max
Inches	0.7550	0.7650	0.0620	0.0630	0.0010	0.0060
Millimeters	19.18	n/a	n/a	n/a	n/a	n/a

O/D	Width	TI part no	OEM part no.
-----	-------	------------	--------------

STD | STD 8-B-2862 3528522

### Compressor End

Standard dimensions	O/D min	O/D max	Width min	Width max	I/Gap min	I/Gap max
Inches	0.6300	0.6400	0.0620	0.0630	0.0020	0.0060
Millimeters	16.00	16.26	1.57	1.60	0.05	0.15

O/D	Width	TI part no	OEM part no.
-----	-------	------------	--------------

STD | STD 8-B-0070 58848

Note: O/D is the outside diameter. I/Gap is the "installed gap". The O/D includes the installed gap  
 Non-standard dimensions are quoted in inches. All piston rings are manufactured of "hi-temperature" material





## Piston Ring - Holset

### 3LD - step & smooth bore

#### Turbine End - step bore

Standard dimensions	O/D min	O/D max	Width min	Width max	I/Gap min	I/Gap max
Inches	0.8800	0.8900	0.0062	0.0063	0.0020	0.0090
Millimeters	22.35	22.61	0.16	0.16	0.05	0.23

O/D	Width	TI part no	OEM part no.	OEM part no.	Schwitzer part no.
STD	STD	8-B-0387	22447	52195	135209
STD	0.010	8-B-1668			
STD	0.020	8-B-1670			
0.010	STD	8-B-1574	3524706		
0.010	0.010	8-B-1669			
0.010	0.020	8-B-1671			

#### Turbine End - smooth bore

Standard dimensions	O/D min	O/D max	Width min	Width max	I/Gap min	I/Gap max
Inches	0.8700	0.8800	0.0620	0.0630	0.0020	0.0070
Millimeters	22.10	22.35	1.57	1.60	0.05	0.18

O/D	Width	TI part no	OEM part no.	Schwitzer part no.	OEM part no.	Schwitzer part no.
STD	STD	8-B-0391	52951	125647	9516	142114
STD	0.010	8-B-1662				
STD	0.020	8-B-1664				
0.010	STD	8-B-1661	3524708			
0.010	0.010	8-B-1663				
0.010	0.020	8-B-1573				

#### Compressor End

Standard dimensions	O/D min	O/D max	Width min	Width max	I/Gap min	I/Gap max
Inches	0.8700	0.8800	0.0620	0.0630	0.0020	0.0090
Millimeters	22.10	22.35	1.57	1.60	0.05	0.23

O/D	Width	TI part no	OEM part no.	Schwitzer part no.	OEM part no.	Schwitzer part no.
STD	STD	8-B-0391	52951	125647	9516	142114
STD	0.010	8-B-1662				
STD	0.020	8-B-1664				
0.010	STD	8-B-1661	3524708			
0.010	0.010	8-B-1663				
0.010	0.020	8-B-1573				

Note: O/D is the outside diameter. I/Gap is the "installed gap". The O/D includes the installed gap  
 Non-standard dimensions are quoted in inches. All piston rings are manufactured of "hi-temperature" material



## Piston Ring - Holset

HC3                      HT3B                      HT60  
 HC3B                      HX60  
 H3B                      HX60W

### Turbine End

Standard dimensions	O/D min	O/D max	Width min	Width max	I/Gap min	I/Gap max
Inches	0.8800	0.8900	0.0062	0.0063	0.0020	0.0090
Millimeters	22.35	22.61	0.16	0.16	0.05	0.23

O/D	Width	TI part no	OEM part no.	OEM part no.	Schwitzer part no.
STD	STD	8-B-0387	52195	3518579	135209
STD	0.010	8-B-1668			
STD	0.020	8-B-1670			
0.010	STD	8-B-1574	3524706		
0.010	0.010	8-B-1669			
0.010	0.020	8-B-1671			

### Compressor End

Standard dimensions	O/D min	O/D max	Width min	Width max	I/Gap min	I/Gap max
Inches	0.7450	0.7550	0.0620	0.0630	0.0030	0.0080
Millimeters	18.92	19.18	1.57	1.60	0.08	0.20

O/D	Width	TI part no	OEM part no.	Schwitzer part no.
STD	STD	8-B-0527	3521442	129577
0.010	STD	8-B-1680		

Note: O/D is the outside diameter. I/Gap is the "installed gap". The O/D includes the installed gap  
 Non-standard dimensions are quoted in inches. All piston rings are manufactured of "hi-temperature" material



# Piston Ring - Holset

## 4L - step & smooth bore

### Turbine End - step bore

Standard dimensions			O/D min	O/D max	Width min	Width max	I/Gap min	I/Gap max
Inches			0.8800	0.8900	0.0062	0.0063	0.0020	0.0090
Millimeters			22.35	22.61	0.16	0.16	0.05	0.23
O/D	Width	TI part no	OEM part no.	Schwitzer part no.	OEM part no.	Schwitzer part no.		
STD	STD	8-B-0387	52195	135209	3518579	146808		
STD	0.010	8-B-1668						
STD	0.020	8-B-1670						
0.010	STD	8-B-1574	3524706					
0.010	0.010	8-B-1669						
0.010	0.020	8-B-1671						

### Turbine End - smooth bore

Standard dimensions			O/D min	O/D max	Width min	Width max	I/Gap min	I/Gap max
Inches			0.8700	0.8800	0.062	0.063	0.0020	0.0090
Millimeters			22.10	22.35	1.57	1.60	0.05	0.23
O/D	Width	TI part no	OEM part no.	Schwitzer part no.	OEM part no.	Schwitzer part no.		
STD	STD	8-B-0391	52951	125647	9516	142114		
STD	0.010	8-B-1662						
STD	0.020	8-B-1664						
0.010	STD	8-B-1661	52195	135209	3518579	146808		
0.010	0.010	8-B-1663						
0.010	0.020	8-B-1573						

### Compressor End - 0.750"/19.05mm bore design

Standard dimensions			O/D min	O/D max	Width min	Width max	I/Gap min	I/Gap max
Inches			0.7450	0.7550	0.062	0.063	0.0030	0.0080
Millimeters			18.92	19.18	1.57	1.60	0.08	0.20
O/D	Width	TI part no	OEM part no.	Schwitzer part no.				
STD	STD	8-B-0527	3521442	129577				
0.010	STD	8-B-1680						

### Compressor End - 0.875"/22.22mm bore design

Standard dimensions			O/D min	O/D max	Width min	Width max	I/Gap min	I/Gap max
Inches			0.8700	0.8800	0.062	0.063	0.0020	0.0070
Millimeters			22.10	22.35	1.57	1.60	0.05	0.18
O/D	Width	TI part no	OEM part no.	Schwitzer part no.	OEM part no.	Schwitzer part no.		
STD	STD	8-B-0391	52951	125647	9516	142114		
STD	0.010	8-B-1662						
STD	0.020	8-B-1664						
0.010	STD	8-B-1661	52195	135209	3518579	146808		
0.010	0.010	8-B-1663						
0.010	0.020	8-B-1573						

Note: O/D is the outside diameter. I/Gap is the "installed gap". The O/D includes the installed gap  
 Non-standard dimensions are quoted in inches. All piston rings are manufactured of "hi-temperature" material



# Piston Ring - Holset

HT4B

HC5  
HC5A

## Turbine End

Standard dimensions	O/D min	O/D max	Width min	Width max	I/Gap min	I/Gap max
Inches	1.1170	1.1270	0.0620	0.0630	0.0020	0.0080
Millimeters	28.37	28.63	1.57	1.60	0.05	0.20

O/D	Width	TI part no	OEM part no.
-----	-------	------------	--------------

STD | STD | 8-B-0108 | 3523412

## Compressor End

Standard dimensions	O/D min	O/D max	Width min	Width max	I/Gap min	I/Gap max
Inches	0.7450	0.7550	0.0620	0.0630	0.0030	0.0080
Millimeters	18.92	19.18	1.57	1.60	0.08	0.20

O/D	Width	TI part no	OEM part no.	Schwitzer part no.
-----	-------	------------	--------------	--------------------

STD	STD	8-B-0527	3521442	129577
0.010	STD	8-B-1680		

Note: O/D is the outside diameter. I/Gap is the "installed gap". The O/D includes the installed gap  
Non-standard dimensions are quoted in inches. All piston rings are manufactured of "hi-temperature" material



## Piston Ring - Holset

HX50

### Turbine End

Standard dimensions	O/D min	O/D max	Width min	Width max	I/Gap min	I/Gap max
Inches	0.7450	0.7550	0.0670	0.0680	0.0020	0.0060
Millimeters	18.92	19.18	1.70	1.73	0.05	0.15

O/D	Width	TI part no	OEM part no.
-----	-------	------------	--------------

STD | STD 8-B-2879 3532814

### Compressor End

Standard dimensions	O/D min	O/D max	Width min	Width max	I/Gap min	I/Gap max
Inches	0.6300	0.6400	0.0620	0.0630	0.0020	0.0070
Millimeters	16.00	16.26	1.57	1.60	0.05	0.18

O/D	Width	TI part no	OEM part no.
-----	-------	------------	--------------

STD | STD 8-B-0070 58848

Note: O/D is the outside diameter. I/Gap is the "installed gap". The O/D includes the installed gap  
Non-standard dimensions are quoted in inches. All piston rings are manufactured of "hi-temperature" material



# Piston Ring - Holset

HX50  
HX50W

HX82

## Turbine End

Standard dimensions	O/D min	O/D max	Width min	Width max	I/Gap min	I/Gap max
Inches	0.7450	0.7550	0.0670	0.0680	0.0020	0.0060
Millimeters	18.92	19.18	1.70	1.73	0.05	0.15

O/D	Width	TI part no	OEM part no.
-----	-------	------------	--------------

STD | STD 8-B-2879 3532814

## Turbine End

Standard dimensions	O/D min	O/D max	Width min	Width max	I/Gap min	I/Gap max
Inches	0.7450	0.7550	0.0670	0.0680	0.0020	0.0080
Millimeters	18.92	19.18	1.70	1.73	0.05	0.20

O/D	Width	TI part no	OEM part no.
-----	-------	------------	--------------

STD | STD 8-B-2890 3536143

## Compressor End

Standard dimensions	O/D min	O/D max	Width min	Width max	I/Gap min	I/Gap max
Inches	0.6300	0.6400	0.0620	0.0630	0.0020	0.0060
Millimeters	16.00	16.26	1.57	1.60	0.05	0.15

O/D	Width	TI part no	OEM part no.
-----	-------	------------	--------------

STD | STD 8-B-0070 58848

Note: O/D is the outside diameter. I/Gap is the "installed gap". The O/D includes the installed gap  
Non-standard dimensions are quoted in inches. All piston rings are manufactured of "hi-temperature" material



# Piston Ring - Holset

HX55

## Turbine End

Standard dimensions	O/D min	O/D max	Width min	Width max	I/Gap min	I/Gap max
Inches	0.8800	0.8900	0.0062	0.0063	0.0020	0.0090
Millimeters	22.35	22.61	0.16	0.16	0.05	0.23

O/D	Width	TI part no	OEM part no.	Schwitzer part no.	Schwitzer part no.
STD	STD	8-B-0387	52195	146808	135209
STD	0.010	8-B-1668			
STD	0.020	8-B-1670			
0.010	STD	8-B-1574	3524706		
0.010	0.010	8-B-1669			
0.010	0.020	8-B-1671			

## Compressor End

Standard dimensions	O/D min	O/D max	Width min	Width max	I/Gap min	I/Gap max
Inches	0.6300	0.6400	0.0620	0.0630	0.0020	0.0060
Millimeters	16.00	16.26	1.57	1.60	0.05	0.15

O/D	Width	TI part no	OEM part no.
STD	STD	8-B-0070	58848

STD | STD 8-B-0070 58848

Note: O/D is the outside diameter. I/Gap is the "installed gap". The O/D includes the installed gap  
 Non-standard dimensions are quoted in inches. All piston rings are manufactured of "hi-temperature" material



# Piston Ring - Mitsubishi

TDO2

TDO25

Turbine End

Standard dimensions	O/D min	O/D max	Width min	Width max	I/Gap min	I/Gap max
Inches	0.4830	0.4930	0.0460	0.0470	0.0010	0.0040
Millimeters	12.27	12.52	1.17	1.19	0.03	0.10

O/D	Width	TI part no	OEM part no.
STD 0.010	STD	8-E-0379	49170-23100
	STD	8-E-2039	

Compressor End

Standard dimensions	O/D min	O/D max	Width min	Width max	I/Gap min	I/Gap max
Inches	0.3100	0.3200	0.0300	0.0310	0.0010	0.0050
Millimeters	7.87	8.13	0.76	0.79	0.03	0.13

O/D	Width	TI part no	OEM part no.
STD	STD	8-E-2889	

Note: O/D is the outside diameter. I/Gap is the "installed gap". The O/D includes the installed gap  
 Non-standard dimensions are quoted in inches. All piston rings are manufactured of "hi-temperature" material





# Piston Ring - Mitsubishi

## TCO3

### Turbine End

Standard dimensions	O/D min	O/D max	Width min	Width max	I/Gap min	I/Gap max
Inches	0.6200	0.6300	0.0620	0.0630	0.0050	0.0100
Millimeters	15.75	16.00	1.57	1.60	0.13	0.25

O/D	Width	TI part no.	OEM part no.	Garrett part no.	Holset no.	Schwitzer part no.
STD	STD	8-E-0374	49177-23100	400749-0006	9764	128936
STD	0.010	8-E-1431				
STD	0.020	8-E-1432				
0.010	STD	8-E-1646				
0.010	0.010	8-E-1495				
0.010	0.020	8-E-1647				

### Compressor End

Standard dimensions	O/D min	O/D max	Width min	Width max	I/Gap min	I/Gap max
Inches	0.4830	0.4930	0.0460	0.0470	0.0010	0.0040
Millimeters	12.27	12.52	1.17	1.19	0.03	0.10

O/D	Width	TI part no.	OEM part no.
STD	STD	8-E-0379	49170-23100
0.010	STD	8-E-2039	

Note: O/D is the outside diameter. I/Gap is the "installed gap". The O/D includes the installed gap  
 Non-standard dimensions are quoted in inches. All piston rings are manufactured of "hi-temperature" materia



# Piston Ring - Mitsubishi

TCO4    TDO4    TEO4H    TFO35

## Turbine End

Standard dimensions	O/D min	O/D max	Width min	Width max	I/Gap min	I/Gap max
Inches	0.6200	0.6300	0.0620	0.0630	0.0050	0.0100
Millimeters	15.75	16.00	1.57	1.60	0.13	0.25

O/D	Width	TI part no	OEM part no.	Garrett part no.	Holset no.	Schwitzer part no.
STD	STD	8-E-0374	49177-23100	400749-0006	9764	128936
STD	0.010	8-E-1431				
STD	0.020	8-E-1432				
0.010	STD	8-E-1646				
0.010	0.010	8-E-1495				
0.010	0.020	8-E-1647				

## Compressor End

Standard dimensions	O/D min	O/D max	Width min	Width max	I/Gap min	I/Gap max
Inches	0.3887	0.3987	0.0380	0.0400	0.0010	0.0030
Millimeters	9.87	10.13	0.97	1.02	0.03	0.08

O/D	Width	TI part no	OEM part no.	Holset no.
STD	STD	8-E-0369	49172-23200	3545553
0.010	STD	8-E-2473		

Note: O/D is the outside diameter. I/Gap is the "installed gap". The O/D includes the installed gap.  
 Non-standard dimensions are quoted in inches. All piston rings are manufactured of "hi-temperature" material



# Piston Ring - Mitsubishi

TC05

TDO5

TC06

TDO6

## Turbine End

Standard dimensions	O/D min	O/D max	Width min	Width max	I/Gap min	I/Gap max
Inches	0.6840	0.6940	0.0615	0.0625	0.0020	0.0060
Millimeters	17.37	17.63	1.56	1.59	0.05	0.15

O/D	Width	TI part no	OEM part no.	Holset part no.	Schwitzer part no.
-----	-------	------------	--------------	-----------------	--------------------

STD	STD	8-E-0365	49178-23100	3545552	310630
-----	-----	----------	-------------	---------	--------

STD	0.010	8-E-1601
-----	-------	----------

STD	0.020	8-E-1651
-----	-------	----------

0.010	STD	8-E-1648
-------	-----	----------

0.010	0.010	8-E-1650
-------	-------	----------

0.010	0.020	8-E-1652
-------	-------	----------

## Compressor End

Standard dimensions	O/D min	O/D max	Width min	Width max	I/Gap min	I/Gap max
Inches	0.4830	0.4930	0.0460	0.0470	0.0010	0.0040
Millimeters	12.27	12.52	1.17	1.19	0.03	0.10

O/D	Width	TI part no	OEM part no.
-----	-------	------------	--------------

STD	STD	8-E-0379	49170-23100
-----	-----	----------	-------------

0.010	STD	8-E-2039
-------	-----	----------

Note: O/D is the outside diameter. I/Gap is the "installed gap". The O/D includes the installed gap  
 Non-standard dimensions are quoted in inches. All piston rings are manufactured of "hi-temperature" material



# Piston Ring - Mitsubishi

## TEO6

### Turbine End

Standard dimensions	O/D min	O/D max	Width min	Width max	I/Gap min	I/Gap max
Inches	0.6840	0.6940	0.0615	0.0625	0.0020	0.0060
Millimeters	17.37	17.63	1.56	1.59	0.05	0.15

O/D	Width	TI part no	OEM part no.	Holset part no.	Schwitzer part no.
-----	-------	------------	--------------	-----------------	--------------------

STD	STD	8-E-0365	49178-23100	3545552	310630
STD	0.010	8-E-1601			
STD	0.020	8-E-1651			
0.010	STD	8-E-1648			
0.010	0.010	8-E-1650			
0.010	0.020	8-E-1652			

### Compressor End

Standard dimensions	O/D min	O/D max	Width min	Width max	I/Gap min	I/Gap max
Inches	0.5450	0.5550	0.0540	0.0550	0.0020	0.0070
Millimeters	13.84	14.10	1.37	1.40	0.05	0.18

O/D	Width	TI part no
-----	-------	------------

STD | STD | 8-E-2934

Note: O/D is the outside diameter. I/Gap is the "installed gap". The O/D includes the installed gap  
 Non-standard dimensions are quoted in inches. All piston rings are manufactured of "hi-temperature" material



# Piston Ring - Mitsubishi

## TDO7S

### Turbine End

Standard dimensions	O/D min	O/D max	Width min	Width max	I/Gap min	I/Gap max
Inches	0.6840	0.6940	0.0615	0.0625	0.0020	0.0060
Millimeters	17.37	17.63	1.56	1.59	0.05	0.15

O/D	Width	TI part no	OEM part no.	Holset part no.	Schwitzer part no.
-----	-------	------------	--------------	-----------------	--------------------

STD	STD	8-E-0365	49178-23100	3545552	310630
STD	0.010	8-E-1601			
STD	0.020	8-E-1651			
0.010	STD	8-E-1648			
0.010	0.010	8-E-1650			
0.010	0.020	8-E-1652			

### Compressor End

Standard dimensions	O/D min	O/D max	Width min	Width max	I/Gap min	I/Gap max
Inches	0.5450	0.5550	0.0540	0.0550	0.0020	0.0070
Millimeters	13.84	14.10	1.37	1.40	0.05	0.18

O/D	Width	TI part no	OEM part no.
-----	-------	------------	--------------

STD	STD	8-E-2875	49187-23100
-----	-----	----------	-------------

Note: O/D is the outside diameter. I/Gap is the "installed gap". The O/D includes the installed gap  
 Non-standard dimensions are quoted in inches. All piston rings are manufactured of "hi-temperature" material



# Piston Ring - Mitsubishi

TD07

TD08

TD08H

## Turbine End

Standard dimensions	O/D min	O/D max	Width min	Width max	I/Gap min	I/Gap max
Inches	0.8590	0.8690	0.0605	0.0612	0.0020	0.0080
Millimeters	21.82	22.07	1.54	1.55	0.05	0.20

O/D	Width	TI part no	OEM part no.
-----	-------	------------	--------------

STD | STD | 8-E-2902 | 49181-23100

## Compressor End

Standard dimensions	O/D min	O/D max	Width min	Width max	I/Gap min	I/Gap max
Inches	0.6200	0.6300	0.0620	0.0630	0.0050	0.0100
Millimeters	15.75	16.00	1.57	1.60	0.13	0.25

O/D	Width	TI part no	OEM part no.	Garrett part no.	Holset no.	Schwitzer part no.
-----	-------	------------	--------------	------------------	------------	--------------------

STD	STD	8-E-0374	49177-23100	400749-0006	9764	128936
STD	0.010	8-E-1431				
STD	0.020	8-E-1432				
0.010	STD	8-E-1646				
0.010	0.010	8-E-1495				
0.010	0.020	8-E-1647				

Note: O/D is the outside diameter. I/Gap is the "installed gap". The O/D includes the installed gap  
 Non-standard dimensions are quoted in inches. All piston rings are manufactured of "hi-temperature" materia



# Piston Ring - I H I

## RHB3

### Turbine End

Standard dimensions	O/D min	O/D max	Width min	Width max	I/Gap min	I/Gap max
Inches	0.4281	0.4381	0.0380	0.0390	0.0010	0.0050
Millimeters	10.87	11.13	0.97	0.99	0.03	0.13

O/D	Width	TI part no	OEM part no. (North America)	OEM part no. (Europe)
-----	-------	------------	---------------------------------	--------------------------

STD | STD | 8-F-0428 | 070T-014 | NB131013

### Compressor End - Small

Standard dimensions	O/D min	O/D max	Width min	Width max	I/Gap min	I/Gap max
Inches	0.3100	0.3200	0.0300	0.0310	0.0010	0.0050
Millimeters	7.87	8.13	0.76	0.79	0.03	0.13

O/D	Width	TI part no	OEM part no. (North America)	OEM part no. (Europe)
-----	-------	------------	---------------------------------	--------------------------

STD | STD | 8-F-0430 | 070T-015 | NB131009

### Compressor End - Large

Standard dimensions	O/D min	O/D max	Width min	Width max	I/Gap min	I/Gap max
Inches	0.3887	0.3987	0.0380	0.0400	0.0010	0.0030
Millimeters	9.87	10.13	0.97	1.02	0.03	0.08

O/D	Width	TI part no	OEM part no. (North America)	OEM part no. (Europe)
-----	-------	------------	---------------------------------	--------------------------

STD | STD | 8-F-1636 | 070T-022 | NN131577

0.010 | STD | 8-F-2450

Note: O/D is the outside diameter. I/Gap is the "installed gap". The O/D includes the installed gap  
Non-standard dimensions are quoted in inches. All piston rings are manufactured of "hi-temperature" material



# Piston Ring - I H I

## RHB4

### Turbine End

Standard dimensions	O/D min	O/D max	Width min	Width max	I/Gap min	I/Gap max
Inches	0.5050	0.5150	0.0420	0.0430	0.0010	0.0030
Millimeters	12.83	13.08	1.07	1.09	0.03	0.08

O/D	Width	TI part no	OEM part no. (North America)	OEM part no. (Europe)
-----	-------	------------	---------------------------------	--------------------------

STD | STD 8-F-3085

## RHF4H

### Turbine End

Standard dimensions	O/D min	O/D max	Width min	Width max	I/Gap min	I/Gap max
Inches	0.5850	0.5950	0.0460	0.0470	0.0010	0.0030
Millimeters	14.86	15.11	1.17	1.19	0.03	0.08

O/D	Width	TI part no	OEM part no. (North America)	OEM part no. (Europe)
-----	-------	------------	---------------------------------	--------------------------

STD	STD	8-F-2453
STD	0.010	8-F-2454
STD	0.020	8-F-2455
0.010	STD	8-F-2456
0.010	0.010	8-F-2457
0.010	0.020	8-F-2458

### Compressor End

Standard dimensions	O/D min	O/D max	Width min	Width max	I/Gap min	I/Gap max
Inches	0.3890	0.3990	0.0380	0.0390	0.0010	0.0030
Millimeters	9.88	10.13	0.97	0.99	0.03	0.08

O/D	Width	TI part no	OEM part no. (North America)	OEM part no. (Europe)
-----	-------	------------	---------------------------------	--------------------------

STD	STD	8-F-2451
0.010	STD	8-F-2452

Note: O/D is the outside diameter. I/Gap is the "installed gap". The O/D includes the installed gap  
 Non-standard dimensions are quoted in inches. All piston rings are manufactured of "hi-temperature" material





# Piston Ring - I H I

## RHB5

### Turbine End

Standard dimensions	O/D min	O/D max	Width min	Width max	I/Gap min	I/Gap max
Inches	0.5855	0.5955	0.0450	0.0470	0.0010	0.0040
Millimeters	14.87	15.13	1.14	1.19	0.03	0.10

O/D	Width	TI part no	OEM part no. (North America)	OEM part no. (Europe)
-----	-------	------------	---------------------------------	--------------------------

STD	STD	8-F-0440	070T-020	NN131575
STD	0.010	8-F-1787		
STD	0.020	8-F-1789		
0.010	STD	8-F-1786		
0.010	0.010	8-F-1788		
0.010	0.020	8-F-1790		

## RHF5

### Turbine End

Standard dimensions	O/D min	O/D max	Width min	Width max	I/Gap min	I/Gap max
Inches	0.6640	0.6740	0.0460	0.0470	0.0020	0.0060
Millimeters	16.87	17.12	1.17	1.19	0.05	0.15

STD	STD	8-F-3693		
STD	0.010	8-F-1794		
STD	0.020	8-F-1796		
0.010	STD	8-F-1793		
0.010	0.010	8-F-1795		
0.010	0.020	8-F-1797		

## RHB5 & RHF5

### Compressor End - Small

Standard dimensions	O/D min	O/D max	Width min	Width max	I/Gap min	I/Gap max
Inches	0.3887	0.3987	0.0380	0.0400	0.0010	0.0030
Millimeters	9.87	10.13	0.97	1.02	0.03	0.08

STD	STD	8-F-1637	070T-022	NN131577	115032
0.010	STD	8-F-1783			

## RHB5 only

### Compressor End - Large

Standard dimensions	O/D min	O/D max	Width min	Width max	I/Gap min	I/Gap max
Inches	0.4830	0.4963	0.0460	0.0470	0.0010	0.0040
Millimeters	12.27	12.61	1.17	1.19	0.03	0.10

STD	STD	8-F-1638	070T-017	NN131576	115033
0.010	STD	8-F-1784			

Note: O/D is the outside diameter. I/Gap is the "installed gap". The O/D includes the installed gap  
 Non-standard dimensions are quoted in inches. All piston rings are manufactured of "hi-temperature" material

# Piston Ring - I H I



RHB6

RHC6

Turbine End

Standard dimensions	O/D min	O/D max	Width min	Width max	I/Gap min	I/Gap max
Inches	0.6643	0.6743	0.0460	0.0470	0.0020	0.0060
Millimeters	16.87	17.13	1.17	1.19	0.05	0.15

O/D	Width	TI part no	OEM part no. (North America)	OEM part no. (Europe)
-----	-------	------------	---------------------------------	--------------------------

STD	STD	8-F-0472	070T-018	NH261604
STD	0.010	8-F-1794		
STD	0.020	8-F-1796		
0.010	STD	8-F-1793		
0.010	0.010	8-F-1795		
0.010	0.020	8-F-1797		

Compressor End - Small

Standard dimensions	O/D min	O/D max	Width min	Width max	I/Gap min	I/Gap max
Inches	0.4830	0.4930	0.0460	0.0470	0.0010	0.0040
Millimeters	12.27	12.52	1.17	1.19	0.03	0.10

O/D	Width	TI part no	OEM part no. (North America)	OEM part no. (Europe)
-----	-------	------------	---------------------------------	--------------------------

STD	STD	8-F-1639	070T-017	NN131576
0.010	STD	8-F-1785		

Compressor End - Large

Standard dimensions	O/D min	O/D max	Width min	Width max	I/Gap min	I/Gap max
Inches	0.5462	0.5562	0.0540	0.0550	0.0020	0.0060
Millimeters	13.87	14.13	1.37	1.40	0.05	0.15

O/D	Width	TI part no	OEM part no. (North America)	OEM part no. (Europe)
-----	-------	------------	---------------------------------	--------------------------

STD	STD	8-F-1239	070T-016	NH261605
0.010	STD	8-F-1791		

Note: O/D is the outside diameter. I/Gap is the "installed gap". The O/D includes the installed gap  
 Non-standard dimensions are quoted in inches. All piston rings are manufactured of "hi-temperature" material



# Piston Ring - I H I

RHB7

RHC7

## Turbine End

Standard dimensions	O/D min	O/D max	Width min	Width max	I/Gap min	I/Gap max
Inches	0.7233	0.7333	0.0550	0.0556	0.0020	0.0060
Millimeters	18.37	18.63	1.40	1.41	0.05	0.15

O/D	Width	TI part no	OEM part no. (North America)	OEM part no. (Europe)
-----	-------	------------	---------------------------------	--------------------------

STD	STD	8-F-0039	070T-007	NN171107
STD	0.010	8-F-1800		
STD	0.020	8-F-1802		
0.010	STD	8-F-1799		
0.010	0.010	8-F-1801		
0.010	0.020	8-F-1803		

## Compressor End - Small

Standard dimensions	O/D min	O/D max	Width min	Width max	I/Gap min	I/Gap max
Inches	0.5462	0.5562	0.0540	0.0550	0.0020	0.0060
Millimeters	13.87	14.13	1.37	1.40	0.05	0.15

O/D	Width	TI part no	OEM part no. (North America)	OEM part no. (Europe)
-----	-------	------------	---------------------------------	--------------------------

STD	STD	8-F-0441	070T-016	NH261605
0.010	STD	8-F-1792		

## Compressor End - Large

Standard dimensions	O/D min	O/D max	Width min	Width max	I/Gap min	I/Gap max
Inches	0.6250	0.6350	0.0620	0.0630	0.0020	0.0060
Millimeters	15.88	16.13	1.57	1.60	0.05	0.15

O/D	Width	TI part no	OEM part no. (North America)	OEM part no. (Europe)
-----	-------	------------	---------------------------------	--------------------------

STD	STD	8-F-0040	070T-010	NH191305
0.010	STD	8-F-1798		

Note: O/D is the outside diameter. I/Gap is the "installed gap". The O/D includes the installed gap  
Non-standard dimensions are quoted in inches. All piston rings are manufactured of "hi-temperature" material



## Piston Ring - Toyota

CT9

CT12

CT12B

### Turbine End

Standard dimensions	O/D min	O/D max	Width min	Width max	I/Gap min	I/Gap max
Inches	0.6000	0.6100	0.0620	0.0630	0.0050	0.0100
Millimeters	15.24	15.49	1.57	1.60	0.13	0.25

O/D	Width	TI part no
-----	-------	------------

STD | STD 8-G-0738

### Compressor End

Standard dimensions	O/D min	O/D max	Width min	Width max	I/Gap min	I/Gap max
Inches	0.4290	0.4390	0.0470	0.0480	0.0010	0.0060
Millimeters	10.92	11.05	1.17	1.19	0.05	0.15

O/D	Width	TI part no
-----	-------	------------

STD | STD 8-G-0737

Note: O/D is the outside diameter. I/Gap is the "installed gap". The O/D includes the installed gap  
Non-standard dimensions are quoted in inches. All piston rings are manufactured of "hi-temperature" material



# Piston Ring - Toyota

CT20

CT26

## Turbine End

Standard dimensions	O/D min	O/D max	Width min	Width max	I/Gap min	I/Gap max
Inches	0.7050	0.7150	0.0615	0.0625	0.0080	0.0150
Millimeters	17.91	18.16	1.56	1.59	0.20	0.38

O/D	Width	TI part no
-----	-------	------------

STD	STD	8-G-1640
STD	0.010	8-G-1642
STD	0.020	8-G-1644
0.010	STD	8-G-1641
0.010	0.010	8-G-1643
0.010	0.020	8-G-1645

## Compressor End

Standard dimensions	O/D min	O/D max	Width min	Width max	I/Gap min	I/Gap max
Inches	0.4950	0.5050	0.0460	0.0470	0.0070	0.0120
Millimeters	12.57	12.83	1.17	1.19	0.18	0.30

O/D	Width	TI part no
-----	-------	------------

STD	STD	8-G-0513
0.010	STD	8-G-1804

Note: O/D is the outside diameter. I/Gap is the "installed gap". The O/D includes the installed gap  
 Non-standard dimensions are quoted in inches. All piston rings are manufactured of "hi-temperature" material



# Piston Ring - Borg Warner ( K K K )

3LD

3LDZ

3LEP

3LKS

3LKZ

## Turbine End - step bore

Standard dimensions	O/D min	O/D max	Width min	Width max	I/Gap min	I/Gap max
Inches	0.8800	0.8900	0.0062	0.0063	0.0020	0.0090
Millimeters	22.35	22.61	0.16	0.16	0.05	0.23

O/D	Width	TI part no	OEM part no.	OEM part no.	Schwitzer part no.
STD	STD	8-B-0387	22447	52195	135209
STD	0.010	8-B-1668			
STD	0.020	8-B-1670			
0.010	STD	8-B-1574	3524706		
0.010	0.010	8-B-1669			
0.010	0.020	8-B-1671			

## Turbine End - smooth bore

Standard dimensions	O/D min	O/D max	Width min	Width max	I/Gap min	I/Gap max
Inches	0.8700	0.8800	0.0620	0.0630	0.0020	0.0070
Millimeters	22.10	22.35	1.57	1.60	0.05	0.18

O/D	Width	TI part no	OEM part no.	Schwitzer part no.	OEM part no.	Schwitzer part no.
STD	STD	8-B-0391	52951	125647	9516	142114
STD	0.010	8-B-1662				
STD	0.020	8-B-1664				
0.010	STD	8-B-1661	3524708			
0.010	0.010	8-B-1663				
0.010	0.020	8-B-1573				

## Compressor End

Standard dimensions	O/D min	O/D max	Width min	Width max	I/Gap min	I/Gap max
Inches	0.8700	0.8800	0.0620	0.0630	0.0020	0.0090
Millimeters	22.10	22.35	1.57	1.60	0.05	0.23

O/D	Width	TI part no	OEM part no.	Schwitzer part no.	OEM part no.	Schwitzer part no.
STD	STD	8-B-0391	52951	125647	9516	142114
STD	0.010	8-B-1662				
STD	0.020	8-B-1664				
0.010	STD	8-B-1661	3524708			
0.010	0.010	8-B-1663				
0.010	0.020	8-B-1573				

Note: O/D is the outside diameter. I/Gap is the "installed gap". The O/D includes the installed gap  
 Non-standard dimensions are quoted in inches. All piston rings are manufactured of "hi-temperature" material



# Piston Ring - Borg Warner ( K K K )

KO3

KO4

## Turbine End

Standard dimensions	O/D min	O/D max	Width min	Width max	I/Gap min	I/Gap max
Inches	0.5462	0.5562	0.0540	0.0550	0.0020	0.0060
Millimeters	13.87	14.13	1.37	1.40	0.05	0.15

O/D	Width	TI part no	OEM part no.
-----	-------	------------	--------------

STD	STD	8-D-0923	5314-127-0100
STD	0.010	8-D-1806	
STD	0.020	8-D-1808	
0.010	STD	8-D-1805	
0.010	0.010	8-D-1807	
0.010	0.020	8-D-1809	

## Compressor End

Standard dimensions	O/D min	O/D max	Width min	Width max	I/Gap min	I/Gap max
Inches	0.3887	0.3987	0.0540	0.0550	0.0010	0.0050
Millimeters	9.87	10.13	1.37	1.40	0.03	0.13

O/D	Width	TI part no	OEM part no.
-----	-------	------------	--------------

STD	STD	8-D-1782	5303-127-0100
-----	-----	----------	---------------

Note: O/D is the outside diameter. I/Gap is the "installed gap". The O/D includes the installed gap  
 Non-standard dimensions are quoted in inches. All piston rings are manufactured of "hi-temperature" material



## Piston Ring - Borg Warner ( K K K )

4LB

4LE

4LF

4LG

4LGZ

K36

### Turbine End - step bore

Standard dimensions	O/D min	O/D max	Width min	Width max	I/Gap min	I/Gap max
Inches	0.8800	0.8900	0.0062	0.0063	0.0020	0.0090
Millimeters	22.35	22.61	0.16	0.16	0.05	0.23

O/D	Width	TI part no	OEM part no.	Schwitzer part no.	OEM part no.	Schwitzer part no.
STD	STD	8-B-0387	5222-127-0103	135209	52195	146808
STD	0.010	8-B-1668				
STD	0.020	8-B-1670				
0.010	STD	8-B-1574				
0.010	0.010	8-B-1669				
0.010	0.020	8-B-1671				

### Turbine End - smooth bore

Standard dimensions	O/D min	O/D max	Width min	Width max	I/Gap min	I/Gap max
Inches	0.8700	0.8800	0.0620	0.0630	0.0020	0.0070
Millimeters	22.10	22.35	1.57	1.60	0.05	0.18

O/D	Width	TI part no	OEM part no.	Schwitzer part no.	OEM part no.	Schwitzer part no.
STD	STD	8-B-0391	5232-127-0104	125647	9516	142114
STD	0.010	8-B-1662				
STD	0.020	8-B-1664				
0.010	STD	8-B-1661				
0.010	0.010	8-B-1663				
0.010	0.020	8-B-1573				

### Compressor End

Standard dimensions	O/D min	O/D max	Width min	Width max	I/Gap min	I/Gap max
Inches	0.8700	0.8800	0.0620	0.0630	0.0020	0.0090
Millimeters	22.10	22.35	1.57	1.60	0.05	0.23

O/D	Width	TI part no	OEM part no.	Schwitzer part no.	OEM part no.	Schwitzer part no.
STD	STD	8-B-0391	5232-127-0104	125647	9516	142114
STD	0.010	8-B-1662				
STD	0.020	8-B-1664				
0.010	STD	8-B-1661				
0.010	0.010	8-B-1663				
0.010	0.020	8-B-1573				

Note: O/D is the outside diameter. I/Gap is the "installed gap". The O/D includes the installed gap  
 Non-standard dimensions are quoted in inches. All piston rings are manufactured of "hi-temperature" material





# Piston Ring - Borg Warner ( K K K )

K14

K16

## Turbine End

Standard dimensions	O/D min	O/D max	Width min	Width max	I/Gap min	I/Gap max
Inches	0.5462	0.5562	0.0540	0.0550	0.0020	0.0060
Millimeters	13.87	14.13	1.37	1.40	0.05	0.15

O/D	Width	TI part no.	OEM part no.
-----	-------	-------------	--------------

STD	STD	8-D-0923	5314-127-0100
STD	0.010	8-D-1806	
STD	0.020	8-D-1808	
0.010	STD	8-D-1805	
0.010	0.010	8-D-1807	
0.010	0.020	8-D-1809	

## Compressor End

Standard dimensions	O/D min	O/D max	Width min	Width max	I/Gap min	I/Gap max
Inches	0.5450	0.5550	0.0540	0.0550	0.0020	0.0070
Millimeters	13.84	14.10	1.37	1.40	0.05	0.18

O/D	Width	TI part no.	OEM part no.
-----	-------	-------------	--------------

STD	STD	8-D-0406	5326-127-0102
0.010	STD	8-D-1815	

Note: O/D is the outside diameter. I/Gap is the "installed gap". The O/D includes the installed gap  
 Non-standard dimensions are quoted in inches. All piston rings are manufactured of "hi-temperature" material



## Piston Ring - Borg Warner ( K K K )

K24

K26

K27

K28

K29

### Turbine End ( & Compressor End on 0.755"/19.18mm o/d )

Standard dimensions	O/D min	O/D max	Width min	Width max	I/Gap min	I/Gap max
Inches	0.7550	0.7650	0.0530	0.0540	0.0010	0.0060
Millimeters	19.18	19.43	1.35	1.37	0.03	0.15

O/D	Width	TI part no	OEM part no.	Schwitzer part no.	Holset part no.
-----	-------	------------	--------------	--------------------	-----------------

STD	STD	8-D-0668	5223-127-0102	182042	3545361
-----	-----	----------	---------------	--------	---------

STD	0.010	8-D-1811			
-----	-------	----------	--	--	--

STD	0.020	8-D-1813			
-----	-------	----------	--	--	--

0.010	STD	8-D-1810			
-------	-----	----------	--	--	--

0.010	0.010	8-D-1812			
-------	-------	----------	--	--	--

0.010	0.020	8-D-1814			
-------	-------	----------	--	--	--

### Compressor End ( 0.545"/13.84mm o/d )

Standard dimensions	O/D min	O/D max	Width min	Width max	I/Gap min	I/Gap max
Inches	0.5450	0.5550	0.0540	0.0550	0.0020	0.0070
Millimeters	13.84	14.10	1.37	1.40	0.05	0.18

O/D	Width	TI part no	OEM part no.	Schwitzer part no.
-----	-------	------------	--------------	--------------------

STD	STD	8-D-0406	5326-127-0103	312697
-----	-----	----------	---------------	--------

0.010	STD	8-D-1815		
-------	-----	----------	--	--

Note: O/D is the outside diameter. I/Gap is the "installed gap". The O/D includes the installed gap  
 Non-standard dimensions are quoted in inches. All piston rings are manufactured of "hi-temperature" material



## Piston Ring - Borg Warner ( K K K )

KP31      KP35      BV39      KP39

### Turbine End

Standard dimensions	O/D min	O/D max	Width min	Width max	I/Gap min	I/Gap max
Inches	0.3887	0.3987	0.0540	0.0550	0.0010	0.0050
Millimeters	9.87	10.13	1.37	1.40	0.03	0.13

O/D	Width	TI part no	OEM part no.
-----	-------	------------	--------------

STD | STD    8-D-3636    5431-127-0102

### Compressor End

Standard dimensions	O/D min	O/D max	Width min	Width max	I/Gap min	I/Gap max
Inches	0.3887	0.3987	0.0540	0.0550	0.0010	0.0050
Millimeters	9.87	10.13	1.37	1.40	0.03	0.13

O/D	Width	TI part no	OEM part no.
-----	-------	------------	--------------

STD | STD    8-D-3636    5431-127-0102

*Note: O/D is the outside diameter. I/Gap is the "installed gap". The O/D includes the installed gap  
Non-standard dimensions are quoted in inches. All piston rings are manufactured of "hi-temperature" material*



## Piston Ring - Borg Warner ( Schwitzer )

S1B

### Turbine End

Standard dimensions	O/D min	O/D max	Width min	Width max	I/Gap min	I/Gap max
Inches	0.6200	0.6300	0.0620	0.0630	0.0030	0.0080
Millimeters	15.75	16.00	1.57	1.60	0.08	0.20

O/D	Width	TI part no	OEM part no.
-----	-------	------------	--------------

STD	STD	8-C-1772	313783
-----	-----	----------	--------

### Compressor End

Standard dimensions	O/D min	O/D max	Width min	Width max	I/Gap min	I/Gap max
Inches	0.4350	0.4450	0.0450	0.0460	0.0030	0.0080
Millimeters	11.05	11.30	1.14	1.17	0.08	0.20

O/D	Width	TI part no	OEM part no.
-----	-------	------------	--------------

STD	STD	8-C-2982	311857
-----	-----	----------	--------

Note: O/D is the outside diameter. I/Gap is the "installed gap". The O/D includes the installed gap  
 Non-standard dimensions are quoted in inches. All piston rings are manufactured of "hi-temperature" material



# Piston Ring - Borg Warner ( Schwitzer )

S2A

S2B

S2D

S2E

## Turbine End - S2B & S2E

Standard dimensions	O/D min	O/D max	Width min	Width max	I/Gap min	I/Gap max
Inches	0.7550	0.7650	0.0620	0.0630	0.0010	0.0060
Millimeters	19.18	19.43	1.57	1.60	0.03	0.15

O/D	Width	TI part no	OEM part no.	Holset part no.
STD	STD	8-C-1682	186135	56754
STD	STD	8-C-2983	313861	
STD	0.010	8-C-1552		
STD	0.020	8-C-1553		
0.010	STD	8-C-1532		3524707
0.010	0.010	8-C-1683		
0.010	0.020	8-C-1684		

## Turbine End - S2A & S2D

Standard dimensions	O/D min	O/D max	Width min	Width max	I/Gap min	I/Gap max
Inches	0.7050	0.7150	0.0615	0.0625	0.0080	0.0150
Millimeters	17.91	18.16	1.56	1.59	0.20	0.38

O/D	Width	TI part no	OEM part no.
STD	STD	8-C-1748	186841
STD	0.010	8-C-2949	
STD	0.020	8-C-2950	
0.010	STD	8-C-2951	
0.010	0.010	8-C-2952	

## Compressor End

Standard dimensions	O/D min	O/D max	Width min	Width max	I/Gap min	I/Gap max
Inches	0.4950	0.5050	0.0620	0.0630	0.0030	0.0080
Millimeters	12.57	12.83	1.57	1.60	0.08	0.20

O/D	Width	TI part no	OEM part no.
STD	STD	8-C-1749	186842
STD	0.010	8-C-3111	
STD	0.020	8-C-3113	
0.010	STD	8-C-1770	
0.010	0.010	8-C-3112	
0.010	0.020	8-C-3114	

Note: O/D is the outside diameter. I/Gap is the "installed gap". The O/D includes the installed gap  
 Non-standard dimensions are quoted in inches. All piston rings are manufactured of "hi-temperature" material



# Piston Ring - Borg Warner ( Schwitzer )

## 3LD - step & smooth bore

### Turbine End - step bore

Standard dimensions	O/D min	O/D max	Width min	Width max	I/Gap min	I/Gap max
Inches	0.8800	0.8900	0.0620	0.0630	0.0020	0.0090
Millimeters	22.35	22.61	1.57	1.60	0.05	0.23

O/D	Width	TI part no	OEM part no.	Holset part no.
-----	-------	------------	--------------	-----------------

STD	STD	8-B-0387	146808	52195/3518579
STD	0.010	8-B-1668		
STD	0.020	8-B-1670		
0.010	STD	8-B-1574		3524706
0.010	0.010	8-B-1669		
0.010	0.020	8-B-1671		

### Turbine End - smooth bore

Standard dimensions	O/D min	O/D max	Width min	Width max	I/Gap min	I/Gap max
Inches	0.8700	0.8800	0.0620	0.0630	0.0020	0.0090
Millimeters	22.10	22.35	1.57	1.60	0.05	0.23

O/D	Width	TI part no	OEM part no.	Holset part no.
-----	-------	------------	--------------	-----------------

STD	STD	8-B-0391	125647/142114	52951/9516
STD	0.010	8-B-1662		
STD	0.020	8-B-1664		
0.010	STD	8-B-1661	146808	52195
0.010	0.010	8-B-1663		
0.010	0.020	8-B-1573		

### Compressor End

Standard dimensions	O/D min	O/D max	Width min	Width max	I/Gap min	I/Gap max
Inches	0.8700	0.8800	0.0620	0.0630	0.0020	0.0090
Millimeters	22.10	22.35	1.57	1.60	0.05	0.23

O/D	Width	TI part no	OEM part no.	Holset part no.
-----	-------	------------	--------------	-----------------

STD	STD	8-B-0391	125647/142114	52951/9516
STD	0.010	8-B-1662		
STD	0.020	8-B-1664		
0.010	STD	8-B-1661		3524708
0.010	0.010	8-B-1663		
0.010	0.020	8-B-1573		

Note: O/D is the outside diameter. I/Gap is the "installed gap". The O/D includes the installed gap  
 Non-standard dimensions are quoted in inches. All piston rings are manufactured of "hi-temperature" material



# Piston Ring - Borg Warner ( Schwitzer )

3LM

S76

S76A

## Turbine End

Standard dimensions	O/D min	O/D max	Width min	Width max	I/Gap min	I/Gap max
Inches	0.7550	0.7650	0.0625	0.0630	0.0010	0.0060
Millimeters	19.18	19.43	1.59	1.60	0.03	0.15

O/D	Width	TI part no	OEM part no.	Holset part no.
-----	-------	------------	--------------	-----------------

STD	STD	8-C-1682	186135	56754
STD	0.010	8-C-1552		
STD	0.020	8-C-1553		
0.010	STD	8-C-1532		3524707
0.010	0.010	8-C-1683		
0.010	0.020	8-C-1684		

## Compressor End

Standard dimensions	O/D min	O/D max	Width min	Width max	I/Gap min	I/Gap max
Inches	0.6200	0.6300	0.0620	0.0630	0.0050	0.0100
Millimeters	15.75	16.00	1.57	1.60	0.13	0.25

O/D	Width	TI part no	OEM part no.	Holset part no.
-----	-------	------------	--------------	-----------------

STD	STD	8-C-1649	310279	9764
STD	0.010	8-C-3097		
STD	0.020	8-C-3099		
0.010	STD	8-C-1681		
0.010	0.010	8-C-3098		
0.010	0.020	8-C-3100		

Note: O/D is the outside diameter. I/Gap is the "installed gap". The O/D includes the installed gap  
 Non-standard dimensions are quoted in inches. All piston rings are manufactured of "hi-temperature" material



# Piston Ring - Borg Warner ( Schwitzer )

S3

S3A

S3B

## Turbine End - S3, S3A & S3B

Standard dimensions	O/D min	O/D max	Width min	Width max	I/Gap min	I/Gap max
Inches	0.9900	1.0000	0.0620	0.0630	0.0030	0.0080
Millimeters	25.15	25.40	1.57	1.60	0.08	0.20

O/D	Width	TI part no	OEM part no.
-----	-------	------------	--------------

STD	STD	8-C-1726	194798
STD	0.010	8-C-3090	
STD	0.020	8-C-3092	
0.010	STD	8-C-2037	
0.010	0.010	8-C-3091	
0.010	0.020	8-C-3093	

## Turbine End - S3B

Standard dimensions	O/D min	O/D max	Width min	Width max	I/Gap min	I/Gap max
Inches	0.9950	1.0050	0.0770	0.0780	0.0030	0.0080
Millimeters	25.27	25.53	1.96	1.98	0.08	0.20

O/D	Width	TI part no	OEM part no.
-----	-------	------------	--------------

STD	STD	8-C-2984	316193
STD	0.010	8-C-3579	
0.010	STD	8-C-3987	
0.010	0.010	8-C-3988	

## Compressor End

Standard dimensions	O/D min	O/D max	Width min	Width max	I/Gap min	I/Gap max
Inches	0.6200	0.6300	0.0620	0.0630	0.0050	0.0100
Millimeters	15.75	16.00	1.57	1.60	0.13	0.25

O/D	Width	TI part no	OEM part no.	Holset part no.
-----	-------	------------	--------------	-----------------

STD	STD	8-C-1649	310279	9764
STD	0.010	8-C-3097		
STD	0.020	8-C-3099		
0.010	STD	8-C-1681		
0.010	0.010	8-C-3098		
0.010	0.020	8-C-3100		

Note: O/D is the outside diameter. I/Gap is the "installed gap". The O/D includes the installed gap  
 Non-standard dimensions are quoted in inches. All piston rings are manufactured of "hi-temperature" material





# Piston Ring - Borg Warner ( Schwitzer )

4B

4D

4HD

4HF

4MD

V4MD

V4HD

## Turbine & Compressor End

Standard dimensions	O/D min	O/D max	Width min	Width max	I/Gap min	I/Gap max
Inches	0.8700	0.8800	0.0620	0.0630	0.0020	0.0080
Millimeters	22.10	22.35	1.57	1.60	0.05	0.20

O/D	Width	TI part no	OEM part no.	Holset part no.
-----	-------	------------	--------------	-----------------

STD	STD	8-B-0391	125647/142114	52951/9516
STD	0.010	8-B-1662		
STD	0.020	8-B-1664		
0.010	STD	8-B-1661	146808	521995
0.010	0.010	8-B-1663		
0.010	0.020	8-B-1573		

Note: O/D is the outside diameter. I/Gap is the "installed gap". The O/D includes the installed gap  
 Non-standard dimensions are quoted in inches. All piston rings are manufactured of "hi-temperature" material



# Piston Ring - Borg Warner ( Schwitzer )

## 4L - step & smooth bore

### Turbine End - step bore

Standard dimensions			O/D min	O/D max	Width min	Width max	I/Gap min	I/Gap max
Inches			0.8800	0.8900	0.062	0.063	0.0020	0.0090
Millimeters			22.35	22.61	1.57	1.60	0.05	0.23
O/D	Width	TI part no	OEM part no.	Schwitzer part no.	OEM part no.	Schwitzer part no.		
STD	STD	8-B-0387	52195	135209	3518579	146808		
STD	0.010	8-B-1668						
STD	0.020	8-B-1670						
0.010	STD	8-B-1574	3524706					
0.010	0.010	8-B-1669						
0.010	0.020	8-B-1671						

### Turbine End - smooth bore

Standard dimensions			O/D min	O/D max	Width min	Width max	I/Gap min	I/Gap max
Inches			0.8700	0.8800	0.062	0.063	0.0020	0.0090
Millimeters			22.10	22.35	1.57	1.60	0.05	0.23
O/D	Width	TI part no	OEM part no.	Schwitzer part no.	OEM part no.	Schwitzer part no.		
STD	STD	8-B-0391	52951	125647	9516	142114		
STD	0.010	8-B-1662						
STD	0.020	8-B-1664						
0.010	STD	8-B-1661	52195	135209	3518579	146808		
0.010	0.010	8-B-1663						
0.010	0.020	8-B-1573						

### Compressor End - 0.750"/19.05mm bore design

Standard dimensions			O/D min	O/D max	Width min	Width max	I/Gap min	I/Gap max
Inches			0.7450	0.7550	0.062	0.063	0.0030	0.0080
Millimeters			18.92	19.18	1.57	1.60	0.08	0.20
O/D	Width	TI part no	OEM part no.	Schwitzer part no.				
STD	STD	8-B-0527	3521442	129577				
0.010	STD	8-B-1680						

### Compressor End - 0.875"/22.22mm bore design

Standard dimensions			O/D min	O/D max	Width min	Width max	I/Gap min	I/Gap max
Inches			0.8700	0.8800	0.062	0.063	0.0020	0.0070
Millimeters			22.10	22.35	1.57	1.60	0.05	0.18
O/D	Width	TI part no	OEM part no.	Schwitzer part no.	OEM part no.	Schwitzer part no.		
STD	STD	8-B-0391	52951	125647	9516	142114		
STD	0.010	8-B-1662						
STD	0.020	8-B-1664						
0.010	STD	8-B-1661	52195	135209	3518579	146808		
0.010	0.010	8-B-1663						
0.010	0.020	8-B-1573						

Note: O/D is the outside diameter. I/Gap is the "installed gap". The O/D includes the installed gap  
 Non-standard dimensions are quoted in inches. All piston rings are manufactured of "hi-temperature" material



## Piston Ring - Borg Warner ( Schwitzer )

S4

S4D

S4DW

S4T

### Turbine End

Standard dimensions	O/D min	O/D max	Width min	Width max	I/Gap min	I/Gap max
Inches	0.9950	1.0050	0.0620	0.0630	0.0020	0.0070
Millimeters	25.27	25.53	1.57	1.60	0.05	0.18

O/D	Width	TI part no	OEM part no.
STD	STD	8-C-1726	194798
STD	0.010	8-C-3090	
STD	0.020	8-C-3092	
0.010	STD	8-C-2037	
0.010	0.010	8-C-3091	
0.010	0.020	8-C-3093	

### Compressor End

Standard dimensions	O/D min	O/D max	Width min	Width max	I/Gap min	I/Gap max
Inches	0.8700	0.8800	0.0620	0.0630	0.0020	0.0080
Millimeters	22.10	22.35	1.57	1.60	0.05	0.20

O/D	Width	TI part no	OEM part no.
STD	STD	8-C-1351	310724
STD	STD	8-C-1351	125647
STD	0.010	8-C-3102	
STD	0.020	8-C-3104	
0.010	STD	8-C-1775	
0.010	0.010	8-C-3103	
0.010	0.020	8-C-3101	

Note: O/D is the outside diameter. I/Gap is the "installed gap". The O/D includes the installed gap  
 Non-standard dimensions are quoted in inches. All piston rings are manufactured of "hi-temperature" material



# Piston Ring - Borg Warner ( Schwitzer )

S81

## Turbine End

Standard dimensions	O/D min	O/D max	Width min	Width max	I/Gap min	I/Gap max
Inches	0.8800	0.8900	0.0620	0.0630	0.0020	0.0090
Millimeters	22.35	22.61	1.57	1.60	0.05	0.23

O/D	Width	TI part no	OEM part no.	Holset part no.
-----	-------	------------	--------------	-----------------

STD	STD	8-B-0387	146808	52195/3518579
STD	0.010	8-B-1668		
STD	0.020	8-B-1670		
0.010	STD	8-B-1574		3524706
0.010	0.010	8-B-1669		
0.010	0.020	8-B-1671		

## Compressor End

Standard dimensions	O/D min	O/D max	Width min	Width max	I/Gap min	I/Gap max
Inches	0.6200	0.6300	0.0620	0.0630	0.0050	0.0100
Millimeters	15.75	16.00	1.57	1.60	0.13	0.25

O/D	Width	TI part no	OEM part no.	Holset part no.
-----	-------	------------	--------------	-----------------

STD	STD	8-C-1649	310279	9764
STD	0.010	8-C-3097		
STD	0.020	8-C-3099		
0.010	STD	8-C-1681		
0.010	0.010	8-C-3098		
0.010	0.020	8-C-3100		

Note: O/D is the outside diameter. I/Gap is the "installed gap". The O/D includes the installed gap  
 Non-standard dimensions are quoted in inches. All piston rings are manufactured of "hi-temperature" material



## Piston Ring - Borg Warner ( Schwitzer )

S200

### Turbine End

Standard dimensions	O/D min	O/D max	Width min	Width max	I/Gap min	I/Gap max
Inches	0.7800	0.7900	0.0570	0.0580	0.0030	0.0080
Millimeters	19.81	20.07	1.45	1.47	0.08	0.20

O/D	Width	TI part no	OEM part no.
-----	-------	------------	--------------

STD	STD	8-C-2992	315534
10	STD	8-C-3955	
10	20	8-C-3956	

### Compressor End

Standard dimensions	O/D min	O/D max	Width min	Width max	I/Gap min	I/Gap max
Inches	0.6200	0.6300	0.0580	0.0590	0.0030	0.0080
Millimeters	15.75	16.00	1.47	1.50	0.08	0.20

O/D	Width	TI part no	OEM part no.
-----	-------	------------	--------------

STD	STD	8-C-2990	167747
-----	-----	----------	--------

Note: O/D is the outside diameter. I/Gap is the "installed gap". The O/D includes the installed gap  
 Non-standard dimensions are quoted in inches. All piston rings are manufactured of "hi-temperature" material



# Piston Ring - Borg Warner ( Schwitzer )

S300

## Turbine End

Standard dimensions	O/D min	O/D max	Width min	Width max	I/Gap min	I/Gap max
Inches	0.8600	0.8700	0.0770	0.0780	0.0030	0.0080
Millimeters	21.84	22.10	1.96	1.98	0.08	0.20

O/D	Width	TI part no	OEM part no.
STD	STD	8-C-2993	315535
STD	0.010	8-C-3724	
0.010	STD	8-C-3725	
0.010	0.010	8-C-3726	
0.010	0.020	8-C-3727	

## Compressor End

Standard dimensions	O/D min	O/D max	Width min	Width max	I/Gap min	I/Gap max
Inches	0.7050	0.7150	0.0615	0.0625	0.0030	0.0080
Millimeters	17.91	18.16	1.56	1.59	0.08	0.20

O/D	Width	TI part no	OEM part no.
STD	STD	8-C-3477	186841
STD	0.010	8-C-3973	
STD	0.020	8-C-3974	
0.010	STD	8-C-3975	
0.010	0.010	8-C-3976	
0.010	0.020	8-C-3977	

Note: O/D is the outside diameter. I/Gap is the "installed gap". The O/D includes the installed gap  
 Non-standard dimensions are quoted in inches. All piston rings are manufactured of "hi-temperature" material



# Piston Ring - Borg Warner ( Schwitzer )

## S400

Turbine End

Standard dimensions	O/D min	O/D max	Width min	Width max	I/Gap min	I/Gap max
Inches	0.8800	0.8900	0.0580	0.0590	0.0030	0.0080
Millimeters	22.35	22.61	1.47	1.50	0.08	0.20

O/D	Width	TI part no.	OEM part no.
-----	-------	-------------	--------------

STD | STD | 8-C-3504 | 317569

## S410

Turbine End

Standard dimensions	O/D min	O/D max	Width min	Width max	I/Gap min	I/Gap max
Inches	1.0200	1.0300	0.0770	0.0780	0.0030	0.0080
Millimeters	25.91	26.16	1.96	1.98	0.08	0.20

O/D	Width	TI part no.	OEM part no.
-----	-------	-------------	--------------

STD | STD | 8-C-3497 | 315536

## S400 & S410

Compressor End

Standard dimensions	O/D min	O/D max	Width min	Width max	I/Gap min	I/Gap max
Inches	0.8600	0.8700	0.0780	0.0790	0.0030	0.0080
Millimeters	21.84	22.10	1.98	2.01	0.08	0.20

O/D	Width	TI part no.	OEM part no.
-----	-------	-------------	--------------

STD | STD | 8-C-3500 | 317324

Note: O/D is the outside diameter. I/Gap is the "installed gap". The O/D includes the installed gap  
 Non-standard dimensions are quoted in inches. All piston rings are manufactured of "hi-temperature" material



# Piston Ring - Borg Warner ( Schwitzer )

S500

## Turbine End

Standard dimensions	O/D min	O/D max	Width min	Width max	I/Gap min	I/Gap max
Inches	1.1750	1.1850	0.0970	0.0980	0.0030	0.0080
Millimeters	29.85	30.10	2.46	2.49	0.08	0.20

O/D	Width	TI part no	OEM part no.
-----	-------	------------	--------------

STD | STD 8-C-3742 315537

## Turbine End

Standard dimensions	O/D min	O/D max	Width min	Width max	I/Gap min	I/Gap max
Inches	1.1750	1.1850	0.0780	0.0790	0.0030	0.0080
Millimeters	29.85	30.10	1.98	2.01	0.08	0.20

O/D	Width	TI part no	OEM part no.
-----	-------	------------	--------------

STD | STD 8-C-3743 171519

## Compressor End

Standard dimensions	O/D min	O/D max	Width min	Width max	I/Gap min	I/Gap max
Inches	1.0200	1.0300	0.0780	0.0790	0.0030	0.0080
Millimeters	25.91	26.16	1.98	2.01	0.08	0.20

O/D	Width	TI part no	OEM part no.
-----	-------	------------	--------------

STD | STD 8-C-2996 167782

Note: O/D is the outside diameter. I/Gap is the "installed gap". The O/D includes the installed gap  
 Non-standard dimensions are quoted in inches. All piston rings are manufactured of "hi-temperature" material





# Piston Ring - Cummins

T46

ST50

VT50

## Turbine End

Standard dimensions	O/D min	O/D max	Width min	Width max	I/Gap min	I/Gap max
Inches	1.2700	1.2800	0.1230	0.1240	0.0050	0.0190
Millimeters	32.26	32.51	3.12	3.15	0.13	0.48

O/D	Width	TI part no	Cummins part no.	Schwitzer part no.
-----	-------	------------	------------------	--------------------

STD	STD	8-H-3706	150033	188559	<b>STEP GAP DESIGN</b>
STD	0.025	8-H-1512	150534		
0.010	0.010	8-H-1518	150933		
0.010	0.025	8-H-1513	150834		

## Compressor End

Standard dimensions	O/D min	O/D max	Width min	Width max	I/Gap min	I/Gap max
Inches	0.9940	1.0040	0.1225	0.1245	0.0050	0.0300
Millimeters	25.25	25.50	3.11	3.16	0.13	0.76

O/D	Width	TI part no	Cummins part no.	Schwitzer part no.
-----	-------	------------	------------------	--------------------

STD	STD	8-H-3705	150032	311883	<b>STEP GAP DESIGN</b>
0.010	STD	8-H-1600	150532		

*Note: O/D is the outside diameter. I/Gap is the "installed gap". The O/D includes the installed gap  
 Non-standard dimensions are quoted in inches. All piston rings are manufactured of "hi-temperature" material  
 The standard dimension turbine & compressor end rings have the "step gap" design.  
 All over-sizes are "plain end" design.*



# Piston Ring - Hitachi

HT-10

HT-12

Turbine End

Standard dimensions	O/D min	O/D max	Width min	Width max	I/Gap min	I/Gap max
Inches	0.6092	0.6192	0.0650	0.0660	0.0020	0.0080
Millimeters	15.47	15.73	1.65	1.68	0.05	0.20

O/D	Width	TI part no
STD	STD	8-K-1003

Compressor End

Standard dimensions	O/D min	O/D max	Width min	Width max	I/Gap min	I/Gap max
Inches	0.4950	0.5050	0.0630	0.0640	0.0030	0.0080
Millimeters	12.57	12.83	1.60	1.63	0.08	0.20

O/D	Width	TI part no
STD	STD	8-K-1233

HT18-2S

Turbine End

Standard dimensions	O/D min	O/D max	Width min	Width max	I/Gap min	I/Gap max
Inches	0.7050	0.7150	0.0619	0.0625	0.0080	0.0150
Millimeters	17.91	18.16	1.57	1.59	0.20	0.38

O/D	Width	TI part no
STD	STD	8-K-2961
STD	0.010	8-K-2975
STD	0.020	8-K-2976
0.010	STD	8-K-2977
0.010	0.010	8-K-2978
0.010	0.020	8-K-2979

Note: O/D is the outside diameter. I/Gap is the "installed gap". The O/D includes the installed gap  
 Non-standard dimensions are quoted in inches. All piston rings are manufactured of "hi-temperature" material



## Piston Ring - Komatsu

### KTR110A

Standard dimensions	O/D min	O/D max	Width min	Width max	I/Gap min	I/Gap max
Inches	0.9620	0.9720	0.0745	0.0755	0.0010	0.0060
Millimeters	24.43	24.69	1.89	1.92	0.03	0.15

O/D	Width	TI part no.	OEM part no.
STD	STD	8-L-2248	6505-11-0310

#### Compressor End

Standard dimensions	O/D min	O/D max	Width min	Width max	I/Gap min	I/Gap max
Inches	0.7050	0.7150	0.0600	0.0610	0.0010	0.0060
Millimeters	17.91	18.16	1.52	1.55	0.03	0.15

O/D	Width	TI part no.	OEM part no.
STD	STD	8-L-2249	6505-11-0350

#### Turbine End

### KTR110G

Standard dimensions	O/D min	O/D max	Width min	Width max	I/Gap min	I/Gap max
Inches	1.0400	1.0500	0.0865	0.0875	0.0010	0.0030
Millimeters	26.42	26.67	2.20	2.22	0.03	0.08

O/D	Width	TI part no.	OEM part no.
STD	STD	8-L-2265	6505-51-0310

#### Turbine End

Standard dimensions	O/D min	O/D max	Width min	Width max	I/Gap min	I/Gap max
Inches	0.7850	0.7950	0.0745	0.0755	0.0010	0.0060
Millimeters	19.94	20.19	1.89	1.92	0.03	0.15

O/D	Width	TI part no.	OEM part no.
STD	STD	8-L-2266	6505-51-0351

#### Turbine End

### KTR130

Standard dimensions	O/D min	O/D max	Width min	Width max	I/Gap min	I/Gap max
Inches	1.1760	1.1860	0.1135	0.1145	0.0010	0.0060
Millimeters	29.87	30.12	2.88	2.91	0.03	0.15

O/D	Width	TI part no.	OEM part no.
STD	STD	8-L-2256	6502-12-1340

#### Compressor End

Standard dimensions	O/D min	O/D max	Width min	Width max	I/Gap min	I/Gap max
Inches	1.1760	1.1860	0.1135	0.1145	0.0010	0.0060
Millimeters	29.87	30.12	2.88	2.91	0.03	0.15

O/D	Width	TI part no.	OEM part no.
STD	STD	8-L-2256	6502-12-1340

<sup>9</sup> O/D is the outside diameter. I/Gap is the "installed gap". The O/D includes the installed gap

Non-standard dimensions are quoted in inches. All piston rings are manufactured of "hi-temperature" material



This page has been intentionally left blank



# GASKET INDEX

Oil Inlet Page no. | Oil Outlet Page no. | T/inlet Page no. | T/Outlet Page no. | Miscellaneous Page no.

## GARRETT

T3/T4	4	T3/T4	22	T2/T25	24	T4	33-35	T3 Brg.hsg/C.hsg.	40
T12	6 & 8	TEO6	15	T3/T4	25,28,29				
TO6	5			TV80	26				
				T18	27				
				TP38	30				
				TV81	31				

## HOLSET

3LD	6 & 8	H1C/D/E,H2A	22	4L	26			H2C Comp.Hsg	41
		WH1C/E,HX40W	22	H2D	26			H2B/C Oil inlet/outlet	8
		4LE/HT3B	22						
		3LD	21						

## MITSUBISHI

		TDO2/TD025	14					TDO2 Comp.Hsg.	39
		TCO4/TDO4	12					TDO7S oil inlet/outlet	9
		TDO7S							

## IHI

RHB7/RHC	3	RHB5	17						
		RHB6/RHC6	16						
		RHB7/RHC7	18						

## TOYOTA

CT20/CT26	11							CT20/26 Air Inlet	36
								CT20/26 Water Inlet	37

## BORG-WARNER - KKK

3LD	10	K26/K27	19						
K26/K27	13	4LE	23						
		3LD	21						

## BORG-WARNER - SCHWITZER

S2A	7	S3B	20	S2A	32			3LM Brg.hsg	38
3LD	10	S1A, S1B	22	S100	32				
S3A	10	S2A, S100	22						
		4LE	23						
		3LD	21						



## GASKET KITS

TI Kit no.	Turbo Model	Oil Inlet	Oil Outlet	Turbine Inlet	Turbine Outlet	Oil Inlet /Outlet	Miscellaneous
---------------	----------------	--------------	---------------	------------------	-------------------	----------------------	---------------

### GARRETT

7-A-0356	TO4B	✓	✓	✓	-	-	-
7-A-1278	T3	✓	✓	✓	✓	-	-
7-A-0930	T3, T4	✓	✓	✓	-	-	-
7-A-1381	TV61/77	✓	✓	✓	-	-	-
7-A-1430	TO4B	✓	✓	✓	-	-	-
7-A-2230	TP38	O ring	O ring	✓	-	-	-
7-A-2233	TP38	✓	✓	✓	-	-	-
7-A-2922	TEO6	✓	✓	✓	-	-	-

### HOLSET

7-A-2925	H2C	✓	✓ x 2	✓	-	✓	-
7-B-2235	H2B/C	✓	✓ x 2	✓	-	✓	-
	HX50						
7-B-2379	3LD	✓	✓	✓	-	-	-
7-B-2924	H2A	✓	✓ x 2	✓	-	✓	O ring x1
7-B-2926	4LE	✓	✓ x 2	✓	-	✓	O ring x1
7-B-2927	H1C	✓	✓	-	-	✓	-
7-B-2928	H2C	✓	✓ x 2	-	-	-	-
7-B-2929	H1A	✓	✓ x 3	✓	-	✓	-
7-B-2930	H2C	✓	✓ x 3	✓	-	✓	-

### BORG WARNER - SCHWITZER

7-C-3197	S4T	✓ x 2	✓ x 4	✓	-	✓	-
7-C-3198	S300	✓	✓ x 3	✓	-	-	-
7-C-3199	S2B	✓	✓ x 3	✓	-	-	-
7-C-3200	S1A,S1B,	✓ x 2	✓ x 2	✓ x 2	-	-	-
	S2A,S100						

### TOYOTA

7-G-0989	CT20/26	1 each air outlet & oil inlet /outlet, 2 x water jacket					
----------	---------	---	--	--	--	--	--

# GASKET



LOCATION: OIL INLET

MATERIAL: FIBER

SCALE: 1:1

TI Part No. 8-F-1769

APPLICATIONS:

GARRETT

HOLSET

MITSUBISHI

IHI

TOYOTA

RHB7, RHC7

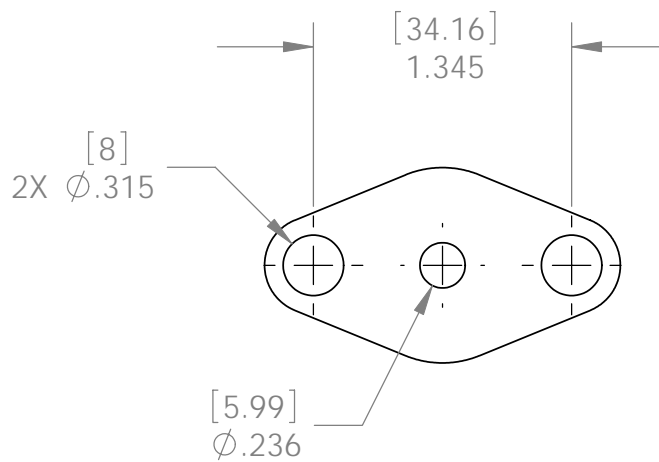
BORG WARNER - KKK

BORG WARNER - SCHWITZER

ROTOMASTER/CUMMINS

HITACHI

KOMATSU



# GASKET



LOCATION: OIL INLET

MATERIAL: FIBER

SCALE: 1:1

TI Part No. 8-A-0062

APPLICATIONS:

GARRETT T04B

HOLSET

MITSUBISHI

IHI

TOYOTA

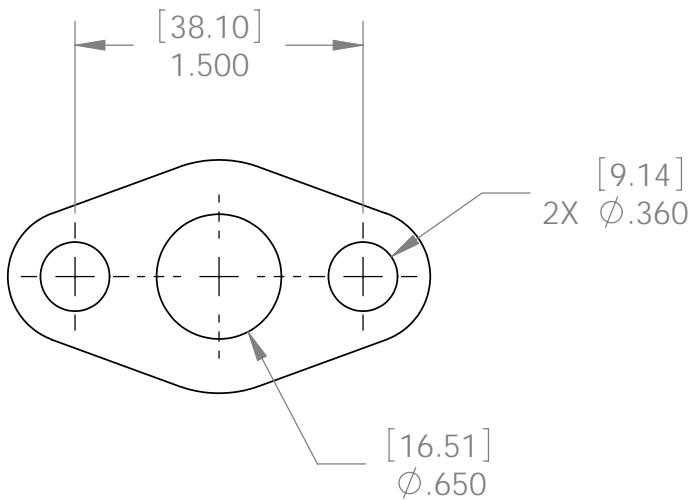
BORG WARNER - KKK

BORG WARNER - SCHWITZER

ROTOMASTER/CUMMINS

HITACHI

KOMATSU





# GASKET



LOCATION: OIL INLET

MATERIAL: FIBER

SCALE: 1:1

TI Part No. 8-A-0751

APPLICATIONS:

GARRETT T06

BORG WARNER - KKK

HOLSET

BORG WARNER - SCHWITZER

MITSUBISHI

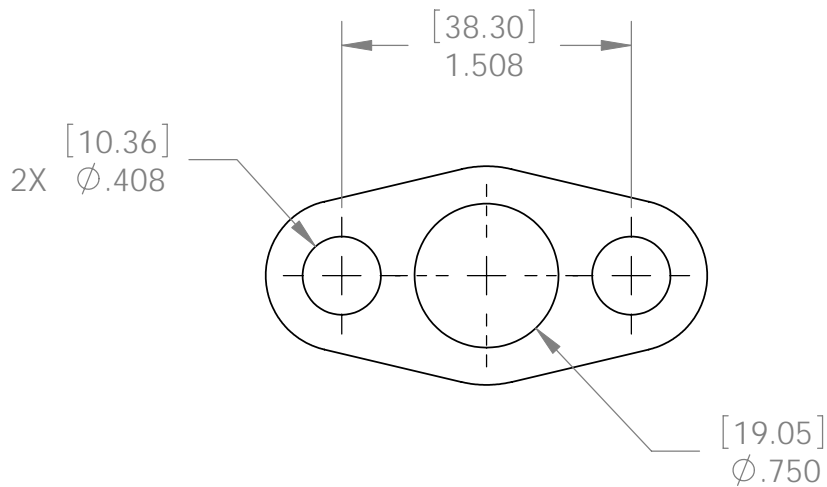
ROTOMASTER/CUMMINS

IHI

HITACHI

TOYOTA

KOMATSU



# GASKET



LOCATION: OIL INLET

MATERIAL: FIBER

SCALE: 1:1

TI Part No. 8-A-0696

APPLICATIONS:

GARRETT T12

BORG WARNER - KKK

HOLSET 3LD

BORG WARNER - SCHWITZER

MITSUBISHI

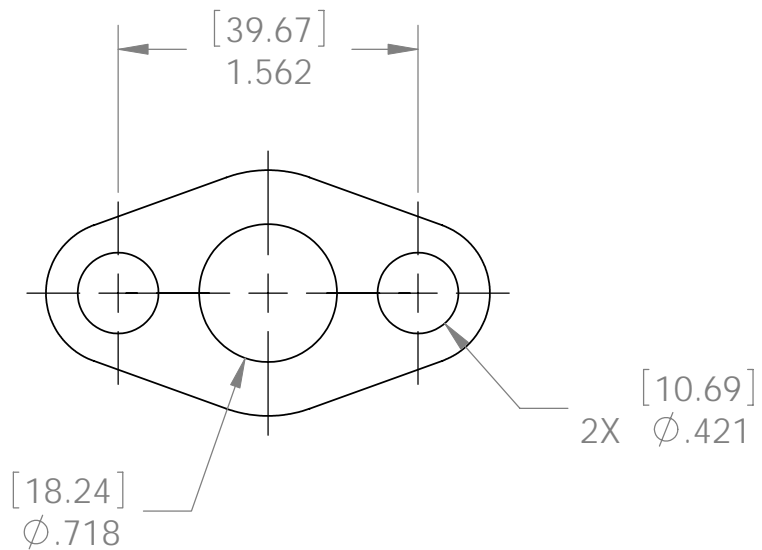
ROTOMASTER/CUMMINS

IHI

HITACHI

TOYOTA

KOMATSU



# GASKET



LOCATION: OIL INLET

MATERIAL: FIBER

SCALE: 1:1

TI Part No. 8-C-1350

APPLICATIONS:

GARRETT

HOLSET

MITSUBISHI

IHI

TOYOTA

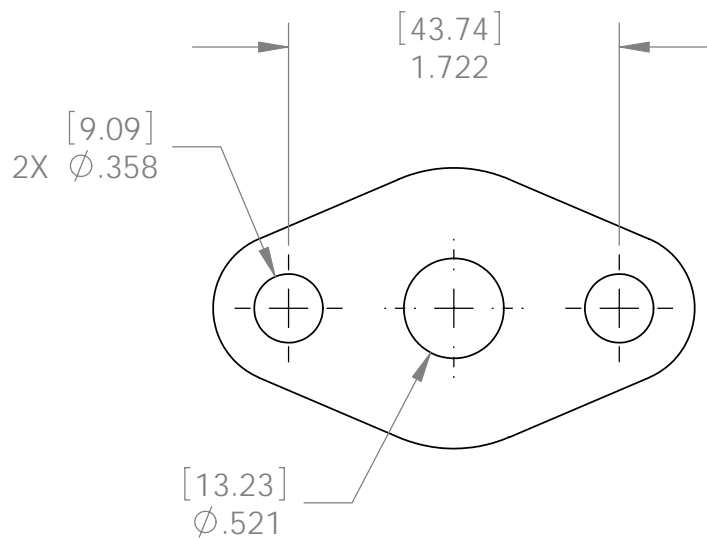
BORG WARNER - KKK

BORG WARNER - SCHWITZER S2A

ROTOMASTER/CUMMINS

HITACHI

KOMATSU



# GASKET



LOCATION: OIL INLET/OUTLET

MATERIAL: FIBER

SCALE: 1:1

TI Part No. 8-B-3506

APPLICATIONS:

GARRETT H2B, H2C

BORG WARNER - KKK

HOLSET

BORG WARNER - SCHWITZER

MITSUBISHI

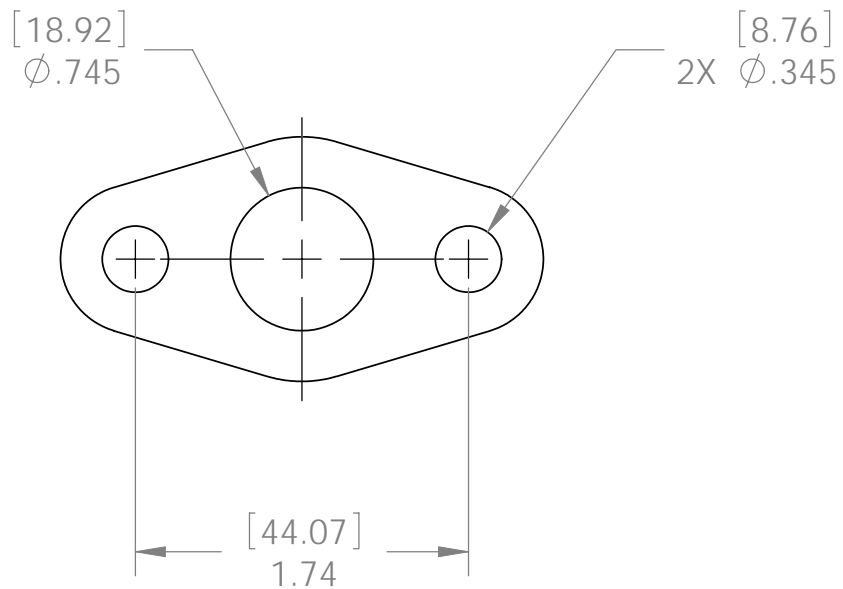
ROTOMASTER/CUMMINS

IHI

HITACHI

TOYOTA

KOMATSU



# GASKET



LOCATION: OIL INLET/OUTLET

MATERIAL: FIBER

SCALE: 1:1

TI Part No. 8-E-2834

APPLICATIONS:

GARRETT

HOLSET

MITSUBISHI TD07S

IHI

TOYOTA

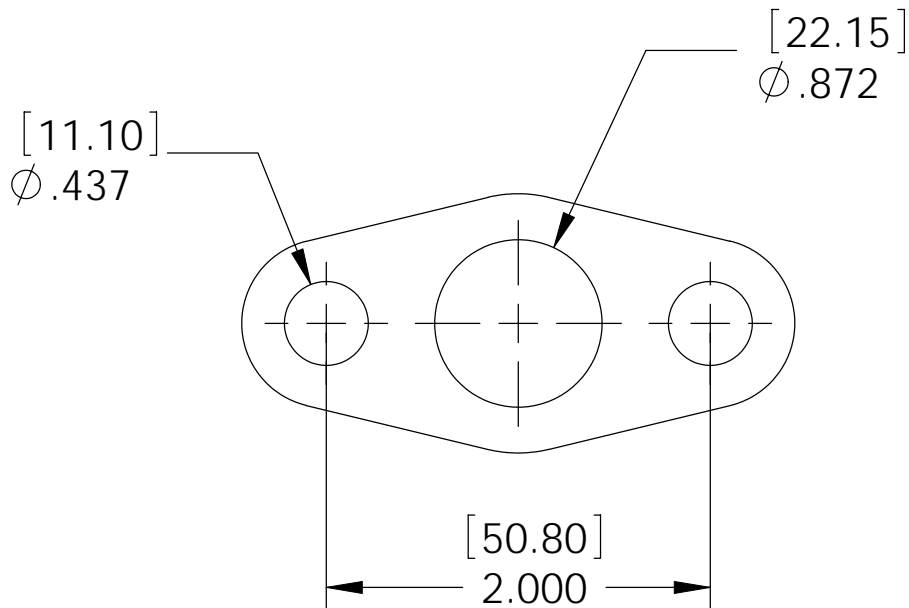
BORG WARNER - KKK

BORG WARNER - SCHWITZER

ROTOMASTER/CUMMINS

HITACHI

KOMATSU



# GASKET



LOCATION: OIL INLET

MATERIAL: FIBER

SCALE: 1:1

TI Part No. 8-A-0697

APPLICATIONS:

GARRETT T12

BORG WARNER - KKK

3LD

HOLSET 3LD

BORG WARNER - SCHWITZER

3LD, 3LKS

MITSUBISHI

ROTOMASTER/CUMMINS

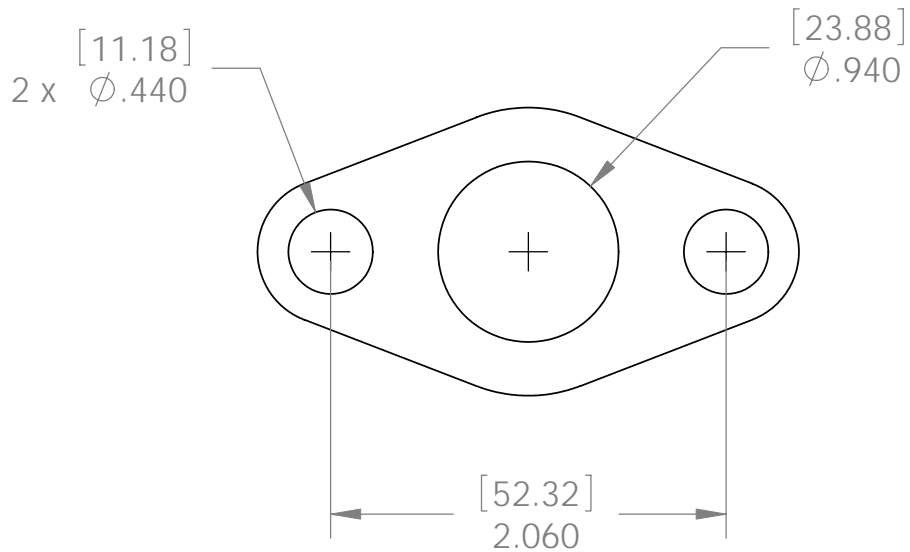
S3A

IHI

HITACHI

TOYOTA

KOMATSU



# GASKET



LOCATION: OIL INLET

MATERIAL: FIBER

SCALE: 1:1

TI Part No. 8-G-0743

APPLICATIONS:

GARRETT

BORG WARNER - KKK

HOLSET

BORG WARNER - SCHWITZER

MITSUBISHI

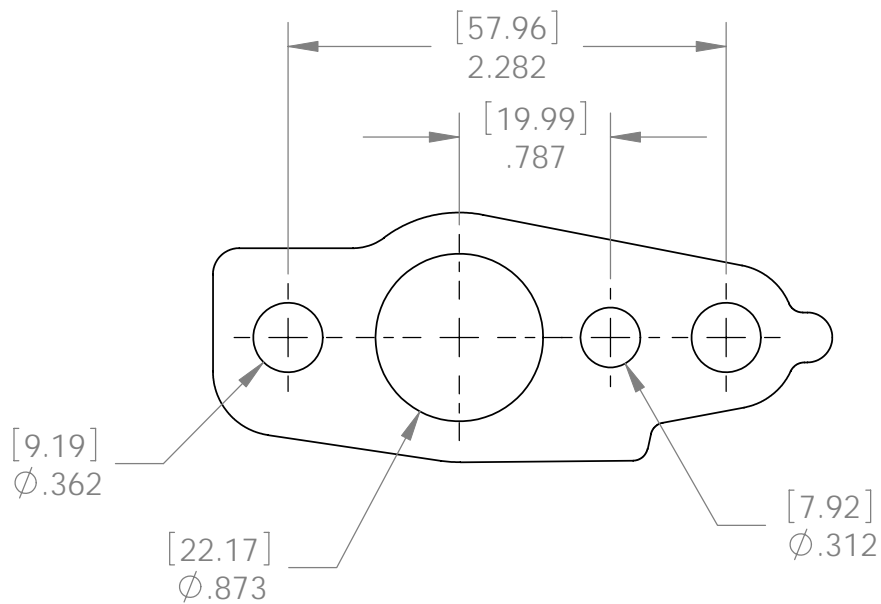
ROTOMASTER/CUMMINS

IHI

HITACHI

TOYOTA CT20, CT26

KOMATSU



# GASKET



LOCATION: OIL OUTLET

MATERIAL: FIBER

SCALE: 1:1

TI Part No. 8-E-1243

APPLICATIONS:

GARRETT

HOLSET

MITSUBISHI TC04, TD04

IHI

TOYOTA

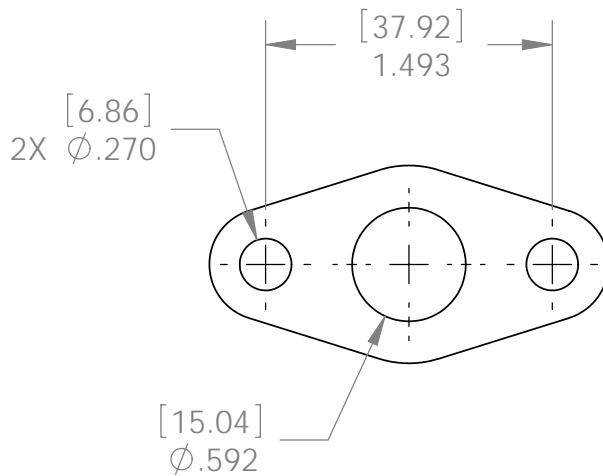
BORG WARNER - KKK

BORG WARNER - SCHWITZER

ROTOMASTER/CUMMINS

HITACHI

KOMATSU





# GASKET



LOCATION: OIL INLET

MATERIAL: FIBER

SCALE: 1:1

TI Part No. 8-D-3088

APPLICATIONS:

GARRETT

BORG WARNER - KKK

K26, K27

HOLSET

BORG WARNER - SCHWITZER

MITSUBISHI

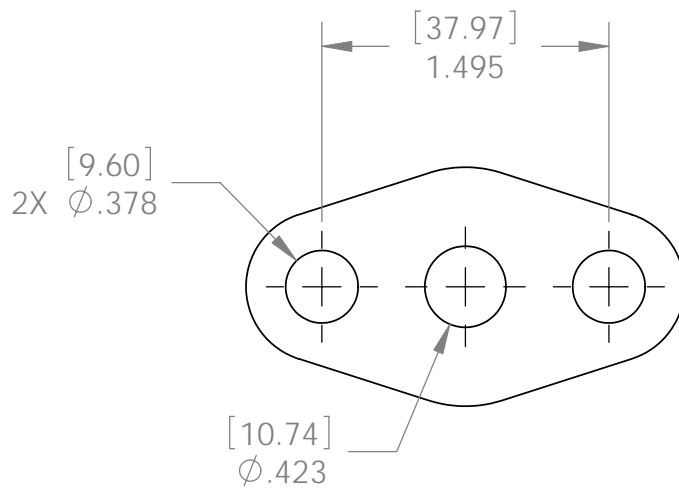
ROTOMASTER/CUMMINS

IHI

HITACHI

TOYOTA

KOMATSU



# GASKET



LOCATION: OIL OUTLET

MATERIAL: FIBER

SCALE: 1:1

TI Part No. 8-E-2786

APPLICATIONS:

GARRETT

HOLSET

MITSUBISHI TD02, TD025

IHI

TOYOTA

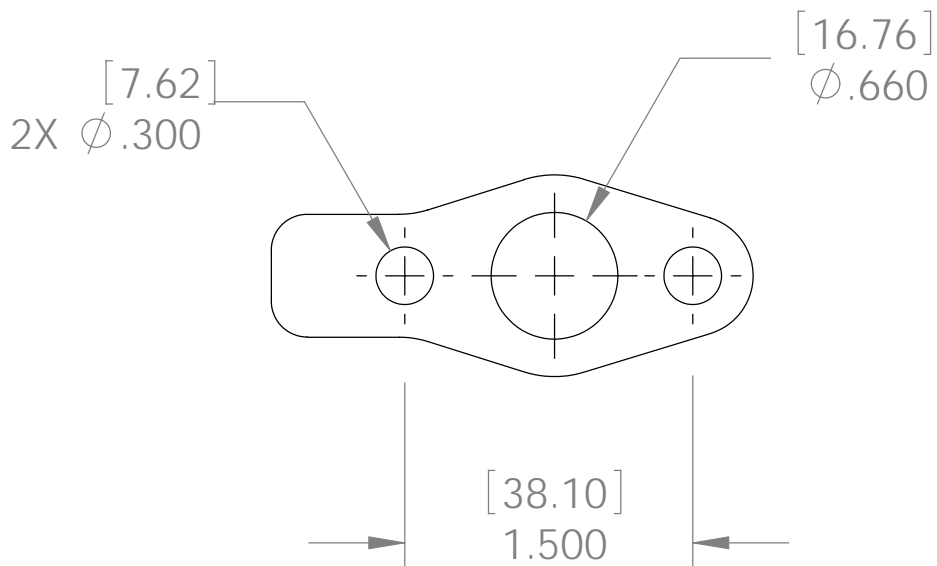
BORG WARNER - KKK

BORG WARNER - SCHWITZER

ROTOMASTER/CUMMINS

HITACHI

KOMATSU



# GASKET



LOCATION: OIL OUTLET

MATERIAL: FIBER

SCALE: 1:1

TI Part No. 8-A-3476

APPLICATIONS:

GARRETT TE06

HOLSET

MITSUBISHI

IHI

TOYOTA

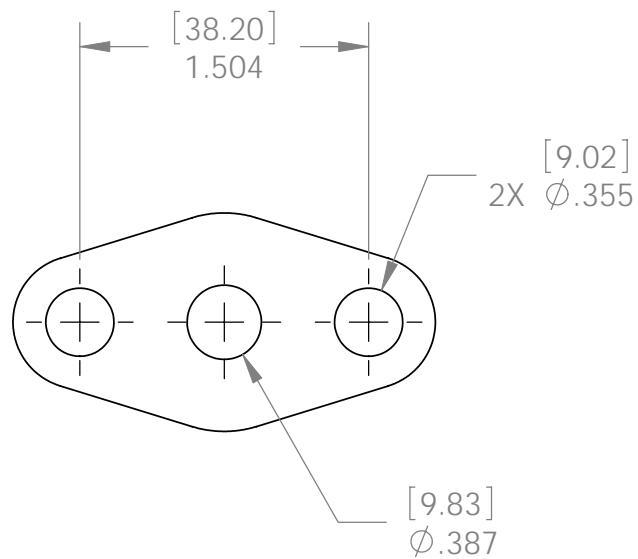
BORG WARNER - KKK

BORG WARNER - SCHWITZER

ROTOMASTER/CUMMINS

HITACHI

KOMATSU



# GASKET



LOCATION: OIL OUTLET

MATERIAL: FIBER

SCALE: 1:1

TI Part No. 8-F-1767

APPLICATIONS:

GARRETT

HOLSET

MITSUBISHI

IHI

TOYOTA

RHB6, RCH6

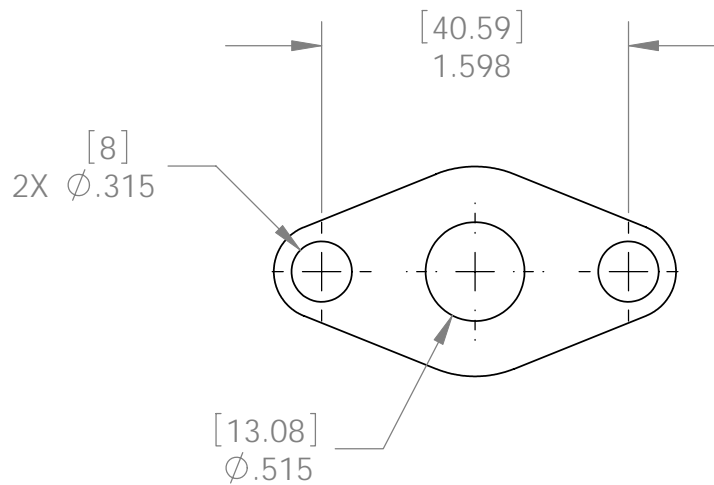
BORG WARNER - KKK

BORG WARNER - SCHWITZER

ROTOMASTER/CUMMINS

HITACHI

KOMATSU



# GASKET



LOCATION: OIL OUTLET

MATERIAL: FIBER

SCALE: 1:1

TI Part No. 8-F-1215

APPLICATIONS:

GARRETT

HOLSET

MITSUBISHI

IHI

TOYOTA

RHB5

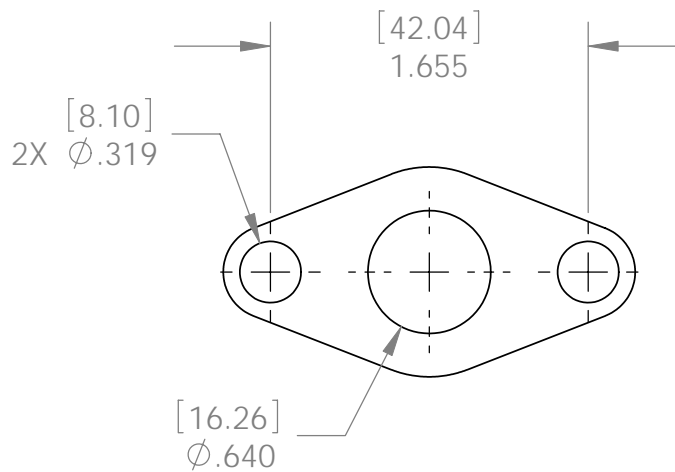
BORG WARNER - KKK

BORG WARNER - SCHWITZER

ROTOMASTER/CUMMINS

HITACHI

KOMATSU



# GASKET



LOCATION: OIL OUTLET

MATERIAL: FIBER

SCALE: 1:1

TI Part No. 8-F-1768

APPLICATIONS:

GARRETT

BORG WARNER - KKK

HOLSET

BORG WARNER - SCHWITZER

MITSUBISHI

ROTOMASTER/CUMMINS

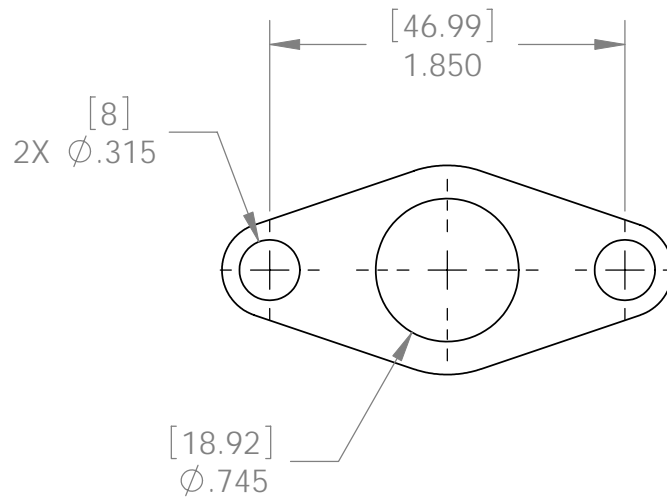
IHI

RHB7, RHC7

HITACHI

TOYOTA

KOMATSU



# GASKET



LOCATION: OIL OUTLET

MATERIAL: FIBER

SCALE: 1:1

TI Part No. 8-D-3096

APPLICATIONS:

GARRETT

BORG WARNER - KKK

K26/K27

HOLSET

BORG WARNER - SCHWITZER

MITSUBISHI

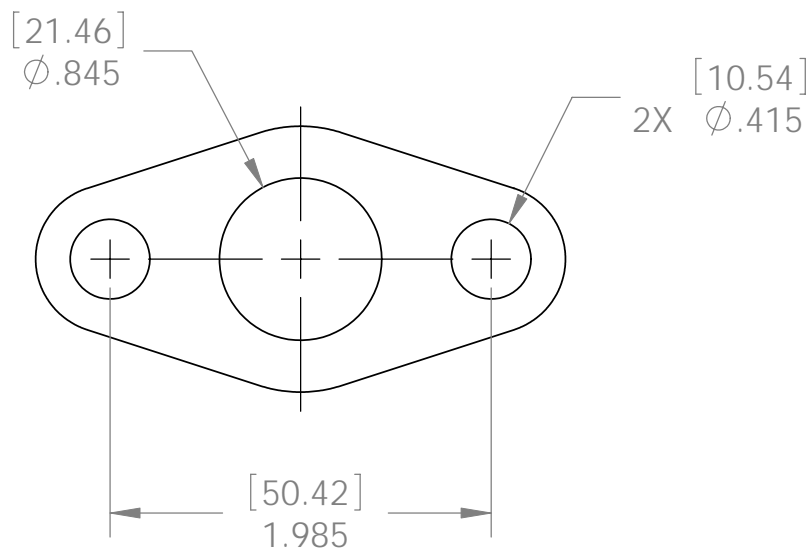
ROTOMASTER/CUMMINS

IHI

HITACHI

TOYOTA

KOMATSU



# GASKET



LOCATION: OIL OUTLET

MATERIAL: FIBER

SCALE: 1:1

TI Part No. 8-C-1725

APPLICATIONS:

GARRETT

BORG WARNER - KKK

S3B

HOLSET

BORG WARNER - SCHWITZER

MITSUBISHI

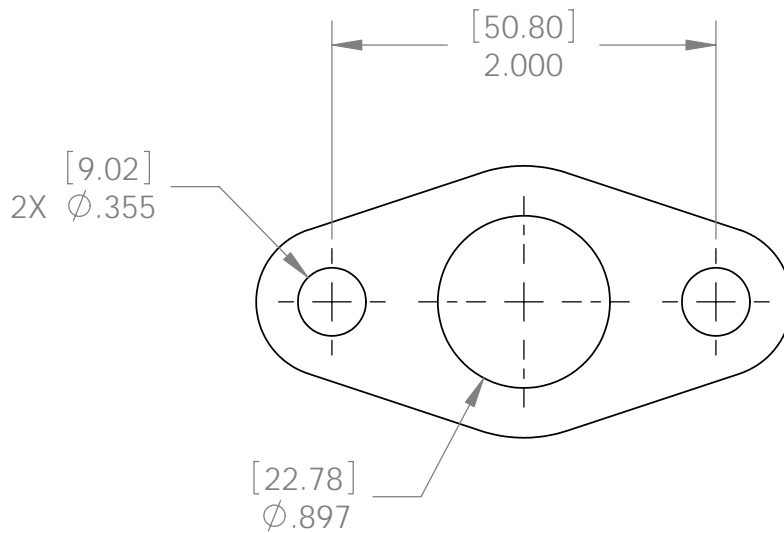
ROTOMASTER/CUMMINS

IHI

HITACHI

TOYOTA

KOMATSU





# GASKET



LOCATION: OIL OUTLET

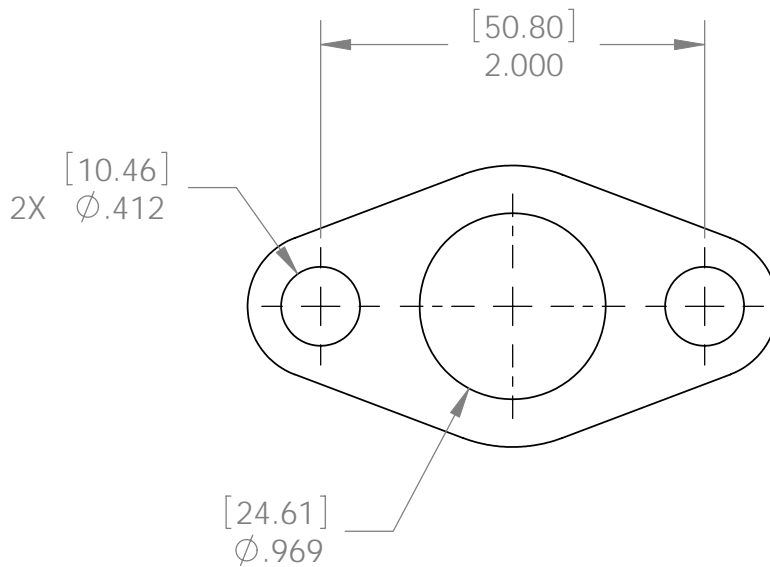
MATERIAL: FIBER

SCALE: 1:1

TI Part No. 8-B-0094

APPLICATIONS:

GARRETT		BORG WARNER - KKK	3LD
HOLSET	3LD	BORG WARNER - SCHWITZER	3LD
MITSUBISHI		ROTOMASTER/CUMMINS	
IHI		HITACHI	
TOYOTA		KOMATSU	



# GASKET



LOCATION: OIL OUTLET

MATERIAL: FIBER

SCALE: 1:1

TI Part No. 8-A-0270

APPLICATIONS:

GARRETT T04B

BORG WARNER - KKK

HOLSET H1C,D,E, H2A, WH1C,E, HX40W

BORG WARNER - SCHWITZER

S1A, S1B

MITSUBISHI

ROTOMASTER/CUMMINS

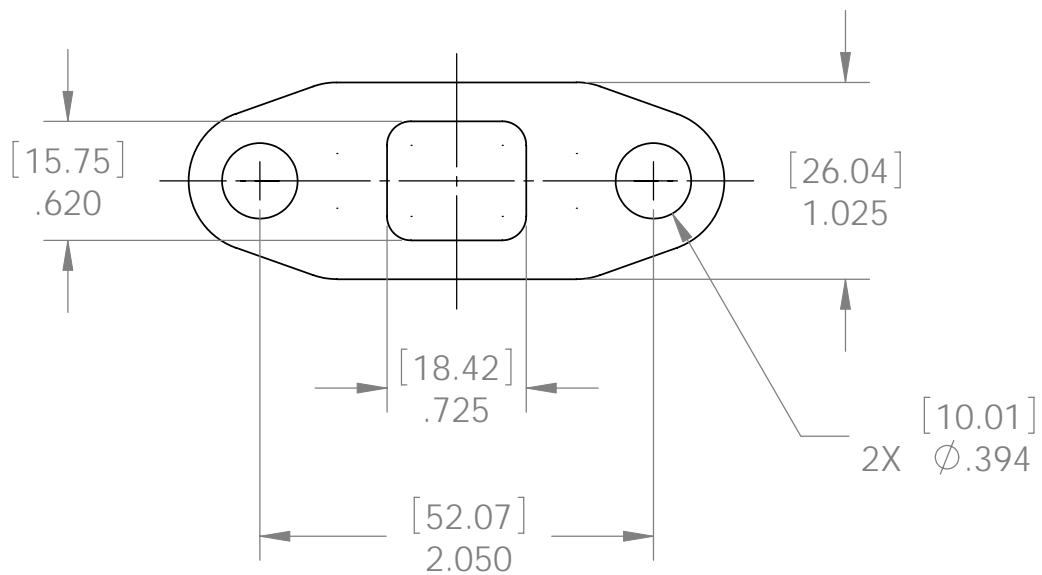
S2A, S100

IHI

HITACHI

TOYOTA

KOMATSU



# GASKET



LOCATION: OIL OUTLET

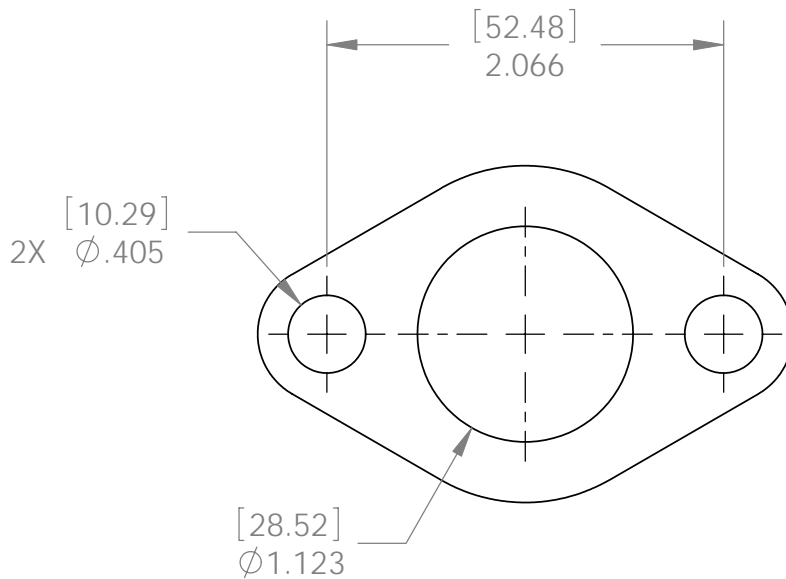
MATERIAL: FIBER

SCALE: 1:1

TI Part No. 8-B-3119

APPLICATIONS:

GARRETT		BORG WARNER - KKK	4LE
HOLSET	4LE/HT3B	BORG WARNER - SCHWITZER	4LE
MITSUBISHI		ROTOMASTER/CUMMINS	
IHI		HITACHI	
TOYOTA		KOMATSU	



# GASKET



LOCATION: TURBINE INLET

MATERIAL: 304 SS

SCALE: 1:1

TI Part No. 8-A-3208

APPLICATIONS:

GARRETT T2/T25

BORG WARNER - KKK

HOLSET

BORG WARNER - SCHWITZER

MITSUBISHI

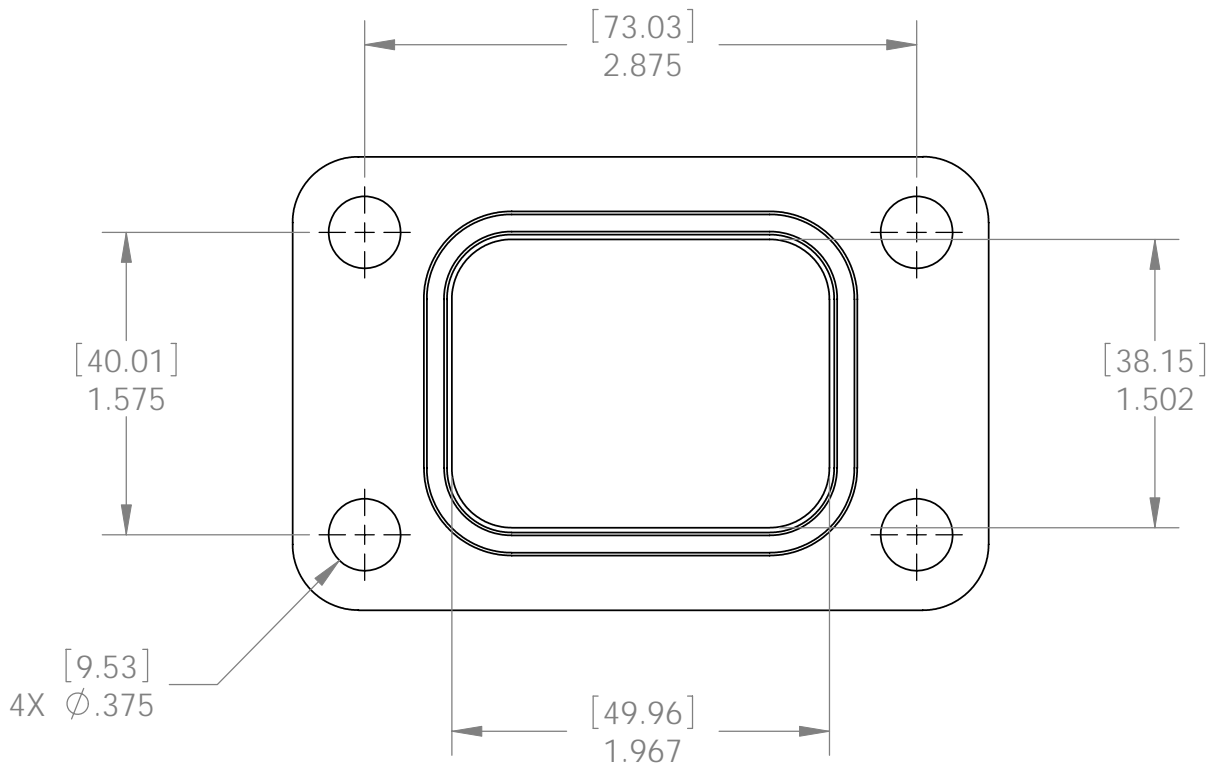
ROTOMASTER/CUMMINS

IHI

HITACHI

TOYOTA

KOMATSU



# GASKET



LOCATION: TURBINE INLET

MATERIAL: 304 SS

SCALE: 1:1

TI Part No. 8-A-0710

APPLICATIONS:

GARRETT T3/T04B

BORG WARNER - KKK

HOLSET

BORG WARNER - SCHWITZER

MITSUBISHI

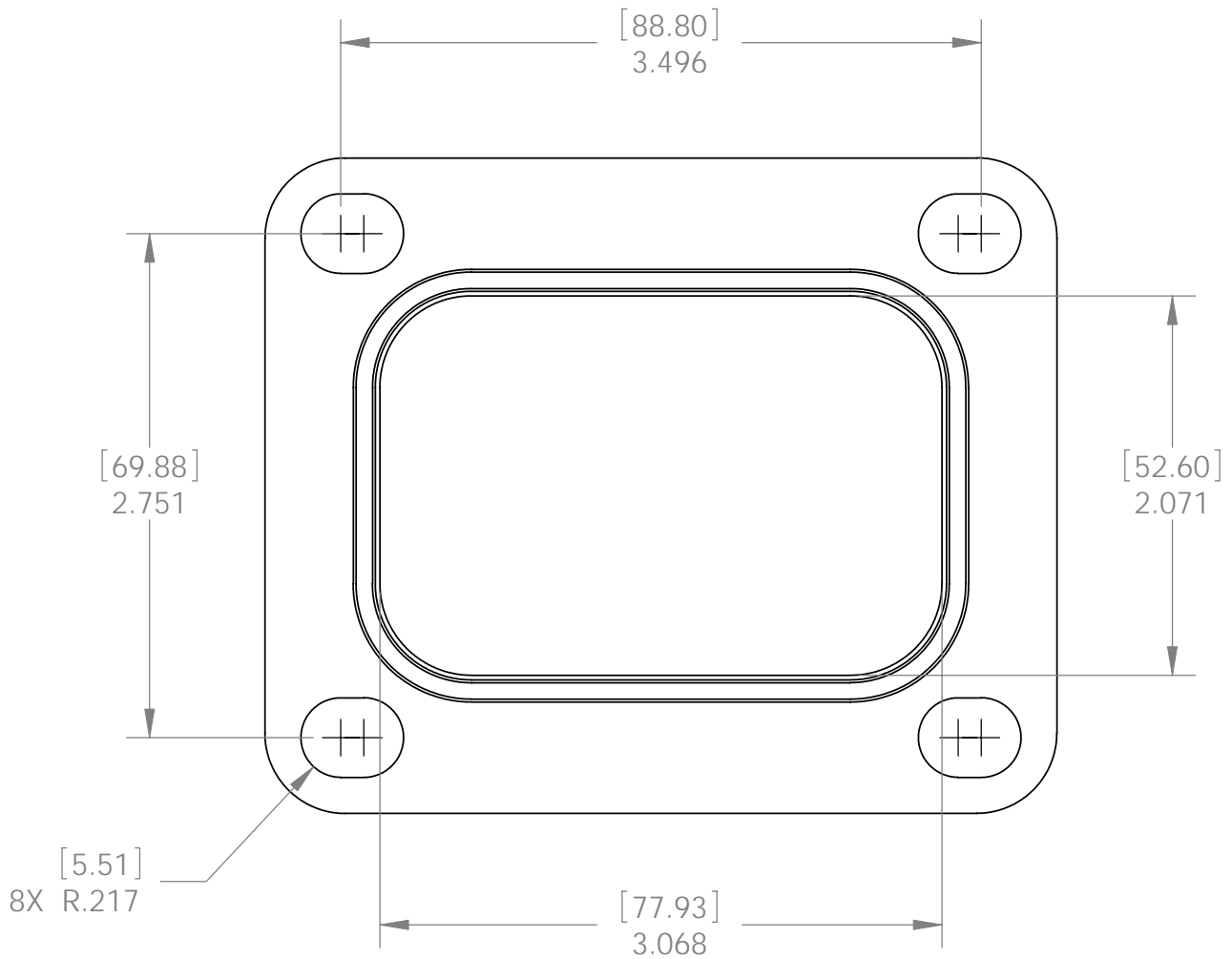
ROTOMASTER/CUMMINS

IHI

HITACHI

TOYOTA

KOMATSU



# GASKET



LOCATION: TURBINE INLET

MATERIAL: 304 SS

SCALE: 1:1

TI Part No. 8-A-0988

APPLICATIONS:

GARRETT TV80

BORG WARNER - KKK

HOLSET 4L, H2D

BORG WARNER - SCHWITZER

MITSUBISHI

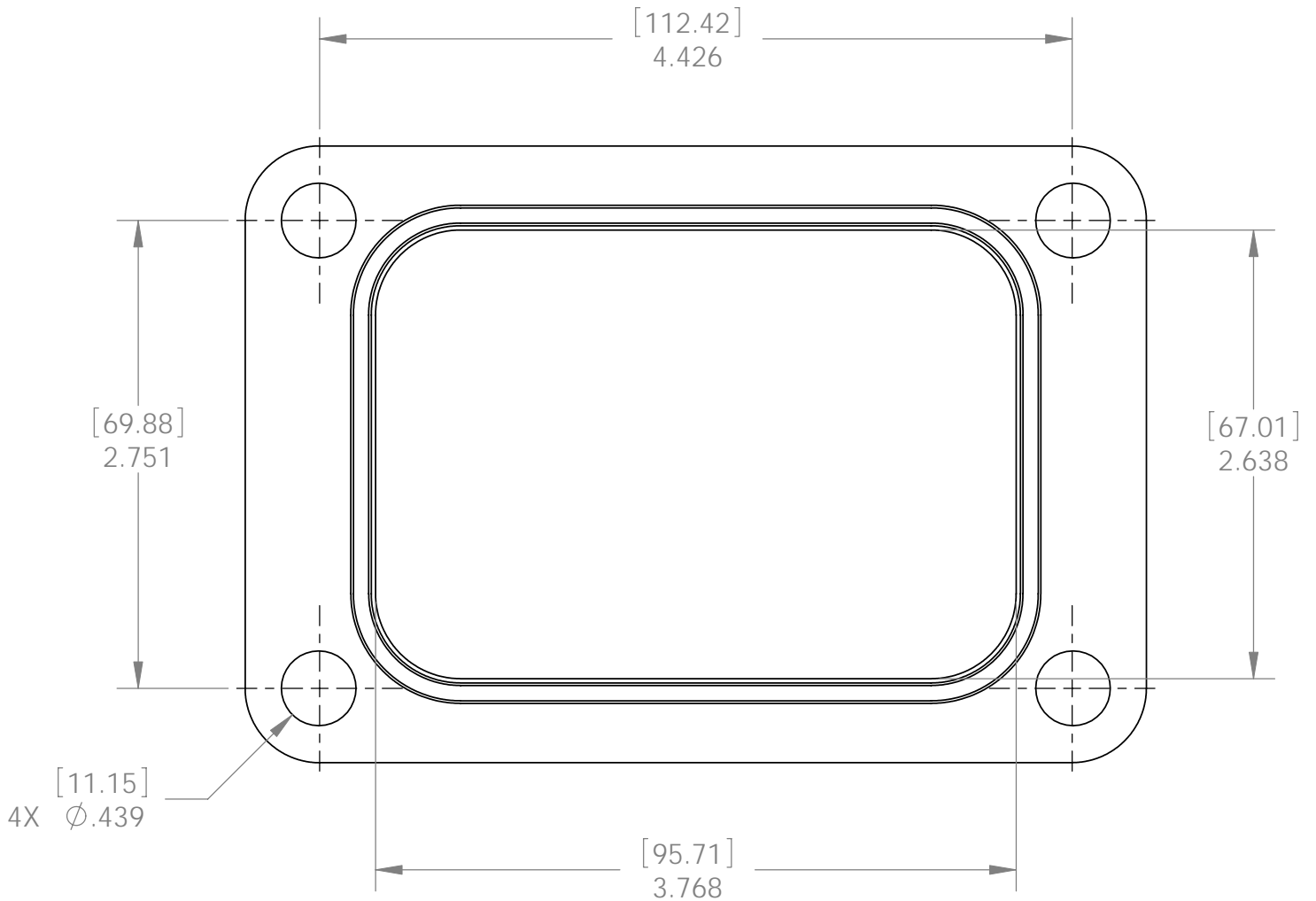
ROTOMASTER/CUMMINS

IHI

HITACHI

TOYOTA

KOMATSU



# GASKET



LOCATION: TURBINE INLET

MATERIAL: 304 SS

SCALE: 1:1

TI Part No. 8-A-0987

APPLICATIONS:

GARRETT T18

BORG WARNER - KKK

HOLSET

BORG WARNER - SCHWITZER

MITSUBISHI

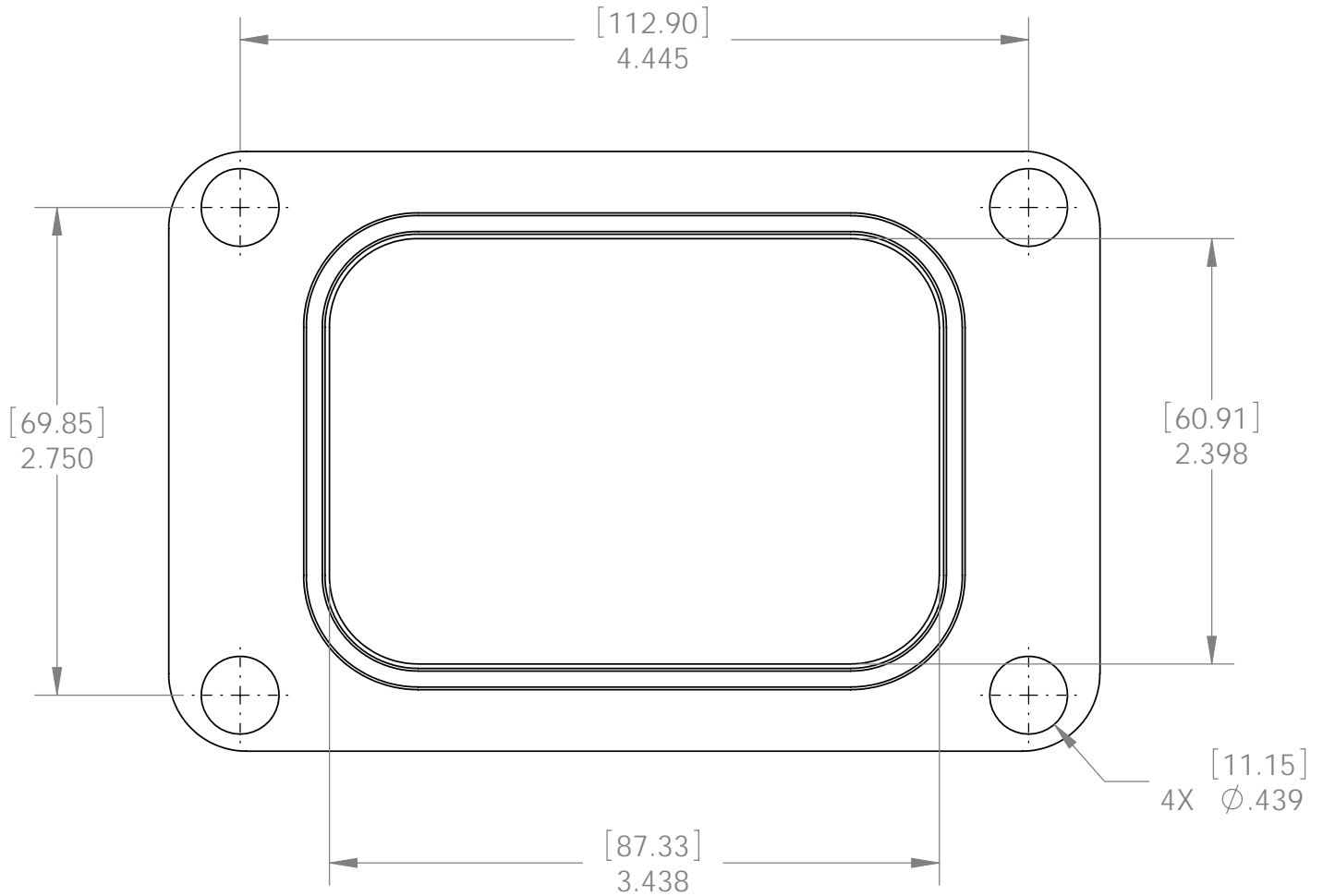
ROTOMASTER/CUMMINS

IHI

HITACHI

TOYOTA

KOMATSU



# GASKET



LOCATION: TURBINE INLET

MATERIAL: 304 SS

SCALE: 1:1

TI Part No. 8-A-0711

APPLICATIONS:

GARRETT T3/T04B

BORG WARNER - KKK

HOLSET

BORG WARNER - SCHWITZER

MITSUBISHI

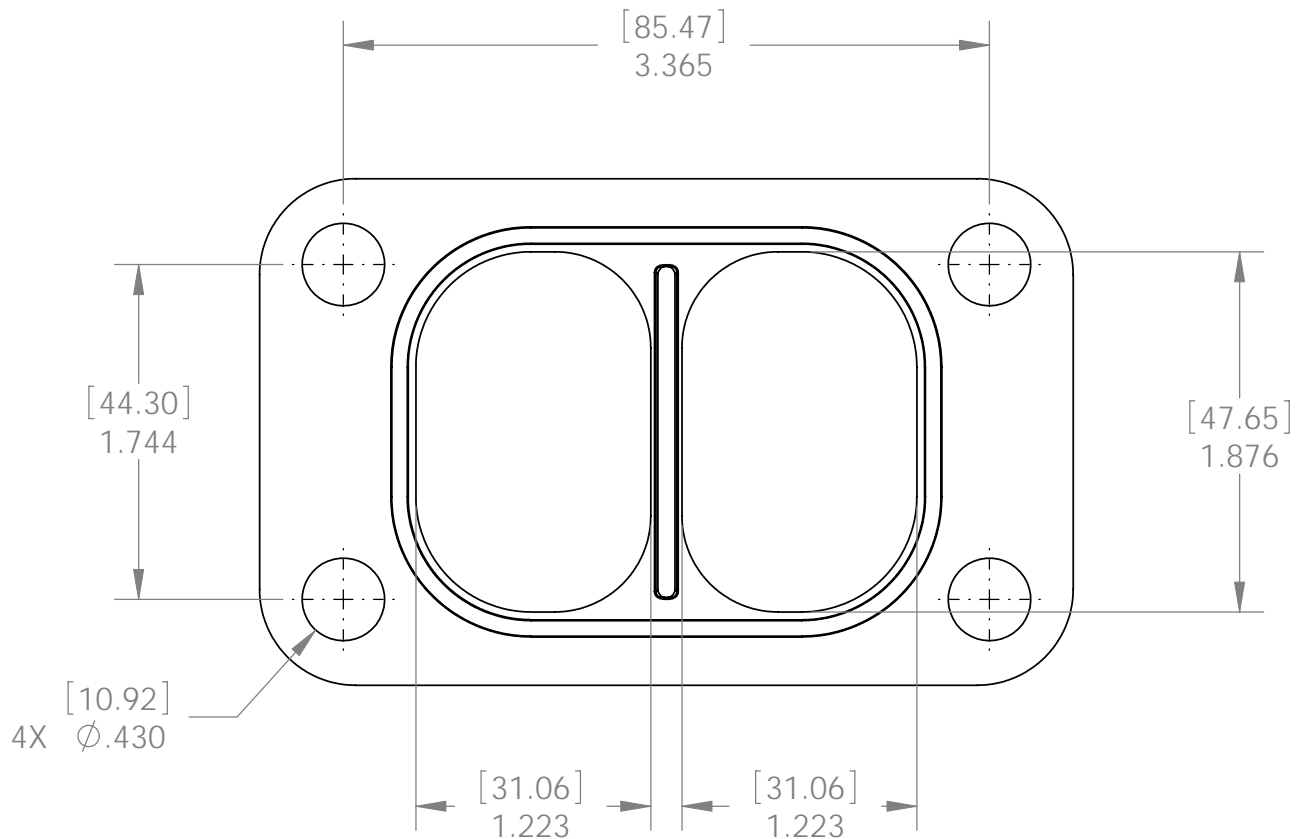
ROTOMASTER/CUMMINS

IHI

HITACHI

TOYOTA

KOMATSU





# GASKET



LOCATION: TURBINE INLET

MATERIAL: 304 SS

SCALE: 1:1

TI Part No. 8-A-0753

APPLICATIONS:

GARRETT T04B

BORG WARNER - KKK

HOLSET

BORG WARNER - SCHWITZER

MITSUBISHI

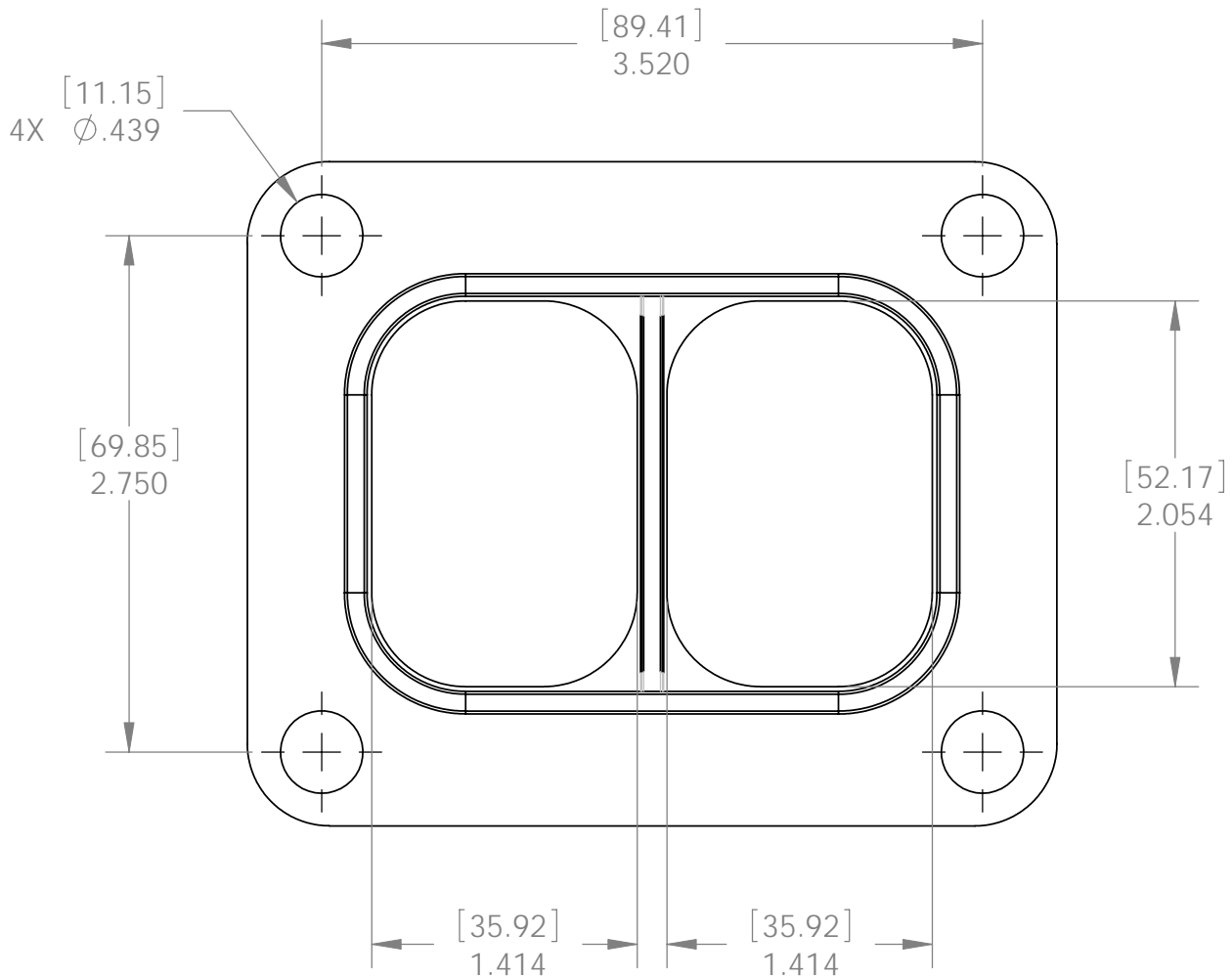
ROTOMASTER/CUMMINS

IHI

HITACHI

TOYOTA

KOMATSU



# GASKET



LOCATION: TURBINE INLET

MATERIAL: 304 SS

SCALE: 1:1

TI Part No. 8-A-2063

APPLICATIONS:

GARRETT TP38

BORG WARNER - KKK

HOLSET

BORG WARNER - SCHWITZER

MITSUBISHI

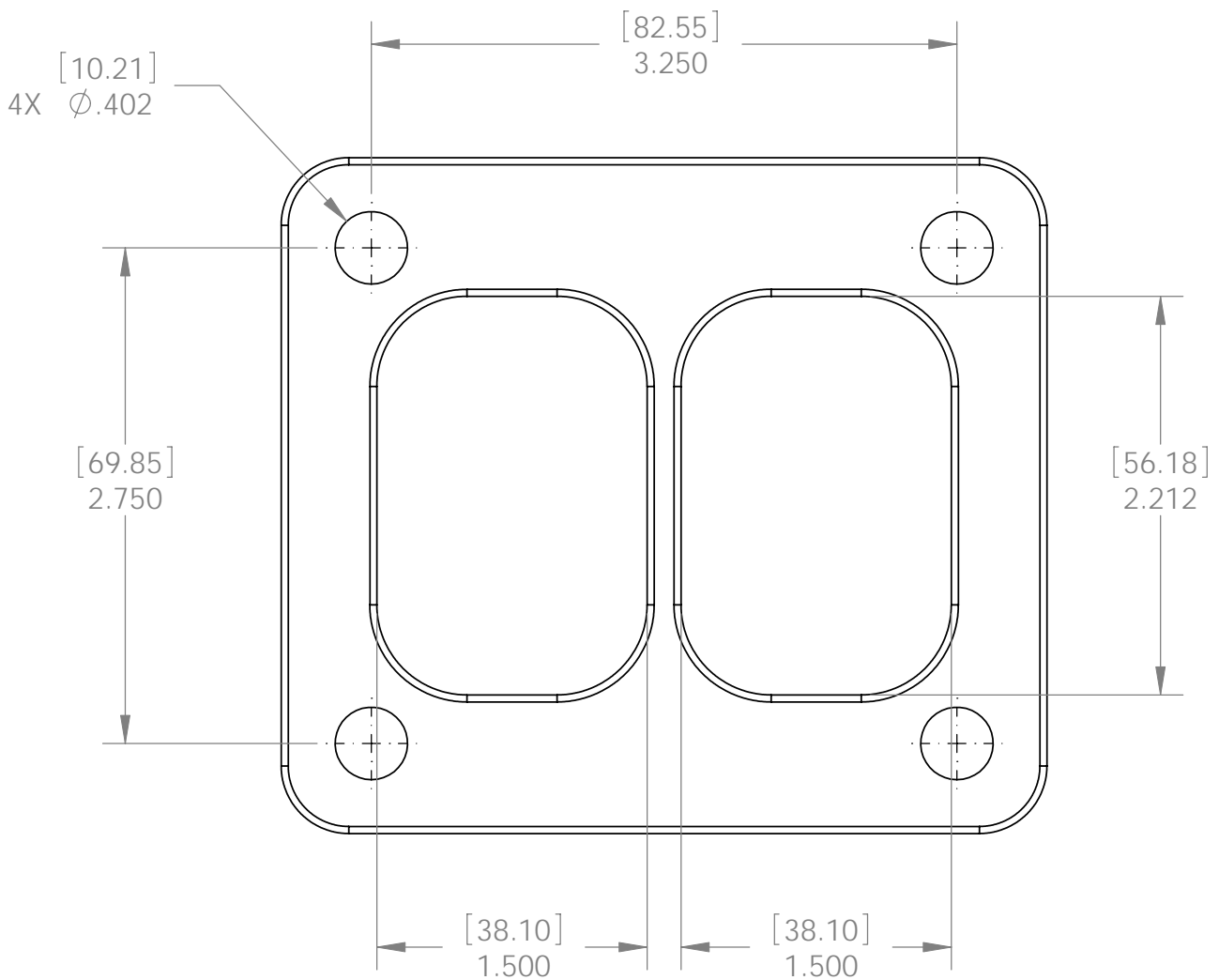
ROTOMASTER/CUMMINS

IHI

HITACHI

TOYOTA

KOMATSU



# GASKET



LOCATION: TURBINE INLET

MATERIAL: 304 SS

SCALE: 1:1

TI Part No. 8-A-0943

APPLICATIONS:

GARRETT TV81

BORG WARNER - KKK

HOLSET

BORG WARNER - SCHWITZER

MITSUBISHI

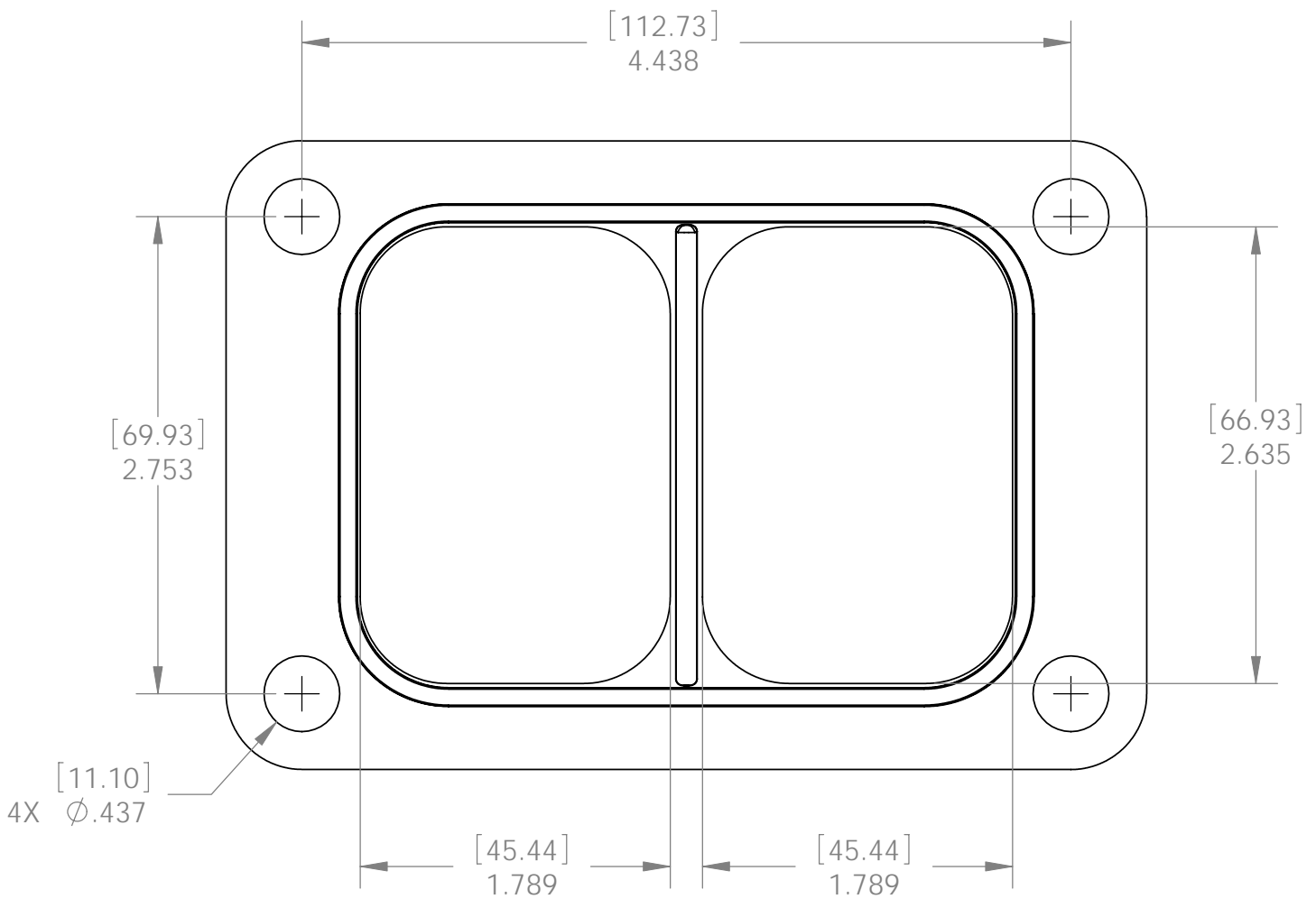
ROTOMASTER/CUMMINS

IHI

HITACHI

TOYOTA

KOMATSU



# GASKET



LOCATION: TURBINE INLET

MATERIAL: STEEL

SCALE: 1:1

TI Part No. 8-C-3201

APPLICATIONS:

GARRETT

BORG WARNER - KKK

HOLSET

BORG WARNER - SCHWITZER

MITSUBISHI

ROTOMASTER/CUMMINS

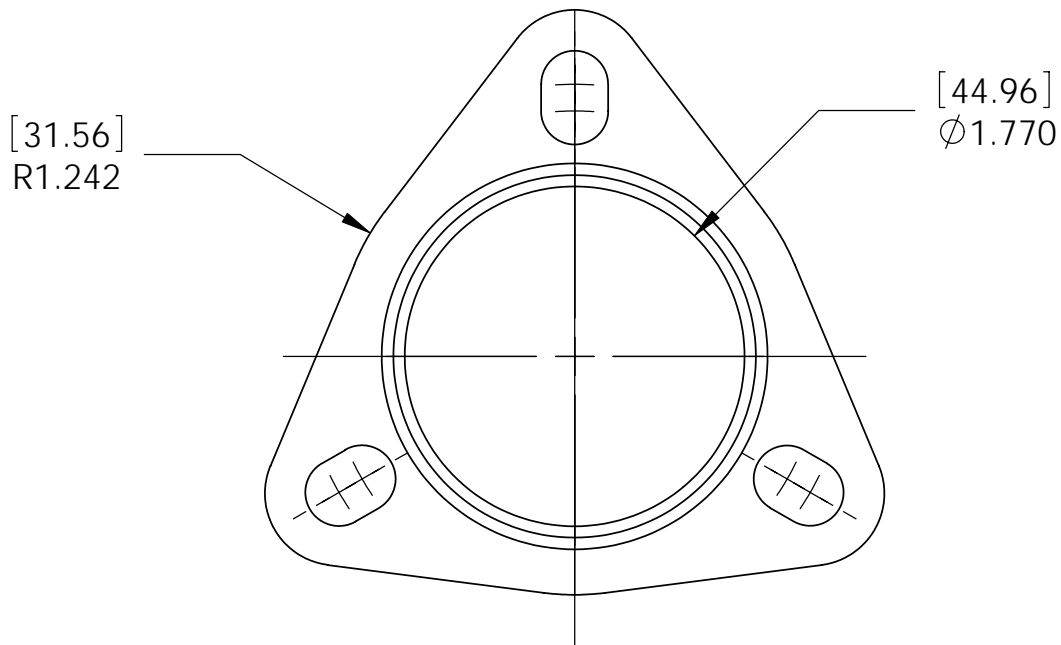
S2A, S100

IHI

HITACHI

TOYOTA

KOMATSU



# GASKET



LOCATION: TURBINE OUTLET

MATERIAL: 304 SS

SCALE: 1:1

TI Part No. 8-A-0754

APPLICATIONS:

GARRETT T04B

BORG WARNER - KKK

HOLSET

BORG WARNER - SCHWITZER

MITSUBISHI

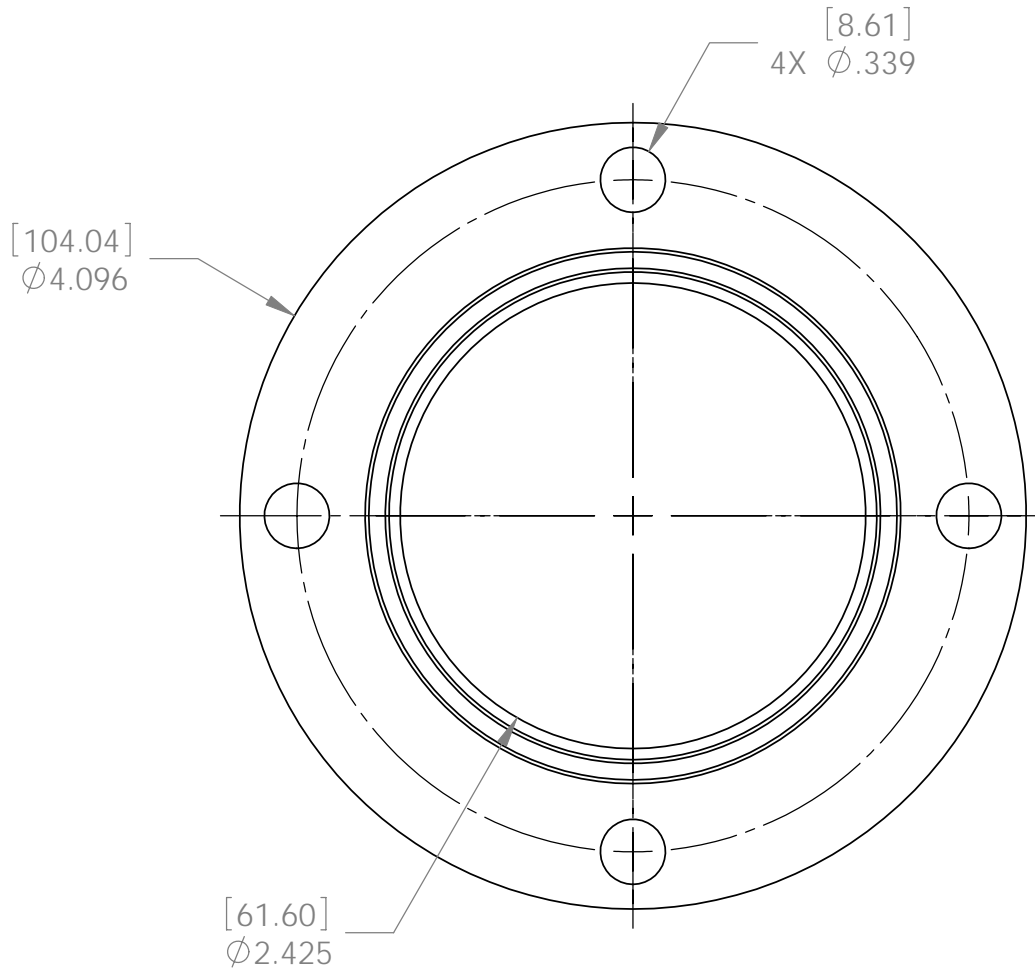
ROTOMASTER/CUMMINS

IHI

HITACHI

TOYOTA

KOMATSU



# GASKET



LOCATION: TURBINE OUTLET

MATERIAL: FIBER

SCALE: 1:1

TI Part No. 8-A-0022

APPLICATIONS:

GARRETT T04B

BORG WARNER - KKK

HOLSET

BORG WARNER - SCHWITZER

MITSUBISHI

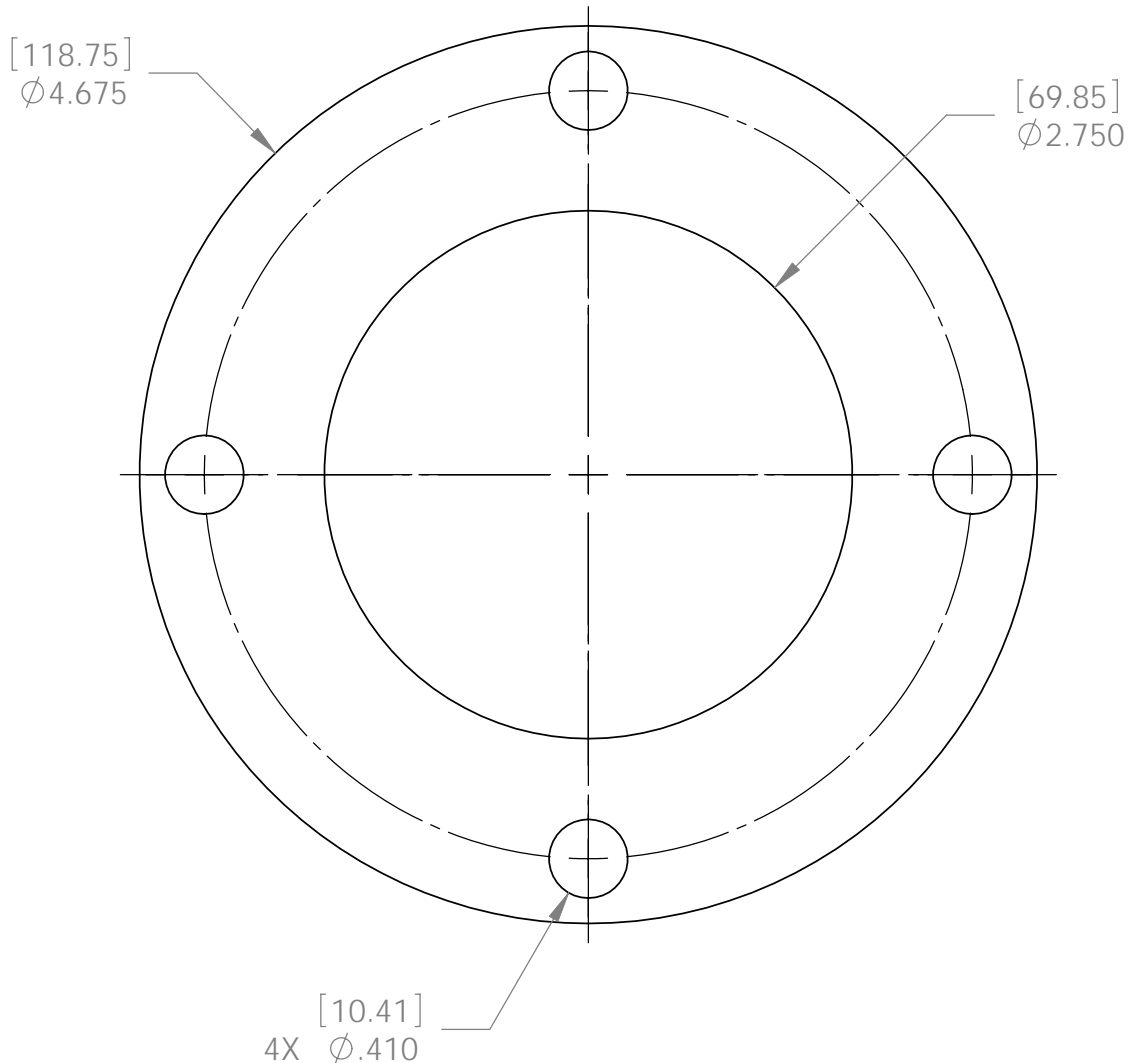
RODOMASTER/CUMMINS

IHI

HITACHI

TOYOTA

KOMATSU



# GASKET



LOCATION: TURBINE OUTLET

MATERIAL: 304 SS

SCALE: 1:1

TI Part No. 8-A-0755

APPLICATIONS:

GARRETT T04B

BORG WARNER - KKK

HOLSET

BORG WARNER - SCHWITZER

MITSUBISHI

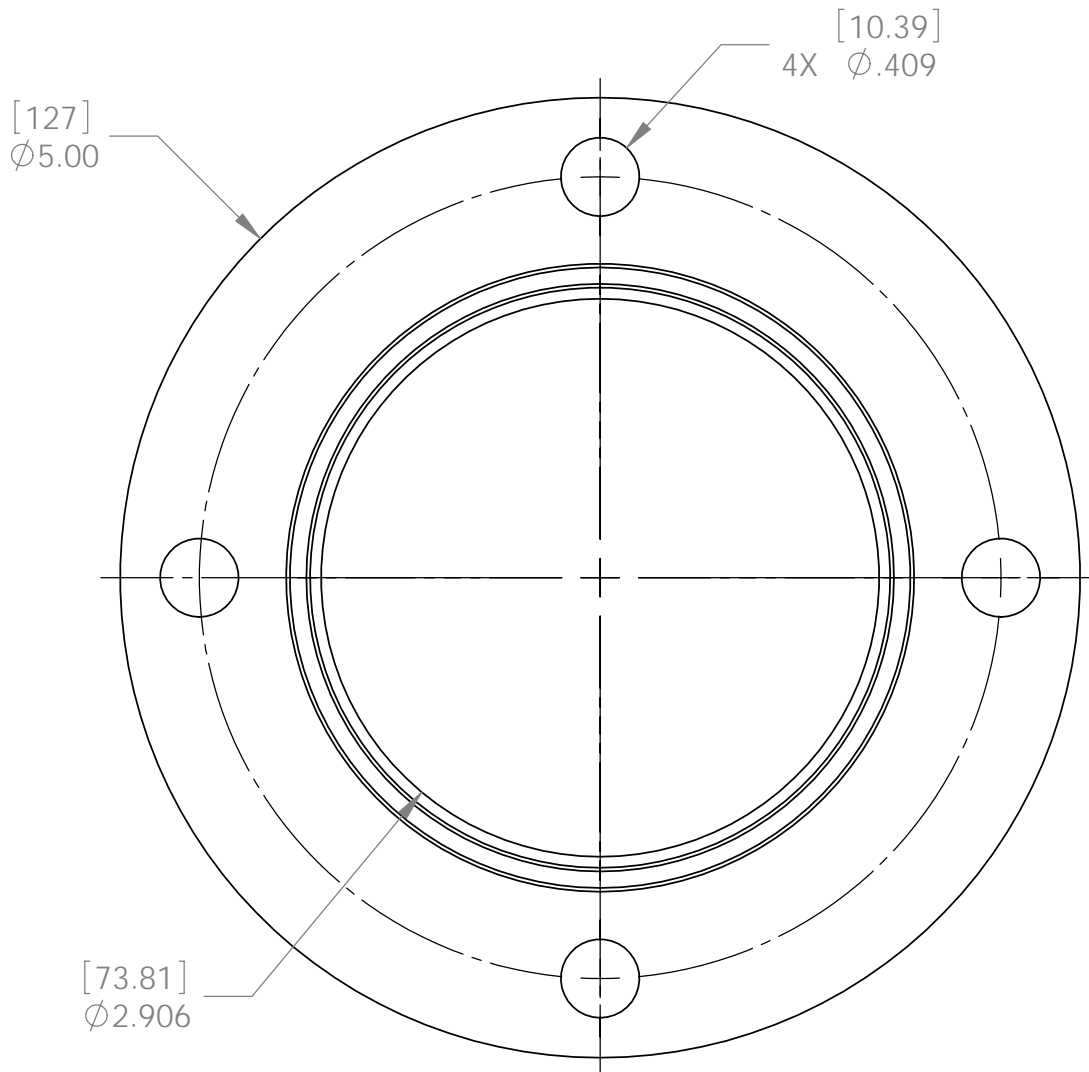
ROTOMASTER/CUMMINS

IHI

HITACHI

TOYOTA

KOMATSU



# GASKET



LOCATION: AIR OUTLET

MATERIAL: FIBER

SCALE: 1:1

TI Part No. 8-G-0742

APPLICATIONS:

GARRETT

BORG WARNER - KKK

HOLSET

BORG WARNER - SCHWITZER

MITSUBISHI

ROTOMASTER/CUMMINS

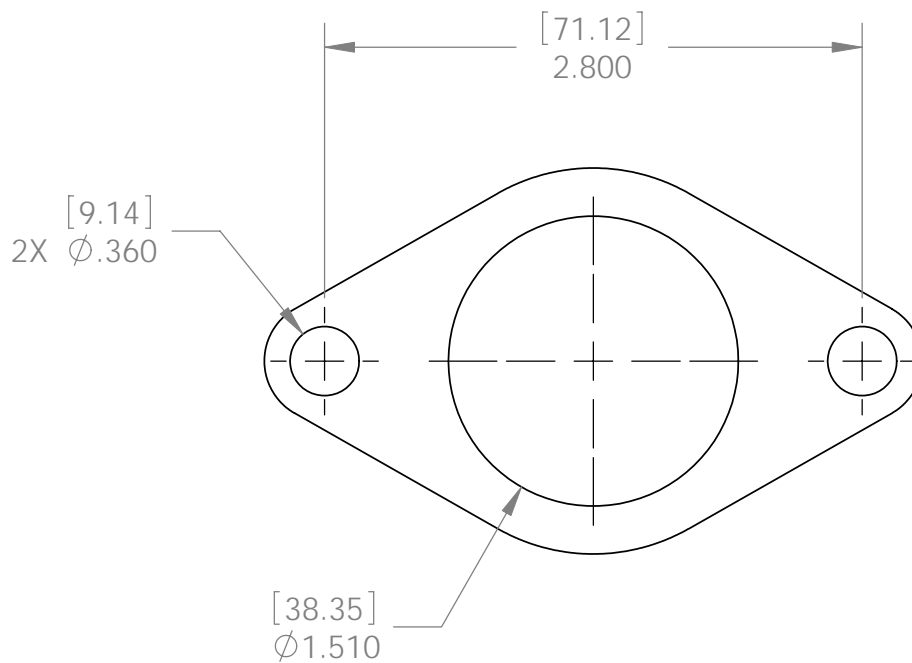
IHI

HITACHI

TOYOTA

CT20, CT26

KOMATSU





# GASKET



LOCATION: WATER INLET

MATERIAL: FIBER

SCALE: 1:1

TI Part No. 8-G-0741

APPLICATIONS:

GARRETT

BORG WARNER - KKK

HOLSET

BORG WARNER - SCHWITZER

MITSUBISHI

ROTOMASTER/CUMMINS

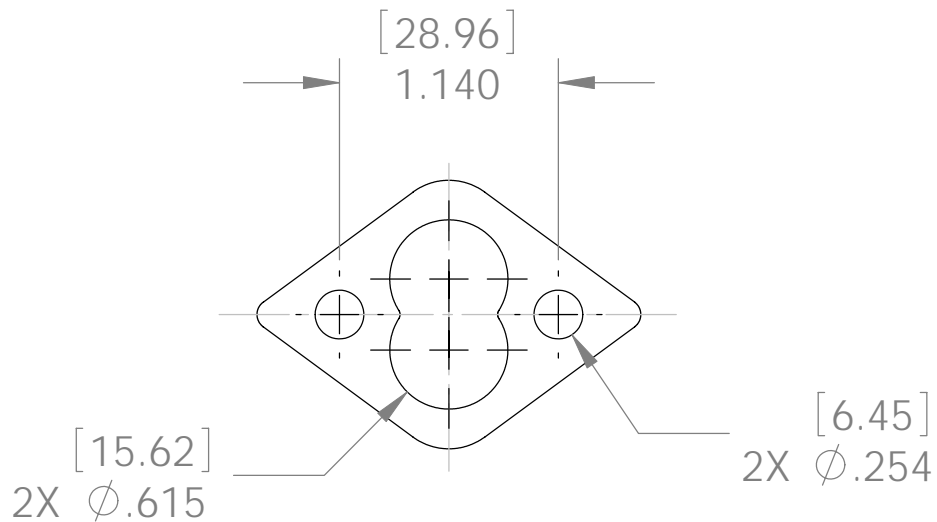
IHI

HITACHI

TOYOTA

CT20, CT26

KOMATSU



# GASKET



LOCATION: BACKPLATE / BEARING HOUSING

MATERIAL: 304 SS

SCALE: 1:1

TI Part No. 8-C-0069

APPLICATIONS:

GARRETT

HOLSET

MITSUBISHI

IHI

TOYOTA

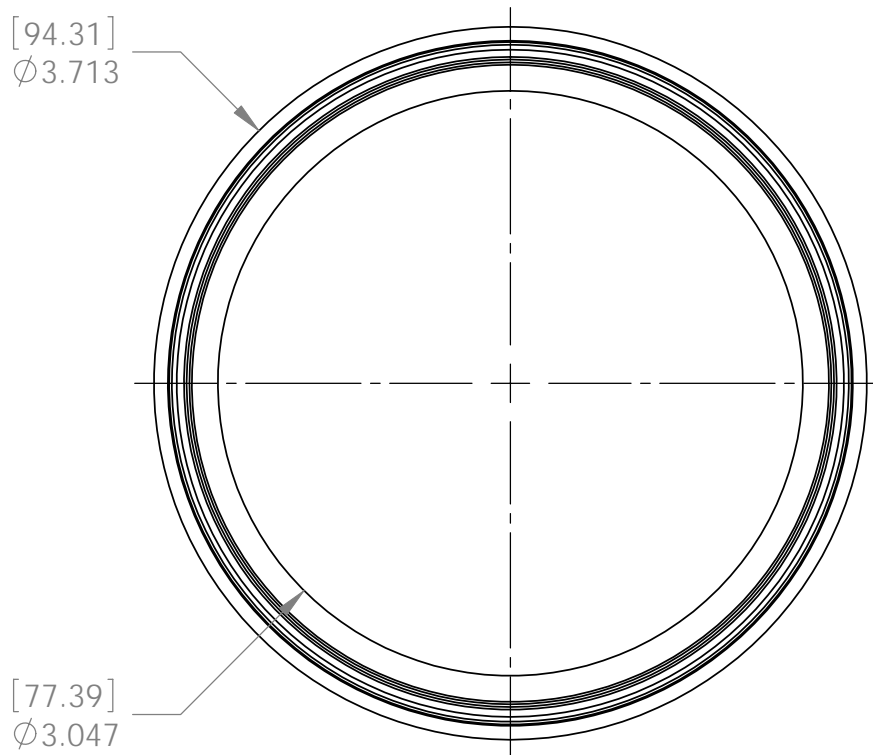
BORG WARNER - KKK

BORG WARNER - SCHWITZER 3LM

ROTOMASTER/CUMMINS

HITACHI

KOMATSU



# GASKET

LOCATION: COMPRESSOR HOUSING

MATERIAL: FIBER

SCALE: 1:1

TI Part No. 8-E-3067

APPLICATIONS:

GARRETT

HOLSET

MITSUBISHI TD02

IHI

TOYOTA

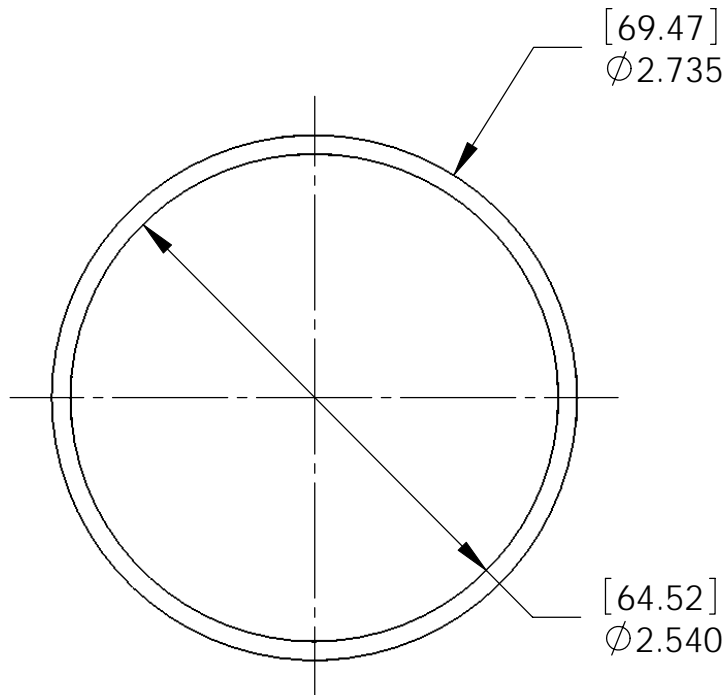
BORG WARNER - KKK

BORG WARNER - SCHWITZER

ROTOMASTER/CUMMINS

HITACHI

KOMATSU



# GASKET



LOCATION: BEARING HOUSING / COMPRESSOR HOUSING

MATERIAL: FIBER

SCALE: 1:1

TI Part No. 8-A-0286

APPLICATIONS:

GARRETT T3

BORG WARNER - KKK

HOLSET

BORG WARNER - SCHWITZER

MITSUBISHI

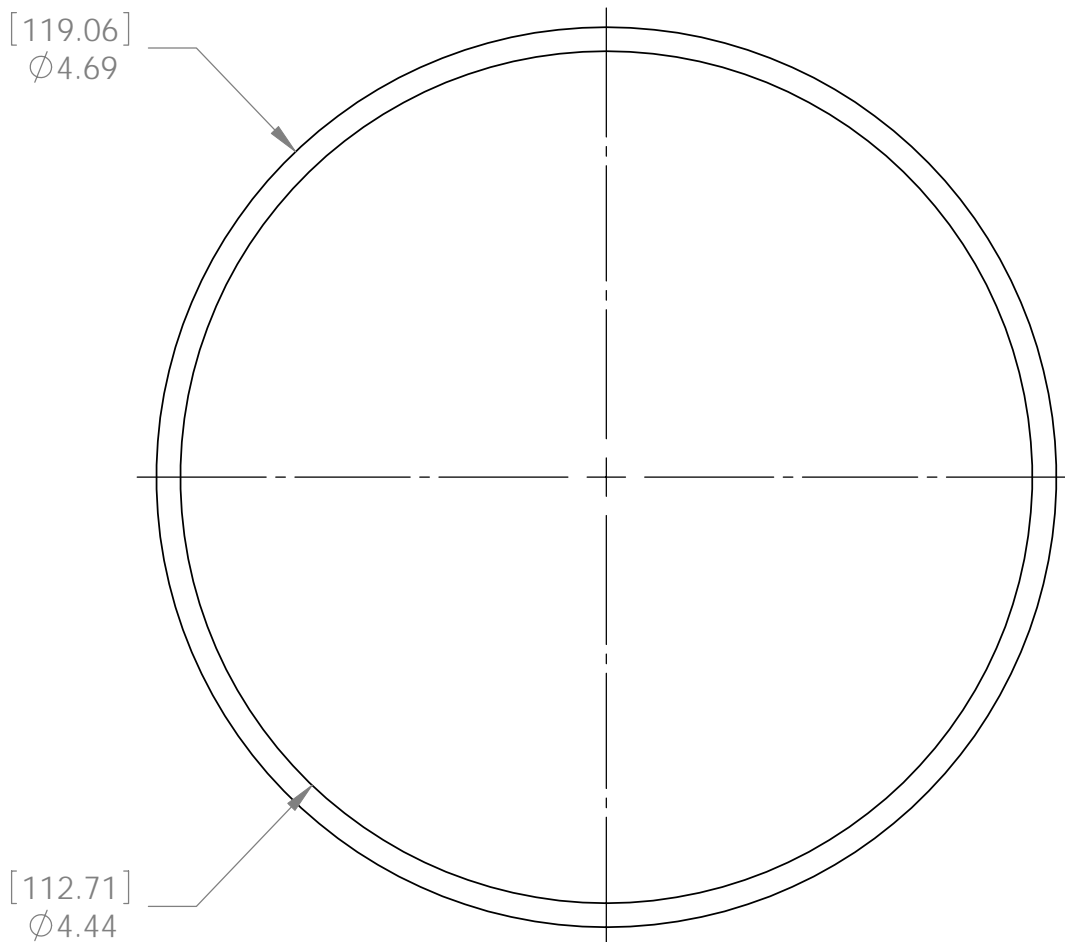
ROTOMASTER/CUMMINS

IHI

HITACHI

TOYOTA

KOMATSU



# GASKET



LOCATION: COMPRESSOR HOUSING

MATERIAL: FIBER

SCALE: 1:1

TI Part No. 8-B-3460

APPLICATIONS:

GARRETT

HOLSET H2C

MITSUBISHI

IHI

TOYOTA

BORG WARNER - KKK

BORG WARNER - SCHWITZER

ROTOMASTER/CUMMINS

HITACHI

KOMATSU

