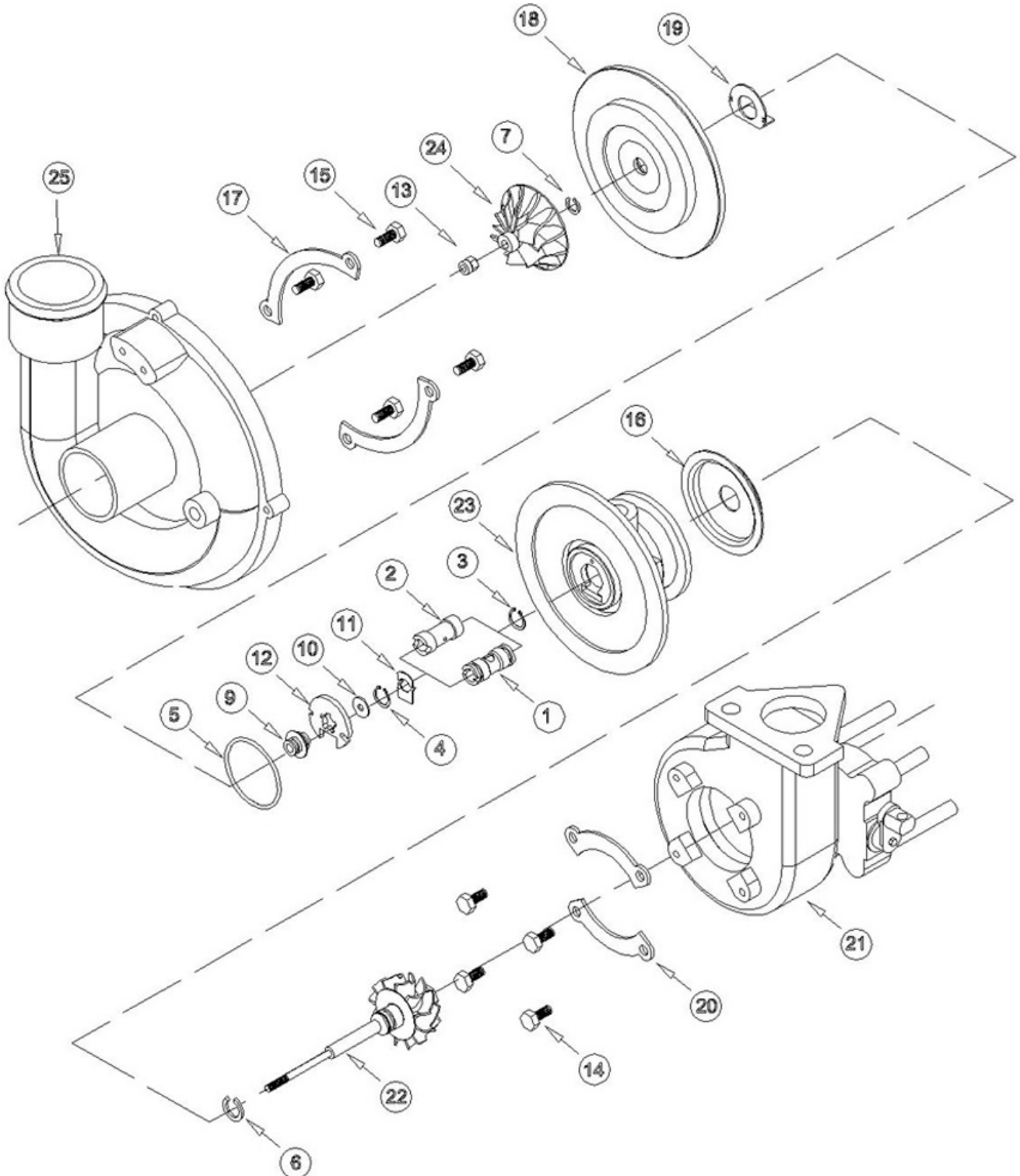


Borg Warner K03/K04 Type Turbos

Common Service Parts
Oversize Service Parts
Major Replacement Parts
(Shaft & Wheels, Compressor Wheels etc)

K03/K04 Type

Common Service Parts



K03/K04

Repair Parts & Service Kits

All parts are available for purchase as individual components *or* in the following popular Repair Kits

Key	Part Description	Melett Part Number	Qty Per Turbo	Minor Kit (Twin Feed) 1302-003-751	Minor Kit (Sing. feed) 1302-003-752	Major Kit (Twin Feed) 1302-003-753	Major Kit (Sing. feed) 1302-003-754
1	Journal Bearing (twin oil feed)	1302-003-100	1	1		1	
2	Journal Bearing (single oil feed)	1302-004-100	1		1		1
3	Circlip	1302-003-140	1	1	1	1	1
4	"C"Clip (lock plate retainer)	1302-003-141	1	1	1	1	1
5	"O"Ring Seal Plate	1302-003-150	1	1	1	1	1
6	Piston Ring Turb End	1302-003-160	1	1	1	1	1
7	Piston Ring Comp End	1302-003-170	1	1	1	1	1
9	Thrust Collar/flinger (Ø4.6mm)	1302-003-200	1			1	1
9	Thrust Collar/flinger (Ø4.4mm)	1302-004-200	1				
10	Thrust Spacer (Ø4.6mm)	1302-003-220	1			1	1
10	Thrust Spacer (Ø4.4mm)	1302-004-220	1				
11	J-Bearing Lock plate	1302-003-290	1	1	1	1	1
12	Thrust Bearing	1302-003-320	1	1	1	1	1
13	Shaft nut 4mm LHT	1302-003-350	1	1	1	1	1
13	Shaft nut 4.5mm LHT	1302-003-351	1	1	1	1	1
13	Shaft Nut 4mm RHT	1302-003-352	1				
14	Bolts (Turb Hsg)	1302-003-600	4				
15	Bolts (Comp Cover)	1302-003-610	4				
16	Heat Shield	N/A	1				
17	Clamps (Comp Cover)	N/A	2				
18	Seal Plate	N/A	1				
19	Oil Deflector	N/A	1				
20	Clamps (Turb Hsg)	N/A	2				
				Replaces 5303-711-0001	Replaces 5303-711-0000		

Oversize Repair Parts Available

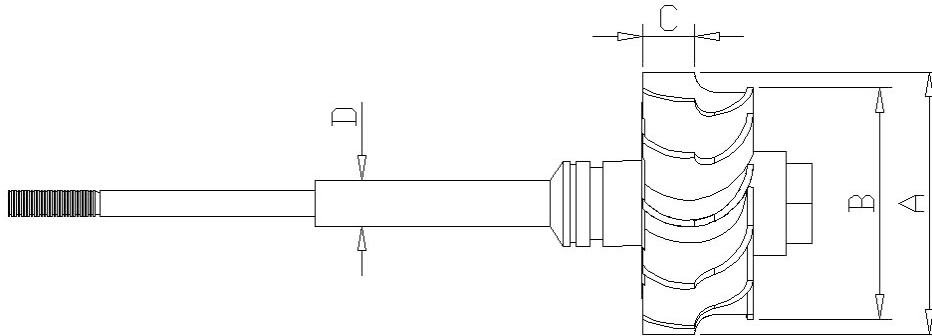
Journal Bearings			
Oversize's Available		Part Number (twin oil feed)	Part Number (single oil feed)
OD Std	ID -.005"	1302-003-117	1302-004-117

Piston Rings		
Oversize's Available		Part Number
Turbine End		
OD +.010"	Wth Std	1302-003-180
OD Std	Wth +.010"	1302-003-181
OD +.010"	Wth +.010"	1302-003-182

K03/K04 Type

Major Replacement Parts - Detail

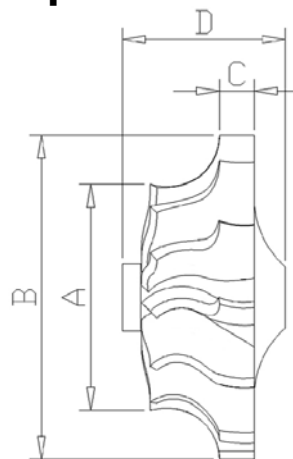
Shaft & Wheel



Melett Part No.	To replace KKK..	(A) Inducer Ø mm's	(B) Exducer Ø mm's	(C) Tip width mm's	(D) Shaft OD mm's	Comp Wheel Bore mm's
1302-003-435	5303-120-5023	45	38	6.8	6.994 - 6.988	4.6
1302-003-435	5303-120-5008	45	38	6.8	6.994 - 6.988	4.6
1302-004-435	5304-120-2100	50	42	7.6	6.994 - 6.988	4.4
1302-004-436	5304-120-5008	50	42	7.6	6.994 - 6.988	4.6
1302-004-437	5304-120-5010	50	42	6.4	6.994 - 6.988	4.6
1302-003-438	5303-120-5029	45	38	6.8	6.994 - 6.988	4.6

Dimension for shaft diameter 'D' are minimum – maximum allowable limits for use with the standard journal bearing. Melett's fully qualified Engineers are available to answer any technical enquiry regarding limits, tolerances, and turbo set-up configurations. Email: Engineer@melett.com

Compressor Wheel



Melett Part No.	To replace KKK...	KKK Trim	(A) Inducer Ø mm's	(B) Full Ø mm's	(C) Tip width mm's	(D) Total Hub Length	No. of Blades
1302-003-402	5304-123-2018	2072G	36	49.9	5	25.7	12
1302-003-402	5304-123-2007	2072G	36	49.9	5	25.7	12