

IHI

Contents

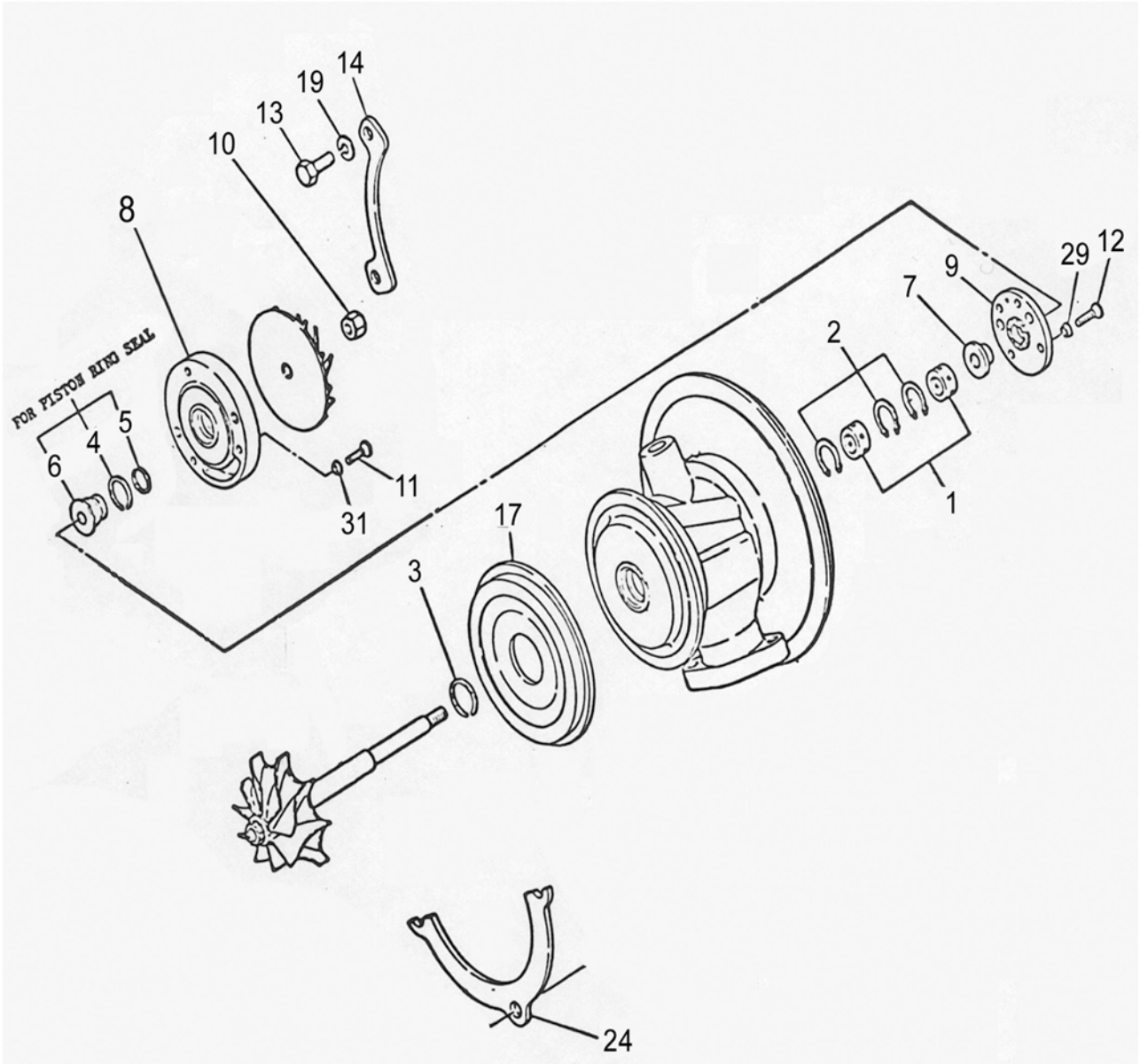
Turbo Model	Catalogue Contents	Page No.	Notes
RHB3	Repair Kits	3	
RHF4	Repair Parts	6	New
RHB5/52	Repair Kits / Oversize Bearings & Piston Rings	11	
RHB5/52	Turbine Housings	12	
RHB6	Repair Kits / Oversize Bearings & Piston Rings	15	
RHB7	Repair Kits	19	

IHI RHB3 Type Turbos

Common Service Parts
Oversize Service Parts

RHB3 Type

Common Service Parts



RHB3 Type

Repair Parts & Service Kits

All parts are available for purchase as individual components or in the following popular Repair Kits

Key	Part Description	MELETT Part Part Number	Qty Per Turbo	Service Kit 1450-032-750	Service Kit 1450-032-751	Service Kit 1450-032-754
1	Bearing Narrow Std 6.3mm	1450-032-100	2	2	-	2
1	Bearing Wide Std	1450-031-100	2	-	2	2
2	Snap ring	1450-032-140	3	3	3	3
3	Piston Ring Turbine End	1450-032-160	1	1	1	1
4	Piston Ring Comp end small	1450-032-170	1	1	1	1
5	Piston Ring Comp end large	1450-032-175	1	1	1	1
9	Thrust Bearing	1450-032-320	1	1	1	1
10	Lock Nut	1450-032-350	1	1	1	1
12	Screw, Thrust Bearing	1450-032-620	2	2	2	2
11	Screw, Seal Plate	1450-032-610	2	2	2	2
					Replace NB139838	

Oversize Repair Parts Available

Piston Ring		
OE Part Number NB133607		
Oversize Available		Part Number
Comp. End Large		
OD +.010	Wth Std	1450-032-180

IHI RHF4 Type Turbos

Common Service Parts

RHF4 Type

Common Service Parts

Illustration for this turbo is not currently available – please contact Melett Engineers for latest availability of technical information.

RHF4 Type

Repair Parts

Key	Part Description	MELETT Part Part Number	Qty Per Turbo	Service Kit
1	Bearing Std	1450-040-100	2	
2	Snap ring	N/A	1	
3	Piston Ring Turbine End	1450-040-160	1	
4	Piston Ring Comp	1450-040-170	1	
9	Thrust Bearing	1450-040-320	1	
7	Thrust Washer	1450-040-220	1	
6	Thrust Flinger	1450-040-200	1	
10	Lock Nut	1450-040-350	1	

This model is under further development in 2008 – please contact Melett Sales for latest availability.

Oversize Repair Parts Available

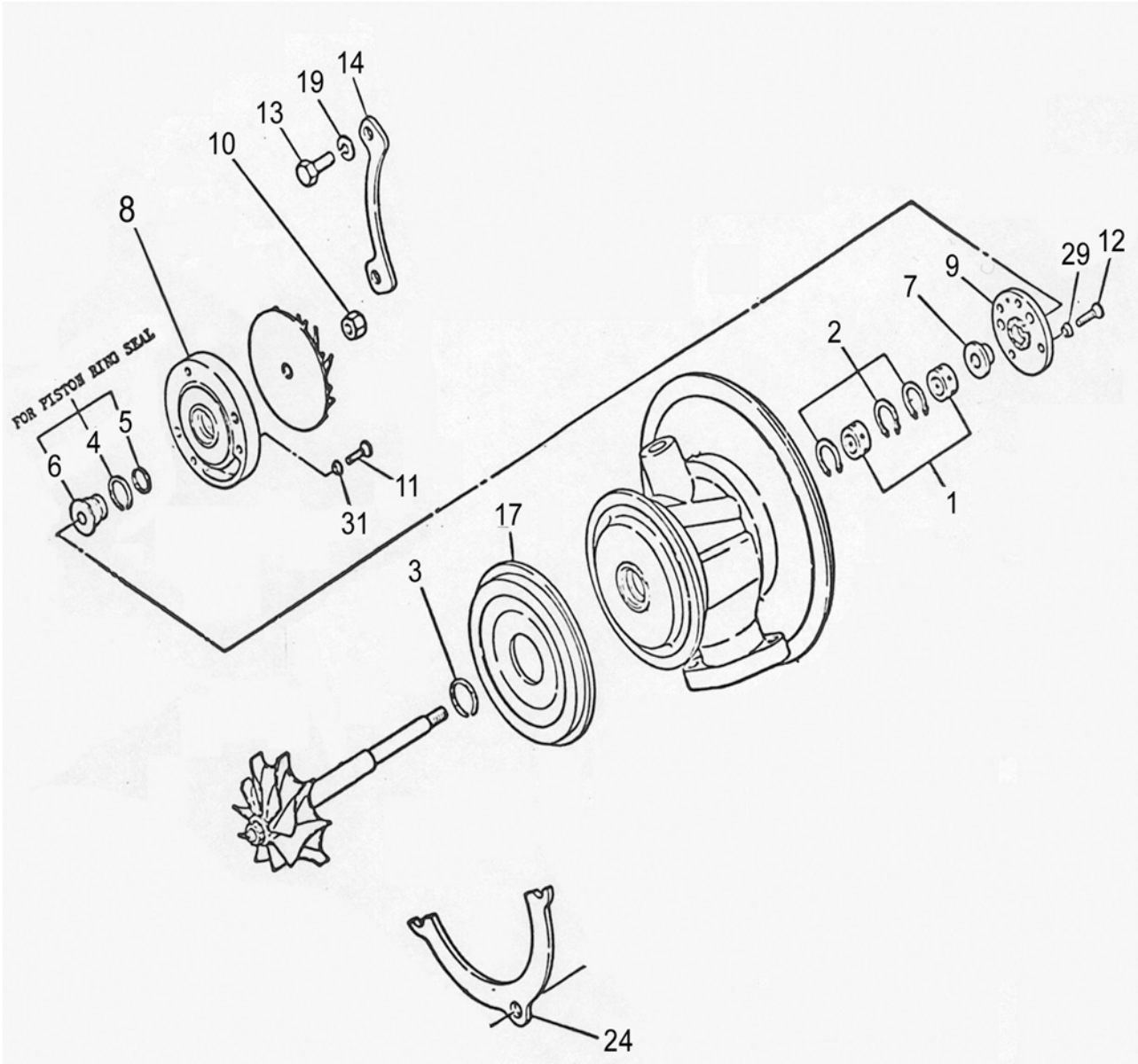
No oversize parts are currently available for RHF4 - please contact Melett Sales for latest availability.

IHI RHB5/52 Type Turbos

Common Service Parts
Oversize Service Parts
Major Replacement Parts
(Shaft & Wheels, Compressor Wheels etc)
Turbine Housings

RHB5/52 Type

Common Service Parts



RHB5 / RHB52 Type Repair Parts & Service Kits

All parts are available for purchase as individual components or in the following popular Repair Kits

Key	Part Description	MELETT Part Number	Qty Per Turbo	Minor kit Short Brgs 1450-052-750	Minor kit Long Brgs 1450-052-751	Major kit Short Brg 1450-052-752	Major kit Long Brg 1450-052-753
1	Journal Bearing (6mm)	1450-052-100	2	2		2	
1	Journal Bearing (7mm)	1450-051-100	2		2		2
2	Snap Ring	1450-052-140	3	3	3	3	3
3	Piston Ring (Turb)	1450-052-160	1	1	1	1	1
4	Piston Ring (Comp Large)	1450-052-170	1	1	1	1	1
5	Piston Ring (Comp Small)	1450-052-175	1	1	1	1	1
6	Oil Flinger	1450-052-200	1			1	1
7	Thrust bush/Collar	1450-052-240	1			1	1
8	Seal Plate	1450-052-300	1				
9	Thrust Bearing	1450-052-320	1	1	1	1	1
10	Shaft Nut	1450-052-350	1	1	1	1	1
11	Screw (M3x12)	1450-052-610	4	4	4	4	4
12	Screw (M3x6.5)	1450-052-620	4	4	4	4	4
13	Bolt (M5)	N/A	6				
14	Clamp (Comp end)	N/A	4				
15	Bolt (M8)	N/A	4				
16	Clamp (Turb end)	N/A	4				
17	Heat Shield	N/A	1				
				Replace NN139921A	Replace NN139922A		

Oversize Repair Parts Available

Journal Bearings			
Oversize's Available		Part Number (Short Bearing)	Part Number (Long Bearing)
		OE Part Number NN133571	OE Part Number NN138515
OD +.005"	ID -.005"	1450-052-110	1450-051-110
OD +.005"	ID Std	1450-052-114	1450-051-114
OD Std	ID -.005"	1450-052-117	1450-051-117
OD +.010"	ID -.010"	N/A	1450-051-120
OD +.010"	ID Std	N/A	1450-051-124
OD Std	ID -.010"	1450-052-127	1450-051-127
OD +.010"	ID -.005"	N/A	1450-051-131
OD +.005"	ID -.010"	N/A	1450-051-130

Piston Rings		
OE Part Number NN131575		
Oversize's Available		Part Number
Turbine End		
OD +.010"	Wth Std	1450-052-180
OD Std	Wth +.010"	1450-052-181
OD +.010"	Wth +.010"	1450-052-182

RHB5 / RHB52 Type

Major Replacement Parts

Shaft and Wheels are in development for 2008 – contact Melett Sales for latest availability

Turbine Housings

Make	Model	Year	Turbo	Short Code	IHI Number	Melett Number
Isuzu	Trooper 3.1L	91 to 94	RHB5	VICC	N/K	1450-052-820
Opel	Monterey 3.1L	94 --->	RHB5	VIAN	N/K	1450-052-820
Fiat / Lancia	Punto		RHB52	VL7	NN139606	1450-052-821

IHI RHB6 Type Turbos

Common Repair Parts
Oversize Repair Parts

RHB6 Type

Component Parts Common

Illustration for this turbo is not currently available – please contact Melett Engineers for latest availability of technical information.

RHB6 Type

Repair Parts & Service Kits

All parts are available for purchase as individual components or in the following popular Repair Kits

Key	Part Description	MELETT Part Number	Qty Per Turbo	Minor kit Short Brgs 1450-060-750	Minor kit Long Brgs 1450-060-751
1	Journal Bearing (Short)	1450-060-100	2	2	
1	Journal Bearing (Long)	1450-061-100	2		2
2	Snap Ring	1450-060-140	3	3	3
3	Piston Ring (Turb)	1450-060-160	1	1	1
4	Piston Ring (Comp Large)	1450-060-170	1	1	1
5	Piston Ring (Comp Small)	1450-060-175	1	1	1
6	Oil Flinger	N/A	1		
7	Thrust bush/Collar	N/A	1		
8	Seal Plate	N/A	1		
9	Thrust Bearing	1450-060-320	1	1	1
10	Shaft Nut	1450-060-350	1	1	1

This model is under further development in 2008 – please contact Melett Sales for latest availability.

Oversize Repair Parts Available

Oversize bearings not currently available		

Piston Rings		
OE Part Number NN193513		
Oversize's Available		Part Number
Turbine End		
OD +.010"	Wth Std	1450-060-180
OD Std	Wth +.010"	1450-060-181
OD +.010"	Wth +.010"	1450-060-182

IHI RHB7 Type Turbos

Common Repair Parts
Oversize Repair Parts

RHB7 Type

Component Parts Common

Illustration for this turbo is not currently available – please contact Melett Engineers for latest availability of technical information.

RHB7 Type

Repair Parts & Service Kits

All parts are available for purchase as individual components or in the following popular Repair Kits

Key	Part Description	MELETT Part Number	Qty Per Turbo	Minor kit 1450-070-750
1	Journal Bearing	1450-070-100	2	2
2	Snap Ring	1450-070-140	3	3
3	Piston Ring (Turb)	1450-070-160	1	1
4	Piston Ring (Comp Large)	1450-070-170	1	1
5	Piston Ring (Comp Small)	1450-070-175	1	1
6	Oil Flinger	N/A	1	
7	Thrust bush/Collar	N/A	1	
8	Seal Plate	N/A	1	
9	Thrust Bearing	1450-070-320	1	1
10	Shaft Nut	1450-070-350	1	1

This model is under further development in 2008 – please contact Melett Sales for latest availability.

Oversize Repair Parts Available

No oversize parts are currently available for RHB7 - please contact Melett Sales for latest availability.