

Range - Extension PC

Brake discs

Status: 10.2004_01

Flash Info No.	JURID Reference	Diameter mm	Thickness mm	Car manufacturer	Product
131	562181J	240	10,0	Opel	Discs
132	562190J	305	28,0	Opel / Renault	Discs ¹⁾
133	562196J	260	24,0	Opel	Discs
134	562197J	255	20,0	Mazda	Discs
135	562198J	300	26,0	VW / Seat / Ford	Discs
136	562199J	312	25,0	Audi / Skoda / VW	Discs
137	562200J	324	29,9	BMW	Discs ¹⁾
138	562201J	280	12,0	Renault	Discs
139	562202J	312	28,0	Mercedes	Discs
140	562203J	276	24,0	Mitsubishi	Discs
141	562204J	265	10,5	Renault	Discs
142	562205J	321	30,0	Audi	Discs ¹⁾
143	562206J	300	24,0	Ford	Discs
144	562207J	274	24,2	Kia	Discs
145	562208J	280	10,2	Ford	Discs
146	562209J	256	25,0	VW	Discs
147	562210J	243	20,0	Kia	Discs

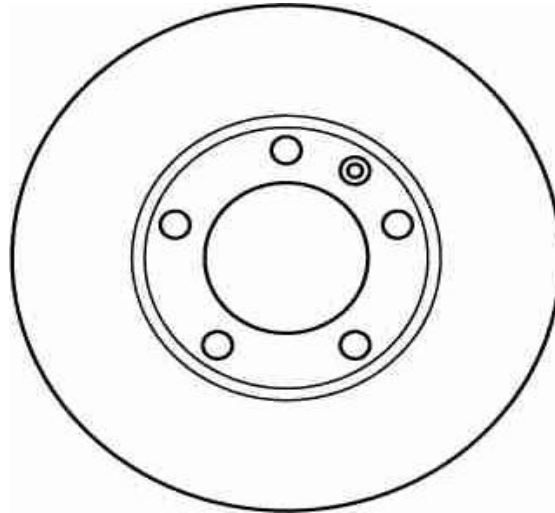
¹⁾ single packed

Honeywell Aftermarket Europe GmbH
Am Ochsenwald 9
D-66539 Neunkirchen
Deutschland
Tel: 06821 / 404-291
Fax: 06821 / 404-238

JURID[®]
by Honeywell

562190J

drawing



Product information

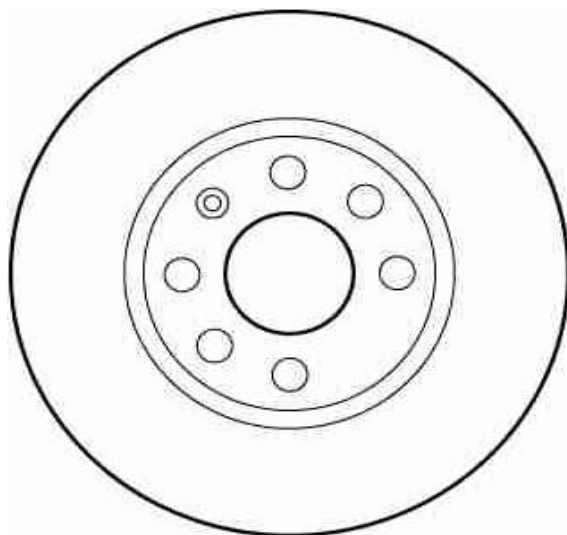
Car application list

from to kW PS ccm

Product information		Car application list	from	to	kW	PS	ccm
Product	discs	OPEL					
JURID part no.	562190J	MOVANO Combi (J9)					
Original no.	7700314064	MOVANO Kasten (F9)					
		MOVANO Pritsche/Fahrgestell (U9, E9)					
		MOVANO Kipper (H9)					
Diameter	305,0	1.90 DTI	09.2000	10.2001	59	80	1870
Thickness	28,0	1.90 DTI		10.2001	60	82	1870
Min. thickness	25,0	2.20 DTI	09.2000		66	90	2188
No. of holes	5	2.50 DTI	10.2001		84	115	2463
Height	77,8	2.50 D	07.1998	09.2000	59	80	2499
Ventilated/solid	ventilated	2.80 DTI	07.1998	10.2001	84	114	2799
Axle	front	RENAULT					
Wheight kg / unit	10,9	MASTER II Bus (JD/ND)					
		MASTER II Kasten (FD)					
		MASTER II Pritsche/Fahrgestell (ED/HD/UD)					
		1.90 dTi	09.2000		59	80	1870
		1.90 dCi 80	11.2001		60	82	1870
		2.20 dCi 90	09.2000		66	90	2188
		2.50 dCi 120	10.2001		84	115	2463
		2.50 D	07.1998	01.2001	59	80	2499
		2.80 dTi	07.1998	10.2001	84	114	2799

562196J

drawing



Product information

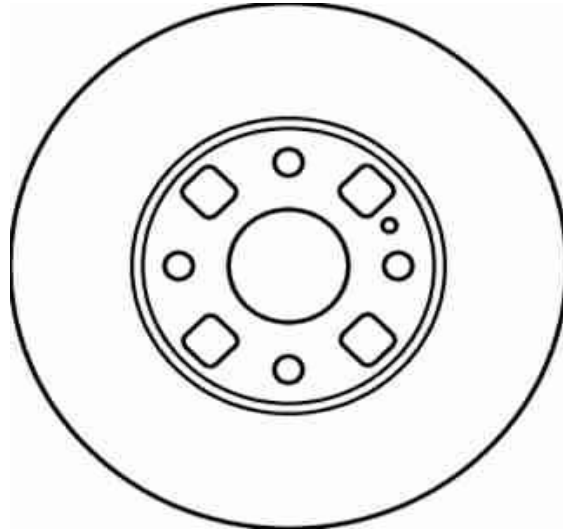
Car application list

from to kW PS ccm

Product	discs		from	to	kW	PS	ccm
		OPEL					
		COMBO Tour/Kasten/Kombi					
JURID part no.	562196J	1.60	10.2001		64	87	1598
		1.70 DI 16V	10.2001		48	65	1686
Original no.	569000	1.70 DTI 16V	10.2001		55	75	1686
		CORSA C (F08, F68)					
Diameter	260,0	1.40	09.2000		66	90	1389
		1.80	09.2000		92	125	1796
Thickness	24,0	1.70 DTI	09.2000		55	75	1686
		MERIVA					
Min. thickness	22,0	1.60	05.2003		64	87	1598
		VAUXHALL					
		COMBO					
No. of holes	6	1.60	10.2001		64	87	1598
		1.70 DI 16V	09.2001		48	65	1686
Height	41,0	1.70 DTI 16V	10.2001		55	75	1686
		CORSA Mk II					
Ventilated/solid	ventilated	1.40 16V	09.2000		66	90	1389
		1.8 16V	09.2000		92	125	1796
Axle	front	1.70 DTI 16V	09.2000		55	75	1686
		CORSAVAN MK II					
Wheight kg / unit	5,2	1.70 DTI 16V	09.2000		55	75	1686
		MERIVA					
		1.60 i	05.2003		64	87	1598

562197J

drawing



Product information

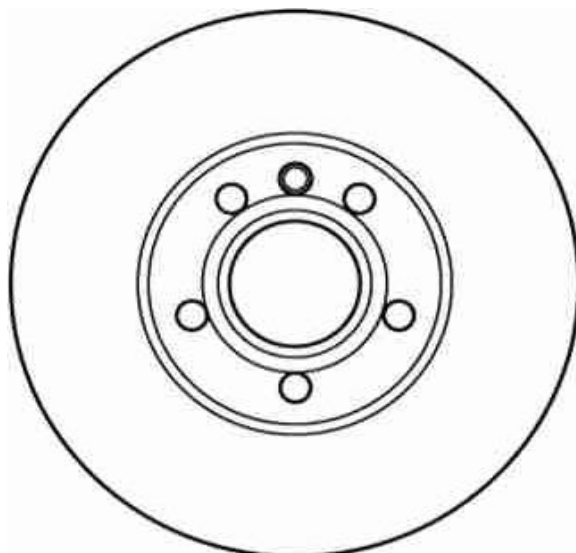
Car application list

from to kW PS ccm

Product	discs	MAZDA	from	to	kW	PS	ccm
JURID part no.	562197J	MX-5 I (NA) 1.80	02.1994	04.1998	96	130	1840
Original no.	NA753325XC	MX-5 II (NB) 1.60 16V	05.1998		81	110	1598
Diameter	255,0	1.80 16V	05.1998		103	140	1840
Thickness	20,0						
Min. thickness	18,0						
No. of holes	4						
Height	45,0						
Ventilated/solid	ventilated						
Axle	front						
Wheight kg / unit	4,8						

562198J

drawing



Product information

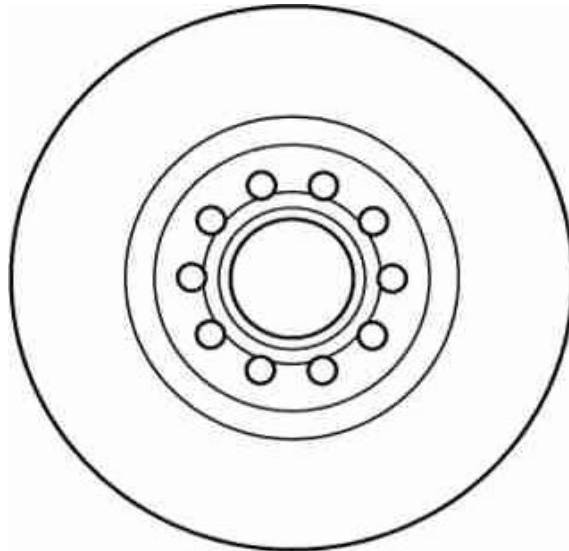
Car application list

from to kW PS ccm

Product	discs	VW	from	to	kW	PS	ccm
JURID part no.	562198J	TRANSPORTER T4 Bus (70XB, 70XC, 7DB, 7DW) div. Modelle, s. TecDoc bzw. Hauptkatalog					
Original no.	7D0615301B	SHARAN (7M8, 7M9)					
Diameter	300,0	1.8 T 20V	09.1997		110	150	1781
Thickness	26,0	2.0	09.1995		85	115	1984
Min. thickness	22,0	2.8 V6 24V	04.2000		150	204	2792
No. of holes	5	2.8 V6 24V 4motion	04.2000		150	204	2792
Height	56,0	1.9 TDI	04.2000		85	115	1896
Ventilated/solid	ventilated	1.9 TDI 4motion	04.2000		85	115	1896
Axle	front	SEAT ALHAMBRA (7V8, 7V9)					
Wheight kg / unit	8,2	1.8 T 20V	10.1997		110	150	1781
		2.0 i	04.1996		85	115	1984
		2.8 V6	06.2000		150	204	2792
		2.8 V6 4	02.2001		150	204	2792
		1.9 TDI	06.2000		85	115	1896
		1.9 TDI 4motion	02.2001		85	115	1896
		FORD GALAXY (VX, VY)					
		2.0 i	11.1995		85	116	1998
		2.3 16V	09.2001		103	140	2295
		2.3 16V	01.1997		107	146	2295
		2.8 V6	04.2000		150	204	2792
		1.9 TDI	04.2000		85	115	1896

562199J

drawing



Product information

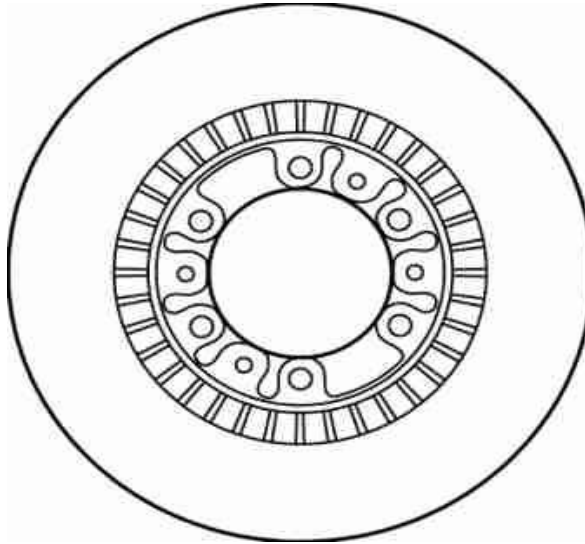
Car application list

from to kW PS ccm

Product	discs	AUDI A4 (8E2, B6)
JURID part no.	562199J	A4 Avant (8E5, B6) A4 Cabriolet (8H7)
Original no.	3B0615301B	A6 (4B, C5) A6 Avant (4B, C5)
Diameter	312,0	SKODA SUPERB (3U4)
Thickness	25,0	VW PASSAT (3B2)
Min. thickness	23,0	PASSAT Variant (3B5)
No. of holes	10	PASSAT (3B3)
Height	46,5	PASSAT Variant (3B6)
Ventilated/solid	ventilated	genaue Anwendungsdetails entnehmen Sie bitte TecDoc und unserem Hauptkatalog
Axle	front	
Wheight kg / unit	8,5	

562203J

drawing



Product information

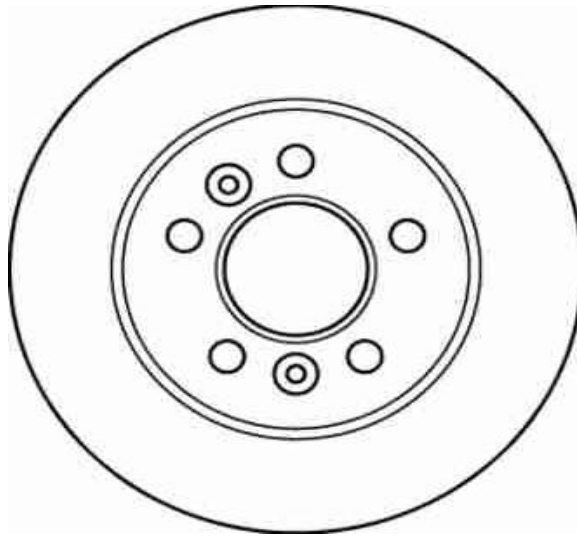
Car application list

from to kW PS ccm

Product information		Car application list	from	to	kW	PS	ccm
Product	discs	MITSUBISHI					
JURID part no.	562203J	PAJERO II (V2_W, V4_W)					
Original no.	MB928120	2.4	04.1991	04.2000	82	112	2351
Diameter	276,0	3.0 V6	12.1990	12.1995	110	150	2972
Thickness	24,0	3.0 V6 24V	06.1994	05.1997	133	181	2972
Min. thickness	25,4	3.0 V6 24V	06.1997	04.2000	130	177	2972
No. of holes	6	3.5 V6 24V	07.1997	04.2000	143	194	3497
Height	45,0	3.5 V6 24V	06.1994	04.2000	153	208	3497
Ventilated/solid	ventilated	2.5 TD	12.1990	04.2000	73	99	2477
Axle	front	2.8 TD	06.1994	04.2000	92	125	2835
Wheight kg / unit	6,62	PAJERO II Canvas Top (V2_W, V4_W)					
		2.4	04.1991	04.2000	82	112	2351
		3.0 V6	12.1990	12.1995	110	150	2972
		3.0 V6 24V	06.1994	04.2000	133	181	2972
		2.5 TD	12.1990	04.2000	73	99	2477

562204J

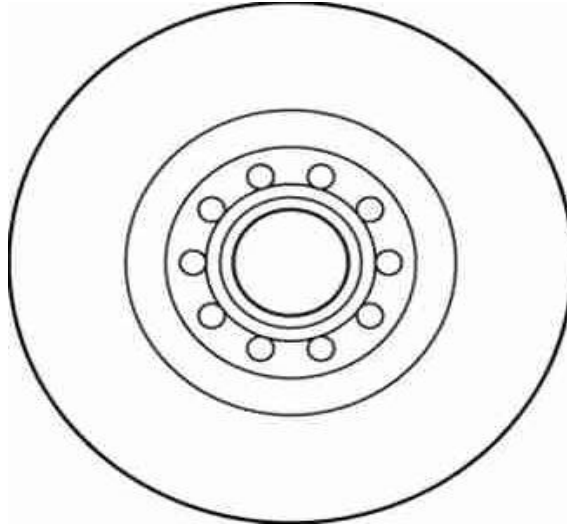
drawing



Product information		Car application list	from	to	kW	PS	ccm
Product	discs	RENAULT AVANTIME (DE0)					
JURID part no.	562204J	2.0 16V Turbo	11.2001	05.2003	120	163	1998
Original no.	6025304079	3.0 V6	09.2001	05.2003	152	207	2946
		2.2 dCi	05.2002		110	150	2188
Diameter	265,0	ESPACE III (JE_)					
Thickness	10,5	2.0	09.2001		102	139	1998
Min. thickness	9,5	2.0 16V (JE0L, JE0N)	10.1998		103	140	1998
		3.0 (JE0D)	11.1996	10.1998	123	167	2963
No. of holes	5	3.0 V6 24V (JE0G, JE0R)	10.1998		140	190	2946
Height	54,3	2.2 dCi (JE0K, JE0S)	10.2000		95	130	2188
Ventilated/solid	solid						
Axle	rear						
Wheight kg / unit	4,19						

562205J

drawing



Product information

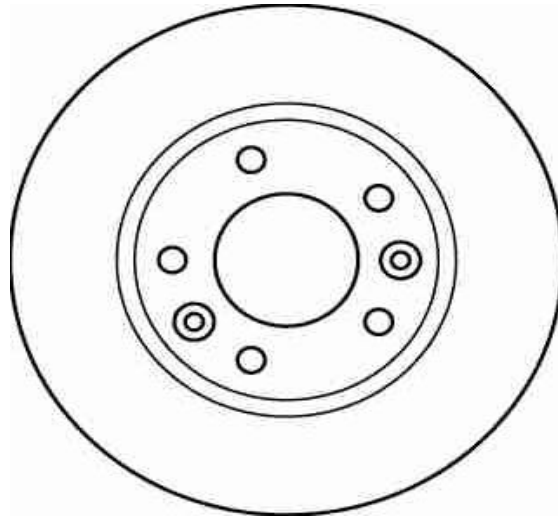
Car application list

from to kW PS ccm

Product	discs	AUDI	from	to	kW	PS	ccm
JURID part no.	562205J	A4 (8D2, B5) 2.70 T quattro S4 quattro	02.1999	11.2000	169	230	2671
Original no.	8D0615301K	A4 Avant (8D5, B5) S4 quattro	09.1997	11.2000	195	265	2671
Diameter	321,0	A6 (4B, C5) 2.70 T	09.1997	09.2001	195	265	2671
Thickness	30,0	2.70 T quattro	02.1999		169	230	2671
Min. thickness	28,0	2.70 T quattro	12.1997		169	230	2671
No. of holes	10	2.50 TDI	08.2001		184	250	2671
Height	46,0	A6 Avant (4B, C5) 2.70 T	07.2002		120	163	2496
Ventilated/solid	ventilated	2.70 T quattro	02.1999		169	230	2671
Axle	front	3.00	12.1997		169	230	2671
Wheight kg / unit	9,75	3.00 quattro	08.2001		184	250	2671
		ALLROAD (4BH) 2.70 T quattro	08.2001		162	220	2976
		4.20 V8	08.2001		162	220	2976
		2.50 TDI quattro	05.2000		184	250	2671
			07.2002		220	299	4163
			05.2000		132	180	2496

562207J

drawing



Product information

Car application list

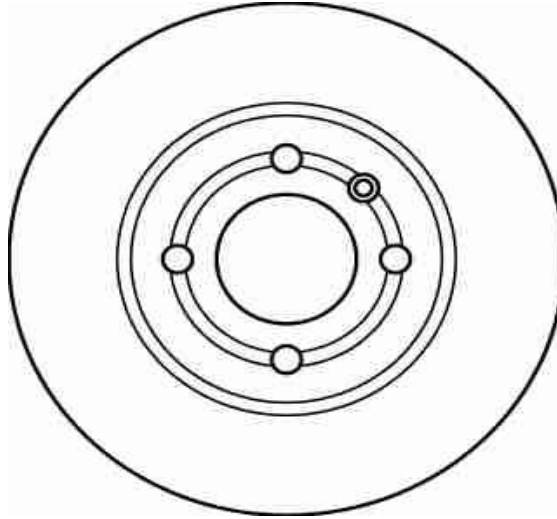
from to kW PS ccm

Product	discs	KIA CARNIVAL (UP)					
JURID part no.	562207J	2.50 V6 2.90 TD	08.1999	10.2001	121	165	2497
Original no.	KJ00233251C		08.1999	10.2001	93	126	2903
Diameter	274,0						
Thickness	24,2						
Min. thickness	22,2						
No. of holes	5						
Height	47,5						
Ventilated/solid	ventilated						
Axle	front						
Wheight kg / unit	6,69						

* = Minderrabatt

562209J

drawing



Product information

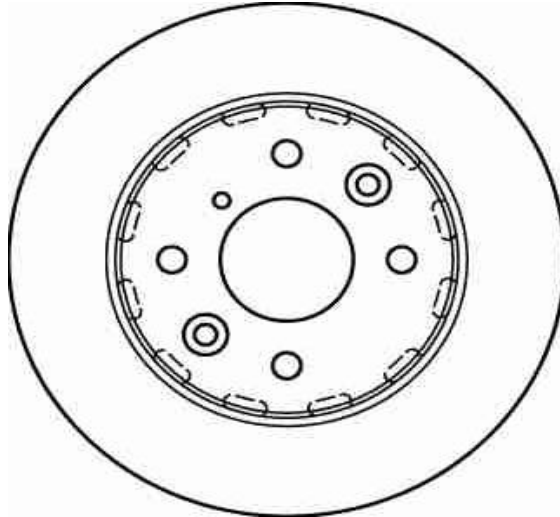
Car application list

from to kW PS ccm

Product information		Car application list	from	to	kW	PS	ccm
Product	discs	VW LUPO (6X1, 6E1)					
JURID part no.	562209J	1.6 GTI	09.2000		92	125	1598
Original no.	6N0615301E	POLO (6N1) 1.6 16V GTI	09.1998	10.1999	88	120	1598
Diameter	256,0	POLO (6N2) 1.6 16V GTI	10.1999	09.2001	92	125	1598
Thickness	25,0						
Min. thickness	23,0						
No. of holes	4						
Height	39,1						
Ventilated/solid	ventilated						
Axle	front						
Wheight kg / unit	5,65						

562210J

drawing



Product information		Car application list	from	to	kW	PS	ccm
Product	discs	KIA					
JURID part no.	562210J	SEPHIA (FA)					
Original no.	0K20A33251	1.50 i 16V	02.1996		59	80	1498
		1.60 i	01.1995		59	80	1598
		1.80 i 16V	01.1995		82	112	1793
		SEPHIA Stufenheck (FA)					
Diameter	243,0	1.50 i 16V	02.1996	10.1997	59	80	1498
		1.60 i	09.1993		59	80	1598
		1.80 i 16V	01.1995		82	112	1793
Thickness	20,0						
Min. thickness	18,0						
No. of holes	4						
Height	42,5						
Ventilated/solid	ventilated						
Axle	front						
Wheight kg / unit	4,2						