



Water Pumps

Includes applications for:

- Passenger Cars & Light Trucks
- Medium, Heavy-Duty Trucks & Buses
- Road & Construction Equipment
- Lift & Industrial Equipment
- Tractors & Farm Equipment
- Marine Engines



Table of Contents

Click on any item name or page number to jump directly to that item or page.

Introduction	A1-A4
Model and Manufacturer Index.....	B1-B12
Application Guide	
Passenger Cars and Light Trucks.....	1-59
Medium and Heavy-Duty Trucks	60-114
Buses	115-120
Road and Construction Equipment.....	121-133
Lift and Industrial Equipment.....	134-135
Tractors and Farm Equipment	136-140
Marine Engines	141-142
Manufacturers' Part Numbers	143-152
Changeover Listing	153-178
Numerical Listing	179-247
Water Pump Product Guide	248-300

Warning

Be safe! Do not use Gates belts, pulleys or sprockets on any aircraft propeller or rotor drive systems or inflight accessory drives. Those Gates products are not designed or intended for aircraft use.

Caution

Use Gates products only on applications specified in Gates literature. Install and maintain products according to the vehicle manufacturer's recommended procedures and with recommended tools. Failure to follow these instructions could result in injury or property damage. Gates disclaims all liability due to failure to follow these instructions.

Limited Warranty for the Life of the Merchandise

Merchandise is warranted to be free from defects in materials or workmanship for the life of the merchandise. Damages from misuse, abuse or gradual wear from normal use are excluded from this warranty. Gates Corporation will, at its option, replace or repair any merchandise proved defective in material or workmanship, or both, during the warranty period. This is the exclusive remedy. For warranty service, please contact the Service Department, Gates Corporation, P.O. Box 5887, Denver, Colorado 80217. THERE IS NO OTHER EXPRESSED WARRANTY. IMPLIED WARRANTIES, INCLUDING THOSE OF MERCHANTABILITY AND FITNESS FOR A PARTICULAR PURPOSE, ARE LIMITED TO THE EXPRESSED WARRANTY PERIOD. LIABILITY FOR CONSEQUENTIAL OR INCIDENTAL DAMAGES UNDER ANY AND ALL WARRANTIES ARE EXCLUDED TO THE EXTENT EXCLUSION IS PERMITTED BY LAW.

Some states do not allow the exclusion of limitation or incidental or consequential damages, and some states do not allow limitations on how long an implied warranty lasts, so the above limitation and exclusion may not apply to you. This warranty gives you specific legal rights and you may also have other rights which vary from state to state.

For additional applications or part number information contact the Automotive Product Application Tech Line at 303-744-5651.

Copyright © 2008 Printed in U.S. of America



Gates Corporation

P.O. Box 5887

Denver, Colorado 80217

Engines run cool under extreme conditions with Gates water pumps

6 Good reasons to go with Gates

- **Original Equipment Manufacturer materials and design**
- **Pump cavity and impeller match OEM performance for proper coolant flow**
- **Unitized bearings and seals give long service life**
- **Precision ground surfaces for proper fit and sealing**
- **New premium components**
- **Limited lifetime warranty**

Automotive Fluid Systems

Water Pumps

The car's cooling system dissipates about 30% of the heat generated by the engine. Coolant circulating from the radiator through the engine does the job. It is the water pump's job to deliver a continuous flow of coolant. Most pumps have six components:

The hub is attached to the bearing assembly and connects to the source of power (a belt and pulley or sprocket) rotating the impeller.

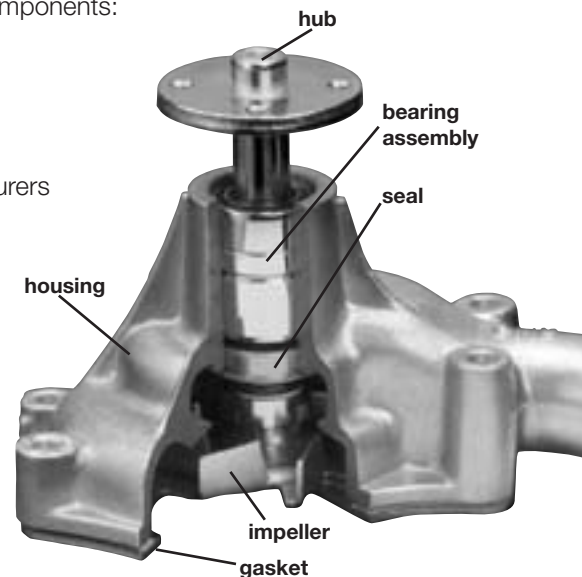
The housing is typically made of cast iron or aluminum. Gates uses quality cast aluminum with no flashing...and no worn out tooling. Vehicle manufacturers are moving to aluminum to reduce vehicle weight.

The impeller is the mechanism that pumps coolant throughout the system.

The bearing assembly supports the continuous rotation of the impeller. It has two sets of bearings: one near the front of the shaft and one near the rear. The bearing can be either the ball or needle style (roller bearing).

The seal protects the bearing assembly from coolants and contaminants. It is usually made of ceramic or Teflon®.

The gasket insures a tight, leak-free interface between the shallow impeller cavity (where coolant collects) and the housing body.



When installing a new Gates water pump...always check or replace:



Belts

Tensioners

Hoses & Clamps

Radiator Cap

Thermostat

How Long Do Water Pumps Last?

Pumps are tough. Typically, most original equipment pumps last 60–80,000 miles or more. However, you need to keep an eye on things that can damage pump efficiency. Most often, the causes of premature pump failure are coolant contamination and cooling system corrosion. You can prevent both by routinely checking the chemical balance of the coolant. With the engine off and cool, remove the radiator cap and dip a chemical test strip in the coolant. The strip will change color, which you can then compare to colors on a reference chart. If the coolant has lost its effectiveness, replace it at once. Flushing the cooling system on a regular schedule will help reduce coolant contamination failures.

A defective automatic belt tensioner can reduce pump life. The defective tensioner begins to oscillate excessively which sends impulses to the pump shaft. These vibrations can cause rapid bearing wear and premature failure. Replacing the automatic tensioner when you replace the pump is good preventive maintenance. Always use Gates DriveAlign® tensioners.

How Often Should Coolant Be Changed?

It depends. “Traditional” coolant lasts roughly 35,000 miles. Some new cars come equipped with “long-life” or “organic” coolant that lasts up to 150,000 miles. **Do not mix the two.** A long-life coolant becomes debased when mixed with a traditional coolant. Instead of the expected 150,000 miles of service, you get only what the traditional coolant provides, about 35,000 miles. Adding traditional coolant to long-life coolant may void the vehicle manufacturer’s warranty.

The best guide to helping to insure long life for the water pump and the internal parts of the cooling system, is to follow the recommendations in your vehicle operating manual for “severe” use.

Causes of Water Pump Failures

Contamination

If coolant is contaminated, the outside of the pump will show signs of it. Look for rusty coolant seeping out of the weep hole. There will be deposit build-up of calcium and rust if the condition has gone undetected for a long period. Particles of this contamination will destroy the water pump seal.

Inspect the radiator cap. If the system is not properly pressurized, any air that gets in accelerates the rust problem.

Use distilled water. Tap water usually contains minerals that, when heated, precipitate out and form deposits that block cooling system passages.

Before installing a new water pump, thoroughly flush the cooling system.

Broken Shaft

A clean fracture through the front bearing race part of the shaft means the pump was subjected to a sudden overload or imbalance caused by vibration. Rapid engine acceleration also played a part.

If the broken shaft is discolored (usually blue), the damage was gradual, indicating excessive heat build-up before the shaft broke. Again, imbalance is the cause, amplified by rapid acceleration and high rpms.

Check the condition of the pulleys and especially look for pulley misalignment. It may be the belt is improperly tensioned or the automatic tensioner is defective. Use a tension gauge to verify. If equipped with a water pump mounted fan, inspect the fan/fan clutch assembly. The fan may not be squarely mounted on the shaft. A bent or damaged fan, a worn spacer, or a worn or damaged fan clutch could also be factors contributing to the break.

Causes of Water Pump Failures – continued

Broken Housing

Any break in the casting normally happens around the bearing support. It's caused by heavy vibration or imbalance which, in turn, is caused by a worn fan clutch or bent fan.

Bearing Failure

With the engine off, check bearing condition by looking for any side-to-side play at the shaft. Apply hand pressure – there should be no play at all. Also, rumbling or screeching noises coming from the water pump indicate a worn bearing. The pump needs to be replaced.

Replace any bent or worn out components. Check the pulleys, the belt alignment, the automatic belt tensioner, and fan/fan clutch assembly for suspect parts.

Defective Fan Clutch – Look for three things:

If there are oil streaks and dirt on the fan clutch, the internal clutch fluid is leaking.

Next, check the condition of the bearing. **With the engine off**, grasp the fan blade on either end and check for lateral movement. There should be no more than 1/4" of side-to-side movement. If the fan blade moves more than that, the bearing is worn out and the unit needs to be replaced.

Third, run engine until it reaches operating temperature. **Turn engine off** and gently spin the fan blade. If it spins more than twice, the clutch is worn out. If the fan is noisy – or if the fan won't turn at all – the unit is worn out and needs to be replaced.

Weep Hole Seepage

When a pump is new, some seepage from the weep hole is normal. It takes a few hours of operation for the seal to properly seat itself. After this break-in period, weeping will still occur and it is normal. Continuous seepage indicates a failed seal. A failed seal allows coolant to leak through the bearings and wash away the lubricator.

A ceramic seal can be cracked by adding cold coolant to a hot system. Let a hot engine cool down. Then, restart the engine and slowly add the coolant. If the coolant is clean and a newer pump is leaking, the seal may have been changed, or is defective.

NOTE: The seal face or mating ring can be cracked when installing a new water pump if engine is started before adding coolant.

Installing a New Water Pump

Before installing a new pump, clean out the cooling system. If the old pump still works, add a chemical cleaner and reverse flush out all the sediment, rust and scale.

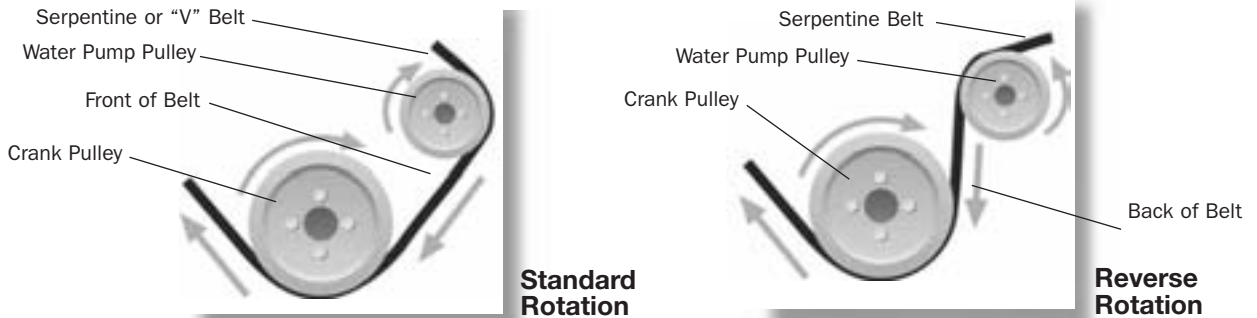
Disconnect fan, fan clutch, hoses, and belts. Remove old water pump. Next, inspect the impeller cavity in the engine block. Clean it thoroughly, removing sediment build-up and scale.

NOTE: Gates recommends replacing the timing belt and components while servicing a timing belt driven water pump. Long-term coolant or oil contamination can damage a timing belt.

Installing a New Water Pump – continued

Installation Reminders

1. Flush cooling system of all sediment, rust and scale before removing old pump.
2. With old pump removed, clean impeller cavity in engine block and clean gasket surface.
3. Standard and Reverse Rotation water pumps are not interchangeable.



It is easy to identify water pump types. Look at the pump and the belt that drives it. If the pump is driven by the front of the belt, it's a standard pump. If the water pump is driven by the back of the belt, it is a reverse rotation pump.

Tighten steel back plate bolts on water pump where applicable. Coat new gaskets on both sides with gasket sealer and position on pump or engine block.

4. Do not force pump on by striking the pump shaft.
5. Tighten mounting bolts to the manufacturer's torque specifications. Don't tighten bolts "around the clock." Instead, stagger the sequence. Do not over torque bolts. Doing so may cause overload fractures.
6. If equipped, check condition of the fan clutch and the fan. If these are suspect, replace them.
7. Don't over-tighten the belts. Over-tightened belts may cause premature bearing failure. They can also break the bearing shaft or the housing.
8. If vehicle has an automatic belt tensioner, follow manufacturer's instructions for testing its effectiveness. A faulty tensioner can damage a water pump.
9. Turn pump shaft and make sure it rotates freely before reinstalling the pulleys, fans, clutches, belts and hoses.
10. Fill radiator and coolant recovery bottle with the correct mixture of new low-silicate coolant and distilled water. Check for obvious leaks. Measure the amount of coolant added so it can be determined if air is trapped in the system. If so, it needs to be purged. A vacuum fill tool eliminates air in the cooling system.
11. Check fan blades. If bent, cracked or if rivets are loose, replace the fan. If equipped with a fan clutch, check fan clutch for loss of oil, looseness or wobble. Replace if damaged.
12. A new pump will normally weep from the weep hole during the run-in period of a few hours. If it continues to weep, the seal is damaged and the pump needs to be replaced.
13. Always allow a hot engine to cool before working on the cooling system. Never remove the radiator cap from a hot engine. And never add cold coolant to a hot engine. This will crack the seal.
14. If you have a manufacturer's repair manual, refer to it when replacing the water pump.
15. ALWAYS use new coolant after installing a new water pump. Follow the manufacturer's recommendation as to the type of coolant to use, traditional or long-life. **Do not mix types of antifreeze.** Do not use coolant additives.

Model and Manufacturer Index

Model	Manufacturer	Model	Manufacturer	Model	Manufacturer
1		1 - Continued		2 - Continued	
1-Step-30	Ottawa	1110	International	225S	Mercuriser
10 Ton	Ingram	1117	Mercedes-Benz	227	Peterbilt
10D	Huber-Warco	1200	White	228	Mercuriser
10R	Bucyrus-Erie	1200 Series	White	228TR	Mercuriser
11-5400	Ingram	1210	International	229G	Wabco
11D	Huber-Warco	1219	Mercedes-Benz	230	Mercedes-Benz
12RT	Euclid	1310	International	230	Mercuriser
13-210	Kenworth	1319	Mercedes-Benz	230S	Mercedes-Benz
13-210	Peterbilt	1412	Field Queen	230SL	Mercedes-Benz
14YD	Herc	1419	Mercedes-Benz	233D	F.W.D.
16TDT	Euclid	1420	Intl. Harvester	240	Chrysler
181	Renault	1440	Intl. Harvester	240	Volvo
100	Audi	1452 SC	International/Navistar	240D	Mercedes-Benz
100	International	1460	Intl. Harvester	240SX	Nissan
100 Hydro	Intl. Harvester	1466	Intl. Harvester	240Z	Nissan
100SP	Gleaner	1466 Farmall	Intl. Harvester	247	Cleveland
102-A3	MCI	1486	Intl. Harvester	250	Chrysler
102-D3	MCI	1500	Drott	250	Jaeger
102-DL3	MCI	1500 Series	White	250	Mercedes-Benz
102-EL3	MCI	1566	Intl. Harvester	250	Mercuriser
104	Dresser-Galion	1568	Intl. Harvester	250 Travelift	Drott
110	Mercuriser	1624	International/Navistar	250AI Travelift	Drott
110 III-H14	Clark-Michigan-VME	1650	International/Navistar	250C	Mercedes-Benz
110-11	Clark-Michigan-VME	1652 SC	International/Navistar	250RF2	Dresser-Galion
110-15	Clark-Michigan-VME	1654	International/Navistar	250RO2	Chicago Pneumatic
110HT	Clark-Michigan-VME	1700	Trojan-Yale	250S	Mercedes-Benz
111CC0061	Flxible	1703	International/Navistar	250SE	Mercedes-Benz
118	Dresser-Galion	1724	International/Navistar	250SL	Mercedes-Benz
118C	Dresser-Galion	1750	International/Navistar	250SP	Chrysler
120	Mercuriser	1753	International/Navistar	255	Mercuriser
122	Volvo	1754	International/Navistar	255A	Bay City
124	Fiat	1800	Drott	255A	Koehring
125	Dresser-Galion	1800	Volvo	255L	Parsons
125A	Dresser-Galion	1824	International/Navistar	260	Commander
125A II	Clark-Michigan-VME	1850	International/Navistar	260	Volvo
125A III	Clark-Michigan-VME	1853	International/Navistar	260E	Mercedes-Benz
128	Fiat	1853FC	International/Navistar	260Z	Nissan
131	Fiat	1854	International/Navistar	265	Peterbilt
135	Massey Ferguson	1880	New Holland	270	Mercuriser
140	Dynahoe	1890	New Holland	270	Peterbilt
140	Mercuriser	1900	Opel	275	Massey Ferguson
150	Case	1900	Trojan-Yale	275 III	Clark-Michigan-VME
150	Dresser-Galion	1924	International/Navistar	275C	Clark-Michigan-VME
150	International	1954	International/Navistar	280 I	Clark-Michigan-VME
150	Massey Ferguson	1955	International/Navistar	280 I	Volvo
150A	Dresser-Galion	10240B	AM General	280 II	Volvo
150FA	Dresser-Galion	2		280 III	Clark-Michigan-VME
151-T41	Bay City	2-66 Ranger	Raygo	280 III	Volvo
155	Chrysler	2-180	White	280 Articulated	Volvo
160	Dresser-Galion	2-3 L Cobra	OMC	280A III	Clark-Michigan-VME
160	Dynahoe	20-20	P & H	280CE	Mercedes-Benz
160RF2	Dresser-Galion	20B	Bucyrus-Erie	280CSP	Bucyrus-Erie
164	Volvo	20H	Bucyrus-Erie	280E	Mercedes-Benz
165	Mercuriser	20R	Bucyrus-Erie	280S	Mercedes-Benz
166	Koehring	20R	Bucyrus-Erie	280SE	Mercedes-Benz
170RD2	Le Roi	21H	Bucyrus-Erie	280SEL	Mercedes-Benz
175 Super Bee II	Chrysler	21LDT	Euclid	280SL	Mercedes-Benz
175A	Clark-Michigan-VME	22-210	Kenworth	280Z	Nissan
175A III	Clark-Michigan-VME	22-210	Peterbilt	280ZX	Nissan
175B	Clark-Michigan-VME	22B	Bucyrus-Erie	282	Peterbilt
180	Clark-Michigan-VME	25	American Crane	283 Special	Massey Ferguson
180 I	Volvo	25B	Bucyrus-Erie	284D	F.W.D.
180 II	Volvo	29	Pettibone	289	Peterbilt
180 III	Clark-Michigan-VME	200	Audi	290	Massey Ferguson
186 Hydro	Intl. Harvester	200	International	294	Massey Ferguson
190	Mercedes-Benz	200	Mercedes-Benz	2000	Ford
190 4	Dynahoe	200	Peterbilt	2000	Pontiac
190-T52	Bay City	200 Super Bee II	Chrysler	2000	Trojan-Yale
190-T6430	Bay City	200RF2	Dresser-Galion	2000 GTX	Eagle
190C	Mercedes-Benz	200SX	Nissan	2000 Series	International/Navistar
190D	Mercedes-Benz	210	Nissan	2000 Sunbird	Pontiac
190E	Mercedes-Benz	215	Mercuriser	2002	BMW
195 Road Widener	Blaw-Knox	220	Mercedes-Benz	2002TI	BMW
1000	Pontiac	220D	Mercedes-Benz	2002TII	BMW
1000A Travelift	Drott	220S	Dresser-Galion	2050A	International/Navistar
1000AI Travelift	Drott	220SEB	Mercedes-Benz	2070	International/Navistar
1010	International	222G	Wabco	2070A	International/Navistar
1066	Intl. Harvester	224	Peterbilt	2100	Ford
1066 Farmall	Intl. Harvester	225	Mercuriser	2135 Turf	Massey Ferguson
1086	Intl. Harvester	225 (51U)	Caterpillar	2135 Utility	Massey Ferguson
1100	MG	225 Super Bee II	Chrysler	2155	International/Navistar

Model and Manufacturer Index

Model	Manufacturer	Model	Manufacturer	Model	Manufacturer
2 - Continued		3 - Continued		3 - Continued	
2161	F.W.D.	323I	BMW	3488	Intl. Harvester
2255	Oliver	323IS	BMW	3588	Intl. Harvester
2272	F.W.D.	324D	F.W.D.	3600	International/Navistar
2275	International/Navistar	325	BMW	3688	Intl. Harvester
2276	International/Navistar	325CI	BMW	3700	International/Navistar
2300 Series	White	325E	BMW	3788	Intl. Harvester
2310	Ford	325I	BMW	3800	International/Navistar
2375	International/Navistar	325IS	BMW	3800 Series	Western Star
2500	BMW	325IX	BMW	3900FC	International/Navistar
2500	Drott	325XI	BMW	3135096	Flexible
2500	Trojan-Yale	328CI	BMW	4	
2510	Drott	328I	BMW	4 Runner	Toyota
2554	International/Navistar	328IS	BMW	4-150	White
2574	International/Navistar	330	Dodge	4-180	White
2575	International/Navistar	330	Mercruiser	4-210	White
2654	International/Navistar	330	Peterbilt	4-225	White
2674	International/Navistar	330 Bravo	Mercruiser	40	NABI
2675	International/Navistar	330 Magnum	Mercruiser	40	Pettibone
2800	BMW	330CI	BMW	40 Crawler	Drott
2800CS	BMW	330H	Wabco	40 Cruz-Air	Drott
22123	Thomas Built	330I	BMW	40C	Drott
3		330XI	BMW	40R	Drott
3	Mazda	348	Peterbilt	40YR	Drott
3.0CS	BMW	349	Peterbilt	45	Bay City
3.0CSI	BMW	350	Mercruiser	45B	Clark-Michigan-VME
3.0S	BMW	350 5.7 L Competition	Ski Eng. Mercruiser	45C	Clark-Michigan-VME
3.0SI	BMW	350 Magnum	Mercruiser	45CIIB100	Bucyrus-Erie
30DH	Drott	350SD	Mercedes-Benz	400	Dodge
30H II	Bucyrus-Erie	350SDL	Mercedes-Benz	400	International/Navistar
35	American Crane	350Z	Nissan	400	Wabco
35	Drott	351	Commander	400E	Mercedes-Benz
35A	Clark-Michigan-VME	351	Peterbilt	400SE	Mercedes-Benz
35AWS	Clark-Michigan-VME	352	Peterbilt	400SEL	Mercedes-Benz
35B	Clark-Michigan-VME	353	Peterbilt	402	Intl. Harvester
35EC	Drott	355	Clark	405-2A	Koehring
36	Pettibone	357	Peterbilt	406D	F.W.D.
38B	Bucyrus-Erie	358	Brockway	410	Austin-Western
38TC	Bucyrus-Erie	359	Brockway	410SP	Massey Ferguson
300	Chrysler	359	Peterbilt	420SEL	Mercedes-Benz
300	Commander	360	Brockway	425	Bay City
300	Ford	361	Brockway	428	Koehring
300	Peterbilt	362	Peterbilt	430	Case
300	Wabco	364D	F.W.D.	433	International
300 Hydro-Cruiser	Warner & Swasey	365	Jaeger	436	NABI
300 Hydro-Scopic	Warner & Swasey	365RQ2	Chicago Pneumatic	436-06	Ikarus
300 Marine	Chrysler	372	Peterbilt	440	Bay City
300CD	Mercedes-Benz	375	Peterbilt	440	Dodge
300CE	Mercedes-Benz	376	Peterbilt	440	Wabco
300D	Mercedes-Benz	377	Peterbilt	441	Jeep
300E	Mercedes-Benz	378	Peterbilt	442	Jeep
300M	Chrysler	379	Peterbilt	442	Oldsmobile
300SD	Mercedes-Benz	380 II	Clark-Michigan-VME	450	Bay City
300SDL	Mercedes-Benz	380 III	Clark-Michigan-VME	450	Brockway
300SE	Mercedes-Benz	380SE	Mercedes-Benz	450	Case
300SEL	Mercedes-Benz	380SEC	Mercedes-Benz	450SE	Mercedes-Benz
300SL	Mercedes-Benz	380SEL	Mercedes-Benz	450SEL	Mercedes-Benz
300SP	Chrysler	380SL	Mercedes-Benz	450SL	Mercedes-Benz
300TD	Mercedes-Benz	380SLC	Mercedes-Benz	450SLC	Mercedes-Benz
300TE	Mercedes-Benz	383	Massey Ferguson	454	Jeep
300ZX	Nissan	385	Peterbilt	454 Magnum	Mercruiser
301S	Clark-Michigan-VME	387	Peterbilt	456D	F.W.D.
302	Commander	390	Massey Ferguson	459	Brockway
302	PCM	394	Massey Ferguson	460	OMC
303	Intl. Harvester	3000	Ford	460	PCM
304	Koehring	3000	Trojan-Yale	460 King Cobra	OMC
305	Koehring	3000FE	International/Navistar	466D	F.W.D.
305GLV	Chris-Craft	3000GT	Mitsubishi	473	Jeep
305K	Chris-Craft	3060	Massey Ferguson	475	Jeep
310	Case	3100	Ford	480B Industrial	Case
310	Nissan	3161	F.W.D.	486D	F.W.D.
310	Peterbilt	3208	Caterpillar	4000	Audi
318I	BMW	3208TA	Caterpillar	4000	Ford
318IS	BMW	3230	Ford-New Holland	4000	Pumpmaster
318TI	BMW	3272	F.W.D.	4000	Trojan-Yale
320	Peterbilt	3300	Ford	4000 Series	White
320 E.F.I.	Mercruiser	3305	Terex	4100	Ford
320 Pickup	Nissan	3330	Ford	4100	International/Navistar
320I	BMW	3361	F.W.D.	4161	F.W.D.
323	Mazda	3388	Intl. Harvester	4166	Intl. Harvester
323CI	BMW	3400	International/Navistar	4200	International/Navistar

Model and Manufacturer Index

Model	Manufacturer	Model	Manufacturer	Model	Manufacturer
4 - Continued		5 - Continued		6 - Continued	
4235	Massey Ferguson	560SL	Mercedes-Benz	661	Ford
4270	International/Navistar	597C	American Crane	662	Clark-Michigan-VME
4300	International/Navistar	5000	Audi	664	Clark-Michigan-VME
4366	Intl. Harvester	5000	Ford	664B	Clark-Michigan-VME
4370	International/Navistar	5000	International/Navistar	664C	Clark-Michigan-VME
4386	Intl. Harvester	5000 Series	International/Navistar	666	Clark-Michigan-VME
4400	Ford	5050	International/Navistar	666	Wabco
4400	International/Navistar	5070	International/Navistar	666 Power Flow	Wabco
4420G	Grove	5088	Intl. Harvester	666B	Clark-Michigan-VME
4600	International/Navistar	5100	Ford	666B	Wabco
4700	International/Navistar	5161	F.W.D.	666C	Clark-Michigan-VME
4800	International/Navistar	5288	Intl. Harvester	666D	Koehring
4800 Series	Western Star	5488	Intl. Harvester	671	Ford
4900	International/Navistar	5500i	International/Navistar	681	Ford
4900 Series	Western Star	5530	American Crane	690	Massey Ferguson
4900EX	Western Star	5600i	International/Navistar	695	Hyhoe
4900FA	Western Star	5610	Ford-New Holland	6000	Pontiac
4900SA	Western Star	5800 Series	Western Star	6000 Series	Chevrolet
4964EX	Western Star	5900 Series	Western Star	6000 Series	White
4964FX	Western Star	5900i	International/Navistar	6388	Intl. Harvester
4964SX	Western Star	53101	Flxible	6530	Ford-New Holland
40096-6C	Flxible	6		6588	Intl. Harvester
40102-4D	Flxible	6	Mazda	6600	Ford
5		6V53TI	Detroit Diesel	6610	Ford-New Holland
5.0 L	Mer cruiser	6V92MTA	Detroit Diesel	6788	Intl. Harvester
5.0 LX	Mer cruiser	6V92TA	Detroit Diesel	6900 Series	Western Star
5.7 L	Mer cruiser	60	Bay City	6900XD	Western Star
5.7 LX	Mer cruiser	63	Bay City	6950	John Deere
50	Drott	64-18	Grove	7	
50BEC	Drott	64-HN9	Gray Marine	7.4 L	Mer cruiser
53 Series	Detroit Diesel	64D-1234	Oshkosh	7.4 LX	Mer cruiser
54F	Marmon	64D-1634	Oshkosh	7.5 L	OMC
54P	Marmon	64D-1638	Oshkosh	72	Bay City
55	Clark-Michigan-VME	64D-1644	Oshkosh	72-20	Terex
55 III	Clark-Michigan-VME	64D-1660	Oshkosh	72-31	Terex
55A I	Clark-Michigan-VME	600	Bay City	72-31B	Terex
55A II	Clark-Michigan-VME	600	Champion	72-40	Terex
55A III	Clark-Michigan-VME	600	Dodge	72-41	Terex
55B	Clark-Michigan-VME	600	Ford	72-51	Terex
55C	Clark-Michigan-VME	600	Jaeger	72-51B	Terex
57L	Marmon	600A Travelift	Drott	72-61	Terex
57P	Marmon	600RO2	Chicago Pneumatic	72-71	Terex
57R	Marmon	600SEC	Mercedes-Benz	75	Clark-Michigan-VME
500	International/Navistar	600SEL	Mercedes-Benz	75 III	Clark-Michigan-VME
500	Wabco	600SL	Mercedes-Benz	75A II	Clark-Michigan-VME
500 Travelift	Case	600WD	Koehring	75A III	Clark-Michigan-VME
500A Travelift	Drott	601	Ford	75C	Clark-Michigan-VME
500AI Travelift	Drott	604	Peugeot	700	Ford
500B Travelift	Case	606D	F.W.D.	701	Ford
500E	Mercedes-Benz	610	Nissan	710	Nissan
500SEC	Mercedes-Benz	610-T6435	Bay City	714	Austin-Western
500SEL	Mercedes-Benz	610-T8445	Bay City	720	Austin-Western
500SL	Mercedes-Benz	611	Ford	720	Bay City
501	Ford	613	Caterpillar	720	Clark-Lima
501S	Clark-Michigan-VME	613A (71M)	Caterpillar	720 Pickup	Nissan
505	Peugeot	613B (38W)	Caterpillar	733I	BMW
510	Nissan	613C	Caterpillar	735I	BMW
510SP	Massey Ferguson	613C (92X)	Caterpillar	735IL	BMW
520 Pickup	Nissan	616	Intl. Harvester	740	Ford
521	F.W.D.	616	Mazda	740	Volvo
521 Pickup	Nissan	620	Ford	740 Series	GMC
524TD	BMW	620 Pickup	Nissan	740I	BMW
525 H.P.	Mer cruiser	620 Series	GMC	740IL	BMW
525 SC	Mer cruiser	621	Ford	741	Ford
525 SC Bravo One	Mer cruiser	622	Intl. Harvester	750 Series	GMC
525I	BMW	626	Mazda	750IL	BMW
528E	BMW	630	Ford	758	Brockway
528I	BMW	630 Series	GMC	760	Brockway
530	Case	630CSI	BMW	760	Volvo
530I	BMW	631	Ford	761	Brockway
533I	BMW	633CSI	BMW	762	Brockway
535	Bay City	635CSI	BMW	771	Ford
535I	BMW	640	Ford	774	Barber-Greene
535IS	BMW	641	Ford	777	Wabco
540	Case	650	Ford	777 Power Flow	Wabco
540I	BMW	650 Series	GMC	777B	Wabco
555	Wabco	650A Travelift	Drott	780	Volvo
560	Champion	651	Ford	782	Intl. Harvester
560SEC	Mercedes-Benz	660	Ford	7000	Ford
560SEL	Mercedes-Benz	660 Series	GMC	7000 Series	White

Model and Manufacturer Index

Model	Manufacturer	Model	Manufacturer	Model	Manufacturer
7 - Continued		9 - Continued		A - Continued	
7000 Series 2	MCR	90	Audi	AD30	Allis-Chalmers
7070B	International/Navistar	95	Intl. Harvester	AD40	Allis-Chalmers
7100	Ford	96-A3	MCI	Adventurer	Desoto
7100	International/Navistar	99	Saab	Aerio	Suzuki
7200	Ford	900	Ford	Aerostar	Ford
7288	Intl. Harvester	900	Saab	Alero	Oldsmobile
7400 FC1	Ford	900 Series	GMC	All American	Bluebird
7488	Intl. Harvester	901	Ford	All American FE	Bluebird
7600	International/Navistar	910 Series	GMC	All American RE	Bluebird
7700	Ford	915	Intl. Harvester	Allante	Cadillac
7760	Case	920 Series	GMC	Alliance	Renault
7760	Drott	924	Porsche	Allroad Quattro	Audi
8		928	Porsche	Allure	Buick
8-33	Pettibone	929	Mazda	Altima	Nissan
8V92TA	Detroit Diesel	930 Series	GMC	Amanti	Kia
8V92TMA	Detroit Diesel	940	Volvo	Ambassador	American Motors
8.2 L	Detroit Diesel	941	Ford	America	Austin
80	Audi	944	Porsche	American	American Motors
80 Cruz-Air	Drott	950	Ford	AMG Bus II	AM General
82-30	Terex	950 Series	GMC	Amigo	Isuzu
82-40	Euclid	951	Ford	AMX	American Motors
82-40	Terex	960	Ford	AN460	Neoplan
82-40 Crawler	Euclid	960	Volvo	Apollo	Buick
85A I	Clark-Michigan-VME	961	Ford	Argosy	Freightliner
85A II	Clark-Michigan-VME	966	Intl. Harvester	Aries	Dodge
85A III	Clark-Michigan-VME	966 Farmall	Intl. Harvester	Aries America	Dodge
800	Ford	968	Porsche	Armada	Nissan
800 Series	GMC	970 Series	GMC	Arrow	Plymouth
800AC Travelift	Drott	971	Ford	Arrow Pickup	Plymouth
801	Ford	980 Series	GMC	Ascender	Isuzu
808	Mazda	981	Ford	Aspen	Chrysler
810	Nissan	986	Intl. Harvester	Aspen	Dodge
811	Ford	9000	Saab	Aspire	Ford
815	Intl. Harvester	9000 Series	White	Astre	Pontiac
816 Backhoe	Allis-Chalmers	9100	International/Navistar	Astro	Chevrolet
816 Wheel Loader	Allis-Chalmers	9100i	International/Navistar	Astro	GMC
820	Ford	9200	International/Navistar	AT Series	Autocar
820 Series	GMC	9200i	International/Navistar	Aura	Saturn
821	Ford	9300	International/Navistar	Aurora	Oldsmobile
825	Sterling	9370	International/Navistar	Autocar	Volvo
827	Sterling	9400	International/Navistar	Autohailer	Volvo
835	Barber-Greene	9400i	International/Navistar	Autohailer	White GMC
837	Barber-Greene	9600	International/Navistar	Avalanche	Chevrolet
838	Barber-Greene	9700	International/Navistar	Avalon	Toyota
840	Ford	9800	International/Navistar	Avenger	Dodge
840 Articulated	Allis-Chalmers	9900	International/Navistar	Aveo	Chevrolet
840Cl	BMW	9900i	International/Navistar	Aviator	Lincoln
841	Ford	9900ix	International/Navistar	Axiom	Isuzu
845	Barber-Greene	A		Axxess	Nissan
847	Barber-Greene	A4	Audi	Aztek	Pontiac
848A	Barber-Greene	A6	Audi	B	
850	Ford	A8	Audi	B7 Series	Chevrolet
850	Volvo	A15	Towmotor	B7 Series	GMC
850Cl	BMW	A16	Towmotor	B9 Tribeca	Subaru
850CSI	BMW	A18	Towmotor	B15	Gerlinger
850I	BMW	A20	Towmotor	B15	Towmotor
851	Ford	A22	Towmotor	B16	Gerlinger
852	Barber-Greene	A24	Towmotor	B16	Towmotor
857	Barber-Greene	A60	Chevrolet	B17	Gerlinger
860	Ford	A80	Chevrolet	B18	Gerlinger
860	John Deere	A426-10	Crown Coach	B18	Towmotor
860 Series	GMC	A426-11	Crown Coach	B19	Gerlinger
860A	John Deere	A743-31	Crown Coach	B20	Gerlinger
861	Ford	A743T-11	Crown Coach	B20	Towmotor
870 Series	GMC	A Series	Autocar	B21	Gerlinger
871	Ford	A Series Pickup	International	B22	Gerlinger
881	Ford	A Series Van	Dodge	B22	Towmotor
888 Series	Mercuriser	A-Line	Sterling	B23	Gerlinger
895	Hyhoe	AC Series	Autocar	B24	Gerlinger
8000-42	Teco-Crab	Acadia	GMC	B24	Towmotor
8100	International/Navistar	Accent	Hyundai	B25	Towmotor
8200	International/Navistar	Acclaim	Plymouth	B60 B6P Series	Chevrolet
8300	International/Navistar	Accord	Honda	B210	Nissan
8435G	Grove	Achieva	Oldsmobile	B500	Ford
9		ACL64B Autocar	White	B600	Ford
9-3	Saab	ACM64 Autocar	White	B700	Ford
9-5	Saab	Acterra	Sterling	B750	Ford
9-7X	Saab	AD	Allis-Chalmers	B1600 Pickup	Mazda
9D	Huber-Warco	AD3	Allis-Chalmers	B2000 Pickup	Mazda
		AD4	Allis-Chalmers	B2200 Pickup	Mazda

Model and Manufacturer Index

Model	Manufacturer	Model	Manufacturer	Model	Manufacturer
B - Continued		C - Continued		C - Continued	
B2300 Pickup.....	Mazda	C65.....	Euclid	Caballero.....	GMC
B2500 Pickup.....	Mazda	C70.....	Chevrolet	Cabrio.....	Volkswagen
B2600 Pickup.....	Mazda	C70.....	Volvo	Cabriolet.....	Audi
B2600I Pickup.....	Mazda	C92.....	Diamond Reo	Cabriolet.....	Volkswagen
B3000 Pickup.....	Mazda	C101.....	Diamond Reo	Calais.....	Cadillac
B4000 Pickup.....	Mazda	C114.....	Diamond Reo	Calais.....	Oldsmobile
B6000 B6P Series.....	GMC	C116.....	Diamond Reo	Camaro.....	Chevrolet
B7000.....	Ford	C116.....	Giant Trucks	Cambridge.....	Plymouth
B Series.....	International	C166.....	Bantam	Camry.....	Toyota
B Series Pickup.....	Dodge	C200.....	Pettibone	Camry Solara.....	Toyota
B Series Pickup.....	International	C220.....	Mercedes-Benz	Canyon.....	GMC
B Series Van.....	Dodge	C230.....	Mercedes-Benz	Capri.....	Mercury
B Series Van.....	Plymouth	C240.....	Mercedes-Benz	Caprice.....	Chevrolet
Baja.....	Subaru	C266.....	Bantam	Caravan.....	Dodge
Bantam.....	Collins	C280.....	Mercedes-Benz	Caravelle.....	Plymouth
Barracuda.....	Plymouth	C320.....	Mercedes-Benz	Carina.....	Toyota
Bavaria.....	BMW	C350.....	Hyster	Cary-Lift 204D.....	Pettibone
BD3.....	Allis-Chalmers	C366.....	Bantam	Cary-Lift Super 10.....	Pettibone
Bearcat I.....	Steiger	C451.....	Bantam	Cary-Lift Super 15.....	Pettibone
Bearcat II.....	Steiger	C475.....	Bantam	Cary-Lift Super 20.....	Pettibone
Beaumont.....	Chevrolet	C500.....	Dodge	Cary-Lift Super 30.....	Pettibone
Beetle.....	Volkswagen	C500.....	Ford	Cary-Lift Super 40.....	Pettibone
Bel Air.....	Chevrolet	C500.....	Kenworth	Cary-Lift Super 60.....	Pettibone
Belvedere.....	Plymouth	C550.....	Ford	Catalina.....	Pontiac
Beretta.....	Chevrolet	C550.....	Kenworth	Catera.....	Cadillac
Binder 1600.....	International/Navistar	C600.....	Dodge	Cavalier.....	Chevrolet
Binder 1624.....	International/Navistar	C600.....	Ford	CB514 (6YD).....	Caterpillar
Binder 1700.....	International/Navistar	C610B.....	Hyster	CD50.....	Chevrolet
Binder 1724.....	International/Navistar	C612B.....	Hyster	CD60.....	Chevrolet
Binder 1800.....	International/Navistar	C615A.....	Hyster	CD6500.....	GMC
Binder 1824.....	International/Navistar	C615B.....	Hyster	CE60.....	Chevrolet
Biscayne.....	Chevrolet	C617B.....	Hyster	CE5000.....	GMC
Bison.....	Chevrolet	C624B.....	Hyster	CE5500.....	GMC
Black Hawk.....	Mercruiser	C625B.....	Hyster	CE6000.....	GMC
Black Scorpion.....	Mercruiser	C627B.....	Hyster	CE6500.....	GMC
Blackwood.....	Lincoln	C700.....	Dodge	Celebrity.....	Chevrolet
Blazer.....	Chevrolet	C700.....	Ford	Celica.....	Toyota
Blazer Compact.....	Chevrolet	C750.....	Ford	Cement Mixer.....	Autocar
Blazer Full Size.....	Chevrolet	C800.....	Dodge	Centurion.....	Buick
Bobcat.....	Mercury	C800.....	Ford	Century.....	Buick
Bonneville.....	Pontiac	C850.....	Dodge	Century Class.....	Freightliner
Brat.....	Subaru	C850.....	Ford	CF65.....	Diamond Reo
Brava.....	Fiat	C852A.....	Hyster	CF7000.....	Ford
Bravada.....	Oldsmobile	C852B.....	Hyster	CF8000.....	Ford
Breeze.....	Plymouth	C900.....	Dodge	CFT8000.....	Ford
Brigadier.....	GMC	C900.....	Ford	CH9500.....	GMC
Bronco.....	Ford	C950.....	Ford	CH Series.....	Mack
Bronco Compact.....	Ford	C1000.....	Dodge	Challenger.....	Dodge
Bronco Full Size.....	Ford	C1000.....	Ford	Champ.....	Plymouth
Brougham.....	Cadillac	C1100.....	Ford	Charade.....	Daihatsu
Bruin.....	Chevrolet	C2045.....	Van Hool	Charge.....	Dodge
Brute.....	Kenworth	C4500.....	Chevrolet	CHDT.....	Marmon
BSF2.....	Cedar Rapids	C4500.....	GMC	Cherokee.....	Jeep
BSF2H.....	Cedar Rapids	C5000.....	GMC	Chevelle.....	Chevrolet
BSF3R.....	Cedar Rapids	C5500.....	Chevrolet	Chevette.....	Chevrolet
BSF4.....	Cedar Rapids	C5500.....	GMC	Chevy II.....	Chevrolet
BUS.....	Neoplan	C6000.....	Ford	CI9500.....	GMC
BUS.....	U.S. Bus	C6000.....	GMC	Cimarron.....	Cadillac
C		C6500.....	Chevrolet	Cirrus.....	Chrysler
C.....	Wabco	C6500.....	GMC	Citation.....	Chevrolet
C4PA.....	Ford	C7000.....	Ford	Citiliner.....	Neoplan
C6-1.....	Euclid	C7000.....	GMC	Civic.....	Honda
C6-2.....	Euclid	C7500.....	Chevrolet	Civic Del Sol.....	Honda
C6-3.....	Euclid	C7500.....	GMC	CJ Series.....	Jeep
C6-4.....	Euclid	C8000.....	Ford	CL.....	Acura
C6-5.....	Euclid	C8500.....	Chevrolet	CL55.....	Mercedes-Benz
C8-2148.....	F.W.D.	C8500.....	GMC	CL500.....	Mercedes-Benz
C35LF.....	New Flyer	C & K Series Pickup.....	Chevrolet	CL600.....	Mercedes-Benz
C36.....	Mercedes-Benz	C & K Series Pickup.....	GMC	CL9000.....	Ford
C40.....	Chevrolet	C M & S 6000.....	GMC	CL Series.....	Mack
C40LF.....	New Flyer	C M & S 6500.....	GMC	Clarklift CFY20B.....	Clark
C43.....	Mercedes-Benz	C M & S 7000.....	GMC	Clarklift CFY25B.....	Clark
C48.....	Little Giant	C Series.....	Autocar	Classic.....	Carpenter
C50.....	Chevrolet	C Series.....	F.W.D.	Classic.....	Chevrolet
C55.....	Mercedes-Benz	C Series.....	Ford	Classic.....	Freightliner
C60.....	Chevrolet	C Series.....	International	Classic XL.....	Freightliner
C61.....	Euclid	C Series Pickup.....	Dodge	CLK55.....	Mercedes-Benz
C62.....	Euclid	C Series Pickup.....	International	CLK320.....	Mercedes-Benz
C63.....	Euclid	C Series Van.....	Dodge	CLK430.....	Mercedes-Benz
C64.....	Euclid	CA15PD.....	Dynapac	CLK500.....	Mercedes-Benz
		CA25PD.....	Dynapac	CLS500.....	Mercedes-Benz

Model and Manufacturer Index

Model	Manufacturer	Model	Manufacturer	Model	Manufacturer
C - Continued		C - Continued		D - Continued	
CLT9000	Ford	Courier	Ford	DC101	Diamond Reo
CM Series	Mack	CPS270	Chicago Pneumatic	DC Series	Autocar
CN900	Dodge	CR	Le Tourneau	DCL430 Series	Reo
CN950	Dodge	CR-V	Honda	DCL633 Series	Reo
CNT900	Dodge	Cranbrook	Plymouth	DCL703 Series	Reo
CNT950	Dodge	Cressida	Toyota	DCL730 Series	Reo
CO50	Diamond Reo	Crestline	Ford	DCL733 Series	Reo
CO54	Diamond Reo	Cricket	Plymouth	DCOF405	International/Navistar
CO78	Diamond Reo	Crossfire	Chrysler	DCOT405	International/Navistar
CO88	Diamond Reo	Crown	Toyota	Defender 90	Land Rover
CO1610A	International/Navistar	Crown Victoria	Ford	Del Ray	Chevrolet
CO1610B	International/Navistar	Cruiser	Studebaker	Delmont 88	Oldsmobile
CO1630A	International/Navistar	CRX	Honda	Delta 88	Oldsmobile
CO1710A	International/Navistar	CS50	Chevrolet	Deluxe	Chevrolet
CO1710B	International/Navistar	CS60	Chevrolet	Deluxe	Dodge
CO1730A	International/Navistar	CS70	Clark-Michigan-VME	Deluxe	Plymouth
CO1750B	International/Navistar	CS5000	GMC	Deluxe 210	Chevrolet
CO1810A	International/Navistar	CS6000	GMC	Desoto	Desoto
CO1810B	International/Navistar	CS Series	Mack	Deville	Cadillac
CO1830A	International/Navistar	CT25	Dynapac	DF300 Series	Reo
CO1850B	International/Navistar	CT700	Dodge	DF330 Series	Reo
CO1950A	International/Navistar	CT700	Ford	DF400 Series	Reo
CO1950B	International/Navistar	CT750	Ford	DF430 Series	Reo
CO4070A	International/Navistar	CT800	Dodge	DF500 Series	Reo
CO4070B	International/Navistar	CT800	Ford	DF530 Series	Reo
CO5370	International/Navistar	CT850	Ford	Diamante	Mitsubishi
CO9670	International/Navistar	CT900	Dodge	Diplomat	Dodge
Cobalt	Chevrolet	CT900	Ford	Discovery	Land Rover
COE	White	CT950	Ford	DJ Series	Jeep
COF1810A	International/Navistar	CT8000	Ford	DK Series	Autocar
COF1810B	International/Navistar	CTS	Cadillac	DL	Subaru
COF1950A	International/Navistar	CTS RE	Champion Bus	DL603 Series	Reo
COF1950B	International/Navistar	Custom	Dodge	DL630 Series	Reo
COF4070A	International/Navistar	Custom	Ford	DL703 Series	Reo
COF4070B	International/Navistar	Custom 880	Dodge	DL730 Series	Reo
COF5050	International/Navistar	Custom Cruiser	Oldsmobile	DL733 Series	Reo
COF5370	International/Navistar	Cutlass	Oldsmobile	DM Series	Mack
COF5870	International/Navistar	Cutlass Calais	Oldsmobile	DMM Series	Mack
COF9670	International/Navistar	Cutlass Ciera	Oldsmobile	DS Series	Autocar
Colony Park	Mercury	Cutlass Cruiser	Oldsmobile	Durango	Dodge
Colorado	Chevrolet	Cutlass Supreme	Oldsmobile	Duster	Plymouth
Colt	Dodge	CV Series	Mack	DW9500	GMC
Colt	Plymouth	CX Series	Mack	Dynasty	Dodge
Columbia	Freightliner	Cyclone	Mercury		
Comanche	Jeep			E	
Comet	Mercury			E15	Studebaker
Commander	Jeep	D4P60	TCI	E25	Studebaker
Commander	Studebaker	D40	New Flyer	E35	Studebaker
Commando	Jeep	D40LF	New Flyer	E45	Studebaker
Commando 30	Ottawa	D50	Chevrolet	E55	Mercedes-Benz
Commando 30A	Ottawa	D50 Pickup	Dodge	E80	Chevrolet
Commando 50	Ottawa	D60	Chevrolet	E300	Mercedes-Benz
Concord	American Motors	D60	New Flyer	E300 Series	Reo
Concord	Plymouth	D90C	Dresser-Dressta	E300D	Mercedes-Benz
Concorde	Chrysler	D100B	Dresser-Dressta	E320	Mercedes-Benz
Conquest	Chrysler	D120C	Dresser-Dressta	E330 Series	Reo
Conquest	Dodge	D400	Dodge	E350	Ford
Conquest	Plymouth	D430 Series	Reo	E400 Series	Reo
Construcktor 2 Series	Autocar	D500	Dodge	E420	Mercedes-Benz
Construcktor Series	White	D600	Dodge	E430	Mercedes-Benz
Continental	Lincoln	D603 Series	Reo	E440 Series	Reo
Contour	Ford	D630 Series	Reo	E450 Super Duty	Ford
Conventional	Thomas Built	D633 Series	Reo	E500	Mercedes-Benz
Cooper	Mini	D700	Dodge	E500 Series	Reo
Corbeil Ford	Corbeil	D703 Series	Reo	E510 Series	Reo
Corbeil GM/Chevrolet	Corbeil	D730 Series	Reo	E530 Series	Reo
Cordia	Mitsubishi	D733 Series	Reo	E540 Series	Reo
Cordoba	Chrysler	D800	Dodge	E550 Super Duty	Ford
Corolla	Toyota	D4000	MCI	E630 Series	Reo
Corona	Toyota	D4500	MCI	E700 Series	Reo
Coronado	Freightliner	D5000	Ingersoll	E730 Series	Reo
Coronet	Dodge	D6000	Ingersoll	E Class	Chrysler
Corrado	Volkswagen	D & W Series Pickup	Dodge	E Series Van	Ford
Corsica	Chevrolet	D Series	International	Eagle	American LaFrance
Corvette	Chevrolet	D Series Pickup	International	Eagle	American Motors
Cougar	Mercury	DA40	Ingersoll	Eagle 01	Eagle
Counselor FE	Crown Coach	Dakota	Dodge	Eagle 05	Eagle
Country Sedan	Ford	Dart	Dodge	Eagle 07	Eagle
Country Squire	Ford	Dasher	Volkswagen	Eagle 10	Eagle
Coupe	Audi	Daytona	Dodge	Eagle 12	Eagle
Coupe Quattro	Audi	Daytona	Studebaker	Echo	Toyota

Model and Manufacturer Index

Model	Manufacturer	Model	Manufacturer	Model	Manufacturer
E - Continued		F - Continued		G - Continued	
Eclipse.....	Mitsubishi	F5070.....	International/Navistar	G5.....	Pontiac
Eighty Eight.....	Oldsmobile	F5070B.....	International/Navistar	G6.....	Pontiac
El Camino.....	Chevrolet	F7000.....	Ford	G20.....	Infiniti
Elantra.....	Hyundai	F7070B.....	International/Navistar	G35.....	Infiniti
Eldorado.....	Cadillac	F8000.....	Ford	G55.....	Mercedes-Benz
Electra.....	Buick	F9370.....	International/Navistar	G500.....	Mercedes-Benz
Element.....	Honda	F Series.....	Ford	G660.....	Warner & Swasey
EM4500.....	GMC	F Series.....	Mack	G Series Van.....	Chevrolet
EM5500.....	GMC	F Series Pickup.....	Ford	G Series Van.....	GMC
EM6500.....	GMC	F Super Duty.....	Ford	Galant.....	Mitsubishi
Enclave.....	Buick	FA.....	Fox River	Galaxie.....	Ford
Encore.....	Renault	Fairlane.....	Ford	GATOR.....	Raygo
Endeavor.....	Mitsubishi	Fairmont.....	Ford	GCS20.....	Clark
Envoy.....	GMC	Falcon.....	Ford	General.....	GMC
Equinox.....	Chevrolet	Falcon Ranchero.....	Ford	GF.....	Subaru
ES250.....	Lexus	FC70.....	Freightliner	GL.....	Subaru
ES300.....	Lexus	FC80.....	Freightliner	GL-10.....	Subaru
ES330.....	Lexus	FC Series.....	Jeep	GLC.....	Mazda
Escalade.....	Cadillac	FDM Series.....	Mack	GLF.....	Subaru
Escape.....	Ford	FE.....	Subaru	GLF30.....	Automatic Transport.
Escort.....	Ford	Festiva.....	Ford	GLF40.....	Automatic Transport.
Estate Wagon.....	Buick	FF-1 Star.....	Subaru	GLF50.....	Automatic Transport.
Esteem.....	Suzuki	FG15.....	Komatsu	GLF60.....	Automatic Transport.
ETG70.....	Chevrolet	FG15.....	TCM-Toyo	GLF70.....	Automatic Transport.
Eurovan.....	Volkswagen	FG20.....	Komatsu	GLF80.....	Automatic Transport.
Excel.....	Hyundai	FG25.....	Komatsu	GLF100.....	Automatic Transport.
Excursion.....	Ford	FG30M.....	TCM-Toyo	GLFP30.....	Automatic Transport.
Executive.....	Chrysler	FG30ZU.....	TCM-Toyo	GLFP40.....	Automatic Transport.
Executive.....	Pontiac	Fiero.....	Pontiac	GLFP50.....	Automatic Transport.
EXP.....	Ford	Fiesta.....	Ford	GLFP60.....	Automatic Transport.
Expedition.....	Ford	Fifth Avenue.....	Chrysler	GLFP70.....	Automatic Transport.
Explorer.....	Ford	Firebird.....	Pontiac	GLFP80.....	Automatic Transport.
Explorer Sport Trac.....	Ford	Firedome.....	Desoto	GMF150.....	Automatic Transport.
Expo.....	Mitsubishi	Fireflite.....	Desoto	GMF160.....	Automatic Transport.
Express.....	Chevrolet	Firenza.....	Oldsmobile	GMF180.....	Automatic Transport.
EZ-Rider II.....	El Dorado	Firesweep.....	Desoto	GMF200.....	Automatic Transport.
F		FJ Cruiser.....	Toyota	Golden Eagle.....	Eagle
F2D6V.....	Flxible	FJ Series.....	Jeep	Golf.....	Volkswagen
F4-134.....	Jeep	FL50.....	Freightliner	GP-AF.....	Yale
F10.....	Nissan	FL60.....	Freightliner	GP-RG.....	Yale
F85.....	Oldsmobile	FL70.....	Freightliner	GP-TG.....	Yale
F90.....	Fresia	FL80.....	Freightliner	GPS30.....	Clark
F134.....	Jeep	FL106.....	Freightliner	Gran Fury.....	Plymouth
F450 Super Duty.....	Ford	FL112.....	Freightliner	Granada.....	Ford
F500.....	Ford	FL Series.....	Mack	Grand Am.....	Pontiac
F550 Super Duty.....	Ford	FLA.....	Freightliner	Grand Bantam.....	Collins
F600.....	Farmhand	FLB.....	Freightliner	Grand Caravan.....	Dodge
F600.....	Ford	FLC.....	Freightliner	Grand Cherokee.....	Jeep
F602B.....	Le Tourneau	FLD.....	Freightliner	Grand Lemans.....	Pontiac
F650 Super Duty.....	Ford	Fleetline.....	Chevrolet	Grand Marquis.....	Ford
F700.....	Ford	Fleetmaster.....	Chevrolet	Grand Marquis.....	Mercury
F750.....	Ford	Fleetwood.....	Cadillac	Grand Prix.....	Pontiac
F750 Super Duty.....	Ford	Fleetwood 75.....	Cadillac	Grand Safari.....	Pontiac
F800.....	Ford	Fleetwood Sixty Spe- cial.....	Cadillac	Grand Vitara.....	Suzuki
F802A.....	Le Tourneau	FLL.....	Freightliner	Grand Voyager.....	Chrysler
F804A.....	Le Tourneau	FLS112.....	Freightliner	Grand Voyager.....	Plymouth
F880.....	Ford	FLT.....	Freightliner	Grand Wagoneer.....	Jeep
F900.....	Ford	Focus.....	Ford	Grandville.....	Pontiac
F1700.....	International/Navistar	Forenza.....	Suzuki	Gremlin.....	American Motors
F1800.....	International/Navistar	Forester.....	Subaru	GS300.....	Lexus
F1834.....	Oshkosh	Forward W4.....	GMC	GS400.....	Lexus
F1850.....	International/Navistar	Fox.....	Audi	GS430.....	Lexus
F1954.....	International/Navistar	Fox.....	Volkswagen	GT.....	Opel
F2000D.....	International/Navistar	FQ.....	Field Queen	GT6000-66.....	Gomaco
F2050A.....	International/Navistar	FQS.....	Field Queen	GT6000-78.....	Gomaco
F2070A.....	International/Navistar	FQSD.....	Field Queen	GTO.....	Pontiac
F2275.....	International/Navistar	Freestar.....	Ford	GV.....	Yugo
F2276.....	International/Navistar	Frontier.....	Nissan	GVL.....	Yugo
F2375.....	International/Navistar	FS65.....	Freightliner	GVS.....	Yugo
F2554.....	International/Navistar	FS Series.....	Mack	GX470.....	Lexus
F2574.....	International/Navistar	FT800.....	Ford	H	
F2575.....	International/Navistar	FT900.....	Ford	H.....	Hendrickson
F2654.....	International/Navistar	FT8000.....	Ford	H1.....	Hummer
F2674.....	International/Navistar	Fuego.....	Renault	H2.....	Hummer
F2675.....	International/Navistar	Fury.....	Plymouth	H3.....	Hendrickson
F4200.....	International/Navistar	FW9500.....	GMC	H3.....	Hummer
F4270.....	International/Navistar	FX35.....	Infiniti	H3-45.....	Prevost
F4300.....	International/Navistar	G		H30.....	Clark
F4370.....	International/Navistar	G.....	Subaru	H30.....	Dresser-Hough
F5050.....	International/Navistar			H30A.....	Dresser-Hough

Model and Manufacturer Index

Model	Manufacturer	Model	Manufacturer	Model	Manufacturer
H - Continued		I - Continued		L - Continued	
H30B	Dresser-Hough	I-280	Isuzu	L-Series	Saturn
H30F	Dresser-Hough	I-290	Isuzu	LA8000	Ford
H30R	Dresser-Hough	I-350	Isuzu	LA9000	Ford
H50	Clark	I-370	Isuzu	Lacrosse	Buick
H50	Dresser-Hough	I-Mark	Isuzu	LAG300T	Lag
H50B	Dresser-Hough	Impala	Chevrolet	LAG350T	Lag
H50H	Hyster	Impala SS	Chevrolet	Lancer	Dodge
H60	Dresser-Hough	Imperial	Chrysler	Lancer	Mitsubishi
H70	Chevrolet	Impreza	Subaru	Land Cruiser	Toyota
H70C	Dresser-Hough	Impulse	Isuzu	Lanos	Daewoo
H80	Chevrolet	Integra	Acura	Laser	Chrysler
H90	Chevrolet	Intrepid	Dodge	Laser	Plymouth
H90C	Dresser-Hough	Intrigue	Oldsmobile	LC790	Lorain
H100	Dresser-Hough	Invicta	Buick	LE Series	Mack
H100A	Dresser-Hough	Ion	Saturn	Lebaron	Chrysler
H100B	Dresser-Hough	IS300	Lexus	Lecar	Renault
H120	Dresser-Hough	J		Legacy	Subaru
H120B	Dresser-Hough	J30	Infiniti	Leganza	Daewoo
H150E	Hyster	J36HD	Cleveland	Legend	Acura
H165E	Hyster	J70	Chevrolet	Lemans	Pontiac
H180E	Hyster	J80	Chevrolet	LeMirage XL	Prevost
H200E	Hyster	J90	Chevrolet	Lesabre	Buick
H200ES	Hyster	J2000	Pontiac	LHS	Chrysler
H202C	Unit Crane & Shovel	J4500	MCI	Liberty	Jeep
H225E	Hyster	J7500	GMC	LK350 Mark II	Kobelco
H225ES	Hyster	J8500	GMC	LL9000	Ford
H250A	Hyster	J9500	GMC	LLA9000	Ford
H250E	Hyster	J Series Pickup	Jeep	LLS9000	Ford
H275H	Hyster	Javelin	American Motors	LLV (Postal Vehicle)	Chevrolet
H300	Hyster	JC90	Chevrolet	LN7	Mercury
H300A	Hyster	Jeepster	Jeep	LN600	Ford
H312	P & H	Jetstar I	Oldsmobile	LN700	Ford
H330	Hyster	Jetstar 88	Oldsmobile	LN750	Ford
H350B	Hyster	Jetta	Volkswagen	LN800	Ford
H418	P & H	JG70	Chevrolet	LN900	Ford
H550	Warner & Swasey	JH9500	GMC	LN6000	Ford
H560B	Insley	JI9500	GMC	LN7000	Ford
H875	Insley	Jimmy	GMC	LN8000	Ford
H900A	Warner & Swasey	Jimmy Compact	GMC	LN9000	Ford
H1500	Insley	Jimmy Full Size	GMC	LNT800	Ford
H7500	GMC	JJ9500	GMC	LNT880	Ford
H8500	GMC	JM7500	GMC	LNT900	Ford
H9500	GMC	JN7500	GMC	LNT8000	Ford
H Series	Ford	JN8500	GMC	LNT9000	Ford
HC	Poclair	JV70	Chevrolet	Loadstar 1500	International/Navistar
HC18	Link-Belt	JV80	Chevrolet	Low Floor	Gillig
HC78B	Link-Belt	JV7500	GMC	Loyale	Subaru
HC108C	Link-Belt	JV8500	GMC	LRT18U	Koehring
HC218	Link-Belt	JY7500	GMC	LRT180	Koehring
HC300	Poclair	K		LRT1600	Koehring
HD5	Allis-Chalmers	K45	Bomag	LS	Lincoln
HD7	Allis-Chalmers	K100	Kenworth	LS108B	Link-Belt
HDT	Marmon	K130	Kenworth	LS128DLC	Link-Belt
HG70	Chevrolet	K150	Kenworth	LS400	Lexus
HH9500	GMC	K220	Kenworth	LS430	Lexus
HHR	Chevrolet	K300	Kenworth	LS1000	Dodge
HI9500	GMC	K360B	Hyster	LS2700	Link-Belt
Highlander	Toyota	K935	P & H	LS5800	Link-Belt
HJ9500	GMC	Kadett	Opel	LS8000	Ford
HM250	Rex	KF30	Buffalo Springfield	LS9000	Ford
HM5500	GMC	Kodiak C5500	Chevrolet	LSPRM8A	Bros
HM7500	GMC	Kodiak C6500	Chevrolet	LSS	Oldsmobile
HM8500	GMC	Kodiak C7500	Chevrolet	LT800	Ford
Hombre	Isuzu	Kodiak C8500	Chevrolet	LT880	Ford
Horizon	Plymouth	KS	Isuzu	LT900	Ford
Hornet	American Motors	L		LT1000	Dodge
HP425	Mercuriser	L20	VME	LT8000	Ford
HSP8018	Link-Belt	L30	VME	LT9000	Ford
HSP8028S	Link-Belt	L600	Dodge	LTA9000	Ford
HSP8040	Link-Belt	L700	Dodge	Ltd	Ford
HT450	Link-Belt	L700	Dodge	Ltd II	Ford
HT4418	Warner & Swasey	L700	Kenworth	Ltd Crown Victoria	Ford
Hummer	AM General	L800	Ford	LTL9000	Ford
Hustler	Kenworth	L800	Ford	LTLA9000	Ford
HV70	Chevrolet	L880	Ford	LTL9000	Ford
HV7500	GMC	L900	Ford	LTL9000	Ford
HY7500	GMC	L8000	Ford	LTL9000	Ford
I		L8500	Ford	LTS800	Ford
I30	Infiniti	L9000	Ford	LTS900	Ford
I35	Infiniti	L-Line	Sterling	LTS8000	Ford
				LTS9000	Ford
				Lumina	Chevrolet
				Lumina APV	Chevrolet

Model and Manufacturer Index

Model	Manufacturer	Model	Manufacturer	Model	Manufacturer
L - Continued		M - Continued		O - Continued	
Luv Pickup.....	Chevrolet	MF300.....	Massey Ferguson	Omni.....	Dodge
LX450.....	Lexus	MF300 Backhoe.....	Massey Ferguson	Opel.....	Opel
LX470.....	Lexus	MGB.....	MG	Optima.....	Kia
Lynx.....	Mercury	MH9500.....	GMC	Optra.....	Chevrolet
M		MH Series.....	Mack	Opus 29.....	Optima Bus Corp.
M3.....	BMW	MHC1310.....	International	Orion.....	Orion
M5.....	BMW	MI90.....	Chevrolet	Orion II.....	Orion
M6.....	BMW	MI9500.....	GMC	Orion V.....	Orion
M18-34.....	Oshkosh	Micra.....	Nissan	Orion VI.....	Orion
M18-38.....	Oshkosh	Micro Bird.....	Bluebird	Outback.....	Subaru
M18-44.....	Oshkosh	Midget.....	MG	Outlander.....	Mitsubishi
M20-48.....	Oshkosh	Millenia.....	Mazda	Outlook.....	Saturn
M30.....	Infiniti	Mini.....	Austin	P	
M34-34.....	Oshkosh	Mini Bird.....	Bluebird	P4T042.....	GMC
M35.....	Infiniti	Mini Cooper.....	Austin	P6T042.....	Chevrolet
M50-50.....	Oshkosh	Mini Ram Van.....	Dodge	P6T042.....	GMC
M65.....	Chevrolet	Minotour.....	Thomas Built	P30.....	Chevrolet
M80.....	Chrysler	Mirada.....	Dodge	P40.....	Chevrolet
M80A.....	Chrysler	Mirage.....	Mitsubishi	P40A.....	Hyster
M90.....	Chevrolet	ML55.....	Mercedes-Benz	P50.....	Chevrolet
M273.....	Chrysler	ML320.....	Mercedes-Benz	P50A.....	Hyster
M318A.....	Chrysler	ML430.....	Mercedes-Benz	P125A.....	Hyster
M318B.....	Chrysler	ML500.....	Mercedes-Benz	P150A.....	Hyster
M318C.....	Chrysler	Monaco.....	Dodge	P150B.....	Hyster
M1035.....	ABC Bus	Monarch.....	Mercury	P165A.....	Hyster
M1100.....	International	Montana.....	Pontiac	P180A.....	Hyster
M1200.....	International	Montclair.....	Mercury	P200B.....	Hyster
M2208.....	Oshkosh	Monte Carlo.....	Chevrolet	P400.....	Dodge
M2209.....	Oshkosh	Montego.....	Mercury	P3500.....	GMC
M4616.....	Oshkosh	Monterey.....	Mercury	P Series.....	Ford
M4817.....	Oshkosh	Monterey Van.....	Mercury	P Series.....	Workhorse
M4906.....	Oshkosh	Montero.....	Mitsubishi	P Series Chassis.....	Workhorse
M5817.....	Oshkosh	Montero Sport.....	Mitsubishi	P Series Van.....	Chevrolet
M5906.....	Oshkosh	Monza.....	Chevrolet	P Series Van.....	Dodge
M6500.....	GMC	Mountaineer.....	Mercury	P Series Van.....	Ford
M Series Motor Home.....	Dodge	MPH100S.....	Bomag	P Series Van.....	GMC
M Series Van.....	International	MPH-1.....	Koehring	Pacer.....	American Motors
Magentis.....	Kia	MPV.....	Mazda	Pacer 100.....	Austin-Western
Magnum.....	Dodge	MR2.....	Toyota	Pacer 200.....	Austin-Western
Mainline.....	Ford	MR2 Spyder.....	Toyota	Pacer 300.....	Austin-Western
Malibu.....	Chevrolet	MR Series.....	Mack	Pacer 301.....	Austin-Western
Manta.....	Opel	MS1210.....	International	Pacer 400.....	Austin-Western
Marathon.....	Checker	MS Series.....	Mack	Pacer 500.....	Austin-Western
Marauder.....	Mercury	MT35.....	Freightliner	Pacifica.....	Chrysler
Mark II.....	Toyota	MT45.....	Freightliner	Factor.....	Rex
Mark III.....	Lincoln	MT55.....	Freightliner	Parisienne.....	Pontiac
Mark VI.....	Lincoln	Murano.....	Nissan	Park Avenue.....	Buick
Mark VII.....	Lincoln	Mustang.....	Ford	Park Lane.....	Mercury
Mark VIII.....	Lincoln	Mustang II.....	Ford	Paseo.....	Toyota
Marlin.....	American Motors	MX-3.....	Mazda	Passat.....	Volkswagen
Marquis.....	Mercury	MX-5 Miata.....	Mazda	Passport.....	Honda
Master Deluxe.....	Chevrolet	MX-6.....	Mazda	Pathfinder.....	Nissan
Matador.....	American Motors	MXT.....	International/Navistar	PD200.....	Kenworth
Matador.....	Dodge	Mystique.....	Mercury	PD4106.....	GMC
Matrix.....	Toyota	N		PD4107.....	GMC
Maverick.....	Ford	N50.....	Chevrolet	PF120.....	Blaw-Knox
Max I.....	Fox River	N60.....	Chevrolet	PF500.....	Blaw-Knox
Max II.....	Fox River	N80.....	Chevrolet	Phantom.....	Gillig
Maxima.....	Nissan	N Series.....	Ford	Phantom 96TB.....	Gillig
MB Series.....	Mack	Navajo.....	Mazda	Phantom 102TB.....	Gillig
MB Series Van.....	Dodge	Navigator.....	Lincoln	Phoenix.....	Pontiac
MC30H.....	Lorain	Neon.....	Dodge	Pickup.....	Isuzu
MC Series.....	Mack	Neon.....	Plymouth	Pickup.....	Jeep
MD Series.....	Bering Truck Corp.	New Yorker.....	Chrysler	Pickup.....	Mitsubishi
MDA.....	Multihoe	Newport.....	Chrysler	Pickup.....	Nissan
MDX.....	Acura	Ninety Eight.....	Oldsmobile	Pickup.....	Toyota
ME6500.....	GMC	Nitro.....	Dodge	Pilot.....	Honda
Meadowbrook.....	Dodge	Nova.....	Chevrolet	Pinto.....	Ford
Medallion.....	Eagle	NPR.....	Isuzu	Plaza.....	Plymouth
Meteor.....	Mercury	NSX.....	Acura	Polara.....	Dodge
Metro.....	Chevrolet	NU.....	OMC	Precis.....	Mitsubishi
Metro.....	Fixible	Nubira.....	Daewoo	Prelude.....	Honda
Metro.....	Geo	NUE.....	OMC	Premier.....	Eagle
Metro II.....	International/Navistar	NX.....	Nissan	Previa.....	Toyota
Metro 106.....	Fixible	O		Prius.....	Toyota
Metro Flex.....	Fixible	Oasis.....	Isuzu	Prizm.....	Chevrolet
Metroliner 40 Ft.....	Neoplan	Odyssey.....	Honda	Prizm.....	Geo
Metropolitan.....	American LaFrance	Odyssey XL.....	Turtle Top	Probe.....	Ford
MF11.....	Massey Ferguson	Omega.....	Oldsmobile	Protege.....	Mazda
MF66.....	Massey Ferguson			Prowler.....	Chrysler

Model and Manufacturer Index

Model	Manufacturer	Model	Manufacturer	Model	Manufacturer
P - Continued		R - Continued		S - Continued	
Prowler.....	Plymouth	Road Xpeditor 2.....	White	S626 Telekruiser.....	Bantam
PS4500.....	GMC	Roadmaster.....	Buick	S628 Telekruiser.....	Bantam
PT Cruiser.....	Chrysler	Roadster D.....	Le Tourneau	S2000.....	Honda
Pulsar NX.....	Nissan	Rodeo.....	Isuzu	S7000 S7T Series.....	GMC
Pursuit.....	Pontiac	Royal.....	Chrysler	S Series.....	Autocar
PV544.....	Volvo	Royal.....	Dodge	S Series Pickup.....	Chevrolet
Q		Royal Monaco.....	Dodge	S Series Pickup.....	GMC
Q45.....	Infiniti	Royal Windsor.....	Chrysler	S-Series.....	Saturn
Q50.....	Chevrolet	RP16D.....	Tampo	S-Type.....	Jaguar
Q60.....	Chevrolet	RP365.....	Gardner-Denver	Sable.....	Mercury
Q80.....	Chevrolet	RP600.....	Gardner-Denver	Saf-T-Liner MVP EF.....	Thomas Built
Q-Bus RE.....	Bluebird	RP600D.....	Gardner-Denver	Saf-T-Liner MVP ER.....	Thomas Built
QF01.....	Nissan	RP600DB.....	Gardner-Denver	Safari.....	GMC
QF02.....	Nissan	RPS900DB30.....	Joy	Safari.....	Pontiac
Quantum.....	Volkswagen	RPS1050.....	Joy	Samurai.....	Suzuki
Quattro.....	Audi	RS 6.....	Audi	Santa Fe.....	Hyundai
Quest.....	Nissan	RS16A.....	Tampo	Sapporo.....	Plymouth
QX4.....	Infiniti	RS28.....	Tampo	Saratoga.....	Chrysler
QX56.....	Infiniti	RS425.....	CMI	Satellite.....	Plymouth
R		RS Series.....	Mack	Savana.....	GMC
R5.....	Renault	RSX.....	Acura	Savoy.....	Plymouth
R8.....	Renault	RT50.....	Chance Mfg. Co.	SC300.....	Lexus
R10.....	Renault	RT52.....	Chance Mfg. Co.	SC400.....	Lexus
R12.....	Renault	RT59S.....	Grove	SC430.....	Lexus
R15.....	Renault	RT522.....	Grove	SC7000.....	Sterling
R15 (91FD).....	Euclid	RT630.....	Grove	SC8000.....	Sterling
R18 (91FD).....	Euclid	RT745.....	Grove	Scamp.....	Plymouth
R30 (71TD).....	Euclid	RTS06.....	TMC	Scamp Pickup.....	Plymouth
R40 (9FFD).....	Euclid	Rustler 404B.....	Raygo	Scirocco.....	Volkswagen
R45 (9FFD).....	Euclid	RW Series.....	Mack	Scorpio.....	Merkur
R100D.....	Ditch Witch	RWL Series.....	Mack	Scoupe.....	Hyundai
R500.....	Mercedes-Benz	RWS Series.....	Mack	Scout.....	International
R & V Series Pickup.....	Chevrolet	RX.....	Subaru	Scout II.....	International
R & V Series Pickup.....	GMC	RX300.....	Lexus	Scrambler.....	Jeep
R Series.....	Mack	RX330.....	Lexus	SE50.....	Chevrolet
Rabbit.....	Volkswagen	RX350.....	Lexus	SE60.....	Chevrolet
Rabbit Pickup.....	Volkswagen	RX400h.....	Lexus	SE6000.....	GMC
Raider.....	Dodge	RX-3.....	Mazda	Sea Maxx 5.8 HO EFI.....	PCM
Raider.....	Mitsubishi	RX-7.....	Mazda	Sebring.....	Chrysler
Rainier.....	Buick	RXT.....	International/Navistar	Sedona.....	Kia
Ram 50 Pickup.....	Dodge	S		Sentra.....	Nissan
Ram Series Pickup.....	Dodge	S4.....	Audi	Sentry.....	Goshen Coach
Rambler.....	American Motors	S5-8A.....	Dresser-Galion	Sephia.....	Kia
Rambler Classic.....	American Motors	S6.....	Audi	Sequoia.....	Toyota
Ramcharger.....	Dodge	S7.....	Dresser-Dressta	Series 100.....	GMC
Rampage.....	Dodge	S7.....	Terex	Series 150.....	GMC
Ranchero.....	Ford	S7 S7T Series.....	Chevrolet	Series 250.....	GMC
Range Rover.....	Land Rover	S8.....	Audi	Series 1100.....	Chevrolet
Ranger.....	Ford	S8.....	Dresser-Dressta	Series 1200.....	Chevrolet
Rascal 400A.....	Raygo	S8.....	International	Series 1500.....	Chevrolet
Rascal 420B.....	Raygo	S8-12A.....	Dresser-Galion	Series 3100.....	Chevrolet
Rascal 600A.....	Raygo	S8-10.5A.....	Dresser-Galion	Series 3200.....	Chevrolet
RAV4.....	Toyota	S8H5304A.....	GMC	Series 3400.....	Chevrolet
RB Series.....	Mack	S8M5304A.....	GMC	Series 3500.....	Chevrolet
RD6V71-11.....	Crown Coach	S10-14A.....	Dresser-Galion	Series 3600.....	Chevrolet
RD8V71-11.....	Crown Coach	S11E.....	Terex	Series 3700.....	Chevrolet
RD Series.....	Mack	S12.....	Terex	Series 3800.....	Chevrolet
RE.....	Amtran	S12 (77FDT).....	Euclid	Series 3900.....	Chevrolet
Reatta.....	Buick	S12 (78FDT).....	Euclid	Series 6200.....	Cadillac
Rebel.....	American Motors	S23E.....	Terex	Seville.....	Cadillac
Regal.....	Buick	S40.....	Chevrolet	SG10N.....	TCM-Toyo
Regency.....	Oldsmobile	S40.....	Volvo	Shadow.....	Dodge
Relay.....	Saturn	S50.....	Chevrolet	Sidekick.....	Suzuki
Reliant.....	Plymouth	S55.....	Mercedes-Benz	Sienna.....	Toyota
Rendezvous.....	Buick	S60.....	Volvo	Sierra Series Pickup.....	GMC
Reno.....	Suzuki	S60 B6P Series.....	Chevrolet	Sigma.....	Mitsubishi
Rio.....	Kia	S65.....	Chevrolet	Silhouette.....	Oldsmobile
Riviera.....	Buick	S70.....	Volvo	Silver Eagle.....	Eagle
RL.....	Acura	S80.....	Volvo	Silver Star.....	Sterling
RL Series.....	Mack	S90.....	Volvo	Silverado Series Pick- up.....	Chevrolet
RM Series.....	Mack	S215.....	Setra	Sixty Special.....	Cadillac
RM Series Motor Home.....	Dodge	S320.....	Mercedes-Benz	SJ410.....	Suzuki
Road Boss.....	White	S350.....	Mercedes-Benz	Sky.....	Saturn
Road Boss 2.....	White	S350D.....	Mercedes-Benz	Skyhawk.....	Buick
Road Commander.....	White	S417.....	Setra	Skylark.....	Buick
Road Commander 2.....	White	S420.....	Mercedes-Benz	SL320.....	Mercedes-Benz
Road Runner.....	Plymouth	S430.....	Mercedes-Benz	SL500.....	Mercedes-Benz
Road Xpeditor.....	White	S500.....	Mercedes-Benz	SL600.....	Mercedes-Benz
		S588 Telekruiser.....	Bantam	SLF 200.....	Thomas Built
		S600.....	Mercedes-Benz	SLK230.....	Mercedes-Benz

Model and Manufacturer Index

Model	Manufacturer	Model	Manufacturer	Model	Manufacturer
S - Continued		S - Continued		T - Continued	
SLK320	Mercedes-Benz	Super 200	Austin-Western	TD588 Telekrane	Bantam
SLX	Acura	Super 300	Austin-Western	TD4106	GMC
SM710	Pettibone	Super 400	Austin-Western	TD4107	GMC
Solara	Toyota	Super 500	Austin-Western	TE20	Ferguson
Solstice	Pontiac	Super D	Fox River	TE50	Chevrolet
Somerset	Buick	Super Duty Pickup	Ford	TE60	Chevrolet
Somerset Regal	Buick	Super Duty Van	Ford	TE65	Chevrolet
Sonata	Hyundai	Supra	Toyota	TE5500	GMC
Sonoma	GMC	SVX	Subaru	TE6500	GMC
Sorento	Kia	SW	Mid Bus	Tempest	Pontiac
SP54	Ingersoll	Swift	Suzuki	Tempo	Ford
SP75D	Ferguson Shovel	SX	Dodge	Tercel	Toyota
SP120B	Ferguson Shovel	Syclone	GMC	Terraza	Buick
SP1200DE	Gardner-Denver	T		TH8201	GMC
SP6000	Bros	T4	Ingersoll	TH8601	GMC
SP6000B	Bros	T6H4523A	GMC	Thunderbird	Ford
Special	Buick	T6H5307A	GMC	Tiburon	Hyundai
Special	Chevrolet	T6H5308A	GMC	Tiltmaster W4	Chevrolet
Special 150	Chevrolet	T7H203	GMC	Titan	Chevrolet
Special Deluxe	Chevrolet	T7H603	GMC	Titan	Nissan
Special Deluxe	Plymouth	T7W203	GMC	TJ	Jeep
Spectra	Kia	T7W603	GMC	TL	Acura
Spectrum	Chevrolet	T8H203	GMC	TM7500	GMC
Spectrum	Geo	T8H603	GMC	TO20	Ferguson
Spider	Alfa Romeo	T8H5307A	GMC	TO30	Ferguson
Spider 2000	Fiat	T8H5308A	GMC	Topaz	Mercury
Spider Veloce	Alfa Romeo	T8W203	GMC	Topkick C5500	GMC
Spirit	American Motors	T8W603	GMC	Topkick C6500	GMC
Spirit	Dodge	T30	TMC	Topkick C7500	GMC
Spitfire	Triumph	T40	Chevrolet	Topkick C8500	GMC
SPKDB	Gardner-Denver	T50	Chevrolet	Torino	Ford
SPNDA	Gardner-Denver	T60	Chevrolet	Toronado	Oldsmobile
SPNDB	Gardner-Denver	T65	Chevrolet	Torrent	Pontiac
Sportage	Kia	T70	Chevrolet	Tournapull C	Le Tourneau
Sportwagon	Renault	T90	Chevrolet	Tournatractor B	Le Tourneau
SPQDA	Gardner-Denver	T100	Toyota	Town & Country	Chrysler
SPQDB	Gardner-Denver	T300	Kenworth	Town & Country Van ...	Chrysler
SPQDC	Gardner-Denver	T400	Kenworth	Town Car	Lincoln
Sprint	Chevrolet	T450	Kenworth	TR75	New Holland
Sprint	GMC	T500S	International	TR85	New Holland
Sprite	Austin	T600	Kenworth	TR95	New Holland
Sprite	Austin-Healey	T644 Teleskoop	Bantam	Tracer	Mercury
SPTDA	Gardner-Denver	T725A Teleskoop	Bantam	Tracker	Chevrolet
SPTDC	Gardner-Denver	T800	Kenworth	Tracker	Geo
SPTDD	Gardner-Denver	T1000	Pontiac	Tracker	GMC
SPV735	Bros	T2000	Kenworth	Trailblazer	Chevrolet
SPV735VA	Bros	T2000D	International/Navistar	Trailduster	Plymouth
SPV850	Bros	T2140	Van Hool	Trans Sport	Pontiac
SPWDA	Gardner-Denver	T5500	Chevrolet	Transliner 40 Ft	Neoplan
SPWDB	Gardner-Denver	T5500	GMC	Transliner 40 Ft	New Flyer
SRX	Cadillac	T6000	GMC	Transmark	National Coach
SS12 (77FDT)	Euclid	T6500	Chevrolet	Tredia	Mitsubishi
SS12 (78FDT)	Euclid	T6500	GMC	Tribute	Mazda
SS50	Chevrolet	T7500	Chevrolet	Trooper	Isuzu
SS60	Chevrolet	T7500	GMC	Trooper II	Isuzu
SS6000	GMC	T8500	Chevrolet	TS14	Terex
SSR	Chevrolet	T8500	GMC	TS14B	Terex
St. Regis	Dodge	T70204	GMC	TS18	Terex
Standard	Dodge	T70604	GMC	TS24	Terex
Standard	Subaru	T80204	GMC	TS32	Terex
Stanza	Nissan	T80604	GMC	TS5500	GMC
Star Chief	Pontiac	T Series	Ford	TSX	Acura
Starfire	Oldsmobile	T Series Pickup	Dodge	TT	Audi
Starion	Mitsubishi	Tacoma	Toyota	Tucson	Hyundai
Starlet	Toyota	Tahoe	Chevrolet	Tundra	Toyota
Station Wagon	Jeep	Talon	Eagle	TV70	Chevrolet
Stealth	Dodge	Taurus	Ford	TV7500	GMC
Storm	Geo	TC	Scion	TW7601	GMC
Strada	Fiat	TC12	Euclid	TW9500	GMC
Stratus	Dodge	TC30	Barber-Greene	Typhoon	GMC
STS	Cadillac	TC1000	Bluebird	U	
Stylemaster	Chevrolet	TC2000	Bluebird	U80	Chevrolet
Stylus	Isuzu	TC Maserati	Chrysler	U Series	Mack
Suburban	Chevrolet	TD12	Intl. Harvester	UH119	Parsons
Suburban	GMC	TD15C	Intl. Harvester	Ultra LF	Bluebird
Summit	Eagle	TD50	Chevrolet	Ultra LMB	Bluebird
Sunbird	Pontiac	TD60	Chevrolet	Universal	Jeep
Sundance	Plymouth	TD180FB	International	Uplander	Chevrolet
Sunfire	Pontiac	TD225SL	International		
Super 90	Audi	TD300SL	International		
Super 100	Austin-Western				

Model and Manufacturer Index

Model	Manufacturer	Model	Manufacturer	Model	Manufacturer
V		W - Continued		W - Continued	
V8 Quattro	Audi	W7.....	GMC	Wildcat III RC210	Steiger
V40.....	Volvo	W42.....	Workhorse	Wildcat III ST210.....	Steiger
V50.....	Volvo	W42 Chassis	Workhorse	WIM.....	White
V60.....	Chevrolet	W70.....	Chevrolet	WIM Series	Volvo
V70.....	Volvo	W80.....	Chevrolet	WIM Series	White GMC
V80.....	Chevrolet	W316.....	Oshkosh	Windsor.....	Chrysler
V90.....	Volvo	W500.....	Dodge	Windstar.....	Ford
V100.....	Caterpillar	W600.....	Dodge	WL Series.....	Mack
V120.....	Caterpillar	W650.....	Winnebago	Wrangler.....	Jeep
V140.....	Caterpillar	W715.....	Oshkosh	WS Series.....	Mack
V160.....	Caterpillar	W816.....	Oshkosh	WSH Series	Western Star
V160B.....	Caterpillar	W826.....	Oshkosh	WSL	White
V160E.....	Caterpillar	W850.....	Winnebago	WT9000.....	Ford
V180.....	Caterpillar	W900.....	Kenworth	WV7500	GMC
V180B.....	Caterpillar	W900.....	Oshkosh	WW90	Chevrolet
V180E.....	Caterpillar	W909.....	Oshkosh	WW9500	GMC
V200.....	Caterpillar	W1600.....	Oshkosh	WX	White
V200B.....	Caterpillar	W2200.....	Oshkosh	WXD.....	White
V200ES.....	Caterpillar	W3500.....	Chevrolet	WXF.....	White
V225B.....	Caterpillar	W3500.....	GMC	WXL.....	White
V250B.....	Caterpillar	W4500.....	Chevrolet	WXLL.....	White
V300.....	Caterpillar	W4500.....	GMC		
V300B.....	Caterpillar	W9000.....	Ford	X	
V330B.....	Caterpillar	W Series.....	Ford	X1/9.....	Fiat
V Series Pickup.....	Dodge	W Series Pickup.....	Dodge	X3.....	BMW
Valiant.....	Plymouth	Wagonaire.....	Studebaker	X5.....	BMW
Van.....	Mitsubishi	Wagoneer.....	Jeep	X-90.....	Suzuki
Van.....	Nissan	Wayfarer.....	Dodge	XA	Scion
Van.....	Toyota	WCA.....	White	XB	Scion
Vanagon.....	Volkswagen	WCA Series.....	Volvo	XC70	Volvo
Vanden Plas.....	Jaguar	WCA Series.....	White GMC	XC90	Volvo
Vanguard 4000SP	FMC	WCL.....	White	Xcel 102.....	Bluebird
Vega.....	Chevrolet	WCL Series.....	White GMC	XG300.....	Hyundai
Vehicross.....	Isuzu	WCM.....	White	XG350.....	Hyundai
Ventura.....	Pontiac	WCM Series	Volvo	XJ6	Jaguar
Venture.....	Chevrolet	WCM Series	White GMC	XJR	Jaguar
Versailles.....	Lincoln	WCS.....	White	XJS.....	Jaguar
VHD.....	Volvo	WCS Series.....	Volvo	XL-7.....	Suzuki
Viaggio 1000.....	Marcopolo	WCS Series.....	White GMC	XP750	Ingersoll
Vibe.....	Pontiac	Westcoast-ER	Thomas Built	Xpeditor.....	Volvo
Vigor.....	Acura	Western Star Series....	White	Xpeditor.....	White GMC
Villager.....	Mercury	WFC.....	Freightliner	XR4TI.....	Merkur
Viper.....	Dodge	WFHD.....	Freightliner	XT.....	Subaru
Vision.....	Eagle	WFT.....	Freightliner	Xterra	Nissan
Vista.....	Thomas Built	WG.....	White		
Vista Cruiser.....	Oldsmobile	WG Series	Volvo	Y	
Vitara.....	Suzuki	WG Series	White GMC	Y20WO.....	Taylor
VN Series	Volvo	WH Series	Volvo	Y80.....	Chevrolet
Volare.....	Plymouth	WH Series	White GMC	Yaris.....	Toyota
VOS66A.....	Dresser-Galion	WHL.....	White	YC38.....	Link-Belt
VOS84A.....	Dresser-Galion	WHL Series.....	White GMC	YT30.....	Ottawa
VOSA84A.....	Dresser-Galion	WHM.....	White	YT50.....	Ottawa
VOSD84A.....	Dresser-Galion	WHR.....	White	YT60T.....	Ottawa
VOSPD84A.....	Dresser-Galion	WHR Series.....	White GMC	Yukon.....	GMC
Voyager.....	Chrysler	WHS.....	White		
Voyager.....	Plymouth	WIA.....	White	Z	
VS24.....	Chance Mfg. Co.	WIA Series.....	Volvo	Z3.....	BMW
VUE.....	Saturn	WIA Series.....	White GMC	Z4.....	BMW
		WIG.....	White	Zephyr.....	Mercury
		WIL.....	White	ZX2.....	Ford
		WIL Series	Volvo		
W6.....	Chevrolet	WIL Series.....	White GMC		
W6.....	GMC	Wildcat.....	Buick		
W7.....	Chevrolet				

Application Guide - Passenger Cars and Light Trucks

Application	Year	Gates No.	Application	Year	Gates No.
ACURA			AMERICAN MOTORS		
CL			AMBASSADOR		
4-Cyl. 2.2 L	1997	41042	6-Cyl. 232	1970-1966	43005
4-Cyl. 2.3 L	1999-1998	41042	6-Cyl. 258; 2 7/16" From Housing To End of Shaft	1971	43005
V-6 3.0 L	1999-1997	42316	6-Cyl. 258; 2" From Housing To End of Shaft	1971	43007
V-6 3.2 L	2003-2001	42316	V-8 290	1969	43006
INTEGRA			V-8 290; 1 1/2" From Housing To End of Shaft	1968	43006
4-Cyl. 1.6 L	1989-1986	41095	V-8 304	1974-1973	43002
4-Cyl. 1.7 L	1993-1992	41106	V-8 304	1972-1970	43006
4-Cyl. 1.8 L; GS-R; Type-R	2001-2000	44405	V-8 343	1969	43006
4-Cyl. 1.8 L; LS, GS	2001-2000	41049	V-8 343; 1 1/2" From Housing To End of Shaft	1968	43006
4-Cyl. 1.8 L; W/O VTEC Eng.	1999-1996	41049	V-8 360	1974-1973	43002
4-Cyl. 1.8 L; W/VTEC Eng.	1999-1996	44405	V-8 360	1972-1970	43006
4-Cyl. 1.8 L; W/O VTEC Eng.	1995-1994	41041	V-8 390	1970-1969	43006
4-Cyl. 1.8 L; W/VTEC Eng.	1995-1994	41050	V-8 390; 1 1/2" From Housing To End of Shaft	1968	43006
4-Cyl. 1.8 L	1993-1990	41041	V-8 401	1974-1973	43002
LEGEND			V-8 401	1972-1971	43006
V-6 2.5 L	1987-1986	42108	AMERICAN		
V-6 2.7 L	1990-1987	42108	6-Cyl. 199	1968-1966	43005
V-6 3.2 L; Coupe	1995-1993	44047	6-Cyl. 232	1968-1966	43005
V-6 3.2 L; GS	1995-1994	44047	V-8 290; 1 1/2" From Housing To End of Shaft	1968	43006
V-6 3.2 L; Sedan; Exc. GS	1995-1994	44048	AMX		
V-6 3.2 L; Sedan	1993	44048	6-Cyl. 4.2 L	1980	43001
V-6 3.2 L	1992-1991	44047	6-Cyl. 258	1979-1978	43000
MDX			V-8 290	1969	43006
V-6 3.5 L	2002-2001	42316	V-8 290; 1 1/2" From Housing To End of Shaft	1968	43006
NSX			V-8 304	1979-1978	43002
V-6 3.0 L	2002-1991	43132	V-8 304	1974-1973	43002
V-6 3.2 L	2002-1997	43132	V-8 304	1972	43006
RL			V-8 343	1969	43006
V-6 3.5 L	2002-1996	43133	V-8 343; 1 1/2" From Housing To End of Shaft	1968	43006
RSX			V-8 360	1974-1973	43002
4-Cyl. 2.0 L	2006-2002	42312	V-8 360	1972-1970	43006
SLX			V-8 390	1970-1969	43006
V-6 3.2 L	1997-1996	42120	V-8 390; 1 1/2" From Housing To End of Shaft	1968	43006
V-6 3.5 L	1999-1998	42297	V-8 401	1974-1973	43002
TL			V-8 401	1972-1971	43006
5-Cyl. 2.5 L	1998-1995	43134	CONCORD		
V-6 3.2 L	2000-1999	42316	4-Cyl. 2.5 L	1982-1980	42085
V-6 3.2 L	1998-1996	44049	6-Cyl. 232	1979-1978	43000
TSX			6-Cyl. 4.2 L; W/O V-Ribbed Belt Drive	1983-1981	43001
4-Cyl. 2.4 L	2007-2005	43544	6-Cyl. 4.2 L; W/V-Ribbed Belt Drive	1983-1981	42000
VIGOR			6-Cyl. 4.2 L	1980	43001
5-Cyl. 2.5 L	1994-1992	41103	6-Cyl. 258	1979-1978	43000
ALFA ROMEO			V-8 304	1979-1978	43002
SPIDER			EAGLE		
4-Cyl. 2.0 L	1990-1985	43011	4-Cyl. 2.5 L; W/O V-Ribbed Belt Drive	1984	43001
SPIDER VELOCE			4-Cyl. 2.5 L; W/V-Ribbed Belt Drive	1984	42000
4-Cyl. 2.0 L	1984-1980	43011	4-Cyl. 2.5 L; Eng. VIN B (8th digit of VIN)	1983	42085
AM GENERAL			4-Cyl. 2.5 L; Eng. VIN U (8th digit of VIN); W/O V-Ribbed Belt Drive	1983	43001
HUMMER			4-Cyl. 2.5 L; Eng. VIN U (8th digit of VIN); W/V-Ribbed Belt Drive	1983	42000
V-8 5.7 L	1996-1995	43114	4-Cyl. 2.5 L	1982-1981	42085
V-8 6.2 L Diesel	1993-1992	44099	6-Cyl. 4.2 L; W/O V-Ribbed Belt Drive	1988-1987	42003
V-8 6.5 L Diesel	2001-1999	44056	6-Cyl. 4.2 L; W/V-Ribbed Belt Drive	1988-1987	42002
V-8 6.5 L Diesel	1998-1997	44042	6-Cyl. 4.2 L; W/O V-Ribbed Belt Drive	1986-1981	43001
V-8 6.5 L Diesel	1996-1994	44100	6-Cyl. 4.2 L; W/V-Ribbed Belt Drive	1986-1981	42000
			6-Cyl. 4.2 L	1980	43001

* High Performance Pump

Application Guide - Passenger Cars and Light Trucks

Application	Year	Gates No.	Application	Year	Gates No.
AMERICAN MOTORS - Continued			AMERICAN MOTORS - Continued		
GREMLIN			MATADOR - Continued		
6-Cyl. 199.....	1970	43005	6-Cyl. 258.....	1974-1973	43007
6-Cyl. 232.....	1978-1975	43000	6-Cyl. 258; 2 7/16" From Housing To		
6-Cyl. 232.....	1974-1973	43007	End of Shaft.....	1972-1971	43005
6-Cyl. 232; 2 7/16" From Housing To			6-Cyl. 258; 2" From Housing To End of		
End of Shaft.....	1972-1971	43005	Shaft.....	1972-1971	43007
6-Cyl. 232; 2" From Housing To End of			V-8 304.....	1977-1973	43002
Shaft.....	1972-1971	43007	V-8 304.....	1972-1971	43006
6-Cyl. 232.....	1970	43005			
6-Cyl. 258.....	1978-1975	43000			
6-Cyl. 258.....	1974-1973	43007			
6-Cyl. 258; 2 7/16" From Housing To					
End of Shaft.....	1972-1971	43005			
6-Cyl. 258; 2" From Housing To End of					
Shaft.....	1972-1971	43007			
V-8 304.....	1976-1973	43002			
V-8 304.....	1972	43006			
HORNET			PACER		
6-Cyl. 199.....	1970	43005	6-Cyl. 232.....	1978-1975	43000
6-Cyl. 232.....	1977-1975	43000	6-Cyl. 4.2 L.....	1980	43001
6-Cyl. 232.....	1974-1973	43007	6-Cyl. 258.....	1979-1975	43000
6-Cyl. 232; 2 7/16" From Housing To			V-8 304.....	1979-1978	43002
End of Shaft.....	1972-1971	43005			
6-Cyl. 232; 2" From Housing To End of					
Shaft.....	1972-1971	43007			
6-Cyl. 232.....	1970	43005			
6-Cyl. 258.....	1977-1975	43000			
6-Cyl. 258.....	1974-1973	43007			
6-Cyl. 258; 2 7/16" From Housing To					
End of Shaft.....	1972-1971	43005			
6-Cyl. 258; 2" From Housing To End of					
Shaft.....	1972-1971	43007			
V-8 304.....	1977-1973	43002			
V-8 304.....	1972-1970	43006			
V-8 360.....	1974-1973	43002			
V-8 360.....	1972-1971	43006			
JAVELIN			RAMBLER		
6-Cyl. 232.....	1974-1973	43007	6-Cyl. 199.....	1969	43005
6-Cyl. 232; 2 7/16" From Housing To			6-Cyl. 232.....	1969	43005
End of Shaft.....	1972-1971	43005	V-8 290.....	1969	43006
6-Cyl. 232; 2" From Housing To End of			V-8 390.....	1969	43006
Shaft.....	1972-1971	43007			
6-Cyl. 232.....	1970-1968	43005			
6-Cyl. 258.....	1974-1973	43007			
6-Cyl. 258; 2 7/16" From Housing To					
End of Shaft.....	1972-1971	43005			
6-Cyl. 258; 2" From Housing To End of					
Shaft.....	1972-1971	43007			
V-8 290.....	1969	43006			
V-8 290; 1 1/2" From Housing To End					
of Shaft.....	1968	43006			
V-8 304.....	1974-1973	43002			
V-8 304.....	1972-1970	43006			
V-8 343.....	1969	43006			
V-8 343; 1 1/2" From Housing To End					
of Shaft.....	1968	43006			
V-8 360.....	1974-1973	43002			
V-8 360.....	1972-1970	43006			
V-8 390.....	1970-1969	43006			
V-8 390; 1 1/2" From Housing To End					
of Shaft.....	1968	43006			
V-8 401.....	1974-1973	43002			
V-8 401.....	1972-1971	43006			
MARLIN			RAMBLER CLASSIC		
6-Cyl. 232.....	1967-1966	43005	6-Cyl. 199.....	1966	43005
MATADOR			6-Cyl. 232.....	1966	43005
6-Cyl. 232.....	1974-1973	43007	REBEL		
6-Cyl. 232; 2 7/16" From Housing To			6-Cyl. 232.....	1970-1967	43005
End of Shaft.....	1972-1971	43005	V-8 290.....	1969	43006
6-Cyl. 232; 2" From Housing To End of			V-8 290; 1 1/2" From Housing To End		
Shaft.....	1972-1971	43007	of Shaft.....	1968	43006
6-Cyl. 258.....	1978-1975	43000	V-8 304.....	1970	43006
6-Cyl. 258.....	1974-1973	43007	V-8 343.....	1969	43006
6-Cyl. 258; 2 7/16" From Housing To			V-8 343; 1 1/2" From Housing To End		
End of Shaft.....	1972-1971	43005	of Shaft.....	1968	43006
6-Cyl. 258; 2" From Housing To End of			V-8 360.....	1970	43006
Shaft.....	1972-1971	43007	V-8 390.....	1970-1969	43006
V-8 304.....	1976-1973	43002			
V-8 304.....	1972	43006			
AMERICAN MOTORS - Continued			SPIRIT		
6-Cyl. 199.....	1970	43005	4-Cyl. 2.5 L.....	1982-1980	42085
6-Cyl. 232.....	1977-1975	43000	6-Cyl. 232.....	1979	43000
6-Cyl. 232.....	1974-1973	43007	6-Cyl. 4.2 L; W/O V-Ribbed Belt Drive....	1983-1981	43001
6-Cyl. 232; 2 7/16" From Housing To			6-Cyl. 4.2 L; W/V-Ribbed Belt Drive.....	1983-1981	42000
End of Shaft.....	1972-1971	43005	6-Cyl. 4.2 L.....	1980	43001
6-Cyl. 232; 2" From Housing To End of			6-Cyl. 258.....	1979	43000
Shaft.....	1972-1971	43007	V-8 304.....	1979	43002
6-Cyl. 232.....	1970	43005	AUDI		
6-Cyl. 258.....	1977-1975	43000	A4		
6-Cyl. 258.....	1974-1973	43007	4-Cyl. 1.8 L.....	2004-2001	41127
6-Cyl. 258; 2 7/16" From Housing To			V-6 2.8 L.....	2001-1996	43216
End of Shaft.....	1972-1971	43005	A6		
6-Cyl. 258; 2" From Housing To End of			V-6 2.7 L.....	2004-2001	42345
Shaft.....	1972-1971	43007	V-6 2.7 L.....	2000	43216
V-8 290.....	1969	43006	V-6 2.8 L.....	2001-1996	43216
V-8 290; 1 1/2" From Housing To End			V-6 2.8 L; Eng. Designation AAH.....	1995	42161
of Shaft.....	1968	43006	V-6 2.8 L; Eng. Designation AFC; Chas-		
V-8 304.....	1974-1973	43002	sis No. 4ASO26714 & Before.....	1995	42161
V-8 304.....	1972-1970	43006	V-6 2.8 L; Eng. Designation AFC; Chas-		
V-8 343.....	1969	43006	sis No. 4ASO26715 & After.....	1995	43216
V-8 343; 1 1/2" From Housing To End			V-8 4.2 L.....	2004-2000	42348
of Shaft.....	1968	43006	A8		
V-8 360.....	1974-1973	43002	V-8 3.7 L.....	1999-1997	42298
V-8 360.....	1972-1970	43006	V-8 4.2 L.....	2004-2001	42348
V-8 390.....	1970-1969	43006	V-8 4.2 L.....	2000-1997	42298
V-8 390; 1 1/2" From Housing To End			ALLROAD QUATTRO		
of Shaft.....	1968	43006	V-6 2.7 L.....	2004-2001	42345
V-8 401.....	1974-1973	43002			
V-8 401.....	1972-1971	43006			

* High Performance Pump

Application Guide - Passenger Cars and Light Trucks

Application	Year	Gates No.	Application	Year	Gates No.
AUDI - Continued			AUDI - Continued		
CABRIOLET			200		
V-6 2.8 L	1998-1996	43216	5-Cyl. 2.2 L	1991-1990	41152
V-6 2.8 L; Chassis No. 8GS001302 & Before	1995	42161	5-Cyl. 2.2 L; Eng. No. MC039950 & Before	1989	42341
V-6 2.8 L; Chassis No. 8GS001303 & After	1995	43216	5-Cyl. 2.2 L; Eng. No. MC039951 & After	1989	41152
V-6 2.8 L	1994	42161	4000		
COUPE			4-Cyl. 1.6 L; W/30mm Hub	1980	42261
5-Cyl. 2.2 L	1987-1981	42341	4-Cyl. 1.6 L; W/40mm Hub	1980	42258
5-Cyl. 2.3 L	1987	42341	4-Cyl. 1.6 L Diesel; W/Turbo; W/30mm Hub	1983-1982	42261
COUPE QUATTRO			4-Cyl. 1.7 L; W/30mm Hub	1983-1982	42261
5-Cyl. 2.3 L	1991-1990	41152	4-Cyl. 1.7 L; Chassis No. 81B-149-000 & Before; W/40mm Hub	1981	42258
FOX			4-Cyl. 1.7 L; Chassis No. 81B-149-001 & After; W/30mm Hub	1981	42261
4-Cyl. 90; W/40mm Hub	1974-1973	42258	4-Cyl. 1.8 L; W/30mm Hub	1987-1984	42261
4-Cyl. 97; W/40mm Hub	1979-1975	42258	5-Cyl. 2.2 L	1987-1980	42341
QUATTRO			5000		
5-Cyl. 2.2 L	1985-1983	42341	5-Cyl. 2.0 L Diesel	1983-1980	41151
5-Cyl. 2.2 L (Canada)	1986	42341	5-Cyl. 121 Diesel	1979	41151
RS 6			5-Cyl. 131	1979-1978	41169
V-8 4.2 L	2003	42348	5-Cyl. 2.2 L	1988-1980	42341
V-8 4.2 L (Canada)	2004	42348	5-Cyl. 2.3 L	1988-1987	42341
S4			AUSTIN		
5-Cyl. 2.2 L	1994-1992	41154	AMERICA		
V-6 2.7 L	2002-2000	43216	4-Cyl. 78	1972-1968	42006
S6			MINI		
5-Cyl. 2.2 L	1995	41154	4-Cyl. 52	1966-1960	42006
5-Cyl. 2.2 L (Canada)	1996	41154	MINI COOPER		
V-8 4.2 L	2003-2002	42348	4-Cyl. 61	1964-1962	42006
S8			SPRITE		
V-8 4.2 L	2003-2001	42348	4-Cyl. 78	1970-1968	42006
SUPER 90			AUSTIN-HEALEY		
4-Cyl. 107	1972-1970	42332	SPRITE		
TT			4-Cyl. 58	1963-1958	42006
4-Cyl. 1.8 L	2004-2000	41127	4-Cyl. 67	1967-1962	42006
V8 QUATTRO			4-Cyl. 78	1970-1966	42006
V-8 3.6 L	1991-1990	42265	BMW		
V-8 4.2 L	1994-1992	42265	BAVARIA		
80			6-Cyl. 170	1971	41035
4-Cyl. 2.0 L; W/30mm Hub	1990-1988	42261	6-Cyl. 182	1974-1972	41035
5-Cyl. 2.3 L	1992-1989	41152	M3		
5-Cyl. 2.3 L; Chassis No. 394742 & Before	1988	42341	4-Cyl. 2.3 L	1991-1988	42020
5-Cyl. 2.3 L; Chassis No. 394743 & After	1988	41152	6-Cyl. 3.0 L	1995	43536
90			6-Cyl. 3.0 L (Canada)	1994	43536
4-Cyl. 2.0 L; W/30mm Hub	1988	42261	6-Cyl. 3.2 L	1999	41057
5-Cyl. 2.3 L	1991-1989	41152	6-Cyl. 3.2 L	1998-1996	43536
5-Cyl. 2.3 L; Chassis No. 396702 & Before	1988	42341	M5		
5-Cyl. 2.3 L; Chassis No. 396703 & After	1988	41152	6-Cyl. 3.5 L	1988	42016
V-6 2.8 L; Chassis No. 8CSO25820 & Before	1995	42161	6-Cyl. 3.6 L	1993-1991	42023
V-6 2.8 L; Chassis No. 8CSO25821 & After	1995	43216	M6		
V-6 2.8 L	1994-1993	42161	6-Cyl. 3.5 L	1988-1987	42016
100			X3		
4-Cyl. 107	1971-1970	42332	6-Cyl. 2.5 L	2005-2004	41057
4-Cyl. 114	1977-1972	42332	6-Cyl. 2.5 L (Canada)	2006	41057
5-Cyl. 2.3 L	1991-1989	41152	X5		
V-6 2.8 L	1994-1992	42161	6-Cyl. 3.0 L	2003-2001	41057
			V-8 4.4 L	2003-2000	43518
			V-8 4.6 L	2003-2002	43518

* High Performance Pump

Application Guide - Passenger Cars and Light Trucks

Application	Year	Gates No.	Application	Year	Gates No.
BMW - Continued			BMW - Continued		
Z3			325IX		
4-Cyl. 1.9 L.....	1998-1996	41036	6-Cyl. 2.5 L.....	1991-1990	43536
6-Cyl. 2.5 L.....	2002-1999	41057	6-Cyl. 2.5 L.....	1989-1988	42018
6-Cyl. 2.8 L.....	2000-1999	41057	325XI		
6-Cyl. 2.8 L.....	1998-1997	43536	6-Cyl. 2.5 L.....	2003-2001	41057
6-Cyl. 3.0 L.....	2002-2001	41057	328CI		
6-Cyl. 3.2 L.....	2002-1999	41057	6-Cyl. 2.8 L.....	2000	41057
6-Cyl. 3.2 L.....	1998	43536	328I		
Z4			6-Cyl. 2.8 L.....	2000-1999	41057
6-Cyl. 3.0 L.....	2005-2003	41057	6-Cyl. 2.8 L.....	1998-1996	43536
3.0CS			328IS		
6-Cyl. 182.....	1974-1971	41035	6-Cyl. 2.8 L.....	1999	41057
3.0CSI			6-Cyl. 2.8 L.....	1998-1996	43536
6-Cyl. 182.....	1974-1971	41035	330CI		
3.0S			6-Cyl. 3.0 L.....	2003-2001	41057
6-Cyl. 182.....	1974-1971	41035	330I		
3.0SI			6-Cyl. 3.0 L.....	2003-2001	41057
6-Cyl. 182.....	1976-1975	41035	330XI		
318I			6-Cyl. 3.0 L.....	2004-2001	41057
4-Cyl. 1.8 L.....	1995-1991	41036	524TD		
4-Cyl. 1.8 L.....	1985-1984	42013	6-Cyl. 2.4 L Diesel.....	1986-1985	41117
4-Cyl. 1.9 L.....	1998-1996	41036	525I		
4-Cyl. 1.9 L (Canada).....	1999	41036	6-Cyl. 2.5 L.....	2003-2001	41057
318IS			6-Cyl. 2.5 L.....	1995-1990	43536
4-Cyl. 1.8 L.....	1995-1991	41036	6-Cyl. 2.5 L.....	1989	42018
4-Cyl. 1.9 L.....	1997-1996	41036	528E		
4-Cyl. 1.9 L (Canada).....	1999-1998	41036	6-Cyl. 2.7 L.....	1988	42018
318TI			6-Cyl. 2.7 L.....	1987-1982	42014
4-Cyl. 1.8 L.....	1995	41036	528I		
4-Cyl. 1.9 L.....	1999-1996	41036	6-Cyl. 2.8 L.....	2000-1999	41057
320I			6-Cyl. 2.8 L.....	1998-1997	43536
4-Cyl. 1.8 L.....	1983-1980	42012	6-Cyl. 2.8 L.....	1981-1980	42016
4-Cyl. 121.....	1979-1977	42012	6-Cyl. 170.....	1979	41035
6-Cyl. 2.0 L (Canada).....	1993	42018	530I		
323CI			6-Cyl. 3.0 L.....	2003-2001	41057
6-Cyl. 2.5 L.....	2000	41057	6-Cyl. 182.....	1978-1975	41035
323I			V-8 3.0 L.....	1995-1994	43278
6-Cyl. 2.5 L.....	2000-1999	41057	533I		
6-Cyl. 2.5 L.....	1998	43536	6-Cyl. 3.2 L.....	1984-1983	42016
6-Cyl. 2.5 L (Canada).....	2006	41057	535I		
323IS			6-Cyl. 3.5 L.....	1993-1985	42016
6-Cyl. 2.5 L.....	1999	41057	535IS		
6-Cyl. 2.5 L.....	1998	43536	6-Cyl. 3.5 L.....	1988	42016
325			540I		
6-Cyl. 2.7 L.....	1988	42018	V-8 4.0 L.....	1995-1994	43278
6-Cyl. 2.7 L.....	1987-1986	42014	V-8 4.4 L.....	2003-1999	43518
325CI			V-8 4.4 L.....	1998-1997	43428
6-Cyl. 2.5 L.....	2006-2001	41057	<i>or</i>		43262
325E			630CSI		
6-Cyl. 2.7 L.....	1987-1984	42014	6-Cyl. 182.....	1978-1977	41035
325I			633CSI		
6-Cyl. 2.5 L.....	2003-2001	41057	6-Cyl. 3.2 L.....	1984-1980	42016
6-Cyl. 2.5 L.....	1995-1990	43536	6-Cyl. 196.....	1979-1978	41035
6-Cyl. 2.5 L.....	1989-1988	42018	635CSI		
6-Cyl. 2.5 L.....	1987	42014	6-Cyl. 3.5 L.....	1989-1985	42016
325IS					
6-Cyl. 2.5 L.....	1995-1990	43536			
6-Cyl. 2.5 L.....	1989-1988	42018			
6-Cyl. 2.5 L.....	1987	42014			

* High Performance Pump

Application Guide - Passenger Cars and Light Trucks

Application	Year	Gates No.	Application	Year	Gates No.
BMW - Continued			BUICK - Continued		
733I			APOLLO - Continued		
6-Cyl. 3.2 L; W/O Threaded Hub.....	1984-1980	41035	V-8 260; W/O A.C.	1975	43107
6-Cyl. 3.2 L; W/Threaded Hub.....	1984-1980	42016	V-8 350.....	1975-1973	43094
6-Cyl. 196; W/O Threaded Hub.....	1979-1978	41035	CENTURION		
6-Cyl. 196; W/Threaded Hub.....	1979-1978	42016	V-8 350.....	1973	43094
735I			V-8 350.....	1972	43111
6-Cyl. 3.5 L.....	1992-1987	42016	V-8 455.....	1973	43109
6-Cyl. 3.5 L.....	1986-1985	41035	V-8 455; W/A.C.....	1972-1971	43109
735IL			V-8 455; W/O A.C.....	1972-1971	43121
6-Cyl. 3.5 L.....	1992-1988	42016	CENTURY		
740I			4-Cyl. 2.2 L.....	1996-1993	41019
V-8 4.0 L.....	1995	43428	4-Cyl. 2.5 L.....	1992-1987	42091
		or	4-Cyl. 2.5 L; W/O Pulley.....	1986-1982	42083
V-8 4.0 L.....	1994-1993	43278	4-Cyl. 2.5 L; W/Pulley; Included		
V-8 4.4 L.....	2001-1999	43518	3-Groove Pulley Will Service 1 &		
V-8 4.4 L.....	1998-1997	43428	2-Groove Applications.....	1986-1982	42084
		or	V-6 2.8 L.....	1989-1987	41020
			V-6 2.8 L.....	1986	43092
740IL			V-6 2.8 L (Canada).....	1985-1982	43092
V-8 4.0 L.....	1995	43428	V-6 3.0 L.....	1985-1982	43112
		or	V-6 3.1 L.....	2005-1994	41020
V-8 4.0 L.....	1994-1993	43278	V-6 196.....	1979-1978	43094
V-8 4.4 L.....	2001-1999	43518	V-6 3.3 L.....	1993-1989	42095
V-8 4.4 L.....	1998-1996	43428	V-6 3.8 L.....	1988-1986	42095
		or	V-6 3.8 L.....	1985-1984	43112
			V-6 3.8 L.....	1981-1980	43094
750IL			V-6 231.....	1979-1975	43094
V-12 5.0 L.....	1994-1988	42021	V-6 4.3 L Diesel; W/O Pulley.....	1985-1982	43096
840CI			V-6 4.3 L Diesel; W/Pulley.....	1985-1982	43097
V-8 4.0 L.....	1995-1994	43428	V-8 4.3 L.....	1981-1980	43102
		or	V-8 4.4 L (Canada).....	1981	43099
V-8 4.4 L.....	1996	43428			or *43099P
		or	V-8 4.9 L.....	1980	43102
			V-8 301.....	1979	43102
850CI			V-8 5.0 L.....	1980	43099
V-12 5.0 L.....	1994	43277			or *43099P
850CSI			V-8 5.0 L (Canada).....	1981	43099
V-12 5.6 L.....	1995-1994	43277			or *43099P
850I			V-8 305.....	1979-1977	43099
V-12 5.0 L.....	1992-1991	43277			or *43099P
2002			V-8 5.7 L Diesel; W/A.C.....	1981	43100
4-Cyl. 121.....	1976-1971	42017	V-8 5.7 L Diesel; W/O A.C.....	1981	43107
2002TI			V-8 350.....	1979-1978	43099
4-Cyl. 121.....	1971	42017			or *43099P
2002TII			V-8 350; Eng. VIN H, J (5th digit of VIN).....	1977	43094
4-Cyl. 121.....	1975-1971	42019	V-8 350; W/A.C.; Eng. VIN R (5th digit of VIN).....	1977	43100
2500			V-8 350; W/O A.C.; Eng. VIN R (5th digit of VIN).....	1977	43107
6-Cyl. 152.....	1971	41035	V-8 350.....	1976-1973	43094
2800			V-8 403; W/A.C.....	1977	43100
6-Cyl. 170.....	1974-1971	41035	V-8 403; W/O A.C.....	1977	43107
2800CS			V-8 455.....	1974-1973	43109
6-Cyl. 170.....	1971	41035	ELECTRA		
BUICK			V-6 3.0 L.....	1985	43112
ALLURE			V-6 3.8 L.....	1990-1986	42095
V-6 3.6 L (Canada).....	2007-2005	43530	V-6 3.8 L.....	1985	43112
APOLLO			V-6 4.1 L.....	1984-1980	43094
6-Cyl. 250.....	1975	42085	V-6 4.3 L Diesel; W/O Pulley.....	1985	43096
6-Cyl. 250; W/A.C.....	1974	42100	V-6 4.3 L Diesel; W/Pulley.....	1985	43097
6-Cyl. 250; W/O A.C.....	1974	42082	V-8 4.9 L.....	1980	43102
6-Cyl. 250.....	1973	42082	V-8 5.0 L.....	1989-1986	43100
V-8 260; W/A.C.....	1975	43100	V-8 5.0 L; W/A.C.....	1985-1981	43100
			V-8 5.0 L; W/O A.C.....	1985-1981	43107
			V-8 5.7 L; W/A.C., X.C.....	1980	43100
			V-8 5.7 L; W/A.C.; W/O X.C.....	1980	43094
			V-8 5.7 L; W/O A.C.....	1980	43107
			V-8 5.7 L (Canada).....	1981	43094
			V-8 5.7 L Diesel.....	1985-1983	43100
			V-8 5.7 L Diesel; W/A.C.....	1982-1980	43100
			V-8 5.7 L Diesel; W/O A.C.; 5.57" from Block to Pulley Surface.....	1982	43107

* High Performance Pump

Application Guide - Passenger Cars and Light Trucks

Application	Year	Gates No.	Application	Year	Gates No.
BUICK - Continued			BUICK - Continued		
ELECTRA - Continued			LESABRE - Continued		
V-8 5.7 L Diesel; W/O A.C.; W/5.95" From Block To Pulley Surface	1982	43100	V-8 425.....	1964	43110
V-8 5.7 L Diesel; W/O A.C.....	1981-1980	43107	V-8 455.....	1976-1973	43109
V-8 350; W/A.C.; X.C.....	1979-1977	43100	V-8 455; W/A.C.....	1972	43109
V-8 350; W/A.C.; W/O X.C.....	1979-1977	43094	V-8 455; W/O A.C.....	1972	43121
V-8 350; W/O A.C.....	1979-1977	43107	V-8 455; W/A.C.; Exc. Wagon	1971	43109
V-8 401; W/A.C.....	1966-1962	42563	V-8 455; W/O A.C.; Exc. Wagon	1971	43121
V-8 403; W/A.C.....	1979-1977	43100	V-8 455.....	1970	43121
V-8 403; W/O A.C.....	1979-1977	43107	PARK AVENUE		
V-8 425; W/A.C.....	1966-1965	42563	V-6 3.8 L.....	2005-1996	42097
V-8 430.....	1969-1967	43121	V-6 3.8 L.....	1995-1991	42095
V-8 455.....	1976-1973	43109	RAINIER		
V-8 455; W/A.C.....	1972-1971	43109	6-Cyl. 4.2 L.....	2007-2004	41122
V-8 455; W/O A.C.....	1972-1971	43121	V-8 5.3 L.....	2005-2004	45005
V-8 455.....	1970	43121	REATTA		
ENCLAVE			V-6 3.8 L.....	1991-1988	42095
V-6 3.6 L.....	2008	43530	REGAL		
ESTATE WAGON			V-6 2.8 L.....	1989-1988	41020
V-8 350; W/A.C.; X.C.....	1979-1977	43100	V-6 3.1 L.....	1996-1989	41020
V-8 350; W/A.C.; W/O X.C.....	1979-1977	43094	V-6 196.....	1979-1978	43094
V-8 350; W/O A.C.....	1979-1977	43107	V-6 3.8 L.....	2004-1996	42097
V-8 350.....	1973	43094	V-6 3.8 L.....	1995-1990	42095
V-8 350.....	1972	43111	V-6 3.8 L.....	1987-1980	43094
V-8 403; W/A.C.....	1979-1977	43100	V-6 231.....	1979-1975	43094
V-8 403; W/O A.C.....	1979-1977	43107	V-6 4.1 L.....	1984-1982	43094
V-8 455.....	1976-1973	43109	V-6 4.3 L Diesel.....	1985-1982	43169
V-8 455; W/A.C.....	1972-1971	43109	V-8 4.3 L.....	1981-1980	43102
V-8 455; W/O A.C.....	1972-1971	43121	V-8 4.4 L (Canada).....	1982-1981	43099
INVICTA					or *43099P
V-8 401; W/A.C.....	1963-1962	42563	V-8 4.9 L.....	1980	43102
LACROSSE			V-8 301.....	1979	43102
V-6 3.6 L.....	2007-2005	43530	V-8 5.0 L; Eng. VIN H (8th digit of VIN).....	1987-1986	43099
V-6 3.8 L.....	2005	42097			or *43099P
LESABRE			V-8 5.0 L; Eng. VIN Y (8th digit of VIN).....	1987-1986	43100
V-6 3.0 L.....	1986	42095	V-8 5.0 L.....	1980	43099
V-6 3.8 L.....	2005-1996	42097			or *43099P
V-6 3.8 L.....	1995-1986	42095	V-8 5.0 L (Canada).....	1985-1982	43099
V-6 3.8 L.....	1985-1980	43094			or *43099P
V-6 231.....	1979-1976	43094	V-8 305.....	1979-1977	43099
V-6 4.1 L.....	1984-1980	43094			or *43099P
V-8 4.4 L (Canada).....	1982-1981	43099	V-8 5.7 L Diesel.....	1985	43100
		or *43099P	V-8 5.7 L Diesel.....	1983	43100
V-8 4.9 L.....	1980	43102	V-8 5.7 L Diesel; W/A.C.....	1982-1981	43100
V-8 301.....	1979-1977	43102	V-8 5.7 L Diesel; W/O A.C.; 5.57" from Block to Pulley Surface	1982	43107
V-8 5.0 L.....	1990-1986	43100	V-8 5.7 L Diesel; W/O A.C.; W/5.95" From Block To Pulley Surface	1982	43100
V-8 5.0 L; W/A.C.....	1985-1981	43100	V-8 5.7 L Diesel; W/O A.C.....	1981	43107
V-8 5.0 L; W/O A.C.....	1985-1981	43107	V-8 350; Eng. VIN H, J (5th digit of VIN).....	1977	43094
V-8 305.....	1978	43099	V-8 350; Eng. VIN L (5th digit of VIN)....	1977	43099
		or *43099P			or *43099P
V-8 340.....	1967-1966	43110	V-8 350; W/A.C.; Eng. VIN R (5th digit of VIN).....	1977	43100
V-8 5.7 L; W/A.C.; X.C.....	1980	43100	V-8 350; W/O A.C.; Eng. VIN R (5th digit of VIN).....	1977	43107
V-8 5.7 L; W/A.C.; W/O X.C.....	1980	43094	V-8 350.....	1976-1973	43094
V-8 5.7 L; W/O A.C.....	1980	43107	V-8 455.....	1974-1973	43109
V-8 5.7 L Diesel.....	1985-1983	43100	RENDEZVOUS		
V-8 5.7 L Diesel; W/A.C.....	1982-1980	43100	V-6 3.4 L.....	2005-2002	41020
V-8 5.7 L Diesel; W/O A.C.; 5.57" from Block to Pulley Surface	1982	43107	V-6 3.5 L.....	2007-2006	41020
V-8 5.7 L Diesel; W/O A.C.; W/5.95" From Block To Pulley Surface	1982	43100	V-6 3.6 L.....	2006-2004	43530
V-8 5.7 L Diesel; W/O A.C.....	1981-1980	43107	RIVIERA		
V-8 350; W/A.C.; X.C.....	1979-1977	43100	V-6 3.8 L.....	1999-1996	42097
V-8 350; W/A.C.; W/O X.C.....	1979-1977	43094	V-6 3.8 L.....	1995	42095
V-8 350; W/O A.C.....	1979-1977	43107	V-6 3.8 L.....	1993-1986	42095
V-8 350.....	1976-1973	43094	V-6 3.8 L.....	1985-1980	43094
V-8 350.....	1972-1971	43111	V-6 231.....	1979	43094
V-8 350.....	1970-1968	43110	V-6 4.1 L.....	1984-1981	43094
V-8 401.....	1964	43110	V-8 5.0 L; W/A.C.....	1985-1980	43100
V-8 401; W/A.C.....	1963-1962	42563			
V-8 403; W/A.C.....	1978-1977	43100			
V-8 403; W/O A.C.....	1978-1977	43107			

* High Performance Pump

Application Guide - Passenger Cars and Light Trucks

Application	Year	Gates No.	Application	Year	Gates No.
BUICK - Continued			BUICK - Continued		
RIVIERA - Continued			SKYLARK - Continued		
V-8 5.0 L; W/O A.C.....	1985-1980	43107	V-8 340.....	1967-1966	43110
V-8 5.7 L; W/A.C., X.C.....	1980	43100	V-8 350.....	1979-1978	43099
V-8 5.7 L; W/O A.C.....	1980	43107			or *43099P
V-8 5.7 L Diesel.....	1985-1983	43100	V-8 350; Eng. VIN L (5th digit of VIN)....	1977	43099
V-8 5.7 L Diesel; W/A.C.....	1982-1981	43100			or *43099P
V-8 5.7 L Diesel; W/O A.C.; 5.57" from Block to Pulley Surface.....	1982	43107	V-8 350; W/A.C.; Eng. VIN R (5th digit of VIN).....	1977	43100
V-8 5.7 L Diesel; W/O A.C.; W/5.95" From Block To Pulley Surface.....	1982	43100	V-8 350; W/O A.C.; Eng. VIN R (5th digit of VIN).....	1977	43107
V-8 5.7 L Diesel; W/O A.C.....	1981	43107	V-8 350.....	1976-1975	43094
V-8 350; W/A.C., X.C.....	1979	43100	V-8 350.....	1972-1971	43111
V-8 350; W/O A.C.....	1979	43107	V-8 350.....	1970-1968	43110
V-8 350; Eng. VIN X (5th digit of VIN)....	1978	43094	V-8 400.....	1967	43121
V-8 350; W/A.C., X.C.; Eng. VIN R (5th digit of VIN).....	1978	43100	V-8 455; W/O A.C.....	1972	43121
V-8 350; W/O A.C.; Eng. VIN R (5th digit of VIN).....	1978-1977	43107	V-8 455.....	1970	43121
V-8 350; W/A.C.; Eng. VIN R (5th digit of VIN).....	1977	43100	SOMERSET		
V-8 401; W/A.C.....	1965-1963	42563	4-Cyl. 2.5 L; W/O Pulley.....	1987-1986	42083
V-8 403; W/A.C.....	1978-1977	43100	4-Cyl. 2.5 L; W/Pulley.....	1987-1986	42096
V-8 403; W/O A.C.....	1978-1977	43107	V-6 3.0 L.....	1987-1986	42095
V-8 425; W/A.C.....	1966-1963	42563	SOMERSET REGAL		
V-8 430.....	1969-1967	43121	4-Cyl. 2.5 L; W/O Pulley.....	1985	42083
V-8 455.....	1976-1973	43109	4-Cyl. 2.5 L; W/Pulley.....	1985	42096
V-8 455; W/A.C.....	1972-1971	43109	V-6 3.0 L.....	1985	42095
V-8 455; W/O A.C.....	1972-1971	43121	SPECIAL		
V-8 455.....	1970	43121	6-Cyl. 250.....	1969-1968	42082
ROADMASTER			V-6 225.....	1967-1964	43110
V-8 5.0 L.....	1991	43115	V-8 300.....	1967-1964	43110
V-8 5.7 L.....	1996-1994	44038	V-8 350.....	1969-1968	43110
V-8 5.7 L.....	1993-1992	43115	TERRAZA		
SKYHAWK			V-6 3.5 L.....	2006	41020
4-Cyl. 1.8 L.....	1986-1983	41016	WILDCAT		
4-Cyl. 1.8 L; Eng. VIN G (8th digit of VIN).....	1982	41015	V-8 401; W/A.C.....	1966-1964	42563
4-Cyl. 1.8 L; Eng. VIN O (8th digit of VIN).....	1982	41016	V-8 425; W/A.C.....	1966-1964	42563
4-Cyl. 2.0 L.....	1989	41019	V-8 430.....	1969-1967	43121
4-Cyl. 2.0 L; Eng. VIN 1 (8th digit of VIN).....	1988-1987	41019	V-8 455.....	1970	43121
4-Cyl. 2.0 L; Eng. VIN K (8th digit of VIN).....	1988	41022	CADILLAC		
4-Cyl. 2.0 L; Eng. VIN K, M (8th digit of VIN).....	1987	41022	ALLANTE		
4-Cyl. 2.0 L.....	1986-1982	41015	V-8 4.1 L.....	1988-1987	44033
V-6 3.8 L.....	1980	43094	V-8 4.5 L.....	1992-1989	44033
V-6 231.....	1979-1975	43094	V-8 4.6 L.....	1993	41027
SKYLARK			BROUGHAM		
4-Cyl. 2.3 L.....	1995-1988	41023	V-8 5.0 L.....	1992-1991	43114
4-Cyl. 2.4 L; Timing Cover & Exhaust Manifold Removal Required. New Gaskets To Reinstall Do Not Come With Pump.....	1998-1996	41028	V-8 5.0 L.....	1990-1987	43100
4-Cyl. 2.5 L; W/O Pulley.....	1991-1980	42083	V-8 5.7 L.....	1992-1990	43114
4-Cyl. 2.5 L; W/Pulley.....	1991-1987	42096	CALAIS		
4-Cyl. 2.5 L; W/Pulley; Included 3-Groove Pulley Will Service 1 & 2-Groove Applications.....	1986-1980	42084	V-8 429.....	1965	42562
6-Cyl. 250.....	1971-1968	42082	V-8 472.....	1974	43103
V-6 2.8 L.....	1985-1980	43092	V-8 472; 1st Design.....	1973	44032
V-6 3.0 L.....	1988-1986	42095	V-8 472; 2nd Design.....	1973	43103
V-6 3.1 L.....	1998-1994	41020	V-8 472.....	1972-1968	44032
V-6 3.3 L.....	1993-1989	42095	V-8 500.....	1976-1975	43103
V-6 225.....	1967-1964	43110	CATERA		
V-6 231.....	1979-1975	43094	V-6 3.0 L.....	2001-1997	41142
V-8 260; W/A.C.....	1976-1975	43100	CIMARRON		
V-8 260; W/O A.C.....	1976-1975	43107	4-Cyl. 1.8 L.....	1982	41015
V-8 300.....	1967-1964	43110	4-Cyl. 2.0 L.....	1986-1983	41015
V-8 301.....	1977	43102	V-6 2.8 L.....	1988-1987	41020
V-8 305.....	1979-1977	43099	V-6 2.8 L.....	1986-1985	41021
		or *43099P	CTS		
			V-6 2.8 L.....	2007-2005	43530
			V-6 3.2 L.....	2004-2003	41142
			V-6 3.6 L.....	2007-2004	43530

* High Performance Pump

Application Guide - Passenger Cars and Light Trucks

Application	Year	Gates No.	Application	Year	Gates No.
CADILLAC - Continued			CADILLAC - Continued		
DEVILLE			FLEETWOOD SIXTY SPECIAL		
V-6 4.1 L.....	1982-1980	43094	V-8 390.....	1963	42562
V-6 4.3 L Diesel; W/O Pulley.....	1985	43096	V-8 429.....	1965-1964	42562
V-6 4.3 L Diesel; W/Pulley.....	1985	43097	SERIES 6200		
V-8 4.1 L.....	1987-1985	44033	V-8 390.....	1963	42562
V-8 4.1 L.....	1984-1982	44028	V-8 429.....	1964	42562
V-8 4.5 L.....	1990-1988	44033	SEVILLE		
V-8 4.6 L.....	2005-1995	41026	V-6 4.1 L.....	1982-1981	43094
V-8 4.6 L.....	1994	41027	V-8 4.1 L.....	1987-1986	44033
V-8 4.9 L.....	1995-1991	44033	V-8 4.1 L.....	1985-1982	44028
V-8 5.7 L Diesel.....	1984-1980	43100	V-8 4.5 L.....	1990-1988	44033
V-8 350 Diesel.....	1979	43100	V-8 4.6 L.....	2004-1995	41026
V-8 6.0 L.....	1981-1980	43103	V-8 4.6 L.....	1994-1993	41027
V-8 425.....	1979-1977	43103	V-8 4.9 L.....	1993-1991	44033
V-8 429.....	1965	42562	V-8 5.7 L.....	1980	43100
V-8 472.....	1974	43103	V-8 5.7 L Diesel.....	1985-1980	43100
V-8 472; 1st Design.....	1973	44032	V-8 350.....	1979-1976	43100
V-8 472; 2nd Design.....	1973	43103	V-8 350 Diesel.....	1979-1978	43100
V-8 472.....	1972-1968	44032	V-8 6.0 L.....	1981-1980	43103
V-8 500.....	1976-1975	43103	SIXTY SPECIAL		
ELDORADO			V-8 4.9 L.....	1993	44033
V-6 4.1 L.....	1982-1981	43094	SRX		
V-8 4.1 L.....	1987-1986	44033	V-6 3.6 L.....	2007-2004	43530
V-8 4.1 L.....	1985-1982	44028	STS		
V-8 4.5 L.....	1990-1988	44033	V-6 3.6 L.....	2007-2005	43530
V-8 4.6 L.....	2002-1995	41026	CHECKER		
V-8 4.6 L.....	1994-1993	41027	MARATHON		
V-8 4.9 L.....	1993-1991	44033	V-6 3.8 L.....	1982-1980	43099 or *43099P
V-8 5.7 L.....	1980	43100	CHEVROLET		
V-8 5.7 L Diesel.....	1985-1980	43100	ASTRO		
V-8 350.....	1979	43100	4-Cyl. 2.5 L.....	1990-1987	42094
V-8 350 Diesel.....	1979	43100	4-Cyl. 2.5 L.....	1986-1985	42092
V-8 6.0 L.....	1981-1980	43103	V-6 4.3 L.....	2005-1996	43315
V-8 390.....	1963	42562	V-6 4.3 L.....	1995-1987	43114
V-8 425.....	1978-1977	43103	V-6 4.3 L.....	1986-1985	43099 or *43099P
V-8 429.....	1965-1964	42562	AVALANCHE		
V-8 472.....	1969-1968	44032	V-8 5.3 L.....	2006-2002	45005
V-8 500.....	1976-1974	43103	V-8 8.1 L.....	2006-2002	44045
V-8 500; 1st Design.....	1973	44032	AVEO		
V-8 500; 2nd Design.....	1973	43103	4-Cyl. 1.6 L.....	2008-2004	43540
V-8 500.....	1972-1970	44032	BEAUMONT		
ESCALADE			6-Cyl. 230 (Canada).....	1965-1964	42082
V-8 5.3 L.....	2005-2002	45005	6-Cyl. 250 (Canada).....	1969-1967	42082
V-8 5.7 L.....	2000-1999	43315	V-8 283 (Canada).....	1967-1964	43106 or *43106P
V-8 6.0 L.....	2006-2002	45005	V-8 307 (Canada).....	1968	43106 or *43106P
FLEETWOOD			V-8 327 (Canada).....	1967-1964	43106 or *43106P
V-6 4.1 L.....	1982-1980	43094	V-8 350 (Canada).....	1969	43101
V-6 4.3 L Diesel; W/O Pulley.....	1985	43096	V-8 396 (Canada).....	1969	44027 or *44027P
V-6 4.3 L Diesel; W/Pulley.....	1985	43097	V-8 396 (Canada).....	1968-1966	44088
V-8 4.1 L.....	1987-1986	44033	V-8 427 (Canada).....	1966	44088
V-8 4.1 L; W/FWD.....	1985	44033	BEL AIR		
V-8 4.1 L; W/RWD.....	1985	44028	6-Cyl. 230.....	1965-1963	42082
V-8 4.1 L.....	1984-1982	44028	6-Cyl. 235.....	1962-1955	43128
V-8 4.5 L.....	1990-1988	44033	6-Cyl. 235.....	1954-1953	42555
V-8 4.9 L.....	1992-1991	44033	6-Cyl. 250.....	1973-1965	42082
V-8 5.0 L.....	1986	43100	6-Cyl. 250 (Canada).....	1979-1977	42085
V-8 5.7 L.....	1996-1994	44038			
V-8 5.7 L.....	1993	43114			
V-8 5.7 L Diesel.....	1985-1980	43100			
V-8 350 Diesel.....	1979	43100			
V-8 6.0 L.....	1984-1980	43103			
V-8 425.....	1979-1977	43103			
V-8 472.....	1974	43103			
V-8 472; 1st Design.....	1973	44032			
V-8 472; 2nd Design.....	1973	43103			
V-8 472.....	1972-1968	44032			
V-8 500.....	1976-1975	43103			
FLEETWOOD 75					
V-8 390.....	1963	42562			
V-8 429.....	1965-1964	42562			

* High Performance Pump

Application Guide - Passenger Cars and Light Trucks

Application	Year	Gates No.	Application	Year	Gates No.
CHEVROLET - Continued			CHEVROLET - Continued		
BEL AIR - Continued			BLAZER		
V-6 3.8 L (Canada); Eng. VIN A (8th digit of VIN).....	1981	43094	6-Cyl. 4.1 L.....	1982-1980	42085
V-6 3.8 L (Canada); Eng. VIN K (8th digit of VIN).....	1981	43099	6-Cyl. 250.....	1979-1978	42085
		or *43099P	6-Cyl. 250.....	1977-1975	42086
V-6 3.8 L (Canada).....	1980	43094	6-Cyl. 250.....	1974-1969	42082
V-8 265.....	1957-1955	43106	V-6 4.3 L.....	2005-1996	43315
		or *43106P	V-6 4.3 L.....	1995	43114
V-8 4.4 L (Canada).....	1981-1980	43099	V-8 5.0 L.....	1982-1980	43099
		or *43099P			or *43099P
V-8 283.....	1967-1957	43106	V-8 305.....	1979-1977	43099
		or *43106P			or *43099P
V-8 5.0 L (Canada).....	1981-1980	43099	V-8 307.....	1973	43101
		or *43099P	V-8 307.....	1972-1969	43106
V-8 305 (Canada).....	1979-1977	43099			or *43106P
		or *43099P	V-8 5.7 L.....	1982-1980	43099
V-8 307.....	1968	43106			or *43099P
		or *43106P	V-8 350.....	1979-1977	43099
V-8 327.....	1969	43101			or *43099P
V-8 327.....	1968-1962	43106	V-8 350.....	1976-1973	43101
		or *43106P	V-8 350.....	1972-1969	43106
V-8 5.7 L Diesel (Canada); W/A.C.	1981-1980	43100			or *43106P
V-8 5.7 L Diesel (Canada); W/O A.C.	1981-1980	43107	V-8 6.2 L Diesel.....	1982	44099
V-8 350.....	1975-1969	43101	V-8 400.....	1979-1977	43099
V-8 350 (Canada).....	1979-1977	43099			or *43099P
		or *43099P	V-8 400.....	1976-1975	43101
V-8 350 (Canada).....	1976	43101			or *43099P
V-8 396.....	1969	44027			43101
		or *44027P	BLAZER COMPACT		
V-8 396.....	1968-1965	44088	4-Cyl. 1.9 L.....	1984-1983	42087
V-8 400.....	1975-1970	43101	4-Cyl. 2.0 L.....	1984-1983	42088
V-8 400 (Canada).....	1976	43101	4-Cyl. 2.5 L.....	1988-1987	42094
V-8 402.....	1972-1971	44027	4-Cyl. 2.5 L.....	1986-1985	42092
		or *44027P	V-6 2.8 L.....	1989-1987	43116
V-8 427.....	1969	44027	V-6 2.8 L.....	1986-1983	43095
		or *44027P	V-6 4.3 L.....	1994-1988	43114
V-8 427.....	1968-1966	44088	BLAZER FULL SIZE		
V-8 454.....	1975-1970	44027	V-8 5.0 L.....	1987-1983	43099
		or *44027P			or *43099P
V-8 454 (Canada).....	1976	44027	V-8 5.7 L.....	1994-1989	43114
		or *44027P	V-8 5.7 L.....	1988-1983	43099
BERETTA					or *43099P
4-Cyl. 2.0 L.....	1989-1987	41019	V-8 6.2 L Diesel.....	1991-1983	44099
4-Cyl. 2.2 L.....	1996-1990	41019	V-8 6.5 L Diesel.....	1994	44100
4-Cyl. 2.3 L.....	1994-1990	41023	C & K SERIES PICKUP		
V-6 2.8 L.....	1989-1987	41020	6-Cyl. 230.....	1966-1963	42082
V-6 3.1 L.....	1996-1990	41020	6-Cyl. 235.....	1962-1960	43128
BISCAYNE			6-Cyl. 4.1 L.....	1984-1980	42085
6-Cyl. 230.....	1965-1963	42082	6-Cyl. 250.....	1979-1978	42085
6-Cyl. 235.....	1962-1958	43128	6-Cyl. 250.....	1977-1975	42086
6-Cyl. 250.....	1972-1965	42082	6-Cyl. 250.....	1974-1966	42082
6-Cyl. 250 (Canada).....	1973	42082	6-Cyl. 261.....	1961	43128
V-8 283.....	1967-1958	43106	6-Cyl. 4.8 L.....	1986-1980	42089
		or *43106P	6-Cyl. 292.....	1979-1978	42089
V-8 307.....	1968	43106	6-Cyl. 292.....	1977-1975	42090
		or *43106P	6-Cyl. 292.....	1974-1965	43283
V-8 327.....	1969	43101	6-Cyl. 292.....	1964-1963	42104
V-8 327.....	1968-1962	43106	V-6 4.3 L.....	1998-1996	43315
		or *43106P	V-6 4.3 L.....	1995-1988	43114
V-8 350.....	1972-1969	43101	V-6 4.3 L.....	1986-1985	43099
V-8 350 (Canada).....	1975-1973	43101			or *43099P
V-8 396.....	1969	44027	V-8 283.....	1967-1960	43106
		or *44027P			or *43106P
V-8 396.....	1968-1965	44088	V-8 5.0 L.....	1999-1996	43315
V-8 400.....	1972-1970	43101	V-8 5.0 L.....	1995-1988	43114
V-8 400 (Canada).....	1975-1973	43101	V-8 5.0 L.....	1986-1980	43099
V-8 402.....	1972-1971	44027			or *43099P
		or *44027P	V-8 305.....	1979-1977	43099
V-8 427.....	1969	44027			or *43099P
		or *44027P	V-8 307.....	1973	43101
V-8 427.....	1968-1966	44088	V-8 307.....	1972-1968	43106
V-8 454.....	1972-1970	44027			or *43106P
		or *44027P	V-8 327.....	1968-1965	43106
V-8 454 (Canada).....	1975-1973	44027			or *43106P
		or *44027P	V-8 5.7 L.....	2000-1996	43315
			V-8 5.7 L.....	1995-1993	43114

* High Performance Pump

Application Guide - Passenger Cars and Light Trucks

Application	Year	Gates No.	Application	Year	Gates No.
CHEVROLET - Continued			CHEVROLET - Continued		
C & K SERIES PICKUP - Continued			CAMARO - Continued		
V-8 5.7 L; W/5.8" Hub Height.....	1992	43118	V-8 5.7 L.....	1987	43099
V-8 5.7 L; W/6.9" Hub Height.....	1992	43114		or	*43099P
V-8 5.7 L.....	1991-1988	43114	V-8 5.7 L.....	1981-1980	43099
V-8 5.7 L.....	1986-1980	43099		or	*43099P
		or	V-8 350.....	1979-1977	43099
V-8 5.7 L Diesel; W/A.C.....	1981-1980	43100		or	*43099P
V-8 5.7 L Diesel; W/O A.C.....	1981-1980	43107	V-8 350.....	1976-1969	43101
V-8 350.....	1979-1977	43099	V-8 350.....	1968-1967	43106
		or		or	*43106P
V-8 350.....	1976-1973	43101	V-8 396.....	1969	44027
V-8 350.....	1972-1969	43106		or	*44027P
		or	V-8 396.....	1968-1967	44088
V-8 350 Diesel; W/A.C.....	1979	43100	V-8 400.....	1971	43101
V-8 350 Diesel.....	1978	43100	V-8 402.....	1972-1970	44027
V-8 6.2 L Diesel.....	1993-1988	44100		or	*44027P
V-8 6.2 L Diesel.....	1986-1982	44099	CAPRICE		
V-8 6.5 L Diesel.....	2002-2000	44056	6-Cyl. 250.....	1979-1977	42085
V-8 6.5 L Diesel; W/Pulley & Thread-On Fan Clutch.....	1999	44056	V-6 3.8 L; Eng. VIN 9 (8th digit of VIN)..	1984-1983	43099
V-8 6.5 L Diesel; W/Standard Hub For Bolt-On Pulley & Fan Clutch.....	1999	44042		or	*43099P
V-8 6.5 L Diesel.....	1998-1997	44042	V-6 3.8 L; Eng. VIN A (8th digit of VIN) .	1984-1980	43094
V-8 6.5 L Diesel; W/Dual Thermostats....	1996	44042	V-6 3.8 L; Eng. VIN K (8th digit of VIN) .	1982-1980	43099
V-8 6.5 L Diesel; W/Single Thermostat ...	1996	44100		or	*43099P
V-8 6.5 L Diesel.....	1995-1992	44100	V-6 3.8 L (Canada).....	1985	43094
V-8 396.....	1969-1968	44088	V-6 4.3 L.....	1993-1992	43114
V-8 6.6 L.....	1980	43099	V-6 4.3 L.....	1990-1989	43114
		or	V-6 4.3 L.....	1988-1985	43099
V-8 6.6 L (Canada).....	1981	43099		or	*43099P
		or	V-8 4.3 L.....	1996-1994	44038
V-8 400.....	1979-1977	43099	V-8 4.4 L.....	1982-1980	43099
		or		or	*43099P
V-8 400.....	1976-1975	43101	V-8 283.....	1967-1966	43106
V-8 402.....	1972-1971	44088		or	*43106P
V-8 7.4 L.....	2000-1988	44030	V-8 5.0 L.....	1993-1991	43115
V-8 7.4 L.....	1986-1980	44027	V-8 5.0 L; Eng. VIN E (8th digit of VIN) .	1990-1989	43114
		or	V-8 5.0 L; Eng. VIN Y (8th digit of VIN) .	1990-1986	43100
V-8 454.....	1979-1973	44027	V-8 5.0 L; Eng. VIN H (8th digit of VIN) .	1988-1986	43099
		or		or	*43099P
V-8 8.1 L.....	2002-2001	44089	V-8 5.0 L.....	1985-1980	43099
				or	*43099P
CAMARO			V-8 305.....	1979-1977	43099
4-Cyl. 2.5 L.....	1986-1985	42092		or	*43099P
4-Cyl. 2.5 L.....	1984-1982	42085	V-8 307.....	1968	43106
6-Cyl. 230.....	1969-1967	42082		or	*43106P
6-Cyl. 250.....	1979-1975	42085	V-8 327.....	1969	43101
6-Cyl. 250.....	1974-1967	42082	V-8 327.....	1968-1966	43106
V-6 2.8 L.....	1989-1987	43113		or	*43106P
V-6 2.8 L.....	1986-1985	43092	V-8 5.7 L.....	1996-1994	44038
V-6 2.8 L.....	1984-1982	43095	V-8 5.7 L.....	1993-1991	43115
V-6 3.1 L.....	1992-1990	43113	V-8 5.7 L.....	1990-1989	43114
V-6 3.4 L.....	1995-1993	43117	V-8 5.7 L; W/Police Pkg.....	1988-1986	43099
V-6 3.8 L.....	2002-1996	42097		or	*43099P
V-6 3.8 L.....	1995	42095	V-8 5.7 L; W/Police Pkg.....	1982	43099
V-6 3.8 L; Eng. VIN A (8th digit of VIN) .	1981-1980	43094		or	*43099P
V-6 3.8 L; Eng. VIN K (8th digit of VIN) .	1981-1980	43099	V-8 5.7 L.....	1980	43099
		or		or	*43099P
V-8 4.4 L.....	1981-1980	43099	V-8 5.7 L Diesel.....	1985-1983	43100
		or	V-8 5.7 L Diesel; W/A.C.....	1982-1980	43100
V-8 302.....	1969	43101	V-8 5.7 L Diesel; W/O A.C.; 5.57" from Block to Pulley Surface	1982	43107
V-8 302.....	1968-1967	43106	V-8 5.7 L Diesel; W/O A.C.; W/5.95" From Block To Pulley Surface	1982	43100
		or	V-8 5.7 L Diesel; W/O A.C.....	1981-1980	43107
V-8 5.0 L.....	1992-1988	43114	V-8 350.....	1979-1977	43099
V-8 5.0 L.....	1987-1980	43099		or	*43099P
		or	V-8 350.....	1976-1969	43101
V-8 305.....	1979-1977	43099	V-8 396.....	1969	44027
		or		or	*44027P
V-8 305.....	1976	43101	V-8 396.....	1968-1966	44088
V-8 307.....	1973-1969	43101	V-8 400.....	1976-1970	43101
V-8 327.....	1969	43101	V-8 402.....	1972-1971	44027
V-8 327.....	1968-1967	43106		or	*44027P
		or	V-8 427.....	1969	44027
V-8 5.7 L.....	2002-1998	45002		or	*44027P
V-8 5.7 L.....	1997-1993	44037	V-8 427.....	1968-1966	44088
V-8 5.7 L.....	1992-1988	43114	V-8 454.....	1976-1970	44027
				or	*44027P

* High Performance Pump

Application Guide - Passenger Cars and Light Trucks

Application	Year	Gates No.	Application	Year	Gates No.
CHEVROLET - Continued			CHEVROLET - Continued		
CAVALIER			CHEVY II - Continued		
4-Cyl. 1.8 L.....	1982	41015	V-8 283.....	1967-1964	43106
4-Cyl. 2.0 L.....	1989-1987	41019			or *43106P
4-Cyl. 2.0 L.....	1986-1983	41015	V-8 307.....	1968	43106
4-Cyl. 2.2 L.....	2005	43529			or *43106P
4-Cyl. 2.2 L.....	2004-2003	42296	V-8 327.....	1968-1965	43106
4-Cyl. 2.2 L; Eng. VIN 4 (8th digit of VIN).....	2002	41019			or *43106P
4-Cyl. 2.2 L; Eng. VIN F (8th digit of VIN).....	2002	42296	V-8 350.....	1968	43106
4-Cyl. 2.2 L.....	2001-1990	41019			or *43106P
4-Cyl. 2.3 L.....	1995	41023	V-8 396.....	1968	44088
4-Cyl. 2.4 L; Timing Cover & Exhaust Manifold Removal Required. New Gaskets To Reinstall Do Not Come With Pump.....	2002-1996	41028	CITATION		
V-6 2.8 L.....	1989-1987	41020	4-Cyl. 2.5 L; W/O Pulley.....	1985-1980	42083
V-6 2.8 L.....	1986-1985	41021	4-Cyl. 2.5 L; W/Pulley; Included 3-Groove Pulley Will Service 1 & 2-Groove Applications.....	1985-1980	42084
V-6 3.1 L.....	1994-1990	41020	V-6 2.8 L.....	1985-1980	43092
CELEBRITY			CLASSIC		
4-Cyl. 2.5 L.....	1990-1987	42091	4-Cyl. 2.2 L.....	2005-2004	43529
4-Cyl. 2.5 L; W/O Pulley.....	1986-1982	42083	COBALT		
4-Cyl. 2.5 L; W/Pulley; Included 3-Groove Pulley Will Service 1 & 2-Groove Applications.....	1986-1982	42084	4-Cyl. 2.0 L.....	2008-2005	43529
V-6 2.8 L.....	1989-1987	41020	4-Cyl. 2.2 L.....	2008-2005	43529
V-6 2.8 L.....	1986-1982	43092	4-Cyl. 2.4 L.....	2008-2006	43529
V-6 3.1 L.....	1990	41020	COLORADO		
V-6 4.3 L Diesel; W/O Pulley.....	1985-1982	43096	4-Cyl. 2.8 L.....	2006-2004	41122
V-6 4.3 L Diesel; W/Pulley.....	1985-1982	43097	4-Cyl. 2.9 L.....	2008-2007	41122
CHEVELLE			5-Cyl. 3.5 L.....	2006-2004	41122
6-Cyl. 194; W/A.C.....	1966	42100	5-Cyl. 3.7 L.....	2008-2007	41122
6-Cyl. 194; W/O A.C.....	1966	42098	CORSICA		
6-Cyl. 194.....	1965-1964	42098	4-Cyl. 2.0 L.....	1989-1987	41019
6-Cyl. 230.....	1969-1968	42082	4-Cyl. 2.2 L.....	1996-1990	41019
6-Cyl. 230; W/A.C.....	1967-1966	42100	V-6 2.8 L.....	1989-1987	41020
6-Cyl. 230; W/O A.C.....	1967-1966	42098	V-6 3.1 L.....	1996-1990	41020
6-Cyl. 230.....	1965-1964	42098	CORVETTE		
6-Cyl. 250.....	1973-1968	42082	V-8 265.....	1956-1955	43106
6-Cyl. 250; W/A.C.....	1967	42100			or *43106P
6-Cyl. 250; W/O A.C.....	1967	42098	V-8 283.....	1961-1957	43106
V-8 283.....	1967-1964	43106			or *43106P
		or *43106P	V-8 5.0 L.....	1980	43104
V-8 305.....	1976	43101			or *43104P
V-8 307.....	1973-1969	43101	V-8 327.....	1968-1962	43106
V-8 307.....	1968	43106			or *43106P
		or *43106P	V-8 5.7 L.....	2004-1997	45002
V-8 327.....	1968-1964	43106	V-8 5.7 L.....	1996	44036
		or *43106P	V-8 5.7 L; Eng. VIN J (8th digit of VIN)..	1995-1990	44040
V-8 350.....	1976-1969	43101	V-8 5.7 L; Eng. VIN P (8th digit of VIN) .	1995-1993	44036
V-8 396.....	1969	44027	V-8 5.7 L; Eng. VIN P (8th digit of VIN) .	1992	44035
		or *44027P	V-8 5.7 L; Eng. VIN 8 (8th digit of VIN)..	1991-1990	43098
V-8 396.....	1968-1965	44088			or *42094P
V-8 400.....	1976-1974	43101	V-8 5.7 L.....	1989-1984	43098
V-8 400.....	1971	43101			or *42094P
V-8 402.....	1972-1970	44027	V-8 5.7 L.....	1982-1980	43104
		or *44027P			or *43104P
V-8 454.....	1975-1970	44027	V-8 350.....	1979-1971	43104
		or *44027P			or *43104P
CHEVETTE			V-8 350.....	1970-1969	43106
4-Cyl. 85.....	1977-1976	43091			or *43106P
4-Cyl. 1.6 L.....	1987-1980	43091	V-8 427; Exc. H.D.....	1969-1966	44088
4-Cyl. 98.....	1979-1976	43091	V-8 427; H.D.....	1969-1966	43129
4-Cyl. 1.8 L Diesel.....	1986-1985	42093	V-8 454.....	1974-1971	43126
4-Cyl. 1.8 L Diesel.....	1984-1981	42117	V-8 454.....	1970	44088
CHEVY II			DEL RAY		
4-Cyl. 153.....	1968-1962	42082	6-Cyl. 235.....	1958	43128
6-Cyl. 194.....	1966-1962	42082	V-8 283.....	1958	43106
6-Cyl. 230; W/A.C.....	1968	42100			or *43106P
6-Cyl. 230; W/O A.C.....	1968	42082	DELUXE		
6-Cyl. 230.....	1967-1964	42082	6-Cyl. 217.....	1952-1949	43093
6-Cyl. 250.....	1967	42082	6-Cyl. 235.....	1952-1950	43093

* High Performance Pump

Application Guide - Passenger Cars and Light Trucks

Application	Year	Gates No.	Application	Year	Gates No.
CHEVROLET - Continued			CHEVROLET - Continued		
DELUXE 210			FLEETLINE		
6-Cyl. 235.....	1957-1955	43128	6-Cyl. 217.....	1948-1946	43093
6-Cyl. 235.....	1954-1953	42555	6-Cyl. 217.....	1942-1941	43093
V-8 265.....	1957-1955	43106	FLEETMASTER		
		or *43106P	6-Cyl. 217.....	1948-1946	43093
V-8 283.....	1957	43106	6-Cyl. 217.....	1942	43093
		or *43106P	G SERIES VAN		
EL CAMINO			4-Cyl. 153.....	1965-1964	42098
6-Cyl. 194.....	1965-1964	42098	6-Cyl. 194.....	1966-1965	42098
6-Cyl. 230.....	1969-1968	42082	6-Cyl. 194; 1st Design.....	1964	42082
6-Cyl. 230; W/A.C.....	1967-1966	42100	6-Cyl. 194; 2nd Design.....	1964	42098
6-Cyl. 230; W/O A.C.....	1967-1966	42098	6-Cyl. 230.....	1969-1966	42082
6-Cyl. 230.....	1965-1964	42098	6-Cyl. 4.1 L.....	1984-1980	42085
6-Cyl. 235.....	1959	43128	6-Cyl. 250.....	1979-1978	42085
6-Cyl. 250.....	1977-1975	42085	6-Cyl. 250.....	1977-1975	42086
6-Cyl. 250.....	1973-1967	42082	6-Cyl. 250.....	1974-1967	42082
V-6 200.....	1979-1978	43099	6-Cyl. 292.....	1978	42089
		or *43099P	6-Cyl. 292.....	1977-1975	42090
V-6 3.8 L; Eng. VIN 9 (8th digit of VIN)..	1984-1983	43099	6-Cyl. 292.....	1974	43283
		or *43099P	V-6 4.3 L.....	1998-1997	43315
V-6 3.8 L; Eng. VIN A (8th digit of VIN).	1984-1980	43094	V-6 4.3 L; W/Bolt-On Fan Clutch.....	1996	43114
V-6 3.8 L; Eng. VIN K (8th digit of VIN).	1982-1980	43099	V-6 4.3 L; W/Screw-On Fan Clutch.....	1996	43315
		or *43099P	V-6 4.3 L.....	1995-1987	43114
V-6 231.....	1979-1978	43094	V-6 4.3 L.....	1986-1985	43099
V-6 4.3 L.....	1987-1985	43099			or *43099P
		or *43099P	V-8 5.0 L.....	1998-1996	43315
V-8 4.4 L.....	1982-1980	43099	V-8 5.0 L.....	1995-1987	43114
		or *43099P	V-8 5.0 L.....	1986-1980	43099
V-8 267.....	1979	43099			or *43099P
		or *43099P	V-8 305.....	1979-1977	43099
V-8 283.....	1967-1964	43106			or *43099P
		or *43106P	V-8 307.....	1973	43101
V-8 283.....	1960-1959	43106	V-8 307; W/O Threaded Power Steering Boss.....	1972	43101
		or *43106P	V-8 307; W/Threaded Power Steering Boss.....	1972	43099
V-8 5.0 L.....	1987-1980	43099			or *43099P
		or *43099P	V-8 307.....	1971-1968	43106
V-8 305.....	1979-1977	43099			or *43106P
		or *43099P	V-8 5.7 L.....	1998-1996	43315
V-8 305.....	1976	43101	V-8 5.7 L.....	1995-1987	43114
V-8 307.....	1971-1970	43101	V-8 5.7 L.....	1986-1980	43099
V-8 307.....	1968	43106			or *43099P
		or *43106P	V-8 350.....	1979-1977	43099
V-8 327.....	1968-1964	43106			or *43099P
		or *43106P	V-8 350.....	1976-1973	43101
V-8 5.7 L Diesel.....	1984-1983	43100	V-8 350; W/O Threaded Power Steering Boss.....	1972	43101
V-8 350.....	1979-1977	43099	V-8 350; W/Threaded Power Steering Boss.....	1972	43099
		or *43099P			or *43099P
V-8 350.....	1976-1970	43101	V-8 350.....	1971-1970	43106
V-8 396.....	1970	44027			or *43106P
		or *44027P	V-8 6.2 L Diesel.....	1993-1983	44099
V-8 400.....	1976-1974	43101	V-8 6.5 L Diesel.....	1998-1996	44042
V-8 402.....	1972-1970	44027	V-8 6.5 L Diesel.....	1995-1994	44100
		or *44027P	V-8 6.6 L.....	1980	43099
V-8 454.....	1975-1970	44027			or *43099P
		or *44027P	V-8 400.....	1979-1977	43099
EQUINOX					or *43099P
V-6 3.4 L.....	2008-2005	43539	V-8 400.....	1976-1975	43101
EXPRESS			V-8 7.4 L.....	1998-1988	44030
V-6 4.3 L.....	2006-1997	43315	HHR		
V-6 4.3 L; W/Screw-On Fan Clutch.....	1996	43315	4-Cyl. 2.0 L.....	2008	43529
V-8 4.8 L.....	2005-2003	45005	4-Cyl. 2.2 L.....	2008-2006	43529
V-8 5.0 L.....	2002-1996	43315	4-Cyl. 2.4 L.....	2008-2006	43529
V-8 5.3 L.....	2005-2003	45005	IMPALA		
V-8 5.7 L.....	2002-1996	43315	6-Cyl. 230.....	1965-1963	42082
V-8 6.0 L.....	2005-2003	45005	6-Cyl. 235.....	1962-1959	43128
V-8 6.5 L Diesel.....	2002-1999	44056	6-Cyl. 250.....	1979-1977	42085
V-8 6.5 L Diesel.....	1998-1996	44042	6-Cyl. 250.....	1973-1965	42082
V-8 7.4 L.....	2000-1996	44030	V-6 3.4 L.....	2005-2000	41020
V-8 8.1 L.....	2002-2001	44089			

* High Performance Pump

Application Guide - Passenger Cars and Light Trucks

Application	Year	Gates No.	Application	Year	Gates No.
CHEVROLET - Continued			CHEVROLET - Continued		
IMPALA - Continued			MALIBU		
V-6 3.8 L.....	2005-2000	42097	4-Cyl. 2.2 L.....	2008-2004	43529
V-6 3.8 L; Eng. VIN 9 (8th digit of VIN)..	1984-1983	43099	4-Cyl. 2.4 L.....	2008	43529
		or *43099P	4-Cyl. 2.4 L.....	1999-1998	41028
V-6 3.8 L; Eng. VIN A (8th digit of VIN) .	1984-1980	43094	4-Cyl. 2.4 L; Timing Cover & Exhaust Manifold Removal Required. New Gaskets To Reinstall Do Not Come With Pump.....	1997	41028
V-6 3.8 L; Eng. VIN K (8th digit of VIN) .	1982-1980	43099	6-Cyl. 250.....	1977-1975	42085
		or *43099P	6-Cyl. 250.....	1974-1973	42082
V-6 3.8 L (Canada).....	1985	43094	V-6 3.1 L.....	2003-1997	41020
V-6 4.3 L.....	1985	43099	V-6 200.....	1979-1978	43099
		or *43099P			or *43099P
V-8 4.4 L.....	1982-1980	43099	V-6 3.5 L.....	2006-2004	41020
		or *43099P	V-6 3.8 L; Eng. VIN 9 (8th digit of VIN)..	1983	43099
V-8 283.....	1967-1959	43106			or *43099P
		or *43106P	V-6 3.8 L; Eng. VIN A (8th digit of VIN) .	1983-1980	43094
V-8 5.0 L.....	1985-1980	43099	V-6 3.8 L; Eng. VIN K (8th digit of VIN) .	1982-1980	43099
		or *43099P			or *43099P
V-8 305.....	1979-1977	43099	V-6 231.....	1979-1978	43094
		or *43099P	V-6 4.3 L Diesel.....	1983-1982	43169
V-8 307.....	1968	43106	V-8 4.4 L.....	1982-1980	43099
		or *43106P			or *43099P
V-8 327.....	1969	43101	V-8 267.....	1979	43099
V-8 327.....	1968-1962	43106			or *43099P
		or *43106P	V-8 5.0 L.....	1983-1980	43099
V-8 5.7 L; W/Police Pkg.....	1985-1982	43099			or *43099P
		or *43099P	V-8 305.....	1979-1977	43099
V-8 5.7 L.....	1981-1980	43099			or *43099P
		or *43099P	V-8 305.....	1976	43101
V-8 5.7 L Diesel.....	1985-1983	43100	V-8 307.....	1973	43101
V-8 5.7 L Diesel; W/A.C.....	1982-1980	43100	V-8 5.7 L.....	1981-1980	43099
V-8 5.7 L Diesel; W/O A.C.; 5.57" from Block to Pulley Surface.....	1982	43107			or *43099P
V-8 5.7 L Diesel; W/O A.C.; W/5.95" From Block To Pulley Surface.....	1982	43100	V-8 5.7 L Diesel.....	1983	43100
V-8 5.7 L Diesel; W/O A.C.....	1981-1980	43107	V-8 5.7 L Diesel; W/A.C.....	1982	43100
V-8 350.....	1979-1977	43099	V-8 5.7 L Diesel; W/O A.C.; 5.57" from Block to Pulley Surface.....	1982	43107
		or *43099P	V-8 5.7 L Diesel; W/O A.C.; W/5.95" From Block To Pulley Surface.....	1982	43100
V-8 350.....	1976-1969	43101	V-8 350.....	1979-1977	43099
V-8 396.....	1969	44027			or *43099P
		or *44027P	V-8 350.....	1976-1973	43101
V-8 396.....	1968-1965	44088	V-8 400.....	1976-1974	43101
V-8 400.....	1976-1970	43101	V-8 402.....	1972-1971	44027
V-8 402.....	1972-1971	44027			or *44027P
		or *44027P	V-8 427.....	1969	44027
V-8 427.....	1969	44027			or *44027P
		or *44027P	V-8 427.....	1968-1966	44088
V-8 427.....	1968-1966	44088	V-8 454.....	1976-1970	44027
V-8 454.....	1976-1970	44027			or *44027P
		or *44027P			
IMPALA SS			MASTER DELUXE		
V-8 5.7 L.....	1996-1994	44038	6-Cyl. 217.....	1942-1941	43093
LLV (POSTAL VEHICLE)			METRO		
4-Cyl. 2.2 L.....	1995-1994	41019	3-Cyl. 1.0 L.....	2000-1998	42212
4-Cyl. 2.5 L.....	1993-1987	42094	4-Cyl. 1.3 L.....	2001-1998	42212
LUMINA			MONTE CARLO		
4-Cyl. 2.2 L.....	1993	41019	V-6 3.1 L.....	1999-1995	41020
4-Cyl. 2.5 L.....	1992-1990	42091	V-6 200.....	1979-1978	43099
V-6 3.1 L.....	2001-1990	41020			or *43099P
V-6 3.4 L.....	1997-1991	41020	V-6 3.4 L.....	2005-2000	41020
V-6 3.8 L.....	1999-1998	42097	V-6 3.4 L.....	1997-1995	41020
			V-6 3.8 L.....	2005-1998	42097
LUMINA APV			V-6 3.8 L; Eng. VIN 9 (8th digit of VIN)..	1984-1983	43099
V-6 3.1 L.....	1995-1990	41020			or *43099P
V-6 3.4 L.....	1996	41020	V-6 3.8 L; Eng. VIN A (8th digit of VIN) .	1984-1980	43094
V-6 3.8 L.....	1995-1992	42095	V-6 3.8 L; Eng. VIN K (8th digit of VIN) .	1982-1980	43099
					or *43099P
LUV PICKUP			V-6 3.8 L; Eng. VIN 3 (8th digit of VIN)..	1981-1980	43094
4-Cyl. 1.8 L.....	1982-1980	41051	V-6 3.8 L (Canada).....	1987-1985	43094
4-Cyl. 111.....	1979-1976	41051	V-6 231.....	1979-1978	43094
4-Cyl. 111.....	1975-1972	42116	V-6 4.3 L.....	1988-1985	43099
4-Cyl. 2.2 L Diesel.....	1982-1981	43136			or *43099P
			V-6 4.3 L Diesel.....	1983-1982	43169
			V-8 4.4 L.....	1982-1980	43099
					or *43099P
			V-8 267.....	1979	43099
					or *43099P

* High Performance Pump

Application Guide - Passenger Cars and Light Trucks

Application	Year	Gates No.	Application	Year	Gates No.
CHEVROLET - Continued			CHEVROLET - Continued		
MONTE CARLO - Continued			P SERIES VAN - Continued		
V-8 5.0 L.....	1988-1980	43099	V-8 5.7 L.....	1995-1980	43099
		or *43099P			or *43099P
V-8 305.....	1979-1977	43099	V-8 350.....	1979-1977	43099
		or *43099P			or *43099P
V-8 305.....	1976	43101	V-8 350.....	1976-1973	43101
V-8 5.7 L Diesel.....	1984-1983	43100	V-8 350; Long Pump.....	1972	43101
V-8 5.7 L Diesel; W/A.C.....	1982	43100	V-8 350; Short Pump.....	1972	43106
V-8 5.7 L Diesel; W/O A.C.; 5.57" from Block to Pulley Surface.....	1982	43107			or *43106P
V-8 5.7 L Diesel; W/O A.C.; W/5.95" From Block To Pulley Surface.....	1982	43100	V-8 350.....	1971-1969	43106
V-8 350.....	1977	43099			or *43106P
		or *43099P	V-8 6.2 L Diesel.....	1993-1982	44099
V-8 350.....	1976-1970	43101	V-8 6.5 L Diesel.....	1999	44056
V-8 400.....	1976-1970	43101	V-8 6.5 L Diesel.....	1998-1997	44042
V-8 402.....	1972-1970	44027	V-8 6.5 L Diesel.....	1996-1994	44100
		or *44027P	V-8 7.4 L.....	1999-1998	44030
		or *44027P	V-8 7.4 L; Eng. VIN J (8th digit of VIN)..	1997-1996	44030
V-8 454.....	1975-1970	44027	V-8 7.4 L; Eng. VIN N (8th digit of VIN).	1997-1996	44027
		or *44027P			or *44027P
MONZA			V-8 7.4 L.....	1995-1980	44027
4-Cyl. 140.....	1975	42103			or *44027P
4-Cyl. 2.5 L.....	1980	42085	V-8 454.....	1979-1973	44027
4-Cyl. 151.....	1979-1978	42085			or *44027P
V-6 196.....	1979-1978	43094			or *44027P
V-6 3.8 L.....	1980	43094	PRIZM		
V-6 231.....	1979-1978	43094	4-Cyl. 1.8 L.....	2002-1998	41101
NOVA			R & V SERIES PICKUP		
4-Cyl. 1.6 L; Eng. VIN 4 (8th digit of VIN).....	1988	41097	6-Cyl. 4.8 L.....	1988-1987	42089
4-Cyl. 1.6 L; Eng. VIN 5 (8th digit of VIN).....	1988	42237	V-6 4.3 L.....	1987	43099
4-Cyl. 1.6 L.....	1987-1985	41097			or *43099P
4-Cyl. 153.....	1970-1969	42082	V-8 5.0 L.....	1987	43099
6-Cyl. 230.....	1970	42082			or *43099P
6-Cyl. 230; W/A.C.....	1969	42100	V-8 5.7 L.....	1991-1987	43099
6-Cyl. 230; W/O A.C.....	1969	42082			or *43099P
6-Cyl. 250.....	1979-1975	42085	V-8 6.2 L Diesel.....	1991-1987	44099
6-Cyl. 250; W/A.C.....	1974	42100	V-8 7.4 L; W/O Serpentine Belt Drive.....	1991-1987	44027
6-Cyl. 250; W/O A.C.....	1974	42082			or *44027P
6-Cyl. 250.....	1973-1970	42082	S SERIES PICKUP		
V-8 262.....	1975	43101	4-Cyl. 1.9 L.....	1985-1982	42087
V-8 305.....	1979-1977	43099	4-Cyl. 2.0 L.....	1984-1983	42088
		or *43099P	4-Cyl. 2.2 L.....	2003-1994	41019
V-8 305.....	1976	43101	4-Cyl. 2.2 L Diesel.....	1985-1983	43139
V-8 307.....	1973-1969	43101	4-Cyl. 2.5 L.....	1993-1987	42094
V-8 350.....	1979-1977	43099	4-Cyl. 2.5 L.....	1986-1985	42092
		or *43099P	V-6 2.8 L.....	1993-1987	43116
V-8 350.....	1976-1969	43101	V-6 2.8 L.....	1986-1982	43095
V-8 396.....	1969	44027	V-6 4.3 L.....	2004-1996	43315
		or *44027P	V-6 4.3 L.....	1995-1988	43114
OPTRA			SERIES 1100		
4-Cyl. 2.0 L (Canada).....	2007-2004	42408	6-Cyl. 235.....	1959-1958	43128
P SERIES VAN			SERIES 1200		
4-Cyl. 153.....	1965-1963	42082	V-8 283.....	1959-1958	43106
4-Cyl. 3.9 L Diesel.....	1991-1989	41181			or *43106P
6-Cyl. 194.....	1966	42082	SERIES 1500		
6-Cyl. 230.....	1969-1963	42082	6-Cyl. 217.....	1953	42555
6-Cyl. 235.....	1962-1960	43128	6-Cyl. 235.....	1957-1956	43128
6-Cyl. 250.....	1974-1966	42082	6-Cyl. 235; 1st Design.....	1955	42555
6-Cyl. 4.8 L.....	1989-1980	42089	6-Cyl. 235; 2nd Design.....	1955	43128
6-Cyl. 292.....	1979-1978	42089	6-Cyl. 235.....	1954	42555
6-Cyl. 292.....	1977-1975	42090	V-8 265.....	1957-1956	43106
6-Cyl. 292.....	1974-1965	43283			or *43106P
6-Cyl. 292.....	1964-1963	42104	V-8 283.....	1957	43106
V-6 4.3 L.....	1999-1996	43315			or *43106P
V-6 4.3 L.....	1995-1990	43099	SERIES 3100		
		or *43099P	6-Cyl. 217.....	1953	42555
V-8 307.....	1973-1972	43101	6-Cyl. 235.....	1959-1956	43128
V-8 307.....	1971-1968	43106	6-Cyl. 235; 1st Design.....	1955	42555
		or *43106P	6-Cyl. 235; 2nd Design.....	1955	43128
V-8 5.7 L.....	1999-1996	43315	6-Cyl. 235.....	1954-1953	42555

* High Performance Pump

Application Guide - Passenger Cars and Light Trucks

Application	Year	Gates No.	Application	Year	Gates No.
CHEVROLET - Continued			CHEVROLET - Continued		
SERIES 3100 - Continued			SPECIAL		
V-8 265.....	1957-1955	43106 or *43106P	6-Cyl. 217.....	1952-1949	43093
V-8 283.....	1959-1958	43106 or *43106P	SPECIAL 150		
SERIES 3200			6-Cyl. 235.....	1957-1955	43128
6-Cyl. 235.....	1959-1956	43128	6-Cyl. 235.....	1954-1953	42555
6-Cyl. 235; 1st Design.....	1955	42555	V-8 265.....	1957-1955	43106 or *43106P
6-Cyl. 235; 2nd Design.....	1955	43128	V-8 283.....	1957	43106 or *43106P
V-8 265.....	1957-1955	43106 or *43106P	SPECIAL DELUXE		
V-8 283.....	1959-1958	43106 or *43106P	6-Cyl. 217.....	1941	43093
SERIES 3400			SPECTRUM		
6-Cyl. 235.....	1959-1956	43128	4-Cyl. 1.5 L.....	1988-1985	41052
6-Cyl. 235; 1st Design.....	1955	42555	SPRINT		
6-Cyl. 235; 2nd Design.....	1955	43128	3-Cyl. 1.0 L.....	1988-1985	41084
V-8 265.....	1957	43106 or *43106P	3-Cyl. 1.0 L (Canada).....	1991-1989	42212
SERIES 3500			SSR		
6-Cyl. 235.....	1959-1956	43128	V-8 5.3 L.....	2004-2003	45005
6-Cyl. 235; 1st Design.....	1955	42555	V-8 6.0 L.....	2005	45005
6-Cyl. 235; 2nd Design.....	1955	43128	STYLEMASTER		
V-8 265.....	1957	43106 or *43106P	6-Cyl. 217.....	1948-1946	43093
SERIES 3600			SUBURBAN		
6-Cyl. 217.....	1953	42555	6-Cyl. 230.....	1966-1963	42082
6-Cyl. 235.....	1959-1956	43128	6-Cyl. 235.....	1962-1960	43128
6-Cyl. 235; 1st Design.....	1955	42555	6-Cyl. 4.1 L.....	1980	42085
6-Cyl. 235; 2nd Design.....	1955	43128	6-Cyl. 250.....	1979-1978	42085
6-Cyl. 235.....	1954-1953	42555	6-Cyl. 250.....	1977-1975	42086
V-8 265.....	1957-1955	43106 or *43106P	6-Cyl. 250.....	1974-1966	42082
V-8 283.....	1959-1958	43106 or *43106P	6-Cyl. 292.....	1979-1978	42089
SERIES 3700			6-Cyl. 292.....	1977-1975	42090
6-Cyl. 235.....	1959-1956	43128	6-Cyl. 292.....	1974-1965	43283
6-Cyl. 235; 1st Design.....	1955	42555	6-Cyl. 292.....	1964-1963	42104
6-Cyl. 235; 2nd Design.....	1955	43128	V-8 283.....	1967-1960	43106 or *43106P
6-Cyl. 235.....	1954-1953	42555	V-8 5.0 L.....	1987-1980	43099 or *43099P
V-8 265.....	1957	43106 or *43106P	V-8 305.....	1979-1977	43099 or *43099P
SERIES 3800			V-8 307.....	1973	43101
6-Cyl. 217.....	1953	42555	V-8 307.....	1972-1968	43106 or *43106P
6-Cyl. 235.....	1959-1956	43128	V-8 5.3 L.....	2006-2000	45005
6-Cyl. 235; 1st Design.....	1955	42555	V-8 327.....	1968-1965	43106 or *43106P
6-Cyl. 235; 2nd Design.....	1955	43128	V-8 5.7 L.....	1999-1996	43315
6-Cyl. 235.....	1954-1953	42555	V-8 5.7 L.....	1995-1993	43114
V-8 265.....	1957-1955	43106 or *43106P	V-8 5.7 L; W/5.8" Hub Height.....	1992	43118
V-8 283.....	1959-1958	43106 or *43106P	V-8 5.7 L; W/6.9" Hub Height.....	1992	43114
SERIES 3900			V-8 5.7 L.....	1991-1989	43114
6-Cyl. 235.....	1954-1953	42555	V-8 5.7 L.....	1988-1980	43099 or *43099P
SILVERADO SERIES PICKUP			V-8 350.....	1979-1977	43099 or *43099P
V-6 4.3 L.....	2008-1999	43315	V-8 350.....	1976-1973	43101
V-8 4.8 L.....	2006-1999	45005	V-8 350.....	1972-1969	43106 or *43106P
V-8 5.3 L.....	2006-1999	45005	V-8 350 Diesel.....	1978	43100
V-8 6.0 L.....	2006-1999	45005	V-8 6.0 L.....	2006-2000	45005
V-8 6.5 L Diesel; W/Pulley & Thread-On Fan Clutch.....	1999	44056	V-8 6.2 L Diesel.....	1991-1988	44100
V-8 6.5 L Diesel; W/Standard Hub For Bolt-On Pulley & Fan Clutch.....	1999	44042	V-8 6.2 L Diesel.....	1987-1982	44099
V-8 6.5 L Diesel; W/Standard Hub For Bolt-On Pulley & Fan Clutch.....	1999	44042	V-8 6.5 L Diesel; W/Pulley & Thread-On Fan Clutch.....	1999	44056
V-8 6.6 L Diesel.....	2005-2001	42349	V-8 6.5 L Diesel; W/Standard Hub For Bolt-On Pulley & Fan Clutch.....	1999	44042
V-8 8.1 L.....	2007-2001	44045	V-8 6.5 L Diesel.....	1998-1997	44042
			V-8 6.5 L Diesel; W/Dual Thermostats....	1996	44042
			V-8 6.5 L Diesel; W/Single Thermostat ...	1996	44100
			V-8 6.5 L Diesel.....	1995-1994	44100
			V-8 396.....	1969-1968	44088

* High Performance Pump

Application Guide - Passenger Cars and Light Trucks

Application	Year	Gates No.	Application	Year	Gates No.
CHEVROLET - Continued			CHRYSLER - Continued		
SUBURBAN - Continued			CONQUEST		
V-8 6.6 L.....	1980	43099	4-Cyl. 2.6 L.....	1989-1988	42173
		or *43099P	4-Cyl. 2.6 L; Dec. 1986 & Newer.....	1987	42173
V-8 400.....	1979-1977	43099	4-Cyl. 2.6 L; Nov. 1986 & Older.....	1987	42216
		or *43099P	CORDOBA		
V-8 400.....	1976-1975	43101	6-Cyl. 3.7 L.....	1983-1980	43025
V-8 400.....	1970	43106	V-8 5.2 L.....	1983-1980	43257
		or *43106P			or 43026
V-8 402.....	1972-1971	44088			or *43026P
V-8 7.4 L.....	1999-1988	44030	V-8 318.....	1979-1975	43257
V-8 7.4 L.....	1987-1980	44027			or 43026
		or *44027P			or *43026P
V-8 454.....	1979-1973	44027	V-8 5.9 L.....	1980	43257
		or *44027P			or 43026
V-8 8.1 L.....	2006-2001	44045			or *43026P
TAHOE			V-8 360.....	1979-1975	43257
V-8 4.8 L.....	2006-2000	45005			or 43026
V-8 5.3 L.....	2006-2000	45005			or *43026P
V-8 5.7 L.....	2000-1996	43315	V-8 400.....	1978-1975	42032
V-8 5.7 L.....	1995	43114	CROSSFIRE		
V-8 6.5 L Diesel.....	1999-1997	44042	V-6 3.2 L.....	2006	44082
V-8 6.5 L Diesel; W/Dual Thermostats....	1996	44042	E CLASS		
V-8 6.5 L Diesel; W/Single Thermostat...	1996	44100	4-Cyl. 2.2 L.....	1984-1983	42029
V-8 6.5 L Diesel.....	1995	44100	4-Cyl. 2.6 L.....	1984-1983	42158
TRACKER			EXECUTIVE		
4-Cyl. 1.6 L.....	2000-1999	42281	4-Cyl. 2.6 L.....	1985-1984	42158
4-Cyl. 1.6 L.....	1998	42284	FIFTH AVENUE		
4-Cyl. 1.6 L (Canada).....	2002-2001	42281	6-Cyl. 3.7 L.....	1983	43025
4-Cyl. 1.6 L (Canada).....	1992-1990	42284	V-8 5.2 L.....	1989-1983	43257
4-Cyl. 1.6 L (Canada); Early; W/4 Threaded Mounting Bosses.....	1989	42284			or 43026
4-Cyl. 1.6 L (Canada); Late; W/5 Threaded Mounting Bosses.....	1989	42284			or *43026P
4-Cyl. 2.0 L.....	2003-1999	41113	GRAND VOYAGER		
V-6 2.5 L.....	2004-2001	42285	V-6 3.0 L.....	2000	42162
TRAILBLAZER			V-6 3.3 L.....	2000	41001
6-Cyl. 4.2 L.....	2008-2002	41122	IMPERIAL		
V-8 5.3 L.....	2005-2003	45005	V-6 3.3 L.....	1991-1990	41001
UPLANDER			V-6 3.8 L.....	1993-1991	41001
V-6 3.5 L.....	2006	41020	V-8 5.2 L.....	1983-1981	43257
VEGA					or 43026
4-Cyl. 140.....	1975-1971	42103			or *43026P
VENTURE			V-8 413.....	1965-1959	42032
V-6 3.4 L.....	2005-1997	41020	V-8 440.....	1975-1966	42032
CHRYSLER			LASER		
ASPEN			4-Cyl. 2.2 L.....	1986-1984	42029
V-8 4.7 L.....	2007	43263	4-Cyl. 2.5 L.....	1986	42029
CIRRUS			LEBARON		
4-Cyl. 2.0 L.....	2000	41003	4-Cyl. 2.2 L.....	1990	42034
4-Cyl. 2.4 L.....	2000	41006	4-Cyl. 2.2 L.....	1989	42033
4-Cyl. 2.4 L.....	1997	41006	4-Cyl. 2.2 L.....	1988-1982	42029
4-Cyl. 2.4 L; W/Hyd. Tensioner.....	1996	42035	4-Cyl. 2.5 L.....	1994-1990	42034
4-Cyl. 2.4 L; W/Man. Tensioner.....	1996	41006	4-Cyl. 2.5 L.....	1989	42033
4-Cyl. 2.4 L.....	1995	42035	4-Cyl. 2.5 L.....	1988-1986	42029
V-6 2.5 L.....	2000-1995	42168	4-Cyl. 2.6 L.....	1985-1982	42158
CONCORDE			6-Cyl. 3.7 L.....	1981-1980	43025
V-6 2.7 L.....	2004-1998	42041	6-Cyl. 225.....	1979-1978	43025
V-6 3.2 L.....	2001-1998	41079	V-6 3.0 L.....	1995-1990	42162
V-6 3.3 L.....	1996-1993	41002	V-8 5.2 L.....	1981-1980	43257
V-6 3.5 L.....	2004-2002	41079			or 43026
V-6 3.5 L; W/3-Bolt Design.....	1997-1995	41005			or *43026P
V-6 3.5 L; W/6-Bolt Design.....	1997	41070	V-8 318.....	1979-1977	43257
V-6 3.5 L.....	1994-1993	41004			or 43026
					or *43026P

* High Performance Pump

Application Guide - Passenger Cars and Light Trucks

Application	Year	Gates No.	Application	Year	Gates No.
CHRYSLER - Continued			CHRYSLER - Continued		
LHS			ROYAL WINDSOR		
V-6 3.5 L.....	2001-1999	41079	6-Cyl. 242.....	1939	42554
V-6 3.5 L; W/3-Bolt Design.....	1997-1995	41005	SARATOGA		
V-6 3.5 L; W/6-Bolt Design.....	1997	41070	V-8 383.....	1960-1959	42032
V-6 3.5 L.....	1994	41004	SEBRING		
NEW YORKER			4-Cyl. 2.0 L.....	1999-1995	41003
4-Cyl. 2.2 L.....	1988-1983	42029	4-Cyl. 2.4 L.....	2006	41006
4-Cyl. 2.5 L.....	1987-1986	42029	4-Cyl. 2.4 L; W/DOHC Eng.....	2005-2001	41006
4-Cyl. 2.6 L.....	1985-1983	42158	4-Cyl. 2.4 L; W/SOHC Eng.....	2005-2003	42300
6-Cyl. 3.7 L.....	1982	43025	4-Cyl. 2.4 L; W/SOHC Eng.....	2002-2001	42286
V-6 3.0 L.....	1989-1988	42162	4-Cyl. 2.4 L.....	1999	41006
V-6 3.3 L.....	1993-1990	41001	4-Cyl. 2.4 L; Convertible.....	1998-1997	41006
V-6 3.5 L; W/3-Bolt Design.....	1996-1995	41005	4-Cyl. 2.4 L.....	1996	42035
V-6 3.5 L.....	1994	41004	4-Cyl. 2.5 L.....	2000-1995	42168
V-6 3.8 L.....	1993-1991	41001	V-6 2.7 L.....	2006-2001	42041
V-8 5.2 L.....	1982-1980	43257	V-6 3.0 L.....	2004-2003	43509
		or 43026	V-6 3.0 L.....	2002-2001	42168
		or *43026P	TC MASERATI		
V-8 318.....	1979	43257	4-Cyl. 2.2 L.....	1990	42029
		or 43026	4-Cyl. 2.2 L.....	1989	42033
		or *43026P	TOWN & COUNTRY		
V-8 5.9 L.....	1980	43257	4-Cyl. 2.2 L.....	1988-1982	42029
		or 43026	4-Cyl. 2.5 L.....	1988-1986	42029
		or *43026P	4-Cyl. 2.6 L.....	1985-1982	42158
V-8 360.....	1979-1977	43257	6-Cyl. 3.7 L.....	1981-1980	43025
		or 43026	6-Cyl. 225.....	1979-1978	43025
		or *43026P	V-8 5.2 L.....	1981-1980	43257
V-8 383.....	1967-1966	42032			or 43026
V-8 400.....	1978-1975	42032			or *43026P
V-8 413.....	1965-1959	42032	V-8 318.....	1979-1978	43257
V-8 426.....	1963	42032			or 43026
V-8 440.....	1978-1966	42032			or *43026P
NEWPORT			V-8 360.....	1979-1978	43257
6-Cyl. 3.7 L.....	1981-1980	43025			or 43026
6-Cyl. 225.....	1979	43025			or *43026P
V-8 5.2 L.....	1981-1980	43257			or 43026
		or 43026			or *43026P
		or *43026P	V-8 383.....	1971-1969	42032
V-8 318.....	1979	43257	V-8 400.....	1977-1975	42032
		or 43026	V-8 400.....	1972	42032
		or *43026P	V-8 440.....	1977-1969	42032
V-8 5.9 L.....	1980	43257	TOWN & COUNTRY VAN		
		or 43026	V-6 3.0 L.....	1990	42162
		or *43026P	V-6 3.3 L.....	2007-2001	42292
V-8 360.....	1979-1974	43257	V-6 3.3 L.....	2000-1996	41001
		or 43026	V-6 3.3 L.....	1993-1990	41001
		or *43026P	V-6 3.8 L.....	2007-2001	42292
V-8 360.....	1972-1971	43257	V-6 3.8 L.....	2000-1994	41001
		or 43026	VOYAGER		
		or *43026P	4-Cyl. 2.4 L.....	2003-2000	41006
V-8 361.....	1964-1961	42032	V-6 3.0 L.....	2000	42162
V-8 383.....	1971-1965	42032	V-6 3.3 L.....	2003-2001	42292
V-8 400.....	1978-1972	42032	V-6 3.3 L.....	2000	41001
V-8 413.....	1964-1962	42032	WINDSOR		
V-8 426.....	1963	42032	6-Cyl. 242.....	1941-1940	42554
V-8 440.....	1978-1966	42032	6-Cyl. 251.....	1951-1946	42554
PACIFICA			6-Cyl. 251.....	1942	42554
V-6 3.5 L.....	2006	43542	V-8 383.....	1961-1959	42032
V-6 3.5 L.....	2005-2004	41079	300		
V-6 4.0 L.....	2007	43542	V-6 2.7 L.....	2006-2005	42041
PROWLER			V-6 3.5 L.....	2007-2005	43542
V-6 3.5 L.....	2002-2001	41079	V-8 5.7 L.....	2007-2005	43543
PT CRUISER			V-8 6.1 L.....	2007-2005	43543
4-Cyl. 2.4 L; W/Turbo.....	2007-2003	43500	V-8 383.....	1966-1962	42032
4-Cyl. 2.4 L; W/O Turbo.....	2006-2003	41006	V-8 413.....	1965-1959	42032
4-Cyl. 2.4 L.....	2002-2001	41006	V-8 426.....	1963	42032
ROYAL			V-8 440.....	1971-1966	42032
6-Cyl. 228.....	1937	42554			
6-Cyl. 242.....	1941-1938	42554			
6-Cyl. 251.....	1950-1946	42554			
6-Cyl. 251.....	1942	42554			

* High Performance Pump

Application Guide - Passenger Cars and Light Trucks

Application	Year	Gates No.	Application	Year	Gates No.
CHRYSLER - Continued			DODGE - Continued		
300M			AVENGER		
V-6 3.5 L.....	2004-1999	41079	4-Cyl. 2.0 L.....	1999-1995	41003
DAEWOO			V-6 2.5 L.....	2000-1995	42168
LANOS			B SERIES PICKUP		
4-Cyl. 1.6 L.....	2002-1999	43502	6-Cyl. 218.....	1953-1948	42554
LEGANZA			6-Cyl. 230.....	1953-1948	42554
4-Cyl. 2.2 L.....	2002-1999	42408	6-Cyl. 237.....	1953-1948	42554
NUBIRA			B SERIES VAN		
4-Cyl. 2.0 L.....	2002-1999	42408	6-Cyl. 198.....	1971	43025
DAIHATSU			6-Cyl. 3.7 L.....	1987-1980	43025
CHARADE			6-Cyl. 225.....	1979-1971	43025
3-Cyl. 1.0 L.....	1992-1988	42045	6-Cyl. 230.....	1953-1948	42554
4-Cyl. 1.3 L.....	1992-1989	41081	V-6 3.9 L.....	2003-1993	43034
DESOTO			V-6 3.9 L.....	1992	43037
ADVENTURER			V-6 3.9 L.....	1991-1988	43257
V-8 383.....	1960-1959	42032			or 43026
DESOTO					or *43026P
V-8 361.....	1961	42032	V-8 5.2 L.....	2003-1993	43034
FIREDOVE			V-8 5.2 L.....	1992	43037
V-8 361.....	1958	42032	V-8 5.2 L.....	1991-1980	43257
V-8 383.....	1959	42032			or 43026
FIREFLITE					or *43026P
V-8 361.....	1960	42032	V-8 318.....	1979-1971	43257
V-8 361.....	1958	42032			or 43026
V-8 383.....	1959	42032			or *43026P
FIRESWEEP			V-8 5.9 L.....	2003-1993	43034
V-8 350.....	1958	42032	V-8 5.9 L.....	1992-1980	43257
V-8 361.....	1959	42032			or 43026
DODGE					or *43026P
A SERIES VAN			V-8 360.....	1979-1971	43257
6-Cyl. 170.....	1969-1964	43025			or 43026
6-Cyl. 198.....	1970	43025			or *43026P
6-Cyl. 225.....	1970-1964	43025	V-8 400.....	1978-1976	42032
V-8 273.....	1966-1965	43030	V-8 440.....	1978-1975	42032
V-8 318.....	1970	43257	C SERIES PICKUP		
		or 43026	6-Cyl. 218.....	1955-1954	42554
		or *43026P	6-Cyl. 230.....	1956-1954	42554
V-8 318.....	1969-1967	43030	6-Cyl. 237.....	1954	42554
ARIES			C SERIES VAN		
4-Cyl. 2.2 L.....	1987-1981	42029	6-Cyl. 230.....	1955-1954	42554
4-Cyl. 2.5 L.....	1987-1986	42029	CARAVAN		
4-Cyl. 2.6 L.....	1985-1981	42158	4-Cyl. 2.2 L.....	1987-1984	42029
ARIES AMERICA			4-Cyl. 2.4 L.....	2006-1997	41006
4-Cyl. 2.2 L.....	1989	42033	4-Cyl. 2.4 L; W/Hyd. Tensioner.....	1996	42035
4-Cyl. 2.2 L.....	1988	42029	4-Cyl. 2.4 L; W/Man. Tensioner.....	1996	41006
4-Cyl. 2.5 L.....	1989	42033	4-Cyl. 2.5 L.....	1995-1990	42034
4-Cyl. 2.5 L.....	1988	42029	4-Cyl. 2.5 L.....	1989	42033
ASPEN			4-Cyl. 2.5 L.....	1988	42029
6-Cyl. 3.7 L.....	1980	43025	4-Cyl. 2.6 L.....	1987-1984	42158
6-Cyl. 225.....	1979-1976	43025	V-6 3.0 L.....	2000-1987	42162
V-8 5.2 L.....	1980	43257	V-6 3.3 L.....	2007-2001	42292
		or 43026	V-6 3.3 L.....	2000-1990	41001
		or *43026P	V-6 3.8 L.....	1999-1996	41001
V-8 318.....	1979-1976	43257	CHALLENGER		
		or 43026	4-Cyl. 98.....	1979-1978	41143
		or *43026P	4-Cyl. 2.6 L.....	1983-1980	42153
V-8 360.....	1979-1976	43257	4-Cyl. 156.....	1979-1978	42153
		or 43026	6-Cyl. 198.....	1971-1970	43025
		or *43026P	6-Cyl. 225.....	1972-1970	43025
V-8 360.....	1979-1976	43257	V-8 318.....	1974-1970	43257
		or 43026			or 43026
		or *43026P			or *43026P
V-8 360.....	1979-1976	43257	V-8 340.....	1973-1970	43257
		or 43026			or 43026
		or *43026P			or *43026P
V-8 360.....	1979-1976	43257	V-8 360.....	1974	43257
		or 43026			or 43026
		or *43026P			or *43026P
V-8 360.....	1979-1976	42032	V-8 383.....	1971-1970	42032
		or 42032	V-8 426.....	1971-1970	42032
		or *43026P	V-8 440.....	1971-1970	42032

* High Performance Pump

Application Guide - Passenger Cars and Light Trucks

Application	Year	Gates No.	Application	Year	Gates No.
DODGE - Continued			DODGE - Continued		
CHARGER			CORONET - Continued		
4-Cyl. 1.6 L.....	1986-1983	41067	V-8 426.....	1971-1968	42032
4-Cyl. 1.7 L.....	1983	42028	V-8 426; W/O A.C.	1967-1965	42032
4-Cyl. 2.2 L.....	1987-1983	42029	V-8 440.....	1976-1973	42032
6-Cyl. 225.....	1976	43025	V-8 440.....	1970-1966	42032
6-Cyl. 225.....	1974-1968	43025	CUSTOM		
V-6 2.7 L.....	2006	42041	6-Cyl. 218.....	1941-1939	42554
V-6 3.5 L.....	2007-2006	43542	6-Cyl. 230.....	1949-1946	42554
V-8 273; W/A.C.....	1966	42553	6-Cyl. 230.....	1942	42554
V-8 273; W/O A.C.	1966	43030	CUSTOM 880		
V-8 318.....	1978-1970	43257	V-8 361.....	1964-1962	42032
		or 43026	V-8 383.....	1965-1963	42032
		or *43026P	V-8 413.....	1965	42032
V-8 318; W/A.C.....	1969-1966	42553	V-8 413.....	1963	42032
V-8 318; W/O A.C.	1969-1966	43030	V-8 426.....	1965-1963	42032
V-8 340.....	1973-1972	43257	D50 PICKUP		
		or 43026	4-Cyl. 2.0 L.....	1980	42153
		or *43026P	4-Cyl. 122.....	1979	42153
V-8 5.7 L.....	2007-2006	43543	4-Cyl. 2.6 L.....	1980	42153
V-8 360.....	1978-1974	43257	4-Cyl. 156.....	1979	42153
		or 43026	D & W SERIES PICKUP		
		or *43026P	6-Cyl. 170.....	1967-1961	43025
V-8 361.....	1966	42032	6-Cyl. 198.....	1971-1970	43025
V-8 6.1 L.....	2007-2006	43543	6-Cyl. 3.7 L.....	1987-1980	43025
V-8 383.....	1971-1966	42032	6-Cyl. 225.....	1979-1961	43025
V-8 400.....	1978-1972	42032	6-Cyl. 230.....	1960-1957	42554
V-8 426.....	1971-1966	42032	6-Cyl. 251.....	1960-1958	42554
V-8 440.....	1974-1966	42032	6-Cyl. 5.9 L Diesel.....	1993-1989	41181
COLT			V-6 3.9 L.....	1993	43034
4-Cyl. 1.4 L.....	1984-1981	42156	V-6 3.9 L.....	1992	43037
4-Cyl. 1.4 L.....	1980	42154	V-6 3.9 L.....	1991-1988	43257
4-Cyl. 86.....	1979	42154			or 43026
4-Cyl. 1.5 L.....	1994-1985	42156			or *43026P
4-Cyl. 1.6 L; Hatchback.....	1990-1989	42143	V-8 5.2 L.....	1993	43034
4-Cyl. 1.6 L; Wagon.....	1990-1989	42157	V-8 5.2 L.....	1992	43037
4-Cyl. 1.6 L.....	1988-1981	42157	V-8 5.2 L.....	1991-1980	43257
4-Cyl. 1.6 L.....	1980	42155			or 43026
4-Cyl. 98; Hatchback.....	1979	42155			or *43026P
4-Cyl. 98.....	1978	41143	V-8 318.....	1979-1970	43257
4-Cyl. 98.....	1977-1971	41109			or 43026
4-Cyl. 1.8 L.....	1994	42165			or *43026P
4-Cyl. 1.8 L.....	1990-1989	42157	V-8 318; W/A.C.....	1969	42553
4-Cyl. 2.0 L.....	1991-1984	42195	V-8 318; W/O A.C.	1969	43030
4-Cyl. 122.....	1977-1976	42153	V-8 318.....	1968-1959	43030
4-Cyl. 122.....	1975-1974	42151	V-8 5.9 L.....	1993	43034
4-Cyl. 2.6 L; Wagon.....	1980	42153	V-8 5.9 L.....	1992-1980	43257
4-Cyl. 156; Wagon.....	1979-1978	42153			or 43026
CONQUEST					or *43026P
4-Cyl. 2.6 L.....	1986	42216	V-8 360.....	1979-1971	43257
4-Cyl. 2.6 L; Feb. 1985 & Newer.....	1985	42216			or 43026
4-Cyl. 2.6 L; Jan. 1985 & Older.....	1985	42153			or *43026P
4-Cyl. 2.6 L.....	1984	42153	V-8 383.....	1971-1967	42032
CORONET			V-8 400.....	1978-1972	42032
6-Cyl. 225.....	1976-1965	43025	V-8 440.....	1978-1973	42032
6-Cyl. 230.....	1956-1949	42554	DAKOTA		
V-8 273; W/A.C.....	1968-1965	42553	4-Cyl. 2.2 L.....	1988-1987	42029
V-8 273; W/O A.C.	1968-1965	43030	4-Cyl. 2.5 L.....	2002-1996	42005
V-8 318.....	1976-1970	43257	4-Cyl. 2.5 L.....	1995-1990	42034
		or 43026	4-Cyl. 2.5 L.....	1989	42033
		or *43026P	V-6 3.7 L.....	2006-2004	43263
V-8 318; W/A.C.....	1969-1965	42553	V-6 3.9 L.....	2003-1993	43034
V-8 318; W/O A.C.	1969-1965	43030	V-6 3.9 L.....	1992	43037
V-8 340.....	1973-1972	43257	V-6 3.9 L.....	1991-1987	43257
		or 43026			or 43026
		or *43026P			or *43026P
V-8 360.....	1976-1974	43257	V-8 4.7 L.....	2006-2000	43263
		or 43026	V-8 5.2 L.....	1999-1993	43034
		or *43026P	V-8 5.2 L.....	1992	43037
V-8 361.....	1966-1965	42032	V-8 5.2 L.....	1991-1990	43033
V-8 361.....	1958	42032			
V-8 383.....	1971-1965	42032			
V-8 383.....	1959	42032			
V-8 400.....	1976-1972	42032			

* High Performance Pump

Application Guide - Passenger Cars and Light Trucks

Application	Year	Gates No.	Application	Year	Gates No.
DODGE - Continued			DODGE - Continued		
DAKOTA - Continued			GRAND CARAVAN		
V-8 5.2 L.....	1989	43257 or 43026 or *43026P	4-Cyl. 2.2 L.....	1987	42029
V-8 5.9 L.....	2003-1998	43034	4-Cyl. 2.4 L.....	1997	41006
DART			4-Cyl. 2.4 L; W/Hyd. Tensioner.....	1996	42035
6-Cyl. 170.....	1969-1963	43025	4-Cyl. 2.4 L; W/Man. Tensioner.....	1996	41006
6-Cyl. 198.....	1974-1970	43025	4-Cyl. 2.5 L.....	1989	42033
6-Cyl. 225.....	1976-1960	43025	4-Cyl. 2.5 L.....	1988-1987	42029
V-8 273; W/A.C.....	1969-1965	42553	V-6 3.0 L.....	2000-1992	42162
V-8 273; W/O A.C.....	1969-1965	43030	V-6 3.0 L.....	1989-1987	42162
V-8 273.....	1964	43030	V-6 3.3 L.....	2007-2001	42292
V-8 318.....	1976-1970	43257 or 43026 or *43026P	V-6 3.3 L.....	2000-1990	41001
V-8 318; W/A.C.....	1969-1968	42553	V-6 3.8 L.....	2007-2001	42292
V-8 318; W/O A.C.....	1969-1968	43030	V-6 3.8 L.....	2000-1994	41001
V-8 318.....	1962-1960	43030	INTREPID		
V-8 340.....	1973-1970	43257 or 43026 or *43026P	V-6 2.7 L.....	2004-1998	42041
V-8 340; W/O A.C.....	1969-1968	43030	V-6 3.2 L.....	2001-1998	41079
V-8 360.....	1976-1974	43257 or 43026 or *43026P	V-6 3.3 L.....	1997-1993	41002
V-8 361.....	1962-1960	42032	V-6 3.5 L.....	2004-2000	41079
V-8 383; W/O A.C.....	1969-1968	42032	V-6 3.5 L; W/3-Bolt Design.....	1997-1995	41005
V-8 383.....	1961-1960	42032	V-6 3.5 L; W/6-Bolt Design.....	1997	41070
V-8 413.....	1962-1961	42032	V-6 3.5 L.....	1994-1993	41004
DAYTONA			LANCER		
4-Cyl. 2.2 L.....	1993-1992	42038	4-Cyl. 2.2 L.....	1989	42033
4-Cyl. 2.2 L.....	1990	42034	4-Cyl. 2.2 L.....	1988-1985	42029
4-Cyl. 2.2 L.....	1989	42033	4-Cyl. 2.5 L.....	1989	42033
4-Cyl. 2.2 L.....	1988-1984	42029	4-Cyl. 2.5 L.....	1988-1986	42029
4-Cyl. 2.5 L.....	1993-1990	42034	6-Cyl. 170.....	1962-1961	43025
4-Cyl. 2.5 L.....	1989	42033	6-Cyl. 225.....	1962-1961	43025
4-Cyl. 2.5 L.....	1988-1986	42029	M SERIES MOTOR HOME		
V-6 3.0 L.....	1993-1990	42162	V-8 413.....	1973	43032
DELUXE			V-8 440.....	1978-1975	42040
6-Cyl. 218.....	1941-1935	42554	MAGNUM		
6-Cyl. 230.....	1949-1946	42554	V-6 2.7 L.....	2006-2005	42041
6-Cyl. 230.....	1942	42554	V-6 3.5 L.....	2007-2005	43542
DIPLOMAT			V-8 318.....	1979-1978	43257 or 43026 or *43026P
6-Cyl. 3.7 L.....	1983-1980	43025	V-8 5.7 L.....	2007-2005	43543
6-Cyl. 225.....	1979-1978	43025	V-8 360.....	1979-1978	43257 or 43026 or *43026P
V-8 5.2 L.....	1989-1980	43257 or 43026 or *43026P	V-8 6.1 L.....	2007-2006	43543
V-8 318.....	1979-1977	43257 or 43026 or *43026P	V-8 400.....	1978	42032
V-8 360.....	1979-1978	43257 or 43026 or *43026P	MATADOR		
DURANGO			V-8 361.....	1960	42032
V-6 3.7 L.....	2007-2004	43263	V-8 383.....	1960	42032
V-6 3.9 L.....	1999-1998	43034	MB SERIES VAN		
V-8 4.7 L.....	2007-2000	43263	V-8 440.....	1978-1974	42040
V-8 5.2 L.....	2000-1998	43034	MEADOWBROOK		
V-8 5.7 L.....	2006-2004	43501	6-Cyl. 230.....	1954-1949	42554
V-8 5.9 L.....	2003-1998	43034	MINI RAM VAN		
DYNASTY			4-Cyl. 2.2 L.....	1987-1984	42029
4-Cyl. 2.5 L.....	1993-1990	42034	4-Cyl. 2.5 L.....	1988-1987	42029
4-Cyl. 2.5 L.....	1989	42033	4-Cyl. 2.6 L.....	1987-1984	42158
4-Cyl. 2.5 L.....	1988	42029	V-6 3.0 L.....	1988-1987	42162
V-6 3.0 L.....	1993-1988	42162	MIRADA		
V-6 3.3 L.....	1993-1990	41001	6-Cyl. 3.7 L.....	1983-1980	43025
			V-8 5.2 L.....	1983-1980	43257 or 43026 or *43026P
			V-8 5.9 L.....	1980	43257 or 43026 or *43026P

* High Performance Pump

Application Guide - Passenger Cars and Light Trucks

Application	Year	Gates No.	Application	Year	Gates No.
DODGE - Continued			DODGE - Continued		
MONACO			RAM SERIES PICKUP		
6-Cyl. 225.....	1978-1977	43025	6-Cyl. 5.9 L Diesel.....	2007-2003	43526
V-6 3.0 L; W/Side Mounted Thermostat..	1992	43035	6-Cyl. 5.9 L Diesel.....	2002-1999	41176
V-6 3.0 L; Eng. Code Z7X711; W/Top Mounted Thermostat.....	1991	43036	6-Cyl. 5.9 L Diesel; W/12-Valve Eng.....	1998	41181
V-6 3.0 L; Eng. Code Z7X715; W/Side Mounted Thermostat.....	1991	43035	6-Cyl. 5.9 L Diesel; W/24-Valve Eng.....	1998	41176
V-6 3.0 L; W/Top Mounted Thermostat...	1990	43036	6-Cyl. 5.9 L Diesel.....	1997-1994	41181
V-8 318.....	1978-1975	43257	V-6 3.7 L.....	2006-2002	43263
		or 43026	V-6 3.9 L.....	2001-1994	43034
		or *43026P	V-8 4.7 L.....	2006-2002	43263
V-8 360.....	1978-1972	43257	V-8 5.2 L.....	2001-1994	43034
		or 43026	V-8 5.7 L.....	2006-2003	43501
		or *43026P	V-8 5.9 L.....	2003-1994	43034
V-8 383.....	1971-1965	42032	RAMCHARGER		
V-8 400.....	1978-1972	42032	6-Cyl. 3.7 L.....	1980	43025
V-8 413.....	1965	42032	6-Cyl. 225.....	1979-1974	43025
V-8 426; W/O A.C.....	1966-1965	42032	V-8 5.2 L.....	1993	43034
V-8 440.....	1978	42032	V-8 5.2 L.....	1992	43037
V-8 440.....	1976-1966	42032	V-8 5.2 L.....	1991-1980	43257
NEON					or 43026
4-Cyl. 2.0 L.....	2005-1995	41003			or *43026P
4-Cyl. 2.4 L.....	2005-2003	43500	V-8 318.....	1979-1974	43257
NITRO					or 43026
V-6 3.7 L.....	2007	43263			or *43026P
V-6 4.0 L.....	2007	43542	V-8 5.9 L.....	1993	43034
OMNI			V-8 5.9 L.....	1992-1984	43257
4-Cyl. 1.6 L.....	1986-1983	41067			or 43026
4-Cyl. 1.7 L.....	1983-1980	42028			or *43026P
4-Cyl. 104.....	1979-1978	42028	V-8 5.9 L.....	1981-1980	43257
4-Cyl. 2.2 L.....	1990	42034			or 43026
4-Cyl. 2.2 L.....	1989	42033	V-8 360.....	1979-1974	43257
4-Cyl. 2.2 L.....	1988-1981	42029			or 43026
P SERIES VAN					or *43026P
6-Cyl. 230.....	1960-1958	42554	V-8 400.....	1978-1976	42032
POLARA			V-8 400.....	1974	42032
6-Cyl. 225.....	1971-1970	43025	V-8 440.....	1978-1974	42032
6-Cyl. 225.....	1964-1963	43025	RAMPAGE		
V-8 318.....	1973-1970	43257	4-Cyl. 2.2 L.....	1984-1982	42029
		or 43026	RM SERIES MOTOR HOME		
		or *43026P	V-8 413.....	1974-1973	43032
V-8 318; W/A.C.....	1969-1965	42553	V-8 440.....	1974	42040
V-8 318; W/O A.C.....	1969-1965	43030	ROYAL		
V-8 318.....	1964-1963	43030	V-8 361.....	1959-1958	42032
V-8 360.....	1973-1971	43257	V-8 383.....	1959	42032
		or 43026	ROYAL MONACO		
		or *43026P	V-8 318.....	1977	43257
V-8 361.....	1962-1960	42032			or 43026
V-8 383.....	1971-1963	42032			or *43026P
V-8 383.....	1961-1960	42032	V-8 360.....	1977-1975	43257
V-8 400.....	1973-1972	42032			or 43026
V-8 413.....	1965	42032			or *43026P
V-8 413.....	1962	42032	V-8 400.....	1977-1975	42032
V-8 426; W/O A.C.....	1966-1963	42032	V-8 440.....	1977-1975	42032
V-8 440.....	1973-1966	42032	SHADOW		
RAIDER			4-Cyl. 2.2 L.....	1994-1990	42034
4-Cyl. 2.6 L.....	1989-1987	42216	4-Cyl. 2.2 L.....	1989	42033
V-6 3.0 L.....	1989	42162	4-Cyl. 2.2 L.....	1988-1987	42029
RAM 50 PICKUP			4-Cyl. 2.5 L.....	1994-1990	42034
4-Cyl. 2.0 L.....	1989-1983	42159	4-Cyl. 2.5 L.....	1989	42033
4-Cyl. 2.0 L.....	1982-1981	42153	4-Cyl. 2.5 L.....	1988	42029
4-Cyl. 2.3 L Diesel.....	1985-1983	43304	V-6 3.0 L.....	1994-1992	42162
4-Cyl. 2.4 L.....	1993-1990	42159	SPIRIT		
4-Cyl. 2.6 L.....	1989-1986	42216	4-Cyl. 2.2 L.....	1992-1991	42038
4-Cyl. 2.6 L; Feb. 1985 & Newer.....	1985	42216	4-Cyl. 2.5 L.....	1995-1990	42034
4-Cyl. 2.6 L; Jan. 1985 & Older.....	1985	42153	4-Cyl. 2.5 L.....	1989	42033
4-Cyl. 2.6 L.....	1984-1981	42153	V-6 3.0 L.....	1995-1989	42162
V-6 3.0 L.....	1991-1990	42162			

* High Performance Pump

Application Guide - Passenger Cars and Light Trucks

Application	Year	Gates No.	Application	Year	Gates No.
DODGE - Continued			DODGE - Continued		
ST. REGIS			440		
6-Cyl. 3.7 L	1981-1980	43025	6-Cyl. 225.....	1964-1963	43025
6-Cyl. 225.....	1979	43025	V-8 318.....	1964-1963	43030
V-8 5.2 L.....	1981-1980	43257	V-8 383.....	1964-1963	42032
		or 43026	V-8 426.....	1964-1963	42032
		or *43026P	600		
V-8 318.....	1979	43257	4-Cyl. 2.2 L.....	1988-1983	42029
		or 43026	4-Cyl. 2.5 L.....	1988-1986	42029
		or *43026P	4-Cyl. 2.6 L.....	1985-1983	42158
V-8 5.9 L.....	1980	43257	EAGLE		
		or 43026	MEDALLION		
		or *43026P	4-Cyl. 2.2 L.....	1989-1988	42275
V-8 360.....	1979	43257	PREMIER		
		or 43026	4-Cyl. 2.5 L.....	1989-1988	42004
		or *43026P	V-6 3.0 L; W/Side Mounted Thermostat..	1992	43035
STANDARD			V-6 3.0 L; Eng. Code Z7X711; W/Top Mounted Thermostat.....	1991	43036
6-Cyl. 218.....	1938-1935	42554	V-6 3.0 L; Eng. Code Z7X715; W/Side Mounted Thermostat.....	1991	43035
STEALTH			V-6 3.0 L; W/Top Mounted Thermostat...	1990	43036
V-6 3.0 L; W/DOHC Eng.....	1996-1991	42167	V-6 3.0 L; Eng. Code Z7X711; W/Top Mounted Thermostat.....	1989-1988	43036
V-6 3.0 L; W/SOHC Eng.....	1996-1991	42162	SUMMIT		
STRATUS			4-Cyl. 1.5 L.....	1996-1989	42156
4-Cyl. 2.0 L.....	2000-1995	41003	4-Cyl. 1.6 L.....	1990-1989	42143
4-Cyl. 2.4 L.....	2006	41006	4-Cyl. 1.8 L.....	1996-1994	42165
4-Cyl. 2.4 L; W/DOHC Eng.....	2005-2001	41006	4-Cyl. 1.8 L.....	1993-1992	42169
4-Cyl. 2.4 L; W/SOHC Eng.....	2005-2003	42300	4-Cyl. 2.4 L.....	1996-1993	42166
4-Cyl. 2.4 L; W/SOHC Eng.....	2002-2001	42286	4-Cyl. 2.4 L.....	1992	42164
4-Cyl. 2.4 L.....	2000-1997	41006	TALON		
4-Cyl. 2.4 L; W/Hyd. Tensioner.....	1996-1995	42035	4-Cyl. 1.8 L.....	1994-1993	42157
4-Cyl. 2.4 L; W/Man. Tensioner.....	1996-1995	41006	4-Cyl. 2.0 L; W/O Turbo.....	1998-1995	41003
V-6 2.5 L.....	2000-1995	42168	4-Cyl. 2.0 L; W/Turbo.....	1998-1995	42166
V-6 2.7 L.....	2006-2001	42041	4-Cyl. 2.0 L.....	1994-1990	42163
V-6 3.0 L.....	2005	42168	VISION		
V-6 3.0 L.....	2004-2003	43509	V-6 3.3 L.....	1996-1993	41002
V-6 3.0 L.....	2002-2001	42168	V-6 3.3 L (Canada).....	1997	41002
SX			V-6 3.5 L; W/3-Bolt Design.....	1997-1995	41005
4-Cyl. 2.0 L (Canada).....	2005-2003	41003	V-6 3.5 L; W/6-Bolt Design.....	1997	41070
T SERIES PICKUP			V-6 3.5 L.....	1994-1993	41004
6-Cyl. 218.....	1939	42554	2000 GTX		
V SERIES PICKUP			4-Cyl. 2.0 L (Canada); W/DOHC Eng.....	1992-1991	42163
6-Cyl. 218.....	1940	42554	4-Cyl. 2.0 L (Canada); W/SOHC Eng.....	1992-1991	42164
VIPER			FIAT		
V-10 8.0 L.....	2002-1997	43038	BRAVA		
V-10 8.0 L; Convertible.....	1996	44001	4-Cyl. 107.....	1978	42047
V-10 8.0 L; Coupe.....	1996	43038	4-Cyl. 2.0 L.....	1981-1980	42047
V-10 8.0 L.....	1995-1994	44001	4-Cyl. 122.....	1979-1978	42047
V-10 8.0 L.....	1993-1992	44000	SPIDER 2000		
W SERIES PICKUP			4-Cyl. 2.0 L.....	1982-1980	42047
6-Cyl. 218.....	1947-1946	42554	4-Cyl. 122.....	1979	42047
6-Cyl. 218.....	1943-1941	42554	STRADA		
6-Cyl. 230.....	1947-1946	42554	4-Cyl. 1.5 L; W/A.C.	1982-1980	41007
6-Cyl. 230.....	1943-1942	42554	4-Cyl. 1.5 L; W/Calif. Emission System; W/O A.C.	1982-1980	42046
6-Cyl. 237.....	1947-1946	42554	4-Cyl. 91; W/A.C.	1979	41007
6-Cyl. 237.....	1943-1942	42554	4-Cyl. 91; W/Calif. Emission System; W/O A.C.	1979	42046
WAYFARER			X1/9		
6-Cyl. 230.....	1952-1949	42554	4-Cyl. 79.....	1978-1975	42046
330			4-Cyl. 79; W/O A.C.....	1974	42046
6-Cyl. 225.....	1964-1963	43025	4-Cyl. 1.5 L; W/A.C.	1982-1980	41007
V-8 318.....	1964-1963	43030	400		
V-8 383.....	1964-1963	42032	4-Cyl. 2.2 L.....	1983-1982	42029
V-8 426.....	1964-1963	42032	4-Cyl. 2.6 L.....	1983-1982	42158

* High Performance Pump

Application Guide - Passenger Cars and Light Trucks

Application	Year	Gates No.	Application	Year	Gates No.
FIAT - Continued			FORD - Continued		
X1/9 - Continued			COUNTRY SEDAN		
4-Cyl. 1.5 L; W/Calif. Emission System; W/O A.C.....	1982-1980	42046	V-8 390.....	1971	44004
4-Cyl. 91; W/A.C.....	1979	41007	COUNTRY SQUIRE		
4-Cyl. 91; W/Calif. Emission System; W/O A.C.....	1979	42046	V-8 5.0 L.....	1991-1989	43058
124			V-8 5.0 L; Jun. 1988 & Newer.....	1988	43058
4-Cyl. 73; Sedan, Wagon.....	1969-1967	42048	V-8 5.0 L; May 1988 & Older.....	1988	43050
4-Cyl. 88.....	1973-1971	42048	V-8 5.0 L.....	1987	43050
4-Cyl. 88; Coupe; Spider.....	1970-1968	42069	V-8 390.....	1971	44004
4-Cyl. 88; Sedan, Wagon.....	1970-1968	42048	COURIER		
4-Cyl. 97.....	1974	42047	4-Cyl. 2.0 L.....	1982-1981	43154
4-Cyl. 98.....	1973-1971	42048	4-Cyl. 2.3 L.....	1980	42124
4-Cyl. 107.....	1978-1974	42047	4-Cyl. 140.....	1979-1977	42124
128			CRESTLINE		
4-Cyl. 68; Sedan, Wagon.....	1973	42046	6-Cyl. 223.....	1954	42072
4-Cyl. 68.....	1972-1971	42046	CROWN VICTORIA		
4-Cyl. 79.....	1976-1974	42046	V-8 4.6 L.....	2005-2003	41118
131			V-8 4.6 L; W/Eng. Oil Cooler.....	2002-2001	41118
4-Cyl. 107.....	1978-1975	42047	V-8 4.6 L; W/O Eng. Oil Cooler.....	2002-2001	42065
FORD			V-8 4.6 L.....	2000-1998	42065
AEROSTAR			V-8 4.6 L.....	1997-1992	42064
4-Cyl. 2.3 L.....	1987-1986	42060	CUSTOM		
V-6 2.8 L.....	1986	43046	V-8 352.....	1964	42552
V-6 3.0 L.....	1997-1995	43064	V-8 390.....	1964	42552
V-6 3.0 L.....	1994-1986	43052	V-8 427.....	1964	42552
V-6 4.0 L.....	1997-1990	43060	E SERIES VAN		
ASPIRE			6-Cyl. 144.....	1963-1962	42055
4-Cyl. 1.3 L.....	1997-1994	42128	6-Cyl. 170.....	1970-1968	42055
BRONCO			6-Cyl. 170; W/O A.P.....	1967-1966	42055
6-Cyl. 170.....	1972-1966	42055	6-Cyl. 170.....	1965-1962	42055
6-Cyl. 200.....	1974-1973	42055	6-Cyl. 240; W/O A.P.....	1974-1973	42057
6-Cyl. 4.9 L.....	1992-1991	44007	6-Cyl. 240.....	1972-1965	42057
6-Cyl. 4.9 L.....	1983	43047	6-Cyl. 4.9 L.....	1996-1993	44009
6-Cyl. 4.9 L.....	1982-1980	42070	6-Cyl. 4.9 L.....	1992	44008
V-8 289.....	1968-1966	43049	6-Cyl. 4.9 L.....	1991-1987	44007
V-8 302.....	1977-1975	43049	6-Cyl. 4.9 L.....	1986-1985	43047
V-8 302; W/A.P.....	1974	43078	6-Cyl. 4.9 L; W/Dual Rear Wheels.....	1984	42071
V-8 302; W/O A.P.....	1974	43049	6-Cyl. 4.9 L; W/O Dual Rear Wheels.....	1984-1983	43047
V-8 302.....	1973-1969	43049	6-Cyl. 4.9 L.....	1982-1980	42070
V-8 5.0 L.....	1996-1991	43057	6-Cyl. 300; Ser. No. 080,000 & Before ... W/Calif. Emission System.....	1977	42057
V-8 5.0 L.....	1983-1980	43044	6-Cyl. 300; Ser. No. 080,001 & After; W/O Calif. Emission System.....	1977	42070
		or *43044P	6-Cyl. 300; Ser. No. 080,001 & Before ...	1976-1975	42057
V-8 5.8 L.....	1996-1991	43057	6-Cyl. 300; W/O A.P.....	1974-1973	42057
V-8 5.8 L.....	1983-1982	43044	6-Cyl. 300.....	1972	42057
		or *43044P	V-6 4.2 L.....	2003-1997	43070
V-8 5.8 L; W/Modified Eng.....	1981-1980	43041	V-8 4.6 L.....	2006-2005	43504
V-8 5.8 L; W/Windsor Eng.....	1981-1980	43044	V-8 4.6 L.....	2001-1997	42068
		or *43044P	V-8 302; W/A.P.....	1975-1974	43077
BRONCO COMPACT			V-8 302; W/O A.P.....	1975-1973	43049
V-6 2.8 L.....	1985-1984	43046	V-8 302.....	1972-1968	43049
V-6 2.9 L.....	1990-1986	43054	V-8 5.0 L.....	1996-1987	43057
BRONCO FULL SIZE			V-8 5.0 L.....	1986-1980	43044
6-Cyl. 4.9 L.....	1990-1987	44007			or *43044P
6-Cyl. 4.9 L.....	1986-1984	43047	V-8 5.4 L.....	2006-2004	43504
V-8 5.0 L.....	1990-1987	43057	V-8 5.4 L.....	2002-1997	42068
V-8 5.0 L.....	1986-1984	43044	V-8 5.8 L.....	1996-1988	43057
		or *43044P	V-8 5.8 L.....	1987-1982	43044
V-8 5.8 L.....	1990-1988	43057			or *43044P
V-8 5.8 L.....	1987-1984	43044	V-8 5.8 L; W/Modified Eng.....	1981-1980	43041
		or *43044P	V-8 5.8 L; W/Windsor Eng.....	1981-1980	43044
CONTOUR					or *43044P
4-Cyl. 2.0 L.....	2000-1998	41013	V-8 6.6 L.....	1982-1980	43041
4-Cyl. 2.0 L.....	1997-1995	42067	V-8 6.9 L Diesel.....	1987-1983	44018
V-6 2.5 L.....	2000-1995	41011	V-8 7.3 L Diesel.....	1998-1996	45000
			V-8 7.3 L Diesel.....	1995	45007
			V-8 7.3 L Diesel.....	1994-1988	44018
			V-8 7.5 L.....	1996-1995	44024

* High Performance Pump

Application Guide - Passenger Cars and Light Trucks

Application	Year	Gates No.	Application	Year	Gates No.
FORD - Continued			FORD - Continued		
E SERIES VAN - Continued			F SERIES PICKUP - Continued		
V-8 7.5 L; W/2.125" Fan Hub Bolt Circle W/Threaded Mounting Holes.....	1994-1993	44022	6-Cyl. 4.9 L.....	1992-1987	44007
V-8 7.5 L; Feb. 2, 1992 & Older.....	1992	44003	6-Cyl. 4.9 L.....	1986-1985	43047
V-8 7.5 L; Feb. 3, 1992 & Newer; W/2.125" Fan Hub Bolt Circle W/Threaded Mounting Holes.....	1992	44022	6-Cyl. 4.9 L; W/Dual Rear Wheels.....	1984	42071
V-8 7.5 L.....	1991-1990	44003	6-Cyl. 4.9 L; W/O Dual Rear Wheels.....	1984	43047
V-8 7.5 L; W/Dual Fan Hub Bolt Circles..	1989-1988	44023	6-Cyl. 4.9 L.....	1983	43047
V-8 7.5 L.....	1987-1980	44003	6-Cyl. 4.9 L.....	1982-1980	42070
V-10 6.8 L.....	1988-1997	42079	6-Cyl. 300; Ser. No. 080,000 & Before ...	1977	42057
ESCAPE			6-Cyl. 300; Ser. No. 080,001 & After; W/Calif. Emission System.....	1977	42070
4-Cyl. 2.0 L.....	2002-2001	41013	6-Cyl. 300; Ser. No. 080,001 & After; W/O Calif. Emission System.....	1977	42057
4-Cyl. 2.3 L.....	2006-2005	41120	6-Cyl. 300; Ser. No. 080,001 & Before ...	1976-1975	42057
V-6 3.0 L; Oct. 1, 2004 & Older.....	2004	43505	6-Cyl. 300; W/O A.P.....	1974-1973	42057
V-6 3.0 L; Apr. 1, 2003 & Older.....	2003	41011	6-Cyl. 300.....	1972-1965	42057
V-6 3.0 L; Apr. 2, 2003 & Newer.....	2003	43505	V-6 3.8 L.....	1983-1982	43043
V-6 3.0 L.....	2002-2001	41011	V-6 4.2 L.....	2007-1997	43070
ESCORT			V-8 4.2 L.....	1982-1981	43044
4-Cyl. 1.6 L.....	1985-1981	42058		or * 43044P	
4-Cyl. 1.8 L.....	1996-1991	42131	V-8 4.6 L.....	2006-2003	43504
4-Cyl. 1.9 L; W/Round Tooth Sprockets..	1996-1992	42063	V-8 4.6 L.....	2002-1997	42068
4-Cyl. 1.9 L; Mar. 25, 1991 & Older; W/Square Tooth Sprockets.....	1991	42062	V-8 5.0 L.....	1996-1987	43057
4-Cyl. 1.9 L; Mar. 26, 1991 & Newer; W/Round Tooth Sprockets.....	1991	42063	V-8 5.0 L.....	1986-1980	43044
4-Cyl. 1.9 L.....	1990-1985	42058		or * 43044P	
4-Cyl. 2.0 L; W/DOHC Eng.....	2002-1998	41013	V-8 5.4 L.....	2006-2004	43504
4-Cyl. 2.0 L; W/SOHC Eng.....	2002-1998	42315	V-8 5.4 L; Lightning.....	2003-2002	41121
4-Cyl. 2.0 L.....	1997	42315	V-8 5.4 L; Exc. Lightning.....	2002-1999	42068
4-Cyl. 2.0 L Diesel.....	1987-1984	42059	V-8 5.4 L; Lightning; Nov. 10, 2000 & Newer.....	2001	41121
EXCURSION			V-8 5.4 L; Lightning; Nov. 9, 2000 & Older.....	2001	42081
V-8 5.4 L.....	2005-2003	43504	V-8 5.4 L; Lightning.....	2000-1999	42081
V-8 5.4 L.....	2002-2000	42068	V-8 5.4 L.....	1998-1997	42068
V-8 6.0 L Diesel.....	2005	43541	V-8 5.8 L.....	1997-1988	43057
V-8 6.0 L Diesel; Sept. 22, 2003 & Older.....	2004	42333	V-8 5.8 L.....	1987-1982	43044
		or		or * 43044P	
V-8 6.0 L Diesel; Sept. 23, 2003 & Newer.....	2004	43541	V-8 5.8 L; W/Modified Eng.....	1981-1980	43041
V-8 6.0 L Diesel.....	2003	42333	V-8 5.8 L; W/Windsor Eng.....	1981-1980	43044
		or		or * 43044P	
V-8 7.3 L Diesel.....	2003-2000	43546	V-8 352.....	1967-1965	44004
V-10 6.8 L.....	2005-2003	43504	V-8 360.....	1976-1968	44004
V-10 6.8 L.....	2002-2000	42079	V-8 390.....	1976-1968	44004
EXP			V-8 6.6 L.....	1982-1980	43041
4-Cyl. 1.6 L.....	1985-1982	42058	V-8 6.9 L Diesel.....	1987-1983	44018
4-Cyl. 1.9 L.....	1988-1986	42058	V-8 7.3 L Diesel.....	1997-1996	45000
EXPEDITION			V-8 7.3 L Diesel.....	1995	45007
V-8 4.6 L.....	2004-2003	43504	V-8 7.3 L Diesel; Eng. VIN F (8th digit of VIN).....	1994	45007
V-8 4.6 L.....	2002-1997	42068	V-8 7.3 L Diesel; Eng. VIN K, M (8th digit of VIN).....	1994	44018
V-8 5.4 L.....	2006-2003	43504	V-8 7.3 L Diesel.....	1993-1988	44018
V-8 5.4 L.....	2002-1997	42068	V-8 7.5 L.....	1997-1995	44024
EXPLORER			V-8 7.5 L; W/2.125" Fan Hub Bolt Circle W/Threaded Mounting Holes; W/5.62" Hub Height.....	1994-1993	44022
V-6 4.0 L; Sport.....	2005	43279	V-8 7.5 L; Feb. 2, 1992 & Older.....	1992	44003
V-6 4.0 L.....	2004-2001	43279	V-8 7.5 L; Feb. 4, 1992 & Newer; W/2.125" Fan Hub Bolt Circle W/Threaded Mounting Holes; W/5.62" Hub Height.....	1992	44022
V-6 4.0 L; W/O.H.V. Eng.....	2000-1997	43060	V-8 7.5 L.....	1991-1990	44003
V-6 4.0 L; W/SOHC Eng.....	2000-1997	43279	V-8 7.5 L; W/Dual Fan Hub Bolt Circles..	1989-1988	44023
V-6 4.0 L.....	1996-1991	43060	V-8 7.5 L.....	1987-1983	44003
V-8 4.6 L.....	2002	41119	FAIRLANE		
V-8 5.0 L.....	2001-1996	43068	6-Cyl. 170.....	1967-1962	42055
EXPLORER SPORT TRAC			6-Cyl. 200.....	1968-1963	42055
V-6 4.0 L.....	2005-2001	43279	6-Cyl. 223.....	1956-1955	42072
F SERIES PICKUP			V-8 221.....	1963-1962	43072
6-Cyl. 223; W/O Pulley.....	1964-1957	42072	V-8 260.....	1964-1963	43072
6-Cyl. 223.....	1954	42072	V-8 289.....	1968-1967	43049
6-Cyl. 240.....	1972-1965	42057	V-8 289; W/Aluminum W.P.....	1966-1965	43072
6-Cyl. 4.9 L.....	1996-1993	44009	V-8 289; W/Cast Iron W.P.....	1966-1965	43049
			V-8 289.....	1964-1963	43072
			V-8 302.....	1969-1968	43049
			V-8 351.....	1969	43049

* High Performance Pump

Application Guide - Passenger Cars and Light Trucks

Application	Year	Gates No.	Application	Year	Gates No.
FORD - Continued			FORD - Continued		
FAIRLANE - Continued			GRAND MARQUIS		
V-8 352.....	1961	42552	V-8 4.6 L (Canada).....	2005	41118
V-8 390.....	1970-1966	44004	LTD		
V-8 390.....	1964	42552	4-Cyl. 2.3 L.....	1986-1983	42060
V-8 390.....	1961	42552	6-Cyl. 3.3 L.....	1983	42054
V-8 428.....	1969	44004	V-6 3.8 L.....	1986-1983	43043
FAIRMONT			V-8 4.2 L; W/O Police, Taxi or Trlr. Tow Pkg.....	1982-1981	43058
4-Cyl. 2.3 L.....	1983	42060	V-8 4.2 L; W/Police, Taxi or Trlr. Tow Pkg.....	1982-1981	43050
4-Cyl. 2.3 L.....	1982-1980	42124	V-8 302.....	1979	43058
4-Cyl. 140.....	1979-1978	42124	V-8 302; Station Wagon.....	1969-1968	43049
6-Cyl. 3.3 L.....	1983-1980	42054	V-8 5.0 L.....	1986	43050
V-8 4.2 L.....	1982-1980	43044	V-8 5.0 L; W/O Police, Taxi or Trlr. Tow Pkg.....	1985-1980	43058
		or *43044P	V-8 5.0 L; W/Police, Taxi or Trlr. Tow Pkg.....	1985-1980	43050
FALCON			V-8 5.8 L.....	1986	43050
6-Cyl. 144.....	1964	42055	V-8 5.8 L; W/O Police, Taxi or Trlr. Tow Pkg.....	1985-1983	43058
6-Cyl. 170.....	1969-1964	42055	V-8 5.8 L; W/Police, Taxi or Trlr. Tow Pkg.....	1985-1983	43050
6-Cyl. 200.....	1970-1964	42055	V-8 5.8 L; W/O Police, Taxi or Trlr. Tow Pkg.....	1981-1980	43058
V-8 260.....	1964-1963	43072	V-8 5.8 L; W/Police, Taxi or Trlr. Tow Pkg.....	1981-1980	43050
V-8 289; W/Aluminum W.P.....	1968-1965	43072	V-8 5.8 L (Canada); W/O Police, Taxi or Trlr. Tow Pkg.....	1982	43058
V-8 289; W/Cast Iron W.P.....	1968-1965	43049	V-8 5.8 L (Canada); W/Police, Taxi or Trlr. Tow Pkg.....	1982	43050
V-8 302.....	1970-1968	43049	V-8 351; Station Wagon.....	1969	43049
FALCON RANCHERO			V-8 390; Station Wagon.....	1970-1968	44004
6-Cyl. 144.....	1963-1960	42055	V-8 428; Station Wagon.....	1969	44004
6-Cyl. 170.....	1965-1962	42055	LTD II		
6-Cyl. 200.....	1965-1964	42055	V-8 302.....	1979	43058
V-8 260; W/Aluminum W.P.....	1964-1963	43072	LTD CROWN VICTORIA		
V-8 289; W/Aluminum W.P.....	1965	43072	V-8 5.0 L.....	1991-1989	43058
V-8 289; W/Cast Iron W.P.....	1965	43049	V-8 5.0 L; Jun. 1988 & Newer.....	1988	43058
FESTIVA			V-8 5.0 L; May 1988 & Older.....	1988	43050
4-Cyl. 1.3 L.....	1993-1988	42128	V-8 5.0 L.....	1987	43050
FIESTA			V-8 5.8 L.....	1991-1987	43050
4-Cyl. 1.6 L.....	1980	41082	MAINLINE		
FOCUS			6-Cyl. 223.....	1956-1954	42072
4-Cyl. 2.0 L.....	2007-2005	41120	MAVERICK		
4-Cyl. 2.0 L; W/DOHC Eng.; Apr. 3, 2004 & Older.....	2004	41013	6-Cyl. 170.....	1972-1969	42055
4-Cyl. 2.0 L; W/DOHC Eng.; Apr. 4, 2004 & Newer.....	2004	41120	6-Cyl. 200; W/O A.C.; Apr. 12, 1975 & Older.....	1975	42055
4-Cyl. 2.0 L; W/SOHC Eng.....	2004-2000	42294	6-Cyl. 200.....	1974-1969	42055
4-Cyl. 2.0 L; W/DOHC Eng.....	2003-2000	41013	MUSTANG		
4-Cyl. 2.3 L.....	2005-2004	41120	4-Cyl. 2.3 L.....	1993-1983	42060
FREESTAR			4-Cyl. 2.3 L.....	1982-1980	42124
V-6 3.9 L.....	2006-2004	43069	4-Cyl. 140.....	1979	42124
V-6 4.2 L.....	2007-2005	43069	6-Cyl. 3.3 L.....	1982-1980	42054
GALAXIE			6-Cyl. 200.....	1970-1964	42055
V-8 302; Station Wagon.....	1969-1968	43049	V-6 171.....	1979	44098
V-8 351; Station Wagon.....	1969	43049	V-6 3.8 L.....	2004-1996	43067
V-8 352.....	1964-1961	42552	V-6 3.8 L.....	1995-1994	43062
V-8 390; Station Wagon.....	1970-1968	44004	V-6 3.8 L.....	1986-1983	43043
V-8 390.....	1964-1961	42552	V-6 3.9 L.....	2004	43067
V-8 406.....	1963-1962	42552	V-8 4.2 L; W/3.5" Dia. 6-Vane Impeller...	1982-1980	43264
V-8 427.....	1964-1963	42552	V-8 4.6 L.....	2002-1999	42080
V-8 428; Station Wagon.....	1969	44004	V-8 4.6 L.....	1998-1996	42065
GRANADA			V-8 289; W/Aluminum W.P.....	1968-1965	43072
4-Cyl. 2.3 L.....	1982-1981	42124	V-8 289; W/Cast Iron W.P.....	1968-1965	43049
6-Cyl. 3.3 L.....	1982-1981	42054	V-8 302.....	1969-1968	43049
6-Cyl. 200; W/O A.C.; Apr. 12, 1975 & Older.....	1975	42055	V-8 5.0 L.....	1995-1994	43065
6-Cyl. 4.1 L.....	1980	42056	V-8 5.0 L.....	1993-1986	43272
V-6 3.8 L.....	1982	43043			or *43272P
V-8 4.2 L.....	1981-1980	43044	V-8 5.0 L; W/3.5" Dia. 6-Vane Impeller...	1985-1982	43264
		or *43044P	V-8 5.0 L; W/4.4" Dia. 8-Vane Impeller...	1985-1984	43053
V-8 5.0 L.....	1980	43044			or *43044P

* High Performance Pump

Application Guide - Passenger Cars and Light Trucks

Application	Year	Gates No.	Application	Year	Gates No.
FORD - Continued			FORD - Continued		
MUSTANG - Continued			SUPER DUTY VAN		
V-8 351; W/Windsor Eng.....	1969	43049	V-8 4.6 L.....	2006	43504
V-8 390.....	1968-1967	44004	V-8 4.6 L.....	2004-2003	43504
V-8 427.....	1968	44004	V-8 5.4 L.....	2006-2003	43504
V-8 428.....	1970	44004	V-8 5.4 L.....	2001-2000	42068
V-8 429.....	1969	44011	V-8 5.4 L.....	1997	42068
MUSTANG II			V-8 6.0 L Diesel.....	2007-2005	43541
4-Cyl. 140.....	1978-1974	42124	V-8 6.0 L Diesel; Sept. 22, 2003 & Older.....	2004	42333
V-6 171.....	1978-1974	44098		or	41185
V-8 302; Mar. & Older.....	1976	43076	V-8 6.0 L Diesel; Sept. 23, 2003 & Newer.....	2004	43541
V-8 302.....	1975	43076	V-8 7.3 L Diesel.....	2003-1999	43546
P SERIES VAN			V-8 7.3 L Diesel.....	1998-1996	45000
6-Cyl. 144.....	1967-1966	42055	V-8 7.5 L.....	1996	44024
6-Cyl. 144; P100.....	1965-1960	42055	V-10 6.8 L.....	2006	42079
6-Cyl. 170.....	1967-1966	42055	V-10 6.8 L.....	2002-1997	42079
6-Cyl. 170; P100.....	1965-1960	42055	TAURUS		
6-Cyl. 223.....	1964-1957	42072	4-Cyl. 2.5 L.....	1991-1990	41092
6-Cyl. 240.....	1972-1965	42057	4-Cyl. 2.5 L; Jan. 1989 & Older; W/5/8" Pilot Shaft.....	1989	41010
6-Cyl. 300.....	1976-1975	42057	4-Cyl. 2.5 L; W/3/4" Pilot Shaft.....	1989-1986	41092
6-Cyl. 300; W/O A.P.....	1974-1973	42057	4-Cyl. 2.5 L; W/5/8" Pilot Shaft.....	1988-1986	41010
6-Cyl. 300.....	1972-1965	42057	V-6 3.0 L; W/12-Valve Eng.....	2007-2001	43063
PINTO			V-6 3.0 L; W/24-Valve Eng.....	2007-2003	43505
4-Cyl. 98.....	1973-1971	42050	V-6 3.0 L; W/24-Valve Eng.....	2002-2001	41011
4-Cyl. 122.....	1974-1971	42052	V-6 3.0 L; W/DOHC Eng.....	2000-1996	42334
4-Cyl. 2.3 L.....	1980	42124	V-6 3.0 L; W/O.H.V. Eng.....	2000-1996	43063
4-Cyl. 140.....	1979-1974	42124	V-6 3.0 L; W/O SHO Eng.....	1995	43063
V-6 171.....	1979-1975	44098	V-6 3.0 L; W/SHO Eng.....	1995-1989	43087
PROBE			V-6 3.0 L; W/O SHO Eng.....	1994-1989	43051
4-Cyl. 2.0 L.....	1997-1993	42135	V-6 3.0 L.....	1988-1986	43051
4-Cyl. 2.2 L.....	1992-1989	42129	V-6 3.2 L.....	1995-1993	43089
V-6 2.5 L; W/32mm Dia. Pulley Pilot.....	1997-1993	42137	V-6 3.8 L.....	1995-1994	43061
V-6 2.5 L; W/16mm Dia. Pulley Pilot.....	1994-1993	42136	V-6 3.8 L.....	1993-1988	43055
V-6 3.0 L.....	1992-1990	42074	V-8 3.4 L.....	1999-1996	43131
RANCHERO			TEMPO		
6-Cyl. 200.....	1968-1966	42055	4-Cyl. 2.0 L Diesel.....	1986-1984	42059
V-8 289.....	1968	43049	4-Cyl. 2.3 L.....	1994-1992	41010
V-8 289; W/Cast Iron W.P.....	1967-1966	43049	4-Cyl. 2.3 L.....	1991-1984	41009
V-8 289; W/Aluminum W.P.; W/O A.P.....	1966	43072	V-6 3.0 L.....	1994-1992	42078
V-8 302.....	1969	43049	THUNDERBIRD		
V-8 351; W/Windsor Eng.....	1969	43049	4-Cyl. 2.3 L.....	1988-1983	42060
V-8 390.....	1969-1967	44004	6-Cyl. 3.3 L.....	1982-1980	42054
V-8 428.....	1969	44004	V-6 3.8 L.....	1997-1996	43067
RANGER			V-6 3.8 L; W/O Supercharger.....	1995-1994	43062
4-Cyl. 2.0 L.....	1988-1983	42060	V-6 3.8 L; W/Supercharger.....	1995-1990	43082
4-Cyl. 2.3 L.....	2003-2001	41120	V-6 3.8 L; W/O Supercharger.....	1993-1989	43056
4-Cyl. 2.3 L.....	1997-1995	42066	V-6 3.8 L.....	1988	43056
4-Cyl. 2.3 L.....	1994-1983	42060	V-6 3.8 L.....	1987-1982	43043
4-Cyl. 2.5 L.....	2001-1998	42066	V-8 3.9 L.....	2004-2002	43503
V-6 2.8 L.....	1985-1983	43046	V-8 4.2 L.....	1982-1980	43058
V-6 2.9 L.....	1992-1986	43054	V-8 4.6 L.....	1997-1994	42065
V-6 3.0 L.....	2007-1995	43064	V-8 5.0 L.....	1993-1991	43066
V-6 3.0 L.....	1994-1991	43052	V-8 5.0 L.....	1988-1986	43272
V-6 4.0 L.....	2005-2003	43279		or	*43272P
V-6 4.0 L.....	2000-1990	43060	V-8 5.0 L.....	1985	43050
SUPER DUTY PICKUP			V-8 5.0 L.....	1984-1983	43058
V-8 5.4 L.....	2005-2003	43504	V-8 5.0 L.....	1981-1980	43058
V-8 5.4 L.....	2002-1999	42068	V-8 390.....	1968-1965	44004
V-8 6.0 L Diesel.....	2007-2005	43541	V-8 390.....	1963-1961	42552
V-8 6.0 L Diesel; Sept. 22, 2003 & Older.....	2004	42333	V-8 427.....	1963	42552
	or	41185	V-8 428.....	1966	44004
V-8 6.0 L Diesel; Sept. 23, 2003 & Newer.....	2004	43541	V-8 429.....	1969-1968	44011
V-8 6.0 L Diesel.....	2003	42333	TORINO		
	or	41185	6-Cyl. 200.....	1968	42055
V-8 7.3 L Diesel.....	2003-1999	43546	V-8 289.....	1968	43049
V-8 7.3 L Diesel.....	1997	45000	V-8 302.....	1969-1968	43049
V-8 7.3 L Diesel.....	1994-1989	44018	V-8 351; W/Windsor Eng.....	1969	43049
V-10 6.8 L.....	2002-1999	42079	V-8 390.....	1969-1968	44004
			V-8 428.....	1969-1968	44004

* High Performance Pump

Application Guide - Passenger Cars and Light Trucks

Application	Year	Gates No.	Application	Year	Gates No.
FORD - Continued			GMC - Continued		
WINDSTAR			C & K SERIES PICKUP - Continued		
V-6 3.0 L.....	2000-1995	43063	V-8 5.7 L.....	1995-1993	43114
V-6 3.8 L.....	2003-1996	43069	V-8 5.7 L; W/5.8" Hub Height.....	1992	43118
V-6 3.8 L.....	1995	43061	V-8 5.7 L; W/6.9" Hub Height.....	1992	43114
ZX2			V-8 5.7 L.....	1991-1988	43114
4-Cyl. 2.0 L.....	2003	41013	V-8 5.7 L.....	1986-1980	43099
300				or *43099P	
V-8 406.....	1963	42552	V-8 5.7 L Diesel; W/A.C.....	1981-1980	43100
V-8 427.....	1963	42552	V-8 5.7 L Diesel; W/O A.C.....	1981-1980	43107
GEO			V-8 350.....	1979-1977	43099
METRO				or *43099P	
3-Cyl. 1.0 L.....	1997-1989	42212	V-8 350.....	1976-1973	43101
4-Cyl. 1.3 L.....	1997-1995	42212	V-8 350.....	1972-1969	43106
4-Cyl. 1.3 L (Canada).....	1994-1992	42212		or *43106P	
PRIZM			V-8 350 Diesel; W/A.C.....	1979	43100
4-Cyl. 1.6 L.....	1997-1993	42319	V-8 350 Diesel; W/O A.C.....	1979	43107
4-Cyl. 1.6 L; W/1-Piece Valve Cover.....	1992-1990	41097	V-8 350 Diesel.....	1978	43100
4-Cyl. 1.6 L; W/3-Piece Valve Cover.....	1992-1990	42237	V-8 6.2 L Diesel.....	1993-1988	44100
4-Cyl. 1.6 L.....	1989	41097	V-8 6.2 L Diesel.....	1986-1982	44099
4-Cyl. 1.8 L.....	1997-1993	42245	V-8 6.5 L Diesel.....	2002-2000	44056
SPECTRUM			V-8 6.5 L Diesel; W/Drilled & Tapped Hub For Bolt-On Pulley & Fan Clutch.....	1999	44042
4-Cyl. 1.5 L.....	1989	41052	V-8 6.5 L Diesel; W/Press-On Pulley For Thread-On Fan Clutch.....	1999	44056
STORM			V-8 6.5 L Diesel.....	1998-1997	44042
4-Cyl. 1.6 L.....	1993-1992	41054	V-8 6.5 L Diesel; W/Dual Thermostats....	1996	44042
4-Cyl. 1.6 L; W/DOHC Eng.....	1991-1990	41053	V-8 6.5 L Diesel; W/Single Thermostat ...	1996	44100
4-Cyl. 1.6 L; W/SOHC Eng.....	1991-1990	41054	V-8 6.5 L Diesel.....	1995-1992	44100
4-Cyl. 1.8 L.....	1993-1992	41054	V-8 396.....	1970-1968	44088
TRACKER			V-8 6.6 L.....	1980	43099
4-Cyl. 1.6 L.....	1997-1990	42284		or *43099P	
4-Cyl. 1.6 L; Early; W/4 Threaded Mounting Bosses.....	1989	42284	V-8 6.6 L (Canada).....	1981	43099
4-Cyl. 1.6 L; Late; W/5 Threaded Mounting Bosses.....	1989	42284		or *43099P	
GMC			V-8 400.....	1979-1977	43099
ACADIA				or *43099P	
V-6 3.6 L.....	2007	43530	V-8 400.....	1976-1975	43101
C & K SERIES PICKUP			V-8 402.....	1972-1971	44088
6-Cyl. 230.....	1965-1964	42082	V-8 7.4 L.....	2000-1988	44030
6-Cyl. 4.1 L.....	1984-1980	42085	V-8 7.4 L.....	1986-1980	44027
6-Cyl. 250.....	1979-1978	42085		or *44027P	
6-Cyl. 250.....	1977-1975	42086	V-8 454.....	1979-1973	44027
6-Cyl. 250.....	1974-1966	42082		or *44027P	
6-Cyl. 4.8 L.....	1986-1980	42089	V-8 8.1 L.....	2002-2001	44089
6-Cyl. 292.....	1979-1978	42089	CABALLERO		
6-Cyl. 292.....	1977-1975	42090	V-6 200.....	1979-1978	43099
6-Cyl. 292.....	1974-1967	43283		or *43099P	
V-6 4.3 L.....	1998-1996	43315	V-6 3.8 L; Eng. VIN 9 (8th digit of VIN)..	1984-1983	43099
V-6 4.3 L.....	1995-1988	43114		or *43099P	
V-6 4.3 L.....	1986-1985	43099	V-6 3.8 L; Eng. VIN A (8th digit of VIN).	1984-1980	43094
			V-6 3.8 L; Eng. VIN K (8th digit of VIN).	1982-1980	43099
				or *43099P	
V-6 305.....	1969-1960	42099	V-6 231.....	1979-1978	43094
V-8 283.....	1967	43106	V-6 4.3 L.....	1987-1985	43099
				or *43099P	
V-8 5.0 L.....	1999-1996	43315	V-8 4.4 L.....	1982-1980	43099
V-8 5.0 L.....	1995-1988	43114		or *43099P	
V-8 5.0 L.....	1986-1980	43099	V-8 267.....	1979	43099
				or *43099P	
V-8 305.....	1979-1977	43099	V-8 5.0 L.....	1987-1980	43099
				or *43099P	
V-8 307.....	1973	43101	V-8 305.....	1979-1978	43099
V-8 307.....	1972-1968	43106		or *43099P	
			V-8 5.7 L Diesel.....	1984-1983	43100
V-8 327.....	1968-1967	43106	V-8 350.....	1979-1978	43099
				or *43099P	
V-8 5.7 L.....	2000-1996	43315	CANYON		
			4-Cyl. 2.8 L.....	2006-2004	41122
			4-Cyl. 2.9 L.....	2008-2007	41122
			5-Cyl. 3.5 L.....	2006-2004	41122
			5-Cyl. 3.7 L.....	2008-2007	41122

* High Performance Pump

Application Guide - Passenger Cars and Light Trucks

Application	Year	Gates No.	Application	Year	Gates No.
GMC - Continued			GMC - Continued		
ENVOY			JIMMY - Continued		
6-Cyl. 4.2 L.....	2008-2002	41122	V-8 350.....	1976-1973	43101
V-8 5.3 L.....	2005-2003	45005	V-8 350.....	1972-1970	43106
G SERIES VAN			or *43106P		
4-Cyl. 153.....	1964	42098	V-8 6.2 L Diesel.....	1982	44099
6-Cyl. 194.....	1966	42098	V-8 400.....	1979-1977	43099
6-Cyl. 230.....	1969-1967	42082	or *43099P		
6-Cyl. 4.1 L.....	1984-1980	42085	JIMMY COMPACT		
6-Cyl. 250.....	1979-1978	42085	4-Cyl. 1.9 L.....	1984-1983	42087
6-Cyl. 250.....	1977-1975	42086	4-Cyl. 2.0 L.....	1984-1983	42088
6-Cyl. 250.....	1974-1967	42082	4-Cyl. 2.5 L.....	1988-1987	42094
6-Cyl. 292.....	1978	42089	4-Cyl. 2.5 L.....	1986-1985	42092
6-Cyl. 292.....	1977-1975	42090	V-6 2.8 L.....	1989-1987	43116
6-Cyl. 292.....	1974	43283	V-6 2.8 L.....	1986-1983	43095
V-6 4.3 L; W/Bolt-On Fan Clutch.....	1996	43114	V-6 4.3 L.....	1991-1988	43114
V-6 4.3 L; W/Screw-On Fan Clutch.....	1996	43315	JIMMY FULL SIZE		
V-6 4.3 L.....	1995-1987	43114	V-8 5.0 L.....	1987-1983	43099
V-6 4.3 L.....	1986-1985	43099	or *43099P		
V-8 283.....	1967	43106	V-8 5.7 L.....	1991-1989	43114
or *43106P			V-8 5.7 L.....	1988-1983	43099
V-8 5.0 L.....	1995-1987	43114	or *43099P		
V-8 5.0 L.....	1986-1980	43099	V-8 6.2 L Diesel.....	1991-1983	44099
or *43099P			P SERIES VAN		
V-8 305.....	1979-1977	43099	4-Cyl. 153.....	1965-1963	42082
or *43099P			4-Cyl. 3.9 L Diesel.....	1991-1989	41181
V-8 307.....	1973	43101	6-Cyl. 194.....	1966	42082
V-8 307; W/O Threaded Power Steering Boss.....	1972	43101	6-Cyl. 230.....	1969-1963	42082
V-8 307; W/Threaded Power Steering Boss.....	1972	43099	6-Cyl. 250.....	1974-1966	42082
or *43099P			6-Cyl. 4.8 L.....	1989-1980	42089
V-8 307.....	1971-1968	43106	6-Cyl. 292.....	1979-1978	42089
or *43106P			6-Cyl. 292.....	1977-1975	42090
V-8 5.7 L.....	1996-1987	43114	6-Cyl. 292.....	1974-1967	43283
V-8 5.7 L.....	1986-1980	43099	V-6 4.3 L.....	1999-1996	43315
or *43099P			V-6 4.3 L.....	1995-1990	43099
V-8 350.....	1979-1977	43099	or *43099P		
or *43099P			V-8 307.....	1973	43101
V-8 350.....	1976-1973	43101	V-8 307.....	1972-1968	43106
V-8 350; W/O Threaded Power Steering Boss.....	1972	43101	or *43106P		
V-8 350; W/Threaded Power Steering Boss.....	1972	43099	V-8 5.7 L.....	1999-1996	43315
or *43099P			V-8 5.7 L.....	1995-1980	43099
V-8 350.....	1971-1970	43106	or *43099P		
or *43106P			V-8 350.....	1979-1977	43099
V-8 6.2 L Diesel.....	1993-1983	44099	or *43099P		
V-8 6.5 L Diesel.....	1996-1994	44100	V-8 350.....	1976-1973	43101
V-8 6.6 L.....	1980	43099	V-8 350; W/4-Bbl. Carb.....	1972	43101
or *43099P			V-8 350; W/O 4-Bbl. Carb.....	1972	43106
V-8 400.....	1979-1977	43099	or *43106P		
or *43099P			V-8 350.....	1971-1969	43106
V-8 400.....	1976-1975	43101	or *43106P		
V-8 7.4 L.....	1996-1988	44030	V-8 6.2 L Diesel.....	1993-1982	44099
JIMMY			V-8 6.5 L Diesel.....	1999	44056
6-Cyl. 4.1 L.....	1982-1980	42085	V-8 6.5 L Diesel.....	1998-1997	44042
6-Cyl. 250.....	1979-1978	42085	V-8 6.5 L Diesel.....	1996-1994	44100
6-Cyl. 250.....	1977-1975	42086	V-8 7.4 L.....	1999-1998	44030
6-Cyl. 250.....	1974-1970	42082	V-8 7.4 L; Eng. VIN J (8th digit of VIN)..	1997-1996	44027
V-6 4.3 L.....	2001-1996	43315	or *44027P		
V-6 4.3 L.....	1995-1992	43114	V-8 7.4 L; Eng. VIN N (8th digit of VIN).	1997-1996	44030
V-6 4.3 L (Canada).....	2005-2002	43315	V-8 7.4 L.....	1995-1980	44027
V-8 5.0 L.....	1982-1980	43099	or *44027P		
or *43099P			R & V SERIES PICKUP		
V-8 305.....	1979-1977	43099	6-Cyl. 4.8 L.....	1988-1987	42089
or *43099P			V-6 4.3 L.....	1987	43099
V-8 307.....	1973	43101	or *43099P		
V-8 307.....	1972-1970	43106	V-8 5.0 L.....	1987	43099
or *43106P			or *43099P		
V-8 5.7 L.....	1982-1980	43099	V-8 5.7 L.....	1991-1987	43099
or *43099P			or *43099P		
V-8 350.....	1979-1977	43099	V-8 6.2 L Diesel.....	1991-1987	44099
or *43099P			V-8 7.4 L.....	1991-1987	44027
or *43099P			or *44027P		

* High Performance Pump

Application Guide - Passenger Cars and Light Trucks

Application	Year	Gates No.	Application	Year	Gates No.
GMC - Continued			GMC - Continued		
S SERIES PICKUP			SPRINT - Continued		
4-Cyl. 1.9 L.....	1985-1982	42087	V-8 350.....	1977	43099
4-Cyl. 2.0 L.....	1984-1983	42088			or *43099P
4-Cyl. 2.2 L Diesel.....	1985-1984	43139	V-8 350.....	1976-1971	43101
4-Cyl. 2.5 L.....	1990-1987	42094	V-8 400.....	1976-1974	43101
4-Cyl. 2.5 L.....	1986-1985	42092	V-8 402.....	1972-1971	44027
V-6 2.8 L.....	1990-1987	43116			or *44027P
V-6 2.8 L.....	1986-1982	43095	V-8 454.....	1975-1971	44027
V-6 4.3 L.....	1990-1988	43114			or *44027P
SAFARI			SUBURBAN		
4-Cyl. 2.5 L.....	1990-1987	42094	6-Cyl. 230.....	1966-1964	42082
4-Cyl. 2.5 L.....	1986-1985	42092	6-Cyl. 4.1 L.....	1980	42085
V-6 4.3 L.....	2005-1996	43315	6-Cyl. 250.....	1979-1978	42085
V-6 4.3 L.....	1995-1987	43114	6-Cyl. 250.....	1977-1975	42086
V-6 4.3 L.....	1986-1985	43099	6-Cyl. 250.....	1974-1966	42082
		or *43099P	6-Cyl. 292.....	1979-1978	42089
SAVANA			6-Cyl. 292.....	1977-1975	42090
V-6 4.3 L.....	2006-1997	43315	6-Cyl. 292.....	1974-1966	43283
V-6 4.3 L; W/Screw-On Fan Clutch.....	1996	43315	V-6 305.....	1969-1960	42099
V-8 4.8 L.....	2005-2003	45005	V-8 5.0 L.....	1987-1980	43099
V-8 5.0 L.....	2002-1996	43315			or *43099P
V-8 5.3 L.....	2005-2003	45005	V-8 305.....	1979-1977	43099
V-8 5.7 L.....	2002-1997	43315			or *43099P
V-8 5.7 L.....	1996	43114	V-8 307.....	1973	43101
V-8 6.0 L.....	2005-2003	45005	V-8 307.....	1972-1968	43106
V-8 6.5 L Diesel.....	2002-1999	44056			or *43106P
V-8 6.5 L Diesel.....	1998-1996	44042	V-8 327.....	1968-1967	43106
V-8 7.4 L.....	2000-1996	44030			or *43106P
V-8 8.1 L.....	2002-2001	44089	V-8 5.7 L.....	1999-1996	43315
SERIES 100			V-8 5.7 L.....	1995-1993	43114
V-8 287.....	1955	42099	V-8 5.7 L; W/5.8" Hub Height.....	1992	43118
V-8 317.....	1956	42099	V-8 5.7 L; W/6.9" Hub Height.....	1992	43114
V-8 336.....	1959-1958	42099	V-8 5.7 L.....	1991-1989	43114
V-8 347.....	1957	42099	V-8 5.7 L.....	1988-1980	43099
SERIES 150					or *43099P
V-8 287.....	1955	42099	V-8 350.....	1979-1977	43099
V-8 317.....	1956	42099			or *43099P
V-8 336.....	1959-1958	42099	V-8 350.....	1976-1973	43101
V-8 347.....	1957	42099	V-8 350.....	1972-1969	43106
SERIES 250					or *43106P
V-8 287.....	1955	42099	V-8 6.2 L Diesel.....	1991-1988	44100
V-8 317.....	1956	42099	V-8 6.2 L Diesel.....	1987-1982	44099
V-8 336.....	1959-1958	42099	V-8 6.5 L Diesel; W/Drilled & Tapped Hub For Bolt-On Pulley & Fan Clutch.....	1999	44042
V-8 347.....	1957	42099	V-8 6.5 L Diesel; W/Press-On Pulley For Thread-On Fan Clutch.....	1999	44056
SIERRA SERIES PICKUP			V-8 6.5 L Diesel.....	1998-1997	44042
V-6 4.3 L.....	2008-1999	43315	V-8 6.5 L Diesel; W/Dual Thermostats....	1996	44042
V-8 4.8 L.....	2006-1999	45005	V-8 6.5 L Diesel; W/Single Thermostat....	1996	44100
V-8 5.3 L.....	2006-1999	45005	V-8 6.5 L Diesel.....	1995-1994	44100
V-8 6.0 L.....	2006-1999	45005	V-8 396.....	1970-1968	44088
V-8 6.5 L Diesel; W/Pulley & Thread-On Fan Clutch.....	1999	44056	V-8 6.6 L.....	1980	43099
V-8 6.5 L Diesel; W/Standard Hub For Bolt-On Pulley & Fan Clutch.....	1999	44042			or *43099P
V-8 6.6 L Diesel.....	2005-2001	42349	V-8 400.....	1979-1977	43099
V-8 8.1 L.....	2007-2001	44045			or *43099P
SONOMA			V-8 400.....	1976-1975	43101
4-Cyl. 2.2 L.....	2003-1994	41019	V-8 402.....	1972-1971	44088
4-Cyl. 2.5 L.....	1993-1991	42094	V-8 7.4 L.....	1999-1988	44030
V-6 2.8 L.....	1993-1991	43116	V-8 7.4 L.....	1987-1980	44027
V-6 4.3 L.....	2004-1996	43315			or *44027P
V-6 4.3 L.....	1995-1991	43114	V-8 454.....	1979-1973	44027
SPRINT					or *44027P
6-Cyl. 250.....	1977-1975	42085	SYCLONE		
6-Cyl. 250.....	1972-1971	42082	V-6 4.3 L.....	1992-1991	43114
V-8 305.....	1977	43099	TRACKER		
		or *43099P	4-Cyl. 1.6 L (Canada).....	1992-1990	42284
V-8 305.....	1976	43101	TYPHOON		
V-8 307.....	1973-1971	43101	V-6 4.3 L.....	1993-1992	43114

* High Performance Pump

Application Guide - Passenger Cars and Light Trucks

Application	Year	Gates No.	Application	Year	Gates No.
GMC - Continued			HONDA - Continued		
YUKON			PILOT		
V-8 4.8 L.....	2006-2000	45005	V-6 3.5 L.....	2005	41184
V-8 5.3 L.....	2006-2000	45005	V-6 3.5 L.....	2004-2003	42316
V-8 5.7 L.....	2000-1996	43315	PRELUDE		
V-8 5.7 L.....	1995-1992	43114	4-Cyl. 98 (Canada); W/4 23/32" Dia. Pulley.....		
V-8 6.0 L.....	2006-2000	45005		1979	41034
V-8 6.5 L Diesel.....	1997	44042	4-Cyl. 1.8 L.....	1987-1983	41037
V-8 6.5 L Diesel; W/Dual Thermostats....	1996	44042	4-Cyl. 1.8 L.....	1982	41030
V-8 6.5 L Diesel; W/Single Thermostat...	1996	44100	4-Cyl. 1.8 L.....	1981-1980	41031
V-8 6.5 L Diesel.....	1995-1994	44100	4-Cyl. 107; W/4 23/32" Dia. Pulley.....	1979	41034
V-8 8.1 L.....	2006-2001	44045	4-Cyl. 2.0 L.....	1991	41043
HONDA			4-Cyl. 2.0 L; W/Fuel Inj.....	1990-1988	41043
ACCORD			4-Cyl. 2.0 L; W/O Fuel Inj.....	1990-1988	41044
4-Cyl. 98; W/4 23/32" Dia. Pulley.....	1978-1976	41034	4-Cyl. 2.0 L.....	1987-1985	41039
4-Cyl. 98 (Canada); W/4 23/32" Dia. Pulley.....	1979	41034	4-Cyl. 2.1 L.....	1991-1990	41043
4-Cyl. 1.8 L.....	1985-1984	41037	4-Cyl. 2.2 L.....	2001-1997	41046
4-Cyl. 1.8 L.....	1983-1982	41030	4-Cyl. 2.2 L; W/DOHC Eng.....	1996-1993	41046
4-Cyl. 1.8 L.....	1981-1980	41031	4-Cyl. 2.2 L; W/SOHC Eng.....	1996-1993	41042
4-Cyl. 107; W/4 23/32" Dia. Pulley.....	1979	41034	4-Cyl. 2.2 L.....	1992	41042
4-Cyl. 2.0 L.....	1989-1986	41039	4-Cyl. 2.3 L.....	1996-1992	41047
4-Cyl. 2.2 L.....	1997-1990	41042	S2000		
4-Cyl. 2.3 L.....	2002-1998	41042	4-Cyl. 2.0 L.....	2003-2000	43506
4-Cyl. 2.4 L.....	2007	41183	4-Cyl. 2.2 L.....	2008-2004	43506
4-Cyl. 2.4 L.....	2006-2003	43544	HUMMER		
V-6 2.7 L.....	1997-1995	42108	H1		
V-6 3.0 L.....	2007-2003	41184	V-8 6.5 L Diesel.....		
V-6 3.0 L.....	2002-1998	42316	2004-2002		
CIVIC			44056		
4-Cyl. 71; W/5 9/16" Dia. Pulley.....	1973	42323	H2		
4-Cyl. 75; W/5 9/16" Dia. Pulley.....	1979-1974	42323	V-8 6.0 L.....		
4-Cyl. 1.3 L.....	1987-1984	41038	2006-2003		
4-Cyl. 1.3 L.....	1983-1980	41029	H3		
4-Cyl. 1.3 L Electric Assist.....	2005-2003	43521	5-Cyl. 3.7 L.....		
4-Cyl. 1.5 L; CX, DX, LX.....	1995-1992	41040	2008-2007		
4-Cyl. 1.5 L; VX.....	1995-1992	41045	HYUNDAI		
4-Cyl. 1.5 L.....	1991-1988	41040	ACCENT		
4-Cyl. 1.5 L.....	1987-1984	41038	4-Cyl. 1.5 L.....		
4-Cyl. 1.5 L.....	1983-1980	41030	2002-1998		
4-Cyl. 91; W/4 23/32" Dia. Pulley.....	1979-1975	41034	4-Cyl. 1.5 L; W/DOHC Eng.....		
4-Cyl. 1.6 L; W/SOHC Eng.....	2000-1999	41048	1997-1996		
4-Cyl. 1.6 L.....	1998-1996	41048	4-Cyl. 1.5 L; W/SOHC Eng.....		
4-Cyl. 1.6 L.....	1995-1992	41045	1997-1996		
4-Cyl. 1.6 L.....	1991-1989	41040	4-Cyl. 1.5 L.....		
4-Cyl. 1.7 L.....	2005-2001	41115	1995		
CIVIC DEL SOL			4-Cyl. 1.5 L (Canada).....		
4-Cyl. 1.5 L.....	1995-1993	41040	2003		
4-Cyl. 1.6 L; W/SOHC Eng.....	1997-1996	41048	4-Cyl. 1.6 L.....		
4-Cyl. 1.6 L; W/DOHC Eng.....	1995-1994	41106	2008-2001		
4-Cyl. 1.6 L; W/SOHC Eng.....	1995-1994	41045	ELANTRA		
4-Cyl. 1.6 L.....	1993	41045	4-Cyl. 1.6 L.....		
CR-V			1995-1992		
4-Cyl. 2.0 L.....	2001-1997	41049	4-Cyl. 1.8 L.....		
4-Cyl. 2.4 L.....	2006-2002	42312	1998-1996		
CRX			4-Cyl. 1.8 L.....		
4-Cyl. 1.5 L.....	1991-1988	41040	1995-1993		
4-Cyl. 1.6 L.....	1991-1988	41040	4-Cyl. 2.0 L.....		
ELEMENT			2008-1999		
4-Cyl. 2.4 L.....	2007-2003	41183	EXCEL		
ODYSSEY			4-Cyl. 1.5 L.....		
4-Cyl. 2.2 L.....	1997-1995	41042	1994-1986		
4-Cyl. 2.3 L.....	1998	41042	SANTA FE		
V-6 3.5 L.....	2004-1999	42316	4-Cyl. 2.4 L.....		
PASSPORT			2004-2001		
4-Cyl. 2.6 L.....	1996-1994	42119	4-Cyl. 2.4 L (Canada).....		
V-6 3.2 L.....	2002-1998	42297	2006-2005		
V-6 3.2 L.....	1997-1994	42120	V-6 2.7 L.....		
			2006-2001		
			V-6 3.5 L.....		
			2006-2003		
			SCOUPE		
			4-Cyl. 1.5 L.....		
			1995-1991		
			SONATA		
			4-Cyl. 2.0 L.....		
			1998-1992		
			4-Cyl. 2.4 L.....		
			2005-1999		
			4-Cyl. 2.4 L.....		
			1991-1989		
			V-6 2.7 L.....		
			2005-2002		
			V-6 3.0 L.....		
			1998-1990		
			TIBURON		
			4-Cyl. 1.8 L.....		
			1998-1997		
			4-Cyl. 2.0 L.....		
			2006-2003		
			4-Cyl. 2.0 L.....		
			2001-1997		
			V-6 2.7 L.....		
			2007-2003		

* High Performance Pump

Application Guide - Passenger Cars and Light Trucks

Application	Year	Gates No.	Application	Year	Gates No.
HYUNDAI - Continued			INTERNATIONAL - Continued		
TUCSON			C SERIES PICKUP		
4-Cyl. 2.0 L.....	2006-2005	41061	V-8 266; W/Fan Clutch.....	1968	42113
V-6 2.7 L.....	2006-2005	42301	V-8 266; W/O Fan Clutch.....	1968	42111
XG300			D SERIES		
V-6 3.0 L.....	2001	42313	V-8 266; W/Fan Clutch.....	1965	42113
XG350			V-8 266; W/O Fan Clutch.....	1965	42111
V-6 3.5 L.....	2005-2002	42313	V-8 304; W/Fan Clutch.....	1965	42113
INFINITI			V-8 304; W/O Fan Clutch.....	1965	42111
FX35			D SERIES PICKUP		
V-6 3.5 L.....	2008-2003	41123	6-Cyl. 232.....	1971-1969	43005
G20			V-8 266; W/Fan Clutch.....	1970-1969	42113
4-Cyl. 2.0 L.....	2002-1999	41138	V-8 266; W/O Fan Clutch.....	1970-1969	42111
4-Cyl. 2.0 L.....	1996-1991	41138	V-8 304; W/Fan Clutch.....	1971-1969	42113
G35			V-8 304; W/O Fan Clutch.....	1971-1969	42111
V-6 3.5 L.....	2006-2003	41123	V-8 345; W/Fan Clutch.....	1971	42113
I30			V-8 345; W/O Fan Clutch.....	1971	42111
V-6 3.0 L.....	2001-1996	41164	M1100		
I35			6-Cyl. 258.....	1972	43007
V-6 3.5 L.....	2004-2002	41123	V-8 304; W/Fan Clutch.....	1972	42113
J30			V-8 304; W/O Fan Clutch.....	1972	42111
V-6 3.0 L.....	1997-1993	42189	M1200		
M30			6-Cyl. 258.....	1972	43007
V-6 3.0 L.....	1992-1990	42181	V-8 304; W/Fan Clutch.....	1972	42113
M35			V-8 304; W/O Fan Clutch.....	1972	42111
V-6 3.5 L.....	2007-2006	41123	M SERIES VAN		
Q45			4-Cyl. 196; W/Fan Clutch.....	1971	42113
V-8 4.1 L.....	2001-1998	42192	4-Cyl. 196; W/O Fan Clutch.....	1971	42111
V-8 4.1 L.....	1997	42335	6-Cyl. 232.....	1971-1970	43005
V-8 4.5 L.....	1996-1994	42335	V-8 266; W/Fan Clutch.....	1970-1966	42113
V-8 4.5 L; Feb. 1993 & Newer.....	1993	42335	V-8 266; W/O Fan Clutch.....	1970-1966	42111
V-8 4.5 L; Jan. 1993 & Older.....	1993	42188	V-8 304; W/Fan Clutch.....	1971-1969	42113
V-8 4.5 L.....	1992-1990	42188	V-8 304; W/O Fan Clutch.....	1971-1969	42111
QX4			MHC1310		
V-6 3.3 L.....	2000-1997	43255	6-Cyl. 258.....	1975-1974	43007
V-6 3.5 L.....	2003-2001	41164	6-Cyl. 304.....	1975	43007
QX56			V-8 304; W/Fan Clutch.....	1975-1974	42113
V-8 5.6 L.....	2008-2004	43537	V-8 304; W/O Fan Clutch.....	1975-1974	42111
INTERNATIONAL			MS1210		
A SERIES PICKUP			6-Cyl. 258.....	1974-1973	43007
V-8 266; W/Fan Clutch.....	1966	42113	V-8 304; W/Fan Clutch.....	1974-1973	42113
V-8 266; W/O Fan Clutch.....	1966	42111	V-8 304; W/O Fan Clutch.....	1974-1973	42111
V-8 304; W/Fan Clutch.....	1966	42113	V-8 345; W/Fan Clutch.....	1975-1973	42113
V-8 304; W/O Fan Clutch.....	1966	42111	V-8 345; W/O Fan Clutch.....	1975-1973	42111
B SERIES			V-8 392; W/Fan Clutch.....	1975	42113
V-8 266.....	1960-1959	42111	V-8 392; W/O Fan Clutch.....	1975	42111
B SERIES PICKUP			SCOUT		
V-8 266; W/Fan Clutch.....	1967	42113	4-Cyl. 196; W/Fan Clutch.....	1971-1970	42113
V-8 266; W/O Fan Clutch.....	1967	42111	4-Cyl. 196; W/O Fan Clutch.....	1971-1970	42111
C SERIES			V-8 266; W/Fan Clutch.....	1968-1966	42113
V-8 266; W/Fan Clutch.....	1964-1961	42113	V-8 266; W/O Fan Clutch.....	1968-1966	42111
V-8 266; W/O Fan Clutch.....	1964-1961	42111	V-8 304; W/Fan Clutch.....	1971-1969	42113
V-8 304; W/Fan Clutch.....	1964	42113	V-8 304; W/O Fan Clutch.....	1971-1969	42111
V-8 304; W/O Fan Clutch.....	1964	42111	SCOUT II		
			4-Cyl. 3.2 L; W/Fan Clutch.....	1980	42113
			4-Cyl. 3.2 L; W/O Fan Clutch.....	1980	42111
			4-Cyl. 196; W/Fan Clutch.....	1979-1971	42113
			4-Cyl. 196; W/O Fan Clutch.....	1979-1971	42111
			6-Cyl. 3.2 L Diesel; W/Fan Clutch.....	1980	42113
			6-Cyl. 3.2 L Diesel; W/O Fan Clutch.....	1980	42111
			6-Cyl. 198 Diesel; W/Fan Clutch.....	1979-1976	42113
			6-Cyl. 198 Diesel; W/O Fan Clutch.....	1979-1976	42111
			6-Cyl. 232.....	1972-1971	43005
			6-Cyl. 258.....	1974-1973	43007
			V-8 5.0 L; W/Fan Clutch.....	1980	42113
			V-8 5.0 L; W/O Fan Clutch.....	1980	42111
			V-8 304; W/Fan Clutch.....	1979-1971	42113
			V-8 304; W/O Fan Clutch.....	1979-1971	42111

* High Performance Pump

Application Guide - Passenger Cars and Light Trucks

Application	Year	Gates No.	Application	Year	Gates No.
INTERNATIONAL - Continued			ISUZU - Continued		
SCOUT II - Continued			ASCENDER		
V-8 5.6 L; W/Fan Clutch	1980	42113	6-Cyl. 4.2 L	2008-2003	41122
V-8 5.6 L; W/O Fan Clutch.....	1980	42111	V-8 5.3 L	2005-2003	45005
V-8 345; W/Fan Clutch.....	1979-1971	42113	AXIOM		
V-8 345; W/O Fan Clutch.....	1979-1971	42111	V-6 3.5 L	2004-2002	42297
100			HOMBRE		
6-Cyl. 258.....	1974	43007	4-Cyl. 2.2 L	2000-1996	41019
V-8 304; W/Fan Clutch.....	1974	42113	V-6 4.3 L	2000-1997	43315
V-8 304; W/O Fan Clutch.....	1974	42111	I-280		
V-8 345; W/Fan Clutch.....	1974	42113	4-Cyl. 2.8 L	2006	41122
V-8 345; W/O Fan Clutch.....	1974	42111	I-290		
V-8 392; W/Fan Clutch.....	1974	42113	4-Cyl. 2.9 L	2008-2007	41122
V-8 392; W/O Fan Clutch.....	1974	42111	I-350		
V-8 400; W/Fan Clutch.....	1974	42113	5-Cyl. 3.5 L	2006	41122
V-8 400; W/O Fan Clutch.....	1974	42111	I-370		
150			5-Cyl. 3.7 L	2008-2007	41122
V-8 304; W/Fan Clutch.....	1975	42113	I-MARK		
V-8 304; W/O Fan Clutch.....	1975	42111	4-Cyl. 1.5 L	1989-1985	41052
V-8 345; W/Fan Clutch.....	1975	42113	4-Cyl. 1.5 L (Canada).....	1990	41052
V-8 345; W/O Fan Clutch.....	1975	42111	4-Cyl. 1.6 L	1989	41056
V-8 392; W/Fan Clutch.....	1975	42113	4-Cyl. 1.6 L (Canada).....	1990	41056
V-8 392; W/O Fan Clutch.....	1975	42111	4-Cyl. 1.8 L	1985-1981	41051
200			4-Cyl. 1.8 L Diesel; Jan. 1983 & Older...	1983	42117
6-Cyl. 258.....	1974	43007	4-Cyl. 1.8 L Diesel.....	1982-1981	42117
V-8 304; W/Fan Clutch.....	1975-1974	42113	IMPULSE		
V-8 304; W/O Fan Clutch.....	1975-1974	42111	4-Cyl. 1.6 L	1992-1990	41053
V-8 345; W/Fan Clutch.....	1975-1974	42113	4-Cyl. 1.8 L	1992	41054
V-8 345; W/O Fan Clutch.....	1975-1974	42111	4-Cyl. 1.9 L	1987-1983	41051
V-8 392; W/Fan Clutch.....	1975-1974	42113	4-Cyl. 2.0 L	1989-1985	41055
V-8 392; W/O Fan Clutch.....	1975-1974	42111	4-Cyl. 2.3 L	1989-1988	42118
1010			OASIS		
6-Cyl. 258.....	1973-1972	43007	4-Cyl. 2.2 L	1997-1996	41042
V-8 304; W/Fan Clutch.....	1973-1972	42113	4-Cyl. 2.3 L	1999-1998	41042
V-8 304; W/O Fan Clutch.....	1973-1972	42111	PICKUP		
V-8 345; W/Fan Clutch.....	1973-1972	42113	4-Cyl. 1.8 L	1982-1981	41051
V-8 345; W/O Fan Clutch.....	1973-1972	42111	4-Cyl. 1.9 L	1987-1983	41051
V-8 392; W/Fan Clutch.....	1973-1972	42113	4-Cyl. 2.2 L Diesel.....	1987-1981	43136
V-8 392; W/O Fan Clutch.....	1973-1972	42111	4-Cyl. 2.3 L	1995-1986	42118
1110			4-Cyl. 2.6 L	1995-1988	42119
6-Cyl. 258.....	1973-1972	43007	V-6 3.1 L	1994-1991	43116
V-8 304; W/Fan Clutch.....	1973-1972	42113	RODEO		
V-8 304; W/O Fan Clutch.....	1973-1972	42111	4-Cyl. 2.2 L	2003-1998	41058
V-8 345; W/Fan Clutch.....	1973-1972	42113	4-Cyl. 2.6 L	1997-1991	42119
V-8 345; W/O Fan Clutch.....	1973-1972	42111	V-6 3.1 L	1992-1991	43116
V-8 392; W/Fan Clutch.....	1973-1972	42113	V-6 3.2 L	2004-1998	42297
V-8 392; W/O Fan Clutch.....	1973-1972	42111	V-6 3.2 L	1997-1993	42120
1210			V-6 3.5 L	2004	42297
6-Cyl. 258.....	1973-1972	43007	STYLUS		
V-8 304; W/Fan Clutch.....	1973-1972	42113	4-Cyl. 1.6 L	1993-1992	41054
V-8 304; W/O Fan Clutch.....	1973-1972	42111	4-Cyl. 1.6 L; W/DOHC Eng.....	1991	41053
V-8 345; W/Fan Clutch.....	1973-1972	42113	4-Cyl. 1.6 L; W/SOHC Eng.....	1991	41054
V-8 345; W/O Fan Clutch.....	1973-1972	42111	4-Cyl. 1.8 L	1992	41054
V-8 392; W/Fan Clutch.....	1973-1972	42113	TROOPER		
V-8 392; W/O Fan Clutch.....	1973-1972	42111	4-Cyl. 2.6 L	1991-1990	42119
1310			V-6 2.8 L	1991-1990	43116
6-Cyl. 258.....	1973-1972	43007	V-6 3.2 L	1997-1992	42120
V-8 304; W/Fan Clutch.....	1973-1972	42113	V-6 3.5 L	2002-1998	42297
V-8 304; W/O Fan Clutch.....	1973-1972	42111	TROOPER II		
V-8 345; W/Fan Clutch.....	1973-1972	42113	4-Cyl. 1.9 L	1985-1984	41051
V-8 345; W/O Fan Clutch.....	1973-1972	42111	4-Cyl. 2.2 L Diesel.....	1987-1986	43136
V-8 392; W/Fan Clutch.....	1973-1972	42113	4-Cyl. 2.3 L	1987-1986	42118
V-8 392; W/O Fan Clutch.....	1973-1972	42111	4-Cyl. 2.6 L	1989-1988	42119
ISUZU			V-6 2.8 L	1989	43116
AMIGO					
4-Cyl. 2.2 L	2000-1998	41058			
4-Cyl. 2.3 L	1993-1989	42118			
4-Cyl. 2.6 L	1994-1989	42119			
V-6 3.2 L	2000-1998	42297			

* High Performance Pump

Application Guide - Passenger Cars and Light Trucks

Application	Year	Gates No.	Application	Year	Gates No.
ISUZU - Continued			JEEP - Continued		
VEHICROSS			CJ SERIES - Continued		
V-6 3.5 L.....	2001-1999	42297	4-Cyl. 2.5 L; W/V-Ribbed Belt Drive; Eng. VIN U (8th digit of VIN).....	1983	42000
JAGUAR			4-Cyl. 2.5 L.....	1982-1980	42085
S-TYPE			6-Cyl. 232.....	1978-1975	43000
V-6 3.0 L.....	2000	43090	6-Cyl. 232.....	1974-1972	43008
V-8 4.0 L.....	2001-2000	43503	6-Cyl. 4.2 L; W/O V-Ribbed Belt Drive....	1986-1980	43001
VANDEN PLAS			6-Cyl. 4.2 L; W/V-Ribbed Belt Drive.....	1986-1981	42000
6-Cyl. 3.6 L; W/80A. Lucas Alt.....	1989-1988	44091	6-Cyl. 258.....	1979-1975	43000
6-Cyl. 3.6 L; W/90A., 115A. Bosch Alt ...	1989-1988	42011	6-Cyl. 258.....	1974-1972	43008
6-Cyl. 4.0 L.....	1994-1993	44091	V-6 225.....	1971-1966	43110
6-Cyl. 4.0 L.....	1992-1990	42011	V-8 5.0 L.....	1981-1980	43002
6-Cyl. 4.2 L.....	1987-1983	43019	V-8 304.....	1979-1973	43002
6-Cyl. 4.2 L; Chassis No. 330665 & Before	1982	43018	V-8 304.....	1972	43006
6-Cyl. 4.2 L; Chassis No. 330666 & After	1982	43019	COMANCHE		
XJ6			4-Cyl. 2.1 L Diesel.....	1987-1986	42026
6-Cyl. 3.6 L; W/80A. Lucas Alt.....	1989-1988	44091	4-Cyl. 2.5 L.....	1992-1991	42005
6-Cyl. 3.6 L; W/90A., 115A. Bosch Alt ...	1989-1988	42011	4-Cyl. 2.5 L; W/O V-Ribbed Belt Drive....	1990-1987	42003
6-Cyl. 4.0 L.....	1994-1993	44091	4-Cyl. 2.5 L; W/V-Ribbed Belt Drive.....	1990-1987	42002
6-Cyl. 4.0 L.....	1992-1990	42011	4-Cyl. 2.5 L; W/O V-Ribbed Belt Drive....	1986	43001
6-Cyl. 4.2 L.....	1987-1983	43019	4-Cyl. 2.5 L; W/V-Ribbed Belt Drive.....	1986	42000
6-Cyl. 4.2 L; Chassis No. 330665 & Before	1982	43018	6-Cyl. 4.0 L.....	1992-1991	42004
6-Cyl. 4.2 L; Chassis No. 330666 & After	1982	43019	6-Cyl. 4.0 L; W/2.31" Height x 3.30" O.D. Hub.....	1990-1987	42004
6-Cyl. 4.2 L.....	1981-1980	43018	6-Cyl. 4.0 L; W/3.72" Height x 2.65" O.D. Hub.....	1990-1987	42002
XJR			V-6 2.8 L.....	1986	43095
6-Cyl. 4.0 L.....	1997	43503	COMMANDER		
V-8 4.0 L.....	2003-1998	43503	V-6 3.7 L.....	2007-2006	43263
XJS			V-8 4.7 L.....	2007-2006	43263
6-Cyl. 4.0 L; VIN 185820 & After.....	1994-1993	44091	V-8 5.7 L.....	2006	43543
6-Cyl. 4.0 L; VIN 185819 & Before.....	1993	42011	COMMANDO		
V-12 5.3 L.....	1992-1982	43022	V-8 304.....	1973	43002
V-12 6.0 L.....	1995-1994	43022	V-8 304.....	1972	43006
JEEP			DJ SERIES		
CHEROKEE			4-Cyl. 134; W/A.P.; W/2-Groove Pulley ...	1971-1966	43003
4-Cyl. 2.1 L Diesel.....	1987-1985	42026	4-Cyl. 134; W/O A.P.; W/O Pulley.....	1971-1956	42001
4-Cyl. 2.5 L.....	2000-1991	42005	4-Cyl. 134; W/O A.P.; W/Pulley.....	1971-1956	43004
4-Cyl. 2.5 L; W/O V-Ribbed Belt Drive....	1990-1987	42003	6-Cyl. 232.....	1974-1972	43008
4-Cyl. 2.5 L; W/V-Ribbed Belt Drive.....	1990-1987	42002	V-6 225.....	1970-1966	43110
4-Cyl. 2.5 L; W/O V-Ribbed Belt Drive....	1986-1984	43001	F4-134		
4-Cyl. 2.5 L; W/V-Ribbed Belt Drive.....	1986-1984	42000	4-Cyl. 134; W/O A.P.; W/O Pulley.....	1962-1957	42001
6-Cyl. 4.0 L.....	2001-1991	42004	4-Cyl. 134; W/O A.P.; W/Pulley.....	1962-1957	43004
6-Cyl. 4.0 L; W/2.31" Height x 3.30" O.D. Hub.....	1990-1987	42004	F134		
6-Cyl. 4.0 L; W/3.72" Height x 2.65" O.D. Hub.....	1990-1987	42002	4-Cyl. 134; W/O A.P.; W/O Pulley.....	1965-1963	42001
6-Cyl. 4.2 L; W/O V-Ribbed Belt Drive....	1983-1980	43001	4-Cyl. 134; W/O A.P.; W/Pulley.....	1965-1963	43004
6-Cyl. 4.2 L; W/V-Ribbed Belt Drive.....	1983-1981	42000	FC SERIES		
6-Cyl. 258.....	1979-1975	43000	4-Cyl. 134; W/O A.P.; W/O Pulley.....	1966-1957	42001
6-Cyl. 258.....	1974	43008	4-Cyl. 134; W/O A.P.; W/Pulley.....	1966-1957	43004
V-6 2.8 L.....	1986-1984	43095	FJ SERIES		
V-8 5.9 L.....	1983-1980	43002	4-Cyl. 134; W/O A.P.; W/O Pulley.....	1964-1961	42001
V-8 360.....	1979-1974	43002	4-Cyl. 134; W/O A.P.; W/Pulley.....	1964-1961	43004
V-8 401.....	1978-1974	43002	GRAND CHEROKEE		
CJ SERIES			6-Cyl. 4.0 L.....	2004-1999	42293
4-Cyl. 134; W/A.P.; W/2-Groove Pulley ...	1971-1966	43003	6-Cyl. 4.0 L.....	1998-1993	42005
4-Cyl. 134; W/O A.P.; W/O Pulley.....	1971-1945	42001	V-6 3.7 L.....	2007-2005	43263
4-Cyl. 134; W/O A.P.; W/Pulley.....	1971-1945	43004	V-8 4.7 L.....	2007-1999	43263
4-Cyl. 2.5 L; W/O V-Ribbed Belt Drive....	1986-1984	43001	V-8 5.2 L.....	1998-1993	43034
4-Cyl. 2.5 L; W/V-Ribbed Belt Drive.....	1986-1984	42000	V-8 5.7 L.....	2007-2005	43543
4-Cyl. 2.5 L; Eng. VIN B (8th digit of VIN).....	1983	42085	V-8 5.9 L.....	1998	43034
4-Cyl. 2.5 L; W/O V-Ribbed Belt Drive; Eng. VIN U (8th digit of VIN).....	1983	43001	V-8 6.1 L.....	2007-2006	43543
			GRAND WAGONEER		
			6-Cyl. 4.2 L; W/O V-Ribbed Belt Drive....	1986-1984	43001
			6-Cyl. 4.2 L; W/V-Ribbed Belt Drive.....	1986-1984	42000
			V-8 5.9 L.....	1991-1984	43002

* High Performance Pump

Application Guide - Passenger Cars and Light Trucks

Application	Year	Gates No.	Application	Year	Gates No.
JEEP - Continued			JEEP - Continued		
J SERIES PICKUP			WRANGLER		
6-Cyl. 4.2 L; W/O V-Ribbed Belt Drive....	1987	42003	4-Cyl. 2.4 L	2006-2003	41006
6-Cyl. 4.2 L; W/V-Ribbed Belt Drive	1987	42002	4-Cyl. 2.5 L	2002-1997	42005
6-Cyl. 4.2 L; W/O V-Ribbed Belt Drive....	1986-1980	43001	4-Cyl. 2.5 L	1995-1991	42005
6-Cyl. 4.2 L; W/V-Ribbed Belt Drive	1986-1981	42000	4-Cyl. 2.5 L; W/O V-Ribbed Belt Drive....	1990-1987	42003
6-Cyl. 258.....	1979-1975	43000	4-Cyl. 2.5 L; W/V-Ribbed Belt Drive	1990-1987	42002
6-Cyl. 258.....	1974-1971	43008	6-Cyl. 4.0 L	2005-2000	42293
V-8 304.....	1972-1971	43006	6-Cyl. 4.0 L	1999-1997	42005
V-8 350.....	1971-1969	43110	6-Cyl. 4.0 L	1995-1991	42005
V-8 5.9 L.....	1988-1980	43002	6-Cyl. 4.2 L; W/O V-Ribbed Belt Drive....	1990-1987	42003
V-8 360.....	1979-1973	43002	6-Cyl. 4.2 L; W/V-Ribbed Belt Drive	1990-1987	42002
V-8 360.....	1972-1971	43006	441		
V-8 401.....	1978-1974	43002	4-Cyl. 134; W/O A.P.; W/O Pulley	1941	42001
JEEPSTER			4-Cyl. 134; W/O A.P.; W/Pulley	1941	43004
4-Cyl. 134; W/A.P.; W/2-Groove Pulley ...	1971-1967	43003	442		
4-Cyl. 134; W/O A.P.; W/O Pulley	1971-1967	42001	4-Cyl. 134; W/O A.P.; W/O Pulley	1942	42001
4-Cyl. 134; W/O A.P.; W/Pulley	1971-1967	43004	4-Cyl. 134; W/O A.P.; W/Pulley	1942	43004
V-6 225.....	1971-1967	43110	454		
LIBERTY			4-Cyl. 134; W/O A.P.; W/O Pulley	1954	42001
4-Cyl. 2.4 L	2005-2002	41006	4-Cyl. 134; W/O A.P.; W/Pulley	1954	43004
V-6 3.7 L	2007-2002	43263	473		
PICKUP			4-Cyl. 134; W/O A.P.; W/O Pulley	1952-1951	42001
4-Cyl. 134; W/O A.P.; W/O Pulley	1950-1946	42001	4-Cyl. 134; W/O A.P.; W/Pulley	1952-1951	43004
4-Cyl. 134; W/O A.P.; W/Pulley	1950-1946	43004	475		
SCRAMBLER			4-Cyl. 134; W/O A.P.; W/O Pulley	1956-1955	42001
4-Cyl. 2.5 L; W/O V-Ribbed Belt Drive....	1985-1984	43001	4-Cyl. 134; W/O A.P.; W/Pulley	1956-1955	43004
4-Cyl. 2.5 L; W/V-Ribbed Belt Drive	1985-1984	42000	4-Cyl. 134; W/O A.P.; W/O Pulley	1953	42001
4-Cyl. 2.5 L; Eng. VIN B (8th digit of VIN)	1983	42085	4-Cyl. 134; W/O A.P.; W/Pulley	1953	43004
4-Cyl. 2.5 L; W/O V-Ribbed Belt Drive; Eng. VIN U (8th digit of VIN).....	1983	43001	KIA		
4-Cyl. 2.5 L; W/V-Ribbed Belt Drive; Eng. VIN U (8th digit of VIN).....	1983	42000	AMANTI		
4-Cyl. 2.5 L	1982-1981	42085	V-6 3.5 L	2006-2004	42313
6-Cyl. 4.2 L; W/O V-Ribbed Belt Drive....	1985-1981	43001	MAGENTIS		
6-Cyl. 4.2 L; W/V-Ribbed Belt Drive	1985-1981	42000	4-Cyl. 2.4 L (Canada).....	2006-2004	42286
STATION WAGON			V-6 2.7 L (Canada).....	2006-2002	42301
4-Cyl. 134; W/O A.P.; W/O Pulley	1950-1946	42001	OPTIMA		
4-Cyl. 134; W/O A.P.; W/Pulley	1950-1946	43004	4-Cyl. 2.4 L	2006-2002	42286
TJ			V-6 2.5 L	2001	42301
4-Cyl. 2.4 L (Canada).....	2005	41006	V-6 2.7 L	2006-2002	42301
UNIVERSAL			RIO		
4-Cyl. 134; W/O A.P.; W/O Pulley	1944-1941	42001	4-Cyl. 1.5 L	2002-2001	43507
4-Cyl. 134; W/O A.P.; W/Pulley	1944-1941	43004	4-Cyl. 1.6 L	2008-2006	41107
WAGONEER			4-Cyl. 1.6 L	2005-2003	43507
4-Cyl. 2.1 L Diesel.....	1985	42026	SEDONA		
4-Cyl. 2.5 L; W/O V-Ribbed Belt Drive....	1987	42003	V-6 3.5 L	2005-2002	42313
4-Cyl. 2.5 L; W/V-Ribbed Belt Drive	1987	42002	SEPHIA		
4-Cyl. 2.5 L; W/O V-Ribbed Belt Drive....	1986-1984	43001	4-Cyl. 1.6 L	1997-1996	42134
4-Cyl. 2.5 L; W/V-Ribbed Belt Drive	1986-1984	42000	4-Cyl. 1.6 L; W/DOHC Eng.	1995	42134
6-Cyl. 232.....	1971	43008	4-Cyl. 1.6 L; W/SOHC Eng.	1995	42128
6-Cyl. 4.0 L; W/2.31" Height x 3.30" O.D. Hub	1990-1987	42004	4-Cyl. 1.8 L	2001-1998	42302
6-Cyl. 4.0 L; W/3.72" Height x 2.65" O.D. Hub	1990-1987	42002	4-Cyl. 1.8 L	1997-1995	42134
6-Cyl. 4.2 L; W/O V-Ribbed Belt Drive....	1983-1980	43001	SORENTO		
6-Cyl. 4.2 L; W/V-Ribbed Belt Drive	1983-1981	42000	V-6 3.5 L	2006-2003	43533
6-Cyl. 258.....	1973-1971	43008	SPECTRA		
V-6 2.8 L	1986-1984	43095	4-Cyl. 1.8 L	2004-2000	42302
V-8 304.....	1971	43006	4-Cyl. 2.0 L	2008-2004	41061
V-8 350.....	1970-1968	43110	SPORTAGE		
V-8 5.9 L	1983-1980	43002	4-Cyl. 2.0 L	2008-2005	41061
V-8 360.....	1979-1973	43002	4-Cyl. 2.0 L	2002-1996	43508
V-8 360.....	1972-1971	43006		or	43140
V-8 401.....	1978-1974	43002	4-Cyl. 2.0 L; W/DOHC Eng.	1995	43508
				or	43140

* High Performance Pump

Application Guide - Passenger Cars and Light Trucks

Application	Year	Gates No.	Application	Year	Gates No.
KIA - Continued			LEXUS - Continued		
SPORTAGE - Continued			RX350		
4-Cyl. 2.0 L; W/SOHC Eng.	1995	42129	V-6 3.5 L	2007	43538
V-6 2.7 L	2008-2005	42301	RX400H		
LAND ROVER			V-6 3.3 L Electric Assist..... 2006 42340		
DEFENDER 90			SC300		
V-8 3.9 L	1995-1994	43141	6-Cyl. 3.0 L; W/10-Fastener Design	2000-1992	43271
V-8 4.0 L	1997	43522	6-Cyl. 3.0 L; W/11-Fastener Design	2000-1992	42255
DISCOVERY			SC400		
V-8 3.9 L	1995-1994	43522	V-8 4.0 L	2000-1992	44085
V-8 4.0 L	2002-1996	43522	SC430		
V-8 4.6 L	2004-2003	43522	V-8 4.3 L		
RANGE ROVER			2006-2002 44085		
V-8 3.5 L	1988-1987	43141	LINCOLN		
V-8 3.9 L	1995	43522	AVIATOR		
V-8 3.9 L; Eng. No. 36D25155B & Be- fore	1994-1993	43141	V-8 4.6 L	2004-2003	43504
V-8 3.9 L	1992-1989	43141	BLACKWOOD		
V-8 4.0 L	2000-1995	43522	V-8 5.4 L		
V-8 4.2 L; Eng. No. 40D09582B & Be- fore	1994-1993	43141	2002 42068		
V-8 4.6 L	2002-1996	43522	CONTINENTAL		
LEXUS			V-6 3.8 L		
ES250			1994 43061		
V-6 2.5 L	1991-1990	42306	V-6 3.8 L	1993-1988	43055
		or 42305	V-6 3.8 L	1982	43043
ES300			V-8 4.6 L	2002-1995	41014
V-6 3.0 L	2003-1994	42340	V-8 5.0 L	1987-1986	43272
V-6 3.0 L	1993-1992	42306			or *43272P
		or 42305	V-8 5.0 L	1985	43264
ES330			V-8 5.0 L	1984-1982	43058
V-6 3.3 L	2006-2004	42340	V-8 5.0 L	1980	43058
GS300			V-8 5.8 L	1980	43058
6-Cyl. 3.0 L	2004-1998	42307	V-8 460	1969	44011
6-Cyl. 3.0 L; W/10-Fastener Design	1997-1993	43271	LS		
6-Cyl. 3.0 L; W/11-Fastener Design	1997-1993	42255	V-6 3.0 L		
GS400			2002-2000 43090		
V-8 4.0 L	2000-1998	44085	V-8 3.9 L		
GS430			2002-2000 43503		
V-8 4.3 L	2006-2001	44085	MARK III		
GX470			V-8 460		
V-8 4.7 L	2006-2003	44085	1969-1968 44011		
IS300			MARK VI		
6-Cyl. 3.0 L	2004-2001	42307	V-8 5.0 L		
LS400			1983-1980 43058		
V-8 4.0 L	2000-1990	44085	V-8 5.8 L		
LS430			1980 43058		
V-8 4.3 L	2006-2001	44085	MARK VII		
LX450			V-8 5.0 L		
6-Cyl. 4.5 L	1997-1996	42251	1992-1986 43272		
LX470					
V-8 4.7 L	2006-1998	44085	or *43272P		
RX300			V-8 5.0 L		
V-6 3.0 L	2003-1999	42340	1985 43264		
RX330			V-8 5.0 L; W/Aluminum W.P.		
V-6 3.3 L	2006-2004	42340	1984 43058		
			V-8 5.0 L; W/Cast Iron W.P.		
			1984 43050		
			MARK VIII		
			V-8 4.6 L		
			1998-1993 42065		
			NAVIGATOR		
			V-8 5.4 L		
			2004-2002 43504		
			V-8 5.4 L		
			2001-1998 42068		
			TOWN CAR		
			V-8 4.6 L		
			2005 41118		
			V-8 4.6 L		
			2002 41118		
			V-8 4.6 L; W/Eng. Oil Cooler		
			2001 41118		
			V-8 4.6 L; W/O Eng. Oil Cooler		
			2001 42065		
			V-8 4.6 L		
			2000-1998 42065		
			V-8 4.6 L		
			1997-1991 42064		
			V-8 5.0 L		
			1990-1989 43058		
			V-8 5.0 L; Jun. 1988 & Newer		
			1988 43058		
			V-8 5.0 L; May 1988 & Older		
			1988 43050		
			V-8 5.0 L		
			1987-1985 43050		
			V-8 5.0 L		
			1984-1981 43058		

* High Performance Pump

Application Guide - Passenger Cars and Light Trucks

Application	Year	Gates No.	Application	Year	Gates No.
LINCOLN - Continued			MAZDA - Continued		
VERSAILLES			NAVAJO		
V-8 5.0 L.....	1980	43044 or *43044P	V-6 4.0 L.....	1994-1991	43060
MAZDA			PROTEGE		
B1600 PICKUP			4-Cyl. 1.5 L.....		
4-Cyl. 97.....	1974	43153	4-Cyl. 1.5 L.....	1998-1996	42142
B2000 PICKUP			4-Cyl. 1.6 L.....	1995	42134
4-Cyl. 2.0 L; W/Round Tooth Sprockets..	1986	42127	4-Cyl. 1.6 L.....	2001-1999	42142
4-Cyl. 2.0 L; W/Square Tooth Sprockets.	1986	42126	4-Cyl. 1.8 L.....	2000-1999	42135
4-Cyl. 2.0 L.....	1984-1980	43154	4-Cyl. 1.8 L.....	1998-1995	42134
B2200 PICKUP			4-Cyl. 1.8 L; W/DOHC Eng.....	1994-1990	42131
4-Cyl. 2.2 L.....	1993-1987	42129	4-Cyl. 1.8 L; W/SOHC Eng.....	1994-1990	42128
4-Cyl. 2.2 L Diesel.....	1984-1982	43156	4-Cyl. 2.0 L.....	2003-2001	42135
B2300 PICKUP			RX-3		
4-Cyl. 2.3 L.....	2002-2001	42066	2-Rotor 70.....	1973	42122
4-Cyl. 2.3 L.....	1997-1995	42066	RX-7		
4-Cyl. 2.3 L.....	1994	42060	2-Rotor 1.1 L.....	1985-1980	42123
B2500 PICKUP			2-Rotor 1.3 L.....	1995-1993	42141
4-Cyl. 2.5 L.....	2000-1998	42066	2-Rotor 1.3 L.....	1991-1989	42139
B2600 PICKUP			2-Rotor 1.3 L.....	1988-1986	42130
4-Cyl. 2.6 L.....	1988-1987	42216	2-Rotor 1.3 L.....	1985-1984	42123
B2600I PICKUP			TRIBUTE		
4-Cyl. 2.6 L.....	1993-1989	41072	4-Cyl. 2.0 L.....	2004-2001	41013
B3000 PICKUP			V-6 3.0 L.....	2008	43505
V-6 3.0 L.....	2007-2006	43064	V-6 3.0 L.....	2006-2005	43505
V-6 3.0 L.....	2002-1998	43064	3		
V-6 3.0 L.....	1996-1995	43064	4-Cyl. 2.0 L.....	2005-2004	41120
V-6 3.0 L.....	1994	43052	4-Cyl. 2.3 L.....	2005-2004	41120
V-6 3.0 L (Canada).....	1997	43064	6		
B4000 PICKUP			4-Cyl. 2.3 L.....	2005-2004	41120
V-6 4.0 L.....	2005-2001	43279	323		
V-6 4.0 L.....	2000-1994	43060	4-Cyl. 1.6 L.....	1994-1990	42128
GLC			4-Cyl. 1.6 L; W/O Turbo.....	1989-1988	42128
4-Cyl. 1.4 L.....	1980	41059	4-Cyl. 1.6 L; W/Turbo.....	1989-1988	42131
4-Cyl. 1.5 L.....	1985-1984	41060	4-Cyl. 1.6 L.....	1987-1986	42128
4-Cyl. 1.5 L; Hatchback, Sedan.....	1983-1981	41060	616		
4-Cyl. 1.5 L; Station Wagon.....	1983-1981	41059	4-Cyl. 97.....	1971	43153
MILLENNIA			626		
V-6 2.3 L.....	2002-1995	41116	4-Cyl. 2.0 L.....	2002-1993	42135
V-6 2.5 L.....	2002-1995	42137	4-Cyl. 2.0 L; W/Round Tooth Sprockets..	1987-1984	42127
MPV			4-Cyl. 2.0 L; W/Square Tooth Sprockets.	1986-1984	42126
4-Cyl. 2.6 L.....	1994-1989	41072	4-Cyl. 2.0 L.....	1982-1980	43154
V-6 2.5 L.....	2001-2000	41011	4-Cyl. 2.0 L Diesel.....	1985-1984	42059
V-6 3.0 L.....	2006-2003	43505	4-Cyl. 2.2 L.....	1992-1988	42129
V-6 3.0 L; W/19mm Shaft.....	1998-1996	42138	V-6 2.5 L; W/32mm Dia. Pulley Pilot.....	2002-1993	42137
V-6 3.0 L; W/17mm Shaft.....	1995-1989	42132	V-6 2.5 L; W/16mm Dia. Pulley Pilot.....	1994-1993	42136
MX-3			808		
4-Cyl. 1.6 L.....	1995-1994	42134	4-Cyl. 97.....	1977-1972	43153
4-Cyl. 1.6 L.....	1993-1992	42128	929		
V-6 1.8 L; W/32mm Dia. Pulley Pilot.....	1994-1992	42137	V-6 3.0 L.....	1995-1992	42115
V-6 1.8 L; W/16mm Dia. Pulley Pilot.....	1993-1992	42136	V-6 3.0 L; W/DOHC Eng.....	1991-1990	42140
MX-5 MIATA			V-6 3.0 L; W/SOHC Eng.....	1991-1990	42132
4-Cyl. 1.6 L.....	1993-1990	42131	V-6 3.0 L.....	1989-1988	42132
4-Cyl. 1.8 L.....	2002-1999	42134	MERCEDES-BENZ		
4-Cyl. 1.8 L.....	1997-1994	42134	C36		
MX-6			6-Cyl. 3.6 L.....	1997-1996	43266
4-Cyl. 2.0 L.....	1997-1993	42135	6-Cyl. 3.6 L; Eng. No. 034966 & Before.	1995	43163
4-Cyl. 2.2 L.....	1992-1988	42129	6-Cyl. 3.6 L; Eng. No. 034967 & After....	1995	43170
V-6 2.5 L; W/32mm Dia. Pulley Pilot.....	1997-1993	42137	C43		
V-6 2.5 L; W/16mm Dia. Pulley Pilot.....	1994-1993	42136	V-8 4.3 L.....	2000-1998	44082

* High Performance Pump

Application Guide - Passenger Cars and Light Trucks

Application	Year	Gates No.	Application	Year	Gates No.
MERCEDES-BENZ - Continued			MERCEDES-BENZ - Continued		
C55			E430		
V-8 5.5 L.....	2006-2005	44081	V-8 4.3 L.....	2002-1998	44082
C220			E500		
4-Cyl. 2.2 L.....	1996-1994	43166	V-8 5.0 L.....	2006-2003	44082
C230			V-8 5.0 L; Eng. No. 974010204 & Be-	1994	43168
4-Cyl. 2.3 L.....	2000-1999	43165	fore	1994	43298
4-Cyl. 2.3 L.....	1998-1997	43166	V-8 5.0 L; Eng. No. 974010205 & After..	1994	43298
C240			G55		
V-6 2.6 L.....	2005-2001	44082	V-8 5.5 L.....	2005-2003	44082
C280			G500		
6-Cyl. 2.8 L.....	1997-1996	43266	V-8 5.0 L.....	2006-2002	44082
6-Cyl. 2.8 L; Eng. No. 034966 & Before.	1995	43163	ML55		
6-Cyl. 2.8 L; Eng. No. 034967 & After....	1995	43170	V-8 5.5 L.....	2003-2000	44082
6-Cyl. 2.8 L.....	1994	43163	ML320		
V-6 2.8 L.....	2000	44082	V-6 3.2 L.....	2003-1998	44082
V-6 2.8 L; W/3 Hose Connections.....	1999	44081	ML430		
V-6 2.8 L.....	1998	44081	V-8 4.3 L.....	2001-1999	44082
C320			ML500		
V-6 3.2 L.....	2005-2001	44082	V-8 5.0 L.....	2007-2006	44081
CL55			V-8 5.0 L.....	2005-2002	44082
V-8 5.5 L.....	2003-2001	44081	R500		
CL500			V-8 5.0 L.....	2007-2006	44081
V-8 5.0 L.....	2006-2000	44082	S55		
CL600			V-8 5.5 L.....	2002	44082
V-12 6.0 L.....	1999-1998	44090	V-8 5.5 L.....	2001	44081
CLK55			S320		
V-8 5.5 L.....	2005-2003	44081	6-Cyl. 3.2 L; Eng. No. 031029 & Before.	1996-1995	43171
V-8 5.5 L.....	2002	44082	6-Cyl. 3.2 L; Eng. No. 031210 & After....	1996-1995	43267
CLK320			6-Cyl. 3.2 L.....	1994	43171
V-6 3.2 L.....	2005-1999	44082	S350		
CLK430			V-6 3.7 L.....	2006	44082
V-8 4.3 L.....	2003-1999	44082	S350D		
CLK500			6-Cyl. 3.5 L Diesel.....	1994	42147
V-8 5.0 L.....	2006-2003	44082	S420		
CLS500			V-8 4.2 L.....	1999-1996	43298
V-8 5.0 L.....	2006	44082	V-8 4.2 L; Eng. No. 971026750 & Be-	1995-1994	43168
E55			fore	1995-1994	43298
V-8 5.5 L.....	2002-1999	44081	V-8 4.2 L; Eng. No. 971026751 & After..	1995-1994	43298
E300			S430		
6-Cyl. 3.0 L Diesel.....	1999-1998	42147	V-8 4.3 L.....	2006-2000	44082
E300D			S500		
6-Cyl. 3.0 L Diesel.....	1997-1995	42147	V-8 5.0 L.....	2006-2000	44082
E320			V-8 5.0 L.....	1999-1996	43298
6-Cyl. 3.2 L.....	1997	43267	V-8 5.0 L; Eng. No. 970056885 & Be-	1995-1994	43168
6-Cyl. 3.2 L.....	1996	43171	fore	1995-1994	43298
6-Cyl. 3.2 L.....	1995	43163	V-8 5.0 L; Eng. No. 970056886 & After..	1995-1994	43298
6-Cyl. 3.2 L; Eng. No. 002496 & Before; W/Return Line From Oil Filter to Wa- ter Pump.....	1994	43285	S600		
6-Cyl. 3.2 L; Eng. No. 002497 & After....	1994	43163	V-12 6.0 L.....	1999-1994	44090
V-6 3.2 L.....	2005-2004	44082	SL320		
V-6 3.2 L.....	2003-1998	44081	6-Cyl. 3.2 L.....	1997	43266
E420			6-Cyl. 3.2 L.....	1996	43170
V-8 4.2 L.....	1997	43298	6-Cyl. 3.2 L; Eng. No. 009985 & Before.	1995	43163
V-8 4.2 L; Eng. No. 975020771 & Be-	1995-1994	43168	6-Cyl. 3.2 L; Eng. No. 009986 & After....	1995	43170
fore	1995-1994	43168	6-Cyl. 3.2 L.....	1994	43163
V-8 4.2 L; Eng. No. 975020772 & After..	1995-1994	43298	SL500		
			V-8 5.0 L.....	2006-1999	44082
			V-8 5.0 L.....	1998-1996	43298

* High Performance Pump

Application Guide - Passenger Cars and Light Trucks

Application	Year	Gates No.	Application	Year	Gates No.
MERCEDES-BENZ - Continued			MERCEDES-BENZ - Continued		
SL500 - Continued			250S		
V-8 5.0 L; Eng. No. 972103777 & Before	1995-1994	43168	6-Cyl. 152.....	1967-1966	41161
V-8 5.0 L; Eng. No. 972103778 & After.....	1995-1994	43298	250SE		
SL600			6-Cyl. 152.....	1967-1966	41161
V-12 6.0 L.....	2001-1994	44090	250SL		
SLK230			6-Cyl. 152.....	1967	41161
4-Cyl. 2.3 L.....	1999-1998	43165	260E		
SLK320			6-Cyl. 2.6 L.....	1989-1987	43302
V-6 3.2 L; Eng. No. 033140 & Before.....	2004-2001	44081	280CE		
V-6 3.2 L; Eng. No. 033141 & After.....	2004-2001	44082	6-Cyl. 2.8 L; W/3 1/2" Hub Height.....	1981	41160
190			6-Cyl. 2.8 L; W/10 1/2" Hub Height.....	1980	41160
4-Cyl. 121 Diesel.....	1965-1963	41063	6-Cyl. 168; W/3 1/2" Hub Height.....	1979-1978	41160
190C			280E		
4-Cyl. 116.....	1965-1963	41063	6-Cyl. 2.8 L; W/3 1/2" Hub Height.....	1981-1980	41160
190D			6-Cyl. 168; W/3 1/2" Hub Height.....	1979-1977	41160
4-Cyl. 2.2 L Diesel.....	1985-1984	42149	280S		
5-Cyl. 2.5 L Diesel.....	1989-1986	42147	6-Cyl. 168; W/3 1/2" Hub Height.....	1976	41160
190E			6-Cyl. 168; Eng. No. 130.920; Early; W/2.45" Hub Height.....	1975	41161
4-Cyl. 2.3 L.....	1993-1991	43161	6-Cyl. 168; Eng. No. 130.920; Late; W/3 1/2" Hub Height.....	1975	41160
4-Cyl. 2.3 L.....	1988-1985	43161	6-Cyl. 170; W/2.45" Hub Height.....	1971-1968	41161
4-Cyl. 2.3 L.....	1984	43162	280SE		
6-Cyl. 2.6 L.....	1993-1987	43302	6-Cyl. 2.8 L; W/15 1/2" Hub Height.....	1980	41160
200			6-Cyl. 168; W/3 1/2" Hub Height.....	1978-1977	41160
4-Cyl. 121 Diesel; Eng. No. 000015 & After; W/Auto. Trans.; W/4-Hole Hub...	1968	41160	V-8 214.....	1970	43159
4-Cyl. 121 Diesel.....	1967-1966	41063	V-8 276.....	1973	43159
220			280SEL		
4-Cyl. 134; W/3-Hole Hub.....	1973	41063	6-Cyl. 170; Eng. No. 005238 & Before; W/Man. Trans.; W/2.45" Hub Height....	1971-1968	41161
4-Cyl. 134; W/4-Hole Hub.....	1973	41160	6-Cyl. 170; Eng. No. 005239 & After; W/Man. Trans.; W/3 1/2" Hub Height..	1971-1968	41160
4-Cyl. 134; Eng. No. 000014 & After; W/Auto. Trans.; W/4-Hole Hub.....	1972-1968	41160	6-Cyl. 170; Eng. No. 009385 & Before; W/Auto. Trans.; W/2.45" Hub Height...	1971-1968	41161
4-Cyl. 134; Eng. No. 000068 & After; W/Man. Trans.; W/4-Hole Hub.....	1972-1968	41160	6-Cyl. 170; Eng. No. 009386 & After; W/Auto. Trans.; W/3 1/2" Hub Height..	1971-1968	41160
220D			V-8 276.....	1973	43159
4-Cyl. 134 Diesel; W/3-Hole Hub.....	1973	41063	280SL		
4-Cyl. 134 Diesel; W/4-Hole Hub.....	1973	41160	6-Cyl. 170; Eng. No. 000452 & Before; W/Man. Trans.; W/3 1/2" Hub Height..	1971-1968	41160
220SEB			6-Cyl. 170; Eng. No. 000453 & After; W/Man. Trans.; W/2.45" Hub Height....	1971-1968	41161
6-Cyl. 134; W/3-Hole Hub.....	1965-1960	41063	6-Cyl. 170; Eng. No. 000705 & Before; W/Auto. Trans.; W/3 1/2" Hub Height..	1971-1968	41160
230			6-Cyl. 170; Eng. No. 000706 & After; W/Auto. Trans.; W/2.45" Hub Height...	1971-1968	41161
4-Cyl. 141.....	1978-1974	41160	300CD		
6-Cyl. 141; Chassis No. 230/114; Chas- sis No. 230/110.....	1969-1966	41161	5-Cyl. 3.0 L Diesel; Eng. No. 617.952; W/3 1/2" Hub Height.....	1985-1982	41160
230S			5-Cyl. 3.0 L Diesel; Eng. No. 617.912; W/3 1/2" Hub Height.....	1981-1980	41160
6-Cyl. 141; Chassis No. 230/114; Chas- sis No. 230/110.....	1967-1966	41161	5-Cyl. 183 Diesel; Eng. No. 617.912; W/3 1/2" Hub Height.....	1979-1978	41160
230SL			300CE		
6-Cyl. 141; Chassis No. 230/114; Chas- sis No. 230/110.....	1966-1965	41161	6-Cyl. 3.0 L.....	1992-1990	42194
240D			6-Cyl. 3.0 L.....	1989-1988	43302
4-Cyl. 2.4 L Diesel; W/3 1/2" Hub Height.....	1983-1980	41160	6-Cyl. 3.2 L; Eng. No. 002496 & Before; W/Return Line From Oil Filter to Wa- ter Pump.....	1993	43285
4-Cyl. 147 Diesel; W/3 1/2" Hub Height..	1979-1974	41160	6-Cyl. 3.2 L; Eng. No. 002497 & After....	1993	43163
250			300D		
6-Cyl. 152.....	1969-1968	41161	5-Cyl. 2.5 L Diesel.....	1993-1990	42147
250C			5-Cyl. 3.0 L Diesel; Eng. No. 617.952	1985-1982	41160
6-Cyl. 170.....	1972-1970	41161	5-Cyl. 3.0 L Diesel; Eng. No. 617.912	1981-1980	41160

* High Performance Pump

Application Guide - Passenger Cars and Light Trucks

Application	Year	Gates No.	Application	Year	Gates No.
MERCEDES-BENZ - Continued			MERCEDES-BENZ - Continued		
300D - Continued			400SE		
5-Cyl. 183 Diesel; Eng. No. 617.912; W/3 1/2" Hub Height.....	1979-1976	41160	V-8 4.2 L.....	1992	43168
6-Cyl. 3.0 L Diesel.....	1987	42147	400SEL		
300E			V-8 4.2 L..... 1993 43168		
6-Cyl. 2.6 L.....	1992-1990	43302	420SEL		
6-Cyl. 2.8 L; Eng. No. 001335 & Before; W/Return Line From Oil Filter To Wa- ter Pump.....	1993	43285	V-8 4.2 L..... 1991-1986 43297		
6-Cyl. 2.8 L; Eng. No. 001336 & After	1993	43163	450SE		
6-Cyl. 3.0 L.....	1993-1986	43302	V-8 276..... 1976-1973 43159		
6-Cyl. 3.2 L; Eng. No. 002496 & Before; W/Return Line From Oil Filter to Wa- ter Pump.....	1993	43285	450SEL		
6-Cyl. 3.2 L; Eng. No. 002497 & After	1993	43163	V-8 4.5 L..... 1980 43159		
300SD			V-8 276..... 1979-1973 43159		
5-Cyl. 3.0 L Diesel; Eng. No. 617.951	1985-1981	41160	450SL		
5-Cyl. 3.0 L Diesel; Eng. No. 617.950	1980	41160	V-8 4.5 L..... 1980 43159		
5-Cyl. 183 Diesel; Eng. No. 617.950	1979	41160	V-8 276..... 1979-1973 43159		
6-Cyl. 3.5 L Diesel.....	1993-1992	42147	450SLC		
300SDL			V-8 4.5 L..... 1980 43159		
6-Cyl. 3.0 L Diesel.....	1987-1986	42147	V-8 276..... 1979-1973 43159		
300SE			500E		
6-Cyl. 3.0 L.....	1991-1988	43302	V-8 5.0 L..... 1993-1992 43168		
6-Cyl. 3.2 L.....	1993	43164	500SEC		
300SEL			V-8 5.0 L..... 1993 43168		
6-Cyl. 3.0 L.....	1991-1988	43302	V-8 5.0 L..... 1985-1984 43303		
V-8 214.....	1971-1970	43159	500SEL		
V-8 276.....	1973-1972	43159	V-8 5.0 L..... 1993-1992 43168		
300SL			V-8 5.0 L..... 1985-1984 43303		
6-Cyl. 3.0 L.....	1993-1990	42194	500SL		
300TD			V-8 5.0 L..... 1993-1990 43168		
5-Cyl. 3.0 L Diesel; Eng. No. 617.952	1985-1981	41160	560SEC		
5-Cyl. 183 Diesel; Eng. No. 617.912; W/3 1/2" Hub Height.....	1979	41160	V-8 5.6 L..... 1991-1986 43297		
6-Cyl. 3.0 L Diesel.....	1987	42147	560SEL		
300TE			V-8 5.6 L..... 1991-1986 43297		
6-Cyl. 3.0 L.....	1993-1988	43302	560SL		
6-Cyl. 3.2 L; Eng. No. 002496 & Before; W/Return Line From Oil Filter to Wa- ter Pump.....	1993	43285	V-8 5.6 L..... 1989-1986 43297		
6-Cyl. 3.2 L; Eng. No. 002497 & After	1993	43163	600SEC		
350SD			V-12 6.0 L..... 1993 44090		
6-Cyl. 3.5 L Diesel.....	1991	42147	600SEL		
350SDL			V-12 6.0 L..... 1993-1992 44090		
6-Cyl. 3.5 L Diesel.....	1991-1990	42147	600SL		
380SE			V-12 6.0 L..... 1993 44090		
V-8 3.8 L.....	1985-1984	43303	MERCURY		
380SEC			BOBCAT		
V-8 3.8 L.....	1983-1982	43303	V-6 171..... 1979-1975 44098		
380SEL			CAPRI		
V-8 3.8 L.....	1983-1981	43303	4-Cyl. 1.6 L..... 1994-1991 42131		
380SL			4-Cyl. 98..... 1972-1970 42050		
V-8 3.8 L.....	1985-1981	43303	4-Cyl. 122..... 1974-1971 42052		
380SLC			4-Cyl. 2.3 L..... 1986-1983 42060		
V-8 3.8 L.....	1981	43303	4-Cyl. 2.3 L..... 1982-1980 42124		
400E			4-Cyl. 2.3 L..... 1982-1980 42124		
V-8 4.2 L.....	1993-1992	43168	4-Cyl. 140..... 1979-1976 42124		
			6-Cyl. 3.3 L..... 1982-1980 42054		
			V-6 159..... 1973-1972 44098		
			V-6 171..... 1979-1976 44098		
			V-6 171..... 1974 44098		
			V-6 3.8 L..... 1986-1983 43043		
			V-8 4.2 L; W/3.5" Dia. 6-Vane Impeller... 1982-1980 43264		
			V-8 5.0 L..... 1986 43272		
			or *43272P		

* High Performance Pump

Application Guide - Passenger Cars and Light Trucks

Application	Year	Gates No.	Application	Year	Gates No.
MERCURY - Continued			MERCURY - Continued		
CAPRI - Continued			GRAND MARQUIS - Continued		
V-8 5.0 L; W/Fuel Inj.; W/3.5" Dia. 6-Vane Impeller.....	1985-1984	43264	V-8 5.0 L; W/Police, Taxi or Trlr. Tow Pkg.	1985	43058
V-8 5.0 L; W/Fuel Inj.; W/4.4" Dia. 8-Vane Impeller.....	1985-1984	43053	V-8 5.0 L; W/O Police, Taxi or Trlr. Tow Pkg.	1984-1980	43058
COLONY PARK			V-8 5.0 L; W/Police, Taxi or Trlr. Tow Pkg.	1984-1980	43050
V-8 5.0 L.....	1991-1989	43058	V-8 5.8 L; W/O Police, Taxi or Trlr. Tow Pkg.	1981-1980	43058
V-8 5.0 L; Jun. 1988 & Newer.....	1988	43058	V-8 5.8 L; W/Police, Taxi or Trlr. Tow Pkg.	1981-1980	43050
V-8 5.0 L; May 30, 1988 & Older.....	1988	43050	V-8 5.8 L (Canada).....	1989-1985	43050
V-8 5.0 L.....	1987	43050	LN7		
COMET			4-Cyl. 1.6 L.....	1983-1982	42058
6-Cyl. 144.....	1963-1960	42055	LYNX		
6-Cyl. 170.....	1964-1961	42055	4-Cyl. 1.6 L.....	1985-1981	42058
6-Cyl. 200; W/O A.C.; Apr. 12, 1975 & Older.....	1975	42055	4-Cyl. 1.9 L.....	1987-1985	42058
6-Cyl. 200.....	1974-1971	42055	4-Cyl. 2.0 L Diesel.....	1987-1984	42059
6-Cyl. 200.....	1968-1964	42055	MARAUDER		
V-8 260.....	1964-1963	43072	V-8 390.....	1970-1969	44004
V-8 289; W/Aluminum W.P.....	1967-1965	43072	V-8 429.....	1969	44011
V-8 289; W/Cast Iron W.P.....	1967-1965	43049	MARQUIS		
V-8 289.....	1964	43072	4-Cyl. 2.3 L.....	1986-1983	42060
V-8 302.....	1969-1968	43049	6-Cyl. 3.3 L.....	1983	42054
V-8 351; W/Windsor Eng.....	1969	43049	V-6 3.8 L.....	1986-1983	43043
V-8 390.....	1969-1966	44004	V-8 4.2 L; W/O Police, Taxi or Trlr. Tow Pkg.	1982-1981	43058
V-8 427.....	1968	44004	V-8 4.2 L; W/Police, Taxi or Trlr. Tow Pkg.	1982-1981	43050
V-8 428.....	1968	44004	V-8 5.0 L; W/O Police, Taxi or Trlr. Tow Pkg.	1982-1980	43058
COUGAR			V-8 5.0 L; W/Police, Taxi or Trlr. Tow Pkg.	1982-1980	43050
4-Cyl. 2.0 L.....	2002-1999	41013	V-8 5.8 L; W/O Police, Taxi or Trlr. Tow Pkg.	1981-1980	43058
4-Cyl. 2.3 L.....	1986-1984	42060	V-8 5.8 L; W/Police, Taxi or Trlr. Tow Pkg.	1981-1980	43050
4-Cyl. 2.3 L.....	1982-1981	42124	V-8 5.8 L (Canada); W/O Police, Taxi or Trlr. Tow Pkg.	1982	43058
6-Cyl. 3.3 L.....	1982-1980	42054	V-8 5.8 L (Canada); W/Police, Taxi or Trlr. Tow Pkg.	1982	43050
V-6 2.5 L.....	2002-1999	41011	V-8 390.....	1970	44004
V-6 3.8 L.....	1997-1996	43067	V-8 427.....	1967	44004
V-6 3.8 L.....	1995-1994	43062	V-8 428.....	1969-1967	44004
V-6 3.8 L.....	1993-1991	43056	V-8 429.....	1969	44011
V-6 3.8 L; W/O Supercharger.....	1990-1989	43056	METEOR		
V-6 3.8 L; W/Supercharger.....	1990	43082	6-Cyl. 170.....	1963-1962	42055
V-6 3.8 L.....	1988	43056	6-Cyl. 223.....	1961	42055
V-6 3.8 L.....	1987-1982	43043	V-8 221.....	1963	43072
V-8 4.2 L.....	1982-1980	43058	V-8 260.....	1962	43072
V-8 4.6 L.....	1997-1994	42065	MONARCH		
V-8 289.....	1967	43049	6-Cyl. 200.....	1975	42055
V-8 302.....	1969-1968	43049	6-Cyl. 4.1 L.....	1980	42056
V-8 5.0 L.....	1993-1991	43066	V-8 4.2 L.....	1980	43044
V-8 5.0 L.....	1988-1986	43272	V-8 5.0 L.....	1980	or *43044P 43044
or *43272P			V-8 352 (Canada).....	1961	42552
V-8 5.0 L; W/O Trlr. Tow. Pkg.....	1985	43050	V-8 390 (Canada).....	1961	42552
V-8 5.0 L.....	1984-1983	43058	MONTCLAIRE		
V-8 5.0 L.....	1981-1980	43058	V-8 390.....	1964	42552
V-8 428.....	1970	44004	V-8 427.....	1964	42552
V-8 429.....	1970	44011	MONTEGO		
CYCLONE			6-Cyl. 200.....	1968	42055
V-8 302.....	1969	43049	V-8 302.....	1969-1968	43049
V-8 351; W/Windsor Eng.....	1969	43049	V-8 351; W/Windsor Eng.....	1969	43049
V-8 390.....	1969	44004	V-8 390.....	1969-1968	44004
V-8 428.....	1969	44004	V-8 427.....	1968	44004
GRAND MARQUIS			V-8 428.....	1969-1968	44004
V-8 4.2 L; W/O Police, Taxi or Trlr. Tow Pkg.	1982-1981	43058	MONTCLAIRE		
V-8 4.2 L; W/Police, Taxi or Trlr. Tow Pkg.	1982-1981	43050	V-8 390.....	1964	42552
V-8 4.6 L.....	2005-2003	41118	V-8 427.....	1964	42552
V-8 4.6 L; W/Eng. Oil Cooler.....	2002-2001	41118	MONTEGO		
V-8 4.6 L; W/O Eng. Oil Cooler.....	2002-2001	42065	6-Cyl. 200.....	1968	42055
V-8 4.6 L.....	2000-1998	42065	V-8 302.....	1969-1968	43049
V-8 4.6 L.....	1997-1992	42064	V-8 351; W/Windsor Eng.....	1969	43049
V-8 5.0 L.....	1991-1989	43058	V-8 390.....	1969-1968	44004
V-8 5.0 L; Jun. 1988 & Newer.....	1988	43058	V-8 427.....	1968	44004
V-8 5.0 L; May 1988 & Older.....	1988	43050	V-8 428.....	1969-1968	44004
V-8 5.0 L.....	1987-1986	43050	MONTCLAIRE		

* High Performance Pump

Application Guide - Passenger Cars and Light Trucks

Application	Year	Gates No.	Application	Year	Gates No.
MERCURY - Continued			MG		
MONTEREY			MGB		
V-8 352.....	1962-1961	42552	4-Cyl. 1.8 L.....	1980	42007
V-8 390.....	1964-1961	42552	4-Cyl. 110.....	1979-1972	42007
V-8 406.....	1963-1962	42552	4-Cyl. 110.....	1971-1965	42010
V-8 427.....	1964-1963	42552	MIDGET		
MONTEREY VAN			4-Cyl. 78.....	1974-1967	42006
V-6 4.2 L.....	2007-2005	43069	4-Cyl. 91.....	1979-1975	41000
MOUNTAINEER			1100		
V-6 4.0 L.....	2005-1998	43279	4-Cyl. 67.....	1967-1963	42006
V-8 4.6 L.....	2002	41119	MINI		
V-8 5.0 L.....	2001-1997	43068	COOPER		
MYSTIQUE			4-Cyl. 1.6 L; Convertible; W/O Super-charger.....	2007	43535
4-Cyl. 2.0 L.....	2000-1998	41013	4-Cyl. 1.6 L; Convertible; W/Supercharger.....	2007	43534
4-Cyl. 2.0 L.....	1997-1995	42067	4-Cyl. 1.6 L; W/O Supercharger.....	2006-2002	43535
V-6 2.5 L.....	2000-1995	41011	4-Cyl. 1.6 L; W/Supercharger.....	2006-2002	43534
PARK LANE			MITSUBISHI		
V-8 390.....	1964	42552	CORDIA		
V-8 427.....	1964	42552	4-Cyl. 1.8 L.....	1988-1983	42195
SABLE			4-Cyl. 2.0 L.....	1988-1984	42195
4-Cyl. 2.5 L; W/3/4" Pilot Shaft.....	1986	41092	DIAMANTE		
4-Cyl. 2.5 L; W/5/8" Pilot Shaft.....	1986	41010	V-6 3.0 L.....	1996	42162
V-6 3.0 L; W/12-Valve Eng.....	2005-2001	43063	V-6 3.0 L; W/DOHC Eng.....	1995-1992	42167
V-6 3.0 L; W/24-Valve Eng.....	2005-2003	43505	V-6 3.0 L; W/SOHC Eng.....	1995-1992	42162
V-6 3.0 L; W/24-Valve Eng.....	2002-2001	41011	V-6 3.5 L.....	2004	42168
V-6 3.0 L; W/DOHC Eng.....	2000-1996	42334	V-6 3.5 L.....	2003-2001	43509
V-6 3.0 L; W/O.H.V. Eng.....	2000-1996	43063	V-6 3.5 L.....	2000-1997	42168
V-6 3.0 L.....	1995	43063	ECLIPSE		
V-6 3.0 L.....	1994-1986	43051	4-Cyl. 1.8 L.....	1994-1990	42157
V-6 3.8 L.....	1995-1994	43061	4-Cyl. 2.0 L; W/O Turbo.....	1999-1995	41003
V-6 3.8 L.....	1993-1988	43055	4-Cyl. 2.0 L; W/Turbo.....	1999-1995	42166
TOPAZ			4-Cyl. 2.0 L.....	1994-1990	42163
4-Cyl. 2.0 L Diesel.....	1986-1984	42059	4-Cyl. 2.4 L.....	2005-2000	42300
4-Cyl. 2.3 L.....	1994-1992	41010	4-Cyl. 2.4 L.....	1999-1996	42166
4-Cyl. 2.3 L.....	1991-1984	41009	V-6 3.0 L.....	2005	42168
V-6 3.0 L.....	1994-1992	42078	V-6 3.0 L.....	2004-2000	43509
TRACER			V-6 3.8 L.....	2008-2006	42168
4-Cyl. 1.6 L.....	1989-1988	42128	ENDEAVOR		
4-Cyl. 1.6 L (Canada).....	1987	42128	V-6 3.8 L.....	2008-2006	42168
4-Cyl. 1.8 L.....	1996-1991	42131	EXPO		
4-Cyl. 1.9 L; W/Round Tooth Sprockets..	1996-1992	42063	4-Cyl. 1.8 L.....	1994	42165
4-Cyl. 1.9 L; Apr. 1991 & Newer; W/Round Tooth Sprockets.....	1991	42063	4-Cyl. 1.8 L; Mar. 31, 1993 & Older.....	1993	42169
4-Cyl. 1.9 L; Mar. 1991 & Older; W/Square Tooth Sprockets.....	1991	42062	4-Cyl. 1.8 L.....	1992	42169
4-Cyl. 2.0 L.....	1999-1997	42315	4-Cyl. 2.4 L.....	1995-1993	42166
VILLAGER			4-Cyl. 2.4 L; Jun. 1992 & Newer.....	1992	42166
V-6 3.0 L.....	1998-1993	41137	4-Cyl. 2.4 L; May 1992 & Older.....	1992	42164
V-6 3.3 L.....	2002-1999	41078	GALANT		
ZEPHYR			4-Cyl. 2.0 L.....	1993	42166
4-Cyl. 2.3 L.....	1983	42060	4-Cyl. 2.0 L; W/DOHC Eng.....	1992-1989	42163
4-Cyl. 2.3 L.....	1982-1980	42124	4-Cyl. 2.0 L; W/SOHC Eng.....	1992-1989	42164
4-Cyl. 140.....	1979-1978	42124	4-Cyl. 2.4 L.....	2003-2000	42300
6-Cyl. 3.3 L.....	1983-1980	42054	4-Cyl. 2.4 L.....	1999	42286
V-8 4.2 L.....	1982-1980	43044	4-Cyl. 2.4 L.....	1998-1994	42166
		or *43044P	4-Cyl. 2.4 L.....	1987-1985	42195
MERKUR			V-6 3.0 L.....	2003-2000	43509
SCORPIO			V-6 3.0 L.....	1999	42168
V-6 2.9 L.....	1989-1988	43081	V-6 3.0 L.....	1988	42162
XR4TI			V-6 3.8 L.....	2007-2006	42168
4-Cyl. 2.3 L.....	1989-1988	42060	LANCER		
			4-Cyl. 2.0 L.....	2007	42280
			4-Cyl. 2.0 L; W/SOHC Eng.....	2006-2005	42280
			4-Cyl. 2.0 L; W/O Turbo.....	2004-2003	42280
			4-Cyl. 2.0 L.....	2002	42280

* High Performance Pump

Application Guide - Passenger Cars and Light Trucks

Application	Year	Gates No.	Application	Year	Gates No.
MITSUBISHI - Continued			NISSAN - Continued		
MIRAGE			ARMADA		
4-Cyl. 1.5 L.....	2002-1997	42170	V-8 5.6 L.....	2007-2005	43537
4-Cyl. 1.5 L.....	1996-1985	42156	AXXESS		
4-Cyl. 1.6 L.....	1992-1991	42143	4-Cyl. 2.4 L.....	1990	41076
4-Cyl. 1.6 L.....	1989	42143	B210		
4-Cyl. 1.6 L.....	1988-1985	42157	4-Cyl. 79; W/O A.C.; W/1.970" Fan Bolt Pattern.....	1974	41068
4-Cyl. 1.8 L.....	2002-1997	42280	4-Cyl. 85; W/2.362" Fan Bolt Pattern.....	1978-1975	41131
4-Cyl. 1.8 L.....	1996-1993	42165	4-Cyl. 85; W/O A.C.; W/1.970" Fan Bolt Pattern.....	1978-1975	41068
MONTERO			F10		
4-Cyl. 2.6 L.....	1989-1986	42216	4-Cyl. 85.....	1978-1976	41068
4-Cyl. 2.6 L; Feb. 1985 & Newer.....	1985	42216	FRONTIER		
4-Cyl. 2.6 L; Jan. 1985 & Older.....	1985	42153	4-Cyl. 2.4 L.....	2004-1998	41162
4-Cyl. 2.6 L.....	1984-1983	42153	V-6 3.3 L.....	2004-1999	43255
V-6 3.0 L.....	1996-1995	42168	V-6 4.0 L.....	2008-2005	43520
V-6 3.0 L.....	1994-1989	42162	MAXIMA		
V-6 3.5 L.....	2000-1997	42168	6-Cyl. 2.4 L.....	1984-1982	41132
V-6 3.5 L.....	1996-1994	42171	6-Cyl. 2.8 L Diesel.....	1983-1982	41132
MONTERO SPORT			V-6 3.0 L.....	2001-1995	41164
4-Cyl. 2.4 L.....	1999-1997	42172	V-6 3.0 L; W/DOHC Eng.....	1994-1992	43305
V-6 3.0 L.....	2001	42168	V-6 3.0 L; W/SOHC Eng.....	1994-1992	41137
V-6 3.0 L.....	1999	42168	V-6 3.0 L.....	1991-1985	41137
V-6 3.0 L.....	1997	42168	V-6 3.5 L.....	2007-2003	43520
V-6 3.5 L.....	2002-2000	42168	V-6 3.5 L.....	2002	41123
OUTLANDER			MICRA		
4-Cyl. 2.4 L.....	2003	43532	4-Cyl. 1.2 L (Canada).....	1991-1984	41140
PICKUP			MURANO		
4-Cyl. 2.0 L.....	1989-1983	42159	V-6 3.5 L.....	2007-2003	41123
4-Cyl. 2.3 L Diesel.....	1985-1983	43304	NX		
4-Cyl. 2.4 L.....	1996-1990	42159	4-Cyl. 1.6 L.....	1993-1991	41075
4-Cyl. 2.6 L.....	1989-1986	42216	4-Cyl. 2.0 L.....	1993-1991	41138
4-Cyl. 2.6 L; Feb. 1985 & Newer.....	1985	42216	PATHFINDER		
4-Cyl. 2.6 L; Jan. 1985 & Older.....	1985	42153	4-Cyl. 2.4 L.....	1987	42178
4-Cyl. 2.6 L.....	1984-1983	42153	4-Cyl. 2.4 L (Canada).....	1988	42178
V-6 3.0 L.....	1994-1990	42162	V-6 3.0 L.....	1995-1987	43300
PRECIS			V-6 3.3 L.....	2000-1996	43255
4-Cyl. 1.5 L.....	1994-1987	42156	V-6 3.5 L.....	2004-2001	41164
RAIDER			V-6 4.0 L.....	2007-2005	43520
V-6 3.7 L.....	2006	43263	V-8 5.6 L.....	2008	43537
V-8 4.7 L.....	2006	43263	PICKUP		
SIGMA			4-Cyl. 2.0 L; W/5.25" Fan Bolt Pattern....	1984-1983	42178
V-6 3.0 L.....	1990-1989	42162	4-Cyl. 2.2 L; W/Auto. Trans.; W/Fan Clutch; W/5.25" Fan Bolt Pattern.....	1982-1981	42178
STARION			4-Cyl. 2.2 L; W/Man. Trans.; W/O Fan Clutch.....	1982-1981	41130
4-Cyl. 2.6 L.....	1989-1988	42173	4-Cyl. 2.2 L Diesel.....	1983-1981	42325
4-Cyl. 2.6 L; Dec. 1986 & Newer.....	1987	42173	4-Cyl. 2.4 L.....	1997-1990	41162
4-Cyl. 2.6 L; Nov. 1986 & Older.....	1987	42216	4-Cyl. 2.4 L.....	1989-1986	42178
4-Cyl. 2.6 L.....	1986	42216	4-Cyl. 2.4 L; W/5.25" Fan Bolt Pattern....	1985-1983	42178
4-Cyl. 2.6 L; Feb. 1985 & Newer.....	1985	42216	4-Cyl. 2.5 L Diesel.....	1986-1983	42325
4-Cyl. 2.6 L; Jan. 1985 & Older.....	1985	42153	4-Cyl. 2.5 L Diesel (Canada).....	1987	42325
4-Cyl. 2.6 L.....	1984-1983	42153	V-6 3.0 L; W/2WD.....	1995-1986	42181
TREDIA			V-6 3.0 L; W/4WD.....	1995-1986	43300
4-Cyl. 1.8 L.....	1988-1983	42195	V-6 3.0 L (Canada); W/2WD.....	1996	42181
4-Cyl. 2.0 L.....	1988-1984	42195	V-6 3.0 L (Canada); W/4WD.....	1996	43300
VAN			PULSAR NX		
4-Cyl. 2.4 L.....	1990-1987	42159	4-Cyl. 1.6 L.....	1990-1989	41073
3000GT			4-Cyl. 1.6 L.....	1988	41071
V-6 3.0 L; W/DOHC Eng.....	1999-1997	42167	4-Cyl. 1.6 L; W/DOHC Eng.; Oct. 1, 1986 & Newer.....	1987	41136
V-6 3.0 L; W/SOHC Eng.....	1999-1997	42162	4-Cyl. 1.6 L; W/DOHC Eng.; Sept. 31, 1986 & Older.....	1987	41135
V-6 3.0 L.....	1996-1991	42167	4-Cyl. 1.6 L; W/SOHC Eng.....	1987	41071
NISSAN			4-Cyl. 1.6 L.....	1986-1983	41071
ALTIMA			4-Cyl. 1.8 L.....	1989-1988	41136
4-Cyl. 2.4 L.....	2001-1993	41163	NISSAN - Continued		
4-Cyl. 2.5 L.....	2008-2002	43512	ARMADA		
V-6 3.5 L.....	2006-2003	43520	AXXESS		
V-6 3.5 L.....	2002	41123	B210		

* High Performance Pump

Application Guide - Passenger Cars and Light Trucks

Application	Year	Gates No.	Application	Year	Gates No.
NISSAN - Continued			NISSAN - Continued		
QUEST			310		
V-6 3.0 L.....	1998-1993	41137	4-Cyl. 1.4 L.....	1980	41068
V-6 3.3 L.....	2002-1999	41078	4-Cyl. 85.....	1979	41068
V-6 3.5 L.....	2007-2004	43520	4-Cyl. 1.5 L.....	1982	41071
SENTRA			4-Cyl. 1.5 L.....	1981	41068
4-Cyl. 1.5 L.....	1983-1982	41071	320 PICKUP		
4-Cyl. 1.6 L.....	1999-1991	41075	4-Cyl. 73; W/O Fan Clutch.....	1965	42324
4-Cyl. 1.6 L.....	1990-1989	41073	350Z		
4-Cyl. 1.6 L.....	1988-1984	41071	V-6 3.5 L.....	2006-2003	41123
4-Cyl. 1.7 L Diesel.....	1986-1983	41134	510		
4-Cyl. 1.8 L.....	2006-2000	43511	4-Cyl. 97; W/Fan Clutch; W/4" Fan Bolt Pattern.....	1973-1968	42176
4-Cyl. 2.0 L.....	2001-1998	41138	4-Cyl. 97; W/O Fan Clutch.....	1973-1968	41130
4-Cyl. 2.0 L.....	1994-1991	41138	4-Cyl. 2.0 L; W/A.C.; W/5.25" Fan Bolt Pattern.....	1981-1980	42178
4-Cyl. 2.5 L.....	2007-2002	43512	4-Cyl. 2.0 L; W/O A.C.; W/4" Fan Bolt Pattern.....	1981-1980	42176
STANZA			4-Cyl. 119; W/A.C.; W/5.25" Fan Bolt Pattern.....	1979-1978	42178
4-Cyl. 2.0 L.....	1989-1987	41136	4-Cyl. 119; W/O A.C.; W/4" Fan Bolt Pattern.....	1979-1978	42176
4-Cyl. 2.0 L; Jul. 1986 & Newer.....	1986	41136	520 PICKUP		
4-Cyl. 2.0 L; Jun. 1986 & Older.....	1986	41133	4-Cyl. 79; W/O Fan Clutch.....	1968-1966	42324
4-Cyl. 2.0 L.....	1985-1982	41133	521 PICKUP		
4-Cyl. 2.4 L.....	1992-1990	41076	4-Cyl. 79; W/O Fan Clutch.....	1969	42324
TITAN			4-Cyl. 97.....	1972-1970	41130
V-8 5.6 L.....	2007-2004	43537	4-Cyl. 98; W/O Fan Clutch.....	1968	42324
VAN			610		
4-Cyl. 2.4 L.....	1988-1987	41139	4-Cyl. 108; W/A.C.; W/4" Fan Bolt Pattern.....	1973	42176
XTERRA			4-Cyl. 108; W/O A.C.....	1973	41130
4-Cyl. 2.4 L.....	2004-2000	41162	4-Cyl. 119; W/A.C.; W/5.25" Fan Bolt Pattern.....	1976-1974	42178
V-6 3.3 L.....	2004-2000	43255	4-Cyl. 119; W/O A.C.; W/4" Fan Bolt Pattern.....	1976-1974	42176
V-6 4.0 L.....	2008-2005	43520	620 PICKUP		
200SX			4-Cyl. 97.....	1973-1972	41130
4-Cyl. 1.6 L.....	1998-1995	41075	4-Cyl. 108.....	1974	41130
4-Cyl. 1.8 L.....	1986-1984	41135	4-Cyl. 119; W/A.C.; W/5.25" Fan Bolt Pattern.....	1979-1975	42178
4-Cyl. 1.8 L (Canada).....	1987	41135	710		
4-Cyl. 2.0 L.....	1998-1995	41138	4-Cyl. 108; W/O A.C.; W/4" Fan Bolt Pattern.....	1974	42176
4-Cyl. 2.0 L.....	1988-1984	41135	4-Cyl. 119; W/A.C.; W/5.25" Fan Bolt Pattern.....	1977-1975	42178
4-Cyl. 2.0 L; W/5.25" Fan Bolt Pattern....	1981-1980	42178	4-Cyl. 119; W/O A.C.; W/4" Fan Bolt Pattern.....	1977-1975	42176
4-Cyl. 119.....	1979-1977	42178	720 PICKUP		
4-Cyl. 2.2 L; W/5.25" Fan Bolt Pattern....	1983-1982	42178	4-Cyl. 2.0 L; W/A.C.; W/5.25" Fan Bolt Pattern.....	1980	42178
V-6 3.0 L.....	1988-1987	42181	4-Cyl. 2.0 L; W/Auto. Trans.; W/O A.C.; W/4" Fan Bolt Pattern.....	1980	42176
210			4-Cyl. 2.0 L; W/Man. Trans.; W/O A.C....	1980	41130
4-Cyl. 1.2 L; W/2.362" Fan Bolt Pattern..	1982-1980	41131	810		
4-Cyl. 1.4 L; W/2.362" Fan Bolt Pattern..	1982-1980	41131	6-Cyl. 2.4 L.....	1981-1980	41132
4-Cyl. 85; W/1.970" Fan Bolt Pattern.....	1979	41068	6-Cyl. 146.....	1979-1977	41132
4-Cyl. 85; W/2.362" Fan Bolt Pattern.....	1979	41131	OLDSMOBILE		
4-Cyl. 1.5 L; W/2.362" Fan Bolt Pattern..	1982-1980	41131	ACHIEVA		
4-Cyl. 91; W/2.362" Fan Bolt Pattern.....	1979	41131	4-Cyl. 2.3 L.....	1995-1992	41023
4-Cyl. 91; W/O A.C.; W/1.970" Fan Bolt Pattern.....	1979	41068	4-Cyl. 2.4 L; Timing Cover & Exhaust Manifold Removal Required. New Gaskets To Reinstall Do Not Come With Pump.....	1998-1996	41028
240SX			V-6 3.1 L.....	1998-1994	41020
4-Cyl. 2.4 L.....	1998-1989	41162	V-6 3.3 L.....	1993-1992	42095
240Z					
6-Cyl. 146.....	1973-1970	41132			
260Z					
6-Cyl. 157.....	1975-1974	41132			
280Z					
6-Cyl. 168.....	1978-1975	41132			
280ZX					
6-Cyl. 2.8 L.....	1983-1980	41132			
6-Cyl. 168.....	1979	41132			
300ZX					
V-6 3.0 L.....	1996-1990	42232			
V-6 3.0 L.....	1989-1984	42181			

* High Performance Pump

Application Guide - Passenger Cars and Light Trucks

Application	Year	Gates No.	Application	Year	Gates No.
OLDSMOBILE - Continued			OLDSMOBILE - Continued		
ALERO			CUTLASS - Continued		
4-Cyl. 2.2 L.....	2004-2002	42296	V-8 5.0 L; Eng. VIN Y, 9 (8th digit of VIN); W/O A.C.....	1985-1984	43107
4-Cyl. 2.4 L; Timing Cover & Exhaust Manifold Removal Required. New Gaskets To Reinstall Do Not Come With Pump.....	2001-1999	41028	V-8 5.0 L; Canada; Eng. VIN H (8th digit of VIN).....	1983	43099 or *43099P
V-6 3.4 L.....	2004-1999	41020	V-8 5.0 L; Eng. VIN Y (8th digit of VIN); W/A.C.....	1983	43100
AURORA			V-8 5.0 L; Eng. VIN Y (8th digit of VIN); W/O A.C.....	1983	43107
V-6 3.5 L.....	2002-2001	44043	V-8 5.0 L; W/A.C.....	1982	43100
V-8 4.0 L.....	2003-2001	41026	V-8 5.0 L; W/O A.C.....	1982	43107
V-8 4.0 L.....	1999-1995	41026	V-8 5.0 L.....	1980	43099 or *43099P
BRAVADA			V-8 305.....	1979-1978	43099 or *43099P
6-Cyl. 4.2 L.....	2004-2002	41122	V-8 330.....	1967	43120
V-6 4.3 L.....	2001-1996	43315	V-8 5.7 L; W/A.C., X.C.....	1980	43100
V-6 4.3 L.....	1994-1991	43114	V-8 5.7 L; W/O A.C.....	1980	43107
CALAIS			V-8 5.7 L Diesel.....	1985-1983	43100
4-Cyl. 2.5 L; W/O Pulley.....	1987-1985	42083	V-8 5.7 L Diesel; W/A.C.....	1982-1980	43100
4-Cyl. 2.5 L; W/Pulley.....	1987-1985	42096	V-8 5.7 L Diesel; W/O A.C.; 5.57" from Block to Pulley Surface.....	1982	43107
V-6 3.0 L.....	1987-1985	42095	V-8 5.7 L Diesel; W/O A.C.; W/5.95" From Block To Pulley Surface.....	1982	43100
CUSTOM CRUISER			V-8 5.7 L Diesel; W/O A.C.....	1981-1980	43107
V-8 5.0 L.....	1992-1991	43115	V-8 350; Eng. VIN L (5th digit of VIN)....	1979	43099 or *43099P
V-8 5.0 L.....	1990-1986	43100	V-8 350; W/A.C., X.C.; Eng. VIN R (5th digit of VIN).....	1979	43100
V-8 5.0 L; W/A.C.....	1985-1980	43100	V-8 350; W/O A.C.; Eng. VIN R (5th digit of VIN).....	1979	43107
V-8 5.0 L; W/O A.C.....	1985-1980	43107	V-8 350; W/A.C., X.C.....	1977	43100
V-8 5.7 L.....	1992	43115	V-8 350; W/O A.C.....	1977-1973	43107
V-8 5.7 L; W/A.C., X.C.....	1980	43100	V-8 350; W/A.C.....	1976-1973	43100
V-8 5.7 L; W/O A.C.....	1980	43107	V-8 350.....	1972-1971	43107
V-8 5.7 L Diesel.....	1985-1983	43100	V-8 350; W/A.C.....	1970-1968	43124
V-8 5.7 L Diesel; W/A.C.....	1982-1980	43100	V-8 350; W/O A.C.....	1970-1968	43120
V-8 5.7 L Diesel; W/O A.C.....	1982-1980	43107	V-8 400.....	1967	43120
V-8 350; W/A.C., X.C.....	1979-1978	43100	V-8 403; W/A.C.....	1977	43100
V-8 350; W/O A.C.....	1979-1978	43107	V-8 403; W/O A.C.....	1977	43107
V-8 350; Eng. VIN L (5th digit of VIN)....	1977	43099 or *43099P	V-8 455; W/A.C.....	1976-1973	43100
V-8 350; W/A.C.; Eng. VIN R (5th digit of VIN).....	1977	43100	V-8 455; W/O A.C.....	1976-1973	43107
V-8 350; W/O A.C.; Eng. VIN R (5th digit of VIN).....	1977	43107	V-8 455.....	1972-1971	43107
V-8 350; W/A.C., X.C.....	1973	43100	V-8 455; W/A.C.....	1970	43124
V-8 350; W/O A.C.....	1973	43107	V-8 455; W/O A.C.....	1970	43120
V-8 350 Diesel; W/A.C.....	1979-1978	43100	CUTLASS CALAIS		
V-8 350 Diesel; W/O A.C.....	1979-1978	43107	4-Cyl. 2.3 L.....	1991-1988	41023
V-8 400.....	1975	43102	4-Cyl. 2.5 L; W/O Pulley.....	1991-1988	42083
V-8 403; W/A.C., X.C.....	1979-1977	43100	4-Cyl. 2.5 L; W/Pulley.....	1991-1988	42096
V-8 403; W/O A.C.....	1979-1977	43107	V-6 3.0 L.....	1988	42095
V-8 455; W/A.C., X.C.....	1976-1971	43100	V-6 3.3 L.....	1991-1989	42095
V-8 455; W/O A.C.....	1976-1971	43107	CUTLASS CIERA		
CUTLASS			4-Cyl. 2.2 L.....	1996-1993	41019
6-Cyl. 250.....	1976-1975	42085	4-Cyl. 2.5 L.....	1992-1987	42091
6-Cyl. 250.....	1971-1967	42082	4-Cyl. 2.5 L; W/O Pulley.....	1986-1982	42083
V-6 3.1 L.....	1999-1997	41020	4-Cyl. 2.5 L; W/Pulley; Included 3-Groove Pulley Will Service 1 & 2-Groove Applications.....	1986-1982	42084
V-6 3.8 L.....	1987-1980	43094	V-6 2.8 L.....	1989-1987	41020
V-6 231.....	1979-1977	43094	V-6 2.8 L.....	1986	43092
V-6 4.3 L Diesel.....	1984-1982	43169	V-6 2.8 L (Canada).....	1985-1982	43092
V-8 4.3 L; W/A.C.....	1982	43100	V-6 3.0 L.....	1985-1982	43112
V-8 4.3 L; W/O A.C.....	1982-1980	43107	V-6 3.1 L.....	1996-1994	41020
V-8 4.3 L; W/A.C., X.C.....	1981-1980	43100	V-6 3.3 L.....	1993-1989	42095
V-8 260; W/A.C., X.C.....	1979-1977	43100	V-6 3.8 L.....	1988-1986	42095
V-8 260; W/O A.C.....	1979-1975	43107	V-6 3.8 L.....	1985-1984	43112
V-8 260; W/A.C.....	1976-1975	43100	V-6 4.3 L Diesel; W/O Pulley.....	1985-1982	43096
V-8 260 Diesel; W/A.C.....	1979	43100	V-6 4.3 L Diesel; W/Pulley.....	1985-1982	43097
V-8 260 Diesel; W/O A.C.....	1979	43107	CUTLASS CRUISER		
V-8 4.4 L (Canada).....	1982-1981	43099 or *43099P	4-Cyl. 2.5 L.....	1990	42091
V-8 5.0 L; Eng. VIN H (8th digit of VIN).....	1987-1984	43099 or *43099P	V-6 3.1 L.....	1994	41020
V-8 5.0 L; Eng. VIN Y (8th digit of VIN).....	1987	43100	V-6 3.3 L.....	1993-1990	42095
V-8 5.0 L; Eng. VIN Y, 9 (8th digit of VIN).....	1986	43100			
V-8 5.0 L; Eng. VIN Y, 9 (8th digit of VIN); W/A.C.....	1985-1984	43100			

* High Performance Pump

Application Guide - Passenger Cars and Light Trucks

Application	Year	Gates No.	Application	Year	Gates No.
OLDSMOBILE - Continued			OLDSMOBILE - Continued		
CUTLASS CRUISER - Continued			DELTA 88 - Continued		
V-6 3.8 L.....	1981-1980	43094	V-8 350; W/A.C.; Eng. VIN R (5th digit of VIN).....	1977	43100
V-6 231.....	1979-1978	43094	V-8 350; W/O A.C.; Eng. VIN R (5th digit of VIN).....	1977	43107
V-8 4.3 L; W/A.C., X.C.....	1981-1980	43100	V-8 350; W/A.C., X.C.....	1976-1971	43100
V-8 4.3 L; W/O A.C.....	1981-1980	43107	V-8 350; W/O A.C.....	1976-1971	43107
V-8 260; W/A.C., X.C.....	1979-1978	43100	V-8 350.....	1970	43124
V-8 260; W/O A.C.....	1979-1978	43107	V-8 350; W/A.C.....	1969	43124
V-8 4.4 L (Canada).....	1981	43099	V-8 350; W/O A.C.....	1969	43120
		or *43099P	V-8 350 Diesel; W/A.C.....	1979-1978	43100
V-8 5.0 L; Eng. VIN H (8th digit of VIN).....	1981	43099	V-8 350 Diesel; W/O A.C.....	1979-1978	43107
		or *43099P	V-8 400.....	1975	43102
V-8 5.0 L; W/A.C.; Eng. VIN Y (8th digit of VIN).....	1981	43100	V-8 403; W/A.C., X.C.....	1979-1977	43100
V-8 5.0 L; W/O A.C.; Eng. VIN Y (8th digit of VIN).....	1981	43107	V-8 403; W/O A.C.....	1979-1977	43107
V-8 5.0 L.....	1980	43099	V-8 425.....	1967	43120
		or *43099P	V-8 455; W/A.C., X.C.....	1976-1971	43100
V-8 305.....	1979-1978	43099	V-8 455; W/O A.C.....	1976-1971	43107
		or *43099P	V-8 455.....	1970	43124
V-8 5.7 L Diesel; W/A.C.....	1981-1980	43100	V-8 455; W/A.C.....	1969-1968	43124
V-8 5.7 L Diesel; W/O A.C.....	1981-1980	43107	V-8 455; W/O A.C.....	1969-1968	43120
V-8 350; Eng. VIN L (5th digit of VIN)....	1979	43099			
		or *43099P	EIGHTY EIGHT		
V-8 350; W/A.C., X.C.; Eng. VIN R (5th digit of VIN).....	1979	43100	V-6 3.8 L.....	1999-1996	42097
V-8 350; W/O A.C.; Eng. VIN R (5th digit of VIN).....	1979	43107	V-6 3.8 L.....	1995-1989	42095
V-8 350.....	1978	43099	V-8 425.....	1966-1965	43120
		or *43099P			
V-8 350 Diesel; W/A.C.....	1979	43100	F85		
V-8 350 Diesel; W/O A.C.....	1979	43107	6-Cyl. 250.....	1971-1966	42082
			V-6 225.....	1965-1964	43110
CUTLASS SUPREME			V-8 330.....	1967-1965	43120
4-Cyl. 2.3 L.....	1991-1990	41023	V-8 350.....	1972-1971	43107
V-6 2.8 L.....	1989-1988	41020	V-8 350; W/A.C.....	1970-1968	43124
V-6 3.1 L.....	1997-1989	41020	V-8 350; W/O A.C.....	1970-1968	43120
V-6 3.4 L.....	1996-1991	41020	V-8 400.....	1966-1965	43120
V-8 5.0 L.....	1988	43100	V-8 455.....	1972	43107
DELMONT 88			FIRENZA		
V-8 330.....	1967	43120	4-Cyl. 1.8 L.....	1986-1983	41016
V-8 350; W/A.C.....	1968	43124	4-Cyl. 1.8 L; Eng. VIN G (8th digit of VIN).....	1982	41015
V-8 350; W/O A.C.....	1968	43120	4-Cyl. 1.8 L; Eng. VIN O (8th digit of VIN).....	1982	41016
V-8 425.....	1967	43120	4-Cyl. 2.0 L; Eng. VIN 1 (8th digit of VIN).....	1988-1987	41019
V-8 455; W/A.C.....	1968	43124	4-Cyl. 2.0 L; Eng. VIN K (8th digit of VIN).....	1988-1987	41022
V-8 455; W/O A.C.....	1968	43120	4-Cyl. 2.0 L.....	1986-1983	41015
			V-6 2.8 L.....	1987	41020
			V-6 2.8 L.....	1986-1985	41021
DELTA 88			INTRIGUE		
V-6 3.0 L.....	1986	42095	V-6 3.5 L.....	2002-1999	44043
V-6 3.8 L.....	1988-1986	42095	V-6 3.8 L.....	1999-1998	42097
V-6 3.8 L.....	1985-1980	43094			
V-6 231.....	1979-1977	43094	JETSTAR I		
V-8 4.3 L; W/A.C.....	1982-1981	43100	V-8 425.....	1965	43120
V-8 4.3 L; W/O A.C.....	1982-1980	43107			
V-8 4.3 L; W/A.C., X.C.....	1980	43100	JETSTAR 88		
V-8 260; W/A.C., X.C.....	1979-1977	43100	V-8 330.....	1966-1965	43120
V-8 260; W/O A.C.....	1979-1977	43107			
V-8 4.4 L (Canada).....	1982-1981	43099	LSS		
		or *43099P	V-6 3.8 L.....	1999-1997	42097
V-8 301.....	1979	43102			
V-8 5.0 L; W/A.C.....	1985-1980	43100	NINETY EIGHT		
V-8 5.0 L; W/O A.C.....	1985-1980	43107	V-6 3.0 L.....	1985	43112
V-8 5.7 L; W/A.C., X.C.....	1980	43100	V-6 3.8 L.....	1996	42097
V-8 5.7 L; W/O A.C.....	1980	43107	V-6 3.8 L.....	1995-1986	42095
V-8 5.7 L Diesel.....	1985-1983	43100	V-6 3.8 L.....	1985	43112
V-8 5.7 L Diesel; W/A.C.....	1982-1980	43100	V-6 4.1 L.....	1983-1981	43094
V-8 5.7 L Diesel; W/O A.C.; 5.57" from Block to Pulley Surface.....	1982	43107	V-6 4.3 L Diesel; W/O Pulley.....	1985	43096
V-8 5.7 L Diesel; W/O A.C.; W/5.95" From Block To Pulley Surface.....	1982	43100	V-6 4.3 L Diesel; W/Pulley.....	1985	43097
V-8 5.7 L Diesel; W/O A.C.....	1981-1980	43107	V-8 5.0 L; W/A.C.....	1984-1980	43100
V-8 350; W/A.C., X.C.....	1979-1978	43100	V-8 5.0 L; W/O A.C.....	1984-1980	43107
V-8 350; W/O A.C.....	1979-1978	43107	V-8 5.7 L; W/A.C., X.C.....	1980	43100
V-8 350; Eng. VIN G, L (5th digit of VIN).....	1977	43099	V-8 5.7 L; W/O A.C.....	1980	43107
		or *43099P			

* High Performance Pump

Application Guide - Passenger Cars and Light Trucks

Application	Year	Gates No.	Application	Year	Gates No.
OLDSMOBILE - Continued			OLDSMOBILE - Continued		
NINETY EIGHT - Continued			TORONADO - Continued		
V-8 5.7 L Diesel.....	1984-1983	43100	V-8 350 Diesel; W/O A.C.....	1979	43107
V-8 5.7 L Diesel; W/A.C.....	1982-1980	43100	V-8 403.....	1978-1977	43100
V-8 5.7 L Diesel; W/O A.C.; 5.57" from Block to Pulley Surface.....	1982	43107	V-8 425.....	1967-1966	43120
V-8 5.7 L Diesel; W/O A.C.; W/5.95" From Block To Pulley Surface.....	1982	43100	V-8 455; W/A.C.....	1976-1971	43100
V-8 5.7 L Diesel; W/O A.C.....	1981-1980	43107	V-8 455; W/O A.C.....	1976-1971	43107
V-8 350; W/A.C., X.C.....	1979-1977	43100	V-8 455; W/O A.C.; W/O X.C.....	1970	43120
V-8 350; W/O A.C.....	1979-1977	43107	V-8 455; W/A.C.....	1969-1968	43124
V-8 350; W/A.C., X.C.....	1975	43100	V-8 455; W/O A.C.....	1969-1968	43120
V-8 350; W/O A.C.....	1975	43107	VISTA CRUISER		
V-8 350; W/A.C., X.C.....	1973-1972	43100	V-8 330.....	1967-1965	43120
V-8 350; W/O A.C.....	1973-1972	43107	V-8 350; W/A.C.....	1975-1973	43100
V-8 350 Diesel; W/A.C.....	1979-1978	43100	V-8 350; W/O A.C.....	1975-1973	43107
V-8 350 Diesel; W/O A.C.....	1979-1978	43107	V-8 350.....	1972-1971	43107
V-8 400.....	1975	43102	V-8 350; W/A.C.....	1970-1968	43124
V-8 403; W/A.C., X.C.....	1979-1977	43100	V-8 350; W/O A.C.....	1970-1968	43120
V-8 403; W/O A.C.....	1979-1977	43107	V-8 400; W/A.C.....	1969-1968	43124
V-8 425.....	1967-1965	43120	V-8 400; W/O A.C.....	1969-1968	43120
V-8 455; W/A.C., X.C.....	1976-1971	43100	V-8 455; W/A.C.....	1975-1973	43100
V-8 455; W/O A.C.....	1976-1971	43107	V-8 455; W/O A.C.....	1975-1973	43107
V-8 455.....	1970	43124	V-8 455.....	1972-1971	43107
V-8 455; W/A.C.....	1969-1968	43124	V-8 455; W/A.C.....	1970	43124
V-8 455; W/O A.C.....	1969-1968	43120	V-8 455; W/O A.C.....	1970	43120
OMEGA			442		
4-Cyl. 2.5 L; W/O Pulley.....	1984-1980	42083	V-8 400; W/A.C.....	1969-1968	43124
4-Cyl. 2.5 L; W/Pulley; Included 3-Groove Pulley Will Service 1 & 2-Groove Applications.....	1984-1980	42084	V-8 400; W/O A.C.....	1969-1968	43120
6-Cyl. 250.....	1976-1975	42085	V-8 455.....	1971	43107
6-Cyl. 250; W/A.C.....	1974	42100	V-8 455; W/A.C.....	1970-1968	43124
6-Cyl. 250; W/O A.C.....	1974	42082	V-8 455; W/O A.C.....	1970-1968	43120
6-Cyl. 250.....	1973	42082	OPEL		
V-6 2.8 L.....	1984-1980	43092	GT		
V-6 231.....	1979-1977	43094	4-Cyl. 66.....	1970-1969	42246
V-8 260; W/A.C.....	1977-1975	43100	4-Cyl. 116.....	1973-1969	42246
V-8 260; W/O A.C.....	1977-1975	43107	KADETT		
V-8 305.....	1979-1977	43099	4-Cyl. 66; Chassis No. 1690987 & After; W/Single Pulley.....	1972-1968	42326
V-8 350.....	1979-1977	43099	4-Cyl. 66; Chassis No. 1690986 & Be- fore; W/Air Injection Reactor.....	1969-1968	42327
V-8 350.....	1976-1975	43094	4-Cyl. 116.....	1968	42246
V-8 350; W/A.C.....	1974-1973	43100	MANTA		
V-8 350; W/O A.C.....	1974-1973	43107	4-Cyl. 116.....	1975-1973	42246
REGENCY			OPEL		
V-6 3.8 L.....	1998-1997	42097	4-Cyl. 111.....	1979-1976	41051
SILHOUETTE			1900		
V-6 3.1 L.....	1994-1990	41020	4-Cyl. 116.....	1974-1971	42246
V-6 3.4 L.....	2004-1996	41020	PEUGEOT		
V-6 3.8 L.....	1995-1992	42095	505		
STARFIRE			4-Cyl. 2.0 L; W/O Threaded Hole for Temperature Sending Unit.....	1987-1980	43184
4-Cyl. 2.5 L.....	1980	42085	4-Cyl. 2.3 L Diesel; W/Turbo.....	1983-1981	43185
4-Cyl. 151.....	1979-1978	42085	604		
V-6 3.8 L.....	1980	43094	4-Cyl. 2.3 L Diesel; Chassis No. 0104178 & Before.....	1984-1982	43185
V-6 231.....	1979-1975	43094	PLYMOUTH		
TORONADO			ACCLAIM		
V-6 3.8 L.....	1992-1986	42095	4-Cyl. 2.5 L.....	1995-1990	42034
V-6 4.1 L.....	1984-1981	43094	4-Cyl. 2.5 L.....	1989	42033
V-8 5.0 L; W/A.C.....	1985-1980	43100	V-6 3.0 L.....	1995-1989	42162
V-8 5.0 L; W/O A.C.....	1985-1980	43107	ARROW		
V-8 5.7 L; W/A.C., X.C.....	1980	43100	4-Cyl. 1.6 L.....	1980	41143
V-8 5.7 L Diesel.....	1985-1983	43100	4-Cyl. 98.....	1979-1978	41143
V-8 5.7 L Diesel; W/A.C.....	1982-1980	43100	4-Cyl. 98.....	1977-1976	41109
V-8 5.7 L Diesel; W/O A.C.; 5.57" from Block to Pulley Surface.....	1982	43107			
V-8 5.7 L Diesel; W/O A.C.; W/5.95" From Block To Pulley Surface.....	1982	43100			
V-8 5.7 L Diesel; W/O A.C.....	1981-1980	43107			
V-8 350; W/A.C., X.C.....	1979	43100			
V-8 350 Diesel; W/A.C.....	1979	43100			

* High Performance Pump

Application Guide - Passenger Cars and Light Trucks

Application	Year	Gates No.	Application	Year	Gates No.
PLYMOUTH - Continued			PLYMOUTH - Continued		
ARROW - Continued			BREEZE		
4-Cyl. 122.....	1978-1976	42153	4-Cyl. 2.0 L.....	2000-1996	41003
4-Cyl. 2.6 L.....	1980	42153	4-Cyl. 2.4 L.....	2000-1997	41006
4-Cyl. 156.....	1979	42153	CAMBRIDGE		
ARROW PICKUP			6-Cyl. 218..... 1953-1951 42554		
4-Cyl. 2.0 L.....	1982-1980	42153	CARAVELLE		
4-Cyl. 122.....	1979	42153	4-Cyl. 2.2 L.....	1988-1985	42029
4-Cyl. 2.6 L.....	1982-1980	42153	4-Cyl. 2.5 L.....	1988-1986	42029
4-Cyl. 156.....	1979	42153	4-Cyl. 2.6 L.....	1985	42158
B SERIES VAN			6-Cyl. 3.7 L (Canada).....	1983-1980	43025
6-Cyl. 3.7 L.....	1983-1980	43025	6-Cyl. 225 (Canada).....	1979-1978	43025
6-Cyl. 225.....	1979-1975	43025	V-8 5.2 L (Canada).....	1984-1980	43257
V-8 5.2 L.....	1983-1980	43257		or 43026	
		or 43026		or *43026P	
V-8 318.....	1979-1974	43257	CHAMP		
		or 43026	4-Cyl. 1.4 L.....	1982-1981	42156
		or *43026P	4-Cyl. 1.4 L.....	1980	42154
V-8 5.9 L.....	1983-1980	43257	4-Cyl. 86.....	1979	42154
		or 43026	4-Cyl. 1.6 L.....	1982-1981	42157
		or *43026P	4-Cyl. 1.6 L.....	1980	42155
V-8 360.....	1979-1974	43257	4-Cyl. 98.....	1979	42155
		or 43026	COLT		
		or *43026P	4-Cyl. 1.4 L.....	1984-1983	42156
V-8 400.....	1978-1976	42032	4-Cyl. 1.5 L.....	1994-1985	42156
V-8 440.....	1978-1976	42032	4-Cyl. 1.6 L; Hatchback.....	1990-1989	42143
BARRACUDA			4-Cyl. 1.6 L; Wagon.....	1990-1989	42157
6-Cyl. 198.....	1971	43025	4-Cyl. 1.6 L.....	1988-1983	42157
6-Cyl. 225.....	1972-1967	43025	4-Cyl. 1.8 L.....	1994	42165
V-8 273; W/A.C.....	1967	42553	4-Cyl. 1.8 L.....	1993-1992	42169
V-8 273; W/O A.C.....	1967	43030	4-Cyl. 1.8 L.....	1990-1989	42157
V-8 318.....	1974-1970	43257	4-Cyl. 2.0 L.....	1991-1984	42195
		or 43026	4-Cyl. 2.4 L.....	1994-1993	42166
		or *43026P	4-Cyl. 2.4 L.....	1992	42164
V-8 318; W/A.C.....	1969-1968	42553	CONCORD		
V-8 318; W/O A.C.....	1969-1968	43030	6-Cyl. 218.....	1952-1951	42554
V-8 340.....	1973-1970	43257	CONQUEST		
		or 43026	4-Cyl. 2.6 L.....	1986	42216
		or *43026P	4-Cyl. 2.6 L; Feb. 1985 & Newer.....	1985	42216
V-8 340; W/O A.C.....	1969-1968	43030	4-Cyl. 2.6 L; Jan. 1985 & Older.....	1985	42153
V-8 360.....	1974	43257	4-Cyl. 2.6 L.....	1984	42153
		or 43026	CRANBROOK		
		or *43026P	6-Cyl. 218.....	1953-1951	42554
V-8 383.....	1971-1970	42032	CRICKET		
V-8 383; W/O A.C.....	1969	42032	4-Cyl. 91.....	1973-1971	41062
V-8 383.....	1968-1967	42032	DELUXE		
V-8 426.....	1971-1970	42032	6-Cyl. 218.....	1950-1946	42554
V-8 440.....	1971-1970	42032	DUSTER		
BELVEDERE			6-Cyl. 198.....	1974-1970	43025
6-Cyl. 218.....	1954	42554	6-Cyl. 225.....	1976-1970	43025
6-Cyl. 225.....	1970-1960	43025	V-8 318.....	1976-1970	43257
6-Cyl. 230.....	1956-1954	42554		or 43026	
V-8 273; W/A.C.....	1968-1965	42553		or *43026P	
V-8 273; W/O A.C.....	1968-1965	43030	V-8 340.....	1973-1970	43257
V-8 318.....	1970	43257		or 43026	
		or 43026		or *43026P	
		or *43026P	V-8 360.....	1976-1974	43257
V-8 318; W/A.C.....	1969-1965	42553		or 43026	
V-8 318; W/O A.C.....	1969-1965	43030		or *43026P	
V-8 318.....	1964-1957	43030	FURY		
V-8 350.....	1958	42032	6-Cyl. 225.....	1978-1975	43025
V-8 361.....	1965-1959	42032	6-Cyl. 225.....	1972-1960	43025
V-8 383.....	1970-1960	42032	V-8 273; W/A.C.....	1967	42553
V-8 413.....	1961	42032	V-8 273; W/O A.C.....	1967	43030
V-8 426.....	1969	42032			
V-8 426.....	1967-1963	42032			
V-8 440.....	1969	42032			
V-8 440.....	1967	42032			

* High Performance Pump

Application Guide - Passenger Cars and Light Trucks

Application	Year	Gates No.	Application	Year	Gates No.
PLYMOUTH - Continued			PLYMOUTH - Continued		
FURY - Continued			RELIANT		
V-8 318.....	1978-1975	43257 or 43026 or *43026P	4-Cyl. 2.2 L.....	1989	42033
V-8 318.....	1973-1970	43257 or 43026 or *43026P	4-Cyl. 2.2 L.....	1988-1981	42029
V-8 318; W/A.C.....	1969-1965	42553	4-Cyl. 2.5 L.....	1989	42033
V-8 318; W/O A.C.....	1969-1965	43030	4-Cyl. 2.5 L.....	1988-1986	42029
V-8 318.....	1964-1959	43030	4-Cyl. 2.6 L.....	1985-1981	42158
V-8 360.....	1978-1971	43257 or 43026 or *43026P	ROAD RUNNER		
V-8 361.....	1966-1959	42032	V-8 318.....	1974-1972	43257 or 43026 or *43026P
V-8 383.....	1971-1960	42032	V-8 340.....	1973-1971	43257 or 43026 or *43026P
V-8 400.....	1978-1972	42032	V-8 360.....	1974	43257 or 43026 or *43026P
V-8 413.....	1962-1961	42032	V-8 383.....	1971	42032
V-8 426.....	1965-1963	42032	V-8 400.....	1974-1972	42032
V-8 440.....	1978-1977	42032	V-8 426.....	1971	42032
V-8 440.....	1975-1966	42032	V-8 440.....	1974-1971	42032
GRAN FURY			SAPPORO		
6-Cyl. 3.7 L.....	1983-1980	43025	4-Cyl. 98.....	1979-1978	41143
V-8 5.2 L.....	1989-1980	43257 or 43026 or *43026P	4-Cyl. 2.6 L.....	1983-1980	42153
V-8 318.....	1977-1975	43257 or 43026 or *43026P	4-Cyl. 156.....	1979-1978	42153
V-8 5.9 L.....	1980	43257 or 43026 or *43026P	SATELLITE		
V-8 360.....	1977-1975	43257 or 43026 or *43026P	6-Cyl. 225.....	1974-1968	43025
V-8 400.....	1977-1975	42032	V-8 273; W/A.C.....	1968-1965	42553
V-8 440.....	1977-1975	42032	V-8 273; W/O A.C.....	1968-1965	43030
GRAND VOYAGER			V-8 318.....	1974-1970	43257 or 43026 or *43026P
4-Cyl. 2.2 L.....	1987	42029	V-8 318; W/A.C.....	1969-1965	42553
4-Cyl. 2.4 L.....	1997	41006	V-8 318; W/O A.C.....	1969-1965	43030
4-Cyl. 2.4 L; W/Hyd. Tensioner.....	1996	42035	V-8 340.....	1972	43257 or 43026 or *43026P
4-Cyl. 2.4 L; W/Man. Tensioner.....	1996	41006	V-8 360.....	1974	43257 or 43026 or *43026P
4-Cyl. 2.5 L.....	1989	42033	V-8 361.....	1966-1965	42032
4-Cyl. 2.5 L.....	1988	42029	V-8 383.....	1971-1965	42032
V-6 3.0 L.....	2000-1992	42162	V-8 400.....	1974-1972	42032
V-6 3.0 L.....	1989-1987	42162	V-8 426.....	1971-1965	42032
V-6 3.3 L.....	2000-1990	41001	V-8 440.....	1974-1967	42032
V-6 3.8 L.....	1999	41001	SAVOY		
V-6 3.8 L.....	1996-1994	41001	6-Cyl. 218.....	1954	42554
HORIZON			6-Cyl. 225.....	1964-1960	43025
4-Cyl. 1.6 L.....	1986-1983	41067	6-Cyl. 230.....	1956-1954	42554
4-Cyl. 1.7 L.....	1983-1980	42028	V-8 318.....	1964-1958	43030
4-Cyl. 104.....	1979-1978	42028	V-8 361.....	1964-1959	42032
4-Cyl. 2.2 L.....	1990	42034	V-8 383.....	1964-1963	42032
4-Cyl. 2.2 L.....	1989	42033	V-8 383.....	1961-1960	42032
4-Cyl. 2.2 L.....	1988-1981	42029	V-8 413.....	1961	42032
LASER			V-8 426.....	1964-1963	42032
4-Cyl. 1.8 L.....	1994-1990	42157	SCAMP		
4-Cyl. 2.0 L.....	1994-1990	42163	6-Cyl. 198.....	1974-1971	43025
NEON			6-Cyl. 225.....	1976-1971	43025
4-Cyl. 2.0 L.....	2001-1995	41003	V-8 318.....	1976-1971	43257 or 43026 or *43026P
PLAZA			SCAMP PICKUP		
6-Cyl. 218.....	1954	42554	4-Cyl. 2.2 L.....	1983	42029
6-Cyl. 230.....	1956-1954	42554	SPECIAL DELUXE		
V-8 318.....	1958	43030	6-Cyl. 218.....	1950-1946	42554
PROWLER			SUNDANCE		
V-6 3.5 L.....	2001-1999	41079	4-Cyl. 2.2 L.....	1994-1990	42034
V-6 3.5 L; W/3-Bolt Design.....	1997	41005	4-Cyl. 2.2 L.....	1989	42033
			4-Cyl. 2.2 L.....	1988-1987	42029

* High Performance Pump

Application Guide - Passenger Cars and Light Trucks

Application	Year	Gates No.	Application	Year	Gates No.
PLYMOUTH - Continued			PONTIAC		
SUNDANCE - Continued			ASTRE		
4-Cyl. 2.5 L.....	1994-1990	42034	4-Cyl. 140.....	1975	42103
4-Cyl. 2.5 L.....	1989	42033	4-Cyl. 151.....	1977	42085
4-Cyl. 2.5 L.....	1988	42029	AZTEK		
V-6 3.0 L.....	1994-1992	42162	V-6 3.4 L.....	2005-2001	41020
TRAILDUSTER			BONNEVILLE		
6-Cyl. 3.7 L.....	1980	43025	V-6 3.8 L.....	2005-1996	42097
6-Cyl. 225.....	1979-1975	43025	V-6 3.8 L.....	1995-1987	42095
V-8 5.2 L.....	1981-1980	43257	V-6 3.8 L.....	1986-1980	43094
		or 43026	V-6 4.1 L.....	1982	43094
		or *43026P	V-6 4.3 L.....	1986	43099
V-8 318.....	1979-1974	43257			or *43099P
		or 43026	V-8 4.3 L.....	1981-1980	43102
		or *43026P	V-8 4.6 L.....	2005-2004	41026
V-8 5.9 L.....	1981-1980	43257	V-8 4.9 L.....	1980	43102
		or 43026	V-8 301.....	1979-1977	43102
		or *43026P	V-8 5.0 L.....	1986-1983	43099
V-8 360.....	1979-1974	43257			or *43099P
		or 43026	V-8 5.0 L; W/A.C.....	1981	43100
		or *43026P	V-8 5.0 L; W/O A.C.....	1981	43107
V-8 400.....	1978-1976	42032	V-8 305.....	1977	43099
V-8 400.....	1974	42032			or *43099P
V-8 440.....	1978-1974	42032	V-8 5.7 L; W/A.C., X.C.....	1980	43100
VALIANT			V-8 5.7 L; W/A.C.; W/O X.C.....	1980	43094
6-Cyl. 170.....	1969-1960	43025	V-8 5.7 L; W/O A.C.....	1980	43107
6-Cyl. 198.....	1974-1970	43025	V-8 5.7 L Diesel.....	1984-1983	43100
6-Cyl. 225.....	1976-1961	43025	V-8 5.7 L Diesel; W/A.C.....	1982-1980	43100
V-8 273; W/A.C.....	1969-1965	42553	V-8 5.7 L Diesel; W/O A.C.; 5.57" from Block to Pulley Surface.....	1982	43107
V-8 273; W/O A.C.....	1969-1965	43030	V-8 5.7 L Diesel; W/O A.C.; W/5.95" From Block To Pulley Surface.....	1982	43100
V-8 273.....	1964	43030	V-8 5.7 L Diesel; W/O A.C.....	1981-1980	43107
V-8 318.....	1976-1970	43257	V-8 350; W/A.C., X.C.....	1979-1978	43100
		or 43026	V-8 350; W/A.C.; W/O X.C.....	1979-1978	43094
		or *43026P	V-8 350; W/O A.C.....	1979-1978	43107
V-8 318; W/A.C.....	1969-1968	42553	V-8 350; Eng. VIN P (5th digit of VIN)....	1977	43102
V-8 318; W/O A.C.....	1969-1968	43030	V-8 350; W/A.C.; Eng. VIN R (5th digit of VIN).....	1977	43100
V-8 360.....	1976	43257	V-8 350; W/O A.C.; Eng. VIN R (5th digit of VIN).....	1977	43107
		or 43026	V-8 389.....	1966-1963	43122
		or *43026P	V-8 400.....	1978-1970	43102
V-8 360.....	1974	43257	V-8 400; W/Casting No. 799124 & 9799124.....	1969	43102
		or 43026	V-8 400.....	1968-1967	43122
		or *43026P	V-8 403; W/A.C., X.C.....	1979-1978	43100
VOLARE			V-8 403; W/A.C.; W/O X.C.....	1979-1978	43094
6-Cyl. 3.7 L.....	1980	43025	V-8 403; W/O A.C.....	1979-1977	43107
6-Cyl. 225.....	1979-1976	43025	V-8 403; W/A.C.....	1977	43100
V-8 5.2 L.....	1980	43257	V-8 421.....	1966-1963	43122
		or 43026	V-8 428; W/Casting No. 799124 & 9799124.....	1969	43102
		or *43026P	V-8 428.....	1968-1967	43122
V-8 318.....	1979-1976	43257	V-8 455.....	1976-1970	43102
		or 43026	CATALINA		
		or *43026P	V-6 3.8 L.....	1981-1980	43094
V-8 360.....	1979-1976	43257	V-6 231.....	1979-1977	43094
		or 43026	V-8 4.3 L.....	1981-1980	43102
		or *43026P	V-8 4.9 L.....	1980	43102
VOYAGER			V-8 301.....	1979-1977	43102
4-Cyl. 2.2 L.....	1987-1984	42029	V-8 5.0 L; W/A.C.....	1981	43100
4-Cyl. 2.4 L.....	2000-1997	41006	V-8 5.0 L; W/O A.C.....	1981	43107
4-Cyl. 2.4 L; W/Hyd. Tensioner.....	1996	42035	V-8 305.....	1977	43099
4-Cyl. 2.4 L; W/Man. Tensioner.....	1996	41006			or *43099P
4-Cyl. 2.5 L.....	1995-1990	42034	V-8 5.7 L; W/A.C., X.C.....	1980	43100
4-Cyl. 2.5 L.....	1989	42033	V-8 5.7 L; W/A.C.; W/O X.C.....	1980	43094
4-Cyl. 2.5 L.....	1988-1987	42029	V-8 5.7 L; W/O A.C.....	1980	43107
4-Cyl. 2.6 L.....	1987-1984	42158	V-8 5.7 L Diesel; W/A.C.....	1981-1980	43100
V-6 3.0 L.....	2000-1987	42162	V-8 5.7 L Diesel; W/O A.C.....	1981-1980	43107
V-6 3.3 L.....	2000-1991	41001	V-8 350; W/A.C., X.C.....	1979-1978	43100
V-6 3.8 L.....	1999	41001	V-8 350; W/A.C.; W/O X.C.....	1979-1978	43094
V-6 3.8 L.....	1996	41001	V-8 350; W/O A.C.....	1979-1977	43107
V-6 3.8 L (Canada).....	1998	41001	V-8 350; Eng. VIN P (5th digit of VIN)....	1977	43102

* High Performance Pump

Application Guide - Passenger Cars and Light Trucks

Application	Year	Gates No.	Application	Year	Gates No.
PONTIAC - Continued			PONTIAC - Continued		
CATALINA - Continued			FIREBIRD - Continued		
V-8 350; W/A.C.....	1977	43100	V-8 350; W/A.C.; Eng. VIN R (5th digit of VIN).....	1977	43100
V-8 350.....	1976	43102	V-8 350; W/O A.C.; Eng. VIN R (5th digit of VIN).....	1977	43107
V-8 350.....	1973-1970	43102	V-8 350.....	1976-1970	43102
V-8 350 (Canada).....	1975	43102	V-8 350; W/Casting No. 9796351.....	1969	43123
V-8 389.....	1966-1963	43122	V-8 350.....	1968	43122
V-8 400.....	1978-1970	43102	V-8 400.....	1979-1970	43102
V-8 400; W/Casting No. 799124 & 9799124.....	1969	43102	V-8 400; W/Casting No. 9796351.....	1969	43123
V-8 400.....	1968-1967	43122	V-8 400.....	1968-1967	43122
V-8 403; W/A.C., X.C.....	1979-1978	43100	V-8 403; W/A.C.....	1979-1977	43100
V-8 403; W/A.C.; W/O X.C.....	1979-1978	43094	V-8 403; W/O A.C.....	1979-1977	43107
V-8 403; W/O A.C.....	1979-1977	43107	V-8 403; W/A.C.....	1977	43100
V-8 403; W/A.C.....	1977	43100	V-8 403; W/O A.C.....	1979-1977	43107
V-8 421.....	1966-1963	43122	V-8 455.....	1976-1971	43102
V-8 428; W/Casting No. 799124 & 9799124.....	1969	43102	G5		
V-8 428.....	1968-1967	43122	4-Cyl. 2.2 L.....	2008-2007	43529
V-8 455.....	1976-1970	43102	4-Cyl. 2.4 L.....	2008-2007	43529
EXECUTIVE			G6		
V-8 350.....	1970	43102	4-Cyl. 2.4 L.....	2008-2006	43529
V-8 389.....	1967	43122	V-6 3.5 L.....	2006-2005	41020
V-8 400.....	1970	43102	V-6 3.6 L.....	2007	43530
V-8 400; W/Casting No. 799124 & 9799124.....	1969	43102	GRAND AM		
V-8 400.....	1968-1967	43122	4-Cyl. 2.0 L.....	1989-1987	41022
V-8 428; W/Casting No. 799124 & 9799124.....	1969	43102	4-Cyl. 2.2 L.....	2005	43529
V-8 428.....	1968-1967	43122	4-Cyl. 2.2 L.....	2004-2002	42296
V-8 455.....	1970	43102	4-Cyl. 2.3 L.....	1995-1988	41023
FIERO			4-Cyl. 2.4 L; Timing Cover & Exhaust Manifold Removal Required. New Gaskets To Reinstall Do Not Come With Pump.....	2001-1996	41028
4-Cyl. 2.5 L.....	1988-1984	42083	4-Cyl. 2.5 L; W/O Pulley.....	1991-1985	42083
V-6 2.8 L.....	1988-1985	43092	4-Cyl. 2.5 L; W/Pulley.....	1991-1985	42096
FIREBIRD			V-6 3.0 L.....	1987-1985	42095
4-Cyl. 2.5 L.....	1986-1985	42092	V-6 3.1 L.....	1998-1994	41020
4-Cyl. 2.5 L.....	1984-1982	42085	V-6 3.3 L.....	1993-1992	42095
6-Cyl. 250.....	1976-1975	42085	V-6 3.4 L.....	2005-1999	41020
6-Cyl. 250; W/A.C.....	1974	42100	V-6 231.....	1979	43094
6-Cyl. 250; W/O A.C.....	1974-1970	42082	V-8 4.9 L.....	1980	43102
V-6 2.8 L.....	1989-1987	43113	V-8 301.....	1979-1978	43102
V-6 2.8 L.....	1986-1985	43092	V-8 5.0 L.....	1980	43099
V-6 2.8 L.....	1984-1982	43095	V-8 305.....	1979-1978	43099
V-6 3.1 L.....	1992-1990	43113	or *43099P		
V-6 3.4 L.....	1995-1993	43117	V-8 350.....	1975	43102
V-6 3.8 L.....	2002-1996	42097	V-8 350.....	1973	43102
V-6 3.8 L.....	1995	42095	V-8 400.....	1975-1973	43102
V-6 3.8 L.....	1989	43094	V-8 455.....	1975-1973	43102
V-6 3.8 L.....	1981-1980	43094	GRAND LEMANS		
V-6 231.....	1979-1977	43094	6-Cyl. 250.....	1976-1975	42085
V-8 4.3 L.....	1981	43102	V-6 3.8 L; Eng. VIN A (8th digit of VIN).....	1981-1980	43094
V-8 4.9 L.....	1981-1980	43102	V-6 3.8 L; Eng. VIN K (8th digit of VIN).....	1981-1980	43099
V-8 301.....	1979	43102	or *43099P		
V-8 301.....	1977	43102	V-6 231.....	1979-1977	43094
V-8 5.0 L.....	1992-1988	43114	V-8 4.3 L.....	1981-1980	43102
V-8 5.0 L.....	1987-1980	43099	V-8 260; W/A.C.....	1976	43100
V-8 305.....	1979-1977	43099	V-8 260; W/O A.C.....	1976	43107
or *43099P			V-8 4.9 L.....	1980	43102
V-8 326.....	1967	43122	V-8 301.....	1979	43102
V-8 5.7 L.....	2002-1998	45002	V-8 301.....	1977	43102
V-8 5.7 L.....	1997-1993	44037	V-8 5.0 L.....	1980	43099
V-8 5.7 L.....	1992-1988	43114	or *43099P		
V-8 5.7 L.....	1987	43099	V-8 305.....	1979-1977	43099
or *43099P			V-8 350.....	1979-1978	43099
V-8 350; Eng. VIN L (5th digit of VIN)....	1979	43099	or *43099P		
or *43099P			V-8 350; Eng. VIN P (5th digit of VIN)....	1977	43102
V-8 350; Eng. VIN R (5th digit of VIN); W/A.C.....	1979	43100	V-8 350; W/A.C.; Eng. VIN R (5th digit of VIN).....	1977	43100
V-8 350; Eng. VIN R (5th digit of VIN); W/O A.C.....	1979	43107	V-8 350; W/O A.C.; Eng. VIN R (5th digit of VIN).....	1977	43107
V-8 350.....	1978	43099	V-8 350.....	1976-1975	43102
or *43099P			V-8 400.....	1977-1975	43102
V-8 350; Eng. VIN P (5th digit of VIN)....	1977	43102			

* High Performance Pump

Application Guide - Passenger Cars and Light Trucks

Application	Year	Gates No.	Application	Year	Gates No.
PONTIAC - Continued			PONTIAC - Continued		
GRAND LEMANS - Continued			J2000		
V-8 403; W/A.C.....	1977	43100	4-Cyl. 1.8 L; Eng. VIN G (8th digit of VIN).....	1982	41015
V-8 403; W/O A.C.....	1977	43107	4-Cyl. 1.8 L; Eng. VIN O (8th digit of VIN).....	1982	41016
V-8 455.....	1976-1975	43102	LEMANS		
GRAND PRIX			4-Cyl. 1.6 L.....	1993-1991	41080
4-Cyl. 2.3 L.....	1991-1990	41023	4-Cyl. 1.6 L.....	1990-1988	41018
V-6 2.8 L.....	1989-1988	41020	4-Cyl. 2.0 L.....	1990	41016
V-6 3.1 L.....	2003-1989	41020	4-Cyl. 2.0 L.....	1989	41022
V-6 3.4 L.....	1996-1991	41020	6-Cyl. 250.....	1976-1975	42085
V-6 3.8 L.....	2005-1997	42097	6-Cyl. 250; W/A.C.....	1974	42100
V-6 3.8 L.....	1987-1980	43094	6-Cyl. 250; W/O A.C.....	1974	42082
V-6 231.....	1979-1978	43094	6-Cyl. 250.....	1973-1970	42082
V-6 4.1 L.....	1982	43094	V-6 3.8 L; Eng. VIN A (8th digit of VIN).....	1981-1980	43094
V-6 4.3 L.....	1987-1986	43099	V-6 3.8 L; Eng. VIN K (8th digit of VIN).....	1981-1980	43099
		or *43099P	V-6 231.....	1979-1977	43094
V-8 4.3 L.....	1981-1980	43102	V-8 4.3 L.....	1981-1980	43102
V-8 4.9 L.....	1980	43102	V-8 260; W/A.C.....	1976	43100
V-8 301.....	1979-1977	43102	V-8 260; W/O A.C.....	1976	43107
V-8 5.0 L.....	1987-1983	43099	V-8 4.9 L.....	1980	43102
		or *43099P	V-8 301.....	1979-1977	43102
V-8 5.0 L.....	1980	43099	V-8 5.0 L.....	1980	43099
		or *43099P			or *43099P
V-8 5.7 L Diesel.....	1984-1983	43100	V-8 305.....	1979-1977	43099
V-8 5.7 L Diesel; W/A.C.....	1982-1981	43100			or *43099P
V-8 5.7 L Diesel; W/O A.C.; 5.57" from Block to Pulley Surface.....	1982	43107	V-8 350.....	1979-1978	43099
V-8 5.7 L Diesel; W/O A.C.; W/5.95" From Block To Pulley Surface.....	1982	43100			or *43099P
V-8 5.7 L Diesel; W/O A.C.....	1981	43107	V-8 350; Eng. VIN P (5th digit of VIN)....	1977	43102
V-8 350; Eng. VIN P (5th digit of VIN)....	1977	43102	V-8 350; W/A.C.; Eng. VIN R (5th digit of VIN).....	1977	43100
V-8 350; W/A.C.; Eng. VIN R (5th digit of VIN).....	1977	43100	V-8 350; W/O A.C.; Eng. VIN R (5th digit of VIN).....	1977	43107
V-8 350; W/O A.C.; Eng. VIN R (5th digit of VIN).....	1977	43107	V-8 350.....	1976-1970	43102
V-8 350.....	1976	43102	V-8 400.....	1976-1970	43102
V-8 389.....	1966-1963	43122	V-8 403; W/A.C.....	1977	43100
V-8 400.....	1977-1969	43102	V-8 403; W/O A.C.....	1977	43107
V-8 400.....	1968-1967	43122	V-8 455.....	1976	43102
V-8 403; W/A.C.....	1977	43100	V-8 455.....	1974-1971	43102
V-8 403; W/O A.C.....	1977	43107	MONTANA		
V-8 421.....	1966-1963	43122	V-6 3.4 L.....	2005-1999	41020
V-8 428.....	1969	43102	V-6 3.5 L.....	2006	41020
V-8 428.....	1968-1967	43122	PARISIENNE		
V-8 455.....	1976-1970	43102	V-6 3.8 L.....	1984	43094
GRAND SAFARI			V-6 3.8 L.....	1983	43099
V-8 301.....	1978-1977	43102			or *43099P
V-8 305.....	1977	43099	V-6 3.8 L (Canada).....	1985	43094
		or *43099P	V-6 4.3 L.....	1986-1985	43099
V-8 350; W/A.C., X.C.....	1978	43100			or *43099P
V-8 350; W/A.C.; W/O X.C.....	1978	43094	V-8 5.0 L.....	1986-1983	43099
V-8 350; W/O A.C.....	1978-1977	43107			or *43099P
V-8 350; W/A.C.....	1977	43100	V-8 5.7 L Diesel.....	1985-1983	43100
V-8 400.....	1978-1971	43102	PHOENIX		
V-8 403; W/A.C., X.C.....	1978	43100	4-Cyl. 2.5 L; W/O Pulley.....	1984-1980	42083
V-8 403; W/A.C.; W/O X.C.....	1978	43094	4-Cyl. 2.5 L; W/Pulley; Included 3-Groove Pulley Will Service 1 & 2-Groove Applications.....	1984-1980	42084
V-8 403; W/O A.C.....	1978-1977	43107	V-6 2.8 L.....	1984-1980	43092
V-8 403; W/A.C.....	1977	43100	V-6 231.....	1979-1977	43094
V-8 455.....	1976-1971	43102	V-8 301.....	1977	43102
GRANDVILLE			V-8 305.....	1979-1977	43099
V-8 400.....	1975	43102			or *43099P
V-8 400.....	1973	43102	V-8 350.....	1979-1978	43099
V-8 400.....	1971	43102			or *43099P
V-8 455.....	1975-1971	43102	V-8 350; W/A.C.....	1977	43100
GTO			V-8 350; W/O A.C.....	1977	43107
V-8 326.....	1966	43122	PURSUIT		
V-8 6.0 L.....	2006-2005	45002	4-Cyl. 2.2 L (Canada).....	2006-2005	43529
V-8 389.....	1966	43122	4-Cyl. 2.4 L (Canada).....	2006	43529
V-8 400.....	1971-1969	43102			
V-8 400.....	1968-1967	43122			
V-8 455.....	1971-1970	43102			

* High Performance Pump

Application Guide - Passenger Cars and Light Trucks

Application	Year	Gates No.	Application	Year	Gates No.
PONTIAC - Continued			PONTIAC - Continued		
SAFARI			VIBE		
V-8 5.0 L.....	1989-1987	43100	4-Cyl. 1.8 L.....	2008-2007	41101
SOLSTICE			4-Cyl. 1.8 L; Eng. VIN 8 (8th digit of VIN).....	2006-2003	41101
4-Cyl. 2.0 L.....	2008-2007	43529	4-Cyl. 1.8 L; Eng. VIN L (8th digit of VIN).....	2006-2003	41124
4-Cyl. 2.4 L.....	2008-2006	43529	1000		
STAR CHIEF			4-Cyl. 1.6 L.....	1987-1983	43091
V-8 389.....	1966-1965	43122	2000		
V-8 421.....	1966-1965	43122	4-Cyl. 1.8 L.....	1983	41016
SUNBIRD			4-Cyl. 2.0 L.....	1983	41015
4-Cyl. 1.8 L.....	1986-1985	41016	2000 SUNBIRD		
4-Cyl. 2.0 L.....	1994-1990	41016	4-Cyl. 1.8 L.....	1984	41016
4-Cyl. 2.0 L.....	1989-1987	41022	4-Cyl. 2.0 L.....	1984	41015
4-Cyl. 2.0 L.....	1986-1985	41015	6000		
4-Cyl. 2.5 L.....	1980	42085	4-Cyl. 2.5 L.....	1991-1987	42091
4-Cyl. 151.....	1979-1977	42085	4-Cyl. 2.5 L; W/O Pulley.....	1986-1982	42083
V-6 3.1 L.....	1994-1991	41020	4-Cyl. 2.5 L; W/Pulley; Included 3-Groove Pulley Will Service 1 & 2-Groove Applications.....	1986-1982	42084
V-6 3.8 L.....	1980	43094	V-6 2.8 L.....	1989-1987	41020
V-6 231.....	1979-1976	43094	V-6 2.8 L.....	1986-1982	43092
SUNFIRE			V-6 3.1 L.....	1991-1988	41020
4-Cyl. 2.2 L.....	2005	43529	V-6 4.3 L Diesel; W/O Pulley.....	1985-1982	43096
4-Cyl. 2.2 L.....	2004-2003	42296	V-6 4.3 L Diesel; W/Pulley.....	1985-1982	43097
4-Cyl. 2.2 L; Eng. VIN 4 (8th digit of VIN).....	2002	41019	PORSCHE		
4-Cyl. 2.2 L; Eng. VIN F (8th digit of VIN).....	2002	42296	924		
4-Cyl. 2.2 L.....	2001-1995	41019	4-Cyl. 2.0 L.....	1982-1980	42259
4-Cyl. 2.3 L.....	1995	41023	4-Cyl. 121.....	1979-1977	42259
4-Cyl. 2.4 L; Timing Cover & Exhaust Manifold Removal Required. New Gaskets To Reinstall Do Not Come With Pump.....	2002-1996	41028	4-Cyl. 2.5 L.....	1988-1987	43295
T1000			928		
4-Cyl. 1.6 L.....	1982-1981	43091	V-8 4.5 L.....	1982-1980	43219
TEMPEST			V-8 273.....	1979-1978	43219
6-Cyl. 215.....	1965-1964	42098	V-8 4.7 L.....	1984-1983	43219
6-Cyl. 250.....	1970	42082	V-8 5.0 L.....	1991-1988	43218
V-8 326.....	1967-1963	43122	V-8 5.0 L; Early.....	1987	43219
V-8 350.....	1970	43102	V-8 5.0 L; Late.....	1987	43218
V-8 350; W/Casting No. 799124 & 9799124.....	1969	43102	V-8 5.0 L.....	1986-1985	43219
V-8 350; W/Casting No. 9796351.....	1969	43123	V-8 5.4 L.....	1995-1993	43218
V-8 350.....	1968	43122	944		
V-8 389.....	1965-1964	43122	4-Cyl. 2.5 L.....	1989-1983	43295
V-8 400.....	1970	43102	4-Cyl. 2.7 L.....	1989	42308
TORRENT			4-Cyl. 3.0 L.....	1991-1989	42308
V-6 3.4 L.....	2008-2006	43539	968		
TRANS SPORT			4-Cyl. 3.0 L.....	1995-1992	43292
V-6 3.1 L.....	1995-1990	41020	RENAULT		
V-6 3.4 L.....	1998-1996	41020	ALLIANCE		
V-6 3.8 L.....	1995-1992	42095	4-Cyl. 1.4 L.....	1987-1983	43200
VENTURA			4-Cyl. 1.7 L.....	1987-1985	42268
6-Cyl. 250.....	1976-1975	42085	4-Cyl. 2.0 L.....	1987	42268
6-Cyl. 250; W/A.C.....	1974	42100	ENCORE		
6-Cyl. 250; W/O A.C.....	1974	42082	4-Cyl. 1.4 L.....	1986-1984	43200
6-Cyl. 250.....	1973-1971	42082	4-Cyl. 1.7 L.....	1986-1985	42268
V-6 231.....	1977	43094	FUEGO		
V-8 260.....	1976	43100	4-Cyl. 1.6 L; W/Press-On Pulley.....	1984-1982	43286
V-8 260; W/A.C.....	1975	43100	4-Cyl. 2.2 L.....	1985-1984	42275
V-8 260; W/O A.C.....	1975	43107	LECAR		
V-8 301.....	1977	43102	4-Cyl. 79; Chassis No. 9623 & Before....	1977	43198
V-8 305.....	1977	43099	4-Cyl. 1.4 L; Chassis No. 9624 & After...	1983-1980	43287
V-8 307.....	1972-1971	43101			
V-8 307 (Canada).....	1973	43101			
V-8 350; W/A.C.....	1977	43100			
V-8 350; W/O A.C.....	1977	43107			
V-8 350.....	1976-1975	43094			
V-8 350.....	1974-1972	43102			

* High Performance Pump

Application Guide - Passenger Cars and Light Trucks

Application	Year	Gates No.	Application	Year	Gates No.
RENAULT - Continued			SATURN - Continued		
R5			L-SERIES		
4-Cyl. 79; Chassis No. 9623 & Before....	1976	43198	4-Cyl. 2.2 L.....	2004-2000	42296
R8			V-6 3.0 L.....	2005	41142
4-Cyl. 58.....	1965	42303	V-6 3.0 L; Main.....	2004-2000	41142
4-Cyl. 68; W/O Water Outlet.....	1966-1964	42303	OUTLOOK		
4-Cyl. 68; W/Water Outlet.....	1966-1964	42277	V-6 3.6 L.....	2008-2007	43530
R10			RELAY		
4-Cyl. 68; W/O Water Outlet.....	1969-1967	42303	V-6 3.5 L.....	2006-2005	41020
4-Cyl. 68; W/Water Outlet.....	1969-1967	42277	S-SERIES		
R12			4-Cyl. 1.9 L.....	2002-1995	41024
4-Cyl. 95.....	1972-1971	42249	4-Cyl. 1.9 L; W/DOHC Eng.....	1994-1991	41024
4-Cyl. 100.....	1977-1973	42249	4-Cyl. 1.9 L; W/SOHC Eng.....	1994-1991	41025
R15			SKY		
4-Cyl. 95.....	1972	42249	4-Cyl. 2.0 L.....	2008-2007	43529
4-Cyl. 100.....	1977-1973	42249	4-Cyl. 2.4 L.....	2008-2007	43529
SPORTWAGON			VUE		
4-Cyl. 2.2 L.....	1986-1984	42275	4-Cyl. 2.2 L.....	2005-2002	42296
18i			V-6 3.0 L.....	2003-2002	41142
4-Cyl. 1.6 L; W/Press-On Pulley.....	1983-1981	43286	SCION		
SAAB			TC		
9-3			4-Cyl. 2.4 L.....	2008-2005	41179
4-Cyl. 2.0 L.....	2008-2003	43529	XA		
4-Cyl. 2.0 L.....	2002-1999	42199	4-Cyl. 1.5 L.....	2006-2004	42253
4-Cyl. 2.3 L.....	2002-1999	42199	XB		
9-5			4-Cyl. 1.5 L.....	2006-2004	42253
4-Cyl. 2.3 L.....	2003-1999	42199	STERLING		
V-6 3.0 L.....	2003	41142	825		
V-6 3.0 L; Eng. No. 8506571 & Before...	2002	41142	V-6 2.5 L.....	1988-1987	42108
V-6 3.0 L.....	2001-1999	41142	827		
9-7X			V-6 2.7 L.....	1990-1989	42108
6-Cyl. 4.2 L.....	2008-2005	41122	STUDEBAKER		
V-8 5.3 L.....	2007-2005	45005	COMMANDER		
99			V-8 283.....	1966-1965	43106 or *43106P
4-Cyl. 2.0 L; W/12 Cogs for Idler Shaft...	1980	41008	CRUISER		
4-Cyl. 2.0 L; W/8 Cogs for Idler Shaft....	1980	41032	V-8 283.....	1966-1965	43106 or *43106P
4-Cyl. 121; W/12 Cogs for Idler Shaft....	1979-1977	41008	DAYTONA		
4-Cyl. 121; W/8 Cogs for Idler Shaft.....	1979-1974	41032	V-8 283.....	1966-1965	43106 or *43106P
900			WAGONAIRE		
4-Cyl. 2.0 L.....	1998-1994	42199	V-8 283.....	1966	43106 or *43106P
4-Cyl. 2.0 L.....	1993-1981	41141	SUBARU		
4-Cyl. 2.0 L.....	1980	41008	B9 TRIBECA		
4-Cyl. 121.....	1979	41008	6-Cyl. 3.0 L.....	2007-2006	43514
4-Cyl. 2.1 L.....	1994	42199	BAJA		
4-Cyl. 2.1 L.....	1993-1991	41141	4-Cyl. 2.5 L; W/SOHC Eng.....	2006-2004	42207
4-Cyl. 2.3 L.....	1998-1994	42199	4-Cyl. 2.5 L.....	2003	42207
V-6 2.5 L.....	1997-1994	41142	BRAT		
9000			4-Cyl. 1.6 L.....	1980	42203
4-Cyl. 2.0 L.....	1990-1986	42197	4-Cyl. 97.....	1979-1978	42202
4-Cyl. 2.3 L.....	1998-1990	42198	4-Cyl. 1.8 L.....	1987-1985	42203
V-6 3.0 L.....	1997-1995	41142	4-Cyl. 1.8 L; W/O Turbo.....	1984-1983	42203
SATURN			4-Cyl. 1.8 L; W/Turbo.....	1984-1983	42206
AURA			4-Cyl. 1.8 L.....	1982-1980	42203
V-6 3.6 L.....	2008-2007	43530	ION		
ION			4-Cyl. 2.0 L.....	2007-2004	43529
4-Cyl. 2.0 L.....	2007-2004	43529	4-Cyl. 2.2 L.....	2007-2006	43529
4-Cyl. 2.2 L.....	2005-2003	42296	4-Cyl. 2.2 L.....	2007-2006	43529
4-Cyl. 2.4 L.....	2007-2006	43529	4-Cyl. 2.2 L.....	2005-2003	42296
			4-Cyl. 2.4 L.....	2007-2006	43529

* High Performance Pump

Application Guide - Passenger Cars and Light Trucks

Application	Year	Gates No.	Application	Year	Gates No.
SUBARU - Continued			SUBARU - Continued		
DL			LOYALE		
4-Cyl. 83.....	1976-1973	42202	4-Cyl. 1.8 L.....	1994-1990	42208
4-Cyl. 1.6 L.....	1984-1980	42203	OUTBACK		
4-Cyl. 97.....	1979-1976	42202	4-Cyl. 2.5 L; W/SOHC Eng.....	2005	42207
4-Cyl. 1.8 L; W/4.087" Hub Height; W/Bolt-On Pulley.....	1989-1985	41165	4-Cyl. 2.5 L.....	2004-2000	42207
4-Cyl. 1.8 L; W/4.320" Hub Height; W/Bolt-On Pulley.....	1989-1985	42208	6-Cyl. 3.0 L.....	2006-2001	43514
4-Cyl. 1.8 L; W/Press-On Pulley.....	1989-1985	42203	RX		
4-Cyl. 1.8 L.....	1984-1980	42203	4-Cyl. 1.8 L; W/4.087" Hub Height; W/Bolt-On Pulley.....	1989-1985	41165
FE			4-Cyl. 1.8 L; W/4.320" Hub Height; W/Bolt-On Pulley.....	1989-1985	42208
4-Cyl. 97.....	1979-1978	42202	4-Cyl. 1.8 L; W/Press-On Pulley.....	1989-1985	42203
FF-1 STAR			STANDARD		
4-Cyl. 77.....	1972	42202	4-Cyl. 83.....	1976	42202
FORESTER			4-Cyl. 1.6 L.....	1987-1980	42203
4-Cyl. 2.5 L; W/SOHC Eng.; W/Auto. Trans.....	2005-2004	43527	4-Cyl. 97.....	1979-1977	42202
4-Cyl. 2.5 L; W/SOHC Eng.; W/Man. Trans.....	2005-2004	42207	4-Cyl. 1.8 L; W/4.087" Hub Height.....	1987	41165
4-Cyl. 2.5 L; W/Auto. Trans.....	2003	43527	4-Cyl. 1.8 L; W/4.320" Hub Height.....	1987	42208
4-Cyl. 2.5 L; W/Man. Trans.....	2003	42207	4-Cyl. 1.8 L.....	1982-1981	42203
4-Cyl. 2.5 L.....	2002-1998	42207	SVX		
G			6-Cyl. 3.3 L.....	1997-1992	42328
4-Cyl. 77.....	1972	42202	XT		
GF			4-Cyl. 1.8 L.....	1991-1985	41165
4-Cyl. 83.....	1976-1975	42202	6-Cyl. 2.7 L.....	1991-1988	41166
4-Cyl. 97.....	1979-1976	42202	SUZUKI		
GL			AERIO		
4-Cyl. 77.....	1972	42202	4-Cyl. 2.0 L.....	2003-2002	41113
4-Cyl. 83.....	1975-1973	42202	4-Cyl. 2.3 L.....	2005-2004	41113
4-Cyl. 1.6 L.....	1987-1986	42203	ESTEEM		
4-Cyl. 1.6 L.....	1980	42203	4-Cyl. 1.6 L.....	2000-1998	42281
4-Cyl. 97.....	1979	42202	4-Cyl. 1.6 L.....	1997-1995	42284
4-Cyl. 1.8 L; W/4.087" Hub Height; W/Bolt-On Pulley.....	1989-1985	41165	4-Cyl. 1.6 L (Canada).....	2001	42281
4-Cyl. 1.8 L; W/4.320" Hub Height; W/Bolt-On Pulley.....	1989-1985	42208	4-Cyl. 1.8 L.....	2002-1999	41113
4-Cyl. 1.8 L; W/Press-On Pulley.....	1989-1985	42203	FORENZA		
4-Cyl. 1.8 L; W/O Turbo.....	1984-1983	42203	4-Cyl. 2.0 L.....	2008-2004	42408
4-Cyl. 1.8 L; W/Turbo.....	1984-1983	42206	GRAND VITARA		
4-Cyl. 1.8 L.....	1982-1980	42203	V-6 2.5 L.....	2005-1999	42285
GL-10			V-6 2.7 L.....	2001	42285
4-Cyl. 1.8 L; W/4.087" Hub Height; W/Bolt-On Pulley.....	1989-1985	41165	RENO		
4-Cyl. 1.8 L; W/4.320" Hub Height; W/Bolt-On Pulley.....	1989-1985	42208	4-Cyl. 2.0 L.....	2008-2005	42408
4-Cyl. 1.8 L; W/Press-On Pulley.....	1989-1985	42203	SAMURAI		
GLF			4-Cyl. 1.3 L.....	1995-1986	41084
4-Cyl. 1.6 L.....	1980	42203	SIDEKICK		
4-Cyl. 1.8 L.....	1982-1980	42203	4-Cyl. 1.3 L.....	1989	41084
IMPREZA			4-Cyl. 1.6 L.....	1998-1989	42284
4-Cyl. 1.8 L.....	1997-1993	42207	4-Cyl. 1.8 L.....	1998-1996	41113
4-Cyl. 2.0 L.....	2004-2002	43513	SJ410		
4-Cyl. 2.2 L.....	2001-1995	42207	3-Cyl. 1.0 L (Canada); VIN F10A548473 & Before.....	1984	42561
4-Cyl. 2.5 L; W/SOHC Eng.....	2005-2004	42207	SWIFT		
4-Cyl. 2.5 L.....	2003-1998	42207	4-Cyl. 1.3 L.....	2001-1989	42212
LEGACY			4-Cyl. 1.6 L (Canada).....	2008-2004	43540
4-Cyl. 2.2 L.....	1999-1995	42207	VITARA		
4-Cyl. 2.2 L; W/O Turbo.....	1994-1991	42207	4-Cyl. 1.6 L.....	2001-1999	42281
4-Cyl. 2.2 L; W/Turbo.....	1994-1992	42336	4-Cyl. 1.6 L (Canada).....	2002	42281
4-Cyl. 2.2 L; W/Turbo.....	1991	42282	4-Cyl. 2.0 L.....	2004-1999	41113
4-Cyl. 2.2 L.....	1990	42207	V-6 2.5 L.....	2004	42285
4-Cyl. 2.5 L; W/SOHC Eng.....	2005	42207			
4-Cyl. 2.5 L.....	2004-1996	42207			

* High Performance Pump

Application Guide - Passenger Cars and Light Trucks

Application	Year	Gates No.	Application	Year	Gates No.
SUZUKI - Continued			TOYOTA - Continued		
X-90			COROLLA - Continued		
4-Cyl. 1.6 L	1998-1996	42284	4-Cyl. 1.6 L; Eng. Designation 4AGELC ..	1987	42237
XL-7			4-Cyl. 1.6 L; Eng. Designation 4ALC.....	1987-1984	41097
V-6 2.7 L	2006-2002	42285	4-Cyl. 1.6 L; W/RWD; Eng. Designation 4AC.....	1987-1985	42228
TOYOTA			4-Cyl. 1.6 L; Eng. Designation 4AC.....	1984	42228
AVALON			4-Cyl. 1.6 L	1983	42228
V-6 3.0 L	2004-1995	42340	4-Cyl. 97.....	1979-1977	42222
V-6 3.5 L	2008-2006	43538	4-Cyl. 97.....	1976	42225
CAMRY			4-Cyl. 97.....	1975-1971	42214
4-Cyl. 1.8 L Diesel.....	1986-1984	43289	4-Cyl. 1.8 L	2009	41087
4-Cyl. 2.0 L	1991-1987	42240	4-Cyl. 1.8 L	2008-2007	41101
4-Cyl. 2.0 L	1986-1983	42338	4-Cyl. 1.8 L; Eng. Designation 1ZZFE....	2006-2005	41101
4-Cyl. 2.0 L Diesel.....	1986	43289	4-Cyl. 1.8 L; Eng. Designation 2ZZGE....	2006-2005	41124
4-Cyl. 2.2 L	2001-1992	42240	4-Cyl. 1.8 L	2004-1998	41101
4-Cyl. 2.4 L	2008-2002	41179	4-Cyl. 1.8 L	1997-1993	42245
4-Cyl. 2.4 L Electric Assist.....	2008-2007	41179	4-Cyl. 1.8 L; Exc. Canada; Re-Use Old Fan Clutch.....	1982-1980	42222
V-6 2.5 L	1991-1988	42306	4-Cyl. 1.8 L Diesel.....	1985-1984	43289
	or	42305	CORONA		
V-6 3.0 L	2006-1994	42340	4-Cyl. 113; W/Fan Clutch.....	1971-1970	41087
V-6 3.0 L	1993-1992	42306	4-Cyl. 113; W/O Fan Clutch.....	1971-1970	41167
	or	42305	4-Cyl. 113.....	1969	41167
V-6 3.3 L	2006-2004	42340	4-Cyl. 116; W/Fan Clutch.....	1970-1968	42252
V-6 3.5 L	2008-2007	43538	4-Cyl. 116; W/O Fan Clutch.....	1970-1968	41168
CAMRY SOLARA			4-Cyl. 116.....	1967-1965	41168
4-Cyl. 2.2 L	2000-1999	42240	4-Cyl. 120; W/Fan Clutch.....	1974-1972	41087
V-6 3.0 L	2000-1999	42340	4-Cyl. 120; W/O Fan Clutch.....	1974-1972	41167
CARINA			4-Cyl. 2.2 L	1980	42337
4-Cyl. 97.....	1973-1972	42214	4-Cyl. 134.....	1979-1978	42337
CELICA			4-Cyl. 134.....	1977	42223
4-Cyl. 1.6 L	1993-1990	41097	4-Cyl. 134.....	1976-1975	42224
4-Cyl. 1.8 L; Eng. Designation 1ZZFE....	2005-2000	41101	4-Cyl. 2.4 L	1985	42339
4-Cyl. 1.8 L; Eng. Designation 2ZZGE....	2005-2000	41124	4-Cyl. 2.4 L	1984-1981	42337
4-Cyl. 1.8 L	1997-1994	42245	6-Cyl. 2.6 L	1980	41171
4-Cyl. 113; W/Fan Clutch.....	1971	41087	6-Cyl. 156.....	1979	42565
4-Cyl. 113; W/O Fan Clutch.....	1971	41167	6-Cyl. 2.8 L	1985-1982	42230
4-Cyl. 2.0 L	1993-1990	42330	6-Cyl. 2.8 L	1981	41171
4-Cyl. 2.0 L; Eng. Designation 3SFE.....	1989-1987	42240	CROWN		
4-Cyl. 2.0 L; Eng. Designation 3SGELC ..	1989-1986	42331	4-Cyl. 116.....	1966-1965	41168
4-Cyl. 2.0 L; Eng. Designation 3SGTE....	1989-1988	42330	6-Cyl. 137.....	1971-1969	41167
4-Cyl. 2.0 L; Eng. Designation 2SELCL....	1986	42338	6-Cyl. 156.....	1972	41167
4-Cyl. 120; W/Fan Clutch.....	1974-1971	41087	ECHO		
4-Cyl. 120; W/O Fan Clutch.....	1974-1971	41167	4-Cyl. 1.5 L	2005-2000	42253
4-Cyl. 2.2 L	1999-1990	42240	FJ CRUISER		
4-Cyl. 2.2 L	1980	42337	V-6 4.0 L	2008-2007	43528
4-Cyl. 134.....	1979-1978	42337	HIGHLANDER		
4-Cyl. 134.....	1977	42223	4-Cyl. 2.4 L	2006-2001	41179
4-Cyl. 134.....	1976-1975	42224	V-6 3.0 L	2003-2001	42340
4-Cyl. 2.4 L	1985	42339	V-6 3.3 L	2007-2004	42340
4-Cyl. 2.4 L	1984-1981	42337	V-6 3.3 L Electric Assist.....	2008-2006	42340
6-Cyl. 2.6 L	1980	41171	LAND CRUISER		
6-Cyl. 156.....	1979	42565	6-Cyl. 237.....	1974-1969	43288
6-Cyl. 2.8 L	1985-1982	42230	6-Cyl. 4.0 L	1992-1988	43301
6-Cyl. 2.8 L	1981	41171	6-Cyl. 4.2 L	1987-1981	43290
COROLLA			6-Cyl. 4.2 L; W/Eng. Oil Cooler; W/Fan Clutch	1980	42568
4-Cyl. 66.....	1969-1968	42215	6-Cyl. 4.2 L; W/Eng. Oil Cooler; W/O Fan Clutch.....	1980	43210
4-Cyl. 71.....	1979-1978	42221	6-Cyl. 4.2 L; W/O Oil Cooler; W/Fan Clutch; Jan. 1 & Older; Body Code FJ40.....	1980	43260
4-Cyl. 71.....	1977-1976	42217	6-Cyl. 4.2 L; W/O Oil Cooler; W/O Fan Clutch; Jan. 1 & Older; Body Code FJ40.....	1980	43259
4-Cyl. 71.....	1974-1971	42329	6-Cyl. 258; W/Eng. Oil Cooler; W/Fan Clutch	1979	42568
4-Cyl. 71.....	1970	42215			
4-Cyl. 1.6 L	1997-1993	42319			
4-Cyl. 1.6 L	1992	41097			
4-Cyl. 1.6 L; Eng. Designation 4AFE.....	1991-1990	41097			
4-Cyl. 1.6 L; Eng. Designation 4AGE.....	1991-1989	42237			
4-Cyl. 1.6 L; Eng. Designation 4AF, 4AFE, 4ALC	1989-1988	41097			
4-Cyl. 1.6 L; Eng. Designation 4AGE, 4AGELC	1988	42237			
4-Cyl. 1.6 L; Eng. Designation 4AGEC ...	1987-1985	42236			

* High Performance Pump

Application Guide - Passenger Cars and Light Trucks

Application	Year	Gates No.	Application	Year	Gates No.
TOYOTA - Continued			TOYOTA - Continued		
LAND CRUISER - Continued			PRIUS		
6-Cyl. 258; W/Eng. Oil Cooler; W/O Fan Clutch	1979-1977	43210	4-Cyl. 1.5 L Electric Assist	2008-2001	42253
6-Cyl. 258; W/O Oil Cooler; W/Fan Clutch; Jan. 1 & Older; Body Code FJ40.....	1979	43260	RAV4		
6-Cyl. 258; W/O Oil Cooler; W/O Fan Clutch; Jan. 1 & Older; Body Code FJ40.....	1979	43259	4-Cyl. 2.0 L	2003-2001	41179
6-Cyl. 258; W/Eng. Oil Cooler.....	1978-1977	42567	4-Cyl. 2.0 L	2000-1996	42240
6-Cyl. 258; W/O Oil Cooler; W/Fan Clutch; Body Code FJ40	1978-1977	43260	4-Cyl. 2.4 L	2008-2004	41179
6-Cyl. 258; W/O Oil Cooler; W/O Fan Clutch; Body Code FJ40	1978-1977	43259	SEQUOIA		
6-Cyl. 258	1976-1975	43210	V-8 4.7 L	2007-2001	44085
6-Cyl. 4.5 L	1997-1993	42251	SIENNA		
V-8 4.7 L	2006-1998	44085	V-6 3.0 L	2003-1998	42340
MARK II			V-6 3.3 L	2006-2004	42340
6-Cyl. 137	1972	41167	V-6 3.5 L	2008-2007	43538
6-Cyl. 156	1976-1975	42566	SOLARA		
6-Cyl. 156	1974-1973	41167	4-Cyl. 2.2 L	2001	42240
MATRIX			4-Cyl. 2.4 L	2008-2002	41179
4-Cyl. 1.8 L	2008-2007	41101	V-6 3.0 L	2003-2001	42340
4-Cyl. 1.8 L; Eng. Designation 1ZZFE....	2006-2003	41101	V-6 3.3 L	2008-2004	42340
4-Cyl. 1.8 L; Eng. Designation 2ZZGE	2006-2003	41124	STARLET		
4-Cyl. 2.4 L	2009	41179	4-Cyl. 1.3 L	1984-1983	41090
MR2			4-Cyl. 1.3 L	1982-1981	42221
4-Cyl. 1.6 L	1989-1985	42237	SUPRA		
4-Cyl. 2.0 L	1995-1991	42330	6-Cyl. 2.8 L	1986	42230
4-Cyl. 2.2 L	1995-1991	42240	6-Cyl. 3.0 L; W/O Turbo; W/10-Bolt Design	1998-1994	43271
MR2 SPYDER			6-Cyl. 3.0 L; W/O Turbo; W/11-Bolt Design	1998-1994	42255
4-Cyl. 1.8 L	2005-2000	41101	6-Cyl. 3.0 L; W/Turbo	1998-1994	42257
PASEO			6-Cyl. 3.0 L; Eng. Designation 2JZGE	1993	42255
4-Cyl. 1.5 L; Nov. 1996 & Newer	1997	41125	6-Cyl. 3.0 L; Eng. Designation 2JZGTE..	1993	42257
4-Cyl. 1.5 L; Oct. 1996 & Older.....	1997	41159	6-Cyl. 3.0 L; Eng. Designation 7MGE, 7MGTE	1993	41098
4-Cyl. 1.5 L	1996	41159	6-Cyl. 3.0 L	1992-1986	41098
4-Cyl. 1.5 L	1995-1992	41149	T100		
4-Cyl. 1.5 L (Canada).....	1999-1998	41125	4-Cyl. 2.7 L	1998-1995	43291
PICKUP			V-6 3.0 L	1994-1993	42247
4-Cyl. 113; W/Fan Clutch	1971-1970	41087	V-6 3.4 L; W/2WD; W/Auto. Trans.	1998-1995	42254
4-Cyl. 113; W/O Fan Clutch.....	1971-1970	41167	V-6 3.4 L; W/2WD; W/Man. Trans.....	1998-1995	42250
4-Cyl. 116; W/Fan Clutch	1970	41087	V-6 3.4 L; W/4WD	1998-1995	42250
4-Cyl. 116; W/O Fan Clutch.....	1970	41167	TACOMA		
4-Cyl. 116; W/Fan Clutch	1969	42252	4-Cyl. 2.4 L	2003-1995	43291
4-Cyl. 116; W/O Fan Clutch.....	1969	41168	4-Cyl. 2.7 L	2004-2001	43291
4-Cyl. 116	1968-1965	41168	4-Cyl. 2.7 L; W/4WD	2000	43291
4-Cyl. 120; W/Fan Clutch.....	1974-1972	41087	4-Cyl. 2.7 L	1999-1995	43291
4-Cyl. 120; W/O Fan Clutch.....	1974-1972	41167	V-6 3.4 L	2003-2002	42250
4-Cyl. 2.2 L	1980	42337	V-6 3.4 L; W/2WD; W/Auto. Trans.	2001	42254
4-Cyl. 2.2 L Diesel.....	1983-1981	41089	V-6 3.4 L; W/2WD; W/Man. Trans.....	2001-1995	42250
4-Cyl. 134	1978-1977	42223	V-6 3.4 L; W/4WD	2001-1995	42250
4-Cyl. 134	1976-1975	42224	V-6 3.4 L; W/2WD; W/Auto. Trans.; W/Column Shift	2000-1995	42254
4-Cyl. 2.4 L	1995-1985	42339	V-6 3.4 L; W/2WD; W/Auto. Trans.; W/Floor Shift	2000-1995	42250
4-Cyl. 2.4 L	1984-1981	42337	V-6 4.0 L	2007-2005	43528
4-Cyl. 2.4 L Diesel.....	1985-1984	41148	TERCEL		
V-6 3.0 L; W/Auto. Trans.	1995-1994	42256	4-Cyl. 1.5 L	1998-1995	41159
V-6 3.0 L; W/Man. Trans.....	1995-1994	42247	4-Cyl. 1.5 L	1994-1989	41149
V-6 3.0 L	1993	42247	4-Cyl. 1.5 L; Eng. Designation 3AC.....	1988-1983	41145
V-6 3.0 L	1992-1991	42243	4-Cyl. 1.5 L; Eng. Designation 3E	1988-1987	41149
V-6 3.0 L; Feb. 1990 & Newer	1990	42243	4-Cyl. 1.5 L; W/Calif. Emission System; Eng. Designation 3AC	1982-1981	41146
V-6 3.0 L; W/Auto. Trans.; Jan. 31, 1990 & Older.....	1990-1989	42243	4-Cyl. 1.5 L; W/O Calif. Emission System; Eng. Designation 3AC	1982-1981	41145
V-6 3.0 L; W/Man. Trans.; Jan. 31, 1990 & Older.....	1990-1989	42242	4-Cyl. 1.5 L; Eng. Designation 1AC.....	1980	42564
V-6 3.0 L	1988	42242	4-Cyl. 1.5 L (Canada).....	1999	41159
PREVIA					
4-Cyl. 2.4 L	1997-1991	43213			

* High Performance Pump

Application Guide - Passenger Cars and Light Trucks

Application	Year	Gates No.	Application	Year	Gates No.
TOYOTA - Continued			VOLKSWAGEN - Continued		
TUNDRA			GOLF - Continued		
V-6 3.4 L; W/Auto. Trans.....	2004-2002	42254	4-Cyl. 1.8 L.....	2006-2000	41127
V-6 3.4 L; W/Man. Trans.....	2004-2002	42250	4-Cyl. 1.8 L; W/30mm Hub.....	1992-1985	42261
V-6 3.4 L; W/2WD; W/Auto. Trans.....	2001-2000	42254	4-Cyl. 1.8 L (Canada).....	1998-1997	42261
V-6 3.4 L; W/2WD; W/Man. Trans.....	2001-2000	42250	4-Cyl. 1.8 L (Canada); W/30mm Hub.....	1996-1993	42261
V-6 3.4 L; W/4WD.....	2001-2000	42250	4-Cyl. 1.9 L Diesel.....	2004-1999	41114
V-6 4.0 L.....	2007-2005	43528	4-Cyl. 1.9 L Diesel.....	1996	42261
V-8 4.7 L.....	2003-2000	44085	4-Cyl. 1.9 L Diesel (Canada).....	1998-1997	42261
VAN			4-Cyl. 1.9 L Diesel (Canada); W/30mm Hub.....	1995-1993	42261
4-Cyl. 2.0 L.....	1985-1984	41147	4-Cyl. 2.0 L.....	2004-2000	41127
4-Cyl. 2.2 L.....	1989-1986	41147	4-Cyl. 2.0 L; Eng. Designation ABA.....	1999	42261
YARIS			4-Cyl. 2.0 L; Eng. Designation AEG.....	1999	41127
4-Cyl. 1.5 L.....	2008-2007	42253	4-Cyl. 2.0 L; W/30mm Hub.....	1998-1990	42261
4-Cyl. 1.5 L (Canada).....	2006	42253	V-6 2.8 L.....	2002-1995	41155
4 RUNNER			JETTA		
4-Cyl. 2.4 L.....	1995-1985	42339	4-Cyl. 1.6 L; W/40mm Hub.....	1980	42258
4-Cyl. 2.4 L.....	1984	42337	4-Cyl. 1.6 L Diesel; W/30mm Hub.....	1992-1989	42261
4-Cyl. 2.7 L.....	2000-1996	43291	4-Cyl. 1.6 L Diesel; W/30mm Hub.....	1987-1982	42261
V-6 3.0 L; W/Auto. Trans.....	1995-1994	42256	4-Cyl. 1.6 L Diesel; W/40mm Hub.....	1984-1982	42258
V-6 3.0 L; W/Man. Trans.....	1995-1994	42247	4-Cyl. 1.6 L Diesel; W/A.C.; W/30mm Hub.....	1981	42261
V-6 3.0 L.....	1993	42247	4-Cyl. 1.6 L Diesel; W/O A.C.; W/40mm Hub.....	1981	42258
V-6 3.0 L.....	1992-1989	42243	4-Cyl. 1.6 L Diesel (Canada); W/30mm Hub.....	1988	42261
V-6 3.0 L.....	1988	42242	4-Cyl. 1.7 L; W/30mm Hub.....	1984-1983	42261
V-6 3.4 L.....	2002-1996	42250	4-Cyl. 1.7 L; W/40mm Hub.....	1984-1982	42258
V-6 4.0 L.....	2008-2003	43528	4-Cyl. 1.7 L; Chassis No. 16E103369 & Before; W/30mm Hub.....	1982	42261
V-8 4.7 L.....	2008-2003	44085	4-Cyl. 1.7 L; W/A.C.; W/30mm Hub.....	1981	42261
TRIUMPH			4-Cyl. 1.7 L; W/O A.C.; W/40mm Hub.....	1981	42258
SPITFIRE			4-Cyl. 1.8 L.....	2004-2000	41127
4-Cyl. 79.....	1972-1971	42008	4-Cyl. 1.8 L; W/30mm Hub.....	1992-1984	42261
4-Cyl. 91.....	1978-1975	41000	4-Cyl. 1.8 L (Canada).....	1995-1993	42261
4-Cyl. 91.....	1974-1973	42008	4-Cyl. 1.9 L Diesel.....	2004-2000	41114
VOLKSWAGEN			4-Cyl. 1.9 L Diesel; Chassis No. 1-HX-245-000 & Before; W/Bolt-On Pulley.....	1999	42261
BEETLE			4-Cyl. 1.9 L Diesel; Chassis No. 9-MX-000-001 & After; W/Press-On Pulley.....	1999	41114
4-Cyl. 1.8 L.....	2004-1999	41127	4-Cyl. 1.9 L Diesel; W/30mm Hub.....	1998	42261
4-Cyl. 1.9 L Diesel.....	2004-1998	41114	4-Cyl. 1.9 L Diesel; Canada.....	1997-1996	42261
4-Cyl. 2.0 L.....	2004-1998	41127	4-Cyl. 1.9 L Diesel (Canada).....	1995-1993	42261
CABRIO			4-Cyl. 2.0 L.....	2003-2000	41127
4-Cyl. 2.0 L; VIN 4DY016501 & After.....	2002-2001	42261	4-Cyl. 2.0 L; Eng. Designation ABA.....	1999	42261
4-Cyl. 2.0 L; W/30mm Hub.....	2000-1995	42261	4-Cyl. 2.0 L; Eng. Designation AEG.....	1999	41127
CABRIOLET			4-Cyl. 2.0 L; W/30mm Hub.....	1998-1990	42261
4-Cyl. 1.8 L; W/30mm Hub.....	1993-1985	42261	V-6 2.8 L; Eng. Designation AFP.....	2002	41155
CORRADO			V-6 2.8 L.....	2001-1994	41155
4-Cyl. 1.8 L; W/30mm Hub.....	1992-1990	42261	PASSAT		
V-6 2.8 L.....	1994-1992	41155	4-Cyl. 1.8 L; W/Press-On Cogged Pulley.....	2004-2002	41127
V-6 2.8 L (Canada).....	1995	41155	4-Cyl. 1.8 L; Eng. Designation AWM; W/Press-On Cogged Pulley.....	2001	41127
DASHER			4-Cyl. 1.8 L; Eng. Designation AUG; W/Press-On Cogged Pulley.....	2000	41127
4-Cyl. 1.5 L Diesel; W/40mm Hub.....	1980	42258	4-Cyl. 1.8 L (Canada); W/30mm Hub.....	1994	42261
4-Cyl. 90; W/40mm Hub.....	1975-1974	42258	4-Cyl. 1.8 L (Canada); W/AWD; W/30mm Hub.....	1993-1992	42261
4-Cyl. 1.6 L; W/40mm Hub.....	1980	42258	4-Cyl. 1.8 L (Canada); W/4WD; W/30mm Hub.....	1991	42261
4-Cyl. 1.6 L Diesel; W/40mm Hub.....	1981	42258	4-Cyl. 1.9 L Diesel.....	1998	41157
4-Cyl. 97; W/40mm Hub.....	1979-1976	42258	4-Cyl. 1.9 L Diesel; W/30mm Hub.....	1997-1996	42261
EUROVAN			4-Cyl. 1.9 L Diesel (Canada); W/30mm Hub.....	1995-1994	42261
5-Cyl. 2.5 L.....	1996-1993	41156	4-Cyl. 1.9 L Diesel (Canada); W/AWD; W/30mm Hub.....	1993	42261
V-6 2.8 L; Eng. No. 70-2-097000 & Before.....	2002	41155	4-Cyl. 2.0 L; W/30mm Hub.....	1996-1995	42261
V-6 2.8 L.....	2001-1997	41155	4-Cyl. 2.0 L; W/30mm Hub.....	1993-1990	42261
FOX			4-Cyl. 2.0 L (Canada); W/30mm Hub.....	1994	42261
4-Cyl. 1.8 L; W/30mm Hub.....	1993-1987	42261	4-Cyl. 2.0 L Diesel.....	2005-2004	41114
GOLF			V-6 2.8 L.....	2004-1998	43216
4-Cyl. 1.6 L Diesel; W/30mm Hub.....	1987-1985	42261	V-6 2.8 L.....	1997-1993	41155
4-Cyl. 1.6 L Diesel (Canada); W/30mm Hub.....	1992-1988	42261			

* High Performance Pump

Application Guide - Passenger Cars and Light Trucks

Application	Year	Gates No.	Application	Year	Gates No.
VOLKSWAGEN - Continued			VOLKSWAGEN - Continued		
QUANTUM			VANAGON		
4-Cyl. 1.6 L Diesel; W/30mm Hub.....	1985-1982	42261	4-Cyl. 1.6 L Diesel; W/40mm Hub.....	1983-1982	42258
4-Cyl. 1.7 L; W/30mm Hub.....	1983-1982	42261	4-Cyl. 1.9 L.....	1985-1983	41108
4-Cyl. 1.8 L; W/30mm Hub.....	1986-1985	42261	4-Cyl. 2.1 L.....	1992-1986	41153
5-Cyl. 2.2 L.....	1988-1983	42341	VOLVO		
RABBIT			C70		
4-Cyl. 1.5 L; Models made in Germany; W/40mm Hub.....	1980	42258	5-Cyl. 2.3 L.....	2004-1998	41110
4-Cyl. 1.5 L; W/A.C.; W/30mm Hub; Models made in USA.....	1980	42261	5-Cyl. 2.4 L.....	2004-1998	41110
4-Cyl. 1.5 L; W/O A.C.; W/40mm Hub; Models made in USA.....	1980	42258	5-Cyl. 2.5 L.....	2007-2006	41110
4-Cyl. 1.5 L Diesel; Models made in Germany; W/40mm Hub.....	1980	42258	PV544		
4-Cyl. 1.5 L Diesel; W/A.C.; W/30mm Hub; Models made in USA.....	1980	42261	4-Cyl. 109.....	1966-1962	41158
4-Cyl. 1.5 L Diesel; W/O A.C.; W/40mm Hub; Models made in USA.....	1980	42258	S40		
4-Cyl. 89; W/40mm Hub.....	1979-1978	42258	4-Cyl. 1.9 L.....	2004-2000	41110
4-Cyl. 90; W/40mm Hub.....	1975	42258	5-Cyl. 2.4 L.....	2007-2005	41110
4-Cyl. 90 Diesel; W/40mm Hub.....	1979-1977	42258	5-Cyl. 2.5 L.....	2007-2005	41110
4-Cyl. 1.6 L; Models made in Germany; W/40mm Hub.....	1980	42258	S60		
4-Cyl. 1.6 L; W/A.C.; W/30mm Hub; Models made in USA.....	1980	42261	5-Cyl. 2.3 L.....	2004-2001	41110
4-Cyl. 1.6 L; W/O A.C.; W/40mm Hub; Models made in USA.....	1980	42258	5-Cyl. 2.4 L.....	2007-2001	41110
4-Cyl. 1.6 L Diesel; W/30mm Hub.....	1984-1983	42261	5-Cyl. 2.5 L.....	2007-2003	41110
4-Cyl. 1.6 L Diesel; W/O A.C.; W/O P.S.; W/40mm Hub.....	1984-1983	42258	S70		
4-Cyl. 1.6 L Diesel; W/A.C.; W/30mm Hub.....	1982-1981	42261	5-Cyl. 2.3 L.....	2000-1998	41110
4-Cyl. 1.6 L Diesel; W/O A.C.; W/40mm Hub.....	1982-1981	42258	5-Cyl. 2.4 L.....	2000-1998	41110
4-Cyl. 97; W/40mm Hub.....	1977-1976	42258	S80		
4-Cyl. 1.7 L; W/A.C.; W/P.S.; W/30mm Hub.....	1984-1983	42261	5-Cyl. 2.5 L.....	2006-2004	41110
4-Cyl. 1.7 L; W/O A.C.; W/O P.S.; W/40mm Hub.....	1984-1983	42258	6-Cyl. 2.8 L.....	2001-1999	43531
4-Cyl. 1.7 L; Convertible; W/30mm Hub.....	1983-1982	42261	6-Cyl. 2.9 L.....	2005-1999	43531
4-Cyl. 1.7 L; W/A.C.; W/30mm Hub.....	1982-1981	42261	S90		
4-Cyl. 1.7 L; W/O A.C.; W/40mm Hub.....	1982-1981	42258	6-Cyl. 2.9 L.....	1998	41128
4-Cyl. 1.8 L; W/30mm Hub.....	1984-1983	42261	V40		
4-Cyl. 1.8 L; W/40mm Hub.....	1984-1983	42258	4-Cyl. 1.9 L.....	2004-2000	41110
RABBIT PICKUP			V50		
4-Cyl. 1.5 L Diesel; Models made in Germany; W/40mm Hub.....	1980	42258	5-Cyl. 2.4 L.....	2007-2005	41110
4-Cyl. 1.5 L Diesel; W/A.C.; W/30mm Hub; Models made in USA.....	1980	42261	5-Cyl. 2.5 L.....	2007-2005	41110
4-Cyl. 1.5 L Diesel; W/O A.C.; W/40mm Hub; Models made in USA.....	1980	42258	V70		
4-Cyl. 1.6 L; Models made in Germany; W/40mm Hub.....	1980	42258	5-Cyl. 2.3 L.....	2004-1999	41110
4-Cyl. 1.6 L; W/A.C.; W/30mm Hub; Models made in USA.....	1980	42261	5-Cyl. 2.4 L.....	2007-1998	41110
4-Cyl. 1.6 L; W/O A.C.; W/40mm Hub; Models made in USA.....	1980	42258	5-Cyl. 2.5 L.....	2007-2003	41110
4-Cyl. 1.6 L Diesel; W/30mm Hub.....	1983-1981	42261	V90		
4-Cyl. 1.6 L Diesel; W/O A.C.; W/O P.S.; W/40mm Hub.....	1983-1981	42258	6-Cyl. 2.9 L.....	1998	41128
4-Cyl. 1.7 L; W/A.C.; W/P.S.; W/30mm Hub.....	1983	42261	XC70		
4-Cyl. 1.7 L; W/O A.C.; W/O P.S.; W/40mm Hub.....	1983-1981	42258	5-Cyl. 2.5 L.....	2007-2005	41110
4-Cyl. 1.7 L; W/A.C.; W/30mm Hub.....	1982-1981	42261	XC90		
SCIROCCO			5-Cyl. 2.5 L.....	2006-2003	41110
4-Cyl. 1.6 L; W/40mm Hub.....	1980	42258	122		
4-Cyl. 1.7 L; W/30mm Hub.....	1983-1982	42261	4-Cyl. 109.....	1968-1962	41158
4-Cyl. 1.7 L; W/A.C.; W/30mm Hub.....	1981	42261	164		
4-Cyl. 1.7 L; W/O A.C.; W/40mm Hub.....	1981	42258	6-Cyl. 182.....	1971	42276
4-Cyl. 1.8 L; W/30mm Hub.....	1988-1983	42261	240		
4-Cyl. 1.8 L (Canada); W/30mm Hub.....	1989	42261	4-Cyl. 2.1 L.....	1985-1980	42272
			4-Cyl. 2.3 L.....	1993-1985	42309
			4-Cyl. 2.3 L.....	1984-1983	42272
			6-Cyl. 2.4 L Diesel.....	1985-1980	41151
			260		
			4-Cyl. 2.1 L.....	1981	42272
			6-Cyl. 2.4 L Diesel.....	1981-1980	41151
			V-6 163; Eng. No. B27F.....	1978-1976	43293
			V-6 2.8 L.....	1982-1980	43306

* High Performance Pump

Application Guide - Passenger Cars and Light Trucks

Application	Year	Gates No.	Application	Year	Gates No.
VOLVO - Continued					
740					
4-Cyl. 2.3 L	1992-1985	42309			
6-Cyl. 2.4 L Diesel.....	1986-1985	41151			
760					
4-Cyl. 2.3 L	1990-1985	42309			
4-Cyl. 2.3 L	1984	42272			
6-Cyl. 2.4 L Diesel.....	1985-1983	41151			
V-6 2.8 L	1990-1983	43296			
780					
4-Cyl. 2.3 L	1991-1989	42309			
V-6 2.8 L	1990-1987	43296			
850					
5-Cyl. 2.3 L	1997	41110			
5-Cyl. 2.4 L	1997-1993	41110			
940					
4-Cyl. 2.3 L	1995-1991	42309			
960					
6-Cyl. 2.9 L	1997-1995	41128			
6-Cyl. 2.9 L	1994-1992	41110			
1800					
4-Cyl. 109.....	1968-1962	41158			
4-Cyl. 121.....	1973-1969	41158			
WORKHORSE					
P SERIES CHASSIS					
4-Cyl. 3.9 L Diesel.....	2005-2004	41176			
V-8 4.8 L	2006-2004	45005			
V-8 6.0 L	2006-2005	45005			
W42 CHASSIS					
V-8 4.8 L	2008-2007	45005			
V-8 6.0 L	2007	45005			
YUGO					
GV					
4-Cyl. 1.1 L	1989-1986	43222			
GVL					
4-Cyl. 1.1 L	1989-1988	43222			
GVS					
4-Cyl. 1.1 L	1988	43222			

* High Performance Pump

Application Guide - Medium and Heavy-Duty Trucks

Application	Year	Gates No.	Application	Year	Gates No.
AMERICAN LAFRANCE			AUTOCAR - Continued		
EAGLE; METROPOLITAN			CONSTRUCKTOR 2 SERIES - Continued		
Detroit Diesel 6-Cyl. 11.1	1998	44066	Cummins 6-Cyl. 14.0 Diesel; W/Big Cam III Eng.	1983	44055
Detroit Diesel 6-Cyl. 12.7	1998	44066	Cummins 6-Cyl. 14.0 Diesel.....	1982-1980	44086
AUTOCAR			Cummins 6-Cyl. 14.0 Diesel; Tensioner Pulley - W.P.; W/V-Ribbed Belt	1981-1980	41111
A SERIES			Cummins 6-Cyl. 14.0 Diesel; Idler Pulley; W/2-Groove Pulley.....	1979-1974	41129
Cummins 6-Cyl. 14.0 Diesel.....	1980	44086	Cummins 6-Cyl. 14.0 Diesel; W/Full Flow Cool.	1979	44064
Cummins 6-Cyl. 14.0 Diesel; Tensioner Pulley - W.P.; W/V-Ribbed Belt	1980	41111	Detroit Diesel 6-71; W/O Turbo; W/Reverse Rotation	1981-1979	42344
Cummins 6-Cyl. 14.0 Diesel; Idler Pulley; W/2-Groove Pulley.....	1979-1974	41129	Detroit Diesel 6-71; W/O Turbo; W/Standard Rotation.....	1981-1979	42102
Cummins 6-Cyl. 14.0 Diesel; W/Full Flow Cool.	1979-1974	44064	Detroit Diesel 6-71; W/Turbo; W/Reverse Rotation	1981-1979	42322
Detroit Diesel 8V-71	1980-1974	44075	Detroit Diesel 6-71; W/Turbo; W/Standard Rotation.....	1981-1979	42321
AC SERIES			DC SERIES		
Caterpillar 3406 Diesel; W/Dished Gear..	1994	44054	Caterpillar 3406 Diesel; W/Flat Gear.....	1985-1974	45009
Caterpillar 3406 Diesel; W/Flat Gear.....	1994-1988	45009	Cummins 6-Cyl. 14.0 Diesel.....	1984	44055
Cummins L10 Diesel	1995	43307	Cummins 6-Cyl. 14.0 Diesel; W/Big Cam I & II Eng.	1983	44086
Cummins L10 Diesel; Idler Pulley.....	1995	41175	Cummins 6-Cyl. 14.0 Diesel; W/Big Cam III Eng.	1983	44055
Cummins L10 Diesel	1991	43307	Cummins 6-Cyl. 14.0 Diesel.....	1982-1980	44086
Cummins L10 Diesel; Idler Pulley.....	1991	41175	Cummins 6-Cyl. 14.0 Diesel; Tensioner Pulley - W.P.; W/V-Ribbed Belt	1981-1980	41111
Cummins L10 Diesel	1990-1988	44094	Cummins 6-Cyl. 14.0 Diesel; Idler Pulley; W/2-Groove Pulley.....	1979-1974	41129
Cummins M11 Diesel	1995	43307	Cummins 6-Cyl. 14.0 Diesel; W/Full Flow Cool.	1979-1974	44064
Cummins N14 Diesel	1995	44052	Detroit Diesel 6-71; W/O Turbo; W/Reverse Rotation	1972	42344
Detroit Diesel Series 60	1993-1991	44066	Detroit Diesel 6-71; W/O Turbo; W/Standard Rotation.....	1972	42102
Detroit Diesel 6-Cyl. 11.1	1995-1994	44066	Detroit Diesel 6-71; W/Turbo; W/Reverse Rotation	1972	42322
Detroit Diesel 6-Cyl. 12.7	1995-1994	44066	Detroit Diesel 6-71; W/Turbo; W/Standard Rotation.....	1972	42321
AT SERIES			Detroit Diesel 8V-71	1985-1965	44075
Caterpillar 3406 Diesel; W/Flat Gear.....	1987-1983	45009	Detroit Diesel 8V-92; "Running" Pump....	1981	▼ 44103
Cummins 6-Cyl. 14.0 Diesel; W/6-Ribbed Belt	1988-1986	44092	Detroit Diesel 8V-92; "Walking" Pump....	1981	● 44097
Cummins 6-Cyl. 14.0 Diesel; Idler Pulley; W/Flat Idler Pulley	1988-1985	41173	DK SERIES; DS SERIES		
Cummins 6-Cyl. 14.0 Diesel; W/V-Belt Drive	1988-1986	44084	Cummins L10 Diesel	1988-1986	44094
Cummins 6-Cyl. 14.0 Diesel; Idler Pulley; W/V-Ribbed Belt.....	1988-1985	41174	S SERIES		
Cummins 6-Cyl. 14.0 Diesel; Tensioner Pulley; W/Big Cam III Eng.; W/V-Ribbed Belt.....	1985	41111	Detroit Diesel 8V-71	1980-1974	44075
Cummins 6-Cyl. 14.0 Diesel; W/Big Cam IV Eng.; W/6-Ribbed Belt	1985	44092	BERING TRUCK CORP.		
Cummins 6-Cyl. 14.0 Diesel; W/Big Cam IV Eng.; W/V-Belt Drive.....	1985	44084	MD SERIES		
Cummins 6-Cyl. 14.0 Diesel.....	1984	44055	Cummins ISB Diesel.....	2001-1999	41176
Cummins 6-Cyl. 14.0 Diesel; W/Big Cam I & II Eng.	1983	44086	BROCKWAY		
Cummins 6-Cyl. 14.0 Diesel; W/Big Cam III Eng.....	1983	44055	358		
C SERIES			Cummins NH230 Diesel; W/O Pulley	1975-1973	42309
Cummins 6-Cyl. 14.0 Diesel.....	1980	44086	Cummins NH230 Diesel; W/Pulley.....	1975-1973	43238
Cummins 6-Cyl. 14.0 Diesel; Tensioner Pulley - W.P.; W/V-Ribbed Belt	1980	41111	Cummins NH250 Diesel; W/Military Spec. Pulley	1975-1973	43209
Cummins 6-Cyl. 14.0 Diesel; Idler Pulley; W/2-Groove Pulley.....	1979-1978	41129	Cummins NH250 Diesel; W/O Pulley	1975-1973	43258
Cummins 6-Cyl. 14.0 Diesel; W/Full Flow Cool.	1979-1978	44064	Cummins 6-Cyl. 14.0 Diesel; Idler Pulley; W/2-Groove Pulley.....	1975-1973	41129
CEMENT MIXER			Cummins 6-Cyl. 14.0 Diesel; W/Full Flow Cool.	1975-1973	44064
Cummins L10 Diesel	1993	43307	359		
Cummins L10 Diesel; Idler Pulley.....	1993	41175	Cummins 6-Cyl. 14.0 Diesel; Idler Pulley; W/2-Groove Pulley.....	1974	41129
CONSTRUCKTOR 2 SERIES			Cummins 6-Cyl. 14.0 Diesel; W/Full Flow Cool.	1974	44064
Caterpillar 3208 Diesel; W/Non-Threaded Pulley.....	1980-1979	43233	Application Guide - Medium and Heavy-Duty Trucks		
Caterpillar 3208 Diesel; W/O Pulley	1980-1979	42351			
Caterpillar 3208 Diesel; W/Threaded Pulley.....	1980-1979	43059			
Cummins 6-Cyl. 14.0 Diesel.....	1984	44055			
Cummins 6-Cyl. 14.0 Diesel; W/Big Cam I & II Eng.	1983	44086			

▼ 2 Outlets at 45 Degree Angles
 ■ 2 Outlets Pointing Straight Down

● Outlet Straight Down & Outlet at 45 Degree Angle
 * High Performance Pump

Application Guide - Medium and Heavy-Duty Trucks

Application	Year	Gates No.	Application	Year	Gates No.
BROCKWAY - Continued			CHEVROLET - Continued		
359 - Continued			BISON - Continued		
Detroit Diesel 6-71; W/O Turbo; W/Reverse Rotation.....	1974	42344	Detroit Diesel 6-71; W/O Turbo; W/Reverse Rotation.....	1980-1977	42344
Detroit Diesel 6-71; W/O Turbo; W/Standard Rotation.....	1974	42102	Detroit Diesel 6-71; W/O Turbo; W/Standard Rotation.....	1980-1977	42102
Detroit Diesel 6-71; W/Turbo; W/Reverse Rotation.....	1974	42322	Detroit Diesel 6-71; W/Turbo; W/Reverse Rotation.....	1980-1977	42322
Detroit Diesel 6-71; W/Turbo; W/Standard Rotation.....	1974	42321	Detroit Diesel 6-71; W/Turbo; W/Standard Rotation.....	1980-1977	42321
360			Detroit Diesel 6V-92; "Running" Pump		
Cummins NH230 Diesel; W/O Pulley	1974	42309		1980-1977	▼44103
Cummins NH230 Diesel; W/Pulley.....	1974	43238	Detroit Diesel 6V-92; "Walking" Pump.....	1980-1977	●44097
Cummins 6-Cyl. 14.0 Diesel; Idler Pulley; W/2-Groove Pulley.....	1974	41129	Detroit Diesel 8V-71	1980-1977	44075
Cummins 6-Cyl. 14.0 Diesel; W/Full Flow Cool.	1974	44064	Detroit Diesel 8V-92; "Running" Pump	1980-1977	▼44103
Detroit Diesel 8V-71	1974	44075	Detroit Diesel 8V-92; "Walking" Pump.....	1980-1977	●44097
361			BRUIN		
Cummins 6-Cyl. 14.0 Diesel; Idler Pulley; W/2-Groove Pulley.....	1975-1973	41129	Caterpillar 3208 Diesel; W/Non-Threaded Pulley.....	1980-1978	43233
Cummins 6-Cyl. 14.0 Diesel; W/Full Flow Cool.	1975-1973	44064	Caterpillar 3208 Diesel; W/O Pulley	1980-1978	42351
Detroit Diesel 8V-71	1975-1974	44075	Caterpillar 3208 Diesel; W/Theaded Pulley.....	1980-1978	43059
450			Cummins 6-Cyl. 14.0 Diesel.....	1980	44086
Cummins 6-Cyl. 14.0 Diesel; Idler Pulley; W/2-Groove Pulley.....	1977-1976	41129	Cummins 6-Cyl. 14.0 Diesel; Idler Pulley; W/2-Groove Pulley.....	1979-1978	41129
Cummins 6-Cyl. 14.0 Diesel; W/Full Flow Cool.	1977-1976	44064	Cummins 6-Cyl. 14.0 Diesel; W/Full Flow Cool.	1979-1978	44064
459			Detroit Diesel 6-71; W/O Turbo; W/Reverse Rotation.....	1980-1978	42344
Detroit Diesel 8V-71	1958-1957	44075	Detroit Diesel 6-71; W/O Turbo; W/Standard Rotation.....	1980-1978	42102
758			Detroit Diesel 6-71; W/Turbo; W/Reverse Rotation.....	1980-1978	42322
Cummins 6-Cyl. 14.0 Diesel; Idler Pulley; W/2-Groove Pulley.....	1976-1975	41129	Detroit Diesel 6-71; W/Turbo; W/Standard Rotation.....	1980-1978	42321
Cummins 6-Cyl. 14.0 Diesel; W/Full Flow Cool.	1976-1975	44064	Detroit Diesel 6V-53; W/Clockwise Eng... Detroit Diesel 6V-53; W/Counterclockwise Eng.	1980-1978	43309
760			Detroit Diesel 6V-92; "Running" Pump	1980-1978	▼44103
Cummins 6-Cyl. 14.0 Diesel; Idler Pulley; W/2-Groove Pulley.....	1977-1976	41129	Detroit Diesel 6V-92; "Walking" Pump	1980-1978	●44097
Cummins 6-Cyl. 14.0 Diesel; W/Full Flow Cool.	1977-1976	44064	Detroit Diesel 8V-71	1980-1978	44075
761			GM V-8 366; W/O P.T.O.....	1979	45003
Cummins 6-Cyl. 14.0 Diesel; Idler Pulley; W/2-Groove Pulley.....	1977-1975	41129	GM V-8 366; W/P.T.O.....	1979	44029
Cummins 6-Cyl. 14.0 Diesel; W/Full Flow Cool.	1977-1975	44064	GM V-8 427; W/O P.T.O.....	1979	45003
Detroit Diesel 8V-71	1975	44075	GM V-8 427; W/P.T.O.....	1979	44029
762			C40		
Cummins 6-Cyl. 14.0 Diesel; Idler Pulley; W/2-Groove Pulley.....	1976	41129	GM 6-Cyl. 250	1972	42082
Cummins 6-Cyl. 14.0 Diesel; W/Full Flow Cool.	1976	44064	GM V-8 307	1972-1968	43106
CHEVROLET			GM V-8 327	1968-1967	43106
A60; A80			GM V-8 327	1962	43106
GM D478 Diesel	1965	42099	GM V-8 350	1972-1969	43106
GM DH478 Diesel.....	1965	42099	C50		
BISON			GM 6-Cyl. 250	1978-1972	42082
Caterpillar 3406 Diesel; W/Flat Gear	1980-1979	45009	GM 6-Cyl. 292	1974-1969	43283
Cummins 6-Cyl. 14.0 Diesel.....	1980	44086	GM V-8 307	1973-1968	43106
Cummins 6-Cyl. 14.0 Diesel; Tensioner Pulley - W.P.; W/V-Ribbed Belt	1980	41111	GM V-8 327	1968-1962	43106
Cummins 6-Cyl. 14.0 Diesel; Idler Pulley; W/2-Groove Pulley.....	1979-1977	41129	GM V-8 350	1979-1973	43104
Cummins 6-Cyl. 14.0 Diesel; W/Full Flow Cool.	1979-1977	44064	GM V-8 350	1972-1969	43106
			GM V-8 5.7	1990-1980	43104
			GM V-8 366; W/O P.T.O.....	1978-1966	45003
			GM V-8 366; W/P.T.O.....	1978-1966	44029
			GM V-8 6.0; W/O Screw-On Hub	1990	45003
			GM V-8 6.0; W/Screw-On Hub	1990	45001
			GM V-8 427; W/O P.T.O.....	1978-1966	45003
			GM V-8 427; W/P.T.O.....	1978-1966	44029
			C60		
			Caterpillar 3208 Diesel; W/Non-Threaded Pulley.....	1985-1979	43233
			Caterpillar 3208 Diesel; W/O Pulley	1985-1979	42351
			Caterpillar 3208 Diesel; W/Theaded Pulley.....	1985-1979	43059
			Detroit Diesel 4-53; W/Clockwise Eng....	1981-1977	43310

▼ 2 Outlets at 45 Degree Angles
■ 2 Outlets Pointing Straight Down

● Outlet Straight Down & Outlet at 45 Degree Angle
* High Performance Pump

Application Guide - Medium and Heavy-Duty Trucks

Application	Year	Gates No.	Application	Year	Gates No.
CHEVROLET - Continued			CHEVROLET - Continued		
C60 - Continued			D50 - Continued		
Detroit Diesel 4-53; W/Counterclockwise Eng.	1981-1977	43309	Detroit Diesel 3-53; W/Counterclockwise Eng.	1966-1965	43309
Detroit Diesel V-8 8.2; W/Heater Outlet ..	1990-1980	46001	Detroit Diesel 4-53; W/Clockwise Eng.	1966-1962	43310
GM 6-Cyl. 235	1962-1960	43128	Detroit Diesel 4-53; W/Counterclockwise Eng.	1966-1962	43309
GM 6-Cyl. 261	1962-1960	43128	D60		
GM V-8 307	1973-1968	43106	Detroit Diesel 4-53; W/Clockwise Eng.	1966-1962	43310
GM V-8 327	1968-1962	43106	Detroit Diesel 4-53; W/Counterclockwise Eng.	1966-1962	43309
GM V-8 350	1979-1973	43104	E80		
GM V-8 350	1972-1969	43106	Detroit Diesel 6V-53; W/Clockwise Eng...	1965-1962	43310
GM V-8 5.7	1990-1980	43104	Detroit Diesel 6V-53; W/Counterclockwise Eng.	1965-1962	43309
GM V-8 366; W/O P.T.O.	1979-1966	45003	ETG70		
GM V-8 366; W/P.T.O.	1979-1966	44029	GM D478 Diesel	1966	42099
GM V-8 6.0; W/O Screw-On Hub	1990	45003	GM DH478 Diesel	1966	42099
GM V-8 6.0; W/Screw-On Hub	1990	45001	H70		
GM V-8 6.0; W/O P.T.O.	1980	45003	Caterpillar 3208 Diesel; W/Non-Threaded Pulley	1978-1976	43233
GM V-8 6.0; W/P.T.O.	1980	44029	Caterpillar 3208 Diesel; W/O Pulley	1978-1976	42351
GM V-8 427; W/O P.T.O.	1979-1966	45003	Caterpillar 3208 Diesel; W/Theaded Pulley	1978-1976	43059
GM V-8 427; W/P.T.O.	1979-1966	44029	Detroit Diesel 6V-53; W/Clockwise Eng...	1978-1973	43310
C70			Detroit Diesel 6V-53; W/Counterclockwise Eng.	1978-1973	43309
Caterpillar 3208 Diesel; W/Non-Threaded Pulley	1990-1979	43233	GM V-8 366; W/O P.T.O.	1978-1974	45003
Caterpillar 3208 Diesel; W/O Pulley	1990-1979	42351	GM V-8 366; W/P.T.O.	1978-1974	44029
Caterpillar 3208 Diesel; W/Theaded Pulley	1990-1979	43059	GM V-8 427; W/O P.T.O.	1978-1974	45003
Detroit Diesel 4-53; W/Clockwise Eng.	1981-1975	43310	GM V-8 427; W/P.T.O.	1978-1974	44029
Detroit Diesel 4-53; W/Counterclockwise Eng.	1981-1975	43309	H80		
Detroit Diesel V-8 8.2; W/Heater Outlet ..	1990-1980	46001	GM V-8 366; W/O P.T.O.	1978-1974	45003
GM V-8 5.7	1980	43104	GM V-8 366; W/P.T.O.	1978-1974	44029
GM V-8 366; W/O P.T.O.	1979-1975	45003	GM V-8 427; W/O P.T.O.	1978-1974	45003
GM V-8 366; W/P.T.O.	1979-1975	44029	GM V-8 427; W/P.T.O.	1978-1974	44029
GM V-8 6.0; W/O Screw-On Hub	1990	45003	H90		
GM V-8 6.0; W/Screw-On Hub	1990	45001	Cummins 6-Cyl. 14.0 Diesel; Idler Pulley; W/2-Groove Pulley	1978-1971	41129
GM V-8 6.0; W/O P.T.O.	1980	45003	Cummins 6-Cyl. 14.0 Diesel; W/Full Flow Cool.	1978-1971	44064
GM V-8 6.0; W/P.T.O.	1980	44029	Detroit Diesel 6-71; W/O Turbo; W/Reverse Rotation	1978-1973	42344
GM V-8 427; W/O P.T.O.	1979	45003	Detroit Diesel 6-71; W/O Turbo; W/Standard Rotation	1978-1973	42102
GM V-8 427; W/P.T.O.	1979	44029	Detroit Diesel 6-71; W/Turbo; W/Reverse Rotation	1978-1973	42322
GM V-8 7.0; W/O Screw-On Hub	1990	45003	Detroit Diesel 6-71; W/Turbo; W/Standard Rotation	1978-1973	42321
GM V-8 7.0; W/Screw-On Hub	1990	45001	Detroit Diesel 8V-71	1977-1973	44075
GM V-8 7.0; W/O P.T.O.	1980	45003	HG70		
GM V-8 7.0; W/P.T.O.	1980	44029	GM D478 Diesel	1966	42099
C4500			GM DH478 Diesel	1966	42099
GM V-8 6.6 Diesel	2005-2003	42349	HV70		
C5500			Detroit Diesel 6V-53; W/Clockwise Eng...	1972-1966	43310
GM V-8 6.0	1998-1997	45001	Detroit Diesel 6V-53; W/Counterclockwise Eng.	1972-1966	43309
GM V-8 6.6 Diesel	2005-2003	42349	J70		
GM V-8 7.0	1998-1997	45001	Caterpillar 3208 Diesel; W/Non-Threaded Pulley	1978-1976	43233
GM V-8 7.4	2000-1999	42569	Caterpillar 3208 Diesel; W/O Pulley	1978-1976	42351
GM V-8 8.1	2002-2001	44089	Caterpillar 3208 Diesel; W/Theaded Pulley	1978-1976	43059
C6500; C7500; C8500			Detroit Diesel 6V-53; W/Clockwise Eng...	1978-1973	43310
GM V-8 6.0	1998-1997	45001	Detroit Diesel 6V-53; W/Counterclockwise Eng.	1978-1973	42321
GM V-8 7.0	1998-1997	45001	Detroit Diesel 8V-71	1977-1973	44075
GM V-8 7.4	2000-1999	42569	HG70		
GM V-8 8.1	2005-2001	44089	GM D478 Diesel	1966	42099
CD50; CD60			GM DH478 Diesel	1966	42099
Detroit Diesel 4-53; W/Clockwise Eng.	1970-1967	43310	HV70		
Detroit Diesel 4-53; W/Counterclockwise Eng.	1970-1967	43309	Detroit Diesel 6V-53; W/Clockwise Eng...	1972-1966	43310
CE60			Detroit Diesel 6V-53; W/Counterclockwise Eng.	1972-1966	43309
GM V-8 427; W/O P.T.O.	1975	45003	J70		
GM V-8 427; W/P.T.O.	1975	44029	Caterpillar 3208 Diesel; W/Non-Threaded Pulley	1978-1976	43233
CS50; CS60			Caterpillar 3208 Diesel; W/O Pulley	1978-1976	42351
GM 6-Cyl. 292	1972-1967	43283	Caterpillar 3208 Diesel; W/Theaded Pulley	1978-1976	43059
D50			Detroit Diesel 6V-53; W/Clockwise Eng...	1978-1973	43310
Detroit Diesel 3-53; W/Clockwise Eng.	1966-1965	43310	Detroit Diesel 6V-53; W/Counterclockwise Eng.	1978-1973	43309
			GM V-8 366; W/O P.T.O.	1978-1974	45003

- ▼ 2 Outlets at 45 Degree Angles
- 2 Outlets Pointing Straight Down

- Outlet Straight Down & Outlet at 45 Degree Angle
- * High Performance Pump

Application Guide - Medium and Heavy-Duty Trucks

Application	Year	Gates No.	Application	Year	Gates No.
CHEVROLET - Continued			CHEVROLET - Continued		
J70 - Continued			N60; N80		
GM V-8 366; W/P.T.O.....	1978-1974	44029	GM D478 Diesel	1966-1965	42099
GM V-8 427; W/O P.T.O.....	1978-1974	45003	GM DH478 Diesel.....	1966-1965	42099
GM V-8 427; W/P.T.O.....	1978-1974	44029	P6T042		
J80			Detroit Diesel V-8 8.2; W/Heater Outlet ..		
Detroit Diesel 6V-53; W/Clockwise Eng...	1978-1973	43310	GM V-8 5.7	1990-1983	43104
Detroit Diesel 6V-53; W/Counterclockwise Eng.....	1978-1973	43309	P30		
GM V-8 366; W/O P.T.O.....	1978-1974	45003	Cummins BT Series Diesel.....	1992-1990	41181
GM V-8 366; W/P.T.O.....	1978-1974	44029	Detroit Diesel V-8 8.2; W/Heater Outlet ..	1990	46001
GM V-8 427; W/O P.T.O.....	1978-1974	45003	GM V-6 4.3	1991-1990	43099
GM V-8 427; W/P.T.O.....	1978-1974	44029	or *43099P		
J90			GM V-8 350	1979-1978	43104
Cummins 6-Cyl. 14.0 Diesel; Idler Pulley; W/2-Groove Pulley.....	1978-1973	41129	GM V-8 5.7	1990-1980	43104
Cummins 6-Cyl. 14.0 Diesel; W/Full Flow Cool.....	1978-1973	44064	GM V-8 366	1977-1972	45003
Detroit Diesel 6-71; W/O Turbo; W/Reverse Rotation.....	1978-1973	42344	GM V-8 6.0	1990	45001
Detroit Diesel 6-71; W/O Turbo; W/Standard Rotation.....	1978-1973	42102	GM V-8 6.2 Diesel.....	1993-1982	44099
Detroit Diesel 6-71; W/Turbo; W/Reverse Rotation.....	1978-1973	42322	GM V-8 6.5 Diesel.....	1998-1997	44042
Detroit Diesel 6-71; W/Turbo; W/Standard Rotation.....	1978-1973	42321	GM V-8 6.5 Diesel; Early	1996	44100
Detroit Diesel 8V-71	1977-1973	44075	GM V-8 6.5 Diesel; Late	1996	44042
JC90			GM V-8 6.5 Diesel.....	1995	44100
Cummins 6-Cyl. 14.0 Diesel; Idler Pulley; W/2-Groove Pulley.....	1972-1971	41129	GM V-8 427; W/O P.T.O.....	1977	45003
Cummins 6-Cyl. 14.0 Diesel; W/Full Flow Cool.....	1972-1971	44064	GM V-8 427; W/P.T.O.....	1977	44029
JG70			GM V-8 7.0	1990	45001
GM D478 Diesel	1966	42099	GM V-8 7.4	2000-1999	42569
GM DH478 Diesel.....	1966	42099	P40; P50		
JV70; JV80			GM 6-Cyl. 292	1972-1966	43283
Detroit Diesel 6V-53; W/Clockwise Eng...	1972-1966	43310	Q50		
Detroit Diesel 6V-53; W/Counterclockwise Eng.....	1972-1966	43309	GM D351 Diesel	1966-1965	42099
KODIAK C5500; KODIAK C6500; KODIAK C7500; KODIAK C8500			Q60		
GM V-8 6.0	1996-1991	45001	GM D478 Diesel	1966	42099
GM V-8 7.0	1996-1991	45001	GM DH478 Diesel.....	1966	42099
M65			Q80		
GM V-8 366; W/O P.T.O.....	1978-1973	45003	GM D478 Diesel	1965	42099
GM V-8 366; W/P.T.O.....	1978-1973	44029	GM DH478 Diesel.....	1965	42099
GM V-8 427; W/O P.T.O.....	1978-1973	45003	T40		
GM V-8 427; W/P.T.O.....	1978-1973	44029	Detroit Diesel 3-53; W/Clockwise Eng....		
M90			Detroit Diesel 3-53; W/Counterclockwise Eng.....		
Cummins 6-Cyl. 14.0 Diesel; Idler Pulley; W/2-Groove Pulley.....	1974-1973	41129	GM 6-Cyl. 292	1968-1965	43309
Cummins 6-Cyl. 14.0 Diesel; W/Full Flow Cool.....	1974-1973	44064	GM 6-Cyl. 292	1972-1965	43283
Detroit Diesel 8V-71	1978-1966	44075	GM 6-Cyl. 292	1964-1963	42104
MI90			GM V-8 366; W/O P.T.O.....	1973-1966	45003
Detroit Diesel 6-71; W/O Turbo; W/Reverse Rotation.....	1971-1966	42344	GM V-8 366; W/P.T.O.....	1973-1966	44029
Detroit Diesel 6-71; W/O Turbo; W/Standard Rotation.....	1971-1966	42102	GM V-8 427; W/O P.T.O.....	1973-1966	45003
Detroit Diesel 6-71; W/Turbo; W/Reverse Rotation.....	1971-1966	42322	GM V-8 427; W/P.T.O.....	1973-1966	44029
Detroit Diesel 6-71; W/Turbo; W/Standard Rotation.....	1971-1966	42321	T60		
N50			GM 6-Cyl. 292	1972-1965	43283
GM D351 Diesel	1966-1965	42099	GM 6-Cyl. 292	1964-1963	42104
			GM V-8 350	1978-1974	43104
			GM V-8 350	1973	43283
			GM V-8 366; W/O P.T.O.....	1978-1966	45003
			GM V-8 366; W/P.T.O.....	1978-1966	44029
			GM V-8 427; W/O P.T.O.....	1978-1966	45003
			GM V-8 427; W/P.T.O.....	1978-1966	44029
			T65		
			GM V-8 366; W/O P.T.O.....	1978-1974	45003
			GM V-8 366; W/P.T.O.....	1978-1974	44029
			GM V-8 427; W/O P.T.O.....	1978-1974	45003
			GM V-8 427; W/P.T.O.....	1978-1974	44029
			T70		
			Detroit Diesel 6V-53; W/Clockwise Eng...	1974-1973	43310
			Detroit Diesel 6V-53; W/Counterclockwise Eng.....	1974-1973	43309

- ▼ 2 Outlets at 45 Degree Angles
- 2 Outlets Pointing Straight Down

- Outlet Straight Down & Outlet at 45 Degree Angle
- * High Performance Pump

Application Guide - Medium and Heavy-Duty Trucks

Application	Year	Gates No.	Application	Year	Gates No.
CHEVROLET - Continued			CHEVROLET - Continued		
T90			W6		
Detroit Diesel 6V-71; "Running" Pump	1974-1972	▼44096	GM V-8 350	1979-1975	43104
Detroit Diesel 6V-71; "Standing" Pump ...	1974-1972	■44075	GM V-8 5.7	1980	43104
Detroit Diesel 6V-71; "Running" Pump	1967-1966	▼44096	GM V-8 6.0	1980	44029
Detroit Diesel 6V-71; "Standing" Pump ...	1967-1966	■44075	W7		
T5500; T6500; T7500; T8500			GM V-8 366	1979-1975	44029
GM V-8 7.4	1999	42569	GM V-8 6.0	1980	44029
TD50; TD60			GM V-8 427	1979	44029
Detroit Diesel 4-53; W/Clockwise Eng....	1969-1967	43310	GM V-8 7.0	1980	44029
Detroit Diesel 4-53; W/Counterclockwise Eng.	1969-1967	43309	W70		
TE50; TE60			Detroit Diesel 6V-53; W/Clockwise Eng...	1974-1966	43310
GM V-8 366; W/O P.T.O.....	1972-1971	45003	Detroit Diesel 6V-53;		
GM V-8 366; W/P.T.O.....	1972-1971	44029	W/Counterclockwise Eng.	1974-1966	43309
GM V-8 427; W/O P.T.O.....	1972-1970	45003	W80		
GM V-8 427; W/P.T.O.....	1972-1970	44029	Detroit Diesel 6V-53; W/Clockwise Eng...	1965-1962	43310
TE65			Detroit Diesel 6V-53;		
GM V-8 366; W/O P.T.O.....	1972-1966	45003	W/Counterclockwise Eng.	1965-1962	43309
GM V-8 366; W/P.T.O.....	1972-1966	44029	W3500; W4500		
GM V-8 427; W/O P.T.O.....	1972-1966	45003	GM V-8 5.7	2003-2000	43315
GM V-8 427; W/P.T.O.....	1972-1966	44029	WW90		
TILTMASTER W4			Detroit Diesel 6V-71; "Running" Pump	1972	▼44096
Isuzu 4BD1 Diesel	1991-1986	43314	Detroit Diesel 6V-71; "Standing" Pump ...	1972	■44075
TITAN			Detroit Diesel 6V-71; "Running" Pump	1967-1966	▼44096
Caterpillar 3406 Diesel; W/Flat Gear	1980-1979	45009	Detroit Diesel 6V-71; "Standing" Pump ...	1967-1966	■44075
Cummins 6-Cyl. 14.0 Diesel.....	1980	44086	Y80		
Cummins 6-Cyl. 14.0 Diesel; Tensioner Pulley - W.P.; W/V-Ribbed Belt	1980	41111	Detroit Diesel 6V-53; W/Clockwise Eng...	1966-1962	43310
Cummins 6-Cyl. 14.0 Diesel; Idler Pulley; W/2-Groove Pulley.....	1979-1973	41129	Detroit Diesel 6V-53;		
Cummins 6-Cyl. 14.0 Diesel; W/Full Flow Cool.	1979-1973	44064	W/Counterclockwise Eng.	1966-1962	43309
Cummins 6-Cyl. 14.0 Diesel; Idler Pulley; W/2-Groove Pulley.....	1971	41129	6000 SERIES		
Cummins 6-Cyl. 14.0 Diesel; W/Full Flow Cool.	1971	44064	GM 6-Cyl. 261	1959	43128
Detroit Diesel 6-71; W/O Turbo; W/Reverse Rotation.....	1980-1970	42344	DIAMOND REO		
Detroit Diesel 6-71; W/O Turbo; W/Standard Rotation.....	1980-1970	42102	C92		
Detroit Diesel 6-71; W/Turbo; W/Reverse Rotation.....	1980-1970	42322	Detroit Diesel 6-71; W/O Turbo;		
Detroit Diesel 6-71; W/Turbo; W/Standard Rotation.....	1980-1970	42322	W/Reverse Rotation.....	1974-1973	42344
Detroit Diesel 6-71; W/Turbo; W/Standard Rotation.....	1980-1970	42321	Detroit Diesel 6-71; W/O Turbo;		
Detroit Diesel 6V-92; "Running" Pump	1980-1979	▼44103	W/Standard Rotation.....	1974-1973	42102
Detroit Diesel 6V-92; "Walking" Pump.....	1980-1979	●44097	Detroit Diesel 6-71; W/Turbo;		
Detroit Diesel 8V-71	1980-1970	44075	W/Reverse Rotation.....	1974-1973	42322
Detroit Diesel 8V-92; "Running" Pump	1980-1979	▼44103	Detroit Diesel 6-71; W/Turbo;		
Detroit Diesel 8V-92; "Walking" Pump.....	1980-1979	●44097	W/Standard Rotation.....	1974-1973	42321
TV70			C101		
Detroit Diesel 6V-53; W/Clockwise Eng...	1972-1966	43310	Cummins C Series 8.3 Diesel; W/Long Nose W.P.; W/Hardened Pulley	1969-1968	43321
Detroit Diesel 6V-53; W/Counterclockwise Eng.	1972-1966	43309	Cummins C Series 8.3 Diesel; W/Long Nose W.P.; W/O Hardened Pulley.....	1969-1968	43320
U80			Cummins C Series 8.3 Diesel; W/Short Nose W.P.	1969-1968	42352
Detroit Diesel 6V-53; W/Clockwise Eng...	1966-1962	43310	Detroit Diesel 6V-53; W/Clockwise Eng...	1974	43310
Detroit Diesel 6V-53; W/Counterclockwise Eng.	1966-1962	43309	Detroit Diesel 6V-53;		
V60			W/Counterclockwise Eng.	1974	43309
GM D478 Diesel	1966-1965	42099	C114		
GM DH478 Diesel.....	1966-1965	42099	Detroit Diesel 6-71; W/O Turbo;		
V80			W/Reverse Rotation.....	1972-1967	42344
GM D478 Diesel	1965	42099	Detroit Diesel 6-71; W/O Turbo;		
GM DH478 Diesel.....	1965	42099	W/Standard Rotation.....	1972-1967	42102
			Detroit Diesel 6-71; W/Turbo;		
			W/Reverse Rotation.....	1972-1967	42322
			Detroit Diesel 6-71; W/Turbo;		
			W/Standard Rotation.....	1972-1967	42321
			Detroit Diesel 8V-71	1971	44075
			C116		
			Detroit Diesel 6-71; W/O Turbo;		
			W/Reverse Rotation.....	1974-1971	42344

▼ 2 Outlets at 45 Degree Angles
 ■ 2 Outlets Pointing Straight Down

● Outlet Straight Down & Outlet at 45 Degree Angle
 * High Performance Pump

Application Guide - Medium and Heavy-Duty Trucks

Application	Year	Gates No.	Application	Year	Gates No.
DIAMOND REO - Continued			DODGE - Continued		
C116 - Continued			C850		
Detroit Diesel 6-71; W/O Turbo; W/Standard Rotation.....	1974-1971	42102	Dodge V-8 361	1968	43029
Detroit Diesel 6-71; W/Turbo; W/Reverse Rotation.....	1974-1971	42322	Dodge V-8 413	1968	43029
Detroit Diesel 6-71; W/Turbo; W/Standard Rotation.....	1974-1971	42321	C900		
Detroit Diesel 8V-71	1974-1971	44075	Cummins C Series 8.3 Diesel; W/Long Nose W.P.; W/Hardened Pulley	1966-1960	43321
CF65			Cummins C Series 8.3 Diesel; W/Long Nose W.P.; W/O Hardened Pulley.....	1966-1960	43320
Cummins V-8 210 Diesel	1973-1972	44093	Cummins C Series 8.3 Diesel; W/Short Nose W.P.....	1966-1960	42352
CO50			Dodge V-8 361	1967-1961	43029
Detroit Diesel 8V-71	1972-1967	44075	Dodge V-8 413	1967-1961	43029
CO54			C1000		
Detroit Diesel 6-71; W/O Turbo; W/Reverse Rotation.....	1974-1973	42344	Dodge V-8 361	1973-1961	43029
Detroit Diesel 6-71; W/O Turbo; W/Standard Rotation.....	1974-1973	42102	Dodge V-8 413	1973-1961	43029
Detroit Diesel 6-71; W/Turbo; W/Reverse Rotation.....	1974-1973	42322	CN900		
Detroit Diesel 6-71; W/Turbo; W/Standard Rotation.....	1974-1973	42321	Cummins 6-Cyl. 14.0 Diesel; Idler Pul- ley; W/2-Groove Pulley.....	1974-1972	41129
Detroit Diesel 8V-71	1975-1974	44075	Cummins 6-Cyl. 14.0 Diesel; W/Full Flow Cool.	1974-1972	44064
Detroit Diesel 8V-71	1973	44093	Cummins V-8 210 Diesel	1973-1970	44093
CO78			Detroit Diesel 6-71; W/O Turbo; W/Reverse Rotation.....	1974-1973	42344
Detroit Diesel 8V-71	1972-1967	44075	Detroit Diesel 6-71; W/O Turbo; W/Standard Rotation.....	1974-1973	42102
CO88			Detroit Diesel 6-71; W/Turbo; W/Reverse Rotation.....	1974-1973	42322
Detroit Diesel 6-71; W/O Turbo; W/Reverse Rotation.....	1974-1973	42344	Detroit Diesel 6-71; W/Turbo; W/Standard Rotation.....	1974-1973	42321
Detroit Diesel 6-71; W/O Turbo; W/Standard Rotation.....	1974-1973	42102	Detroit Diesel 8V-71	1975-1973	44075
Detroit Diesel 6-71; W/Turbo; W/Reverse Rotation.....	1974-1973	42322	CN950		
Detroit Diesel 6-71; W/Turbo; W/Standard Rotation.....	1974-1973	42321	Cummins 6-Cyl. 14.0 Diesel; Idler Pul- ley; W/2-Groove Pulley.....	1974	41129
Detroit Diesel 8V-71	1975-1973	44075	Cummins 6-Cyl. 14.0 Diesel; W/Full Flow Cool.	1974	44064
DC101			Detroit Diesel 8V-71	1974-1973	44075
Detroit Diesel 6V-53; W/Clockwise Eng...	1974	43310	CNT900		
Detroit Diesel 6V-53; W/Counterclockwise Eng.....	1974	43309	Cummins 6-Cyl. 14.0 Diesel; Idler Pul- ley; W/2-Groove Pulley.....	1974-1972	41129
DODGE			Cummins 6-Cyl. 14.0 Diesel; W/Full Flow Cool.	1974-1972	44064
C500			Cummins V-8 210 Diesel	1973-1970	44093
Dodge V-8 318	1971-1968	43028	Detroit Diesel 6-71; W/O Turbo; W/Reverse Rotation.....	1974-1973	42344
Dodge V-8 318	1967-1960	43030	Detroit Diesel 6-71; W/O Turbo; W/Standard Rotation.....	1974-1973	42102
C600			Detroit Diesel 6-71; W/Turbo; W/Reverse Rotation.....	1974-1973	42322
Dodge V-8 318	1971-1968	43028	Detroit Diesel 6-71; W/Turbo; W/Standard Rotation.....	1974-1973	42321
Dodge V-8 318	1967-1960	43030	Detroit Diesel 8V-71	1974-1973	44075
Dodge V-8 361	1973-1961	43029	CNT950		
Dodge V-8 413	1973-1961	43029	Cummins 6-Cyl. 14.0 Diesel; Idler Pul- ley; W/2-Groove Pulley.....	1974	41129
C700			Cummins 6-Cyl. 14.0 Diesel; W/Full Flow Cool.	1974	44064
Dodge V-8 361	1971-1961	43029	Detroit Diesel 8V-71	1974	44075
Dodge V-8 413	1971-1961	43029	CT700		
C800			Dodge V-8 361	1969-1961	43029
Cummins C Series 8.3 Diesel; W/Long Nose W.P.; W/Hardened Pulley	1966-1960	43321	Dodge V-8 413	1969-1961	43029
Cummins C Series 8.3 Diesel; W/Long Nose W.P.; W/O Hardened Pulley.....	1966-1960	43320	CT800		
Cummins C Series 8.3 Diesel; W/Short Nose W.P.....	1966-1960	42352	Cummins C Series 8.3 Diesel; W/Long Nose W.P.; W/Hardened Pulley	1966-1960	43321
Cummins V-8 210 Diesel	1973-1970	44093	Cummins C Series 8.3 Diesel; W/Long Nose W.P.; W/O Hardened Pulley.....	1966-1960	43320
Dodge V-8 361	1975-1961	43029	Cummins C Series 8.3 Diesel; W/Short Nose W.P.....	1966-1960	42352
Dodge V-8 413	1975-1961	43029			

- ▼ 2 Outlets at 45 Degree Angles
- 2 Outlets Pointing Straight Down

- Outlet Straight Down & Outlet at 45 Degree Angle
- * High Performance Pump

Application Guide - Medium and Heavy-Duty Trucks

Application	Year	Gates No.	Application	Year	Gates No.
DODGE - Continued			DODGE - Continued		
CT800 - Continued			P400		
Cummins V-8 210 Diesel	1973-1970	44093	Dodge 6-Cyl. 225.....	1976-1967	43025
Dodge V-8 361	1975-1961	43029	Dodge V-8 318	1960	43030
Dodge V-8 413	1975-1961	43029	W500		
CT900			Dodge 6-Cyl. 225.....	1971-1969	43025
Cummins C Series 8.3 Diesel; W/Long Nose W.P.; W/Hardened Pulley	1966-1960	43321	Dodge V-8 318	1971-1968	43028
Cummins C Series 8.3 Diesel; W/Long Nose W.P.; W/O Hardened Pulley	1966-1960	43320	Dodge V-8 318	1967-1960	43030
Cummins C Series 8.3 Diesel; W/Short Nose W.P.	1966-1960	42352	W600		
Dodge V-8 361	1973-1961	43029	Dodge V-8 318	1977-1975	43027
Dodge V-8 413	1973-1961	43029	Dodge V-8 318	1973-1972	43028
D400			F.W.D.		
Dodge 6-Cyl. 225.....	1971-1967	43025	C8-2148		
Dodge V-8 318	1971-1968	43028	Detroit Diesel 6V-71; "Running" Pump ...	1978-1972	▼44096
Dodge V-8 318	1967-1960	43030	Detroit Diesel 6V-71; "Standing" Pump ...	1978-1972	■44075
D500			C SERIES		
Dodge 6-Cyl. 225.....	1976-1967	43025	Cummins NTC250 Diesel; W/Military Spec. Pulley	1976	43209
Dodge V-8 318	1977-1975	43027	Cummins NTC250 Diesel; W/O Pulley ...	1976	43258
Dodge V-8 318	1973-1968	43028	Detroit Diesel 6V-71; "Running" Pump ...	1978-1972	▼44096
Dodge V-8 318	1967-1960	43030	Detroit Diesel 6V-71; "Standing" Pump ...	1978-1972	■44075
Dodge V-8 361	1976-1961	43029	233D		
Dodge V-8 413	1977-1961	43029	Detroit Diesel 3-71; W/O Turbo; W/Reverse Rotation	1980-1976	42344
D600			Detroit Diesel 3-71; W/O Turbo; W/Standard Rotation	1980-1976	42102
Dodge V-8 318	1977-1975	43027	Detroit Diesel 3-71; W/Turbo; W/Reverse Rotation	1980-1976	42322
Dodge V-8 318	1973-1968	43028	Detroit Diesel 3-71; W/Turbo; W/Standard Rotation	1980-1976	42321
Dodge V-8 318	1967-1960	43030	284D; 324D		
Dodge V-8 361	1976-1961	43029	Detroit Diesel 4-71; W/O Turbo; W/Reverse Rotation	1959-1955	42344
Dodge V-8 413	1977-1961	43029	Detroit Diesel 4-71; W/O Turbo; W/Standard Rotation	1959-1955	42102
D700			Detroit Diesel 4-71; W/Turbo; W/Reverse Rotation	1959-1955	42322
Dodge V-8 361	1976-1975	43029	Detroit Diesel 4-71; W/Turbo; W/Standard Rotation	1959-1955	42321
Dodge V-8 361	1971-1961	43029	Detroit Diesel 6-71; W/O Turbo; W/Reverse Rotation	1988-1955	42344
Dodge V-8 413	1977-1975	43029	Detroit Diesel 6-71; W/O Turbo; W/Standard Rotation	1988-1955	42102
Dodge V-8 413	1971-1961	43029	Detroit Diesel 6-71; W/Turbo; W/Reverse Rotation	1988-1955	42322
D800			Detroit Diesel 6-71; W/Turbo; W/Standard Rotation	1988-1955	42321
Dodge V-8 360	1977-1976	43029	364D; 406D; 456D; 466D; 486D		
Dodge V-8 361	1975-1966	43029	Detroit Diesel 4-71; W/O Turbo; W/Reverse Rotation	1961-1959	42344
Dodge V-8 361	1964-1961	43029	Detroit Diesel 4-71; W/O Turbo; W/Standard Rotation	1961-1959	42102
Dodge V-8 413	1977-1966	43029	Detroit Diesel 4-71; W/Turbo; W/Reverse Rotation	1961-1959	42322
Dodge V-8 413	1964-1961	43029	Detroit Diesel 4-71; W/Turbo; W/Standard Rotation	1961-1959	42321
L600			Detroit Diesel 6-71; W/O Turbo; W/Reverse Rotation	1961-1959	42344
Dodge 6-Cyl. 225.....	1970-1969	43025	Detroit Diesel 6-71; W/O Turbo; W/Standard Rotation	1961-1959	42102
Dodge V-8 318	1970-1968	43028	Detroit Diesel 6-71; W/O Turbo; W/Reverse Rotation	1961-1959	42322
Dodge V-8 318	1967	43030	Detroit Diesel 6-71; W/O Turbo; W/Standard Rotation	1961-1959	42102
Dodge V-8 361	1970-1963	43029	Detroit Diesel 6-71; W/Turbo; W/Reverse Rotation	1961-1959	42322
Dodge V-8 413	1970-1963	43029	Detroit Diesel 6-71; W/Turbo; W/Standard Rotation	1961-1959	42321
L700			521		
Dodge V-8 361	1970-1963	43029	Detroit Diesel 6V-53; W/Clockwise Eng...	1976-1962	43310
Dodge V-8 413	1970-1963	43029	Detroit Diesel 6V-53; W/Counterclockwise Eng.	1976-1962	43309
LS1000; LT1000					
Cummins 6-Cyl. 14.0 Diesel; Idler Pulley; W/2-Groove Pulley	1974	41129			
Cummins 6-Cyl. 14.0 Diesel; W/Full Flow Cool.	1974	44064			
Detroit Diesel 6-71; W/O Turbo; W/Reverse Rotation	1973	42344			
Detroit Diesel 6-71; W/O Turbo; W/Standard Rotation	1973	42102			
Detroit Diesel 6-71; W/Turbo; W/Reverse Rotation	1973	42322			
Detroit Diesel 6-71; W/Turbo; W/Standard Rotation	1973	42321			
Detroit Diesel 8V-71	1975-1973	44075			

▼ 2 Outlets at 45 Degree Angles
■ 2 Outlets Pointing Straight Down

● Outlet Straight Down & Outlet at 45 Degree Angle
* High Performance Pump

Application Guide - Medium and Heavy-Duty Trucks

Application	Year	Gates No.	Application	Year	Gates No.
F.W.D. - Continued			FORD - Continued		
606D			C600 - Continued		
Detroit Diesel 4-71; W/O Turbo; W/Reverse Rotation.....	1961-1959	42344	Ford V-8 391; W/High Mount Fan	1978-1977	45008
Detroit Diesel 4-71; W/O Turbo; W/Standard Rotation.....	1961-1959	42102	Ford V-8 391; W/Low Mount Fan.....	1978-1977	44006
Detroit Diesel 4-71; W/Turbo; W/Reverse Rotation.....	1961-1959	42322	Ford V-8 391.....	1974	44012
Detroit Diesel 4-71; W/Turbo; W/Standard Rotation.....	1961-1959	42321	Ford V-8 391; W/H.D. Eng.....	1972-1971	44005
Detroit Diesel 6-71; W/O Turbo; W/Reverse Rotation.....	1961-1959	42344	Ford V-8 429.....	1979	44019
Detroit Diesel 6-71; W/O Turbo; W/Standard Rotation.....	1961-1959	42102	C700		
Detroit Diesel 6-71; W/Turbo; W/Reverse Rotation.....	1961-1959	42322	Detroit Diesel V-8 8.2; W/Heater Outlet ..	1986-1980	46001
Detroit Diesel 6-71; W/Turbo; W/Standard Rotation.....	1961-1959	42321	Ford V-8 330; W/High Mount Fan	1978	45008
2161			Ford V-8 330; W/M.D. Eng.	1974-1971	44004
Detroit Diesel 6V-53; W/Clockwise Eng...	1976-1962	43310	Ford V-8 361; W/High Mount Fan	1979-1976	45008
Detroit Diesel 6V-53; W/Counterclockwise Eng.	1976-1962	43309	Ford V-8 361; W/Low Mount Fan.....	1979-1976	44006
2272			Ford V-8 361; W/High Mount Fan; VIN 80001 & After.....	1975	45008
Cummins C Series 8.3 Diesel; W/Long Nose W.P.; W/Hardened Pulley	1965-1963	43321	Ford V-8 361; W/Low Mount Fan; VIN 80001 & After.....	1975	44006
Cummins C Series 8.3 Diesel; W/Long Nose W.P.; W/O Hardened Pulley.....	1965-1963	43320	Ford V-8 361.....	1974	44012
Cummins C Series 8.3 Diesel; W/Short Nose W.P.....	1965-1963	42352	Ford V-8 370.....	1979	44019
3161			Ford V-8 6.1.....	1986-1980	44019
Detroit Diesel 6V-53; W/Clockwise Eng...	1976-1962	43310	Ford V-8 391; W/High Mount Fan	1978-1976	45008
Detroit Diesel 6V-53; W/Counterclockwise Eng.	1976-1962	43309	Ford V-8 391; W/Low Mount Fan.....	1978-1976	44006
3272			Ford V-8 391; VIN 80000 & Before.....	1975	44012
Cummins C Series 8.3 Diesel; W/Long Nose W.P.; W/Hardened Pulley	1965-1963	43321	Ford V-8 391; W/High Mount Fan; VIN 80001 & After.....	1975	45008
Cummins C Series 8.3 Diesel; W/Long Nose W.P.; W/O Hardened Pulley.....	1965-1963	43320	Ford V-8 391; W/Low Mount Fan; VIN 80001 & After.....	1975	44006
Cummins C Series 8.3 Diesel; W/Short Nose W.P.....	1965-1963	42352	Ford V-8 391.....	1974	44012
3361; 4161; 5161			Ford V-8 7.0.....	1986-1980	44019
Detroit Diesel 6V-53; W/Clockwise Eng...	1976-1962	43310	Ford V-8 429.....	1979	44019
Detroit Diesel 6V-53; W/Counterclockwise Eng.	1976-1962	43309	C750		
FORD			Ford V-8 330; W/M.D. Eng.	1974-1971	44004
C500			Ford V-8 361; W/High Mount Fan	1977-1976	45008
Ford 6-Cyl. 240.....	1973-1971	42071	Ford V-8 361; W/Low Mount Fan.....	1977-1976	44006
Ford V-8 330; W/M.D. Eng.	1973-1971	44004	Ford V-8 361; VIN 80000 & Before.....	1975	44012
C550			Ford V-8 361; W/High Mount Fan; VIN 80001 & After.....	1975	45008
Ford V-8 330; W/M.D. Eng.	1973-1971	44004	Ford V-8 361; W/Low Mount Fan; VIN 80001 & After.....	1975	44006
C600			Ford V-8 361.....	1974	44012
Detroit Diesel V-8 8.2; W/Heater Outlet ..	1986-1980	46001	Ford V-8 391; W/High Mount Fan	1977-1976	45008
Ford 6-Cyl. 240.....	1974-1971	42071	Ford V-8 391; W/Low Mount Fan.....	1977-1976	44006
Ford V-8 330; W/High Mount Fan	1978	45008	Ford V-8 391; VIN 80000 & Before.....	1975	44012
Ford V-8 330.....	1977-1975	44016	Ford V-8 391; W/High Mount Fan; VIN 80001 & After.....	1975	45008
Ford V-8 330; W/M.D. Eng.	1974-1971	44004	Ford V-8 361; W/Low Mount Fan; VIN 80001 & After.....	1975	44006
Ford V-8 330; W/H.D. Eng.....	1972-1971	44005	Ford V-8 361.....	1974	44012
Ford V-8 361; W/High Mount Fan	1979-1976	45008	Ford V-8 361; W/H.D. Eng.....	1972-1971	44005
Ford V-8 361; W/Low Mount Fan.....	1979-1976	44006	Ford V-8 370.....	1979	44019
Ford V-8 361; W/High Mount Fan; VIN 80001 & After.....	1975	45008	Ford V-8 6.1.....	1986-1980	44019
Ford V-8 361; W/Low Mount Fan; VIN 80001 & After.....	1975	44006	Ford V-8 391; W/High Mount Fan	1978-1976	45008
Ford V-8 361.....	1974	44012	Ford V-8 391; W/Low Mount Fan.....	1978-1976	44006
Ford V-8 361; W/H.D. Eng.....	1972-1971	44005	Ford V-8 391; VIN 80000 & Before.....	1975	44012
Ford V-8 370.....	1979	44019	Ford V-8 391; W/High Mount Fan; VIN 80001 & After.....	1975	45008
Ford V-8 6.1.....	1986-1981	44019	Ford V-8 391; W/Low Mount Fan; VIN 80001 & After.....	1975	44006
			Ford V-8 391.....	1974	44012
			C800		
			Detroit Diesel V-8 8.2; W/Heater Outlet ..	1989-1980	46001
			Ford V-8 330; W/High Mount Fan	1978	45008
			Ford V-8 330.....	1975	44016
			Ford V-8 330; W/M.D. Eng.	1974-1971	44004
			Ford V-8 330; W/H.D. Eng.....	1972-1971	44005
			Ford V-8 361; W/High Mount Fan	1978-1976	45008
			Ford V-8 361; W/Low Mount Fan.....	1978-1976	44006
			Ford V-8 361; VIN 80000 & Before.....	1975	44012
			Ford V-8 361; W/High Mount Fan; VIN 80001 & After.....	1975	45008
			Ford V-8 361; W/Low Mount Fan; VIN 80001 & After.....	1975	44006
			Ford V-8 361.....	1974	44012
			Ford V-8 361; W/H.D. Eng.....	1972-1971	44005
			Ford V-8 370.....	1979	44019
			Ford V-8 6.1.....	1986-1980	44019
			Ford V-8 391; W/High Mount Fan	1978-1976	45008
			Ford V-8 391; W/Low Mount Fan.....	1978-1976	44006
			Ford V-8 391; VIN 80000 & Before.....	1975	44012
			Ford V-8 391; W/High Mount Fan; VIN 80001 & After.....	1975	45008
			Ford V-8 391; W/Low Mount Fan; VIN 80001 & After.....	1975	44006
			Ford V-8 391.....	1974	44012

▼ 2 Outlets at 45 Degree Angles
■ 2 Outlets Pointing Straight Down

● Outlet Straight Down & Outlet at 45 Degree Angle
* High Performance Pump

Application Guide - Medium and Heavy-Duty Trucks

Application	Year	Gates No.	Application	Year	Gates No.
FORD - Continued			FORD - Continued		
C800 - Continued			C SERIES - Continued		
Ford V-8 391; W/H.D. Eng.....	1972-1971	44005	Ford V-8 330; W/M.D. Eng.....	1970	44004
Ford V-8 7.0.....	1986-1980	44019	Ford V-8 330; W/H.D. Eng.....	1969-1964	42557
Ford V-8 429.....	1979	44019	Ford V-8 330; W/M.D. Eng.....	1969-1964	44005
Ford V-8 477.....	1979	43280	Ford V-8 361; W/H.D. Eng.....	1970	44005
C850			Ford V-8 361; W/H.D. Eng.....	1969-1964	42557
Ford V-8 401.....	1972-1971	42558	Ford V-8 361; W/M.D. Eng.....	1969-1964	44005
Ford V-8 475.....	1972-1971	42558	Ford V-8 391; W/H.D. Eng.....	1970	44005
Ford V-8 477.....	1972-1971	42558	Ford V-8 391; W/H.D. Eng.....	1969-1964	42557
Ford V-8 534.....	1972-1971	42558	Ford V-8 391; W/M.D. Eng.....	1969-1964	44005
C900			Ford V-8 401.....	1970-1965	42558
Ford V-8 401.....	1972-1971	42558	Ford V-8 477.....	1970-1965	42558
Ford V-8 7.8.....	1981-1980	43280	Ford V-8 534.....	1970-1965	42558
Ford V-8 475.....	1972-1971	42558	CF7000		
Ford V-8 477.....	1979-1978	43280	Cummins B Series 5.9 Diesel.....	1997-1993	41181
Ford V-8 477.....	1972-1971	42558	Cummins C Series 8.3 Diesel; W/Long Nose W.P.; W/Hardened Pulley.....	1996-1993	43321
Ford V-8 8.8.....	1981-1980	43280	Cummins C Series 8.3 Diesel; W/Long Nose W.P.; W/O Hardened Pulley.....	1996-1993	43320
Ford V-8 534.....	1979-1978	43280	Cummins C Series 8.3 Diesel; W/Short Nose W.P.....	1996-1993	42352
Ford V-8 534.....	1972-1971	42558	Ford 6-Cyl. 6.6 Diesel.....	1993-1991	43125
C950			Ford 6-Cyl. 7.8 Diesel.....	1993-1991	43125
Ford V-8 401.....	1972-1971	42558	CF8000		
Ford V-8 475.....	1972-1971	42558	Cummins B Series 5.9 Diesel.....	1997-1993	41181
Ford V-8 477.....	1972-1971	42558	Cummins C Series 8.3 Diesel; W/Long Nose W.P.; W/Hardened Pulley.....	1996-1993	43321
Ford V-8 534.....	1972-1971	42558	Cummins C Series 8.3 Diesel; W/Long Nose W.P.; W/O Hardened Pulley.....	1996-1993	43320
C1000			Cummins C Series 8.3 Diesel; W/Short Nose W.P.....	1996-1993	42352
Ford V-8 401.....	1972-1971	42558	Ford 6-Cyl. 6.6 Diesel.....	1993-1991	43125
Ford V-8 475.....	1973-1971	42558	Ford 6-Cyl. 7.8 Diesel.....	1994-1991	43125
Ford V-8 477.....	1972-1971	42558	CFT8000		
Ford V-8 534.....	1972-1971	42558	Cummins B Series 5.9 Diesel.....	1997-1993	41181
C1100			Cummins C Series 8.3 Diesel; W/Long Nose W.P.; W/Hardened Pulley.....	1996-1993	43321
Ford V-8 401.....	1972	42558	Cummins C Series 8.3 Diesel; W/Long Nose W.P.; W/O Hardened Pulley.....	1996-1993	43320
Ford V-8 475.....	1973-1972	42558	Cummins C Series 8.3 Diesel; W/Short Nose W.P.....	1996-1993	42352
Ford V-8 477.....	1972	42558	Ford 6-Cyl. 6.6 Diesel.....	1993-1991	43125
Ford V-8 534.....	1972	42558	Ford 6-Cyl. 7.8 Diesel.....	1993-1991	43125
C6000			CL9000		
Caterpillar 3208 Diesel; W/Non-Threaded Pulley.....	1979-1978	43233	Caterpillar 3406 Diesel; W/Flat Gear.....	1991-1978	45009
Caterpillar 3208 Diesel; W/O Pulley.....	1979-1978	42351	Cummins L10 Diesel.....	1991	43307
Caterpillar 3208 Diesel; W/Theaded Pul- ley.....	1979-1978	43059	Cummins L10 Diesel.....	1990-1988	44094
C7000			Cummins N14 Diesel.....	1991	44052
Caterpillar 3208 Diesel; W/Non-Threaded Pulley.....	1986-1975	43233	Cummins 6-Cyl. 14.0 Diesel.....	1990	44052
Caterpillar 3208 Diesel; W/O Pulley.....	1986-1975	42351	Cummins 6-Cyl. 14.0 Diesel; Idler Pul- ley; W/Flat Idler Pulley.....	1990-1985	41173
Caterpillar 3208 Diesel; W/Theaded Pul- ley.....	1986-1975	43059	Cummins 6-Cyl. 14.0 Diesel; Idler Pul- ley; W/V-Ribbed Belt.....	1990-1985	41174
C8000			Cummins 6-Cyl. 14.0 Diesel; W/6-Ribbed Belt.....	1989-1986	44092
Caterpillar 3208 Diesel; W/Non-Threaded Pulley.....	1990-1975	43233	Cummins 6-Cyl. 14.0 Diesel; W/V-Belt Drive.....	1989-1986	44084
Caterpillar 3208 Diesel; W/O Pulley.....	1990-1975	42351	Cummins 6-Cyl. 14.0 Diesel; Tensioner Pulley; W/Big Cam III Eng.;		
Caterpillar 3208 Diesel; W/Theaded Pul- ley.....	1990-1975	43059	W/V-Ribbed Belt.....	1985	41111
Cummins C Series 8.3 Diesel; W/Long Nose W.P.; W/Hardened Pulley.....	1971	43321	Cummins 6-Cyl. 14.0 Diesel; W/Big Cam IV Eng.; W/6-Ribbed Belt.....	1985	44092
Cummins C Series 8.3 Diesel; W/Long Nose W.P.; W/O Hardened Pulley.....	1971	43320	Cummins 6-Cyl. 14.0 Diesel; W/Big Cam IV Eng.; W/V-Belt Drive.....	1985	44084
Cummins C Series 8.3 Diesel; W/Short Nose W.P.....	1971	42352	Cummins 6-Cyl. 14.0 Diesel.....	1984	44055
C SERIES			Cummins 6-Cyl. 14.0 Diesel; W/Big Cam I & II Eng.....	1983	44086
Cummins C Series 8.3 Diesel; W/Long Nose W.P.; W/Hardened Pulley.....	1970-1965	43321	Cummins 6-Cyl. 14.0 Diesel; W/Big Cam III Eng.....	1983	44055
Cummins C Series 8.3 Diesel; W/Long Nose W.P.; W/O Hardened Pulley.....	1970-1965	43320	Cummins 6-Cyl. 14.0 Diesel.....	1982-1980	44086
Cummins C Series 8.3 Diesel; W/Short Nose W.P.....	1970-1965	42352			
Ford V-8 330; W/H.D. Eng.....	1970	44005			

- ▼ 2 Outlets at 45 Degree Angles
- 2 Outlets Pointing Straight Down

- Outlet Straight Down & Outlet at 45 Degree Angle
- * High Performance Pump

Application Guide - Medium and Heavy-Duty Trucks

Application	Year	Gates No.	Application	Year	Gates No.
FORD - Continued			FORD - Continued		
CL9000 - Continued			CT800 - Continued		
Cummins 6-Cyl. 14.0 Diesel; Tensioner Pulley - W.P.; W/V-Ribbed Belt	1981-1980	41111	Ford V-8 391; W/H.D. Eng.....	1973-1971	44005
Cummins 6-Cyl. 14.0 Diesel; Idler Pulley; W/2-Groove Pulley.....	1979-1978	41129	Ford V-8 7.0.....	1982-1980	44019
Cummins 6-Cyl. 14.0 Diesel; W/Full Flow Cool.....	1979-1978	44064	Ford V-8 429.....	1979	44019
Detroit Diesel 6V-92; "Running" Pump	1986-1978	▼44103	CT850		
Detroit Diesel 6V-92; "Walking" Pump.....	1986-1978	●44097	Ford V-8 401.....	1972-1971	42558
Detroit Diesel 8V-71	1986-1980	44075	Ford V-8 475.....	1972-1971	42558
Detroit Diesel 8V-71; "Running" Pump	1979-1978	▼44096	Ford V-8 477.....	1972-1971	42558
Detroit Diesel 8V-71; "Standing" Pump ...	1979-1978	■44075	Ford V-8 534.....	1972-1971	42558
Detroit Diesel 8V-92; "Running" Pump	1980-1978	▼44103	CT900		
Detroit Diesel 8V-92; "Walking" Pump.....	1980-1978	●44097	Ford V-8 477.....	1978	43280
CLT9000			Ford V-8 534.....	1979-1978	43280
Caterpillar 3406 Diesel; W/Flat Gear.....	1991-1978	45009	CT950		
Cummins L10 Diesel	1991	43307	Ford V-8 401.....	1972-1971	42558
Cummins L10 Diesel	1990-1988	44094	Ford V-8 475.....	1972-1971	42558
Cummins N14 Diesel.....	1991	44052	Ford V-8 477.....	1972-1971	42558
Cummins 6-Cyl. 14.0 Diesel.....	1990	44052	Ford V-8 534.....	1972-1971	42558
Cummins 6-Cyl. 14.0 Diesel; Idler Pulley; W/Flat Idler Pulley	1990-1985	41173	CT8000		
Cummins 6-Cyl. 14.0 Diesel; Idler Pulley; W/V-Ribbed Belt.....	1990-1985	41174	Caterpillar 3208 Diesel; W/Non-Threaded Pulley.....	1990-1975	43233
Cummins 6-Cyl. 14.0 Diesel; W/6-Ribbed Belt.....	1989-1986	44092	Caterpillar 3208 Diesel; W/O Pulley	1990-1975	42351
Cummins 6-Cyl. 14.0 Diesel; W/V-Belt Drive	1989-1986	44084	Caterpillar 3208 Diesel; W/Theaded Pulley.....	1990-1975	43059
Cummins 6-Cyl. 14.0 Diesel; Tensioner Pulley; W/Big Cam III Eng.;	1985	41111	E350		
W/V-Ribbed Belt.....	1985	41111	Ford V-8 5.8.....	1989	43057
Cummins 6-Cyl. 14.0 Diesel; W/Big Cam IV Eng.; W/6-Ribbed Belt	1985	44092	Ford V-8 7.3 Diesel	1989-1988	44018
Cummins 6-Cyl. 14.0 Diesel; W/Big Cam IV Eng.; W/V-Belt Drive.....	1985	44084	Ford V-8 7.5; W/Dual Fan Hub Bolt Circles	1989	44023
Cummins 6-Cyl. 14.0 Diesel.....	1984	44055	International/Navistar V-8 6.9 Diesel.....	1987	44018
Cummins 6-Cyl. 14.0 Diesel; W/Big Cam I & II Eng.	1983	44086	E450 SUPER DUTY		
Cummins 6-Cyl. 14.0 Diesel; W/Big Cam III Eng.....	1983	44055	Ford V-8 6.0 Diesel	2007-2005	43541
Cummins 6-Cyl. 14.0 Diesel.....	1982-1980	44086	Ford V-8 6.0 Diesel; Sept. 22, 2003 & Older.....	2004	42333
Cummins 6-Cyl. 14.0 Diesel; Tensioner Pulley - W.P.; W/V-Ribbed Belt	1981-1980	41111		or	41185
Cummins 6-Cyl. 14.0 Diesel; Idler Pulley; W/2-Groove Pulley.....	1979-1978	41129	Ford V-8 6.0 Diesel; Sept. 23, 2003 & Newer.....	2004	43541
Cummins 6-Cyl. 14.0 Diesel; W/Full Flow Cool.....	1979-1978	44064	Ford V-8 6.0 Diesel	2003	42333
Detroit Diesel 6V-92; "Running" Pump	1986-1978	▼44103		or	41185
Detroit Diesel 6V-92; "Walking" Pump.....	1986-1978	●44097	Ford V-8 7.3 Diesel	2003-1999	43546
Detroit Diesel 8V-71	1986-1980	44075	Ford V-8 7.3 Diesel	1998	45000
Detroit Diesel 8V-71; "Running" Pump	1979-1978	▼44096	Ford V-10 6.8.....	2006	42079
Detroit Diesel 8V-71; "Standing" Pump ...	1979-1978	■44075	E550 SUPER DUTY		
Detroit Diesel 8V-92; "Running" Pump	1986-1978	▼44103	Ford V-8 7.3 Diesel	2003-2002	43546
Detroit Diesel 8V-92; "Walking" Pump.....	1986-1978	●44097	F450 SUPER DUTY		
CT700; CT750			Ford V-8 6.0 Diesel	2007-2005	43541
Ford V-8 330; W/M.D. Eng.	1973-1971	44004	Ford V-8 6.0 Diesel; Sept. 22, 2003 & Older.....	2004	42333
CT800				or	41185
Detroit Diesel V-8 8.2; W/Heater Outlet ..	1983-1980	46001	Ford V-8 6.0 Diesel; Sept. 23, 2003 & Newer.....	2004	43541
Ford V-8 330; W/High Mount Fan	1978	45008	Ford V-8 6.0 Diesel	2003	42333
Ford V-8 330; W/H.D. Eng.....	1974-1971	44005		or	41185
Ford V-8 330; W/M.D. Eng.	1974-1971	44004	Ford V-8 7.3 Diesel	2003-1999	43546
Ford V-8 359; W/H.D. Eng.....	1973	44005	F500		
Ford V-8 361; W/High Mount Fan	1978	45008	Ford 6-Cyl. 240.....	1974-1971	42071
Ford V-8 361; W/Low Mount Fan.....	1978	44006	Ford V-8 330.....	1977-1976	44016
Ford V-8 361.....	1974	44012	Ford V-8 330; W/H.D. Eng.....	1975-1974	44005
Ford V-8 361; W/H.D. Eng.....	1973-1971	44005	Ford V-8 330; W/M.D. Eng.	1975	44016
Ford V-8 370.....	1979	44019	Ford V-8 330; W/M.D. Eng.	1974-1971	44004
Ford V-8 6.1.....	1982-1980	44019	Ford V-8 361; W/High Mount Fan	1977-1976	45008
Ford V-8 391; W/High Mount Fan	1978-1976	45008	Ford V-8 361; W/Low Mount Fan	1977-1976	44006
Ford V-8 391; W/Low Mount Fan.....	1978-1976	44006	Ford V-8 361; W/High Mount Fan; VIN 80001 & After.....	1975	45008
Ford V-8 391; VIN 80000 & Before.....	1975	44012	Ford V-8 361; W/Low Mount Fan; VIN 80001 & After.....	1975	44006
Ford V-8 391.....	1974	44012	Ford V-8 391; W/High Mount Fan	1977-1976	45008

▼ 2 Outlets at 45 Degree Angles
 ■ 2 Outlets Pointing Straight Down

● Outlet Straight Down & Outlet at 45 Degree Angle
 * High Performance Pump

Application Guide - Medium and Heavy-Duty Trucks

Application	Year	Gates No.	Application	Year	Gates No.
FORD - Continued			FORD - Continued		
F500 - Continued			F700		
Ford V-8 391; W/Low Mount Fan.....	1977-1976	44006	Cummins B Series 5.9 Diesel.....	1997-1992	41181
Ford V-8 391; W/High Mount Fan; VIN 80001 & After.....	1975	45008	Cummins C Series 8.3 Diesel; W/Long Nose W.P.; W/Hardened Pulley.....	1994-1993	43321
Ford V-8 391; W/Low Mount Fan; VIN 80001 & After.....	1975	44006	Cummins C Series 8.3 Diesel; W/Long Nose W.P.; W/O Hardened Pulley.....	1994-1993	43320
F550 SUPER DUTY			Cummins C Series 8.3 Diesel; W/Short Nose W.P.....	1994-1993	42352
Ford V-8 6.0 Diesel.....	2007-2005	43541	Cummins ISB Diesel.....	1998	41176
Ford V-8 6.0 Diesel; Sept. 22, 2003 & Older.....	2004	42333	Detroit Diesel V-8 8.2; W/Heater Outlet..	1987-1980	46001
		<i>or</i>	Ford 6-Cyl. 6.6 Diesel; W/High Mount Fan.....	1994-1991	43021
Ford V-8 6.0 Diesel; Sept. 23, 2003 & Newer.....	2004	43541	Ford 6-Cyl. 6.6 Diesel; W/Low Mount Fan.....	1994-1991	43125
Ford V-8 6.0 Diesel.....	2003	42333	Ford 6-Cyl. 6.6 Diesel.....	1990-1987	43084
		<i>or</i>	Ford 6-Cyl. 7.8 Diesel; W/High Mount Fan.....	1993-1991	43021
Ford V-8 7.3 Diesel.....	2004-1999	43546	Ford 6-Cyl. 7.8 Diesel; W/Low Mount Fan.....	1993-1991	43125
F600			Ford 6-Cyl. 7.8 Diesel.....	1990-1987	43084
Cummins B Series 5.9 Diesel.....	1994-1992	41181	Ford V-8 330; W/High Mount Fan.....	1978	45008
Cummins C Series 8.3 Diesel; W/Long Nose W.P.; W/Hardened Pulley.....	1994-1993	43321	Ford V-8 330; W/M.D. Eng.....	1974-1971	44004
Cummins C Series 8.3 Diesel; W/Long Nose W.P.; W/O Hardened Pulley.....	1994-1993	43320	Ford V-8 361; W/High Mount Fan.....	1979-1976	45008
Cummins C Series 8.3 Diesel; W/Short Nose W.P.....	1994-1993	42352	Ford V-8 361; W/Low Mount Fan.....	1979-1976	44006
Detroit Diesel V-8 8.2; W/Heater Outlet..	1987-1980	46001	Ford V-8 361; W/High Mount Fan; VIN 80001 & After.....	1975	45008
Ford 6-Cyl. 240.....	1974-1971	42071	Ford V-8 361; W/Low Mount Fan; VIN 80001 & After.....	1975	44006
Ford 6-Cyl. 6.6 Diesel; W/High Mount Fan.....	1993-1991	43021	Ford V-8 370.....	1979	44019
Ford 6-Cyl. 6.6 Diesel; W/Low Mount Fan.....	1993-1991	43125	Ford V-8 6.1.....	1989-1980	44019
Ford 6-Cyl. 6.6 Diesel.....	1990-1987	43084	Ford V-8 391; W/High Mount Fan.....	1979-1976	45008
Ford 6-Cyl. 7.8 Diesel; W/High Mount Fan.....	1993-1991	43021	Ford V-8 391; W/Low Mount Fan.....	1979-1976	44006
Ford 6-Cyl. 7.8 Diesel; W/Low Mount Fan.....	1993-1991	43125	Ford V-8 391; W/High Mount Fan; VIN 80001 & After.....	1975	45008
Ford V-8 330; W/High Mount Fan.....	1978	45008	Ford V-8 391; W/Low Mount Fan; VIN 80001 & After.....	1975	44006
Ford V-8 330.....	1977-1975	44016	Ford V-8 7.0.....	1989-1980	44019
Ford V-8 330; W/H.D. Eng.....	1974-1973	44005	Ford V-8 429.....	1979	44019
Ford V-8 330; W/M.D. Eng.....	1974-1971	44004	F750		
Ford V-8 359; W/H.D. Eng.....	1974-1973	44005	Ford V-8 330; W/H.D. Eng.....	1974-1973	44005
Ford V-8 361; W/High Mount Fan.....	1979-1976	45008	Ford V-8 330; W/M.D. Eng.....	1974-1971	44004
Ford V-8 361; W/Low Mount Fan.....	1979-1976	44006	Ford V-8 359; W/H.D. Eng.....	1974-1973	44005
Ford V-8 361; W/High Mount Fan; VIN 80001 & After.....	1975	45008	Ford V-8 361; W/High Mount Fan.....	1977-1976	45008
Ford V-8 361; W/Low Mount Fan; VIN 80001 & After.....	1975	44006	Ford V-8 361; W/Low Mount Fan.....	1977-1976	44006
Ford V-8 361; W/H.D. Eng.....	1974-1973	44005	Ford V-8 361; W/High Mount Fan; VIN 80001 & After.....	1975	45008
Ford V-8 370.....	1979	44019	Ford V-8 361; W/Low Mount Fan; VIN 80001 & After.....	1975	44006
Ford V-8 6.1.....	1989-1980	44019	Ford V-8 361; W/H.D. Eng.....	1974-1973	44005
Ford V-8 391; W/High Mount Fan.....	1978-1976	45008	Ford V-8 391; W/High Mount Fan.....	1977-1976	45008
Ford V-8 391; W/Low Mount Fan.....	1978-1976	44006	Ford V-8 391; W/Low Mount Fan.....	1977-1976	44006
Ford V-8 391; W/High Mount Fan; VIN 80001 & After.....	1975	45008	Ford V-8 391; W/High Mount Fan; VIN 80001 & After.....	1975	45008
Ford V-8 391; W/Low Mount Fan; VIN 80001 & After.....	1975	44006	Ford V-8 391; W/Low Mount Fan; VIN 80001 & After.....	1975	44006
Ford V-8 391; W/H.D. Eng.....	1974-1973	44005	Ford V-8 391; W/H.D. Eng.....	1974-1973	44005
Ford V-8 370.....	1979	44019	F750 SUPER DUTY		
Ford V-8 6.1.....	1989-1980	44019	Cummins ISB Diesel.....	2006-2000	41176
Ford V-8 391; W/High Mount Fan.....	1978-1976	45008	Ford V-8 6.0 Diesel.....	2007-2005	43541
Ford V-8 391; W/Low Mount Fan.....	1978-1976	44006	Ford V-8 6.0 Diesel; Sept. 22, 2003 & Older.....	2004	42333
Ford V-8 391; W/High Mount Fan; VIN 80001 & After.....	1975	45008			<i>or</i>
Ford V-8 391; W/Low Mount Fan; VIN 80001 & After.....	1975	44006	Ford V-8 6.0 Diesel; Sept. 23, 2003 & Newer.....	2004	43541
Ford V-8 391; W/H.D. Eng.....	1974-1973	44005	Ford V-8 6.0 Diesel.....	2003	42333
Ford V-8 429.....	1979	44019			<i>or</i>
F650 SUPER DUTY			Ford V-8 7.3 Diesel.....	2004-2000	43546
Cummins ISB Diesel.....	2006-2000	41176	F800		
Ford V-8 6.0 Diesel.....	2007-2005	43541	Cummins B Series 5.9 Diesel.....	1997-1992	41181
Ford V-8 6.0 Diesel; Sept. 22, 2003 & Older.....	2004	42333	Cummins C Series 8.3 Diesel; W/Long Nose W.P.; W/Hardened Pulley.....	1997-1993	43321
		<i>or</i>			
Ford V-8 6.0 Diesel; Sept. 23, 2003 & Newer.....	2004	43541			
Ford V-8 6.0 Diesel.....	2003	42333			
		<i>or</i>			
Ford V-8 7.3 Diesel.....	2004-2000	43546			

▼ 2 Outlets at 45 Degree Angles
 ■ 2 Outlets Pointing Straight Down

● Outlet Straight Down & Outlet at 45 Degree Angle
 * High Performance Pump

Application Guide - Medium and Heavy-Duty Trucks

Application	Year	Gates No.	Application	Year	Gates No.
FORD - Continued			FORD - Continued		
F800 - Continued			F SERIES - Continued		
Cummins C Series 8.3 Diesel; W/Long Nose W.P.; W/O Hardened Pulley.....	1997-1993	43320	Detroit Diesel 6V-53; W/Counterclockwise Eng.....	1969	43309
Cummins C Series 8.3 Diesel; W/Short Nose W.P.....	1997-1993	42352	Ford V-8 330; W/M.D. Eng.....	1970	44004
Cummins ISB Diesel.....	1999-1998	41176	Ford V-8 330; W/H.D. Eng.....	1969-1964	42557
Detroit Diesel V-8 8.2; W/Heater Outlet..	1987-1980	46001	Ford V-8 330; W/M.D. Eng.....	1969-1964	44005
Ford 6-Cyl. 6.6 Diesel; W/High Mount Fan.....	1994-1991	43021	Ford V-8 361; W/H.D. Eng.....	1969-1964	42557
Ford 6-Cyl. 6.6 Diesel; W/Low Mount Fan.....	1994-1991	43125	Ford V-8 361; W/M.D. Eng.....	1969-1964	44005
Ford 6-Cyl. 6.6 Diesel.....	1990-1987	43084	Ford V-8 391; W/H.D. Eng.....	1969-1964	42557
Ford 6-Cyl. 7.8 Diesel; W/High Mount Fan.....	1993-1991	43021	Ford V-8 391; W/M.D. Eng.....	1969-1964	44005
Ford 6-Cyl. 7.8 Diesel; W/Low Mount Fan.....	1993-1991	43125	Ford V-8 401.....	1966-1965	42558
Ford 6-Cyl. 7.8 Diesel.....	1990-1987	43084	Ford V-8 477.....	1966-1965	42558
Ford V-8 330; W/High Mount Fan.....	1978	45008	Ford V-8 534.....	1966-1965	42558
Ford V-8 330; W/M.D. Eng.....	1974-1971	44004			
Ford V-8 361; W/High Mount Fan.....	1978	45008	F SUPER DUTY		
Ford V-8 361; W/Low Mount Fan.....	1978	44006	Ford V-8 7.3 Diesel.....	1998-1996	45000
Ford V-8 370.....	1979	44019	Ford V-8 7.3 Diesel.....	1995	45007
Ford V-8 6.1.....	1988-1980	44019	Ford V-8 7.3 Diesel.....	1994-1988	44018
Ford V-8 391; W/High Mount Fan.....	1978-1977	45008			
Ford V-8 391; W/Low Mount Fan.....	1978-1977	44006	FT800		
Ford V-8 7.0.....	1989-1980	44019	Ford V-8 6.1.....	1985-1983	44019
Ford V-8 429.....	1979	44019	Ford V-8 7.0.....	1989-1983	44019
Ford V-8 534.....	1979-1978	43282			
			FT900		
F880			Cummins B Series 5.9 Diesel.....	1997-1992	41181
Ford V-8 477.....	1978	43280	Cummins C Series 8.3 Diesel; W/Long Nose W.P.; W/Hardened Pulley.....	1997-1993	43321
Ford V-8 534.....	1978	43282	Cummins C Series 8.3 Diesel; W/Long Nose W.P.; W/O Hardened Pulley.....	1997-1993	43320
			Cummins C Series 8.3 Diesel; W/Short Nose W.P.....	1997-1993	42352
F900			Cummins ISB Diesel.....	1998	41176
Cummins C Series 8.3 Diesel; W/Long Nose W.P.; W/Hardened Pulley.....	1994-1993	43321	Detroit Diesel V-8 8.2; W/Heater Outlet..	1987-1985	46001
Cummins C Series 8.3 Diesel; W/Long Nose W.P.; W/O Hardened Pulley.....	1994-1993	43320	Ford 6-Cyl. 6.6 Diesel; W/High Mount Fan.....	1993-1991	43021
Cummins C Series 8.3 Diesel; W/Short Nose W.P.....	1994-1993	42352	Ford 6-Cyl. 6.6 Diesel; W/Low Mount Fan.....	1993-1991	43125
			Ford 6-Cyl. 7.8 Diesel; W/High Mount Fan.....	1993-1991	43021
F7000			Ford 6-Cyl. 7.8 Diesel; W/Low Mount Fan.....	1993-1991	43125
Caterpillar 3208 Diesel; W/Non-Threaded Pulley.....	1987-1983	43233	Ford 6-Cyl. 7.8 Diesel.....	1990-1987	43084
Caterpillar 3208 Diesel; W/O Pulley.....	1987-1983	42351			
Caterpillar 3208 Diesel; W/Theaded Pulley.....	1987-1983	43059	FT8000		
Caterpillar 3208 Diesel; W/Non-Threaded Pulley.....	1980-1975	43233	Caterpillar 3208 Diesel; W/Non-Threaded Pulley.....	1987-1983	43233
Caterpillar 3208 Diesel; W/O Pulley.....	1980-1975	42351	Caterpillar 3208 Diesel; W/O Pulley.....	1987-1983	42351
Caterpillar 3208 Diesel; W/Theaded Pulley.....	1980-1975	43059	Caterpillar 3208 Diesel; W/Theaded Pulley.....	1987-1983	43059
F8000			H SERIES		
Caterpillar 3208 Diesel; W/Non-Threaded Pulley.....	1987-1983	43233	Ford V-8 401.....	1965	42558
Caterpillar 3208 Diesel; W/O Pulley.....	1987-1983	42351	Ford V-8 477.....	1965	42558
Caterpillar 3208 Diesel; W/Theaded Pulley.....	1987-1983	43059	Ford V-8 534.....	1965	42558
Caterpillar 3208 Diesel; W/Non-Threaded Pulley.....	1979-1978	43233			
Caterpillar 3208 Diesel; W/O Pulley.....	1979-1978	42351	L800		
Caterpillar 3208 Diesel; W/Theaded Pulley.....	1979-1978	43059	Ford V-8 330; W/High Mount Fan.....	1978	45008
			Ford V-8 330; W/M.D. Eng.....	1974-1970	44004
F SERIES			Ford V-8 361; W/High Mount Fan.....	1978-1976	45008
Cummins C Series 8.3 Diesel; W/Long Nose W.P.; W/Hardened Pulley.....	1969-1965	43321	Ford V-8 361; W/Low Mount Fan.....	1978-1976	44006
Cummins C Series 8.3 Diesel; W/Long Nose W.P.; W/O Hardened Pulley.....	1969-1965	43320	Ford V-8 361.....	1975-1974	44012
Cummins C Series 8.3 Diesel; W/Short Nose W.P.....	1969-1965	42352	Ford V-8 361; W/H.D. Eng.....	1973	44005
Detroit Diesel 6-71; W/Reverse Rotation.	1969-1968	42344	Ford V-8 370.....	1979	44019
Detroit Diesel 6-71; W/Standard Rotation	1969-1968	42102	Ford V-8 6.1.....	1984-1980	44019
Detroit Diesel 6V-53; W/Clockwise Eng...	1969	43310	Ford V-8 389; W/High Mount Fan.....	1971-1970	43075
			Ford V-8 391; W/High Mount Fan.....	1978-1976	45008
			Ford V-8 391; W/Low Mount Fan.....	1978-1976	44006
			Ford V-8 391; W/H.D. Eng.....	1973	44005
			Ford V-8 391; W/High Mount Fan.....	1971-1970	43075
			Ford V-8 401.....	1972-1970	42558
			Ford V-8 7.0.....	1984-1980	44019
			Ford V-8 429.....	1979	44019
			Ford V-8 475.....	1972-1971	42558
			Ford V-8 477.....	1979-1978	43280
			Ford V-8 477.....	1972-1971	42558

▼ 2 Outlets at 45 Degree Angles
 ■ 2 Outlets Pointing Straight Down

● Outlet Straight Down & Outlet at 45 Degree Angle
 * High Performance Pump

Application Guide - Medium and Heavy-Duty Trucks

Application	Year	Gates No.	Application	Year	Gates No.
FORD - Continued			FORD - Continued		
L800 - Continued			L9000 - Continued		
Ford V-8 534.....	1979-1978	43280	Cummins 6-Cyl. 14.0 Diesel; Tensioner Pulley; W/Big Cam III Eng.; W/V-Ribbed Belt.....	1985	41111
Ford V-8 534.....	1972-1971	42558	Cummins 6-Cyl. 14.0 Diesel; W/Big Cam IV Eng.; W/6-Ribbed Belt.....	1985	44092
L880			Cummins 6-Cyl. 14.0 Diesel; W/Big Cam IV Eng.; W/V-Belt Drive.....	1985	44084
Ford V-8 401.....	1972-1971	42558	Cummins 6-Cyl. 14.0 Diesel.....	1984	44055
Ford V-8 475.....	1972-1971	42558	Cummins 6-Cyl. 14.0 Diesel; W/Big Cam I & II Eng.....	1983	44086
Ford V-8 477.....	1972-1971	42558	Cummins 6-Cyl. 14.0 Diesel; W/Big Cam III Eng.....	1983	44055
Ford V-8 534.....	1972-1971	42558	Cummins 6-Cyl. 14.0 Diesel; W/Big Cam III Eng.....	1982-1980	44086
L900			Cummins 6-Cyl. 14.0 Diesel; Tensioner Pulley - W.P.; W/V-Ribbed Belt.....	1981-1980	41111
Ford V-8 401.....	1972-1971	42558	Cummins 6-Cyl. 14.0 Diesel; Idler Pulley; W/2-Groove Pulley.....	1979-1971	41129
Ford V-8 7.8.....	1981-1980	43280	Cummins 6-Cyl. 14.0 Diesel; W/Full Flow Cool.....	1979-1971	44064
Ford V-8 475.....	1972-1971	42558	Detroit Diesel 6-71; W/O Turbo; W/Reverse Rotation.....	1986-1970	42344
Ford V-8 477.....	1979-1978	43280	Detroit Diesel 6-71; W/O Turbo; W/Standard Rotation.....	1986-1970	42102
Ford V-8 477.....	1972-1971	42558	Detroit Diesel 6-71; W/Turbo; W/Reverse Rotation.....	1986-1970	42322
Ford V-8 8.8.....	1981-1980	43280	Detroit Diesel 6-71; W/Turbo; W/Standard Rotation.....	1986-1970	42321
Ford V-8 534.....	1979-1978	43280	Detroit Diesel 6V-92; "Running" Pump....	1983-1977	44103
Ford V-8 534.....	1972-1971	42558	Detroit Diesel 6V-92; "Walking" Pump....	1983-1977	44097
L8000			Detroit Diesel 8V-71.....	1986-1980	44075
Caterpillar 3208 Diesel; W/Non-Threaded Pulley.....	1988-1971	43233	Detroit Diesel 8V-71; "Running" Pump....	1979-1971	44096
Caterpillar 3208 Diesel; W/O Pulley.....	1988-1971	42351	Detroit Diesel 8V-71; "Standing" Pump....	1979-1971	44075
Caterpillar 3208 Diesel; W/Threaded Pulley.....	1988-1971	43059	Detroit Diesel 8V-71.....	1970	44075
Caterpillar 3406 Diesel; W/Dished Gear..	1997-1994	44054	Detroit Diesel 8V-71N.....	1974-1971	44075
Caterpillar 3406 Diesel; W/Flat Gear.....	1995-1991	45009	Detroit Diesel 8V-71T.....	1974-1971	44075
Cummins B Series 5.9 Diesel.....	1997-1993	41181	Detroit Diesel Series 60.....	1993-1991	44066
Cummins C Series 8.3 Diesel; W/Long Nose W.P.; W/Hardened Pulley.....	1997-1993	43321	Detroit Diesel 6-Cyl. 11.1.....	1996-1995	44066
Cummins C Series 8.3 Diesel; W/Long Nose W.P.; W/O Hardened Pulley.....	1997-1993	43320	Detroit Diesel 6-Cyl. 12.7.....	1996	44066
Cummins C Series 8.3 Diesel; W/Short Nose W.P.....	1997-1993	42352	LA8000		
Cummins ISB Diesel.....	1998	41176	Caterpillar 3406 Diesel; W/Dished Gear..	1997-1994	44054
Cummins L10 Diesel.....	1992-1991	43307	Caterpillar 3406 Diesel; W/Flat Gear.....	1995-1991	45009
Cummins L10 Diesel; Idler Pulley.....	1992-1991	41175	Cummins B Series 5.9 Diesel.....	1997-1994	41181
Cummins M11 Diesel.....	1997-1996	43307	Cummins C Series 8.3 Diesel; W/Long Nose W.P.; W/Hardened Pulley.....	1997-1993	43321
Cummins N14 Diesel.....	1998-1993	44052	Cummins C Series 8.3 Diesel; W/Long Nose W.P.; W/O Hardened Pulley.....	1997-1993	43320
Detroit Diesel 6V-53; W/Clockwise Eng..	1972-1970	43310	Cummins C Series 8.3 Diesel; W/Short Nose W.P.....	1997-1993	42352
Detroit Diesel 6V-53; W/Counterclockwise Eng.....	1972-1970	43309	Cummins ISB Diesel.....	1998	41176
Detroit Diesel Series 60.....	1998-1996	44066	Cummins L10 Diesel.....	1992-1991	43307
L8500			Cummins L10 Diesel; Idler Pulley.....	1992-1991	41175
Cummins ISB Diesel.....	1998	41176	Cummins L10 Diesel.....	1990-1985	44094
L9000			Cummins M11 Diesel.....	1997-1996	43307
Caterpillar 3406 Diesel; W/Dished Gear..	1997-1994	44054	Cummins N14 Diesel.....	1998-1992	44052
Caterpillar 3406 Diesel; W/Flat Gear.....	1995-1975	45009	Cummins 6-Cyl. 14.0 Diesel.....	1990	44052
Cummins B Series 5.9 Diesel.....	1997-1993	41181	Cummins 6-Cyl. 14.0 Diesel; Idler Pulley; W/Flat Idler Pulley.....	1990-1986	41173
Cummins C Series 8.3 Diesel; W/Long Nose W.P.; W/Hardened Pulley.....	1997-1993	43321	Cummins 6-Cyl. 14.0 Diesel; Idler Pulley; W/V-Ribbed Belt.....	1990-1986	41174
Cummins C Series 8.3 Diesel; W/Long Nose W.P.; W/O Hardened Pulley.....	1997-1993	43320	Cummins 6-Cyl. 14.0 Diesel; W/6-Ribbed Belt.....	1989-1986	44092
Cummins C Series 8.3 Diesel; W/Short Nose W.P.....	1997-1993	42352	Cummins 6-Cyl. 14.0 Diesel; W/V-Belt Drive.....	1989-1986	44084
Cummins L10 Diesel.....	1997-1991	43307	LA9000		
Cummins L10 Diesel; Idler Pulley.....	1997-1994	41175	Caterpillar 3406 Diesel; W/Dished Gear..	1998-1994	44054
Cummins L10 Diesel.....	1992-1991	41175	Caterpillar 3406 Diesel; W/Flat Gear.....	1995-1989	45009
Cummins L10 Diesel.....	1990-1985	44094	Cummins B Series 5.9 Diesel.....	1997-1994	41181
Cummins M11 Diesel.....	1997-1995	43307	Cummins C Series 8.3 Diesel; W/Long Nose W.P.; W/Hardened Pulley.....	1997-1994	43321
Cummins N14 Diesel.....	1997-1991	44052	Cummins C Series 8.3 Diesel; W/Long Nose W.P.; W/O Hardened Pulley.....	1997-1994	43320
Cummins 6-Cyl. 14.0 Diesel.....	1990	44052	Cummins C Series 8.3 Diesel; W/Short Nose W.P.....	1997-1994	42352
Cummins 6-Cyl. 14.0 Diesel; Idler Pulley; W/Flat Idler Pulley.....	1990-1986	41173	Cummins L10 Diesel.....	1997-1991	43307
Cummins 6-Cyl. 14.0 Diesel; Idler Pulley; W/V-Ribbed Belt.....	1990-1986	41174	Cummins L10 Diesel; Idler Pulley.....	1997-1991	41175
Cummins 6-Cyl. 14.0 Diesel; W/6-Ribbed Belt.....	1989-1986	44092	Cummins L10 Diesel.....	1990-1988	44094
Cummins 6-Cyl. 14.0 Diesel; W/V-Belt Drive.....	1989-1986	44084	Cummins M11 Diesel.....	1997-1995	43307
			Cummins N14 Diesel.....	1998-1991	44052
			Cummins 6-Cyl. 14.0 Diesel.....	1990	44052
			Cummins 6-Cyl. 14.0 Diesel; Idler Pulley; W/Flat Idler Pulley.....	1990	41173

▼ 2 Outlets at 45 Degree Angles
 ■ 2 Outlets Pointing Straight Down

● Outlet Straight Down & Outlet at 45 Degree Angle
 * High Performance Pump

Application Guide - Medium and Heavy-Duty Trucks

Application	Year	Gates No.	Application	Year	Gates No.
FORD - Continued			FORD - Continued		
LA9000 - Continued			LLS9000 - Continued		
Cummins 6-Cyl. 14.0 Diesel; Idler Pulley; W/V-Ribbed Belt.....	1990	41174	Cummins C Series 8.3 Diesel; W/Short Nose W.P.....	1997-1993	42352
Detroit Diesel 6-Cyl. 11.1	1997-1995	44066	Cummins L10 Diesel	1996-1991	43307
Detroit Diesel 6-Cyl. 12.7	1996	44066	Cummins L10 Diesel; Idler Pulley.....	1996-1995	41175
LL9000			Cummins L10 Diesel; Idler Pulley.....	1993-1991	41175
Caterpillar 3406 Diesel; W/Dished Gear..	1997-1994	44054	Cummins M11 Diesel	1996-1995	43307
Caterpillar 3406 Diesel; W/Flat Gear	1995-1984	45009	Cummins N14 Diesel.....	1997-1991	44052
Cummins B Series 5.9 Diesel.....	1997-1994	41181	Detroit Diesel 6-Cyl. 11.1	1996-1995	44066
Cummins C Series 8.3 Diesel; W/Long Nose W.P.; W/Hardened Pulley	1997-1993	43321	Detroit Diesel 6-Cyl. 12.7	1996	44066
Cummins C Series 8.3 Diesel; W/Long Nose W.P.; W/O Hardened Pulley.....	1997-1993	43320	LN600		
Cummins C Series 8.3 Diesel; W/Short Nose W.P.....	1997-1993	42352	Detroit Diesel V-8 8.2; W/Heater Outlet ..	1985-1981	46001
Cummins L10 Diesel	1996-1991	43307	Ford V-8 330; W/High Mount Fan	1978	45008
Cummins L10 Diesel; Idler Pulley.....	1996-1995	41175	Ford V-8 330.....	1977-1975	44016
Cummins L10 Diesel; Idler Pulley.....	1993-1991	41175	Ford V-8 330; W/H.D. Eng.....	1974-1970	44005
Cummins L10 Diesel	1990	44094	Ford V-8 330; W/M.D. Eng.	1974-1970	44004
Cummins M11 Diesel	1996-1995	43307	Ford V-8 361; W/High Mount Fan	1978-1976	45008
Cummins N14 Diesel.....	1997-1991	44052	Ford V-8 361; W/Low Mount Fan	1978-1976	44006
Cummins 6-Cyl. 14.0 Diesel.....	1990	44052	Ford V-8 361; VIN 80000 & Before.....	1975	44012
Cummins 6-Cyl. 14.0 Diesel; Idler Pulley; W/Flat Idler Pulley	1990-1985	41173	Ford V-8 361; W/High Mount Fan; VIN 80001 & After.....	1975	45008
Cummins 6-Cyl. 14.0 Diesel; Idler Pulley; W/V-Ribbed Belt.....	1990-1985	41174	Ford V-8 361; W/Low Mount Fan; VIN 80001 & After.....	1975	44006
Cummins 6-Cyl. 14.0 Diesel; W/6-Ribbed Belt.....	1989-1986	44092	Ford V-8 361.....	1974	44012
Cummins 6-Cyl. 14.0 Diesel; W/V-Belt Drive	1989-1986	44084	Ford V-8 361; W/H.D. Eng.....	1973-1970	44005
Cummins 6-Cyl. 14.0 Diesel; Tensioner Pulley; W/Big Cam III Eng.; W/V-Ribbed Belt.....	1985	41111	Ford V-8 370.....	1979	44019
Cummins 6-Cyl. 14.0 Diesel; W/Big Cam IV Eng.; W/6-Ribbed Belt	1985	44092	Ford V-8 6.1.....	1985-1980	44019
Cummins 6-Cyl. 14.0 Diesel; W/Big Cam IV Eng.; W/V-Belt Drive	1985	44084	Ford V-8 389; W/High Mount Fan	1971-1970	43075
Cummins 6-Cyl. 14.0 Diesel.....	1984	44055	Ford V-8 391; W/High Mount Fan	1978-1976	45008
Cummins 6-Cyl. 14.0 Diesel; Idler Pulley; W/2-Groove Pulley.....	1974-1971	41129	Ford V-8 391; W/Low Mount Fan	1978-1976	44006
Cummins 6-Cyl. 14.0 Diesel; W/Full Flow Cool.	1974-1971	44064	Ford V-8 391; W/H.D. Eng.....	1973-1970	44005
LLA9000			Ford V-8 391; W/High Mount Fan	1971-1970	43075
Caterpillar 3406 Diesel; W/Dished Gear..	1998-1994	44054	Ford V-8 429.....	1979	44019
Caterpillar 3406 Diesel; W/Flat Gear	1995-1991	45009	LN700		
Caterpillar C10 Diesel; Idler Pulley	1997	41175	Detroit Diesel V-8 8.2; W/Heater Outlet ..	1987-1981	46001
Cummins B Series 5.9 Diesel.....	1997-1994	41181	Ford V-8 330; W/High Mount Fan	1978	45008
Cummins C Series 8.3 Diesel; W/Long Nose W.P.; W/Hardened Pulley	1997-1993	43321	Ford V-8 330.....	1977	44016
Cummins C Series 8.3 Diesel; W/Long Nose W.P.; W/O Hardened Pulley.....	1997-1993	43320	Ford V-8 330; W/M.D. Eng.	1974-1970	44004
Cummins C Series 8.3 Diesel; W/Short Nose W.P.....	1997-1993	42352	Ford V-8 361; W/High Mount Fan	1978-1976	45008
Cummins ISB Diesel.....	1998	41176	Ford V-8 361; W/Low Mount Fan	1978-1976	44006
Cummins L10 Diesel	1996-1991	43307	Ford V-8 361; VIN 80000 & Before.....	1975	44012
Cummins L10 Diesel; Idler Pulley.....	1996-1995	41175	Ford V-8 361; W/High Mount Fan; VIN 80001 & After.....	1975	45008
Cummins L10 Diesel; Idler Pulley.....	1992-1991	41175	Ford V-8 361; W/Low Mount Fan; VIN 80001 & After.....	1975	44006
Cummins M11 Diesel	1997-1995	43307	Ford V-8 370.....	1979	44019
Cummins N14 Diesel.....	1998-1991	44052	Ford V-8 6.1.....	1986-1980	44019
Detroit Diesel Series 60	1998-1997	44066	Ford V-8 389; W/High Mount Fan	1971-1970	43075
Detroit Diesel Series 60	1993-1992	44066	Ford V-8 391; W/High Mount Fan	1978-1976	45008
Detroit Diesel 6-Cyl. 11.1	1996-1994	44066	Ford V-8 391; W/Low Mount Fan	1978-1976	44006
Detroit Diesel 6-Cyl. 12.7	1996	44066	Ford V-8 391; W/High Mount Fan; VIN 80001 & After.....	1975	45008
LLS9000			Ford V-8 391; W/Low Mount Fan; VIN 80001 & After.....	1975	44006
Caterpillar 3406 Diesel; W/Dished Gear..	1997-1994	44054	Ford V-8 391; W/High Mount Fan	1971-1970	43075
Caterpillar 3406 Diesel; W/Flat Gear	1995-1991	45009	Ford V-8 7.0.....	1986-1980	44019
Cummins B Series 5.9 Diesel.....	1997-1994	41181	Ford V-8 429.....	1979	44019
Cummins C Series 8.3 Diesel; W/Long Nose W.P.; W/Hardened Pulley	1997-1993	43321	LN750		
Cummins C Series 8.3 Diesel; W/Long Nose W.P.; W/O Hardened Pulley.....	1997-1993	43320	Ford V-8 330; W/M.D. Eng.	1974-1970	44004
LLS9000			Ford V-8 330; W/H.D. Eng.....	1972-1970	44005
Caterpillar 3406 Diesel; W/Dished Gear..	1997-1994	44054	Ford V-8 361; W/High Mount Fan	1977-1976	45008
Caterpillar 3406 Diesel; W/Flat Gear	1995-1991	45009	Ford V-8 361; W/Low Mount Fan	1977-1976	44006
Cummins B Series 5.9 Diesel.....	1997-1994	41181	Ford V-8 361; VIN 80000 & Before.....	1975	44012
Cummins C Series 8.3 Diesel; W/Long Nose W.P.; W/Hardened Pulley	1997-1993	43321	Ford V-8 361; W/High Mount Fan; VIN 80001 & After.....	1975	45008
Cummins C Series 8.3 Diesel; W/Long Nose W.P.; W/O Hardened Pulley.....	1997-1993	43320	Ford V-8 361; W/Low Mount Fan; VIN 80001 & After.....	1975	44006
LLS9000			Ford V-8 361.....	1974	44012
Caterpillar 3406 Diesel; W/Dished Gear..	1997-1994	44054	Ford V-8 361; W/H.D. Eng.....	1972-1970	44005
Caterpillar 3406 Diesel; W/Flat Gear	1995-1991	45009	Ford V-8 389; W/High Mount Fan	1971-1970	43075
Cummins B Series 5.9 Diesel.....	1997-1994	41181	Ford V-8 391; W/High Mount Fan	1977-1976	45008
Cummins C Series 8.3 Diesel; W/Long Nose W.P.; W/Hardened Pulley	1997-1993	43321	Ford V-8 391; W/Low Mount Fan	1977-1976	44006
Cummins C Series 8.3 Diesel; W/Long Nose W.P.; W/O Hardened Pulley.....	1997-1993	43320	Ford V-8 391; W/High Mount Fan	1977-1976	44006

- ▼ 2 Outlets at 45 Degree Angles
- 2 Outlets Pointing Straight Down

- Outlet Straight Down & Outlet at 45 Degree Angle
- * High Performance Pump

Application Guide - Medium and Heavy-Duty Trucks

Application	Year	Gates No.	Application	Year	Gates No.
FORD - Continued			FORD - Continued		
LN750 - Continued			LN8000		
Ford V-8 391; W/High Mount Fan; VIN 80001 & After.....	1975	45008	Caterpillar 3208 Diesel; W/Non-Threaded Pulley.....	1989-1971	43233
Ford V-8 391; W/Low Mount Fan; VIN 80001 & After.....	1975	44006	Caterpillar 3208 Diesel; W/O Pulley	1989-1971	42351
Ford V-8 391; W/H.D. Eng.....	1972-1970	44005	Caterpillar 3208 Diesel; W/Theaded Pulley.....	1989-1971	43059
Ford V-8 391; W/High Mount Fan	1971-1970	43075	Caterpillar 3406 Diesel; W/Flat Gear.....	1991	45009
LN800			Cummins B Series 5.9 Diesel.....	1997-1993	41181
Ford V-8 330; W/High Mount Fan	1978	45008	Cummins C Series 8.3 Diesel; W/Long Nose W.P.; W/Hardened Pulley	1997-1993	43321
Ford V-8 330; W/M.D. Eng.	1974-1970	44004	Cummins C Series 8.3 Diesel; W/Long Nose W.P.; W/O Hardened Pulley.....	1997-1993	43320
Ford V-8 361; W/High Mount Fan	1978-1976	45008	Cummins C Series 8.3 Diesel; W/Short Nose W.P.....	1997-1993	42352
Ford V-8 361; W/Low Mount Fan.....	1978-1976	44006	Cummins L10 Diesel	1992	43307
Ford V-8 361; VIN 80000 & Before.....	1975	44012	Cummins L10 Diesel; Idler Pulley.....	1992	41175
Ford V-8 361; W/High Mount Fan; VIN 80001 & After.....	1975	45008	Detroit Diesel 6V-53; W/Clockwise Eng...	1972-1970	43310
Ford V-8 361; W/Low Mount Fan; VIN 80001 & After.....	1975	44006	Detroit Diesel 6V-53; W/Counterclockwise Eng.....	1972-1970	43309
Ford V-8 361.....	1974	44012	LN9000		
Ford V-8 361; W/H.D. Eng.....	1973	44005	Caterpillar 3406 Diesel; W/Dished Gear..	1997-1994	44054
Ford V-8 370.....	1979	44019	Caterpillar 3406 Diesel; W/Flat Gear.....	1995-1975	45009
Ford V-8 6.1.....	1984-1980	44019	Cummins B Series 5.9 Diesel.....	1997-1994	41181
Ford V-8 389; W/High Mount Fan	1971-1970	43075	Cummins C Series 8.3 Diesel; W/Long Nose W.P.; W/Hardened Pulley	1997-1993	43321
Ford V-8 391; W/High Mount Fan	1978-1976	45008	Cummins C Series 8.3 Diesel; W/Long Nose W.P.; W/O Hardened Pulley.....	1997-1993	43320
Ford V-8 391; W/Low Mount Fan.....	1978-1976	44006	Cummins C Series 8.3 Diesel; W/Short Nose W.P.....	1997-1993	42352
Ford V-8 391; W/High Mount Fan; VIN 80001 & After.....	1975	45008	Cummins L10 Diesel	1997-1991	43307
Ford V-8 391; W/Low Mount Fan; VIN 80001 & After.....	1975	44006	Cummins L10 Diesel; Idler Pulley.....	1997-1991	41175
Ford V-8 391; W/H.D. Eng.....	1973	44005	Cummins L10 Diesel	1990-1984	44094
Ford V-8 391; W/High Mount Fan	1971-1970	43075	Cummins M11 Diesel	1996-1995	43307
Ford V-8 401.....	1972-1970	42558	Cummins N14 Diesel.....	1997-1991	44052
Ford V-8 7.0.....	1984-1980	44019	Cummins 6-Cyl. 14.0 Diesel.....	1990	44052
Ford V-8 429.....	1979	44019	Cummins 6-Cyl. 14.0 Diesel; Idler Pulley; W/Flat Idler Pulley	1990-1985	41173
Ford V-8 475.....	1972-1971	42558	Cummins 6-Cyl. 14.0 Diesel; Idler Pulley; W/V-Ribbed Belt.....	1990-1985	41174
Ford V-8 477.....	1979-1978	43280	Cummins 6-Cyl. 14.0 Diesel; W/6-Ribbed Belt.....	1989-1986	44092
Ford V-8 477.....	1972-1971	42558	Cummins 6-Cyl. 14.0 Diesel; W/V-Belt Drive	1989-1986	44084
Ford V-8 534.....	1979-1978	43280	Cummins 6-Cyl. 14.0 Diesel; Tensioner Pulley; W/Big Cam III Eng.;		
Ford V-8 534.....	1972-1971	42558	W/V-Ribbed Belt.....	1985	41111
LN900			Cummins 6-Cyl. 14.0 Diesel; W/Big Cam IV Eng.; W/6-Ribbed Belt	1985	44092
Ford V-8 401.....	1972-1971	42558	Cummins 6-Cyl. 14.0 Diesel; W/Big Cam IV Eng.; W/V-Belt Drive.....	1985	44084
Ford V-8 7.8.....	1981-1980	43280	Cummins 6-Cyl. 14.0 Diesel.....	1984	44055
Ford V-8 475.....	1972-1971	42558	Cummins 6-Cyl. 14.0 Diesel; W/Big Cam I & II Eng.	1983	44086
Ford V-8 477.....	1979-1978	43280	Cummins 6-Cyl. 14.0 Diesel; W/Big Cam III Eng.....	1983	44055
Ford V-8 477.....	1972-1971	42558	Cummins 6-Cyl. 14.0 Diesel.....	1982-1980	44086
Ford V-8 8.8.....	1981-1980	43280	Cummins 6-Cyl. 14.0 Diesel; Tensioner Pulley - W.P.; W/V-Ribbed Belt	1981-1980	41111
Ford V-8 534.....	1979-1978	43280	Cummins 6-Cyl. 14.0 Diesel; Idler Pulley; W/2-Groove Pulley.....	1979-1975	41129
Ford V-8 534.....	1972-1971	42558	Cummins 6-Cyl. 14.0 Diesel; W/Full Flow Cool.....	1979-1971	44064
LN6000			Cummins 6-Cyl. 14.0 Diesel; Idler Pulley; W/2-Groove Pulley.....	1973-1971	41129
Caterpillar 3208 Diesel; W/Non-Threaded Pulley.....	1975	43233	Detroit Diesel 6-71; W/O Turbo; W/Reverse Rotation.....	1986-1970	42344
Caterpillar 3208 Diesel; W/O Pulley	1975	42351	Detroit Diesel 6-71; W/O Turbo; W/Standard Rotation.....	1986-1970	42102
Caterpillar 3208 Diesel; W/Theaded Pulley.....	1975	43059	Detroit Diesel 6-71; W/Turbo; W/Reverse Rotation	1986-1970	42322
LN7000			Detroit Diesel 6-71; W/Turbo; W/Standard Rotation.....	1986-1970	42321
Caterpillar 3208 Diesel; W/Non-Threaded Pulley.....	1987-1975	43233	Detroit Diesel 6V-92; "Running" Pump ...	1986-1977	44103
Caterpillar 3208 Diesel; W/O Pulley	1987-1975	42351	Detroit Diesel 6V-92; "Walking" Pump.....	1986-1977	44097
Caterpillar 3208 Diesel; W/Theaded Pulley.....	1987-1975	43059			
Caterpillar 3406 Diesel; W/Dished Gear..	1995	44054			
Caterpillar 3406 Diesel; W/Flat Gear.....	1995	45009			
Cummins B Series 5.9 Diesel.....	1997-1993	41181			
Cummins C Series 8.3 Diesel; W/Long Nose W.P.; W/Hardened Pulley	1997-1993	43321			
Cummins C Series 8.3 Diesel; W/Long Nose W.P.; W/O Hardened Pulley.....	1997-1993	43320			
Cummins C Series 8.3 Diesel; W/Short Nose W.P.....	1997-1993	42352			

▼ 2 Outlets at 45 Degree Angles
 ■ 2 Outlets Pointing Straight Down

● Outlet Straight Down & Outlet at 45 Degree Angle
 * High Performance Pump

Application Guide - Medium and Heavy-Duty Trucks

Application	Year	Gates No.	Application	Year	Gates No.
FORD - Continued			FORD - Continued		
LN9000 - Continued			LNT8000 - Continued		
Detroit Diesel 8V-71	1984-1980	44075	Cummins L10 Diesel; Idler Pulley.....	1991	41175
Detroit Diesel 8V-71; "Running" Pump	1979-1970	▼44096	Detroit Diesel 6V-53; W/Clockwise Eng...	1972-1970	43310
Detroit Diesel 8V-71; "Standing" Pump ...	1979-1970	■44075	Detroit Diesel 6V-53;		
Detroit Diesel 8V-71N.....	1974-1970	44075	W/Counterclockwise Eng.	1972-1970	43309
Detroit Diesel 8V-71T	1974-1971	44075			
Detroit Diesel 8V-92; "Running" Pump	1979-1978	▼44103			
Detroit Diesel 8V-92; "Walking" Pump.....	1979-1978	●44097			
LNT800			LNT9000		
Ford V-8 330; W/High Mount Fan	1978	45008	Caterpillar 3406 Diesel; W/Dished Gear..	1997-1994	44054
Ford V-8 330; W/M.D. Eng.	1974-1970	44004	Caterpillar 3406 Diesel; W/Flat Gear	1995-1975	45009
Ford V-8 361; W/High Mount Fan	1978	45008	Cummins B Series 5.9 Diesel.....	1997-1993	41181
Ford V-8 361; W/High Mount Fan	1976	45008	Cummins C Series 8.3 Diesel; W/Long		
Ford V-8 361; W/Low Mount Fan	1976	44006	Nose W.P.; W/Hardened Pulley	1997-1993	43321
Ford V-8 361; VIN 80000 & Before.....	1975	44012	Cummins C Series 8.3 Diesel; W/Long		
Ford V-8 361; W/High Mount Fan; VIN			Nose W.P.; W/O Hardened Pulley.....	1997-1993	43320
80001 & After.....	1975	45008	Cummins C Series 8.3 Diesel; W/Short		
Ford V-8 361; W/Low Mount Fan; VIN			Nose W.P.....	1997-1993	42352
80001 & After.....	1975	44006	Cummins L10 Diesel	1997-1991	43307
Ford V-8 361.....	1974	44012	Cummins L10 Diesel; Idler Pulley.....	1997-1991	41175
Ford V-8 361; W/H.D. Eng.....	1973	44005	Cummins L10 Diesel	1990-1984	44094
Ford V-8 370.....	1979	44019	Cummins M11 Diesel	1996-1995	43307
Ford V-8 6.1.....	1984-1980	44019	Cummins N14 Diesel.....	1997-1991	44052
Ford V-8 389; W/High Mount Fan	1971-1970	43075	Cummins 6-Cyl. 14.0 Diesel.....	1990	44052
Ford V-8 391; W/High Mount Fan	1978-1976	45008	Cummins 6-Cyl. 14.0 Diesel; Idler Pul-		
Ford V-8 391; W/Low Mount Fan.....	1977-1976	44006	ley; W/Flat Idler Pulley	1990-1985	41173
Ford V-8 391; W/High Mount Fan; VIN			Cummins 6-Cyl. 14.0 Diesel; Idler Pul-		
80001 & After.....	1975	45008	ley; W/V-Ribbed Belt.....	1990-1985	41174
Ford V-8 391; W/Low Mount Fan; VIN			Cummins 6-Cyl. 14.0 Diesel;		
80001 & After.....	1975	44006	W/6-Ribbed Belt.....	1989-1986	44092
Ford V-8 391; W/H.D. Eng.....	1973	44005	Cummins 6-Cyl. 14.0 Diesel; W/V-Belt		
Ford V-8 391; W/High Mount Fan	1971-1970	43075	Drive	1989-1986	44084
Ford V-8 401.....	1972	42558	Cummins 6-Cyl. 14.0 Diesel; Tensioner		
Ford V-8 7.0.....	1984-1980	44019	Pulley; W/Big Cam III Eng.;		
Ford V-8 429.....	1979	44019	W/V-Ribbed Belt.....	1985	41111
Ford V-8 475.....	1972	42558	Cummins 6-Cyl. 14.0 Diesel; W/Big Cam		
Ford V-8 477.....	1979-1978	43280	IV Eng.; W/6-Ribbed Belt	1985	44092
Ford V-8 477.....	1972	42558	Cummins 6-Cyl. 14.0 Diesel; W/Big Cam		
Ford V-8 534.....	1979-1978	43280	IV Eng.; W/V-Belt Drive.....	1985	44084
Ford V-8 534.....	1972	42558	Cummins 6-Cyl. 14.0 Diesel.....	1984	44055
			Cummins 6-Cyl. 14.0 Diesel; W/Big Cam		
			I & II Eng.	1983	44086
			Cummins 6-Cyl. 14.0 Diesel; W/Big Cam		
			III Eng.....	1983	44055
			Cummins 6-Cyl. 14.0 Diesel.....	1982-1980	44086
			Cummins 6-Cyl. 14.0 Diesel; Tensioner		
			Pulley - W.P.; W/V-Ribbed Belt	1981-1980	41111
			Cummins 6-Cyl. 14.0 Diesel; Idler Pul-		
			ley; W/2-Groove Pulley.....	1979-1971	41129
			Cummins 6-Cyl. 14.0 Diesel; W/Full		
			Flow Cool.	1979-1971	44064
			Detroit Diesel 6-71; W/O Turbo;		
			W/Reverse Rotation	1986-1970	42344
			Detroit Diesel 6-71; W/O Turbo;		
			W/Standard Rotation.....	1986-1970	42102
			Detroit Diesel 6-71; W/Turbo;		
			W/Reverse Rotation	1986-1970	42322
			Detroit Diesel 6-71; W/Turbo;		
			W/Standard Rotation.....	1986-1970	42321
			Detroit Diesel 6V-92; "Running" Pump	1986-1977	▼44103
			Detroit Diesel 6V-92; "Walking" Pump.....	1986-1977	●44097
			Detroit Diesel 8V-71	1984-1980	44075
			Detroit Diesel 8V-71; "Running" Pump	1979-1970	▼44096
			Detroit Diesel 8V-71; "Standing" Pump ...	1979-1970	■44075
			Detroit Diesel 8V-71N.....	1974-1970	44075
			Detroit Diesel 8V-71T	1974-1971	44075
			Detroit Diesel 8V-92; "Running" Pump	1979-1978	▼44103
			Detroit Diesel 8V-92; "Walking" Pump.....	1979-1978	●44097
			LS8000		
			Caterpillar 3208 Diesel;		
			W/Non-Threaded Pulley.....	1989-1984	43233
			Caterpillar 3208 Diesel; W/O Pulley	1989-1984	42351
			Caterpillar 3208 Diesel; W/Theaded Pul-		
			ley	1989-1984	43059
			Caterpillar 3406 Diesel; W/Flat Gear.....	1991	45009
			Cummins B Series 5.9 Diesel.....	1997-1993	41181
			Cummins C Series 8.3 Diesel; W/Long		
			Nose W.P.; W/Hardened Pulley	1997-1993	43321
			Cummins C Series 8.3 Diesel; W/Long		
			Nose W.P.; W/O Hardened Pulley.....	1997-1993	43320
			Cummins C Series 8.3 Diesel; W/Short		
			Nose W.P.....	1997-1993	42352
			Cummins L10 Diesel	1991	43307

▼ 2 Outlets at 45 Degree Angles
 ■ 2 Outlets Pointing Straight Down

● Outlet Straight Down & Outlet at 45 Degree Angle
 * High Performance Pump

Application Guide - Medium and Heavy-Duty Trucks

Application	Year	Gates No.	Application	Year	Gates No.
FORD - Continued			FORD - Continued		
LS8000 - Continued			LT800 - Continued		
Cummins B Series 5.9 Diesel.....	1997-1994	41181	Ford V-8 391; W/High Mount Fan; VIN 80001 & After.....	1975	45008
Cummins C Series 8.3 Diesel; W/Long Nose W.P.; W/Hardened Pulley.....	1997-1993	43321	Ford V-8 391; W/Low Mount Fan; VIN 80001 & After.....	1975	44006
Cummins C Series 8.3 Diesel; W/Long Nose W.P.; W/O Hardened Pulley.....	1997-1993	43320	Ford V-8 391; W/H.D. Eng.....	1973	44005
Cummins C Series 8.3 Diesel; W/Short Nose W.P.....	1997-1993	42352	Ford V-8 391; W/High Mount Fan.....	1971-1970	43075
Cummins ISB Diesel.....	1998	41176	Ford V-8 401.....	1972-1970	42558
Cummins L10 Diesel.....	1992-1991	43307	Ford V-8 7.0.....	1984-1980	44019
Cummins L10 Diesel; Idler Pulley.....	1992-1991	41175	Ford V-8 429.....	1979	44019
Cummins M11 Diesel.....	1997-1996	43307	Ford V-8 475.....	1972-1971	42558
Cummins N14 Diesel.....	1998-1993	44052	Ford V-8 477.....	1979-1978	43280
Detroit Diesel Series 60.....	1998-1996	44066	Ford V-8 477.....	1972-1971	42558
LS9000			LT880		
Caterpillar 3406 Diesel; W/Dished Gear..	1997-1994	44054	Ford V-8 401.....	1972-1971	42558
Caterpillar 3406 Diesel; W/Flat Gear.....	1995-1990	45009	Ford V-8 475.....	1972-1971	42558
Cummins B Series 5.9 Diesel.....	1997-1995	41181	Ford V-8 477.....	1972-1971	42558
Cummins C Series 8.3 Diesel; W/Long Nose W.P.; W/Hardened Pulley.....	1997-1993	43321	Ford V-8 534.....	1972-1971	42558
Cummins C Series 8.3 Diesel; W/Long Nose W.P.; W/O Hardened Pulley.....	1997-1993	43320	LT900		
Cummins C Series 8.3 Diesel; W/Short Nose W.P.....	1997-1993	42352	Ford V-8 401.....	1972-1971	42558
Cummins L10 Diesel.....	1997-1991	43307	Ford V-8 7.8.....	1981-1980	43280
Cummins L10 Diesel; Idler Pulley.....	1997-1991	41175	Ford V-8 475.....	1972-1971	42558
Cummins L10 Diesel.....	1990	44094	Ford V-8 477.....	1979-1978	43280
Cummins M11 Diesel.....	1997-1995	43307	Ford V-8 477.....	1972-1971	42558
Cummins N14 Diesel.....	1997-1991	44052	Ford V-8 8.8.....	1981-1980	43280
Cummins 6-Cyl. 14.0 Diesel.....	1990	44052	Ford V-8 534.....	1979-1978	43280
Cummins 6-Cyl. 14.0 Diesel; Idler Pulley; W/Flat Idler Pulley.....	1990-1985	41173	Ford V-8 534.....	1972-1971	42558
Cummins 6-Cyl. 14.0 Diesel; Idler Pulley; W/V-Ribbed Belt.....	1990-1985	41174	LT8000		
Cummins 6-Cyl. 14.0 Diesel; W/6-Ribbed Belt.....	1989-1986	44092	Caterpillar 3208 Diesel; W/Non-Threaded Pulley.....	1988-1971	43233
Cummins 6-Cyl. 14.0 Diesel; W/V-Belt Drive.....	1989-1986	44084	Caterpillar 3208 Diesel; W/O Pulley.....	1988-1971	42351
Cummins 6-Cyl. 14.0 Diesel; Tensioner Pulley; W/Big Cam III Eng.;	1985	41111	Caterpillar 3208 Diesel; W/Theaded Pulley.....	1988-1971	43059
W/V-Ribbed Belt.....	1985	41111	Caterpillar 3406 Diesel; W/Dished Gear..	1995-1994	44054
Cummins 6-Cyl. 14.0 Diesel; W/Big Cam IV Eng.; W/6-Ribbed Belt.....	1985	44092	Caterpillar 3406 Diesel; W/Flat Gear.....	1995-1994	45009
Cummins 6-Cyl. 14.0 Diesel; W/Big Cam IV Eng.; W/V-Belt Drive.....	1985	44084	Cummins B Series 5.9 Diesel.....	1997-1993	41181
Cummins 6-Cyl. 14.0 Diesel.....	1984	44055	Cummins C Series 8.3 Diesel; W/Long Nose W.P.; W/Hardened Pulley.....	1997-1993	43321
Cummins 6-Cyl. 14.0 Diesel; Idler Pulley; W/2-Groove Pulley.....	1974-1973	41129	Cummins C Series 8.3 Diesel; W/Long Nose W.P.; W/O Hardened Pulley.....	1997-1993	43320
Cummins 6-Cyl. 14.0 Diesel; W/Full Flow Cool.....	1974-1973	44064	Cummins C Series 8.3 Diesel; W/Short Nose W.P.....	1997-1993	42352
Detroit Diesel Series 60.....	1993-1991	44066	Cummins L10 Diesel.....	1991	43307
Detroit Diesel 6-Cyl. 11.1.....	1996-1995	44066	Cummins L10 Diesel; Idler Pulley.....	1991	41175
Detroit Diesel 6-Cyl. 12.7.....	1996	44066	Cummins N14 Diesel.....	1997-1993	44052
LT800			LT9000		
Ford V-8 330; W/High Mount Fan.....	1978	45008	Caterpillar 3406 Diesel; W/Dished Gear..	1997-1994	44054
Ford V-8 330; W/M.D. Eng.....	1974-1970	44004	Caterpillar 3406 Diesel; W/Flat Gear.....	1995-1975	45009
Ford V-8 361; W/High Mount Fan.....	1978	45008	Cummins B Series 5.9 Diesel.....	1997-1995	41181
Ford V-8 361; W/Low Mount Fan.....	1978	44006	Cummins C Series 8.3 Diesel; W/Long Nose W.P.; W/Hardened Pulley.....	1997-1993	43321
Ford V-8 361; W/High Mount Fan.....	1976	45008	Cummins C Series 8.3 Diesel; W/Long Nose W.P.; W/O Hardened Pulley.....	1997-1993	43320
Ford V-8 361; W/Low Mount Fan.....	1976	44006	Cummins C Series 8.3 Diesel; W/Short Nose W.P.....	1997-1993	42352
Ford V-8 361; VIN 80000 & Before.....	1975	44012	Cummins L10 Diesel.....	1997-1991	43307
Ford V-8 361; W/High Mount Fan; VIN 80001 & After.....	1975	45008	Cummins L10 Diesel; Idler Pulley.....	1997-1991	41175
Ford V-8 361; W/Low Mount Fan; VIN 80001 & After.....	1975	44006	Cummins L10 Diesel.....	1990-1984	44094
Ford V-8 361.....	1974	44012	Cummins M11 Diesel.....	1996-1995	43307
Ford V-8 361; W/H.D. Eng.....	1973	44005	Cummins N14 Diesel.....	1997-1991	44052
Ford V-8 370.....	1979	44019	Cummins 6-Cyl. 14.0 Diesel.....	1990	44052
Ford V-8 6.1.....	1984-1980	44019	Cummins 6-Cyl. 14.0 Diesel; Idler Pulley; W/Flat Idler Pulley.....	1990-1985	41173
Ford V-8 389; W/High Mount Fan.....	1971-1970	43075	Cummins 6-Cyl. 14.0 Diesel; Idler Pulley; W/V-Ribbed Belt.....	1990-1985	41174
Ford V-8 391; W/High Mount Fan.....	1978-1976	45008			
Ford V-8 391; W/Low Mount Fan.....	1978-1976	44006			

- ▼ 2 Outlets at 45 Degree Angles
- 2 Outlets Pointing Straight Down

- Outlet Straight Down & Outlet at 45 Degree Angle
- * High Performance Pump

Application Guide - Medium and Heavy-Duty Trucks

Application	Year	Gates No.	Application	Year	Gates No.
FORD - Continued			FORD - Continued		
LT9000 - Continued			LTL9000 - Continued		
Cummins 6-Cyl. 14.0 Diesel; W/6-Ribbed Belt.....	1989-1986	44092	Cummins C Series 8.3 Diesel; W/Long Nose W.P.; W/O Hardened Pulley.....	1997-1993	43320
Cummins 6-Cyl. 14.0 Diesel; W/V-Belt Drive.....	1989-1986	44084	Cummins C Series 8.3 Diesel; W/Short Nose W.P.....	1997-1993	42352
Cummins 6-Cyl. 14.0 Diesel; Tensioner Pulley; W/Big Cam III Eng.;			Cummins L10 Diesel.....	1997-1991	43307
W/V-Ribbed Belt.....	1985	41111	Cummins L10 Diesel; Idler Pulley.....	1997-1991	41175
Cummins 6-Cyl. 14.0 Diesel; W/Big Cam IV Eng.; W/6-Ribbed Belt.....	1985	44092	Cummins L10 Diesel.....	1990-1986	44094
Cummins 6-Cyl. 14.0 Diesel; W/Big Cam IV Eng.; W/V-Belt Drive.....	1985	44084	Cummins M11 Diesel.....	1996-1995	43307
Cummins 6-Cyl. 14.0 Diesel.....	1984	44055	Cummins N14 Diesel.....	1997-1991	44052
Cummins 6-Cyl. 14.0 Diesel; W/Big Cam I & II Eng.....	1983	44086	Cummins 6-Cyl. 14.0 Diesel.....	1990	44052
Cummins 6-Cyl. 14.0 Diesel; W/Big Cam III Eng.....	1983	44055	Cummins 6-Cyl. 14.0 Diesel; Idler Pul- ley; W/Flat Idler Pulley.....	1990-1985	41173
Cummins 6-Cyl. 14.0 Diesel.....	1982-1980	44086	Cummins 6-Cyl. 14.0 Diesel; Idler Pul- ley; W/V-Ribbed Belt.....	1990-1985	41174
Cummins 6-Cyl. 14.0 Diesel; Tensioner Pulley - W.P.; W/V-Ribbed Belt.....	1981-1980	41111	Cummins 6-Cyl. 14.0 Diesel; W/6-Ribbed Belt.....	1989-1986	44092
Cummins 6-Cyl. 14.0 Diesel; Idler Pul- ley; W/2-Groove Pulley.....	1979-1971	41129	Cummins 6-Cyl. 14.0 Diesel; W/V-Belt Drive.....	1989-1986	44084
Cummins 6-Cyl. 14.0 Diesel; W/Full Flow Cool.....	1979-1971	44064	Cummins 6-Cyl. 14.0 Diesel; Tensioner Pulley; W/Big Cam III Eng.;		
Detroit Diesel 6-71; W/O Turbo; W/Reverse Rotation.....	1986-1970	42344	W/V-Ribbed Belt.....	1985	41111
Detroit Diesel 6-71; W/O Turbo; W/Standard Rotation.....	1986-1970	42102	Cummins 6-Cyl. 14.0 Diesel; W/Big Cam IV Eng.; W/6-Ribbed Belt.....	1985	44092
Detroit Diesel 6-71; W/Turbo; W/Reverse Rotation.....	1986-1970	42322	Cummins 6-Cyl. 14.0 Diesel; W/Big Cam IV Eng.; W/V-Belt Drive.....	1985	44084
Detroit Diesel 6-71; W/Turbo; W/Standard Rotation.....	1986-1970	42321	Cummins 6-Cyl. 14.0 Diesel.....	1984	44055
Detroit Diesel 6V-92; "Running" Pump ...	1982-1977	▼ 44103	Cummins 6-Cyl. 14.0 Diesel; W/Big Cam I & II Eng.....	1983	44086
Detroit Diesel 6V-92; "Walking" Pump.....	1982-1977	● 44097	Cummins 6-Cyl. 14.0 Diesel; W/Big Cam III Eng.....	1983	44055
Detroit Diesel 8V-71.....	1984-1980	44075	Cummins 6-Cyl. 14.0 Diesel.....	1982	44086
Detroit Diesel 8V-71; "Running" Pump ...	1979-1971	▼ 44096	Cummins 6-Cyl. 14.0 Diesel; Idler Pul- ley; W/2-Groove Pulley.....	1979-1976	41129
Detroit Diesel 8V-71; "Standing" Pump ...	1979-1971	■ 44075	Cummins 6-Cyl. 14.0 Diesel; W/Full Flow Cool.....	1979-1976	44064
Detroit Diesel 8V-71N.....	1974-1971	44075	Cummins 6-Cyl. 14.0 Diesel; Idler Pul- ley; W/2-Groove Pulley.....	1974-1971	41129
Detroit Diesel 8V-71T.....	1974-1971	44075	Cummins 6-Cyl. 14.0 Diesel; W/Full Flow Cool.....	1974-1971	44064
Detroit Diesel 8V-92; "Running" Pump ...	1979	▼ 44103	Detroit Diesel 8V-92; "Running" Pump ...	1986-1978	▼ 44103
Detroit Diesel 8V-92; "Walking" Pump.....	1979	● 44097	Detroit Diesel 8V-92; "Walking" Pump.....	1986-1978	● 44097
Detroit Diesel Series 60.....	1994-1992	44066	Detroit Diesel Series 60.....	1994-1992	44066
Detroit Diesel 6-Cyl. 11.1.....	1996-1995	44066			
Detroit Diesel 6-Cyl. 12.7.....	1996-1995	44066			
LTA9000			LTLA9000		
Caterpillar 3406 Diesel; W/Dished Gear..	1998-1994	44054	Caterpillar 3406 Diesel; W/Dished Gear..	1998-1994	44054
Caterpillar 3406 Diesel; W/Flat Gear.....	1995-1989	45009	Caterpillar 3406 Diesel; W/Flat Gear.....	1995-1991	45009
Cummins B Series 5.9 Diesel.....	1997-1995	41181	Cummins B Series 5.9 Diesel.....	1997-1995	41181
Cummins C Series 8.3 Diesel; W/Long Nose W.P.; W/Hardened Pulley.....	1997-1993	43321	Cummins C Series 8.3 Diesel; W/Long Nose W.P.; W/O Hardened Pulley.....	1997-1993	43321
Cummins C Series 8.3 Diesel; W/Long Nose W.P.; W/O Hardened Pulley.....	1997-1993	43320	Cummins C Series 8.3 Diesel; W/Short Nose W.P.....	1997-1993	42352
Cummins C Series 8.3 Diesel; W/Short Nose W.P.....	1997-1993	42352	Cummins ISB Diesel.....	1998	41176
Cummins L10 Diesel.....	1997-1991	43307	Cummins L10 Diesel.....	1996-1991	43307
Cummins L10 Diesel; Idler Pulley.....	1997-1991	41175	Cummins L10 Diesel; Idler Pulley.....	1996-1995	41175
Cummins L10 Diesel.....	1990-1988	44094	Cummins L10 Diesel; Idler Pulley.....	1992-1991	41175
Cummins M11 Diesel.....	1997-1995	43307	Cummins M11 Diesel.....	1997-1995	43307
Cummins N14 Diesel.....	1998-1991	44052	Cummins N14 Diesel.....	1998-1991	44052
Cummins 6-Cyl. 14.0 Diesel.....	1990	44052	Cummins 6-Cyl. 14.0 Diesel.....	1990	44052
Cummins 6-Cyl. 14.0 Diesel; Idler Pul- ley; W/Flat Idler Pulley.....	1990	41173	Detroit Diesel Series 60.....	1998-1997	44066
Cummins 6-Cyl. 14.0 Diesel; Idler Pul- ley; W/V-Ribbed Belt.....	1990	41174	Detroit Diesel Series 60.....	1994-1992	44066
Detroit Diesel Series 60.....	1997	44066	Detroit Diesel 6-Cyl. 11.1.....	1996-1995	44066
Detroit Diesel 6-Cyl. 11.1.....	1996-1995	44066	Detroit Diesel 6-Cyl. 12.7.....	1996-1995	44066
Detroit Diesel 6-Cyl. 12.7.....	1996-1995	44066			
LTL9000			LTLS9000		
Caterpillar 3406 Diesel; W/Dished Gear..	1997-1994	44054	Caterpillar 3406 Diesel; W/Dished Gear..	1998-1994	44054
Caterpillar 3406 Diesel; W/Flat Gear.....	1995-1982	45009	Caterpillar 3406 Diesel; W/Flat Gear.....	1995-1991	45009
Cummins B Series 5.9 Diesel.....	1997-1995	41181	Cummins B Series 5.9 Diesel.....	1997-1995	41181
Cummins C Series 8.3 Diesel; W/Long Nose W.P.; W/Hardened Pulley.....	1997-1993	43321	Cummins C Series 8.3 Diesel; W/Long Nose W.P.; W/Hardened Pulley.....	1997-1993	43321
Cummins C Series 8.3 Diesel; W/Long Nose W.P.; W/O Hardened Pulley.....	1997-1993	43320	Cummins C Series 8.3 Diesel; W/Short Nose W.P.....	1997-1993	42352
Cummins C Series 8.3 Diesel; W/Short Nose W.P.....	1997-1993	42352			

▼ 2 Outlets at 45 Degree Angles
■ 2 Outlets Pointing Straight Down

● Outlet Straight Down & Outlet at 45 Degree Angle
* High Performance Pump

Application Guide - Medium and Heavy-Duty Trucks

Application	Year	Gates No.	Application	Year	Gates No.
FORD - Continued			FORD - Continued		
LTL9000 - Continued			LTS9000 - Continued		
Cummins ISB Diesel.....	1998	41176	Cummins B Series 5.9 Diesel.....	1997-1995	41181
Cummins L10 Diesel.....	1996-1991	43307	Cummins C Series 8.3 Diesel; W/Long Nose W.P.; W/Hardened Pulley.....	1997-1993	43321
Cummins L10 Diesel; Idler Pulley.....	1996-1995	41175	Cummins C Series 8.3 Diesel; W/Long Nose W.P.; W/O Hardened Pulley.....	1997-1993	43320
Cummins L10 Diesel; Idler Pulley.....	1992-1991	41175	Cummins C Series 8.3 Diesel; W/Short Nose W.P.....	1997-1993	42352
Cummins M11 Diesel.....	1997-1995	43307	Cummins L10 Diesel.....	1997-1991	43307
Cummins N14 Diesel.....	1998-1992	44052	Cummins L10 Diesel; Idler Pulley.....	1997-1991	41175
Detroit Diesel Series 60.....	1998-1997	44066	Cummins L10 Diesel.....	1990-1984	44094
Detroit Diesel Series 60.....	1994-1992	44066	Cummins M11 Diesel.....	1996-1995	43307
Detroit Diesel 6-Cyl. 11.1.....	1996-1995	44066	Cummins N14 Diesel.....	1997-1991	44052
Detroit Diesel 6-Cyl. 12.7.....	1996-1995	44066	Cummins 6-Cyl. 14.0 Diesel.....	1990	44052
LTS800			N SERIES		
Ford V-8 330.....	1975	44016	Detroit Diesel 6-71; W/O Turbo; W/Reverse Rotation.....	1986-1970	42344
Ford V-8 330; W/M.D. Eng.....	1974-1970	44004	Detroit Diesel 6-71; W/O Turbo; W/Standard Rotation.....	1986-1970	42102
Ford V-8 361; W/High Mount Fan.....	1978	45008	Detroit Diesel 6-71; W/Turbo; W/Reverse Rotation.....	1986-1970	42322
Ford V-8 361; W/Low Mount Fan.....	1978	44006	Detroit Diesel 6-71; W/Turbo; W/Standard Rotation.....	1986-1970	42321
Ford V-8 361; VIN 80000 & Before.....	1975	44012	Detroit Diesel 6-71; W/Turbo; W/Standard Rotation.....	1986-1970	42322
Ford V-8 361; W/High Mount Fan; VIN 80001 & After.....	1975	45008	Detroit Diesel 6V-92; "Running" Pump....	1982-1977	▼44103
Ford V-8 361; W/Low Mount Fan; VIN 80001 & After.....	1975	44006	Detroit Diesel 6V-92; "Walking" Pump....	1982-1977	●44097
Ford V-8 361.....	1974	44012	Detroit Diesel 8V-71; "Running" Pump....	1979-1975	▼44096
Ford V-8 361; W/H.D. Eng.....	1973	44005	Detroit Diesel 8V-71; "Standing" Pump...	1979-1975	■44075
Ford V-8 389; W/High Mount Fan.....	1971-1970	43075	Detroit Diesel Series 60.....	1994-1992	44066
Ford V-8 391; W/High Mount Fan.....	1978	45008	Detroit Diesel 6-Cyl. 11.1.....	1996-1995	44066
Ford V-8 391; W/Low Mount Fan.....	1978	44006	Detroit Diesel 6-Cyl. 12.7.....	1996-1995	44066
Ford V-8 391; W/High Mount Fan.....	1976	45008	LTS9000		
Ford V-8 391; W/High Mount Fan; VIN 80001 & After.....	1975	45008	Caterpillar 3406 Diesel; W/Dished Gear..	1997-1994	44054
Ford V-8 391; W/Low Mount Fan; VIN 80001 & After.....	1975	44006	Caterpillar 3406 Diesel; W/Flat Gear.....	1995-1975	45009
Ford V-8 391; W/H.D. Eng.....	1973	44005	Caterpillar 3208 Diesel; W/Non-Threaded Pulley.....	1989-1971	43233
Ford V-8 391; W/High Mount Fan.....	1971-1970	43075	Caterpillar 3208 Diesel; W/O Pulley.....	1989-1971	42351
Ford V-8 401.....	1972-1970	42558	Caterpillar 3208 Diesel; W/Threaded Pul- ley.....	1989-1971	43059
Ford V-8 7.0.....	1982-1980	44019	Caterpillar 3406 Diesel; W/Dished Gear..	1997-1994	44054
Ford V-8 475.....	1972-1971	42558	Caterpillar 3406 Diesel; W/Flat Gear.....	1995-1994	45009
Ford V-8 477.....	1979-1978	43280	Cummins B Series 5.9 Diesel.....	1997-1993	41181
Ford V-8 477.....	1972-1971	42558	Cummins C Series 8.3 Diesel; W/Long Nose W.P.; W/Hardened Pulley.....	1997-1993	43321
Ford V-8 534.....	1979-1978	43280	Cummins C Series 8.3 Diesel; W/Long Nose W.P.; W/O Hardened Pulley.....	1997-1993	43320
Ford V-8 534.....	1972-1971	42558	Cummins C Series 8.3 Diesel; W/Short Nose W.P.....	1997-1993	42352
LTS900			Detroit Diesel 6V-53; W/Clockwise Eng... W/Counterclockwise Eng.....		
Ford V-8 401.....	1972-1971	42558	1972-1970		43310
Ford V-8 7.8.....	1981-1980	43280	LTS8000		
Ford V-8 475.....	1972-1971	42558	Caterpillar 3208 Diesel; W/Non-Threaded Pulley.....	1989-1971	43233
Ford V-8 477.....	1979-1978	43280	Caterpillar 3208 Diesel; W/O Pulley.....	1989-1971	42351
Ford V-8 477.....	1972-1971	42558	Caterpillar 3208 Diesel; W/Threaded Pul- ley.....	1989-1971	43059
Ford V-8 8.8.....	1981-1980	43280	Caterpillar 3406 Diesel; W/Dished Gear..	1997-1994	44054
Ford V-8 534.....	1979-1978	43280	Caterpillar 3406 Diesel; W/Flat Gear.....	1995-1994	45009
Ford V-8 534.....	1972-1971	42558	Cummins B Series 5.9 Diesel.....	1997-1993	41181
LTS8000			Cummins C Series 8.3 Diesel; W/Long Nose W.P.; W/O Hardened Pulley.....		
Caterpillar 3208 Diesel; W/Non-Threaded Pulley.....	1989-1971	43233	1997-1993		43321
Caterpillar 3208 Diesel; W/O Pulley.....	1989-1971	42351	LTS9000		
Caterpillar 3208 Diesel; W/Threaded Pul- ley.....	1989-1971	43059	Caterpillar 3406 Diesel; W/Dished Gear..	1997-1994	44054
Caterpillar 3406 Diesel; W/Dished Gear..	1997-1994	44054	Caterpillar 3406 Diesel; W/Flat Gear.....	1995-1975	45009
Caterpillar 3406 Diesel; W/Flat Gear.....	1995-1994	45009	N SERIES		
Cummins B Series 5.9 Diesel.....	1997-1993	41181	Detroit Diesel 6-71; W/O Turbo; W/Reverse Rotation.....		
Cummins C Series 8.3 Diesel; W/Long Nose W.P.; W/Hardened Pulley.....	1997-1993	43321	1969-1967		42344
Cummins C Series 8.3 Diesel; W/Long Nose W.P.; W/O Hardened Pulley.....	1997-1993	43320	Detroit Diesel 6-71; W/O Turbo; W/Standard Rotation.....		
Cummins C Series 8.3 Diesel; W/Short Nose W.P.....	1997-1993	42352	1969-1967		42102
Cummins N14 Diesel.....	1997-1993	44052	Detroit Diesel 6-71; W/Turbo; W/Reverse Rotation.....		
Detroit Diesel 6V-53; W/Clockwise Eng... W/Counterclockwise Eng.....	1972-1970	43310	1969-1967		42322
LTS9000			Detroit Diesel 6-71; W/Turbo; W/Standard Rotation.....		
Caterpillar 3406 Diesel; W/Dished Gear..	1997-1994	44054	1969-1967		42321
Caterpillar 3406 Diesel; W/Flat Gear.....	1995-1975	45009	Detroit Diesel 6V-53; W/Clockwise Eng... W/Counterclockwise Eng.....		
			1969		43310
			Detroit Diesel 6V-53;		
			W/Counterclockwise Eng.....		
			1969		43309
			Ford V-8 330; W/H.D. Eng.....		
			1969-1964		42557
			Ford V-8 330; W/M.D. Eng.....		
			1969-1964		44005
			Ford V-8 361; W/H.D. Eng.....		
			1969-1964		42557
			Ford V-8 361; W/M.D. Eng.....		
			1969-1964		44005
			Ford V-8 391; W/H.D. Eng.....		
			1969-1964		42557
			Ford V-8 391; W/M.D. Eng.....		
			1969-1964		44005

▼ 2 Outlets at 45 Degree Angles
■ 2 Outlets Pointing Straight Down

● Outlet Straight Down & Outlet at 45 Degree Angle
* High Performance Pump

Application Guide - Medium and Heavy-Duty Trucks

Application	Year	Gates No.	Application	Year	Gates No.
FORD - Continued			FORD - Continued		
N SERIES - Continued			WT9000 - Continued		
Ford V-8 401.....	1969-1965	42558	Detroit Diesel 6-71; W/O Turbo; W/Standard Rotation.....	1977-1971	42102
Ford V-8 477.....	1969-1965	42558	Detroit Diesel 6-71; W/Turbo; W/Reverse Rotation.....	1977-1971	42322
Ford V-8 534.....	1969-1965	42558	Detroit Diesel 6-71; W/Turbo; W/Standard Rotation.....	1977-1971	42321
P SERIES			Detroit Diesel 6V-92; "Running" Pump	1977	▼ 44103
Ford 6-Cyl. 240.....	1977-1974	42071	Detroit Diesel 6V-92; "Walking" Pump	1977	● 44097
T SERIES			Detroit Diesel 8V-71; "Running" Pump	1977-1971	▼ 44096
Cummins C Series 8.3 Diesel; W/Long Nose W.P.; W/Hardened Pulley.....	1968-1966	43321	Detroit Diesel 8V-71; "Standing" Pump ...	1977-1971	■ 44075
Cummins C Series 8.3 Diesel; W/Long Nose W.P.; W/O Hardened Pulley.....	1968-1966	43320	Detroit Diesel 8V-71N.....	1974-1971	44075
Cummins C Series 8.3 Diesel; W/Short Nose W.P.....	1968-1966	42352	Detroit Diesel 8V-71T.....	1974-1971	44075
Detroit Diesel 6-71; W/Reverse Rotation.	1969-1968	42344	FREIGHTLINER		
Detroit Diesel 6-71; W/Standard Rotation	1969-1968	42102	ARGOSY		
Detroit Diesel 6V-53; W/Clockwise Eng... W/Counterclockwise Eng.....	1969	43310 43309	Caterpillar 3406 Diesel; W/Dished Gear..	2002-1999	44054
Ford V-8 330; W/M.D. Eng.....	1972-1970	44004	Cummins N14 Diesel.....	2002-1999	44052
Ford V-8 330; W/H.D. Eng.....	1969-1964	42557	Detroit Diesel 6-Cyl. 11.1.....	2003-1999	44066
Ford V-8 330; W/M.D. Eng.....	1969-1964	44005	Detroit Diesel 6-Cyl. 12.7.....	2006-1999	44066
Ford V-8 361; W/H.D. Eng.....	1969-1964	42557	Detroit Diesel 6-Cyl. 14.0.....	2006-2003	44066
Ford V-8 361; W/M.D. Eng.....	1969-1964	44005	CENTURY CLASS		
Ford V-8 391; W/H.D. Eng.....	1969-1964	42557	Caterpillar 3406 Diesel; W/Dished Gear..	1999-1996	44054
Ford V-8 391; W/M.D. Eng.....	1969-1964	44005	Cummins M11 Diesel.....	1997-1996	43307
Ford V-8 401.....	1969-1965	42558	Cummins N14 Diesel.....	2001-1996	44052
Ford V-8 477.....	1969-1965	42558	Detroit Diesel Series 55.....	1998-1996	44066
Ford V-8 534.....	1969-1965	42558	Detroit Diesel 6-Cyl. 11.1.....	2003-1996	44066
W9000			Detroit Diesel 6-Cyl. 12.7.....	2005-1996	44066
Caterpillar 3406 Diesel; W/Flat Gear.....	1976	45009	Detroit Diesel 6-Cyl. 14.0.....	2006-2003	44066
Cummins 6-Cyl. 14.0 Diesel; Idler Pulley; W/2-Groove Pulley.....	1977-1971	41129	CLASSIC		
Cummins 6-Cyl. 14.0 Diesel; W/Full Flow Cool.....	1977-1971	44064	Cummins N14 Diesel.....	2002-2001	44052
Detroit Diesel 6-71; W/O Turbo; W/Reverse Rotation.....	1977-1971	42344	Detroit Diesel 6-Cyl. 11.1.....	2002-2001	44066
Detroit Diesel 6-71; W/O Turbo; W/Standard Rotation.....	1977-1971	42102	Detroit Diesel 6-Cyl. 12.7.....	2007-2001	44066
Detroit Diesel 6-71; W/Turbo; W/Reverse Rotation.....	1977-1971	42322	Detroit Diesel 6-Cyl. 14.0.....	2007-2003	44066
Detroit Diesel 6-71; W/Turbo; W/Standard Rotation.....	1977-1971	42321	CLASSIC XL		
Detroit Diesel 6V-92; "Running" Pump	1977	▼ 44103	Cummins N14 Diesel.....	2003-2001	44052
Detroit Diesel 6V-92; "Walking" Pump	1977	● 44097	Detroit Diesel 6-Cyl. 11.1.....	2002-2001	44066
Detroit Diesel 8V-71; "Running" Pump	1977-1971	▼ 44096	Detroit Diesel 6-Cyl. 12.7.....	2007-2001	44066
Detroit Diesel 8V-71; "Standing" Pump ...	1977-1971	■ 44075	Detroit Diesel 6-Cyl. 14.0.....	2007-2003	44066
Detroit Diesel 8V-71N.....	1974-1971	44075	Detroit Diesel 6-Cyl. 14.0.....	2001	44066
Detroit Diesel 8V-71T.....	1974-1971	44075	COLUMBIA		
W SERIES			Cummins N14 Diesel.....	2003	44052
Detroit Diesel 6-71; W/Reverse Rotation.	1970-1968	42344	Detroit Diesel 6-Cyl. 11.1.....	2001-2000	44066
Detroit Diesel 6-71; W/Standard Rotation	1970-1968	42102	Detroit Diesel 6-Cyl. 12.7.....	2007-2000	44066
Detroit Diesel 6-71; W/O Turbo; W/Reverse Rotation.....	1967	42344	Detroit Diesel 6-Cyl. 14.0.....	2007-2002	44066
Detroit Diesel 6-71; W/O Turbo; W/Standard Rotation.....	1967	42102	CORONADO		
Detroit Diesel 6-71; W/Turbo; W/Reverse Rotation.....	1967	42322	Detroit Diesel 6-Cyl. 12.7.....	2007-2002	44066
Detroit Diesel 6-71; W/Turbo; W/Standard Rotation.....	1967	42321	Detroit Diesel 6-Cyl. 14.0.....	2006-2003	44066
Detroit Diesel 8V-71; "Running" Pump	1970-1966	▼ 44096	FC70		
Detroit Diesel 8V-71; "Standing" Pump ...	1970-1966	■ 44075	Cummins ISB Diesel.....	2003-2001	41176
WT9000			Cummins ISB Diesel.....	1999	41176
Caterpillar 3406 Diesel; W/Flat Gear.....	1976	45009	FC80		
Cummins 6-Cyl. 14.0 Diesel; Idler Pulley; W/2-Groove Pulley.....	1977-1971	41129	Cummins ISB Diesel.....	2005-2001	41176
Cummins 6-Cyl. 14.0 Diesel; W/Full Flow Cool.....	1977-1971	44064	Cummins ISB Diesel.....	1999	41176
Detroit Diesel 6-71; W/O Turbo; W/Reverse Rotation.....	1977-1971	42344	FL50		
			Cummins B Series 5.9 Diesel.....	1997-1995	41181
			Cummins C Series 8.3 Diesel; W/Long Nose W.P.; W/Hardened Pulley.....	1996-1995	43321
			Cummins C Series 8.3 Diesel; W/Long Nose W.P.; W/O Hardened Pulley.....	1996-1995	43320
			Cummins C Series 8.3 Diesel; W/Short Nose W.P.....	1996-1995	42352
			Cummins ISB Diesel.....	2003-1999	41176
			Cummins ISB Diesel.....	1998	41181

▼ 2 Outlets at 45 Degree Angles
■ 2 Outlets Pointing Straight Down

● Outlet Straight Down & Outlet at 45 Degree Angle
* High Performance Pump

Application Guide - Medium and Heavy-Duty Trucks

Application	Year	Gates No.	Application	Year	Gates No.
FREIGHTLINER - Continued			FREIGHTLINER - Continued		
FL60; FL70; FL80			FLC - Continued		
Cummins B Series 5.9 Diesel.....	1997-1991	41181	Cummins 6-Cyl. 14.0 Diesel; W/Big Cam IV Eng.; W/6-Ribbed Belt	1985	44092
Cummins C Series 8.3 Diesel; W/Long Nose W.P.; W/Hardened Pulley	1996-1994	43321	Cummins 6-Cyl. 14.0 Diesel; W/Big Cam IV Eng.; W/V-Belt Drive	1985	44084
Cummins C Series 8.3 Diesel; W/Long Nose W.P.; W/O Hardened Pulley	1996-1994	43320	Cummins 6-Cyl. 14.0 Diesel.....	1984	44055
Cummins C Series 8.3 Diesel; W/Short Nose W.P.....	1996-1994	42352	Cummins 6-Cyl. 14.0 Diesel; W/Big Cam I & II Eng.	1983	44086
Cummins ISB Diesel.....	2003-1999	41176	Cummins 6-Cyl. 14.0 Diesel; W/Big Cam III Eng.....	1983	44055
Cummins ISB Diesel.....	1998	41181	Cummins 6-Cyl. 14.0 Diesel.....	1982-1980	44086
FL106			Cummins 6-Cyl. 14.0 Diesel; Tensioner Pulley - W.P.; W/V-Ribbed Belt	1981-1980	41111
Detroit Diesel Series 50	2001-1994	44066	Cummins 6-Cyl. 855 Diesel; Idler Pulley; W/2-Groove Pulley	1979-1975	41129
FL112			Cummins 6-Cyl. 855 Diesel; W/Full Flow Cool.	1979-1975	44064
Cummins M11 Diesel	1997-1996	43307	Detroit Diesel 6V-92; "Running" Pump	1988-1977	▼44103
Detroit Diesel Series 55	1998-1997	44066	Detroit Diesel 6V-92; "Walking" Pump	1988-1977	●44097
FLA			Detroit Diesel 8V-92; "Running" Pump	1982-1977	▼44103
Caterpillar 3406 Diesel; W/Dished Gear..	1994-1993	44054	Detroit Diesel 8V-92; "Walking" Pump	1982-1977	●44097
Caterpillar 3406 Diesel; W/Flat Gear	1994-1989	45009	Detroit Diesel 6-Cyl. 11.1	1998-1991	44066
Cummins L10 Diesel	1994-1991	43307	Detroit Diesel 6-Cyl. 12.7	1998-1991	44066
Cummins L10 Diesel; Idler Pulley.....	1994-1991	41175	FLD		
Cummins L10 Diesel	1990-1989	44094	Caterpillar 3406 Diesel; W/Dished Gear..	2000	44054
Cummins N14 Diesel.....	1994-1991	44052	Caterpillar 3406 Diesel	1999-1996	44054
Cummins 6-Cyl. 14.0 Diesel.....	1990	44052	Caterpillar 3406 Diesel; W/Dished Gear..	1995-1993	44054
Cummins 6-Cyl. 14.0 Diesel; Idler Pulley; W/Flat Idler Pulley	1990-1989	41173	Caterpillar 3406 Diesel; W/Flat Gear	1995-1988	45009
Cummins 6-Cyl. 14.0 Diesel; Idler Pulley; W/V-Ribbed Belt.....	1990-1989	41174	Cummins C Series 8.3 Diesel; W/Long Nose W.P.; W/Hardened Pulley	1996-1995	43321
Cummins 6-Cyl. 14.0 Diesel; W/6-Ribbed Belt	1989	44092	Cummins C Series 8.3 Diesel; W/Long Nose W.P.; W/O Hardened Pulley	1996-1995	43320
Cummins 6-Cyl. 14.0 Diesel; W/V-Belt Drive	1989	44084	Cummins C Series 8.3 Diesel; W/Short Nose W.P	1996-1995	42352
Detroit Diesel 6-Cyl. 11.1	1994-1991	44066	Cummins L10 Diesel	1996-1991	43307
Detroit Diesel 6-Cyl. 12.7	1994-1991	44066	Cummins L10 Diesel; Idler Pulley.....	1996-1995	41175
FLB			Cummins L10 Diesel; Idler Pulley.....	1993-1991	41175
Caterpillar 3406 Diesel; W/Dished Gear..	1997-1994	44054	Cummins L10 Diesel	1990-1988	44094
Caterpillar 3406 Diesel; W/Flat Gear	1996-1994	45009	Cummins M11 Diesel	1997-1995	43307
Cummins L10 Diesel	1996-1995	43307	Cummins N14 Diesel.....	2003-1991	44052
Cummins L10 Diesel; Idler Pulley.....	1996-1995	41175	Cummins 6-Cyl. 14.0 Diesel.....	1990	44052
Cummins M11 Diesel	1998-1995	43307	Cummins 6-Cyl. 14.0 Diesel; Idler Pulley; W/Flat Idler Pulley	1990-1988	41173
Cummins N14 Diesel	1998-1994	44052	Cummins 6-Cyl. 14.0 Diesel; Idler Pulley; W/V-Ribbed Belt.....	1990-1988	41174
Detroit Diesel 6-Cyl. 11.1	1999-1994	44066	Cummins 6-Cyl. 14.0 Diesel; W/6-Ribbed Belt	1989-1988	44092
Detroit Diesel 6-Cyl. 12.7	1999-1994	44066	Cummins 6-Cyl. 14.0 Diesel; W/V-Belt Drive	1989-1988	44084
FLC			Detroit Diesel 6V-92; "Running" Pump	1988	▼44103
Caterpillar 3406 Diesel; W/Dished Gear..	1996-1993	44054	Detroit Diesel 6V-92; "Walking" Pump	1988	●44097
Caterpillar 3406 Diesel; W/Flat Gear	1996-1978	45009	Detroit Diesel Series 50	1996-1994	44066
Cummins C Series 8.3 Diesel; W/Long Nose W.P.; W/Hardened Pulley	1996-1995	43321	Detroit Diesel 6-Cyl. 11.1	2002-1991	44066
Cummins C Series 8.3 Diesel; W/Long Nose W.P.; W/O Hardened Pulley	1996-1995	43320	Detroit Diesel 6-Cyl. 12.7	2007-1991	44066
Cummins C Series 8.3 Diesel; W/Short Nose W.P.....	1996-1995	42352	Detroit Diesel 6-Cyl. 14.0	2007-2001	44066
Cummins L10 Diesel	1996-1991	43307	FLF		
Cummins L10 Diesel; Idler Pulley.....	1996	41175	Caterpillar 3406 Diesel	1997	44054
Cummins L10 Diesel; Idler Pulley.....	1993-1991	41175	Caterpillar 3406 Diesel; W/Dished Gear..	1996-1995	44054
Cummins L10 Diesel	1990-1983	44094	Caterpillar 3406 Diesel; W/Flat Gear	1996-1995	45009
Cummins M11 Diesel	1998-1995	43307	Cummins L10 Diesel	1996-1989	43307
Cummins N14 Diesel.....	1998-1991	44052	Cummins L10 Diesel; Idler Pulley.....	1996-1989	41175
Cummins 6-Cyl. 14.0 Diesel.....	1990	44052	Cummins M11 Diesel	1996-1994	43307
Cummins 6-Cyl. 14.0 Diesel; Idler Pulley; W/Flat Idler Pulley	1990-1985	41173	Cummins N14 Diesel.....	1996-1995	44052
Cummins 6-Cyl. 14.0 Diesel; Idler Pulley; W/V-Ribbed Belt.....	1990-1985	41174	Detroit Diesel 6-Cyl. 11.1	1996-1995	44066
Cummins 6-Cyl. 14.0 Diesel; W/6-Ribbed Belt	1989-1986	44092	Detroit Diesel 6-Cyl. 12.7	1996-1990	44066
Cummins 6-Cyl. 14.0 Diesel; W/V-Belt Drive	1989-1986	44084	FLS112		
Cummins 6-Cyl. 14.0 Diesel; Tensioner Pulley; W/Big Cam III Eng.; W/V-Ribbed Belt.....	1985	41111	Detroit Diesel 6-Cyl. 11.1	2000	44066
			Detroit Diesel 6-Cyl. 12.7	2000	44066
			FLT		
			Caterpillar 3406 Diesel; W/Flat Gear	1988-1978	45009
			Cummins L10 Diesel	1988-1984	44094

▼ 2 Outlets at 45 Degree Angles
 ■ 2 Outlets Pointing Straight Down

● Outlet Straight Down & Outlet at 45 Degree Angle
 * High Performance Pump

Application Guide - Medium and Heavy-Duty Trucks

Application	Year	Gates No.	Application	Year	Gates No.
FREIGHTLINER - Continued			GIANT TRUCKS		
FLT - Continued			C116		
Cummins 6-Cyl. 14.0 Diesel; W/6-Ribbed Belt.....	1988-1986	44092	Cummins 6-Cyl. 14.0 Diesel; W/6-Ribbed Belt.....	1989-1987	44092
Cummins 6-Cyl. 14.0 Diesel; Idler Pulley; W/Flat Idler Pulley.....	1988-1985	41173	Cummins 6-Cyl. 14.0 Diesel; W/V-Belt Drive.....	1989-1987	44084
Cummins 6-Cyl. 14.0 Diesel; W/V-Belt Drive.....	1988-1986	44084	GMC		
Cummins 6-Cyl. 14.0 Diesel; Idler Pulley; W/V-Ribbed Belt.....	1988-1985	41174	ASTRO		
Cummins 6-Cyl. 14.0 Diesel; Tensioner Pulley; W/Big Cam III Eng.;	1985	41111	Caterpillar 3406 Diesel; W/Flat Gear.....	1983-1979	45009
W/V-Ribbed Belt.....	1985	41111	Cummins 6-Cyl. 14.0 Diesel; W/6-Ribbed Belt.....	1988-1986	44092
Cummins 6-Cyl. 14.0 Diesel; W/Big Cam IV Eng.;	1985	44092	Cummins 6-Cyl. 14.0 Diesel; Idler Pulley; W/Flat Idler Pulley.....	1988-1985	41173
W/6-Ribbed Belt.....	1985	44092	Cummins 6-Cyl. 14.0 Diesel; W/V-Belt Drive.....	1988-1986	44084
Cummins 6-Cyl. 14.0 Diesel; W/Big Cam IV Eng.;	1985	44084	Cummins 6-Cyl. 14.0 Diesel; Idler Pulley; W/V-Ribbed Belt.....	1988-1985	41174
W/V-Belt Drive.....	1985	44084	Cummins 6-Cyl. 14.0 Diesel; Tensioner Pulley; W/Big Cam III Eng.;	1985	41111
Cummins 6-Cyl. 14.0 Diesel.....	1984	44055	W/V-Ribbed Belt.....	1985	41111
Cummins 6-Cyl. 14.0 Diesel; W/Big Cam I & II Eng.	1983	44086	Cummins 6-Cyl. 14.0 Diesel; W/Big Cam IV Eng.;	1985	44092
Cummins 6-Cyl. 14.0 Diesel; W/Big Cam III Eng.	1983	44055	W/6-Ribbed Belt.....	1985	44092
Cummins 6-Cyl. 14.0 Diesel.....	1982-1980	44086	Cummins 6-Cyl. 14.0 Diesel; W/Big Cam IV Eng.;	1985	44084
Cummins 6-Cyl. 14.0 Diesel; Tensioner Pulley - W.P.;	1981-1980	41111	W/V-Belt Drive.....	1985	44084
W/V-Ribbed Belt.....	1981-1980	41111	Cummins 6-Cyl. 14.0 Diesel.....	1984	44055
Cummins 6-Cyl. 855 Diesel; Idler Pulley; W/2-Groove Pulley.....	1979-1975	41129	Cummins 6-Cyl. 14.0 Diesel; W/Big Cam I & II Eng.	1983	44086
Cummins 6-Cyl. 855 Diesel; W/Full Flow Cool.	1979-1975	44064	Cummins 6-Cyl. 14.0 Diesel; W/Big Cam III Eng.	1983	44055
Detroit Diesel 6V-92; "Running" Pump	1988-1977	▼44103	Cummins 6-Cyl. 14.0 Diesel.....	1982-1980	44086
Detroit Diesel 6V-92; "Walking" Pump.....	1988-1977	●44097	Cummins 6-Cyl. 14.0 Diesel; Tensioner Pulley - W.P.;	1981-1980	41111
Detroit Diesel 8V-92; "Running" Pump.....	1982-1977	▼44103	W/V-Ribbed Belt.....	1981-1980	41111
Detroit Diesel 8V-92; "Walking" Pump.....	1982-1977	●44097	Detroit Diesel 6-71; W/O Turbo; W/Reverse Rotation.....	1983-1969	42344
MT35			Detroit Diesel 6-71; W/O Turbo; W/Standard Rotation.....	1983-1969	42102
Cummins ISB Diesel.....	2006-2004	41176	Detroit Diesel 6-71; W/Turbo; W/Reverse Rotation.....	1983-1969	42322
MT45; MT55			Detroit Diesel 6-71; W/Turbo; W/Standard Rotation.....	1983-1969	42321
Cummins ISB CNG.....	2001	41176	Detroit Diesel 6V-92; "Running" Pump	1988-1973	▼44103
Cummins ISB Diesel.....	2007-1999	41176	Detroit Diesel 6V-92; "Walking" Pump.....	1988-1973	●44097
WFC			Detroit Diesel 8V-71.....	1983-1969	44075
Cummins 6-Cyl. 855 Diesel; Idler Pulley; W/2-Groove Pulley.....	1977-1974	41129	Detroit Diesel 8V-92; "Running" Pump	1988-1975	▼44103
Cummins 6-Cyl. 855 Diesel; W/Full Flow Cool.	1977-1974	44064	Detroit Diesel 8V-92; "Walking" Pump.....	1988-1975	●44097
Detroit Diesel 6V-92; "Running" Pump	1977	▼44103	BRIGADIER		
Detroit Diesel 6V-92; "Walking" Pump.....	1977	●44097	Caterpillar 3208 Diesel; W/Non-Threaded Pulley.....	1988-1978	43233
Detroit Diesel 8V-71; "Running" Pump	1977-1974	▼44096	Caterpillar 3208 Diesel; W/O Pulley.....	1988-1978	42351
Detroit Diesel 8V-71; "Standing" Pump ...	1977-1974	■44075	Caterpillar 3208 Diesel; W/Theaded Pulley.....	1988-1978	43059
Detroit Diesel 8V-92; "Running" Pump	1977-1974	▼44103	Caterpillar 3406 Diesel; W/Flat Gear.....	1983-1980	45009
Detroit Diesel 8V-92; "Walking" Pump.....	1977-1974	●44097	Cummins L10 Diesel.....	1988-1983	44094
WFHD			Cummins 6-Cyl. 14.0 Diesel; W/6-Ribbed Belt.....	1988-1986	44092
Detroit Diesel 6V-53; W/Clockwise Eng. ...	1970-1968	43310	Cummins 6-Cyl. 14.0 Diesel; Idler Pulley; W/Flat Idler Pulley.....	1988-1985	41173
Detroit Diesel 6V-53; W/Counterclockwise Eng.	1970-1968	43309	Cummins 6-Cyl. 14.0 Diesel; W/V-Belt Drive.....	1988-1986	44084
WFT			Cummins 6-Cyl. 14.0 Diesel; Idler Pulley; W/V-Ribbed Belt.....	1988-1985	41174
Caterpillar 3406 Diesel; W/Flat Gear.....	1976-1975	45009	Cummins 6-Cyl. 14.0 Diesel; Tensioner Pulley; W/Big Cam III Eng.;	1985	41111
Cummins NT Diesel; Idler Pulley; W/2-Groove Pulley.....	1973-1971	41129	W/V-Ribbed Belt.....	1985	41111
Cummins NT Diesel; W/Full Flow Cool. ...	1973-1971	44064	Cummins 6-Cyl. 14.0 Diesel; W/Big Cam IV Eng.;	1985	44092
Cummins 6-Cyl. 855 Diesel; Idler Pulley; W/2-Groove Pulley.....	1977-1974	41129	Cummins 6-Cyl. 14.0 Diesel; W/Big Cam IV Eng.;	1985	44092
Cummins 6-Cyl. 855 Diesel; W/Full Flow Cool.	1977-1974	44064	Cummins 6-Cyl. 14.0 Diesel; W/V-Belt Drive.....	1985	44084
Detroit Diesel 6V-92; "Running" Pump	1977	▼44103	Cummins 6-Cyl. 14.0 Diesel.....	1984	44055
Detroit Diesel 6V-92; "Walking" Pump.....	1977	●44097	Cummins 6-Cyl. 14.0 Diesel; W/Big Cam I & II Eng.	1983	44086
Detroit Diesel 8V-71; "Running" Pump	1977-1971	▼44096	Cummins 6-Cyl. 14.0 Diesel; W/Big Cam III Eng.	1983	44086
Detroit Diesel 8V-71; "Standing" Pump ...	1977-1971	■44075	Cummins 6-Cyl. 14.0 Diesel; W/Big Cam III Eng.	1983	44055
Detroit Diesel 8V-71.....	1970-1969	44075			
Detroit Diesel 8V-92; "Running" Pump	1977-1974	▼44103			
Detroit Diesel 8V-92; "Walking" Pump.....	1977-1974	●44097			

▼ 2 Outlets at 45 Degree Angles
 ■ 2 Outlets Pointing Straight Down

● Outlet Straight Down & Outlet at 45 Degree Angle
 * High Performance Pump

Application Guide - Medium and Heavy-Duty Trucks

Application	Year	Gates No.	Application	Year	Gates No.
GMC - Continued			GMC - Continued		
BRIGADIER - Continued			C6500 - Continued		
Cummins 6-Cyl. 14.0 Diesel.....	1982-1980	44086	Detroit Diesel 3-71; W/Turbo; W/Reverse Rotation.....	1978	42322
Cummins 6-Cyl. 14.0 Diesel; Tensioner Pulley - W.P.; W/V-Ribbed Belt	1981-1980	41111	Detroit Diesel 3-71; W/Turbo; W/Standard Rotation.....	1978	42321
Detroit Diesel 6-71; W/O Turbo; W/Reverse Rotation.....	1988-1978	42344	GM V-8 6.0.....	1998-1997	45001
Detroit Diesel 6-71; W/O Turbo; W/Standard Rotation.....	1988-1978	42102	GM V-8 7.0.....	1998-1997	45001
Detroit Diesel 6-71; W/Turbo; W/Reverse Rotation.....	1988-1978	42322	GM V-8 7.4.....	2000-1999	42569
Detroit Diesel 6-71; W/Turbo; W/Standard Rotation.....	1988-1978	42321	C7000		
Detroit Diesel 6V-53; W/Clockwise Eng... Detroit Diesel 6V-53;	1985-1978	43310	Caterpillar 3208 Diesel; W/Non-Threaded Pulley.....	1990-1979	43233
W/Counterclockwise Eng.....	1985-1978	43309	Caterpillar 3208 Diesel; W/O Pulley	1990-1979	42351
Detroit Diesel 6V-92; "Running" Pump	1988-1978	▼ 44103	Caterpillar 3208 Diesel; W/Threaded Pul- ley.....	1990-1979	43059
Detroit Diesel 6V-92; "Walking" Pump.....	1988-1978	● 44097	Detroit Diesel 4-53; W/Clockwise Eng.	1981-1978	43310
Detroit Diesel 8V-71.....	1981-1978	44075	Detroit Diesel 4-53; W/Counterclockwise Eng.	1981-1978	43309
Detroit Diesel 8V-92; "Running" Pump	1983-1982	▼ 44103	Detroit Diesel V-8 8.2; W/Heater Outlet ..	1990-1980	46001
Detroit Diesel 8V-92; "Walking" Pump.....	1983-1982	● 44097	GM V-8 366; W/O P.T.O.....	1979-1978	45003
GM V-8 366; W/O P.T.O.....	1979	45003	GM V-8 366; W/P.T.O.....	1979-1978	44029
GM V-8 366; W/P.T.O.....	1979	44029	GM V-8 6.0; W/O Screw-On Hub.....	1990	45003
GM V-8 6.0; W/O P.T.O.....	1980	45003	GM V-8 6.0; W/Screw-On Hub	1990	45001
GM V-8 6.0; W/P.T.O.....	1980	44029	GM V-8 6.0; W/O P.T.O.....	1980	45003
GM V-8 427; W/O P.T.O.....	1979-1978	45003	GM V-8 6.0; W/P.T.O.....	1980	44029
GM V-8 427; W/P.T.O.....	1979-1978	44029	GM V-8 427; W/O P.T.O.....	1979-1978	45003
C4500			GM V-8 427; W/P.T.O.....	1979-1978	44029
GM V-8 6.6 Diesel.....	2005-2003	42349	GM V-8 7.0; W/O Screw-On Hub.....	1990	45001
C5000			GM V-8 7.0; W/O P.T.O.....	1980	45003
GM V-8 350.....	1979-1978	43104	GM V-8 7.0; W/P.T.O.....	1980	44029
GM V-8 5.7.....	1990-1980	43104	GM V-8 7.4.....	1980	44029
GM V-8 6.0; W/O Screw-On Hub.....	1990	45003	C7500; C8500		
GM V-8 6.0; W/Screw-On Hub.....	1990	45001	GM V-8 6.0.....	1998-1997	45001
C5500			GM V-8 7.0.....	1998-1997	45001
GM V-8 6.0.....	1998-1997	45001	GM V-8 7.4.....	2000-1999	42569
GM V-8 6.6 Diesel.....	2005-2003	42349	C M & S 6000; C M & S 6500; C M & S 7000		
GM V-8 7.0.....	1998-1997	45001	Detroit Diesel 3-71; W/O Turbo; W/Reverse Rotation.....	1976	42344
GM V-8 7.4.....	2000-1999	42569	Detroit Diesel 3-71; W/O Turbo; W/Standard Rotation.....	1976	42102
C6000			Detroit Diesel 3-71; W/Turbo; W/Reverse Rotation.....	1976	42322
Caterpillar 3208 Diesel; W/Non-Threaded Pulley.....	1984-1979	43233	Detroit Diesel 3-71; W/Turbo; W/Standard Rotation.....	1976	42321
Caterpillar 3208 Diesel; W/O Pulley	1984-1979	42351	CD6500		
Caterpillar 3208 Diesel; W/Threaded Pul- ley.....	1984-1979	43059	Detroit Diesel 4-53; W/Clockwise Eng.	1977	43310
Detroit Diesel 3-71; W/O Turbo; W/Reverse Rotation.....	1978	42344	Detroit Diesel 4-53; W/Counterclockwise Eng.	1977	43309
Detroit Diesel 3-71; W/O Turbo; W/Standard Rotation.....	1978	42102	CE5000		
Detroit Diesel 3-71; W/Turbo; W/Reverse Rotation.....	1978	42322	GM V-8 350.....	1977-1973	43104
Detroit Diesel 3-71; W/Turbo; W/Standard Rotation.....	1978	42321	CE5500		
Detroit Diesel 4-53; W/Clockwise Eng.	1981-1978	43310	GM V-8 366; W/O P.T.O.....	1972-1966	45003
Detroit Diesel 4-53; W/Counterclockwise Eng.	1981-1978	43309	GM V-8 366; W/P.T.O.....	1972-1966	44029
Detroit Diesel V-8 8.2; W/Heater Outlet ..	1990-1980	46001	GM V-8 427; W/O P.T.O.....	1972-1966	45003
GM V-8 350.....	1979-1978	43104	GM V-8 427; W/P.T.O.....	1972-1966	44029
GM V-8 5.7.....	1990-1980	43104	CE6000		
GM V-8 366; W/O P.T.O.....	1979-1978	45003	GM V-8 350.....	1977-1973	43104
GM V-8 366; W/P.T.O.....	1979-1978	44029	GM V-8 366; W/O P.T.O.....	1977-1967	45003
GM V-8 6.0; W/O Screw-On Hub.....	1990	45003	GM V-8 366; W/P.T.O.....	1977-1967	44029
GM V-8 6.0; W/Screw-On Hub	1990	45001	GM V-8 427; W/O P.T.O.....	1977-1967	45003
GM V-8 6.0; W/O P.T.O.....	1980	45003	GM V-8 427; W/P.T.O.....	1977-1967	44029
GM V-8 6.0; W/P.T.O.....	1980	44029	CE6500		
C6500			GM V-8 366; W/O P.T.O.....	1977-1973	45003
Detroit Diesel 3-71; W/O Turbo; W/Reverse Rotation.....	1978	42344	GM V-8 366; W/P.T.O.....	1977-1973	44029
Detroit Diesel 3-71; W/O Turbo; W/Standard Rotation.....	1978	42102	GM V-8 427; W/O P.T.O.....	1977-1973	45003
C6500 - Continued			GM V-8 427; W/P.T.O.....	1977-1973	44029

- ▼ 2 Outlets at 45 Degree Angles
- 2 Outlets Pointing Straight Down

- Outlet Straight Down & Outlet at 45 Degree Angle
- * High Performance Pump

Application Guide - Medium and Heavy-Duty Trucks

Application	Year	Gates No.	Application	Year	Gates No.
GMC - Continued			GMC - Continued		
CH9500			GENERAL - Continued		
Detroit Diesel 8V-71	1977-1966	44075	Cummins 6-Cyl. 14.0 Diesel; Tensioner Pulley - W.P.; W/V-Ribbed Belt	1981-1980	41111
CI9500			Detroit Diesel 6-71; W/O Turbo; W/Reverse Rotation	1988-1977	42344
Detroit Diesel 6-71; W/O Turbo; W/Standard Rotation	1971-1966	42102	Detroit Diesel 6-71; W/O Turbo; W/Standard Rotation	1988-1977	42102
Detroit Diesel 6-71; W/Turbo; W/Reverse Rotation	1971-1966	42322	Detroit Diesel 6-71; W/Turbo; W/Reverse Rotation	1988-1977	42322
Detroit Diesel 6-71; W/Turbo; W/Standard Rotation	1971-1966	42321	Detroit Diesel 6-71; W/Turbo; W/Standard Rotation	1988-1977	42321
Detroit Diesel 6-71N; W/O Turbo; W/Reverse Rotation	1971-1966	42344	Detroit Diesel 6V-92; "Running" Pump	1988-1977	▼44103
Detroit Diesel 6-71N; W/O Turbo; W/Standard Rotation	1971-1966	42102	Detroit Diesel 6V-92; "Walking" Pump	1988-1977	●44097
Detroit Diesel 6-71N; W/Turbo; W/Reverse Rotation	1971-1966	42322	Detroit Diesel 8V-71	1983-1977	44075
Detroit Diesel 6-71N; W/Turbo; W/Standard Rotation	1971-1966	42321	Detroit Diesel 8V-92; "Running" Pump	1988-1977	▼44103
Detroit Diesel 6-71T; W/O Turbo; W/Reverse Rotation	1971-1966	42344	Detroit Diesel 8V-92; "Walking" Pump	1988-1977	●44097
Detroit Diesel 6-71T; W/O Turbo; W/Standard Rotation	1971-1966	42102	H7500		
Detroit Diesel 6-71T; W/Turbo; W/Reverse Rotation	1971-1966	42322	Caterpillar 3208 Diesel; W/Non-Threaded Pulley	1978	43233
Detroit Diesel 6-71T; W/Turbo; W/Standard Rotation	1971-1966	42321	Caterpillar 3208 Diesel; W/O Pulley	1978	42351
CS5000; CS6000			Caterpillar 3208 Diesel; W/Theaded Pulley	1978	43059
GM 6-Cyl. 292	1974-1967	43283	Detroit Diesel 6V-53; W/Clockwise Eng...	1978	43310
DW9500			Detroit Diesel 6V-53; W/Counterclockwise Eng.	1978	43309
Detroit Diesel 6V-71; "Running" Pump	1974-1972	▼44096	GM V-8 366; W/O P.T.O.	1978-1974	45003
Detroit Diesel 6V-71; "Standing" Pump ...	1974-1972	■44075	GM V-8 366; W/P.T.O.	1978-1974	44029
Detroit Diesel 6V-71; "Running" Pump	1967-1966	▼44096	GM V-8 427; W/O P.T.O.	1978-1974	45003
Detroit Diesel 6V-71; "Standing" Pump ...	1967-1966	■44075	GM V-8 427; W/P.T.O.	1978-1974	44029
EM4500; EM5500; EM6500			H8500		
GM V-6 305	1967	42105	GM V-8 366; W/O P.T.O.	1978-1974	45003
FORWARD W4			GM V-8 366; W/P.T.O.	1978-1974	44029
Isuzu 4BD1 Diesel	1991-1986	43314	GM V-8 427; W/O P.T.O.	1978-1974	45003
FW9500			GM V-8 427; W/P.T.O.	1978-1974	44029
Detroit Diesel 6V-71; "Running" Pump	1974-1972	▼44096	H9500		
Detroit Diesel 6V-71; "Standing" Pump ...	1974-1972	■44075	Detroit Diesel 6-71; W/O Turbo; W/Reverse Rotation	1978	42344
Detroit Diesel 6V-71; "Running" Pump	1967-1966	▼44096	Detroit Diesel 6-71; W/O Turbo; W/Standard Rotation	1978	42102
Detroit Diesel 6V-71; "Standing" Pump ...	1967-1966	■44075	Detroit Diesel 6-71; W/Turbo; W/Reverse Rotation	1978	42322
GENERAL			Detroit Diesel 6-71; W/Turbo; W/Standard Rotation	1978	42321
Caterpillar 3406 Diesel; W/Flat Gear	1988-1987	45009	Detroit Diesel 6V-92; "Running" Pump	1978	▼44103
Caterpillar 3406 Diesel; W/Flat Gear	1985-1979	45009	Detroit Diesel 6V-92; "Walking" Pump	1978	●44097
Cummins L10 Diesel	1988-1985	44094	Detroit Diesel 8V-71	1978	44075
Cummins 6-Cyl. 14.0 Diesel; W/6-Ribbed Belt	1988-1986	44092	HH9500		
Cummins 6-Cyl. 14.0 Diesel; Idler Pulley; W/Flat Idler Pulley	1988-1985	41173	Detroit Diesel 8V-71	1977-1971	44075
Cummins 6-Cyl. 14.0 Diesel; W/V-Belt Drive	1988-1986	44084	HI9500		
Cummins 6-Cyl. 14.0 Diesel; Idler Pulley; W/V-Ribbed Belt	1988-1985	41174	Detroit Diesel 6-71; W/O Turbo; W/Reverse Rotation	1977-1966	42344
Cummins 6-Cyl. 14.0 Diesel; Tensioner Pulley; W/Big Cam III Eng.; W/V-Ribbed Belt	1985	41111	Detroit Diesel 6-71; W/O Turbo; W/Standard Rotation	1977-1966	42102
Cummins 6-Cyl. 14.0 Diesel; W/Big Cam IV Eng.; W/6-Ribbed Belt	1985	44092	Detroit Diesel 6-71; W/Turbo; W/Reverse Rotation	1977-1966	42322
Cummins 6-Cyl. 14.0 Diesel; W/Big Cam IV Eng.; W/V-Belt Drive	1985	44084	Detroit Diesel 6-71; W/Turbo; W/Standard Rotation	1977-1966	42321
Cummins 6-Cyl. 14.0 Diesel	1984	44055	Detroit Diesel 6-71N; W/O Turbo; W/Reverse Rotation	1976-1966	42344
Cummins 6-Cyl. 14.0 Diesel; W/Big Cam I & II Eng.	1983	44086	Detroit Diesel 6-71N; W/O Turbo; W/Standard Rotation	1976-1966	42102
Cummins 6-Cyl. 14.0 Diesel; W/Big Cam III Eng.	1983	44055	Detroit Diesel 6-71N; W/Turbo; W/Reverse Rotation	1976-1966	42322
Cummins 6-Cyl. 14.0 Diesel	1982-1980	44086	Detroit Diesel 6-71N; W/Turbo; W/Standard Rotation	1976-1966	42321
			Detroit Diesel 6-71T; W/O Turbo; W/Reverse Rotation	1976-1966	42344
			Detroit Diesel 6-71T; W/O Turbo; W/Standard Rotation	1976-1966	42102

▼ 2 Outlets at 45 Degree Angles
 ■ 2 Outlets Pointing Straight Down

● Outlet Straight Down & Outlet at 45 Degree Angle
 * High Performance Pump

Application Guide - Medium and Heavy-Duty Trucks

Application	Year	Gates No.	Application	Year	Gates No.
GMC - Continued			GMC - Continued		
HI9500 - Continued			JI9500 - Continued		
Detroit Diesel 6-71T; W/Turbo; W/Reverse Rotation.....	1976-1966	42322	Detroit Diesel 6-71; W/O Turbo; W/Standard Rotation.....	1977-1966	42102
Detroit Diesel 6-71T; W/Turbo; W/Standard Rotation.....	1976-1966	42321	Detroit Diesel 6-71; W/Turbo; W/Reverse Rotation.....	1977-1966	42322
HJ9500			JJ9500		
Detroit Diesel 6V-92; "Running" Pump	1977-1976	▼ 44103	Detroit Diesel 6V-92; "Running" Pump	1977-1976	▼ 44103
Detroit Diesel 6V-92; "Walking" Pump.....	1977-1976	● 44097	Detroit Diesel 6V-92; "Walking" Pump.....	1977-1976	● 44097
HM5500; HM7500; HM8500			JM7500		
GM V-6 305	1967-1966	42105	GM V-6 305	1967-1966	42105
HV7500			JN7500; JN8500; JV7500; JV8500		
Detroit Diesel 6V-53; W/Clockwise Eng...	1977-1966	43310	Detroit Diesel 6V-53; W/Clockwise Eng...	1977-1966	43310
Detroit Diesel 6V-53; W/Counterclockwise Eng.....	1977-1966	43309	Detroit Diesel 6V-53; W/Counterclockwise Eng.....	1977-1966	43309
Detroit Diesel 6V-53N; W/Clockwise Eng.....	1976-1966	43310	Detroit Diesel 6V-53N; W/Clockwise Eng.....	1976-1966	43310
Detroit Diesel 6V-53N; W/Counterclockwise Eng.....	1976-1966	43309	Detroit Diesel 6V-53N; W/Counterclockwise Eng.....	1976-1966	43309
Detroit Diesel 6V-53T; W/Clockwise Eng.....	1976-1966	43310	Detroit Diesel 6V-53T; W/Clockwise Eng.....	1976-1966	43310
Detroit Diesel 6V-53T; W/Counterclockwise Eng.....	1976-1966	43309	Detroit Diesel 6V-53T; W/Counterclockwise Eng.....	1976-1966	43309
HY7500			JY7500		
Caterpillar 3208 Diesel; W/Non-Threaded Pulley.....	1977-1976	43233	Caterpillar 3208 Diesel; W/Non-Threaded Pulley.....	1977-1976	43233
Caterpillar 3208 Diesel; W/O Pulley	1977-1976	42351	Caterpillar 3208 Diesel; W/O Pulley	1977-1976	42351
Caterpillar 3208 Diesel; W/Theaded Pul- ley.....	1977-1976	43059	Caterpillar 3208 Diesel; W/Theaded Pul- ley.....	1977-1976	43059
J7500			M6500		
Caterpillar 3208 Diesel; W/Non-Threaded Pulley.....	1978	43233	Detroit Diesel 3-71; W/O Turbo; W/Reverse Rotation.....	1978	42344
Caterpillar 3208 Diesel; W/O Pulley	1978	42351	Detroit Diesel 3-71; W/O Turbo; W/Standard Rotation.....	1978	42102
Caterpillar 3208 Diesel; W/Theaded Pul- ley.....	1978	43059	Detroit Diesel 3-71; W/Turbo; W/Reverse Rotation.....	1978	42322
Detroit Diesel 6V-53; W/Clockwise Eng...	1978	43310	Detroit Diesel 3-71; W/Turbo; W/Standard Rotation.....	1978	42321
Detroit Diesel 6V-53; W/Counterclockwise Eng.....	1978	43309	GM V-8 366; W/O P.T.O.....	1978	45003
GM V-8 366; W/O P.T.O.....	1978-1974	45003	GM V-8 366; W/P.T.O.....	1978	44029
GM V-8 366; W/P.T.O.....	1978-1974	44029	GM V-8 366; W/P.T.O.....	1978	44029
GM V-8 427; W/O P.T.O.....	1978-1974	45003	GM V-8 427; W/O P.T.O.....	1978	45003
GM V-8 427; W/P.T.O.....	1978-1974	44029	GM V-8 427; W/P.T.O.....	1978	44029
J8500			ME6500		
Detroit Diesel 6V-53; W/Clockwise Eng...	1978	43310	GM V-8 366; W/O P.T.O.....	1977-1973	45003
Detroit Diesel 6V-53; W/Counterclockwise Eng.....	1978	43309	GM V-8 366; W/P.T.O.....	1977-1973	44029
GM V-8 366; W/O P.T.O.....	1978-1974	45003	GM V-8 427; W/O P.T.O.....	1977-1973	45003
GM V-8 366; W/P.T.O.....	1978-1974	44029	GM V-8 427; W/P.T.O.....	1977-1973	44029
GM V-8 427; W/O P.T.O.....	1978-1974	45003	MH9500		
GM V-8 427; W/P.T.O.....	1978-1974	44029	Detroit Diesel 8V-71	1977-1966	44075
J9500					
Detroit Diesel 6-71; W/O Turbo; W/Reverse Rotation.....	1978	42344			
Detroit Diesel 6-71; W/O Turbo; W/Standard Rotation.....	1978	42102			
Detroit Diesel 6-71; W/Turbo; W/Reverse Rotation.....	1978	42322			
Detroit Diesel 6-71; W/Turbo; W/Standard Rotation.....	1978	42321			
Detroit Diesel 6V-92; "Running" Pump	1978	▼ 44103			
Detroit Diesel 6V-92; "Walking" Pump.....	1978	● 44097			
Detroit Diesel 8V-71	1978	44075			
JH9500					
Detroit Diesel 8V-71	1977-1971	44075			
JI9500					
Detroit Diesel 6-71; W/O Turbo; W/Reverse Rotation.....	1977-1966	42344			

- ▼ 2 Outlets at 45 Degree Angles
- 2 Outlets Pointing Straight Down

- Outlet Straight Down & Outlet at 45 Degree Angle
- * High Performance Pump

Application Guide - Medium and Heavy-Duty Trucks

Application	Year	Gates No.	Application	Year	Gates No.
GMC - Continued			GMC - Continued		
MI9500			T7500; T8500		
Detroit Diesel 6-71; W/O Turbo; W/Reverse Rotation.....	1973-1966	42344	GM V-8 7.4	1999	42569
Detroit Diesel 6-71; W/O Turbo; W/Standard Rotation.....	1973-1966	42102	TE5500; TE6500		
Detroit Diesel 6-71; W/Turbo; W/Reverse Rotation.....	1973-1966	42322	GM V-8 366; W/O P.T.O.....	1977-1966	45003
Detroit Diesel 6-71; W/Turbo; W/Standard Rotation.....	1973-1966	42321	GM V-8 366; W/P.T.O.....	1977-1966	44029
Detroit Diesel 6-71N; W/O Turbo; W/Reverse Rotation.....	1973-1966	42344	GM V-8 427; W/O P.T.O.....	1977-1966	45003
Detroit Diesel 6-71N; W/O Turbo; W/Standard Rotation.....	1973-1966	42102	GM V-8 427; W/P.T.O.....	1977-1966	44029
Detroit Diesel 6-71N; W/Turbo; W/Reverse Rotation.....	1973-1966	42322	TM7500		
Detroit Diesel 6-71N; W/Turbo; W/Standard Rotation.....	1973-1966	42321	GM V-6 305	1967-1966	42105
Detroit Diesel 6-71T; W/O Turbo; W/Reverse Rotation.....	1973-1966	42344	TOPKICK C5500; TOPKICK C6500; TOP- KICK C7500; TOPKICK C8500		
Detroit Diesel 6-71T; W/O Turbo; W/Standard Rotation.....	1973-1966	42102	GM V-8 6.0	1996-1991	45001
Detroit Diesel 6-71T; W/Turbo; W/Reverse Rotation.....	1973-1966	42322	GM V-8 7.0	1996-1991	45001
Detroit Diesel 6-71T; W/Turbo; W/Standard Rotation.....	1973-1966	42321	TS5500		
P4T042			GM 6-Cyl. 292	1972-1965	43283
GM V-6 4.3	1990-1989	43099	GM 6-Cyl. 292	1964-1963	42104
		or *43099P	TV7500		
P6T042			Detroit Diesel 6V-53; W/Clockwise Eng... W/Counterclockwise Eng.	1977-1966	43310
Detroit Diesel V-8 8.2; W/Heater Outlet ..	1990-1983	46001	Detroit Diesel 6V-53; W/Counterclockwise Eng.	1977-1966	43309
GM V-8 5.7	1990-1983	43104	Detroit Diesel 6V-53N; W/Clockwise Eng.	1976-1966	43310
P3500			Detroit Diesel 6V-53N; W/Counterclockwise Eng.	1976-1966	43309
Cummins BT Series Diesel.....	1992-1990	41181	Detroit Diesel 6V-53T; W/Clockwise Eng.	1976-1966	43310
Detroit Diesel V-8 8.2; W/Heater Outlet ..	1990	46001	Detroit Diesel 6V-53T; W/Counterclockwise Eng.	1976-1966	43309
GM V-6 4.3	1991-1990	43099	TW9500		
		or *43099P	Detroit Diesel 6V-71; "Running" Pump ...	1974-1972	▼44096
GM V-8 350	1979-1978	43104	Detroit Diesel 6V-71; "Standing" Pump ...	1974-1972	■44075
GM V-8 5.7	1990-1980	43104	Detroit Diesel 6V-71; "Running" Pump ...	1967-1966	▼44096
GM V-8 366; W/O P.T.O.....	1977-1972	45003	Detroit Diesel 6V-71; "Standing" Pump ...	1967-1966	■44075
GM V-8 366; W/P.T.O.....	1977-1972	44029	W6		
GM V-8 6.2 Diesel.....	1993-1982	44099	GM V-8 350	1979-1975	43104
GM V-8 6.5 Diesel.....	1998-1997	44042	GM V-8 5.7	1980	43104
GM V-8 6.5 Diesel; Early	1996	44100	GM V-8 366	1979	44029
GM V-8 6.5 Diesel; Late	1996	44042	GM V-8 6.0	1980	44029
GM V-8 6.5 Diesel.....	1995-1994	44100	W7		
GM V-8 427; W/O P.T.O.....	1977-1972	45003	GM V-8 366	1979-1975	44029
GM V-8 427; W/P.T.O.....	1977-1972	44029	GM V-8 6.0	1980	44029
GM V-8 7.4	2000-1999	42569	GM V-8 427	1979	44029
PS4500			GM V-8 7.0	1980	44029
GM 6-Cyl. 250	1977-1973	42082	W3500; W4500		
GM 6-Cyl. 292	1972-1966	43283	GM V-8 5.7	2003-2000	43315
T5500			WV7500		
GM V-8 7.4	1999	42569	Detroit Diesel 6V-53; W/Clockwise Eng... W/Counterclockwise Eng.	1974-1966	43310
T6000			Detroit Diesel 6V-53; W/Counterclockwise Eng.	1974-1966	43309
GM V-8 350	1978-1973	43104	Detroit Diesel 6V-53N; W/Clockwise Eng.	1974-1966	43310
GM V-8 366; W/O P.T.O.....	1978-1966	45003	Detroit Diesel 6V-53N; W/Counterclockwise Eng.	1974-1966	43309
GM V-8 366; W/P.T.O.....	1978-1966	44029	Detroit Diesel 6V-53T; W/Clockwise Eng.	1974-1966	43310
GM V-8 427; W/O P.T.O.....	1978-1966	45003	Detroit Diesel 6V-53T; W/Counterclockwise Eng.	1974-1966	43309
GM V-8 427; W/P.T.O.....	1978-1966	44029	WW9500		
T6500			Detroit Diesel 6V-71; "Running" Pump ...	1974-1972	▼44096
GM V-8 366; W/O P.T.O.....	1978	45003	Detroit Diesel 6V-71; "Standing" Pump ...	1974-1972	■44075
GM V-8 366; W/P.T.O.....	1978	44029	Detroit Diesel 6V-71; "Running" Pump ...	1967-1966	▼44096
GM V-8 427; W/O P.T.O.....	1978	45003	Detroit Diesel 6V-71; "Standing" Pump ...	1967-1966	■44075
GM V-8 427; W/P.T.O.....	1978	44029			
GM V-8 7.4	1999	42569			

▼ 2 Outlets at 45 Degree Angles
■ 2 Outlets Pointing Straight Down

● Outlet Straight Down & Outlet at 45 Degree Angle
* High Performance Pump

Application Guide - Medium and Heavy-Duty Trucks

Application	Year	Gates No.	Application	Year	Gates No.
GMC - Continued			GMC - Continued		
620 SERIES; 630 SERIES; 650 SERIES; 660 SERIES; 740 SERIES			900 SERIES; 910 SERIES; 920 SERIES; 930 SERIES; 950 SERIES; 970 SERIES; 980 SERIES - Continued		
Detroit Diesel 4-71; W/O Turbo; W/Reverse Rotation.....	1959-1955	42344	Detroit Diesel 6-71N; W/Turbo; W/Standard Rotation.....	1959-1955	42321
Detroit Diesel 4-71; W/O Turbo; W/Standard Rotation.....	1959-1955	42102	Detroit Diesel 6-71T; W/O Turbo; W/Reverse Rotation.....	1959-1955	42344
Detroit Diesel 4-71; W/Turbo; W/Reverse Rotation.....	1959-1955	42322	Detroit Diesel 6-71T; W/O Turbo; W/Standard Rotation.....	1959-1955	42102
Detroit Diesel 4-71; W/Turbo; W/Standard Rotation.....	1959-1955	42321	Detroit Diesel 6-71T; W/Turbo; W/Reverse Rotation.....	1959-1955	42322
750 SERIES; 800 SERIES			Detroit Diesel 6-71T; W/Turbo; W/Standard Rotation.....		
Detroit Diesel 4-71; W/O Turbo; W/Reverse Rotation.....	1957-1955	42344	Detroit Diesel 6-71T; W/Turbo; W/Standard Rotation.....	1959-1955	42321
Detroit Diesel 4-71; W/O Turbo; W/Standard Rotation.....	1957-1955	42102	HENDRICKSON		
Detroit Diesel 4-71; W/Turbo; W/Reverse Rotation.....	1957-1955	42322	H		
Detroit Diesel 4-71; W/Turbo; W/Standard Rotation.....	1957-1955	42321	Detroit Diesel 8V-71		
820 SERIES; 860 SERIES			H3		
Detroit Diesel 6-71; W/O Turbo; W/Reverse Rotation.....	1959-1955	42344	Cummins 6-Cyl. 14.0 Diesel; Idler Pulley; W/2-Groove Pulley.....		
Detroit Diesel 6-71; W/O Turbo; W/Standard Rotation.....	1959-1955	42102	1973 41129		
Detroit Diesel 6-71; W/Turbo; W/Reverse Rotation.....	1959-1955	42322	Cummins 6-Cyl. 14.0 Diesel; W/Full Flow Cool.....		
Detroit Diesel 6-71; W/Turbo; W/Standard Rotation.....	1959-1955	42321	1973 44064		
Detroit Diesel 6-71N; W/O Turbo; W/Reverse Rotation.....	1959-1955	42344	Detroit Diesel 6-71; W/O Turbo; W/Reverse Rotation.....		
Detroit Diesel 6-71N; W/O Turbo; W/Standard Rotation.....	1959-1955	42102	1973 42344		
Detroit Diesel 6-71N; W/Turbo; W/Reverse Rotation.....	1959-1955	42322	Detroit Diesel 6-71; W/O Turbo; W/Standard Rotation.....		
Detroit Diesel 6-71N; W/Turbo; W/Standard Rotation.....	1959-1955	42321	1973 42102		
Detroit Diesel 6-71T; W/O Turbo; W/Reverse Rotation.....	1959-1955	42344	Detroit Diesel 6-71; W/Turbo; W/Reverse Rotation.....		
Detroit Diesel 6-71T; W/O Turbo; W/Standard Rotation.....	1959-1955	42102	1973 42322		
Detroit Diesel 6-71T; W/Turbo; W/Reverse Rotation.....	1959-1955	42322	Detroit Diesel 6-71; W/Turbo; W/Standard Rotation.....		
Detroit Diesel 6-71T; W/Turbo; W/Standard Rotation.....	1959-1955	42321	1973 42321		
870 SERIES			Detroit Diesel 6V-53; W/Clockwise Eng... 1973 43310		
Detroit Diesel 4-71; W/O Turbo; W/Reverse Rotation.....	1957-1955	42344	Detroit Diesel 6V-53; W/Counterclockwise Eng..... 1973 43309		
Detroit Diesel 4-71; W/O Turbo; W/Standard Rotation.....	1957-1955	42102	Detroit Diesel 8V-71		
Detroit Diesel 4-71; W/Turbo; W/Reverse Rotation.....	1957-1955	42322	1973 44075		
Detroit Diesel 4-71; W/Turbo; W/Standard Rotation.....	1957-1955	42321	INTERNATIONAL/NAVISTAR		
900 SERIES; 910 SERIES; 920 SERIES; 930 SERIES; 950 SERIES; 970 SERIES; 980 SERIES			BINDER 1600; BINDER 1624; BINDER 1700; BINDER 1724; BINDER 1800; BINDER 1824; CO1610A		
Detroit Diesel 6-71; W/O Turbo; W/Reverse Rotation.....	1959-1955	42344	International/Navistar V345.....		
Detroit Diesel 6-71; W/O Turbo; W/Standard Rotation.....	1959-1955	42102	1979-1978 42111		
Detroit Diesel 6-71; W/Turbo; W/Reverse Rotation.....	1959-1955	42322	CO1610B		
Detroit Diesel 6-71; W/Turbo; W/Standard Rotation.....	1959-1955	42321	International/Navistar V345.....		
Detroit Diesel 6-71N; W/O Turbo; W/Reverse Rotation.....	1959-1955	42344	1984-1978 42111		
Detroit Diesel 6-71N; W/O Turbo; W/Standard Rotation.....	1959-1955	42102	CO1630A		
Detroit Diesel 6-71N; W/Turbo; W/Reverse Rotation.....	1959-1955	42322	Detroit Diesel 4-53; W/Clockwise Eng.... 1968 43310		
Detroit Diesel 6-71N; W/Turbo; W/Standard Rotation.....	1959-1955	42102	Detroit Diesel 4-53; W/Counterclockwise Eng..... 1968 43309		
Detroit Diesel 6-71N; W/Turbo; W/Reverse Rotation.....	1959-1955	42322	CO1710A		
Detroit Diesel 6-71N; W/Turbo; W/Standard Rotation.....	1959-1955	42321	International/Navistar V345.....		
Detroit Diesel 6-71N; W/Turbo; W/Reverse Rotation.....	1959-1955	42344	1979-1978 42111		
Detroit Diesel 6-71N; W/Turbo; W/Standard Rotation.....	1959-1955	42102	CO1710B		
Detroit Diesel 6-71N; W/Turbo; W/Reverse Rotation.....	1959-1955	42322	International/Navistar V345.....		
Detroit Diesel 6-71N; W/Turbo; W/Standard Rotation.....	1959-1955	42321	1984-1982 42111		
900 SERIES; 910 SERIES; 920 SERIES; 930 SERIES; 950 SERIES; 970 SERIES; 980 SERIES			CO1730A		
Detroit Diesel 6-71; W/O Turbo; W/Reverse Rotation.....	1959-1955	42344	Detroit Diesel 4-53; W/Clockwise Eng.... 1968 43310		
Detroit Diesel 6-71; W/O Turbo; W/Standard Rotation.....	1959-1955	42102	Detroit Diesel 4-53; W/Counterclockwise Eng..... 1968 43309		
Detroit Diesel 6-71; W/Turbo; W/Reverse Rotation.....	1959-1955	42322	CO1750B		
Detroit Diesel 6-71; W/Turbo; W/Standard Rotation.....	1959-1955	42321	Caterpillar 3208 Diesel; W/Non-Threaded Pulley.....		
Detroit Diesel 6-71N; W/O Turbo; W/Reverse Rotation.....	1959-1955	42344	1982-1981 43233		
Detroit Diesel 6-71N; W/O Turbo; W/Standard Rotation.....	1959-1955	42102	Caterpillar 3208 Diesel; W/O Pulley.....		
Detroit Diesel 6-71N; W/Turbo; W/Reverse Rotation.....	1959-1955	42322	1982-1981 42351		
Detroit Diesel 6-71N; W/Turbo; W/Standard Rotation.....	1959-1955	42321	Caterpillar 3208 Diesel; W/Threaded Pulley.....		
Detroit Diesel 6-71N; W/Turbo; W/Reverse Rotation.....	1959-1955	42322	1982-1981 43059		
Detroit Diesel 6-71N; W/Turbo; W/Standard Rotation.....	1959-1955	42321	International/Navistar V-8 9.0 Diesel.....		
Detroit Diesel 6-71N; W/Turbo; W/Reverse Rotation.....	1959-1955	42322	1986-1981 42114		

- ▼ 2 Outlets at 45 Degree Angles
- 2 Outlets Pointing Straight Down

- Outlet Straight Down & Outlet at 45 Degree Angle
- * High Performance Pump

Application Guide - Medium and Heavy-Duty Trucks

Application	Year	Gates No.	Application	Year	Gates No.
INTERNATIONAL/NAVISTAR - Continued			INTERNATIONAL/NAVISTAR - Continued		
CO1810A; CO1810B			CO9670 - Continued		
International/Navistar V345.....	1979-1978	42111	Cummins 6-Cyl. 14.0 Diesel; Idler Pulley; W/V-Ribbed Belt.....	1988-1985	41174
CO1830A			Cummins 6-Cyl. 14.0 Diesel; Tensioner Pulley; W/Big Cam III Eng.; W/V-Ribbed Belt.....	1985	41111
Detroit Diesel 4-53; W/Clockwise Eng....	1968	43310	Cummins 6-Cyl. 14.0 Diesel; W/Big Cam IV Eng.; W/6-Ribbed Belt.....	1985	44092
Detroit Diesel 4-53; W/Counterclockwise Eng.....	1968	43309	Cummins 6-Cyl. 14.0 Diesel; W/Big Cam IV Eng.; W/V-Belt Drive.....	1985	44084
CO1850B			Cummins 6-Cyl. 14.0 Diesel.....	1984	44055
Caterpillar 3208 Diesel; W/Non-Threaded Pulley.....	1983-1976	43233	Cummins 6-Cyl. 14.0 Diesel; W/Big Cam I & II Eng.....	1983	44086
Caterpillar 3208 Diesel; W/O Pulley.....	1983-1976	42351	Cummins 6-Cyl. 14.0 Diesel; W/Big Cam III Eng.....	1983	44055
Caterpillar 3208 Diesel; W/Theaded Pulley.....	1983-1976	43059	Cummins 6-Cyl. 14.0 Diesel.....	1982	44086
International/Navistar DT466 Diesel.....	1986-1980	44104	Detroit Diesel 6V-92; "Running" Pump....	1988-1982	▼44103
International/Navistar V-8 9.0 Diesel.....	1986-1980	42114	Detroit Diesel 6V-92; "Walking" Pump....	1988-1982	●44097
CO1950A			Detroit Diesel 8V-71.....	1984-1982	44075
Detroit Diesel 6V-53; W/Clockwise Eng...	1973	43310	Detroit Diesel 8V-92; "Running" Pump....	1986-1982	▼44103
Detroit Diesel 6V-53; W/Counterclockwise Eng.....	1973	43309	Detroit Diesel 8V-92; "Walking" Pump....	1986-1982	●44097
CO1950B			COF1810A; COF1810B		
Caterpillar 3208 Diesel; W/Non-Threaded Pulley.....	1982-1976	43233	International/Navistar V345.....	1979	42111
Caterpillar 3208 Diesel; W/O Pulley.....	1982-1976	42351	COF1950A		
Caterpillar 3208 Diesel; W/Theaded Pulley.....	1982-1976	43059	Detroit Diesel 6V-53; W/Clockwise Eng...	1973	43310
Detroit Diesel 6V-53; W/Clockwise Eng...	1979-1974	43310	Detroit Diesel 6V-53; W/Counterclockwise Eng.....	1973	43309
Detroit Diesel 6V-53; W/Counterclockwise Eng.....	1979-1974	43309	COF1950B		
International/Navistar DT466 Diesel.....	1986-1980	44104	Caterpillar 3208 Diesel; W/Non-Threaded Pulley.....	1982-1976	43233
International/Navistar V-8 9.0 Diesel.....	1986-1980	42114	Caterpillar 3208 Diesel; W/O Pulley.....	1982-1976	42351
CO4070A			Caterpillar 3208 Diesel; W/Theaded Pulley.....	1982-1976	43059
Cummins NH220 Diesel.....	1979-1977	43229	Detroit Diesel 6V-53; W/Clockwise Eng...	1979-1974	43310
Cummins NH230 Diesel; W/O Pulley.....	1979-1977	42309	Detroit Diesel 6V-53; W/Counterclockwise Eng.....	1979-1974	43309
Cummins NH230 Diesel; W/Pulley.....	1979-1977	43238	International/Navistar DT466 Diesel.....	1986-1980	44104
CO4070B			International/Navistar V-8 9.0 Diesel.....	1986-1980	42114
Caterpillar 3406 Diesel; W/Flat Gear.....	1979-1975	45009	COF4070A		
Cummins NH220 Diesel.....	1979-1975	43229	Cummins NH220 Diesel.....	1979-1977	43229
Cummins NH230 Diesel; W/O Pulley.....	1979-1975	42309	Cummins NH230 Diesel; W/O Pulley.....	1979-1977	42309
Cummins NH230 Diesel; W/Pulley.....	1979-1975	43238	Cummins NH230 Diesel; W/Pulley.....	1979-1977	43238
Cummins 6-Cyl. 14.0 Diesel.....	1982-1980	44086	COF4070B		
Cummins 6-Cyl. 14.0 Diesel; Tensioner Pulley - W.P.; W/V-Ribbed Belt.....	1981-1980	41111	Caterpillar 3406 Diesel; W/Flat Gear.....	1982	45009
Cummins 6-Cyl. 14.0 Diesel; Idler Pulley; W/2-Groove Pulley.....	1979-1975	41129	Caterpillar 3406 Diesel; W/Flat Gear.....	1979-1975	45009
Cummins 6-Cyl. 14.0 Diesel; W/Full Flow Cool.....	1979-1975	44064	Cummins NH220 Diesel.....	1979-1975	43229
Detroit Diesel 6V-92; "Running" Pump....	1982-1977	▼44103	Cummins NH230 Diesel; W/O Pulley.....	1979-1975	42309
Detroit Diesel 6V-92; "Walking" Pump....	1982-1977	●44097	Cummins NH230 Diesel; W/Pulley.....	1979-1975	43238
Detroit Diesel 8V-71.....	1982-1975	44075	Cummins 6-Cyl. 14.0 Diesel.....	1982-1980	44086
Detroit Diesel 8V-92; "Running" Pump....	1979-1974	▼44103	Cummins 6-Cyl. 14.0 Diesel; Tensioner Pulley - W.P.; W/V-Ribbed Belt.....	1981-1980	41111
Detroit Diesel 8V-92; "Walking" Pump....	1979-1974	●44097	Cummins 6-Cyl. 14.0 Diesel; Idler Pulley; W/2-Groove Pulley.....	1979-1975	41129
CO5370			Cummins 6-Cyl. 14.0 Diesel; W/Full Flow Cool.....	1979-1975	44064
Cummins NH220 Diesel.....	1979-1977	43229	Detroit Diesel 6V-92; "Running" Pump....	1982-1977	▼44103
Cummins NH230 Diesel; W/O Pulley.....	1979-1977	42309	Detroit Diesel 6V-92; "Walking" Pump....	1982-1977	●44097
Cummins NH230 Diesel; W/Pulley.....	1979-1977	43238	Detroit Diesel 8V-71.....	1982-1975	44075
Cummins 6-Cyl. 14.0 Diesel; Idler Pulley; W/2-Groove Pulley.....	1979-1973	41129	Detroit Diesel 8V-92; "Running" Pump....	1982	▼44103
Cummins 6-Cyl. 14.0 Diesel; W/Full Flow Cool.....	1979-1973	44064	Detroit Diesel 8V-92; "Walking" Pump....	1982	●44097
CO9670			Detroit Diesel 8V-92; "Running" Pump....	1979-1974	▼44103
Caterpillar 3406 Diesel; W/Flat Gear.....	1979	45009	Detroit Diesel 8V-92; "Walking" Pump....	1979-1974	●44097
Cummins L10 Diesel.....	1988-1986	44094	COF5050		
Cummins 6-Cyl. 14.0 Diesel; W/6-Ribbed Belt.....	1988-1986	44092	International/Navistar DT466 Diesel.....	1983	44104
Cummins 6-Cyl. 14.0 Diesel; Idler Pulley; W/Flat Idler Pulley.....	1988-1985	41173	COF5370		
Cummins 6-Cyl. 14.0 Diesel; W/V-Belt Drive.....	1988-1986	44084	Cummins NH220 Diesel.....	1979-1977	43229
			Cummins NH230 Diesel; W/O Pulley.....	1979-1977	42309
			Cummins NH230 Diesel; W/Pulley.....	1979-1977	43238

- ▼ 2 Outlets at 45 Degree Angles
- 2 Outlets Pointing Straight Down

- Outlet Straight Down & Outlet at 45 Degree Angle
- * High Performance Pump

Application Guide - Medium and Heavy-Duty Trucks

Application	Year	Gates No.	Application	Year	Gates No.
INTERNATIONAL/NAVISTAR - Continued			INTERNATIONAL/NAVISTAR - Continued		
COF5370 - Continued			F1954 - Continued		
Cummins 6-Cyl. 14.0 Diesel.....	1982-1980	44086	Caterpillar 3208 Diesel; W/Theaded Pulley.....	1982-1978	43059
Cummins 6-Cyl. 14.0 Diesel; Tensioner Pulley - W.P.; W/V-Ribbed Belt.....	1981-1980	41111	International/Navistar DT466 Diesel.....	1989-1986	44058
Cummins 6-Cyl. 14.0 Diesel; Idler Pulley; W/2-Groove Pulley.....	1979-1973	41129	International/Navistar V-8 9.0 Diesel.....	1982-1980	42114
Cummins 6-Cyl. 14.0 Diesel; W/Full Flow Cool.....	1979-1973	44064	F2000D		
International/Navistar DT466 Diesel.....	1982	44104	Cummins NH220 Diesel.....	1972-1970	43229
COF5870			Cummins NH230 Diesel; W/O Pulley.....	1972-1970	42309
Cummins 6-Cyl. 14.0 Diesel; W/6-Ribbed Belt.....	1988-1987	44092	Cummins NH230 Diesel; W/Pulley.....	1972-1970	43238
Cummins 6-Cyl. 14.0 Diesel; Idler Pulley; W/Flat Idler Pulley.....	1988-1987	41173	F2050A		
Cummins 6-Cyl. 14.0 Diesel; W/V-Belt Drive.....	1988-1987	44084	Caterpillar 3208 Diesel; W/Non-Threaded Pulley.....	1975-1974	43233
Cummins 6-Cyl. 14.0 Diesel; Idler Pulley; W/V-Ribbed Belt.....	1988-1987	41174	Caterpillar 3208 Diesel; W/O Pulley.....	1975-1974	42351
Detroit Diesel 6V-92; "Running" Pump....	1985	▼ 44103	Caterpillar 3208 Diesel; W/Theaded Pulley.....	1975-1974	43059
Detroit Diesel 6V-92; "Walking" Pump....	1985	● 44097	Detroit Diesel 6V-53; W/Clockwise Eng...	1976-1966	43310
COF9670			Detroit Diesel 6V-53; W/Counterclockwise Eng.....	1976-1966	43309
Caterpillar 3406 Diesel; W/Flat Gear.....	1988-1986	45009	F2070A		
Caterpillar 3406 Diesel; W/Flat Gear.....	1982	45009	Caterpillar 3406 Diesel; W/Flat Gear.....	1977-1973	45009
Caterpillar 3406 Diesel; W/Flat Gear.....	1979	45009	Cummins NH220 Diesel.....	1977-1973	43229
Cummins 6-Cyl. 14.0 Diesel; W/6-Ribbed Belt.....	1988-1986	44092	Cummins NH230 Diesel; W/O Pulley.....	1977-1973	42309
Cummins 6-Cyl. 14.0 Diesel; Idler Pulley; W/Flat Idler Pulley.....	1988-1985	41173	Cummins NH230 Diesel; W/Pulley.....	1977-1973	43238
Cummins 6-Cyl. 14.0 Diesel; W/V-Belt Drive.....	1988-1986	44084	Cummins 6-Cyl. 14.0 Diesel; Idler Pulley; W/2-Groove Pulley.....	1974	41129
Cummins 6-Cyl. 14.0 Diesel; Idler Pulley; W/V-Ribbed Belt.....	1988-1985	41174	Cummins 6-Cyl. 14.0 Diesel; W/Full Flow Cool.....	1974	44064
Cummins 6-Cyl. 14.0 Diesel; Tensioner Pulley; W/Big Cam III Eng.;	1985	41111	Detroit Diesel 6-71; W/O Turbo; W/Reverse Rotation.....	1977-1974	42344
Cummins 6-Cyl. 14.0 Diesel; W/Big Cam IV Eng.; W/6-Ribbed Belt.....	1985	44092	Detroit Diesel 6-71; W/O Turbo; W/Standard Rotation.....	1977-1974	42102
Cummins 6-Cyl. 14.0 Diesel; W/Big Cam IV Eng.; W/V-Belt Drive.....	1985	44084	Detroit Diesel 6-71; W/Turbo; W/Reverse Rotation.....	1977-1974	42322
Cummins 6-Cyl. 14.0 Diesel.....	1984	44055	Detroit Diesel 6-71; W/Turbo; W/Standard Rotation.....	1977-1974	42321
Cummins 6-Cyl. 14.0 Diesel; W/Big Cam I & II Eng.....	1983	44086	F2275		
Cummins 6-Cyl. 14.0 Diesel; W/Big Cam III Eng.....	1983	44055	Caterpillar 3406 Diesel; W/Flat Gear.....	1982-1979	45009
Cummins 6-Cyl. 14.0 Diesel.....	1982	44086	Cummins 6-Cyl. 14.0 Diesel; W/6-Ribbed Belt.....	1989-1986	44092
Detroit Diesel 6V-92; "Running" Pump....	1988-1982	▼ 44103	Cummins 6-Cyl. 14.0 Diesel; Idler Pulley; W/Flat Idler Pulley.....	1989-1985	41173
Detroit Diesel 6V-92; "Walking" Pump....	1988-1982	● 44097	Cummins 6-Cyl. 14.0 Diesel; W/V-Belt Drive.....	1989-1986	44084
Detroit Diesel 8V-71.....	1984-1982	44075	Cummins 6-Cyl. 14.0 Diesel; Idler Pulley; W/V-Ribbed Belt.....	1989-1985	41174
Detroit Diesel 8V-92; "Running" Pump....	1988-1982	▼ 44103	Cummins 6-Cyl. 14.0 Diesel; Tensioner Pulley; W/Big Cam III Eng.;	1985	41111
Detroit Diesel 8V-92; "Walking" Pump....	1988-1982	● 44097	Cummins 6-Cyl. 14.0 Diesel; W/Big Cam IV Eng.; W/6-Ribbed Belt.....	1985	44092
DCOF405; DCOT405			Cummins 6-Cyl. 14.0 Diesel; W/Big Cam IV Eng.; W/V-Belt Drive.....	1985	44084
Cummins NH220 Diesel.....	1971-1970	43229	Cummins 6-Cyl. 14.0 Diesel.....	1984	44055
Cummins NH230 Diesel; W/O Pulley.....	1971-1970	42309	Cummins 6-Cyl. 14.0 Diesel; W/Big Cam I & II Eng.....	1983	44086
Cummins NH230 Diesel; W/Pulley.....	1971-1970	43238	Cummins 6-Cyl. 14.0 Diesel; W/Big Cam III Eng.....	1983	44055
F1700; F1800			Cummins 6-Cyl. 14.0 Diesel.....	1982-1980	44086
International/Navistar V345.....	1979-1978	42111	Cummins 6-Cyl. 14.0 Diesel; Tensioner Pulley - W.P.; W/V-Ribbed Belt.....	1981	41111
F1850			Cummins 6-Cyl. 14.0 Diesel; Idler Pulley; W/2-Groove Pulley.....	1979-1977	41129
Caterpillar 3208 Diesel; W/Non-Threaded Pulley.....	1978-1975	43233	Cummins 6-Cyl. 14.0 Diesel; W/Full Flow Cool.....	1979-1977	44064
Caterpillar 3208 Diesel; W/O Pulley.....	1978-1975	42351	Detroit Diesel 6-71; W/O Turbo; W/Reverse Rotation.....	1986-1978	42344
Caterpillar 3208 Diesel; W/Theaded Pulley.....	1978-1975	43059	Detroit Diesel 6-71; W/O Turbo; W/Standard Rotation.....	1986-1978	42102
Detroit Diesel 6V-53; W/Clockwise Eng...	1977-1973	43310	Detroit Diesel 6-71; W/Turbo; W/Reverse Rotation.....	1986-1978	42322
Detroit Diesel 6V-53; W/Counterclockwise Eng.....	1977-1973	43309	F1954		
F1954			Caterpillar 3208 Diesel; W/Non-Threaded Pulley.....	1982-1978	43233
Caterpillar 3208 Diesel; W/O Pulley.....	1982-1978	42351	Caterpillar 3208 Diesel; W/O Pulley.....	1982-1978	42351

▼ 2 Outlets at 45 Degree Angles
 ■ 2 Outlets Pointing Straight Down

● Outlet Straight Down & Outlet at 45 Degree Angle
 * High Performance Pump

Application Guide - Medium and Heavy-Duty Trucks

Application	Year	Gates No.	Application	Year	Gates No.
INTERNATIONAL/NAVISTAR - Continued			INTERNATIONAL/NAVISTAR - Continued		
F2275 - Continued			F2574 - Continued		
Detroit Diesel 6-71; W/Turbo; W/Standard Rotation.....	1986-1978	42321	Cummins 6-Cyl. 14.0 Diesel; Tensioner Pulley - W.P.; W/V-Ribbed Belt.....	1981-1980	41111
Detroit Diesel 6V-92; "Running" Pump....	1988-1978	▼44103	Cummins 6-Cyl. 14.0 Diesel; Idler Pulley; W/2-Groove Pulley.....	1979-1977	41129
Detroit Diesel 6V-92; "Walking" Pump.....	1988-1978	●44097	Cummins 6-Cyl. 14.0 Diesel; W/Full Flow Cool.....	1979-1977	44064
Detroit Diesel 8V-71.....	1984-1979	44075	Detroit Diesel 6-71; W/O Turbo; W/Reverse Rotation.....	1986-1978	42344
F2276			Detroit Diesel 6-71; W/O Turbo; W/Standard Rotation.....	1986-1978	42102
Cummins 6-Cyl. 14.0 Diesel; W/6-Ribbed Belt.....	1989-1986	44092	Detroit Diesel 6-71; W/Turbo; W/Reverse Rotation.....	1986-1978	42322
Cummins 6-Cyl. 14.0 Diesel; Idler Pulley; W/Flat Idler Pulley.....	1989-1985	41173	Detroit Diesel 6-71; W/Turbo; W/Standard Rotation.....	1986-1978	42321
Cummins 6-Cyl. 14.0 Diesel; W/V-Belt Drive.....	1989-1986	44084	Detroit Diesel 6V-92; "Running" Pump....	1988-1978	▼44103
Cummins 6-Cyl. 14.0 Diesel; Idler Pulley; W/V-Ribbed Belt.....	1989-1985	41174	Detroit Diesel 6V-92; "Walking" Pump....	1988-1978	●44097
Cummins 6-Cyl. 14.0 Diesel; Tensioner Pulley; W/Big Cam III Eng.;			Detroit Diesel 8V-71.....	1984-1979	44075
W/V-Ribbed Belt.....	1985	41111	F2575		
Cummins 6-Cyl. 14.0 Diesel; W/Big Cam IV Eng.; W/6-Ribbed Belt.....	1985	44092	Cummins L10 Diesel.....	1989-1984	44094
Cummins 6-Cyl. 14.0 Diesel; W/Big Cam IV Eng.; W/V-Belt Drive.....	1985	44084	Cummins 6-Cyl. 14.0 Diesel.....	1984	44055
Cummins 6-Cyl. 14.0 Diesel.....	1984	44055	Cummins 6-Cyl. 14.0 Diesel; W/Big Cam I & II Eng.....	1983	44086
Cummins 6-Cyl. 14.0 Diesel; W/Big Cam I & II Eng.....	1983	44086	Cummins 6-Cyl. 14.0 Diesel; W/Big Cam III Eng.....	1983	44055
Cummins 6-Cyl. 14.0 Diesel; W/Big Cam III Eng.....	1983	44055	Cummins 6-Cyl. 14.0 Diesel.....	1982	44086
Detroit Diesel 6-71; W/O Turbo; W/Reverse Rotation.....	1985-1983	42344	Detroit Diesel 6-71; W/O Turbo; W/Reverse Rotation.....	1984-1982	42344
Detroit Diesel 6-71; W/O Turbo; W/Standard Rotation.....	1985-1983	42102	Detroit Diesel 6-71; W/O Turbo; W/Standard Rotation.....	1984-1982	42102
Detroit Diesel 6-71; W/Turbo; W/Reverse Rotation.....	1985-1983	42322	Detroit Diesel 6-71; W/Turbo; W/Reverse Rotation.....	1984-1982	42322
Detroit Diesel 6-71; W/Turbo; W/Standard Rotation.....	1985-1983	42321	Detroit Diesel 6-71; W/Turbo; W/Standard Rotation.....	1984-1982	42321
Detroit Diesel 6V-92; "Running" Pump....	1988-1983	▼44103	Detroit Diesel 6V-92; "Running" Pump....	1988-1978	▼44103
Detroit Diesel 6V-92; "Walking" Pump....	1988-1983	●44097	Detroit Diesel 6V-92; "Walking" Pump....	1988-1978	●44097
Detroit Diesel 8V-71.....	1985-1983	44075	Detroit Diesel 8V-71.....	1984-1979	44075
F2375			F2654		
Cummins L10 Diesel.....	1989-1983	44094	Caterpillar 3208 Diesel; W/Non-Threaded Pulley.....	1982-1979	43233
F2554			Caterpillar 3208 Diesel; W/O Pulley.....	1982-1979	42351
Caterpillar 3208 Diesel; W/Non-Threaded Pulley.....	1982-1979	43233	Caterpillar 3208 Diesel; W/Theaded Pulley.....	1982-1979	43059
Caterpillar 3208 Diesel; W/O Pulley.....	1982-1979	42351	International/Navistar DT466 Diesel.....	1989-1986	44058
Caterpillar 3208 Diesel; W/Theaded Pulley.....	1982-1979	43059	F2674		
International/Navistar DT466 Diesel.....	1989-1986	44058	Cummins L10 Diesel.....	1984	44094
F2574			Cummins 6-Cyl. 14.0 Diesel; W/6-Ribbed Belt.....	1989-1986	44092
Caterpillar 3406 Diesel; W/Flat Gear.....	1982-1979	45009	Cummins 6-Cyl. 14.0 Diesel; Idler Pulley; W/Flat Idler Pulley.....	1989-1988	41173
Cummins L10 Diesel.....	1989-1984	44094	Cummins 6-Cyl. 14.0 Diesel; W/V-Belt Drive.....	1989-1986	44084
Cummins 6-Cyl. 14.0 Diesel; W/6-Ribbed Belt.....	1989-1986	44092	Cummins 6-Cyl. 14.0 Diesel; Idler Pulley; W/V-Ribbed Belt.....	1989-1988	41174
Cummins 6-Cyl. 14.0 Diesel; Idler Pulley; W/Flat Idler Pulley.....	1989-1985	41173	Cummins 6-Cyl. 14.0 Diesel; Idler Pulley; W/Flat Idler Pulley.....	1986-1985	41173
Cummins 6-Cyl. 14.0 Diesel; W/V-Belt Drive.....	1989-1986	44084	Cummins 6-Cyl. 14.0 Diesel; Idler Pulley; W/V-Ribbed Belt.....	1986-1985	41174
Cummins 6-Cyl. 14.0 Diesel; Idler Pulley; W/V-Ribbed Belt.....	1989-1985	41174	Cummins 6-Cyl. 14.0 Diesel; Idler Pulley; W/V-Ribbed Belt.....	1986-1985	41174
Cummins 6-Cyl. 14.0 Diesel; Tensioner Pulley; W/Big Cam III Eng.;			Cummins 6-Cyl. 14.0 Diesel; Tensioner Pulley; W/Big Cam III Eng.;		
W/V-Ribbed Belt.....	1985	41111	W/V-Ribbed Belt.....	1985	41111
Cummins 6-Cyl. 14.0 Diesel; W/Big Cam IV Eng.; W/6-Ribbed Belt.....	1985	44092	Cummins 6-Cyl. 14.0 Diesel; W/Big Cam IV Eng.; W/6-Ribbed Belt.....	1985	44092
Cummins 6-Cyl. 14.0 Diesel; W/Big Cam IV Eng.; W/V-Belt Drive.....	1985	44084	Cummins 6-Cyl. 14.0 Diesel; W/Big Cam IV Eng.; W/V-Belt Drive.....	1985	44084
Cummins 6-Cyl. 14.0 Diesel.....	1984	44055	Cummins 6-Cyl. 14.0 Diesel.....	1984	44055
Cummins 6-Cyl. 14.0 Diesel; W/Big Cam I & II Eng.....	1983	44086	Cummins 6-Cyl. 14.0 Diesel; W/Big Cam I & II Eng.....	1983	44086
Cummins 6-Cyl. 14.0 Diesel; W/Big Cam III Eng.....	1983	44055	Cummins 6-Cyl. 14.0 Diesel; W/Big Cam III Eng.....	1983	44055
Cummins 6-Cyl. 14.0 Diesel.....	1982-1980	44086	Cummins 6-Cyl. 14.0 Diesel.....	1982-1980	44086

▼ 2 Outlets at 45 Degree Angles
■ 2 Outlets Pointing Straight Down

● Outlet Straight Down & Outlet at 45 Degree Angle
* High Performance Pump

Application Guide - Medium and Heavy-Duty Trucks

Application	Year	Gates No.	Application	Year	Gates No.
INTERNATIONAL/NAVISTAR - Continued			INTERNATIONAL/NAVISTAR - Continued		
F2674 - Continued			F4370 - Continued		
Cummins 6-Cyl. 14.0 Diesel; Tensioner Pulley - W.P.; W/V-Ribbed Belt	1981-1980	41111	Cummins 6-Cyl. 14.0 Diesel; W/Big Cam I & II Eng.	1983	44086
Cummins 6-Cyl. 14.0 Diesel; Idler Pulley; W/2-Groove Pulley.....	1979-1977	41129	Cummins 6-Cyl. 14.0 Diesel; W/Big Cam III Eng.	1983	44055
Cummins 6-Cyl. 14.0 Diesel; W/Full Flow Cool.	1979-1977	44064	Cummins 6-Cyl. 14.0 Diesel.....	1982-1980	44086
Detroit Diesel 6-71; W/O Turbo; W/Reverse Rotation.....	1986-1978	42344	Cummins 6-Cyl. 14.0 Diesel; Tensioner Pulley - W.P.; W/V-Ribbed Belt	1981-1980	41111
Detroit Diesel 6-71; W/O Turbo; W/Standard Rotation.....	1986-1978	42102	Detroit Diesel 8V-92; "Running" Pump	1984-1980	▼44103
Detroit Diesel 6-71; W/Turbo; W/Reverse Rotation.....	1986-1978	42322	Detroit Diesel 8V-92; "Walking" Pump.....	1984-1980	●44097
Detroit Diesel 6-71; W/Turbo; W/Standard Rotation.....	1986-1978	42321	F5050		
Detroit Diesel 6V-92; "Running" Pump	1988-1978	▼44103	Caterpillar 3208 Diesel; W/Non-Threaded Pulley.....	1982-1974	43233
Detroit Diesel 6V-92; "Walking" Pump.....	1988-1978	●44097	Caterpillar 3208 Diesel; W/O Pulley	1982-1974	42351
Detroit Diesel 8V-71	1984-1979	44075	Caterpillar 3208 Diesel; W/Theaded Pulley.....	1982-1974	43059
F2675			Cummins 6-Cyl. 14.0 Diesel.....	1982	44086
Cummins L10 Diesel	1989-1987	44094	Detroit Diesel 6V-53; W/Clockwise Eng...	1975-1974	43310
F4200			Detroit Diesel 6V-53; W/Counterclockwise Eng.	1975-1974	43309
Cummins NH220 Diesel	1979-1973	43229	Detroit Diesel 6V-92; "Running" Pump	1982	▼44103
Cummins NH230 Diesel; W/O Pulley	1979-1973	42309	Detroit Diesel 6V-92; "Walking" Pump.....	1982	●44097
Cummins NH230 Diesel; W/Pulley.....	1979-1973	43238	International/Navistar DT466 Diesel.....	1986	44058
Cummins 6-Cyl. 14.0 Diesel; Idler Pulley; W/2-Groove Pulley	1979-1973	41129	F5070		
Cummins 6-Cyl. 14.0 Diesel; W/Full Flow Cool.	1979-1973	44064	Cummins 6-Cyl. 14.0 Diesel; W/6-Ribbed Belt.....	1986	44092
Detroit Diesel 6-71; W/O Turbo; W/Reverse Rotation.....	1979-1976	42344	Cummins 6-Cyl. 14.0 Diesel; Idler Pulley; W/Flat Idler Pulley	1986-1985	41173
Detroit Diesel 6-71; W/O Turbo; W/Standard Rotation.....	1979-1976	42102	Cummins 6-Cyl. 14.0 Diesel; W/V-Belt Drive	1986	44084
Detroit Diesel 6-71; W/Turbo; W/Reverse Rotation.....	1979-1976	42322	Cummins 6-Cyl. 14.0 Diesel; Idler Pulley; W/V-Ribbed Belt.....	1986-1985	41174
Detroit Diesel 6-71; W/Turbo; W/Standard Rotation.....	1979-1976	42321	Cummins 6-Cyl. 14.0 Diesel; Tensioner Pulley; W/Big Cam III Eng.;	1985	41111
Detroit Diesel 6V-92; "Running" Pump	1979-1976	▼44103	W/V-Ribbed Belt.....	1985	41111
Detroit Diesel 6V-92; "Walking" Pump.....	1979-1976	●44097	Cummins 6-Cyl. 14.0 Diesel; W/Big Cam IV Eng.; W/6-Ribbed Belt	1985	44092
Detroit Diesel 8V-71	1979-1975	44075	Cummins 6-Cyl. 14.0 Diesel; W/Big Cam IV Eng.; W/V-Belt Drive.....	1985	44084
Detroit Diesel 8V-92; "Running" Pump	1979-1978	▼44103	Cummins 6-Cyl. 14.0 Diesel.....	1984	44055
Detroit Diesel 8V-92; "Walking" Pump.....	1979-1978	●44097	Cummins 6-Cyl. 14.0 Diesel; W/Big Cam I & II Eng.	1983	44086
F4270			Cummins 6-Cyl. 14.0 Diesel; W/Big Cam III Eng.	1983	44055
Caterpillar 3406 Diesel; W/Flat Gear.....	1979-1975	45009	Cummins 6-Cyl. 14.0 Diesel.....	1982-1980	44086
Detroit Diesel 6V-92; "Running" Pump	1984-1980	▼44103	Cummins 6-Cyl. 14.0 Diesel; Tensioner Pulley - W.P.; W/V-Ribbed Belt	1981-1980	41111
Detroit Diesel 6V-92; "Walking" Pump.....	1984-1980	●44097	Cummins 6-Cyl. 14.0 Diesel; Idler Pulley; W/2-Groove Pulley.....	1979-1977	41129
Detroit Diesel 8V-71	1984-1980	44075	Cummins 6-Cyl. 14.0 Diesel; W/Full Flow Cool.	1979-1977	44064
F4300			Detroit Diesel 6-71; W/O Turbo; W/Reverse Rotation.....	1986-1974	42344
Cummins NH220 Diesel	1979-1974	43229	Detroit Diesel 6-71; W/O Turbo; W/Standard Rotation.....	1986-1974	42102
Cummins NH230 Diesel; W/O Pulley	1979-1974	42309	Detroit Diesel 6-71; W/Turbo; W/Reverse Rotation.....	1986-1974	42322
Cummins NH230 Diesel; W/Pulley.....	1979-1974	43238	Detroit Diesel 6-71; W/Turbo; W/Standard Rotation.....	1986-1974	42321
Cummins 6-Cyl. 14.0 Diesel; Idler Pulley; W/2-Groove Pulley	1979-1973	41129	Detroit Diesel 6V-92; "Running" Pump	1986-1976	▼44103
Cummins 6-Cyl. 14.0 Diesel; W/Full Flow Cool.	1979-1973	44064	Detroit Diesel 6V-92; "Walking" Pump.....	1986-1976	●44097
Detroit Diesel 6-71; W/O Turbo; W/Reverse Rotation.....	1979-1976	42344	Detroit Diesel 8V-71	1984-1974	44075
Detroit Diesel 6-71; W/O Turbo; W/Standard Rotation.....	1979-1976	42102	Detroit Diesel 8V-92; "Running" Pump	1982-1980	▼44103
Detroit Diesel 6-71; W/Turbo; W/Reverse Rotation.....	1979-1976	42322	Detroit Diesel 8V-92; "Walking" Pump.....	1982-1980	●44097
Detroit Diesel 6-71; W/Turbo; W/Standard Rotation.....	1979-1976	42321	F5070B		
Detroit Diesel 6V-92; "Running" Pump	1979-1976	▼44103	Detroit Diesel 8V-71	1979-1974	44075
Detroit Diesel 6V-92; "Walking" Pump.....	1979-1976	●44097	F7070B		
Detroit Diesel 8V-71	1979-1975	44075	Caterpillar 3406 Diesel; W/Flat Gear.....	1979-1975	45009
Detroit Diesel 8V-92; "Running" Pump	1979-1978	▼44103	Cummins 6-Cyl. 14.0 Diesel; Idler Pulley; W/2-Groove Pulley.....	1979-1975	41129
Detroit Diesel 8V-92; "Walking" Pump.....	1979-1978	●44097	Cummins 6-Cyl. 14.0 Diesel; W/Full Flow Cool.	1979-1975	44064
F4370					
Caterpillar 3406 Diesel; W/Flat Gear.....	1982-1975	45009			
Cummins 6-Cyl. 14.0 Diesel.....	1984	44055			

- ▼ 2 Outlets at 45 Degree Angles
- 2 Outlets Pointing Straight Down

- Outlet Straight Down & Outlet at 45 Degree Angle
- * High Performance Pump

Application Guide - Medium and Heavy-Duty Trucks

Application	Year	Gates No.	Application	Year	Gates No.
INTERNATIONAL/NAVISTAR - Continued			INTERNATIONAL/NAVISTAR - Continued		
F9370			1750		
Caterpillar 3406 Diesel; W/Flat Gear.....	1987-1985	45009	Caterpillar 3208 Diesel; W/Non-Threaded Pulley.....	1978-1975	43233
Cummins 6-Cyl. 14.0 Diesel; W/6-Ribbed Belt.....	1987-1986	44092	Caterpillar 3208 Diesel; W/O Pulley	1978-1975	42351
Cummins 6-Cyl. 14.0 Diesel; Idler Pulley; W/Flat Idler Pulley	1987-1985	41173	Caterpillar 3208 Diesel; W/Theaded Pulley.....	1978-1975	43059
Cummins 6-Cyl. 14.0 Diesel; W/V-Belt Drive	1987-1986	44084	1754		
Cummins 6-Cyl. 14.0 Diesel; Idler Pulley; W/V-Ribbed Belt.....	1987-1985	41174	Caterpillar 3208 Diesel; W/Non-Threaded Pulley.....	1982-1980	43233
Cummins 6-Cyl. 14.0 Diesel; Tensioner Pulley; W/Big Cam III Eng.;			Caterpillar 3208 Diesel; W/O Pulley	1982-1980	42351
W/V-Ribbed Belt.....	1985	41111	Caterpillar 3208 Diesel; W/Theaded Pulley.....	1982-1980	43059
Cummins 6-Cyl. 14.0 Diesel; W/Big Cam IV Eng.;			International/Navistar V-8 9.0 Diesel.....	1988-1980	42114
W/6-Ribbed Belt	1985	44092	1824		
Cummins 6-Cyl. 14.0 Diesel; W/Big Cam IV Eng.;			International/Navistar V345.....	1984-1979	42111
W/V-Belt Drive	1985	44084	1850		
Detroit Diesel 8V-92; "Running" Pump	1987-1985	▼ 44103	Caterpillar 3208 Diesel; W/Non-Threaded Pulley.....	1978-1975	43233
Detroit Diesel 8V-92; "Walking" Pump.....	1987-1985	● 44097	Caterpillar 3208 Diesel; W/O Pulley	1978-1975	42351
LOADSTAR 1500			Caterpillar 3208 Diesel; W/Theaded Pulley.....	1978-1975	43059
International/Navistar V345.....	1978	42111	Detroit Diesel 6V-53; W/Clockwise Eng...	1977-1973	43310
METRO II			Detroit Diesel 6V-53; W/Counterclockwise Eng.	1977-1973	43309
International/Navistar V-8 6.9 Diesel.....	1988-1987	44053	1854		
International/Navistar V-8 7.3 Diesel.....	1992-1988	44053	Caterpillar 3208 Diesel; W/Non-Threaded Pulley.....	1982-1978	43233
MXT			Caterpillar 3208 Diesel; W/O Pulley	1982-1978	42351
International/Navistar VT365 Diesel.....	2008-2007	43545	Caterpillar 3208 Diesel; W/Theaded Pulley.....	1982-1978	43059
RXT			International/Navistar DT466 Diesel.....	1989-1986	44058
International/Navistar VT365 Diesel.....	2007-2005	43545	International/Navistar V-8 9.0 Diesel.....	1988-1980	42114
T2000D			1924		
Cummins NH220 Diesel	1972-1970	43229	International/Navistar V345.....	1979	42111
Cummins NH230 Diesel; W/O Pulley	1972-1970	42309	1954		
Cummins NH230 Diesel; W/Pulley.....	1972-1970	43238	Caterpillar 3208 Diesel; W/Non-Threaded Pulley.....	1982-1978	43233
400; 500			Caterpillar 3208 Diesel; W/O Pulley	1982-1978	42351
International/Navistar T444 Diesel	1991	44053	Caterpillar 3208 Diesel; W/Theaded Pulley.....	1982-1978	43059
1452 SC			International/Navistar DT466 Diesel.....	1989-1986	44058
International/Navistar V-8 6.9 Diesel.....	1988-1987	44053	International/Navistar V-8 9.0 Diesel.....	1984	42114
International/Navistar V-8 7.3 Diesel.....	1991-1988	44053	1955		
1624			Caterpillar 3208 Diesel; W/Non-Threaded Pulley.....	1982-1978	43233
International/Navistar V345.....	1982-1979	42111	Caterpillar 3208 Diesel; W/O Pulley	1982-1978	42351
1650			Caterpillar 3208 Diesel; W/Theaded Pulley.....	1982-1978	43059
Caterpillar 3208 Diesel; W/Non-Threaded Pulley.....	1978-1975	43233	International/Navistar DT466 Diesel.....	1989-1986	44058
Caterpillar 3208 Diesel; W/O Pulley	1978-1975	42351	International/Navistar V-8 9.0 Diesel.....	1982-1980	42114
Caterpillar 3208 Diesel; W/Theaded Pulley.....	1978-1975	43059	2000 SERIES		
1652 SC			Cummins NH220 Diesel	1972-1970	43229
International/Navistar T444 Diesel	1996-1995	45007	Cummins NH230 Diesel; W/O Pulley	1972-1970	42309
International/Navistar T444 Diesel	1994	44053	Cummins NH230 Diesel; W/Pulley.....	1972-1970	43238
International/Navistar V-8 6.9 Diesel.....	1988-1987	44053	2050A		
International/Navistar V-8 7.3 Diesel.....	1993-1988	44053	Caterpillar 3208 Diesel; W/Non-Threaded Pulley.....	1975-1974	43233
International/Navistar VT365 Diesel.....	2007-2004	43545	Caterpillar 3208 Diesel; W/O Pulley	1975-1974	42351
1654			Caterpillar 3208 Diesel; W/Theaded Pulley.....	1975-1974	43059
International/Navistar V-8 6.9 Diesel.....	1988-1983	44053	Detroit Diesel 6V-53; W/Clockwise Eng...	1976-1966	43310
International/Navistar V-8 7.3 Diesel.....	1989-1988	44053	Detroit Diesel 6V-53; W/Counterclockwise Eng.	1976-1966	43309
International/Navistar V-8 9.0 Diesel.....	1982-1981	42114	1703		
1703			International/Navistar V345.....	1979	42111
1724			1724		
International/Navistar V345.....	1984-1979	42111	International/Navistar V345.....	1984-1979	42111

▼ 2 Outlets at 45 Degree Angles
 ■ 2 Outlets Pointing Straight Down

● Outlet Straight Down & Outlet at 45 Degree Angle
 * High Performance Pump

Application Guide - Medium and Heavy-Duty Trucks

Application	Year	Gates No.	Application	Year	Gates No.
INTERNATIONAL/NAVISTAR - Continued			INTERNATIONAL/NAVISTAR - Continued		
2070			2276		
Caterpillar 3406 Diesel; W/Flat Gear.....	1977-1973	45009	Cummins 6-Cyl. 14.0 Diesel; W/6-Ribbed Belt.....	1989-1986	44092
2070A			Cummins 6-Cyl. 14.0 Diesel; Idler Pulley; W/Flat Idler Pulley.....	1989	41173
Caterpillar 3406 Diesel; W/Flat Gear.....	1977-1973	45009	Cummins 6-Cyl. 14.0 Diesel; W/V-Belt Drive.....	1989-1986	44084
Cummins NH220 Diesel.....	1977-1973	43229	Cummins 6-Cyl. 14.0 Diesel; Idler Pulley; W/V-Ribbed Belt.....	1989	41174
Cummins NH230 Diesel; W/O Pulley.....	1977-1973	42309	Cummins 6-Cyl. 14.0 Diesel; Idler Pulley; W/Flat Idler Pulley.....	1987-1985	41173
Cummins NH230 Diesel; W/Pulley.....	1977-1973	43238	Cummins 6-Cyl. 14.0 Diesel; Idler Pulley; W/V-Ribbed Belt.....	1987-1985	41174
Cummins 6-Cyl. 14.0 Diesel; Idler Pulley; W/2-Groove Pulley.....	1975-1973	41129	Cummins 6-Cyl. 14.0 Diesel; Tensioner Pulley; W/Big Cam III Eng.; W/V-Ribbed Belt.....	1985	41111
Cummins 6-Cyl. 14.0 Diesel; W/Full Flow Cool.....	1975-1973	44064	Cummins 6-Cyl. 14.0 Diesel; W/Big Cam IV Eng.; W/6-Ribbed Belt.....	1985	44092
Detroit Diesel 6-71; W/O Turbo; W/Reverse Rotation.....	1977-1974	42344	Cummins 6-Cyl. 14.0 Diesel; W/Big Cam IV Eng.; W/V-Belt Drive.....	1985	44084
Detroit Diesel 6-71; W/O Turbo; W/Standard Rotation.....	1977-1974	42102	Cummins 6-Cyl. 14.0 Diesel.....	1984	44055
Detroit Diesel 6-71; W/Turbo; W/Reverse Rotation.....	1977-1974	42322	Cummins 6-Cyl. 14.0 Diesel; W/Big Cam I & II Eng.....	1983	44086
Detroit Diesel 6-71; W/Turbo; W/Standard Rotation.....	1977-1974	42321	Cummins 6-Cyl. 14.0 Diesel; W/Big Cam III Eng.....	1983	44055
2155			Detroit Diesel 6-71; W/O Turbo; W/Reverse Rotation.....	1985-1983	42344
Caterpillar 3208 Diesel; W/Non-Threaded Pulley.....	1982-1978	43233	Detroit Diesel 6-71; W/O Turbo; W/Standard Rotation.....	1985-1983	42102
Caterpillar 3208 Diesel; W/O Pulley.....	1982-1978	42351	Detroit Diesel 6-71; W/Turbo; W/Reverse Rotation.....	1985-1983	42322
Caterpillar 3208 Diesel; W/Theaded Pulley.....	1982-1978	43059	Detroit Diesel 6-71; W/Turbo; W/Standard Rotation.....	1985-1983	42321
International/Navistar DT466 Diesel.....	1989-1986	44058	Detroit Diesel 6V-92; "Running" Pump.....	1988-1983	▼44103
International/Navistar V-8 9.0 Diesel.....	1980	42114	Detroit Diesel 6V-92; "Walking" Pump.....	1988-1983	●44097
2275			Detroit Diesel 8V-71.....	1985-1983	44075
Caterpillar 3406 Diesel; W/Flat Gear.....	1982-1979	45009	2375		
Cummins 6-Cyl. 14.0 Diesel; W/6-Ribbed Belt.....	1989-1986	44092	Cummins L10 Diesel.....	1989-1983	44094
Cummins 6-Cyl. 14.0 Diesel; Idler Pulley; W/Flat Idler Pulley.....	1989	41173	2554		
Cummins 6-Cyl. 14.0 Diesel; W/V-Belt Drive.....	1989-1986	44084	Caterpillar 3208 Diesel; W/Non-Threaded Pulley.....	1982-1979	43233
Cummins 6-Cyl. 14.0 Diesel; Idler Pulley; W/V-Ribbed Belt.....	1989	41174	Caterpillar 3208 Diesel; W/O Pulley.....	1982-1979	42351
Cummins 6-Cyl. 14.0 Diesel; Idler Pulley; W/Flat Idler Pulley.....	1987-1985	41173	Caterpillar 3208 Diesel; W/Theaded Pulley.....	1982-1979	43059
Cummins 6-Cyl. 14.0 Diesel; Idler Pulley; W/V-Ribbed Belt.....	1987-1985	41174	Cummins N14 Diesel.....	2000-1999	44052
Cummins 6-Cyl. 14.0 Diesel; Tensioner Pulley; W/Big Cam III Eng.; W/V-Ribbed Belt.....	1985	41111	International/Navistar DT466 Diesel.....	1996	42318
Cummins 6-Cyl. 14.0 Diesel; W/Big Cam IV Eng.; W/6-Ribbed Belt.....	1985	44092	International/Navistar DT466 Diesel.....	1995-1993	44059
Cummins 6-Cyl. 14.0 Diesel; W/Big Cam IV Eng.; W/V-Belt Drive.....	1985	44084	International/Navistar DT466 Diesel.....	1990-1986	44058
Cummins 6-Cyl. 14.0 Diesel.....	1984	44055	International/Navistar DTA466 Diesel.....	1992	44059
Cummins 6-Cyl. 14.0 Diesel; W/Big Cam I & II Eng.....	1983	44086	International/Navistar DTA466 Diesel.....	1991	44058
Cummins 6-Cyl. 14.0 Diesel; W/Big Cam III Eng.....	1983	44055	2574		
Cummins 6-Cyl. 14.0 Diesel.....	1982-1980	44086	Caterpillar 3406 Diesel; W/Flat Gear.....	1982-1979	45009
Cummins 6-Cyl. 14.0 Diesel; Tensioner Pulley - W.P.; W/V-Ribbed Belt.....	1981-1980	41111	Cummins L10 Diesel.....	1998-1991	43307
Cummins 6-Cyl. 14.0 Diesel; Idler Pulley; W/2-Groove Pulley.....	1979-1977	41129	Cummins L10 Diesel.....	1990-1984	44094
Cummins 6-Cyl. 14.0 Diesel; W/Full Flow Cool.....	1979-1977	44064	Cummins M11 Diesel.....	1997-1995	43307
Detroit Diesel 6-71; W/O Turbo; W/Reverse Rotation.....	1986-1978	42344	Cummins N14 Diesel.....	2000-1991	44052
Detroit Diesel 6-71; W/O Turbo; W/Standard Rotation.....	1986-1978	42102	Cummins 6-Cyl. 14.0 Diesel.....	1990	44052
Detroit Diesel 6-71; W/Turbo; W/Reverse Rotation.....	1986-1978	42322	Cummins 6-Cyl. 14.0 Diesel; Idler Pulley; W/Flat Idler Pulley.....	1990-1985	41173
Detroit Diesel 6-71; W/Turbo; W/Standard Rotation.....	1986-1978	42321	Cummins 6-Cyl. 14.0 Diesel; Idler Pulley; W/V-Ribbed Belt.....	1990-1985	41174
Detroit Diesel 6V-92; "Running" Pump.....	1988-1978	▼44103	Cummins 6-Cyl. 14.0 Diesel; W/6-Ribbed Belt.....	1989-1986	44092
Detroit Diesel 6V-92; "Walking" Pump.....	1988-1978	●44097	Cummins 6-Cyl. 14.0 Diesel; W/V-Belt Drive.....	1989-1986	44084
Detroit Diesel 8V-71.....	1984-1979	44075	Cummins 6-Cyl. 14.0 Diesel; Tensioner Pulley; W/Big Cam III Eng.; W/V-Ribbed Belt.....	1985	41111
			Cummins 6-Cyl. 14.0 Diesel; W/Big Cam IV Eng.; W/6-Ribbed Belt.....	1985	44092
			Cummins 6-Cyl. 14.0 Diesel; W/Big Cam IV Eng.; W/V-Belt Drive.....	1985	44084

▼ 2 Outlets at 45 Degree Angles
 ■ 2 Outlets Pointing Straight Down

● Outlet Straight Down & Outlet at 45 Degree Angle
 * High Performance Pump

Application Guide - Medium and Heavy-Duty Trucks

Application	Year	Gates No.	Application	Year	Gates No.
INTERNATIONAL/NAVISTAR - Continued			INTERNATIONAL/NAVISTAR - Continued		
2574 - Continued			2674		
Cummins 6-Cyl. 14.0 Diesel.....	1984	44055	Cummins L10 Diesel	1998-1991	43307
Cummins 6-Cyl. 14.0 Diesel; W/Big Cam I & II Eng.	1983	44086	Cummins L10 Diesel	1990-1984	44094
Cummins 6-Cyl. 14.0 Diesel; W/Big Cam III Eng.....	1983	44055	Cummins M11 Diesel	1997-1995	43307
Cummins 6-Cyl. 14.0 Diesel.....	1982-1980	44086	Cummins N14 Diesel.....	2000-1991	44052
Cummins 6-Cyl. 14.0 Diesel; Tensioner Pulley - W.P.; W/V-Ribbed Belt	1981-1980	41111	Cummins 6-Cyl. 14.0 Diesel.....	1990	44052
Cummins 6-Cyl. 14.0 Diesel; Idler Pulley; W/2-Groove Pulley.....	1979-1977	41129	Cummins 6-Cyl. 14.0 Diesel; Idler Pulley; W/Flat Idler Pulley	1990-1985	41173
Cummins 6-Cyl. 14.0 Diesel; W/Full Flow Cool.....	1979-1977	44064	Cummins 6-Cyl. 14.0 Diesel; Idler Pulley; W/V-Ribbed Belt.....	1990-1985	41174
Detroit Diesel 6-71; W/O Turbo; W/Reverse Rotation.....	1987-1978	42344	Cummins 6-Cyl. 14.0 Diesel; W/6-Ribbed Belt.....	1989-1986	44092
Detroit Diesel 6-71; W/O Turbo; W/Standard Rotation.....	1987-1978	42102	Cummins 6-Cyl. 14.0 Diesel; W/V-Belt Drive	1989-1986	44084
Detroit Diesel 6-71; W/Turbo; W/Reverse Rotation.....	1987-1978	42322	Cummins 6-Cyl. 14.0 Diesel; Tensioner Pulley; W/Big Cam III Eng.;	1985	41111
Detroit Diesel 6-71; W/Turbo; W/Standard Rotation.....	1987-1978	42321	W/V-Ribbed Belt.....	1985	44092
Detroit Diesel 6V-92; "Running" Pump	1988-1978	▼ 44103	Cummins 6-Cyl. 14.0 Diesel; W/Big Cam IV Eng.; W/6-Ribbed Belt	1985	44092
Detroit Diesel 6V-92; "Walking" Pump.....	1988-1978	● 44097	Cummins 6-Cyl. 14.0 Diesel; W/Big Cam IV Eng.; W/V-Belt Drive.....	1985	44084
Detroit Diesel 8V-71	1984-1979	44075	Cummins 6-Cyl. 14.0 Diesel.....	1984	44055
International/Navistar 530 Diesel.....	1996-1995	42318	Cummins 6-Cyl. 14.0 Diesel; W/Big Cam I & II Eng.	1983	44086
2575			Cummins 6-Cyl. 14.0 Diesel; W/Big Cam III Eng.....	1983	44055
Cummins L10 Diesel	1989-1984	44094	Cummins 6-Cyl. 14.0 Diesel.....	1982-1980	44086
Cummins 6-Cyl. 14.0 Diesel; W/6-Ribbed Belt.....	1989-1986	44092	Cummins 6-Cyl. 14.0 Diesel; Tensioner Pulley - W.P.; W/V-Ribbed Belt	1981-1980	41111
Cummins 6-Cyl. 14.0 Diesel; Idler Pulley; W/Flat Idler Pulley	1989-1985	41173	Cummins 6-Cyl. 14.0 Diesel; Idler Pulley; W/2-Groove Pulley.....	1979-1977	41129
Cummins 6-Cyl. 14.0 Diesel; W/V-Belt Drive	1989-1986	44084	Cummins 6-Cyl. 14.0 Diesel; W/Full Flow Cool.....	1979-1977	44064
Cummins 6-Cyl. 14.0 Diesel; Idler Pulley; W/V-Ribbed Belt.....	1989-1985	41174	Detroit Diesel 6-71; W/O Turbo; W/Reverse Rotation.....	1986-1978	42344
Cummins 6-Cyl. 14.0 Diesel; Tensioner Pulley; W/Big Cam III Eng.;	1985	41111	Detroit Diesel 6-71; W/O Turbo; W/Standard Rotation.....	1986-1978	42102
W/V-Ribbed Belt.....	1985	41111	Detroit Diesel 6-71; W/Turbo; W/Reverse Rotation.....	1986-1978	42322
Cummins 6-Cyl. 14.0 Diesel; W/Big Cam IV Eng.; W/6-Ribbed Belt	1985	44092	Detroit Diesel 6-71; W/Turbo; W/Standard Rotation.....	1986-1978	42321
Cummins 6-Cyl. 14.0 Diesel; W/Big Cam IV Eng.; W/V-Belt Drive.....	1985	44084	Detroit Diesel 6V-92; "Running" Pump	1988-1978	▼ 44103
Cummins 6-Cyl. 14.0 Diesel.....	1984	44055	Detroit Diesel 6V-92; "Walking" Pump.....	1988-1978	● 44097
Cummins 6-Cyl. 14.0 Diesel; W/Big Cam I & II Eng.	1983	44086	Detroit Diesel 8V-71	1984-1979	44075
Cummins 6-Cyl. 14.0 Diesel; W/Big Cam III Eng.....	1983	44055	International/Navistar 530 Diesel.....	1996-1995	42318
Cummins 6-Cyl. 14.0 Diesel.....	1982-1980	44086	2675		
Cummins 6-Cyl. 14.0 Diesel; Tensioner Pulley - W.P.; W/V-Ribbed Belt	1981-1980	41111	Cummins L10 Diesel	1989-1987	44094
Cummins 6-Cyl. 14.0 Diesel; Idler Pulley; W/2-Groove Pulley.....	1979-1977	41129	Cummins 6-Cyl. 14.0 Diesel; W/6-Ribbed Belt.....	1989-1987	44092
Cummins 6-Cyl. 14.0 Diesel; W/Full Flow Cool.....	1979-1977	44064	Cummins 6-Cyl. 14.0 Diesel; Idler Pulley; W/Flat Idler Pulley	1989-1987	41173
Detroit Diesel 6-71; W/O Turbo; W/Reverse Rotation.....	1986-1978	42344	Cummins 6-Cyl. 14.0 Diesel; W/V-Belt Drive	1989-1987	44084
Detroit Diesel 6-71; W/O Turbo; W/Standard Rotation.....	1986-1978	42102	Cummins 6-Cyl. 14.0 Diesel; Idler Pulley; W/V-Ribbed Belt.....	1989-1987	41174
Detroit Diesel 6-71; W/Turbo; W/Reverse Rotation.....	1986-1978	42322	Detroit Diesel 6V-92; "Running" Pump	1987	▼ 44103
Detroit Diesel 6-71; W/Turbo; W/Standard Rotation.....	1986-1978	42321	Detroit Diesel 6V-92; "Walking" Pump.....	1987	● 44097
Detroit Diesel 6V-92; "Running" Pump	1988-1978	▼ 44103	4100		
Detroit Diesel 6V-92; "Walking" Pump.....	1988-1978	● 44097	International/Navistar VT365 Diesel.....	2007-2006	43545
Detroit Diesel 8V-71	1984-1979	44075	4200		
2654			Cummins NH220 Diesel	1979-1972	43229
Cummins N14 Diesel.....	2000-1999	44052	Cummins NH230 Diesel; W/O Pulley	1979-1972	42309
International/Navistar DT466 Diesel.....	1996	42318	Cummins NH230 Diesel; W/Pulley.....	1979-1972	43238
International/Navistar DT466 Diesel.....	1990	44058	Cummins 6-Cyl. 14.0 Diesel; Idler Pulley; W/2-Groove Pulley.....	1979-1973	41129
International/Navistar DTA466 Diesel	1991	44058	Cummins 6-Cyl. 14.0 Diesel; W/Full Flow Cool.....	1979-1973	44064
			Detroit Diesel 6-71; W/O Turbo; W/Reverse Rotation.....	1979-1972	42344
			Detroit Diesel 6-71; W/O Turbo; W/Standard Rotation.....	1979-1972	42102

▼ 2 Outlets at 45 Degree Angles
 ■ 2 Outlets Pointing Straight Down

● Outlet Straight Down & Outlet at 45 Degree Angle
 * High Performance Pump

Application Guide - Medium and Heavy-Duty Trucks

Application	Year	Gates No.	Application	Year	Gates No.
INTERNATIONAL/NAVISTAR - Continued			INTERNATIONAL/NAVISTAR - Continued		
4200 - Continued			5000		
Detroit Diesel 6-71; W/Turbo; W/Reverse Rotation.....	1979-1972	42322	Caterpillar 3406 Diesel	1996	44054
Detroit Diesel 6-71; W/Turbo; W/Standard Rotation.....	1979-1972	42321	Cummins L10 Diesel	1998-1991	43307
Detroit Diesel 6V-92; "Running" Pump	1979-1976	▼ 44103	Cummins L10 Diesel; Idler Pulley.....	1998-1991	41175
Detroit Diesel 6V-92; "Walking" Pump.....	1979-1976	● 44097	Cummins L10 Diesel	1990-1987	44094
Detroit Diesel 8V-71	1979-1975	44075	Cummins M11 Diesel	1997-1995	43307
Detroit Diesel 8V-92; "Running" Pump	1979-1978	▼ 44103	Cummins N14 Diesel	1999-1991	44052
Detroit Diesel 8V-92; "Walking" Pump.....	1979-1978	● 44097	Cummins 6-Cyl. 14.0 Diesel.....	1990	44052
International/Navistar VT365 Diesel.....	2007-2003	43545	Cummins 6-Cyl. 14.0 Diesel; Idler Pul- ley; W/Flat Idler Pulley	1990-1987	41173
4270			Cummins 6-Cyl. 14.0 Diesel; Idler Pul- ley; W/V-Ribbed Belt.....	1990-1987	41174
Caterpillar 3406 Diesel; W/Flat Gear	1979-1975	45009	Cummins 6-Cyl. 14.0 Diesel; W/6-Ribbed Belt.....	1989-1987	44092
Detroit Diesel 6V-92; "Running" Pump	1984-1980	▼ 44103	Cummins 6-Cyl. 14.0 Diesel; W/V-Belt Drive	1989-1987	44084
Detroit Diesel 6V-92; "Walking" Pump.....	1984-1980	● 44097	Detroit Diesel 6V-92; "Running" Pump	1988-1987	▼ 44103
Detroit Diesel 8V-71	1984-1980	44075	Detroit Diesel 6V-92; "Walking" Pump.....	1988-1987	● 44097
4300			International/Navistar 530 Diesel.....	1997-1995	42318
Cummins NH220 Diesel	1979-1972	43229	International/Navistar DT466 Diesel.....	1987	44058
Cummins NH230 Diesel; W/O Pulley	1979-1972	42309	5000 SERIES		
Cummins NH230 Diesel; W/Pulley.....	1979-1972	43238	Cummins NH220 Diesel	1979-1978	43229
Cummins 6-Cyl. 14.0 Diesel; Idler Pul- ley; W/2-Groove Pulley.....	1979-1973	41129	Cummins NH220 Diesel	1975	43229
Cummins 6-Cyl. 14.0 Diesel; W/Full Flow Cool.	1979-1973	44064	Cummins NH230 Diesel; W/O Pulley	1979-1978	42309
Detroit Diesel 6-71; W/O Turbo; W/Reverse Rotation.....	1979-1972	42344	Cummins NH230 Diesel; W/Pulley.....	1979-1978	43238
Detroit Diesel 6-71; W/O Turbo; W/Standard Rotation.....	1979-1972	42102	Cummins NH230 Diesel; W/O Pulley	1975	42309
Detroit Diesel 6-71; W/Turbo; W/Reverse Rotation.....	1979-1972	42322	Cummins NH230 Diesel; W/Pulley.....	1975	43238
Detroit Diesel 6-71; W/Turbo; W/Standard Rotation.....	1979-1972	42321	5050		
Detroit Diesel 6V-92; "Running" Pump	1979-1976	▼ 44103	Caterpillar 3208 Diesel; W/Non-Threaded Pulley.....	1982-1980	43233
Detroit Diesel 6V-92; "Walking" Pump.....	1979-1976	● 44097	Caterpillar 3208 Diesel; W/O Pulley	1982-1980	42351
Detroit Diesel 8V-71	1979-1975	44075	Caterpillar 3208 Diesel; W/Threaded Pul- ley	1982-1980	43059
Detroit Diesel 8V-92; "Running" Pump	1979-1978	▼ 44103	Caterpillar 3208 Diesel; W/Non-Threaded Pulley.....	1975-1974	43233
Detroit Diesel 8V-92; "Walking" Pump.....	1979-1978	● 44097	Caterpillar 3208 Diesel; W/O Pulley	1975-1974	42351
International/Navistar VT365 Diesel.....	2003	43545	Caterpillar 3208 Diesel; W/Threaded Pul- ley	1975-1974	43059
4370			Detroit Diesel 6V-53; W/Clockwise Eng... W/Counterclockwise Eng.	1975-1974	43310
Caterpillar 3406 Diesel; W/Flat Gear	1982-1975	45009	Detroit Diesel 6V-53; W/Counterclockwise Eng.	1975-1974	43309
Cummins 6-Cyl. 14.0 Diesel.....	1984	44055	Detroit Diesel 6V-92; "Running" Pump	1982	▼ 44103
Cummins 6-Cyl. 14.0 Diesel; W/Big Cam I & II Eng.	1983	44086	Detroit Diesel 6V-92; "Walking" Pump.....	1982	● 44097
Cummins 6-Cyl. 14.0 Diesel; W/Big Cam III Eng.	1983	44055	International/Navistar DT466 Diesel.....	1986	44058
Cummins 6-Cyl. 14.0 Diesel.....	1982-1980	44086	5070		
Cummins 6-Cyl. 14.0 Diesel; Tensioner Pulley - W.P.; W/V-Ribbed Belt	1981-1980	41111	Cummins 6-Cyl. 14.0 Diesel; W/6-Ribbed Belt.....	1986	44092
Detroit Diesel 8V-92; "Running" Pump	1982-1980	▼ 44103	Cummins 6-Cyl. 14.0 Diesel; Idler Pul- ley; W/Flat Idler Pulley	1986-1985	41173
Detroit Diesel 8V-92; "Walking" Pump.....	1982-1980	● 44097	Cummins 6-Cyl. 14.0 Diesel; W/V-Belt Drive	1986	44084
4400			Cummins 6-Cyl. 14.0 Diesel; Idler Pul- ley; W/V-Ribbed Belt.....	1986-1985	41174
International/Navistar VT365 Diesel.....	2003	43545	Cummins 6-Cyl. 14.0 Diesel; Tensioner Pulley; W/Big Cam III Eng.; W/V-Ribbed Belt.....	1985	41111
4600			Cummins 6-Cyl. 14.0 Diesel; W/Big Cam IV Eng.; W/6-Ribbed Belt	1985	44092
International/Navistar T444 Diesel	1995	45007	Cummins 6-Cyl. 14.0 Diesel; W/Big Cam IV Eng.; W/V-Belt Drive.....	1985	44084
International/Navistar T444 Diesel	1994-1991	44053	Cummins 6-Cyl. 14.0 Diesel.....	1984	44055
International/Navistar V-8 7.3 Diesel.....	1990	44053	Cummins 6-Cyl. 14.0 Diesel; W/Big Cam I & II Eng.	1983	44086
4700			Cummins 6-Cyl. 14.0 Diesel; W/Big Cam III Eng.....	1983	44055
International/Navistar DT466 Diesel.....	1996-1995	42318	Cummins 6-Cyl. 14.0 Diesel.....	1982-1980	44086
International/Navistar T444 Diesel	1996-1995	45007	Cummins 6-Cyl. 14.0 Diesel; Tensioner Pulley - W.P.; W/V-Ribbed Belt	1981-1980	41111
International/Navistar T444 Diesel	1994	44053	Cummins 6-Cyl. 14.0 Diesel; Idler Pul- ley; W/2-Groove Pulley.....	1979-1977	41129
4800; 4900			Cummins 6-Cyl. 14.0 Diesel; W/Full Flow Cool.	1979-1977	44064
International/Navistar DT466 Diesel.....	1996-1995	42318			
International/Navistar DT466 Diesel.....	1994	44059			
International/Navistar DT466 Diesel; W/Low Mount Fan.....	1993	44059			
International/Navistar DT466 Diesel; W/Low Mount Fan.....	1992	44058			
International/Navistar DT466 Diesel.....	1991-1990	44058			
International/Navistar T444 Diesel	1996-1995	45007			

▼ 2 Outlets at 45 Degree Angles
■ 2 Outlets Pointing Straight Down

● Outlet Straight Down & Outlet at 45 Degree Angle
* High Performance Pump

Application Guide - Medium and Heavy-Duty Trucks

Application	Year	Gates No.	Application	Year	Gates No.
INTERNATIONAL/NAVISTAR - Continued			INTERNATIONAL/NAVISTAR - Continued		
5070 - Continued			8300		
Detroit Diesel 6-71; W/O Turbo; W/Reverse Rotation.....	1986-1974	42344	Caterpillar 3406 Diesel; W/Dished Gear..	1994-1993	44054
Detroit Diesel 6-71; W/O Turbo; W/Standard Rotation.....	1986-1974	42102	Caterpillar 3406 Diesel; W/Flat Gear.....	1994-1988	45009
Detroit Diesel 6-71; W/Turbo; W/Reverse Rotation.....	1986-1974	42322	Cummins L10 Diesel.....	1994-1991	43307
Detroit Diesel 6-71; W/Turbo; W/Standard Rotation.....	1986-1974	42321	Cummins L10 Diesel; Idler Pulley.....	1994-1991	41175
Detroit Diesel 6V-92; "Running" Pump....	1986-1976	▼44103	Cummins L10 Diesel.....	1990-1988	44094
Detroit Diesel 6V-92; "Walking" Pump....	1986-1976	●44097	Cummins N14 Diesel.....	1994-1991	44052
Detroit Diesel 8V-71.....	1979-1974	44075	Cummins 6-Cyl. 14.0 Diesel.....	1990	44052
5500I; 5600I; 5900I			9100		
Cummins N14 Diesel.....	2003-2000	44052	Caterpillar 3406 Diesel.....	1998	44054
7070B			9100I		
Caterpillar 3406 Diesel; W/Flat Gear.....	1979-1975	45009	Cummins M11 Diesel.....	1998	43307
Cummins 6-Cyl. 14.0 Diesel; Idler Pul- ley; W/2-Groove Pulley.....	1979-1975	41129	Cummins N14 Diesel.....	1999-1998	44052
Cummins 6-Cyl. 14.0 Diesel; W/Full Flow Cool.....	1979-1975	44064	Detroit Diesel Series 60.....	1999-1998	44066
Detroit Diesel 8V-71.....	1979-1974	44075	9200		
7100			9200I		
International/Navistar DT466 Diesel; W/Low Mount Fan.....	1993	44059	Cummins N14 Diesel.....	2003-2000	44052
International/Navistar DT466 Diesel; W/Low Mount Fan.....	1992	44058	Detroit Diesel Series 60.....	2000	44066
International/Navistar DT466 Diesel.....	1991-1990	44058	Detroit Diesel 6-Cyl. 12.7.....	2002-2001	44066
International/Navistar T444 Diesel.....	1994	44053	9300		
7600			9300I		
Caterpillar 3406 Diesel.....	2003	44054	Caterpillar 3406 Diesel.....	1998-1996	44054
8100			9300I		
Caterpillar 3406 Diesel.....	1998	44054	Caterpillar 3406 Diesel; W/Dished Gear..	1995	44054
Caterpillar 3406 Diesel.....	1996	44054	Caterpillar 3406 Diesel; W/Flat Gear.....	1995	45009
Cummins L10 Diesel.....	1998-1991	43307	Cummins L10 Diesel.....	1994-1993	43307
Cummins L10 Diesel; Idler Pulley.....	1997-1991	41175	Cummins L10 Diesel; Idler Pulley.....	1994-1993	41175
Cummins L10 Diesel.....	1990	44094	Cummins M11 Diesel.....	1998-1994	43307
Cummins M11 Diesel.....	1997-1994	43307	Cummins N14 Diesel.....	1999-1995	44052
Cummins N14 Diesel.....	1999-1995	44052	Detroit Diesel Series 60.....	1999-1998	44066
Detroit Diesel Series 50.....	1998-1994	44066	9200I		
Detroit Diesel 6-Cyl. 11.1.....	1996	44066	Cummins N14 Diesel.....	2003-2000	44052
Detroit Diesel 6-Cyl. 11.1.....	1993-1991	44066	Detroit Diesel Series 60.....	2001-2000	44066
Detroit Diesel 6-Cyl. 12.7.....	1996	44066	Detroit Diesel 6-Cyl. 12.7.....	2003-2002	44066
Detroit Diesel 6-Cyl. 12.7.....	1993-1991	44066	9300		
International/Navistar 530 Diesel.....	1996-1995	42318	Caterpillar 3406 Diesel.....	1998-1996	44054
International/Navistar DT466 Diesel.....	1996	42318	Caterpillar 3406 Diesel; W/Dished Gear..	1995-1993	44054
International/Navistar DT466 Diesel.....	1991-1990	44058	Caterpillar 3406 Diesel; W/Flat Gear.....	1995-1988	45009
International/Navistar DTA466 Diesel.....	1992	44058	Cummins L10 Diesel.....	1994-1991	43307
8200			9300I		
Caterpillar 3406 Diesel.....	1998-1996	44054	Cummins L10 Diesel.....	1990-1988	44094
Caterpillar 3406 Diesel; W/Dished Gear..	1995-1993	44054	Cummins M11 Diesel.....	1998-1995	43307
Caterpillar 3406 Diesel; W/Flat Gear.....	1995-1990	45009	Cummins N14 Diesel.....	1998-1991	44052
Cummins ISM Diesel.....	1998	43307	Cummins 6-Cyl. 14.0 Diesel.....	1990	44052
Cummins L10 Diesel.....	1997-1991	43307	Cummins 6-Cyl. 14.0 Diesel; Idler Pul- ley; W/Flat Idler Pulley.....	1990-1988	41173
Cummins L10 Diesel; Idler Pulley.....	1997-1991	41175	Cummins 6-Cyl. 14.0 Diesel; Idler Pul- ley; W/V-Ribbed Belt.....	1990-1988	41174
Cummins L10 Diesel.....	1990	44094	Cummins 6-Cyl. 14.0 Diesel; W/6-Ribbed Belt.....	1989-1988	44092
Cummins M11 Diesel.....	1997-1995	43307	Cummins 6-Cyl. 14.0 Diesel; W/V-Belt Drive.....	1989-1988	44084
Cummins N14 Diesel.....	1998-1991	44052	Detroit Diesel 6V-92; "Running" Pump....	1988	▼44103
Cummins 6-Cyl. 14.0 Diesel.....	1990	44052	Detroit Diesel 6V-92; "Walking" Pump....	1988	●44097
Cummins 6-Cyl. 14.0 Diesel; Idler Pul- ley; W/Flat Idler Pulley.....	1990	41173	Detroit Diesel Series 60.....	1998	44066
Cummins 6-Cyl. 14.0 Diesel; Idler Pul- ley; W/V-Ribbed Belt.....	1990	41174	Detroit Diesel Series 60.....	1994-1992	44066
Detroit Diesel Series 50.....	1997	44066	Detroit Diesel 6-Cyl. 11.1.....	1997-1996	44066
Detroit Diesel Series 60.....	1998-1997	44066	Detroit Diesel 6-Cyl. 12.7.....	1997-1996	44066
Detroit Diesel 6-Cyl. 11.1.....	1996-1991	44066	9370		
Detroit Diesel 6-Cyl. 12.7.....	1996-1991	44066	Caterpillar 3406 Diesel; W/Flat Gear.....	1987-1985	45009
International/Navistar 530 Diesel.....	1996	42318	Cummins L10 Diesel.....	1987-1986	44094
			Cummins 6-Cyl. 14.0 Diesel; W/6-Ribbed Belt.....	1987-1986	44092

▼ 2 Outlets at 45 Degree Angles
■ 2 Outlets Pointing Straight Down

● Outlet Straight Down & Outlet at 45 Degree Angle
* High Performance Pump

Application Guide - Medium and Heavy-Duty Trucks

Application	Year	Gates No.	Application	Year	Gates No.
INTERNATIONAL/NAVISTAR - Continued			INTERNATIONAL/NAVISTAR - Continued		
9370 - Continued			9700 - Continued		
Cummins 6-Cyl. 14.0 Diesel; Idler Pulley; W/Flat Idler Pulley	1987-1985	41173	Caterpillar 3406 Diesel; W/Dished Gear..	1996-1993	44054
Cummins 6-Cyl. 14.0 Diesel; W/V-Belt Drive	1987-1986	44084	Caterpillar 3406 Diesel; W/Flat Gear	1996-1989	45009
Cummins 6-Cyl. 14.0 Diesel; Idler Pulley; W/V-Ribbed Belt.....	1987-1985	41174	Cummins L10 Diesel	1994-1991	43307
Cummins 6-Cyl. 14.0 Diesel; Tensioner Pulley; W/Big Cam III Eng.;			Cummins L10 Diesel; Idler Pulley.....	1994-1991	41175
W/V-Ribbed Belt.....	1985	41111	Cummins L10 Diesel	1990-1988	44094
Cummins 6-Cyl. 14.0 Diesel; W/Big Cam IV Eng.; W/6-Ribbed Belt	1985	44092	Cummins M11 Diesel	1996-1995	43307
Cummins 6-Cyl. 14.0 Diesel; W/Big Cam IV Eng.; W/V-Belt Drive	1985	44084	Cummins N14 Diesel.....	1996-1991	44052
Detroit Diesel 6V-92; "Running" Pump	1987-1985	▼44103	Cummins 6-Cyl. 14.0 Diesel.....	1990	44052
Detroit Diesel 6V-92; "Walking" Pump	1987-1985	●44097	Cummins 6-Cyl. 14.0 Diesel; Idler Pulley; W/Flat Idler Pulley	1990-1988	41173
Detroit Diesel 6V-92; "Running" Pump	1979-1977	▼44103	Cummins 6-Cyl. 14.0 Diesel; Idler Pulley; W/V-Ribbed Belt.....	1990-1988	41174
Detroit Diesel 6V-92; "Walking" Pump	1979-1977	●44097	Cummins 6-Cyl. 14.0 Diesel;		
			W/6-Ribbed Belt	1989-1988	44092
			Cummins 6-Cyl. 14.0 Diesel; W/V-Belt Drive	1989-1988	44084
			Detroit Diesel Series 60	1994-1992	44066
			Detroit Diesel 6-Cyl. 11.1	1996-1995	44066
			Detroit Diesel 6-Cyl. 12.7	1996-1995	44066
9400			9800		
Caterpillar 3406 Diesel	1999-1996	44054	Cummins M11 Diesel	1999-1996	43307
Caterpillar 3406 Diesel; W/Dished Gear..	1995-1993	44054	Cummins N14 Diesel.....	1999-1996	44052
Caterpillar 3406 Diesel; W/Flat Gear.....	1995-1990	45009	Detroit Diesel Series 60	1999-1997	44066
Cummins L10 Diesel	1994-1991	43307	Detroit Diesel 6-Cyl. 11.1	1996	44066
Cummins L10 Diesel	1990	44094	Detroit Diesel 6-Cyl. 12.7	1996	44066
Cummins M11 Diesel	1998-1995	43307			
Cummins N14 Diesel	1999-1991	44052	9900		
Cummins 6-Cyl. 14.0 Diesel.....	1990	44052	Caterpillar 3406 Diesel	1999	44054
Cummins 6-Cyl. 14.0 Diesel; Idler Pulley; W/Flat Idler Pulley	1990	41173	Cummins N14 Diesel.....	1999	44052
Cummins 6-Cyl. 14.0 Diesel; Idler Pulley; W/V-Ribbed Belt.....	1990	41174	Detroit Diesel Series 60	1999	44066
Detroit Diesel Series 60	1999-1997	44066			
Detroit Diesel Series 60	1994-1992	44066	9900I		
Detroit Diesel 6-Cyl. 11.1	1996-1995	44066	Caterpillar 3406 Diesel	2000	44054
Detroit Diesel 6-Cyl. 12.7	1996-1995	44066	Cummins N14 Diesel.....	2003-2000	44052
			Detroit Diesel Series 60	2000	44066
			Detroit Diesel 6-Cyl. 12.7	2003-2001	44066
9400I			9900IX		
Caterpillar 3406 Diesel	2000	44054	Caterpillar 3406 Diesel	2000	44054
Cummins N14 Diesel.....	2003-2000	44052	Cummins N14 Diesel.....	2002-2000	44052
Detroit Diesel Series 60	2000	44066	Detroit Diesel Series 60	2000	44066
Detroit Diesel 6-Cyl. 12.7	2003-2001	44066	Detroit Diesel 6-Cyl. 12.7	2002-2001	44066
9600			ISUZU		
Caterpillar 3208 Diesel;			KS		
W/Non-Threaded Pulley.....	1990	43233	Isuzu 4BD1 Diesel	1985	43314
Caterpillar 3208 Diesel; W/O Pulley	1990	42351			
Caterpillar 3208 Diesel; W/Theaded Pulley	1990	43059	NPR		
Caterpillar 3406 Diesel; W/Dished Gear..	1996-1993	44054	GM V-8 5.7	2005-1996	43315
Caterpillar 3406 Diesel; W/Flat Gear	1996-1989	45009	Isuzu 4BD1 Diesel	1991-1990	43314
Cummins L10 Diesel	1994-1991	43307	Isuzu 4BD1 Diesel	1988-1985	43314
Cummins L10 Diesel; Idler Pulley.....	1994-1991	41175	Isuzu 4BD1-T Diesel.....	1989	43314
Cummins L10 Diesel	1990-1989	44094			
Cummins M11 Diesel	1996-1995	43307	KENWORTH		
Cummins N14 Diesel	1996-1991	44052	BRUTE		
Cummins 6-Cyl. 14.0 Diesel.....	1990	44052	Cummins 6-Cyl. 14.0 Diesel.....	1980	44086
Cummins 6-Cyl. 14.0 Diesel; Idler Pulley; W/Flat Idler Pulley	1990-1989	41173	Cummins 6-Cyl. 14.0 Diesel; Tensioner Pulley - W.P.; W/V-Ribbed Belt	1980	41111
Cummins 6-Cyl. 14.0 Diesel; Idler Pulley; W/V-Ribbed Belt.....	1990-1989	41174	Cummins 6-Cyl. 855 Diesel; Idler Pulley; W/2-Groove Pulley	1979-1973	41129
Cummins 6-Cyl. 14.0 Diesel;			Cummins 6-Cyl. 855 Diesel; W/Full Flow Cool.	1979-1973	44064
W/6-Ribbed Belt	1989	44092	Detroit Diesel 6-71; W/O Turbo;		
Cummins 6-Cyl. 14.0 Diesel; W/V-Belt Drive	1989	44084	W/Reverse Rotation	1980-1976	42344
Detroit Diesel Series 60	1994-1992	44066	Detroit Diesel 6-71; W/O Turbo;		
Detroit Diesel 6-Cyl. 11.1	1996-1995	44066	W/Standard Rotation.....	1980-1976	42102
Detroit Diesel 6-Cyl. 12.7	1996-1995	44066	Detroit Diesel 6-71; W/Turbo;		
			W/Reverse Rotation	1980-1976	42322
			Detroit Diesel 6-71; W/Turbo;		
			W/Standard Rotation.....	1980-1976	42321
9700					
Caterpillar 3208 Diesel;					
W/Non-Threaded Pulley.....	1990	43233			
Caterpillar 3208 Diesel; W/O Pulley	1990	42351			
Caterpillar 3208 Diesel; W/Theaded Pulley	1990	43059			

▼ 2 Outlets at 45 Degree Angles
 ■ 2 Outlets Pointing Straight Down

● Outlet Straight Down & Outlet at 45 Degree Angle
 * High Performance Pump

Application Guide - Medium and Heavy-Duty Trucks

Application	Year	Gates No.	Application	Year	Gates No.
KENWORTH - Continued			KENWORTH - Continued		
C500			K100 - Continued		
Cummins L10 Diesel	1989-1985	44094	Cummins 6-Cyl. 14.0 Diesel; W/V-Belt Drive	1989-1986	44084
Cummins M11 Diesel	1998-1995	43307	Cummins 6-Cyl. 14.0 Diesel; Tensioner Pulley; W/Big Cam III Eng.;		
Cummins NTC230 Diesel; W/2-Groove Pulley.....	1979	43253	W/V-Ribbed Belt.....	1985	41111
Cummins 6-Cyl. 14.0 Diesel.....	1984	44055	Cummins 6-Cyl. 14.0 Diesel; W/Big Cam IV Eng.; W/6-Ribbed Belt	1985	44092
Cummins 6-Cyl. 14.0 Diesel; W/Big Cam I & II Eng.	1983	44086	Cummins 6-Cyl. 14.0 Diesel; W/Big Cam IV Eng.; W/V-Belt Drive.....	1985	44084
Cummins 6-Cyl. 14.0 Diesel; W/Big Cam III Eng.....	1983	44055	Cummins 6-Cyl. 14.0 Diesel.....	1984	44055
Cummins 6-Cyl. 14.0 Diesel; Tensioner Pulley - W.P.; W/V-Ribbed Belt	1981-1980	41111	Cummins 6-Cyl. 14.0 Diesel; W/Big Cam I & II Eng.	1983	44086
Cummins 6-Cyl. 855 Diesel; Idler Pulley; W/2-Groove Pulley.....	1979-1975	41129	Cummins 6-Cyl. 14.0 Diesel; W/Big Cam III Eng.....	1983	44055
Cummins 6-Cyl. 855 Diesel; W/Full Flow Cool.	1979-1975	44064	Cummins 6-Cyl. 14.0 Diesel.....	1982-1980	44086
Detroit Diesel 6-71; W/O Turbo; W/Reverse Rotation.....	1982-1975	42344	Cummins 6-Cyl. 14.0 Diesel; Tensioner Pulley - W.P.; W/V-Ribbed Belt	1981-1980	41111
Detroit Diesel 6-71; W/O Turbo; W/Standard Rotation.....	1982-1975	42102	Cummins 6-Cyl. 855 Diesel; Idler Pulley; W/2-Groove Pulley.....	1979-1971	41129
Detroit Diesel 6-71; W/Turbo; W/Reverse Rotation.....	1982-1975	42322	Cummins 6-Cyl. 855 Diesel; W/Full Flow Cool.	1979-1971	44064
Detroit Diesel 6-71; W/Turbo; W/Standard Rotation.....	1982-1975	42321	Detroit Diesel 6-71; W/Reverse Rotation.	1982	42322
Detroit Diesel 6V-71; "Running" Pump	1978-1973	▼ 44096	Detroit Diesel 6-71; W/Standard Rotation	1982	42321
Detroit Diesel 6V-71; "Standing" Pump ...	1978-1973	■ 44075	Detroit Diesel 6V-92; "Running" Pump	1982-1976	▼ 44103
Detroit Diesel 6V-92; "Running" Pump	1982-1977	▼ 44103	Detroit Diesel 6V-92; "Walking" Pump	1982-1976	● 44097
Detroit Diesel 6V-92; "Walking" Pump	1982-1977	● 44097	Detroit Diesel 8V-71	1980-1969	44075
Detroit Diesel 8V-71; "Running" Pump	1975-1974	▼ 44096	Detroit Diesel 8V-92; "Running" Pump	1987-1974	▼ 44103
Detroit Diesel 8V-71; "Standing" Pump ...	1975-1974	■ 44075	Detroit Diesel 8V-92; "Walking" Pump	1987-1974	● 44097
Detroit Diesel 8V-92; "Running" Pump	1982-1979	▼ 44103	Detroit Diesel 6-Cyl. 11.1	1996	44066
Detroit Diesel 8V-92; "Walking" Pump	1982-1979	● 44097	Detroit Diesel 6-Cyl. 11.1	1993-1991	44066
Detroit Diesel 8V-92; "Running" Pump	1975-1974	▼ 44103	Detroit Diesel 6-Cyl. 12.7	1996	44066
Detroit Diesel 8V-92; "Walking" Pump	1975-1974	● 44097	Detroit Diesel 6-Cyl. 12.7	1993-1991	44066
Detroit Diesel 6-Cyl. 11.1	1994-1991	44066	K130; K150; K220		
Detroit Diesel 6-Cyl. 12.7	1994-1991	44066	Cummins C Series 8.3 Diesel; W/Long Nose W.P.; W/Hardened Pulley	1993-1990	43321
C550			Cummins C Series 8.3 Diesel; W/Long Nose W.P.; W/O Hardened Pulley.....	1993-1990	43320
Cummins M11 Diesel	1996	43307	Cummins C Series 8.3 Diesel; W/Short Nose W.P.	1993-1990	42352
HUSTLER			K300		
Detroit Diesel 6-71; W/O Turbo; W/Reverse Rotation.....	1974	42344	Cummins B Series 5.9 Diesel.....	1996-1995	41181
Detroit Diesel 6-71; W/O Turbo; W/Standard Rotation.....	1974	42102	Cummins C Series 8.3 Diesel; W/Long Nose W.P.; W/Hardened Pulley	1996-1993	43321
Detroit Diesel 6-71; W/Turbo; W/Reverse Rotation.....	1974	42322	Cummins C Series 8.3 Diesel; W/Long Nose W.P.; W/O Hardened Pulley.....	1996-1993	43320
Detroit Diesel 6-71; W/Turbo; W/Standard Rotation.....	1974	42321	Cummins C Series 8.3 Diesel; W/Short Nose W.P.	1996-1993	42352
Detroit Diesel 6V-53; W/Clockwise Eng. ...	1974	43310	Cummins ISB Diesel.....	2001-2000	41176
Detroit Diesel 6V-53; W/Counterclockwise Eng.	1974	43309	L700		
K100			Cummins L10 Diesel	1986-1984	44094
Caterpillar 3406 Diesel; W/Dished Gear..	1994-1993	44054	Cummins 6-Cyl. 14.0 Diesel.....	1980	44086
Caterpillar 3406 Diesel; W/Flat Gear	1994-1977	45009	Cummins 6-Cyl. 14.0 Diesel; Tensioner Pulley - W.P.; W/V-Ribbed Belt	1980	41111
Cummins C Series 8.3 Diesel; W/Long Nose W.P.; W/Hardened Pulley	1993-1992	43321	Cummins 6-Cyl. 855 Diesel; Idler Pulley; W/2-Groove Pulley.....	1979	41129
Cummins C Series 8.3 Diesel; W/Long Nose W.P.; W/O Hardened Pulley.....	1993-1992	43320	Cummins 6-Cyl. 855 Diesel; W/Full Flow Cool.	1979	44064
Cummins C Series 8.3 Diesel; W/Short Nose W.P.	1993-1992	42352	Detroit Diesel 6-71; W/O Turbo; W/Reverse Rotation.....	1986-1985	42344
Cummins ISM Diesel.....	2000-1999	43307	Detroit Diesel 6-71; W/O Turbo; W/Standard Rotation.....	1986-1985	42102
Cummins L10 Diesel	1989-1985	44094	Detroit Diesel 6-71; W/Turbo; W/Reverse Rotation.....	1986-1985	42322
Cummins M11 Diesel	1998-1995	43307	Detroit Diesel 6-71; W/Turbo; W/Standard Rotation.....	1986-1985	42102
Cummins N14 Diesel.....	1993-1992	44052	Detroit Diesel 6-71; W/Turbo; W/Reverse Rotation.....	1986-1985	42322
Cummins 6-Cyl. 14.0 Diesel.....	1991-1990	44052	Detroit Diesel 6-71; W/Turbo; W/Standard Rotation.....	1986-1985	42321
Cummins 6-Cyl. 14.0 Diesel; Idler Pulley; W/Flat Idler Pulley	1990-1985	41173	Detroit Diesel 6V-92; "Running" Pump	1979	▼ 44103
Cummins 6-Cyl. 14.0 Diesel; Idler Pulley; W/V-Ribbed Belt.....	1990-1985	41174	Detroit Diesel 6V-92; "Walking" Pump....	1979	● 44097
Cummins 6-Cyl. 14.0 Diesel; W/6-Ribbed Belt.....	1989-1986	44092	PD200		
			Cummins V-8 210 Diesel	1972-1971	44093

▼ 2 Outlets at 45 Degree Angles
 ■ 2 Outlets Pointing Straight Down

● Outlet Straight Down & Outlet at 45 Degree Angle
 * High Performance Pump

Application Guide - Medium and Heavy-Duty Trucks

Application	Year	Gates No.	Application	Year	Gates No.
KENWORTH - Continued			KENWORTH - Continued		
PD200 - Continued			T800 - Continued		
Detroit Diesel 6-71; W/O Turbo; W/Reverse Rotation.....	1973	42344	Detroit Diesel 8V-92; "Running" Pump	1988-1987	▼44103
Detroit Diesel 6-71; W/O Turbo; W/Standard Rotation.....	1973	42102	Detroit Diesel 8V-92; "Walking" Pump.....	1988-1987	●44097
Detroit Diesel 6-71; W/Turbo; W/Reverse Rotation.....	1973	42322	Detroit Diesel 6-Cyl. 11.1	2001-1991	44066
Detroit Diesel 6-71; W/Turbo; W/Standard Rotation.....	1973	42321	Detroit Diesel 6-Cyl. 12.7	2001-1991	44066
Detroit Diesel 6V-53; W/Clockwise Eng... W/Counterclockwise Eng.	1973-1972	43310	T2000		
	1973-1972	43309	Caterpillar 3406 Diesel	2000-1997	44054
T300			Cummins N14 Diesel.....	2000-1997	44052
Cummins C Series 8.3 Diesel; W/Long Nose W.P.; W/Hardened Pulley	1996-1995	43321	Detroit Diesel 6-Cyl. 11.1	2000-1997	44066
Cummins C Series 8.3 Diesel; W/Long Nose W.P.; W/O Hardened Pulley.....	1996-1995	43320	Detroit Diesel 6-Cyl. 12.7	2000-1997	44066
Cummins C Series 8.3 Diesel; W/Short Nose W.P.	1996-1995	42352	W900		
Cummins ISB Diesel.....	2005	41176	Caterpillar 3406 Diesel	2000-1996	44054
T400			Caterpillar 3406 Diesel; W/Dished Gear..	1995-1993	44054
Cummins L10 Diesel	1997-1991	43307	Caterpillar 3406 Diesel; W/Flat Gear.....	1995-1975	45009
Cummins L10 Diesel; Idler Pulley.....	1997-1991	41175	Cummins L10 Diesel	1989-1985	44094
Cummins L10 Diesel	1990-1989	44094	Cummins M11 Diesel	1996	43307
Cummins M11 Diesel	1997-1995	43307	Cummins N14 Diesel.....	2003-1992	44052
T450			Cummins 6-Cyl. 14.0 Diesel.....	1991-1990	44052
Cummins L10 Diesel	1995-1991	43307	Cummins 6-Cyl. 14.0 Diesel; Idler Pul- ley; W/Flat Idler Pulley	1990-1985	41173
Cummins L10 Diesel; Idler Pulley.....	1995-1994	41175	Cummins 6-Cyl. 14.0 Diesel; Idler Pul- ley; W/V-Ribbed Belt.....	1990-1985	41174
Cummins L10 Diesel; Idler Pulley.....	1992-1991	41175	Cummins 6-Cyl. 14.0 Diesel; W/6-Ribbed Belt.....	1989-1986	44092
Cummins L10 Diesel	1990	44094	Cummins 6-Cyl. 14.0 Diesel; W/V-Belt Drive	1989-1986	44084
Cummins M11 Diesel	1995	43307	Cummins 6-Cyl. 14.0 Diesel; Tensioner Pulley; W/Big Cam III Eng.;		
T600			W/V-Ribbed Belt.....	1985	41111
Caterpillar 3406 Diesel	1999-1996	44054	Cummins 6-Cyl. 14.0 Diesel; W/Big Cam IV Eng.; W/6-Ribbed Belt	1985	44092
Caterpillar 3406 Diesel; W/Dished Gear..	1995-1993	44054	Cummins 6-Cyl. 14.0 Diesel; W/Big Cam IV Eng.; W/V-Belt Drive.....	1985	44084
Caterpillar 3406 Diesel; W/Flat Gear.....	1995-1986	45009	Cummins 6-Cyl. 14.0 Diesel.....	1984	44055
Cummins L10 Diesel	1997-1991	43307	Cummins 6-Cyl. 14.0 Diesel; W/Big Cam I & II Eng.	1983	44086
Cummins L10 Diesel; Idler Pulley.....	1997-1995	41175	Cummins 6-Cyl. 14.0 Diesel; W/Big Cam III Eng.	1983	44055
Cummins L10 Diesel; Idler Pulley.....	1993-1991	41175	Cummins 6-Cyl. 14.0 Diesel.....	1982-1980	44086
Cummins L10 Diesel	1990-1986	44094	Cummins 6-Cyl. 14.0 Diesel; Tensioner Pulley - W.P.; W/V-Ribbed Belt	1981-1980	41111
Cummins M11 Diesel	1997-1995	43307	Cummins 6-Cyl. 855 Diesel; Idler Pulley; W/2-Groove Pulley.....	1979-1971	41129
Cummins N14 Diesel.....	2001-1992	44052	Cummins 6-Cyl. 855 Diesel; W/Full Flow Cool.	1979-1971	44064
Cummins 6-Cyl. 14.0 Diesel.....	1991-1990	44052	Detroit Diesel 6-71; W/Reverse Rotation.	1982	42322
Cummins 6-Cyl. 14.0 Diesel; Idler Pul- ley; W/Flat Idler Pulley	1990-1986	41173	Detroit Diesel 6-71; W/Standard Rotation	1982	42321
Cummins 6-Cyl. 14.0 Diesel; Idler Pul- ley; W/V-Ribbed Belt.....	1990-1986	41174	Detroit Diesel 6-71; W/O Turbo; W/Reverse Rotation.....	1981-1975	42344
Cummins 6-Cyl. 14.0 Diesel; W/6-Ribbed Belt.....	1989-1986	44092	Detroit Diesel 6-71; W/O Turbo; W/Standard Rotation.....	1981-1975	42102
Cummins 6-Cyl. 14.0 Diesel; W/V-Belt Drive	1989-1986	44084	Detroit Diesel 6-71; W/Turbo; W/Reverse Rotation	1981-1975	42322
Detroit Diesel 6-Cyl. 11.1	1999-1991	44066	Detroit Diesel 6-71; W/Turbo; W/Standard Rotation.....	1981-1975	42321
Detroit Diesel 6-Cyl. 12.7	1999-1991	44066	Detroit Diesel 6V-92; "Running" Pump	1982-1976	▼44103
T800			Detroit Diesel 6V-92; "Walking" Pump.....	1982-1976	●44097
Caterpillar 3406 Diesel	2000-1996	44054	Detroit Diesel 8V-71	1980-1969	44075
Caterpillar 3406 Diesel; W/Dished Gear..	1995-1993	44054	Detroit Diesel 8V-92; "Running" Pump	1987-1974	▼44103
Caterpillar 3406 Diesel; W/Flat Gear.....	1995-1987	45009	Detroit Diesel 8V-92; "Walking" Pump.....	1987-1974	●44097
Cummins L10 Diesel	1997-1991	43307	Detroit Diesel 6-Cyl. 11.1	2001-1991	44066
Cummins L10 Diesel; Idler Pulley.....	1997-1991	41175	Detroit Diesel 6-Cyl. 12.7	2001-1991	44066
Cummins L10 Diesel	1990-1987	44094	13-210		
Cummins M11 Diesel	1997-1995	43307	Cummins C Series 8.3 Diesel; W/Long Nose W.P.; W/Hardened Pulley	1989-1988	43321
Cummins N14 Diesel.....	2003-1992	44052	Cummins C Series 8.3 Diesel; W/Long Nose W.P.; W/O Hardened Pulley.....	1989-1988	43320
Cummins 6-Cyl. 14.0 Diesel.....	1991-1990	44052	Cummins C Series 8.3 Diesel; W/Short Nose W.P.	1989-1988	42352
Cummins 6-Cyl. 14.0 Diesel; Idler Pul- ley; W/Flat Idler Pulley	1990-1987	41173			
Cummins 6-Cyl. 14.0 Diesel; Idler Pul- ley; W/V-Ribbed Belt.....	1990-1987	41174			
Cummins 6-Cyl. 14.0 Diesel; W/6-Ribbed Belt.....	1989-1987	44092			
Cummins 6-Cyl. 14.0 Diesel; W/V-Belt Drive	1989-1987	44084			

▼ 2 Outlets at 45 Degree Angles
■ 2 Outlets Pointing Straight Down

● Outlet Straight Down & Outlet at 45 Degree Angle
* High Performance Pump

Application Guide - Medium and Heavy-Duty Trucks

Application	Year	Gates No.	Application	Year	Gates No.
KENWORTH - Continued			MACK - Continued		
22-210			F SERIES - Continued		
Cummins C Series 8.3 Diesel; W/Long Nose W.P.; W/Hardened Pulley	1989	43321	Cummins 6-Cyl. 14.0 Diesel; Tensioner Pulley - W.P.; W/V-Ribbed Belt	1980	41111
Cummins C Series 8.3 Diesel; W/Long Nose W.P.; W/O Hardened Pulley	1989	43320	Cummins 6-Cyl. 855 Diesel; Idler Pulley; W/2-Groove Pulley	1979-1971	41129
Cummins C Series 8.3 Diesel; W/Short Nose W.P.	1989	42352	Cummins 6-Cyl. 855 Diesel; W/Full Flow Cool.	1979-1971	44064
MACK			Detroit Diesel 8V-71	1973-1970	44075
CH SERIES			Mack 6-Cyl. 11.0 Diesel	1980	43225
Detroit Diesel 6-Cyl. 12.7	1993	44066	Mack 6-Cyl. 672 Diesel	1979-1974	43225
Mack 6-Cyl. 12.0 Diesel	2002-1990	43240	Mack 6-Cyl. 672 Diesel	1973-1971	43226
CL SERIES			FDM SERIES		
Caterpillar 3406 Diesel	1999-1998	44054	Mack 6-Cyl. 12.0 Diesel	1996-1994	43240
Caterpillar 3406 Diesel; W/Dished Gear..	1996-1995	44054	FL SERIES		
Caterpillar 3406 Diesel; W/Flat Gear	1996-1995	45009	Cummins NHC250 Diesel; W/Military Spec. Pulley	1971-1970	43209
Detroit Diesel 6-Cyl. 12.7	1999-1993	44066	Cummins NHC250 Diesel; W/O Pulley ...	1971-1970	43258
Mack 6-Cyl. 12.0 Diesel	2001-1993	43240	Cummins NT Diesel; Idler Pulley; W/2-Groove Pulley	1971	41129
CM SERIES			Cummins NT Diesel; W/Full Flow Cool. ...	1971	44064
Cummins C Series 8.3 Diesel; W/Long Nose W.P.; W/Hardened Pulley	1992-1991	43321	Cummins 6-Cyl. 855 Diesel; Idler Pulley; W/2-Groove Pulley	1975-1972	41129
Cummins C Series 8.3 Diesel; W/Long Nose W.P.; W/O Hardened Pulley	1992-1991	43320	Cummins 6-Cyl. 855 Diesel; W/Full Flow Cool.	1975-1972	44064
Cummins C Series 8.3 Diesel; W/Short Nose W.P.	1992-1991	42352	Detroit Diesel 8V-71	1973-1970	44075
Mack E5 Diesel	1988	43312	Mack 6-Cyl. 672 Diesel	1975-1974	43225
CS SERIES			Mack 6-Cyl. 672 Diesel	1973-1968	43226
Mack E3 Diesel	1993-1990	43312	FS SERIES		
Mack E5 Diesel	1990-1987	43312	Cummins NHC250 Diesel; W/Military Spec. Pulley	1971-1970	43209
CV SERIES			Cummins NHC250 Diesel; W/O Pulley ...	1971-1970	43258
Mack 6-Cyl. 12.0 Diesel	2002	43240	Cummins NT Diesel; Idler Pulley; W/2-Groove Pulley	1971	41129
CX SERIES			Cummins NT Diesel; W/Full Flow Cool. ...	1971	44064
Mack 6-Cyl. 12.0 Diesel	2002-2000	43240	Cummins 6-Cyl. 855 Diesel; Idler Pulley; W/2-Groove Pulley	1975-1972	41129
DM SERIES			Cummins 6-Cyl. 855 Diesel; W/Full Flow Cool.	1975-1972	44064
Cummins NHC250 Diesel; W/Military Spec. Pulley	1972	43209	Detroit Diesel 8V-71	1973-1970	44075
Cummins NHC250 Diesel; W/O Pulley ...	1972	43258	Mack 6-Cyl. 672 Diesel	1975-1974	43225
Cummins NT Diesel; Idler Pulley; W/2-Groove Pulley	1972	41129	Mack 6-Cyl. 672 Diesel	1973-1970	43226
Cummins NT Diesel; W/Full Flow Cool. ...	1972	44064	LE SERIES		
Cummins 6-Cyl. 855 Diesel; Idler Pulley; W/2-Groove Pulley	1979-1973	41129	Mack 6-Cyl. 12.0 Diesel	2002-1998	43240
Cummins 6-Cyl. 855 Diesel; W/Full Flow Cool.	1979-1973	44064	MB SERIES		
Cummins 6-Cyl. 855 Diesel; Idler Pulley; W/2-Groove Pulley	1971	41129	Caterpillar 3208 Diesel; W/Non-Threaded Pulley	1978-1975	43233
Cummins 6-Cyl. 855 Diesel; W/Full Flow Cool.	1971	44064	Caterpillar 3208 Diesel; W/O Pulley	1978-1975	42351
Cummins V-8 210 Diesel	1973	44093	Caterpillar 3208 Diesel; W/Threaded Pulley	1978-1975	43059
Detroit Diesel 8V-71	1975-1970	44075	Detroit Diesel 6V-53; W/Clockwise Eng. ...	1974	43310
Mack 6-Cyl. 11.0 Diesel	1982-1980	43225	Detroit Diesel 6V-53; W/Counterclockwise Eng.	1974	43309
Mack 6-Cyl. 672 Diesel	1979-1974	43225	Mack 6-Cyl. 672 Diesel	1977-1974	43225
Mack 6-Cyl. 672 Diesel	1973-1970	43226	Mack 6-Cyl. 672 Diesel	1973-1971	43226
Mack 6-Cyl. 12.0 Diesel	2002-1990	43240	MC SERIES		
DMM SERIES			Caterpillar 3208 Diesel; W/Non-Threaded Pulley	1982-1979	43233
Cummins 6-Cyl. 855 Diesel; Idler Pulley; W/2-Groove Pulley	1979-1973	41129	Caterpillar 3208 Diesel; W/O Pulley	1982-1979	42351
Cummins 6-Cyl. 855 Diesel; W/Full Flow Cool.	1979-1973	44064	Caterpillar 3208 Diesel; W/Threaded Pulley	1982-1979	43059
Mack 6-Cyl. 11.0 Diesel	1982-1980	43225	Mack 6-Cyl. 11.0 Diesel	1982-1980	43225
Mack 6-Cyl. 672 Diesel	1979-1974	43225	Mack 6-Cyl. 672 Diesel	1979	43225
Mack 6-Cyl. 672 Diesel	1973	43226	MH SERIES		
Mack 6-Cyl. 12.0 Diesel	2002-1990	43240	Cummins 6-Cyl. 14.0 Diesel	1990	44052
F SERIES			Cummins 6-Cyl. 14.0 Diesel; Idler Pulley; W/Flat Idler Pulley	1990-1985	41173
Cummins 6-Cyl. 14.0 Diesel	1980	44086	Cummins 6-Cyl. 14.0 Diesel; Idler Pulley; W/V-Ribbed Belt	1990-1985	41174

- ▼ 2 Outlets at 45 Degree Angles
- 2 Outlets Pointing Straight Down

- Outlet Straight Down & Outlet at 45 Degree Angle
- * High Performance Pump

Application Guide - Medium and Heavy-Duty Trucks

Application	Year	Gates No.	Application	Year	Gates No.
MACK - Continued			MACK - Continued		
MH SERIES - Continued			RD SERIES		
Cummins 6-Cyl. 14.0 Diesel; W/6-Ribbed Belt.....	1989-1986	44092	Mack 6-Cyl. 11.0 Diesel	1982-1980	43225
Cummins 6-Cyl. 14.0 Diesel; W/V-Belt Drive	1989-1986	44084	Mack 6-Cyl. 672 Diesel	1979-1974	43225
Cummins 6-Cyl. 14.0 Diesel; Tensioner Pulley; W/Big Cam III Eng.;			Mack 6-Cyl. 672 Diesel	1973-1972	43226
W/V-Ribbed Belt.....	1985	41111	Mack 6-Cyl. 12.0 Diesel	2002-1990	43240
Cummins 6-Cyl. 14.0 Diesel; W/Big Cam IV Eng.; W/6-Ribbed Belt	1985	44092	RL SERIES		
Cummins 6-Cyl. 14.0 Diesel; W/Big Cam IV Eng.; W/V-Belt Drive	1985	44084	Cummins NHC250 Diesel; W/Military Spec. Pulley	1972-1970	43209
Cummins 6-Cyl. 14.0 Diesel.....	1984	44055	Cummins NHC250 Diesel; W/O Pulley ...	1972-1970	43258
Detroit Diesel 6V-92; "Running" Pump ...	1985-1984	▼44103	Detroit Diesel 6V-71; "Running" Pump ...	1978-1975	▼44096
Detroit Diesel 6V-92; "Walking" Pump	1985-1984	●44097	Detroit Diesel 6V-71; "Standing" Pump ...	1978-1975	■44075
Mack 6-Cyl. 12.0 Diesel	1994-1990	43240	Detroit Diesel 6V-92; W/O Turbo;		
MR SERIES			W/Reverse Rotation	1983	42344
Caterpillar 3208 Diesel;			Detroit Diesel 6V-92; W/O Turbo;		
W/Non-Threaded Pulley	1982-1979	43233	W/Standard Rotation	1983	42102
Caterpillar 3208 Diesel; W/O Pulley	1982-1979	42351	Detroit Diesel 6V-92; W/Turbo;		
Caterpillar 3208 Diesel; W/Theaded Pul- ley	1982-1979	43059	W/Reverse Rotation	1983	42322
Cummins L10 Diesel	1984	44094	Detroit Diesel 6V-92; W/Turbo;		
Mack 6-Cyl. 11.0 Diesel	1982-1980	43225	W/Standard Rotation	1983	42321
Mack 6-Cyl. 672 Diesel	1979	43225	Detroit Diesel 6V-92; "Running" Pump ...	1981-1978	▼44103
Mack 6-Cyl. 12.0 Diesel	2002-1990	43240	Detroit Diesel 6V-92; "Walking" Pump	1981-1978	●44097
MS SERIES			Detroit Diesel 8V-71	1974-1970	44075
Mack E3 Diesel.....	1993-1990	43312	Mack 6-Cyl. 11.0 Diesel	1982-1980	43225
Mack E5 Diesel.....	1990-1987	43312	Mack 6-Cyl. 672 Diesel	1979-1974	43225
R SERIES			Mack 6-Cyl. 672 Diesel	1973-1972	43226
Caterpillar 3208 Diesel;			RM SERIES		
W/Non-Threaded Pulley	1975-1974	43233	Mack 6-Cyl. 11.0 Diesel	1982-1980	43225
Caterpillar 3208 Diesel; W/O Pulley	1975-1974	42351	Mack 6-Cyl. 672 Diesel	1979-1974	43225
Caterpillar 3208 Diesel; W/Theaded Pul- ley	1975-1974	43059	Mack 6-Cyl. 12.0 Diesel	1994-1990	43240
Cummins NHC250 Diesel; W/Military Spec. Pulley	1972	43209	RS SERIES		
Cummins NHC250 Diesel; W/O Pulley ...	1972	43258	Cummins NHC250 Diesel; W/Military Spec. Pulley	1972-1971	43209
Cummins 6-Cyl. 14.0 Diesel; Tensioner Pulley; W/Big Cam III Eng.;			Cummins NHC250 Diesel; W/O Pulley ...	1972-1971	43258
W/V-Ribbed Belt.....	1985	41111	Detroit Diesel 6V-71; "Running" Pump ...	1978-1975	▼44096
Cummins 6-Cyl. 14.0 Diesel; W/Big Cam IV Eng.; W/6-Ribbed Belt	1985	44092	Detroit Diesel 6V-71; "Standing" Pump ...	1978-1975	■44075
Cummins 6-Cyl. 14.0 Diesel; W/Big Cam IV Eng.; W/V-Belt Drive	1985	44084	Detroit Diesel 6V-92; "Running" Pump ...	1981-1978	▼44103
Cummins 6-Cyl. 14.0 Diesel; Idler Pul- ley; W/Flat Idler Pulley	1985	41173	Detroit Diesel 6V-92; "Walking" Pump	1981-1978	●44097
Cummins 6-Cyl. 14.0 Diesel; Idler Pul- ley; W/V-Ribbed Belt.....	1985	41174	Detroit Diesel 8V-71	1974-1971	44075
Cummins 6-Cyl. 14.0 Diesel.....	1984	44055	Mack 6-Cyl. 11.0 Diesel	1982-1980	43225
Cummins 6-Cyl. 14.0 Diesel; W/Big Cam I & II Eng.	1983	44086	Mack 6-Cyl. 672 Diesel	1979-1974	43225
Cummins 6-Cyl. 14.0 Diesel; W/Big Cam III Eng.....	1983	44055	Mack 6-Cyl. 672 Diesel	1973-1972	43226
Cummins 6-Cyl. 14.0 Diesel.....	1982-1980	44086	RW SERIES		
Cummins 6-Cyl. 14.0 Diesel; Tensioner Pulley - W.P.; W/V-Ribbed Belt	1981-1980	41111	Caterpillar 3406 Diesel; W/Flat Gear	1985	45009
Cummins 6-Cyl. 855 Diesel; Idler Pulley; W/2-Groove Pulley	1979-1976	41129	Cummins N14 Diesel.....	1993-1992	44052
Cummins 6-Cyl. 855 Diesel; W/Full Flow Cool	1979-1976	44064	Cummins 6-Cyl. 14.0 Diesel.....	1991-1990	44052
Detroit Diesel 6V-92; "Running" Pump ...	1983-1982	▼44103	Cummins 6-Cyl. 14.0 Diesel; Idler Pul- ley; W/Flat Idler Pulley	1990-1985	41173
Detroit Diesel 6V-92; "Walking" Pump	1983-1982	●44097	Cummins 6-Cyl. 14.0 Diesel; Idler Pul- ley; W/V-Ribbed Belt.....	1990-1985	41174
Detroit Diesel 8V-71	1973-1970	44075	Cummins 6-Cyl. 14.0 Diesel;		
Mack 6-Cyl. 11.0 Diesel	1982-1980	43225	W/6-Ribbed Belt.....	1989-1986	44092
Mack 6-Cyl. 672 Diesel	1979-1974	43225	Cummins 6-Cyl. 14.0 Diesel; W/V-Belt Drive	1989-1986	44084
Mack 6-Cyl. 672 Diesel	1973-1972	43226	Cummins 6-Cyl. 14.0 Diesel; Tensioner Pulley; W/Big Cam III Eng.;		
RB SERIES			W/V-Ribbed Belt.....	1985	41111
Mack 6-Cyl. 12.0 Diesel	2002-1991	43240	Cummins 6-Cyl. 14.0 Diesel; W/Big Cam IV Eng.; W/6-Ribbed Belt	1985	44092
			Cummins 6-Cyl. 14.0 Diesel; W/Big Cam IV Eng.; W/V-Belt Drive	1985	44084
			Mack 6-Cyl. 12.0 Diesel	1993-1991	43240
			RWL SERIES		
			Caterpillar 3406 Diesel; W/Flat Gear	1982-1981	45009
			Cummins 6-Cyl. 14.0 Diesel.....	1984	44055
			Cummins 6-Cyl. 14.0 Diesel; W/Big Cam I & II Eng.	1983	44086
			Cummins 6-Cyl. 14.0 Diesel; W/Big Cam III Eng.....	1983	44055
			Cummins 6-Cyl. 14.0 Diesel.....	1982-1980	44086

▼ 2 Outlets at 45 Degree Angles
■ 2 Outlets Pointing Straight Down

● Outlet Straight Down & Outlet at 45 Degree Angle
* High Performance Pump

Application Guide - Medium and Heavy-Duty Trucks

Application	Year	Gates No.	Application	Year	Gates No.
MACK - Continued			MARMON - Continued		
RWL SERIES - Continued			HDT		
Cummins 6-Cyl. 14.0 Diesel; Tensioner Pulley - W.P.; W/V-Ribbed Belt	1981-1980	41111	Cummins NH220 Diesel	1972-1968	43229
Cummins 6-Cyl. 855 Diesel; Idler Pulley; W/2-Groove Pulley	1979	41129	54F; 54P		
Cummins 6-Cyl. 855 Diesel; W/Full Flow Cool.	1979	44064	Cummins 6-Cyl. 14.0 Diesel; W/Big Cam I & II Eng.	1983	44086
Detroit Diesel 8V-92; "Running" Pump	1982-1979	▼44103	Cummins 6-Cyl. 14.0 Diesel; W/Big Cam III Eng.	1983	44055
Detroit Diesel 8V-92; "Walking" Pump	1982-1979	●44097	Cummins 6-Cyl. 14.0 Diesel	1982	44086
Mack 6-Cyl. 11.0 Diesel	1982-1980	43225	57L		
Mack 6-Cyl. 672 Diesel	1979	43225	Caterpillar 3406 Diesel; W/Flat Gear	1992-1987	45009
RWS SERIES			Caterpillar 3406 Diesel	1986	45009
Caterpillar 3406 Diesel; W/Flat Gear	1982-1980	45009	Cummins L10 Diesel	1990	44094
Cummins 6-Cyl. 14.0 Diesel	1984	44055	Cummins L10 Diesel	1988-1986	44094
Cummins 6-Cyl. 14.0 Diesel; W/Big Cam I & II Eng.	1983	44086	Cummins 6-Cyl. 14.0 Diesel; Tensioner Pulley; W/Big Cam III Eng.; W/V-Ribbed Belt	1985	41111
Cummins 6-Cyl. 14.0 Diesel; W/Big Cam III Eng.	1983	44055	Cummins 6-Cyl. 14.0 Diesel; W/Big Cam IV Eng.; W/6-Ribbed Belt	1985	44092
Cummins 6-Cyl. 14.0 Diesel	1982-1980	44086	Cummins 6-Cyl. 14.0 Diesel; W/Big Cam IV Eng.; W/V-Belt Drive	1985	44084
Cummins 6-Cyl. 14.0 Diesel; Tensioner Pulley - W.P.; W/V-Ribbed Belt	1981-1980	41111	Cummins 6-Cyl. 14.0 Diesel; Idler Pulley; W/Flat Idler Pulley	1985	41173
Cummins 6-Cyl. 855 Diesel; Idler Pulley; W/2-Groove Pulley	1979	41129	Cummins 6-Cyl. 14.0 Diesel; Idler Pulley; W/V-Ribbed Belt	1985	41174
Cummins 6-Cyl. 855 Diesel; W/Full Flow Cool.	1979	44064	Detroit Diesel Series 60	1992-1991	44066
Detroit Diesel 8V-92; "Running" Pump	1982-1979	▼44103	57P		
Detroit Diesel 8V-92; "Walking" Pump	1982-1979	●44097	Caterpillar 3406 Diesel; W/Dished Gear..	1994-1993	44054
Mack 6-Cyl. 11.0 Diesel	1982-1980	43225	Caterpillar 3406 Diesel; W/Flat Gear	1994-1986	45009
Mack 6-Cyl. 672 Diesel	1979	43225	Cummins 6-Cyl. 14.0 Diesel	1990	44052
U SERIES			Cummins 6-Cyl. 14.0 Diesel; Idler Pulley; W/Flat Idler Pulley	1990-1985	41173
Cummins NHC250 Diesel; W/Military Spec. Pulley	1972	43209	Cummins 6-Cyl. 14.0 Diesel; Idler Pulley; W/V-Ribbed Belt	1990-1985	41174
Cummins NHC250 Diesel; W/O Pulley	1972	43258	Cummins 6-Cyl. 14.0 Diesel; W/6-Ribbed Belt	1989-1986	44092
Mack 6-Cyl. 11.0 Diesel	1982-1980	43225	Cummins 6-Cyl. 14.0 Diesel; W/V-Belt Drive	1989-1986	44084
Mack 6-Cyl. 672 Diesel	1979-1974	43225	Cummins 6-Cyl. 14.0 Diesel; Tensioner Pulley; W/Big Cam III Eng.; W/V-Ribbed Belt	1985	41111
Mack 6-Cyl. 672 Diesel	1973-1972	43226	Cummins 6-Cyl. 14.0 Diesel; W/Big Cam IV Eng.; W/6-Ribbed Belt	1985	44092
WL SERIES			Cummins 6-Cyl. 14.0 Diesel; W/Big Cam IV Eng.; W/V-Belt Drive	1985	44084
Caterpillar 3406 Diesel; W/Flat Gear	1982-1980	45009	Cummins 6-Cyl. 14.0 Diesel	1984	44055
Cummins 6-Cyl. 14.0 Diesel	1984	44055	57R		
Detroit Diesel 6V-92; "Running" Pump	1983-1981	▼44103	Caterpillar 3406 Diesel; W/Dished Gear..	1996-1993	44054
Detroit Diesel 6V-92; "Walking" Pump	1983-1981	●44097	Caterpillar 3406 Diesel; W/Flat Gear	1995-1986	45009
Detroit Diesel 8V-92; "Running" Pump	1982-1978	▼44103	Detroit Diesel Series 60	1992-1991	44066
Detroit Diesel 8V-92; "Walking" Pump	1982-1978	●44097	MERCEDES-BENZ		
Mack 6-Cyl. 11.0 Diesel	1982-1980	43225	1117		
Mack 6-Cyl. 672 Diesel	1979-1976	43225	Mercedes-Benz OM366 Diesel	1991	44080
WS SERIES			Mercedes-Benz OM366 Diesel	1990-1986	43251
Caterpillar 3208 Diesel; W/Non-Threaded Pulley	1980	43233	1219; 1319; 1419		
Caterpillar 3208 Diesel; W/O Pulley	1980	42351	Mercedes-Benz OM366 Diesel	1991	44080
Caterpillar 3208 Diesel; W/Theaded Pulley	1980	43059	Mercedes-Benz OM366 Diesel	1990-1987	43251
Caterpillar 3406 Diesel; W/Flat Gear	1982-1980	45009	OSHKOSH		
Cummins 6-Cyl. 14.0 Diesel	1984	44055	F1834; M18-34; M18-38; M18-44; M20-48; M34-34; M50-50; M2208		
Detroit Diesel 6V-92; "Running" Pump	1983-1981	▼44103	Cummins C Series 8.3 Diesel; W/Long Nose W.P.; W/Hardened Pulley	1965-1963	43321
Detroit Diesel 6V-92; "Walking" Pump	1983-1981	●44097	Cummins C Series 8.3 Diesel; W/Long Nose W.P.; W/O Hardened Pulley	1965-1963	43320
Detroit Diesel 8V-92; "Running" Pump	1982-1978	▼44103	Cummins C Series 8.3 Diesel; W/Short Nose W.P.	1965-1963	42352
Detroit Diesel 8V-92; "Walking" Pump	1982-1978	●44097	CHDT		
Mack 6-Cyl. 11.0 Diesel	1982-1980	43225	Cummins NH220 Diesel	1972-1969	43229
Mack 6-Cyl. 672 Diesel	1979-1976	43225	Cummins 6-Cyl. 14.0 Diesel	1981-1980	44086
MARMON			Cummins 6-Cyl. 14.0 Diesel; Tensioner Pulley - W.P.; W/V-Ribbed Belt	1981-1980	41111
CHDT			Cummins 6-Cyl. 14.0 Diesel; Idler Pulley; W/2-Groove Pulley	1979-1973	41129
Cummins NH220 Diesel	1972-1969	43229	Cummins 6-Cyl. 14.0 Diesel; W/Full Flow Cool.	1979-1973	44064
Cummins 6-Cyl. 14.0 Diesel	1981-1980	44086			

▼ 2 Outlets at 45 Degree Angles
 ■ 2 Outlets Pointing Straight Down

● Outlet Straight Down & Outlet at 45 Degree Angle
 * High Performance Pump

Application Guide - Medium and Heavy-Duty Trucks

Application	Year	Gates No.	Application	Year	Gates No.
OSHKOSH - Continued			PETERBILT		
M2209			13-210		
Cummins C Series 8.3 Diesel; W/Long Nose W.P.; W/Hardened Pulley	1966-1960	43321	Cummins C Series 8.3 Diesel; W/Long Nose W.P.; W/Hardened Pulley	1989-1988	43321
Cummins C Series 8.3 Diesel; W/Long Nose W.P.; W/O Hardened Pulley	1966-1960	43320	Cummins C Series 8.3 Diesel; W/Long Nose W.P.; W/O Hardened Pulley	1989-1988	43320
Cummins C Series 8.3 Diesel; W/Short Nose W.P.	1966-1960	42352	Cummins C Series 8.3 Diesel; W/Short Nose W.P.	1989-1988	42352
M4616			22-210		
Cummins C Series 8.3 Diesel; W/Long Nose W.P.; W/Hardened Pulley	1965-1963	43321	Cummins C Series 8.3 Diesel; W/Long Nose W.P.; W/Hardened Pulley	1989	43321
Cummins C Series 8.3 Diesel; W/Long Nose W.P.; W/O Hardened Pulley	1965-1963	43320	Cummins C Series 8.3 Diesel; W/Long Nose W.P.; W/O Hardened Pulley	1989	43320
Cummins C Series 8.3 Diesel; W/Short Nose W.P.	1965-1963	42352	Cummins C Series 8.3 Diesel; W/Short Nose W.P.	1989	42352
M4817; M4906; M5817			200		
Cummins C Series 8.3 Diesel; W/Long Nose W.P.; W/Hardened Pulley	1966-1960	43321	Caterpillar 3208 Diesel; W/Non-Threaded Pulley	1977	43233
Cummins C Series 8.3 Diesel; W/Long Nose W.P.; W/O Hardened Pulley	1966-1960	43320	Caterpillar 3208 Diesel; W/O Pulley	1977	42351
Cummins C Series 8.3 Diesel; W/Short Nose W.P.	1966-1960	42352	Caterpillar 3208 Diesel; W/Theaded Pulley	1977	43059
M5906			200		
Cummins C Series 8.3 Diesel; W/Long Nose W.P.; W/Hardened Pulley	1965-1963	43321	Cummins B Series 5.9 Diesel	1997-1994	41181
Cummins C Series 8.3 Diesel; W/Long Nose W.P.; W/O Hardened Pulley	1965-1963	43320	Cummins C Series 8.3 Diesel; W/Long Nose W.P.; W/Hardened Pulley	1997-1993	43321
Cummins C Series 8.3 Diesel; W/Short Nose W.P.	1965-1963	42352	Cummins C Series 8.3 Diesel; W/Long Nose W.P.; W/O Hardened Pulley	1997-1993	43320
W316; W715; W816; W826; W900; W909			200		
Cummins C Series 8.3 Diesel; W/Long Nose W.P.; W/Hardened Pulley	1966-1960	43321	Cummins C Series 8.3 Diesel; W/Short Nose W.P.	1997-1993	42352
Cummins C Series 8.3 Diesel; W/Long Nose W.P.; W/O Hardened Pulley	1966-1960	43320	Cummins ISB Diesel	2000-1998	41176
Cummins C Series 8.3 Diesel; W/Short Nose W.P.	1966-1960	42352	Cummins 6-Cyl. 14.0 Diesel; Idler Pulley; W/2-Groove Pulley	1978-1977	41129
W1600; W2200			224		
Cummins C Series 8.3 Diesel; W/Long Nose W.P.; W/Hardened Pulley	1965-1963	43321	Cummins 6-Cyl. 14.0 Diesel; W/Full Flow Cool	1978-1977	44064
Cummins C Series 8.3 Diesel; W/Long Nose W.P.; W/O Hardened Pulley	1965-1963	43320	Detroit Diesel 6-71; W/O Turbo; W/Reverse Rotation	1978-1972	42344
Cummins C Series 8.3 Diesel; W/Short Nose W.P.	1965-1963	42352	Detroit Diesel 6-71; W/O Turbo; W/Standard Rotation	1978-1972	42102
64D-1234; 64D-1634			224		
Cummins C Series 8.3 Diesel; W/Long Nose W.P.; W/Hardened Pulley	1966-1960	43321	Detroit Diesel 6-71; W/Turbo; W/Reverse Rotation	1978-1972	42322
Cummins C Series 8.3 Diesel; W/Long Nose W.P.; W/O Hardened Pulley	1966-1960	43320	Detroit Diesel 6-71; W/Turbo; W/Standard Rotation	1978-1972	42321
Cummins C Series 8.3 Diesel; W/Short Nose W.P.	1966-1960	42352	Detroit Diesel 6V-53; W/Clockwise Eng... Detroit Diesel 6V-53; W/Counterclockwise Eng.	1974-1972	43310
64D-1638			224		
Cummins C Series 8.3 Diesel; W/Long Nose W.P.; W/Hardened Pulley	1965-1963	43321	Cummins C Series 8.3 Diesel; W/Long Nose W.P.; W/Hardened Pulley	1992-1988	43321
Cummins C Series 8.3 Diesel; W/Long Nose W.P.; W/O Hardened Pulley	1965-1963	43320	Cummins C Series 8.3 Diesel; W/Long Nose W.P.; W/O Hardened Pulley	1992-1988	43320
Cummins C Series 8.3 Diesel; W/Short Nose W.P.	1965-1963	42352	Cummins C Series 8.3 Diesel; W/Short Nose W.P.	1992-1988	42352
64D-1644; 64D-1660			227		
Cummins C Series 8.3 Diesel; W/Long Nose W.P.; W/Hardened Pulley	1966-1960	43321	Cummins C Series 8.3 Diesel; W/Long Nose W.P.; W/Hardened Pulley	1992-1990	43321
Cummins C Series 8.3 Diesel; W/Long Nose W.P.; W/O Hardened Pulley	1966-1960	43320	Cummins C Series 8.3 Diesel; W/Long Nose W.P.; W/O Hardened Pulley	1992-1990	43320
Cummins C Series 8.3 Diesel; W/Short Nose W.P.	1966-1960	42352	Cummins C Series 8.3 Diesel; W/Short Nose W.P.	1992-1990	42352
64D-1644; 64D-1660			265		
Cummins C Series 8.3 Diesel; W/Long Nose W.P.; W/Hardened Pulley	1966-1960	43321	Cummins C Series 8.3 Diesel; W/Long Nose W.P.; W/Hardened Pulley	1992-1988	43321
Cummins C Series 8.3 Diesel; W/Long Nose W.P.; W/O Hardened Pulley	1966-1960	43320	Cummins C Series 8.3 Diesel; W/Long Nose W.P.; W/O Hardened Pulley	1992-1988	43320
Cummins C Series 8.3 Diesel; W/Short Nose W.P.	1966-1960	42352	Cummins C Series 8.3 Diesel; W/Short Nose W.P.	1992-1988	42352
64D-1644; 64D-1660			270		
Cummins C Series 8.3 Diesel; W/Long Nose W.P.; W/Hardened Pulley	1966-1960	43321	Cummins ISB Diesel	2002-2001	41176

- ▼ 2 Outlets at 45 Degree Angles
- 2 Outlets Pointing Straight Down

- Outlet Straight Down & Outlet at 45 Degree Angle
- * High Performance Pump

Application Guide - Medium and Heavy-Duty Trucks

Application	Year	Gates No.	Application	Year	Gates No.
PETERBILT - Continued			PETERBILT - Continued		
282			310 - Continued		
Caterpillar 3406 Diesel; W/Flat Gear.....	1980-1974	45009	Cummins 6-Cyl. 14.0 Diesel; W/Big Cam IV Eng.; W/6-Ribbed Belt	1985	44092
Cummins NHC250 Diesel; W/Military Spec. Pulley	1973-1965	43209	Cummins 6-Cyl. 14.0 Diesel; W/Big Cam IV Eng.; W/V-Belt Drive.....	1985	44084
Cummins NHC250 Diesel; W/O Pulley....	1973-1965	43258	Cummins 6-Cyl. 14.0 Diesel.....	1984	44055
Cummins 6-Cyl. 14.0 Diesel.....	1980	44086	Cummins 6-Cyl. 14.0 Diesel; W/Big Cam I & II Eng.	1983	44086
Cummins 6-Cyl. 14.0 Diesel; Tensioner Pulley - W.P.; W/V-Ribbed Belt	1980	41111	Cummins 6-Cyl. 14.0 Diesel; W/Big Cam III Eng.....	1983	44055
Cummins 6-Cyl. 14.0 Diesel; Idler Pulley; W/2-Groove Pulley.....	1979-1971	41129	Cummins 6-Cyl. 14.0 Diesel.....	1982	44086
Cummins 6-Cyl. 14.0 Diesel; W/Full Flow Cool.	1979-1971	44064	Detroit Diesel 6-71; W/O Turbo; W/Reverse Rotation.....	1986-1984	42344
Detroit Diesel 6-71; W/Reverse Rotation.	1969-1965	42344	Detroit Diesel 6-71; W/O Turbo; W/Standard Rotation.....	1986-1984	42102
Detroit Diesel 6-71; W/Standard Rotation	1969-1965	42102	Detroit Diesel 6-71; W/Turbo; W/Reverse Rotation.....	1986-1984	42322
Detroit Diesel 6V-92; "Running" Pump	1980-1976	▼ 44103	Detroit Diesel 6-71; W/Turbo; W/Standard Rotation.....	1986-1984	42321
Detroit Diesel 6V-92; "Walking" Pump.....	1980-1976	● 44097	Detroit Diesel 6-71; W/Reverse Rotation.	1983-1982	42344
Detroit Diesel 8V-71	1977-1966	44075	Detroit Diesel 6-71; W/Standard Rotation	1983-1982	42102
Detroit Diesel 8V-92; "Running" Pump	1980-1978	▼ 44103	Detroit Diesel 6-71; W/O Turbo; W/Reverse Rotation.....	1981-1979	42344
Detroit Diesel 8V-92; "Walking" Pump.....	1980-1978	● 44097	Detroit Diesel 6-71; W/O Turbo; W/Standard Rotation.....	1981-1979	42102
289			320		
Caterpillar 3406 Diesel; W/Flat Gear.....	1980-1976	45009	Cummins C Series 8.3 Diesel; W/Long Nose W.P.; W/Hardened Pulley.....	1996-1989	43321
Cummins 6-Cyl. 14.0 Diesel.....	1980	44086	Cummins C Series 8.3 Diesel; W/Long Nose W.P.; W/O Hardened Pulley.....	1996-1989	43320
Cummins 6-Cyl. 14.0 Diesel; Tensioner Pulley - W.P.; W/V-Ribbed Belt	1980	41111	Cummins C Series 8.3 Diesel; W/Short Nose W.P.	1996-1989	42352
Cummins 6-Cyl. 14.0 Diesel; Idler Pulley; W/2-Groove Pulley.....	1979-1971	41129	Cummins L10 Diesel	1996-1991	43307
Cummins 6-Cyl. 14.0 Diesel; W/Full Flow Cool.	1979-1971	44064	Cummins L10 Diesel	1990-1988	44094
Detroit Diesel 6V-92; "Running" Pump	1980-1976	▼ 44103	Cummins 6-Cyl. 14.0 Diesel; W/6-Ribbed Belt.....	1987	44092
Detroit Diesel 6V-92; "Walking" Pump.....	1980-1976	● 44097	Cummins 6-Cyl. 14.0 Diesel; Idler Pulley; W/Flat Idler Pulley	1987	41173
Detroit Diesel 8V-71	1972	44075	Cummins 6-Cyl. 14.0 Diesel; W/V-Belt Drive	1987	44084
Detroit Diesel 8V-92; "Running" Pump	1980-1974	▼ 44103	Cummins 6-Cyl. 14.0 Diesel; Idler Pulley; W/V-Ribbed Belt.....	1987	41174
Detroit Diesel 8V-92; "Walking" Pump.....	1980-1974	● 44097	330		
300			Caterpillar 3406 Diesel.....	2000-1999	44054
Caterpillar 3208 Diesel; W/Non-Threaded Pulley.....	1977	43233	Cummins C Series 8.3 Diesel; W/Long Nose W.P.; W/Hardened Pulley.....	1996-1995	43321
Caterpillar 3208 Diesel; W/O Pulley	1977	42351	Cummins C Series 8.3 Diesel; W/Long Nose W.P.; W/O Hardened Pulley.....	1996-1995	43320
Caterpillar 3208 Diesel; W/Theaded Pulley.....	1977	43059	Cummins C Series 8.3 Diesel; W/Short Nose W.P.	1996-1995	42352
Cummins 6-Cyl. 14.0 Diesel; Idler Pulley; W/2-Groove Pulley.....	1978-1977	41129	Cummins ISB Diesel.....	2000	41176
Cummins 6-Cyl. 14.0 Diesel; W/Full Flow Cool.	1978-1977	44064	348		
Detroit Diesel 6-71; W/O Turbo; W/Reverse Rotation.....	1978-1972	42344	Caterpillar 3406 Diesel; W/Flat Gear.....	1978	45009
Detroit Diesel 6-71; W/O Turbo; W/Standard Rotation.....	1978-1972	42102	Cummins 6-Cyl. 14.0 Diesel; Tensioner Pulley; W/Big Cam III Eng.; W/V-Ribbed Belt.....	1985	41111
Detroit Diesel 6-71; W/Turbo; W/Reverse Rotation.....	1978-1972	42322	Cummins 6-Cyl. 14.0 Diesel; W/Big Cam IV Eng.; W/6-Ribbed Belt	1985	44092
Detroit Diesel 6-71; W/Turbo; W/Standard Rotation.....	1978-1972	42321	Cummins 6-Cyl. 14.0 Diesel; W/Big Cam IV Eng.; W/V-Belt Drive.....	1985	44084
Detroit Diesel 6V-53; W/Clockwise Eng...	1974-1972	43310	Cummins 6-Cyl. 14.0 Diesel; Idler Pulley; W/Flat Idler Pulley	1985	41173
Detroit Diesel 6V-53; W/Counterclockwise Eng.	1974-1972	43309	Cummins 6-Cyl. 14.0 Diesel; Idler Pulley; W/V-Ribbed Belt.....	1985	41174
310			Cummins 6-Cyl. 14.0 Diesel; Tensioner Pulley; W/Big Cam III Eng.; W/V-Ribbed Belt.....	1985	41111
Caterpillar 3208 Diesel; W/Non-Threaded Pulley.....	1985-1984	43233	Cummins 6-Cyl. 14.0 Diesel.....	1984	44086
Caterpillar 3208 Diesel; W/O Pulley	1985-1984	42351			
Caterpillar 3208 Diesel; W/Theaded Pulley.....	1985-1984	43059			
Cummins L10 Diesel	1987-1984	44094			
Cummins 6-Cyl. 14.0 Diesel; W/6-Ribbed Belt.....	1987-1986	44092			
Cummins 6-Cyl. 14.0 Diesel; Idler Pulley; W/Flat Idler Pulley	1987-1985	41173			
Cummins 6-Cyl. 14.0 Diesel; W/V-Belt Drive	1987-1986	44084			
Cummins 6-Cyl. 14.0 Diesel; Idler Pulley; W/V-Ribbed Belt.....	1987-1985	41174			
Cummins 6-Cyl. 14.0 Diesel; Tensioner Pulley; W/Big Cam III Eng.; W/V-Ribbed Belt.....	1985	41111			

▼ 2 Outlets at 45 Degree Angles
 ■ 2 Outlets Pointing Straight Down

● Outlet Straight Down & Outlet at 45 Degree Angle
 * High Performance Pump

Application Guide - Medium and Heavy-Duty Trucks

Application	Year	Gates No.	Application	Year	Gates No.
PETERBILT - Continued			PETERBILT - Continued		
348 - Continued			353 - Continued		
Cummins 6-Cyl. 14.0 Diesel; W/Big Cam I & II Eng.	1983	44086	Cummins 6-Cyl. 14.0 Diesel; Tensioner Pulley; W/Big Cam III Eng.; W/V-Ribbed Belt.....	1985	41111
Cummins 6-Cyl. 14.0 Diesel; W/Big Cam III Eng.	1983	44055	Cummins 6-Cyl. 14.0 Diesel; W/Big Cam IV Eng.; W/6-Ribbed Belt.....	1985	44092
Cummins 6-Cyl. 14.0 Diesel.....	1982	44086	Cummins 6-Cyl. 14.0 Diesel; W/Big Cam IV Eng.; W/V-Belt Drive.....	1985	44084
Detroit Diesel 6-71; W/O Turbo; W/Reverse Rotation.....	1976-1974	42344	Cummins 6-Cyl. 14.0 Diesel.....	1984	44055
Detroit Diesel 6-71; W/O Turbo; W/Standard Rotation.....	1976-1974	42102	Cummins 6-Cyl. 14.0 Diesel; W/Big Cam I & II Eng.	1983	44086
Detroit Diesel 6-71; W/O Turbo; W/Reverse Rotation.....	1976-1974	42322	Cummins 6-Cyl. 14.0 Diesel; W/Big Cam III Eng.	1983	44055
Detroit Diesel 6-71; W/Turbo; W/Standard Rotation.....	1976-1974	42321	Cummins 6-Cyl. 14.0 Diesel.....	1982	44086
Detroit Diesel 6V-53; W/Clockwise Eng.	1974-1973	43310	Detroit Diesel 6V-92; "Running" Pump	1985-1982	▼44103
Detroit Diesel 6V-53; W/Counterclockwise Eng.	1974-1973	43309	Detroit Diesel 6V-92; "Walking" Pump.....	1985-1982	●44097
Detroit Diesel 6V-71; "Running" Pump	1976	▼44096	Detroit Diesel 8V-71	1983-1982	44075
Detroit Diesel 6V-71; "Standing" Pump ...	1976	■44075	Detroit Diesel 8V-92; "Running" Pump	1985-1982	▼44103
Detroit Diesel 6V-92; "Running" Pump	1985-1976	▼44103	Detroit Diesel 8V-92; "Walking" Pump.....	1985-1982	●44097
Detroit Diesel 6V-92; "Walking" Pump.....	1985-1976	●44097			
349			357		
Cummins L10 Diesel.....	1986-1985	44094	Caterpillar 3406 Diesel.....	1999-1996	44054
Cummins 6-Cyl. 14.0 Diesel; W/6-Ribbed Belt.....	1987-1986	44092	Caterpillar 3406 Diesel; W/Dished Gear..	1995-1993	44054
Cummins 6-Cyl. 14.0 Diesel; Idler Pulley; W/Flat Idler Pulley	1987-1985	41173	Caterpillar 3406 Diesel; W/Flat Gear.....	1995-1987	45009
Cummins 6-Cyl. 14.0 Diesel; W/V-Belt Drive.....	1987-1986	44084	Cummins C Series 8.3 Diesel; W/Long Nose W.P.; W/Hardened Pulley.....	1996-1992	43321
Cummins 6-Cyl. 14.0 Diesel; Idler Pulley; W/V-Ribbed Belt.....	1987-1985	41174	Cummins C Series 8.3 Diesel; W/Long Nose W.P.; W/O Hardened Pulley.....	1996-1992	43320
Cummins 6-Cyl. 14.0 Diesel; Tensioner Pulley; W/Big Cam III Eng.	1985	41111	Cummins C Series 8.3 Diesel; W/Short Nose W.P.	1996-1992	42352
Cummins 6-Cyl. 14.0 Diesel; W/Big Cam IV Eng.; W/6-Ribbed Belt.....	1985	44092	Cummins C Series 8.3 Diesel; W/Long Nose W.P.; W/Hardened Pulley.....	1988	43321
Cummins 6-Cyl. 14.0 Diesel; W/Big Cam IV Eng.; W/V-Belt Drive.....	1985	44084	Cummins C Series 8.3 Diesel; W/Long Nose W.P.; W/O Hardened Pulley.....	1988	43320
Detroit Diesel 6V-92; "Running" Pump	1986	▼44103	Cummins C Series 8.3 Diesel; W/Short Nose W.P.	1988	42352
Detroit Diesel 6V-92; "Walking" Pump.....	1986	●44097	Cummins L10 Diesel.....	1997-1991	43307
			Cummins L10 Diesel; Idler Pulley.....	1997-1991	41175
			Cummins L10 Diesel.....	1990-1988	44094
			Cummins M11 Diesel.....	1997-1995	43307
			Cummins N14 Diesel.....	1997-1992	44052
			Cummins 6-Cyl. 14.0 Diesel.....	1991-1990	44052
			Cummins 6-Cyl. 14.0 Diesel; Idler Pulley; W/Flat Idler Pulley	1990-1987	41173
			Cummins 6-Cyl. 14.0 Diesel; Idler Pulley; W/V-Ribbed Belt.....	1990-1987	41174
			Cummins 6-Cyl. 14.0 Diesel; W/6-Ribbed Belt.....	1989-1987	44092
			Cummins 6-Cyl. 14.0 Diesel; W/V-Belt Drive.....	1989-1987	44084
			Detroit Diesel 6-Cyl. 11.1	1999-1992	44066
			Detroit Diesel 6-Cyl. 12.7	1999-1992	44066
			359		
			Caterpillar 3406 Diesel; W/Flat Gear.....	1987-1976	45009
			Cummins 6-Cyl. 14.0 Diesel; W/6-Ribbed Belt.....	1987-1986	44092
			Cummins 6-Cyl. 14.0 Diesel; Idler Pulley; W/Flat Idler Pulley	1987-1985	41173
			Cummins 6-Cyl. 14.0 Diesel; W/V-Belt Drive.....	1987-1986	44084
			Cummins 6-Cyl. 14.0 Diesel; Idler Pulley; W/V-Ribbed Belt.....	1987-1985	41174
			Cummins 6-Cyl. 14.0 Diesel; Tensioner Pulley; W/Big Cam III Eng.	1985	41111
			Cummins 6-Cyl. 14.0 Diesel; W/Big Cam IV Eng.; W/6-Ribbed Belt.....	1985	44092
			Cummins 6-Cyl. 14.0 Diesel; W/Big Cam IV Eng.; W/V-Belt Drive.....	1985	44084
			Cummins 6-Cyl. 14.0 Diesel.....	1984	44055
			Cummins 6-Cyl. 14.0 Diesel; W/Big Cam I & II Eng.	1983	44086
			Cummins 6-Cyl. 14.0 Diesel; W/Big Cam III Eng.	1983	44055

▼ 2 Outlets at 45 Degree Angles
 ■ 2 Outlets Pointing Straight Down

● Outlet Straight Down & Outlet at 45 Degree Angle
 * High Performance Pump

Application Guide - Medium and Heavy-Duty Trucks

Application	Year	Gates No.	Application	Year	Gates No.
PETERBILT - Continued			PETERBILT - Continued		
359 - Continued			375		
Cummins 6-Cyl. 14.0 Diesel.....	1982-1980	44086	Cummins C Series 8.3 Diesel; W/Long Nose W.P.; W/Hardened Pulley.....	1996-1992	43321
Cummins 6-Cyl. 14.0 Diesel; Tensioner Pulley - W.P.; W/V-Ribbed Belt.....	1981-1980	41111	Cummins C Series 8.3 Diesel; W/Long Nose W.P.; W/O Hardened Pulley.....	1996-1992	43320
Cummins 6-Cyl. 14.0 Diesel; Idler Pulley; W/2-Groove Pulley.....	1979-1971	41129	Cummins C Series 8.3 Diesel; W/Short Nose W.P.....	1996-1992	42352
Cummins 6-Cyl. 14.0 Diesel; W/Full Flow Cool.....	1979-1971	44064	Cummins C Series 8.3 Diesel; W/Long Nose W.P.; W/Hardened Pulley.....	1988	43321
Detroit Diesel 6V-92; "Running" Pump....	1985-1976	▼44103	Cummins C Series 8.3 Diesel; W/Long Nose W.P.; W/O Hardened Pulley.....	1988	43320
Detroit Diesel 6V-92; "Walking" Pump.....	1985-1976	●44097	Cummins C Series 8.3 Diesel; W/Short Nose W.P.....	1988	42352
Detroit Diesel 8V-71.....	1983-1982	44075	Cummins L10 Diesel.....	1996-1991	43307
Detroit Diesel 8V-71.....	1972	44075	Cummins L10 Diesel; Idler Pulley.....	1993	41175
Detroit Diesel 8V-92; "Running" Pump....	1986-1974	▼44103	Cummins L10 Diesel; Idler Pulley.....	1991	41175
Detroit Diesel 8V-92; "Walking" Pump.....	1986-1974	●44097	Cummins L10 Diesel.....	1990-1988	44094
362			376		
Caterpillar 3406 Diesel.....	1999-1996	44054	Cummins C Series 8.3 Diesel; W/Long Nose W.P.; W/Hardened Pulley.....	1993-1988	43321
Caterpillar 3406 Diesel; W/Dished Gear..	1995-1993	44054	Cummins C Series 8.3 Diesel; W/Long Nose W.P.; W/O Hardened Pulley.....	1993-1988	43320
Caterpillar 3406 Diesel; W/Flat Gear.....	1995-1982	45009	Cummins C Series 8.3 Diesel; W/Short Nose W.P.....	1993-1988	42352
Cummins L10 Diesel.....	1995-1991	43307	377		
Cummins L10 Diesel; Idler Pulley.....	1995-1991	41175	Caterpillar 3406 Diesel.....	1999-1996	44054
Cummins L10 Diesel.....	1990-1988	44094	Caterpillar 3406 Diesel; W/Dished Gear..	1995-1993	44054
Cummins N14 Diesel.....	1996-1992	44052	Caterpillar 3406 Diesel; W/Flat Gear.....	1995-1987	45009
Cummins 6-Cyl. 14.0 Diesel.....	1991-1990	44052	Cummins L10 Diesel.....	1997-1994	43307
Cummins 6-Cyl. 14.0 Diesel; Idler Pulley; W/Flat Idler Pulley.....	1990-1985	41173	Cummins L10 Diesel; Idler Pulley.....	1997-1994	41175
Cummins 6-Cyl. 14.0 Diesel; Idler Pulley; W/V-Ribbed Belt.....	1990-1985	41174	Cummins L10 Diesel.....	1991-1989	44094
Cummins 6-Cyl. 14.0 Diesel; W/6-Ribbed Belt.....	1989-1986	44092	Cummins L10 Diesel; Idler Pulley.....	1991	41175
Cummins 6-Cyl. 14.0 Diesel; W/V-Belt Drive.....	1989-1986	44084	Cummins N14 Diesel.....	1999-1992	44052
Cummins 6-Cyl. 14.0 Diesel; Tensioner Pulley; W/Big Cam III Eng.; W/V-Ribbed Belt.....	1985	41111	Cummins 6-Cyl. 14.0 Diesel.....	1991-1990	44052
Cummins 6-Cyl. 14.0 Diesel; W/Big Cam IV Eng.; W/6-Ribbed Belt.....	1985	44092	Cummins 6-Cyl. 14.0 Diesel; Idler Pulley; W/Flat Idler Pulley.....	1990-1987	41173
Cummins 6-Cyl. 14.0 Diesel; W/Big Cam IV Eng.; W/V-Belt Drive.....	1985	44084	Cummins 6-Cyl. 14.0 Diesel; Idler Pulley; W/V-Ribbed Belt.....	1990-1987	41174
Cummins 6-Cyl. 14.0 Diesel.....	1984	44055	Cummins 6-Cyl. 14.0 Diesel; W/6-Ribbed Belt.....	1989-1987	44092
Cummins 6-Cyl. 14.0 Diesel; W/Big Cam I & II Eng.....	1983	44086	Cummins 6-Cyl. 14.0 Diesel; W/V-Belt Drive.....	1989-1987	44084
Cummins 6-Cyl. 14.0 Diesel; W/Big Cam III Eng.....	1983	44055	Detroit Diesel 8V-92; "Running" Pump....	1987	▼44103
Cummins 6-Cyl. 14.0 Diesel.....	1982-1981	44086	Detroit Diesel 8V-92; "Walking" Pump.....	1987	●44097
Cummins 6-Cyl. 14.0 Diesel; Tensioner Pulley - W.P.; W/V-Ribbed Belt.....	1981	41111	Detroit Diesel 6-Cyl. 11.1.....	2000-1992	44066
Detroit Diesel 6V-92; "Running" Pump....	1985-1982	▼44103	Detroit Diesel 6-Cyl. 12.7.....	2000-1992	44066
Detroit Diesel 6V-92; "Walking" Pump.....	1985-1982	●44097	378		
Detroit Diesel 8V-71.....	1983-1982	44075	Caterpillar 3406 Diesel.....	1999-1996	44054
Detroit Diesel 8V-92; "Running" Pump....	1987-1982	▼44103	Caterpillar 3406 Diesel; W/Dished Gear..	1995-1993	44054
Detroit Diesel 8V-92; "Walking" Pump.....	1987-1982	●44097	Caterpillar 3406 Diesel; W/Flat Gear.....	1995-1988	45009
Detroit Diesel 6-Cyl. 11.1.....	1996	44066	Cummins L10 Diesel.....	1997-1994	43307
Detroit Diesel 6-Cyl. 11.1.....	1993-1989	44066	Cummins L10 Diesel; Idler Pulley.....	1997-1994	41175
Detroit Diesel 6-Cyl. 12.7.....	1996	44066	Cummins M11 Diesel.....	1997-1995	43307
Detroit Diesel 6-Cyl. 12.7.....	1993-1989	44066	Cummins N14 Diesel.....	2003-1992	44052
372			379		
Caterpillar 3406 Diesel; W/Dished Gear..	1994-1993	44054	Caterpillar 3406 Diesel.....	2000-1996	44054
Caterpillar 3406 Diesel; W/Flat Gear.....	1994-1989	45009	Caterpillar 3406 Diesel; W/Dished Gear..	1995-1993	44054
Cummins N14 Diesel.....	1994-1992	44052	Caterpillar 3406 Diesel; W/Flat Gear.....	1995-1987	45009
Cummins 6-Cyl. 14.0 Diesel.....	1991-1990	44052	379		
Cummins 6-Cyl. 14.0 Diesel; Idler Pulley; W/Flat Idler Pulley.....	1990-1989	41173	Caterpillar 3406 Diesel.....	2000-1996	44054
Cummins 6-Cyl. 14.0 Diesel; Idler Pulley; W/V-Ribbed Belt.....	1990-1989	41174	Caterpillar 3406 Diesel; W/Dished Gear..	1995-1993	44054
Cummins 6-Cyl. 14.0 Diesel; W/6-Ribbed Belt.....	1989	44092	Caterpillar 3406 Diesel; W/Flat Gear.....	1995-1987	45009
Cummins 6-Cyl. 14.0 Diesel; W/V-Belt Drive.....	1989	44084	379		
Detroit Diesel 6-Cyl. 11.1.....	1993-1989	44066	Caterpillar 3406 Diesel.....	2000-1996	44054
Detroit Diesel 6-Cyl. 12.7.....	1993-1989	44066	Caterpillar 3406 Diesel; W/Dished Gear..	1995-1993	44054

▼ 2 Outlets at 45 Degree Angles
 ■ 2 Outlets Pointing Straight Down

● Outlet Straight Down & Outlet at 45 Degree Angle
 * High Performance Pump

Application Guide - Medium and Heavy-Duty Trucks

Application	Year	Gates No.	Application	Year	Gates No.
PETERBILT - Continued			REO - Continued		
379 - Continued			D430 SERIES; D603 SERIES; D630 SERIES		
- Continued			- Continued		
Cummins L10 Diesel	1997-1992	43307	Detroit Diesel 6-71N; W/Turbo; W/Reverse Rotation	1967-1960	42322
Cummins L10 Diesel; Idler Pulley	1997-1991	41175	Detroit Diesel 6-71N; W/Turbo; W/Standard Rotation	1967-1960	42321
Cummins L10 Diesel	1991-1988	44094	Detroit Diesel 6V-53; W/Clockwise Eng... ..	1967-1960	43310
Cummins M11 Diesel	1997-1995	43307	Detroit Diesel 6V-53; W/Counterclockwise Eng.	1967-1960	43309
Cummins N14 Diesel	2003-1992	44052	D633 SERIES; D703 SERIES; D730 SE- RIES; D733 SERIES; DCL430 SERIES; DCL633 SERIES; DCL703 SERIES; DCL730 SERIES; DCL733 SERIES; DF300 SERIES; DF330 SERIES		
Cummins 6-Cyl. 14.0 Diesel	1991-1990	44052	Cummins C Series 8.3 Diesel; W/Long Nose W.P.; W/Hardened Pulley	1966-1960	43321
Cummins 6-Cyl. 14.0 Diesel; Idler Pul- ley; W/Flat Idler Pulley	1990-1987	41173	Cummins C Series 8.3 Diesel; W/Long Nose W.P.; W/O Hardened Pulley	1966-1960	43320
Cummins 6-Cyl. 14.0 Diesel; Idler Pul- ley; W/V-Ribbed Belt	1990-1987	41174	Cummins C Series 8.3 Diesel; W/Short Nose W.P.	1966-1960	42352
Cummins 6-Cyl. 14.0 Diesel; W/6-Ribbed Belt	1989-1987	44092	Detroit Diesel 6-71E; W/O Turbo; W/Reverse Rotation	1966-1960	42344
Cummins 6-Cyl. 14.0 Diesel; W/V-Belt Drive	1989-1987	44084	Detroit Diesel 6-71E; W/O Turbo; W/Standard Rotation	1966-1960	42102
Detroit Diesel 8V-92; "Running" Pump	1987	▼44103	Detroit Diesel 6-71E; W/Turbo; W/Reverse Rotation	1966-1960	42322
Detroit Diesel 8V-92; "Walking" Pump	1987	●44097	Detroit Diesel 6-71E; W/Turbo; W/Standard Rotation	1966-1960	42321
Detroit Diesel 6-Cyl. 11.1	2001-1992	44066	Detroit Diesel 6-71N; W/O Turbo; W/Reverse Rotation	1966-1960	42344
Detroit Diesel 6-Cyl. 12.7	2001-1992	44066	Detroit Diesel 6-71N; W/O Turbo; W/Standard Rotation	1966-1960	42102
385			DF400 SERIES; DF430 SERIES; DF500 SE- RIES; DF530 SERIES		
Cummins C Series 8.3 Diesel; W/Long Nose W.P.; W/Hardened Pulley	1996	43321	Cummins C Series 8.3 Diesel; W/Long Nose W.P.; W/Hardened Pulley	1967-1954	43321
Cummins C Series 8.3 Diesel; W/Long Nose W.P.; W/O Hardened Pulley	1996	43320	Cummins C Series 8.3 Diesel; W/Long Nose W.P.; W/O Hardened Pulley	1967-1954	43320
Cummins C Series 8.3 Diesel; W/Short Nose W.P.	1996	42352	Cummins C Series 8.3 Diesel; W/Short Nose W.P.	1967-1954	42352
Cummins L10 Diesel	1997-1996	43307	Detroit Diesel 6-71E; W/O Turbo; W/Reverse Rotation	1967-1954	42344
Cummins L10 Diesel; Idler Pulley	1997-1996	41175	Detroit Diesel 6-71E; W/O Turbo; W/Standard Rotation	1967-1954	42102
Cummins M11 Diesel	1997-1996	43307	Detroit Diesel 6-71E; W/O Turbo; W/Reverse Rotation	1967-1954	42344
Cummins N14 Diesel	2003-2002	44052	Detroit Diesel 6-71E; W/O Turbo; W/Standard Rotation	1967-1954	42102
387			DL603 SERIES		
Caterpillar 3406 Diesel; W/Flat Gear	1986-1984	45009	Cummins C Series 8.3 Diesel; W/Long Nose W.P.; W/Hardened Pulley	1966-1960	43321
Cummins 6-Cyl. 14.0 Diesel; W/6-Ribbed Belt	1986	44092	Cummins C Series 8.3 Diesel; W/Long Nose W.P.; W/O Hardened Pulley	1967-1960	43320
Cummins 6-Cyl. 14.0 Diesel; Idler Pul- ley; W/Flat Idler Pulley	1986-1985	41173	Cummins C Series 8.3 Diesel; W/Short Nose W.P.	1967-1960	42352
Cummins 6-Cyl. 14.0 Diesel; W/V-Belt Drive	1986	44084	Detroit Diesel 6-71E; W/O Turbo; W/Reverse Rotation	1967-1960	42344
Cummins 6-Cyl. 14.0 Diesel; Idler Pul- ley; W/V-Ribbed Belt	1986-1985	41174	Detroit Diesel 6-71E; W/O Turbo; W/Standard Rotation	1967-1960	42102
Cummins 6-Cyl. 14.0 Diesel; Tensioner Pulley; W/Big Cam III Eng.; W/V-Ribbed Belt	1985	41111	Detroit Diesel 6-71E; W/O Turbo; W/Reverse Rotation	1967-1960	42322
Cummins 6-Cyl. 14.0 Diesel; W/Big Cam IV Eng.; W/6-Ribbed Belt	1985	44092	Detroit Diesel 6-71E; W/O Turbo; W/Standard Rotation	1967-1960	42321
Cummins 6-Cyl. 14.0 Diesel; W/Big Cam IV Eng.; W/V-Belt Drive	1985	44084	Detroit Diesel 6-71N; W/O Turbo; W/Reverse Rotation	1967-1960	42344
Cummins 6-Cyl. 14.0 Diesel	1984	44055	Detroit Diesel 6-71N; W/O Turbo; W/Standard Rotation	1967-1960	42321
Detroit Diesel 8V-92; "Running" Pump	1986-1984	▼44103	Detroit Diesel 6V-53; W/Clockwise Eng... ..	1967-1954	43310
Detroit Diesel 8V-92; "Walking" Pump	1986-1984	●44097	Detroit Diesel 6V-53; W/Counterclockwise Eng.	1967-1954	43309
REO			D430 SERIES; D603 SERIES; D630 SERIES		
- Continued			- Continued		
Cummins C Series 8.3 Diesel; W/Long Nose W.P.; W/Hardened Pulley	1967-1960	43321	Cummins C Series 8.3 Diesel; W/Long Nose W.P.; W/O Hardened Pulley	1967-1960	43320
Cummins C Series 8.3 Diesel; W/Long Nose W.P.; W/O Hardened Pulley	1967-1960	43320	Cummins C Series 8.3 Diesel; W/Short Nose W.P.	1967-1960	42352
Cummins C Series 8.3 Diesel; W/Short Nose W.P.	1967-1960	42352	Detroit Diesel 6-71E; W/O Turbo; W/Reverse Rotation	1967-1960	42344
Detroit Diesel 6-71E; W/O Turbo; W/Reverse Rotation	1967-1960	42344	Detroit Diesel 6-71E; W/O Turbo; W/Standard Rotation	1967-1960	42102
Detroit Diesel 6-71E; W/O Turbo; W/Standard Rotation	1967-1960	42102	Detroit Diesel 6-71E; W/O Turbo; W/Reverse Rotation	1967-1960	42322
Detroit Diesel 6-71E; W/Turbo; W/Reverse Rotation	1967-1960	42322	Detroit Diesel 6-71E; W/O Turbo; W/Standard Rotation	1967-1960	42321
Detroit Diesel 6-71E; W/Turbo; W/Standard Rotation	1967-1960	42321	Detroit Diesel 6-71N; W/O Turbo; W/Reverse Rotation	1967-1960	42344
Detroit Diesel 6-71N; W/O Turbo; W/Reverse Rotation	1967-1960	42344	Detroit Diesel 6-71N; W/O Turbo; W/Standard Rotation	1967-1960	42321
Detroit Diesel 6-71N; W/O Turbo; W/Standard Rotation	1967-1960	42102	Detroit Diesel 6V-53; W/Clockwise Eng... ..	1967-1954	43310
Detroit Diesel 6-71N; W/O Turbo; W/Reverse Rotation	1967-1960	42344	Detroit Diesel 6V-53; W/Counterclockwise Eng.	1967-1954	43309
Detroit Diesel 6-71N; W/O Turbo; W/Standard Rotation	1967-1960	42102	DL603 SERIES		
Detroit Diesel 6-71N; W/O Turbo; W/Standard Rotation	1967-1960	42102	Cummins C Series 8.3 Diesel; W/Long Nose W.P.; W/Hardened Pulley	1966-1960	43321

- ▼ 2 Outlets at 45 Degree Angles
- 2 Outlets Pointing Straight Down

- Outlet Straight Down & Outlet at 45 Degree Angle
- * High Performance Pump

Application Guide - Medium and Heavy-Duty Trucks

Application	Year	Gates No.	Application	Year	Gates No.
REO - Continued			REO - Continued		
DL603 SERIES - Continued			DL703 SERIES; DL730 SERIES; DL733 SERIES - Continued		
Cummins C Series 8.3 Diesel; W/Long Nose W.P.; W/O Hardened Pulley.....	1966-1960	43320	Detroit Diesel 6-71N; W/Turbo; W/Standard Rotation.....	1966-1960	42321
Cummins C Series 8.3 Diesel; W/Short Nose W.P.....	1966-1960	42352	Detroit Diesel 6V-53; W/Clockwise Eng...	1966-1960	43310
Detroit Diesel 6-71E; W/O Turbo; W/Reverse Rotation.....	1966-1960	42344	Detroit Diesel 6V-53; W/Counterclockwise Eng.....	1966-1960	43309
Detroit Diesel 6-71E; W/O Turbo; W/Standard Rotation.....	1966-1960	42102	E300 SERIES		
Detroit Diesel 6-71E; W/Turbo; W/Reverse Rotation.....	1966-1960	42322	Cummins C Series 8.3 Diesel; W/Long Nose W.P.; W/Hardened Pulley.....	1967-1954	43321
Detroit Diesel 6-71E; W/Turbo; W/Standard Rotation.....	1966-1960	42321	Cummins C Series 8.3 Diesel; W/Long Nose W.P.; W/O Hardened Pulley.....	1967-1954	43320
Detroit Diesel 6-71N; W/O Turbo; W/Reverse Rotation.....	1966-1960	42344	Cummins C Series 8.3 Diesel; W/Short Nose W.P.....	1967-1954	42352
Detroit Diesel 6-71N; W/O Turbo; W/Standard Rotation.....	1966-1960	42102	Detroit Diesel 6-71E; W/O Turbo; W/Reverse Rotation.....	1967-1954	42344
Detroit Diesel 6-71N; W/Turbo; W/Reverse Rotation.....	1966-1960	42322	Detroit Diesel 6-71E; W/O Turbo; W/Standard Rotation.....	1967-1954	42102
Detroit Diesel 6-71N; W/Turbo; W/Standard Rotation.....	1966-1960	42321	Detroit Diesel 6-71E; W/Turbo; W/Reverse Rotation.....	1967-1954	42322
Detroit Diesel 6V-53; W/Clockwise Eng...	1966-1960	43310	Detroit Diesel 6-71E; W/Turbo; W/Standard Rotation.....	1967-1954	42321
Detroit Diesel 6V-53; W/Counterclockwise Eng.....	1966-1960	43309	Detroit Diesel 6-71N; W/O Turbo; W/Reverse Rotation.....	1967-1954	42344
DL630 SERIES			Detroit Diesel 6-71N; W/O Turbo; W/Standard Rotation.....	1967-1954	42102
Cummins C Series 8.3 Diesel; W/Long Nose W.P.; W/Hardened Pulley.....	1966-1960	43321	Detroit Diesel 6-71N; W/Turbo; W/Reverse Rotation.....	1967-1954	42322
Cummins C Series 8.3 Diesel; W/Long Nose W.P.; W/O Hardened Pulley.....	1966-1960	43320	Detroit Diesel 6-71N; W/Turbo; W/Standard Rotation.....	1967-1954	42321
Cummins C Series 8.3 Diesel; W/Short Nose W.P.....	1966-1960	42352	Detroit Diesel 6V-53; W/Clockwise Eng...	1967-1960	43310
Detroit Diesel 6-71E; W/O Turbo; W/Reverse Rotation.....	1966-1960	42344	Detroit Diesel 6V-53; W/Counterclockwise Eng.....	1967-1960	43309
Detroit Diesel 6-71E; W/O Turbo; W/Standard Rotation.....	1966-1960	42102	E330 SERIES; E400 SERIES; E440 SERIES; E500 SERIES; E510 SERIES; E530 SERIES; E540 SERIES		
Detroit Diesel 6-71E; W/Turbo; W/Reverse Rotation.....	1966-1960	42322	Cummins C Series 8.3 Diesel; W/Long Nose W.P.; W/Hardened Pulley.....	1967-1954	43321
Detroit Diesel 6-71E; W/Turbo; W/Standard Rotation.....	1966-1960	42321	Cummins C Series 8.3 Diesel; W/Long Nose W.P.; W/O Hardened Pulley.....	1967-1954	43320
Detroit Diesel 6-71N; W/O Turbo; W/Reverse Rotation.....	1966-1960	42344	Cummins C Series 8.3 Diesel; W/Short Nose W.P.....	1967-1954	42352
Detroit Diesel 6-71N; W/O Turbo; W/Standard Rotation.....	1966-1960	42102	Detroit Diesel 6-71E; W/O Turbo; W/Reverse Rotation.....	1967-1954	42344
Detroit Diesel 6-71N; W/Turbo; W/Reverse Rotation.....	1966-1960	42322	Detroit Diesel 6-71E; W/O Turbo; W/Standard Rotation.....	1967-1954	42102
Detroit Diesel 6-71N; W/Turbo; W/Standard Rotation.....	1966-1960	42321	Detroit Diesel 6-71E; W/Turbo; W/Reverse Rotation.....	1967-1954	42322
Detroit Diesel 6V-53; W/Clockwise Eng...	1967-1960	43310	Detroit Diesel 6-71E; W/Turbo; W/Standard Rotation.....	1967-1954	42321
Detroit Diesel 6V-53; W/Counterclockwise Eng.....	1967-1960	43309	Detroit Diesel 6-71N; W/O Turbo; W/Reverse Rotation.....	1967-1954	42344
DL703 SERIES; DL730 SERIES; DL733 SERIES			Detroit Diesel 6-71N; W/O Turbo; W/Standard Rotation.....	1967-1954	42102
Cummins C Series 8.3 Diesel; W/Long Nose W.P.; W/Hardened Pulley.....	1966-1960	43321	Detroit Diesel 6-71N; W/Turbo; W/Reverse Rotation.....	1967-1954	42322
Cummins C Series 8.3 Diesel; W/Long Nose W.P.; W/O Hardened Pulley.....	1966-1960	43320	Detroit Diesel 6-71N; W/Turbo; W/Standard Rotation.....	1967-1954	42321
Cummins C Series 8.3 Diesel; W/Short Nose W.P.....	1966-1960	42352	Detroit Diesel 6V-53; W/Clockwise Eng...	1967-1954	43310
Detroit Diesel 6-71E; W/O Turbo; W/Reverse Rotation.....	1966-1960	42344	Detroit Diesel 6V-53; W/Counterclockwise Eng.....	1967-1954	43309
Detroit Diesel 6-71E; W/O Turbo; W/Standard Rotation.....	1966-1960	42102	E630 SERIES; E700 SERIES; E730 SERIES		
Detroit Diesel 6-71E; W/Turbo; W/Reverse Rotation.....	1966-1960	42322	Cummins C Series 8.3 Diesel; W/Long Nose W.P.; W/Hardened Pulley.....	1966-1960	43321
Detroit Diesel 6-71E; W/Turbo; W/Standard Rotation.....	1966-1960	42321	Cummins C Series 8.3 Diesel; W/Long Nose W.P.; W/O Hardened Pulley.....	1966-1960	43320
Detroit Diesel 6-71N; W/O Turbo; W/Reverse Rotation.....	1966-1960	42344	Cummins C Series 8.3 Diesel; W/Short Nose W.P.....	1966-1960	42352
Detroit Diesel 6-71N; W/O Turbo; W/Standard Rotation.....	1966-1960	42102	Detroit Diesel 6-71E; W/O Turbo; W/Reverse Rotation.....	1966-1960	42344
Detroit Diesel 6-71N; W/Turbo; W/Reverse Rotation.....	1966-1960	42322			

- ▼ 2 Outlets at 45 Degree Angles
- 2 Outlets Pointing Straight Down

- Outlet Straight Down & Outlet at 45 Degree Angle
- * High Performance Pump

Application Guide - Medium and Heavy-Duty Trucks

Application	Year	Gates No.	Application	Year	Gates No.
REO - Continued			VOLVO - Continued		
E630 SERIES; E700 SERIES; E730 SERIES			AUTOCAR - Continued		
- Continued			Cummins M11 Diesel 1998-1996 43307		
Detroit Diesel 6-71E; W/O Turbo; W/Standard Rotation..... 1966-1960 42102			Cummins N14 Diesel..... 2001-1996 44052		
Detroit Diesel 6-71E; W/Turbo; W/Reverse Rotation..... 1966-1960 42322			Detroit Diesel Series 60 2000-1996 44066		
Detroit Diesel 6-71E; W/Turbo; W/Standard Rotation..... 1966-1960 42321			AUTOHAULER		
Detroit Diesel 6-71N; W/O Turbo; W/Reverse Rotation..... 1966-1960 42344			Detroit Diesel Series 60 2001-1997 44066		
Detroit Diesel 6-71N; W/O Turbo; W/Standard Rotation..... 1966-1960 42102			Detroit Diesel Series 60 1993-1991 44066		
Detroit Diesel 6-71N; W/Turbo; W/Reverse Rotation..... 1966-1960 42322			Detroit Diesel 6-Cyl. 11.1 1996 44066		
Detroit Diesel 6-71N; W/Turbo; W/Standard Rotation..... 1966-1960 42321			VHD		
Detroit Diesel 6V-53; W/Clockwise Eng... 1966-1960 43310			Cummins N14 Diesel..... 2001 44052		
Detroit Diesel 6V-53; W/Counterclockwise Eng..... 1966-1960 43309			Detroit Diesel Series 60 2001 44066		
STERLING			VN SERIES		
A-LINE			Caterpillar 3406 Diesel 1999-1997 44054		
Caterpillar 3406 Diesel 1999-1998 44054			Cummins M11 Diesel 1998 43307		
Cummins M11 Diesel 1998 43307			Cummins N14 Diesel..... 2002-1998 44052		
Cummins N14 Diesel..... 2002-1998 44052			Detroit Diesel Series 60 2003 44066		
Detroit Diesel 6-Cyl. 11.1 2002-1998 44066			Detroit Diesel 6-Cyl. 11.1 2002-2000 44066		
Detroit Diesel 6-Cyl. 12.7 2006-1998 44066			Detroit Diesel 6-Cyl. 11.1 1998 44066		
Detroit Diesel 6-Cyl. 14.0 2006-2004 44066			Detroit Diesel 6-Cyl. 12.7 2007-2004 44066		
ACTERRA			Detroit Diesel 6-Cyl. 12.7 2002-2000 44066		
Cummins ISB Diesel..... 2002-2001 41176			Detroit Diesel 6-Cyl. 12.7 1998 44066		
L-LINE			Detroit Diesel 6-Cyl. 14.0 2007-2004 44066		
Caterpillar 3406 Diesel 2000-1998 44054			SC7000		
Cummins ISB Diesel..... 2002-1998 41176			Cummins ISB Diesel..... 2002 41176		
Cummins M11 Diesel 1998 43307			SC8000		
Cummins N14 Diesel..... 2002-1998 44052			Cummins ISB Diesel..... 2005-1998 41176		
Detroit Diesel Series 60 2003 44066			SILVER STAR		
Detroit Diesel 6-Cyl. 11.1 2002-2000 44066			Caterpillar 3406 Diesel 2000-1999 44054		
Detroit Diesel 6-Cyl. 11.1 1998 44066			Cummins N14 Diesel..... 2003-2002 44052		
Detroit Diesel 6-Cyl. 12.7 2007-2004 44066			Detroit Diesel Series 60 2003-2002 44066		
Detroit Diesel 6-Cyl. 12.7 2002-2000 44066			Detroit Diesel Series 60 2000 44066		
Detroit Diesel 6-Cyl. 12.7 1998 44066			STUDEBAKER		
Detroit Diesel 6-Cyl. 14.0 2007-2004 44066			E15; E25		
SC7000			Detroit Diesel 3-53; W/Clockwise Eng.... 1964-1963 43310		
Cummins ISB Diesel..... 2002 41176			Detroit Diesel 3-53; W/Counterclockwise Eng..... 1964-1963 43309		
SC8000			E35; E45		
Cummins ISB Diesel..... 2005-1998 41176			Detroit Diesel 4-53; W/Clockwise Eng.... 1964-1962 43310		
SILVER STAR			Detroit Diesel 4-53; W/Counterclockwise Eng..... 1964-1962 43309		
Caterpillar 3406 Diesel 2000-1999 44054			VOLVO		
Cummins N14 Diesel..... 2003-2002 44052			AUTOCAR		
Detroit Diesel Series 60 2003-2002 44066			Caterpillar 3406 Diesel 1998-1996 44054		
Detroit Diesel Series 60 2000 44066			Cummins L10 Diesel 1997-1996 43307		
STUDEBAKER			WH SERIES		
E15; E25			Cummins N14 Diesel..... 1996 44052		
Detroit Diesel 3-53; W/Clockwise Eng.... 1964-1963 43310			Cummins N14 Diesel..... 1993-1991 44052		
Detroit Diesel 3-53; W/Counterclockwise Eng..... 1964-1963 43309			Cummins 6-Cyl. 14.0 Diesel..... 1990 44052		
E35; E45			Cummins 6-Cyl. 14.0 Diesel; Idler Pul- ley; W/Flat Idler Pulley 1990 41173		
Detroit Diesel 4-53; W/Clockwise Eng.... 1964-1962 43310			Cummins 6-Cyl. 14.0 Diesel; Idler Pul- ley; W/V-Ribbed Belt..... 1990 41174		
Detroit Diesel 4-53; W/Counterclockwise Eng..... 1964-1962 43309			Detroit Diesel Series 60 1993-1991 44066		
VOLVO			Detroit Diesel 6-Cyl. 11.1 1996 44066		
AUTOCAR			WCA SERIES		
Caterpillar 3406 Diesel 1998-1996 44054			Caterpillar 3406 Diesel 1996 44054		
Cummins L10 Diesel 1997-1996 43307			Cummins L10 Diesel 1993-1991 43307		
WH SERIES			Cummins L10 Diesel 1990 44094		
Cummins N14 Diesel..... 1996 44052			Cummins L10 Diesel 1990 44094		
Cummins N14 Diesel..... 1993-1991 44052			Cummins M11 Diesel 1997-1996 43307		
Cummins 6-Cyl. 14.0 Diesel..... 1990 44052			Cummins N14 Diesel..... 1997-1996 44052		
Cummins 6-Cyl. 14.0 Diesel; Idler Pul- ley; W/Flat Idler Pulley 1990 41173			Cummins N14 Diesel..... 1993-1991 44052		
Cummins 6-Cyl. 14.0 Diesel; Idler Pul- ley; W/V-Ribbed Belt..... 1990 41174			Cummins 6-Cyl. 14.0 Diesel..... 1990 44052		
Detroit Diesel Series 60 1993-1991 44066			Cummins 6-Cyl. 14.0 Diesel; Idler Pul- ley; W/Flat Idler Pulley 1990 41173		
Detroit Diesel 6-Cyl. 11.1 1996 44066			Cummins 6-Cyl. 14.0 Diesel; Idler Pul- ley; W/V-Ribbed Belt..... 1990 41174		
WCA SERIES			WCM SERIES		
Caterpillar 3406 Diesel 1996 44054			Cummins L10 Diesel 1993-1991 43307		
Cummins L10 Diesel 1993-1991 43307			Cummins L10 Diesel 1990 44094		
Cummins L10 Diesel 1990 44094			Cummins N14 Diesel..... 1993-1991 44052		
Cummins M11 Diesel 1997-1996 43307			Cummins 6-Cyl. 14.0 Diesel..... 1990 44052		
Cummins N14 Diesel..... 1996 44052			Cummins 6-Cyl. 14.0 Diesel; Idler Pul- ley; W/Flat Idler Pulley 1990 41173		
Cummins N14 Diesel..... 1993-1991 44052			Cummins 6-Cyl. 14.0 Diesel; Idler Pul- ley; W/V-Ribbed Belt..... 1990 41174		
Cummins 6-Cyl. 14.0 Diesel..... 1990 44052			Detroit Diesel Series 60 1993-1991 44066		
Cummins 6-Cyl. 14.0 Diesel; Idler Pul- ley; W/Flat Idler Pulley 1990 41173			WCS SERIES		
Cummins 6-Cyl. 14.0 Diesel; Idler Pul- ley; W/V-Ribbed Belt..... 1990 41174			Cummins L10 Diesel 1990 44094		
Detroit Diesel Series 60 1993-1991 44066			Cummins 6-Cyl. 14.0 Diesel..... 1990 44052		
Detroit Diesel 6-Cyl. 11.1 1996 44066			Cummins 6-Cyl. 14.0 Diesel; Idler Pul- ley; W/Flat Idler Pulley 1990 41173		
Detroit Diesel 6-Cyl. 12.7 1996 44066			Cummins 6-Cyl. 14.0 Diesel; Idler Pul- ley; W/V-Ribbed Belt..... 1990 41174		
WCM SERIES			WG SERIES		
Cummins L10 Diesel 1993-1991 43307			Cummins L10 Diesel 1996 43307		
Cummins L10 Diesel 1990 44094			Cummins L10 Diesel 1993-1991 43307		
Cummins N14 Diesel..... 1993-1991 44052			Cummins L10 Diesel 1990 44094		
Cummins 6-Cyl. 14.0 Diesel..... 1990 44052			Cummins M11 Diesel 1997-1996 43307		
Cummins 6-Cyl. 14.0 Diesel; Idler Pul- ley; W/Flat Idler Pulley 1990 41173			Cummins N14 Diesel..... 1997-1996 44052		
Cummins 6-Cyl. 14.0 Diesel; Idler Pul- ley; W/V-Ribbed Belt..... 1990 41174			Cummins N14 Diesel..... 1993-1991 44052		
Detroit Diesel Series 60 1993-1991 44066			Cummins 6-Cyl. 14.0 Diesel..... 1990 44052		
WCS SERIES			Cummins 6-Cyl. 14.0 Diesel; Idler Pul- ley; W/Flat Idler Pulley 1990 41173		
Cummins L10 Diesel 1990 44094			Cummins 6-Cyl. 14.0 Diesel; Idler Pul- ley; W/V-Ribbed Belt..... 1990 41174		
Cummins 6-Cyl. 14.0 Diesel..... 1990 44052			Detroit Diesel Series 60 1993-1991 44066		
Cummins 6-Cyl. 14.0 Diesel; Idler Pul- ley; W/Flat Idler Pulley 1990 41173			Detroit Diesel 6-Cyl. 11.1 1996 44066		
Cummins 6-Cyl. 14.0 Diesel; Idler Pul- ley; W/V-Ribbed Belt..... 1990 41174			WH SERIES		
Detroit Diesel Series 60 1993-1991 44066			Cummins N14 Diesel..... 1996 44052		
Detroit Diesel 6-Cyl. 11.1 1996 44066			Cummins N14 Diesel..... 1993-1991 44052		
WG SERIES			Cummins 6-Cyl. 14.0 Diesel..... 1990 44052		
Cummins L10 Diesel 1996 43307			Cummins 6-Cyl. 14.0 Diesel..... 1990 44052		
Cummins L10 Diesel 1993-1991 43307					
Cummins L10 Diesel 1990 44094					
Cummins M11 Diesel 1997-1996 43307					
Cummins N14 Diesel..... 1997-1996 44052					
Cummins N14 Diesel..... 1993-1991 44052					
Cummins 6-Cyl. 14.0 Diesel..... 1990 44052					
Cummins 6-Cyl. 14.0 Diesel; Idler Pul- ley; W/Flat Idler Pulley 1990 41173					
Cummins 6-Cyl. 14.0 Diesel; Idler Pul- ley; W/V-Ribbed Belt..... 1990 41174					
Detroit Diesel Series 60 1993-1991 44066					
Detroit Diesel 6-Cyl. 11.1 1996 44066					

- ▼ 2 Outlets at 45 Degree Angles
- 2 Outlets Pointing Straight Down

- Outlet Straight Down & Outlet at 45 Degree Angle
- * High Performance Pump

Application Guide - Medium and Heavy-Duty Trucks

Application	Year	Gates No.	Application	Year	Gates No.
VOLVO - Continued			WESTERN STAR - Continued		
WH SERIES - Continued			3800 SERIES		
Cummins 6-Cyl. 14.0 Diesel; Idler Pulley; W/Flat Idler Pulley	1990	41173	Caterpillar 3406 Diesel; W/Flat Gear	1989	45009
Cummins 6-Cyl. 14.0 Diesel; Idler Pulley; W/V-Ribbed Belt	1990	41174	Cummins C Series 8.3 Diesel; W/Long Nose W.P.; W/Hardened Pulley	1990-1989	43321
Detroit Diesel Series 60	1993-1991	44066	Cummins C Series 8.3 Diesel; W/Long Nose W.P.; W/O Hardened Pulley	1990-1989	43320
Detroit Diesel 6-Cyl. 11.1	1996	44066	Cummins C Series 8.3 Diesel; W/Short Nose W.P.	1990-1989	42352
Detroit Diesel 6-Cyl. 12.7	1996	44066	Cummins L10 Diesel	1996-1991	43307
WIA SERIES			Cummins L10 Diesel	1990-1989	44094
Caterpillar 3406 Diesel	1997-1996	44054	Cummins M11 Diesel	1997-1992	43307
Cummins L10 Diesel	1997	43307	Cummins 6-Cyl. 14.0 Diesel; W/6-Ribbed Belt	1989	44092
Cummins L10 Diesel	1993-1991	43307	Cummins 6-Cyl. 14.0 Diesel; Idler Pulley; W/Flat Idler Pulley	1989	41173
Cummins L10 Diesel	1990	44094	Cummins 6-Cyl. 14.0 Diesel; W/V-Belt Drive	1989	44084
Cummins M11 Diesel	1997-1996	43307	Cummins 6-Cyl. 14.0 Diesel; Idler Pulley; W/V-Ribbed Belt	1989	41174
Cummins N14 Diesel	1998-1996	44052	Detroit Diesel 6V-92; "Running" Pump	1989	▼44103
Cummins N14 Diesel	1993-1991	44052	Detroit Diesel 6V-92; "Walking" Pump	1989	●44097
Cummins 6-Cyl. 14.0 Diesel	1990	44052	4800 SERIES		
Cummins 6-Cyl. 14.0 Diesel; Idler Pulley; W/Flat Idler Pulley	1990	41173	Caterpillar 3406 Diesel	2000-1996	44054
Cummins 6-Cyl. 14.0 Diesel; Idler Pulley; W/V-Ribbed Belt	1990	41174	Caterpillar 3406 Diesel; W/Flat Gear	1989-1980	45009
Detroit Diesel Series 60	1997	44066	Cummins C Series 8.3 Diesel; W/Long Nose W.P.; W/Hardened Pulley	1989	43321
Detroit Diesel Series 60	1993-1991	44066	Cummins C Series 8.3 Diesel; W/Long Nose W.P.; W/O Hardened Pulley	1989	43320
Detroit Diesel 6-Cyl. 11.1	1996	44066	Cummins C Series 8.3 Diesel; W/Short Nose W.P.	1989	42352
Detroit Diesel 6-Cyl. 12.7	1996	44066	Cummins L10 Diesel	1996-1991	43307
WIL SERIES			Cummins L10 Diesel	1990-1989	44094
Cummins L10 Diesel	1990	44094	Cummins M11 Diesel	1997-1992	43307
Cummins 6-Cyl. 14.0 Diesel	1990	44052	Cummins 6-Cyl. 14.0 Diesel; W/6-Ribbed Belt	1989-1986	44092
Cummins 6-Cyl. 14.0 Diesel; Idler Pulley; W/Flat Idler Pulley	1990	41173	Cummins 6-Cyl. 14.0 Diesel; Idler Pulley; W/Flat Idler Pulley	1989-1985	41173
Cummins 6-Cyl. 14.0 Diesel; Idler Pulley; W/V-Ribbed Belt	1990	41174	Cummins 6-Cyl. 14.0 Diesel; W/V-Belt Drive	1989-1986	44084
WIM SERIES			Cummins 6-Cyl. 14.0 Diesel; Idler Pulley; W/V-Ribbed Belt	1989-1985	41174
Cummins L10 Diesel	1993-1991	43307	Cummins 6-Cyl. 14.0 Diesel; Tensioner Pulley; W/Big Cam III Eng.; W/V-Ribbed Belt	1985	41111
Cummins L10 Diesel	1990	44094	Cummins 6-Cyl. 14.0 Diesel; W/Big Cam IV Eng.; W/6-Ribbed Belt	1985	44092
Cummins N14 Diesel	1993-1991	44052	Cummins 6-Cyl. 14.0 Diesel; W/Big Cam IV Eng.; W/V-Belt Drive	1985	44084
Cummins 6-Cyl. 14.0 Diesel	1990	44052	Cummins 6-Cyl. 14.0 Diesel	1984	44055
Cummins 6-Cyl. 14.0 Diesel; Idler Pulley; W/Flat Idler Pulley	1990	41173	Cummins 6-Cyl. 14.0 Diesel; W/Big Cam I & II Eng.	1983	44086
Cummins 6-Cyl. 14.0 Diesel; Idler Pulley; W/V-Ribbed Belt	1990	41174	Cummins 6-Cyl. 14.0 Diesel; W/Big Cam III Eng.	1983	44055
Detroit Diesel Series 60	1993-1991	44066	Cummins 6-Cyl. 14.0 Diesel	1982-1980	44086
XPEDITOR			Cummins 6-Cyl. 14.0 Diesel; Tensioner Pulley - W.P.; W/V-Ribbed Belt	1981-1980	41111
Caterpillar 3208 Diesel; W/Non-Threaded Pulley	1990	43233	Detroit Diesel 6-71; W/O Turbo; W/Reverse Rotation	1988-1979	42344
Caterpillar 3208 Diesel; W/O Pulley	1990	42351	Detroit Diesel 6-71; W/O Turbo; W/Standard Rotation	1988-1979	42102
Caterpillar 3208 Diesel; W/Theaded Pulley	1990	43059	Detroit Diesel 6-71; W/Turbo; W/Reverse Rotation	1988-1979	42322
Cummins C Series 8.3 Diesel; W/Long Nose W.P.; W/Hardened Pulley	1997-1996	43321	Detroit Diesel 6-71; W/Turbo; W/Standard Rotation	1988-1979	42321
Cummins C Series 8.3 Diesel; W/Long Nose W.P.; W/O Hardened Pulley	1997-1996	43320	Detroit Diesel 6V-92; "Running" Pump	1989-1979	▼44103
Cummins C Series 8.3 Diesel; W/Short Nose W.P.	1997-1996	42352	Detroit Diesel 6V-92; "Walking" Pump	1989-1979	●44097
Cummins L10 Diesel	1998-1996	43307	Detroit Diesel 8V-71	1986-1979	44075
Cummins L10 Diesel	1993-1991	43307	Detroit Diesel 6-Cyl. 11.1	1996-1991	44066
Cummins L10 Diesel	1990	44094	Detroit Diesel 6-Cyl. 12.7	1995-1991	44066
Cummins M11 Diesel	1998-1996	43307	4900 SERIES		
WESTERN STAR			Caterpillar 3406 Diesel	2000-1996	44054
WSH SERIES			Caterpillar 3406 Diesel; W/Flat Gear	1989-1980	45009
Caterpillar 3406 Diesel; W/Flat Gear	1982-1979	45009			
Cummins 6-Cyl. 14.0 Diesel	1984	44055			
Cummins 6-Cyl. 14.0 Diesel; W/Big Cam I & II Eng.	1983	44086			
Cummins 6-Cyl. 14.0 Diesel; W/Big Cam III Eng.	1983	44055			
Cummins 6-Cyl. 14.0 Diesel	1982-1979	44086			
Cummins 6-Cyl. 14.0 Diesel; Tensioner Pulley - W.P.; W/V-Ribbed Belt	1980	41111			

▼ 2 Outlets at 45 Degree Angles
 ■ 2 Outlets Pointing Straight Down

● Outlet Straight Down & Outlet at 45 Degree Angle
 * High Performance Pump

Application Guide - Medium and Heavy-Duty Trucks

Application	Year	Gates No.	Application	Year	Gates No.
WESTERN STAR - Continued			WESTERN STAR - Continued		
4900 SERIES - Continued			6900 SERIES - Continued		
Cummins C Series 8.3 Diesel; W/Long Nose W.P.; W/Hardened Pulley	1989	43321	Cummins C Series 8.3 Diesel; W/Long Nose W.P.; W/Hardened Pulley	1989	43321
Cummins C Series 8.3 Diesel; W/Long Nose W.P.; W/O Hardened Pulley	1989	43320	Cummins C Series 8.3 Diesel; W/Long Nose W.P.; W/O Hardened Pulley	1989	43320
Cummins C Series 8.3 Diesel; W/Short Nose W.P.	1989	42352	Cummins C Series 8.3 Diesel; W/Short Nose W.P.	1989	42352
Cummins L10 Diesel	1994-1993	43307	Cummins L10 Diesel	1989	44094
Cummins L10 Diesel	1989	44094	Cummins 6-Cyl. 14.0 Diesel; W/6-Ribbed Belt	1992-1989	44092
Cummins N14 Diesel	2000-1999	44052	Cummins 6-Cyl. 14.0 Diesel; W/V-Belt Drive	1992-1989	44084
Cummins 6-Cyl. 14.0 Diesel; W/6-Ribbed Belt	1992-1986	44092	Cummins 6-Cyl. 14.0 Diesel; Idler Pulley; W/Flat Idler Pulley	1990-1989	41173
Cummins 6-Cyl. 14.0 Diesel; W/V-Belt Drive	1992-1986	44084	Cummins 6-Cyl. 14.0 Diesel; Idler Pulley; W/V-Ribbed Belt	1990-1989	41174
Cummins 6-Cyl. 14.0 Diesel; Idler Pulley; W/Flat Idler Pulley	1990-1985	41173	Detroit Diesel 6V-92; "Running" Pump	1989	▼44103
Cummins 6-Cyl. 14.0 Diesel; Idler Pulley; W/V-Ribbed Belt	1990-1985	41174	Detroit Diesel 6V-92; "Walking" Pump	1989	●44097
Cummins 6-Cyl. 14.0 Diesel; Tensioner Pulley; W/Big Cam III Eng.; W/V-Ribbed Belt	1985	41111	6900XD		
Cummins 6-Cyl. 14.0 Diesel; W/Big Cam IV Eng.; W/6-Ribbed Belt	1985	44092	Detroit Diesel Series 60	2005-2002	44066
Cummins 6-Cyl. 14.0 Diesel; W/Big Cam IV Eng.; W/V-Belt Drive	1985	44084	Detroit Diesel 6-Cyl. 12.7	2006	44066
Cummins 6-Cyl. 14.0 Diesel	1984	44055	WHITE		
Cummins 6-Cyl. 14.0 Diesel; W/Big Cam I & II Eng.	1983	44086	ACL64B AUTOCAR; ACM64 AUTOCAR		
Cummins 6-Cyl. 14.0 Diesel; W/Big Cam III Eng.	1983	44055	Cummins L10 Diesel	1989-1983	44094
Cummins 6-Cyl. 14.0 Diesel	1982-1980	44086	COE		
Cummins 6-Cyl. 14.0 Diesel; Tensioner Pulley - W.P.; W/V-Ribbed Belt	1981-1980	41111	Detroit Diesel 8V-92; "Running" Pump	1986	▼44103
Detroit Diesel 6-71; W/O Turbo; W/Reverse Rotation	1988-1979	42344	Detroit Diesel 8V-92; "Walking" Pump	1986	●44097
Detroit Diesel 6-71; W/O Turbo; W/Standard Rotation	1988-1979	42102	CONSTRUCKTOR SERIES		
Detroit Diesel 6-71; W/Turbo; W/Reverse Rotation	1988-1979	42322	Cummins NH230 Diesel; W/O Pulley	1976-1974	42309
Detroit Diesel 6-71; W/Turbo; W/Standard Rotation	1988-1979	42321	Cummins NH230 Diesel; W/Pulley	1976-1974	43238
Detroit Diesel 6V-92; "Running" Pump	1989-1979	▼44103	Cummins NHD230 Diesel; W/O Pulley	1974-1972	42309
Detroit Diesel 6V-92; "Walking" Pump	1989-1979	●44097	Cummins NHD230 Diesel; W/Pulley	1974-1972	43238
Detroit Diesel 8V-71	1986-1979	44075	Cummins 6-Cyl. 14.0 Diesel; Idler Pulley; W/2-Groove Pulley	1972-1971	41129
Detroit Diesel 6-Cyl. 11.1	2000-1998	44066	Cummins 6-Cyl. 14.0 Diesel; W/Full Flow Cool.	1972-1971	44064
Detroit Diesel 6-Cyl. 11.1	1996-1995	44066	Detroit Diesel 8V-71	1974-1972	44075
Detroit Diesel 6-Cyl. 11.1	1993	44066	ROAD BOSS		
Detroit Diesel 6-Cyl. 12.7	2000-1998	44066	Caterpillar 3208 Diesel; W/Non-Threaded Pulley	1977-1976	43233
Detroit Diesel 6-Cyl. 12.7	1996-1995	44066	Caterpillar 3208 Diesel; W/O Pulley	1977-1976	42351
Detroit Diesel 6-Cyl. 12.7	1993	44066	Caterpillar 3208 Diesel; W/Threaded Pulley	1977-1976	43059
4900EX; 4900FA; 4900SA			Cummins 6-Cyl. 14.0 Diesel; Idler Pulley; W/2-Groove Pulley	1977-1974	41129
Caterpillar 3406 Diesel	2003	44054	Cummins 6-Cyl. 14.0 Diesel; W/Full Flow Cool.	1977-1974	44064
Detroit Diesel Series 60	2005-2004	44066	Detroit Diesel 6-71; W/O Turbo; W/Reverse Rotation	1975-1974	42344
Detroit Diesel 6-Cyl. 12.7	2006	44066	Detroit Diesel 6-71; W/O Turbo; W/Standard Rotation	1975-1974	42102
4964EX; 4964FX; 4964SX			Detroit Diesel 6-71; W/Turbo; W/Reverse Rotation	1975-1974	42322
Caterpillar 3406 Diesel	2002-2001	44054	Detroit Diesel 6-71; W/Turbo; W/Standard Rotation	1975-1974	42321
Cummins N14 Diesel	2001	44052	Detroit Diesel 8V-71	1975-1974	44075
Detroit Diesel Series 60	2001	44066	ROAD BOSS 2		
5800 SERIES			Cummins 6-Cyl. 14.0 Diesel; W/Big Cam I & II Eng.	1983	44086
Caterpillar 3406 Diesel	2000-1996	44054	Cummins 6-Cyl. 14.0 Diesel; W/Big Cam III Eng.	1983	44055
5900 SERIES			Cummins 6-Cyl. 14.0 Diesel	1982-1980	44086
Caterpillar 3406 Diesel	2000-1995	44054	Cummins 6-Cyl. 14.0 Diesel; Tensioner Pulley - W.P.; W/V-Ribbed Belt	1981-1980	41111
Cummins L10 Diesel	1994-1993	43307	Cummins 6-Cyl. 14.0 Diesel; Idler Pulley; W/2-Groove Pulley	1979-1978	41129
Cummins 6-Cyl. 14.0 Diesel; W/6-Ribbed Belt	1992-1990	44092	Cummins 6-Cyl. 14.0 Diesel; W/Full Flow Cool.	1979-1978	44064
Cummins 6-Cyl. 14.0 Diesel; W/V-Belt Drive	1992-1990	44084	6900 SERIES		
6900 SERIES			Caterpillar 3406 Diesel	2000-1995	44054
Caterpillar 3406 Diesel	2000-1995	44054	Caterpillar 3406 Diesel; W/Flat Gear	1989	45009
Caterpillar 3406 Diesel; W/Flat Gear	1989	45009			

▼ 2 Outlets at 45 Degree Angles
 ■ 2 Outlets Pointing Straight Down

● Outlet Straight Down & Outlet at 45 Degree Angle
 * High Performance Pump

Application Guide - Medium and Heavy-Duty Trucks

Application	Year	Gates No.	Application	Year	Gates No.
WHITE - Continued			WHITE - Continued		
ROAD BOSS 2 - Continued			WCA		
Detroit Diesel 6-71; W/O Turbo; W/Reverse Rotation.....	1980-1978	42344	Cummins L10 Diesel	1989-1986	44094
Detroit Diesel 6-71; W/O Turbo; W/Standard Rotation.....	1980-1978	42102	Cummins 6-Cyl. 14.0 Diesel; W/6-Ribbed Belt.....	1988-1986	44092
Detroit Diesel 6-71; W/Turbo; W/Reverse Rotation.....	1980-1978	42322	Cummins 6-Cyl. 14.0 Diesel; Idler Pul- ley; W/Flat Idler Pulley	1988-1985	41173
Detroit Diesel 6-71; W/Turbo; W/Standard Rotation.....	1980-1978	42321	Cummins 6-Cyl. 14.0 Diesel; W/V-Belt Drive	1988-1986	44084
Detroit Diesel 6V-92; "Running" Pump	1984	▼44103	Cummins 6-Cyl. 14.0 Diesel; Idler Pul- ley; W/V-Ribbed Belt.....	1988-1985	41174
Detroit Diesel 6V-92; "Walking" Pump.....	1984	●44097	Cummins 6-Cyl. 14.0 Diesel; Tensioner Pulley; W/Big Cam III Eng.;		
Detroit Diesel 6V-92; "Running" Pump	1980-1978	▼44103	W/V-Ribbed Belt.....	1985	41111
Detroit Diesel 6V-92; "Walking" Pump.....	1980-1978	●44097	Cummins 6-Cyl. 14.0 Diesel; W/Big Cam IV Eng.; W/6-Ribbed Belt	1985	44092
Detroit Diesel 8V-92; "Running" Pump	1980-1978	▼44103	Cummins 6-Cyl. 14.0 Diesel; W/Big Cam IV Eng.; W/V-Belt Drive	1985	44084
Detroit Diesel 8V-92; "Walking" Pump.....	1980-1978	●44097			
ROAD COMMANDER			WCL; WCM; WCS		
Cummins 6-Cyl. 14.0 Diesel; Idler Pul- ley; W/2-Groove Pulley.....	1975-1973	41129	Caterpillar 3406 Diesel; W/Flat Gear	1989-1984	45009
Cummins 6-Cyl. 14.0 Diesel; W/Full Flow Cool.....	1975-1973	44064	Cummins L10 Diesel	1989-1986	44094
Detroit Diesel 8V-71	1974-1973	44075	Cummins 6-Cyl. 14.0 Diesel; W/6-Ribbed Belt.....	1988-1986	44092
ROAD COMMANDER 2			Cummins 6-Cyl. 14.0 Diesel; Idler Pul- ley; W/Flat Idler Pulley	1988-1985	41173
Cummins 6-Cyl. 14.0 Diesel; W/Big Cam I & II Eng.	1983	44086	Cummins 6-Cyl. 14.0 Diesel; W/V-Belt Drive	1988-1986	44084
Cummins 6-Cyl. 14.0 Diesel; W/Big Cam III Eng.....	1983	44055	Cummins 6-Cyl. 14.0 Diesel; Idler Pul- ley; W/V-Ribbed Belt.....	1988-1985	41174
Cummins 6-Cyl. 14.0 Diesel.....	1982-1980	44086	Cummins 6-Cyl. 14.0 Diesel; Tensioner Pulley; W/Big Cam III Eng.;		
Cummins 6-Cyl. 14.0 Diesel; Tensioner Pulley - W.P.; W/V-Ribbed Belt	1981-1980	41111	W/V-Ribbed Belt.....	1985	41111
Cummins 6-Cyl. 14.0 Diesel; Idler Pul- ley; W/2-Groove Pulley.....	1979-1976	41129	Cummins 6-Cyl. 14.0 Diesel; W/Big Cam IV Eng.; W/6-Ribbed Belt	1985	44092
Cummins 6-Cyl. 14.0 Diesel; W/Full Flow Cool.....	1979-1976	44064	Cummins 6-Cyl. 14.0 Diesel; W/Big Cam IV Eng.; W/V-Belt Drive.....	1985	44084
Detroit Diesel 6V-92; "Running" Pump	1984	▼44103	Cummins 6-Cyl. 14.0 Diesel.....	1984	44055
Detroit Diesel 6V-92; "Walking" Pump.....	1984	●44097	Detroit Diesel 6V-92; "Running" Pump	1987-1984	▼44103
Detroit Diesel 6V-92; "Running" Pump	1980-1977	▼44103	Detroit Diesel 6V-92; "Walking" Pump.....	1987-1984	●44097
Detroit Diesel 6V-92; "Walking" Pump.....	1980-1977	●44097			
Detroit Diesel 8V-71	1980	44075	WESTERN STAR SERIES		
Detroit Diesel 8V-71	1977	44075	Detroit Diesel 6-71; W/O Turbo; W/Reverse Rotation.....	1978-1968	42344
Detroit Diesel 8V-92; "Running" Pump	1980-1976	▼44103	Detroit Diesel 6-71; W/O Turbo; W/Standard Rotation.....	1978-1968	42102
Detroit Diesel 8V-92; "Walking" Pump.....	1980-1976	●44097	Detroit Diesel 6-71; W/Turbo; W/Reverse Rotation.....	1978-1968	42322
ROAD XPEDITOR			Detroit Diesel 6-71; W/Turbo; W/Standard Rotation.....	1978-1968	42321
Cummins NH230 Diesel; W/O Pulley	1976-1975	42309	Detroit Diesel 6V-92; "Running" Pump	1978-1973	▼44103
Cummins NH230 Diesel; W/Pulley.....	1976-1975	43238	Detroit Diesel 6V-92; "Walking" Pump.....	1978-1973	●44097
Cummins 6-Cyl. 14.0 Diesel; Idler Pul- ley; W/2-Groove Pulley.....	1976-1975	41129	Detroit Diesel 8V-71	1978-1968	44075
Cummins 6-Cyl. 14.0 Diesel; W/Full Flow Cool.....	1976-1975	44064	WG		
Detroit Diesel 6V-53; W/Clockwise Eng...	1975	43310	Cummins L10 Diesel	1989-1986	44094
Detroit Diesel 6V-53; W/Counterclockwise Eng.....	1975	43309	Cummins 6-Cyl. 14.0 Diesel; W/6-Ribbed Belt.....	1989	44092
ROAD XPEDITOR 2			Cummins 6-Cyl. 14.0 Diesel; Idler Pul- ley; W/Flat Idler Pulley	1989	41173
Caterpillar 3208 Diesel; W/Non-Threaded Pulley.....	1983-1977	43233	Cummins 6-Cyl. 14.0 Diesel; W/V-Belt Drive	1989	44084
Caterpillar 3208 Diesel; W/O Pulley	1983-1977	42351	Cummins 6-Cyl. 14.0 Diesel; Idler Pul- ley; W/V-Ribbed Belt.....	1989	41174
Caterpillar 3208 Diesel; W/Threaded Pul- ley	1983-1977	43059			
Cummins 6-Cyl. 14.0 Diesel.....	1982-1980	44086	WHL; WHM		
Cummins 6-Cyl. 14.0 Diesel; Tensioner Pulley - W.P.; W/V-Ribbed Belt	1981-1980	41111	Caterpillar 3406 Diesel; W/Flat Gear.....	1989-1985	45009
Cummins 6-Cyl. 14.0 Diesel; Idler Pul- ley; W/2-Groove Pulley.....	1979-1977	41129	Cummins 6-Cyl. 14.0 Diesel; W/6-Ribbed Belt.....	1988-1986	44092
Cummins 6-Cyl. 14.0 Diesel; W/Full Flow Cool.....	1979-1977	44064	Cummins 6-Cyl. 14.0 Diesel; Idler Pul- ley; W/Flat Idler Pulley	1988-1985	41173
Detroit Diesel 6-71; W/O Turbo; W/Reverse Rotation.....	1983-1978	42344	Cummins 6-Cyl. 14.0 Diesel; W/V-Belt Drive	1988-1986	44084
Detroit Diesel 6-71; W/O Turbo; W/Standard Rotation.....	1983-1978	42102	Cummins 6-Cyl. 14.0 Diesel; Idler Pul- ley; W/V-Ribbed Belt.....	1988-1985	41174
Detroit Diesel 6-71; W/Turbo; W/Reverse Rotation.....	1983-1978	42322			
Detroit Diesel 6-71; W/Turbo; W/Standard Rotation.....	1983-1978	42321			

▼ 2 Outlets at 45 Degree Angles
■ 2 Outlets Pointing Straight Down

● Outlet Straight Down & Outlet at 45 Degree Angle
* High Performance Pump

Application Guide - Medium and Heavy-Duty Trucks

Application	Year	Gates No.	Application	Year	Gates No.
WHITE - Continued			WHITE - Continued		
WHL; WHM - Continued			WIG; WIL - Continued		
Cummins 6-Cyl. 14.0 Diesel; Tensioner Pulley; W/Big Cam III Eng.;			Cummins 6-Cyl. 14.0 Diesel;		
W/V-Ribbed Belt.....	1985	41111	W/6-Ribbed Belt.....	1989-1986	44092
Cummins 6-Cyl. 14.0 Diesel; W/Big Cam IV Eng.; W/6-Ribbed Belt.....	1985	44092	Cummins 6-Cyl. 14.0 Diesel; Idler Pulley; W/Flat Idler Pulley.....	1989-1985	41173
Cummins 6-Cyl. 14.0 Diesel; W/Big Cam IV Eng.; W/V-Belt Drive.....	1985	44084	Cummins 6-Cyl. 14.0 Diesel; W/V-Belt Drive.....	1989-1986	44084
Cummins 6-Cyl. 14.0 Diesel.....	1984	44055	Cummins 6-Cyl. 14.0 Diesel; Idler Pulley; W/V-Ribbed Belt.....	1989-1985	41174
Detroit Diesel 6V-92; "Running" Pump....	1987-1985	▼44103	Cummins 6-Cyl. 14.0 Diesel; Tensioner Pulley; W/Big Cam III Eng.;		
Detroit Diesel 6V-92; "Walking" Pump....	1987-1985	●44097	W/V-Ribbed Belt.....	1985	41111
WHR			WIM		
Caterpillar 3406 Diesel; W/Flat Gear.....	1989-1985	45009	Cummins 6-Cyl. 14.0 Diesel; W/Big Cam IV Eng.; W/6-Ribbed Belt.....	1985	44092
Cummins 6-Cyl. 14.0 Diesel;			Cummins 6-Cyl. 14.0 Diesel; W/Big Cam IV Eng.; W/V-Belt Drive.....	1985	44084
W/6-Ribbed Belt.....	1988-1986	44092	Cummins 6-Cyl. 14.0 Diesel; W/V-Belt Drive.....	1985	44084
Cummins 6-Cyl. 14.0 Diesel; Idler Pulley; W/Flat Idler Pulley.....	1988-1985	41173	Cummins 6-Cyl. 14.0 Diesel.....	1984	44055
Cummins 6-Cyl. 14.0 Diesel; W/V-Belt Drive.....	1988-1986	44084	WIS		
Cummins 6-Cyl. 14.0 Diesel; Idler Pulley; W/V-Ribbed Belt.....	1988-1985	41174	Cummins 6-Cyl. 14.0 Diesel;		
Cummins 6-Cyl. 14.0 Diesel; Tensioner Pulley; W/Big Cam III Eng.;			W/6-Ribbed Belt.....	1989-1986	44092
W/V-Ribbed Belt.....	1985	41111	Cummins 6-Cyl. 14.0 Diesel; Idler Pulley; W/Flat Idler Pulley.....	1989-1985	41173
Cummins 6-Cyl. 14.0 Diesel; W/Big Cam IV Eng.; W/6-Ribbed Belt.....	1985	44092	Cummins 6-Cyl. 14.0 Diesel; W/V-Belt Drive.....	1989-1986	44084
Cummins 6-Cyl. 14.0 Diesel; W/Big Cam IV Eng.; W/V-Belt Drive.....	1985	44084	Cummins 6-Cyl. 14.0 Diesel; Idler Pulley; W/V-Ribbed Belt.....	1989-1985	41174
Cummins 6-Cyl. 14.0 Diesel.....	1984	44055	Cummins 6-Cyl. 14.0 Diesel; Tensioner Pulley; W/Big Cam III Eng.;		
WHS			WSL		
Caterpillar 3406 Diesel; W/Flat Gear.....	1989-1985	45009	Cummins 6-Cyl. 14.0 Diesel;		
Cummins L10 Diesel.....	1989-1986	44094	W/6-Ribbed Belt.....	1988-1986	44092
Cummins 6-Cyl. 14.0 Diesel;			Cummins 6-Cyl. 14.0 Diesel; Idler Pulley; W/Flat Idler Pulley.....	1988-1985	41173
W/6-Ribbed Belt.....	1988-1986	44092	Cummins 6-Cyl. 14.0 Diesel; W/V-Belt Drive.....	1988-1986	44084
Cummins 6-Cyl. 14.0 Diesel; Idler Pulley; W/Flat Idler Pulley.....	1988-1985	41173	Cummins 6-Cyl. 14.0 Diesel; Idler Pulley; W/V-Ribbed Belt.....	1988-1985	41174
Cummins 6-Cyl. 14.0 Diesel; W/V-Belt Drive.....	1988-1986	44084	Cummins 6-Cyl. 14.0 Diesel; Tensioner Pulley; W/Big Cam III Eng.;		
Cummins 6-Cyl. 14.0 Diesel; Idler Pulley; W/V-Ribbed Belt.....	1988-1985	41174	W/V-Ribbed Belt.....	1985	41111
Cummins 6-Cyl. 14.0 Diesel; Tensioner Pulley; W/Big Cam III Eng.;			Cummins 6-Cyl. 14.0 Diesel; W/Big Cam IV Eng.; W/6-Ribbed Belt.....	1985	44092
W/V-Ribbed Belt.....	1985	41111	Cummins 6-Cyl. 14.0 Diesel; W/Big Cam IV Eng.; W/V-Belt Drive.....	1985	44084
Cummins 6-Cyl. 14.0 Diesel; W/Big Cam IV Eng.; W/6-Ribbed Belt.....	1985	44092	Cummins 6-Cyl. 14.0 Diesel.....	1984	44055
Cummins 6-Cyl. 14.0 Diesel; W/Big Cam IV Eng.; W/V-Belt Drive.....	1985	44084	Detroit Diesel 6V-92; "Running" Pump....	1987-1985	▼44103
Cummins 6-Cyl. 14.0 Diesel.....	1984	44055	Detroit Diesel 6V-92; "Walking" Pump....	1987-1985	●44097
Detroit Diesel 6V-92; "Running" Pump....	1987-1985	▼44103	WIA		
Detroit Diesel 6V-92; "Walking" Pump....	1987-1985	●44097	Caterpillar 3406 Diesel; W/Flat Gear.....	1989-1985	45009
WIA			Cummins L10 Diesel.....	1989-1986	44094
Caterpillar 3406 Diesel; W/Flat Gear.....	1989-1985	45009	Cummins 6-Cyl. 14.0 Diesel;		
Cummins L10 Diesel.....	1989-1986	44094	W/6-Ribbed Belt.....	1989-1986	44092
Cummins 6-Cyl. 14.0 Diesel;			Cummins 6-Cyl. 14.0 Diesel; Idler Pulley; W/Flat Idler Pulley.....	1989-1985	41173
W/6-Ribbed Belt.....	1989-1986	44092	Cummins 6-Cyl. 14.0 Diesel; W/V-Belt Drive.....	1989-1986	44084
Cummins 6-Cyl. 14.0 Diesel; Idler Pulley; W/Flat Idler Pulley.....	1989-1985	41173	Cummins 6-Cyl. 14.0 Diesel; Idler Pulley; W/V-Ribbed Belt.....	1989-1985	41174
Cummins 6-Cyl. 14.0 Diesel; W/V-Belt Drive.....	1989-1986	44084	Cummins 6-Cyl. 14.0 Diesel; Tensioner Pulley; W/Big Cam III Eng.;		
Cummins 6-Cyl. 14.0 Diesel; Idler Pulley; W/V-Ribbed Belt.....	1989-1985	41174	W/V-Ribbed Belt.....	1985	41111
Cummins 6-Cyl. 14.0 Diesel; Tensioner Pulley; W/Big Cam III Eng.;			Cummins 6-Cyl. 14.0 Diesel; W/Big Cam IV Eng.; W/6-Ribbed Belt.....	1985	44092
W/V-Ribbed Belt.....	1985	41111	Cummins 6-Cyl. 14.0 Diesel; W/Big Cam IV Eng.; W/V-Belt Drive.....	1985	44084
Cummins 6-Cyl. 14.0 Diesel; W/Big Cam IV Eng.; W/6-Ribbed Belt.....	1985	44092	WIG; WIL		
Cummins 6-Cyl. 14.0 Diesel; W/Big Cam IV Eng.; W/V-Belt Drive.....	1985	44084	Caterpillar 3406 Diesel; W/Flat Gear.....	1989-1985	45009
Cummins 6-Cyl. 14.0 Diesel.....	1984	44055	WX		
Detroit Diesel 6V-92; "Running" Pump....	1987-1985	▼44103	Caterpillar 3208 Diesel;		
Detroit Diesel 6V-92; "Walking" Pump....	1987-1985	●44097	W/Non-Threaded Pulley.....	1989-1981	43233
WIG; WIL			Caterpillar 3208 Diesel; W/O Pulley.....	1989-1981	42351
Caterpillar 3406 Diesel; W/Flat Gear.....	1989-1985	45009	Caterpillar 3208 Diesel; W/Threaded Pulley.....	1989-1981	43059
WIG; WIL			Cummins L10 Diesel.....	1989-1984	44094
Caterpillar 3406 Diesel; W/Flat Gear.....	1989-1985	45009	Cummins 6-Cyl. 14.0 Diesel;		
WIG; WIL			W/6-Ribbed Belt.....	1988-1986	44092
Caterpillar 3406 Diesel; W/Flat Gear.....	1989-1985	45009	Cummins 6-Cyl. 14.0 Diesel; Idler Pulley; W/Flat Idler Pulley.....	1988-1985	41173
WIG; WIL			Cummins 6-Cyl. 14.0 Diesel; W/V-Belt Drive.....	1988-1986	44084
Caterpillar 3406 Diesel; W/Flat Gear.....	1989-1985	45009	Cummins 6-Cyl. 14.0 Diesel; Idler Pulley; W/V-Ribbed Belt.....	1988-1985	41173
WIG; WIL			Cummins 6-Cyl. 14.0 Diesel; Tensioner Pulley; W/Big Cam III Eng.;		
Caterpillar 3406 Diesel; W/Flat Gear.....	1989-1985	45009	W/V-Ribbed Belt.....	1985	41111
WIG; WIL			Cummins 6-Cyl. 14.0 Diesel; W/Big Cam IV Eng.; W/6-Ribbed Belt.....	1985	44092
Caterpillar 3406 Diesel; W/Flat Gear.....	1989-1985	45009	Cummins 6-Cyl. 14.0 Diesel; W/Big Cam IV Eng.; W/V-Belt Drive.....	1985	44084
WIG; WIL			WXL		
Caterpillar 3406 Diesel; W/Flat Gear.....	1989-1985	45009	Cummins 6-Cyl. 14.0 Diesel; W/Big Cam IV Eng.; W/V-Belt Drive.....	1985	44084

▼ 2 Outlets at 45 Degree Angles
 ■ 2 Outlets Pointing Straight Down

● Outlet Straight Down & Outlet at 45 Degree Angle
 * High Performance Pump

Application Guide - Medium and Heavy-Duty Trucks

Application	Year	Gates No.	Application	Year	Gates No.
WHITE - Continued			WHITE - Continued		
WX - Continued			4000 SERIES - Continued		
Cummins 6-Cyl. 14.0 Diesel.....	1984	44055	Cummins C Series 8.3 Diesel; W/Long Nose W.P.; W/O Hardened Pulley.....	1972-1969	43320
Cummins 6-Cyl. 14.0 Diesel; W/Big Cam I & II Eng.	1983	44086	Cummins C Series 8.3 Diesel; W/Short Nose W.P.	1972-1969	42352
Cummins 6-Cyl. 14.0 Diesel; W/Big Cam III Eng.	1983	44055	Cummins NH230 Diesel; W/O Pulley	1973-1968	42309
Cummins 6-Cyl. 14.0 Diesel.....	1982	44086	Cummins NH230 Diesel; W/Pulley.....	1973-1968	43238
Detroit Diesel 6-71; W/O Turbo; W/Reverse Rotation.....	1988-1983	42344	Cummins NHC250 Diesel; W/O Pulley....	1972-1968	42309
Detroit Diesel 6-71; W/O Turbo; W/Standard Rotation.....	1988-1983	42102	Cummins NHC250 Diesel; W/Pulley.....	1972-1968	43238
Detroit Diesel 6-71; W/Turbo; W/Reverse Rotation.....	1988-1983	42322	Cummins 6-Cyl. 14.0 Diesel; Idler Pulley; W/2-Groove Pulley.....	1972-1971	41129
Detroit Diesel 6-71; W/Turbo; W/Standard Rotation.....	1988-1983	42321	Cummins 6-Cyl. 14.0 Diesel; W/Full Flow Cool.	1972-1971	44064
Detroit Diesel 6V-92; "Running" Pump	1988-1983	▼44103	Detroit Diesel 6-71; W/O Turbo; W/Reverse Rotation.....	1973-1972	42344
Detroit Diesel 6V-92; "Walking" Pump.....	1988-1983	●44097	Detroit Diesel 6-71; W/O Turbo; W/Standard Rotation.....	1973-1972	42102
WXD			Detroit Diesel 6-71; W/Turbo; W/Reverse Rotation.....	1973-1972	42322
Caterpillar 3208 Diesel; W/Non-Threaded Pulley.....	1989-1985	43233	Detroit Diesel 6-71; W/Turbo; W/Standard Rotation.....	1973-1972	42321
Caterpillar 3208 Diesel; W/O Pulley	1989-1985	42351	Detroit Diesel 8V-71	1973-1972	44075
Caterpillar 3208 Diesel; W/Theaded Pulley.....	1989-1985	43059	6000 SERIES		
Caterpillar 3208 Diesel; W/Non-Threaded Pulley.....	1983-1981	43233	Cummins NH230 Diesel; W/O Pulley	1973-1968	42309
Caterpillar 3208 Diesel; W/O Pulley	1983-1981	42351	Cummins NH230 Diesel; W/Pulley.....	1973-1968	43238
Caterpillar 3208 Diesel; W/Theaded Pulley.....	1983-1981	43059	Cummins NHC250 Diesel; W/O Pulley....	1974-1971	42309
WXF			Cummins NHC250 Diesel; W/Pulley.....	1974-1971	43238
Detroit Diesel 6V-92; "Running" Pump	1988-1985	▼44103	Cummins 6-Cyl. 14.0 Diesel; Idler Pulley; W/2-Groove Pulley.....	1973-1971	41129
Detroit Diesel 6V-92; "Walking" Pump.....	1988-1985	●44097	Cummins 6-Cyl. 14.0 Diesel; W/Full Flow Cool.	1973-1971	44064
Detroit Diesel 6V-92; "Running" Pump	1983	▼44103	Detroit Diesel 6V-53; W/Clockwise Eng...	1972	43310
Detroit Diesel 6V-92; "Walking" Pump.....	1983	●44097	Detroit Diesel 6V-53; W/Counterclockwise Eng.....	1972	43309
WXL			Detroit Diesel 8V-71	1974-1972	44075
Cummins L10 Diesel	1989-1985	44094	7000 SERIES		
WXLL			Cummins NH230 Diesel; W/O Pulley	1969	42309
Detroit Diesel 6V-92; "Running" Pump	1988-1985	▼44103	Cummins NH230 Diesel; W/Pulley.....	1969	43238
Detroit Diesel 6V-92; "Walking" Pump.....	1988-1985	●44097	Cummins NHC250 Diesel; W/O Pulley....	1972	42309
Detroit Diesel 6V-92; "Running" Pump	1983	▼44103	Cummins NHC250 Diesel; W/Pulley.....	1972	43238
Detroit Diesel 6V-92; "Walking" Pump.....	1983	●44097	Cummins NHC250 Diesel; W/O Pulley....	1969	42309
1200			Cummins NHC250 Diesel; W/Pulley.....	1969	43238
GM V-8 5.7	1989-1984	43104	Cummins 6-Cyl. 14.0 Diesel; Idler Pulley; W/2-Groove Pulley.....	1971	41129
1200 SERIES			Cummins 6-Cyl. 14.0 Diesel; W/Full Flow Cool.	1971	44064
GM V-8 366	1971-1969	45003	9000 SERIES		
1500 SERIES			Cummins NHC250 Diesel; W/O Pulley....	1971-1968	42309
Cummins 6-Cyl. 14.0 Diesel; Idler Pulley; W/2-Groove Pulley.....	1973	41129	Cummins NHC250 Diesel; W/Pulley.....	1971-1968	43238
Cummins 6-Cyl. 14.0 Diesel; W/Full Flow Cool.	1973	44064	Cummins 6-Cyl. 14.0 Diesel; Idler Pulley; W/2-Groove Pulley.....	1972	41129
Detroit Diesel 6V-53; W/Clockwise Eng...	1972	43310	Cummins 6-Cyl. 14.0 Diesel; W/Full Flow Cool.	1972	44064
Detroit Diesel 6V-53; W/Counterclockwise Eng.....	1972	43309	WHITE GMC		
2300 SERIES			AUTOHAULER		
Cummins C Series 8.3 Diesel; W/Long Nose W.P.; W/Hardened Pulley	1970-1969	43321	Detroit Diesel 6-Cyl. 11.1	1995-1993	44066
Cummins C Series 8.3 Diesel; W/Long Nose W.P.; W/O Hardened Pulley.....	1970-1969	43320	WCA SERIES		
Cummins C Series 8.3 Diesel; W/Short Nose W.P.	1970-1969	42352	Caterpillar 3406 Diesel; W/Dished Gear..	1995-1994	44054
Detroit Diesel 6V-53; W/Clockwise Eng...	1970-1969	43310	Caterpillar 3406 Diesel; W/Flat Gear.....	1995-1994	45009
Detroit Diesel 6V-53; W/Counterclockwise Eng.....	1970-1969	43309	Cummins L10 Diesel	1993-1991	43307
4000 SERIES			Cummins L10 Diesel	1990	44094
Cummins C Series 8.3 Diesel; W/Long Nose W.P.; W/Hardened Pulley.....	1972-1969	43321	Cummins M11 Diesel	1995-1994	43307
			Cummins N14 Diesel.....	1995-1994	44052
			Detroit Diesel Series 60	1993-1991	44066
			Detroit Diesel 6-Cyl. 11.1	1995-1994	44066
			Detroit Diesel 6-Cyl. 12.7	1995-1994	44066

▼ 2 Outlets at 45 Degree Angles
 ■ 2 Outlets Pointing Straight Down

● Outlet Straight Down & Outlet at 45 Degree Angle
 * High Performance Pump

Application Guide - Medium and Heavy-Duty Trucks

Application	Year	Gates No.	Application	Year	Gates No.
WHITE GMC - Continued			WHITE GMC - Continued		
WCL SERIES; WCM SERIES			WIL SERIES		
Caterpillar 3406 Diesel; W/Dished Gear..	1994	44054	Caterpillar 3406 Diesel; W/Dished Gear..	1994	44054
Caterpillar 3406 Diesel; W/Flat Gear	1994-1990	45009	Caterpillar 3406 Diesel; W/Flat Gear	1994	45009
Cummins L10 Diesel	1994-1991	43307	Caterpillar 3406 Diesel; W/Flat Gear	1991-1990	45009
Cummins L10 Diesel	1990	44094	Cummins N14 Diesel	1994	44052
WCS SERIES			WIM SERIES		
Caterpillar 3406 Diesel; W/Flat Gear	1991-1990	45009	Caterpillar 3406 Diesel; W/Dished Gear..	1994	44054
Cummins L10 Diesel	1991	43307	Caterpillar 3406 Diesel; W/Flat Gear	1994-1990	45009
Cummins L10 Diesel	1990	44094	Cummins N14 Diesel	1994-1991	44052
WG SERIES			XPEDITOR		
Caterpillar 3406 Diesel; W/Flat Gear	1993-1990	45009	Caterpillar 3208 Diesel;		
Cummins L10 Diesel	1995-1991	43307	W/Non-Threaded Pulley	1991-1990	43233
Cummins L10 Diesel	1990	44094	Caterpillar 3208 Diesel; W/O Pulley	1991-1990	42351
Cummins M11 Diesel	1995-1994	43307	Caterpillar 3208 Diesel; W/Theaded Pul-		
Cummins N14 Diesel	1995-1993	44052	ley	1991-1990	43059
Cummins N14 Diesel	1991	44052	Cummins C Series 8.3 Diesel; W/Long		
Cummins 6-Cyl. 14.0 Diesel	1990	44052	Nose W.P.; W/Hardened Pulley	1995	43321
Cummins 6-Cyl. 14.0 Diesel; Idler Pul-			Cummins C Series 8.3 Diesel; W/Long		
ley; W/Flat Idler Pulley	1990	41173	Nose W.P.; W/O Hardened Pulley	1995	43320
Cummins 6-Cyl. 14.0 Diesel; Idler Pul-			Cummins C Series 8.3 Diesel; W/Short		
ley; W/V-Ribbed Belt	1990	41174	Nose W.P.	1995	42352
Cummins 6-Cyl. 14.0 Diesel; Idler Pul-			Cummins L10 Diesel	1995-1991	43307
ley; W/V-Ribbed Belt	1990	41174	Cummins L10 Diesel	1990	44094
Detroit Diesel 6-Cyl. 11.1	1995-1994	44066	Cummins M11 Diesel	1995-1994	43307
Detroit Diesel 6-Cyl. 12.7	1995-1994	44066	WINNEBAGO		
WH SERIES			W650; W850		
Caterpillar 3406 Diesel; W/Dished Gear..	1994	44054	Cummins B Series 5.9 Diesel	1988	41181
Caterpillar 3406 Diesel; W/Flat Gear	1994	45009	WORKHORSE		
Cummins N14 Diesel	1995-1994	44052	P SERIES		
Detroit Diesel 6-Cyl. 11.1	1995-1994	44066	Cummins B Series 3.9 Diesel	2005-2004	41176
Detroit Diesel 6-Cyl. 12.7	1995-1994	44066	GM V-6 4.3	2002-2000	43315
WHL SERIES			GM V-8 4.8		
Caterpillar 3406 Diesel; W/Flat Gear	1990	45009	GM V-8 5.7		
WHR SERIES			GM V-8 6.0		
Caterpillar 3406 Diesel; W/Flat Gear	1990	45009	GM V-8 6.5 Diesel		
Cummins L10 Diesel	1993-1991	43307	W42		
Cummins L10 Diesel	1990	44094	GM V-8 4.8	2008-2007	45005
WIA SERIES			GM V-8 6.0		
Caterpillar 3406 Diesel; W/Dished Gear..	1995-1994	44054			
Caterpillar 3406 Diesel; W/Flat Gear	1995-1990	45009			
Cummins L10 Diesel	1994-1991	43307			
Cummins L10 Diesel	1990	44094			
Cummins M11 Diesel	1995-1994	43307			
Cummins N14 Diesel	1995-1991	44052			
Cummins 6-Cyl. 14.0 Diesel	1990	44052			
Cummins 6-Cyl. 14.0 Diesel; Idler Pul-					
ley; W/Flat Idler Pulley	1990	41173			
Cummins 6-Cyl. 14.0 Diesel; Idler Pul-					
ley; W/V-Ribbed Belt	1990	41174			
Detroit Diesel Series 60	1993-1991	44066			
Detroit Diesel 6-Cyl. 11.1	1995-1994	44066			
Detroit Diesel 6-Cyl. 12.7	1995-1994	44066			

- ▼ 2 Outlets at 45 Degree Angles
- 2 Outlets Pointing Straight Down

- Outlet Straight Down & Outlet at 45 Degree Angle
- * High Performance Pump

Application Guide - Buses

Application	Year	Gates No.	Application	Year	Gates No.
ABC BUS COMPANIES, INC.			BLUEBIRD - Continued		
M1035			TC2000 SCHOOL BUS - Continued		
Cummins ISB Diesel.....	2005	41176	Cummins C Series 8.3 Diesel; W/Long Nose W.P.; W/O Hardened Pulley.....	1996	43320
AM GENERAL			Cummins C Series 8.3 Diesel; W/Short Nose W.P.....	1996	42352
AMG BUS II			Cummins ISB Diesel.....	2004-1997	41176
Detroit Diesel 8V-71	1978-1974	44075	ULTRA LF		
10240B			Cummins ISB Diesel.....	2006-2002	41176
Detroit Diesel 8V-71	1978-1976	44075	ULTRA LMB		
AMTRAN			Cummins ISB Diesel.....	2005-2003	41176
RE SCHOOL BUS			XCEL 102		
International/Navistar T444 Diesel	1996-1994	45007	Cummins ISB Diesel.....	2003	41176
International/Navistar T444 Diesel	1993	44053	CARPENTER		
BLUEBIRD			CLASSIC SCHOOL BUS		
ALL AMERICAN SCHOOL BUS			International/Navistar V-8 7.3 Diesel.....	1994	44053
Caterpillar 3208 Diesel;			CHAMPION BUS		
W/Non-Threaded Pulley.....	1989-1948	43233	CTS RE		
Caterpillar 3208 Diesel; W/O Pulley	1989-1948	42351	Cummins ISB Diesel.....	2003	41176
Caterpillar 3208 Diesel; W/Theaded Pulley.....	1989-1948	43059	CHANCE MFG. CO.		
ALL AMERICAN FE SCHOOL BUS			RT50		
Cummins B Series 5.9 Diesel.....	1994-1991	41181	Caterpillar 3208 Diesel;		
Cummins C Series 8.3 Diesel; W/Long Nose W.P.; W/Hardened Pulley	1992	43321	W/Non-Threaded Pulley.....	1985-1978	43233
Cummins C Series 8.3 Diesel; W/Long Nose W.P.; W/O Hardened Pulley.....	1992	43320	Caterpillar 3208 Diesel; W/O Pulley	1985-1978	42351
Cummins C Series 8.3 Diesel; W/Short Nose W.P.....	1992	42352	Caterpillar 3208 Diesel; W/Theaded Pulley.....	1985-1978	43059
ALL AMERICAN RE SCHOOL BUS			RT52		
Cummins B Series 5.9 CNG.....	1992	41181	Caterpillar 3208 Diesel;		
Cummins C Series 8.3 Diesel; W/Long Nose W.P.; W/Hardened Pulley	1996-1992	43321	W/Non-Threaded Pulley.....	2000-1986	43233
Cummins C Series 8.3 Diesel; W/Long Nose W.P.; W/O Hardened Pulley.....	1996-1992	43320	Caterpillar 3208 Diesel; W/O Pulley	2000-1986	42351
Cummins C Series 8.3 Diesel; W/Short Nose W.P.....	1996-1992	42352	Caterpillar 3208 Diesel; W/Theaded Pulley.....	2000-1986	43059
Cummins ISB Diesel.....	1999	41176	VS24		
MICRO BIRD SCHOOL BUS			Caterpillar 3208 Diesel;		
Ford V-8 6.0 Diesel.....	2005	42333	W/Non-Threaded Pulley.....	1989-1983	43233
		or 41185	Caterpillar 3208 Diesel; W/O Pulley	1989-1983	42351
GM V-8 6.6 Diesel.....	2005	42349	Caterpillar 3208 Diesel; W/Theaded Pulley.....	1989-1983	43059
MINI BIRD SCHOOL BUS			CHEVROLET		
GM V-8 5.7	1998	43315	B7 SERIES SCHOOL BUS		
Q-BUS RE			GM V-8 350	1978-1977	43104
Cummins B Series 5.9 CNG.....	1996-1993	41181	GM V-8 350	1973	43104
Cummins ISB CNG.....	1998-1997	41176	GM V-8 5.7	1990	43104
TC1000 SCHOOL BUS			GM V-8 366	1978-1977	45003
Cummins ISB Diesel.....	2000-1997	41176	GM V-8 366	1973-1969	45003
TC2000 SCHOOL BUS			GM V-8 6.0	1998-1993	45001
Caterpillar 3208 Diesel;			GM V-8 6.0	1991	45001
W/Non-Threaded Pulley.....	1999	43233	GM V-8 6.0; W/O Screw-On Hub.....	1990	45003
Caterpillar 3208 Diesel; W/O Pulley	1999	42351	GM V-8 6.0; W/Screw-On Hub	1990	45001
Caterpillar 3208 Diesel; W/Theaded Pulley.....	1999	43059	GM V-8 7.0	1998-1993	45001
Caterpillar 3208 Diesel;			GM V-8 7.0	1991	45001
W/Non-Threaded Pulley.....	1992	43233	GM V-8 7.0; W/O Screw-On Hub.....	1990	45003
Caterpillar 3208 Diesel; W/O Pulley	1992	42351	GM V-8 7.0; W/Screw-On Hub	1990	45001
Caterpillar 3208 Diesel; W/Theaded Pulley.....	1992	43059	B60 B6P SERIES SCHOOL BUS		
Cummins B Series 5.9 Diesel.....	1996-1989	41181	Detroit Diesel V-8 8.2; W/Heater Outlet ..	1991-1980	46001
Cummins B Series 5.9 Diesel.....	1988-1987	41178	GM V-8 350	1979-1977	43104
Cummins C Series 8.3 Diesel; W/Long Nose W.P.; W/Hardened Pulley.....	1996	43321	GM V-8 350	1973	43104
			GM V-8 350	1972-1969	43106
			GM V-8 5.7	1990-1980	43104
			GM V-8 366	1979-1977	45003
			GM V-8 366	1973-1969	45003
			GM V-8 6.0	1999-1998	45001

▼ 2 Outlets at 45 Degree Angles
 ■ 2 Outlets Pointing Straight Down

● Outlet Straight Down & Outlet at 45 Degree Angle
 * High Performance Pump

Application Guide - Buses

Application	Year	Gates No.	Application	Year	Gates No.
CHEVROLET - Continued			CROWN COACH - Continued		
B60 B6P SERIES SCHOOL BUS - Continued			COUNSELOR FE SCHOOL BUS		
GM V-8 6.0	1996-1991	45001	Cummins B Series 3.9 Diesel	1999-1998	41176
GM V-8 6.0; W/O Screw-On Hub	1990	45003	Cummins B Series 3.9 Diesel	1997-1991	41181
GM V-8 6.0; W/Screw-On Hub	1990	45001	Cummins B Series 5.9 Diesel	1996-1991	41181
GM V-8 7.0	1996-1991	45001	Cummins ISB Diesel	1999-1997	41176
GM V-8 7.0; W/O Screw-On Hub	1990	45003	RD6V71-11 SCHOOL BUS		
GM V-8 7.0; W/Screw-On Hub	1990	45001	Detroit Diesel 6V-71; "Running" Pump ...	1960-1950	▼44096
S7 S7T SERIES SCHOOL BUS			Detroit Diesel 6V-71; "Standing" Pump ...	1960-1950	■44075
Detroit Diesel V-8 8.2; W/Heater Outlet ..	1990-1988	46001	RD8V71-11 SCHOOL BUS		
S40 SCHOOL BUS			Detroit Diesel 8V-71; "Running" Pump ...	1960-1950	▼44096
GM V-8 350	1978-1975	43104	Detroit Diesel 8V-71; "Standing" Pump ...	1960-1950	■44075
S50 SCHOOL BUS			EAGLE		
GM V-8 350	1978-1973	43104	EAGLE 01		
GM V-8 366	1978-1975	45003	Detroit Diesel 6V-92; "Running" Pump ...	1967	▼44103
S60 B6P SERIES SCHOOL BUS			Detroit Diesel 6V-92; "Walking" Pump	1967	●44097
Detroit Diesel V-8 8.2; W/Heater Outlet ..	1991	46001	Detroit Diesel 8V-71	1967	44075
GM 6-Cyl. 292	1974-1973	43283	EAGLE 05; EAGLE 07		
GM V-8 350	1978-1973	43104	Detroit Diesel 6V-92; "Running" Pump ...	1979-1974	▼44103
GM V-8 366	1978-1969	45003	Detroit Diesel 6V-92; "Walking" Pump	1979-1974	●44097
GM V-8 6.0	1991	45001	Detroit Diesel 8V-71	1979-1974	44075
GM V-8 7.0	1991	45001	EAGLE 10		
S65 SCHOOL BUS			Detroit Diesel 6V-92; "Running" Pump ...	1988-1980	▼44103
GM V-8 366	1978-1975	45003	Detroit Diesel 6V-92; "Walking" Pump	1988-1980	●44097
SE50 SCHOOL BUS			Detroit Diesel 8V-71	1988-1980	44075
GM V-8 350	1978-1973	43104	EAGLE 12		
SE60 SCHOOL BUS			Detroit Diesel 6V-92; "Running" Pump ...	1990-1989	▼44103
GM V-8 350	1978-1973	43104	Detroit Diesel 6V-92; "Walking" Pump	1990-1989	●44097
GM V-8 366	1978-1973	45003	Detroit Diesel 8V-71	1990-1989	44075
GM V-8 366	1971-1967	45003	GOLDEN EAGLE		
SS50; SS60 SCHOOL BUSES			Detroit Diesel 6V-92; "Running" Pump ...	1971-1963	▼44103
GM 6-Cyl. 292	1974-1965	43283	Detroit Diesel 6V-92; "Walking" Pump	1971-1963	●44097
COLLINS			Detroit Diesel 8V-71	1971-1963	44075
BANTAM SCHOOL BUS			SILVER EAGLE		
GM V-8 5.7	2002	43315	Detroit Diesel 6V-92; "Running" Pump ...	1972-1967	▼44103
GRAND BANTAM SCHOOL BUS			Detroit Diesel 6V-92; "Walking" Pump	1972-1967	●44097
Ford V-8 7.3 Diesel	2002	45000	Detroit Diesel 8V-71	1972-1967	44075
Ford V-8 7.3 Diesel	1998-1997	45000	EL DORADO		
CORBEIL			EZ-RIDER II		
CORBEIL FORD SCHOOL BUS			Cummins ISB Diesel	2005	41176
Ford V-8 7.3 Diesel	2003	45000	FLXIBLE		
CORBEIL GM/CHEVROLET SCHOOL BUS			F2D6V		
GM V-8 6.5 Diesel	2003	44056	Detroit Diesel 6V-71; "Running" Pump ...	1968-1961	▼44096
CROWN COACH			Detroit Diesel 6V-71; "Standing" Pump ...	1968-1961	■44075
A426-10; A426-11 SCHOOL BUSES			Detroit Diesel 8V-71; "Running" Pump ...	1968-1961	▼44096
Detroit Diesel 6-71; W/O Turbo;			Detroit Diesel 8V-71; "Standing" Pump ...	1968-1961	■44075
W/Reverse Rotation	1991-1973	42344	METRO		
Detroit Diesel 6-71; W/O Turbo;			Cummins L10 Diesel	1996-1991	43307
W/Standard Rotation	1991-1973	42102	Cummins L10 Diesel	1990	44094
Detroit Diesel 6-71; W/Turbo;			Cummins L10 Diesel	1988	44094
W/Reverse Rotation	1991-1973	42322	Cummins M11 Diesel	1996-1991	43307
Detroit Diesel 6-71; W/Turbo;			Detroit Diesel Series 50	1994	44066
W/Reverse Rotation	1991-1973	42322	Detroit Diesel Series 60	1990	44066
Detroit Diesel 6-71; W/Turbo;			METRO 106		
W/Standard Rotation	1991-1973	42321	Cummins L10 Diesel	1996-1992	43307
A743-31; A743T-11 SCHOOL BUSES			METRO FLEX		
Cummins NH220 Diesel	1978-1966	43229	Cummins L10 Diesel	1989-1987	44094

▼ 2 Outlets at 45 Degree Angles
 ■ 2 Outlets Pointing Straight Down

● Outlet Straight Down & Outlet at 45 Degree Angle
 * High Performance Pump

Application Guide - Buses

Application	Year	Gates No.	Application	Year	Gates No.
FLXIBLE - Continued			FORD - Continued		
111CC0061			B700 SCHOOL BUS - Continued		
Detroit Diesel 6V-71; "Running" Pump ...	1973-1966	▼44096	Ford V-8 370.....	1979	44019
Detroit Diesel 6V-71; "Standing" Pump ...	1973-1966	■44075	Ford V-8 391; W/Low Mount Fan	1979-1975	44006
Detroit Diesel 8V-71; "Running" Pump ...	1973-1966	▼44096	Ford V-8 391; W/H.D. Eng.....	1969-1968	42557
Detroit Diesel 8V-71; "Standing" Pump ...	1973-1966	■44075	Ford V-8 391; W/M.D. Eng.....	1969-1964	44005
40096-6C			Ford V-8 391; W/H.D. Eng.....	1965-1964	42557
Cummins L10 Diesel	1990	44094	Ford V-8 7.3 Diesel	1996	45000
40102-4D			Ford V-8 429.....	1979	44019
Detroit Diesel Series 50	1994	44066	B750 SCHOOL BUS		
53101			Ford V-8 330; W/M.D. Eng.....	1972-1970	44004
Detroit Diesel 6V-71; "Running" Pump ...	1994-1991	▼44096	Ford V-8 330; W/H.D. Eng.....	1969-1968	42557
Detroit Diesel 6V-71; "Standing" Pump ...	1994-1991	■44075	Ford V-8 330; W/M.D. Eng.....	1969-1964	44005
Detroit Diesel 8V-71; "Running" Pump ...	1994-1991	▼44096	Ford V-8 330; W/H.D. Eng.....	1965-1964	42557
Detroit Diesel 8V-71; "Standing" Pump ...	1994-1991	■44075	Ford V-8 361.....	1977	44006
3135096			Ford V-8 361; W/H.D. Eng.....	1969-1968	42557
Detroit Diesel 6V-71; "Running" Pump ...	1978-1974	▼44096	Ford V-8 361; W/M.D. Eng.....	1969-1964	44005
Detroit Diesel 6V-71; "Standing" Pump ...	1978-1974	■44075	Ford V-8 361; W/H.D. Eng.....	1965-1964	42557
Detroit Diesel 8V-71; "Running" Pump ...	1978-1974	▼44096	Ford V-8 391; W/H.D. Eng.....	1969-1968	42557
Detroit Diesel 8V-71; "Standing" Pump ...	1978-1974	■44075	Ford V-8 391; W/M.D. Eng.....	1969-1964	44005
FORD			Ford V-8 391; W/H.D. Eng.....	1965-1964	42557
B500 SCHOOL BUS			B7000 SCHOOL BUS		
Ford 6-Cyl. 240.....	1974-1971	42071	Caterpillar 3208 Diesel;		
Ford 6-Cyl. 300.....	1977-1973	42071	W/Non-Threaded Pulley.....	1987-1983	43233
Ford V-8 330; W/H.D. Eng.....	1975-1974	44005	Caterpillar 3208 Diesel; W/O Pulley	1987-1983	42351
Ford V-8 330; W/M.D. Eng.....	1972-1970	44004	Caterpillar 3208 Diesel; W/Theaded Pul-		
Ford V-8 330; W/H.D. Eng.....	1969	42557	ley.....	1987-1983	43059
Ford V-8 330; W/M.D. Eng.....	1969-1964	44005	Caterpillar 3208 Diesel;		
Ford V-8 330; W/H.D. Eng.....	1967-1964	42557	W/Non-Threaded Pulley.....	1979-1975	43233
Ford V-8 361; W/H.D. Eng.....	1969	42557	Caterpillar 3208 Diesel; W/O Pulley	1979-1975	42351
Ford V-8 361; W/M.D. Eng.....	1969-1964	44005	Caterpillar 3208 Diesel; W/Theaded Pul-		
Ford V-8 361; W/H.D. Eng.....	1967-1964	42557	ley.....	1979-1975	43059
Ford V-8 391; W/H.D. Eng.....	1969	42557	FREIGHTLINER		
Ford V-8 391; W/M.D. Eng.....	1969-1964	44005	FS65 SCHOOL BUS		
Ford V-8 391; W/H.D. Eng.....	1967-1964	42557	Cummins ISB Diesel.....	2003-1998	41176
B600 SCHOOL BUS			GILLIG		
Detroit Diesel V-8 8.2; W/Heater Outlet ..	1987-1980	46001	LOW FLOOR		
Ford 6-Cyl. 240.....	1974-1971	42071	Detroit Diesel Series 50	1999-1998	44066
Ford 6-Cyl. 300.....	1978-1973	42071	PHANTOM		
Ford V-8 330; W/M.D. Eng.....	1974-1973	44005	Cummins ISB Diesel.....	2005	41176
Ford V-8 330; W/M.D. Eng.....	1972-1970	44004	Cummins L10 Diesel	1998-1996	43307
Ford V-8 330; W/H.D. Eng.....	1969-1968	42557	Cummins L10 Diesel	1993-1991	43307
Ford V-8 330; W/M.D. Eng.....	1969-1964	44005	Cummins L10 Diesel	1990	44094
Ford V-8 330; W/H.D. Eng.....	1965-1964	42557	Cummins M11 Diesel	1997-1993	43307
Ford V-8 361; W/Low Mount Fan	1978	44006	Cummins N14 Diesel.....	1997-1993	44052
Ford V-8 361.....	1977	44006	Detroit Diesel Series 50	1999-1998	44066
Ford V-8 361; W/Low Mount Fan	1976-1975	44006	Detroit Diesel Series 50	1996	44066
Ford V-8 361; W/H.D. Eng.....	1969-1968	42557	Detroit Diesel Series 60	1991	44066
Ford V-8 361; W/M.D. Eng.....	1969-1964	44005	PHANTOM 96TB		
Ford V-8 361; W/H.D. Eng.....	1965-1964	42557	Detroit Diesel 6V-92; "Running" Pump ...	2001-1980	▼44103
Ford V-8 370.....	1979	44019	Detroit Diesel 6V-92; "Walking" Pump.....	2001-1980	●44097
Ford V-8 391; W/H.D. Eng.....	1969-1968	42557	Detroit Diesel Series 50	1999-1994	44066
Ford V-8 391; W/M.D. Eng.....	1969-1964	44005	PHANTOM 102TB		
Ford V-8 391; W/H.D. Eng.....	1965-1964	42557	Detroit Diesel 6V-92; "Running" Pump ...	2001	▼44103
Ford V-8 7.3 Diesel	1996	45000	Detroit Diesel 6V-92; "Walking" Pump.....	2001	●44097
Ford V-8 429.....	1979	44019	Detroit Diesel 6V-92; "Running" Pump ...	1988-1985	▼44103
B700 SCHOOL BUS			Detroit Diesel 6V-92; "Walking" Pump.....	1988-1985	●44097
Detroit Diesel V-8 8.2; W/Heater Outlet ..	1987-1980	46001	GMC		
Ford 6-Cyl. 300.....	1975	42071	B7 SERIES SCHOOL BUS		
Ford V-8 330; W/M.D. Eng.....	1974-1973	44005	GM V-8 6.5 Diesel.....	1998-1997	44042
Ford V-8 330; W/M.D. Eng.....	1972-1970	44004	GM V-8 8.1	2001	44089
Ford V-8 330; W/H.D. Eng.....	1969-1968	42557			
Ford V-8 330; W/M.D. Eng.....	1969-1964	44005			
Ford V-8 330; W/H.D. Eng.....	1965-1964	42557			
Ford V-8 361; W/Low Mount Fan	1979-1975	44006			
Ford V-8 361; W/H.D. Eng.....	1969-1968	42557			
Ford V-8 361; W/M.D. Eng.....	1969-1964	44005			
Ford V-8 361; W/H.D. Eng.....	1965-1964	42557			

▼ 2 Outlets at 45 Degree Angles
 ■ 2 Outlets Pointing Straight Down

● Outlet Straight Down & Outlet at 45 Degree Angle
 * High Performance Pump

Application Guide - Buses

Application	Year	Gates No.	Application	Year	Gates No.
GMC - Continued			GMC - Continued		
B6000 B6P SERIES SCHOOL BUS			TD4106; TD4107		
Detroit Diesel V-8 8.2; W/Heater Outlet ..	1991-1980	46001	Detroit Diesel 8V-71	1969-1966	44075
GM V-8 350	1979-1978	43104	TH8201; TH8601		
GM V-8 5.7	1990-1980	43104	Detroit Diesel 8V-71	1978	44075
GM V-8 366	1979	45003	TW7601		
GM V-8 6.0; W/O Screw-On Hub	1990	45003	Detroit Diesel 6V-71; "Running" Pump	1978-1977	▼44096
GM V-8 6.0; W/Screw-On Hub	1990	45001	Detroit Diesel 6V-71; "Standing" Pump ...	1978-1977	■44075
GM V-8 7.0; W/O Screw-On Hub	1990	45003	GOSHEN COACH		
GM V-8 7.0; W/Screw-On Hub	1990	45001	SENTRY		
PD4106; PD4107			Cummins ISB Diesel.....	1999	41176
Detroit Diesel 8V-71	1969-1966	44075	IKARUS		
S8H5304A; S8M5304A			436-06		
Detroit Diesel 8V-71	1976	44075	Cummins M11 Diesel	1995	43307
S7000 S7T SERIES SCHOOL BUS			INTERNATIONAL/NAVISTAR		
Detroit Diesel V-8 8.2; W/Heater Outlet ..	1992-1988	46001	1753 SCHOOL BUS		
GM V-8 6.0; W/O Screw-On Hub	1990	45003	International/Navistar V-8 6.9 Diesel.....	1988-1983	44053
GM V-8 6.0; W/Screw-On Hub	1990	45001	International/Navistar V-8 7.3 Diesel.....	1989-1988	44053
GM V-8 7.0; W/O Screw-On Hub	1990	45003	1853 SCHOOL BUS		
GM V-8 7.0; W/Screw-On Hub	1990	45001	Caterpillar 3208 Diesel;		
SE6000 SCHOOL BUS			W/Non-Threaded Pulley.....	1982-1978	43233
GM V-8 350	1978-1973	43104	Caterpillar 3208 Diesel; W/O Pulley	1982-1978	42351
GM V-8 366	1978-1973	45003	Caterpillar 3208 Diesel; W/Theaded Pul-		
GM V-8 366	1971-1967	45003	ley	1982-1978	43059
SS6000 SCHOOL BUS			International/Navistar DT360 Diesel.....	1989-1987	44058
GM 6-Cyl. 292	1974-1965	43283	International/Navistar DT466 Diesel.....	1989-1986	44058
T6H4523A; T6H5307A; T6H5308A			International/Navistar V-8 9.0 Diesel.....	1988-1979	42114
Detroit Diesel 6V-71; "Running" Pump	1976	▼44096	1853FC SCHOOL BUS		
Detroit Diesel 6V-71; "Standing" Pump ...	1976	■44075	International/Navistar V-8 9.0 Diesel.....	1982	42114
T7H203			3000FE; 3400 SCHOOL BUSES		
Detroit Diesel 8V-71; "Running" Pump	1980-1979	▼44096	International/Navistar T444 Diesel	1996	45007
Detroit Diesel 8V-71; "Standing" Pump ...	1980-1979	■44075	3600 SCHOOL BUS		
T7H603; T7W203; T7W603			International/Navistar DT408 Diesel.....	1995	42318
Detroit Diesel 6V-71; "Running" Pump	1980-1979	▼44096	International/Navistar DT466 Diesel.....	1996-1995	42318
Detroit Diesel 6V-71; "Standing" Pump ...	1980-1979	■44075	International/Navistar DT466 Diesel.....	1994-1993	44059
T8H203; T8H603			International/Navistar T444 Diesel	1996-1995	45007
Detroit Diesel 8V-71	1980-1979	44075	International/Navistar V-8 6.9 Diesel.....	1993-1991	44053
T8H5307A; T8H5308A			International/Navistar V-8 7.3 Diesel.....	1994-1991	44053
Detroit Diesel 8V-71	1976	44075	3700 SCHOOL BUS		
T8W203; T8W603			International/Navistar DT466 Diesel.....	1995	42318
Detroit Diesel 6V-71; "Running" Pump	1980-1979	▼44096	International/Navistar DT466 Diesel.....	1994-1993	44059
Detroit Diesel 6V-71; "Standing" Pump ...	1980-1979	■44075	International/Navistar T444 Diesel	1995	45007
T70204; T70604			International/Navistar V-8 6.9 Diesel.....	1995	45007
Detroit Diesel 6V-71; "Running" Pump	1987-1981	▼44096	International/Navistar V-8 6.9 Diesel.....	1994-1991	44053
Detroit Diesel 6V-71; "Standing" Pump ...	1987-1981	■44075	International/Navistar V-8 7.3 Diesel.....	1994-1990	44053
Detroit Diesel 6V-92; "Running" Pump	1988-1981	▼44103	3800 SCHOOL BUS		
Detroit Diesel 6V-92; "Walking" Pump	1988-1981	●44097	International/Navistar DT360 Diesel.....	1990	44058
Detroit Diesel 8V-71	1988	44075	International/Navistar DT408 Diesel.....	1996-1994	42318
Detroit Diesel 8V-71; "Running" Pump	1987-1984	▼44096	International/Navistar DT466 Diesel.....	1996-1995	42318
Detroit Diesel 8V-71; "Standing" Pump ...	1987-1984	■44075	International/Navistar DT466 Diesel.....	1994-1993	44059
T80204			International/Navistar T444 Diesel	1996-1995	45007
Detroit Diesel 6V-92; "Running" Pump	1988-1981	▼44103	International/Navistar V-8 7.3 Diesel.....	1994	44053
Detroit Diesel 6V-92; "Walking" Pump	1988-1981	●44097	3900FC SCHOOL BUS		
Detroit Diesel 8V-71	1988-1984	44075	International/Navistar DT466 Diesel.....	1995	42318
T80604			International/Navistar DT466 Diesel.....	1994-1993	44059
Detroit Diesel 6V-71; "Running" Pump	1987-1981	▼44096			
Detroit Diesel 6V-71; "Standing" Pump ...	1987-1981	■44075			
Detroit Diesel 6V-92; "Running" Pump	1988-1981	▼44103			
Detroit Diesel 6V-92; "Walking" Pump	1988-1981	●44097			
Detroit Diesel 8V-71	1988	44075			
Detroit Diesel 8V-71; "Running" Pump	1987-1984	▼44096			
Detroit Diesel 8V-71; "Standing" Pump ...	1987-1984	■44075			

▼ 2 Outlets at 45 Degree Angles
 ■ 2 Outlets Pointing Straight Down

● Outlet Straight Down & Outlet at 45 Degree Angle
 * High Performance Pump

Application Guide - Buses

Application	Year	Gates No.	Application	Year	Gates No.
LAG			NEOPLAN - Continued		
LAG300T			CITILINER		
Cummins L10 Diesel	1987-1985	44094	Detroit Diesel Series 60	1995	44066
LAG350T			METROLINER 40 FT.; TRANSLINER 40 FT.		
Cummins L10 Diesel	1991	43307	Detroit Diesel Series 50	1999-1998	44066
Cummins L10 Diesel	1990-1984	44094	NEW FLYER		
MARCOPOLO			C35LF		
VIAGGIO 1000			Detroit Diesel Series 50	1999-1996	44066
Detroit Diesel Series 60	1996	44066	C40LF		
MCI			Detroit D	2001	44066
D4000			D40		
Detroit Diesel Series 60	2004	44066	Cummins L10 Diesel	2001-1991	43307
D4500			Cummins L10 Diesel	1990-1987	44094
Detroit Diesel 6-Cyl. 12.7	2006	44066	Detroit Diesel 6V-92; "Running" Pump	1991	▼44103
Detroit Diesel 6-Cyl. 12.7	2003	44066	Detroit Diesel 6V-92; "Walking" Pump	1991	●44097
J4500			Detroit Diesel Series 50	1999-1998	44066
Detroit Diesel Series 60	2006-2003	44066	Detroit Diesel Series 50	1995-1994	44066
96-A3			Detroit Diesel Series 50	1992	44066
Detroit Diesel 8V-71	1987	44075	D40LF; D60		
102-A3			Detroit Diesel Series 50	1995	44066
Detroit Diesel 6V-92; "Running" Pump	1986-1985	▼44103	TRANSLINER 40 FT.		
Detroit Diesel 6V-92; "Walking" Pump	1986-1985	●44097	Detroit Diesel Series 50	1999-1998	44066
102-D3			OPTIMA BUS CORPORATION		
Cummins L10 Diesel	1995	43307	OPUS 29		
Detroit D	2000	44066	Cummins ISB Diesel	2004	41176
Detroit Diesel Series 60	1994	44066	ORION		
102-DL3			ORION		
Detroit Diesel Series 60	1999-1998	44066	Detroit Diesel 6V-92; "Running" Pump	2001-1983	▼44103
Detroit Diesel Series 60	1996-1995	44066	Detroit Diesel 6V-92; "Walking" Pump	2001-1983	●44097
102-EL3			ORION II		
Detroit Diesel Series 60	2000-1998	44066	Cummins ISB Diesel	1999	41176
MCR			Detroit Diesel V-8 8.2; W/Heater Outlet ..	2001-1983	46001
7000 SERIES 2			ORION V		
Detroit Diesel V-8 8.2; W/Heater Outlet ..	1985	46001	Cummins L10 Diesel	1999-1993	43307
MID BUS			Detroit Diesel Series 50	2000	44066
SW SCHOOL BUS			Detroit Diesel Series 50	1998-1995	44066
GM V-8 5.7	1998	43315	Detroit Diesel Series 50	1992	44066
NABI			ORION VI		
40			Detroit Diesel Series 50	2000	44066
Detroit Diesel Series 50	1999-1998	44066	PREVOST		
Detroit Diesel Series 60	2001	44066	H3-45		
436			Detroit Diesel Series 60	2004-2003	44066
Detroit Diesel Series 50	1998	44066	Detroit Diesel Series 60	2000-1999	44066
NATIONAL COACH			Detroit Diesel Series 60	1997	44066
TRANSMARK			LEMIRAGE XL		
Detroit Diesel V-8 8.2; W/Heater Outlet ..	1991-1984	46001	Detroit Diesel Series 60	2000	44066
NEOPLAN			SETRA		
AN460			S215		
Detroit Diesel Series 50	2003-2002	44066	Detroit Diesel Series 60	2002	44066
BUS			Detroit Diesel Series 60	1994-1992	44066
Detroit Diesel 6V-92; "Running" Pump	2001-1984	▼44103	S417		
Detroit Diesel 6V-92; "Walking" Pump	2001-1984	●44097	Detroit Diesel Series 60	2004-2003	44066
Detroit Diesel Series 50	2001-1984	44066			

▼ 2 Outlets at 45 Degree Angles
 ■ 2 Outlets Pointing Straight Down

● Outlet Straight Down & Outlet at 45 Degree Angle
 * High Performance Pump

Application Guide - Buses

Application	Year	Gates No.	Application	Year	Gates No.
THOMAS BUILT			THOMAS BUILT - Continued		
CONVENTIONAL SCHOOL BUS			22123 SCHOOL BUS		
Cummins ISB Diesel.....	2003-2000	41176	Caterpillar 3208 Diesel;		
MINOTOUR SCHOOL BUS			W/Non-Threaded Pulley.....	1986	43233
GM V-8 5.7	2001	43315	Caterpillar 3208 Diesel; W/O Pulley	1986	42351
SAF-T-LINER MVP EF SCHOOL BUS			Caterpillar 3208 Diesel; W/Theaded Pul-		
Cummins B Series 5.9 Diesel.....	1996-1993	41181	ley.....	1986	43059
Cummins ISB Diesel.....	2002-1997	41176	TMC		
SAF-T-LINER MVP ER SCHOOL BUS			RTS06		
Caterpillar 3208 Diesel;			Detroit Diesel Series 50	1995-1987	44066
W/Non-Threaded Pulley.....	2002-1999	43233	T30		
Caterpillar 3208 Diesel; W/O Pulley	2002-1999	42351	Detroit Diesel 6V-53; W/Clockwise Eng...	1981	43310
Caterpillar 3208 Diesel; W/Theaded Pul-			Detroit Diesel 6V-53;		
ley.....	2002-1999	43059	W/Counterclockwise Eng.	1981	43309
Caterpillar 3208 Diesel;			TURTLE TOP		
W/Non-Threaded Pulley.....	1990	43233	ODYSSEY XL		
Caterpillar 3208 Diesel; W/O Pulley	1990	42351	GM V-8 6.6 Diesel.....	2005	42349
Caterpillar 3208 Diesel; W/Theaded Pul-			U.S. BUS		
ley.....	1990	43059	BUS		
Caterpillar 3208 Diesel;			International/Navistar T444 Diesel	1995-1994	45007
W/Non-Threaded Pulley.....	1988	43233	International/Navistar T444 Diesel	1993-1991	44053
Caterpillar 3208 Diesel; W/O Pulley	1988	42351	VAN HOOL		
Caterpillar 3208 Diesel; W/Theaded Pul-			C2045		
ley.....	1988	43059	Detroit Diesel Series 60	2003-2002	44066
Cummins B Series 5.9 Diesel.....	1996	41181	T2140		
Cummins ISB Diesel.....	2003-1999	41176	Detroit Diesel Series 60	1999	44066
SLF 200					
Cummins ISB CNG.....	2003	41176			
Cummins ISB Diesel.....	2003	41176			
Cummins ISB Diesel.....	2000-1999	41176			
VISTA SCHOOL BUS					
International/Navistar T444 Diesel	1996-1995	45007			
WESTCOAST-ER SCHOOL BUS					
Cummins C Series 8.3 Diesel; W/Long					
Nose W.P.; W/Hardened Pulley	1991-1990	43321			
Cummins C Series 8.3 Diesel; W/Long					
Nose W.P.; W/O Hardened Pulley.....	1991-1990	43320			
Cummins C Series 8.3 Diesel; W/Short					
Nose W.P.	1991-1990	42352			

- ▼ 2 Outlets at 45 Degree Angles
- 2 Outlets Pointing Straight Down

- Outlet Straight Down & Outlet at 45 Degree Angle
- * High Performance Pump

Application Guide - Road and Construction Equipment

Application	Gates No.	Application	Gates No.
ALLIS-CHALMERS		AUSTIN-WESTERN	
AD; AD3; AD4; AD30		PACER 100; PACER 200	
Detroit Diesel 3-71; W/O Turbo; W/Reverse Rotation	42344	Detroit Diesel 3-71; W/O Turbo; W/Reverse Rotation	42344
Detroit Diesel 3-71; W/O Turbo; W/Standard Rotation	42102	Detroit Diesel 3-71; W/O Turbo; W/Standard Rotation	42102
Detroit Diesel 3-71; W/Turbo; W/Reverse Rotation	42322	Detroit Diesel 3-71; W/Turbo; W/Reverse Rotation	42322
Detroit Diesel 3-71; W/Turbo; W/Standard Rotation	42321	Detroit Diesel 3-71; W/Turbo; W/Standard Rotation	42321
Detroit Diesel 4-71; W/O Turbo; W/Reverse Rotation	42344	PACER 300; PACER 301; PACER 400	
Detroit Diesel 4-71; W/O Turbo; W/Standard Rotation	42102	Detroit Diesel 4-71; W/O Turbo; W/Reverse Rotation	42344
Detroit Diesel 4-71; W/Turbo; W/Reverse Rotation	42322	Detroit Diesel 4-71; W/O Turbo; W/Standard Rotation	42102
Detroit Diesel 4-71; W/Turbo; W/Standard Rotation	42321	Detroit Diesel 4-71; W/Turbo; W/Reverse Rotation	42322
AD40		Detroit Diesel 4-71; W/Turbo; W/Standard Rotation	42321
Detroit Diesel 3-71; W/O Turbo; W/Reverse Rotation	42344	PACER 500	
Detroit Diesel 3-71; W/O Turbo; W/Standard Rotation	42102	Detroit Diesel 6V-71; "Running" Pump	▼44096
Detroit Diesel 3-71; W/Turbo; W/Reverse Rotation	42322	Detroit Diesel 6V-71; "Standing" Pump	■44075
Detroit Diesel 3-71; W/Turbo; W/Standard Rotation	42321	SUPER 100; SUPER 200	
Detroit Diesel 4-71; W/O Turbo; W/Reverse Rotation	42344	Detroit Diesel 3-71; W/O Turbo; W/Reverse Rotation	42344
Detroit Diesel 4-71; W/O Turbo; W/Standard Rotation	42102	Detroit Diesel 3-71; W/O Turbo; W/Standard Rotation	42102
Detroit Diesel 4-71; W/Turbo; W/Reverse Rotation	42322	Detroit Diesel 3-71; W/Turbo; W/Reverse Rotation	42322
Detroit Diesel 4-71; W/Turbo; W/Standard Rotation	42321	Detroit Diesel 3-71; W/Turbo; W/Standard Rotation	42321
Detroit Diesel 6-71; W/O Turbo; W/Reverse Rotation	42344	SUPER 300; SUPER 400	
Detroit Diesel 6-71; W/O Turbo; W/Standard Rotation	42102	Detroit Diesel 4-71; W/O Turbo; W/Reverse Rotation	42344
Detroit Diesel 6-71; W/Turbo; W/Reverse Rotation	42322	Detroit Diesel 4-71; W/O Turbo; W/Standard Rotation	42102
Detroit Diesel 6-71; W/Turbo; W/Standard Rotation	42321	Detroit Diesel 4-71; W/Turbo; W/Reverse Rotation	42322
BD3		Detroit Diesel 4-71; W/Turbo; W/Standard Rotation	42321
Detroit Diesel 3-71; W/O Turbo; W/Reverse Rotation	42344	SUPER 500	
Detroit Diesel 3-71; W/O Turbo; W/Standard Rotation	42102	Detroit Diesel 6V-71; "Running" Pump	▼44096
Detroit Diesel 3-71; W/Turbo; W/Reverse Rotation	42322	Detroit Diesel 6V-71; "Standing" Pump	■44075
Detroit Diesel 3-71; W/Turbo; W/Standard Rotation	42321	410	
816 BACKHOE		Detroit Diesel 3-71; W/O Turbo; W/Reverse Rotation	42344
Perkins 4-Cyl. 248 Diesel	42311	Detroit Diesel 3-71; W/O Turbo; W/Standard Rotation	42102
816 WHEEL LOADER; 840 ARTICULATED		Detroit Diesel 3-71; W/Turbo; W/Reverse Rotation	42322
Perkins 4-Cyl. 248 Diesel	42311	Detroit Diesel 3-71; W/Turbo; W/Standard Rotation	42321
AMERICAN CRANE CORP.		714	
25		Detroit Diesel 4-53; W/Clockwise Eng.	43310
Detroit Diesel 6V-53; W/Clockwise Eng.	43310	Detroit Diesel 4-53; W/Counterclockwise Eng.	43309
Detroit Diesel 6V-53; W/Counterclockwise Eng.	43309	720	
35		Detroit Diesel 6V-53; W/Clockwise Eng.	43310
Detroit Diesel 6V-71; "Running" Pump	▼44096	Detroit Diesel 6V-53; W/Counterclockwise Eng.	43309
Detroit Diesel 6V-71; "Standing" Pump	■44075	BANTAM	
597C		C166	
Detroit Diesel 4-71; W/O Turbo; W/Reverse Rotation	42344	Detroit Diesel 4-53; W/Clockwise Eng.	43310
Detroit Diesel 4-71; W/O Turbo; W/Standard Rotation	42102	Detroit Diesel 4-53; W/Counterclockwise Eng.	43309
Detroit Diesel 4-71; W/Turbo; W/Reverse Rotation	42322	C266	
Detroit Diesel 4-71; W/Turbo; W/Standard Rotation	42321	Detroit Diesel 4-71; W/O Turbo; W/Reverse Rotation	42344
5530		Detroit Diesel 4-71; W/O Turbo; W/Standard Rotation	42102
Detroit Diesel 4-71; W/O Turbo; W/Reverse Rotation	42344	Detroit Diesel 4-71; W/Turbo; W/Reverse Rotation	42322
Detroit Diesel 4-71; W/O Turbo; W/Standard Rotation	42102	Detroit Diesel 4-71; W/Turbo; W/Standard Rotation	42321
Detroit Diesel 4-71; W/Turbo; W/Reverse Rotation	42322	C366	
Detroit Diesel 4-71; W/Turbo; W/Standard Rotation	42321	Detroit Diesel 6V-53; W/Clockwise Eng.	43310
Detroit Diesel 6-71; W/O Turbo; W/Reverse Rotation	42344	Detroit Diesel 6V-53; W/Counterclockwise Eng.	43309
Detroit Diesel 6-71; W/O Turbo; W/Standard Rotation	42102	C451	
Detroit Diesel 6-71; W/Turbo; W/Reverse Rotation	42322	Detroit Diesel 4-53; W/Clockwise Eng.	43310
Detroit Diesel 6-71; W/Turbo; W/Standard Rotation	42321	Detroit Diesel 4-53; W/Counterclockwise Eng.	43309
AD40		C475	
Detroit Diesel 3-71; W/O Turbo; W/Reverse Rotation	42344	Detroit Diesel 4-71; W/O Turbo; W/Reverse Rotation	42344
Detroit Diesel 3-71; W/O Turbo; W/Standard Rotation	42102		
Detroit Diesel 3-71; W/Turbo; W/Reverse Rotation	42322		
Detroit Diesel 3-71; W/Turbo; W/Standard Rotation	42321		
Detroit Diesel 4-71; W/O Turbo; W/Reverse Rotation	42344		
Detroit Diesel 4-71; W/O Turbo; W/Standard Rotation	42102		
Detroit Diesel 4-71; W/Turbo; W/Reverse Rotation	42322		
Detroit Diesel 4-71; W/Turbo; W/Standard Rotation	42321		

▼ 2 Outlets at 45 Degree Angles
 ■ 2 Outlets Pointing Straight Down

● Outlet Straight Down & Outlet at 45 Degree Angle
 * High Performance Pump

Application Guide - Road and Construction Equipment

Application	Gates No.	Application	Gates No.
BANTAM - Continued		BARBER-GREENE - Continued	
C475 - Continued		852; 857	
Detroit Diesel 4-71; W/O Turbo; W/Standard Rotation	42102	Detroit Diesel 3-71; W/O Turbo; W/Reverse Rotation	42344
Detroit Diesel 4-71; W/Turbo; W/Reverse Rotation....	42322	Detroit Diesel 3-71; W/O Turbo; W/Standard Rotation	42102
Detroit Diesel 4-71; W/Turbo; W/Standard Rotation...	42321	Detroit Diesel 3-71; W/Turbo; W/Reverse Rotation....	42322
S588 TELEKRUISER; S626 TELEKRUISER; S628 TELEKRUISER		Detroit Diesel 3-71; W/Turbo; W/Standard Rotation...	42321
Detroit Diesel 4-53; W/Clockwise Eng.	43310	Detroit Diesel 4-71; W/O Turbo; W/Reverse Rotation	42344
Detroit Diesel 4-53; W/Counterclockwise Eng.	43309	Detroit Diesel 4-71; W/O Turbo; W/Standard Rotation	42102
T644 TELESKOOP		Detroit Diesel 4-71; W/Turbo; W/Reverse Rotation....	42322
Detroit Diesel 3-53; W/Clockwise Eng.	43310	Detroit Diesel 4-71; W/Turbo; W/Standard Rotation...	42321
Detroit Diesel 3-53; W/Counterclockwise Eng.	43309	Detroit Diesel 6-71; W/O Turbo; W/Reverse Rotation	42344
T725A TELESKOOP		Detroit Diesel 6-71; W/O Turbo; W/Standard Rotation	42102
Detroit Diesel 4-53; W/Clockwise Eng.	43310	Detroit Diesel 6-71; W/Turbo; W/Reverse Rotation....	42322
Detroit Diesel 4-53; W/Counterclockwise Eng.	43309	Detroit Diesel 6-71; W/Turbo; W/Standard Rotation...	42321
Detroit Diesel 4-71; W/O Turbo; W/Reverse Rotation	42344	BAY CITY	
Detroit Diesel 4-71; W/O Turbo; W/Standard Rotation	42102	45; 60; 63; 72	
Detroit Diesel 4-71; W/Turbo; W/Reverse Rotation....	42322	Detroit Diesel 3-71; W/O Turbo; W/Reverse Rotation	42344
Detroit Diesel 4-71; W/Turbo; W/Standard Rotation...	42321	Detroit Diesel 3-71; W/O Turbo; W/Standard Rotation	42102
TD588 TELEKRANE		Detroit Diesel 3-71; W/Turbo; W/Reverse Rotation....	42322
Detroit Diesel 4-53; W/Clockwise Eng.	43310	Detroit Diesel 3-71; W/Turbo; W/Standard Rotation...	42321
Detroit Diesel 4-53; W/Counterclockwise Eng.	43309	Detroit Diesel 4-71; W/O Turbo; W/Reverse Rotation	42344
BARBER-GREENE		Detroit Diesel 4-71; W/O Turbo; W/Standard Rotation	42102
TC30		Detroit Diesel 4-71; W/Turbo; W/Reverse Rotation....	42322
Detroit Diesel 3-53; W/Clockwise Eng.	43310	Detroit Diesel 4-71; W/Turbo; W/Standard Rotation...	42321
Detroit Diesel 3-53; W/Counterclockwise Eng.	43309	Detroit Diesel 6-71; W/O Turbo; W/Reverse Rotation	42344
774		Detroit Diesel 6-71; W/O Turbo; W/Standard Rotation	42102
Detroit Diesel 3-71; W/O Turbo; W/Reverse Rotation	42344	Detroit Diesel 6-71; W/Turbo; W/Reverse Rotation....	42322
Detroit Diesel 3-71; W/O Turbo; W/Standard Rotation	42102	Detroit Diesel 6-71; W/Turbo; W/Standard Rotation...	42321
Detroit Diesel 3-71; W/Turbo; W/Reverse Rotation....	42322	151-T41	
Detroit Diesel 3-71; W/Turbo; W/Standard Rotation...	42321	45; 60; 63; 72	
835; 837; 838; 845		Detroit Diesel 4-71; W/O Turbo; W/Reverse Rotation	42344
Detroit Diesel 3-71; W/O Turbo; W/Reverse Rotation	42344	Detroit Diesel 4-71; W/O Turbo; W/Standard Rotation	42102
Detroit Diesel 3-71; W/O Turbo; W/Standard Rotation	42102	Detroit Diesel 4-71; W/O Turbo; W/Reverse Rotation	42322
Detroit Diesel 3-71; W/Turbo; W/Reverse Rotation....	42322	Detroit Diesel 4-71; W/O Turbo; W/Standard Rotation	42102
Detroit Diesel 3-71; W/Turbo; W/Standard Rotation...	42321	Detroit Diesel 4-71; W/Turbo; W/Reverse Rotation....	42322
Detroit Diesel 4-71; W/O Turbo; W/Reverse Rotation	42344	Detroit Diesel 4-71; W/Turbo; W/Standard Rotation...	42321
Detroit Diesel 4-71; W/O Turbo; W/Standard Rotation	42102	190-T52; 190-T6430	
Detroit Diesel 4-71; W/Turbo; W/Reverse Rotation....	42322	45; 60; 63; 72	
Detroit Diesel 4-71; W/Turbo; W/Standard Rotation...	42321	Detroit Diesel 3-71; W/O Turbo; W/Reverse Rotation	42344
Detroit Diesel 6-71; W/O Turbo; W/Reverse Rotation	42344	Detroit Diesel 3-71; W/O Turbo; W/Standard Rotation	42102
Detroit Diesel 6-71; W/O Turbo; W/Standard Rotation	42102	Detroit Diesel 3-71; W/Turbo; W/Reverse Rotation....	42322
Detroit Diesel 6-71; W/Turbo; W/Reverse Rotation....	42322	Detroit Diesel 3-71; W/Turbo; W/Standard Rotation...	42321
Detroit Diesel 6-71; W/Turbo; W/Standard Rotation...	42321	Detroit Diesel 4-71; W/O Turbo; W/Reverse Rotation	42344
847; 848A		Detroit Diesel 4-71; W/O Turbo; W/Standard Rotation	42102
Detroit Diesel 3-71; W/O Turbo; W/Reverse Rotation	42344	Detroit Diesel 4-71; W/Turbo; W/Reverse Rotation....	42322
Detroit Diesel 3-71; W/O Turbo; W/Standard Rotation	42102	Detroit Diesel 4-71; W/Turbo; W/Standard Rotation...	42321
Detroit Diesel 3-71; W/Turbo; W/Reverse Rotation....	42322	Detroit Diesel 4-71; W/O Turbo; W/Reverse Rotation	42344
Detroit Diesel 3-71; W/Turbo; W/Standard Rotation...	42321	Detroit Diesel 4-71; W/O Turbo; W/Standard Rotation	42102
Detroit Diesel 4-71; W/O Turbo; W/Reverse Rotation	42344	Detroit Diesel 4-71; W/Turbo; W/Reverse Rotation....	42322
Detroit Diesel 4-71; W/O Turbo; W/Standard Rotation	42102	Detroit Diesel 4-71; W/Turbo; W/Standard Rotation...	42321
Detroit Diesel 4-71; W/Turbo; W/Reverse Rotation....	42322	Detroit Diesel 6-71; W/O Turbo; W/Reverse Rotation	42344
Detroit Diesel 4-71; W/Turbo; W/Standard Rotation...	42321	Detroit Diesel 6-71; W/O Turbo; W/Standard Rotation	42102
Detroit Diesel 6-71; W/O Turbo; W/Reverse Rotation	42344	Detroit Diesel 6-71; W/Turbo; W/Reverse Rotation....	42322
Detroit Diesel 6-71; W/O Turbo; W/Standard Rotation	42102	Detroit Diesel 6-71; W/Turbo; W/Standard Rotation...	42321
Detroit Diesel 6-71; W/Turbo; W/Reverse Rotation....	42322	255A; 425; 440	
Detroit Diesel 6-71; W/Turbo; W/Standard Rotation...	42321	450	
847; 848A		450	
Detroit Diesel 3-71; W/O Turbo; W/Reverse Rotation	42344	Detroit Diesel 3-71; W/O Turbo; W/Reverse Rotation	42344
Detroit Diesel 3-71; W/O Turbo; W/Standard Rotation	42102	Detroit Diesel 3-71; W/O Turbo; W/Standard Rotation	42102
Detroit Diesel 3-71; W/Turbo; W/Reverse Rotation....	42322	Detroit Diesel 3-71; W/Turbo; W/Reverse Rotation....	42322
Detroit Diesel 3-71; W/Turbo; W/Standard Rotation...	42321	Detroit Diesel 3-71; W/Turbo; W/Standard Rotation...	42321
Detroit Diesel 4-71; W/O Turbo; W/Reverse Rotation	42344	Detroit Diesel 4-71; W/O Turbo; W/Reverse Rotation	42344
Detroit Diesel 4-71; W/O Turbo; W/Standard Rotation	42102	Detroit Diesel 4-71; W/O Turbo; W/Standard Rotation	42102
Detroit Diesel 4-71; W/Turbo; W/Reverse Rotation....	42322	Detroit Diesel 4-71; W/Turbo; W/Reverse Rotation....	42322
Detroit Diesel 4-71; W/Turbo; W/Standard Rotation...	42321	Detroit Diesel 4-71; W/Turbo; W/Standard Rotation...	42321
Detroit Diesel 6-71; W/O Turbo; W/Reverse Rotation	42344	450	
Detroit Diesel 6-71; W/O Turbo; W/Standard Rotation	42102	450	
Detroit Diesel 6-71; W/Turbo; W/Reverse Rotation....	42322	Detroit Diesel 3-71; W/O Turbo; W/Reverse Rotation	42344
Detroit Diesel 6-71; W/Turbo; W/Standard Rotation...	42321		

- ▼ 2 Outlets at 45 Degree Angles
- 2 Outlets Pointing Straight Down

- Outlet Straight Down & Outlet at 45 Degree Angle
- * High Performance Pump

Application Guide - Road and Construction Equipment

Application	Gates No.	Application	Gates No.
BAY CITY - Continued		BROS - Continued	
450 - Continued		SP6000; SP6000B; SPV735	
Detroit Diesel 3-71; W/O Turbo; W/Standard Rotation.....	42102	Detroit Diesel 3-53; W/Clockwise Eng.	43310
Detroit Diesel 3-71; W/Turbo; W/Reverse Rotation....	42322	Detroit Diesel 3-53; W/Counterclockwise Eng.	43309
Detroit Diesel 3-71; W/Turbo; W/Standard Rotation....	42321	SPV735VA	
535		Detroit Diesel 3-53; W/Clockwise Eng.	43310
Detroit Diesel 3-71; W/O Turbo; W/Reverse Rotation	42344	Detroit Diesel 3-53; W/Counterclockwise Eng.	43309
Detroit Diesel 3-71; W/O Turbo; W/Standard Rotation.....	42102	Detroit Diesel 4-53; W/Clockwise Eng.	43310
Detroit Diesel 3-71; W/Turbo; W/Reverse Rotation....	42322	Detroit Diesel 4-53; W/Counterclockwise Eng.	43309
Detroit Diesel 3-71; W/Turbo; W/Standard Rotation....	42321	SPV850	
Detroit Diesel 4-71; W/O Turbo; W/Reverse Rotation	42344	Detroit Diesel 4-53; W/Clockwise Eng.	43310
Detroit Diesel 4-71; W/O Turbo; W/Standard Rotation.....	42102	Detroit Diesel 4-53; W/Counterclockwise Eng.	43309
Detroit Diesel 4-71; W/Turbo; W/Reverse Rotation....	42322	BUCYRUS-ERIE	
Detroit Diesel 4-71; W/Turbo; W/Standard Rotation....	42321	10R	
600		Detroit Diesel 6-71; W/O Turbo; W/Reverse Rotation	42344
Detroit Diesel 3-71; W/O Turbo; W/Reverse Rotation	42344	Detroit Diesel 6-71; W/O Turbo; W/Standard Rotation.....	42102
Detroit Diesel 3-71; W/O Turbo; W/Standard Rotation.....	42102	Detroit Diesel 6-71; W/Turbo; W/Reverse Rotation....	42322
Detroit Diesel 3-71; W/Turbo; W/Reverse Rotation....	42322	Detroit Diesel 6-71; W/Turbo; W/Standard Rotation....	42321
Detroit Diesel 3-71; W/Turbo; W/Standard Rotation....	42321	20B	
610-T6435; 610-T8445		Detroit Diesel 3-71; W/O Turbo; W/Reverse Rotation	42344
Detroit Diesel 3-71; W/O Turbo; W/Reverse Rotation	42344	Detroit Diesel 3-71; W/O Turbo; W/Standard Rotation.....	42102
Detroit Diesel 3-71; W/O Turbo; W/Standard Rotation.....	42102	Detroit Diesel 3-71; W/Turbo; W/Reverse Rotation....	42322
Detroit Diesel 3-71; W/Turbo; W/Reverse Rotation....	42322	Detroit Diesel 3-71; W/Turbo; W/Standard Rotation....	42321
Detroit Diesel 3-71; W/Turbo; W/Standard Rotation....	42321	20H	
610-T6435; 610-T8445		Detroit Diesel 6-71; W/O Turbo; W/Reverse Rotation	42344
Detroit Diesel 3-71; W/O Turbo; W/Reverse Rotation	42344	Detroit Diesel 6-71; W/O Turbo; W/Standard Rotation.....	42102
Detroit Diesel 3-71; W/O Turbo; W/Standard Rotation.....	42102	Detroit Diesel 6-71; W/Turbo; W/Reverse Rotation....	42322
Detroit Diesel 3-71; W/Turbo; W/Reverse Rotation....	42322	Detroit Diesel 6-71; W/Turbo; W/Standard Rotation....	42321
Detroit Diesel 3-71; W/Turbo; W/Standard Rotation....	42321	20R	
720		Detroit Diesel 6-71; W/O Turbo; W/Reverse Rotation	42344
Detroit Diesel 6-71; W/O Turbo; W/Reverse Rotation	42344	Detroit Diesel 6-71; W/O Turbo; W/Standard Rotation.....	42102
Detroit Diesel 6-71; W/O Turbo; W/Standard Rotation.....	42102	Detroit Diesel 6-71; W/Turbo; W/Reverse Rotation....	42322
Detroit Diesel 6-71; W/Turbo; W/Reverse Rotation....	42322	Detroit Diesel 6-71; W/Turbo; W/Standard Rotation....	42321
Detroit Diesel 6-71; W/Turbo; W/Standard Rotation....	42321	21H	
BLAW-KNOX		Detroit Diesel 4-71; W/O Turbo; W/Reverse Rotation	42344
PF120; PF500; 195 ROAD WIDENER		Detroit Diesel 4-71; W/O Turbo; W/Standard Rotation.....	42102
Detroit Diesel 4-53; W/Clockwise Eng.	43310	Detroit Diesel 4-71; W/Turbo; W/Reverse Rotation....	42322
Detroit Diesel 4-53; W/Counterclockwise Eng.	43309	Detroit Diesel 4-71; W/Turbo; W/Standard Rotation....	42321
BOMAG		22B	
K45		Detroit Diesel 3-71; W/O Turbo; W/Reverse Rotation	42344
Detroit Diesel 4-71; W/O Turbo; W/Reverse Rotation	42344	Detroit Diesel 3-71; W/O Turbo; W/Standard Rotation.....	42102
Detroit Diesel 4-71; W/O Turbo; W/Standard Rotation.....	42102	Detroit Diesel 3-71; W/Turbo; W/Reverse Rotation....	42322
Detroit Diesel 4-71; W/Turbo; W/Reverse Rotation....	42322	Detroit Diesel 3-71; W/Turbo; W/Standard Rotation....	42321
Detroit Diesel 4-71; W/Turbo; W/Standard Rotation....	42321	25B	
MPH100S		Detroit Diesel 4-71; W/O Turbo; W/Reverse Rotation	42344
Detroit Diesel 6V-92; "Running" Pump.....	▼44103	Detroit Diesel 4-71; W/O Turbo; W/Standard Rotation.....	42102
Detroit Diesel 6V-92; "Walking" Pump.....	●44097	Detroit Diesel 4-71; W/Turbo; W/Reverse Rotation....	42322
BROS		Detroit Diesel 4-71; W/Turbo; W/Standard Rotation....	42321
LSPRM8A		30H II	
Detroit Diesel 8V-71N; "Running" Pump.....	▼44096	Detroit Diesel 6V-71N; "Running" Pump.....	▼44096
Detroit Diesel 8V-71N; "Standing" Pump.....	■44075	Detroit Diesel 6V-71N; "Standing" Pump.....	■44075
BROS		38B; 38TC	
LSPRM8A		Detroit Diesel 6-71; W/O Turbo; W/Reverse Rotation	42344
Detroit Diesel 8V-71N; "Running" Pump.....	▼44096	Detroit Diesel 6-71; W/O Turbo; W/Standard Rotation.....	42102
Detroit Diesel 8V-71N; "Standing" Pump.....	■44075	Detroit Diesel 6-71; W/Turbo; W/Reverse Rotation....	42322
BROS		Detroit Diesel 6-71; W/Turbo; W/Standard Rotation....	42321

▼ 2 Outlets at 45 Degree Angles
 ■ 2 Outlets Pointing Straight Down

● Outlet Straight Down & Outlet at 45 Degree Angle
 * High Performance Pump

Application Guide - Road and Construction Equipment

Application	Gates No.	Application	Gates No.
BUCYRUS-ERIE - Continued		CHAMPION	
45CIIB100		560	
Detroit Diesel 6V-53; W/Clockwise Eng.....	43310	Detroit Diesel 3-71; W/O Turbo; W/Reverse Rotation	42344
Detroit Diesel 6V-53; W/Counterclockwise Eng.....	43309	Detroit Diesel 3-71; W/O Turbo; W/Standard Rotation.....	42102
Detroit Diesel 6V-53N; W/Clockwise Eng.....	43310	Detroit Diesel 3-71; W/Turbo; W/Reverse Rotation....	42322
Detroit Diesel 6V-53N; W/Counterclockwise Eng.....	43309	Detroit Diesel 3-71; W/Turbo; W/Standard Rotation...	42321
Detroit Diesel 6V-71N; "Running" Pump.....	▼44096	600	
Detroit Diesel 6V-71N; "Standing" Pump.....	■44075	Detroit Diesel 6-71C; W/O Turbo; W/Reverse Rotation.....	42344
280CSP		Detroit Diesel 6-71C; W/O Turbo; W/Standard Rotation.....	42102
Detroit Diesel 4-53N; W/Clockwise Eng.....	43310	Detroit Diesel 6-71C; W/Turbo; W/Reverse Rotation .	42322
Detroit Diesel 4-53N; W/Counterclockwise Eng.....	43309	Detroit Diesel 6-71C; W/Turbo; W/Standard Rotation	42321
BUFFALO SPRINGFIELD		CHICAGO PNEUMATIC	
KF30		CPS270	
Detroit Diesel 6-71; W/O Turbo; W/Reverse Rotation	42344	Isuzu 4BD1 Diesel	43314
Detroit Diesel 6-71; W/O Turbo; W/Standard Rotation.....	42102	250RO2	
Detroit Diesel 6-71; W/Turbo; W/Reverse Rotation....	42322	Detroit Diesel 4-53; W/Clockwise Eng.....	43310
Detroit Diesel 6-71; W/Turbo; W/Standard Rotation...	42321	Detroit Diesel 4-53; W/Counterclockwise Eng.....	43309
CASE		365RO2	
500 TRAVELIFT; 500B TRAVELIFT		Detroit Diesel 4-71; W/O Turbo; W/Reverse Rotation	42344
Detroit Diesel 3-53; W/Clockwise Eng.....	43310	Detroit Diesel 4-71; W/O Turbo; W/Standard Rotation.....	42102
Detroit Diesel 3-53; W/Counterclockwise Eng.....	43309	Detroit Diesel 4-71; W/Turbo; W/Reverse Rotation....	42322
7760		Detroit Diesel 4-71; W/Turbo; W/Standard Rotation...	42321
Detroit Diesel 6-71; W/O Turbo; W/Reverse Rotation	42344	600RO2	
Detroit Diesel 6-71; W/O Turbo; W/Standard Rotation.....	42102	Detroit Diesel 6-71; W/O Turbo; W/Reverse Rotation	42344
Detroit Diesel 6-71; W/Turbo; W/Reverse Rotation....	42322	Detroit Diesel 6-71; W/O Turbo; W/Standard Rotation.....	42102
Detroit Diesel 6-71; W/Turbo; W/Standard Rotation...	42321	Detroit Diesel 6-71; W/Turbo; W/Reverse Rotation....	42322
CATERPILLAR		Detroit Diesel 6-71; W/Turbo; W/Standard Rotation...	42321
CB514 (6YD)		CLARK-LIMA	
Detroit Diesel 3-53; W/Clockwise Eng.....	43310	720	
Detroit Diesel 3-53; W/Counterclockwise Eng.....	43309	Detroit Diesel 6V-53N; W/Clockwise Eng.....	43310
225 (51U)		Detroit Diesel 6V-53N; W/Counterclockwise Eng.....	43309
Caterpillar 3208 Diesel; W/Non-Threaded Pulley	43233	Detroit Diesel 8V-71.....	44075
Caterpillar 3208 Diesel; W/O Pulley.....	42351	CLARK-MICHIGAN-VME	
Caterpillar 3208 Diesel; W/Theaded Pulley	43059	CS70	
613; 613A (71M); 613B (38W); 613C; 613C (92X)		Detroit Diesel 4-53; W/Clockwise Eng.....	43310
Caterpillar 3208 Diesel; W/Non-Threaded Pulley	43233	Detroit Diesel 4-53; W/Counterclockwise Eng.....	43309
Caterpillar 3208 Diesel; W/O Pulley.....	42351	35A; 35AWS; 35B	
Caterpillar 3208 Diesel; W/Theaded Pulley	43059	Detroit Diesel 3-53; W/Clockwise Eng.....	43310
CEDAR RAPIDS		Detroit Diesel 3-53; W/Counterclockwise Eng.....	43309
BSF2		45B	
Detroit Diesel 3-53; W/Clockwise Eng.....	43310	Detroit Diesel 4-53; W/Clockwise Eng.....	43310
Detroit Diesel 3-53; W/Counterclockwise Eng.....	43309	Detroit Diesel 4-53; W/Counterclockwise Eng.....	43309
BSF2H		45C	
Detroit Diesel 3-71; W/O Turbo; W/Reverse Rotation	42344	Detroit Diesel 3-53T; W/Clockwise Eng.....	43310
Detroit Diesel 3-71; W/O Turbo; W/Standard Rotation.....	42102	Detroit Diesel 3-53T; W/Counterclockwise Eng.....	43309
Detroit Diesel 3-71; W/Turbo; W/Reverse Rotation....	42322	55; 55 III; 55A I; 55A II; 55A III	
Detroit Diesel 3-71; W/Turbo; W/Standard Rotation...	42321	Detroit Diesel 3-53; W/Clockwise Eng.....	43310
BSF3R		Detroit Diesel 3-53; W/Counterclockwise Eng.....	43309
Detroit Diesel 4-53; W/Clockwise Eng.....	43310	55B	
Detroit Diesel 4-53; W/Counterclockwise Eng.....	43309	Detroit Diesel 4-53N; W/Clockwise Eng.....	43310
BSF4		Detroit Diesel 4-53N; W/Counterclockwise Eng.....	43309
Detroit Diesel 4-71; W/O Turbo; W/Reverse Rotation	42344	55C; 75; 75 III; 75A II	
Detroit Diesel 4-71; W/O Turbo; W/Standard Rotation.....	42102	Detroit Diesel 4-53; W/Clockwise Eng.....	43310
Detroit Diesel 4-71; W/Turbo; W/Reverse Rotation....	42322	Detroit Diesel 4-53; W/Counterclockwise Eng.....	43309
Detroit Diesel 4-71; W/Turbo; W/Standard Rotation...	42321		

- ▼ 2 Outlets at 45 Degree Angles
- 2 Outlets Pointing Straight Down

- Outlet Straight Down & Outlet at 45 Degree Angle
- * High Performance Pump

Application Guide - Road and Construction Equipment

Application	Gates No.	Application	Gates No.
CLARK-MICHIGAN-VME - Continued		CLARK-MICHIGAN-VME - Continued	
75A III		380 II; 380 III	
Detroit Diesel 4-71N; W/O Turbo; W/Reverse Rotation	42344	Detroit Diesel 8V-71	44075
Detroit Diesel 4-71N; W/O Turbo; W/Standard Rotation	42102	501S	
Detroit Diesel 4-71N; W/Turbo; W/Reverse Rotation	42322	Detroit Diesel 6V-71; "Running" Pump	▼44096
Detroit Diesel 4-71N; W/Turbo; W/Standard Rotation	42321	Detroit Diesel 6V-71; "Standing" Pump	■44075
75C; 85A I; 85A II		662; 664; 664B	
Detroit Diesel 4-53; W/Clockwise Eng.	43310	Detroit Diesel 3-53; W/Clockwise Eng.	43310
Detroit Diesel 4-53; W/Counterclockwise Eng.	43309	Detroit Diesel 3-53; W/Counterclockwise Eng.	43309
85A III		Detroit Diesel 4-53; W/Clockwise Eng.	43310
Detroit Diesel 6V-53N; W/Clockwise Eng.	43310	Detroit Diesel 4-53; W/Counterclockwise Eng.	43309
Detroit Diesel 6V-53N; W/Counterclockwise Eng.	43309	664C	
110 III-H14; 110-11		Detroit Diesel 4-53; W/Clockwise Eng.	43310
Detroit Diesel 4-71; W/O Turbo; W/Reverse Rotation	42344	Detroit Diesel 4-53; W/Counterclockwise Eng.	43309
Detroit Diesel 4-71; W/O Turbo; W/Standard Rotation	42102	666; 666B	
Detroit Diesel 4-71; W/Turbo; W/Reverse Rotation	42322	Detroit Diesel 3-53; W/Clockwise Eng.	43310
Detroit Diesel 4-71; W/Turbo; W/Standard Rotation	42321	Detroit Diesel 3-53; W/Counterclockwise Eng.	43309
110-15		Detroit Diesel 4-53; W/Clockwise Eng.	43310
Detroit Diesel 6V-71; "Running" Pump	▼44096	Detroit Diesel 4-53; W/Counterclockwise Eng.	43309
Detroit Diesel 6V-71; "Standing" Pump	■44075	666C	
110HT		Detroit Diesel 6-71; W/O Turbo; W/Reverse Rotation	42344
Detroit Diesel 4-71N; W/O Turbo; W/Reverse Rotation	42344	Detroit Diesel 6-71; W/O Turbo; W/Standard Rotation	42102
Detroit Diesel 4-71N; W/O Turbo; W/Standard Rotation	42102	Detroit Diesel 6-71; W/Turbo; W/Reverse Rotation	42322
Detroit Diesel 4-71N; W/Turbo; W/Reverse Rotation	42322	Detroit Diesel 6-71; W/Turbo; W/Standard Rotation	42321
Detroit Diesel 4-71N; W/Turbo; W/Standard Rotation	42321	CLEVELAND	
125A II; 125A III		J36HD	
Detroit Diesel 6V-53; W/Clockwise Eng.	43310	Detroit Diesel 3-53; W/Clockwise Eng.	43310
Detroit Diesel 6V-53; W/Counterclockwise Eng.	43309	Detroit Diesel 3-53; W/Counterclockwise Eng.	43309
175A		247	
Detroit Diesel 4-71; W/O Turbo; W/Reverse Rotation	42344	Detroit Diesel 4-53; W/Clockwise Eng.	43310
Detroit Diesel 4-71; W/O Turbo; W/Standard Rotation	42102	Detroit Diesel 4-53; W/Counterclockwise Eng.	43309
Detroit Diesel 4-71; W/Turbo; W/Reverse Rotation	42322	CMI	
Detroit Diesel 4-71; W/Turbo; W/Standard Rotation	42321	RS425	
175A III; 175B		Caterpillar 3406BDITA Diesel	
Detroit Diesel 8V-71	44075	44054	
180		DITCH WITCH	
Detroit Diesel 6V-53; W/Clockwise Eng.	43310	R100D	
Detroit Diesel 6V-53; W/Counterclockwise Eng.	43309	Detroit Diesel 4-53; W/Clockwise Eng.	43310
180 III		Detroit Diesel 4-53; W/Counterclockwise Eng.	43309
Detroit Diesel 6V-53; W/Clockwise Eng.	43310	DRESSER-DRESSTA	
Detroit Diesel 6V-53; W/Counterclockwise Eng.	43309	D90C	
275 III		Detroit Diesel 6V-53; W/Clockwise Eng.	43310
Detroit Diesel 8V-71N; "Running" Pump	▼44096	Detroit Diesel 6V-53; W/Counterclockwise Eng.	43309
Detroit Diesel 8V-71N; "Standing" Pump	■44075	D100B	
275C		Detroit Diesel 6V-71; "Running" Pump	▼44096
Detroit Diesel 8V-92; "Running" Pump	▼44103	Detroit Diesel 6V-71; "Standing" Pump	■44075
Detroit Diesel 8V-92; "Walking" Pump	●44097	D120C	
280 I; 280 III; 280A III		Detroit Diesel 8V-71	44075
Detroit Diesel 8V-71	44075	S7; S8	
301S		Detroit Diesel 3-53; W/Clockwise Eng.	43310
Detroit Diesel 4-71; W/O Turbo; W/Reverse Rotation	42344	Detroit Diesel 3-53; W/Counterclockwise Eng.	43309
Detroit Diesel 4-71; W/O Turbo; W/Standard Rotation	42102	DRESSER-GALION	
Detroit Diesel 4-71; W/Turbo; W/Reverse Rotation	42322	S5-8A; S8-12A; S8-10.5A; S10-14A; VOS66A	
Detroit Diesel 4-71; W/Turbo; W/Standard Rotation	42321	Detroit Diesel 3-53; W/Clockwise Eng.	43310
		Detroit Diesel 3-53; W/Counterclockwise Eng.	43309

▼ 2 Outlets at 45 Degree Angles
 ■ 2 Outlets Pointing Straight Down

● Outlet Straight Down & Outlet at 45 Degree Angle
 * High Performance Pump

Application Guide - Road and Construction Equipment

Application	Gates No.	Application	Gates No.
DRESSER-GALION - Continued		DRESSER-HOUGH - Continued	
VOS84A; VOSA84A; VOSD84A		H60	
Detroit Diesel 4-53N; W/Clockwise Eng.....	43310	Detroit Diesel 3-71; W/O Turbo; W/Reverse Rotation	42344
Detroit Diesel 4-53N; W/Counterclockwise Eng.....	43309	Detroit Diesel 3-71; W/O Turbo; W/Standard Rotation	42102
VOSPD84A		Detroit Diesel 3-71; W/Turbo; W/Reverse Rotation....	42322
Detroit Diesel 4-53; W/Clockwise Eng.	43310	Detroit Diesel 3-71; W/Turbo; W/Standard Rotation...	42321
Detroit Diesel 4-53N; W/Clockwise Eng.....	43310	H70C	
Detroit Diesel 4-53N; W/Counterclockwise Eng.....	43309	Detroit Diesel 4-71; W/O Turbo; W/Reverse Rotation	42344
104		Detroit Diesel 4-71; W/O Turbo; W/Standard Rotation	42102
Detroit Diesel 3-71; W/O Turbo; W/Reverse Rotation	42344	Detroit Diesel 4-71; W/Turbo; W/Reverse Rotation....	42322
Detroit Diesel 3-71; W/O Turbo; W/Standard Rotation	42102	Detroit Diesel 4-71; W/Turbo; W/Standard Rotation...	42321
Detroit Diesel 3-71; W/Turbo; W/Reverse Rotation....	42322	H90C	
Detroit Diesel 3-71; W/Turbo; W/Standard Rotation...	42321	Detroit Diesel 6V-53; W/Clockwise Eng.....	43310
118		Detroit Diesel 6V-53; W/Counterclockwise Eng.....	43309
Detroit Diesel 3-71; W/O Turbo; W/Reverse Rotation	42344	H100; H100A; H100B; H120; H120B	
Detroit Diesel 3-71; W/O Turbo; W/Standard Rotation	42102	Detroit Diesel 6V-71; "Running" Pump.....	▼44096
Detroit Diesel 3-71; W/Turbo; W/Reverse Rotation....	42322	Detroit Diesel 6V-71; "Standing" Pump.....	■44075
Detroit Diesel 3-71; W/Turbo; W/Standard Rotation...	42321	Detroit Diesel 8V-71; "Running" Pump.....	▼44096
Detroit Diesel 4-71; W/O Turbo; W/Reverse Rotation	42344	Detroit Diesel 8V-71; "Standing" Pump.....	■44075
Detroit Diesel 4-71; W/O Turbo; W/Standard Rotation	42102	DROTT	
Detroit Diesel 4-71; W/Turbo; W/Reverse Rotation....	42322	30DH	
Detroit Diesel 4-71; W/Turbo; W/Standard Rotation...	42321	Cummins NH230 Diesel; W/O Pulley.....	42309
118C		Cummins NH230 Diesel; W/Pulley.....	43238
Detroit Diesel 4-71; W/O Turbo; W/Reverse Rotation	42344	35	
Detroit Diesel 4-71; W/O Turbo; W/Standard Rotation	42102	Detroit Diesel 3-53; W/Clockwise Eng.	43310
Detroit Diesel 4-71; W/Turbo; W/Reverse Rotation....	42322	Detroit Diesel 3-53; W/Counterclockwise Eng.	43309
Detroit Diesel 4-71; W/Turbo; W/Standard Rotation...	42321	Detroit Diesel 4-53N; W/Clockwise Eng.....	43310
125; 125A		Detroit Diesel 4-53N; W/Counterclockwise Eng.....	43309
Detroit Diesel 4-71; W/O Turbo; W/Reverse Rotation	42344	35EC	
Detroit Diesel 4-71; W/O Turbo; W/Standard Rotation	42102	Detroit Diesel 4-53; W/Clockwise Eng.	43310
Detroit Diesel 4-71; W/Turbo; W/Reverse Rotation....	42322	Detroit Diesel 4-53; W/Counterclockwise Eng.	43309
Detroit Diesel 4-71; W/Turbo; W/Standard Rotation...	42321	40 CRAWLER; 40 CRUZ-AIR	
150; 150A; 150FA		Detroit Diesel 4-53N; W/Clockwise Eng.....	43310
Detroit Diesel 4-53N; W/Clockwise Eng.....	43310	Detroit Diesel 4-53N; W/Counterclockwise Eng.....	43309
Detroit Diesel 4-53N; W/Counterclockwise Eng.....	43309	Detroit Diesel 4-71; W/O Turbo; W/Reverse Rotation	42344
160		Detroit Diesel 4-71; W/O Turbo; W/Standard Rotation	42102
Detroit Diesel 3-71; W/O Turbo; W/Reverse Rotation	42344	Detroit Diesel 4-71; W/Turbo; W/Reverse Rotation....	42322
Detroit Diesel 3-71; W/O Turbo; W/Standard Rotation	42102	Detroit Diesel 4-71; W/Turbo; W/Standard Rotation...	42321
Detroit Diesel 3-71; W/Turbo; W/Reverse Rotation....	42322	40C	
Detroit Diesel 3-71; W/Turbo; W/Standard Rotation...	42321	Detroit Diesel 4-53; W/Clockwise Eng.	43310
160RF2		Detroit Diesel 4-53; W/Counterclockwise Eng.	43309
Detroit Diesel 3-53; W/Clockwise Eng.	43310	Detroit Diesel 4-71; W/O Turbo; W/Reverse Rotation	42344
Detroit Diesel 3-53; W/Counterclockwise Eng.	43309	Detroit Diesel 4-71; W/O Turbo; W/Standard Rotation	42102
200RF2		Detroit Diesel 4-71; W/Turbo; W/Reverse Rotation....	42322
Detroit Diesel 4-53; W/Clockwise Eng.	43310	Detroit Diesel 4-71; W/Turbo; W/Standard Rotation...	42321
Detroit Diesel 4-53; W/Counterclockwise Eng.	43309	40R; 40YR	
220S		Detroit Diesel 4-53; W/Clockwise Eng.	43310
Detroit Diesel 6V-53N; W/Clockwise Eng.	43310	Detroit Diesel 4-53; W/Counterclockwise Eng.	43309
Detroit Diesel 6V-53N; W/Counterclockwise Eng.	43309	50	
250RF2		Detroit Diesel 6V-53N; W/Clockwise Eng.	43310
Detroit Diesel 4-53; W/Clockwise Eng.	43310	Detroit Diesel 6V-53N; W/Counterclockwise Eng.	43309
Detroit Diesel 4-53; W/Counterclockwise Eng.	43309	50BEC	
DRESSER-HOUGH		Detroit Diesel 6V-53; W/Clockwise Eng.....	43310
H30; H30A; H30B; H30F; H30R; H50; H50B		Detroit Diesel 6V-53; W/Counterclockwise Eng.....	43309
Detroit Diesel 3-53; W/Clockwise Eng.	43310	80 CRUZ-AIR	
Detroit Diesel 3-53; W/Counterclockwise Eng.	43309	Detroit Diesel 8V-53; W/Clockwise Eng.....	43310
		Detroit Diesel 8V-53; W/Counterclockwise Eng.	43309
		Detroit Diesel 8V-71.....	44075

- ▼ 2 Outlets at 45 Degree Angles
- 2 Outlets Pointing Straight Down

- Outlet Straight Down & Outlet at 45 Degree Angle
- * High Performance Pump

Application Guide - Road and Construction Equipment

Application	Gates No.	Application	Gates No.
DROTT - Continued		EUCLID	
250 TRAVELIFT		C61; C62; C63; C64; C65	
Detroit Diesel 3-53; W/Clockwise Eng.	43310	Detroit Diesel 6-71; W/O Turbo; W/Reverse Rotation	42344
Detroit Diesel 3-53; W/Counterclockwise Eng.	43309	Detroit Diesel 6-71; W/O Turbo; W/Standard Rotation	42102
250AI TRAVELIFT		Detroit Diesel 6-71; W/Turbo; W/Reverse Rotation....	42322
Detroit Diesel 3-53; W/Clockwise Eng.	43310	Detroit Diesel 6-71; W/Turbo; W/Standard Rotation...	42321
Detroit Diesel 3-53; W/Counterclockwise Eng.	43309	R15 (91FD); R18 (91FD)	
Detroit Diesel 4-53; W/Clockwise Eng.	43310	Detroit Diesel 6-71; W/O Turbo; W/Reverse Rotation	42344
Detroit Diesel 4-53; W/Counterclockwise Eng.	43309	Detroit Diesel 6-71; W/O Turbo; W/Standard Rotation	42102
500A TRAVELIFT		Detroit Diesel 6-71; W/Turbo; W/Reverse Rotation....	42322
Detroit Diesel 3-53; W/Clockwise Eng.	43310	Detroit Diesel 6-71; W/Turbo; W/Standard Rotation...	42321
Detroit Diesel 3-53; W/Counterclockwise Eng.	43309	R30 (71TD)	
500AI TRAVELIFT; 600A TRAVELIFT; 650A TRAVELIFT		Detroit Diesel 8V-71	44075
Detroit Diesel 3-53; W/Clockwise Eng.	43310	R40 (9FFD); R45 (9FFD)	
Detroit Diesel 3-53; W/Counterclockwise Eng.	43309	Detroit Diesel 6-71; W/O Turbo; W/Reverse Rotation	42344
Detroit Diesel 4-53; W/Clockwise Eng.	43310	Detroit Diesel 6-71; W/O Turbo; W/Standard Rotation	42102
Detroit Diesel 4-53; W/Counterclockwise Eng.	43309	Detroit Diesel 6-71; W/Turbo; W/Reverse Rotation....	42322
800AC TRAVELIFT; 1000A TRAVELIFT; 1000AI TRAVELIFT		Detroit Diesel 6-71; W/Turbo; W/Standard Rotation...	42321
Detroit Diesel 4-71; W/O Turbo; W/Reverse Rotation	42344	S12 (77FDT); S12 (78FDT); SS12 (77FDT); SS12 (78FDT)	
Detroit Diesel 4-71; W/O Turbo; W/Standard Rotation	42102	Detroit Diesel 6-71; W/O Turbo; W/Reverse Rotation	42344
Detroit Diesel 4-71; W/Turbo; W/Reverse Rotation....	42322	Detroit Diesel 6-71; W/O Turbo; W/Standard Rotation	42102
Detroit Diesel 4-71; W/Turbo; W/Standard Rotation...	42321	Detroit Diesel 6-71; W/Turbo; W/Reverse Rotation....	42322
1500; 1800; 2500		Detroit Diesel 6-71; W/Turbo; W/Standard Rotation...	42321
Detroit Diesel 6V-53; W/Clockwise Eng.	43310	TC12	
Detroit Diesel 6V-53; W/Counterclockwise Eng.	43309	Detroit Diesel 6-71 Twin; W/O Turbo; W/Reverse Rotation	42344
2510		Detroit Diesel 6-71 Twin; W/O Turbo; W/Standard Rotation	42102
Detroit Diesel 6-71N; W/O Turbo; W/Reverse Rotation	42344	Detroit Diesel 6-71 Twin; W/Turbo; W/Reverse Rotation	42322
Detroit Diesel 6-71N; W/O Turbo; W/Standard Rotation	42102	Detroit Diesel 6-71 Twin; W/Turbo; W/Standard Rotation	42321
Detroit Diesel 6-71N; W/Turbo; W/Reverse Rotation	42322	12RT; 16TDT; 21LDT	
Detroit Diesel 6-71N; W/Turbo; W/Standard Rotation	42321	Detroit Diesel 6-71; W/O Turbo; W/Reverse Rotation	42344
7760		Detroit Diesel 6-71; W/O Turbo; W/Standard Rotation	42102
Detroit Diesel 6-71; W/O Turbo; W/Reverse Rotation	42344	Detroit Diesel 6-71; W/Turbo; W/Reverse Rotation....	42322
Detroit Diesel 6-71; W/O Turbo; W/Standard Rotation	42102	Detroit Diesel 6-71; W/Turbo; W/Standard Rotation...	42321
Detroit Diesel 6-71; W/Turbo; W/Reverse Rotation....	42322	82-4	
Detroit Diesel 6-71; W/Turbo; W/Standard Rotation...	42321	Detroit Diesel 8V-71N; "Running" Pump	▼44096
DYNAHOE		Detroit Diesel 8V-71N; "Standing" Pump	■44075
140; 160		FERGUSON SHOVEL SUPPLY	
Detroit Diesel 3-53; W/Clockwise Eng.	43310	SP75D	
Detroit Diesel 3-53; W/Counterclockwise Eng.	43309	Detroit Diesel 4-53N; W/Clockwise Eng.	43310
190 4		Detroit Diesel 4-53N; W/Counterclockwise Eng.	43309
Detroit Diesel 4-53; W/Clockwise Eng.	43310	SP120B	
Detroit Diesel 4-53; W/Counterclockwise Eng.	43309	Detroit Diesel 6V-53; W/Clockwise Eng.	43310
DYNAPAC		Detroit Diesel 6V-53; W/Counterclockwise Eng.	43309
CA15PD		FMC	
Detroit Diesel 4-53; W/Clockwise Eng.	43310	VANGUARD 4000SP	
Detroit Diesel 4-53; W/Counterclockwise Eng.	43309	Detroit Diesel V-8 8.2; W/Heater Outlet.....	46001
CA25PD		FRESIA	
Caterpillar 3208 Diesel; W/Non-Threaded Pulley	43233	F90	
Caterpillar 3208 Diesel; W/O Pulley.....	42351	Detroit Diesel 8V-92; "Running" Pump.....	▼44103
Caterpillar 3208 Diesel; W/Theaded Pulley	43059	Detroit Diesel 8V-92; "Walking" Pump	●44097
CT25			
Detroit Diesel 6V-53T; W/Clockwise Eng.	43310		
Detroit Diesel 6V-53T; W/Counterclockwise Eng.	43309		

▼ 2 Outlets at 45 Degree Angles
 ■ 2 Outlets Pointing Straight Down

● Outlet Straight Down & Outlet at 45 Degree Angle
 * High Performance Pump

Application Guide - Road and Construction Equipment

Application	Gates No.	Application	Gates No.
GARDNER-DENVER		GROVE - Continued	
RP365; RP600; RP600D; RP600DB		RT630; RT745	
Detroit Diesel 4-53; W/Clockwise Eng.	43310	Caterpillar 3208 Diesel; W/Non-Threaded Pulley	43233
Detroit Diesel 4-53; W/Counterclockwise Eng.	43309	Caterpillar 3208 Diesel; W/O Pulley.....	42351
Detroit Diesel 4-71; W/O Turbo; W/Reverse Rotation	42344	Caterpillar 3208 Diesel; W/Theaded Pulley	43059
Detroit Diesel 4-71; W/O Turbo; W/Standard Rotation	42102	64-18	
Detroit Diesel 4-71; W/Turbo; W/Reverse Rotation....	42322	Detroit Diesel 6V-53; W/Clockwise Eng.....	43310
Detroit Diesel 4-71; W/Turbo; W/Standard Rotation...	42321	Detroit Diesel 6V-53; W/Counterclockwise Eng.....	43309
SP1200DE		4420G	
Detroit Diesel 8V-71	44075	Cummins V-8 210 Diesel.....	44093
SPKDB		8435G	
Detroit Diesel 4-53; W/Clockwise Eng.	43310	Detroit Diesel 6-71; W/O Turbo; W/Reverse Rotation	42344
Detroit Diesel 4-53; W/Counterclockwise Eng.	43309	Detroit Diesel 6-71; W/O Turbo; W/Standard Rotation	42102
SPNDA; SPNDB		Detroit Diesel 6-71; W/Turbo; W/Reverse Rotation....	42322
Detroit Diesel 4-71; W/O Turbo; W/Reverse Rotation	42344	Detroit Diesel 6-71; W/Turbo; W/Standard Rotation...	42321
Detroit Diesel 4-71; W/O Turbo; W/Standard Rotation	42102	HERC	
Detroit Diesel 4-71; W/Turbo; W/Reverse Rotation....	42322	14YD	
Detroit Diesel 4-71; W/Turbo; W/Standard Rotation...	42321	Detroit Diesel 4-53; W/Clockwise Eng.	43310
Detroit Diesel 6-71; W/O Turbo; W/Reverse Rotation	42344	Detroit Diesel 4-53; W/Counterclockwise Eng.	43309
Detroit Diesel 6-71; W/O Turbo; W/Standard Rotation	42102	HUBER-WARCO	
Detroit Diesel 6-71; W/Turbo; W/Reverse Rotation....	42322	9D	
Detroit Diesel 6-71; W/Turbo; W/Standard Rotation...	42321	Detroit Diesel 3-71; W/O Turbo; W/Reverse Rotation	42344
SPQDA		Detroit Diesel 3-71; W/O Turbo; W/Standard Rotation	42102
Detroit Diesel 6-71; W/O Turbo; W/Reverse Rotation	42344	Detroit Diesel 3-71; W/Turbo; W/Reverse Rotation....	42322
Detroit Diesel 6-71; W/O Turbo; W/Standard Rotation	42102	Detroit Diesel 3-71; W/Turbo; W/Standard Rotation...	42321
Detroit Diesel 6-71; W/Turbo; W/Reverse Rotation....	42322	10D	
Detroit Diesel 6-71; W/Turbo; W/Standard Rotation...	42321	Detroit Diesel 4-71; W/O Turbo; W/Reverse Rotation	42344
SPQDB; SPQDC		Detroit Diesel 4-71; W/O Turbo; W/Standard Rotation	42102
Detroit Diesel 4-71; W/O Turbo; W/Reverse Rotation	42344	Detroit Diesel 4-71; W/Turbo; W/Reverse Rotation....	42322
Detroit Diesel 4-71; W/O Turbo; W/Standard Rotation	42102	Detroit Diesel 4-71; W/Turbo; W/Standard Rotation...	42321
Detroit Diesel 4-71; W/Turbo; W/Reverse Rotation....	42322	11D	
Detroit Diesel 4-71; W/Turbo; W/Standard Rotation...	42321	Detroit Diesel 6-71; W/O Turbo; W/Reverse Rotation	42344
Detroit Diesel 6-71; W/O Turbo; W/Reverse Rotation	42344	Detroit Diesel 6-71; W/O Turbo; W/Standard Rotation	42102
Detroit Diesel 6-71; W/O Turbo; W/Standard Rotation	42102	Detroit Diesel 6-71; W/Turbo; W/Reverse Rotation....	42322
Detroit Diesel 6-71; W/Turbo; W/Reverse Rotation....	42322	Detroit Diesel 6-71; W/Turbo; W/Standard Rotation...	42321
Detroit Diesel 6-71; W/Turbo; W/Standard Rotation...	42321	HYHOE	
SPTDA; SPTDC		695	
Detroit Diesel 8V-71	44075	Detroit Diesel 4-53; W/Clockwise Eng.	43310
SPTDD		Detroit Diesel 4-53; W/Counterclockwise Eng.	43309
Caterpillar 3406DI Diesel; W/Dished Gear	44054	895	
Caterpillar 3406DI Diesel; W/Flat Gear.....	45009	Detroit Diesel 6V-53; W/Clockwise Eng.....	43310
SPWDA; SPWDB		Detroit Diesel 6V-53; W/Counterclockwise Eng.....	43309
Detroit Diesel 8V-71	44075	HYSTER	
GOMACO		C350; C610B; C612B; C615A; C615B; C617B; C624B; C625B; C627B	
GT6000-66		Detroit Diesel 3-53; W/Clockwise Eng.	43310
Detroit Diesel 2-53; W/Clockwise Eng.	43310	Detroit Diesel 3-53; W/Counterclockwise Eng.	43309
Detroit Diesel 2-53; W/Counterclockwise Eng.	43309	C852A; C852B	
GT6000-78		Caterpillar 3208 Diesel; W/Non-Threaded Pulley	43233
Detroit Diesel 3-53; W/Clockwise Eng.	43310	Caterpillar 3208 Diesel; W/O Pulley.....	42351
Detroit Diesel 3-53; W/Counterclockwise Eng.	43309	Caterpillar 3208 Diesel; W/Theaded Pulley	43059
GROVE		Detroit Diesel V-8 8.2; W/Heater Outlet.....	46001
RT59S; RT522		K360B	
Detroit Diesel 4-53; W/Clockwise Eng.	43310	Detroit Diesel 4-53N; W/Clockwise Eng.....	43310
Detroit Diesel 4-53; W/Counterclockwise Eng.	43309	Detroit Diesel 4-53N; W/Counterclockwise Eng.....	43309

- ▼ 2 Outlets at 45 Degree Angles
- 2 Outlets Pointing Straight Down

- Outlet Straight Down & Outlet at 45 Degree Angle
- * High Performance Pump

Application Guide - Road and Construction Equipment

Application	Gates No.	Application	Gates No.
INGERSOLL		JAEGER - Continued	
D5000		250 - Continued	
Detroit Diesel 4-71; W/O Turbo; W/Reverse Rotation	42344	Detroit Diesel 3-71; W/Turbo; W/Reverse Rotation....	42322
Detroit Diesel 4-71; W/O Turbo; W/Standard Rotation	42102	Detroit Diesel 3-71; W/Turbo; W/Standard Rotation...	42321
Detroit Diesel 4-71; W/Turbo; W/Reverse Rotation....	42322	365	
Detroit Diesel 4-71; W/Turbo; W/Standard Rotation...	42321	Detroit Diesel 4-71; W/O Turbo; W/Reverse Rotation	42344
D6000		Detroit Diesel 4-71; W/O Turbo; W/Standard Rotation	42102
Detroit Diesel 6-71; W/O Turbo; W/Reverse Rotation	42344	Detroit Diesel 4-71; W/Turbo; W/Reverse Rotation....	42322
Detroit Diesel 6-71; W/O Turbo; W/Standard Rotation	42102	Detroit Diesel 4-71; W/Turbo; W/Standard Rotation...	42321
Detroit Diesel 6-71; W/Turbo; W/Reverse Rotation....	42322	600	
Detroit Diesel 6-71; W/Turbo; W/Standard Rotation...	42321	Detroit Diesel 6-71; W/O Turbo; W/Reverse Rotation	42344
DA40		Detroit Diesel 6-71; W/O Turbo; W/Standard Rotation	42102
Detroit Diesel 3-53; W/Clockwise Eng.	43310	Detroit Diesel 6-71; W/Turbo; W/Reverse Rotation....	42322
Detroit Diesel 3-53; W/Counterclockwise Eng.	43309	Detroit Diesel 6-71; W/Turbo; W/Standard Rotation...	42321
SP54		JOHN DEERE	
Detroit Diesel 4-53; W/Clockwise Eng.	43310	860; 860A	
Detroit Diesel 4-53; W/Counterclockwise Eng.	43309	Detroit Diesel 6-71N; W/O Turbo; W/Reverse Rotation	42344
T4		Detroit Diesel 6-71N; W/O Turbo; W/Standard Rotation	42102
Detroit Diesel 8V-71.....	44075	Detroit Diesel 6-71N; W/Turbo; W/Reverse Rotation .	42322
XP750		Detroit Diesel 6-71N; W/Turbo; W/Standard Rotation	42321
Detroit Diesel 6V-71N; "Running" Pump.....	▼44096	JOY	
Detroit Diesel 6V-71N; "Standing" Pump.....	■44075	RPS900DB30; RPS1050	
INGRAM		Detroit Diesel 8V-71.....	44075
10 TON		KOBELCO	
Detroit Diesel 3-53; W/Clockwise Eng.	43310	LK350 MARK II	
Detroit Diesel 3-53; W/Counterclockwise Eng.	43309	Isuzu 4BD1-T Diesel.....	43314
11-5400		KOEHRING	
Detroit Diesel 3-71; W/O Turbo; W/Reverse Rotation	42344	LRT18U	
Detroit Diesel 3-71; W/O Turbo; W/Standard Rotation	42102	Detroit Diesel 4-53N; W/Clockwise Eng.....	43310
Detroit Diesel 3-71; W/Turbo; W/Reverse Rotation....	42322	Detroit Diesel 4-53N; W/Counterclockwise Eng.....	43309
Detroit Diesel 3-71; W/Turbo; W/Standard Rotation...	42321	LRT180; LRT1600	
INSLEY		Detroit Diesel 6V-53; W/Clockwise Eng.....	43310
H560B		Detroit Diesel 6V-53; W/Counterclockwise Eng.....	43309
Detroit Diesel 4-53; W/Clockwise Eng.	43310	MPH-1	
Detroit Diesel 4-53; W/Counterclockwise Eng.	43309	Detroit Diesel 8V-71.....	44075
H875; H1500		166	
Detroit Diesel 6-71; W/O Turbo; W/Reverse Rotation	42344	Detroit Diesel 4-53T; W/Clockwise Eng.	43310
Detroit Diesel 6-71; W/O Turbo; W/Standard Rotation	42102	Detroit Diesel 4-53T; W/Counterclockwise Eng.	43309
Detroit Diesel 6-71; W/Turbo; W/Reverse Rotation....	42322	255A	
Detroit Diesel 6-71; W/Turbo; W/Standard Rotation...	42321	Detroit Diesel 4-53; W/Clockwise Eng.	43310
INTERNATIONAL		Detroit Diesel 4-53; W/Counterclockwise Eng.	43309
S8		304	
Detroit Diesel 3-53; W/Clockwise Eng.	43310	Detroit Diesel 3-71; W/O Turbo; W/Reverse Rotation	42344
Detroit Diesel 3-53; W/Counterclockwise Eng.	43309	Detroit Diesel 3-71; W/O Turbo; W/Standard Rotation	42102
T500S; TD180FB; TD225SL; TD300SL		Detroit Diesel 3-71; W/Turbo; W/Reverse Rotation....	42322
Detroit Diesel 6V-53; W/Clockwise Eng.....	43310	Detroit Diesel 3-71; W/Turbo; W/Standard Rotation...	42321
Detroit Diesel 6V-53; W/Counterclockwise Eng.....	43309	305	
433		Detroit Diesel 4-71; W/O Turbo; W/Reverse Rotation	42344
IH DT466 Diesel.....	43252	Detroit Diesel 4-71; W/O Turbo; W/Standard Rotation	42102
IH DVT800 Diesel.....	43252	Detroit Diesel 4-71; W/Turbo; W/Reverse Rotation....	42322
JAEGER		Detroit Diesel 4-71; W/Turbo; W/Standard Rotation...	42321
250		Detroit Diesel 6-71; W/O Turbo; W/Reverse Rotation	42344
Detroit Diesel 3-71; W/O Turbo; W/Reverse Rotation	42344	Detroit Diesel 6-71; W/O Turbo; W/Standard Rotation	42102
Detroit Diesel 3-71; W/O Turbo; W/Standard Rotation	42102		

- ▼ 2 Outlets at 45 Degree Angles
- 2 Outlets Pointing Straight Down

- Outlet Straight Down & Outlet at 45 Degree Angle
- * High Performance Pump

Application Guide - Road and Construction Equipment

Application	Gates No.	Application	Gates No.
KOEHRING - Continued		LINK-BELT - Continued	
305 - Continued		HC78B	
Detroit Diesel 6-71; W/Turbo; W/Reverse Rotation....	42322	Detroit Diesel 6V-53N; W/Clockwise Eng.	43310
Detroit Diesel 6-71; W/Turbo; W/Standard Rotation...	42321	Detroit Diesel 6V-53N; W/Counterclockwise Eng.	43309
405-2A		HC108C	
Detroit Diesel 4-71; W/O Turbo; W/Reverse Rotation	42344	Detroit Diesel 4-71; W/O Turbo; W/Reverse Rotation	42344
Detroit Diesel 4-71; W/O Turbo; W/Standard Rotation	42102	Detroit Diesel 4-71; W/O Turbo; W/Standard Rotation	42102
Detroit Diesel 4-71; W/Turbo; W/Reverse Rotation....	42322	Detroit Diesel 4-71; W/Turbo; W/Reverse Rotation....	42322
Detroit Diesel 4-71; W/Turbo; W/Standard Rotation...	42321	Detroit Diesel 4-71; W/Turbo; W/Standard Rotation...	42321
428		HC218	
Caterpillar 3208 Diesel; W/Non-Threaded Pulley	43233	Detroit Diesel 6-71; W/O Turbo; W/Reverse Rotation	42344
Caterpillar 3208 Diesel; W/O Pulley.....	42351	Detroit Diesel 6-71; W/O Turbo; W/Standard Rotation	42102
Caterpillar 3208 Diesel; W/Threaded Pulley	43059	Detroit Diesel 6-71; W/Turbo; W/Reverse Rotation....	42322
600WD		HSP8018	
Detroit Diesel 4-71; W/O Turbo; W/Reverse Rotation	42344	Detroit Diesel 4-53; W/Clockwise Eng.	43310
Detroit Diesel 4-71; W/O Turbo; W/Standard Rotation	42102	Detroit Diesel 4-53; W/Counterclockwise Eng.	43309
Detroit Diesel 4-71; W/Turbo; W/Reverse Rotation....	42322	HSP8028S	
Detroit Diesel 4-71; W/Turbo; W/Standard Rotation...	42321	Detroit Diesel V-8 8.2; W/Heater Outlet.....	
666D		HSP8040	
Detroit Diesel 8V-71N; "Running" Pump	▼44096	Detroit Diesel 6V-53; W/Clockwise Eng.	
Detroit Diesel 8V-71N; "Standing" Pump	■44075	Detroit Diesel 6V-53; W/Counterclockwise Eng.	
LE ROI		HT450	
170RD2		Detroit Diesel 6-71N; W/O Turbo; W/Reverse Rotation	
Detroit Diesel 3-53; W/Clockwise Eng.	43310	Detroit Diesel 6-71N; W/O Turbo; W/Standard Rotation	
Detroit Diesel 3-53; W/Counterclockwise Eng.	43309	Detroit Diesel 6-71N; W/O Turbo; W/Standard Rotation	
LE TOURNEAU		Detroit Diesel 6-71N; W/Turbo; W/Reverse Rotation	
CR		Detroit Diesel 6-71N; W/Turbo; W/Standard Rotation	
Detroit Diesel 6-71; W/O Turbo; W/Reverse Rotation	42344	Detroit Diesel 6-71N; W/Turbo; W/Reverse Rotation	
Detroit Diesel 6-71; W/O Turbo; W/Standard Rotation	42102	Detroit Diesel 6-71N; W/Turbo; W/Standard Rotation	
Detroit Diesel 6-71; W/Turbo; W/Reverse Rotation....	42322	LS108B	
Detroit Diesel 6-71; W/Turbo; W/Standard Rotation...	42321	Detroit Diesel 4-71; W/O Turbo; W/Reverse Rotation	
F602B		Detroit Diesel 4-71; W/O Turbo; W/Standard Rotation	
Detroit Diesel 6V-71; "Running" Pump.....	▼44096	Detroit Diesel 4-71; W/Turbo; W/Reverse Rotation....	
Detroit Diesel 6V-71; "Standing" Pump.....	■44075	Detroit Diesel 4-71; W/Turbo; W/Standard Rotation...	
F802A; F804A		LS128DLC	
Detroit Diesel 8V-71.....	44075	Detroit Diesel 6-71N; W/O Turbo; W/Reverse Rotation	
ROADSTER D		Detroit Diesel 6-71N; W/O Turbo; W/Standard Rotation	
Detroit Diesel 4-71; W/O Turbo; W/Reverse Rotation	42344	Detroit Diesel 6-71N; W/O Turbo; W/Standard Rotation	
Detroit Diesel 4-71; W/O Turbo; W/Standard Rotation	42102	Detroit Diesel 6-71N; W/O Turbo; W/Standard Rotation	
Detroit Diesel 4-71; W/Turbo; W/Reverse Rotation....	42322	Detroit Diesel 6-71N; W/Turbo; W/Reverse Rotation	
Detroit Diesel 4-71; W/Turbo; W/Standard Rotation...	42321	Detroit Diesel 6-71N; W/Turbo; W/Standard Rotation	
TOURNAPULL C		LS2700	
Detroit Diesel 6-71; W/O Turbo; W/Reverse Rotation	42344	Isuzu 4BD1-T Diesel	
Detroit Diesel 6-71; W/O Turbo; W/Standard Rotation	42102	LS5800	
Detroit Diesel 6-71; W/Turbo; W/Reverse Rotation....	42322	Detroit Diesel 8V-71.....	
Detroit Diesel 6-71; W/Turbo; W/Standard Rotation...	42321	YC38	
TOURNATRATOR B		Detroit Diesel 4-53N; W/Clockwise Eng.....	
Detroit Diesel 6-71; W/O Turbo; W/Reverse Rotation	42344	Detroit Diesel 4-53N; W/Counterclockwise Eng.....	
Detroit Diesel 6-71; W/O Turbo; W/Standard Rotation	42102	LITTLE GIANT	
Detroit Diesel 6-71; W/Turbo; W/Reverse Rotation....	42322	C48	
Detroit Diesel 6-71; W/Turbo; W/Standard Rotation...	42321	Detroit Diesel 3-71; W/O Turbo; W/Reverse Rotation	
LINK-BELT		Detroit Diesel 3-71; W/O Turbo; W/Standard Rotation	
HC18		Detroit Diesel 3-71; W/O Turbo; W/Standard Rotation	
Detroit Diesel 8V-71.....	44075	Detroit Diesel 3-71; W/Turbo; W/Reverse Rotation....	
		Detroit Diesel 3-71; W/Turbo; W/Standard Rotation...	

- ▼ 2 Outlets at 45 Degree Angles
- 2 Outlets Pointing Straight Down

- Outlet Straight Down & Outlet at 45 Degree Angle
- * High Performance Pump

Application Guide - Road and Construction Equipment

Application	Gates No.	Application	Gates No.
LORAIN		PETTIBONE	
LC790		C200	
Detroit Diesel 6-71; W/O Turbo; W/Reverse Rotation	42344	Detroit Diesel 3-53; W/Clockwise Eng.	43310
Detroit Diesel 6-71; W/O Turbo; W/Standard Rotation	42102	Detroit Diesel 3-53; W/Counterclockwise Eng.	43309
Detroit Diesel 6-71; W/Turbo; W/Reverse Rotation....	42322	SM710	
Detroit Diesel 6-71; W/Turbo; W/Standard Rotation...	42321	Detroit Diesel 4-53; W/Clockwise Eng.	43310
Detroit Diesel 8V-71.....	44075	Detroit Diesel 4-53; W/Counterclockwise Eng.	43309
MC30H		29	
Detroit Diesel 4-71N; W/O Turbo; W/Reverse Rotation	42344	Detroit Diesel 4-53; W/Clockwise Eng.	43310
Detroit Diesel 4-71N; W/O Turbo; W/Standard Rotation	42102	Detroit Diesel 4-53; W/Counterclockwise Eng.	43309
Detroit Diesel 4-71N; W/Turbo; W/Reverse Rotation .	42322	36; 40	
Detroit Diesel 4-71N; W/Turbo; W/Standard Rotation	42321	Detroit Diesel 6V-53; W/Clockwise Eng.	43310
Detroit Diesel 6-71N; W/O Turbo; W/Reverse Rotation	42344	Detroit Diesel 6V-53; W/Counterclockwise Eng.	43309
Detroit Diesel 6-71N; W/O Turbo; W/Standard Rotation	42102	POCLAIN	
Detroit Diesel 6-71N; W/Turbo; W/Reverse Rotation .	42322	HC; HC300	
Detroit Diesel 6-71N; W/Turbo; W/Standard Rotation	42321	Detroit Diesel 8V-71.....	44075
MASSEY FERGUSON		PUMPMASTER	
MF11		4000	
Perkins 4-Cyl. 248 Diesel.....	42311	Detroit Diesel 2-53; W/Clockwise Eng.	43310
MF66		Detroit Diesel 2-53; W/Counterclockwise Eng.	43309
Detroit Diesel 6V-53N; W/Clockwise Eng.	43310	RAYGO	
Detroit Diesel 6V-53N; W/Counterclockwise Eng.	43309	GATOR	
MF300 BACKHOE		Detroit Diesel 8V-71.....	
Perkins 4-Cyl. 248 Diesel.....	42311	44075	
MULTIHOE		RASCAL 400A	
MDA		Detroit Diesel 3-53; W/Clockwise Eng.	43310
Detroit Diesel 3-53; W/Clockwise Eng.	43310	Detroit Diesel 3-53; W/Counterclockwise Eng.	43309
Detroit Diesel 3-53; W/Counterclockwise Eng.	43309	RASCAL 420B; RASCAL 600A	
P & H		Detroit Diesel 4-53; W/Clockwise Eng.	43310
H312		Detroit Diesel 4-53; W/Counterclockwise Eng.	43309
Detroit Diesel 4-53N; W/Clockwise Eng.....	43310	RUSTLER 404B	
Detroit Diesel 4-53N; W/Counterclockwise Eng.....	43309	Detroit Diesel 3-53; W/Clockwise Eng.	43310
H418		Detroit Diesel 3-53; W/Counterclockwise Eng.	43309
Detroit Diesel 6V-53N; W/Clockwise Eng.	43310	2-66 RANGER	
Detroit Diesel 6V-53N; W/Counterclockwise Eng.	43309	Detroit Diesel 4-53; W/Clockwise Eng.	43310
K935		Detroit Diesel 4-53; W/Counterclockwise Eng.	43309
Detroit Diesel 6-71; W/O Turbo; W/Reverse Rotation	42344	REX	
Detroit Diesel 6-71; W/O Turbo; W/Standard Rotation	42102	HM250; PACTOR	
Detroit Diesel 6-71; W/Turbo; W/Reverse Rotation....	42322	Detroit Diesel 8V-71.....	44075
Detroit Diesel 6-71; W/Turbo; W/Standard Rotation...	42321	TAMPO	
20-20		RP16D; RS16A	
Detroit Diesel 4-53; W/Clockwise Eng.	43310	Detroit Diesel 3-53; W/Clockwise Eng.	43310
Detroit Diesel 4-53; W/Counterclockwise Eng.	43309	Detroit Diesel 3-53; W/Counterclockwise Eng.	43309
PARSONS		RS28	
UH119		Detroit Diesel 4-53; W/Clockwise Eng.	43310
Detroit Diesel 3-53; W/Clockwise Eng.	43310	Detroit Diesel 4-53; W/Counterclockwise Eng.	43309
Detroit Diesel 3-53; W/Counterclockwise Eng.	43309	TEREX	
255L		S7	
Detroit Diesel 4-53; W/Clockwise Eng.	43310	Detroit Diesel 4-71; W/O Turbo; W/Reverse Rotation	42344
Detroit Diesel 4-53; W/Counterclockwise Eng.	43309	Detroit Diesel 4-71; W/O Turbo; W/Standard Rotation	42102
		Detroit Diesel 4-71; W/Turbo; W/Reverse Rotation....	42322
		Detroit Diesel 4-71; W/Turbo; W/Standard Rotation...	42321
		S11E	
		Detroit Diesel 4-71N; W/O Turbo; W/Reverse Rotation	42344

- ▼ 2 Outlets at 45 Degree Angles
- 2 Outlets Pointing Straight Down

- Outlet Straight Down & Outlet at 45 Degree Angle
- * High Performance Pump

Application Guide - Road and Construction Equipment

Application	Gates No.	Application	Gates No.
TEREX - Continued		TEREX - Continued	
S11E - Continued		72-31	
Detroit Diesel 4-71N; W/O Turbo; W/Standard Rotation	42102	Detroit Diesel 4-71N; W/O Turbo; W/Reverse Rotation	42344
Detroit Diesel 4-71N; W/Turbo; W/Reverse Rotation	42322	Detroit Diesel 4-71N; W/O Turbo; W/Standard Rotation	42102
Detroit Diesel 4-71N; W/Turbo; W/Standard Rotation	42321	Detroit Diesel 4-71N; W/Turbo; W/Reverse Rotation	42322
Detroit Diesel 4-71N; W/Turbo; W/Standard Rotation	42321	Detroit Diesel 4-71N; W/Turbo; W/Standard Rotation	42321
S12		72-31B	
Detroit Diesel 3-53; W/Clockwise Eng.	43310	Detroit Diesel 4-71T; W/O Turbo; W/Reverse Rotation	42344
Detroit Diesel 3-53; W/Counterclockwise Eng.	43309	Detroit Diesel 4-71T; W/O Turbo; W/Standard Rotation	42102
Detroit Diesel 6-71; W/O Turbo; W/Reverse Rotation	42344	Detroit Diesel 4-71T; W/Turbo; W/Reverse Rotation	42322
Detroit Diesel 6-71; W/O Turbo; W/Standard Rotation	42102	Detroit Diesel 4-71T; W/Turbo; W/Standard Rotation	42321
Detroit Diesel 6-71; W/Turbo; W/Reverse Rotation	42322		
Detroit Diesel 6-71; W/Turbo; W/Standard Rotation	42321		
S23E		72-40	
Detroit Diesel 8V-71T; "Running" Pump	▼44096	Detroit Diesel 6V-53N; W/Clockwise Eng.	43310
Detroit Diesel 8V-71T; "Standing" Pump	■44075	Detroit Diesel 6V-53N; W/Counterclockwise Eng.	43309
TS14		72-41	
Detroit Diesel 4-71 Twin; W/O Turbo; W/Reverse Rotation	42344	Detroit Diesel 4-71N; W/O Turbo; W/Reverse Rotation	42344
Detroit Diesel 4-71 Twin; W/O Turbo; W/Standard Rotation	42102	Detroit Diesel 4-71N; W/O Turbo; W/Standard Rotation	42102
Detroit Diesel 4-71 Twin; W/Turbo; W/Reverse Rotation	42322	Detroit Diesel 4-71N; W/Turbo; W/Reverse Rotation	42322
Detroit Diesel 4-71 Twin; W/Turbo; W/Standard Rotation	42321	Detroit Diesel 4-71N; W/Turbo; W/Standard Rotation	42321
Detroit Diesel 4-71N Twin; W/O Turbo; W/Reverse Rotation	42344		
Detroit Diesel 4-71N Twin; W/O Turbo; W/Standard Rotation	42102		
Detroit Diesel 4-71N Twin; W/Turbo; W/Reverse Rotation	42322		
Detroit Diesel 4-71N Twin; W/Turbo; W/Standard Rotation	42321		
TS14B		72-51	
Detroit Diesel 4-53; W/Clockwise Eng.	43310	Detroit Diesel 6-71N; W/O Turbo; W/Reverse Rotation	42344
Detroit Diesel 4-53; W/Counterclockwise Eng.	43309	Detroit Diesel 6-71N; W/O Turbo; W/Standard Rotation	42102
Detroit Diesel 4-71N Twin; W/O Turbo; W/Reverse Rotation	42344	Detroit Diesel 6-71N; W/Turbo; W/Reverse Rotation	42322
Detroit Diesel 4-71N Twin; W/O Turbo; W/Standard Rotation	42102	Detroit Diesel 6-71N; W/Turbo; W/Standard Rotation	42321
Detroit Diesel 4-71N Twin; W/Turbo; W/Reverse Rotation	42322		
Detroit Diesel 4-71N Twin; W/Turbo; W/Standard Rotation	42321		
TS18		72-51B	
Detroit Diesel 6V-71N; "Running" Pump	▼44096	Detroit Diesel 6V-71T; "Running" Pump	▼44096
Detroit Diesel 6V-71N; "Standing" Pump	■44075	Detroit Diesel 6V-71T; "Standing" Pump	■44075
Detroit Diesel 8V-71N; "Running" Pump	▼44096		
Detroit Diesel 8V-71N; "Standing" Pump	■44075		
TS24		72-61; 72-71	
Detroit Diesel 6-71; W/O Turbo; W/Reverse Rotation	42344	Detroit Diesel 8V-71T; "Running" Pump	▼44096
Detroit Diesel 6-71; W/O Turbo; W/Standard Rotation	42102	Detroit Diesel 8V-71T; "Standing" Pump	■44075
Detroit Diesel 6-71; W/Turbo; W/Reverse Rotation	42322		
Detroit Diesel 6-71; W/Turbo; W/Standard Rotation	42321		
TS32		82-30	
Detroit Diesel 8V-71T; "Running" Pump	▼44096	Detroit Diesel 6-71; W/O Turbo; W/Reverse Rotation	42344
Detroit Diesel 8V-71T; "Standing" Pump	■44075	Detroit Diesel 6-71; W/O Turbo; W/Standard Rotation	42102
		Detroit Diesel 6-71; W/Turbo; W/Reverse Rotation	42322
		Detroit Diesel 6-71; W/Turbo; W/Standard Rotation	42321
72-20		82-40	
Detroit Diesel 4-71; W/O Turbo; W/Reverse Rotation	42344	Detroit Diesel 8V-71N; "Running" Pump	▼44096
Detroit Diesel 4-71; W/O Turbo; W/Standard Rotation	42102	Detroit Diesel 8V-71N; "Standing" Pump	■44075
Detroit Diesel 4-71; W/Turbo; W/Reverse Rotation	42322		
Detroit Diesel 4-71; W/Turbo; W/Standard Rotation	42321		
		3305	
		Detroit Diesel 8V-71; "Running" Pump	▼44096
		Detroit Diesel 8V-71; "Standing" Pump	■44075
		Detroit Diesel 8V-71T; "Running" Pump	▼44096
		Detroit Diesel 8V-71T; "Standing" Pump	■44075
		TROJAN-YALE	
		1700; 1900	
		Detroit Diesel 4-53; W/Clockwise Eng.	43310
		Detroit Diesel 4-53; W/Counterclockwise Eng.	43309
		2000	
		Detroit Diesel 4-71; W/O Turbo; W/Reverse Rotation	42344
		Detroit Diesel 4-71; W/O Turbo; W/Standard Rotation	42102
		Detroit Diesel 4-71; W/Turbo; W/Reverse Rotation	42322
		Detroit Diesel 4-71; W/Turbo; W/Standard Rotation	42321
		Detroit Diesel 4-71N; W/O Turbo; W/Reverse Rotation	42344

▼ 2 Outlets at 45 Degree Angles
 ■ 2 Outlets Pointing Straight Down

● Outlet Straight Down & Outlet at 45 Degree Angle
 * High Performance Pump

Application Guide - Road and Construction Equipment

Application	Gates No.	Application	Gates No.
TROJAN-YALE - Continued		WABCO - Continued	
2000 - Continued		440 - Continued	
Detroit Diesel 4-71N; W/O Turbo; W/Standard Rotation	42102	Detroit Diesel 4-71; W/O Turbo; W/Standard Rotation	42102
Detroit Diesel 4-71N; W/Turbo; W/Reverse Rotation	42322	Detroit Diesel 4-71; W/Turbo; W/Reverse Rotation	42322
Detroit Diesel 4-71N; W/Turbo; W/Standard Rotation	42321	Detroit Diesel 4-71; W/Turbo; W/Standard Rotation	42321
2500; 3000		500	
Detroit Diesel 6V-71N; "Running" Pump	▼44096	Detroit Diesel 8V-71	44075
Detroit Diesel 6V-71N; "Standing" Pump	■44075	555	
4000		Detroit Diesel 6-71; W/O Turbo; W/Reverse Rotation	42344
Detroit Diesel 8V-71; "Running" Pump	▼44096	Detroit Diesel 6-71; W/O Turbo; W/Standard Rotation	42102
Detroit Diesel 8V-71; "Standing" Pump	■44075	Detroit Diesel 6-71; W/Turbo; W/Reverse Rotation	42322
Detroit Diesel 8V-71N; "Running" Pump	▼44096	Detroit Diesel 6-71; W/Turbo; W/Standard Rotation	42321
Detroit Diesel 8V-71N; "Standing" Pump	■44075	666	
UNIT CRANE & SHOVEL		Detroit Diesel 4-71; W/O Turbo; W/Reverse Rotation	42344
H202C		Detroit Diesel 4-71; W/O Turbo; W/Standard Rotation	42102
Detroit Diesel 4-71N; W/O Turbo; W/Reverse Rotation	42344	Detroit Diesel 4-71; W/Turbo; W/Reverse Rotation	42322
Detroit Diesel 4-71N; W/O Turbo; W/Standard Rotation	42102	Detroit Diesel 4-71; W/Turbo; W/Standard Rotation	42321
Detroit Diesel 4-71N; W/Turbo; W/Reverse Rotation	42322	Detroit Diesel 6-71; W/O Turbo; W/Reverse Rotation	42344
Detroit Diesel 4-71N; W/Turbo; W/Standard Rotation	42321	Detroit Diesel 6-71; W/O Turbo; W/Standard Rotation	42102
VME		Detroit Diesel 6-71; W/Turbo; W/Reverse Rotation	42322
L20		Detroit Diesel 6-71; W/Turbo; W/Standard Rotation	42321
Detroit Diesel 4-71; W/O Turbo; W/Reverse Rotation	42344	666 POWER FLOW; 666B	
Detroit Diesel 4-71; W/O Turbo; W/Standard Rotation	42102	Detroit Diesel 4-71; W/O Turbo; W/Reverse Rotation	42344
Detroit Diesel 4-71; W/Turbo; W/Reverse Rotation	42322	Detroit Diesel 4-71; W/O Turbo; W/Standard Rotation	42102
Detroit Diesel 4-71; W/Turbo; W/Standard Rotation	42321	Detroit Diesel 4-71; W/Turbo; W/Reverse Rotation	42322
L30		Detroit Diesel 4-71; W/Turbo; W/Standard Rotation	42321
Detroit Diesel 6V-53; W/Clockwise Eng.	43310	777; 777 POWER FLOW	
Detroit Diesel 6V-53; W/Counterclockwise Eng.	43309	Detroit Diesel 6-71; W/O Turbo; W/Reverse Rotation	42344
VOLVO		Detroit Diesel 6-71; W/O Turbo; W/Standard Rotation	42102
180 I; 180 II		Detroit Diesel 6-71; W/Turbo; W/Reverse Rotation	42322
Detroit Diesel 6V-53; W/Clockwise Eng.	43310	Detroit Diesel 6-71; W/Turbo; W/Standard Rotation	42321
Detroit Diesel 6V-53; W/Counterclockwise Eng.	43309	777B	
280 I; 280 II; 280 III; 280 ARTICULATED		Detroit Diesel 6-71N; W/O Turbo; W/Reverse Rotation	42344
Detroit Diesel 8V-71N; "Running" Pump	▼44096	Detroit Diesel 6-71N; W/O Turbo; W/Standard Rotation	42102
Detroit Diesel 8V-71N; "Standing" Pump	■44075	Detroit Diesel 6-71N; W/Turbo; W/Reverse Rotation	42322
WABCO		Detroit Diesel 6-71N; W/Turbo; W/Standard Rotation	42321
C		WARNER & SWASEY	
Detroit Diesel 8V-71	44075	G660	
222G; 229G		Detroit Diesel 4-53; W/Clockwise Eng.	43310
Detroit Diesel 8V-71T; "Running" Pump	▼44096	Detroit Diesel 4-53; W/Counterclockwise Eng.	43309
Detroit Diesel 8V-71T; "Standing" Pump	■44075	H550	
300		Detroit Diesel 4-71N; W/O Turbo; W/Reverse Rotation	42344
Detroit Diesel 6V-53; W/Clockwise Eng.	43310	Detroit Diesel 4-71N; W/O Turbo; W/Standard Rotation	42102
Detroit Diesel 6V-53; W/Counterclockwise Eng.	43309	Detroit Diesel 4-71N; W/Turbo; W/Reverse Rotation	42322
330H		Detroit Diesel 4-71N; W/Turbo; W/Standard Rotation	42321
Detroit Diesel 3-71; W/O Turbo; W/Reverse Rotation	42344	H900A	
Detroit Diesel 3-71; W/O Turbo; W/Standard Rotation	42102	Detroit Diesel 8V-71N; "Running" Pump	▼44096
Detroit Diesel 3-71; W/Turbo; W/Reverse Rotation	42322	Detroit Diesel 8V-71N; "Standing" Pump	■44075
Detroit Diesel 3-71; W/Turbo; W/Standard Rotation	42321	HT4418	
400		Detroit Diesel 4-53; W/Clockwise Eng.	43310
Detroit Diesel 6V-71; "Running" Pump	▼44096	Detroit Diesel 4-53; W/Counterclockwise Eng.	43309
Detroit Diesel 6V-71; "Standing" Pump	■44075	300 HYDRO-CRUISER; 300 HYDRO-SCOPIC	
440		Detroit Diesel 3-53N; W/Clockwise Eng.	43310
Detroit Diesel 4-71; W/O Turbo; W/Reverse Rotation	42344	Detroit Diesel 3-53N; W/Counterclockwise Eng.	43309

▼ 2 Outlets at 45 Degree Angles
 ■ 2 Outlets Pointing Straight Down

● Outlet Straight Down & Outlet at 45 Degree Angle
 * High Performance Pump

Application Guide - Lift and Industrial Equipment

Application	Gates No.	Application	Gates No.
AUTOMATIC TRANSPORTATION		HYSTER - Continued	
GLF30; GLF40; GLF50; GLF60; GLF70; GLF80; GLF100; GLFP30; GLFP40; GLFP50; GLFP60; GLFP70; GLFP80; GMF150; GMF160; GMF180; GMF200 Continental F162 43223		H300A - Continued	
CATERPILLAR		Perkins 6-Cyl. 354; W/4-Bolt Pulley 43243	
V100; V120; V140; V160; V160B; V160E; V180; V180B; V180E; V200; V200B; V200ES; V225B; V250B; V300; V300B; V330B Caterpillar 3208 Diesel; W/Non-Threaded Pulley 43233 Caterpillar 3208 Diesel; W/O Pulley 42351 Caterpillar 3208 Diesel; W/Theaded Pulley 43059		Perkins 6-Cyl. 354; W/6-Bolt Pulley 43244	
CLARK		Perkins 6-Cyl. 354; W/High Airflow Pulley 43245	
CLARKLIFT CFY20B; CLARKLIFT CFY25B		Perkins 6-Cyl. 354; W/Low Position Pump 44069	
Continental F162 43223		H330; H350B	
GCS20; GPS30		Perkins 6-Cyl. 354 Diesel; W/4-Bolt Pulley 43243	
Mitsubishi 4G54 42153		Perkins 6-Cyl. 354 Diesel; W/6-Bolt Pulley 43244	
H30; H50; 355		Perkins 6-Cyl. 354 Diesel; W/High Airflow Pulley 43245	
Continental F162 43223		Perkins 6-Cyl. 354 Diesel; W/Low Position Pump 44069	
GERLINGER		P40A; P50A	
B15; B16; B17; B18; B19; B20; B21; B22; B23; B24		Detroit Diesel 4-53; W/Clockwise Eng. 43310	
Detroit Diesel 2-53; W/Clockwise Eng. 43310		Detroit Diesel 4-53; W/Clockwise Eng. 43310	
Detroit Diesel 2-53; W/Counterclockwise Eng. 43309		Detroit Diesel 4-53; W/Counterclockwise Eng. 43309	
Detroit Diesel 3-53; W/Clockwise Eng. 43310		P125A; P150A	
Detroit Diesel 3-53; W/Counterclockwise Eng. 43309		Perkins 6-Cyl. 354; W/4-Bolt Pulley 43243	
Detroit Diesel 4-53; W/Clockwise Eng. 43310		Perkins 6-Cyl. 354; W/6-Bolt Pulley 43244	
Detroit Diesel 4-53; W/Counterclockwise Eng. 43309		Perkins 6-Cyl. 354; W/High Airflow Pulley 43245	
HYSTER		Perkins 6-Cyl. 354; W/Low Position Pump 44069	
H50H		P150B	
Detroit Diesel 4-53N; W/Clockwise Eng. 43310		Detroit Diesel 4-53N; W/Clockwise Eng. 43310	
Detroit Diesel 4-53N; W/Counterclockwise Eng. 43309		Detroit Diesel 4-53N; W/Counterclockwise Eng. 43309	
Perkins 6-Cyl. 354 Diesel; W/4-Bolt Pulley 43243		P165A; P180A	
Perkins 6-Cyl. 354 Diesel; W/6-Bolt Pulley 43244		Perkins 6-Cyl. 354; W/4-Bolt Pulley 43243	
Perkins 6-Cyl. 354 Diesel; W/High Airflow Pulley 43245		Perkins 6-Cyl. 354; W/6-Bolt Pulley 43244	
Perkins 6-Cyl. 354 Diesel; W/Low Position Pump 44069		Perkins 6-Cyl. 354; W/High Airflow Pulley 43245	
H150E; H165E; H180E; H200E; H200ES; H225E; H225ES; H250A; H250E		Perkins 6-Cyl. 354; W/Low Position Pump 44069	
Perkins 6-Cyl. 354; W/4-Bolt Pulley 43243		P200B	
Perkins 6-Cyl. 354; W/6-Bolt Pulley 43244		Detroit Diesel 4-53N; W/Clockwise Eng. 43310	
Perkins 6-Cyl. 354; W/High Airflow Pulley 43245		Detroit Diesel 4-53N; W/Counterclockwise Eng. 43309	
Perkins 6-Cyl. 354; W/Low Position Pump 44069		KOMATSU	
H275H		FG15; FG20; FG25	
Detroit Diesel 4-53N; W/Clockwise Eng. 43310		Nissan H20141DA Diesel 42324	
Detroit Diesel 4-53N; W/Counterclockwise Eng. 43309		NISSAN	
Perkins 6-Cyl. 354 Diesel; W/4-Bolt Pulley 43243		QF01; QF02	
Perkins 6-Cyl. 354 Diesel; W/6-Bolt Pulley 43244		Nissan SD22 Diesel 43299	
Perkins 6-Cyl. 354 Diesel; W/High Airflow Pulley 43245		OTTAWA	
Perkins 6-Cyl. 354 Diesel; W/Low Position Pump 44069		COMMANDO 30; COMMANDO 30A; COMMANDO 50	
H300		Cummins V-8 210 Diesel 44093	
Perkins 6-Cyl. 354 Diesel; W/4-Bolt Pulley 43243		YT30	
Perkins 6-Cyl. 354 Diesel; W/6-Bolt Pulley 43244		Cummins B Series 5.9 Diesel 41177	
Perkins 6-Cyl. 354 Diesel; W/High Airflow Pulley 43245		YT50	
Perkins 6-Cyl. 354 Diesel; W/Low Position Pump 44069		Caterpillar 3208 Diesel; W/Non-Threaded Pulley 43233	
H300A		Caterpillar 3208 Diesel; W/O Pulley 42351	
Detroit Diesel 4-53N; W/Clockwise Eng. 43310		Caterpillar 3208 Diesel; W/Theaded Pulley 43059	
Detroit Diesel 4-53N; W/Counterclockwise Eng. 43309		Cummins B Series 5.9 Diesel 41177	
1-STEP-30		Detroit Diesel V-8 8.2; W/Heater Outlet 46001	
Cummins V-8 210 Diesel 44093		YTT60T	
PETTIBONE		Cummins B Series 5.9 Diesel 41177	
CARY-LIFT 204D		1-STEP-30	
Detroit Diesel 6V-53; W/Clockwise Eng. 43310		Cummins V-8 210 Diesel 44093	
Detroit Diesel 6V-53; W/Counterclockwise Eng. 43309		PETTIBONE	
		CARY-LIFT 204D	
		Detroit Diesel 6V-53; W/Clockwise Eng. 43310	
		Detroit Diesel 6V-53; W/Counterclockwise Eng. 43309	

- ▼ 2 Outlets at 45 Degree Angles
- 2 Outlets Pointing Straight Down

- Outlet Straight Down & Outlet at 45 Degree Angle
- * High Performance Pump

Application Guide - Lift and Industrial Equipment

Application	Gates No.	Application	Gates No.
PETTIBONE - Continued		TCI	
CARY-LIFT SUPER 10; CARY-LIFT SUPER 15		D4P60	
Detroit Diesel 3-71; W/O Turbo; W/Reverse Rotation	42344	Detroit Diesel 4-53; W/Clockwise Eng.	43310
Detroit Diesel 3-71; W/O Turbo; W/Standard Rotation	42102	Detroit Diesel 4-53; W/Counterclockwise Eng.	43309
Detroit Diesel 3-71; W/Turbo; W/Reverse Rotation...	42322	TCM-TOYO	
Detroit Diesel 3-71; W/Turbo; W/Standard Rotation...	42321	FG15	
CARY-LIFT SUPER 20; CARY-LIFT SUPER 30		FG30M; FG30ZU	
Detroit Diesel 4-71; W/O Turbo; W/Reverse Rotation	42344	Isuzu G201	42116
Detroit Diesel 4-71; W/O Turbo; W/Standard Rotation	42102	SG10N	
Detroit Diesel 4-71; W/Turbo; W/Reverse Rotation...	42322	Nissan H20 Diesel	42324
Detroit Diesel 4-71; W/Turbo; W/Standard Rotation...	42321	TECO-CRAB	
CARY-LIFT SUPER 40; CARY-LIFT SUPER 60		8000-42	
Cummins NH220 Diesel.....	43229	Detroit Diesel 3-53; W/Clockwise Eng.	43310
8-33		Detroit Diesel 3-53; W/Counterclockwise Eng.	43309
Detroit Diesel 4-53; W/Clockwise Eng.	43310	TOWMOTOR	
Detroit Diesel 4-53; W/Counterclockwise Eng.	43309	A15; A16; A18; A20; A22; A24; B15; B16; B18; B20; B22; B24; B25	
TAYLOR		Detroit Diesel 4-53; W/Clockwise Eng.	43310
Y20WO		Detroit Diesel 4-53; W/Counterclockwise Eng.	43309
Detroit Diesel 4-53; W/Clockwise Eng.	43310	YALE	
Detroit Diesel 4-53; W/Counterclockwise Eng.	43309	GP-AF; GP-RG	
		Yale FE.....	42127
		GP-TG	
		Yale F2.....	42127

▼ 2 Outlets at 45 Degree Angles
 ■ 2 Outlets Pointing Straight Down

● Outlet Straight Down & Outlet at 45 Degree Angle
 * High Performance Pump

Application Guide - Tractors and Farm Equipment

Application	Year	Gates No.	Application	Year	Gates No.
ALLIS-CHALMERS			FIELD QUEEN		
HD5			FQ; FQS		
GM 2-Cyl. 142 Diesel; W/Reverse Rotation.....	1955-1946	42344	Caterpillar 3208 Diesel; W/Non-Threaded Pulley.....	1975-1973	43233
GM 2-Cyl. 142 Diesel; W/Standard Rotation.....	1955-1946	42102	Caterpillar 3208 Diesel; W/O Pulley	1975-1973	42351
HD7			Caterpillar 3208 Diesel; W/Theaded Pulley.....	1975-1973	43059
GM 3-Cyl. 213 Diesel; W/Reverse Rotation.....	1950-1940	42344	FQSD		
GM 3-Cyl. 213 Diesel; W/Standard Rotation.....	1950-1940	42102	Detroit Diesel 6-71; W/O Turbo; W/Reverse Rotation.....	1975-1973	42344
CASE			Detroit Diesel 6-71; W/O Turbo; W/Standard Rotation.....	1975-1973	42102
150			Detroit Diesel 6-71; W/Turbo; W/Reverse Rotation.....	1975-1973	42322
Case 400.....	1958-1956	44067	Detroit Diesel 6-71; W/Turbo; W/Standard Rotation.....	1975-1973	42321
310			1412		
Case 4-Cyl. 188 Diesel	1963-1958	42320	Caterpillar 3208 Diesel; W/Non-Threaded Pulley.....	1975-1973	43233
430			Caterpillar 3208 Diesel; W/O Pulley	1975-1973	42351
Case 4-Cyl. 188 Diesel	1969-1960	42320	Caterpillar 3208 Diesel; W/Theaded Pulley.....	1975-1973	43059
450			FORD		
Case 4-Cyl. 188 Diesel	1979-1965	42320	501		
480B INDUSTRIAL			Ford 4-Cyl. 134.....	1962-1958	42556
Case 4-Cyl. 188 Diesel	1975-1966	42320	Ford 4-Cyl. 144 Diesel	1962	42556
530; 540			600		
Case 4-Cyl. 159.....	1969-1960	44067	Ford 4-Cyl. 134.....	1956-1955	42556
Case 4-Cyl. 188 Diesel	1969-1960	42320	601		
EUCLID			Ford 4-Cyl. 134.....	1962-1957	42556
C6-1; C6-2; C6-3; C6-4; C6-5			Ford 4-Cyl. 144 Diesel	1962-1957	42556
Detroit Diesel 6-71; W/O Turbo; W/Reverse Rotation.....	1963-1959	42344	611		
Detroit Diesel 6-71; W/O Turbo; W/Standard Rotation.....	1963-1959	42102	Ford 4-Cyl. 134.....	1962-1957	42556
Detroit Diesel 6-71; W/Turbo; W/Reverse Rotation.....	1963-1959	42322	Ford 4-Cyl. 134 LPG	1962-1957	42556
Detroit Diesel 6-71; W/Turbo; W/Standard Rotation.....	1963-1959	42321	Ford 4-Cyl. 144 Diesel	1962-1957	42556
82-40			620		
Detroit Diesel 8V-71N; "Running" Pump..	1968-1966	▼ 44096	Ford 4-Cyl. 134.....	1957-1955	42556
Detroit Diesel 8V-71N; "Standing" Pump.	1968-1966	■ 44075	Ford 4-Cyl. 134 LPG	1957-1955	42556
FARMHAND			621		
F600			Ford 4-Cyl. 134.....	1962-1959	42556
Detroit Diesel 6-71; W/O Turbo; W/Reverse Rotation.....	1991	42344	Ford 4-Cyl. 134 LPG	1962-1959	42556
Detroit Diesel 6-71; W/O Turbo; W/Standard Rotation.....	1991	42102	Ford 4-Cyl. 144 Diesel	1962-1959	42556
Detroit Diesel 6-71; W/Turbo; W/Reverse Rotation.....	1991	42322	630		
Detroit Diesel 6-71; W/Turbo; W/Standard Rotation.....	1991	42321	Ford 4-Cyl. 134.....	1957-1955	42556
FERGUSON			Ford 4-Cyl. 134 LPG	1957-1955	42556
TE20			631		
Continental 4-Cyl. 120.....	1951-1948	41170	Ford 4-Cyl. 134.....	1962-1959	42556
TO20			Ford 4-Cyl. 134 LPG	1962-1959	42556
Continental 4-Cyl. 120.....	1951-1947	41170	Ford 4-Cyl. 144 Diesel	1962-1959	42556
TO30			640		
Continental 4-Cyl. 129.....	1954-1951	41170	Ford 4-Cyl. 134.....	1957-1955	42556
			Ford 4-Cyl. 134 LPG	1957-1955	42556

▼ 2 Outlets at 45 Degree Angles
 ■ 2 Outlets Pointing Straight Down

● Outlet Straight Down & Outlet at 45 Degree Angle
 * High Performance Pump

Application Guide - Tractors and Farm Equipment

Application	Year	Gates No.	Application	Year	Gates No.
FORD - Continued			FORD - Continued		
651			860		
Ford 4-Cyl. 134.....	1962-1957	42556	Ford 4-Cyl. 172.....	1957-1955	42556
Ford 4-Cyl. 134 LPG.....	1962-1957	42556	Ford 4-Cyl. 172 LPG.....	1957-1955	42556
Ford 4-Cyl. 144 Diesel.....	1962-1957	42556	861; 871; 881		
660			Ford 4-Cyl. 172.....	1962-1957	42556
Ford 4-Cyl. 134.....	1957-1955	42556	Ford 4-Cyl. 172 Diesel.....	1962-1957	42556
Ford 4-Cyl. 134 LPG.....	1957-1955	42556	Ford 4-Cyl. 172 LPG.....	1962-1957	42556
661; 671; 681			900		
Ford 4-Cyl. 134.....	1962-1957	42556	Ford 4-Cyl. 172.....	1956-1955	42556
Ford 4-Cyl. 134 LPG.....	1962-1957	42556	901		
Ford 4-Cyl. 144 Diesel.....	1962-1957	42556	Ford 4-Cyl. 172.....	1962-1957	42556
700			Ford 4-Cyl. 172 Diesel.....	1962-1957	42556
Ford 4-Cyl. 134.....	1956-1955	42556	941		
701			Ford 4-Cyl. 172.....	1962-1957	42556
Ford 4-Cyl. 134.....	1962-1957	42556	Ford 4-Cyl. 172 Diesel.....	1962-1957	42556
Ford 4-Cyl. 144 Diesel.....	1962-1957	42556	Ford 4-Cyl. 172 LPG.....	1962-1957	42556
740			950		
Ford 4-Cyl. 134.....	1957-1955	42556	Ford 4-Cyl. 172.....	1957-1955	42556
Ford 4-Cyl. 134 LPG.....	1957-1955	42556	Ford 4-Cyl. 172 LPG.....	1957-1955	42556
741; 771			951		
Ford 4-Cyl. 134.....	1962-1957	42556	Ford 4-Cyl. 172.....	1962-1957	42556
Ford 4-Cyl. 134 LPG.....	1962-1957	42556	Ford 4-Cyl. 172 Diesel.....	1962-1957	42556
Ford 4-Cyl. 144 Diesel.....	1962-1957	42556	Ford 4-Cyl. 172 LPG.....	1962-1957	42556
800			960		
Ford 4-Cyl. 172.....	1956-1955	42556	Ford 4-Cyl. 172.....	1957-1955	42556
Ford 4-Cyl. 172 Diesel.....	1956-1955	42556	Ford 4-Cyl. 172 LPG.....	1957-1955	42556
801			961; 971; 981		
Ford 4-Cyl. 172.....	1962-1957	42556	Ford 4-Cyl. 172.....	1962-1957	42556
Ford 4-Cyl. 172 Diesel.....	1962-1958	42556	Ford 4-Cyl. 172 Diesel.....	1962-1957	42556
811			Ford 4-Cyl. 172 LPG.....	1962-1957	42556
Ford 4-Cyl. 172.....	1962-1957	42556	2000		
Ford 4-Cyl. 172 Diesel.....	1962-1957	42556	Ford 3-Cyl. 158; W/Small Impeller.....	1970-1965	43073
Ford 4-Cyl. 172 LPG.....	1962-1957	42556	Ford 3-Cyl. 158 Diesel; W/1-Groove Pulley.....	1975-1962	43042
820			Ford 3-Cyl. 158 Diesel; W/Small Impeller.....	1970-1965	43073
Ford 4-Cyl. 172.....	1957-1955	42556	2100		
Ford 4-Cyl. 172 LPG.....	1957-1955	42556	Ford 3-Cyl. 158; W/1-Groove Pulley.....	1975-1967	43042
821			Ford 3-Cyl. 158 Diesel; W/1-Groove Pulley.....	1975-1967	43042
Ford 4-Cyl. 172.....	1962-1957	42556	2310		
Ford 4-Cyl. 172 Diesel.....	1962-1957	42556	Ford 3-Cyl. 158 Diesel; W/1-Groove Pulley.....	1985-1982	43042
Ford 4-Cyl. 172 LPG.....	1962-1957	42556	3000		
840			Ford 3-Cyl. 158; W/1-Groove Pulley.....	1976-1965	43042
Ford 4-Cyl. 172.....	1957-1955	42556	Ford 3-Cyl. 158; W/Small Impeller.....	1970-1965	43073
Ford 4-Cyl. 172 LPG.....	1957-1955	42556	Ford 3-Cyl. 175 Diesel; W/1-Groove Pulley.....	1976-1965	43042
841			Ford 3-Cyl. 175 Diesel; W/Small Impeller.....	1970-1965	43073
Ford 4-Cyl. 172.....	1962-1957	42556	3100		
Ford 4-Cyl. 172 Diesel.....	1962-1957	42556	Ford 3-Cyl. 158; W/1-Groove Pulley.....	1975-1966	43042
Ford 4-Cyl. 172 LPG.....	1962-1957	42556	Ford 3-Cyl. 175 Diesel; W/1-Groove Pulley.....	1975-1966	43042
850			3300		
Ford 4-Cyl. 172.....	1957-1955	42556	Ford 3-Cyl. 175 Diesel; W/1-Groove Pulley.....	1975-1968	43042
Ford 4-Cyl. 172 LPG.....	1957-1955	42556			
851					
Ford 4-Cyl. 172.....	1962-1957	42556			
Ford 4-Cyl. 172 Diesel.....	1962-1957	42556			
Ford 4-Cyl. 172 LPG.....	1962-1957	42556			

- ▼ 2 Outlets at 45 Degree Angles
- 2 Outlets Pointing Straight Down

- Outlet Straight Down & Outlet at 45 Degree Angle
- * High Performance Pump

Application Guide - Tractors and Farm Equipment

Application	Year	Gates No.	Application	Year	Gates No.
FORD - Continued			FOX RIVER		
3330			FA		
Ford 3-Cyl. 158; W/1-Groove Pulley.....	1975-1968	43042	Detroit Diesel 4-53; W/Clockwise Eng.	1968-1959	43310
4000			Detroit Diesel 4-53; W/Counterclockwise Eng.		
Ford 3-Cyl. 201; W/1-Groove Pulley.....	1975-1965	43042	Eng.	1968-1959	43309
Ford 3-Cyl. 201 Diesel; W/1-Groove Pulley.....	1975-1965	43042	MAX I		
4100			Detroit Diesel 6V-53; W/Clockwise Eng...		
Ford 3-Cyl. 183; W/1-Groove Pulley.....	1981-1976	43042	Detroit Diesel 6V-53;	1973-1972	43310
Ford 3-Cyl. 183 Diesel; W/1-Groove Pulley.....	1981-1976	43042	W/Counterclockwise Eng.	1973-1972	43309
4400			MAX II		
Ford 3-Cyl. 192; W/1-Groove Pulley.....	1974-1968	43042	Detroit Diesel 6V-71; "Running" Pump ...		
5000			Detroit Diesel 6V-71; "Standing" Pump ...		
Ford 4-Cyl. 233; W/1-Groove Pulley.....	1967-1962	43042	Eng.	1976-1973	▼ 44096
Ford 4-Cyl. 233 Diesel; W/1-Groove Pulley.....	1967-1962	43042	Eng.	1976-1973	■ 44075
Ford 4-Cyl. 256; W/1-Groove Pulley.....	1975-1968	43042	SUPER D		
Ford 4-Cyl. 256 Diesel; W/1-Groove Pulley.....	1975-1968	43042	Detroit Diesel 4-53; W/Clockwise Eng.		
5100			Detroit Diesel 4-53; W/Counterclockwise Eng.		
Ford 4-Cyl. 256; W/1-Groove Pulley.....	1976-1965	43042	Eng.	1973-1972	43309
6600			GLEANER		
Ford 4-Cyl. 256; W/1-Groove Pulley.....	1981-1975	43042	100SP		
Ford 4-Cyl. 256 Diesel; W/1-Groove Pulley.....	1981-1975	43042	West Allis 4-Cyl. 226.....		
7000			1957-1952		
Ford 4-Cyl. 256 Diesel; W/1-Groove Pulley.....	1975-1971	43042	INTERNATIONAL HARVESTER		
7100; 7200			TD12		
Ford 4-Cyl. 256 Diesel; W/1-Groove Pulley.....	1975-1973	43042	IH 6-Cyl. 466 Diesel		
7400 FC1			1994-1981		
Ford 4-Cyl. 256 Diesel; W/1-Groove Pulley.....	1976-1975	43042	TD15C		
7700			IH DT466B Diesel.....		
Ford 4-Cyl. 255 Diesel; W/1-Groove Pulley.....	1983-1976	43042	1990-1972		
Ford 4-Cyl. 268 Diesel; W/1-Groove Pulley.....	1983-1976	43042	95		
FORD-NEW HOLLAND			IH D310 Diesel		
3230			1974		
Ford 3-Cyl. 192 Diesel; W/1-Groove Pulley.....	1994-1990	43042	100 HYDRO		
5610			IH 6-Cyl. 436 Diesel		
Ford 4-Cyl. 256 Diesel; W/1-Groove Pulley.....	1993-1982	43042	1976-1973		
6530			186 HYDRO		
Fiat 4-Cyl. 238 Diesel; W/1-Groove Pulley.....	1997-1992	43042	IH 6-Cyl. 436 Diesel		
6610			1981-1976		
Ford 4-Cyl. 268 Diesel; W/1-Groove Pulley.....	1993-1981	43042	303		
			IH BD220		
			1968-1965		
			402		
			IH D282 Diesel		
			1971-1966		
			616; 622		
			IH D310 Diesel		
			1968-1967		
			782		
			IH D358 Diesel		
			1978		
			815		
			IH 6-Cyl. 414 Diesel		
			1981-1968		
			915		
			IH 6-Cyl. 414 Diesel		
			1981-1969		
			966; 966 FARMALL		
			IH 6-Cyl. 414 Diesel		
			1976-1971		
			986		
			IH 6-Cyl. 436 Diesel		
			1981-1976		
			1066; 1066 FARMALL		
			IH 6-Cyl. 414 Diesel		
			1976-1971		
			1086		
			IH 6-Cyl. 414 Diesel		
			1981-1976		

▼ 2 Outlets at 45 Degree Angles
 ■ 2 Outlets Pointing Straight Down

● Outlet Straight Down & Outlet at 45 Degree Angle
 * High Performance Pump

Application Guide - Tractors and Farm Equipment

Application	Year	Gates No.	Application	Year	Gates No.
INTERNATIONAL HARVESTER - Continued			MASSEY FERGUSON - Continued		
1420			150		
IH 6-Cyl. 358 Diesel	1986-1981	42551	Continental 4-Cyl. 145	1975-1964	43227
1440			Perkins 3-Cyl. 153 Diesel.....	1975-1964	43232
IH 6-Cyl. 436 Diesel	1986-1977	42550	275		
1460			Perkins 4-Cyl. 248 Diesel.....	1983-1975	42311
IH 6-Cyl. 436 Diesel	1986-1977	44101	283 SPECIAL		
1466; 1466 FARMALL			Perkins 4-Cyl. 248 Diesel.....	1998-1985	42311
IH 6-Cyl. 436 Diesel	1976-1971	44101	290		
1486			Perkins 4-Cyl. 248 Diesel.....	1986-1983	42311
IH 6-Cyl. 436 Diesel	1981-1976	44101	294		
1566			Perkins 4-Cyl. 248 Diesel.....	1989-1982	42311
IH 6-Cyl. 436 Diesel	1976-1973	44101	383		
1568			Perkins 4-Cyl. 248 Diesel.....	1998-1986	42311
IH V-8 550 Diesel.....	1976-1973	44101	390		
3388			Perkins 4-Cyl. 248 Diesel.....	1998-1987	42311
IH 6-Cyl. 436 Diesel	1981-1978	44101	394		
3488			Perkins 4-Cyl. 248 Diesel.....	1999-1989	42311
IH 6-Cyl. 466 Diesel	1985-1981	43322	410SP		
3588			Chevrolet 6-Cyl. 292; W/13/16" Dia. Bearings	1972-1964	42104
IH 6-Cyl. 466 Diesel	1981-1978	43322	Chevrolet 6-Cyl. 292; W/O 13/16" Dia. Bearings	1972-1964	43283
3688			510SP		
IH 6-Cyl. 436 Diesel	1985-1982	42550	Chevrolet V-8 350.....	1978-1975	43106
3788			690		
IH 6-Cyl. 466 Diesel	1981-1980	43322	Perkins 4-Cyl. 248 Diesel.....	1986-1983	42311
4166			2135 TURF; 2135 UTILITY		
IH 6-Cyl. 436 Diesel	1976-1972	44101	Perkins 3-Cyl. 153 Diesel.....	1968-1964	43232
4366			3060		
IH 6-Cyl. 466 Diesel	1976-1973	43322	Perkins 4-Cyl. 248 Diesel.....	1993-1987	42311
4386			4235		
IH 6-Cyl. 466 Diesel	1981-1976	43322	Perkins 4-Cyl. 248 Diesel.....	2001-1997	42311
5088			NEW HOLLAND		
IH 6-Cyl. 436 Diesel	1985-1981	44101	TR75; TR85		
5288; 5488			Caterpillar 3208 Diesel; W/Non-Threaded Pulley.....	1985-1980	43233
IH 6-Cyl. 466 Diesel	1985-1981	43322	Caterpillar 3208 Diesel; W/O Pulley	1985-1980	42351
6388			Caterpillar 3208 Diesel; W/Theaded Pul- ley.....	1985-1980	43059
IH 6-Cyl. 436 Diesel	1985-1981	44101	TR95		
6588; 6788			Caterpillar 3208 Diesel; W/Non-Threaded Pulley.....	1985-1979	43233
IH 6-Cyl. 466 Diesel	1985-1981	43322	Caterpillar 3208 Diesel; W/O Pulley	1985-1979	42351
7288; 7488			Caterpillar 3208 Diesel; W/Theaded Pul- ley.....	1985-1979	43059
IH 6-Cyl. 466 Diesel	1985	43322	1880		
JOHN DEERE			Caterpillar 3208 Diesel; W/Non-Threaded Pulley.....	1975-1968	43233
6950			Caterpillar 3208 Diesel; W/O Pulley	1975-1968	42351
Cummins N14 Diesel.....	2004	44052	Caterpillar 3208 Diesel; W/Theaded Pul- ley.....	1975-1968	43059
MASSEY FERGUSON			1890		
MF300			Caterpillar 3208 Diesel; W/Non-Threaded Pulley.....	1978-1976	43233
Perkins 4-Cyl. 248 Diesel.....	1977-1969	42311	Caterpillar 3208 Diesel; W/O Pulley	1978-1976	42351
135			Caterpillar 3208 Diesel; W/Theaded Pul- ley.....	1978-1976	43059
Continental 4-Cyl. 145	1975-1964	43227			
Perkins 3-Cyl. 152 Diesel.....	1975-1964	43232			

- ▼ 2 Outlets at 45 Degree Angles
- 2 Outlets Pointing Straight Down

- Outlet Straight Down & Outlet at 45 Degree Angle
- * High Performance Pump

Application Guide - Tractors and Farm Equipment

Application	Year	Gates No.	Application	Year	Gates No.
OLIVER			WHITE		
2255			2-180		
Caterpillar 3208 Diesel; W/Non-Threaded Pulley.....	1976-1972	43233	Caterpillar 3208 Diesel; W/Non-Threaded Pulley.....	1982-1977	43233
Caterpillar 3208 Diesel; W/O Pulley	1976-1972	42351	Caterpillar 3208 Diesel; W/O Pulley	1982-1977	42351
Caterpillar 3208 Diesel; W/Theaded Pulley.....	1976-1972	43059	Caterpillar 3208 Diesel; W/Theaded Pulley.....	1982-1977	43059
STEIGER			4-150		
BEARCAT I			Caterpillar 3208 Diesel; W/Non-Threaded Pulley.....		
Caterpillar 3208 Diesel; W/Non-Threaded Pulley.....	1974-1970	43233	Caterpillar 3208 Diesel; W/O Pulley	1978-1974	42351
Caterpillar 3208 Diesel; W/O Pulley	1974-1970	42351	Caterpillar 3208 Diesel; W/Theaded Pulley.....	1978-1974	43059
Caterpillar 3208 Diesel; W/Theaded Pulley.....	1974-1970	43059	4-180		
BEARCAT II			Caterpillar 3208 Diesel; W/Non-Threaded Pulley.....		
Caterpillar 3208 Diesel; W/Non-Threaded Pulley.....	1975-1974	43233	Caterpillar 3208 Diesel; W/O Pulley	1978-1975	42351
Caterpillar 3208 Diesel; W/O Pulley	1975-1974	42351	Caterpillar 3208 Diesel; W/Theaded Pulley.....	1978-1975	43059
Caterpillar 3208 Diesel; W/Theaded Pulley.....	1975-1974	43059	4-210		
WILDCAT III RC210			Caterpillar 3208 Diesel; W/Non-Threaded Pulley.....		
Caterpillar 3208 Diesel; W/Non-Threaded Pulley.....	1977-1976	43233	Caterpillar 3208 Diesel; W/O Pulley	1982-1978	42351
Caterpillar 3208 Diesel; W/O Pulley	1977-1976	42351	Caterpillar 3208 Diesel; W/Theaded Pulley.....	1982-1978	43059
Caterpillar 3208 Diesel; W/Theaded Pulley.....	1977-1976	43059	4-225		
WILDCAT III ST210			Caterpillar 3208 Diesel; W/Non-Threaded Pulley.....		
Caterpillar 3208 Diesel; W/Non-Threaded Pulley.....	1980-1976	43233	Caterpillar 3208 Diesel; W/O Pulley	1987-1983	42351
Caterpillar 3208 Diesel; W/O Pulley	1980-1976	42351	Caterpillar 3208 Diesel; W/Theaded Pulley.....	1987-1983	43059
Caterpillar 3208 Diesel; W/Theaded Pulley.....	1980-1976	43059			

- ▼ 2 Outlets at 45 Degree Angles
- 2 Outlets Pointing Straight Down

- Outlet Straight Down & Outlet at 45 Degree Angle
- * High Performance Pump

Application Guide - Marine Engines

Application	Gates No.	Application	Gates No.
CATERPILLAR		GRAY MARINE	
3208; 3208TA		64-HN9	
Caterpillar 3208 Diesel; W/Non-Threaded Pulley	43233	Detroit Diesel 6-71; W/O Turbo; W/Reverse Rotation	42344
Caterpillar 3208 Diesel; W/O Pulley.....	42351	Detroit Diesel 6-71; W/O Turbo; W/Standard Rotation	42102
Caterpillar 3208 Diesel; W/Theaded Pulley	43059	Detroit Diesel 6-71; W/Turbo; W/Reverse Rotation....	42322
CHRIS-CRAFT		Detroit Diesel 6-71; W/Turbo; W/Standard Rotation...	
305GLV; 305K		MERCRUISER	
Chris-Craft V-8 305.....	43130	BLACK HAWK	
CHRYSLER		Mercruiser V-8 454	
M80; M80A		44034	
Chrysler V-8 318.....	43039	BLACK SCORPION	
M273		Mercruiser V-8 350	
Chrysler V-8 273.....	43039	43130	
M318A; M318B; M318C		HP425	
Chrysler V-8 318.....	43039	Mercruiser V-8 454	
155		44034	
Chrysler V-8 273.....	43039	5.0 L; 5.0 LX	
175 SUPER BEE II; 200 SUPER BEE II; 225 SUPER BEE II		Mercruiser V-8 305	
Chrysler V-8 273.....	43039	43130	
Chrysler V-8 318.....	43039	5.7 L; 5.7 LX	
240		Mercruiser V-8 350	
Chrysler V-8 318.....	43039	43130	
250		7.4 L; 7.4 LX	
Chrysler V-8 318.....	43039	Mercruiser V-8 454	
Chrysler V-8 360.....	43039	44034	
250SP; 300 MARINE; 300SP		110; 120; 140	
Chrysler V-8 318.....	43039	Mercruiser 4-Cyl.....	
COMMANDER		42106	
260; 300		165	
Commander V-8 302.....	43083	Mercruiser 4-Cyl.....	
Commander V-8 351.....	43083	Mercruiser 6-Cyl.....	
302; 351		42106	
Commander V-8 351.....	43083	215	
DETROIT DIESEL		Mercruiser V-8 305	
6V53TI		43130	
Detroit Diesel 6V-53; W/Clockwise Eng.....	43310	225; 225S	
Detroit Diesel 6V-53; W/Counterclockwise Eng.....	43309	Mercruiser V-8 302	
6V92MTA; 6V92TA		43083	
Detroit Diesel 6V-92; "Running" Pump.....	▼44103	Mercruiser V-8 305	
Detroit Diesel 6V-92; "Walking" Pump.....	●44097	Mercruiser V-8 327	
8V92TA; 8V92TMA		43130	
Detroit Diesel 8V-92; "Running" Pump.....	▼44103	228; 228TR; 230	
Detroit Diesel 8V-92; "Walking" Pump.....	●44097	Mercruiser V-8 305	
8.2 L		43130	
Detroit Diesel V-8 8.2; W/Heater Outlet.....	46001	250	
53 SERIES		Mercruiser V-8 327	
Detroit Diesel Series 53; W/Clockwise Eng.....	43310	Mercruiser V-8 350	
Detroit Diesel Series 53; W/Counterclockwise Eng....	43309	43130	
FORD		255	
C4PA		Mercruiser V-8 302	
Ford V-8 330.....	44004	43083	
		270	
		Mercruiser V-8 327	
		Mercruiser V-8 350	
		43130	
		320 E.F.I.	
		Mercruiser V-8 350	
		43130	
		330; 330 BRAVO; 330 MAGNUM	
		Mercruiser V-8 454	
		44034	
		350; 350 5.7 L COMPETITION SKI ENG.; 350 MAGNUM	
		Mercruiser V-8 350	
		43130	
		454 MAGNUM; 525 H.P.; 525 SC; 525 SC BRAVO ONE	
		Mercruiser V-8 454	
		44034	
		888 SERIES	
		Mercruiser V-8 302	
		43083	

▼ 2 Outlets at 45 Degree Angles
 ■ 2 Outlets Pointing Straight Down

● Outlet Straight Down & Outlet at 45 Degree Angle
 * High Performance Pump

Application Guide - Marine Engines

Application	Gates No.	Application	Gates No.
OMC			
NU; NUE			
OMC V-8 460	44087		
2.3 L COBRA			
OMC 4-Cyl. 140	42077		
7.5 L; 460; 460 KING COBRA			
OMC V-8 460	44087		
PCM			
SEA MAXX 5.8 HO EFI			
PCM V-8 351	43083		
302			
PCM V-8 302	43083		
460			
PCM V-8 460	44087		

- ▼ 2 Outlets at 45 Degree Angles
- 2 Outlets Pointing Straight Down

- Outlet Straight Down & Outlet at 45 Degree Angle
- * High Performance Pump

Manufacturers' Part Numbers

Manufacturer No.	Gates No.	Manufacturer No.	Gates No.	Manufacturer No.	Gates No.	Manufacturer No.	Gates No.
A-146584.....	42320	C5AZ 8501 W.....	44004	D1TZ 8501 A.....	42071	EAC7013.....	43022
A-148401.....	44067	C5AZ8501 U.....	44004	D1TZ 8501 C.....	43075	EAC7013PA.....	43022
A-28860.....	44067	C5DE 8505 A.....	42055	D2AE 8505 A.....	42057	EAC8281.....	43019
AJ0315010G.....	43505	C5DE 8505 AB.....	42054	D2AZ 8501 A.....	42057	EAC8281P.....	43018
AR-04283.....	43242	C5NN 8501 A.....	43073	D2DZ 8501 A.....	42056	EAC9213.....	42011
AR4283.....	42309	C5OE 8505 B.....	43049	D2RY 8501 A.....	44098	EAF 8501 C.....	42556
AR4284.....	43238	C5OZ 8501 A.....	43072	D2SZ 8501 A.....	43041	EA259.....	43002
AR45073.....	43253	C5OZ 8501 B.....	43049	D2TZ 8501 A.....	42071	EBC10564.....	44091
AR45090.....	44064	C5OZ 8501 C.....	43049	D2TZ 8501 C.....	44004	EBC1829.....	42011
AR45090RX.....	44064	C5OZ 8501 D.....	43049	D2VE 8505 BA.....	44003	EBC4437.....	42011
AR45184.....	44086	C5OZ 8501 G.....	43049	D2VY 8501 A.....	44003	EBC8221CA.....	42011
AR45184RX.....	44086	C5TE 8505 A.....	42061	D2YR 8501 A.....	44098	EBC8550.....	42011
AR45189.....	41111	C5TE 8505 B.....	42061	D2TZ 8501 A.....	43154	EBC8560.....	44091
AR51333.....	43209	C5TE 8505 G.....	42061	D3RY 8501 A.....	42052	EBP 8501 A.....	42072
AR51360.....	43258	C5TZ 8501 A.....	42061	D3RY 8501 B.....	44098	EBP 8505 A.....	42072
AR61788.....	44093	C5TZ 8501 B.....	42061	D3RY 8501 C.....	44098	E0AE 8505 AA.....	43058
AR8851.....	41129	C5TZ 8501 C.....	42061	D3TZ 8501 C.....	43075	E0AZ 8501 A.....	43058
ASCO2A.....	41109	C5OZ 8501 A.....	43072	D3UZ 8501 A.....	43049	E0ZE 8505 BB.....	43264
A1122010301.....	44081	C5OZ 8501 B.....	43049	D4DE 8505 BA.....	42055	E0ZZ 8501 A.....	43264
A1122010401.....	44082	C5OZ 8501 C.....	43049	D4DZ 8501 A.....	42055	E1AE 8505 AA.....	43050
A34079A05.....	44093	C5OZ 8501 D.....	43049	D4FZ 8501 A.....	42124	E1AZ 8501 A.....	43050
A3662000601.....	44080	C5OZ 8501 G.....	43049	D4TE 8505 A2A.....	44004	E1FZ 8501 B.....	42058
A3662006801.....	43251	C6AE 8505 B.....	44004	D4TE 8505 BB.....	44017	E1ZE 8505 AA.....	43264
BA010D0126.....	41133	C6AZ 8501 A.....	42057	D4TZ 8501 A.....	43078	E2AE 8505 CD.....	43043
BA010H7289.....	41131	C6AZ 8501 B.....	42057	D4TZ 8501 B.....	44004	E2DZ 8501 A.....	43043
BA010V5589.....	41135	C6AZ 8501 C.....	42057	D4TZ 8501 C.....	42070	E2HZ 8501 B.....	44019
BA01006E26.....	41136	C6DZ 8501 A.....	42055	D4TZ 8501 D.....	44017	E2TE 8505 AA.....	44019
BA01012G26.....	43300	C6DZ 8501 B.....	42055	D4TZ 8501 E.....	44012	E2TZ 8501 A.....	42070
BA01017S27.....	41132	C6DZ 8501 C.....	42055	D4TZ 8501 G.....	44005	E2ZZ 8501 A.....	43264
BA01023028.....	42176	C6DZ 8501 D.....	42055	D4TZ 8501 H.....	44004	E3BZ 8501 A.....	42060
BA01080W89.....	42178	C6OE 8505 A.....	43049	D4TZ 8501 J.....	44004	E3EE 8505 AA.....	42058
BM-50446.....	43229	C6OE 8505 B.....	43049	D4TZ 8501 K.....	44012	E3FZ 8501 B.....	42058
BM-76506.....	43229	C7AE 8505 A.....	42057	D4TZ 8501 M.....	44005	E3TE 8505 CA.....	42057
BM76506.....	43229	C8AE 8505 A.....	44004	D4UZ 8501 A.....	43077	E3TE 8505 D.....	43047
B4A 8501 B.....	42072	C8AE 8505 D.....	44004	D4VY 8501 A.....	44003	E3TZ 8501 A.....	42060
B6C 8501 C.....	42072	C8AE 8505 H.....	44004	D4ZE 8505 AB.....	42124	E3TZ 8501 C.....	43047
B6C 8501 D.....	42072	C8AE 8505 J.....	43049	D4ZZ 8501 A.....	44098	E3TZ 8501 D.....	44018
B63015010A.....	42128	C8AE 8505 K.....	42057	D5BZ 8501 A.....	42054	E3TZ 8501 F.....	43046
B8TZ 8501 A.....	42558	C8AZ 8501 A.....	44004	D5DE 8505 AB.....	42054	E3TZ 8501 G.....	42057
CDPN 8501 C.....	42556	C8AZ 8501 B.....	44004	D5DZ 8501 A.....	42056	E30115010A.....	41060
CODZ 8501 C.....	42055	C8DE 8505 B.....	42055	D5NN 8501 E.....	43042	E30115010B.....	41060
C0DE 8505 A.....	42055	C8OE 8505 D.....	43049	D5NN 8505 A.....	43042	E30115010C.....	41060
C0DE 8505 BA.....	42055	C8SE 8505 E.....	44011	D5RY 8501 A.....	42124	E37E 8505 AA.....	42060
C0DE 8587 A.....	42055	C8SZ 8501 A.....	44011	D5TE 8505 DA.....	45008	E4BZ 8501 A.....	42060
C0DZ 8501 A.....	42055	C8SZ 8501 B.....	44011	D5TE 8505 MA.....	44006	E4TE 8505 AA.....	44019
C0DZ 8501 B.....	42055	C8SZ 8501 C.....	44011	D5TZ 8501 A.....	42057	E4TZ 8501 A.....	42071
C0DZ 8501 C.....	42055	C8TE 8505 G.....	42071	D5TZ 8501 B.....	42070	E4TZ 8501 B.....	42070
C2AZ 8501 A.....	42552	C8VZ 8501 A.....	44011	D5TZ 8501 C.....	42071	E4TZ 8501 C.....	44018
C2OE 8505 B.....	43072	C9AE 8505 A.....	44004	D5TZ 8501 D.....	44006	E4TZ 8501 D.....	44003
C2OE 8505 C.....	43072	C9AZ 8501 A.....	43049	D5TZ 8501 E.....	44016	E4TZ 8501 E.....	44003
C2OZ 8501 A.....	43072	C9AZ 8501 B.....	43049	D5TZ 8501 F.....	45008	E4ZZ 8501 A.....	43264
C2OZ 8501 B.....	43072	C9DE 8505 A.....	42056	D5TZ 8501 G.....	44003	E43Z 8501 A.....	41009
C2OZ 8501 C.....	43072	C9DZ 8501 A.....	42056	D5UZ 8501 A.....	43044	E5HZ 8501 A.....	44019
C2OZ 8501 A.....	43072	C9SZ 8501 A.....	44011		or *43044P	E5TZ 8501 B.....	43047
C2OZ 8501 B.....	43072	C9TZ 8501 A.....	43044	D5VE 8505 AA.....	44003	E5TZ 8501 C.....	44003
C2OZ 8501 C.....	43072		or *43044P	D5ZZ 8501 A.....	43076	E5ZZ 8501 A.....	43053
C3OE 8505 A.....	43072	C9VZ 8501 A.....	44011	D5ZE 8505 AA.....	42124	E6AZ 8501 A.....	43272
C3OZ 8501 A.....	43072	C9ZZ 8501 A.....	43049	D6AZ 8501 A.....	43041		or *43272P
C3OZ 8501 B.....	43072	D0RY 8501 A.....	42050	D6HZ 8501 A.....	43282	E6DZ 8501 A.....	43051
C3TE 8505 B.....	42072	D0AZ 8501 A.....	44004	D6ZZ 8501 A.....	44098	E6DZ 8501 B.....	41010
C3OZ 8501 A.....	43072	D0AZ 8501 C.....	43041	D6ZZ 8501 B.....	43044	E6EE 8505 BA.....	42058
C3OZ 8501 B.....	43072	D0AZ 8501 D.....	44004		or *43044P	E6FZ 8501 A.....	42058
C4DE 8505 A.....	42055	D0AZ 8501 E.....	43041	D7HZ 8501 C.....	44016	E6HN 8508 AA.....	43084
C4TZ 8501 F.....	42557	D0AZ 8501 F.....	43044	D7HZ 8501 D.....	44006	E6MY 8501 A.....	43050
C5AE 8505 A.....	44004		or *43044P	D7HZ 8501 E.....	44016	E6TZ 8501 A.....	43054
C5AE 8505 C.....	43072	D0DZ 8501 A.....	42056	D7HZ 8501 F.....	45008	E6ZZ 8501 A.....	42060
C5AE 8505 E.....	42057	D0OE 8505 A.....	44003	D7TZ 8501 A.....	43154	E69E 8505 AAI.....	43052
C5AZ 8501 A.....	42057	D0OE 8505 D.....	43076	D8BE 8505 CA.....	42054	E69Z 8501 A.....	43052
C5AZ 8501 B.....	43072	D0OZ 8501 B.....	43044	D8BZ 8501 A.....	42054	E7AE 8505 AA.....	43058
C5AZ 8501 C.....	44004		or *43044P	D8HZ 8501 A.....	45008	E7EE 8505 CA.....	42058
C5AZ 8501 D.....	44004	D0OZ 8501 C.....	43044	D8HZ 8501 B.....	43280	E7FZ 8501 A.....	42058
C5AZ 8501 E.....	43049		or *43044P	D8NN 8501 UA.....	43042	E7GZ 8501 A.....	42128
C5AZ 8501 F.....	44004	D0RY 8501 A.....	42050	D8RZ 8501 A.....	41082	E7HN 8508 AA.....	43084
C5AZ 8501 G.....	44004	D0TE 8505 C.....	43075	D8TZ 8501 A.....	45008	E7HZ 8501 B.....	43084
C5AZ 8501 H.....	43049	D0TZ 8501 B.....	44005	D8TZ 8501 B.....	44003	E7TZ 8501 A.....	43057
C5AZ 8501 J.....	42057	D0VZ 8501 A.....	44003	D8UE 8505 AA.....	44003	E7TZ 8501 B.....	44007
C5AZ 8501 K.....	43072	D0ZZ 8501 A.....	43044	D8UEAA.....	44003	E75Z8501B.....	42059
C5AZ 8501 L.....	43049		or *43044P	D8ZZ 8501 A.....	44098	E8AZ 8501 A.....	43058
C5AZ 8501 M.....	44004	D0ZZ 8501 B.....	43044	D9AE 8505 CE.....	43058	E8BZ 8501 A.....	42128
C5AZ 8501 N.....	44004		or *43044P	D9AZ 8501 A.....	43058	E8BZ 8501 B.....	42128
C5AZ 8501 R.....	44004	D1AZ 8501 A.....	43041	D9HZ 8501 A.....	44019	E8DZ 8501 A.....	43055
C5AZ 8501 S.....	44004	D1DZ 8501 A.....	42056	D9TE 8505 CC.....	44019	E8DZ 8501 B.....	43055
C5AZ 8501 T.....	43049	D1FZ 8501 A.....	42052	D9ZE 8505 AE.....	43264	E8FZ 8501 A.....	42058
C5AZ 8501 V.....	44004	D1FZ 8501 B.....	42050	D9ZZ 8501 A.....	43264	E8HN 8508 AB.....	43125

* High Performance Pump

Manufacturers' Part Numbers

Manufacturer No.	Gates No.	Manufacturer No.	Gates No.	Manufacturer No.	Gates No.	Manufacturer No.	Gates No.
E8HZ 8501 B.....	43084	F3TZ 8501 C.....	43057	F8OZ 8501 AA.....	41014	MD972934.....	42172
E8HZ 8501 C.....	43084	F3TZ 8501 E.....	44009	F8RZ 8501 EN.....	41013	MD973025.....	42168
E8HZ 8501 CRM..	43084	F3XY 8501 B.....	41137	F8RZ 8501 NE.....	41013	MD973940.....	42162
E8SZ 8501 A.....	43056	F3XZ 8501 BA.....	41137	F8ZZ 8501 AA.....	43067	MD974649.....	42156
E8TZ 8501 A.....	44007	F3ZZ 8501 B.....	43272	F80115010C.....	42126	MD975292.....	42216
E87EAA.....	42060		or *43272P	F80115010D.....	42126	MD976464.....	42300
E87EAB.....	42060	F32Z 8501 A.....	42136	F81Z 8501 ARM...	45000	MD976943.....	42286
E9AE 8505 BA.....	43058	F32Z 8501 B.....	42135	F81Z 8501 BRM...	45007	MD977705.....	42168
E9BZ 8501 A.....	42128	F33Z 8501 A.....	41010	F81Z 8501 CRM...	45000	MD978552.....	43532
E9DZ 8501 A.....	43087	F4AZ 8501 A.....	42064	F81Z 8501 DA.....	42079	MD978743.....	43509
E9DZ 8501 B.....	41092	F4BZ 8501 B.....	42128	F81Z 8501 FA.....	43546	MD978764.....	42168
E9DZ 8501 C.....	41092	F4CZ 8501 A.....	42063	F85Z 8501 AA.....	43070	MD980000.....	42162
E9JY 8501 B.....	42131	F4DZ 8501 A.....	43061	F87Z 8501 BA.....	42066	MD997076.....	42156
E9PZ 8501 A.....	43047	F4PZ 8501 A.....	43051	F87Z 8501 BB.....	42066	MD997078.....	42157
E9PZ 8501 B.....	42057	F4SZ 8501 A.....	43062	F87Z 8501 CA.....	43068	MD997079.....	42159
E9PZ 8501 C.....	42071	F4TE 8505 BA.....	44024	F87Z 8501 DA.....	43064	MD997081.....	42195
E9PZ 8501 D.....	42070	F4TZ 8501 A.....	45007	G-11956.....	44067	MD997082.....	42153
E9PZ 8501 E.....	44007	F4TZ 8501 ARM...	45007	GPW130.....	42007	MD997084.....	43304
E9SE 8505 CA.....	43056	F4TZ 8501 B.....	44024	GWP101.....	42006	MD997149.....	42153
E9SE 8505 CC.....	43082	F4ZZ 8501 A.....	43065	GWP102.....	42006	MD997150.....	43304
E9SZ 8501 A.....	43056	F4ZZ 8501 B.....	43065	GWP114.....	42010	MD997157.....	42216
E9SZ 8501 B.....	43082	F4ZZ 8501 A.....	42137	GWP123.....	42007	MD997158.....	
E9TE 8505 BA.....	44007	F5DE 8505 AE.....	42334	GWP128.....	42008	Chrysler.....	42216
E9TEAA.....	44003	F5DZ 8501 A.....	43063	GWP130.....	42007	MD997158.....	
E9TZ 8501 A.....	44003	F5DZ 8501 CL.....	42334	GWP145.....	43018	Mitsubishi.....	42153
E9TZ 8501 B.....	44018	F5HZ 8501 AA.....	44019	GWP423.....	43019	MD997178.....	42216
E9TZ 8501 C.....	44007	F5JE 8505 AA.....	43083	GY0115010B.....	41011	MD997244.....	42162
E9TZ 8501 D.....	43057	F5RZ 8501 A.....	41011	G60115010C.....	41072	MD997403.....	42173
E9Z2 8501 A.....	42129	F5RZ 8501 B.....	42067	HRC2325.....	43141	MD997404.....	42173
E93Z 8501 A.....	41009	F5TE 8505 C5A ..	43057	JE4815010E.....	42115	MD997417.....	42163
E93Z 8501 B.....	41009	F5TZ 8501 A.....	44009	JE9615010B.....	42138	MD997418.....	42143
FE7915010B.....	42126	F5TZ 8501 ARM...	45007	JLM10819.....	43022	MD997421.....	42157
FE7915010C.....	42126	F5TZ 8501 B.....	45007	JLM1330.....	43022	MD997430.....	42164
FE7915010E.....	42127	F5TZ 8501 BRM...	45007	JLM206.....	43019	MD997515.....	42162
FP0115010.....	42135	F5TZ 8501 C.....	43060	JLM20915.....	43503	MD997609.....	42156
FP0115010F.....	42135	F5TZ 8501 CRM...	45007	JLM2097.....	43022	MD997614.....	42195
FP0115010G.....	42135	F5TZ 8501 H2A...	43057	JLM314.....	43022	MD997615.....	42159
FS0115010F.....	42135	F5OE 8505 AA.....	41014	JLM330.....	43022	MD997616.....	42216
FOAZ 8501 A.....	43058	F5OY 8501 A.....	41014	JLM398.....	43018	MD997619.....	42157
F0CZ 8501 A.....	42062	F53E 8505 AB.....	41011	JLM9696.....	43018	MD997620.....	42143
F0DZ 8501 A.....	43087	F53E 8508 AB.....	41011	JLM9697.....	43022	MD997621.....	42163
F0HN 8508 AA.....	43021	F57Z 8501 A.....	42066	JLM9699.....	43019	MD997622.....	42164
F0PZ 8501 A.....	43047	F59Z 8501 A.....	43064	JR775045.....	42085	MD997634.....	42162
F0TZ 8501 A.....	44003	F59Z 8501 B.....	43052	JR775046.....	43001	MD997643.....	42167
F0TZ 8501 D.....	43060	F6DZ 8501 A.....	42334	JR775047.....	42002	MD997699.....	42157
F0TZ 8501 E.....	43057	F6DZ 8501 B.....	43131	JR775049.....	43095	MO4667660.....	41003
F0TZ 8501 F.....	44007	F6DZ 8501 FA.....	43063	JR775050.....	43002	M202AA130.....	42046
F0TZ 8501 G.....	43060	F6JE 8501 BA.....	43086	JR775122.....	42004	NAB2222BACA.....	43022
F0ZZ 8501 A.....	43272	F6LZ 8501 AA.....	42065	J1466241.....	43035	NBB2200DA.....	44091
	or *43272P	F6PE 8505 AA.....	42063	LF0115100.....	41120	N23299153A.....	42123
F02E 8505 DD.....	42074	F6PZ 8501 AA.....	42063	LF5215100A.....	41120	N3A115010C.....	42141
F02Z 8501 A.....	42129	F6TE 8505 KB.....	42068	M/B943385.....	42303	N3A115010D.....	42141
F02Z 8501 B.....	42074	F6TZ 8501 AA.....	45000	MD001300.....	41109	N3A215010C.....	42141
F1AE 8505 AD.....	42064	F6TZ 8501 JB.....	42068	MD008431.....	42155	N3A215010D.....	42141
F1AE 8505 AE.....	42065	F6TZ 8501 KA.....	44009	MD009000.....	41143	N3C115010.....	42141
F1CZ 8501 A.....	42063	F6TZ 8501 KB.....	44009	MD011757.....	42195	N3C115010D.....	42141
F1HE 8505 CA.....	44003	F6ZZ 8501 A.....	43067	MD021450.....	42151	N3C215010.....	42141
F1HZ 8501 C.....	43021	F6ZZ 8501 BE.....	43067	MD021490.....	42153	N3C215010D.....	42141
F1HZ 8501 CRM...	43021	F63Z 8501 AA.....	41011	MD025190.....	42158	N30415010B.....	42123
F1HZ 8501 D.....	43125	F65E 8505 B.....	42068	MD030751.....	42154	N31815010B.....	42130
F1HZ 8501 DRM...	43125	F65E 8505 BA.....	42068	MD030863.....	42156	N31815010C.....	42130
F1HZ 8501 E.....	44019	F65Z 8501 AC.....	43070	MD034152.....	42157	N32615010C.....	42130
F1SE 8505 BC.....	43066	F65Z 8501 BA.....	42068	MD041041.....	42159	N32615010D.....	42130
F1SZ 8501 A.....	43066	F67E 8505 BA.....	43068	MD050450.....	43304	N32615010E.....	42130
F1SZ 8501 B.....	43056	F68Z 8501 A.....	43069	MD179030.....	42169	N32715010B.....	42130
F1TE 8505 CA.....	44003	F7BZ 8501 A.....	42128		or	N32715010C.....	42130
F1TZ 8501 A.....	44003	F7CE 8505 AA.....	42315	MD300799.....	42165	N32715010D.....	42130
F1VY 8501 A.....	42064	F7CZ 8501 AB.....	42315		or	RFAE8505AC2.....	43051
F162K-3653.....	43223	F7DZ 8501 A.....	42334	MD306414.....	42169	RFE69E8505AAI..	43052
F2TZ 8501 A.....	44022	F7PZ 8501 AA.....	43060		or	RFE7DE8505.....	43055
F2UZ 8501 A.....	44008	F7TEAA.....	41121	MD309756.....	42280	RFE8DE8505.....	43055
F2UZ 8501 C.....	44023	F7TZ 8501 AB.....	43060	MD323372.....	42170	RFE8E8505BA.....	42058
F23E 8505 AB.....	42078	F7TZ 8501 B.....	45000	MD365087.....	42170	RFE8SE8505.....	43056
F23Z 8501 A.....	42078	F7TZ 8501 BRM...	45000	MD971538.....	42166	RFE9DE8505C.....	41092
F23Z 8501 B.....	41010	F7TZ 8501 C.....	45000	MD971582.....	42159	RFE9SE8505.....	43056
F3DZ 8501 A.....	43089	F7TZ 8501 CRM...	45000	MD972001.....	43304	RFF57E8505BH...	42066
F3HZ 8501 ARM...	41181	F7TZAA.....	42079	MD972003.....	42162	RFF4DE8505AC.....	43061
F3LY 8501 A.....	42065	F7UE 8505 AA.....	42068	MD972004.....	42162	RFF4SE8505AB...	43062
F3LY 8501 B.....	42065	F7UZ 8501 CA.....	42068	MD972005.....	42167	RFF57E8505BF...	42066
F3PZ 8501 A.....	43066	F7UZ 8501 DA.....	42079	MD972050.....	42166	RFF57E8505CC.....	43064
F3SE 8505 AA.....	43082	F7ZZ 8501 AA.....	43067	MD972051.....	42159	RFF57E8505AC.....	43063
F3SZ 8501 A.....	43082	F77Z 8501 AD.....	43279	MD972052.....	42163	RFF65E8505AD.....	43067
F3TZ 8501 A.....	43057	F8AZ 8501 AA.....	42064	MD972053.....	42164	RFF68E8505BC....	43069
F3TZ 8501 B.....	43057	F8DZ 8501 AA.....	43063	MD972440.....	42171		

* High Performance Pump

Manufacturers' Part Numbers

Manufacturer No.	Gates No.	Manufacturer No.	Gates No.	Manufacturer No.	Gates No.	Manufacturer No.	Gates No.
RFF75E8505BA	43067	ZZM715010	43064	06A121012X	41127	10106474	44030
RFF75E8505EA	43070	ZZP015010	42066	06A121018B	41127	10108451	43114
RFF78E8505BA	43069	ZZP015010A	42066	06A121031C	41127	10108453	43099
R1022011701	43161	ZZR115010	43064	060121011	42259		or *43099P
R1022012001	43161	0FE1H15010H	42129	068121005	42258	10108455	43130
R1172010201	43159	0FE3N15010E	43508	068121005A	42261	10108457	43118
R1172010701	43303		or 43140	068121005B	42258	10110496	42094
R1172011201	43297	0FE3N15010G	43508	068121005C	42258	10112691	42090
R1192010201	43168		or 43140	068121010	42258	10112692	42089
R1192010601	43168	0K24A15010	42134	068121010A	42261	10114105	44030
R1192010701	43168	0K24715010B	42302	069121005D	41151	10117819	44034
R1192011101	43298	0K24715010C	42302	069121019C	41151	10120938	42085
R4621172	42034	0K93015010A	42128	074121004	41156	10120943	43116
R4723690	41181	021121004	41155	077121000A	42265	10120944	43113
R4798497	42033	021121004A	41155	077121004F	42298	10120945	43092
R5003665AA	41181	021121004X	41155	077121004G	42265	10124623	42094
R90090499	41016	021121019A	41155	077121004H	42298	10124624	42094
R90400067	41016	021121019B	41155	077121004M	42348	10126714	44030
STC1693	43522	023121019A	41151	077121005A	42265	10126715	44027
STC4378	43522	025121010A	41108	077121019D	42298		or *44027P
STC4434	43522	025121010AX	41108	078121004B	42161	10126716	44030
S21315010B	43156	025121010C	41153	078121004C	42161	10132880	43113
TF72 8505 AA	44098	025121010CX	41153	078121004CX	42161	10135833	44040
T1461239	43287	025121019	41108	078121004H	43216	10140667	45001
T1461336	42026	025121019A	41153	078121004J	43216	10148030	43114
T1462085	43286	026121005A	42261	078121004JX	43216	10159526	42083
T1462491	43200	026121005C	42261	078121004L	43216	10159599	44040
T1463182	42275	026121005E	42261	078121004Q	43216	10166843	44030
T1463397	42268	026121005G	42261	078121006	43216	10174846	43115
T1464552	43036	026121005H	42261	078121006A	42345	10174858	41020
UKC774	41000	026121010	42261	078121006AX	42345	10174860	43092
U5MW0092	43254	026121010A	42258	078121018B	43216	10174979	41021
XC2E 8505 AA	42068	026121010C	42261	078121019	42161	10181235	42094
XC2Z 8501 BA	42068	026121010E	42261	078121019A	42161	10181327	42094
XF1Z 8501 AA	43063	026121019	42261	078121019B	43216	10181369	42091
XF2Z 8501 AA	43069	026121019A	42261	078121019F	43216	10181386	43130
XF5Z 8501 AA	41078	028121004	41157	1F0015010	42066	10191700	45001
XF5Z 8501 BA	41078	028121019A	41157	1F1Z 8501 AA	43063	1022000120	43162
XL3Z 8501 AA	42068	030515010E	43153	1F215010	43279	1022000520	43161
XL3Z 8501 BA	42081	030599151	43153	1L2E 8501 BB	41119	1022000620	43161
XL5E 8501 AB	43064	032415010D	41059	1L3Z 8501 AB	41121	1022000801	43162
XL5Z 8501 AA	43064	032415010E	41059	1L3Z 8501 BA	41121	1022000901	43162
XL5Z 8501 AC	43064	032499151A	41059	1S7Z 8501 AK	41120	1022000920	43161
XL5Z 8501 CA	42066	034121004	41152	1W9Z 8501 AA	43503	102200420188	43162
XR3Z 8501 AA	42080	034121005D	41152	1R0483	44054	102200500188	43161
XR813290	43090	035121004A	42341	10R482	45009	1022011001	43162
XS2E 8501 BDBE	41011	035121004AX	42341	1000403738	42083	1022115-M91	43025
XS2E 8501 CA	41011	035121005C	41169	10004073	42083	10238199	43315
XS2Z 8501 BC	41011	035121005E	42341	10008553	43102	10239936	42090
XS2Z 8501 CC	41011	037121005B	42261	10013800	42083	1025282-M91	42104
XS2Z 8501 CD	41011	037121010A	42261	10032022	42092	1025465-M91	43106
XS2Z 8501 EA	41011	037121010AX	42261	10039414	42091		or *43106P
XU2Z 8V501 AAR		037121010B	42261	10039415	42091	1031573-M91	43283
M	44018	037121010C	42261	100394167	42091	1032002601	43302
XW4E 8501 BFBE	43090	037121013A	42261	10039422	42091	1032003701	43302
XW4E 8505 BC	43090	037121019B	42261	10042949	42083	1032473-M91	43106
XW4E8505BC	43090	038115010A	43154	10042972	42083		or *43106P
XW4Z 8501 AA	43503	038115010B	43154	10044305	42094	1035638-M91	42082
XW4Z 8501 BA	43090	038121011A	41114	10044972	43092	1035836-M91	43106
X2111AA017	42208	038121011G	41114	10046305	42089		or *43106P
YC2E8501BA	42068	038121011JX	41114	10048775	44030	1035854-M91	43283
YC2Z 8501 AA	42068	038121019A	41114	10048785	42082	1038050-M91	42082
YC2Z 8501 BA	42068	038199151	43154	10048917	43099	1038300-M91	43106
YC3Z 8501 AA	42079	04626054AF	42005		or *43099P		or *43106P
YC3Z 8501 AB	42079	04626215AF	42004	10048919	43098	1038301-M91	43283
YF0915100	41013	04663296AB	41070		or *42094P	1039163-M91	43025
YF3E 8501 AB	41014	04763776AB	43038	10048921	43104	10406MBF1	42194
YF3Z 8501 AB	41014	04882837AB	41004		or *43104P	10410MBF1	43285
YL3V 8501 AA	42081	05003085AA	41005	10048948	43114	10410MBF4	43164
YR3E 8501 AB	42080	05010897AA	41002	10048949	41020	10410MBF8	43163
YR3Z 8501 AB	42080	054121004	41154	10048950	43116	10410MBF9	43171
YS4Z 8501 AA	42294	054121004A	41154	10048951	43113	1042000801	42194
YW7E 8501 BB	41118	054121019A	41156	10048968	41019	1042002801	43163
YW7Z 8501 AA	42065	055121011A	42258	10049026	43101	1042003001	43171
YW7Z 8501 BB	41118	055121019	42258	10049043	42094	1042003101	42194
Y400K-3612	43235	056121005A	42258	10054510	43092	1042003201	43164
ZL0115010	42142	056121013A	42258	10065240	41015	1042003301	43285
ZL015010	43060	056121019A	42258	10077051	43091	1042004501	43170
ZL015010A	43060	059121011D	42332	10077059	43114	1042004601	43267
ZZMA15010	43052	059121011E	42332	10081980	44030	1042004901	43266
ZZM015010	42060	059121011F	42332	10089654	41019	10421MBF1	42194
ZZM115010	43052	06A121011G	41127	10089659	43095	105181	43106
ZZM315010	42066	06A121011L	41127	10105139	43115		or *43106P
ZZM515010	43060	06A121011T	41127	10105828	43114	1058743	41013

* High Performance Pump

Manufacturers' Part Numbers

Manufacturer No.	Gates No.	Manufacturer No.	Gates No.	Manufacturer No.	Gates No.	Manufacturer No.	Gates No.
1064750	42554	1152001220	41063	12482690	43116	12534418	44099
1064925	43068	1152001620	41063	12482692	43117	12534472	44042
1072A734	43233	115200182088	41160	12482694	43113	12534772	44042
1099319	42562	115201	41063	12482696	43092	12536421	42095
11.4576	43313	1162001401	43297	12482714	41028	12536422	42095
11.5858	42342	1162001601	43297	12482903	42097	12537417	42095
1102000120	41160	116200170188	43297	12482919	42095	12537495	42095
1102000220	41161	1172000001	43159	12484890	44027	12537829	42097
1102000920	41160	1172000201	43159		or *44027P	12537892	42095
110200172088	41160	1172000301	43159	12487361	41026	12550642	43114
1102002020	41161	1172000801	43159	12491038	42094	12551306	43099
1102010010	41161	1172002901	43303	12507232			or *43099P
1102010101	41160	1172003301	43303	Chrysler	42096	12551474	45001
1112002301	43165	117200380188	43159	12507232 Gen		12553204	43130
1112004001	43166	1172010701	43303	Mtrs	42083	12553337	41026
1122000401	44081	1192000401	43168	12507784	42092	12553486	44042
1122000501	44082	1192000901	43168	12508606	41022	12553760	44043
1122001101	44081	1192001501	43168	12509653	44035	12553848	44034
1122001201	44082	1192002101	43298	12511062	41016	12554338	41027
1122001401	44081	1201.33	43185	12512740	45001	12555595	43099
1122001501	44082	1202.82	43184	12512741	45001		or *43099P
11510007041	43277	1202000701	44090	12514269	44099	12555711	44056
11510007042	43278	1202001101	44090	12514574	44100	12555752	44056
11510007043	43428	1202010001	44090	12517379	41016	12556440AA	45002
	or 43262	1212000320	41063	12517940	44030	12556449	45005
11510393336	43518	1212000920	41160	12518277	44037	12557071	44042
11510393340	43428	1212001020	41160	12518278	44036	12557082	44042
	or 43262	1212001120	41063	12518295	41020	125577	42310
11511252316	42019	1212010107	41063	12518443	41019	12557710	45002
11511256600	42017	12180964	43293	12520263	45001	12558753	43114
11511258933	42012	12181582	43306	12520914	43117	12558862	44045
11511284247	41117	1226	42116	12521037	44030	12558863	44089
11511286355	42013	12300305	43102	12521038	44027	12558870	44089
11511309529	42020	12307869	43099		or *44027P	12560380	45005
11511312539	42016		or *43099P	12522016	43101	12562458	45005
11511312574	42020	12309445	43102	12522031	43114	12566029	43530
11511315211	42020	12309978	43103	12522032	43114	1256613	42017
11511315292	42023	12321622	43109	12522033	43099	12571857	41151
11511315563	42023	12326453	42095		or *43099P	1257703	43094
11511433828	41057	12334884	43112	12522034	43115	12585226	42296
11511705236	41035	1233530	43109	12522035	43098	12591894	43529
11511706588	42014	12336298	42095		or *42094P	1260709	43094
11511707192	42016	12337519	43100	12522036	43118	12692992	43296
11511707193	42016	12337664	43096	12522037	43104	12698742	43296
11511707414	41035	12338842	42095		or *43104P	127ABOC000011	41007
11511710492	42021	12355499	43096	1252339	42019	1272000220	41063
11511711492	42014	1235959	43111	12523498	44037	1280846	42014
11511713266	43518	12360447	42091	12523499	44036	1284229226	41117
11511719836	42018	12360448	42084	12523502	44038	12865419	42013
11511720883	42016	12363169	41019	12523504	42085	1300A011	42168
11511720892	42016	12365639	41026	12523505	42089	13095219	42020
11511721477	42013	12365640	41027	12524131	43099	1312212	42023
11511721872	41036	12369484	44033		or *43099P	132423	43229
11511722536	41057	12369487	43114	12525122	44027	13263421	42309
11511729359	43277	12369537	45002		or *44027P	1326343	42309
11511729741	42021	12371989	41020	12525123	44030	1334024	42326
11511730414	41057	12395558	41018	12525125	45001		or 42327
11511731680	43278	12397649	41018	12527717	44030	1334029	42326
11511734595	41036	1241336	43094	12527739	44036		or 42327
11511734602	41036	1241680	42246	12527740	44038	1334035	42246
11511741002	43428	1242235	43109	12527741	44037	1334037	42327
	or 43262	1242913	43094	12527759	44030		or 42326
11511742498	43278	1242914	43109	12527761	44027	1334037	42326
11511742517	43428	1245288	43109		or *44027P	1334038	42246
	or 43262	12455105	44043	12527762	44034	1354926	45009
11511742647	43428	12456112	45002	12528816	43256	1361811	42127
	or 43262	12456113	45005	12528917	43315	1363989	43110
11511744243	41057	12456231	44056	12529076	44033	1372812	43121
11512241641	41117	12456326	44030	12529192	45001	1374877	43110
11512242675	41117	12456328	42569	12529211	44100	1378440	43121
11517503884	41057	12458115	44043	12529304	43114	1380400	43110
11517513062	43535	12458920	42094	12529305	43099	138631	41067
11517520123	43534	12458921	42094		or *43099P	1389590	42563
11517527799	43536	12458923	43115	12529308	44027	1394316	43121
11517527910	41057	12458925	43104		or *44027P	1394877	43109
11519056401	42017		or *43104P	12529508	43130	1394926	43111
11519070752	42012	12458927	43130	12529993	41026	1396317	43110
11519070755	42013	12458929	43118	12530176	44042	1396346	43110
11519070757	41035	12458934	45002	12532528	43315	1396715	43110
11519070759	42018	12458935	45005	12532529	43114	1396758	42563
11519070761	42016	12462265	41019	12532531	43114	1396876	43110
11519070765	41117	1247079	43094	12533193	45002	1396879	43121
11519071562	42014	1247080	43109	12533503	42106	1396880	43121
11520	41160	12482000	42091	12534417	44100	14002440	45003

* High Performance Pump

Manufacturers' Part Numbers

Manufacturer No.	Gates No.	Manufacturer No.	Gates No.	Manufacturer No.	Gates No.	Manufacturer No.	Gates No.
14018745	41015	1610019205	41097	1610069305	42306	1611079105	42330
14018746	41015	161001920584	42319		or 42305	1611079115	42330
14023723	43091	1610019226	41159	1610069325	42251	1612033010	41167
14024206	44099	1610019255	42319	1610069335	42306	1612034010	41167
14024302	43092	1610019265	42245		or 42305	1612034110	41167
14029860	43092	1610019305	42245	1610069345	42247	1612044110	41167
14029998	43091	1610025010	42214	1610069345-83	42247	1612049045	41171
14030059	43092	1610025012	42214	1610069385	42256	1612049055	41171
14033069	43095	161002602284	42222	1610069395	42250	16165503	43103
14033195	43095	1610026023	42222	1610069397	42250	1618920	44028
14033234	43092	1610028020	42222	1610069398	42250	162015130C	42122
14033274	42088	1610028040	41179	1610069405	42254	162099153	42122
14033483	43092	1610028041	41179	1610069407	42254	1635788	44033
14047008	43094	1610029015	42215	1610069465-83	42242	1635790	44033
14050546	44099	1610029016	42215	1610069475-83	42243	1643276	43068
14054539	43095	1610029025	42329	1610069485-83	42247	1676030	43030
14054555	43092	1610029026	42329	1610079035	41147	1679124	43029
14058915	43129	1610029046	42217	1610079036	41147	1700594	42114
14061698	44099	1610029047	42217	1610079045	42331	1700594C91	42114
14063641	42088	1610029048	42217	1610079075	42240	1700594C92	42114
14069586	43098	1610029055	42329	1610079095	42240	17198399	42018
	or *42094P	1610029056	42329	1610079105	42330	1721857	41036
14071866	43091	1610029085	42340	1610079165	43213	1734597	41036
14077896	41021	1610029095	41101	1610079185	42240	1737704	42032
14079-D05	43248	1610029145	41124	1610079245	43291	1740060811	42284
14079351	43091	1610029146	41124	1610079255	43291	1740060812	42284
14082745	44099	1610029155	42253	1610176030	43213	1740060813	42284
14085847	43099	161002915583	42253	1610340031	41168	1740060814	42284
	or *43099P	1610029156	42253	1611009010	42240	1740060815	42284
14085852	44027	1610029175	41101	1611015020	42228	1740061820	42281
	or *44027P	1610029415	41101	1611015080	41097	1740073811	42561
14087581	44088	161002941583	41101	1611016010	42236	1740077810	41113
14089011	41021	1610038020	42224	1611016020	42237	1740082811	41084
14089018	41015	1610039065	41087	1611019025	41145	1740082820	42212
14090029	41019	1610039125	41087	1611019026	41145	1740082822	42212
14092225	41020	1610039135	41087	1611019046	41097	1740082823	42212
14092941	43116	1610039315	42337	161101904777	41097	1740082850	42212
14092952	43113	1610039316	42337	1611019065	41149	1740082851	42212
14094538	43098	1610039345	42339	161101906584	41159	1740083810	41084
	or *42094P	1610039346	42339	1611019075	41097	1740083811	41084
14100845	44030	1610039405	43528	1611019076	41097	1740085201	42408
14101304	43092	1610039455	43538	1611019085	41097	1740085830	42285
14102026	43114	1610049095	42252	1611019086	41097	174238	41142
14105921	43095	1610049385	42566	1611019095	41149	1750303M91	41170
14105938	43104	1610049506	42565	1611019105	41149	175218	41142
	or *43104P	1610049595	41171	1611019106	41159	1752422	43030
14109591	41052	1610049655	42230	1611019107	41125	1752677	43068
1486579	44032	161004965677	42230		or 41159	175723925B	42123
151203R1	42111	1610049666	41171	1611019135	42319	1805951C91	44053
151203R1M	42113	1610049755	41098	1611019145	42319	1805952C91	44053
151203R2	42113	1610049756	41098	1611019146	42319	1809374	44053
15633465	44099	1610049775	41098	1611019175	42245	1809374C91	44053
15633466	44100	1610049776	41098	1611019176	42245	1809374C93	44053
1565209	42098	1610049805	41098	1611019185	42245	1812001201	42278
1602789	43103	1610049835	42255	1611019205	42319	1812313C93	45007
1606326	42554	1610049837	43271	1611026020	42225	1815538	44059
16100-69335-83	42306	1610049875	42307	1611026021	42227	1815538C91	44059
	or 42305	1610050020	44085	1611028010	42222	1817687C92	42318
16100-69455-83	42306	1610050021	44085	1611038020	42224	1817687C93	42318
	or 42305	1610050022	44085	1611038021	42223	1817687C94	42318
16100-87182-000	41081	1610059125	41089	1611038022	42223	1817687C95	42318
16100-87790-000	42045	1610059126	41089	1611039035	42337	1817687C96	42318
161000H010	41179	1610059127	41089	1611040032	41168	1817687C97	42318
1610009080	41101	1610059129	41089	1611040052	41168	1817687C98	42318
1610009170	41101	1610059137	41148	1611040070	41168	1818182C3	45007
1610009440	43538	1610059139	41148	1611041032	41167	1818182C4	45007
1610009470	43528	1610059275	44085	1611045100	41171	1818610	42032
1610019015	42221	161005927583	44085	1611049045	41171	1821935C1	42318
1610019016	42221	1610060080	43288	161104908677	41171	1821935C3	42318
161001901777	42221	1610061011	43210	1611049097	42257	1821935C4	42318
1610019025	42564	1610061012	43210	1611049115	42255	1822325	44097
1610019026	41145	1610061041	43210	1611049116	42255	1822823C1	45007
1610019027	41145	1610061070	43260	1611049125	42257	1830606C94	42318
161001902877	41145	1610061081	42568	1611049126	42257	1831676C92	43545
1610019036	42228	1610069075	42338	1611061070	43259	1859250	42032
1610019055	41090	161006907677	42338	161106108177	43290	1879526	42032
1610019056	41090	1610069085	43289	1611061180	43301	1881803	43029
1610019065	42236	1610069156	43301	1611069035	42338	19110634325	42323
1610019066	41146	1610069206	42306	161106903677	42338	19110634335	42323
			or 42305	1611079015	42331	19110634375	42323
1610019085	41145	1610069215	42242	1611079025	42240	19110657325	41034
1610019095	42236	1610069225	42243	1611079026	42240	19110657335	41034
1610019105	41097	1610069225-83	42243	1611079055	42330	19110657405	41034
1610019115	42237	1610069255	43301	1611079095	42331	19110671325	41034
1610019166	41090						

* High Performance Pump

Manufacturers' Part Numbers

Manufacturer No.	Gates No.	Manufacturer No.	Gates No.	Manufacturer No.	Gates No.	Manufacturer No.	Gates No.
19110671335	41034	19200634670	42323	2101002P27	42181	21110AA015	42208
19110673325	41034	19200634671	42323	2101002P28	42181	21110AA016	42208
19110673335	41034	19200657020	41034	2101002P29	42181	21110AA017	42208
19110673405	41034	19200657030	41034	2101006E25	41136	21110AA023	41165
19110689325	41034	19200671010	41034	2101006E26	41136	21110AA025	41165
19110689335	41034	19200671020	41034	2101009W25	42325	21110AA026	41165
19200PA0000	41029	19200673000	41034	210101E400	41163	21110AA040	42202
19200PA0010	41029	19200689010	41034	210101E401	41163	21110AA050	42203
19200PA5000	41029	19200689030	41031	210101E402	41163	21110AA060	42203
19200PA5010	41029	19200689040	41031	210101P128	42192	21110AA070	42206
19200PA5700	41029	19210PCX003	43506	2101012G25	43300	21110AA110	41166
19200PA6000	41031	19210PD2505	41037	2101012G26	43300	21110AA360	43514
19200PA6010	41031	19210PD6505	41037	2101012G27	43300	21111AA000	42207
19200PA6020	41030	19210PG6305	41095	2101013226	42324	21111AA001	42207
19200PA6030	41030	19210PH1515	41039	2101016A25	41134	21111AA002	42207
19200PB2000	41031	19210PK2305	41043	2101016A26	41134	21111AA003	42207
19200PB2010	41031	192710	41181	2101016A85	41134	21111AA007	42207
19200PC1000	41030	1945421	43029	2101016E01	41137	21111AA021	42282
19200PC1405	41030	196845	43242	2101016E02	41137	21111AA022	42282
19200PC6000	41037	2S7Z 8501 BG	43505	2101016E03	41137	21111AA023	42282
19200PD2660	41037	2W1225	43233	2101016E25	41137	21111AA025	42282
19200PD6000	41037	2W1227	43059	2101016E26	41137	21111AA026	43513
19200PE0010	41038	2W9Z 8501 BB	43503	2101017C25	41139	21111AA033	42328
19200PE0415	41038	208919	43004	2101017C26	41139	21111AA060	42336
19200PE0515	41038	21000535	41024	2101017C28	41139	21111AA061	42336
19200PE0660	41038	21006276	41025	2101017S25	41132	21111AA065	42336
19200PE8405	41029	21006932	41025	2101017S26	41132	21111AA110	42207
19200PE8600	41029	21006933	41024	2101017S27	41132	21111AA230	43527
19200PG6000	41095	21007155	41024	2101021026	41130	2128284	43025
19200PG6415	41095	21007288	41024	2101021027	41130	216591	42008
19200PH1000	41039	21007453	41025	2101021028	41130	216939	42008
19200PH3000	41044	21007655	41024	2101021089	41130	218274	44086
19200PH3505	41044	21010AL525	41123	2101022P25	42232	219040	44064
19200PH7003	42108	21010AL526	41123	2101022P27	42232	2196035	43025
19200PIR003	43134	21010AL527	41123	2101023025	41130	2196910	43025
	or	21010AL528	41123	2101023028	42176	2196996	43029
19200PK2000	41043	21010B1762	41140	2101030R00	41076	2205873	43029
19200PLMA01	41115	21010D0125	41133	2101030R05	41076	2235969	42105
19200PM3003	41040	21010D0126	41133	2101030R06	41076	22511537	43096
19200PM3004	41040	21010E3027	41132	2101031U25	41164	22511638	43169
19200PM3013	41040	21010E3028	41132	2101031U26	41164	22514839	43169
19200PM3014	41040	21010F4600	43511	2101031U27	41164	22514840	43096
19200PNA003	42312	21010F461A	43512	2101031U28	41164	22516466	43096
19200POA003	41042	21010G3925	42178	2101031W25	42325	22519584	43096
19200POBA01	41042	21010G3926	42178	2101031W26	42325	22537768	41023
19200POGA01	42108	21010G3928	42178	2101037726	43299	230336	43120
19200PR4003	41041	21010H5025	41068	210104M525	43511	230337	43124
19200PR4013	41041	21010H7202	41131	210104M526	43511	230608	43120
19200PR7A01	43132	21010H7225	41131	210104S10A	43255	230609	43124
19200PR7A02	43132	21010H7226	41131	210104S100	43255	230899	43120
19200PR7A03	43132	21010H7227	41131	2101040F25	41162	230900	43124
19200PT0003	41042	21010M6625	41068	2101040F26	41162	231066	43107
19200PT0013	41042	21010M6626	41068	2101050A25	41071	231073	43100
19200PV1A01	41103	21010N5826	42178	2101050A26	41071	231461	43107
19200PV3003	41103	21010N5827	42178	2101050A27	41071	231462	43100
19200PY3A00	44048	21010N5828	42178	2101050A28	41071	231886	43107
19200PY3000	44047	21010N5829	42178	2101050A89	41071	231887	43100
19200PY3010	44047	21010N5885	42178	2101053J00	41138	231933	43124
19200PZA013	43521	21010N8527	42176	2101053J01	41138	233810C	41181
19200POGA01	42108	21010O1M25	41071	2101053J03	41138	234198	41080
19200P01003	41040	21010P7525	41132	2101053J04	41138	23500133	44099
19200P01004	41040	21010P7526	41132	2101053Y00	41075	23500138	44100
19200P08003	41045	21010P7527	41132	2101053Y01	41075	23500372	44100
19200P08004	41045	21010P7528	41132	2101060U25	42188	23505895	44066
19200P1R003	43134	21010P7586	41132	2101067U25	42335	23506003	43309
	or	21010P7589	41132	2101067U26	42335	23506007	43310
19200P10A02	41040	21010U6725	42176	2101067U28	42335	23506011	43311
19200P13000	41046	21010U6727	42176	210107B000	41078	23506602	44097
19200P13003	41046	21010U6728	42176	210107S000	43537	23506623	44103
19200P14A00	41047	21010V0725	41132	210107Y00A	43520	23506704	42322
19200P14A01	41047	21010V5525	41135	210107Y025	43520	23506711	42321
19200P2AA01	41048	21010V5526	41135	210107Y026	43520	23506723	42344
19200P30003	41106	21010V5528	41135	2101077A00	41073	23506735	42102
19200P5A004	43133	21010W4426	41135	210108J000	43512	23506790	44075
19200P5G004	44049	210100M300	41075	2101080W25	42178	2356027	42102
19200P72003	41050	210100M301	41075	2101080W89	42178	236-57-31	43249
19200P72013	44405	210100P526	42189	2101082W25	42178	2374896	42105
19200P75003	41049	210100P527	42189	2101086G00	41162	2384840	42105
19200P8AA01	42316	210100P529	42189	2101088R10	41075	2402921	42032
19200P8AA02	42316	210100W025	43255	2101097E00	43305	2417197	42099
19200P8AA03	42316	210100W027	43255	21015340	41024	2421375	43030
19200RAA01	41183	2101001M25	41071	21015341	41025	24409355	42408
19200RDM02	41184	2101002P25	42181	21015484	41025	24439797	42296
19200RFE003	43544	2101002P26	42181	21110AA013	42208	24439798	42296

* High Performance Pump

Manufacturers' Part Numbers

Manufacturer No.	Gates No.	Manufacturer No.	Gates No.	Manufacturer No.	Gates No.	Manufacturer No.	Gates No.
24461382	42296	26121019	42261	31228	43101	364790	43101
24467301	42296	26526500010	42108	3132676R93	42551	364815130A	42123
2448315	43030	2658959	43028	3136053	43322	364815130B	42123
2448326	42032	270559	42309	3136053R92	43322	364815130D	42123
2448327	42032	2706802	41158	3136217R92	43252	3671083	42032
2448759	42032	2706810	42272	316GC-1184BX	43225	3683834	42032
24502875	42095	270918C93	42111	316GC-1210A	43240	368496R91	42317
24503054	42095	271062	41158	316GC-1210AX	43240	369175	43091
24503459	42095	2712750	42309	316GC-1211AX	43225	3704906	43106
24504377	42095	2716132	41151	316GC-1219	43240		or *43106P
24504920	42097	2716470	41110	316GCA-1211	43225	3704911	43106
24570464	41023	2716567	43030	316GCA-1211A	43225		or *43106P
24571389	41023	2718302	42309	316GCA-184C,D	43226	372334	43101
24573636	41028	2718559	41110	316GCA-184E,F	43226	3736567	43128
24575871	41019	2718914	41110	316GCA-184G	43226	3738493	43106
24575951	41028	2719755	42309	316GCA184CDE	43226		or *43106P
24576875	41028	2719847	41128	3171837	43008	3741033	43128
24576952	41122	2719854	41110	318118R4	42317	3741034	43106
24577255	41028	272334	43531	318119R92	42317		or *43106P
2475787	42099	272476	41110	3181706	43006	3757231	43128
2475788	42099	272481	41110	3182920	43005	3757247	43106
250396	42310	272482	41128	3190999 Chrysler	43008		or *43106P
251002X401	43507	2756195	42272	3190999		3757248	43106
251002Y011	42302	2808464	42032	International	43005		or *43106P
2510021000	42156	2808466	42032	3209691	43005	3757332	43128
2510022010	42156	2808649	43028	3215713	43002	376444	43099
2510022012	42156	2808679	43025	32276955	43002		or *43099P
2510022650	42156	2808680	42032	3234411	43002	3769926	43106
2510022900	42156	2808681	42032	3237530	43001		or *43106P
2510023001	41061	2843290	42032	3237789	42000	37711330B	43232
2510023002	41061	2863007	43030	3241946	43001	377411	43248
2510023003	41061	2863063	43025	3241947	42000	3774186	43128
2510023010	41061	2883663	43025	3283803	41181	3774210	43093
2510023020	41061	2951330	43028	328581	43283	3774211	42555
2510023021	41061	2951331	43028	3286275	41178	3780108	43257
2510023022	41061	3C3Z 3501 BA	42333	3286277	41177		or 43026
2510024030	42156		or 41185	3286278	41176		or *43026P
2510026015	41107	3C3Z 8501 AA	42333	330813	43104	3780109	43257
2510026016	41107		or 41185		or *43104P		or 43026
2510026660	41107	3C3Z 8501 ABRM	42333	330813P	43104		or *43026P
2510026900	41107		or 41185		or *43104P	3780127	42032
2510026901	41107	3C3Z 8501 BARM	42333	336100	44034	3780196	42040
2510026902	41107		or 41185	340211	43001	3782608	43106
251003X000	43508	3F2Z 8501 BB	43069	340212	42000		or *43106P
	or 43140	3L3Z 8501 CA	43504	340412	42000	3782609	43106
2510032502	42195	3L3Z 8501 DA	43070	34079B05	43248		or *43106P
2510032510	42195	3000886	44064	341411	42002	3787566	43106
2510033011	42143	3004715	43029	3420037	43257		or *43106P
2510033012	42143	3004762	43030		or 43026	3788476	42082
2510033111	42163	3004763	42553		or *43026P	3789536	42104
2510033112	42163	3004786	43030	3420038	43257	3789537	42104
2510033130	42163	3004866	43028		or 43026	3800974	43320
2510033132	42163	3004886	43039		or *43026P	3800975	43319
2510035010	42162	3004923	44055	3420050	43025	3800976	43321
2510035020	42162	3004991	43030	3420225	43032	3801708	44092
2510035030	42162	30052	43004	352199	42090	3801713	43253
2510035040	42162	3022471	43253	3531681	41110	3801788	44086
2510035050	42162	3022474	44086	3539149	41026	3802004	41181
2510037202	42301	3027174	44078	3543R	42003	3802081	42352
2510038200	42286	303394R1	42317	3543272	44033	3802358	41181
2510039010	42313	303395R91	42317	3547559	42309	3802970	41181
2510039012	42313	3035157	44094	357261	42082	3803030	44084
2510039802	43533	3039182	44094	357262	42090	3803138	44084
25121019	41108	30454	42085	357621C92	42113	3803402	44094
2525498	42032	3045943	44092	357621C93	42113	3803403	43307
253C100	43018	3053538	44084	358937	42100	3803605	44052
2532906	43029	30570NN	43130	359036	42086	3806180	42352
25513134	43112	3062602	41175	360GB325A	43226	3807784	44064
25513135	43112	3062931	41174	360GB4431	43225	3815726	42082
25515147	42246	3064201R	41174	361053	42103	3830822	43257
25516944	43112	3064919	41111	361054	42085		or 43026
25519584	43097	3064920	41129	361055	42086		or *43026P
25524291	42095	3065000	41173	3633088	44032	3836083	43093
25524315	43112	30751700	41110	3633853	43103	3836159	43128
25524726	42095	3081234	41174	3634514	43103	3836160	43128
25525147	43112	310760100	42202	3634552	44028	3836856	43106
25525690	42095	310760110	42202	3634580	44028		or *43106P
25527355	43094	310760120	42202	3634606	44033	3837641	43257
25527536	43094	310764300	42202	3634640	44033		or 43026
25527537	42095	310766100	42202	3634653	44033		or *43026P
25529891	42095	310768100	42202	3634789	44033	3839157	43106
25534909	42095	310768110	42202	3634838	44028		or *43106P
2585291	43029	31176	43000	3636801	44033	3839175	43106
2585314	42032	31224	42085	3637192	44033		or *43106P

* High Performance Pump

Manufacturers' Part Numbers

Manufacturer No.	Gates No.	Manufacturer No.	Gates No.	Manufacturer No.	Gates No.	Manufacturer No.	Gates No.
3839176	43106	3998207	43106	4626215AF	42004	5086959AA	43526
	or *43106P		or *43106P	4626682	42038	5097159AC	44082
384780	43101	3998214	43126	463365C91	42111	5104392	43311
384783	43120	4C3Z 8501 ABRM	43541	463425	42272	510616C	44075
384786	43120	4C3Z 8501 AC	43541	463426	42272	5135595	42344
3848071	42098	4S4Z 8501 AA	41120	4636258	42033	5135596	42102
3848072	43106	4U7Z 8501 A	43067	4637500	42002	5135602	42102
	or *43106P	400269	43124	463776	43038	5135756AA	42162
3853692	43101	400289	43124	4654390	41001	5149327	44096
3856284	44088	403011F	43047	46620094	43222	5149328	44075
3856286	44029	404584	43120	4663296	41005	5149329	44096
3858288	44029	404847	43124	4663296AB	41070	5149372	42102
3859326	43106	405112	43055	4663333	41005	5149706	42344
	or *43106P	407586	43100	4663732	42041	5149707	42102
3859632	43101	4095700	43025	4663732AB	42041	5149708	42321
386100	43126	4104553	43025	4663732AC	42041	5149710	42322
3861920	43283	4106034	43025	4663732AD	42041	5159059	42344
3861922	43283	410767000	42203	4663736	42041	5159060	42102
3868320	43106	410767100	42203	4667660	41003	5178318	42102
	or *43106P	410767200	42203	4667660AB	41003	518040	42099
387038C91	43005	410767300	42203	4667660AE	41003	5186574	42102
3871521	42082	410767400	42206	4667662	41003	5186575	42344
3871522	42098	412265	43100	4694307	41006	5186576	42102
3876168	42082	4129810	42048	4694307AB	41006	5203432	42029
3876169	42098	4129812	42048	4694307AC	41006	5203441	42029
3876170	42082	4131018	43243	4694307AE	41006	5214490	42028
3876171	42098	41312159	43232	4694309	41006	52250937	41016
3876172	44027	4131243	43025	4694309AC	41006	52273124	41016
	or *44027P	41312479	43245	4728533	43257	5240400	42028
3876173	44088	41312487	43232		or 43026	5240630	42028
3877021	42100	41312691	43244		or *43026P	5245357	44000
3879716	43027	41312756	43246	474028	43101	5245465	44001
388182	43120	41312918	43247	474029	43099	5245720	44001
388183	43120	41313018	44069		or *43099P	5281175	41002
3890017	43106	41313048	43250	474055	42089	53J7Y18	41138
	or *43106P	41313201	42311	474056	42090	53008354	43037
3890018	44029	413307	43107	4763776	43038	53020135	43034
3891398	43104	4164061	42069	4763776AB	43038	53020280	43034
	or *43104P	4173703	41067	476509	43092	53020873AC	43263
3913432	41181	418327	41158	476510	43092	53021018	43034
3924141	41181	4186267	42069	4770970	41142	53021018AB	43034
3927564	44088	418807	43107	4771	42327	53021018AC	43034
3927565	44029	4293898	42029		or 42326	53021018AD	43034
3927798	42082	430004	42276		or 42326	53021187AA	43263
3928395	41181	43154551	42034	4781157AA	42292	53021187AC	43263
3929217	42100	4315736	42033	4781157AB	42292	53021380AK	43501
3929218	43283	4323148	42029	4781157AC	42292	53022189AB	43263
3929219	42082	4329406	42046	478126	43102	55121019	42258
3929233	43106	4331825	42047	47874	41142	55352002	41142
	or *43106P	4331827	42047	4792195	41079	556283	43100
3931065	44027	433361C91	43007	4792195AB	41079	5740079	44099
	or *44027P	4336010	41007	4792838AA	43543	5743241	44100
3932422	43283	4387457	42033	4792968AD	43542	5743939	43114
3937996	43106	4429404	41181	4797143	42003	5744662	44042
	or *43106P	4448878	41001	48121013	42259	5745093	44056
3947042	42082	445306C91	43002	482138	43102	5862023750	41042
3947051	43283	446430C Ford	44018	488152	43102	5882684	42048
3953620	44027	446430C		4882837	41004	5882689	42047
	or *44027P	International	44053	4882837AB	41004	5924366	41007
3957932	43101	446430C2	44018	488296	43102	5936404	42046
3957981	43106	446430C3	44053	488377	43102	5936406	42046
	or *43106P	446430C4 Ford	44018	4884159AA	43500	5955190	41142
3957982	44088	446430C4		489173C1	42114	5958061	41142
3960122	42100	International	44053	4901	42246	5960414	42199
3969811	44027	4483453	42034	500.338.059	43312	5983960	42046
	or *44027P	4483754	43033	5003085AA	41005	613890	44054
3975928	43129	4483756	43033	5003665AA	41181	6L2Z 8501 A	43279
3977607	44027	4485666	43006	500412	43091	6U7Z 8501 A	43069
	or *44027P	4556541	41004	500513	43102	6U7Z 8501 B	43070
3977630	43129	4556543	41004	500712	41015	6012000220	42149
3986364	43106	458486	44088	5008111	44099	601200092088	42149
	or *43106P	4610945	42276	5010897AA	41002	6012010110	42149
398681	43120	4610954	42276	5010898AA	41001	601816C91	42317
3987372	42103	461996	43099	5010964AA	41176	601816C92	42317
3990991	44027		or *43099P	5010964AB	41176	602200002088	42147
	or *44027P	4621172	42034	5012366AA	42293	6022000120	42147
3990992	44029	4621489	42035	5012366AB	42293	602200022088	42147
3990993	44088	4621550	42035	5012366AC	42293	6032010110	42147
3998198	43101	4626054	42005	5012366AD	42293	605-19187	43011
3998205	43104	4626054AD	42005	504011	43098	613890	44054
	or *43104P	4626054AF	42005		or *42094P	6258119	43283
3998206	43106	4626215	42004	504911	43114	6258446	42082
	or *43106P	4626215AD	42004	505111	43115	6258547	43126
				50745093	44056	6258548	44029

* High Performance Pump

Manufacturers' Part Numbers

Manufacturer No.	Gates No.	Manufacturer No.	Gates No.	Manufacturer No.	Gates No.	Manufacturer No.	Gates No.
6258551	43104	8AFB15010A	42139	88893906	44045	90392900	41018
	or *43104P	8AFC15010A	42139	88893907	44089	90392901	41080
6260822	43126	8AFD15010	42139	88894005	43114	90392902	41022
6263701	43101	8AF115100A	42130	88894035	44056	90392908	41016
6263707	44027	8AF215010	42130	88894036	44042	90444649	41142
	or *44027P	8AF215010A	42130	88894044	44100	90466340	41058
6269358	44034	8AF315010A	42130	88894290	45005	90528	41142
6272157	43101	8AF3150100	42130	88894297	41142	90537805	42296
6272159	44027	8AF415010	42130	88894341	43099	90543277	41142
	or *44027P	8AF415010A	42130		or *43099P	910416	43025
649718 Amer Mtrs	43004	8AF415100	42141	88894344	41026	9111	43106
649718 Chrysler	42001	8AF415100A	42141	88894345	45002		or *43106P
673162	44101	8AG115010A	42127	8890174390	45005	911425	42198
673162C93	44101	8AG115010B	42127	88972167	41101	91172178	42284
673162C94	44101	8AG7150100	42126	88972819	41124	91173189	42212
673623C92	42550	8AG915010	42135	89017269	41020	91173496	42284
675806C3	44104	8AH215010	42129	89017315	45005	91174230	42281
677856C2	44058	8AH215010A	42129	89017439	45005	91174494	41113
680155C92	44058	8AH215010B	42129	89017456	45002	91175666	42212
680899C91	44104	8AH315010A	42132	89017467	41026	91176170	42285
680899C92	44104	8AH315010B	42132	89017583	43539	912848	42198
680899C93	44104	8AH315010C	42132	89017593	45002	9135190	41110
685155C91	44058	8AH315010D	42132	89017693	44045	91737414385	42199
685155C92	44058	8AH315010E	42132	89017748	43315	91876914385	42199
685155C95	44058	8AH615010	42140	89017771	44045	9201182	41142
691F 8505 BA	42050	8AH715010	42115	8904663430	41058	92064250	42408
7C4957	45009	8AH715010C	42115	8920642500	41058	92810601511	43219
7W7019	45009	8AK115010	42129	8920659690	41058	92810601513	43218
70HM 8505 AA	42052	8AK115010A	42129	8920915	42322	92810601518	43218
70HM8505RO1	42052	8AK215010	42137	8920916M	42321	92810601520	43218
70IF 8505 AA	42050	8AK315010	41116	8922326	44103	92810601522	43219
70IM 8505 AC	44098	8AK315010B	41116	8922335	44103	9281061040R	43218
701M 8505 AC	44098	8AL115010	41072	8922336	44097	9281061228R	43219
71244450	41062	8AL115010A	41072	8928672	46001	9307893	41141
71250918	41062	8AL115010B	41072	8941095911	41052	93181118	43529
71981361	41062	8AL215010	42132	8941207681	43136	9321688	42198
73TF 8505 AA	44098	8AL415010	42138	8941313301	41055	9321951	42199
73485	41080	8AL415010A	42138	8941360760	42117	93221331	41016
735036-M91	43232	8AU115010	43156	8941463260	41153	93412618	42089
735327C91	44058	8BU115010	42216	8941463261	42118	93432783	43256
7401269	43296	80052	43004	8941742262	42119	94022627	42116
7490004	41027	80085	43003	8942024771	41051	94105354	43139
7490007	41026	80085	43004	8942248940	41051	94109591	41052
7507460	41141	8101209430	43116	8942396490	43136	94118501	42093
75221515	41062	8118	43106	8942403780	42117	94136076	42117
7580751	42046		or *43106P	8942448940	41051	94202477	41051
7580756	42046	8120999	43004	8943326360	41055	94224894	41051
7671808	41007	8123631690	41019	8943326370	42118	94239153	42087
7671810	41007	8124589280	43118	8943326371	42118	94239649	43136
7685	42085	8124622650	41019	8943326380	42119	94240378	42117
771F 8505 AA	41082	8125184430	41019	8943326381	42119	94331664	41054
7700598098	42275	8125244980	43118	8943326382	42119	94360200	41053
7700598118	43287	8125289170	43315	8943768370	43136	94410600300	43292
7700598384	42268	8125325280	43315	8943768450	41055	94410602109	43295
7700598433	43286	815F 8505 AD	42058	8943768460	42118	94410602113	43295
7700598459	43200	8207	42082	8943768470	42119	94410602116	43295
7700598461	43200	8245769520	41122	8944370481	41056	94410602124	42308
7700599052	42268	83TF 8505 AA	43046	8944398501	43314	9441061242R	42308
7701457671	43198	830691-M91	43227	8970102010	42093	9441061243R	43295
7701461239	43287	830862-M91	41170	8970211710	43314	9441061244R	43292
7701462085	43286	8346546	41032	8970217730	42118	94636985	41016
7701462491	43200	83503407	42004	8970217740	42119	94840082	41097
7701463182	42275	8367674	41008	8970314720	41054	94840612	41097
7701463397	42268	839467	43093	8970314730	41053	94844775	42237
7701502962	42249	86TF 8505 BD	43054	8970612800	42120	94847609	41097
7726020	43293	86TF8505BE	43081	8970816230	42119	94850703	41097
78121019	42161	861236R92	42111	8970816231	42119	94854103	42245
7941101660	43293	865707	43235	8970816240	42118	94854231	41097
8-97061-280-0	42120	8694626	41110	8970816241	42118	94854791	42319
8-97081-623-0	42119	8694627	43531	8971259750	42120	94858649	41101
8ABB15010	42134	8817900	41141	8971675540	42297	94858708	42245
8ABB15010A	42134	8817918	42197	8982775046	43001	9496429	41128
8ABB15010B	42134	8819948	42198	8982775047	42000	95TM 8505 AA	43060
8ABC15010	42142	8821944	41142	9N1249	43233	95110602108	43295
8ABE15010	42142	8822710	42199	9N1949	43233	95110602110	43295
8AB1150100	41060	8822744	42199	9N6147	42351	951106921X	43295
8AB415010	42128	8822793	42199	90TM 8505 AC	43060	96051819	41084
8AB515010	42131	88412818	42089	90106656	41016	96054289	41084
8AB515010A	42131	887215010B	42123	90220568	41022	96054298	41084
8AB715010	42128	887215010D	42123	90234198	41080	96059659	42284
8AB815010	42131	887215010I	42123	90234200	41018	96060136	42212
8AD215010A	42128	8875385	42099	90325660	41080	96062832	42284
8AE 8505 AA	42080	8888942900	45005	90325661	41018	96064376	42212
8AE215010	42136	88893281	44034	90349239	41080	96064464	42212

* High Performance Pump

Manufacturers' Part Numbers

Manufacturer No.	Gates No.	Manufacturer No.	Gates No.	Manufacturer No.	Gates No.	Manufacturer No.	Gates No.
96067153	42212	97031472	41054	978M8A513CD.....	41013	9799124	43102
96352649	43502	97216136	42349	9782482	43122	9806887	42277
96352650	43540	9772372	43122	9784281	43122	9809887	42277
96872700	43502	9772716	43122	9788609	43122	984876	42077
96872702	43540	9777913	43122	9790522	43102	984889	44087
97JM 8505 A.....	43279	978M 8A513 CC...	41013	9793130	43122	988M 8501 TJ.....	41013
97JM8505AD	43279	978M 8A513 CD...	41013	9796351	43123	988X591EA.....	41013
97TM8505A.....	43060	978M 8501 NH.....	41013	9797581	43123	991970C91.....	45000

* High Performance Pump

Changeover Listing

Competitive No.	Gates No.	Competitive No.	Gates No.	Competitive No.	Gates No.	Competitive No.	Gates No.	Competitive No.	Gates No.
ACDELCO		ACDELCO - Cont.		ACDELCO - Cont.		ACDELCO - Cont.		ACDELCO - Cont.	
251-106.....	41158	251-327.....	42058	251-481.....	42261	252-034.....	42052	252-123.....	43111
251-109.....	43072	251-328.....	44027	251-482.....	43058	252-035.....	41030	252-124.....	43110
251-116.....	43029	or*44027P		251-483.....	43130	252-036.....	42323	252-125.....	44005
251-121.....	44029	251-329.....	42155	251-486.....	44030	252-037.....	41029	252-126.....	42111
251-133.....	44032	251-330.....	42154	251-489.....	44036	252-038.....	41034	252-127.....	43289
251-134.....	42082	251-333.....	43095	251-492.....	44037	252-039.....	43049	252-128.....	41135
251-136.....	43107	251-334.....	41015	251-498.....	43115	252-040.....	43018	252-129.....	41137
251-137.....	43122	251-335.....	44099	251-503.....	41023	252-041.....	42122	252-130.....	42236
251-140.....	43028	251-336.....	42157	251-504.....	42095	252-042.....	41059	252-131.....	42056
251-141.....	43121	251-337.....	42156	251-506.....	45001	252-043.....	41161	252-133.....	43156
251-142.....	43283	251-339.....	43112	251-513.....	42063	252-044.....	41161	252-134.....	42339
251-150.....	44011	251-340.....	44028	251-514.....	43272	252-045.....	41063	252-135.....	41052
251-152.....	43123	251-341.....	43096	or*43272P		252-046.....	43159	252-136.....	42216
251-153.....	43006	251-342.....	42117	251-515.....	43051	252-047.....	41160	252-137.....	42059
251-154.....	43044	251-343.....	41016	251-516.....	43052	252-048.....	42259	252-138.....	43054
or*43044P		251-346.....	43136	251-517.....	44007	252-049.....	42010	252-140.....	42093
251-155.....	43041	251-347.....	42087	251-518.....	43057	252-050.....	41000	252-142.....	42237
251-157.....	43111	251-349.....	42083	251-521.....	42129	252-051.....	42013	252-143.....	41108
251-158.....	42050	251-350.....	43092	251-522.....	42074	252-052.....	42326	252-144.....	41153
251-159.....	42052	251-351.....	43091	251-523.....	42162	or	42327	252-145.....	43303
251-164.....	43007	251-352.....	42224	251-525.....	42033	252-053.....	42246	252-146.....	42026
251-166.....	43106	251-353.....	42221	251-527.....	42216	252-055.....	42151	252-147.....	42309
or*43106P		251-354.....	42337	251-528.....	42195	252-056.....	41062	252-148.....	43296
251-169.....	43126	251-355.....	42222	251-529.....	42159	252-057.....	43287	252-149.....	42275
251-172.....	41109	251-356.....	41059	251-530.....	41010	252-060.....	41008	252-150.....	41098
251-173.....	41062	251-357.....	41131	251-531.....	42128	252-062.....	42203	252-151.....	42127
251-174.....	43094	251-358.....	42223	251-532.....	43055	252-064.....	42202	252-152.....	42130
251-175.....	41168	251-361.....	41021	251-535.....	41092	252-065.....	43288	252-155.....	42325
251-181.....	42102	251-364.....	42047	251-536.....	41001	252-066.....	43210	252-156.....	41141
251-182.....	43100	251-365.....	42202	251-537.....	44035	252-067.....	41167	252-157.....	43301
251-184.....	43049	251-366.....	42178	251-555.....	44038	252-068.....	41087	252-158.....	41095
251-185.....	43104	251-367.....	42203	251-560.....	41028	252-069.....	41168	252-159.....	41084
or*43104P		251-368.....	41071	251-561.....	44040	252-070.....	42252	252-160.....	43300
251-187.....	43109	251-371.....	43043	251-566.....	43315	252-071.....	42224	252-161.....	42108
251-188.....	42055	251-374.....	41029	251-573.....	44042	252-072.....	42223	252-162.....	41165
251-190.....	43103	251-375.....	41030	251-574.....	42212	252-073.....	42215	252-163.....	42208
251-192.....	42032	251-376.....	42029	251-575.....	42245	252-074.....	42329	252-164.....	42331
251-196.....	44098	251-378.....	42095	251-578.....	42319	252-075.....	42217	252-165.....	41039
251-199.....	43257	251-382.....	44033	251-585.....	43139	252-076.....	42225	252-166.....	42118
or	43026	251-383.....	41020	251-586.....	42237	252-077.....	42214	252-167.....	41055
or*43026P		251-384.....	41019	251-587.....	41053	252-078.....	42225	252-168.....	42055
251-205.....	43000	251-386.....	43113	251-588.....	41054	252-079.....	42222	252-169.....	43053
251-207.....	42086	251-387.....	43098	251-589.....	44100	252-080.....	42564	252-170.....	42003
251-208.....	42090	or*42094P		251-599.....	44043	252-081.....	42008	252-171.....	43222
251-210.....	42056	251-388.....	43114	251-603.....	44056	252-084.....	41158	252-172.....	43081
251-213.....	42057	251-397.....	42094	251-617.....	41026	252-085.....	42276	252-173.....	42240
251-214.....	42070	251-403.....	44019	251-69.....	42554	252-086.....	43293	252-174.....	41040
251-217.....	44004	251-404.....	42091	251-91.....	43110	252-087.....	41171	252-175.....	41044
251-218.....	44005	251-410.....	43001	252-002.....	41027	252-088.....	42157	252-176.....	41043
251-219.....	44006	251-411.....	42000	252-003.....	42007	252-089.....	43200	252-177.....	42119
251-220.....	42111	251-413.....	43280	252-004.....	41169	252-090.....	41067	252-178.....	42143
251-221.....	42124	251-414.....	44018	252-005.....	41151	252-091.....	41089	252-179.....	42143
251-222.....	42258	251-415.....	43047	252-006.....	42006	252-092.....	41146	252-180.....	42164
251-223.....	42103	251-416.....	41009	252-007.....	42017	252-093.....	42230	252-181.....	44004
251-224.....	43101	251-417.....	43046	252-008.....	41035	252-094.....	42338	252-182.....	42057
251-230.....	43099	251-418.....	43169	252-009.....	42012	252-095.....	41134	252-183.....	42147
or*43099P		251-419.....	43097	252-010.....	42116	252-096.....	41037	252-184.....	42173
251-233.....	43102	251-420.....	42088	252-011.....	41051	252-097.....	42016	252-185.....	42018
251-235.....	41068	251-422.....	42158	252-012.....	42324	252-098.....	42014	252-186.....	43005
251-236.....	41132	251-423.....	43200	252-013.....	41130	252-099.....	43184	252-187.....	43087
251-237.....	42176	251-424.....	41171	252-014.....	41132	252-100.....	43185	252-188.....	43082
251-239.....	42214	251-425.....	42230	252-015.....	41068	252-102.....	43136	252-189.....	43056
251-240.....	41087	251-427.....	41145	252-016.....	41131	252-103.....	43290	252-190.....	43297
251-241.....	42153	251-428.....	42228	252-017.....	42176	252-106.....	41133	252-191.....	42004
251-242.....	42151	251-429.....	42272	252-018.....	42178	252-107.....	43019	252-193.....	41139
251-243.....	42332	251-431.....	42092	252-019.....	41143	252-108.....	42117	252-194.....	41149
251-248.....	41034	251-433.....	43216	252-020.....	42153	252-109.....	43306	252-195.....	43004
251-249.....	43154	251-434.....	42217	252-021.....	42154	252-110.....	43000	252-197.....	42212
251-250.....	42323	251-435.....	41034	252-022.....	41109	252-111.....	42013	252-198.....	42086
251-301.....	41082	251-436.....	42338	252-023.....	42155	252-112.....	42126	252-199.....	42062
251-302.....	44003	251-437.....	41060	252-024.....	42028	252-113.....	43162	252-200.....	42064
251-303.....	42054	251-439.....	42123	252-025.....	42069	252-114.....	43161	252-201.....	43036
251-304.....	43025	251-440.....	42126	252-026.....	42048	252-115.....	41152	252-202.....	43107
251-307.....	42028	251-441.....	41090	252-027.....	42047	252-116.....	43042	252-204.....	41181
251-312.....	45003	251-442.....	41038	252-028.....	42046	252-117.....	43047	252-205.....	41117
251-313.....	42089	251-443.....	41147	252-029.....	41007	252-118.....	41148	252-206.....	43084
251-314.....	42084	251-451.....	42284	252-030.....	43154	252-119.....	42181	252-207.....	43302
251-320.....	44064	251-456.....	41018	252-031.....	42124	252-120.....	43304	252-209.....	42242
251-321.....	44086	251-472.....	42060	252-032.....	41082	252-121.....	42206	252-210.....	42243
251-324.....	43002	251-475.....	41080	252-033.....	42050	252-122.....	43109	252-211.....	42331
251-326.....	43050	251-477.....	41022						

* High Performance Pump

Changeover Listing

Competitive No.	Gates No.	Competitive No.	Gates No.	Competitive No.	Gates No.	Competitive No.	Gates No.	Competitive No.	Gates No.
ACDELCO - Cont.		ACDELCO - Cont.		ACDELCO - Cont.		ACDELCO - Cont.		ACDELCO - Cont.	
252-212.....	41056	252-299.....	42351	252-420.....	44103	252-530.....	43290	252-612.....	42156
252-213.....	41072	252-300.....	43233	252-422.....	43253	252-531.....	43170	252-613.....	43092
252-214.....	42232	252-301.....	42311	252-423.....	44092	252-532.....	44049	252-614.....	43091
252-215.....	41162	252-302.....	42320	252-424.....	44075	252-533.....	41048	252-615.....	42337
252-216.....	41073	252-303.....	43126	252-426.....	44104	252-535.....	43240	252-617.....	43043
252-217.....	41076	252-304.....	44058	252-427.....	42194	252-536.....	44055	252-618.....	42029
252-218.....	41166	252-305.....	46001	252-428.....	44093	252-538.....	43067	252-619.....	42071
252-219.....	42021	252-306.....	43218	252-429.....	43243	252-539.....	42254	252-620.....	43272
252-220.....	42020	252-307.....	43219	252-430.....	43244	252-540.....	42250		or*43272P
252-221.....	42019	252-308.....	42308	252-431.....	43245	252-541.....	43038	252-621.....	42089
252-222.....	42011	252-309.....	43292	252-432.....	43247	252-542.....	43131	252-622.....	42258
252-223.....	43022	252-310.....	42303	252-433.....	43248	252-543.....	42079	252-623.....	42058
252-224.....	42149	252-311.....	42249	252-435.....	43249	252-544.....	43279	252-624.....	43112
252-225.....	42197	252-312.....	42277	252-436.....	43250	252-545.....	43070	252-625.....	42070
252-226.....	42194	252-313.....	43006	252-437.....	43251	252-547.....	43171	252-626.....	44019
252-227.....	41053	252-314.....	42336	252-438.....	43322	252-548.....	44080	252-627.....	41097
252-228.....	42163	252-315.....	42328	252-439.....	43059	252-549.....	43254	252-628.....	43001
252-229.....	42132	252-316.....	42251	252-453.....	44069	252-550.....	42068	252-629.....	42002
252-230.....	42131	252-317.....	41155	252-454.....	42321	252-551.....	42257	252-630.....	43280
252-231.....	42139	252-318.....	41181	252-455.....	42322	252-552.....	43259	252-631.....	44018
252-232.....	42140	252-319.....	44001	252-457.....	43258		or 43260	252-632.....	43047
252-233.....	41041	252-320.....	42319	252-458.....	42278	252-553.....	41048	252-633.....	41009
252-234.....	41130	252-321.....	42245	252-459.....	44098	252-554.....	42256	252-634.....	43046
252-235.....	42207	252-322.....	42135	252-462.....	44078	252-555.....	41159	252-635.....	43169
252-237.....	42561	252-323.....	42067	252-464.....	44084	252-556.....	43089	252-636.....	42158
252-238.....	44022	252-324.....	44024	252-465.....	44094	252-557.....	43259	252-637.....	41145
252-239.....	41045	252-325.....	43065	252-466.....	43061	252-558.....	41110	252-638.....	42228
252-240.....	41047	252-326.....	42067	252-467.....	41011	252-559.....	41128	252-639.....	42272
252-241.....	44000	252-327.....	42306	252-469.....	43063	252-560.....	43133	252-640.....	44053
252-242.....	42344		or 42305	252-470.....	43064	252-563.....	43120	252-641.....	42092
252-243.....	43305	252-328.....	42247	252-471.....	41005	252-564.....	42103	252-642.....	43112
252-244.....	42023	252-329.....	41002	252-472.....	41154	252-567.....	42072	252-643.....	41031
252-246.....	42282	252-330.....	43029	252-473.....	44091	252-570.....	41129	252-644.....	41060
252-247.....	42265	252-332.....	43238	252-474.....	41110	252-571.....	41111	252-645.....	42341
252-248.....	42078	252-333.....	43252	252-477.....	44059	252-572.....	41173	252-646.....	42123
252-249.....	43035	252-335.....	43232	252-478.....	42137	252-573.....	41174	252-647.....	41090
252-250.....	41075	252-336.....	43246	252-479.....	43062	252-574.....	44029	252-648.....	41038
252-251.....	41103	252-338.....	45008	252-480.....	42066	252-575.....	44032	252-649.....	41147
252-252.....	42021	252-339.....	41004	252-481.....	45007	252-576.....	43122	252-650.....	43096
252-253.....	42306	252-340.....	43037	252-482.....	41014	252-577.....	43283	252-651.....	41021
	or 42305	252-341.....	45009	252-483.....	42334	252-578.....	43030	252-652.....	43098
252-254.....	44008	252-342.....	42198	252-484.....	44009	252-579.....	43044		or*42094P
252-255.....	43021	252-343.....	42189	252-485.....	43070		or*43044P	252-653.....	42280
252-256.....	43125	252-344.....	41163	252-486.....	43068	252-580.....	43041	252-654.....	44028
252-257.....	41024	252-345.....	41156	252-487.....	42096	252-581.....	43106	252-655.....	41016
252-258.....	41025	252-346.....	42161	252-490.....	42106		or*43106P	252-656.....	42060
252-259.....	43213	252-347.....	42166	252-492.....	42077	252-582.....	43094	252-657.....	41018
252-260.....	43033	252-348.....	42120	252-493.....	43083	252-583.....	42102	252-658.....	41080
252-261.....	42045	252-349.....	43168	252-494.....	44087	252-584.....	43049	252-659.....	42199
252-262.....	41081	252-350.....	43123	252-495.....	42165	252-585.....	43104	252-660.....	41022
252-263.....	42167	252-360.....	42554		or 42169		or*43104P	252-661.....	43097
252-265.....	43132	252-363.....	42310	252-496.....	41003	252-586.....	43103	252-662.....	42261
252-267.....	44085	252-364.....	43227	252-497.....	42168	252-587.....	42032	252-663.....	43058
252-268.....	42255	252-365.....	43226	252-498.....	42035	252-588.....	44098	252-664.....	43098
252-269.....	42335	252-366.....	42105	252-499.....	42340	252-589.....	43257		or*42094P
252-270.....	41138	252-371.....	42099	252-500.....	42171		or 43026	252-665.....	43255
252-271.....	44034	252-372.....	44088	252-501.....	43163		or*43026P	252-666.....	43118
252-274.....	42100	252-376.....	42098	252-502.....	43164	252-590.....	42082	252-667.....	41023
252-275.....	44006	252-379.....	43229	252-503.....	43285	252-591.....	42090	252-668.....	42063
252-276.....	43032	252-384.....	43242	252-504.....	43166	252-592.....	43101	252-669.....	43272
252-277.....	44012	252-386.....	43075	252-509.....	42061	252-593.....	42085		or*43272P
252-278.....	43008	252-387.....	43007	252-510.....	43008	252-595.....	43099	252-670.....	43051
252-279.....	42005	252-389.....	43077	252-511.....	44096		or*43099P	252-671.....	43052
252-280.....	42065	252-390.....	43078	252-512.....	42352	252-596.....	43100	252-672.....	44007
252-282.....	42165	252-392.....	43225	252-513.....	43069	252-597.....	43102	252-673.....	43057
	or 42169	252-393.....	43027	252-515.....	43086	252-598.....	44003	252-674.....	43044
252-283.....	41036	252-394.....	43076	252-516.....	42065	252-599.....	42054		or*43044P
252-284.....	41057	252-395.....	42124	252-517.....	41013	252-600.....	43025	252-675.....	42129
252-285.....	43278	252-397.....	44017	252-518.....	42165	252-601.....	43257	252-677.....	42062
252-286.....	43277	252-398.....	42113		or 42169		or 43026	252-678.....	42034
252-288.....	44023	252-400.....	43282	252-519.....	44048		or*43026P	252-679.....	42033
252-289.....	41046	252-401.....	44016	252-520.....	42040	252-602.....	44005	252-680.....	43037
252-290.....	42136	252-402.....	43129	252-521.....	43291	252-603.....	42084	252-681.....	42195
252-291.....	42115	252-403.....	42114	252-522.....	41055	252-604.....	44064	252-682.....	42159
252-292.....	42115	252-405.....	44101	252-523.....	43034	252-605.....	44086	252-683.....	41010
252-293.....	41140	252-408.....	43223	252-524.....	42041	252-606.....	43002	252-684.....	42128
252-294.....	43295	252-409.....	43073	252-525.....	41050	252-607.....	43050	252-685.....	43055
252-295.....	43121	252-417.....	43235	252-526.....	42134	252-608.....	44027	252-686.....	41070
252-296.....	43028	252-418.....	43003	252-527.....	41164		or*44027P	252-687.....	43060
252-297.....	43124	252-419.....	44097	252-528.....	41106	252-609.....	43095	252-688.....	41092
252-298.....	42317			252-529.....	43216	252-610.....	41015	252-689.....	41001
						252-611.....	44099		

* High Performance Pump

Changeover Listing

Competitive No.	Gates No.	Competitive No.	Gates No.	Competitive No.	Gates No.	Competitive No.	Gates No.	Competitive No.	Gates No.
ACDELCO - Cont.		ACDELCO - Cont.		AIRTEX - Cont.		AIRTEX - Cont.		AIRTEX - Cont.	
252-690.....	44035	252-811.....	43508	AW2007.....	43227	AW4003.....	41082	AW4114.....	45000
252-692.....	41079	or	43140	AW2009.....	41170	AW4005.....	42124	AW4115.....	41013
252-693.....	42097	252-813.....	43263	AW2014.....	44067	AW4008.....	43282	AW4118.....	43090
252-694.....	42095	252-814.....	42292	AW2016.....	42310	AW4010.....	43280	AW4119.....	42080
252-695.....	42080	252-816.....	42294	AW2018.....	43229	AW4011.....	43042	AW4121.....	42081
252-696.....	42059	252-817.....	41121	AW2019.....	43232	AW4014.....	43050	AW4122.....	42068
252-697.....	42091	252-820.....	41118	AW2020.....	43233	AW4016.....	43043	AW4123.....	42294
252-698.....	42083	252-821.....	42296	AW2021.....	41129	AW4018.....	44018	AW4124.....	43503
252-699.....	44036	252-822.....	41122	AW2022.....	44069	AW4020N.....	43047	AW4125.....	41121
252-700.....	44038	252-824.....	42298	AW2023.....	42311	AW4022.....	41009	AW4126.....	41120
252-701.....	44037	252-825.....	41113	AW2024.....	42320	AW4023.....	43046	AW4127.....	41119
252-702.....	44034	252-826.....	44082	AW2026.....	42321	AW4024.....	43264	AW4128.....	41118
252-703.....	44040	252-827.....	44081	AW2027.....	42322	AW4030N.....	42070	AW4130.....	43504
252-704.....	42097	252-828.....	41124	AW2029.....	43253	AW4033.....	42057	AW4132.....	43505
252-705.....	45001	252-829.....	43271	AW2031.....	44075	AW4034.....	43051	AW4133.....	43541
252-706.....	41041	252-830.....	41115	AW2032.....	44092	AW4035.....	43053	AW43N.....	43093
252-707.....	41026	252-833.....	42088	AW2033.....	43258	AW4037.....	44019	AW494.....	42556
252-708.....	43428	252-834.....	43286	AW2034.....	46001	AW4038.....	43272	AW5000.....	42083
or	43262	252-836.....	43011	AW2035.....	45009	or*	43272P	AW5000P.....	42084
252-709.....	41061	252-838.....	42349	AW2036.....	44097	AW4038H.....	43272	AW5001.....	43092
252-710.....	43298	252-841.....	42286	AW2037.....	44103	or*	43272P	AW5003.....	43103
252-711.....	43315	AIRTEX		AW2038.....	44096	AW4039.....	43052	AW5004.....	43091
252-712.....	43139	AW1002.....	44027	AW2040.....	42278	AW4040.....	42058	AW5005.....	42105
252-713.....	41107	or*	44027P	AW2041.....	42351	AW4041.....	41010	AW5006.....	43095
252-714.....	43141	AW1002H.....	44027	AW2042.....	43238	AW4042.....	43054	AW5007.....	41015
252-715.....	42142	or*	44027P	AW2043.....	43059	AW4044.....	43057	AW5008.....	44099
252-716.....	44100	AW1006.....	42329	AW2044.....	44055	AW4045.....	43081	AW5009.....	42117
252-717.....	44100	AW1010.....	41062	AW2045.....	41111	AW4048.....	44007	AW5010.....	44028
252-718.....	42284	AW1012.....	41109	AW2046.....	43240	AW4049.....	42128	AW5012.....	43169
252-719.....	43114	AW1018.....	43094	AW2047.....	42352	AW4050.....	43056	AW5013.....	42087
252-720.....	44033	AW1021.....	43008	AW2048.....	44093	AW4051.....	43055	AW5014.....	43096
252-721.....	41020	AW1028.....	43049	AW2049.....	43243	AW4052.....	43058	AW5014P.....	43097
252-722.....	44030	AW1040.....	42032	AW2050.....	43244	AW4053.....	42129	AW5015.....	42088
252-723.....	41019	AW1042.....	43154	AW2051.....	43245	AW4054.....	42060	AW5016.....	43098
252-724.....	45000	AW1044.....	43154	AW2052.....	43246	AW4055.....	43082	or*	42094P
252-725.....	41006	AW1046.....	42055	AW2053.....	43247	AW4056.....	41092	AW5016H.....	43098
252-726.....	43115	AW1045.....	43109	AW2054.....	43248	AW4057.....	43066	or*	42094P
252-727.....	43116	AW1046.....	42116	AW2056.....	43249	AW4059.....	42074	AW5017.....	41016
252-728.....	43117	AW1047.....	44098	AW2057.....	43250	AW4060.....	43060	AW5019.....	43129
252-729.....	43113	AW1052.....	43077	AW2058.....	43251	AW4061.....	43087	AW5020.....	41021
252-730.....	42068	AW1053.....	43257	AW2059.....	43252	AW4062.....	43084	AW5021.....	43139
252-731.....	41027	or	43026	AW2060.....	44078	AW4065.....	42062	AW5022.....	42092
252-732.....	44045	or*	43026P	AW2062.....	44084	AW4066.....	42064	AW5023.....	44033
252-734.....	43128	AW1058.....	42102	AW2063.....	44094	AW4067.....	44098	AW5027.....	42093
252-740.....	41170	AW1059.....	43078	AW2064.....	41173	AW4068.....	42131	AW5028.....	43112
252-744.....	42104	AW1061.....	42246	AW2065.....	41174	AW4069.....	42063	AW5029.....	41084
252-754.....	43198	AW1070.....	43076	AW2067.....	44080	AW4070.....	42078	AW5030.....	42089
252-766.....	43168	AW1074.....	42344	AW2068.....	43254	AW4071.....	43021	AW5031.....	41052
252-770.....	43093	AW1075.....	44004	AW2069.....	43256	AW4072.....	43125	AW5032.....	41019
252-775.....	44043	AW1077.....	43000	AW2070.....	43257	AW4073.....	42077	AW5033.....	41020
252-776.....	44056	AW108N.....	42555	AW2080.....	43299	AW4074.....	43083	AW5035.....	43116
252-778.....	41142	AW1082.....	44005	AW2090.....	44052	AW4075.....	44087	AW5036.....	41022
252-779.....	41028	AW1083.....	44012	AW2091.....	43307	AW4077.....	44022	AW5037.....	43113
252-780.....	41101	AW1088.....	42103	AW2092.....	44066	AW4078.....	42135	AW5038.....	44030
252-781.....	45002	AW1093.....	45008	AW2093.....	44054	AW4079.....	44008	AW5040.....	42094
252-782.....	45005	AW1094.....	44006	AW2097.....	43526	AW4081.....	44023	AW5041.....	42091
252-783.....	44045	AW1096.....	44016	AW3401.....	43002	AW4082.....	43089	AW5043.....	41023
252-785.....	41125	AW1098.....	43027	AW3403.....	43001	AW4083.....	42071	AW5045.....	41018
or	41159	AW1099.....	42111	AW3404.....	42000	AW4086.....	44024	AW5048.....	42284
252-786.....	42192	AW1100.....	43107	AW3405.....	43200	AW4087.....	43065	AW5049.....	43114
252-787.....	42172	AW1101.....	42124	AW3406.....	43286	AW4088.....	42067	AW5050N.....	42095
252-788.....	43508	AW1103.....	44017	AW3407.....	43287	AW4089.....	43061	AW5051.....	43115
or	43140	AW1107.....	42085	AW3408.....	42268	AW4090.....	43062	AW5054.....	41024
252-789.....	42138	AW1109.....	43101	AW3409.....	42026	AW4091.....	41011	AW5055.....	41025
252-790.....	42307	AW1110.....	42086	AW3410.....	42275	AW4093.....	42066	AW5056.....	44040
252-791.....	41078	AW1111.....	43003	AW3411.....	43036	AW4094.....	43063	AW5057.....	41080
252-792.....	42318	AW1114.....	44003	AW3412.....	42004	AW4095.....	43064	AW5058.....	42212
252-793.....	41049	AW1120.....	43100	AW3413.....	42002	AW4096.....	45007	AW5059.....	42106
252-794.....	41157	AW1121.....	43099	AW3414.....	42003	AW4097.....	41014	AW5060.....	43130
252-795.....	42081	or*	43099P	AW3702.....	42114	AW4098.....	42334	AW5061.....	44034
252-797.....	42316	AW1121H.....	43099	AW3703.....	42317	AW4099.....	44009	AW5062.....	44100
252-798.....	42297	or*	43099P	AW3705.....	44053	AW4101.....	43068	AW5063.....	44035
252-799.....	42005	AW1124.....	42151	AW3706.....	42550	AW4102.....	43069	AW5064.....	41027
252-800.....	43503	AW1126.....	42113	AW3707.....	44101	AW4103.....	43067	AW5066.....	44036
252-801.....	41113	AW1127.....	41051	AW3708.....	42551	AW4105.....	43070	AW5067.....	42096
252-803.....	44030	AW1137.....	42090	AW3709.....	44104	AW4106.....	43131	AW5068.....	44037
252-804.....	42141	AW2000.....	44064	AW3710.....	44058	AW4107.....	42315	AW5069.....	44038
252-806.....	43266	AW2001.....	44086	AW3711.....	43322	AW4108.....	43279	AW5070.....	43117
252-808.....	41058	AW2002.....	43242	AW3712.....	44059	AW4109.....	42079	AW5072.....	41026
252-809.....	41127	AW2004.....	43225	AW3713.....	42318	AW4112.....	43086	AW5073.....	43118
		AW2006.....	43226	AW4002.....	42054	AW4113.....	42065	AW5074.....	44042

* High Performance Pump

Changeover Listing

Competitive No.	Gates No.	Competitive No.	Gates No.	Competitive No.	Gates No.	Competitive No.	Gates No.	Competitive No.	Gates No.
AIRTEX - Cont.		AIRTEX - Cont.		AIRTEX - Cont.		AIRTEX - Cont.		AIRTEX - Cont.	
AW5075.....	42097	AW7162.....	41079	AW9067.....	42059	AW9177.....	42259	AW9272.....	42245
AW5076.....	41028	AW7163.....	43263	AW9068.....	42309	AW9178.....	41063	AW9273.....	41046
AW5077.....	43315	AW7164.....	42293	AW9069.....	41038	AW9179.....	42324	AW9274.....	41156
AW5078.....	45001	AW7165.....	42292	AW907.....	42553	AW918.....	43029	AW9275.....	41036
AW5079.....	41142	AW7167.....	43500	AW9071.....	41151	AW9180.....	42566	AW9276.....	43278
AW5081.....	45002	AW7168.....	43501	AW9074.....	41137	AW9181.....	42252	AW9277.....	44090
AW5084.....	45003	AW7170.....	43543	AW9075.....	42236	AW9182.....	42069	AW9278.....	42120
AW5085.....	44043	AW723.....	42552	AW9076.....	42237	AW9183.....	42008	AW9279.....	41154
AW5086.....	44056	AW725.....	42098	AW9077.....	42276	AW9185.....	42006	AW9280.....	44091
AW5087.....	45005	AW756.....	42072	AW9078.....	43288	AW9186.....	42010	AW9281.....	42277
AW5089.....	44045	AW770.....	42563	AW908.....	43006	AW9187.....	42326	AW9282.....	42249
AW5090.....	44089	AW773.....	43120	AW9080.....	41165	AW9188.....	or 42327	AW9283.....	42303
AW5092.....	42296	AW777.....	42562	AW9082.....	42007	AW9188.....	41000	AW9284.....	41140
AW5094.....	42569	AW819.....	43072	AW9083.....	41039	AW9189.....	43210	AW9288.....	44048
AW5097.....	41122	AW821.....	43121	AW9084.....	42046	AW919.....	43030	AW9289.....	41050
AW5098.....	42349	AW835.....	42099	AW9085.....	41007	AW9190.....	42567	AW9290.....	42306
AW5099.....	41101	AW843.....	43005	AW9086.....	41146	AW9193.....	43184	AW9290.....	or 42305
AW5103.....	43530	AW850.....	43122	AW9087.....	42331	AW9194.....	42122	AW9291.....	42247
AW52.....	43004	AW851.....	44032	AW9087.....	42331	AW9195.....	42149	AW9292.....	42257
AW52LP.....	42001	AW855.....	43110	AW9092.....	41147	AW9195.....	42149	AW9293.....	43291
AW563.....	43128	AW861.....	44029	AW9093.....	42206	AW9198.....	42325	AW9294.....	43185
AW572.....	42558	AW872.....	43073	AW9094.....	41089	AW9200.....	41148	AW9299.....	41161
AW651.....	43223	AW879.....	42061	AW9097.....	42108	AW9201.....	42232	AW9300.....	43153
AW655.....	43235	AW880.....	42557	AW9098.....	41149	AW9202.....	43302	AW9301.....	43198
AW669.....	42104	AW890.....	41168	AW9099.....	42240	AW9203.....	42048	AW9302.....	43314
AW670.....	42562	AW893.....	44011	AW9100.....	41098	AW9205.....	43222	AW9304.....	42335
AW7100.....	43025	AW895.....	42082	AW9102.....	42130	AW9206.....	41162	AW9305.....	42134
AW7101.....	42028	AW896.....	43283	AW9104.....	43300	AW9207.....	41073	AW9306.....	42340
AW7103.....	43257	AW898.....	43106	AW9105.....	42118	AW9208.....	42139	AW9307.....	42199
or 43026		AW898H.....	43106	AW9106.....	41055	AW9209.....	41042	AW9309.....	41123
or*43026P		or*43106P		AW9107.....	42197	AW9211.....	43018	AW9309.....	or 41164
AW7103H.....	43257	AW9003.....	42047	AW9108.....	41141	AW9212.....	42163	AW9310.....	42171
or 43026		AW9004.....	42332	AW9109.....	41166	AW9213.....	41138	AW9311.....	43163
or*43026P		AW9005.....	42224	AW9110.....	41139	AW9214.....	41075	AW9312.....	43164
AW7104.....	42155	AW9006.....	41087	AW9111.....	42127	AW9215.....	42282	AW9313.....	43285
AW7105.....	41143	AW9008.....	42176	AW9114.....	41133	AW9216.....	43213	AW9314.....	43166
AW7106.....	42154	AW9009.....	41130	AW9115.....	41095	AW9218.....	44047	AW9315.....	43168
AW7108.....	42157	AW9010.....	41068	AW9116.....	41136	AW9219.....	43132	AW9318.....	42137
AW7110.....	42029	AW9011.....	41132	AW9117.....	42016	AW9220.....	41053	AW932.....	43041
AW7111.....	42158	AW9012.....	42214	AW9119.....	42014	AW9222.....	42194	AW9320.....	42256
AW7113.....	41067	AW9013.....	41158	AW912.....	43123	AW9223.....	42207	AW9321.....	41106
AW7114.....	42159	AW9014.....	42202	AW9120.....	42018	AW9224.....	41041	AW9324.....	42250
AW7115.....	42156	AW9015.....	42221	AW9122.....	41035	AW9225.....	42140	AW9325.....	42254
AW7116.....	42153	AW9016.....	42225	AW9128.....	42021	AW9226.....	42265	AW9327.....	43260
AW7117.....	43304	AW9017.....	42337	AW9129.....	41043	AW9227.....	42561	AW9328.....	41116
AW7118.....	42195	AW9018.....	42222	AW9130.....	41040	AW9228.....	42147	AW9332.....	43428
AW7120.....	42216	AW9019.....	41169	AW9131.....	41044	AW9230.....	43303	AW9332.....	or 43262
AW7121.....	42162	AW9020.....	41059	AW9132.....	43136	AW9231.....	43297	AW9333.....	43216
AW7122.....	42033	AW9021.....	42217	AW9133.....	42119	AW9234.....	42023	AW9334.....	41159
AW7124.....	42173	AW9025.....	42203	AW9135.....	42019	AW9236.....	43277	AW9335.....	41157
AW7126.....	41001	AW9026.....	41131	AW9140.....	42330	AW9237.....	41081	AW9336.....	43259
AW7127.....	42034	AW9027.....	42223	AW9141.....	42339	AW9238.....	42045	AW9337.....	43290
AW7128.....	43033	AW9028.....	42564	AW9142.....	42242	AW9239.....	42188	AW9338.....	43255
AW7129.....	42167	AW9029.....	41031	AW9145.....	42243	AW9241.....	43218	AW9339.....	41110
AW713.....	42554	AW9031.....	42178	AW9146.....	43306	AW9242.....	43219	AW934.....	43028
AW7131.....	42143	AW9033N.....	42323	AW9147.....	43293	AW9243.....	42308	AW9340.....	41128
AW7132.....	43039	AW9034.....	41034	AW9148.....	43296	AW9245.....	43295	AW9342.....	41113
AW7135.....	42165	AW9035.....	41030	AW9149.....	42012	AW9247.....	42568	AW9343.....	43267
or 42169		AW9039N.....	41171	AW9150.....	41153	AW9250.....	41045	AW9344.....	43266
AW7136.....	42005	AW9040N.....	42230	AW9151.....	42020	AW9251.....	41047	AW9345.....	43170
AW7137.....	44000	AW9041.....	41071	AW9152.....	42013	AW9252.....	43305	AW9346.....	43298
AW7138.....	43035	AW9043N.....	41029	AW9153.....	42017	AW9254.....	42328	AW9347.....	41103
AW7139.....	42038	AW9044.....	41134	AW9154.....	41117	AW9255.....	42336	AW9348.....	or 43134
AW7140.....	41002	AW9045.....	41145	AW9155.....	43301	AW9256.....	42255	AW9349.....	44049
AW7141.....	41004	AW9046.....	42228	AW9157.....	41008	AW9257.....	44085	AW9351.....	41049
AW7145.....	41181	AW9048.....	42338	AW9158.....	41032	AW9258.....	42306	AW9352.....	43171
AW7146.....	44001	AW9049.....	42272	AW9160.....	41056	AW9259.....	or 42305	AW9353.....	41048
AW7147.....	42165	AW9050.....	41060	AW9161.....	42208	AW9260.....	42136	AW9354.....	41061
or 42169		AW9052.....	42341	AW9162.....	41076	AW9261.....	43124	AW9355.....	43133
AW7148.....	42166	AW9053.....	42123	AW9163.....	42011	AW9262.....	42115	AW9359.....	42170
AW7150.....	41003	AW9056.....	41037	AW9164.....	43019	AW9263.....	41057	AW9360.....	42280
AW7151.....	41005	AW9057.....	41097	AW9165.....	43022	AW9264.....	41155	AW9362.....	42298
AW7152.....	42168	AW9058.....	42181	AW9166.....	42132	AW9265.....	42161	AW9364.....	41107
AW7153.....	42035	AW9059.....	43289	AW9167.....	41072	AW9266.....	42198	AW9365.....	42297
AW7154.....	43038	AW9060.....	42126	AW9168.....	42164	AW9267.....	43292	AW9367.....	41125
AW7156.....	41006	AW9061.....	41108	AW9170.....	42565	AW9268.....	42141	AW9368.....	or 41159
AW7157.....	42040	AW9063.....	41135	AW9171.....	41152	AW9269.....	42189	AW9371.....	43141
AW7158.....	41070	AW9064.....	41090	AW9172.....	41160	AW927.....	42251	AW9374.....	42212
AW7159.....	43037	AW9065.....	42261	AW9173.....	43162	AW9270.....	42100	AW9375.....	42281
AW7160.....	43034	AW9066.....	42258	AW9175.....	43161	AW9271.....	41163	AW9376.....	41058
AW7161.....	42041			AW9176.....	43159		42319	AW9377.....	41101

* High Performance Pump

Changeover Listing

Competitive No.	Gates No.	Competitive No.	Gates No.	Competitive No.	Gates No.	Competitive No.	Gates No.	Competitive No.	Gates No.
AIRTEX - Cont.		ASC INDUSTRIES - Cont.		ASC INDUSTRIES - Cont.		ASC INDUSTRIES - Cont.		ASC INDUSTRIES - Cont.	
AW9377	41127	WP-1077	41007	WP-499	42215	WP-596	42087	WP-685	42237
AW9378	41114	WP-1083	41000	WP-500	42214	WP-597	42088	WP-686	41147
AW9379	44082	WP-1085	42048	WP-501	42329	WP-598	44099	WP-687	42338
AW9380	44081	WP-1090	42006	WP-505	41132	WP-599	42029	WP-688	42236
AW9382	43531	WP-1092	43019	WP-506	42324	WP-600	42158	WP-690	41098
AW9383	42316	WP-118	42072	WP-507	41068	WP-601	41071	WP-691	42331
AW9385	42285	WP-207	42102	WP-508	41130	WP-602	42156	WP-692	41135
AW9388	42192	WP-208	43128	WP-510	44004	WP-603	42157	WP-693	42181
AW9389	42172	WP-248	43029	WP-511	42176	WP-604	42060	WP-694	41137
AW9390	43508	WP-278	42317	WP-512	44005	WP-605	43046	WP-695	43300
	or 43140	WP-295	43030	WP-513	42151	WP-606	43043	WP-697	41146
AW9393	42302	WP-308	43028	WP-514	42153	WP-608	43047	WP-698	43210
AW9394	42138	WP-322	42098	WP-515	42116	WP-609	44019	WP-700	43290
AW9395	42307	WP-343	43120	WP-517	44012	WP-610	41009	WP-702	42127
AW9398	43011	WP-345	43283	WP-518	44006	WP-611	42323	WP-705	42130
AW9399	42286	WP-350	42061	WP-519	43032	WP-612	41034	WP-707	41151
AW940	43032	WP-352	43072	WP-520	43099	WP-613	41038	WP-708	42309
AW9402	41078	WP-366	44088		or*43099P	WP-614	41037	WP-710	42284
AW9405	41124	WP-368	42050	WP-520HDA	43099	WP-615	41090	WP-711	44030
AW9406	42253	WP-369	42052	WP-525	42224	WP-616	41145	WP-715	43114
AW9410	42348	WP-371	42099	WP-528	41158	WP-617	42228	WP-717	41053
AW9411	43271	WP-373	43106	WP-529	41051	WP-618	41171	WP-718	41054
AW9414	41179		or*43106P	WP-530	44016	WP-619	42230	WP-719	41018
AW9416	43511	WP-373HD	43106	WP-531	41168	WP-620	42272	WP-721	41023
AW9419	41115	WP-375	44029	WP-533	45008	WP-621	42092	WP-722	42003
AW9421	43514	WP-381	43122	WP-535	42124	WP-622	42089	WP-723	42002
AW9426	43520	WP-382	43110	WP-536	42054	WP-623	42083	WP-724	42004
AW9427	43512	WP-384	43121	WP-537	42113	WP-624	41019	WP-726	41181
AW9434	42312	WP-386	42082	WP-538	43002	WP-625	41020	WP-727	42173
AW9437	43509	WP-397	44032	WP-539	43282	WP-626	41021	WP-728	42143
AW9440	43165	WP-398	43005	WP-540	41082	WP-627	44033	WP-732	41001
AW9444	42250	WP-399	43041	WP-543	42323	WP-628	42093	WP-733	42095
AW9446	42345	WP-401	43124	WP-544	41034	WP-630	43112	WP-736	43115
AW9450	43508	WP-402	43006	WP-545	43154	WP-631	41022	WP-742	42074
	or 43140	WP-403	43123	WP-546	43025	WP-632	43113	WP-743	43087
AW9461	41183	WP-404	42055	WP-547	43257	WP-634	43098	WP-745	41092
AW9462	42301	WP-405	42056		or 43026		or*42094P	WP-746	43082
AW9463	42313	WP-408	44011		or*43026P	WP-635	43116	WP-747	43060
AW9465	43518	WP-411	43102	WP-547HDA	*43026P	WP-636	42091	WP-748	43081
AW9466	43428	WP-413	43044	WP-548	41087	WP-637	41097	WP-749	43036
	or 43262		or*43044P	WP-549	42028	WP-638	41052	WP-750	42034
AW9470	41184	WP-413HDA	43044	WP-550	41143	WP-639	41084	WP-751	42033
AW9472	43527	WP-421	43126	WP-551	42154	WP-641	43058	WP-754	43033
AW9473	43507	WP-424	43111	WP-553	45003	WP-642	42128	WP-755	42164
AW9474	43535	WP-431	42246	WP-554	43001	WP-644	43055	WP-756	41040
AW9476	44085	WP-437	43007	WP-557	42202	WP-645	43272	WP-757	41044
AW9477	42286	WP-438	41109	WP-558	42221		or*43272P	WP-758	41043
AW9488	43537	WP-440	41062	WP-559	42225	WP-645HDA	43272	WP-759	41042
AW953	43044	WP-442	44027	WP-560	42084	WP-646	43051	WP-763	41072
	or*43044P		or*44027P	WP-561	43092	WP-647	41010	WP-764	42132
AW953H	43044	WP-442HD	44027	WP-562	42223	WP-651	43056	WP-765	42140
	or*43044P	WP-445	43008	WP-563	42217	WP-652	42129	WP-766	42216
AW960	42056	WP-450	43094	WP-564	43103	WP-653	43052	WP-767	42118
AW964	42052	WP-451	43109	WP-565	43091	WP-654	43054	WP-768	42119
AW966	42050	WP-455	43100	WP-566	42058	WP-656	44007	WP-769	41136
AW971	43111	WP-457	44098	WP-567	43280	WP-657	43057	WP-770	41073
AW975	43102	WP-458	43049	WP-568	42222	WP-659	44018	WP-771	41134
AW977	42326	WP-459	44003	WP-569	42155	WP-660	42195	WP-772	41133
	or 42327	WP-460	42111	WP-570	41169	WP-661	42159	WP-773	41139
AW980	43075	WP-461	43104	WP-571	43050	WP-662	42162	WP-774	41076
AW981	44088		or*43104P	WP-572	43264	WP-663	42108	WP-775	41162
AW984	43104	WP-461HD	43104	WP-573	42337	WP-664	42261	WP-776	42232
	or*43104P	WP-464	43257	WP-574	41059	WP-665	42341	WP-777	42207
AW984H	43104		or 43026	WP-575	41031	WP-666	41095	WP-779	41166
	or*43104P		or*43026P	WP-576	41029	WP-667	43304	WP-780	43289
AW985	43126	WP-466	42032	WP-577	42178	WP-668	42059	WP-781	or 42306
AW986	43007	WP-473	42086	WP-578	41131	WP-669	41030		42305
AW987	42215	WP-478	43000	WP-579	42564	WP-671	41039	WP-782	42330
AW988	41167	WP-479	42258	WP-580	42203	WP-672	43136	WP-783	41149
	ASC INDUSTRIES	WP-482	43076	WP-582	42203	WP-673	42123	WP-784	42339
WP-1000	43004	WP-483	42124	WP-583	42000	WP-674	41060	WP-786	42242
WP-1001	42001	WP-485	42090	WP-585	42261	WP-675	42126	WP-787	42243
WP-1003	42040	WP-486	43107	WP-587	41016	WP-676	42268	WP-789	42240
WP-1050	44034	WP-487	42085	WP-588	41015	WP-677	43200	WP-792	43301
WP-1051	43083	WP-488	42103	WP-590	43096	WP-678	42275	WP-795	41152
WP-1052	42106	WP-489	42100	WP-591	43169	WP-679	43287	WP-798	42013
WP-1053	44087	WP-490	43101	WP-592	44028	WP-680	41008	WP-799	42012
WP-1054	43130	WP-493	42057	WP-593	42117	WP-681	41141	WP-800	42017
WP-1056	43039	WP-494	42070	WP-594	43095	WP-682	41165	WP-801	42018
WP-1075	42010	WP-495	42071	WP-595	42094	WP-683	42208		

* High Performance Pump

Changeover Listing

Competitive No.	Gates No.	Competitive No.	Gates No.	Competitive No.	Gates No.	Competitive No.	Gates No.	Competitive No.	Gates No.
ASC INDUSTRIES - Cont.		ASC INDUSTRIES - Cont.		ASC INDUSTRIES - Cont.		ASC INDUSTRIES - Cont.		ASC INDUSTRIES - Cont.	
WP-802.....	42016	WP-898.....	41163	WP-9100.....	43070	WP-9216.....	41120	WPHD-6122.....	44066
WP-803.....	42014	WP-899.....	41004	WP-9101.....	43504	WP-9219.....	41119	WPHD-6205.....	43255
WP-805.....	43161	WP-9000.....	44035	WP-9102.....	41013	WP-9225.....	41118	WPHD-6208.....	43240
WP-807.....	42147	WP-9001.....	44036	WP-9103.....	42041	WP-9228.....	42296	WPHD-6301.....	44058
WP-808.....	43162	WP-9002.....	44037	WP-9105.....	42079	WP-9231.....	41113	WPHD-6302.....	44104
WP-809.....	41160	WP-9003.....	44038	WP-9106.....	45005	WP-9234.....	41122	WPHD-6303.....	44101
WP-810.....	43302	WP-9008.....	42352	WP-9107.....	41142	WP-9237.....	42281	WPHD-6307.....	44059
WP-811.....	43297	WP-9010.....	41103	WP-9108.....	41006	WP-9240.....	43263	WPHD-6308.....	43125
WP-812.....	43303	WP-9012.....	42265	WP-9110.....	41110	WP-9243.....	44082	WPHD-6309.....	43021
WP-813.....	43159	WP-9013.....	42161	WP-9112.....	43266	WP-9246.....	42298	WPHD-6315.....	42318
WP-814.....	42197	WP-9014.....	43277	WP-9113.....	41161	WP-9249.....	41114	WPHD-6320.....	44101
WP-815.....	41153	WP-9015.....	42021	WP-9117.....	41055	WP-9251.....	42141	WPHD-6501.....	43042
WP-816.....	41108	WP-9016.....	42097	WP-9119.....	43216	WP-9254.....	42302	WPHD-6502.....	43073
WP-819.....	43296	WP-9017.....	41028	WP-9120.....	41048	WP-9256.....	42171	WPHD-6520.....	43256
WP-820.....	43306	WP-9018.....	41026	WP-9121.....	41050	WP-9257.....	44081	WPHD-6550.....	43322
WP-821.....	43293	WP-9019.....	43118	WP-9122.....	41123	WP-9260.....	43502	WPHD-6602.....	43232
WP-822.....	42276	WP-9020.....	43315	or	41164	WP-9270.....	41127	WPHD-6603.....	42311
WP-825.....	42212	WP-9021.....	44042	WP-9124.....	42165	WP-9272.....	44089	WPHD-6700.....	43251
WP-826.....	42212	WP-9022.....	42035	or	42169	WP-9273.....	41121	WPHD-9045.....	45007
WP-833.....	42131	WP-9023.....	41005	WP-9125.....	44024	WP-9275.....	41058	BECK ARNLEY	
WP-834.....	43066	WP-9024.....	41003	WP-9126.....	43034	WP-9276.....	43520	CP1002.....	44027
WP-835.....	42062	WP-9025.....	42168	WP-9127.....	42315	WP-9277.....	42294	or*44027P	
WP-836.....	42064	WP-9026.....	41081	WP-9128.....	45000	WP-9301.....	42349	CP1018.....	43094
WP-837.....	42063	WP-9028.....	44001	WP-9129.....	44043	WP-9303.....	43501	CP1028.....	43049
WP-838.....	42078	WP-9029.....	42166	WP-9130.....	44056	WP-9304.....	42300	CP1040.....	42032
WP-839.....	44022	WP-9030.....	43089	WP-9131.....	41070	WP-9305.....	42168	CP1044.....	42055
WP-840.....	44008	WP-9031.....	43061	WP-9132.....	41079	WP-9314.....	42312	CP1045.....	43109
WP-841.....	42065	WP-9032.....	43062	WP-9133.....	43428	WP-9316.....	41124	CP1077.....	43000
WP-842.....	44023	WP-9033.....	43065	or	43262	WP-9320.....	43505	CP1107.....	42085
WP-843.....	45001	WP-9035.....	41011	WP-9134.....	41157	WP-9322.....	41179	CP1109.....	43101
WP-844.....	41024	WP-9036.....	42067	WP-9135.....	43255	WP-9325.....	42285	CP1114.....	44003
WP-845.....	41025	WP-9037.....	42334	WP-9136.....	41049	WP-9330.....	41116	CP1120.....	43100
WP-846.....	44040	WP-9038.....	43063	WP-9137.....	41061	WP-9333.....	42192	CP1121.....	43099
WP-847.....	41080	WP-9039.....	43084	WP-9138.....	42170	WP-9334.....	43506	or*43099P	
WP-848.....	44100	WP-9043.....	42066	WP-9139.....	41107	WP-9335.....	42345	CP1137.....	42090
WP-849.....	41027	WP-9044.....	43064	WP-9140.....	43141	WP-9337.....	42301	CP3401.....	43002
WP-850.....	42167	WP-9045.....	45007	WP-9141.....	43298	WP-9338.....	42313	CP3403.....	43001
WP-852.....	42165	WP-9046.....	44009	WP-9142.....	42142	WP-9339.....	42286	CP3404.....	42000
or	42169	WP-9047.....	43068	WP-9143.....	43090	WP-9340.....	42348	CP4002.....	42054
WP-853.....	42005	WP-9048.....	42120	WP-9144.....	42080	WP-9344.....	43518	CP4003.....	41082
WP-854.....	44000	WP-9049.....	42188	WP-9145.....	42026	WP-9346.....	43428	CP4005.....	42124
WP-855.....	43035	WP-9050.....	41055	WP-9146.....	44091	or	43262	CP4014.....	43050
WP-856.....	42038	WP-9051.....	42340	WP-9147.....	42189	WP-9348.....	43166	CP4016.....	43043
WP-858.....	42020	WP-9052.....	44085	WP-9148.....	44048	WP-9349.....	43511	CP4018.....	44018
WP-859.....	42139	WP-9053.....	42255	WP-9149.....	42257	WP-9350.....	43512	CP4020N.....	43047
WP-860.....	42163	WP-9054.....	41089	WP-9150.....	43291	WP-9351.....	44405	CP4022.....	41009
WP-861.....	41138	WP-9055.....	41014	WP-9151.....	42335	WP-9354.....	43503	CP4023.....	43046
WP-862.....	41075	WP-9056.....	43153	WP-9152.....	42250	WP-9371.....	43507	CP4030N.....	42070
WP-863.....	42282	WP-9057.....	41154	WP-9153.....	42254	WP-9375.....	43535	CP4033.....	42057
WP-864.....	43213	WP-9058.....	43156	WP-9155.....	43171	WP-9376.....	41080	CP4034.....	43051
WP-865.....	44047	WP-9059.....	43164	WP-9156.....	43131	WP-9395.....	42307	CP4038.....	43272
WP-866.....	43285	WP-9060.....	43166	WP-9157.....	43133	WP-9408.....	44085	or*43272P	
WP-867.....	41041	WP-9061.....	44090	WP-9158.....	42256	WPHD-2060.....	41173	CP4039.....	43052
WP-869.....	43168	WP-9062.....	42325	WP-9160.....	44049	WPHD-6000.....	43243	CP4040.....	42058
WP-870.....	42023	WP-9063.....	42303	WP-9161.....	43037	WPHD-6001.....	42351	CP4041.....	41010
WP-871.....	41036	WP-9066.....	42206	WP-9162.....	42011	WPHD-6002.....	43233	CP4042.....	43054
WP-872.....	43218	WP-9067.....	42328	WP-9163.....	42259	WPHD-6006.....	45009	CP4048.....	44007
WP-873.....	42308	WP-9068.....	43278	WP-9164.....	43037	WPHD-6012.....	44054	CP4050.....	43056
WP-874.....	43295	WP-9069.....	42252	WP-9165.....	42138	WPHD-6051.....	44064	CP4051.....	43055
WP-875.....	41045	WP-9070.....	43288	WP-9166.....	43279	WPHD-6052.....	44086	CP4054.....	42060
WP-876.....	41047	WP-9072.....	42251	WP-9167.....	42081	WPHD-6053.....	43238	CP5000.....	42083
WP-877.....	43305	WP-9073.....	42247	WP-9168.....	43038	WPHD-6057.....	43253	CP5000P.....	42084
WP-878.....	42336	WP-9074.....	42565	WP-9169.....	43222	WPHD-6058.....	41129	CP5001.....	43092
WP-880.....	42136	WP-9076.....	41156	WP-9170.....	42199	WPHD-6059.....	41111	CP5002.....	45003
WP-881.....	42115	WP-9078.....	41110	WP-9171.....	42280	WPHD-6061.....	44055	CP5003.....	43103
WP-882.....	41057	WP-9080.....	43132	or	41159	WPHD-6063.....	43258	CP5004.....	43091
WP-883.....	41155	WP-9081.....	41035	WP-9173.....	41101	WPHD-6064.....	44092	CP5006.....	43095
WP-884.....	42198	WP-9082.....	42332	WP-9174.....	42172	WPHD-6068.....	44094	CP5007.....	41015
WP-885.....	41046	WP-9083.....	42194	WP-9175.....	42307	WPHD-6069.....	44084	CP5008.....	44099
WP-887.....	41140	WP-9084.....	42249	WP-9176.....	41078	WPHD-6071.....	41174	CP5010.....	44028
WP-888.....	44053	WP-9085.....	43286	WP-9177.....	42167	WPHD-6073.....	44052	CP5013.....	42087
WP-890.....	41002	WP-9086.....	42134	WP-9182.....	45005	WPHD-6076.....	43307	CP5014P.....	43097
WP-891.....	42095	WP-9087.....	42137	WP-9200.....	42293	WPHD-6090.....	44093	CP5016.....	42094
WP-892.....	42114	WP-9091.....	43290	WP-9201.....	42316	WPHD-6091.....	44078	CP5017.....	41016
WP-893.....	43117	WP-9095.....	41106	WP-9202.....	43508	WPHD-6105.....	44075	CP5020.....	41021
WP-894.....	42096	WP-9096.....	41159	or	43140	WPHD-6109.....	44097	CP5022.....	42092
WP-895.....	42319	WP-9097.....	42068	WP-9204.....	42297	WPHD-6113.....	42322	CP5023.....	44033
WP-896.....	42245	WP-9098.....	43069	WP-9207.....	41115	WPHD-6114.....	42321	CP5024.....	42095
WP-897.....	42135	WP-9099.....	43067	WP-9210.....	42292	WPHD-6119.....	46001	CP5028.....	43112

* High Performance Pump

Changeover Listing

Competitive No.	Gates No.	Competitive No.	Gates No.	Competitive No.	Gates No.	Competitive No.	Gates No.	Competitive No.	Gates No.
BECK ARNLEY - Cont.		BECK ARNLEY - Cont.		BECK ARNLEY - Cont.		BECK ARNLEY - Cont.		BECK ARNLEY - Cont.	
CP5030.....	42089	131-1430.....	43293	131-2003.....	41147	131-2121.....	43302	131-2229.....	43428
CP5032.....	41019	131-1471.....	43011	131-2004.....	41097	131-2123.....	41072	or	43262
CP5033.....	41020	131-1497.....	42012	131-2005.....	42236	131-2125.....	43168	131-2233.....	43277
CP5035.....	43098	131-1505.....	42217	131-2006.....	42268	131-2126.....	42020	131-2238.....	41101
	or*42094P	131-1512.....	41082	131-2008.....	42181	131-2127.....	43222	131-2258.....	42313
CP5049.....	43114	131-1513.....	42223	131-2009.....	43286	131-2128.....	42131	132-0008.....	43018
CP7100.....	43025	131-1532.....	42341	131-2010.....	41067	131-2130.....	41057	132-0013.....	43019
CP7101.....	42028	131-1539.....	42337	131-2011.....	42237	131-2132.....	43213	BEPCO	
CP7103.....	43257	131-1547.....	43259	131-2012.....	42309	131-2133.....	42004	2002.....	43233
	or 43026		or 43260	131-2013.....	41084	131-2134.....	43036	2004.....	43059
	or*43026P	131-1554.....	41131	131-2014.....	42058	131-2136.....	41045	2006.....	45009
CP7110.....	42029	131-1562.....	41169	131-2017.....	41137	131-2137.....	41047	2051.....	44064
CP7111.....	42158	131-1570.....	42259	131-2018.....	42059	131-2138.....	43060	2052.....	44086
CP7120.....	42216	131-1579.....	42338	131-2019.....	42331	131-2139.....	42247	2053.....	43238
CP7121.....	42162	131-1588.....	42221	131-2020.....	41084	131-2141.....	41036	2058.....	41129
CP7122.....	42033	131-1596.....	41143	131-2021.....	42208	131-2143.....	41103	2059.....	41111
CP855.....	43110	131-1604.....	43210	131-2022.....	41135	131-2144.....	42165	2060.....	44084
CP895.....	42082	131-1638.....	41034	131-2023.....	41039		or 42169	2061.....	44055
CP898.....	43106	131-1646.....	42124	131-2024.....	42118	131-2145.....	41163	2066.....	44094
	or*43106P	131-1653.....	42225	131-2025.....	42127	131-2146.....	41156	2067.....	41175
CP932.....	43041	131-1661.....	42222	131-2027.....	41165	131-2148.....	42319	2068.....	44052
CP953.....	43044	131-1679.....	43159	131-2028.....	42130	131-2149.....	43052	2069.....	41174
	or*43044P	131-1729.....	42154	131-2029.....	42060	131-2150.....	42136	2071.....	41173
CP960.....	42056	131-1737.....	42155	131-2032.....	41038	131-2151.....	42166	2072.....	43307
CP975.....	43102	131-1778.....	43287	131-2033.....	41149	131-2152.....	42140	2077.....	43229
CP984.....	43104	131-1819.....	41030	131-2034.....	41095	131-2153.....	41046	2101.....	43309
	or*43104P	131-1844.....	42019	131-2037.....	42128	131-2155.....	44085	2102.....	43310
131-0101.....	42332	131-1851.....	43306	131-2038.....	41136	131-2157.....	43164	2103.....	42344
131-0127.....	42048	131-1869.....	41151	131-2043.....	43296	131-2158.....	42134	2104.....	42102
131-0143.....	41063	131-1885.....	41029	131-2044.....	41153	131-2159.....	41080	2107.....	44075
131-0181.....	41160	131-1893.....	41031	131-2046.....	41098	131-2160.....	44048	2109.....	44097
131-0184.....	41161	131-1920.....	42258	131-2047.....	42108	131-2161.....	42167	2113.....	42322
131-0234.....	41160	131-1921.....	42564	131-2048.....	43301	131-2162.....	42158	2114.....	42321
131-0309.....	42047	131-1924.....	42117	131-2049.....	41044	131-2164.....	42135	2116.....	45003
131-0333.....	42046	131-1932.....	42203	131-2050.....	41040	131-2166.....	42161	2117.....	44099
131-0366.....	41068	131-1933.....	42203	131-2051.....	41043	131-2167.....	42251	2120.....	46001
131-0382.....	42326	131-1936.....	41060	131-2052.....	42119	131-2168.....	41019	2122.....	44066
	or 42327	131-1937.....	42123	131-2054.....	42162	131-2170.....	42245	2204.....	43226
131-0416.....	41132	131-1940.....	41089	131-2055.....	43300	131-2171.....	41106	2205.....	43225
131-0424.....	42246	131-1943.....	42202	131-2056.....	42129	131-2172.....	43166	2301.....	44058
131-0473.....	41109	131-1946.....	42325	131-2058.....	41152	131-2173.....	43278	2302.....	44104
131-0549.....	42202	131-1948.....	41146	131-2059.....	42018	131-2174.....	42189	2303.....	44101
131-0556.....	43154	131-1949.....	42156	131-2060.....	41018	131-2175.....	42115	2304.....	44018
131-0564.....	42116	131-1950.....	41071	131-2061.....	42163	131-2176.....	42137	2305.....	44053
131-0572.....	43153	131-1951.....	42261	131-2063.....	43297	131-2177.....	41050	2307.....	42114
131-0606.....	42324	131-1952.....	42016	131-2064.....	41056	131-2178.....	41164	2311.....	43021
131-0630.....	41168	131-1953.....	42157	131-2066.....	42147	131-2180.....	43508	2313.....	42318
131-0648.....	42215	131-1954.....	41145	131-2067.....	42197		or 43140	2319.....	43125
131-0655.....	41167	131-1955.....	41141	131-2068.....	42306	131-2182.....	41110	2320.....	45000
131-0663.....	43288	131-1956.....	42014		or 42305	131-2183.....	43285	2350.....	43313
131-0671.....	42214	131-1961.....	41133	131-2069.....	41076	131-2184.....	43163	2351.....	42342
131-0689.....	42329	131-1963.....	42159	131-2070.....	41073	131-2186.....	41159	7001x.....	42351
131-0705.....	41158	131-1964.....	42195	131-2071.....	42045	131-2187.....	43305	7002x.....	43233
131-0713.....	41130	131-1965.....	43136	131-2073.....	42240	131-2188.....	42328	7004x.....	43059
131-0721.....	42276	131-1966.....	42126	131-2074.....	41055	131-2189.....	41049	7006x.....	44054
131-0770.....	42017	131-1968.....	43156	131-2076.....	41162	131-2190.....	42282	7006x.....	45009
131-0788.....	41035	131-1971.....	42029	131-2080.....	41022	131-2193.....	42120	7051x.....	44064
131-0796.....	42176	131-1972.....	41171	131-2082.....	41041	131-2194.....	42340	7052x.....	44086
131-0861.....	42008	131-1974.....	41134	131-2083.....	42242	131-2195.....	41061	7053x.....	43238
131-0879.....	42010	131-1975.....	42228	131-2084.....	42243	131-2196.....	43116	7058x.....	41129
131-0887.....	42052	131-1976.....	41090	131-2087.....	41042	131-2197.....	41155	7059x.....	41111
131-0969.....	42028	131-1978.....	42230	131-2089.....	42139	131-2199.....	43216	7060x.....	44084
131-1018.....	42006	131-1981.....	41108	131-2090.....	42212	131-2200.....	42261	7061x.....	44055
131-1034.....	41000	131-1982.....	43200	131-2094.....	42232	131-2201.....	41107	7063X.....	41181
131-1067.....	42217	131-1983.....	43159	131-2098.....	41081	131-2204.....	43291	7064X.....	44092
131-1075.....	42224	131-1985.....	43303	131-2102.....	42207	131-2205.....	41003	7065X.....	42309
131-1117.....	42565	131-1986.....	42013	131-2103.....	42164	131-2206.....	42066	7066x.....	44094
131-1125.....	43210	131-1987.....	43161	131-2104.....	43081	131-2207.....	43064	7067x.....	41175
131-1133.....	42252	131-1989.....	43185	131-2105.....	42062	131-2208.....	44049	7068x.....	44052
131-1158.....	41087	131-1990.....	43184	131-2106.....	42188	131-2210.....	42254	7069x.....	41174
131-1166.....	42007	131-1991.....	42149	131-2107.....	41138	131-2211.....	42021	7071x.....	41173
131-1182.....	42153	131-1992.....	42275	131-2108.....	41097	131-2212.....	42138	7072x.....	43307
131-1190.....	42323	131-1993.....	43290	131-2109.....	42132	131-2213.....	41048	7077x.....	43229
131-1208.....	41034	131-1994.....	43219	131-2110.....	42284	131-2216.....	42250	7101x.....	43309
131-1216.....	41034	131-1996.....	43295	131-2114.....	41054	131-2217.....	42257	7102x.....	43310
131-1240.....	42151	131-1998.....	43289	131-2115.....	42143	131-2219.....	42168	7103x.....	42344
131-1273.....	41059	131-1999.....	41037	131-2117.....	42173	131-2220.....	42194	7104x.....	42102
131-1281.....	42272	131-2000.....	41052	131-2118.....	42063	131-2222.....	42171	7107x.....	44075
131-1299.....	41051	131-2001.....	42339	131-2119.....	42198	131-2223.....	43170	7109x.....	44097
131-1315.....	44098	131-2002.....	41148	131-2120.....	41075	131-2228.....	42170	7113x.....	42322
131-1356.....	42122								

* High Performance Pump

Changeover Listing

Competitive No.	Gates No.	Competitive No.	Gates No.	Competitive No.	Gates No.	Competitive No.	Gates No.	Competitive No.	Gates No.
BEPCO - Cont.		BORG WARNER		BORG WARNER		BORG WARNER		BORG WARNER	
7114x.....	42321								
7116x.....	45003	P-2147.....	42178	P-2354.....	42282	P-2462.....	41106	P-634.....	42090
7117x.....	44099	P-2151.....	42046	P-2355.....	43213	P-2464.....	42134	P-636.....	42056
7120x.....	46001	P-217.....	43128	P-2357.....	41053	P-2469.....	43170	P-637.....	43076
7122x.....	44066	P-2170.....	43287	P-2358.....	41054	P-2471.....	42247	P-639R.....	42057
7204x.....	43226	P-2173.....	42203	P-2359.....	42207	P-2472.....	42251	P-642.....	44016
7205x.....	43225	P-2175.....	41171	P-2360.....	41041	P-2474.....	43166	P-644.....	44004
7301x.....	44058	P-2176.....	42339	P-2362.....	42306	P-2476.....	43163	P-645.....	44005
7302x.....	44104	P-2177.....	41145		or	P-2477.....	43285	P-646.....	44012
7303x.....	44101	P-2190.....	42261	P-2364.....	41080	P-2478.....	43164	P-648.....	44006
7304x.....	44018	P-2193.....	42325	P-2365.....	42108	P-2479.....	43302	P-649.....	45008
7305x.....	44053	P-2194.....	41133	P-2366.....	43132	P-2480.....	42194	P-650.....	42111
7307x.....	43084	P-2195.....	41071	P-2367.....	41103	P-2483.....	41110	P-651.....	42124
7308x.....	42114	P-2196.....	41134	P-2368.....	41036	P-2484.....	42011	P-654.....	42103
7310x.....	44059	P-2200.....	41060	P-2369.....	42023	P-2487.....	42147	P-657.....	43101
7311x.....	43021	P-2201.....	43156	P-2370.....	41057	P-2488.....	43168	P-658.....	42085
7313x.....	42318	P-2202.....	42126	P-2371.....	42018	P-2489.....	43297	P-666.....	43100
7317x.....	45007	P-2205.....	42228	P-2372.....	42045	P-2490.....	43303	P-667.....	43102
7319x.....	43125	P-2206.....	41146	P-2373.....	41081	P-2491.....	44090	P-672.....	45003
7320x.....	45000	P-2208.....	41090	P-2374.....	43036	P-2492.....	41156	P-677.....	44003
7350x.....	43313	P-2210.....	43290	P-2375.....	43035	P-2493.....	43222	P-678.....	42054
7351x.....	42342	P-2211.....	41089	P-2376.....	41045	P-2496.....	43139	P-679.....	43025
		P-2212.....	43306	P-2377.....	41046	P-2497.....	41055	P-686.....	43002
		P-2213.....	43286	P-2378.....	41047	P-2498.....	43019	P-689.....	43058
		P-2214.....	43200	P-2379.....	41138	P-2499.....	42149	P-690.....	42084
		P-2218.....	42159	P-2380.....	41072	P-2500.....	43161	P-691.....	43092
		P-2219.....	41141	P-2381.....	42115	P-2501.....	41160	P-708.....	42151
		P-2221.....	41037	P-2382.....	42132	P-2502.....	43300	P-801.....	43091
		P-2222.....	42016	P-2383.....	42140	P-2503.....	41076	P-803.....	43050
		P-2223.....	42014	P-2384.....	42164	P-2504.....	42197	P-805.....	43282
		P-2224.....	41029	P-2385.....	41136	P-2505.....	43018	P-807.....	44017
		P-2225.....	41030	P-2386.....	41075	P-2506.....	43162	P-809.....	43043
		P-2228.....	42338	P-2387.....	43218	P-2507.....	43184	P-811.....	44018
		P-2237.....	42206	P-2388.....	43219	P-2508.....	43185	P-812R.....	42070
		P-2238.....	42230	P-2389.....	42308	P-2509.....	42259	P-814.....	43095
		P-2240.....	41038	P-2390.....	43295	P-37B.....	43093	P-815.....	41015
		P-2241.....	41135	P-2391.....	43292	P-374R.....	43110	P-816.....	44099
		P-2247.....	42236	P-2392.....	42198	P-417R.....	42061	P-817.....	43136
		P-2248.....	42208	P-2393.....	42328	P-420.....	43072	P-818.....	43169
		P-2249.....	43289	P-2394.....	42336	P-424.....	43008	P-819.....	42087
		P-2251.....	41147	P-2396.....	42255	P-435.....	43029	P-820.....	43096
		P-2252.....	41148	P-2397.....	41155	P-445.....	44029	P-821.....	42088
		P-2254.....	42093	P-2398.....	43296	P-450.....	42099	P-822.....	42094
		P-2255.....	41165	P-2399.....	42189	P-478.....	44032	P-824.....	42157
		P-2258.....	41137	P-2400.....	43278	P-484.....	43124	P-826.....	42029
		P-2300.....	41039	P-2401.....	43277	P-485.....	43122	P-827.....	42158
		P-2302.....	42275	P-2402.....	42335	P-486R.....	43005	P-828.....	44028
		P-2303.....	42216	P-2403.....	42319	P-493R.....	43028	P-829.....	41067
		P-2309.....	41095	P-2404.....	42245	P-494.....	43121	P-830.....	43046
		P-2314.....	42331	P-2405.....	41050	P-497.....	43283	P-831.....	41009
		P-2315.....	42309	P-2406.....	44048	P-532.....	43030	P-832.....	43047
		P-2317.....	42237	P-2407.....	41154	P-541.....	43006	P-833.....	42071
		P-2319.....	42013	P-2409.....	42161	P-548.....	43044	P-834.....	43001
		P-2320.....	41052	P-2410.....	42265		or*43044P	P-835.....	42000
		P-2322.....	42127	P-2411.....	42120	P-549.....	43041	P-838.....	42060
		P-2325.....	42130	P-2416.....	42168	P-565.....	43111	P-839.....	41016
		P-2326.....	41166	P-2417.....	42166	P-573.....	43075	P-840.....	42117
		P-2327.....	41043	P-2418.....	42165	P-577.....	43007	P-842.....	42156
		P-2328.....	41040		or	P-579B.....	43106	P-843.....	42153
		P-2329.....	41044	P-2419.....	42254		or*43106P	P-844.....	42195
		P-2331.....	43301	P-2421.....	44001	P-580B.....	44027	P-845.....	41021
		P-2332.....	41056	P-2423.....	42250		or*44027P	P-846.....	42092
		P-2333.....	42232	P-2426.....	42257	P-582B.....	44088	P-847.....	44033
		P-2334.....	41055	P-2428.....	42256	P-583B.....	43126	P-848.....	41097
		P-2336.....	41108	P-2429.....	42188	P-595.....	43094	P-849.....	42083
		P-2337.....	41149	P-2430.....	41159	P-605.....	43107	P-850.....	42268
		P-2338.....	42240	P-2432.....	44091	P-608B.....	43049	P-852.....	43097
		P-2339.....	41098	P-2433.....	43022	P-609B.....	43104	P-854.....	43112
		P-2340.....	42118	P-2438.....	44085		or*43104P	P-855.....	42089
		P-2342.....	42119	P-2444.....	43259	P-611.....	43109	P-856.....	41084
		P-2343.....	41153		or	P-612.....	42055	P-857.....	42058
		P-2344.....	41152	P-2445.....	41110	P-614.....	43103	P-859.....	44019
		P-2345.....	41073	P-2447.....	43171	P-616.....	42032	P-860.....	41019
		P-2346.....	41042	P-2448.....	43133	P-620.....	44098	P-861.....	43057
		P-2347.....	41162	P-2452.....	41164	P-623.....	43257	P-862.....	43272
		P-2349.....	42242	P-2453.....	41163		or		
		P-2350.....	42243	P-2457.....	42020		or*43026P		
		P-2351.....	44047	P-2458.....	42021	P-625.....	43225	P-863.....	41010
		P-2352.....	42139	P-2459.....	41048	P-630.....	42082	P-864.....	41020
		P-2353.....	42163	P-2460.....	44049	P-631.....	43000	P-867.....	43052
				P-2461.....	43305	P-633.....	42086	P-868.....	43054

* High Performance Pump

Changeover Listing

Competitive No.	Gates No.	Competitive No.	Gates No.	Competitive No.	Gates No.	Competitive No.	Gates No.	Competitive No.	Gates No.
BORG WARNER - Cont.		BORG WARNER - Cont.		BOSCH - Cont.		BOSCH - Cont.		BOSCH - Cont.	
P-869	44030	P-963	43089	96052	41060	96136	41142	97048	42157
P-870	42091	P-964	42066	96053	42268	96137	41006	97049	42060
P-872	41022	P-965	43279	96054	42275	96138	41110	97050	42323
P-873	43081	P-966	42079	96055	41008	96139	41161	97051	42230
P-874	42128	P-968	43315	96056	41141	96142	41056	97052	42272
P-876	42317	P-970	42035	96057	41165	96143	42014	97053	42092
P-877	44007	P-971	41003	96058	42208	96144	41048	97054	42089
P-880	42114	P-976	43099	96059	41147	96145	41050	97055	42083
P-881	44053		or*43099P	96060	41135	96146	41123	97056	43098
P-882	43114	P-977	44042	96061	41137		or 41164		or*42094P
P-883	43098	P-978	42097	96062	41067	96147	41128	97057	42091
	or*42094P	P-979	43070	96063	41146	96148	41070	97058	42128
P-884	43116	P-980	41005	96064	41151	96149	41079	97059	42129
P-885	43113	P-982	43069	96065	41053	96150	41157	97060	42195
P-886	42004	P-983	43064	96066	41054	96151	41049	97061	42159
P-887	42002	P-984	43063	96067	41080	96152	41061	97062	42162
P-888	42003	P-985	45007	96068	41023	96153	41107	97063	42108
P-889	43056	P-986	42334	96069	41001	96154	42280	97064	42261
P-890	43055	P-987	43067	96070	41040	96155	41078	97065	42059
P-891	42129	P-988	42137	96071	41044	96158	41007	97066	42123
P-892	43084	P-989	43131	96072	41043	96159	42048	97067	42126
P-893	41023	P-992	42068	96073	41042	96160	42069	97068	42237
P-894	41018	P-993	43068	96074	41072	96162	41115	97069	42338
P-895	42284	P-994	41013	96075	41136	96163	41120	97070	42236
P-896	42033	P-997	43038	96076	41073	96164	41118	97071	41098
P-897	41001	P-998	42040	96077	41134	96165	41113	97072	42331
P-898	42034	P-999	42041	96078	41133	96166	41122	97073	42181
P-899	42173		BOSCH	96079	41139	96167	41058	97074	42221
P-900	42026	96000	41109	96080	41076	96168	43520	97075	43259
P-902	43082	96001	41062	96081	41162	96169	42253		or 43260
P-903	42074	96002	42124	96082	41166	96170	41114	97076	42127
P-904	42062	96003	41167	96083	41149	96171	43502	97077	42130
P-905	42064	96004	41132	96084	41148	96172	41058	97078	42309
P-906	41092	96005	41068	96085	41152	96173	41127	97079	42284
P-907	44034	96006	41130	96086	42017	97000	42072	97080	42003
P-908	45001	96007	41158	96087	42149	97001	42102	97081	42002
P-911	42162	96008	41051	96088	41160	97002	42317	97082	42004
P-912	41181	96009	42252	96089	41153	97003	42098	97083	41181
P-913	42063	96010	41082	96090	41108	97004	42061	97084	42173
P-914	42078	96011	41031	96091	42276	97005	42050	97085	42143
P-915	42077	96012	41087	96092	42212	97006	42052	97086	42074
P-916	44022	96013	41087	96093	41025	97007	42099	97087	41092
P-917	42095	96014	42028	96094	41027	97008	42082	97088	42034
P-918	43115	96015	41143	96095	41138	97009	42055	97089	42033
P-921	42212	96016	42154	96096	41075	97010	42056	97090	42164
P-922	42106	96017	42202	96097	41041	97011	42246	97091	42132
P-923	43130	96018	42221	96098	42147	97013	42111	97092	42140
P-925	43033	96019	42217	96099	41045	97014	42032	97093	42216
P-928	43039	96020	42155	96100	41047	97015	42086	97094	42118
P-932	42005	96021	41169	96101	41057	97016	42258	97095	42119
P-933	44000	96022	41059	96102	41155	97017	42090	97096	42232
P-934	41027	96023	41029	96103	41046	97018	42085	97097	42207
P-935	44037	96024	41131	96104	41002	97019	42100	97098	42306
P-936	44036	96025	42564	96105	42319	97020	42057		or 42305
P-937	44040	96026	42203	96106	41163	97021	42070	97099	42330
P-938	42067	96027	42203	96107	41004	97022	42071		or 42331
P-9390	42131	96028	41016	96108	41129	97023	42215	97100	42339
P-940	43087	96029	41015	96109	41111	97024	42214	97101	42242
P-941	43065	96030	41071	96110	41174	97025	42329	97102	42243
P-942	42065	96031	41009	96111	42321	97026	42324	97103	42240
P-943	44024	96032	41034	96112	41170	97027	42176	97104	42013
P-944	43117	96033	41038	96114	41103	97028	42151	97105	42012
P-946	44023	96034	41037	96115	41028	97029	42116	97106	42018
P-947	44035	96035	41090	96116	41026	97030	42224	97107	42016
P-948	42038	96036	41145	96117	41005	97031	42124	97108	42014
P-949	41002	96037	42228	96118	41003	97032	42054	97109	42197
P-950	41004	96038	41171	96119	41081	97033	42113	97110	42212
P-951	43034	96039	41019	96120	41011	97034	42225	97111	42131
P-952	43021	96040	41020	96121	41055	97035	42084	97112	42062
P-953	43125	96041	41021	96122	41089	97036	42223	97113	42064
P-954	44038	96042	42093	96123	41014	97037	42058	97114	42063
P-956	41026	96043	41022	96124	41154	97038	42222	97115	42078
P-957	42135	96044	41097	96125	41032	97039	42337	97116	42065
P-958	41028	96045	41052	96126	42565	97040	42178	97117	42165
P-959	41011	96046	41084	96128	41156	97041	42117		or 42169
P-96	42001	96047	41010	96129	41128	97042	42117	97118	42005
P-960	43061	96048	42341	96130	41035	97043	42088	97119	42020
P-961	43051	96049	41095	96133	41106	97044	42029	97120	42139
P-962	43062	96050	41030	96134	41159	97046	42158	97121	42163
		96051	41039	96135	41013	97047	42156	97122	42282
								97123	43213

* High Performance Pump

Changeover Listing

Competitive No.	Gates No.	Competitive No.	Gates No.	Competitive No.	Gates No.	Competitive No.	Gates No.	Competitive No.	Gates No.
BOSCH - Cont.		BOSCH - Cont.		BOSCH - Cont.		BOSCH - Cont.		BOSCH - Cont.	
97124.....	43168	97219.....	41119	98067.....	43043	98150.....	43064	99124.....	44008
97125.....	42023	97220.....	42296	98068.....	42071	98151.....	43068	99125.....	44023
97126.....	41036	97221.....	42281	98069.....	43112	98152.....	42255	99126.....	44040
97127.....	43218	97222.....	42081	98070.....	43113	98153.....	43153	99127.....	44100
97128.....	42308	97224.....	42297	98071.....	43116	98155.....	43164	99128.....	44000
97129.....	42336	97225.....	41127	98072.....	43058	98156.....	43166	99129.....	44047
97130.....	42136	97226.....	42141	98073.....	43055	98157.....	44090	99130.....	44053
97131.....	42115	97227.....	42302	98074.....	43272	98158.....	43278	99131.....	44034
97132.....	42198	97228.....	42171		or*43272P	98159.....	43288	99132.....	44087
97133.....	41140	97236.....	42301	98075.....	43272	98161.....	43132	99133.....	45009
97134.....	42095	97237.....	42313		or*43272P	98162.....	43286	99134.....	44064
97135.....	42114	97238.....	42286	98076.....	43051	98163.....	43290	99135.....	44055
97136.....	42096	98000.....	43128	98077.....	43053	98166.....	43069	99136.....	44092
97137.....	42245	98001.....	43029	98078.....	43272	98167.....	43067	99137.....	44094
97138.....	42135	98004.....	43030		or*43272P	98168.....	43070	99138.....	44084
97139.....	42001	98005.....	43028	98079.....	43056	98169.....	43170	99139.....	44093
97141.....	42040	98007.....	42553	98080.....	43052	98170.....	43034	99140.....	44078
97142.....	42106	98008.....	43120	98081.....	43081	98171.....	43428	99141.....	44075
97143.....	42322	98009.....	43283	98082.....	43057		or	99142.....	44097
97144.....	43225	98010.....	43072	98083.....	43304	98172.....	43141	99143.....	46001
97145.....	43021	98011.....	43129	98084.....	43136	98173.....	43298	99144.....	44058
97147.....	42311	98012.....	43106	98085.....	43200	98174.....	42142	99145.....	44101
97148.....	42320		or*43106P	98086.....	42275	98175.....	43090	99146.....	44059
97149.....	42352	98013.....	43106	98087.....	43300	98176.....	42257	99147.....	42318
97151.....	42161		or*43106P	98088.....	43210	98177.....	43291	99149.....	44035
97152.....	42097	98014.....	43122	98089.....	43114	98178.....	43171	99150.....	44036
97153.....	42035	98015.....	43110	98091.....	43115	98179.....	43131	99151.....	44037
97154.....	42168	98016.....	43121	98092.....	43087	98180.....	43133	99152.....	44038
97155.....	42045	98019.....	43005	98093.....	43082	98181.....	43037	99153.....	44042
97156.....	42166	98020.....	43041	98094.....	43060	98182.....	43279	99154.....	44001
97157.....	42067	98021.....	43124	98095.....	43036	98183.....	43038	99155.....	44009
97158.....	42334	98022.....	43006	98096.....	43033	98184.....	43222	99156.....	44085
97159.....	42066	98023.....	43102	98097.....	43289	98185.....	42199	99158.....	44043
97160.....	42120	98024.....	43044	98098.....	43301	98186.....	41125	99159.....	44056
97161.....	42188		or*43044P	98099.....	42181		or	99160.....	43255
97162.....	42340	98026.....	43111	98100.....	43161	98187.....	41124	99161.....	44091
97163.....	42325	98027.....	43007	98101.....	43302	98188.....	42307	99162.....	44048
97164.....	42303	98028.....	43008	98102.....	43297	98189.....	42167	99163.....	44049
97166.....	42206	98029.....	43094	98103.....	43303	98190.....	43032	99164.....	45008
97167.....	42328	98031.....	43109	98104.....	43159	98193.....	43139	99165.....	45003
97168.....	42252	98032.....	43100	98105.....	43296	98194.....	43185	99166.....	45001
97169.....	42251	98034.....	43049	98106.....	43306	98195.....	43184	99167.....	44086
97170.....	42247	98035.....	43104	98107.....	43293	98197.....	43123	99168.....	45007
97173.....	42332		or*43104P	98108.....	43066	98198.....	43018	99169.....	45005
97174.....	42194	98036.....	43104	98109.....	43035	98199.....	42006	99170.....	45000
97175.....	42249		or*43104P	98110.....	42038	98200.....	43019	99174.....	44045
97176.....	42134	98038.....	43257	98111.....	43163	98201.....	43044	99175.....	45002
97177.....	43285		or	98112.....	43295		or*43044P	99176.....	44082
97180.....	42068		or*43026P	98113.....	43305	98204.....	43272	99177.....	44081
97181.....	43504	98039.....	43257	98114.....	43117		or*43272P	99178.....	44089
97182.....	42041		or	98115.....	43004	98209.....	43263	99184.....	44085
97183.....	42079		or*43026P	98116.....	43083	98210.....	42294		
97184.....	43216	98040.....	43000	98117.....	43130	98213.....	43518		
97185.....	42165	98041.....	43076	98119.....	43039	98214.....	43428		
	or	98043.....	43107	98120.....	43243		or		
97186.....	42315	98044.....	42103	98121.....	42351	98221.....	43535		
97187.....	42170	98045.....	43101	98122.....	43233	99101.....	44088		
97188.....	42080	98046.....	43099	98123.....	43238	99102.....	44029		
97189.....	42026		or*43099P	98124.....	43253	99103.....	44032		
97190.....	42189	98047.....	43099	98125.....	43258	99104.....	44011		
97191.....	42335		or*43099P	98126.....	43240	99105.....	44027		
97192.....	42250	98048.....	43002	98127.....	44104		or*44027P		
97193.....	42254	98049.....	43282	98128.....	43125	99106.....	44027		
97195.....	42256	98050.....	43154	98130.....	43042		or*44027P		
97196.....	43022	98051.....	43025	98131.....	43073	99107.....	44098		
97197.....	42011	98053.....	43257	98132.....	43256	99108.....	44003		
97198.....	42259		or	98133.....	43322	99109.....	44004		
97199.....	42138		or*43026P	98134.....	43250	99110.....	44005		
97200.....	42081	98054.....	43092	98135.....	43232	99111.....	44012		
97201.....	42172	98055.....	43091	98136.....	43251	99112.....	44006		
97205.....	42010	98056.....	43280	98138.....	42265	99113.....	44016		
97207.....	42008	98057.....	43050	98139.....	43277	99114.....	43103		
97208.....	41000	98058.....	43264	98140.....	42021	99115.....	44028		
97209.....	42046	98059.....	42000	98141.....	43118	99116.....	44099		
97210.....	42007	98060.....	43001	98143.....	43315	99117.....	44019		
97211.....	42047	98061.....	43097	98144.....	43089	99118.....	44033		
97215.....	42293	98062.....	43169	98145.....	43061	99119.....	44007		
97216.....	42316	98063.....	43095	98146.....	43062	99120.....	44018		
97217.....	43508	98064.....	42094	98147.....	43065	99121.....	44030		
	or	98065.....	43098	98148.....	43063	99122.....	43162		
97218.....	42292		or*42094P	98149.....	43084	99123.....	44022		
		98066.....	43046						

* High Performance Pump

Changeover Listing

Competitive No.	Gates No.	Competitive No.	Gates No.	Competitive No.	Gates No.	Competitive No.	Gates No.	Competitive No.	Gates No.	
CARDONE - Cont.		CARDONE - Cont.		CARDONE - Cont.		CARDONE - Cont.		CARDONE - Cont.		
55-13311	41122	5513137	44043	5523126	42135	5533131	42173	5543157	41097	
55-13513	41027	5513141	43121	5523127	43089	5533132	41001	5543411	43289	
55-13515	41026	5513144	44040	5523129	43065	5533133	42034	5543412	42242	
55-13611	41016	5513411	45005	5523130	42067	5533134	43033	5543413	42243	
55-13615	41016	5513412	41101	5523131	43061	5533135	42143	5543414	44085	
55-83153	42007	5513511	42084	5523132	43062	5533136	42005	5543415	42306	
55-83154	42258	5513512	41022	5523133	42066	5533138	41002		or	42305
55-83157	42048	5513514	42096	5523134	43063	5533139	42166	5543416	41154	
55-83317	41117	5513612	41052	5523135	43069	5533140	42292	5543418	42247	
55-83326	44082	5513613	41018	5523136	43067	5533141	42164	5543419	42340	
55-83327	43518	5513614	41018	5523137	42065	5533142	41109	5543511	41159	
5511111	44027	5513711	41028	5523138	41013	5533143	42002	5543512	41159	
	or*44027P	5513811	42083	5523139	42080	5533144	42003	5543611	42338	
5511112	42085	5513812	43096	5523140	41120	5533145	42028	5543612	42240	
5511113	43101	5513813	42091	5523141	43504	5533147	42155	5543614	41148	
5511114	42086	5513814	41023	5523142	43072	5533311	44000	5543711	41087	
5511115	43099	5513815	44035	5523143	42136	5533312	44001	5543811	41167	
	or*43099P	5513816	44036	5523144	42050	5533313	43019	5543812	41168	
5511116	42090	5513817	44037	5523146	41092	5533314	43034	5553111	41034	
5511117	43103	5513818	44038	5523147	41014	5533315	42293	5553114	41030	
5511118	44099	5516111	44033	5523149	43503	5533411	42162	5553115	41029	
5511119	43169	5516112	41024	5523150	43044	5533412	42167	5553116	41037	
5511122	44030	5521111	43049		or*43044P	5533413	41004	5553117	41039	
5511123	42094	5521112	42055	5523153	43073	5533414	41005	5553411	42108	
5511124	43114	5521113	44004	5523311	43052	5533415	42168	5553412	44047	
5511126	42106	5521114	44005	5523312	43054	5533416	41070	5553413	43132	
5511127	43130	5521115	44006	5523313	43081	5533417	41079	5553415	44048	
5511128	44034	5521116	44016	5523314	43066	5533418	43263	5553416	42250	
5511129	44100	5521117	44003	5523315	43060	5533511	43036	5553417	42254	
5511130	44042	5521118	43100	5523316	42064	5533512	42158	5553418	44049	
5511131	45003	5521119	42054	5523317	43064	5533513	43035	5553419	43133	
5511132	43128	5521120	43282	5523318	45007	5533612	42165	5553611	41038	
5511134	42098	5521121	43050	5523319	43068		or	5553612	41095	
5511135	43120	5521122	43154	5523320	43070	5533613	41003	5553613	41043	
5511136	42099	5521123	42070	5523321	43297	5533614	42035	5553614	41040	
5511137	43122	5521124	42057	5523323	45000	5533615	41006	5553615	41044	
5511138	44032	5521125	44019	5523324	42068	5533711	42041	5553616	41042	
5511139	44029	5521126	42060	5523325	41119	5541111	43288	5553617	41041	
5511140	42082	5521128	44022	5523411	42334	5541112	42215	5553618	41045	
5511141	43283	5521130	44024	5523412	43090	5543103	41147	5553619	41047	
5511142	43106	5521131	42072	5523511	42078	5543111	42329	5553620	41103	
	or*43106P	5521132	44011	5523512	41011	5543112	42224	5553621	41046	
5511144	43124	5521133	43041	5523513	43131	5543113	42214	5553622	41049	
5511145	43102	5521134	43044	5523611	42129	5543114	42221	5553623	41106	
5511146	44088		or*43044P	5523612	42062	5543115	42225	5553625	41048	
5511147	43104	5521135	42056	5523613	42063	5543116	42337	5561111	42325	
	or*43104P	5521137	42052	5523614	42315	5543117	42222	5563110	41130	
5511148	42089	5521139	44098	5523615	41013	5543118	42217	5563111	41130	
5511150	43107	5521140	42071	5523616	42059	5543119	42223	5563112	41068	
5511151	44028	5521141	42124	5531111	43000	5543121	41171	5563113	41132	
5511152	43110	5521142	42061	5531112	43002	5543122	42230	5563114	41131	
5511153	42092	5521311	43047	5531116	43029	5543123	41145	5563115	41071	
5511311	43315	5521312	43046	5531117	43030	5543124	42228	5563116	42181	
5511312	45001	5521313	44007	5531120	43006	5543125	41097	5563117	41135	
5511411	44056	5521314	44008	5531121	42032	5543126	41090	5563118	41137	
5511511	43256	5521315	44009	5531122	43028	5543127	42236	5563119	43300	
5513111	43094	5521316	42079	5531411	41181	5543128	42237	5563120	41139	
5513112	43109	5521317	42068	5531511	43004	5543129	41146	5563121	41133	
5513113	42116	5521318	44018	5533111	43257	5543131	41089	5563122	41136	
5513114	43092	5521511	43084		or	5543132	41149	5563123	41076	
5513115	43091	5521512	43021		or*43026P	5543133	41098	5563124	42324	
5513116	43095	5521514	43073	5533112	42151	5543134	42339	5563125	42332	
5513117	41015	5521515	44004	5533114	42000	5543135	43301	5563126	41162	
5513118	42117	5521516	43042	5533115	42026	5543136	43210	5563127	41073	
5513119	42087	5521611	42058	5533116	42004	5543137	43290	5563128	41138	
5513120	42088	5523111	41082	5533117	43025	5543138	41148	5563129	41075	
5513121	43098	5523112	43043	5533118	43257	5543139	43213	5563130	42188	
	or*42094P	5523113	41009		or	5543140	42255	5563131	43305	
5513122	41021	5523114	43051		or*43026P	5543141	42251	5563132	42189	
5513123	42093	5523115	43272	5533119	41143	5543142	42319	5563133	41163	
5513124	43112		or*43272P	5533120	42154	5543143	42245	5563134	42335	
5513125	41084	5523116	41010	5533121	42157	5543144	42257	5563135	43255	
5513126	41019	5523117	43057	5533122	42029	5543145	43291	5563136	42335	
5513127	41020	5523118	42128	5533123	42216	5543147	43290	5563137	41078	
5513128	43116	5523119	43056	5533124	42159	5543148	42307	5563138	41163	
5513129	43113	5523120	43055	5533125	42156	5543149	41124	5563139	41071	
5513130	42284	5523121	43058	5533126	42153	5543150	42565	5563611	41134	
5513131	42095	5523122	43082	5533127	43304	5543153	41179	5563612	43520	
5513132	42212	5523123	42074	5533128	42195	5543155	42253	5563711	42176	
5513134	42097	5523124	43087	5533129	42216	5543156	42319	5563712	42178	
5513135	41142	5523125	42131	5533130	42033					

* High Performance Pump

Changeover Listing

Competitive No.	Gates No.	Competitive No.	Gates No.	Competitive No.	Gates No.	Competitive No.	Gates No.	Competitive No.	Gates No.
CARDONE - Cont.		CARDONE - Cont.		CARQUEST - Cont.		CARQUEST - Cont.		CARQUEST - Cont.	
5563713.....	41164	5583140.....	42198	WP-500.....	42214	51-1548.....	43007	51-1625.....	44094
5571111.....	42123	5583141.....	44090	WP-530.....	44016	51-1549.....	42215	51-1626.....	41174
5571112.....	42130	5583143.....	42249	WP-535.....	42124	51-1550.....	41167	51-1627.....	43256
5571113.....	42139	5583144.....	42194	WP-559.....	42225	51-1551.....	44027	51-1629.....	43002
5571114.....	43153	5583145.....	43164	WP-580.....	42203	51-1552.....	or*44027P	51-1630.....	43001
5571115.....	43156	5583147.....	43168	WP-726.....	41181		44027	51-1631.....	42000
5573111.....	41059	5583148.....	43164	WP-728.....	42143		or*44027P	51-1632.....	43200
5573112.....	41060	5583149.....	43298	WP-766.....	42216	51-1553.....	42329	51-1633.....	43286
5573113.....	41165	5583151.....	42246	WP-782.....	42330	51-1554.....	41062	51-1634.....	42275
5573114.....	42118	5583152.....	42268	WP-789.....	42240	51-1555.....	41109	51-1635.....	42268
5573115.....	41055	5583156.....	43170	WP-825.....	42212	51-1556.....	43094	51-1636.....	42026
5573116.....	41166	5583157.....	42048	WP-866.....	43285	51-1557.....	43008	51-1637.....	42275
5573117.....	43136	5583158.....	42249	WP-899.....	41004	51-1558.....	43049	51-1638.....	43036
5573118.....	42119	5583311.....	42016	WP-9018.....	41026	51-1560.....	42032	51-1639.....	42004
5573119.....	42208	5583312.....	42014	WP-9032.....	43062	51-1561.....	43154	51-1640.....	42002
5573120.....	42132	5583313.....	42018	WP-9050.....	41055	51-1562.....	42055	51-1641.....	42003
5573121.....	41072	5583314.....	42021	WP-9083.....	42194	51-1563.....	43109	51-1642.....	42114
5573122.....	42163	5583315.....	42020	WP-9121.....	41050	51-1564.....	42116	51-1643.....	42317
5573123.....	42140	5583316.....	42013	WP-9122.....	41123	51-1565.....	44098	51-1645.....	44053
5573124.....	41081	5583317.....	41117		or 41164	51-1566.....	43257	51-1647.....	44101
5573125.....	42045	5583318.....	42023	WP-9124.....	42135		or 43026	51-1649.....	44104
5573126.....	42115	5583319.....	43277	WP-9136.....	41049		or*43026P	51-1650.....	44058
5573127.....	42141	5583320.....	41057	WP-9163.....	42259	51-1568.....	42102	51-1651.....	43322
5573128.....	42134	5583321.....	41036	WP-9164.....	43037	51-1569.....	42246	51-1652.....	44059
5573129.....	42136	5583322.....	43278	WP-9165.....	42138	51-1571.....	43076	51-1653.....	42318
5573130.....	41061	5583323.....	43166	WP-9166.....	43279	51-1572.....	44004	51-1654.....	42054
5573131.....	42170	5583324.....	41157	WP-9167.....	42081	51-1573.....	43000	51-1655.....	41082
5573132.....	41107	5583325.....	43141	WP-9177.....	42167	51-1574.....	44005	51-1656.....	42124
5573134.....	42281	5583326.....	44082	WP-9182.....	45005	51-1575.....	44012	51-1657.....	43282
5573135.....	42172	5583327.....	43518	WP-9187.....	42253	51-1576.....	42103	51-1658.....	43280
5573136.....	42302	5583328.....	43166	WP-9260.....	43502	51-1577.....	45008	51-1659.....	43042
5573137.....	43279	5583329.....	43428	WP-9272.....	44089	51-1578.....	44006	51-1661.....	43050
5573138.....	41051		or 43262	WP-9276.....	43520	51-1579.....	44016	51-1662.....	43043
5573139.....	41116	5583411.....	42265	51-1500.....	43004	51-1580.....	42111	51-1663.....	44018
5573140.....	42286	5583412.....	42161	51-1501.....	42001	51-1581.....	43107	51-1664.....	42071
5573141.....	42300	5583413.....	42199	51-1502.....	43128	51-1582.....	42124	51-1665.....	41009
5573142.....	42132	5583414.....	43216	51-1506.....	42098	51-1583.....	42085	51-1666.....	43046
5573143.....	42163	5583513.....	43037	51-1507.....	42072	51-1584.....	43101	51-1667.....	43264
5573144.....	41061	5583515.....	43222	51-1509.....	43120	51-1585.....	42086	51-1668.....	42070
5573411.....	42282	5583516.....	43303	51-1510.....	43072	51-1586.....	44003	51-1669.....	42057
5573412.....	42207	5583519.....	43200	51-1511.....	43121	51-1587.....	43100	51-1670.....	43051
5573413.....	42328	5583520.....	43286	51-1513.....	42099	51-1588.....	43099	51-1671.....	43053
5573414.....	42336	5583521.....	43287	51-1514.....	43005	51-1589.....	or*43099P	51-1672.....	44019
5573416.....	42301	5583611.....	41169	51-1515.....	43122		43099	51-1673.....	43272
5573418.....	42313	5583612.....	42341	51-1516.....	44032		or*43099P		or*43272P
5573513.....	42206	5583613.....	41152	51-1517.....	43110	51-1590.....	42151	51-1674.....	43272
5573611.....	42126	5583614.....	41156	51-1518.....	44029	51-1591.....	42113		or*43272P
5573612.....	42127	5583615.....	41110	51-1519.....	43073	51-1592.....	41051	51-1675.....	43052
5573613.....	41055	5583617.....	41110	51-1520.....	42061	51-1593.....	42090	51-1676.....	42058
5573615.....	42280	5583618.....	41127	51-1521.....	42252	51-1594.....	44064	51-1677.....	41010
5573619.....	41054	5583620.....	41151	51-1522.....	44011	51-1595.....	44086	51-1678.....	43081
5581111.....	41160	5583811.....	43293	51-1523.....	42082	51-1596.....	43225	51-1679.....	43057
5581114.....	41161	5583815.....	42275	51-1524.....	43283	51-1597.....	41170	51-1680.....	44007
5583112.....	42332	5591118.....	44053	51-1525.....	43106	51-1598.....	43232	51-1681.....	42128
5583113.....	41158	5591121.....	42303		or*43106P	51-1599.....	43233	51-1682.....	43056
5583114.....	42272	5591124.....	42113	51-1526.....	43106	51-1600.....	41129	51-1683.....	43055
5583115.....	41108	5591311.....	42352		or*43106P	51-1601.....	42311	51-1684.....	43058
5583116.....	42261	5591412.....	42111	51-1527.....	42553	51-1602.....	42320	51-1685.....	42129
5583117.....	42258	5591413.....	44064	51-1528.....	43006	51-1603.....	42321	51-1686.....	42060
5583118.....	42309	5591511.....	44086	51-1529.....	43123	51-1604.....	42322	51-1687.....	43082
5583119.....	42276	5591512.....	43233	51-1531.....	43029	51-1605.....	43253	51-1688.....	41092
5583121.....	41007	5591513.....	44092	51-1532.....	43030	51-1606.....	44075	51-1689.....	43066
5583122.....	42197	5591515.....	43238	51-1533.....	43124	51-1607.....	44092	51-1690.....	42074
5583123.....	41141	5591516.....	44084	51-1534.....	42100	51-1608.....	43258	51-1691.....	43060
5583124.....	41035	5591711.....	44075	51-1535.....	43041	51-1609.....	46001	51-1692.....	43087
5583125.....	43306	5591712.....	45009	51-1536.....	43028	51-1610.....	45009	51-1693.....	43084
5583126.....	43296	5591713.....	44097	51-1537.....	43032	51-1611.....	44097	51-1694.....	42062
5583127.....	42012	5591811.....	42102	51-1538.....	43044	51-1612.....	42181	51-1695.....	42064
5583128.....	41153	5591813.....	43225		or*43044P	51-1613.....	42351	51-1696.....	42131
5583129.....	42017	5591815.....	42321	51-1539.....	43044	51-1614.....	43238	51-1697.....	42063
5583130.....	43162	5591817.....	42351		or*43044P	51-1615.....	44055	51-1698.....	42078
5583131.....	43161	5591818.....	44094	51-1540.....	42056	51-1616.....	41111	51-1699.....	43021
5583132.....	43159	5591819.....	42114	51-1541.....	42052	51-1617.....	43240	51-1700.....	43125
5583133.....	42011	57-1014.....	42564	51-1542.....	42050	51-1618.....	42352	51-1701.....	43083
5583134.....	42147			51-1543.....	43111	51-1619.....	44093	51-1702.....	44087
5583135.....	43302			51-1544.....	43102	51-1620.....	42114	51-1703.....	44022
5583136.....	43302	CARQUEST		51-1545.....	44088	51-1621.....	43243	51-1704.....	42135
5583137.....	42147	WP-1077.....	41007	51-1546.....	43104	51-1622.....	43250	51-1705.....	44008
5583138.....	43297	WP-1085.....	42048		or*43104P	51-1623.....	43251	51-1706.....	44023
5583139.....	41155	WP-1090.....	42006	51-1547.....	43104	51-1624.....	44078	51-1707.....	43089
		WP-1092.....	43019		or*43104P		44084	51-1708.....	42071
		WP-495.....	42071						

* High Performance Pump

Changeover Listing

Competitive No.	Gates No.	Competitive No.	Gates No.	Competitive No.	Gates No.	Competitive No.	Gates No.	Competitive No.	Gates No.
CARQUEST - Cont.		CARQUEST - Cont.		CARQUEST - Cont.		CARQUEST - Cont.		CARQUEST - Cont.	
51-1709.....	44024	51-1791.....	43130	51-1872.....	42224	51-1953.....	41095	51-2034.....	43303
51-1710.....	43065	51-1792.....	44034	51-1873.....	41087	51-1954.....	41136	51-2035.....	43297
51-1711.....	42067	51-1793.....	44100	51-1874.....	42176	51-1955.....	42016	51-2037.....	42023
51-1712.....	43061	51-1794.....	44035	51-1875.....	41130	51-1956.....	42014	51-2038.....	43277
51-1713.....	43062	51-1795.....	41027	51-1876.....	41068	51-1957.....	42018	51-2039.....	41081
51-1714.....	41011	51-1796.....	44036	51-1877.....	41132	51-1958.....	41035	51-2040.....	42045
51-1715.....	42066	51-1797.....	42096	51-1878.....	42214	51-1959.....	42021	51-2041.....	42188
51-1716.....	43063	51-1798.....	44037	51-1879.....	41158	51-1960.....	41043	51-2042.....	43218
51-1717.....	43064	51-1799.....	44038	51-1880.....	42202	51-1961.....	41040	51-2043.....	42308
51-1718.....	45007	51-1800.....	43117	51-1881.....	42221	51-1962.....	41044	51-2044.....	43295
51-1719.....	41014	51-1801.....	41026	51-1882.....	42225	51-1963.....	43136	51-2046.....	41045
51-1720.....	42334	51-1802.....	43118	51-1883.....	42337	51-1964.....	42119	51-2047.....	41047
51-1721.....	44009	51-1803.....	44042	51-1884.....	42222	51-1965.....	42330	51-2048.....	43305
51-1722.....	43068	51-1804.....	42097	51-1885.....	41169	or	42331	51-2049.....	42328
51-1723.....	43069	51-1805.....	41028	51-1886.....	41059	51-1966.....	42339	51-2050.....	42336
51-1724.....	43067	51-1806.....	43315	51-1887.....	42217	51-1967.....	42242	51-2051.....	42255
51-1726.....	43070	51-1807.....	45001	51-1888.....	42203	51-1968.....	42243	51-2052.....	44085
51-1727.....	43131	51-1808.....	41142	51-1889.....	41131	51-1969.....	43306	51-2053.....	42306
51-1728.....	42315	51-1809.....	45002	51-1890.....	42223	51-1970.....	43293	or	42305
51-1729.....	43279	51-1810.....	45003	51-1891.....	42564	51-1971.....	43296	51-2054.....	42136
51-1730.....	42079	51-1811.....	44043	51-1892.....	41031	51-1972.....	42012	51-2055.....	42115
51-1731.....	43504	51-1812.....	44056	51-1893.....	42178	51-1973.....	41153	51-2056.....	41057
51-1732.....	42065	51-1813.....	45005	51-1894.....	42323	51-1974.....	42020	51-2057.....	41155
51-1733.....	45000	51-1814.....	44045	51-1895.....	41034	51-1975.....	42013	51-2058.....	42161
51-1734.....	41013	51-1815.....	44089	51-1896.....	41030	51-1976.....	42017	51-2059.....	42198
51-1735.....	43090	51-1816.....	42296	51-1897.....	41171	51-1977.....	42014	51-2060.....	42141
51-1736.....	42080	51-1817.....	41122	51-1898.....	42230	51-1978.....	43301	51-2061.....	42189
51-1737.....	42081	51-1818.....	43025	51-1899.....	41071	51-1979.....	41008	51-2062.....	42251
51-1738.....	42068	51-1819.....	42028	51-1900.....	41029	51-1980.....	41032	51-2063.....	41163
51-1739.....	42294	51-1821.....	43257	51-1901.....	41134	51-1982.....	41056	51-2064.....	42319
51-1740.....	42081	or	43026	51-1902.....	41145	51-1983.....	42208	51-2065.....	42245
51-1741.....	41120	or*	43026P	51-1903.....	42228	51-1984.....	41076	51-2066.....	41046
51-1742.....	41119	51-1822.....	42155	51-1904.....	42338	51-1985.....	42011	51-2067.....	41156
51-1743.....	41118	51-1823.....	41143	51-1905.....	42272	51-1986.....	43019	51-2068.....	41036
51-1744.....	42083	51-1824.....	42154	51-1906.....	41060	51-1987.....	43022	51-2069.....	43278
51-1745.....	42084	51-1825.....	42157	51-1908.....	42341	51-1988.....	42132	51-2070.....	44090
51-1746.....	43092	51-1826.....	42029	51-1909.....	42123	51-1989.....	41072	51-2071.....	42120
51-1747.....	43103	51-1827.....	42158	51-1910.....	41037	51-1990.....	42164	51-2072.....	41154
51-1748.....	43091	51-1828.....	41067	51-1911.....	41097	51-1991.....	42565	51-2073.....	44091
51-1749.....	43095	51-1829.....	42159	51-1912.....	42181	51-1992.....	41152	51-2074.....	42249
51-1750.....	41015	51-1830.....	42156	51-1913.....	43289	51-1993.....	41160	51-2075.....	42303
51-1751.....	44099	51-1831.....	43304	51-1914.....	42126	51-1994.....	43162	51-2076.....	41140
51-1752.....	42117	51-1832.....	42195	51-1915.....	41108	51-1995.....	43161	51-2077.....	44048
51-1753.....	44028	51-1833.....	42216	51-1916.....	41135	51-1996.....	43159	51-2078.....	41050
51-1754.....	43169	51-1834.....	42162	51-1917.....	41090	51-1997.....	42259	51-2079.....	42247
51-1755.....	42087	51-1835.....	42033	51-1918.....	42261	51-1998.....	42324	51-2080.....	42257
51-1756.....	43097	51-1836.....	42173	51-1919.....	42258	51-1999.....	42252	51-2081.....	43291
51-1757.....	42088	51-1837.....	41001	51-1920.....	42059	51-2000.....	42008	51-2082.....	43185
51-1758.....	42094	51-1838.....	42034	51-1921.....	42309	51-2001.....	42006	51-2085.....	41161
51-1759.....	43098	51-1839.....	43033	51-1922.....	41038	51-2002.....	42010	51-2086.....	43153
or*	42094P	51-1840.....	42167	51-1923.....	41151	51-2003.....	41000	51-2087.....	42335
51-1760.....	41016	51-1841.....	42143	51-1924.....	41137	51-2004.....	43210	51-2088.....	42134
51-1761.....	43129	51-1842.....	43039	51-1925.....	42236	51-2005.....	43184	51-2089.....	42340
51-1762.....	41021	51-1844.....	42005	51-1926.....	42237	51-2006.....	42149	51-2090.....	41123
51-1763.....	43139	51-1845.....	44000	51-1927.....	42276	51-2007.....	42325	51-2091.....	41123
51-1764.....	42092	51-1846.....	43035	51-1928.....	43288	or	41148	51-2092.....	42171
51-1765.....	44033	51-1847.....	42038	51-1929.....	41165	51-2008.....	42232	51-2093.....	43163
51-1766.....	42093	51-1848.....	41002	51-1930.....	42007	51-2009.....	43302	51-2094.....	43166
51-1767.....	43112	51-1849.....	41004	51-1931.....	41039	51-2010.....	42048	51-2095.....	43168
51-1768.....	41084	51-1850.....	41181	51-1932.....	42046	51-2011.....	43222	51-2096.....	43285
51-1769.....	42089	51-1851.....	44001	51-1933.....	41007	51-2012.....	41162	51-2097.....	42256
51-1770.....	41052	51-1852.....	42165	51-1934.....	41146	51-2013.....	41073	51-2098.....	41106
51-1771.....	41019	or	42169	51-1935.....	42331	51-2014.....	42139	51-2101.....	42250
51-1772.....	41020	51-1853.....	42166	51-1936.....	41147	51-2015.....	41042	51-2102.....	42254
51-1773.....	43116	51-1854.....	41003	51-1937.....	42206	51-2016.....	43018	51-2103.....	43259
51-1774.....	41022	51-1855.....	41005	51-1938.....	41089	51-2017.....	42163	or	43260
51-1775.....	43113	51-1856.....	42168	51-1939.....	42108	51-2018.....	41138	51-2104.....	43428
51-1776.....	44030	51-1857.....	42035	51-1940.....	41149	51-2019.....	41075	or	43262
51-1777.....	43098	51-1858.....	43038	51-1941.....	42240	51-2020.....	42282	51-2105.....	43216
or*	42094P	51-1859.....	41006	51-1942.....	41098	51-2021.....	43213	51-2106.....	41159
51-1778.....	42091	51-1860.....	42040	51-1943.....	42130	51-2022.....	44047	51-2107.....	41157
51-1779.....	41023	51-1861.....	41070	51-1944.....	43300	51-2023.....	43132	51-2108.....	43290
51-1782.....	41080	51-1862.....	43037	51-1945.....	42118	51-2024.....	41053	51-2109.....	43255
51-1783.....	42284	51-1863.....	43034	51-1946.....	41055	51-2025.....	41054	51-2110.....	41128
51-1784.....	43114	51-1864.....	42041	51-1947.....	42197	51-2026.....	42194	51-2111.....	41110
51-1785.....	42095	51-1865.....	41079	51-1948.....	41141	51-2027.....	42207	51-2112.....	41113
51-1786.....	43115	51-1866.....	43263	51-1949.....	41166	51-2028.....	41041	51-2113.....	43164
51-1787.....	41025	51-1867.....	42293	51-1950.....	41139	51-2029.....	42140	51-2114.....	43170
51-1788.....	44040	51-1868.....	42292	51-1951.....	42127	51-2030.....	42265	51-2115.....	43298
51-1789.....	42212	51-1870.....	42047	51-1952.....	41133	51-2031.....	42147	51-2116.....	41103
51-1790.....	42106	51-1871.....	42332						

* High Performance Pump

Changeover Listing

Competitive No.	Gates No.	Competitive No.	Gates No.	Competitive No.	Gates No.	Competitive No.	Gates No.	Competitive No.	Gates No.
CARQUEST - Cont.		CARTER - Cont.		CARTER - Cont.		CARTER - Cont.		CARTER - Cont.	
51-2117.....	44049	50556.....	44005	50728.....	42123	50911.....	42249	51314.....	41097
51-2118.....	41049	50565.....	43111	50730.....	42202	50912.....	43198	51315.....	41018
51-2119.....	43171	50569.....	42050	50731.....	42337	50913.....	43287	51317.....	41056
51-2120.....	41048	50570.....	42052	50732.....	41145	50914.....	42017	51318.....	41162
51-2121.....	41061	50577.....	43007	50733.....	42222	50915.....	41035	51319.....	41073
51-2122.....	43133	50578.....	42246	50734.....	42221	50916.....	42012	51320.....	42197
51-2124.....	42170	50579.....	43106	50736.....	42225	50918.....	42014	51332.....	41134
51-2125.....	42280	or*43106P		50738.....	42029	50919.....	42013	51338.....	43036
51-2126.....	41127	50580.....	44027	50741.....	43095	50921.....	42276	51339.....	42033
51-2127.....	41107	or*44027P		50742.....	41015	50923.....	42008	51340.....	42173
51-2128.....	42297	50582.....	44088	50743.....	44099	50928.....	41147	51344.....	42078
51-2129.....	41125	50583.....	43126	50744.....	42117	50935.....	42181	51347.....	42131
or 41159		50587.....	41109	50745.....	43043	50936.....	43289	51348.....	43082
51-2130.....	43141	50588.....	41062	50747.....	44028	50939.....	41038	51350.....	43161
51-2131.....	42142	50595.....	43094	50748.....	43136	50941.....	42236	51351.....	42074
51-2132.....	42281	50597.....	41168	50749.....	43169	50943.....	41019	51358.....	41148
51-2133.....	41058	50600.....	41167	50750.....	42087	50944.....	41020	51359.....	43114
51-2134.....	41124	50605.....	43107	50751.....	43096	50945.....	41010	51360.....	42206
51-2135.....	41127	50607.....	43002	50754.....	43001	50946.....	43051	51363.....	42147
51-2136.....	41114	50608.....	43049	50756.....	44018	50947.....	44019	51365.....	42095
51-2137.....	44082	50609.....	43104	50758.....	43282	50948.....	42275	51368.....	43139
51-2138.....	44081	or*43104P		50770.....	42094	50950.....	42059	51369.....	42140
51-2139.....	42316	50611.....	43109	50771.....	42088	50952.....	43272	51370.....	42063
51-2140.....	42285	50612.....	42055	50772.....	42156	or*43272P		51372.....	42259
51-2141.....	42192	50614.....	43103	50773.....	42157	50953.....	41097	51374.....	43302
51-2142.....	42172	50615.....	43257	50774.....	42155	50954.....	42339	51379.....	42016
51-2143.....	43508	or 43026		50775.....	42178	50957.....	42237	51384.....	43293
or 43140		or*43026P		50776.....	41071	50958.....	41146	51385.....	43306
51-2144.....	42302	50616.....	42032	50777.....	41133	50959.....	42331	51387.....	43296
51-2145.....	42138	50618.....	44004	50779.....	41037	50960.....	41135	51393.....	42306
51-2146.....	42307	50619.....	42124	50780.....	41060	50961.....	41137	or 42305	
51-2148.....	41078	50620.....	44098	50782.....	43153	50963.....	41039	51397.....	42284
51-2149.....	42253	50631.....	43000	50786.....	43210	50964.....	42309	51399.....	41040
51-2150.....	41179	50633.....	42086	50787.....	43210	50998.....	43286	51400.....	41042
51-2151.....	41115	50634.....	42090	50788.....	42217	51029.....	41141	51402.....	42232
51-2152.....	41116	50636.....	42056	50788.....	42217	51034.....	43052	51407.....	42207
51-2160.....	42069	50640.....	42070	50789.....	42203	51035.....	41034	51408.....	41166
51-2167.....	43257	50646.....	44006	50791.....	42000	51079.....	41108	51411.....	43297
or 43026		50650.....	42111	50796.....	41016	51110.....	42091	51440.....	42242
or*43026P		50653.....	42258	50797.....	42083	51111.....	42091	51441.....	42243
51-2173.....	43272	50654.....	42103	50798.....	42095	51151.....	42208	51444.....	41041
or*43272P		50657.....	43101	50799.....	43112	51152.....	41165	51445.....	42020
51-2178.....	42221	50658.....	42085	50800.....	43097	51154.....	41098	51448.....	41075
51-2190.....	43520	50660.....	43091	50801.....	41021	51159.....	43054	51450.....	43305
51-2195.....	42312	50665.....	43099	50803.....	41084	51161.....	42127		
51-2196.....	41124	or*43099P		50805.....	42093	51162.....	41022	EASTERN	
51-2197.....	43505	50666.....	43100	50806.....	42092	51163.....	43081	18-007.....	42258
51-2198.....	41116	50667.....	43102	50809.....	42158	51164.....	42007	18-011.....	42341
51-2200.....	43506	50671.....	42028	50810.....	41067	51165.....	42128	18-017.....	41035
51-2201.....	42345	50672.....	45003	50811.....	42195	51166.....	42060	18-026.....	42083
51-2202.....	42301	50674.....	42089	50813.....	42159	51167.....	43058	18-026P.....	42084
51-2203.....	42313	50676.....	41082	50815.....	42047	51170.....	43018	18-028.....	41130
51-2204.....	42286	50677.....	44003	50816.....	42058	51172.....	41095	18-031.....	41132
51-2205.....	42348	50678.....	42054	50819.....	41009	51173.....	42108	18-033.....	41068
51-2208.....	43518	50679.....	43025	50821.....	43050	51174.....	42216	18-034.....	41131
51-2209.....	43428	50681.....	42116	50824.....	43046	51176.....	42118	18-036.....	42176
or 43262		50682.....	41034	50825.....	43047	51177.....	43019	18-041.....	42178
51-2236.....	43535	50683.....	42329	50831.....	43200	51178.....	44007	18-044.....	42153
51-2238.....	44085	50684.....	42224	50833.....	42338	51180.....	41136	18-048.....	42028
51-2241.....	43507	50685.....	42223	50836.....	42228	51181.....	42202	18-068.....	41082
51-2244.....	43537	50686.....	43288	50837.....	42230	51187.....	42130	18-069.....	42050
		50687.....	41087	50838.....	41171	51188.....	43300	18-072.....	41030
		50690.....	42084	50839.....	41090	51234.....	41149	18-074.....	41029
		50691.....	43092	50840.....	41089	51235.....	42240	18-079.....	41031
CARTER		50700.....	41130	50841.....	42261	51239.....	43301	18-1040.....	44012
50374.....	43110	50701.....	41068	50842.....	42272	51241.....	42129	18-1041.....	44012
50414.....	41158	50702.....	41132	50843.....	41151	51242.....	43156	18-1059.....	42005
50420.....	43072	50703.....	42176	50846.....	42324	51244.....	42139	18-1060.....	42038
50426.....	43120	50705.....	42214	50851.....	42126	51268.....	43116	18-1065.....	41036
50435.....	43029	50707.....	42153	50854.....	42215	51269.....	43113	18-1066.....	43536
50445.....	44029	50708.....	42151	50859.....	42217	51270.....	42004	18-1069.....	41027
50456.....	43121	50709.....	42332	50865.....	42323	51277.....	42002	18-1072.....	44023
50460.....	42057	50713.....	41051	50869.....	42203	51278.....	42003	18-1075.....	42136
50477.....	42326	50718.....	41131	50874.....	42564	51280.....	43056	18-1080.....	43121
or 42327		50720.....	42154	50891.....	43042	51281.....	43055	18-1082.....	43120
50478.....	44032	50721.....	41143	50895.....	44033	51300.....	42162	18-1083.....	42102
50485.....	43122	50722.....	41029	50897.....	42048	51301.....	41153	18-1086.....	42351
50493.....	43028	50723.....	41030	50898.....	42046	51303.....	42119	18-1087.....	43233
50496.....	42082	50724.....	41031	50903.....	43184	51305.....	41092	18-1093.....	46001
50537.....	44011	50726.....	43154	50908.....	41160	51306.....	43087	18-1107.....	41155
50540.....	43123	50727.....	41059	50910.....	43159	51307.....	42212	18-1108P.....	42096

* High Performance Pump

Changeover Listing

Competitive No.	Gates No.	Competitive No.	Gates No.	Competitive No.	Gates No.	Competitive No.	Gates No.	Competitive No.	Gates No.
EASTERN - Cont.		EASTERN - Cont.		EASTERN - Cont.		EASTERN - Cont.		EASTERN - Cont.	
18-1109.....	41181	18-1447.....	44049	18-267.....	41145	18-456.....	41010	18-707.....	41045
18-1111.....	42319	18-1448.....	41048	18-270.....	41133	18-457.....	42002	18-708.....	41047
18-1112.....	42245	18-1473.....	43240	18-272.....	43257	18-460.....	41022	18-722.....	43257
18-1113.....	42135	18-1474.....	44055		or 43026	18-462.....	41019		or 43026
18-1115.....	44024	18-14751P.....	41129		or*43026P	18-465.....	43222		or*43026P
18-1116.....	43065	18-14761P.....	41111	18-273.....	42117	18-466.....	43101	18-804.....	43030
18-1117.....	42067	18-14771P.....	41173	18-275.....	43025	18-467.....	43102	18-808.....	42253
18-1120.....	44037	18-14781P.....	41174	18-276.....	42082	18-468.....	43106	18-823.....	41075
18-1121.....	42306	18-148.....	43288	18-278.....	42094		or*43106P	18-844.....	42306
	or 42305	18-1481.....	45001	18-281.....	42054	18-471.....	43057		or 42305
18-1122.....	42247	18-1482.....	43067	18-284.....	42013	18-472.....	44007	18-852.....	44100
18-1123.....	41002	18-1484.....	42250	18-288.....	42261	18-474.....	42128	18-858.....	44008
18-1125.....	44038	18-1486.....	43131	18-300.....	43094	18-474.....	42128	18-875.....	42071
18-1134.....	43238	18-1488.....	43279	18-302.....	41009	18-480.....	43098	18-884.....	43021
18-1147.....	41004	18-1489.....	43070	18-303.....	45003		or*42094P	18-885.....	43125
18-1158.....	41163	18-1494.....	42068	18-304.....	43047	18-482.....	43113	18-888.....	41024
18-1165.....	42166	18-1498.....	42247	18-305.....	44019	18-487.....	41040	18-889.....	41025
18-1166.....	42120	18-1499.....	41159	18-305.....	43099	18-490.....	42119	18-896.....	41080
18-1179.....	42554	18-1550.....	43255	18-308.....	or*43099P	18-497.....	41136	18-897.....	43033
18-1184.....	43226	18-1552.....	41070	18-309.....	43044	18-498.....	42143	18-912.....	43115
18-1200.....	42099	18-1553.....	41079		or*43044P	18-499.....	42164	18-925.....	44085
18-1201.....	44032	18-1556.....	42059	18-310.....	41097	18-500.....	44018		
18-1202.....	44088	18-1559.....	44056	18-311.....	42221	18-5001.....	44053	GMB	
18-1213.....	42552	18-1561.....	41061	18-313.....	42181	18-5058.....	42095	110-1010.....	43000
18-1222.....	42309	18-1566.....	42315	18-316.....	41038	18-506.....	44004	110-1030.....	43001
18-1225.....	43007	18-1575.....	45000	18-317.....	42206	18-5061.....	42318	110-1040.....	43002
18-1230.....	43225	18-1585.....	41006	18-319.....	44029	18-508.....	43049	110-1050.....	42000
18-1239.....	43280	18-1587.....	42068	18-320.....	43111	18-509.....	42057	110-1052.....	42001
18-1244.....	42114	18-1588.....	44045	18-321.....	43110	18-510.....	42032	110-1060.....	42002
18-1250.....	43073	18-1589.....	44045	18-322.....	44005	18-511.....	43001	110-1070.....	42003
18-1260.....	44097	18-1592.....	41101	18-323.....	42111	18-519.....	42018	110-1080.....	42004
18-1261.....	44103	18-1599.....	41078	18-325.....	41147	18-525.....	44030	110-1090.....	42005
18-1264.....	44092	18-1601.....	45002	18-334.....	43112	18-529.....	42129	110-1111.....	43003
18-1265.....	44075	18-1602.....	45005	18-335.....	41135	18-531.....	41092	110-2052.....	43004
18-1269.....	44104	18-1603.....	42316	18-336.....	41137	18-532.....	43087	110-2843.....	43005
18-1274.....	44093	18-1605.....	42005	18-338.....	42056	18-533.....	43055	110-2908.....	43006
18-1284.....	43322	18-1613.....	41127	18-342.....	42339	18-535.....	43082	110-2986.....	43007
18-1285.....	42352	18-1615.....	42302	18-343.....	41052	18-536.....	43056	110-3021.....	43008
18-1301.....	42321	18-1627.....	43263	18-345.....	41021	18-539.....	43297	110-3075.....	42026
18-1302.....	42322	18-1629.....	41001	18-346.....	42092	18-546.....	42004	112-2010.....	43011
18-1304.....	43258	18-1632.....	42294	18-348.....	44003	18-547.....	43058	112-2070.....	43011
18-1311.....	44084	18-1634.....	41120	18-351.....	43051	18-574.....	41149	113-1010.....	42006
18-1312.....	44094	18-1636.....	42065	18-353.....	42216	18-575.....	43004	113-1050.....	42007
18-1320.....	43061	18-1638.....	41122	18-355.....	42162	18-582.....	42212	113-1060.....	42008
18-1321.....	41011	18-164.....	42223	18-356.....	42089	18-587.....	42086	113-1120.....	43018
18-1323.....	43063	18-1641.....	42281	18-358.....	43054	18-590.....	43044	113-1130.....	43019
18-1324.....	43064	18-1646.....	41115	18-360.....	43002		or*43044P	113-2050.....	42010
18-1326.....	41026	18-175.....	42222	18-361.....	43100	18-592.....	42062	113-2070.....	44091
18-1328.....	41005	18-198.....	42272	18-362.....	43103	18-593.....	43060	113-2080.....	41000
18-133.....	42203	18-202.....	42029	18-363.....	43104	18-594.....	42064	113-2090.....	42011
18-1367.....	42137	18-203.....	42158		or*43104P	18-595.....	43036	113-2100.....	43022
18-1373.....	43062	18-205.....	43092	18-364.....	44027	18-596.....	43107	115-1010.....	42012
18-1374.....	42066	18-207.....	41071		or*44027P	18-597.....	41023	115-1020.....	42013
18-1375.....	45007	18-208.....	41015	18-365.....	42070	18-599.....	41001	115-1040.....	42014
18-1376.....	41014	18-209.....	41016	18-374.....	42090	18-600.....	42034	115-1050.....	41035
18-1377.....	42334	18-210.....	43091	18-377.....	42567	18-6000.....	41049	115-1060.....	42016
18-1378.....	44009	18-211.....	42085	18-378.....	42237	18-601.....	42033	115-1070.....	42017
18-1380.....	43068	18-212.....	42156	18-383.....	42309	18-602.....	41181	115-1080.....	42018
18-1381.....	44100	18-213.....	42157	18-388.....	41098	18-605.....	43084	115-2020.....	42019
18-1382.....	42097	18-215.....	43095	18-389.....	42127	18-606.....	42194	115-2060.....	42020
18-1383.....	41028	18-216.....	43043	18-399.....	41141	18-610.....	41018	115-2070.....	42021
18-1384.....	43315	18-217.....	42060	18-400.....	44064	18-611.....	42242	115-2080.....	41036
18-1385.....	41003	18-222.....	44028	18-401.....	44086	18-612.....	42243	115-2085.....	42023
18-1386.....	42167	18-224.....	42087	18-428.....	44033	18-615.....	42284	115-2090.....	41057
18-1387.....	42035	18-226.....	44099	18-430.....	41084	18-619.....	41072	115-2095.....	43277
18-139.....	42566	18-227.....	42088	18-433.....	43300	18-621.....	41162	115-2100.....	43278
18-1390.....	42340	18-228.....	41067	18-434.....	42108	18-622.....	41073	115-2110.....	43428
18-1419.....	42352	18-233.....	43272	18-436.....	41165	18-623.....	41076		or 43262
18-1420.....	43069		or*43272P	18-437.....	42208	18-626.....	43114	115-2120.....	43428
18-1426.....	43256	18-234.....	43050	18-439.....	41020	18-632.....	42020		or 43262
18-1428.....	42065	18-236.....	43046	18-440.....	42058	18-647.....	41054	115-2130.....	43518
18-1429.....	41013	18-245.....	42230	18-442.....	43052	18-648.....	41053	115-2190.....	41117
18-1430.....	44005	18-246.....	42338	18-443.....	41039	18-650.....	42163	120-1040.....	42028
18-1431.....	42165	18-248.....	42159	18-445.....	42118	18-655.....	42131	120-1050.....	42029
	or 42169	18-249.....	42195	18-447.....	42055	18-661.....	42140	120-1060.....	43025
18-1432.....	44048	18-251.....	41037	18-448.....	43041	18-670.....	41041	120-1070.....	43257
18-1434.....	43037	18-2511.....	42072	18-449.....	43272	18-671.....	41042		or 43026P
18-1438.....	43034	18-264.....	43136		or*43272P	18-673.....	42207		or*43026P
18-1441.....	42134	18-265.....	42567	18-452.....	42003	18-684M.....	41041		or 43026P
18-1442.....	41164	18-266.....	42337	18-453.....	43116	18-701.....	42063		or*43026P
18-1443.....	41045			18-455.....	42091	18-706.....	44022	120-1098.....	43027

* High Performance Pump

Changeover Listing

Competitive No.	Gates No.	Competitive No.	Gates No.	Competitive No.	Gates No.	Competitive No.	Gates No.	Competitive No.	Gates No.
GMB - Cont.		GMB - Cont.		GMB - Cont.		GMB - Cont.		HALDEX	
145-2125.....	42115	150-1240.....	41071	170-1280.....	42565	180-2170.....	42308	RW1061.....	44055
145-2130.....	42140	150-1260.....	41134	170-1300.....	42221	180-2180.....	43292	RW1119.....	46001
145-2135.....	42141	150-1280.....	42181	170-1310.....	42222	180-2190.....	41157	RW1162.....	43233
145-2140.....	42134	150-1310.....	41135	170-1320.....	42223	180-2200.....	41114	RW1170.....	44086
145-2160.....	41116	150-1350.....	41136	170-1322.....	42337	180-2220.....	41127	RW1171.....	44064
145-2250.....	42142	150-1360.....	41137	170-1340.....	42224	180-2240.....	42345	RW1172.....	44092
146-1080.....	42143	150-1390.....	41073	170-1350.....	42225	180-2250.....	42348	RW1173.....	41111
146-1110.....	42286	150-1400.....	41162	170-1380.....	42564	180-2260.....	42298	RW1174.....	43238
146-1130.....	42313	150-1410.....	43300	170-1410.....	42337	180-8379.....	41108	RW1175.....	41129
146-1230.....	41107	150-1420.....	41075	170-1420.....	41089	190-1010.....	41158	RW1176.....	44082
146-2003.....	43507	150-1430.....	41076	170-1430.....	41145	190-1030.....	42272	RW1178.....	44094
146-2020.....	41061	150-1480.....	41138	170-1490.....	42228	190-1040.....	42309	RW1180.....	43309
146-2040.....	42301	150-1500.....	41163	170-1500.....	41090	190-1050.....	43296	RW1181.....	42102
146-2070.....	41107	150-1510.....	41123	170-1510.....	41146	190-1070.....	41110	RW1182.....	42344
146-2110.....	43508		or	170-1520.....	42230	190-1080.....	41110	RW1183.....	43310
	or	150-1610.....	43255	170-1530.....	42338	190-2040.....	43306	RW1184.....	44075
147-1010.....	41063	150-1730.....	43511	170-1540.....	41147	190-2050.....	43293	RW1187.....	44097
147-1020.....	41160	150-2150.....	42232	170-1550.....	41171	190-2060.....	42276	RW1188.....	44103
147-1030.....	43159	150-2200.....	43305	170-1570.....	43289	190-2090.....	41128	RW1190.....	44058
147-2010.....	43297	150-2210.....	42188	170-1580.....	41097	190-2120.....	43531	RW1191.....	44104
147-2050.....	41161	150-2215.....	42189	170-1610.....	41148	195-1100.....	43222	RW1192.....	42321
147-2061.....	43161	150-2230.....	41139	170-1620.....	42236	196-0651.....	43223	RW1193.....	42322
147-2063.....	43302	150-2250.....	41140	170-1630.....	42237	196-0655.....	43235	RW1194.....	45009
147-2065.....	42147	150-2270.....	42335	170-1640.....	42339	196-2000.....	44064	RW1198.....	43242
147-2070.....	42194	150-2280.....	42192	170-1670.....	42330	196-2001.....	44086	RW1303.....	44101
147-2080.....	43162	150-2290.....	41078		or	196-2001.....	44086	RW1304.....	44059
147-2090.....	43163	150-2310.....	43255	170-1680.....	41149	196-2002.....	43242	RW1310.....	42318
147-2100.....	43164	150-2320.....	43520	170-1710.....	42306	196-2004.....	43225	RW1351.....	42342
147-2110.....	43285	150-2340.....	43512		or	196-2006.....	43226	RW1401.....	43059
147-2120.....	43166	155-1010.....	42246	170-1730.....	42305	196-2007.....	43227	RW1406.....	44099
147-2130.....	43168	155-1020.....	42326	170-1770.....	42240	196-2009.....	41170	RW1409.....	45003
147-2140.....	43303		or	170-1780.....	41097	196-2014.....	44067	RW1703.....	44052
147-2160.....	42149	155-1130.....	41080	170-1800.....	42242	196-2016.....	42310	RW1747.....	44053
147-2170.....	44090	156-1060.....	43184	170-1810.....	42243	196-2018.....	43229	RW1757.....	44018
147-2180.....	43170	156-2010.....	43185	170-1820.....	41098	196-2019.....	43232	RW1760.....	43084
147-2190.....	43171	157-1010.....	42249	170-1830.....	42319	196-2020.....	43233	RW1762.....	43021
147-2210.....	43298	157-1030.....	43198	170-1840.....	44085	196-2021.....	41129	RW1767.....	45000
147-2220.....	44081	157-1050.....	43286	170-1860.....	42245	196-2022.....	44069	RW1768.....	42333
147-2230.....	43266	157-1060.....	42268	170-1870.....	43213	196-2023.....	42311		or
147-2240.....	43267	157-1100.....	43200	170-1880.....	43259	196-2024.....	42320	RW2000.....	43226
147-2250.....	44082	157-2010.....	43287		or	196-2026.....	42321	RW2002.....	43240
147-2260.....	43165	157-2050.....	42275	170-1890.....	43290	196-2027.....	42322	RW4001.....	42351
148-1010.....	41109	157-2060.....	42277	170-1900.....	42247	196-2029.....	43253	RW4070.....	41173
148-1030.....	42151	157-2070.....	42303	170-1920.....	42340	196-2031.....	44075	RW4076.....	43307
148-1120.....	41143	158-1020.....	41141	170-1930.....	41159	196-2032.....	44092	RW4122.....	44066
148-1130.....	42153	158-1030.....	42197	170-1960.....	43291	196-2033.....	43258	RW6012.....	44054
148-1140.....	42154	158-2000.....	42198	170-1970.....	42250	196-2034.....	46001	RW6071.....	41174
148-1150.....	42155	158-2010.....	42199	170-1980.....	41101	196-2035.....	45009	RW6075.....	41178
148-1170.....	42156	158-2020.....	41142	170-1990.....	42251	196-2036.....	44097	RW6077.....	42352
148-1190.....	42157	158-2030.....	41142	170-2020.....	42567	196-2037.....	44103	RW6078.....	41175
148-1220.....	42158	160-1010.....	42202	170-2083.....	42252	196-2038.....	44096	RW6306.....	42114
148-1230.....	42159	160-1030.....	42203	170-2101.....	42253	196-2040.....	42278	RW6310.....	45007
148-1270.....	42195	160-1060.....	42206	170-2103.....	42254	196-2041.....	42351		
148-1370.....	42216	160-1120.....	42207	170-2232.....	41098	196-2042.....	43238	MOTORCRAFT	
148-1390.....	43304	160-1130.....	42208	170-2270.....	42255	196-2043.....	43059	PW-1.....	43101
148-1400.....	42162	160-1140.....	41165	170-2350.....	42256	196-2044.....	44055	PW-10.....	42032
148-1440.....	42163	160-1150.....	43513	170-2360.....	42257	196-2045.....	41111	PW-114.....	43072
148-1450.....	42164	160-2040.....	42282	170-2380.....	42307	196-2046.....	43240	PW-118.....	42050
148-1470.....	42165	160-2050.....	42328	170-2400.....	41124	196-2047.....	42352	PW-130.....	42052
	or	160-2055.....	41166	170-2420.....	41125	196-2048.....	44093	PW-133.....	43049
148-1480.....	42166	160-2060.....	42336		or	196-2049.....	43243	PW-134.....	42055
148-1500.....	42167	160-2070.....	43514	170-2470.....	41179	196-2050.....	43244	PW-138.....	44004
148-1510.....	42168	165-1080.....	41084	170-7360.....	41101	196-2051.....	43245	PW-14.....	42085
148-1540.....	42170	165-1110.....	42561	180-1010.....	42258	196-2052.....	43246	PW-141.....	44005
148-1600.....	42171	165-1120.....	41084	180-1040.....	42259	196-2053.....	43247	PW-143.....	42056
148-1610.....	42172	165-1150.....	42212	180-1060.....	41151	196-2054.....	43248	PW-145.....	42124
148-2130.....	42173	165-1160.....	42284	180-1070.....	42261	196-2056.....	43249	PW-151.....	43041
148-2280.....	42280	165-1200.....	42285	180-1080.....	42332	196-2057.....	43250	PW-152.....	43282
148-2300.....	42168	165-1230.....	42281	180-1100.....	42341	196-2058.....	43251	or*43044P	
148-2320.....	43509	165-2000.....	42281	180-2050.....	41152	196-2059.....	43252	PW-154.....	44006
148-2330.....	42286	165-2001.....	41113	180-2060.....	41153	196-2060.....	44078	PW-156.....	43154
150-1010.....	42324	165-2050.....	42281	180-2070.....	41154	196-2062.....	44084	PW-157.....	42054
150-1020.....	41068	170-1010.....	42214	180-2080.....	42161	196-2063.....	44094	PW-160.....	43280
150-1030.....	41130	170-1020.....	42215	180-2090.....	41155	196-2064.....	41173	PW-161.....	41082
150-1100.....	43299	170-1030.....	42329	180-2105.....	41155	196-2065.....	41174	PW-163.....	44098
150-1110.....	41131	170-1040.....	41167	180-2110.....	43295	196-2067.....	44080	PW-178.....	43025
150-1123.....	42176	170-1060.....	41168	180-2115.....	41156	196-2068.....	43254	PW-189.....	43047
150-1160.....	41132	170-1080.....	43288	180-2120.....	43216	196-2069.....	43256	PW-193.....	41009
150-1173.....	42178	170-1100.....	42217	180-2130.....	41169	196-3072.....	41177	PW-194.....	43046
150-1190.....	42325	170-1220.....	43210	180-2150.....	43218				
150-1200.....	41133	170-1263.....	41087	180-2160.....	43219				

* High Performance Pump

Changeover Listing

Competitive No.	Gates No.	Competitive No.	Gates No.	Competitive No.	Gates No.	Competitive No.	Gates No.	Competitive No.	Gates No.
MOTORCRAFT - Cont.		NAPA NWP - Cont.		NAPA NWP - Cont.		NAPA NWP - Cont.		NAPA NWP - Cont.	
PW-197.....	42070	55-1002H.....	44027	55-2043.....	43059	55-4045.....	43081	55-5008.....	44099
PW-198.....	42059		or*44027P	55-2044.....	44055	55-4048.....	44007	55-5009.....	42117
PW-2.....	43100	55-1006.....	42329	55-2045.....	41111	55-4049.....	42128	55-5010.....	44028
PW-20.....	43257	55-1010.....	41062	55-2046.....	43240	55-4050.....	43056	55-5012.....	43169
	or 43026	55-1012.....	41109	55-2047.....	42352	55-4051.....	43055	55-5013.....	42087
	or*43026P	55-1018.....	43094	55-2048.....	44093	55-4052.....	43058	55-5014.....	43096
PW-203.....	42057	55-1021.....	43008	55-2049.....	43243	55-4053.....	42129	55-5014P.....	43097
PW-204.....	44018	55-1028.....	43049	55-2050.....	43244	55-4054.....	42060	55-5015.....	42088
PW-206.....	44003	55-1040.....	42032	55-2051.....	43245	55-4055.....	43082	55-5016.....	43098
PW-210.....	44019	55-1042.....	43154	55-2052.....	43246	55-4056.....	41092		or*42094P
PW-211.....	43051	55-1044.....	42055	55-2053.....	43247	55-4057.....	43066	55-5017.....	41016
PW-213.....	43054	55-1045.....	43109	55-2054.....	43248	55-4059.....	42074	55-5019.....	43129
PW-214.....	41010	55-1046.....	42116	55-2056.....	43249	55-4060.....	43060	55-5020.....	41021
PW-216.....	43272	55-1047.....	44098	55-2057.....	43250	55-4061.....	43087	55-5021.....	43139
	or*43272P	55-1052.....	43077	55-2058.....	43251	55-4062.....	43084	55-5022.....	42092
PW-217.....	43052	55-1053.....	43257	55-2059.....	43252	55-4065.....	42062	55-5023.....	44033
PW-219.....	42128		or 43026	55-2060.....	44078	55-4066.....	42064	55-5027.....	42093
PW-223.....	43081		or*43026P	55-2062.....	44084	55-4067.....	44098	55-5028.....	43112
PW-224.....	42060	55-1058.....	42102	55-2063.....	44094	55-4068.....	42131	55-5029.....	41084
PW-227.....	42058	55-1059.....	43078	55-2064.....	41173	55-4069.....	42063	55-5030.....	42089
PW-23.....	43107	55-1061.....	42246	55-2065.....	41174	55-4070.....	42078	55-5031.....	41052
PW-230.....	44007	55-1070.....	43076	55-2067.....	44080	55-4071.....	43021	55-5032.....	41019
PW-231.....	43055	55-1074.....	42344	55-2068.....	43254	55-4072.....	43125	55-5033.....	41020
PW-232.....	43056	55-1075.....	44004	55-2069.....	43256	55-4073.....	42077	55-5035.....	43116
PW-239.....	43082	55-1077.....	43000	55-2080.....	43299	55-4074.....	43083	55-5036.....	41022
PW-243.....	41092	55-108N.....	42555	55-2090.....	44052	55-4075.....	44087	55-5037.....	43113
PW-254.....	43057	55-1082.....	44005	55-2091.....	43307	55-4077.....	44022	55-5038.....	44030
PW-255.....	42062	55-1083.....	44012	55-2092.....	44066	55-4078.....	42135	55-5040.....	42094
PW-26.....	43102	55-1088.....	42103	55-2093.....	44054	55-4079.....	44008	55-5041.....	42091
PW-260.....	42071	55-1093.....	45008	55-2097.....	43526	55-4081.....	44023	55-5043.....	41023
PW-264.....	43058	55-1094.....	44006	55-3401.....	43002	55-4082.....	43089	55-5045.....	41018
PW-267.....	42131	55-1096.....	44016	55-3403.....	43001	55-4083.....	42071	55-5048.....	42284
PW-268.....	42074	55-1098.....	43027	55-3404.....	42000	55-4086.....	44024	55-5049.....	43114
PW-27.....	43000	55-1099.....	42111	55-3405.....	43200	55-4087.....	43065	55-5050N.....	42095
PW-272.....	43087	55-1100.....	43107	55-3406.....	43286	55-4088.....	42067	55-5051.....	43115
PW-275.....	42078	55-1101.....	42124	55-3407.....	43287	55-4089.....	43061	55-5054.....	41024
PW-276.....	44003	55-1103.....	44017	55-3408.....	42268	55-4090.....	43062	55-5055.....	41025
PW-278.....	42063	55-1107.....	42085	55-3409.....	42026	55-4091.....	41011	55-5056.....	44040
PW-280.....	44022	55-1109.....	43101	55-3410.....	42275	55-4093.....	42066	55-5057.....	41080
PW-281.....	44008	55-1110.....	42086	55-3411.....	43036	55-4094.....	43063	55-5058.....	42212
PW-284.....	43089	55-1111.....	43003	55-3412.....	42004	55-4095.....	43064	55-5059.....	42106
PW-285.....	41137	55-1114.....	44003	55-3413.....	42002	55-4096.....	45007	55-5060.....	43130
PW-288.....	44023	55-1120.....	43100	55-3414.....	42003	55-4097.....	41014	55-5061.....	44034
PW-3.....	43106	55-1121.....	43099	55-3702.....	42114	55-4098.....	42334	55-5062.....	44100
	or*43106P		or*43099P	55-3703.....	42317	55-4099.....	44009	55-5063.....	44035
PW-310.....	44024	55-1121H.....	43099	55-3705.....	44053	55-4101.....	43068	55-5064.....	41027
			or*43099P	55-3706.....	42550	55-4102.....	43069	55-5066.....	44036
PW-314.....	42067	55-1124.....	42151	55-3707.....	44101	55-4103.....	43067	55-5067.....	42096
PW-319.....	43065	55-1126.....	42113	55-3708.....	42551	55-4105.....	43070	55-5068.....	44037
PW-320.....	43066	55-1127.....	41051	55-3709.....	44104	55-4106.....	43131	55-5069.....	44038
PW-324.....	43063	55-1137.....	42090	55-3710.....	44058	55-4107.....	42315	55-5070.....	43117
PW-325.....	45007	55-2000.....	44064	55-3711.....	43322	55-4108.....	43279	55-5072.....	41026
PW-327.....	42064	55-2001.....	44086	55-3712.....	44059	55-4109.....	42079	55-5073.....	43118
PW-329.....	42137	55-2002.....	43242	55-3713.....	42318	55-4112.....	43086	55-5074.....	44042
PW-330.....	43069	55-2004.....	43225	55-4002.....	42054	55-4113.....	42065	55-5075.....	42097
PW-331.....	42334	55-2006.....	43226	55-4003.....	41082	55-4114.....	45000	55-5076.....	41028
PW-332.....	41014	55-2007.....	43227	55-4005.....	42124	55-4115.....	41013	55-5077.....	43315
PW-336.....	43070	55-2009.....	41170	55-4008.....	43282	55-4118.....	43090	55-5078.....	45001
PW-34.....	43103	55-2014.....	44067	55-4010.....	43280	55-4119.....	42080	55-5079.....	41142
PW-345.....	42315	55-2016.....	42310	55-4011.....	43042	55-4121.....	42081	55-5081.....	45002
PW-349.....	43060	55-2018.....	43229	55-4014.....	43050	55-4122.....	42068	55-5084.....	45003
PW-350.....	42068	55-2019.....	43232	55-4016.....	43043	55-4123.....	42294	55-5085.....	44043
PW-352.....	42079	55-2020.....	43233	55-4018.....	44018	55-4124.....	43503	55-5086.....	44056
PW-356.....	43279	55-2021.....	41129	55-4020N.....	43047	55-4125.....	41121	55-5087.....	45005
PW-359.....	42065	55-2022.....	44069	55-4022.....	41009	55-4126.....	41120	55-5089.....	44045
PW-360.....	44009	55-2023.....	42311	55-4023.....	43046	55-4127.....	41119	55-5090.....	44089
PW-364.....	43067	55-2024.....	42320	55-4024.....	43264	55-4128.....	41118	55-5092.....	42296
PW-365.....	42066	55-2026.....	42321	55-4030N.....	42070	55-4130.....	43504	55-5094.....	42569
PW-373.....	41011	55-2027.....	42322	55-4033.....	42057	55-4132.....	43505	55-5097.....	41122
PW-386.....	42080	55-2029.....	43253	55-4034.....	43051	55-4133.....	43541	55-5098.....	42349
PW-389.....	43064	55-2031.....	44075	55-4035.....	43053	55-43N.....	43093	55-5099.....	41101
PW-4.....	43094	55-2032.....	44092	55-4037.....	44019	55-494.....	42556	55-5103.....	43530
PW-54.....	42111	55-2033.....	43258	55-4038.....	43272	55-5000.....	42083	55-52.....	43004
PW-7.....	42082	55-2034.....	46001		or*43272P	55-5000P.....	42084	55-52LP.....	42001
PW-80.....	43099	55-2035.....	45009		43272	55-5001.....	43092	55-563.....	43128
	or*43099P	55-2036.....	44097		or*43272P	55-5003.....	43103	55-572.....	42558
PW368.....	41013	55-2037.....	44103	55-4039.....	43052	55-5004.....	43091	55-651.....	43223
		55-2038.....	44096	55-4040.....	42058	55-5005.....	42105	55-655.....	43235
		55-2040.....	42278	55-4041.....	41010	55-5006.....	43095	55-669.....	42104
		55-2041.....	42351	55-4042.....	43054	55-5007.....	41015	55-670.....	42562
		55-2042.....	43238	55-4044.....	43057				
NAPA NWP									
55-1002.....	44027								
	or*44027P								

* High Performance Pump

Changeover Listing

Competitive No.	Gates No.	Competitive No.	Gates No.	Competitive No.	Gates No.	Competitive No.	Gates No.	Competitive No.	Gates No.
NAPA NWP - Cont.		NAPA TRU-FLOW™ - Cont.		NAPA TRU-FLOW™ - Cont.		NAPA TRU-FLOW™ - Cont.		NAPA TRU-FLOW™ - Cont.	
55-9437.....	43509	41041.....	41041	41140.....	41140	42054.....	42054	42142.....	42142
55-9440.....	43165	41042.....	41042	41141.....	41141	42055.....	42055	42143.....	42143
55-9444.....	42250	41043.....	41043	41142.....	41142	42056.....	42056	42147.....	42147
55-9446.....	42345	41044.....	41044	41143.....	41143	42057.....	42057	42149.....	42149
55-9450.....	43508	41045.....	41045	41144.....	41144	42058.....	42058	42151.....	42151
or	43140	41046.....	41046	41145.....	41145	42059.....	42059	42153.....	42153
55-9459.....	43502	41047.....	41047	41146.....	41146	42060.....	42060	42154.....	42154
55-9461.....	41183	41048.....	41048	41147.....	41147	42061.....	42061	42155.....	42155
55-9462.....	42301	41049.....	41049	41148.....	41148	42062.....	42062	42156.....	42156
55-9463.....	42313	41050.....	41050	41149.....	41149	42063.....	42063	42157.....	42157
55-9465.....	43518	41051.....	41051	41151.....	41151	42064.....	42064	42158.....	42158
55-9466.....	43428	41052.....	41052	41152.....	41152	42065.....	42065	42159.....	42159
or	43262	41053.....	41053	41153.....	41153	42066.....	42066	42161.....	42161
55-9470.....	41184	41054.....	41054	41154.....	41154	42067.....	42067	42162.....	42162
55-9472.....	43527	41055.....	41055	41155.....	41155	42068.....	42068	42163.....	42163
55-9473.....	43507	41056.....	41056	41156.....	41156	42069.....	42069	42164.....	42164
55-9474.....	43535	41057.....	41057	41157.....	41157	42070.....	42070	42165.....	42165
55-9476.....	44085	41058.....	41058	41158.....	41158	42071.....	42071	or	42169
55-9477.....	42286	41059.....	41059	41159.....	41159	42072.....	42072	42166.....	42166
55-9488.....	43537	41060.....	41060	41160.....	41160	42073.....	42073	42167.....	42167
55-953.....	43044	41061.....	41061	41161.....	41161	42074.....	42074	42168.....	42168
or*	43044P	41062.....	41062	41162.....	41162	42077.....	42077	42169.....	42169
55-953H.....	43044	41063.....	41063	41163.....	41163	42078.....	42078	or	42170
or*	43044P	41064.....	41064	41164.....	41164	42079.....	42079	42171.....	42171
55-960.....	42056	41065.....	41065	41165.....	41165	42080.....	42080	42172.....	42172
55-964.....	42052	41066.....	41066	41166.....	41166	42081.....	42081	42173.....	42173
55-966.....	42050	41067.....	41067	41167.....	41167	42082.....	42082	42176.....	42176
55-971.....	43111	41068.....	41068	41168.....	41168	42083.....	42083	42177.....	42177
55-975.....	43102	41069.....	41069	41169.....	41169	42084.....	42084	42178.....	42178
55-977.....	42326	41070.....	41070	41170.....	41170	42085.....	42085	42181.....	42181
or	42327	41071.....	41071	41171.....	41171	42086.....	42086	42188.....	42188
55-980.....	43075	41072.....	41072	41172.....	41172	42087.....	42087	42189.....	42189
55-981.....	44088	41073.....	41073	41173.....	41173	42088.....	42088	42192.....	42192
55-984.....	43104	41074.....	41074	41174.....	41174	42089.....	42089	42194.....	42194
or*	43104P	41075.....	41075	41175.....	41175	42090.....	42090	42195.....	42195
55-984H.....	43104	41076.....	41076	41176.....	41176	42091.....	42091	42197.....	42197
or*	43104P	41077.....	41077	41177.....	41177	42092.....	42092	42198.....	42198
55-985.....	43126	41078.....	41078	41178.....	41178	42093.....	42093	42199.....	42199
55-986.....	43007	41079.....	41079	41179.....	41179	42094.....	42094	42202.....	42202
55-987.....	42215	41080.....	41080	41181.....	41181	42094P.....	43098	42203.....	42203
55-988.....	41167	41081.....	41081	41182.....	41182	or*	42094P	42206.....	42206
NAPA TRU-FLOW™		41082.....	41082	41183.....	41183	42095.....	42095	42207.....	42207
41000.....	41000	41083.....	41083	41184.....	41184	42096.....	42096	42208.....	42208
41001.....	41001	41084.....	41084	41185.....	42333	42097.....	42097	42212.....	42212
41002.....	41002	41085.....	41085	or	41185	42098.....	42098	42214.....	42214
41003.....	41003	41092.....	41092	42000.....	42000	42099.....	42099	42215.....	42215
41004.....	41004	41095.....	41095	42001.....	42001	42100.....	42100	42216.....	42216
41005.....	41005	41097.....	41097	42002.....	42002	42103.....	42103	42217.....	42217
41006.....	41006	41098.....	41098	42003.....	42003	42104.....	42104	42221.....	42221
41007.....	41007	41101.....	41101	42004.....	42004	42105.....	42105	42222.....	42222
41008.....	41008	41103.....	41103	42005.....	42005	42106.....	42106	42223.....	42223
41009.....	41009	41106.....	41106	42006.....	42006	42108.....	42108	42224.....	42224
41010.....	41010	41107.....	41107	42007.....	42007	42111.....	42111	42225.....	42225
41011.....	41011	41108.....	41108	42008.....	42008	42113.....	42113	42228.....	42228
41013.....	41013	41109.....	41109	42010.....	42010	42114.....	42114	42230.....	42230
41014.....	41014	41110.....	41110	42011.....	42011	42115.....	42115	42232.....	42232
41015.....	41015	41111.....	41111	42012.....	42012	42116.....	42116	42236.....	42236
41016.....	41016	41113.....	41113	42013.....	42013	42117.....	42117	42237.....	42237
41018.....	41018	41114.....	41114	42014.....	42014	42118.....	42118	42240.....	42240
41019.....	41019	41115.....	41115	42016.....	42016	42119.....	42119	42242.....	42242
41020.....	41020	41116.....	41116	42017.....	42017	42120.....	42120	42243.....	42243
41021.....	41021	41117.....	41117	42018.....	42018	42122.....	42122	42245.....	42245
41022.....	41022	41118.....	41118	42019.....	42019	42123.....	42123	42246.....	42246
41023.....	41023	41119.....	41119	42020.....	42020	42124.....	42124	42247.....	42247
41024.....	41024	41120.....	41120	42021.....	42021	42125.....	42125	42249.....	42249
41025.....	41025	41121.....	41121	42022.....	42022	42126.....	42126	42250.....	42250
41026.....	41026	41122.....	41122	42023.....	42023	42127.....	42127	42251.....	42251
41027.....	41027	41123.....	41123	42024.....	42024	42128.....	42128	42252.....	42252
41028.....	41028	41124.....	41124	42025.....	42025	42129.....	42129	42253.....	42253
41029.....	41029	41125.....	41125	42026.....	42026	42130.....	42130	42254.....	42254
41030.....	41030	or	41159	42028.....	42028	42131.....	42131	42255.....	42255
41031.....	41031	41127.....	41127	42029.....	42029	42132.....	42132	42256.....	42256
41032.....	41032	41128.....	41128	42030.....	42030	42133.....	42133	42257.....	42257
41034.....	41034	41129.....	41129	42032.....	42032	42135.....	42135	42258.....	42258
41035.....	41035	41130.....	41130	42033.....	42033	42136.....	42136	42259.....	42259
41036.....	41036	41131.....	41131	42034.....	42034	42137.....	42137	42261.....	42261
41037.....	41037	41132.....	41132	42035.....	42035	42138.....	42138	42265.....	42265
41038.....	41038	41133.....	41133	42036.....	42036	42139.....	42139	42268.....	42268
41039.....	41039	41134.....	41134	42038.....	42038	42140.....	42140	42272.....	42272
41040.....	41040	41135.....	41135	42039.....	42039	42141.....	42141	42275.....	42275
		41136.....	41136	42040.....	42040				
		41137.....	41137	42041.....	42041				
		41138.....	41138	42045.....	42045				
		41139.....	41139	42046.....	42046				
				42047.....	42047				
				42048.....	42048				
				42050.....	42050				
				42052.....	42052				

* High Performance Pump

Changeover Listing

Competitive No.	Gates No.	Competitive No.	Gates No.	Competitive No.	Gates No.	Competitive No.	Gates No.	Competitive No.	Gates No.
NAPA TRU-FLOW™ - Cont.		NAPA TRU-FLOW™ - Cont.		NAPA TRU-FLOW™ - Cont.		NAPA TRU-FLOW™ - Cont.		NAPA TRU-FLOW™ - Cont.	
42276	42276	42566	42566	43089	43089	43218	43218	43319	43319
42277	42277	42567	42567	43090	43090	43219	43219	43320	43320
42278	42278	42568	42568	43091	43091	43222	43222	43321	43321
42280	42280	42569	42569	43092	43092	43223	43223	43322	43322
42281	42281	43000	43000	43093	43093	43225	43225	43428	43428
42282	42282	43001	43001	43094	43094	43226	43226		or 43262
42284	42284	43002	43002	43095	43095	43227	43227	43500	43500
42285	42285	43003	43003	43096	43096	43229	43229	43501	43501
42286	42286	43004	43004	43097	43097	43232	43232	43502	43502
42292	42292	43005	43005	43098	43098	43233	43233	43503	43503
42293	42293	43006	43006		or*42094P	43235	43235	43504	43504
42294	42294	43007	43007	43099	43099	43238	43238	43505	43505
42296	42296	43008	43008		or*43099P	43240	43240	43506	43506
42297	42297	43011	43011	43099P	43099	43242	43242	43507	43507
42298	42298	43018	43018		or*43099P	43243	43243	43508	43508
42300	42300	43019	43019	43100	43100	43244	43244		or 43140
42301	42301	43021	43021	43101	43101	43245	43245	43509	43509
42302	42302	43022	43022	43102	43102	43246	43246	43511	43511
42303	42303	43025	43025	43103	43103	43247	43247	43512	43512
42305	42306	43026	43257	43104	43104	43248	43248	43513	43513
	or 42305		or 43026		or*43104P	43249	43249	43514	43514
42307	42307		or*43026P	43104P	43104	43250	43250	43518	43518
42308	42308	43026P	43257		or*43104P	43251	43251	43520	43520
42309	42309		or 43026	43106	43106	43252	43252	43521	43521
42310	42310		or*43026P		or*43106P	43253	43253	43522	43522
42311	42311	43027	43027	43106P	43106	43255	43255	43526	43526
42312	42312	43028	43028		or*43106P	43254	43254	43527	43527
42313	42313	43029	43029	43107	43107	43255	43255	43528	43528
42315	42315	43030	43030	43109	43109	43256	43256	43529	43529
42316	42316	43032	43032	43110	43110	43257	43257	43530	43530
42317	42317	43033	43033	43111	43111		or 43026	43531	43531
42318	42318	43034	43034	43112	43112		or*43026P	43532	43532
42319	42319	43035	43035	43113	43113	43258	43258	43533	43533
42320	42320	43036	43036	43114	43114	43259	43259	43534	43534
42321	42321	43037	43037	43115	43115	43260	43260	43535	43535
42322	42322	43038	43038	43116	43116	43262	43262	43536	43536
42323	42323	43039	43039	43117	43117		or 43262	43537	43537
42324	42324	43041	43041	43118	43118	43263	43263	43538	43538
42325	42325	43042	43042	43120	43120	43264	43264	43539	43539
42326	42326	43043	43043	43121	43121	43266	43266	43540	43540
	or 42327	43044	43044	43122	43122	43267	43267	43541	43541
42327	42326		or*43044P	43123	43123	43271	43271	43542	43542
	or 42327	43044P	43044	43124	43124	43272	43272	43544	43544
42328	42328		or*43044P	43125	43125	43272P	43272	43545	43545
42329	42329	43046	43046	43126	43126		or*43272P	43546	43546
42330	42330	43047	43047	43128	43128	43277	43277	44000	44000
42331	42331	43049	43049	43129	43129	43278	43278	44001	44001
42332	42332	43050	43050	43130	43130	43279	43279	44003	44003
42333	42333	43051	43051	43131	43131	43280	43280	44004	44004
	or 41185	43052	43052	43132	43132	43282	43282	44005	44005
42334	42334	43053	43053	43133	43133	43283	43283	44006	44006
42335	42335	43054	43054	43134	41103	43285	43285	44007	44007
42336	42336	43055	43055		or 43134	43286	43286	44008	44008
42337	42337	43056	43056	43136	43136	43287	43287	44009	44009
42338	42338	43057	43057	43139	43139	43288	43288	44011	44011
42339	42339	43058	43058	43140	43508	43289	43289	44012	44012
42340	42340	43059	43059		or 43140	43290	43290	44016	44016
42341	42341	43060	43060	43141	43141	43291	43291	44017	44017
42342	42342	43061	43061	43153	43153	43292	43292	44018	44018
42344	42344	43062	43062	43154	43154	43293	43293	44019	44019
42345	42345	43063	43063	43156	43156	43295	43295	44022	44022
42348	42348	43064	43064	43159	43159	43296	43296	44023	44023
42349	42349	43065	43065	43161	43161	43297	43297	44024	44024
42351	42351	43066	43066	43162	43162	43298	43298	44027	44027
42352	42352	43067	43067	43163	43163	43299	43299		or*44027P
42408	42408	43068	43068	43164	43164	43300	43300		or*44027P
42550	42550	43069	43069	43165	43165	43301	43301	44028	44028
42551	42551	43070	43070	43166	43166	43302	43302	44029	44029
42552	42552	43072	43072	43168	43168	43303	43303	44030	44030
42553	42553	43073	43073	43169	43169	43304	43304	44032	44032
42554	42554	43075	43075	43170	43170	43305	43305	44033	44033
42555	42555	43076	43076	43171	43171	43306	43306	44034	44034
42556	42556	43077	43077	43184	43184	43307	43307	44035	44035
42557	42557	43078	43078	43185	43185	43309	43309	44036	44036
42558	42558	43081	43081	43188	43188	43310	43310	44037	44037
42561	42561	43082	43082	43198	43198	43311	43311	44038	44038
42562	42562	43083	43083	43200	43200	43312	43312	44040	44040
42563	42563	43084	43084	43209	43209	43313	43313	44042	44042
42564	42564	43086	43086	43210	43210	43314	43314		
42565	42565	43087	43087	43213	43213	43315	43315		
				43216	43216				

* High Performance Pump

Changeover Listing

Competitive No.	Gates No.	Competitive No.	Gates No.	Competitive No.	Gates No.	Competitive No.	Gates No.	Competitive No.	Gates No.
NAPA TRU-FLOW™ - Cont.		PARTSMASTER - Cont.		PARTSMASTER - Cont.		PARTSMASTER - Cont.		PARTSMASTER - Cont.	
44043.....	44043	1-582.....	42203	1-9057.....	41154	2-620.....	42272	2-896.....	42245
44045.....	44045	1-588.....	41015	1-9076.....	41156	2-621.....	42092	2-897.....	42135
44047.....	44047	1-601.....	41071	1-9078.....	41110	2-622.....	42089	2-9008.....	42352
44048.....	44048	1-610.....	41009	1-9081.....	41035	2-623.....	42083	2-9013.....	42161
44049.....	44049	1-613.....	41038	1-9095.....	41106	2-634.....	43098	2-9016.....	42097
44052.....	44052	1-614.....	41037	1-9096.....	41159		or*42094P	2-9029.....	42166
44053.....	44053	1-615.....	41090	1-9102.....	41013	2-636.....	42091	2-9036.....	42067
44054.....	44054	1-616.....	41145	1-9107.....	41142	2-642.....	42128	2-9037.....	42334
44055.....	44055	1-618.....	41171	1-9108.....	41006	2-652.....	42129	2-9049.....	42188
44056.....	44056	1-624.....	41019	1-9110.....	41110	2-660.....	42195	2-9062.....	42325
44058.....	44058	1-625.....	41020	1-9113.....	41161	2-661.....	42159	2-9063.....	42303
44059.....	44059	1-626.....	41021	1-9117.....	41055	2-662.....	42162	2-9066.....	42206
44064.....	44064	1-628.....	42093	1-9120.....	41048	2-663.....	42108	2-9067.....	42328
44066.....	44066	1-631.....	41022	1-9121.....	41049	2-665.....	42341	2-9069.....	42252
44067.....	44067	1-637.....	41097	1-9122.....	41164	2-673.....	42123	2-9072.....	42251
44069.....	44069	1-638.....	41052	1-9131.....	41070	2-675.....	42126	2-9073.....	42247
44075.....	44075	1-639.....	41084	1-9132.....	41079	2-682.....	41165	2-9082.....	42332
44078.....	44078	1-647.....	41010	1-9134.....	41157	2-683.....	42208	2-9084.....	42249
44080.....	44080	1-666.....	41095	1-9137.....	41061	2-685.....	42237	2-9097.....	42068
44081.....	44081	1-668.....	42059	1-9139.....	41107	2-687.....	42338	2-9103.....	42041
44082.....	44082	1-669.....	41030	1-9156.....	43131	2-688.....	42236	2-9105.....	42079
44084.....	44084	1-671.....	41039	1-9171.....	42280	2-690.....	41098	2-9119.....	43216
44085.....	44085	1-674.....	41060	1-9173.....	41101	2-691.....	42331	2-9127.....	42315
44086.....	44086	1-676.....	42268	1-9176.....	41078	2-693.....	42181	2-9138.....	42170
44087.....	44087	1-678.....	42275	2-HD6113.....	42322	2-700.....	43290	2-9144.....	42080
44088.....	44088	1-681.....	41141	2-HD6114.....	42321	2-702.....	42127	2-9145.....	42026
44089.....	44089	1-686.....	41147	2-HD6315.....	42318	2-705.....	42130	2-9147.....	42189
44090.....	44090	1-692.....	41135	2-1001.....	42001	2-708.....	42309	2-9151.....	42335
44091.....	44091	1-694.....	41137	2-1003.....	42040	2-710.....	42284	2-9152.....	42250
44092.....	44092	1-696.....	42216	2-1052.....	42106	2-722.....	42003	2-9153.....	42254
44093.....	44093	1-697.....	41146	2-118.....	42072	2-723.....	42002	2-9158.....	42256
44094.....	44094	1-707.....	41151	2-207.....	42102	2-724.....	42004	2-9163.....	42011
44095.....	44098	1-717.....	41053	2-278.....	42317	2-726.....	41181	2-9165.....	43279
44096.....	44096	1-718.....	41054	2-322.....	42098	2-727.....	42173	2-9170.....	42199
44097.....	44097	1-719.....	41018	2-350.....	42061	2-742.....	42074	2-9174.....	42172
44098.....	44098	1-721.....	41023	2-368.....	42050	2-750.....	42034	2-9337.....	42301
44099.....	44099	1-732.....	41001	2-369.....	42052	2-751.....	42033	2-9338.....	42313
44100.....	44100	1-745.....	41092	2-371.....	42099	2-755.....	42164	3-HD6000.....	43243
44101.....	44101	1-756.....	41040	2-386.....	42082	2-764.....	42132	3-HD6001.....	42351
44103.....	44103	1-757.....	41044	2-404.....	42055	2-765.....	42140	3-HD6002.....	43233
44104.....	44104	1-758.....	41043	2-405.....	42056	2-767.....	42118	3-HD6053.....	43238
44405.....	44405	1-759.....	41042	2-431.....	42246	2-768.....	42119	3-HD6057.....	43253
45000.....	45000	1-763.....	41072	2-460.....	42111	2-776.....	42232	3-HD6063.....	43258
45001.....	45001	1-769.....	41136	2-466.....	42032	2-777.....	42207	3-HD6205.....	43225
45002.....	45002	1-770.....	41073	2-473.....	42086	2-781.....	42306	3-HD6208.....	43240
45003.....	45003	1-771.....	41134	2-479.....	42258		or 42305	3-HD6302.....	44104
45005.....	45005	1-772.....	41133	2-485.....	42090	2-782.....	41148	3-HD6308.....	43125
45007.....	45007	1-773.....	41139	2-487.....	42085	2-784.....	42339	3-HD6309.....	43021
45008.....	45008	1-774.....	41076	2-489.....	42100	2-786.....	42242	3-HD6501.....	43042
45009.....	45009	1-775.....	41162	2-493.....	42057	2-787.....	42243	3-HD6502.....	43073
46001.....	46001	1-779.....	41166	2-494.....	42070	2-789.....	42240	3-HD6520.....	43256
		1-783.....	41149	2-499.....	42215	2-798.....	42013	3-HD6550.....	43322
		1-795.....	41152	2-499.....	42215	2-799.....	42012	3-1000.....	43004
		1-800.....	42017	2-500.....	42214	2-801.....	42018	3-1051.....	43083
PARTSMASTER		1-807.....	42147	2-501.....	42329	2-802.....	42016	3-1054.....	43130
1-HD6058.....	41129	1-809.....	41160	2-506.....	42324	2-803.....	42014	3-1056.....	43039
1-HD6059.....	41111	1-815.....	41153	2-511.....	42176	2-814.....	42197	3-208.....	43128
1-HD6071.....	41174	1-816.....	41108	2-513.....	42151	2-833.....	42131	3-248.....	43029
1-438.....	41109	1-818.....	42276	2-515.....	42116	2-835.....	42062	3-295.....	43030
1-440.....	41062	1-822.....	42276	2-525.....	42224	2-836.....	42064	3-308.....	43028
1-483.....	42124	1-844.....	41024	2-536.....	42054	2-837.....	42063	3-343.....	43120
1-505.....	41132	1-861.....	41138	2-537.....	42113	2-838.....	42078	3-345.....	43283
1-507.....	41068	1-862.....	41075	2-557.....	42202	2-841.....	42065	3-352.....	43072
1-508.....	41130	1-867.....	41041	2-558.....	42221	2-853.....	42005	3-373.....	43106
1-528.....	41158	1-871.....	41036	2-559.....	42225	2-856.....	42038		or*43106P
1-529.....	41051	1-875.....	41045	2-560.....	42084	2-858.....	42020	3-381.....	43122
1-531.....	41168	1-876.....	41047	2-562.....	42223	2-859.....	42139	3-382.....	43110
1-540.....	41082	1-882.....	41057	2-566.....	42058	2-860.....	42163	3-384.....	43121
1-543.....	42323	1-883.....	41155	2-568.....	42222	2-863.....	42282	3-398.....	43005
1-544.....	41034	1-885.....	41046	2-573.....	42337	2-864.....	43213	3-399.....	43041
1-548.....	41087	1-887.....	41140	2-577.....	42178	2-869.....	43168	3-401.....	43124
1-549.....	42028	1-890.....	41002	2-593.....	42117	2-870.....	42023	3-402.....	43006
1-550.....	41143	1-898.....	41163	2-596.....	42087	2-873.....	42308	3-411.....	43102
1-551.....	42154	1-9010.....	41103	2-597.....	42088	2-878.....	42336	3-413.....	43044
1-563.....	42217	1-9017.....	41028	2-599.....	42029	2-880.....	42136		or*43044P
1-569.....	42155	1-9023.....	41005	2-600.....	42158	2-881.....	42115	3-424.....	43111
1-570.....	41169	1-9024.....	41003	2-602.....	42156	2-884.....	42198	3-437.....	43007
1-574.....	41059	1-9026.....	41081	2-603.....	42157	2-891.....	42095	3-445.....	43008
1-576.....	41029	1-9035.....	41011	2-604.....	42060	2-892.....	42114	3-450.....	43094
1-578.....	41131	1-9054.....	41089	2-617.....	42228	2-894.....	42096	3-451.....	43109
1-579.....	42564	1-9055.....	41014	2-619.....	42230	2-895.....	42319	3-455.....	43100

* High Performance Pump

Changeover Listing

Competitive No.	Gates No.	Competitive No.	Gates No.	Competitive No.	Gates No.	Competitive No.	Gates No.	Competitive No.	Gates No.		
PARTSMASTER - Cont.		PARTSMASTER - Cont.		PARTSMASTER - Cont.		SEALED POWER		SEALED POWER			
- Cont.		- Cont.		- Cont.		- Cont.		- Cont.			
3-458.....	43049	3-9056.....	43153	4-9146.....	44091	PC474.....	41068	PC589.....	41021		
3-461.....	43104	3-9058.....	43156	4-9148.....	44048	PC475.....	41132	PC590.....	41016		
	or*43104P	3-9059.....	43164	4-9160.....	44049	PC476.....	42176	PC591.....	41067		
3-464.....	43257	3-9060.....	43166	4-9161.....	43037	PC477.....	42153	PC592.....	43047		
	or 43026	3-9068.....	43278	5-HD6052.....	44086	PC478.....	42151	PC593.....	44028		
	or*43026P	3-9070.....	43288	5-HD6073.....	44052	PC479.....	42332	PC595.....	41009		
3-478.....	43000	3-9080.....	43132	5-533.....	45008	PC480.....	41051	PC596.....	43046		
3-482.....	43076	3-9085.....	43286	5-553.....	45003	PC481.....	43154	PC597.....	43200		
3-486.....	43107	3-9098.....	43069	5-843.....	45001	PC482.....	44006	PC599.....	42338		
3-488.....	42103	3-9100.....	43070	6-HD6076.....	43307	PC485.....	43025	PC600.....	42564		
3-490.....	43101	3-9112.....	43170	6-HD6119.....	46001	PC486.....	44003	PC601.....	41031		
3-520.....	43099	3-9126.....	43034	6-HD6122.....	44066	PC487.....	42054	PC604.....	41133		
	or*43099P	3-9140.....	43141	6-9045.....	45007	PC489.....	41082	PC605.....	42181		
3-538.....	43002	3-9141.....	43298	6-9106.....	45005	PC490.....	42116	PC608.....	44033		
3-539.....	43282	3-9142.....	42142	SEALED POWER				PC492.....	42116	PC610.....	42092
3-545.....	43154	3-9143.....	43090	PC228.....	43029	PC493.....	42089	PC613.....	42159		
3-546.....	43025	3-9149.....	42257	PC280.....	42032	PC498.....	42028	PC614.....	42195		
3-561.....	43092	3-9150.....	43291	PC300.....	43110	PC499.....	42047	PC616.....	42012		
3-565.....	43091	3-9155.....	43171	PC315.....	43072	PC500.....	42224	PC618.....	42016		
3-571.....	43050	3-9157.....	43133	PC320.....	43120	PC501.....	41158	PC619.....	42046		
3-583.....	42000	3-9164.....	43019	PC334.....	42057	PC504.....	45003	PC620.....	42007		
3-590.....	43096	3-9169.....	43222	PC338.....	43121	PC511.....	43001	PC621.....	41160		
3-591.....	43169	4-HD6006.....	45009	PC346.....	43122	PC512.....	42154	PC622.....	43159		
3-594.....	43095	4-HD6012.....	44054	PC347.....	44032	PC513.....	41143	PC624.....	41141		
3-595.....	42094	4-HD6051.....	44064	PC359.....	42082	PC514.....	42215	PC626.....	43136		
3-605.....	43046	4-HD6061.....	44055	PC364.....	43106	PC515.....	42329	PC628.....	41038		
3-606.....	43043	4-HD6064.....	44092		or*43106P	PC516.....	41087	PC629.....	43112		
3-608.....	43047	4-HD6068.....	44094	PC369.....	44011	PC517.....	43103	PC633.....	42058		
3-630.....	43112	4-HD6069.....	44084	PC371.....	43123	PC519.....	42155	PC635.....	43051		
3-632.....	43113	4-HD6090.....	44093	PC372.....	43006	PC520.....	43092	PC636.....	42095		
3-635.....	43116	4-HD6091.....	44078	PC378.....	43028	PC521.....	42084	PC637.....	41097		
3-641.....	43058	4-HD6105.....	44075	PC379.....	43041	PC523.....	42222	PC639.....	41084		
3-644.....	43055	4-HD6109.....	44097	PC382.....	44005	PC524.....	42223	PC663.....	41146		
3-645.....	43272	4-HD6301.....	44058	PC384.....	43044	PC525.....	42202	PC667.....	41020		
	or*43272P	4-HD6303.....	44101		or*43044P	PC526.....	42203	PC668.....	41019		
3-646.....	43051	4-HD6307.....	44059	PC386.....	42056	PC528.....	43091	PC670.....	41151		
3-651.....	43056	4-HD6320.....	44101	PC387.....	43111	PC529.....	43050	PC671.....	41022		
3-653.....	43052	4-1050.....	44034	PC390.....	42050	PC530.....	41131	PC672.....	43098		
3-654.....	43054	4-1053.....	44087	PC391.....	42052	PC531.....	42217		or*42094P		
3-657.....	43057	4-366.....	44088	PC399.....	43007	PC532.....	42217	PC674.....	43272		
3-667.....	43304	4-375.....	44029	PC403.....	44088	PC533.....	42221		or*43272P		
3-672.....	43136	4-397.....	44032	PC406.....	44027	PC534.....	41059	PC675.....	41010		
3-677.....	43200	4-408.....	44011		or*44027P	PC536.....	43210	PC677.....	43052		
3-679.....	43287	4-442.....	44027	PC407.....	43126	PC538.....	43210	PC678.....	43057		
3-695.....	43300		or*44027P	PC409.....	43094	PC539.....	43288	PC683.....	41134		
3-698.....	43210	4-457.....	44098	PC410.....	41109	PC540.....	42203	PC686.....	41135		
3-715.....	43114	4-459.....	44003	PC411.....	41062	PC541.....	41060	PC687.....	41137		
3-736.....	43115	4-510.....	44004	PC412.....	41168	PC542.....	42337	PC689.....	42309		
3-743.....	43087	4-512.....	44005	PC415.....	43109	PC544.....	42323	PC690.....	42325		
3-746.....	43082	4-517.....	44012	PC416.....	43104	PC545.....	41034	PC692.....	43300		
3-747.....	43060	4-530.....	44016		or*43104P	PC546.....	42156	PC693.....	42276		
3-749.....	43036	4-564.....	43103	PC417.....	43049	PC547.....	42225	PC694.....	42236		
3-754.....	43033	4-592.....	44028	PC418.....	43107	PC549.....	42029	PC696.....	42237		
3-780.....	43289	4-598.....	44099	PC419.....	43100	PC550.....	41071	PC697.....	42339		
3-792.....	43301	4-609.....	44019	PC423.....	44029	PC551.....	42117	PC698.....	41147		
3-808.....	43162	4-627.....	44033	PC424.....	42326	PC554.....	44019	PC699.....	42331		
3-810.....	43302	4-656.....	44007		or 42327	PC555.....	42087	PC703.....	43289		
3-811.....	43297	4-659.....	44018	PC425.....	42246	PC558.....	42000	PC704.....	43287		
3-812.....	43303	4-711.....	44030	PC426.....	41167	PC559.....	43043	PC705.....	41089		
3-813.....	43159	4-839.....	44022	PC428.....	43257	PC561.....	43095	PC710.....	41148		
3-819.....	43296	4-840.....	44008		or 43026P	PC562.....	41015	PC713.....	44007		
3-820.....	43306	4-842.....	44023	PC431.....	44098	PC563.....	44099	PC714.....	42059		
3-821.....	43293	4-846.....	44040	PC432.....	42055	PC564.....	43169	PC715.....	42126		
3-855.....	43035	4-848.....	44100	PC440.....	44004	PC565.....	42088	PC716.....	42130		
3-866.....	42194	4-854.....	44000	PC443.....	42111	PC566.....	42094	PC722.....	41039		
3-872.....	43218	4-865.....	44047	PC444.....	42103	PC568.....	42157	PC723.....	43042		
3-874.....	43295	4-888.....	44053	PC445.....	43000	PC569.....	42158	PC730.....	42162		
3-877.....	43305	4-9000.....	44035	PC447.....	42090	PC570.....	42272	PC731.....	42128		
3-9012.....	42265	4-9001.....	44036	PC451.....	42070	PC571.....	41030	PC732.....	42178		
3-9014.....	43277	4-9002.....	44037	PC455.....	42124	PC572.....	41029	PC733.....	42178		
3-9015.....	42021	4-9003.....	44038	PC456.....	42258	PC573.....	42228	PC739.....	41136		
3-9019.....	43118	4-9021.....	44042	PC458.....	43101	PC574.....	41145	PC740.....	42083		
3-9020.....	43315	4-9028.....	44001	PC459.....	42085	PC575.....	41090	PC743.....	42091		
3-9030.....	43089	4-9052.....	44085	PC462.....	42086	PC577.....	41145	PC751.....	42242		
3-9033.....	43061	4-9061.....	44090	PC465.....	43099	PC578.....	44018	PC753.....	42240		
3-9038.....	43063	4-9125.....	44024		or*43099P	PC580.....	41171	PC757.....	43301		
3-9039.....	43084	4-9128.....	45000	PC471.....	43102	PC584.....	42230	PC760.....	41098		
3-9044.....	43064	4-9129.....	44043	PC472.....	42214	PC585.....	42123	PC763.....	41149		
3-9047.....	43068	4-9130.....	44056	PC473.....	41130	PC586.....	41037	PC767.....	42243		
3-9053.....	42255					PC588.....	43096	PC790.....	42033		
								PC791.....	42216		

* High Performance Pump

Changeover Listing

Competitive No.	Gates No.	Competitive No.	Gates No.	Competitive No.	Gates No.	Competitive No.	Gates No.	Competitive No.	Gates No.
SEALED POWER		SKF - Cont.		SKF - Cont.		SKF - Cont.		SLOAN TRANSPORTATION PRODUCTS	
- Cont.								- Cont.	
PC803.....	41097	PC437.....	43007	PC575.....	41031	PC675.....	42126	4006.....	45009
PC808.....	42212	PC438.....	41109	PC576.....	41029	PC676.....	42268	4012.....	44054
PC811.....	41042	PC440.....	41062	PC577.....	42178	PC677.....	43200	4051.....	44064
PC815.....	41095	PC442.....	44027	PC578.....	41131	PC679.....	43287	4052.....	44086
PC816.....	42108	or*44027P		PC579.....	42564	PC681.....	41141	4053.....	43238
PC818.....	42261	PC450.....	43094	PC580.....	42203	PC682.....	41165	4058.....	41129
PC820.....	42020	PC451.....	43109	PC581.....	42261	PC683.....	42208	4059.....	41111
PC821.....	42013	PC453.....	43103	PC582.....	42203	PC684.....	41084	4061.....	44055
PC822.....	42014	PC455.....	43100	PC583.....	42000	PC685.....	42237	4064.....	44092
PC824.....	42021	PC457.....	44098	PC587.....	41016	PC686.....	41147	4068.....	44094
PC827.....	41035	PC458.....	43049	PC588.....	41015	PC687.....	42338	4069.....	44084
PC829.....	42118	PC459.....	44003	PC589.....	43112	PC688.....	42236	4071.....	41174
PC831.....	41056	PC460.....	42111	PC590.....	43097	PC689.....	42339	4073.....	44052
PC835.....	41055	PC461.....	43104	PC591.....	43169	PC691.....	42331	4076.....	43307
PC841.....	42208	or*43104P		PC592.....	44028	PC692.....	41135	4101.....	43309
PC843.....	42206	PC464.....	43257	PC593.....	42117	PC693.....	42181	4102.....	43310
PC844.....	41166	or 43026		PC594.....	43095	PC694.....	41137	4103.....	42344
PC846.....	42207	or*43026P		PC595.....	42094	PC695.....	43300	4104.....	42102
PC847.....	43156	PC466.....	42032	PC596.....	42087	PC696.....	41067	4105.....	44075
PC850.....	42132	PC473.....	42086	PC597.....	42088	PC697.....	41146	4109.....	44097
PC851.....	42139	PC478.....	43000	PC598.....	44099	PC701.....	43301	4110.....	44103
PC855.....	42173	PC479.....	42258	PC599.....	42029	PC702.....	42127	4114.....	42321
PC856.....	43161	PC483.....	42124	PC600.....	42158	PC707.....	41151	4116.....	42322
PC859.....	43302	PC485.....	42090	PC601.....	41071	PC708.....	42309	4117.....	44099
PC862.....	43297	PC486.....	43107	PC602.....	42156	PC715.....	43114	4119.....	44052
PC866.....	42232	PC487.....	42085	PC603.....	42157	PC719.....	41018	4122.....	44066
PC868.....	41076	PC488.....	42103	PC605.....	43046	PC722.....	42003	4204.....	43226
PC869.....	41073	PC490.....	43101	PC606.....	43043	PC723.....	42002	4205.....	43225
PC871.....	41162	PC493.....	42057	PC608.....	43047	PC727.....	42173	4208.....	43240
PC874.....	41153	PC494.....	42070	PC609.....	44019	PC732.....	41001	4301.....	44058
PC875.....	41108	PC496.....	43091	PC610.....	41009	PC733.....	42095	4302.....	44104
PC876.....	43296	PC499.....	42215	PC612.....	41034	PC742.....	42074	4303.....	44101
PC877.....	43306	PC500.....	42214	PC613.....	41038	PC745.....	41092	4304.....	44018
PC880.....	43114	PC501.....	42329	PC614.....	41037	PC748.....	43081	4305.....	44053
PC881.....	41041	PC505.....	41132	PC615.....	41090	PC750.....	42034	4307.....	44059
PC882.....	43036	PC506.....	42324	PC616.....	41145	PC751.....	42033	6001.....	42351
PC883.....	43056	PC507.....	41068	PC617.....	42228	PC756.....	41040	6002.....	43233
PC885.....	42078	PC508.....	41130	PC618.....	41171	PC758.....	41043	6004.....	43059
PC886.....	43082	PC510.....	44004	PC619.....	42230	PC759.....	41042	6006.....	45009
PC887.....	42060	PC511.....	42176	PC620.....	42272	PC766.....	42216	6012.....	44054
PC889.....	43058	PC512.....	44005	PC621.....	42092	PC767.....	42118	6051.....	44064
PC892.....	42095	PC513.....	42151	PC623.....	42083	PC769.....	41136	6052.....	44086
PC893.....	42131	PC514.....	42153	PC624.....	41019	PC770.....	41073	6053.....	43238
SKF		PC515.....	42116	PC625.....	41020	PC771.....	41134	6058.....	41129
FP2276.....	43117	PC517.....	44006	PC626.....	41021	PC772.....	41133	6059.....	41111
FP2326.....	43315	PC520.....	43099	PC627.....	44033	PC775.....	41162	6061.....	44055
PC222.....	43025	or*43099P		PC628.....	42093	PC776.....	42232	6063.....	43258
PC248.....	43029	PC522.....	42048	PC629.....	42095	PC780.....	43289	6064.....	44092
PC295.....	43030	PC523.....	42047	PC631.....	41022	PC783.....	41149	6068.....	44094
PC308.....	43028	PC525.....	42224	PC632.....	43113	PC785.....	41148	6069.....	44084
PC343.....	43120	PC528.....	41158	PC634.....	43098	PC786.....	42242	6101.....	43309
PC350.....	42061	PC529.....	41051	or*42094P		PC788.....	42240	6102.....	43310
PC351.....	43072	PC531.....	41168	PC636.....	42091	PC798.....	42013	6103.....	42344
PC366.....	44088	PC532.....	42089	PC637.....	41097	PC799.....	42012	6104.....	42102
PC368.....	42050	PC536.....	42054	PC639.....	41084	PC800.....	42017	6113.....	42322
PC369.....	42052	PC538.....	43002	PC641.....	43058	PC801.....	42018	6114.....	42321
PC373.....	43106	PC539.....	43282	PC642.....	42128	PC803.....	42016	6117.....	44099
or*43106P		PC540.....	41082	PC644.....	43055	PC805.....	43161	6119.....	46001
PC375.....	44029	PC543.....	42323	PC645.....	43272	WP899.....	41004	6122.....	44066
PC381.....	43122	PC544.....	41034	or*43272P		WP9023.....	41005	6204.....	43226
PC382.....	43110	PC545.....	43154	PC646.....	43051	55-4062.....	43084	6205.....	43225
PC383.....	43121	PC548.....	41087	PC647.....	41010	SLOAN TRANSPORTATION PRODUCTS		6208.....	43240
PC386.....	42082	PC549.....	42028	PC651.....	43056	4001.....	42351	6218.....	43312
PC397.....	44032	PC550.....	41143	PC652.....	42129	4002.....	43233	6301.....	44058
PC399.....	43041	PC551.....	42154	PC653.....	43052	4004.....	43059	6302.....	44104
PC401.....	43124	PC553.....	45003	PC654.....	43054			6303.....	44101
PC402.....	43006	PC554.....	43001	PC655.....	44007			6304.....	44018
PC403.....	43123	PC555.....	42202	PC656.....	43057			6305.....	44053
PC404.....	42055	PC557.....	42202	PC657.....	43057			6306.....	42114
PC405.....	42056	PC558.....	42221	PC659.....	44018			6307.....	44059
PC408.....	44011	PC559.....	42225	PC660.....	42195				
PC411.....	43102	PC560.....	42084	PC661.....	42159				
PC413.....	43044	PC561.....	43092	PC662.....	42162				
or*43044P		PC562.....	42223	PC663.....	42108				
PC421.....	43126	PC563.....	42217	PC665.....	42341				
PC424.....	43111	PC566.....	42058	PC666.....	41095				
PC430.....	42326	PC568.....	42222	PC668.....	42059				
or 42327		PC569.....	42155	PC669.....	41030				
PC431.....	42246	PC570.....	42332	PC671.....	41039				
		PC571C.....	43050	PC672.....	43136				
		PC573.....	42337	PC673.....	42123				
		PC574.....	41059	PC674.....	41060				

* High Performance Pump

Changeover Listing

Competitive No.	Gates No.	Competitive No.	Gates No.	Competitive No.	Gates No.	Competitive No.	Gates No.	Competitive No.	Gates No.
SLOAN TRANSPORTATION PRODUCTS - Cont.		T.R.W. - Cont.		T.R.W. - Cont.		T.R.W. - Cont.		T.R.W. - Cont.	
6308	43125	FP1455	43104	FP1584	42019	FP1827	41169	FP1935	42018
6309	43021		or*43104P	FP1586	42202	FP1828	42058	FP1936	41035
6310	45007	FP1456	43049	FP1587	41034	FP1831N	43096	FP1937	43306
6311	45000	FP1457	43109	FP1590	41030	FP1832	44028	FP1938	42004
6313	42318	FP1459	41062	FP1591	43000	FP1833	42092	FP1940	44058
6314	43084	FP1460	41158	FP1592	44006	FP1834	44053	FP1942	42003
6350	43313	FP1462	41109	FP1593	45008	FP1835	42114	FP1943	42002
6352	42342	FP1464	42055	FP1595	42325	FP1836	42261	FP1944	42164
		FP1467	43257	FP1598	42007	FP1838	44018	FP1945	43233
			or	FP1602	42323	FP1840	44101	FP1946	45009
			or*43026P	FP1603	41000	FP1841	42275	FP1947	44097
		FP1468	43077	FP1605	43282	FP1843	43092	FP1948	44103
		FP1469	43078	FP1607	43091	FP1844	41022	FP1949	44096
		FP1471	42032	FP1608	41089	FP1846	41084	FP1952	43253
		FP1473	42102	FP1610	43050	FP1847	41067	FP1953	43139
		FP1474	44098	FP1611	42094	FP1848	42331	FP1955	43238
		FP1477	43225	FP1613	43001	FP1849	41139	FP1956	44092
		FP1478	44005	FP1615	44016	FP1850	41097	FP1957	44075
		FP1479	44004	FP1616	42088	FP1851	43300	FP1958	42240
		FP1480	42103	FP1617	42156	FP1852	44019	FP1959	42197
		FP1481	43027	FP1618	43169	FP1853	43272	FP1960	42021
		FP1487	43076	FP1619	42000		or*43272P	FP1961	41040
		FP1491	44012	FP1620N	41015	FP1854	43051	FP1962	42119
		FP1495	42085	FP1622	42158	FP1855	43052	FP1963	41055
		FP1497	42057	FP1623	43095	FP1856	43054	FP1964	43019
		FP1499	42111	FP1624	42029	FP1857	43057	FP1965	41072
		FP1500	41068	FP1625	43043	FP1858	41055	FP1968	42129
		FP1501	41130	FP1626	42157	FP1859	41095	FP1969	41166
		FP1502	41132	FP1627	42087	FP1862	41151	FP1970	41044
		FP1504	42048	FP1629	42228	FP1863	42130	FP1971	41043
		FP1506	42046	FP1631	41133	FP1865	41108	FP1973	42208
		FP1507	42047	FP1632	42178	FP1866	41010	FP1974	42132
		FP1509	42214	FP1634	41060	FP1869	44007	FP1975	42139
		FP1510	42329	FP1635	42126	FP1870	42060	FP1977	43082
		FP1511	42224	FP1643	41051	FP1871	43055	FP1978	42074
		FP1514	42276	FP1644	43047	FP1872	43056	FP1979	43087
		FP1517	42086	FP1646	41037	FP1873	43081	FP1982	42062
		FP1518	44017	FP1648	41148	FP1874	43058	FP1983	42064
		FP1521	43101	FP1650	41097	FP1875	42059	FP1985	41073
		FP1522	42116	FP1653	41171	FP1876	42091	FP1986	42216
		FP1524	43100	FP1654	41090	FP1877	41020	FP1991	42284
		FP1525	43099	FP1656	41038	FP1878	43116	FP1992	41018
			or*43099P	FP1659	43293	FP1879	43113	FP1993	41098
		FP1525HD	43099	FP1660	42341	FP1880	41019	FP1994	42162
		FP1530	42153	FP1661	41029	FP1881	43098	FP1995	42033
		FP1531	42151	FP1663	42339		or*42094P	FP1996	42034
		FP1532	44003	FP1664	41131	FP1882	43114	FP1997	41001
		FP1533	42054	FP1665	41071	FP1885	43223	FP1998	41056
		FP1534	43025	FP1666	42230	FP1886	43073	FP1999	43301
		FP1537	43002	FP1667	41134	FP1892	41023	FP2000	42232
		FP1540	42090	FP1668	41135	FP1893	42093	FP2001	44055
		FP1542	41082	FP1671	41137	FP1894	42344	FP2002	43302
		FP1543	42222	FP1672	42181	FP1896	42095	FP2004	41162
		FP1544	42176	FP1673	42127	FP1897	42258	FP2005	41141
		FP1545	41143	FP1674	43156	FP1898	41146	FP2006	42309
		FP1546	42217	FP1675	41009	FP1900	42083	FP2008	43060
		FP1547	41087	FP1676	41016	FP1901	41052	FP2010	43084
		FP1548	43154	FP1677	42070	FP1903	44030	FP2012	43240
		FP1549	42028	FP1678	44099	FP1908	42108	FP2014	41042
		FP1552	42154	FP1686	41160	FP1909	43235	FP2015	41076
		FP1554	43103	FP1687	43112	FP1910	42173	FP2017	41041
		FP1555	42084	FP1688	41021	FP1912	43003	FP2018	41075
		FP1556	42225	FP1689	43200	FP1913	42128	FP2019	42207
		FP1557	43042	FP1690	42268	FP1914	42118	FP2021	43184
		FP1558	41059	FP1691	44033	FP1916	42017	FP2022	42149
		FP1559	44064	FP1693	43136	FP1917	42013	FP2023	42006
		FP1560	42337	FP1721	42117	FP1918	42014	FP2025	42010
		FP1561	42221	FP1724	42123	FP1919	42016	FP2026	43213
		FP1563	44086	FP1730	42159	FP1920	43286	FP2028	41153
		FP1564	42113	FP1748	42195	FP1921	43159	FP2034	43222
		FP1567	42155	FP1751	42338	FP1922	41063	FP2035	42008
		FP1568	41145	FP1793	43288	FP1923	42259	FP2039	43036
		FP1569	41031	FP1801	43210	FP1924	43161	FP2043	42005
		FP1570	42203	FP1805	42236	FP1925	41152	FP2044	43033
		FP1571	42223	FP1810	43289	FP1927	41136	FP2049	44104
		FP1574	42122	FP1812	41147	FP1928	43162	FP2051	44034
		FP1577	42332	FP1813	42237	FP1930	41149	FP2052	43130
		FP1578	42272	FP1817	42089	FP1931	43304	FP2053	43083
		FP1579	41161	FP1824	43046	FP1932	41039	FP2054	42106
		FP1580	42012	FP1825	43287	FP1933	41165	FP2055	42063
		FP1583		FP1826		FP1934			

* High Performance Pump

Changeover Listing

Competitive No.	Gates No.	Competitive No.	Gates No.	Competitive No.	Gates No.	Competitive No.	Gates No.	Competitive No.	Gates No.
T.R.W. - Cont.		T.R.W. - Cont.		T.R.W. - Cont.		T.R.W. - Cont.		US MOTOR WORKS - Cont.	
FP2056	42078	FP2196	43059	FP2311	42168	FP2410	42080	US2042	43238
FP2057	42020	FP2198	43021	FP2312	42066	FP2442	42221	US2043	43059
FP2058	41138	FP2199	43125	FP2313	43163	FP2451	41142	US2044	44055
FP2059	42188	FP2200	42077	FP2314	43164	FP2452	41006	US2045	41111
FP2061	43115	FP2201	44087	FP2315	43285	FP2456	42081	US2046	43240
FP2062	42212	FP2203	44040	FP2316	43166	FP2458	42280	US2048	44093
FP2064	41080	FP2204	43039	FP2318	42171	FP2460	41101	US2062	44084
FP2065	41024	FP2207	43132	FP2319	41014	FP2461	42172	US2064	41173
FP2066	41025	FP2209	42023	FP2320	44042	FP2462	42307	US2065	41174
FP2068	42131	FP2211	42306	FP2323	42334	FP2463	41078	US2080	43299
FP2071	42167		or 42305	FP2324	42097	FP2464	43428	US2202	44094
FP2072	43022	FP2214	43097	FP2326	43315		or 43262	US2203	43307
FP2073	42242	FP2215	42324	FP2327	44009	FP2465	43518	US3062602	41175
FP2074	42243	FP2216	42215	FP2328	42068	FP2470	44089	US3702	42114
FP2075	41045	FP2218	43032	FP2329	43068	FP2471	44045	US3705	44033
FP2076	41047	FP2220	43185	FP2330	42035	FP2472	45002	US3707	44101
FP2077	43305	FP2222	43198	FP2341	42189	FP2474	45002	US3709	44104
FP2078	42147	FP2227	43153	FP2342	42166	FP2475	45002	US3710	44058
FP2079	43303	FP2232	42001	FP2343	44048	FP2476	45005	US3711	43322
FP2080	42045	FP2236	43232	FP2344	42257	FP2477	45005	US3712	44059
FP2081	42011	FP2237	41129	FP2346	42335	FP2478	42316	US3713	42318
FP2082	44047	FP2238	44069	FP2347	42137	FP2482	41103	US3803605	44052
FP2083	43297	FP2239	42311	FP2348	42250		or 43134	US4018	44018
FP2084	42265	FP2240	42320	FP2349	42254	FP2483	41058	US4062	43084
FP2086	42140	FP2242	42321	FP2350	44080	FP2484	42134	US4067	42124
FP2087	43018	FP2243	42322	FP2351	43067	FP2485	43508	US4071	43021
FP2088	42194	FP2245	43258	FP2352	41159		or 43140	US4072	43125
FP2089	44022	FP2247	42278	FP2353	43259	FP2486	43522	US4096	45007
FP2090	44100	FP2249	41111		or 43260	FP2487	43522	US4112	43086
FP2092	41053	FP2250	42026	FP2354	43069	FP2488	43522	US4114	45000
FP2093	41054	FP2253	42564	FP2356	44059	FP2489	42141	US500.33.059	43312
FP2094	42282	FP2255	42252	FP2357	43254	FP2490	41116	US5008	44099
FP2145	44008	FP2258	43290	FP2358	43070	FP2491	42286	US5062	44100
FP2147	44023	FP2259	42203	FP2360	43171	FP2492	42313	US5074	44042
FP2148	42071	FP2260	41002	FP2361	43131	FP2493	42301	US5077	43315
FP2149	41027	FP2261	41004	FP2362	43133	FP2494	41061	US5084	45003
FP2150	42096	FP2262	41181	FP2364	43279	FP2495	42156	US5086	44056
FP2152	43035	FP2263	44001	FP2365	42079	FP2497	41061	US5087	45005
FP2153	42038	FP2264	42319	FP2367	41110	FP2499	42192	US5090	44089
FP2156	43277	FP2265	42245	FP2368	43038	FP2500	43255	US5094	42569
FP2157	41081	FP2266	42135	FP2370	42256	FP2505	42199	US7123H	41176
FP2158	43218	FP2269	44024	FP2371	42040	FP2507	42281	US7145	41181
FP2159	43219	FP2270	43065	FP2372	41106	FP2508	41113	US7145HN	41177
FP2160	42308	FP2271	42067	FP2373	42165	FP2509	42281	US7145N	41178
FP2161	43295	FP2272	44035		or 42169	FP2513	42253	US7156	42300
FP2162	41103	FP2273	44036	FP2374	41050	FP2517	41124	US740H	42352
FP2163	42328	FP2274	44037	FP2375	42134	3P1984	43066	US740HN	43321
FP2164	42336	FP2275	44038	FP2376	41164	US MOTOR WORKS			
FP2166	44085	FP2276	43117	FP2377	43216	US-23506003	43309	US740N	43320
FP2167	42136	FP2278	42247	FP2379	43170	US-23506007	43310	US740NM	43319
FP2168	42115	FP2279	44078	FP2380	44049	US-23506011	43311	US801	42342
FP2169	41057	FP2281	44084	FP2381	41048	US-613890	44054	US8925	42408
FP2170	41155	FP2282	44094	FP2382	43086	US0060	44066	US8926	43428
FP2171	42198	FP2283	41173	FP2383	42065	US0061	42333		or 43262
FP2172	43292	FP2284	41174	FP2384	43256	US0063	42349	US9180	42566
FP2173	42251	FP2285	42352	FP2385	41013	US2000	44064	US9243	42308
FP2174	41046	FP2286	43089	FP2386	45003	US2001	44086	US9282	42249
FP2175	41036	FP2287	43061	FP2387	43037	US2002	43242	US9284	41140
FP2176	43278	FP2288	41011	FP2388	43034	US2004	43225	US9288	44405
FP2177	44090	FP2290	43063	FP2389	42041	US2006	43226	US9302	43314
FP2178	44093	FP2291	43064	FP2390	42318	US2018	43229	US9327	43260
FP2179	43243	FP2292	42095	FP2391	42315	US2021	41129	US9328	41116
FP2180	43244	FP2293	41026	FP2392	45000	US2026	42321	US9339	41110
FP2181	43245	FP2294	43118	FP2393	44043	US2027	42322	US9343	43267
FP2182	43246	FP2295	41005	FP2394	44056	US2031	44075	US9380	44081
FP2183	43247	FP2296	42161	FP2395	41070	US2032	44092	US9382	43531
FP2184	43248	FP2297	41156	FP2396	41079	US2033	43258	US9383	42316
FP2186	43249	FP2298	41154	FP2397	43428	US2033P	43209	US9403	43506
FP2187	43250	FP2299	44091		or 43262	US2034	46001	US9410	42348
FP2188	43251	FP2300	41110	FP2401	41049	US2035	45009	US9414	41179
FP2189	43252	FP2301	42163	FP2402	41061	US2036	44097	US9446	42345
FP2191	42277	FP2304	41163	FP2403	42170	US2037	44103	US9459	43502
FP2192	42249	FP2306	42340	FP2404	41107	US2039	43313	US977	42326
FP2193	42303	FP2307	41003	FP2405	43141	US2041	43233		or 42327
FP2194	41140	FP2308	43062	FP2408	42142	US2041NP	42351	US987	42215
FP2195	46001	FP2310	45007	FP2409	43090				

* High Performance Pump

Numerical Listing

Use as a guide only. Refer to Pages 1 to 142 for specific applications.

<p>41000 MG; Midget; L4-91; 79-75 Triumph; Spitfire; L4-91; 78-75</p>	<p>41008 Saab; 99; L4-2.0; 1980 Saab; 99; L4-121; 79-77 Saab; 900; L4-2.0; 1980 Saab; 900; L4-121; 1979</p>	<p>41020 Buick; Century; V6-2.8; 89-87 Buick; Century; V6-3.1; 2005-94 Buick; Regal; V6-2.8; 89-88 Buick; Regal; V6-3.1; 96-89 Buick; Rendezvous; V6-3.4; 2005-02 Buick; Rendezvous; V6-3.5; 2007-06 Buick; Skylark; V6-3.1; 98-94 Buick; Terraza; V6-3.5; 2006 Cad; Cimarron; V6-2.8; 88-87 Chev; Beretta; V6-2.8; 89-87 Chev; Beretta; V6-3.1; 96-90 Chev; Cavalier; V6-2.8; 89-87 Chev; Cavalier; V6-3.1; 94-90 Chev; Celebrity; V6-2.8; 89-87 Chev; Celebrity; V6-3.1; 1990 Chev; Corsica; V6-2.8; 89-87 Chev; Corsica; V6-3.1; 96-90 Chev; Impala; V6-3.4; 2005-00 Chev; Lumina; V6-3.1; 2001-90 Chev; Lumina; V6-3.4; 97-91 Chev; Lumina APV; V6-3.1; 95-90 Chev; Lumina APV; V6-3.4; 1996 Chev; Malibu; V6-3.1; 2003-97 Chev; Malibu; V6-3.5; 2006-04 Chev; Monte Carlo; V6-3.1; 99-95 Chev; Monte Carlo; V6-3.4; 2005-00 Chev; Monte Carlo; V6-3.4; 97-95 Chev; Uplander; V6-3.5; 2006 Chev; Venture; V6-3.4; 2005-97 Olds; Achieva; V6-3.1; 98-94 Olds; Alero; V6-3.4; 2004-99 Olds; Cutlass; V6-3.1; 99-97 Olds; Cutlass Ciera; V6-2.8; 89-87 Olds; Cutlass Ciera; V6-3.1; 96-94 Olds; Cutlass Cruiser; V6-3.1; 1994 Olds; Cutlass Supreme; V6-2.8; 89-88 Olds; Cutlass Supreme; V6-3.1; 97-89 Olds; Cutlass Supreme; V6-3.4; 96-91 Olds; Firenza; V6-2.8; 1987 Olds; Silhouette; V6-3.1; 94-90 Olds; Silhouette; V6-3.4; 2004-96 Pont; Aztek; V6-3.4; 2005-01 Pont; G6; V6-3.5; 2006-05 Pont; Grand Am; V6-3.1; 98-94 Pont; Grand Am; V6-3.4; 2005-99 Pont; Grand Prix; V6-2.8; 89-88 Pont; Grand Prix; V6-3.1; 2003-89 Pont; Grand Prix; V6-3.4; 96-91 Pont; Montana; V6-3.4; 2005-99 Pont; Montana; V6-3.5; 2006 Pont; Sunbird; V6-3.1; 94-91 Pont; Trans Sport; V6-3.1; 95-90 Pont; Trans Sport; V6-3.4; 98-96 Pont; 6000; V6-2.8; 89-87 Pont; 6000; V6-3.1; 91-88 Saturn; Relay; V6-3.5; 2006-05</p>
<p>41001 Chry; Grand Voyager; V6-3.3; 2000 Chry; Imperial; V6-3.3; 91-90 Chry; Imperial; V6-3.8; 93-91 Chry; New Yorker; V6-3.3; 93-90 Chry; New Yorker; V6-3.8; 93-91 Chry; Town & Country Van; V6-3.3; 2000-96 Chry; Town & Country Van; V6-3.3; 93-90 Chry; Town & Country Van; V6-3.8; 2000-94 Chry; Voyager; V6-3.3; 2000 Dodge; Caravan; V6-3.3; 2000-90 Dodge; Caravan; V6-3.8; 99-96 Dodge; Dynasty; V6-3.3; 93-90 Dodge; Grand Caravan; V6-3.3; 2000-90 Dodge; Grand Caravan; V6-3.8; 2000-94 Ply; Grand Voyager; V6-3.3; 2000-90 Ply; Grand Voyager; V6-3.8; 1999 Ply; Grand Voyager; V6-3.8; 96-94 Ply; Voyager; V6-3.3; 2000-91 Ply; Voyager; V6-3.8; 1999 Ply; Voyager; V6-3.8; 1996 Ply; Voyager; V6-3.8 Canada; 1998</p>	<p>41009 Ford; Tempo; L4-2.3; 91-84 Merc; Topaz; L4-2.3; 91-84</p>	<p>41021 Cad; Cimarron; V6-2.8; 86-85 Chev; Cavalier; V6-2.8; 86-85 Olds; Firenza; V6-2.8; 86-85</p>
<p>41002 Chry; Concorde; V6-3.3; 96-93 Dodge; Intrepid; V6-3.3; 97-93 Eagle; Vision; V6-3.3; 96-93 Eagle; Vision; V6-3.3 Canada; 1997</p>	<p>41010 Ford; Taurus; L4-2.5; 89-86 Ford; Tempo; L4-2.3; 94-92 Merc; Sable; L4-2.5; 1986 Merc; Topaz; L4-2.3; 94-92</p>	<p>41022 Buick; Skyhawk; L4-2.0; 88-87 Olds; Firenza; L4-2.0; 88-87 Pont; Grand Am; L4-2.0; 89-87 Pont; Lemans; L4-2.0; 1989 Pont; Sunbird; L4-2.0; 89-87</p>
<p>41003 Chry; Cirrus; L4-2.0; 2000 Chry; Sebring; L4-2.0; 99-95 Dodge; Avenger; L4-2.0; 99-95 Dodge; Neon; L4-2.0; 2005-95 Dodge; Stratus; L4-2.0; 2000-95 Dodge; SX; L4-2.0 Canada; 2005-03 Eagle; Talon; L4-2.0; 98-95 Mits; Eclipse; L4-2.0; 99-95 Ply; Breeze; L4-2.0; 2000-96 Ply; Neon; L4-2.0; 2001-95</p>	<p>41011 Ford; Contour; V6-2.5; 2000-95 Ford; Escape; V6-3.0; 2003-01 Ford; Taurus; V6-3.0; 2002-01 Mazda; MPV; V6-2.5; 2001-00 Merc; Cougar; V6-2.5; 2002-99 Merc; Mystique; V6-2.5; 2000-95 Merc; Sable; V6-3.0; 2002-01</p>	<p>41023 Buick; Skylark; L4-2.3; 95-88 Chev; Beretta; L4-2.3; 94-90 Chev; Cavalier; L4-2.3; 1995 Olds; Achieva; L4-2.3; 95-92 Olds; Cutlass Calais; L4-2.3; 91-88 Olds; Cutlass Supreme; L4-2.3; 91-90 Pont; Grand Am; L4-2.3; 95-88 Pont; Grand Prix; L4-2.3; 91-90 Pont; Sunfire; L4-2.3; 1995</p>
<p>41004 Chry; Concorde; V6-3.5; 94-93 Chry; LHS; V6-3.5; 1994 Chry; New Yorker; V6-3.5; 1994 Dodge; Intrepid; V6-3.5; 94-93 Eagle; Vision; V6-3.5; 94-93</p>	<p>41013 Ford; Contour; L4-2.0; 2000-98 Ford; Escape; L4-2.0; 2002-01 Ford; Escort; L4-2.0; 2002-98 Ford; Focus; L4-2.0; 2004-00 Ford; ZX2; L4-2.0; 2003 Mazda; Tribute; L4-2.0; 2004-01 Merc; Cougar; L4-2.0; 2002-99 Merc; Mystique; L4-2.0; 2000-98</p>	<p>41024 Buick; Skyhawk; L4-1.8; 1982 Buick; Skyhawk; L4-2.0; 86-82 Cad; Cimarron; L4-1.8; 1982 Cad; Cimarron; L4-2.0; 86-83 Chev; Cavalier; L4-1.8; 1982 Chev; Cavalier; L4-2.0; 86-83 Olds; Firenza; L4-1.8; 1982 Olds; Firenza; L4-2.0; 86-83 Pont; J2000; L4-1.8; 1982 Pont; Sunbird; L4-2.0; 86-85 Pont; 2000; L4-2.0; 1983 Pont; 2000 Sunbird; L4-2.0; 1984</p>
<p>41005 Chry; Concorde; V6-3.5; 97-95 Chry; LHS; V6-3.5; 97-95 Chry; New Yorker; V6-3.5; 96-95 Dodge; Intrepid; V6-3.5; 97-95 Eagle; Vision; V6-3.5; 97-95 Ply; Prowler; V6-3.5; 1997</p>	<p>41014 Linc; Continental; V8-4.6; 2002-95</p>	<p>41025 Buick; Skyhawk; L4-1.8; 86-82 Olds; Firenza; L4-1.8; 86-82 Pont; J2000; L4-1.8; 1982 Pont; Lemans; L4-2.0; 1990 Pont; Sunbird; L4-1.8; 86-85 Pont; Sunbird; L4-2.0; 94-90 Pont; 2000; L4-1.8; 1983 Pont; 2000 Sunbird; L4-1.8; 1984</p>
<p>41006 Chry; Cirrus; L4-2.4; 2000 Chry; Cirrus; L4-2.4; 97-96 Chry; PT Cruiser; L4-2.4; 2006-01 Chry; Sebring; L4-2.4; 2006-01 Chry; Sebring; L4-2.4; 99-97 Chry; Voyager; L4-2.4; 2003-00 Dodge; Caravan; L4-2.4; 2006-96 Dodge; Grand Caravan; L4-2.4; 97-96 Dodge; Stratus; L4-2.4; 2006-95 Jeep; Liberty; L4-2.4; 2005-02 Jeep; TJ; L4-2.4 Canada; 2005 Jeep; Wrangler; L4-2.4; 2006-03 Ply; Breeze; L4-2.4; 2000-97 Ply; Grand Voyager; L4-2.4; 97-96 Ply; Voyager; L4-2.4; 2000-96</p>	<p>41016 Buick; Skyhawk; L4-1.8; 86-82 Olds; Firenza; L4-1.8; 86-82 Pont; J2000; L4-1.8; 1982 Pont; Lemans; L4-2.0; 1990 Pont; Sunbird; L4-1.8; 86-85 Pont; Sunbird; L4-2.0; 94-90 Pont; 2000; L4-1.8; 1983 Pont; 2000 Sunbird; L4-1.8; 1984</p>	<p>41026 Buick; Skyhawk; L4-2.0; 89-87 Chev; Beretta; L4-2.0; 89-87 Chev; Beretta; L4-2.2; 96-90 Chev; Cavalier; L4-2.0; 89-87 Chev; Cavalier; L4-2.2; 2002-90 Chev; Corsica; L4-2.0; 89-87 Chev; Corsica; L4-2.2; 96-90 Chev; LLV (Postal Vehicle); L4-2.2; 95-94 Chev; Lumina; L4-2.2; 1993 Chev; S Series Pickup; L4-2.2; 2003-94 GMC; Sonoma; L4-2.2; 2003-94 Isuzu; Hombre; L4-2.2; 2000-96 Olds; Cutlass Ciera; L4-2.2; 96-93 Olds; Firenza; L4-2.0; 88-87 Pont; Sunfire; L4-2.2; 2002-95</p>
<p>41007 Fiat; Strada; L4-1.5; 82-80 Fiat; Strada; L4-91; 1979 Fiat; X1/9; L4-1.5; 82-80 Fiat; X1/9; L4-91; 1979</p>	<p>41018 Pont; Lemans; L4-1.6; 90-88</p>	<p>41027 Buick; Century; V6-2.8; 89-87 Buick; Century; V6-3.1; 2005-94 Buick; Regal; V6-2.8; 89-88 Buick; Regal; V6-3.1; 96-89 Buick; Rendezvous; V6-3.4; 2005-02 Buick; Rendezvous; V6-3.5; 2007-06 Buick; Skylark; V6-3.1; 98-94 Buick; Terraza; V6-3.5; 2006 Cad; Cimarron; V6-2.8; 88-87 Chev; Beretta; V6-2.8; 89-87 Chev; Beretta; V6-3.1; 96-90 Chev; Cavalier; V6-2.8; 89-87 Chev; Cavalier; V6-3.1; 94-90 Chev; Celebrity; V6-2.8; 89-87 Chev; Celebrity; V6-3.1; 1990 Chev; Corsica; V6-2.8; 89-87 Chev; Corsica; V6-3.1; 96-90 Chev; Impala; V6-3.4; 2005-00 Chev; Lumina; V6-3.1; 2001-90 Chev; Lumina; V6-3.4; 97-91 Chev; Lumina APV; V6-3.1; 95-90 Chev; Lumina APV; V6-3.4; 1996 Chev; Malibu; V6-3.1; 2003-97 Chev; Malibu; V6-3.5; 2006-04 Chev; Monte Carlo; V6-3.1; 99-95 Chev; Monte Carlo; V6-3.4; 2005-00 Chev; Monte Carlo; V6-3.4; 97-95 Chev; Uplander; V6-3.5; 2006 Chev; Venture; V6-3.4; 2005-97 Olds; Achieva; V6-3.1; 98-94 Olds; Alero; V6-3.4; 2004-99 Olds; Cutlass; V6-3.1; 99-97 Olds; Cutlass Ciera; V6-2.8; 89-87 Olds; Cutlass Ciera; V6-3.1; 96-94 Olds; Cutlass Cruiser; V6-3.1; 1994 Olds; Cutlass Supreme; V6-2.8; 89-88 Olds; Cutlass Supreme; V6-3.1; 97-89 Olds; Cutlass Supreme; V6-3.4; 96-91 Olds; Firenza; V6-2.8; 1987 Olds; Silhouette; V6-3.1; 94-90 Olds; Silhouette; V6-3.4; 2004-96 Pont; Aztek; V6-3.4; 2005-01 Pont; G6; V6-3.5; 2006-05 Pont; Grand Am; V6-3.1; 98-94 Pont; Grand Am; V6-3.4; 2005-99 Pont; Grand Prix; V6-2.8; 89-88 Pont; Grand Prix; V6-3.1; 2003-89 Pont; Grand Prix; V6-3.4; 96-91 Pont; Montana; V6-3.4; 2005-99 Pont; Montana; V6-3.5; 2006 Pont; Sunbird; V6-3.1; 94-91 Pont; Trans Sport; V6-3.1; 95-90 Pont; Trans Sport; V6-3.4; 98-96 Pont; 6000; V6-2.8; 89-87 Pont; 6000; V6-3.1; 91-88 Saturn; Relay; V6-3.5; 2006-05</p>

Numerical Listing

Use as a guide only. Refer to Pages 1 to 142 for specific applications.

41024 Saturn; S-Series; L4-1.9; 2002-91	41037 - Continued Honda; Prelude; L4-1.8; 87-83	41054 - Continued Isuzu; Stylus; L4-1.6; 93-91 Isuzu; Stylus; L4-1.8; 1992
41025 Saturn; S-Series; L4-1.9; 94-91	41038 Honda; Civic; L4-1.3; 87-84 Honda; Civic; L4-1.5; 87-84	41055 Isuzu; Impulse; L4-2.0; 89-85
41026 Cad; Deville; V8-4.6; 2005-95 Cad; Eldorado; V8-4.6; 2002-95 Cad; Seville; V8-4.6; 2004-95 Olds; Aurora; V8-4.0; 2003-01 Olds; Aurora; V8-4.0; 99-95 Pont; Bonneville; V8-4.6; 2005-04	41039 Honda; Accord; L4-2.0; 89-86 Honda; Prelude; L4-2.0; 87-85	41056 Isuzu; I-Mark; L4-1.6; 1989 Isuzu; I-Mark; L4-1.6 Canada; 1990
41027 Cad; Allante; V8-4.6; 1993 Cad; Deville; V8-4.6; 1994 Cad; Eldorado; V8-4.6; 94-93 Cad; Seville; V8-4.6; 94-93	41040 Honda; Civic; L4-1.5; 95-88 Honda; Civic; L4-1.6; 91-89 Honda; Civic Del Sol; L4-1.5; 95-93 Honda; CRX; L4-1.5; 91-88 Honda; CRX; L4-1.6; 91-88	41057 BMW; M3; L6-3.2; 1999 BMW; X3; L6-2.5; 2005-04 BMW; X3; L6-2.5 Canada; 2006 BMW; X5; L6-3.0; 2003-01 BMW; Z3; L6-2.5; 2002-99 BMW; Z3; L6-2.8; 2000-99 BMW; Z3; L6-3.0; 2002-01 BMW; Z3; L6-3.2; 2002-99 BMW; Z4; L6-3.0; 2005-03 BMW; 323Ci; L6-2.5; 2000 BMW; 323i; L6-2.5; 2000-99 BMW; 323i; L6-2.5 Canada; 2006 BMW; 323iS; L6-2.5; 1999 BMW; 325Ci; L6-2.5; 2006-01 BMW; 325i; L6-2.5; 2003-01 BMW; 325Xi; L6-2.5; 2003-01 BMW; 328Ci; L6-2.8; 2000 BMW; 328i; L6-2.8; 2000-99 BMW; 328iS; L6-2.8; 1999 BMW; 330Ci; L6-3.0; 2003-01 BMW; 330i; L6-3.0; 2003-01 BMW; 330Xi; L6-3.0; 2004-01 BMW; 525i; L6-2.5; 2003-01 BMW; 528i; L6-2.8; 2000-99 BMW; 530i; L6-3.0; 2003-01
41028 Buick; Skylark; L4-2.4; 98-96 Chev; Cavalier; L4-2.4; 2002-96 Chev; Malibu; L4-2.4; 99-97 Olds; Achieva; L4-2.4; 98-96 Olds; Alero; L4-2.4; 2001-99 Pont; Grand Am; L4-2.4; 2001-96 Pont; Sunfire; L4-2.4; 2002-96	41041 Acura; Integra; L4-1.8; 95-90	
41029 Honda; Civic; L4-1.3; 83-80	41042 Acura; CL; L4-2.2; 1997 Acura; CL; L4-2.3; 99-98 Honda; Accord; L4-2.2; 97-90 Honda; Accord; L4-2.3; 2002-98 Honda; Odyssey; L4-2.2; 97-95 Honda; Odyssey; L4-2.3; 1998 Honda; Prelude; L4-2.2; 96-92 Isuzu; Oasis; L4-2.2; 97-96 Isuzu; Oasis; L4-2.3; 99-98	
41030 Honda; Accord; L4-1.8; 83-82 Honda; Civic; L4-1.5; 83-80 Honda; Prelude; L4-1.8; 1982	41043 Honda; Prelude; L4-2.0; 91-88 Honda; Prelude; L4-2.1; 91-90	
41031 Honda; Accord; L4-1.8; 81-80 Honda; Prelude; L4-1.8; 81-80	41044 Honda; Prelude; L4-2.0; 90-88	
41032 Saab; 99; L4-2.0; 1980 Saab; 99; L4-121; 79-74	41045 Honda; Civic; L4-1.5; 95-92 Honda; Civic; L4-1.6; 95-92 Honda; Civic Del Sol; L4-1.6; 95-93	41058 Isuzu; Amigo; L4-2.2; 2000-98 Isuzu; Rodeo; L4-2.2; 2003-98
41033 Saab; 99; L4-2.0; 1980 Saab; 99; L4-121; 79-74	41046 Honda; Prelude; L4-2.2; 2001-93	41059 Mazda; GLC; L4-1.4; 1980 Mazda; GLC; L4-1.5; 83-81
41034 Honda; Accord; L4-98; 78-76 Honda; Accord; L4-98 Canada; 1979 Honda; Accord; L4-107; 1979 Honda; Civic; L4-91; 79-75 Honda; Prelude; L4-98 Canada; 1979 Honda; Prelude; L4-107; 1979	41047 Honda; Prelude; L4-2.3; 96-92	41060 Mazda; GLC; L4-1.5; 85-81
41035 BMW; Bavaria; L6-170; 1971 BMW; Bavaria; L6-182; 74-72 BMW; 3.0CS; L6-182; 74-71 BMW; 3.0CSi; L6-182; 74-71 BMW; 3.0S; L6-182; 74-71 BMW; 3.0Si; L6-182; 76-75 BMW; 528i; L6-170; 1979 BMW; 530i; L6-182; 78-75 BMW; 630CSi; L6-182; 78-77 BMW; 633CSi; L6-196; 79-78 BMW; 733i; L6-3.2; 84-80 BMW; 733i; L6-196; 79-78 BMW; 735i; L6-3.5; 86-85 BMW; 2500; L6-152; 1971 BMW; 2800; L6-170; 74-71 BMW; 2800CS; L6-170; 1971	41048 Honda; Civic; L4-1.6; 2000-96 Honda; Civic Del Sol; L4-1.6; 97-96	41061 Hyundai; Elantra; L4-1.8; 98-96 Hyundai; Elantra; L4-2.0; 2008-99 Hyundai; Tiburon; L4-1.8; 98-97 Hyundai; Tiburon; L4-2.0; 2006-03 Hyundai; Tiburon; L4-2.0; 2001-97 Hyundai; Tucson; L4-2.0; 2006-05 Kia; Spectra; L4-2.0; 2008-04 Kia; Sportage; L4-2.0; 2008-05
41036 BMW; Z3; L4-1.9; 98-96 BMW; 318i; L4-1.8; 95-91 BMW; 318i; L4-1.9; 98-96 BMW; 318i; L4-1.9 Canada; 1999 BMW; 318iS; L4-1.8; 95-91 BMW; 318iS; L4-1.9; 97-96 BMW; 318iS; L4-1.9 Canada; 99-98 BMW; 318Ti; L4-1.8; 1995 BMW; 318Ti; L4-1.9; 99-96	41049 Acura; Integra; L4-1.8; 2001-96 Honda; CR-V; L4-2.0; 2001-97	41062 Ply; Cricket; L4-91; 73-71
41037 Honda; Accord; L4-1.8; 85-84	41050 Acura; Integra; L4-1.8; 95-94	41063 Mer-Benz; 190; L4-121 Dsl; 65-63 Mer-Benz; 190C; L4-116; 65-63 Mer-Benz; 200; L4-121 Dsl; 67-66 Mer-Benz; 220; L4-134; 1973 Mer-Benz; 220D; L4-134 Dsl; 1973 Mer-Benz; 220SEB; L6-134; 65-60
	41051 Chev; Luv Pickup; L4-1.8; 82-80 Chev; Luv Pickup; L4-111; 79-76 Isuzu; I-Mark; L4-1.8; 85-81 Isuzu; Impulse; L4-1.9; 87-83 Isuzu; Pickup; L4-1.8; 82-81 Isuzu; Pickup; L4-1.9; 87-83 Isuzu; Trooper II; L4-1.9; 85-84 Opel; Opel; L4-111; 79-76	41064 Dodge; Charger; L4-1.6; 86-83 Dodge; Omni; L4-1.6; 86-83 Ply; Horizon; L4-1.6; 86-83
	41052 Chev; Spectrum; L4-1.5; 88-85 Geo; Spectrum; L4-1.5; 1989 Isuzu; I-Mark; L4-1.5; 89-85 Isuzu; I-Mark; L4-1.5 Canada; 1990	41065 Niss; B210; L4-79; 1974 Niss; B210; L4-85; 78-75 Niss; F10; L4-85; 78-76 Niss; 210; L4-85; 1979 Niss; 210; L4-91; 1979 Niss; 310; L4-1.4; 1980 Niss; 310; L4-85; 1979 Niss; 310; L4-1.5; 1981
	41053 Geo; Storm; L4-1.6; 91-90 Isuzu; Impulse; L4-1.6; 92-90 Isuzu; Stylus; L4-1.6; 1991	
	41054 Geo; Storm; L4-1.6; 93-90 Geo; Storm; L4-1.8; 93-92 Isuzu; Impulse; L4-1.8; 1992	

Numerical Listing

Use as a guide only. Refer to Pages 1 to 142 for specific applications.

<p>41070 Chry; Concorde; V6-3.5; 1997 Chry; LHS; V6-3.5; 1997 Dodge; Intrepid; V6-3.5; 1997 Eagle; Vision; V6-3.5; 1997</p>	<p>41098 Toy.; Cressida; L6-3.0; 92-89 Toy.; Supra; L6-3.0; 93-86</p>	<p>41111 - Continued Ford; LTL9000 Trk; CumDsl L6-14.0; 1985 Ford; LTS9000 Trk; CumDsl L6-14.0; 1985 Ford; LTS9000 Trk; CumDsl L6-14.0; 81-80 F'liner; FLC Trk; CumDsl L6-14.0; 1985 F'liner; FLC Trk; CumDsl L6-14.0; 81-80 F'liner; FLT Trk; CumDsl L6-14.0; 1985 F'liner; FLT Trk; CumDsl L6-14.0; 81-80 GMC; Astro Trk; CumDsl L6-14.0; 1985 GMC; Astro Trk; CumDsl L6-14.0; 81-80 GMC; Brigadier Trk; CumDsl L6-14.0; 1985 GMC; Brigadier Trk; CumDsl L6-14.0; 81-80 GMC; General Trk; CumDsl L6-14.0; 1985 GMC; General Trk; CumDsl L6-14.0; 81-80 Int/Nav; CO4070B Trk; CumDsl L6-14.0; 81-80 Int/Nav; CO9670 Trk; CumDsl L6-14.0; 1985 Int/Nav; COF4070B Trk; CumDsl L6-14.0; 81-80 Int/Nav; COF5370 Trk; CumDsl L6-14.0; 81-80 Int/Nav; COF9670 Trk; CumDsl L6-14.0; 1985 Int/Nav; F2275 Trk; CumDsl L6-14.0; 1981 Int/Nav; F2276 Trk; CumDsl L6-14.0; 1985 Int/Nav; F2276 Trk; CumDsl L6-14.0; 81-80 Int/Nav; F2574 Trk; CumDsl L6-14.0; 81-80 Int/Nav; F2574 Trk; CumDsl L6-14.0; 81-80 Int/Nav; F2674 Trk; CumDsl L6-14.0; 1985 Int/Nav; F2674 Trk; CumDsl L6-14.0; 81-80 Int/Nav; F4370 Trk; CumDsl L6-14.0; 81-80 Int/Nav; F5070 Trk; CumDsl L6-14.0; 1985 Int/Nav; F5070 Trk; CumDsl L6-14.0; 81-80 Int/Nav; F9370 Trk; CumDsl L6-14.0; 1985 Int/Nav; 2275 Trk; CumDsl L6-14.0; 1985 Int/Nav; 2275 Trk; CumDsl L6-14.0; 81-80 Int/Nav; 2276 Trk; CumDsl L6-14.0; 1985 Int/Nav; 2574 Trk; CumDsl L6-14.0; 1985 Int/Nav; 2574 Trk; CumDsl L6-14.0; 81-80 Int/Nav; 2575 Trk; CumDsl L6-14.0; 1985 Int/Nav; 2575 Trk; CumDsl L6-14.0; 81-80 Int/Nav; 2674 Trk; CumDsl L6-14.0; 1985 Int/Nav; 2674 Trk; CumDsl L6-14.0; 81-80 Int/Nav; 4370 Trk; CumDsl L6-14.0; 81-80 Int/Nav; 5070 Trk; CumDsl L6-14.0; 1985 Int/Nav; 5070 Trk; CumDsl L6-14.0; 81-80 Int/Nav; 9370 Trk; CumDsl L6-14.0; 1985 Ken; Brute Trk; CumDsl L6-14.0; 1980 Ken; C500 Trk; CumDsl L6-14.0; 81-80 Ken; K100 Trk; CumDsl L6-14.0; 1985 Ken; K100 Trk; CumDsl L6-14.0; 81-80 Ken; L700 Trk; CumDsl L6-14.0; 1980 Ken; W900 Trk; CumDsl L6-14.0; 1985 Ken; W900 Trk; CumDsl L6-14.0; 81-80 Mack; F Series Trk; CumDsl L6-14.0; 1980 Mack; MH Series Trk; CumDsl L6-14.0; 1985 Mack; R Series Trk; CumDsl L6-14.0; 1985 Mack; R Series Trk; CumDsl L6-14.0; 81-80 Mack; RW Series Trk; CumDsl L6-14.0; 1985 Mack; RWL Series Trk; CumDsl L6-14.0; 81-80 Mack; RWS Series Trk; CumDsl L6-14.0; 81-80 Marmon; CHDT Trk; CumDsl L6-14.0; 81-80 Marmon; 57L Trk; CumDsl L6-14.0; 1985 Marmon; 57P Trk; CumDsl L6-14.0; 1985 P'bilt; 282 Trk; CumDsl L6-14.0; 1980 P'bilt; 289 Trk; CumDsl L6-14.0; 1980 P'bilt; 310 Trk; CumDsl L6-14.0; 1985 P'bilt; 348 Trk; CumDsl L6-14.0; 1985 P'bilt; 349 Trk; CumDsl L6-14.0; 1985 P'bilt; 352 Trk; CumDsl L6-14.0; 81-80 P'bilt; 353 Trk; CumDsl L6-14.0; 1985 P'bilt; 359 Trk; CumDsl L6-14.0; 1985 P'bilt; 359 Trk; CumDsl L6-14.0; 81-80 P'bilt; 362 Trk; CumDsl L6-14.0; 1985 P'bilt; 362 Trk; CumDsl L6-14.0; 1981 P'bilt; 387 Trk; CumDsl L6-14.0; 1985 WestStar; WSH Series Trk; CumDsl L6-14.0; 1980</p>
<p>41071 Niss; Pulsar NX; L4-1.6; 88-83 Niss; Sentra; L4-1.5; 83-82 Niss; Sentra; L4-1.6; 88-84 Niss; 310; L4-1.5; 1982</p>	<p>41101 Chev; Prizm; L4-1.8; 2002-98 Pont; Vibe; L4-1.8; 2008-03 Toy.; Celica; L4-1.8; 2005-00 Toy.; Corolla; L4-1.8; 2008-98 Toy.; Matrix; L4-1.8; 2008-03 Toy.; MR2 Spyder; L4-1.8; 2005-00</p>	
<p>41072 Mazda; B2600I Pickup; L4-2.6; 93-89 Mazda; MPV; L4-2.6; 94-89</p>	<p>41103 Acura; Vigor; L5-2.5; 94-92</p>	
<p>41073 Niss; Pulsar NX; L4-1.6; 90-89 Niss; Sentra; L4-1.6; 90-89</p>	<p>41106 Acura; Integra; L4-1.7; 93-92 Honda; Civic Del Sol; L4-1.6; 95-94</p>	
<p>41075 Niss; NX; L4-1.6; 93-91 Niss; Sentra; L4-1.6; 99-91 Niss; 200SX; L4-1.6; 98-95</p>	<p>41107 Hyundai; Accent; L4-1.5; 97-96 Hyundai; Accent; L4-1.6; 2008-01 Kia; Rio; L4-1.6; 2008-06</p>	
<p>41076 Niss; Axxess; L4-2.4; 1990 Niss; Stanza; L4-2.4; 92-90</p>	<p>41108 VW; Vanagon; L4-1.9; 85-83</p>	
<p>41078 Merc; Villager; V6-3.3; 2002-99 Niss; Quest; V6-3.3; 2002-99</p>	<p>41109 Dodge; Colt; L4-98; 77-71 Ply; Arrow; L4-98; 77-76</p>	
<p>41079 Chry; Concorde; V6-3.2; 2001-98 Chry; Concorde; V6-3.5; 2004-02 Chry; LHS; V6-3.5; 2001-99 Chry; Pacifica; V6-3.5; 2005-04 Chry; Prowler; V6-3.5; 2002-01 Chry; 300M; V6-3.5; 2004-99 Dodge; Intrepid; V6-3.2; 2001-98 Dodge; Intrepid; V6-3.5; 2004-00 Ply; Prowler; V6-3.5; 2001-99</p>	<p>41110 Volvo; C70; L5-2.3; 2004-98 Volvo; C70; L5-2.4; 2004-98 Volvo; C70; L5-2.5; 2007-06 Volvo; S40; L4-1.9; 2004-00 Volvo; S40; L5-2.4; 2007-05 Volvo; S40; L5-2.5; 2007-05 Volvo; S60; L5-2.3; 2004-01 Volvo; S60; L5-2.4; 2007-01 Volvo; S60; L5-2.5; 2007-03 Volvo; S70; L5-2.3; 2000-98 Volvo; S70; L5-2.4; 2000-98 Volvo; S80; L5-2.5; 2006-04 Volvo; V40; L4-1.9; 2004-00 Volvo; V50; L5-2.4; 2007-05 Volvo; V50; L5-2.5; 2007-05 Volvo; V70; L5-2.3; 2004-99 Volvo; V70; L5-2.4; 2007-98 Volvo; V70; L5-2.5; 2007-03 Volvo; XC70; L5-2.5; 2007-05 Volvo; XC90; L5-2.5; 2006-03 Volvo; 850; L5-2.3; 1997 Volvo; 850; L5-2.4; 97-93 Volvo; 960; L6-2.9; 94-92</p>	
<p>41080 Pont; Lemans; L4-1.6; 93-91</p>	<p>41111 Autocar; A Series Trk; CumDsl L6-14.0; 1980 Autocar; AT Series Trk; CumDsl L6-14.0; 1985 Autocar; C Series Trk; CumDsl L6-14.0; 1980 Autocar; Constructktor 2 Series Trk; CumDsl L6-14.0; 81-80 Autocar; DC Series Trk; CumDsl L6-14.0; 81-80 Chev; Bison Trk; CumDsl L6-14.0; 1980 Chev; Titan Trk; CumDsl L6-14.0; 1980 Ford; CL9000 Trk; CumDsl L6-14.0; 1985 Ford; CL9000 Trk; CumDsl L6-14.0; 81-80 Ford; CLT9000 Trk; CumDsl L6-14.0; 1985 Ford; CLT9000 Trk; CumDsl L6-14.0; 81-80 Ford; L9000 Trk; CumDsl L6-14.0; 1985 Ford; L9000 Trk; CumDsl L6-14.0; 81-80 Ford; LL9000 Trk; CumDsl L6-14.0; 1985 Ford; LN9000 Trk; CumDsl L6-14.0; 1985 Ford; LN9000 Trk; CumDsl L6-14.0; 81-80 Ford; LNT9000 Trk; CumDsl L6-14.0; 1985 Ford; LNT9000 Trk; CumDsl L6-14.0; 81-80 Ford; LS9000 Trk; CumDsl L6-14.0; 1985 Ford; LT9000 Trk; CumDsl L6-14.0; 1985 Ford; LT9000 Trk; CumDsl L6-14.0; 81-80</p>	
<p>41081 Daihatsu; Charade; L4-1.3; 92-89</p>		
<p>41082 Ford; Fiesta; L4-1.6; 1980</p>		
<p>41084 Chev; Sprint; L3-1.0; 88-85 Suzuki; Samurai; L4-1.3; 95-86 Suzuki; Sidekick; L4-1.3; 1989</p>		
<p>41087 Toy.; Celica; L4-113; 1971 Toy.; Celica; L4-120; 74-71 Toy.; Corolla; L4-1.8; 2009 Toy.; Corona; L4-113; 71-70 Toy.; Corona; L4-120; 74-72 Toy.; Pickup; L4-113; 71-70 Toy.; Pickup; L4-116; 1970 Toy.; Pickup; L4-120; 74-72</p>		
<p>41089 Toy.; Pickup; L4-2.2 Dsl; 83-81</p>		
<p>41090 Toy.; Starlet; L4-1.3; 84-83</p>		
<p>41092 Ford; Taurus; L4-2.5; 91-86 Merc; Sable; L4-2.5; 1986</p>		
<p>41095 Acura; Integra; L4-1.6; 89-86</p>		
<p>41097 Chev; Nova; L4-1.6; 88-85 Geo; Prizm; L4-1.6; 92-89 Toy.; Celica; L4-1.6; 93-90 Toy.; Corolla; L4-1.6; 92-84</p>		

Numerical Listing

Use as a guide only. Refer to Pages 1 to 142 for specific applications.

41111 - Continued

WestStar; 4800 Series Trk; CumDsl L6-14.0; 1985
 WestStar; 4800 Series Trk; CumDsl L6-14.0; 81-80
 WestStar; 4900 Series Trk; CumDsl L6-14.0; 1985
 WestStar; 4900 Series Trk; CumDsl L6-14.0; 81-80
 White; Road Boss 2 Trk; CumDsl L6-14.0; 81-80
 White; Road Commander 2 Trk; CumDsl L6-14.0; 81-80
 White; Road Xpeditor 2 Trk; CumDsl L6-14.0; 81-80
 White; WCA Trk; CumDsl L6-14.0; 1985
 White; WCL Trk; CumDsl L6-14.0; 1985
 White; WCM Trk; CumDsl L6-14.0; 1985
 White; WCS Trk; CumDsl L6-14.0; 1985
 White; WHL Trk; CumDsl L6-14.0; 1985
 White; WHM Trk; CumDsl L6-14.0; 1985
 White; WHR Trk; CumDsl L6-14.0; 1985
 White; WHS Trk; CumDsl L6-14.0; 1985
 White; WIA Trk; CumDsl L6-14.0; 1985
 White; WIG Trk; CumDsl L6-14.0; 1985
 White; WIL Trk; CumDsl L6-14.0; 1985
 White; WIM Trk; CumDsl L6-14.0; 1985
 White; WSL Trk; CumDsl L6-14.0; 1985
 White; WX Trk; CumDsl L6-14.0; 1985

41113

Chev; Tracker; L4-2.0; 2003-99
 Suzuki; Aerio; L4-2.0; 2003-02
 Suzuki; Aerio; L4-2.3; 2005-04
 Suzuki; Esteem; L4-1.8; 2002-99
 Suzuki; Sidekick; L4-1.8; 98-96
 Suzuki; Vitara; L4-2.0; 2004-99

41114

VW; Beetle; L4-1.9 Dsl; 2004-98
 VW; Golf; L4-1.9 Dsl; 2004-99
 VW; Jetta; L4-1.9 Dsl; 2004-99
 VW; Passat; L4-2.0 Dsl; 2005-04

41115

Honda; Civic; L4-1.7; 2005-01

41116

Mazda; Millenia; V6-2.3; 2002-95

41117

BMW; 524TD; L6-2.4 Dsl; 86-85

41118

Ford; Crown Victoria; V8-4.6; 2005-01
 Ford; Grand Marquis; V8-4.6 Canada; 2005
 Linc; Town Car; V8-4.6; 2005
 Linc; Town Car; V8-4.6; 2002-01
 Merc; Grand Marquis; V8-4.6; 2005-01

41119

Ford; Explorer; V8-4.6; 2002
 Merc; Mountaineer; V8-4.6; 2002

41120

Ford; Escape; L4-2.3; 2006-05
 Ford; Focus; L4-2.0; 2007-04
 Ford; Focus; L4-2.3; 2005-04
 Ford; Ranger; L4-2.3; 2003-01
 Mazda; 3; L4-2.0; 2005-04
 Mazda; 3; L4-2.3; 2005-04
 Mazda; 6; L4-2.3; 2005-04

41121

Ford; F Series Pickup; V8-5.4; 2003-01

41122

Buick; Rainier; L6-4.2; 2007-04
 Chev; Colorado; L4-2.8; 2006-04
 Chev; Colorado; L4-2.9; 2008-07
 Chev; Colorado; L5-3.5; 2006-04
 Chev; Colorado; L5-3.7; 2008-07
 Chev; Trailblazer; L6-4.2; 2008-02
 GMC; Canyon; L4-2.8; 2006-04

41122 - Continued

GMC; Canyon; L4-2.9; 2008-07
 GMC; Canyon; L5-3.5; 2006-04
 GMC; Canyon; L5-3.7; 2008-07
 GMC; Envoy; L6-4.2; 2008-02
 Hummer; H3; L5-3.7; 2008-07
 Isuzu; Ascender; L6-4.2; 2008-03
 Isuzu; I-280; L4-2.8; 2006
 Isuzu; I-290; L4-2.9; 2008-07
 Isuzu; I-350; L5-3.5; 2006
 Isuzu; I-370; L5-3.7; 2008-07
 Olds; Bravada; L6-4.2; 2004-02
 Saab; 9-7X; L6-4.2; 2008-05

41123

Infiniti; FX35; V6-3.5; 2008-03
 Infiniti; G35; V6-3.5; 2006-03
 Infiniti; I35; V6-3.5; 2004-02
 Infiniti; M35; V6-3.5; 2007-06
 Niss; Altima; V6-3.5; 2002
 Niss; Maxima; V6-3.5; 2002
 Niss; Murano; V6-3.5; 2007-03
 Niss; 350Z; V6-3.5; 2006-03

41124

Pont; Vibe; L4-1.8; 2006-03
 Toy.; Celica; L4-1.8; 2005-00
 Toy.; Corolla; L4-1.8; 2006-05
 Toy.; Matrix; L4-1.8; 2006-03

41125

Toy.; Paseo; L4-1.5; 1997
 Toy.; Paseo; L4-1.5 Canada; 99-98

41127

Audi; A4; L4-1.8; 2004-01
 Audi; TT; L4-1.8; 2004-00
 VW; Beetle; L4-1.8; 2004-99
 VW; Beetle; L4-2.0; 2004-98
 VW; Golf; L4-1.8; 2006-00
 VW; Golf; L4-2.0; 2004-99
 VW; Jetta; L4-1.8; 2004-00
 VW; Jetta; L4-2.0; 2003-99
 VW; Passat; L4-1.8; 2004-00

41128

Volvo; S90; L6-2.9; 1998
 Volvo; V90; L6-2.9; 1998
 Volvo; 960; L6-2.9; 97-95

41129

Autocar; A Series Trk; CumDsl L6-14.0; 79-74
 Autocar; C Series Trk; CumDsl L6-14.0; 79-78
 Autocar; Constructtor 2 Series Trk; CumDsl L6-14.0; 1979
 Autocar; DC Series Trk; CumDsl L6-14.0; 79-74
 Brockway; 358 Trk; CumDsl L6-14.0; 75-73
 Brockway; 359 Trk; CumDsl L6-14.0; 1974
 Brockway; 360 Trk; CumDsl L6-14.0; 1974
 Brockway; 361 Trk; CumDsl L6-14.0; 75-73
 Brockway; 450 Trk; CumDsl L6-14.0; 77-76
 Brockway; 758 Trk; CumDsl L6-14.0; 76-75
 Brockway; 760 Trk; CumDsl L6-14.0; 77-76
 Brockway; 761 Trk; CumDsl L6-14.0; 77-75
 Brockway; 762 Trk; CumDsl L6-14.0; 1976
 Chev; Bison Trk; CumDsl L6-14.0; 79-77
 Chev; Bruin Trk; CumDsl L6-14.0; 79-78
 Chev; H90 Trk; CumDsl L6-14.0; 78-71
 Chev; J90 Trk; CumDsl L6-14.0; 78-73
 Chev; JC90 Trk; CumDsl L6-14.0; 72-71
 Chev; M90 Trk; CumDsl L6-14.0; 74-73
 Chev; Titan Trk; CumDsl L6-14.0; 79-73
 Chev; Titan Trk; CumDsl L6-14.0; 1971
 Dodge; CN900 Trk; CumDsl L6-14.0; 74-72
 Dodge; CN950 Trk; CumDsl L6-14.0; 1974
 Dodge; CNT900 Trk; CumDsl L6-14.0; 74-72
 Dodge; CNT950 Trk; CumDsl L6-14.0; 1974
 Dodge; LS1000 Trk; CumDsl L6-14.0; 1974
 Dodge; LT1000 Trk; CumDsl L6-14.0; 1974
 Ford; CL9000 Trk; CumDsl L6-14.0; 79-78

41129 - Continued

Ford; CLT9000 Trk; CumDsl L6-14.0; 79-78
 Ford; L9000 Trk; CumDsl L6-14.0; 79-71
 Ford; LL9000 Trk; CumDsl L6-14.0; 74-71
 Ford; LN9000 Trk; CumDsl L6-14.0; 79-75
 Ford; LN9000 Trk; CumDsl L6-14.0; 73-71
 Ford; LNT9000 Trk; CumDsl L6-14.0; 79-71
 Ford; LS9000 Trk; CumDsl L6-14.0; 74-73
 Ford; LT9000 Trk; CumDsl L6-14.0; 79-71
 Ford; LTL9000 Trk; CumDsl L6-14.0; 79-76
 Ford; LTL9000 Trk; CumDsl L6-14.0; 74-71
 Ford; LTS9000 Trk; CumDsl L6-14.0; 79-71
 Ford; W9000 Trk; CumDsl L6-14.0; 77-71
 Ford; WT9000 Trk; CumDsl L6-14.0; 77-71
 F'liner; FLC Trk; CumDsl L6-855; 79-75
 F'liner; FLT Trk; CumDsl L6-855; 79-75
 F'liner; WFC Trk; CumDsl L6-855; 77-74
 F'liner; WFT Trk; CumDsl NT; 73-71
 F'liner; WFT Trk; CumDsl L6-855; 77-74
 Hendrickson; H3 Trk; CumDsl L6-14.0; 1973
 Int/Nav; CO4070B Trk; CumDsl L6-14.0; 79-75
 Int/Nav; CO5370 Trk; CumDsl L6-14.0; 79-73
 Int/Nav; COF4070B Trk; CumDsl L6-14.0; 79-75
 Int/Nav; COF5370 Trk; CumDsl L6-14.0; 79-73
 Int/Nav; F2070A Trk; CumDsl L6-14.0; 1974
 Int/Nav; F2275 Trk; CumDsl L6-14.0; 79-77
 Int/Nav; F2574 Trk; CumDsl L6-14.0; 79-77
 Int/Nav; F2674 Trk; CumDsl L6-14.0; 79-77
 Int/Nav; F4200 Trk; CumDsl L6-14.0; 79-73
 Int/Nav; F4300 Trk; CumDsl L6-14.0; 79-73
 Int/Nav; F5070 Trk; CumDsl L6-14.0; 79-77
 Int/Nav; F7070B Trk; CumDsl L6-14.0; 79-75
 Int/Nav; 2070A Trk; CumDsl L6-14.0; 75-73
 Int/Nav; 2275 Trk; CumDsl L6-14.0; 79-77
 Int/Nav; 2574 Trk; CumDsl L6-14.0; 79-77
 Int/Nav; 2575 Trk; CumDsl L6-14.0; 79-77
 Int/Nav; 2674 Trk; CumDsl L6-14.0; 79-77
 Int/Nav; 4200 Trk; CumDsl L6-14.0; 79-73
 Int/Nav; 4300 Trk; CumDsl L6-14.0; 79-73
 Int/Nav; 5070 Trk; CumDsl L6-14.0; 79-77
 Int/Nav; 7070B Trk; CumDsl L6-14.0; 79-75
 Ken; Brute Trk; CumDsl L6-855; 79-73
 Ken; C500 Trk; CumDsl L6-855; 79-75
 Ken; K100 Trk; CumDsl L6-855; 79-71
 Ken; L700 Trk; CumDsl L6-855; 1979
 Ken; W900 Trk; CumDsl L6-855; 79-71
 Mack; DM Series Trk; CumDsl NT; 1972
 Mack; DM Series Trk; CumDsl L6-855; 79-73
 Mack; DM Series Trk; CumDsl L6-855; 1971
 Mack; DMM Series Trk; CumDsl L6-855; 79-73
 Mack; F Series Trk; CumDsl L6-855; 79-71
 Mack; FL Series Trk; CumDsl NT; 1971
 Mack; FL Series Trk; CumDsl L6-855; 75-72
 Mack; FS Series Trk; CumDsl NT; 1971
 Mack; FS Series Trk; CumDsl L6-855; 75-72
 Mack; R Series Trk; CumDsl L6-855; 79-76
 Mack; RWL Series Trk; CumDsl L6-855; 1979
 Mack; RWS Series Trk; CumDsl L6-855; 1979
 Marmon; CHDT Trk; CumDsl L6-14.0; 79-73
 P'bilt; 200 Trk; CumDsl L6-14.0; 78-77
 P'bilt; 282 Trk; CumDsl L6-14.0; 79-71
 P'bilt; 289 Trk; CumDsl L6-14.0; 79-71
 P'bilt; 300 Trk; CumDsl L6-14.0; 78-77
 P'bilt; 352 Trk; CumDsl L6-14.0; 79-71
 P'bilt; 359 Trk; CumDsl L6-14.0; 79-71
 White; Constructtor Series Trk; CumDsl L6-14.0; 72-71
 White; Road Boss Trk; CumDsl L6-14.0; 77-74
 White; Road Boss 2 Trk; CumDsl L6-14.0; 79-78
 White; Road Commander Trk; CumDsl L6-14.0; 75-73
 White; Road Commander 2 Trk; CumDsl L6-14.0; 79-76

Numerical Listing

Use as a guide only. Refer to Pages 1 to 142 for specific applications.

<p>41129 - Continued</p> <p>White; Road Xpeditor Trk; CumDsl L6-14.0; 76-75 White; Road Xpeditor 2 Trk; CumDsl L6-14.0; 79-77 White; 1500 Series Trk; CumDsl L6-14.0; 1973 White; 4000 Series Trk; CumDsl L6-14.0; 72-71 White; 6000 Series Trk; CumDsl L6-14.0; 73-71 White; 7000 Series Trk; CumDsl L6-14.0; 1971 White; 9000 Series Trk; CumDsl L6-14.0; 1972</p>	<p>41142</p> <p>Cad; Catera; V6-3.0; 2001-97 Cad; CTS; V6-3.2; 2004-03 Saab; 9-5; V6-3.0; 2003-99 Saab; 900; V6-2.5; 97-94 Saab; 9000; V6-3.0; 97-95 Saturn; L-Series; V6-3.0; 2005-00 Saturn; VUE; V6-3.0; 2003-02</p>	<p>41160 - Continued</p> <p>Mer-Benz; 220; L4-134; 71-70 Mer-Benz; 220; L4-134; 70-69 Mer-Benz; 220; L4-134; 69-68 Mer-Benz; 220; L4-134; 1968 Mer-Benz; 220D; L4-134 Dsl; 1973 Mer-Benz; 230; L4-141; 78-74 Mer-Benz; 240D; L4-2.4 Dsl; 83-80 Mer-Benz; 240D; L4-147 Dsl; 79-74 Mer-Benz; 280CE; L6-2.8; 81-80 Mer-Benz; 280CE; L6-168; 79-78 Mer-Benz; 280E; L6-2.8; 81-80 Mer-Benz; 280E; L6-168; 79-77 Mer-Benz; 280S; L6-168; 76-75 Mer-Benz; 280SE; L6-2.8; 1980 Mer-Benz; 280SE; L6-168; 78-77 Mer-Benz; 280SEL; L6-170; 1971 Mer-Benz; 280SEL; L6-170; 71-70 Mer-Benz; 280SEL; L6-170; 70-69 Mer-Benz; 280SEL; L6-170; 69-68 Mer-Benz; 280SEL; L6-170; 1968 Mer-Benz; 280SL; L6-170; 1971 Mer-Benz; 280SL; L6-170; 71-70 Mer-Benz; 280SL; L6-170; 70-69 Mer-Benz; 280SL; L6-170; 69-68 Mer-Benz; 280SL; L6-170; 1968 Mer-Benz; 300CD; L5-3.0 Dsl; 85-80 Mer-Benz; 300CD; L5-183 Dsl; 79-78 Mer-Benz; 300D; L5-3.0 Dsl; 85-80 Mer-Benz; 300D; L5-183 Dsl; 79-76 Mer-Benz; 300SD; L5-3.0 Dsl; 85-80 Mer-Benz; 300SD; L5-183 Dsl; 1979 Mer-Benz; 300TD; L5-3.0 Dsl; 85-81 Mer-Benz; 300TD; L5-183 Dsl; 1979</p>
<p>41130</p> <p>Niss; Pickup; L4-2.2; 82-81 Niss; 510; L4-97; 73-68 Niss; 521 Pickup; L4-97; 72-70 Niss; 610; L4-108; 1973 Niss; 620 Pickup; L4-97; 73-72 Niss; 620 Pickup; L4-108; 1974 Niss; 720 Pickup; L4-2.0; 1980</p>	<p>41143</p> <p>Dodge; Challenger; L4-98; 79-78 Dodge; Colt; L4-98; 1978 Ply; Arrow; L4-1.6; 1980 Ply; Arrow; L4-98; 79-78 Ply; Sapporo; L4-98; 79-78</p>	<p>41161</p> <p>Mer-Benz; 230; L6-141; 69-66 Mer-Benz; 230S; L6-141; 67-66 Mer-Benz; 230SL; L6-141; 66-65 Mer-Benz; 250; L6-152; 69-68 Mer-Benz; 250C; L6-170; 72-70 Mer-Benz; 250S; L6-152; 67-66 Mer-Benz; 250SE; L6-152; 67-66 Mer-Benz; 250SL; L6-152; 1967 Mer-Benz; 280S; L6-168; 1975 Mer-Benz; 280S; L6-170; 71-68 Mer-Benz; 280SEL; L6-170; 1971 Mer-Benz; 280SEL; L6-170; 71-70 Mer-Benz; 280SEL; L6-170; 70-69 Mer-Benz; 280SEL; L6-170; 69-68 Mer-Benz; 280SEL; L6-170; 1968 Mer-Benz; 280SL; L6-170; 1971 Mer-Benz; 280SL; L6-170; 71-70 Mer-Benz; 280SL; L6-170; 70-69 Mer-Benz; 280SL; L6-170; 69-68 Mer-Benz; 280SL; L6-170; 1968</p>
<p>41131</p> <p>Niss; B210; L4-85; 78-75 Niss; 210; L4-1.2; 82-80 Niss; 210; L4-1.4; 82-80 Niss; 210; L4-85; 1979 Niss; 210; L4-1.5; 82-80 Niss; 210; L4-91; 1979</p>	<p>41145</p> <p>Toy.; Tercel; L4-1.5; 88-81</p> <p>41146</p> <p>Toy.; Tercel; L4-1.5; 82-81</p> <p>41147</p> <p>Toy.; Van; L4-2.0; 85-84 Toy.; Van; L4-2.2; 89-86</p>	<p>41162</p> <p>Niss; Frontier; L4-2.4; 2004-98 Niss; Pickup; L4-2.4; 97-90 Niss; Xterra; L4-2.4; 2004-00 Niss; 240SX; L4-2.4; 98-89</p>
<p>41132</p> <p>Niss; Maxima; L6-2.4; 84-82 Niss; Maxima; L6-2.8 Dsl; 83-82 Niss; 240Z; L6-146; 73-70 Niss; 260Z; L6-157; 75-74 Niss; 280Z; L6-168; 78-75 Niss; 280ZX; L6-2.8; 83-80 Niss; 280ZX; L6-168; 1979 Niss; 810; L6-2.4; 81-80 Niss; 810; L6-146; 79-77</p>	<p>41148</p> <p>Toy.; Pickup; L4-2.4 Dsl; 85-84</p> <p>41149</p> <p>Toy.; Paseo; L4-1.5; 95-92 Toy.; Tercel; L4-1.5; 94-87</p> <p>41151</p> <p>Audi; 5000; L5-2.0 Dsl; 83-80 Audi; 5000; L5-121 Dsl; 1979 Volvo; 240; L6-2.4 Dsl; 85-80 Volvo; 260; L6-2.4 Dsl; 81-80 Volvo; 740; L6-2.4 Dsl; 86-85 Volvo; 760; L6-2.4 Dsl; 85-83</p>	<p>41163</p> <p>Niss; Altima; L4-2.4; 2001-93</p> <p>41164</p> <p>Infiniti; I30; V6-3.0; 2001-96 Infiniti; QX4; V6-3.5; 2003-01 Niss; Maxima; V6-3.0; 2001-95 Niss; Pathfinder; V6-3.5; 2004-01</p>
<p>41133</p> <p>Niss; Stanza; L4-2.0; 86-82</p> <p>41134</p> <p>Niss; Sentra; L4-1.7 Dsl; 86-83</p> <p>41135</p> <p>Niss; Pulsar NX; L4-1.6; 1987 Niss; 200SX; L4-1.8; 86-84 Niss; 200SX; L4-1.8 Canada; 1987 Niss; 200SX; L4-2.0; 88-84</p>	<p>41152</p> <p>Audi; Coupe Quattro; L5-2.3; 91-90 Audi; 80; L5-2.3; 92-88 Audi; 90; L5-2.3; 91-88 Audi; 100; L5-2.3; 91-89 Audi; 200; L5-2.2; 91-89</p> <p>41153</p> <p>VW; Vanagon; L4-2.1; 92-86</p> <p>41154</p> <p>Audi; S4; L5-2.2; 94-92 Audi; S6; L5-2.2; 1995 Audi; S6; L5-2.2 Canada; 1996</p>	<p>41165</p> <p>Subaru; DL; L4-1.8; 89-85 Subaru; GL; L4-1.8; 89-85 Subaru; GL-10; L4-1.8; 89-85 Subaru; RX; L4-1.8; 89-85 Subaru; Standard; L4-1.8; 1987 Subaru; XT; L4-1.8; 91-85</p>
<p>41136</p> <p>Niss; Pulsar NX; L4-1.6; 1987 Niss; Pulsar NX; L4-1.8; 89-88 Niss; Stanza; L4-2.0; 89-86</p> <p>41137</p> <p>Merc; Villager; V6-3.0; 98-93 Niss; Maxima; V6-3.0; 94-85 Niss; Quest; V6-3.0; 98-93</p>	<p>41155</p> <p>VW; Corrado; V6-2.8; 94-92 VW; Corrado; V6-2.8 Canada; 1995 VW; Eurovan; V6-2.8; 2002-97 VW; Golf; V6-2.8; 2002-95 VW; Jetta; V6-2.8; 2002-94 VW; Passat; V6-2.8; 97-93</p> <p>41156</p> <p>VW; Eurovan; L5-2.5; 96-93</p> <p>41157</p> <p>VW; Passat; L4-1.9 Dsl; 1998</p>	<p>41166</p> <p>Subaru; XT; L6-2.7; 91-88</p>
<p>41138</p> <p>Infiniti; G20; L4-2.0; 2002-99 Infiniti; G20; L4-2.0; 96-91 Niss; NX; L4-2.0; 93-91 Niss; Sentra; L4-2.0; 2001-98 Niss; Sentra; L4-2.0; 94-91 Niss; 200SX; L4-2.0; 98-95</p> <p>41139</p> <p>Niss; Van; L4-2.4; 88-87</p> <p>41140</p> <p>Niss; Micra; L4-1.2 Canada; 91-84</p>	<p>41158</p> <p>Volvo; PV544; L4-109; 66-62 Volvo; 122; L4-109; 68-62 Volvo; 1800; L4-109; 68-62 Volvo; 1800; L4-121; 73-69</p> <p>41159</p> <p>Toy.; Paseo; L4-1.5; 97-96 Toy.; Tercel; L4-1.5; 98-95 Toy.; Tercel; L4-1.5 Canada; 1999</p> <p>41160</p> <p>Mer-Benz; 200; L4-121 Dsl; 1968 Mer-Benz; 220; L4-134; 73-72 Mer-Benz; 220; L4-134; 72-71</p>	

Numerical Listing

Use as a guide only. Refer to Pages 1 to 142 for specific applications.

41174 - Continued

Volvo; WH Series Trk; CumDsl L6-14.0; 1990
 Volvo; WIA Series Trk; CumDsl L6-14.0; 1990
 Volvo; WIL Series Trk; CumDsl L6-14.0; 1990
 Volvo; WIM Series Trk; CumDsl L6-14.0; 1990
 WestStar; 3800 Series Trk; CumDsl L6-14.0; 1989
 WestStar; 4800 Series Trk; CumDsl L6-14.0; 89-85
 WestStar; 4900 Series Trk; CumDsl L6-14.0; 90-85
 WestStar; 6900 Series Trk; CumDsl L6-14.0; 90-89
 White; WCA Trk; CumDsl L6-14.0; 88-85
 White; WCL Trk; CumDsl L6-14.0; 88-85
 White; WCM Trk; CumDsl L6-14.0; 88-85
 White; WCS Trk; CumDsl L6-14.0; 88-85
 White; WG Trk; CumDsl L6-14.0; 1989
 White; WHL Trk; CumDsl L6-14.0; 88-85
 White; WHM Trk; CumDsl L6-14.0; 88-85
 White; WHR Trk; CumDsl L6-14.0; 88-85
 White; WHS Trk; CumDsl L6-14.0; 88-85
 White; WIA Trk; CumDsl L6-14.0; 89-85
 White; WIG Trk; CumDsl L6-14.0; 89-85
 White; WIL Trk; CumDsl L6-14.0; 89-85
 White; WIM Trk; CumDsl L6-14.0; 89-85
 White; WSL Trk; CumDsl L6-14.0; 88-85
 White; WX Trk; CumDsl L6-14.0; 88-85
 WhiteGMC; WG Series Trk; CumDsl L6-14.0; 1990
 WhiteGMC; WIA Series Trk; CumDsl L6-14.0; 1990
 WhiteGMC; WIL Series Trk; CumDsl L6-14.0; 1990
 WhiteGMC; WIM Series Trk; CumDsl L6-14.0; 1990

41175

Autocar; AC Series Trk; Cummins10 Dsl; 1995
 Autocar; AC Series Trk; Cummins10 Dsl; 1991
 Autocar; Cement Mixer Trk; Cummins10 Dsl; 1993
 Ford; L8000 Trk; Cummins10 Dsl; 92-91
 Ford; L9000 Trk; Cummins10 Dsl; 97-94
 Ford; L9000 Trk; Cummins10 Dsl; 92-91
 Ford; LA8000 Trk; Cummins10 Dsl; 92-91
 Ford; LA9000 Trk; Cummins10 Dsl; 97-91
 Ford; LL9000 Trk; Cummins10 Dsl; 96-95
 Ford; LL9000 Trk; Cummins10 Dsl; 93-91
 Ford; LLA9000 Trk; CatDsl-C10; 1997
 Ford; LLA9000 Trk; Cummins10 Dsl; 96-95
 Ford; LLA9000 Trk; Cummins10 Dsl; 92-91
 Ford; LLS9000 Trk; Cummins10 Dsl; 96-95
 Ford; LLS9000 Trk; Cummins10 Dsl; 93-91
 Ford; LN8000 Trk; Cummins10 Dsl; 1992
 Ford; LN9000 Trk; Cummins10 Dsl; 97-91
 Ford; LNT8000 Trk; Cummins10 Dsl; 1991
 Ford; LNT9000 Trk; Cummins10 Dsl; 97-91
 Ford; LS8000 Trk; Cummins10 Dsl; 92-91
 Ford; LS9000 Trk; Cummins10 Dsl; 97-91
 Ford; LT8000 Trk; Cummins10 Dsl; 1991
 Ford; LT9000 Trk; Cummins10 Dsl; 97-91
 Ford; LTA9000 Trk; Cummins10 Dsl; 97-91
 Ford; LTL9000 Trk; Cummins10 Dsl; 97-91
 Ford; LTLA9000 Trk; Cummins10 Dsl; 96-95
 Ford; LTLA9000 Trk; Cummins10 Dsl; 92-91
 Ford; LTLA9000 Trk; Cummins10 Dsl; 96-95
 Ford; LTLA9000 Trk; Cummins10 Dsl; 92-91
 Ford; LTS9000 Trk; Cummins10 Dsl; 97-91
 F'liner; FLA Trk; Cummins10 Dsl; 94-91
 F'liner; FLB Trk; Cummins10 Dsl; 96-95
 F'liner; FLC Trk; Cummins10 Dsl; 1996
 F'liner; FLC Trk; Cummins10 Dsl; 93-91
 F'liner; FLD Trk; Cummins10 Dsl; 96-95
 F'liner; FLD Trk; Cummins10 Dsl; 93-91
 F'liner; FLL Trk; Cummins10 Dsl; 96-89

41175 - Continued

Int/Nav; 5000 Trk; Cummins10 Dsl; 98-91
 Int/Nav; 8100 Trk; Cummins10 Dsl; 97-91
 Int/Nav; 8200 Trk; Cummins10 Dsl; 97-91
 Int/Nav; 8300 Trk; Cummins10 Dsl; 94-91
 Int/Nav; 9200 Trk; Cummins10 Dsl; 94-93
 Int/Nav; 9600 Trk; Cummins10 Dsl; 94-91
 Int/Nav; 9700 Trk; Cummins10 Dsl; 94-91
 Ken; T400 Trk; Cummins10 Dsl; 97-91
 Ken; T450 Trk; Cummins10 Dsl; 95-94
 Ken; T450 Trk; Cummins10 Dsl; 92-91
 Ken; T600 Trk; Cummins10 Dsl; 97-95
 Ken; T600 Trk; Cummins10 Dsl; 93-91
 Ken; T800 Trk; Cummins10 Dsl; 97-91
 P'bilt; 357 Trk; Cummins10 Dsl; 97-91
 P'bilt; 362 Trk; Cummins10 Dsl; 95-91
 P'bilt; 375 Trk; Cummins10 Dsl; 1993
 P'bilt; 375 Trk; Cummins10 Dsl; 1991
 P'bilt; 377 Trk; Cummins10 Dsl; 97-94
 P'bilt; 377 Trk; Cummins10 Dsl; 1991
 P'bilt; 378 Trk; Cummins10 Dsl; 97-94
 P'bilt; 379 Trk; Cummins10 Dsl; 97-91
 P'bilt; 385 Trk; Cummins10 Dsl; 97-96

41176

Dodge; Ram Series Pickup; L6-5.9 Dsl; 2002-98
 Workhorse; P Series Chassis; L4-3.9 Dsl; 2005-04
 Bering; MD Series Trk; CumDsl ISB; 2001-99
 Ford; F650 Super Duty Trk; CumDsl ISB; 2006-00
 Ford; F700 Trk; CumDsl ISB; 1998
 Ford; F750 Super Duty Trk; CumDsl ISB; 2006-00
 Ford; F800 Trk; CumDsl ISB; 99-98
 Ford; FT900 Trk; CumDsl ISB; 1998
 Ford; L8000 Trk; CumDsl ISB; 1998
 Ford; L8500 Trk; CumDsl ISB; 1998
 Ford; LA8000 Trk; CumDsl ISB; 1998
 Ford; LLA9000 Trk; CumDsl ISB; 1998
 Ford; LS8000 Trk; CumDsl ISB; 1998
 Ford; LTLA9000 Trk; CumDsl ISB; 1998
 Ford; LTLA9000 Trk; CumDsl ISB; 1998
 F'liner; FC70 Trk; CumDsl ISB; 2003-01
 F'liner; FC70 Trk; CumDsl ISB; 1999
 F'liner; FC80 Trk; CumDsl ISB; 2005-01
 F'liner; FC80 Trk; CumDsl ISB; 1999
 F'liner; FL50 Trk; CumDsl ISB; 2003-99
 F'liner; FL60 Trk; CumDsl ISB; 2003-99
 F'liner; FL70 Trk; CumDsl ISB; 2003-99
 F'liner; FL80 Trk; CumDsl ISB; 2003-99
 F'liner; MT35 Trk; CumDsl ISB; 2006-04
 F'liner; MT45 Trk; Cum ISB CNG; 2001
 F'liner; MT45 Trk; CumDsl ISB; 2007-99
 F'liner; MT55 Trk; Cum ISB CNG; 2001
 F'liner; MT55 Trk; CumDsl ISB; 2007-99
 Ken; K300 Trk; CumDsl ISB; 2001-00
 Ken; T300 Trk; CumDsl ISB; 2005
 P'bilt; 200 Trk; CumDsl ISB; 2000-98
 P'bilt; 270 Trk; CumDsl ISB; 2002-01
 P'bilt; 330 Trk; CumDsl ISB; 2000
 Sterling; Acterra Trk; CumDsl ISB; 2002-01
 Sterling; L-Line Trk; CumDsl ISB; 2002-98
 Sterling; SC7000 Trk; CumDsl ISB; 2002
 Sterling; SC8000 Trk; CumDsl ISB; 2005-98
 Workhorse; P Series Trk; CumDsl B Ser 3.9; 2005-04
 ABCbus; M1035 Bus; CumDsl ISB; 2005
 Bluebird; All American RE SchBus; CumDsl ISB; 1999
 Bluebird; Q-Bus RE Bus; Cum ISB CNG; 98-97
 Bluebird; TC1000 SchBus; CumDsl ISB; 2000-97
 Bluebird; TC2000 SchBus; CumDsl ISB; 2004-97
 Bluebird; Ultra LF Bus; CumDsl ISB; 2006-02
 Bluebird; Ultra LMB Bus; CumDsl ISB; 2005-03

41176 - Continued

Bluebird; Xcel 102 Bus; CumDsl ISB; 2003
 Champion Bus; CTS RE Bus; CumDsl ISB; 2003
 CrownCoach; Counselor FE SchBus; CumDsl B Ser 3.9; 99-98
 CrownCoach; Counselor FE SchBus; CumDsl ISB; 99-97
 El Dorado; EZ-Rider II Bus; CumDsl ISB; 2005
 F'liner; FS65 SchBus; CumDsl ISB; 2003-98
 Gillig; Phantom Bus; CumDsl ISB; 2005
 Goshen Coach; Sentry Bus; CumDsl ISB; 1999
 Optima Bus; Opus 29 Bus; CumDsl ISB; 2004
 Orion; Orion II Bus; CumDsl ISB; 1999
 Thomas; Conventional SchBus; CumDsl ISB; 2003-00
 Thomas; Saf-T-Liner MVP EF SchBus; CumDsl ISB; 2002-97
 Thomas; Saf-T-Liner MVP ER SchBus; CumDsl ISB; 2003-99
 Thomas; SLF 200 Bus; Cum ISB CNG; 2003
 Thomas; SLF 200 Bus; CumDsl ISB; 2003
 Thomas; SLF 200 Bus; CumDsl ISB; 2000-99

41177

Ottawa; YT30 Yard Tractor; CumDsl B Ser 5.9
 Ottawa; YT50 Yard Tractor; CumDsl B Ser 5.9
 Ottawa; YT60T Yard Tractor; CumDsl B Ser 5.9

41178

Bluebird; TC2000 SchBus; CumDsl B Ser 5.9; 88-87

41179

Scion; TC; L4-2.4; 2008-05
 Toy.; Camry; L4-2.4; 2008-02
 Toy.; Camry; L4-2.4 Electric Assist; 2008-07
 Toy.; Highlander; L4-2.4; 2006-01
 Toy.; Matrix; L4-2.4; 2009
 Toy.; RAV4; L4-2.0; 2003-01
 Toy.; RAV4; L4-2.4; 2008-04
 Toy.; Solara; L4-2.4; 2008-02

41181

Chev; P Series Van; L4-3.9 Dsl; 91-89
 Dodge; D & W Series Pickup; L6-5.9 Dsl; 93-89
 Dodge; Ram Series Pickup; L6-5.9 Dsl; 98-94
 GMC; P Series Van; L4-3.9 Dsl; 91-89
 Chev; P30 Trk; CumDsl BT Ser; 92-90
 Ford; CF7000 Trk; CumDsl B Ser 5.9; 97-93
 Ford; CF8000 Trk; CumDsl B Ser 5.9; 97-93
 Ford; CFT8000 Trk; CumDsl B Ser 5.9; 97-93
 Ford; F600 Trk; CumDsl B Ser 5.9; 94-92
 Ford; F700 Trk; CumDsl B Ser 5.9; 97-92
 Ford; F800 Trk; CumDsl B Ser 5.9; 97-92
 Ford; FT900 Trk; CumDsl B Ser 5.9; 97-92
 Ford; L8000 Trk; CumDsl B Ser 5.9; 97-93
 Ford; L9000 Trk; CumDsl B Ser 5.9; 97-93
 Ford; LA8000 Trk; CumDsl B Ser 5.9; 97-94
 Ford; LA9000 Trk; CumDsl B Ser 5.9; 97-94
 Ford; LL9000 Trk; CumDsl B Ser 5.9; 97-94
 Ford; LLA9000 Trk; CumDsl B Ser 5.9; 97-94
 Ford; LLS9000 Trk; CumDsl B Ser 5.9; 97-94
 Ford; LN7000 Trk; CumDsl B Ser 5.9; 97-93
 Ford; LN8000 Trk; CumDsl B Ser 5.9; 97-93
 Ford; LN9000 Trk; CumDsl B Ser 5.9; 97-94
 Ford; LNT8000 Trk; CumDsl B Ser 5.9; 97-93
 Ford; LNT9000 Trk; CumDsl B Ser 5.9; 97-93

Numerical Listing

Use as a guide only. Refer to Pages 1 to 142 for specific applications.

41181 - Continued

Ford; LS8000 Trk; CumDsl B Ser 5.9; 97-94
 Ford; LS9000 Trk; CumDsl B Ser 5.9; 97-95
 Ford; LT8000 Trk; CumDsl B Ser 5.9; 97-93
 Ford; LT9000 Trk; CumDsl B Ser 5.9; 97-95
 Ford; LTA9000 Trk; CumDsl B Ser 5.9; 97-95
 Ford; LTL9000 Trk; CumDsl B Ser 5.9; 97-95
 Ford; LTLA9000 Trk; CumDsl B Ser 5.9; 97-95
 Ford; LTLS9000 Trk; CumDsl B Ser 5.9; 97-95
 Ford; LTS8000 Trk; CumDsl B Ser 5.9; 97-93
 Ford; LTS9000 Trk; CumDsl B Ser 5.9; 97-95
 F'liner; FL50 Trk; CumDsl B Ser 5.9; 97-95
 F'liner; FL50 Trk; CumDsl ISB; 1998
 F'liner; FL60 Trk; CumDsl B Ser 5.9; 97-91
 F'liner; FL60 Trk; CumDsl ISB; 1998
 F'liner; FL70 Trk; CumDsl B Ser 5.9; 97-91
 F'liner; FL70 Trk; CumDsl ISB; 1998
 F'liner; FL80 Trk; CumDsl B Ser 5.9; 97-91
 F'liner; FL80 Trk; CumDsl ISB; 1998
 GMC; P3500 Trk; CumDsl BT Ser; 92-90
 Ken; K300 Trk; CumDsl B Ser 5.9; 96-95
 P'bilt; 200 Trk; CumDsl B Ser 5.9; 97-94
 Winnebago; W650 Trk; CumDsl B Ser 5.9; 1988
 Winnebago; W850 Trk; CumDsl B Ser 5.9; 1988
 Bluebird; All American FE SchBus; CumDsl B Ser 5.9; 94-91
 Bluebird; All American RE SchBus; Cum B Ser 5.9 CNG; 1992
 Bluebird; Q-Bus RE Bus; Cum B Ser 5.9 CNG; 96-93
 Bluebird; TC2000 SchBus; CumDsl B Ser 5.9; 96-89
 CrownCoach; Counselor FE SchBus; CumDsl B Ser 3.9; 97-91
 CrownCoach; Counselor FE SchBus; CumDsl B Ser 5.9; 96-91
 Thomas; Saf-T-Liner MVP EF SchBus; CumDsl B Ser 5.9; 96-93
 Thomas; Saf-T-Liner MVP ER SchBus; CumDsl B Ser 5.9; 1996

41183

Honda; Accord; L4-2.4; 2007
 Honda; Element; L4-2.4; 2007-03

41184

Honda; Accord; V6-3.0; 2007-03
 Honda; Pilot; V6-3.5; 2005

41185

Ford; Excursion; V8-6.0 Dsl; 2004-03
 Ford; Super Duty Pickup; V8-6.0 Dsl; 2004-03
 Ford; Super Duty Van; V8-6.0 Dsl; 2004
 Ford; E450 Super Duty Trk; V8-6.0 Dsl; 2004-03
 Ford; F450 Super Duty Trk; V8-6.0 Dsl; 2004-03
 Ford; F550 Super Duty Trk; V8-6.0 Dsl; 2004-03
 Ford; F650 Super Duty Trk; V8-6.0 Dsl; 2004-03
 Ford; F750 Super Duty Trk; V8-6.0 Dsl; 2004-03
 Bluebird; Micro Bird SchBus; Ford V8-6.0 Dsl; 2005

42000

AmerMtrs; Concord; L6-4.2; 83-81
 AmerMtrs; Eagle; L4-2.5; 84-83
 AmerMtrs; Eagle; L6-4.2; 86-81
 AmerMtrs; Spirit; L6-4.2; 83-81
 Jeep; Cherokee; L4-2.5; 86-84
 Jeep; Cherokee; L6-4.2; 83-81

42000 - Continued

Jeep; CJ Series; L4-2.5; 86-83
 Jeep; CJ Series; L6-4.2; 86-81
 Jeep; Comanche; L4-2.5; 1986
 Jeep; Grand Wagoneer; L6-4.2; 86-84
 Jeep; J Series Pickup; L6-4.2; 86-81
 Jeep; Scrambler; L4-2.5; 85-83
 Jeep; Scrambler; L6-4.2; 85-81
 Jeep; Wagoneer; L4-2.5; 86-84
 Jeep; Wagoneer; L6-4.2; 83-81

42001

Jeep; CJ Series; L4-134; 71-45
 Jeep; DJ Series; L4-134; 71-56
 Jeep; F4-134; L4-134; 62-57
 Jeep; F134; L4-134; 65-63
 Jeep; FC Series; L4-134; 66-57
 Jeep; FJ Series; L4-134; 64-61
 Jeep; Jeepster; L4-134; 71-67
 Jeep; Pickup; L4-134; 50-46
 Jeep; Station Wagon; L4-134; 50-46
 Jeep; Universal; L4-134; 44-41
 Jeep; 441; L4-134; 1941
 Jeep; 442; L4-134; 1942
 Jeep; 454; L4-134; 1954
 Jeep; 473; L4-134; 52-51
 Jeep; 475; L4-134; 56-55
 Jeep; 475; L4-134; 1953

42002

AmerMtrs; Eagle; L6-4.2; 88-87
 Jeep; Cherokee; L4-2.5; 90-87
 Jeep; Cherokee; L6-4.0; 90-87
 Jeep; Comanche; L4-2.5; 90-87
 Jeep; Comanche; L6-4.0; 90-87
 Jeep; J Series Pickup; L6-4.2; 1987
 Jeep; Wagoneer; L4-2.5; 1987
 Jeep; Wagoneer; L6-4.0; 90-87
 Jeep; Wrangler; L4-2.5; 90-87
 Jeep; Wrangler; L6-4.2; 90-87

42003

AmerMtrs; Eagle; L6-4.2; 88-87
 Jeep; Cherokee; L4-2.5; 90-87
 Jeep; Comanche; L4-2.5; 90-87
 Jeep; J Series Pickup; L6-4.2; 1987
 Jeep; Wagoneer; L4-2.5; 1987
 Jeep; Wrangler; L4-2.5; 90-87
 Jeep; Wrangler; L6-4.2; 90-87

42004

Eagle; Premier; L4-2.5; 89-88
 Jeep; Cherokee; L6-4.0; 2001-87
 Jeep; Comanche; L6-4.0; 92-87
 Jeep; Wagoneer; L6-4.0; 90-87

42005

Dodge; Dakota; L4-2.5; 2002-96
 Jeep; Cherokee; L4-2.5; 2000-91
 Jeep; Comanche; L4-2.5; 92-91
 Jeep; Grand Cherokee; L6-4.0; 98-93
 Jeep; Wrangler; L4-2.5; 2002-97
 Jeep; Wrangler; L4-2.5; 95-91
 Jeep; Wrangler; L6-4.0; 99-97
 Jeep; Wrangler; L6-4.0; 95-91

42006

Austin; America; L4-78; 72-68
 Austin; Mini; L4-52; 66-60
 Austin; Mini Cooper; L4-61; 64-62
 Austin; Sprite; L4-78; 70-68
 Austin-Healey; Sprite; L4-58; 63-58
 Austin-Healey; Sprite; L4-67; 67-62
 Austin-Healey; Sprite; L4-78; 70-66
 MG; Midget; L4-78; 74-67
 MG; 1100; L4-67; 67-63

42007

MG; MGB; L4-1.8; 1980
 MG; MGB; L4-110; 79-72

42008

Triumph; Spitfire; L4-79; 72-71

42008 - Continued

Triumph; Spitfire; L4-91; 74-73

42010

MG; MGB; L4-110; 71-65

42011

Jaguar; Vanden Plas; L6-3.6; 89-88
 Jaguar; Vanden Plas; L6-4.0; 92-90
 Jaguar; XJ6; L6-3.6; 89-88
 Jaguar; XJ6; L6-4.0; 92-90
 Jaguar; XJS; L6-4.0; 1993

42012

BMW; 320i; L4-1.8; 83-80
 BMW; 320i; L4-121; 79-77

42013

BMW; 318i; L4-1.8; 85-84

42014

BMW; 325i; L6-2.7; 87-86
 BMW; 325E; L6-2.7; 87-84
 BMW; 325i; L6-2.5; 1987
 BMW; 325iS; L6-2.5; 1987
 BMW; 528E; L6-2.7; 87-82

42016

BMW; M5; L6-3.5; 1988
 BMW; M6; L6-3.5; 88-87
 BMW; 528i; L6-2.8; 81-80
 BMW; 533i; L6-3.2; 84-83
 BMW; 535i; L6-3.5; 93-85
 BMW; 535iS; L6-3.5; 1988
 BMW; 633CSI; L6-3.2; 84-80
 BMW; 635CSI; L6-3.5; 89-85
 BMW; 733i; L6-3.2; 84-80
 BMW; 733i; L6-196; 79-78
 BMW; 735i; L6-3.5; 92-87
 BMW; 735iL; L6-3.5; 92-88

42017

BMW; 2002; L4-121; 76-71
 BMW; 2002Ti; L4-121; 1971

42018

BMW; 320i; L6-2.0 Canada; 1993
 BMW; 325i; L6-2.7; 1988
 BMW; 325i; L6-2.5; 89-88
 BMW; 325iS; L6-2.5; 89-88
 BMW; 325iX; L6-2.5; 89-88
 BMW; 525i; L6-2.5; 1989
 BMW; 528E; L6-2.7; 1988

42019

BMW; 2002TiL; L4-121; 75-71

42020

BMW; M3; L4-2.3; 91-88

42021

BMW; 750iL; V12-5.0; 94-88

42023

BMW; M5; L6-3.6; 93-91

42026

Jeep; Cherokee; L4-2.1 Dsl; 87-85
 Jeep; Comanche; L4-2.1 Dsl; 87-86
 Jeep; Wagoneer; L4-2.1 Dsl; 1985

42028

Dodge; Charger; L4-1.7; 1983
 Dodge; Omni; L4-1.7; 83-80
 Dodge; Omni; L4-104; 79-78
 Ply; Horizon; L4-1.7; 83-80
 Ply; Horizon; L4-104; 79-78

42029

Chry; E Class; L4-2.2; 84-83
 Chry; Laser; L4-2.2; 86-84
 Chry; Laser; L4-2.5; 1986
 Chry; Lebaron; L4-2.2; 88-82
 Chry; Lebaron; L4-2.5; 88-86
 Chry; New Yorker; L4-2.2; 88-83

Numerical Listing

Use as a guide only. Refer to Pages 1 to 142 for specific applications.

42029 - Continued

Chry; New Yorker; L4-2.5; 87-86
 Chry; TC Maserati; L4-2.2; 1990
 Chry; Town & Country; L4-2.2; 88-82
 Chry; Town & Country; L4-2.5; 88-86
 Dodge; Aries; L4-2.2; 87-81
 Dodge; Aries; L4-2.5; 87-86
 Dodge; Aries America; L4-2.2; 1988
 Dodge; Aries America; L4-2.5; 1988
 Dodge; Caravan; L4-2.2; 87-84
 Dodge; Caravan; L4-2.5; 1988
 Dodge; Charger; L4-2.2; 87-83
 Dodge; Dakota; L4-2.2; 88-87
 Dodge; Daytona; L4-2.2; 88-84
 Dodge; Daytona; L4-2.5; 88-86
 Dodge; Dynasty; L4-2.5; 1988
 Dodge; Grand Caravan; L4-2.2; 1987
 Dodge; Grand Caravan; L4-2.5; 88-87
 Dodge; Lancer; L4-2.2; 88-85
 Dodge; Lancer; L4-2.5; 88-86
 Dodge; Mini Ram Van; L4-2.2; 87-84
 Dodge; Mini Ram Van; L4-2.5; 88-87
 Dodge; Omni; L4-2.2; 88-81
 Dodge; Rampage; L4-2.2; 84-82
 Dodge; Shadow; L4-2.2; 88-87
 Dodge; Shadow; L4-2.5; 1988
 Dodge; 400; L4-2.2; 83-82
 Dodge; 600; L4-2.2; 88-83
 Dodge; 600; L4-2.5; 88-86
 Ply; Caravelle; L4-2.2; 88-85
 Ply; Caravelle; L4-2.5; 88-86
 Ply; Grand Voyager; L4-2.2; 1987
 Ply; Grand Voyager; L4-2.5; 1988
 Ply; Horizon; L4-2.2; 88-81
 Ply; Reliant; L4-2.2; 88-81
 Ply; Reliant; L4-2.5; 88-86
 Ply; Scamp Pickup; L4-2.2; 1983
 Ply; Sundance; L4-2.2; 88-87
 Ply; Sundance; L4-2.5; 1988
 Ply; Voyager; L4-2.2; 87-84
 Ply; Voyager; L4-2.5; 88-87

42032

Chry; Cordoba; V8-400; 78-75
 Chry; Imperial; V8-413; 65-59
 Chry; Imperial; V8-440; 75-66
 Chry; New Yorker; V8-383; 67-66
 Chry; New Yorker; V8-400; 78-75
 Chry; New Yorker; V8-413; 65-59
 Chry; New Yorker; V8-426; 1963
 Chry; New Yorker; V8-440; 78-66
 Chry; Newport; V8-361; 64-61
 Chry; Newport; V8-383; 71-65
 Chry; Newport; V8-400; 78-72
 Chry; Newport; V8-413; 64-62
 Chry; Newport; V8-426; 1963
 Chry; Newport; V8-440; 78-66
 Chry; Saratoga; V8-383; 60-59
 Chry; Town & Country; V8-383; 71-69
 Chry; Town & Country; V8-400; 77-75
 Chry; Town & Country; V8-400; 1972
 Chry; Town & Country; V8-440; 77-69
 Chry; Windsor; V8-383; 61-59
 Chry; 300; V8-383; 66-62
 Chry; 300; V8-413; 65-59
 Chry; 300; V8-426; 1963
 Chry; 300; V8-440; 71-66
 Desoto; Adventurer; V8-383; 60-59
 Desoto; Desoto; V8-361; 1961
 Desoto; Firedome; V8-361; 1958
 Desoto; Firedome; V8-383; 1959
 Desoto; Fireflite; V8-361; 1960
 Desoto; Fireflite; V8-361; 1958
 Desoto; Fireflite; V8-383; 1959
 Desoto; Firesweep; V8-350; 1958
 Desoto; Firesweep; V8-361; 1959
 Dodge; B Series Van; V8-400; 78-76
 Dodge; B Series Van; V8-440; 78-75
 Dodge; Challenger; V8-383; 71-70
 Dodge; Challenger; V8-426; 71-70
 Dodge; Challenger; V8-440; 71-70
 Dodge; Charger; V8-361; 1966

42032 - Continued

Dodge; Charger; V8-383; 71-66
 Dodge; Charger; V8-400; 78-72
 Dodge; Charger; V8-426; 71-66
 Dodge; Charger; V8-440; 74-66
 Dodge; Coronet; V8-361; 66-65
 Dodge; Coronet; V8-361; 1958
 Dodge; Coronet; V8-383; 71-65
 Dodge; Coronet; V8-383; 1959
 Dodge; Coronet; V8-400; 76-72
 Dodge; Coronet; V8-426; 71-65
 Dodge; Coronet; V8-440; 76-73
 Dodge; Coronet; V8-440; 70-66
 Dodge; Custom 880; V8-361; 64-62
 Dodge; Custom 880; V8-383; 65-63
 Dodge; Custom 880; V8-413; 1965
 Dodge; Custom 880; V8-413; 1963
 Dodge; Custom 880; V8-426; 65-63
 Dodge; D & W Series Pickup; V8-383; 71-67
 Dodge; D & W Series Pickup; V8-400; 78-72
 Dodge; D & W Series Pickup; V8-440; 78-73
 Dodge; Dart; V8-361; 62-60
 Dodge; Dart; V8-383; 69-68
 Dodge; Dart; V8-383; 61-60
 Dodge; Dart; V8-413; 62-61
 Dodge; Magnum; V8-400; 1978
 Dodge; Matador; V8-361; 1960
 Dodge; Matador; V8-383; 1960
 Dodge; Monaco; V8-383; 71-65
 Dodge; Monaco; V8-400; 78-72
 Dodge; Monaco; V8-413; 1965
 Dodge; Monaco; V8-426; 66-65
 Dodge; Monaco; V8-440; 1978
 Dodge; Monaco; V8-440; 76-66
 Dodge; Polara; V8-361; 62-60
 Dodge; Polara; V8-383; 71-63
 Dodge; Polara; V8-383; 61-60
 Dodge; Polara; V8-400; 73-72
 Dodge; Polara; V8-413; 1965
 Dodge; Polara; V8-413; 1962
 Dodge; Polara; V8-426; 66-63
 Dodge; Polara; V8-440; 73-66
 Dodge; Ramcharger; V8-400; 78-76
 Dodge; Ramcharger; V8-400; 1974
 Dodge; Ramcharger; V8-440; 78-74
 Dodge; Royal; V8-361; 59-58
 Dodge; Royal; V8-383; 1959
 Dodge; Royal Monaco; V8-400; 77-75
 Dodge; Royal Monaco; V8-440; 77-75
 Dodge; 330; V8-383; 64-63
 Dodge; 330; V8-426; 64-63
 Dodge; 440; V8-383; 64-63
 Dodge; 440; V8-426; 64-63
 Ply; B Series Van; V8-400; 78-76
 Ply; B Series Van; V8-440; 78-76
 Ply; Barracuda; V8-383; 71-67
 Ply; Barracuda; V8-426; 71-70
 Ply; Barracuda; V8-440; 71-70
 Ply; Belvedere; V8-350; 1958
 Ply; Belvedere; V8-361; 65-59
 Ply; Belvedere; V8-383; 70-60
 Ply; Belvedere; V8-413; 1961
 Ply; Belvedere; V8-426; 1969
 Ply; Belvedere; V8-426; 67-63
 Ply; Belvedere; V8-440; 1969
 Ply; Belvedere; V8-440; 1967
 Ply; Fury; V8-361; 66-59
 Ply; Fury; V8-383; 71-60
 Ply; Fury; V8-400; 78-72
 Ply; Fury; V8-413; 62-61
 Ply; Fury; V8-426; 65-63
 Ply; Fury; V8-440; 78-77
 Ply; Fury; V8-440; 75-66
 Ply; Gran Fury; V8-400; 77-75
 Ply; Gran Fury; V8-440; 77-75
 Ply; Road Runner; V8-383; 1971
 Ply; Road Runner; V8-400; 74-72
 Ply; Road Runner; V8-426; 1971
 Ply; Road Runner; V8-440; 74-71
 Ply; Satellite; V8-361; 66-65
 Ply; Satellite; V8-383; 71-65
 Ply; Satellite; V8-400; 74-72

42032 - Continued

Ply; Satellite; V8-426; 71-65
 Ply; Satellite; V8-440; 74-67
 Ply; Savoy; V8-361; 64-59
 Ply; Savoy; V8-383; 64-63
 Ply; Savoy; V8-383; 61-60
 Ply; Savoy; V8-413; 1961
 Ply; Savoy; V8-426; 64-63
 Ply; Trailduster; V8-400; 78-76
 Ply; Trailduster; V8-400; 1974
 Ply; Trailduster; V8-440; 78-74

42033

Chry; Lebaron; L4-2.2; 1989
 Chry; Lebaron; L4-2.5; 1989
 Chry; TC Maserati; L4-2.2; 1989
 Dodge; Aries America; L4-2.2; 1989
 Dodge; Aries America; L4-2.5; 1989
 Dodge; Caravan; L4-2.5; 1989
 Dodge; Dakota; L4-2.5; 1989
 Dodge; Daytona; L4-2.2; 1989
 Dodge; Daytona; L4-2.5; 1989
 Dodge; Dynasty; L4-2.5; 1989
 Dodge; Grand Caravan; L4-2.5; 1989
 Dodge; Lancer; L4-2.2; 1989
 Dodge; Lancer; L4-2.5; 1989
 Dodge; Omni; L4-2.2; 1989
 Dodge; Shadow; L4-2.2; 1989
 Dodge; Shadow; L4-2.5; 1989
 Dodge; Spirit; L4-2.5; 1989
 Ply; Acclaim; L4-2.5; 1989
 Ply; Grand Voyager; L4-2.5; 1989
 Ply; Horizon; L4-2.2; 1989
 Ply; Reliant; L4-2.2; 1989
 Ply; Reliant; L4-2.5; 1989
 Ply; Sundance; L4-2.2; 1989
 Ply; Sundance; L4-2.5; 1989
 Ply; Voyager; L4-2.5; 1989

42034

Chry; Lebaron; L4-2.2; 1990
 Chry; Lebaron; L4-2.5; 94-90
 Dodge; Caravan; L4-2.5; 95-90
 Dodge; Dakota; L4-2.5; 95-90
 Dodge; Daytona; L4-2.2; 1990
 Dodge; Daytona; L4-2.5; 93-90
 Dodge; Dynasty; L4-2.5; 93-90
 Dodge; Omni; L4-2.2; 1990
 Dodge; Shadow; L4-2.2; 94-90
 Dodge; Shadow; L4-2.5; 94-90
 Dodge; Spirit; L4-2.5; 95-90
 Ply; Acclaim; L4-2.5; 95-90
 Ply; Horizon; L4-2.2; 1990
 Ply; Sundance; L4-2.2; 94-90
 Ply; Sundance; L4-2.5; 94-90
 Ply; Voyager; L4-2.5; 95-90

42035

Chry; Cirrus; L4-2.4; 96-95
 Chry; Sebring; L4-2.4; 1996
 Dodge; Caravan; L4-2.4; 1996
 Dodge; Grand Caravan; L4-2.4; 1996
 Dodge; Stratus; L4-2.4; 96-95
 Ply; Grand Voyager; L4-2.4; 1996
 Ply; Voyager; L4-2.4; 1996

42038

Dodge; Daytona; L4-2.2; 93-92
 Dodge; Spirit; L4-2.2; 92-91

42040

Dodge; M Series Motor Home; V8-440; 78-75
 Dodge; MB Series Van; V8-440; 78-74
 Dodge; RM Series Motor Home; V8-440; 1974

42041

Chry; Concorde; V6-2.7; 2004-98
 Chry; Sebring; V6-2.7; 2006-01
 Chry; 300; V6-2.7; 2006-05
 Dodge; Charger; V6-2.7; 2006
 Dodge; Intrepid; V6-2.7; 2004-98

Numerical Listing

Use as a guide only. Refer to Pages 1 to 142 for specific applications.

<p>42041 - Continued Dodge; Magnum; V6-2.7; 2006-05 Dodge; Stratus; V6-2.7; 2006-01</p>	<p>42057 Ford; E Series Van; L6-240; 74-65 Ford; E Series Van; L6-300; 1977 Ford; E Series Van; L6-300; 77-72 Ford; F Series Pickup; L6-240; 72-65 Ford; F Series Pickup; L6-300; 1977 Ford; F Series Pickup; L6-300; 77-65 Ford; P Series Van; L6-240; 72-65 Ford; P Series Van; L6-300; 76-65</p>	<p>42068 - Continued Ford; E Series Van; V8-5.4; 2002-97 Ford; Excursion; V8-5.4; 2002-00 Ford; Expedition; V8-4.6; 2002-97 Ford; Expedition; V8-5.4; 2002-97 Ford; F Series Pickup; V8-4.6; 2002-97 Ford; F Series Pickup; V8-5.4; 2002-97 Ford; Super Duty Pickup; V8-5.4; 2002-99 Ford; Super Duty Van; V8-5.4; 2001-00 Ford; Super Duty Van; V8-5.4; 1997 Linc; Blackwood; V8-5.4; 2002 Linc; Navigator; V8-5.4; 2001-98</p>
<p>42045 Daihatsu; Charade; L3-1.0; 92-88</p>	<p>42058 Ford; Escort; L4-1.6; 85-81 Ford; Escort; L4-1.9; 90-85 Ford; EXP; L4-1.6; 85-82 Ford; EXP; L4-1.9; 88-86 Merc; LN7; L4-1.6; 83-82 Merc; Lynx; L4-1.6; 85-81 Merc; Lynx; L4-1.9; 87-85</p>	<p>42069 Fiat; 124; L4-88; 70-68</p>
<p>42046 Fiat; Strada; L4-1.5; 82-80 Fiat; Strada; L4-91; 1979 Fiat; X1/9; L4-79; 78-74 Fiat; X1/9; L4-1.5; 82-80 Fiat; X1/9; L4-91; 1979 Fiat; 128; L4-68; 73-71 Fiat; 128; L4-79; 76-74</p>	<p>42059 Ford; Escort; L4-2.0 Dsl; 87-84 Ford; Tempo; L4-2.0 Dsl; 86-84 Mazda; 626; L4-2.0 Dsl; 85-84 Merc; Lynx; L4-2.0 Dsl; 87-84 Merc; Topaz; L4-2.0 Dsl; 86-84</p>	<p>42070 Ford; Bronco; L6-4.9; 82-80 Ford; E Series Van; L6-4.9; 82-80 Ford; E Series Van; L6-300; 1977 Ford; F Series Pickup; L6-4.9; 82-80 Ford; F Series Pickup; L6-300; 1977</p>
<p>42047 Fiat; Brava; L4-107; 1978 Fiat; Brava; L4-2.0; 81-80 Fiat; Brava; L4-122; 79-78 Fiat; Spider 2000; L4-2.0; 82-80 Fiat; Spider 2000; L4-122; 1979 Fiat; 124; L4-97; 1974 Fiat; 124; L4-107; 78-74 Fiat; 131; L4-107; 78-75</p>	<p>42060 Ford; Aerostar; L4-2.3; 87-86 Ford; Fairmont; L4-2.3; 1983 Ford; Ltd; L4-2.3; 86-83 Ford; Mustang; L4-2.3; 93-83 Ford; Ranger; L4-2.0; 88-83 Ford; Ranger; L4-2.3; 94-83 Ford; Thunderbird; L4-2.3; 88-83 Mazda; B2300 Pickup; L4-2.3; 1994 Merc; Capri; L4-2.3; 86-83 Merc; Cougar; L4-2.3; 86-84 Merc; Marquis; L4-2.3; 86-83 Merc; Zephyr; L4-2.3; 1983 Merkur; XR4TI; L4-2.3; 89-88</p>	<p>42071 Ford; E Series Van; L6-4.9; 1984 Ford; F Series Pickup; L6-4.9; 1984 Ford; C500 Trk; L6-240; 73-71 Ford; C600 Trk; L6-240; 74-71 Ford; F500 Trk; L6-240; 74-71 Ford; F600 Trk; L6-240; 74-71 Ford; P Series Trk; L6-240; 77-74 Ford; B500 SchBus; L6-240; 74-71 Ford; B500 SchBus; L6-300; 77-73 Ford; B600 SchBus; L6-240; 74-71 Ford; B600 SchBus; L6-300; 78-73 Ford; B700 SchBus; L6-300; 1975</p>
<p>42048 Fiat; 124; L4-73; 69-67 Fiat; 124; L4-88; 73-68 Fiat; 124; L4-98; 73-71</p>	<p>42061 Replaces OEM: C5TE 8505A (Ford) Replaces OEM: C5TE 8505B (Ford) Replaces OEM: C5TE 8505G (Ford) Replaces OEM: C5TZ 8501A (Ford) Replaces OEM: C5TZ 8501B (Ford) Replaces OEM: C5TZ 8501C (Ford)</p>	<p>42072 Ford; Crestline; L6-223; 1954 Ford; F Series Pickup; L6-223; 64-57 Ford; F Series Pickup; L6-223; 1954 Ford; Fairlane; L6-223; 56-55 Ford; Mainline; L6-223; 56-54 Ford; P Series Van; L6-223; 64-57</p>
<p>42049 Ford; Pinto; L4-98; 73-71 Merc; Capri; L4-98; 72-70</p>	<p>42062 Ford; Escort; L4-1.9; 1991 Merc; Tracer; L4-1.9; 1991</p>	<p>42073 Ford; Probe; V6-3.0; 92-90</p>
<p>42050 Ford; Pinto; L4-122; 74-71 Merc; Capri; L4-122; 74-71</p>	<p>42063 Ford; Escort; L4-1.9; 96-91 Merc; Tracer; L4-1.9; 96-91</p>	<p>42074 Ford; Tempo; V6-3.0; 94-92 Merc; Topaz; V6-3.0; 94-92</p>
<p>42051 Ford; Fairmont; L6-3.3; 83-80 Ford; Granada; L6-3.3; 82-81 Ford; Ltd; L6-3.3; 1983 Ford; Mustang; L6-3.3; 82-80 Ford; Thunderbird; L6-3.3; 82-80 Merc; Capri; L6-3.3; 82-80 Merc; Cougar; L6-3.3; 82-80 Merc; Marquis; L6-3.3; 1983 Merc; Zephyr; L6-3.3; 83-80</p>	<p>42064 Ford; Crown Victoria; V8-4.6; 97-92 Linc; Town Car; V8-4.6; 97-91 Merc; Grand Marquis; V8-4.6; 97-92</p>	<p>42075 OMC; 2.3 L Cobra Marine Eng; OMC L4-140</p>
<p>42052 Ford; Pinto; L4-122; 74-71 Merc; Capri; L4-122; 74-71</p>	<p>42065 Ford; Crown Victoria; V8-4.6; 2002-98 Ford; Mustang; V8-4.6; 98-96 Ford; Thunderbird; V8-4.6; 97-94 Linc; Mark VIII; V8-4.6; 98-93 Linc; Town Car; V8-4.6; 2001-98 Merc; Cougar; V8-4.6; 97-94 Merc; Grand Marquis; V8-4.6; 2002-98</p>	<p>42076 Ford; E Series Van; V10-6.8; 98-97 Ford; Excursion; V10-6.8; 2002-00 Ford; Super Duty Pickup; V10-6.8; 2002-99 Ford; Super Duty Van; V10-6.8; 2006 Ford; Super Duty Van; V10-6.8; 2002-97 Ford; E450 Super Duty Trk; V-10 6.8; 2006</p>
<p>42053 Ford; Bronco; L6-170; 72-66 Ford; Bronco; L6-200; 74-73 Ford; E Series Van; L6-144; 63-62 Ford; E Series Van; L6-170; 70-62 Ford; Fairlane; L6-170; 67-62 Ford; Fairlane; L6-200; 68-63 Ford; Falcon; L6-144; 1964 Ford; Falcon; L6-170; 69-64 Ford; Falcon; L6-200; 70-64 Ford; Falcon Ranchero; L6-144; 63-60 Ford; Falcon Ranchero; L6-170; 65-62 Ford; Falcon Ranchero; L6-200; 65-64 Ford; Granada; L6-200; 1975 Ford; Maverick; L6-170; 72-69 Ford; Maverick; L6-200; 75-69 Ford; Mustang; L6-200; 70-64 Ford; P Series Van; L6-144; 67-60 Ford; P Series Van; L6-170; 67-60 Ford; Ranchero; L6-200; 68-66 Ford; Torino; L6-200; 1968 Merc; Comet; L6-144; 63-60 Merc; Comet; L6-170; 64-61 Merc; Comet; L6-200; 75-71 Merc; Comet; L6-200; 68-64 Merc; Meteor; L6-170; 63-62 Merc; Meteor; L6-223; 1961 Merc; Monarch; L6-200; 1975 Merc; Montego; L6-200; 1968</p>	<p>42066 Ford; Ranger; L4-2.3; 97-95 Ford; Ranger; L4-2.5; 2001-98 Mazda; B2300 Pickup; L4-2.3; 2002-01 Mazda; B2300 Pickup; L4-2.3; 97-95 Mazda; B2500 Pickup; L4-2.5; 2000-98</p>	<p>42077 Buick; Apollo; L6-250; 74-73 Buick; Skylark; L6-250; 71-68 Buick; Special; L6-250; 69-68 Chev; Beaumont; L6-230 Canada; 65-64 Chev; Beaumont; L6-250 Canada; 69-67 Chev; Bel Air; L6-230; 65-63 Chev; Bel Air; L6-250; 73-65 Chev; Biscayne; L6-230; 65-63 Chev; Biscayne; L6-250; 72-65 Chev; Biscayne; L6-250 Canada; 1973 Chev; Blazer; L6-250; 74-69 Chev; C & K Series Pickup; L6-230; 66-63 Chev; C & K Series Pickup; L6-250; 74-66 Chev; Camaro; L6-230; 69-67</p>
<p>42054 Ford; Fairmont; L6-3.3; 83-80 Ford; Granada; L6-3.3; 82-81 Ford; Ltd; L6-3.3; 1983 Ford; Mustang; L6-3.3; 82-80 Ford; Thunderbird; L6-3.3; 82-80 Merc; Capri; L6-3.3; 82-80 Merc; Cougar; L6-3.3; 82-80 Merc; Marquis; L6-3.3; 1983 Merc; Zephyr; L6-3.3; 83-80</p>	<p>42067 Ford; Contour; L4-2.0; 97-95 Merc; Mystique; L4-2.0; 97-95</p>	<p>42078 Ford; E Series Van; V8-5.4; 2001-99</p>
<p>42055 Ford; Bronco; L6-170; 72-66 Ford; Bronco; L6-200; 74-73 Ford; E Series Van; L6-144; 63-62 Ford; E Series Van; L6-170; 70-62 Ford; Fairlane; L6-170; 67-62 Ford; Fairlane; L6-200; 68-63 Ford; Falcon; L6-144; 1964 Ford; Falcon; L6-170; 69-64 Ford; Falcon; L6-200; 70-64 Ford; Falcon Ranchero; L6-144; 63-60 Ford; Falcon Ranchero; L6-170; 65-62 Ford; Falcon Ranchero; L6-200; 65-64 Ford; Granada; L6-200; 1975 Ford; Maverick; L6-170; 72-69 Ford; Maverick; L6-200; 75-69 Ford; Mustang; L6-200; 70-64 Ford; P Series Van; L6-144; 67-60 Ford; P Series Van; L6-170; 67-60 Ford; Ranchero; L6-200; 68-66 Ford; Torino; L6-200; 1968 Merc; Comet; L6-144; 63-60 Merc; Comet; L6-170; 64-61 Merc; Comet; L6-200; 75-71 Merc; Comet; L6-200; 68-64 Merc; Meteor; L6-170; 63-62 Merc; Meteor; L6-223; 1961 Merc; Monarch; L6-200; 1975 Merc; Montego; L6-200; 1968</p>	<p>42068 Ford; E Series Van; V8-4.6; 2001-97</p>	<p>42079 Ford; E Series Van; V8-5.4; 2001-99</p>
<p>42056 Ford; Granada; L6-4.1; 1980 Merc; Monarch; L6-4.1; 1980</p>		<p>42080 Ford; E Series Van; V8-5.4; 2001-99</p>

Numerical Listing

Use as a guide only. Refer to Pages 1 to 142 for specific applications.

42082 - Continued

Chev; Camaro; L6-250; 74-67
 Chev; Chevelle; L6-230; 69-68
 Chev; Chevelle; L6-250; 73-68
 Chev; Chevy II; L4-153; 68-62
 Chev; Chevy II; L6-194; 66-62
 Chev; Chevy II; L6-230; 68-64
 Chev; Chevy II; L6-250; 1967
 Chev; El Camino; L6-230; 69-68
 Chev; El Camino; L6-250; 73-67
 Chev; G Series Van; L6-194; 1964
 Chev; G Series Van; L6-230; 69-66
 Chev; G Series Van; L6-250; 74-67
 Chev; Impala; L6-230; 65-63
 Chev; Impala; L6-250; 73-65
 Chev; Malibu; L6-250; 74-73
 Chev; Nova; L4-153; 70-69
 Chev; Nova; L6-230; 70-69
 Chev; Nova; L6-250; 74-70
 Chev; P Series Van; L4-153; 65-63
 Chev; P Series Van; L6-194; 1966
 Chev; P Series Van; L6-230; 69-63
 Chev; P Series Van; L6-250; 74-66
 Chev; Suburban; L6-230; 66-63
 Chev; Suburban; L6-250; 74-66
 GMC; C & K Series Pickup; L6-230; 65-64
 GMC; C & K Series Pickup; L6-250; 74-66
 GMC; G Series Van; L6-230; 69-67
 GMC; G Series Van; L6-250; 74-67
 GMC; Jimmy; L6-250; 74-70
 GMC; P Series Van; L4-153; 65-63
 GMC; P Series Van; L6-194; 1966
 GMC; P Series Van; L6-230; 69-63
 GMC; P Series Van; L6-250; 74-66
 GMC; Sprint; L6-250; 72-71
 GMC; Suburban; L6-230; 66-64
 GMC; Suburban; L6-250; 74-66
 Olds; Cutlass; L6-250; 71-67
 Olds; F85; L6-250; 71-66
 Olds; Omega; L6-250; 74-73
 Pont; Firebird; L6-250; 74-70
 Pont; Lemans; L6-250; 74-70
 Pont; Tempest; L6-250; 1970
 Pont; Ventura; L6-250; 74-71
 Chev; C40 Trk; GM L6-250; 1972
 Chev; C50 Trk; GM L6-250; 78-72
 GMC; PS4500 Trk; L6-250; 77-73

42083

Buick; Century; L4-2.5; 86-82
 Buick; Skylark; L4-2.5; 91-80
 Buick; Somerset; L4-2.5; 87-86
 Buick; Somerset Regal; L4-2.5; 1985
 Chev; Celebrity; L4-2.5; 86-82
 Chev; Citation; L4-2.5; 85-80
 Olds; Calais; L4-2.5; 87-85
 Olds; Cutlass Calais; L4-2.5; 91-88
 Olds; Cutlass Ciera; L4-2.5; 86-82
 Olds; Omega; L4-2.5; 84-80
 Pont; Fiero; L4-2.5; 88-84
 Pont; Grand Am; L4-2.5; 91-85
 Pont; Phoenix; L4-2.5; 84-80
 Pont; 6000; L4-2.5; 86-82

42084

Buick; Century; L4-2.5; 86-82
 Buick; Skylark; L4-2.5; 86-80
 Chev; Celebrity; L4-2.5; 86-82
 Chev; Citation; L4-2.5; 85-80
 Olds; Cutlass Ciera; L4-2.5; 86-82
 Olds; Omega; L4-2.5; 84-80
 Pont; Phoenix; L4-2.5; 84-80
 Pont; 6000; L4-2.5; 86-82

42085

AmerMtrs; Concord; L4-2.5; 82-80
 AmerMtrs; Eagle; L4-2.5; 83-81
 AmerMtrs; Spirit; L4-2.5; 82-80
 Buick; Apollo; L6-250; 1975
 Chev; Bel Air; L6-250 Canada; 79-77
 Chev; Blazer; L6-4.1; 82-80
 Chev; Blazer; L6-250; 79-78

42085 - Continued

Chev; C & K Series Pickup; L6-4.1; 84-80
 Chev; C & K Series Pickup; L6-250; 79-78
 Chev; Camaro; L4-2.5; 84-82
 Chev; Camaro; L6-250; 79-75
 Chev; Caprice; L6-250; 79-77
 Chev; El Camino; L6-250; 77-75
 Chev; G Series Van; L6-4.1; 84-80
 Chev; G Series Van; L6-250; 79-78
 Chev; Impala; L6-250; 79-77
 Chev; Malibu; L6-250; 77-75
 Chev; Monza; L4-2.5; 1980
 Chev; Monza; L4-151; 79-78
 Chev; Nova; L6-250; 79-75
 Chev; Suburban; L6-4.1; 1980
 Chev; Suburban; L6-250; 79-78
 GMC; C & K Series Pickup; L6-4.1; 84-80
 GMC; C & K Series Pickup; L6-250; 79-78
 GMC; G Series Van; L6-4.1; 84-80
 GMC; G Series Van; L6-250; 79-78
 GMC; Jimmy; L6-4.1; 82-80
 GMC; Jimmy; L6-250; 79-78
 GMC; Sprint; L6-250; 77-75
 GMC; Suburban; L6-4.1; 1980
 GMC; Suburban; L6-250; 79-78
 Jeep; CJ Series; L4-2.5; 83-80
 Jeep; Scrambler; L4-2.5; 83-81
 Olds; Cutlass; L6-250; 76-75
 Olds; Omega; L6-250; 76-75
 Olds; Starfire; L4-2.5; 1980
 Olds; Starfire; L4-151; 79-78
 Pont; Astre; L4-151; 1977
 Pont; Firebird; L4-2.5; 84-82
 Pont; Firebird; L6-250; 76-75
 Pont; Grand Lemans; L6-250; 76-75
 Pont; Lemans; L6-250; 76-75
 Pont; Sunbird; L4-2.5; 1980
 Pont; Sunbird; L4-151; 79-77
 Pont; Ventura; L6-250; 76-75

42086

Chev; Blazer; L6-250; 77-75
 Chev; C & K Series Pickup; L6-250; 77-75
 Chev; G Series Van; L6-250; 77-75
 Chev; Suburban; L6-250; 77-75
 GMC; C & K Series Pickup; L6-250; 77-75
 GMC; G Series Van; L6-250; 77-75
 GMC; Jimmy; L6-250; 77-75
 GMC; Suburban; L6-250; 77-75

42087

Chev; Blazer Compact; L4-1.9; 84-83
 Chev; S Series Pickup; L4-1.9; 85-82
 GMC; Jimmy Compact; L4-1.9; 84-83
 GMC; S Series Pickup; L4-1.9; 85-82

42088

Chev; Blazer Compact; L4-2.0; 84-83
 Chev; S Series Pickup; L4-2.0; 84-83
 GMC; Jimmy Compact; L4-2.0; 84-83
 GMC; S Series Pickup; L4-2.0; 84-83

42089

Chev; C & K Series Pickup; L6-4.8; 86-80
 Chev; C & K Series Pickup; L6-292; 79-78
 Chev; G Series Van; L6-292; 1978
 Chev; P Series Van; L6-4.8; 89-80
 Chev; P Series Van; L6-292; 79-78
 Chev; R & V Series Pickup; L6-4.8; 88-87
 Chev; Suburban; L6-292; 79-78
 GMC; C & K Series Pickup; L6-4.8; 86-80
 GMC; C & K Series Pickup; L6-292; 79-78
 GMC; G Series Van; L6-292; 1978
 GMC; P Series Van; L6-4.8; 89-80
 GMC; P Series Van; L6-292; 79-78
 GMC; R & V Series Pickup; L6-4.8; 88-87
 GMC; Suburban; L6-292; 79-78

42090

Chev; C & K Series Pickup; L6-292; 77-75
 Chev; G Series Van; L6-292; 77-75
 Chev; P Series Van; L6-292; 77-75
 Chev; Suburban; L6-292; 77-75

42090 - Continued

GMC; C & K Series Pickup; L6-292; 77-75
 GMC; G Series Van; L6-292; 77-75
 GMC; P Series Van; L6-292; 77-75
 GMC; Suburban; L6-292; 77-75

42091

Buick; Century; L4-2.5; 92-87
 Chev; Celebrity; L4-2.5; 90-87
 Chev; Lumina; L4-2.5; 92-90
 Olds; Cutlass Ciera; L4-2.5; 92-87
 Olds; Cutlass Cruiser; L4-2.5; 1990
 Pont; 6000; L4-2.5; 91-87

42092

Chev; Astro; L4-2.5; 86-85
 Chev; Blazer Compact; L4-2.5; 86-85
 Chev; Camaro; L4-2.5; 86-85
 Chev; S Series Pickup; L4-2.5; 86-85
 GMC; Jimmy Compact; L4-2.5; 86-85
 GMC; S Series Pickup; L4-2.5; 86-85
 GMC; Safari; L4-2.5; 86-85
 Pont; Firebird; L4-2.5; 86-85

42093

Chev; Chevette; L4-1.8 Dsl; 86-85

42094

Chev; Astro; L4-2.5; 90-87
 Chev; Blazer Compact; L4-2.5; 88-87
 Chev; LLV (Postal Vehicle); L4-2.5; 93-87
 Chev; S Series Pickup; L4-2.5; 93-87
 GMC; Jimmy Compact; L4-2.5; 88-87
 GMC; S Series Pickup; L4-2.5; 90-87
 GMC; Safari; L4-2.5; 90-87
 GMC; Sonoma; L4-2.5; 93-91

42094P

Chev; Corvette; V8-5.7; 91-84

42095

Buick; Century; V6-3.3; 93-89
 Buick; Century; V6-3.8; 88-86
 Buick; Electra; V6-3.8; 90-86
 Buick; Lesabre; V6-3.0; 1986
 Buick; Lesabre; V6-3.8; 95-86
 Buick; Park Avenue; V6-3.8; 95-91
 Buick; Reatta; V6-3.8; 91-88
 Buick; Regal; V6-3.8; 95-90
 Buick; Riviera; V6-3.8; 1995
 Buick; Riviera; V6-3.8; 93-86
 Buick; Skylark; V6-3.0; 88-86
 Buick; Skylark; V6-3.3; 93-89
 Buick; Somerset; V6-3.0; 87-86
 Buick; Somerset Regal; V6-3.0; 1985
 Chev; Camaro; V6-3.8; 1995
 Chev; Lumina APV; V6-3.8; 95-92
 Olds; Achieva; V6-3.3; 93-92
 Olds; Calais; V6-3.0; 87-85
 Olds; Cutlass Calais; V6-3.0; 1988
 Olds; Cutlass Calais; V6-3.3; 91-89
 Olds; Cutlass Ciera; V6-3.3; 93-89
 Olds; Cutlass Ciera; V6-3.8; 88-86
 Olds; Cutlass Cruiser; V6-3.3; 93-90
 Olds; Delta 88; V6-3.0; 1986
 Olds; Delta 88; V6-3.8; 88-86
 Olds; Eighty Eight; V6-3.8; 95-89
 Olds; Ninety Eight; V6-3.8; 95-86
 Olds; Silhouette; V6-3.8; 95-92
 Olds; Toronado; V6-3.8; 92-86
 Pont; Bonneville; V6-3.8; 95-87
 Pont; Firebird; V6-3.8; 1995
 Pont; Grand Am; V6-3.0; 87-85
 Pont; Grand Am; V6-3.3; 93-92
 Pont; Trans Sport; V6-3.8; 95-92

42096

Buick; Skylark; L4-2.5; 91-87
 Buick; Somerset; L4-2.5; 87-86
 Buick; Somerset Regal; L4-2.5; 1985
 Olds; Calais; L4-2.5; 87-85
 Olds; Cutlass Calais; L4-2.5; 91-88
 Pont; Grand Am; L4-2.5; 91-85

Numerical Listing

Use as a guide only. Refer to Pages 1 to 142 for specific applications.

42097	42100 - Continued	42102 - Continued
Buick; Lacrosse; V6-3.8; 2005 Buick; Lesabre; V6-3.8; 2005-96 Buick; Park Avenue; V6-3.8; 2005-96 Buick; Regal; V6-3.8; 2004-96 Buick; Riviera; V6-3.8; 99-96 Chev; Camaro; V6-3.8; 2002-96 Chev; Impala; V6-3.8; 2005-00 Chev; Lumina; V6-3.8; 99-98 Chev; Monte Carlo; V6-3.8; 2005-98 Olds; Eighty Eight; V6-3.8; 99-96 Olds; Intrigue; V6-3.8; 99-98 Olds; LSS; V6-3.8; 99-97 Olds; Ninety Eight; V6-3.8; 1996 Olds; Regency; V6-3.8; 98-97 Pont; Bonneville; V6-3.8; 2005-96 Pont; Firebird; V6-3.8; 2002-96 Pont; Grand Prix; V6-3.8; 2005-97	Pont; Lemans; L6-250; 1974 Pont; Ventura; L6-250; 1974	GMC; 740 Series Trk; DetrDsl 4-71; 59-55 GMC; 750 Series Trk; DetrDsl 4-71; 57-55 GMC; 800 Series Trk; DetrDsl 4-71; 57-55 GMC; 820 Series Trk; DetrDsl 6-71; 59-55 GMC; 820 Series Trk; DetrDsl 6-71N; 59-55 GMC; 820 Series Trk; DetrDsl 6-71T; 59-55 GMC; 860 Series Trk; DetrDsl 6-71; 59-55 GMC; 860 Series Trk; DetrDsl 6-71N; 59-55 GMC; 860 Series Trk; DetrDsl 6-71T; 59-55 GMC; 870 Series Trk; DetrDsl 4-71; 57-55 GMC; 900 Series Trk; DetrDsl 6-71; 59-55 GMC; 900 Series Trk; DetrDsl 6-71N; 59-55 GMC; 900 Series Trk; DetrDsl 6-71T; 59-55 GMC; 910 Series Trk; DetrDsl 6-71; 59-55 GMC; 910 Series Trk; DetrDsl 6-71N; 59-55 GMC; 910 Series Trk; DetrDsl 6-71T; 59-55 GMC; 920 Series Trk; DetrDsl 6-71; 59-55 GMC; 920 Series Trk; DetrDsl 6-71N; 59-55 GMC; 920 Series Trk; DetrDsl 6-71T; 59-55 GMC; 930 Series Trk; DetrDsl 6-71; 59-55 GMC; 930 Series Trk; DetrDsl 6-71N; 59-55 GMC; 930 Series Trk; DetrDsl 6-71T; 59-55 GMC; 950 Series Trk; DetrDsl 6-71; 59-55 GMC; 950 Series Trk; DetrDsl 6-71N; 59-55 GMC; 950 Series Trk; DetrDsl 6-71T; 59-55 GMC; 970 Series Trk; DetrDsl 6-71; 59-55 GMC; 970 Series Trk; DetrDsl 6-71N; 59-55 GMC; 970 Series Trk; DetrDsl 6-71T; 59-55 GMC; 980 Series Trk; DetrDsl 6-71; 59-55 GMC; 980 Series Trk; DetrDsl 6-71N; 59-55 GMC; 980 Series Trk; DetrDsl 6-71T; 59-55 Hendrickson; H3 Trk; DetrDsl 6-71; 1973 Int/Nav; F2070A Trk; DetrDsl 6-71; 77-74 Int/Nav; F2275 Trk; DetrDsl 6-71; 86-78 Int/Nav; F2276 Trk; DetrDsl 6-71; 85-83 Int/Nav; F2574 Trk; DetrDsl 6-71; 86-78 Int/Nav; F2575 Trk; DetrDsl 6-71; 84-82 Int/Nav; F2674 Trk; DetrDsl 6-71; 86-78 Int/Nav; F4200 Trk; DetrDsl 6-71; 79-76 Int/Nav; F4300 Trk; DetrDsl 6-71; 79-76 Int/Nav; F5070 Trk; DetrDsl 6-71; 86-74 Int/Nav; 2070A Trk; DetrDsl 6-71; 77-74 Int/Nav; 2275 Trk; DetrDsl 6-71; 86-78 Int/Nav; 2276 Trk; DetrDsl 6-71; 85-83 Int/Nav; 2574 Trk; DetrDsl 6-71; 87-78 Int/Nav; 2575 Trk; DetrDsl 6-71; 86-78 Int/Nav; 2674 Trk; DetrDsl 6-71; 86-78 Int/Nav; 4200 Trk; DetrDsl 6-71; 79-72 Int/Nav; 4300 Trk; DetrDsl 6-71; 79-72 Int/Nav; 5070 Trk; DetrDsl 6-71; 86-74 Ken; Brute Trk; DetrDsl 6-71; 80-76 Ken; C500 Trk; DetrDsl 6-71; 82-75 Ken; Hustler Trk; DetrDsl 6-71; 1974 Ken; L700 Trk; DetrDsl 6-71; 86-85 Ken; PD200 Trk; DetrDsl 6-71; 1973 Ken; W900 Trk; DetrDsl 6-71; 81-75 Mack; RL Series Trk; DetrDsl 6V-92; 1983 P'bilt; 200 Trk; DetrDsl 6-71; 78-72 P'bilt; 282 Trk; DetrDsl 6-71; 69-65 P'bilt; 300 Trk; DetrDsl 6-71; 78-72 P'bilt; 310 Trk; DetrDsl 6-71; 86-79 P'bilt; 348 Trk; DetrDsl 6-71; 76-74 P'bilt; 352 Trk; DetrDsl 6-71; 69-65 Reo; D430 Series Trk; DetrDsl 6-71E; 67-60 Reo; D430 Series Trk; DetrDsl 6-71N; 67-60 Reo; D603 Series Trk; DetrDsl 6-71E; 67-60 Reo; D603 Series Trk; DetrDsl 6-71N; 67-60 Reo; D630 Series Trk; DetrDsl 6-71E; 67-60 Reo; D630 Series Trk; DetrDsl 6-71N; 67-60 Reo; D633 Series Trk; DetrDsl 6-71E; 66-60 Reo; D633 Series Trk; DetrDsl 6-71N; 66-60 Reo; D703 Series Trk; DetrDsl 6-71E; 66-60 Reo; D703 Series Trk; DetrDsl 6-71N; 66-60 Reo; D730 Series Trk; DetrDsl 6-71E; 66-60 Reo; D730 Series Trk; DetrDsl 6-71N; 66-60 Reo; D733 Series Trk; DetrDsl 6-71E; 66-60 Reo; D733 Series Trk; DetrDsl 6-71N; 66-60 Reo; DCL430 Series Trk; DetrDsl 6-71E; 66-60 Reo; DCL430 Series Trk; DetrDsl 6-71N; 66-60
42098	42102	
Chev; Chevelle; L6-194; 66-64 Chev; Chevelle; L6-230; 67-64 Chev; Chevelle; L6-250; 1967 Chev; El Camino; L6-194; 65-64 Chev; El Camino; L6-230; 67-64 Chev; G Series Van; L4-153; 65-64 Chev; G Series Van; L6-194; 66-64 GMC; G Series Van; L4-153; 1964 GMC; G Series Van; L6-194; 1966 Pont; Tempest; L6-215; 65-64	Autocar; Constructorktor 2 Series Trk; DetrDsl 6-71; 81-79 Autocar; DC Series Trk; DetrDsl 6-71; 1972 Brockway; 359 Trk; DetrDsl 6-71; 1974 Chev; Bison Trk; DetrDsl 6-71; 80-77 Chev; Bruin Trk; DetrDsl 6-71; 80-78 Chev; H90 Trk; DetrDsl 6-71; 78-73 Chev; J90 Trk; DetrDsl 6-71; 78-73 Chev; M190 Trk; DetrDsl 6-71; 71-66 Chev; Titan Trk; DetrDsl 6-71; 80-70 DiamReo; C92 Trk; DetrDsl 6-71; 74-73 DiamReo; C114 Trk; DetrDsl 6-71; 72-67 DiamReo; C116 Trk; DetrDsl 6-71; 74-71 DiamReo; CO54 Trk; DetrDsl 6-71; 74-73 DiamReo; CO88 Trk; DetrDsl 6-71; 74-73 Dodge; CN900 Trk; DetrDsl 6-71; 74-73 Dodge; CNT900 Trk; DetrDsl 6-71; 74-73 Dodge; LS1000 Trk; DetrDsl 6-71; 1973 Dodge; LT1000 Trk; DetrDsl 6-71; 1973 FWD; 233D Trk; DetrDsl 3-71; 80-76 FWD; 284D Trk; DetrDsl 4-71; 59-55 FWD; 284D Trk; DetrDsl 6-71; 88-55 FWD; 324D Trk; DetrDsl 4-71; 59-55 FWD; 324D Trk; DetrDsl 6-71; 88-55 FWD; 364D Trk; DetrDsl 4-71; 61-59 FWD; 364D Trk; DetrDsl 6-71; 61-59 FWD; 406D Trk; DetrDsl 4-71; 61-59 FWD; 406D Trk; DetrDsl 6-71; 61-59 FWD; 456D Trk; DetrDsl 4-71; 61-59 FWD; 456D Trk; DetrDsl 6-71; 61-59 FWD; 466D Trk; DetrDsl 4-71; 61-59 FWD; 466D Trk; DetrDsl 6-71; 61-59 FWD; 486D Trk; DetrDsl 4-71; 61-59 FWD; 486D Trk; DetrDsl 6-71; 61-59 FWD; 606D Trk; DetrDsl 4-71; 61-59 FWD; 606D Trk; DetrDsl 6-71; 61-59 Ford; F Series Trk; DetrDsl 6-71; 69-68 Ford; L9000 Trk; DetrDsl 6-71; 86-70 Ford; LN9000 Trk; DetrDsl 6-71; 86-70 Ford; LNT9000 Trk; DetrDsl 6-71; 86-70 Ford; LT9000 Trk; DetrDsl 6-71; 86-70 Ford; LTS9000 Trk; DetrDsl 6-71; 86-70 Ford; N Series Trk; DetrDsl 6-71; 69-67 Ford; T Series Trk; DetrDsl 6-71; 69-68 Ford; W9000 Trk; DetrDsl 6-71; 77-71 Ford; W Series Trk; DetrDsl 6-71; 70-67 Ford; WT9000 Trk; DetrDsl 6-71; 77-71 GMC; Astro Trk; DetrDsl 6-71; 83-69 GMC; Brigadier Trk; DetrDsl 6-71; 88-78 GMC; C6000 Trk; DetrDsl 3-71; 1978 GMC; C6500 Trk; DetrDsl 3-71; 1978 GMC; C M & S 6000 Trk; DetrDsl 3-71; 1976 GMC; C M & S 6500 Trk; DetrDsl 3-71; 1976 GMC; C M & S 7000 Trk; DetrDsl 3-71; 1976 GMC; C19500 Trk; DetrDsl 6-71; 71-66 GMC; C19500 Trk; DetrDsl 6-71N; 71-66 GMC; C19500 Trk; DetrDsl 6-71T; 71-66 GMC; General Trk; DetrDsl 6-71; 88-77 GMC; H9500 Trk; DetrDsl 6-71; 1978 GMC; HI9500 Trk; DetrDsl 6-71; 77-66 GMC; HI9500 Trk; DetrDsl 6-71N; 76-66 GMC; HI9500 Trk; DetrDsl 6-71T; 76-66 GMC; J9500 Trk; DetrDsl 6-71; 1978 GMC; JI9500 Trk; DetrDsl 6-71; 77-66 GMC; JI9500 Trk; DetrDsl 6-71N; 76-66 GMC; JI9500 Trk; DetrDsl 6-71T; 76-66 GMC; M6500 Trk; DetrDsl 3-71; 1978 GMC; MI9500 Trk; DetrDsl 6-71; 73-66 GMC; MI9500 Trk; DetrDsl 6-71N; 73-66 GMC; MI9500 Trk; DetrDsl 6-71T; 73-66 GMC; 620 Series Trk; DetrDsl 4-71; 59-55 GMC; 630 Series Trk; DetrDsl 4-71; 59-55 GMC; 650 Series Trk; DetrDsl 4-71; 59-55 GMC; 660 Series Trk; DetrDsl 4-71; 59-55	
42099		
GMC; C & K Series Pickup; V6-305; 69-60 GMC; Series 100; V8-287; 1955 GMC; Series 100; V8-317; 1956 GMC; Series 100; V8-336; 59-58 GMC; Series 100; V8-347; 1957 GMC; Series 150; V8-287; 1955 GMC; Series 150; V8-317; 1956 GMC; Series 150; V8-336; 59-58 GMC; Series 150; V8-347; 1957 GMC; Series 250; V8-287; 1955 GMC; Series 250; V8-317; 1956 GMC; Series 250; V8-336; 59-58 GMC; Series 250; V8-347; 1957 GMC; Suburban; V6-305; 69-60 Chev; A60 Trk; GM D478 Dsl; 1965 Chev; A60 Trk; GM DH478 Dsl; 1965 Chev; A80 Trk; GM D478 Dsl; 1965 Chev; A80 Trk; GM DH478 Dsl; 1965 Chev; ETG70 Trk; GM D478 Dsl; 1966 Chev; ETG70 Trk; GM DH478 Dsl; 1966 Chev; HG70 Trk; GM D478 Dsl; 1966 Chev; HG70 Trk; GM DH478 Dsl; 1966 Chev; JG70 Trk; GM D478 Dsl; 1966 Chev; JG70 Trk; GM DH478 Dsl; 1966 Chev; N50 Trk; GM D351 Dsl; 66-65 Chev; N60 Trk; GM D478 Dsl; 66-65 Chev; N60 Trk; GM DH478 Dsl; 66-65 Chev; N80 Trk; GM D478 Dsl; 66-65 Chev; N80 Trk; GM DH478 Dsl; 66-65 Chev; Q50 Trk; GM D351 Dsl; 66-65 Chev; Q60 Trk; GM D478 Dsl; 1966 Chev; Q60 Trk; GM DH478 Dsl; 1966 Chev; Q80 Trk; GM D478 Dsl; 1965 Chev; Q80 Trk; GM DH478 Dsl; 1965 Chev; V60 Trk; GM D478 Dsl; 66-65 Chev; V60 Trk; GM DH478 Dsl; 66-65 Chev; V80 Trk; GM D478 Dsl; 1965 Chev; V80 Trk; GM DH478 Dsl; 1965		
42100		
Buick; Apollo; L6-250; 1974 Chev; Chevelle; L6-194; 1966 Chev; Chevelle; L6-230; 67-66 Chev; Chevelle; L6-250; 1967 Chev; Chevy II; L6-230; 1968 Chev; El Camino; L6-230; 67-66 Chev; Nova; L6-230; 1969 Chev; Nova; L6-250; 1974 Olds; Omega; L6-250; 1974 Pont; Firebird; L6-250; 1974		

Numerical Listing

Use as a guide only. Refer to Pages 1 to 142 for specific applications.

42102 - Continued	42102 - Continued	42102 - Continued
Reo; DCL633 Series Trk; DetrDsl 6-71E; 66-60	Reo; E730 Series Trk; DetrDsl 6-71N; 66-60	BarbrGreen; 852 Dust Collector; DetrDsl 4-71
Reo; DCL633 Series Trk; DetrDsl 6-71N; 66-60	WestStar; 4800 Series Trk; DetrDsl 6-71; 88-79	BarbrGreen; 852 Dust Collector; DetrDsl 6-71
Reo; DCL703 Series Trk; DetrDsl 6-71E; 66-60	WestStar; 4900 Series Trk; DetrDsl 6-71; 88-79	BarbrGreen; 857 Dust Collector; DetrDsl 3-71
Reo; DCL703 Series Trk; DetrDsl 6-71N; 66-60	White; Road Boss Trk; DetrDsl 6-71; 75-74	BarbrGreen; 857 Dust Collector; DetrDsl 4-71
Reo; DCL730 Series Trk; DetrDsl 6-71E; 66-60	White; Road Boss 2 Trk; DetrDsl 6-71; 80-78	BarbrGreen; 857 Dust Collector; DetrDsl 6-71
Reo; DCL730 Series Trk; DetrDsl 6-71N; 66-60	White; Road Xpeditor 2 Trk; DetrDsl 6-71; 83-78	BayCity; 45 Excavator; DetrDsl 3-71
Reo; DCL733 Series Trk; DetrDsl 6-71E; 66-60	White; Western Star Series Trk; DetrDsl 6-71; 78-68	BayCity; 45 Excavator; DetrDsl 4-71
Reo; DCL733 Series Trk; DetrDsl 6-71N; 66-60	White; WX Trk; DetrDsl 6-71; 88-83	BayCity; 45 Excavator; DetrDsl 6-71
Reo; DF300 Series Trk; DetrDsl 6-71E; 66-60	White; 4000 Series Trk; DetrDsl 6-71; 73-72	BayCity; 60 Excavator; DetrDsl 3-71
Reo; DF300 Series Trk; DetrDsl 6-71N; 66-60	CrownCoach; A426-10 SchBus; DetrDsl 6-71; 91-73	BayCity; 60 Excavator; DetrDsl 4-71
Reo; DF330 Series Trk; DetrDsl 6-71E; 66-60	CrownCoach; A426-11 SchBus; DetrDsl 6-71; 91-73	BayCity; 60 Excavator; DetrDsl 6-71
Reo; DF330 Series Trk; DetrDsl 6-71N; 66-60	Al-Chalm; AD MtrGrader; DetrDsl 3-71	BayCity; 63 Excavator; DetrDsl 3-71
Reo; DF400 Series Trk; DetrDsl 6-71E; 67-54	Al-Chalm; AD MtrGrader; DetrDsl 4-71	BayCity; 63 Excavator; DetrDsl 4-71
Reo; DF400 Series Trk; DetrDsl 6-71N; 67-54	Al-Chalm; AD3 MtrGrader; DetrDsl 3-71	BayCity; 63 Excavator; DetrDsl 6-71
Reo; DF430 Series Trk; DetrDsl 6-71E; 67-54	Al-Chalm; AD3 MtrGrader; DetrDsl 4-71	BayCity; 72 Excavator; DetrDsl 3-71
Reo; DF430 Series Trk; DetrDsl 6-71N; 67-54	Al-Chalm; AD4 MtrGrader; DetrDsl 3-71	BayCity; 72 Excavator; DetrDsl 4-71
Reo; DF500 Series Trk; DetrDsl 6-71E; 67-54	Al-Chalm; AD4 MtrGrader; DetrDsl 4-71	BayCity; 72 Excavator; DetrDsl 6-71
Reo; DF500 Series Trk; DetrDsl 6-71N; 67-54	Al-Chalm; AD30 MtrGrader; DetrDsl 3-71	BayCity; 151-T41 Excavator; DetrDsl 4-71
Reo; DF530 Series Trk; DetrDsl 6-71E; 67-54	Al-Chalm; AD30 MtrGrader; DetrDsl 4-71	BayCity; 190-T52 Crane; DetrDsl 3-71
Reo; DF530 Series Trk; DetrDsl 6-71N; 67-54	Al-Chalm; AD40 MtrGrader; DetrDsl 3-71	BayCity; 190-T52 Crane; DetrDsl 4-71
Reo; DL603 Series Trk; DetrDsl 6-71E; 66-60	Al-Chalm; AD40 MtrGrader; DetrDsl 4-71	BayCity; 190-T52 Crane; DetrDsl 6-71
Reo; DL603 Series Trk; DetrDsl 6-71N; 66-60	Al-Chalm; AD40 MtrGrader; DetrDsl 6-71	BayCity; 190-T6430 Crane; DetrDsl 3-71
Reo; DL630 Series Trk; DetrDsl 6-71E; 66-60	Al-Chalm; BD3 MtrGrader; DetrDsl 3-71	BayCity; 190-T6430 Crane; DetrDsl 4-71
Reo; DL630 Series Trk; DetrDsl 6-71N; 66-60	Al-Chalm; HD5 Tractor; GM 2-Cyl. 142 Dsl; 55-46	BayCity; 190-T6430 Crane; DetrDsl 6-71
Reo; DL703 Series Trk; DetrDsl 6-71E; 66-60	Al-Chalm; HD7 Tractor; GM L3-213 Dsl; 50-40	BayCity; 255A Excavator; DetrDsl 3-71
Reo; DL703 Series Trk; DetrDsl 6-71N; 66-60	AmerCrane; 597C Crane; DetrDsl 4-71	BayCity; 255A Excavator; DetrDsl 4-71
Reo; DL730 Series Trk; DetrDsl 6-71E; 66-60	AmerCrane; 5530 Crane; DetrDsl 4-71	BayCity; 425 Excavator; DetrDsl 3-71
Reo; DL730 Series Trk; DetrDsl 6-71N; 66-60	AmerCrane; 5530 Crane; DetrDsl 6-71	BayCity; 425 Excavator; DetrDsl 4-71
Reo; DL733 Series Trk; DetrDsl 6-71E; 66-60	AustnWestrn; Pacer 100 MtrGrader; DetrDsl 3-71	BayCity; 440 Excavator; DetrDsl 3-71
Reo; DL733 Series Trk; DetrDsl 6-71N; 66-60	AustnWestrn; Pacer 200 MtrGrader; DetrDsl 3-71	BayCity; 440 Excavator; DetrDsl 4-71
Reo; E300 Series Trk; DetrDsl 6-71E; 67-54	AustnWestrn; Pacer 300 MtrGrader; DetrDsl 4-71	BayCity; 450 Excavator; DetrDsl 3-71
Reo; E300 Series Trk; DetrDsl 6-71N; 67-54	AustnWestrn; Pacer 301 MtrGrader; DetrDsl 4-71	BayCity; 450 Excavator; DetrDsl 4-71
Reo; E330 Series Trk; DetrDsl 6-71E; 67-54	AustnWestrn; Pacer 400 MtrGrader; DetrDsl 4-71	BayCity; 535 Excavator; DetrDsl 3-71
Reo; E330 Series Trk; DetrDsl 6-71N; 67-54	AustnWestrn; Super 100 MtrGrader; DetrDsl 3-71	BayCity; 535 Excavator; DetrDsl 4-71
Reo; E400 Series Trk; DetrDsl 6-71E; 67-54	AustnWestrn; Super 200 MtrGrader; DetrDsl 3-71	BayCity; 600 Excavator; DetrDsl 3-71
Reo; E400 Series Trk; DetrDsl 6-71N; 67-54	AustnWestrn; Super 300 MtrGrader; DetrDsl 4-71	BayCity; 610-T6435 Crane; DetrDsl 3-71
Reo; E440 Series Trk; DetrDsl 6-71E; 67-54	AustnWestrn; Super 400 MtrGrader; DetrDsl 4-71	BayCity; 610-T6435 Crane; DetrDsl 4-71
Reo; E440 Series Trk; DetrDsl 6-71N; 67-54	AustnWestrn; 410 Crane; DetrDsl 3-71	BayCity; 610-T6435 Crane; DetrDsl 6-71
Reo; E500 Series Trk; DetrDsl 6-71E; 67-54	Bantam; C266 Excavator; DetrDsl 4-71	BayCity; 610-T8445 Crane; DetrDsl 3-71
Reo; E500 Series Trk; DetrDsl 6-71N; 67-54	Bantam; C475 Excavator; DetrDsl 4-71	BayCity; 610-T8445 Crane; DetrDsl 4-71
Reo; E510 Series Trk; DetrDsl 6-71E; 67-54	Bantam; T725A Teleskoop Excavator; DetrDsl 4-71	BayCity; 610-T8445 Crane; DetrDsl 6-71
Reo; E510 Series Trk; DetrDsl 6-71N; 67-54	BarbrGreen; 774 Trencher; DetrDsl 3-71	BayCity; 610-T8445 Crane; DetrDsl 4-71
Reo; E530 Series Trk; DetrDsl 6-71E; 67-54	BarbrGreen; 835 Dryer; DetrDsl 3-71	BayCity; 720 Excavator; DetrDsl 6-71
Reo; E530 Series Trk; DetrDsl 6-71N; 67-54	BarbrGreen; 835 Dryer; DetrDsl 4-71	Bomag; K45 Compactor; DetrDsl 4-71
Reo; E540 Series Trk; DetrDsl 6-71E; 67-54	BarbrGreen; 837 Dryer; DetrDsl 3-71	BucyErie; 10R Drill; DetrDsl 6-71
Reo; E540 Series Trk; DetrDsl 6-71N; 67-54	BarbrGreen; 837 Dryer; DetrDsl 4-71	BucyErie; 20B Crane; DetrDsl 3-71
Reo; E630 Series Trk; DetrDsl 6-71E; 66-60	BarbrGreen; 838 Dryer; DetrDsl 3-71	BucyErie; 20H Excavator; DetrDsl 6-71
Reo; E630 Series Trk; DetrDsl 6-71N; 66-60	BarbrGreen; 838 Dryer; DetrDsl 4-71	BucyErie; 20R Drill; DetrDsl 6-71
Reo; E700 Series Trk; DetrDsl 6-71E; 66-60	BarbrGreen; 838 Dryer; DetrDsl 6-71	BucyErie; 21H Excavator; DetrDsl 4-71
Reo; E700 Series Trk; DetrDsl 6-71N; 66-60	BarbrGreen; 845 Dryer; DetrDsl 3-71	BucyErie; 22B Crane; DetrDsl 3-71
Reo; E730 Series Trk; DetrDsl 6-71E; 66-60	BarbrGreen; 845 Dryer; DetrDsl 4-71	BucyErie; 25B Crane; DetrDsl 4-71
	BarbrGreen; 845 Dryer; DetrDsl 6-71	BucyErie; 38B Crane; DetrDsl 6-71
	BarbrGreen; 847 Mixer; DetrDsl 3-71	BucyErie; 38TC Crane; DetrDsl 6-71
	BarbrGreen; 847 Mixer; DetrDsl 4-71	BuffSpring; KF30 Drill; DetrDsl 6-71
	BarbrGreen; 847 Mixer; DetrDsl 6-71	Case; 7760 Crane; DetrDsl 6-71
	BarbrGreen; 848A Mixer; DetrDsl 3-71	CedarRap; BSF2H Pave Eq; DetrDsl 3-71
	BarbrGreen; 848A Mixer; DetrDsl 4-71	CedarRap; BSF4 Pave Eq; DetrDsl 4-71
	BarbrGreen; 848A Mixer; DetrDsl 6-71	Champion; 560 MtrGrader; DetrDsl 3-71
	BarbrGreen; 852 Dust Collector; DetrDsl 3-71	Champion; 600 MtrGrader; DetrDsl 6-71C
		ChicagoPneum; 365RO2 Compressor; DetrDsl 4-71
		ChicagoPneum; 600RO2 Compressor; DetrDsl 6-71
		Clark-Mich; 75A III Wheel Loader; DetrDsl 4-71N
		Clark-Mich; 110 III-H14 Scraper; DetrDsl 4-71
		Clark-Mich; 110-11 Scraper; DetrDsl 4-71
		Clark-Mich; 110HT Scraper; DetrDsl 4-71N
		Clark-Mich; 175A Wheel Loader; DetrDsl 4-71
		Clark-Mich; 301S MtrGrader; DetrDsl 4-71
		Clark-Mich; 666C Forest Eq; DetrDsl 6-71
		Dres-Gal; 104 MtrGrader; DetrDsl 3-71
		Dres-Gal; 118 MtrGrader; DetrDsl 3-71
		Dres-Gal; 118 MtrGrader; DetrDsl 4-71
		Dres-Gal; 118C MtrGrader; DetrDsl 4-71
		Dres-Gal; 125 Crane; DetrDsl 4-71

Numerical Listing

Use as a guide only. Refer to Pages 1 to 142 for specific applications.

42102 - Continued

Dres-Gal; 125A Crane; DetrDsl 4-71
 Dres-Gal; 160 Crane; DetrDsl 3-71
 Dres-Huf; H60 Wheel Loader; DetrDsl 3-71
 Dres-Huf; H70C Wheel Loader; DetrDsl 4-71
 Drott; 40 Crawler Excavator; DetrDsl 4-71
 Drott; 40 Cruz-Air Excavator; DetrDsl 4-71
 Drott; 40C Excavator; DetrDsl 4-71
 Drott; 800AC Travelift Crane; DetrDsl 4-71
 Drott; 1000A Travelift Crane; DetrDsl 4-71
 Drott; 1000AI Travelift Crane; DetrDsl 4-71
 Drott; 2510 Crane; DetrDsl 6-71N
 Drott; 7760 Crane; DetrDsl 6-71
 Euclid; C6-1 Tractor; DetrDsl 6-71; 63-59
 Euclid; C6-2 Tractor; DetrDsl 6-71; 63-59
 Euclid; C6-3 Tractor; DetrDsl 6-71; 63-59
 Euclid; C6-4 Tractor; DetrDsl 6-71; 63-59
 Euclid; C6-5 Tractor; DetrDsl 6-71; 63-59
 Euclid; C61 Tractor; DetrDsl 6-71
 Euclid; C62 Tractor; DetrDsl 6-71
 Euclid; C63 Tractor; DetrDsl 6-71
 Euclid; C64 Tractor; DetrDsl 6-71
 Euclid; C65 Tractor; DetrDsl 6-71
 Euclid; R15 (91FD) Off-Rd Haul; DetrDsl 6-71
 Euclid; R18 (91FD) Off-Rd Haul; DetrDsl 6-71
 Euclid; R40 (9FFD) Off-Rd Haul; DetrDsl 6-71
 Euclid; R45 (9FFD) Off-Rd Haul; DetrDsl 6-71
 Euclid; S12 (77FDT) Scraper; DetrDsl 6-71
 Euclid; S12 (78FDT) Scraper; DetrDsl 6-71
 Euclid; SS12 (77FDT) Scraper; DetrDsl 6-71
 Euclid; SS12 (78FDT) Scraper; DetrDsl 6-71
 Euclid; TC12 Tractor; DetrDsl 6-71 Twin
 Euclid; 12RT Pave Eq; DetrDsl 6-71
 Euclid; 16TDT Pave Eq; DetrDsl 6-71
 Euclid; 21LDT Pave Eq; DetrDsl 6-71
 Farmhand; F600 Harvester; DetrDsl 6-71; 1991
 Field Queen; FQSD Harvester; DetrDsl 6-71; 75-73
 Gard-Den; RP365 Compressor; DetrDsl 4-71
 Gard-Den; RP600 Compressor; DetrDsl 4-71
 Gard-Den; RP600D Compressor; DetrDsl 4-71
 Gard-Den; RP600DB Compressor; DetrDsl 4-71
 Gard-Den; SPNDA Compressor; DetrDsl 4-71
 Gard-Den; SPNDA Compressor; DetrDsl 6-71
 Gard-Den; SPNDB Compressor; DetrDsl 4-71
 Gard-Den; SPNDB Compressor; DetrDsl 6-71
 Gard-Den; SPQDA Compressor; DetrDsl 6-71
 Gard-Den; SPQDB Compressor; DetrDsl 4-71
 Gard-Den; SPQDB Compressor; DetrDsl 6-71
 Gard-Den; SPQDC Compressor; DetrDsl 4-71
 Gard-Den; SPQDC Compressor; DetrDsl 6-71
 GrayMar; 64-HN9 Marine Eng; DetrDsl 6-71
 Grove; 8435G Crane; DetrDsl 6-71
 Huber; 9D MtrGrader; DetrDsl 3-71
 Huber; 10D MtrGrader; DetrDsl 4-71
 Huber; 11D MtrGrader; DetrDsl 6-71
 Ingersoll; D5000 Drill; DetrDsl 4-71
 Ingersoll; D6000 Drill; DetrDsl 6-71
 Ingram; 11-5400 Compactor; DetrDsl 3-71
 Insley; H875 Excavator; DetrDsl 6-71
 Insley; H1500 Excavator; DetrDsl 6-71
 Jaeger; 250 Compressor; DetrDsl 3-71
 Jaeger; 365 Compressor; DetrDsl 4-71
 Jaeger; 600 Compressor; DetrDsl 6-71
 J Deere; 860 Scraper; DetrDsl 6-71N
 J Deere; 860A Scraper; DetrDsl 6-71N

42102 - Continued

Koehring; 304 Crane; DetrDsl 3-71
 Koehring; 305 Crane; DetrDsl 4-71
 Koehring; 305 Crane; DetrDsl 6-71
 Koehring; 405-2A Crane; DetrDsl 4-71
 Koehring; 600WD Trencher; DetrDsl 4-71
 LeTourno; CR Scraper; DetrDsl 6-71
 LeTourno; Roadster D Scraper; DetrDsl 4-71
 LeTourno; Tournapull C Scraper; DetrDsl 6-71
 LeTourno; Tournatractor B Wheel Loader; DetrDsl 6-71
 Link-Belt; HC108C Crane; DetrDsl 4-71
 Link-Belt; HC108C Crane; DetrDsl 6-71
 Link-Belt; HC218 Crane; DetrDsl 6-71
 Link-Belt; HT450 Crane; DetrDsl 6-71N
 Link-Belt; LS108B Crane; DetrDsl 4-71
 Link-Belt; LS128DLC Crane; DetrDsl 6-71N
 Little Giant; C48 Crane; DetrDsl 3-71
 Lorain; LC790 Crane; DetrDsl 6-71
 Lorain; MC30H Crane; DetrDsl 4-71N
 Lorain; MC30H Crane; DetrDsl 6-71N
 P&H; K935 Excavator; DetrDsl 6-71
 Pettibone; Cary-Lift Super 10 Forklift; DetrDsl 3-71
 Pettibone; Cary-Lift Super 15 Forklift; DetrDsl 3-71
 Pettibone; Cary-Lift Super 20 Forklift; DetrDsl 4-71
 Pettibone; Cary-Lift Super 30 Forklift; DetrDsl 4-71
 Terex; S7 Scraper; DetrDsl 4-71
 Terex; S11E Scraper; DetrDsl 4-71N
 Terex; S12 Scraper; DetrDsl 6-71
 Terex; TS14 Scraper; DetrDsl 4-71 Twin
 Terex; TS14 Scraper; DetrDsl 4-71N Twin
 Terex; TS14B Scraper; DetrDsl 4-71N Twin
 Terex; TS24 Scraper; DetrDsl 6-71
 Terex; 72-20 Wheel Loader; DetrDsl 4-71
 Terex; 72-31 Wheel Loader; DetrDsl 4-71N
 Terex; 72-31B Wheel Loader; DetrDsl 4-71T
 Terex; 72-41 Wheel Loader; DetrDsl 4-71N
 Terex; 72-51 Wheel Loader; DetrDsl 6-71N
 Terex; 82-30 Tractor; DetrDsl 6-71
 Trojan; 2000 Wheel Loader; DetrDsl 4-71
 Trojan; 2000 Wheel Loader; DetrDsl 4-71N
 Unit Crane & Shovel; H202C Excavator; DetrDsl 4-71N
 VME; L20 Wheel Loader; DetrDsl 4-71
 Wabco; 330H MtrGrader; DetrDsl 3-71
 Wabco; 440 MtrGrader; DetrDsl 4-71
 Wabco; 555 MtrGrader; DetrDsl 6-71
 Wabco; 666 MtrGrader; DetrDsl 4-71
 Wabco; 666 MtrGrader; DetrDsl 6-71
 Wabco; 666 Power Flow MtrGrader; DetrDsl 4-71
 Wabco; 666B MtrGrader; DetrDsl 4-71
 Wabco; 777 MtrGrader; DetrDsl 6-71
 Wabco; 777 Power Flow MtrGrader; DetrDsl 6-71
 Wabco; 777B MtrGrader; DetrDsl 6-71N
 WarnrSwasey; H550 Excavator; DetrDsl 4-71N

42103

Chev; Monza; L4-140; 1975
 Chev; Vega; L4-140; 75-71
 Pont; Astre; L4-140; 1975

42104

Chev; C & K Series Pickup; L6-292; 64-63
 Chev; P Series Van; L6-292; 64-63
 Chev; Suburban; L6-292; 64-63
 Chev; T40 Trk; GM L6-292; 64-63
 Chev; T50 Trk; GM L6-292; 64-63
 Chev; T60 Trk; GM L6-292; 64-63
 GMC; TS5500 Trk; L6-292; 64-63
 MassFerg; 410SP Combine; Chev L6-292; 72-64

42105

GMC; EM4500 Trk; V-6 305; 1967

42105 - Continued

GMC; EM5500 Trk; V-6 305; 1967
 GMC; EM6500 Trk; V-6 305; 1967
 GMC; HM5500 Trk; V-6 305; 67-66
 GMC; HM7500 Trk; V-6 305; 67-66
 GMC; HM8500 Trk; V-6 305; 67-66
 GMC; JM7500 Trk; V-6 305; 67-66
 GMC; TM7500 Trk; V-6 305; 67-66

42106

Mercruiser; 110 Marine Eng; L4
 Mercruiser; 120 Marine Eng; L4
 Mercruiser; 140 Marine Eng; L4
 Mercruiser; 165 Marine Eng; L4
 Mercruiser; 165 Marine Eng; L6

42108

Acura; Legend; V6-2.5; 87-86
 Acura; Legend; V6-2.7; 90-87
 Honda; Accord; V6-2.7; 97-95
 Sterling; 825; V6-2.5; 88-87
 Sterling; 827; V6-2.7; 90-89

42111

Intrat; A Series Pickup; V8-266; 1966
 Intrat; A Series Pickup; V8-304; 1966
 Intrat; B Series; V8-266; 60-59
 Intrat; B Series Pickup; V8-266; 1967
 Intrat; C Series; V8-266; 64-61
 Intrat; C Series; V8-304; 1964
 Intrat; C Series Pickup; V8-266; 1968
 Intrat; D Series; V8-266; 1965
 Intrat; D Series; V8-304; 1965
 Intrat; D Series Pickup; V8-266; 70-69
 Intrat; D Series Pickup; V8-304; 71-69
 Intrat; D Series Pickup; V8-345; 1971
 Intrat; M1100; V8-304; 1972
 Intrat; M1200; V8-304; 1972
 Intrat; M Series Van; L4-196; 1971
 Intrat; M Series Van; V8-266; 70-66
 Intrat; M Series Van; V8-304; 71-69
 Intrat; MHC1310; V8-304; 75-74
 Intrat; MS1210; V8-304; 74-73
 Intrat; MS1210; V8-345; 75-73
 Intrat; MS1210; V8-392; 1975
 Intrat; Scout; L4-196; 71-70
 Intrat; Scout; V8-266; 68-66
 Intrat; Scout; V8-304; 71-69
 Intrat; Scout II; L4-3.2; 1980
 Intrat; Scout II; L4-196; 79-71
 Intrat; Scout II; L6-3.2 Dsl; 1980
 Intrat; Scout II; L6-198 Dsl; 79-76
 Intrat; Scout II; V8-5.0; 1980
 Intrat; Scout II; V8-304; 79-71
 Intrat; Scout II; V8-5.6; 1980
 Intrat; Scout II; V8-345; 79-71
 Intrat; 100; V8-304; 1974
 Intrat; 100; V8-345; 1974
 Intrat; 100; V8-392; 1974
 Intrat; 100; V8-400; 1974
 Intrat; 150; V8-304; 1975
 Intrat; 150; V8-345; 1975
 Intrat; 150; V8-392; 1975
 Intrat; 200; V8-304; 75-74
 Intrat; 200; V8-345; 75-74
 Intrat; 200; V8-392; 75-74
 Intrat; 1010; V8-304; 73-72
 Intrat; 1010; V8-345; 73-72
 Intrat; 1010; V8-392; 73-72
 Intrat; 1110; V8-304; 73-72
 Intrat; 1110; V8-345; 73-72
 Intrat; 1110; V8-392; 73-72
 Intrat; 1210; V8-304; 73-72
 Intrat; 1210; V8-345; 73-72
 Intrat; 1210; V8-392; 73-72
 Intrat; 1310; V8-304; 73-72
 Intrat; 1310; V8-345; 73-72
 Intrat; 1310; V8-392; 73-72
 Int/Nav; Binder 1600 Trk; Int/Nav V345; 79-78
 Int/Nav; Binder 1624 Trk; Int/Nav V345; 79-78

Numerical Listing

Use as a guide only. Refer to Pages 1 to 142 for specific applications.

42111 - Continued

Int/Nav; Binder 1700 Trk; Int/Nav V345; 79-78
 Int/Nav; Binder 1724 Trk; Int/Nav V345; 79-78
 Int/Nav; Binder 1800 Trk; Int/Nav V345; 79-78
 Int/Nav; Binder 1824 Trk; Int/Nav V345; 79-78
 Int/Nav; CO1610A Trk; Int/Nav V345; 79-78
 Int/Nav; CO1610B Trk; Int/Nav V345; 84-78
 Int/Nav; CO1710A Trk; Int/Nav V345; 79-78
 Int/Nav; CO1710B Trk; Int/Nav V345; 84-82
 Int/Nav; CO1710B Trk; Int/Nav V345; 79-78
 Int/Nav; CO1810A Trk; Int/Nav V345; 79-78
 Int/Nav; CO1810B Trk; Int/Nav V345; 79-78
 Int/Nav; COF1810A Trk; Int/Nav V345; 1979
 Int/Nav; COF1810B Trk; Int/Nav V345; 1979
 Int/Nav; F1700 Trk; Int/Nav V345; 79-78
 Int/Nav; F1800 Trk; Int/Nav V345; 79-78
 Int/Nav; Loadstar 1500 Trk; Int/Nav V345; 1978
 Int/Nav; 1624 Trk; Int/Nav V345; 82-79
 Int/Nav; 1703 Trk; Int/Nav V345; 1979
 Int/Nav; 1724 Trk; Int/Nav V345; 84-79
 Int/Nav; 1824 Trk; Int/Nav V345; 84-79
 Int/Nav; 1924 Trk; Int/Nav V345; 1979

42113

Intrnatl; A Series Pickup; V8-266; 1966
 Intrnatl; A Series Pickup; V8-304; 1966
 Intrnatl; B Series Pickup; V8-266; 1967
 Intrnatl; C Series; V8-266; 64-61
 Intrnatl; C Series; V8-304; 1964
 Intrnatl; C Series Pickup; V8-266; 1968
 Intrnatl; D Series; V8-266; 1965
 Intrnatl; D Series; V8-304; 1965
 Intrnatl; D Series Pickup; V8-266; 70-69
 Intrnatl; D Series Pickup; V8-304; 71-69
 Intrnatl; D Series Pickup; V8-345; 1971
 Intrnatl; M1100; V8-304; 1972
 Intrnatl; M1200; V8-304; 1972
 Intrnatl; M Series Van; L4-196; 1971
 Intrnatl; M Series Van; V8-266; 70-66
 Intrnatl; M Series Van; V8-304; 71-69
 Intrnatl; MHC1310; V8-304; 75-74
 Intrnatl; MS1210; V8-304; 74-73
 Intrnatl; MS1210; V8-345; 75-73
 Intrnatl; MS1210; V8-392; 1975
 Intrnatl; Scout; L4-196; 71-70
 Intrnatl; Scout; V8-266; 68-66
 Intrnatl; Scout; V8-304; 71-69
 Intrnatl; Scout II; L4-3.2; 1980
 Intrnatl; Scout II; L4-196; 79-71
 Intrnatl; Scout II; L6-3.2 Dsl; 1980
 Intrnatl; Scout II; L6-198 Dsl; 79-76
 Intrnatl; Scout II; V8-5.0; 1980
 Intrnatl; Scout II; V8-304; 79-71
 Intrnatl; Scout II; V8-5.6; 1980
 Intrnatl; Scout II; V8-345; 79-71
 Intrnatl; 100; V8-304; 1974
 Intrnatl; 100; V8-345; 1974
 Intrnatl; 100; V8-392; 1974
 Intrnatl; 100; V8-400; 1974
 Intrnatl; 150; V8-304; 1975
 Intrnatl; 150; V8-345; 1975
 Intrnatl; 150; V8-392; 1975
 Intrnatl; 200; V8-304; 75-74
 Intrnatl; 200; V8-345; 75-74
 Intrnatl; 200; V8-392; 75-74
 Intrnatl; 1010; V8-304; 73-72
 Intrnatl; 1010; V8-345; 73-72
 Intrnatl; 1010; V8-392; 73-72
 Intrnatl; 1110; V8-304; 73-72
 Intrnatl; 1110; V8-345; 73-72
 Intrnatl; 1110; V8-392; 73-72
 Intrnatl; 1210; V8-304; 73-72
 Intrnatl; 1210; V8-345; 73-72
 Intrnatl; 1210; V8-392; 73-72
 Intrnatl; 1310; V8-304; 73-72
 Intrnatl; 1310; V8-345; 73-72
 Intrnatl; 1310; V8-392; 73-72

42114

Int/Nav; CO1750B Trk; Int/Nav V8-9.0 Dsl; 86-81
 Int/Nav; CO1850B Trk; Int/Nav V8-9.0 Dsl; 86-80
 Int/Nav; CO1950B Trk; Int/Nav V8-9.0 Dsl; 86-80
 Int/Nav; COF1950B Trk; Int/Nav V8-9.0 Dsl; 86-80
 Int/Nav; F1954 Trk; Int/Nav V8-9.0 Dsl; 82-80
 Int/Nav; 1654 Trk; Int/Nav V8-9.0 Dsl; 82-81
 Int/Nav; 1754 Trk; Int/Nav V8-9.0 Dsl; 88-80
 Int/Nav; 1854 Trk; Int/Nav V8-9.0 Dsl; 88-80
 Int/Nav; 1954 Trk; Int/Nav V8-9.0 Dsl; 1984
 Int/Nav; 1955 Trk; Int/Nav V8-9.0 Dsl; 82-80
 Int/Nav; 2155 Trk; Int/Nav V8-9.0 Dsl; 1980
 Int/Nav; 1853 SchBus; Int/Nav V8-9.0 Dsl; 88-79
 Int/Nav; 1853FC SchBus; Int/Nav V8-9.0 Dsl; 1982

42115

Mazda; 929; V6-3.0; 95-92

42116

Chev; Luv Pickup; L4-111; 75-72
 TCM-Toyo; FG30M Forklift; Isuzu G201
 TCM-Toyo; FG30ZU Forklift; Isuzu G201

42117

Chev; Chevette; L4-1.8 Dsl; 84-81
 Isuzu; I-Mark; L4-1.8 Dsl; 83-81

42118

Isuzu; Amigo; L4-2.3; 93-89
 Isuzu; Impulse; L4-2.3; 89-88
 Isuzu; Pickup; L4-2.3; 95-86
 Isuzu; Trooper II; L4-2.3; 87-86

42119

Honda; Passport; L4-2.6; 96-94
 Isuzu; Amigo; L4-2.6; 94-89
 Isuzu; Pickup; L4-2.6; 95-88
 Isuzu; Rodeo; L4-2.6; 97-91
 Isuzu; Trooper; L4-2.6; 91-90
 Isuzu; Trooper II; L4-2.6; 89-88

42120

Acura; SLX; V6-3.2; 97-96
 Honda; Passport; V6-3.2; 97-94
 Isuzu; Rodeo; V6-3.2; 97-93
 Isuzu; Trooper; V6-3.2; 97-92

42122

Mazda; RX-3; 2-Rotor 70; 1973

42123

Mazda; RX-7; 2-Rotor 1.1; 85-80
 Mazda; RX-7; 2-Rotor 1.3; 85-84

42124

Ford; Courier; L4-2.3; 1980
 Ford; Courier; L4-140; 79-77
 Ford; Fairmont; L4-2.3; 82-80
 Ford; Fairmont; L4-140; 79-78
 Ford; Granada; L4-2.3; 82-81
 Ford; Mustang; L4-2.3; 82-80
 Ford; Mustang; L4-140; 1979
 Ford; Mustang II; L4-140; 78-74
 Ford; Pinto; L4-2.3; 1980
 Ford; Pinto; L4-140; 79-74
 Merc; Capri; L4-2.3; 82-80
 Merc; Capri; L4-140; 79-76
 Merc; Cougar; L4-2.3; 82-81
 Merc; Zephyr; L4-2.3; 82-80
 Merc; Zephyr; L4-140; 79-78

42126

Mazda; B2000 Pickup; L4-2.0; 1986
 Mazda; 626; L4-2.0; 86-84

42127

Mazda; B2000 Pickup; L4-2.0; 1986

42127 - Continued

Mazda; 626; L4-2.0; 87-84
 Yale; GP-AF Forklift; Yale FE
 Yale; GP-RG Forklift; Yale FE
 Yale; GP-TG Forklift; Yale F2

42128

Ford; Aspire; L4-1.3; 97-94
 Ford; Festiva; L4-1.3; 93-88
 Kia; Sephia; L4-1.6; 1995
 Mazda; MX-3; L4-1.6; 93-92
 Mazda; Protege; L4-1.8; 94-90
 Mazda; 323; L4-1.6; 94-86
 Merc; Tracer; L4-1.6; 89-88
 Merc; Tracer; L4-1.6 Canada; 1987

42129

Ford; Probe; L4-2.2; 92-89
 Kia; Sportage; L4-2.0; 1995
 Mazda; B2200 Pickup; L4-2.2; 93-87
 Mazda; MX-6; L4-2.2; 92-88
 Mazda; 626; L4-2.2; 92-88

42130

Mazda; RX-7; 2-Rotor 1.3; 88-86

42131

Ford; Escort; L4-1.8; 96-91
 Mazda; MX-5 Miata; L4-1.6; 93-90
 Mazda; Protege; L4-1.8; 94-90
 Mazda; 323; L4-1.6; 89-88
 Merc; Capri; L4-1.6; 94-91
 Merc; Tracer; L4-1.8; 96-91

42132

Mazda; MPV; V6-3.0; 95-89
 Mazda; 929; V6-3.0; 91-88

42134

Kia; Sephia; L4-1.6; 97-95
 Kia; Sephia; L4-1.8; 97-95
 Mazda; MX-3; L4-1.6; 95-94
 Mazda; MX-5 Miata; L4-1.8; 2002-99
 Mazda; MX-5 Miata; L4-1.8; 97-94
 Mazda; Protege; L4-1.5; 1995
 Mazda; Protege; L4-1.8; 98-95

42135

Ford; Probe; L4-2.0; 97-93
 Mazda; MX-6; L4-2.0; 97-93
 Mazda; Protege; L4-1.8; 2000-99
 Mazda; Protege; L4-2.0; 2003-01
 Mazda; 626; L4-2.0; 2002-93

42136

Ford; Probe; V6-2.5; 94-93
 Mazda; MX-3; V6-1.8; 93-92
 Mazda; MX-6; V6-2.5; 94-93
 Mazda; 626; V6-2.5; 94-93

42137

Ford; Probe; V6-2.5; 97-93
 Mazda; Millenia; V6-2.5; 2002-95
 Mazda; MX-3; V6-1.8; 94-92
 Mazda; MX-6; V6-2.5; 97-93
 Mazda; 626; V6-2.5; 2002-93

42138

Mazda; MPV; V6-3.0; 98-96

42139

Mazda; RX-7; 2-Rotor 1.3; 91-89

42140

Mazda; 929; V6-3.0; 91-90

42141

Mazda; RX-7; 2-Rotor 1.3; 95-93

42142

Mazda; Protege; L4-1.5; 98-96
 Mazda; Protege; L4-1.6; 2001-99

42143

Dodge; Colt; L4-1.6; 90-89

Numerical Listing

Use as a guide only. Refer to Pages 1 to 142 for specific applications.

<p>42143 - Continued</p> <p>Eagle; Summit; L4-1.6; 90-89 Hyundai; Elantra; L4-1.6; 95-92 Mits; Mirage; L4-1.6; 92-91 Mits; Mirage; L4-1.6; 1989 Ply; Colt; L4-1.6; 90-89</p>	<p>42157 - Continued</p> <p>Dodge; Colt; L4-1.8; 90-89 Eagle; Talon; L4-1.8; 94-93 Mits; Eclipse; L4-1.8; 94-90 Mits; Mirage; L4-1.6; 88-85 Ply; Champ; L4-1.6; 82-81 Ply; Colt; L4-1.6; 90-83 Ply; Colt; L4-1.8; 90-89 Ply; Laser; L4-1.8; 94-90</p>	<p>42165</p> <p>Dodge; Colt; L4-1.8; 1994 Eagle; Summit; L4-1.8; 96-94 Mits; Expo; L4-1.8; 1994 Mits; Mirage; L4-1.8; 96-93 Ply; Colt; L4-1.8; 1994</p>
<p>42147</p> <p>Mer-Benz; E300; L6-3.0 Dsl; 99-98 Mer-Benz; E300D; L6-3.0 Dsl; 97-95 Mer-Benz; S350D; L6-3.5 Dsl; 1994 Mer-Benz; 190D; L5-2.5 Dsl; 89-86 Mer-Benz; 300D; L5-2.5 Dsl; 93-90 Mer-Benz; 300D; L6-3.0 Dsl; 1987 Mer-Benz; 300SD; L6-3.5 Dsl; 93-92 Mer-Benz; 300SDL; L6-3.0 Dsl; 87-86 Mer-Benz; 300TD; L6-3.0 Dsl; 1987 Mer-Benz; 350SD; L6-3.5 Dsl; 1991 Mer-Benz; 350SDL; L6-3.5 Dsl; 91-90</p>	<p>42158</p> <p>Chry; E Class; L4-2.6; 84-83 Chry; Executive; L4-2.6; 85-84 Chry; Lebaron; L4-2.6; 85-82 Chry; New Yorker; L4-2.6; 85-83 Chry; Town & Country; L4-2.6; 85-82 Dodge; Aries; L4-2.6; 85-81 Dodge; Caravan; L4-2.6; 87-84 Dodge; Mini Ram Van; L4-2.6; 87-84 Dodge; 400; L4-2.6; 83-82 Dodge; 600; L4-2.6; 85-83 Ply; Caravelle; L4-2.6; 1985 Ply; Reliant; L4-2.6; 85-81 Ply; Voyager; L4-2.6; 87-84</p>	<p>42166</p> <p>Eagle; Summit; L4-2.4; 96-93 Eagle; Talon; L4-2.0; 98-95 Mits; Eclipse; L4-2.0; 99-95 Mits; Eclipse; L4-2.4; 99-96 Mits; Expo; L4-2.4; 95-92 Mits; Galant; L4-2.0; 1993 Mits; Galant; L4-2.4; 98-94 Ply; Colt; L4-2.4; 94-93</p>
<p>42149</p> <p>Mer-Benz; 190D; L4-2.2 Dsl; 85-84</p>	<p>42159</p> <p>Dodge; Ram 50 Pickup; L4-2.0; 89-83 Dodge; Ram 50 Pickup; L4-2.4; 93-90 Mits; Pickup; L4-2.0; 89-83 Mits; Pickup; L4-2.4; 96-90 Mits; Van; L4-2.4; 90-87</p>	<p>42167</p> <p>Dodge; Stealth; V6-3.0; 96-91 Mits; Diamante; V6-3.0; 95-92 Mits; 3000GT; V6-3.0; 99-91</p>
<p>42151</p> <p>Dodge; Colt; L4-122; 75-74</p>	<p>42161</p> <p>Audi; A6; V6-2.8; 1995 Audi; Cabriolet; V6-2.8; 95-94 Audi; 90; V6-2.8; 95-93 Audi; 100; V6-2.8; 94-92</p>	<p>42168</p> <p>Chry; Cirrus; V6-2.5; 2000-95 Chry; Sebring; V6-2.5; 2000-95 Chry; Sebring; V6-3.0; 2002-01 Dodge; Avenger; V6-2.5; 2000-95 Dodge; Stratus; V6-2.5; 2000-95 Dodge; Stratus; V6-3.0; 2005 Dodge; Stratus; V6-3.0; 2002-01 Mits; Diamante; V6-3.5; 2004 Mits; Diamante; V6-3.5; 2000-97 Mits; Eclipse; V6-3.0; 2005 Mits; Eclipse; V6-3.8; 2008-06 Mits; Endeavor; V6-3.8; 2008-06 Mits; Galant; V6-3.0; 1999 Mits; Galant; V6-3.8; 2007-06 Mits; Montero; V6-3.0; 96-95 Mits; Montero; V6-3.5; 2000-97 Mits; Montero Sport; V6-3.0; 2001 Mits; Montero Sport; V6-3.0; 1999 Mits; Montero Sport; V6-3.0; 1997 Mits; Montero Sport; V6-3.5; 2002-00</p>
<p>42153</p> <p>Dodge; Challenger; L4-2.6; 83-80 Dodge; Challenger; L4-156; 79-78 Dodge; Colt; L4-122; 77-76 Dodge; Colt; L4-2.6; 1980 Dodge; Colt; L4-156; 79-78 Dodge; Conquest; L4-2.6; 85-84 Dodge; D50 Pickup; L4-2.0; 1980 Dodge; D50 Pickup; L4-122; 1979 Dodge; D50 Pickup; L4-2.6; 1980 Dodge; D50 Pickup; L4-156; 1979 Dodge; Ram 50 Pickup; L4-2.0; 82-81 Dodge; Ram 50 Pickup; L4-2.6; 85-81 Mits; Montero; L4-2.6; 85-83 Mits; Pickup; L4-2.6; 85-83 Mits; Starion; L4-2.6; 85-83 Ply; Arrow; L4-122; 78-76 Ply; Arrow; L4-2.6; 1980 Ply; Arrow; L4-156; 1979 Ply; Arrow Pickup; L4-2.0; 82-80 Ply; Arrow Pickup; L4-122; 1979 Ply; Arrow Pickup; L4-2.6; 82-80 Ply; Arrow Pickup; L4-156; 1979 Ply; Conquest; L4-2.6; 85-84 Ply; Sapporo; L4-2.6; 83-80 Ply; Sapporo; L4-156; 79-78 Clark; GCS20 Forklift; Mitsubishi 4G54 Clark; GPS30 Forklift; Mitsubishi 4G54</p>	<p>42162</p> <p>Chry; Grand Voyager; V6-3.0; 2000 Chry; Lebaron; V6-3.0; 95-90 Chry; New Yorker; V6-3.0; 89-88 Chry; Town & Country Van; V6-3.0; 1990 Chry; Voyager; V6-3.0; 2000 Dodge; Caravan; V6-3.0; 2000-87 Dodge; Daytona; V6-3.0; 93-90 Dodge; Dynasty; V6-3.0; 93-88 Dodge; Grand Caravan; V6-3.0; 2000-92 Dodge; Grand Caravan; V6-3.0; 89-87 Dodge; Mini Ram Van; V6-3.0; 88-87 Dodge; Raider; V6-3.0; 1989 Dodge; Ram 50 Pickup; V6-3.0; 91-90 Dodge; Shadow; V6-3.0; 94-92 Dodge; Spirit; V6-3.0; 95-89 Dodge; Stealth; V6-3.0; 96-91 Hyundai; Sonata; V6-3.0; 98-90 Mits; Diamante; V6-3.0; 96-92 Mits; Galant; V6-3.0; 1988 Mits; Montero; V6-3.0; 94-89 Mits; Pickup; V6-3.0; 94-90 Mits; Sigma; V6-3.0; 90-89 Mits; 3000GT; V6-3.0; 99-97 Ply; Acclaim; V6-3.0; 95-89 Ply; Grand Voyager; V6-3.0; 2000-92 Ply; Grand Voyager; V6-3.0; 89-87 Ply; Sundance; V6-3.0; 94-92 Ply; Voyager; V6-3.0; 2000-87</p>	<p>42169</p> <p>Eagle; Summit; L4-1.8; 93-92 Mits; Expo; L4-1.8; 93-92 Ply; Colt; L4-1.8; 93-92</p>
<p>42154</p> <p>Dodge; Colt; L4-1.4; 1980 Dodge; Colt; L4-86; 1979 Ply; Champ; L4-1.4; 1980 Ply; Champ; L4-86; 1979</p>	<p>42163</p> <p>Eagle; Talon; L4-2.0; 94-90 Eagle; 2000 GTX; L4-2.0 Canada; 92-91 Hyundai; Elantra; L4-1.8; 95-93 Hyundai; Sonata; L4-2.0; 98-92 Mits; Eclipse; L4-2.0; 94-90 Mits; Galant; L4-2.0; 92-89 Ply; Laser; L4-2.0; 94-90</p>	<p>42170</p> <p>Mits; Mirage; L4-1.5; 2002-97</p>
<p>42155</p> <p>Dodge; Colt; L4-1.6; 1980 Dodge; Colt; L4-98; 1979 Ply; Champ; L4-1.6; 1980 Ply; Champ; L4-98; 1979</p>	<p>42164</p> <p>Eagle; Summit; L4-2.4; 1992 Eagle; 2000 GTX; L4-2.0 Canada; 92-91 Mits; Expo; L4-2.4; 1992 Mits; Galant; L4-2.0; 92-89 Ply; Colt; L4-2.4; 1992</p>	<p>42171</p> <p>Mits; Montero; V6-3.5; 96-94</p>
<p>42156</p> <p>Dodge; Colt; L4-1.4; 84-81 Dodge; Colt; L4-1.5; 94-85 Eagle; Summit; L4-1.5; 96-89 Hyundai; Accent; L4-1.5; 2002-95 Hyundai; Accent; L4-1.5 Canada; 2003 Hyundai; Excel; L4-1.5; 94-86 Hyundai; Scoupe; L4-1.5; 95-91 Mits; Mirage; L4-1.5; 96-85 Mits; Precis; L4-1.5; 94-87 Ply; Champ; L4-1.4; 82-81 Ply; Colt; L4-1.4; 84-83 Ply; Colt; L4-1.5; 94-85</p>		<p>42172</p> <p>Mits; Montero Sport; L4-2.4; 99-97</p> <p>42173</p> <p>Chry; Conquest; L4-2.6; 89-87 Mits; Starion; L4-2.6; 89-87</p> <p>42176</p> <p>Niss; 510; L4-97; 73-68 Niss; 510; L4-2.0; 81-80 Niss; 510; L4-119; 79-78 Niss; 610; L4-108; 1973 Niss; 610; L4-119; 76-74 Niss; 710; L4-108; 1974 Niss; 710; L4-119; 77-75 Niss; 720 Pickup; L4-2.0; 1980</p>
<p>42157</p> <p>Dodge; Colt; L4-1.6; 90-81</p>		<p>42178</p> <p>Niss; Pathfinder; L4-2.4; 1987 Niss; Pathfinder; L4-2.4 Canada; 1988 Niss; Pickup; L4-2.0; 84-83 Niss; Pickup; L4-2.2; 82-81 Niss; Pickup; L4-2.4; 89-83 Niss; 200SX; L4-2.0; 81-80 Niss; 200SX; L4-119; 79-77 Niss; 200SX; L4-2.2; 83-82 Niss; 510; L4-2.0; 81-80 Niss; 510; L4-119; 79-78 Niss; 610; L4-119; 76-74</p>

Numerical Listing

Use as a guide only. Refer to Pages 1 to 142 for specific applications.

<p>42178 - Continued Niss; 620 Pickup; L4-119; 79-75 Niss; 710; L4-119; 77-75 Niss; 720 Pickup; L4-2.0; 1980</p>	<p>42207 Subaru; Baja; L4-2.5; 2006-03 Subaru; Forester; L4-2.5; 2005-98 Subaru; Impreza; L4-1.8; 97-93 Subaru; Impreza; L4-2.2; 2001-95 Subaru; Impreza; L4-2.5; 2005-98 Subaru; Legacy; L4-2.2; 99-90 Subaru; Legacy; L4-2.5; 2005-96 Subaru; Outback; L4-2.5; 2005-00</p>	<p>42237 Chev; Nova; L4-1.6; 1988 Geo; Prizm; L4-1.6; 92-90 Toy.; Corolla; L4-1.6; 91-87 Toy.; MR2; L4-1.6; 89-85</p>
<p>42181 Infiniti; M30; V6-3.0; 92-90 Niss; Pickup; V6-3.0; 95-86 Niss; Pickup; V6-3.0 Canada; 1996 Niss; 200SX; V6-3.0; 88-87 Niss; 300ZX; V6-3.0; 89-84</p>	<p>42208 Subaru; DL; L4-1.8; 89-85 Subaru; GL; L4-1.8; 89-85 Subaru; GL-10; L4-1.8; 89-85 Subaru; Loyale; L4-1.8; 94-90 Subaru; RX; L4-1.8; 89-85 Subaru; Standard; L4-1.8; 1987</p>	<p>42240 Toy.; Camry; L4-2.0; 91-87 Toy.; Camry; L4-2.2; 2001-92 Toy.; Camry Solara; L4-2.2; 2000-99 Toy.; Celica; L4-2.0; 89-87 Toy.; Celica; L4-2.2; 99-90 Toy.; MR2; L4-2.2; 95-91 Toy.; RAV4; L4-2.0; 2000-96 Toy.; Solara; L4-2.2; 2001</p>
<p>42188</p>	<p>42208</p>	<p>42240</p>
<p>Infiniti; Q45; V8-4.5; 93-90</p>	<p>42212</p>	<p>42242</p>
<p>42189</p>	<p>Chev; Metro; L3-1.0; 2000-98 Chev; Metro; L4-1.3; 2001-98 Chev; Sprint; L3-1.0 Canada; 91-89 Geo; Metro; L3-1.0; 97-89 Geo; Metro; L4-1.3; 97-95 Geo; Metro; L4-1.3 Canada; 94-92 Suzuki; Swift; L4-1.3; 2001-89</p>	<p>Toy.; Pickup; V6-3.0; 90-88 Toy.; 4 Runner; V6-3.0; 1988</p>
<p>Infiniti; J30; V6-3.0; 97-93</p>	<p>42215</p>	<p>42244</p>
<p>42192</p>	<p>Toy.; Carina; L4-97; 73-72 Toy.; Corolla; L4-97; 75-71</p>	<p>42243</p>
<p>Infiniti; Q45; V8-4.1; 2001-98</p>	<p>42216</p>	<p>42243</p>
<p>42194</p>	<p>Chry; Conquest; L4-2.6; 1987 Dodge; Conquest; L4-2.6; 86-85 Dodge; Raider; L4-2.6; 89-87 Dodge; Ram 50 Pickup; L4-2.6; 89-85 Mazda; B2600 Pickup; L4-2.6; 88-87 Mits; Montero; L4-2.6; 89-85 Mits; Pickup; L4-2.6; 89-85 Mits; Starion; L4-2.6; 87-85 Ply; Conquest; L4-2.6; 86-85</p>	<p>Toy.; Pickup; V6-3.0; 92-90 Toy.; Pickup; V6-3.0; 90-89 Toy.; 4 Runner; V6-3.0; 92-89</p>
<p>Mer-Benz; 300CE; L6-3.0; 92-90 Mer-Benz; 300SL; L6-3.0; 93-90</p>	<p>42217</p>	<p>42245</p>
<p>42195</p>	<p>42217</p>	<p>42245</p>
<p>Dodge; Colt; L4-2.0; 91-84 Hyundai; Sonata; L4-2.4; 91-89 Mits; Cordia; L4-1.8; 88-83 Mits; Cordia; L4-2.0; 88-84 Mits; Galant; L4-2.4; 87-85 Mits; Tredia; L4-1.8; 88-83 Mits; Tredia; L4-2.0; 88-84 Ply; Colt; L4-2.0; 91-84</p>	<p>42214</p>	<p>Geo; Prizm; L4-1.8; 97-93 Toy.; Celica; L4-1.8; 97-94 Toy.; Corolla; L4-1.8; 97-93</p>
<p>42197</p>	<p>42215</p>	<p>42246</p>
<p>Saab; 9000; L4-2.0; 90-86</p>	<p>42216</p>	<p>Opel; GT; L4-66; 70-69 Opel; GT; L4-116; 73-69 Opel; Kadett; L4-116; 1968 Opel; Manta; L4-116; 75-73 Opel; 1900; L4-116; 74-71</p>
<p>42198</p>	<p>42216</p>	<p>42247</p>
<p>Saab; 9000; L4-2.3; 98-90</p>	<p>Chry; Conquest; L4-2.6; 1987 Dodge; Conquest; L4-2.6; 86-85 Dodge; Raider; L4-2.6; 89-87 Dodge; Ram 50 Pickup; L4-2.6; 89-85 Mazda; B2600 Pickup; L4-2.6; 88-87 Mits; Montero; L4-2.6; 89-85 Mits; Pickup; L4-2.6; 89-85 Mits; Starion; L4-2.6; 87-85 Ply; Conquest; L4-2.6; 86-85</p>	<p>Toy.; Pickup; V6-3.0; 95-93 Toy.; T100; V6-3.0; 94-93 Toy.; 4 Runner; V6-3.0; 95-93</p>
<p>42199</p>	<p>42217</p>	<p>42249</p>
<p>Saab; 9-3; L4-2.0; 2002-99 Saab; 9-3; L4-2.3; 2002-99 Saab; 9-5; L4-2.3; 2003-99 Saab; 900; L4-2.0; 98-94 Saab; 900; L4-2.1; 1994 Saab; 900; L4-2.3; 98-94</p>	<p>42217</p>	<p>42249</p>
<p>42202</p>	<p>Toy.; Corolla; L4-71; 77-76</p>	<p>Renault; R12; L4-95; 72-71 Renault; R12; L4-100; 77-73 Renault; R15; L4-95; 1972 Renault; R15; L4-100; 77-73</p>
<p>Subaru; Brat; L4-97; 79-78</p>	<p>42217</p>	<p>42250</p>
<p>Subaru; DL; L4-83; 76-73</p>	<p>42221</p>	<p>Toy.; T100; V6-3.4; 1998 Toy.; T100; V6-3.4; 98-97 Toy.; T100; V6-3.4; 97-96 Toy.; T100; V6-3.4; 96-95 Toy.; T100; V6-3.4; 1995</p>
<p>Subaru; DL; L4-97; 79-76</p>	<p>Toy.; Corolla; L4-71; 79-78 Toy.; Starlet; L4-1.3; 82-81</p>	<p>Toy.; Tacoma; V6-3.4; 2003-01 Toy.; Tacoma; V6-3.4; 2001-00 Toy.; Tacoma; V6-3.4; 2000 Toy.; Tacoma; V6-3.4; 2000-99 Toy.; Tacoma; V6-3.4; 1999</p>
<p>Subaru; FE; L4-97; 79-78</p>	<p>42222</p>	<p>Toy.; Tacoma; V6-3.4; 99-98 Toy.; Tacoma; V6-3.4; 1998 Toy.; Tacoma; V6-3.4; 98-97 Toy.; Tacoma; V6-3.4; 1997 Toy.; Tacoma; V6-3.4; 97-96 Toy.; Tacoma; V6-3.4; 1996 Toy.; Tacoma; V6-3.4; 96-95 Toy.; Tacoma; V6-3.4; 1995</p>
<p>Subaru; FF-1 Star; L4-77; 1972</p>	<p>42222</p>	<p>Toy.; Tundra; V6-3.4; 2004-01 Toy.; Tundra; V6-3.4; 2001-00 Toy.; Tundra; V6-3.4; 2000 Toy.; 4 Runner; V6-3.4; 2002-96</p>
<p>Subaru; G; L4-77; 1972</p>	<p>Toy.; Corolla; L4-97; 79-77 Toy.; Corolla; L4-1.8; 82-80</p>	<p>42251</p>
<p>Subaru; GF; L4-83; 76-75</p>	<p>42223</p>	<p>Lexus; LX450; L6-4.5; 97-96 Toy.; Land Cruiser; L6-4.5; 97-93</p>
<p>Subaru; GF; L4-97; 79-76</p>	<p>42223</p>	<p>42252</p>
<p>Subaru; GL; L4-77; 1972</p>	<p>Toy.; Celica; L4-134; 1977 Toy.; Corona; L4-134; 1977 Toy.; Pickup; L4-134; 78-77</p>	<p>Toy.; Corona; L4-116; 70-68 Toy.; Pickup; L4-116; 1969</p>
<p>Subaru; GL; L4-83; 75-73</p>	<p>42224</p>	<p>42253</p>
<p>Subaru; GL; L4-97; 1979</p>	<p>Toy.; Celica; L4-134; 76-75 Toy.; Corona; L4-134; 76-75 Toy.; Pickup; L4-134; 76-75</p>	<p>Scion; XA; L4-1.5; 2006-04 Scion; XB; L4-1.5; 2006-04 Toy.; Echo; L4-1.5; 2005-00</p>
<p>Subaru; GL; L4-77; 1972</p>	<p>42224</p>	<p>42253</p>
<p>Subaru; GL; L4-83; 75-73</p>	<p>42225</p>	<p>42253</p>
<p>Subaru; GL; L4-97; 1979</p>	<p>42225</p>	<p>42253</p>
<p>Subaru; Standard; L4-83; 1976</p>	<p>42228</p>	<p>42253</p>
<p>Subaru; Standard; L4-97; 79-77</p>	<p>42230</p>	<p>42253</p>
<p>42203</p>	<p>Toy.; Corolla; L4-1.6; 87-83</p>	<p>42253</p>
<p>Subaru; Brat; L4-1.6; 1980</p>	<p>42230</p>	<p>42253</p>
<p>Subaru; Brat; L4-1.8; 87-80</p>	<p>Toy.; Celica; L6-2.8; 85-82 Toy.; Cressida; L6-2.8; 88-83 Toy.; Supra; L6-2.8; 1986</p>	<p>42253</p>
<p>Subaru; DL; L4-1.6; 84-80</p>	<p>42232</p>	<p>42253</p>
<p>Subaru; DL; L4-1.8; 89-80</p>	<p>42236</p>	<p>42253</p>
<p>Subaru; GL; L4-1.6; 87-86</p>	<p>Niss; 300ZX; V6-3.0; 96-90</p>	<p>42253</p>
<p>Subaru; GL; L4-1.6; 1980</p>	<p>42236</p>	<p>42253</p>
<p>Subaru; GL; L4-1.8; 89-80</p>	<p>Toy.; Corolla; L4-1.6; 87-85</p>	<p>42253</p>
<p>Subaru; GLF; L4-1.6; 1980</p>	<p>42236</p>	<p>42253</p>
<p>Subaru; GLF; L4-1.8; 82-80</p>	<p>42236</p>	<p>42253</p>
<p>Subaru; RX; L4-1.8; 89-85</p>	<p>42236</p>	<p>42253</p>
<p>Subaru; Standard; L4-1.6; 87-80</p>	<p>42236</p>	<p>42253</p>
<p>Subaru; Standard; L4-1.8; 82-81</p>	<p>42236</p>	<p>42253</p>
<p>42206</p>	<p>42236</p>	<p>42253</p>
<p>Subaru; Brat; L4-1.8; 84-83</p>	<p>42236</p>	<p>42253</p>
<p>Subaru; GL; L4-1.8; 84-83</p>	<p>42236</p>	<p>42253</p>

Numerical Listing

Use as a guide only. Refer to Pages 1 to 142 for specific applications.

<p>42253 - Continued Toy.; Prius; L4-1.5 Electric Assist; 2008-01 Toy.; Yaris; L4-1.5; 2008-07 Toy.; Yaris; L4-1.5 Canada; 2006</p>	<p>42261 - Continued VW; Jetta; L4-1.9 Dsl Canada; 95-93 VW; Jetta; L4-2.0; 99-90 VW; Passat; L4-1.8 Canada; 94-91 VW; Passat; L4-1.9 Dsl; 97-96 VW; Passat; L4-1.9 Dsl Canada; 95-93 VW; Passat; L4-2.0; 96-95 VW; Passat; L4-2.0; 93-90 VW; Passat; L4-2.0 Canada; 1994 VW; Quantum; L4-1.6 Dsl; 85-82 VW; Quantum; L4-1.7; 83-82 VW; Quantum; L4-1.8; 86-85 VW; Rabbit; L4-1.5; 1980 VW; Rabbit; L4-1.5 Dsl; 1980 VW; Rabbit; L4-1.6; 1980 VW; Rabbit; L4-1.6 Dsl; 84-81 VW; Rabbit; L4-1.7; 84-83 VW; Rabbit; L4-1.7; 83-82 VW; Rabbit; L4-1.7; 82-81 VW; Rabbit; L4-1.8; 84-83 VW; Rabbit Pickup; L4-1.5 Dsl; 1980 VW; Rabbit Pickup; L4-1.6; 1980 VW; Rabbit Pickup; L4-1.6 Dsl; 83-81 VW; Rabbit Pickup; L4-1.7; 83-81 VW; Scirocco; L4-1.7; 83-81 VW; Scirocco; L4-1.8; 88-83 VW; Scirocco; L4-1.8 Canada; 1989</p>	<p>42282 Subaru; Legacy; L4-2.2; 1991</p>
<p>42254 Toy.; T100; V6-3.4; 98-95 Toy.; Tacoma; V6-3.4; 2001-95 Toy.; Tundra; V6-3.4; 2004-00</p>	<p>42265 Audi; V8 Quattro; V8-3.6; 91-90 Audi; V8 Quattro; V8-4.2; 94-92</p>	<p>42284 Chev; Tracker; L4-1.6; 1998 Chev; Tracker; L4-1.6 Canada; 92-89 Chev; Tracker; L4-1.6 Canada; 1989 Geo; Tracker; L4-1.6; 97-89 Geo; Tracker; L4-1.6; 1989 GMC; Tracker; L4-1.6 Canada; 92-90 Suzuki; Esteem; L4-1.6; 97-95 Suzuki; Sidekick; L4-1.6; 98-89 Suzuki; X-90; L4-1.6; 98-96</p>
<p>42255 Lexus; GS300; L6-3.0; 97-93 Lexus; SC300; L6-3.0; 2000-92 Toy.; Supra; L6-3.0; 98-93</p>	<p>42266 Renault; Alliance; L4-1.7; 87-85 Renault; Alliance; L4-2.0; 1987 Renault; Encore; L4-1.7; 86-85</p>	<p>42285 Chev; Tracker; V6-2.5; 2004-01 Suzuki; Grand Vitara; V6-2.5; 2005-99 Suzuki; Grand Vitara; V6-2.7; 2001 Suzuki; Vitara; V6-2.5; 2004 Suzuki; XL-7; V6-2.7; 2006-02</p>
<p>42256 Toy.; Pickup; V6-3.0; 95-94 Toy.; 4 Runner; V6-3.0; 95-94</p>	<p>42272 Volvo; 240; L4-2.1; 85-80 Volvo; 240; L4-2.3; 84-83 Volvo; 260; L4-2.1; 1981 Volvo; 760; L4-2.3; 1984</p>	<p>42286 Chry; Sebring; L4-2.4; 2002-01 Dodge; Stratus; L4-2.4; 2002-01 Hyundai; Santa Fe; L4-2.4; 2004-01 Hyundai; Santa Fe; L4-2.4 Canada; 2006-05 Hyundai; Sonata; L4-2.4; 2005-99 Kia; Magentis; L4-2.4 Canada; 2006-04 Kia; Optima; L4-2.4; 2006-02 Mits; Galant; L4-2.4; 1999</p>
<p>42257 Toy.; Supra; L6-3.0; 98-93</p>	<p>42275 Eagle; Medallion; L4-2.2; 89-88 Renault; Fuego; L4-2.2; 85-84 Renault; Sportwagon; L4-2.2; 86-84</p>	<p>42292 Chry; Town & Country Van; V6-3.3; 2007-01 Chry; Town & Country Van; V6-3.8; 2007-01 Chry; Voyager; V6-3.3; 2003-01 Dodge; Caravan; V6-3.3; 2007-01 Dodge; Grand Caravan; V6-3.3; 2007-01 Dodge; Grand Caravan; V6-3.8; 2007-01</p>
<p>42258 Audi; Fox; L4-90; 74-73 Audi; Fox; L4-97; 79-75 Audi; 4000; L4-1.6; 1980 Audi; 4000; L4-1.7; 1981 VW; Dasher; L4-1.5 Dsl; 1980 VW; Dasher; L4-90; 75-74 VW; Dasher; L4-1.6; 1980 VW; Dasher; L4-1.6 Dsl; 1981 VW; Dasher; L4-97; 79-76 VW; Jetta; L4-1.6; 1980 VW; Jetta; L4-1.6 Dsl; 84-81 VW; Jetta; L4-1.7; 84-81 VW; Rabbit; L4-1.5; 1980 VW; Rabbit; L4-1.5 Dsl; 1980 VW; Rabbit; L4-89; 79-78 VW; Rabbit; L4-90; 1975 VW; Rabbit; L4-90 Dsl; 79-77 VW; Rabbit; L4-1.6; 1980 VW; Rabbit; L4-1.6 Dsl; 84-81 VW; Rabbit; L4-97; 77-76 VW; Rabbit; L4-1.7; 84-81 VW; Rabbit; L4-1.8; 84-83 VW; Rabbit Pickup; L4-1.5 Dsl; 1980 VW; Rabbit Pickup; L4-1.6; 1980 VW; Rabbit Pickup; L4-1.6 Dsl; 83-81 VW; Rabbit Pickup; L4-1.7; 83-81 VW; Scirocco; L4-1.6; 1980 VW; Scirocco; L4-1.7; 1981 VW; Vanagon; L4-1.6 Dsl; 83-82</p>	<p>42276 Volvo; 164; L6-182; 1971</p>	<p>42293 Jeep; Grand Cherokee; L6-4.0; 2004-99 Jeep; Wrangler; L6-4.0; 2005-00</p>
<p>42259 Porsche; 924; L4-2.0; 82-80 Porsche; 924; L4-121; 79-77</p>	<p>42277 Renault; R8; L4-68; 66-64 Renault; R10; L4-68; 69-67</p>	<p>42294 Ford; Focus; L4-2.0; 2004-00</p>
<p>42261 Audi; 80; L4-2.0; 90-88 Audi; 90; L4-2.0; 1988 Audi; 4000; L4-1.6; 1980 Audi; 4000; L4-1.6 Dsl; 83-82 Audi; 4000; L4-1.7; 83-81 Audi; 4000; L4-1.8; 87-84 VW; Cabrio; L4-2.0; 2002-95 VW; Cabriolet; L4-1.8; 93-85 VW; Corrado; L4-1.8; 92-90 VW; Fox; L4-1.8; 93-87 VW; Golf; L4-1.6 Dsl; 87-85 VW; Golf; L4-1.6 Dsl Canada; 92-88 VW; Golf; L4-1.8; 92-85 VW; Golf; L4-1.8 Canada; 98-93 VW; Golf; L4-1.9 Dsl; 1996 VW; Golf; L4-1.9 Dsl Canada; 98-97 VW; Golf; L4-1.9 Dsl Canada; 95-93 VW; Golf; L4-2.0; 99-90 VW; Jetta; L4-1.6 Dsl; 92-89 VW; Jetta; L4-1.6 Dsl; 87-81 VW; Jetta; L4-1.6 Dsl Canada; 1988 VW; Jetta; L4-1.7; 84-81 VW; Jetta; L4-1.8; 92-84 VW; Jetta; L4-1.8 Canada; 95-93 VW; Jetta; L4-1.9 Dsl; 99-96</p>	<p>42278 Transcold; NDB40 RefrigUnit Transcold; UDE RefrigUnit Transcold; UDG RefrigUnit Transcold; 230CM RefrigUnit Transcold; 230CP RefrigUnit Transcold; 250CM RefrigUnit Transcold; 640 RefrigUnit Transcold; 645 RefrigUnit Transcold; 650 RefrigUnit Transcold; 655 RefrigUnit Transcold; 1003 RefrigUnit Transcold; 2005 RefrigUnit Transcold; 6000A RefrigUnit Transcold; 6004A RefrigUnit Transcold; 6007 RefrigUnit Transcold; 6007A RefrigUnit</p>	<p>42296 Chev; Cavalier; L4-2.2; 2004-02 Olds; Alero; L4-2.2; 2004-02 Pont; Grand Am; L4-2.2; 2004-02 Pont; Sunfire; L4-2.2; 2004-02 Saturn; Ion; L4-2.2; 2005-03 Saturn; L-Series; L4-2.2; 2004-00 Saturn; VUE; L4-2.2; 2005-02</p>
<p>42261 Audi; 80; L4-2.0; 90-88 Audi; 90; L4-2.0; 1988 Audi; 4000; L4-1.6; 1980 Audi; 4000; L4-1.6 Dsl; 83-82 Audi; 4000; L4-1.7; 83-81 Audi; 4000; L4-1.8; 87-84 VW; Cabrio; L4-2.0; 2002-95 VW; Cabriolet; L4-1.8; 93-85 VW; Corrado; L4-1.8; 92-90 VW; Fox; L4-1.8; 93-87 VW; Golf; L4-1.6 Dsl; 87-85 VW; Golf; L4-1.6 Dsl Canada; 92-88 VW; Golf; L4-1.8; 92-85 VW; Golf; L4-1.8 Canada; 98-93 VW; Golf; L4-1.9 Dsl; 1996 VW; Golf; L4-1.9 Dsl Canada; 98-97 VW; Golf; L4-1.9 Dsl Canada; 95-93 VW; Golf; L4-2.0; 99-90 VW; Jetta; L4-1.6 Dsl; 92-89 VW; Jetta; L4-1.6 Dsl; 87-81 VW; Jetta; L4-1.6 Dsl Canada; 1988 VW; Jetta; L4-1.7; 84-81 VW; Jetta; L4-1.8; 92-84 VW; Jetta; L4-1.8 Canada; 95-93 VW; Jetta; L4-1.9 Dsl; 99-96</p>	<p>42279 Mits; Lancer; L4-2.0; 2007-02 Mits; Mirage; L4-1.8; 2002-97</p>	<p>42297 Acura; SLX; V6-3.5; 99-98 Honda; Passport; V6-3.2; 2002-98 Isuzu; Amigo; V6-3.2; 2000-98 Isuzu; Axiom; V6-3.5; 2004-02 Isuzu; Rodeo; V6-3.2; 2004-98 Isuzu; Rodeo; V6-3.5; 2004 Isuzu; Trooper; V6-3.5; 2002-98 Isuzu; Vehicross; V6-3.5; 2001-99</p>
<p>42261 Audi; 80; L4-2.0; 90-88 Audi; 90; L4-2.0; 1988 Audi; 4000; L4-1.6; 1980 Audi; 4000; L4-1.6 Dsl; 83-82 Audi; 4000; L4-1.7; 83-81 Audi; 4000; L4-1.8; 87-84 VW; Cabrio; L4-2.0; 2002-95 VW; Cabriolet; L4-1.8; 93-85 VW; Corrado; L4-1.8; 92-90 VW; Fox; L4-1.8; 93-87 VW; Golf; L4-1.6 Dsl; 87-85 VW; Golf; L4-1.6 Dsl Canada; 92-88 VW; Golf; L4-1.8; 92-85 VW; Golf; L4-1.8 Canada; 98-93 VW; Golf; L4-1.9 Dsl; 1996 VW; Golf; L4-1.9 Dsl Canada; 98-97 VW; Golf; L4-1.9 Dsl Canada; 95-93 VW; Golf; L4-2.0; 99-90 VW; Jetta; L4-1.6 Dsl; 92-89 VW; Jetta; L4-1.6 Dsl; 87-81 VW; Jetta; L4-1.6 Dsl Canada; 1988 VW; Jetta; L4-1.7; 84-81 VW; Jetta; L4-1.8; 92-84 VW; Jetta; L4-1.8 Canada; 95-93 VW; Jetta; L4-1.9 Dsl; 99-96</p>	<p>42280 Mits; Lancer; L4-2.0; 2007-02 Mits; Mirage; L4-1.8; 2002-97</p>	<p>42300 Chry; Sebring; L4-2.4; 2005-03 Dodge; Stratus; L4-2.4; 2005-03 Mits; Eclipse; L4-2.4; 2005-00 Mits; Galant; L4-2.4; 2003-00</p>
<p>42261 Audi; 80; L4-2.0; 90-88 Audi; 90; L4-2.0; 1988 Audi; 4000; L4-1.6; 1980 Audi; 4000; L4-1.6 Dsl; 83-82 Audi; 4000; L4-1.7; 83-81 Audi; 4000; L4-1.8; 87-84 VW; Cabrio; L4-2.0; 2002-95 VW; Cabriolet; L4-1.8; 93-85 VW; Corrado; L4-1.8; 92-90 VW; Fox; L4-1.8; 93-87 VW; Golf; L4-1.6 Dsl; 87-85 VW; Golf; L4-1.6 Dsl Canada; 92-88 VW; Golf; L4-1.8; 92-85 VW; Golf; L4-1.8 Canada; 98-93 VW; Golf; L4-1.9 Dsl; 1996 VW; Golf; L4-1.9 Dsl Canada; 98-97 VW; Golf; L4-1.9 Dsl Canada; 95-93 VW; Golf; L4-2.0; 99-90 VW; Jetta; L4-1.6 Dsl; 92-89 VW; Jetta; L4-1.6 Dsl; 87-81 VW; Jetta; L4-1.6 Dsl Canada; 1988 VW; Jetta; L4-1.7; 84-81 VW; Jetta; L4-1.8; 92-84 VW; Jetta; L4-1.8 Canada; 95-93 VW; Jetta; L4-1.9 Dsl; 99-96</p>	<p>42281 Chev; Tracker; L4-1.6; 2000-99 Chev; Tracker; L4-1.6 Canada; 2002-01 Suzuki; Esteem; L4-1.6; 2000-98 Suzuki; Esteem; L4-1.6 Canada; 2001 Suzuki; Vitara; L4-1.6; 2001-99 Suzuki; Vitara; L4-1.6 Canada; 2002</p>	<p>42301 Hyundai; Santa Fe; V6-2.7; 2006-01 Hyundai; Sonata; V6-2.7; 2005-02 Hyundai; Tiburon; V6-2.7; 2007-03 Hyundai; Tucson; V6-2.7; 2006-05 Kia; Magentis; V6-2.7 Canada; 2006-02 Kia; Optima; V6-2.5; 2001 Kia; Optima; V6-2.7; 2006-02 Kia; Sportage; V6-2.7; 2008-05</p>

Numerical Listing

Use as a guide only. Refer to Pages 1 to 142 for specific applications.

<p>42302 Kia; Sephia; L4-1.8; 2001-98 Kia; Spectra; L4-1.8; 2004-00</p>	<p>42309 - Continued White; 7000 Series Trk; CumDsl NHC250; 1972 White; 7000 Series Trk; CumDsl NHC250; 1969 White; 9000 Series Trk; CumDsl NHC250; 71-68 Drott; 30DH Crane; CumDsl NH230</p>	<p>42318 - Continued Int/Nav; 5000 Trk; Int/Nav 530 Dsl; 97-95 Int/Nav; 8100 Trk; Int/Nav 530 Dsl; 96-95 Int/Nav; 8100 Trk; Int/Nav DT466 Dsl; 1996 Int/Nav; 8200 Trk; Int/Nav 530 Dsl; 1996 Int/Nav; 3600 SchBus; Int/Nav DT408 Dsl; 1995 Int/Nav; 3600 SchBus; Int/Nav DT466 Dsl; 96-95 Int/Nav; 3700 SchBus; Int/Nav DT466 Dsl; 1995 Int/Nav; 3800 SchBus; Int/Nav DT408 Dsl; 96-94 Int/Nav; 3800 SchBus; Int/Nav DT466 Dsl; 96-95 Int/Nav; 3900FC SchBus; Int/Nav DT466 Dsl; 1995</p>
<p>42303 Renault; R8; L4-58; 1965 Renault; R8; L4-68; 66-64 Renault; R10; L4-68; 69-67</p>	<p>42310 Gleaner; 100SP Combine; West Allis L4-226; 57-52</p>	<p>42319 Geo; Prizm; L4-1.6; 97-93 Toy.; Corolla; L4-1.6; 97-93</p>
<p>42305 Lexus; ES250; V6-2.5; 91-90 Lexus; ES300; V6-3.0; 93-92 Toy.; Camry; V6-2.5; 91-88 Toy.; Camry; V6-3.0; 93-92</p>	<p>42311 Al-Chalm; 816 Backhoe LoadBackhoe; Perkins L4-248 Dsl Al-Chalm; 816 Wheel Loader Wheel Loader; Perkins L4-248 Dsl Al-Chalm; 840 Articulated Wheel Loader; Perkins L4-248 Dsl MassFerg; MF11 Wheel Loader; Perkins L4-248 Dsl MassFerg; MF300 Tractor; Perkins L4-248 Dsl; 77-69 MassFerg; MF300 Backhoe LoadBackhoe; Perkins L4-248 Dsl MassFerg; 275 Tractor; Perkins L4-248 Dsl; 83-75 MassFerg; 283 Special Tractor; Perkins L4-248 Dsl; 98-85 MassFerg; 290 Tractor; Perkins L4-248 Dsl; 86-83 MassFerg; 294 Tractor; Perkins L4-248 Dsl; 89-82 MassFerg; 383 Tractor; Perkins L4-248 Dsl; 98-86 MassFerg; 390 Tractor; Perkins L4-248 Dsl; 98-87 MassFerg; 394 Tractor; Perkins L4-248 Dsl; 99-89 MassFerg; 690 Tractor; Perkins L4-248 Dsl; 86-83 MassFerg; 3060 Tractor; Perkins L4-248 Dsl; 93-87 MassFerg; 4235 Tractor; Perkins L4-248 Dsl; 2001-97</p>	<p>42320 Case; 310 Tractor; Case L4-188 Dsl; 63-58 Case; 430 Tractor; Case L4-188 Dsl; 69-60 Case; 450 Tractor; Case L4-188 Dsl; 79-65 Case; 480B Industrial Tractor; Case L4-188 Dsl; 75-66 Case; 530 Tractor; Case L4-188 Dsl; 69-60 Case; 540 Tractor; Case L4-188 Dsl; 69-60</p>
<p>42306 Lexus; ES250; V6-2.5; 91-90 Lexus; ES300; V6-3.0; 93-92 Toy.; Camry; V6-2.5; 91-88 Toy.; Camry; V6-3.0; 93-92</p>	<p>42312 Acura; RSX; L4-2.0; 2006-02 Honda; CR-V; L4-2.4; 2006-02</p>	<p>42321 Autocar; Constructtor 2 Series Trk; DetrDsl 6-71; 81-79 Autocar; DC Series Trk; DetrDsl 6-71; 1972 Brockway; 359 Trk; DetrDsl 6-71; 1974 Chev; Bison Trk; DetrDsl 6-71; 80-77 Chev; Bruin Trk; DetrDsl 6-71; 80-78 Chev; H90 Trk; DetrDsl 6-71; 78-73 Chev; J90 Trk; DetrDsl 6-71; 78-73 Chev; M190 Trk; DetrDsl 6-71; 71-66 Chev; Titan Trk; DetrDsl 6-71; 80-70 DiamReo; C92 Trk; DetrDsl 6-71; 74-73 DiamReo; C114 Trk; DetrDsl 6-71; 72-67 DiamReo; C116 Trk; DetrDsl 6-71; 74-71 DiamReo; CO54 Trk; DetrDsl 6-71; 74-73 DiamReo; CO88 Trk; DetrDsl 6-71; 74-73 Dodge; CN900 Trk; DetrDsl 6-71; 74-73 Dodge; CNT900 Trk; DetrDsl 6-71; 74-73 Dodge; LS1000 Trk; DetrDsl 6-71; 1973 Dodge; LT1000 Trk; DetrDsl 6-71; 1973 FWD; 233D Trk; DetrDsl 3-71; 80-76 FWD; 284D Trk; DetrDsl 4-71; 59-55 FWD; 284D Trk; DetrDsl 6-71; 88-55 FWD; 324D Trk; DetrDsl 4-71; 59-55 FWD; 324D Trk; DetrDsl 6-71; 88-55 FWD; 364D Trk; DetrDsl 4-71; 61-59 FWD; 364D Trk; DetrDsl 6-71; 61-59 FWD; 406D Trk; DetrDsl 4-71; 61-59 FWD; 406D Trk; DetrDsl 6-71; 61-59 FWD; 456D Trk; DetrDsl 4-71; 61-59 FWD; 456D Trk; DetrDsl 6-71; 61-59 FWD; 466D Trk; DetrDsl 4-71; 61-59 FWD; 466D Trk; DetrDsl 6-71; 61-59 FWD; 486D Trk; DetrDsl 4-71; 61-59 FWD; 486D Trk; DetrDsl 6-71; 61-59 FWD; 606D Trk; DetrDsl 4-71; 61-59 FWD; 606D Trk; DetrDsl 6-71; 61-59 Ford; L9000 Trk; DetrDsl 6-71; 86-70 Ford; LN9000 Trk; DetrDsl 6-71; 86-70 Ford; LNT9000 Trk; DetrDsl 6-71; 86-70 Ford; LT9000 Trk; DetrDsl 6-71; 86-70 Ford; LTS9000 Trk; DetrDsl 6-71; 86-70 Ford; N Series Trk; DetrDsl 6-71; 69-67 Ford; W9000 Trk; DetrDsl 6-71; 77-71 Ford; W Series Trk; DetrDsl 6-71; 1967 Ford; WT9000 Trk; DetrDsl 6-71; 77-71 GMC; Astro Trk; DetrDsl 6-71; 83-69 GMC; Brigadier Trk; DetrDsl 6-71; 88-78 GMC; C6000 Trk; DetrDsl 3-71; 1978 GMC; C6500 Trk; DetrDsl 3-71; 1978</p>
<p>42307 Lexus; GS300; L6-3.0; 2004-98 Lexus; IS300; L6-3.0; 2004-01</p>	<p>42313 Hyundai; Santa Fe; V6-3.5; 2006-03 Hyundai; XG300; V6-3.0; 2001 Hyundai; XG350; V6-3.5; 2005-02 Kia; Amanti; V6-3.5; 2006-04 Kia; Sedona; V6-3.5; 2005-02</p>	
<p>42308 Porsche; 944; L4-2.7; 1989 Porsche; 944; L4-3.0; 91-89</p>	<p>42315 Ford; Escort; L4-2.0; 2002-97 Merc; Tracer; L4-2.0; 99-97</p>	
<p>42309 Volvo; 240; L4-2.3; 93-85 Volvo; 740; L4-2.3; 92-85 Volvo; 760; L4-2.3; 90-85 Volvo; 780; L4-2.3; 91-89 Volvo; 940; L4-2.3; 95-91 Brockway; 358 Trk; CumDsl NH230; 75-73 Brockway; 360 Trk; CumDsl NH230; 1974 Int/Nav; CO4070A Trk; CumDsl NH230; 79-77 Int/Nav; CO4070B Trk; CumDsl NH230; 79-75 Int/Nav; CO5370 Trk; CumDsl NH230; 79-77 Int/Nav; COF4070A Trk; CumDsl NH230; 79-77 Int/Nav; COF4070B Trk; CumDsl NH230; 79-75 Int/Nav; COF5370 Trk; CumDsl NH230; 79-77 Int/Nav; DCOF405 Trk; CumDsl NH230; 71-70 Int/Nav; DCOT405 Trk; CumDsl NH230; 71-70 Int/Nav; F2000D Trk; CumDsl NH230; 72-70 Int/Nav; F2070A Trk; CumDsl NH230; 77-73 Int/Nav; F4200 Trk; CumDsl NH230; 79-73 Int/Nav; F4300 Trk; CumDsl NH230; 79-74 Int/Nav; T2000D Trk; CumDsl NH230; 72-70 Int/Nav; 2000 Series Trk; CumDsl NH230; 72-70 Int/Nav; 2070A Trk; CumDsl NH230; 77-73 Int/Nav; 4200 Trk; CumDsl NH230; 79-72 Int/Nav; 4300 Trk; CumDsl NH230; 79-72 Int/Nav; 5000 Series Trk; CumDsl NH230; 79-78 Int/Nav; 5000 Series Trk; CumDsl NH230; 1975 White; Constructtor Series Trk; CumDsl NH230; 76-74 White; Constructtor Series Trk; CumDsl NHD230; 74-72 White; Road Xpeditor Trk; CumDsl NH230; 76-75 White; 4000 Series Trk; CumDsl NH230; 73-68 White; 4000 Series Trk; CumDsl NHC250; 72-68 White; 6000 Series Trk; CumDsl NH230; 73-68 White; 6000 Series Trk; CumDsl NHC250; 74-71 White; 7000 Series Trk; CumDsl NH230; 1969</p>	<p>42316 Acura; CL; V6-3.0; 99-97 Acura; CL; V6-3.2; 2003-01 Acura; MDX; V6-3.5; 2002-01 Acura; TL; V6-3.2; 2000-99 Honda; Accord; V6-3.0; 2002-98 Honda; Odyssey; V6-3.5; 2004-99 Honda; Pilot; V6-3.5; 2004-03</p>	
	<p>42317 IntHarv; 303 Combine; IH BD220; 68-65 IntHarv; 402 Combine; IH D282 Dsl; 71-66</p>	
	<p>42318 Int/Nav; 2554 Trk; Int/Nav DT466 Dsl; 1996 Int/Nav; 2574 Trk; Int/Nav 530 Dsl; 96-94 Int/Nav; 2654 Trk; Int/Nav DT466 Dsl; 1996 Int/Nav; 2674 Trk; Int/Nav 530 Dsl; 96-94 Int/Nav; 4700 Trk; Int/Nav DT466 Dsl; 96-95 Int/Nav; 4800 Trk; Int/Nav DT466 Dsl; 96-95 Int/Nav; 4900 Trk; Int/Nav DT466 Dsl; 96-95</p>	

Numerical Listing

Use as a guide only. Refer to Pages 1 to 142 for specific applications.

42321 - Continued	42321 - Continued	42321 - Continued
<p>GMC; C M & S 6000 Trk; DetrDsl 3-71; 1976 GMC; C M & S 6500 Trk; DetrDsl 3-71; 1976 GMC; C M & S 7000 Trk; DetrDsl 3-71; 1976 GMC; C19500 Trk; DetrDsl 6-71; 71-66 GMC; C19500 Trk; DetrDsl 6-71N; 71-66 GMC; C19500 Trk; DetrDsl 6-71T; 71-66 GMC; General Trk; DetrDsl 6-71; 88-77 GMC; H9500 Trk; DetrDsl 6-71; 1978 GMC; H19500 Trk; DetrDsl 6-71; 77-66 GMC; H19500 Trk; DetrDsl 6-71N; 76-66 GMC; H19500 Trk; DetrDsl 6-71T; 76-66 GMC; J9500 Trk; DetrDsl 6-71; 1978 GMC; J19500 Trk; DetrDsl 6-71; 77-66 GMC; J19500 Trk; DetrDsl 6-71N; 76-66 GMC; J19500 Trk; DetrDsl 6-71T; 76-66 GMC; M6500 Trk; DetrDsl 3-71; 1978 GMC; M19500 Trk; DetrDsl 6-71; 73-66 GMC; M19500 Trk; DetrDsl 6-71N; 73-66 GMC; M19500 Trk; DetrDsl 6-71T; 73-66 GMC; 620 Series Trk; DetrDsl 4-71; 59-55 GMC; 630 Series Trk; DetrDsl 4-71; 59-55 GMC; 650 Series Trk; DetrDsl 4-71; 59-55 GMC; 660 Series Trk; DetrDsl 4-71; 59-55 GMC; 740 Series Trk; DetrDsl 4-71; 59-55 GMC; 750 Series Trk; DetrDsl 4-71; 57-55 GMC; 800 Series Trk; DetrDsl 4-71; 57-55 GMC; 820 Series Trk; DetrDsl 6-71; 59-55 GMC; 820 Series Trk; DetrDsl 6-71N; 59-55 GMC; 820 Series Trk; DetrDsl 6-71T; 59-55 GMC; 860 Series Trk; DetrDsl 6-71; 59-55 GMC; 860 Series Trk; DetrDsl 6-71N; 59-55 GMC; 860 Series Trk; DetrDsl 6-71T; 59-55 GMC; 870 Series Trk; DetrDsl 4-71; 57-55 GMC; 900 Series Trk; DetrDsl 6-71; 59-55 GMC; 900 Series Trk; DetrDsl 6-71N; 59-55 GMC; 900 Series Trk; DetrDsl 6-71T; 59-55 GMC; 910 Series Trk; DetrDsl 6-71; 59-55 GMC; 910 Series Trk; DetrDsl 6-71N; 59-55 GMC; 910 Series Trk; DetrDsl 6-71T; 59-55 GMC; 920 Series Trk; DetrDsl 6-71; 59-55 GMC; 920 Series Trk; DetrDsl 6-71N; 59-55 GMC; 920 Series Trk; DetrDsl 6-71T; 59-55 GMC; 930 Series Trk; DetrDsl 6-71; 59-55 GMC; 930 Series Trk; DetrDsl 6-71N; 59-55 GMC; 930 Series Trk; DetrDsl 6-71T; 59-55 GMC; 950 Series Trk; DetrDsl 6-71; 59-55 GMC; 950 Series Trk; DetrDsl 6-71N; 59-55 GMC; 950 Series Trk; DetrDsl 6-71T; 59-55 GMC; 970 Series Trk; DetrDsl 6-71; 59-55 GMC; 970 Series Trk; DetrDsl 6-71N; 59-55 GMC; 970 Series Trk; DetrDsl 6-71T; 59-55 GMC; 980 Series Trk; DetrDsl 6-71; 59-55 GMC; 980 Series Trk; DetrDsl 6-71N; 59-55 GMC; 980 Series Trk; DetrDsl 6-71T; 59-55 Hendrickson; H3 Trk; DetrDsl 6-71; 1973 Int/Nav; F2070A Trk; DetrDsl 6-71; 77-74 Int/Nav; F2275 Trk; DetrDsl 6-71; 86-78 Int/Nav; F2276 Trk; DetrDsl 6-71; 85-83 Int/Nav; F2574 Trk; DetrDsl 6-71; 86-78 Int/Nav; F2575 Trk; DetrDsl 6-71; 84-82 Int/Nav; F2674 Trk; DetrDsl 6-71; 86-78 Int/Nav; F4200 Trk; DetrDsl 6-71; 79-76 Int/Nav; F4300 Trk; DetrDsl 6-71; 79-76 Int/Nav; F5070 Trk; DetrDsl 6-71; 86-74 Int/Nav; 2070A Trk; DetrDsl 6-71; 77-74 Int/Nav; 2275 Trk; DetrDsl 6-71; 86-78 Int/Nav; 2276 Trk; DetrDsl 6-71; 85-83 Int/Nav; 2574 Trk; DetrDsl 6-71; 87-78 Int/Nav; 2575 Trk; DetrDsl 6-71; 86-78 Int/Nav; 2674 Trk; DetrDsl 6-71; 86-78 Int/Nav; 4200 Trk; DetrDsl 6-71; 79-72 Int/Nav; 4300 Trk; DetrDsl 6-71; 79-72 Int/Nav; 5070 Trk; DetrDsl 6-71; 86-74 Ken; Brute Trk; DetrDsl 6-71; 80-76 Ken; C500 Trk; DetrDsl 6-71; 82-75 Ken; Hustler Trk; DetrDsl 6-71; 1974 Ken; K100 Trk; DetrDsl 6-71; 1982 Ken; L700 Trk; DetrDsl 6-71; 86-85</p>	<p>Ken; PD200 Trk; DetrDsl 6-71; 1973 Ken; W900 Trk; DetrDsl 6-71; 82-75 Mack; RL Series Trk; DetrDsl 6V-92; 1983 P'bilt; 200 Trk; DetrDsl 6-71; 78-72 P'bilt; 300 Trk; DetrDsl 6-71; 78-72 P'bilt; 310 Trk; DetrDsl 6-71; 86-84 P'bilt; 310 Trk; DetrDsl 6-71; 81-79 P'bilt; 348 Trk; DetrDsl 6-71; 76-74 Reo; D430 Series Trk; DetrDsl 6-71E; 67-60 Reo; D430 Series Trk; DetrDsl 6-71N; 67-60 Reo; D603 Series Trk; DetrDsl 6-71E; 67-60 Reo; D603 Series Trk; DetrDsl 6-71N; 67-60 Reo; D630 Series Trk; DetrDsl 6-71E; 67-60 Reo; D630 Series Trk; DetrDsl 6-71N; 67-60 Reo; D633 Series Trk; DetrDsl 6-71E; 66-60 Reo; D633 Series Trk; DetrDsl 6-71N; 66-60 Reo; D703 Series Trk; DetrDsl 6-71E; 66-60 Reo; D703 Series Trk; DetrDsl 6-71N; 66-60 Reo; D730 Series Trk; DetrDsl 6-71E; 66-60 Reo; D730 Series Trk; DetrDsl 6-71N; 66-60 Reo; D733 Series Trk; DetrDsl 6-71E; 66-60 Reo; D733 Series Trk; DetrDsl 6-71N; 66-60 Reo; DCL430 Series Trk; DetrDsl 6-71E; 66-60 Reo; DCL430 Series Trk; DetrDsl 6-71N; 66-60 Reo; DCL633 Series Trk; DetrDsl 6-71E; 66-60 Reo; DCL633 Series Trk; DetrDsl 6-71N; 66-60 Reo; DCL703 Series Trk; DetrDsl 6-71E; 66-60 Reo; DCL703 Series Trk; DetrDsl 6-71N; 66-60 Reo; DCL733 Series Trk; DetrDsl 6-71E; 66-60 Reo; DCL733 Series Trk; DetrDsl 6-71N; 66-60 Reo; DF300 Series Trk; DetrDsl 6-71E; 66-60 Reo; DF300 Series Trk; DetrDsl 6-71N; 66-60 Reo; DF330 Series Trk; DetrDsl 6-71E; 66-60 Reo; DF330 Series Trk; DetrDsl 6-71N; 66-60 Reo; DF400 Series Trk; DetrDsl 6-71E; 67-54 Reo; DF400 Series Trk; DetrDsl 6-71N; 67-54 Reo; DF430 Series Trk; DetrDsl 6-71E; 67-54 Reo; DF430 Series Trk; DetrDsl 6-71N; 67-54 Reo; DF500 Series Trk; DetrDsl 6-71E; 67-54 Reo; DF500 Series Trk; DetrDsl 6-71N; 67-54 Reo; DF530 Series Trk; DetrDsl 6-71E; 67-54 Reo; DF530 Series Trk; DetrDsl 6-71N; 67-54 Reo; DL603 Series Trk; DetrDsl 6-71E; 66-60 Reo; DL603 Series Trk; DetrDsl 6-71N; 66-60 Reo; DL630 Series Trk; DetrDsl 6-71E; 66-60 Reo; DL630 Series Trk; DetrDsl 6-71N; 66-60 Reo; DL703 Series Trk; DetrDsl 6-71E; 66-60 Reo; DL703 Series Trk; DetrDsl 6-71N; 66-60 Reo; DL730 Series Trk; DetrDsl 6-71E; 66-60 Reo; DL730 Series Trk; DetrDsl 6-71N; 66-60</p>	<p>Reo; DL730 Series Trk; DetrDsl 6-71N; 66-60 Reo; DL733 Series Trk; DetrDsl 6-71E; 66-60 Reo; DL733 Series Trk; DetrDsl 6-71N; 66-60 Reo; E300 Series Trk; DetrDsl 6-71E; 67-54 Reo; E300 Series Trk; DetrDsl 6-71N; 67-54 Reo; E330 Series Trk; DetrDsl 6-71E; 67-54 Reo; E330 Series Trk; DetrDsl 6-71N; 67-54 Reo; E400 Series Trk; DetrDsl 6-71E; 67-54 Reo; E400 Series Trk; DetrDsl 6-71N; 67-54 Reo; E440 Series Trk; DetrDsl 6-71E; 67-54 Reo; E440 Series Trk; DetrDsl 6-71N; 67-54 Reo; E500 Series Trk; DetrDsl 6-71E; 67-54 Reo; E500 Series Trk; DetrDsl 6-71N; 67-54 Reo; E510 Series Trk; DetrDsl 6-71E; 67-54 Reo; E510 Series Trk; DetrDsl 6-71N; 67-54 Reo; E530 Series Trk; DetrDsl 6-71E; 67-54 Reo; E530 Series Trk; DetrDsl 6-71N; 67-54 Reo; E540 Series Trk; DetrDsl 6-71E; 67-54 Reo; E540 Series Trk; DetrDsl 6-71N; 67-54 Reo; E630 Series Trk; DetrDsl 6-71E; 66-60 Reo; E630 Series Trk; DetrDsl 6-71N; 66-60 Reo; E700 Series Trk; DetrDsl 6-71E; 66-60 Reo; E700 Series Trk; DetrDsl 6-71N; 66-60 Reo; E730 Series Trk; DetrDsl 6-71E; 66-60 Reo; E730 Series Trk; DetrDsl 6-71N; 66-60 WestStar; 4800 Series Trk; DetrDsl 6-71; 88-79 WestStar; 4900 Series Trk; DetrDsl 6-71; 88-79 White; Road Boss Trk; DetrDsl 6-71; 75-74 White; Road Boss 2 Trk; DetrDsl 6-71; 80-78 White; Road Xpeditor 2 Trk; DetrDsl 6-71; 83-78 White; Western Star Series Trk; DetrDsl 6-71; 78-68 White; WX Trk; DetrDsl 6-71; 88-83 White; 4000 Series Trk; DetrDsl 6-71; 73-72 CrownCoach; A426-10 SchBus; DetrDsl 6-71; 91-73 CrownCoach; A426-11 SchBus; DetrDsl 6-71; 91-73 Al-Chalm; AD MtrGrader; DetrDsl 3-71 Al-Chalm; AD MtrGrader; DetrDsl 4-71 Al-Chalm; AD3 MtrGrader; DetrDsl 3-71 Al-Chalm; AD3 MtrGrader; DetrDsl 4-71 Al-Chalm; AD4 MtrGrader; DetrDsl 3-71 Al-Chalm; AD4 MtrGrader; DetrDsl 4-71 Al-Chalm; AD30 MtrGrader; DetrDsl 3-71 Al-Chalm; AD30 MtrGrader; DetrDsl 4-71 Al-Chalm; AD40 MtrGrader; DetrDsl 3-71 Al-Chalm; AD40 MtrGrader; DetrDsl 4-71 Al-Chalm; BD3 MtrGrader; DetrDsl 3-71 AmerCrane; 597C Crane; DetrDsl 4-71 AmerCrane; 5530 Crane; DetrDsl 4-71 AmerCrane; 5530 Crane; DetrDsl 6-71 AustnWestrn; Pacer 100 MtrGrader; DetrDsl 3-71 AustnWestrn; Pacer 200 MtrGrader; DetrDsl 3-71 AustnWestrn; Pacer 300 MtrGrader; DetrDsl 4-71 AustnWestrn; Pacer 301 MtrGrader; DetrDsl 4-71 AustnWestrn; Pacer 400 MtrGrader; DetrDsl 4-71 AustnWestrn; Super 100 MtrGrader; DetrDsl 3-71 AustnWestrn; Super 200 MtrGrader; DetrDsl 3-71 AustnWestrn; Super 300 MtrGrader; DetrDsl 4-71 AustnWestrn; Super 400 MtrGrader; DetrDsl 4-71 AustnWestrn; 410 Crane; DetrDsl 3-71 Bantam; C266 Excavator; DetrDsl 4-71 Bantam; C475 Excavator; DetrDsl 4-71</p>

Numerical Listing

Use as a guide only. Refer to Pages 1 to 142 for specific applications.

42321 - Continued	42321 - Continued	42321 - Continued
Bantam; T725A Teleskoop Excavator; DetrDsl 4-71	CedarRap; BSF2H Pave Eq; DetrDsl 3-71	Gard-Den; SPQDB Compressor; DetrDsl 4-71
BarbrGreen; 774 Trencher; DetrDsl 3-71	CedarRap; BSF4 Pave Eq; DetrDsl 4-71	Gard-Den; SPQDB Compressor; DetrDsl 6-71
BarbrGreen; 835 Dryer; DetrDsl 3-71	Champion; 560 MtrGrader; DetrDsl 3-71	Gard-Den; SPQDC Compressor; DetrDsl 4-71
BarbrGreen; 835 Dryer; DetrDsl 4-71	Champion; 600 MtrGrader; DetrDsl 6-71C	Gard-Den; SPQDC Compressor; DetrDsl 6-71
BarbrGreen; 835 Dryer; DetrDsl 6-71	ChicagoPneum; 365RO2 Compressor; DetrDsl 4-71	Gard-Den; SPQDC Compressor; DetrDsl 6-71
BarbrGreen; 837 Dryer; DetrDsl 3-71	ChicagoPneum; 600RO2 Compressor; DetrDsl 6-71	GrayMar; 64-HN9 Marine Eng; DetrDsl 6-71
BarbrGreen; 837 Dryer; DetrDsl 4-71	Clark-Mich; 75A III Wheel Loader; DetrDsl 4-71N	Grove; 8435G Crane; DetrDsl 6-71
BarbrGreen; 837 Dryer; DetrDsl 6-71	Clark-Mich; 110 III-H14 Scraper; DetrDsl 4-71	Huber; 9D MtrGrader; DetrDsl 3-71
BarbrGreen; 838 Dryer; DetrDsl 3-71	Clark-Mich; 110-11 Scraper; DetrDsl 4-71	Huber; 10D MtrGrader; DetrDsl 4-71
BarbrGreen; 838 Dryer; DetrDsl 4-71	Clark-Mich; 110HT Scraper; DetrDsl 4-71N	Huber; 11D MtrGrader; DetrDsl 3-71
BarbrGreen; 838 Dryer; DetrDsl 6-71	Clark-Mich; 175A Wheel Loader; DetrDsl 4-71	Ingersoll; D5000 Drill; DetrDsl 4-71
BarbrGreen; 845 Dryer; DetrDsl 3-71	Clark-Mich; 301S MtrGrader; DetrDsl 4-71	Ingersoll; D6000 Drill; DetrDsl 6-71
BarbrGreen; 845 Dryer; DetrDsl 4-71	Clark-Mich; 666C Forest Eq; DetrDsl 6-71	Ingram; 11-5400 Compactor; DetrDsl 3-71
BarbrGreen; 845 Dryer; DetrDsl 6-71	Dres-Gal; 104 MtrGrader; DetrDsl 3-71	Insley; H875 Excavator; DetrDsl 6-71
BarbrGreen; 847 Mixer; DetrDsl 3-71	Dres-Gal; 118 MtrGrader; DetrDsl 3-71	Insley; H1500 Excavator; DetrDsl 6-71
BarbrGreen; 847 Mixer; DetrDsl 4-71	Dres-Gal; 118 MtrGrader; DetrDsl 4-71	Jaeger; 250 Compressor; DetrDsl 3-71
BarbrGreen; 847 Mixer; DetrDsl 6-71	Dres-Gal; 118C MtrGrader; DetrDsl 4-71	Jaeger; 365 Compressor; DetrDsl 4-71
BarbrGreen; 852 Dust Collector; DetrDsl 3-71	Dres-Gal; 125 Crane; DetrDsl 4-71	Jaeger; 600 Compressor; DetrDsl 6-71
BarbrGreen; 852 Dust Collector; DetrDsl 4-71	Dres-Gal; 125A Crane; DetrDsl 4-71	J Deere; 860 Scraper; DetrDsl 6-71N
BarbrGreen; 852 Dust Collector; DetrDsl 6-71	Dres-Gal; 160 Crane; DetrDsl 3-71	J Deere; 860A Scraper; DetrDsl 6-71N
BarbrGreen; 857 Dust Collector; DetrDsl 3-71	Dres-Huf; H60 Wheel Loader; DetrDsl 3-71	Koehring; 304 Crane; DetrDsl 3-71
BarbrGreen; 857 Dust Collector; DetrDsl 4-71	Dres-Huf; H70C Wheel Loader; DetrDsl 4-71	Koehring; 305 Crane; DetrDsl 4-71
BarbrGreen; 857 Dust Collector; DetrDsl 6-71	Drott; 40 Crawler Excavator; DetrDsl 4-71	Koehring; 305 Crane; DetrDsl 6-71
BayCity; 45 Excavator; DetrDsl 3-71	Drott; 40 Cruz-Air Excavator; DetrDsl 4-71	Koehring; 405-2A Crane; DetrDsl 4-71
BayCity; 45 Excavator; DetrDsl 4-71	Drott; 40C Excavator; DetrDsl 4-71	Koehring; 600WD Trencher; DetrDsl 4-71
BayCity; 45 Excavator; DetrDsl 6-71	Drott; 800AC Travelift Crane; DetrDsl 4-71	LeTourno; CR Scraper; DetrDsl 6-71
BayCity; 60 Excavator; DetrDsl 3-71	Drott; 1000A Travelift Crane; DetrDsl 4-71	LeTourno; Roadster D Scraper; DetrDsl 4-71
BayCity; 60 Excavator; DetrDsl 4-71	Drott; 1000AI Travelift Crane; DetrDsl 4-71	LeTourno; Tournapull C Scraper; DetrDsl 6-71
BayCity; 60 Excavator; DetrDsl 6-71	Drott; 2510 Crane; DetrDsl 6-71N	LeTourno; Tourn tractor B Wheel Loader; DetrDsl 6-71
BayCity; 63 Excavator; DetrDsl 3-71	Drott; 7760 Crane; DetrDsl 6-71	Link-Belt; HC108C Crane; DetrDsl 4-71
BayCity; 63 Excavator; DetrDsl 4-71	Euclid; C6-1 Tractor; DetrDsl 6-71; 63-59	Link-Belt; HC108C Crane; DetrDsl 6-71
BayCity; 63 Excavator; DetrDsl 6-71	Euclid; C6-2 Tractor; DetrDsl 6-71; 63-59	Link-Belt; HC218 Crane; DetrDsl 6-71
BayCity; 63 Excavator; DetrDsl 3-71	Euclid; C6-3 Tractor; DetrDsl 6-71; 63-59	Link-Belt; HT450 Crane; DetrDsl 6-71N
BayCity; 63 Excavator; DetrDsl 4-71	Euclid; C6-4 Tractor; DetrDsl 6-71; 63-59	Link-Belt; LS108B Crane; DetrDsl 4-71
BayCity; 63 Excavator; DetrDsl 6-71	Euclid; C6-5 Tractor; DetrDsl 6-71; 63-59	Link-Belt; LS128DLC Crane; DetrDsl 6-71N
BayCity; 72 Excavator; DetrDsl 3-71	Euclid; C61 Tractor; DetrDsl 6-71	Little Giant; C48 Crane; DetrDsl 3-71
BayCity; 72 Excavator; DetrDsl 4-71	Euclid; C62 Tractor; DetrDsl 6-71	Lorain; LC790 Crane; DetrDsl 6-71
BayCity; 72 Excavator; DetrDsl 6-71	Euclid; C63 Tractor; DetrDsl 6-71	Lorain; MC30H Crane; DetrDsl 4-71N
BayCity; 151-T41 Excavator; DetrDsl 4-71	Euclid; C64 Tractor; DetrDsl 6-71	Lorain; MC30H Crane; DetrDsl 6-71N
BayCity; 190-T52 Crane; DetrDsl 3-71	Euclid; C65 Tractor; DetrDsl 6-71	P&H; K935 Excavator; DetrDsl 6-71
BayCity; 190-T52 Crane; DetrDsl 4-71	Euclid; R15 (91FD) Off-Rd Haul; DetrDsl 6-71	Pettibone; Cary-Lift Super 10 Forklift; DetrDsl 3-71
BayCity; 190-T52 Crane; DetrDsl 6-71	Euclid; R18 (91FD) Off-Rd Haul; DetrDsl 6-71	Pettibone; Cary-Lift Super 15 Forklift; DetrDsl 3-71
BayCity; 190-T6430 Crane; DetrDsl 3-71	Euclid; R40 (9FFD) Off-Rd Haul; DetrDsl 6-71	Pettibone; Cary-Lift Super 20 Forklift; DetrDsl 4-71
BayCity; 190-T6430 Crane; DetrDsl 4-71	Euclid; R45 (9FFD) Off-Rd Haul; DetrDsl 6-71	Pettibone; Cary-Lift Super 30 Forklift; DetrDsl 4-71
BayCity; 190-T6430 Crane; DetrDsl 6-71	Euclid; S12 (77FDT) Scraper; DetrDsl 6-71	Terex; S7 Scraper; DetrDsl 4-71
BayCity; 255A Excavator; DetrDsl 3-71	Euclid; S12 (78FDT) Scraper; DetrDsl 6-71	Terex; S11E Scraper; DetrDsl 4-71N
BayCity; 255A Excavator; DetrDsl 4-71	Euclid; SS12 (77FDT) Scraper; DetrDsl 6-71	Terex; S12 Scraper; DetrDsl 6-71
BayCity; 425 Excavator; DetrDsl 3-71	Euclid; SS12 (78FDT) Scraper; DetrDsl 6-71	Terex; TS14 Scraper; DetrDsl 4-71 Twin
BayCity; 425 Excavator; DetrDsl 4-71	Euclid; TC12 Tractor; DetrDsl 6-71 Twin	Terex; TS14 Scraper; DetrDsl 4-71N Twin
BayCity; 440 Excavator; DetrDsl 3-71	Euclid; 12RT Pave Eq; DetrDsl 6-71	Terex; TS14B Scraper; DetrDsl 4-71N Twin
BayCity; 440 Excavator; DetrDsl 4-71	Euclid; 16TDT Pave Eq; DetrDsl 6-71	Terex; TS24 Scraper; DetrDsl 6-71
BayCity; 450 Excavator; DetrDsl 3-71	Euclid; 21LDT Pave Eq; DetrDsl 6-71	Terex; 72-20 Wheel Loader; DetrDsl 4-71
BayCity; 535 Excavator; DetrDsl 3-71	Farmhand; F600 Harvester; DetrDsl 6-71; 1991	Terex; 72-31 Wheel Loader; DetrDsl 4-71N
BayCity; 535 Excavator; DetrDsl 4-71	Field Queen; FQSD Harvester; DetrDsl 6-71; 75-73	Terex; 72-31B Wheel Loader; DetrDsl 4-71T
BayCity; 600 Excavator; DetrDsl 3-71	Gard-Den; RP365 Compressor; DetrDsl 4-71	Terex; 72-41 Wheel Loader; DetrDsl 4-71N
BayCity; 610-T6435 Crane; DetrDsl 3-71	Gard-Den; RP600 Compressor; DetrDsl 4-71	Terex; 72-51 Wheel Loader; DetrDsl 6-71N
BayCity; 610-T6435 Crane; DetrDsl 4-71	Gard-Den; RP600D Compressor; DetrDsl 4-71	Terex; 82-30 Tractor; DetrDsl 6-71
BayCity; 610-T6435 Crane; DetrDsl 6-71	Gard-Den; RP600DB Compressor; DetrDsl 4-71	Trojan; 2000 Wheel Loader; DetrDsl 4-71
BayCity; 610-T8445 Crane; DetrDsl 3-71	Gard-Den; SPNDA Compressor; DetrDsl 4-71	Trojan; 2000 Wheel Loader; DetrDsl 4-71N
BayCity; 610-T8445 Crane; DetrDsl 4-71	Gard-Den; SPNDA Compressor; DetrDsl 6-71	Unit Crane & Shovel; H202C Excavator; DetrDsl 4-71N
BayCity; 610-T8445 Crane; DetrDsl 6-71	Gard-Den; SPNDB Compressor; DetrDsl 4-71	VME; L20 Wheel Loader; DetrDsl 4-71
BayCity; 720 Excavator; DetrDsl 6-71	Gard-Den; SPNDB Compressor; DetrDsl 6-71	Wabco; 330H MtrGrader; DetrDsl 3-71
Bomag; K45 Compactor; DetrDsl 4-71	Gard-Den; SPQDA Compressor; DetrDsl 6-71	Wabco; 440 MtrGrader; DetrDsl 4-71
BucyErie; 10R Drill; DetrDsl 6-71		Wabco; 555 MtrGrader; DetrDsl 6-71
BucyErie; 20B Crane; DetrDsl 3-71		Wabco; 666 MtrGrader; DetrDsl 4-71
BucyErie; 20H Excavator; DetrDsl 6-71		Wabco; 666 MtrGrader; DetrDsl 6-71
BucyErie; 20R Drill; DetrDsl 6-71		Wabco; 666 Power Flow MtrGrader; DetrDsl 4-71
BucyErie; 21H Excavator; DetrDsl 4-71		Wabco; 666B MtrGrader; DetrDsl 4-71
BucyErie; 22B Crane; DetrDsl 3-71		Wabco; 777 MtrGrader; DetrDsl 6-71
BucyErie; 25B Crane; DetrDsl 4-71		
BucyErie; 38B Crane; DetrDsl 6-71		
BucyErie; 38TC Crane; DetrDsl 6-71		
BuffSpring; KF30 Drill; DetrDsl 6-71		
Case; 7760 Crane; DetrDsl 6-71		

Numerical Listing

Use as a guide only. Refer to Pages 1 to 142 for specific applications.

42321 - Continued	42322 - Continued	42322 - Continued
Wabco; 777 Power Flow MtrGrader; DetrDsl 6-71 Wabco; 777B MtrGrader; DetrDsl 6-71N WarnrSwasey; H550 Excavator; DetrDsl 4-71N	GMC; 660 Series Trk; DetrDsl 4-71; 59-55 GMC; 740 Series Trk; DetrDsl 4-71; 59-55 GMC; 750 Series Trk; DetrDsl 4-71; 57-55 GMC; 800 Series Trk; DetrDsl 4-71; 57-55 GMC; 820 Series Trk; DetrDsl 6-71; 59-55 GMC; 820 Series Trk; DetrDsl 6-71N; 59-55 GMC; 820 Series Trk; DetrDsl 6-71T; 59-55 GMC; 860 Series Trk; DetrDsl 6-71; 59-55 GMC; 860 Series Trk; DetrDsl 6-71N; 59-55 GMC; 860 Series Trk; DetrDsl 6-71T; 59-55 GMC; 870 Series Trk; DetrDsl 4-71; 57-55 GMC; 900 Series Trk; DetrDsl 6-71; 59-55 GMC; 900 Series Trk; DetrDsl 6-71N; 59-55 GMC; 900 Series Trk; DetrDsl 6-71T; 59-55 GMC; 910 Series Trk; DetrDsl 6-71; 59-55 GMC; 910 Series Trk; DetrDsl 6-71N; 59-55 GMC; 910 Series Trk; DetrDsl 6-71T; 59-55 GMC; 920 Series Trk; DetrDsl 6-71; 59-55 GMC; 920 Series Trk; DetrDsl 6-71N; 59-55 GMC; 920 Series Trk; DetrDsl 6-71T; 59-55 GMC; 930 Series Trk; DetrDsl 6-71; 59-55 GMC; 930 Series Trk; DetrDsl 6-71N; 59-55 GMC; 930 Series Trk; DetrDsl 6-71T; 59-55 GMC; 950 Series Trk; DetrDsl 6-71; 59-55 GMC; 950 Series Trk; DetrDsl 6-71N; 59-55 GMC; 950 Series Trk; DetrDsl 6-71T; 59-55 GMC; 970 Series Trk; DetrDsl 6-71; 59-55 GMC; 970 Series Trk; DetrDsl 6-71N; 59-55 GMC; 970 Series Trk; DetrDsl 6-71T; 59-55 GMC; 980 Series Trk; DetrDsl 6-71; 59-55 GMC; 980 Series Trk; DetrDsl 6-71N; 59-55 GMC; 980 Series Trk; DetrDsl 6-71T; 59-55 Hendrickson; H3 Trk; DetrDsl 6-71; 1973 Int/Nav; F2070A Trk; DetrDsl 6-71; 77-74 Int/Nav; F2275 Trk; DetrDsl 6-71; 86-78 Int/Nav; F2276 Trk; DetrDsl 6-71; 85-83 Int/Nav; F2574 Trk; DetrDsl 6-71; 86-78 Int/Nav; F2575 Trk; DetrDsl 6-71; 84-82 Int/Nav; F2674 Trk; DetrDsl 6-71; 86-78 Int/Nav; F4200 Trk; DetrDsl 6-71; 79-76 Int/Nav; F4300 Trk; DetrDsl 6-71; 79-76 Int/Nav; F5070 Trk; DetrDsl 6-71; 86-74 Int/Nav; 2070A Trk; DetrDsl 6-71; 77-74 Int/Nav; 2275 Trk; DetrDsl 6-71; 86-78 Int/Nav; 2276 Trk; DetrDsl 6-71; 85-83 Int/Nav; 2574 Trk; DetrDsl 6-71; 87-78 Int/Nav; 2575 Trk; DetrDsl 6-71; 86-78 Int/Nav; 2674 Trk; DetrDsl 6-71; 86-78 Int/Nav; 4200 Trk; DetrDsl 6-71; 79-72 Int/Nav; 4300 Trk; DetrDsl 6-71; 79-72 Int/Nav; 5070 Trk; DetrDsl 6-71; 86-74 Ken; Brute Trk; DetrDsl 6-71; 80-76 Ken; C500 Trk; DetrDsl 6-71; 82-75 Ken; Hustler Trk; DetrDsl 6-71; 1974 Ken; K100 Trk; DetrDsl 6-71; 1982 Ken; L700 Trk; DetrDsl 6-71; 86-85 Ken; PD200 Trk; DetrDsl 6-71; 1973 Ken; W900 Trk; DetrDsl 6-71; 82-75 Mack; RL Series Trk; DetrDsl 6V-92; 1983 P'bilt; 200 Trk; DetrDsl 6-71; 78-72 P'bilt; 300 Trk; DetrDsl 6-71; 78-72 P'bilt; 310 Trk; DetrDsl 6-71; 86-84 P'bilt; 310 Trk; DetrDsl 6-71; 81-79 P'bilt; 348 Trk; DetrDsl 6-71; 76-74 Reo; D430 Series Trk; DetrDsl 6-71E; 67-60 Reo; D430 Series Trk; DetrDsl 6-71N; 67-60 Reo; D603 Series Trk; DetrDsl 6-71E; 67-60 Reo; D603 Series Trk; DetrDsl 6-71N; 67-60 Reo; D603 Series Trk; DetrDsl 6-71E; 67-60 Reo; D630 Series Trk; DetrDsl 6-71N; 67-60 Reo; D633 Series Trk; DetrDsl 6-71E; 66-60 Reo; D633 Series Trk; DetrDsl 6-71N; 66-60 Reo; D703 Series Trk; DetrDsl 6-71E; 66-60 Reo; D703 Series Trk; DetrDsl 6-71N; 66-60 Reo; D730 Series Trk; DetrDsl 6-71E; 66-60 Reo; D730 Series Trk; DetrDsl 6-71N; 66-60 Reo; D733 Series Trk; DetrDsl 6-71E; 66-60 Reo; D733 Series Trk; DetrDsl 6-71N; 66-60 Reo; DCL430 Series Trk; DetrDsl 6-71E; 66-60	Reo; DCL430 Series Trk; DetrDsl 6-71N; 66-60 Reo; DCL633 Series Trk; DetrDsl 6-71E; 66-60 Reo; DCL633 Series Trk; DetrDsl 6-71N; 66-60 Reo; DCL703 Series Trk; DetrDsl 6-71E; 66-60 Reo; DCL703 Series Trk; DetrDsl 6-71N; 66-60 Reo; DCL730 Series Trk; DetrDsl 6-71E; 66-60 Reo; DCL730 Series Trk; DetrDsl 6-71N; 66-60 Reo; DCL733 Series Trk; DetrDsl 6-71E; 66-60 Reo; DCL733 Series Trk; DetrDsl 6-71N; 66-60 Reo; DF300 Series Trk; DetrDsl 6-71E; 66-60 Reo; DF300 Series Trk; DetrDsl 6-71N; 66-60 Reo; DF330 Series Trk; DetrDsl 6-71E; 66-60 Reo; DF330 Series Trk; DetrDsl 6-71N; 66-60 Reo; DF400 Series Trk; DetrDsl 6-71E; 67-54 Reo; DF400 Series Trk; DetrDsl 6-71N; 67-54 Reo; DF430 Series Trk; DetrDsl 6-71E; 67-54 Reo; DF430 Series Trk; DetrDsl 6-71N; 67-54 Reo; DF500 Series Trk; DetrDsl 6-71E; 67-54 Reo; DF500 Series Trk; DetrDsl 6-71N; 67-54 Reo; DF530 Series Trk; DetrDsl 6-71E; 67-54 Reo; DF530 Series Trk; DetrDsl 6-71N; 67-54 Reo; DL603 Series Trk; DetrDsl 6-71E; 66-60 Reo; DL603 Series Trk; DetrDsl 6-71N; 66-60 Reo; DL630 Series Trk; DetrDsl 6-71E; 66-60 Reo; DL630 Series Trk; DetrDsl 6-71N; 66-60 Reo; DL703 Series Trk; DetrDsl 6-71E; 66-60 Reo; DL703 Series Trk; DetrDsl 6-71N; 66-60 Reo; DL730 Series Trk; DetrDsl 6-71E; 66-60 Reo; DL730 Series Trk; DetrDsl 6-71N; 66-60 Reo; DL733 Series Trk; DetrDsl 6-71E; 66-60 Reo; DL733 Series Trk; DetrDsl 6-71N; 66-60 Reo; E300 Series Trk; DetrDsl 6-71E; 67-54 Reo; E300 Series Trk; DetrDsl 6-71N; 67-54 Reo; E330 Series Trk; DetrDsl 6-71E; 67-54 Reo; E330 Series Trk; DetrDsl 6-71N; 67-54 Reo; E400 Series Trk; DetrDsl 6-71E; 67-54 Reo; E400 Series Trk; DetrDsl 6-71N; 67-54 Reo; E440 Series Trk; DetrDsl 6-71E; 67-54 Reo; E440 Series Trk; DetrDsl 6-71N; 67-54 Reo; E500 Series Trk; DetrDsl 6-71E; 67-54 Reo; E500 Series Trk; DetrDsl 6-71N; 67-54 Reo; E510 Series Trk; DetrDsl 6-71E; 67-54 Reo; E510 Series Trk; DetrDsl 6-71N; 67-54 Reo; E530 Series Trk; DetrDsl 6-71E; 67-54 Reo; E530 Series Trk; DetrDsl 6-71N; 67-54 Reo; E540 Series Trk; DetrDsl 6-71E; 67-54 Reo; E540 Series Trk; DetrDsl 6-71N; 67-54 Reo; E630 Series Trk; DetrDsl 6-71E; 66-60 Reo; E630 Series Trk; DetrDsl 6-71N; 66-60 Reo; E700 Series Trk; DetrDsl 6-71E; 66-60

Numerical Listing

Use as a guide only. Refer to Pages 1 to 142 for specific applications.

42322 - Continued	42322 - Continued	42322 - Continued
<p>Reo; E700 Series Trk; DetrDsl 6-71N; 66-60 Reo; E730 Series Trk; DetrDsl 6-71E; 66-60 Reo; E730 Series Trk; DetrDsl 6-71N; 66-60 WestStar; 4800 Series Trk; DetrDsl 6-71; 88-79 WestStar; 4900 Series Trk; DetrDsl 6-71; 88-79 White; Road Boss Trk; DetrDsl 6-71; 75-74 White; Road Boss 2 Trk; DetrDsl 6-71; 80-78 White; Road Xpeditor 2 Trk; DetrDsl 6-71; 83-78 White; Western Star Series Trk; DetrDsl 6-71; 78-68 White; WX Trk; DetrDsl 6-71; 88-83 White; 4000 Series Trk; DetrDsl 6-71; 73-72 CrownCoach; A426-10 SchBus; DetrDsl 6-71; 91-73 CrownCoach; A426-11 SchBus; DetrDsl 6-71; 91-73 Al-Chalm; AD MtrGrader; DetrDsl 3-71 Al-Chalm; AD MtrGrader; DetrDsl 4-71 Al-Chalm; AD3 MtrGrader; DetrDsl 3-71 Al-Chalm; AD3 MtrGrader; DetrDsl 4-71 Al-Chalm; AD4 MtrGrader; DetrDsl 3-71 Al-Chalm; AD4 MtrGrader; DetrDsl 4-71 Al-Chalm; AD30 MtrGrader; DetrDsl 3-71 Al-Chalm; AD30 MtrGrader; DetrDsl 4-71 Al-Chalm; AD40 MtrGrader; DetrDsl 3-71 Al-Chalm; AD40 MtrGrader; DetrDsl 4-71 Al-Chalm; AD40 MtrGrader; DetrDsl 6-71 Al-Chalm; BD3 MtrGrader; DetrDsl 3-71 AmerCrane; 597C Crane; DetrDsl 4-71 AmerCrane; 5530 Crane; DetrDsl 4-71 AmerCrane; 5530 Crane; DetrDsl 6-71 AustnWestrn; Pacer 100 MtrGrader; DetrDsl 3-71 AustnWestrn; Pacer 200 MtrGrader; DetrDsl 3-71 AustnWestrn; Pacer 300 MtrGrader; DetrDsl 4-71 AustnWestrn; Pacer 301 MtrGrader; DetrDsl 4-71 AustnWestrn; Pacer 400 MtrGrader; DetrDsl 4-71 AustnWestrn; Super 100 MtrGrader; DetrDsl 3-71 AustnWestrn; Super 200 MtrGrader; DetrDsl 3-71 AustnWestrn; Super 300 MtrGrader; DetrDsl 4-71 AustnWestrn; Super 400 MtrGrader; DetrDsl 4-71 AustnWestrn; 410 Crane; DetrDsl 3-71 Bantam; C266 Excavator; DetrDsl 4-71 Bantam; C475 Excavator; DetrDsl 4-71 Bantam; T725A Teleskoop Excavator; DetrD- sl 4-71 BarbrGreen; 774 Trencher; DetrDsl 3-71 BarbrGreen; 835 Dryer; DetrDsl 3-71 BarbrGreen; 835 Dryer; DetrDsl 4-71 BarbrGreen; 835 Dryer; DetrDsl 6-71 BarbrGreen; 837 Dryer; DetrDsl 3-71 BarbrGreen; 837 Dryer; DetrDsl 4-71 BarbrGreen; 837 Dryer; DetrDsl 6-71 BarbrGreen; 838 Dryer; DetrDsl 3-71 BarbrGreen; 838 Dryer; DetrDsl 4-71 BarbrGreen; 838 Dryer; DetrDsl 6-71 BarbrGreen; 845 Dryer; DetrDsl 3-71 BarbrGreen; 845 Dryer; DetrDsl 4-71 BarbrGreen; 845 Dryer; DetrDsl 6-71 BarbrGreen; 847 Mixer; DetrDsl 3-71 BarbrGreen; 847 Mixer; DetrDsl 4-71 BarbrGreen; 847 Mixer; DetrDsl 6-71 BarbrGreen; 848A Mixer; DetrDsl 3-71 BarbrGreen; 848A Mixer; DetrDsl 4-71 BarbrGreen; 848A Mixer; DetrDsl 6-71 BarbrGreen; 852 Dust Collector; DetrDsl 3-71 BarbrGreen; 852 Dust Collector; DetrDsl 4-71</p>	<p>BarbrGreen; 852 Dust Collector; DetrDsl 6-71 BarbrGreen; 857 Dust Collector; DetrDsl 3-71 BarbrGreen; 857 Dust Collector; DetrDsl 4-71 BarbrGreen; 857 Dust Collector; DetrDsl 6-71 BayCity; 45 Excavator; DetrDsl 3-71 BayCity; 45 Excavator; DetrDsl 4-71 BayCity; 45 Excavator; DetrDsl 6-71 BayCity; 60 Excavator; DetrDsl 3-71 BayCity; 60 Excavator; DetrDsl 4-71 BayCity; 60 Excavator; DetrDsl 6-71 BayCity; 63 Excavator; DetrDsl 3-71 BayCity; 63 Excavator; DetrDsl 4-71 BayCity; 63 Excavator; DetrDsl 6-71 BayCity; 72 Excavator; DetrDsl 3-71 BayCity; 72 Excavator; DetrDsl 4-71 BayCity; 72 Excavator; DetrDsl 6-71 BayCity; 151-T41 Excavator; DetrDsl 4-71 BayCity; 190-T52 Crane; DetrDsl 3-71 BayCity; 190-T52 Crane; DetrDsl 4-71 BayCity; 190-T52 Crane; DetrDsl 6-71 BayCity; 190-T6430 Crane; DetrDsl 3-71 BayCity; 190-T6430 Crane; DetrDsl 4-71 BayCity; 190-T6430 Crane; DetrDsl 6-71 BayCity; 255A Excavator; DetrDsl 3-71 BayCity; 255A Excavator; DetrDsl 4-71 BayCity; 425 Excavator; DetrDsl 3-71 BayCity; 425 Excavator; DetrDsl 4-71 BayCity; 440 Excavator; DetrDsl 3-71 BayCity; 440 Excavator; DetrDsl 4-71 BayCity; 450 Excavator; DetrDsl 3-71 BayCity; 535 Excavator; DetrDsl 3-71 BayCity; 535 Excavator; DetrDsl 4-71 BayCity; 600 Excavator; DetrDsl 3-71 BayCity; 610-T6435 Crane; DetrDsl 3-71 BayCity; 610-T6435 Crane; DetrDsl 4-71 BayCity; 610-T6435 Crane; DetrDsl 6-71 BayCity; 610-T8445 Crane; DetrDsl 3-71 BayCity; 610-T8445 Crane; DetrDsl 4-71 BayCity; 610-T8445 Crane; DetrDsl 6-71 BayCity; 720 Excavator; DetrDsl 6-71 Bomag; K45 Compactor; DetrDsl 4-71 BucyErie; 10R Drill; DetrDsl 6-71 BucyErie; 20B Crane; DetrDsl 3-71 BucyErie; 20H Excavator; DetrDsl 6-71 BucyErie; 20R Drill; DetrDsl 6-71 BucyErie; 21H Excavator; DetrDsl 4-71 BucyErie; 22B Crane; DetrDsl 3-71 BucyErie; 25B Crane; DetrDsl 4-71 BucyErie; 38B Crane; DetrDsl 6-71 BucyErie; 38TC Crane; DetrDsl 6-71 BuffSpring; KF30 Drill; DetrDsl 6-71 Case; 7760 Crane; DetrDsl 6-71 CedarRap; BSF2H Pave Eq; DetrDsl 3-71 CedarRap; BSF4 Pave Eq; DetrDsl 4-71 Champion; 560 MtrGrader; DetrDsl 3-71 Champion; 600 MtrGrader; DetrDsl 6-71C ChicagoPneum; 365RO2 Compressor; DetrD- sl 4-71 ChicagoPneum; 600RO2 Compressor; DetrD- sl 6-71 Clark-Mich; 75A III Wheel Loader; DetrDsl 4-71N Clark-Mich; 110 III-H14 Scraper; DetrDsl 4-71 Clark-Mich; 110-11 Scraper; DetrDsl 4-71 Clark-Mich; 110HT Scraper; DetrDsl 4-71N Clark-Mich; 175A Wheel Loader; DetrDsl 4-71 Clark-Mich; 301S MtrGrader; DetrDsl 4-71 Clark-Mich; 666C Forest Eq; DetrDsl 6-71 Dres-Gal; 104 MtrGrader; DetrDsl 3-71 Dres-Gal; 118 MtrGrader; DetrDsl 3-71 Dres-Gal; 118 MtrGrader; DetrDsl 4-71 Dres-Gal; 118C MtrGrader; DetrDsl 4-71 Dres-Gal; 125 Crane; DetrDsl 4-71 Dres-Gal; 125A Crane; DetrDsl 4-71 Dres-Gal; 160 Crane; DetrDsl 3-71</p>	<p>Dres-Huf; H60 Wheel Loader; DetrDsl 3-71 Dres-Huf; H70C Wheel Loader; DetrDsl 4-71 Drott; 40 Crawler Excavator; DetrDsl 4-71 Drott; 40 Cruz-Air Excavator; DetrDsl 4-71 Drott; 40C Excavator; DetrDsl 4-71 Drott; 800AC Travelift Crane; DetrDsl 4-71 Drott; 1000A Travelift Crane; DetrDsl 4-71 Drott; 1000AI Travelift Crane; DetrDsl 4-71 Drott; 2510 Crane; DetrDsl 6-71N Drott; 7760 Crane; DetrDsl 6-71 Euclid; C6-1 Tractor; DetrDsl 6-71; 63-59 Euclid; C6-2 Tractor; DetrDsl 6-71; 63-59 Euclid; C6-3 Tractor; DetrDsl 6-71; 63-59 Euclid; C6-4 Tractor; DetrDsl 6-71; 63-59 Euclid; C6-5 Tractor; DetrDsl 6-71; 63-59 Euclid; C61 Tractor; DetrDsl 6-71 Euclid; C62 Tractor; DetrDsl 6-71 Euclid; C63 Tractor; DetrDsl 6-71 Euclid; C64 Tractor; DetrDsl 6-71 Euclid; C65 Tractor; DetrDsl 6-71 Euclid; R15 (91FD) Off-Rd Haul; DetrDsl 6-71 Euclid; R18 (91FD) Off-Rd Haul; DetrDsl 6-71 Euclid; R40 (9FFD) Off-Rd Haul; DetrDsl 6-71 Euclid; R45 (9FFD) Off-Rd Haul; DetrDsl 6-71 Euclid; S12 (77FDT) Scraper; DetrDsl 6-71 Euclid; S12 (78FDT) Scraper; DetrDsl 6-71 Euclid; SS12 (77FDT) Scraper; DetrDsl 6-71 Euclid; SS12 (78FDT) Scraper; DetrDsl 6-71 Euclid; TC12 Tractor; DetrDsl 6-71 Twin Euclid; 12RT Pave Eq; DetrDsl 6-71 Euclid; 16TDT Pave Eq; DetrDsl 6-71 Euclid; 21LDT Pave Eq; DetrDsl 6-71 Farmhand; F600 Harvester; DetrDsl 6-71; 1991 Field Queen; FQSD Harvester; DetrDsl 6-71; 75-73 Gard-Den; RP365 Compressor; DetrDsl 4-71 Gard-Den; RP600 Compressor; DetrDsl 4-71 Gard-Den; RP600D Compressor; DetrDsl 4-71 Gard-Den; RP600DB Compressor; DetrDsl 4-71 Gard-Den; SPNDA Compressor; DetrDsl 4-71 Gard-Den; SPNDA Compressor; DetrDsl 6-71 Gard-Den; SPNDB Compressor; DetrDsl 4-71 Gard-Den; SPNDB Compressor; DetrDsl 6-71 Gard-Den; SPQDA Compressor; DetrDsl 6-71 Gard-Den; SPQDB Compressor; DetrDsl 4-71 Gard-Den; SPQDB Compressor; DetrDsl 6-71 Gard-Den; SPQDC Compressor; DetrDsl 4-71 Gard-Den; SPQDC Compressor; DetrDsl 6-71 GrayMar; 64-HN9 Marine Eng; DetrDsl 6-71 Grove; 8435G Crane; DetrDsl 6-71 Huber; 9D MtrGrader; DetrDsl 3-71 Huber; 10D MtrGrader; DetrDsl 4-71 Huber; 11D MtrGrader; DetrDsl 6-71 Ingersoll; D5000 Drill; DetrDsl 4-71 Ingersoll; D6000 Drill; DetrDsl 6-71 Ingram; 11-5400 Compactor; DetrDsl 3-71 Insley; H875 Excavator; DetrDsl 6-71 Insley; H1500 Excavator; DetrDsl 6-71 Jaeger; 250 Compressor; DetrDsl 3-71 Jaeger; 365 Compressor; DetrDsl 4-71 Jaeger; 600 Compressor; DetrDsl 6-71 J Deere; 860 Scraper; DetrDsl 6-71N J Deere; 860A Scraper; DetrDsl 6-71N Koehring; 304 Crane; DetrDsl 3-71 Koehring; 305 Crane; DetrDsl 4-71</p>

Numerical Listing

Use as a guide only. Refer to Pages 1 to 142 for specific applications.

<p>42322 - Continued</p> <p>Koehring; 305 Crane; DetrDsl 6-71 Koehring; 405-2A Crane; DetrDsl 4-71 Koehring; 600WD Trencher; DetrDsl 4-71 LeTourno; CR Scraper; DetrDsl 6-71 LeTourno; Roadster D Scraper; DetrDsl 4-71 LeTourno; Tournapull C Scraper; DetrDsl 6-71 LeTourno; Tournatractor B Wheel Loader; DetrDsl 6-71 Link-Belt; HC108C Crane; DetrDsl 4-71 Link-Belt; HC108C Crane; DetrDsl 6-71 Link-Belt; HC218 Crane; DetrDsl 6-71 Link-Belt; HT450 Crane; DetrDsl 6-71N Link-Belt; LS108B Crane; DetrDsl 4-71 Link-Belt; LS128DLC Crane; DetrDsl 6-71N Little Giant; C48 Crane; DetrDsl 3-71 Lorain; LC790 Crane; DetrDsl 6-71 Lorain; MC30H Crane; DetrDsl 4-71N Lorain; MC30H Crane; DetrDsl 6-71N P&H; K935 Excavator; DetrDsl 6-71 Pettibone; Cary-Lift Super 10 Forklift; DetrDsl 3-71 Pettibone; Cary-Lift Super 15 Forklift; DetrDsl 3-71 Pettibone; Cary-Lift Super 20 Forklift; DetrDsl 4-71 Pettibone; Cary-Lift Super 30 Forklift; DetrDsl 4-71 Terex; S7 Scraper; DetrDsl 4-71 Terex; S11E Scraper; DetrDsl 4-71N Terex; S12 Scraper; DetrDsl 6-71 Terex; TS14 Scraper; DetrDsl 4-71 Twin Terex; TS14 Scraper; DetrDsl 4-71N Twin Terex; TS14B Scraper; DetrDsl 4-71N Twin Terex; TS24 Scraper; DetrDsl 6-71 Terex; 72-20 Wheel Loader; DetrDsl 4-71 Terex; 72-31 Wheel Loader; DetrDsl 4-71N Terex; 72-31B Wheel Loader; DetrDsl 4-71T Terex; 72-41 Wheel Loader; DetrDsl 4-71N Terex; 72-51 Wheel Loader; DetrDsl 6-71N Terex; 82-30 Tractor; DetrDsl 6-71 Trojan; 2000 Wheel Loader; DetrDsl 4-71 Trojan; 2000 Wheel Loader; DetrDsl 4-71N Unit Crane & Shovel; H202C Excavator; DetrDsl 4-71N VME; L20 Wheel Loader; DetrDsl 4-71 Wabco; 330H MtrGrader; DetrDsl 3-71 Wabco; 440 MtrGrader; DetrDsl 4-71 Wabco; 555 MtrGrader; DetrDsl 6-71 Wabco; 666 MtrGrader; DetrDsl 4-71 Wabco; 666 MtrGrader; DetrDsl 6-71 Wabco; 666 Power Flow MtrGrader; DetrDsl 4-71 Wabco; 666B MtrGrader; DetrDsl 4-71 Wabco; 777 MtrGrader; DetrDsl 6-71 Wabco; 777 Power Flow MtrGrader; DetrDsl 6-71 Wabco; 777B MtrGrader; DetrDsl 6-71N WarnrSwasey; H550 Excavator; DetrDsl 4-71N</p>	<p>42326</p> <p>Opel; Kadett; L4-66; 72-68</p> <p>42327</p> <p>Opel; Kadett; L4-66; 69-68</p> <p>42328</p> <p>Subaru; SVX; L6-3.3; 97-92</p> <p>42329</p> <p>Toy.; Corolla; L4-71; 74-71</p> <p>42330</p> <p>Toy.; Celica; L4-2.0; 93-88 Toy.; MR2; L4-2.0; 95-91</p> <p>42331</p> <p>Toy.; Celica; L4-2.0; 89-86</p> <p>42332</p> <p>Audi; Super 90; L4-107; 72-70 Audi; 100; L4-107; 71-70 Audi; 100; L4-114; 77-72</p> <p>42333</p> <p>Ford; Excursion; V8-6.0 Dsl; 2004-03 Ford; Super Duty Pickup; V8-6.0 Dsl; 2004-03 Ford; Super Duty Van; V8-6.0 Dsl; 2004-03 Ford; E450 Super Duty Trk; V8-6.0 Dsl; 2004-03 Ford; F450 Super Duty Trk; V8-6.0 Dsl; 2004-03 Ford; F550 Super Duty Trk; V8-6.0 Dsl; 2004-03 Ford; F650 Super Duty Trk; V8-6.0 Dsl; 2004-03 Ford; F750 Super Duty Trk; V8-6.0 Dsl; 2004-03 Bluebird; Micro Bird SchBus; Ford V8-6.0 Dsl; 2005</p> <p>42334</p> <p>Ford; Taurus; V6-3.0; 2000-96 Merc; Sable; V6-3.0; 2000-96</p> <p>42335</p> <p>Infiniti; Q45; V8-4.1; 1997 Infiniti; Q45; V8-4.5; 96-93</p> <p>42336</p> <p>Subaru; Legacy; L4-2.2; 94-92</p> <p>42337</p> <p>Toy.; Celica; L4-2.2; 1980 Toy.; Celica; L4-134; 79-78 Toy.; Celica; L4-2.4; 84-81 Toy.; Corona; L4-2.2; 1980 Toy.; Corona; L4-134; 79-78 Toy.; Corona; L4-2.4; 82-81 Toy.; Pickup; L4-2.2; 1980 Toy.; Pickup; L4-2.4; 84-81 Toy.; 4 Runner; L4-2.4; 1984</p> <p>42338</p> <p>Toy.; Camry; L4-2.0; 86-83 Toy.; Celica; L4-2.0; 1986</p> <p>42339</p> <p>Toy.; Celica; L4-2.4; 1985 Toy.; Pickup; L4-2.4; 95-85 Toy.; 4 Runner; L4-2.4; 95-85</p> <p>42340</p> <p>Lexus; ES300; V6-3.0; 2003-94 Lexus; ES330; V6-3.3; 2006-04 Lexus; RX300; V6-3.0; 2003-99 Lexus; RX330; V6-3.3; 2006-04 Lexus; RX400h; V6-3.3 Electric Assist; 2006 Toy.; Avalon; V6-3.0; 2004-95 Toy.; Camry; V6-3.0; 2006-94 Toy.; Camry; V6-3.3; 2006-04 Toy.; Camry Solara; V6-3.0; 2000-99 Toy.; Highlander; V6-3.0; 2003-01 Toy.; Highlander; V6-3.3; 2007-04</p>	<p>42340 - Continued</p> <p>Toy.; Highlander; V6-3.3 Electric Assist; 2008-06 Toy.; Sienna; V6-3.0; 2003-98 Toy.; Sienna; V6-3.3; 2006-04 Toy.; Solara; V6-3.0; 2003-01 Toy.; Solara; V6-3.3; 2008-04</p> <p>42341</p> <p>Audi; Coupe; L5-2.2; 87-81 Audi; Coupe; L5-2.3; 1987 Audi; Quattro; L5-2.2; 85-83 Audi; Quattro; L5-2.2 Canada; 1986 Audi; 80; L5-2.3; 1988 Audi; 90; L5-2.3; 1988 Audi; 200; L5-2.2; 1989 Audi; 4000; L5-2.2; 87-80 Audi; 5000; L5-2.2; 88-80 Audi; 5000; L5-2.3; 88-87 VW; Quantum; L5-2.2; 88-83</p> <p>42342</p> <p>Replaces OEM: 11.5858 (Thermo King)</p> <p>42344</p> <p>Autocar; Construcktor 2 Series Trk; DetrDsl 6-71; 81-79 Autocar; DC Series Trk; DetrDsl 6-71; 1972 Brockway; 359 Trk; DetrDsl 6-71; 1974 Chev; Bison Trk; DetrDsl 6-71; 80-77 Chev; Bruin Trk; DetrDsl 6-71; 80-78 Chev; H90 Trk; DetrDsl 6-71; 78-73 Chev; J90 Trk; DetrDsl 6-71; 78-73 Chev; M190 Trk; DetrDsl 6-71; 71-66 Chev; Titan Trk; DetrDsl 6-71; 80-70 DiamReo; C92 Trk; DetrDsl 6-71; 74-73 DiamReo; C114 Trk; DetrDsl 6-71; 72-67 DiamReo; C116 Trk; DetrDsl 6-71; 74-71 DiamReo; CO54 Trk; DetrDsl 6-71; 74-73 DiamReo; CO88 Trk; DetrDsl 6-71; 74-73 Dodge; CN900 Trk; DetrDsl 6-71; 74-73 Dodge; CNT900 Trk; DetrDsl 6-71; 74-73 Dodge; LS1000 Trk; DetrDsl 6-71; 1973 Dodge; LT1000 Trk; DetrDsl 6-71; 1973 FWD; 233D Trk; DetrDsl 3-71; 80-76 FWD; 284D Trk; DetrDsl 4-71; 59-55 FWD; 284D Trk; DetrDsl 6-71; 88-55 FWD; 324D Trk; DetrDsl 4-71; 59-55 FWD; 324D Trk; DetrDsl 6-71; 88-55 FWD; 364D Trk; DetrDsl 4-71; 61-59 FWD; 364D Trk; DetrDsl 6-71; 61-59 FWD; 406D Trk; DetrDsl 4-71; 61-59 FWD; 406D Trk; DetrDsl 6-71; 61-59 FWD; 456D Trk; DetrDsl 4-71; 61-59 FWD; 456D Trk; DetrDsl 6-71; 61-59 FWD; 466D Trk; DetrDsl 4-71; 61-59 FWD; 466D Trk; DetrDsl 6-71; 61-59 FWD; 486D Trk; DetrDsl 4-71; 61-59 FWD; 486D Trk; DetrDsl 6-71; 61-59 FWD; 606D Trk; DetrDsl 4-71; 61-59 FWD; 606D Trk; DetrDsl 6-71; 61-59 Ford; F Series Trk; DetrDsl 6-71; 69-68 Ford; L9000 Trk; DetrDsl 6-71; 86-70 Ford; LN9000 Trk; DetrDsl 6-71; 86-70 Ford; LNT9000 Trk; DetrDsl 6-71; 86-70 Ford; LT9000 Trk; DetrDsl 6-71; 86-70 Ford; LTS9000 Trk; DetrDsl 6-71; 86-70 Ford; N Series Trk; DetrDsl 6-71; 69-67 Ford; T Series Trk; DetrDsl 6-71; 69-68 Ford; W9000 Trk; DetrDsl 6-71; 77-71 Ford; W Series Trk; DetrDsl 6-71; 70-67 Ford; WT9000 Trk; DetrDsl 6-71; 77-71 GMC; Astro Trk; DetrDsl 6-71; 83-69 GMC; Brigadier Trk; DetrDsl 6-71; 69-67 GMC; C6000 Trk; DetrDsl 3-71; 1978 GMC; C6500 Trk; DetrDsl 3-71; 1978 GMC; C M & S 6000 Trk; DetrDsl 3-71; 1976 GMC; C M & S 6500 Trk; DetrDsl 3-71; 1976 GMC; C M & S 7000 Trk; DetrDsl 3-71; 1976</p>
<p>42323</p> <p>Honda; Civic; L4-71; 1973 Honda; Civic; L4-75; 79-74</p>	<p>42335</p> <p>Infiniti; Q45; V8-4.1; 1997 Infiniti; Q45; V8-4.5; 96-93</p>	<p>42341</p> <p>Audi; Coupe; L5-2.2; 87-81 Audi; Coupe; L5-2.3; 1987 Audi; Quattro; L5-2.2; 85-83 Audi; Quattro; L5-2.2 Canada; 1986 Audi; 80; L5-2.3; 1988 Audi; 90; L5-2.3; 1988 Audi; 200; L5-2.2; 1989 Audi; 4000; L5-2.2; 87-80 Audi; 5000; L5-2.2; 88-80 Audi; 5000; L5-2.3; 88-87 VW; Quantum; L5-2.2; 88-83</p>
<p>42324</p> <p>Niss; 320 Pickup; L4-73; 1965 Niss; 520 Pickup; L4-79; 68-66 Niss; 521 Pickup; L4-79; 1969 Niss; 521 Pickup; L4-98; 1968 Komatsu; FG15 Forklift; Niss H20141DA Dsl Komatsu; FG20 Forklift; Niss H20141DA Dsl Komatsu; FG25 Forklift; Niss H20141DA Dsl TCM-Toyo; FG15 Forklift; Niss J15 TCM-Toyo; SG10N Forklift; Niss H20 Dsl</p>	<p>42336</p> <p>Subaru; Legacy; L4-2.2; 94-92</p>	<p>42342</p> <p>Replaces OEM: 11.5858 (Thermo King)</p>
<p>42325</p> <p>Niss; Pickup; L4-2.2 Dsl; 83-81 Niss; Pickup; L4-2.5 Dsl; 86-83 Niss; Pickup; L4-2.5 Dsl Canada; 1987</p>	<p>42337</p> <p>Toy.; Celica; L4-2.2; 1980 Toy.; Celica; L4-134; 79-78 Toy.; Celica; L4-2.4; 84-81 Toy.; Corona; L4-2.2; 1980 Toy.; Corona; L4-134; 79-78 Toy.; Corona; L4-2.4; 82-81 Toy.; Pickup; L4-2.2; 1980 Toy.; Pickup; L4-2.4; 84-81 Toy.; 4 Runner; L4-2.4; 1984</p>	<p>42343</p> <p>Lexus; ES300; V6-3.0; 2003-94 Lexus; ES330; V6-3.3; 2006-04 Lexus; RX300; V6-3.0; 2003-99 Lexus; RX330; V6-3.3; 2006-04 Lexus; RX400h; V6-3.3 Electric Assist; 2006 Toy.; Avalon; V6-3.0; 2004-95 Toy.; Camry; V6-3.0; 2006-94 Toy.; Camry; V6-3.3; 2006-04 Toy.; Camry Solara; V6-3.0; 2000-99 Toy.; Highlander; V6-3.0; 2003-01 Toy.; Highlander; V6-3.3; 2007-04</p>

Numerical Listing

Use as a guide only. Refer to Pages 1 to 142 for specific applications.

42344 - Continued	42344 - Continued	42344 - Continued
GMC; C19500 Trk; DetrDsl 6-71; 71-66	P'bilt; 348 Trk; DetrDsl 6-71; 76-74	Reo; E300 Series Trk; DetrDsl 6-71N; 67-54
GMC; C19500 Trk; DetrDsl 6-71N; 71-66	P'bilt; 352 Trk; DetrDsl 6-71; 69-65	Reo; E330 Series Trk; DetrDsl 6-71E; 67-54
GMC; C19500 Trk; DetrDsl 6-71T; 71-66	Reo; D430 Series Trk; DetrDsl 6-71E; 67-60	Reo; E330 Series Trk; DetrDsl 6-71N; 67-54
GMC; General Trk; DetrDsl 6-71; 88-77	Reo; D430 Series Trk; DetrDsl 6-71N; 67-60	Reo; E400 Series Trk; DetrDsl 6-71E; 67-54
GMC; H9500 Trk; DetrDsl 6-71; 1978	Reo; D603 Series Trk; DetrDsl 6-71E; 67-60	Reo; E400 Series Trk; DetrDsl 6-71N; 67-54
GMC; H19500 Trk; DetrDsl 6-71; 77-66	Reo; D603 Series Trk; DetrDsl 6-71N; 67-60	Reo; E440 Series Trk; DetrDsl 6-71E; 67-54
GMC; H19500 Trk; DetrDsl 6-71N; 76-66	Reo; D630 Series Trk; DetrDsl 6-71E; 67-60	Reo; E440 Series Trk; DetrDsl 6-71N; 67-54
GMC; H19500 Trk; DetrDsl 6-71T; 76-66	Reo; D630 Series Trk; DetrDsl 6-71N; 67-60	Reo; E500 Series Trk; DetrDsl 6-71E; 67-54
GMC; J9500 Trk; DetrDsl 6-71; 1978	Reo; D633 Series Trk; DetrDsl 6-71E; 66-60	Reo; E500 Series Trk; DetrDsl 6-71N; 67-54
GMC; J19500 Trk; DetrDsl 6-71; 77-66	Reo; D633 Series Trk; DetrDsl 6-71N; 66-60	Reo; E510 Series Trk; DetrDsl 6-71E; 67-54
GMC; J19500 Trk; DetrDsl 6-71N; 76-66	Reo; D703 Series Trk; DetrDsl 6-71E; 66-60	Reo; E510 Series Trk; DetrDsl 6-71N; 67-54
GMC; J19500 Trk; DetrDsl 6-71T; 76-66	Reo; D703 Series Trk; DetrDsl 6-71N; 66-60	Reo; E530 Series Trk; DetrDsl 6-71E; 67-54
GMC; M6500 Trk; DetrDsl 3-71; 1978	Reo; D730 Series Trk; DetrDsl 6-71E; 66-60	Reo; E530 Series Trk; DetrDsl 6-71N; 67-54
GMC; M19500 Trk; DetrDsl 6-71; 73-66	Reo; D730 Series Trk; DetrDsl 6-71N; 66-60	Reo; E540 Series Trk; DetrDsl 6-71E; 67-54
GMC; M19500 Trk; DetrDsl 6-71N; 73-66	Reo; D733 Series Trk; DetrDsl 6-71E; 66-60	Reo; E540 Series Trk; DetrDsl 6-71N; 67-54
GMC; M19500 Trk; DetrDsl 6-71T; 73-66	Reo; D733 Series Trk; DetrDsl 6-71N; 66-60	Reo; E630 Series Trk; DetrDsl 6-71E; 66-60
GMC; 620 Series Trk; DetrDsl 4-71; 59-55	Reo; DCL430 Series Trk; DetrDsl 6-71E; 66-60	Reo; E630 Series Trk; DetrDsl 6-71N; 66-60
GMC; 630 Series Trk; DetrDsl 4-71; 59-55	Reo; DCL430 Series Trk; DetrDsl 6-71N; 66-60	Reo; E700 Series Trk; DetrDsl 6-71E; 66-60
GMC; 650 Series Trk; DetrDsl 4-71; 59-55	Reo; DCL633 Series Trk; DetrDsl 6-71E; 66-60	Reo; E700 Series Trk; DetrDsl 6-71N; 66-60
GMC; 660 Series Trk; DetrDsl 4-71; 59-55	Reo; DCL633 Series Trk; DetrDsl 6-71N; 66-60	Reo; E730 Series Trk; DetrDsl 6-71E; 66-60
GMC; 740 Series Trk; DetrDsl 4-71; 59-55	Reo; DCL703 Series Trk; DetrDsl 6-71E; 66-60	Reo; E730 Series Trk; DetrDsl 6-71N; 66-60
GMC; 750 Series Trk; DetrDsl 4-71; 57-55	Reo; DCL703 Series Trk; DetrDsl 6-71N; 66-60	WestStar; 4800 Series Trk; DetrDsl 6-71; 88-79
GMC; 800 Series Trk; DetrDsl 4-71; 57-55	Reo; DCL730 Series Trk; DetrDsl 6-71E; 66-60	WestStar; 4900 Series Trk; DetrDsl 6-71; 88-79
GMC; 820 Series Trk; DetrDsl 6-71; 59-55	Reo; DCL730 Series Trk; DetrDsl 6-71N; 66-60	White; Road Boss Trk; DetrDsl 6-71; 75-74
GMC; 820 Series Trk; DetrDsl 6-71N; 59-55	Reo; DCL733 Series Trk; DetrDsl 6-71E; 66-60	White; Road Boss 2 Trk; DetrDsl 6-71; 80-78
GMC; 820 Series Trk; DetrDsl 6-71T; 59-55	Reo; DCL733 Series Trk; DetrDsl 6-71N; 66-60	White; Road Xpeditor 2 Trk; DetrDsl 6-71; 83-78
GMC; 860 Series Trk; DetrDsl 6-71; 59-55	Reo; DCL733 Series Trk; DetrDsl 6-71E; 66-60	White; Western Star Series Trk; DetrDsl 6-71; 78-68
GMC; 860 Series Trk; DetrDsl 6-71N; 59-55	Reo; DCL733 Series Trk; DetrDsl 6-71N; 66-60	White; WX Trk; DetrDsl 6-71; 88-83
GMC; 860 Series Trk; DetrDsl 6-71T; 59-55	Reo; DF300 Series Trk; DetrDsl 6-71E; 66-60	White; 4000 Series Trk; DetrDsl 6-71; 73-72
GMC; 870 Series Trk; DetrDsl 4-71; 57-55	Reo; DF300 Series Trk; DetrDsl 6-71N; 66-60	CrownCoach; A426-10 SchBus; DetrDsl 6-71; 91-73
GMC; 900 Series Trk; DetrDsl 6-71; 59-55	Reo; DF300 Series Trk; DetrDsl 6-71E; 66-60	CrownCoach; A426-11 SchBus; DetrDsl 6-71; 91-73
GMC; 900 Series Trk; DetrDsl 6-71N; 59-55	Reo; DF300 Series Trk; DetrDsl 6-71N; 66-60	Al-Chalm; AD MtrGrader; DetrDsl 3-71
GMC; 900 Series Trk; DetrDsl 6-71T; 59-55	Reo; DF300 Series Trk; DetrDsl 6-71E; 66-60	Al-Chalm; AD MtrGrader; DetrDsl 4-71
GMC; 910 Series Trk; DetrDsl 6-71; 59-55	Reo; DF300 Series Trk; DetrDsl 6-71N; 66-60	Al-Chalm; AD3 MtrGrader; DetrDsl 3-71
GMC; 910 Series Trk; DetrDsl 6-71N; 59-55	Reo; DF300 Series Trk; DetrDsl 6-71E; 66-60	Al-Chalm; AD3 MtrGrader; DetrDsl 4-71
GMC; 910 Series Trk; DetrDsl 6-71T; 59-55	Reo; DF300 Series Trk; DetrDsl 6-71N; 66-60	Al-Chalm; AD3 MtrGrader; DetrDsl 4-71
GMC; 920 Series Trk; DetrDsl 6-71; 59-55	Reo; DF300 Series Trk; DetrDsl 6-71E; 66-60	Al-Chalm; AD4 MtrGrader; DetrDsl 3-71
GMC; 920 Series Trk; DetrDsl 6-71N; 59-55	Reo; DF300 Series Trk; DetrDsl 6-71N; 66-60	Al-Chalm; AD4 MtrGrader; DetrDsl 4-71
GMC; 920 Series Trk; DetrDsl 6-71T; 59-55	Reo; DF400 Series Trk; DetrDsl 6-71E; 67-54	Al-Chalm; AD30 MtrGrader; DetrDsl 3-71
GMC; 930 Series Trk; DetrDsl 6-71; 59-55	Reo; DF400 Series Trk; DetrDsl 6-71N; 67-54	Al-Chalm; AD30 MtrGrader; DetrDsl 4-71
GMC; 930 Series Trk; DetrDsl 6-71N; 59-55	Reo; DF430 Series Trk; DetrDsl 6-71E; 67-54	Al-Chalm; AD40 MtrGrader; DetrDsl 3-71
GMC; 930 Series Trk; DetrDsl 6-71T; 59-55	Reo; DF430 Series Trk; DetrDsl 6-71N; 67-54	Al-Chalm; AD40 MtrGrader; DetrDsl 4-71
GMC; 950 Series Trk; DetrDsl 6-71; 59-55	Reo; DF430 Series Trk; DetrDsl 6-71E; 67-54	Al-Chalm; AD40 MtrGrader; DetrDsl 4-71
GMC; 950 Series Trk; DetrDsl 6-71N; 59-55	Reo; DF430 Series Trk; DetrDsl 6-71N; 67-54	Al-Chalm; BD3 MtrGrader; DetrDsl 3-71
GMC; 950 Series Trk; DetrDsl 6-71T; 59-55	Reo; DF430 Series Trk; DetrDsl 6-71E; 67-54	Al-Chalm; HD5 Tractor; GM 2-Cyl. 142 Dsl; 55-46
GMC; 970 Series Trk; DetrDsl 6-71; 59-55	Reo; DF500 Series Trk; DetrDsl 6-71E; 67-54	Al-Chalm; HD7 Tractor; GM L3-213 Dsl; 50-40
GMC; 970 Series Trk; DetrDsl 6-71N; 59-55	Reo; DF500 Series Trk; DetrDsl 6-71N; 67-54	AmerCrane; 597C Crane; DetrDsl 4-71
GMC; 970 Series Trk; DetrDsl 6-71T; 59-55	Reo; DF530 Series Trk; DetrDsl 6-71E; 67-54	AmerCrane; 5530 Crane; DetrDsl 4-71
GMC; 980 Series Trk; DetrDsl 6-71; 59-55	Reo; DF530 Series Trk; DetrDsl 6-71N; 67-54	AmerCrane; 5530 Crane; DetrDsl 6-71
GMC; 980 Series Trk; DetrDsl 6-71N; 59-55	Reo; DL603 Series Trk; DetrDsl 6-71E; 66-60	AustnWestrn; Pacer 100 MtrGrader; DetrDsl 3-71
GMC; 980 Series Trk; DetrDsl 6-71T; 59-55	Reo; DL603 Series Trk; DetrDsl 6-71N; 66-60	AustnWestrn; Pacer 200 MtrGrader; DetrDsl 3-71
Hendrickson; H3 Trk; DetrDsl 6-71; 1973	Reo; DL603 Series Trk; DetrDsl 6-71E; 66-60	AustnWestrn; Pacer 300 MtrGrader; DetrDsl 4-71
Int/Nav; F2070A Trk; DetrDsl 6-71; 77-74	Reo; DL630 Series Trk; DetrDsl 6-71E; 66-60	AustnWestrn; Pacer 301 MtrGrader; DetrDsl 4-71
Int/Nav; F2275 Trk; DetrDsl 6-71; 86-78	Reo; DL630 Series Trk; DetrDsl 6-71N; 66-60	AustnWestrn; Pacer 400 MtrGrader; DetrDsl 4-71
Int/Nav; F2276 Trk; DetrDsl 6-71; 85-83	Reo; DL630 Series Trk; DetrDsl 6-71E; 66-60	AustnWestrn; Super 100 MtrGrader; DetrDsl 3-71
Int/Nav; F2574 Trk; DetrDsl 6-71; 86-78	Reo; DL630 Series Trk; DetrDsl 6-71N; 66-60	AustnWestrn; Super 200 MtrGrader; DetrDsl 3-71
Int/Nav; F2575 Trk; DetrDsl 6-71; 84-82	Reo; DL703 Series Trk; DetrDsl 6-71E; 66-60	AustnWestrn; Super 300 MtrGrader; DetrDsl 4-71
Int/Nav; F2674 Trk; DetrDsl 6-71; 86-78	Reo; DL703 Series Trk; DetrDsl 6-71N; 66-60	AustnWestrn; Super 400 MtrGrader; DetrDsl 4-71
Int/Nav; F4200 Trk; DetrDsl 6-71; 79-76	Reo; DL730 Series Trk; DetrDsl 6-71E; 66-60	AustnWestrn; 410 Crane; DetrDsl 3-71
Int/Nav; F4300 Trk; DetrDsl 6-71; 79-76	Reo; DL730 Series Trk; DetrDsl 6-71N; 66-60	Bantam; C266 Excavator; DetrDsl 4-71
Int/Nav; F5070 Trk; DetrDsl 6-71; 86-74	Reo; DL733 Series Trk; DetrDsl 6-71E; 66-60	Bantam; C475 Excavator; DetrDsl 4-71
Int/Nav; 2070A Trk; DetrDsl 6-71; 77-74	Reo; DL733 Series Trk; DetrDsl 6-71N; 66-60	Bantam; T725A Teleskoop Excavator; DetrDsl 4-71
Int/Nav; 2275 Trk; DetrDsl 6-71; 86-78	Reo; E300 Series Trk; DetrDsl 6-71E; 67-54	BarbrGreen; 774 Trencher; DetrDsl 3-71
Int/Nav; 2276 Trk; DetrDsl 6-71; 85-83		BarbrGreen; 835 Dryer; DetrDsl 3-71
Int/Nav; 2574 Trk; DetrDsl 6-71; 87-78		
Int/Nav; 2575 Trk; DetrDsl 6-71; 86-78		
Int/Nav; 2674 Trk; DetrDsl 6-71; 86-78		
Int/Nav; 4200 Trk; DetrDsl 6-71; 79-72		
Int/Nav; 4300 Trk; DetrDsl 6-71; 79-72		
Int/Nav; 5070 Trk; DetrDsl 6-71; 86-74		
Ken; Brute Trk; DetrDsl 6-71; 80-76		
Ken; C500 Trk; DetrDsl 6-71; 82-75		
Ken; Hustler Trk; DetrDsl 6-71; 1974		
Ken; L700 Trk; DetrDsl 6-71; 86-85		
Ken; PD200 Trk; DetrDsl 6-71; 1973		
Ken; W900 Trk; DetrDsl 6-71; 81-75		
Mack; RL Series Trk; DetrDsl 6V-92; 1983		
P'bilt; 200 Trk; DetrDsl 6-71; 78-72		
P'bilt; 282 Trk; DetrDsl 6-71; 69-65		
P'bilt; 300 Trk; DetrDsl 6-71; 78-72		
P'bilt; 310 Trk; DetrDsl 6-71; 86-79		

Numerical Listing

Use as a guide only. Refer to Pages 1 to 142 for specific applications.

42344 - Continued	42344 - Continued	42344 - Continued
BarbrGreen; 835 Dryer; DetrDsl 4-71	ChicagoPneum; 365R02 Compressor; DetrDsl 4-71	Gard-Den; SPQDC Compressor; DetrDsl 4-71
BarbrGreen; 835 Dryer; DetrDsl 6-71	ChicagoPneum; 600R02 Compressor; DetrDsl 6-71	Gard-Den; SPQDC Compressor; DetrDsl 6-71
BarbrGreen; 837 Dryer; DetrDsl 3-71	Clark-Mich; 75A III Wheel Loader; DetrDsl 4-71N	GrayMar; 64-HN9 Marine Eng; DetrDsl 6-71
BarbrGreen; 837 Dryer; DetrDsl 4-71	Clark-Mich; 110 III-H14 Scraper; DetrDsl 4-71	Grove; 8435G Crane; DetrDsl 6-71
BarbrGreen; 837 Dryer; DetrDsl 6-71	Clark-Mich; 110-11 Scraper; DetrDsl 4-71	Huber; 9D MtrGrader; DetrDsl 3-71
BarbrGreen; 838 Dryer; DetrDsl 3-71	Clark-Mich; 110HT Scraper; DetrDsl 4-71N	Huber; 10D MtrGrader; DetrDsl 4-71
BarbrGreen; 838 Dryer; DetrDsl 4-71	Clark-Mich; 175A Wheel Loader; DetrDsl 4-71	Huber; 11D MtrGrader; DetrDsl 6-71
BarbrGreen; 838 Dryer; DetrDsl 6-71	Clark-Mich; 301S MtrGrader; DetrDsl 4-71	Ingersoll; D5000 Drill; DetrDsl 4-71
BarbrGreen; 845 Dryer; DetrDsl 3-71	Clark-Mich; 666C Forest Eq; DetrDsl 6-71	Ingersoll; D6000 Drill; DetrDsl 6-71
BarbrGreen; 845 Dryer; DetrDsl 4-71	Dres-Gal; 104 MtrGrader; DetrDsl 3-71	Ingram; 11-5400 Compactor; DetrDsl 3-71
BarbrGreen; 845 Dryer; DetrDsl 6-71	Dres-Gal; 118 MtrGrader; DetrDsl 3-71	Insley; H875 Excavator; DetrDsl 6-71
BarbrGreen; 847 Mixer; DetrDsl 3-71	Dres-Gal; 118 MtrGrader; DetrDsl 4-71	Insley; H1500 Excavator; DetrDsl 6-71
BarbrGreen; 847 Mixer; DetrDsl 4-71	Dres-Gal; 118C MtrGrader; DetrDsl 4-71	Jaeger; 250 Compressor; DetrDsl 3-71
BarbrGreen; 847 Mixer; DetrDsl 6-71	Dres-Gal; 125 Crane; DetrDsl 4-71	Jaeger; 365 Compressor; DetrDsl 4-71
BarbrGreen; 848A Mixer; DetrDsl 3-71	Dres-Gal; 125A Crane; DetrDsl 4-71	Jaeger; 600 Compressor; DetrDsl 6-71
BarbrGreen; 848A Mixer; DetrDsl 4-71	Dres-Gal; 160 Crane; DetrDsl 3-71	J Deere; 860 Scraper; DetrDsl 6-71N
BarbrGreen; 848A Mixer; DetrDsl 6-71	Dres-Huf; H60 Wheel Loader; DetrDsl 3-71	J Deere; 860A Scraper; DetrDsl 6-71N
BarbrGreen; 852 Dust Collector; DetrDsl 3-71	Dres-Huf; H70C Wheel Loader; DetrDsl 4-71	Koehring; 304 Crane; DetrDsl 3-71
BarbrGreen; 852 Dust Collector; DetrDsl 4-71	Drott; 40 Crawler Excavator; DetrDsl 4-71	Koehring; 305 Crane; DetrDsl 4-71
BarbrGreen; 852 Dust Collector; DetrDsl 6-71	Drott; 40 Cruz-Air Excavator; DetrDsl 4-71	Koehring; 305 Crane; DetrDsl 6-71
BarbrGreen; 857 Dust Collector; DetrDsl 3-71	Drott; 40C Excavator; DetrDsl 4-71	Koehring; 405-2A Crane; DetrDsl 4-71
BarbrGreen; 857 Dust Collector; DetrDsl 4-71	Drott; 800AC Travelift Crane; DetrDsl 4-71	Koehring; 600WD Trencher; DetrDsl 4-71
BarbrGreen; 857 Dust Collector; DetrDsl 6-71	Drott; 1000A Travelift Crane; DetrDsl 4-71	LeTourno; CR Scraper; DetrDsl 6-71N
BayCity; 45 Excavator; DetrDsl 3-71	Drott; 1000AI Travelift Crane; DetrDsl 4-71	LeTourno; Roadster D Scraper; DetrDsl 4-71
BayCity; 45 Excavator; DetrDsl 4-71	Drott; 2510 Crane; DetrDsl 6-71N	LeTourno; Tournapull C Scraper; DetrDsl 6-71
BayCity; 45 Excavator; DetrDsl 6-71	Drott; 7760 Crane; DetrDsl 6-71	LeTourno; Tournatractor B Wheel Loader; DetrDsl 6-71
BayCity; 60 Excavator; DetrDsl 3-71	Euclid; C6-1 Tractor; DetrDsl 6-71; 63-59	Link-Belt; HC108C Crane; DetrDsl 4-71
BayCity; 60 Excavator; DetrDsl 4-71	Euclid; C6-2 Tractor; DetrDsl 6-71; 63-59	Link-Belt; HC108C Crane; DetrDsl 6-71
BayCity; 60 Excavator; DetrDsl 6-71	Euclid; C6-3 Tractor; DetrDsl 6-71; 63-59	Link-Belt; HC218 Crane; DetrDsl 6-71
BayCity; 60 Excavator; DetrDsl 6-71	Euclid; C6-4 Tractor; DetrDsl 6-71; 63-59	Link-Belt; HT450 Crane; DetrDsl 6-71N
BayCity; 63 Excavator; DetrDsl 3-71	Euclid; C6-5 Tractor; DetrDsl 6-71; 63-59	Link-Belt; LS108B Crane; DetrDsl 4-71
BayCity; 63 Excavator; DetrDsl 4-71	Euclid; C61 Tractor; DetrDsl 6-71	Link-Belt; LS128DLC Crane; DetrDsl 6-71N
BayCity; 63 Excavator; DetrDsl 6-71	Euclid; C62 Tractor; DetrDsl 6-71	Little Giant; C48 Crane; DetrDsl 3-71
BayCity; 72 Excavator; DetrDsl 3-71	Euclid; C63 Tractor; DetrDsl 6-71	Lorain; LC790 Crane; DetrDsl 6-71
BayCity; 72 Excavator; DetrDsl 4-71	Euclid; C64 Tractor; DetrDsl 6-71	Lorain; MC30H Crane; DetrDsl 4-71N
BayCity; 72 Excavator; DetrDsl 6-71	Euclid; C65 Tractor; DetrDsl 6-71	Lorain; MC30H Crane; DetrDsl 6-71N
BayCity; 151-T41 Excavator; DetrDsl 4-71	Euclid; R15 (91FD) Off-Rd Haul; DetrDsl 6-71	P&H; K935 Excavator; DetrDsl 6-71
BayCity; 190-T52 Crane; DetrDsl 3-71	Euclid; R18 (91FD) Off-Rd Haul; DetrDsl 6-71	Pettibone; Cary-Lift Super 10 Forklift; DetrDsl 3-71
BayCity; 190-T52 Crane; DetrDsl 4-71	Euclid; R40 (9FFD) Off-Rd Haul; DetrDsl 6-71	Pettibone; Cary-Lift Super 15 Forklift; DetrDsl 3-71
BayCity; 190-T52 Crane; DetrDsl 6-71	Euclid; R45 (9FFD) Off-Rd Haul; DetrDsl 6-71	Pettibone; Cary-Lift Super 20 Forklift; DetrDsl 4-71
BayCity; 190-T6430 Crane; DetrDsl 3-71	Euclid; S12 (77FDT) Scraper; DetrDsl 6-71	Pettibone; Cary-Lift Super 30 Forklift; DetrDsl 4-71
BayCity; 190-T6430 Crane; DetrDsl 4-71	Euclid; SS12 (77FDT) Scraper; DetrDsl 6-71	Terex; S7 Scraper; DetrDsl 4-71
BayCity; 190-T6430 Crane; DetrDsl 6-71	Euclid; SS12 (78FDT) Scraper; DetrDsl 6-71	Terex; S11E Scraper; DetrDsl 4-71N
BayCity; 255A Excavator; DetrDsl 3-71	Euclid; TC12 Tractor; DetrDsl 6-71 Twin	Terex; S12 Scraper; DetrDsl 6-71
BayCity; 255A Excavator; DetrDsl 4-71	Euclid; 12RT Pave Eq; DetrDsl 6-71	Terex; TS14 Scraper; DetrDsl 4-71 Twin
BayCity; 255A Excavator; DetrDsl 6-71	Euclid; 16TDT Pave Eq; DetrDsl 6-71	Terex; TS14 Scraper; DetrDsl 4-71N Twin
BayCity; 425 Excavator; DetrDsl 3-71	Euclid; 21LDT Pave Eq; DetrDsl 6-71	Terex; TS14B Scraper; DetrDsl 4-71N Twin
BayCity; 425 Excavator; DetrDsl 4-71	Farmhand; F600 Harvester; DetrDsl 6-71; 1991	Terex; TS24 Scraper; DetrDsl 6-71
BayCity; 440 Excavator; DetrDsl 3-71	Field Queen; FQSD Harvester; DetrDsl 6-71; 75-73	Terex; 72-20 Wheel Loader; DetrDsl 4-71
BayCity; 440 Excavator; DetrDsl 4-71	Gard-Den; RP365 Compressor; DetrDsl 4-71	Terex; 72-31 Wheel Loader; DetrDsl 4-71N
BayCity; 440 Excavator; DetrDsl 6-71	Gard-Den; RP600 Compressor; DetrDsl 4-71	Terex; 72-31B Wheel Loader; DetrDsl 4-71T
BayCity; 450 Excavator; DetrDsl 3-71	Gard-Den; RP600D Compressor; DetrDsl 4-71	Terex; 72-41 Wheel Loader; DetrDsl 4-71N
BayCity; 535 Excavator; DetrDsl 3-71	Gard-Den; RP600DB Compressor; DetrDsl 4-71	Terex; 72-51 Wheel Loader; DetrDsl 6-71N
BayCity; 535 Excavator; DetrDsl 4-71	Gard-Den; SPNDA Compressor; DetrDsl 4-71	Terex; 82-30 Tractor; DetrDsl 6-71
BayCity; 600 Excavator; DetrDsl 3-71	Gard-Den; SPNDA Compressor; DetrDsl 6-71	Trojan; 2000 Wheel Loader; DetrDsl 4-71
BayCity; 610-T6435 Crane; DetrDsl 3-71	Gard-Den; SPNDB Compressor; DetrDsl 4-71	Trojan; 2000 Wheel Loader; DetrDsl 4-71N
BayCity; 610-T6435 Crane; DetrDsl 4-71	Gard-Den; SPNDB Compressor; DetrDsl 6-71	Unit Crane & Shovel; H202C Excavator; DetrDsl 4-71N
BayCity; 610-T6435 Crane; DetrDsl 6-71	Gard-Den; SPQDA Compressor; DetrDsl 6-71	VME; L20 Wheel Loader; DetrDsl 4-71
BayCity; 610-T8445 Crane; DetrDsl 3-71	Gard-Den; SPQDB Compressor; DetrDsl 4-71	Wabco; 330H MtrGrader; DetrDsl 3-71
BayCity; 610-T8445 Crane; DetrDsl 4-71	Gard-Den; SPQDB Compressor; DetrDsl 6-71	Wabco; 440 MtrGrader; DetrDsl 4-71
BayCity; 610-T8445 Crane; DetrDsl 6-71	Gard-Den; SPQDB Compressor; DetrDsl 6-71	Wabco; 555 MtrGrader; DetrDsl 6-71
BayCity; 720 Excavator; DetrDsl 6-71	Gard-Den; SPQDB Compressor; DetrDsl 6-71	Wabco; 666 MtrGrader; DetrDsl 4-71
Bomag; K45 Compactor; DetrDsl 4-71	Gard-Den; SPQDB Compressor; DetrDsl 6-71	Wabco; 666 MtrGrader; DetrDsl 6-71
BucyErie; 10R Drill; DetrDsl 6-71	Gard-Den; SPQDB Compressor; DetrDsl 6-71	Wabco; 666 Power Flow MtrGrader; DetrDsl 4-71
BucyErie; 20B Crane; DetrDsl 3-71	Gard-Den; SPQDB Compressor; DetrDsl 6-71	Wabco; 666B MtrGrader; DetrDsl 4-71
BucyErie; 20H Excavator; DetrDsl 6-71	Gard-Den; SPQDB Compressor; DetrDsl 6-71	Wabco; 777 MtrGrader; DetrDsl 6-71
BucyErie; 20R Drill; DetrDsl 6-71	Gard-Den; SPQDB Compressor; DetrDsl 6-71	Wabco; 777 Power Flow MtrGrader; DetrDsl 6-71
BucyErie; 21H Excavator; DetrDsl 4-71	Gard-Den; SPQDB Compressor; DetrDsl 6-71	Wabco; 777B MtrGrader; DetrDsl 6-71N
BucyErie; 22B Crane; DetrDsl 3-71	Gard-Den; SPQDB Compressor; DetrDsl 6-71	WarnrSwasey; H550 Excavator; DetrDsl 4-71N
BucyErie; 25B Crane; DetrDsl 4-71	Gard-Den; SPQDB Compressor; DetrDsl 6-71	
BucyErie; 38B Crane; DetrDsl 6-71		
BucyErie; 38TC Crane; DetrDsl 6-71		
BuffSpring; KF30 Drill; DetrDsl 6-71		
Case; 7760 Crane; DetrDsl 6-71		
CedarRap; BSF2H Pave Eq; DetrDsl 3-71		
CedarRap; BSF4 Pave Eq; DetrDsl 4-71		
Champion; 560 MtrGrader; DetrDsl 3-71		
Champion; 600 MtrGrader; DetrDsl 6-71C		

Numerical Listing

Use as a guide only. Refer to Pages 1 to 142 for specific applications.

42345	42351 - Continued	42351 - Continued
Audi; A6; V6-2.7; 2004-01 Audi; Allroad Quattro; V6-2.7; 2004-01	Mack; MB Series Trk; CatDsl-3208; 78-75 Mack; MC Series Trk; CatDsl-3208; 82-79 Mack; MR Series Trk; CatDsl-3208; 82-79	Steiger; Bearcat I Tractor; CatDsl-3208; 74-70 Steiger; Bearcat II Tractor; CatDsl-3208; 75-74
42348	Mack; R Series Trk; CatDsl-3208; 75-74 Mack; WS Series Trk; CatDsl-3208; 1980	Steiger; Wildcat III RC210 Tractor; CatDsl-3208; 77-76 Steiger; Wildcat III ST210 Tractor; CatDsl-3208; 80-76
Audi; A6; V8-4.2; 2004-00 Audi; A8; V8-4.2; 2004-01 Audi; RS 6; V8-4.2; 2003 Audi; RS 6; V8-4.2 Canada; 2004 Audi; S6; V8-4.2; 2003-02 Audi; S8; V8-4.2; 2003-01	P'bilt; 200 Trk; CatDsl-3208; 1977 P'bilt; 300 Trk; CatDsl-3208; 1977 P'bilt; 310 Trk; CatDsl-3208; 85-84 Volvo; Xpeditor Trk; CatDsl-3208; 1990 White; Road Boss Trk; CatDsl-3208; 77-76 White; Road Xpeditor 2 Trk; CatDsl-3208; 83-77	White; 2-180 Tractor; CatDsl-3208; 82-77 White; 4-150 Tractor; CatDsl-3208; 78-74 White; 4-180 Tractor; CatDsl-3208; 78-75 White; 4-210 Tractor; CatDsl-3208; 82-78 White; 4-225 Tractor; CatDsl-3208; 87-83
42349	White; WX Trk; CatDsl-3208; 89-81 White; WXD Trk; CatDsl-3208; 89-85 White; WXD Trk; CatDsl-3208; 83-81 WhiteGMC; Xpeditor Trk; CatDsl-3208; 91-90	42352
Chev; Silverado Series Pickup; V8-6.6 Dsl; 2005-01	Bluebird; All American SchBus; CatDsl-3208; 89-48 Bluebird; TC2000 SchBus; CatDsl-3208; 1999 Bluebird; TC2000 SchBus; CatDsl-3208; 1992	DiamReo; C101 Trk; CumDsl C Ser 8.3; 69-68 Dodge; C800 Trk; CumDsl C Ser 8.3; 66-60 Dodge; C900 Trk; CumDsl C Ser 8.3; 66-60 Dodge; CT800 Trk; CumDsl C Ser 8.3; 66-60
GMC; Sierra Series Pickup; V8-6.6 Dsl; 2005-01	Chance; RT50 Bus; CatDsl-3208; 85-78 Chance; RT52 Bus; CatDsl-3208; 2000-86 Chance; VS24 Bus; CatDsl-3208; 89-83	Dodge; CT900 Trk; CumDsl C Ser 8.3; 66-60 FWD; 2272 Trk; CumDsl C Ser 8.3; 65-63 FWD; 3272 Trk; CumDsl C Ser 8.3; 65-63
Chev; C4500 Trk; GM V8-6.6 Dsl; 2005-03 Chev; C5500 Trk; GM V8-6.6 Dsl; 2005-03 GMC; C4500 Trk; V8-6.6 Dsl; 2005-03 GMC; C5500 Trk; V8-6.6 Dsl; 2005-03	Ford; B7000 SchBus; CatDsl-3208; 87-83 Ford; B7000 SchBus; CatDsl-3208; 79-75 Int/Nav; 1853 SchBus; CatDsl-3208; 82-78 Thomas; Saf-T-Liner MVP ER SchBus; CatDsl-3208; 2002-99	Ford; C Series Trk; CumDsl C Ser 8.3; 70-65 Ford; CF7000 Trk; CumDsl C Ser 8.3; 96-93 Ford; CF8000 Trk; CumDsl C Ser 8.3; 96-93 Ford; CFT8000 Trk; CumDsl C Ser 8.3; 96-93
Bluebird; Micro Bird SchBus; GM V8-6.6 Dsl; 2005	Thomas; Saf-T-Liner MVP ER SchBus; CatDsl-3208; 1990 Thomas; Saf-T-Liner MVP ER SchBus; CatDsl-3208; 1988	Ford; F600 Trk; CumDsl C Ser 8.3; 94-93 Ford; F700 Trk; CumDsl C Ser 8.3; 94-93 Ford; F800 Trk; CumDsl C Ser 8.3; 97-93 Ford; F900 Trk; CumDsl C Ser 8.3; 94-93
Turtle Top; Odyssey XL Bus; GM V8-6.6 Dsl; 2005	Thomas; 22123 SchBus; CatDsl-3208; 1986 Cat; V100 Forklift; CatDsl-3208 Cat; V120 Forklift; CatDsl-3208 Cat; V140 Forklift; CatDsl-3208	Ford; F Series Trk; CumDsl C Ser 8.3; 69-65 Ford; FT900 Trk; CumDsl C Ser 8.3; 97-93 Ford; L8000 Trk; CumDsl C Ser 8.3; 97-93 Ford; L9000 Trk; CumDsl C Ser 8.3; 97-93
42351	Cat; V160 Forklift; CatDsl-3208 Cat; V160B Forklift; CatDsl-3208 Cat; V160E Forklift; CatDsl-3208 Cat; V180 Forklift; CatDsl-3208 Cat; V180B Forklift; CatDsl-3208 Cat; V180E Forklift; CatDsl-3208	Ford; LLA9000 Trk; CumDsl C Ser 8.3; 97-93 Ford; LLS9000 Trk; CumDsl C Ser 8.3; 97-93 Ford; LN7000 Trk; CumDsl C Ser 8.3; 97-93 Ford; LN8000 Trk; CumDsl C Ser 8.3; 97-93 Ford; LN9000 Trk; CumDsl C Ser 8.3; 97-93 Ford; LNT8000 Trk; CumDsl C Ser 8.3; 97-93 Ford; LNT9000 Trk; CumDsl C Ser 8.3; 97-93
Autocar; Constructork 2 Series Trk; CatDsl-3208; 80-79	Cat; V200B Forklift; CatDsl-3208 Cat; V200ES Forklift; CatDsl-3208 Cat; V225B Forklift; CatDsl-3208 Cat; V250B Forklift; CatDsl-3208 Cat; V300 Forklift; CatDsl-3208 Cat; V300B Forklift; CatDsl-3208 Cat; V330B Forklift; CatDsl-3208	Ford; L9000 Trk; CumDsl C Ser 8.3; 97-93 Ford; LA8000 Trk; CumDsl C Ser 8.3; 97-93 Ford; LA9000 Trk; CumDsl C Ser 8.3; 97-94 Ford; LL9000 Trk; CumDsl C Ser 8.3; 97-93 Ford; LLA9000 Trk; CumDsl C Ser 8.3; 97-93
Chev; Bruin Trk; CatDsl-3208; 80-78 Chev; C60 Trk; CatDsl-3208; 85-79 Chev; C70 Trk; CatDsl-3208; 90-79 Chev; H70 Trk; CatDsl-3208; 78-76 Chev; J70 Trk; CatDsl-3208; 78-76	Cat; V225B Forklift; CatDsl-3208 Cat; V250B Forklift; CatDsl-3208 Cat; V300 Forklift; CatDsl-3208 Cat; V300B Forklift; CatDsl-3208 Cat; V330B Forklift; CatDsl-3208 Cat; 225 (51U) Excavator; CatDsl-3208 Cat; 613 Scraper; CatDsl-3208 Cat; 613A (71M) Scraper; CatDsl-3208 Cat; 613B (38W) Scraper; CatDsl-3208 Cat; 613C Scraper; CatDsl-3208	Ford; LNT8000 Trk; CumDsl C Ser 8.3; 97-93 Ford; LNT9000 Trk; CumDsl C Ser 8.3; 97-93 Ford; LTL9000 Trk; CumDsl C Ser 8.3; 97-93 Ford; LTLA9000 Trk; CumDsl C Ser 8.3; 97-93 Ford; LTLS9000 Trk; CumDsl C Ser 8.3; 97-93 Ford; LTS8000 Trk; CumDsl C Ser 8.3; 97-93 Ford; LTS9000 Trk; CumDsl C Ser 8.3; 97-93 Ford; T Series Trk; CumDsl C Ser 8.3; 68-66
Ford; C6000 Trk; CatDsl-3208; 79-78 Ford; C7000 Trk; CatDsl-3208; 86-75 Ford; C8000 Trk; CatDsl-3208; 90-75 Ford; CT8000 Trk; CatDsl-3208; 90-75 Ford; F7000 Trk; CatDsl-3208; 87-83 Ford; F7000 Trk; CatDsl-3208; 80-75 Ford; F8000 Trk; CatDsl-3208; 87-83 Ford; F8000 Trk; CatDsl-3208; 79-78 Ford; FT8000 Trk; CatDsl-3208; 87-83	Cat; 3208 Marine Eng; CatDsl-3208 Cat; 3208TA Marine Eng; CatDsl-3208 Dynapac; CA25PD Compactor; CatDsl-3208 Field Queen; FQ Harvester; CatDsl-3208; 75-73 Field Queen; FQS Harvester; CatDsl-3208; 75-73 Field Queen; 1412 Harvester; CatDsl-3208; 75-73 Grove; RT630 Crane; CatDsl-3208 Grove; RT745 Crane; CatDsl-3208 Hyster; C852A Compactor; CatDsl-3208 Hyster; C852B Compactor; CatDsl-3208 Koehring; 428 Crane; CatDsl-3208 NewHoll; TR75 Combine; CatDsl-3208; 85-80 NewHoll; TR85 Combine; CatDsl-3208; 85-80 NewHoll; TR95 Combine; CatDsl-3208; 85-79 NewHoll; 1880 Harvester; CatDsl-3208; 75-68 NewHoll; 1890 Harvester; CatDsl-3208; 78-76 Oliver; 2255 Tractor; CatDsl-3208; 76-72 Ottawa; YT50 Yard Tractor; CatDsl-3208	Ford; F Series Trk; CumDsl C Ser 8.3; 96-93 Ford; FT900 Trk; CumDsl C Ser 8.3; 97-93 Ford; L8000 Trk; CumDsl C Ser 8.3; 97-93 Ford; L9000 Trk; CumDsl C Ser 8.3; 97-93 Ford; LA8000 Trk; CumDsl C Ser 8.3; 97-93 Ford; LA9000 Trk; CumDsl C Ser 8.3; 97-94 Ford; LL9000 Trk; CumDsl C Ser 8.3; 97-93 Ford; LLA9000 Trk; CumDsl C Ser 8.3; 97-93 Ford; LLS9000 Trk; CumDsl C Ser 8.3; 97-93 Ford; LN7000 Trk; CumDsl C Ser 8.3; 97-93 Ford; LN8000 Trk; CumDsl C Ser 8.3; 97-93 Ford; LN9000 Trk; CumDsl C Ser 8.3; 97-93 Ford; LNT8000 Trk; CumDsl C Ser 8.3; 97-93 Ford; LNT9000 Trk; CumDsl C Ser 8.3; 97-93 Ford; LTL9000 Trk; CumDsl C Ser 8.3; 97-93 Ford; LTLA9000 Trk; CumDsl C Ser 8.3; 97-93 Ford; LTLS9000 Trk; CumDsl C Ser 8.3; 97-93 Ford; LTS8000 Trk; CumDsl C Ser 8.3; 97-93 Ford; LTS9000 Trk; CumDsl C Ser 8.3; 97-93 Ford; T Series Trk; CumDsl C Ser 8.3; 68-66
Ford; C6000 Trk; CatDsl-3208; 79-78 Ford; C7000 Trk; CatDsl-3208; 86-75 Ford; C8000 Trk; CatDsl-3208; 90-75 Ford; CT8000 Trk; CatDsl-3208; 90-75 Ford; F7000 Trk; CatDsl-3208; 87-83 Ford; F7000 Trk; CatDsl-3208; 80-75 Ford; F8000 Trk; CatDsl-3208; 87-83 Ford; F8000 Trk; CatDsl-3208; 79-78 Ford; FT8000 Trk; CatDsl-3208; 87-83	NewHoll; TR75 Combine; CatDsl-3208; 85-80 NewHoll; TR85 Combine; CatDsl-3208; 85-80 NewHoll; TR95 Combine; CatDsl-3208; 85-79 NewHoll; 1880 Harvester; CatDsl-3208; 75-68 NewHoll; 1890 Harvester; CatDsl-3208; 78-76 Oliver; 2255 Tractor; CatDsl-3208; 76-72 Ottawa; YT50 Yard Tractor; CatDsl-3208	Ford; LNT8000 Trk; CumDsl C Ser 8.3; 97-93 Ford; LNT9000 Trk; CumDsl C Ser 8.3; 97-93 Ford; LTL9000 Trk; CumDsl C Ser 8.3; 97-93 Ford; LTLA9000 Trk; CumDsl C Ser 8.3; 97-93 Ford; LTLS9000 Trk; CumDsl C Ser 8.3; 97-93 Ford; LTS8000 Trk; CumDsl C Ser 8.3; 97-93 Ford; LTS9000 Trk; CumDsl C Ser 8.3; 97-93 Ford; T Series Trk; CumDsl C Ser 8.3; 68-66
Ford; L8000 Trk; CatDsl-3208; 88-71 Ford; LN6000 Trk; CatDsl-3208; 1975 Ford; LN7000 Trk; CatDsl-3208; 87-75 Ford; LN8000 Trk; CatDsl-3208; 89-71 Ford; LNT8000 Trk; CatDsl-3208; 89-71 Ford; LS8000 Trk; CatDsl-3208; 89-84 Ford; LT8000 Trk; CatDsl-3208; 88-71 Ford; LTS8000 Trk; CatDsl-3208; 89-71	GMC; Brigadier Trk; CatDsl-3208; 88-78 GMC; C6000 Trk; CatDsl-3208; 84-79 GMC; C7000 Trk; CatDsl-3208; 90-79 GMC; H7500 Trk; CatDsl-3208; 1978 GMC; HY7500 Trk; CatDsl-3208; 77-76 GMC; J7500 Trk; CatDsl-3208; 1978 GMC; JY7500 Trk; CatDsl-3208; 77-76	Ford; LNT8000 Trk; CumDsl C Ser 8.3; 97-93 Ford; LNT9000 Trk; CumDsl C Ser 8.3; 97-93 Ford; LTL9000 Trk; CumDsl C Ser 8.3; 97-93 Ford; LTLA9000 Trk; CumDsl C Ser 8.3; 97-93 Ford; LTLS9000 Trk; CumDsl C Ser 8.3; 97-93 Ford; LTS8000 Trk; CumDsl C Ser 8.3; 97-93 Ford; LTS9000 Trk; CumDsl C Ser 8.3; 97-93 Ford; T Series Trk; CumDsl C Ser 8.3; 68-66
GMC; C6000 Trk; CatDsl-3208; 84-79 GMC; C7000 Trk; CatDsl-3208; 90-79 GMC; H7500 Trk; CatDsl-3208; 1978 GMC; HY7500 Trk; CatDsl-3208; 77-76 GMC; J7500 Trk; CatDsl-3208; 1978 GMC; JY7500 Trk; CatDsl-3208; 77-76	Int/Nav; CO1750B Trk; CatDsl-3208; 82-81 Int/Nav; CO1850B Trk; CatDsl-3208; 83-76 Int/Nav; CO1950B Trk; CatDsl-3208; 82-76 Int/Nav; COF1950B Trk; CatDsl-3208; 82-76 Int/Nav; F1850 Trk; CatDsl-3208; 78-75 Int/Nav; F1954 Trk; CatDsl-3208; 82-78 Int/Nav; F2050A Trk; CatDsl-3208; 75-74 Int/Nav; F2554 Trk; CatDsl-3208; 82-79 Int/Nav; F2654 Trk; CatDsl-3208; 82-79 Int/Nav; F5050 Trk; CatDsl-3208; 82-74	Ford; LNT8000 Trk; CumDsl C Ser 8.3; 97-93 Ford; LNT9000 Trk; CumDsl C Ser 8.3; 97-93 Ford; LTL9000 Trk; CumDsl C Ser 8.3; 97-93 Ford; LTLA9000 Trk; CumDsl C Ser 8.3; 97-93 Ford; LTLS9000 Trk; CumDsl C Ser 8.3; 97-93 Ford; LTS8000 Trk; CumDsl C Ser 8.3; 97-93 Ford; LTS9000 Trk; CumDsl C Ser 8.3; 97-93 Ford; T Series Trk; CumDsl C Ser 8.3; 68-66
Int/Nav; 1650 Trk; CatDsl-3208; 78-75 Int/Nav; 1750 Trk; CatDsl-3208; 78-75 Int/Nav; 1754 Trk; CatDsl-3208; 82-80 Int/Nav; 1850 Trk; CatDsl-3208; 78-75 Int/Nav; 1854 Trk; CatDsl-3208; 82-78 Int/Nav; 1954 Trk; CatDsl-3208; 82-78 Int/Nav; 1955 Trk; CatDsl-3208; 82-78 Int/Nav; 2050A Trk; CatDsl-3208; 75-74 Int/Nav; 2155 Trk; CatDsl-3208; 82-78 Int/Nav; 2554 Trk; CatDsl-3208; 82-79 Int/Nav; 5050 Trk; CatDsl-3208; 82-80 Int/Nav; 5050 Trk; CatDsl-3208; 75-74 Int/Nav; 9600 Trk; CatDsl-3208; 1990 Int/Nav; 9700 Trk; CatDsl-3208; 1990	Int/Nav; CO1750B Trk; CatDsl-3208; 82-81 Int/Nav; CO1850B Trk; CatDsl-3208; 83-76 Int/Nav; CO1950B Trk; CatDsl-3208; 82-76 Int/Nav; COF1950B Trk; CatDsl-3208; 82-76 Int/Nav; F1850 Trk; CatDsl-3208; 78-75 Int/Nav; F1954 Trk; CatDsl-3208; 82-78 Int/Nav; F2050A Trk; CatDsl-3208; 75-74 Int/Nav; F2554 Trk; CatDsl-3208; 82-79 Int/Nav; F2654 Trk; CatDsl-3208; 82-79 Int/Nav; F5050 Trk; CatDsl-3208; 82-74 Int/Nav; 1650 Trk; CatDsl-3208; 78-75 Int/Nav; 1750 Trk; CatDsl-3208; 78-75 Int/Nav; 1754 Trk; CatDsl-3208; 82-80 Int/Nav; 1850 Trk; CatDsl-3208; 78-75 Int/Nav; 1854 Trk; CatDsl-3208; 82-78 Int/Nav; 1954 Trk; CatDsl-3208; 82-78 Int/Nav; 1955 Trk; CatDsl-3208; 82-78 Int/Nav; 2050A Trk; CatDsl-3208; 75-74 Int/Nav; 2155 Trk; CatDsl-3208; 82-78 Int/Nav; 2554 Trk; CatDsl-3208; 82-79 Int/Nav; 5050 Trk; CatDsl-3208; 82-80 Int/Nav; 5050 Trk; CatDsl-3208; 75-74 Int/Nav; 9600 Trk; CatDsl-3208; 1990 Int/Nav; 9700 Trk; CatDsl-3208; 1990	Ford; LNT8000 Trk; CumDsl C Ser 8.3; 97-93 Ford; LNT9000 Trk; CumDsl C Ser 8.3; 97-93 Ford; LTL9000 Trk; CumDsl C Ser 8.3; 97-93 Ford; LTLA9000 Trk; CumDsl C Ser 8.3; 97-93 Ford; LTLS9000 Trk; CumDsl C Ser 8.3; 97-93 Ford; LTS8000 Trk; CumDsl C Ser 8.3; 97-93 Ford; LTS9000 Trk; CumDsl C Ser 8.3; 97-93 Ford; T Series Trk; CumDsl C Ser 8.3; 68-66

Numerical Listing

Use as a guide only. Refer to Pages 1 to 142 for specific applications.

42352 - Continued	42352 - Continued	42352 - Continued
<p>Ken; K150 Trk; CumDsl C Ser 8.3; 93-90 Ken; K220 Trk; CumDsl C Ser 8.3; 93-90 Ken; K300 Trk; CumDsl C Ser 8.3; 96-93 Ken; T300 Trk; CumDsl C Ser 8.3; 96-95 Ken; 13-210 Trk; CumDsl C Ser 8.3; 89-88 Ken; 22-210 Trk; CumDsl C Ser 8.3; 1989 Mack; CM Series Trk; CumDsl C Ser 8.3; 92-91 Oshkosh; F1834 Trk; CumDsl C Ser 8.3; 65-63 Oshkosh; M18-34 Trk; CumDsl C Ser 8.3; 65-63 Oshkosh; M18-38 Trk; CumDsl C Ser 8.3; 65-63 Oshkosh; M18-44 Trk; CumDsl C Ser 8.3; 65-63 Oshkosh; M20-48 Trk; CumDsl C Ser 8.3; 65-63 Oshkosh; M34-34 Trk; CumDsl C Ser 8.3; 65-63 Oshkosh; M50-50 Trk; CumDsl C Ser 8.3; 65-63 Oshkosh; M2208 Trk; CumDsl C Ser 8.3; 65-63 Oshkosh; M2209 Trk; CumDsl C Ser 8.3; 66-60 Oshkosh; M4616 Trk; CumDsl C Ser 8.3; 65-63 Oshkosh; M4817 Trk; CumDsl C Ser 8.3; 66-60 Oshkosh; M4906 Trk; CumDsl C Ser 8.3; 66-60 Oshkosh; M5817 Trk; CumDsl C Ser 8.3; 66-60 Oshkosh; M5906 Trk; CumDsl C Ser 8.3; 65-63 Oshkosh; W316 Trk; CumDsl C Ser 8.3; 66-60 Oshkosh; W715 Trk; CumDsl C Ser 8.3; 66-60 Oshkosh; W816 Trk; CumDsl C Ser 8.3; 66-60 Oshkosh; W826 Trk; CumDsl C Ser 8.3; 66-60 Oshkosh; W900 Trk; CumDsl C Ser 8.3; 66-60 Oshkosh; W909 Trk; CumDsl C Ser 8.3; 66-60 Oshkosh; W1600 Trk; CumDsl C Ser 8.3; 65-63 Oshkosh; W2200 Trk; CumDsl C Ser 8.3; 65-63 Oshkosh; 64D-1234 Trk; CumDsl C Ser 8.3; 66-60 Oshkosh; 64D-1634 Trk; CumDsl C Ser 8.3; 66-60 Oshkosh; 64D-1638 Trk; CumDsl C Ser 8.3; 65-63 Oshkosh; 64D-1644 Trk; CumDsl C Ser 8.3; 66-60 Oshkosh; 64D-1660 Trk; CumDsl C Ser 8.3; 66-60 P'bilt; 13-210 Trk; CumDsl C Ser 8.3; 89-88 P'bilt; 22-210 Trk; CumDsl C Ser 8.3; 1989 P'bilt; 200 Trk; CumDsl C Ser 8.3; 97-93 P'bilt; 224 Trk; CumDsl C Ser 8.3; 92-88 P'bilt; 227 Trk; CumDsl C Ser 8.3; 92-90 P'bilt; 265 Trk; CumDsl C Ser 8.3; 92-88 P'bilt; 320 Trk; CumDsl C Ser 8.3; 96-89 P'bilt; 330 Trk; CumDsl C Ser 8.3; 96-95 P'bilt; 357 Trk; CumDsl C Ser 8.3; 96-92 P'bilt; 357 Trk; CumDsl C Ser 8.3; 1988 P'bilt; 375 Trk; CumDsl C Ser 8.3; 96-92 P'bilt; 375 Trk; CumDsl C Ser 8.3; 1988 P'bilt; 376 Trk; CumDsl C Ser 8.3; 93-88 P'bilt; 385 Trk; CumDsl C Ser 8.3; 1996 Reo; D430 Series Trk; CumDsl C Ser 8.3; 67-60 Reo; D603 Series Trk; CumDsl C Ser 8.3; 67-60</p>	<p>Reo; D630 Series Trk; CumDsl C Ser 8.3; 67-60 Reo; D633 Series Trk; CumDsl C Ser 8.3; 66-60 Reo; D703 Series Trk; CumDsl C Ser 8.3; 66-60 Reo; D730 Series Trk; CumDsl C Ser 8.3; 66-60 Reo; D733 Series Trk; CumDsl C Ser 8.3; 66-60 Reo; DCL430 Series Trk; CumDsl C Ser 8.3; 66-60 Reo; DCL633 Series Trk; CumDsl C Ser 8.3; 66-60 Reo; DCL703 Series Trk; CumDsl C Ser 8.3; 66-60 Reo; DCL730 Series Trk; CumDsl C Ser 8.3; 66-60 Reo; DCL733 Series Trk; CumDsl C Ser 8.3; 66-60 Reo; DF300 Series Trk; CumDsl C Ser 8.3; 66-60 Reo; DF330 Series Trk; CumDsl C Ser 8.3; 66-60 Reo; DF400 Series Trk; CumDsl C Ser 8.3; 67-54 Reo; DF430 Series Trk; CumDsl C Ser 8.3; 67-54 Reo; DF500 Series Trk; CumDsl C Ser 8.3; 67-54 Reo; DF530 Series Trk; CumDsl C Ser 8.3; 67-54 Reo; DL603 Series Trk; CumDsl C Ser 8.3; 66-60 Reo; DL630 Series Trk; CumDsl C Ser 8.3; 66-60 Reo; DL703 Series Trk; CumDsl C Ser 8.3; 66-60 Reo; DL730 Series Trk; CumDsl C Ser 8.3; 66-60 Reo; DL733 Series Trk; CumDsl C Ser 8.3; 66-60 Reo; E300 Series Trk; CumDsl C Ser 8.3; 67-54 Reo; E330 Series Trk; CumDsl C Ser 8.3; 67-54 Reo; E400 Series Trk; CumDsl C Ser 8.3; 67-54 Reo; E440 Series Trk; CumDsl C Ser 8.3; 67-54 Reo; E500 Series Trk; CumDsl C Ser 8.3; 67-54 Reo; E510 Series Trk; CumDsl C Ser 8.3; 67-54 Reo; E530 Series Trk; CumDsl C Ser 8.3; 67-54 Reo; E540 Series Trk; CumDsl C Ser 8.3; 67-54 Reo; E630 Series Trk; CumDsl C Ser 8.3; 66-60 Reo; E700 Series Trk; CumDsl C Ser 8.3; 66-60 Reo; E730 Series Trk; CumDsl C Ser 8.3; 66-60 Volvo; Xpeditor Trk; CumDsl C Ser 8.3; 97-96 WestStar; 3800 Series Trk; CumDsl C Ser 8.3; 90-89 WestStar; 4800 Series Trk; CumDsl C Ser 8.3; 1989 WestStar; 4900 Series Trk; CumDsl C Ser 8.3; 1989 WestStar; 6900 Series Trk; CumDsl C Ser 8.3; 1989 White; 2300 Series Trk; CumDsl C Ser 8.3; 70-69 White; 4000 Series Trk; CumDsl C Ser 8.3; 72-69 WhiteGMC; Xpeditor Trk; CumDsl C Ser 8.3; 1995</p>	<p>Bluebird; All American FE SchBus; CumDsl C Ser 8.3; 1992 Bluebird; All American RE SchBus; CumDsl C Ser 8.3; 96-92 Bluebird; TC2000 SchBus; CumDsl C Ser 8.3; 1996 Thomas; Westcoast-ER SchBus; CumDsl C Ser 8.3; 91-90</p> <p>42408</p> <p>Chev; Optra; L4-2.0 Canada; 2007-04 Daewoo; Leganza; L4-2.2; 2002-99 Daewoo; Nubira; L4-2.0; 2002-99 Suzuki; Forenza; L4-2.0; 2008-04 Suzuki; Reno; L4-2.0; 2008-05</p> <p>42550</p> <p>IntHarv; 100 Hydro Tractor; IH L6-436 Dsl; 76-73 IntHarv; 815 Combine; IH L6-414 Dsl; 81-68 IntHarv; 966 Tractor; IH L6-414 Dsl; 76-71 IntHarv; 966 Farmall Tractor; IH L6-414 Dsl; 76-71 IntHarv; 986 Tractor; IH L6-436 Dsl; 81-76 IntHarv; 1440 Combine; IH L6-436 Dsl; 86-77 IntHarv; 3688 Tractor; IH L6-436 Dsl; 85-82</p> <p>42551</p> <p>IntHarv; 95; IH D310 Dsl; 1974 IntHarv; 616; IH D310 Dsl; 68-67 IntHarv; 622; IH D310 Dsl; 68-67 IntHarv; 782; IH D358 Dsl; 1978 IntHarv; 1420 Combine; IH L6-358 Dsl; 86-81</p> <p>42552</p> <p>Ford; Custom; V8-352; 1964 Ford; Custom; V8-390; 1964 Ford; Custom; V8-427; 1964 Ford; Fairlane; V8-352; 1961 Ford; Fairlane; V8-390; 1964 Ford; Fairlane; V8-390; 1961 Ford; Galaxie; V8-352; 64-61 Ford; Galaxie; V8-390; 64-61 Ford; Galaxie; V8-406; 63-62 Ford; Galaxie; V8-427; 64-63 Ford; Thunderbird; V8-390; 63-61 Ford; Thunderbird; V8-427; 1963 Ford; 300; V8-406; 1963 Ford; 300; V8-427; 1963 Merc; Monarch; V8-352 Canada; 1961 Merc; Monarch; V8-390 Canada; 1961 Merc; Montclair; V8-390; 1964 Merc; Montclair; V8-427; 1964 Merc; Monterey; V8-352; 62-61 Merc; Monterey; V8-390; 64-61 Merc; Monterey; V8-406; 63-62 Merc; Monterey; V8-427; 64-63 Merc; Park Lane; V8-390; 1964 Merc; Park Lane; V8-427; 1964</p> <p>42553</p> <p>Dodge; Charger; V8-273; 1966 Dodge; Charger; V8-318; 69-66 Dodge; Coronet; V8-273; 68-65 Dodge; Coronet; V8-318; 69-65 Dodge; D & W Series Pickup; V8-318; 1969 Dodge; Dart; V8-273; 69-65 Dodge; Dart; V8-318; 69-68 Dodge; Polara; V8-318; 69-65 Ply; Barracuda; V8-273; 1967 Ply; Barracuda; V8-318; 69-68 Ply; Belvedere; V8-273; 68-65 Ply; Belvedere; V8-318; 69-65 Ply; Fury; V8-273; 1967 Ply; Fury; V8-318; 69-65 Ply; Satellite; V8-273; 68-65 Ply; Satellite; V8-318; 69-65 Ply; Valiant; V8-273; 69-65 Ply; Valiant; V8-318; 69-68</p>

Numerical Listing

Use as a guide only. Refer to Pages 1 to 142 for specific applications.

42554	42556 - Continued	42556 - Continued
<p>Chry; Royal; L6-228; 1937 Chry; Royal; L6-242; 41-38 Chry; Royal; L6-251; 50-46 Chry; Royal; L6-251; 1942 Chry; Royal Windsor; L6-242; 1939 Chry; Windsor; L6-242; 41-40 Chry; Windsor; L6-251; 51-46 Chry; Windsor; L6-251; 1942 Dodge; B Series Pickup; L6-218; 53-48 Dodge; B Series Pickup; L6-230; 53-48 Dodge; B Series Pickup; L6-237; 53-48 Dodge; B Series Van; L6-230; 53-48 Dodge; C Series Pickup; L6-218; 55-54 Dodge; C Series Pickup; L6-230; 56-54 Dodge; C Series Pickup; L6-237; 1954 Dodge; C Series Van; L6-230; 55-54 Dodge; Coronet; L6-230; 56-49 Dodge; Custom; L6-218; 41-39 Dodge; Custom; L6-230; 49-46 Dodge; Custom; L6-230; 1942 Dodge; D & W Series Pickup; L6-230; 60-57 Dodge; D & W Series Pickup; L6-251; 60-58 Dodge; Deluxe; L6-218; 41-35 Dodge; Deluxe; L6-230; 49-46 Dodge; Deluxe; L6-230; 1942 Dodge; Meadowbrook; L6-230; 54-49 Dodge; P Series Van; L6-230; 60-58 Dodge; Standard; L6-218; 38-35 Dodge; T Series Pickup; L6-218; 1939 Dodge; V Series Pickup; L6-218; 1940 Dodge; W Series Pickup; L6-218; 47-46 Dodge; W Series Pickup; L6-218; 43-41 Dodge; W Series Pickup; L6-230; 47-46 Dodge; W Series Pickup; L6-230; 43-42 Dodge; W Series Pickup; L6-237; 47-46 Dodge; W Series Pickup; L6-237; 43-42 Dodge; Wayfarer; L6-230; 52-49 Ply; Belvedere; L6-218; 1954 Ply; Belvedere; L6-230; 56-54 Ply; Cambridge; L6-218; 53-51 Ply; Concord; L6-218; 52-51 Ply; Cranbrook; L6-218; 53-51 Ply; Deluxe; L6-218; 50-46 Ply; Plaza; L6-218; 1954 Ply; Plaza; L6-230; 56-54 Ply; Savoy; L6-218; 1954 Ply; Savoy; L6-230; 56-54 Ply; Special Deluxe; L6-218; 50-46</p>	<p>Ford; 630 Tractor; L4-134; 57-55 Ford; 630 Tractor; L4-134PG; 57-55 Ford; 631 Tractor; L4-134; 62-59 Ford; 631 Tractor; L4-134PG; 62-59 Ford; 631 Tractor; L4-144 Dsl; 62-59 Ford; 640 Tractor; L4-134; 57-55 Ford; 640 Tractor; L4-134PG; 57-55 Ford; 641 Tractor; L4-134; 62-59 Ford; 641 Tractor; L4-134PG; 62-59 Ford; 641 Tractor; L4-144 Dsl; 62-59 Ford; 650 Tractor; L4-134; 57-55 Ford; 650 Tractor; L4-134PG; 57-55 Ford; 651 Tractor; L4-134; 62-57 Ford; 651 Tractor; L4-134PG; 62-57 Ford; 651 Tractor; L4-144 Dsl; 62-57 Ford; 660 Tractor; L4-134; 57-55 Ford; 660 Tractor; L4-134PG; 57-55 Ford; 661 Tractor; L4-134; 62-57 Ford; 661 Tractor; L4-134PG; 62-57 Ford; 661 Tractor; L4-144 Dsl; 62-57 Ford; 671 Tractor; L4-134; 62-57 Ford; 671 Tractor; L4-134PG; 62-57 Ford; 671 Tractor; L4-144 Dsl; 62-57 Ford; 681 Tractor; L4-134; 62-57 Ford; 681 Tractor; L4-134PG; 62-57 Ford; 681 Tractor; L4-144 Dsl; 62-57 Ford; 700 Tractor; L4-134; 56-55 Ford; 701 Tractor; L4-134; 62-57 Ford; 701 Tractor; L4-144 Dsl; 62-57 Ford; 740 Tractor; L4-134; 57-55 Ford; 740 Tractor; L4-134PG; 57-55 Ford; 741 Tractor; L4-134; 62-57 Ford; 741 Tractor; L4-134PG; 62-57 Ford; 741 Tractor; L4-144 Dsl; 62-57 Ford; 771 Tractor; L4-134; 62-57 Ford; 771 Tractor; L4-134PG; 62-57 Ford; 771 Tractor; L4-144 Dsl; 62-57 Ford; 800 Tractor; L4-172; 56-55 Ford; 800 Tractor; L4-172 Dsl; 56-55 Ford; 801 Tractor; L4-172; 62-57 Ford; 801 Tractor; L4-172 Dsl; 62-58 Ford; 811 Tractor; L4-172; 62-57 Ford; 811 Tractor; L4-172 Dsl; 62-57 Ford; 811 Tractor; L4-172PG; 62-57 Ford; 820 Tractor; L4-172; 57-55 Ford; 820 Tractor; L4-172PG; 57-55 Ford; 821 Tractor; L4-172; 62-57 Ford; 821 Tractor; L4-172 Dsl; 62-57 Ford; 821 Tractor; L4-172PG; 62-57 Ford; 840 Tractor; L4-172; 57-55 Ford; 840 Tractor; L4-172PG; 57-55 Ford; 841 Tractor; L4-172; 62-57 Ford; 841 Tractor; L4-172 Dsl; 62-57 Ford; 841 Tractor; L4-172PG; 62-57 Ford; 850 Tractor; L4-172; 57-55 Ford; 850 Tractor; L4-172PG; 57-55 Ford; 851 Tractor; L4-172; 62-57 Ford; 851 Tractor; L4-172 Dsl; 62-57 Ford; 851 Tractor; L4-172PG; 62-57 Ford; 860 Tractor; L4-172; 57-55 Ford; 860 Tractor; L4-172PG; 57-55 Ford; 861 Tractor; L4-172; 62-57 Ford; 861 Tractor; L4-172 Dsl; 62-57 Ford; 861 Tractor; L4-172PG; 62-57 Ford; 871 Tractor; L4-172; 62-57 Ford; 871 Tractor; L4-172 Dsl; 62-57 Ford; 871 Tractor; L4-172PG; 62-57 Ford; 881 Tractor; L4-172; 62-57 Ford; 881 Tractor; L4-172 Dsl; 62-57 Ford; 881 Tractor; L4-172PG; 62-57 Ford; 900 Tractor; L4-172; 56-55 Ford; 901 Tractor; L4-172; 62-57 Ford; 901 Tractor; L4-172 Dsl; 62-57 Ford; 941 Tractor; L4-172; 62-57 Ford; 941 Tractor; L4-172 Dsl; 62-57 Ford; 941 Tractor; L4-172PG; 62-57 Ford; 950 Tractor; L4-172; 57-55 Ford; 950 Tractor; L4-172PG; 57-55 Ford; 951 Tractor; L4-172; 62-57 Ford; 951 Tractor; L4-172 Dsl; 62-57 Ford; 951 Tractor; L4-172PG; 62-57</p>	<p>Ford; 960 Tractor; L4-172; 57-55 Ford; 960 Tractor; L4-172PG; 57-55 Ford; 961 Tractor; L4-172; 62-57 Ford; 961 Tractor; L4-172 Dsl; 62-57 Ford; 961 Tractor; L4-172PG; 62-57 Ford; 971 Tractor; L4-172; 62-57 Ford; 971 Tractor; L4-172 Dsl; 62-57 Ford; 971 Tractor; L4-172PG; 62-57 Ford; 981 Tractor; L4-172; 62-57 Ford; 981 Tractor; L4-172 Dsl; 62-57 Ford; 981 Tractor; L4-172PG; 62-57</p> <p>42557</p> <p>Ford; C Series Trk; V8-330; 69-64 Ford; C Series Trk; V8-361; 69-64 Ford; C Series Trk; V8-391; 69-64 Ford; F Series Trk; V8-330; 69-64 Ford; F Series Trk; V8-361; 69-64 Ford; F Series Trk; V8-391; 69-64 Ford; N Series Trk; V8-330; 69-64 Ford; N Series Trk; V8-361; 69-64 Ford; N Series Trk; V8-391; 69-64 Ford; T Series Trk; V8-330; 69-64 Ford; T Series Trk; V8-361; 69-64 Ford; T Series Trk; V8-391; 69-64 Ford; B500 SchBus; V8-330; 1969 Ford; B500 SchBus; V8-330; 67-64 Ford; B500 SchBus; V8-361; 1969 Ford; B500 SchBus; V8-361; 67-64 Ford; B500 SchBus; V8-391; 1969 Ford; B500 SchBus; V8-391; 67-64 Ford; B600 SchBus; V8-330; 69-68 Ford; B600 SchBus; V8-330; 65-64 Ford; B600 SchBus; V8-361; 69-68 Ford; B600 SchBus; V8-361; 65-64 Ford; B600 SchBus; V8-391; 69-68 Ford; B600 SchBus; V8-391; 65-64 Ford; B700 SchBus; V8-330; 69-68 Ford; B700 SchBus; V8-330; 65-64 Ford; B700 SchBus; V8-361; 69-68 Ford; B700 SchBus; V8-361; 65-64 Ford; B700 SchBus; V8-391; 69-68 Ford; B700 SchBus; V8-391; 65-64 Ford; B750 SchBus; V8-330; 69-68 Ford; B750 SchBus; V8-330; 65-64 Ford; B750 SchBus; V8-361; 69-68 Ford; B750 SchBus; V8-361; 65-64 Ford; B750 SchBus; V8-391; 69-68 Ford; B750 SchBus; V8-391; 65-64</p> <p>42558</p> <p>Ford; C850 Trk; V8-401; 72-71 Ford; C850 Trk; V8-475; 72-71 Ford; C850 Trk; V8-477; 72-71 Ford; C850 Trk; V8-534; 72-71 Ford; C900 Trk; V8-401; 72-71 Ford; C900 Trk; V8-475; 72-71 Ford; C900 Trk; V8-477; 72-71 Ford; C900 Trk; V8-534; 72-71 Ford; C950 Trk; V8-401; 72-71 Ford; C950 Trk; V8-475; 72-71 Ford; C950 Trk; V8-477; 72-71 Ford; C950 Trk; V8-534; 72-71 Ford; C1000 Trk; V8-401; 72-71 Ford; C1000 Trk; V8-475; 73-71 Ford; C1000 Trk; V8-477; 72-71 Ford; C1000 Trk; V8-534; 72-71 Ford; C1100 Trk; V8-401; 1972 Ford; C1100 Trk; V8-475; 73-72 Ford; C1100 Trk; V8-477; 1972 Ford; C1100 Trk; V8-534; 1972 Ford; C Series Trk; V8-401; 70-65 Ford; C Series Trk; V8-477; 70-65 Ford; C Series Trk; V8-534; 70-65 Ford; CT850 Trk; V8-401; 72-71 Ford; CT850 Trk; V8-475; 72-71 Ford; CT850 Trk; V8-477; 72-71 Ford; CT850 Trk; V8-534; 72-71 Ford; CT950 Trk; V8-401; 72-71 Ford; CT950 Trk; V8-475; 72-71 Ford; CT950 Trk; V8-477; 72-71</p>
<p>42555</p> <p>Chev; Bel Air; L6-235; 54-53 Chev; Deluxe 210; L6-235; 54-53 Chev; Series 1500; L6-217; 1953 Chev; Series 1500; L6-235; 55-54 Chev; Series 3100; L6-217; 1953 Chev; Series 3100; L6-235; 55-53 Chev; Series 3200; L6-235; 1955 Chev; Series 3400; L6-235; 1955 Chev; Series 3500; L6-235; 1955 Chev; Series 3600; L6-217; 1953 Chev; Series 3600; L6-235; 55-53 Chev; Series 3700; L6-235; 55-53 Chev; Series 3800; L6-217; 1953 Chev; Series 3800; L6-235; 55-53 Chev; Series 3900; L6-235; 54-53 Chev; Special 150; L6-235; 54-53</p>	<p>42556</p> <p>Ford; 501 Tractor; L4-134; 62-58 Ford; 501 Tractor; L4-144 Dsl; 1962 Ford; 600 Tractor; L4-134; 56-55 Ford; 601 Tractor; L4-134; 62-57 Ford; 601 Tractor; L4-144 Dsl; 62-57 Ford; 611 Tractor; L4-134; 62-57 Ford; 611 Tractor; L4-134PG; 62-57 Ford; 611 Tractor; L4-144 Dsl; 62-57 Ford; 620 Tractor; L4-134; 57-55 Ford; 620 Tractor; L4-134PG; 57-55 Ford; 621 Tractor; L4-134; 62-59 Ford; 621 Tractor; L4-134PG; 62-59 Ford; 621 Tractor; L4-144 Dsl; 62-59</p>	

Numerical Listing

Use as a guide only. Refer to Pages 1 to 142 for specific applications.

42558 - Continued

Ford; CT950 Trk; V8-534; 72-71
 Ford; F Series Trk; V8-401; 66-65
 Ford; F Series Trk; V8-477; 66-65
 Ford; F Series Trk; V8-534; 66-65
 Ford; H Series Trk; V8-401; 1965
 Ford; H Series Trk; V8-477; 1965
 Ford; H Series Trk; V8-534; 1965
 Ford; L800 Trk; V8-401; 72-70
 Ford; L800 Trk; V8-475; 72-71
 Ford; L800 Trk; V8-477; 72-71
 Ford; L800 Trk; V8-534; 72-71
 Ford; L880 Trk; V8-401; 72-71
 Ford; L880 Trk; V8-475; 72-71
 Ford; L880 Trk; V8-477; 72-71
 Ford; L880 Trk; V8-534; 72-71
 Ford; L900 Trk; V8-401; 72-71
 Ford; L900 Trk; V8-475; 72-71
 Ford; L900 Trk; V8-477; 72-71
 Ford; L900 Trk; V8-534; 72-71
 Ford; LN800 Trk; V8-401; 72-70
 Ford; LN800 Trk; V8-475; 72-71
 Ford; LN800 Trk; V8-477; 72-71
 Ford; LN800 Trk; V8-534; 72-71
 Ford; LN900 Trk; V8-401; 72-71
 Ford; LN900 Trk; V8-475; 72-71
 Ford; LN900 Trk; V8-477; 72-71
 Ford; LN900 Trk; V8-534; 72-71
 Ford; LNT800 Trk; V8-401; 1972
 Ford; LNT800 Trk; V8-475; 1972
 Ford; LNT800 Trk; V8-477; 1972
 Ford; LNT800 Trk; V8-534; 1972
 Ford; LNT880 Trk; V8-401; 72-71
 Ford; LNT880 Trk; V8-475; 72-71
 Ford; LNT880 Trk; V8-477; 72-71
 Ford; LNT880 Trk; V8-534; 72-71
 Ford; LNT900 Trk; V8-401; 72-71
 Ford; LNT900 Trk; V8-475; 72-71
 Ford; LNT900 Trk; V8-477; 72-71
 Ford; LNT900 Trk; V8-534; 72-71
 Ford; LT800 Trk; V8-401; 72-70
 Ford; LT800 Trk; V8-475; 72-71
 Ford; LT800 Trk; V8-477; 72-71
 Ford; LT800 Trk; V8-534; 72-71
 Ford; LT880 Trk; V8-401; 72-71
 Ford; LT880 Trk; V8-475; 72-71
 Ford; LT880 Trk; V8-477; 72-71
 Ford; LT880 Trk; V8-534; 72-71
 Ford; LT900 Trk; V8-401; 72-71
 Ford; LT900 Trk; V8-477; 72-71
 Ford; LT900 Trk; V8-534; 72-71
 Ford; LTS800 Trk; V8-401; 72-70
 Ford; LTS800 Trk; V8-475; 72-71
 Ford; LTS800 Trk; V8-477; 72-71
 Ford; LTS800 Trk; V8-534; 72-71
 Ford; LTS900 Trk; V8-401; 72-71
 Ford; LTS900 Trk; V8-475; 72-71
 Ford; LTS900 Trk; V8-477; 72-71
 Ford; LTS900 Trk; V8-534; 72-71
 Ford; N Series Trk; V8-401; 69-65
 Ford; N Series Trk; V8-477; 69-65
 Ford; N Series Trk; V8-534; 69-65
 Ford; T Series Trk; V8-401; 69-65
 Ford; T Series Trk; V8-477; 69-65
 Ford; T Series Trk; V8-534; 69-65

42561

Suzuki; SJ410; L3-1.0 Canada; 1984

42562

Cad; Calais; V8-429; 1965
 Cad; Deville; V8-429; 1965
 Cad; Eldorado; V8-390; 1963
 Cad; Eldorado; V8-429; 65-64
 Cad; Fleetwood 75; V8-390; 1963
 Cad; Fleetwood 75; V8-429; 65-64
 Cad; Fleetwood Sixty Special; V8-390; 1963
 Cad; Fleetwood Sixty Special; V8-429; 65-64
 Cad; Series 6200; V8-390; 1963
 Cad; Series 6200; V8-429; 1964

42563

Buick; Electra; V8-401; 66-62
 Buick; Electra; V8-425; 66-65
 Buick; Invicta; V8-401; 63-62
 Buick; Lesabre; V8-401; 63-62
 Buick; Riviera; V8-401; 65-63
 Buick; Riviera; V8-425; 66-63
 Buick; Wildcat; V8-401; 66-64
 Buick; Wildcat; V8-425; 66-64

42564

Toy.; Tercel; L4-1.5; 1980

42565

Toy.; Celica; L6-156; 1979
 Toy.; Cressida; L6-156; 79-78

42566

Toy.; Mark II; L6-156; 76-75

42567

Toy.; Land Cruiser; L6-258; 78-77

42568

Toy.; Land Cruiser; L6-4.2; 1980
 Toy.; Land Cruiser; L6-258; 1979

42569

Chev; C5500 Trk; GM V8-7.4; 2000-99
 Chev; C6500 Trk; GM V8-7.4; 2000-99
 Chev; C7500 Trk; GM V8-7.4; 2000-99
 Chev; C8500 Trk; GM V8-7.4; 2000-99
 Chev; P30 Trk; GM V8-7.4; 2000-99
 Chev; T5500 Trk; GM V8-7.4; 1999
 Chev; T6500 Trk; GM V8-7.4; 1999
 Chev; T7500 Trk; GM V8-7.4; 1999
 Chev; T8500 Trk; GM V8-7.4; 1999
 GMC; C5500 Trk; V8-7.4; 2000-99
 GMC; C6500 Trk; V8-7.4; 2000-99
 GMC; C7500 Trk; V8-7.4; 2000-99
 GMC; C8500 Trk; V8-7.4; 2000-99
 GMC; P3500 Trk; V8-7.4; 2000-99
 GMC; T5500 Trk; V8-7.4; 1999
 GMC; T6500 Trk; V8-7.4; 1999
 GMC; T7500 Trk; V8-7.4; 1999
 GMC; T8500 Trk; V8-7.4; 1999

43000

AmerMtrs; AMX; L6-258; 79-78
 AmerMtrs; Concord; L6-232; 79-78
 AmerMtrs; Concord; L6-258; 79-78
 AmerMtrs; Gremlin; L6-232; 78-75
 AmerMtrs; Gremlin; L6-258; 78-75
 AmerMtrs; Hornet; L6-232; 77-75
 AmerMtrs; Hornet; L6-258; 77-75
 AmerMtrs; Matador; L6-258; 78-75
 AmerMtrs; Pacer; L6-232; 78-75
 AmerMtrs; Pacer; L6-258; 79-75
 AmerMtrs; Spirit; L6-232; 1979
 AmerMtrs; Spirit; L6-258; 1979
 Jeep; Cherokee; L6-258; 79-75
 Jeep; CJ Series; L6-232; 78-75
 Jeep; CJ Series; L6-258; 79-75
 Jeep; J Series Pickup; L6-258; 79-75

43001

AmerMtrs; AMX; L6-4.2; 1980
 AmerMtrs; Concord; L6-4.2; 83-80
 AmerMtrs; Eagle; L4-2.5; 84-83
 AmerMtrs; Eagle; L6-4.2; 86-80
 AmerMtrs; Pacer; L6-4.2; 1980
 AmerMtrs; Spirit; L6-4.2; 83-80
 Jeep; Cherokee; L4-2.5; 86-84
 Jeep; Cherokee; L6-4.2; 83-80
 Jeep; CJ Series; L4-2.5; 86-83
 Jeep; CJ Series; L6-4.2; 86-80
 Jeep; Comanche; L4-2.5; 1986
 Jeep; Grand Wagoneer; L6-4.2; 86-84
 Jeep; J Series Pickup; L6-4.2; 86-80
 Jeep; Scrambler; L4-2.5; 85-83
 Jeep; Scrambler; L6-4.2; 85-81
 Jeep; Wagoneer; L4-2.5; 86-84
 Jeep; Wagoneer; L6-4.2; 83-80

43002

AmerMtrs; Ambassador; V8-304; 74-73
 AmerMtrs; Ambassador; V8-360; 74-73
 AmerMtrs; Ambassador; V8-401; 74-73
 AmerMtrs; AMX; V8-304; 79-78
 AmerMtrs; AMX; V8-304; 74-73
 AmerMtrs; AMX; V8-360; 74-73
 AmerMtrs; AMX; V8-401; 74-73
 AmerMtrs; Concord; V8-304; 79-78
 AmerMtrs; Gremlin; V8-304; 76-73
 AmerMtrs; Hornet; V8-304; 77-73
 AmerMtrs; Hornet; V8-360; 74-73
 AmerMtrs; Javelin; V8-304; 74-73
 AmerMtrs; Javelin; V8-360; 74-73
 AmerMtrs; Javelin; V8-401; 74-73
 AmerMtrs; Matador; V8-304; 77-73
 AmerMtrs; Matador; V8-360; 78-73
 AmerMtrs; Matador; V8-401; 76-73
 AmerMtrs; Pacer; V8-304; 79-78
 AmerMtrs; Spirit; V8-304; 1979
 Jeep; Cherokee; V8-5.9; 83-80
 Jeep; Cherokee; V8-360; 79-74
 Jeep; Cherokee; V8-401; 78-74
 Jeep; CJ Series; V8-5.0; 81-80
 Jeep; CJ Series; V8-304; 79-73
 Jeep; Commando; V8-304; 1973
 Jeep; Grand Wagoneer; V8-5.9; 91-84
 Jeep; J Series Pickup; V8-5.9; 88-80
 Jeep; J Series Pickup; V8-360; 79-73
 Jeep; J Series Pickup; V8-401; 78-74
 Jeep; Wagoneer; V8-5.9; 83-80
 Jeep; Wagoneer; V8-360; 79-73
 Jeep; Wagoneer; V8-401; 78-74

43003

Jeep; CJ Series; L4-134; 71-66
 Jeep; DJ Series; L4-134; 71-66
 Jeep; Jeepster; L4-134; 71-67

43004

Jeep; CJ Series; L4-134; 71-45
 Jeep; DJ Series; L4-134; 71-56
 Jeep; F4-134; L4-134; 62-57
 Jeep; F134; L4-134; 65-63
 Jeep; FC Series; L4-134; 66-57
 Jeep; FJ Series; L4-134; 64-61
 Jeep; Jeepster; L4-134; 71-67
 Jeep; Pickup; L4-134; 50-46
 Jeep; Station Wagon; L4-134; 50-46
 Jeep; Universal; L4-134; 44-41
 Jeep; 441; L4-134; 1941
 Jeep; 442; L4-134; 1942
 Jeep; 454; L4-134; 1954
 Jeep; 473; L4-134; 52-51
 Jeep; 475; L4-134; 56-55
 Jeep; 475; L4-134; 1953

43005

AmerMtrs; Ambassador; L6-232; 70-66
 AmerMtrs; Ambassador; L6-258; 1971
 AmerMtrs; American; L6-199; 68-66
 AmerMtrs; American; L6-232; 68-66
 AmerMtrs; Gremlin; L6-199; 1970
 AmerMtrs; Gremlin; L6-232; 72-70
 AmerMtrs; Gremlin; L6-258; 72-71
 AmerMtrs; Hornet; L6-199; 1970
 AmerMtrs; Hornet; L6-232; 72-70
 AmerMtrs; Hornet; L6-258; 72-71
 AmerMtrs; Javelin; L6-232; 72-68
 AmerMtrs; Javelin; L6-258; 72-71
 AmerMtrs; Marlin; L6-232; 67-66
 AmerMtrs; Matador; L6-232; 72-71
 AmerMtrs; Matador; L6-258; 72-71
 AmerMtrs; Rambler; L6-199; 1969
 AmerMtrs; Rambler; L6-232; 1969
 AmerMtrs; Rambler Classic; L6-199; 1966
 AmerMtrs; Rambler Classic; L6-232; 1966
 AmerMtrs; Rebel; L6-232; 70-67
 Intnatl; D Series Pickup; L6-232; 71-69
 Intnatl; M Series Van; L6-232; 71-70
 Intnatl; Scout II; L6-232; 72-71

Numerical Listing

Use as a guide only. Refer to Pages 1 to 142 for specific applications.

43006

AmerMtrs; Ambassador; V8-290; 69-68
 AmerMtrs; Ambassador; V8-304; 72-70
 AmerMtrs; Ambassador; V8-343; 69-68
 AmerMtrs; Ambassador; V8-360; 72-70
 AmerMtrs; Ambassador; V8-390; 70-68
 AmerMtrs; Ambassador; V8-401; 72-71
 AmerMtrs; American; V8-290; 1968
 AmerMtrs; AMX; V8-290; 69-68
 AmerMtrs; AMX; V8-304; 1972
 AmerMtrs; AMX; V8-343; 69-68
 AmerMtrs; AMX; V8-360; 72-70
 AmerMtrs; AMX; V8-390; 70-68
 AmerMtrs; AMX; V8-401; 72-71
 AmerMtrs; Gremlin; V8-304; 1972
 AmerMtrs; Hornet; V8-304; 72-70
 AmerMtrs; Hornet; V8-360; 72-71
 AmerMtrs; Javelin; V8-290; 69-68
 AmerMtrs; Javelin; V8-304; 72-70
 AmerMtrs; Javelin; V8-343; 69-68
 AmerMtrs; Javelin; V8-360; 72-70
 AmerMtrs; Javelin; V8-390; 70-68
 AmerMtrs; Javelin; V8-401; 72-71
 AmerMtrs; Matador; V8-304; 72-71
 AmerMtrs; Matador; V8-360; 72-71
 AmerMtrs; Matador; V8-401; 72-71
 AmerMtrs; Rambler; V8-290; 1969
 AmerMtrs; Rambler; V8-390; 1969
 AmerMtrs; Rebel; V8-290; 69-68
 AmerMtrs; Rebel; V8-304; 1970
 AmerMtrs; Rebel; V8-343; 69-68
 AmerMtrs; Rebel; V8-360; 1970
 AmerMtrs; Rebel; V8-390; 70-69
 Jeep; CJ Series; V8-304; 1972
 Jeep; Commando; V8-304; 1972
 Jeep; J Series Pickup; V8-304; 72-71
 Jeep; J Series Pickup; V8-360; 72-71
 Jeep; Wagoneer; V8-304; 1971
 Jeep; Wagoneer; V8-360; 72-71

43007

AmerMtrs; Ambassador; L6-258; 1971
 AmerMtrs; Gremlin; L6-232; 74-71
 AmerMtrs; Gremlin; L6-258; 74-71
 AmerMtrs; Hornet; L6-232; 74-71
 AmerMtrs; Hornet; L6-258; 74-71
 AmerMtrs; Javelin; L6-232; 74-71
 AmerMtrs; Javelin; L6-258; 74-71
 AmerMtrs; Matador; L6-232; 74-71
 AmerMtrs; Matador; L6-258; 74-71
 Intnatl; M1100; L6-258; 1972
 Intnatl; M1200; L6-258; 1972
 Intnatl; MHC1310; L6-258; 75-74
 Intnatl; MHC1310; L6-304; 1975
 Intnatl; MS1210; L6-258; 74-73
 Intnatl; Scout II; L6-258; 74-73
 Intnatl; 100; L6-258; 1974
 Intnatl; 200; L6-258; 1974
 Intnatl; 1010; L6-258; 73-72
 Intnatl; 1110; L6-258; 73-72
 Intnatl; 1210; L6-258; 73-72
 Intnatl; 1310; L6-258; 73-72

43008

Jeep; Cherokee; L6-258; 1974
 Jeep; CJ Series; L6-232; 74-72
 Jeep; CJ Series; L6-258; 74-72
 Jeep; DJ Series; L6-232; 74-72
 Jeep; J Series Pickup; L6-258; 74-71
 Jeep; Wagoneer; L6-232; 1971
 Jeep; Wagoneer; L6-258; 73-71

43011

Alfa Romeo; Spider; L4-2.0; 90-85
 Alfa Romeo; Spider Veloce; L4-2.0; 84-80

43018

Jaguar; Vanden Plas; L6-4.2; 1982
 Jaguar; XJ6; L6-4.2; 82-80

43019

Jaguar; Vanden Plas; L6-4.2; 87-82
 Jaguar; XJ6; L6-4.2; 87-82

43021

Ford; F600 Trk; L6-6.6 Dsl; 93-91
 Ford; F600 Trk; L6-7.8 Dsl; 93-91
 Ford; F700 Trk; L6-6.6 Dsl; 94-91
 Ford; F700 Trk; L6-7.8 Dsl; 93-91
 Ford; F800 Trk; L6-6.6 Dsl; 94-91
 Ford; F800 Trk; L6-7.8 Dsl; 93-91
 Ford; FT900 Trk; L6-6.6 Dsl; 93-91
 Ford; FT900 Trk; L6-7.8 Dsl; 93-91

43022

Jaguar; XJS; V12-5.3; 92-82
 Jaguar; XJS; V12-6.0; 95-94

43025

Chry; Cordoba; L6-3.7; 83-80
 Chry; Fifth Avenue; L6-3.7; 1983
 Chry; Lebaron; L6-3.7; 81-80
 Chry; Lebaron; L6-225; 79-78
 Chry; New Yorker; L6-3.7; 1982
 Chry; Newport; L6-3.7; 81-80
 Chry; Newport; L6-225; 1979
 Chry; Town & Country; L6-3.7; 81-80
 Chry; Town & Country; L6-225; 79-78
 Dodge; A Series Van; L6-170; 69-64
 Dodge; A Series Van; L6-198; 1970
 Dodge; A Series Van; L6-225; 70-64
 Dodge; Aspen; L6-3.7; 1980
 Dodge; Aspen; L6-225; 79-76
 Dodge; B Series Van; L6-198; 1971
 Dodge; B Series Van; L6-3.7; 87-80
 Dodge; B Series Van; L6-225; 79-71
 Dodge; Challenger; L6-198; 71-70
 Dodge; Challenger; L6-225; 72-70
 Dodge; Charger; L6-225; 1976
 Dodge; Charger; L6-225; 74-68
 Dodge; Coronet; L6-225; 76-65
 Dodge; D & W Series Pickup; L6-170; 67-61
 Dodge; D & W Series Pickup; L6-198; 71-70
 Dodge; D & W Series Pickup; L6-3.7; 87-80
 Dodge; D & W Series Pickup; L6-225; 79-61
 Dodge; Dart; L6-170; 69-63
 Dodge; Dart; L6-198; 74-70
 Dodge; Dart; L6-225; 76-60
 Dodge; Diplomat; L6-3.7; 83-80
 Dodge; Diplomat; L6-225; 79-78
 Dodge; Lancer; L6-170; 62-61
 Dodge; Lancer; L6-225; 62-61
 Dodge; Mirada; L6-3.7; 83-80
 Dodge; Monaco; L6-225; 78-77
 Dodge; Polara; L6-225; 71-70
 Dodge; Polara; L6-225; 64-63
 Dodge; Ramcharger; L6-3.7; 1980
 Dodge; Ramcharger; L6-225; 79-74
 Dodge; St. Regis; L6-3.7; 81-80
 Dodge; St. Regis; L6-225; 1979
 Dodge; 330; L6-225; 64-63
 Dodge; 440; L6-225; 64-63
 Ply; B Series Van; L6-3.7; 83-80
 Ply; B Series Van; L6-225; 79-75
 Ply; Barracuda; L6-198; 1971
 Ply; Barracuda; L6-225; 72-67
 Ply; Belvedere; L6-225; 70-60
 Ply; Caravelle; L6-3.7 Canada; 83-80
 Ply; Caravelle; L6-225 Canada; 79-78
 Ply; Duster; L6-198; 74-70
 Ply; Duster; L6-225; 76-70
 Ply; Fury; L6-225; 78-75
 Ply; Fury; L6-225; 72-60
 Ply; Gran Fury; L6-3.7; 83-80
 Ply; Satellite; L6-225; 74-68
 Ply; Savoy; L6-225; 64-60
 Ply; Scamp; L6-198; 74-71
 Ply; Scamp; L6-225; 76-71
 Ply; Trailduster; L6-3.7; 1980
 Ply; Trailduster; L6-225; 79-75
 Ply; Valiant; L6-170; 69-60
 Ply; Valiant; L6-198; 74-70
 Ply; Valiant; L6-225; 76-61
 Ply; Volare; L6-3.7; 1980
 Ply; Volare; L6-225; 79-76
 Dodge; D400 Trk; Dodge L6-225; 71-67

43025 - Continued

Dodge; D500 Trk; Dodge L6-225; 76-67
 Dodge; L600 Trk; Dodge L6-225; 70-69
 Dodge; P400 Trk; Dodge L6-225; 76-67
 Dodge; W500 Trk; Dodge L6-225; 71-69

43026

Chry; Cordoba; V8-5.2; 83-80
 Chry; Cordoba; V8-318; 79-75
 Chry; Cordoba; V8-5.9; 1980
 Chry; Cordoba; V8-360; 79-75
 Chry; Fifth Avenue; V8-5.2; 89-83
 Chry; Imperial; V8-5.2; 83-81
 Chry; Lebaron; V8-5.2; 81-80
 Chry; Lebaron; V8-318; 79-77
 Chry; Lebaron; V8-360; 79-78
 Chry; New Yorker; V8-5.2; 82-80
 Chry; New Yorker; V8-318; 1979
 Chry; New Yorker; V8-5.9; 1980
 Chry; New Yorker; V8-360; 79-77
 Chry; Newport; V8-5.2; 81-80
 Chry; Newport; V8-318; 1979
 Chry; Newport; V8-5.9; 1980
 Chry; Newport; V8-360; 79-74
 Chry; Newport; V8-360; 72-71
 Chry; Town & Country; V8-5.2; 81-80
 Chry; Town & Country; V8-318; 79-78
 Chry; Town & Country; V8-360; 79-78
 Dodge; A Series Van; V8-318; 1970
 Dodge; Aspen; V8-5.2; 1980
 Dodge; Aspen; V8-318; 79-76
 Dodge; Aspen; V8-360; 79-76
 Dodge; B Series Van; V6-3.9; 91-88
 Dodge; B Series Van; V8-5.2; 91-80
 Dodge; B Series Van; V8-318; 79-71
 Dodge; B Series Van; V8-5.9; 92-80
 Dodge; B Series Van; V8-360; 79-71
 Dodge; Challenger; V8-318; 74-70
 Dodge; Challenger; V8-340; 73-70
 Dodge; Challenger; V8-360; 1974
 Dodge; Charger; V8-318; 78-70
 Dodge; Charger; V8-340; 73-72
 Dodge; Charger; V8-360; 78-74
 Dodge; Coronet; V8-318; 76-70
 Dodge; Coronet; V8-340; 73-72
 Dodge; Coronet; V8-360; 76-74
 Dodge; D & W Series Pickup; V6-3.9; 91-88
 Dodge; D & W Series Pickup; V8-5.2; 91-80
 Dodge; D & W Series Pickup; V8-318; 79-70
 Dodge; D & W Series Pickup; V8-5.9; 92-80
 Dodge; D & W Series Pickup; V8-360; 79-71
 Dodge; Dakota; V6-3.9; 91-87
 Dodge; Dakota; V8-5.2; 1989
 Dodge; Dart; V8-318; 76-70
 Dodge; Dart; V8-340; 73-70
 Dodge; Dart; V8-360; 76-74
 Dodge; Diplomat; V8-5.2; 89-80
 Dodge; Diplomat; V8-318; 79-77
 Dodge; Diplomat; V8-360; 79-78
 Dodge; Magnum; V8-318; 79-78
 Dodge; Magnum; V8-360; 79-78
 Dodge; Mirada; V8-5.2; 83-80
 Dodge; Mirada; V8-5.9; 1980
 Dodge; Monaco; V8-318; 78-75
 Dodge; Monaco; V8-360; 78-72
 Dodge; Polara; V8-318; 73-70
 Dodge; Polara; V8-360; 73-71
 Dodge; Ramcharger; V8-5.2; 91-80
 Dodge; Ramcharger; V8-318; 79-74
 Dodge; Ramcharger; V8-5.9; 92-84
 Dodge; Ramcharger; V8-5.9; 81-80
 Dodge; Ramcharger; V8-360; 79-74
 Dodge; Royal Monaco; V8-318; 1977
 Dodge; Royal Monaco; V8-360; 77-75
 Dodge; St. Regis; V8-5.2; 81-80
 Dodge; St. Regis; V8-318; 1979
 Dodge; St. Regis; V8-5.9; 1980
 Dodge; St. Regis; V8-360; 1979
 Ply; B Series Van; V8-5.2; 83-80
 Ply; B Series Van; V8-318; 79-74
 Ply; B Series Van; V8-5.9; 83-80
 Ply; B Series Van; V8-360; 79-74

Numerical Listing

Use as a guide only. Refer to Pages 1 to 142 for specific applications.

43026 - Continued

Ply; Barracuda; V8-318; 74-70
 Ply; Barracuda; V8-340; 73-70
 Ply; Barracuda; V8-360; 1974
 Ply; Belvedere; V8-318; 1970
 Ply; Caravelle; V8-5.2 Canada; 84-80
 Ply; Duster; V8-318; 76-70
 Ply; Duster; V8-340; 73-70
 Ply; Duster; V8-360; 76-74
 Ply; Fury; V8-318; 78-75
 Ply; Fury; V8-318; 73-70
 Ply; Fury; V8-360; 78-71
 Ply; Gran Fury; V8-5.2; 89-80
 Ply; Gran Fury; V8-318; 77-75
 Ply; Gran Fury; V8-5.9; 1980
 Ply; Gran Fury; V8-360; 77-75
 Ply; Road Runner; V8-318; 74-72
 Ply; Road Runner; V8-340; 73-71
 Ply; Road Runner; V8-360; 1974
 Ply; Satellite; V8-318; 74-70
 Ply; Satellite; V8-340; 1972
 Ply; Satellite; V8-360; 1974
 Ply; Scamp; V8-318; 76-71
 Ply; Trailduster; V8-5.2; 81-80
 Ply; Trailduster; V8-318; 79-74
 Ply; Trailduster; V8-5.9; 81-80
 Ply; Trailduster; V8-360; 79-74
 Ply; Valiant; V8-318; 76-70
 Ply; Valiant; V8-360; 1976
 Ply; Valiant; V8-360; 1974
 Ply; Volare; V8-5.2; 1980
 Ply; Volare; V8-318; 79-76
 Ply; Volare; V8-360; 79-76

43026P

Chry; Cordoba; V8-5.2; 83-80
 Chry; Cordoba; V8-318; 79-75
 Chry; Cordoba; V8-5.9; 1980
 Chry; Cordoba; V8-360; 79-75
 Chry; Fifth Avenue; V8-5.2; 89-83
 Chry; Imperial; V8-5.2; 83-81
 Chry; Lebaron; V8-5.2; 81-80
 Chry; Lebaron; V8-318; 79-77
 Chry; Lebaron; V8-360; 79-78
 Chry; New Yorker; V8-5.2; 82-80
 Chry; New Yorker; V8-318; 1979
 Chry; New Yorker; V8-5.9; 1980
 Chry; New Yorker; V8-360; 79-77
 Chry; Newport; V8-5.2; 81-80
 Chry; Newport; V8-318; 1979
 Chry; Newport; V8-5.9; 1980
 Chry; Newport; V8-360; 79-74
 Chry; Newport; V8-360; 72-71
 Chry; Town & Country; V8-5.2; 81-80
 Chry; Town & Country; V8-318; 79-78
 Chry; Town & Country; V8-360; 79-78
 Dodge; A Series Van; V8-318; 1970
 Dodge; Aspen; V8-5.2; 1980
 Dodge; Aspen; V8-318; 79-76
 Dodge; Aspen; V8-360; 79-76
 Dodge; B Series Van; V6-3.9; 91-88
 Dodge; B Series Van; V8-5.2; 91-80
 Dodge; B Series Van; V8-318; 79-71
 Dodge; B Series Van; V8-5.9; 92-80
 Dodge; B Series Van; V8-360; 79-71
 Dodge; Challenger; V8-318; 74-70
 Dodge; Challenger; V8-340; 73-70
 Dodge; Challenger; V8-360; 1974
 Dodge; Charger; V8-318; 78-70
 Dodge; Charger; V8-340; 73-72
 Dodge; Charger; V8-360; 78-74
 Dodge; Coronet; V8-318; 76-70
 Dodge; Coronet; V8-340; 73-72
 Dodge; Coronet; V8-360; 76-74
 Dodge; D & W Series Pickup; V6-3.9; 91-88
 Dodge; D & W Series Pickup; V8-5.2; 91-80
 Dodge; D & W Series Pickup; V8-318; 79-70
 Dodge; D & W Series Pickup; V8-5.9; 92-80
 Dodge; D & W Series Pickup; V8-360; 79-71
 Dodge; Dakota; V6-3.9; 91-87
 Dodge; Dakota; V8-5.2; 1989
 Dodge; Dart; V8-318; 76-70

43026P - Continued

Dodge; Dart; V8-340; 73-70
 Dodge; Dart; V8-360; 76-74
 Dodge; Diplomat; V8-5.2; 89-80
 Dodge; Diplomat; V8-318; 79-77
 Dodge; Diplomat; V8-360; 79-78
 Dodge; Magnum; V8-318; 79-78
 Dodge; Magnum; V8-360; 79-78
 Dodge; Mirada; V8-5.2; 83-80
 Dodge; Mirada; V8-5.9; 1980
 Dodge; Monaco; V8-318; 78-75
 Dodge; Monaco; V8-360; 78-72
 Dodge; Polara; V8-318; 73-70
 Dodge; Polara; V8-360; 73-71
 Dodge; Ramcharger; V8-5.2; 91-80
 Dodge; Ramcharger; V8-318; 79-74
 Dodge; Ramcharger; V8-5.9; 92-84
 Dodge; Ramcharger; V8-5.9; 81-80
 Dodge; Ramcharger; V8-360; 79-74
 Dodge; Royal Monaco; V8-318; 1977
 Dodge; Royal Monaco; V8-360; 77-75
 Dodge; St. Regis; V8-5.2; 81-80
 Dodge; St. Regis; V8-318; 1979
 Dodge; St. Regis; V8-5.9; 1980
 Dodge; St. Regis; V8-360; 1979
 Ply; B Series Van; V8-5.2; 83-80
 Ply; B Series Van; V8-318; 79-74
 Ply; B Series Van; V8-5.9; 83-80
 Ply; B Series Van; V8-360; 79-74
 Ply; Barracuda; V8-318; 74-70
 Ply; Barracuda; V8-340; 73-70
 Ply; Barracuda; V8-360; 1974
 Ply; Belvedere; V8-318; 1970
 Ply; Caravelle; V8-5.2 Canada; 84-80
 Ply; Duster; V8-318; 76-70
 Ply; Duster; V8-340; 73-70
 Ply; Duster; V8-360; 76-74
 Ply; Fury; V8-318; 78-75
 Ply; Fury; V8-318; 73-70
 Ply; Fury; V8-360; 78-71
 Ply; Gran Fury; V8-5.2; 89-80
 Ply; Gran Fury; V8-318; 77-75
 Ply; Gran Fury; V8-5.9; 1980
 Ply; Gran Fury; V8-360; 77-75
 Ply; Road Runner; V8-318; 74-72
 Ply; Road Runner; V8-340; 73-71
 Ply; Road Runner; V8-360; 1974
 Ply; Satellite; V8-318; 74-70
 Ply; Satellite; V8-340; 1972
 Ply; Satellite; V8-360; 1974
 Ply; Scamp; V8-318; 76-71
 Ply; Trailduster; V8-5.2; 81-80
 Ply; Trailduster; V8-318; 79-74
 Ply; Trailduster; V8-5.9; 81-80
 Ply; Trailduster; V8-360; 79-74
 Ply; Valiant; V8-318; 76-70
 Ply; Valiant; V8-360; 1976
 Ply; Valiant; V8-360; 1974
 Ply; Volare; V8-5.2; 1980
 Ply; Volare; V8-318; 79-76
 Ply; Volare; V8-360; 79-76

43027

Dodge; D500 Trk; Dodge V8-318; 77-75
 Dodge; D600 Trk; Dodge V8-318; 77-75
 Dodge; W600 Trk; Dodge V8-318; 77-75

43028

Dodge; C500 Trk; Dodge V8-318; 71-68
 Dodge; C600 Trk; Dodge V8-318; 71-68
 Dodge; D400 Trk; Dodge V8-318; 71-68
 Dodge; D500 Trk; Dodge V8-318; 73-68
 Dodge; D600 Trk; Dodge V8-318; 73-68
 Dodge; L600 Trk; Dodge V8-318; 70-68
 Dodge; W500 Trk; Dodge V8-318; 71-68
 Dodge; W600 Trk; Dodge V8-318; 73-72

43029

Dodge; C600 Trk; Dodge V8-361; 73-61
 Dodge; C600 Trk; Dodge V8-413; 73-61
 Dodge; C700 Trk; Dodge V8-361; 71-61
 Dodge; C700 Trk; Dodge V8-413; 71-61

43029 - Continued

Dodge; C800 Trk; Dodge V8-361; 75-61
 Dodge; C800 Trk; Dodge V8-413; 75-61
 Dodge; C850 Trk; Dodge V8-361; 1968
 Dodge; C850 Trk; Dodge V8-413; 1968
 Dodge; C900 Trk; Dodge V8-361; 67-61
 Dodge; C900 Trk; Dodge V8-413; 67-61
 Dodge; C1000 Trk; Dodge V8-361; 73-61
 Dodge; C1000 Trk; Dodge V8-413; 73-61
 Dodge; CT700 Trk; Dodge V8-361; 69-61
 Dodge; CT700 Trk; Dodge V8-413; 69-61
 Dodge; CT800 Trk; Dodge V8-361; 75-61
 Dodge; CT800 Trk; Dodge V8-413; 75-61
 Dodge; CT900 Trk; Dodge V8-361; 73-61
 Dodge; CT900 Trk; Dodge V8-413; 73-61
 Dodge; D500 Trk; Dodge V8-361; 76-61
 Dodge; D500 Trk; Dodge V8-413; 77-61
 Dodge; D600 Trk; Dodge V8-361; 76-61
 Dodge; D600 Trk; Dodge V8-413; 77-61
 Dodge; D700 Trk; Dodge V8-361; 76-75
 Dodge; D700 Trk; Dodge V8-361; 71-61
 Dodge; D700 Trk; Dodge V8-413; 77-75
 Dodge; D700 Trk; Dodge V8-413; 71-61
 Dodge; D800 Trk; Dodge V8-360; 77-76
 Dodge; D800 Trk; Dodge V8-361; 75-66
 Dodge; D800 Trk; Dodge V8-361; 64-61
 Dodge; D800 Trk; Dodge V8-413; 77-66
 Dodge; D800 Trk; Dodge V8-413; 64-61
 Dodge; L600 Trk; Dodge V8-361; 70-63
 Dodge; L600 Trk; Dodge V8-413; 70-63
 Dodge; L700 Trk; Dodge V8-361; 70-63
 Dodge; L700 Trk; Dodge V8-413; 70-63

43030

Dodge; A Series Van; V8-273; 66-65
 Dodge; A Series Van; V8-318; 69-67
 Dodge; Charger; V8-273; 1966
 Dodge; Charger; V8-318; 69-66
 Dodge; Coronet; V8-273; 68-65
 Dodge; Coronet; V8-318; 69-65
 Dodge; D & W Series Pickup; V8-318; 69-59
 Dodge; Dart; V8-273; 69-64
 Dodge; Dart; V8-318; 69-68
 Dodge; Dart; V8-318; 62-60
 Dodge; Dart; V8-340; 69-68
 Dodge; Polara; V8-318; 69-63
 Dodge; 330; V8-318; 64-63
 Dodge; 440; V8-318; 64-63
 Ply; Barracuda; V8-273; 1967
 Ply; Barracuda; V8-318; 69-68
 Ply; Barracuda; V8-340; 69-68
 Ply; Belvedere; V8-273; 68-65
 Ply; Belvedere; V8-318; 69-57
 Ply; Fury; V8-273; 1967
 Ply; Fury; V8-318; 69-59
 Ply; Plaza; V8-318; 1958
 Ply; Satellite; V8-273; 68-65
 Ply; Satellite; V8-318; 69-65
 Ply; Savoy; V8-318; 64-58
 Ply; Valiant; V8-273; 69-64
 Ply; Valiant; V8-318; 69-68
 Dodge; C500 Trk; Dodge V8-318; 67-60
 Dodge; C600 Trk; Dodge V8-318; 67-60
 Dodge; D400 Trk; Dodge V8-318; 67-60
 Dodge; D500 Trk; Dodge V8-318; 67-60
 Dodge; D600 Trk; Dodge V8-318; 67-60
 Dodge; L600 Trk; Dodge V8-318; 1967
 Dodge; P400 Trk; Dodge V8-318; 1960
 Dodge; W500 Trk; Dodge V8-318; 67-60

43032

Dodge; M Series Motor Home; V8-413; 1973
 Dodge; RM Series Motor Home; V8-413;
 74-73

43033

Dodge; Dakota; V8-5.2; 91-90

43034

Dodge; B Series Van; V6-3.9; 2003-93
 Dodge; B Series Van; V8-5.2; 2003-93
 Dodge; B Series Van; V8-5.9; 2003-93

Numerical Listing

Use as a guide only. Refer to Pages 1 to 142 for specific applications.

43034 - Continued

Dodge; D & W Series Pickup; V6-3.9; 1993
 Dodge; D & W Series Pickup; V8-5.2; 1993
 Dodge; D & W Series Pickup; V8-5.9; 1993
 Dodge; Dakota; V6-3.9; 2003-93
 Dodge; Dakota; V8-5.2; 99-93
 Dodge; Dakota; V8-5.9; 2003-98
 Dodge; Durango; V6-3.9; 99-98
 Dodge; Durango; V8-5.2; 2000-98
 Dodge; Durango; V8-5.9; 2003-98
 Dodge; Ram Series Pickup; V6-3.9; 2001-94
 Dodge; Ram Series Pickup; V8-5.2; 2001-94
 Dodge; Ram Series Pickup; V8-5.9; 2003-94
 Dodge; Ramcharger; V8-5.2; 1993
 Dodge; Ramcharger; V8-5.9; 1993
 Jeep; Grand Cherokee; V8-5.2; 98-93
 Jeep; Grand Cherokee; V8-5.9; 1998

43035

Dodge; Monaco; V6-3.0; 92-91
 Eagle; Premier; V6-3.0; 92-91

43036

Dodge; Monaco; V6-3.0; 91-90
 Eagle; Premier; V6-3.0; 91-88

43037

Dodge; B Series Van; V6-3.9; 1992
 Dodge; B Series Van; V8-5.2; 1992
 Dodge; D & W Series Pickup; V6-3.9; 1992
 Dodge; D & W Series Pickup; V8-5.2; 1992
 Dodge; Dakota; V6-3.9; 1992
 Dodge; Dakota; V8-5.2; 1992
 Dodge; Ramcharger; V8-5.2; 1992

43038

Dodge; Viper; V10-8.0; 2002-96

43039

Chry; M80 Marine Eng; Chrysler V8-318
 Chry; M80A Marine Eng; Chrysler V8-318
 Chry; M273 Marine Eng; Chrysler V8-273
 Chry; M318A Marine Eng; Chrysler V8-318
 Chry; M318B Marine Eng; Chrysler V8-318
 Chry; M318C Marine Eng; Chrysler V8-318
 Chry; 155 Marine Eng; Chrysler V8-273
 Chry; 175 Super Bee II Marine Eng; Chrysler V8-273
 Chry; 175 Super Bee II Marine Eng; Chrysler V8-318
 Chry; 200 Super Bee II Marine Eng; Chrysler V8-273
 Chry; 200 Super Bee II Marine Eng; Chrysler V8-318
 Chry; 225 Super Bee II Marine Eng; Chrysler V8-273
 Chry; 225 Super Bee II Marine Eng; Chrysler V8-318
 Chry; 240 Marine Eng; Chrysler V8-318
 Chry; 250 Marine Eng; Chrysler V8-318
 Chry; 250 Marine Eng; Chrysler V8-360
 Chry; 250SP Marine Eng; Chrysler V8-318
 Chry; 300 Marine Marine Eng; Chrysler V8-318
 Chry; 300SP Marine Eng; Chrysler V8-318

43041

Ford; Bronco; V8-5.8; 81-80
 Ford; E Series Van; V8-5.8; 81-80
 Ford; E Series Van; V8-6.6; 82-80
 Ford; F Series Pickup; V8-5.8; 81-80
 Ford; F Series Pickup; V8-6.6; 82-80

43042

Ford; 2000 Tractor; L3-158 Dsl; 75-62
 Ford; 2100 Tractor; L3-158; 75-67
 Ford; 2100 Tractor; L3-158 Dsl; 75-67
 Ford; 2310 Tractor; L3-158 Dsl; 85-82
 Ford; 3000 Tractor; L3-158; 76-65
 Ford; 3000 Tractor; L3-175 Dsl; 76-65
 Ford; 3100 Tractor; L3-158; 75-66
 Ford; 3100 Tractor; L3-175 Dsl; 75-66
 Ford; 3300 Tractor; L3-175 Dsl; 75-68

43042 - Continued

Ford; 3330 Tractor; L3-158; 75-68
 Ford; 4000 Tractor; L3-201; 75-65
 Ford; 4000 Tractor; L3-201 Dsl; 75-65
 Ford; 4100 Tractor; L3-183; 81-76
 Ford; 4100 Tractor; L3-183 Dsl; 81-76
 Ford; 4400 Tractor; L3-192; 74-68
 Ford; 5000 Tractor; L4-233; 67-62
 Ford; 5000 Tractor; L4-233 Dsl; 67-62
 Ford; 5000 Tractor; L4-256; 75-68
 Ford; 5000 Tractor; L4-256 Dsl; 75-68
 Ford; 5100 Tractor; L4-256; 76-65
 Ford; 6600 Tractor; L4-256; 81-75
 Ford; 6600 Tractor; L4-256 Dsl; 81-75
 Ford; 7000 Tractor; L4-256 Dsl; 75-71
 Ford; 7100 Tractor; L4-256 Dsl; 75-73
 Ford; 7200 Tractor; L4-256 Dsl; 75-73
 Ford; 7400 FC1 Tractor; L4-256 Dsl; 76-75
 Ford; 7700 Tractor; L4-255 Dsl; 83-76
 Ford; 7700 Tractor; L4-268 Dsl; 83-76
 Ford-New Holland; 3230 Tractor; L3-192 Dsl; 94-90
 Ford-New Holland; 5610 Tractor; L4-256 Dsl; 93-82
 Ford-New Holland; 6530 Tractor; Fiat L4-238 Dsl; 97-92
 Ford-New Holland; 6610 Tractor; L4-268 Dsl; 93-81

43043

Ford; F Series Pickup; V6-3.8; 83-82
 Ford; Granada; V6-3.8; 1982
 Ford; Ltd; V6-3.8; 86-83
 Ford; Mustang; V6-3.8; 86-83
 Ford; Thunderbird; V6-3.8; 87-82
 Linc; Continental; V6-3.8; 1982
 Merc; Capri; V6-3.8; 86-83
 Merc; Cougar; V6-3.8; 87-82
 Merc; Marquis; V6-3.8; 86-83

43044

Ford; Bronco; V8-5.0; 83-80
 Ford; Bronco; V8-5.8; 83-80
 Ford; Bronco Full Size; V8-5.0; 86-84
 Ford; Bronco Full Size; V8-5.8; 87-84
 Ford; E Series Van; V8-5.0; 86-80
 Ford; E Series Van; V8-5.8; 87-80
 Ford; F Series Pickup; V8-4.2; 82-81
 Ford; F Series Pickup; V8-5.0; 86-80
 Ford; F Series Pickup; V8-5.8; 87-80
 Ford; Fairmont; V8-4.2; 82-80
 Ford; Granada; V8-4.2; 81-80
 Ford; Granada; V8-5.0; 1980
 Linc; Versailles; V8-5.0; 1980
 Merc; Monarch; V8-4.2; 1980
 Merc; Monarch; V8-5.0; 1980
 Merc; Zephyr; V8-4.2; 82-80

43044P

Ford; Bronco; V8-5.0; 83-80
 Ford; Bronco; V8-5.8; 83-80
 Ford; Bronco Full Size; V8-5.0; 86-84
 Ford; Bronco Full Size; V8-5.8; 87-84
 Ford; E Series Van; V8-5.0; 86-80
 Ford; E Series Van; V8-5.8; 87-80
 Ford; F Series Pickup; V8-4.2; 82-81
 Ford; F Series Pickup; V8-5.0; 86-80
 Ford; F Series Pickup; V8-5.8; 87-80
 Ford; Fairmont; V8-4.2; 82-80
 Ford; Granada; V8-4.2; 81-80
 Ford; Granada; V8-5.0; 1980
 Linc; Versailles; V8-5.0; 1980
 Merc; Monarch; V8-4.2; 1980
 Merc; Monarch; V8-5.0; 1980
 Merc; Zephyr; V8-4.2; 82-80

43046

Ford; Aerostar; V6-2.8; 1986
 Ford; Bronco Compact; V6-2.8; 85-84
 Ford; Ranger; V6-2.8; 85-83

43047

Ford; Bronco; L6-4.9; 1983
 Ford; Bronco Full Size; L6-4.9; 86-84
 Ford; E Series Van; L6-4.9; 86-83
 Ford; F Series Pickup; L6-4.9; 86-83

43049

Ford; Bronco; V8-289; 68-66
 Ford; Bronco; V8-302; 77-69
 Ford; E Series Van; V8-302; 75-68
 Ford; Fairlane; V8-289; 68-65
 Ford; Fairlane; V8-302; 69-68
 Ford; Fairlane; V8-351; 1969
 Ford; Falcon; V8-289; 68-65
 Ford; Falcon; V8-302; 70-68
 Ford; Falcon Ranchero; V8-289; 1965
 Ford; Galaxie; V8-302; 69-68
 Ford; Galaxie; V8-351; 1969
 Ford; Ltd; V8-302; 69-68
 Ford; Ltd; V8-351; 1969
 Ford; Mustang; V8-289; 68-65
 Ford; Mustang; V8-302; 69-68
 Ford; Mustang; V8-351; 1969
 Ford; Ranchero; V8-289; 68-66
 Ford; Ranchero; V8-302; 1969
 Ford; Ranchero; V8-351; 1969
 Ford; Torino; V8-289; 1968
 Ford; Torino; V8-302; 69-68
 Ford; Torino; V8-351; 1969
 Merc; Comet; V8-289; 67-65
 Merc; Comet; V8-302; 69-68
 Merc; Comet; V8-351; 1969
 Merc; Cougar; V8-289; 1967
 Merc; Cougar; V8-302; 69-68
 Merc; Cyclone; V8-302; 1969
 Merc; Cyclone; V8-351; 1969
 Merc; Montego; V8-302; 69-68
 Merc; Montego; V8-351; 1969

43050

Ford; Country Squire; V8-5.0; 88-87
 Ford; Ltd; V8-4.2; 82-81
 Ford; Ltd; V8-5.0; 86-80
 Ford; Ltd; V8-5.8; 86-83
 Ford; Ltd; V8-5.8; 81-80
 Ford; Ltd; V8-5.8 Canada; 1982
 Ford; Ltd Crown Victoria; V8-5.0; 88-87
 Ford; Ltd Crown Victoria; V8-5.8; 91-87
 Ford; Thunderbird; V8-5.0; 1985
 Linc; Mark VII; V8-5.0; 1984
 Linc; Town Car; V8-5.0; 88-85
 Merc; Colony Park; V8-5.0; 88-87
 Merc; Cougar; V8-5.0; 1985
 Merc; Grand Marquis; V8-4.2; 82-81
 Merc; Grand Marquis; V8-5.0; 88-86
 Merc; Grand Marquis; V8-5.0; 84-80
 Merc; Grand Marquis; V8-5.8; 81-80
 Merc; Grand Marquis; V8-5.8 Canada; 89-85
 Merc; Marquis; V8-4.2; 82-81
 Merc; Marquis; V8-5.0; 82-80
 Merc; Marquis; V8-5.8; 81-80
 Merc; Marquis; V8-5.8 Canada; 1982

43051

Ford; Taurus; V6-3.0; 94-86
 Merc; Sable; V6-3.0; 94-86

43052

Ford; Aerostar; V6-3.0; 94-86
 Ford; Ranger; V6-3.0; 94-91
 Mazda; B3000 Pickup; V6-3.0; 1994

43053

Ford; Mustang; V8-5.0; 85-84
 Merc; Capri; V8-5.0; 85-84

43054

Ford; Bronco Compact; V6-2.9; 90-86
 Ford; Ranger; V6-2.9; 92-86

43055

Ford; Taurus; V6-3.8; 93-88
 Linc; Continental; V6-3.8; 93-88

Numerical Listing

Use as a guide only. Refer to Pages 1 to 142 for specific applications.

43055 - Continued

Merc; Sable; V6-3.8; 93-88

43056

Ford; Thunderbird; V6-3.8; 93-88
Merc; Cougar; V6-3.8; 93-88

43057

Ford; Bronco; V8-5.0; 96-91
Ford; Bronco; V8-5.8; 96-91
Ford; Bronco Full Size; V8-5.0; 90-87
Ford; Bronco Full Size; V8-5.8; 90-88
Ford; E Series Van; V8-5.0; 96-87
Ford; E Series Van; V8-5.8; 96-88
Ford; F Series Pickup; V8-5.0; 96-87
Ford; F Series Pickup; V8-5.8; 97-88
Ford; E350 Trk; V8-5.8; 1989

43058

Ford; Country Squire; V8-5.0; 91-88
Ford; Ltd; V8-4.2; 82-81
Ford; Ltd; V8-302; 1979
Ford; Ltd; V8-5.0; 85-80
Ford; Ltd; V8-5.8; 85-83
Ford; Ltd; V8-5.8; 81-80
Ford; Ltd; V8-5.8 Canada; 1982
Ford; Ltd II; V8-302; 1979
Ford; Ltd Crown Victoria; V8-5.0; 91-88
Ford; Thunderbird; V8-4.2; 82-80
Ford; Thunderbird; V8-5.0; 84-83
Ford; Thunderbird; V8-5.0; 81-80
Linc; Continental; V8-5.0; 84-82
Linc; Continental; V8-5.0; 1980
Linc; Continental; V8-5.8; 1980
Linc; Mark VI; V8-5.0; 83-80
Linc; Mark VI; V8-5.8; 1980
Linc; Mark VII; V8-5.0; 1984
Linc; Town Car; V8-5.0; 90-88
Linc; Town Car; V8-5.0; 84-81
Merc; Colony Park; V8-5.0; 91-88
Merc; Cougar; V8-4.2; 82-80
Merc; Cougar; V8-5.0; 84-83
Merc; Cougar; V8-5.0; 81-80
Merc; Grand Marquis; V8-4.2; 82-81
Merc; Grand Marquis; V8-5.0; 91-88
Merc; Grand Marquis; V8-5.0; 85-80
Merc; Grand Marquis; V8-5.8; 81-80
Merc; Marquis; V8-4.2; 82-81
Merc; Marquis; V8-5.0; 82-80
Merc; Marquis; V8-5.8; 81-80
Merc; Marquis; V8-5.8 Canada; 1982

43059

Autocar; Constructork 2 Series Trk; CatDsl-3208; 80-79
Chev; Bruin Trk; CatDsl-3208; 80-78
Chev; C60 Trk; CatDsl-3208; 85-79
Chev; C70 Trk; CatDsl-3208; 90-79
Chev; H70 Trk; CatDsl-3208; 78-76
Chev; J70 Trk; CatDsl-3208; 78-76
Ford; C6000 Trk; CatDsl-3208; 79-78
Ford; C7000 Trk; CatDsl-3208; 86-75
Ford; C8000 Trk; CatDsl-3208; 90-75
Ford; CT8000 Trk; CatDsl-3208; 90-75
Ford; F7000 Trk; CatDsl-3208; 87-83
Ford; F7000 Trk; CatDsl-3208; 80-75
Ford; F8000 Trk; CatDsl-3208; 87-83
Ford; F8000 Trk; CatDsl-3208; 79-78
Ford; FT8000 Trk; CatDsl-3208; 87-83
Ford; L8000 Trk; CatDsl-3208; 88-71
Ford; LN6000 Trk; CatDsl-3208; 1975
Ford; LN7000 Trk; CatDsl-3208; 87-75
Ford; LN8000 Trk; CatDsl-3208; 89-71
Ford; LNT8000 Trk; CatDsl-3208; 89-71
Ford; LS8000 Trk; CatDsl-3208; 89-84
Ford; LT8000 Trk; CatDsl-3208; 88-71
Ford; LTS8000 Trk; CatDsl-3208; 89-71
GMC; Brigadier Trk; CatDsl-3208; 88-78
GMC; C6000 Trk; CatDsl-3208; 84-79
GMC; C7000 Trk; CatDsl-3208; 90-79
GMC; H7500 Trk; CatDsl-3208; 1978
GMC; HY7500 Trk; CatDsl-3208; 77-76

43059 - Continued

GMC; J7500 Trk; CatDsl-3208; 1978
GMC; JY7500 Trk; CatDsl-3208; 77-76
Int/Nav; CO1750B Trk; CatDsl-3208; 82-81
Int/Nav; CO1850B Trk; CatDsl-3208; 83-76
Int/Nav; CO1950B Trk; CatDsl-3208; 82-76
Int/Nav; COF1950B Trk; CatDsl-3208; 82-76
Int/Nav; F1850 Trk; CatDsl-3208; 78-75
Int/Nav; F1954 Trk; CatDsl-3208; 82-78
Int/Nav; F2050A Trk; CatDsl-3208; 75-74
Int/Nav; F2554 Trk; CatDsl-3208; 82-79
Int/Nav; F2654 Trk; CatDsl-3208; 82-79
Int/Nav; F5050 Trk; CatDsl-3208; 82-74
Int/Nav; 1650 Trk; CatDsl-3208; 78-75
Int/Nav; 1750 Trk; CatDsl-3208; 78-75
Int/Nav; 1754 Trk; CatDsl-3208; 82-80
Int/Nav; 1850 Trk; CatDsl-3208; 78-75
Int/Nav; 1854 Trk; CatDsl-3208; 82-78
Int/Nav; 1954 Trk; CatDsl-3208; 82-78
Int/Nav; 1955 Trk; CatDsl-3208; 82-78
Int/Nav; 2050A Trk; CatDsl-3208; 75-74
Int/Nav; 2155 Trk; CatDsl-3208; 82-78
Int/Nav; 2554 Trk; CatDsl-3208; 82-79
Int/Nav; 5050 Trk; CatDsl-3208; 82-80
Int/Nav; 5050 Trk; CatDsl-3208; 75-74
Int/Nav; 9600 Trk; CatDsl-3208; 1990
Int/Nav; 9700 Trk; CatDsl-3208; 1990
Mack; MB Series Trk; CatDsl-3208; 78-75
Mack; MC Series Trk; CatDsl-3208; 82-79
Mack; MR Series Trk; CatDsl-3208; 82-79
Mack; R Series Trk; CatDsl-3208; 75-74
Mack; WS Series Trk; CatDsl-3208; 1980
P'bilt; 200 Trk; CatDsl-3208; 1977
P'bilt; 300 Trk; CatDsl-3208; 1977
P'bilt; 310 Trk; CatDsl-3208; 85-84
Volvo; Xpedito Trk; CatDsl-3208; 1990
White; Road Boss Trk; CatDsl-3208; 77-76
White; Road Xpedito 2 Trk; CatDsl-3208; 83-77
White; WX Trk; CatDsl-3208; 89-81
White; WXD Trk; CatDsl-3208; 89-85
White; WXD Trk; CatDsl-3208; 83-81
WhiteGMC; Xpedito Trk; CatDsl-3208; 91-90
Bluebird; All American SchBus; CatDsl-3208; 89-48
Bluebird; TC2000 SchBus; CatDsl-3208; 1999
Bluebird; TC2000 SchBus; CatDsl-3208; 1992
Chance; RT50 Bus; CatDsl-3208; 85-78
Chance; RT52 Bus; CatDsl-3208; 2000-86
Chance; VS24 Bus; CatDsl-3208; 89-83
Ford; B7000 SchBus; CatDsl-3208; 87-83
Ford; B7000 SchBus; CatDsl-3208; 79-75
Int/Nav; 1853 SchBus; CatDsl-3208; 82-78
Thomas; Saf-T-Liner MVP ER SchBus; CatDsl-3208; 2002-99
Thomas; Saf-T-Liner MVP ER SchBus; CatDsl-3208; 1990
Thomas; Saf-T-Liner MVP ER SchBus; CatDsl-3208; 1988
Thomas; 22123 SchBus; CatDsl-3208; 1986
Cat; V100 Forklift; CatDsl-3208
Cat; V120 Forklift; CatDsl-3208
Cat; V140 Forklift; CatDsl-3208
Cat; V160 Forklift; CatDsl-3208
Cat; V160B Forklift; CatDsl-3208
Cat; V160E Forklift; CatDsl-3208
Cat; V180 Forklift; CatDsl-3208
Cat; V180B Forklift; CatDsl-3208
Cat; V180E Forklift; CatDsl-3208
Cat; V200 Forklift; CatDsl-3208
Cat; V200B Forklift; CatDsl-3208
Cat; V200ES Forklift; CatDsl-3208
Cat; V225B Forklift; CatDsl-3208
Cat; V250B Forklift; CatDsl-3208
Cat; V300 Forklift; CatDsl-3208
Cat; V300B Forklift; CatDsl-3208
Cat; V330B Forklift; CatDsl-3208
Cat; 225 (51U) Excavator; CatDsl-3208
Cat; 613 Scrapper; CatDsl-3208
Cat; 613A (71M) Scrapper; CatDsl-3208

43059 - Continued

Cat; 613B (38W) Scrapper; CatDsl-3208
Cat; 613C Scrapper; CatDsl-3208
Cat; 613C (92X) Scrapper; CatDsl-3208
Cat; 3208 Marine Eng; CatDsl-3208
Cat; 3208TA Marine Eng; CatDsl-3208
Dynapac; CA25PD Compactor; CatDsl-3208
Field Queen; FQ Harvester; CatDsl-3208; 75-73
Field Queen; FQS Harvester; CatDsl-3208; 75-73
Field Queen; 1412 Harvester; CatDsl-3208; 75-73
Grove; RT630 Crane; CatDsl-3208
Grove; RT745 Crane; CatDsl-3208
Hyster; C852A Compactor; CatDsl-3208
Hyster; C852B Compactor; CatDsl-3208
Koehring; 428 Crane; CatDsl-3208
NewHoll; TR75 Combine; CatDsl-3208; 85-80
NewHoll; TR85 Combine; CatDsl-3208; 85-80
NewHoll; TR95 Combine; CatDsl-3208; 85-79
NewHoll; 1880 Harvester; CatDsl-3208; 75-68
NewHoll; 1890 Harvester; CatDsl-3208; 78-76
Oliver; 2255 Tractor; CatDsl-3208; 76-72
Ottawa; YT50 Yard Tractor; CatDsl-3208
Steiger; Bearcat I Tractor; CatDsl-3208; 74-70
Steiger; Bearcat II Tractor; CatDsl-3208; 75-74
Steiger; Wildcat III RC210 Tractor; CatDsl-3208; 77-76
Steiger; Wildcat III ST210 Tractor; CatDsl-3208; 80-76
White; 2-180 Tractor; CatDsl-3208; 82-77
White; 4-150 Tractor; CatDsl-3208; 78-74
White; 4-180 Tractor; CatDsl-3208; 78-75
White; 4-210 Tractor; CatDsl-3208; 82-78
White; 4-225 Tractor; CatDsl-3208; 87-83

43060

Ford; Aerostar; V6-4.0; 97-90
Ford; Explorer; V6-4.0; 2000-91
Ford; Ranger; V6-4.0; 2000-90
Mazda; B4000 Pickup; V6-4.0; 2000-94
Mazda; Navajo; V6-4.0; 94-91

43061

Ford; Taurus; V6-3.8; 95-94
Ford; Windstar; V6-3.8; 1995
Linc; Continental; V6-3.8; 1994
Merc; Sable; V6-3.8; 95-94

43062

Ford; Mustang; V6-3.8; 95-94
Ford; Thunderbird; V6-3.8; 95-94
Merc; Cougar; V6-3.8; 95-94

43063

Ford; Taurus; V6-3.0; 2007-95
Ford; Windstar; V6-3.0; 2000-95
Merc; Sable; V6-3.0; 2005-95

43064

Ford; Aerostar; V6-3.0; 97-95
Ford; Ranger; V6-3.0; 2007-95
Mazda; B3000 Pickup; V6-3.0; 2007-06
Mazda; B3000 Pickup; V6-3.0; 2002-98
Mazda; B3000 Pickup; V6-3.0; 96-95
Mazda; B3000 Pickup; V6-3.0 Canada; 1997

43065

Ford; Mustang; V8-5.0; 95-94

43066

Ford; Thunderbird; V8-5.0; 93-91
Merc; Cougar; V8-5.0; 93-91

43067

Ford; Mustang; V6-3.8; 2004-96
Ford; Mustang; V6-3.9; 2004
Ford; Thunderbird; V6-3.8; 97-96

Numerical Listing

Use as a guide only. Refer to Pages 1 to 142 for specific applications.

<p>43067 - Continued</p> <p>Merc; Cougar; V6-3.8; 97-96</p> <p>43068</p> <p>Ford; Explorer; V8-5.0; 2001-96 Merc; Mountaineer; V8-5.0; 2001-97</p> <p>43069</p> <p>Ford; Freestar; V6-3.9; 2006-04 Ford; Freestar; V6-4.2; 2007-05 Ford; Windstar; V6-3.8; 2003-96 Merc; Monterey Van; V6-4.2; 2007-05</p> <p>43070</p> <p>Ford; E Series Van; V6-4.2; 2003-97 Ford; F Series Pickup; V6-4.2; 2007-97</p> <p>43072</p> <p>Ford; Fairlane; V8-221; 63-62 Ford; Fairlane; V8-260; 64-63 Ford; Fairlane; V8-289; 66-63 Ford; Falcon; V8-260; 64-63 Ford; Falcon; V8-289; 68-65 Ford; Falcon Ranchero; V8-260; 64-63 Ford; Falcon Ranchero; V8-289; 1965 Ford; Mustang; V8-289; 68-65 Ford; Ranchero; V8-289; 1966 Merc; Comet; V8-260; 64-63 Merc; Comet; V8-289; 67-64 Merc; Meteor; V8-221; 1963 Merc; Meteor; V8-260; 1962</p> <p>43073</p> <p>Ford; 2000 Tractor; L3-158; 70-65 Ford; 2000 Tractor; L3-158 Dsl; 70-65 Ford; 3000 Tractor; L3-158; 70-65 Ford; 3000 Tractor; L3-175 Dsl; 70-65</p> <p>43075</p> <p>Ford; L800 Trk; V8-389; 71-70 Ford; L800 Trk; V8-391; 71-70 Ford; LN600 Trk; V8-389; 71-70 Ford; LN600 Trk; V8-391; 71-70 Ford; LN700 Trk; V8-389; 71-70 Ford; LN700 Trk; V8-391; 71-70 Ford; LN750 Trk; V8-389; 71-70 Ford; LN750 Trk; V8-391; 71-70 Ford; LN800 Trk; V8-389; 71-70 Ford; LN800 Trk; V8-391; 71-70 Ford; LNT800 Trk; V8-389; 71-70 Ford; LNT800 Trk; V8-391; 71-70 Ford; LT800 Trk; V8-389; 71-70 Ford; LT800 Trk; V8-391; 71-70 Ford; LTS800 Trk; V8-389; 71-70 Ford; LTS800 Trk; V8-391; 71-70</p> <p>43076</p> <p>Ford; Mustang II; V8-302; 76-75</p> <p>43077</p> <p>Ford; E Series Van; V8-302; 75-74</p> <p>43078</p> <p>Ford; Bronco; V8-302; 1974</p> <p>43081</p> <p>Merkur; Scorpio; V6-2.9; 89-88</p> <p>43082</p> <p>Ford; Thunderbird; V6-3.8; 95-90 Merc; Cougar; V6-3.8; 1990</p> <p>43083</p> <p>Commander; 260 Marine Eng; Commander V8-302 Commander; 260 Marine Eng; Commander V8-351 Commander; 300 Marine Eng; Commander V8-302 Commander; 300 Marine Eng; Commander V8-351 Commander; 302 Marine Eng; Commander V8-351</p>	<p>43083 - Continued</p> <p>Commander; 351 Marine Eng; Commander V8-351 Mercruiser; 225 Marine Eng; V8-302 Mercruiser; 225S Marine Eng; V8-302 Mercruiser; 255 Marine Eng; V8-302 Mercruiser; 888 Series Marine Eng; V8-302 PCM; Sea Maxx 5.8 HO EFI Marine Eng; PCM V8-351 PCM; 302 Marine Eng; PCM V8-302</p> <p>43084</p> <p>Ford; F600 Trk; L6-6.6 Dsl; 90-87 Ford; F700 Trk; L6-6.6 Dsl; 90-87 Ford; F700 Trk; L6-7.8 Dsl; 90-87 Ford; F800 Trk; L6-6.6 Dsl; 90-87 Ford; F800 Trk; L6-7.8 Dsl; 90-87 Ford; FT900 Trk; L6-7.8 Dsl; 90-87</p> <p>43086</p> <p>Replaces OEM: F6JE 8501BA (Ford)</p> <p>43087</p> <p>Ford; Taurus; V6-3.0; 95-89</p> <p>43089</p> <p>Ford; Taurus; V6-3.2; 95-93</p> <p>43090</p> <p>Jaguar; S-Type; V6-3.0; 2000 Linc; LS; V6-3.0; 2002-00</p> <p>43091</p> <p>Chev; Chevette; L4-85; 77-76 Chev; Chevette; L4-1.6; 87-80 Chev; Chevette; L4-98; 79-76 Pont; T1000; L4-1.6; 82-81 Pont; 1000; L4-1.6; 87-83</p> <p>43092</p> <p>Buick; Century; V6-2.8; 1986 Buick; Century; V6-2.8 Canada; 85-82 Buick; Skylark; V6-2.8; 85-80 Chev; Camaro; V6-2.8; 86-85 Chev; Celebrity; V6-2.8; 86-82 Chev; Citation; V6-2.8; 85-80 Olds; Cutlass Ciera; V6-2.8; 1986 Olds; Cutlass Ciera; V6-2.8 Canada; 85-82 Olds; Omega; V6-2.8; 84-80 Pont; Fiero; V6-2.8; 88-85 Pont; Firebird; V6-2.8; 86-85 Pont; Phoenix; V6-2.8; 84-80 Pont; 6000; V6-2.8; 86-82</p> <p>43093</p> <p>Chev; Deluxe; L6-217; 52-49 Chev; Deluxe; L6-235; 52-50 Chev; Fleetline; L6-217; 48-46 Chev; Fleetline; L6-217; 42-41 Chev; Fleetmaster; L6-217; 48-46 Chev; Fleetmaster; L6-217; 1942 Chev; Master Deluxe; L6-217; 42-41 Chev; Special; L6-217; 52-49 Chev; Special Deluxe; L6-217; 1941 Chev; Stylemaster; L6-217; 48-46</p> <p>43094</p> <p>Buick; Apollo; V8-350; 75-73 Buick; Centurion; V8-350; 1973 Buick; Century; V6-196; 79-78 Buick; Century; V6-3.8; 81-80 Buick; Century; V6-231; 79-75 Buick; Century; V8-350; 77-73 Buick; Electra; V6-4.1; 84-80 Buick; Electra; V8-5.7; 1980 Buick; Electra; V8-5.7 Canada; 1981 Buick; Electra; V8-350; 79-77 Buick; Estate Wagon; V8-350; 79-77 Buick; Estate Wagon; V8-350; 1973 Buick; Lesabre; V6-3.8; 85-80 Buick; Lesabre; V6-231; 79-76 Buick; Lesabre; V6-4.1; 84-80 Buick; Lesabre; V8-5.7; 1980 Buick; Lesabre; V8-350; 79-73</p>	<p>43094 - Continued</p> <p>Buick; Regal; V6-196; 79-78 Buick; Regal; V6-3.8; 87-80 Buick; Regal; V6-231; 79-75 Buick; Regal; V6-4.1; 84-82 Buick; Regal; V8-350; 77-73 Buick; Riviera; V6-3.8; 85-80 Buick; Riviera; V6-231; 1979 Buick; Riviera; V6-4.1; 84-81 Buick; Riviera; V8-350; 1978 Buick; Skyhawk; V6-3.8; 1980 Buick; Skyhawk; V6-231; 79-75 Buick; Skylark; V6-231; 79-75 Buick; Skylark; V8-350; 76-75 Cad; Deville; V6-4.1; 82-80 Cad; Eldorado; V6-4.1; 82-81 Cad; Fleetwood; V6-4.1; 82-80 Cad; Seville; V6-4.1; 82-81 Chev; Bel Air; V6-3.8 Canada; 81-80 Chev; Camaro; V6-3.8; 81-80 Chev; Caprice; V6-3.8; 84-80 Chev; Caprice; V6-3.8 Canada; 1985 Chev; El Camino; V6-3.8; 84-80 Chev; El Camino; V6-231; 79-78 Chev; Impala; V6-3.8; 84-80 Chev; Impala; V6-3.8 Canada; 1985 Chev; Malibu; V6-3.8; 83-80 Chev; Malibu; V6-231; 79-78 Chev; Monte Carlo; V6-3.8; 84-81 Chev; Monte Carlo; V6-3.8; 81-80 Chev; Monte Carlo; V6-3.8; 1980 Chev; Monte Carlo; V6-3.8 Canada; 87-85 Chev; Monte Carlo; V6-231; 79-78 Chev; Monza; V6-196; 79-78 Chev; Monza; V6-3.8; 1980 Chev; Monza; V6-231; 79-78 GMC; Caballero; V6-3.8; 84-80 GMC; Caballero; V6-231; 79-78 Olds; Cutlass; V6-3.8; 87-80 Olds; Cutlass; V6-231; 79-77 Olds; Cutlass Cruiser; V6-3.8; 81-80 Olds; Cutlass Cruiser; V6-231; 79-78 Olds; Delta 88; V6-3.8; 85-80 Olds; Delta 88; V6-231; 79-77 Olds; Ninety Eight; V6-4.1; 83-81 Olds; Omega; V6-231; 79-77 Olds; Omega; V8-350; 76-75 Olds; Starfire; V6-3.8; 1980 Olds; Starfire; V6-231; 79-75 Olds; Toronado; V6-4.1; 84-81 Pont; Bonneville; V6-3.8; 86-80 Pont; Bonneville; V6-4.1; 1982 Pont; Bonneville; V8-5.7; 1980 Pont; Bonneville; V8-350; 79-78 Pont; Bonneville; V8-403; 79-78 Pont; Catalina; V6-3.8; 81-80 Pont; Catalina; V6-231; 79-77 Pont; Catalina; V8-5.7; 1980 Pont; Catalina; V8-350; 79-78 Pont; Catalina; V8-403; 79-78 Pont; Firebird; V6-3.8; 1989 Pont; Firebird; V6-3.8; 81-80 Pont; Firebird; V6-231; 79-77 Pont; Grand Am; V6-231; 1979 Pont; Grand Lemans; V6-3.8; 81-80 Pont; Grand Lemans; V6-231; 79-77 Pont; Grand Prix; V6-3.8; 87-80 Pont; Grand Prix; V6-231; 79-78 Pont; Grand Prix; V6-4.1; 1982 Pont; Grand Safari; V8-350; 1978 Pont; Grand Safari; V8-403; 1978 Pont; Lemans; V6-3.8; 81-80 Pont; Lemans; V6-231; 79-77 Pont; Parisienne; V6-3.8; 1984 Pont; Parisienne; V6-3.8 Canada; 1985 Pont; Phoenix; V6-231; 79-77 Pont; Sunbird; V6-3.8; 1980 Pont; Sunbird; V6-231; 79-76 Pont; Ventura; V6-231; 1977 Pont; Ventura; V8-350; 76-75</p>
---	---	--

Numerical Listing

Use as a guide only. Refer to Pages 1 to 142 for specific applications.

43095	43099 - Continued	43099 - Continued
Chev; Blazer Compact; V6-2.8; 86-83 Chev; Camaro; V6-2.8; 84-82 Chev; S Series Pickup; V6-2.8; 86-82 GMC; Jimmy Compact; V6-2.8; 86-83 GMC; S Series Pickup; V6-2.8; 86-82 Jeep; Cherokee; V6-2.8; 86-84 Jeep; Comanche; V6-2.8; 1986 Jeep; Wagoneer; V6-2.8; 86-84 Pont; Firebird; V6-2.8; 84-82	Chev; Caprice; V8-4.4; 82-80 Chev; Caprice; V8-5.0; 88-80 Chev; Caprice; V8-305; 79-77 Chev; Caprice; V8-5.7; 88-86 Chev; Caprice; V8-5.7; 1982 Chev; Caprice; V8-5.7; 1980 Chev; Caprice; V8-350; 79-77 Chev; El Camino; V6-200; 79-78 Chev; El Camino; V6-3.8; 84-80 Chev; El Camino; V6-4.3; 87-85 Chev; El Camino; V8-4.4; 82-80 Chev; El Camino; V8-267; 1979 Chev; El Camino; V8-5.0; 87-80 Chev; El Camino; V8-305; 79-77 Chev; El Camino; V8-350; 79-77 Chev; G Series Van; V6-4.3; 86-85 Chev; G Series Van; V8-5.0; 86-80 Chev; G Series Van; V8-305; 79-77 Chev; G Series Van; V8-307; 1972 Chev; G Series Van; V8-5.7; 86-80 Chev; G Series Van; V8-350; 79-77 Chev; G Series Van; V8-350; 1972 Chev; G Series Van; V8-6.6; 1980 Chev; G Series Van; V8-400; 79-77 Chev; Impala; V6-3.8; 84-80 Chev; Impala; V6-4.3; 1985 Chev; Impala; V8-4.4; 82-80 Chev; Impala; V8-5.0; 85-80 Chev; Impala; V8-305; 79-77 Chev; Impala; V8-5.7; 85-80 Chev; Impala; V8-350; 79-77 Chev; Malibu; V6-200; 79-78 Chev; Malibu; V6-3.8; 83-80 Chev; Malibu; V8-4.4; 82-80 Chev; Malibu; V8-267; 1979 Chev; Malibu; V8-5.0; 83-80 Chev; Malibu; V8-305; 79-77 Chev; Malibu; V8-5.7; 81-80 Chev; Malibu; V8-350; 79-77 Chev; Monte Carlo; V6-200; 79-78 Chev; Monte Carlo; V6-3.8; 84-80 Chev; Monte Carlo; V6-4.3; 88-85 Chev; Monte Carlo; V8-4.4; 82-80 Chev; Monte Carlo; V8-267; 1979 Chev; Monte Carlo; V8-5.0; 88-80 Chev; Monte Carlo; V8-305; 79-77 Chev; Monte Carlo; V8-350; 1977 Chev; Nova; V8-305; 79-77 Chev; Nova; V8-350; 79-77 Chev; P Series Van; V6-4.3; 95-90 Chev; P Series Van; V8-5.7; 95-80 Chev; P Series Van; V8-350; 79-77 Chev; R & V Series Pickup; V6-4.3; 1987 Chev; R & V Series Pickup; V8-5.0; 1987 Chev; R & V Series Pickup; V8-5.7; 91-87 Chev; Suburban; V8-5.0; 87-80 Chev; Suburban; V8-305; 79-77 Chev; Suburban; V8-5.7; 88-80 Chev; Suburban; V8-350; 79-77 Chev; Suburban; V8-6.6; 1980 Chev; Suburban; V8-400; 79-77 GMC; C & K Series Pickup; V6-4.3; 86-85 GMC; C & K Series Pickup; V8-5.0; 86-80 GMC; C & K Series Pickup; V8-305; 79-77 GMC; C & K Series Pickup; V8-5.7; 86-80 GMC; C & K Series Pickup; V8-350; 79-77 GMC; C & K Series Pickup; V8-6.6; 1980 GMC; C & K Series Pickup; V8-6.6 Canada; 1981 GMC; C & K Series Pickup; V8-400; 79-77 GMC; Caballero; V6-200; 79-78 GMC; Caballero; V6-3.8; 84-80 GMC; Caballero; V6-4.3; 87-85 GMC; Caballero; V8-4.4; 82-80 GMC; Caballero; V8-267; 1979 GMC; Caballero; V8-5.0; 87-80 GMC; Caballero; V8-305; 79-78 GMC; Caballero; V8-350; 79-78 GMC; G Series Van; V6-4.3; 86-85 GMC; G Series Van; V8-5.0; 86-80 GMC; G Series Van; V8-305; 79-77	GMC; G Series Van; V8-307; 1972 GMC; G Series Van; V8-5.7; 86-80 GMC; G Series Van; V8-350; 79-77 GMC; G Series Van; V8-350; 1972 GMC; G Series Van; V8-6.6; 1980 GMC; G Series Van; V8-400; 79-77 GMC; Jimmy; V8-5.0; 82-80 GMC; Jimmy; V8-305; 79-77 GMC; Jimmy; V8-5.7; 82-80 GMC; Jimmy; V8-350; 79-77 GMC; Jimmy; V8-400; 79-77 GMC; Jimmy Full Size; V8-5.0; 87-83 GMC; Jimmy Full Size; V8-5.7; 88-83 GMC; P Series Van; V6-4.3; 95-90 GMC; P Series Van; V8-5.7; 95-80 GMC; P Series Van; V8-350; 79-77 GMC; R & V Series Pickup; V6-4.3; 1987 GMC; R & V Series Pickup; V8-5.0; 1987 GMC; R & V Series Pickup; V8-5.7; 91-87 GMC; Safari; V6-4.3; 86-85 GMC; Sprint; V8-305; 1977 GMC; Sprint; V8-350; 1977 GMC; Suburban; V8-5.0; 87-80 GMC; Suburban; V8-305; 79-77 GMC; Suburban; V8-5.7; 88-80 GMC; Suburban; V8-350; 79-77 GMC; Suburban; V8-6.6; 1980 GMC; Suburban; V8-400; 79-77 Olds; Custom Cruiser; V8-350; 1977 Olds; Cutlass; V8-4.4 Canada; 82-81 Olds; Cutlass; V8-5.0; 87-83 Olds; Cutlass; V8-5.0; 1980 Olds; Cutlass; V8-305; 79-78 Olds; Cutlass; V8-350; 1979 Olds; Cutlass Cruiser; V8-4.4 Canada; 1981 Olds; Cutlass Cruiser; V8-5.0; 81-80 Olds; Cutlass Cruiser; V8-305; 79-78 Olds; Cutlass Cruiser; V8-350; 79-78 Olds; Delta 88; V8-4.4 Canada; 82-81 Olds; Delta 88; V8-350; 1977 Olds; Omega; V8-305; 79-77 Olds; Omega; V8-350; 79-77 Pont; Bonneville; V6-4.3; 1986 Pont; Bonneville; V8-5.0; 86-83 Pont; Bonneville; V8-305; 1977 Pont; Catalina; V8-305; 1977 Pont; Firebird; V8-5.0; 87-80 Pont; Firebird; V8-305; 79-77 Pont; Firebird; V8-5.7; 1987 Pont; Firebird; V8-350; 79-78 Pont; Grand Am; V8-5.0; 1980 Pont; Grand Am; V8-305; 79-78 Pont; Grand Lemans; V6-3.8; 81-80 Pont; Grand Lemans; V8-5.0; 1980 Pont; Grand Lemans; V8-305; 79-77 Pont; Grand Lemans; V8-350; 79-78 Pont; Grand Prix; V6-4.3; 87-86 Pont; Grand Prix; V8-5.0; 87-83 Pont; Grand Prix; V8-5.0; 1980 Pont; Grand Prix; V8-305; 79-78 Pont; Grand Safari; V8-305; 1977 Pont; Lemans; V6-3.8; 81-80 Pont; Lemans; V8-5.0; 1980 Pont; Lemans; V8-305; 79-77 Pont; Lemans; V8-350; 79-78 Pont; Parisienne; V6-3.8; 1983 Pont; Parisienne; V6-4.3; 86-85 Pont; Parisienne; V8-5.0; 86-83 Pont; Phoenix; V8-305; 79-77 Pont; Phoenix; V8-350; 79-78 Pont; Ventura; V8-305; 1977 Chev; P30 Trk; GM V-6 4.3; 91-90 GMC; P4T042 Trk; V-6 4.3; 90-89 GMC; P3500 Trk; V-6 4.3; 91-90
43096		
Buick; Century; V6-4.3 Dsl; 85-82 Buick; Electra; V6-4.3 Dsl; 1985 Cad; Deville; V6-4.3 Dsl; 1985 Cad; Fleetwood; V6-4.3 Dsl; 1985 Chev; Celebrity; V6-4.3 Dsl; 85-82 Olds; Cutlass Ciera; V6-4.3 Dsl; 85-82 Olds; Ninety Eight; V6-4.3 Dsl; 1985 Pont; 6000; V6-4.3 Dsl; 85-82		
43097		
Buick; Century; V6-4.3 Dsl; 85-82 Buick; Electra; V6-4.3 Dsl; 1985 Cad; Deville; V6-4.3 Dsl; 1985 Cad; Fleetwood; V6-4.3 Dsl; 1985 Chev; Celebrity; V6-4.3 Dsl; 85-82 Olds; Cutlass Ciera; V6-4.3 Dsl; 85-82 Olds; Ninety Eight; V6-4.3 Dsl; 1985 Pont; 6000; V6-4.3 Dsl; 85-82		
43098		
Chev; Corvette; V8-5.7; 91-84		
43099		
Buick; Century; V8-4.4 Canada; 1981 Buick; Century; V8-5.0; 1980 Buick; Century; V8-5.0 Canada; 1981 Buick; Century; V8-305; 79-77 Buick; Century; V8-350; 79-78 Buick; Lesabre; V8-4.4 Canada; 82-81 Buick; Lesabre; V8-305; 1978 Buick; Regal; V8-4.4 Canada; 82-81 Buick; Regal; V8-5.0; 87-86 Buick; Regal; V8-5.0; 1980 Buick; Regal; V8-5.0 Canada; 85-82 Buick; Regal; V8-305; 79-77 Buick; Regal; V8-350; 1977 Buick; Skylark; V8-305; 79-77 Buick; Skylark; V8-350; 79-77 Checker; Marathon; V6-3.8; 82-80 Chev; Astro; V6-4.3; 86-85 Chev; Bel Air; V6-3.8 Canada; 1981 Chev; Bel Air; V8-4.4 Canada; 81-80 Chev; Bel Air; V8-5.0 Canada; 81-80 Chev; Bel Air; V8-305 Canada; 79-77 Chev; Bel Air; V8-350 Canada; 79-77 Chev; Blazer; V8-5.0; 82-80 Chev; Blazer; V8-305; 79-77 Chev; Blazer; V8-5.7; 82-80 Chev; Blazer; V8-350; 79-77 Chev; Blazer; V8-400; 79-77 Chev; Blazer Full Size; V8-5.0; 87-83 Chev; Blazer Full Size; V8-5.7; 88-83 Chev; C & K Series Pickup; V6-4.3; 86-85 Chev; C & K Series Pickup; V8-5.0; 86-80 Chev; C & K Series Pickup; V8-305; 79-77 Chev; C & K Series Pickup; V8-5.7; 86-80 Chev; C & K Series Pickup; V8-350; 79-77 Chev; C & K Series Pickup; V8-6.6; 1980 Chev; C & K Series Pickup; V8-6.6 Canada; 1981 Chev; C & K Series Pickup; V8-400; 79-77 Chev; Camaro; V6-3.8; 81-80 Chev; Camaro; V8-4.4; 81-80 Chev; Camaro; V8-5.0; 87-80 Chev; Camaro; V8-305; 79-77 Chev; Camaro; V8-5.7; 1987 Chev; Camaro; V8-5.7; 81-80 Chev; Camaro; V8-350; 79-77 Chev; Caprice; V6-3.8; 84-80 Chev; Caprice; V6-4.3; 88-85		
		43099P
		Buick; Century; V8-4.4 Canada; 1981 Buick; Century; V8-5.0; 1980 Buick; Century; V8-5.0 Canada; 1981 Buick; Century; V8-305; 79-77 Buick; Century; V8-350; 79-78

Numerical Listing

Use as a guide only. Refer to Pages 1 to 142 for specific applications.

43099P - Continued	43099P - Continued	43099P - Continued
<p>Buick; Lesabre; V8-4.4 Canada; 82-81 Buick; Lesabre; V8-305; 1978 Buick; Regal; V8-4.4 Canada; 82-81 Buick; Regal; V8-5.0; 87-86 Buick; Regal; V8-5.0; 1980 Buick; Regal; V8-5.0 Canada; 85-82 Buick; Regal; V8-305; 79-77 Buick; Regal; V8-350; 1977 Buick; Skylark; V8-305; 79-77 Buick; Skylark; V8-350; 79-77 Checker; Marathon; V6-3.8; 82-80 Chev; Astro; V6-4.3; 86-85 Chev; Bel Air; V6-3.8 Canada; 1981 Chev; Bel Air; V8-4.4 Canada; 81-80 Chev; Bel Air; V8-5.0 Canada; 81-80 Chev; Bel Air; V8-305 Canada; 79-77 Chev; Bel Air; V8-350 Canada; 79-77 Chev; Blazer; V8-5.0; 82-80 Chev; Blazer; V8-305; 79-77 Chev; Blazer; V8-5.7; 82-80 Chev; Blazer; V8-350; 79-77 Chev; Blazer; V8-400; 79-77 Chev; Blazer Full Size; V8-5.0; 87-83 Chev; Blazer Full Size; V8-5.7; 88-83 Chev; C & K Series Pickup; V6-4.3; 86-85 Chev; C & K Series Pickup; V8-5.0; 86-80 Chev; C & K Series Pickup; V8-305; 79-77 Chev; C & K Series Pickup; V8-5.7; 86-80 Chev; C & K Series Pickup; V8-350; 79-77 Chev; C & K Series Pickup; V8-6.6; 1980 Chev; C & K Series Pickup; V8-6.6 Canada; 1981</p>	<p>Chev; Monte Carlo; V6-200; 79-78 Chev; Monte Carlo; V6-3.8; 84-80 Chev; Monte Carlo; V6-4.3; 88-85 Chev; Monte Carlo; V8-4.4; 82-80 Chev; Monte Carlo; V8-267; 1979 Chev; Monte Carlo; V8-5.0; 88-80 Chev; Monte Carlo; V8-305; 79-77 Chev; Monte Carlo; V8-350; 1977 Chev; Nova; V8-350; 79-77 Chev; Nova; V8-350; 79-77 Chev; P Series Van; V6-4.3; 95-90 Chev; P Series Van; V8-5.7; 95-80 Chev; P Series Van; V8-350; 79-77 Chev; R & V Series Pickup; V6-4.3; 1987 Chev; R & V Series Pickup; V8-5.0; 1987 Chev; R & V Series Pickup; V8-5.7; 91-87 Chev; Suburban; V8-5.0; 87-80 Chev; Suburban; V8-305; 79-77 Chev; Suburban; V8-5.7; 88-80 Chev; Suburban; V8-350; 79-77 Chev; Suburban; V8-6.6; 1980 Chev; Suburban; V8-400; 79-77 GMC; C & K Series Pickup; V6-4.3; 86-85 GMC; C & K Series Pickup; V8-5.0; 86-80 GMC; C & K Series Pickup; V8-305; 79-77 GMC; C & K Series Pickup; V8-5.7; 86-80 GMC; C & K Series Pickup; V8-350; 79-77 GMC; C & K Series Pickup; V8-6.6; 1980 GMC; C & K Series Pickup; V8-6.6 Canada; 1981 GMC; C & K Series Pickup; V8-400; 79-77 GMC; Caballero; V6-200; 79-78 GMC; Caballero; V6-3.8; 84-80 GMC; Caballero; V6-4.3; 87-85 GMC; Caballero; V8-4.4; 82-80 GMC; Caballero; V8-267; 1979 GMC; Caballero; V8-5.0; 87-80 GMC; Caballero; V8-305; 79-78 GMC; Caballero; V8-350; 79-78 GMC; G Series Van; V6-4.3; 86-85 GMC; G Series Van; V8-5.0; 86-80 GMC; G Series Van; V8-305; 79-77 GMC; G Series Van; V8-307; 1972 GMC; G Series Van; V8-5.7; 86-80 GMC; G Series Van; V8-350; 79-77 GMC; G Series Van; V8-350; 1972 GMC; G Series Van; V8-6.6; 1980 GMC; G Series Van; V8-400; 79-77 GMC; Jimmy; V8-5.0; 82-80 GMC; Jimmy; V8-305; 79-77 GMC; Jimmy; V8-5.7; 82-80 GMC; Jimmy; V8-350; 79-77 GMC; Jimmy; V8-400; 79-77 GMC; Jimmy Full Size; V8-5.0; 87-83 GMC; Jimmy Full Size; V8-5.7; 88-83 GMC; P Series Van; V6-4.3; 95-90 GMC; P Series Van; V8-5.7; 95-80 GMC; P Series Van; V8-350; 79-77 GMC; R & V Series Pickup; V6-4.3; 1987 GMC; R & V Series Pickup; V8-5.0; 1987 GMC; R & V Series Pickup; V8-5.7; 91-87 GMC; Safari; V6-4.3; 86-85 GMC; Sprint; V8-305; 1977 GMC; Sprint; V8-350; 1977 GMC; Suburban; V8-5.0; 87-80 GMC; Suburban; V8-305; 79-77 GMC; Suburban; V8-5.7; 88-80 GMC; Suburban; V8-350; 79-77 GMC; Suburban; V8-6.6; 1980 GMC; Suburban; V8-400; 79-77</p>	<p>Olds; Delta 88; V8-350; 1977 Olds; Omega; V8-305; 79-77 Olds; Omega; V8-350; 79-77 Pont; Bonneville; V6-4.3; 1986 Pont; Bonneville; V8-5.0; 86-83 Pont; Bonneville; V8-305; 1977 Pont; Catalina; V8-305; 1977 Pont; Firebird; V8-5.0; 87-80 Pont; Firebird; V8-305; 79-77 Pont; Firebird; V8-5.7; 1987 Pont; Firebird; V8-350; 79-78 Pont; Grand Am; V8-5.0; 1980 Pont; Grand Am; V8-305; 79-78 Pont; Grand Lemans; V6-3.8; 81-80 Pont; Grand Lemans; V8-5.0; 1980 Pont; Grand Lemans; V8-305; 79-77 Pont; Grand Lemans; V8-350; 79-78 Pont; Grand Prix; V6-4.3; 87-86 Pont; Grand Prix; V8-5.0; 87-83 Pont; Grand Prix; V8-5.0; 1980 Pont; Grand Prix; V8-305; 79-78 Pont; Grand Safari; V8-305; 1977 Pont; Lemans; V6-3.8; 81-80 Pont; Lemans; V8-5.0; 1980 Pont; Lemans; V8-305; 79-77 Pont; Lemans; V8-350; 79-78 Pont; Parisienne; V6-3.8; 1983 Pont; Parisienne; V6-4.3; 86-85 Pont; Parisienne; V8-5.0; 86-83 Pont; Phoenix; V8-305; 79-77 Pont; Phoenix; V8-350; 79-78 Pont; Ventura; V8-305; 1977 Chev; P30 Trk; GM V-6 4.3; 91-90 GMC; P4T042 Trk; V-6 4.3; 90-89 GMC; P3500 Trk; V-6 4.3; 91-90</p>
		43100
		<p>Buick; Apollo; V8-260; 1975 Buick; Century; V8-5.7 Dsl; 1981 Buick; Century; V8-350; 1977 Buick; Century; V8-403; 1977 Buick; Electra; V8-5.0; 89-81 Buick; Electra; V8-5.7; 1980 Buick; Electra; V8-5.7 Dsl; 85-82 Buick; Electra; V8-5.7 Dsl; 82-80 Buick; Electra; V8-350; 79-77 Buick; Electra; V8-403; 79-77 Buick; Estate Wagon; V8-350; 79-77 Buick; Estate Wagon; V8-403; 79-77 Buick; Lesabre; V8-5.0; 90-81 Buick; Lesabre; V8-5.7; 1980 Buick; Lesabre; V8-5.7 Dsl; 85-82 Buick; Lesabre; V8-5.7 Dsl; 82-80 Buick; Lesabre; V8-350; 79-77 Buick; Lesabre; V8-403; 78-77 Buick; Regal; V8-5.0; 87-86 Buick; Regal; V8-5.7 Dsl; 1985 Buick; Regal; V8-5.7 Dsl; 83-82 Buick; Regal; V8-5.7 Dsl; 82-81 Buick; Regal; V8-350; 1977 Buick; Riviera; V8-5.0; 85-80 Buick; Riviera; V8-5.7; 1980 Buick; Riviera; V8-5.7 Dsl; 85-82 Buick; Riviera; V8-5.7 Dsl; 82-81 Buick; Riviera; V8-350; 79-77 Buick; Riviera; V8-403; 78-77 Buick; Skylark; V8-260; 76-75 Buick; Skylark; V8-350; 1977 Cad; Brougham; V8-5.0; 90-87 Cad; Deville; V8-5.7 Dsl; 84-80 Cad; Deville; V8-350 Dsl; 1979 Cad; Eldorado; V8-5.7; 1980 Cad; Eldorado; V8-5.7 Dsl; 85-80 Cad; Eldorado; V8-350; 1979 Cad; Eldorado; V8-350 Dsl; 1979 Cad; Fleetwood; V8-5.0; 1986 Cad; Fleetwood; V8-5.7 Dsl; 85-80 Cad; Fleetwood; V8-350 Dsl; 1979 Cad; Seville; V8-5.7; 1980 Cad; Seville; V8-5.7 Dsl; 85-80 Cad; Seville; V8-350; 79-76</p>

Numerical Listing

Use as a guide only. Refer to Pages 1 to 142 for specific applications.

43100 - Continued	43100 - Continued	43101 - Continued
<p>Cad; Seville; V8-350 Dsl; 79-78 Chev; Bel Air; V8-5.7 Dsl Canada; 81-80 Chev; C & K Series Pickup; V8-5.7 Dsl; 81-80 Chev; C & K Series Pickup; V8-350 Dsl; 79-78 Chev; Caprice; V8-5.0; 90-86 Chev; Caprice; V8-5.7 Dsl; 85-82 Chev; Caprice; V8-5.7 Dsl; 82-80 Chev; El Camino; V8-5.7 Dsl; 84-83 Chev; Impala; V8-5.7 Dsl; 85-82 Chev; Impala; V8-5.7 Dsl; 82-80 Chev; Malibu; V8-5.7 Dsl; 83-82 Chev; Malibu; V8-5.7 Dsl; 1982 Chev; Monte Carlo; V8-5.7 Dsl; 84-82 Chev; Monte Carlo; V8-5.7 Dsl; 1982 Chev; Suburban; V8-350 Dsl; 1978 GMC; C & K Series Pickup; V8-5.7 Dsl; 81-80 GMC; C & K Series Pickup; V8-350 Dsl; 79-78 GMC; Caballero; V8-5.7 Dsl; 84-83 Olds; Custom Cruiser; V8-5.0; 90-80 Olds; Custom Cruiser; V8-5.7; 1980 Olds; Custom Cruiser; V8-5.7 Dsl; 85-80 Olds; Custom Cruiser; V8-350; 79-77 Olds; Custom Cruiser; V8-350; 1973 Olds; Custom Cruiser; V8-350 Dsl; 79-78 Olds; Custom Cruiser; V8-403; 79-77 Olds; Custom Cruiser; V8-455; 76-71 Olds; Cutlass; V8-4.3; 82-80 Olds; Cutlass; V8-260; 79-75 Olds; Cutlass; V8-260 Dsl; 1979 Olds; Cutlass; V8-5.0; 87-82 Olds; Cutlass; V8-5.7; 1980 Olds; Cutlass; V8-5.7 Dsl; 85-82 Olds; Cutlass; V8-5.7 Dsl; 82-80 Olds; Cutlass; V8-350; 1979 Olds; Cutlass; V8-350; 77-73 Olds; Cutlass; V8-403; 1977 Olds; Cutlass; V8-455; 76-73 Olds; Cutlass Cruiser; V8-4.3; 81-80 Olds; Cutlass Cruiser; V8-260; 79-78 Olds; Cutlass Cruiser; V8-5.0; 1981 Olds; Cutlass Cruiser; V8-5.7 Dsl; 81-80 Olds; Cutlass Cruiser; V8-350; 1979 Olds; Cutlass Cruiser; V8-350 Dsl; 1979 Olds; Cutlass Supreme; V8-5.0; 1988 Olds; Delta 88; V8-4.3; 82-80 Olds; Delta 88; V8-260; 79-77 Olds; Delta 88; V8-5.0; 85-80 Olds; Delta 88; V8-5.7; 1980 Olds; Delta 88; V8-5.7 Dsl; 85-82 Olds; Delta 88; V8-5.7 Dsl; 82-80 Olds; Delta 88; V8-350; 79-71 Olds; Delta 88; V8-350 Dsl; 79-78 Olds; Delta 88; V8-403; 79-77 Olds; Delta 88; V8-455; 76-71 Olds; Ninety Eight; V8-5.0; 84-80 Olds; Ninety Eight; V8-5.7; 1980 Olds; Ninety Eight; V8-5.7 Dsl; 84-82 Olds; Ninety Eight; V8-5.7 Dsl; 82-80 Olds; Ninety Eight; V8-350; 79-77 Olds; Ninety Eight; V8-350; 1975 Olds; Ninety Eight; V8-350; 73-72 Olds; Ninety Eight; V8-350 Dsl; 79-78 Olds; Ninety Eight; V8-403; 79-77 Olds; Ninety Eight; V8-455; 76-71 Olds; Omega; V8-260; 77-75 Olds; Omega; V8-350; 74-73 Olds; Toronado; V8-5.0; 85-80 Olds; Toronado; V8-5.7; 1980 Olds; Toronado; V8-5.7 Dsl; 85-82 Olds; Toronado; V8-5.7 Dsl; 82-80 Olds; Toronado; V8-350; 1979 Olds; Toronado; V8-350 Dsl; 1979 Olds; Toronado; V8-403; 78-77 Olds; Toronado; V8-455; 76-71 Olds; Vista Cruiser; V8-350; 75-73 Olds; Vista Cruiser; V8-455; 75-73 Pont; Bonneville; V8-5.0; 1981</p>	<p>Pont; Bonneville; V8-5.7; 1980 Pont; Bonneville; V8-5.7 Dsl; 84-82 Pont; Bonneville; V8-5.7 Dsl; 82-80 Pont; Bonneville; V8-350; 79-77 Pont; Bonneville; V8-403; 79-77 Pont; Catalina; V8-5.0; 1981 Pont; Catalina; V8-5.7; 1980 Pont; Catalina; V8-5.7 Dsl; 81-80 Pont; Catalina; V8-350; 79-77 Pont; Catalina; V8-403; 79-77 Pont; Firebird; V8-350; 1979 Pont; Firebird; V8-350; 1977 Pont; Firebird; V8-403; 79-77 Pont; Grand Lemans; V8-260; 1976 Pont; Grand Lemans; V8-350; 1977 Pont; Grand Lemans; V8-403; 1977 Pont; Grand Prix; V8-5.7 Dsl; 84-82 Pont; Grand Prix; V8-5.7 Dsl; 82-81 Pont; Grand Prix; V8-350; 1977 Pont; Grand Prix; V8-403; 1977 Pont; Grand Safari; V8-350; 78-77 Pont; Grand Safari; V8-403; 78-77 Pont; Lemans; V8-260; 1976 Pont; Lemans; V8-350; 1977 Pont; Lemans; V8-403; 1977 Pont; Parisienne; V8-5.7 Dsl; 85-83 Pont; Phoenix; V8-350; 1977 Pont; Safari; V8-5.0; 89-87 Pont; Ventura; V8-260; 76-75 Pont; Ventura; V8-350; 1977</p>	<p>Chev; Nova; V8-305; 1976 Chev; Nova; V8-307; 73-69 Chev; Nova; V8-350; 76-69 Chev; P Series Van; V8-307; 73-72 Chev; P Series Van; V8-350; 76-72 Chev; Suburban; V8-307; 1973 Chev; Suburban; V8-350; 76-73 Chev; Suburban; V8-400; 76-75 GMC; C & K Series Pickup; V8-307; 1973 GMC; C & K Series Pickup; V8-350; 76-73 GMC; C & K Series Pickup; V8-400; 76-75 GMC; G Series Van; V8-307; 73-72 GMC; G Series Van; V8-350; 76-72 GMC; G Series Van; V8-400; 76-75 GMC; Jimmy; V8-307; 1973 GMC; Jimmy; V8-350; 76-73 GMC; Jimmy; V8-400; 76-75 GMC; P Series Van; V8-307; 1973 GMC; P Series Van; V8-350; 76-72 GMC; Sprint; V8-305; 1976 GMC; Sprint; V8-307; 73-71 GMC; Sprint; V8-350; 76-71 GMC; Sprint; V8-400; 76-74 GMC; Suburban; V8-307; 1973 GMC; Suburban; V8-350; 76-73 GMC; Suburban; V8-400; 76-75 Pont; Ventura; V8-307; 72-71 Pont; Ventura; V8-307 Canada; 1973</p>
43101		
	<p>Chev; Beaumont; V8-350 Canada; 1969 Chev; Bel Air; V8-327; 1969 Chev; Bel Air; V8-350; 75-69 Chev; Bel Air; V8-350 Canada; 1976 Chev; Bel Air; V8-400; 75-70 Chev; Bel Air; V8-400 Canada; 1976 Chev; Biscayne; V8-327; 1969 Chev; Biscayne; V8-350; 72-69 Chev; Biscayne; V8-350 Canada; 75-73 Chev; Biscayne; V8-400; 72-70 Chev; Biscayne; V8-400 Canada; 75-73 Chev; Blazer; V8-307; 1973 Chev; Blazer; V8-350; 76-73 Chev; Blazer; V8-400; 76-75 Chev; C & K Series Pickup; V8-307; 1973 Chev; C & K Series Pickup; V8-350; 76-73 Chev; C & K Series Pickup; V8-400; 76-75 Chev; Camaro; V8-302; 1969 Chev; Camaro; V8-305; 1976 Chev; Camaro; V8-307; 73-69 Chev; Camaro; V8-327; 1969 Chev; Camaro; V8-350; 76-69 Chev; Camaro; V8-400; 1971 Chev; Caprice; V8-327; 1969 Chev; Caprice; V8-350; 76-69 Chev; Caprice; V8-400; 76-70 Chev; Chevelle; V8-305; 1976 Chev; Chevelle; V8-307; 73-69 Chev; Chevelle; V8-350; 76-69 Chev; Chevelle; V8-400; 76-74 Chev; Chevelle; V8-400; 1971 Chev; El Camino; V8-305; 1976 Chev; El Camino; V8-307; 71-70 Chev; El Camino; V8-350; 76-70 Chev; El Camino; V8-400; 76-74 Chev; G Series Van; V8-307; 73-72 Chev; G Series Van; V8-350; 76-72 Chev; G Series Van; V8-400; 76-75 Chev; Impala; V8-327; 1969 Chev; Impala; V8-350; 76-69 Chev; Impala; V8-400; 76-70 Chev; Malibu; V8-305; 1976 Chev; Malibu; V8-307; 1973 Chev; Malibu; V8-350; 76-73 Chev; Malibu; V8-400; 76-74 Chev; Monte Carlo; V8-305; 1976 Chev; Monte Carlo; V8-350; 76-70 Chev; Monte Carlo; V8-400; 76-70 Chev; Nova; V8-262; 1975</p>	<p>43102 Buick; Century; V8-4.3; 81-80 Buick; Century; V8-4.9; 1980 Buick; Century; V8-301; 1979 Buick; Electra; V8-4.9; 1980 Buick; Lesabre; V8-4.9; 1980 Buick; Lesabre; V8-301; 79-77 Buick; Regal; V8-4.3; 81-80 Buick; Regal; V8-4.9; 1980 Buick; Regal; V8-301; 1979 Buick; Skylark; V8-301; 1977 Olds; Custom Cruiser; V8-400; 1975 Olds; Delta 88; V8-301; 1979 Olds; Delta 88; V8-400; 1975 Olds; Ninety Eight; V8-400; 1975 Pont; Bonneville; V8-4.3; 81-80 Pont; Bonneville; V8-4.9; 1980 Pont; Bonneville; V8-301; 79-77 Pont; Bonneville; V8-350; 1977 Pont; Bonneville; V8-400; 78-69 Pont; Bonneville; V8-428; 1969 Pont; Bonneville; V8-455; 76-70 Pont; Catalina; V8-4.3; 81-80 Pont; Catalina; V8-4.9; 1980 Pont; Catalina; V8-301; 79-77 Pont; Catalina; V8-350; 77-76 Pont; Catalina; V8-350; 73-70 Pont; Catalina; V8-350 Canada; 1975 Pont; Catalina; V8-400; 78-69 Pont; Catalina; V8-428; 1969 Pont; Catalina; V8-455; 76-70 Pont; Executive; V8-350; 1970 Pont; Executive; V8-400; 70-69 Pont; Executive; V8-428; 1969 Pont; Executive; V8-455; 1970 Pont; Firebird; V8-4.3; 1981 Pont; Firebird; V8-4.9; 81-80 Pont; Firebird; V8-301; 1979 Pont; Firebird; V8-301; 1977 Pont; Firebird; V8-350; 77-70 Pont; Firebird; V8-400; 79-70 Pont; Firebird; V8-455; 76-71 Pont; Grand Am; V8-4.9; 1980 Pont; Grand Am; V8-301; 79-78 Pont; Grand Am; V8-350; 1975 Pont; Grand Am; V8-350; 1973 Pont; Grand Am; V8-400; 75-73 Pont; Grand Am; V8-455; 75-73 Pont; Grand Lemans; V8-4.3; 81-80 Pont; Grand Lemans; V8-4.9; 1980 Pont; Grand Lemans; V8-301; 1979 Pont; Grand Lemans; V8-301; 1977</p>

Numerical Listing

Use as a guide only. Refer to Pages 1 to 142 for specific applications.

43102 - Continued

Pont; Grand Lemans; V8-350; 77-75
 Pont; Grand Lemans; V8-400; 77-75
 Pont; Grand Lemans; V8-455; 76-75
 Pont; Grand Prix; V8-4.3; 81-80
 Pont; Grand Prix; V8-4.9; 1980
 Pont; Grand Prix; V8-301; 79-77
 Pont; Grand Prix; V8-350; 77-76
 Pont; Grand Prix; V8-400; 77-69
 Pont; Grand Prix; V8-428; 1969
 Pont; Grand Prix; V8-455; 76-70
 Pont; Grand Safari; V8-301; 78-77
 Pont; Grand Safari; V8-400; 78-71
 Pont; Grand Safari; V8-455; 76-71
 Pont; Grandville; V8-400; 1975
 Pont; Grandville; V8-400; 1973
 Pont; Grandville; V8-400; 1971
 Pont; Grandville; V8-455; 75-71
 Pont; GTO; V8-400; 71-69
 Pont; GTO; V8-455; 71-70
 Pont; Lemans; V8-4.3; 81-80
 Pont; Lemans; V8-4.9; 1980
 Pont; Lemans; V8-301; 79-77
 Pont; Lemans; V8-350; 77-70
 Pont; Lemans; V8-400; 76-70
 Pont; Lemans; V8-455; 1976
 Pont; Lemans; V8-455; 74-71
 Pont; Phoenix; V8-301; 1977
 Pont; Tempest; V8-350; 70-69
 Pont; Tempest; V8-400; 1970
 Pont; Ventura; V8-301; 1977
 Pont; Ventura; V8-350; 74-72

43103

Cad; Calais; V8-472; 74-73
 Cad; Calais; V8-500; 76-75
 Cad; Deville; V8-6.0; 81-80
 Cad; Deville; V8-425; 79-77
 Cad; Deville; V8-472; 74-73
 Cad; Deville; V8-500; 76-75
 Cad; Eldorado; V8-6.0; 81-80
 Cad; Eldorado; V8-425; 78-77
 Cad; Eldorado; V8-500; 76-73
 Cad; Fleetwood; V8-6.0; 84-80
 Cad; Fleetwood; V8-425; 79-77
 Cad; Fleetwood; V8-472; 74-73
 Cad; Fleetwood; V8-500; 76-75
 Cad; Seville; V8-6.0; 81-80

43104

Chev; Corvette; V8-5.0; 1980
 Chev; Corvette; V8-5.7; 82-80
 Chev; Corvette; V8-350; 79-71
 Chev; C50 Trk; GM V8-350; 79-73
 Chev; C50 Trk; GM V8-5.7; 90-80
 Chev; C60 Trk; GM V8-350; 79-73
 Chev; C60 Trk; GM V8-5.7; 90-80
 Chev; C70 Trk; GM V8-5.7; 1980
 Chev; P6T042 Trk; GM V8-5.7; 90-83
 Chev; P30 Trk; GM V8-350; 79-78
 Chev; P30 Trk; GM V8-5.7; 90-80
 Chev; T60 Trk; GM V8-350; 78-74
 Chev; W6 Trk; GM V8-350; 79-75
 Chev; W6 Trk; GM V8-5.7; 1980
 GMC; C5000 Trk; V8-350; 79-78
 GMC; C5000 Trk; V8-5.7; 90-80
 GMC; C6000 Trk; V8-350; 79-78
 GMC; C6000 Trk; V8-5.7; 90-80
 GMC; CE5000 Trk; V8-350; 77-73
 GMC; CE6000 Trk; V8-350; 77-73
 GMC; P6T042 Trk; V8-5.7; 90-83
 GMC; P3500 Trk; V8-350; 79-78
 GMC; P3500 Trk; V8-5.7; 90-80
 GMC; T6000 Trk; V8-350; 78-73
 GMC; W6 Trk; V8-350; 79-75
 GMC; W6 Trk; V8-5.7; 1980
 White; 1200 Trk; GM V8-5.7; 89-84
 Chev; B7 Series SchBus; GM V8-350; 78-77
 Chev; B7 Series SchBus; GM V8-350; 1973
 Chev; B7 Series SchBus; GM V8-5.7; 1990
 Chev; B60 B6P Series SchBus; GM V8-350; 79-77

43104 - Continued

Chev; B60 B6P Series SchBus; GM V8-350; 1973
 Chev; B60 B6P Series SchBus; GM V8-5.7; 90-80
 Chev; S40 SchBus; GM V8-350; 78-75
 Chev; S50 SchBus; GM V8-350; 78-73
 Chev; S60 B6P Series SchBus; GM V8-350; 78-73
 Chev; SE50 SchBus; GM V8-350; 78-73
 Chev; SE60 SchBus; GM V8-350; 78-73
 GMC; B6000 B6P Series SchBus; V8-350; 79-78
 GMC; B6000 B6P Series SchBus; V8-5.7; 90-80
 GMC; SE6000 SchBus; V8-350; 78-73

43104P

Chev; Corvette; V8-5.0; 1980
 Chev; Corvette; V8-5.7; 82-80
 Chev; Corvette; V8-350; 79-71

43106

Chev; Beaumont; V8-283 Canada; 67-64
 Chev; Beaumont; V8-307 Canada; 1968
 Chev; Beaumont; V8-327 Canada; 67-64
 Chev; Bel Air; V8-265; 57-55
 Chev; Bel Air; V8-283; 67-57
 Chev; Bel Air; V8-307; 1968
 Chev; Bel Air; V8-327; 68-62
 Chev; Biscayne; V8-283; 67-58
 Chev; Biscayne; V8-307; 1968
 Chev; Biscayne; V8-327; 68-62
 Chev; Blazer; V8-307; 72-69
 Chev; Blazer; V8-350; 72-69
 Chev; C & K Series Pickup; V8-283; 67-60
 Chev; C & K Series Pickup; V8-307; 72-68
 Chev; C & K Series Pickup; V8-327; 68-65
 Chev; C & K Series Pickup; V8-350; 72-69
 Chev; Camaro; V8-302; 68-67
 Chev; Camaro; V8-327; 68-67
 Chev; Camaro; V8-350; 68-67
 Chev; Caprice; V8-283; 67-66
 Chev; Caprice; V8-307; 1968
 Chev; Caprice; V8-327; 68-66
 Chev; Chevelle; V8-283; 67-64
 Chev; Chevelle; V8-307; 1968
 Chev; Chevelle; V8-327; 68-64
 Chev; Chevy II; V8-283; 67-64
 Chev; Chevy II; V8-307; 1968
 Chev; Chevy II; V8-327; 68-65
 Chev; Chevy II; V8-350; 1968
 Chev; Corvette; V8-265; 56-55
 Chev; Corvette; V8-283; 61-57
 Chev; Corvette; V8-327; 68-62
 Chev; Corvette; V8-350; 70-69
 Chev; Del Ray; V8-283; 1958
 Chev; Deluxe 210; V8-265; 57-55
 Chev; Deluxe 210; V8-283; 1957
 Chev; El Camino; V8-283; 67-64
 Chev; El Camino; V8-283; 60-59
 Chev; El Camino; V8-307; 1968
 Chev; El Camino; V8-327; 68-64
 Chev; G Series Van; V8-307; 71-68
 Chev; G Series Van; V8-350; 71-70
 Chev; Impala; V8-283; 67-59
 Chev; Impala; V8-307; 1968
 Chev; Impala; V8-327; 68-62
 Chev; P Series Van; V8-307; 71-68
 Chev; P Series Van; V8-350; 72-69
 Chev; Series 1200; V8-283; 59-58
 Chev; Series 1500; V8-265; 57-56
 Chev; Series 1500; V8-283; 1957
 Chev; Series 3100; V8-265; 57-55
 Chev; Series 3100; V8-283; 59-58
 Chev; Series 3200; V8-265; 57-55
 Chev; Series 3200; V8-283; 59-58
 Chev; Series 3400; V8-265; 1957
 Chev; Series 3500; V8-265; 1957
 Chev; Series 3600; V8-265; 57-55
 Chev; Series 3600; V8-283; 59-58
 Chev; Series 3700; V8-265; 1957

43106 - Continued

Chev; Series 3800; V8-265; 57-55
 Chev; Series 3800; V8-283; 59-58
 Chev; Special 150; V8-265; 57-55
 Chev; Special 150; V8-283; 1957
 Chev; Suburban; V8-283; 67-60
 Chev; Suburban; V8-307; 72-68
 Chev; Suburban; V8-327; 68-65
 Chev; Suburban; V8-350; 72-69
 Chev; Suburban; V8-400; 1970
 GMC; C & K Series Pickup; V8-283; 1967
 GMC; C & K Series Pickup; V8-307; 72-68
 GMC; C & K Series Pickup; V8-327; 68-67
 GMC; C & K Series Pickup; V8-350; 72-69
 GMC; G Series Van; V8-283; 1967
 GMC; G Series Van; V8-307; 71-68
 GMC; G Series Van; V8-350; 71-70
 GMC; Jimmy; V8-307; 72-70
 GMC; Jimmy; V8-350; 72-70
 GMC; P Series Van; V8-307; 72-68
 GMC; P Series Van; V8-350; 72-69
 GMC; Suburban; V8-307; 72-68
 GMC; Suburban; V8-327; 68-67
 GMC; Suburban; V8-350; 72-69
 Stu'bakr; Commander; V8-283; 66-65
 Stu'bakr; Cruiser; V8-283; 66-65
 Stu'bakr; Daytona; V8-283; 66-65
 Stu'bakr; Wagonaire; V8-283; 1966
 Chev; C40 Trk; GM V8-307; 72-68
 Chev; C40 Trk; GM V8-327; 68-67
 Chev; C40 Trk; GM V8-327; 1962
 Chev; C40 Trk; GM V8-350; 72-69
 Chev; C50 Trk; GM V8-307; 73-68
 Chev; C50 Trk; GM V8-327; 68-62
 Chev; C50 Trk; GM V8-350; 72-69
 Chev; C60 Trk; GM V8-307; 73-68
 Chev; C60 Trk; GM V8-327; 68-62
 Chev; C60 Trk; GM V8-350; 72-69
 Chev; B60 B6P Series SchBus; GM V8-350; 72-69
 MassFerg; 510SP Combine; Chev V8-350; 78-75

43106P

Chev; Beaumont; V8-283 Canada; 67-64
 Chev; Beaumont; V8-307 Canada; 1968
 Chev; Beaumont; V8-327 Canada; 67-64
 Chev; Bel Air; V8-265; 57-55
 Chev; Bel Air; V8-283; 67-57
 Chev; Bel Air; V8-307; 1968
 Chev; Bel Air; V8-327; 68-62
 Chev; Biscayne; V8-283; 67-58
 Chev; Biscayne; V8-307; 1968
 Chev; Biscayne; V8-327; 68-62
 Chev; Blazer; V8-307; 72-69
 Chev; Blazer; V8-350; 72-69
 Chev; C & K Series Pickup; V8-283; 67-60
 Chev; C & K Series Pickup; V8-307; 72-68
 Chev; C & K Series Pickup; V8-327; 68-65
 Chev; C & K Series Pickup; V8-350; 72-69
 Chev; Camaro; V8-302; 68-67
 Chev; Camaro; V8-327; 68-67
 Chev; Camaro; V8-350; 68-67
 Chev; Caprice; V8-283; 67-66
 Chev; Caprice; V8-307; 1968
 Chev; Caprice; V8-327; 68-66
 Chev; Chevelle; V8-283; 67-64
 Chev; Chevelle; V8-307; 1968
 Chev; Chevelle; V8-327; 68-64
 Chev; Chevy II; V8-283; 67-64
 Chev; Chevy II; V8-307; 1968
 Chev; Chevy II; V8-327; 68-65
 Chev; Chevy II; V8-350; 1968
 Chev; Corvette; V8-265; 56-55
 Chev; Corvette; V8-283; 61-57
 Chev; Corvette; V8-327; 68-62
 Chev; Corvette; V8-350; 70-69
 Chev; Del Ray; V8-283; 1958
 Chev; Deluxe 210; V8-265; 57-55
 Chev; Deluxe 210; V8-283; 1957
 Chev; El Camino; V8-283; 67-64
 Chev; El Camino; V8-283; 60-59

Numerical Listing

Use as a guide only. Refer to Pages 1 to 142 for specific applications.

43106P - Continued	43107 - Continued	43107 - Continued
<p>Chev; El Camino; V8-307; 1968 Chev; El Camino; V8-327; 68-64 Chev; G Series Van; V8-307; 71-68 Chev; G Series Van; V8-350; 71-70 Chev; Impala; V8-283; 67-59 Chev; Impala; V8-307; 1968 Chev; Impala; V8-327; 68-62 Chev; P Series Van; V8-307; 71-68 Chev; P Series Van; V8-350; 72-69 Chev; Series 1200; V8-283; 59-58 Chev; Series 1500; V8-265; 57-56 Chev; Series 1500; V8-283; 1957 Chev; Series 3100; V8-265; 57-55 Chev; Series 3100; V8-283; 59-58 Chev; Series 3200; V8-265; 57-55 Chev; Series 3200; V8-283; 59-58 Chev; Series 3400; V8-265; 1957 Chev; Series 3500; V8-265; 1957 Chev; Series 3600; V8-265; 57-55 Chev; Series 3600; V8-283; 59-58 Chev; Series 3700; V8-265; 1957 Chev; Series 3800; V8-265; 57-55 Chev; Series 3800; V8-283; 59-58 Chev; Special 150; V8-265; 57-55 Chev; Special 150; V8-283; 1957 Chev; Suburban; V8-283; 67-60 Chev; Suburban; V8-307; 72-68 Chev; Suburban; V8-327; 68-65 Chev; Suburban; V8-350; 72-69 Chev; Suburban; V8-400; 1970 GMC; C & K Series Pickup; V8-283; 1967 GMC; C & K Series Pickup; V8-307; 72-68 GMC; C & K Series Pickup; V8-327; 68-67 GMC; C & K Series Pickup; V8-350; 72-69 GMC; G Series Van; V8-283; 1967 GMC; G Series Van; V8-307; 71-68 GMC; G Series Van; V8-350; 71-70 GMC; Jimmy; V8-307; 72-70 GMC; Jimmy; V8-350; 72-70 GMC; P Series Van; V8-307; 72-68 GMC; P Series Van; V8-350; 72-69 GMC; Suburban; V8-307; 72-68 GMC; Suburban; V8-327; 68-67 GMC; Suburban; V8-350; 72-69 Stu'bakr; Commander; V8-283; 66-65 Stu'bakr; Cruiser; V8-283; 66-65 Stu'bakr; Daytona; V8-283; 66-65 Stu'bakr; Wagonaire; V8-283; 1966</p>	<p>Chev; Monte Carlo; V8-5.7 Dsl; 1982 GMC; C & K Series Pickup; V8-5.7 Dsl; 81-80 GMC; C & K Series Pickup; V8-350 Dsl; 1979 Olds; Custom Cruiser; V8-5.0; 85-80 Olds; Custom Cruiser; V8-5.7; 1980 Olds; Custom Cruiser; V8-5.7 Dsl; 82-80 Olds; Custom Cruiser; V8-350; 79-77 Olds; Custom Cruiser; V8-350; 1973 Olds; Custom Cruiser; V8-350 Dsl; 79-78 Olds; Custom Cruiser; V8-403; 79-77 Olds; Custom Cruiser; V8-455; 76-71 Olds; Cutlass; V8-4.3; 82-80 Olds; Cutlass; V8-260; 79-75 Olds; Cutlass; V8-260 Dsl; 1979 Olds; Cutlass; V8-5.0; 85-82 Olds; Cutlass; V8-5.7; 1980 Olds; Cutlass; V8-5.7 Dsl; 82-80 Olds; Cutlass; V8-350; 1979 Olds; Cutlass; V8-350; 77-71 Olds; Cutlass; V8-403; 1977 Olds; Cutlass; V8-455; 76-71 Olds; Cutlass Cruiser; V8-4.3; 81-80 Olds; Cutlass Cruiser; V8-260; 79-78 Olds; Cutlass Cruiser; V8-5.0; 1981 Olds; Cutlass Cruiser; V8-5.7 Dsl; 81-80 Olds; Cutlass Cruiser; V8-350; 1979 Olds; Cutlass Cruiser; V8-350 Dsl; 1979 Olds; Delta 88; V8-4.3; 82-80 Olds; Delta 88; V8-260; 79-77 Olds; Delta 88; V8-5.0; 85-80 Olds; Delta 88; V8-5.7; 1980 Olds; Delta 88; V8-5.7 Dsl; 82-80 Olds; Delta 88; V8-350; 79-71 Olds; Delta 88; V8-350 Dsl; 79-78 Olds; Delta 88; V8-403; 79-77 Olds; Delta 88; V8-455; 76-71 Olds; F85; V8-350; 72-71 Olds; F85; V8-455; 1972 Olds; Ninety Eight; V8-5.0; 84-80 Olds; Ninety Eight; V8-5.7; 1980 Olds; Ninety Eight; V8-5.7 Dsl; 82-80 Olds; Ninety Eight; V8-350; 79-77 Olds; Ninety Eight; V8-350; 1975 Olds; Ninety Eight; V8-350; 73-72 Olds; Ninety Eight; V8-350 Dsl; 79-78 Olds; Ninety Eight; V8-403; 79-77 Olds; Ninety Eight; V8-455; 76-71 Olds; Omega; V8-260; 77-75 Olds; Omega; V8-350; 74-73 Olds; Toronado; V8-5.0; 85-80 Olds; Toronado; V8-5.7 Dsl; 82-80 Olds; Toronado; V8-350 Dsl; 1979 Olds; Toronado; V8-455; 76-71 Olds; Vista Cruiser; V8-350; 75-71 Olds; Vista Cruiser; V8-455; 75-71 Olds; 442; V8-455; 1971 Pont; Bonneville; V8-5.0; 1981 Pont; Bonneville; V8-5.7; 1980 Pont; Bonneville; V8-5.7 Dsl; 82-80 Pont; Bonneville; V8-350; 79-77 Pont; Bonneville; V8-403; 79-77 Pont; Catalina; V8-5.0; 1981 Pont; Catalina; V8-5.7; 1980 Pont; Catalina; V8-5.7 Dsl; 81-80 Pont; Catalina; V8-350; 79-77 Pont; Catalina; V8-403; 79-77 Pont; Firebird; V8-350; 1979 Pont; Firebird; V8-350; 1977 Pont; Firebird; V8-403; 79-77 Pont; Grand Lemans; V8-260; 1976 Pont; Grand Lemans; V8-350; 1977 Pont; Grand Lemans; V8-403; 1977 Pont; Grand Prix; V8-5.7 Dsl; 82-81 Pont; Grand Prix; V8-350; 1977 Pont; Grand Prix; V8-403; 1977 Pont; Grand Safari; V8-350; 78-77 Pont; Grand Safari; V8-403; 78-77 Pont; Lemans; V8-260; 1976 Pont; Lemans; V8-350; 1977</p>	<p>Pont; Lemans; V8-403; 1977 Pont; Phoenix; V8-350; 1977 Pont; Ventura; V8-260; 1975 Pont; Ventura; V8-350; 1977</p> <p>43109</p> <p>Buick; Centurion; V8-455; 73-71 Buick; Century; V8-455; 74-73 Buick; Electra; V8-455; 76-71 Buick; Estate Wagon; V8-455; 76-71 Buick; Lesabre; V8-455; 76-71 Buick; Regal; V8-455; 74-77 Buick; Riviera; V8-455; 76-71</p> <p>43110</p> <p>Buick; Lesabre; V8-340; 67-66 Buick; Lesabre; V8-350; 70-68 Buick; Lesabre; V8-401; 1964 Buick; Lesabre; V8-425; 1964 Buick; Skylark; V6-225; 67-64 Buick; Skylark; V8-300; 67-64 Buick; Skylark; V8-340; 67-66 Buick; Skylark; V8-350; 70-68 Buick; Special; V6-225; 67-64 Buick; Special; V8-300; 67-64 Buick; Special; V8-350; 69-68 Jeep; CJ Series; V6-225; 71-66 Jeep; DJ Series; V6-225; 70-66 Jeep; J Series Pickup; V8-350; 71-69 Jeep; Jeepster; V6-225; 71-67 Jeep; Wagoneer; V8-350; 70-68 Olds; F85; V6-225; 65-64</p> <p>43111</p> <p>Buick; Centurion; V8-350; 1972 Buick; Estate Wagon; V8-350; 1972 Buick; Lesabre; V8-350; 72-71 Buick; Skylark; V8-350; 72-71</p> <p>43112</p> <p>Buick; Century; V6-3.0; 85-82 Buick; Century; V6-3.8; 85-84 Buick; Electra; V6-3.0; 1985 Buick; Electra; V6-3.8; 1985 Olds; Cutlass Ciera; V6-3.0; 85-82 Olds; Cutlass Ciera; V6-3.8; 85-84 Olds; Ninety Eight; V6-3.0; 1985 Olds; Ninety Eight; V6-3.8; 1985</p> <p>43113</p> <p>Chev; Camaro; V6-2.8; 89-87 Chev; Camaro; V6-3.1; 92-90 Pont; Firebird; V6-2.8; 89-87 Pont; Firebird; V6-3.1; 92-90</p> <p>43114</p> <p>AMgen; Hummer; V8-5.7; 96-95 Cad; Brougham; V8-5.0; 92-91 Cad; Brougham; V8-5.7; 92-90 Cad; Fleetwood; V8-5.7; 1993 Chev; Astro; V6-4.3; 95-87 Chev; Blazer; V6-4.3; 1995 Chev; Blazer Compact; V6-4.3; 94-88 Chev; Blazer Full Size; V8-5.7; 94-89 Chev; C & K Series Pickup; V6-4.3; 95-88 Chev; C & K Series Pickup; V8-5.0; 95-88 Chev; C & K Series Pickup; V8-5.7; 95-88 Chev; Camaro; V8-5.0; 92-88 Chev; Camaro; V8-5.7; 92-88 Chev; Caprice; V6-4.3; 93-92 Chev; Caprice; V6-4.3; 90-89 Chev; Caprice; V8-5.0; 90-89 Chev; Caprice; V8-5.7; 90-89 Chev; G Series Van; V6-4.3; 96-87 Chev; G Series Van; V8-5.0; 95-87 Chev; G Series Van; V8-5.7; 95-87 Chev; S Series Pickup; V6-4.3; 95-88 Chev; Suburban; V8-5.7; 95-89 Chev; Tahoe; V8-5.7; 1995 GMC; C & K Series Pickup; V6-4.3; 95-88 GMC; C & K Series Pickup; V8-5.0; 95-88 GMC; C & K Series Pickup; V8-5.7; 95-88</p>
<p>43107</p> <p>Buick; Apollo; V8-260; 1975 Buick; Century; V8-5.7 Dsl; 1981 Buick; Century; V8-350; 1977 Buick; Century; V8-403; 1977 Buick; Electra; V8-5.0; 85-81 Buick; Electra; V8-5.7; 1980 Buick; Electra; V8-5.7 Dsl; 82-80 Buick; Electra; V8-350; 79-77 Buick; Electra; V8-403; 79-77 Buick; Estate Wagon; V8-350; 79-77 Buick; Estate Wagon; V8-403; 79-77 Buick; Lesabre; V8-5.0; 85-81 Buick; Lesabre; V8-5.7; 1980 Buick; Lesabre; V8-403; 82-80 Buick; Lesabre; V8-350; 79-77 Buick; Lesabre; V8-403; 78-77 Buick; Regal; V8-5.7 Dsl; 82-81 Buick; Regal; V8-350; 1977 Buick; Riviera; V8-5.0; 85-80 Buick; Riviera; V8-5.7; 1980 Buick; Riviera; V8-5.7 Dsl; 82-81 Buick; Riviera; V8-350; 79-77 Buick; Riviera; V8-403; 78-77 Buick; Skylark; V8-260; 76-75 Buick; Skylark; V8-350; 1977 Chev; Bel Air; V8-5.7 Dsl Canada; 81-80 Chev; C & K Series Pickup; V8-5.7 Dsl; 81-80 Chev; Caprice; V8-5.7 Dsl; 82-80 Chev; Impala; V8-5.7 Dsl; 82-80 Chev; Malibu; V8-5.7 Dsl; 1982</p>		

Numerical Listing

Use as a guide only. Refer to Pages 1 to 142 for specific applications.

43114 - Continued

GMC; G Series Van; V6-4.3; 96-87
 GMC; G Series Van; V8-5.0; 95-87
 GMC; G Series Van; V8-5.7; 96-87
 GMC; Jimmy; V6-4.3; 95-92
 GMC; Jimmy Compact; V6-4.3; 91-88
 GMC; Jimmy Full Size; V8-5.7; 91-89
 GMC; S Series Pickup; V6-4.3; 90-88
 GMC; Safari; V6-4.3; 95-87
 GMC; Savana; V8-5.7; 1996
 GMC; Sonoma; V6-4.3; 95-91
 GMC; Suburban; V8-5.7; 95-89
 GMC; Syclone; V6-4.3; 92-91
 GMC; Typhoon; V6-4.3; 93-92
 GMC; Yukon; V8-5.7; 95-92
 Olds; Bravada; V6-4.3; 94-91
 Pont; Firebird; V8-5.0; 92-88
 Pont; Firebird; V8-5.7; 92-88

43115

Buick; Roadmaster; V8-5.0; 1991
 Buick; Roadmaster; V8-5.7; 93-92
 Chev; Caprice; V8-5.0; 93-91
 Chev; Caprice; V8-5.7; 93-91
 Olds; Custom Cruiser; V8-5.0; 92-91
 Olds; Custom Cruiser; V8-5.7; 1992

43116

Chev; Blazer Compact; V6-2.8; 89-87
 Chev; S Series Pickup; V6-2.8; 93-87
 GMC; Jimmy Compact; V6-2.8; 89-87
 GMC; S Series Pickup; V6-2.8; 90-87
 GMC; Sonoma; V6-2.8; 93-91
 Isuzu; Pickup; V6-3.1; 94-91
 Isuzu; Rodeo; V6-3.1; 92-91
 Isuzu; Trooper; V6-2.8; 91-90
 Isuzu; Trooper II; V6-2.8; 1989

43117

Chev; Camaro; V6-3.4; 95-93
 Pont; Firebird; V6-3.4; 95-93

43118

Chev; C & K Series Pickup; V8-5.7; 1992
 Chev; Suburban; V8-5.7; 1992
 GMC; C & K Series Pickup; V8-5.7; 1992
 GMC; Suburban; V8-5.7; 1992

43120

Olds; Cutlass; V8-330; 1967
 Olds; Cutlass; V8-350; 70-68
 Olds; Cutlass; V8-400; 1967
 Olds; Cutlass; V8-455; 1970
 Olds; Delmont 88; V8-330; 1967
 Olds; Delmont 88; V8-350; 1968
 Olds; Delmont 88; V8-425; 1967
 Olds; Delmont 88; V8-455; 1968
 Olds; Delta 88; V8-350; 1969
 Olds; Delta 88; V8-425; 1967
 Olds; Delta 88; V8-455; 69-68
 Olds; Eighty Eight; V8-425; 66-65
 Olds; F85; V8-330; 67-65
 Olds; F85; V8-350; 70-68
 Olds; F85; V8-400; 66-65
 Olds; Jetstar I; V8-425; 1965
 Olds; Jetstar 88; V8-330; 66-65
 Olds; Ninety Eight; V8-425; 67-65
 Olds; Ninety Eight; V8-455; 69-68
 Olds; Toronado; V8-425; 67-66
 Olds; Toronado; V8-455; 70-68
 Olds; Vista Cruiser; V8-330; 67-65
 Olds; Vista Cruiser; V8-350; 70-68
 Olds; Vista Cruiser; V8-400; 69-68
 Olds; Vista Cruiser; V8-455; 1970
 Olds; 442; V8-400; 69-68
 Olds; 442; V8-455; 70-68

43121

Buick; Centurion; V8-455; 72-71
 Buick; Electra; V8-430; 69-67
 Buick; Electra; V8-455; 72-70
 Buick; Estate Wagon; V8-455; 72-71
 Buick; Lesabre; V8-455; 72-70

43121 - Continued

Buick; Riviera; V8-430; 69-67
 Buick; Riviera; V8-455; 72-70
 Buick; Skylark; V8-400; 1967
 Buick; Skylark; V8-455; 1972
 Buick; Skylark; V8-455; 1970
 Buick; Wildcat; V8-430; 69-67
 Buick; Wildcat; V8-455; 1970

43122

Pont; Bonneville; V8-389; 66-63
 Pont; Bonneville; V8-400; 68-67
 Pont; Bonneville; V8-421; 66-63
 Pont; Bonneville; V8-428; 68-67
 Pont; Catalina; V8-389; 66-63
 Pont; Catalina; V8-400; 68-67
 Pont; Catalina; V8-421; 66-63
 Pont; Catalina; V8-428; 68-67
 Pont; Executive; V8-389; 1967
 Pont; Executive; V8-400; 68-67
 Pont; Executive; V8-428; 68-67
 Pont; Firebird; V8-326; 1967
 Pont; Firebird; V8-350; 1968
 Pont; Firebird; V8-400; 68-67
 Pont; Grand Prix; V8-389; 66-63
 Pont; Grand Prix; V8-400; 68-67
 Pont; Grand Prix; V8-421; 66-63
 Pont; Grand Prix; V8-428; 68-67
 Pont; GTO; V8-326; 1966
 Pont; GTO; V8-389; 1966
 Pont; GTO; V8-400; 68-67
 Pont; Star Chief; V8-389; 66-65
 Pont; Star Chief; V8-421; 66-65
 Pont; Tempest; V8-326; 67-63
 Pont; Tempest; V8-350; 1968
 Pont; Tempest; V8-389; 65-64

43123

Pont; Firebird; V8-350; 1969
 Pont; Firebird; V8-400; 1969
 Pont; Tempest; V8-350; 1969

43124

Olds; Cutlass; V8-350; 70-68
 Olds; Cutlass; V8-455; 1970
 Olds; Delmont 88; V8-350; 1968
 Olds; Delmont 88; V8-455; 1968
 Olds; Delta 88; V8-350; 70-69
 Olds; Delta 88; V8-455; 70-68
 Olds; F85; V8-350; 70-68
 Olds; Ninety Eight; V8-455; 70-68
 Olds; Toronado; V8-455; 69-68
 Olds; Vista Cruiser; V8-350; 70-68
 Olds; Vista Cruiser; V8-400; 69-68
 Olds; Vista Cruiser; V8-455; 1970
 Olds; 442; V8-400; 69-68
 Olds; 442; V8-455; 70-68

43125

Ford; CF7000 Trk; L6-6.6 Dsl; 93-91
 Ford; CF7000 Trk; L6-7.8 Dsl; 93-91
 Ford; CF8000 Trk; L6-6.6 Dsl; 93-91
 Ford; CF8000 Trk; L6-7.8 Dsl; 94-91
 Ford; CFT8000 Trk; L6-6.6 Dsl; 93-91
 Ford; CFT8000 Trk; L6-7.8 Dsl; 93-91
 Ford; F600 Trk; L6-6.6 Dsl; 93-91
 Ford; F600 Trk; L6-7.8 Dsl; 93-91
 Ford; F700 Trk; L6-6.6 Dsl; 94-91
 Ford; F700 Trk; L6-7.8 Dsl; 93-91
 Ford; F800 Trk; L6-6.6 Dsl; 94-91
 Ford; F800 Trk; L6-7.8 Dsl; 93-91
 Ford; FT900 Trk; L6-6.6 Dsl; 93-91
 Ford; FT900 Trk; L6-7.8 Dsl; 93-91

43126

Chev; Corvette; V8-454; 74-71

43128

Chev; Bel Air; L6-235; 62-55
 Chev; Biscayne; L6-235; 62-58
 Chev; C & K Series Pickup; L6-235; 62-60
 Chev; C & K Series Pickup; L6-261; 1961
 Chev; Del Ray; L6-235; 1958

43128 - Continued

Chev; Deluxe 210; L6-235; 57-55
 Chev; El Camino; L6-235; 1959
 Chev; Impala; L6-235; 62-59
 Chev; P Series Van; L6-235; 62-60
 Chev; Series 1100; L6-235; 59-58
 Chev; Series 1500; L6-235; 57-55
 Chev; Series 3100; L6-235; 59-55
 Chev; Series 3200; L6-235; 59-55
 Chev; Series 3400; L6-235; 59-55
 Chev; Series 3500; L6-235; 59-55
 Chev; Series 3600; L6-235; 59-55
 Chev; Series 3700; L6-235; 59-55
 Chev; Series 3800; L6-235; 59-55
 Chev; Special 150; L6-235; 57-55
 Chev; Suburban; L6-235; 62-60
 Chev; C60 Trk; GM L6-235; 62-60
 Chev; C60 Trk; GM L6-261; 62-60
 Chev; 6000 Series Trk; GM L6-261; 1959

43129

Chev; Corvette; V8-427; 69-66

43130

Chris-Craft; 305GLV Marine Eng; Chris-Craft V8-305
 Chris-Craft; 305K Marine Eng; Chris-Craft V8-305
 Mercruiser; Black Scorpion Marine Eng; V8-350
 Mercruiser; 5.0 L Marine Eng; V8-305
 Mercruiser; 5.0 LX Marine Eng; V8-305
 Mercruiser; 5.7 L Marine Eng; V8-350
 Mercruiser; 5.7 LX Marine Eng; V8-350
 Mercruiser; 215 Marine Eng; V8-305
 Mercruiser; 225 Marine Eng; V8-305
 Mercruiser; 225 Marine Eng; V8-327
 Mercruiser; 225S Marine Eng; V8-305
 Mercruiser; 225S Marine Eng; V8-327
 Mercruiser; 228 Marine Eng; V8-305
 Mercruiser; 228TR Marine Eng; V8-305
 Mercruiser; 230 Marine Eng; V8-305
 Mercruiser; 250 Marine Eng; V8-327
 Mercruiser; 250 Marine Eng; V8-350
 Mercruiser; 270 Marine Eng; V8-327
 Mercruiser; 270 Marine Eng; V8-350
 Mercruiser; 320 E.F.I. Marine Eng; V8-350
 Mercruiser; 350 Marine Eng; V8-350
 Mercruiser; 350 5.7 L Competition Ski Eng. Marine Eng; V8-350
 Mercruiser; 350 Magnum Marine Eng; V8-350

43131

Ford; Taurus; V8-3.4; 99-96

43132

Acura; NSX; V6-3.0; 2002-91
 Acura; NSX; V6-3.2; 2002-97

43133

Acura; RL; V6-3.5; 2002-96

43134

Acura; TL; L5-2.5; 98-95

43136

Chev; Luv Pickup; L4-2.2 Dsl; 82-81
 Isuzu; Pickup; L4-2.2 Dsl; 87-81
 Isuzu; Trooper II; L4-2.2 Dsl; 87-86

43139

Chev; S Series Pickup; L4-2.2 Dsl; 85-83
 GMC; S Series Pickup; L4-2.2 Dsl; 85-84

43140

Kia; Sportage; L4-2.0; 2002-95

43141

Land Rover; Defender 90; V8-3.9; 95-94
 Land Rover; Range Rover; V8-3.5; 88-87
 Land Rover; Range Rover; V8-3.9; 94-89
 Land Rover; Range Rover; V8-4.2; 94-93

Numerical Listing

Use as a guide only. Refer to Pages 1 to 142 for specific applications.

<p>43153 Mazda; B1600 Pickup; L4-97; 1974 Mazda; 616; L4-97; 1971 Mazda; 808; L4-97; 77-72</p>	<p>43184 Peug; 505; L4-2.0; 87-80</p>	<p>43223 - Continued AutomaticTransport; GLFP50 Forklift; Continental F162 AutomaticTransport; GLFP60 Forklift; Continental F162 AutomaticTransport; GLFP70 Forklift; Continental F162 AutomaticTransport; GLFP80 Forklift; Continental F162 AutomaticTransport; GMF150 Forklift; Continental F162 AutomaticTransport; GMF160 Forklift; Continental F162 AutomaticTransport; GMF180 Forklift; Continental F162 AutomaticTransport; GMF200 Forklift; Continental F162 Clark; Clarklift CFY20B Forklift; Continental F162 Clark; Clarklift CFY25B Forklift; Continental F162 Clark; H30 Forklift; Continental F162 Clark; H50 Forklift; Continental F162 Clark; 355 Forklift; Continental F162</p>
<p>43154 Ford; Courier; L4-2.0; 82-81 Mazda; B2000 Pickup; L4-2.0; 84-80 Mazda; 626; L4-2.0; 82-80</p>	<p>43185 Peug; 505; L4-2.3 Dsl; 83-81 Peug; 604; L4-2.3 Dsl; 84-82</p>	<p>43225 Mack; DM Series Trk; Mack L6-11.0 Dsl; 82-80 Mack; DM Series Trk; Mack L6-672 Dsl; 79-74</p>
<p>43156 Mazda; B2200 Pickup; L4-2.2 Dsl; 84-82</p>	<p>43198 Renault; Lecar; L4-79; 1977 Renault; R5; L4-79; 1976</p>	<p>Mack; DMM Series Trk; Mack L6-11.0 Dsl; 82-80 Mack; DMM Series Trk; Mack L6-672 Dsl; 79-74</p>
<p>43159 Mer-Benz; 280SE; V8-214; 1970 Mer-Benz; 280SE; V8-276; 1973 Mer-Benz; 280SEL; V8-276; 1973 Mer-Benz; 300SEL; V8-214; 71-70 Mer-Benz; 300SEL; V8-276; 73-72 Mer-Benz; 450SE; V8-276; 76-73 Mer-Benz; 450SEL; V8-4.5; 1980 Mer-Benz; 450SEL; V8-276; 79-73 Mer-Benz; 450SL; V8-4.5; 1980 Mer-Benz; 450SL; V8-276; 79-73 Mer-Benz; 450SLC; V8-4.5; 1980 Mer-Benz; 450SLC; V8-276; 79-73</p>	<p>43200 Renault; Alliance; L4-1.4; 87-83 Renault; Encore; L4-1.4; 86-84</p>	<p>Mack; F Series Trk; Mack L6-11.0 Dsl; 1980 Mack; F Series Trk; Mack L6-672 Dsl; 79-74 Mack; FL Series Trk; Mack L6-672 Dsl; 75-74</p>
<p>43161 Mer-Benz; 190E; L4-2.3; 93-91 Mer-Benz; 190E; L4-2.3; 88-85</p>	<p>43209 Brockway; 358 Trk; CumDsl NH250; 75-73 FWD; C Series Trk; CumDsl NTC250; 1976 Mack; DM Series Trk; CumDsl NHC250; 1972 Mack; FL Series Trk; CumDsl NHC250; 71-70 Mack; FS Series Trk; CumDsl NHC250; 71-70 Mack; R Series Trk; CumDsl NHC250; 1972 Mack; RL Series Trk; CumDsl NHC250; 72-70 Mack; RS Series Trk; CumDsl NHC250; 72-71 Mack; U Series Trk; CumDsl NHC250; 1972</p>	<p>Mack; FS Series Trk; Mack L6-672 Dsl; 75-74 Mack; MB Series Trk; Mack L6-672 Dsl; 77-74 Mack; MC Series Trk; Mack L6-11.0 Dsl; 82-80 Mack; MC Series Trk; Mack L6-672 Dsl; 1979</p>
<p>43162 Mer-Benz; 190E; L4-2.3; 1984</p>	<p>43210 Toy.; Land Cruiser; L6-4.2; 1980 Toy.; Land Cruiser; L6-258; 79-75</p>	<p>Mack; MR Series Trk; Mack L6-11.0 Dsl; 82-80 Mack; MR Series Trk; Mack L6-672 Dsl; 1979</p>
<p>43163 Mer-Benz; C36; L6-3.6; 1995 Mer-Benz; C280; L6-2.8; 95-94 Mer-Benz; E320; L6-3.2; 95-94 Mer-Benz; SL320; L6-3.2; 95-94 Mer-Benz; 300CE; L6-3.2; 1993 Mer-Benz; 300E; L6-2.8; 1993 Mer-Benz; 300E; L6-3.2; 1993 Mer-Benz; 300TE; L6-3.2; 1993</p>	<p>43213 Toy.; Previa; L4-2.4; 97-91</p>	<p>Mack; R Series Trk; Mack L6-11.0 Dsl; 82-80 Mack; R Series Trk; Mack L6-672 Dsl; 79-74 Mack; RD Series Trk; Mack L6-11.0 Dsl; 82-80 Mack; RD Series Trk; Mack L6-672 Dsl; 79-74</p>
<p>43164 Mer-Benz; 300SE; L6-3.2; 1993</p>	<p>43216 Audi; A4; V6-2.8; 2001-96 Audi; A6; V6-2.7; 2000 Audi; A6; V6-2.8; 2001-95 Audi; Cabriolet; V6-2.8; 98-95 Audi; S4; V6-2.7; 2002-00 Audi; 90; V6-2.8; 1995 VW; Passat; V6-2.8; 2004-98</p>	<p>Mack; RL Series Trk; Mack L6-11.0 Dsl; 82-80 Mack; RL Series Trk; Mack L6-672 Dsl; 79-74 Mack; RM Series Trk; Mack L6-11.0 Dsl; 82-80</p>
<p>43165 Mer-Benz; C230; L4-2.3; 2000-99 Mer-Benz; SLK230; L4-2.3; 99-98</p>	<p>43218 Porsche; 928; V8-5.0; 91-87 Porsche; 928; V8-5.4; 95-93</p>	<p>Mack; RS Series Trk; Mack L6-11.0 Dsl; 82-80 Mack; RS Series Trk; Mack L6-672 Dsl; 79-74 Mack; RWL Series Trk; Mack L6-11.0 Dsl; 82-80 Mack; RWL Series Trk; Mack L6-672 Dsl; 1979</p>
<p>43166 Mer-Benz; C220; L4-2.2; 96-94 Mer-Benz; C230; L4-2.3; 98-97</p>	<p>43219 Porsche; 928; V8-4.5; 82-80 Porsche; 928; V8-273; 79-78 Porsche; 928; V8-4.7; 84-83 Porsche; 928; V8-5.0; 87-85</p>	<p>Mack; RWS Series Trk; Mack L6-11.0 Dsl; 82-80 Mack; RWS Series Trk; Mack L6-672 Dsl; 1979</p>
<p>43168 Mer-Benz; E420; V8-4.2; 95-94 Mer-Benz; E500; V8-5.0; 1994 Mer-Benz; S420; V8-4.2; 95-94 Mer-Benz; S500; V8-5.0; 95-94 Mer-Benz; SL500; V8-5.0; 95-94 Mer-Benz; 400E; V8-4.2; 93-92 Mer-Benz; 400SE; V8-4.2; 1992 Mer-Benz; 400SEL; V8-4.2; 1993 Mer-Benz; 500E; V8-5.0; 93-92 Mer-Benz; 500SEC; V8-5.0; 1993 Mer-Benz; 500SEL; V8-5.0; 93-92 Mer-Benz; 500SL; V8-5.0; 93-90</p>	<p>43222 Yugo; GV; L4-1.1; 89-86 Yugo; GVL; L4-1.1; 89-88 Yugo; GVS; L4-1.1; 1988</p>	<p>Mack; U Series Trk; Mack L6-11.0 Dsl; 82-80 Mack; U Series Trk; Mack L6-672 Dsl; 79-74 Mack; WL Series Trk; Mack L6-11.0 Dsl; 82-80</p>
<p>43169 Buick; Regal; V6-4.3 Dsl; 85-82 Chev; Malibu; V6-4.3 Dsl; 83-82 Chev; Monte Carlo; V6-4.3 Dsl; 83-82 Olds; Cutlass; V6-4.3 Dsl; 84-82</p>	<p>43223 AutomaticTransport; GLF30 Forklift; Continental F162 AutomaticTransport; GLF40 Forklift; Continental F162 AutomaticTransport; GLF50 Forklift; Continental F162 AutomaticTransport; GLF60 Forklift; Continental F162 AutomaticTransport; GLF70 Forklift; Continental F162 AutomaticTransport; GLF80 Forklift; Continental F162 AutomaticTransport; GLF100 Forklift; Continental F162 AutomaticTransport; GLFP30 Forklift; Continental F162 AutomaticTransport; GLFP40 Forklift; Continental F162</p>	<p></p>
<p>43170 Mer-Benz; C36; L6-3.6; 1995 Mer-Benz; C280; L6-2.8; 1995 Mer-Benz; SL320; L6-3.2; 96-95</p>	<p></p>	<p></p>
<p>43171 Mer-Benz; E320; L6-3.2; 1996 Mer-Benz; S320; L6-3.2; 96-94</p>	<p></p>	<p></p>

Numerical Listing

Use as a guide only. Refer to Pages 1 to 142 for specific applications.

43225 - Continued

Mack; WL Series Trk; Mack L6-672 Dsl; 79-76
 Mack; WS Series Trk; Mack L6-11.0 Dsl; 82-80
 Mack; WS Series Trk; Mack L6-672 Dsl; 79-76

43226

Mack; DM Series Trk; Mack L6-672 Dsl; 73-70
 Mack; DMM Series Trk; Mack L6-672 Dsl; 1973
 Mack; F Series Trk; Mack L6-672 Dsl; 73-71
 Mack; FL Series Trk; Mack L6-672 Dsl; 73-68
 Mack; FS Series Trk; Mack L6-672 Dsl; 73-70
 Mack; MB Series Trk; Mack L6-672 Dsl; 73-71
 Mack; R Series Trk; Mack L6-672 Dsl; 73-72
 Mack; RD Series Trk; Mack L6-672 Dsl; 73-72
 Mack; RL Series Trk; Mack L6-672 Dsl; 73-72
 Mack; RS Series Trk; Mack L6-672 Dsl; 73-72
 Mack; U Series Trk; Mack L6-672 Dsl; 73-72

43227

MassFerg; 135 Tractor; Continental L4-145; 75-64
 MassFerg; 150 Tractor; Continental L4-145; 75-64

43229

Int/Nav; CO4070A Trk; CumDsl NH220; 79-77
 Int/Nav; CO4070B Trk; CumDsl NH220; 79-75
 Int/Nav; CO5370 Trk; CumDsl NH220; 79-77
 Int/Nav; COF4070A Trk; CumDsl NH220; 79-77
 Int/Nav; COF4070B Trk; CumDsl NH220; 79-75
 Int/Nav; COF5370 Trk; CumDsl NH220; 79-77
 Int/Nav; DCOF405 Trk; CumDsl NH220; 71-70
 Int/Nav; DCOT405 Trk; CumDsl NH220; 71-70
 Int/Nav; F2000D Trk; CumDsl NH220; 72-70
 Int/Nav; F2070A Trk; CumDsl NH220; 77-73
 Int/Nav; F4200 Trk; CumDsl NH220; 79-73
 Int/Nav; F4300 Trk; CumDsl NH220; 79-74
 Int/Nav; T2000D Trk; CumDsl NH220; 72-70
 Int/Nav; 2000 Series Trk; CumDsl NH220; 72-70
 Int/Nav; 2070A Trk; CumDsl NH220; 77-73
 Int/Nav; 4200 Trk; CumDsl NH220; 79-72
 Int/Nav; 4300 Trk; CumDsl NH220; 79-72
 Int/Nav; 5000 Series Trk; CumDsl NH220; 79-78
 Int/Nav; 5000 Series Trk; CumDsl NH220; 1975
 Marmon; CHDT Trk; CumDsl NH220; 72-69
 Marmon; HDT Trk; CumDsl NH220; 72-68
 CrownCoach; A743-31 SchBus; CumDsl NH220; 78-66
 CrownCoach; A743T-11 SchBus; CumDsl NH220; 78-66
 Pettibone; Cary-Lift Super 40 Forklift; CumDsl NH220
 Pettibone; Cary-Lift Super 60 Forklift; CumDsl NH220

43232

MassFerg; 135 Tractor; Perkins L3-152 Dsl; 75-64
 MassFerg; 150 Tractor; Perkins L3-153 Dsl; 75-64

43232 - Continued

MassFerg; 2135 Turf Tractor; Perkins L3-153 Dsl; 68-64
 MassFerg; 2135 Utility Tractor; Perkins L3-153 Dsl; 68-64

43233

Autocar; Construcktor 2 Series Trk; CatDsl-3208; 80-79
 Chev; Bruin Trk; CatDsl-3208; 80-78
 Chev; C60 Trk; CatDsl-3208; 85-79
 Chev; C70 Trk; CatDsl-3208; 90-79
 Chev; H70 Trk; CatDsl-3208; 78-76
 Chev; J70 Trk; CatDsl-3208; 78-76
 Ford; C6000 Trk; CatDsl-3208; 79-78
 Ford; C7000 Trk; CatDsl-3208; 86-75
 Ford; C8000 Trk; CatDsl-3208; 90-75
 Ford; CT8000 Trk; CatDsl-3208; 90-75
 Ford; F7000 Trk; CatDsl-3208; 87-83
 Ford; F7000 Trk; CatDsl-3208; 80-75
 Ford; F8000 Trk; CatDsl-3208; 87-83
 Ford; F8000 Trk; CatDsl-3208; 79-78
 Ford; FT8000 Trk; CatDsl-3208; 87-83
 Ford; L8000 Trk; CatDsl-3208; 88-71
 Ford; LN6000 Trk; CatDsl-3208; 1975
 Ford; LN7000 Trk; CatDsl-3208; 87-75
 Ford; LN8000 Trk; CatDsl-3208; 89-71
 Ford; LNT8000 Trk; CatDsl-3208; 89-71
 Ford; LS8000 Trk; CatDsl-3208; 89-84
 Ford; LT8000 Trk; CatDsl-3208; 88-71
 Ford; LTS8000 Trk; CatDsl-3208; 89-71
 GMC; Brigadier Trk; CatDsl-3208; 88-78
 GMC; C6000 Trk; CatDsl-3208; 84-79
 GMC; C7000 Trk; CatDsl-3208; 90-79
 GMC; H7500 Trk; CatDsl-3208; 1978
 GMC; HY7500 Trk; CatDsl-3208; 77-76
 GMC; J7500 Trk; CatDsl-3208; 1978
 GMC; JY7500 Trk; CatDsl-3208; 77-76
 Int/Nav; CO1750B Trk; CatDsl-3208; 82-81
 Int/Nav; CO1850B Trk; CatDsl-3208; 83-76
 Int/Nav; CO1950B Trk; CatDsl-3208; 82-76
 Int/Nav; COF1950B Trk; CatDsl-3208; 82-76
 Int/Nav; F1850 Trk; CatDsl-3208; 78-75
 Int/Nav; F1954 Trk; CatDsl-3208; 82-78
 Int/Nav; F2050A Trk; CatDsl-3208; 75-74
 Int/Nav; F2554 Trk; CatDsl-3208; 82-79
 Int/Nav; F2654 Trk; CatDsl-3208; 82-79
 Int/Nav; F5050 Trk; CatDsl-3208; 82-74
 Int/Nav; 1650 Trk; CatDsl-3208; 78-75
 Int/Nav; 1750 Trk; CatDsl-3208; 78-75
 Int/Nav; 1754 Trk; CatDsl-3208; 82-80
 Int/Nav; 1850 Trk; CatDsl-3208; 78-75
 Int/Nav; 1854 Trk; CatDsl-3208; 82-78
 Int/Nav; 1954 Trk; CatDsl-3208; 82-78
 Int/Nav; 1955 Trk; CatDsl-3208; 82-78
 Int/Nav; 2050A Trk; CatDsl-3208; 75-74
 Int/Nav; 2155 Trk; CatDsl-3208; 82-78
 Int/Nav; 2554 Trk; CatDsl-3208; 82-79
 Int/Nav; 5050 Trk; CatDsl-3208; 82-80
 Int/Nav; 5050 Trk; CatDsl-3208; 75-74
 Int/Nav; 9600 Trk; CatDsl-3208; 1990
 Int/Nav; 9700 Trk; CatDsl-3208; 1990
 Mack; MB Series Trk; CatDsl-3208; 78-75
 Mack; MC Series Trk; CatDsl-3208; 82-79
 Mack; MR Series Trk; CatDsl-3208; 82-79
 Mack; R Series Trk; CatDsl-3208; 75-74
 Mack; WS Series Trk; CatDsl-3208; 1980
 P'bilt; 200 Trk; CatDsl-3208; 1977
 P'bilt; 300 Trk; CatDsl-3208; 1977
 P'bilt; 310 Trk; CatDsl-3208; 85-84
 Volvo; Xpedito Trk; CatDsl-3208; 1990
 White; Road Boss Trk; CatDsl-3208; 77-76
 White; Road Xpedito 2 Trk; CatDsl-3208; 83-77
 White; WX Trk; CatDsl-3208; 89-81
 White; WXD Trk; CatDsl-3208; 89-85
 White; WXD Trk; CatDsl-3208; 83-81
 WhiteGMC; Xpedito Trk; CatDsl-3208; 91-90
 Bluebird; All American SchBus; CatDsl-3208; 89-48
 Bluebird; TC2000 SchBus; CatDsl-3208; 1999

43233 - Continued

Bluebird; TC2000 SchBus; CatDsl-3208; 1992
 Chance; RT50 Bus; CatDsl-3208; 85-78
 Chance; RT52 Bus; CatDsl-3208; 2000-86
 Chance; VS24 Bus; CatDsl-3208; 89-83
 Ford; B7000 SchBus; CatDsl-3208; 87-83
 Ford; B7000 SchBus; CatDsl-3208; 79-75
 Int/Nav; 1853 SchBus; CatDsl-3208; 82-78
 Thomas; Saf-T-Liner MVP ER SchBus; CatDsl-3208; 2002-99
 Thomas; Saf-T-Liner MVP ER SchBus; CatDsl-3208; 1990
 Thomas; Saf-T-Liner MVP ER SchBus; CatDsl-3208; 1988
 Thomas; 22123 SchBus; CatDsl-3208; 1986
 Cat; V100 Forklift; CatDsl-3208
 Cat; V120 Forklift; CatDsl-3208
 Cat; V140 Forklift; CatDsl-3208
 Cat; V160 Forklift; CatDsl-3208
 Cat; V160B Forklift; CatDsl-3208
 Cat; V160E Forklift; CatDsl-3208
 Cat; V180 Forklift; CatDsl-3208
 Cat; V180B Forklift; CatDsl-3208
 Cat; V180E Forklift; CatDsl-3208
 Cat; V200 Forklift; CatDsl-3208
 Cat; V200B Forklift; CatDsl-3208
 Cat; V200ES Forklift; CatDsl-3208
 Cat; V225B Forklift; CatDsl-3208
 Cat; V250B Forklift; CatDsl-3208
 Cat; V300 Forklift; CatDsl-3208
 Cat; V300B Forklift; CatDsl-3208
 Cat; 225 (51U) Excavator; CatDsl-3208
 Cat; 613 Scraper; CatDsl-3208
 Cat; 613A (71M) Scraper; CatDsl-3208
 Cat; 613B (38W) Scraper; CatDsl-3208
 Cat; 613C Scraper; CatDsl-3208
 Cat; 613C (92X) Scraper; CatDsl-3208
 Cat; 3208 Marine Eng; CatDsl-3208
 Cat; 3208TA Marine Eng; CatDsl-3208
 Dynapac; CA25PD Compactor; CatDsl-3208
 Field Queen; FQ Harvester; CatDsl-3208; 75-73
 Field Queen; FQS Harvester; CatDsl-3208; 75-73
 Field Queen; 1412 Harvester; CatDsl-3208; 75-73
 Grove; RT630 Crane; CatDsl-3208
 Grove; RT745 Crane; CatDsl-3208
 Hyster; C852A Compactor; CatDsl-3208
 Hyster; C852B Compactor; CatDsl-3208
 Koehring; 428 Crane; CatDsl-3208
 NewHoll; TR75 Combine; CatDsl-3208; 85-80
 NewHoll; TR85 Combine; CatDsl-3208; 85-80
 NewHoll; TR95 Combine; CatDsl-3208; 85-79
 NewHoll; 1880 Harvester; CatDsl-3208; 75-68
 NewHoll; 1890 Harvester; CatDsl-3208; 78-76
 Oliver; 2255 Tractor; CatDsl-3208; 76-72
 Ottawa; YT50 Yard Tractor; CatDsl-3208
 Steiger; Bearcat I Tractor; CatDsl-3208; 74-70
 Steiger; Bearcat II Tractor; CatDsl-3208; 75-74
 Steiger; Wildcat III RC210 Tractor; CatDsl-3208; 77-76
 Steiger; Wildcat III ST210 Tractor; CatDsl-3208; 80-76
 White; 2-180 Tractor; CatDsl-3208; 82-77
 White; 4-150 Tractor; CatDsl-3208; 78-74
 White; 4-180 Tractor; CatDsl-3208; 78-75
 White; 4-210 Tractor; CatDsl-3208; 82-78
 White; 4-225 Tractor; CatDsl-3208; 87-83

43235

Replaces OEM: 865707 (Clark Equip.)
 Replaces OEM: Y400K-3612 (Clark Equip.)

43238

Brockway; 358 Trk; CumDsl NH230; 75-73

Numerical Listing

Use as a guide only. Refer to Pages 1 to 142 for specific applications.

43238 - Continued

Brockway; 360 Trk; CumDsl NH230; 1974
Int/Nav; CO4070A Trk; CumDsl NH230;
79-77
Int/Nav; CO4070B Trk; CumDsl NH230;
79-75
Int/Nav; CO5370 Trk; CumDsl NH230; 79-77
Int/Nav; COF4070A Trk; CumDsl NH230;
79-77
Int/Nav; COF4070B Trk; CumDsl NH230;
79-75
Int/Nav; COF5370 Trk; CumDsl NH230;
79-77
Int/Nav; DCOF405 Trk; CumDsl NH230;
71-70
Int/Nav; DCOT405 Trk; CumDsl NH230;
71-70
Int/Nav; F2000D Trk; CumDsl NH230; 72-70
Int/Nav; F2070A Trk; CumDsl NH230; 77-73
Int/Nav; F4200 Trk; CumDsl NH230; 79-73
Int/Nav; F4300 Trk; CumDsl NH230; 79-74
Int/Nav; T2000D Trk; CumDsl NH230; 72-70
Int/Nav; 2000 Series Trk; CumDsl NH230;
72-70
Int/Nav; 2070A Trk; CumDsl NH230; 77-73
Int/Nav; 4200 Trk; CumDsl NH230; 79-72
Int/Nav; 4300 Trk; CumDsl NH230; 79-72
Int/Nav; 5000 Series Trk; CumDsl NH230;
79-78
Int/Nav; 5000 Series Trk; CumDsl NH230;
1975
White; Construcktor Series Trk; CumDsl
NH230; 76-74
White; Construcktor Series Trk; CumDsl
NHD230; 74-72
White; Road Xpeditor Trk; CumDsl NH230;
76-75
White; 4000 Series Trk; CumDsl NH230;
73-68
White; 4000 Series Trk; CumDsl NHC250;
72-68
White; 6000 Series Trk; CumDsl NH230;
73-68
White; 6000 Series Trk; CumDsl NHC250;
74-71
White; 7000 Series Trk; CumDsl NH230;
1969
White; 7000 Series Trk; CumDsl NHC250;
1972
White; 7000 Series Trk; CumDsl NHC250;
1969
White; 9000 Series Trk; CumDsl NHC250;
71-68
Drott; 30DH Crane; CumDsl NH230

43240

Mack; CH Series Trk; Mack L6-12.0 Dsl;
2002-90
Mack; CL Series Trk; Mack L6-12.0 Dsl;
2001-93
Mack; CV Series Trk; Mack L6-12.0 Dsl;
2002
Mack; CX Series Trk; Mack L6-12.0 Dsl;
2002-00
Mack; DM Series Trk; Mack L6-12.0 Dsl;
2002-90
Mack; DMM Series Trk; Mack L6-12.0 Dsl;
2002-90
Mack; FDM Series Trk; Mack L6-12.0 Dsl;
96-94
Mack; LE Series Trk; Mack L6-12.0 Dsl;
2002-98
Mack; MH Series Trk; Mack L6-12.0 Dsl;
94-90
Mack; MR Series Trk; Mack L6-12.0 Dsl;
2002-90
Mack; RB Series Trk; Mack L6-12.0 Dsl;
2002-91
Mack; RD Series Trk; Mack L6-12.0 Dsl;
2002-90
Mack; RM Series Trk; Mack L6-12.0 Dsl;
94-90

43240 - Continued

Mack; RW Series Trk; Mack L6-12.0 Dsl;
93-91

43242

Replaces OEM: 196845 (Cummins)
Replaces OEM: AR-04283 (Cummins)
Replaces OEM: AR-04283 (White)

43243

Hyster; H50H Forklift; Perkins L6-354 Dsl
Hyster; H150E Forklift; Perkins L6-354
Hyster; H165E Forklift; Perkins L6-354
Hyster; H180E Forklift; Perkins L6-354
Hyster; H200E Forklift; Perkins L6-354
Hyster; H200ES Forklift; Perkins L6-354
Hyster; H225E Forklift; Perkins L6-354
Hyster; H225ES Forklift; Perkins L6-354
Hyster; H250A Forklift; Perkins L6-354
Hyster; H250E Forklift; Perkins L6-354
Hyster; H275H Forklift; Perkins L6-354 Dsl
Hyster; H300 Forklift; Perkins L6-354 Dsl
Hyster; H300A Forklift; Perkins L6-354
Hyster; H330 Forklift; Perkins L6-354 Dsl
Hyster; H350B Forklift; Perkins L6-354 Dsl
Hyster; P125A Forklift; Perkins L6-354
Hyster; P150A Forklift; Perkins L6-354
Hyster; P165A Forklift; Perkins L6-354
Hyster; P180A Forklift; Perkins L6-354

43244

Hyster; H50H Forklift; Perkins L6-354 Dsl
Hyster; H150E Forklift; Perkins L6-354
Hyster; H165E Forklift; Perkins L6-354
Hyster; H180E Forklift; Perkins L6-354
Hyster; H200E Forklift; Perkins L6-354
Hyster; H200ES Forklift; Perkins L6-354
Hyster; H225E Forklift; Perkins L6-354
Hyster; H225ES Forklift; Perkins L6-354
Hyster; H250A Forklift; Perkins L6-354
Hyster; H250E Forklift; Perkins L6-354
Hyster; H275H Forklift; Perkins L6-354 Dsl
Hyster; H300 Forklift; Perkins L6-354 Dsl
Hyster; H300A Forklift; Perkins L6-354
Hyster; H330 Forklift; Perkins L6-354 Dsl
Hyster; H350B Forklift; Perkins L6-354 Dsl
Hyster; P125A Forklift; Perkins L6-354
Hyster; P150A Forklift; Perkins L6-354
Hyster; P165A Forklift; Perkins L6-354
Hyster; P180A Forklift; Perkins L6-354

43245

Hyster; H50H Forklift; Perkins L6-354 Dsl
Hyster; H150E Forklift; Perkins L6-354
Hyster; H165E Forklift; Perkins L6-354
Hyster; H180E Forklift; Perkins L6-354
Hyster; H200E Forklift; Perkins L6-354
Hyster; H200ES Forklift; Perkins L6-354
Hyster; H225E Forklift; Perkins L6-354
Hyster; H225ES Forklift; Perkins L6-354
Hyster; H250A Forklift; Perkins L6-354
Hyster; H250E Forklift; Perkins L6-354
Hyster; H275H Forklift; Perkins L6-354 Dsl
Hyster; H300 Forklift; Perkins L6-354 Dsl
Hyster; H300A Forklift; Perkins L6-354
Hyster; H330 Forklift; Perkins L6-354 Dsl
Hyster; H350B Forklift; Perkins L6-354 Dsl
Hyster; P125A Forklift; Perkins L6-354
Hyster; P150A Forklift; Perkins L6-354
Hyster; P165A Forklift; Perkins L6-354
Hyster; P180A Forklift; Perkins L6-354

43246

Replaces OEM: 41312756 (Perkins)

43247

Replaces OEM: 41312918 (Perkins)

43248

Replaces OEM: 14079-D05 (Cummins)
Replaces OEM: 34079B05 (Cummins)
Replaces OEM: 377411 (Cummins)

43249

Replaces OEM: 236-57-31 (Perkins)

43250

Replaces OEM: 41313048 (Perkins)

43251

Mer-Benz; 1117 Trk; OM366 Dsl; 90-86
Mer-Benz; 1219 Trk; OM366 Dsl; 90-87
Mer-Benz; 1319 Trk; OM366 Dsl; 90-87
Mer-Benz; 1419 Trk; OM366 Dsl; 90-87

43252

Intrnatl; 433 Scraper; IH DT466 Dsl
Intrnatl; 433 Scraper; IH DVT800 Dsl

43253

Ken; C500 Trk; CumDsl NTC230; 1979

43254

Replaces OEM: USMW0092 (Perkins)

43255

Infiniti; QX4; V6-3.3; 2000-97
Niss; Frontier; V6-3.3; 2004-99
Niss; Pathfinder; V6-3.3; 2000-96
Niss; Xterra; V6-3.3; 2004-00

43256

Replaces OEM: 12528816 (General Motors)
Replaces OEM: 93432783 (General Motors)

43257

Chry; Cordoba; V8-5.2; 83-80
Chry; Cordoba; V8-318; 79-75
Chry; Cordoba; V8-5.9; 1980
Chry; Cordoba; V8-360; 79-75
Chry; Fifth Avenue; V8-5.2; 89-83
Chry; Imperial; V8-5.2; 83-81
Chry; Lebaron; V8-5.2; 81-80
Chry; Lebaron; V8-318; 79-77
Chry; Lebaron; V8-360; 79-78
Chry; New Yorker; V8-5.2; 82-80
Chry; New Yorker; V8-318; 1979
Chry; New Yorker; V8-5.9; 1980
Chry; New Yorker; V8-360; 79-77
Chry; Newport; V8-5.2; 81-80
Chry; Newport; V8-318; 1979
Chry; Newport; V8-5.9; 1980
Chry; Newport; V8-360; 79-74
Chry; Newport; V8-360; 72-71
Chry; Town & Country; V8-5.2; 81-80
Chry; Town & Country; V8-318; 79-78
Chry; Town & Country; V8-360; 79-78
Dodge; A Series Van; V8-318; 1970
Dodge; Aspen; V8-5.2; 1980
Dodge; Aspen; V8-318; 79-76
Dodge; Aspen; V8-360; 79-76
Dodge; B Series Van; V6-3.9; 91-88
Dodge; B Series Van; V8-5.2; 91-80
Dodge; B Series Van; V8-318; 79-71
Dodge; B Series Van; V8-5.9; 92-80
Dodge; B Series Van; V8-360; 79-71
Dodge; Challenger; V8-318; 74-70
Dodge; Challenger; V8-340; 73-70
Dodge; Challenger; V8-360; 1974
Dodge; Charger; V8-318; 78-70
Dodge; Charger; V8-340; 73-72
Dodge; Charger; V8-360; 78-74
Dodge; Coronet; V8-318; 76-70
Dodge; Coronet; V8-340; 73-72
Dodge; Coronet; V8-360; 76-74
Dodge; D & W Series Pickup; V6-3.9; 91-88
Dodge; D & W Series Pickup; V8-5.2; 91-80
Dodge; D & W Series Pickup; V8-318; 79-70
Dodge; D & W Series Pickup; V8-5.9; 92-80
Dodge; D & W Series Pickup; V8-360; 79-71
Dodge; Dakota; V6-3.9; 91-87
Dodge; Dakota; V8-5.2; 1989
Dodge; Dart; V8-318; 76-70
Dodge; Dart; V8-340; 73-70
Dodge; Dart; V8-360; 76-74
Dodge; Diplomat; V8-5.2; 89-80

Numerical Listing

Use as a guide only. Refer to Pages 1 to 142 for specific applications.

<p>43257 - Continued</p>	<p>43260</p>	<p>43279 - Continued</p>
<p>Dodge; Diplomat; V8-318; 79-77 Dodge; Diplomat; V8-360; 79-78 Dodge; Magnum; V8-318; 79-78 Dodge; Magnum; V8-360; 79-78 Dodge; Mirada; V8-5.2; 83-80 Dodge; Mirada; V8-5.9; 1980 Dodge; Monaco; V8-318; 78-75 Dodge; Monaco; V8-360; 78-72 Dodge; Polara; V8-318; 73-70 Dodge; Polara; V8-360; 73-71 Dodge; Ramcharger; V8-5.2; 91-80 Dodge; Ramcharger; V8-318; 79-74 Dodge; Ramcharger; V8-5.9; 92-84 Dodge; Ramcharger; V8-5.9; 81-80 Dodge; Ramcharger; V8-360; 79-74 Dodge; Royal Monaco; V8-318; 1977 Dodge; Royal Monaco; V8-360; 77-75 Dodge; St. Regis; V8-5.2; 81-80 Dodge; St. Regis; V8-318; 1979 Dodge; St. Regis; V8-5.9; 1980 Dodge; St. Regis; V8-360; 1979 Ply; B Series Van; V8-5.2; 83-80 Ply; B Series Van; V8-318; 79-74 Ply; B Series Van; V8-5.9; 83-80 Ply; B Series Van; V8-360; 79-74 Ply; Barracuda; V8-318; 74-70 Ply; Barracuda; V8-340; 73-70 Ply; Barracuda; V8-360; 1974 Ply; Belvedere; V8-318; 1970 Ply; Caravelle; V8-5.2 Canada; 84-80 Ply; Duster; V8-318; 76-70 Ply; Duster; V8-340; 73-70 Ply; Duster; V8-360; 76-74 Ply; Fury; V8-318; 78-75 Ply; Fury; V8-318; 73-70 Ply; Fury; V8-360; 78-71 Ply; Gran Fury; V8-5.2; 89-80 Ply; Gran Fury; V8-318; 77-75 Ply; Gran Fury; V8-5.9; 1980 Ply; Gran Fury; V8-360; 77-75 Ply; Road Runner; V8-318; 74-72 Ply; Road Runner; V8-340; 73-71 Ply; Road Runner; V8-360; 1974 Ply; Satellite; V8-318; 74-70 Ply; Satellite; V8-340; 1972 Ply; Satellite; V8-360; 1974 Ply; Scamp; V8-318; 76-71 Ply; Trailduster; V8-5.2; 81-80 Ply; Trailduster; V8-318; 79-74 Ply; Trailduster; V8-5.9; 81-80 Ply; Trailduster; V8-360; 79-74 Ply; Valiant; V8-318; 76-70 Ply; Valiant; V8-360; 1976 Ply; Valiant; V8-360; 1974 Ply; Volare; V8-5.2; 1980 Ply; Volare; V8-318; 79-76 Ply; Volare; V8-360; 79-76</p>	<p>Toy.; Land Cruiser; L6-4.2; 1980 Toy.; Land Cruiser; L6-258; 79-77</p> <p>43262</p> <p>BMW; 540I; V8-4.4; 98-97 BMW; 740I; V8-4.0; 1995 BMW; 740I; V8-4.4; 98-97 BMW; 740IL; V8-4.0; 1995 BMW; 740IL; V8-4.4; 98-96 BMW; 840CI; V8-4.0; 95-94 BMW; 840CI; V8-4.4; 1996</p> <p>43263</p> <p>Chry; Aspen; V8-4.7; 2007 Dodge; Dakota; V6-3.7; 2006-04 Dodge; Dakota; V8-4.7; 2006-00 Dodge; Durango; V6-3.7; 2007-04 Dodge; Durango; V8-4.7; 2007-00 Dodge; Nitro; V6-3.7; 2007 Dodge; Ram Series Pickup; V6-3.7; 2006-02 Dodge; Ram Series Pickup; V8-4.7; 2006-02 Jeep; Commander; V6-3.7; 2007-06 Jeep; Commander; V8-4.7; 2007-06 Jeep; Grand Cherokee; V6-3.7; 2007-05 Jeep; Grand Cherokee; V8-4.7; 2007-99 Jeep; Liberty; V6-3.7; 2007-02 Mits; Raider; V6-3.7; 2006 Mits; Raider; V8-4.7; 2006</p> <p>43264</p> <p>Ford; Mustang; V8-4.2; 82-80 Ford; Mustang; V8-5.0; 85-82 Linc; Continental; V8-5.0; 1985 Linc; Mark VII; V8-5.0; 1985 Merc; Capri; V8-4.2; 82-80 Merc; Capri; V8-5.0; 85-84</p> <p>43266</p> <p>Mer-Benz; C36; L6-3.6; 97-96 Mer-Benz; C280; L6-2.8; 97-96 Mer-Benz; SL320; L6-3.2; 1997</p> <p>43267</p> <p>Mer-Benz; E320; L6-3.2; 1997 Mer-Benz; S320; L6-3.2; 96-95</p> <p>43271</p> <p>Lexus; GS300; L6-3.0; 97-93 Lexus; SC300; L6-3.0; 2000-92 Toy.; Supra; L6-3.0; 98-94</p> <p>43272</p> <p>Ford; Mustang; V8-5.0; 93-86 Ford; Thunderbird; V8-5.0; 88-86 Linc; Continental; V8-5.0; 87-86 Linc; Mark VII; V8-5.0; 92-86 Merc; Capri; V8-5.0; 1986 Merc; Cougar; V8-5.0; 88-86</p> <p>43272P</p> <p>Ford; Mustang; V8-5.0; 93-86 Ford; Thunderbird; V8-5.0; 88-86 Linc; Continental; V8-5.0; 87-86 Linc; Mark VII; V8-5.0; 92-86 Merc; Capri; V8-5.0; 1986 Merc; Cougar; V8-5.0; 88-86</p> <p>43277</p> <p>BMW; 850CI; V12-5.0; 1994 BMW; 850CSI; V12-5.6; 95-94 BMW; 850I; V12-5.0; 92-91</p> <p>43278</p> <p>BMW; 530I; V8-3.0; 95-94 BMW; 540I; V8-4.0; 95-94 BMW; 740I; V8-4.0; 94-93 BMW; 740IL; V8-4.0; 94-93</p> <p>43279</p> <p>Ford; Explorer; V6-4.0; 2005-97 Ford; Explorer Sport Trac; V6-4.0; 2005-01 Ford; Ranger; V6-4.0; 2005-03 Mazda; B4000 Pickup; V6-4.0; 2005-01</p>	<p>Merc; Mountaineer; V6-4.0; 2005-98</p> <p>43280</p> <p>Ford; C800 Trk; V8-477; 1979 Ford; C900 Trk; V8-7.8; 81-80 Ford; C900 Trk; V8-477; 79-78 Ford; C900 Trk; V8-8.8; 81-80 Ford; C900 Trk; V8-534; 79-78 Ford; CT900 Trk; V8-477; 1978 Ford; CT900 Trk; V8-534; 79-78 Ford; F880 Trk; V8-477; 1978 Ford; L800 Trk; V8-477; 79-78 Ford; L800 Trk; V8-534; 79-78 Ford; L900 Trk; V8-7.8; 81-80 Ford; L900 Trk; V8-477; 79-78 Ford; L900 Trk; V8-8.8; 81-80 Ford; L900 Trk; V8-534; 79-78 Ford; LN800 Trk; V8-477; 79-78 Ford; LN800 Trk; V8-534; 79-78 Ford; LN900 Trk; V8-7.8; 81-80 Ford; LN900 Trk; V8-477; 79-78 Ford; LN900 Trk; V8-8.8; 81-80 Ford; LN900 Trk; V8-534; 79-78 Ford; LNT800 Trk; V8-477; 79-78 Ford; LNT800 Trk; V8-534; 79-78 Ford; LNT880 Trk; V8-477; 1978 Ford; LNT880 Trk; V8-534; 1978 Ford; LNT900 Trk; V8-7.8; 81-80 Ford; LNT900 Trk; V8-477; 79-78 Ford; LNT900 Trk; V8-8.8; 81-80 Ford; LNT900 Trk; V8-534; 79-78 Ford; LT800 Trk; V8-477; 79-78 Ford; LT800 Trk; V8-534; 79-78 Ford; LT900 Trk; V8-7.8; 81-80 Ford; LT900 Trk; V8-477; 79-78 Ford; LT900 Trk; V8-8.8; 81-80 Ford; LT900 Trk; V8-534; 79-78 Ford; LTS800 Trk; V8-477; 79-78 Ford; LTS800 Trk; V8-534; 79-78 Ford; LTS900 Trk; V8-7.8; 81-80 Ford; LTS900 Trk; V8-477; 79-78 Ford; LTS900 Trk; V8-8.8; 81-80 Ford; LTS900 Trk; V8-534; 79-78</p> <p>43282</p> <p>Ford; F800 Trk; V8-534; 79-78 Ford; F880 Trk; V8-534; 1978</p> <p>43283</p> <p>Chev; C & K Series Pickup; L6-292; 74-65 Chev; G Series Van; L6-292; 1974 Chev; P Series Van; L6-292; 74-65 Chev; Suburban; L6-292; 74-65 GMC; C & K Series Pickup; L6-292; 74-67 GMC; G Series Van; L6-292; 1974 GMC; P Series Van; L6-292; 74-67 GMC; Suburban; L6-292; 74-66 Chev; C50 Trk; GM L6-292; 74-69 Chev; CS50 Trk; GM L6-292; 72-67 Chev; CS60 Trk; GM L6-292; 72-67 Chev; P40 Trk; GM L6-292; 72-66 Chev; P50 Trk; GM L6-292; 72-66 Chev; T40 Trk; GM L6-292; 72-65 Chev; T50 Trk; GM L6-292; 72-65 Chev; T60 Trk; GM L6-292; 72-65 Chev; T60 Trk; GM V8-350; 1973 GMC; CS5000 Trk; L6-292; 74-67 GMC; CS6000 Trk; L6-292; 74-67 GMC; PS4500 Trk; L6-292; 72-66 GMC; TS5500 Trk; L6-292; 72-65 Chev; S60 B6P Series SchBus; GM L6-292; 74-73 Chev; SS50 SchBus; GM L6-292; 74-65 Chev; SS60 SchBus; GM L6-292; 74-65 GMC; SS6000 SchBus; L6-292; 74-65 MassFerg; 410SP Combine; Chev L6-292; 72-64</p> <p>43285</p> <p>Mer-Benz; E320; L6-3.2; 1994 Mer-Benz; 300CE; L6-3.2; 1993</p>
<p>43258</p> <p>Brockway; 358 Trk; CumDsl NH250; 75-73 FWD; C Series Trk; CumDsl NTC250; 1976 Mack; DM Series Trk; CumDsl NHC250; 1972 Mack; FL Series Trk; CumDsl NHC250; 71-70 Mack; FS Series Trk; CumDsl NHC250; 71-70 Mack; R Series Trk; CumDsl NHC250; 1972 Mack; RL Series Trk; CumDsl NHC250; 72-70 Mack; RS Series Trk; CumDsl NHC250; 72-71 Mack; U Series Trk; CumDsl NHC250; 1972 P'bilt; 282 Trk; CumDsl NHC250; 73-65 P'bilt; 351 Trk; CumDsl NHC250; 73-65 P'bilt; 352 Trk; CumDsl NHC250; 73-65</p> <p>43259</p> <p>Toy.; Land Cruiser; L6-4.2; 1980 Toy.; Land Cruiser; L6-258; 79-77</p>		

Numerical Listing

Use as a guide only. Refer to Pages 1 to 142 for specific applications.

43285 - Continued	43303 - Continued	43307 - Continued
Mer-Benz; 300E; L6-2.8; 1993 Mer-Benz; 300E; L6-3.2; 1993 Mer-Benz; 300TE; L6-3.2; 1993	Mer-Benz; 500SEL; V8-5.0; 85-84	Int/Nav; 8200 Trk; CumDsl M11; 97-94
43286	43304	Int/Nav; 8300 Trk; Cummins10 Dsl; 94-91
Renault; Fuego; L4-1.6; 84-82 Renault; 18l; L4-1.6; 83-81	Dodge; Ram 50 Pickup; L4-2.3 Dsl; 85-83 Mits; Pickup; L4-2.3 Dsl; 85-83	Int/Nav; 9100 Trk; CumDsl M11; 1998
43287	43305	Int/Nav; 9200 Trk; Cummins10 Dsl; 94-93
Renault; Lecar; L4-1.4; 83-80	Niss; Maxima; V6-3.0; 94-92	Int/Nav; 9200 Trk; CumDsl M11; 98-94
43288	43306	Int/Nav; 9300 Trk; Cummins10 Dsl; 94-91
Toy.; Land Cruiser; L6-2.3T; 74-69	Volvo; 260; V6-2.8; 82-80	Int/Nav; 9300 Trk; CumDsl M11; 98-95
43289	43307	Int/Nav; 9400 Trk; Cummins10 Dsl; 94-91
Toy.; Camry; L4-1.8 Dsl; 86-84 Toy.; Camry; L4-2.0 Dsl; 1986 Toy.; Corolla; L4-1.8 Dsl; 85-84	Autocar; AC Series Trk; Cummins10 Dsl; 1995	Int/Nav; 9400 Trk; CumDsl M11; 98-95
43290	Autocar; AC Series Trk; Cummins10 Dsl; 1991	Int/Nav; 9600 Trk; Cummins10 Dsl; 94-91
Toy.; Land Cruiser; L6-4.2; 87-81	Autocar; AC Series Trk; CumDsl M11; 1995	Int/Nav; 9600 Trk; CumDsl M11; 96-94
43291	Autocar; Cement Mixer Trk; Cummins10 Dsl; 1993	Int/Nav; 9700 Trk; Cummins10 Dsl; 94-91
Toy.; T100; L4-2.7; 98-95 Toy.; Tacoma; L4-2.4; 2003-95 Toy.; Tacoma; L4-2.7; 2004-95 Toy.; 4 Runner; L4-2.7; 2000-96	Ford; CL9000 Trk; Cummins10 Dsl; 1991	Int/Nav; 9700 Trk; CumDsl M11; 96-94
43292	Ford; CLT9000 Trk; Cummins10 Dsl; 1991	Int/Nav; 9800 Trk; CumDsl M11; 99-96
Porsche; 968; L4-3.0; 95-92	Ford; L8000 Trk; Cummins10 Dsl; 92-91	Ken; C500 Trk; CumDsl M11; 98-95
43293	Ford; L8000 Trk; CumDsl M11; 97-96	Ken; C550 Trk; CumDsl M11; 1996
Volvo; 260; V6-163; 78-76	Ford; L9000 Trk; Cummins10 Dsl; 97-91	Ken; K100 Trk; CumDsl ISM; 2000-99
43295	Ford; L9000 Trk; CumDsl M11; 97-95	Ken; K100 Trk; CumDsl M11; 98-95
Porsche; 924; L4-2.5; 88-87 Porsche; 944; L4-2.5; 89-83	Ford; LA8000 Trk; Cummins10 Dsl; 92-91	Ken; T400 Trk; Cummins10 Dsl; 97-91
43296	Ford; LA8000 Trk; CumDsl M11; 97-96	Ken; T400 Trk; CumDsl M11; 97-95
Volvo; 760; V6-2.8; 90-83 Volvo; 780; V6-2.8; 90-87	Ford; LA9000 Trk; Cummins10 Dsl; 97-91	Ken; T450 Trk; Cummins10 Dsl; 95-91
43297	Ford; LA9000 Trk; CumDsl M11; 97-95	Ken; T450 Trk; CumDsl M11; 1995
Mer-Benz; 420SEL; V8-4.2; 91-86 Mer-Benz; 560SEC; V8-5.6; 91-86 Mer-Benz; 560SEL; V8-5.6; 91-86 Mer-Benz; 560SL; V8-5.6; 89-86	Ford; LA9000 Trk; Cummins10 Dsl; 96-91	Ken; T600 Trk; Cummins10 Dsl; 97-91
43298	Ford; LA9000 Trk; CumDsl M11; 97-95	Ken; T600 Trk; CumDsl M11; 97-95
Mer-Benz; E420; V8-4.2; 1997 Mer-Benz; E420; V8-4.2; 95-94 Mer-Benz; E500; V8-5.0; 1994 Mer-Benz; S420; V8-4.2; 99-94 Mer-Benz; S500; V8-5.0; 99-94 Mer-Benz; SL500; V8-5.0; 98-94	Ford; LLA9000 Trk; Cummins10 Dsl; 96-91	Ken; T800 Trk; Cummins10 Dsl; 97-91
43299	Ford; LLA9000 Trk; CumDsl M11; 97-95	Ken; T800 Trk; CumDsl M11; 97-95
Niss; QF01 Forklift; Niss SD22 Dsl Niss; QF02 Forklift; Niss SD22 Dsl	Ford; LLS9000 Trk; Cummins10 Dsl; 96-91	Ken; W900 Trk; CumDsl M11; 1996
43300	Ford; LN8000 Trk; Cummins10 Dsl; 1992	P'bilt; 320 Trk; Cummins10 Dsl; 96-91
Niss; Pathfinder; V6-3.0; 95-87 Niss; Pickup; V6-3.0; 95-86 Niss; Pickup; V6-3.0 Canada; 1996	Ford; LN9000 Trk; Cummins10 Dsl; 97-91	P'bilt; 357 Trk; Cummins10 Dsl; 97-91
43301	Ford; LN9000 Trk; CumDsl M11; 96-95	P'bilt; 357 Trk; CumDsl M11; 97-95
Toy.; Land Cruiser; L6-4.0; 92-88	Ford; LNT8000 Trk; Cummins10 Dsl; 1991	P'bilt; 362 Trk; Cummins10 Dsl; 95-91
43302	Ford; LNT8000 Trk; CumDsl M11; 97-91	P'bilt; 375 Trk; Cummins10 Dsl; 96-91
Mer-Benz; 190E; L6-2.6; 93-87 Mer-Benz; 260E; L6-2.6; 89-87 Mer-Benz; 300CE; L6-3.0; 89-88 Mer-Benz; 300E; L6-2.6; 92-90 Mer-Benz; 300E; L6-3.0; 93-86 Mer-Benz; 300SE; L6-3.0; 91-88 Mer-Benz; 300SEL; L6-3.0; 91-88 Mer-Benz; 300TE; L6-3.0; 93-88	Ford; LNT9000 Trk; Cummins10 Dsl; 97-91	P'bilt; 377 Trk; Cummins10 Dsl; 97-94
43303	Ford; LNT9000 Trk; CumDsl M11; 96-95	P'bilt; 378 Trk; Cummins10 Dsl; 97-94
Mer-Benz; 380SE; V8-3.8; 85-84 Mer-Benz; 380SEC; V8-3.8; 83-82 Mer-Benz; 380SEL; V8-3.8; 83-81 Mer-Benz; 380SL; V8-3.8; 85-81 Mer-Benz; 380SLC; V8-3.8; 1981 Mer-Benz; 500SEC; V8-5.0; 85-84	Ford; LNT9000 Trk; CumDsl M11; 96-95	P'bilt; 378 Trk; CumDsl M11; 97-95
	Ford; LNT9000 Trk; Cummins10 Dsl; 97-91	P'bilt; 379 Trk; Cummins10 Dsl; 97-92
	Ford; LNT9000 Trk; CumDsl M11; 96-95	P'bilt; 379 Trk; CumDsl M11; 97-95
	Ford; LNT9000 Trk; Cummins10 Dsl; 96-91	P'bilt; 385 Trk; Cummins10 Dsl; 97-96
	Ford; LNT9000 Trk; CumDsl M11; 97-95	P'bilt; 385 Trk; CumDsl M11; 97-96
	Ford; LNT9000 Trk; Cummins10 Dsl; 97-91	Sterling; A-Line Trk; CumDsl M11; 1998
	Ford; LNT9000 Trk; CumDsl M11; 96-95	Sterling; L-Line Trk; CumDsl M11; 1998
	Ford; LNT9000 Trk; Cummins10 Dsl; 92-91	Volvo; Autocar Trk; Cummins10 Dsl; 97-96
	Ford; LNT9000 Trk; CumDsl M11; 97-96	Volvo; Autocar Trk; CumDsl M11; 98-96
	Ford; LNT9000 Trk; Cummins10 Dsl; 97-91	Volvo; VN Series Trk; CumDsl M11; 1997
	Ford; LNT9000 Trk; CumDsl M11; 97-95	Volvo; WCA Series Trk; Cummins10 Dsl; 93-91
	Ford; LNT9000 Trk; Cummins10 Dsl; 97-91	Volvo; WCA Series Trk; CumDsl M11; 97-96
	Ford; LNT9000 Trk; CumDsl M11; 96-95	Volvo; WCM Series Trk; Cummins10 Dsl; 93-91
	Ford; LNT9000 Trk; Cummins10 Dsl; 96-91	Volvo; WG Series Trk; Cummins10 Dsl; 1996
	Ford; LNT9000 Trk; CumDsl M11; 97-95	Volvo; WG Series Trk; Cummins10 Dsl; 93-91
	Ford; LNT9000 Trk; Cummins10 Dsl; 96-91	Volvo; WG Series Trk; CumDsl M11; 97-96
	Ford; LNT9000 Trk; CumDsl M11; 96-95	Volvo; WIA Series Trk; Cummins10 Dsl; 1997
	Ford; LNT9000 Trk; Cummins10 Dsl; 97-91	Volvo; WIA Series Trk; Cummins10 Dsl; 93-91
	Ford; LNT9000 Trk; CumDsl M11; 96-95	Volvo; WIA Series Trk; CumDsl M11; 97-96
	F'liner; Century Class Trk; CumDsl M11; 97-96	Volvo; WIM Series Trk; Cummins10 Dsl; 93-91
	F'liner; FL112 Trk; CumDsl M11; 97-96	Volvo; Xpeditor Trk; Cummins10 Dsl; 98-96
	F'liner; FLA Trk; Cummins10 Dsl; 94-91	Volvo; Xpeditor Trk; Cummins10 Dsl; 93-91
	F'liner; FLB Trk; Cummins10 Dsl; 96-95	Volvo; Xpeditor Trk; CumDsl M11; 98-96
	F'liner; FLB Trk; CumDsl M11; 98-95	WestStar; 3800 Series Trk; Cummins10 Dsl; 96-91
	F'liner; FLC Trk; Cummins10 Dsl; 96-91	WestStar; 3800 Series Trk; CumDsl M11; 97-92
	F'liner; FLC Trk; CumDsl M11; 98-95	WestStar; 4800 Series Trk; Cummins10 Dsl; 96-91
	F'liner; FLD Trk; Cummins10 Dsl; 96-91	WestStar; 4800 Series Trk; CumDsl M11; 97-92
	F'liner; FLD Trk; CumDsl M11; 97-95	WestStar; 4900 Series Trk; Cummins10 Dsl; 94-93
	F'liner; FLL Trk; Cummins10 Dsl; 96-89	WestStar; 5900 Series Trk; Cummins10 Dsl; 94-93
	F'liner; FLL Trk; CumDsl M11; 96-94	WhiteGMC; WCA Series Trk; Cummins10 Dsl; 93-91
	Int/Nav; 2574 Trk; Cummins10 Dsl; 98-91	WhiteGMC; WCA Series Trk; CumDsl M11; 95-94
	Int/Nav; 2574 Trk; CumDsl M11; 97-94	
	Int/Nav; 2674 Trk; Cummins10 Dsl; 98-91	
	Int/Nav; 2674 Trk; CumDsl M11; 97-95	
	Int/Nav; 5000 Trk; Cummins10 Dsl; 98-91	
	Int/Nav; 5000 Trk; CumDsl M11; 97-95	
	Int/Nav; 8100 Trk; Cummins10 Dsl; 98-91	
	Int/Nav; 8100 Trk; CumDsl M11; 97-94	
	Int/Nav; 8200 Trk; CumDsl ISM; 1998	
	Int/Nav; 8200 Trk; Cummins10 Dsl; 97-91	

Numerical Listing

Use as a guide only. Refer to Pages 1 to 142 for specific applications.

43307 - Continued	43309 - Continued	43309 - Continued
WhiteGMC; WCL Series Trk; Cummins10 Dsl; 94-91 WhiteGMC; WCM Series Trk; Cummins10 Dsl; 94-91 WhiteGMC; WCS Series Trk; Cummins10 Dsl; 1991 WhiteGMC; WG Series Trk; Cummins10 Dsl; 95-91 WhiteGMC; WG Series Trk; CumDsl M11; 95-94 WhiteGMC; WHR Series Trk; Cummins10 Dsl; 93-91 WhiteGMC; WIA Series Trk; Cummins10 Dsl; 94-91 WhiteGMC; WIA Series Trk; CumDsl M11; 95-94 WhiteGMC; Xpeditor Trk; Cummins10 Dsl; 95-91 WhiteGMC; Xpeditor Trk; CumDsl M11; 95-94 Flxible; Metro Bus; Cummins10 Dsl; 96-91 Flxible; Metro Bus; CumDsl M11; 96-91 Flxible; Metro 106 Bus; Cummins10 Dsl; 96-92 Gillig; Phantom Bus; Cummins10 Dsl; 98-96 Gillig; Phantom Bus; Cummins10 Dsl; 93-91 Gillig; Phantom Bus; CumDsl M11; 97-93 Ikarus; 436-06 Bus; CumDsl M11; 1995 Lag; LAG350T Bus; Cummins10 Dsl; 1991 MCI; 102-D3 Bus; Cummins10 Dsl; 1995 New Flyer; D40 Bus; Cummins10 Dsl; 2001-91 Orion; Orion V Bus; Cummins10 Dsl; 99-93	GMC; H7500 Trk; DetrDsl 6V-53; 1978 GMC; HV7500 Trk; DetrDsl 6V-53; 77-66 GMC; HV7500 Trk; DetrDsl 6V-53N; 76-66 GMC; HV7500 Trk; DetrDsl 6V-53T; 76-66 GMC; J7500 Trk; DetrDsl 6V-53; 1978 GMC; J8500 Trk; DetrDsl 6V-53; 1978 GMC; JN7500 Trk; DetrDsl 6V-53; 77-66 GMC; JN7500 Trk; DetrDsl 6V-53N; 76-66 GMC; JN7500 Trk; DetrDsl 6V-53T; 76-66 GMC; JN8500 Trk; DetrDsl 6V-53; 77-66 GMC; JN8500 Trk; DetrDsl 6V-53N; 76-66 GMC; JN8500 Trk; DetrDsl 6V-53T; 76-66 GMC; JV7500 Trk; DetrDsl 6V-53; 77-66 GMC; JV7500 Trk; DetrDsl 6V-53N; 76-66 GMC; JV7500 Trk; DetrDsl 6V-53T; 76-66 GMC; JV8500 Trk; DetrDsl 6V-53; 77-66 GMC; JV8500 Trk; DetrDsl 6V-53N; 76-66 GMC; JV8500 Trk; DetrDsl 6V-53T; 76-66 GMC; TV7500 Trk; DetrDsl 6V-53; 77-66 GMC; TV7500 Trk; DetrDsl 6V-53N; 76-66 GMC; TV7500 Trk; DetrDsl 6V-53T; 76-66 GMC; WV7500 Trk; DetrDsl 6V-53; 74-66 GMC; WV7500 Trk; DetrDsl 6V-53N; 74-66 GMC; WV7500 Trk; DetrDsl 6V-53T; 74-66 Hendrickson; H3 Trk; DetrDsl 6V-53; 1973 Int/Nav; CO1630A Trk; DetrDsl 4-53; 1968 Int/Nav; CO1730A Trk; DetrDsl 4-53; 1968 Int/Nav; CO1830A Trk; DetrDsl 4-53; 1968 Int/Nav; CO1950A Trk; DetrDsl 6V-53; 1973 Int/Nav; CO1950B Trk; DetrDsl 6V-53; 79-74 Int/Nav; COF1950A Trk; DetrDsl 6V-53; 1973 Int/Nav; COF1950B Trk; DetrDsl 6V-53; 79-74 Int/Nav; F1850 Trk; DetrDsl 6V-53; 77-73 Int/Nav; F2050A Trk; DetrDsl 6V-53; 76-66 Int/Nav; F5050 Trk; DetrDsl 6V-53; 75-74 Int/Nav; 1850 Trk; DetrDsl 6V-53; 77-73 Int/Nav; 2050A Trk; DetrDsl 6V-53; 76-66 Int/Nav; 5050 Trk; DetrDsl 6V-53; 75-74 Ken; Hustler Trk; DetrDsl 6V-53; 1974 Ken; PD200 Trk; DetrDsl 6V-53; 73-72 Mack; MB Series Trk; DetrDsl 6V-53; 1974 P'bilt; 200 Trk; DetrDsl 6V-53; 74-72 P'bilt; 300 Trk; DetrDsl 6V-53; 74-72 P'bilt; 348 Trk; DetrDsl 6V-53; 74-73 Reo; D430 Series Trk; DetrDsl 6V-53; 67-60 Reo; D603 Series Trk; DetrDsl 6V-53; 67-60 Reo; D630 Series Trk; DetrDsl 6V-53; 67-60 Reo; D633 Series Trk; DetrDsl 6V-53; 66-60 Reo; D703 Series Trk; DetrDsl 6V-53; 66-60 Reo; D730 Series Trk; DetrDsl 6V-53; 66-60 Reo; D733 Series Trk; DetrDsl 6V-53; 66-60 Reo; DCL430 Series Trk; DetrDsl 6V-53; 66-60 Reo; DCL633 Series Trk; DetrDsl 6V-53; 66-60 Reo; DCL703 Series Trk; DetrDsl 6V-53; 66-60 Reo; DCL730 Series Trk; DetrDsl 6V-53; 66-60 Reo; DCL733 Series Trk; DetrDsl 6V-53; 66-60 Reo; DF300 Series Trk; DetrDsl 6V-53; 66-60 Reo; DF330 Series Trk; DetrDsl 6V-53; 66-60 Reo; DF400 Series Trk; DetrDsl 6V-53; 67-54 Reo; DF430 Series Trk; DetrDsl 6V-53; 67-54 Reo; DF500 Series Trk; DetrDsl 6V-53; 67-54 Reo; DF530 Series Trk; DetrDsl 6V-53; 67-54 Reo; DL603 Series Trk; DetrDsl 6V-53; 66-60 Reo; DL630 Series Trk; DetrDsl 6V-53; 67-60 Reo; DL703 Series Trk; DetrDsl 6V-53; 66-60	Reo; DL730 Series Trk; DetrDsl 6V-53; 66-60 Reo; DL733 Series Trk; DetrDsl 6V-53; 66-60 Reo; E300 Series Trk; DetrDsl 6V-53; 67-60 Reo; E330 Series Trk; DetrDsl 6V-53; 67-54 Reo; E400 Series Trk; DetrDsl 6V-53; 67-54 Reo; E440 Series Trk; DetrDsl 6V-53; 67-54 Reo; E500 Series Trk; DetrDsl 6V-53; 67-54 Reo; E510 Series Trk; DetrDsl 6V-53; 67-54 Reo; E530 Series Trk; DetrDsl 6V-53; 67-54 Reo; E540 Series Trk; DetrDsl 6V-53; 67-54 Reo; E630 Series Trk; DetrDsl 6V-53; 66-60 Reo; E700 Series Trk; DetrDsl 6V-53; 66-60 Reo; E730 Series Trk; DetrDsl 6V-53; 66-60 Stu'bakr; E15 Trk; DetDsl 3-53; 64-63 Stu'bakr; E25 Trk; DetDsl 3-53; 64-63 Stu'bakr; E35 Trk; DetDsl 4-53; 64-62 Stu'bakr; E45 Trk; DetDsl 4-53; 64-62 White; Road Xpeditor Trk; DetrDsl 6V-53; 1975 White; 1500 Series Trk; DetrDsl 6V-53; 1972 White; 2300 Series Trk; DetrDsl 6V-53; 70-69 White; 6000 Series Trk; DetrDsl 6V-53; 1972 TMC; T30 Bus; DetrDsl 6V-53; 1981 AmerCrane; 25 Excavator; DetrDsl 6V-53 AustnWestrn; 714 Crane; DetrDsl 4-53 AustnWestrn; 720 Crane; DetrDsl 6V-53 Bantam; C166 Excavator; DetrDsl 4-53 Bantam; C366 Excavator; DetrDsl 6V-53 Bantam; C451 Excavator; DetrDsl 4-53 Bantam; S588 Telekruiser Crane; DetrDsl 4-53 Bantam; S626 Telekruiser Crane; DetrDsl 4-53 Bantam; S628 Telekruiser Crane; DetrDsl 4-53 Bantam; T644 Teleskoop Excavator; DetDsl 3-53 Bantam; T725A Teleskoop Excavator; DetrDsl 4-53 Bantam; TD588 Telekrane Crane; DetrDsl 4-53 BarbrGreen; TC30 Trencher; DetDsl 3-53 Blaw-Knox; PF120 Pave Eq; DetrDsl 4-53 Blaw-Knox; PF500 Pave Eq; DetrDsl 4-53 Blaw-Knox; 195 Road Widener Pave Eq; DetrDsl 4-53 Bros; SP6000 Compactor; DetDsl 3-53 Bros; SP6000B Compactor; DetDsl 3-53 Bros; SPV735 Compactor; DetDsl 3-53 Bros; SPV735VA Compactor; DetDsl 3-53 Bros; SPV735VA Compactor; DetrDsl 4-53 Bros; SPV850 Compactor; DetrDsl 4-53 BucyErie; 45CIIB100 Crane; DetrDsl 6V-53 BucyErie; 45CIIB100 Crane; DetrDsl 6V-53N BucyErie; 280CSP Crane; DetrDsl 4-53N Case; 500 Travelift Crane; DetDsl 3-53 Case; 500B Travelift Crane; DetDsl 3-53 Cat; CB514 (6YD) Compactor; DetDsl 3-53 CedarRap; BSF2 Pave Eq; DetDsl 3-53 CedarRap; BSF3R Pave Eq; DetrDsl 4-53 ChicagoPneum; 250R02 Compressor; DetrDsl 4-53 Clark-Lima; 720 Crane; DetrDsl 6V-53N Clark-Mich; CS70 Wheel Loader; DetrDsl 4-53 Clark-Mich; 35A Wheel Loader; DetDsl 3-53 Clark-Mich; 35AWS Wheel Loader; DetDsl 3-53 Clark-Mich; 35B Wheel Loader; DetDsl 3-53 Clark-Mich; 45B Wheel Loader; DetrDsl 4-53 Clark-Mich; 45C Wheel Loader; DetDsl 3-53T Clark-Mich; 55 Wheel Loader; DetDsl 3-53 Clark-Mich; 55 III Wheel Loader; DetDsl 3-53 Clark-Mich; 55A I Wheel Loader; DetDsl 3-53 Clark-Mich; 55A II Wheel Loader; DetDsl 3-53
<p style="text-align: center;">43309</p>		
Teco-Crab; 8000-42; DetDsl 3-53 Chev; Bruin Trk; DetrDsl 6V-53; 80-78 Chev; C60 Trk; DetrDsl 4-53; 81-77 Chev; C70 Trk; DetrDsl 4-53; 81-75 Chev; CD50 Trk; DetrDsl 4-53; 70-67 Chev; CD60 Trk; DetrDsl 4-53; 70-67 Chev; D50 Trk; DetDsl 3-53; 66-65 Chev; D50 Trk; DetrDsl 4-53; 66-62 Chev; D60 Trk; DetrDsl 4-53; 66-62 Chev; E80 Trk; DetrDsl 6V-53; 65-62 Chev; H70 Trk; DetrDsl 6V-53; 78-73 Chev; HV70 Trk; DetrDsl 6V-53; 72-66 Chev; J70 Trk; DetrDsl 6V-53; 78-73 Chev; J80 Trk; DetrDsl 6V-53; 78-73 Chev; JV70 Trk; DetrDsl 6V-53; 72-66 Chev; JV80 Trk; DetrDsl 6V-53; 72-66 Chev; T40 Trk; DetDsl 3-53; 68-62 Chev; T70 Trk; DetrDsl 6V-53; 74-73 Chev; TD50 Trk; DetrDsl 4-53; 69-67 Chev; TD60 Trk; DetrDsl 4-53; 69-67 Chev; TV70 Trk; DetrDsl 6V-53; 72-66 Chev; U80 Trk; DetrDsl 6V-53; 66-62 Chev; W70 Trk; DetrDsl 6V-53; 74-66 Chev; W80 Trk; DetrDsl 6V-53; 65-62 Chev; Y80 Trk; DetrDsl 6V-53; 66-62 DiamReo; C101 Trk; DetrDsl 6V-53; 1974 DiamReo; DC101 Trk; DetrDsl 6V-53; 1974 FWD; 521 Trk; DetrDsl 6V-53; 76-62 FWD; 2161 Trk; DetrDsl 6V-53; 76-62 FWD; 3161 Trk; DetrDsl 6V-53; 76-62 FWD; 3361 Trk; DetrDsl 6V-53; 76-62 FWD; 4161 Trk; DetrDsl 6V-53; 76-62 FWD; 5161 Trk; DetrDsl 6V-53; 76-62 Ford; F Series Trk; DetrDsl 6V-53; 1969 Ford; L8000 Trk; DetrDsl 6V-53; 72-70 Ford; LN8000 Trk; DetrDsl 6V-53; 72-70 Ford; LNT8000 Trk; DetrDsl 6V-53; 72-70 Ford; LT8000 Trk; DetrDsl 6V-53; 72-70 Ford; LTS8000 Trk; DetrDsl 6V-53; 72-70 Ford; N Series Trk; DetrDsl 6V-53; 1969 Ford; T Series Trk; DetrDsl 6V-53; 1969 F'liner; WFHD Trk; DetrDsl 6V-53; 70-68 GMC; Brigadier Trk; DetrDsl 6V-53; 85-78 GMC; C6000 Trk; DetrDsl 4-53; 81-78 GMC; C7000 Trk; DetrDsl 4-53; 81-78 GMC; CD6500 Trk; DetrDsl 4-53; 1977		

Numerical Listing

Use as a guide only. Refer to Pages 1 to 142 for specific applications.

43309 - Continued	43309 - Continued	43309 - Continued
Clark-Mich; 55A III Wheel Loader; DetDsl 3-53	Drott; 40C Excavator; DetDsl 4-53	Hyster; C612B Compactor; DetDsl 3-53
Clark-Mich; 55B Wheel Loader; DetDsl 4-53N	Drott; 40R Excavator; DetDsl 4-53	Hyster; C615A Compactor; DetDsl 3-53
Clark-Mich; 55C Wheel Loader; DetDsl 4-53	Drott; 40YR Excavator; DetDsl 4-53	Hyster; C615B Compactor; DetDsl 3-53
Clark-Mich; 75 Wheel Loader; DetDsl 4-53	Drott; 50 Excavator; DetDsl 6V-53N	Hyster; C617B Compactor; DetDsl 3-53
Clark-Mich; 75 III Wheel Loader; DetDsl 4-53	Drott; 50BEC Crane; DetDsl 6V-53	Hyster; C624B Compactor; DetDsl 3-53
Clark-Mich; 75A II Wheel Loader; DetDsl 4-53	Drott; 80 Cruz-Air Excavator; DetDsl 8V-53	Hyster; C625B Compactor; DetDsl 3-53
Clark-Mich; 75C Wheel Loader; DetDsl 4-53	Drott; 250 Travelift Crane; DetDsl 3-53	Hyster; C627B Compactor; DetDsl 3-53
Clark-Mich; 85A I Wheel Loader; DetDsl 4-53	Drott; 250AI Travelift Crane; DetDsl 3-53	Hyster; H50H Forklift; DetDsl 4-53N
Clark-Mich; 85A II Wheel Loader; DetDsl 4-53	Drott; 250AI Travelift Crane; DetDsl 4-53	Hyster; H275H Forklift; DetDsl 4-53N
Clark-Mich; 85A III Wheel Loader; DetDsl 6V-53N	Drott; 500A Travelift Crane; DetDsl 3-53	Hyster; H300A Forklift; DetDsl 4-53N
Clark-Mich; 125A II Wheel Loader; DetDsl 6V-53	Drott; 500AI Travelift Crane; DetDsl 3-53	Hyster; K360B Crane; DetDsl 4-53N
Clark-Mich; 125A III Wheel Loader; DetDsl 6V-53	Drott; 500AI Travelift Crane; DetDsl 4-53	Hyster; P40A Forklift; DetDsl 4-53
Clark-Mich; 180 Wheel Dozer; DetDsl 6V-53	Drott; 600A Travelift Crane; DetDsl 3-53	Hyster; P50A Forklift; DetDsl 4-53
Clark-Mich; 180 III Wheel Loader; DetDsl 6V-53	Drott; 600A Travelift Crane; DetDsl 4-53	Hyster; P150B Forklift; DetDsl 4-53N
Clark-Mich; 662 Forest Eq; DetDsl 3-53	Drott; 650A Travelift Crane; DetDsl 3-53	Hyster; P200B Forklift; DetDsl 4-53N
Clark-Mich; 662 Forest Eq; DetDsl 4-53	Drott; 1500 Crane; DetDsl 6V-53	Ingersoll; DA40 Compactor; DetDsl 3-53
Clark-Mich; 664 Forest Eq; DetDsl 3-53	Drott; 1800 Crane; DetDsl 6V-53	Ingersoll; SP54 Compactor; DetDsl 4-53
Clark-Mich; 664 Forest Eq; DetDsl 4-53	Drott; 2500 Crane; DetDsl 6V-53	Ingram; 10 Ton Compactor; DetDsl 3-53
Clark-Mich; 664B Forest Eq; DetDsl 3-53	Dynahoe; 140 LoadBackhoe; DetDsl 3-53	Innsley; H560B Excavator; DetDsl 4-53
Clark-Mich; 664B Forest Eq; DetDsl 4-53	Dynahoe; 160 LoadBackhoe; DetDsl 3-53	Intnatl; S8 Forest Eq; DetDsl 3-53
Clark-Mich; 664C Forest Eq; DetDsl 4-53	Dynahoe; 190 4 LoadBackhoe; DetDsl 4-53	Intnatl; T500S Off-Rd Haul; DetDsl 6V-53
Clark-Mich; 666 Forest Eq; DetDsl 3-53	Dynapac; CA15PD Compactor; DetDsl 4-53	Intnatl; TD180FB Off-Rd Haul; DetDsl 6V-53
Clark-Mich; 666 Forest Eq; DetDsl 4-53	Dynapac; CT25 Compactor; DetDsl 6V-53T	Intnatl; TD225SL Off-Rd Haul; DetDsl 6V-53
Clark-Mich; 666B Forest Eq; DetDsl 3-53	FergShovel; SP75D Compactor; DetDsl 4-53N	Intnatl; TD300SL Off-Rd Haul; DetDsl 6V-53
Clark-Mich; 666B Forest Eq; DetDsl 4-53	FergShovel; SP120B Compactor; DetDsl 6V-53	Koehring; LRT18U Crane; DetDsl 4-53N
Cleveland; J36HD Trencher; DetDsl 3-53	Fox River; FA Harvester; DetDsl 4-53; 68-59	Koehring; LRT180 Crane; DetDsl 6V-53
Cleveland; 247 Trencher; DetDsl 4-53	Fox River; Max I Harvester; DetDsl 6V-53; 73-72	Koehring; LRT1600 Crane; DetDsl 6V-53
DetDsl; 6V53TI Marine Eng; DetDsl 6V-53	Fox River; Super D Harvester; DetDsl 4-53; 73-72	Koehring; 166 Excavator; DetDsl 4-53T
DetDsl; 53 Series Marine Eng; DetDsl Ser 53	Gard-Den; RP365 Compressor; DetDsl 4-53	Koehring; 255A Trencher; DetDsl 4-53
Ditch Witch; R100D Trencher; DetDsl 4-53	Gard-Den; RP600 Compressor; DetDsl 4-53	Le Roi; 170RD2 Compressor; DetDsl 3-53
Dres-Dresta; D90C Wheel Dozer; DetDsl 6V-53	Gard-Den; RP600D Compressor; DetDsl 4-53	Link-Belt; HC78B Crane; DetDsl 6V-53N
Dres-Dresta; S7 Forest Eq; DetDsl 3-53	Gard-Den; RP600DB Compressor; DetDsl 4-53	Link-Belt; HSP8018 Crane; DetDsl 4-53
Dres-Dresta; S8 Forest Eq; DetDsl 3-53	Gerlinger; B15 Forklift; DetDsl 2-53	Link-Belt; HSP8040 Crane; DetDsl 6V-53
Dres-Gal; S5-8A Compactor; DetDsl 3-53	Gerlinger; B15 Forklift; DetDsl 3-53	Link-Belt; YC38 Crane; DetDsl 4-53N
Dres-Gal; S8-12A Compactor; DetDsl 3-53	Gerlinger; B15 Forklift; DetDsl 4-53	MassFerg; MF66 Wheel Loader; DetDsl 6V-53N
Dres-Gal; S8-10.5A Compactor; DetDsl 3-53	Gerlinger; B16 Forklift; DetDsl 2-53	Multihoe; MDA LoadBackhoe; DetDsl 3-53
Dres-Gal; S10-14A Compactor; DetDsl 3-53	Gerlinger; B16 Forklift; DetDsl 2-53	P&H; H312 Excavator; DetDsl 4-53N
Dres-Gal; VOS66A Compactor; DetDsl 3-53	Gerlinger; B17 Forklift; DetDsl 2-53	P&H; H418 Excavator; DetDsl 6V-53N
Dres-Gal; VOS84A Compactor; DetDsl 4-53N	Gerlinger; B17 Forklift; DetDsl 3-53	P&H; 20-20 Crane; DetDsl 4-53
Dres-Gal; VOSA84A Compactor; DetDsl 4-53N	Gerlinger; B17 Forklift; DetDsl 4-53	Parsons; UH119 LoadBackhoe; DetDsl 3-53
Dres-Gal; VOSD84A Compactor; DetDsl 4-53N	Gerlinger; B18 Forklift; DetDsl 2-53	Parsons; 255L Trencher; DetDsl 4-53
Dres-Gal; VOSPD84A Compactor; DetDsl 4-53	Gerlinger; B18 Forklift; DetDsl 3-53	Pettibone; C200 Compactor; DetDsl 3-53
Dres-Gal; VOSPD84A Compactor; DetDsl 4-53N	Gerlinger; B18 Forklift; DetDsl 4-53	Pettibone; Cary-Lift 204D Forklift; DetDsl 6V-53
Dres-Gal; 150 Crane; DetDsl 4-53N	Gerlinger; B19 Forklift; DetDsl 2-53	Pettibone; SM710 Mixer; DetDsl 4-53
Dres-Gal; 150A Crane; DetDsl 4-53N	Gerlinger; B19 Forklift; DetDsl 2-53	Pettibone; 8-33 Forklift; DetDsl 4-53
Dres-Gal; 150FA Crane; DetDsl 4-53N	Gerlinger; B20 Forklift; DetDsl 2-53	Pettibone; 29 Crane; DetDsl 4-53
Dres-Gal; 160RF2 Crane; DetDsl 3-53	Gerlinger; B20 Forklift; DetDsl 3-53	Pettibone; 36 Crane; DetDsl 6V-53
Dres-Gal; 200RF2 Crane; DetDsl 4-53	Gerlinger; B21 Forklift; DetDsl 2-53	Pettibone; 40 Crane; DetDsl 6V-53
Dres-Gal; 220S Crane; DetDsl 6V-53N	Gerlinger; B21 Forklift; DetDsl 2-53	Pumpmaster; 4000 Mine Eq; DetDsl 2-53
Dres-Gal; 250RF2 Crane; DetDsl 4-53	Gerlinger; B22 Forklift; DetDsl 3-53	Raygo; Rascal 400A Compactor; DetDsl 3-53
Dres-Huf; H30 Wheel Loader; DetDsl 3-53	Gerlinger; B22 Forklift; DetDsl 4-53	Raygo; Rascal 420B Compactor; DetDsl 4-53
Dres-Huf; H30A Wheel Loader; DetDsl 3-53	Gerlinger; B23 Forklift; DetDsl 2-53	Raygo; Rascal 600A Compactor; DetDsl 4-53
Dres-Huf; H30B Wheel Loader; DetDsl 3-53	Gerlinger; B23 Forklift; DetDsl 3-53	Raygo; Rustler 404B Compactor; DetDsl 3-53
Dres-Huf; H30F Wheel Loader; DetDsl 3-53	Gerlinger; B24 Forklift; DetDsl 2-53	Raygo; 2-66 Ranger Compactor; DetDsl 4-53
Dres-Huf; H30R Wheel Loader; DetDsl 3-53	Gerlinger; B24 Forklift; DetDsl 3-53	Tampo; RP16D Compactor; DetDsl 3-53
Dres-Huf; H50 Wheel Loader; DetDsl 3-53	Gerlinger; B24 Forklift; DetDsl 4-53	Tampo; RS16A Compactor; DetDsl 3-53
Dres-Huf; H50B Wheel Loader; DetDsl 3-53	Gomaco; GT6000-66 Pave Eq; DetDsl 2-53	Tampo; RS28 Compactor; DetDsl 4-53
Dres-Huf; H90C Wheel Loader; DetDsl 6V-53	Gomaco; GT6000-78 Pave Eq; DetDsl 3-53	Taylor; Y20WO Forklift; DetDsl 4-53
Drott; 35 Excavator; DetDsl 3-53	Grove; RT59S Crane; DetDsl 4-53	TCI; D4P60 Forklift; DetDsl 4-53
Drott; 35 Excavator; DetDsl 4-53N	Grove; RT522 Crane; DetDsl 4-53	Terex; S12 Scraper; DetDsl 3-53
Drott; 35EC Excavator; DetDsl 4-53	Grove; 64-18 Crane; DetDsl 6V-53	Terex; TS14B Scraper; DetDsl 4-53
Drott; 40 Crawler Excavator; DetDsl 4-53N	Herc; 14YD Scraper; DetDsl 4-53	Terex; 72-40 Wheel Loader; DetDsl 6V-53N
Drott; 40 Cruz-Air Excavator; DetDsl 4-53N	Hyhoe; 695 Excavator; DetDsl 4-53	Towmotor; A15 Forklift; DetDsl 4-53

Numerical Listing

Use as a guide only. Refer to Pages 1 to 142 for specific applications.

43309 - Continued

Trojan; 1700 Wheel Loader; DetrDsl 4-53
Trojan; 1900 Wheel Loader; DetrDsl 4-53
VME; L30 Wheel Loader; DetrDsl 6V-53
Volvo; 180 I Wheel Dozer; DetrDsl 6V-53
Volvo; 180 II Wheel Dozer; DetrDsl 6V-53
Wabco; 300 Wheel Loader; DetrDsl 6V-53
WarnrSwasey; G660 Excavator; DetrDsl 4-53
WarnrSwasey; HT4418 Crane; DetrDsl 4-53
WarnrSwasey; 300 Hydro-Cruiser Excavator;
DetDsl 3-53N
WarnrSwasey; 300 Hydro-Scopic Excavator;
DetDsl 3-53N

43310

Teco-Crab; 8000-42; DetDsl 3-53
Chev; Bruin Trk; DetrDsl 6V-53; 80-78
Chev; C60 Trk; DetrDsl 4-53; 81-77
Chev; C70 Trk; DetrDsl 4-53; 81-75
Chev; CD50 Trk; DetrDsl 4-53; 70-67
Chev; CD60 Trk; DetrDsl 4-53; 70-67
Chev; D50 Trk; DetDsl 3-53; 66-65
Chev; D50 Trk; DetrDsl 4-53; 66-62
Chev; D60 Trk; DetrDsl 4-53; 66-62
Chev; E80 Trk; DetrDsl 6V-53; 65-62
Chev; H70 Trk; DetrDsl 6V-53; 78-73
Chev; HV70 Trk; DetrDsl 6V-53; 72-66
Chev; J70 Trk; DetrDsl 6V-53; 78-73
Chev; J80 Trk; DetrDsl 6V-53; 78-73
Chev; JV70 Trk; DetrDsl 6V-53; 72-66
Chev; JV80 Trk; DetrDsl 6V-53; 72-66
Chev; T40 Trk; DetDsl 3-53; 68-62
Chev; T70 Trk; DetrDsl 6V-53; 74-73
Chev; TD50 Trk; DetrDsl 4-53; 69-67
Chev; TD60 Trk; DetrDsl 4-53; 69-67
Chev; TV70 Trk; DetrDsl 6V-53; 72-66
Chev; U80 Trk; DetrDsl 6V-53; 66-62
Chev; W70 Trk; DetrDsl 6V-53; 74-66
Chev; W80 Trk; DetrDsl 6V-53; 65-62
Chev; Y80 Trk; DetrDsl 6V-53; 66-62
DiamReo; C101 Trk; DetrDsl 6V-53; 1974
DiamReo; DC101 Trk; DetrDsl 6V-53; 1974
FWD; 521 Trk; DetrDsl 6V-53; 76-62
FWD; 2161 Trk; DetrDsl 6V-53; 76-62
FWD; 3161 Trk; DetrDsl 6V-53; 76-62
FWD; 3361 Trk; DetrDsl 6V-53; 76-62
FWD; 4161 Trk; DetrDsl 6V-53; 76-62
FWD; 5161 Trk; DetrDsl 6V-53; 76-62
Ford; F Series Trk; DetrDsl 6V-53; 1969
Ford; L8000 Trk; DetrDsl 6V-53; 72-70
Ford; LN8000 Trk; DetrDsl 6V-53; 72-70
Ford; LNT8000 Trk; DetrDsl 6V-53; 72-70
Ford; LT8000 Trk; DetrDsl 6V-53; 72-70
Ford; LTS8000 Trk; DetrDsl 6V-53; 72-70
Ford; N Series Trk; DetrDsl 6V-53; 1969
Ford; T Series Trk; DetrDsl 6V-53; 1969
F'liner; WFHD Trk; DetrDsl 6V-53; 70-68
GMC; Brigadier Trk; DetrDsl 6V-53; 85-78
GMC; C6000 Trk; DetrDsl 4-53; 81-78
GMC; C7000 Trk; DetrDsl 4-53; 81-78
GMC; CD6500 Trk; DetrDsl 4-53; 1977
GMC; H7500 Trk; DetrDsl 6V-53; 1978
GMC; HV7500 Trk; DetrDsl 6V-53; 77-66
GMC; HV7500 Trk; DetrDsl 6V-53N; 76-66
GMC; HV7500 Trk; DetrDsl 6V-53T; 76-66
GMC; J7500 Trk; DetrDsl 6V-53; 1978
GMC; J8500 Trk; DetrDsl 6V-53; 1978
GMC; JN7500 Trk; DetrDsl 6V-53; 77-66
GMC; JN7500 Trk; DetrDsl 6V-53N; 76-66
GMC; JN7500 Trk; DetrDsl 6V-53T; 76-66
GMC; JN8500 Trk; DetrDsl 6V-53; 77-66
GMC; JN8500 Trk; DetrDsl 6V-53N; 76-66
GMC; JN8500 Trk; DetrDsl 6V-53T; 76-66
GMC; JN8500 Trk; DetrDsl 6V-53; 77-66
GMC; JN8500 Trk; DetrDsl 6V-53N; 76-66
GMC; JN8500 Trk; DetrDsl 6V-53T; 76-66
GMC; JN8500 Trk; DetrDsl 6V-53; 77-66
GMC; JN8500 Trk; DetrDsl 6V-53N; 76-66
GMC; JN8500 Trk; DetrDsl 6V-53T; 76-66
GMC; TV7500 Trk; DetrDsl 6V-53; 77-66
GMC; TV7500 Trk; DetrDsl 6V-53N; 76-66
GMC; TV7500 Trk; DetrDsl 6V-53T; 76-66

43310 - Continued

GMC; WV7500 Trk; DetrDsl 6V-53; 74-66
GMC; WV7500 Trk; DetrDsl 6V-53N; 74-66
GMC; WV7500 Trk; DetrDsl 6V-53T; 74-66
Hendrickson; H3 Trk; DetrDsl 6V-53; 1973
Int/Nav; CO1630A Trk; DetrDsl 4-53; 1968
Int/Nav; CO1730A Trk; DetrDsl 4-53; 1968
Int/Nav; CO1830A Trk; DetrDsl 4-53; 1968
Int/Nav; CO1950A Trk; DetrDsl 6V-53; 1973
Int/Nav; CO1950B Trk; DetrDsl 6V-53; 79-74
Int/Nav; COF1950A Trk; DetrDsl 6V-53; 1973
Int/Nav; COF1950B Trk; DetrDsl 6V-53;
79-74
Int/Nav; F1850 Trk; DetrDsl 6V-53; 77-73
Int/Nav; F2050A Trk; DetrDsl 6V-53; 76-66
Int/Nav; F5050 Trk; DetrDsl 6V-53; 75-74
Int/Nav; 1850 Trk; DetrDsl 6V-53; 77-73
Int/Nav; 2050A Trk; DetrDsl 6V-53; 76-66
Int/Nav; 5050 Trk; DetrDsl 6V-53; 75-74
Ken; Hustler Trk; DetrDsl 6V-53; 1974
Ken; PD200 Trk; DetrDsl 6V-53; 73-72
Mack; MB Series Trk; DetrDsl 6V-53; 1974
P'bilt; 200 Trk; DetrDsl 6V-53; 74-72
P'bilt; 300 Trk; DetrDsl 6V-53; 74-72
P'bilt; 348 Trk; DetrDsl 6V-53; 74-73
Reo; D430 Series Trk; DetrDsl 6V-53; 67-60
Reo; D603 Series Trk; DetrDsl 6V-53; 67-60
Reo; D633 Series Trk; DetrDsl 6V-53; 66-60
Reo; D703 Series Trk; DetrDsl 6V-53; 66-60
Reo; D730 Series Trk; DetrDsl 6V-53; 66-60
Reo; D733 Series Trk; DetrDsl 6V-53; 66-60
Reo; DCL430 Series Trk; DetrDsl 6V-53;
66-60
Reo; DCL633 Series Trk; DetrDsl 6V-53;
66-60
Reo; DCL703 Series Trk; DetrDsl 6V-53;
66-60
Reo; DCL730 Series Trk; DetrDsl 6V-53;
66-60
Reo; DCL733 Series Trk; DetrDsl 6V-53;
66-60
Reo; DF300 Series Trk; DetrDsl 6V-53;
66-60
Reo; DF330 Series Trk; DetrDsl 6V-53;
66-60
Reo; DF400 Series Trk; DetrDsl 6V-53;
67-54
Reo; DF430 Series Trk; DetrDsl 6V-53;
67-54
Reo; DF500 Series Trk; DetrDsl 6V-53;
67-54
Reo; DF530 Series Trk; DetrDsl 6V-53;
67-54
Reo; DL603 Series Trk; DetrDsl 6V-53;
66-60
Reo; DL630 Series Trk; DetrDsl 6V-53;
67-60
Reo; DL703 Series Trk; DetrDsl 6V-53;
66-60
Reo; DL730 Series Trk; DetrDsl 6V-53;
66-60
Reo; DL733 Series Trk; DetrDsl 6V-53;
66-60
Reo; E300 Series Trk; DetrDsl 6V-53; 67-60
Reo; E330 Series Trk; DetrDsl 6V-53; 67-54
Reo; E400 Series Trk; DetrDsl 6V-53; 67-54
Reo; E440 Series Trk; DetrDsl 6V-53; 67-54
Reo; E500 Series Trk; DetrDsl 6V-53; 67-54
Reo; E510 Series Trk; DetrDsl 6V-53; 67-54
Reo; E530 Series Trk; DetrDsl 6V-53; 67-54
Reo; E540 Series Trk; DetrDsl 6V-53; 67-54
Reo; E630 Series Trk; DetrDsl 6V-53; 66-60
Reo; E700 Series Trk; DetrDsl 6V-53; 66-60
Reo; E730 Series Trk; DetrDsl 6V-53; 66-60
Stu'bakr; E15 Trk; DetDsl 3-53; 64-63
Stu'bakr; E25 Trk; DetDsl 3-53; 64-63
Stu'bakr; E35 Trk; DetrDsl 4-53; 64-62
Stu'bakr; E45 Trk; DetrDsl 4-53; 64-62
White; Road Xpeditor Trk; DetrDsl 6V-53;
1975
White; 1500 Series Trk; DetrDsl 6V-53; 1972

43310 - Continued

White; 2300 Series Trk; DetrDsl 6V-53;
70-69
White; 6000 Series Trk; DetrDsl 6V-53; 1972
TMC; T30 Bus; DetrDsl 6V-53; 1981
AmerCrane; 25 Excavator; DetrDsl 6V-53
AustnWestrn; 714 Crane; DetrDsl 4-53
AustnWestrn; 720 Crane; DetrDsl 6V-53
Bantam; C166 Excavator; DetrDsl 4-53
Bantam; C366 Excavator; DetrDsl 6V-53
Bantam; C451 Excavator; DetrDsl 4-53
Bantam; S588 Telekruiser Crane; DetrDsl
4-53
Bantam; S626 Telekruiser Crane; DetrDsl
4-53
Bantam; S628 Telekruiser Crane; DetrDsl
4-53
Bantam; T644 Teleskoop Excavator; DetDsl
3-53
Bantam; T725A Teleskoop Excavator; DetrD-
sl 4-53
Bantam; TD588 Telekruiser Crane; DetrDsl
4-53
BarbrGreen; TC30 Trencher; DetDsl 3-53
Blaw-Knox; PF120 Pave Eq; DetrDsl 4-53
Blaw-Knox; PF500 Pave Eq; DetrDsl 4-53
Blaw-Knox; 195 Road Widener Pave Eq; De-
trDsl 4-53
Bros; SP6000 Compactor; DetDsl 3-53
Bros; SP6000B Compactor; DetDsl 3-53
Bros; SPV735 Compactor; DetDsl 3-53
Bros; SPV735VA Compactor; DetDsl 3-53
Bros; SPV735VA Compactor; DetrDsl 4-53
Bros; SPV850 Compactor; DetrDsl 4-53
BucyErie; 45CIIIB100 Crane; DetrDsl 6V-53
BucyErie; 45CIIIB100 Crane; DetrDsl 6V-53N
BucyErie; 280CSP Crane; DetrDsl 4-53N
Case; 500 Travelift Crane; DetDsl 3-53
Case; 500B Travelift Crane; DetDsl 3-53
Cat; CB514 (6YD) Compactor; DetDsl 3-53
CedarRap; BSF2 Pave Eq; DetDsl 3-53
CedarRap; BSF3R Pave Eq; DetrDsl 4-53
ChicagoPneum; 250RO2 Compressor; DetrD-
sl 4-53
Clark-Lima; 720 Crane; DetrDsl 6V-53N
Clark-Mich; CS70 Wheel Loader; DetrDsl
4-53
Clark-Mich; 35A Wheel Loader; DetDsl 3-53
Clark-Mich; 35AWS Wheel Loader; DetDsl
3-53
Clark-Mich; 35B Wheel Loader; DetDsl 3-53
Clark-Mich; 45B Wheel Loader; DetrDsl 4-53
Clark-Mich; 45C Wheel Loader; DetDsl 3-53T
Clark-Mich; 55 Wheel Loader; DetDsl 3-53
Clark-Mich; 55 III Wheel Loader; DetDsl 3-53
Clark-Mich; 55A I Wheel Loader; DetDsl
3-53
Clark-Mich; 55A II Wheel Loader; DetDsl
3-53
Clark-Mich; 55A III Wheel Loader; DetDsl
3-53
Clark-Mich; 55B Wheel Loader; DetrDsl
4-53N
Clark-Mich; 55C Wheel Loader; DetrDsl 4-53
Clark-Mich; 75 Wheel Loader; DetrDsl 4-53
Clark-Mich; 75 III Wheel Loader; DetrDsl
4-53
Clark-Mich; 75A II Wheel Loader; DetrDsl
4-53
Clark-Mich; 75C Wheel Loader; DetrDsl 4-53
Clark-Mich; 85A I Wheel Loader; DetrDsl
4-53
Clark-Mich; 85A II Wheel Loader; DetrDsl
4-53
Clark-Mich; 85A III Wheel Loader; DetrDsl
6V-53N
Clark-Mich; 125A II Wheel Loader; DetrDsl
6V-53
Clark-Mich; 125A III Wheel Loader; DetrDsl
6V-53
Clark-Mich; 180 Wheel Dozer; DetrDsl 6V-53

Numerical Listing

Use as a guide only. Refer to Pages 1 to 142 for specific applications.

43310 - Continued	43310 - Continued	43310 - Continued
<p>Clark-Mich; 180 III Wheel Loader; DetrDsl 6V-53 Clark-Mich; 662 Forest Eq; DetDsl 3-53 Clark-Mich; 662 Forest Eq; DetrDsl 4-53 Clark-Mich; 664 Forest Eq; DetDsl 3-53 Clark-Mich; 664 Forest Eq; DetrDsl 4-53 Clark-Mich; 664B Forest Eq; DetDsl 3-53 Clark-Mich; 664C Forest Eq; DetrDsl 4-53 Clark-Mich; 666 Forest Eq; DetDsl 3-53 Clark-Mich; 666 Forest Eq; DetrDsl 4-53 Clark-Mich; 666B Forest Eq; DetDsl 3-53 Clark-Mich; 666B Forest Eq; DetrDsl 4-53 Cleveland; J36HD Trencher; DetDsl 3-53 Cleveland; 247 Trencher; DetrDsl 4-53 DetrDsl; 6V53TI Marine Eng; DetrDsl 6V-53 DetrDsl; 53 Series Marine Eng; DetrDsl Ser 53 Ditch Witch; R100D Trencher; DetrDsl 4-53 Dres-Dresta; D90C Wheel Dozer; DetrDsl 6V-53 Dres-Dresta; S7 Forest Eq; DetDsl 3-53 Dres-Dresta; S8 Forest Eq; DetDsl 3-53 Dres-Gal; S5-8A Compactor; DetDsl 3-53 Dres-Gal; S8-12A Compactor; DetDsl 3-53 Dres-Gal; S8-10.5A Compactor; DetDsl 3-53 Dres-Gal; S10-14A Compactor; DetDsl 3-53 Dres-Gal; VOS66A Compactor; DetDsl 3-53 Dres-Gal; VOS84A Compactor; DetrDsl 4-53N Dres-Gal; VOSA84A Compactor; DetrDsl 4-53N Dres-Gal; VOSD84A Compactor; DetrDsl 4-53N Dres-Gal; VOSPD84A Compactor; DetrDsl 4-53 Dres-Gal; VOSPD84A Compactor; DetrDsl 4-53N Dres-Gal; 150 Crane; DetrDsl 4-53N Dres-Gal; 150A Crane; DetrDsl 4-53N Dres-Gal; 150FA Crane; DetrDsl 4-53N Dres-Gal; 160RF2 Crane; DetDsl 3-53 Dres-Gal; 200RF2 Crane; DetrDsl 4-53 Dres-Gal; 220S Crane; DetrDsl 6V-53N Dres-Gal; 250RF2 Crane; DetrDsl 4-53 Dres-Huf; H30 Wheel Loader; DetDsl 3-53 Dres-Huf; H30A Wheel Loader; DetDsl 3-53 Dres-Huf; H30B Wheel Loader; DetDsl 3-53 Dres-Huf; H30F Wheel Loader; DetDsl 3-53 Dres-Huf; H30R Wheel Loader; DetDsl 3-53 Dres-Huf; H50 Wheel Loader; DetDsl 3-53 Dres-Huf; H50B Wheel Loader; DetDsl 3-53 Dres-Huf; H90C Wheel Loader; DetrDsl 6V-53</p>	<p>Dynapac; CA15PD Compactor; DetrDsl 4-53 Dynapac; CT25 Compactor; DetrDsl 6V-53T FergShovel; SP75D Compactor; DetrDsl 4-53N FergShovel; SP120B Compactor; DetrDsl 6V-53 Fox River; FA Harvester; DetrDsl 4-53; 68-59 Fox River; Max I Harvester; DetrDsl 6V-53; 73-72 Fox River; Super D Harvester; DetrDsl 4-53; 73-72 Gard-Den; RP365 Compressor; DetrDsl 4-53 Gard-Den; RP600 Compressor; DetrDsl 4-53 Gard-Den; RP600D Compressor; DetrDsl 4-53 Gard-Den; RP600DB Compressor; DetrDsl 4-53 Gard-Den; SPKDB Compressor; DetrDsl 4-53 Gerlinger; B15 Forklift; DetDsl 2-53 Gerlinger; B15 Forklift; DetDsl 3-53 Gerlinger; B15 Forklift; DetrDsl 4-53 Gerlinger; B16 Forklift; DetDsl 2-53 Gerlinger; B16 Forklift; DetDsl 3-53 Gerlinger; B16 Forklift; DetrDsl 4-53 Gerlinger; B17 Forklift; DetDsl 2-53 Gerlinger; B17 Forklift; DetDsl 3-53 Gerlinger; B17 Forklift; DetrDsl 4-53 Gerlinger; B18 Forklift; DetDsl 2-53 Gerlinger; B18 Forklift; DetDsl 3-53 Gerlinger; B18 Forklift; DetrDsl 4-53 Gerlinger; B19 Forklift; DetDsl 2-53 Gerlinger; B19 Forklift; DetDsl 3-53 Gerlinger; B19 Forklift; DetrDsl 4-53 Gerlinger; B20 Forklift; DetDsl 2-53 Gerlinger; B20 Forklift; DetDsl 3-53 Gerlinger; B20 Forklift; DetrDsl 4-53 Gerlinger; B21 Forklift; DetDsl 2-53 Gerlinger; B21 Forklift; DetDsl 3-53 Gerlinger; B21 Forklift; DetrDsl 4-53 Gerlinger; B22 Forklift; DetDsl 2-53 Gerlinger; B22 Forklift; DetDsl 3-53 Gerlinger; B22 Forklift; DetrDsl 4-53 Gerlinger; B23 Forklift; DetDsl 2-53 Gerlinger; B23 Forklift; DetDsl 3-53 Gerlinger; B23 Forklift; DetrDsl 4-53 Gerlinger; B24 Forklift; DetDsl 2-53 Gerlinger; B24 Forklift; DetDsl 3-53 Gerlinger; B24 Forklift; DetrDsl 4-53 Gomaco; GT6000-66 Pave Eq; DetDsl 2-53 Gomaco; GT6000-78 Pave Eq; DetDsl 3-53 Grove; RT59S Crane; DetrDsl 4-53 Grove; RT522 Crane; DetrDsl 4-53 Grove; 64-18 Crane; DetrDsl 6V-53 Herc; 14YD Scraper; DetrDsl 4-53 Hyhoe; 695 Excavator; DetrDsl 4-53 Hyhoe; 895 Excavator; DetrDsl 6V-53 Hyster; C350 Compactor; DetDsl 3-53 Hyster; C610B Compactor; DetDsl 3-53 Hyster; C612B Compactor; DetDsl 3-53 Hyster; C615A Compactor; DetDsl 3-53 Hyster; C615B Compactor; DetDsl 3-53 Hyster; C617B Compactor; DetDsl 3-53 Hyster; C624B Compactor; DetDsl 3-53 Hyster; C625B Compactor; DetDsl 3-53 Hyster; C627B Compactor; DetDsl 3-53 Hyster; H50H Forklift; DetrDsl 4-53N Hyster; H275H Forklift; DetrDsl 4-53N Hyster; H300A Forklift; DetrDsl 4-53N Hyster; K360B Crane; DetrDsl 4-53N Hyster; P40A Forklift; DetrDsl 4-53 Hyster; P50A Forklift; DetrDsl 4-53 Hyster; P150B Forklift; DetrDsl 4-53N Hyster; P200B Forklift; DetrDsl 4-53N Ingersoll; DA40 Compactor; DetDsl 3-53 Ingersoll; SP54 Compactor; DetrDsl 4-53 Ingram; 10 Ton Compactor; DetDsl 3-53 Insley; H560B Excavator; DetrDsl 4-53 Intrnatl; S8 Forest Eq; DetDsl 3-53 Intrnatl; T500S Off-Rd Haul; DetrDsl 6V-53 Intrnatl; TD180FB Off-Rd Haul; DetrDsl 6V-53</p>	<p>Intrnatl; TD225SL Off-Rd Haul; DetrDsl 6V-53 Intrnatl; TD300SL Off-Rd Haul; DetrDsl 6V-53 Koehring; LRT18U Crane; DetrDsl 4-53N Koehring; LRT180 Crane; DetrDsl 6V-53 Koehring; LRT1600 Crane; DetrDsl 6V-53 Koehring; 166 Excavator; DetrDsl 4-53T Koehring; 255A Trencher; DetrDsl 4-53 Le Roi; 170RD2 Compressor; DetDsl 3-53 Link-Belt; HC78B Crane; DetrDsl 6V-53N Link-Belt; HSP8018 Crane; DetrDsl 4-53 Link-Belt; HSP8040 Crane; DetrDsl 6V-53 Link-Belt; YC38 Crane; DetrDsl 4-53N MassFerg; MF66 Wheel Loader; DetrDsl 6V-53N Multihoe; MDA LoadrBackhoe; DetDsl 3-53 P&H; H312 Excavator; DetrDsl 4-53N P&H; H418 Excavator; DetrDsl 6V-53N P&H; 20-20 Crane; DetrDsl 4-53 Parsons; UH119 LoadrBackhoe; DetDsl 3-53 Parsons; 255L Trencher; DetrDsl 4-53 Pettibone; C200 Compactor; DetDsl 3-53 Pettibone; Cary-Lift 204D Forklift; DetrDsl 6V-53 Pettibone; SM710 Mixer; DetrDsl 4-53 Pettibone; 8-33 Forklift; DetrDsl 4-53 Pettibone; 29 Crane; DetrDsl 4-53 Pettibone; 36 Crane; DetrDsl 6V-53 Pettibone; 40 Crane; DetrDsl 6V-53 Pumpmaster; 4000 Mine Eq; DetDsl 2-53 Raygo; Rascal 400A Compactor; DetDsl 3-53 Raygo; Rascal 420B Compactor; DetrDsl 4-53 Raygo; Rascal 600A Compactor; DetrDsl 4-53 Raygo; Rustler 404B Compactor; DetDsl 3-53 Raygo; 2-66 Ranger Compactor; DetrDsl 4-53 Tampo; RP16D Compactor; DetDsl 3-53 Tampo; RS16A Compactor; DetDsl 3-53 Tampo; RS28 Compactor; DetrDsl 4-53 Taylor; Y20WO Forklift; DetrDsl 4-53 TCi; D4P60 Forklift; DetrDsl 4-53 Terex; S12 Scraper; DetDsl 3-53 Terex; TS14B Scraper; DetrDsl 4-53 Terex; 72-40 Wheel Loader; DetrDsl 6V-53N Towmotor; A15 Forklift; DetrDsl 4-53 Towmotor; A16 Forklift; DetrDsl 4-53 Towmotor; A18 Forklift; DetrDsl 4-53 Towmotor; A20 Forklift; DetrDsl 4-53 Towmotor; A22 Forklift; DetrDsl 4-53 Towmotor; A24 Forklift; DetrDsl 4-53 Towmotor; B15 Forklift; DetrDsl 4-53 Towmotor; B16 Forklift; DetrDsl 4-53 Towmotor; B18 Forklift; DetrDsl 4-53 Towmotor; B20 Forklift; DetrDsl 4-53 Towmotor; B22 Forklift; DetrDsl 4-53 Towmotor; B24 Forklift; DetrDsl 4-53 Towmotor; B25 Forklift; DetrDsl 4-53 Trojan; 1700 Wheel Loader; DetrDsl 4-53 Trojan; 1900 Wheel Loader; DetrDsl 4-53 VME; L30 Wheel Loader; DetrDsl 6V-53 Volvo; 180 I Wheel Dozer; DetrDsl 6V-53 Volvo; 180 II Wheel Dozer; DetrDsl 6V-53 Wabco; 300 Wheel Loader; DetrDsl 6V-53 WarnrSwasey; G660 Excavator; DetrDsl 4-53 WarnrSwasey; HT4418 Crane; DetrDsl 4-53 WarnrSwasey; 300 Hydro-Cruiser Excavator; DetDsl 3-53N WarnrSwasey; 300 Hydro-Scopic Excavator; DetDsl 3-53N</p>
		<p style="text-align: center;">43311</p>
		<p>Replaces OEM: 23506011 (Detroit Diesel) Replaces OEM: 5104392 (Detroit Diesel)</p>
		<p style="text-align: center;">43312</p>
		<p>Mack; CM Series Trk; Mack E5 Dsl; 1988 Mack; CS Series Trk; Mack E3 Dsl; 93-90 Mack; CS Series Trk; Mack E5 Dsl; 90-87 Mack; MS Series Trk; Mack E3 Dsl; 93-90</p>

Numerical Listing

Use as a guide only. Refer to Pages 1 to 142 for specific applications.

43312 - Continued	43320 - Continued	43320 - Continued
Mack; MS Series Trk; Mack E5 Dsl; 90-87	Dodge; CT800 Trk; CumDsl C Ser 8.3; 66-60	Oshkosh; M34-34 Trk; CumDsl C Ser 8.3; 65-63
43313	Dodge; CT900 Trk; CumDsl C Ser 8.3; 66-60	Oshkosh; M50-50 Trk; CumDsl C Ser 8.3; 65-63
Replaces OEM: 11.4576 (Thermo King)	FWD; 2272 Trk; CumDsl C Ser 8.3; 65-63	Oshkosh; M2208 Trk; CumDsl C Ser 8.3; 65-63
43314	FWD; 3272 Trk; CumDsl C Ser 8.3; 65-63	Oshkosh; M2209 Trk; CumDsl C Ser 8.3; 66-60
Chev; Tiltmaster W4 Trk; Isuzu 4BD1 Dsl; 91-86	Ford; C8000 Trk; CumDsl C Ser 8.3; 1971	Oshkosh; M4616 Trk; CumDsl C Ser 8.3; 65-63
GMC; Forward W4 Trk; Isuzu 4BD1 Dsl; 91-86	Ford; C Series Trk; CumDsl C Ser 8.3; 70-65	Oshkosh; M4817 Trk; CumDsl C Ser 8.3; 66-60
Isuzu; KS Trk; Isuzu 4BD1 Dsl; 1985	Ford; CF7000 Trk; CumDsl C Ser 8.3; 96-93	Oshkosh; M4906 Trk; CumDsl C Ser 8.3; 66-60
Isuzu; NPR Trk; Isuzu 4BD1 Dsl; 91-90	Ford; CF8000 Trk; CumDsl C Ser 8.3; 96-93	Oshkosh; M5817 Trk; CumDsl C Ser 8.3; 66-60
Isuzu; NPR Trk; Isuzu 4BD1 Dsl; 88-85	Ford; CFT8000 Trk; CumDsl C Ser 8.3; 96-93	Oshkosh; M5906 Trk; CumDsl C Ser 8.3; 65-63
Isuzu; NPR Trk; Isuzu 4BD1-T Dsl; 1989	Ford; F600 Trk; CumDsl C Ser 8.3; 94-93	Oshkosh; W316 Trk; CumDsl C Ser 8.3; 66-60
ChicagoPneum; CPS270 Compressor; Isuzu 4BD1 Dsl	Ford; F700 Trk; CumDsl C Ser 8.3; 94-93	Oshkosh; W715 Trk; CumDsl C Ser 8.3; 66-60
Kobelco; LK350 Mark II Wheel Loader; Isuzu 4BD1-T Dsl	Ford; F800 Trk; CumDsl C Ser 8.3; 97-93	Oshkosh; W816 Trk; CumDsl C Ser 8.3; 66-60
Link-Belt; LS2700 Excavator; Isuzu 4BD1-T Dsl	Ford; F900 Trk; CumDsl C Ser 8.3; 94-93	Oshkosh; W826 Trk; CumDsl C Ser 8.3; 66-60
43315	Ford; F Series Trk; CumDsl C Ser 8.3; 69-65	Oshkosh; W900 Trk; CumDsl C Ser 8.3; 66-60
Cad; Escalade; V8-5.7; 2000-99	Ford; FT900 Trk; CumDsl C Ser 8.3; 97-93	Oshkosh; W909 Trk; CumDsl C Ser 8.3; 66-60
Chev; Astro; V6-4.3; 2005-96	Ford; L8000 Trk; CumDsl C Ser 8.3; 97-93	Oshkosh; W1600 Trk; CumDsl C Ser 8.3; 65-63
Chev; Blazer; V6-4.3; 2005-96	Ford; L9000 Trk; CumDsl C Ser 8.3; 97-93	Oshkosh; W2200 Trk; CumDsl C Ser 8.3; 65-63
Chev; C & K Series Pickup; V6-4.3; 98-96	Ford; LA8000 Trk; CumDsl C Ser 8.3; 97-93	Oshkosh; 64D-1234 Trk; CumDsl C Ser 8.3; 66-60
Chev; C & K Series Pickup; V8-5.0; 99-96	Ford; LA9000 Trk; CumDsl C Ser 8.3; 97-94	Oshkosh; 64D-1634 Trk; CumDsl C Ser 8.3; 66-60
Chev; C & K Series Pickup; V8-5.7; 2000-96	Ford; LL9000 Trk; CumDsl C Ser 8.3; 97-93	Oshkosh; 64D-1638 Trk; CumDsl C Ser 8.3; 65-63
Chev; Express; V6-4.3; 2006-96	Ford; LLA9000 Trk; CumDsl C Ser 8.3; 97-93	Oshkosh; 64D-1644 Trk; CumDsl C Ser 8.3; 66-60
Chev; Express; V8-5.0; 2002-96	Ford; LLS9000 Trk; CumDsl C Ser 8.3; 97-93	Oshkosh; 64D-1660 Trk; CumDsl C Ser 8.3; 66-60
Chev; Express; V8-5.7; 2002-96	Ford; LN7000 Trk; CumDsl C Ser 8.3; 97-93	P'bilt; 13-210 Trk; CumDsl C Ser 8.3; 89-88
Chev; G Series Van; V6-4.3; 98-96	Ford; LN8000 Trk; CumDsl C Ser 8.3; 97-93	P'bilt; 22-210 Trk; CumDsl C Ser 8.3; 1989
Chev; G Series Van; V8-5.0; 98-96	Ford; LN9000 Trk; CumDsl C Ser 8.3; 97-93	P'bilt; 200 Trk; CumDsl C Ser 8.3; 97-93
Chev; G Series Van; V8-5.7; 98-96	Ford; LNT8000 Trk; CumDsl C Ser 8.3; 97-93	P'bilt; 224 Trk; CumDsl C Ser 8.3; 92-88
Chev; P Series Van; V6-4.3; 99-96	Ford; LNT9000 Trk; CumDsl C Ser 8.3; 97-93	P'bilt; 227 Trk; CumDsl C Ser 8.3; 92-90
Chev; P Series Van; V8-5.7; 99-96	Ford; LS8000 Trk; CumDsl C Ser 8.3; 97-93	P'bilt; 265 Trk; CumDsl C Ser 8.3; 92-88
Chev; S Series Pickup; V6-4.3; 2004-96	Ford; LS9000 Trk; CumDsl C Ser 8.3; 97-93	P'bilt; 320 Trk; CumDsl C Ser 8.3; 96-89
Chev; Silverado Series Pickup; V6-4.3; 2008-99	Ford; LT8000 Trk; CumDsl C Ser 8.3; 97-93	P'bilt; 330 Trk; CumDsl C Ser 8.3; 96-95
Chev; Suburban; V8-5.7; 99-96	Ford; LT9000 Trk; CumDsl C Ser 8.3; 97-93	P'bilt; 357 Trk; CumDsl C Ser 8.3; 96-92
Chev; Tahoe; V8-5.7; 2000-96	Ford; LTA9000 Trk; CumDsl C Ser 8.3; 97-93	P'bilt; 357 Trk; CumDsl C Ser 8.3; 1988
GMC; C & K Series Pickup; V6-4.3; 98-96	Ford; LTL9000 Trk; CumDsl C Ser 8.3; 97-93	P'bilt; 375 Trk; CumDsl C Ser 8.3; 96-92
GMC; C & K Series Pickup; V8-5.0; 99-96	Ford; LTLA9000 Trk; CumDsl C Ser 8.3; 97-93	P'bilt; 375 Trk; CumDsl C Ser 8.3; 1988
GMC; C & K Series Pickup; V8-5.7; 2000-96	Ford; LTS8000 Trk; CumDsl C Ser 8.3; 97-93	P'bilt; 376 Trk; CumDsl C Ser 8.3; 93-88
GMC; G Series Van; V6-4.3; 1996	Ford; LTS9000 Trk; CumDsl C Ser 8.3; 97-93	P'bilt; 385 Trk; CumDsl C Ser 8.3; 1996
GMC; Jimmy; V6-4.3; 2001-96	Ford; T Series Trk; CumDsl C Ser 8.3; 68-66	Reo; D430 Series Trk; CumDsl C Ser 8.3; 67-60
GMC; Jimmy; V6-4.3 Canada; 2005-02	F'liner; FL50 Trk; CumDsl C Ser 8.3; 96-95	Reo; D603 Series Trk; CumDsl C Ser 8.3; 67-60
GMC; P Series Van; V6-4.3; 99-96	F'liner; FL60 Trk; CumDsl C Ser 8.3; 96-94	Reo; D630 Series Trk; CumDsl C Ser 8.3; 67-60
GMC; P Series Van; V8-5.7; 99-96	F'liner; FL70 Trk; CumDsl C Ser 8.3; 96-94	Reo; D633 Series Trk; CumDsl C Ser 8.3; 66-60
GMC; Safari; V6-4.3; 2005-96	F'liner; FL80 Trk; CumDsl C Ser 8.3; 96-94	Reo; D703 Series Trk; CumDsl C Ser 8.3; 66-60
GMC; Savana; V6-4.3; 2006-96	F'liner; FLC Trk; CumDsl C Ser 8.3; 96-95	Reo; D730 Series Trk; CumDsl C Ser 8.3; 66-60
GMC; Savana; V8-5.0; 2002-96	F'liner; FLD Trk; CumDsl C Ser 8.3; 96-95	Reo; D733 Series Trk; CumDsl C Ser 8.3; 66-60
GMC; Savana; V8-5.7; 2002-97	Ken; K100 Trk; CumDsl C Ser 8.3; 93-92	Reo; DCL430 Series Trk; CumDsl C Ser 8.3; 66-60
GMC; Sierra Series Pickup; V6-4.3; 2008-99	Ken; K130 Trk; CumDsl C Ser 8.3; 93-90	Reo; DCL633 Series Trk; CumDsl C Ser 8.3; 66-60
GMC; Sonoma; V6-4.3; 2004-96	Ken; K150 Trk; CumDsl C Ser 8.3; 93-90	Reo; DCL703 Series Trk; CumDsl C Ser 8.3; 66-60
GMC; Suburban; V8-5.7; 99-96	Ken; K220 Trk; CumDsl C Ser 8.3; 93-90	Reo; DCL730 Series Trk; CumDsl C Ser 8.3; 66-60
GMC; Yukon; V8-5.7; 2000-96	Ken; K300 Trk; CumDsl C Ser 8.3; 96-93	
Isuzu; Hombre; V6-4.3; 2000-97	Ken; T300 Trk; CumDsl C Ser 8.3; 96-95	
Olds; Bravada; V6-4.3; 2001-96	Ken; 13-210 Trk; CumDsl C Ser 8.3; 89-88	
Chev; W3500 Trk; GM V8-5.7; 2003-00	Ken; 22-210 Trk; CumDsl C Ser 8.3; 1989	
Chev; W4500 Trk; GM V8-5.7; 2003-00	Mack; CM Series Trk; CumDsl C Ser 8.3; 92-91	
GMC; W4500 Trk; V8-5.7; 2003-00	Oshkosh; F1834 Trk; CumDsl C Ser 8.3; 65-63	
Isuzu; NPR Trk; GM V8-5.7; 2005-96	Oshkosh; M18-34 Trk; CumDsl C Ser 8.3; 65-63	
Workhorse; P Series Trk; GM V-6 4.3; 2002-00	Oshkosh; M18-38 Trk; CumDsl C Ser 8.3; 65-63	
Workhorse; P Series Trk; GM V8-5.7; 2004-00	Oshkosh; M18-44 Trk; CumDsl C Ser 8.3; 65-63	
Bluebird; Mini Bird SchBus; GM V8-5.7; 1998	Oshkosh; M20-48 Trk; CumDsl C Ser 8.3; 65-63	
Collins; Bantam SchBus; GM V8-5.7; 2002		
Mid Bus; SW SchBus; GM V8-5.7; 1998		
Thomas; Minotour SchBus; GM V8-5.7; 2001		
43319		
Replaces OEM: 3800975 (Cummins)		
43320		
DiamReo; C101 Trk; CumDsl C Ser 8.3; 69-68		
Dodge; C800 Trk; CumDsl C Ser 8.3; 66-60		
Dodge; C900 Trk; CumDsl C Ser 8.3; 66-60		

Numerical Listing

Use as a guide only. Refer to Pages 1 to 142 for specific applications.

43320 - Continued	43321 - Continued	43321 - Continued
<p>Reo; DCL733 Series Trk; CumDsl C Ser 8.3; 66-60</p> <p>Reo; DF300 Series Trk; CumDsl C Ser 8.3; 66-60</p> <p>Reo; DF330 Series Trk; CumDsl C Ser 8.3; 66-60</p> <p>Reo; DF400 Series Trk; CumDsl C Ser 8.3; 67-54</p> <p>Reo; DF430 Series Trk; CumDsl C Ser 8.3; 67-54</p> <p>Reo; DF500 Series Trk; CumDsl C Ser 8.3; 67-54</p> <p>Reo; DF530 Series Trk; CumDsl C Ser 8.3; 67-54</p> <p>Reo; DL603 Series Trk; CumDsl C Ser 8.3; 66-60</p> <p>Reo; DL630 Series Trk; CumDsl C Ser 8.3; 66-60</p> <p>Reo; DL703 Series Trk; CumDsl C Ser 8.3; 66-60</p> <p>Reo; DL730 Series Trk; CumDsl C Ser 8.3; 66-60</p> <p>Reo; DL733 Series Trk; CumDsl C Ser 8.3; 66-60</p> <p>Reo; E300 Series Trk; CumDsl C Ser 8.3; 67-54</p> <p>Reo; E330 Series Trk; CumDsl C Ser 8.3; 67-54</p> <p>Reo; E400 Series Trk; CumDsl C Ser 8.3; 67-54</p> <p>Reo; E440 Series Trk; CumDsl C Ser 8.3; 67-54</p> <p>Reo; E500 Series Trk; CumDsl C Ser 8.3; 67-54</p> <p>Reo; E510 Series Trk; CumDsl C Ser 8.3; 67-54</p> <p>Reo; E530 Series Trk; CumDsl C Ser 8.3; 67-54</p> <p>Reo; E540 Series Trk; CumDsl C Ser 8.3; 67-54</p> <p>Reo; E630 Series Trk; CumDsl C Ser 8.3; 66-60</p> <p>Reo; E700 Series Trk; CumDsl C Ser 8.3; 66-60</p> <p>Reo; E730 Series Trk; CumDsl C Ser 8.3; 66-60</p> <p>Volvo; Xpedito Trk; CumDsl C Ser 8.3; 97-96</p> <p>WestStar; 3800 Series Trk; CumDsl C Ser 8.3; 90-89</p> <p>WestStar; 4800 Series Trk; CumDsl C Ser 8.3; 1989</p> <p>WestStar; 4900 Series Trk; CumDsl C Ser 8.3; 1989</p> <p>WestStar; 6900 Series Trk; CumDsl C Ser 8.3; 1989</p> <p>White; 2300 Series Trk; CumDsl C Ser 8.3; 70-69</p> <p>White; 4000 Series Trk; CumDsl C Ser 8.3; 72-69</p> <p>WhiteGMC; Xpedito Trk; CumDsl C Ser 8.3; 1995</p> <p>Bluebird; All American FE SchBus; CumDsl C Ser 8.3; 1992</p> <p>Bluebird; All American RE SchBus; CumDsl C Ser 8.3; 96-92</p> <p>Bluebird; TC2000 SchBus; CumDsl C Ser 8.3; 1996</p> <p>Thomas; Westcoast-ER SchBus; CumDsl C Ser 8.3; 91-90</p>	<p>FWD; 3272 Trk; CumDsl C Ser 8.3; 65-63</p> <p>Ford; C8000 Trk; CumDsl C Ser 8.3; 1971</p> <p>Ford; C Series Trk; CumDsl C Ser 8.3; 70-65</p> <p>Ford; CF7000 Trk; CumDsl C Ser 8.3; 96-93</p> <p>Ford; CF8000 Trk; CumDsl C Ser 8.3; 96-93</p> <p>Ford; CFT8000 Trk; CumDsl C Ser 8.3; 96-93</p> <p>Ford; F600 Trk; CumDsl C Ser 8.3; 94-93</p> <p>Ford; F700 Trk; CumDsl C Ser 8.3; 94-93</p> <p>Ford; F800 Trk; CumDsl C Ser 8.3; 97-93</p> <p>Ford; F900 Trk; CumDsl C Ser 8.3; 94-93</p> <p>Ford; F Series Trk; CumDsl C Ser 8.3; 69-65</p> <p>Ford; FT900 Trk; CumDsl C Ser 8.3; 97-93</p> <p>Ford; L8000 Trk; CumDsl C Ser 8.3; 97-93</p> <p>Ford; L9000 Trk; CumDsl C Ser 8.3; 97-93</p> <p>Ford; LA8000 Trk; CumDsl C Ser 8.3; 97-93</p> <p>Ford; LA9000 Trk; CumDsl C Ser 8.3; 97-94</p> <p>Ford; LL9000 Trk; CumDsl C Ser 8.3; 97-93</p> <p>Ford; LLA9000 Trk; CumDsl C Ser 8.3; 97-93</p> <p>Ford; LLS9000 Trk; CumDsl C Ser 8.3; 97-93</p> <p>Ford; LN7000 Trk; CumDsl C Ser 8.3; 97-93</p> <p>Ford; LN8000 Trk; CumDsl C Ser 8.3; 97-93</p> <p>Ford; LN9000 Trk; CumDsl C Ser 8.3; 97-93</p> <p>Ford; LNT8000 Trk; CumDsl C Ser 8.3; 97-93</p> <p>Ford; LNT9000 Trk; CumDsl C Ser 8.3; 97-93</p> <p>Ford; LS8000 Trk; CumDsl C Ser 8.3; 97-93</p> <p>Ford; LS9000 Trk; CumDsl C Ser 8.3; 97-93</p> <p>Ford; LT8000 Trk; CumDsl C Ser 8.3; 97-93</p> <p>Ford; LT9000 Trk; CumDsl C Ser 8.3; 97-93</p> <p>Ford; LTA9000 Trk; CumDsl C Ser 8.3; 97-93</p> <p>Ford; LTL9000 Trk; CumDsl C Ser 8.3; 97-93</p> <p>Ford; LTLA9000 Trk; CumDsl C Ser 8.3; 97-93</p> <p>Ford; LTLS9000 Trk; CumDsl C Ser 8.3; 97-93</p> <p>Ford; LTS8000 Trk; CumDsl C Ser 8.3; 97-93</p> <p>Ford; LTS9000 Trk; CumDsl C Ser 8.3; 97-93</p> <p>Ford; T Series Trk; CumDsl C Ser 8.3; 68-66</p> <p>F'liner; FL50 Trk; CumDsl C Ser 8.3; 96-95</p> <p>F'liner; FL60 Trk; CumDsl C Ser 8.3; 96-94</p> <p>F'liner; FL70 Trk; CumDsl C Ser 8.3; 96-94</p> <p>F'liner; FL80 Trk; CumDsl C Ser 8.3; 96-94</p> <p>F'liner; FLC Trk; CumDsl C Ser 8.3; 96-95</p> <p>F'liner; FLD Trk; CumDsl C Ser 8.3; 96-95</p> <p>Ken; K100 Trk; CumDsl C Ser 8.3; 93-92</p> <p>Ken; K130 Trk; CumDsl C Ser 8.3; 93-90</p> <p>Ken; K150 Trk; CumDsl C Ser 8.3; 93-90</p> <p>Ken; K220 Trk; CumDsl C Ser 8.3; 93-90</p> <p>Ken; K300 Trk; CumDsl C Ser 8.3; 96-93</p> <p>Ken; T300 Trk; CumDsl C Ser 8.3; 96-95</p> <p>Ken; 13-210 Trk; CumDsl C Ser 8.3; 89-88</p> <p>Ken; 22-210 Trk; CumDsl C Ser 8.3; 1989</p> <p>Mack; CM Series Trk; CumDsl C Ser 8.3; 92-91</p> <p>Oshkosh; F1834 Trk; CumDsl C Ser 8.3; 65-63</p> <p>Oshkosh; M18-34 Trk; CumDsl C Ser 8.3; 65-63</p> <p>Oshkosh; M18-38 Trk; CumDsl C Ser 8.3; 65-63</p> <p>Oshkosh; M18-44 Trk; CumDsl C Ser 8.3; 65-63</p> <p>Oshkosh; M20-48 Trk; CumDsl C Ser 8.3; 65-63</p> <p>Oshkosh; M34-34 Trk; CumDsl C Ser 8.3; 65-63</p> <p>Oshkosh; M50-50 Trk; CumDsl C Ser 8.3; 65-63</p> <p>Oshkosh; M2208 Trk; CumDsl C Ser 8.3; 65-63</p>	<p>Oshkosh; M2209 Trk; CumDsl C Ser 8.3; 66-60</p> <p>Oshkosh; M4616 Trk; CumDsl C Ser 8.3; 65-63</p> <p>Oshkosh; M4817 Trk; CumDsl C Ser 8.3; 66-60</p> <p>Oshkosh; M4906 Trk; CumDsl C Ser 8.3; 66-60</p> <p>Oshkosh; M5817 Trk; CumDsl C Ser 8.3; 66-60</p> <p>Oshkosh; M5906 Trk; CumDsl C Ser 8.3; 65-63</p> <p>Oshkosh; W316 Trk; CumDsl C Ser 8.3; 66-60</p> <p>Oshkosh; W715 Trk; CumDsl C Ser 8.3; 66-60</p> <p>Oshkosh; W816 Trk; CumDsl C Ser 8.3; 66-60</p> <p>Oshkosh; W826 Trk; CumDsl C Ser 8.3; 66-60</p> <p>Oshkosh; W900 Trk; CumDsl C Ser 8.3; 66-60</p> <p>Oshkosh; W909 Trk; CumDsl C Ser 8.3; 66-60</p> <p>Oshkosh; W1600 Trk; CumDsl C Ser 8.3; 65-63</p> <p>Oshkosh; W2200 Trk; CumDsl C Ser 8.3; 65-63</p> <p>Oshkosh; 64D-1234 Trk; CumDsl C Ser 8.3; 66-60</p> <p>Oshkosh; 64D-1634 Trk; CumDsl C Ser 8.3; 66-60</p> <p>Oshkosh; 64D-1638 Trk; CumDsl C Ser 8.3; 65-63</p> <p>Oshkosh; 64D-1644 Trk; CumDsl C Ser 8.3; 66-60</p> <p>Oshkosh; 64D-1660 Trk; CumDsl C Ser 8.3; 66-60</p> <p>P'bilt; 13-210 Trk; CumDsl C Ser 8.3; 89-88</p> <p>P'bilt; 22-210 Trk; CumDsl C Ser 8.3; 1989</p> <p>P'bilt; 200 Trk; CumDsl C Ser 8.3; 97-93</p> <p>P'bilt; 224 Trk; CumDsl C Ser 8.3; 92-88</p> <p>P'bilt; 227 Trk; CumDsl C Ser 8.3; 92-90</p> <p>P'bilt; 265 Trk; CumDsl C Ser 8.3; 92-88</p> <p>P'bilt; 320 Trk; CumDsl C Ser 8.3; 96-89</p> <p>P'bilt; 330 Trk; CumDsl C Ser 8.3; 96-95</p> <p>P'bilt; 357 Trk; CumDsl C Ser 8.3; 96-92</p> <p>P'bilt; 357 Trk; CumDsl C Ser 8.3; 1988</p> <p>P'bilt; 375 Trk; CumDsl C Ser 8.3; 96-92</p> <p>P'bilt; 375 Trk; CumDsl C Ser 8.3; 1988</p> <p>P'bilt; 376 Trk; CumDsl C Ser 8.3; 93-88</p> <p>P'bilt; 385 Trk; CumDsl C Ser 8.3; 1996</p> <p>Reo; D430 Series Trk; CumDsl C Ser 8.3; 67-60</p> <p>Reo; D603 Series Trk; CumDsl C Ser 8.3; 67-60</p> <p>Reo; D630 Series Trk; CumDsl C Ser 8.3; 67-60</p> <p>Reo; D633 Series Trk; CumDsl C Ser 8.3; 66-60</p> <p>Reo; D703 Series Trk; CumDsl C Ser 8.3; 66-60</p> <p>Reo; D730 Series Trk; CumDsl C Ser 8.3; 66-60</p> <p>Reo; D733 Series Trk; CumDsl C Ser 8.3; 66-60</p> <p>Reo; DCL430 Series Trk; CumDsl C Ser 8.3; 66-60</p> <p>Reo; DCL633 Series Trk; CumDsl C Ser 8.3; 66-60</p> <p>Reo; DCL703 Series Trk; CumDsl C Ser 8.3; 66-60</p> <p>Reo; DCL730 Series Trk; CumDsl C Ser 8.3; 66-60</p> <p>Reo; DCL733 Series Trk; CumDsl C Ser 8.3; 66-60</p> <p>Reo; DF300 Series Trk; CumDsl C Ser 8.3; 66-60</p> <p>Reo; DF330 Series Trk; CumDsl C Ser 8.3; 66-60</p>
<p style="text-align: center;">43321</p> <p>DiamReo; C101 Trk; CumDsl C Ser 8.3; 69-68</p> <p>Dodge; C800 Trk; CumDsl C Ser 8.3; 66-60</p> <p>Dodge; C900 Trk; CumDsl C Ser 8.3; 66-60</p> <p>Dodge; CT800 Trk; CumDsl C Ser 8.3; 66-60</p> <p>Dodge; CT900 Trk; CumDsl C Ser 8.3; 66-60</p> <p>FWD; 2272 Trk; CumDsl C Ser 8.3; 65-63</p>		

Numerical Listing

Use as a guide only. Refer to Pages 1 to 142 for specific applications.

<p>43321 - Continued</p> <p>Reo; DF400 Series Trk; CumDsl C Ser 8.3; 67-54 Reo; DF430 Series Trk; CumDsl C Ser 8.3; 67-54 Reo; DF500 Series Trk; CumDsl C Ser 8.3; 67-54 Reo; DF530 Series Trk; CumDsl C Ser 8.3; 67-54 Reo; DL603 Series Trk; CumDsl C Ser 8.3; 66-60 Reo; DL630 Series Trk; CumDsl C Ser 8.3; 66-60 Reo; DL703 Series Trk; CumDsl C Ser 8.3; 66-60 Reo; DL730 Series Trk; CumDsl C Ser 8.3; 66-60 Reo; DL733 Series Trk; CumDsl C Ser 8.3; 66-60 Reo; E300 Series Trk; CumDsl C Ser 8.3; 67-54 Reo; E330 Series Trk; CumDsl C Ser 8.3; 67-54 Reo; E400 Series Trk; CumDsl C Ser 8.3; 67-54 Reo; E440 Series Trk; CumDsl C Ser 8.3; 67-54 Reo; E500 Series Trk; CumDsl C Ser 8.3; 67-54 Reo; E510 Series Trk; CumDsl C Ser 8.3; 67-54 Reo; E530 Series Trk; CumDsl C Ser 8.3; 67-54 Reo; E540 Series Trk; CumDsl C Ser 8.3; 67-54 Reo; E630 Series Trk; CumDsl C Ser 8.3; 66-60 Reo; E700 Series Trk; CumDsl C Ser 8.3; 66-60 Reo; E730 Series Trk; CumDsl C Ser 8.3; 66-60 Volvo; Xpeditor Trk; CumDsl C Ser 8.3; 97-96 WestStar; 3800 Series Trk; CumDsl C Ser 8.3; 90-89 WestStar; 4800 Series Trk; CumDsl C Ser 8.3; 1989 WestStar; 4900 Series Trk; CumDsl C Ser 8.3; 1989 WestStar; 6900 Series Trk; CumDsl C Ser 8.3; 1989 White; 2300 Series Trk; CumDsl C Ser 8.3; 70-69 White; 4000 Series Trk; CumDsl C Ser 8.3; 72-69 WhiteGMC; Xpeditor Trk; CumDsl C Ser 8.3; 1995 Bluebird; All American FE SchBus; CumDsl C Ser 8.3; 1992 Bluebird; All American RE SchBus; CumDsl C Ser 8.3; 96-92 Bluebird; TC2000 SchBus; CumDsl C Ser 8.3; 1996 Thomas; Westcoast-ER SchBus; CumDsl C Ser 8.3; 91-90</p>	<p>43428</p> <p>BMW; 540I; V8-4.4; 98-97 BMW; 740I; V8-4.0; 1995 BMW; 740I; V8-4.4; 98-97 BMW; 740IL; V8-4.0; 1995 BMW; 740IL; V8-4.4; 98-96 BMW; 840CI; V8-4.0; 95-94 BMW; 840CI; V8-4.4; 1996</p> <p>43500</p> <p>Chry; PT Cruiser; L4-2.4; 2007-03 Dodge; Neon; L4-2.4; 2005-03</p> <p>43501</p> <p>Dodge; Durango; V8-5.7; 2006-04 Dodge; Ram Series Pickup; V8-5.7; 2006-03</p> <p>43502</p> <p>Daewoo; Lanos; L4-1.6; 2002-99</p> <p>43503</p> <p>Ford; Thunderbird; V8-3.9; 2004-02 Jaguar; S-Type; V8-4.0; 2001-00 Jaguar; XJR; L6-4.0; 1997 Jaguar; XJR; V8-4.0; 2003-98 Linc; LS; V8-3.9; 2002-00</p> <p>43504</p> <p>Ford; E Series Van; V8-4.6; 2006-05 Ford; E Series Van; V8-5.4; 2006-04 Ford; Excursion; V8-5.4; 2005-03 Ford; Excursion; V10-6.8; 2005-03 Ford; Expedition; V8-4.6; 2004-03 Ford; Expedition; V8-5.4; 2006-03 Ford; F Series Pickup; V8-4.6; 2006-03 Ford; F Series Pickup; V8-5.4; 2006-04 Ford; Super Duty Pickup; V8-5.4; 2005-03 Ford; Super Duty Van; V8-4.6; 2006 Ford; Super Duty Van; V8-4.6; 2004-03 Ford; Super Duty Van; V8-5.4; 2006-03 Linc; Aviator; V8-4.6; 2004-03 Linc; Navigator; V8-5.4; 2004-02</p> <p>43505</p> <p>Ford; Escape; V6-3.0; 2004-03 Ford; Taurus; V6-3.0; 2007-03 Mazda; MPV; V6-3.0; 2006-03 Mazda; Tribute; V6-3.0; 2008 Mazda; Tribute; V6-3.0; 2006-05 Merc; Sable; V6-3.0; 2005-03</p> <p>43506</p> <p>Honda; S2000; L4-2.0; 2003-00 Honda; S2000; L4-2.2; 2008-04</p> <p>43507</p> <p>Kia; Rio; L4-1.5; 2002-01 Kia; Rio; L4-1.6; 2005-03</p> <p>43508</p> <p>Kia; Sportage; L4-2.0; 2002-95</p> <p>43509</p> <p>Chry; Sebring; V6-3.0; 2004-03 Dodge; Stratus; V6-3.0; 2004-03 Mits; Diamante; V6-3.5; 2003-01 Mits; Eclipse; V6-3.0; 2004-00 Mits; Galant; V6-3.0; 2003-00</p> <p>43511</p> <p>Niss; Sentra; L4-1.8; 2006-00</p> <p>43512</p> <p>Niss; Altima; L4-2.5; 2008-02 Niss; Sentra; L4-2.5; 2007-02</p> <p>43513</p> <p>Subaru; Impreza; L4-2.0; 2004-02</p> <p>43514</p> <p>Subaru; B9 Tribeca; L6-3.0; 2007-06 Subaru; Outback; L6-3.0; 2006-01</p> <p>43518</p> <p>BMW; X5; V8-4.4; 2003-00</p>	<p>43518 - Continued</p> <p>BMW; X5; V8-4.6; 2003-02 BMW; 540I; V8-4.4; 2003-99 BMW; 740I; V8-4.4; 2001-99 BMW; 740IL; V8-4.4; 2001-99</p> <p>43520</p> <p>Niss; Altima; V6-3.5; 2006-03 Niss; Frontier; V6-4.0; 2008-05 Niss; Maxima; V6-3.5; 2007-03 Niss; Pathfinder; V6-4.0; 2007-05 Niss; Quest; V6-3.5; 2007-04 Niss; Xterra; V6-4.0; 2008-05</p> <p>43521</p> <p>Honda; Civic; L4-1.3 Electric Assist; 2005-03</p> <p>43522</p> <p>Land Rover; Defender 90; V8-4.0; 1997 Land Rover; Discovery; V8-3.9; 95-94 Land Rover; Discovery; V8-4.0; 2002-96 Land Rover; Discovery; V8-4.6; 2004-03 Land Rover; Range Rover; V8-3.9; 1995 Land Rover; Range Rover; V8-4.0; 2000-95 Land Rover; Range Rover; V8-4.6; 2002-96</p> <p>43526</p> <p>Dodge; Ram Series Pickup; L6-5.9 Dsl; 2007-03</p> <p>43527</p> <p>Subaru; Forester; L4-2.5; 2005-03</p> <p>43528</p> <p>Toy.; FJ Cruiser; V6-4.0; 2008-07 Toy.; Tacoma; V6-4.0; 2007-05 Toy.; Tundra; V6-4.0; 2007-05 Toy.; 4 Runner; V6-4.0; 2008-03</p> <p>43529</p> <p>Chev; Cavalier; L4-2.2; 2005 Chev; Classic; L4-2.2; 2005-04 Chev; Cobalt; L4-2.0; 2008-05 Chev; Cobalt; L4-2.2; 2008-05 Chev; Cobalt; L4-2.4; 2008-06 Chev; HHR; L4-2.0; 2008 Chev; HHR; L4-2.2; 2008-06 Chev; HHR; L4-2.4; 2008-06 Chev; Malibu; L4-2.2; 2008-04 Chev; Malibu; L4-2.4; 2008 Pont; G5; L4-2.2; 2008-07 Pont; G5; L4-2.4; 2008-07 Pont; G6; L4-2.4; 2008-06 Pont; Grand Am; L4-2.2; 2005 Pont; Pursuit; L4-2.2 Canada; 2006-05 Pont; Pursuit; L4-2.4 Canada; 2006 Pont; Solstice; L4-2.0; 2008-07 Pont; Solstice; L4-2.4; 2008-06 Pont; Sunfire; L4-2.2; 2005 Saab; 9-3; L4-2.0; 2008-03 Saturn; Ion; L4-2.0; 2007-04 Saturn; Ion; L4-2.2; 2007-06 Saturn; Ion; L4-2.4; 2007-06 Saturn; Sky; L4-2.0; 2008-07 Saturn; Sky; L4-2.4; 2008-07</p> <p>43530</p> <p>Buick; Allure; V6-3.6 Canada; 2007-05 Buick; Enclave; V6-3.6; 2008 Buick; Lacrosse; V6-3.6; 2007-05 Buick; Rendezvous; V6-3.6; 2006-04 Cad; CTS; V6-2.8; 2007-05 Cad; CTS; V6-3.6; 2007-04 Cad; SRX; V6-3.6; 2007-04 Cad; STS; V6-3.6; 2007-05 GMC; Acadia; V6-3.6; 2007 Pont; G6; V6-3.6; 2007 Saturn; Aura; V6-3.6; 2008-07 Saturn; Outlook; V6-3.6; 2008-07</p> <p>43531</p> <p>Volvo; S80; L6-2.8; 2001-99 Volvo; S80; L6-2.9; 2005-99</p>
<p>43322</p> <p>IntHarv; TD12 Tractor; IH L6-466 Dsl; 94-81 IntHarv; TD15C Tractor; IH DT466B Dsl; 90-72 IntHarv; 3488 Tractor; IH L6-466 Dsl; 85-81 IntHarv; 3588 Tractor; IH L6-466 Dsl; 81-78 IntHarv; 3788 Tractor; IH L6-466 Dsl; 81-80 IntHarv; 4366 Tractor; IH L6-466 Dsl; 76-73 IntHarv; 4386 Tractor; IH L6-466 Dsl; 81-76 IntHarv; 5288 Tractor; IH L6-466 Dsl; 85-81 IntHarv; 5488 Tractor; IH L6-466 Dsl; 85-81 IntHarv; 6588 Tractor; IH L6-466 Dsl; 85-81 IntHarv; 6788 Tractor; IH L6-466 Dsl; 85-81 IntHarv; 7288 Tractor; IH L6-466 Dsl; 1985 IntHarv; 7488 Tractor; IH L6-466 Dsl; 1985</p>		

Numerical Listing

Use as a guide only. Refer to Pages 1 to 142 for specific applications.

<p style="text-align: center;">43532</p> <p>Mits; Outlander; L4-2.4; 2003</p> <p style="text-align: center;">43533</p> <p>Kia; Sorento; V6-3.5; 2006-03</p> <p style="text-align: center;">43534</p> <p>Mini; Cooper; L4-1.6; 2007-02</p> <p style="text-align: center;">43535</p> <p>Mini; Cooper; L4-1.6; 2007-02</p> <p style="text-align: center;">43536</p> <p>BMW; M3; L6-3.0; 1995 BMW; M3; L6-3.0 Canada; 1994 BMW; M3; L6-3.2; 98-96 BMW; Z3; L6-2.8; 98-97 BMW; Z3; L6-3.2; 1998 BMW; 323i; L6-2.5; 1998 BMW; 323iS; L6-2.5; 1998 BMW; 325i; L6-2.5; 95-90 BMW; 325iS; L6-2.5; 95-90 BMW; 325iX; L6-2.5; 91-90 BMW; 328i; L6-2.8; 98-96 BMW; 328iS; L6-2.8; 98-96 BMW; 525i; L6-2.5; 95-90 BMW; 528i; L6-2.8; 98-97</p> <p style="text-align: center;">43537</p> <p>Infiniti; QX56; V8-5.6; 2008-04 Niss; Armada; V8-5.6; 2007-05 Niss; Pathfinder; V8-5.6; 2008 Niss; Titan; V8-5.6; 2007-04</p> <p style="text-align: center;">43538</p> <p>Lexus; RX350; V6-3.5; 2007 Toy.; Avalon; V6-3.5; 2008-06 Toy.; Camry; V6-3.5; 2008-07 Toy.; Sienna; V6-3.5; 2008-07</p> <p style="text-align: center;">43539</p> <p>Chev; Equinox; V6-3.4; 2008-05 Pont; Torrent; V6-3.4; 2008-06</p> <p style="text-align: center;">43540</p> <p>Chev; Aveo; L4-1.6; 2008-04 Suzuki; Swift; L4-1.6 Canada; 2008-04</p> <p style="text-align: center;">43541</p> <p>Ford; Excursion; V8-6.0 Dsl; 2005-04 Ford; Super Duty Pickup; V8-6.0 Dsl; 2007-04 Ford; Super Duty Van; V8-6.0 Dsl; 2007-04 Ford; E450 Super Duty Trk; V8-6.0 Dsl; 2007-04 Ford; F450 Super Duty Trk; V8-6.0 Dsl; 2007-04 Ford; F550 Super Duty Trk; V8-6.0 Dsl; 2007-04 Ford; F650 Super Duty Trk; V8-6.0 Dsl; 2007-04 Ford; F750 Super Duty Trk; V8-6.0 Dsl; 2007-04</p> <p style="text-align: center;">43542</p> <p>Chry; Pacifica; V6-3.5; 2006 Chry; Pacifica; V6-4.0; 2007 Chry; 300; V6-3.5; 2007-05 Dodge; Charger; V6-3.5; 2007-06 Dodge; Magnum; V6-3.5; 2007-05 Dodge; Nitro; V6-4.0; 2007</p> <p style="text-align: center;">43543</p> <p>Chry; 300; V8-5.7; 2007-05 Chry; 300; V8-6.1; 2007-05 Dodge; Charger; V8-5.7; 2007-06 Dodge; Charger; V8-6.1; 2007-06 Dodge; Magnum; V8-5.7; 2007-05 Dodge; Magnum; V8-6.1; 2007-06 Jeep; Commander; V8-5.7; 2006 Jeep; Grand Cherokee; V8-5.7; 2007-05 Jeep; Grand Cherokee; V8-6.1; 2007-06</p>	<p style="text-align: center;">43544</p> <p>Acura; TSX; L4-2.4; 2007-05 Honda; Accord; L4-2.4; 2006-03</p> <p style="text-align: center;">43545</p> <p>Int/Nav; MXT Trk; Int/Nav VT365 Dsl; 2008-07 Int/Nav; RXT Trk; Int/Nav VT365 Dsl; 2007-05 Int/Nav; 1652 SC Trk; Int/Nav VT365 Dsl; 2007-04 Int/Nav; 4100 Trk; Int/Nav VT365 Dsl; 2007-06 Int/Nav; 4200 Trk; Int/Nav VT365 Dsl; 2007-03 Int/Nav; 4300 Trk; Int/Nav VT365 Dsl; 2003 Int/Nav; 4400 Trk; Int/Nav VT365 Dsl; 2003</p> <p style="text-align: center;">43546</p> <p>Ford; Excursion; V8-7.3 Dsl; 2003-00 Ford; Super Duty Pickup; V8-7.3 Dsl; 2003-99 Ford; Super Duty Van; V8-7.3 Dsl; 2003-99 Ford; E450 Super Duty Trk; V8-7.3 Dsl; 2003-99 Ford; E550 Super Duty Trk; V8-7.3 Dsl; 2003-02 Ford; F450 Super Duty Trk; V8-7.3 Dsl; 2003-99 Ford; F550 Super Duty Trk; V8-7.3 Dsl; 2004-99 Ford; F650 Super Duty Trk; V8-7.3 Dsl; 2004-00 Ford; F750 Super Duty Trk; V8-7.3 Dsl; 2004-00</p> <p style="text-align: center;">44000</p> <p>Dodge; Viper; V10-8.0; 93-92</p> <p style="text-align: center;">44001</p> <p>Dodge; Viper; V10-8.0; 96-94</p> <p style="text-align: center;">44003</p> <p>Ford; E Series Van; V8-7.5; 92-90 Ford; E Series Van; V8-7.5; 87-80 Ford; F Series Pickup; V8-7.5; 92-90 Ford; F Series Pickup; V8-7.5; 87-83</p> <p style="text-align: center;">44004</p> <p>Ford; Country Sedan; V8-390; 1971 Ford; Country Squire; V8-390; 1971 Ford; F Series Pickup; V8-352; 67-65 Ford; F Series Pickup; V8-360; 76-68 Ford; F Series Pickup; V8-390; 76-68 Ford; Fairlane; V8-390; 70-66 Ford; Fairlane; V8-428; 1969 Ford; Galaxie; V8-390; 70-68 Ford; Galaxie; V8-428; 1969 Ford; Ltd; V8-390; 70-68 Ford; Ltd; V8-428; 1969 Ford; Mustang; V8-390; 68-67 Ford; Mustang; V8-427; 1968 Ford; Mustang; V8-428; 1970 Ford; Ranchero; V8-390; 69-67 Ford; Ranchero; V8-428; 1969 Ford; Thunderbird; V8-390; 68-65 Ford; Thunderbird; V8-428; 1966 Ford; Torino; V8-390; 69-68 Ford; Torino; V8-428; 69-68 Merc; Comet; V8-390; 69-66 Merc; Comet; V8-427; 1968 Merc; Comet; V8-428; 1968 Merc; Cougar; V8-428; 1970 Merc; Cyclone; V8-390; 1969 Merc; Cyclone; V8-428; 1969 Merc; Marauder; V8-390; 70-69 Merc; Marquis; V8-390; 1970 Merc; Marquis; V8-427; 1967 Merc; Marquis; V8-428; 69-67 Merc; Montego; V8-390; 69-68 Merc; Montego; V8-427; 1968 Merc; Montego; V8-428; 69-68 Ford; C500 Trk; V8-330; 73-71</p>	<p style="text-align: center;">44004 - Continued</p> <p>Ford; C550 Trk; V8-330; 73-71 Ford; C600 Trk; V8-330; 74-71 Ford; C700 Trk; V8-330; 74-71 Ford; C750 Trk; V8-330; 74-71 Ford; C800 Trk; V8-330; 74-71 Ford; C Series Trk; V8-330; 1970 Ford; CT700 Trk; V8-330; 73-71 Ford; CT750 Trk; V8-330; 73-71 Ford; CT800 Trk; V8-330; 74-71 Ford; F500 Trk; V8-330; 74-71 Ford; F600 Trk; V8-330; 74-71 Ford; F700 Trk; V8-330; 74-71 Ford; F750 Trk; V8-330; 74-71 Ford; F800 Trk; V8-330; 74-71 Ford; F Series Trk; V8-330; 1970 Ford; L800 Trk; V8-330; 74-70 Ford; LN600 Trk; V8-330; 74-70 Ford; LN700 Trk; V8-330; 74-70 Ford; LN750 Trk; V8-330; 74-70 Ford; LN800 Trk; V8-330; 74-70 Ford; LNT800 Trk; V8-330; 74-70 Ford; LT800 Trk; V8-330; 74-70 Ford; LTS800 Trk; V8-330; 74-70 Ford; T Series Trk; V8-330; 72-70 Ford; B500 SchBus; V8-330; 72-70 Ford; B600 SchBus; V8-330; 72-70 Ford; B700 SchBus; V8-330; 72-70 Ford; B750 SchBus; V8-330; 72-70 Ford; C4PA Marine Eng; V8-330</p> <p style="text-align: center;">44005</p> <p>Ford; C600 Trk; V8-330; 72-71 Ford; C600 Trk; V8-361; 72-71 Ford; C600 Trk; V8-391; 72-71 Ford; C800 Trk; V8-330; 72-71 Ford; C800 Trk; V8-361; 72-71 Ford; C800 Trk; V8-391; 72-71 Ford; C Series Trk; V8-330; 70-64 Ford; C Series Trk; V8-361; 70-64 Ford; C Series Trk; V8-391; 70-64 Ford; CT800 Trk; V8-330; 74-71 Ford; CT800 Trk; V8-359; 1973 Ford; CT800 Trk; V8-361; 73-71 Ford; CT800 Trk; V8-391; 73-71 Ford; F500 Trk; V8-330; 75-74 Ford; F600 Trk; V8-330; 74-73 Ford; F600 Trk; V8-359; 74-73 Ford; F600 Trk; V8-361; 74-73 Ford; F600 Trk; V8-391; 74-73 Ford; F750 Trk; V8-330; 74-73 Ford; F750 Trk; V8-361; 74-73 Ford; F750 Trk; V8-391; 74-73 Ford; F Series Trk; V8-330; 69-64 Ford; F Series Trk; V8-361; 69-64 Ford; F Series Trk; V8-391; 69-64 Ford; L800 Trk; V8-361; 1973 Ford; L800 Trk; V8-391; 1973 Ford; LN600 Trk; V8-330; 74-70 Ford; LN600 Trk; V8-361; 73-70 Ford; LN600 Trk; V8-391; 73-70 Ford; LN750 Trk; V8-330; 72-70 Ford; LN750 Trk; V8-361; 72-70 Ford; LN750 Trk; V8-391; 72-70 Ford; LN800 Trk; V8-361; 1973 Ford; LN800 Trk; V8-391; 1973 Ford; LNT800 Trk; V8-361; 1973 Ford; LNT800 Trk; V8-391; 1973 Ford; LT800 Trk; V8-361; 1973 Ford; LT800 Trk; V8-391; 1973 Ford; LTS800 Trk; V8-361; 1973 Ford; LTS800 Trk; V8-391; 1973 Ford; N Series Trk; V8-330; 69-64 Ford; N Series Trk; V8-361; 69-64 Ford; N Series Trk; V8-391; 69-64 Ford; T Series Trk; V8-330; 69-64 Ford; T Series Trk; V8-361; 69-64 Ford; T Series Trk; V8-391; 69-64 Ford; B500 SchBus; V8-330; 75-74 Ford; B500 SchBus; V8-330; 69-64 Ford; B500 SchBus; V8-361; 69-64</p>
--	--	---

Numerical Listing

Use as a guide only. Refer to Pages 1 to 142 for specific applications.

44005 - Continued

Ford; B500 SchBus; V8-391; 69-64
 Ford; B600 SchBus; V8-330; 74-73
 Ford; B600 SchBus; V8-330; 69-64
 Ford; B600 SchBus; V8-361; 69-64
 Ford; B600 SchBus; V8-391; 69-64
 Ford; B700 SchBus; V8-330; 74-73
 Ford; B700 SchBus; V8-330; 69-64
 Ford; B700 SchBus; V8-361; 69-64
 Ford; B700 SchBus; V8-391; 69-64
 Ford; B750 SchBus; V8-330; 69-64
 Ford; B750 SchBus; V8-361; 69-64
 Ford; B750 SchBus; V8-391; 69-64

44006

Ford; C600 Trk; V8-361; 79-75
 Ford; C600 Trk; V8-391; 78-77
 Ford; C700 Trk; V8-361; 79-75
 Ford; C700 Trk; V8-391; 78-75
 Ford; C750 Trk; V8-361; 77-75
 Ford; C750 Trk; V8-391; 77-75
 Ford; C800 Trk; V8-361; 78-75
 Ford; C800 Trk; V8-391; 78-75
 Ford; CT800 Trk; V8-361; 1978
 Ford; CT800 Trk; V8-391; 78-76
 Ford; F500 Trk; V8-361; 77-75
 Ford; F500 Trk; V8-391; 77-75
 Ford; F600 Trk; V8-361; 79-75
 Ford; F600 Trk; V8-391; 78-75
 Ford; F700 Trk; V8-361; 79-75
 Ford; F700 Trk; V8-391; 79-75
 Ford; F750 Trk; V8-361; 77-75
 Ford; F750 Trk; V8-391; 77-75
 Ford; F800 Trk; V8-361; 1978
 Ford; F800 Trk; V8-391; 78-77
 Ford; L800 Trk; V8-361; 78-76
 Ford; L800 Trk; V8-391; 78-76
 Ford; LN600 Trk; V8-361; 78-75
 Ford; LN600 Trk; V8-391; 78-76
 Ford; LN700 Trk; V8-361; 78-75
 Ford; LN700 Trk; V8-391; 78-75
 Ford; LN750 Trk; V8-361; 77-75
 Ford; LN750 Trk; V8-391; 77-75
 Ford; LN800 Trk; V8-361; 78-75
 Ford; LN800 Trk; V8-391; 78-75
 Ford; LNT800 Trk; V8-361; 76-75
 Ford; LNT800 Trk; V8-391; 77-75
 Ford; LT800 Trk; V8-361; 1978
 Ford; LT800 Trk; V8-361; 76-75
 Ford; LT800 Trk; V8-391; 78-75
 Ford; LTS800 Trk; V8-361; 1978
 Ford; LTS800 Trk; V8-361; 1975
 Ford; LTS800 Trk; V8-391; 1978
 Ford; LTS800 Trk; V8-391; 1975
 Ford; B600 SchBus; V8-361; 78-75
 Ford; B700 SchBus; V8-361; 79-75
 Ford; B700 SchBus; V8-391; 79-75
 Ford; B750 SchBus; V8-361; 1977

44007

Ford; Bronco; L6-4.9; 92-91
 Ford; Bronco Full Size; L6-4.9; 90-87
 Ford; E Series Van; L6-4.9; 91-87
 Ford; F Series Pickup; L6-4.9; 92-87

44008

Ford; E Series Van; L6-4.9; 1992

44009

Ford; E Series Van; L6-4.9; 96-93
 Ford; F Series Pickup; L6-4.9; 96-93

44011

Ford; Mustang; V8-429; 1969
 Ford; Thunderbird; V8-429; 69-68
 Linc; Continental; V8-460; 1969
 Linc; Mark III; V8-460; 69-68
 Merc; Cougar; V8-429; 1970
 Merc; Marauder; V8-429; 1969
 Merc; Marquis; V8-429; 1969

44012

Ford; C600 Trk; V8-361; 1974

44012 - Continued

Ford; C600 Trk; V8-391; 1974
 Ford; C700 Trk; V8-361; 1974
 Ford; C700 Trk; V8-391; 75-74
 Ford; C750 Trk; V8-361; 75-74
 Ford; C750 Trk; V8-391; 75-74
 Ford; C800 Trk; V8-361; 75-74
 Ford; C800 Trk; V8-391; 75-74
 Ford; CT800 Trk; V8-361; 1974
 Ford; CT800 Trk; V8-391; 75-74
 Ford; L800 Trk; V8-361; 75-74
 Ford; LN600 Trk; V8-361; 75-74
 Ford; LN700 Trk; V8-361; 1975
 Ford; LN750 Trk; V8-361; 75-74
 Ford; LN800 Trk; V8-361; 75-74
 Ford; LNT800 Trk; V8-361; 75-74
 Ford; LT800 Trk; V8-361; 75-74
 Ford; LTS800 Trk; V8-361; 75-74

44016

Ford; C600 Trk; V8-330; 77-75
 Ford; C800 Trk; V8-330; 1975
 Ford; F500 Trk; V8-330; 77-75
 Ford; F600 Trk; V8-330; 77-75
 Ford; LN600 Trk; V8-330; 77-75
 Ford; LN700 Trk; V8-330; 1977
 Ford; LTS800 Trk; V8-330; 1975

44017

Replaces OEM: D4TE 8505BB (Ford)
 Replaces OEM: D4TZ 8501D (Ford)

44018

Ford; E Series Van; V8-6.9 Dsl; 87-83
 Ford; E Series Van; V8-7.3 Dsl; 94-88
 Ford; F Series Pickup; V8-6.9 Dsl; 87-83
 Ford; F Series Pickup; V8-7.3 Dsl; 94-88
 Ford; Super Duty Pickup; V8-7.3 Dsl; 94-89
 Ford; E350 Trk; V8-7.3 Dsl; 89-88
 Ford; E350 Trk; Intl/Nav V8-6.9 Dsl; 1987
 Ford; F Super Duty Trk; V8-7.3 Dsl; 94-88

44019

Ford; C600 Trk; V8-370; 1979
 Ford; C600 Trk; V8-6.1; 86-81
 Ford; C600 Trk; V8-429; 1979
 Ford; C700 Trk; V8-370; 1979
 Ford; C700 Trk; V8-6.1; 86-80
 Ford; C700 Trk; V8-7.0; 86-80
 Ford; C700 Trk; V8-429; 1979
 Ford; C800 Trk; V8-370; 1979
 Ford; C800 Trk; V8-6.1; 86-80
 Ford; C800 Trk; V8-7.0; 86-80
 Ford; C800 Trk; V8-429; 1979
 Ford; CT800 Trk; V8-370; 1979
 Ford; CT800 Trk; V8-6.1; 82-80
 Ford; CT800 Trk; V8-7.0; 82-80
 Ford; CT800 Trk; V8-429; 1979
 Ford; F600 Trk; V8-370; 1979
 Ford; F600 Trk; V8-6.1; 89-80
 Ford; F600 Trk; V8-7.0; 89-88
 Ford; F600 Trk; V8-429; 1979
 Ford; F700 Trk; V8-370; 1979
 Ford; F700 Trk; V8-6.1; 89-80
 Ford; F700 Trk; V8-7.0; 89-80
 Ford; F700 Trk; V8-429; 1979
 Ford; F800 Trk; V8-370; 1979
 Ford; F800 Trk; V8-6.1; 88-80
 Ford; F800 Trk; V8-7.0; 89-80
 Ford; F800 Trk; V8-429; 1979
 Ford; FT800 Trk; V8-6.1; 85-83
 Ford; FT800 Trk; V8-7.0; 89-83
 Ford; L800 Trk; V8-370; 1979
 Ford; L800 Trk; V8-6.1; 84-80
 Ford; L800 Trk; V8-7.0; 84-80
 Ford; L800 Trk; V8-429; 1979
 Ford; LN600 Trk; V8-370; 1979
 Ford; LN600 Trk; V8-6.1; 85-80
 Ford; LN600 Trk; V8-429; 1979
 Ford; LN700 Trk; V8-370; 1979
 Ford; LN700 Trk; V8-6.1; 86-80
 Ford; LN700 Trk; V8-7.0; 86-80

44019 - Continued

Ford; LN700 Trk; V8-429; 1979
 Ford; LN800 Trk; V8-370; 1979
 Ford; LN800 Trk; V8-6.1; 84-80
 Ford; LN800 Trk; V8-7.0; 84-80
 Ford; LN800 Trk; V8-429; 1979
 Ford; LNT800 Trk; V8-370; 1979
 Ford; LNT800 Trk; V8-6.1; 84-80
 Ford; LNT800 Trk; V8-7.0; 84-80
 Ford; LNT800 Trk; V8-429; 1979
 Ford; LT800 Trk; V8-370; 1979
 Ford; LT800 Trk; V8-7.0; 84-80
 Ford; LT800 Trk; V8-429; 1979
 Ford; LTS800 Trk; V8-7.0; 82-80
 Ford; B600 SchBus; V8-370; 1979
 Ford; B600 SchBus; V8-429; 1979
 Ford; B700 SchBus; V8-370; 1979
 Ford; B700 SchBus; V8-429; 1979

44022

Ford; E Series Van; V8-7.5; 94-92
 Ford; F Series Pickup; V8-7.5; 94-92

44023

Ford; E Series Van; V8-7.5; 89-88
 Ford; F Series Pickup; V8-7.5; 89-88
 Ford; E350 Trk; V8-7.5; 1989

44024

Ford; E Series Van; V8-7.5; 96-95
 Ford; F Series Pickup; V8-7.5; 97-95
 Ford; Super Duty Van; V8-7.5; 1996

44027

Chev; Beaumont; V8-396 Canada; 1969
 Chev; Bel Air; V8-396; 1969
 Chev; Bel Air; V8-402; 72-71
 Chev; Bel Air; V8-427; 1969
 Chev; Bel Air; V8-454; 75-70
 Chev; Bel Air; V8-454 Canada; 1976
 Chev; Biscayne; V8-396; 1969
 Chev; Biscayne; V8-402; 72-71
 Chev; Biscayne; V8-427; 1969
 Chev; Biscayne; V8-454; 72-70
 Chev; Biscayne; V8-454 Canada; 75-73
 Chev; C & K Series Pickup; V8-7.4; 86-80
 Chev; C & K Series Pickup; V8-454; 79-73
 Chev; Camaro; V8-396; 1969
 Chev; Camaro; V8-402; 72-70
 Chev; Caprice; V8-396; 1969
 Chev; Caprice; V8-402; 72-71
 Chev; Caprice; V8-427; 1969
 Chev; Caprice; V8-454; 76-70
 Chev; Chevelle; V8-396; 1969
 Chev; Chevelle; V8-402; 72-70
 Chev; Chevelle; V8-454; 75-70
 Chev; El Camino; V8-396; 1970
 Chev; El Camino; V8-402; 72-70
 Chev; El Camino; V8-454; 75-70
 Chev; Impala; V8-396; 1969
 Chev; Impala; V8-402; 72-71
 Chev; Impala; V8-427; 1969
 Chev; Impala; V8-454; 76-70
 Chev; Malibu; V8-454; 75-73
 Chev; Monte Carlo; V8-402; 72-70
 Chev; Monte Carlo; V8-454; 75-70
 Chev; Nova; V8-396; 1969
 Chev; P Series Van; V8-7.4; 97-80
 Chev; P Series Van; V8-454; 79-73
 Chev; R & V Series Pickup; V8-7.4; 91-87
 Chev; Suburban; V8-7.4; 87-80
 Chev; Suburban; V8-454; 79-73
 GMC; C & K Series Pickup; V8-7.4; 86-80
 GMC; C & K Series Pickup; V8-454; 79-73
 GMC; P Series Van; V8-7.4; 97-80
 GMC; P Series Van; V8-454; 79-73
 GMC; R & V Series Pickup; V8-7.4; 91-87
 GMC; Sprint; V8-402; 72-71
 GMC; Sprint; V8-454; 75-71
 GMC; Suburban; V8-7.4; 87-80
 GMC; Suburban; V8-454; 79-73

Numerical Listing

Use as a guide only. Refer to Pages 1 to 142 for specific applications.

<p>44027P</p> <p>Chev; Beaumont; V8-396 Canada; 1969 Chev; Bel Air; V8-396; 1969 Chev; Bel Air; V8-402; 72-71 Chev; Bel Air; V8-427; 1969 Chev; Bel Air; V8-454; 75-70 Chev; Bel Air; V8-454 Canada; 1976 Chev; Biscayne; V8-396; 1969 Chev; Biscayne; V8-402; 72-71 Chev; Biscayne; V8-427; 1969 Chev; Biscayne; V8-454; 72-70 Chev; Biscayne; V8-454 Canada; 75-73 Chev; C & K Series Pickup; V8-7.4; 86-80 Chev; C & K Series Pickup; V8-454; 79-73 Chev; Camaro; V8-396; 1969 Chev; Camaro; V8-402; 72-70 Chev; Caprice; V8-396; 1969 Chev; Caprice; V8-402; 72-71 Chev; Caprice; V8-427; 1969 Chev; Caprice; V8-454; 76-70 Chev; Chevelle; V8-396; 1969 Chev; Chevelle; V8-402; 72-70 Chev; Chevelle; V8-454; 75-70 Chev; El Camino; V8-396; 1970 Chev; El Camino; V8-402; 72-70 Chev; El Camino; V8-454; 75-70 Chev; Impala; V8-396; 1969 Chev; Impala; V8-402; 72-71 Chev; Impala; V8-427; 1969 Chev; Impala; V8-454; 76-70 Chev; Malibu; V8-454; 75-73 Chev; Monte Carlo; V8-402; 72-70 Chev; Monte Carlo; V8-454; 75-70 Chev; Nova; V8-396; 1969 Chev; P Series Van; V8-7.4; 97-80 Chev; P Series Van; V8-454; 79-73 Chev; R & V Series Pickup; V8-7.4; 91-87 Chev; Suburban; V8-7.4; 87-80 Chev; Suburban; V8-454; 79-73 GMC; C & K Series Pickup; V8-7.4; 86-80 GMC; C & K Series Pickup; V8-454; 79-73 GMC; P Series Van; V8-7.4; 97-80 GMC; P Series Van; V8-454; 79-73 GMC; R & V Series Pickup; V8-7.4; 91-87 GMC; Sprint; V8-402; 72-71 GMC; Sprint; V8-454; 75-71 GMC; Suburban; V8-7.4; 87-80 GMC; Suburban; V8-454; 79-73</p>	<p>44029 - Continued</p> <p>Chev; T60 Trk; GM V8-427; 78-66 Chev; T65 Trk; GM V8-366; 78-74 Chev; T65 Trk; GM V8-427; 78-74 Chev; TE50 Trk; GM V8-366; 72-71 Chev; TE50 Trk; GM V8-427; 72-70 Chev; TE60 Trk; GM V8-366; 72-71 Chev; TE60 Trk; GM V8-427; 72-70 Chev; TE65 Trk; GM V8-366; 72-66 Chev; TE65 Trk; GM V8-427; 72-66 Chev; W6 Trk; GM V8-6.0; 1980 Chev; W7 Trk; GM V8-366; 79-75 Chev; W7 Trk; GM V8-6.0; 1980 Chev; W7 Trk; GM V8-427; 1979 Chev; W7 Trk; GM V8-7.0; 1980 GMC; Brigadier Trk; V8-366; 1979 GMC; Brigadier Trk; V8-6.0; 1980 GMC; Brigadier Trk; V8-427; 79-78 GMC; C6000 Trk; V8-366; 79-78 GMC; C6000 Trk; V8-6.0; 1980 GMC; C7000 Trk; V8-366; 79-78 GMC; C7000 Trk; V8-6.0; 1980 GMC; C7000 Trk; V8-427; 79-78 GMC; C7000 Trk; V8-7.0; 1980 GMC; C7000 Trk; V8-7.4; 1980 GMC; CE5500 Trk; V8-366; 72-66 GMC; CE5500 Trk; V8-427; 72-66 GMC; CE6000 Trk; V8-366; 77-67 GMC; CE6000 Trk; V8-427; 77-67 GMC; CE6500 Trk; V8-366; 77-73 GMC; CE6500 Trk; V8-427; 77-73 GMC; H7500 Trk; V8-366; 78-74 GMC; H7500 Trk; V8-427; 78-74 GMC; H8500 Trk; V8-366; 78-74 GMC; H8500 Trk; V8-427; 78-74 GMC; J7500 Trk; V8-366; 78-74 GMC; J7500 Trk; V8-427; 78-74 GMC; J8500 Trk; V8-366; 78-74 GMC; J8500 Trk; V8-427; 78-74 GMC; M6500 Trk; V8-366; 1978 GMC; M6500 Trk; V8-427; 1978 GMC; ME6500 Trk; V8-366; 77-73 GMC; ME6500 Trk; V8-427; 77-73 GMC; P3500 Trk; V8-366; 77-72 GMC; P3500 Trk; V8-427; 77-72 GMC; T6000 Trk; V8-366; 78-66 GMC; T6000 Trk; V8-427; 78-66 GMC; T6500 Trk; V8-366; 1978 GMC; T6500 Trk; V8-427; 1978 GMC; TE5500 Trk; V8-366; 77-66 GMC; TE5500 Trk; V8-427; 77-66 GMC; TE6500 Trk; V8-366; 77-66 GMC; TE6500 Trk; V8-427; 77-66 GMC; W6 Trk; V8-366; 1979 GMC; W6 Trk; V8-6.0; 1980 GMC; W7 Trk; V8-366; 79-75 GMC; W7 Trk; V8-6.0; 1980 GMC; W7 Trk; V8-427; 1979 GMC; W7 Trk; V8-7.0; 1980</p>	<p>44033 - Continued</p> <p>Cad; Deville; V8-4.1; 87-85 Cad; Deville; V8-4.5; 90-88 Cad; Deville; V8-4.9; 95-91 Cad; Eldorado; V8-4.1; 87-86 Cad; Eldorado; V8-4.5; 90-88 Cad; Eldorado; V8-4.9; 93-91 Cad; Fleetwood; V8-4.1; 87-85 Cad; Fleetwood; V8-4.5; 90-88 Cad; Fleetwood; V8-4.9; 92-91 Cad; Seville; V8-4.1; 87-86 Cad; Seville; V8-4.5; 90-88 Cad; Seville; V8-4.9; 93-91 Cad; Sixty Special; V8-4.9; 1993</p>
<p>44028</p> <p>Cad; Deville; V8-4.1; 84-82 Cad; Eldorado; V8-4.1; 85-82 Cad; Fleetwood; V8-4.1; 85-82 Cad; Seville; V8-4.1; 85-82</p>	<p>44030</p> <p>Chev; C & K Series Pickup; V8-7.4; 2000-88 Chev; Express; V8-7.4; 2000-96 Chev; G Series Van; V8-7.4; 98-88 Chev; P Series Van; V8-7.4; 99-96 Chev; Suburban; V8-7.4; 99-88 GMC; C & K Series Pickup; V8-7.4; 2000-88 GMC; G Series Van; V8-7.4; 96-88 GMC; P Series Van; V8-7.4; 99-96 GMC; Savana; V8-7.4; 2000-96 GMC; Suburban; V8-7.4; 99-88</p>	<p>44034</p> <p>Mer cruiser; Black Hawk Marine Eng; V8-454 Mer cruiser; HP425 Marine Eng; V8-454 Mer cruiser; 7.4 L Marine Eng; V8-454 Mer cruiser; 7.4 LX Marine Eng; V8-454 Mer cruiser; 330 Marine Eng; V8-454 Mer cruiser; 330 Bravo Marine Eng; V8-454 Mer cruiser; 330 Magnum Marine Eng; V8-454 Mer cruiser; 454 Magnum Marine Eng; V8-454 Mer cruiser; 525 H.P. Marine Eng; V8-454 Mer cruiser; 525 SC Marine Eng; V8-454 Mer cruiser; 525 SC Bravo One Marine Eng; V8-454</p>
<p>44029</p> <p>Chev; Bruin Trk; GM V8-366; 1979 Chev; Bruin Trk; GM V8-427; 1979 Chev; C50 Trk; GM V8-366; 78-66 Chev; C50 Trk; GM V8-427; 78-66 Chev; C60 Trk; GM V8-366; 79-66 Chev; C60 Trk; GM V8-6.0; 1980 Chev; C60 Trk; GM V8-427; 79-66 Chev; C70 Trk; GM V8-366; 79-75 Chev; C70 Trk; GM V8-6.0; 1980 Chev; C70 Trk; GM V8-427; 1979 Chev; C70 Trk; GM V8-7.0; 1980 Chev; CE60 Trk; GM V8-427; 1975 Chev; H70 Trk; GM V8-366; 78-74 Chev; H70 Trk; GM V8-427; 78-74 Chev; H80 Trk; GM V8-366; 78-74 Chev; H80 Trk; GM V8-427; 78-74 Chev; J70 Trk; GM V8-366; 78-74 Chev; J70 Trk; GM V8-427; 78-74 Chev; J80 Trk; GM V8-366; 78-74 Chev; J80 Trk; GM V8-427; 78-74 Chev; M65 Trk; GM V8-366; 78-73 Chev; M65 Trk; GM V8-427; 78-73 Chev; P30 Trk; GM V8-427; 1977 Chev; T50 Trk; GM V8-366; 73-66 Chev; T50 Trk; GM V8-427; 73-66 Chev; T60 Trk; GM V8-366; 78-66</p>	<p>44032</p> <p>Cad; Calais; V8-472; 73-68 Cad; Deville; V8-472; 73-68 Cad; Eldorado; V8-472; 69-68 Cad; Eldorado; V8-500; 73-70 Cad; Fleetwood; V8-472; 73-68</p>	<p>44035</p> <p>Chev; Corvette; V8-5.7; 1992</p> <p>44036</p> <p>Chev; Corvette; V8-5.7; 96-93</p> <p>44037</p> <p>Chev; Camaro; V8-5.7; 97-93 Pont; Firebird; V8-5.7; 97-93</p>
<p>44033</p> <p>Cad; Allante; V8-4.1; 88-87 Cad; Allante; V8-4.5; 92-89</p>	<p>44033</p> <p>Cad; Allante; V8-4.1; 88-87 Cad; Allante; V8-4.5; 92-89</p>	<p>44038</p> <p>Buick; Roadmaster; V8-5.7; 96-94 Cad; Fleetwood; V8-5.7; 96-94 Chev; Caprice; V8-4.3; 96-94 Chev; Caprice; V8-5.7; 96-94 Chev; Impala SS; V8-5.7; 96-94</p> <p>44040</p> <p>Chev; Corvette; V8-5.7; 95-90</p> <p>44042</p> <p>AMgen; Hummer; V8-6.5 Dsl; 98-97 Chev; C & K Series Pickup; V8-6.5 Dsl; 99-96 Chev; Express; V8-6.5 Dsl; 98-96 Chev; G Series Van; V8-6.5 Dsl; 98-96 Chev; P Series Van; V8-6.5 Dsl; 98-97 Chev; Silverado Series Pickup; V8-6.5 Dsl; 1999 Chev; Suburban; V8-6.5 Dsl; 99-96 Chev; Tahoe; V8-6.5 Dsl; 99-96 GMC; C & K Series Pickup; V8-6.5 Dsl; 99-96 GMC; P Series Van; V8-6.5 Dsl; 98-97 GMC; Savana; V8-6.5 Dsl; 98-96 GMC; Sierra Series Pickup; V8-6.5 Dsl; 1999 GMC; Suburban; V8-6.5 Dsl; 99-96 GMC; Yukon; V8-6.5 Dsl; 97-96 Chev; P30 Trk; GM V8-6.5 Dsl; 98-96 GMC; P3500 Trk; V8-6.5 Dsl; 98-96 GMC; B7 Series SchBus; V8-6.5 Dsl; 98-97</p> <p>44043</p> <p>Olds; Aurora; V6-3.5; 2002-01 Olds; Intrigue; V6-3.5; 2002-99</p> <p>44045</p> <p>Chev; Avalanche; V8-8.1; 2006-02 Chev; Silverado Series Pickup; V8-8.1; 2007-01 Chev; Suburban; V8-8.1; 2006-01 GMC; Sierra Series Pickup; V8-8.1; 2007-01 GMC; Yukon; V8-8.1; 2006-01</p>

Numerical Listing

Use as a guide only. Refer to Pages 1 to 142 for specific applications.

44047	44052 - Continued	44052 - Continued
Acura; Legend; V6-3.2; 1995 Acura; Legend; V6-3.2; 95-94 Acura; Legend; V6-3.2; 94-91	Int/Nav; 9300 Trk; CumDsl L6-14.0; 1990 Int/Nav; 9400 Trk; CumDsl N14; 99-91 Int/Nav; 9400 Trk; CumDsl L6-14.0; 1990 Int/Nav; 9400i Trk; CumDsl N14; 2003-00 Int/Nav; 9600 Trk; CumDsl N14; 96-91 Int/Nav; 9600 Trk; CumDsl L6-14.0; 1990 Int/Nav; 9700 Trk; CumDsl N14; 96-91 Int/Nav; 9700 Trk; CumDsl L6-14.0; 1990 Int/Nav; 9800 Trk; CumDsl N14; 99-96 Int/Nav; 9900 Trk; CumDsl N14; 1999 Int/Nav; 9900i Trk; CumDsl N14; 2003-00 Int/Nav; 9900ix Trk; CumDsl N14; 2002-00 Ken; K100 Trk; CumDsl N14; 93-92 Ken; K100 Trk; CumDsl L6-14.0; 91-90 Ken; T600 Trk; CumDsl N14; 2001-92 Ken; T600 Trk; CumDsl L6-14.0; 91-90 Ken; T800 Trk; CumDsl N14; 2003-92 Ken; T800 Trk; CumDsl L6-14.0; 91-90 Ken; T2000 Trk; CumDsl N14; 2000-97 Ken; W900 Trk; CumDsl N14; 2003-92 Ken; W900 Trk; CumDsl L6-14.0; 91-90 Mack; MH Series Trk; CumDsl L6-14.0; 1990 Mack; RW Series Trk; CumDsl N14; 93-92 Mack; RW Series Trk; CumDsl L6-14.0; 91-90 Marmon; 57P Trk; CumDsl L6-14.0; 1990 P'bilt; 357 Trk; CumDsl N14; 97-92 P'bilt; 357 Trk; CumDsl L6-14.0; 91-90 P'bilt; 362 Trk; CumDsl N14; 96-92 P'bilt; 362 Trk; CumDsl L6-14.0; 91-90 P'bilt; 372 Trk; CumDsl N14; 94-92 P'bilt; 372 Trk; CumDsl L6-14.0; 91-90 P'bilt; 377 Trk; CumDsl N14; 99-92 P'bilt; 377 Trk; CumDsl L6-14.0; 91-90 P'bilt; 378 Trk; CumDsl N14; 2003-92 P'bilt; 378 Trk; CumDsl L6-14.0; 91-90 P'bilt; 379 Trk; CumDsl N14; 2003-92 P'bilt; 379 Trk; CumDsl L6-14.0; 91-90 P'bilt; 385 Trk; CumDsl N14; 2003-02 Sterling; A-Line Trk; CumDsl N14; 2002-98 Sterling; L-Line Trk; CumDsl N14; 2002-98 Sterling; Silver Star Trk; CumDsl N14; 2003-02 Volvo; Autocar Trk; CumDsl N14; 2001-96 Volvo; VHD Trk; CumDsl N14; 2001 Volvo; VN Series Trk; CumDsl N14; 2003-98 Volvo; WCA Series Trk; CumDsl N14; 1996 Volvo; WCA Series Trk; CumDsl N14; 93-91 Volvo; WCA Series Trk; CumDsl L6-14.0; 1990 Volvo; WCM Series Trk; CumDsl N14; 93-91 Volvo; WCM Series Trk; CumDsl L6-14.0; 1990 Volvo; WCS Series Trk; CumDsl L6-14.0; 1990 Volvo; WG Series Trk; CumDsl N14; 97-96 Volvo; WG Series Trk; CumDsl N14; 93-91 Volvo; WG Series Trk; CumDsl L6-14.0; 1990 Volvo; WH Series Trk; CumDsl N14; 1996 Volvo; WH Series Trk; CumDsl N14; 93-91 Volvo; WH Series Trk; CumDsl L6-14.0; 1990 Volvo; WIA Series Trk; CumDsl N14; 98-96 Volvo; WIA Series Trk; CumDsl N14; 93-91 Volvo; WIA Series Trk; CumDsl L6-14.0; 1990 Volvo; WIL Series Trk; CumDsl L6-14.0; 1990 Volvo; WIM Series Trk; CumDsl N14; 93-91 Volvo; WIM Series Trk; CumDsl L6-14.0; 1990 WestStar; 4900 Series Trk; CumDsl N14; 2000-99 WestStar; 4964EX Trk; CumDsl N14; 2001 WestStar; 4964FX Trk; CumDsl N14; 2001 WestStar; 4964SX Trk; CumDsl N14; 2001 WhiteGMC; WCA Series Trk; CumDsl N14; 95-94 WhiteGMC; WG Series Trk; CumDsl N14; 95-93	WhiteGMC; WG Series Trk; CumDsl N14; 1991 WhiteGMC; WG Series Trk; CumDsl L6-14.0; 1990 WhiteGMC; WH Series Trk; CumDsl N14; 95-94 WhiteGMC; WIA Series Trk; CumDsl N14; 95-91 WhiteGMC; WIA Series Trk; CumDsl L6-14.0; 1990 WhiteGMC; WIL Series Trk; CumDsl N14; 1994 WhiteGMC; WIL Series Trk; CumDsl N14; 1991 WhiteGMC; WIL Series Trk; CumDsl L6-14.0; 1990 WhiteGMC; WIM Series Trk; CumDsl N14; 94-91 WhiteGMC; WIM Series Trk; CumDsl L6-14.0; 1990 Gillig; Phantom Bus; CumDsl N14; 97-93 J Deere; 6950 Harvester; CumDsl N14; 2004
44048		
Acura; Legend; V6-3.2; 95-93		
44049		
Acura; TL; V6-3.2; 98-96		
44052		
Autocar; AC Series Trk; CumDsl N14; 1995 Ford; CL9000 Trk; CumDsl N14; 1991 Ford; CL9000 Trk; CumDsl L6-14.0; 1990 Ford; CLT9000 Trk; CumDsl N14; 1991 Ford; CLT9000 Trk; CumDsl L6-14.0; 1990 Ford; L8000 Trk; CumDsl N14; 98-93 Ford; L9000 Trk; CumDsl N14; 97-91 Ford; L9000 Trk; CumDsl L6-14.0; 1990 Ford; LA8000 Trk; CumDsl N14; 98-92 Ford; LA9000 Trk; CumDsl N14; 98-91 Ford; LA9000 Trk; CumDsl L6-14.0; 1990 Ford; LL9000 Trk; CumDsl N14; 97-91 Ford; LL9000 Trk; CumDsl L6-14.0; 1990 Ford; LLA9000 Trk; CumDsl N14; 98-91 Ford; LLA9000 Trk; CumDsl N14; 97-91 Ford; LN9000 Trk; CumDsl N14; 97-91 Ford; LN9000 Trk; CumDsl L6-14.0; 1990 Ford; LNT9000 Trk; CumDsl N14; 97-91 Ford; LNT9000 Trk; CumDsl L6-14.0; 1990 Ford; LS8000 Trk; CumDsl N14; 98-93 Ford; LS9000 Trk; CumDsl N14; 97-91 Ford; LS9000 Trk; CumDsl L6-14.0; 1990 Ford; LT8000 Trk; CumDsl N14; 97-93 Ford; LT9000 Trk; CumDsl N14; 97-91 Ford; LT9000 Trk; CumDsl L6-14.0; 1990 Ford; LTA9000 Trk; CumDsl N14; 98-91 Ford; LTA9000 Trk; CumDsl L6-14.0; 1990 Ford; LTL9000 Trk; CumDsl N14; 97-91 Ford; LTL9000 Trk; CumDsl L6-14.0; 1990 Ford; LTLA9000 Trk; CumDsl N14; 98-91 Ford; LTLA9000 Trk; CumDsl N14; 98-92 Ford; LTS8000 Trk; CumDsl N14; 97-93 Ford; LTS9000 Trk; CumDsl N14; 97-91 Ford; LTS9000 Trk; CumDsl L6-14.0; 1990 F'liner; Argosy Trk; CumDsl N14; 2002-99 F'liner; Century Class Trk; CumDsl N14; 2001-96 F'liner; Classic Trk; CumDsl N14; 2002-01 F'liner; Classic XL Trk; CumDsl N14; 2003-01 F'liner; Columbia Trk; CumDsl N14; 2003 F'liner; FLA Trk; CumDsl N14; 94-91 F'liner; FLA Trk; CumDsl L6-14.0; 1990 F'liner; FLB Trk; CumDsl N14; 98-94 F'liner; FLC Trk; CumDsl N14; 98-91 F'liner; FLC Trk; CumDsl L6-14.0; 1990 F'liner; FLD Trk; CumDsl N14; 2003-91 F'liner; FLD Trk; CumDsl L6-14.0; 1990 F'liner; FLL Trk; CumDsl N14; 96-95 Int/Nav; 2554 Trk; CumDsl N14; 2000-99 Int/Nav; 2574 Trk; CumDsl N14; 2000-91 Int/Nav; 2574 Trk; CumDsl L6-14.0; 1990 Int/Nav; 2654 Trk; CumDsl N14; 2000-99 Int/Nav; 2674 Trk; CumDsl N14; 2000-91 Int/Nav; 2674 Trk; CumDsl L6-14.0; 1990 Int/Nav; 5000 Trk; CumDsl N14; 99-91 Int/Nav; 5000 Trk; CumDsl L6-14.0; 1990 Int/Nav; 5500i Trk; CumDsl N14; 2003-00 Int/Nav; 5600i Trk; CumDsl N14; 2003-00 Int/Nav; 5900i Trk; CumDsl N14; 2003-00 Int/Nav; 8100 Trk; CumDsl N14; 99-95 Int/Nav; 8200 Trk; CumDsl N14; 98-91 Int/Nav; 8200 Trk; CumDsl L6-14.0; 1990 Int/Nav; 8300 Trk; CumDsl N14; 94-91 Int/Nav; 8300 Trk; CumDsl L6-14.0; 1990 Int/Nav; 9100 Trk; CumDsl N14; 99-98 Int/Nav; 9100i Trk; CumDsl N14; 2003-00 Int/Nav; 9200 Trk; CumDsl N14; 99-95 Int/Nav; 9200i Trk; CumDsl N14; 2003-00 Int/Nav; 9300 Trk; CumDsl N14; 99-91		
		44053
		Int/Nav; Metro II Trk; Int/Nav V8-6.9 Dsl; 88-87 Int/Nav; Metro II Trk; Int/Nav V8-7.3 Dsl; 92-88 Int/Nav; 400 Trk; Int/Nav T444 Dsl; 1991 Int/Nav; 500 Trk; Int/Nav T444 Dsl; 1991 Int/Nav; 1452 SC Trk; Int/Nav V8-6.9 Dsl; 88-87 Int/Nav; 1452 SC Trk; Int/Nav V8-7.3 Dsl; 91-88 Int/Nav; 1652 SC Trk; Int/Nav T444 Dsl; 1994 Int/Nav; 1652 SC Trk; Int/Nav V8-6.9 Dsl; 88-87 Int/Nav; 1652 SC Trk; Int/Nav V8-7.3 Dsl; 93-88 Int/Nav; 1654 Trk; Int/Nav V8-6.9 Dsl; 88-83 Int/Nav; 1654 Trk; Int/Nav V8-7.3 Dsl; 89-88 Int/Nav; 4600 Trk; Int/Nav T444 Dsl; 94-91 Int/Nav; 4600 Trk; Int/Nav V8-7.3 Dsl; 1990 Int/Nav; 4700 Trk; Int/Nav T444 Dsl; 1994 Int/Nav; 7100 Trk; Int/Nav T444 Dsl; 1994 Amtran; RE SchBus; Int/Nav T444 Dsl; 1993 Carpenter; Classic SchBus; Int/Nav V8-7.3 Dsl; 1994 Int/Nav; 1753 SchBus; Int/Nav V8-6.9 Dsl; 88-83 Int/Nav; 1753 SchBus; Int/Nav V8-7.3 Dsl; 89-88 Int/Nav; 3600 SchBus; Int/Nav V8-7.3 Dsl; 94-91 Int/Nav; 3700 SchBus; Int/Nav V8-7.3 Dsl; 94-90 Int/Nav; 3800 SchBus; Int/Nav V8-7.3 Dsl; 1994 US Bus; BUS Bus; Int/Nav T444 Dsl; 93-91
		44054
		Autocar; AC Series Trk; CatDsl-3406; 1994 Ford; L8000 Trk; CatDsl-3406; 97-94 Ford; L9000 Trk; CatDsl-3406; 97-94 Ford; LA8000 Trk; CatDsl-3406; 97-94 Ford; LA9000 Trk; CatDsl-3406; 98-94 Ford; LL9000 Trk; CatDsl-3406; 97-94 Ford; LLA9000 Trk; CatDsl-3406; 98-94 Ford; LLS9000 Trk; CatDsl-3406; 97-94 Ford; LN7000 Trk; CatDsl-3406; 1995 Ford; LN9000 Trk; CatDsl-3406; 97-94 Ford; LNT9000 Trk; CatDsl-3406; 97-94 Ford; LS8000 Trk; CatDsl-3406; 97-94 Ford; LS9000 Trk; CatDsl-3406; 97-94 Ford; LT8000 Trk; CatDsl-3406; 95-94 Ford; LT9000 Trk; CatDsl-3406; 97-94 Ford; LTA9000 Trk; CatDsl-3406; 98-94 Ford; LTL9000 Trk; CatDsl-3406; 97-94 Ford; LTLA9000 Trk; CatDsl-3406; 98-94 Ford; LTLA9000 Trk; CatDsl-3406; 98-94

Numerical Listing

Use as a guide only. Refer to Pages 1 to 142 for specific applications.

44054 - Continued

Ford; LTS8000 Trk; CatDsl-3406; 97-94
 Ford; LTS9000 Trk; CatDsl-3406; 97-94
 F'liner; Argosy Trk; CatDsl-3406; 2002-99
 F'liner; Century Class Trk; CatDsl-3406; 99-96
 F'liner; FLA Trk; CatDsl-3406; 94-93
 F'liner; FLB Trk; CatDsl-3406; 97-94
 F'liner; FLC Trk; CatDsl-3406; 96-93
 F'liner; FLD Trk; CatDsl-3406; 2000-93
 F'liner; FLL Trk; CatDsl-3406; 97-95
 Int/Nav; 5000 Trk; CatDsl-3406; 1996
 Int/Nav; 7600 Trk; CatDsl-3406; 2003
 Int/Nav; 8100 Trk; CatDsl-3406; 1998
 Int/Nav; 8100 Trk; CatDsl-3406; 1996
 Int/Nav; 8200 Trk; CatDsl-3406; 98-93
 Int/Nav; 8300 Trk; CatDsl-3406; 94-93
 Int/Nav; 9100 Trk; CatDsl-3406; 1998
 Int/Nav; 9200 Trk; CatDsl-3406; 98-95
 Int/Nav; 9300 Trk; CatDsl-3406; 98-93
 Int/Nav; 9400 Trk; CatDsl-3406; 99-93
 Int/Nav; 9400i Trk; CatDsl-3406; 2000
 Int/Nav; 9600 Trk; CatDsl-3406; 96-93
 Int/Nav; 9700 Trk; CatDsl-3406; 96-93
 Int/Nav; 9900 Trk; CatDsl-3406; 1999
 Int/Nav; 9900i Trk; CatDsl-3406; 2000
 Int/Nav; 9900ix Trk; CatDsl-3406; 2000
 Ken; K100 Trk; CatDsl-3406; 94-93
 Ken; T600 Trk; CatDsl-3406; 99-93
 Ken; T800 Trk; CatDsl-3406; 2000-93
 Ken; T2000 Trk; CatDsl-3406; 2000-97
 Ken; W900 Trk; CatDsl-3406; 2000-93
 Mack; CL Series Trk; CatDsl-3406; 99-98
 Mack; CL Series Trk; CatDsl-3406; 96-95
 Marmon; 57P Trk; CatDsl-3406; 94-93
 Marmon; 57R Trk; CatDsl-3406; 96-93
 P'bilt; 330 Trk; CatDsl-3406; 2000-99
 P'bilt; 357 Trk; CatDsl-3406; 99-93
 P'bilt; 362 Trk; CatDsl-3406; 99-93
 P'bilt; 372 Trk; CatDsl-3406; 94-93
 P'bilt; 377 Trk; CatDsl-3406; 99-93
 P'bilt; 378 Trk; CatDsl-3406; 99-93
 P'bilt; 379 Trk; CatDsl-3406; 2000-93
 Sterling; A-Line Trk; CatDsl-3406; 99-98
 Sterling; L-Line Trk; CatDsl-3406; 2000-98
 Sterling; Silver Star Trk; CatDsl-3406; 2000-99
 Volvo; Autocar Trk; CatDsl-3406; 98-96
 Volvo; VN Series Trk; CatDsl-3406; 99-97
 Volvo; WCA Series Trk; CatDsl-3406; 1996
 Volvo; WIA Series Trk; CatDsl-3406; 97-96
 WestStar; 4800 Series Trk; CatDsl-3406; 2000-96
 WestStar; 4900 Series Trk; CatDsl-3406; 2000-96
 WestStar; 4900EX Trk; CatDsl-3406; 2003
 WestStar; 4900FA Trk; CatDsl-3406; 2003
 WestStar; 4900SA Trk; CatDsl-3406; 2003
 WestStar; 4964EX Trk; CatDsl-3406; 2002-01
 WestStar; 4964FX Trk; CatDsl-3406; 2002-01
 WestStar; 4964SX Trk; CatDsl-3406; 2002-01
 WestStar; 5800 Series Trk; CatDsl-3406; 2000-96
 WestStar; 5900 Series Trk; CatDsl-3406; 2000-95
 WestStar; 6900 Series Trk; CatDsl-3406; 2000-95
 WhiteGMC; WCA Series Trk; CatDsl-3406; 95-94
 WhiteGMC; WCL Series Trk; CatDsl-3406; 1994
 WhiteGMC; WCM Series Trk; CatDsl-3406; 1994
 WhiteGMC; WH Series Trk; CatDsl-3406; 1994
 WhiteGMC; WIA Series Trk; CatDsl-3406; 95-94
 WhiteGMC; WIL Series Trk; CatDsl-3406; 1994

44054 - Continued

WhiteGMC; WIM Series Trk; CatDsl-3406; 1994
 CMI; RS425 Pave Eq; CatDsl-3406BDITA
 Gard-Den; SPTDD Compressor; CatDsl-3406DI

44055

Autocar; AT Series Trk; CumDsl L6-14.0; 84-83
 Autocar; Construcktor 2 Series Trk; CumDsl L6-14.0; 84-83
 Autocar; DC Series Trk; CumDsl L6-14.0; 84-83
 Ford; CL9000 Trk; CumDsl L6-14.0; 84-83
 Ford; CLT9000 Trk; CumDsl L6-14.0; 84-83
 Ford; L9000 Trk; CumDsl L6-14.0; 84-83
 Ford; LL9000 Trk; CumDsl L6-14.0; 1984
 Ford; LN9000 Trk; CumDsl L6-14.0; 84-83
 Ford; LNT9000 Trk; CumDsl L6-14.0; 84-83
 Ford; LS9000 Trk; CumDsl L6-14.0; 1984
 Ford; LT9000 Trk; CumDsl L6-14.0; 84-83
 Ford; LTL9000 Trk; CumDsl L6-14.0; 84-83
 Ford; LTS9000 Trk; CumDsl L6-14.0; 84-83
 F'liner; FLC Trk; CumDsl L6-14.0; 84-83
 F'liner; FLT Trk; CumDsl L6-14.0; 84-83
 GMC; Astro Trk; CumDsl L6-14.0; 84-83
 GMC; Brigadier Trk; CumDsl L6-14.0; 84-83
 GMC; General Trk; CumDsl L6-14.0; 84-83
 Int/Nav; CO9670 Trk; CumDsl L6-14.0; 84-83
 Int/Nav; COF9670 Trk; CumDsl L6-14.0; 84-83
 Int/Nav; F2275 Trk; CumDsl L6-14.0; 84-83
 Int/Nav; F2276 Trk; CumDsl L6-14.0; 84-83
 Int/Nav; F2574 Trk; CumDsl L6-14.0; 84-83
 Int/Nav; F2575 Trk; CumDsl L6-14.0; 84-83
 Int/Nav; F2674 Trk; CumDsl L6-14.0; 84-83
 Int/Nav; F4370 Trk; CumDsl L6-14.0; 84-83
 Int/Nav; F5070 Trk; CumDsl L6-14.0; 84-83
 Int/Nav; 2275 Trk; CumDsl L6-14.0; 84-83
 Int/Nav; 2276 Trk; CumDsl L6-14.0; 84-83
 Int/Nav; 2574 Trk; CumDsl L6-14.0; 84-83
 Int/Nav; 2575 Trk; CumDsl L6-14.0; 84-83
 Int/Nav; 2674 Trk; CumDsl L6-14.0; 84-83
 Int/Nav; 4370 Trk; CumDsl L6-14.0; 84-83
 Int/Nav; 5070 Trk; CumDsl L6-14.0; 84-83
 Ken; C500 Trk; CumDsl L6-14.0; 84-83
 Ken; K100 Trk; CumDsl L6-14.0; 84-83
 Ken; W900 Trk; CumDsl L6-14.0; 84-83
 Mack; MH Series Trk; CumDsl L6-14.0; 1984
 Mack; R Series Trk; CumDsl L6-14.0; 84-83
 Mack; RWL Series Trk; CumDsl L6-14.0; 84-83
 Mack; RWS Series Trk; CumDsl L6-14.0; 84-83
 Mack; WL Series Trk; CumDsl L6-14.0; 1984
 Mack; WS Series Trk; CumDsl L6-14.0; 1984
 Marmon; 54F Trk; CumDsl L6-14.0; 1983
 Marmon; 54P Trk; CumDsl L6-14.0; 1983
 Marmon; 57P Trk; CumDsl L6-14.0; 1984
 P'bilt; 310 Trk; CumDsl L6-14.0; 84-83
 P'bilt; 348 Trk; CumDsl L6-14.0; 1983
 P'bilt; 353 Trk; CumDsl L6-14.0; 1986
 P'bilt; 353 Trk; CumDsl L6-14.0; 84-83
 P'bilt; 359 Trk; CumDsl L6-14.0; 84-83
 P'bilt; 362 Trk; CumDsl L6-14.0; 84-83
 P'bilt; 387 Trk; CumDsl L6-14.0; 1984
 WestStar; WSH Series Trk; CumDsl L6-14.0; 84-83
 WestStar; 4800 Series Trk; CumDsl L6-14.0; 84-83
 WestStar; 4900 Series Trk; CumDsl L6-14.0; 84-83
 White; Road Boss 2 Trk; CumDsl L6-14.0; 1983
 White; Road Commander 2 Trk; CumDsl L6-14.0; 1983
 White; WCL Trk; CumDsl L6-14.0; 1984
 White; WCM Trk; CumDsl L6-14.0; 1984
 White; WCS Trk; CumDsl L6-14.0; 1984
 White; WHL Trk; CumDsl L6-14.0; 1984
 White; WHM Trk; CumDsl L6-14.0; 1984

44055 - Continued

White; WHR Trk; CumDsl L6-14.0; 1984
 White; WHS Trk; CumDsl L6-14.0; 1984
 White; WIM Trk; CumDsl L6-14.0; 1984
 White; WX Trk; CumDsl L6-14.0; 84-83

44056

AMgen; Hummer; V8-6.5 Dsl; 2001-99
 Chev; C & K Series Pickup; V8-6.5 Dsl; 2002-99
 Chev; Express; V8-6.5 Dsl; 2002-99
 Chev; P Series Van; V8-6.5 Dsl; 1999
 Chev; Silverado Series Pickup; V8-6.5 Dsl; 1999
 Chev; Suburban; V8-6.5 Dsl; 1999
 GMC; C & K Series Pickup; V8-6.5 Dsl; 2002-99
 GMC; P Series Van; V8-6.5 Dsl; 1999
 GMC; Savana; V8-6.5 Dsl; 2002-99
 GMC; Sierra Series Pickup; V8-6.5 Dsl; 1999
 GMC; Suburban; V8-6.5 Dsl; 1999
 Hummer; H1; V8-6.5 Dsl; 2004-02
 Workhorse; P Series Trk; GM V8-6.5 Dsl; 2004-00
 Corbeil; Corbeil GM/Chevrolet SchBus; GM V8-6.5 Dsl; 2003

44058

Int/Nav; F1954 Trk; Int/Nav DT466 Dsl; 89-86
 Int/Nav; F2554 Trk; Int/Nav DT466 Dsl; 89-86
 Int/Nav; F2654 Trk; Int/Nav DT466 Dsl; 89-86
 Int/Nav; F5050 Trk; Int/Nav DT466 Dsl; 1986
 Int/Nav; 1854 Trk; Int/Nav DT466 Dsl; 89-86
 Int/Nav; 1954 Trk; Int/Nav DT466 Dsl; 89-86
 Int/Nav; 1955 Trk; Int/Nav DT466 Dsl; 89-86
 Int/Nav; 2155 Trk; Int/Nav DT466 Dsl; 89-86
 Int/Nav; 2554 Trk; Int/Nav DT466 Dsl; 91-86
 Int/Nav; 2654 Trk; Int/Nav DT466 Dsl; 91-89
 Int/Nav; 4800 Trk; Int/Nav DT466 Dsl; 92-90
 Int/Nav; 4900 Trk; Int/Nav DT466 Dsl; 92-90
 Int/Nav; 5000 Trk; Int/Nav DT466 Dsl; 1987
 Int/Nav; 5050 Trk; Int/Nav DT466 Dsl; 1986
 Int/Nav; 7100 Trk; Int/Nav DT466 Dsl; 92-90
 Int/Nav; 8100 Trk; Int/Nav DT466 Dsl; 92-90
 Int/Nav; 1853 SchBus; Int/Nav DT360 Dsl; 89-87
 Int/Nav; 1853 SchBus; Int/Nav DT466 Dsl; 89-86
 Int/Nav; 3800 SchBus; Int/Nav DT360 Dsl; 1990

44059

Int/Nav; 2554 Trk; Int/Nav DT466 Dsl; 95-92
 Int/Nav; 4700 Trk; Int/Nav DT466 Dsl; 1994
 Int/Nav; 4800 Trk; Int/Nav DT466 Dsl; 94-93
 Int/Nav; 4900 Trk; Int/Nav DT466 Dsl; 94-93
 Int/Nav; 7100 Trk; Int/Nav DT466 Dsl; 1993
 Int/Nav; 3600 SchBus; Int/Nav DT466 Dsl; 94-93
 Int/Nav; 3700 SchBus; Int/Nav DT466 Dsl; 94-93
 Int/Nav; 3800 SchBus; Int/Nav DT466 Dsl; 94-93
 Int/Nav; 3900FC SchBus; Int/Nav DT466 Dsl; 94-93

44064

Autocar; A Series Trk; CumDsl L6-14.0; 79-74
 Autocar; C Series Trk; CumDsl L6-14.0; 79-78
 Autocar; Construcktor 2 Series Trk; CumDsl L6-14.0; 1979
 Autocar; DC Series Trk; CumDsl L6-14.0; 79-74
 Brockway; 358 Trk; CumDsl L6-14.0; 75-73
 Brockway; 359 Trk; CumDsl L6-14.0; 1974
 Brockway; 360 Trk; CumDsl L6-14.0; 1974

Numerical Listing

Use as a guide only. Refer to Pages 1 to 142 for specific applications.

44064 - Continued	44064 - Continued	44066 - Continued
<p>Brockway; 361 Trk; CumDsl L6-14.0; 75-73 Brockway; 450 Trk; CumDsl L6-14.0; 77-76 Brockway; 758 Trk; CumDsl L6-14.0; 76-75 Brockway; 760 Trk; CumDsl L6-14.0; 77-76 Brockway; 761 Trk; CumDsl L6-14.0; 77-75 Brockway; 762 Trk; CumDsl L6-14.0; 1976 Chev; Bison Trk; CumDsl L6-14.0; 79-77 Chev; Bruin Trk; CumDsl L6-14.0; 79-78 Chev; H90 Trk; CumDsl L6-14.0; 78-71 Chev; J90 Trk; CumDsl L6-14.0; 78-73 Chev; JC90 Trk; CumDsl L6-14.0; 72-71 Chev; M90 Trk; CumDsl L6-14.0; 74-73 Chev; Titan Trk; CumDsl L6-14.0; 79-73 Chev; Titan Trk; CumDsl L6-14.0; 1971 Dodge; CN900 Trk; CumDsl L6-14.0; 74-72 Dodge; CN950 Trk; CumDsl L6-14.0; 1974 Dodge; CNT900 Trk; CumDsl L6-14.0; 74-72 Dodge; CNT950 Trk; CumDsl L6-14.0; 1974 Dodge; LS1000 Trk; CumDsl L6-14.0; 1974 Dodge; LT1000 Trk; CumDsl L6-14.0; 1974 Ford; CL9000 Trk; CumDsl L6-14.0; 79-78 Ford; CLT9000 Trk; CumDsl L6-14.0; 79-78 Ford; L9000 Trk; CumDsl L6-14.0; 79-71 Ford; LL9000 Trk; CumDsl L6-14.0; 74-71 Ford; LN9000 Trk; CumDsl L6-14.0; 79-71 Ford; LNT9000 Trk; CumDsl L6-14.0; 79-71 Ford; LS9000 Trk; CumDsl L6-14.0; 74-73 Ford; LT9000 Trk; CumDsl L6-14.0; 79-71 Ford; LTL9000 Trk; CumDsl L6-14.0; 79-76 Ford; LTL9000 Trk; CumDsl L6-14.0; 74-71 Ford; LTS9000 Trk; CumDsl L6-14.0; 79-71 Ford; W9000 Trk; CumDsl L6-14.0; 77-71 Ford; WT9000 Trk; CumDsl L6-14.0; 77-71 F'liner; FLC Trk; CumDsl L6-855; 79-75 F'liner; FLT Trk; CumDsl L6-855; 79-75 F'liner; WFC Trk; CumDsl L6-855; 77-74 F'liner; WFT Trk; CumDsl NT; 73-71 F'liner; WFT Trk; CumDsl L6-855; 77-74 Hendrickson; H3 Trk; CumDsl L6-14.0; 1973 Int/Nav; CO4070B Trk; CumDsl L6-14.0; 79-75 Int/Nav; CO5370 Trk; CumDsl L6-14.0; 79-73 Int/Nav; COF4070B Trk; CumDsl L6-14.0; 79-75 Int/Nav; COF5370 Trk; CumDsl L6-14.0; 79-73 Int/Nav; F2070A Trk; CumDsl L6-14.0; 1974 Int/Nav; F2275 Trk; CumDsl L6-14.0; 79-77 Int/Nav; F2574 Trk; CumDsl L6-14.0; 79-77 Int/Nav; F2674 Trk; CumDsl L6-14.0; 79-77 Int/Nav; F4200 Trk; CumDsl L6-14.0; 79-73 Int/Nav; F4300 Trk; CumDsl L6-14.0; 79-73 Int/Nav; F5070 Trk; CumDsl L6-14.0; 79-77 Int/Nav; F7070B Trk; CumDsl L6-14.0; 79-75 Int/Nav; 2070A Trk; CumDsl L6-14.0; 75-73 Int/Nav; 2275 Trk; CumDsl L6-14.0; 79-77 Int/Nav; 2574 Trk; CumDsl L6-14.0; 79-77 Int/Nav; 2575 Trk; CumDsl L6-14.0; 79-77 Int/Nav; 2674 Trk; CumDsl L6-14.0; 79-77 Int/Nav; 4200 Trk; CumDsl L6-14.0; 79-73 Int/Nav; 4300 Trk; CumDsl L6-14.0; 79-73 Int/Nav; 5070 Trk; CumDsl L6-14.0; 79-77 Int/Nav; 7070B Trk; CumDsl L6-14.0; 79-75 Ken; Brute Trk; CumDsl L6-855; 79-73 Ken; C500 Trk; CumDsl L6-855; 79-75 Ken; K100 Trk; CumDsl L6-855; 79-71 Ken; L700 Trk; CumDsl L6-855; 1979 Ken; W900 Trk; CumDsl L6-855; 79-71 Mack; DM Series Trk; CumDsl NT; 1972 Mack; DM Series Trk; CumDsl L6-855; 79-73 Mack; DM Series Trk; CumDsl L6-855; 1971 Mack; DMM Series Trk; CumDsl L6-855; 79-73 Mack; F Series Trk; CumDsl L6-855; 79-71 Mack; FL Series Trk; CumDsl NT; 1971 Mack; FL Series Trk; CumDsl L6-855; 75-72 Mack; FS Series Trk; CumDsl NT; 1971 Mack; FS Series Trk; CumDsl L6-855; 75-72 Mack; R Series Trk; CumDsl L6-855; 79-76 Mack; RWL Series Trk; CumDsl L6-855; 1979</p>	<p>Mack; RWS Series Trk; CumDsl L6-855; 1979 Marmon; CHDT Trk; CumDsl L6-14.0; 79-73 P'bilt; 200 Trk; CumDsl L6-14.0; 78-77 P'bilt; 282 Trk; CumDsl L6-14.0; 79-71 P'bilt; 289 Trk; CumDsl L6-14.0; 79-71 P'bilt; 300 Trk; CumDsl L6-14.0; 78-77 P'bilt; 352 Trk; CumDsl L6-14.0; 79-71 P'bilt; 359 Trk; CumDsl L6-14.0; 79-71 White; Constructor Series Trk; CumDsl L6-14.0; 72-71 White; Road Boss Trk; CumDsl L6-14.0; 77-74 White; Road Boss 2 Trk; CumDsl L6-14.0; 79-78 White; Road Commander Trk; CumDsl L6-14.0; 75-73 White; Road Commander 2 Trk; CumDsl L6-14.0; 79-76 White; Road Xpeditor Trk; CumDsl L6-14.0; 76-75 White; Road Xpeditor 2 Trk; CumDsl L6-14.0; 79-77 White; 1500 Series Trk; CumDsl L6-14.0; 1973 White; 4000 Series Trk; CumDsl L6-14.0; 72-71 White; 6000 Series Trk; CumDsl L6-14.0; 73-71 White; 7000 Series Trk; CumDsl L6-14.0; 1971 White; 9000 Series Trk; CumDsl L6-14.0; 1972</p>	<p>Ford; LTS9000 Trk; DetrDsl Ser 60; 94-92 Ford; LTS9000 Trk; DetrDsl L6-11.1; 96-95 Ford; LTS9000 Trk; DetrDsl L6-12.7; 96-95 F'liner; Argosy Trk; DetrDsl L6-11.1; 2003-99 F'liner; Argosy Trk; DetrDsl L6-12.7; 2006-99 F'liner; Argosy Trk; DetrDsl L6-14.0; 2006-03 F'liner; Century Class Trk; DetrDsl Ser 55; 98-96 F'liner; Century Class Trk; DetrDsl L6-11.1; 2003-96 F'liner; Century Class Trk; DetrDsl L6-12.7; 2005-96 F'liner; Century Class Trk; DetrDsl L6-14.0; 2006-03 F'liner; Classic Trk; DetrDsl L6-11.1; 2002-01 F'liner; Classic Trk; DetrDsl L6-12.7; 2007-01 F'liner; Classic Trk; DetrDsl L6-14.0; 2007-03 F'liner; Classic XL Trk; DetrDsl L6-11.1; 2002-01 F'liner; Classic XL Trk; DetrDsl L6-12.7; 2007-01 F'liner; Classic XL Trk; DetrDsl L6-14.0; 2007-03 F'liner; Columbia Trk; DetrDsl L6-11.1; 2001-00 F'liner; Columbia Trk; DetrDsl L6-12.7; 2007-00 F'liner; Columbia Trk; DetrDsl L6-14.0; 2007-02 F'liner; Coronado Trk; DetrDsl L6-12.7; 2007-02 F'liner; Coronado Trk; DetrDsl L6-14.0; 2006-03 F'liner; FL106 Trk; DetrDsl Ser 50; 2001-94 F'liner; FL112 Trk; DetrDsl Ser 55; 98-97 F'liner; FLA Trk; DetrDsl L6-11.1; 94-91 F'liner; FLA Trk; DetrDsl L6-12.7; 94-91 F'liner; FLB Trk; DetrDsl L6-11.1; 99-94 F'liner; FLB Trk; DetrDsl L6-12.7; 99-94 F'liner; FLC Trk; DetrDsl L6-11.1; 98-91 F'liner; FLC Trk; DetrDsl L6-12.7; 98-91 F'liner; FLD Trk; DetrDsl Ser 50; 96-94 F'liner; FLD Trk; DetrDsl L6-11.1; 2002-91 F'liner; FLD Trk; DetrDsl L6-12.7; 2007-91 F'liner; FLD Trk; DetrDsl L6-14.0; 2007-01 F'liner; FLL Trk; DetrDsl L6-11.1; 96-95 F'liner; FLL Trk; DetrDsl L6-12.7; 96-90 F'liner; FLS112 Trk; DetrDsl L6-11.1; 2000 F'liner; FLS112 Trk; DetrDsl L6-12.7; 2000 Int/Nav; 8100 Trk; DetrDsl Ser 50; 98-94 Int/Nav; 8100 Trk; DetrDsl L6-11.1; 1996 Int/Nav; 8100 Trk; DetrDsl L6-11.1; 93-91 Int/Nav; 8100 Trk; DetrDsl L6-12.7; 1996 Int/Nav; 8100 Trk; DetrDsl L6-12.7; 93-91 Int/Nav; 8200 Trk; DetrDsl Ser 50; 1997 Int/Nav; 8200 Trk; DetrDsl L6-11.1; 98-97 Int/Nav; 8200 Trk; DetrDsl L6-11.1; 96-91 Int/Nav; 8200 Trk; DetrDsl L6-12.7; 96-91 Int/Nav; 8200 Trk; DetrDsl L6-11.1; 94-91 Int/Nav; 8300 Trk; DetrDsl L6-12.7; 94-91 Int/Nav; 8300 Trk; DetrDsl L6-12.7; 94-91 Int/Nav; 9100 Trk; DetrDsl Ser 60; 99-98 Int/Nav; 9100i Trk; DetrDsl Ser 60; 2000 Int/Nav; 9100i Trk; DetrDsl L6-12.7; 2002-01 Int/Nav; 9200 Trk; DetrDsl Ser 60; 99-98 Int/Nav; 9200 Trk; DetrDsl L6-11.1; 1994 Int/Nav; 9200 Trk; DetrDsl L6-12.7; 1994 Int/Nav; 9200i Trk; DetrDsl Ser 60; 2000 Int/Nav; 9200i Trk; DetrDsl L6-12.7; 2003-01 Int/Nav; 9300 Trk; DetrDsl Ser 60; 1998 Int/Nav; 9300 Trk; DetrDsl Ser 60; 94-92 Int/Nav; 9300 Trk; DetrDsl L6-11.1; 97-95 Int/Nav; 9300 Trk; DetrDsl L6-12.7; 97-95 Int/Nav; 9400 Trk; DetrDsl Ser 60; 99-97 Int/Nav; 9400 Trk; DetrDsl Ser 60; 94-92 Int/Nav; 9400 Trk; DetrDsl L6-11.1; 96-95 Int/Nav; 9400 Trk; DetrDsl L6-12.7; 96-95 Int/Nav; 9400i Trk; DetrDsl Ser 60; 2000 Int/Nav; 9400i Trk; DetrDsl L6-12.7; 2003-01 Int/Nav; 9600 Trk; DetrDsl Ser 60; 94-92</p>
44066		
	<p>American LaFrance; Eagle Trk; DetrDsl L6-11.1; 1998 American LaFrance; Eagle Trk; DetrDsl L6-12.7; 1998 American LaFrance; Metropolitan Trk; DetrDsl L6-11.1; 1998 American LaFrance; Metropolitan Trk; DetrDsl L6-12.7; 1998 Autocar; AC Series Trk; DetrDsl Ser 60; 93-91 Autocar; AC Series Trk; DetrDsl L6-11.1; 95-94 Autocar; AC Series Trk; DetrDsl L6-12.7; 95-94 Ford; L8000 Trk; DetrDsl Ser 60; 98-96 Ford; L9000 Trk; DetrDsl Ser 60; 93-91 Ford; L9000 Trk; DetrDsl L6-11.1; 96-95 Ford; L9000 Trk; DetrDsl L6-12.7; 1996 Ford; LA8000 Trk; DetrDsl Ser 60; 98-96 Ford; LA9000 Trk; DetrDsl L6-11.1; 97-95 Ford; LA9000 Trk; DetrDsl L6-12.7; 1996 Ford; LLA9000 Trk; DetrDsl Ser 60; 98-97 Ford; LLA9000 Trk; DetrDsl Ser 60; 93-92 Ford; LLA9000 Trk; DetrDsl L6-11.1; 96-94 Ford; LLA9000 Trk; DetrDsl L6-12.7; 1996 Ford; LLS9000 Trk; DetrDsl L6-11.1; 96-95 Ford; LLS9000 Trk; DetrDsl L6-12.7; 1996 Ford; LS8000 Trk; DetrDsl Ser 60; 98-96 Ford; LS9000 Trk; DetrDsl Ser 60; 93-91 Ford; LS9000 Trk; DetrDsl L6-11.1; 96-95 Ford; LS9000 Trk; DetrDsl L6-12.7; 1996 Ford; LT9000 Trk; DetrDsl Ser 60; 94-92 Ford; LT9000 Trk; DetrDsl L6-11.1; 96-95 Ford; LT9000 Trk; DetrDsl L6-12.7; 96-95 Ford; LTA9000 Trk; DetrDsl Ser 60; 1997 Ford; LTA9000 Trk; DetrDsl L6-11.1; 96-95 Ford; LTA9000 Trk; DetrDsl L6-12.7; 96-95 Ford; LTL9000 Trk; DetrDsl Ser 60; 94-92 Ford; LTLA9000 Trk; DetrDsl Ser 60; 98-97 Ford; LTLA9000 Trk; DetrDsl Ser 60; 94-92 Ford; LTLA9000 Trk; DetrDsl L6-11.1; 96-95 Ford; LTLA9000 Trk; DetrDsl L6-12.7; 96-95 Ford; LTLS9000 Trk; DetrDsl Ser 60; 98-97 Ford; LTLS9000 Trk; DetrDsl Ser 60; 94-92 Ford; LTLS9000 Trk; DetrDsl L6-11.1; 96-95 Ford; LTLS9000 Trk; DetrDsl L6-12.7; 96-95</p>	

Numerical Listing

Use as a guide only. Refer to Pages 1 to 142 for specific applications.

44066 - Continued	44066 - Continued	44066 - Continued
<p>Int/Nav; 9600 Trk; DetrDsl L6-11.1; 96-95 Int/Nav; 9600 Trk; DetrDsl L6-12.7; 96-95 Int/Nav; 9700 Trk; DetrDsl Ser 60; 94-92 Int/Nav; 9700 Trk; DetrDsl L6-11.1; 96-95 Int/Nav; 9700 Trk; DetrDsl L6-12.7; 96-95 Int/Nav; 9800 Trk; DetrDsl Ser 60; 99-97 Int/Nav; 9800 Trk; DetrDsl L6-11.1; 1996 Int/Nav; 9800 Trk; DetrDsl L6-12.7; 1996 Int/Nav; 9900 Trk; DetrDsl Ser 60; 1999 Int/Nav; 9900i Trk; DetrDsl Ser 60; 2000 Int/Nav; 9900i Trk; DetrDsl L6-12.7; 2003-01 Int/Nav; 9900ix Trk; DetrDsl Ser 60; 2000 Int/Nav; 9900ix Trk; DetrDsl L6-12.7; 2002-01 Ken; C500 Trk; DetrDsl L6-11.1; 94-91 Ken; C500 Trk; DetrDsl L6-12.7; 94-91 Ken; K100 Trk; DetrDsl L6-11.1; 1996 Ken; K100 Trk; DetrDsl L6-11.1; 93-91 Ken; K100 Trk; DetrDsl L6-12.7; 1996 Ken; K100 Trk; DetrDsl L6-12.7; 93-91 Ken; T600 Trk; DetrDsl L6-11.1; 99-91 Ken; T600 Trk; DetrDsl L6-12.7; 99-91 Ken; T800 Trk; DetrDsl L6-11.1; 2001-91 Ken; T800 Trk; DetrDsl L6-12.7; 2001-91 Ken; T2000 Trk; DetrDsl L6-11.1; 2000-97 Ken; T2000 Trk; DetrDsl L6-12.7; 2000-97 Ken; W900 Trk; DetrDsl L6-11.1; 2001-91 Ken; W900 Trk; DetrDsl L6-12.7; 2001-91 Mack; CH Series Trk; DetrDsl L6-12.7; 1993 Mack; CL Series Trk; DetrDsl L6-12.7; 99-93 Marmon; 57L Trk; DetrDsl Ser 60; 92-91 Marmon; 57R Trk; DetrDsl Ser 60; 92-91 P'bilt; 357 Trk; DetrDsl L6-11.1; 99-92 P'bilt; 357 Trk; DetrDsl L6-12.7; 99-92 P'bilt; 362 Trk; DetrDsl L6-11.1; 1996 P'bilt; 362 Trk; DetrDsl L6-11.1; 93-89 P'bilt; 362 Trk; DetrDsl L6-12.7; 1996 P'bilt; 362 Trk; DetrDsl L6-12.7; 93-89 P'bilt; 372 Trk; DetrDsl L6-11.1; 93-89 P'bilt; 372 Trk; DetrDsl L6-12.7; 93-89 P'bilt; 377 Trk; DetrDsl L6-11.1; 2000-92 P'bilt; 377 Trk; DetrDsl L6-12.7; 2000-92 P'bilt; 378 Trk; DetrDsl L6-11.1; 99-92 P'bilt; 378 Trk; DetrDsl L6-12.7; 99-92 P'bilt; 379 Trk; DetrDsl L6-11.1; 2001-92 P'bilt; 379 Trk; DetrDsl L6-12.7; 2001-92 Sterling; A-Line Trk; DetrDsl L6-11.1; 2002-98 Sterling; A-Line Trk; DetrDsl L6-12.7; 2006-98 Sterling; A-Line Trk; DetrDsl L6-14.0; 2006-04 Sterling; L-Line Trk; DetrDsl Ser 60; 2003 Sterling; L-Line Trk; DetrDsl L6-11.1; 2002-00 Sterling; L-Line Trk; DetrDsl L6-11.1; 1998 Sterling; L-Line Trk; DetrDsl L6-12.7; 2007-04 Sterling; L-Line Trk; DetrDsl L6-12.7; 2002-00 Sterling; L-Line Trk; DetrDsl L6-12.7; 1998 Sterling; L-Line Trk; DetrDsl L6-14.0; 2007-04 Sterling; Silver Star Trk; DetrDsl Ser 60; 2003-02 Sterling; Silver Star Trk; DetrDsl Ser 60; 2000 Volvo; Autocar Trk; DetrDsl Ser 60; 2000-96 Volvo; Autohauled Trk; DetrDsl Ser 60; 2001-97 Volvo; Autohauled Trk; DetrDsl Ser 60; 93-91 Volvo; Autohauled Trk; DetrDsl L6-11.1; 1996 Volvo; VHD Trk; DetrDsl Ser 60; 2001 Volvo; VN Series Trk; DetrDsl Ser 60; 2000-98 Volvo; WCA Series Trk; DetrDsl Ser 60; 93-91 Volvo; WCA Series Trk; DetrDsl L6-11.1; 1996 Volvo; WCA Series Trk; DetrDsl L6-12.7; 1996</p>	<p>Volvo; WCM Series Trk; DetrDsl Ser 60; 93-91 Volvo; WG Series Trk; DetrDsl Ser 60; 93-91 Volvo; WG Series Trk; DetrDsl L6-11.1; 1996 Volvo; WH Series Trk; DetrDsl Ser 60; 93-91 Volvo; WH Series Trk; DetrDsl L6-11.1; 1996 Volvo; WH Series Trk; DetrDsl L6-12.7; 1996 Volvo; WIA Series Trk; DetrDsl Ser 60; 1997 Volvo; WIA Series Trk; DetrDsl Ser 60; 93-91 Volvo; WIA Series Trk; DetrDsl L6-11.1; 1996 Volvo; WIA Series Trk; DetrDsl L6-12.7; 1996 Volvo; WIM Series Trk; DetrDsl Ser 60; 93-91 WestStar; 4800 Series Trk; DetrDsl L6-11.1; 96-91 WestStar; 4800 Series Trk; DetrDsl L6-12.7; 95-91 WestStar; 4900 Series Trk; DetrDsl L6-11.1; 2000-98 WestStar; 4900 Series Trk; DetrDsl L6-11.1; 96-95 WestStar; 4900 Series Trk; DetrDsl L6-11.1; 1993 WestStar; 4900 Series Trk; DetrDsl L6-12.7; 2000-98 WestStar; 4900 Series Trk; DetrDsl L6-12.7; 96-95 WestStar; 4900 Series Trk; DetrDsl L6-12.7; 1993 WestStar; 4900EX Trk; DetrDsl Ser 60; 2005-04 WestStar; 4900EX Trk; DetrDsl L6-12.7; 2006 WestStar; 4900FA Trk; DetrDsl Ser 60; 2005-04 WestStar; 4900FA Trk; DetrDsl L6-12.7; 2006 WestStar; 4900SA Trk; DetrDsl Ser 60; 2005-04 WestStar; 4900SA Trk; DetrDsl L6-12.7; 2006 WestStar; 4964EX Trk; DetrDsl Ser 60; 2001 WestStar; 4964FX Trk; DetrDsl Ser 60; 2001 WestStar; 4964SX Trk; DetrDsl Ser 60; 2001 WestStar; 6900XD Trk; DetrDsl Ser 60; 2005-02 WestStar; 6900XD Trk; DetrDsl L6-12.7; 2006 WhiteGMC; Autohauled Trk; DetrDsl L6-11.1; 95-93 WhiteGMC; WCA Series Trk; DetrDsl Ser 60; 93-91 WhiteGMC; WCA Series Trk; DetrDsl L6-11.1; 95-94 WhiteGMC; WCA Series Trk; DetrDsl L6-12.7; 95-94 WhiteGMC; WG Series Trk; DetrDsl L6-11.1; 95-94 WhiteGMC; WG Series Trk; DetrDsl L6-12.7; 95-94 WhiteGMC; WH Series Trk; DetrDsl L6-11.1; 95-94 WhiteGMC; WH Series Trk; DetrDsl L6-12.7; 95-94 WhiteGMC; WIA Series Trk; DetrDsl Ser 60; 93-91 WhiteGMC; WIA Series Trk; DetrDsl L6-11.1; 95-94 WhiteGMC; WIA Series Trk; DetrDsl L6-12.7; 95-94 Flxible; Metro Bus; DetrDsl Ser 50; 1994 Flxible; Metro Bus; DetrDsl Ser 60; 1990 Flxible; 40102-4D Bus; DetrDsl Ser 50; 1994 Gillig; Low Floor Bus; DetrDsl Ser 50; 99-98 Gillig; Phantom Bus; DetrDsl Ser 50; 99-98 Gillig; Phantom Bus; DetrDsl Ser 50; 1996 Gillig; Phantom Bus; DetrDsl Ser 60; 1991</p>	<p>Gillig; Phantom 96TB Bus; DetrDsl Ser 50; 99-94 Marcopolo; Viaggio 1000 Bus; DetrDsl Ser 60; 1996 MCI; D4000 Bus; DetrDsl Ser 60; 2004 MCI; D4500 Bus; DetrDsl L6-12.7; 2006 MCI; D4500 Bus; DetrDsl L6-12.7; 2003 MCI; J4500 Bus; DetrDsl Ser 60; 2006-03 MCI; 102-D3 Bus; DetrDsl Ser 60 CNG; 2000 MCI; 102-D3 Bus; DetrDsl Ser 60; 1994 MCI; 102-DL3 Bus; DetrDsl Ser 60; 99-98 MCI; 102-DL3 Bus; DetrDsl Ser 60; 96-95 MCI; 102-EL3 Bus; DetrDsl Ser 60; 2000-98 NABI; 40 Bus; DetrDsl Ser 50; 99-98 NABI; 40 Bus; DetrDsl Ser 60; 2001 NABI; 436 Bus; DetrDsl Ser 50; 1998 Neoplan; AN460 Bus; DetrDsl Ser 50; 2003-02 Neoplan; BUS Bus; DetrDsl Ser 50; 2001-84 Neoplan; Citiliner Bus; DetrDsl Ser 60; 1995 Neoplan; Metroliner 40 Ft. Bus; DetrDsl Ser 50; 99-98 Neoplan; Transliner 40 Ft. Bus; DetrDsl Ser 50; 99-98 New Flyer; C35LF Bus; DetrDsl Ser 50; 99-96 New Flyer; C40LF Bus; DetrDsl Ser 50 CNG; 2001 New Flyer; D40 Bus; DetrDsl Ser 50; 99-98 New Flyer; D40 Bus; DetrDsl Ser 50; 95-94 New Flyer; D40 Bus; DetrDsl Ser 50; 1992 New Flyer; D40LF Bus; DetrDsl Ser 50; 1995 New Flyer; D60 Bus; DetrDsl Ser 50; 1995 New Flyer; Transliner 40 Ft. Bus; DetrDsl Ser 50; 99-98 Orion; Orion V Bus; DetrDsl Ser 50; 2000 Orion; Orion V Bus; DetrDsl Ser 50; 98-95 Orion; Orion V Bus; DetrDsl Ser 50; 1992 Orion; Orion VI Bus; DetrDsl Ser 60; 2000 Prevost; H3-45 Bus; DetrDsl Ser 60; 2004-03 Prevost; H3-45 Bus; DetrDsl Ser 60; 2000-99 Prevost; H3-45 Bus; DetrDsl Ser 60; 1997 Prevost; LeMirage XL Bus; DetrDsl Ser 60; 2000 Setra; S215 Bus; DetrDsl Ser 60; 2002 Setra; S215 Bus; DetrDsl Ser 60; 94-92 Setra; S417 Bus; DetrDsl Ser 60; 2004-03 TMC; RTS06 Bus; DetrDsl Ser 50; 95-87 Van Hool; C2045 Bus; DetrDsl Ser 60; 2003-02 Van Hool; T2140 Bus; DetrDsl Ser 60; 1999</p> <p style="text-align: center;">44067</p> <p>Case; 150 Combine; Case 400; 58-56 Case; 530 Tractor; Case L4-159; 69-60 Case; 540 Tractor; Case L4-159; 69-60</p> <p style="text-align: center;">44069</p> <p>Hyster; H50H Forklift; Perkins L6-354 Dsl Hyster; H150E Forklift; Perkins L6-354 Hyster; H165E Forklift; Perkins L6-354 Hyster; H180E Forklift; Perkins L6-354 Hyster; H200E Forklift; Perkins L6-354 Hyster; H200ES Forklift; Perkins L6-354 Hyster; H225E Forklift; Perkins L6-354 Hyster; H225ES Forklift; Perkins L6-354 Hyster; H250A Forklift; Perkins L6-354 Hyster; H250E Forklift; Perkins L6-354 Hyster; H275H Forklift; Perkins L6-354 Dsl Hyster; H300 Forklift; Perkins L6-354 Dsl Hyster; H300A Forklift; Perkins L6-354 Hyster; H330 Forklift; Perkins L6-354 Dsl Hyster; H350B Forklift; Perkins L6-354 Dsl Hyster; P125A Forklift; Perkins L6-354 Hyster; P150A Forklift; Perkins L6-354 Hyster; P165A Forklift; Perkins L6-354 Hyster; P180A Forklift; Perkins L6-354</p>

Numerical Listing

Use as a guide only. Refer to Pages 1 to 142 for specific applications.

44075	44075 - Continued	44075 - Continued
<p>Autocar; A Series Trk; DetrDsl 8V-71; 80-74 Autocar; DC Series Trk; DetrDsl 8V-71; 85-65 Autocar; S Series Trk; DetrDsl 8V-71; 80-74 Brockway; 360 Trk; DetrDsl 8V-71; 1974 Brockway; 361 Trk; DetrDsl 8V-71; 75-74 Brockway; 459 Trk; DetrDsl 8V-71; 58-57 Brockway; 761 Trk; DetrDsl 8V-71; 1975 Chev; Bison Trk; DetrDsl 8V-71; 80-77 Chev; Bruin Trk; DetrDsl 8V-71; 80-78 Chev; H90 Trk; DetrDsl 8V-71; 77-73 Chev; J90 Trk; DetrDsl 8V-71; 77-73 Chev; M90 Trk; DetrDsl 8V-71; 78-66 Chev; T90 Trk; DetrDsl 6V-71; 74-72 Chev; T90 Trk; DetrDsl 6V-71; 67-66 Chev; Titan Trk; DetrDsl 8V-71; 80-70 Chev; WW90 Trk; DetrDsl 6V-71; 1972 Chev; WW90 Trk; DetrDsl 6V-71; 67-66 DiamReo; C114 Trk; DetrDsl 8V-71; 1971 DiamReo; C116 Trk; DetrDsl 8V-71; 74-71 DiamReo; CO50 Trk; DetrDsl 8V-71; 72-67 DiamReo; CO54 Trk; DetrDsl 8V-71; 75-74 DiamReo; CO78 Trk; DetrDsl 8V-71; 72-67 DiamReo; CO88 Trk; DetrDsl 8V-71; 75-73 Dodge; CN900 Trk; DetrDsl 8V-71; 74-73 Dodge; CN950 Trk; DetrDsl 8V-71; 1974 Dodge; CNT900 Trk; DetrDsl 8V-71; 74-73 Dodge; CNT950 Trk; DetrDsl 8V-71; 1974 Dodge; LS1000 Trk; DetrDsl 8V-71; 75-73 Dodge; LT1000 Trk; DetrDsl 8V-71; 75-73 FWD; C8-2148 Trk; DetrDsl 6V-71; 78-72 FWD; C Series Trk; DetrDsl 6V-71; 78-72 Ford; CL9000 Trk; DetrDsl 8V-71; 86-78 Ford; CLT9000 Trk; DetrDsl 8V-71; 86-78 Ford; L9000 Trk; DetrDsl 8V-71; 86-70 Ford; L9000 Trk; DetrDsl 8V-71N; 74-71 Ford; L9000 Trk; DetrDsl 8V-71T; 74-71 Ford; LN9000 Trk; DetrDsl 8V-71; 84-70 Ford; LN9000 Trk; DetrDsl 8V-71N; 74-70 Ford; LN9000 Trk; DetrDsl 8V-71T; 74-71 Ford; LNT9000 Trk; DetrDsl 8V-71; 84-70 Ford; LNT9000 Trk; DetrDsl 8V-71N; 74-70 Ford; LNT9000 Trk; DetrDsl 8V-71T; 74-71 Ford; LT9000 Trk; DetrDsl 8V-71; 84-71 Ford; LT9000 Trk; DetrDsl 8V-71N; 74-71 Ford; LT9000 Trk; DetrDsl 8V-71T; 74-71 Ford; LTS9000 Trk; DetrDsl 8V-71; 79-75 Ford; W9000 Trk; DetrDsl 8V-71; 77-71 Ford; W9000 Trk; DetrDsl 8V-71N; 74-71 Ford; W9000 Trk; DetrDsl 8V-71T; 74-71 Ford; W Series Trk; DetrDsl 8V-71; 70-66 Ford; WT9000 Trk; DetrDsl 8V-71; 77-71 Ford; WT9000 Trk; DetrDsl 8V-71N; 74-71 Ford; WT9000 Trk; DetrDsl 8V-71T; 74-71 Fliner; WFC Trk; DetrDsl 8V-71; 77-74 Fliner; WFT Trk; DetrDsl 8V-71; 77-69 GMC; Astro Trk; DetrDsl 8V-71; 83-69 GMC; Brigadier Trk; DetrDsl 8V-71; 81-78 GMC; CH9500 Trk; DetrDsl 8V-71; 77-66 GMC; DW9500 Trk; DetrDsl 6V-71; 74-72 GMC; DW9500 Trk; DetrDsl 6V-71; 67-66 GMC; FW9500 Trk; DetrDsl 6V-71; 74-72 GMC; FW9500 Trk; DetrDsl 6V-71; 67-66 GMC; General Trk; DetrDsl 8V-71; 83-77 GMC; H9500 Trk; DetrDsl 8V-71; 1978 GMC; HH9500 Trk; DetrDsl 8V-71; 77-71 GMC; J9500 Trk; DetrDsl 8V-71; 1978 GMC; JH9500 Trk; DetrDsl 8V-71; 77-71 GMC; MH9500 Trk; DetrDsl 8V-71; 77-66 GMC; TW9500 Trk; DetrDsl 6V-71; 74-72 GMC; TW9500 Trk; DetrDsl 6V-71; 67-66 GMC; WW9500 Trk; DetrDsl 6V-71; 74-72 GMC; WW9500 Trk; DetrDsl 6V-71; 67-66 Hendrickson; H Trk; DetrDsl 8V-71; 77-69 Hendrickson; H3 Trk; DetrDsl 8V-71; 1973 Int/Nav; CO4070B Trk; DetrDsl 8V-71; 82-75 Int/Nav; CO9670 Trk; DetrDsl 8V-71; 84-82 Int/Nav; COF4070B Trk; DetrDsl 8V-71; 82-75 Int/Nav; COF9670 Trk; DetrDsl 8V-71; 84-82 Int/Nav; F2275 Trk; DetrDsl 8V-71; 84-79</p>	<p>Int/Nav; F2276 Trk; DetrDsl 8V-71; 85-83 Int/Nav; F2574 Trk; DetrDsl 8V-71; 84-79 Int/Nav; F2575 Trk; DetrDsl 8V-71; 84-79 Int/Nav; F2674 Trk; DetrDsl 8V-71; 84-79 Int/Nav; F4200 Trk; DetrDsl 8V-71; 79-75 Int/Nav; F4270 Trk; DetrDsl 8V-71; 84-80 Int/Nav; F4300 Trk; DetrDsl 8V-71; 79-75 Int/Nav; F5070 Trk; DetrDsl 8V-71; 84-74 Int/Nav; F5070B Trk; DetrDsl 8V-71; 79-74 Int/Nav; 2275 Trk; DetrDsl 8V-71; 84-79 Int/Nav; 2276 Trk; DetrDsl 8V-71; 85-83 Int/Nav; 2574 Trk; DetrDsl 8V-71; 84-79 Int/Nav; 2575 Trk; DetrDsl 8V-71; 84-79 Int/Nav; 2674 Trk; DetrDsl 8V-71; 84-79 Int/Nav; 4200 Trk; DetrDsl 8V-71; 79-75 Int/Nav; 4270 Trk; DetrDsl 8V-71; 84-80 Int/Nav; 4300 Trk; DetrDsl 8V-71; 79-75 Int/Nav; 5070 Trk; DetrDsl 8V-71; 79-74 Int/Nav; 7070B Trk; DetrDsl 8V-71; 79-74 Ken; C500 Trk; DetrDsl 6V-71; 78-73 Ken; C500 Trk; DetrDsl 8V-71; 75-74 Ken; K100 Trk; DetrDsl 8V-71; 80-69 Ken; W900 Trk; DetrDsl 8V-71; 80-69 Mack; DM Series Trk; DetrDsl 8V-71; 75-70 Mack; F Series Trk; DetrDsl 8V-71; 73-70 Mack; FL Series Trk; DetrDsl 8V-71; 73-70 Mack; FS Series Trk; DetrDsl 8V-71; 73-70 Mack; R Series Trk; DetrDsl 8V-71; 73-70 Mack; RL Series Trk; DetrDsl 6V-71; 78-75 Mack; RL Series Trk; DetrDsl 8V-71; 74-70 Mack; RS Series Trk; DetrDsl 6V-71; 78-75 Mack; RS Series Trk; DetrDsl 8V-71; 74-71 Pbilt; 282 Trk; DetrDsl 8V-71; 77-66 Pbilt; 289 Trk; DetrDsl 8V-71; 1972 Pbilt; 348 Trk; DetrDsl 6V-71; 1976 Pbilt; 351 Trk; DetrDsl 8V-71; 1972 Pbilt; 352 Trk; DetrDsl 8V-71; 77-66 Pbilt; 353 Trk; DetrDsl 8V-71; 83-82 Pbilt; 359 Trk; DetrDsl 8V-71; 83-82 Pbilt; 359 Trk; DetrDsl 8V-71; 1972 Pbilt; 362 Trk; DetrDsl 8V-71; 83-82 WestStar; 4800 Series Trk; DetrDsl 8V-71; 86-79 WestStar; 4900 Series Trk; DetrDsl 8V-71; 86-79 White; Constructork Series Trk; DetrDsl 8V-71; 74-72 White; Road Boss Trk; DetrDsl 8V-71; 75-74 White; Road Commander Trk; DetrDsl 8V-71; 74-73 White; Road Commander 2 Trk; DetrDsl 8V-71; 1980 White; Road Commander 2 Trk; DetrDsl 8V-71; 1977 White; Western Star Series Trk; DetrDsl 8V-71; 78-68 White; 4000 Series Trk; DetrDsl 8V-71; 73-72 White; 6000 Series Trk; DetrDsl 8V-71; 74-72 AMgen; AMG Bus II Bus; DetrDsl 8V-71; 78-74 AMgen; 10240B Bus; DetrDsl 8V-71; 78-76 CrownCoach; RD6V71-11 SchBus; DetrDsl 6V-71; 60-50 CrownCoach; RD8V71-11 SchBus; DetrDsl 8V-71; 60-50 Eagle; Eagle 01 Bus; DetrDsl 8V-71; 1967 Eagle; Eagle 05 Bus; DetrDsl 8V-71; 79-74 Eagle; Eagle 07 Bus; DetrDsl 8V-71; 79-74 Eagle; Eagle 10 Bus; DetrDsl 8V-71; 88-80 Eagle; Eagle 12 Bus; DetrDsl 8V-71; 90-89 Eagle; Golden Eagle Bus; DetrDsl 8V-71; 71-63 Eagle; Silver Eagle Bus; DetrDsl 8V-71; 72-67 Flxible; F2D6V Bus; DetrDsl 6V-71; 68-61 Flxible; F2D6V Bus; DetrDsl 8V-71; 68-61 Flxible; 111CC0061 Bus; DetrDsl 6V-71; 73-66</p>	<p>Flxible; 111CC0061 Bus; DetrDsl 8V-71; 73-66 Flxible; 53101 Bus; DetrDsl 6V-71; 94-91 Flxible; 53101 Bus; DetrDsl 8V-71; 94-91 Flxible; 3135096 Bus; DetrDsl 6V-71; 78-74 Flxible; 3135096 Bus; DetrDsl 8V-71; 78-74 GMC; PD4106 Bus; DetrDsl 8V-71; 69-66 GMC; PD4107 Bus; DetrDsl 8V-71; 69-66 GMC; S8H5304A Bus; DetrDsl 8V-71; 1976 GMC; S8M5304A Bus; DetrDsl 8V-71; 1976 GMC; T6H4523A Bus; DetrDsl 6V-71; 1976 GMC; T6H5307A Bus; DetrDsl 6V-71; 1976 GMC; T6H5308A Bus; DetrDsl 6V-71; 1976 GMC; T7H203 Bus; DetrDsl 8V-71; 80-79 GMC; T7H603 Bus; DetrDsl 6V-71; 80-79 GMC; T7W203 Bus; DetrDsl 8V-71; 80-79 GMC; T7W603 Bus; DetrDsl 6V-71; 80-79 GMC; T8H203 Bus; DetrDsl 8V-71; 80-79 GMC; T8H603 Bus; DetrDsl 8V-71; 80-79 GMC; T8H5307A Bus; DetrDsl 8V-71; 1976 GMC; T8H5308A Bus; DetrDsl 8V-71; 1976 GMC; T8W203 Bus; DetrDsl 6V-71; 80-79 GMC; T8W603 Bus; DetrDsl 6V-71; 80-79 GMC; T70204 Bus; DetrDsl 6V-71; 87-81 GMC; T70204 Bus; DetrDsl 8V-71; 88-84 GMC; T70604 Bus; DetrDsl 6V-71; 87-81 GMC; T70604 Bus; DetrDsl 8V-71; 88-84 GMC; T80204 Bus; DetrDsl 8V-71; 88-84 GMC; T80604 Bus; DetrDsl 6V-71; 87-81 GMC; T80604 Bus; DetrDsl 8V-71; 88-84 GMC; TD4106 Bus; DetrDsl 8V-71; 69-66 GMC; TD4107 Bus; DetrDsl 8V-71; 69-66 GMC; TH8201 Bus; DetrDsl 8V-71; 1978 GMC; TH8601 Bus; DetrDsl 8V-71; 1978 GMC; TW7601 Bus; DetrDsl 6V-71; 78-77 MCI; 96-A3 Bus; DetrDsl 8V-71; 1987 AmerCrane; 35 Excavator; DetrDsl 6V-71 AustnWestrn; Pacer 500 MtrGrader; DetrDsl 6V-71 AustnWestrn; Super 500 MtrGrader; DetrDsl 6V-71 Bros; LSPRM8A Mixer; DetrDsl 8V-71N BucyErie; 30H II Excavator; DetrDsl 6V-71N BucyErie; 45CIIIB100 Crane; DetrDsl 6V-71N Clark-Lima; 720 Crane; DetrDsl 8V-71 Clark-Mich; 110-15 Scraper; DetrDsl 6V-71 Clark-Mich; 175A III Wheel Loader; DetrDsl 8V-71 Clark-Mich; 175B Wheel Loader; DetrDsl 8V-71 Clark-Mich; 275 III Wheel Loader; DetrDsl 8V-71N Clark-Mich; 280 I Wheel Loader; DetrDsl 8V-71 Clark-Mich; 280 III Wheel Loader; DetrDsl 8V-71 Clark-Mich; 280A III Wheel Loader; DetrDsl 8V-71 Clark-Mich; 380 II Wheel Loader; DetrDsl 8V-71 Clark-Mich; 380 III Wheel Loader; DetrDsl 8V-71 Clark-Mich; 501S MtrGrader; DetrDsl 6V-71 Dres-Dresta; D100B Wheel Dozer; DetrDsl 6V-71 Dres-Dresta; D120C Wheel Dozer; DetrDsl 8V-71 Dres-Huf; H100 Wheel Loader; DetrDsl 6V-71 Dres-Huf; H100 Wheel Loader; DetrDsl 8V-71 Dres-Huf; H100A Wheel Loader; DetrDsl 6V-71 Dres-Huf; H100A Wheel Loader; DetrDsl 8V-71 Dres-Huf; H100B Wheel Loader; DetrDsl 6V-71 Dres-Huf; H100B Wheel Loader; DetrDsl 8V-71 Dres-Huf; H120 Wheel Loader; DetrDsl 6V-71</p>

Numerical Listing

Use as a guide only. Refer to Pages 1 to 142 for specific applications.

44075 - Continued	44081	44084 - Continued
<p>Dres-Huf; H120 Wheel Loader; DetrDsl 8V-71 Dres-Huf; H120B Wheel Loader; DetrDsl 6V-71 Dres-Huf; H120B Wheel Loader; DetrDsl 8V-71 Drott; 80 Cruz-Air Excavator; DetrDsl 8V-71 Euclid; R30 (71TD) Off-Rd Haul; DetrDsl 8V-71 Euclid; 82-40 Tractor; DetrDsl 8V-71N; 68-66 Euclid; 82-40 Crawler Tractor; DetrDsl 8V-71N Fox River; Max II Harvester; DetrDsl 6V-71; 76-73 Gard-Den; SP1200DE Compressor; DetrDsl 8V-71 Gard-Den; SPTDA Compressor; DetrDsl 8V-71 Gard-Den; SPTDC Compressor; DetrDsl 8V-71 Gard-Den; SPWDA Compressor; DetrDsl 8V-71 Gard-Den; SPWDB Compressor; DetrDsl 8V-71 Ingersoll; T4 Drill; DetrDsl 8V-71 Ingersoll; XP750 Compressor; DetrDsl 6V-71N Joy; RPS900DB30 Compressor; DetrDsl 8V-71 Joy; RPS1050 Compressor; DetrDsl 8V-71 Koehring; MPH-1 Wheel Loader; DetrDsl 8V-71 Koehring; 666D Excavator; DetrDsl 8V-71N LeTourno; F602B Forest Eq; DetrDsl 6V-71 LeTourno; F802A Forest Eq; DetrDsl 8V-71 LeTourno; F804A Forest Eq; DetrDsl 8V-71 Link-Belt; HC18 Crane; DetrDsl 8V-71 Link-Belt; HC218 Crane; DetrDsl 8V-71 Link-Belt; LS5800 Excavator; DetrDsl 8V-71 Lorain; LC790 Crane; DetrDsl 8V-71 Poclain; HC Excavator; DetrDsl 8V-71 Poclain; HC300 Excavator; DetrDsl 8V-71 Raygo; GATOR Compactor; DetrDsl 8V-71 Rex; HM250 Compactor; DetrDsl 8V-71 Rex; Pactor Compactor; DetrDsl 8V-71 Terex; S23E Scraper; DetrDsl 8V-71 Terex; TS18 Scraper; DetrDsl 6V-71N Terex; TS18 Scraper; DetrDsl 8V-71N Terex; TS32 Scraper; DetrDsl 8V-71 Terex; 72-51B Wheel Loader; DetrDsl 6V-71 Terex; 72-61 Wheel Loader; DetrDsl 8V-71 Terex; 72-71 Wheel Loader; DetrDsl 8V-71 Terex; 82-40 Tractor; DetrDsl 8V-71N Terex; 3305 Off-Rd Haul; DetrDsl 8V-71 Terex; 3305 Off-Rd Haul; DetrDsl 8V-71 Trojan; 2500 Wheel Loader; DetrDsl 6V-71N Trojan; 3000 Wheel Loader; DetrDsl 6V-71N Trojan; 4000 Wheel Loader; DetrDsl 8V-71 Trojan; 4000 Wheel Loader; DetrDsl 8V-71N Volvo; 280 I Wheel Dozer; DetrDsl 8V-71N Volvo; 280 II Wheel Dozer; DetrDsl 8V-71N Volvo; 280 III Wheel Dozer; DetrDsl 8V-71N Volvo; 280 Articulated Wheel Dozer; DetrDsl 8V-71N Wabco; C Scraper; DetrDsl 8V-71 Wabco; 222G Scraper; DetrDsl 8V-71 Wabco; 229G Scraper; DetrDsl 8V-71 Wabco; 400 Wheel Loader; DetrDsl 6V-71 Wabco; 500 Wheel Loader; DetrDsl 8V-71 WarnrSwasey; H900A Excavator; DetrDsl 8V-71N</p>	<p>Mer-Benz; C55; V8-5.5; 2006-05 Mer-Benz; C280; V6-2.8; 99-98 Mer-Benz; CL55; V8-5.5; 2003-01 Mer-Benz; CLK55; V8-5.5; 2005-03 Mer-Benz; E55; V8-5.5; 2002-99 Mer-Benz; E320; V6-3.2; 2003-98 Mer-Benz; ML500; V8-5.0; 2007-06 Mer-Benz; R500; V8-5.0; 2007-06 Mer-Benz; S55; V8-5.5; 2001 Mer-Benz; SLK320; V6-3.2; 2004-01</p> <p>44082</p> <p>Chry; Crossfire; V6-3.2; 2006 Mer-Benz; C43; V8-4.3; 2000-98 Mer-Benz; C240; V6-2.6; 2005-01 Mer-Benz; C280; V6-2.8; 2000 Mer-Benz; C320; V6-3.2; 2005-01 Mer-Benz; CL500; V8-5.0; 2006-00 Mer-Benz; CLK55; V8-5.5; 2002 Mer-Benz; CLK320; V6-3.2; 2005-99 Mer-Benz; CLK430; V8-4.3; 2003-99 Mer-Benz; CLK500; V8-5.0; 2006-03 Mer-Benz; CLS500; V8-5.0; 2006 Mer-Benz; E320; V6-3.2; 2005-04 Mer-Benz; E430; V8-4.3; 2002-98 Mer-Benz; E500; V8-5.0; 2006-03 Mer-Benz; G55; V8-5.5; 2005-03 Mer-Benz; G500; V8-5.0; 2006-02 Mer-Benz; ML55; V8-5.5; 2003-00 Mer-Benz; ML320; V6-3.2; 2003-98 Mer-Benz; ML430; V8-4.3; 2001-99 Mer-Benz; ML500; V8-5.0; 2005-02 Mer-Benz; S55; V8-5.5; 2002 Mer-Benz; S350; V6-3.7; 2006 Mer-Benz; S430; V8-4.3; 2006-00 Mer-Benz; S500; V8-5.0; 2006-00 Mer-Benz; SL500; V8-5.0; 2006-99 Mer-Benz; SLK320; V6-3.2; 2004-01</p>	<p>Int/Nav; 5070 Trk; CumDsl L6-14.0; 86-85 Int/Nav; 8300 Trk; CumDsl L6-14.0; 89-88 Int/Nav; 9300 Trk; CumDsl L6-14.0; 89-88 Int/Nav; 9370 Trk; CumDsl L6-14.0; 87-85 Int/Nav; 9600 Trk; CumDsl L6-14.0; 1989 Int/Nav; 9700 Trk; CumDsl L6-14.0; 89-88 Ken; K100 Trk; CumDsl L6-14.0; 89-85 Ken; T600 Trk; CumDsl L6-14.0; 89-86 Ken; T800 Trk; CumDsl L6-14.0; 89-87 Ken; W900 Trk; CumDsl L6-14.0; 89-85 Mack; MH Series Trk; CumDsl L6-14.0; 89-85 Mack; R Series Trk; CumDsl L6-14.0; 1985 Mack; RW Series Trk; CumDsl L6-14.0; 89-85 Marmon; 57L Trk; CumDsl L6-14.0; 1985 Marmon; 57P Trk; CumDsl L6-14.0; 89-85 P'bilt; 310 Trk; CumDsl L6-14.0; 87-85 P'bilt; 320 Trk; CumDsl L6-14.0; 1987 P'bilt; 348 Trk; CumDsl L6-14.0; 1985 P'bilt; 349 Trk; CumDsl L6-14.0; 87-85 P'bilt; 353 Trk; CumDsl L6-14.0; 1985 P'bilt; 357 Trk; CumDsl L6-14.0; 89-87 P'bilt; 359 Trk; CumDsl L6-14.0; 87-85 P'bilt; 362 Trk; CumDsl L6-14.0; 89-85 P'bilt; 372 Trk; CumDsl L6-14.0; 1989 P'bilt; 377 Trk; CumDsl L6-14.0; 89-87 P'bilt; 378 Trk; CumDsl L6-14.0; 89-88 P'bilt; 379 Trk; CumDsl L6-14.0; 89-87 P'bilt; 387 Trk; CumDsl L6-14.0; 86-85 WestStar; 3800 Series Trk; CumDsl L6-14.0; 1989 WestStar; 4800 Series Trk; CumDsl L6-14.0; 89-85 WestStar; 4900 Series Trk; CumDsl L6-14.0; 92-85 WestStar; 5900 Series Trk; CumDsl L6-14.0; 92-90 WestStar; 6900 Series Trk; CumDsl L6-14.0; 92-89 White; WCA Trk; CumDsl L6-14.0; 88-85 White; WCL Trk; CumDsl L6-14.0; 88-85 White; WCM Trk; CumDsl L6-14.0; 88-85 White; WCS Trk; CumDsl L6-14.0; 88-85 White; WG Trk; CumDsl L6-14.0; 1989 White; WHL Trk; CumDsl L6-14.0; 88-85 White; WHM Trk; CumDsl L6-14.0; 88-85 White; WHR Trk; CumDsl L6-14.0; 88-85 White; WHS Trk; CumDsl L6-14.0; 88-85 White; WIA Trk; CumDsl L6-14.0; 89-85 White; WIG Trk; CumDsl L6-14.0; 89-85 White; WIL Trk; CumDsl L6-14.0; 89-85 White; WIM Trk; CumDsl L6-14.0; 89-85 White; WSL Trk; CumDsl L6-14.0; 88-85 White; WX Trk; CumDsl L6-14.0; 88-85</p>
<p>44078 Replaces OEM: 3027174 (Cummins)</p>	<p>44084</p> <p>Autocar; AT Series Trk; CumDsl L6-14.0; 88-85 Ford; CL9000 Trk; CumDsl L6-14.0; 89-85 Ford; CLT9000 Trk; CumDsl L6-14.0; 89-85 Ford; L9000 Trk; CumDsl L6-14.0; 89-85 Ford; LL9000 Trk; CumDsl L6-14.0; 89-85 Ford; LN9000 Trk; CumDsl L6-14.0; 89-85 Ford; LNT9000 Trk; CumDsl L6-14.0; 89-85 Ford; LS9000 Trk; CumDsl L6-14.0; 89-85 Ford; LT9000 Trk; CumDsl L6-14.0; 89-85 Ford; LTL9000 Trk; CumDsl L6-14.0; 89-85 Ford; LTS9000 Trk; CumDsl L6-14.0; 89-85 F'liner; FLA Trk; CumDsl L6-14.0; 1989 F'liner; FLC Trk; CumDsl L6-14.0; 89-85 F'liner; FLD Trk; CumDsl L6-14.0; 89-88 F'liner; FLT Trk; CumDsl L6-14.0; 88-85 Giant Trucks; C116 Trk; CumDsl L6-14.0; 89-87 GMC; Astro Trk; CumDsl L6-14.0; 88-85 GMC; Brigadier Trk; CumDsl L6-14.0; 88-85 GMC; General Trk; CumDsl L6-14.0; 88-85 Int/Nav; CO9670 Trk; CumDsl L6-14.0; 88-85 Int/Nav; COF5870 Trk; CumDsl L6-14.0; 88-87 Int/Nav; COF9670 Trk; CumDsl L6-14.0; 88-85 Int/Nav; F2275 Trk; CumDsl L6-14.0; 89-85 Int/Nav; F2276 Trk; CumDsl L6-14.0; 89-85 Int/Nav; F2574 Trk; CumDsl L6-14.0; 89-85 Int/Nav; F2575 Trk; CumDsl L6-14.0; 1989 Int/Nav; F2674 Trk; CumDsl L6-14.0; 89-85 Int/Nav; F2675 Trk; CumDsl L6-14.0; 1989 Int/Nav; F5070 Trk; CumDsl L6-14.0; 86-85 Int/Nav; F9370 Trk; CumDsl L6-14.0; 87-85 Int/Nav; 2275 Trk; CumDsl L6-14.0; 89-85 Int/Nav; 2276 Trk; CumDsl L6-14.0; 89-85 Int/Nav; 2574 Trk; CumDsl L6-14.0; 89-85 Int/Nav; 2575 Trk; CumDsl L6-14.0; 89-85 Int/Nav; 2674 Trk; CumDsl L6-14.0; 89-85 Int/Nav; 2675 Trk; CumDsl L6-14.0; 89-87 Int/Nav; 5000 Trk; CumDsl L6-14.0; 89-87</p>	<p>44085</p> <p>Lexus; GS400; V8-4.0; 2000-98 Lexus; GS430; V8-4.3; 2006-01 Lexus; GX470; V8-4.7; 2006-03 Lexus; LS400; V8-4.0; 2000-90 Lexus; LS430; V8-4.3; 2006-01 Lexus; LX470; V8-4.7; 2006-98 Lexus; SC400; V8-4.0; 2000-92 Lexus; SC430; V8-4.3; 2006-02 Toy.; Land Cruiser; V8-4.7; 2006-98 Toy.; Sequoia; V8-4.7; 2007-01 Toy.; Tundra; V8-4.7; 2003-00 Toy.; 4 Runner; V8-4.7; 2008-03</p> <p>44086</p> <p>Autocar; A Series Trk; CumDsl L6-14.0; 1980 Autocar; AT Series Trk; CumDsl L6-14.0; 1983 Autocar; C Series Trk; CumDsl L6-14.0; 1980 Autocar; Constructtor 2 Series Trk; CumDsl L6-14.0; 83-80 Autocar; DC Series Trk; CumDsl L6-14.0; 83-80</p>
<p>44080 Mer-Benz; 1117 Trk; OM366 Dsl; 1991 Mer-Benz; 1219 Trk; OM366 Dsl; 1991 Mer-Benz; 1319 Trk; OM366 Dsl; 1991 Mer-Benz; 1419 Trk; OM366 Dsl; 1991</p>		

Numerical Listing

Use as a guide only. Refer to Pages 1 to 142 for specific applications.

44086 - Continued

Chev; Bison Trk; CumDsl L6-14.0; 1980
 Chev; Bruin Trk; CumDsl L6-14.0; 1980
 Chev; Titan Trk; CumDsl L6-14.0; 1980
 Ford; CL9000 Trk; CumDsl L6-14.0; 83-80
 Ford; CLT9000 Trk; CumDsl L6-14.0; 83-80
 Ford; L9000 Trk; CumDsl L6-14.0; 83-80
 Ford; LN9000 Trk; CumDsl L6-14.0; 83-80
 Ford; LNT9000 Trk; CumDsl L6-14.0; 83-80
 Ford; LT9000 Trk; CumDsl L6-14.0; 83-80
 Ford; LTL9000 Trk; CumDsl L6-14.0; 83-82
 Ford; LTS9000 Trk; CumDsl L6-14.0; 83-80
 F'liner; FLC Trk; CumDsl L6-14.0; 83-80
 F'liner; FLT Trk; CumDsl L6-14.0; 83-80
 GMC; Astro Trk; CumDsl L6-14.0; 83-80
 GMC; Brigadier Trk; CumDsl L6-14.0; 83-80
 GMC; General Trk; CumDsl L6-14.0; 83-80
 Int/Nav; CO4070B Trk; CumDsl L6-14.0; 82-80
 Int/Nav; CO9670 Trk; CumDsl L6-14.0; 83-82
 Int/Nav; COF4070B Trk; CumDsl L6-14.0; 82-80
 Int/Nav; COF5370 Trk; CumDsl L6-14.0; 82-80
 Int/Nav; COF9670 Trk; CumDsl L6-14.0; 83-82
 Int/Nav; F2275 Trk; CumDsl L6-14.0; 83-80
 Int/Nav; F2276 Trk; CumDsl L6-14.0; 1983
 Int/Nav; F2574 Trk; CumDsl L6-14.0; 83-80
 Int/Nav; F2575 Trk; CumDsl L6-14.0; 83-82
 Int/Nav; F2674 Trk; CumDsl L6-14.0; 83-80
 Int/Nav; F4370 Trk; CumDsl L6-14.0; 83-80
 Int/Nav; F5050 Trk; CumDsl L6-14.0; 1982
 Int/Nav; F5070 Trk; CumDsl L6-14.0; 83-80
 Int/Nav; 2275 Trk; CumDsl L6-14.0; 83-80
 Int/Nav; 2276 Trk; CumDsl L6-14.0; 1983
 Int/Nav; 2574 Trk; CumDsl L6-14.0; 83-80
 Int/Nav; 2575 Trk; CumDsl L6-14.0; 83-80
 Int/Nav; 2674 Trk; CumDsl L6-14.0; 83-80
 Int/Nav; 4370 Trk; CumDsl L6-14.0; 83-80
 Int/Nav; 5070 Trk; CumDsl L6-14.0; 83-80
 Ken; Brute Trk; CumDsl L6-14.0; 1980
 Ken; C500 Trk; CumDsl L6-14.0; 83-80
 Ken; K100 Trk; CumDsl L6-14.0; 83-80
 Ken; L700 Trk; CumDsl L6-14.0; 1980
 Ken; W900 Trk; CumDsl L6-14.0; 83-80
 Mack; F Series Trk; CumDsl L6-14.0; 1980
 Mack; R Series Trk; CumDsl L6-14.0; 83-80
 Mack; RWL Series Trk; CumDsl L6-14.0; 83-80
 Mack; RWS Series Trk; CumDsl L6-14.0; 83-80
 Marmon; CHDT Trk; CumDsl L6-14.0; 81-80
 Marmon; 54F Trk; CumDsl L6-14.0; 83-82
 Marmon; 54P Trk; CumDsl L6-14.0; 83-82
 P'bilt; 282 Trk; CumDsl L6-14.0; 1980
 P'bilt; 289 Trk; CumDsl L6-14.0; 1980
 P'bilt; 310 Trk; CumDsl L6-14.0; 83-82
 P'bilt; 348 Trk; CumDsl L6-14.0; 84-82
 P'bilt; 352 Trk; CumDsl L6-14.0; 81-80
 P'bilt; 353 Trk; CumDsl L6-14.0; 83-82
 P'bilt; 359 Trk; CumDsl L6-14.0; 83-80
 P'bilt; 362 Trk; CumDsl L6-14.0; 83-81
 WestStar; WSH Series Trk; CumDsl L6-14.0; 83-79
 WestStar; 4800 Series Trk; CumDsl L6-14.0; 83-80
 WestStar; 4900 Series Trk; CumDsl L6-14.0; 83-80
 White; Road Boss 2 Trk; CumDsl L6-14.0; 83-80
 White; Road Commander 2 Trk; CumDsl L6-14.0; 83-80
 White; Road Xpeditor 2 Trk; CumDsl L6-14.0; 82-80
 White; WX Trk; CumDsl L6-14.0; 83-82

44087

OMC; NU Marine Eng; OMC V8-460
 OMC; NUE Marine Eng; OMC V8-460
 OMC; 7.5 L Marine Eng; OMC V8-460
 OMC; 460 Marine Eng; OMC V8-460

44087 - Continued

OMC; 460 King Cobra Marine Eng; OMC V8-460
 PCM; 460 Marine Eng; PCM V8-460

44088

Chev; Beaumont; V8-396 Canada; 68-66
 Chev; Beaumont; V8-427 Canada; 1966
 Chev; Bel Air; V8-396; 68-65
 Chev; Bel Air; V8-427; 68-66
 Chev; Biscayne; V8-396; 68-65
 Chev; Biscayne; V8-427; 68-66
 Chev; C & K Series Pickup; V8-396; 69-68
 Chev; C & K Series Pickup; V8-402; 72-71
 Chev; Camaro; V8-396; 68-67
 Chev; Caprice; V8-396; 68-66
 Chev; Caprice; V8-427; 68-66
 Chev; Chevelle; V8-396; 68-65
 Chev; Chevy II; V8-396; 1968
 Chev; Corvette; V8-427; 69-66
 Chev; Corvette; V8-454; 1970
 Chev; Impala; V8-396; 68-65
 Chev; Impala; V8-427; 68-66
 Chev; Suburban; V8-396; 69-68
 Chev; Suburban; V8-402; 72-71
 GMC; C & K Series Pickup; V8-396; 70-68
 GMC; C & K Series Pickup; V8-402; 72-71
 GMC; Suburban; V8-396; 70-68
 GMC; Suburban; V8-402; 72-71

44089

Chev; C & K Series Pickup; V8-8.1; 2002-01
 Chev; Express; V8-8.1; 2002-01
 GMC; C & K Series Pickup; V8-8.1; 2002-01
 GMC; Savana; V8-8.1; 2002-01
 Chev; C5500 Trk; GM V8-8.1; 2002-01
 Chev; C6500 Trk; GM V8-8.1; 2005-01
 Chev; C7500 Trk; GM V8-8.1; 2005-01
 Chev; C8500 Trk; GM V8-8.1; 2005-01
 GMC; B7 Series SchBus; V8-8.1; 2001

44090

Mer-Benz; CL600; V12-6.0; 99-98
 Mer-Benz; S600; V12-6.0; 99-94
 Mer-Benz; SL600; V12-6.0; 2001-94
 Mer-Benz; 600SEC; V12-6.0; 1993
 Mer-Benz; 600SEL; V12-6.0; 93-92
 Mer-Benz; 600SL; V12-6.0; 1993

44091

Jaguar; Vanden Plas; L6-3.6; 89-88
 Jaguar; Vanden Plas; L6-4.0; 94-93
 Jaguar; XJ6; L6-3.6; 89-88
 Jaguar; XJ6; L6-4.0; 94-93
 Jaguar; XJS; L6-4.0; 94-93

44092

Autocar; AT Series Trk; CumDsl L6-14.0; 88-85
 Ford; CL9000 Trk; CumDsl L6-14.0; 89-85
 Ford; CLT9000 Trk; CumDsl L6-14.0; 89-85
 Ford; L9000 Trk; CumDsl L6-14.0; 89-85
 Ford; LL9000 Trk; CumDsl L6-14.0; 89-85
 Ford; LN9000 Trk; CumDsl L6-14.0; 89-85
 Ford; LNT9000 Trk; CumDsl L6-14.0; 89-85
 Ford; LS9000 Trk; CumDsl L6-14.0; 89-85
 Ford; LT9000 Trk; CumDsl L6-14.0; 89-85
 Ford; LTL9000 Trk; CumDsl L6-14.0; 89-85
 Ford; LTS9000 Trk; CumDsl L6-14.0; 89-85
 F'liner; FLA Trk; CumDsl L6-14.0; 1989
 F'liner; FLC Trk; CumDsl L6-14.0; 89-85
 F'liner; FLD Trk; CumDsl L6-14.0; 89-88
 F'liner; FLT Trk; CumDsl L6-14.0; 88-85
 Giant Trucks; C116 Trk; CumDsl L6-14.0; 89-87
 GMC; Astro Trk; CumDsl L6-14.0; 88-85
 GMC; Brigadier Trk; CumDsl L6-14.0; 88-85
 GMC; General Trk; CumDsl L6-14.0; 88-85
 Int/Nav; CO9670 Trk; CumDsl L6-14.0; 88-85
 Int/Nav; COF5870 Trk; CumDsl L6-14.0; 88-87
 Int/Nav; COF9670 Trk; CumDsl L6-14.0; 88-85

44092 - Continued

Int/Nav; F2275 Trk; CumDsl L6-14.0; 89-85
 Int/Nav; F2276 Trk; CumDsl L6-14.0; 89-85
 Int/Nav; F2574 Trk; CumDsl L6-14.0; 89-85
 Int/Nav; F2575 Trk; CumDsl L6-14.0; 1989
 Int/Nav; F2674 Trk; CumDsl L6-14.0; 89-85
 Int/Nav; F2675 Trk; CumDsl L6-14.0; 1989
 Int/Nav; F5070 Trk; CumDsl L6-14.0; 86-85
 Int/Nav; F9370 Trk; CumDsl L6-14.0; 87-85
 Int/Nav; 2275 Trk; CumDsl L6-14.0; 89-85
 Int/Nav; 2276 Trk; CumDsl L6-14.0; 89-85
 Int/Nav; 2574 Trk; CumDsl L6-14.0; 89-85
 Int/Nav; 2575 Trk; CumDsl L6-14.0; 89-85
 Int/Nav; 2674 Trk; CumDsl L6-14.0; 89-85
 Int/Nav; 2675 Trk; CumDsl L6-14.0; 89-87
 Int/Nav; 5000 Trk; CumDsl L6-14.0; 89-87
 Int/Nav; 5070 Trk; CumDsl L6-14.0; 86-85
 Int/Nav; 8300 Trk; CumDsl L6-14.0; 89-88
 Int/Nav; 9300 Trk; CumDsl L6-14.0; 89-88
 Int/Nav; 9370 Trk; CumDsl L6-14.0; 87-85
 Int/Nav; 9600 Trk; CumDsl L6-14.0; 1989
 Int/Nav; 9700 Trk; CumDsl L6-14.0; 89-88
 Ken; K100 Trk; CumDsl L6-14.0; 89-85
 Ken; T600 Trk; CumDsl L6-14.0; 89-86
 Ken; T800 Trk; CumDsl L6-14.0; 89-87
 Ken; W900 Trk; CumDsl L6-14.0; 89-85
 Mack; MH Series Trk; CumDsl L6-14.0; 89-85
 Mack; R Series Trk; CumDsl L6-14.0; 1985
 Mack; RW Series Trk; CumDsl L6-14.0; 89-85
 Marmon; 57L Trk; CumDsl L6-14.0; 1985
 Marmon; 57P Trk; CumDsl L6-14.0; 89-85
 P'bilt; 310 Trk; CumDsl L6-14.0; 87-85
 P'bilt; 320 Trk; CumDsl L6-14.0; 1987
 P'bilt; 348 Trk; CumDsl L6-14.0; 1985
 P'bilt; 349 Trk; CumDsl L6-14.0; 87-85
 P'bilt; 353 Trk; CumDsl L6-14.0; 1985
 P'bilt; 357 Trk; CumDsl L6-14.0; 89-87
 P'bilt; 359 Trk; CumDsl L6-14.0; 87-85
 P'bilt; 362 Trk; CumDsl L6-14.0; 89-85
 P'bilt; 372 Trk; CumDsl L6-14.0; 1989
 P'bilt; 377 Trk; CumDsl L6-14.0; 89-87
 P'bilt; 378 Trk; CumDsl L6-14.0; 89-88
 P'bilt; 379 Trk; CumDsl L6-14.0; 89-87
 P'bilt; 387 Trk; CumDsl L6-14.0; 86-85
 WestStar; 3800 Series Trk; CumDsl L6-14.0; 1989
 WestStar; 4800 Series Trk; CumDsl L6-14.0; 89-85
 WestStar; 4900 Series Trk; CumDsl L6-14.0; 92-85
 WestStar; 5900 Series Trk; CumDsl L6-14.0; 92-90
 WestStar; 6900 Series Trk; CumDsl L6-14.0; 92-89
 White; WCA Trk; CumDsl L6-14.0; 88-85
 White; WCL Trk; CumDsl L6-14.0; 88-85
 White; WCM Trk; CumDsl L6-14.0; 88-85
 White; WCS Trk; CumDsl L6-14.0; 88-85
 White; WG Trk; CumDsl L6-14.0; 1989
 White; WHL Trk; CumDsl L6-14.0; 88-85
 White; WHM Trk; CumDsl L6-14.0; 88-85
 White; WHR Trk; CumDsl L6-14.0; 88-85
 White; WHS Trk; CumDsl L6-14.0; 88-85
 White; WIA Trk; CumDsl L6-14.0; 89-85
 White; WIG Trk; CumDsl L6-14.0; 89-85
 White; WIL Trk; CumDsl L6-14.0; 89-85
 White; WIM Trk; CumDsl L6-14.0; 89-85
 White; WSL Trk; CumDsl L6-14.0; 88-85
 White; WX Trk; CumDsl L6-14.0; 88-85

44093

DiamReo; CF65 Trk; CumDsl V8-210; 73-72
 DiamReo; CO54 Trk; DetrDsl 8V-71; 1973
 Dodge; C800 Trk; CumDsl V8-210; 73-70
 Dodge; CN900 Trk; CumDsl V8-210; 73-70
 Dodge; CNT900 Trk; CumDsl V8-210; 73-70
 Dodge; CT800 Trk; CumDsl V8-210; 73-70
 Ken; PD200 Trk; CumDsl V8-210; 72-71
 Mack; DM Series Trk; CumDsl V8-210; 1973
 Grove; 4420G Crane; CumDsl V8-210

Numerical Listing

Use as a guide only. Refer to Pages 1 to 142 for specific applications.

44093 - Continued

Ottawa; Commando 30 Yard Tractor; Cum-Dsl V8-210
 Ottawa; Commando 30A Yard Tractor; Cum-Dsl V8-210
 Ottawa; Commando 50 Yard Tractor; Cum-Dsl V8-210
 Ottawa; 1-Step-30 Yard Tractor; CumDsl V8-210

44094

Autocar; AC Series Trk; Cummins10 Dsl; 90-88
 Autocar; DK Series Trk; Cummins10 Dsl; 88-86
 Autocar; DS Series Trk; Cummins10 Dsl; 88-86
 Ford; CL9000 Trk; Cummins10 Dsl; 90-88
 Ford; CLT9000 Trk; Cummins10 Dsl; 90-88
 Ford; L9000 Trk; Cummins10 Dsl; 90-85
 Ford; LA9000 Trk; Cummins10 Dsl; 90-88
 Ford; LL9000 Trk; Cummins10 Dsl; 1990
 Ford; LN9000 Trk; Cummins10 Dsl; 90-84
 Ford; LNT9000 Trk; Cummins10 Dsl; 90-84
 Ford; LS9000 Trk; Cummins10 Dsl; 1990
 Ford; LT9000 Trk; Cummins10 Dsl; 90-84
 Ford; LTA9000 Trk; Cummins10 Dsl; 90-88
 Ford; LTL9000 Trk; Cummins10 Dsl; 90-86
 Ford; LTS9000 Trk; Cummins10 Dsl; 90-84
 F'liner; FLA Trk; Cummins10 Dsl; 90-89
 F'liner; FLC Trk; Cummins10 Dsl; 90-83
 F'liner; FLD Trk; Cummins10 Dsl; 90-88
 F'liner; FLT Trk; Cummins10 Dsl; 88-84
 GMC; Brigadier Trk; Cummins10 Dsl; 88-83
 GMC; General Trk; Cummins10 Dsl; 88-85
 Int/Nav; CO9670 Trk; Cummins10 Dsl; 88-86
 Int/Nav; F2375 Trk; Cummins10 Dsl; 89-83
 Int/Nav; F2574 Trk; Cummins10 Dsl; 89-84
 Int/Nav; F2575 Trk; Cummins10 Dsl; 89-84
 Int/Nav; F2674 Trk; Cummins10 Dsl; 1989
 Int/Nav; F2674 Trk; Cummins10 Dsl; 1984
 Int/Nav; F2675 Trk; Cummins10 Dsl; 89-87
 Int/Nav; 2375 Trk; Cummins10 Dsl; 89-83
 Int/Nav; 2574 Trk; Cummins10 Dsl; 90-84
 Int/Nav; 2575 Trk; Cummins10 Dsl; 89-84
 Int/Nav; 2674 Trk; Cummins10 Dsl; 90-84
 Int/Nav; 2675 Trk; Cummins10 Dsl; 89-87
 Int/Nav; 5000 Trk; Cummins10 Dsl; 90-87
 Int/Nav; 8100 Trk; Cummins10 Dsl; 1990
 Int/Nav; 8200 Trk; Cummins10 Dsl; 1990
 Int/Nav; 8300 Trk; Cummins10 Dsl; 90-88
 Int/Nav; 9300 Trk; Cummins10 Dsl; 90-88
 Int/Nav; 9370 Trk; Cummins10 Dsl; 87-86
 Int/Nav; 9400 Trk; Cummins10 Dsl; 1990
 Int/Nav; 9600 Trk; Cummins10 Dsl; 90-89
 Int/Nav; 9700 Trk; Cummins10 Dsl; 90-88
 Ken; C500 Trk; Cummins10 Dsl; 89-85
 Ken; K100 Trk; Cummins10 Dsl; 89-85
 Ken; L700 Trk; Cummins10 Dsl; 86-84
 Ken; T400 Trk; Cummins10 Dsl; 90-89
 Ken; T450 Trk; Cummins10 Dsl; 1990
 Ken; T600 Trk; Cummins10 Dsl; 90-86
 Ken; T800 Trk; Cummins10 Dsl; 90-87
 Ken; W900 Trk; Cummins10 Dsl; 89-85
 Mack; MR Series Trk; Cummins10 Dsl; 1984
 Marmon; 57L Trk; Cummins10 Dsl; 1990
 Marmon; 57L Trk; Cummins10 Dsl; 88-86
 P'bilt; 310 Trk; Cummins10 Dsl; 87-84
 P'bilt; 320 Trk; Cummins10 Dsl; 90-88
 P'bilt; 349 Trk; Cummins10 Dsl; 86-85
 P'bilt; 357 Trk; Cummins10 Dsl; 90-88
 P'bilt; 362 Trk; Cummins10 Dsl; 90-88
 P'bilt; 375 Trk; Cummins10 Dsl; 90-88
 P'bilt; 377 Trk; Cummins10 Dsl; 91-89
 P'bilt; 379 Trk; Cummins10 Dsl; 91-88
 Volvo; WCA Series Trk; Cummins10 Dsl; 1990
 Volvo; WCM Series Trk; Cummins10 Dsl; 1990
 Volvo; WCS Series Trk; Cummins10 Dsl; 1990

44094 - Continued

Volvo; WG Series Trk; Cummins10 Dsl; 1990
 Volvo; WIA Series Trk; Cummins10 Dsl; 1990
 Volvo; WIL Series Trk; Cummins10 Dsl; 1990
 Volvo; WIM Series Trk; Cummins10 Dsl; 1990
 Volvo; Xpeditor Trk; Cummins10 Dsl; 1990
 WestStar; 3800 Series Trk; Cummins10 Dsl; 90-89
 WestStar; 4800 Series Trk; Cummins10 Dsl; 90-89
 WestStar; 4900 Series Trk; Cummins10 Dsl; 1989
 WestStar; 6900 Series Trk; Cummins10 Dsl; 1989
 White; ACL64B Autocar Trk; Cummins10 Dsl; 89-83
 White; ACM64 Autocar Trk; Cummins10 Dsl; 89-83
 White; WCA Trk; Cummins10 Dsl; 89-86
 White; WCL Trk; Cummins10 Dsl; 89-86
 White; WCM Trk; Cummins10 Dsl; 89-86
 White; WCS Trk; Cummins10 Dsl; 89-86
 White; WG Trk; Cummins10 Dsl; 89-86
 White; WHS Trk; Cummins10 Dsl; 89-86
 White; WIA Trk; Cummins10 Dsl; 89-86
 White; WX Trk; Cummins10 Dsl; 89-84
 White; WXL Trk; Cummins10 Dsl; 89-85
 WhiteGMC; WCA Series Trk; Cummins10 Dsl; 1990
 WhiteGMC; WCL Series Trk; Cummins10 Dsl; 1990
 WhiteGMC; WCM Series Trk; Cummins10 Dsl; 1990
 WhiteGMC; WCS Series Trk; Cummins10 Dsl; 1990
 WhiteGMC; WG Series Trk; Cummins10 Dsl; 1990
 WhiteGMC; WHR Series Trk; Cummins10 Dsl; 1990
 WhiteGMC; WIA Series Trk; Cummins10 Dsl; 1990
 WhiteGMC; Xpeditor Trk; Cummins10 Dsl; 1990
 Flxible; Metro Bus; Cummins10 Dsl; 1990
 Flxible; Metro Bus; Cummins10 Dsl; 1988
 Flxible; Metro Flex Bus; Cummins10 Dsl; 89-87
 Flxible; 40096-6C Bus; Cummins10 Dsl; 1990
 Gillig; Phantom Bus; Cummins10 Dsl; 1990
 Lag; LAG300T Bus; Cummins10 Dsl; 87-85
 Lag; LAG350T Bus; Cummins10 Dsl; 90-84
 New Flyer; D40 Bus; Cummins10 Dsl; 90-87

44096

Chev; T90 Trk; DetrDsl 6V-71; 74-72
 Chev; T90 Trk; DetrDsl 6V-71; 67-66
 Chev; WW90 Trk; DetrDsl 6V-71; 1972
 Chev; WW90 Trk; DetrDsl 6V-71; 67-66
 FWD; C8-2148 Trk; DetrDsl 6V-71; 78-72
 FWD; C Series Trk; DetrDsl 6V-71; 78-72
 Ford; CL9000 Trk; DetrDsl 8V-71; 79-78
 Ford; CLT9000 Trk; DetrDsl 8V-71; 79-78
 Ford; L9000 Trk; DetrDsl 8V-71; 79-71
 Ford; LN9000 Trk; DetrDsl 8V-71; 79-70
 Ford; LNT9000 Trk; DetrDsl 8V-71; 79-70
 Ford; LT9000 Trk; DetrDsl 8V-71; 79-71
 Ford; LTS9000 Trk; DetrDsl 8V-71; 79-75
 Ford; W9000 Trk; DetrDsl 8V-71; 77-71
 Ford; W Series Trk; DetrDsl 8V-71; 70-66
 Ford; WT9000 Trk; DetrDsl 8V-71; 77-71
 F'liner; WFC Trk; DetrDsl 8V-71; 77-74
 F'liner; WFT Trk; DetrDsl 8V-71; 77-71
 GMC; DW9500 Trk; DetrDsl 6V-71; 74-72
 GMC; DW9500 Trk; DetrDsl 6V-71; 67-66
 GMC; FW9500 Trk; DetrDsl 6V-71; 74-72
 GMC; FW9500 Trk; DetrDsl 6V-71; 67-66
 GMC; TW9500 Trk; DetrDsl 6V-71; 74-72

44096 - Continued

GMC; TW9500 Trk; DetrDsl 6V-71; 67-66
 GMC; WW9500 Trk; DetrDsl 6V-71; 74-72
 GMC; WW9500 Trk; DetrDsl 6V-71; 67-66
 Ken; C500 Trk; DetrDsl 6V-71; 78-73
 Ken; C500 Trk; DetrDsl 8V-71; 75-74
 Mack; RL Series Trk; DetrDsl 6V-71; 78-75
 Mack; RS Series Trk; DetrDsl 6V-71; 78-75
 P'bilt; 348 Trk; DetrDsl 6V-71; 1976
 CrownCoach; RD6V71-11 SchBus; DetrDsl 6V-71; 60-50
 CrownCoach; RD8V71-11 SchBus; DetrDsl 8V-71; 60-50
 Flxible; F2D6V Bus; DetrDsl 6V-71; 68-61
 Flxible; F2D6V Bus; DetrDsl 8V-71; 68-61
 Flxible; 111CC0061 Bus; DetrDsl 6V-71; 73-66
 Flxible; 111CC0061 Bus; DetrDsl 8V-71; 73-66
 Flxible; 53101 Bus; DetrDsl 6V-71; 94-91
 Flxible; 53101 Bus; DetrDsl 8V-71; 94-91
 Flxible; 3135096 Bus; DetrDsl 6V-71; 78-74
 Flxible; 3135096 Bus; DetrDsl 8V-71; 78-74
 GMC; T6H4523A Bus; DetrDsl 6V-71; 1976
 GMC; T6H5307A Bus; DetrDsl 6V-71; 1976
 GMC; T6H5308A Bus; DetrDsl 6V-71; 1976
 GMC; T7H203 Bus; DetrDsl 8V-71; 80-79
 GMC; T7H603 Bus; DetrDsl 6V-71; 80-79
 GMC; T7W203 Bus; DetrDsl 6V-71; 80-79
 GMC; T7W603 Bus; DetrDsl 6V-71; 80-79
 GMC; T8W203 Bus; DetrDsl 6V-71; 80-79
 GMC; T8W603 Bus; DetrDsl 6V-71; 80-79
 GMC; T70204 Bus; DetrDsl 6V-71; 87-81
 GMC; T70204 Bus; DetrDsl 8V-71; 87-84
 GMC; T70604 Bus; DetrDsl 6V-71; 87-81
 GMC; T70604 Bus; DetrDsl 8V-71; 87-84
 GMC; T80604 Bus; DetrDsl 6V-71; 87-81
 GMC; T80604 Bus; DetrDsl 8V-71; 87-84
 GMC; TW7601 Bus; DetrDsl 6V-71; 78-77
 AmerCrane; 35 Excavator; DetrDsl 6V-71
 AustnWestrn; Pacer 500 MtrGrader; DetrDsl 6V-71
 AustnWestrn; Super 500 MtrGrader; DetrDsl 6V-71
 Bros; LSPRM8A Mixer; DetrDsl 8V-71N
 BucyErie; 30H II Excavator; DetrDsl 6V-71N
 BucyErie; 45CIB100 Crane; DetrDsl 6V-71N
 Clark-Mich; 110-15 Scraper; DetrDsl 6V-71
 Clark-Mich; 275 III Wheel Loader; DetrDsl 8V-71N
 Clark-Mich; 501S MtrGrader; DetrDsl 6V-71
 Dres-Dresta; D100B Wheel Dozer; DetrDsl 6V-71
 Dres-Huf; H100 Wheel Loader; DetrDsl 6V-71
 Dres-Huf; H100 Wheel Loader; DetrDsl 8V-71
 Dres-Huf; H100A Wheel Loader; DetrDsl 6V-71
 Dres-Huf; H100A Wheel Loader; DetrDsl 8V-71
 Dres-Huf; H100B Wheel Loader; DetrDsl 6V-71
 Dres-Huf; H100B Wheel Loader; DetrDsl 8V-71
 Dres-Huf; H100B Wheel Loader; DetrDsl 8V-71
 Dres-Huf; H120 Wheel Loader; DetrDsl 6V-71
 Dres-Huf; H120 Wheel Loader; DetrDsl 8V-71
 Dres-Huf; H120B Wheel Loader; DetrDsl 6V-71
 Dres-Huf; H120B Wheel Loader; DetrDsl 8V-71
 Euclid; 82-40 Tractor; DetrDsl 8V-71N; 68-66
 Euclid; 82-40 Crawler Tractor; DetrDsl 8V-71N
 Fox River; Max II Harvester; DetrDsl 6V-71; 76-73
 Ingersoll; XP750 Compressor; DetrDsl 6V-71N
 Koehring; 666D Excavator; DetrDsl 8V-71N
 LeTourmo; F602B Forest Eq; DetrDsl 6V-71

Numerical Listing

Use as a guide only. Refer to Pages 1 to 142 for specific applications.

44096 - Continued

Terex; S23E Scraper; DetrDsl 8V-71T
 Terex; TS18 Scraper; DetrDsl 6V-71N
 Terex; TS18 Scraper; DetrDsl 8V-71N
 Terex; TS32 Scraper; DetrDsl 8V-71T
 Terex; 72-51B Wheel Loader; DetrDsl 6V-71T
 Terex; 72-61 Wheel Loader; DetrDsl 8V-71T
 Terex; 72-71 Wheel Loader; DetrDsl 8V-71T
 Terex; 82-40 Tractor; DetrDsl 8V-71N
 Terex; 3305 Off-Rd Haul; DetrDsl 8V-71
 Terex; 3305 Off-Rd Haul; DetrDsl 8V-71T
 Trojan; 2500 Wheel Loader; DetrDsl 6V-71N
 Trojan; 3000 Wheel Loader; DetrDsl 6V-71N
 Trojan; 4000 Wheel Loader; DetrDsl 8V-71
 Trojan; 4000 Wheel Loader; DetrDsl 8V-71N
 Volvo; 280 I Wheel Dozer; DetrDsl 8V-71N
 Volvo; 280 II Wheel Dozer; DetrDsl 8V-71N
 Volvo; 280 III Wheel Dozer; DetrDsl 8V-71N
 Volvo; 280 Articulated Wheel Dozer; DetrDsl 8V-71N
 Wabco; 222G Scraper; DetrDsl 8V-71T
 Wabco; 229G Scraper; DetrDsl 8V-71T
 Wabco; 400 Wheel Loader; DetrDsl 6V-71
 Warnrswasey; H900A Excavator; DetrDsl 8V-71N

44097

Autocar; DC Series Trk; DetrDsl 8V-92; 1981
 Chev; Bison Trk; DetrDsl 6V-92; 80-77
 Chev; Bison Trk; DetrDsl 8V-92; 80-77
 Chev; Bruin Trk; DetrDsl 6V-92; 80-78
 Chev; Titan Trk; DetrDsl 6V-92; 80-79
 Chev; Titan Trk; DetrDsl 8V-92; 80-79
 Ford; CL9000 Trk; DetrDsl 6V-92; 86-78
 Ford; CL9000 Trk; DetrDsl 8V-92; 80-78
 Ford; CLT9000 Trk; DetrDsl 6V-92; 86-78
 Ford; CLT9000 Trk; DetrDsl 8V-92; 86-78
 Ford; L9000 Trk; DetrDsl 6V-92; 83-77
 Ford; LN9000 Trk; DetrDsl 6V-92; 86-77
 Ford; LN9000 Trk; DetrDsl 8V-92; 79-78
 Ford; LNT9000 Trk; DetrDsl 6V-92; 86-77
 Ford; LNT9000 Trk; DetrDsl 8V-92; 79-78
 Ford; LT9000 Trk; DetrDsl 6V-92; 82-77
 Ford; LT9000 Trk; DetrDsl 8V-92; 1979
 Ford; LTL9000 Trk; DetrDsl 8V-92; 86-78
 Ford; LTS9000 Trk; DetrDsl 6V-92; 82-77
 Ford; W9000 Trk; DetrDsl 6V-92; 1977
 Ford; WT9000 Trk; DetrDsl 6V-92; 1977
 F'liner; FLC Trk; DetrDsl 6V-92; 88-77
 F'liner; FLC Trk; DetrDsl 8V-92; 82-77
 F'liner; FLD Trk; DetrDsl 6V-92; 1988
 F'liner; FLT Trk; DetrDsl 6V-92; 88-77
 F'liner; FLT Trk; DetrDsl 8V-92; 82-77
 F'liner; WFC Trk; DetrDsl 6V-92; 1977
 F'liner; WFC Trk; DetrDsl 8V-92; 77-74
 F'liner; WFT Trk; DetrDsl 6V-92; 1977
 F'liner; WFT Trk; DetrDsl 8V-92; 77-74
 GMC; Astro Trk; DetrDsl 6V-92; 88-73
 GMC; Astro Trk; DetrDsl 8V-92; 88-75
 GMC; Brigadier Trk; DetrDsl 6V-92; 88-78
 GMC; Brigadier Trk; DetrDsl 8V-92; 83-82
 GMC; General Trk; DetrDsl 6V-92; 88-77
 GMC; General Trk; DetrDsl 8V-92; 88-77
 GMC; H9500 Trk; DetrDsl 6V-92; 1978
 GMC; HJ9500 Trk; DetrDsl 6V-92; 77-76
 GMC; J9500 Trk; DetrDsl 6V-92; 1978
 GMC; JJ9500 Trk; DetrDsl 6V-92; 77-76
 Int/Nav; CO4070B Trk; DetrDsl 6V-92; 82-77
 Int/Nav; CO4070B Trk; DetrDsl 8V-92; 79-74
 Int/Nav; CO9670 Trk; DetrDsl 6V-92; 88-82
 Int/Nav; CO9670 Trk; DetrDsl 8V-92; 86-82
 Int/Nav; COF4070B Trk; DetrDsl 6V-92; 82-77
 Int/Nav; COF4070B Trk; DetrDsl 8V-92; 1982
 Int/Nav; COF4070B Trk; DetrDsl 8V-92; 79-74
 Int/Nav; COF5870 Trk; DetrDsl 6V-92; 1985
 Int/Nav; COF9670 Trk; DetrDsl 6V-92; 88-82
 Int/Nav; COF9670 Trk; DetrDsl 8V-92; 88-82
 Int/Nav; F2275 Trk; DetrDsl 6V-92; 88-78
 Int/Nav; F2276 Trk; DetrDsl 6V-92; 88-83

44097 - Continued

Int/Nav; F2574 Trk; DetrDsl 6V-92; 88-78
 Int/Nav; F2575 Trk; DetrDsl 6V-92; 88-78
 Int/Nav; F2674 Trk; DetrDsl 6V-92; 88-78
 Int/Nav; F4200 Trk; DetrDsl 6V-92; 79-76
 Int/Nav; F4200 Trk; DetrDsl 8V-92; 79-78
 Int/Nav; F4270 Trk; DetrDsl 6V-92; 84-80
 Int/Nav; F4300 Trk; DetrDsl 6V-92; 79-76
 Int/Nav; F4300 Trk; DetrDsl 8V-92; 79-78
 Int/Nav; F4370 Trk; DetrDsl 8V-92; 84-80
 Int/Nav; F5050 Trk; DetrDsl 6V-92; 1982
 Int/Nav; F5070 Trk; DetrDsl 6V-92; 86-76
 Int/Nav; F5070 Trk; DetrDsl 8V-92; 82-80
 Int/Nav; F9370 Trk; DetrDsl 8V-92; 87-85
 Int/Nav; 2275 Trk; DetrDsl 6V-92; 88-78
 Int/Nav; 2276 Trk; DetrDsl 6V-92; 88-83
 Int/Nav; 2574 Trk; DetrDsl 6V-92; 88-78
 Int/Nav; 2575 Trk; DetrDsl 6V-92; 88-78
 Int/Nav; 2674 Trk; DetrDsl 6V-92; 88-78
 Int/Nav; 2675 Trk; DetrDsl 6V-92; 1987
 Int/Nav; 4200 Trk; DetrDsl 6V-92; 79-76
 Int/Nav; 4200 Trk; DetrDsl 8V-92; 79-78
 Int/Nav; 4270 Trk; DetrDsl 6V-92; 84-80
 Int/Nav; 4300 Trk; DetrDsl 6V-92; 79-76
 Int/Nav; 4300 Trk; DetrDsl 8V-92; 79-78
 Int/Nav; 4370 Trk; DetrDsl 8V-92; 82-80
 Int/Nav; 5000 Trk; DetrDsl 6V-92; 88-87
 Int/Nav; 5050 Trk; DetrDsl 6V-92; 1982
 Int/Nav; 5070 Trk; DetrDsl 6V-92; 86-76
 Int/Nav; 9300 Trk; DetrDsl 6V-92; 1988
 Int/Nav; 9370 Trk; DetrDsl 6V-92; 87-85
 Int/Nav; 9370 Trk; DetrDsl 6V-92; 79-77
 Ken; C500 Trk; DetrDsl 6V-92; 82-77
 Ken; C500 Trk; DetrDsl 8V-92; 82-79
 Ken; C500 Trk; DetrDsl 8V-92; 75-74
 Ken; K100 Trk; DetrDsl 6V-92; 82-76
 Ken; K100 Trk; DetrDsl 8V-92; 87-74
 Ken; L700 Trk; DetrDsl 6V-92; 1979
 Ken; T800 Trk; DetrDsl 8V-92; 88-87
 Ken; W900 Trk; DetrDsl 6V-92; 82-76
 Ken; W900 Trk; DetrDsl 8V-92; 87-74
 Mack; MH Series Trk; DetrDsl 6V-92; 85-84
 Mack; R Series Trk; DetrDsl 6V-92; 83-82
 Mack; RL Series Trk; DetrDsl 6V-92; 81-78
 Mack; RS Series Trk; DetrDsl 6V-92; 81-78
 Mack; RWL Series Trk; DetrDsl 8V-92; 82-79
 Mack; RWS Series Trk; DetrDsl 8V-92; 82-79
 Mack; WL Series Trk; DetrDsl 6V-92; 83-81
 Mack; WL Series Trk; DetrDsl 8V-92; 82-78
 Mack; WS Series Trk; DetrDsl 6V-92; 83-81
 Mack; WS Series Trk; DetrDsl 8V-92; 82-78
 P'bilt; 282 Trk; DetrDsl 6V-92; 80-76
 P'bilt; 282 Trk; DetrDsl 8V-92; 80-78
 P'bilt; 289 Trk; DetrDsl 6V-92; 80-76
 P'bilt; 289 Trk; DetrDsl 8V-92; 80-74
 P'bilt; 310 Trk; DetrDsl 6V-92; 85-79
 P'bilt; 348 Trk; DetrDsl 6V-92; 85-76
 P'bilt; 349 Trk; DetrDsl 6V-92; 1986
 P'bilt; 352 Trk; DetrDsl 6V-92; 81-76
 P'bilt; 352 Trk; DetrDsl 8V-92; 80-78
 P'bilt; 353 Trk; DetrDsl 6V-92; 85-82
 P'bilt; 353 Trk; DetrDsl 8V-92; 85-82
 P'bilt; 359 Trk; DetrDsl 6V-92; 85-76
 P'bilt; 359 Trk; DetrDsl 8V-92; 86-74
 P'bilt; 362 Trk; DetrDsl 6V-92; 85-82
 P'bilt; 362 Trk; DetrDsl 8V-92; 87-82
 P'bilt; 375 Trk; DetrDsl 8V-92; 1987
 P'bilt; 377 Trk; DetrDsl 8V-92; 1987
 P'bilt; 379 Trk; DetrDsl 8V-92; 1987
 P'bilt; 387 Trk; DetrDsl 8V-92; 86-84
 WestStar; 3800 Series Trk; DetrDsl 6V-92; 1989
 WestStar; 4800 Series Trk; DetrDsl 6V-92; 89-79
 WestStar; 4900 Series Trk; DetrDsl 6V-92; 89-79
 WestStar; 6900 Series Trk; DetrDsl 6V-92; 1989
 White; COE Trk; DetrDsl 8V-92; 1986
 White; Road Boss 2 Trk; DetrDsl 6V-92; 1984

44097 - Continued

White; Road Boss 2 Trk; DetrDsl 6V-92; 80-78
 White; Road Boss 2 Trk; DetrDsl 8V-92; 80-78
 White; Road Commander 2 Trk; DetrDsl 6V-92; 1984
 White; Road Commander 2 Trk; DetrDsl 6V-92; 80-77
 White; Road Commander 2 Trk; DetrDsl 8V-92; 80-76
 White; WCL Trk; DetrDsl 6V-92; 87-84
 White; WCM Trk; DetrDsl 6V-92; 87-84
 White; WCS Trk; DetrDsl 6V-92; 87-84
 White; Western Star Series Trk; DetrDsl 6V-92; 78-73
 White; WHL Trk; DetrDsl 6V-92; 87-85
 White; WHM Trk; DetrDsl 6V-92; 87-85
 White; WHS Trk; DetrDsl 6V-92; 87-85
 White; WX Trk; DetrDsl 6V-92; 88-83
 White; WXF Trk; DetrDsl 6V-92; 88-85
 White; WXF Trk; DetrDsl 6V-92; 1983
 White; WXLL Trk; DetrDsl 6V-92; 88-85
 White; WXLL Trk; DetrDsl 6V-92; 1983
 Eagle; Eagle 01 Bus; DetrDsl 6V-92; 1967
 Eagle; Eagle 05 Bus; DetrDsl 6V-92; 79-74
 Eagle; Eagle 07 Bus; DetrDsl 6V-92; 79-74
 Eagle; Eagle 10 Bus; DetrDsl 6V-92; 88-80
 Eagle; Eagle 12 Bus; DetrDsl 6V-92; 90-89
 Eagle; Golden Eagle Bus; DetrDsl 6V-92; 71-63
 Eagle; Silver Eagle Bus; DetrDsl 6V-92; 72-67
 Gillig; Phantom 96TB Bus; DetrDsl 6V-92; 2001-80
 Gillig; Phantom 102TB Bus; DetrDsl 6V-92; 2001
 Gillig; Phantom 102TB Bus; DetrDsl 6V-92; 88-85
 GMC; T70204 Bus; DetrDsl 6V-92; 88-81
 GMC; T70604 Bus; DetrDsl 6V-92; 88-81
 GMC; T80204 Bus; DetrDsl 6V-92; 88-81
 GMC; T80604 Bus; DetrDsl 6V-92; 88-81
 MCI; 102-A3 Bus; DetrDsl 6V-92; 86-85
 Neoplan; BUS Bus; DetrDsl 6V-92; 2001-84
 New Flyer; D40 Bus; DetrDsl 6V-92; 1991
 Orion; Orion Bus; DetrDsl 6V-92; 2001-83
 Bomag; MPH100S Pave Eq; DetrDsl 6V-92
 Clark-Mich; 275C Wheel Loader; DetrDsl 8V-92
 DetrDsl; 6V92MTA Marine Eng; DetrDsl 6V-92
 DetrDsl; 6V92TA Marine Eng; DetrDsl 6V-92
 DetrDsl; 8V92TA Marine Eng; DetrDsl 8V-92
 DetrDsl; 8V92TMA Marine Eng; DetrDsl 8V-92
 Fresia; F90 SnowMove Eq; DetrDsl 8V-92

44098

Ford; Mustang; V6-171; 1979
 Ford; Mustang II; V6-171; 78-74
 Ford; Pinto; V6-171; 79-75
 Merc; Bobcat; V6-171; 79-75
 Merc; Capri; V6-159; 73-72
 Merc; Capri; V6-171; 79-76
 Merc; Capri; V6-171; 1974

44099

AMgen; Hummer; V8-6.2 Dsl; 93-92
 Chev; Blazer; V8-6.2 Dsl; 1982
 Chev; Blazer Full Size; V8-6.2 Dsl; 91-83
 Chev; C & K Series Pickup; V8-6.2 Dsl; 86-82
 Chev; G Series Van; V8-6.2 Dsl; 93-83
 Chev; P Series Van; V8-6.2 Dsl; 93-82
 Chev; R & V Series Pickup; V8-6.2 Dsl; 91-87
 Chev; Suburban; V8-6.2 Dsl; 87-82
 GMC; C & K Series Pickup; V8-6.2 Dsl; 86-82
 GMC; G Series Van; V8-6.2 Dsl; 93-83
 GMC; Jimmy; V8-6.2 Dsl; 1982

Numerical Listing

Use as a guide only. Refer to Pages 1 to 142 for specific applications.

44099 - Continued

GMC; Jimmy Full Size; V8-6.2 Dsl; 91-83
 GMC; P Series Van; V8-6.2 Dsl; 93-82
 GMC; R & V Series Pickup; V8-6.2 Dsl; 91-87
 GMC; Suburban; V8-6.2 Dsl; 87-82
 Chev; P30 Trk; GM V8-6.2 Dsl; 93-82
 GMC; P3500 Trk; V8-6.2 Dsl; 93-82

44100

AMGen; Hummer; V8-6.5 Dsl; 96-94
 Chev; Blazer Full Size; V8-6.5 Dsl; 1994
 Chev; C & K Series Pickup; V8-6.2 Dsl; 93-88
 Chev; C & K Series Pickup; V8-6.5 Dsl; 96-92
 Chev; G Series Van; V8-6.5 Dsl; 95-94
 Chev; P Series Van; V8-6.5 Dsl; 96-94
 Chev; Suburban; V8-6.2 Dsl; 91-88
 Chev; Suburban; V8-6.5 Dsl; 96-94
 Chev; Tahoe; V8-6.5 Dsl; 96-95
 GMC; C & K Series Pickup; V8-6.2 Dsl; 93-88
 GMC; C & K Series Pickup; V8-6.5 Dsl; 96-92
 GMC; G Series Van; V8-6.5 Dsl; 96-94
 GMC; P Series Van; V8-6.5 Dsl; 96-94
 GMC; Suburban; V8-6.2 Dsl; 91-88
 GMC; Suburban; V8-6.5 Dsl; 96-94
 GMC; Yukon; V8-6.5 Dsl; 96-94
 Chev; P30 Trk; GM V8-6.5 Dsl; 96-95
 GMC; P3500 Trk; V8-6.5 Dsl; 96-94

44101

IntHarv; 186 Hydro Tractor; IH L6-436 Dsl; 81-76
 IntHarv; 915 Combine; IH L6-414 Dsl; 81-69
 IntHarv; 1066 Tractor; IH L6-414 Dsl; 76-71
 IntHarv; 1066 Farmall Tractor; IH L6-414 Dsl; 76-71
 IntHarv; 1086 Tractor; IH L6-414 Dsl; 81-76
 IntHarv; 1460 Combine; IH L6-436 Dsl; 86-77
 IntHarv; 1466 Tractor; IH L6-436 Dsl; 76-71
 IntHarv; 1466 Farmall Tractor; IH L6-436 Dsl; 76-71
 IntHarv; 1486 Tractor; IH L6-436 Dsl; 81-76
 IntHarv; 1566 Tractor; IH L6-436 Dsl; 76-73
 IntHarv; 1568 Tractor; IH V8-550 Dsl; 76-73
 IntHarv; 3388 Tractor; IH L6-436 Dsl; 81-78
 IntHarv; 4166 Tractor; IH L6-436 Dsl; 76-72
 IntHarv; 5088 Tractor; IH L6-436 Dsl; 85-81
 IntHarv; 6388 Tractor; IH L6-436 Dsl; 85-81

44103

Autocar; DC Series Trk; DetrDsl 8V-92; 1981
 Chev; Bison Trk; DetrDsl 6V-92; 80-77
 Chev; Bison Trk; DetrDsl 8V-92; 80-77
 Chev; Bruin Trk; DetrDsl 6V-92; 80-78
 Chev; Titan Trk; DetrDsl 6V-92; 80-79
 Chev; Titan Trk; DetrDsl 8V-92; 80-79
 Ford; CL9000 Trk; DetrDsl 6V-92; 86-78
 Ford; CL9000 Trk; DetrDsl 8V-92; 80-78
 Ford; CLT9000 Trk; DetrDsl 6V-92; 86-78
 Ford; CLT9000 Trk; DetrDsl 8V-92; 86-78
 Ford; L9000 Trk; DetrDsl 6V-92; 83-77
 Ford; LN9000 Trk; DetrDsl 6V-92; 86-77
 Ford; LN9000 Trk; DetrDsl 8V-92; 79-78
 Ford; LNT9000 Trk; DetrDsl 6V-92; 86-77
 Ford; LNT9000 Trk; DetrDsl 8V-92; 79-78
 Ford; LT9000 Trk; DetrDsl 6V-92; 82-77
 Ford; LT9000 Trk; DetrDsl 8V-92; 1979
 Ford; LTL9000 Trk; DetrDsl 8V-92; 86-78
 Ford; LTS9000 Trk; DetrDsl 6V-92; 82-77
 Ford; W9000 Trk; DetrDsl 6V-92; 1977
 Ford; WT9000 Trk; DetrDsl 6V-92; 1977
 F'liner; FLC Trk; DetrDsl 6V-92; 88-77
 F'liner; FLC Trk; DetrDsl 8V-92; 82-77
 F'liner; FLD Trk; DetrDsl 6V-92; 1988
 F'liner; FLT Trk; DetrDsl 6V-92; 88-77
 F'liner; FLT Trk; DetrDsl 8V-92; 82-77
 F'liner; WFC Trk; DetrDsl 6V-92; 1977

44103 - Continued

F'liner; WFC Trk; DetrDsl 8V-92; 77-74
 F'liner; WFT Trk; DetrDsl 6V-92; 1977
 F'liner; WFT Trk; DetrDsl 8V-92; 77-74
 GMC; Astro Trk; DetrDsl 6V-92; 88-73
 GMC; Astro Trk; DetrDsl 8V-92; 88-75
 GMC; Brigadier Trk; DetrDsl 6V-92; 88-78
 GMC; Brigadier Trk; DetrDsl 8V-92; 83-82
 GMC; General Trk; DetrDsl 6V-92; 88-77
 GMC; General Trk; DetrDsl 8V-92; 88-77
 GMC; H9500 Trk; DetrDsl 6V-92; 1978
 GMC; HJ9500 Trk; DetrDsl 6V-92; 77-76
 GMC; J9500 Trk; DetrDsl 6V-92; 1978
 GMC; JJ9500 Trk; DetrDsl 6V-92; 77-76
 Int/Nav; CO4070B Trk; DetrDsl 6V-92; 82-77
 Int/Nav; CO4070B Trk; DetrDsl 8V-92; 79-74
 Int/Nav; CO9670 Trk; DetrDsl 6V-92; 88-82
 Int/Nav; CO9670 Trk; DetrDsl 8V-92; 86-82
 Int/Nav; COF4070B Trk; DetrDsl 6V-92; 82-77
 Int/Nav; COF4070B Trk; DetrDsl 8V-92; 1982
 Int/Nav; COF4070B Trk; DetrDsl 8V-92; 79-74
 Int/Nav; COF5870 Trk; DetrDsl 6V-92; 1985
 Int/Nav; COF9670 Trk; DetrDsl 6V-92; 88-82
 Int/Nav; COF9670 Trk; DetrDsl 8V-92; 88-82
 Int/Nav; F2275 Trk; DetrDsl 6V-92; 88-78
 Int/Nav; F2275 Trk; DetrDsl 6V-92; 88-83
 Int/Nav; F2574 Trk; DetrDsl 6V-92; 88-78
 Int/Nav; F2575 Trk; DetrDsl 6V-92; 88-78
 Int/Nav; F2674 Trk; DetrDsl 6V-92; 88-78
 Int/Nav; F4200 Trk; DetrDsl 6V-92; 79-76
 Int/Nav; F4200 Trk; DetrDsl 8V-92; 79-78
 Int/Nav; F4200 Trk; DetrDsl 6V-92; 84-80
 Int/Nav; F4300 Trk; DetrDsl 6V-92; 79-76
 Int/Nav; F4300 Trk; DetrDsl 8V-92; 79-78
 Int/Nav; F4370 Trk; DetrDsl 8V-92; 84-80
 Int/Nav; F5050 Trk; DetrDsl 6V-92; 1982
 Int/Nav; F5070 Trk; DetrDsl 6V-92; 86-76
 Int/Nav; F5070 Trk; DetrDsl 8V-92; 82-80
 Int/Nav; F9370 Trk; DetrDsl 8V-92; 87-85
 Int/Nav; 2275 Trk; DetrDsl 6V-92; 88-78
 Int/Nav; 2276 Trk; DetrDsl 6V-92; 88-83
 Int/Nav; 2574 Trk; DetrDsl 6V-92; 88-78
 Int/Nav; 2575 Trk; DetrDsl 6V-92; 88-78
 Int/Nav; 2674 Trk; DetrDsl 6V-92; 88-78
 Int/Nav; 2675 Trk; DetrDsl 6V-92; 1987
 Int/Nav; 4200 Trk; DetrDsl 6V-92; 79-76
 Int/Nav; 4200 Trk; DetrDsl 8V-92; 79-78
 Int/Nav; 4270 Trk; DetrDsl 6V-92; 84-80
 Int/Nav; 4300 Trk; DetrDsl 6V-92; 79-76
 Int/Nav; 4300 Trk; DetrDsl 8V-92; 79-78
 Int/Nav; 4370 Trk; DetrDsl 8V-92; 82-80
 Int/Nav; 5000 Trk; DetrDsl 6V-92; 88-87
 Int/Nav; 5050 Trk; DetrDsl 6V-92; 1982
 Int/Nav; 5070 Trk; DetrDsl 6V-92; 86-76
 Int/Nav; 9300 Trk; DetrDsl 6V-92; 1988
 Int/Nav; 9370 Trk; DetrDsl 6V-92; 87-85
 Int/Nav; 9370 Trk; DetrDsl 8V-92; 79-77
 Ken; C500 Trk; DetrDsl 6V-92; 82-77
 Ken; C500 Trk; DetrDsl 8V-92; 82-79
 Ken; C500 Trk; DetrDsl 8V-92; 75-74
 Ken; K100 Trk; DetrDsl 6V-92; 82-76
 Ken; K100 Trk; DetrDsl 8V-92; 87-74
 Ken; L700 Trk; DetrDsl 6V-92; 1979
 Ken; T800 Trk; DetrDsl 8V-92; 88-87
 Ken; W900 Trk; DetrDsl 6V-92; 82-76
 Ken; W900 Trk; DetrDsl 8V-92; 87-74
 Mack; MH Series Trk; DetrDsl 6V-92; 85-84
 Mack; R Series Trk; DetrDsl 6V-92; 83-82
 Mack; RL Series Trk; DetrDsl 6V-92; 81-78
 Mack; RS Series Trk; DetrDsl 6V-92; 81-78
 Mack; RWL Series Trk; DetrDsl 8V-92; 82-79
 Mack; RWS Series Trk; DetrDsl 8V-92; 82-79
 Mack; WL Series Trk; DetrDsl 6V-92; 83-81
 Mack; WL Series Trk; DetrDsl 8V-92; 82-78
 Mack; WS Series Trk; DetrDsl 6V-92; 83-81
 Mack; WS Series Trk; DetrDsl 8V-92; 82-78
 P'bilt; 282 Trk; DetrDsl 6V-92; 80-76
 P'bilt; 282 Trk; DetrDsl 8V-92; 80-78
 P'bilt; 289 Trk; DetrDsl 6V-92; 80-76

44103 - Continued

P'bilt; 289 Trk; DetrDsl 8V-92; 80-74
 P'bilt; 310 Trk; DetrDsl 6V-92; 85-79
 P'bilt; 348 Trk; DetrDsl 6V-92; 85-76
 P'bilt; 349 Trk; DetrDsl 6V-92; 1986
 P'bilt; 352 Trk; DetrDsl 6V-92; 81-76
 P'bilt; 352 Trk; DetrDsl 8V-92; 80-78
 P'bilt; 353 Trk; DetrDsl 6V-92; 85-82
 P'bilt; 353 Trk; DetrDsl 8V-92; 85-82
 P'bilt; 359 Trk; DetrDsl 6V-92; 85-76
 P'bilt; 359 Trk; DetrDsl 8V-92; 86-74
 P'bilt; 362 Trk; DetrDsl 6V-92; 85-82
 P'bilt; 362 Trk; DetrDsl 8V-92; 87-82
 P'bilt; 375 Trk; DetrDsl 8V-92; 1987
 P'bilt; 377 Trk; DetrDsl 8V-92; 1987
 P'bilt; 379 Trk; DetrDsl 8V-92; 1987
 P'bilt; 387 Trk; DetrDsl 8V-92; 86-84
 WestStar; 3800 Series Trk; DetrDsl 6V-92; 1989
 WestStar; 4800 Series Trk; DetrDsl 6V-92; 89-79
 WestStar; 4900 Series Trk; DetrDsl 6V-92; 89-79
 WestStar; 6900 Series Trk; DetrDsl 6V-92; 1989
 White; COE Trk; DetrDsl 8V-92; 1986
 White; Road Boss 2 Trk; DetrDsl 6V-92; 1984
 White; Road Boss 2 Trk; DetrDsl 6V-92; 80-78
 White; Road Boss 2 Trk; DetrDsl 8V-92; 80-78
 White; Road Commander 2 Trk; DetrDsl 6V-92; 1984
 White; Road Commander 2 Trk; DetrDsl 6V-92; 80-77
 White; Road Commander 2 Trk; DetrDsl 8V-92; 80-76
 White; WCL Trk; DetrDsl 6V-92; 87-84
 White; WCM Trk; DetrDsl 6V-92; 87-84
 White; WCS Trk; DetrDsl 6V-92; 87-84
 White; Western Star Series Trk; DetrDsl 6V-92; 78-73
 White; WHL Trk; DetrDsl 6V-92; 87-85
 White; WHM Trk; DetrDsl 6V-92; 87-85
 White; WHS Trk; DetrDsl 6V-92; 87-85
 White; WX Trk; DetrDsl 6V-92; 88-83
 White; WXF Trk; DetrDsl 6V-92; 88-85
 White; WXF Trk; DetrDsl 6V-92; 1983
 White; WXML Trk; DetrDsl 6V-92; 88-85
 White; WXML Trk; DetrDsl 6V-92; 1983
 Eagle; Eagle 01 Bus; DetrDsl 6V-92; 1967
 Eagle; Eagle 05 Bus; DetrDsl 6V-92; 79-74
 Eagle; Eagle 07 Bus; DetrDsl 6V-92; 79-74
 Eagle; Eagle 10 Bus; DetrDsl 6V-92; 88-80
 Eagle; Eagle 12 Bus; DetrDsl 6V-92; 90-89
 Eagle; Golden Eagle Bus; DetrDsl 6V-92; 71-63
 Eagle; Silver Eagle Bus; DetrDsl 6V-92; 72-67
 Gillig; Phantom 96TB Bus; DetrDsl 6V-92; 2001-80
 Gillig; Phantom 102TB Bus; DetrDsl 6V-92; 2001
 Gillig; Phantom 102TB Bus; DetrDsl 6V-92; 88-85
 GMC; T70204 Bus; DetrDsl 6V-92; 88-81
 GMC; T70604 Bus; DetrDsl 6V-92; 88-81
 GMC; T80204 Bus; DetrDsl 6V-92; 88-81
 GMC; T80604 Bus; DetrDsl 6V-92; 88-81
 MCI; 102-A3 Bus; DetrDsl 6V-92; 86-85
 Neoplan; BUS Bus; DetrDsl 6V-92; 2001-84
 New Flyer; D40 Bus; DetrDsl 6V-92; 1991
 Orion; Orion Bus; DetrDsl 6V-92; 2001-83
 Bomag; MPH100S Pave Eq; DetrDsl 6V-92
 Clark-Mich; 275C Wheel Loader; DetrDsl 8V-92
 DetrDsl; 6V92MTA Marine Eng; DetrDsl 6V-92
 DetrDsl; 6V92TA Marine Eng; DetrDsl 6V-92
 DetrDsl; 8V92TA Marine Eng; DetrDsl 8V-92

Numerical Listing

Use as a guide only. Refer to Pages 1 to 142 for specific applications.

44103 - Continued

DetrDsl; 8V92TMA Marine Eng; DetrDsl
8V-92
Fresia; F90 SnowMove Eq; DetrDsl 8V-92

44104

Int/Nav; CO1850B Trk; Int/Nav DT466 Dsl;
86-80
Int/Nav; CO1950B Trk; Int/Nav DT466 Dsl;
86-80
Int/Nav; COF1950B Trk; Int/Nav DT466 Dsl;
86-80
Int/Nav; COF5050 Trk; Int/Nav DT466 Dsl;
1983
Int/Nav; COF5370 Trk; Int/Nav DT466 Dsl;
1982

44405

Acura; Integra; L4-1.8; 2001-96

45000

Ford; E Series Van; V8-7.3 Dsl; 98-96
Ford; F Series Pickup; V8-7.3 Dsl; 97-96
Ford; Super Duty Pickup; V8-7.3 Dsl; 1997
Ford; Super Duty Van; V8-7.3 Dsl; 98-96
Ford; E450 Super Duty Trk; V8-7.3 Dsl;
1998
Ford; F Super Duty Trk; V8-7.3 Dsl; 98-96
Collins; Grand Bantam SchBus; Ford V8-7.3
Dsl; 2002
Collins; Grand Bantam SchBus; Ford V8-7.3
Dsl; 98-97
Corbeil; Corbeil Ford SchBus; Ford V8-7.3
Dsl; 2003
Ford; B600 SchBus; V8-7.3 Dsl; 1996
Ford; B700 SchBus; V8-7.3 Dsl; 1996

45001

Chev; C50 Trk; GM V8-6.0; 1990
Chev; C60 Trk; GM V8-6.0; 1990
Chev; C70 Trk; GM V8-6.0; 1990
Chev; C70 Trk; GM V8-7.0; 1990
Chev; C5500 Trk; GM V8-6.0; 98-97
Chev; C5500 Trk; GM V8-7.0; 98-97
Chev; C6500 Trk; GM V8-6.0; 98-97
Chev; C6500 Trk; GM V8-7.0; 98-97
Chev; C7500 Trk; GM V8-6.0; 98-97
Chev; C7500 Trk; GM V8-7.0; 98-97
Chev; C8500 Trk; GM V8-6.0; 98-97
Chev; C8500 Trk; GM V8-7.0; 98-97
Chev; Kodiak C5500 Trk; GM V8-6.0; 96-91
Chev; Kodiak C5500 Trk; GM V8-7.0; 96-91
Chev; Kodiak C6500 Trk; GM V8-6.0; 96-91
Chev; Kodiak C6500 Trk; GM V8-7.0; 96-91
Chev; Kodiak C7500 Trk; GM V8-6.0; 96-91
Chev; Kodiak C7500 Trk; GM V8-7.0; 96-91
Chev; Kodiak C8500 Trk; GM V8-6.0; 96-91
Chev; Kodiak C8500 Trk; GM V8-7.0; 96-91
Chev; P30 Trk; GM V8-6.0; 1990
Chev; P30 Trk; GM V8-7.0; 1990
GMC; C5000 Trk; V8-6.0; 1990
GMC; C5500 Trk; V8-6.0; 98-97
GMC; C5500 Trk; V8-7.0; 98-97
GMC; C6000 Trk; V8-6.0; 1990
GMC; C6500 Trk; V8-6.0; 98-97
GMC; C6500 Trk; V8-7.0; 98-97
GMC; C7000 Trk; V8-6.0; 1990
GMC; C7000 Trk; V8-7.0; 1990
GMC; C7500 Trk; V8-6.0; 98-97
GMC; C7500 Trk; V8-7.0; 98-97
GMC; C8500 Trk; V8-6.0; 98-97
GMC; C8500 Trk; V8-7.0; 98-97
GMC; Topkick C5500 Trk; V8-6.0; 96-91
GMC; Topkick C5500 Trk; V8-7.0; 96-91
GMC; Topkick C6500 Trk; V8-6.0; 96-91
GMC; Topkick C6500 Trk; V8-7.0; 96-91
GMC; Topkick C7500 Trk; V8-6.0; 96-91
GMC; Topkick C7500 Trk; V8-7.0; 96-91
GMC; Topkick C8500 Trk; V8-6.0; 96-91
GMC; Topkick C8500 Trk; V8-7.0; 96-91
Chev; B7 Series SchBus; GM V8-6.0; 98-93
Chev; B7 Series SchBus; GM V8-6.0; 91-90

45001 - Continued

Chev; B7 Series SchBus; GM V8-7.0; 98-93
Chev; B7 Series SchBus; GM V8-7.0; 91-90
Chev; B60 B6P Series SchBus; GM V8-6.0;
99-98
Chev; B60 B6P Series SchBus; GM V8-6.0;
96-90
Chev; B60 B6P Series SchBus; GM V8-7.0;
96-90
Chev; S60 B6P Series SchBus; GM V8-6.0;
1991
Chev; S60 B6P Series SchBus; GM V8-7.0;
1991
GMC; B6000 B6P Series SchBus; V8-6.0;
1990
GMC; B6000 B6P Series SchBus; V8-7.0;
1990
GMC; S7000 S7T Series SchBus; V8-6.0;
1990
GMC; S7000 S7T Series SchBus; V8-7.0;
1990

45002

Chev; Camaro; V8-5.7; 2002-98
Chev; Corvette; V8-5.7; 2004-97
Pont; Firebird; V8-5.7; 2002-98
Pont; GTO; V8-6.0; 2006-05

45003

Chev; Bruin Trk; GM V8-366; 1979
Chev; Bruin Trk; GM V8-427; 1979
Chev; C50 Trk; GM V8-366; 78-66
Chev; C50 Trk; GM V8-6.0; 1990
Chev; C50 Trk; GM V8-427; 78-66
Chev; C60 Trk; GM V8-366; 79-66
Chev; C60 Trk; GM V8-6.0; 1990
Chev; C60 Trk; GM V8-6.0; 1980
Chev; C60 Trk; GM V8-427; 79-66
Chev; C70 Trk; GM V8-366; 79-75
Chev; C70 Trk; GM V8-6.0; 1990
Chev; C70 Trk; GM V8-6.0; 1980
Chev; C70 Trk; GM V8-427; 1979
Chev; C70 Trk; GM V8-7.0; 1990
Chev; C70 Trk; GM V8-7.0; 1980
Chev; CE60 Trk; GM V8-427; 1975
Chev; H70 Trk; GM V8-366; 78-74
Chev; H70 Trk; GM V8-427; 78-74
Chev; H80 Trk; GM V8-366; 78-74
Chev; H80 Trk; GM V8-427; 78-74
Chev; J70 Trk; GM V8-366; 78-74
Chev; J70 Trk; GM V8-427; 78-74
Chev; J80 Trk; GM V8-366; 78-74
Chev; J80 Trk; GM V8-427; 78-74
Chev; M65 Trk; GM V8-366; 78-73
Chev; M65 Trk; GM V8-427; 78-73
Chev; P30 Trk; GM V8-366; 77-72
Chev; P30 Trk; GM V8-427; 1977
Chev; T50 Trk; GM V8-366; 73-66
Chev; T50 Trk; GM V8-427; 73-66
Chev; T60 Trk; GM V8-366; 78-66
Chev; T60 Trk; GM V8-427; 78-66
Chev; T65 Trk; GM V8-366; 78-74
Chev; T65 Trk; GM V8-427; 78-74
Chev; TE50 Trk; GM V8-366; 72-71
Chev; TE50 Trk; GM V8-427; 72-70
Chev; TE60 Trk; GM V8-366; 72-71
Chev; TE60 Trk; GM V8-427; 72-70
Chev; TE65 Trk; GM V8-366; 72-66
Chev; TE65 Trk; GM V8-427; 72-66
GMC; Brigadier Trk; V8-366; 1979
GMC; Brigadier Trk; V8-6.0; 1980
GMC; Brigadier Trk; V8-427; 79-78
GMC; C5000 Trk; V8-6.0; 1990
GMC; C6000 Trk; V8-366; 79-78
GMC; C6000 Trk; V8-6.0; 1990
GMC; C6000 Trk; V8-6.0; 1980
GMC; C7000 Trk; V8-366; 79-78
GMC; C7000 Trk; V8-6.0; 1990
GMC; C7000 Trk; V8-6.0; 1980
GMC; C7000 Trk; V8-427; 79-78
GMC; C7000 Trk; V8-7.0; 1990
GMC; C7000 Trk; V8-7.0; 1980

45003 - Continued

GMC; CE5500 Trk; V8-366; 72-66
GMC; CE5500 Trk; V8-427; 72-66
GMC; CE6000 Trk; V8-366; 77-67
GMC; CE6000 Trk; V8-427; 77-67
GMC; CE6500 Trk; V8-366; 77-73
GMC; CE6500 Trk; V8-427; 77-73
GMC; H7500 Trk; V8-366; 78-74
GMC; H7500 Trk; V8-427; 78-74
GMC; H8500 Trk; V8-366; 78-74
GMC; H8500 Trk; V8-427; 78-74
GMC; J7500 Trk; V8-366; 78-74
GMC; J7500 Trk; V8-427; 78-74
GMC; J8500 Trk; V8-366; 78-74
GMC; J8500 Trk; V8-427; 78-74
GMC; M6500 Trk; V8-366; 1978
GMC; M6500 Trk; V8-427; 1978
GMC; ME6500 Trk; V8-366; 77-73
GMC; ME6500 Trk; V8-427; 77-73
GMC; P3500 Trk; V8-366; 78-66
GMC; P3500 Trk; V8-427; 77-72
GMC; T6000 Trk; V8-366; 78-66
GMC; T6000 Trk; V8-427; 78-66
GMC; T6500 Trk; V8-366; 1978
GMC; T6500 Trk; V8-427; 1978
GMC; TE5500 Trk; V8-366; 77-66
GMC; TE5500 Trk; V8-427; 77-66
GMC; TE6500 Trk; V8-366; 77-66
GMC; TE6500 Trk; V8-427; 77-66
White; 1200 Series Trk; GM V8-366; 71-69
Chev; B7 Series SchBus; GM V8-366; 78-77
Chev; B7 Series SchBus; GM V8-366; 73-69
Chev; B7 Series SchBus; GM V8-6.0; 1990
Chev; B7 Series SchBus; GM V8-7.0; 1990
Chev; B60 B6P Series SchBus; GM V8-366;
79-77
Chev; B60 B6P Series SchBus; GM V8-366;
73-69
Chev; B60 B6P Series SchBus; GM V8-6.0;
1990
Chev; B60 B6P Series SchBus; GM V8-7.0;
1990
Chev; S50 SchBus; GM V8-366; 78-75
Chev; S60 B6P Series SchBus; GM V8-366;
78-69
Chev; S65 SchBus; GM V8-366; 78-75
Chev; SE60 SchBus; GM V8-366; 78-73
Chev; SE60 SchBus; GM V8-366; 71-67
GMC; B6000 B6P Series SchBus; V8-366;
1979
GMC; B6000 B6P Series SchBus; V8-6.0;
1990
GMC; B6000 B6P Series SchBus; V8-7.0;
1990
GMC; S7000 S7T Series SchBus; V8-6.0;
1990
GMC; S7000 S7T Series SchBus; V8-7.0;
1990
GMC; SE6000 SchBus; V8-366; 78-73
GMC; SE6000 SchBus; V8-366; 71-67

45005

Buick; Rainier; V8-5.3; 2005-04
Cad; Escalade; V8-5.3; 2005-02
Cad; Escalade; V8-6.0; 2006-02
Chev; Avalanche; V8-5.3; 2006-02
Chev; Express; V8-4.8; 2005-03
Chev; Express; V8-5.3; 2005-03
Chev; Express; V8-6.0; 2005-03
Chev; Silverado Series Pickup; V8-4.8;
2006-99
Chev; Silverado Series Pickup; V8-5.3;
2006-99
Chev; Silverado Series Pickup; V8-6.0;
2006-99
Chev; SSR; V8-5.3; 2004-03
Chev; SSR; V8-6.0; 2005
Chev; Suburban; V8-5.3; 2006-00
Chev; Suburban; V8-6.0; 2006-00
Chev; Tahoe; V8-4.8; 2006-00
Chev; Tahoe; V8-5.3; 2006-00
Chev; Trailblazer; V8-5.3; 2005-03

Numerical Listing

Use as a guide only. Refer to Pages 1 to 142 for specific applications.

45005 - Continued	45008 - Continued	45009 - Continued
<p>GMC; Envoy; V8-5.3; 2005-03 GMC; Savana; V8-4.8; 2005-03 GMC; Savana; V8-5.3; 2005-03 GMC; Savana; V8-6.0; 2005-03 GMC; Sierra Series Pickup; V8-4.8; 2006-99 GMC; Sierra Series Pickup; V8-5.3; 2006-99 GMC; Sierra Series Pickup; V8-6.0; 2006-99 GMC; Yukon; V8-4.8; 2006-00 GMC; Yukon; V8-5.3; 2006-00 GMC; Yukon; V8-6.0; 2006-00 Hummer; H2; V8-6.0; 2006-03 Isuzu; Ascender; V8-5.3; 2005-03 Saab; 9-7X; V8-5.3; 2007-05 Workhorse; P Series Chassis; V8-4.8; 2006-04 Workhorse; P Series Chassis; V8-6.0; 2006-05 Workhorse; W42 Chassis; V8-4.8; 2008-07 Workhorse; W42 Chassis; V8-6.0; 2007 Workhorse; P Series Trk; GM V8-4.8; 2006-04 Workhorse; P Series Trk; GM V8-6.0; 2006-05 Workhorse; W42 Trk; GM V8-4.8; 2008-07 Workhorse; W42 Trk; GM V8-6.0; 2007</p>	<p>Ford; L800 Trk; V8-361; 78-76 Ford; L800 Trk; V8-391; 78-76 Ford; LN600 Trk; V8-330; 1978 Ford; LN600 Trk; V8-361; 78-75 Ford; LN600 Trk; V8-391; 78-76 Ford; LN700 Trk; V8-330; 1978 Ford; LN700 Trk; V8-361; 78-75 Ford; LN700 Trk; V8-391; 78-75 Ford; LN750 Trk; V8-361; 77-75 Ford; LN750 Trk; V8-391; 77-75 Ford; LN800 Trk; V8-330; 1978 Ford; LN800 Trk; V8-361; 78-75 Ford; LN800 Trk; V8-391; 78-75 Ford; LNT800 Trk; V8-330; 1978 Ford; LNT800 Trk; V8-361; 1978 Ford; LNT800 Trk; V8-361; 76-75 Ford; LNT800 Trk; V8-391; 78-75 Ford; LT800 Trk; V8-330; 1978 Ford; LT800 Trk; V8-361; 1978 Ford; LT800 Trk; V8-361; 76-75 Ford; LT800 Trk; V8-391; 78-75 Ford; LTS800 Trk; V8-361; 1978 Ford; LTS800 Trk; V8-361; 1975 Ford; LTS800 Trk; V8-391; 1978 Ford; LTS800 Trk; V8-391; 76-75</p>	<p>Int/Nav; F7070B Trk; CatDsl-3406; 79-75 Int/Nav; F9370 Trk; CatDsl-3406; 87-85 Int/Nav; 2070 Trk; CatDsl-3406; 77-73 Int/Nav; 2070A Trk; CatDsl-3406; 77-73 Int/Nav; 2275 Trk; CatDsl-3406; 82-79 Int/Nav; 2574 Trk; CatDsl-3406; 82-79 Int/Nav; 4270 Trk; CatDsl-3406; 79-75 Int/Nav; 4370 Trk; CatDsl-3406; 82-75 Int/Nav; 7070B Trk; CatDsl-3406; 79-75 Int/Nav; 8200 Trk; CatDsl-3406; 95-90 Int/Nav; 8300 Trk; CatDsl-3406; 94-88 Int/Nav; 9200 Trk; CatDsl-3406; 1995 Int/Nav; 9300 Trk; CatDsl-3406; 95-88 Int/Nav; 9370 Trk; CatDsl-3406; 87-85 Int/Nav; 9400 Trk; CatDsl-3406; 95-90 Int/Nav; 9600 Trk; CatDsl-3406; 96-89 Int/Nav; 9700 Trk; CatDsl-3406; 96-89 Ken; K100 Trk; CatDsl-3406; 94-77 Ken; T600 Trk; CatDsl-3406; 95-86 Ken; T800 Trk; CatDsl-3406; 95-87 Ken; W900 Trk; CatDsl-3406; 95-75 Mack; CL Series Trk; CatDsl-3406; 96-95 Mack; RW Series Trk; CatDsl-3406; 1985 Mack; RWL Series Trk; CatDsl-3406; 82-81 Mack; RWS Series Trk; CatDsl-3406; 82-80 Mack; WL Series Trk; CatDsl-3406; 82-80 Mack; WS Series Trk; CatDsl-3406; 82-80 Marmon; 57L Trk; CatDsl-3406; 92-86 Marmon; 57P Trk; CatDsl-3406; 94-86 Marmon; 57R Trk; CatDsl-3406; 95-86 P'bilt; 282 Trk; CatDsl-3406; 80-74 P'bilt; 289 Trk; CatDsl-3406; 80-76 P'bilt; 348 Trk; CatDsl-3406; 1978 P'bilt; 352 Trk; CatDsl-3406; 81-74 P'bilt; 353 Trk; CatDsl-3406; 85-82 P'bilt; 357 Trk; CatDsl-3406; 95-87 P'bilt; 359 Trk; CatDsl-3406; 87-76 P'bilt; 362 Trk; CatDsl-3406; 95-82 P'bilt; 372 Trk; CatDsl-3406; 94-89 P'bilt; 377 Trk; CatDsl-3406; 95-87 P'bilt; 378 Trk; CatDsl-3406; 95-88 P'bilt; 379 Trk; CatDsl-3406; 95-87 P'bilt; 387 Trk; CatDsl-3406; 86-84 WestStar; WSH Series Trk; CatDsl-3406; 82-79 WestStar; 3800 Series Trk; CatDsl-3406; 1989 WestStar; 4800 Series Trk; CatDsl-3406; 89-80 WestStar; 4900 Series Trk; CatDsl-3406; 89-80 WestStar; 6900 Series Trk; CatDsl-3406; 1989 White; WCL Trk; CatDsl-3406; 89-84 White; WCM Trk; CatDsl-3406; 89-84 White; WCS Trk; CatDsl-3406; 89-84 White; WHL Trk; CatDsl-3406; 89-85 White; WHM Trk; CatDsl-3406; 89-85 White; WHR Trk; CatDsl-3406; 89-85 White; WHS Trk; CatDsl-3406; 89-85 White; WIA Trk; CatDsl-3406; 89-85 White; WIG Trk; CatDsl-3406; 89-85 White; WIL Trk; CatDsl-3406; 89-85 White; WIM Trk; CatDsl-3406; 89-85 WhiteGMC; WCA Series Trk; CatDsl-3406; 95-94 WhiteGMC; WCL Series Trk; CatDsl-3406; 94-90 WhiteGMC; WCM Series Trk; CatDsl-3406; 94-90 WhiteGMC; WCS Series Trk; CatDsl-3406; 91-90 WhiteGMC; WG Series Trk; CatDsl-3406; 93-90 WhiteGMC; WH Series Trk; CatDsl-3406; 1994 WhiteGMC; WHL Series Trk; CatDsl-3406; 1990 WhiteGMC; WHR Series Trk; CatDsl-3406; 1990</p>
<p>45007</p>	<p>45009</p>	
<p>Ford; E Series Van; V8-7.3 Dsl; 1995 Ford; F Series Pickup; V8-7.3 Dsl; 95-94 Ford; F Super Duty Trk; V8-7.3 Dsl; 1995 Int/Nav; 1652 SC Trk; Int/Nav T444 Dsl; 96-95 Int/Nav; 4600 Trk; Int/Nav T444 Dsl; 1995 Int/Nav; 4700 Trk; Int/Nav T444 Dsl; 96-95 Int/Nav; 4800 Trk; Int/Nav T444 Dsl; 96-95 Int/Nav; 4900 Trk; Int/Nav T444 Dsl; 96-95 Amtran; RE SchBus; Int/Nav T444 Dsl; 96-94 Int/Nav; 3000FE SchBus; Int/Nav T444 Dsl; 1996 Int/Nav; 3400 SchBus; Int/Nav T444 Dsl; 1996 Int/Nav; 3600 SchBus; Int/Nav T444 Dsl; 96-95 Int/Nav; 3700 SchBus; Int/Nav T444 Dsl; 1995 Int/Nav; 3800 SchBus; Int/Nav T444 Dsl; 96-95 Thomas; Vista SchBus; Int/Nav T444 Dsl; 96-95 US Bus; BUS Bus; Int/Nav T444 Dsl; 95-94</p>	<p>Autocar; AC Series Trk; CatDsl-3406; 94-88 Autocar; AT Series Trk; CatDsl-3406; 87-83 Autocar; DC Series Trk; CatDsl-3406; 85-74 Chev; Bison Trk; CatDsl-3406; 80-79 Chev; Titan Trk; CatDsl-3406; 80-79 Ford; CL9000 Trk; CatDsl-3406; 91-78 Ford; CLT9000 Trk; CatDsl-3406; 91-78 Ford; L8000 Trk; CatDsl-3406; 95-91 Ford; L9000 Trk; CatDsl-3406; 95-75 Ford; LA8000 Trk; CatDsl-3406; 95-91 Ford; LA9000 Trk; CatDsl-3406; 95-89 Ford; LL9000 Trk; CatDsl-3406; 95-84 Ford; LLA9000 Trk; CatDsl-3406; 95-91 Ford; LLS9000 Trk; CatDsl-3406; 95-91 Ford; LN7000 Trk; CatDsl-3406; 1995 Ford; LN8000 Trk; CatDsl-3406; 1991 Ford; LN9000 Trk; CatDsl-3406; 95-75 Ford; LNT8000 Trk; CatDsl-3406; 1991 Ford; LNT9000 Trk; CatDsl-3406; 95-75 Ford; LS8000 Trk; CatDsl-3406; 95-91 Ford; LS9000 Trk; CatDsl-3406; 95-90 Ford; LT8000 Trk; CatDsl-3406; 95-94 Ford; LT9000 Trk; CatDsl-3406; 95-75 Ford; LTA9000 Trk; CatDsl-3406; 95-89 Ford; LTL9000 Trk; CatDsl-3406; 95-82 Ford; LTLA9000 Trk; CatDsl-3406; 95-91 Ford; LTLS9000 Trk; CatDsl-3406; 95-91 Ford; LTS8000 Trk; CatDsl-3406; 95-94 Ford; LTS9000 Trk; CatDsl-3406; 95-75 Ford; W9000 Trk; CatDsl-3406; 1976 Ford; WT9000 Trk; CatDsl-3406; 1976 F'liner; FLA Trk; CatDsl-3406; 94-89 F'liner; FLB Trk; CatDsl-3406; 96-94 F'liner; FLC Trk; CatDsl-3406; 96-78 F'liner; FLD Trk; CatDsl-3406; 95-88 F'liner; FLL Trk; CatDsl-3406; 96-95 F'liner; FLT Trk; CatDsl-3406; 88-78 F'liner; WFT Trk; CatDsl-3406; 76-75 GMC; Astro Trk; CatDsl-3406; 83-79 GMC; Brigadier Trk; CatDsl-3406; 83-80 GMC; General Trk; CatDsl-3406; 88-87 GMC; General Trk; CatDsl-3406; 85-79 Int/Nav; CO4070B Trk; CatDsl-3406; 79-75 Int/Nav; CO9670 Trk; CatDsl-3406; 1979 Int/Nav; COF4070B Trk; CatDsl-3406; 1982 Int/Nav; COF4070B Trk; CatDsl-3406; 79-75 Int/Nav; COF9670 Trk; CatDsl-3406; 88-86 Int/Nav; COF9670 Trk; CatDsl-3406; 1982 Int/Nav; COF9670 Trk; CatDsl-3406; 1979 Int/Nav; F2070A Trk; CatDsl-3406; 77-73 Int/Nav; F2275 Trk; CatDsl-3406; 82-79 Int/Nav; F2574 Trk; CatDsl-3406; 82-79 Int/Nav; F4270 Trk; CatDsl-3406; 79-75 Int/Nav; F4370 Trk; CatDsl-3406; 82-75</p>	
<p>45008</p>		
<p>Ford; C600 Trk; V8-330; 1978 Ford; C600 Trk; V8-361; 79-75 Ford; C600 Trk; V8-391; 78-77 Ford; C700 Trk; V8-330; 1978 Ford; C700 Trk; V8-361; 79-75 Ford; C700 Trk; V8-391; 78-75 Ford; C750 Trk; V8-361; 77-75 Ford; C750 Trk; V8-391; 77-75 Ford; C800 Trk; V8-330; 1978 Ford; C800 Trk; V8-361; 78-75 Ford; C800 Trk; V8-391; 78-75 Ford; CT800 Trk; V8-330; 1978 Ford; CT800 Trk; V8-361; 1978 Ford; CT800 Trk; V8-391; 78-76 Ford; F500 Trk; V8-361; 77-75 Ford; F500 Trk; V8-391; 77-75 Ford; F600 Trk; V8-330; 1978 Ford; F600 Trk; V8-361; 79-75 Ford; F600 Trk; V8-391; 78-75 Ford; F700 Trk; V8-330; 1978 Ford; F700 Trk; V8-361; 79-75 Ford; F700 Trk; V8-391; 79-75 Ford; F750 Trk; V8-361; 77-75 Ford; F750 Trk; V8-391; 77-75 Ford; F800 Trk; V8-330; 1978 Ford; F800 Trk; V8-361; 1978 Ford; F800 Trk; V8-391; 78-77 Ford; L800 Trk; V8-330; 1978</p>		

Numerical Listing

Use as a guide only. Refer to Pages 1 to 142 for specific applications.

45009 - Continued

WhiteGMC; WIA Series Trk; CatDsl-3406;
95-90
WhiteGMC; WIL Series Trk; CatDsl-3406;
1994
WhiteGMC; WIL Series Trk; CatDsl-3406;
91-90
WhiteGMC; WIM Series Trk; CatDsl-3406;
94-90
Gard-Den; SPTDD Compressor; Cat-
Dsl-3406DI

46001

Chev; C60 Trk; DetrDsl V8-8.2; 90-80
Chev; C70 Trk; DetrDsl V8-8.2; 90-80
Chev; P6T042 Trk; DetrDsl V8-8.2; 90-83
Chev; P30 Trk; DetrDsl V8-8.2; 1990
Ford; C600 Trk; DetrDsl V8-8.2; 86-80
Ford; C700 Trk; DetrDsl V8-8.2; 86-80
Ford; C800 Trk; DetrDsl V8-8.2; 89-80
Ford; CT800 Trk; DetrDsl V8-8.2; 83-80
Ford; F600 Trk; DetrDsl V8-8.2; 87-80
Ford; F700 Trk; DetrDsl V8-8.2; 87-80
Ford; F800 Trk; DetrDsl V8-8.2; 87-80
Ford; FT900 Trk; DetrDsl V8-8.2; 87-85
Ford; LN600 Trk; DetrDsl V8-8.2; 85-81
Ford; LN700 Trk; DetrDsl V8-8.2; 87-81
GMC; C6000 Trk; DetrDsl V8-8.2; 90-80
GMC; C7000 Trk; DetrDsl V8-8.2; 90-80
GMC; P6T042 Trk; DetrDsl V8-8.2; 90-83
GMC; P3500 Trk; DetrDsl V8-8.2; 1990
Chev; B60 B6P Series SchBus; DetrDsl
V8-8.2; 91-80
Chev; S7 S7T Series SchBus; DetrDsl
V8-8.2; 90-88
Chev; S60 B6P Series SchBus; DetrDsl
V8-8.2; 1991
Ford; B600 SchBus; DetrDsl V8-8.2; 87-80
Ford; B700 SchBus; DetrDsl V8-8.2; 87-80
GMC; B6000 B6P Series SchBus; DetrDsl
V8-8.2; 91-80
GMC; S7000 S7T Series SchBus; DetrDsl
V8-8.2; 92-88
MCR; 7000 Series 2 Bus; DetrDsl V8-8.2;
1985
Natl Coach; Transmark Bus; DetrDsl V8-8.2;
91-84
Orion; Orion II Bus; DetrDsl V8-8.2; 2001-83
DetrDsl; 8.2 L Marine Eng; DetrDsl V8-8.2
FMC; Vanguard 4000SP St Sweep; DetrDsl
V8-8.2
Hyster; C852A Compactor; DetrDsl V8-8.2
Hyster; C852B Compactor; DetrDsl V8-8.2
Link-Belt; HSP8028S Crane; DetrDsl V8-8.2
Ottawa; YT50 Yard Tractor; DetrDsl V8-8.2

Notes

Water Pumps

Listed by part number



41000



41005



41010



41001



41006



41011



41002



41007



41003



41008



41013



41004



41009



41014

Water Pumps

Listed by part number



41015



41020



41025



41016



41021



41026



41022



41027



41018



41023



41028



41019



41024



41029

Water Pumps

Listed by part number



41030



41031



41032



41034



41035



41036



41037



41038



41039



41040



41041



41042



41043



41044

Water Pumps

Listed by part number



41045



41050



41055



41046



41051



41056



41047



41052



41057



41048



41053



41058



41049



41054



41059

Water Pumps

Listed by part number



41060



41068



41075



41061



41070



41076



41062



41071



41078



41063



41072



41079



41067



41073



41080

Water Pumps

Listed by part number



41081



41090



41101



41082



41092



41103



41084



41095



41106



41087



41097



41107



41089



41098



41108

Water Pumps

Listed by part number



41109



41115



41120



41110



41116



41121



41111



41117



41122



41113



41118



41123



41114



41119



41124

Water Pumps

Listed by part number



41125



41131



41136



41127



41132



41137



41128



41133



41138



41129



41134



41139



41130



41135



41140

Water Pumps

Listed by part number



41141



41147



41153



41142



41148



41154



41143



41149



41155



41145



41151



41156



41146



41152



41157

Water Pumps

Listed by part number



41158



41159



41160



41161



41162



41163



41164



41165



41166



41167



41168



41169



41170



41171



41173

Water Pumps

Listed by part number



41174



41179



42000



41175



41181



42001



41176



41183



42002



41177



41184



42003



41178



41185



42004

Water Pumps

Listed by part number



42005



42010



42016



42006



42011



42017



42007



42012



42018



42013



42019



42008



42014



42020

Water Pumps

Listed by part number



42021



42032



42040



42023



42033



42041



42026



42034



42045



42028



42035



42046



42029



42038



42047

Water Pumps

Listed by part number



42048



42056



42061



42050



42057



42062



42052



42058



42063



42054



42059



42064



42055



42060



42065

Water Pumps

Listed by part number



42066



42071



42078



42067



42072



42079



42068



42074



42080



42069



42070



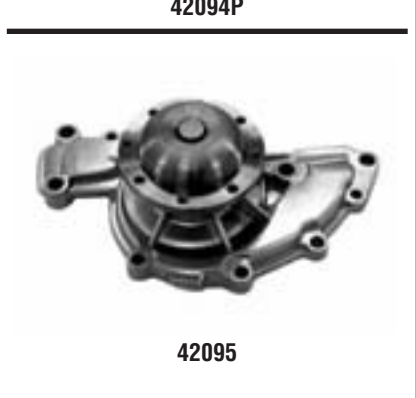
42077



42081

Water Pumps

Listed by part number



Water Pumps

Listed by part number



42096



42102



42108



42097



42103



42111



42098



42104



42113



42099



42105



42114



42100



42106



42115

Water Pumps

Listed by part number



42116



42120



42126



42117



42122



42127



42128



42118



42123



42129



42119



42124



42130

Water Pumps

Listed by part number



42131



42137



42142



42132



42138



42143



42134



42139



42147



42135



42140



42149



42136



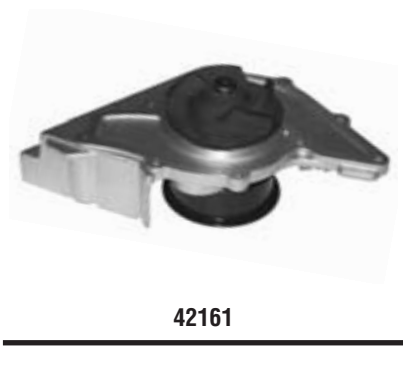
42141



42151

Water Pumps

Listed by part number



Water Pumps

Listed by part number



42169



42176



42189



42170



42178



42192



42171



42181



42194



42172



42188



42195



42173

Water Pumps

Listed by part number



42197



42206



42215



42198



42207



42216



42199



42208



42217



42202



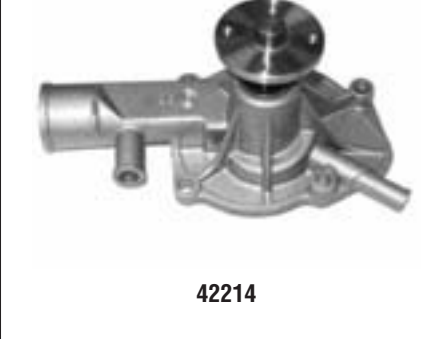
42212



42221



42203



42214



42222

Water Pumps

Listed by part number



42223



42232



42243



42224



42236



42245



42225



42237



42246



42228



42240



42247



42230



42242



42249

Water Pumps

Listed by part number



42250



42255



42261



42251



42256



42265



42252



42257



42268



42253



42258



42272



42254



42259



42275

Water Pumps

Listed by part number



42276



42277



42278



42280



42281



42282



42284



42285



42286



42292



42293



42294



42296



42297

Water Pumps

Listed by part number



Water Pumps

Listed by part number



42318



42323



42328



42319



42324



42329



42320



42325



42330



42321



42326



42331



42322



42327



42332

Water Pumps

Listed by part number



42333



42338



42344



42334



42339



42345



42335



42340



42348



42336



42341



42349



42337



42342



42351

Water Pumps

Listed by part number



42352



42553



42558



42408



42554



42561



42550



42555



42562



42551



42556



42563



42552



42557



42564

Water Pumps

Listed by part number



42565



42566



42567



42568



42569



43000



43001



43002



43003



43004



43005



43006



43007



43008



43011

Water Pumps

Listed by part number



43018



43026



43030



43019



43026P



43032



43021



43027



43033



43022



43028



43034



43025



43029



43035

Water Pumps

Listed by part number



43036



43042



43047



43037



43043



43049



43038



43044



43050



43039



43044P



43051



43041



43046



43052

Water Pumps

Listed by part number



43053



43059



43064



43054



43060



43065



43055



43061



43066



43056



43062



43067



43057



43063



43068



43058

Water Pumps

Listed by part number



43069



43076



43083



43070



43077



43084



43072



43078



43086



43073



43081



43087



43075



43082



43089

Water Pumps

Listed by part number



43090



43095



43099P



43091



43096



43100



43092



43097



43101



43093



43098



43102



43094



43099



43103

Water Pumps

Listed by part number



43104



43109



43114



43104P



43110



43115



43106



43111



43116



43106P



43112



43117



43107



43113



43118

Water Pumps

Listed by part number



43120



43125



43131



43121



43126



43132



43122



43128



43133



43123



43129



43134



43124



43130



43136



43139

Water Pumps

Listed by part number



43140



43159



43165



43141



43161



43166



43153



43162



43168



43154



43163



43169



43156



43164



43170

Water Pumps

Listed by part number



43171



43209



43219



43184



43210



43222



43185



43213



43223



43198



43216



43225



43200



43218



43226

Water Pumps

Listed by part number



43227



43229



43232



43233



43235



43238



43240



43242



43243



43244



43245



43246



43247



43248



43249

Water Pumps

Listed by part number



43250



43255



43260



43251



43256



43262



43252



43257



43263



43253



43258



43264



43254



43259



43266

Water Pumps

Listed by part number



43267



43278



43285



43271



43279



43286



43272



43280



43287



43272P



43282



43288



43277



43283



43289

Water Pumps

Listed by part number



43290



43296



43301



43291



43297



43302



43292



43298



43303



43293



43299



43304



43295



43300



43305

Water Pumps

Listed by part number



43306



43312



43320



43307



43313



43321



43309



43314



43322



43310



43315



43428



43311



43319



43500

Water Pumps

Listed by part number



43501



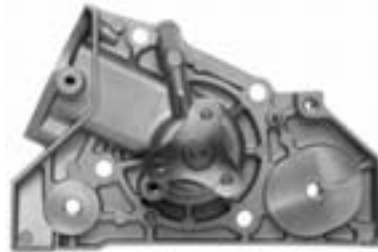
43506



43512



43502



43507



43513



43503



43508



43514



43504



43509



43518



43505



43511



43520

Water Pumps

Listed by part number



43521



43529



43534



43522



43530



43535



43526



43531



43536



43527



43532



43537



43528



43533



43538

Water Pumps

Listed by part number



43539



43540



43541



43542



43543



43544



43545



43546



44000



44001



44003



44004



44005



44006



44007



44008



44009



44011

Water Pumps

Listed by part number



44012



44016



44017



44018



44019



44022



44023



44024



44027



44027P



44028



44029



44030



44032



44033



44034

Water Pumps

Listed by part number



44035



44036



44037



44038



44040



44042



44043



44045



44047



44048



44049



44052



44053



44054



44055



44056



44058

Water Pumps

Listed by part number



44059



44075



44085



44064



44078



44086



44066



44080



44087



44067



44081



44088



44082



44069



44084



44089

Water Pumps

Listed by part number



44090



44096



44101



44091



44097



44103



44092



44098



44104



44093



44099



44405



44094



44100



45000

Water Pumps

Listed by part number



45001



45008



45002



45009



45003



46001



45005



45007

Top 10 Water Pumps



Part. No. 41020
Buick, Chevrolet,
Oldsmobile, Pontiac



Part. No. 42095
Buick, Chevrolet,
Oldsmobile & Pontiac



Part. No. 43315
Cadillac, Chevrolet,
GMC



Part. No. 41019
Buick, Chevrolet, GMC,
Isuzu, Oldsmobile,
Pontiac



Part. No. 43034
Dodge Trucks, Jeep



Part. No. 45005
Buick, Cadillac,
Chevrolet, GMC,
Hummer, Isuzu & Saab



Part. No. 43114
Chevrolet, GMC



Part. No. 42240
Toyota



Part. No. 41001
Chrysler, Dodge,
Plymouth



Part. No. 42005
Dodge, Jeep