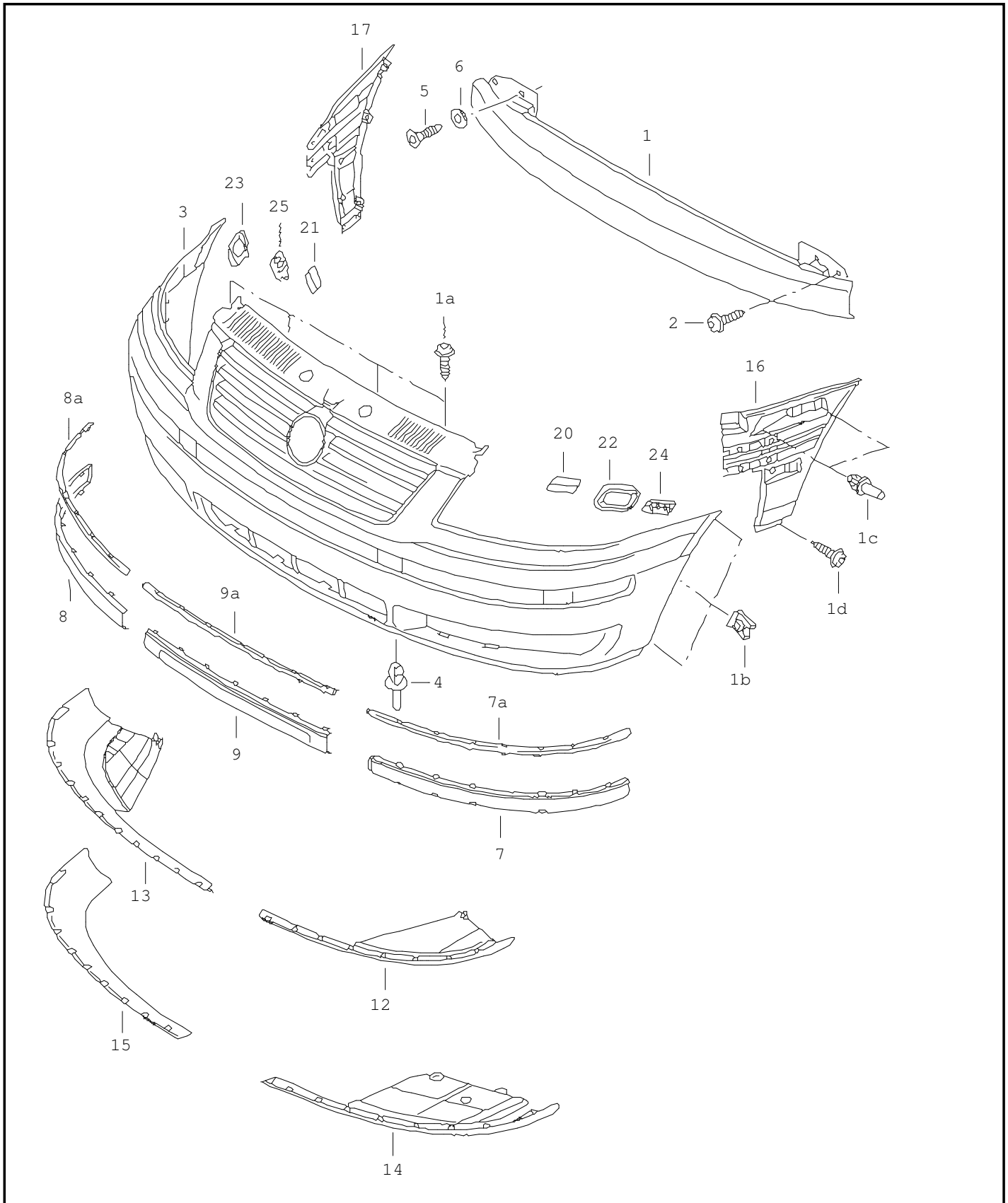




ETKA



| Model | Year | MG | SG | Illustration | Restrictions | Update | 12:13 | 08.12.2007 |
|-------|------|----|----|--------------|--------------|--------|-------|------------|
| SHA | 04 | 8 | 07 | 807-05 | | 537 | | |





ETKA



| | | | | | | | | |
|-------|------|----|----|--------------|--------------|--------|-------|------------|
| Model | Year | MG | SG | Illustration | Restrictions | Update | 12:13 | 08.12.2007 |
| SHA | 04 | 8 | 07 | 807-05 | | 537 | | |

| Pos | Part Number | Name | Remarks | Qty | Model |
|-----|----------------|--|------------------|--------|--------|
| | | bumper F 7M-4-020 001>>* | front | | |
| 1 | 7M3 807 105 B | bumper bracket | VORN | 1 | |
| 1A | N 907 009 01 | torx socket head panel screw | ST5, 5X19-C | 4 | |
| 1B | N 103 216 01 | snap nut | 4, 8X19, 5X12, 7 | 6 | |
| 1C | + N 038 550 1 | split rivet | A8X11 | 4 | |
| 1D | N 906 833 02 | torx socket, half-round head (combi)bolt | M6X20-TC-S11 | 2 | |
| 2 | N 908 234 03 | bolt, with polygon socket hd. | M8X24-H-TM | 4 | |
| 3 | 7M3 807 221 F | cover for bumper use if required: | 7M0 898 623 | 1 1 | |
| | 11/03 5/05 GRU | primed | | | |
| (3) | 7M3 807 221 G | cover for bumper for vehicles with headlight washer system use if required: | 7M0 898 623 | 1 1 | |
| | 11/03 5/05 GRU | primed | | | |
| - | 7M0 898 623 | 1 set: securing parts for bumpers and vehicles with front end damage | | 1 | |
| - | 7L6 819 139 | clips securing element ornamental grille | right lower | 1 | |
| 4 | N 100 323 01 | split rivet | A8X15 | 3 | |
| 5 | N 044 705 6 | allen key head bolt | M10X35 | 4 | |
| 6 | N 011 527 14 | washer | A10, 5X21X2 | 4 | |
| 7 | 7M3 807 717 D | protective strip | left | 1 | |
| | 5/02 5/05 B41 | satin black | | | |
| (7) | 7M3 807 717 E | protective strip for vehicles with parking aid | left | 1 | |
| | 5/02 5/05 B41 | satin black | | | |
| (7) | 7M3 807 717 F | protective strip | left | 1 | PR-QJ1 |
| | 11/03 5/05 B41 | satin black | | | |
| (7) | 7M3 807 717 G | protective strip for vehicles with parking aid | left | 1 | PR-QJ1 |



ETKA



| | | | | | | | | |
|-------|------|----|----|--------------|--------------|--------|-------|------------|
| Model | Year | MG | SG | Illustration | Restrictions | Update | 12:13 | 08.12.2007 |
| SHA | 04 | 8 | 07 | 807-05 | | 537 | | |

| Pos | Part Number | Name | Remarks | Qty | Model |
|-----|----------------|--|--------------|-----|-------------------------------------|
| | 11/03 5/05 B41 | satin black | | | |
| 7A | 7M3 807 243 | protective strip | left | 1 | PR-QJ1 |
| | 11/03 5/05 739 | chrome | | | |
| 8 | 7M3 807 718 D | protective strip | right | 1 | |
| | 5/02 5/05 B41 | satin black | | | |
| (8) | 7M3 807 718 E | protective strip for vehicles with parking aid | right | 1 | |
| | 5/02 5/05 B41 | satin black | | | |
| (8) | 7M3 807 718 F | protective strip | right | 1 | PR-QJ1 |
| | 11/03 5/05 B41 | satin black | | | |
| (8) | 7M3 807 718 G | protective strip for vehicles with parking aid | right | 1 | PR-QJ1 |
| | 11/03 5/05 B41 | satin black | | | |
| 8A | 7M3 807 244 | protective strip | right | 1 | PR-QJ1 |
| | 11/03 5/05 739 | chrome | | | |
| 9 | 7M3 807 719 B | trim for licence plate | center | 1 | |
| | 5/02 5/05 B41 | satin black | | | |
| (9) | 7M3 807 719 C | trim for licence plate | center | 1 | PR-QJ1 |
| | 11/03 5/05 B41 | satin black | | | |
| 9A | 7M3 807 443 | molding for bumper | front center | 1 | PR-QJ1 |
| | 11/03 5/05 739 | chrome | | | |
| 12 | 7M3 805 903 C | spoiler | | 1 | |
| | 5/02 5/05 B41 | satin black | | | |
| 13 | 7M3 805 904 C | spoiler | | 1 | |
| | 5/02 5/05 B41 | satin black | | | |
| 14 | 7M3 805 903 D | spoiler | | 1 | 6 cylinder: 5-speed automatic |
| | 5/02 5/05 B41 | satin black | | | |
| 15 | 7M3 805 904 D | spoiler | | 1 | 6 cylinder: 5-speed automatic |



ETKA



| | | | | | | | | |
|-------|------|----|----|--------------|--------------|--------|-------|------------|
| Model | Year | MG | SG | Illustration | Restrictions | Update | 12:13 | 08.12.2007 |
| SHA | 04 | 8 | 07 | 807-05 | | 537 | | |

| Pos | Part Number | Name | Remarks | Qty | Model |
|-----|------------------|---|-------------|-----|-------|
| | 5/02 5/05 B41 | satin black | | | |
| 16 | 7M3 807 183 A | guide profile bumper | left front | 1 | |
| 17 | 7M3 807 184 | guide profile bumper F >> 7M-4-024 000* | | 1 | |
| 17 | 7M3 807 184 A | guide profile bumper F 7M-4-024 001>>* | right front | 1 | |
| 20 | 7M3 807 937 A | cover cap for headlight washer system | | 1 | |
| | 5/02 5/05 GRU | primed cover cap | | | |
| 21 | 7M3 807 938 A | cover cap for headlight washer system | | 1 | |
| | 5/02 5/05 GRU | primed cover cap | | | |
| 22 | 7M3 807 941 A | guide frame for headlight washer system | | 1 | |
| 23 | 7M3 807 942 A | guide frame for headlight washer system | | 1 | |
| 24 | 7M3 807 197 A | jet carrier for headlight washer system | left | 1 | |
| 25 | 7M3 807 198 A | jet carrier for headlight washer system | right | 1 | |
| - | b D 007 700 | plastic-repair kits adhesives and sealing compound | | 1 | |
| - | b LSP 787 100 A1 | 2k-fine filler, flexibel primers | 1KG | 1 | |
| | | - - - E N D - - - | | | |