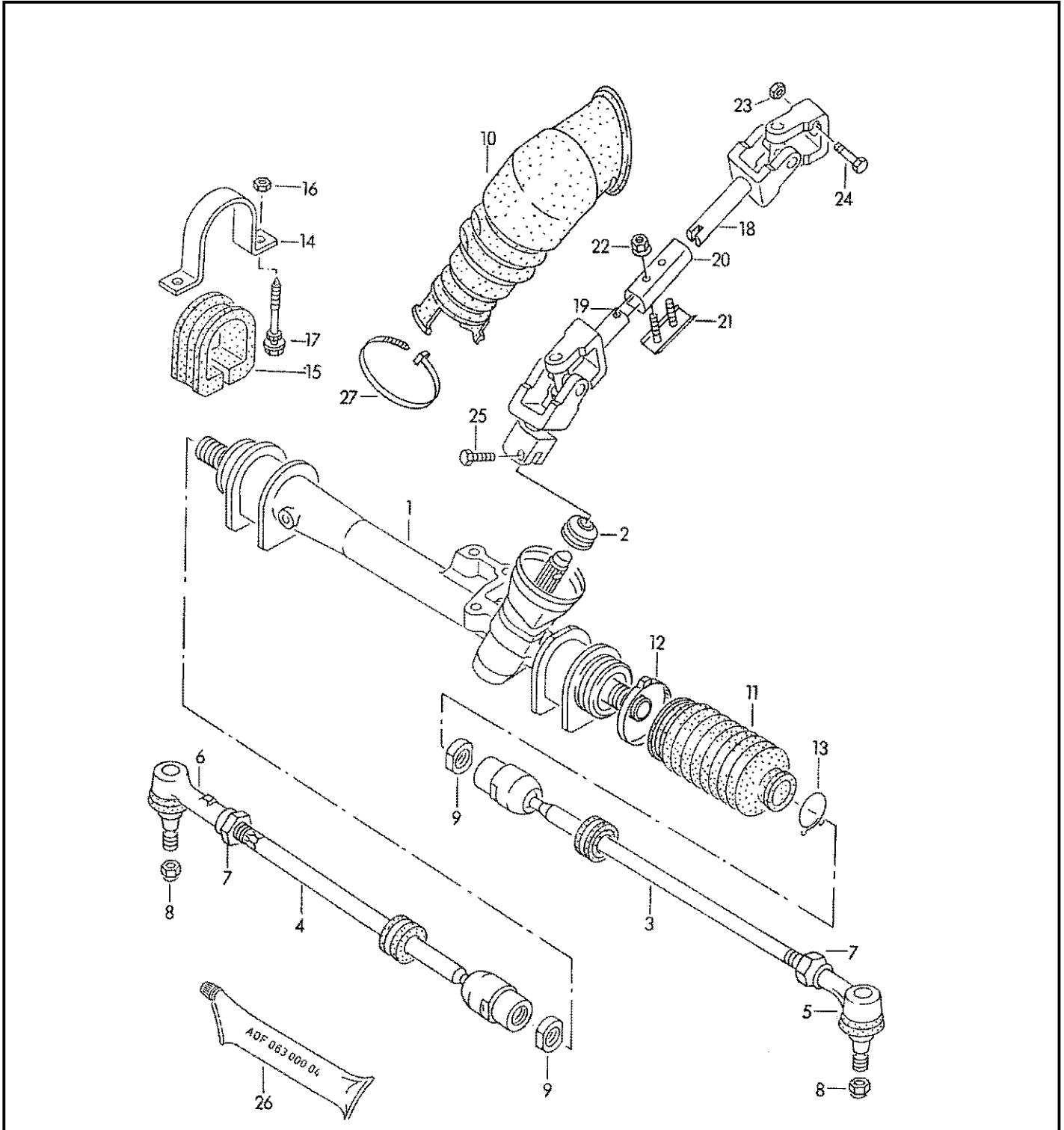




ETKA

Model	Year	MG	SG	Illustration	Restrictions
JEM	1996	4	19	419-10	





ETKA

Model	Year	MG	SG	Illustration	Restrictions	
JEM	1996	4	19	419-10		

Pos	Part Number	Name	Remarks	Qty	Model
		steering gear tie rod			"CDN"+GOLF
1	191 419 063 C	steering gear		1	
2	171 419 329 A	sealing washer		1	
3	1H0 419 803	tie rod (adjustable)	left	1	
4	1H0 419 804	tie rod (adjustable)	right	1	
5	191 419 811	tie rod end	left	1	
6	191 419 812	tie rod end	right	1	
(7)	N 102 187 08	hex. nut	M14X1,5	2	
(8)	N 903 213 02	hex. nut, self-locking	M12X1,5	2	
9	171 419 855	nut	M22X1,5	2	
10	1H1 419 523	boot for drive shaft		1	
11	191 419 831	boot for steering gear assy.		2	
12	+ N 903 550 01	hose clip	5X08X61,5	2	
13	171 419 838	retaining ring		2	
14	191 419 875	clamp		2	
15	191 419 883	rubber mounting		2	
17	+ N 901 845 01	bolt, hex. hd. with shoulder	M8X75X33B	4	
18	1H0 419 951	drive shaft	upper	1	
19	1H1 419 952	drive shaft	lower	1	
20	1H0 419 913	connecting sleeve		1	
21	1H0 419 917	connecting piece		1	
22	+ N 900 744 01	hex. nut, self-locking	M8	2	
23	+ N 022 146 4	hex. nut, self-locking	VM8	1	
24	N 010 335 12	screw, hex. hd.	M8X35X15	1	
25	+ N 010 233 6	screw, hex. hd.	M8X28	1	
26	AOF 063 000 04	steering grease	250G	X	



ETKA

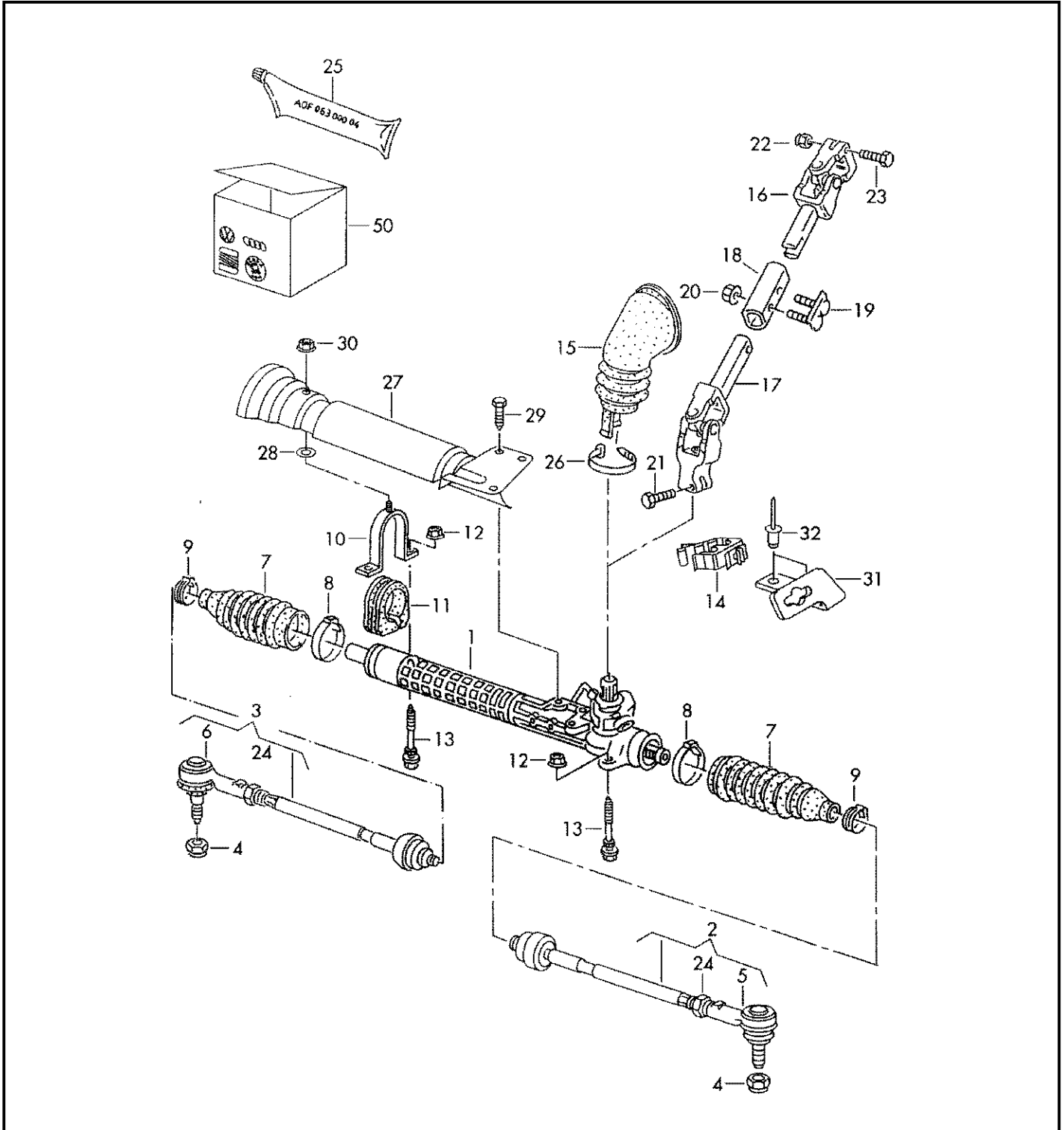
Model	Year	MG	SG	Illustration	Restrictions	
JEM	1996	4	19	419-10		

Pos	Part Number	Name	Remarks	Qty	Model
27	+ N 020 902 2	tie wrap	6X246	1	



ETKA

Model	Year	MG	SG	Illustration	Restrictions
JEM	1996	4	22	422-42	





ETKA

Model	Year	MG	SG	Illustration	Restrictions	
JEM	1996	4	22	422-42		

Pos	Part Number	Name	Remarks	Qty	Model
		power steering tie rod	ZF		power steering
1	>1H1 422 061 K	steering gear		1	
(1)	1HM 422 061 C	steering gear		1	JETTA GLX; GTI VR6
2	1H0 422 803 B	tie rod	left	1	
3	1H0 422 804 B	tie rod	right	1	
(4)	N 903 213 02	hex. nut, self-locking	M12X1,5	2	
5	191 419 811	tie rod end	left	1	
6	191 419 812	tie rod end	right	1	
7	357 422 831 B	boot for tie rod		2	
8	357 422 837 B	clamp	inner	2	
9	357 422 839 A	clamp	outer	2	
10	1H0 422 875 A	clamp		1	
11	191 422 884 A	rubber mounting		1	
12	+ N 902 264 03	shouldered hex. nut, self-locking	M8	4	
13	+ N 901 845 01	bolt, hex. hd. with shoulder	M8X75X33B	4	
14	1H0 422 941	bracket		1	
15	1H1 419 523 A	boot for drive shaft		1	
16	1H0 419 951	drive shaft	upper	1	
17	1H1 419 952 B	drive shaft	lower	1	
18	1H0 419 913	connecting sleeve		1	
19	1H0 419 917	connecting piece		1	
20	+ N 900 744 01	hex. nut, self-locking	M8	2	
21	+ N 010 233 6	screw, hex. hd.	M8X28	1	
22	+ N 022 146 4	hex. nut, self-locking	VM8	1	
23	N 010 335 12	screw, hex. hd.	M8X35X15	1	



ETKA

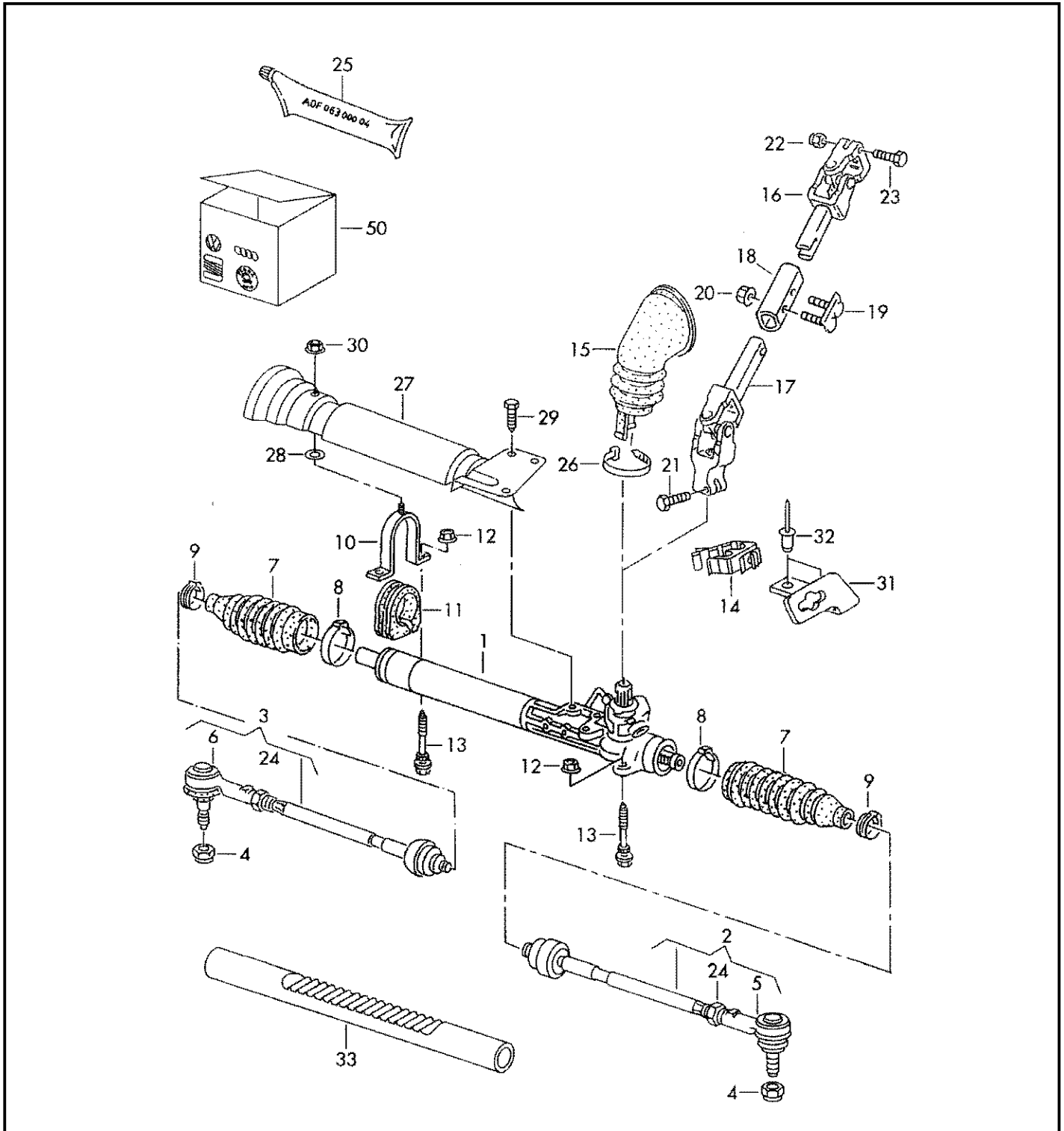
Model	Year	MG	SG	Illustration	Restrictions	
JEM	1996	4	22	422-42		

Pos	Part Number	Name	Remarks	Qty	Model
(24)	N 102 187 08	hex. nut	M14X1,5	2	
25	AOF 063 000 04	steering grease	250G	X	
26	+ N 020 902 2	tie wrap	6X246	1	
-	1H0 498 020 A	set of seals for power steering	ZF	1	AAA
-	3A0 498 020	set of seals for power steering	ZF	1	



ETKA

Model	Year	MG	SG	Illustration	Restrictions
JEM	1996	4	22	422-40	





ETKA

Model	Year	MG	SG	Illustration	Restrictions	
JEM	1996	4	22	422-40		

Pos	Part Number	Name	Remarks	Qty	Model
		power steering tie rod	TRW		power steering
(1)	1HM 422 055 D	steering gear		1	
(1)	6K1 422 061 C	steering gear		1	
		as required use:	1H0 422 803	1	
			1H0 422 804	1	
(1)	#6K1 422 061 CX	steering gear		1	
		as required use:	1H0 422 803	1	
			1H0 422 804	1	
(1)	1HM 422 061	steering gear		1	
(1)	#1H1 422 061 AX	steering gear		1	AAA
2	1H0 422 803	tie rod	left	1	
3	1H0 422 804	tie rod	right	1	
(4)	N 903 213 02	hex. nut, self-locking	M12X1,5	2	
5	191 419 811	tie rod end	left	1	
6	191 419 812	tie rod end	right	1	
(7)	1H0 422 831 B	boot for tie rod		2	
		also use:	>>1H-T-050264	1	
			N 102 077 01	1	
8	+ 357 422 837 A	clamp	inner	2	
9	+ 357 422 839	spring clip	outer	2	
		F >> 1H-T-050 264*		2	
(9)	+ N 102 077 01	retaining clip	34,6X7X0,6	2	
		F 1H-T-050 265>>*		2	
10	1H0 422 875 A	clamp		1	
11	1H0 422 884	rubber mounting		1	
12	+ N 902 264 03	shouldered hex. nut, self-locking	M8	4	
13	+ N 901 845 01	bolt, hex. hd. with shoulder	M8X75X33B	4	
14	1H0 422 941	bracket		1	
15	1H1 419 523 A	boot for drive shaft		1	
16	1H0 419 951	drive shaft	upper	1	



ETKA

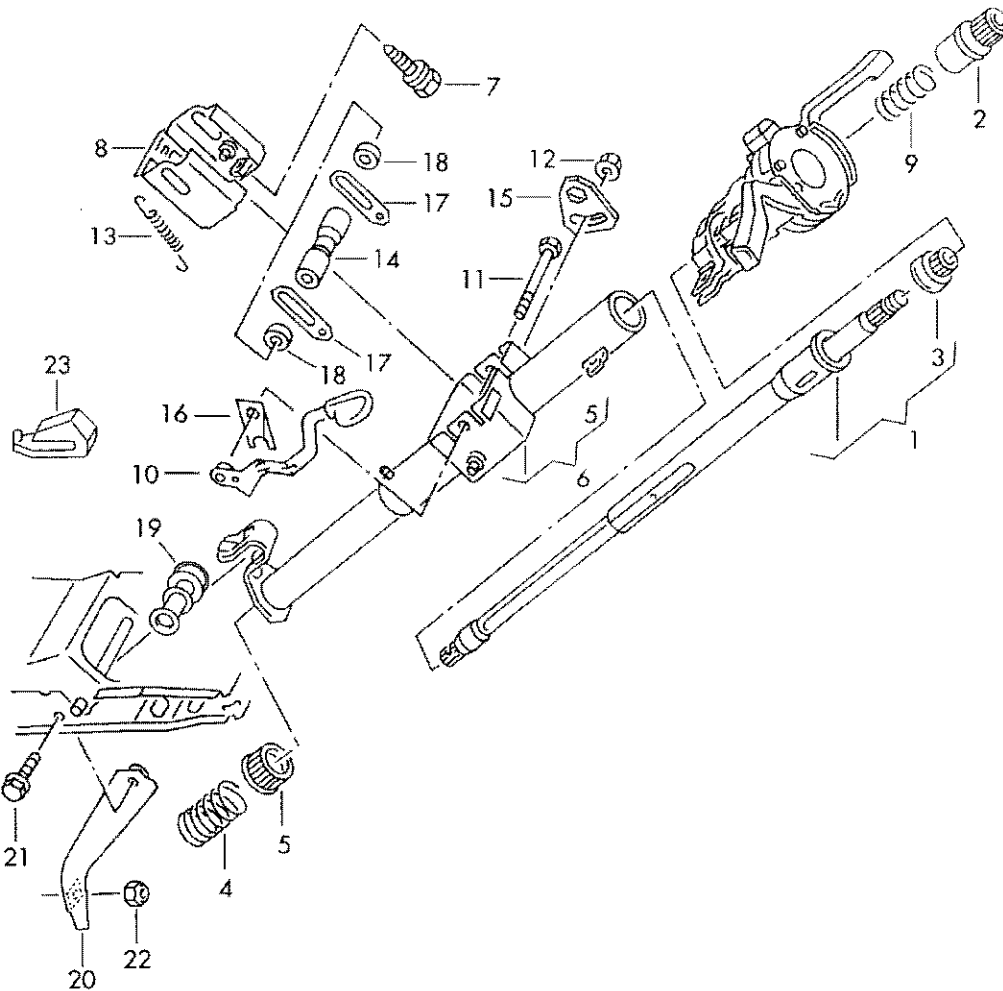
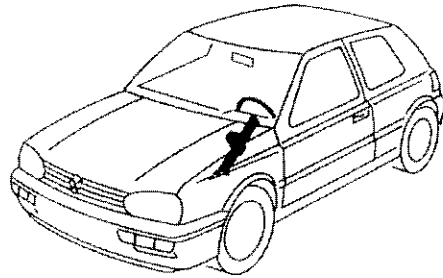
Model	Year	MG	SG	Illustration	Restrictions	
JEM	1996	4	22	422-40		

Pos	Part Number	Name	Remarks	Qty	Model
(17)	1H1 419 952 B	drive shaft	lower	1	
18	1H0 419 913	connecting sleeve		1	
19	1H0 419 917	connecting piece		1	
20	+ N 900 744 01	hex. nut, self-locking	M8	2	
21	+ N 010 233 6	screw, hex. hd.	M8X28	1	
22	+ N 022 146 4	hex. nut, self-locking	VM8	1	
23	N 010 335 12	screw, hex. hd.	M8X35X15	1	
24	N 102 187 08	hex. nut	M14X1,5	2	
25	AOF 063 000 04	steering grease	250G	X	
26	+ N 020 902 2	tie wrap	6X246	1	
-	1H0 498 020	set of seals for power steering	TRW	1	



ETKA

Model	Year	MG	SG	Illustration	Restrictions
JEM	1996	4	19	419-35	





ETKA

Model	Year	MG	SG	Illustration	Restrictions	
JEM	1996	4	19	419-35		

Pos	Part Number	Name	Remarks	Qty	Model
		steering column steering column tube for height-adjustable steering column			
1	1H0 419 503 A	steering column		1	
2	191 419 514	adapter sleeve		1	
3	1H0 419 335	thrust ring		1	
4	1H0 419 343	pressure spring		1	
5	1H0 419 517 A	steering column bearing		1	
(6)	1H0 419 563 E	steering column tube F 1H-T-031 664>>		1	
(6)	1HM 419 561 A	steering column tube for vehicles with airbag F >> 1H-S-104 120		1	
(6)	1HM 419 561 D	steering column tube for vehicles with airbag F 1H-S-104 121>>		1	
7	+ N 905 422 01	sheer bolt	M8X20	2	
8	1H0 419 571 A	bracket		1	
(8)	1HM 419 571	bracket for vehicles with airbag		1	
9	1H0 419 667	pressure spring		1	
10	1H0 419 621 A	operating lever F >> 1H-R-010 590		1	
(10)	1H0 419 621 B	operating lever F 1H-R-010 591>>		1	
11	1H0 419 623 A	bolt		1	
12	+ N 011 183 12	hex. nut, self-locking	M6	1	
13	1H0 419 625 B	tension spring		2	
(13)	1HM 419 625	tension spring for vehicles with airbag		2	
14	1H0 419 633 A	clamping sleeve		1	



ETKA

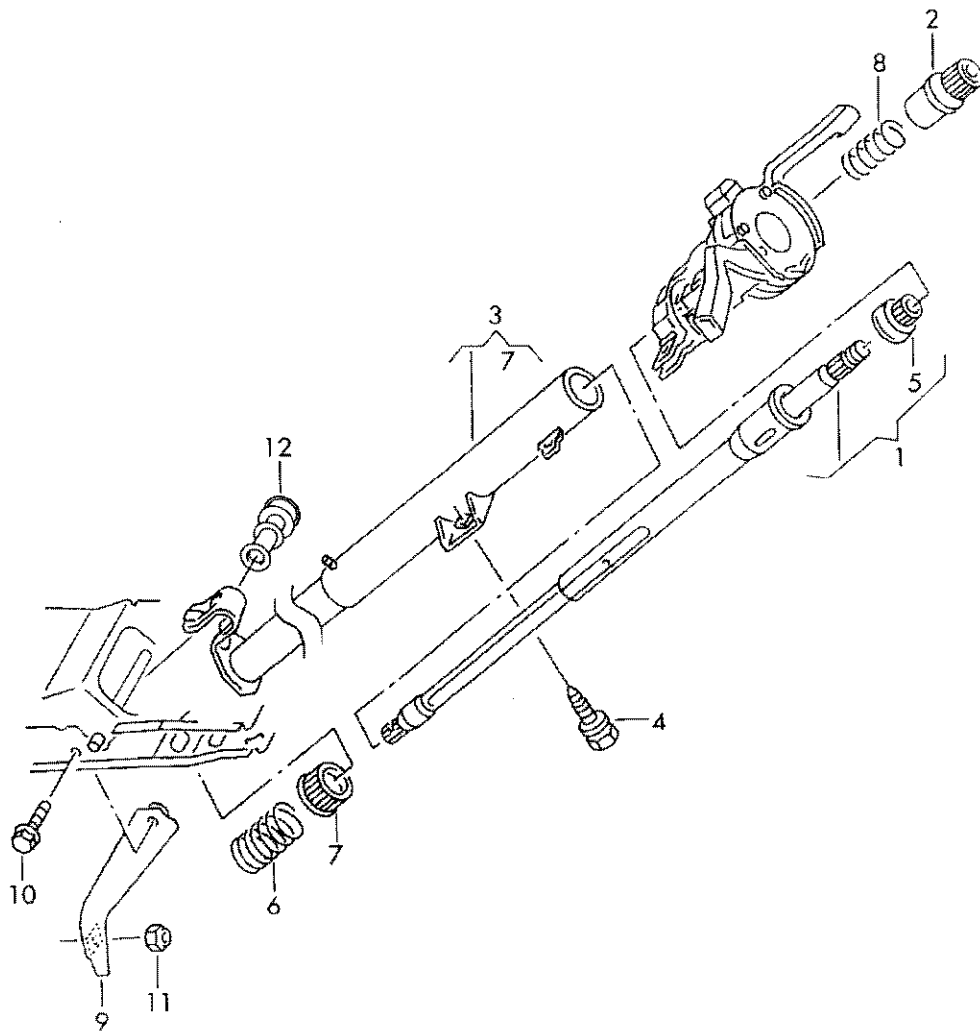
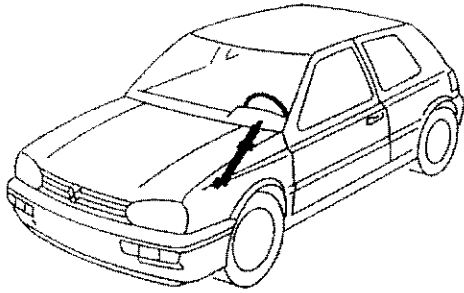
Model	Year	MG	SG	Illustration	Restrictions	
JEM	1996	4	19	419-35		

Pos	Part Number	Name	Remarks	Qty	Model
(14)	1HM 419 633	clamping sleeve for vehicles with airbag		1	
15	357 419 635	retainer plate		1	
16	1H0 419 648 A	packing plate		1	
17	1H0 419 701	retaining plate		2	
18	1H0 419 705	thrust washer		2	
19	1H1 419 599 A	bushing		1	
	04/92-07/96909	natural colors		1	
22	+ N 902 264 03	shouldered hex. nut, self-locking	M8	1	
23	171 721 989	stop		1	



ETKA

Model	Year	MG	SG	Illustration	Restrictions
JEM	1996	4	19	419-25	





ETKA

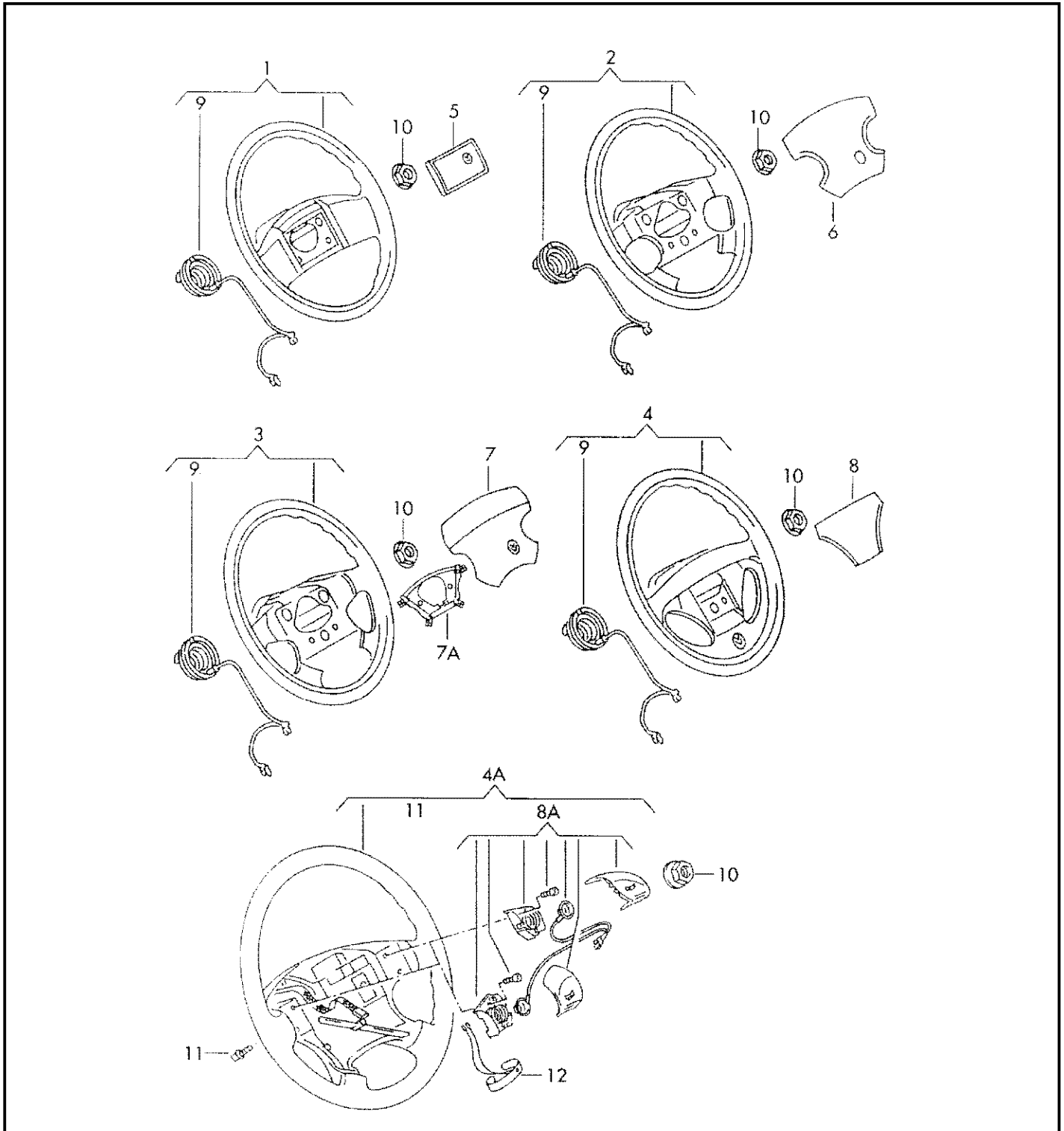
Model	Year	MG	SG	Illustration	Restrictions	
JEM	1996	4	19	419-25		

Pos	Part Number	Name	Remarks	Qty	Model
		steering column steering column tube			
1	1H0 419 503 A	steering column		1	
2	191 419 514	adapter sleeve		1	
3	1H0 419 563	steering column tube		1	
4	+ N 905 422 01	sheer bolt	M8X20	2	
5	1H0 419 335	thrust ring		1	
6	1H0 419 343	pressure spring		1	
7	1H0 419 517 A	steering column bearing		1	
8	1H0 419 667	pressure spring F >> 1H-P-004 604*		1	
(8)	1H0 419 667	pressure spring F 1H-P-004 605>>*		1	
(9)	1HM 419 555 A	retainer plate		1	
(9)	1HM 419 555 B	retainer plate F 1H-R-079 155>>		1	automatic
10	+ N 905 293 01	screw, hex. hd.	M8X18	1	
11	+ N 022 146 4	hex. nut, self-locking	VM8	1	
19	1H1 419 599 A	bushing		1	
	04/92-07/96909	natural colors		1	
-	1HM 419 044 A	buffer		1	



ETKA

Model	Year	MG	SG	Illustration	Restrictions
JEM	1996	4	19	419-20	





ETKA

Model	Year	MG	SG	Illustration	Restrictions	
JEM	1996	4	19	419-20		

Pos	Part Number	Name	Remarks	Qty	Model
		steering wheel			
2	1H0 419 091 T	sports steering wheel F 1H-T-000 001>>		1	"CDN"+ JETTA GL, GLS
	08/95-07/9601C	satin black			
(2)	1HM 419 091 L	steering wheel for vehicles with airbag		1	JETTA
	05/93-05/9401C	satin black			
(3)	1H0 419 091 D	sports steering wheel (leather)		1	"CDN"+ GTI
	04/92-07/961BX	black			
(4)	1H0 419 091 AA	sports steering wheel F >> 1H-S-012 882		1	"USA"+GOLF LIMITED EDITION
		F 1H-S-012 883>>		1	"USA"+ GOLF SPORT EDITION
	09/92-07/9601C	satin black			
(4)	1H0 419 091 AA	sports steering wheel		1	"USA"+ GOLF GL, JETTA GL
	08/93-09/9301C	satin black			
(4)	191 419 091 AK	sports steering wheel		1	"CDN"+ GOLF CL, GL
	04/92-07/9601C	satin black			
(4A)	1HM 419 091 L	steering wheel for vehicles with airbag F >> 1H-S-999 000		1	
	05/93-07/9501C	satin black			
(4A)	1HM 419 091 L	steering wheel for vehicles with airbag F 1H-T-000 001>> 1H-T-098 550*		1	
	08/95-02/9601C	satin black			
(4A)	1HM 419 091 N	steering wheel for vehicles with airbag F 1H-T-098 551>>*		1	



ETKA

Model	Year	MG	SG	Illustration	Restrictions	
JEM	1996	4	19	419-20		

Pos	Part Number	Name	Remarks	Qty	Model
	03/96-07/9601C	satin black			
(4A)	1HM 419 091 M	steering wheel (leather) for vehicles with airbag F >> 1H-S-999 000		1	
	05/94-07/951BX	black			
(4A)	1HM 419 091 M	steering wheel (leather) for vehicles with airbag F 1H-T-000 001>> 1H-T-098 350*		1	
	08/95-02/961BX	black			
(4A)	1HM 419 091 P	steering wheel (leather) for vehicles with airbag F 1H-T-098 351>>*		1	
	03/96-07/961BX	black			
6	1H0 419 669 A	horn button		1	
	04/92-07/9601C	satin black for steering wheel:	1H0 419 091 A		
7	1H0 419 669 C	horn button		1	
	04/92-07/9601C	satin black for steering wheel:	1H0 419 091 D		
(8)	1HM 419 669 A	horn button		1	
	09/92-07/9601C	satin black for steering wheel:	1HM 419 091 B		
(8)	1H0 419 669 K	horn button		1	
	05/94-07/9601C	satin black for steering wheel:	1H0 419 091 AA		
-	191 419 669 J	horn button		1	
	04/92-07/9601C	satin black for steering wheel:	191 419 091 AK		
8A	1HM 419 097	1 set of horn buttons for vehicles with airbag F >> 1H-T-098 550*		1	
(8A)	1HM 419 097 A	1 set of horn buttons for vehicles with airbag F 1H-T-098 551>>*		1	



ETKA

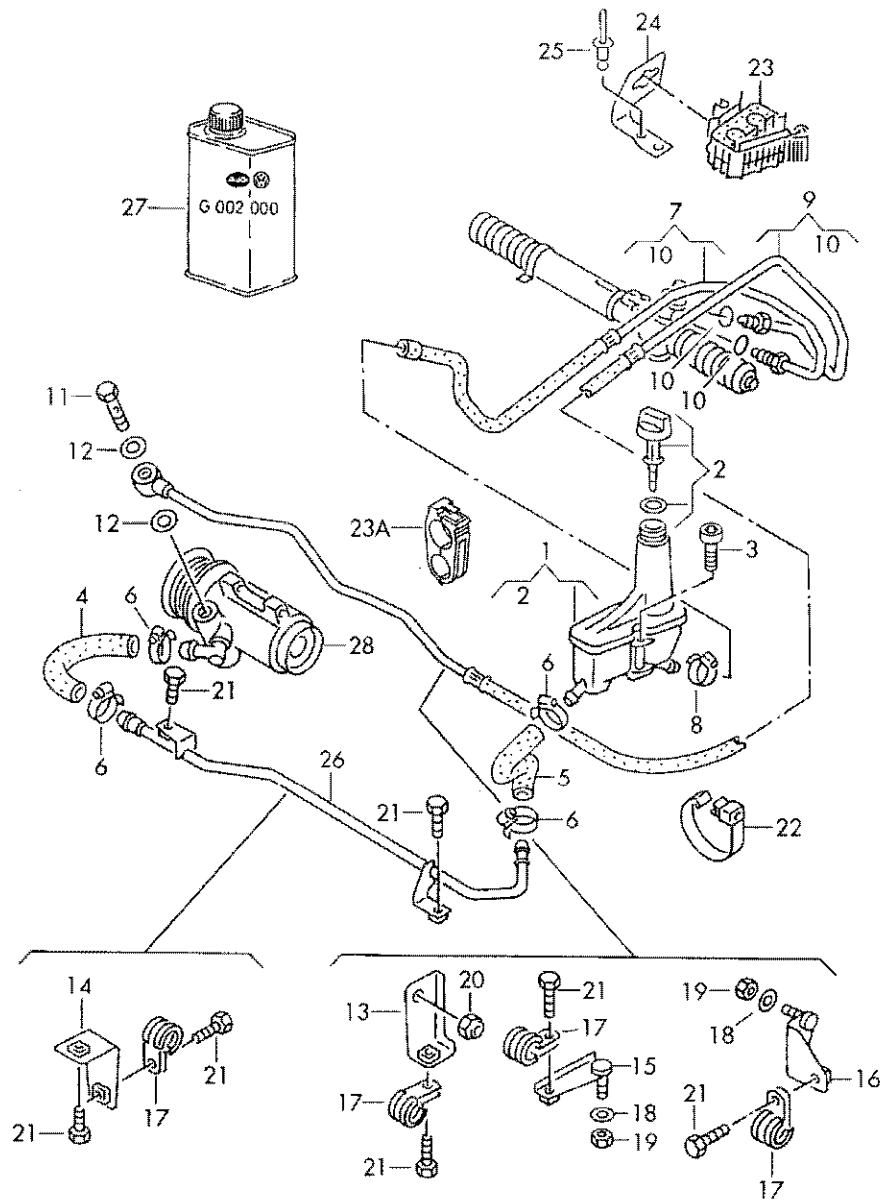
Model	Year	MG	SG	Illustration	Restrictions	
JEM	1996	4	19	419-20		

Pos	Part Number	Name	Remarks	Qty	Model
-		for vehicles with airbag see illustration:	880-10		
9	1H0 419 660	cancelling ring with slip ring for steering wheel:	1H0 419 091 T	1	
(9)	321 419 660	cancelling ring with slip ring for steering wheel:	191 419 091 AK	1	
(9)	1HM 419 660	cancelling ring with slip ring for steering wheel:	1HM 419 091 D	1	"USA"+GL
(9)		for vehicles with airbag see illustration:	959-10		
10	N 905 500 02	shouldered hex. nut, self-locking	BM16X1,5	1	
11	N 906 148 01	socket hd. screw with collar	M6X21,5	2	
12	1H0 971 673	harness for airbag-led for vehicles with retrofitted airbag		1	
-	N 012 238 5	spring washer	B16X30X1,6	1	



ETKA

Model	Year	MG	SG	Illustration	Restrictions
JEM	1996	4	22	422-45	





ETKA

Model	Year	MG	SG	Illustration	Restrictions	
JEM	1996	4	22	422-45		

Pos	Part Number	Name	Remarks	Qty	Model
		oil container and connection parts, hoses			
1	1H0 422 371 C	oil container F >> 1H-T-120 250		1	
(1)	1H0 422 371 C	oil container F 1H-T-120 251>>		1	
(1)	1H0 422 371 D	oil container F 1H-T-120 251>>		1	AAA
(2)	1H0 422 376 C	sealing cap F >> 1H-T-120 250		1	
(2)	1H0 422 376 C	sealing cap F 1H-T-120 251>>		1	
3	N 100 598 01	bolt, with hex. socket hd.	AM6X70	1	
4	1HM 422 887	suction hose		1	
5	1H0 422 889 C	suction hose		1	
6	+ N 905 618 01	clamp	AL16-28	4	
7	1H1 422 891 A	return hose		1	
8	+ N 102 582 01	clamp	AL12-22	1	
9	1H1 422 893 G	flexible hose	1,8-2.0L	1	
(9)	1H1 422 893 A	flexible hose	2.8ltr.	1	
10	+ 1H0 422 999	round seal	7,65X1,63	X	
11	1J0 422 269 B	banjo bolt	M16X1,5	1	
12	+ N 013 848 1	sealing washer	A16X22	2	
13	1H0 422 162	bracket		1	manual transmission
15	357 422 163	bracket		1	manual transmission
16	357 422 163 A	bracket		1	4 speed automatic
17	N 020 620 1	clamp	D1-13X15	2	
18	+ N 011 527 11	washer	A10,5X21X2	1	



ETKA

Model	Year	MG	SG	Illustration	Restrictions	
JEM	1996	4	22	422-45		

Pos	Part Number	Name	Remarks	Qty	Model
19	+ N 101 552 07	hex. nut	M10-SW16	1	
20	+ N 900 744 01	hex. nut, self-locking	M8	1	
21	+ N 010 215 27	screw, hex. hd.	M6X15	5	
22	1H0 422 931	bracket for hose		1	
23	1H0 422 941	bracket		1	
24	1H0 422 173	bracket		1	
25	+ N 904 374 01	pop-rivet	A4,8X10	X	
26	1HM 422 896	cooling pipe		1	
27	G 002 000	oil for hydraulic system and power steering	1,0ltr.	1	
28		vane type pump see illustration:	145-81 145-85		ABA, ACC, AMM AAA