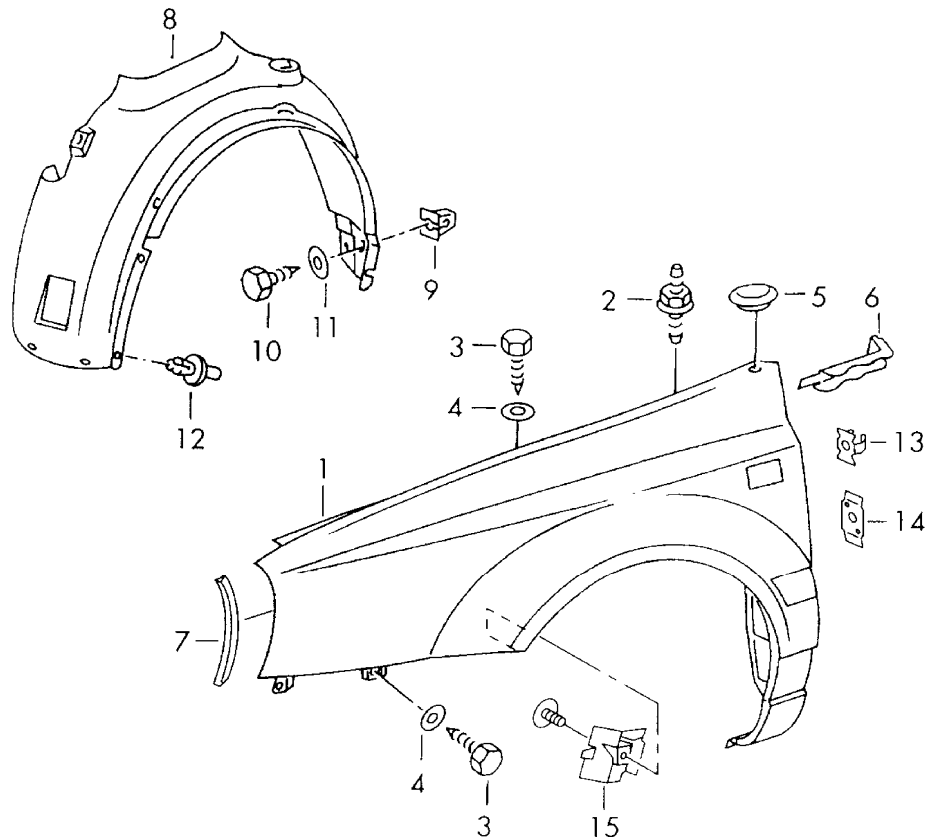
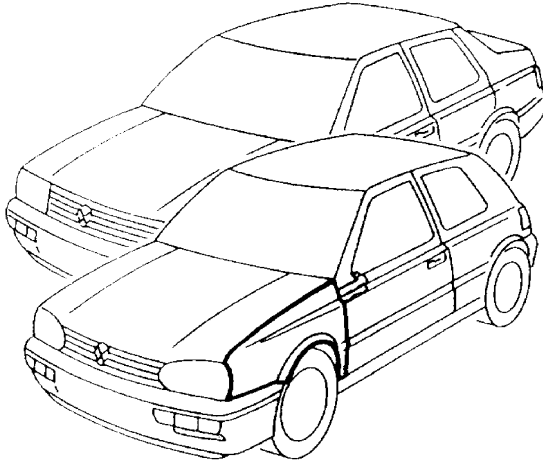




ETKA

Model	Year	MG	SG	Illustration	Restrictions	UPD	19:04	29.11.2006
CONV	1996	8	21	821-10	1E-TM800 001 >> 1E-T	618		





ETKA

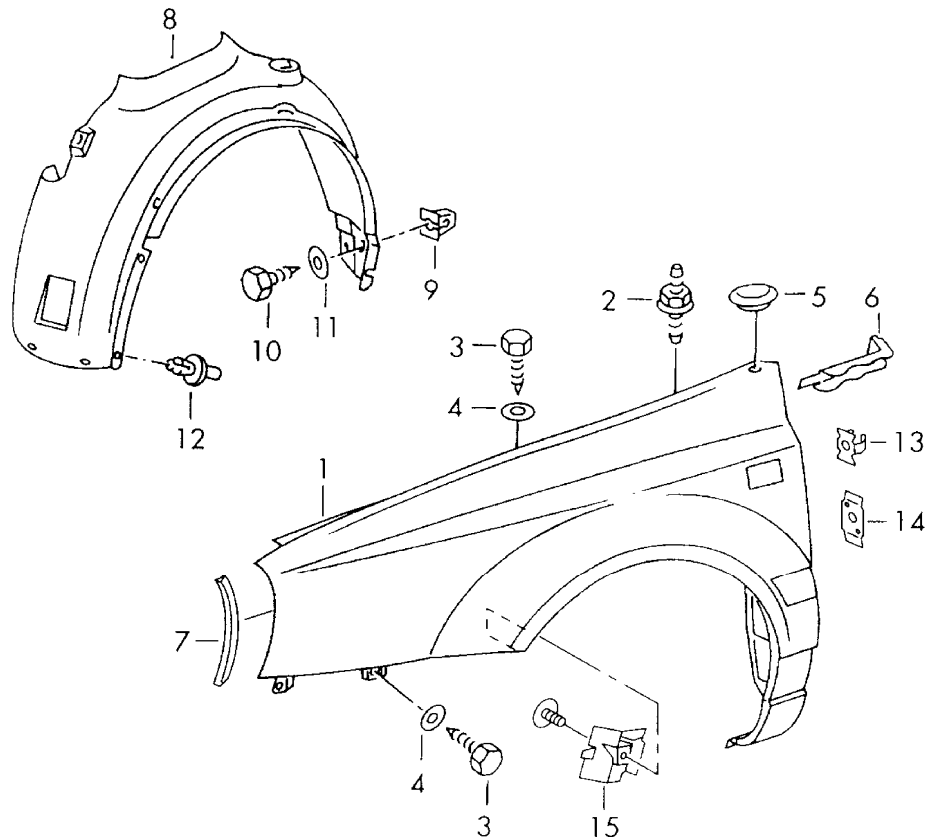
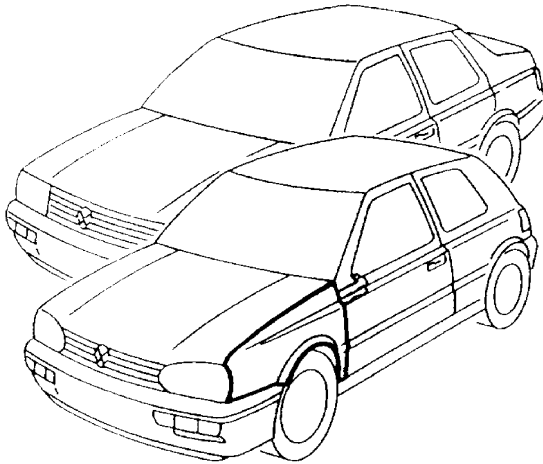
Model	Year	MG	SG	Illustration	Restrictions	UPD	19:04	29.11.2006
CONV	1996	8	21	821-10	1E-TM800 001 >> 1E-T	618		

Pos	Part Number	Name	Remarks	Qty	Model
		fender wheelhouse liner	front		
(1)	1EM 821 021	fender F >> 1E-V-003 049*	left	1	
(1)	1EM 821 021 A	fender F 1E-V-003 050>>*	left	1	
(1)	1EM 821 022	fender F >> 1E-V-003 049*	right	1	
(1)	1EM 821 022 A	fender F 1E-V-003 050>>*	right	1	
2	N 905 361 01	double hex. hd. bolt	ST6,3X19/5X 13,5	1	
3	+ N 015 946 1	tapping screw,hex.hd.	A6,5X19	15	
4	N 904 695 01	washer	B7,4X22X2	15	
5	1H0 853 169	cover	46,8X17MM	1	
	12/95-11/98B41	satin black			
8	1E0 809 957 A	wheelhouse liner for vehicles with air condit. to fit use workshop material	left	1	
(8)	1EM 809 958 B	wheelhouse liner for vehicles with evaporative emission canister F 1E-W-000 001>>*	right front	1	
	12/95-11/9801C	satin black			
9	+ 811 807 577 C	speed nut		14	
10	+ N 043 885 1	tapping screw,hex.hd.	B4,8X19	14	
11	+ N 011 665 3	washer	5,3X15X1,6	14	
12	+ N 038 550 1	rivet	A8X11X12,5MM	4	
13	+ N 103 055 02	speed nut	B6,3	2	
14	171 805 445	nut	6,5	2	



ETKA

Model	Year	MG	SG	Illustration	Restrictions	UPD	19:03	29.11.2006
CONV	1996	8	21	821-10	1E-TK000 001 >> 1E-T	618		





ETKA

Model	Year	MG	SG	Illustration	Restrictions	UPD	19:03	29.11.2006
CONV	1996	8	21	821-10	1E-TK000 001 >> 1E-T	618		

Pos	Part Number	Name	Remarks	Qty	Model
		fender wheelhouse liner	front		
1	1E0 821 021	fender F >> 1E-S-040 000*	left	1	
(1)	1E0 821 021 A	fender F 1E-T-000 001>>	left	1	
(1)	1E0 821 022	fender F >> 1E-S-040 000*	right	1	
(1)	1E0 821 022 A	fender F 1E-T-000 001>>*	right	1	
-	1H0 898 051	attachment parts for one fender		1	
2	N 905 361 01	double hex. hd. bolt	ST6,3X19/5X 13,5	1	
3	+ N 015 946 1	tapping screw, hex.hd.	A6,5X19	15	
4	+ N 011 667 2	washer	B7,4X22X2	15	
-	+ N 103 055 02	speed nut	B6,3	2	
5	1H0 853 169	cover	46,8X17MM	1	
	09/93-02/98B41	satin black			
8	1E0 809 957 A	wheelhouse liner	left	1	
(8)	1E0 809 957 A	wheelhouse liner for vehicles with air condit. to fit use workshop material	left	1	
(8)	1E0 809 958	wheelhouse liner	right	1	
9	+ 811 807 577 C	speed nut		14	
10	+ N 907 750 01	hexagon socket head panel bolt	4,8X16	14	
12	+ N 038 549 1	rivet	8X12	4	