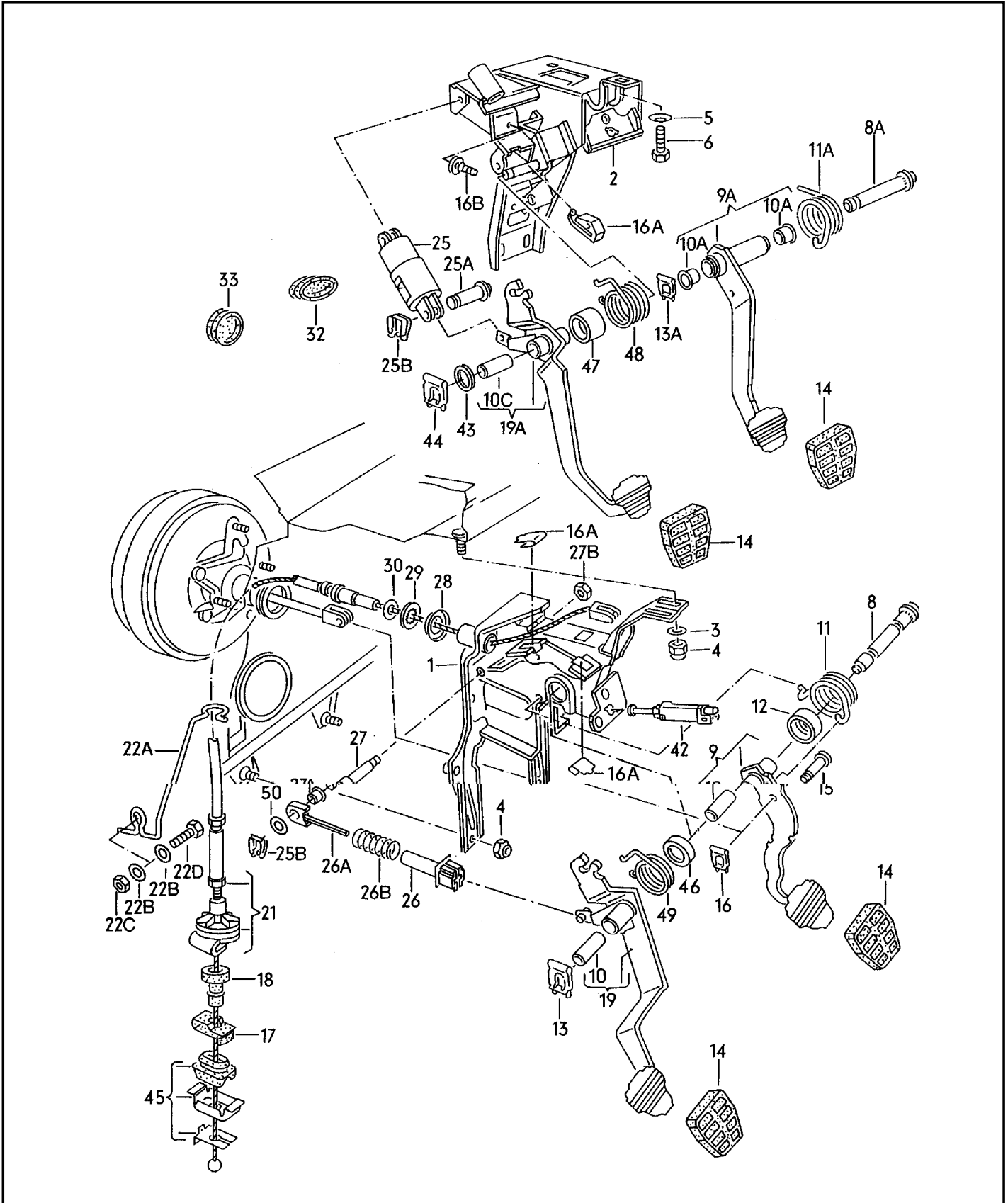




ETKA

Model	Year	MG	SG	Illustration	Restrictions	UPD	20:16	12.10.2008
JEG	1992	7	21	126-10		610		





ETKA

Model	Year	MG	SG	Illustration	Restrictions	UPD	20:16	12.10.2008
JEG	1992	7	21	126-10		610		

Pos	Part Number	Name	Remarks	Qty	Model
		brake, clutch pedal cluster, clutch cable	1.6/1.8ltr. 2.0ltr.		manual transmission
1	191 721 111 C	bracket for pedal cluster	lhd	1	
3	+ N 011 696 1	washer	B8,1X24X1,5	1	
4	+ N 900 744 01	hex. nut, self-locking	M8	6	
8	191 721 123 A	pin	lhd	1	
9	191 721 141 A	brake pedal	lhd	1	
10	191 721 153	bushing	lhd	1	
11	191 721 163	spring	lhd	1	
12	191 721 164	bushing	lhd	1	
13	+ N 902 547 01	lock washer	8	X	
14	321 721 173	cap		2	
	08/89-07/9201C	satin black			
15	N 900 512 01	pin	10D11X20,6X7,1	1	
16	+ N 902 547 01	lock washer	8X0,5	1	
(16A)	171 721 989	stop	lhd	2	
19	191 721 315 F	clutch pedal		1	
		also use:	191 721 338	1	
-	191 721 338	clamp		1	
21	b 191 721 335 AB	clutch cable	lhd	1	ME
-	N 011 120 5	hex. nut	BM10	1	
(25B)	N 904 703 01	lock washer	6X0,3	2	
26	191 721 421	guide		1	
26A	191 721 422	guide		1	
26B	191 721 427	pressure spring		1	
27	191 721 429	shaft	lhd	1	
27A	191 721 430	bushing		1	
27B	+ N 011 008 8	hex. nut	M8	1	
28	191 721 380	grommet	lhd	1	
29	N 900 157 01	clamping washer	B20X34	1	
30	N 900 158 01	sealing washer	11,8X15,8	1	



ETKA

Model	Year	MG	SG	Illustration	Restrictions	UPD	20:16	12.10.2008
JEG	1992	7	21	126-10		610		

Pos	Part Number	Name	Remarks	Qty	Model
32	191 721 878	plug	lhd	1	
33	191 721 880	plug		1	
42		switch - brake light see illustration:	228	1	
43	+ N 011 534 3	washer	A15X28X2,5	1	
44	+ N 902 547 01	lock washer	8X0,5	1	
45	533 798 105	1 set of attachment parts for clutch cable		1	
46	191 721 368	bushing	1.6ltr. lhd	1	
49	191 721 378 A	tension spring	1.6ltr. lhd	1	
50	211 837 659	washer		1	