
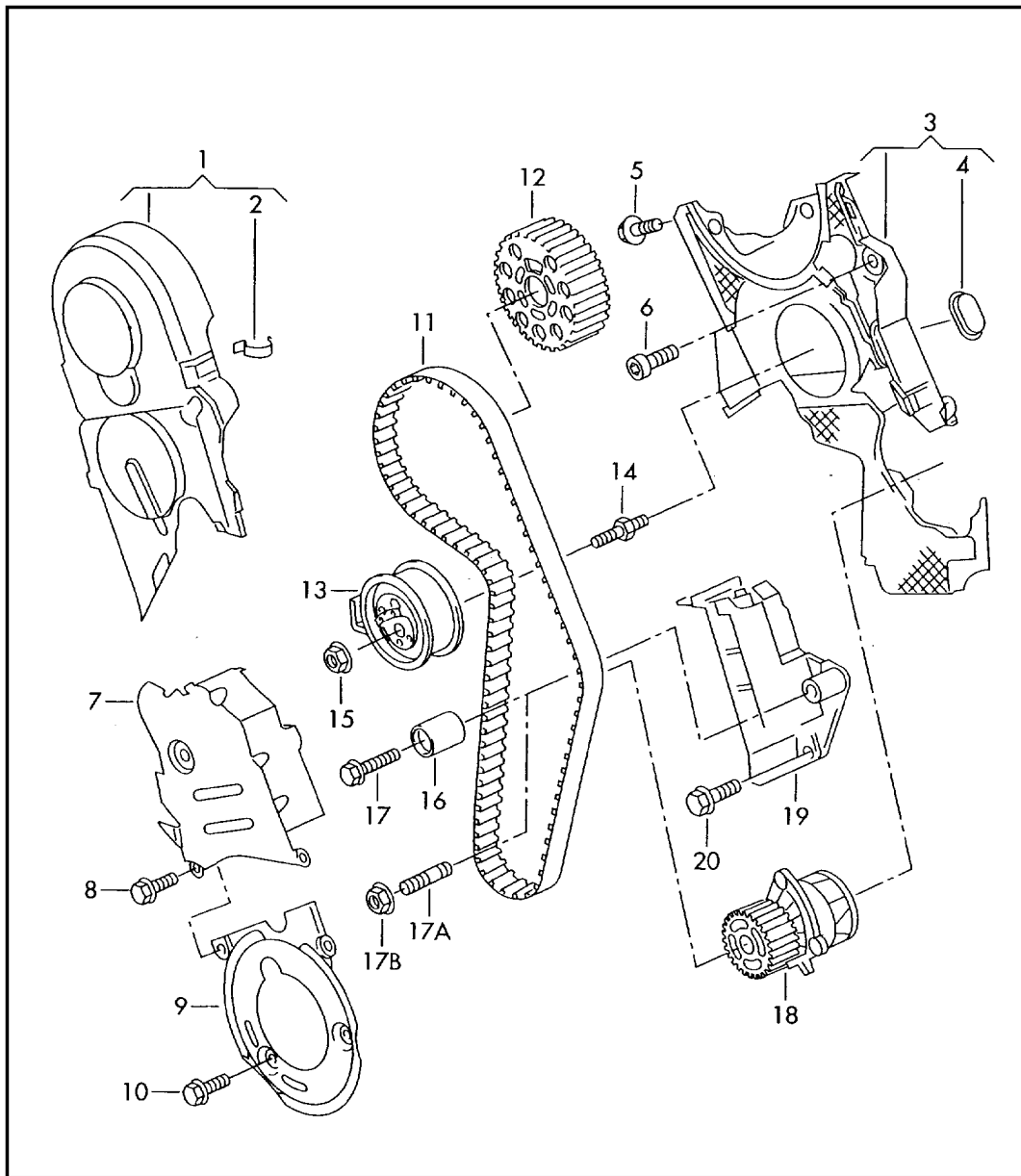

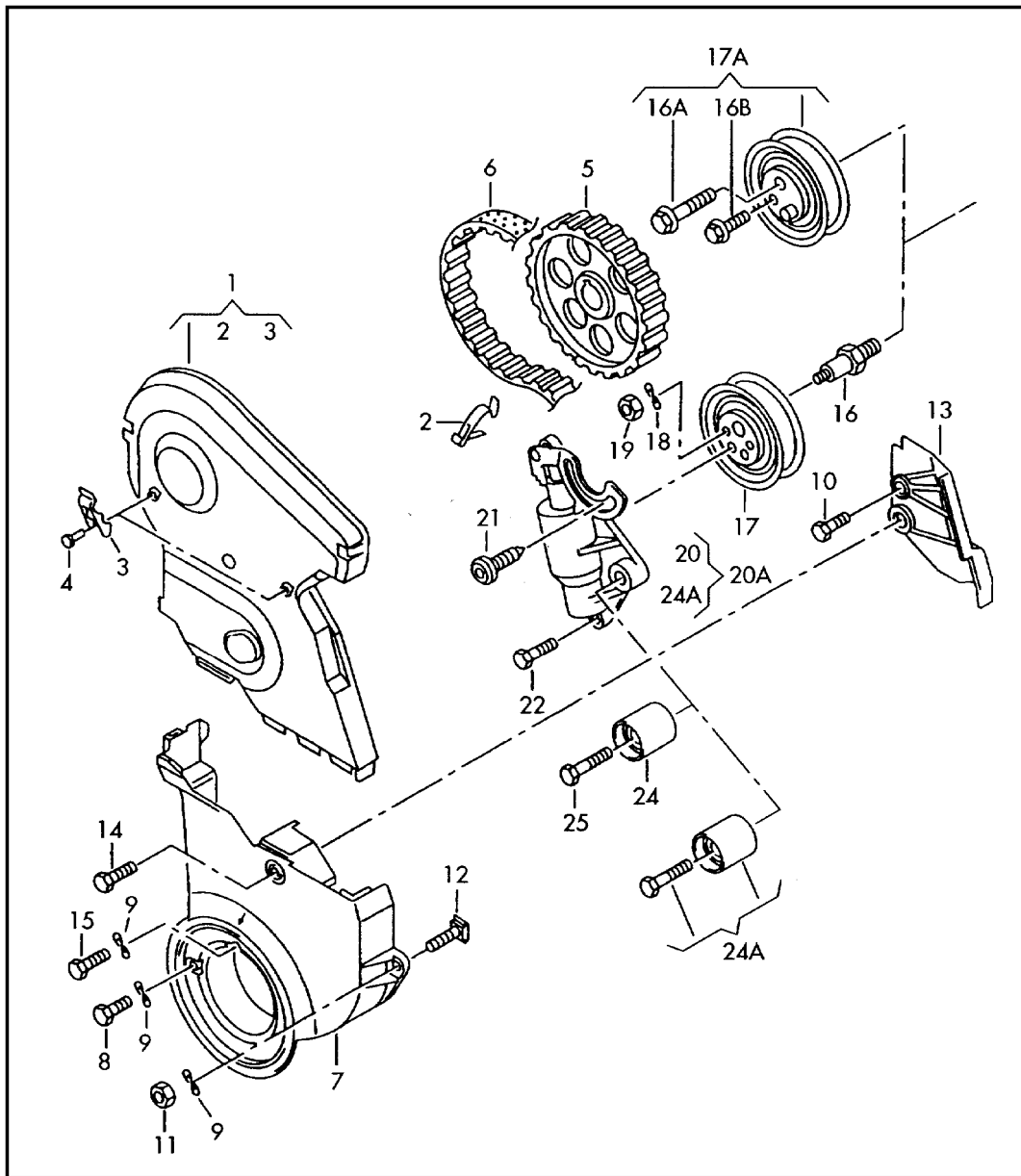


Model	Year	MG	SG	Illustration	Restrictions	UPD	13:04	18.07.2007		ETKA
A6	2002	1	09	109-50		622				




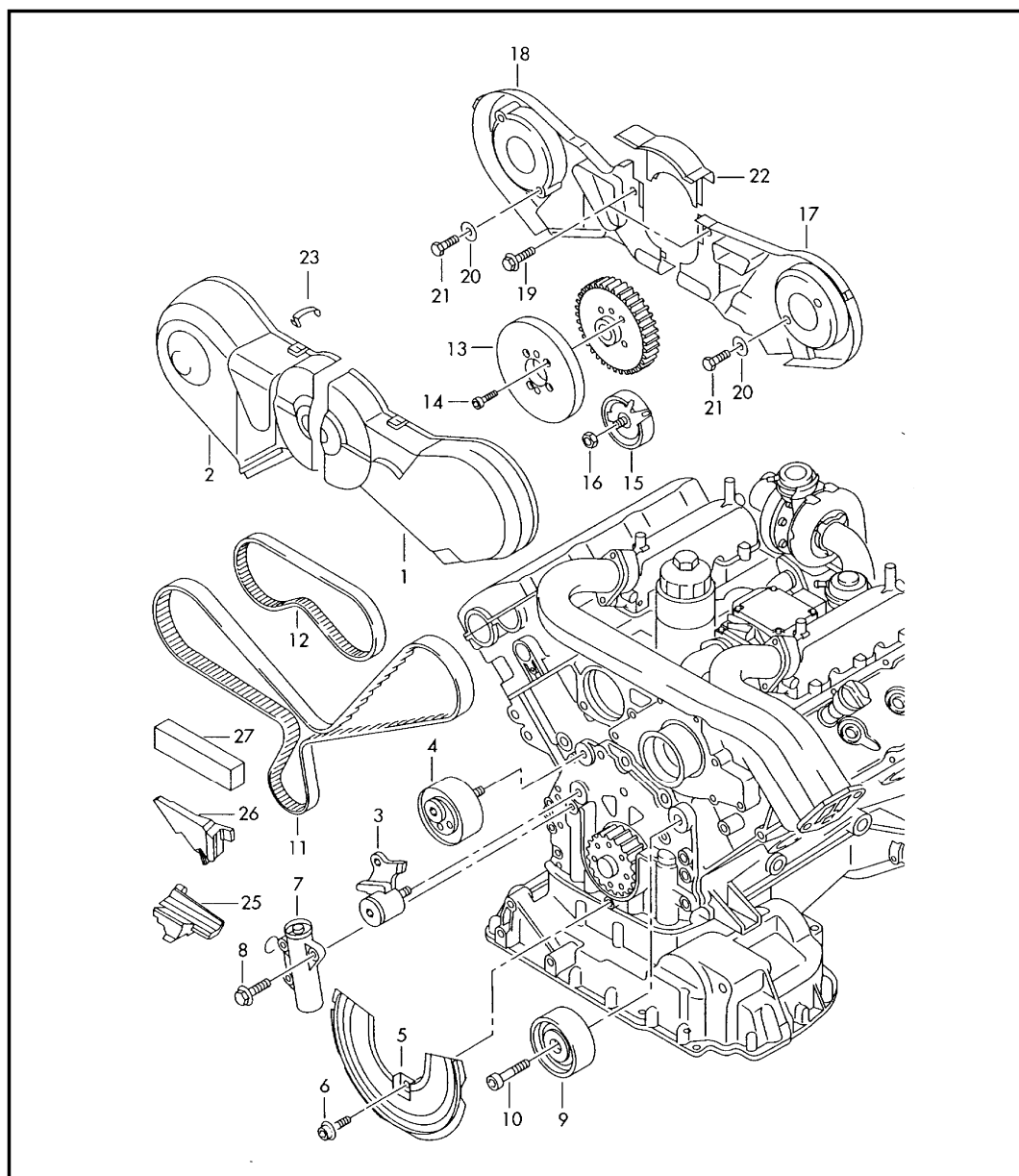
Pos	Part Number	Description	Remark	Qty	Model
		toothed belt toothed belt cover	1.9ltr. 96KW		4-cylinder+ diesel eng.+ AWX,AVF
(1)	045 109 107 F	toothed belt cover	upper	1	
2	026 109 150 A	spring clamp		2	
3	045 109 145 F	cover panel F >> 4B-2-120 000*		1	
(3)	045 109 145 H	cover panel F 4B-2-120 001>>*		1	
(4)	1E0 971 904	plug		1	
5	N 100 829 07	hexagon head bolt (combi)	M6X16-Z1	1	
6	N 014 779 1	allen key head bolt	M8X20	1	
(7)	038 109 147 D	toothed belt cover	center	1	
8	N 100 829 07	hexagon head bolt (combi)	M6X16-Z1	3	
(9)	038 109 175	toothed belt cover	lower	1	
10	N 100 829 07	hexagon head bolt (combi)	M6X16-Z1	2	
(11) b	038 109 119 P	toothed belt	Z=120	1	
12		toothed belt pulley see illustration:	109-05		
13 b	045 109 243 C	tensioning roller F >> 4B-2-120 000* also use:	038 109 454 A	1 1	

Model	Year	MG	SG	Illustration	Restrictions	UPD	13:05	18.07.2007		ETKA
A6	2002	1	09	109-60		622				




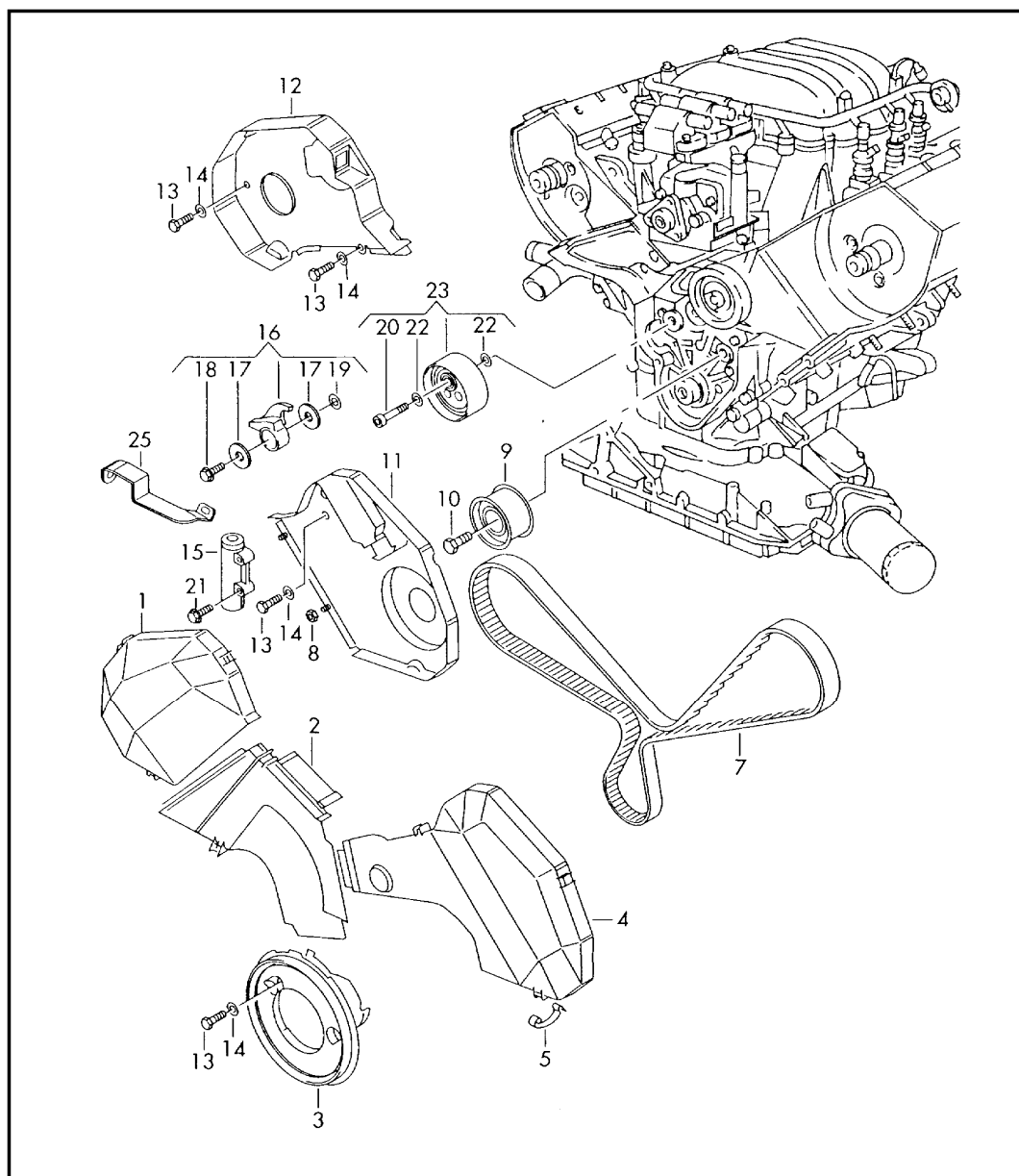
Pos	Part Number	Description	Remark	Qty	Model
		toothed belt	1.8ltr.		4-cylinder+
		toothed belt cover	110KW		AWT
(1)	06B 109 108 E	toothed belt cover	upper	1	
(2)	048 109 150	spring clamp		2	
(3)	058 109 179 B	clips		2	
4	+ N 013 965 5	oval head panel screw	B4, 2X9,5	2	
5		toothed belt pulley	see illustration: 109-10		
(6)	b 06B 109 119 F	toothed belt	Z=150	1	
(7)	06A 109 175 B	toothed belt cover		1	
(8/9)	N 100 515 04	bolt, hexagon head self-locking	M6X15-Z1	2	
(10)	N 100 515 04	bolt, hexagon head self-locking	M6X15-Z1	2	
11	+ N 901 752 03	hexagon nut, shouldered	M6	1	
12	N 900 534 01	t-head screw	AM6X35	1	
(13)	06A 109 147 F	toothed belt cover		1	
(14)	N 100 515 04	bolt, hexagon head self-locking	M6X15-Z1	1	
(16)	06B 109 166	stud	M10AXM8X68	1	
(17)	b 06B 109 243 B	tensioning roller		1	

Model	Year	MG	SG	Illustration	Restrictions	UPD	13:06	18.07.2007		ETKA
A6	2002	1	09	109-80		622				




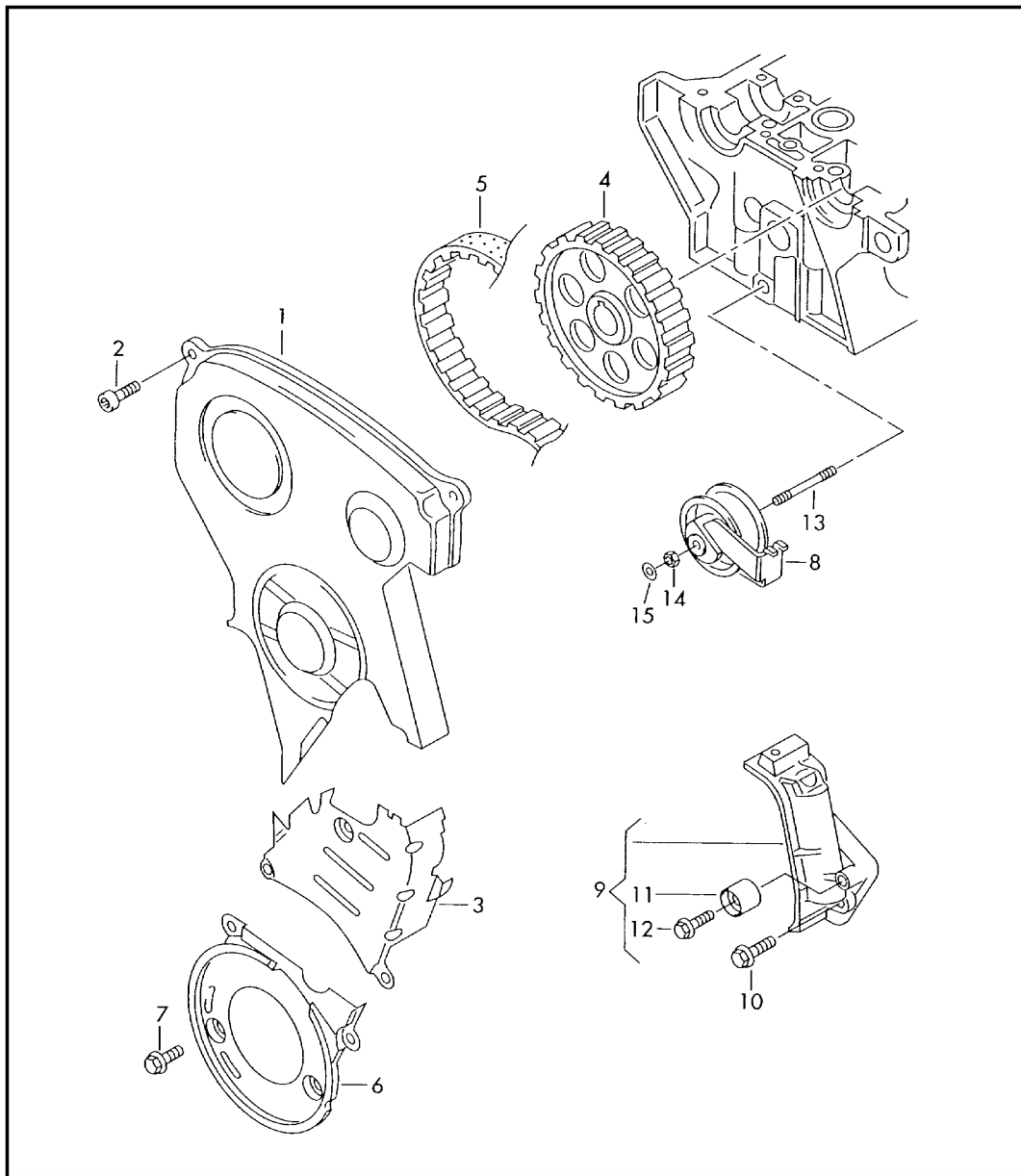
Pos	Part Number	Description	Remark	Qty	Model
		toothed belt toothed belt cover	2.5ltr. 114/120/132KW		6-cylinder+ diesel eng.+ AKE,AYM,BFC, BCZ,BDG,BAU, BDH
1	059 109 107	toothed belt cover F >> 4B-2-165 000*	left	1	
(1)	059 109 107 A	toothed belt cover F 4B-2-165 001>>*	left	1	
2	059 109 108	toothed belt cover	right	1	
(3)	059 109 487 C	tensioning lever		1	
(4) b	059 109 243 J	tensioning roller		1	
5	059 109 127 C	toothed belt cover		1	
6	N 101 154 02	allen key head bolt (combi)	M6X18-Z1	1	
7	059 109 479 B	belt tensioning damper		1	
8 +	N 102 056 01	hexagon head bolt (combi)	M6X32-U-S1	3	
(9) b	059 109 244 B	relay roller		1	
10	N 014 723 6	allen key head bolt	M10X30	1	
(11) b	059 109 119 B	toothed belt	Z=207	1	
(12) b	059 130 113 A	toothed belt	Z=87	1	

Model	Year	MG	SG	Illustration	Restrictions	UPD	13:06	18.07.2007		ETKA
A6	2002	1	09	109-85		622				




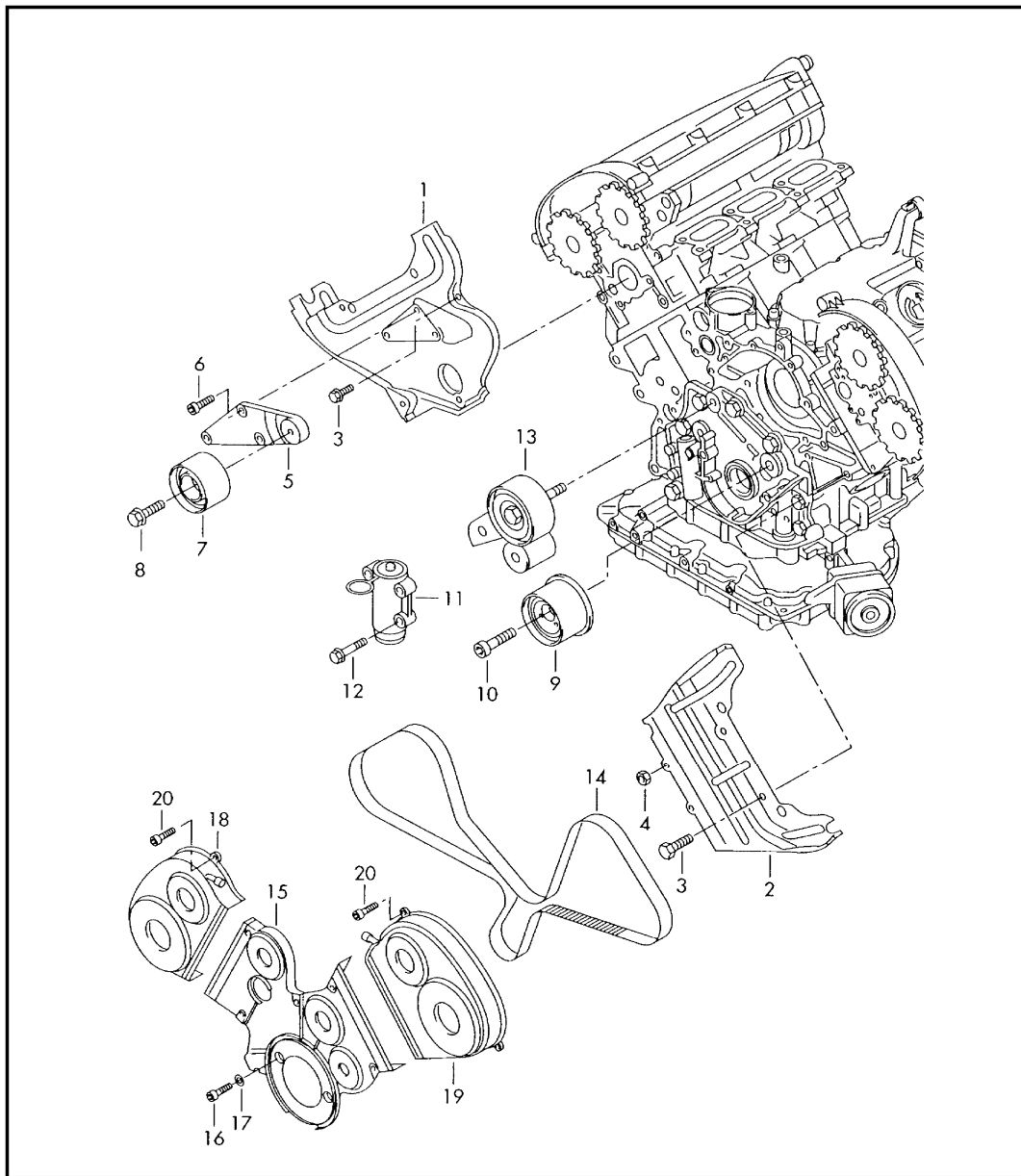
Pos	Part Number	Description	Remark	Qty	Model
		toothed belt	2.4/2.7 ltr		6-cylinder+ ASM,AMM,BDV, ARE,BES
		toothed belt cover			
(1)	078 109 107 Q	toothed belt cover	right	1	ASM,AMM,BDV
(1)	078 109 123 AK	toothed belt cover	right	1	ARE,BES
2	078 109 107 M	toothed belt cover	center	1	
3	078 109 127 E	toothed belt cover	lower	1	
(4)	078 109 123 AJ	toothed belt cover	left	1	ARE,BES
4	078 109 107 H	toothed belt cover	left	1	ASM,AMM,BDV
5	078 109 150 A	spring clamp		X	
(7) b	078 109 119 J	toothed belt		1	
8 +	N 901 752 03	hexagon nut, shouldered	M6	2	
(9) b	078 109 244 H	relay roller		1	
10	N 010 254 14	hexagonal head bolt	M10X25	1	
(11)	078 109 098 C	toothed belt cover	left rear	1	ASM,AMM,BDV
(11)	078 109 107 S	toothed belt cover	left rear	1	ARE,BES
12	078 109 145 T	toothed belt cover	right	1	ASM,AMM,BDV
(12)	078 109 145 AC	toothed belt cover	right	1	ARE,BES
13 +	N 010 215 27	hexagonal head bolt	M6X15	2	

Model	Year	MG	SG	Illustration	Restrictions	UPD	13:05	18.07.2007		ETKA
A6	2002	1	09	109-70		622				




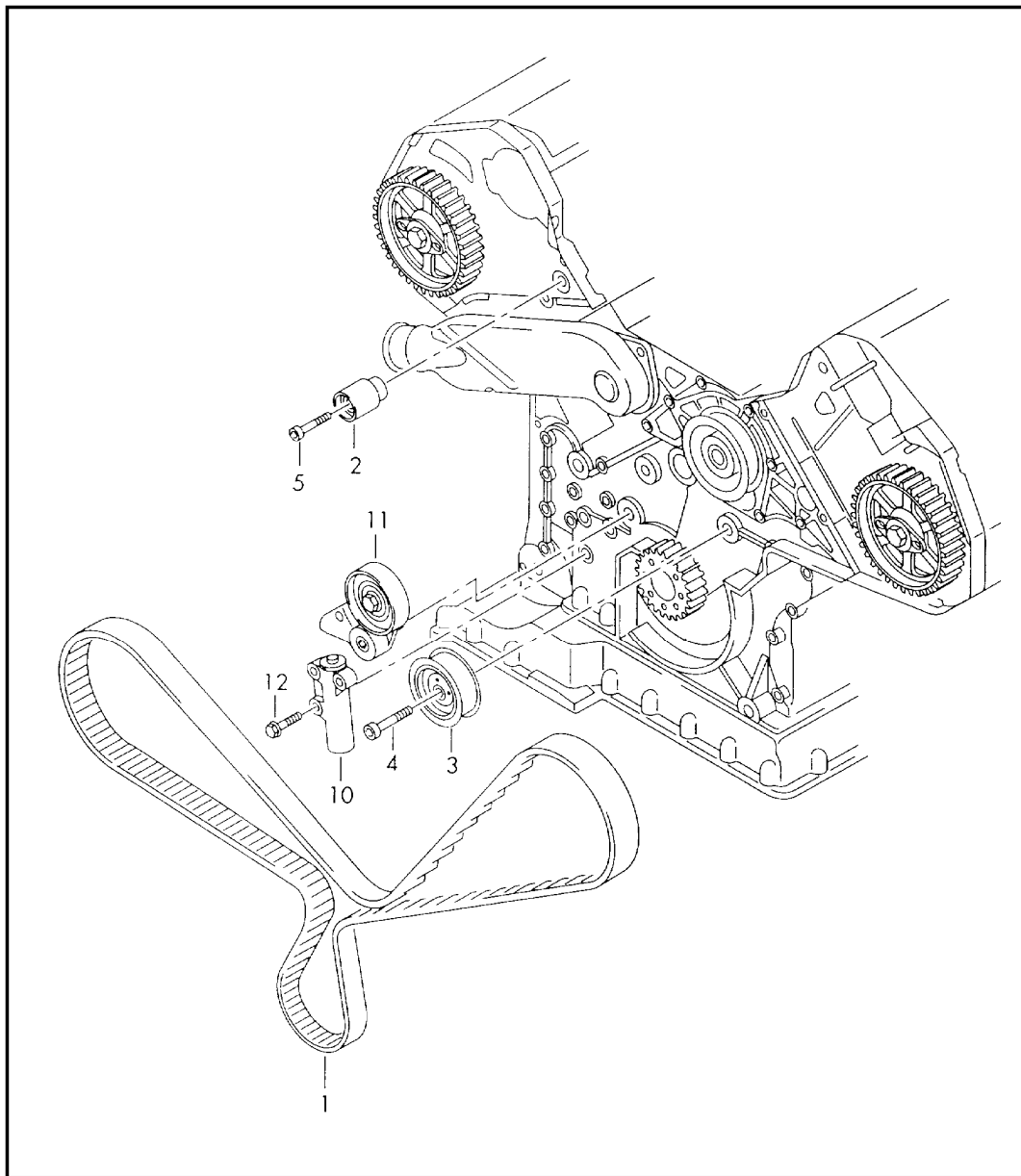
Pos	Part Number	Description	Remark	Qty	Model
		toothed belt	2.0ltr. 96KW		4-cylinder+ ALT
		toothed belt cover			
1	06B 109 123 A	toothed belt cover	upper	1	
2	N 905 375 02	hexagon socket oval head bolt (combi)	M6X20EZ1	2	
3	06A 109 147 F	toothed belt cover		1	
4		toothed belt pulley see illustration:	109-15		
5	b 06B 109 119 F	toothed belt	Z=150	1	
6	06A 109 175 B	toothed belt cover	lower	1	
7	N 100 515 04	bolt, hexagon head self-locking	M6X15-Z1	5	
8	b 06B 109 243 B	tensioning roller		1	
9	06B 109 477 A	belt tensioning damper		1	
(10)	N 909 450 02	hexagon socket head bolt with shoulder	M7X21,5-ITR-TC	2	
11	b 06B 109 244	relay roller		1	
13	06B 109 166	stud	M10AXM8X68	1	
14	N 015 278 2	washer	8X16X2	1	
15	+ N 011 008 30	hexagonal nut	M8	1	

Model	Year	MG	SG	Illustration	Restrictions	UPD	13:07	18.07.2007		ETKA
A6	2002	1	09	109-87		622				




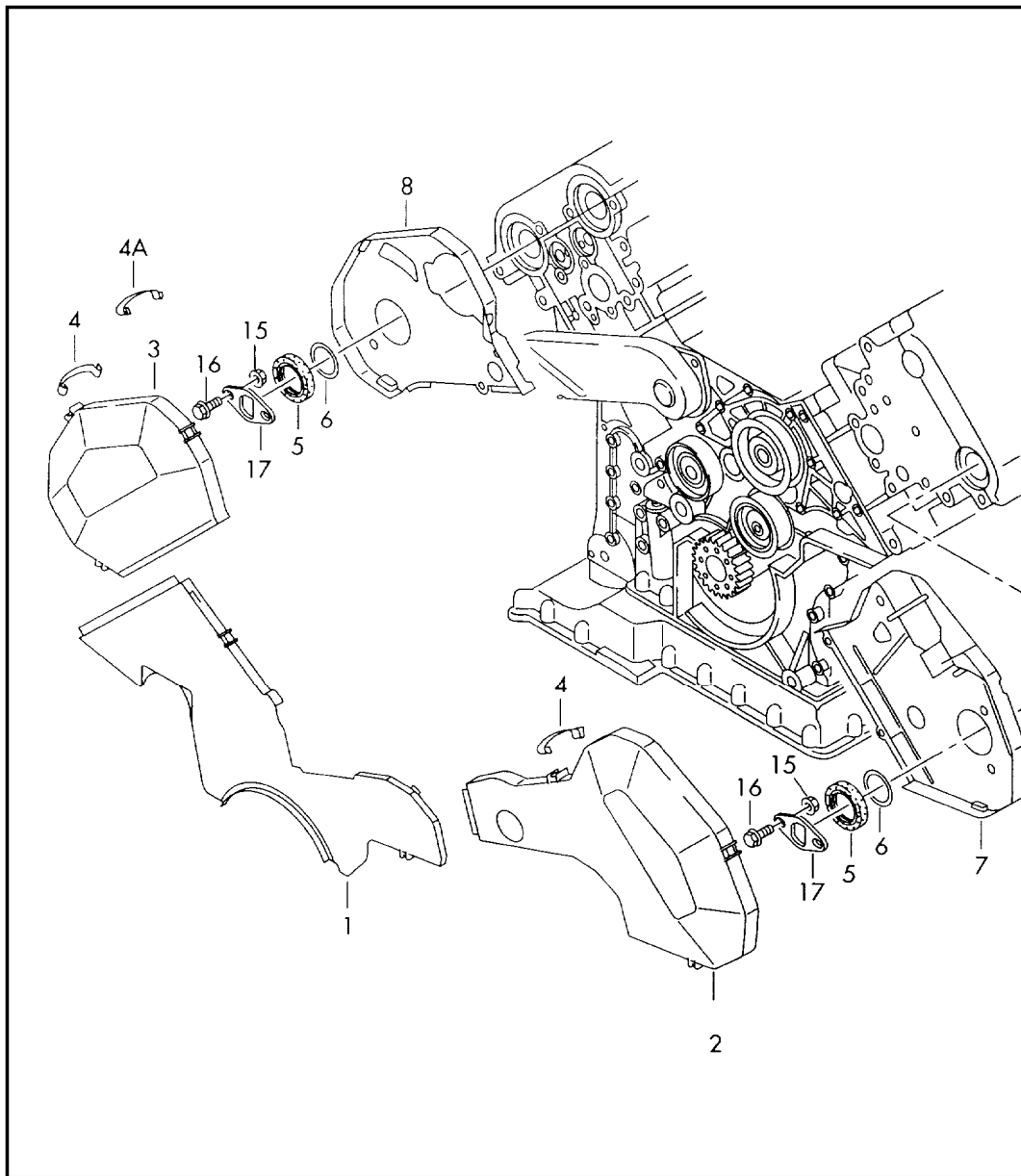
Pos	Part Number	Description	Remark	Qty	Model
		toothed belt	3.0ltr. 160/162KW		6-cylinder+ ASN,BBJ
1	06C 109 196 B	toothed belt cover	right rear	1	
2	06C 109 195 C	toothed belt cover	left rear	1	
3	+ N 100 091 04	hexagon head bolt (combi)	M6X12	5	
4	N 023 002 5	hexagon nut, self-locking	M6	2	
5	06C 109 187 A	bracket for relay roller		1	
6	N 014 705 8	bolt, with hexagon socket head, self-locking	M6X25	1	
(7)	b 06C 109 244	relay roller		1	
8	N 906 305 03	hexagon head bolt (combi)	M10X22	2	
9	b 06C 109 244 C	relay roller		1	
10	N 014 735 6	cheese head bolt	M10X65	1	
11	06C 109 479 A	belt tensioning damper		1	
12	+ N 102 056 01	hexagon head bolt (combi)	M6X32-U-S1	3	
13	06C 109 485 A	tensioning lever		1	
14	b 06C 109 119 C	toothed belt	Z=281	1	
15	06C 109 128 C	toothed belt cover	lower	1	
16	N 014 702 10	allen key head bolt	M6X15	2	

Model	Year	MG	SG	Illustration	Restrictions	UPD	13:07	18.07.2007		ETKA
A6	2002	1	09	109-90		622				




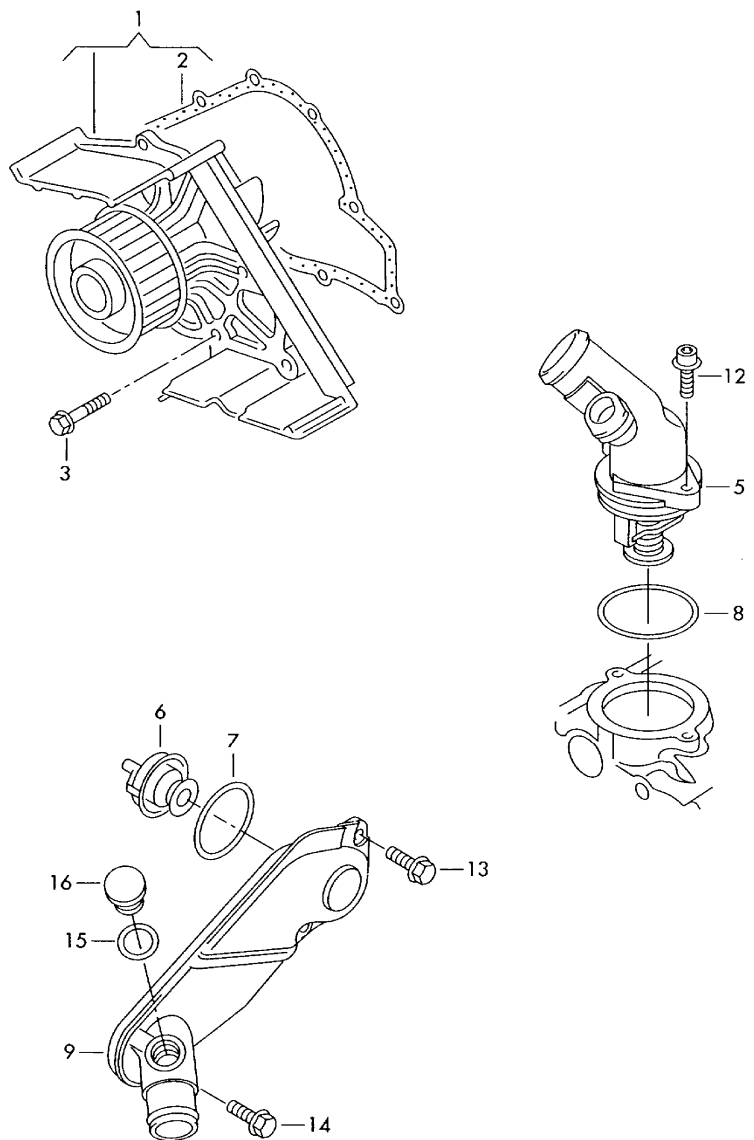
Pos	Part Number	Description	Remark	Qty	Model
		toothed belt	4.2ltr. 220/250KW		8-cylinder+ ASG,ANK
(1)	b 078 109 119 J	toothed belt		1	
2	b 077 109 244 C	relay roller		1	
3	b 077 109 244 E	relay roller		1	
4	N 101 947 02	allen key head bolt	M10X58	1	
5	N 101 355 03	cheese head bolt	M8X52	2	
(10)	077 109 479 D	belt tensioning damper		1	
(11)	077 109 485 E	tensioning lever		1	
12	+ N 102 056 01	hexagon head bolt (combi)	M6X32-U-S1	3	

Model	Year	MG	SG	Illustration	Restrictions	UPD	13:08	18.07.2007		ETKA
A6	2002	1	09	109-95		622				




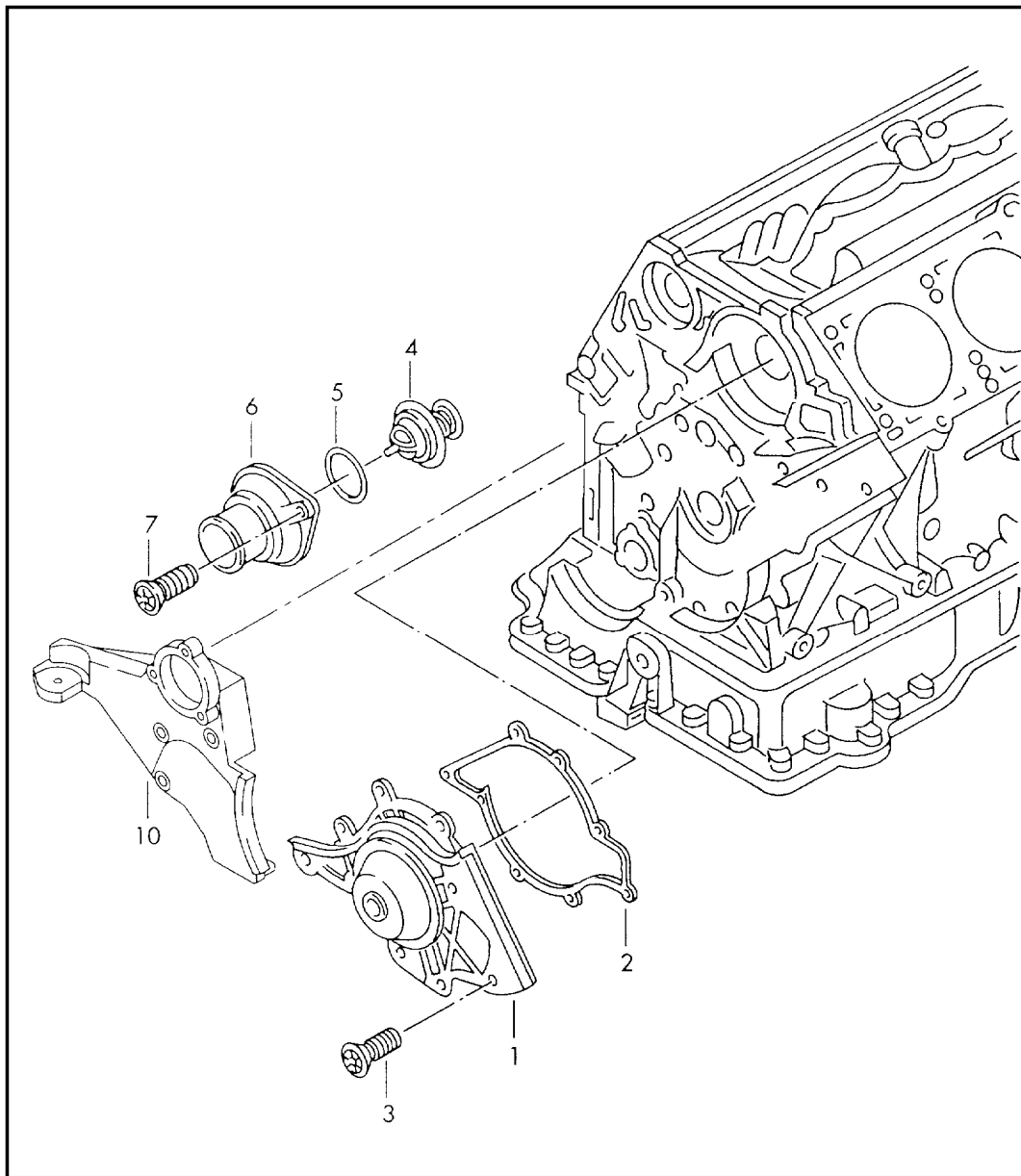
Pos	Part Number	Description	Remark	Qty	Model
		toothed belt cover	4.2ltr. 220/250KW		8-cylinder+ ASG,ANK
1	077 109 194 A	toothed belt cover	center	1	
(2)	077 109 107 E	toothed belt cover	left	1	
(3)	077 109 108 A	toothed belt cover	right	1	
4	078 109 150 A	spring clamp		7	
4A	077 109 150 A	spring clamp		1	
5	b 026 103 085 D	oil seal		4	
6	b 077 103 487 B	gasket		4	
7	077 109 098 B	toothed belt cover	left rear	1	ASG
(7)	077 109 098 C	toothed belt cover	left rear	1	ANK
(8)	077 109 118 C	toothed belt cover	right rear	1	
15	N 023 002 8	hexagon nut, self-locking	AM6	2	
16	N 100 515 04	bolt, hexagon head self-locking	M6X15-Z1	6	
17	078 109 149	washer		2	

Model	Year	MG	SG	Illustration	Restrictions	UPD	13:13	18.07.2007		ETKA
A6	2002	1	21	121-18		622				




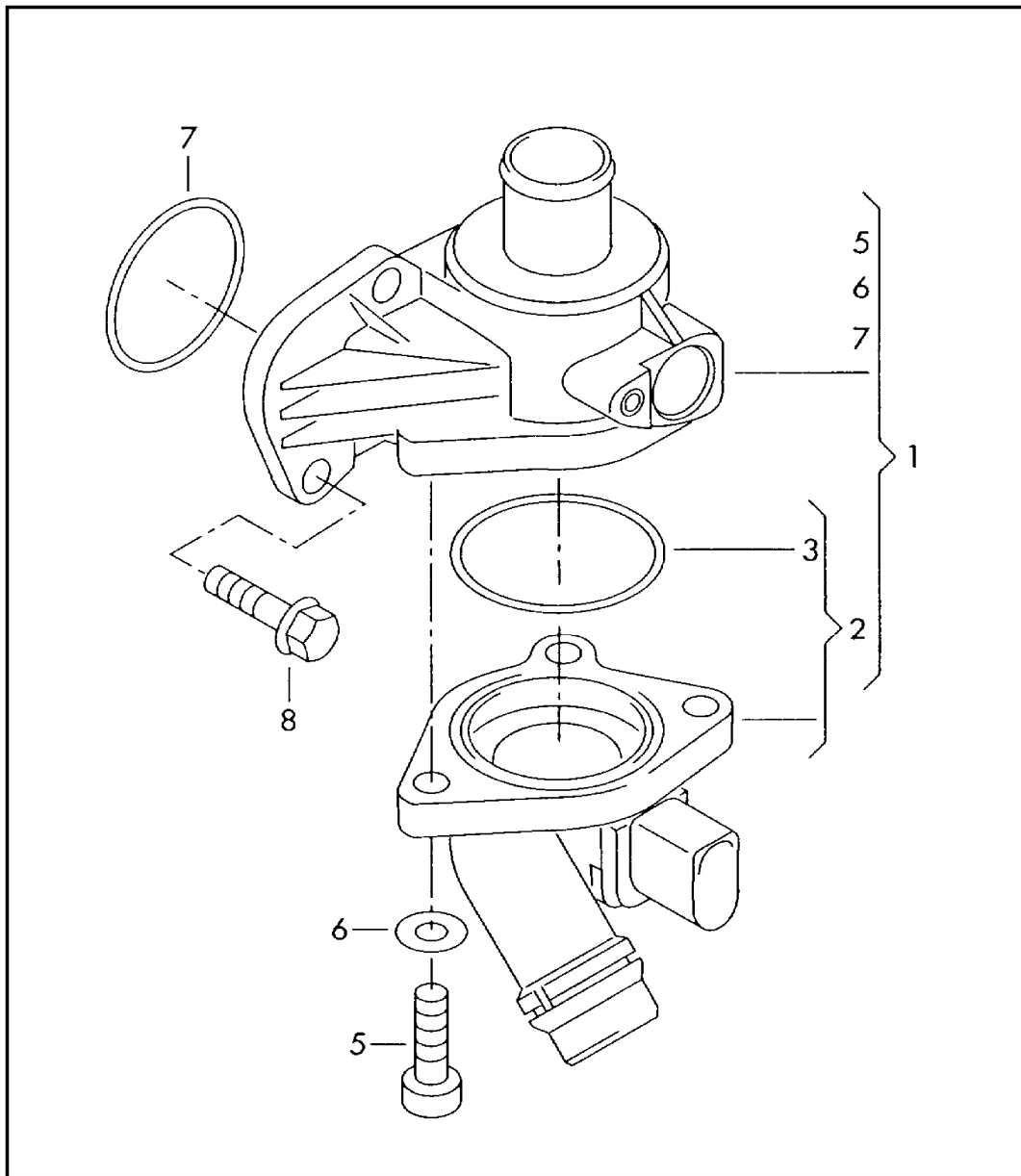
Pos	Part Number	Description	Remark	Qty	Model
		water pump	2.4/2.7 ltr 3.0ltr.		6-cylinder+ ASM,AMM,BDV, ASN,BBJ ARE, BES
1	b 06C 121 004 H	water pump with gasket		1	ASN,BBJ
(1)	b#06C 121 004 HX	water pump with gasket		1	ASN,BBJ
(1)	b 078 121 006	water pump with gasket		1	ASM,AMM,BDV
(1)	b#078 121 006 X	water pump with gasket		1	ASM,AMM,BDV
(1)	b 078 121 006 A	water pump with gasket		1	ARE,BES
(1)	b#078 121 006 AX	water pump with gasket		1	ARE,BES
(2)	078 121 043 A	gasket F >> 4B-2-105 000*		1	ASM,AMM,BDV, ASN,BBJ,ARE
(2)	06C 121 043	gasket F 4B-2-105 001>>*		1	ASM,AMM,BDV, ASN,BBJ,BES
3	N 090 261 2	hexagon head bolt (combi)	M6X20-Z1	9	ASM,AMM,BDV, BFC,BES
(3)+	N 908 244 01	hexagon head bolt (combi)	M6X22	9	ASN,BBJ
5	b 06C 121 111 C	coolant thermostat		1	ASN,BBJ
(6)	b 078 121 113 F	coolant thermostat	87C	1	ARE,BES
(6)	b 078 121 113 G	coolant thermostat	92C	1	ASM,AMM,BDV

Model	Year	MG	SG	Illustration	Restrictions	UPD	13:13	18.07.2007		ETKA
A6	2002	1	21	121-20		622				




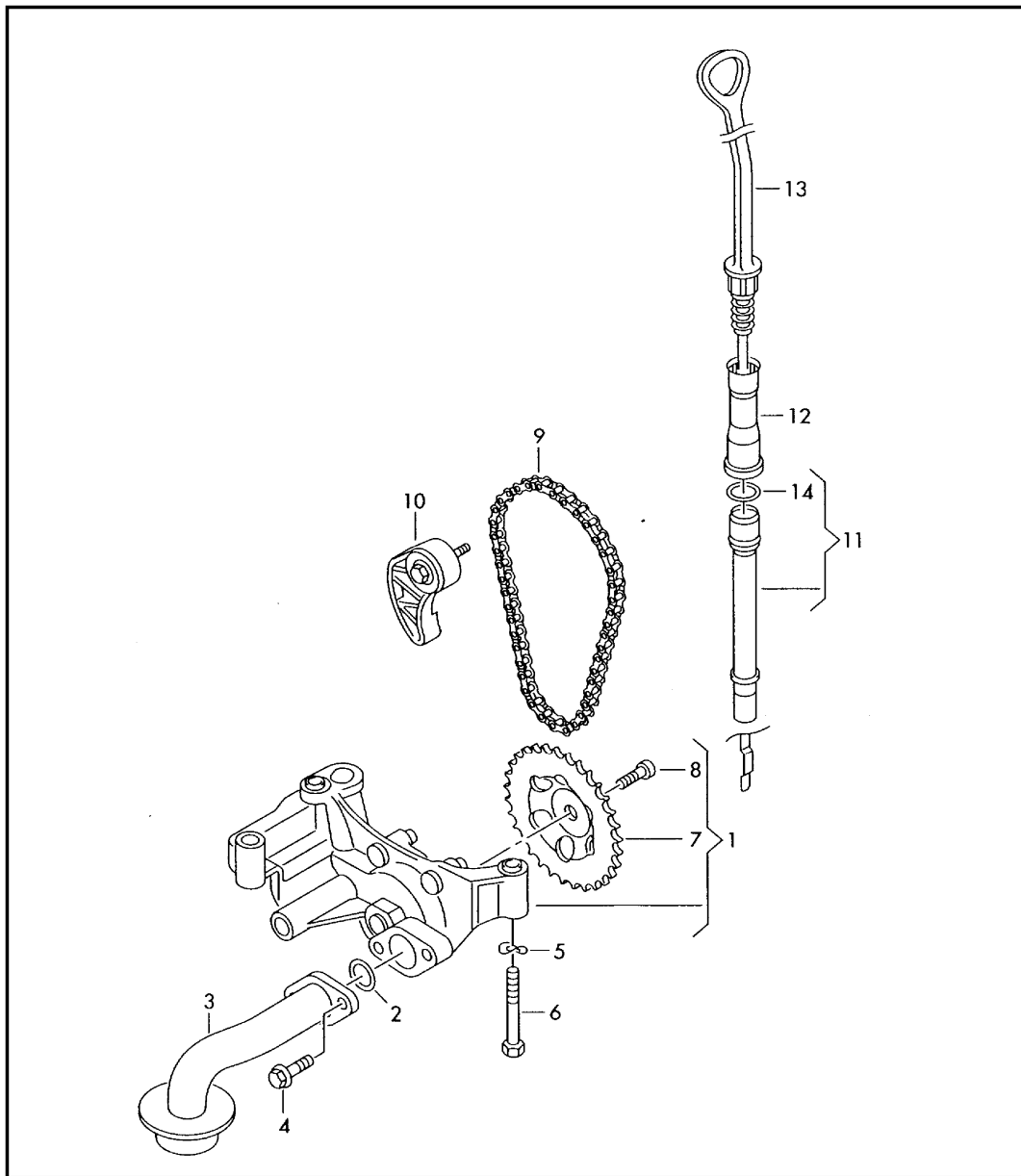
Pos	Part Number	Description	Remark	Qty	Model
		water pump	4.2ltr.		8-cylinder+ ASG,ANK
(1)	b 077 121 004 P	water pump		1	
(1)	b#077 121 004 PX	water pump		1	
(2)	078 121 043 A	gasket		1	
3	N 908 277 02	oval hexagon socket head bolt	M6X25-E	9	
(4)	b 077 121 113 B	coolant thermostat		1	
5	+ N 901 368 02	round seal	60X3,5	1	
(6)	077 121 121 C	cover		1	
7	N 908 277 02	oval hexagon socket head bolt	M6X25-E	3	
(10)	077 121 235 A	retainer		1	
-	N 905 814 02	plug	A7X2	1	

Model	Year	MG	SG	Illustration	Restrictions	UPD	13:14	18.07.2007		ETKA
A6	2002	1	21	121-51		622				




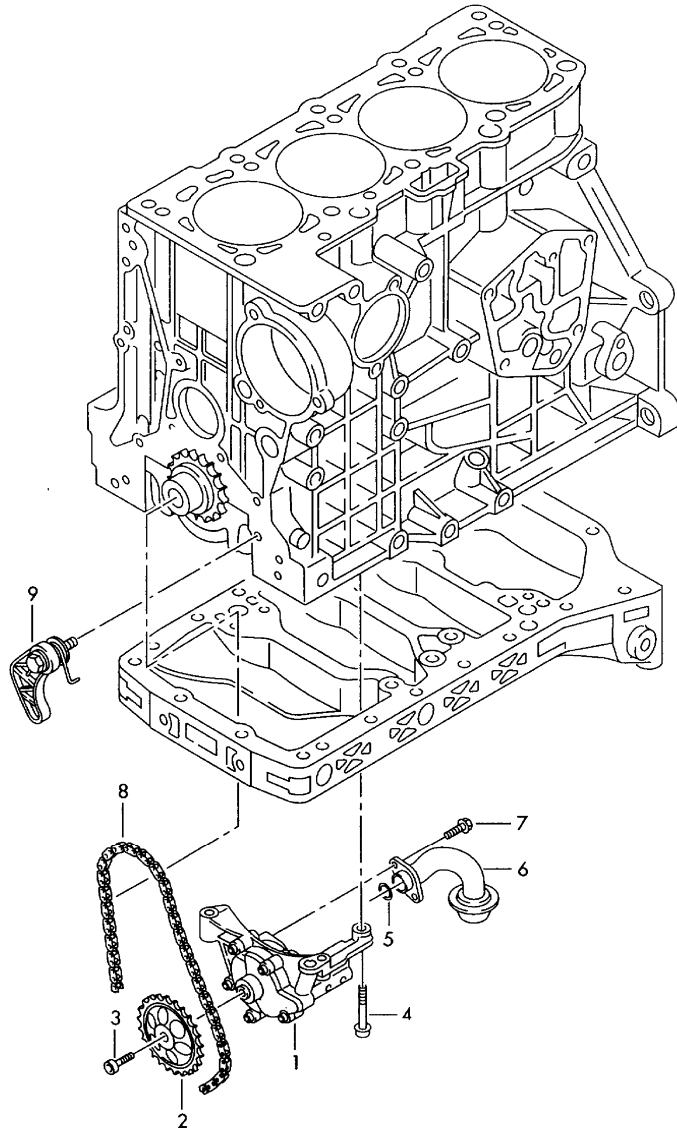
Pos	Part Number	Description	Remark	Qty	Model
		coolant thermostat	2.0ltr.		4-cylinder+ALT
(1) b	06B 121 111 H	coolant thermostat		1	
2		not replacement part			
3	06B 121 119 C	seal	56X3	1	
5	N 101 244 06	oval hexagon socket head bolt	M6X20-E	3	
6 +	N 011 524 23	washer	A6, 4X12, 5X1, 6	3	
7	06B 121 119 B	seal	50X3, 5MM	1	
8 +	N 907 356 03	hexagon socket head bolt with shoulder	M7X28-PC	2	

Model	Year	MG	SG	Illustration	Restrictions	UPD	13:08	18.07.2007		ETKA
A6	2002	1	15	115-10		622				




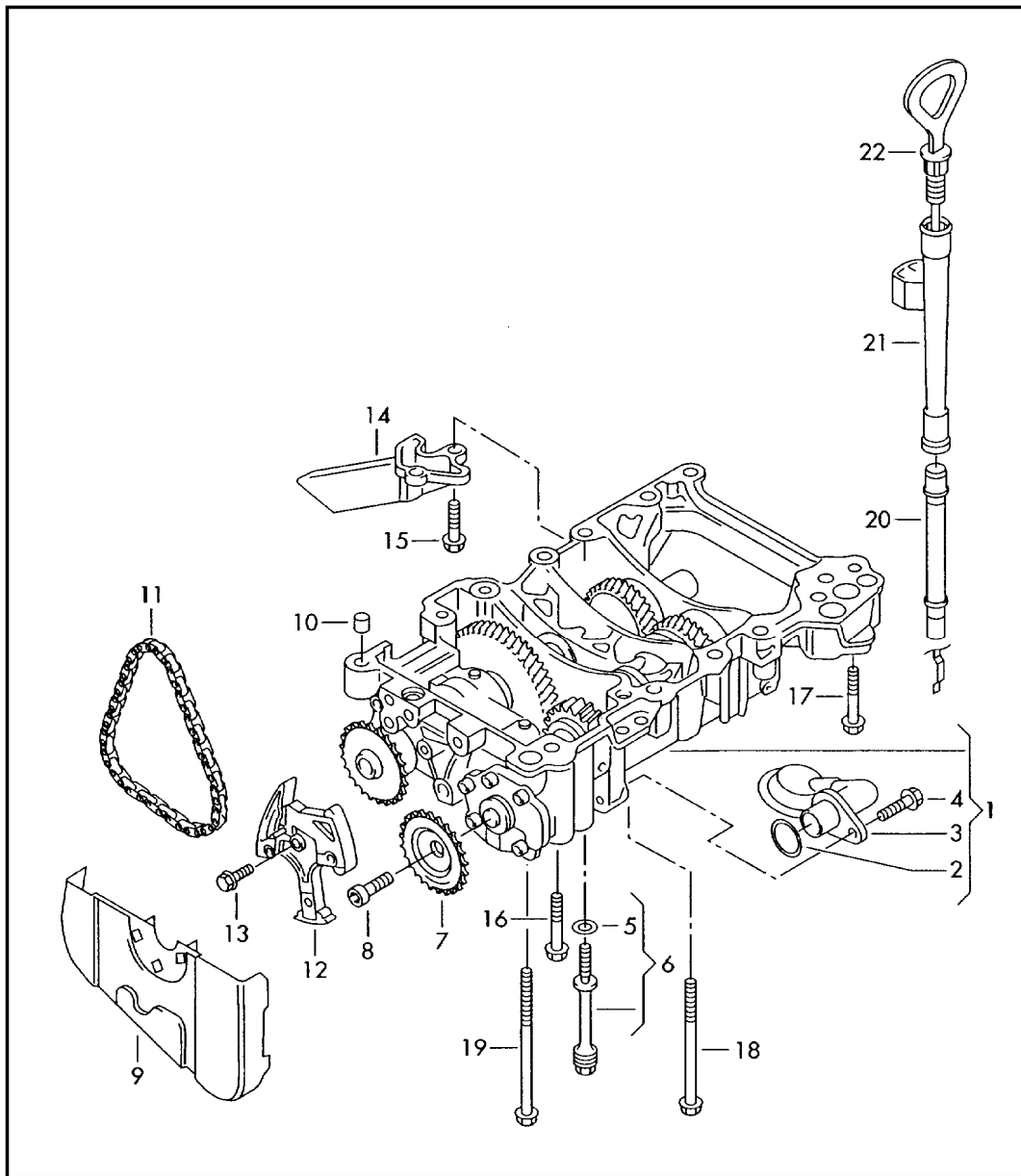
Pos	Part Number	Description	Remark	Qty	Model
		oil pump oil dipstick	1.9ltr. 96KW		4-cylinder+ diesel eng.+ PR-AWX,AVF
(1)	038 115 105 D	oil pump	to be used for:	1	06A 115 121
2	N 028 222 2	seal		1	20X3,15
3	06B 115 251	suction line		1	
(4)	N 909 450 02	hexagon socket head bolt with shoulder		2	M7X21,5-ITR-TC
5	N 012 234 5	spring washer		3	B7X14X0,8
6	N 907 040 01	hexagon socket head bolt with shoulder		3	AM7X55-PC
(7)	038 115 121	sprocket	to be used for:	1	Z=31 038 115 105 B
(7)	06A 115 121	sprocket	to be used for:	1	038 115 105 D
(8)	N 903 661 05	oval hexagon socket head bolt		1	M8X42-E-PC
(9)	038 115 230	chain		1	
(10)	06A 115 130 B	chain tensioner		1	
11	06D 103 634	tube for oil dipstick		1	
(12)	038 103 663	guide funnel		1	
(13)	038 115 611 B	oil dipstick		1	

Model	Year	MG	SG	Illustration	Restrictions	UPD	13:08	18.07.2007		ETKA
A6	2002	1	15	115-20		622				




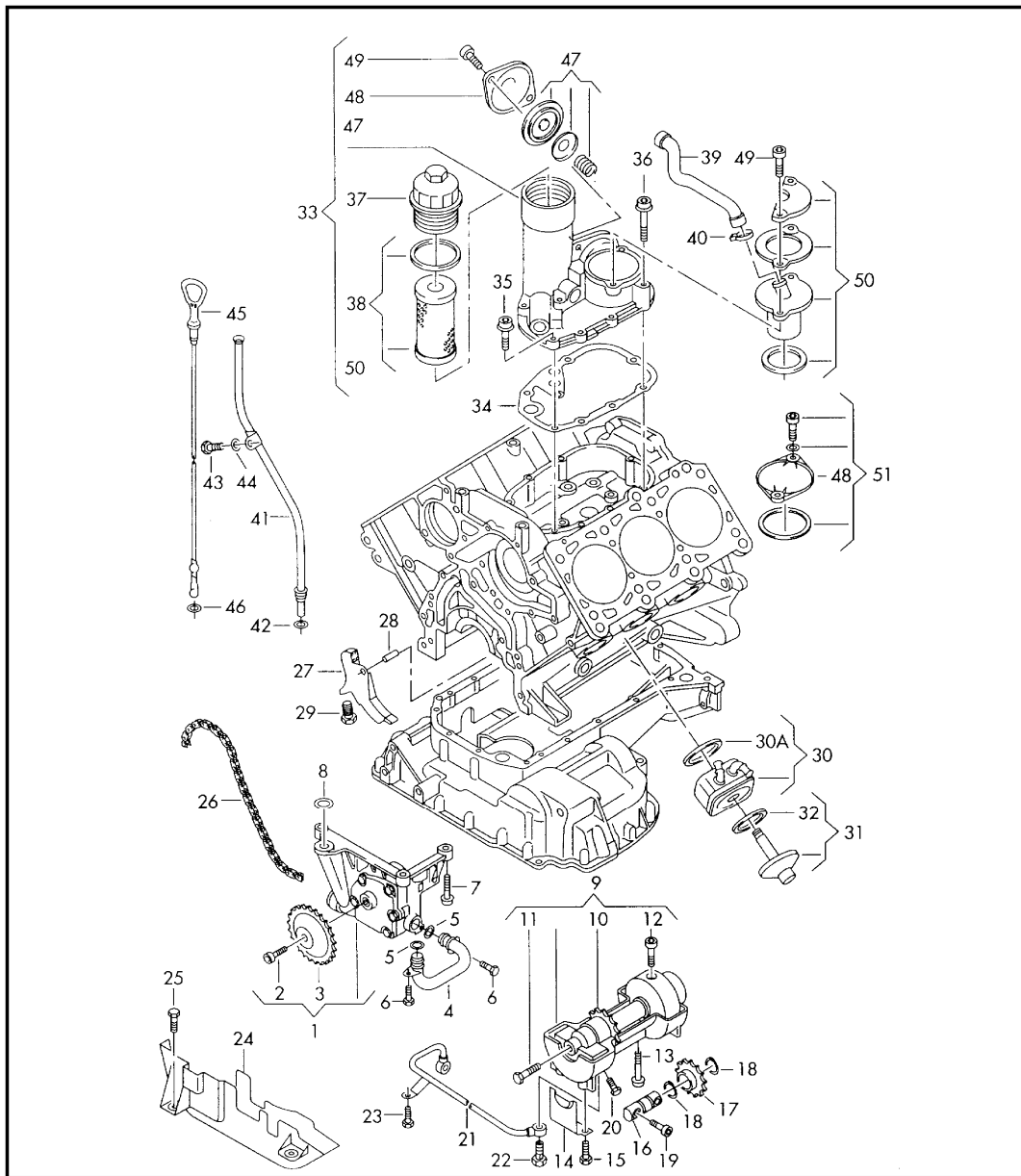
Pos	Part Number	Description	Remark	Qty	Model
		oil pump	1.8ltr. 110KW		4-cylinder+ AWT
(1)	06A 115 105 B	oil pump		1	
2	06A 115 121	sprocket		1	
3	+ N 903 663 03	cheese head bolt, self-locking	M8X22	1	
4	N 907 040 01	hexagon socket head bolt with shoulder	AM7X55-PC	3	
5	N 028 222 2	seal	20X3,15	1	
(6)	06B 115 251	suction line		1	
(7)	N 909 450 02	hexagon socket head bolt with shoulder	M7X21,5-ITR-TC	2	
8	06A 115 125	chain		1	
9	06A 115 130	chain tensioner		1	

Model	Year	MG	SG	Illustration	Restrictions	UPD	13:09	18.07.2007		ETKA
A6	2002	1	15	115-30		622				




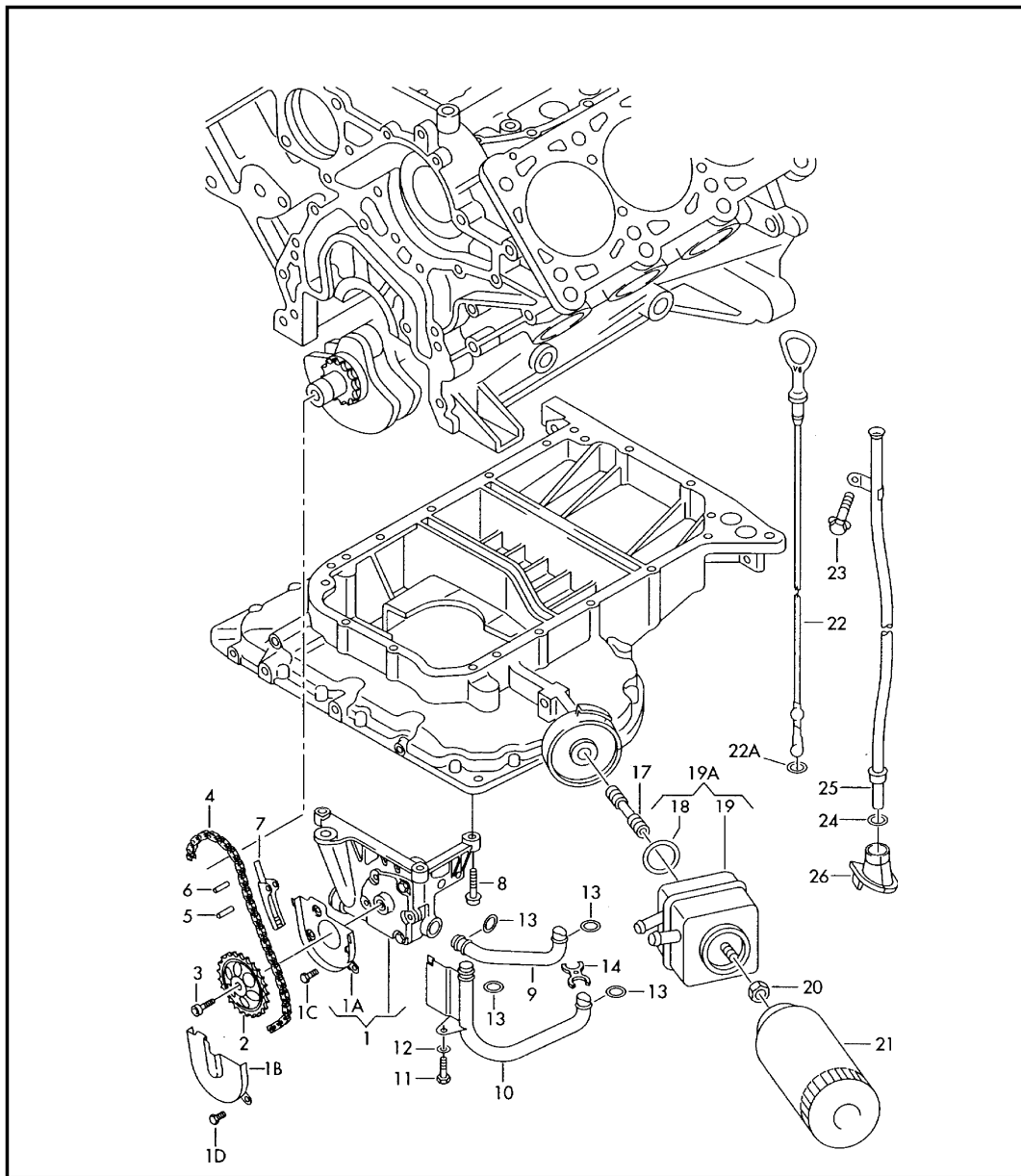
Pos	Part Number	Description	Remark	Qty	Model
		oil pump oil dipstick	2.0ltr. 96KW		4-cylinder+ ALT
(1)	06B 103 295 K	differential housing with gears, shafts and oil pump		1	
2	N 028 222 2	seal	20X3,15	1	
3	06B 115 251 F	suction line		1	
4	N 103 408 01	bolt,hex.hd.with shoul.(combi)	M6X25	1	
5	N 907 773 01	round seal	12X2,5	1	
(6)	WHT 000 360	hexagonal head bolt	M7	1	
7	06B 115 121	sprocket		1	
8 +	N 903 663 03	cheese head bolt, self-locking	M8X22	1	
(9)	06D 103 340	protective plate		1	
10	N 908 208 01	dowel sleeve	11X11	2	
(11)	06F 115 230	chain		1	
12	06B 115 130 A	chain tensioner		1	
13 +	N 907 356 03	hexagon socket head bolt with shoulder	M7X28-PC	1	
(14)	06B 103 206 E	connection piece		1	
15	N 103 408 01	bolt,hex.hd.with shoul.(combi)	M6X25	2	

Model	Year	MG	SG	Illustration	Restrictions	UPD	13:09	18.07.2007		ETKA
A6	2002	1	15	115-35		622				




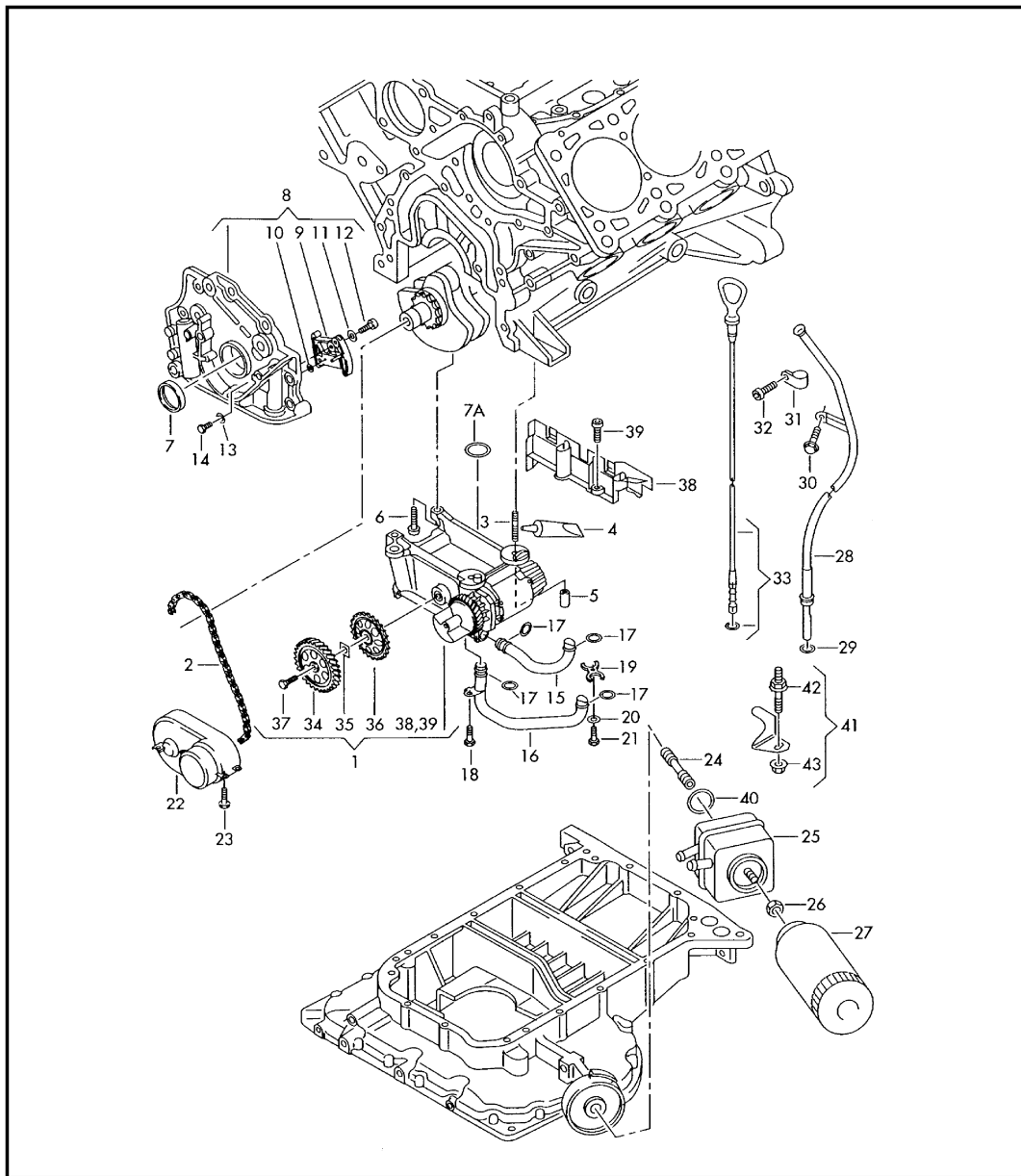
Pos	Part Number	Description	Remark	Qty	Model
		oil pump oil cooler oil filter bracket oil dipstick	2.5ltr. 114/132KW		6-cylinder+ diesel eng.+ BFC, AKE, AYM, BCZ, BDG, BAU, BDH
(1)	059 115 105 H	oil pump		1	
2	N 903 659 07	oval hexagon socket head bolt	M8X22-E-W	1	
3	059 115 121 C	sprocket	Z 25	1	
4	059 115 144 A	oil pressure line		1	
5	N 906 132 01	round seal	18X2,5	2	
6	N 040 268 1	hexagonal head bolt	M6X14	2	
7	N 902 156 02	allen key head bolt (combi)	M8X35-Z0	3	
8	N 907 742 01	round seal	20,35X1,78	1	
9	059 103 325	bearing bracket		1	
10	059 103 333 A	sprocket	Z 20	1	
11	N 010 230 8	hexagonal head bolt	M10X30	4	
12	+ N 014 726 3	allen key head bolt	M8X30	1	
13	N 014 748 2	bolt, with hexagon socket head, self-locking	M8X58	4	
14	059 103 719	filler plate		1	

Model	Year	MG	SG	Illustration	Restrictions	UPD	13:10	18.07.2007		ETKA
A6	2002	1	15	115-40		622				




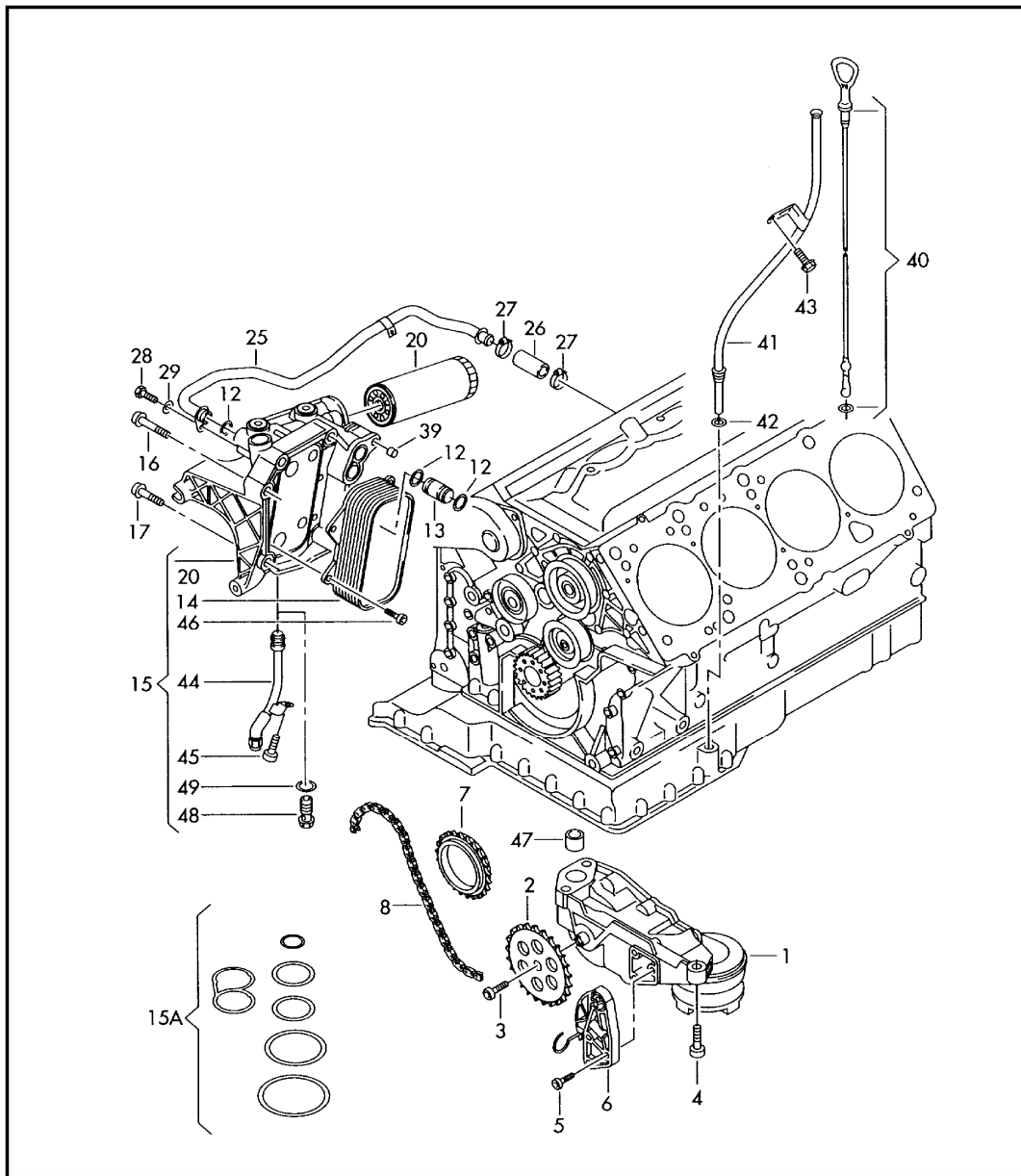
Pos	Part Number	Description	Remark	Qty	Model
		oil pump oil cooler oil dipstick	2.4/2.7 ltr		6-cylinder+ ARE, BES, ASM, AMM, BDV
(1)	078 115 105 D	oil pump		1	
1A	078 115 142 C	protective plate	rear	1	
1B	078 115 132 C	protective plate	front	1	
1C	N 010 217 20	bolt, hexagon head self-locking	M6X20MK	1	
1D	N 101 005 03	hexagon head bolt (combi)	M6X10Z1	1	
2	078 115 121 C	sprocket	Z=30	1	
3	N 903 659 07	oval hexagon socket head bolt	M8X22-E-W	1	
4	078 115 125	chain		1	
5	N 101 058 01	parallel dowel pin	6M6X30	1	
6	N 013 335 1	spring sleeve	6X22	1	
7	078 115 124	chain tensioner		1	
8	N 902 156 02	allen key head bolt (combi)	M8X35-Z0	3	
9	078 115 278 B	oil pipe		1	
10	078 115 277 C	oil pipe		1	
11	+ N 010 215 27	hexagonal head bolt	M6X15	2	

Model	Year	MG	SG	Illustration	Restrictions	UPD	13:10	18.07.2007		ETKA
A6	2002	1	15	115-70		622				




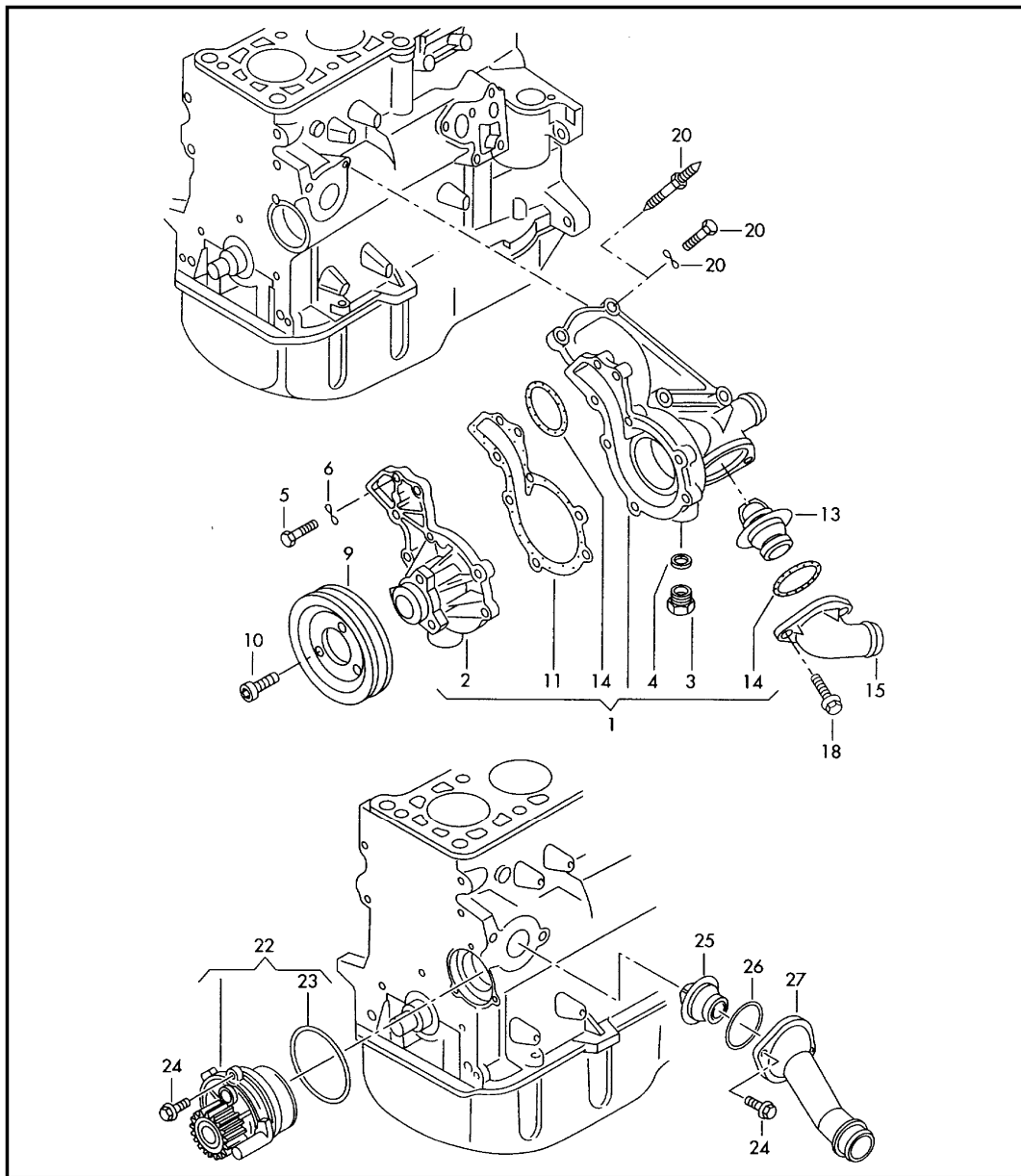
Pos	Part Number	Description	Remark	Qty	Model
		oil pump oil cooler oil filter oil dipstick	3.0ltr. 160/162KW		6-cylinder+ BBJ,ASN
(1)	06C 103 273 G	differential housing with gears, shafts and oil pump F >> 4B-2-015 000*		1	
(1)	06C 103 273 H	differential housing with gears, shafts and oil pump F 4B-2-015 001>>*		1	
2	06C 115 230	chain		1	
3	N 909 441 02	stud	M8X68	2	
4	b D 000 600 A2	liquid sealant	18ML	1	
5	06C 103 099 A	hexagon socket head pipe nut	M8	2	
(6)	N 911 170 01	allen key head bolt (combi)	M8X37	2	
7		see illustration:	103-25		
7A	b 06C 115 709	round seal	19X1,5	1	
8		sealing flange see illustration:	103-25		
9	06C 115 124 A	chain tensioner		1	
10	N 907 408 01	round seal	7,65X1,78	1	
11	+ N 011 557 2	washer	6,4X11X1,6	2	

Model	Year	MG	SG	Illustration	Restrictions	UPD	13:10	18.07.2007		ETKA
A6	2002	1	15	115-80		622				




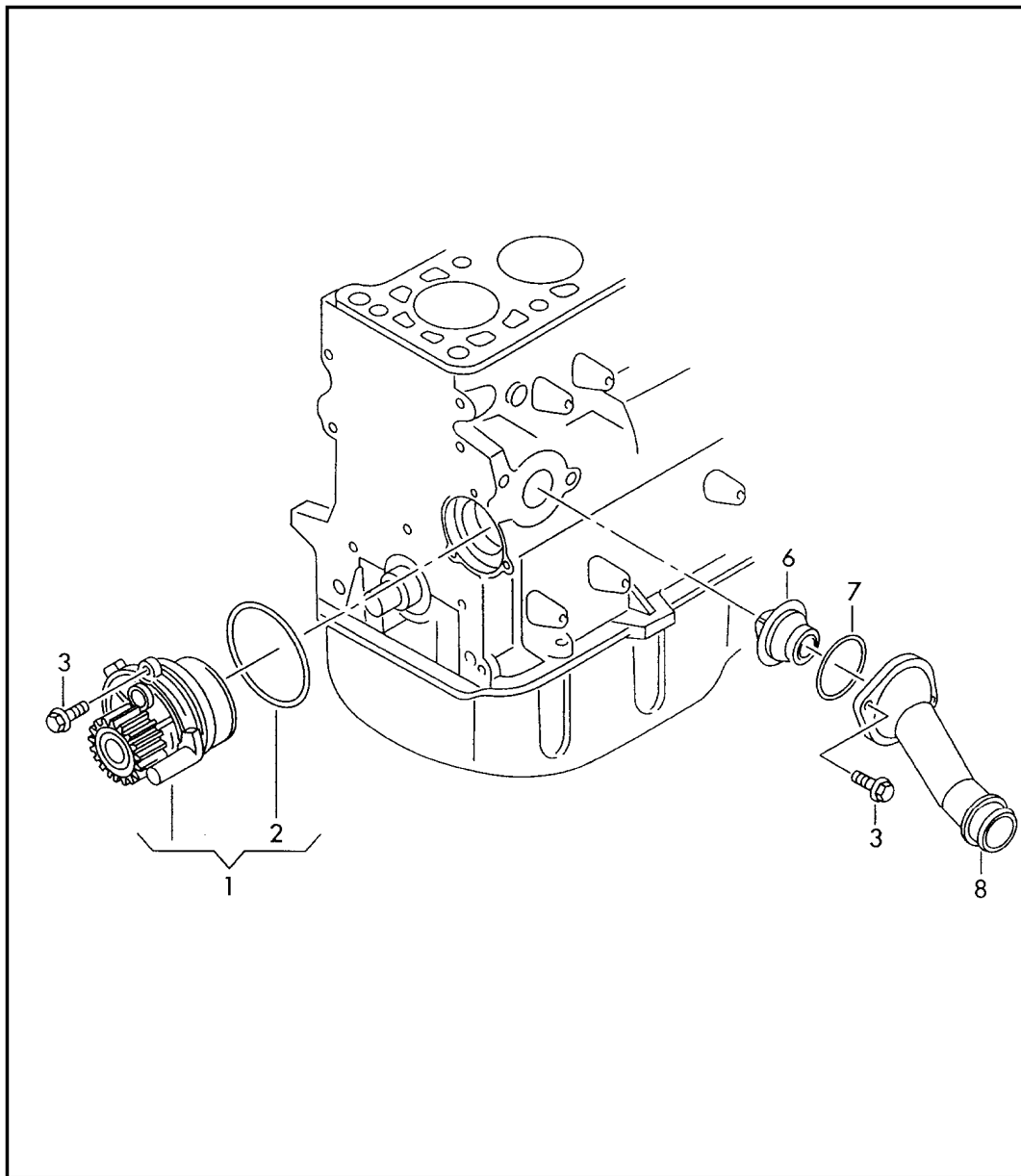
Pos	Part Number	Description	Remark	Qty	Model
		oil pump oil filter oil filter bracket oil dipstick oil cooler	4.2ltr. 220/250KW		8-cylinder+ ASG,ANK
(1)	077 115 105 F	oil pump		1	
2	077 115 121 G	sprocket		1	
3	N 104 687 01	socket head bolt with inner multipoint head	M8X20	1	
4	N 908 578 01	socket head bolt with inner multipoint head	M9X35	3	
5	N 014 705 3	allen key head bolt	M6X25	3	
6	077 115 124 A	chain tensioner		1	
7	077 115 121 F	sprocket		1	
8	077 115 125 A	chain		1	
12	* 077 121 437	round seal		2	
13	077 117 411 A	water pipe		1	
(14)	077 117 021 Q	oil cooler		1	
(15)	077 115 405 M	oil filter bracket F 4B-3-042 001>>*		1	
15A	077 198 405	set of gaskets for oil filter bracket		1	

Model	Year	MG	SG	Illustration	Restrictions	UPD	13:11	18.07.2007		ETKA
A6	2002	1	21	121-10		622				




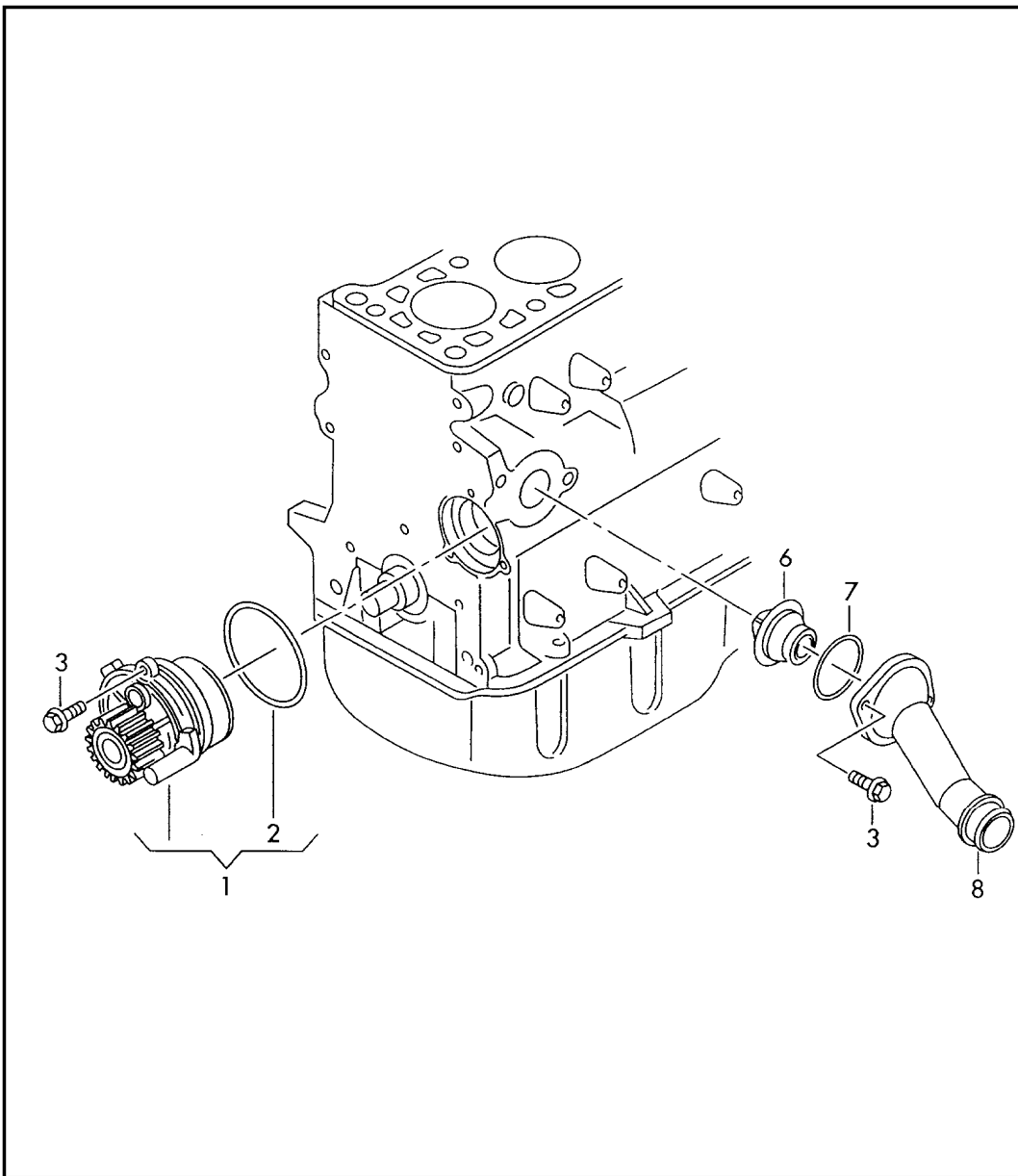
Pos	Part Number	Description	Remark	Qty	Model
		water pump	1.8ltr.		4-cylinder+ petrol eng.+ AWT
(22)	b 06A 121 012	water pump with sealing washer		1	
(22)	b#06A 121 012 X	water pump with sealing washer		1	
23	06A 121 119	seal	53X4MM	1	
24	+ N 909 450 01	hexagon socket head bolt with shoulder	M7X21,5-SP	2	
25	b 050 121 113 C	coolant thermostat	87C-102C	1	
26	+ 038 121 119 B	seal	50X4	2	
27	06B 121 121	connecting socket		1	

Model	Year	MG	SG	Illustration	Restrictions	UPD	13:11	18.07.2007		ETKA
A6	2002	1	21	121-11		622				




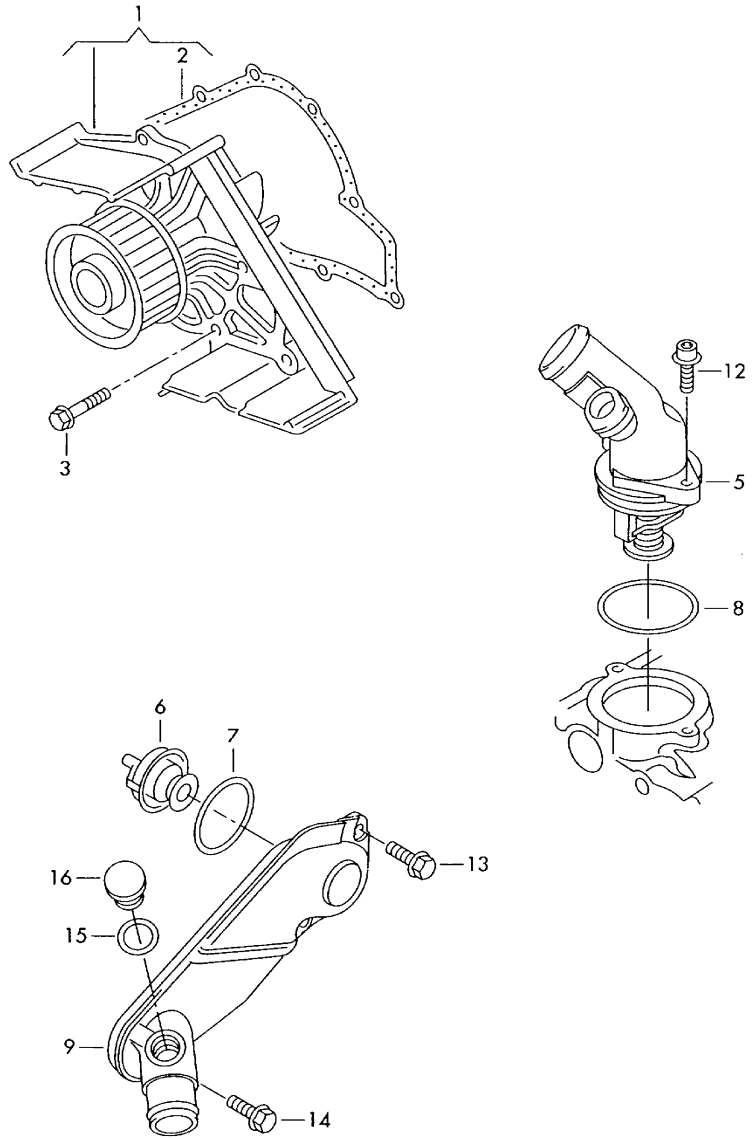
Pos	Part Number	Description	Remark	Qty	Model
		water pump	1.9ltr.		4-cylinder+ diesel eng.+ AWX,AVF
1	b#038 121 011 CX	water pump with sealing washer F >> 4B-2-125 000*		1	
(1)	b 038 121 011 G	water pump with sealing washer F 4B-2-125 001>>*		1	
(1)	b#038 121 011 GX	water pump with sealing washer F 4B-2-125 001>>*		1	
(1)	#038 121 011 GV	water pump with sealing washer		1	
2	038 121 119	seal	57X4MM	1	
3	+ N 909 450 01	hexagon socket head bolt with shoulder	M7X21,5-SP	X	
6	b 044 121 113	coolant thermostat	87C-102C	1	
7	+ 038 121 119 B	seal	50X4	1	
8	038 121 121 B	connecting socket		1	

Model	Year	MG	SG	Illustration	Restrictions	UPD	13:12	18.07.2007	 Audi	ETKA
A6	2002	1	21	121-13		622				



Pos	Part Number	Description	Remark	Qty	Model
		water pump	2.0ltr.		4-cylinder+ petrol eng.+ ALT
1	b 06B 121 011 E	water pump with sealing washer		1	
(1)	b#06B 121 011 EX	water pump with sealing washer		1	
2	06B 121 119 D	seal	72,5X4MM	1	
3	+ N 909 450 01	hexagon socket head bolt with shoulder	M7X21,5-SP	X	

Model	Year	MG	SG	Illustration	Restrictions	UPD	13:12	18.07.2007		ETKA
A6	2002	1	21	121-15		622				



Pos	Part Number	Description	Remark	Qty	Model
		water pump	2.5ltr.		diesel eng.+ 6-cylinder+ AYM, AKE, BFC, BCZ, BDG, BAU, BDH
1	b>059 121 004 E	water pump with sealing washer		1	
(1)	b#059 121 004 EX	water pump with gasket		1	
2	078 121 043 A	gasket		1	
3	N 090 261 2	hexagon head bolt (combi)	M6X20-Z1	1	
6	b 078 121 113 F	coolant thermostat	87C	1	
7	+ N 901 368 02	round seal	60X3,5	1	
9	059 121 121 D	cover		1	
13	N 905 330 03	bolt, hex. hd. (combi.) self-locking	M6X20	2	
14	+ N 908 244 01	hexagon head bolt (combi)	M6X22	2	
15	+ N 043 808 3	seal	A22X29	1	
16	N 016 163 2	sealing plug	CM22X1,5	1	