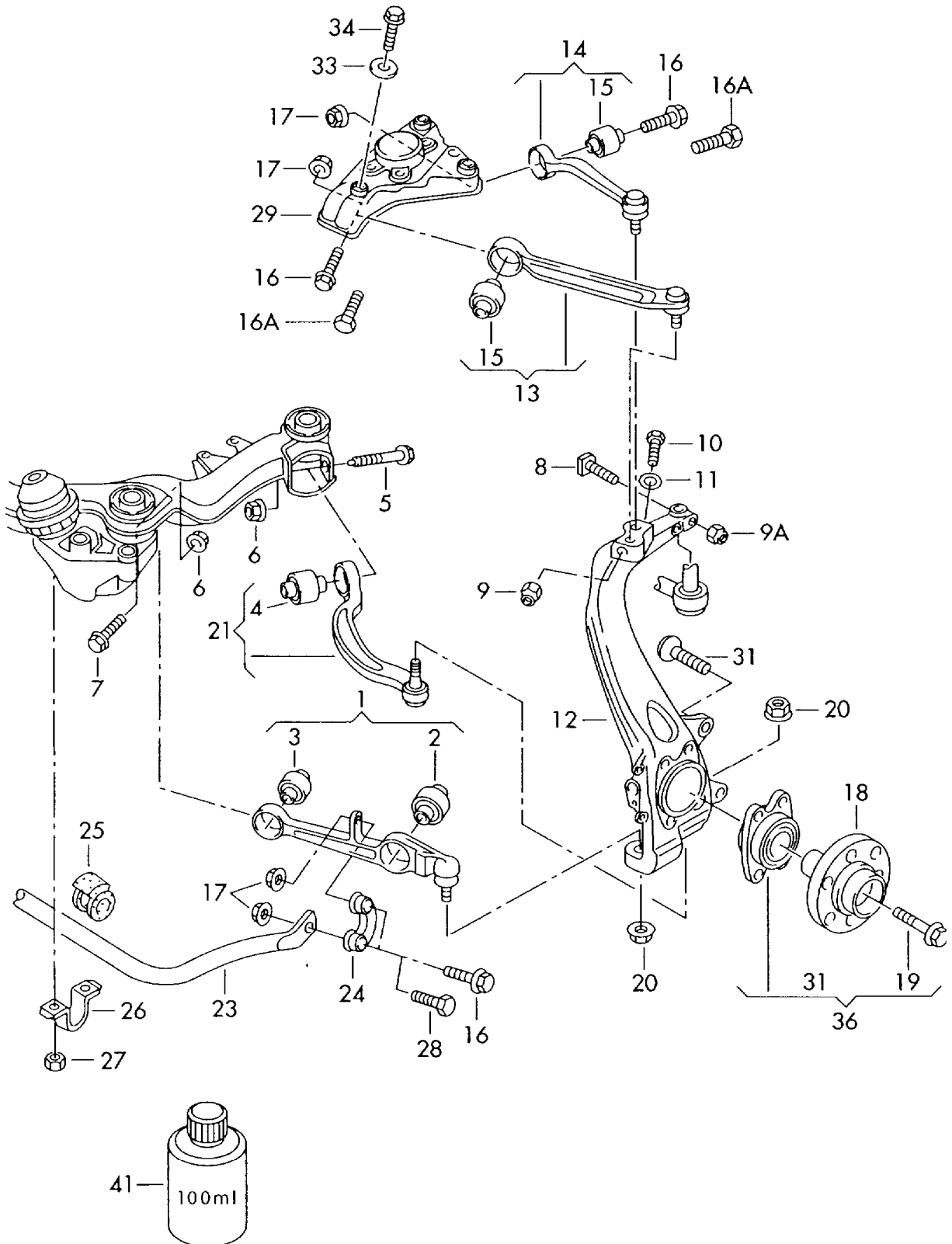




ETKA

Model	Year	MG	SG	Illustration	Restrictions	UPD	8:55	04.04.2009
A6Q	2002	4	07	407-06		805		USA





ETKA

Model	Year	MG	SG	Illustration	Restrictions	UPD	8:55	04.04.2009
A6Q	2002	4	07	407-06		805	USA	

Pos	Part Number	Description	Remark	Qty	Model
		front wishbone link wheel bearing housing anti-roll bar F >> 4B-2-031 500			6 cylinder
1	4D0 407 151 P	front wishbone link	front	2	
(1)	4B3 407 151 C	front wishbone link for vehicles with rim:	front 17"/18"	2	
2	4D0 407 181 H	bonded rubber bush		2	
3	4D0 407 182 G	bonded rubber bush		2	
4	4D0 407 183 AB	bonded rubber bush		2	
5	N 906 259 02	bolt, hex. hd. with pin (combi)	M12X1,5X120X80	2	
6	N 101 064 02	shouldered hex. nut, self-locking	M12X1,5	4	
7	N 102 949 01	hexagon head bolt (combi)	M12X1,5X100-	2	
8	4D0 407 192 C	lock screw	M10X50	2	
9	N 102 723 02	shouldered hex. nut, self-locking	M10	2	
9A	N 908 923 01	hexagon nut, self-locking	M10	2	
10	N 034 790 7	hexagon bolt	M10X100	2	
11	N 104 061 05	washer	20X10,5X2	2	
(12)	4B3 407 257 A	wheel bearing housing for vehicles with rim:	82MM 16"	1	
(12)	4B3 407 258 A	wheel bearing housing for vehicles with rim:	82MM 16"	1	
(12)	4B3 407 257 A	wheel bearing housing for vehicles with rim:	left 82MM 16"	1	
(12)	4B3 407 258 A	wheel bearing housing for vehicles with rim:	right 82MM 16"	1	
(12)	4B3 407 253 G	wheel bearing housing for vehicles with rim:	left 82MM 17"/18"	1	
(12)	4B3 407 254 G	wheel bearing housing for vehicles with rim:	right 82MM 17"/18"	1	



ETKA

Model	Year	MG	SG	Illustration	Restrictions	UPD	8:55	04.04.2009
A6Q	2002	4	07	407-06		805	USA	

Pos	Part Number	Description	Remark	Qty	Model
13	8E0 407 505 A	guide	left front upper	1	
(13)	8E0 407 506 A	guide	right front upper	1	
(13)	8E0 407 505 C	guide	left front upper	1	
(13)	8E0 407 506 C	guide	right front upper	1	
14	8E0 407 509 A	guide	left rear upper	1	
(14)	8E0 407 510 A	guide	right rear upper	1	
(14)	8E0 407 509 C	guide	left rear upper	1	
(14)	8E0 407 510 C	guide	right rear upper	1	
15	4B0 407 515	bonded rubber bush		4	
(15)	8D0 407 515 B	bonded rubber bush		4	
(15)	8D0 407 515 B	bonded rubber bush for special armoured vehicle		4	
16		not replacement part			
16A	N 104 253 02	hex collared bolt	M10X62X45	4	
17	N 102 861 10	shouldered hex. nut, self-locking	M10	4	
18	4B0 407 613 B	wheel hub for vehicles with rim:	82MM 17"/18"	2	
18	4B0 407 613 B	wheel hub for special armoured vehicle	82MM	2	
(18)	4A0 407 615 G	wheel hub	82MM	2	
19	* 4B0 407 643 A	shouldered bolt for vehicles with rim:	M16X1,5X72 17"/18"	2	
(19)	4A0 407 643 A	shouldered bolt	M16X1,5X77	2	
20	N 908 484 01	hex. nut, self-locking with washer	M12X1,5	4	
21	8E0 407 693 Q	suspension guide	left front	1	
(21)	8E0 407 694 Q	suspension guide	right front	1	
23	4B0 411 309 G	anti-roll bar	front	1	



ETKA

Model	Year	MG	SG	Illustration	Restrictions	UPD	8:55	04.04.2009
A6Q	2002	4	07	407-06		805	USA	

Pos	Part Number	Description	Remark	Qty	Model
(23)	4B0 411 309 F	anti-roll bar for vehicles with sports-type running gear	front	1	
(23)	4B0 411 309 F	anti-roll bar for special armoured vehicle	front	1	
24	8D0 411 317 D	coupling rod	left	1	
(24)	8D0 411 318 D	coupling rod	right	1	
25	4D0 411 327 H	rubber bush	27MM	2	
26	4D0 411 336 D	clamp		2	
27	N 901 838 02	shouldered hex. nut, self-locking	M8	4	
28	N 104 253 02	hex collared bolt	M10X62X45	4	
29	8D0 412 383 E	bracket		2	
31	4D0 505 445	ball screw for vehicles with rim:	M12X1,5X45 17"/18"	8	
(31)	* 4D0 505 445	ball screw for special armoured vehicle	M12X1,5X45	8	
33	8D0 412 145 B	washer	5X16,2X40	4	
34	N 908 476 01	hex collared bolt	M10X25	6	
(36)	4B0 498 625 A	wheel bearing with assembly parts	82MM	2	
		only for:	8D0 407 257 AM 8D0 407 258 AM 4B3 407 257 A 4B3 407 258 A		
(36)	8E0 498 625 B	wheel bearing with assembly parts	82MM	2	
		only for:	4B3 407 253 G 4B3 407 254 G		
(36)	8E0 498 625 B	wheel bearing with assembly parts for special armoured vehicle	82MM	2	
		only for:	4B3 407 253 G 4B3 407 254 G		