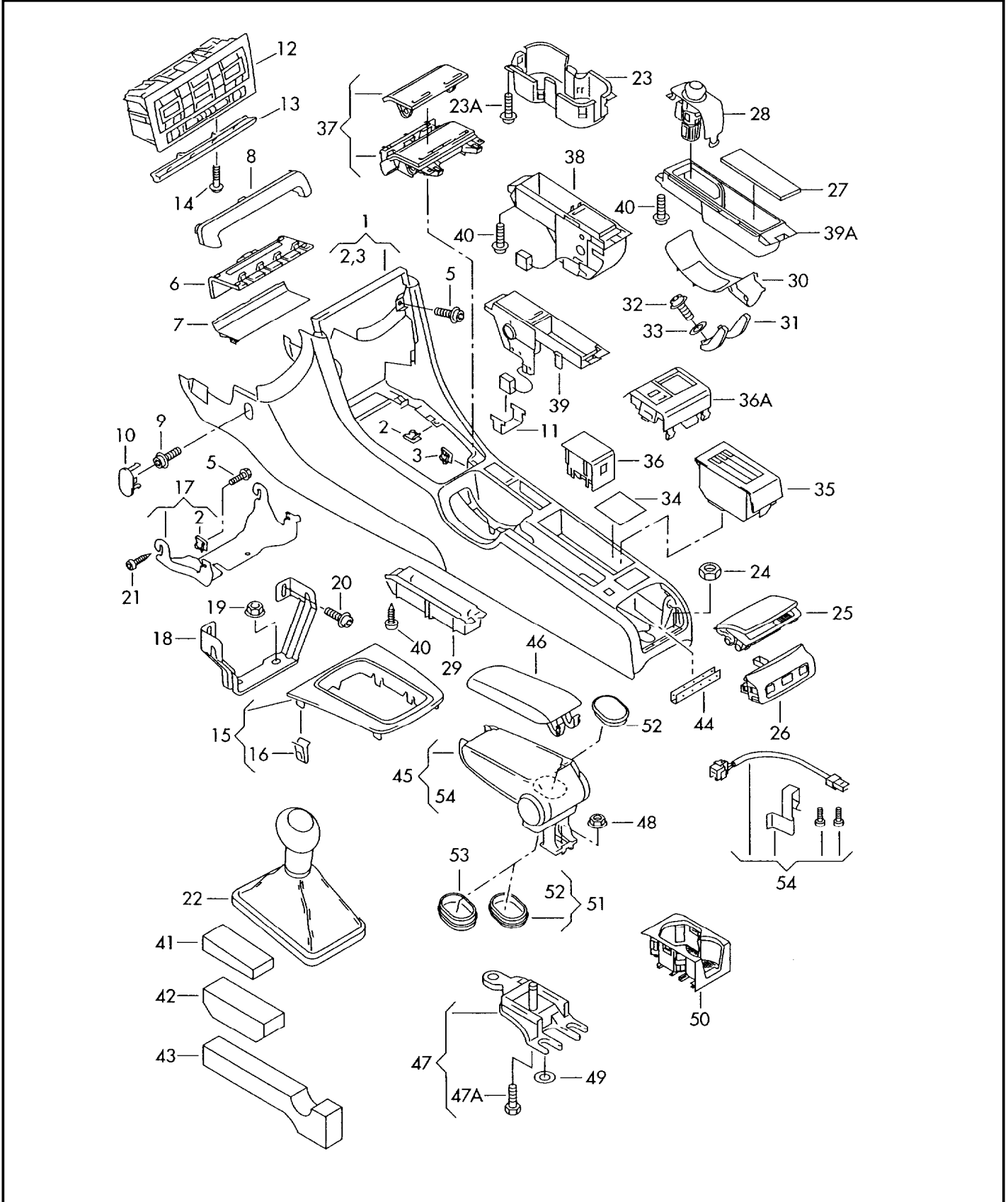




ETKA

Model	Year	MG	SG	Illustration	Restrictions	UPD	9:37	19.03.2009
A4Q	2006	8	63	863-50	8E-5-400 001 >>	622		





ETKA

Model	Year	MG	SG	Illustration	Restrictions	UPD	9:37	19.03.2009
A4Q	2006	8	63	863-50	8E-5-400 001 >>	622		

Pos	Part Number	Description	Remark	Qty	Model
1	8E0 863 241 G	centre console boot for gearstick		1	PR-2T0
	11/04 EC3	light platinum (grey)	-NQ,NZ		
	11/04 4D9	indigo	-MF,NW		
	11/04 6PS	soul (black)	-NK,NM,NX,NY, DT,QE,QP,QL, QU,QW,QX,QY, ZM,ZR,ZU,ZV		
	11/04 8C1	torrone (beige)	-NR		
(1)	8E0 863 241 F	centre console adapt with workshop equipment for models with center armrest		1	PR-2T1,2T2
	11/04-05/05EC3	light platinum (grey)	-NQ,NZ		
	11/04-05/054D9	indigo	-MF,NW		
	11/04-05/056PS	soul (black)	-NK,NM,NX,NY, DT,QE,QP,QL, QU,QW,QX,QY, ZM,ZR,ZU,ZV		
	11/04-05/058C1	torrone (beige)	-NR		
(1)	8E0 863 241 F	centre console adapt with workshop equipment for models with center armrest		1	PR-2T1,2T2+ 3D1
	06/05 EC3	light platinum (grey)	-NQ,NZ		
	06/05 4D9	indigo	-MF,NW		
	06/05 6PS	soul (black)	-NK,NM,NX,NY, DT,QE,QP,QL, QU,QW,QX,QY, ZM,ZR,ZU,ZV		
	06/05 8C1	torrone (beige)	-NR		
(1)	8E0 863 241 E	centre console		1	PR-2T1+3D2
	06/05 EC3	light platinum (grey)	-NQ		
	06/05 6PS	soul (black)	-NK,ZM,ZR,ZV		
	06/05 8C1	torrone (beige)	-NR		
2	N 904 759 03	snap nut	M5X13,6X11,5	4	



ETKA

Model	Year	MG	SG	Illustration	Restrictions	UPD	9:37	19.03.2009
A4Q	2006	8	63	863-50	8E-5-400 001 >>	622		

Pos	Part Number	Description	Remark	Qty	Model
3	+ N 903 562 03	snap nut	M5X17X17	2	
5	N 105 495 03	hexagon head bolt (combi)	M5X16	6	
6	8E0 863 263 A	trim with light fibrestrip rework if necessary	upper	1	PR-QQ0+2T0
	11/04 7PE	soul (black)			
(6)	8E0 863 263 A	trim with light fibrestrip	upper	1	PR-QQ1+2T0
	11/04 7PE	soul (black)			
7	8E0 864 147	trim for tray	lower	1	PR-2T0
	11/04 EC3	light platinum (grey)	-NQ,NZ		
	11/04 4D9	indigo	-MF,NW		
	11/04 6PS	soul (black)	-NK,NM,NX,NY, DT,QE,QF,QL, QU,QW,QX,QY, ZM,ZR,ZU,ZV		
	11/04 8C1	torrone (beige)	-NR		
(8)	8E0 863 321 D	trim for switch		1	
	11/04 E82	platinum	-NQ,NZ		
	11/04 7A2	indigo blue	-MF,NW		
	11/04 7PE	soul (black)	-NK,NM,NX,NY, DT,QE,QF,QL, QU,QW,QX,QY, QZ,ZM,ZR,ZU, ZV		
	11/04 8Q9	torrone (beige)	-NR		
9	N 105 495 03	hexagon head bolt (combi)	M5X16	2	
10	8E0 863 273	cover	left	1	
	11/04 E82	platinum	-NQ,NZ		
	11/04 7A2	indigo blue	-MF,NW		
	11/04 7PE	soul (black)	-NK,NM,NX,NY, DT,QE,QF,QL, QU,QW,QX,QY, QZ,ZM,ZR,ZU, ZV		
	11/04 8Q9	torrone (beige)	-NR		
(10)	8E0 863 274	cover	right	1	
	11/04 E82	platinum	-NQ,NZ		



ETKA

Model	Year	MG	SG	Illustration	Restrictions	UPD	9:37	19.03.2009
A4Q	2006	8	63	863-50	8E-5-400 001 >>	622		

Pos	Part Number	Description	Remark	Qty	Model
	11/04 7A2	indigo blue	-MF,NW		
	11/04 7PE	soul (black)	-NK,NM,NX,NY, DT,QE,QF,QL, QU,QW,QX,QY, QZ,ZM,ZR,ZU, ZV		
	11/04 8Q9	torrone (beige)	-NR		
11	N 908 634 01	retaining clip		1	PR-7Q9
12		display and operating unit see illustration:	820-00		
13	8E0 858 063 A	molding for trim fitting		1	PR-2T0
	11/04-02/063Q7	aluminium			
(13)	8E0 858 063 B	molding for trim fitting		1	PR-2T0
	03/06 3Q7	aluminium			
14	N 909 683 02	hexagon socket flat head bolt	2,5X10-R	2	PR-2T0
15	8E0 864 261 AN	retaining frame lower part for boot	plastic	1	manual gearbox+ PR-5MU
	11/04 EC3	light platinum (grey)	-NQ,NZ		
	11/04 4D9	indigo	-MF,NW		
	11/04 6PS	soul (black)	-NK,NM,NX,NY		
	11/04 8C1	torrone (beige)	-NR		
(15)	8E0 864 261 AG	retaining frame lower part for boot		1	manual gearbox+ PR-5TL
	11/04 1LQ	black-glossy			
(15)	8E0 864 261 AQ	retaining frame lower part for boot		1	manual gearbox+ PR-5TE
	11/04 25W	alum-silver			
(15)	8E0 864 261 AC	retaining frame lower part for boot		1	manual gearbox+ PR-5TG
	11/04 1NK	aluminium brushed silver			
(15)	8E0 864 261 C	retaining frame lower part for boot for models with wood inlay		1	manual gearbox+ PR-5MG



ETKA

Model	Year	MG	SG	Illustration	Restrictions	UPD	9:37	19.03.2009
A4Q	2006	8	63	863-50	8E-5-400 001 >>	622		

Pos	Part Number	Description	Remark	Qty	Model
	11/04 1WV	nut tree brown			
(15)	8E0 864 261 AA	retaining frame lower part for boot		1	manual gearbox+ PR-5TZ
	11/04 3J3	grey birch grain			
(15)	8E0 864 261 AR	retaining frame lower part for boot		1	manual gearbox+ PR-7TC
	11/04 7L5	beige - birch grain			
(15)	8E0 864 261 AE	retaining frame lower part for boot		1	manual gearbox+ PR-5MK
	11/04 7V7	carbon			
(15)	8E0 864 261 F	retaining frame lower part for boot	plastic	1	automatic+ PR-5MU
	11/04 EC3	light platinum (grey)	-NQ,NZ		
	11/04 4D9	indigo	-MF,NW		
	11/04 6PS	soul (black)	-NK,NM,NX,NY		
	11/04 8C1	torrone (beige)	-NR		
(15)	8E0 864 261 AH	retaining frame lower part for boot		1	automatic+ PR-5TL
	11/04 1LQ	black-glossy			
(15)	8E0 864 261 AT	retaining frame lower part for boot		1	automatic+ PR-5TE
	11/04 25W	alum-silver			
(15)	8E0 864 261 AD	retaining frame lower part for boot		1	automatic+ PR-5TG
	11/04 1NK	aluminium brushed silver			
(15)	8E0 864 261 H	retaining frame lower part for boot for models with wood inlay		1	automatic+ PR-5MG
	11/04 1WV	nut tree brown			
(15)	8E0 864 261 AB	retaining frame lower part for boot		1	automatic+ PR-5TZ
	11/04 3J3	grey birch grain			
(15)	8E0 864 261 BA	retaining frame lower part for boot		1	automatic+ PR-7TC



ETKA

Model	Year	MG	SG	Illustration	Restrictions	UPD	9:37	19.03.2009
A4Q	2006	8	63	863-50	8E-5-400 001 >>	622		

Pos	Part Number	Description	Remark	Qty	Model
	11/04 7L5	beige - birch grain			
(15)	8E0 864 261 AF	retaining frame lower part for boot		1	automatic+ PR-5MK
	11/04 7V7	carbon			
16	3B0 858 137	spring clamp		4	
17	8E0 863 251 A	retaining bracket	front	1	
18	8E0 863 531 B	retaining bracket	rear	1	
19	+ N 902 867 03	hex. nut, self-locking with washer	M6	2	
20	N 907 290 02	fillister head bolt (combi.)	M5X16	4	
21	N 909 187 01	hexagon socket head panel bolt	4X12-Q	2	
22		boot for gearstick see illustration:	863-55		
23	8E0 862 533 D	cup/drinks holder		1	PR-3D2
	06/05 5PR	soul (black)			
23A	N 910 239 02	hexagon socket flat head bolt	3.5X12R	6	PR-3D2
24	N 904 862 04	hex. nut with washer	M8	2	
25		ashtray see illustration:	rear 857-30		
(26)	8E0 863 351 D	trim with light fibrestrip		1	
	11/04 EC3	light platinum (grey)	-NQ,NZ		
	11/04 4D9	indigo	-MF,NW		
	11/04 6PS	soul (black)	-NK,NM,NX,NY, DT,QE,QF,QL, QU,QW,QX,QY, ZM,ZR,ZU,ZV		
	11/04 8C1	torrone (beige)	-NR		
(26)	8E0 863 351 F	trim with light fibrestrip for vehicles with seat and backrest heater element	rear	1	
	11/04 5PR	soul (black)			
(26)	8E0 863 351 E	trim with light fibrestrip for vehicles with safety switch for central locking system	rear	1	
	01/05 EC3	light platinum (grey)	-NQ,NZ		



ETKA

Model	Year	MG	SG	Illustration	Restrictions	UPD	9:37	19.03.2009
A4Q	2006	8	63	863-50	8E-5-400 001 >>	622		

Pos	Part Number	Description	Remark	Qty	Model
(26)	01/05 6PS	soul (black)	-NK,NM,NX,NY, ZM,ZR,ZU,ZV, QZ		
	01/05 8C1	torrone (beige)	-NR		
	8E0 863 351 G	trim with light fibrestrip for vehicles with seat and backrest heater element and safety switch for central locking system	rear	1	
27	01/05 5PR	soul (black)			
	8P0 863 301	insert for stowage compartment		1	PR-7Q0,7Q2, 7Q6
	11/04-05/05E59	light platinum (grey)	-NQ,NZ		
27	11/04-05/054PK	soul (black)	-NK,NM,NX,NY, DT,QE,QF,QL, QU,QW,QZ,ZM, ZR,ZU,ZV		
	11/04-05/056G6	indigo blue	-MF,NW		
	11/04-05/058X5	torrone (beige)	-NR		
	8P0 863 301	insert for stowage compartment		1	PR-7Q0,7Q2, 7Q6+3D1
	06/05-05/06E59	light platinum (grey)	-NQ,NZ		
	06/05-05/064PK	soul (black)	-NK,NM,NX,NY, DT,QE,QF,QL, QU,QW,QZ,ZM, ZR,ZU,ZV		
(27)	06/05-05/066G6	indigo blue	-MF,NW		
	06/05-05/068X5	torrone (beige)	-NR		
	8P0 863 301	insert for stowage compartment		1	PR-3D1
	06/06 E59	light platinum (grey)	-NQ,NZ		
	06/06 4PK	soul (black)	-NK,NM,NX,NY, DT,QE,QF,QL, QU,QW,QX,QY, QZ,ZM,ZR,ZU, ZV		
	06/06 6G6	indigo blue	-MF,NW		
28	06/06 8X5	torrone (beige)	-NR		
	8P0 863 387	trim		1	PR-7Q0,7Q2, 7Q6
	11/04-05/05EC3	light platinum (grey)	-NQ,NW		



ETKA

Model	Year	MG	SG	Illustration	Restrictions	UPD	9:37	19.03.2009
A4Q	2006	8	63	863-50	8E-5-400 001 >>	622		

Pos	Part Number	Description	Remark	Qty	Model
	11/04-05/054D9	indigo	-MF,NW		
	11/04-05/056PS	soul (black)	-NK,NM,NX,NY, DT,QE,QF,QL, QU,QW,ZM,ZR, ZU,ZV,QZ		
	11/04-05/058C1	torrone (beige)	-NR		
(28)	8P0 863 387	trim		1	PR-7Q0,7Q2, 7Q6+3D1
	06/05-05/06EC3	light platinum (grey)	-NQ,NW		
	06/05-05/064D9	indigo	-MF,NW		
	06/05-05/066PS	soul (black)	-NK,NM,NX,NY, DT,QE,QF,QL, QU,QW,ZM,ZR, ZU,ZV,QZ		
	06/05-05/068C1	torrone (beige)	-NR		
(28)	8P0 863 387	trim		1	PR-3D1
	06/06-08/06EC3	light platinum (grey)	-NQ,NW		
	06/06-08/064D9	indigo	-MF,NW		
	06/06-08/066PS	soul (black)	-NK,NM,NX,NY, DT,QE,QF,QL, QX,QY,QZ,ZM, ZR,ZU,ZV		
	06/06-08/068C1	torrone (beige)	-NR		
(28)	8P0 863 387 D	trim		1	PR-3D1
	09/06 EC3	light platinum (grey)	-NQ,NW		
	09/06 4D9	indigo blue	-MF,NW		
	09/06 6PS	soul (black)	-NK,NM,NX,NY, DT,QE,QF,QL, QX,QY,QZ,ZM, ZR,ZU,ZV		
	09/06 8C1	torrone (beige)	-NR		
30	8E0 863 276 B	trim for handbrake lever	lower	1	
	11/04-05/05EC3	light platinum (grey)	-NQ,NZ		
	11/04-05/054D9	indigo	-MF,NW		
	11/04-05/056PS	soul (black)	-NK,NM,NX,NY, DT,QE,QF,QL, QU,QW,QX,QY, ZM,ZR,ZU,ZV		



ETKA

Model	Year	MG	SG	Illustration	Restrictions	UPD	9:37	19.03.2009
A4Q	2006	8	63	863-50	8E-5-400 001 >>	622		

Pos	Part Number	Description	Remark	Qty	Model
	11/04-05/058C1	torrone (beige)	-NR		
30	8E0 863 276 B	trim for handbrake lever	lower	1	PR-3D1
	06/05 EC3	light platinum (grey)	-NQ,NZ		
	06/05 4D9	indigo	-MF,NW		
	06/05 6PS	soul (black)	-NK,NM,NX,NY, DT,QE,QP,QL, QU,QW,QX,QY, ZM,ZR,ZU,ZV		
	06/05 8C1	torrone (beige)	-NR		
(30)	8E0 863 276 C	trim for handbrake lever	lower	1	PR-3D2
	06/05 EC3	light platinum (grey)	-NQ,NZ		
	06/05 6PS	soul (black)	-NK,NM,NX,NY, ZM,ZR,ZU,ZV, QZ		
	06/05 8C1	torrone (beige)	-NR		
31	8E0 863 259 A	connecting piece		1	
(31)	8E0 863 259 A	connecting piece		1	PR-3D1
(31)	8E0 863 259 B	connecting piece		1	PR-3D2
32	N 901 308 04	fillister hd. bolt	E4,2X16	2	PR-3D1
(32)	N 904 552 06	hexagon socket flat head bolt	M4X10 K	1	PR-3D2
34	8E0 863 301 A	insert for stowage compartment rework if necessary	flocked 185X63	1	
	11/04-05/05E59	platinum	-NQ,NZ		
	11/04-05/054PK	soul (black)	-NK,NM,NX,NY, DT,QE,QP,QL, QU,QW,QX,QY, ZM,ZR,ZU,ZV		
	11/04-05/056G6	indigo blue	-MF,NW		
	11/04-05/058X5	torrone (beige)	-NR		
(34)	8E0 863 301 A	insert for stowage compartment rework if necessary	flocked 185X63	1	PR-3D1
	06/05 E59	platinum	-NQ,NZ		
	06/05 4PK	soul (black)	-NK,NM,NX,NY, DT,QE,QP,QL, QU,QW,QX,QY, ZM,ZR,ZU,ZV		



ETKA

Model	Year	MG	SG	Illustration	Restrictions	UPD	9:37	19.03.2009
A4Q	2006	8	63	863-50	8E-5-400 001 >>	622		

Pos	Part Number	Description	Remark	Qty	Model
	06/05 6G6	indigo blue	-MF,NW		
	06/05 8X5	torrone (beige)	-NR		
(34)	8E0 863 301 D	insert for stowage compartment		1	PR-3D2
	06/05 E59	light platinum (grey)	-NQ,NZ		
	06/05 4PK	soul (black)	-NK,NM,NX,NY, ZM,ZR,ZU,ZV, QZ		
	06/05 8X5	torrone (beige)	-NR		
(34)		insert for stowage compartment cassette holder make up from:	8E0 863 301 A in appropriate colour .		
35	8E0 864 119	cassette holder		1	
	11/04-05/055PR	soul (black)			
(35)	8E0 864 119	cassette holder		1	PR-3D1
	06/05-11/065PR	soul (black)			
36		mounting (push-on connection) not replacement part for this model			
36A	8E0 863 284 C	trim electric socket		1	PR-3D2
	06/05 EC3	light platinum (grey)	-NQ,NZ		
	06/05 6PS	soul (black)	-NK,NM,NX,NY, ZM,ZR,ZU,ZV, QZ		
	06/05 8C1	torrone (beige)	-NR		
37		ashtray see illustration:	front 857-30		
(38)	8E0 863 284 E	compartment for centre console with cigarette lighter and switch mounting		1	PR-7Q9
	11/04-05/055PR	soul (black)			
(38)	8E0 863 284 E	compartment for centre console with cigarette lighter and switch mounting		1	PR-7Q9+3D1
	06/05-05/065PR	soul (black)			



ETKA

Model	Year	MG	SG	Illustration	Restrictions	UPD	9:37	19.03.2009
A4Q	2006	8	63	863-50	8E-5-400 001 >>	622		

Pos	Part Number	Description	Remark	Qty	Model
39A	8P0 863 284	centre console compartment		1	PR-7Q0,7Q2,7Q6
	11/04-05/05EC3	light platinum (grey)	-NQ,NZ		
	11/04-05/054D9	indigo	-MF,NW		
	11/04-05/056PS	soul (black)	-NK,NM,NX,NY,DT,QE,QF,QL,QU,QW,ZM,ZR,ZU,ZV,QZ		
	11/04-05/058C1	torrone (beige)	-NR		
39A	8P0 863 284	centre console compartment		1	PR-7Q0,7Q2,7Q6+3D1
	06/05-05/06EC3	light platinum (grey)	-NQ,NZ		
	06/05-05/064D9	indigo	-MF,NW		
	06/05-05/066PS	soul (black)	-NK,NM,NX,NY,DT,QE,QF,QL,QU,QW,ZM,ZR,ZU,ZV,QZ		
	06/05-05/068C1	torrone (beige)	-NR		
(39A)	8P0 863 284	centre console compartment		1	PR-3D1
	06/06 EC3	light platinum (grey)	-NQ,NZ		
	06/06 4D9	indigo	-MF,NW		
	06/06 6PS	soul (black)	-NK,NM,NX,NY,DT,QE,QF,QL,QX,QY,QZ,ZM,ZR,ZU,ZV		
	06/06 8C1	torrone (beige)	-NR		
40	N 909 187 01	hexagon socket head panel bolt	4X12-Q	2	
41		filler piece handbrake lever trim centre console		1	
		make up from:	8E0 863 518		
42	8E0 863 518	filler piece gearshift lever		1	manual gearbox
43	8E0 863 519	filler piece centre console		1	
		armrest			



ETKA

Model	Year	MG	SG	Illustration	Restrictions	UPD	9:37	19.03.2009
A4Q	2006	8	63	863-50	8E-5-400 001 >>	622		

Pos	Part Number	Description	Remark	Qty	Model
44	8D0 864 246 A	clips		1	
45	8E0 864 207 D	armrest (lower part)		1	PR-6E3, 6E6
	11/04 EC3	light platinum (grey)	-NQ,NZ		
	11/04 4D9	indigo	-MF,NW		
	11/04 6PS	soul (black)	-NK,NM,NX,NY, DT,QE,QP,QL, QU,QW,QX,QY, QZ,ZM,ZR,ZU, ZV		
	11/04 8C1	torrone (beige)	-NR		
(45)	8E0 864 207 G	armrest (lower part) for vehicles with telephone preparation for mobile phone with hands-free system		1	PR-6E7
	11/04 EC3	light platinum (grey)	-NQ,NZ		
	11/04 4D9	indigo	-MF,NW		
	11/04 6PS	soul (black)	-NK,NM,NX,NY, DT,QE,QP,QL, QU,QW,QX,QY, ZM,ZR,ZU,ZV		
	11/04 8C1	torrone (beige)	-NR		
46	8E0 864 245 AD	armrest (upper part)	cloth	1	PR-N0L+6E3, 6E6
	11/04 1BY	indigo	-MF		
	11/04 4AW	light platinum (grey)	-NQ		
	11/04 9AQ	soul (black)	-NK		
	11/04 9BH	torrone (beige)	-NR		
(46)	8E0 864 245 S	armrest (upper part)	cloth	1	PR-N0L+6E7
	11/04 1BY	indigo	-MF		
	11/04 4AW	light platinum (grey)	-NQ		
	11/04 9AQ	soul (black)	-NK		
	11/04 9BH	torrone (beige)	-NR		
(46)	8E0 864 245 AC	armrest (upper part)	cloth	1	PR-N2M,N5F+ 6E3, 6E6
	11/04 8E1	soul (black)	-NK		
	11/04 8G6	indigo blue	-MF		



ETKA

Model	Year	MG	SG	Illustration	Restrictions	UPD	9:37	19.03.2009
A4Q	2006	8	63	863-50	8E-5-400 001 >>	622		

Pos	Part Number	Description	Remark	Qty	Model
(46)	11/04 8H2	light platinum (grey)	-NQ		
	8E0 864 245 R	armrest (upper part)	cloth	1	PR-N2M,N5F+6E7
	11/04 8E1	soul (black)	-NK		
	11/04 8G6	indigo blue	-MF		
(46)	11/04 8H2	light platinum (grey)	-NQ		
	8E0 864 245 E	armrest (upper part)	leatherette	1	PR-N0C,N1F+6E3,6E6
	11/04 1HL	torrone (beige)	-NR		
	11/04 2U5	platinum	-NQ		
(46)	11/04 38M	soul (black)	-NK		
	8E0 864 245 P	armrest (upper part)	leatherette	1	PR-N0C,N1F+6E7
	11/04 1HL	torrone (beige)	-NR		
	11/04 2U5	platinum	-NQ		
(46)	11/04 38M	soul (black)	-NK		
	8E0 864 245 AE	armrest (upper part)	leather	1	PR-N0K,N1T+6E3,6E6
	11/04 1HT	soul (black)	-NK,NY,QP		
	11/04 1LW	indigo	-MF		
(46)	11/04 1MX	light platinum (grey)	-NQ,NZ		
	11/04 1NY	torrone (beige)	-NR		
	8E0 864 245 T	armrest (upper part)	leather	1	PR-N0K,N1T+6E7
	11/04 1HT	soul (black)	-NK,NY,QP		
(46)	11/04 1LW	indigo	-MF		
	11/04 1MX	light platinum (grey)	-NQ,NZ		
	11/04 1NY	torrone (beige)	-NR		
	8E0 864 245 AF	armrest (upper part)	valcona-leath.	1	PR-N5D,N1V+6E3,6E6
(46)	11/04 22A	soul (black)	-NK,QE,QL,QU, QW,QX,QY		
	11/04 3E1	vanilla	-NW,NX		
	11/04 69L	light platinum (grey)	-NQ		



ETKA

Model	Year	MG	SG	Illustration	Restrictions	UPD	9:37	19.03.2009
A4Q	2006	8	63	863-50	8E-5-400 001 >>	622		

Pos	Part Number	Description	Remark	Qty	Model
	11/04 9B1	amaretto brown	-NM		
	11/04 9L9	torrone (beige)	-NR		
(46)	4B0 864 245 AP	armrest (upper part)	valcona-leath.	1	PR-N5D,N1V+6E7
	11/04 22A	soul (black)	-NK,QE,QL,QU, QW,QX,QY		
	11/04 3E1	vanilla	-NW,NX		
	11/04 69L	light platinum (grey)	-NQ		
	11/04 9B1	amaretto brown	-NM		
	11/04 9L9	torrone (beige)	-NR		
(46)	8E0 864 245 J	armrest (upper part)	pearlnap.leaf.	1	PR-N2L,N5L, N7U,N0S+6E3, 6E6
	11/04 49A	light platinum (grey)	-NQ		
	11/04 71C	silver	-ZV		
	11/04 73G	soul (black)	-NK,QE,ZM,ZR DT		
(46)	4B0 864 245 AL	armrest (upper part)	pearlnap.leaf.	1	PR-N2L,N5L, N7U,N0S+6E7
	11/04 49A	light platinum (grey)	-NQ		
	11/04 71C	silver	-ZV		
	11/04 73G	soul (black)	-NK,QE,ZM,ZR DT		
(46)	8E0 864 245 M	armrest (upper part)	silk nappa leather	1	PR-N1U+6E3, 6E6
	11/04 JJ6	carmine red	-ZU		
	11/04 7NE	silver	-ZV		
	11/04 86R	soul (black)	-ZM,QZ		
(46)	4B0 864 245 AM	armrest (upper part)		1	PR-N1U+6E7
	11/04 JJ6	carmine red	-ZU		
	11/04 7NE	silver	-ZV		
	11/04 86R	soul (black)	-ZM		
47	8E0 864 283 A	retainer armrest		1	
47A	+ N 010 244 16	hexagonal head bolt	M8X30	1	



ETKA

Model	Year	MG	SG	Illustration	Restrictions	UPD	9:37	19.03.2009
A4Q	2006	8	63	863-50	8E-5-400 001 >>	622		

Pos	Part Number	Description	Remark	Qty	Model
48	N 904 862 04	hex. nut with washer	M8	1	
49	N 908 408 01	washer	8,3X21,3X2	1	
50/53		not replacement part for this model			
54	8E0 971 196	wiring harness with led for illumination of storage compartment in centre armrest		1	PR-6E3,6E6