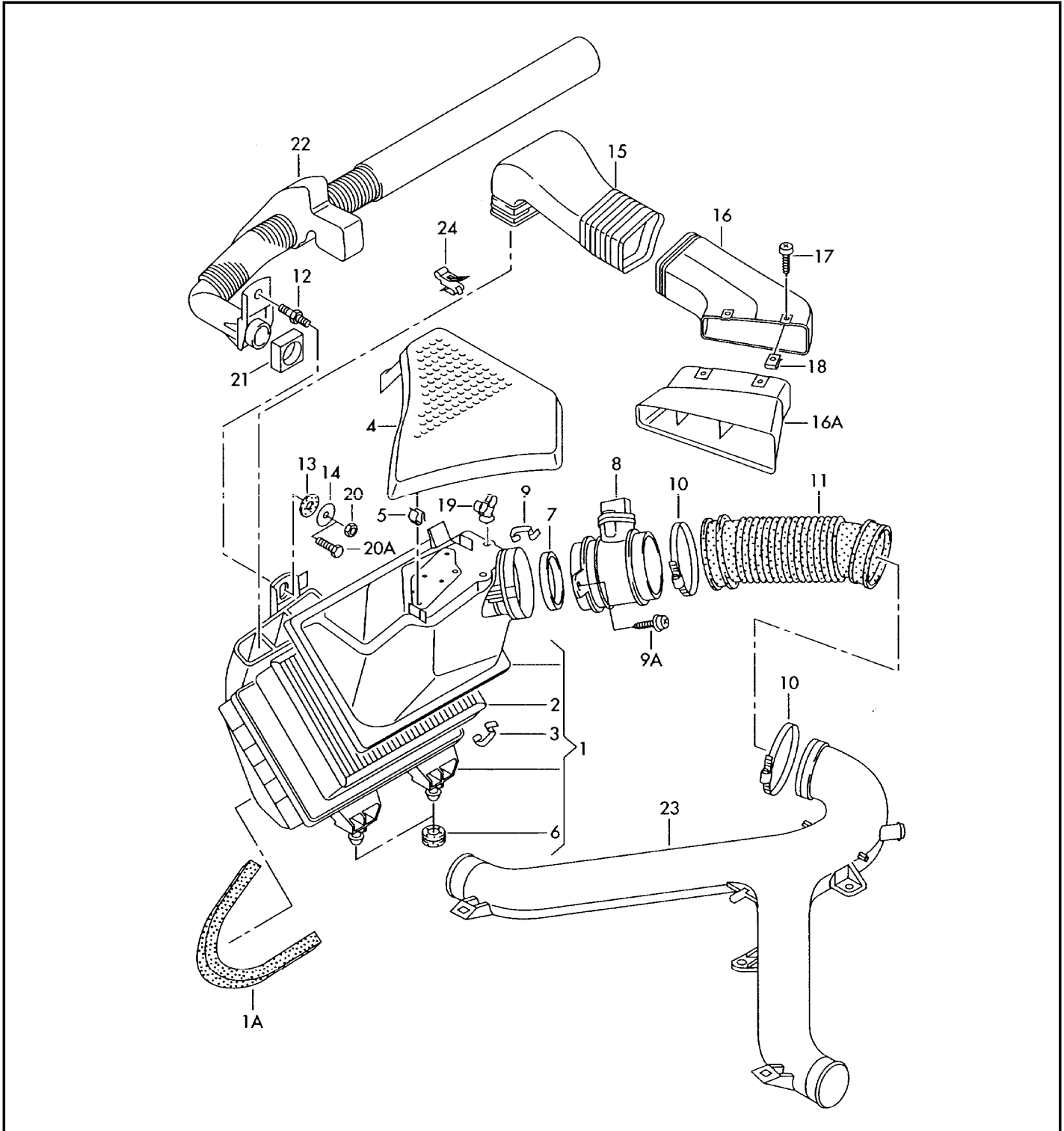




ETKA

Model	Year	MG	SG	Illustration	Restrictions	UPD	0:05	13.08.2008
A6Q	2000	1	33	133-89		678		





ETKA

Model	Year	MG	SG	Illustration	Restrictions	UPD	0:05	13.08.2008
A6Q	2000	1	33	133-89		678		

Pos	Part Number	Name	Remarks	Qty	Model
		air cleaner with connecting parts mass air flow sensor	2,7ltr.		6 cylinder: APB
(1)	078 133 837 AK	air cleaner		1	
2	058 133 843	air filter		1	
3	078 129 797	retaining clip		4	
4	078 133 849 H	cover		1	
		as required use:	803 959 849	3	
5	803 959 849	bracket		3	
6	8D0 129 669 A	grommet		2	
(7)	N 909 219 01	sealing washer	85X6	1	
8	>078 906 461 B	mass air flow sensor F >> 4B-Y-200 000	BOSCH	1	
(8)	#078 906 461 BX	mass air flow sensor F >> 4B-Y-200 000	BOSCH	1	
(8)	06C 133 471 A	mass air flow sensor F 4B-1-000 001>>		1	
9	028 129 797 A	retaining clip		2	
10	N 024 508 3	clamp F >> 4B-Y-200 000	80-100X9X0,5	2	
(10)	N 907 859 01	spring clip F 4B-1-000 001>>	90X12	2	
11	078 129 627 H	intake hose F >> 4B-Y-200 000		1	
(11)	078 129 627 N	intake hose F 4B-1-000 001>>		1	
13	078 133 217 C	rubber washer	11,5X35X3	1	
14	078 133 217 D	washer	6,4X35X1,5	1	
15	8D0 129 617 D	intake duct		1	
16	078 129 617 G	intake duct		1	
16A	4B0 129 617 F	intake air duct	front	1	
17	+ N 903 129 01	tapping screw,fill.hd.(combi.)	4,2X22	2	



ETKA

Model	Year	MG	SG	Illustration	Restrictions	UPD	0:05	13.08.2008
A6Q	2000	1	33	133-89		678		

Pos	Part Number	Name	Remarks	Qty	Model
18	N 015 448 7	speed nut	4,2X16,3X11	2	
19		discontinued / replacement:	N 906 661 01		
(19)	+ N 906 661 01	tie wrap	4,6X200	X	
20A	+ N 010 215 27	screw, hex. hd.	M6X15	1	
23		see illustration:	145-75		