



# A8/S8/A8 L Index

## Radio/Electrical

Satellite Receiver .....	2
Cell Phone Handset .....	3
Cell Phone Cradle .....	3
Hands Free Phone Components .....	5
Phone Holder .....	6
CD Changer .....	7
Cassette Box .....	7
Halogen Map Reading Light .....	8
Mini Flashlight .....	8
Fuses .....	8

## Interior

Floor Mats:	
Rubber .....	9
Multi-Season Carpeted .....	10
Trunk Liners .....	11
UV Sunshield .....	12
Trunk Cargo Net .....	12

## Exterior

Roof Carrier System:	
Carrier Bars .....	13
Bike Holder Attachment (1 bike) Fork Mount .....	14
Bike Holder Attachment Fork Mount .....	15
Bike Lift Fork Mount .....	16
Surfboard Holder .....	17
Kayak Holder .....	17
Luggage Basket .....	18
Softside Luggage Carrier .....	19
Snowboard/Ski Attachment .....	20
Splash Guards .....	21
Car Cover .....	22
Cable & Lock Set .....	22
Wheel Bolts .....	23
Wheel Bolt Wrench .....	23
Valve Stem Caps .....	23
Alloy Wheels .....	24
Exhaust Tips .....	31



# Satellite Radio



Part No.	Description	Application	Availability
<b>4E0 057 593</b> <b>4E0 035 593 D</b>	Sirius Satellite receiver Vehicle requires software update ZUG 219, and updated navigation bundle "version 4" or >	A8 L	04 ►
<b>4E0 051 517</b>	Satellite receiver mounting kit	A8 L	06 ►
Requires 4x mounting screw M4.8X19 N <b>0139755</b> and 4x expanding nut <b>811807577C</b>			

**SIRIUS Satellite Radio delivers more than 125 channels of the best programming in all of radio. SIRIUS is the original and only home of 100% commercial free music channels in satellite radio, offering 67 music channels available nationwide. SIRIUS also delivers 61 channels of sports, news, talk, entertainment, traffic, weather and data. SIRIUS is the Official Satellite Radio Partner of the NFL, NBA, and NHL and broadcasts live play-by-play games of the NFL, NBA, and NHL. Plus NASCAR moves to SIRIUS in 2007.**

**The only home of 100% commercial-free music channels** – With dedicated channels for nearly every genre, you hear the music you want, commercial free.

**Live play-by-play & expert talk from the biggest sports** – NFL, NBA, NHL, and games from over 150 college sports teams, Plus NASCAR moves to SIRIUS in 2007.

**Exclusive Entertainment & Talk** – Howard Stern, Blue Collar Comedy, Maxim Radio, Jim Breuer and much more

**Especially for Women** – Lifestyle and how-to-programming from Martha Stewart Living Radio, Cosmopolitan Radio, Barbara Walters, Candance Bushell and more

**World class news** – Stay informed with FOX, CNN, NPR, the BBC and more. Plus local traffic & weather.

**Family & Kids** – It's G-rated fun for everyone with Radio Disney, Kids Stuff, and Laugh Break Comedy.

XM Receivers will no longer be available after July 30, 2006.



# Cellular Phone Handset

## USA

Part No.	Description	Application	Availability
<b>ZAW 376 002 D</b> <b>ZAW 376 008</b>	Cell Phone Handset Motorola® V.60 CDMA Verizon, all markets Sprint V60X	In vehicles equipped with OnStar™	2002 ▶ 2004
	Motorola® V.60i TDMA		



- Δ External Caller ID Display<sup>1</sup> - Identify the caller without even opening the phone.
- Δ Displays time, date and more
- Δ Voice Recognition - Voice activated dialing and voice activated short-cuts save time.
- Δ New User Interface - Designed to be intuitive and easy to use with improved user navigation and visual cues.
- Δ Personal Information Management - A phone book to store contacts and alarmed date book help manage your schedule
- Δ iTAP™ Software - Helps you enter text easily by anticipating the word you are trying to spell
- Δ USB port allows consumer to synch up with phone book and PC
- Δ Display zoom setting to increase the size of the font
- Δ Voice Notes - voice annotation
- Δ 32 standard and 32 customizable ringer tones



### Battery and Display Specifications<sup>2</sup>

TDMA 800 / 1900 MHz Amps 800 MHz		
Talk Time <sup>2</sup>	High Performance Li Ion	Digital up to 120 - 240 minutes Analog up to 45 - 55 minutes
	Extra Capacity Li Ion 1100 mAh Battery	Digital up to 155 - 310 minutes Analog up to 55 - 70 minutes
Standby Time <sup>2</sup>	High Performance Li Ion	Digital up to 144 - 192 hours Analog up to 23 - 26 hours
	Extra Capacity Li Ion 1100 mAh Battery	Digital up to 186 - 248 hours Analog up to 29 - 33 hours
Display	Large Electro-Luminescent display that includes 3 lines of text, 1 line of icons and 1 line of prompts	

<sup>1</sup>Network and subscription dependent feature. Not available in all areas

<sup>2</sup>Battery life, talk and standby times are approximate and depend on net work configuration, signal strength, features selected, customer usage patterns and if the phone is in digital mode.

## CANADA

Drop shipped to dealer preset for Bell, Rogers AT&T. Dealer or client responsible for activation—Canada.

<b>ZAW 376 005 A DSP</b> <b>ZAW 376 007 A DSP</b>	Bell Mobility Rogers AT&T	In vehicles equipped with OnStar™	2002 ▶ 2004
--	------------------------------	---	-------------

**SELL OUT ITEM**



# Cellular Phone Cradle



Part No.	Description	Application	Availability
<b>8E1 862 407 B</b>	Cell Phone Cradle for vehicles equipped with OnStar™	A8 A8, S8	02 ▶ 03 02 ▶ 03
<b>4D1 060 981 J 6PS</b>	Swing out mechanism		
<b>4E0 862 407 B</b>	Cell Phone Cradle for Audi V60 Vehicles equipped with OnStar™ V60s (Verizon) V60x (Sprint)	A8 L	04 ▶
<b>Cell Phone Cradles for vehicles equipped with Bluetooth™ Technology</b>			
<b>4F0 051 435 E</b>	Cell Phone Cradle for Audi V60		05 ▶
<b>4F0 051 435 C</b>	Cell Phone Cradle for Motorola V710		05 ▶
<b>4F0 051 435 B</b>	Cell Phone Cradle for Motorola V600		05 ▶



Dialing and talking while driving is a serious issue these days. More and more legislation is being proposed at state, provincial and local levels, to limit hands-on cell phone use in vehicles. The best practice is to use a hands-free digital communication system which Audi is making available with the Audi V60 phone from Motorola when used in conjunction with a plug and play cradle for the Audi Telematics system. (Standard equipment)



## Car Kit Interface



Part No.	Description	Application
<b>8E0 051 434 A</b>	Audi Car Kit Interface Harness	Vehicles equipped with Symphony I & II Concert I & Concert II

**△ NOT COMPATIBLE WITH ANY VEHICLE EQUIPPED WITH OnStar™**

**△ NOT COMPATIBLE WITH ANY VEHICLE EQUIPPED WITH Audi Navigation Plus**

△ To purchase the appropriate phone car kit with Bluetooth® wireless technology or Cradle-based phone car kit solutions contact either Nokia™ ([www.nokiahandsfree.com](http://www.nokiahandsfree.com)) or Motorola™ ([www.neverwired.com](http://www.neverwired.com))



# Cellular Phone

Molded Console  
Phone Holder

**4D1 051 601 01C**

Onyx

A8

98 ▶ 03

- △ Custom designed console to keep phone within easy reach
- △ Installs on center console to give an integrated look
- △ Does not accept hand-free loudspeakers
- △ Phone mounting hardware sold separately; available locally



# CD Changer; Cassette Box



Part No.	Description	Application	Availability
<b>4B0 035 111 A*</b>	CD Changer	A8, S8	98 ▶ 03
	Note: no additional kit required, except 4 screws, PN <b>N 902 751 01</b> MY97, <b>N 014 12811</b>		98 ▶ 03
	* For Concert, Symphony and Symphony II radio		

Installation time units: 45

**3B0 051 179** CD Magazine Cartridge 6 disc  
**4B0 035 111 A** CD Changer

- Δ Pre-load 6 additional CDs
- Δ While inserting, magazine must be kept level to prevent discs from sliding out
- Δ Avoid inserting tray diagonally into slots
- Δ Only one tray per slot





## Map Reading Light; Fuses

Part No.	Description	Application	Availability
ZVW 265 001	Halogen Map Reading Light Lighter Plug w/Lighter Socket 8" Flexible Arm	All 12V	

- △ 12 Volt low-energy halogen lamp which plugs into lighter socket
- △ Lamp has a 8 inch flexible neck and can be tilted in any direction
- △ Emits a bright, glare-free light. Oversized switch is mounted on top for easy on/off



**SELL OUT ITEM**

4F0 947 175	Mini Flashlight	All Audi Models
-------------	-----------------	-----------------

LED mini flashlight.  
The travelers friend.

This convenient light is rechargeable and gives you approximately 30 minutes of operating time. Simply turn the head to operate. The LED service life is approximately 20,000 hours. To charge simply plug it in to your Audi's 12 volt power outlet. Available for all Audi models.



ZAW 998 999	Blade Fuses Fuse Kit (Plug-in type)	All
-------------	--	-----

- △ Assortment of 12 of the most commonly needed fuses in self serve/display package
- △ Clear plastic box inside blister is suitable for storage in glove compartment

### Assortment of 12 Blade-type fuses:

2	5 Amp	N 017 131 16 (Tan)
2	10 Amp	N 017 131 11 (Red)
2	15 Amp	N 017 131 12 (Light Blue)
2	20 Amp	N 017 131 13 (Yellow)
2	25 Amp	N 017 131 14 (Natural)
2	30 Amp	N 017 131 15 (Light Green)







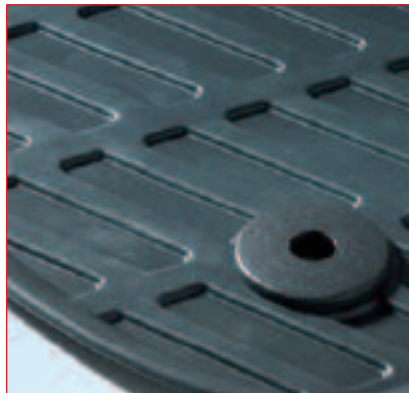
# Floor Mats

Authentic Audi All-Weather Floor Mats feature a deep ribbed channel design to protect the floor carpeting from water, sand, mud, and snow. Our rubber mats conform to the vehicles' exact contours for maximum protection of the interior. Authentic mats possess safety features like positive retention anchors and an exclusive chevron w/nib design for added security. Rubber mats are black or gray with contrasting A8 logos to complement your interior. New rubber mats may emit a naturally occurring-odor. We recommend washing mats with a light detergent prior to installation. (Set of 4.)

Part No.	Description	Application	Availability
	European style Rubber Mats set of 2		
<b>4E1 061 501 041</b>	Front, black	A8 L	04 ▶
<b>4D1 061 501B 041</b>	Front, black	A8, S8	99 ▶ 03
<b>4D0 061 511 041</b>	Rear, black	A8, S8 NWB only	01 ▶ 03

Installation time units: 20

Δ Trim profile, embossed rubber mats extend the life of your interior carpet





# Floor Mats

Part No.	Description	Application	Availability
	Multi-Season Carpeted Floor Mats set of 2		
<b>4D0 061 601 A</b> <u>***<sup>1</sup></u>	front	A8	97 ▶ 99
<b>4D0 061 611</b> <u>***</u>	rear		

\*\*\* = Color Code: **A98** Anthracite, **E68** Platinum, **H38** Acqua Blue, **S28** Ecrú

<b>4D1 061 225 EC</b> <u>***<sup>2</sup></u>	front (original equipment)	A8, A8 L	00
<b>4D0 061 226 ED</b> <u>***</u>	rear	A8	00
<b>4DL 061 226 E</b> <u>***</u>	rear	A8 L	00
<b>4D1 061 325 ED</b> <u>***<sup>3</sup></u>	front (original equipment)	A8, S8, A8L	01 ▶ 03
<b>4D0 061 326 EE</b> <u>***</u>	rear	A8, S8 NWB	01 ▶ 03
<b>4D4 061 326 EA</b> <u>***</u>	rear	A8 L	01 ▶ 03

\*\*\* = Color Code: **36A** Black, **37C** Blue Anthracite, **38D** Swing Grey, **39E** Jazz Brown  
**40F** Slate, **41H** Tango Grey, **42J** Twist Beige, **43K** Platinum Grey, **44L** Cocos

<b>4E1 863 011 D</b> <u>***<sup>3</sup></u>	front (original equipment)	A8 L	04 ▶
<b>4E4 863 011 A</b> <u>***</u>	rear	A8 L	04 ▶

\*\*\* = Color Code: **8A6** Black, **8B7** Blue, **8C8** Grey, **8D9** Beige

- <sup>1</sup> with stitched A8 logo
- <sup>2</sup> with mushroom retention
- <sup>3</sup> with doughnut retention

- Δ Color matched
- Δ Precision fit to help protect O.E. carpet from water and dirt
- Δ Skid resistant

Installation time units: 20



original equipment

---

Premium All Weather Rubber Floor Mats set of 4			
<b>ZAW 179 011</b>	<b>BLK</b> Black	A8L	2004 ▶
<b>ZAW 179 011</b>	<b>GRY</b> Gray	A8L	2004 ▶



# Trunk Liners



Part No.	Description	Application	Availability
<b>4E0 061 160</b>	Economic Trunk Liner	A8 & A8L	2004 ▶

Custom-made foam liner to keep boot clean and protect the trunk carpet, water and acid-tight, with raised sides, cleans easily with water. Easy installation.

**SELL OUT ITEM**

<b>ZAW542500 BLK</b>	Mid grade Flexible plastic trunk liner	A8 & A8L	2004 ▶
----------------------	--	----------	--------

Custom-fitted for each model. Non-slip, textured plastic material controls load shifting. Raised lip contains spills and protects cargo area carpeting from stains. Easily cleaned with mild soap and water. Engineered for toughness and durability. Easy installation. Works with factory cargo net and tie down hooks. Whole trunk cover.



<b>ZAW380500</b>	High line Rubber Molded Carpeted Trunk Mat w/ Cargo Management	A8 & A8L	2004 ▶
------------------	--	----------	--------

Covers useable trunk area

Audi molded carpeted mats are made from moisture resistant heavy-duty rubber covered with a plush nylon carpet to help keep your trunk area protected from spills, scratches and dirt that happen when transporting gear. This mat fits perfectly into your vehicle and stays snug. Cleaning is simple, just hose it off or use a mild detergent on heavier stains. The Cargo Logic system is designed to help organize and control movement of items placed in the cargo area of your vehicle. It is not intended for use as a safety restraint and may not be suitable for some large or unsafe objects.





# Sunshade/Cargo Net

Part No.	Description	Application	Availability
<b>ZAW 400 813</b>	UV Sunshield	A8, S8	97 ▶ 03
<b>ZAW 400 815</b>		A8, A8 L	04 ▶

- Δ Custom cut to fit vehicle
- Δ Triple laminated interior
- Δ Helps protect vehicle interior from harmful UV rays
- Δ Helps reduce inside temperature
- Δ Velcro straps store neatly when not in use




---

	Trunk Cargo Net		
<b>4D0 861 869 01C</b>	Black	A8	00 ▶ 03
<b>4A9 065 220</b>	Universal fit	A8	
<b>4E0 861 869 01C</b>		A8 L	04 ▶

- Δ Secures trunk contents
- Δ Nylon net construction
- Δ Attaches to existing hooks.



Shown in S4 Avant



# Roof Carrier System: Carrier Bars



Part No.	Description	Application	Availability
<b>4D0 071 126</b>	Carrier Bars, "Aero"	A8, S8, A8 L	97 ▶ 03
<b>4E0 071 126</b>		A8, A8 L	04 ▶

Δ Lockable set of 2

Δ 2 black plastic-coated aluminum cross bars held to the roof by uniquely constructed caliper-action mounting stanchions. Carrier bars are specified as "front" and "rear." Built in cylinder locks mounted into the full length and stanchion cover. Carrier Bars are required as mounting base for all roof attachments.

Required as base for roof attachments:

Bike holder	<b>1F0 071 128 UA</b>	Surfboard holder	<b>445 071 127</b>
Luggage basket	<b>191 071 130 F</b>	Sport and luggage box	<b>000 071 300 A</b>
Snowboard/Ski holder	<b>3B0 071 129 UA</b>	Bike Lift	<b>4D0 071 128 UB</b>
Bike Holder-fork mount	<b>7M0 071 128 B</b>	Bike Holder	<b>8E0 071 128</b>

The maximum permissible load is 165 lbs/75 kg, evenly distributed.

## Single Components: 4D0 071 126

Key No.	Description	Part No.	Qty.
	Screw set .....	<b>8D5 071 737</b>	
9, 10	.....		2 each
3, 4	.....		4 each
	Torx wrench .....	<b>4D0 071 712 A</b> .....	1
	Lock set .....	<b>443 071 734 A</b> .....	4
8	Tensioning clamp .....	<b>4D0 071 777</b> .....	2
	Roof mounting set .....		2
6	Roof mounting, front .....		2
7	Roof mounting, rear .....		2
	Plastic trim strip .....		1
	Spoiler set, black		
	Support foot without roof mounting and retaining lug		



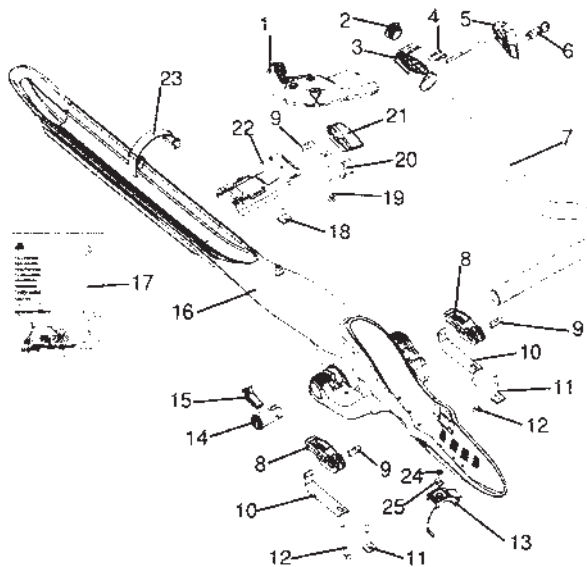
## 4E0 071 126

# Bike Carrier System



Part No.	Description	Application	Availability
<b>8E0 071 128</b>	Barricuda Rack Bicycle Holder Attachment for 1 Bicycle  Requires base carrier bars or Avant "Cross Bars"	All Models	

- Δ Complete with mounting hardware & instructions
- Δ For transport of Touring, Mountain and Racing Bikes in an upright position
- Δ Built-in lock and rugged design prevents damage to valuable bicycles
- Δ Up to three(3) bicycles can be mounted using a staggered formation
- Δ "city crash" certified



# Roof Carrier System: Carrier Bars



Part No.	Description	Application	Availability
----------	-------------	-------------	--------------

Δ Lockable set of 2

Δ 2 black plastic-coated aluminum cross bars held to the roof by uniquely constructed caliper-action mounting stanchions. Carrier bars are specified as "front" and "rear." Built in cylinder locks mounted into the full length and stanchion cover. Carrier Bars are required as mounting base for all roof attachments.

Required as base for roof attachments:

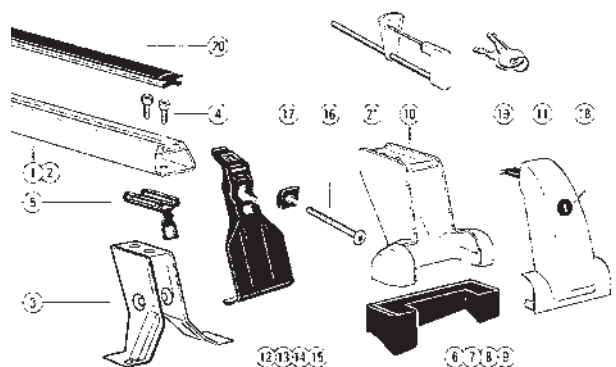
Bike holder	<b>1F0 071 128 UA</b>	Surfboard holder	<b>445 071 127</b>
Luggage basket	<b>191 071 130 F</b>	Sport and luggage box	<b>000 071 300 A</b>
Snowboard/Ski holder	<b>3B0 071 129 UA</b>		
Bike Holder-fork mount	<b>7M0 071 128 B</b>	Bike Holder	<b>8E0 071 128</b>

**The maximum permissible load is 165 lbs/75 kg, evenly distributed.**

## Single Components: 4B0 071 126

Description	Part No.	Qty.
Lock Set .....	<b>3B0 071 734</b> .....	4
Torque Wrench AF6 .....	<b>3B0 071 712</b> .....	1
Screw Set .....	<b>3B0 071 737</b> .....	2 each
Cover Cap Catch .....	<b>3B0 071 701</b> .....	4
Cover Cap .....	<b>4B0 071 738</b> .....	4
Roof Mounting-front .....	<b>4B0 071 713</b> .....	2
Roof Mounting-rear .....	<b>4B0 071 713A</b> .....	2
Spoiler Set-silver .....	<b>000 071 715 666</b> .....	3
Plastic Trim Strip .....	<b>000 071 740</b> .....	1

## Single Components: 4A9 071 151





# Bike Carrier System

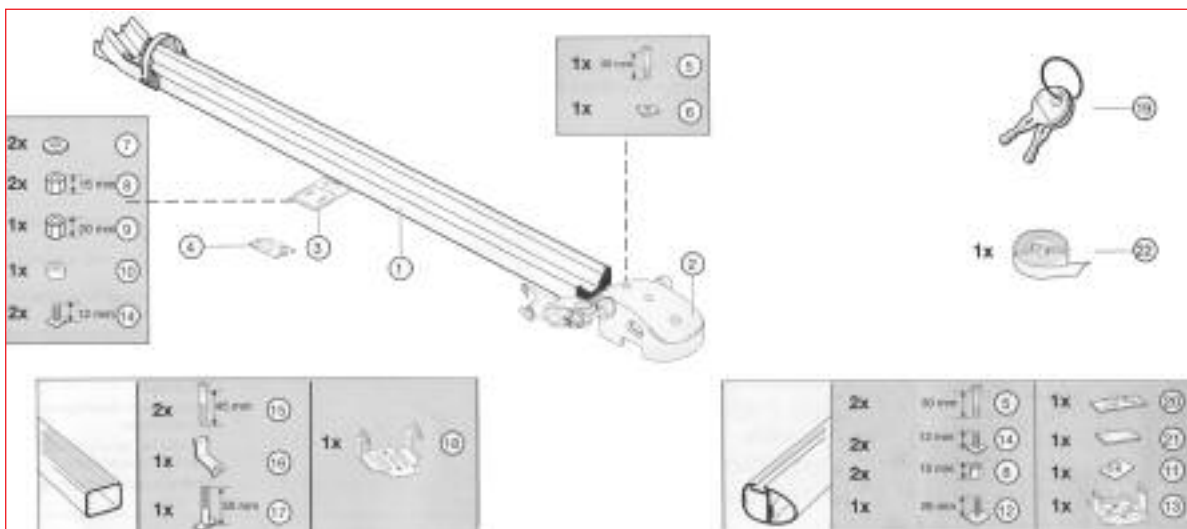
Part No.	Description	Application	Availability
<b>7M0 071 128 B</b>	Bicycle Holder Attachment Fork mount  Requires base carrier bars or Avant "Cross Bars"	All Models	
<b>7M0 071 128 C</b>	for bike with disk brakes		

Δ Complete with mounting hardware & instructions  
 Δ Thumb wheel adjustment

Installation time units: 25

## Single components

Screw set Contains	<b>7M0 071 737</b> #8 x 2 #14 x 2 #5 x 1 #6 x 1
Backing Plate Contains	<b>7M0 071 737R</b> #18 #13
Retainer Strap	<b>1F0 071 737D</b>
Wheel Fixture	<b>1F0 071 746</b>





# Surfboard, Kayak Holders



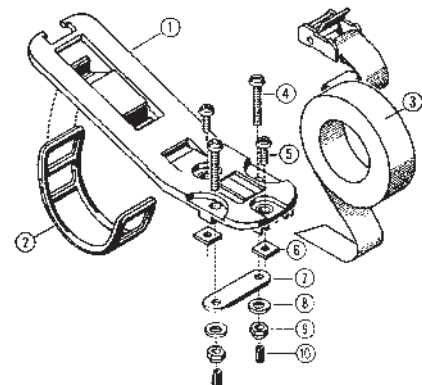
Part No.	Description	Application	Availability
<b>445 071 127</b>	Surfboard Holder Attachment Requires base carrier bars or Avant "Cross Bars"	All Models	

4 plastic holders which adapt to the shape of the surfboard. For transporting of 1 or 2 surfboards with masts.  
Installation time units: 25

### Single components - Surfboard Holder attachment 445 071 127

#### Key

No.	Description	Part No.
2	Tensioning Rubber	<b>445 071 737B</b>
4	Hardware Kit	<b>445 071 737C</b>
3		
6		
7		
8		
9		
10		
7	Mounting Plate	



<b>00H 071 127</b>	Mont Blanc Kayak Holder Attachment Requires base carrier bars or Avant "Cross Bars"	All Models
--------------------	---	------------

Our newest lifestyle accessory protects your kayak and your Audi. Conforms to all hulls and offers superior stability. Holds one kayak. Includes one pair of heavy duty straps.



# Luggage Basket



Part No.	Description	Application	Availability
<b>191 071 130 F</b>	Luggage Basket Requires base carrier bars or Avant "Cross Bars"	All Models	

Δ Complete with mounting hardware 40" x 30"

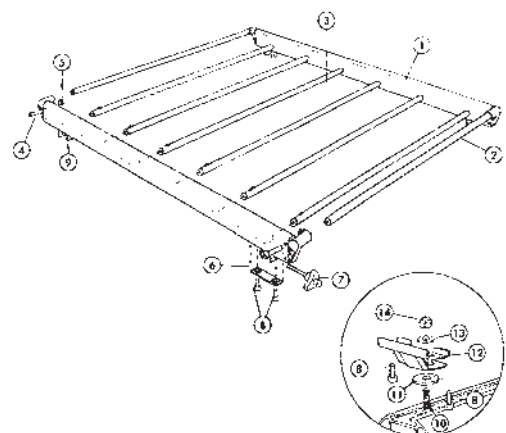
Δ Bars and side rails are made of black plastic coated galvanized steel

Δ Front and rear bars are adjustable: in the up-position unit forms a luggage basket, the down position converts it to a loading platform with side supports.

Installation time units: 25

## Single components - Luggage Basket 191 071 130 F

Key No.	Description	Qty.	
1	Side Section	2	
2	Retaining bar	1	191 071 736 B
3	Supporting bar	1	191 071 736 E
7	Capstan head screw	4	191 071 739
	Mounting Kit		191 071 736 D
4	Self tapping screws	12	
5	Plastic washer	12	
6	Hex head bolt	8	
10	Threaded shackle	4	
11	Hex head nut	4	
12	T-shaped keyway insert	4	
13	Shackle	4	
14	U-shaped shackle	4	
	Set of Screw Connectors		191 071 743 C
6	Hex head bolt	8	
9	Hex head nut	4	
8	Slotted bolt	4	



# Soft Side Luggage Carrier



Part No.	Description	Application	Availability
<b>ZVW 193 800</b>	Soft Side Luggage Carrier Requires base carrier bars or Avant "Cross Bars"	All Models	

- Δ Embossed polyester
- Δ Sealed seams
- Δ Zipper covered with velcro
- Δ Three main belts which support six quick release tie down straps

Length: 939.80mm/37"  
 Width: 762.00mm/30"  
 Depth: 304.80mm/12"

---

<b>00H 071 130</b>	Aluminum Roof Basket Mt. Blanc Requires base carrier bars or Avant "Cross Bars"	All Models	
--------------------	---	------------	--

- Δ High quality, lightweight roof rack platform in aluminum
- Δ Load surface 35" x 31"
- Δ Installs easily
- Δ Side rails prevent load from shifting
- Δ Works great with Soft Luggage Carrier



# Snowboard/Ski Attachment



Part No.	Description	Application	Availability
<b>3B0 071 129 UA</b>	Snowboard/Ski Attachment Requires base carrier bars or Avant "Cross Bars"	All MOdels	

- Δ Lockable
- Δ Complete with mounting hardware
- Δ Perfect blend of styling, quality and rugged design
- Δ Installs quickly on base carrier and features an oversized push button locking hood that allows for easy opening and closing with gloves on
- Δ Wide semi-rigid rubber profile design provides a snug secure fit for snowboard or skis
- Δ Holds 4 pairs of skis or 2 snowboards

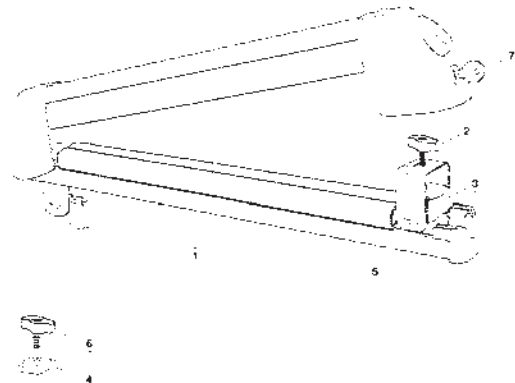
Installation time units: 25

## Single Components - Snowboard/Ski attachment 3B0 071 129 UA

### Key

No.	Description	Qty.
1	Ski/snowboard carrier .....	2
2	Wing bolt, M6x35 .....	4
3	Spacer block .....	4
4	Keyway, M6 .....	4
5	Retaining clip.....	4
6	Wing knob, M6x20 .....	2
7	Key .....	2

**Attachment Kit  
3B0 071 737 A**



## Splash Guards



Part No.	Description	Application	Availability
	Splash guards, Set of 2 complete with mounting hardware and installation instructions		
<b>4D0 075 111</b>	Front	A8, S8	97 ► 03
<b>4D0 075 101</b>	Rear		
<b>4E0 075 111</b>	Front	A8, A8 L	04 ►
<b>4E0 075 101</b>	Rear		

△ Full width to insure body protection behind wheels from stone chipping, sandblasting, road-tar and unsightly splashing effects

△ Made of long-life, crack resistant rubber

△ Includes all installation hardware

## Car Cover; Cable and Lock Set



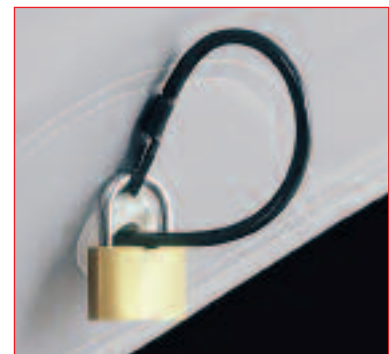
Part No.	Description	Application	Availability
	Car Cover – Stormshield™		
<b>ZAW 400 104</b>	Audi Logo	A8 S8	97 ▶ 03 00 ▶ 03
<b>ZAW 400 104 A</b> <b>ZAW 400 108</b>		A8 L	00 ▶ 03 04 ▶
<b>ZAW 400 132</b>	Sport Logo	A8 S8	97 ▶ 03 01 ▶ 03

- Δ Color gray
- Δ Urethane-acrylic coated polyester knit fabric
- Δ Complete with storage bag
- Δ High degree of moisture repellence and breathability
- Δ Long life ultraviolet (UV) resistance
- Δ Resistance to dust, acid rain, tree sap and other airborne particulate matter
- Δ Light weight for easy installation and removal
- Δ Custom mirror pockets
- Δ Plastipane rear license plate window
- Δ Double stitch seams for strength and long life
- Δ Elasticized hems for fit and stability and tie-down grommets
- Δ Assembled in Mexico with American made components

---

**ZAW 400 110**      Cable and Lock set      All

The nonscratching plastic coated cable slides through the special sewn-in grommets, and the lock keeps the cover secured to the vehicle. Works with all Audi covers.





# Wheel Bolts; Wrench; Valve Caps

Part No.	Description	Application	Availability
<b>8DO 698 137 B SBV</b> <b>4DO 698 137</b>		A8, S8, A8 L A8 L	97 ▶ 03 04 ▶

Δ Max. torque for all alloy wheels is 80 ft./lbs. - Threads dry.  
 Δ Impact tools are not recommended.



<b>ZAW 173 003</b>	Wheel Bolt Wrench dual socket, 17 and 19 mm	All late model Audi vehicles with 17 or 19mm hex bolts.
--------------------	--	--

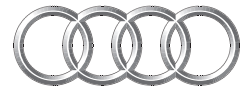
Δ Storage Pouch with logo  
 Δ 19" chromed tire iron adds increased leverage to loosen and tighten wheel nuts  
 Δ Rubber grip  
 Δ Two sockets included



Part No.	Description	Application
<b>ZAW 355 000 SR</b> <b>ZAW 355 000 SP</b> <b>ZAW 355 000 A</b> <b>ZAW 355 008</b>	Valve Stem Cap Set of 5  Audi Sport Red Audi Sport Black Audi Logo A8 Logo	All

Quality chrome-plated solid brass construction for durability. Each valve stem cap has an o-ring seal built in, to help ensure valve stem pressure integrity. Five valve stem caps per package—one for each wheel including the spare.





**Audi**

# Alloy Wheels

Part No.	Description	Application	Availability	Size
<b>4D0 601 025F Z17</b>	8Jx18 RO48 Brilliant/silver metallic Uses standard wheel bolts Rubber valve stem	A8 A8 L S8	97 ▶ 03 00 ▶ 03 01 ▶ 03	245/45 ZR18



**Swing**

**Components not supplied with wheel**  
**893 601 170 Z17** Center Cap – Audi Rings

<b>4D0 601 025T Z17</b>	8Jx18 RO48 Avus silver Uses standard wheel bolts Rubber valve stem	A8 A8 L S8	97 ▶ 03 00 ▶ 03 02 ▶ 03	245/45 ZR18
-------------------------	---	------------------	-------------------------------	-------------



**AVUS C9T**

**Components not supplied with wheel**  
**895 601 165 Z17** Center Cap – Audi Rings

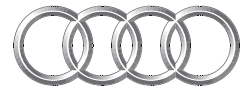
<b>4D0 601 025AL Z33</b>	8Jx18 RO48 Avus silver Uses standard wheel bolts Rubber valve stem	A8 A8 L	97 ▶ 03 00 ▶ 03	245/45 ZR18
--------------------------	---	------------	--------------------	-------------



**C9S**

**Components not supplied with wheel**  
**4D0 601 170A Z33** Center Cap – Audi Rings





**Audi**

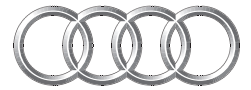
## Alloy Wheels

Part No.	Description	Application	Availability	Size
<b>4D0 601 025B Z33</b>	8Jx17 R048 Uses standard wheel bolts Rubber valve stem	A8 A8 L	97 ▶ 03 00 ▶ 03	255/55 R17



**Components not supplied with wheel**  
**4D0 601 170A Z33** Center Cap – Audi Rings

COS



**Audi**

# Alloy Wheels

Part No.	Description	Application	Availability	Size
<b>8D0 601 025R Z17</b>	7.5Jx17 RO43 16 spoke light alloy wheel Brilliant/silver metallic Uses standard wheel bolts Rubber valve stem	A8 A8 L S8	97 ▶ 03 00 ▶ 03 01 ▶ 03	225/55 R17



RC

**Components supplied with wheel**  
**8D0 601 165G Z17** Center Cap – Audi Rings

<b>8D0 601 025AD 1H7</b>	7.5Jx17 RO43 9 spoke light alloy wheel Brilliant/silver metallic Uses standard wheel bolts Rubber valve stem	A8 A8 L	97 ▶ 03 00 ▶ 03	225/55 R17
--------------------------	--	------------	--------------------	------------



RS4

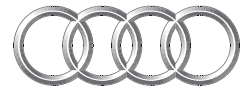
**Components not supplied with wheel**  
**8D0 601 165K 1H7** Center Cap – Audi Rings

<b>4D0 601 025AC Z17</b>	8Jx18 RO43 16 spoke light alloy wheel Multi-piece Integrated valve Connection: titanium bolts Polished stainless steel	A8 A8 L S8	97 ▶ 03 00 ▶ 03 01 ▶ 03	245/45 ZR18
--------------------------	---	------------------	-------------------------------	-------------



RSII

**Components supplied with wheel**  
**4D0 601 165K Z17** Center Cap – Audi Rings



**Audi**

# Alloy Wheels

Part No.	Description	Application	Availability	Size
<b>4D0 601 025AD Z17</b>	8Jx18 R048 Brilliant/silver metallic Uses standard wheel bolts Rubber valve stem	A8 A8 L	97 ▶ 03 00 ▶ 03	245/45 ZR18



C8S

**Components not supplied with wheel**

**4B0 601 170 7ZJ** Center Cap – Audi Rings

<b>4D0 601 025AH 1H7</b>	8Jx18 R043 9 spoke alloy wheel Brilliant/silver metallic Uses standard wheel bolts Rubber valve stem	A8 A8 L S8	97 ▶ 03 00 ▶ 03 01 ▶ 03	245/45 ZR18
--------------------------	--	------------------	-------------------------------	-------------



RS4

**Components not supplied with wheel**

**8D0 601 165K 1H7** Center Cap – Audi Rings

<b>4E0 071 490 666</b>	8.5Jx20 5 spoke alloy wheel Avus silver Uses standard wheel bolts Rubber valve stem	A8 L	04 ▶	255/35 R20 97Y
------------------------	---	------	------	----------------



Cantona

**Component not supplied with wheel**

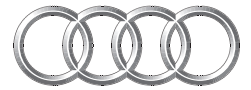
**4B9 071 214** Center Cap



## Winter Wheels

More and more Audi owners who frequently drive in ice, snow or wintry conditions are buying a set of winter wheels and tires to complement their original wheels and performance tires. Having a set of both summer and winter tires and wheels, not only helps extend the life of the tires, you are able to take advantage of the features and benefits each of these offer in Summer or Wintry conditions.

Part No.	Description	Application	Availability	Size
<b>4D0 601 025AB Z17</b>	Winter Alloy Wheel 7Jx17 RO39	A8	01 ▶ 03	225/55 R17
<b>Components not supplied with wheel</b>				
<b>8D0 601 165E Z17</b>	Center Cap			
<b>4D0 601 025 Z7P</b>	Winter Steel Wheel 7Jx16 RO42	A8	97 ▶ 03	225/60 R16
<b>Components not supplied with wheel</b>				
<b>4D0 601 147 Z17</b>	Wheel Cover		97 ▶ 99	
<b>4B0 601 147B Z17</b>	Wheel Cover		00 ▶	
<b>4E0 601 025 S Z17*</b>	Winter Alloy Wheel 8Jx17 ET43 7 spoke	A8 & A8 L	04 ▶	235/55 R17 99H
* Special air valve and tire pressure monitoring device needed: <b>4D0 601 361</b> sold separately				
<b>Components not supplied with wheel</b>				
<b>4B0 601 165A Z17</b>	Wheel Cover			CF9
<b>4E0 601 025 P Z17*</b>	Winter Alloy Wheel 7.5Jx18 ET40 10 spoke	A8 & A8 L	04 ▶	235/50 R18 101H
* Special air valve and tire pressure monitoring device needed: <b>4D0 601 361</b> sold separately				
<b>Components not supplied with wheel</b>				
<b>4B0 601 170A 72J</b>	Wheel Cover			2WQ



**Audi**

# Alloy Wheels

Part No.	Description	Application	Availability	Size
<b>4E0 601 025M 1H7*</b>	8.5x18 ET45 5 spoke alloy wheel	A8 & A8 L	04 ▶	255/45 R18 99H

\* Special air valve and tire pressure monitoring device needed:  
sold separately



CG3

**Components not supplied with wheel**

**4B0 601 170 725** Center Cap

<b>4E0 601 025N QPW*</b>	8.5x19 ET45 12 spoke alloy wheel	A8 & A8 L	04 ▶	255/40 R19 100Y
--------------------------	-------------------------------------	-----------	------	-----------------

\* Special air valve and tire pressure monitoring device needed:  
sold separately



CG4

**Components not supplied with wheel**

**4E0 601 165 A 725** Center Cap



# Alloy Wheels

Part No.	Description	Application	Availability
<b>500 080 003 03 DSP</b>	Wheel and tire combination 7.5Jx17 RO43 Complete with: 225/55 ZR 17 tire Audi center cap Removal tool for center cap BBS logo valve stem caps	A8 A8 L	97 ▶ 03 00 ▶ 03



RC

## Dealer Drop Ship Program

<b>Single component</b> <b>8L0 601 147 Z17</b>	Center Cap	<b>500 080 003 03 DSP</b>
---	------------	---------------------------

<b>500 080 003 05 DSP</b>	Wheel and tire combination 8Jx18 RO43 Complete with: 245/45 ZR 18 tire Audi center cap Removal tool for center cap BBS logo valve stem caps	A8 A8 L S8	97 ▶ 03 00 ▶ 03 01 ▶ 03
---------------------------	---	------------------	-------------------------------



RSII

## Dealer Drop Ship Program

<b>Single component</b> <b>8L0 601 147 Z17</b>	Center Cap	<b>500 080 003 05 DSP</b>
---	------------	---------------------------

A note about our wheel and summer performance tire assemblies: Our high performance wheel and tire assemblies as well as some of the tires required for our larger diameter accessory alloy wheels are designed for optimum performance and handling in warm climates. They are not suitable for cold, snowy, or icy weather conditions. If the car is driven under those circumstances, the vehicle should be equipped with all-season or winter tires, which offer better traction under those conditions. We suggest you use the recommended winter or all season tire specified for the vehicle or its equivalent. These high-performance tires also have a lower aspect ratio that aids performance and handling; however, in order to avoid tire, rim, or vehicle damage, it is important that the inflation pressure is regularly checked and maintained at recommended levels. Please also remember in making your selection that, while these tires deliver responsive handling, they may ride less comfortably and make more noise than other choices. Finally, these tires may wear more quickly than other choices. For further information on all these topics, please consult the vehicles owner's manual or call your facing Parts Distribution center.

## Exhaust Tips



Part No.	Description	Application	Availability
<b>ZAW 806 008</b>	Exhaust Tips Stainless steel Set of 2	A8	97 ► 03

- △ Exhaust tips
- △ Manufactured of highly polished T304 stainless steel
- △ End tips have rolled edges and angle cut
- △ Kit includes two exhaust tips
- △ Attach with 6 stainless steel socket head screws

---

<b>8D0 853 736E 2ZZ</b>	S8 Badge - front	97 ► 03
<b>8D0 853 736G 2ZZ</b>	S8 Badge - rear	