



# A3 Index

## Radio/Electrical

|                       |   |
|-----------------------|---|
| Satellite Radio ..... | 2 |
| CD Changer .....      | 3 |
| Mini Flashlight ..... | 3 |

## Interior

|                         |   |
|-------------------------|---|
| Floor Mats:             |   |
| Rubber .....            | 4 |
| Rear Sunshade .....     | 5 |
| UV Sunshield .....      | 5 |
| Plastic Trunk Mat ..... | 6 |
| Net Partition .....     | 6 |
| Shelf Organizer .....   | 7 |
| Door Sills .....        | 7 |

## Exterior

|   |    |
|---|----|
| Roof Carrier System:                    |    |
| Carrier Bars .....                      | 8  |
| Bicycle Carrier System .....            | 9  |
| Bike Holder Attachment Fork Mount ..... | 10 |
| Surfboard Holder .....                  | 11 |
| Kayak Holder .....                      | 11 |
| Luggage Basket .....                    | 12 |
| Softside Luggage Carrier .....          | 13 |
| Aluminum Basket .....                   | 13 |
| Snowboard/Ski Attachment .....          | 14 |
| Roof Spoiler .....                      | 15 |
| Side Sill .....                         | 15 |
| Rear Skirt .....                        | 16 |
| Exhaust Tips .....                      | 16 |
| Splash Guards .....                     | 17 |
| Storage Cover .....                     | 18 |
| Alloy Wheels .....                      | 19 |

# Satellite Radio

| Part No.  | Description               | Application | Availability |
|---|---------------------------|-------------|--------------|
| 8E0 057 593 D<br>8E0 035 593 F<br>8E0 035 593 H | Sirius Satellite receiver | A3          | 2006 ►       |

**SIRIUS Satellite Radio delivers more than 125 channels of the best programming in all of radio. SIRIUS is the original and only home of 100% commercial free music channels in satellite radio, offering 67 music channels available nationwide. SIRIUS also delivers 61 channels of sports, news, talk, entertainment, traffic, weather and data. SIRIUS is the Official Satellite Radio Partner of the NFL, NBA, and NHL and broadcasts live play-by-play games of the NFL, NBA, and NHL. Plus NASCAR moves to SIRIUS in 2007.**

**The only home of 100% commercial-free music channels** – With dedicated channels for nearly every genre, you hear the music you want, commercial free.

**Live play-by-play & expert talk from the biggest sports** – NFL, NBA, NHL, and games from over 150 college sports teams, Plus NASCAR moves to SIRIUS in 2007.

**Exclusive Entertainment & Talk** – Howard Stern, Blue Collar Comedy, Maxim Radio, Jim Breuer and much more

**Especially for Women** – Lifestyle and how-to-programming from Martha Stewart Living Radio, Cosmopolitan Radio, Barbara Walters, Candance Bushell and more

**World class news** – Stay informed with FOX, CNN, NPR, the BBC and more. Plus local traffic & weather.

**Family & Kids** – It's G-rated fun for everyone with Radio Disney, Kids Stuff, and Laugh Break Comedy.

Visit [www.accessAudi.com](http://www.accessAudi.com) for regular program updates and special promotions.

XM Receivers will no longer be available after July 30, 2006.

# CD Changer



| Part No.           | Description                 | Application | Availability |
|--------------------|-----------------------------|-------------|--------------|
| <b>8E0 035 111</b> | Glove Box 6 Disc CD Changer | A3          | 2006 ▶       |

Δ This trim CD changer mounts in the glove box to keep six CDs ready to play. Installation instructions available on AESIS.

|                    |                 |                 |
|--------------------|-----------------|-----------------|
| <b>4F0 947 175</b> | Mini Flashlight | All Audi Models |
|--------------------|-----------------|-----------------|

LED mini flashlight.  
The travelers friend.

This convenient light is rechargeable and gives you approximately 30 minutes of operating time. Simply turn the head to operate. The LED service life is approximately 20,000 hours. To charge simply plug it in to your Audi's 12 volt power outlet. Available for all Audi models.





# Floor Mats

| Part No.                | Description                                 | Application | Availability |
|-------------------------|---|-------------|--------------|
|                         | Premium All-Weather Rubber Mats<br>set of 4 |             |              |
| <b>8P1 061 550H 041</b> | black                                       | A3          | 2006 ▶       |

All-Weather Floor Mats feature a deep ribbed channel design to help protect the floor carpeting from mud, sand and snow. Mats come with contrasting logo to complement your interior. Set of 4, black.

Installation time units: 20

---

## European Style Rubber Mats

|                            |       |    |        |
|----------------------------|-------|----|--------|
| <b>8P1 061 501 041 ***</b> | front | A3 | 2006 ▶ |
| <b>8P0 061 511 041 ***</b> | rear  | A3 | 2006 ▶ |
| <b>8P1 061 501 528 ***</b> | front | A3 | 2006 ▶ |
| <b>8P0 061 511 528 ***</b> | rear  | A3 | 2006 ▶ |

\*\*\* = Color Code: **041** Black, **528** Gray

Δ Trim profile

Δ Embossed rubber mats extend the life of your carpet



# Sunshade

| Part No.           | Description          | Application | Availability |
|--------------------|----------------------|-------------|--------------|
| <b>8P5 064 364</b> | Rear Window Sunshade | A3          | 2006 ▶       |

- △ This window shade prevents direct sunlight from entering the passenger cabin, reducing heat and glare
- △ Shade does not obstruct drivers view

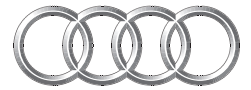



---

|                    |              |    |        |
|--------------------|--------------|----|--------|
| <b>ZAW 400 818</b> | UV Sunshield | A3 | 2006 ▶ |
|--------------------|--------------|----|--------|

- △ Sunshield is cut to fit you A3
- △ High quality triple laminated material
- △ Helps protect interior from UV rays
- △ Reduces inside temperature





**Audi**

## Molded Carpeted Trunk Mat; Cargo Net

| Part No.           | Description      | Application | Availability |
|--------------------|------------------|-------------|--------------|
| <b>ZAW 380 510</b> | Custom Cargo Mat | A3          | 2006 ▶       |

Covers useable trunk area

Audi molded carpeted mats are made from moisture resistant heavy-duty rubber covered with a plush nylon carpet to help keep your trunk area protected from spills, scratches and dirt that happen when transporting gear. This mat fits perfectly into your vehicle and stays snug. Cleaning is simple, just hose it off or use a mild detergent on heavier stains. The Cargo Logic system is designed to help organize and control movement of items placed in the cargo area of your vehicle. It is not intended for use as a safety restraint and may not be suitable for some large or unsafe objects.



---

|                    |                         |    |        |
|--------------------|-------------------------|----|--------|
| <b>8P5 017 221</b> | Partition Net - Divider | A3 | 2006 ▶ |
|--------------------|-------------------------|----|--------|

- Δ Wire mesh divider to separate cargo area from passenger area
- Δ Particularly useful for transporting your pets in the cargo area of your A3



---

|                    |                               |    |      |
|--------------------|-------------------------------|----|------|
| <b>8P0 861 869</b> | Trunk Cargo Net<br>1C - Black | A3 | 06 ▶ |
|--------------------|-------------------------------|----|------|

- Δ Secures trunk contents
- Δ Nylon net construction
- Δ Attaches to existing hooks.





## Shelf Organizer; Door Sills

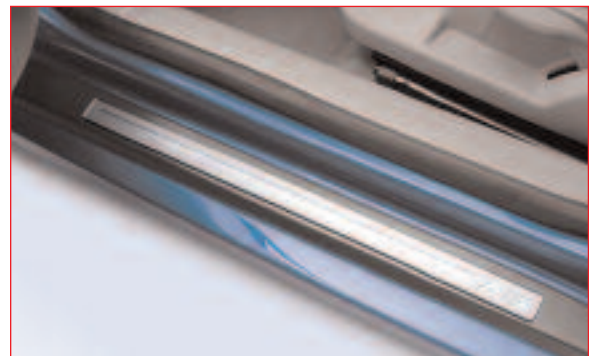
| Part No.           | Description            | Application | Availability |
|--------------------|------------------------|-------------|--------------|
| <b>8P5 061 178</b> | Parcel Shelf Organizer | A3          | 2006 ▶       |

- Δ Additional storage space for various items
- Δ Organizer is divided into storage compartments of various sizes
- Δ Installs beneath the rear parcel shelf
- Δ Includes installation hardware



---

| Part No.           | Description                                  | Application | Availability |
|--------------------|--|-------------|--------------|
| <b>8P5 071 305</b> | Aluminum Look Door Sills<br>A3 logo Applique | A3          | 2006 ▶       |





## Roof Carrier System: Base Carrier Bars



| Part No.           | Description       | Application | Availability |
|--------------------|-------------------|-------------|--------------|
| <b>8P9 071 126</b> | Base Carrier Bars | A3          | 2006 ►       |

Audi has designed a stylish, versatile roof rack system. The set features two base carrier bars to be used in conjunction with all the Authentic Audi Roof Rack Attachments to meet all your active lifestyle needs. Roof rack attachments sold separately.

]

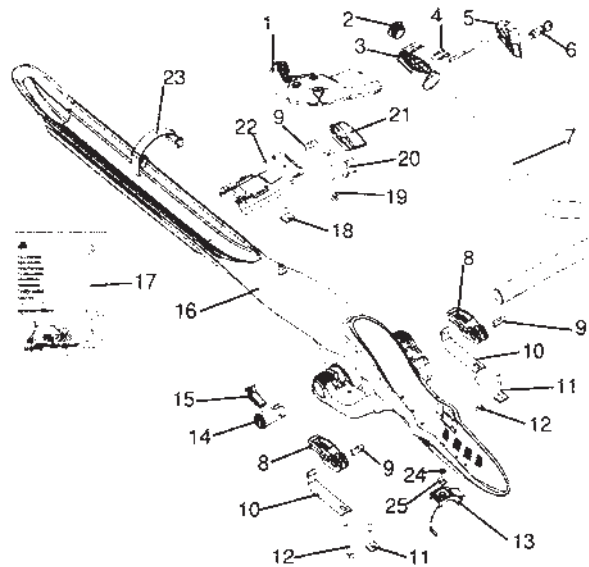


# Bike Carrier System



| Part No.           | Description   | Application | Availability |
|--------------------|---|-------------|--------------|
| <b>8E0 071 128</b> | Barricuda Rack<br>Bicycle Holder Attachment<br>for 1 Bicycle<br><br>Requires base carrier<br>bars or Avant "Cross Bars" | All Models  |              |

- Δ Complete with mounting hardware & instructions
- Δ For transport of Touring, Mountain and Racing Bikes in an upright position
- Δ Built-in lock and rugged design prevents damage to valuable bicycles
- Δ Up to three(3) bicycles can be mounted using a staggered formation
- Δ "city crash" certified

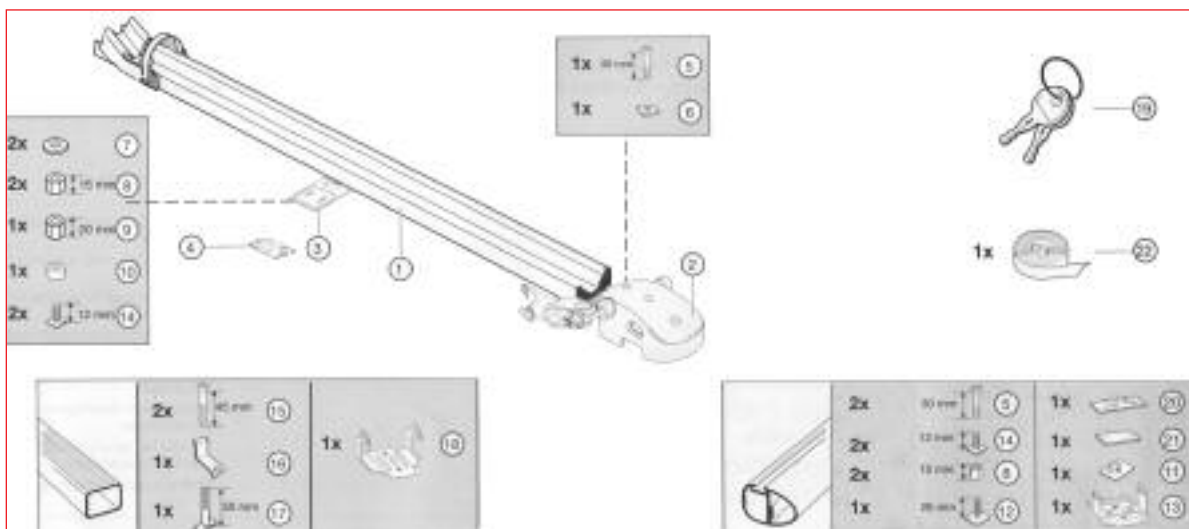


# Bike Carrier System

| Part No.             | Description   | Application | Availability |
|----------------------|---|-------------|--------------|
| <b>7M0 071 128 B</b> | Bicycle Holder Attachment<br>Fork mount             | All Models  |              |
|                      | Requires base carrier<br>bars or Avant "Cross Bars" |             |              |
| <b>7M0 071 128 C</b> | for bike with disk brakes                           |             |              |

Δ Complete with mounting hardware & instructions  
 Δ Thumb wheel adjustment

Installation time units: 25



# Surfboard Holder; Kayak Holder



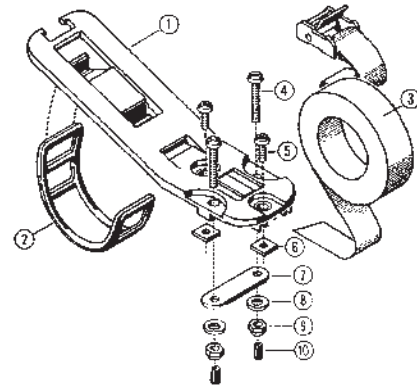
| Part No.           | Description   | Application | Availability |
|--------------------|---|-------------|--------------|
| <b>445 071 127</b> | Surfboard Holder Attachment<br>Requires base carrier bars or Avant "Cross Bars" | All Models  |              |

4 plastic holders which adapt to the shape of the surfboard. For transporting of 1 or 2 surfboards with masts.  
Installation time units: 25

### Single components - Surfboard Holder attachment 445 071 127

**Key**

| No. | Description       | Part No.            |
|-----|-------------------|---------------------|
| 2   | Tensioning Rubber | <b>445 071 737B</b> |
| 4   | Hardware Kit      | <b>445 071 737C</b> |
| 3   |                   |                     |
| 6   |                   |                     |
| 7   |                   |                     |
| 8   |                   |                     |
| 9   |                   |                     |
| 10  |                   |                     |
| 7   | Mounting Plate    |                     |



|                    |   |            |
|--------------------|---|------------|
| <b>00H 071 127</b> | Mont Blanc<br>Kayak Holder Attachment<br>Requires base carrier bars or Avant "Cross Bars" | All Models |
|--------------------|---|------------|

Our newest lifestyle accessory protects your kayak and your Audi. Conforms to all hulls and offers superior stability. Holds one kayak. Includes one pair of heavy duty straps.



# Luggage Basket



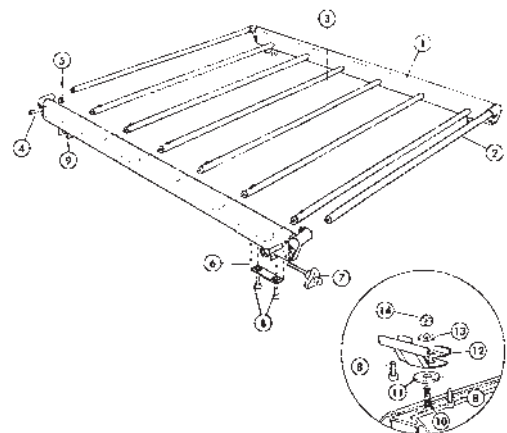
| Part No.             | Description  | Application | Availability |
|----------------------|--|-------------|--------------|
| <b>191 071 130 F</b> | Luggage Basket<br>Requires base carrier bars or Avant "Cross Bars" | All Models  |              |

- Δ Complete with mounting hardware 40" x 30"
- Δ Bars and side rails are made of black plastic coated galvanized steel
- Δ Front and rear bars are adjustable: in the up-position unit forms a luggage basket, the down position converts it to a loading platform with side supports.

Installation time units: 25

## Single components - Luggage Basket 191 071 130 F

| Key No. | Description                       | Qty. |                      |
|---------|-----------------------------------|------|----------------------|
| 1       | .....Side Section.....            | 2    |                      |
| 2       | .....Retaining bar .....          | 1    | <b>191 071 736 B</b> |
| 3       | .....Supporting bar .....         | 1    | <b>191 071 736 E</b> |
| 7       | .....Capstan head screw .....     | 4    | <b>191 071 739</b>   |
|         | .....Mounting Kit .....           |      | <b>191 071 736 D</b> |
| 4       | .....Self tapping screws.....     | 12   |                      |
| 5       | .....Plastic washer .....         | 12   |                      |
| 6       | .....Hex head bolt.....           | 8    |                      |
| 10      | .....Threaded shackle.....        | 4    |                      |
| 11      | .....Hex head nut.....            | 4    |                      |
| 12      | .....T-shaped keyway insert ..... | 4    |                      |
| 13      | .....Shackle.....                 | 4    |                      |
| 14      | .....U-shaped shackle .....       | 4    |                      |
|         | Set of Screw Connectors .....     |      | <b>191 071 743 C</b> |
| 6       | .....Hex head bolt.....           | 8    |                      |
| 9       | .....Hex head nut.....            | 4    |                      |
| 8       | .....Slotted bolt.....            | 4    |                      |



# Soft Side Luggage Carrier



| Part No.           | Description   | Application | Availability |
|--------------------|---|-------------|--------------|
| <b>ZVW 193 800</b> | Soft Side Luggage Carrier<br>Requires base carrier bars or Avant "Cross Bars" | All Models  |              |

- Δ Embossed polyester
- Δ Sealed seams
- Δ Zipper covered with velcro
- Δ Three main belts which support six quick release tie down straps

Length: 939.80mm/37"  
 Width: 762.00mm/30"  
 Depth: 304.80mm/12"

|                    |   |            |  |
|--------------------|---|------------|--|
| <b>00H 071 130</b> | Aluminum Roof Basket<br>Mt. Blanc<br>Requires base carrier bars or Avant "Cross Bars" | All Models |  |
|--------------------|---|------------|--|

- Δ High quality, lightweight roof rack platform in aluminum
- Δ Load surface 35" x 31"
- Δ Installs easily
- Δ Side rails prevent load from shifting
- Δ Works great with Soft Luggage Carrier



# Snowboard/Ski Attachment



| Part No.              | Description  | Application | Availability |
|-----------------------|--|-------------|--------------|
| <b>3B0 071 129 UA</b> | Snowboard/Ski Attachment<br>Requires base carrier bars or Avant "Cross Bars" | All Models  |              |

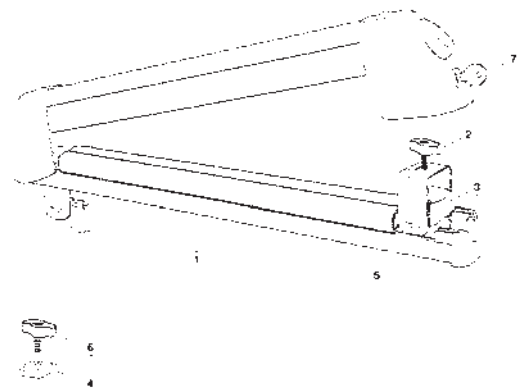
- Δ Lockable
- Δ Complete with mounting hardware
- Δ Perfect blend of styling, quality and rugged design
- Δ Installs quickly on base carrier and features an oversized push button locking hood that allows for easy opening and closing with gloves on
- Δ Wide semi-rigid rubber profile design provides a snug secure fit for snowboard or skis
- Δ Holds 4 pairs of skis or 2 snowboards

Installation time units: 25

## Single Components - Snowboard/Ski attachment 3B0 071 129 UA

| Key No. | Description                 | Qty. |
|---------|-----------------------------|------|
| 1       | Ski/snowboard carrier ..... | 2    |
| 2       | Wing bolt, M6x35 .....      | 4    |
| 3       | Spacer block .....          | 4    |
| 4       | Keyway, M6 .....            | 4    |
| 5       | Retaining clip.....         | 4    |
| 6       | Wing knob, M6x20 .....      | 2    |
| 7       | Key .....                   | 2    |

**Attachment Kit  
3B0 071 737 A**





## Spoiler; Side Sill



| Part No.               | Description       | Application | Availability |
|------------------------|-------------------|-------------|--------------|
| <b>8P9 071 640 9AX</b> | Roof Edge Spoiler | A3          | 2006 ►       |

Add a touch a flair to your A3 with the Roof Edge Spoiler. This finishing touch to personalize your vehicle is built to exacting standards from quality materials ensuring a perfect fit. Requires professional painting & installation.

|                        |                    |    |        |
|------------------------|--------------------|----|--------|
| <b>8P9 071 609 9AX</b> | Front Chin Spoiler | A3 | 2006 ► |
|------------------------|--------------------|----|--------|

|                        |            |    |        |
|------------------------|------------|----|--------|
| <b>8P9 071 685 9AX</b> | Side Sills | A3 | 2006 ► |
|------------------------|------------|----|--------|



## Rear Skirt



| Part No.               | Description | Application | Availability |
|------------------------|-------------|-------------|--------------|
| <b>8P9 071 610 9AX</b> | Rear Skirt  | A3          | 2006 ►       |

Must be used in conjunction with Polished Stainless Steel Exhaust Tips.

## Exhaust Tips

| Part No.           | Description                              | Application | Availability            |
|--------------------|--|-------------|-------------------------|
| <b>8E0 071 910</b> | Exhaust Tips<br>Polished Stainless steel | A3          | 2006 ►<br>* Not for 3.2 |

- △ Enhance the look of your A3 with these tail pipe embellishers
- △ Made of polished stainless steel
- △ Tips feature rolled edges and angle cut
- △ Includes two tips and mounting hardware





## Splash Guards



| Part No.           | Description              | Application | Availability |
|--------------------|--------------------------|-------------|--------------|
| <b>8P5 075 111</b> | Front<br>Form Fit Molded | A3          | 2006 ►       |
| <b>8P5 075 101</b> | Rear<br>Form Fit Molded  | A3          | 2006 ►       |

- △ Protect you A3's finish with custom -fit splash guards.
- △ Made of long-life, crack resistant rubber
- △ Includes mounting hardware

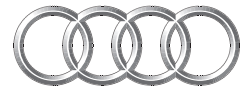


## Storage Cover



| Part No.           | Description   | Application | Availability |
|--------------------|---------------|-------------|--------------|
| <b>ZAW 400 111</b> | Storage Cover | A3          | 2006 ►       |

Protect your Audi from the elements with a lightweight, easy to use car cover. The cover is custom designed for your A3 and features the Audi logo. Cover has a plastic window so the rear license plate is visible. Comes complete with a storage bag for easy transportation.



**Audi**

## Alloy Wheels

| Part No.               | Description                                   | Application | Availability | Size       |
|------------------------|---|-------------|--------------|------------|
| <b>8P0 071 498 666</b> | Calita "18 x 7.5"<br>Complete with center cap | A3          | 2006 ►       | 225/40 R18 |

Audi alloy wheels are designed exclusively for your Audi. They are engineered to Audi original equipment exacting standards, leading to greater strength and durability. You can purchase with confidence when your buying Authentic Audi Accessory Wheels.



Calita

---

|                        |   |    |        |            |
|------------------------|---|----|--------|------------|
| <b>8P0 071 498 666</b> | Calera "18 x 7.5"<br>Complete with center cap | A3 | 2006 ► | 225/40 R18 |
|------------------------|---|----|--------|------------|



Calera

---

|                        |  |    |        |            |
|------------------------|--|----|--------|------------|
| <b>8P2 071 498 666</b> | Caressa "18 x 7.5"<br>Complete with center cap | A3 | 2006 ► | 225/40 R18 |
|------------------------|--|----|--------|------------|



Caressa