

AUDI A6/S6 1998-04

SECTION INDEX

A/C HEATER/VENTILATION	82
A/C REFRIGERANT CAPACITIES	82
ABS/BRAKES	85
AIR BAG SYSTEM	84
AIR CLEANER	91
BACK WINDOW	105
CENTER CONSOLE	97
CLEAR COAT IDENTIFICATION	77
COOLING	80
COWL & DASH	96
CRUISE CONTROL SYSTEM	85
ELECTRICAL	94
EMISSION SYSTEM	93
ENGINE OIL COOLER	81
ENGINE UNDER COVER	91
ENGINE/TRANS	89
ENGINE/TRANS MOUNTS	90
EXHAUST	92
FRONT BUMPER	77
FRONT DOOR	100
FRONT DRIVE AXLE	88
FRONT FENDER	82
FRONT INNER STRUCTURE	83
FRONT LAMPS	78
FRONT SEAT	99
FRONT STEERING LINKAGE/GEAR	88
FRONT SUSPENSION	86
FUEL TANK	110
GRILLE	78
HOOD	79
INFORMATION LABELS	77
INSTRUMENT PANEL	96
LIFTGATE	107
LUGGAGE LID	107
PAINT CODE LOCATION	77
QUARTER GLASS	107
QUARTER PANEL	105
REAR BODY	111
REAR BUMPER	113
REAR DOOR	102
REAR DRIVE AXLE	110
REAR LAMPS	112
REAR SEAT	100
REAR SUSPENSION	108
ROCKER/PILLARS/FLOOR	98
ROOF	104
SEAT BELTS	100
SPECIAL CAUTIONS	77
STEERING PUMP	89
STEERING WHEEL/COLUMN	89
SUNROOF	105
TURBOCHARGER/WINTERCOOLER	92
UNDERHOOD DIMENSIONS	83
WHEEL	85
WINDSHIELD	95

SPECIAL CAUTIONS

AIR BAGS

Refer to Procedure Explanation 29 for Supplemental Restraint/Air Bag Special Cautions.

ELECTRICAL COMPONENTS

Ignition must be in off position before any electrical repair is performed.

SUSPENSION

Manufacturer advises that some new fasteners must be used whenever old fasteners are loosened or removed.

WELDING

Before initiating any repair involving the use of an electric welder, the ignition must be in the off position and battery disconnected.

PAINT CODE LOCATION

Paint code located in trunk compartment.

CLEAR COAT IDENTIFICATION

All colors are clear coat.

INFORMATION LABELS

Label, Engine Warning	4A0 010 114 S	6.90
Label, Unleaded Fuel Only	034 010 105 K	1.40
Label, Tire Pressure		
FWD, AWD Quattro	4B0 010 147 D	2.65
Allroad Quattro	4Z7 010 192 K	2.30
Label, Belt Warning	028 010 227 E	1.10
Label, A/C Refrigerant	4B0 010 137 P	1.70
Label, Air Bag Warning	3B0 010 228 A	1.30
Label, Child Seat Air Bag	3B0 010 219 B	1.30

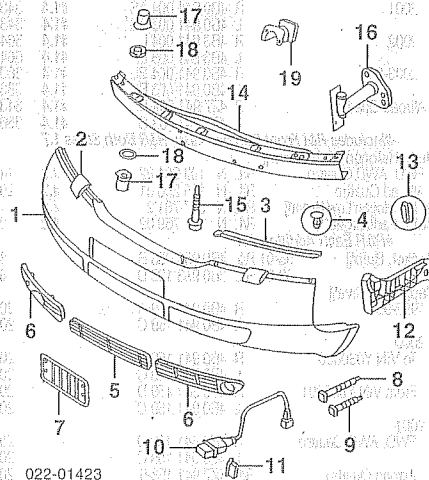
FRONT BUMPER

Use Procedure Explanations 1 and 28 with the following text.

6 CYL  
FWD, AWD QUATTRO

Refinish Front Cover	1.9
Refinish Washer Nozzle Cap	R/L #2
#Included in Refinish Front Cover	
R&L Bumper Assy	#1.1
#Includes R&L/R&R Engine Cover Pan	
O/H Bumper Assy (Includes R&L)	#2.9
#Includes R&L/R&R Engine Cover Pan, Fog Lamps & H/Lamp Washer Pressure Cylinders	

NOTE: All Parts in this section are included in overhaul unless noted otherwise.

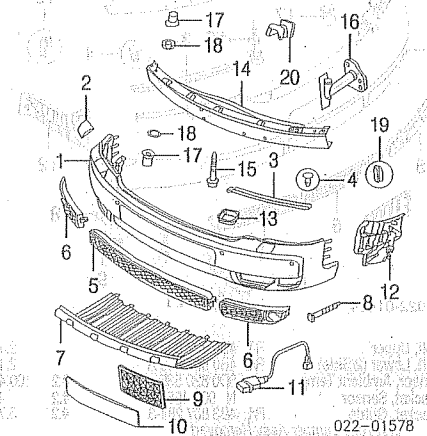


1 Cover, Front (P)	4Z7 807 103 GRU	#2.9	305.30
#Includes R&L/R&R Engine Cover Pan, Fog Lamps & H/Lamp Washer Pressure Cylinders			
2 Cap, Washer Nozzle (P)	R 4Z7 955 276 GRU	.2	12.30
	L 4Z7 955 275 GRU	.2	12.30
(P) Paint to Match			
3 Moulding, Front Cover	R 4B0 807 174 2ZZ	.2	39.90
	L 4B0 807 173 2ZZ	.2	39.90
4 Clip, Midlg (2/Side)	R/L N 906 349 01		.38
5 Grille, Center Cover	4Z7 807 683 3FZ	.3	41.60
6 Grille, Outer Cover	R 4Z7 807 682 3FZ	.2	20.60
	L 4Z7 807 681 3FZ	.2	20.60
7 Plate, Skid	4Z7 807 733 A	.4	173.85
8 Bolt, Cover (3/Side)	R/L 4B0 807 893 A		2.10
9 Bracket, License	4Z7 807 285 A 3FZ	.2	42.55
10 Trim, Front (P)	4Z7 807 285 C GRU	.4	46.35
(P) Paint to Match			
11 Sensor, Ambient Temp	4Z7 820 535	#2	80.05
Bracket, Sensor	4B0 820 536 C		3.70
12 Bracket, Guide	R 4Z7 807 284 A	#2	5.95
	L 4Z7 807 283 A	#2	5.95
#w/Front Bumper Assy Removed			
13 Frame, Cover	R/L 4B0 807 995 A		1.20
14 Bar, Reinforcement	4Z7 807 109 B	IOH	253.90
15 Bolt, Reinr Bar	R/L 4B0 807 199 B		2.60
16 Absorber, Impact	R/L 4Z7 807 272-1	#3	180.40
#w/Front Bumper Assy Removed, Not Included in O/H			
17 Clip, Reinr Bar (9)	4B0 807 249		1.50
18 Washer, Spacer (12)	4B0 807 405		5.30
19 Ring, Support	R/L 4B0 807 995 A		1.20
20 Brkt, Pressure Cyl	R/L N.A.		0.00

18 Washer, Spacer (12)	4B0 807 405	5.30
19 Brkt, Pressure Cyl	R/L 4B0 807 995 A	14.90

6 CYL  
ALLROAD QUATTRO

Refinish Front Cover	1.9
Refinish Washer Nozzle Cap	R/L #2
#Included in Refinish Front Cover	
Refinish Front Trim	.4
R&L Bumper Assy	#1.1
#Includes R&L/R&R Engine Cover Pan	
O/H Bumper Assy (Includes R&L)	#2.9
#Includes R&L/R&R Engine Cover Pan, Fog Lamps & H/Lamp Washer Pressure Cylinders	



1 Cover, Front (P)	4Z7 807 103 GRU	#2.9	305.30
#Includes R&L/R&R Engine Cover Pan, Fog Lamps & H/Lamp Washer Pressure Cylinders			
2 Cap, Washer Nozzle (P)	R 4Z7 955 276 GRU	.2	12.30
	L 4Z7 955 275 GRU	.2	12.30
(P) Paint to Match			
3 Moulding, Front Cover	R 4B0 807 174 2ZZ	.2	39.90
	L 4B0 807 173 2ZZ	.2	39.90
4 Clip, Midlg (2/Side)	R/L N 906 349 01		.38
5 Grille, Center Cover	4Z7 807 683 3FZ	.3	41.60
6 Grille, Outer Cover	R 4Z7 807 682 3FZ	.2	20.60
	L 4Z7 807 681 3FZ	.2	20.60
7 Plate, Skid	4Z7 807 733 A	.4	173.85
8 Bolt, Cover (3/Side)	R/L 4B0 807 893 A		2.10
9 Bracket, License	4Z7 807 285 A 3FZ	.2	42.55
10 Trim, Front (P)	4Z7 807 285 C GRU	.4	46.35
(P) Paint to Match			
11 Sensor, Ambient Temp	4Z7 820 535	#2	80.05
Bracket, Sensor	4B0 820 536 C		3.70
12 Bracket, Guide	R 4Z7 807 284 A	#2	5.95
	L 4Z7 807 283 A	#2	5.95
#w/Front Bumper Assy Removed			
13 Frame, Cover	R/L 4B0 807 995 A		1.20
14 Bar, Reinforcement	4Z7 807 109 B	IOH	253.90
15 Bolt, Reinr Bar	R/L 4B0 807 199 B		2.60
16 Absorber, Impact	R/L 4Z7 807 272-1	#3	180.40
#w/Front Bumper Assy Removed, Not Included in O/H			
17 Clip, Reinr Bar (9)	4B0 807 249		1.50
18 Washer, Spacer (12)	4B0 807 405		5.30
19 Ring, Support	R/L 4B0 807 995 A		1.20
20 Brkt, Pressure Cyl	R/L N.A.		0.00

8 CYL

Refinish Front Cover	1.9
Refinish Washer Nozzle Cap	R/L #2
#Included in Refinish Front Cover	
R&L Bumper Assy	#1.1
#Includes R&L/R&R Engine Cover Pan	
O/H Bumper Assy (Includes R&L)	#2.9
#Includes R&L/R&R Engine Cover Pan, Fog Lamps & H/Lamp Washer Pressure Cylinders	

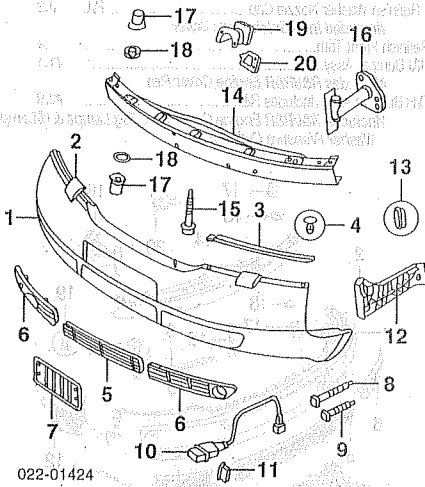
NOTE: All Parts in this section are included in overhaul unless noted otherwise.

Illustration Located in Next Column

1 Cover, Front (P)	4B3 807 103 H GRU	#2.9	514.00
#Includes R&L/R&R Engine Cover Pan, Fog Lamps & H/Lamp Washer Pressure Cylinders			
2 Cap, Washer Nozzle (P)	R 4B3 955 276 A GRU	.2	13.15
	L 4B3 955 275 A GRU	.2	13.15
(P) Paint to Match			
3 Moulding, Front Cover	R 4B3 807 174 2ZZ	.2	39.90
	L 4B3 807 173 2ZZ	.2	39.90
4 Clip, Midlg (2/Side)	R/L N 906 349 01		.38
5 Grille, Center Cover	4B3 807 647 A 3FZ	.3	143.70
6 Grille, Outer Cover	R 4B3 807 682 A 3FZ	.2	20.30
	L 4B3 807 681 A 3FZ	.2	20.30
7 Bracket, License	4B3 807 285 D 3FZ	.2	46.35

FRONT BUMPER Cont'd

8 CYL Cont'd

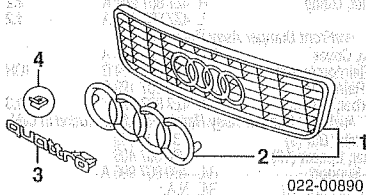


022-01424

8 Bolt, Upper	R/L 4B0 807 893 A	2.10
9 Bolt, Lower (2/Side)	R/L 4B0 807 893 A	2.10
10 Sensor, Ambient Temp	8D0 820 535	#.2 100.40
11 Bracket, Sensor	N 902 455 01	#.2 .45
12 Bracket, Guide	R/L 4B3 807 284-3	#.2 5.70
<b>#w/Front Bumper Assy Removed</b>		
13 Ring, Support	R/L 4B0 807 995 A	1.20
14 Bar, Reinforcement		
w/Electric Fan	4B3 807 109 C	IOH 289.60
w/o Electric Fan	4B3 807 109 A	IOH 289.60
15 Bolt, Rain Bar	R/L 4B0 807 199 C	.58
16 Absorber, Impact	R 4B3 807 272 A	#.3 180.40
	L 4B3 807 271 A	#.3 180.40
<b>#w/Front Bumper Assy Removed, Not Included in OH</b>		
17 Clip, Rein Bar (9)	4B0 807 249	1.50
18 Washer, Spacer (12)	4B0 807 405	5.30
19 Brkt, Pressure Cyl	R 4B3 807 722 A	14.90
	L 4B3 807 721 A	14.90
20 Frame, Bracket	R 4B3 807 788 A	11.05
	L 4B3 807 787 A	11.05

GRILLE

R&I Grille Assy..... #.2  
#Included in R&R Hood



022-00890

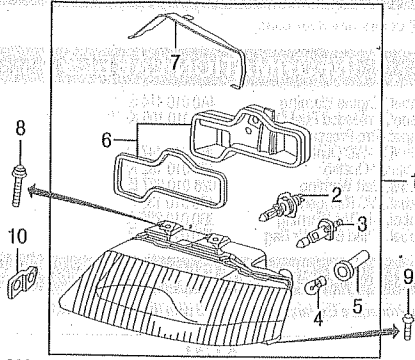
1 Grille Assy			
6 Cyl			
1998-01			
FWD, AWD Quattro	4B0 853 651 A 3FZ	.3	105.35
Allroad Quattro	4Z7 853 651 3FZ	.3	86.35
2002-04	4B0 853 651 F 3FZ	.3	113.45
8 Cyl			
A6	4B3 853 651 3FZ	.3	105.35
S6	4B3 853 651 E 3SR	.3	132.40
2 Emblem, Grille	8D0 853 605	.2	26.65
<b>#Included w/Grille Assy</b>			
3 Nameplate, "Quattro"			
6 Cyl	4B0 853 736 A 2ZZ	.1	21.25
8 Cyl	4B3 853 736 A 2ZZ	.1	21.25
4 Clip, Nameplate	R/L 8L0 807 180		1.30

FRONT LAMPS

COMBINATION LAMP  
HALOGEN  
6 CYL

Aim Lamps			4
R&I Combination Lamp Assy	R/L	#1.4	
<b>#Includes R&amp;I Front Bumper Assy, R&amp;I Both Sides 1.7</b>			

NOTE: R&R Does Not include aim lamps.



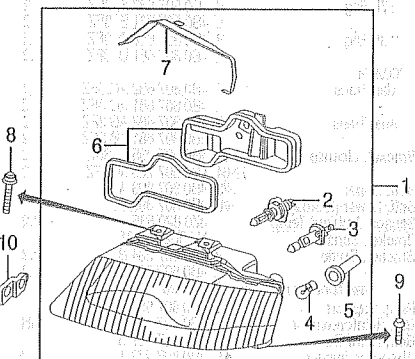
022-01978

1 Lamp Assy, Combination			
FWD			
98-01 R	4B0 941 004 AS	#1.4	343.00
L	4B0 941 003 AS	#1.4	343.00
02-04 R	4B0 941 004 BL	#1.4	383.05
L	4B0 941 003 BL	#1.4	383.05
AWD Quattro			
1998-99	R 4B0 941 004 BE	#1.4	251.35
L	4B0 941 003 BE	#1.4	251.35
2000			
To VIN Y046631	R 4B0 941 004 BE	#1.4	251.35
L	4B0 941 003 BE	#1.4	251.35
From VIN Y046632	R 4B0 941 004 AS	#1.4	343.00
L	4B0 941 003 AS	#1.4	343.00
2001	R 4B0 941 004 AS	#1.4	343.00
L	4B0 941 003 AS	#1.4	343.00
2002	R 4B3 941 004 L	#1.4	564.00
L	4B3 941 003 L	#1.4	564.00
2003-04	R 4B0 941 004 BL	#1.4	383.05
L	4B0 941 003 BL	#1.4	383.05
Allroad Quattro	R 4Z7 941 004 D	#1.4	343.00
L	4Z7 941 003 D	#1.4	356.15
<b>#Includes R&amp;I Front Bumper Assy, R&amp;R Both Sides 1.7</b>			
2 Bulb, Halogen High Beam			
FWD, AWD Quattro	R/L N 103 201 02	#.2	14.40
Allroad Quattro	R/L N 105 296 01	#.2	29.50
3 Bulb, Halogen Low Beam	R/L N 017 761 2	#.2	4.55
4 Bulb, Park/Signal	R/L N 104 759 02	#.2	2.30
<b>#R&amp;R Each Additional .1</b>			
5 Socket, Bulb	98-01 R/L 4B0 953 053 B		8.05
	02-04 R/L 3B0 953 123 D		6.00
6 Cap, Protective			
1998-99	R 4B0 941 159 A		20.70
L	4B0 941 159 C		20.70
2000			
To VIN Y030000	R 4B0 941 159 A		20.70
L	4B0 941 159 C		20.70
From VIN Y030001	R 4B0 941 159 D		20.70
L	4B0 941 159 C		20.70
2001			
FWD, AWD Quattro	R 4B0 941 159 D		20.70
L	4B0 941 159 C		20.70
Allroad Quattro	R/L 4Z7 941 158-9		20.70
2002-04	R/L 4Z7 941 158-9		20.70
7 Midg, Upper Trim	98-01 R/L 4B0 941 192-1		20.70
	02-04 R 4B0 941 192 A		24.80
	L 4B0 941 191 A		28.40
<b>#Included w/Combination Lamp Assy</b>			
8 Bolt, Upper (3/Side)	R/L N 908 085 02		1.20
9 Bolt, Lower	R/L N 014 749 5		.58
10 Brkt, Mounting	R/L 8L0 941 453-4		3.10

COMBINATION LAMP  
HALOGEN  
8 CYL

Aim Lamps			4
R&I Combination Lamp Assy	R/L	#1.4	
<b>#Includes R&amp;I Front Bumper Assy, R&amp;I Both Sides 1.7</b>			

NOTE: R&R Does Not include aim lamps.



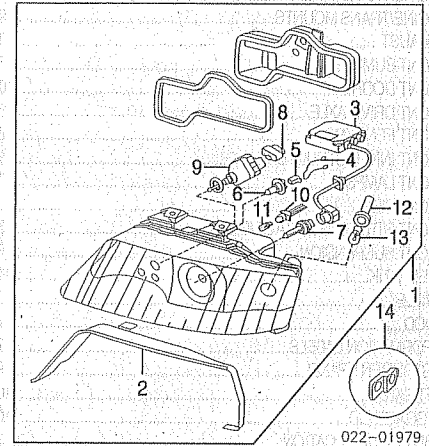
022-01978

1 Lamp Assy, Combination	98-01 R 4B3 941 004 E	#1.4	433.40
	L 4B3 941 003 E	#1.4	433.40
	02-04 R 4B3 941 004 L	#1.4	564.00
	L 4B3 941 003 L	#1.4	564.00
<b>#Includes R&amp;I Front Bumper Assy, R&amp;R Both Sides 1.7</b>			
2 Bulb, Halogen High Beam	R/L N 103 201 02	#.2	14.40
3 Bulb, Halogen Low Beam	R/L N 017 761 2	#.2	4.55
4 Bulb, Park/Signal	R/L N 901 298 01	#.2	3.90
<b>#Each Additional .1</b>			
5 Socket, Bulb	R/L 4B0 953 053 B		8.05
6 Cap, Protective	R/L 4B3 941 158-9		20.70
7 Moulding, Upper Trim	R/L 4B3 941 192-1		22.70
<b>#Included w/Combination Lamp Assy</b>			
8 Bolt, Upper (2/Side)	R/L N 908 085 02		1.20
9 Bolt, Lower	R/L N 014 749 5		.58
10 Brkt, Mounting	R/L 8L0 941 453-4		3.10

COMBINATION LAMP  
XENON LAMP  
6 CYL

Aim Lamps			4
R&I Combination Lamp Assy	R/L	#1.4	
<b>#Includes R&amp;I Front Bumper Assy, R&amp;I Both Sides 1.7</b>			

NOTE: R&R Does Not include aim lamps.



022-01979

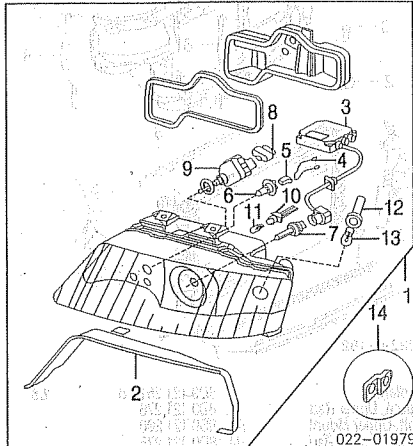
1 Lamp Assy, Combination			
FWD			
98-01 R	4B0 941 004 AT	#1.4	601.00
L	4B0 941 003 AT	#1.4	601.00
02-04 R	4B0 941 004 BM	#1.4	667.00
L	4B0 941 003 BM	#1.4	587.00
AWD Quattro			
1998-99	R 4B0 941 004 BF	#1.4	604.00
L	4B0 941 003 BF	#1.4	601.00
2000			
To VIN Y045951	R 4B0 941 004 BF	#1.4	604.00
L	4B0 941 003 BF	#1.4	601.00
From VIN Y045952	R 4B0 941 004 AT	#1.4	601.00
L	4B0 941 003 AT	#1.4	601.00
2001	R 4B0 941 004 AT	#1.4	601.00
L	4B0 941 003 AT	#1.4	601.00
2002-04	R 4B0 941 004 BM	#1.4	667.00
L	4B0 941 003 BM	#1.4	587.00
Allroad Quattro	R 4Z7 941 004 E	#1.4	601.00
L	4Z7 941 003 E	#1.4	601.00
<b>#Includes R&amp;I Front Bumper Assy, R&amp;R Both Sides 1.7</b>			
2 Midg, Upper Trim	98-01 R/L 4B0 941 192-1		20.70
	02-04 R 4B0 941 192 A		24.80
	L 4B0 941 191 A		28.40
3 Igniter, Xenon Bulb			
FWD			
1998-99	R 4B0 941 471 B	.3	352.95
L	4B0 941 471 D	.3	352.95
2000			
To VIN Y030000	R 4B0 941 471 B	.3	352.95
L	4B0 941 471 D	.3	352.95
From VIN Y030001	R 4B0 941 471 E	.3	352.95
L	4B0 941 471 D	.3	352.95
2001	R 4B0 941 471 E	.3	352.95
L	4B0 941 471 D	.3	352.95
2002-04	R/L 4Z7 941 472-1	.3	369.60
AWD Quattro			
1998-99	R 4B0 941 471 B	.3	352.95
L	4B0 941 471 C	.3	352.95
2000			
To VIN Y030000	R 4B0 941 471 B	.3	352.95
L	4B0 941 471 C	.3	352.95
From VIN Y030001	R 4B0 941 471 E	.3	352.95
L	4B0 941 471 D	.3	352.95
2001	R 4B0 941 471 E	.3	352.95
L	4B0 941 471 D	.3	352.95
2002-04	R/L 4Z7 941 472-1	.3	369.60
Allroad Quattro	R/L 4Z7 941 472-1	.3	369.60
4 Spring, Bulb Holder	R/L 4B0 941 160 A		1.95
5 Connector, Igniter	R/L 441 998 922		7.65
6 Bulb, Halogen High Beam			
FWD, AWD Quattro	R/L N 103 201 01	#.2	12.90
Allroad Quattro	R/L N 105 296 01	#.2	29.50
7 Bulb, Xenon Low Beam	R/L N 104 457 01	#.2	179.10
<b>#Each Additional .1</b>			
8 Connector, Adj Motor	R/L 1J0 973 723		5.95

9 Motor, Adjustment]] FWD, AWD Quattro	98-01 R/L 3B0 941 295 B 02-04 R/L 4E0 941 293	2	78.30
Allroad Quattro	R/L 4E0 941 293	2	87.55
10 Socket, Bulb]]	R/L 7M0 941 953 A		10.45
11 Bulb]]	R/L N 017 753 2	#.2	1.30
12 Socket, Bulb]]	R/L 4B0 953 053 B		8.05
13 Bulb, Park/Signal]] #Included w/Combination Lamp Assy #Each Additional .1	R/L N 901 298 01	#.2	3.90
14 Bracket, Mounting	R/L 8L0 941 453-4		3.10

**COMBINATION LAMP  
XENON LAMP  
8 CYL**

Aim Lamps	.....	A
R&I Combination Lamp Assy	.....	R/L #1.4
#Includes R&I Front Bumper Assy, R&I Both Sides 1.7		

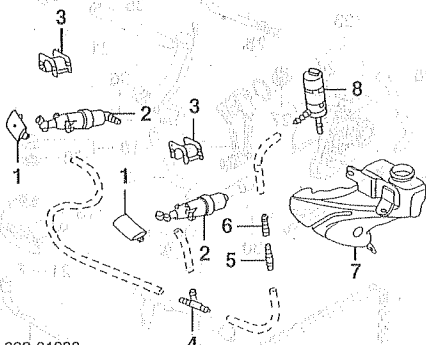
NOTE: R&R Does Not Include aim lamps.



022-01979

1 Lamp Assy, Combination	98-01 R 4B3 941 004 D L 4B3 941 003 D 02-04 R 4B3 941 004 K L 4B3 941 003 K	#1.4 #1.4 #1.4 #1.4	601.00 601.00 667.00 667.00
#Included R&I Front Bumper Assy, R&R Both Sides 1.7			
2 Midg, Upper Trim]]	98-01 R/L 4B3 941 192-1 02 R 4B0 941 192 A L 4B0 941 191 A 03-04 R/L 4B0 941 192-1 R 4B3 941 471 A L 4B3 941 471		22.70 24.80 28.40 20.70 352.95 352.95
3 Igniter, Xenon Bulb]]	R/L 3B0 941 160 A		1.95
4 Spring, Bulb Holder]]	R/L 441 998 922		7.65
5 Connector, Igniter]]	R/L N 103 201 01	#.2	12.90
6 Bulb, Halogen High Beam]]	R/L N 104 457 01	#.2	179.10
7 Bulb, Xenon Low Beam]] #Each Additional .1			
8 Connector, Adj Motor]]	R/L 1J0 973 723		5.95
9 Motor, Adjustment]]	98-01 R/L 4B3 941 295 02-04 R/L 4E0 941 293	2 2	78.60 87.55
10 Socket, Bulb]]	R/L 7M0 941 953 A		10.45
11 Bulb]]	R/L N 017 753 2	#.2	1.30
12 Socket, Bulb]]	R/L 4B0 953 053 B		8.05
13 Bulb, Park/Signal]] #Included w/Combination Lamp Assy #Each Additional .1	R/L N 901 298 01	#.2	3.90
14 Bracket, Mounting	R/L 8L0 941 453-4		3.10

**HEADLAMP WASHER**



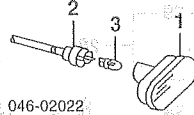
022-01980

1 Cap, Washer Nozzle-See Front Bumper Section			
2 Cylinder, Pressure			
FWD, AWD Quattro	R/L 8D0 955 101	#.2	92.90
Allroad Quattro	R/L 4Z7 955 979	#.2	39.60
#w/Front Bumper Assy Removed			
3 Brkt, Pressure Cyl-See Front Bumper Section			
4 Connector, Tee			

6 Cyl	8D0 955 873		2.70
8 Cyl	1J0 955 665 A		2.70
5 Connector, Hose	4B0 955 873		2.40
6 Connector, Hose	8D0 955 875		2.75
7 Reservoir, Washer-See Windshield Section			
8 Pump, Washer	3B7 955 601	#.8	30.00
#Included in R&R Washer Reservoir			

**SIDE REPEATER LAMP**

R&I Side Repeater Lamp Assy	.....	R/L	#.2
#Included in R&R Fender			

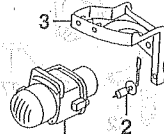


046-02022

1 Lens & Hsg, Repeater	R/L 4B0 949 127	#.2	7.90
#Included in R&R Fender			
2 Socket, Bulb-Serviced w/Headlamp Harness			
3 Bulb, Side Repeater	R/L N 017 753 4	#.2	2.00
#Included in R&R Repeater Lens & Hsg			

**FOG LAMP  
6 CYL  
FWD, AWD QUATTRO**

R&I Fog Lamp Assy	.....	R/L	#.3
#Includes R&R Front Cover Outer Grille, Included in R&R or O/H Front Bumper Assy			

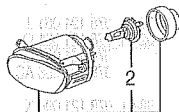


022-01180 1

1 Lamp Assy, Fog	98-01 R/L 4B0 941 700-699 02-04 R 4B0 941 700 C L 4B0 941 699 C	#.3 #.3 #.3	129.35 129.35 129.35
#Includes R&R Front Cover Outer Grille, Included in R&R or O/H Front Bumper Assy			
2 Bulb, Halogen]]	R/L N 017 762 2	#.4	4.65
#Included w/Fog Lamp Assy			
3 Brkt, Mounting	98-01 R 4B0 941 706 C L 4B0 941 705 C	#.2 #.2	14.30 14.30
#w/Front Bumper Assy Removed			

**FOG LAMP  
6 CYL  
ALLROAD QUATTRO**

R&I Fog Lamp	.....	R/L	#.3
#Includes R&R Front Cover Outer Grille, Included in R&R or O/H Front Bumper Assy			



022-01966

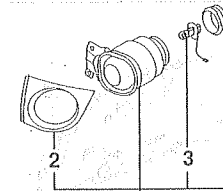
1 Lamp Assy, Fog	R/L 4Z7 941 700-699	#.3	129.35
#Includes R&R Front Cover Outer Grille, Included in R&R or O/H Front Bumper Assy			
2 Bulb, Fog Lamp]]	R/L N 103 201 02	#.2	14.40
#Included w/Fog Lamp Assy			
#Included in R&R or O/H Front Bumper Assy			

**FOG LAMP  
8 CYL**

R&I Fog Lamp Assy	.....	R/L	#.3
#Includes R&R Front Cover Outer Grille, Included in R&R or O/H Front Bumper Assy			

Illustration Located in Next Column

1 Lamp Assy, Fog	R 4B3 941 700 A L 4B3 941 699 A	#.3 #.3	129.35 129.35
#Includes R&R Front Cover Outer Grille, Included in R&R or O/H Front Bumper Assy			
2 Trim, Lamp]]	R 4B3 941 778 A L 4B3 941 777 A	25.55 25.55	
3 Bulb, Halogen]]	R/L N 017 762 2	#.4	4.65



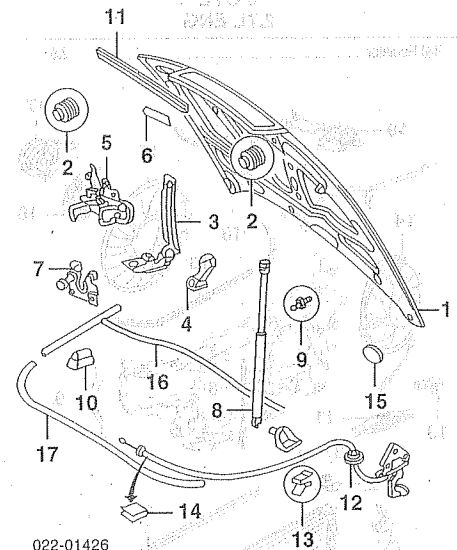
022-01425

#Included w/Fog Lamp Assy  
#Includes R&I/R&R Fog Lamp Assy

**HOOD**

Use Procedure Explanations 4 and 28 with the following text.

Refinish Hood Outside	.....	2.6
Add for Underside	.....	1.3
Refinish Hinge	.....	R/L .2
R&I Hood	.....	.8

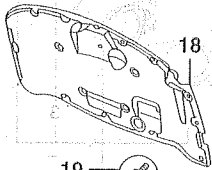


022-01426

1 Panel, Hood	98-01 4B1 823 029	#1.5	638.00
6 Cyl	02-04 4B0 823 029 D	#1.5	638.00
8 Cyl	4B3 823 029	#1.5	638.00
#Includes R&I Grille Assy			
Nozzle, Washer-See Windshield Section			
2 Bumper, Hood (2/Side)	R/L 4B0 823 481		1.20
3 Hinge, Hood			
6 Cyl	R 4B0 823 302 D L 4B0 823 301 D	#.3 #.3	23.05 23.05
8 Cyl	R 4B3 823 302 B L 4B3 823 301 B	#.3 #.3	47.20 47.20
#w/Hood Removed			
4 Cover, Hinge			
8 Cyl	R 4B3 823 630 01C L 4B3 823 629 01C		1.20 1.20
5 Catch, Safety			
6 Cyl			
FWD, AWD Quattro	98-01 4B0 823 480 E 02-04 4B0 823 480 F	#.2 #.2	48.35 54.35
Allroad Quattro	4Z7 823 480 A	#.2	54.35
8 Cyl			
A6	4B3 823 480 C	#.2	48.35
S6	4B3 823 480 E	#.2	69.10
6 Foli, Catch Protective	4B0 823 544		6.95
7 Latch, Lower			
6 Cyl	98-01 8L0 823 509 E 02-04 4B0 823 509	.2 .2	32.65 33.05
8 Cyl	4B3 823 509	.2	38.95
8 Strut, Support	L 4B0 823 359 C	.3	54.30
9 Pin, Upper Strut	L 1J6 827 439		6.75
10 Bumper, Side	R/L 4B0 823 731 B		3.85
11 Seal, Upper	4B0 823 125 A	#.2	6.50
12 Cable, Release			
6 Cyl	4B1 823 531	1.2	31.20
8 Cyl	4B7 823 531	1.2	34.25
13 Clamp, Cable	8A0 823 567		.92
14 Clip, Retaining (4)	N 906 539 01		.33
15 Plug, Hood (3)	011 803 583 C		1.40
16 Seal, Rear	4B0 823 711 B	#.2	22.70
17 Seal, Lower	4B0 823 731 C	#.2	11.40

# AUDI A6/S6 1998-04

## HOOD Cont'd



022-01427

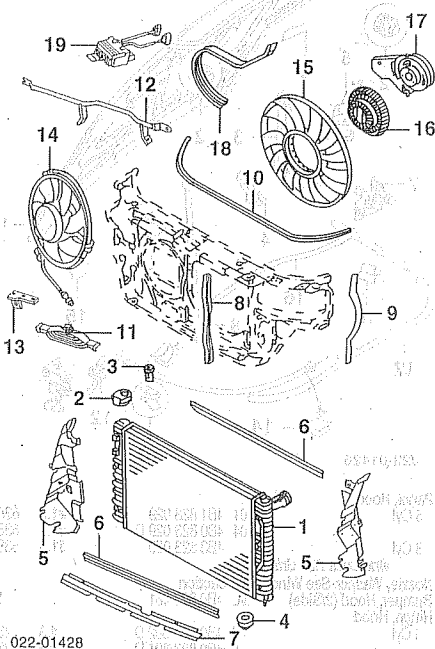
<b>18 Insulator, Hood</b>			
6 Cyl	98-02 4B0 863 825 AC	.4	67.30
	03-04 4B0 863 825 AF	.4	70.90
8 Cyl	00-02 4B3 863 825 C	.4	61.15
	03-04 4B0 863 825 AF	.4	70.90
<b>19 Retainer, Insulator (18)</b>			
	1H5 863 849 A 01C	1.20	

## COOLING

Use Procedure Explanations 5 and 28 with the following text.

### 6 CYL 2.7L ENG

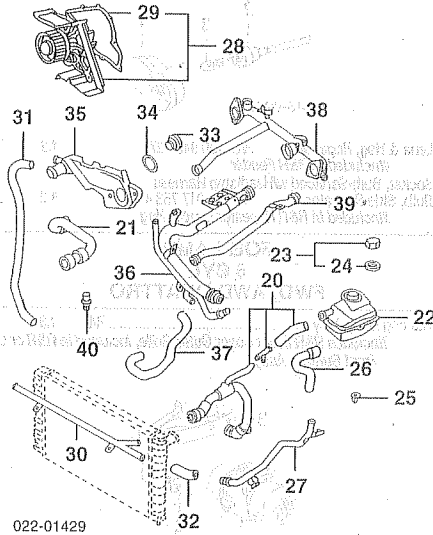
R&I Radiator..... 2.8



022-01428

<b>1 Radiator</b>			
AWD Quattro	4B0 121 251 K	2.8	378.05
Man Trans	98-01 4B0 121 251 AE	2.8	309.30
Auto Trans	02-04 4Z7 121 251 B	2.8	428.65
Allroad Quattro	4Z7 121 251 B	2.8	428.65
2 Mount, Upper Rad	R/L 8D0 121 276 B	5.20	
3 Bolt, Upper Mount	R/L 8D0 121 200	.58	
4 Mount, Lower Rad	R/L 8D0 121 275	1.40	
5 Baffle, Side Air			
AWD Quattro	98-01 R 4B0 121 284 J	.3	14.15
	L 4B0 121 283 M	.3	13.80
	02-04 R 4Z7 121 284 B	.3	14.10
	L 4Z7 121 283 B	.3	14.10
Allroad Quattro	R 4Z7 121 284 J	.3	14.10
	L 4Z7 121 283 B	.3	14.10
6 Seal, Upper/Lower Rad (2)	8D0 121 331	4.50	
7 Cover, Lower			
AWD Quattro	98-01 4B0 121 292 D	7.70	
	02-04 4B0 121 292 K	9.25	
Allroad Quattro	4Z7 121 292 A	11.70	
8 Strip, Center Sealing	4B0 121 331	4.70	
9 Strip, Outer Sealing	R/L 4B0 121 221 B	2.65	
10 Strip, Cover	4B0 121 339	2.65	
11 Grille, Fan			
AWD Quattro	4B0 959 479	5.75	
Allroad Quattro-Not Serviced			
AWD Quattro	4B0 959 467 A	33.15	
Allroad Quattro-Not Serviced			
13 Brkt, Fan	4B0 959 497 A	7.35	
14 Fan, Electric			
AWD Quattro			
w/ A/C	4B3 959 457	.6	193.90
w/o A/C	4Z7 959 455	.6	291.85

Allroad Quattro	4Z7 959 455	.6	291.85
15 Blade, Fan			
AWD Quattro	078 121 301 E	#1.1	35.80
Allroad Quattro	4Z7 121 301	#1.1	58.55
16 Clutch, Fan			
AWD Quattro	078 121 350 A	#1.1	129.25
Allroad Quattro	4Z7 121 350	#1.1	237.65
<b>#R&amp;R Complete</b>			
17 Tensioner, Drive Belt	078 121 235 G	#1.3	142.35
<b>#Includes R&amp;R Drive Belt</b>			
18 Belt, Drive	078 903 137 BL	.5	40.00
19 Module, Fan Control	8D0 959 501 D	.5	189.70

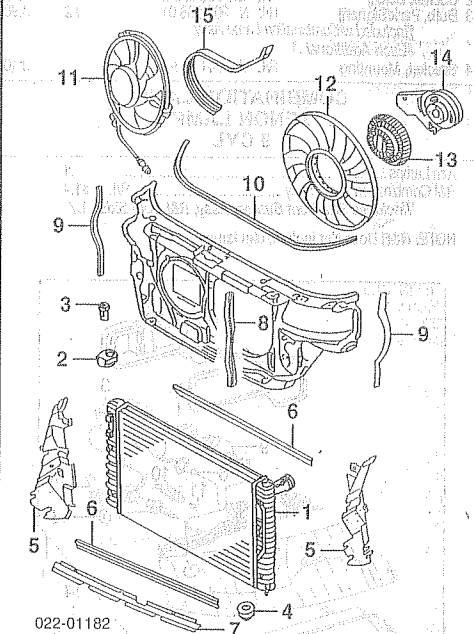


022-01429

20 Hose, Upper Rad	4B0 121 101 S	#.6	101.60
AWD Quattro	4Z7 121 101 D	#.6	61.40
21 Hose, Lower Rad			
AWD Quattro	8D0 121 055 T	#.6	42.75
Allroad Quattro	4Z7 121 055 A	#.6	57.20
<b>#R&amp;R Complete .9</b>			
22 Reservoir, Coolant	98-01 8D0 121 403 M	.3	52.90
	02-04 8E0 121 403 D	.3	21.25
23 Cap Assy, Reservoir	98-01 1J0 121 321 B	5.20	
	02-04 8E0 121 321	11.85	
24 Gasket, Cap]]	1H0 121 687 A	2.45	
<b>#Included w/Reservoir Cap Assy</b>			
25 Nut, Mounting (3)	811 807 577 C	.73	
26 Hose, Reservoir By-Pass			
AWD Quattro	8D0 121 109 G	.3	19.05
Allroad Quattro	4Z7 121 109 B	.3	17.00
27 Pipe, Water By-Pass			
AWD Quattro	98-01 078 121 065 E	34.25	
	02-04 078 121 065 J	34.25	
Allroad Quattro	078 121 065 J	34.25	
28 Pump Assy, Water	078 121 006 A	m	3.6
29 Gasket, Pump]]	078 121 043 A	m	4.30
<b>#Included w/Water Pump Assy</b>			
30 Pipe, Water			
AWD Quattro	98-01 078 121 081 J	.5	54.30
	02-04 078 121 081 Q	.5	42.85
Allroad Quattro	078 121 081 Q	.5	42.85
31 Hose, Transfer	078 121 086 AC	12.05	
32 Hose, By-Pass (2)			
AWD Quattro	98-01 078 121 096 K	6.45	
	02-04 078 121 096 AD	9.50	
Allroad Quattro	078 121 096 AD	9.50	
33 Thermostat	N 78 121 113 F	#3.3	29.45
34 Gskt, Thermostat	N 901 368 02	#3.3	1.10
35 Housing, Thermostat			
AWD Quattro	98-01 078 121 121 J	#3.3	66.90
	02-04 078 121 121 K	#3.3	55.65
Allroad Quattro	078 121 121 K	#3.3	55.65
<b>#R&amp;R Complete</b>			
36 Pipe, Oil Cooler	078 121 070 CB	.5	131.70
37 Hose, Cooler Pipe			
AWD Quattro	98-01 078 121 058 R	.3	12.90
	02-04 078 121 058 AM	.3	57.20
Allroad Quattro	078 121 058 AM	.3	57.20
38 Pipe, Heater Manifold			
Man Trans			
AWD Quattro	078 121 071 CD	.4	222.55
Allroad Quattro	078 121 071 CF	.4	222.55
Auto Trans			
AWD Quattro			
2000			
To VIN Y027000	078 121 071 CB	.4	222.55
From VIN Y027001	078 121 071 CD	.4	222.55
2001-04	078 121 071 CD	.4	222.55
Allroad Quattro	078 121 071 CF	.4	222.55
39 Pipe, Manifold			
AWD Quattro	98-01 078 121 075 AB	.3	36.85
	02-04 078 121 075 AB	.3	36.85
Allroad Quattro	078 121 075 AC	.3	70.90
40 Switch, Thermo Fan	8D0 959 481 B	.3	20.20

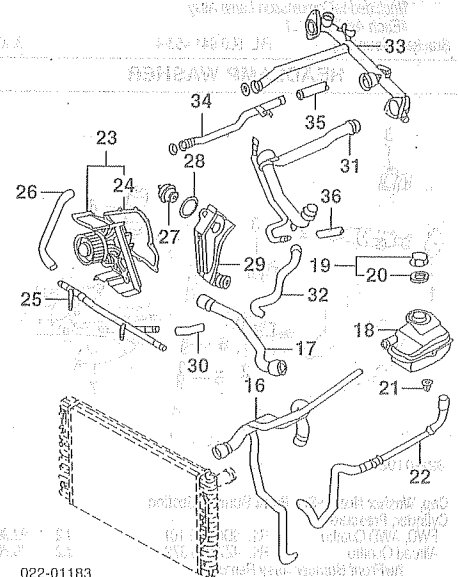
### 6 CYL 2.8L ENG

R&I Radiator..... 2.8



022-01182

1 Radiator	8D0 121 251 BB	2.8	309.30
2 Mount, Upper Rad	R/L 8D0 121 276	1.40	
3 Bolt, Upper Mount	R/L 8D0 121 200	.58	
4 Mount, Lower Rad	R/L 8D0 121 275	1.40	
5 Baffle, Air Side			
R	4B0 121 284 J	.3	14.15
L	4B0 121 283 M	.3	13.80
	8D0 121 331	.3	13.80
6 Seal, Upper/Lower Rad (2)			
7 Cover, Lower			
1998	4B0 121 292	7.70	
1999			
To VIN X035305	4B0 121 292	7.70	
From VIN X035306	4B0 121 292 C	7.70	
2000-01	4B0 121 292 C	7.70	
2002-04	4B0 121 292 K	9.25	
8 Strip, Center Sealing	4B0 121 331	4.70	
9 Strip, Outer Sealing	R/L 4B0 121 221 B	2.65	
10 Strip, Cover	4B0 121 339	2.65	
11 Fan, Electric]]			
98	8D0 959 455 C	.6	366.85
99-01	8D0 959 455 J	.6	291.85
02-04	8D0 959 455 B	.6	240.65
<b>#Order by Application</b>			
12 Blade, Fan	078 121 301 E	#1.1	35.80
13 Clutch, Fan	078 121 350 A	#1.1	129.25
<b>#R&amp;R Complete</b>			
14 Tensioner, Drive Belt	078 121 235 G	#1.3	142.35
<b>#Includes R&amp;R Drive Belt</b>			
15 Belt, Drive	078 903 137 BC	.5	29.10



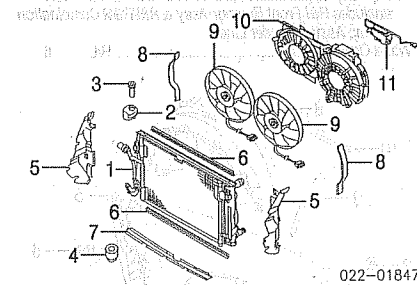
022-01183

16 Hose, Upper Rad	4B0 121 101 N	#.6	59.85
--------------------	---------------	-----	-------

17 Hose, Lower Rad	8D0 121 055 T	#.6	42.75
<i>#R&amp;R Complete .9</i>			
18 Reservoir, Coolant	8D0 121 403 L	.3	31.65
19 Cap Assy, Reservoir	1J0 121 321 B		5.20
20 Gasket, Cap]]	1H0 121 687 A		2.45
<i>]]Included w/Reservoir Cap Assy</i>			
21 Nut, Mounting (3)	811 807 577 C		.73
22 Hose, Reservoir By-Pass	8D0 121 109 M	.3	41.80
23 Pump Assy, Water			
New	078 121 006	m 2.8	171.10
Remanufactured	078 121 006 X	m 2.8	R122.05
24 Gasket, Pump]]	078 121 043 A	m	4.30
<i>]]Included w/Water Pump Assy</i>			
25 Pipe, Water			
1998	078 121 081 J	.5	54.30
1999			
To VIN X131000	078 121 081 J	.5	54.30
From VIN X131001	078 121 081 M	.5	20.80
2000-01	078 121 081 M	.5	20.80
26 Hose, Transfer	078 121 096 R		6.30
27 Thermostat			
1998	078 121 113 F	#2.7	29.45
1999			
To VIN X160000	078 121 113 F	#2.7	29.45
From VIN X160001	078 121 113 G	#2.7	30.55
2000-01	078 121 113 G	#2.7	30.55
28 Gskt, Thermostat	N 901 368 02	#2.7	1.10
29 Housing, Thermostat	078 121 121 J	#2.7	66.90
<i>#R&amp;R Complete</i>			
30 Hose, By-Pass			
1998	078 121 096 H	10.05	
1999			
To VIN X131000	078 121 096 H	10.05	
From VIN X131001	078 121 096 AD	9.50	
2000-01	078 121 096 AD	9.50	
31 Pipe, Oil Cooler	078 121 070 CF	.5	77.55
32 Hose, Cooler Pipe			
1998	078 121 058 M	.3	12.90
1999			
To VIN X131000	078 121 058 M	.3	12.90
From VIN X131001	078 121 058 AN	.3	21.90
2000-01	078 121 058 AN	.3	21.90
33 Pipe, Heater/Manifold	078 121 071 BS	4	194.90
34 Pipe, Manifold	078 121 075 AB	.3	36.85
35 Hose, Heater Return	4B0 819 373 K	4	41.80
36 Hose, Heater Feed	4B0 819 371 L	4	44.00

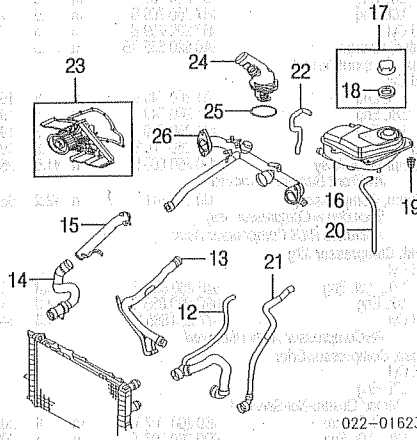
**6 CYL  
3.0L ENG**

R&I Radiator..... 2.8



022-01847

1 Radiator	8E0 121 251 M	2.8	326.65
2 Mount, Upper Rad	R/L 8D0 121 276 B		5.20
3 Bolt, Upper Mount	R/L 4B3 121 200		.58
4 Mount, Lower Rad	R/L 4B3 121 275		2.80
5 Baffle, Side Air	L 4B0 121 284 N	.3	11.85
	R 4B0 121 283 N	.3	11.85
6 Seal, Radiator			
Upper	8E0 121 331		4.25
Lower	4B0 121 221 B		2.65
7 Cover, Lower	4B0 121 292 E		9.50
8 Strip, Outer Sealing]]	N.A.		0.00
<i>]]Cut to Fit</i>			
9 Fan, Electric]]	R/L 8E0 959 455 B	#1.0	242.30
<i>]]Order by Application</i>			
10 Shroud, Fan	4B0 121 207	#1.0	183.85
<i>#R&amp;R Complete</i>			
11 Module, Fan Control]]	4B0 959 501 D	.5	195.85
<i>]]Order by Application</i>			
<i>Illustration Located in Next Column</i>			
12 Hose, Upper Rad	4B0 121 101 M	#.6	61.40
13 Pipe, Upper Rad	06C 121 071 C		70.90
14 Hose, Lower Rad	4B0 121 055 Q	#.6	33.05
<i>#R&amp;R Complete .9</i>			
15 Pipe, Lower Rad	06C 121 397 B	.5	33.05
16 Reservoir, Coolant	8E0 121 403 D	.3	21.25
17 Cap Assy, Reservoir	8E0 121 321		11.85
18 Gasket, Cap]]	1H0 121 687 A		2.45
<i>]]Included w/Reservoir Cap Assy</i>			
19 Nut, Mounting (3)	811 807 577 C		.73
20 Hose, Overflow	8D0 121 428		29.35
21 Hose, Inlet Reservoir	4B0 121 109 C	.3	28.40
22 Hose, Outlet Reservoir	4B0 121 107		11.85
23 Pump, Water	078 121 004 H	m 2.8	188.15
24 Housing, Thermostat	06C 121 111 C	2.7	54.35

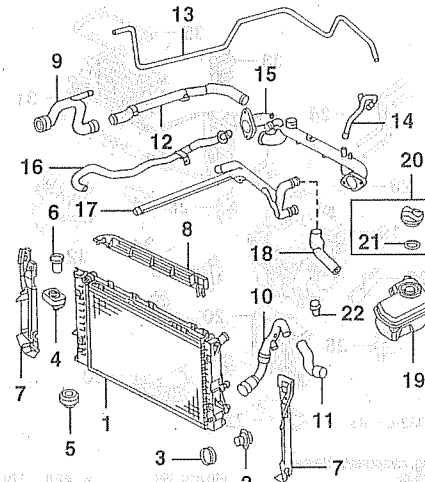


022-01623

25 Gasket, Housing	06B 121 119 C		4.25
26 Pipe, Heater Manifold	06C 121 085 F	.5	163.90
Belt, Drive	078 903 137 BJ	.5	70.90

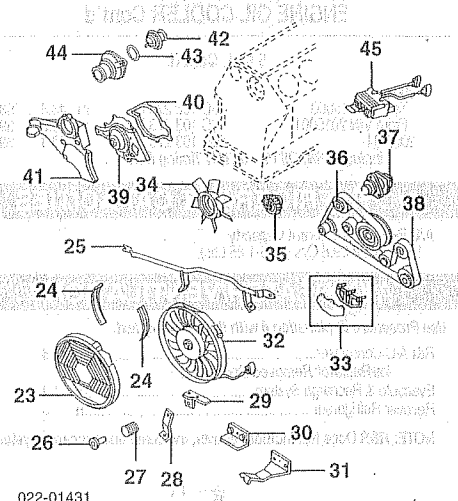
**8 CYL**

R&I Radiator..... 2.8



022-01430

1 Radiator	2000		
To VIN Y080000	4B3 121 251	2.8	502.00
From VIN Y080001	4B3 121 251 D	2.8	502.00
2001-04	4B3 121 251 D	2.8	502.00
2 Plug, Rad Drain	N 016 163 Z		3.75
3 Seal, Plug	N 043 808 3		1.30
4 Mount, Upper Rad	00-01 R/L 4B3 121 276		1.95
	02-04 R/L 4B3 121 278 A		2.80
5 Mount, Lower Rad	R/L 4B3 121 275		2.80
6 Bolt, Upper Mount	00-01 R/L 8D0 121 200		.58
	02-03 R/L 4B3 121 200		.58
7 Baffle, Air Side	R 4B3 121 284 A	.3	24.85
	L 4B3 121 283 A	.3	24.85
8 Seal, Upper Rad	4B3 121 331	.3	4.50
9 Hose, Upper Rad	4B3 121 101 A	#.6	68.80
10 Hose, Lower Rad	4B3 121 055 C	#.6	210.75
<i>#R&amp;R Complete .9</i>			
11 Hose, Lower Extension	4B3 121 055 H		29.20
12 Pipe, Oil Cooler	077 121 070 F	.5	112.20
13 Hose, Breather	4B3 121 107 C		17.00
14 Hose, Connecting	4B3 121 107 B		28.15
15 Pipe, Heater Manifold	077 121 071 BD	4	187.55
16 Pipe, Water	077 117 412 C		39.60
17 Pipe, By-Pass	077 121 065 Q		55.45
18 Hose, Reservoir By-Pass	4B3 121 109	.3	17.00
19 Reservoir, Coolant	4B3 121 403 B	.3	52.90
20 Cap Assy, Reservoir	1J0 121 321 B		5.20
21 Gskt, Cap]]	1H0 121 687 A		2.45
<i>]]Included w/Reservoir Cap Assy</i>			
22 Switch, Thermo Fan	8D0 959 481 B	.3	20.20
<i>Illustration Located in Next Column</i>			
23 Grille, Fan	4B3 959 479 A		14.60
24 Seal, Grille	R/L 4B3 121 332		7.55
25 Rod, Retaining	4B3 959 467		53.70
26 Sleeve, Mounting	8D0 121 337		1.50

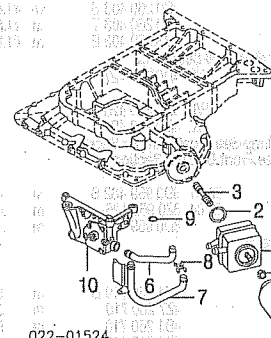


022-01431

27 Mount, Rubber	8D0 121 275 A		4.60
28 Brkt, Front Mount	4B3 959 486		7.35
29 Brkt, Fan	4B3 959 487 A		7.35
30 Brkt, Upper	4B3 959 486		7.35
31 Brkt, Lower	4B3 959 486 A		7.35
32 Fan, Electric	4B3 959 457	.6	193.90
33 Blind, Radiator	8D0 121 223		7.35
34 Blade, Fan	077 121 301 B	#1.1	89.65
35 Clutch, Fan	077 121 350 D	#1.1	237.65
<i>#R&amp;R Complete</i>			
36 Pulley, Fan	077 121 031 B		46.60
37 Flange & Shaft, Fan	077 121 211		181.50
38 Belt, Drive	077 903 137 S	.4	61.75
39 Pump, Water			
New	077 121 004 M	m 4.2	303.40
Remanufactured	077 121 004 MX	m 4.2	R232.25
40 Gasket, Pump	078 121 043 A	m	4.30
41 Brkt, Mounting	077 121 235 A		83.55
42 Thermostat	077 121 113 B	#3.1	37.85
43 Gskt, Thermostat	N 901 368 02	#3.1	1.10
44 Housing, Thermostat	077 121 121 C	#3.1	75.15
<i>#R&amp;R Complete</i>			
45 Module, Fan Control	8D0 959 501 D	.5	189.70

**ENGINE OIL COOLER**

**6 CYL**



022-01524

1 Cooler, Engine Oil			
2.7L Eng	028 117 021 E	m 1.7	172.25
2.8L Eng	98-99 078 117 021 A	m 1.3	212.40
	00-01 028 117 021 E	m 1.3	172.25
3.0L Eng	028 117 021 E	m 1.3	172.25
2 Seal, Engine Oil Cooler			
2.7L Eng	038 117 070 A	m	3.55
2.8L Eng	98 038 117 070 A	m	3.55
3.0L Eng	99-01 028 117 070	m	6.05
	N.A.	m	0.00
3 Fitting, Union			
2.7L, 3.0L Eng	028 115 721 B	m	8.40
2.8L Eng	98-99 028 115 721	m	11.05
	00-01 028 115 721 B	m	8.40
4 Nut, Filter/Cooler	068 115 723	m	2.55
5 Filter, Oil	078 115 561 J	m	10.80
6 Pipe, Upper Oil Cooler	078 115 278 B	m #.8	10.85
7 Pipe, Lower Oil Cooler			
2.7L, 2.8L Eng	078 115 277 C	m #.7	17.00
3.0L Eng	06C 115 277	m #.7	24.80
<i>#R&amp;R Complete 1.2</i>			
8 Plate, Bracket	078 115 271 A	m	.67
9 Seal, Cooler Pipe (4)	N 906 132 01	m	1.60
10 Pump, Oil			
2.7L Eng]]	98-01 078 115 103 L	m #5.1	179.10
2.8L Eng	02-04 078 115 105 D	m #5.1	179.10
3.0L Eng	078 115 105 D	m #3.3	179.10

**ENGINE OIL COOLER Cont'd**

**6 CYL Cont'd**

2002 To VIN 2015000 From VIN 2015001 2003-04	06C 103 273 G 06C 103 273 H 06C 103 273 H	m #3.3 m #3.3 m #3.3	758.00 739.00 739.00
-------------------------------------------------------	-------------------------------------------------	----------------------------	----------------------------

#Includes R&I Oil Pan & R&R Timing Belt

**A/C REFRIGERANT CAPACITIES**

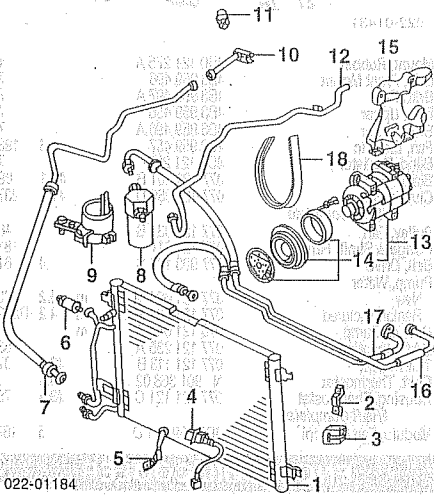
A/C R-134a Refrigerant Capacity  
1998-03: 29.29.8 Ozs (1.75-1.85 Lbs)

**A/C /HEATER/VENTILATION**

Use Procedure Explanation 6 with the following text.

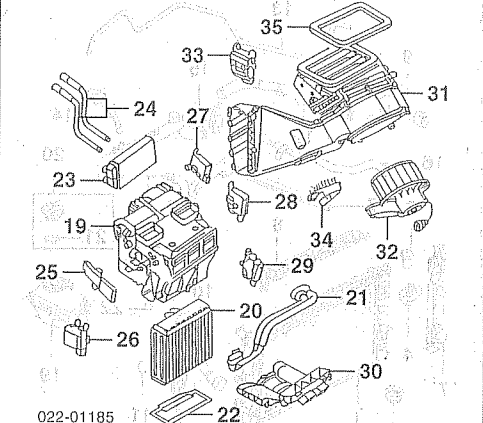
R&I A/C Condenser.....	#1.8
#w/Radiator Removed Deduct 1.2	
Evacuate & Recharge System.....	m 1.4
Recover Refrigerant.....	m 3

NOTE: R&R Does Not include recover, evacuate and recharge system.



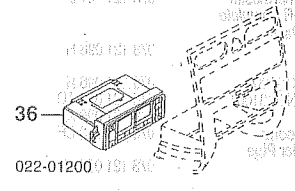
<b>1 Condenser</b> 6 Cyl				
2.7L Eng	4B0 260 403 S	m #1.8	458.35	
2.8L, 3.0L Eng	4B0 260 403 T	m #1.8	458.35	
8 Cyl	4B3 260 403 E	m #1.8	458.35	
#w/Radiator Removed Deduct 1.2				
<b>2 Brkt, Mounting</b>	R/L 4D0 260 427		3.40	
<b>3 Mount, Rubber</b>				
Upper	R/L 8D0 260 425		1.90	
Lower	R/L 4D0 260 426		2.35	
<b>4 Sensor, Ambient Temp-See Front Bumper Section</b>				
<b>5 Bracket, Sensor-See Front Bumper Section</b>				
<b>6 Switch, Safety</b> 6 Cyl	98-01 8D0 959 482 B	m .4	163.80	
	02-04 8Z0 959 126	m .4	61.40	
8 Cyl	8D0 959 482 B	m .4	163.80	
<b>7 Pipe, Cond/Evaporator</b> 6 Cyl				
2.7L Eng	4B1 260 710 B	m .5	83.65	
AWD Quattro	4Z7 260 710	m .5	101.60	
2.8L Eng	4B1 260 710	m .5	83.65	
3.0L Eng	4B1 260 710 H	m .5	101.60	
8 Cyl	4B7 260 710 B	m .5	83.65	
<b>8 Receiver/Drier</b> 6 Cyl				
2000				
To VIN Y200000	8D0 820 193	m .6	140.15	
From VIN Y200001	4B0 820 193 A	m .6	140.15	
2001-04	4B0 820 193 A	m .6	140.15	
2.8L Eng				
1998	4B0 820 192	m .6	140.15	
1999				
To VIN X090000	4B0 820 192	m .5	140.15	
From VIN X090001	8D0 820 193 A	m .6	140.15	
2000-01	8D0 820 193 A	m .6	140.15	
3.0L Eng	8D0 820 193 A	m .6	140.15	
8 Cyl	4B3 820 193	m .6	140.15	
<b>9 Brkt, Receiver/Drier</b> 6 Cyl				
2.7L Eng	4B0 260 759 J		11.75	
2.8L Eng				
1998	4B0 260 197		9.90	
1999				
To VIN X090000	4B0 260 197		9.90	
From VIN X090001	8D0 260 197 C		15.75	
2000-01	8D0 260 197 C		15.75	
3.0L Eng	8D0 260 197 C		15.75	
8 Cyl	8D0 260 197 C		15.75	
<b>10 Pipe, Refrigerant</b> 6 Cyl				

2.7L Eng	4B1 260 709 C	m .5	74.60	
2.8L Eng	4B1 260 709	m .5	61.75	
3.0L Eng	4B7 260 709 B	m .5	74.60	
8 Cyl	4B7 260 709 B	m .5	74.60	
	8A0 820 855 AB	m .5	8.35	
<b>11 Valve, Charge</b> 12 Pipe, Evaporator/Drier 6 Cyl				
2.7L Eng	4B1 260 740 C	m .5	192.50	
2.8L Eng	4B1 260 740	m .5	192.50	
3.0L Eng	4B1 260 740 G	m .5	192.50	
8 Cyl	4B7 260 740 B	m .5	192.50	
	4B0 260 805 B	m #1.9	954.00	
<b>13 Compressor Assy</b> #w/Front Bumper Removed				
14 Clutch, Compressor	4B0 260 811	m #2.2	636.00	
#Included w/Compressor Assy				
#Includes R&R Compressor Assy				
<b>15 Brkt, Compressor Mtg</b> 6 Cyl				
2.7L, 2.8L Eng	078 260 835 F	#3	36.85	
3.0L Eng	06C 260 835 B	#3	41.50	
8 Cyl	077 260 885 H	#3	148.65	
#w/Compressor Assy Removed				
<b>16 Hose, Compressor/Drier</b> 6 Cyl				
2.7L Eng				
Allroad Quattro-Not Serviced	4B0 260 707 M	m .6	209.55	
AWD Quattro	8D0 260 707 T	m .6	209.55	
2.8L, 3.0L Eng	4B3 260 707 D	m .6	209.55	
8 Cyl				
<b>17 Hose, Compressor/Cond</b> 6 Cyl				
2.7L Eng	4B0 260 701 K	m .6	144.30	
2.8L Eng	4B0 260 701 C	m .6	144.30	
3.0L Eng	4B0 260 701 R	m .6	144.30	
8 Cyl	4B3 260 701	m .6	144.30	
<b>18 Belt, Drive-See Cooling Section</b>				



<b>19 Hsg, Evaporator/Heater</b> 1998	4B0 819 353	m #7.8	579.00	
1999				
To VIN X020000	4B0 819 353	m #7.8	579.00	
From VIN X020001	4B0 819 353 B	m #7.8	579.00	
2000-04	4B0 819 353 B	m #7.8	579.00	
#Includes R&I Instrument Panel, R&R Evaporator and Heater Core				
<b>20 Core, Evaporator</b> 1998	4B1 820 103	m #7.8	309.80	
1999				
To VIN X020000	4B1 820 103	m #7.8	309.80	
From VIN X020001-Serviced w/Evaporator/Heater Hsg				
2000-04-Serviced w/Evaporator/Heater Hsg				
#Includes R&I Instrument Panel				
<b>21 Pipe, Connecting</b> 1998	4B0 820 720	m	166.75	
1999				
To VIN X020000	4B0 820 720	m	166.75	
From VIN X020001	4B0 820 720 B	m	166.75	
2000-04	4B0 820 720 B	m	166.75	
<b>22 Insulation</b> 1998	4B1 260 774	m	15.95	
1999				
To VIN X020000	4B1 260 774	m	15.95	
From VIN X020001	4B1 260 774 A	m	15.95	
2000-04	4B1 260 774 A	m	15.95	
<b>23 Core, Heater</b> 1998	4B1 819 031	m #6.3	172.65	
1999				
To VIN X020000	4B1 819 031	m #6.3	172.65	
From VIN X020001	4B1 819 031 C	m #6.3	172.65	
2000-04	4B1 819 031 C	m #6.3	172.65	
#Includes R&I Instrument Panel				
<b>24 Pipe, Connecting</b>	4B0 820 885	m	75.35	
<b>25 Cap, Protective</b> 1998	4B1 819 915		5.90	
1999				
To VIN X020000	4B1 819 915		5.90	
From VIN X020001	4B1 819 915 A		5.90	
2000-04	4B1 819 915 A		5.90	
<b>26 Motor, Temp Flap Adjustment</b> Driver Side	4B1 820 511	m .5	83.10	
<b>27 Motor, Defroster Flap Adjustment</b> 1998	4B1 820 511 B	m .5	83.10	
1999				
To VIN X020000	4B1 820 511 B	m .5	83.10	

From VIN X020001	4B1 820 511 K	m .5	83.10	
2000-04	4B1 820 511 K	m .5	83.10	
<b>28 Motor, Temp Flap Adjustment</b> Passenger Side	4B1 820 511 A	m .5	83.10	
<b>29 Motor, Flap Adjustment</b> Center	4B1 820 511 C	m .5	83.10	
#Order by Application				
<b>30 Vent, Floor</b>	L 4B1 819 151 B	m	27.20	
<b>31 Duct, Intake</b> 1998				
1999	4B0 820 153	m	354.05	
2000-01	4B0 820 153 A	m	354.05	
2000-04	4B0 820 153 A	m	354.05	
2002-04	4B0 820 153 B	m	354.05	
<b>32 Fan, Blower</b> 1998	4B1 820 021	m .1.9	384.30	
1999				
To VIN X020000	4B1 820 021	m .1.9	384.30	
From VIN X020001	4B1 820 021 B	m .1.9	384.30	
2000-04	4B1 820 021 B	m .1.9	384.30	
<b>33 Motor, Fresh Air Adjust</b> w/A/C	4B1 820 511 D	m	83.10	
w/o A/C	4B1 820 511 E	m	83.10	
<b>34 Control, Blower</b>	4B0 820 521	m .7	247.10	
<b>35 Gskt, Intake Duct</b>	4B1 819 165	m	7.90	

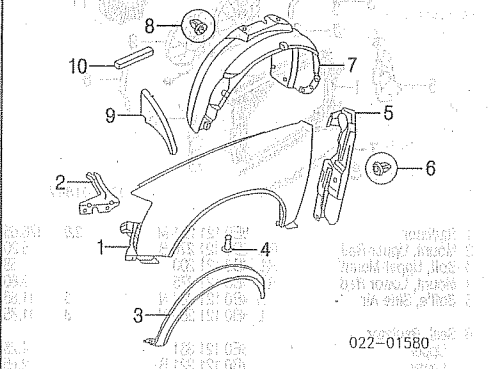


022-01200

**FRONT FENDER**  
Use Procedure Explanations 7 and 28 with the following text.

**SHEET METAL**

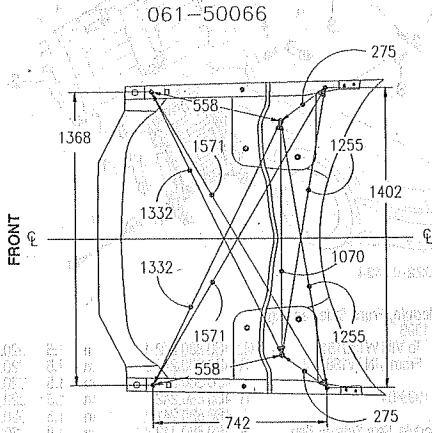
Refinish Fender Outside	R/L	2.0
Add to Edge	R/L	.5
Refinish Wheel Opening Flare	R/L	.4
R&I Fender Assy	R/L	#3.1
#Includes R&I Front Bumper Assy & R&I/R&R Combination Lamp Assy & Fender Liner		
R&I Wheel Opening Flare	R/L	.6



<b>1 Fender</b> 6 Cyl				
FWD, AWD Quattro	98-01 R 4B0 821 106 A	#3.6	256.05	
	L 4B0 821 105 A	#3.6	256.05	
	02-04 R 4B0 821 106 B	#3.6	256.05	
	L 4B0 821 105 B	#3.6	256.05	
Allroad Quattro	01 R/L 4Z7 821 104-3	#3.6	256.05	
	02-04 R 4Z7 821 104 A	#3.6	256.05	
	L 4Z7 821 103 A	#3.6	256.05	
8 Cyl	00-01 R 4B3 821 106 B	#3.6	256.05	
	L 4B3 821 105 B	#3.6	256.05	
	02-04 R 4B3 821 106 C	#3.6	256.05	
	L 4B3 821 105 C	#3.6	256.05	
#Includes R&I Front Bumper Assy & R&I/R&R Combination Lamp Assy, Side Repeater Lamp & Fender Liner				
<b>2 Brkt, Front Fender</b> FWD, AWD Quattro	R/L 4B3 821 136-5		12.75	
Allroad Quattro	R/L 4Z7 821 136-5		12.75	
<b>3 Flare, Wheel Opening</b> Allroad Quattro				
Gray/Green	R 4Z7 853 718 V6T	.6	113.45	
	L 4Z7 853 717 V6T	.6	113.45	
Sabre	R 4Z7 853 718 V7W	.6	113.45	
	L 4Z7 853 717 V7W	.6	113.45	
<b>4 Rivet (11/Side)</b>	R/L 4Z7 853 934		27	
<b>5 Plate, End</b> 1998-99	R 4B0 821 112 C		18.30	
	L 4B0 821 111 B		18.30	
2000	R 4B0 821 112 C		18.30	
To VIN Y013000	L 4B0 821 111 B		18.30	
From VIN Y013001	R 4B0 821 112 C		18.30	

2001-04	L 4B0 821 111 C	18.30
FWD, AWD Quattro	R 4B0 821 112 C	18.30
	L 4B0 821 111 C	18.30
Allroad Quattro	R 4Z7 821 112	23.15
	L 4Z7 821 111	18.30
6 Nut, Expanding (2/Side)	R/L N 908 214 01	.58
7 Liner, Fender		
6 Cyl		
FWD, AWD Quattro	R 4B0 821 172 C	.5
	L 4B0 821 171 C	.5
Allroad Quattro	R 4Z7 821 172 A	.5
	L 4Z7 821 171 A	.5
8 Nut, Liner (5/Side)	R/L N 908 214 01	.58
9 Seal, Liner		
6 Cyl		
FWD, AWD Quattro	R/L 4B0 821 197	1.80
Allroad Quattro	R/L 4Z7 821 198-7	2.10
8 Cyl	R/L 4B3 821 197	2.10
10 Seal, Rear	N.A.	0.00

**UNDERHOOD DIMENSIONS**

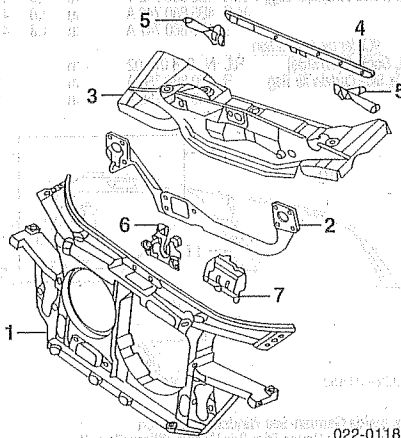


**FRONT INNER STRUCTURE**

Use Procedure Explanations 8 and 28 with the following text.

**FRONT 6 CYL**

Add to R&R Front Support		
To R&I/R&R Base Model Mechanical Components	m #1.0	
#Includes R&I/R&R A/C Condenser		
To Aim Lamps	m 4	
Evacuate & Recharge System	m 1.4	
Recover Refrigerant	m 3	

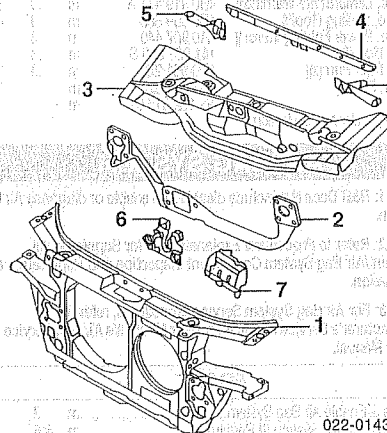


1 Support, Front		
2.7L Eng		
FWD, AWD Quattro	4B0 805 588 N	#5.1 253.70
Allroad Quattro	4Z7 805 588	#5.1 253.70
2.8L Eng	4B0 805 588 G	#5.1 253.70
3.0L Eng	4B0 805 588 L	#5.1 253.70
#Includes R&I/R&R Combination Lamp Assemblies, Hood Latch, Latch, Air Intake Duct & Manifold, Impact Absorbers, Radiator, Cooling Fan & Motor as an Assy, Disconnect & Connect A/C Lines, Wiring & Hood Release Cable as Necessary		
2 Crossmember, Front		
FWD, AWD Quattro	4B0 805 851 E	154.85

Allroad Quattro	4Z7 805 851	154.85
3 Crossmember, Strut Mount		
FWD, AWD Quattro	4B1 806 603 B	287.80
Allroad Quattro	4Z7 806 603 A	279.45
4 Reinf, Crossmember	98-99 4B1 805 645	42.75
	00-04 4B0 806 645	42.75
5 Mount, Reinforcement		
FWD, AWD Quattro	R 4B0 803 358 A	30.55
	L 4B0 803 357 A	30.55
Allroad Quattro	R 4Z7 803 358	19.50
	L 4Z7 803 357	30.55
6 Latch, Lower-See Hood Section		
7 Cover, Latch	4B0 806 663 A	3.25

**FRONT 8 CYL**

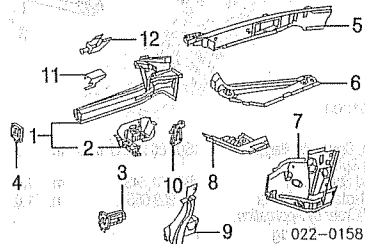
Add to R&R Front Support		
To R&I/R&R Base Model Mechanical Components	m #1.0	
#Includes R&I/R&R A/C Condenser		
To Aim Lamps	m 4	
Evacuate & Recharge System	m 1.4	
Recover Refrigerant	m 3	



1 Support, Front	4B3 805 588 D	#5.1 253.70
#Includes R&I/R&R Combination Lamp Assemblies, Hood Latch, Air Intake Duct & Manifold, Impact Absorbers, Radiator, Cooling Fan & Motor as an Assy, Disconnect & Connect A/C Lines, Wiring & Hood Release Cable as Necessary		
2 Crossmember, Front	00-01 4B0 805 851 E	154.85
	02-04 N.A.	0.00
3 Crossmember, Strut Mount	4B7 806 603 A	335.05
4 Reinf, Crossmember	4B0 805 645	42.75
5 Mount, Reinf	R 4B0 803 358 A	30.55
	L 4B0 803 357 A	30.55
6 Latch, Lower-See Hood Section		
7 Cover, Latch	4B3 806 663	4.05

**SIDE 6 CYL**

Refinish Side Front Rail Assy	R/L 1.0
Refinish Filler Plate	R/L 1.0
Refinish Front Support	R/L .5

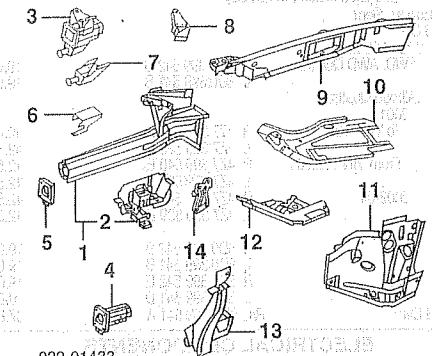


1 Rail Assy, Front Side		
FWD, AWD Quattro		
1998	R 4B0 803 102 B	s #10.0 216.00
	L 4B0 803 101 B	s #10.0 216.00
1999		
To VIN X080000	R 4B0 803 102 B	s #10.0 216.00
	L 4B0 803 101 B	s #10.0 216.00
From VIN X080001	R 4B0 803 102 F	s #10.0 216.00
	L 4B0 803 101 F	s #10.0 216.00
2000-01	R 4B0 803 102 F	s #10.0 216.00
	L 4B0 803 101 F	s #10.0 216.00
2002-04	R 4B0 803 102 L	s #10.0 349.60
	L 4B0 803 101 L	s #10.0 349.60
Allroad Quattro	R 4Z7 803 102 A	s #10.0 770.00
	L 4Z7 803 101 A	s #10.0 770.00
#Includes R&R Rail Extension		
2 Reinf, Rail		
FWD, AWD Quattro	98-01 R 4B0 803 118 C	s 29.45
	L 4B0 803 117 B	s 29.45
	02-04 R 4B0 803 118 F	s 119.70
	L 4B0 803 117 D	s 119.70

Allroad Quattro	R/L 4Z7 803 118-7	s 94.60
#Included w/Front Side Rail Assy		
3 Rail, Extension	R/L 4B0 803 104-3	s #1.5 103.05
#Included in R&R Front Side Rail Assy		
4 Mtg, Absorber	R/L 8D0 805 748-7	9.15
5 Plate, Filler		
FWD, AWD Quattro	R 4B0 805 204 B	s 4.5 175.90
	L 4B0 805 203 B	s 4.5 175.90
Allroad Quattro	R/L 4Z7 805 204-3	s 4.5 357.00
6 Rail, Rear Side		
FWD, AWD Quattro		
1998		
To VIN W090000	R/L 4B0 803 110-09	s 6.0 160.15
From VIN W090001	R 4B0 803 110 B	s 6.0 213.85
	L 4B0 803 109 B	s 6.0 213.85
1999-01	R 4B0 803 110 B	s 6.0 213.85
	L 4B0 803 109 B	s 6.0 213.85
2002-04	R 4B0 803 109 C	s 6.0 213.85
	L 4B0 803 110 C	s 6.0 213.85
Allroad Quattro	R 4B0 803 110 B	s 6.0 213.85
	L 4B0 803 109 B	s 6.0 213.85
7 Apron, Rear		
FWD, AWD Quattro	R 4B0 809 154 A	s #6.0 105.25
	L 4B0 809 153 A	s #6.0 105.25
Allroad Quattro	R 4Z7 809 154 A	s #6.0 105.25
	L 4Z7 809 153 A	s #6.0 105.25
#w/Side Front Rail Removed Deduct 1.0		
8 Plate, Mounting		
FWD, AWD Quattro	R 4B0 802 172 B	#2.5 64.20
	L 4B0 802 171 B	#2.5 64.20
Allroad Quattro	R/L 4Z7 802 172-1	#2.5 119.85
#Included in Side Rear Rail		
9 Support, Front		
FWD, AWD Quattro	R 4B0 805 870 D	#2.0 47.25
	L 4B0 805 869 C	#2.0 32.85
Allroad Quattro	R 4Z7 805 870 A	#2.0 128.95
	L 4Z7 805 869 A	#2.0 186.05
#w/Side Front Rail Removed Deduct 1.5		
10 Support, Side Rail	R 4B0 803 940 A	8.60
	L 4B0 803 939	8.60
11 Reinf, Absorber Mtg	R/L 4B0 802 572-1	4.05
12 Eye, Towing		
Allroad Quattro	R 4Z7 804 387 A	59.05

**SIDE 8 CYL**

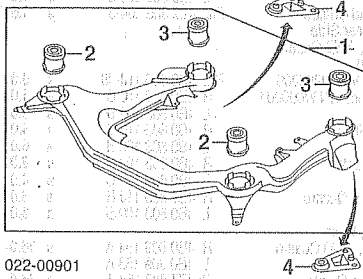
Refinish Side Front Rail Assy	R/L 1.0
Refinish Filler Plate	R/L 1.0
Refinish Front Support	R/L .5



1 Rail Assy, Front Side	R 4B3 803 102 C	s #10.0 216.00
	L 4B3 803 101 C	s #10.0 216.00
#Includes R&R Rail Extension		
2 Reinf, Rail	R/L 4B3 803 058-5	s 34.55
#Included w/Front Side Rail Assy		
3 Rail, Right Extension	4B3 803 104	s #1.5 160.15
4 Rail, Left Extension	4B3 803 103	s #1.5 160.15
#Included in R&R Front Side Rail Assy		
5 Mtg, Absorber	R/L 8D0 805 748-7	9.15
6 Reinf, Absorber Mtg	R/L 4B0 802 572-1	4.05
7 Eye, Towing	R 4B3 804 387 A	42.75
8 Mtg, Towing Eye	R 4B3 805 887 A	89.05
9 Plate, Filler	R 4B3 805 204 A	s 4.5 175.90
	L 4B3 805 203 A	s 4.5 175.90
10 Rail, Rear Side	R/L 4B3 803 110-09	s 6.0 213.85
11 Apron, Rear	R 4B3 809 154 C	s #6.0 105.25
	L 4B3 809 153 C	s #6.0 105.25
#w/Side Front Rail Removed Deduct 1.0		
12 Plate, Mounting	R 4B3 802 172 A	#2.5 64.20
	L 4B3 802 171 A	#2.5 64.20
#Included in Side Rear Rail		
13 Support, Front		
2000		
To VIN Y090000	R 4B3 805 870 A	#2.0 66.00
	L 4B3 805 869	#2.0 66.00
From VIN Y090001	R 4B3 805 870 A	#2.0 66.00
	L 4B3 805 869 A	#2.0 66.00
2001-04	R 4B3 805 870 A	#2.0 66.00
	L 4B3 805 869 A	#2.0 66.00
#w/Side Front Rail Removed Deduct 1.5		
14 Support, Side Rail	R 4B0 803 940 A	8.60
	L 4B0 803 939	8.60

FRONT INNER STRUCTURE Cont'd

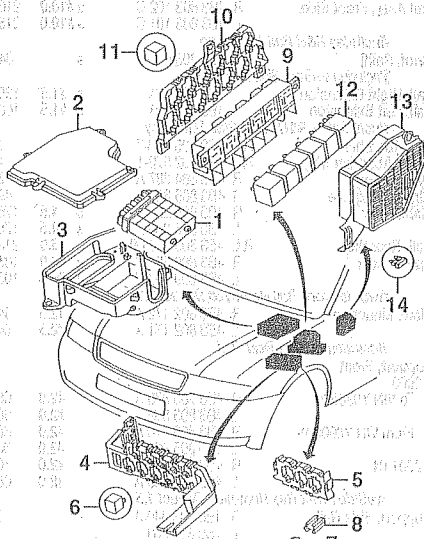
SUB-FRAME



022-00901

<b>1 Sub-Frame Assy</b>			
6 Cyl			
FWD, AWD Quattro	4B0 399 313 CJ	m #2.5	459.35
Allroad Quattro	4Z7 399 313 F	m #2.5	620.00
8 Cyl	4B3 399 313 C	m #2.5	821.00
<i>#w/Necessary Bolted Parts &amp; Assemblies Removed, Not Included in Suspension O/R, Includes Support Engine</i>			
<b>2 Mount, Front Rubber</b>			
FWD, AWD Quattro			
1998			
To VIN W056740	R/L 8D0 399 415 D		31.35
From VIN W056741	R/L 8D0 399 415 E		31.35
1999-04	R/L 8D0 399 415 E		31.35
Allroad Quattro	R/L 4Z7 399 419		91.95
<b>3 Mount, Rear Rubber</b>			
FWD, AWD Quattro			
1998			
To VIN W056740	R/L 8D0 399 419 C		31.35
From VIN W056741	R/L 8D0 399 415 D		31.35
1999-01	R/L 8D0 399 415 D		31.35
2002-04			
2.7L, 4.2L Eng	R/L 8D0 399 415 D		31.35
3.0L Eng			
FWD	R/L 8D0 399 419 G		31.35
AWD	R/L 8D0 399 415 D		31.35
Allroad Quattro	R/L 4Z7 399 415		31.35
<i>#Included w/Sub-Frame Assy</i>			
<b>4 Support, Rear</b>			
6 Cyl			
2.7L, 2.8L Eng			
FWD, AWD Quattro			
	R 8D0 399 542 B		19.05
	L 8D0 399 541 B		19.05
Allroad Quattro			
2001			
To VIN 1100000	R 4Z7 399 540 A		40.45
	L 4Z7 399 539 E		42.55
From VIN 1100001	R 4Z7 399 540 E		42.55
	L 4Z7 399 539 E		42.55
2002-04	R 4Z7 399 540 E		42.55
	L 4Z7 399 539 E		42.55
3.0L Eng			
FWD			
	R 8D0 399 542 B		19.05
	L 8D0 399 541 B		19.05
AWD			
	R 8D0 399 542 E		19.05
	L 8D0 399 541 D		19.05
8 Cyl			
	R/L 4B3 399 541 A		37.85

ELECTRICAL COMPONENTS



022-01202

1 Module, Eng Control

1998-99	4D0 997 551 EX	m	1.5	R1000.00
2000-04				
6 Cyl				
2.7L Eng				
Man Trans	4B0 997 551 LX	m	1.5	R705.00
Auto Trans	4B0 997 551 MX	m	1.5	R705.00
2.8L Eng				
Man Trans	3B0 997 551 PX	m	1.5	R723.00
Auto Trans	3B0 997 551 RX	m	1.5	R723.00
3.0L Eng				
Man Trans	4B0 997 551 DX	m	1.5	R705.00
Auto Trans	4B0 997 552 EX	m	1.5	R1000.00
8 Cyl				
	4D0 997 558 MX	m	1.5	R734.00
<i>#Order by Application</i>				
2 Cover, Control Module	4B1 907 613		.2	20.85
3 Housing, Module	8D1 907 355 B	m		43.35
4 Plate, Relay (8 Point)	8D1 937 545	m		14.70
5 Mount, Relay Plate	4B1 937 545 B	m		2.25
6 Relay, Electric Fan	8D0 951 253	m	.3	35.80
7 Fuse	N 102 519 02	m		7.40
<i>#Order by Application</i>				
8 Holder, Fuse	8A0 937 530			3.35
9 Box, Fuse/Relay	8L0 941 822 A	m		115.20
10 Bracket, Fuse Box	8D0 937 503 E			9.95
11 Module, Electronic Clutch	443 919 578 C	m	.3	82.40
Module, Lamp/Brake Warning	4B0 919 471 A	m	.3	84.20
Module, Sliding Roof	4B0 959 589	m	.3	47.20
Module, Power Folding Mirror	4A0 907 440	m	.3	76.30
12 Relay, Horn	141 951 253 B	m	.3	4.00
Relay, Fuel Pump	4D0 951 253	m	.3	35.80
13 Holder, Fuse	8D1 941 824	m		59.75
14 Fuse	N 102 615 01	m		.27

AIR BAG SYSTEM

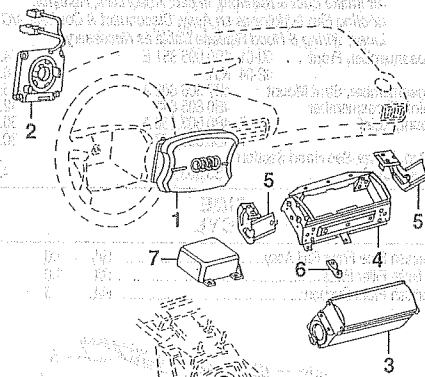
NOTE 1: R&R Does Not include disable and enable or diagnose Air Bag System.

NOTE 2: Refer to Procedural Explanation 30 for Supplemental Restraint/Air Bag System Component Inspection and Replacement Information.

NOTE 3: For Air Bag System Service procedures, refer to Manufacturer's Service Repair Manual or Mitchell's Air Bag Service and Repair Manual.

FRONT

Disable & Enable Air Bag System	m	.3
Diagnose Air Bag System (If Required)	m	#.5
<i>#Includes Disconnect &amp; Connect Scan Tool &amp; Retrieve/Clear Trouble Codes</i>		



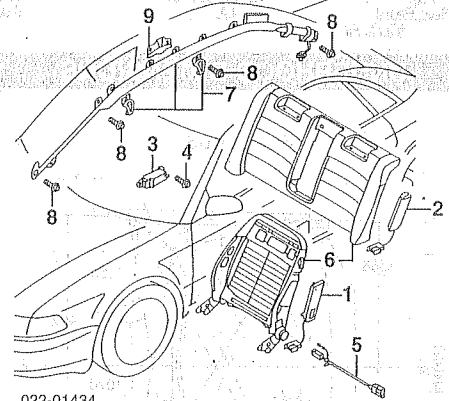
022-01203

1 Module, Driver Air Bag	4B0 880 201 Q 01C	m	.5	673.00
<i>#Order by Application</i>				
2 Spring, Spiral				
Heated Strg Wheel	4B0 951 543	m	1.0	54.70
Non-Heated Strg Wheel	1J0 959 653 C	m	1.0	49.10
<i>#Order by Application</i>				
3 Module, Pass Air Bag				
1998				
To VIN W068079	4B1 880 204 B	m	#.8	d863.00
From VIN W068080	4B1 880 204 F	m	#.8	d863.00
1999-01	4B1 880 204 F	m	#.8	d863.00
2002-04	4B1 880 204 G	m	#.8	886.00
<i>#Includes R&amp;R Glove Box</i>				
4 Mount, Pass Air Bag	4B1 880 295			38.95
Brtk, Retaining				
1998				
	R 4B0 880 304 C			6.75
	L 4B0 880 303			6.75
1999				
To VIN X140000	R 4B0 880 304 C			6.75
	L 4B0 880 303			6.75
From VIN X140001	R 4B0 880 304 D			6.75
	L 4B0 880 303 E			6.75
2000-04	R 4B0 880 304 D			6.75
	L 4B0 880 303 E			6.75
	L 4B1 880 313			9.45
6 Plate, Retainer				
7 Control Unit, Air Bag w/Side Curtain Air Bag w/o Side Curtain Air Bag	4B0 959 655 F	m	#.8	427.80
1998				

To VIN W060843	4B0 959 655 D	m	#.8	594.00
From VIN W060844	4B0 959 655 K	m	#.8	594.00
1999				
To VIN X002749	4B0 959 655 K	m	#.8	594.00
From VIN X002750	4B0 959 655 H	m	#.8	427.80
2000-01	4B0 959 655 H	m	#.8	427.80
2002-03	4B0 959 655 N	m	#.8	427.80
2004	4B0 959 655 Q	m	#.8	427.80
<i>#w/Front Center Console Removed</i>				

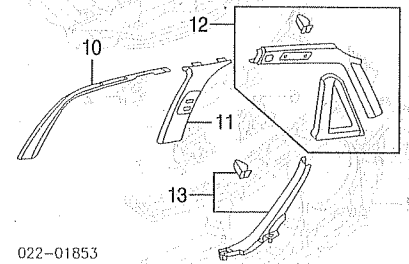
SIDE SEDAN

Disable & Enable Air Bag System	m	.3
Diagnose Air Bag System (If Required)	m	#.5
<i>#Includes Disconnect &amp; Connect Scan Tool &amp; Retrieve/Clear Trouble Codes</i>		



022-01434

<b>1 Module, Front Side Air Bag</b>					
1998					
To VIN W138151	R/L 4B0 880 242-1		m	1.5	320.15
From VIN W138152	R 4B0 880 242 J		m	1.5	320.15
	L 4B0 880 241 J		m	1.5	320.15
1999-04					
	R 4B0 880 242 J		m	1.5	320.15
	L 4B0 880 241 J		m	1.5	320.15
<b>2 Module, Rear Side Air Bag</b>					
	R 4B9 880 442 A		m	1.0	320.15
	L 4B9 880 441 A		m	1.0	320.15
<b>3 Sensor, Side Air Bag Control w/Side Curtain Air Bag w/o Side Curtain Air Bag</b>					
1998					
	R/L 4B0 959 643 A		m	.7	293.05
1999					
To VIN X002749	R/L 4B0 959 643 A		m	.7	293.05
From VIN X002750	R/L 4B0 959 643 B		m	.7	140.15
2000-01	R/L 4B0 959 643 B		m	.7	140.15
2002-04	R/L 4B0 959 643 C		m	.7	136.60
<b>4 Bolt, Sensor (2/Side)</b>					
	R/L N 014 774 1				1.10
<b>5 Harness, Side Air Bag</b>					
1998					
	1H0 971 582 B		m		23.15
1999-04					
	3B0 971 582 F		m		31.50
<b>6 Pad, Backrest Front Seat-See Front Seat Section Rear Seat-See Rear Seat Section</b>					
<b>7 Module, Side Curtain Air Bag</b>					
	04 R 4B5 880 742-1		m	1.8	416.20
	L 4B5 880 742 A		m	1.8	416.20
	L 4B5 880 741 A		m	1.8	416.20
<i>#Order by Application</i>					
8 Bolt, Socket (12/Side)	R/L N 908 074 02		m		.33
1998-04					
9 Guide, Side Curtain Air Bag	R 4B0 880 756 A		m		13.80
	L 4B0 880 755 A		m		13.80



022-01853

10 Midg, Inside Garnish-See Windshield Section				
11 Panel, Ctr Pillar Upper Trim-See Rocker/Pillars/Floor Section				
12 Panel Assy, Upper Rear Trim-See Quarter Panel Section				
<i>#Includes R&amp;R Upper Front Trim Panel</i>				
13 Panel Assy, Lower Trim-See Quarter Panel Section				

SIDE WAGON

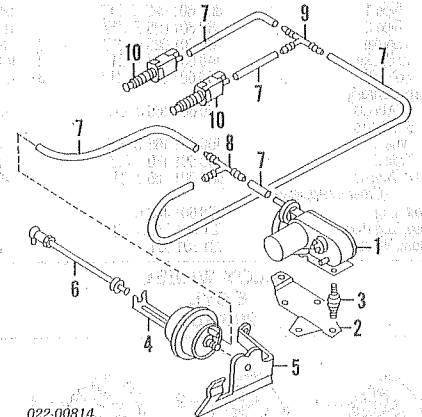
Disable & Enable Air Bag System	m	.3
Diagnose Air Bag System (If Required)	m	.5



2000-03	R/L 4B0 927 807 J	m	#.7	75.40
2004	R/L 4B0 927 807 Q	m	#.7	110.55
Allroad Quattro	R 4Z7 927 807 E	m	#.7	317.50
	L 4Z7 927 807 C	m	#.7	317.50

Order by Application  
 #R&R Both Sides 1.2  
 10 Brkt, ABS Sensor R/L 8E0 614 193 58

**CRUISE CONTROL SYSTEM**



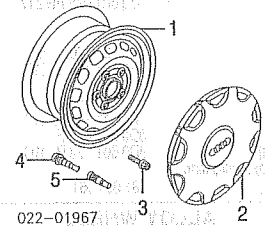
1 Actuator, Cruise Control	4B0 907 325	m	.5	153.90
2 Brkt, Actuator Mtg	8D0 907 341			11.90
3 Stud, Mounting	431 907 349			2.35
4 Element, Throttle	8A0 907 327	m	.3	39.45
5 Bracket, Element	078 907 347 H			8.35
6 Rod, Element	078 907 415 C	m		30.95
7 Hose, Vacuum]	N.A.	m		0.00
	[Cut to Fit			
8 Tee, Actuator	811 907 428	m		1.90
9 Tee, Valve	811 907 428	m		1.90
10 Valve, Vacuum	811 907 343 B	m	.5	39.45

**WHEEL**

Use Procedure Explanation 10 with the following text.

**STEEL WHEEL**

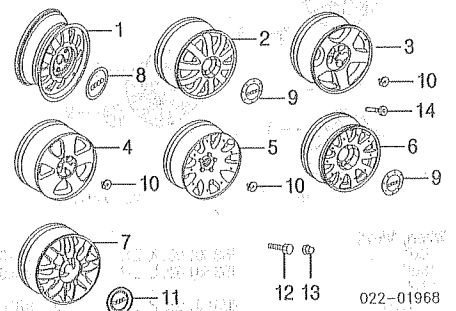
Add to R&I Spare Wheel & Tire Assy..... 2



1 Wheel, Steel				
15"	98-01 4B0 601 027 03C			78.75
16"	98-01 8D0 601 027 A 03C			109.60
2 Cap, Hub				
15" Wheels	8Z0 601 147 A Z17			54.25
16" Wheels	4B0 601 147 C Z17			54.25
3 Bolt, Lug	8D0 601 139 D			3.00
4 Stem, Valve	281 601 361			1.10
5 Extension, Valve Stem	3B0 601 373 A			2.30

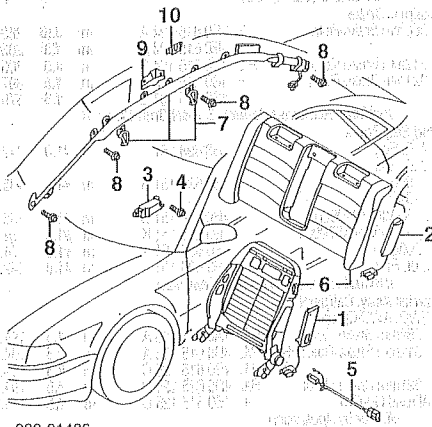
**ALLOY WHEEL**  
**6 CYL**  
**1998-01**

Add to R&I Spare Wheel & Tire Assy..... 2



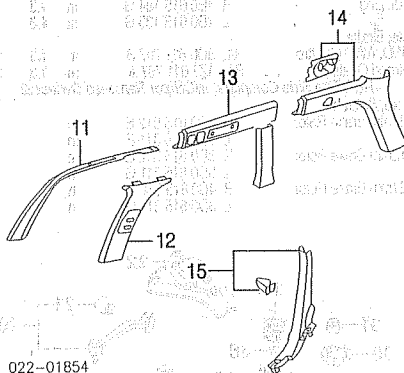
Wheel, Alloy]

022-01968



022-01436

1 Module, Front Side Air Bag]	R 4B0 880 242 J	m	1.5	320.15	
	L 4B0 880 241 J	m	1.5	320.15	
Order by Application					
2 Module, Rear Side Air Bag	R 4B9 880 442 A	m	1.0	320.15	
	L 4B9 880 441 A	m	1.0	320.15	
3 Sensor, Side Air Bag Control w/Side Curtain Air Bag w/Side Curtain Air Bag 1999	4B0 959 643 B	m	.7	140.15	
	To VIN X002749	R/L 4B0 959 643 A	m	.7	293.05
	From VIN X002750	R/L 4B0 959 643 B	m	.7	140.15
	2000-04	R/L 4B0 959 643 B	m	.7	140.15
4 Bolt, Sensor (2/Side)	R/L N 014 774 1			1.10	
5 Harness, Side Air Bag	3B0 971 582 F	m		31.50	
6 Pad, Backrest					
	Front Seat-See Front Seat Section				
	Rear Seat-See Rear Seat Section				
7 Module, Side Curtain Air Bag	01-03 R/L 4B9 880 742-1	m	1.8	416.20	
	04 R 4B9 880 742 A	m	1.8	416.20	
	L 4B9 880 741 A	m	1.8	416.20	
8 Bolt, Socket (12/Side)	R/L N 908 074 02			.33	
9 Guide, Side Curtain Air Bag	R 4B0 880 766 A			13.80	
	L 4B0 880 765 A			13.80	
10 Guide, Rear Pillar	R 4B9 880 766 A			3.70	
	L 4B9 880 765 A			3.70	



022-01854

- 11 Mldg, Inside Garnish-See Windshield Section
- 12 Panel, Ctr Pillar Upper Trim-See Rocker/Pillars/Floor Section
- 13 Panel Assy, Upper Front Trim-See Quarter Panel Section
- 14 Panel Assy, Upper Rear Trim-See Quarter Panel Section
- #Includes R&R Upper Front Trim Panel
- 15 Panel Assy, Lower Trim-See Quarter Panel Section

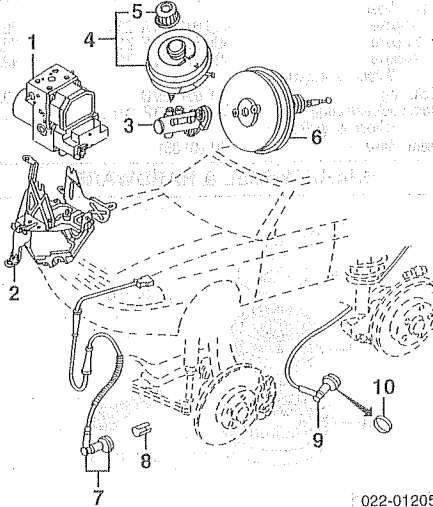
**ABS/BRAKES**

Bleed System..... m .4

NOTE: R&R Does Not include bleed brake system.

Illustration Located in Next Column

1 Hydro/Control Unit, ABS					
FWD					
w/Traction Control					
1998	8E0 614 111 S	m	1.2	1451.00	
1999	8E0 614 111 G	m	1.2	989.00	
2000					
	To VIN Y015000	8E0 614 111 G	m	1.2	989.00
	From VIN Y015001	8E0 614 111 AJ	m	1.2	1098.00
2001	8E0 614 111 AQ	m	1.2	1098.00	
2002					
	To VIN 2135000	4B0 614 517 J	m	1.2	1503.00
	From VIN 2135001	4B0 614 517 S	m	1.2	1503.00



022-01205

2003-04	4B0 614 517 S	m	1.2	1503.00	
w/o Traction Control	98 8E0 614 111 Q	m	1.2	1451.00	
	99-01 8E0 614 111 F	m	1.2	986.00	
	02-04 N.A.	m	1.2	0.00	
AWD Quattro					
w/ESP					
1998-01	8E0 614 111 AT	m	1.2	989.00	
2002					
	To VIN 2135000	4B0 614 517 K	m	1.2	1503.00
	From VIN 2135001	4B0 614 517 T	m	1.2	1503.00
2003-04	4B0 614 517 T	m	1.2	1503.00	
w/o ESP					
	98 8E0 614 111 N	m	1.2	989.00	
	99-01 8E0 614 111 E	m	1.2	989.00	
	02-04 N.A.	m	1.2	0.00	
	8E0 614 111 AT	m	1.2	989.00	
Allroad Quattro					
2 Brake, Hydro Unit					
1998-01					
6 Cyl					
FWD, AWD Quattro	8E0 614 119	#.2		24.85	
Allroad Quattro	4Z7 614 119	#.2		54.35	
8 Cyl	4B0 614 119 D	#.2		68.50	
2002-04					
6 Cyl	4B0 614 119 AB	#.2		33.05	
8 Cyl	4B0 614 119 S	#.2		33.05	
#w/ABS Hydro/Control Unit Removed					
3 Cylinder, Brake Master					
6 Cyl					
1998	8D0 611 021 B	m	.9	286.05	
1999					
	To VIN X130000	8D0 611 021 B	m	.9	286.05
	From VIN X130001	4D0 611 021 A	m	.9	357.30
2000-01					
w/ESP	4D0 611 021 B	m	.9	337.15	
w/o ESP	4D0 611 021 A	m	.9	357.30	
2002-04	8E0 611 021	m	.9	286.05	
8 Cyl	98-01 4D0 611 021 A	m	.9	357.30	
	02-04 8E0 611 021	m	.9	286.05	
4 Reservoir Assy, Master Cylinder					
6 Cyl					
1998	8E0 611 301	m		50.25	
1999					
	To VIN X130000	8E0 611 301	m	50.25	
	From VIN X130001	4B0 611 301 E	m	50.25	
2000-03	4B0 611 301 E	m		50.25	
8 Cyl	4B0 611 301 E	m		50.25	
5 Cap, Reservoir]	6N1 611 349 B			11.55	
	[Included w/Master Cylinder Reservoir Assy				
6 Booster, Brake					
6 Cyl					
1998	8D0 612 107 B	m	.3	332.15	
1999					
	To VIN X130000	8D0 612 107 B	m	.3	332.15
	From VIN X130001	4B3 612 107	m	.3	398.25
2000-04	4B3 612 107	m	.3	398.25	
8 Cyl	4B3 612 107	m	.3	398.25	
#w/Brake Master Cylinder Removed					
7 Sensor, Front ABS					
6 Cyl					
FWD, AWD Quattro	R/L 4B0 927 803	m	.5	162.25	
1998					
1999					
	To VIN X060000	R/L 4B0 927 803	m	.5	162.25
	From VIN X060001	R/L 4B0 927 803 C	m	.5	162.25
2000-04	R/L 4B0 927 803 C	m	.5	162.25	
Allroad Quattro	R/L 4Z7 927 803 A	m	.5	162.25	
8 Cyl	R/L 4B0 927 803 B	m	.5	162.25	
#R&R Both Sides .8					
8 Sleeve, Clamping	R/L 443 927 817	m		14.35	
9 Sensor, Rear ABS					
FWD	R/L 4B0 927 807	m	.7	162.25	
AWD Quattro					
w/H/Lamp Range Control	R 4B0 927 807 E	m	.7	162.25	
	L 4B0 927 807 F	m	.7	162.25	
w/o H/Lamp Range Control					
1998	R/L 4B0 927 807 B	m	.7	162.25	
1999					
	To VIN X062731	R/L 4B0 927 807 B	m	.7	162.25
	From VIN X062732	R/L 4B0 927 807 J	m	.7	75.40

**WHEEL Cont'd**

**ALLOY WHEEL**

**6 CYL**

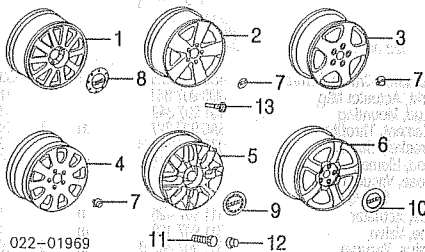
**1998-01 Cont'd**

1	15x6"	4B0 601 025 J Z33	3	403.55
2	16x6"	4B0 601 025 H Z17		295.05
	16x7"			
3	5 Spoke Type 1	8D0 601 025 C Z17		372.70
4	Type 2	4B0 601 025 F Z17		316.10
5	9 Spoke	4B0 601 025 K Z17	.3	449.90
6	10 Spoke	4A0 601 025 P Z17	.3	461.80
7	17x7-1/2"	8D0 601 025 R Z17	.3	474.80
<b>Cap, Center</b>				
8	15" Wheels	4B0 601 165 J Z17		25.40
9	Type 1	4B0 601 165 C Z17		34.20
10	Type 2	4B0 601 170 ZJ		11.15
11	17" Wheels	8D0 601 165 J Z17		45.25
<i>Order by Application</i>				
12	Bolt, Lug	8D0 601 139 D		3.00
13	Cap, Lug Bolt	321 601 173 A Z37		.73
14	Stem, Valve	281 601 361		1.10

**ALLOY WHEEL**

**6 CYL**

**2002-04**

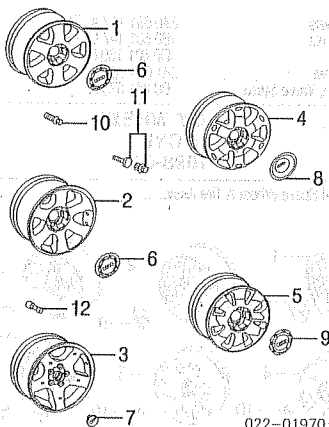


<b>Wheel, Alloy</b>				
1	16x6"	4B0 601 025 H Z17		295.05
	16x7"			
2	5 Spoke Type 1	4B0 601 025 A Z17		0.00
3	Type 2	8D0 601 025 C Z17		372.70
4	9 Spoke	4B0 601 025 K Z17		449.90
5	17x7-1/2"			
6	Type 1	8D0 601 025 R Z17		474.80
7	Type 2	4B0 601 025 AB Z17		461.80
<b>Cap, Center</b>				
8	15" Wheels	4B0 601 170 A ZJ		21.50
9	Type 1	4B0 601 165 J Z17		45.25
10	Type 2	4B0 601 165 N Z17		34.20
11	Bolt, Lug	8D0 601 139 F		0.00
12	Cap, Lug Bolt	8D0 601 173 B 01C		.52
<i>Order by Application</i>				
13	Stem, Valve	281 601 361		1.10

**ALLOY WHEEL**

**8 CYL**

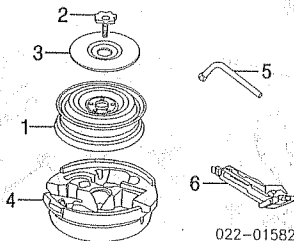
Add to R&I Spare Wheel & Tire Assy..... 2



<b>Wheel, Alloy</b>				
1	16x7"	4B3 601 025 K Z17		295.05
2	16x8"	4B3 601 025 L Z17	.3	295.05
	17x8"			
3	5 Spoke	4B3 601 025 P Z33	.3	910.00
4	6 Spoke	4B3 601 025 N Z17		450.10
5	8 Spoke	4B3 601 025 M Z17	.3	461.80

<b>Cap, Center</b>				
6	16" Wheels	8N0 601 165 A Z17		25.40
	17" Wheels			
7	5 Spoke	4D0 601 170 A Z33		36.85
8	6 Spoke	8D0 601 165 E Z17		25.40
9	8 Spoke	4B3 601 165 A Z17		49.50
<i>Order by Application</i>				
10	Bolt, Lug	8D0 601 139 D		3.00
11	Bolt, Lockable Lug	8D0 601 139 F 001		15.75
<i>Order by Application</i>				
12	Stem, Valve	281 601 361		1.10

**SPARE WHEEL & HARDWARE**



<b>1 Wheel, Spare</b>				
	FWD, AWD Quattro	441 601 025 AD 03C		126.55
	Allroad Quattro	4Z7 601 011 R		559.00
<i>Order by Application</i>				
<b>2 Bolt, Spare Wheel Mtg</b>				
	FWD, AWD Quattro			
	Sedan	4B0 803 899 J		15.70
	Wagon	4B0 803 899 K		15.70
	Allroad Quattro	4Z7 803 899 F		11.85
<b>3 Cover, Spare Wheel</b>				
		8D9 012 116		6.00
<b>4 Box, Tool</b>				
	FWD, AWD Quattro			
	Sedan	4B5 012 112 A		5.20
	Wagon	4B9 012 109 A		13.65
	Allroad Quattro	4Z7 012 109		13.65
<b>5 Wrench, Lug</b>				
		431 012 235 A		24.40
<i>Order by Application</i>				
<b>6 Jack</b>				
	6 Cyl			
	FWD, AWD Quattro	8L0 011 031 A		95.40
	Allroad Quattro	4Z7 011 031		84.55
	8 Cyl	4B3 011 031 A		84.55

**FRONT SUSPENSION**

Use Procedure Explanation 11 with the following text.

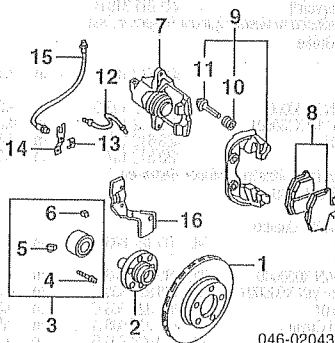
**6 CYL**

R&I Suspension (One Side).....	R/Lm	2.0
O/H Suspension (Includes R&I)		
One Side.....	R/Lm	5.1
Both Sides.....	m	9.4
Adjust Four Wheel Alignment.....	m	1.8
Adjust Front Alignment.....	m	1.3
Bleed Brake System.....	m	.4

NOTE 1: R&I/R&R or O/H Does Not include alignment or bleed brake system.

NOTE 2: Refer to Special Cautions Section at the beginning of this vehicle text.

NOTE 3: All Parts in this section are included in overhaul unless noted otherwise.



<b>1 Rotor, Brake</b>				
	288mm	R/L 4A0 615 301 C	m #.9	81.75
	312mm	R/L 4B0 615 301 A	m #.9	125.40
	321mm	R/L 8D0 615 301 M	m #.9	168.85
<i>#R&amp;R Both Sides 1.6</i>				
<b>2 Hub, Wheel</b>				
		R/L 4A0 407 615 F	m #2.7	174.25
<b>3 Bearing Assy</b>				
		R/L 4B0 498 625 A	m #2.7	125.80
<i>#R&amp;R One Side Complete, Includes R&amp;R Rotor, R&amp;R Both Sides 5.2</i>				
<b>4 Bolt, Shoulder</b>				
		R/L 4B0 407 643 A	m	7.10
<b>5 Nut, 10mm (2/Side)</b>				
		R/L N 102 861 02	m	.58

<b>6 Nut, 12mm (2/Side)</b>				
		R/L 4D0 407 644 A	m	2.40
<i>#Included w/Bearing Assy</i>				
<b>7 Caliper, Brake</b>				
	288mm Brake Rotor	R 8E0 615 124 A	m #.5	283.45
		L 8E0 615 123 A	m #.5	283.45
	312mm Brake Rotor	R/L 4B0 615 124-3	m #.5	306.60
	321mm Brake Rotor	R 4B0 615 108 B	m #.5	697.00
		L 4B0 615 107 B	m #.5	579.00
<i>#W/Rotor Removed Deduct .3, R&amp;R Both Sides .8</i>				

<b>8 Pad Set, Brake</b>				
	2.7L Eng	4B3 698 151	m #1.0	242.35
	2.8L Eng			
	1998	4B0 698 151 B	m #1.0	135.65
	1999			
	To VIN X070000	4B0 698 151 B	m #1.0	135.65
	From VIN X070001	4B0 698 151 K	m #1.0	74.90
	2000-01	4B0 698 151 K	m #1.0	74.90
	3.0L Eng	4B3 698 151	m #1.0	242.35
<i>#Deduct .5 for Each Caliper Removed</i>				

<b>9 Carrier Assy, Caliper</b>				
	FWD, AWD Quattro			
	288mm Brake Rotor	R/L 4A0 615 125 A	m #.5	194.35
	312mm Brake Rotor 98-01	L 4B0 615 125 A	m #.5	194.35
		02-03 R/L 4B0 615 125 C	m #.5	194.35
	321mm Brake Rotor	R/L 4B0 615 125 D	m #.5	194.35
	Allroad Quattro	R/L 4B0 615 125 D	m #.5	194.35
<i>Order by Application</i>				
<i>Included in R&amp;R Brake Caliper</i>				

<b>10 Boot, Carrier</b>				
	Serviced w/Caliper Carrier Assy			
<b>11 Pin, Guide</b>				
		R/L 251 615 219	m	22.40
<i>Included w/Caliper Carrier Assy</i>				

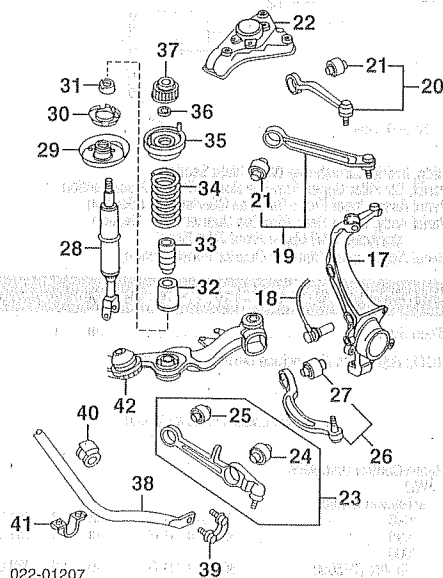
<b>12 Pipe, Brake</b>				
	2.7L Eng			
	AWD Quattro	R 8D0 611 722 D	m #.3	8.85
		L 8D0 611 721 D	m #.3	8.85
	Allroad Quattro	R 4B3 611 722 C	m #.3	20.20
		L 4B3 611 721 B	m #.3	13.65
	2.8L Eng	R 8D0 611 722 F	m #.3	9.10
		L 8D0 611 721 F	m #.3	8.85
	3.0L Eng	R 4B0 611 722 B	m #.3	13.80
		L 4B0 611 721 B	m #.3	13.80

<b>13 Spring, Retaining</b>				
		R/L 4D0 611 715 B	m #.3	.59

<b>14 Bracket, Brake Hose</b>				
	2.7L Eng			
	AWD Quattro	R 4B0 615 134 F	m #.3	9.50
		L 4B0 615 133 F	m #.3	9.50
	Allroad Quattro	R/L 4Z7 615 134-3	m #.3	3.10
	2.8L Eng			
	1998	R/L 4B0 615 134-3	m #.3	4.75
	1999			
	To VIN X065000	R/L 4B0 615 134-3	m #.3	4.75
	From VIN X065001	R 4B0 615 134 E	m #.3	9.50
		L 4B0 615 133 E	m #.3	9.50
	2000-01	R 4B0 615 134 E	m #.3	9.50
		L 4B0 615 133 E	m #.3	9.50
	3.0L Eng	R 4B0 615 134 G	m #.3	9.50
		L 4B0 615 133 G	m #.3	9.50

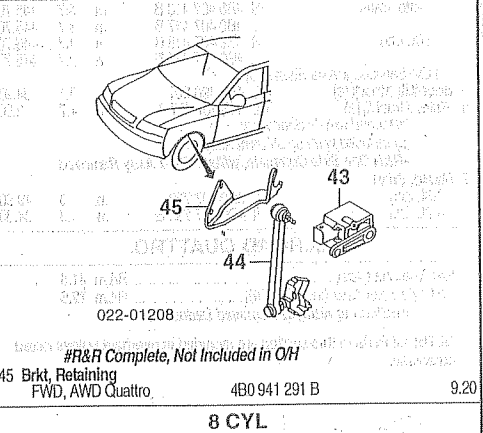
<b>15 Hose, Brake</b>				
	FWD, AWD Quattro	R/L 8D0 611 707 B	m #.3	28.90
	Allroad Quattro	R/L 4Z7 611 707 A	m #.3	33.05
<i>#R&amp;R One Side Complete, w/Caliper Removed Deduct .2</i>				

<b>16 Shield, Splash</b>				
	288mm Brake Rotor	R 8D0 615 312 E	m	6.80
		L 8D0 615 311 E	m	6.80
	312mm Brake Rotor	R 8D0 615 312 G	m	6.80
		L 8D0 615 311 G	m	6.80
	321mm Brake Rotor	R 4B0 615 312	m	8.65
		L 8D0 615 311 G	m	6.80



<b>17 Knuckle, Steering</b>				
	FWD	R 8D0 407 258 AM	m #2.7	288.70
		L 8D0 407 257 AM	m #2.7	288.70
	AWD Quattro			
	2.7L Eng	R 4B3 407 258 A	m #2.7	288.70

2.8L Eng	L 4B3 407 257 A	m #2.7	288.70
	R 8D0 407 258 AM	m #2.7	288.70
	L 8D0 407 257 AM	m #2.7	288.70
Allroad Quattro	R 4Z7 407 258 F	m #2.7	288.70
	L 4Z7 407 257 F	m #2.7	288.70
<i>†Order by Application</i>			
<i>#Includes R&amp;R Rotor, Hub, Bearing, Splash Shield &amp; Front ABS Sensor, R&amp;R Both Sides 5.2</i>			
18 Sensor, Front ABS-See ABS/Brakes Section			
19 Arm Assy, Front Upper Control			
FWD, AWD Quattro	R 8E0 407 506 A	m #.8	125.35
	L 8E0 407 505 A	m #.8	125.35
Allroad Quattro	R 8E0 407 506 A	m #.8	125.35
	L 8E0 407 505 A	m #.8	125.35
20 Arm Assy, Rear Upper Control	R 8E0 407 519 A	m #.8	125.35
	L 8E0 407 509 A	m #.8	125.35
21 Bushing, Control Arm†(a)	98 R/L 4D0 407 515 C	m #1.0	22.80
	99-04 R/L 4B0 407 515	m #1.0	22.80
<i>†Included w/Front Upper Control Arm Assy</i>			
<i>(a) Included w/Rear Upper Control Arm Assy</i>			
<i>#w/Steering Knuckle Removed Deduct .3</i>			
22 Brkt, Upper Mount			
FWD, AWD Quattro	R/L 8D0 412 383 E	m #.5	88.50
Allroad Quattro	R/L 4Z7 412 383 A	m #.5	89.80
<i>#w/Strut Assy Removed</i>			
23 Arm Assy, Front Lower Control			
FWD, AWD Quattro	R/L 4D0 407 151 P	m #1.1	298.05
Allroad Quattro	R/L 4Z7 407 151	m #1.1	298.05
24 Bushing, Otr Cont Arm†	R/L 4D0 407 181 H	m #1.3	24.25
25 Bushing, Inr Cont Arm†	R/L 4D0 407 182 E	m #1.3	22.80
<i>†Included w/Front Lower Control Arm Assy</i>			
<i>#w/Steering Knuckle Removed Deduct .3</i>			
26 Arm Assy, Rear Lower Control			
FWD, AWD Quattro	R 8E0 407 694 K	m #1.1	220.45
	L 8E0 407 693 K	m #1.1	220.45
Allroad Quattro	R 4Z7 407 694 C	m #1.1	239.10
	L 4Z7 407 693 C	m #1.1	239.10
27 Bushing, Control Arm†	R/L 4D0 407 183 Q	m #1.3	43.45
<i>†Included w/Rear Lower Control Arm Assy</i>			
<i>#w/Steering Knuckle Removed Deduct .7</i>			
28 Absorber, Shock			
FWD			
2.8L Eng			
Std Susp			
1998			
To VIN W100000	R/L 3B0 413 031 Q	m #1.2	158.05
From VIN W100001	R/L 3B0 413 031 A	m #1.2	158.05
1999-00	R/L 4B0 412 031 BG	m #1.2	160.15
2001-04†	R/L 4B0 412 031 CA	m #1.2	160.15
Sport Susp	98-00 R/L 4B0 412 031 Q	m #1.2	175.95
	01 R/L 4B0 412 031 BN	m #1.2	160.15
	R/L 4B0 412 031 BN	m #1.2	160.15
3.0L Eng			
AWD Quattro			
2.7L Eng	00 R/L 4B0 412 031 BH	m #1.2	160.15
	01-04 R/L 4B0 412 031 CB	m #1.2	160.15
2.8L Eng	98-00 R/L 4B0 412 031 BG	m #1.2	160.15
	01 R/L 4B0 412 031 CA	m #1.2	160.15
	R/L 4B0 412 031 CB	m #1.2	160.15
Allroad Quattro	R/L 4Z7 413 031 A	m #1.2	301.45
<i>†Order by Application</i>			
29 Seat, Lower Spring			
FWD, AWD Quattro	98-00 R/L 8D0 412 103 B	m #1.2	25.75
	01-04 R/L 8D0 412 066 F	m #1.2	25.75
30 Packing, Lower	R/L 4D0 412 107 B	m #1.2	26.60
31 Cap, Protective	R/L 4D0 412 127	m #1.2	1.95
32 Boot, Dust	R/L 4D0 412 137 C	m #1.2	5.20
33 Bumper, Spring			
FWD, AWD Quattro	98-00 R/L 8D0 412 131 F	m #1.2	26.00
	01-04 R/L 8D0 412 131 H	m #1.2	21.20
34 Spring, Coil†			
FWD	R/L 8D0 411 105 DH	m #1.2	91.75
AWD Quattro	R/L 8D0 411 105 AT	m #1.2	129.75
Allroad Quattro	R/L 4Z7 616 051 B	m #1.2	346.65
<i>†Order by Application</i>			
35 Seat, Upper Spring	R/L 8D0 412 065 F	m #1.2	20.20
36 Washer	R/L 4D0 412 369 A	m #1.2	1.20
37 Mount, Upper	R/L 4D0 412 377 F	m #1.2	42.25
<i>#R&amp;R One Side Complete, w/Front Lower Control Arm Removed</i>			
<i>Deduct .6, R&amp;R Both Sides 2.2</i>			
38 Bar, Stabilizer			
FWD, AWD Quattro			
Std Susp	4B0 411 309 G	m #1.9	214.95
Sport Susp	4B0 411 309 F	m #1.9	214.95
Allroad Quattro	4Z7 411 309	m #1.9	169.20
39 Link, Stabilizer			
FWD, AWD Quattro	R 8D0 411 318 D	m #1.9	59.65
	L 8D0 411 317 D	m #1.9	59.65
Allroad Quattro	R/L 4D0 411 317 K	m #1.9	68.75
40 Bushing, Bar	R/L 4D0 411 327 H	m #1.9	7.80
41 Brkt, Bushing	R/L 4D0 411 336 D	m #1.9	3.35
<i>#R&amp;R Complete, Deduct .2 for Each Front Lower Control Arm Removed, Not Included in O/H</i>			
42 Sub-Frame Assy-See Front Inner Structure Section			
<i>Illustration Located in Next Column</i>			
43 Sensor, H/Lamp Range Control	4B0 907 503	m #.4	54.50
44 Linkage, Sensor	8D0 941 299 B	m #.4	20.70
45 Brkt, Retaining	4B0 941 291 B	m #.4	9.20

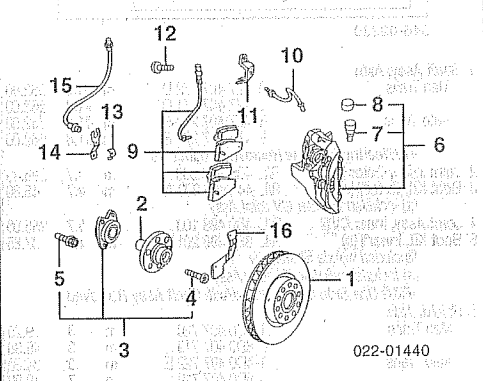


<b>8 CYL</b>	
R&I Suspension (One Side).....	R/Lm 2.0
O/H Suspension (Includes R&I)	
One Side.....	R/Lm 5.1
Both Sides.....	m 9.4
Adjust Four Wheel Alignment.....	m 1.8
Adjust Front Alignment.....	m 1.3
Bleed Brake System.....	m .4

NOTE 1: R&I/R&R or O/H Does Not include alignment or bleed brake system.

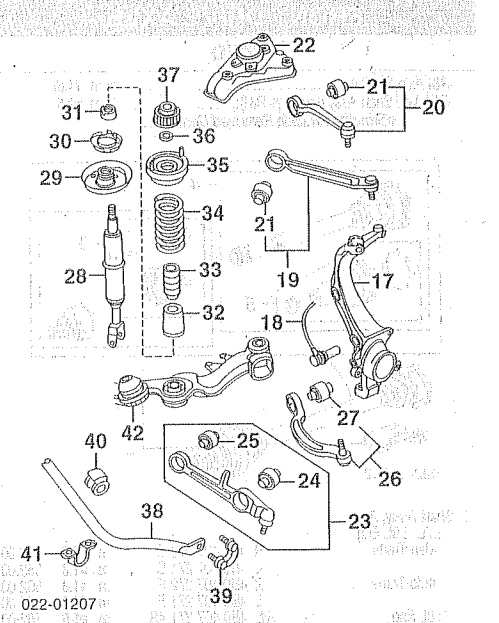
NOTE 2: Refer to Special Cautions Section at the beginning of this vehicle text.

NOTE 3: All Parts in this section are included in overhaul unless noted otherwise.



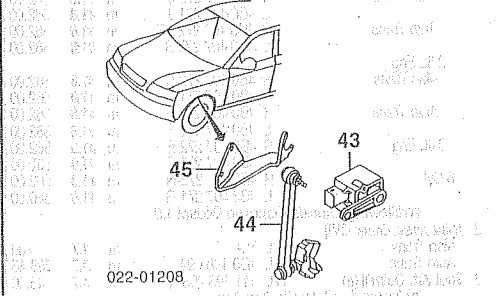
1 Rotor, Brake	R/L 4B3 615 301	m #.9	174.25
<i>#R&amp;R Both Sides 1.6</i>			
2 Hub, Wheel	R/L 4D0 407 613 B	m #2.7	245.55
3 Bearing Assy	R/L 8E0 498 625 A	m #2.7	125.80
<i>#R&amp;R One Side Complete, Includes R&amp;R Rotor, R&amp;R Both Sides 5.2</i>			
4 Bolt, Shoulder†	R/L 4B0 407 643 A	m #1.0	7.10
5 Screw, Ball†	R/L 4D0 505 445	m #1.0	3.20
<i>†Included w/Bearing Assy</i>			
6 Caliper Assy, Brake	R 4B0 615 108 B	m #.5	697.00
	L 4B0 615 107 B	m #.5	579.00
<i>#w/Rotor Removed Deduct .3, R&amp;R Both Sides .8</i>			
7 Valve, Bleeder†	R/L 357 615 273	m	7.60
8 Cap, Dust†	R/L 211 611 483	m	1.80
<i>†Included w/Brake Caliper Assy</i>			
9 Pad Set, Brake	4B3 698 151	m #1.0	242.35
<i>#Deduct .5 for Each Caliper Removed</i>			
10 Pipe, Brake	R 4B3 611 722 C	m #.3	20.20
	L 4B3 611 721 B	m #.3	13.65
	R 4B3 615 134 B	m #.3	6.30
	L 4B3 615 133 B	m #.3	6.30
11 Brkt, Pipe	R/L N 010 237 6	m #.3	.82
12 Bolt, Brkt	R/L 4D0 611 715 B	m #.3	.59
13 Spring, Retaining	R 4B3 615 134 B	m #.3	6.30
14 Brkt, Brake Hose	L 4B3 615 133 B	m #.3	6.30
	R/L 8D0 611 707 B	m #.3	28.90
15 Hose, Brake			
<i>#R&amp;R One Side Complete, w/Caliper Removed Deduct .2</i>			
16 Shield, Splash	R 8D0 615 312 G	m	6.80
	L 4B0 615 311	m	8.65

17 Knuckle, Steering†	R 4B3 407 254 G	m #2.7	376.85
	L 4B3 407 253 G	m #2.7	376.85
<i>†Order by Application</i>			
<i>#Includes R&amp;R Rotor, Hub, Bearing, Splash Shield &amp; Front ABS Sensor, R&amp;R Both Sides 5.2</i>			
18 Sensor, Front ABS-See ABS/Brakes Section			
19 Arm Assy, Front Upper Control	R 8E0 407 506 A	m #.8	125.35
	L 8E0 407 505 A	m #.8	125.35



20 Arm Assy, Rear Upper Control	R 8E0 407 510 A	m #.8	125.35
	L 8E0 407 509 A	m #.8	125.35
21 Bushing, Cont Arm†(a) (2/Side)	R/L 4B0 407 515	m #1.0	22.80
<i>†Included w/Front Upper Control Arm Assy</i>			
<i>(a) Included w/Rear Upper Control Arm Assy</i>			
<i>#w/Steering Knuckle Removed Deduct .3</i>			
22 Bracket, Upper Mount	R/L 8D0 412 383 E	m #.5	88.50
<i>#w/Strut Assy Removed</i>			
23 Arm Assy, Front Lower Control	R/L 4B3 407 151 C	m #1.1	298.05
24 Bushing, Outer Control Arm†	R/L 4D0 407 181 H	m #1.3	24.25
25 Bushing, Inner Control Arm†	R/L 4D0 407 182 E	m #1.3	22.80
<i>†Included w/Front Lower Control Arm Assy</i>			
<i>#w/Steering Knuckle Removed Deduct .3</i>			
26 Arm Assy, Rear Lower Control	R 8E0 407 694 K	m #1.1	220.45
	L 8E0 407 693 K	m #1.1	220.45
27 Bushing, Control Arm†	R/L 4D0 407 183 Q	m #1.3	43.45
<i>†Included w/Rear Lower Control Arm Assy</i>			
<i>#w/Steering Knuckle Removed Deduct .7</i>			

28 Absorber, Shock			
Std Susp	R/L 4B3 413 031 E	m #1.2	162.75
Sport Susp	R/L 4B3 413 031 F	m #1.2	162.75
29 Seat, Lower Spring	R/L 8D0 412 066 F	m #1.2	25.75
30 Packing, Lower	R/L 4D0 412 107 B	m #1.2	26.60
31 Cap, Protective	R/L 4D0 412 127	m #1.2	1.95
32 Boot, Dust	R/L 4D0 412 137 C	m #1.2	5.20
33 Bumper, Spring	00 R/L 8D0 412 131 F	m #1.2	26.00
	01-04 R/L 8D0 412 131 H	m #1.2	21.20
34 Spring, Coil†	R/L 8D0 411 105 DP	m #1.2	91.75
<i>†Order by Application</i>			
35 Seat, Upper Spring	R/L 8D0 412 065 F	m #1.2	20.20
36 Washer	R/L 4D0 412 369 A	m #1.2	1.20
37 Mount, Upper	R/L 4D0 412 377 F	m #1.2	42.25
<i>#R&amp;R One Side Complete, w/Front Lower Control Arm Removed</i>			
<i>Deduct .6, R&amp;R Both Sides 2.2</i>			
38 Bar, Stabilizer			
Std Susp	4B0 411 309 G	m #1.9	214.95
Sport Susp	4B0 411 309 F	m #1.9	214.95
39 Link, Stabilizer	R 8D0 411 318 D	m #1.9	59.65
	L 8D0 411 317 D	m #1.9	59.65
40 Bushing, Bar	R/L 4D0 411 327 H	m #1.9	7.80
41 Brkt, Bushing	R/L 4D0 411 336 D	m #1.9	3.35
<i>#R&amp;R Complete, Deduct .2 for Each Front Lower Control Arm Removed, Not Included in O/H</i>			



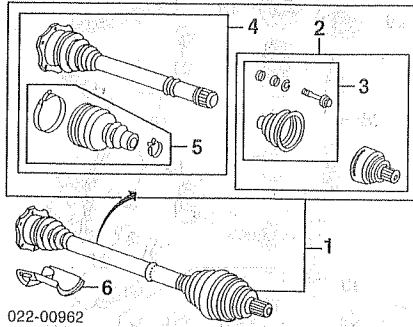
43 Sensor, H/Lamp Range Cont	4B0 907 503	m #.4	54.50
44 Linkage, Sensor	8D0 941 299 B	m #.4	20.70
<i>#R&amp;R Complete, Not Included in O/H</i>			
45 Brkt, Retaining	4B0 941 291 B	m #.4	9.20

# AUDI A6/S6 1998-04

## FRONT DRIVE AXLE

### FWD

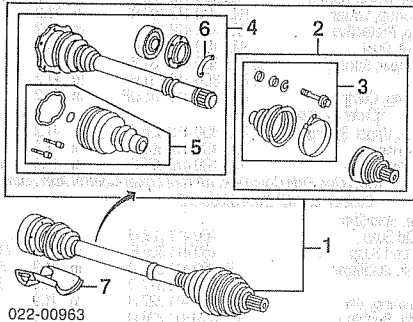
R&L Axle Shaft Assy ..... R/Lm #1.8  
 O/H Axle Shaft Assy (Includes R&L) ..... R/Lm #2.5  
*#w/Steering Knuckle Removed Deduct 1.0*



<b>1 Shaft Assy, Axle</b>				
2.7L, 2.8L Eng				
Man Trans	R 4B0 407 272 C	m #1.8	562.00	
	L 4B0 407 271 C	m #1.8	562.00	
Auto Trans	R 4B0 407 272 F	m #1.8	562.00	
	L 4B0 407 271 F	m #1.8	562.00	
3.0L Eng	R/L 4B0 407 271 AS	m #1.8	562.00	
<i>#w/Steering Knuckle Removed Deduct 1.0</i>				
<b>2 Joint Assy, Outer CV]</b>	R/L 4D0 498 099	m #7	298.45	
<b>3 Boot Kit, Outer] (a)</b>	R/L 441 498 203 A	m #7	45.30	
<i>(a) Included w/Outer CV Joint Assy</i>				
<b>4 Joint Assy, Inner CV]</b>				
2.7L, 2.8L Eng	R 4B0 407 418 B	m #7	445.70	
	L 4B0 407 417 B	m #7	445.70	
3.0L Eng	R/L 4B0 498 103	m #7	255.05	
<b>5 Boot Kit, Inner] (a)</b>				
2.7L, 2.8L Eng	R/L 4B0 498 201	m #7	34.90	
3.0L Eng	R/L 4B0 498 201 B	m #7	37.85	
<i>(a) Included w/Axle Shaft Assy</i>				
<i>(a) Included w/Inner CV Joint Assy</i>				
<i>#R&amp;R One Side Complete, w/Axle Shaft Assy Removed</i>				
<b>6 Shield, Shaft</b>	L 8D0 407 719	m #3	49.90	

### AWD QUATTRO

R&L Axle Shaft Assy ..... R/Lm #1.8  
 O/H Axle Shaft Assy (Includes R&L) ..... R/Lm #2.5  
*#w/Steering Knuckle Removed Deduct 1.0*



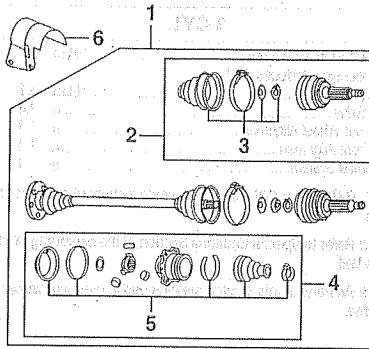
<b>1 Shaft Assy, Axle</b>				
6 Cyl				
2.7L Eng				
Man Trans	R 4B0 407 272 J	m #1.8	562.00	
	L 4B0 407 271 J	m #1.8	562.00	
Auto Trans	R 4D0 407 272 AF	m #1.8	562.00	
	L 4D0 407 272 S	m #1.8	562.00	
2.8L Eng				
Man Trans	R 4B0 407 272 C	m #1.8	562.00	
	L 4B0 407 271 C	m #1.8	562.00	
Auto Trans	R 4B0 407 272 F	m #1.8	562.00	
	L 4B0 407 271 F	m #1.8	562.00	
3.0L Eng	R 4B0 407 272 F	m #1.0	562.00	
	L 4B0 407 271 F	m #1.0	562.00	
8 Cyl	R 4B3 407 272 H	m #1.8	562.00	
	L 4B3 407 271 G	m #1.8	820.00	
<i>#w/Steering Knuckle Removed Deduct 1.0</i>				
<b>2 Joint Assy, Outer CV]</b>				
Man Trans	R/L N.A.	m #7	0.00	
Auto Trans	R/L 4D0 498 099	m #7	298.45	
<b>3 Boot Kit, Outer] (a)</b>	R/L 441 498 203 A	m #7	45.30	
<i>(a) Included w/Outer CV Joint Assy</i>				
<b>4 Joint Assy, Inner CV]</b>				
6 Cyl				
2.7L Eng				
Man Trans	R/L 4D0 598 103	m #7	489.45	
Auto Trans	R 4D0 407 418 F	m #7	445.70	
	L 4D0 407 418 E	m #7	482.70	
2.8L Eng				
Man Trans	R/L 4D0 598 103	m #7	489.45	

Auto Trans	R 4B0 407 418 B	m #7	445.70
	L 4B0 407 417 B	m #7	445.70
3.0L Eng	R 4B0 407 418 B	m #7	445.70
	L 4B0 407 417 B	m #7	445.70
8 Cyl-Serviced w/Axle Shaft Assy			
<b>5 Boot Kit, Inner] (a)</b>	R/L 4B0 498 201	m #7	34.90
<b>6 Plate, Attach] (a)</b>	R/L 443 407 357 A	m #7	2.00
<i>(a) Included w/Axle Shaft Assy</i>			
<i>(a) Included w/Inner CV Joint Assy</i>			
<i>#R&amp;R One Side Complete, w/Axle Shaft Assy Removed</i>			
<b>7 Shield, Shaft</b>			
2.8L Eng	L 8D0 407 719	m #3	49.90
4.2L Eng	R 4D0 407 722 E	m #3	34.30

### ALLROAD QUATTRO

R&L Axle Shaft Assy ..... R/Lm #1.8  
 O/H Axle Shaft Assy (Includes R&L) ..... R/Lm #2.5  
*#w/Steering Knuckle Removed Deduct 1.0*

NOTE: All Parts in this section are included in overhaul unless noted otherwise.



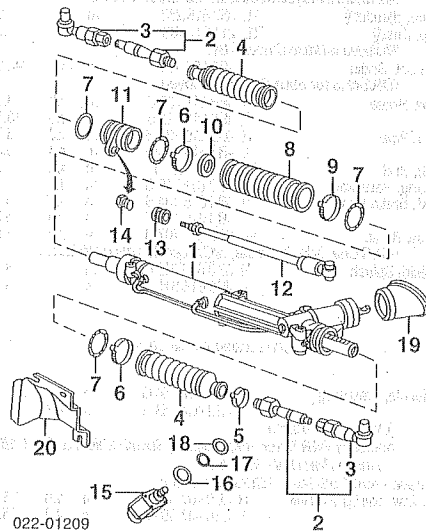
<b>1 Shaft Assy, Axle</b>				
Man Trans	R 4Z7 407 272 D	m #1.8	562.00	
	L 4Z7 407 271 D	m #1.8	562.00	
Auto Trans	R 4Z7 407 272 E	m #1.8	562.00	
	L 4Z7 407 271 E	m #1.8	562.00	
<i>#w/Steering Knuckle Removed Deduct 1.0</i>				
<b>2 Joint Assy, Outer CV]</b>	R/L 4D0 498 099	m #7	298.45	
<b>3 Boot Kit, Outer] (a)</b>	R/L 441 498 203 A	m #7	45.30	
<i>(a) Included w/Outer CV Joint Assy</i>				
<b>4 Joint Assy, Inner CV]</b>	R/L 4B0 498 103	m #7	255.05	
<b>5 Boot Kit, Inner] (a)</b>	R/L 8E0 498 201 B	m #7	37.85	
<i>(a) Included w/Axle Shaft Assy</i>				
<i>(a) Included w/Inner CV Joint Assy</i>				
<i>#R&amp;R One Side Complete, w/Axle Shaft Assy Removed</i>				
<b>6 Shield, Axle</b>				
Man Trans	R 4D0 407 720	m #3	79.25	
	L 8D0 407 719	m #3	49.90	
Auto Trans	R 4D0 407 722 E	m #3	34.30	
	L 8D0 407 719	m #3	49.90	

### FRONT STEERING LINKAGE/GEAR

R&L Steering Gear ..... m 5.4  
 O/H Steering Gear (Includes R&L) ..... m 9.2

NOTE 1: R&L/R&R or O/H Does Not include adjust wheel alignment.

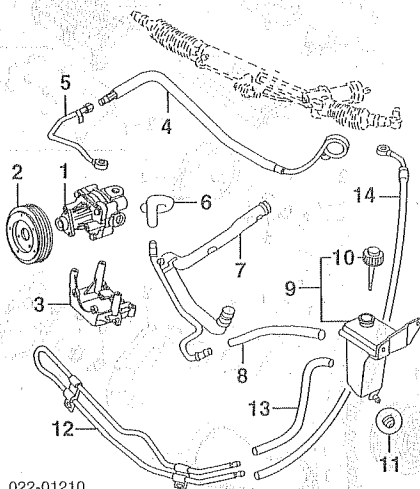
NOTE 2: All Parts in this section are included in overhaul unless noted otherwise.



<b>1 Gear, Steering</b>				
1998-01				
New	4B1 422 052 E	m 5.4	1121.00	
Remanufactured	4B1 422 052 EX	m 5.4	R979.00	
2002-04				
A6				
FWD, AWD Quattro				
New	4B1 422 052 R	m 5.4	1266.00	
Remanufactured	4B1 422 052 RX	m 5.4	R979.00	
Allroad Quattro				
New	4B1 422 052 E	m 5.4	1121.00	
Remanufactured	4B1 422 052 EX	m 5.4	R979.00	
S6				
New	4B7 422 052 B	m 5.4	1266.00	
Remanufactured	4B7 422 052 BX	m 5.4	R1073.00	
<b>2 Rod Assy, Tie</b>				
1998	R/L 4B0 419 801 M	m #6	138.60	
1999				
To VIN X090000	R/L 4B0 419 801 M	m #6	138.60	
From VIN X090001-Not Serviced				
2000-04-Not Serviced				
<b>3 End, Tie Rod]</b>				
A6				
6 Cyl				
1998-01	R/L 8E0 419 811 B	m #3	70.90	
2002-04				
Sid Susp	R/L 8E0 419 811 B	m #3	70.90	
Sport Susp	R/L 4B0 419 811 G	m #3	115.90	
8 Cyl	R/L 8E0 419 811 B	m #3	70.90	
S6	R/L 4B0 419 811 G	m #3	115.90	
<i>(a) Included w/Tie Rod Assy</i>				
<b>4 Boot, Tie Rod</b>				
98-00 R/L	4D0 419 831 E	m #6	8.95	
01-04 R/L	4D0 419 831 K	m #6	0.00	
	L 4D0 419 831 E	m #6	8.95	
<b>5 Clamp, Outer</b>				
1998	R/L 4B0 422 875	m #6	11.75	
1999				
To VIN X090000	R/L 4B0 422 875	m #6	11.75	
From VIN X090001-Not Serviced				
2000-04-Not Serviced				
<b>6 Clamp, Inner</b>	R/L N 906 540 01	m #6	4.05	
<b>7 Ring, Seal</b>	R/L N 901 809 02	m #6	.67	
<i>#R&amp;R One Side Complete, Included in R&amp;R Tie Rod Assy</i>				
<b>8 Boot, Damper]</b>				
1998	4D0 419 831 A	m	9.65	
1999				
To VIN X090000	4D0 419 831 A	m	9.65	
<b>9 Clamp, Boot]</b>				
1998	R/L N 906 541 01	m	2.35	
1999				
To VIN X090000	R/L N 906 541 01	m	2.35	
<b>10 Washer]</b>				
1998	4D0 422 531	m	4.40	
1999				
To VIN X090000	4D0 422 531	m	4.40	
<b>11 Bracket]</b>				
1998	4D0 425 057 A	m	31.25	
1999				
To VIN X090000	4D0 425 057 A	m	31.25	
<b>12 Damper, Steering]</b>				
1998	4D0 425 021 D	m	109.60	
1999				
To VIN X090000	4D0 425 021 D	m	109.60	
<b>13 Absorber, Sound]</b>				
1998	4D0 425 197 A	m	1.95	
1999				
To VIN X090000	4D0 425 197 A	m	1.95	
<i>(Order by Application)</i>				
<b>14 Bushing</b>				
1998	4D0 425 195	m	4.40	
1999				
To VIN X090000	4D0 425 195	m	4.40	
From VIN X090001-Not Serviced				
2000-04-Not Serviced				
<b>15 Converter, Torque</b>				
1998	4D0 907 315 A	m	238.70	
1999				
To VIN X090000	4D0 907 315 A	m	238.70	
From VIN X090001	4B0 907 315	m	238.70	
2000-04	4B0 907 315	m	238.70	
<b>16 O-Ring, Lower</b>	4B0 422 149	m	1.80	
<b>17 O-Ring, Center</b>	4B0 422 150	m	1.80	
<b>18 Strainer, Oil</b>	441 422 217	m	4.05	
<b>19 Boot, Gear</b>	4D0 422 326	m	19.15	
<b>20 Shield</b>				
1998	R 4B0 422 704 C	m	7.90	
	L 4B0 422 703 B	m	9.45	
1999				
To VIN X054000	R 4B0 422 704 C	m	7.90	
	L 4B0 422 703 B	m	9.45	
From VIN X054001 to X090000	R 4B0 422 704 C	m	7.90	
	L 4B0 422 703 N	m	11.85	
From VIN X090001				
6 Cyl	R 4B0 422 704 C	m	7.90	
	L 4B0 422 703 H	m	9.45	
8 Cyl.	R 4B0 422 704 C	m	7.90	
	L 4B0 422 703 D	m	9.45	
2000-04				
6 Cyl	00-01 R 4B0 422 704 C	m	7.90	
	L 4B0 422 703 H	m	9.45	
02-04 R 4B0 422 704 C		m	7.90	
	L 4B0 422 703 N	m	11.85	
8 Cyl	00-01 R 4B0 422 704 C	m	7.90	
	L 4B0 422 703 D	m	9.45	
02-04 R 4B0 422 704 C		m	7.90	
	L 4B0 422 703 L	m	11.85	

**STEERING PUMP**

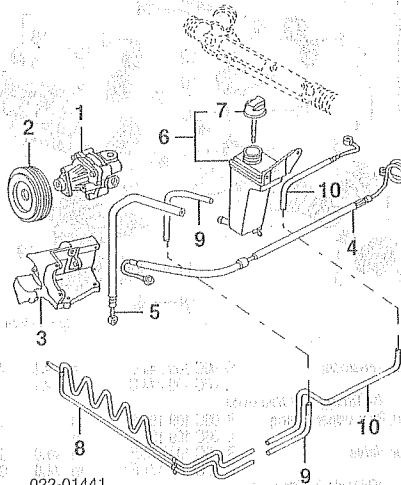
6 CYL



022-01210

<b>1 Pump, Steering</b>					
2.7L Eng					
FWD, AWD Quattro	4B0 145 156 A	m	#3.2	461.55	
Allroad Quattro	4B0 145 156 N	m	#3.2	461.55	
<i>#w/Front Bumper Removed</i>					
2.8L Eng	4B0 145 156 L	m	#2.6	432.00	
3.0L Eng	4B0 145 156 R	m	#2.6	408.75	
<i>#Includes R&amp;R Pulley</i>					
<b>2 Pulley, Pump</b>	078 145 255 H	m	.7	41.50	
<b>3 Bracket, Mounting</b>					
2.7L Eng	078 145 393 B	#	#2	33.70	
2.8L Eng	078 145 383 G	#	#2	36.85	
3.0L Eng	06C 145 383 C	#	#2	33.05	
<i>#w/Pump Removed</i>					
<b>4 Hose, Pressure</b>					
FWD, AWD Quattro					
2.7L Eng	98-01 4B1 422 893 Q	m	#2.2	197.00	
	02-04 8D1 422 893 BF	m	#2.2	211.60	
2.8L Eng	4B1 422 893 Q	m	#2.2	197.00	
3.0L Eng	4B1 422 893 T	m	#2.2	197.00	
Allroad Quattro	4Z7 422 893 B	m	#2.2	194.10	
<b>5 Pipe, Pressure</b>					
FWD, AWD Quattro					
2.7L Eng	98-01 4B0 422 893 A	m	#2.2	193.90	
	02-04 8D0 422 893 D	m	#2.2	211.60	
2.8L Eng	4B0 422 893 A	m	#2.2	193.90	
3.0L Eng	8E0 422 893	m	#2.2	202.95	
Allroad Quattro	8D0 422 893 D	m	#2.2	211.60	
<i>#R&amp;R Complete</i>					
<b>6 Hose, Suction</b>					
FWD, AWD Quattro					
2.7L Eng	98-01 4B0 422 887 B	m	#7	20.05	
	02-03 8D0 422 887 AC	m	#7	13.00	
2.8L Eng	4B0 422 887 B	m	#7	20.05	
3.0L Eng	8E0 422 887 D	m	#7	9.50	
Allroad Quattro	8D0 422 887 AC	m	#7	13.00	
<b>7 Pipe, Oil Cooler-See Cooling Section</b>					
<b>8 Hose, Suction</b>					
FWD, AWD Quattro					
2.7L Eng	98-01 8D0 422 887 L	m	#7	13.40	
	02-03 8D0 422 887 AB	m	#7	13.00	
2.8L Eng	8D0 422 887 L	m	#7	13.40	
3.0L Eng	4B0 422 887 M	m	#7	26.85	
Allroad Quattro	4B0 422 887 J	m	#7	31.20	
<i>#R&amp;R Complete 1.0</i>					
<b>9 Reservoir Assy, Pump</b>	8D0 422 371 H	m	1.0	50.50	
<b>10 Cap, Reservoir</b>	8D0 422 376 C			6.45	
<i>#Included w/Pump Reservoir Assy</i>					
<b>11 Grommet, Mount</b>	431 129 669			2.30	
<b>12 Cooler, Oil</b>					
2.7L Eng					
FWD, AWD Quattro	4B0 422 885 R	m	.8	98.65	
Allroad Quattro	4B0 422 885 N	m	.8	98.65	
2.8L Eng	4B0 422 885 S	m	.8	55.30	
3.0L Eng	4B0 422 885 AE	m	.8	113.45	
<b>13 Hose, Pipe/Reservoir Return</b>					
1998-01					
2.7L, 2.8L Eng	4B0 422 891 B	m	.8	16.05	
FWD, AWD Quattro	4B0 422 891 E	m	.8	31.20	
Allroad Quattro					
2002-04					
2.7L Eng	4B0 422 891 C	m	.8	22.00	
3.0L Eng	4B0 422 891 H	m	.8	37.85	
<b>14 Hose, Pipe/Gear Return</b>					
2.7L Eng					
FWD, AWD Quattro					
2000					
To VIN Y060000	4B1 422 891 C	m	.8	36.60	
From VIN Y060001	4B1 422 891 D	m	.8	41.50	
2001-04	4B1 422 891 D	m	.8	41.50	
Allroad Quattro	4Z7 422 891 A	m	.8	67.25	
2.8L Eng	4B1 422 891 G	m	.8	32.25	
3.0L Eng	4B1 422 891 F	m	.8	42.55	

8 CYL



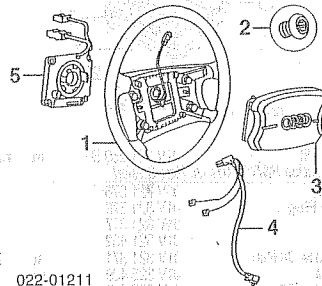
022-01441

<b>1 Pump, Steering</b>	4D0 145 155 K	m	#2.0	432.00	
<i>#Includes R&amp;R Pump Pulley</i>					
<b>2 Pulley, Pump</b>	059 145 255	m	.7	27.45	
<b>3 Bracket, Mounting</b>	077 260 885 H	m	#2	148.65	
<i>#w/Pump Removed</i>					
<b>4 Hose, Pressure</b>	4B7 422 893 C	m	2.2	197.00	
<b>5 Hose, Suction</b>	4B3 422 887 A	m	.7	31.20	
<b>6 Reservoir Assy, Pump</b>	8D0 422 371 H	m	1.0	50.50	
<b>7 Cap, Reservoir</b>	8D0 422 376 C			6.45	
<i>#Included w/Pump Reservoir Assy</i>					
<b>8 Cooler, Oil</b>	4B3 422 885 A	m	.8	98.65	
<b>9 Hose, Pipe/Reservoir Return</b>	4B3 422 891	m	.8	36.60	
<b>10 Hose, Pipe/Gear Return</b>					
1998-01					
To VIN 2047572	4B7 422 891 B	m	.8	101.60	
2002					
From VIN 2047573	4B7 422 891 C	m	.8	99.05	
2003-04	4B7 422 891 C	m	.8	99.05	

**STEERING WHEEL/COLUMN**

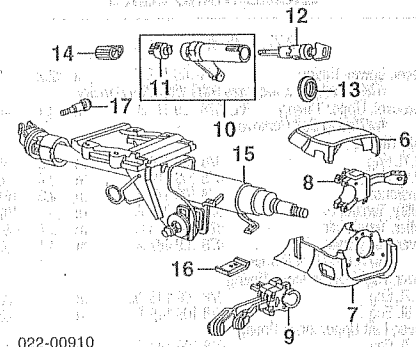
R&L Steering Column.....	m	1.5
O/H Steering Column (Includes R&L).....	m	3.0

NOTE: All Parts in this section are included in overhaul unless noted otherwise.



022-01211

<b>1 Wheel, Steering</b>					
3 Spoke	8Z0 419 091 D 25D	m	.8	298.45	
4 Spoke					
Heated	4B0 419 091 BS 05A	m	.8	669.00	
Non-Heated	4B0 419 091 S AS1	m	.8	450.95	
<i>#Order by Application</i>					
<b>2 Bolt, Wheel</b>	N 907 991 01			3.30	
<b>3 Module, Driver Air Bag-See Air Bag System Section</b>					
<b>4 Harness, Steering Wheel</b>					
Heated Wheel	4B0 971 589	m	#2	23.15	
Non-Heated Wheel	4B0 971 589 C	m	#2	23.15	
<i>#Order by Application</i>					
<i>#w/Driver Air Bag Module Removed, Included in R&amp;R Steering Wheel</i>					
<b>5 Spring, Spiral-See Air Bag System Section</b>					
<i>Illustration Located in Next Column</i>					
<b>6 Cover, Upper Lock Hsg</b>	4B1 953 515 B 6PS	m	#1.4	14.15	
<b>7 Cover, Lower Lock Hsg</b>	4B1 953 512 B 6PS	m	#1.4	54.35	
<i>#Black listed, Order by Application</i>					
<b>8 Switch, Wiper/Washer</b>					
Sedan	4B0 953 503 G 01C	m	#1.4	104.30	
Wagon	4B0 953 503 H 01C	m	#1.4	106.40	



022-00910

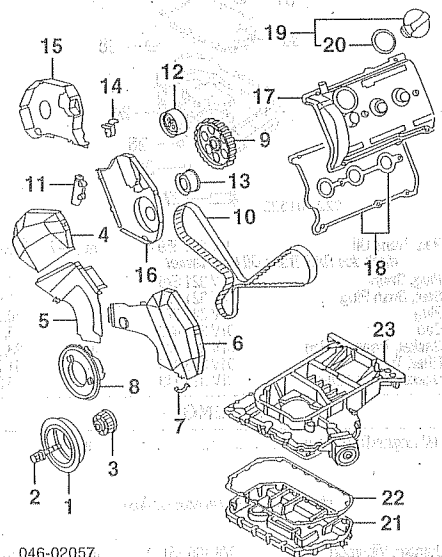
<b>9 Switch, Signal/Dimmer</b>	8L0 953 513 J 01C	m	#1.4	63.60	
<i>#R&amp;R Complete, Includes R&amp;R Steering Wheel</i>					
<b>10 Housing Assy, Lock</b>	4B0 905 851 B	m	#1.8	61.65	
<b>11 Switch, Ignition</b>	4B0 905 849	m	#1.8	62.50	
<i>#Included w/Lock Housing Assy</i>					
<i>#R&amp;R Complete, Includes R&amp;R Steering Wheel</i>					
<b>12 Cylinder, Lock (a)</b>					
w/Key	4D0 905 855 J	m	#2.2	117.50	
w/o Key	107 905 855 CB	m	#2.2	118.15	
<i>(a) Order by Application</i>					
<i>#R&amp;R Complete, Includes R&amp;R Steering Wheel, Combination Switch &amp; Lock Housing Covers</i>					
<b>13 Grommet, Lock Cylinder</b>	8D0 905 869 01C			4.25	
<b>14 Contact, Switch</b>	8D0 971 975	m	#2.2	3.85	
<b>15 Column, Steering</b>					
w/Auto Adjust H/Lamps	4B0 419 502 D	m	2.7	747.00	
w/o Auto Adjust H/Lamps					
1998					
To VIN W030000	4B1 419 502 B	m	2.7	614.00	
From VIN W030001	4B0 419 502 A	m	2.7	614.00	
1999	4B0 419 502 A	m	2.7	614.00	
2000-04	4B0 419 502 B	m	2.7	598.00	
<b>16 Brkt, Column</b>	1J0 419 378 F 01C			4.90	
<b>17 Screw, Attaching</b>	4D0 419 699			2.50	

**ENGINE/TRANS**

Use Procedure Explanation 12 with the following text.

2.7L, 2.8L ENG

R&L Engine/Trans Assy	m	15.7
2.7L Eng	m	9.8
2.8L Eng	m	9.8

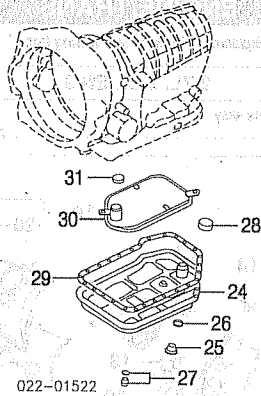


046-02057

<b>1 Damper, Vibration</b>	98-01 078 105 251 Q	m	.8	305.25	
	02-04 078 105 251 Q	m	.8	305.25	
<b>2 Bolt, Damper</b>	078 105 223 D	m	#2	9.00	
<b>3 Sprocket, Lower Timing</b>	078 105 263 G	m	#2	42.55	
<i>#w/Timing Belt Removed</i>					
<b>4 Cover, Right Upper Outer Timing</b>					
2.7L Eng					
AWD Quattro	078 109 123 AK	m	#2.2	29.85	
Allroad Quattro	078 109 123 AS	m	#2.2	29.85	
2.8L Eng	078 109 107 C	m	#2.2	23.25	
<b>5 Cover, Ctr Up Outer Timing</b>	078 109 107 M	m	#2.2	23.25	
<b>6 Cover, Left Upper Outer Timing</b>					
2.7L Eng	078 109 123 AJ	m	#2.2	29.85	
2.8L Eng	078 109 107 H	m	#2.2	26.00	
<b>7 Clip, Spring</b>	078 109 150 A	m	#2.2	1.10	
<i>#As Required</i>					

ENGINE/TRANS Cont'd

2.7L, 2.8L Eng Cont'd				
8	Cover, Lower Timing	078 109 127 E	m #2.2	18.65
	#R&R Complete, Includes R&R Vibration Damper			
9	Sprocket, Upper Timing	R/L 078 109 111 B	m #1	40.35
	#w/Timing Belt Removed			
10	Belt, Timing			
	2.7L Eng	078 109 119 H	m 4.2	45.15
	2.8L Eng	078 109 119 H	m 3.4	45.15
11	Tensioner	078 109 479 E	m #2	161.80
12	Pulley, Tensioner	078 109 243 R	m #1	102.60
13	Roller, Tensioner	078 109 244 H	m #1	68.65
14	Lever, Tensioner	078 109 487 A	m #1	57.00
	#w/Timing Belt Removed			
15	Cover, Right Upper Inner Timing			
	2.7L Eng	078 109 145 AC	m	23.25
	2.8L Eng	078 109 145 T	m	23.25
16	Cover, Left Upper Inner Timing			
	2.7L Eng	078 109 107 S	m	23.25
	2.8L Eng	078 109 098 C	m	23.25
17	Cover, Valve			
	2.7L Eng	R 078 103 472 AG	m #2.2	59.85
		L 078 103 471 T	m #1.8	68.00
	#R&R Both Sides 3.0			
	2.8L Eng	R 078 103 472 R	m #1.0	68.00
		L 078 103 471 R	m #1.0	68.00
	#R&R Both Sides 1.4			
18	Gasket, Valve Cover	R/L 078 198 025	m	45.85
19	Cap Assy, Oil Filler	078 103 485 D	m	5.65
20	Gskt, Oil Filler Cap	078 133 287	m	5.10
	#Included w/Oil Filler Cap Assy			
21	Pan, Lower Eng Oil	98-99 078 103 604 AC	m #1.3	102.60
		00-04 078 103 604 AA	m #1.3	102.60
22	Gskt, Lower Eng Oil Pan			
	1998	078 103 610 E	m #1.3	27.00
	1999			
	To VIN X080000	078 103 610 E	m #1.3	27.00
	From VIN X080001	D 176 404 A2	m #1.3	26.95
	2000-04	D 176 404 A2	m #1.3	26.95
	#R&R Complete			
23	Pan, Upper Eng Oil			
	2.7L Eng	078 103 603 AG	m #5.4	342.45
	2.8L Eng	078 103 603 AM	m #3.6	342.45
	#Includes R&R Lower Oil Pan			



022-01522

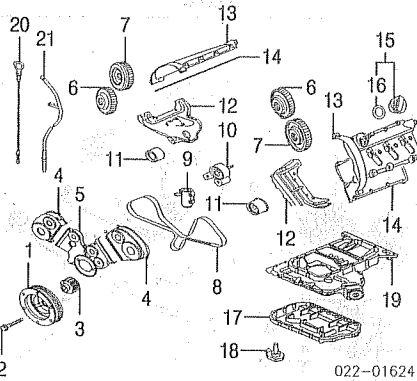
24	Pan, Trans Oil	01V 321 359 B	m #7	235.80
	#Includes R&R Trans Oil Pan Gasket			
25	Plug, Drain	01V 321 376		7.80
26	Seal, Drain Plug	01V 321 379		1.95
27	Plug, Drain Plug	01V 321 377		10.00
28	Cap	01V 321 432		5.10
29	Gasket, Trans Oil Pan	01V 321 371	m	23.65
30	Filter, Trans	01V 325 429	m	51.10
31	Gasket, Trans Filter	01V 325 443	m	6.30

3.0L ENG

R&I Engine/Trans Assy.....m 9.8

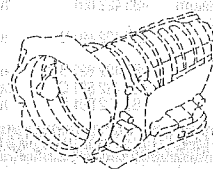
Illustration Located in Next Column

1	Damper, Vibration	078 105 251 Q	m .8	305.25
2	Bolt, Damper	078 105 229 D	m	9.00
3	Sprocket, Lower Timing	06C 105 263 B	m #.2	42.55
	#w/Timing Belt Removed			
4	Cover, Upper Outer Timing	R 06C 109 124 C	m #2.2	28.40
		L 06C 109 123 C	m #2.2	28.40
5	Cover, Lower Outer Timing	06C 109 128 C	m #2.2	28.40
	#R&R Complete, Includes R&R Vibration Damper			
	Sprocket, Upper Timing			
6	Inner	R/L 06C 109 083 D	m #1	410.95
7	Outer	R 06C 109 083 M	m #1	469.85
		L 06C 109 083 L	m #1	469.85
	#w/Timing Belt Removed			
8	Belt, Timing	06C 109 119 C	m 3.8	123.30
9	Tensioner	06C 109 479 A	m #2	161.80
10	Lever, Tensioner	06C 109 485 A	m #1	170.25



022-01624

11	Roller, Tensioner	R 06C 109 244 C	m #1	70.90
		L 06C 109 244 D	m #1	70.90
	#w/Timing Belt Removed			
12	Cover, Rear Upper Timing	R 06C 109 196 B	m	28.40
		L 06C 109 195 C	m	28.40
13	Cover, Valve	R 06C 103 472 F	m #1.0	61.40
		L 06C 103 471 F	m #1.0	61.40
	#R&R Both Sides 1.4			
14	Gasket, Valve Cover	R/L 06C 103 483 J	m	37.10
15	Cap Assy, Oil Filler	06C 103 485 L	m	6.95
16	Gskt, Oil Filler Cap	06C 103 483 D	m	0.00
	#Included w/Oil Filler Cap Assy			
17	Pan, Lower Eng Oil	06C 103 604 C	m #1.3	101.60
	#Includes R&R Level Sensor			
18	Sensor, Level	1J0 907 660 B	m .8	84.55
19	Pan, Upper Eng Oil	06C 103 601 D	m #3.6	259.20
	#Includes R&R Lower Eng Oil Pan			
20	Dipstick, Eng Oil	06C 115 611 K		9.25
21	Tube, Eng Dipstick	06C 115 630 G	.5	24.80



022-01625

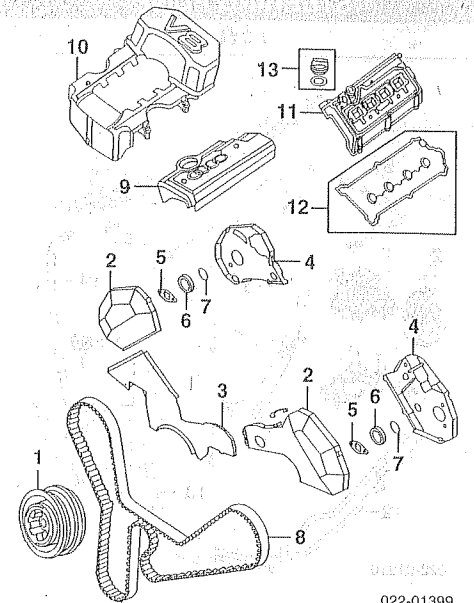
22	Pan, Trans Oil	01V 321 359 B	m #7	235.80
	#Includes R&R Trans Oil Pan Gasket			
23	Plug, Drain	01V 321 376		7.80
24	Seal, Drain Plug	01V 321 379		1.95
25	Plug, Drain Plug	01V 321 377		10.00
26	Cap	01V 321 432		5.10
27	Gasket, Trans Oil Pan	01V 321 371	m .7	23.65
28	Filter, Trans	01V 325 429	m	51.10
29	Gasket, Trans Filter	01V 325 443	m	6.30

4.2L ENG

R&I Engine/Trans Assy.....m 17.4

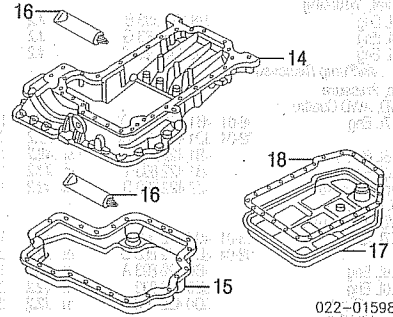
Illustration Located in Next Column

1	Damper, Vibration	00-01 077 105 251 K	m .8	383.75
		02-04 077 105 251 M	m .8	383.75
2	Cover, Upr Outer Timing	00-01 R 078 109 123 AL	m 1.5	29.85
		L 078 109 107 H	m 1.5	26.00
		02-04 R 077 109 108 A	m 1.5	23.70
		L 077 109 107 E	m 1.5	23.25
3	Cover, Lwr Outer Timing	077 109 194 A	m 1.1	49.15
4	Cover, Upr Inner Timing	00-01 R 077 109 118 C	m	27.65
		L 077 109 098 B	m	23.25
		02-04 R 077 109 118 C	m	27.65
		L 077 109 098 C	m	23.25
5	Washer, Seal	R/L 078 109 149	m	3.20
6	Seal, Inner (2/Side)	R/L 026 103 085 D	m	5.20
7	Gasket, Inner (2/Side)	R/L 077 103 487 B	m	2.40
8	Belt, Timing	078 109 119 H	m 5.4	45.15
9	Cover, Side Protective	00-01 R 077 103 724 K	m .3	61.40
		L 077 103 723 K	m .3	61.40
		02-04 R/L 077 103 724 K	m .3	61.40
10	Cover, Center Protective	077 103 935 AA	m .3	113.45



022-01399

11	Cover, Valve	R 077 103 472 L	m #1.8	211.60
		L 077 103 471 P	m #1.5	211.60
	#R&R Both Sides 2.6			
12	Gskt Set, Valve Cover	R/L 077 198 025 A	m	40.70
13	Cap, Oil	00-01 06A 103 485 F	m	3.60
		02-04 06B 103 485 B	m	5.95

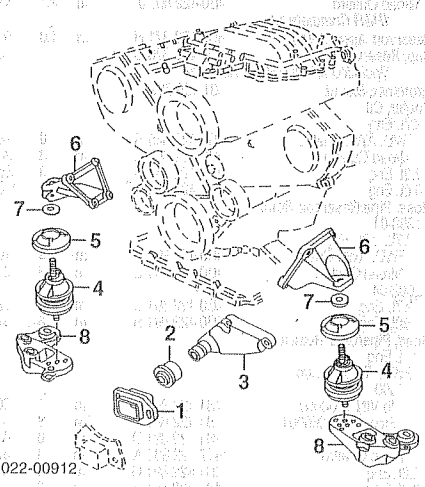


022-01598

14	Pan, Upper Eng Oil	077 103 603 P	m #4.0	342.45
	#Includes R&R Lower Oil Pan			
15	Pan, Lower Eng Oil	077 103 602 A	m 1.8	102.60
16	Sealant, Eng Oil Pan (2)	D 176 404 A2	m	26.95
17	Pan, Trans Oil	01L 321 359 B	m #7	295.05
18	Gskt, Trans Oil Pan	01L 321 371	m #7	25.00
	#R&R Complete			

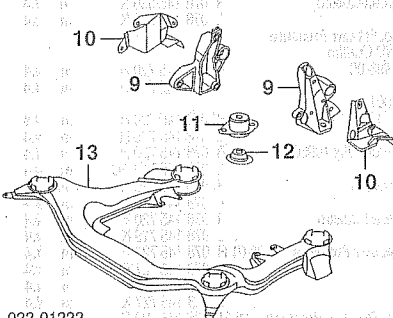
ENGINE/TRANS MOUNTS

6 CYL

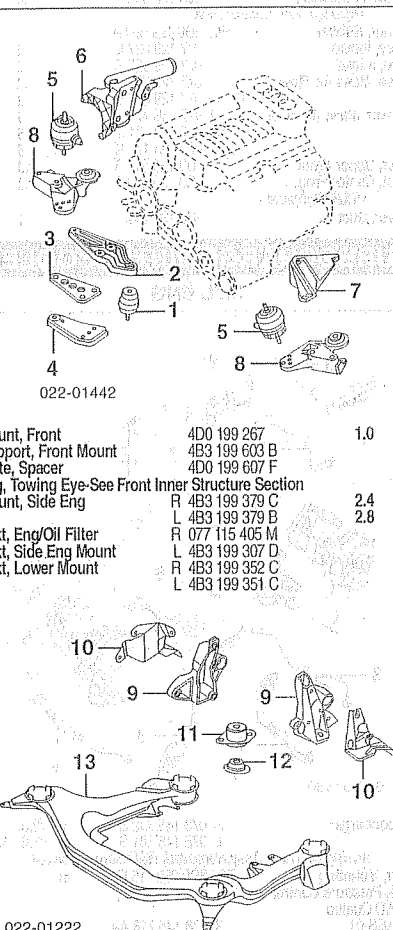


022-00912

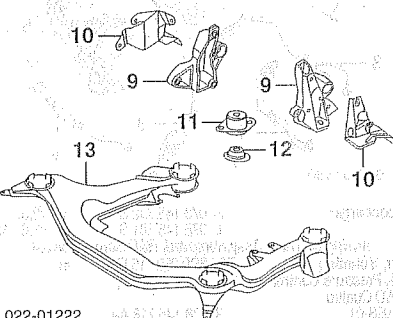
1 Stop, Front

2.7L Eng FWD, AWD Quattro Allroad Quattro Man Trans Auto Trans	4B0 199 335 E 8D0 199 335 S 4B0 199 335 E 4B0 199 335 B 4B0 199 335 L	#.6 #.6 #.6 #.6 #.6	23.30 44.50 23.30 12.75 24.20
2.8L Eng 3.0L Eng	8D0 199 339 E 8D0 199 339 P 8E0 199 339	#.6 #.6 #.6	14.15 7.20 8.25
<b>#R&amp;R Complete, Included in R&amp;R Front Support</b>			
3 Support, Front 2.7L, 2.8L Eng 3.0L Eng	8D0 199 343 J 8E0 199 343	1.1 1.1	9.50 24.80
4 Mount, Front 2.7L Eng Man Trans Auto Trans	R 4B0 199 379 D L 4B0 199 379 D R 4B0 199 379 F L 4B0 199 379 F	1.5 1.8 1.5 1.8	130.40 130.40 130.40 130.40
2.8L, 3.0L Eng	R 8D0 199 379 K L 8D0 199 379 K	1.5 1.8	80.80 80.80
5 Cap, Eng Mount 6 Brkt, Eng Mount 2.7L Eng	R/L 8D0 199 469 A R 8D0 199 308 AD L 8D0 199 307 K	#.2 #.2	46.70 46.70
2.8L Eng 3.0L Eng	R 8D0 199 308 D L 8D0 199 307 G R 8E0 199 306 E L 8E0 199 305 C	#.2 #.2 #.2 #.2	31.75 32.65 42.55 42.55
<b>#w/Mount Removed</b>			
7 Spacer, Mount 8 Brkt, Lower 1998-01 FWD, AWD Quattro Allroad Quattro Auto Trans	R/L N 906 467 01 R 8E0 199 352 D L 8E0 199 351 F R 4Z7 199 352 L 4Z7 199 351	.27 36.85 35.90 77.30 89.80	
2002-04 Man Trans	R 8E0 199 352 D L 8E0 199 351 F	36.85 35.90	
			
022-01222			
9 Brkt, Trans Mount 2.7L Eng FWD	R 4B0 399 108 B L 4B0 399 107 B	70.90 70.90	
AWD Quattro 1998-99 Man Trans Auto Trans	R 8D0 399 108 AN L 8D0 399 107 S R 8D0 399 108 Q L 8D0 399 107 T	#.3 #.3 #.3 #.3	66.95 32.25 64.70 34.65
2000 To VIN Y070000 From VIN Y070001	R 8D0 399 108 Q L 8D0 399 107 T R 8D0 399 108 AP L 8D0 399 107 T	#.3 #.3 #.3 #.3	64.70 34.65 66.95 34.65
2001-04 Allroad Quattro Man Trans Auto Trans	R 8D0 399 108 AP L 8D0 399 107 T R 8D0 399 108 AN L 8D0 399 107 S	#.3 #.3 #.3 #.3	66.95 34.65 32.25 66.95
2.8L Eng 3.0L Eng	R 8D0 399 108 AP L 8D0 399 107 T R 8D0 399 108 Q L 8D0 399 107 T	#.3 #.3 #.3 #.3	64.70 34.65 70.90 70.90
<b>#Included in R&amp;R Trans Mount</b>			
10 Shield, Mount 2.7L Eng Man Trans Auto Trans	R 8D0 399 300 M L 8D0 399 299 C R 8D0 399 300 H L 8D0 399 299 A	14.90 14.90 15.30 11.50	
2.8L, 3.0L Eng	R 8D0 399 300 H L 8D0 399 299 A	15.30 11.50	
<b>#Included in R&amp;R Trans Mount</b>			
11 Mount, Trans 2.7L Eng AWD Quattro Man Trans Auto Trans Allroad Quattro	R/L 4B0 399 151 M R/L 4B0 399 151 M R/L 4B0 399 151 M R/L 8D0 399 151 R R/L 8D0 399 151 M	2.4 2.4 2.4 2.4 2.4	64.60 64.60 64.60 47.55 68.95
2.8L Eng 3.0L Eng	R/L 4B0 399 151 M R/L 4B0 399 151 M	2.4 2.4	68.95 18.85
12 Stop, Mount 13 Sub-Frame Assy-See Front Inner Structure Section	R/L 431 399 291	18.85	

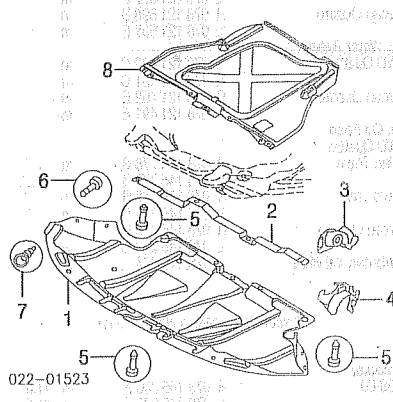
### 8 CYL



022-01442

1 Mount, Front	4D0 199 267	1.0	52.65
2 Support, Front Mount	4B3 199 603 B		25.90
3 Plate, Spacer	4D0 199 607 F		3.30
4 Mtg, Towing Eye-See Front Inner Structure Section		2.4	167.55
5 Mount, Side Eng	R 4B3 199 379 C L 4B3 199 379 B R 077 115 405 M	2.8	167.55 389.75
6 Brkt, Eng/Oil Filter	L 4B3 199 307 D		36.85
7 Brkt, Side Eng Mount	R 4B3 199 352 C L 4B3 199 351 C		64.80 64.80
8 Brkt, Lower Mount			
			
022-01222			
9 Brkt, Trans Mount	R 4B3 399 114 C L 8D0 399 107 A	#.3 #.3	122.55 d32.90
<b>#Included in R&amp;R Trans Mount</b>			
10 Shield, Mount	R 8D0 399 300 H- L 8D0 399 299 A		15.30 11.50
11 Mount, Trans	R/L 4B3 399 151	2.2	80.90
12 Stop, Mount	R/L 431 399 291		18.85
13 Sub-Frame Assy-See Front Inner Structure Section			

### ENGINE UNDER COVER



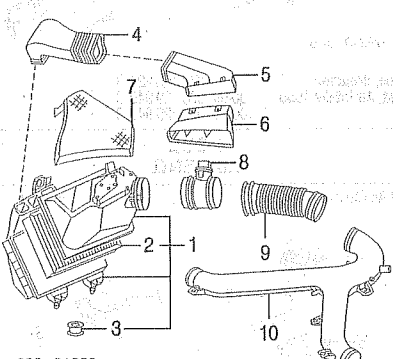
022-01523

1 Pan, Engine Cover 6 Cyl FWD, AWD Quattro Allroad Quattro	4B0 863 821 J 4Z7 863 821	#.3 #.3	118.15 261.15
8 Cyl Quattro AWD Quattro Allroad Quattro	4B3 863 821 4B0 863 821 L 4B0 863 821 J 4B3 863 821	#.3 #.3 #.3 #.3	101.20 118.15 118.15 101.20
2 Brkt, Support <b>#R&amp;R Complete, Included in R&amp;R/R&amp;R or O/H Front Bumper Cover</b>	8D0 863 843	#.3	12.05
3 Cover, Eng Compt 1998-01 2002-04	R/L 8D1 864 310-09		5.55 5.55
6 Cyl 8 Cyl	R/L 4B1 864 310-09 R/L 8D1 864 310-09		5.95 5.55

4 Cover, Axle Shaft 1998	R 4B0 863 188 D L 4B0 863 187 B		30.55 30.55
1999 To VIN X118401 From VIN X118402	R 4B0 863 188 D L 4B0 863 187 B R 4B0 863 188 D L 4B0 863 187 C		30.55 30.55 30.55 30.55
2000-04	R 4B0 863 188 D L 4B0 863 187 C		30.55 30.55
5 Clip, Mounting Black (5) Silver (8)	8D0 805 121 B 8D0 805 121		3.10 3.10
6 Pin, Mounting	R/L 4A0 805 121 A		2.80
7 Clip, Mounting	R/L 4A0 805 163		1.20
8 Pan, Rear Cover 1998-01 2.7L Eng AWD Quattro Allroad Quattro Man Trans Auto Trans	4B0 863 822 E 4Z7 863 822 4Z7 863 822 B 4Z7 863 822 B	.3 .3 .3	118.15 131.40 167.10
2002-04 Man Trans Auto Trans	4B0 863 822 E 4B0 863 822 N	.3 .3	118.15 76.25

### AIR CLEANER

#### 6 CYL 2.7L ENG



022-01850

R&I Air Cleaner Assy		m	.4	
1 Cleaner Assy, Air]	98-01 078 133 837 AK 02-04 078 133 837 BR	m	.4	168.80 308.65
<b>#/Order by Application</b>				
2 Element, Cleaner]	058 133 843		.3	21.80
3 Mount, Rubber]	R/L 8D0 129 669 A			4.05
<b>#/Included w/Air Cleaner Assy</b>				
4 Pipe, Intake	8D0 129 617 D		#.2	20.10
5 Duct, Intake	078 129 617 G		#.2	20.00
<b>#R&amp;R Complete</b>				
6 Duct, Frt Intake Air	4B0 129 617 F		.1	9.25
7 Cover, Upper	078 133 849 H		.2	14.75
8 Meter, Air Flow 1998-00 AWD Quattro Allroad Quattro 2001-04	078 906 461 B 06C 133 471 A 06C 133 471 A	m m m	.6 .6 .6	210.55 316.05 316.05
9 Hose, Intake 1998-01 AWD Quattro Allroad Quattro 2002-04 Man Trans Auto Trans	078 129 627 H 078 129 627 S 078 129 627 N 078 129 627 R		.4 .4 .4 .4	30.00 28.40 30.00 30.00
10 Hsg, Air Distribution-See Turbocharger/Intercooler Section				

#### 6 CYL 2.8L ENG

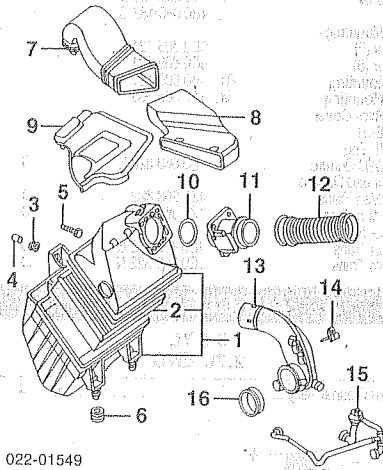
R&I Air Cleaner Assy ..... m .4

*Illustration Located in Next Column*

1 Cleaner Assy, Air	078 133 837 BD	m	.4	113.30
2 Element, Cleaner]	058 133 843		.3	21.80
<b>#/Included w/Air Cleaner Assy</b>				
3 Grommet, Upper	078 129 669			2.05
4 Sleeve	078 133 861 D			2.30
5 Bolt, Upper	N 010 221 3			.82
6 Mount, Rubber	8D0 129 669 A		#.2	4.05
7 Pipe, Intake	8D0 129 617 AA		#.2	21.50
8 Manifold, Intake <b>#R&amp;R Complete</b>	078 129 617 E		#.2	13.85
9 Cover, Upper	4B0 133 849 A		.2	7.00
10 Gskt, Air Flow Meter	078 133 485			20.10
11 Meter, Air Flow	98-99 078 133 471 C 00-01 078 133 471 E	m m	.6 .6	316.05 286.85
12 Hose, Intake	8D0 129 627		.3	31.15
13 Duct, Air Intake	078 133 356 S		.3	46.95
14 Sensor, Terip	058 905 379	m	.2	38.15

**AIR CLEANER Cont'd**

6 CYL  
2.8L ENG Cont'd

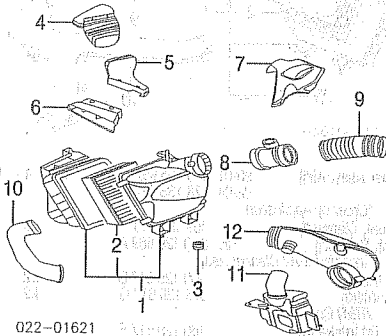


022-01549

15 Hose, Breather	078 103 224 R	m	.4	87.55
16 Gskt, Air Intake Tube	98-99 078 129 949 C	m	.4	8.05
	00-01 078 129 949 C	m	.4	8.05

6 CYL  
3.0L ENG

R&I Air Cleaner Assy.....m .4

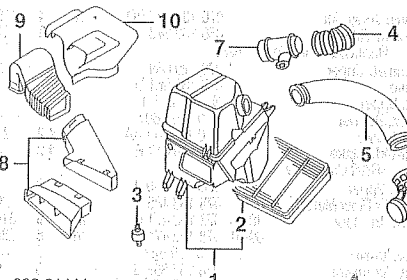


022-01621

1 Cleaner Assy, Air		m	.4	168.80
Man Trans	06C 133 837 M	m	.4	168.80
Auto Trans		m	.4	168.80
2002-04	06C 133 837 N	m	.4	168.80
2 Element, Cleaner]	058 133 843	m	.3	21.80
<i>(Included w/Air Cleaner Assy)</i>				
3 Mount, Rubber	R/L 4A0 129 697	m	.2	1.20
4 Pipe, Intake	8D0 129 617 D	m	.2	20.10
5 Duct, Intake	078 129 617 M	m	.2	20.75
<i>#R&amp;R Complete</i>				
6 Duct, Frit Intake Air	4B0 129 617 C	m	.1	7.50
7 Cover, Upper	4B0 133 849 C	m	.2	13.80
8 Meter, Air Flow	06C 133 471 A	m	.6	316.05
9 Hose, Intake	06C 129 627 D	m	.2	53.00
10 Duct, Air Intake	4B0 129 604 C	m	.2	32.25
11 Resonator, Air Cleaner	06C 133 911 B	m	.3	41.50
12 Duct, Air	06C 133 354 H	m	.3	0.00

8 CYL

R&I Air Cleaner Assy.....m .4



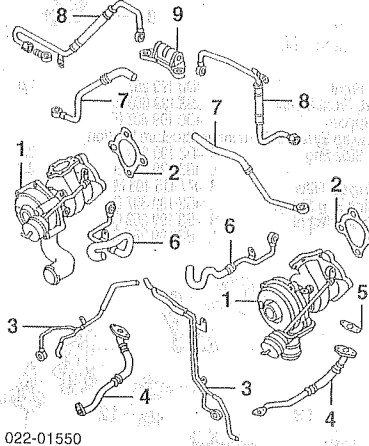
022-01444

1 Cleaner Assy, Air	00-01 077 133 837 N	m	.4	565.00
---------------------	---------------------	---	----	--------

2 Element, Cleaner]	02-04 077 133 837 Q	m	.4	287.60
	058 133 843	m	.3	21.80
<i>#Included w/Air Cleaner Assy</i>				
3 Mount, Rubber	R/L 8D0 129 669 A	m	.2	4.05
4 Hose, Intake	077 129 627 L	m	.2	60.60
5 Pipe, Intake	077 129 627 S	m	.2	30.00
6 Hose, Mass Air Flow	00 077 129 627 H	m	.2	32.20
	01-04 077 129 627 Q	m	.2	32.20
7 Sensor, Mass Air Flow	00 077 133 471 G	m	.6	401.45
	01 077 133 471 J	m	.6	360.00
	02-04 077 133 471 K	m	.6	515.00
8 Duct, Upper Front	4B3 129 617 A	m	.2	7.50
9 Duct, Center Front	4B3 129 618 A	m	.2	16.85
<i>#R&amp;R Complete</i>				
10 Cover, Duct	4B3 133 849	m	.1	13.80

**TURBOCHARGER/INTERCOOLER**

2.7L ENG

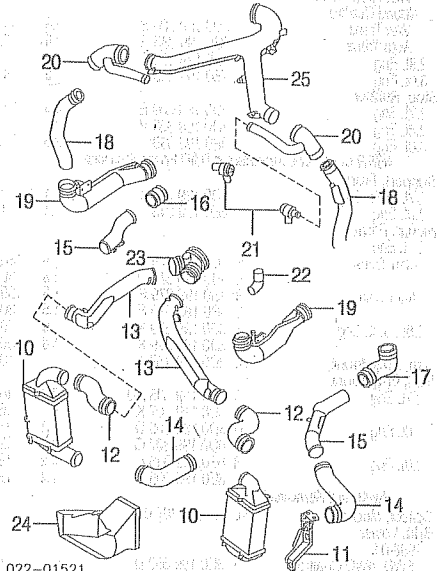


022-01550

1 Turbocharger	R 078 145 702 S	m	#2.3	1575.00
	L 078 145 701 S	m	#1.6	1575.00
<i>#w/Engine/Trans Assy Removed, R&amp;R Both Sides 3.4</i>				
2 Gskt, Mounting	R/L 8D0 253 115 F	m		8.80
3 Line, Pressure Control				
AWD Quattro				
1998-01	R 078 145 718 AA	m	.7	85.05
	L 078 145 718 AB	m	.7	85.05
2002-04				
Man Trans	R 078 145 718 L	m	.7	119.10
	L 078 145 718 AB	m	.7	85.05
Auto Trans	R 078 145 718 AB	m	.7	85.05
	L 078 145 718 AB	m	.7	85.05
Allroad Quattro	R 078 145 718 AA	m	.7	85.05
	L 078 145 718 AB	m	.7	85.05
	L 078 145 718 P	m	.7	119.10
4 Line, Oil Return	R 078 145 736 D	m	.9	99.05
	L 078 145 735 E	m	.9	87.55
5 Gskt, Oil Return	R/L 058 145 757 B	m		2.10
6 Pipe, Water Feed				
AWD Quattro	R 078 121 598 A	m		70.45
	L 078 121 597 F	m		91.90
Allroad Quattro	R 078 121 598 B	m		70.45
	L 078 121 597 F	m		91.90
7 Pipe, Water Return				
AWD Quattro	R 078 121 492 C	m		70.45
	L 078 121 491 C	m		70.45
Allroad Quattro	R 078 121 492 E	m		70.90
	L 078 121 491 E	m		70.90
8 Pipe, Oil Feed				
AWD Quattro	R 078 145 778 B	m	.7	72.65
	L 078 145 777 B	m	.7	52.70
Man Trans	R 078 145 778 B	m	.7	72.65
	L 078 145 777 C	m	.7	85.05
Auto Trans	R 078 145 778 B	m	.7	72.65
	L 078 145 777 C	m	.7	85.05
Allroad Quattro	R 078 145 778 B	m	.7	72.65
	L 078 145 777 C	m	.7	85.05
9 Distributor, Oil Pipe	078 115 377	m		22.55

Illustration Located in Next Column

10 Intercooler				
1998-00	R 078 145 806 K	m	#1.3	308.65
	L 078 145 805 F	m	#1.3	308.65
2001				
To VIN 1096000	R 078 145 806 K	m	#1.3	308.65
	L 078 145 805 F	m	#1.3	308.65
From VIN 1096001	R 078 145 806 K	m	#1.3	308.65
	L 078 145 805 L	m	#1.3	308.65
2002-04	R 078 145 806 K	m	#1.3	308.65
	L 078 145 805 L	m	#1.3	308.65
<i>#w/Front Bumper Removed, R&amp;R Both Sides 1.7</i>				
11 Brkt, Mounting	R 078 145 814 D	m		33.70
	L 078 145 813 J	m		25.25
12 Hose, Upper Pressure				
AWD Quattro	R 078 145 746 E	m	.4	71.10
	L 078 145 745 A	m	.4	71.10
Allroad Quattro	R 078 145 746 P	m	.4	54.35



022-01521

13 Pipe, Upper Pressure	L 078 145 745 K	m	#.4	70.90
AWD Quattro	R 078 145 686 C	m	#.4	55.50
	L 078 145 683 D	m	#.4	74.60
Allroad Quattro	R 078 145 686 K	m	#.4	83.55
	L 078 145 683 K	m	#.4	83.55
14 Hose, Frit Lwr Pressure				
AWD Quattro	R 078 145 720 H	m	#.4	44.25
1998-00	L 078 145 719 H	m	#.4	52.25
2001				
To VIN 1096000	R 078 145 720 H	m	#.4	44.25
	L 078 145 719 H	m	#.4	52.25
From VIN 1096001	R 078 145 720 H	m	#.4	44.25
	L 078 145 719 AC	m	#.4	54.35
2002-04	R 078 145 720 N	m	#.4	47.25
	L 078 145 720 N	m	#.4	47.25
Allroad Quattro	R 078 145 719 Q	m	#.4	47.25
	L 078 145 720 F	m	#.4	44.25
	L 078 145 719 K	m	#.4	52.25
15 Hose, Lwr Pressure	98-01 R 078 145 728 F	m	#.4	85.05
	L 078 145 727 E	m	#.4	108.20
	L 078 145 728 H	m	#.4	89.60
02-04 R 078 145 728 K		m	#.4	110.55
	L 078 145 728 J	m	#.4	19.20
16 Hose, Rear Lwr Pressure	98-01 R 078 145 720 P	m	#.4	17.75
	L 078 145 719 E	m	#.4	52.25
02-04 R 078 145 719 AF		m	#.4	54.35
<i>#Each Additional .2</i>				
18 Tube, Upper Air	R 078 133 610 C	m		61.80
	L 078 133 609 C	m		61.80
19 Tube, Lower Air	R 078 133 604 B	m		156.15
	L 078 133 603 A	m		156.15
20 Hose, Upr Connecting	R 078 135 241 B	m		38.75
	L 078 133 241 C	m		38.75
21 Valve, Cut-Off				
AWD Quattro	R/L 034 145 710 C	m	1.0	47.95
Allroad Quattro	R/L 034 145 710 B	m	1.0	53.00
22 Hose, Pressure	R 078 145 672	m	.3	25.80
	L 078 145 671 A	m	.3	25.80
23 Duct, Intake	078 133 356 T	m	.5	12.45
24 Duct, Air Cooler				
AWD Quattro	R 4B0 117 336 B	m	.2	16.75
	L 4B0 117 335 B	m	.2	21.35
Allroad Quattro	R 4Z7 117 336 A	m	.2	21.35
	L 4Z7 117 335 A	m	.2	21.35
25 Hsg, Air Distribution				
Man Trans	078 133 351 C	m	.3	137.65
Auto Trans	078 133 351 E	m	.3	137.65

**EXHAUST**

6 CYL  
2.7L ENG

R&R Exhaust System Complete			#7.3	
<i>#Does Not Include R&amp;R Exhaust Manifolds &amp; Shields</i>				
Illustration Located in Next Column				
1 Manifold, Exhaust	R 078 253 034 BR	m	#2.3	694.00
	L 078 253 033 CT	m	#1.6	694.00
2 Gasket, Manifold	R/L 078 253 039 G	m		6.20
3 Pipe/Converter, Front				
AWD Quattro				
Man Trans	R 4B0 254 550 AX	m	#4.5R	1273.00
	L 4B0 254 500 AX	m	#4.5R	1273.00
Auto Trans	R 4B0 253 012 AX	m	#4.5R	1306.00
	L 4B0 253 011 X	m	#4.5R	1306.00



022-01446

022-01447

Allroad Quattro Man Trans	R 4B0 253 058 TX L 4B0 253 057 SX	#4.5 R1306.00 #4.5 R1306.00
Auto Trans	R 4B0 253 012 AX L 4B0 253 011 X	#4.5 R1306.00 #4.5 R1306.00
<b>#R&amp;R Both Sides 6.2</b>		
4 Shield, Heat Man Trans	R 078 129 598 N L 078 129 597 AC R 078 129 598 M L 078 129 597 AB	24.85 40.40 40.40 112.75
5 Muffler, Center 6 Muffler, Rear AWD Quattro	98-01 R 4B3 253 609 G L 4B3 253 609 F 02-04 R 4B0 253 609 EN L 4B0 253 609 EM R 4B0 253 609 EQ L 4B0 253 609 EP	1.6 580.00 .9 357.40 .9 357.40 .9 378.05 .9 378.05 .9 357.40 .9 357.40
7 Clamp, Dual 8 Bracket, Rear	R/L 191 253 141 F L 4B0 253 144 J L 4B0 253 144 K	14.35 21.25 20.95

**6 CYL  
2.8L ENG**

R&R Exhaust System Complete ..... #4.2  
#Does Not Include Exhaust Manifolds & Shields

022-01026

1 Manifold, Exhaust Right 1998 To VIN W150000 From VIN W150001 1999-01	078 253 032 AP 078 253 032 BA 078 253 032 BA	m #5.0 205.05 m #5.0 205.05 m #5.0 205.05
Left 1998 To VIN W150000 From VIN W150001 1999-01	078 253 031 AN 078 253 031 AS 078 253 031 BA	m #5.2 205.05 m #5.2 d199.65 m #5.2 205.05
<b>#R&amp;R Both Sides 6.7</b>		
2 Shield, Upper Manifold 1998 To VIN W150000 From VIN W150001 1999-01	R 078 253 036 L 078 253 037 E R 078 253 036 D L 078 253 037 C R 078 253 036 D	7.40 7.15 9.00 30.50 9.00

3 Shield, Lower Manifold	L 078 253 037 C R 078 253 008 A L 078 253 009 A	30.50 10.70 10.70
--------------------------	-------------------------------------------------------	-------------------------

**AWD (QUATTRO)**

022-01212

**FWD**

4 Pipe/Converter, Front	98-99 R 8E0 253 096 LX L 8E0 253 095 TX 00-01 R 4B0 253 012 PX L 4B0 253 011 PX	#1.6 R905.00 #2.0 R905.00 #1.6 R1432.00 #2.0 R1432.00
<b>#R&amp;R Both Sides 3.4</b>		
5 Muffler, Center FWD 1998 To VIN W080000 From VIN W080001 1999-01	4B0 253 409 AQ 4B0 253 409 AQ 4B0 253 409 AQ	1.1 580.00 1.1 580.00 1.1 580.00
6 Muffler, Center AWD Quattro	4B0 253 409 AL	1.1 580.00
7 Muffler, Rear FWD	4B0 253 609 E	.9 378.05
8 Muffler, Rear AWD Quattro	R 4B0 253 609 AP L 4B0 253 609 AN	#.9 378.05 #.9 378.05
<b>#R&amp;R Both Sides 1.4</b>		
9 Clamp, Dual	R/L 191 253 141 F	14.35
10 Clamp, Dual	R/L 191 253 141 E	13.45
11 Brkt, Rear FWD	4B0 253 144 H	17.75
AWD Quattro	R 4B0 253 144 J L 4B0 253 144 K	21.25 20.95

**3.0L ENG**

R&R Exhaust System Complete ..... #4.5  
#Does Not Include R&R Exhaust Manifolds & Heat Shields

022-01620

1 Manifold, Exhaust	R 06C 253 032 J L 06C 253 031 J	m #5.0 290.40 m #5.2 290.40
<b>#R&amp;R Both Sides 6.7</b>		
2 Gasket, Manifold	R/L 078 253 039 G	m 6.20
3 Shield, Upper Heat	R 06C 253 036 B L 06C 253 037 B	8.25 8.25
4 Shield, Lower Heat	R/L 06C 253 009 B	11.85
5 Pipe/Converter, Front	R 4B0 253 012 QX L 4B0 253 011 QX	#2.0 R1053.00 #2.0 R1306.00
<b>#R&amp;R Both Sides 3.6</b>		
6 Muffler, Center FWD	4B0 253 409 CE	1.1 580.00
7 AWD Quattro	4B3 253 409 B	1.1 580.00
8 Clamp, Muffler FWD	8A0 253 139 A	38.45
AWD Quattro	R/L 191 253 141 F	14.35

9 FWD	4B0 253 609 FF	.9 685.00
10 AWD Quattro	R 4B0 253 609 EL L 4B0 253 609 EK	#.9 378.05 #.9 357.40
<b>#R&amp;R Both Sides 1.4</b>		
11 Support, Muffler AWD Quattro	4B0 253 521 D	24.80

**8 CYL**

R&R Exhaust System Complete ..... #4.8  
#Does Not Include Exhaust Manifolds & Shields

022-01040

1 Manifold, Exhaust	00 R 077 253 034 Q L 077 253 033 Q 01-04 R 077 253 034 T L 077 253 033 T	m #1.0 347.75 m #1.0 347.75 m #1.0 401.70 m #1.0 401.70
2 Gasket, Manifold	R/L 077 253 039 C	m 8.10

**#w/Engine/Trans Assy Removed, R&R Both Sides 1.8**

022-01448

3 Pipe/Converter, Front	00 R 4B3 253 058 AX L 4B3 253 057 AX 01-04 R 4B3 253 058 BX L 4B3 253 057 BX	#2.3 R1405.00 #2.3 R1306.00 #2.3 R1685.00 #2.3 R1685.00
<b>#R&amp;R Both Sides 3.5</b>		
4 Muffler, Center	4B3 253 409 A	1.8 580.00
5 Muffler, Rear	R 4B3 253 609 G L 4B3 253 609 F	1.0 357.40 1.0 357.40
6 Clamp, Dual	R/L 191 253 141 F	14.35
7 Bracket, Rear	R 4B0 253 144 J L 4B0 253 144 K	21.25 20.95

**EMISSION SYSTEM**

**6 CYL  
2.7L, 3.0L ENG**

022-01449

# AUDI A6/S6 1998-04

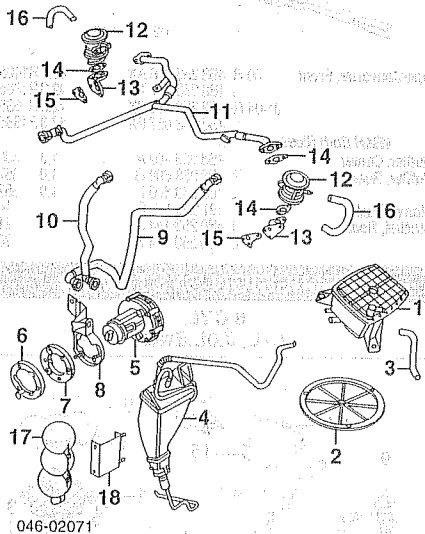
## EMISSION SYSTEM Cont'd

### 6 CYL

#### 2.7L, 3.0L ENG Cont'd

1 Canister, Vapor	8D0 201 801 E	m	.9	144.25
2 Cover, Lower	4A0 201 814 A			22.15
3 Hose, Connecting	8D0 133 784	m		18.95
4 Container, Vacuum	443 131 541	m	.2	18.90
5 Pump, Air				
2.7L Eng	078 906 601 H	m	2.0	449.30
3.0L Eng	06A 959 253 B			318.55
6 Bumper, Rubber				
2.7L Eng	021 131 085 B			2.45
7 Bracket, Pump				
2.7L Eng	078 906 617 A			11.80
3.0L Eng	8D0 906 615 B			23.15
8 Pipe, Kombi Connect				
2.7L Eng	00 078 131 831 K	m		45.30
3.0L Eng	01-04 078 131 831 L	m		47.10
3.0L Eng	06C 133 817 G			27.65
9 Valve, Combination				
2.7L Eng	00 R 078 131 102 E	m	#.3	101.75
3.0L Eng	L 078 131 101 M	m	#.3	101.75
3.0L Eng	01-04 R 078 131 102 E	m	#.3	101.75
3.0L Eng	L 078 131 101 P	m	#.3	113.30
3.0L Eng	R 06C 131 102 A			113.45
3.0L Eng	L 06C 131 101			113.45
10 Gskt, Kombi Valve	R/L 078 131 120 K	m	#.3	2.25
#R&R One Side Complete				
11 Adapter, Valve				
2.7L Eng	00 R 078 131 166 J	m		51.80
2.7L Eng	L 078 131 165 F	m		51.80
2.7L Eng	01-04 R 078 131 166 J	m		51.80
2.7L Eng	L 078 131 165 H	m		51.80
12 Gskt, Adapter				
2.7L Eng	R 078 131 120 D	m		1.80
2.7L Eng	L 078 131 120 E	m		2.25
13 Pipe, Vacuum				
2.7L Eng	R 078 131 492 C	m		63.00
2.7L Eng	L 078 131 493 F	m		63.00
14 Connector, Tee				
2.7L Eng	113 201 943 B	m		1.90
15 Hose, Angle				
2.7L Eng	R/L 026 133 784 E	m		3.75
16 Valve, Change-Over				
2.7L Eng	026 906 283 H	m	.7	141.35
3.0L Eng	N.A.			0.00
17 Pipe, Connecting				
2.7L Eng	078 131 269	m		82.65

### 6 CYL 2.8L ENG

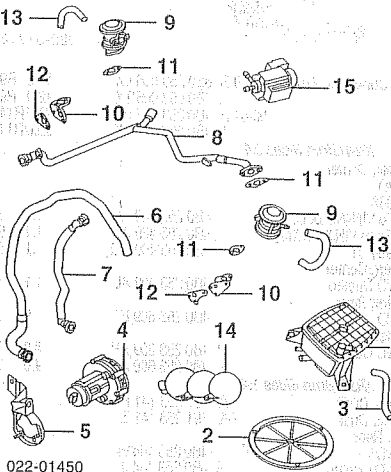


046-02071

1 Canister, Vapor	8D0 201 801 E	m	.9	144.25
2 Cover, Lower	4A0 201 814 A			22.15
3 Hose, Connecting	8D0 133 784	m		18.95
4 Filter, Carbon-Not Applicable				
5 Pump, Air				
1998-99	078 906 601 D	m	2.0	249.00
2000				
To VIN Y120000	078 906 601 D	m	2.0	249.00
From VIN Y120001	06A 959 253 B	m	2.0	318.55
2001	06A 959 253 B	m	2.0	318.55
6 Ring, Pump Protect				
1998-99	078 906 611 A			7.60
2000				
To VIN Y090000	078 906 611 A			7.60
From VIN Y090001	078 906 611 B			3.70
2001	078 906 611 B			3.70
7 Cup, Pump				
1998-99	078 906 605 A			83.40
2000				
To VIN Y120000	078 906 605 A			83.40
From VIN Y120001	06A 133 567 B			3.95

2001	06A 133 567 B			3.95
8 Bracket, Pump				
1998-99	078 906 615 K			118.50
2000				
To VIN Y120000	078 906 615 K			118.50
From VIN Y120001	8D0 906 615 B			23.15
2001	8D0 906 615 B			23.15
9 Pipe, Intake				
1998	078 133 817 E	m		42.25
1999				
To VIN X015000	078 133 817 E	m		42.25
From VIN X015001	078 133 817 P	m		37.85
2000-01	078 133 817 P	m		37.85
10 Pipe, Connector	078 133 889 H	m		39.75
11 Pipe, Kombi Connect	078 131 831 N	m		101.75
12 Valve, Combination	R 078 131 102 F	m	#.3	101.75
	L 078 131 101 N	m	#.3	101.75
	R/L 078 131 166-5	m	#.3	19.20
13 Plate, Kombi Valve				
#R&R One Side Complete, Includes R&R Gaskets				
14 Gskt, Kombi Valve (2/Side)	R/L 078 131 120 K	m		2.25
15 Gasket, Plate	R 078 131 120 D	m		1.80
	L 078 131 120 E	m		2.25
	N.A.			0.00
16 Hose, Kombi Valve (3)				
#Cut to Fit				
17 Container, Vacuum	443 131 541	m	.2	18.90
18 Brkt, Vacuum Container	078 129 814 G			5.55

### 8 CYL

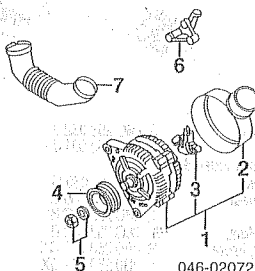


022-01450

1 Canister, Vapor	8D0 201 801 E	m	.9	144.25
2 Cover, Lower	4A0 201 814 A			22.15
3 Hose, Connecting	8D0 133 784	m		18.95
4 Pump, Air	078 906 601 D	m	2.0	249.00
5 Bracket, Pump	077 906 615 C	m		14.50
6 Pipe, Intake	077 133 817 B	m		64.80
7 Pipe, Connector	077 133 889	m		68.25
8 Pipe, Kombi Connect	R 077 131 831 A	m		76.90
9 Valve, Combination	L 078 131 102 F	m	#.3	101.75
	L 078 131 101 N	m	#.3	101.75
	R/L 078 131 166-5	m	#.3	19.20
10 Plate, Kombi Valve				
#R&R One Side Complete, Includes R&R Gaskets				
11 Gskt, Kombi Valve (2/Side)	R/L 078 131 120 K	m		2.25
12 Gasket, Plate	R 078 131 120 D	m		1.80
	L 078 131 120 E	m		2.25
	N.A.			0.00
13 Hose, Kombi Valve (1)				
#Cut to Fit				
14 Container, Vacuum (2)	443 131 541	m	.5	18.90
15 Valve, Change-Over (2)	077 906 283	m	.5	63.70

## ELECTRICAL

### ALTERNATOR 6 CYL

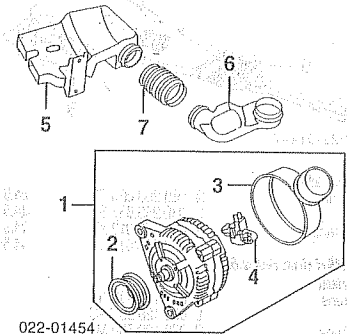


046-02072

1 Alternator Assy (1)				
2.7L Eng				
w/Turbo				
140 Amp				
Bosch Brand	078 903 018 AX	m	#.2.3	R488.35
Valeo Brand	078 903 018 X	m	#.2.3	R436.45

190 Amp w/o Turbo	079 903 021 B	m	#1.7	835.00
140 Amp				
Bosch Brand	078 903 018 AX	m	#1.7	R488.35
Valeo Brand	078 903 018 X	m	#2.3	R436.45
190 Amp	079 903 021 B	m	#1.7	835.00
3.0L Eng				
120 Amp				
New	038 903 018 F			694.00
Remanufactured	038 903 018 FX			R447.80
150 Amp	078 903 016 SX			R549.00
#Order by Application				
#w/Front Bumper Removed				
2 Cap, Alternator (a)	98 054 903 193 C			21.80
	99-04 078 903 193 E			26.50
3 Regulator (a)	028 903 803 D	m	#.2	87.45
(a) Included w/Alternator Assy				
4 Pulley, Alternator	98 054 903 119 E	m	#.2	53.85
	99-04 078 903 119 H	m	#.2	39.20
#w/Alternator Removed				
5 Nut, Pulley	98 028 903 320 C			3.35
	99-04 030 903 181			5.20
6 Bracket, Alternator				
2.7L Eng	078 903 143 M			49.10
2.8L Eng	078 903 143 K			24.20
3.0L Eng	06C 903 143 A			33.05
7 Hose, Intake	98 450 903 655	m		15.30

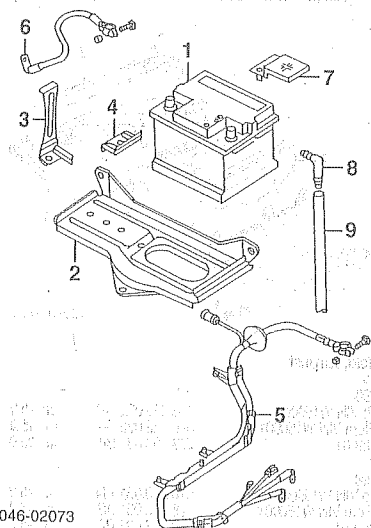
### ALTERNATOR 8 CYL



022-01454

1 Alternator Assy				
New	077 903 015 L	m	1.8	792.00
Remanufactured	038 903 018 DV	m	1.8	R677.70
2 Pulley, Alternator (a)	077 903 119 D	m	#.2	45.15
3 Cap, Alternator (a)	078 903 193 D	m	#.2	12.95
4 Regulator, Voltage (a)	028 903 803 E	m	#.2	147.15
(a) Included w/Alternator Assy				
#w/Alternator Removed				
5 Duct, Intake	4B3 903 423	#.3		28.35
6 Hose, Intake	4B3 903 655	#.3		9.20
7 Boot	4B3 903 657	#.3		4.05
#R&R Complete				

### BATTERY

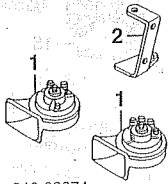


046-02073

1 Battery	N.A.			
2 Tray, Battery	4B1 805 213	#.8		14.35
#Includes R&R Battery				
3 Strap, Battery-Not Applicable				
4 Clamp, Battery	4B1 803 123			2.00
5 Cable/Harness, Positive				
6 Cyl				

2.7L Eng 1998-01 AWD Quattro Allroad Quattro 2002-04	8D1 971 225 P 8D1 971 225 AA 4B1 971 225 G 98 8D1 971 225 E 99-01 8D1 971 225 N 4B1 971 225 J 00-01 4B7 971 225 D 02-04 4B7 971 225 F 4B1 971 235 E	3.9 3.9 3.9 3.9 3.9 3.9 3.9 3.9 4	136.75 136.75 113.45 136.75 136.75 113.45 293.05 285.60 20.75
3.0L Eng 8 Cyl	8D0 915 429 4B7 971 225 F 4B1 971 235 E	3.9 3.9 .4	4.70 1.90 2.10
6 Cable, Negative 7 Cap, Terminal Protector 8 Pipe, Overflow 9 Hose, Overflow			

**HORN**

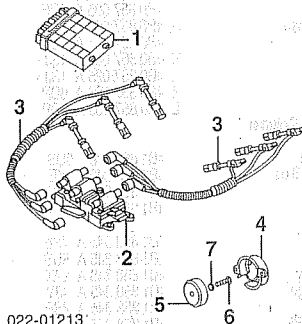


046-02074

1 Horn 6 Cyl High Note Low Note 8 Cyl High Note Low Note	4B0 951 223 A 4D0 951 221 8D0 951 223 A 4B3 951 221	.3 .3 .3 .3	80.35 73.75 73.75 73.75
2 Brkt, Horn Mtg 6 Cyl 8 Cyl	R/L 4B0 951 229 A 4B3 951 229	6.65 7.65	

**IGNITION  
6 CYL**

R&R Ignition Coils Complete	m	.6
R&R Ignition Wires Complete	m	.8



022-01213

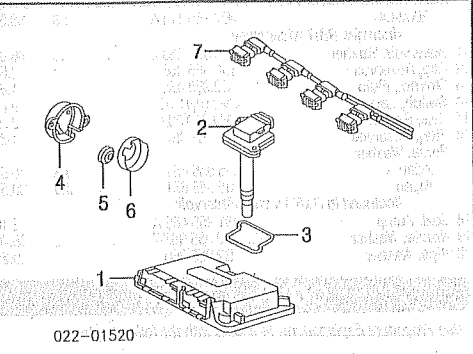
1 Module, Eng Control-See Front Inner Structure Section			
2 Coil, Ignition 2.7L Eng (6) 2.8L Eng 3.0L Eng (6)	058 905 105 078 905 104 08C 905 115 F	m #3 m #6 m #3	66.15 209.40 22.95
<b>#R&amp;R Coils Complete .6</b>			
3 Wire, Ignition 2.8L Eng Cyl 1 Cyl 2 Cyl 3 Cyl 4 Cyl 5 Cyl 6	078 905 531 B 078 905 532 B 078 905 533 B 078 905 534 B 078 905 535 B 078 905 536 B	m #2 m #2 m #2 m #2 m #2 m #2	24.20 24.20 24.20 37.40 37.40 37.40
<b>#R&amp;R Wires Complete .8</b>			
4 Sensor, Hall Effect	R/L 058 905 161 B	m #1.1	108.45
5 Rotor, Impulse	R/L 078 905 234 F	m #1.1	7.90
<b>#R&amp;R One Side Complete</b>			
6 Screw, Rotor	R/L N 010 242 22		.67
7 Washer, Rotor	R/L N 011 524 23		.22

**IGNITION  
8 CYL**

R&R Ignition Coils Complete Right Side	m	.5
Left Side	m	.5

Illustration Located in Next Column

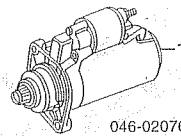
1 Module, Eng Control-See Front Inner Structure Section	R/L 06B 905 115 E	m #3	22.95
2 Coil, Ignition (4/Side) #R&R One Side Complete .5	R/L 058 905 261 A	m	1.70
3 Gskt, Coil (4/Side)	R/L 058 905 161 B	m #8	108.45
4 Sensor, Hall Effect	R/L 078 905 149 A	m #8	2.50
5 Washer, Rotor			



022-01520

6 Rotor, Impulse	R/L 06B 905 234 A	m #8	4.85
7 Wire, Ignition-Serviced w/Engine Wiring Harness #R&R One Side Complete			

**STARTER**

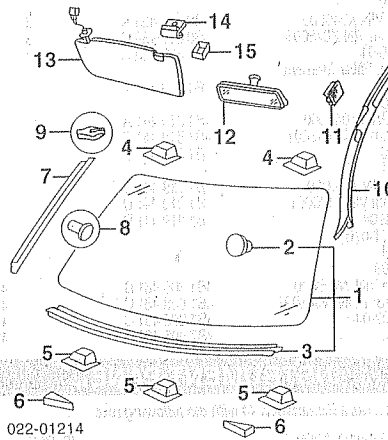


046-02076

1 Starter w/Turbo New Remanufactured	078 911 023 D 078 911 023 DV	m #3.4 m #3.4	516.00 R283.09
<b>#w/Front Bumper Removed</b>			
w/o Turbo New 6 Cyl 8 Cyl Remanufactured 6 Cyl 8 Cyl	078 911 023 D 077 911 023 E 078 911 023 DV 077 911 023 EV	m 1.7 m 2.4 m 1.7 m 2.4	516.00 577.00 R283.09 R370.87

**WINDSHIELD**

Use Procedure Explanation 13 with the following text.  
R&L Windshield Glass #3.5  
#Includes Clean Up Old Adhesive as Necessary



022-01214

1 Glass Assy, Windshield Audi (Shade) 6 Cyl FWD, AWD Quattro w/Insulator Sedan Wagon w/o Insulator Sedan Wagon Allroad Quattro 8 Cyl Sedan Wagon NAGS (Green/Gray Shade) FWD, AWD Quattro Sedan w/Insulator w/o Insulator Wagon w/Insulator w/o Insulator Allroad Quattro	4B5 845 099 AB NVB 4B9 845 099 AP NVB 4B5 845 099 AJ NVB 4B9 845 099 AP NVB 4Z7 845 099 P NVB 4B4 845 099 AE NVB 4B6 845 099 AE NVB FW02097GY FW02098GY FW02122GY FW02123GY FW02123GY	#3.2 #3.2 #3.2 #3.2 #3.2 #3.2 #3.2 #3.2 #3.2 #3.2 #3.2 #3.2 #3.2 #3.2 #3.2 #3.2 #3.2 #3.2 #3.2 #3.2 #3.2	410.45 331.70 308.10 331.70 308.10 346.10 337.00 973.10 1049.80 1243.90 1076.75 1076.75
---------------------------------------------------------------------------------------------------------------------------------------------------------------------------------------------------------------------------------------------------------------------------------------------------------------------------------------------	------------------------------------------------------------------------------------------------------------------------------------------------------------------------------------------------------------------------	----------------------------------------------------------------------------------------------------------------------------------------------------------------------	--------------------------------------------------------------------------------------------------------------------------

#Includes Clean Up Old Adhesive as Necessary			
Primer, Adhesive	D 009 200 02		18.95
Adhesive, Windshield	DA 004 600 A2		53.45
2 Plate, Mirror Retaining	701 845 543 A		12.70
3 Moulding, Lower Reveal			
FWD, AWD Quattro w/Insulated Glass w/o Insulated Glass Allroad Quattro	4B0 853 306 C 01C 4B0 853 306 B 01C 4B0 853 306 B 01C		24.25 24.25 24.25
<b>#Included w/Windshield Glass Assy</b>			
4 Spacer, Upper Adhesive (4)	4B0 845 237		.22
5 Spacer, Lower Adhesive (5)	4B0 845 237 B		.58
6 Wedge, Adjustment	R/L 443 845 631 A		1.20
7 Mldg, Side Reveal 6 Cyl FWD, AWD Quattro Sedan	R 4B5 854 328 B 01C L 4B5 854 327 B 01C		34.25 34.25
Wagon	R 4B9 854 328 A 01C L 4B9 854 327 A 01C		37.85 37.85
Allroad Quattro	R 4B9 854 328 A 01C L 4B9 854 327 A 01C		37.85 37.85
8 Cyl Sedan	R 4B4 854 328 A 01C L 4B4 854 327 A 01C		34.25 34.25
Wagon	R 4B6 854 328 A 01C L 4B6 854 327 A 01C		34.25 34.25
8 Rivet (8/Side)	R/L N 907 878 02		.45
9 Clp, Retaining (4/Side)	R/L 4B0 853 707 D		1.50
10 Mldg, Inside Garnish w/Side Curtain Air Bag (a) Sedan	R 4B5 867 234 K 8FP L 4B5 867 233 K 8FP		.2 263.40 .2 263.40
Wagon	R 4B9 867 234 M 8FP L 4B9 867 233 M 8FP		.2 263.40 .2 263.40
<b>w/o Side Curtain Air Bag</b>			
Sedan Right	4B5 867 232 1PJ		.2 56.65
Biscuit	4B5 867 232 5PD		.2 56.65
Dark Gray	4B5 867 232 2PL		.2 56.65
Vanilla			
Left			
w/Telephone			
Biscuit	4B1 867 231 1PJ		.2 80.20
Dark Gray	4B1 867 231 5PD		.2 80.20
Vanilla	4B1 867 231 2PL		.2 80.20
w/o Telephone			
Biscuit	4B5 867 231 1PJ		.2 56.65
Dark Gray	4B5 867 231 5PD		.2 56.65
Vanilla	4B5 867 231 2PL		.2 56.65
Wagon Right	4B9 867 232 B 1PJ		.2 56.65
Biscuit	4B9 867 232 5PD		.2 56.65
Dark Gray	4B9 867 232 2PL		.2 56.65
Vanilla			
Left			
w/Telephone			
Biscuit	4B9 867 231 A 1PJ		.2 80.20
Dark Gray	4B9 867 231 A 5PD		.2 80.20
Vanilla	4B9 867 231 A 2PL		.2 80.20
w/o Telephone			
Biscuit	4B9 867 231 1PJ		.2 56.65
Dark Gray	4B9 867 231 5PD		.2 56.65
Vanilla	4B9 867 231 2PL		.2 56.65
<b>(a) Blue listed, Order by Application</b>			
11 Trim, Telephone Speaker Biscuit	L 4A0 862 359 1ZS		.2 2.30
Dark Gray	L 4A0 862 359 2EQ		.2 2.30
Vanilla	L 4A0 862 359 2UQ		.2 2.30
12 Mirror, Rear View w/Auto Dimmer w/o Auto Dimmer	4B0 857 511 C 01C 4D0 857 511 01C		.2 239.20 .2 82.75
13 Visor, Sun 1998-01 Biscuit	R 4B0 857 552 M 1PJ L 4B0 857 551 N 1PJ		.3 67.30 .3 67.30
Dark Gray	R 4B0 857 552 M 5PD L 4B0 857 551 A 5PD		.3 67.30 .3 56.25
Vanilla	R 4B0 857 552 A 2PL L 4B0 857 551 A 2PL		.3 56.25 .3 56.25
2002-03 w/Cloth w/GDO Beige	R 4B0 857 552 A 28Y L 4B0 857 551 D 28Y		.3 56.25 .3 446.30
Platinum	R 4B0 857 552 A 25R L 4B0 857 551 Q 25R		.3 56.25 .3 446.30
Vanilla	R 4B0 857 552 A 2PL L 4B0 857 551 D 2PL		.3 56.25 .3 446.30
w/o GDO Beige	R 4B0 857 552 A 28Y L 4B0 857 551 A 28Y		.3 56.25 .3 56.25
Platinum	R 4B0 857 552 A 25R L 4B0 857 551 A 25R		.3 56.25 .3 56.25
Vanilla	R 4B0 857 552 A 2PL L 4B0 857 551 A 2PL		.3 56.25 .3 56.25
w/o Cloth Black	R 4B0 857 552 H 25M L 4B0 857 551 K 25M		.3 446.30 .3 547.00
Silver	R 4B0 857 552 H 17K L 4B0 857 551 K 17K		.3 446.30 .3 547.00
2004 w/Cloth w/GDO Beige	R 4B0 857 552 M 28Y L 4B0 857 551 Q 28Y		.3 69.10 .3 446.30
Platinum	R 4B0 857 552 M 25R L 4B0 857 551 Q 25R		.3 69.10 .3 446.30
Silver	R 4B0 857 552 M 6S9 L 4B0 857 551 Q 6S9		.3 67.30 434.55
Vanilla	R 4B0 857 552 M 2PL L 4B0 857 551 Q 2PL		.3 69.10 .3 446.30

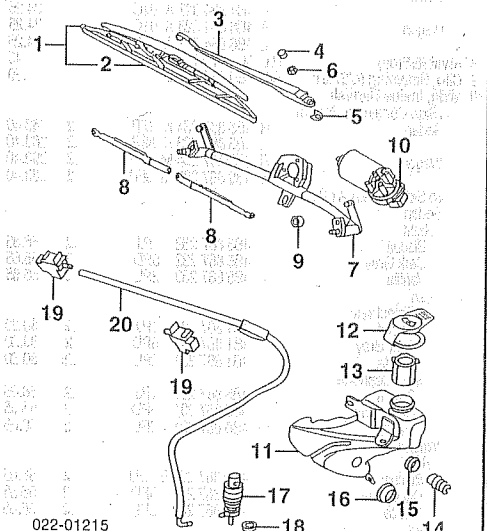
# AUDI A6/S6 1998-04

## WINDSHIELD Cont'd

w/o GDO				
Beige	R 4B0 857 552 M 28Y	.3	69.10	
	L 4B0 857 551 N 28Y	.3	69.10	
Platinum	R 4B0 857 552 M 25R	.3	69.10	
	L 4B0 857 551 N 25R	.3	69.10	
Silver	R 4B0 857 552 M 6S9	.3	67.30	
	L 4B0 857 551 N 6S9	.3	67.30	
Vanilla	R 4B0 857 552 M 2PL	.3	69.10	
	L 4B0 857 551 N 2PL	.3	69.10	
w/o Cloth				
Black	R 4B0 857 552 N 25M	.3	446.30	
	L 4B0 857 551 R 25M	.3	621.00	
Silver	R 4B0 857 552 N 17K	.3	446.30	
	L 4B0 857 551 R 17K	.3	621.00	
15 Brkt, Sun Visor	R/L 4B0 857 562 2EQ		3.10	
15 Cap, Visor Brkt	R/L 4B0 857 563 2EQ		2.10	

Order by Application

## WIPER SYSTEM

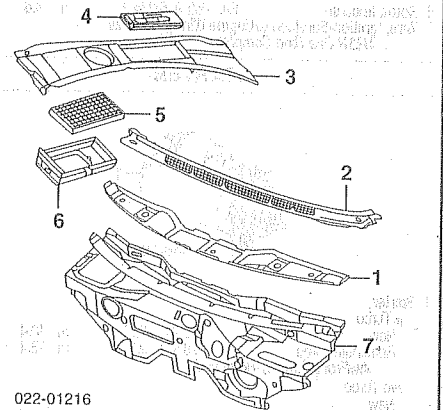


1 Blade Assy, Wiper FWD	R 4A0 955 425 B	.1	18.50	
	L 4B0 955 425	.1	24.20	
AWD Quattro 6 Cyl	R 4A0 955 425 B	.1	18.50	
	L 200 955 422	.1	29.50	
8 Cyl	R 4B7 955 425 G	.1	35.80	
	L 4B7 955 425 L	.1	25.65	
Allroad Quattro 98-01 R	4B7 955 425 G	.1	35.80	
	L 4B7 955 425 L	.1	25.65	
02-04 R/L	4B1 955 425 A	.1	24.80	
2 Insert, Wiper Blade	R/L 200 955 522	.1	7.00	
8 Cyl-Serviced w/Wiper Blade Assy				
#Included w/Wiper Blade Assy				
3 Arm, Wiper FWD, AWD Quattro 6 Cyl	98-01 R 4B1 955 408 A	.2	29.95	
	L 4B1 955 407 A	.2	29.95	
	02-04 R 4B1 955 408 D	.2	37.85	
	L 4B1 955 407 D	.2	37.85	
8 Cyl 2000				
To VIN Y020000	R 4B7 955 408	.2	29.95	
	L 4B7 955 407	.2	029.95	
From VIN Y020001	R 4B7 955 408 B	.2	29.95	
	L 4B7 955 407 B	.2	29.95	
2001-04	R 4B7 955 408 B	.2	29.95	
	L 4B7 955 407 B	.2	29.95	
Allroad Quattro	R 4Z7 955 408	.2	29.95	
	L 4Z7 955 407 A	.2	37.85	
#Includes R&R Wiper Blade Assy or Insert				
4 Cap, Wiper Arm	R/L 1J0 955 205 A 01C		1.50	
5 Washer, Sealing	R/L 3B0 955 229		1.20	
6 Nut, Wiper Arm	R/L N 900 744 01		.67	
7 Base, Wiper 6 Cyl	98-01 4B1 955 603 A	.6	78.95	
	02-04 4B1 955 603 B	.6	80.35	
	4B7 955 603	.6	115.50	
8 Rod, Pivot 6 Cyl	R 4B1 955 326 A		8.35	
	L 4B1 955 325 A		13.10	
8 Cyl	R 8D1 955 326 B		5.75	
	L 4B1 955 325 A		13.10	
9 Grommet, Wiper Base	893 955 995 A		1.90	
10 Motor, Wiper 6 Cyl	98-99 4B1 955 113	.8	166.45	
	00-04 4B1 955 113 A	.8	167.55	
8 Cyl 2000				
To VIN Y120000	4B7 955 113	.8	194.25	
From VIN Y120001	4B1 955 113 A	.8	167.55	
2001				
To VIN 1105000	4B1 955 113 A	.8	167.55	
From VIN 1105001	4B7 955 113 A	.8	163.30	

2002-04	4B7 955 113 A	.8	163.30	
#Includes R&R Wiper Base				
11 Reservoir, Washer	4B0 955 453 C	.8	68.05	
12 Cap, Reservoir	8D0 955 455		3.55	
13 Strainer, Fluid	1C0 955 485		1.65	
14 Switch, Level	7M0 919 376	.4	9.60	
15 Seal, Switch	7M0 919 382		2.20	
16 Plug, Reservoir	171 957 957		1.60	
17 Pump, Washer Sedan	1J5 955 651	.8	30.55	
Wagon	1J6 955 651	.8	30.55	
#Included in R&R Washer Reservoir				
18 Seal, Pump	431 955 465 A		2.10	
19 Nozzle, Washer	R/L 4B0 955 988-7	.2	25.40	
20 Pipe, Washer	4B2 955 960		20.20	

## COWL & DASH

Use Procedure Explanations 14 and 28 with the following text.

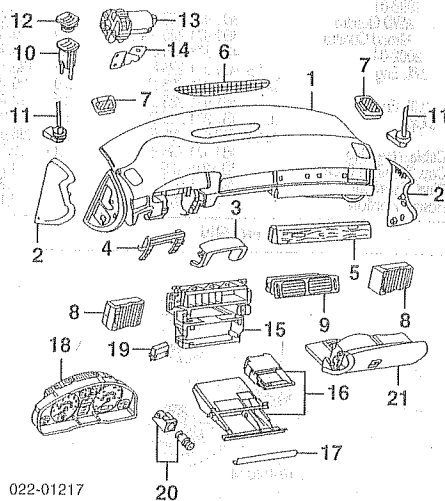


022-01216				
1 Cover, Cowl Top 1998				
To VIN W080000	4B0 805 321	.5	32.35	
From VIN W080001	4B0 805 318	.5	27.65	
1999-01	4B0 805 318	.5	27.65	
2002-04	4B0 805 318 A	.5	28.40	
#Includes R&R Wiper Arms				
2 Deflector, Water	4B1 819 403 C 01C	.4	28.25	
3 Plate, Deflector Cover	4B1 819 447 B 01C		21.60	
4 Cover, Upper	4B1 819 422 A 01C		8.05	
5 Filter, Pollen 1998	4B0 819 439 A	.3	39.65	
1999				
To VIN X045000	4B0 819 439 A	.3	39.65	
From VIN X045001	4B0 819 439 C	.3	39.65	
2000-04	4B0 819 439 C	.3	39.65	
6 Frame, Filter Element 1998	4B1 819 441 A		21.60	
1999				
To VIN X045000	4B1 819 441 A		21.60	
From VIN X045001	4B1 819 441 C		21.60	
2000	4B1 819 441 C		21.60	
2001				
To VIN 1180000	4B1 819 441 C		21.60	
From VIN 1180001	4B1 819 441 D		24.80	
2002-04	4B1 819 441 D		24.80	
7 Panel, Dash 6 Cyl 1998				
To VIN W080000	4B1 805 431 B		413.30	
From VIN W080001	4B1 805 431 C		413.30	
1999-04	4B1 805 431 C		413.30	
8 Cyl	4B7 805 431 B		413.30	

## INSTRUMENT PANEL

Use Procedure Explanation 14 with the following text.

R&I Instrument Panel		m	#4.0	
#Includes R&I Front & Rear Center Consoles				
NOTE: All Parts in this section are included in R&R Instrument Panel unless noted otherwise.				
Illustration Located in Next Column				
1 Panel, Instrument 1998-99				
Cabernet	4B1 857 008 E 7S2	m	#5.4	858.00
Maritime Blue	4B1 857 008 E 1VE	m	#5.4	858.00
Minerva	4B1 857 008 C 5WP	m	#5.4	858.00
Onyx	4B1 857 008 E 2YS	m	#5.4	858.00
2000-01				
Black	4B1 857 008 E 24A	m	#5.4	858.00
Cabernet	4B1 857 008 E 7S2	m	#5.4	858.00
Green	4B1 857 008 E 37H	m	#5.4	858.00
Jive	4B1 857 008 E 35J	m	#5.4	858.00
Maritime Blue	4B1 857 008 E 1VE	m	#5.4	858.00
Minerva	4B1 857 008 E 5WP	m	#5.4	858.00
Onyx	4B1 857 008 E 2YS	m	#5.4	858.00



022-01217				
2002-04				
Black	4B1 857 008 G 24A	m	#5.4	858.00
Dark Gray	4B1 857 008 G 33F	m	#5.4	858.00
Gray/Beige	4B1 857 008 G 35J	m	#5.4	858.00
Green	4B1 857 008 E 37H	m	#5.4	858.00
Maritime Blue	4B1 857 008 G 1VE	m	#5.4	858.00
#Includes R&I Front & Rear Center Consoles				
2 Cap, End Black	R 4B0 857 086 A 6PS	.3	17.75	
	L 4B0 857 085 B 6PS	.3	16.85	
Cabernet	R 4B0 857 086 A 8WE	.3	15.45	
	L 4B0 857 085 A 8WE	.3	15.45	
Dark Gray	R 4B0 857 086 A 26Z	.3	17.75	
	L 4B0 857 085 A 26Z	.3	17.75	
Gray/Beige	R 4B0 857 086 A 42R	.3	15.45	
	L 4B0 857 085 A 42R	.3	15.45	
Green	R 4B0 857 086 A 7PF	.3	17.75	
	L 4B0 857 085 A 7PF	.3	17.75	
Maritime Blue	R 4B0 857 086 A 3ZQ	.3	15.45	
	L 4B0 857 085 A 3ZQ	.3	15.45	
Minerva	R 4B0 857 086 A 1SJ	.3	15.45	
	L 4B0 857 085 A 1SJ	.3	15.45	
Onyx	R 4B0 857 086 A 6DP	.3	15.45	
	L 4B0 857 085 A 6DP	.3	15.45	
3 Cover, Strg Column 1998				
Cabernet	4B1 858 345 5US	1.5	46.05	
Maritime Blue	4B1 858 345 2XE	1.5	46.05	
Minerva	4B1 858 345 3SU	1.5	46.05	
Onyx	4B1 858 345 4EM	1.5	46.05	
1999-04				
Black	4B1 858 345 A 7PE	1.5	46.05	
Cabernet	4B1 858 345 A 5US	1.5	46.05	
Dark Gray	4B1 858 345 A 27X	1.5	47.25	
Gray/Beige	4B1 858 345 A 43Y	1.5	46.05	
Green	4B1 858 345 A 8SP	1.5	46.05	
Maritime Blue	4B1 858 345 A 2XE	1.5	46.05	
Minerva	4B1 858 345 A 3SU	1.5	46.05	
Onyx	4B1 858 345 A 4EM	1.5	46.05	
4 Cover, Outer Column 98-01	4B1 858 347		d27.75	
02-04	4B1 858 347 A 01C		29.20	
5 Moulding, Trim FWD				
Alum				
Dark Pearl	4B1 853 190 M 6TE	.5	34.10	
Graphite	4B1 853 190 K 2SW	.5	34.10	
Titan Silver	4B1 853 190 F 3VQ	.5	34.10	
Woodgrain				
Nut Brown				
Open Pore Walnut	4B1 853 190 H 1SX	.5	124.30	
Polished Walnut	4B1 853 190 2UQ	.5	189.70	
Vavona Brown	4B1 853 190 P 5TQ	.5	189.70	
AWD Quattro				
Alum				
Dark Pearl	4B1 853 190 N 6TE	.5	34.10	
Graphite	4B1 853 190 L 2SW	.5	34.10	
Titan Silver	4B1 853 190 G 3VQ	.5	34.10	
Woodgrain				
Nut Brown				
Open Pore Walnut	4B1 853 190 J 1SX	.5	124.30	
Polished Walnut	4B1 853 190 A 2UQ	.5	189.70	
Vavona Brown	4B1 853 190 Q 5TQ	.5	189.70	
Allroad Quattro	4B1 853 190 S 1BQ	.5	189.70	
#Includes R&R Glove Box				
6 Vent, Air				
Black	4B0 819 635 6PS	.3	61.45	
Cabernet	4B0 819 635 8WE	.3	13.85	
Dark Gray	4B0 819 635 26Z	.3	17.75	
Gray/Beige	4B0 819 635 42R	.3	17.75	
Green	4B0 819 635 7PF	.3	61.45	
Maritime Blue	4B0 819 635 3ZQ	.3	13.85	
Minerva	4B0 819 635 1SJ	.3	13.85	
Onyx	4B0 819 635 6DP	.3	13.85	
#w/Instrument Panel Removed				
7 Vent, Side Air Upper				
Black	R 4B0 819 794 6PS	.3	24.25	
	L 4B0 819 793 6PS	.3	24.25	
Cabernet	R 4B0 819 794 8WE	.3	24.25	
	L 4B0 819 793 8WE	.3	24.25	

Dark Gray	R	4B0 819 794	26Z	.3	33.05	
	L	4B0 819 793	26Z	.3	28.40	
Gray/Beige	R	4B0 819 794	42R	.3	33.05	
	L	4B0 819 793	42R	.3	28.40	
Green	R	4B0 819 794	7PF	.3	24.25	
	L	4B0 819 793	7PF	.3	24.25	
Maritime Blue	R	4B0 819 794	3ZQ	.3	24.25	
	L	4B0 819 793	3ZQ	.3	24.25	
Minerva	R	4B0 819 794	1SJ	.3	24.25	
	L	4B0 819 793	1SJ	.3	24.25	
Onyx	R	4B0 819 794	6DP	.3	24.25	
	L	4B0 819 793	6DP	.3	24.25	
<b>8 Vent, Side Air Lower</b>						
Black	R	4B1 820 902 H	1S3	.3	56.05	
	L	4B1 820 901 L	1S3	.3	72.70	
Dark Pearl	R	4B1 820 902 D	3SZ	.3	50.35	
	L	4B1 820 901 D	3SZ	.3	72.70	
Graphite	98-01	R	4B1 820 902 C	1RQ	.3	50.35
	L	4B1 820 901 C	1RQ	.3	72.70	
	02-04	R	4B1 820 902 J	1V5	.3	56.05
	L	4B1 820 901 M	1V5	.3	72.70	
Gray	R	4B1 820 902 K	7H5	.3	0.00	
	L	4B1 820 901 N	7H5	.3	0.00	
Green	R	4B1 820 902 H	1U4	.3	56.05	
	L	4B1 820 901 L	1U4	.3	72.70	
Titan Gray	R	4B1 820 902 B	8TP	.3	56.05	
	L	4B1 820 901 B	8TP	.3	72.70	
<b>9 Vent, Center Vent</b>						
Black		4B1 820 951 H	1S3	.3	80.05	
Dark Pearl		4B1 820 951 D	3SZ	.3	77.95	
Graphite	98-01	4B1 820 951 C	1RQ	.3	77.95	
	02-04	4B1 820 951 J	1V5	.3	80.05	
Gray		4B1 820 951 K	7H5	.3	87.55	
Green		4B1 820 951 H	1U4	.3	80.05	
Titan Gray		4B1 820 951 B	8TP	.3	77.95	
<b>10 Sensor, Sun</b>		4D0 907 539			76.30	
<b>11 Sensor, Temp</b>	R/L	4B0 820 539			23.15	
<b>12 Cover, Sun Sensor</b>						
1998-01						
Black		3B0 819 681	2AQ		4.40	
Platinum		3B0 819 681	4ET		4.40	
2002-04		N.A.			0.00	
<b>13 Fan</b>		4A0 820 545			248.35	
<b>14 Bracket, Fan</b>		8D0 820 529			11.30	
<b>15 Bracket, Center</b>						
w/Navigation System		4B0 858 005 K	01C	#2.5	264.45	
w/o Navigation System		4B0 858 005 F		#2.5	134.85	
<i>#Includes R&amp;I Front &amp; Rear Center Consoles</i>						
<b>16 Ashtray/Housing</b>		4B0 857 951 N	B98		127.00	
<b>17 Trim, Ashtray</b>						
Plastic						
Cabernet		4B0 857 967 G	8WE		17.65	
Dark Gray		4B0 857 967 G	26Z		21.25	
Gray/Beige		4B0 857 967 G	42R		21.25	
Maritime Blue		4B0 857 967 G	3ZQ		17.65	
Melange		4B0 857 967 G	1SJ		17.65	
Minerva		4B0 857 967 G	1SJ		17.65	
Onyx		4B0 857 967 G	6DP		17.65	
Woodgrain						
Nut Brown						
Open Pore Walnut		4B0 857 967 B	1SX		96.95	
Polished Walnut		4B0 857 967 F	2UQ		96.95	
Vavona Brown		4B0 857 967 C	5TQ		96.95	
<b>18 Cluster, Instrument[]</b>						
1998						
To VIN W079272		4B0 919 930 BX	m	1.4	R671.00	
From VIN W079273		4B0 919 930 RX	m	1.4	R671.00	
1999		4B0 919 930 RX	m	1.4	R671.00	
2000-04						
6 Cyl		4B0 920 980 LX	m	1.4	R671.00	
8 Cyl		4B0 920 980 MX	m	1.4	R671.00	
<i>#Order by Application</i>						
<b>19 Indicator, Gear/Temp</b>		8L0 919 272	01C		144.55	
<b>20 Lighter</b>		191 919 305 B			7.35	
<b>21 Box/Door, Glove</b>						
1998						
Lago		4B1 880 302 B	6UE	.3	391.45	
Melange		4B1 880 302 B	3NP	.3	391.45	
Onyx		4B1 880 302 B	2YS	.3	391.45	
Royal Blue		4B1 880 302 B	4ZE	.3	391.45	
Slate Gray		4B1 880 302 B	3TP	.3	391.45	
Terra Brown		4B1 880 302 B	9WQ	.3	391.45	
1999-04						
Beige		4B1 880 302 F	36K	.3	391.45	
Black	99-01	4B1 880 302 D	24A	.3	391.45	
	02-04	4B1 880 302 F	24A	.3	391.45	
Green		4B1 880 302 D	37H	.3	391.45	
Jive		4B1 880 302 D	35J	.3	364.55	
Lago		4B1 880 302 B	6UE	.3	391.45	
Maritime Blue		4B1 880 302 F	1VE	.3	391.45	
Melange		4B1 880 302 B	3NP	.3	391.45	
Onyx		4B1 880 302 B	2YS	.3	391.45	
Platinum		4B1 880 302 F	W23	.3	391.45	
Royal Blue		4B1 880 302 B	4ZE	.3	391.45	
Slate Gray		4B1 880 302 B	3TP	.3	391.45	

Illustration Located in Next Column

**23** Slate Gray 4B1 880 301 3TP .3 183.25  
 Terra Brown 4B1 880 301 9WQ .3 183.25  
 23 Brkt, Knee Bar R/L 4B1 880 462-1 20.80

**24** Crossmember, Inst Panel FWD, AWD Quattro 1998  
 To VIN W140000 8D1 857 025 K #1.2 292.90  
 From VIN W140001 8D1 857 025 Q #1.2 189.00  
 1999-04 8D1 857 025 Q #1.2 189.00  
 Allroad Quattro 4Z7 857 025 #1.2 292.90  
*#/Instrument Panel Removed, Not Included in R&R Instrument Panel*

**25** Support, Center FWD, AWD Quattro 4B0 419 281 C # 4.10  
 Allroad Quattro 4Z7 419 279 # 17.20

**26** Support, Outer FWD, AWD Quattro R 4B1 857 320 H # 25.75  
 L 4B1 857 319 A # 25.75  
 Allroad Quattro R 4B1 857 320 K # 25.75  
 L 4B1 857 319 E # 59.00

**27** Brkt, Retaining FWD, AWD Quattro 4B1 858 343 # 6.45  
 Allroad Quattro 4Z7 858 343 # 6.45

**28** Reinf, Inst Panel 4B0 857 056 C # 17.75

**29** Plate, Duct Housing FWD, AWD Quattro 4B1 858 431 A # 8.35  
 Allroad Quattro 4B1 858 431 B # 11.55

**30** Duct, Upper Air R/L 4B1 819 656-5 # 21.60

**31** Duct, Front Air R 4B1 819 504 C # 7.95  
 L 4B1 819 503 C # 7.95  
 4B1 819 502 B # 15.00  
 L 8D0 819 801 B # 12.90

**32** Duct, Rear Air R/L 4B0 857 076-5 # 4.10  
 4B1 819 389 C 01C # 55.95  
*#Not Included in R&R Instrument Panel*

**22** Pad, Knee Bar Beige 4B1 880 301 A 36K .3 183.25  
 Black 4B1 880 301 A 24A .3 183.25  
 Gray/Beige 4B1 880 301 A 35J .3 183.25  
 Green 4B1 880 301 A 37H .3 183.25  
 Lago 4B1 880 301 6UE .3 183.25  
 Maritime Blue 4B1 880 301 A 1VE .3 183.25  
 Melange 4B1 880 301 A 3NP .3 183.25  
 Onyx 4B1 880 301 2YS .3 183.25  
 Platinum 4B1 880 301 A W23 .3 183.25  
 Royal Blue 4B1 880 301 4ZE .3 183.25

**29** Plate, Duct Housing FWD, AWD Quattro 4B1 858 431 A # 8.35  
 Allroad Quattro 4B1 858 431 B # 11.55

**30** Duct, Upper Air R/L 4B1 819 656-5 # 21.60

**31** Duct, Front Air R 4B1 819 504 C # 7.95  
 L 4B1 819 503 C # 7.95  
 4B1 819 502 B # 15.00  
 L 8D0 819 801 B # 12.90

**32** Duct, Rear Air R/L 4B0 857 076-5 # 4.10  
 4B1 819 389 C 01C # 55.95  
*#Not Included in R&R Instrument Panel*

**29** Plate, Duct Housing FWD, AWD Quattro 4B1 858 431 A # 8.35  
 Allroad Quattro 4B1 858 431 B # 11.55

**30** Duct, Upper Air R/L 4B1 819 656-5 # 21.60

**31** Duct, Front Air R 4B1 819 504 C # 7.95  
 L 4B1 819 503 C # 7.95  
 4B1 819 502 B # 15.00  
 L 8D0 819 801 B # 12.90

**32** Duct, Rear Air R/L 4B0 857 076-5 # 4.10  
 4B1 819 389 C 01C # 55.95  
*#Not Included in R&R Instrument Panel*

**29** Plate, Duct Housing FWD, AWD Quattro 4B1 858 431 A # 8.35  
 Allroad Quattro 4B1 858 431 B # 11.55

**30** Duct, Upper Air R/L 4B1 819 656-5 # 21.60

**31** Duct, Front Air R 4B1 819 504 C # 7.95  
 L 4B1 819 503 C # 7.95  
 4B1 819 502 B # 15.00  
 L 8D0 819 801 B # 12.90

**32** Duct, Rear Air R/L 4B0 857 076-5 # 4.10  
 4B1 819 389 C 01C # 55.95  
*#Not Included in R&R Instrument Panel*

**29** Plate, Duct Housing FWD, AWD Quattro 4B1 858 431 A # 8.35  
 Allroad Quattro 4B1 858 431 B # 11.55

**30** Duct, Upper Air R/L 4B1 819 656-5 # 21.60

**31** Duct, Front Air R 4B1 819 504 C # 7.95  
 L 4B1 819 503 C # 7.95  
 4B1 819 502 B # 15.00  
 L 8D0 819 801 B # 12.90

**32** Duct, Rear Air R/L 4B0 857 076-5 # 4.10  
 4B1 819 389 C 01C # 55.95  
*#Not Included in R&R Instrument Panel*

**29** Plate, Duct Housing FWD, AWD Quattro 4B1 858 431 A # 8.35  
 Allroad Quattro 4B1 858 431 B # 11.55

**30** Duct, Upper Air R/L 4B1 819 656-5 # 21.60

**31** Duct, Front Air R 4B1 819 504 C # 7.95  
 L 4B1 819 503 C # 7.95  
 4B1 819 502 B # 15.00  
 L 8D0 819 801 B # 12.90

**32** Duct, Rear Air R/L 4B0 857 076-5 # 4.10  
 4B1 819 389 C 01C # 55.95  
*#Not Included in R&R Instrument Panel*

**CENTER CONSOLE**

Use Procedure Explanation 14 with the following text.

R&I Front Center Console	#1.6
#Includes R&I Rear Center Console	
R&I Rear Center Console	1.0

**1 Console, Front** Black 98-01 4B0 863 241 D LDK #2.0 123.55  
 02-04 4B0 863 241 K LDK #2.0 123.55  
 Cabernet 4B0 863 241 FPJ #2.0 123.55  
 Gray/Beige 4B0 863 241 K MLN 123.55  
 Green 4B0 863 241 D LDL #2.0 123.55  
 Maritime Blue 4B0 863 241 K MLJ #2.0 123.55  
 Melange 4B0 863 241 FPL #2.0 123.55  
 Midnight Blue 4B0 863 241 FPM #2.0 123.55  
 Minerva 4B0 863 241 FPH #2.0 123.55  
 Onyx 4B0 863 241 G FPK #2.0 123.55  
 Onyx/Slate 4B0 863 241 G FPG #2.0 164.05  
 Platinum 4B0 863 241 K MLM #2.0 123.55  
*#Includes R&I Rear Center Console*

**2 Cover, Side[]** R 8D0 863 273 A 9QP 1.20  
 L 8D0 863 273 9QP 1.50  
*#Blue listed, Order by Application*

**3 Plate, Center Trim** 4B0 863 263 B98 2 18.30

**4 Flap, Center Trim** Alum  
 Dark Pearl 4B0 863 655 G 6TE 37.40  
 Graphite 4B0 863 655 F 2SW 37.40  
 Titan Silver 4B0 863 655 E 3VQ 37.40  
 Woodgrain  
 Nut Brown  
 Open Pore Walnut 4B0 863 655 C 1SX 101.20  
 Polished Walnut 4B0 863 655 B 2UQ 101.20  
 Vavona Brown 4B0 863 655 D 5TQ 101.20

**5 Control Unit, Heater[]** Heated Seats 4B0 820 043 G B98 m .9 680.00  
 Non-Heated Seats 4B0 820 043 F B98 m .9 680.00  
*#Order by Application*

**6 Switch, Heated Seat** 4B0 963 563 A 01C 66.15

**7 Switch, Pwr Sunshade** 4B0 959 903 B B98 16.80

**8 Switch, Traction Control** 4B0 927 133 B B98 30.10

**9 Switch, Emergency Light** 4B0 941 509 D B98 24.35

**10 Cover, Switch[] (3)** 4B0 941 518 B98 3.10  
*#Order by Application*

**11 Radio, AM-FM Cassette[]** New  
 Standard 8N0 035 186 A .6 598.00  
 Symphonic 4B0 035 195 A .6 680.00  
 Remanufactured 4B0 035 186 AX .6 R200.00  
*#Order by Application*

**12 Holder, Cup** 4B0 862 534 C B98 29.45

**13 Holder, Coin** 4B0 941 561 C B98 59.50

**14 Knob, Shift** Leather 4B1 713 141 J KQF 92.70  
 Leatherette 8D1 713 141 01C 84.60  
 Woodgrain  
 FWD, AWD Quattro 4B1 713 141 C 1SX d190.00  
 Allroad Quattro 4Z7 713 141 MDE 200.20

**15 Bushing, Knob** 4B0 713 169 9QM 9.50

**16 Cover, Shift** 4B0 798 151 J 231.80

**17 Strip, Shift Cover** 4B0 713 187 C 31.65

**18 Plate, Mounting** 4B0 713 219 11.50

**19 Brkt, Retaining** 4B0 863 531 3.70

**20** Indicator, Gear/Temp 8L0 919 272 01C 144.55

**21** Box/Door, Glove 191 919 305 B 7.35

**22** Pad, Knee Bar Beige 4B1 880 301 A 36K .3 183.25  
 Black 4B1 880 301 A 24A .3 183.25  
 Gray/Beige 4B1 880 301 A 35J .3 183.25  
 Green 4B1 880 301 A 37H .3 183.25  
 Lago 4B1 880 301 6UE .3 183.25  
 Maritime Blue 4B1 880 301 A 1VE .3 183.25  
 Melange 4B1 880 301 A 3NP .3 183.25  
 Onyx 4B1 880 301 2YS .3 183.25  
 Platinum 4B1 880 301 A W23 .3 183.25  
 Royal Blue 4B1 880 301 4ZE .3 183.25

**23** Slate Gray 4B1 880 301 3TP .3 183.25  
 Terra Brown 4B1 880 301 9WQ .3 183.25  
 23 Brkt, Knee Bar R/L 4B1 880 462-1 20.80

**24** Crossmember, Inst Panel FWD, AWD Quattro 1998  
 To VIN W140000 8D1 857 025 K #1.2 292.90  
 From VIN W140001 8D1 857 025 Q #1.2 189.00  
 1999-04 8D1 857 025 Q #1.2 189.00  
 Allroad Quattro 4Z7 857 025 #1.2 292.90  
*#/Instrument Panel Removed, Not Included in R&R Instrument Panel*

**25** Support, Center FWD, AWD Quattro 4B0 419 281 C # 4.10  
 Allroad Quattro 4Z7 419 279 # 17.20

**26** Support, Outer FWD, AWD Quattro R 4B1 857 320 H # 25.75  
 L 4B1 857 319 A # 25.75  
 Allroad Quattro R 4B1 857 320 K # 25.75  
 L 4B1 857 319 E # 59.00

**27** Brkt, Retaining FWD, AWD Quattro 4B1 858 343 # 6.45  
 Allroad Quattro 4Z7 858 343 # 6.45

**28** Reinf, Inst Panel 4B0 857 056 C # 17.75

**29** Plate, Duct Housing FWD, AWD Quattro 4B1 858 431 A # 8.35  
 Allroad Quattro 4B1 858 431 B # 11.55

**30** Duct, Upper Air R/L 4B1 819 656-5 # 21.60

**31** Duct, Front Air R 4B1 819 504 C # 7.95  
 L 4B1 819 503 C # 7.95  
 4B1 819 502 B # 15.00  
 L 8D0 819 801 B # 12.90

**32** Duct, Rear Air R/L 4B0 857 076-5 # 4.10  
 4B1 819 389 C 01C # 55.95  
*#Not Included in R&R Instrument Panel*

**33** Duct, Lower Air R/L 4B0 857 076-5 # 4.10  
 4B1 819 389 C 01C # 55.95  
*#Not Included in R&R Instrument Panel*

**34** Duct, Center Air R/L 4B0 857 076-5 # 4.10  
 4B1 819 389 C 01C # 55.95  
*#Not Included in R&R Instrument Panel*

**35** Plate, Duct Housing FWD, AWD Quattro 4B1 858 431 A # 8.35  
 Allroad Quattro 4B1 858 431 B # 11.55

**36** Duct, Upper Air R/L 4B1 819 656-5 # 21.60

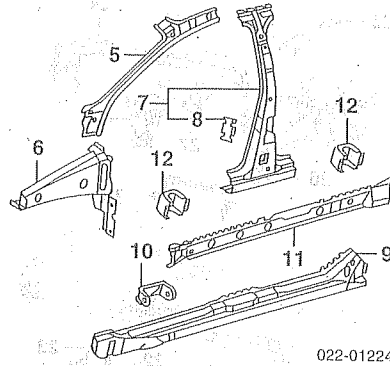
**37** Duct, Front Air R 4B1 819 504 C # 7.95  
 L 4B1 819 503 C # 7.95  
 4B1 819 502 B # 15.00  
 L 8D0 819 801 B # 12.90

**38** Duct, Rear Air R/L 4B0 857 076-5 # 4.10  
 4B1 819 389 C 01C # 55.95  
*#Not Included in R&R Instrument Panel*

**39** Duct, Lower Air R/L 4B0 857 076

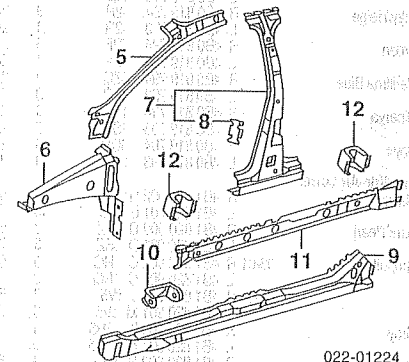
**CENTER CONSOLE Cont'd**

20 Console, Rear				
Beige	4B0 863 244 B	8SP	1.5	123.55
Black	4B0 863 244 B	7PE	1.5	123.55
Gray/Beige	4B0 863 244 B	43Y	1.5	123.55
Lago	4B0 863 244 B	5SW	1.5	123.55
Melange	4B0 863 244 B	4SV	1.5	136.50
Onyx	4B0 863 244 B	4EM	1.5	123.55
Royal Blue	4B0 863 244 B	6SX	1.5	136.50
Slate Gray	4B0 863 244 B	5ES	1.5	123.55
Terra Brown	4B0 863 244 B	7YQ	1.5	123.55
21 Plate, Center Trim]]				
Plastic	4B0 863 210 B	1YQ		13.05
Woodgrain				
Open Pore Walnut	4B0 863 210 F	1SX		85.35
Polished Walnut	4B0 863 210 A	2UQ		104.70
22 Plate, Side Trim]]				
Plastic	4B0 863 209 E	1YQ		8.25
Woodgrain				
Open Pore Walnut	4B0 863 209 G	1SX		65.30
Polished Walnut	4B0 863 209 F	2UQ		83.75
<i>Order by Application</i>				
23 Armrest, Lower]]	98 4B0 864 207 C	1YQ		316.10
	99-04 4B0 864 207 N	1YQ		326.65
24 Cover, Armrest]]	4B0 864 245 M	9VQ		142.25
<i>Terra Brown listed, Order by Application</i>				
25 Vent, Footwell Air]]				
Heated Seats	4B0 819 209			94.15
Non-Heated Seats	4B0 819 209			94.15
26 Trim, Air Vent]]	4B0 815 743 D	3SZ		83.65
<i>Light Gray listed, Order by Application</i>				
27 Trim, Cigarette Lighter				
w/Heated Seats	4B0 863 277 A	B98		9.35
w/o Heated Seats	4B0 863 277	B98		9.35
28 Switch, Seat Heating	4B0 963 563 C	01C		80.75
29 Vent, Pressure Release-See Quarter Panel Section				
30 Connector, Air Duct	4B0 857 042 A			3.55
31 Holder, Cassette]]	4B0 061 130	1YQ		58.70
32 Cover, Trim]]				
Plastic	4B0 862 383	1YQ		17.55
Woodgrain				
Open Pore Walnut	4B0 862 383 C	1SX		155.95
Polished Walnut	4B0 862 383 A	2UQ		155.95
33 Tray, Storage]]				
Plastic	4B0 863 900 B	1YQ		16.05
Woodgrain	4B0 863 900 C	1YQ		65.80
34 Lining, Tray]]	4B0 863 901 G	1YQ		7.95
<i>Terra Brown listed, Order by Application</i>				
35 Holder, Cup	4B0 862 533	7PE		33.05
36 Mount, Cup Holder	4B0 862 533			9.90
37 Switch, Power Mirror				
w/Memory	4B1 959 565 A	01C		3 69.40
w/o Memory	4B0 959 565 A	01C		3 47.20
38 Trim, Mirror Switch	4B0 959 557	B98		10.45
39 Retainer, Armrest	4B0 864 283			38.95



022-01224

From VIN X080001	R 4B5 810 180 B	s	1.5	126.40
	L 4B5 810 179 B	s	1.5	126.40
2000-04	R 4B5 810 180 B	s	1.5	126.40
	L 4B5 810 179 B	s	1.5	126.40
6 Reinforcement, Pillar	R/L 4B0 809 110-09	s		64.30
8 Cyl	R/L 4B3 809 110-09	s		64.30
7 Pillar Assy, Inner Center				
1998				
To VIN W060000	R 4B0 809 224 H	s	2.0	222.70
	L 4B0 809 223 C	s	2.0	269.10
From VIN W060001	R 4B0 809 224 H	s	2.0	222.70
	L 4B0 809 223 H	s	2.0	222.70
1999-04	R 4B0 809 224 H	s	2.0	222.70
	L 4B0 809 223 H	s	2.0	222.70
8 Plate, Threaded]] (2/Side)	R/L 4B0 809 237 A	s		4.10
	02-04 R/L 4B0 809 237 B	s		4.70
<i>Included w/Inner Center Pillar Assy</i>				
9 Panel, Inner Rocker	R 4B0 809 756 B	s	4.0	70.90
	L 4B0 809 755 B	s	4.0	62.65
10 Plate, Filler	R/L 4B0 809 697	s		6.10
8 Cyl	R/L 4B3 809 697	s		10.20
11 Reinf, Rocker Panel				
6 Cyl	R 4B0 803 764 C	s		17.85
	L 4B0 803 763 C	s		17.85
8 Cyl	R/L 4B3 809 598-7	s		69.70
12 Plate, Seat Support (2/Side)	R/L 4B0 803 753 A	s		6.10
6 Cyl				
8 Cyl-Serviced w/Rocker Panel Reinf				

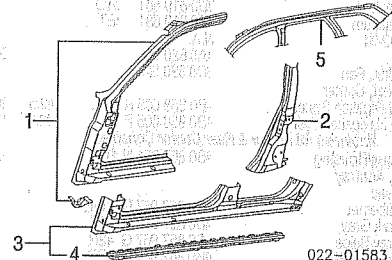


022-01224

9 Panel, Inner Rocker	R 4B0 809 756 B	s	4.0	70.90
	L 4B0 809 755 B	s	4.0	62.65
10 Plate, Filler	R/L 4B0 809 697	s		6.10
11 Reinf, Rocker Panel	R 4B0 803 764 C	s		17.85
	L 4B0 803 763 C	s		17.85
12 Plate, Seat Support (2/Side)	R/L 4B0 803 753 A	s		6.10

**ROCKER/PILLARS ALLROAD QUATTRO**

Refinish Hinge Pillar.....	R/L	1.4
Refinish Outer Rocker Panel.....	R/L	1.6



022-01583

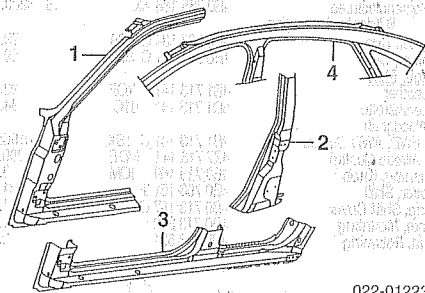
1 Pillar, Front Hinge	R/L 4Z7 809 840-39	s	9.5	368.80
2 Pillar, Center-Serviced w/Otr Quarter Panel Assy				
3 Panel Assy, Outer Rocker	R/L 4Z7 809 848-7	s	#8.5	201.75
<i>#w/Fender &amp; Doors Removed, w/Quarter Panel Removed Deduct 2.0, Deduction Includes Common Surfaces &amp; Included Operations</i>				
4 Retainer, Rocker Moulding]]	R/L 4Z7 803 486-5	s		21.05
<i>Included w/Outer Rocker Panel Assy</i>				
5 Panel, Outer Side Roof-See Roof Section				

**ROCKER/PILLARS/FLOOR**

Use Procedure Explanations 14, 15 and 28 with the following text.

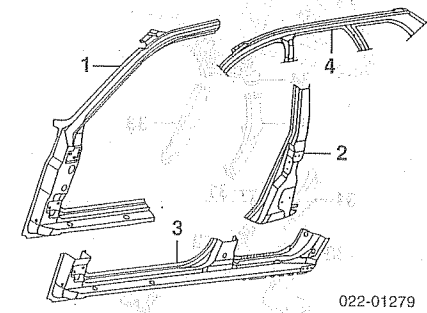
**ROCKER/PILLARS SEDAN**

Refinish Hinge Pillar.....	R/L	1.4
Refinish Outer Rocker Panel.....	R/L	1.6



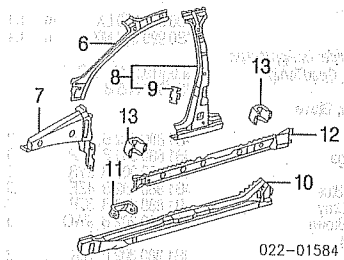
022-01223

1 Pillar, Front Hinge	R/L 4B5 809 840-39	s	9.5	228.65
2 Pillar, Center-Serviced w/Otr Quarter Panel Assy				
3 Panel, Outer Rocker				
6 Cyl	R/L 4B5 809 848-7	s	#8.5	201.75
8 Cyl	R/L 4B4 809 848-7	s	#8.5	201.75
<i>#w/Fender &amp; Doors Removed, w/Quarter Panel Removed Deduct 2.0, Deduction Includes Common Surfaces &amp; Included Operations</i>				
4 Panel, Outer Side Roof-See Roof Section				
<i>Illustration Located in Next Column</i>				
5 Pillar, Upper Inner				
1998				
	R 4B5 810 180 A	s	1.5	126.40
	L 4B5 810 179 B	s	1.5	126.40
1999				
To VIN X080000	R 4B5 810 180 A	s	1.5	126.40
	L 4B5 810 179 B	s	1.5	126.40



022-01279

1 Pillar, Front Hinge	R/L 4B9 809 840-39	s	9.5	368.80
2 Pillar, Center-Serviced w/Otr Quarter Panel Assy				
3 Panel, Outer Rocker	R/L 4B5 809 848-7	s	#8.5	201.75
<i>#w/Fender &amp; Doors Removed, w/Quarter Panel Removed Deduct 2.0, Deduction Includes Common Surfaces &amp; Included Operations</i>				
4 Panel, Outer Side Roof-See Roof Section				
<i>Illustration Located in Next Column</i>				
5 Pillar, Upper Inner				
1999				
To VIN X080000	R 4B9 810 180 A	s	1.5	126.40
	L 4B9 810 179 A	s	1.5	126.40
From VIN X080001	R 4B9 810 180 B	s	1.5	126.40
	L 4B9 810 179 B	s	1.5	126.40
2000-04	R 4B9 810 180 B	s	1.5	126.40
	L 4B9 810 179 B	s	1.5	126.40
6 Reinforcement, Pillar	R/L 4B0 809 110-09	s	1.5	64.30
7 Pillar Assy, Inner Center	R 4B0 809 224 H	s	2.0	222.70
	L 4B0 809 223 H	s	2.0	222.70
8 Plate, Threaded]] (2/Side)	R/L 4B0 809 237 A	s	2.0	4.10
	02-04 R/L 4B0 809 237 B	s	2.0	4.70
<i>Included w/Inner Center Pillar Assy</i>				



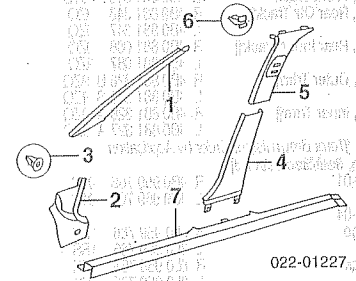
022-01584

6 Pillar, Upper Inner	R 4B9 810 180 B	s	1.5	126.40
	L 4B9 810 179 B	s	1.5	126.40
7 Reinforcement, Pillar	R/L 4Z7 809 110-09	s	1.5	21.00
8 Pillar Assy, Inner Center	R 4B0 809 224 H	s	2.0	222.70
	L 4B0 809 223 H	s	2.0	222.70
9 Plate, Threaded]] (2/Side)	R/L 4B0 809 237 A	s	2.0	4.10
<i>Included w/Inner Center Pillar Assy</i>				
10 Panel, Inner Rocker	R 4Z7 809 756-5	s	4.0	64.30
11 Plate, Filler	R/L 4B0 809 697	s		6.10
12 Reinf, Rocker Panel	R 4B0 803 764 C	s		17.85
	L 4B0 803 763 C	s		17.85
13 Plate, Seat Support (2/Side)	R/L 4B0 803 753 A	s		6.10

**FLOOR**

1 Crossmember, Frt Floor				
6 Cyl	4B0 805 501 B	s		47.70
8 Cyl	4B3 805 501	s		33.60
2 Reinforcement, Center Floor				
6 Cyl	4B0 803 143 E	s		41.10
8 Cyl	4B3 803 143 B	s		46.90

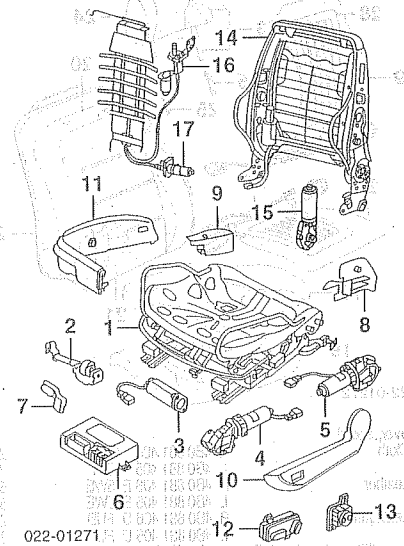
INTERIOR TRIM



1 Mldg, Inside Garnish-See Windshield Section			
2 Panel, Cowl Trim			
1998			
To 10-97	R 4B1 867 272 A 9ZQ	.2	7.10
	L 4B0 867 271 A 9ZQ	.2	7.10
From 11-97	R 4B1 867 272 B 7YQ	.2	48.45
	L 4B0 867 271 B 7YQ	.2	48.45
1999-01	R 4B1 867 272 B 7YQ	.2	48.45
	L 4B0 867 271 B 7YQ	.2	48.45
2002-04	R 4B1 867 271 B 5Q0	.2	54.35
	L 4B0 867 271 B 5Q0	.2	54.35
¶Terra Brown listed, Order by Application			
3 Clip, Cowl Panel (2/2Side)	R/L 4B0 867 289		.73
4 Panel, Ctr Pillar Lwr Trim	R 4B0 867 240 1YQ	.4	56.65
	L 4B0 867 239 1YQ	.4	56.65
¶Includes R&R Center Pillar Upper Trim Panel, Ctr Pillar Upper Trim			
	R 4B9 868 632 2PL	.2	61.40
	L 4B9 868 631 2PL	.2	61.40
5 Panel, Ctr Pillar Upper Trim			
w/Side Curtain Air Bag	R 4B0 867 244 N 8FP	.3	121.75
	L 4B0 867 243 N 8FP	.3	121.75
w/o Side Curtain Air Bag	R 4B0 867 244 C 1PJ	.3	163.35
	L 4B0 867 243 C 1PJ	.3	163.35
¶Order by Application			
6 Clip, Upper	R/L 4B0 867 276 A		.52
7 Plate, Scuff	R 4B0 853 906 A 7YQ	.5	50.15
	L 4B0 853 905 A 7YQ	.5	50.15
¶Terra Brown listed, Order by Application			
¶Includes R&R Cowl Trim Panel			

FRONT SEAT

R&L Front Seat (One Side).....R/L .5

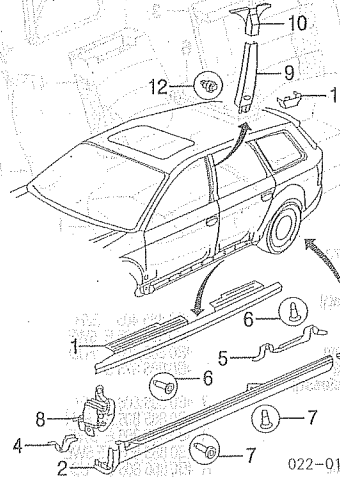


1 Frame, Seat	R 4B0 891 108 D	#1.2	643.00
	L 4B0 891 107 D	#1.2	643.00
¶w/Seat Removed			
2 Brkt, Seat Release	R 1J0 881 614		61.10
	L 1J0 881 613 A		61.30
3 Motor, Seat Longitudinal Adjust	R 3B0 959 762 AD		202.50
	L 3B0 959 761 AD		181.90
4 Motor, Seat Height Adjust Front	R 3B0 959 762 AF		202.50
	L 3B0 959 761 AF		181.90
5 Motor, Seat Height Adjust Rear			
1998			
To VIN W100022	R 3B0 959 762 E		181.90
	L 3B0 959 761 E		181.90
From VIN W100023	R 3B0 959 762 AH		181.90
	L 3B0 959 761 AH		181.90
1999-04	R 3B0 959 762 AH		181.90
	L 3B0 959 761 AH		181.90

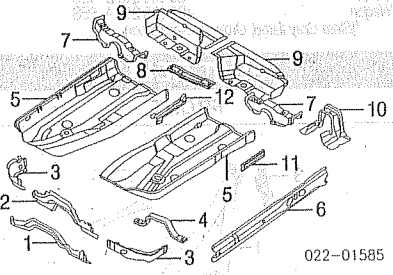
2 Mldg, Outer Rocker (P)			
6 Cyl	R 4B0 853 860 7DL	#.8	44.25
	L 4B0 853 859 7DL	#.8	44.25
8 Cyl	R 4B3 853 860 7DL	#.8	44.25
	L 4B3 853 859 7DL	#.8	44.25
¶Includes R&R Outer Sill Panel & Rear Rocker Mldg			
3 Mldg, Rear Rocker (P)			
6 Cyl	R 4B0 853 580 7DL	.2	20.90
	L 4B0 853 579 7DL	.2	20.90
8 Cyl	R 4B3 853 580 7DL	.2	23.45
	L 4B3 853 579 7DL	.2	23.45
(P) Paint to Match			
4 Brkt, Front Retainer			
6 Cyl			
1998			
To VIN W140000	R 4B0 853 922 A		6.20
	L 4B0 853 921 B		6.20
From VIN W140001	R 4B0 853 922 B		6.20
	L 4B0 853 921 B		6.20
1999-04	R 4B0 853 922 B		6.20
	L 4B0 853 921 B		6.20
8 Cyl	R/L 4B3 853 922-1		6.20
5 Nut, Expanding (4/Side)	R/L N 908 214 01		.58
6 Screw (5/Side)	R/L N 907 750 01		.38
7 Screw (13/Side)	R/L N 901 581 03		.58
8 Mldg, Pillar	R 4B0 853 290 F Y9B	#.3	70.90
	L 4B0 853 289 F Y9B	#.3	70.90
9 Cover, Upper Mldg	R 4B0 854 306 01C	#.3	10.30
	L 4B0 854 305 01C	#.3	10.30
10 Cover, Lower Mldg	R 4B0 853 580 01C	#.3	1.90
	L 4B0 853 589 01C	#.3	1.90
¶R&R One Side Complete			
11 Nut, Mounting Upper Front	R/L 4A0 853 379 E		.52
Upper Rear	R/L 8D0 853 380		.73
Lower	R/L 4B0 853 379		.52

EXTERIOR TRIM ALLROAD QUATTRO

Refinish Outer Rocker Moulding	R/L	.6
Refinish Rear Rocker Moulding	R/L	.2



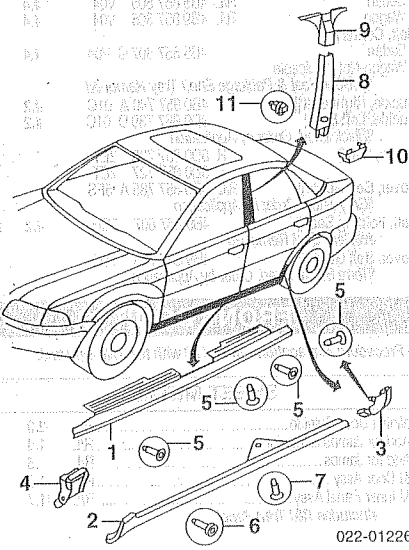
1 Panel, Outer Sill	R 4Z7 853 492 01C	.4	120.10
	L 4Z7 853 491 01C	.4	120.10
2 Moulding, Outer Rocker			
Black	R 4Z7 853 860 V7W	#.8	97.20
	L 4Z7 853 859 V7W	#.8	97.20
Gray/Green	R 4Z7 853 860 V6T	#.8	97.20
	L 4Z7 853 859 V6T	#.8	97.20
¶Includes R&R Outer Sill Panel & Rear Rocker Moulding			
3 Moulding, Rear Rocker			
Black	R 4Z7 853 580 V7W	.2	85.25
	L 4Z7 853 579 V7W	.2	85.25
Gray/Green	R 4Z7 853 580 V6T	.2	85.25
	L 4Z7 853 579 V6T	.2	85.25
4 Holder, Front	R/L 4Z7 853 923		17.65
5 Holder, Rear	R/L 4Z7 853 922-1		6.20
6 Nut, Expanding (15/Side)	R/L N 908 214 01		.58
7 Screw (13/Side)	R/L N 901 581 03		.58
8 Bracket, Front	R/L 4Z7 853 232-1		4.70
9 Mldg, Pillar	R 4B0 853 290 F Y9B	#.3	70.90
	L 4B0 853 289 F Y9B	#.3	70.90
10 Cover, Upper Mldg	R 4B0 854 306 01C	#.3	10.30
	L 4B0 854 305 01C	#.3	10.30
11 Cover, Lower Mldg	R 4B0 853 580 01C	#.3	1.90
	L 4B0 853 589 01C	#.3	1.90
¶R&R One Side Complete			
12 Nut, Mounting Upper Front	R/L 4A0 853 379 E		.52
Upper Rear	R/L 8D0 853 380		.73
Lower	R/L 4B0 853 379		.52



3 Reinforcement, Outer Floor			
6 Cyl			
AWD Quattro	R 4B0 802 154 D		47.25
	L 4B0 802 153 D		47.25
Allroad Quattro	R/L 4Z7 802 154-3		46.90
8 Cyl	R/L 4B3 802 154-3		46.90
4 Reinf, Tunnel			
FWD			
1998			
To VIN W090000	8D0 804 813 J		37.85
From VIN W090001	4B0 804 813 D		31.00
1999-04	4B0 804 813 D		31.00
AWD Quattro	4B3 804 813		31.00
5 Pan, Front Floor			
6 Cyl			
FWD, AWD Quattro			
1998-99	R 4B0 803 206 A		311.90
	L 4B0 803 205		311.90
2000			
To VIN Y090000	R 4B0 803 206 A		311.90
	L 4B0 803 205		311.90
From VIN Y090001	R 4B0 803 206 A		311.90
	L 4B0 803 205 A		311.90
2001-04	R 4B0 803 206 A		311.90
	L 4B0 803 205 A		311.90
Allroad Quattro	R/L 4Z7 803 206-5		311.90
8 Cyl			
2000			
To VIN Y090000	R/L 4B3 803 074-3		242.90
From VIN Y090001	R 4B3 803 074 A		242.90
	L 4B3 803 073 A		242.90
2001-04	R 4B3 803 074 A		242.90
	L 4B3 803 073 A		242.90
6 Reinf, Sldemember	00-04 R/L 4Z7 804 244-3		15.35
7 Support, Seat			
6 Cyl	R/L 8E0 803 174-3		93.25
8 Cyl	R/L 4B3 803 174-3		93.25
8 Crossmember, Rear Floor			
FWD			
1998	4B0 803 183 A		19.95
1999			
To VIN X020000	4B0 803 183 A		19.95
From VIN X020001	4B0 803 183 B		7.20
2000-04	4B0 803 183 B		7.20
9 Pan, Rear Apron	R 4B0 802 086 B		106.70
	L 4B0 802 085 B		106.70
10 Reinf, Center Floor	R 4B0 802 893		20.25
11 Channel, Ctr Seat Track	R/L 1J0 802 260-59		5.60
12 Channel, Inr Seat Track	R/L 8E0 803 252-1		27.70

EXTERIOR TRIM FWD, AWD QUATTRO

Refinish Outer Rocker Mldg	R/L	.6
Refinish Rear Rocker Mldg	R/L	.2



1 Panel, Outer Sill	R 4B0 853 492 A 01C	.4	120.10
	L 4B0 853 491 A 01C	.4	120.10

# AUDI A6/S6 1998-04

## FRONT SEAT Cont'd

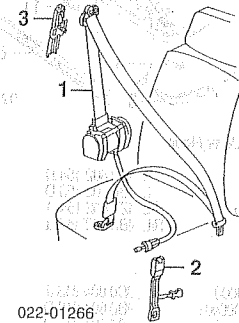
6 Module, Memory Control	R/L 4B0 959 760 B	423.90
7 Cover, Front Track	R/L 4B0 881 349 A 01C	5.20
8 Cover, Rear Otr Track	R 4B0 881 348 92Q	5.20
	L 4B0 881 347 92Q	5.20
9 Cover, Rear Inner Track	R 4B0 881 088 92Q	5.20
	L 4B0 881 087 92Q	5.20
10 Cover, Outer Trim	R 4B0 881 326 B 92Q	44.60
	L 4B0 881 325 B 92Q	44.60
11 Cover, Inner Trim	R 4B0 881 328 A 92Q	54.15
	L 4B0 881 327 A 92Q	54.15
<i>†Terra Brown listed, Order by Application</i>		
12 Switch, Seat/Backrest Adj		
1998-01	R 4B0 959 766 01C	66.15
	L 4B0 959 765 01C	66.15
2002-04		
Beige	R 8L0 959 766 1RS	70.90
	L 8L0 959 765 1RS	70.90
Black	R 8L0 959 766 4PK	70.90
	L 8L0 959 765 4PK	70.90
Dark Gray	R 8L0 959 766 24S	70.90
	L 8L0 959 765 24S	70.90
Platinum	R 8L0 959 766 E59	70.90
	L 8L0 959 765 E59	70.90
13 Switch, Lumbar Adj		
1998-01	R/L 8L0 959 777 A 01C	66.15
2002-04		
Beige	R/L 8L0 959 777 A 1RS	70.90
Black	R/L 8L0 959 777 A 4PK	70.90
Dark Gray	R/L 8L0 959 777 A 24S	70.90
Platinum	R/L 8L0 959 777 A E59	70.90
14 Frame, Backrest	R/L 4B0 881 049 F	#2.0 423.25
<i>#/Seat Removed</i>		
15 Motor, Backrest Adj		
1998		
To VIN W131819	R 3B0 959 762 H	181.90
	L 3B0 959 761 H	181.90
From VIN W131820	R 3B0 959 762 T	181.90
	L 3B0 959 761 T	181.90
1999-04	R 3B0 959 762 T	181.90
	L 3B0 959 761 T	181.90
16 Drive Unit, Upr Lumbar Adjust	R 4B0 959 705 A	270.80
	L 4B0 959 705	270.80
17 Drive Unit, Lwr Lumbar Adjust		
1998	R 4B0 959 706 A	270.80
	L 4B0 959 706	270.80
1999		
To VIN X052364	R 4B0 959 706 A	270.80
	L 4B0 959 706	270.80
From VIN X052365	R 4B0 959 706 C	206.95
	L 4B0 959 706 B	206.95
2000-04	R 4B0 959 706 C	206.95
	L 4B0 959 706 B	206.95

From VIN X119433	R 4B0 881 776 G	106.05
	L 4B0 881 775 L	106.05
2000-04	R 4B0 881 776 G	106.05
	L 4B0 881 775 L	106.05
22 Panel, Rear Cover Trim	R/L 4B0 881 969 1YS	212.60
<i>†Slate Gray listed, Order by Application</i>		
23 Headrest	R/L 4B0 881 903 F	117.90
24 Cover, Headrest		
Cloth	R/L 4B0 881 921 1YS	106.40
Leather	R/L 4B0 881 921 E 5WE	283.95
Leatherette	R/L 4B0 881 921 D 04J	86.35
25 Guide, Headrest		
Sedan		
Outer	R/L 8L0 881 920 A 2ET	7.55
Inner	R/L 8L0 881 920 2ET	5.20
Wagon		
Outer	R/L 4B0 881 920 A 2ET	7.55
Inner	R/L 3B0 881 920 2ET	5.15
26 Element, Heater		
Center Seat	R/L 4B0 963 555	121.25
27 Element, Heater		
Side Seat	R/L 4B0 963 555 K	94.30
28 Element, Heater		
Center Backrest	R/L 4B0 963 557	121.25
<i>†Order by Application</i>		
29 Element, Side Backrest Heater-Not Serviced		

13 Bag, Ski		
Sedan	4B5 885 215 B 5ES	294.15
Wagon	4B9 885 215 A 5ES	294.15
<i>†Slate Gray listed, Order by Application.</i>		

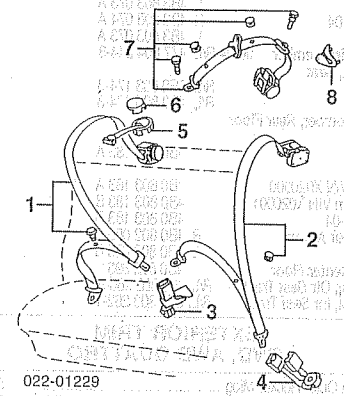
## SEAT BELTS

### FRONT



1 Belt, Seat			
FWD, AWD Quattro	R 4B0 857 706 D V04	#6	139.85
	L 4B0 857 705 D V04	#6	139.85
Allroad Quattro	R 4B0 857 706 A V04	#6	139.85
	L 4B0 857 705 A V04	#6	139.85
<i>#Includes R&amp;L/R&amp;R Upper &amp; Lower Center Pillar Trim</i>			
2 Buckle, Belt			
FWD, AWD Quattro	R 4B0 857 756 A 01C	.2	d46.35
	L 4B0 857 755 F 01C	.2	46.35
Allroad Quattro	R 4B0 857 756 J 01C	.2	46.35
	L 4B0 857 755 P 01C	.2	46.35
<i>†Black listed, Order by Application</i>			
3 Adjuster, Belt	R/L 4A0 857 833 D		48.00

### REAR



1 Belt, Outer			
Sedan	R/L 4B5 857 805 V04	#4	139.85
Wagon	R/L 4B9 857 805 V04	#4	139.85
2 Belt, Center			
Sedan	4B5 857 807 C V04	#4	139.85
Wagon-Not Applicable			
<i>#/Rear Seat &amp; Package Shelf Tray Removed</i>			
3 Buckle, Right Belt	R 8D0 857 740 A 01C	#2	26.15
4 Buckle, Left Belt	L 8D0 857 739 D 01C	#2	34.20
<i>†Black listed, Order by Application</i>			
5 Guide, Belt	R 8D0 857 728 2ET		8.05
	L 8D0 857 727 2ET		8.05
6 Cover, Belt Guide	R/L 8D0 857 785 A 5FS		3.30
<i>†Gray listed, Order by Application</i>			
7 Belt, Folding Seat	4B9 857 807 5SH	#2	139.85
<i>#/Rear Seat Removed</i>			
8 Cover, Belt Guide	4B9 857 785 1YQ		2.85
<i>†Terra Brown listed, Order by Application</i>			

## FRONT DOOR

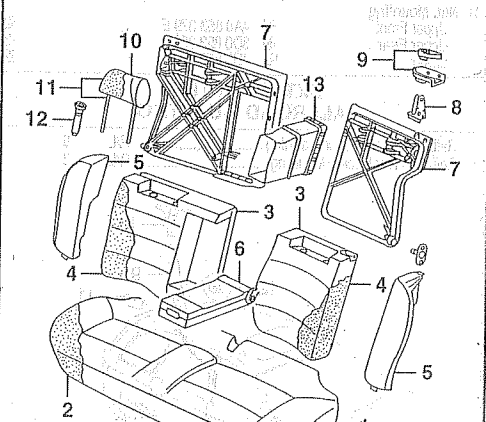
Use Procedure Explanations 16 and 28 with the following text.

### SHEET METAL

Refinish Door Outside	R/L	2.0
Add for Jamb & Interior	R/L	1.0
Add for Lugs	R/L	.5
R&L Door Assy	R/L	1.0
R&L Inner Panel Assy	R/L	#1.7
<i>#Includes R&amp;L Trim Panel</i>		

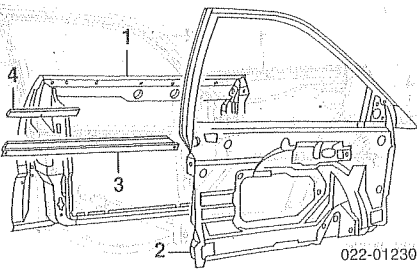
## REAR SEAT

R&L Rear Seat Complete	5
R&L Rear Seat Cushion	2



1 Cover, Seat			
Cloth	4B0 885 405 EZH	383.55	
Leather	4B0 885 405 E 5WE	641.00	
Leatherette	4B0 885 405 D FUD	344.10	
2 Pad, Seat	4B0 885 375 D	209.00	
3 Cover, Backrest			
Cloth	R 4B0 885 806 EZH	315.65	
Leather	L 4B0 885 805 AP EZH	283.95	
Leatherette	R 4B0 885 806 E 5WE	576.00	
	L 4B0 885 805 AE 5WE	576.00	
	R 4B0 885 806 D FUD	283.95	
	L 4B0 885 805 AD FUD	205.45	
4 Pad, Backrest	R 4B9 885 776 B	125.55	
	L 4B9 885 775 A	106.05	
5 Pad, Side			
Cloth	R 4B5 885 704 1YS	189.75	
Leather	L 4B5 885 703 1YS	189.75	
Leatherette	R 4B5 885 704 C 5WE	347.65	
	L 4B5 885 703 C 5WE	347.65	
	R 4B5 885 704 AB 4US	347.65	
	L 4B5 885 703 AB 4US	347.65	
6 Armrest			
Cloth	4B5 885 081 DJ 1YS	250.95	
Leather	4B5 885 081 DN 5WE	485.45	
Leatherette	4B5 885 081 DR 04J	250.95	
7 Frame, Backrest			
Sedan	R 4B5 885 504 E 8PC	356.95	
	L 4B5 885 503 8PC	250.95	
Wagon	R 4B9 885 504 C 1JP	356.95	
	L 4B9 885 503 A 1JP	250.95	
<i>†Order by Application</i>			
8 Latch, Frame	R 4B0 885 734	30.25	
	L 4B0 885 733	d29.45	
9 Cover, Latch			
Sedan			
1998			
To 10-97	R 4B5 886 804 A 5FS	28.80	
	L 4B5 886 803 5FS	28.80	
From 11-97	R 4B5 886 804 A 5FS	28.80	
	L 4B5 886 803 A 5FS	28.80	
1999-04	R 4B5 886 804 A 5FS	28.80	
	L 4B5 886 803 A 5FS	28.80	
Wagon	R 4B9 886 804 5FS	28.40	
	L 4B9 886 803 5FS	28.40	
10 Cover, Headrest	R/L 4B0 885 921 E 5WE	283.95	
<i>†Slate Gray listed, Order by Application</i>			
11 Pad, Headrest	R/L 4B0 885 903	112.70	
12 Guide, Headrest			
Center	R/L 4B0 885 966 A 2ET	7.55	
Outer	R/L 4B0 886 920 A 2ET	7.55	

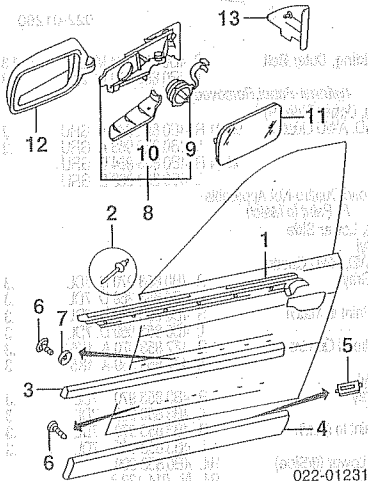




<b>1 Shell, Door</b>			
FWD, AWD Quattro			
1998-00	R/L	4B0 831 052-1	#4.5 408.85
2001			
To VIN 1100000			
R/L	4B0 831 052-1	#4.5	408.85
From VIN 1100001			
R/L	4B0 831 052 D	#4.5	408.85
L	4B0 831 051 D	#4.5	408.85
R	4B0 831 052 D	#4.5	408.85
L	4B0 831 051 D	#4.5	408.85
2002-04			
R/L	4Z7 831 052-1	#4.5	408.85
Allroad Quattro			
1998-00	R/L	4Z7 831 052-1	#4.5 408.85
2001			
To VIN 1100000			
R/L	4Z7 831 052-1	#4.5	408.85
From VIN 1100001			
R/L	4Z7 831 051 A	#4.5	398.45
L	4Z7 831 051 A	#4.5	398.45
R	4Z7 831 052 A	#4.5	408.85
L	4Z7 831 051 A	#4.5	398.45
#Includes R&I Inner Panel, Mirror & R&R Reinforcement Bar, R&R Door Shell & Inner Panel 6.0			
<b>2 Panel, Inner</b>			
R	4B0 837 754 D 03C	3.5	345.60
L	4B0 837 753 D 03C	3.5	345.60
<b>3 Bar, Reinf</b>			
R/L	4B3 831 507 A	#5	70.90
#w/Inner Panel Removed			
<b>4 Strip, Absorber (Adhesive)</b>			
R/L	895 831 575		5.00

**EXTERIOR TRIM**

Refinish Upper Side Mldg	R/L	.3
Refinish Lower Side Mldg	R/L	.4
Refinish Mirror Housing	R/L	.4
R&L Lower Side Mldg	R/L	.3
R&L Rear View Mirror	R/L	#1.0
#Includes R&I Trim Panel		



<b>1 Moulding, Outer Belt</b>			
98-01 R	4B0 853 284 M 2ZZ	#3	61.40
L	4B0 853 283 M 2ZZ	#3	61.40
02-04 R	4B0 853 284 J 2ZZ	#3	59.85
L	4B0 853 283 J 2ZZ	#3	59.85
#w/Inner Panel & Rear View Mirror Removed			
<b>2 Rivet, Mldg (6/Side)</b>			
R/L	N 900 978 02		.58
<b>3 Mldg, Upper Side (P)</b>			
FWD, AWD Quattro			
98-01 R	4B0 853 954 A GRU	.2	29.45
L	4B0 853 953 A GRU	.2	29.45
02-04 R	4B0 853 954 B GRU	.2	33.05
L	4B0 853 953 B GRU	.2	33.05
Allroad Quattro-Not Applicable			
(P) Paint to Match			
<b>4 Mldg, Lower Side</b>			
FWD, AWD Quattro			
Gray			
6 Cyl	R 4B0 853 960 D 7DL	.3	53.00
L	4B0 853 959 D 7DL	.3	63.95
8 Cyl	R 4B3 853 960 7DL	.3	63.95
L	4B3 853 959 7DL	.3	63.95
Paint to Match			
6 Cyl	R 4B0 853 960 D 7DL	.3	53.00
L	4B0 853 959 D 7DL	.3	63.95
8 Cyl	R 4B3 853 960 7DL	.3	63.95
L	4B3 853 959 7DL	.3	63.95
Allroad Quattro			
Gray	R 4Z7 853 960 A 1K5	.3	150.65

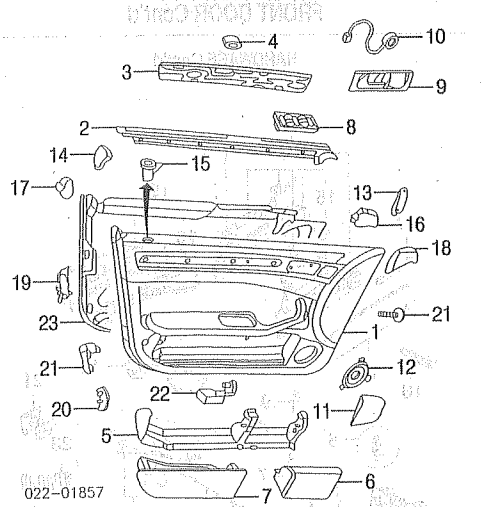
Paint to Match			
L	4Z7 853 959 A 1K5	.3	150.65
R	4Z7 853 960 A 1K5	.3	150.65
L	4Z7 853 959 A 1K5	.3	150.65
R/L	4B0 853 909		1.50
R/L	N 014 122 B		0.00
R/L	N 904 996 02		.22
<b>5 Clip, Lower</b>			
<b>6 Screw</b>			
<b>7 Washer</b>			
#As Required			
<b>8 Mounting Assy, Rear View Mirror</b>			
FWD, AWD Quattro			
w/Memory			
98-99 R	4B1 858 532 J 3FZ	#4	278.55
L	4B1 858 531 J 3FZ	#4	278.55
00-01 R	4B1 858 532 BH 3FZ	#4	278.55
L	4B1 858 531 BD 3FZ	#4	278.55
02-04 R	4B1 858 532 BJ 3FZ	#4	308.00
L	4B1 858 531 BE 3FZ	#4	344.05
98-99 R	4B1 858 532 L 3FZ	#4	127.00
L	4B1 858 531 G 3FZ	#4	127.00
00-04 R	4B1 858 532 BF 3FZ	#4	127.00
L	4B1 858 531 BB 3FZ	#4	127.00
w/o Memory			
98-99 R	4B1 858 532 B 3FZ	#4	278.55
L	4Z7 858 531 B 3FZ	#4	0.00
00-04 R	4Z7 858 532 A 3FZ	#4	127.00
L	4Z7 858 531 A 3FZ	#4	127.00
Allroad Quattro			
w/Memory			
Folding			
R	4Z7 858 532 D 3FZ	#4	344.05
L	4Z7 858 531 D 3FZ	#4	344.05
Non-Folding			
R	4Z7 858 532 C 3FZ	#4	d271.25
L	4Z7 858 531 C 3FZ	#4	d278.55
w/o Memory			
Folding			
R	4Z7 858 532 B 3FZ	#4	278.55
L	4Z7 858 531 B 3FZ	#4	0.00
Non-Folding			
R	4Z7 858 532 A 3FZ	#4	127.00
L	4Z7 858 531 A 3FZ	#4	127.00
#w/Trim Panel Removed			
<b>9 Adjuster/Motor, Mirror</b>			
w/o Memory			
R/L	4A0 959 577	.4	96.65
<b>10 Trim, Mirror</b>			
FWD, AWD Quattro			
R	4A1 858 524 3FZ		8.25
L	4A0 858 523 3FZ		8.25
R	4Z7 858 524 3FZ		14.00
L	4Z7 858 523 3FZ		14.00
Allroad Quattro			
Folding			
R	4Z7 858 524 3FZ		14.00
L	4Z7 858 523 3FZ		14.00
#w/Trim Panel Removed			
<b>11 Glass, Mirror (a)</b>			
FWD, AWD Quattro			
w/Dimmer			
R	4B1 857 536 A	.2	268.70
L	4B0 857 535 C	.2	148.55
R	4A1 857 536 AD	.2	99.20
L	4B0 857 535	.2	38.10
w/o Auto Dimmer			
R	4Z7 857 536 G	.2	293.40
L	4Z7 857 535 C	.2	163.35
R	4Z7 857 536 B	.2	60.50
L	4Z7 857 535	.2	38.10
(a) Order by Application			
<b>12 Housing, Mirror</b>			
FWD, AWD Quattro			
Black			
98-99 R	4A1 857 508 3FZ	#2	69.85
L	4A0 857 507 3FZ	#2	69.85
00-04 R	8D1 857 508 3FZ	#2	52.55
L	8D0 857 507 GRU	#2	69.85
98-99 R	4A1 857 508 3FZ	#2	69.85
L	4A0 857 507 3FZ	#2	69.85
00-04 R	8D1 857 508 3FZ	#2	52.55
L	8D0 857 507 GRU	#2	69.85
R	4Z7 857 508 GRU	#2	52.55
L	4Z7 857 507 GRU	#2	52.55
Allroad Quattro (P)			
R	4Z7 857 508 GRU	#2	52.55
L	4Z7 857 507 GRU	#2	52.55
(P) Paint to Match			
#Included in R&R Mirror Mtg Assy			
<b>13 Trim, Inner Corner</b>			
FWD, AWD Quattro			
1999			
To 1-99			
R	4B0 857 506 01C	03.85	
L	4B0 857 505 01C	05.50	
From 2-99			
R	4B0 857 506 6PS	5.80	
L	4B0 857 505 AQ4	5.80	
2000-04			
R	4B0 857 506 6PS	5.80	
L	4B0 857 505 AQ4	5.80	
Allroad Quattro			
R	4B0 857 506 6PS	5.80	
L	4B0 857 505 6PS	5.80	

**INTERIOR TRIM**

R&I Trim Panel	R/L	.6
NOTE: All Parts in this section are included in R&R Trim Panel unless noted otherwise.		

Illustration Located in Next Column

<b>1 Panel, Trim</b>			
1998-01			
Cloth			
R	4B1 867 104 GNB	.8	337.50
L	4B1 867 103 GNB	.8	337.50
R	4B1 867 104 F GNS	.8	405.65
L	4B1 867 103 F GNS	.8	405.65
Leatherette			
R	4B1 867 104 G GNU	.8	326.65
L	4B1 867 103 G GNU	.8	326.65
2002-04			
Cloth			
R	4B1 867 104 S 4S2	.8	337.50
L	4B1 867 103 S 4S2	.8	337.50
R	4B1 867 104 L 4A3	.8	405.65
L	4B1 867 103 L 4A3	.8	405.65
Leatherette			
R	4B1 867 104 G 38M	.8	326.65
L	4B1 867 103 G 38M	.8	326.65
#Order by Application			
1998-01			
FWD, AWD Quattro			
w/Insulated Glass			
R	4B0 837 480 E	24.20	
L	4B0 837 479 E	22.70	



w/o Insulated Glass			
R	4B0 837 480 C		22.70
L	4B0 837 479 C		22.70
Allroad Quattro			
R	4B0 837 480 C		22.70
L	4B0 837 479 C		22.70
2002-04			
R	4B0 837 480 C		22.70
L	4B0 837 479 C		22.70

<b>3 Moulding, Trim</b>			
Alum			
R	4B0 867 410 D 2SW	.1	56.65
L	4B0 867 409 D 2SW	.1	45.55
R	4B0 867 410 A 2UQ	.1	167.10
L	4B0 867 409 A 2UQ	.1	167.10
Woodgrain			
R	4B0 867 410 D 2SW	.1	56.65
L	4B0 867 409 D 2SW	.1	45.55
R	4B0 867 410 A 2UQ	.1	167.10
L	4B0 867 409 A 2UQ	.1	167.10

#Order by Application

<b>4 Clip, Mldg (4/Side)</b>			
R/L	4A0 853 107		.52
<b>5 Trim, Lower</b>			
Canada			
R/L	N.A.		#.2 0.00
<b>6 Cover/Tray, Lwr Frt</b>			
R	4B0 868 978 3TP	#.2	55.40
L	4B0 868 977 3TP	#.2	55.40
<b>7 Cover/Tray, Lwr Rear</b>			
R	4B0 868 978 A 3TP	#.2	83.20
L	4B0 868 977 A 3TP	#.2	119.85

#R&R One Side Complete, w/Trim Panel Removed

<b>8 Panel, Switch Trim</b>			
R	4B1 959 522 5ES	.3	7.35
L	4B1 959 521 5ES	.3	10.45
#Slate Gray listed, Order by Application			
<b>9 Handle, Inside-See Hardware Section</b>			
<b>10 Speaker, Upr Radio</b>			
R/L	4B0 035 399	#.2	59.20

#w/Trim Panel Removed, Not Included in R&R Trim Panel

<b>11 Grille, Lwr Speaker</b>			
Std Sound System			
R	4B0 035 420 2ET		13.55
L	4B0 035 419 2ET		8.25
Bose Sound System			
R	4B0 035 420 A 2ET		9.00
L	4B0 035 419 A 2ET		9.00
#Slate Gray listed, Order by Application			
<b>12 Speaker, Lwr Radio</b>			
Std Sound System			
R/L	4B0 035 411	#.2	75.00
Bose Sound System			
R/L	4B0 035 411 A	#.2	231.05

#w/Trim Panel Removed, Not Included in R&R Trim Panel

<b>13 Piece, Frt Intermediate</b>			
R	4B0 867 692 01C		3.75
L	4B0 867 691 01C		3.75
R	4B0 867 694 01C		3.75
L	4B0 867 693 01C		3.75

<b>14 Piece, Rear Intermediate</b>			
R	4B0 867 692 01C		3.75
L	4B0 867 691 01C		3.75
R	4B0 867 694 01C		3.75
L	4B0 867 693 01C		3.75

<b>15 Guide, Locking Knob-See Hardware Section</b>			
<b>16 Seal, Front</b>			
R/L	4B0 867 388-7		5.20
<b>17 Seal, Rear</b>			
R/L	4B0 867 382-1		2.30
<b>18 Seal, Inner Door</b>			
R	4B0 867 366		1.60
L	4B0 867 365 A		1.60
R	4B0 867 289 A		.92
L	4B0 867 289		.92
<b>20 Clip, Lower (7/Side)</b>			
R/L	8D0 867 299		.58
<b>21 Retainer, Trim (2/Side)</b>			
R/L	N 906 635 01		.58
<b>22 Lamp, Warning (2/Side)</b>			
R/L	8D0 947 411		12.70
<b>23 Shield, Moisture</b>			
R/L	4B0 863 980-79		# 17.50

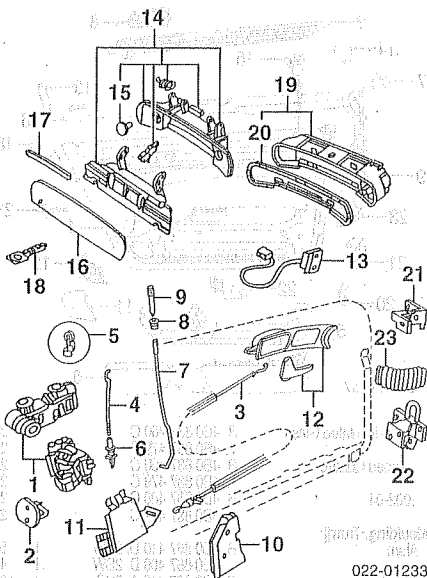
#w/Trim Panel Removed, Not Included in R&R Trim Panel

**HARDWARE**

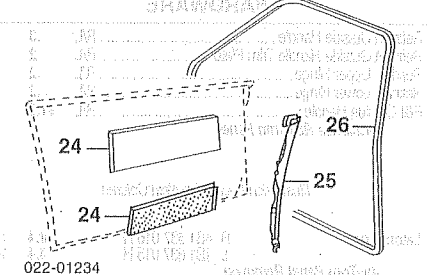
Refinish Outside Handle			
R/L			.3
Refinish Outside Handle Trim Plate			
R/L			.2

FRONT DOOR Cont'd

HARDWARE Cont'd

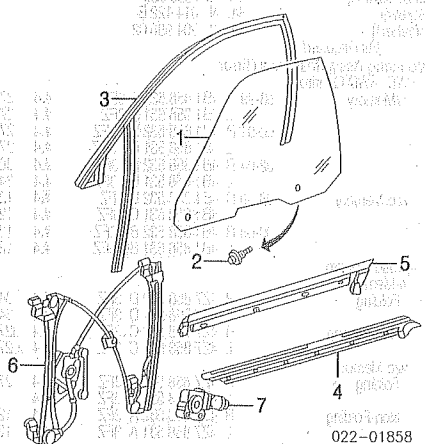


8 Guide, Locking Knob w/Theft Deterrent	R 4B0 837 190 A 01C	1.30
	L 4B0 837 189 A 01C	1.30
w/o Theft Deterrent	R 4B0 837 190 01C	1.30
	L 4B0 837 189 01C	1.30
9 Knob, Locking	R/L 8D0 837 187 01C	.67
10 Cover, Latch	R 4B0 837 350 A	4.25
	L 4B0 837 349 A	4.25
11 Cover, Actuator Cable	R/L 4B0 837 916-5	4.20
12 Handle, Inside	98-01 R 4B1 837 020 B 1RQ	71.40
	L 4B1 837 019 B 1RQ	71.40
	02-04 R 4B2 837 020 N 7H5	80.35
	L 4B2 837 019 K 1V5	0.00
<i>#Graphite listed, Order by Application</i>		
13 Switch, Power Locking	L 4B1 982 107 B98	43.95
14 Handle Assy, Outside (P)	R 4B0 839 208 GRU	#.4 38.95
	L 4B0 839 207 GRU	#.4 38.95
<i>(P) Paint to Match</i>		
15 Repair Kit	R/L 4B0 898 105	#.4 6.95
<i>#Included w/Outside Handle Assy</i>		
16 Plate, Handle Trim (P)	R 4B0 839 239 A GRU	#.4 18.75
	L 4B0 837 237 GRU	#.4 24.10
<i>(P) Paint to Match</i>		
<i>#R&amp;R One Side Complete, w/Trim Panel Removed</i>		
17 Retainer, Trim Plate	R/L 4B0 837 109 B	.92
18 Cyl w/Key, Lock	L 4B1 837 063 A	#.2 112.70
<i>#Order by Application</i>		
<i>#w/Outside Handle Assy Removed</i>		
19 Support Assy, Handle	R 4B2 837 886 A	#.4 27.35
	L 4B1 837 885 A	#.4 27.35
<i>#Included in R&amp;R Outside Handle Assy</i>		
20 Gskt, Handle	R/L 4B0 837 209 A	1.60
<i>#Included w/Handle Support Assy</i>		
21 Hinge, Upper	R 6E0 831 402 C	#.3 17.30
	L 6E0 831 401 C	#.3 17.30
22 Hinge, Lower	R 4B0 831 412 B	#.3 59.00
	L 4B0 831 411 B	#.3 64.30
<i>#w/Door Removed</i>		
23 Boot	R/L 8D0 959 845 F	3.55



24 Absorber, Sound (2/Side)	R/L 323 863 950	16.25
25 Seal, Door/Pillar		
	FWD, AWD Quattro	R 4B0 837 702 C .2 56.85
		L 4B0 837 701 C .2 56.85
	Allroad Quattro	R/L 4Z7 837 702-1 .2 56.85
26 Weatherstrip, Body	R/L 4B0 831 721 E	.4 69.50

GLASS & PARTS



1 Glass, Front Door Audi (Green Tint) 1998-01 FWD, AWD Quattro w/Insulator	R 4B0 845 202 B	#2.0 399.35
	L 4B0 845 201 B	#2.0 399.35
w/o Insulator	R/L 4B0 845 202-1	#2.0 47.85
Allroad Quattro 2002	R/L 4B0 845 202-1	#2.0 47.85
To VIN 2006000	R 4B0 845 202 F	#2.0 54.35
From VIN 2006001	L 4B0 845 201 F	#2.0 54.35
	R 4B0 845 202 F	#2.0 54.35
	L 4B0 845 201 F	#2.0 54.35
<i>NAGS (Green)</i>		
FWD, AWD Quattro w/Insulator	R/L FD20481-2GTN	#2.0 1027.05
w/o Insulator	R/L FD20483-4GTN	#2.0 452.05
Allroad Quattro	R/L FD20483-4GTN	#2.0 452.05
<i>#Includes R&amp;I Inner Panel Assy</i>		
2 Bolt, Socket (2/Side)	R/L 8L0 837 691	1.20
3 Channel, Run 1998-01 FWD, AWD Quattro w/Insulated Glass	R 4B0 837 440 N	55.35
	L 4B0 837 439 N	55.35
w/o Insulated Glass	R 4B0 837 440 M	55.35
	L 4B0 837 439 M	55.35
2002 To VIN 2006000	R 4B0 837 440 M	55.35
From VIN 2006001	R 4B0 837 440 AA	61.40
	L 4B0 837 439 AA	61.40
2003-04	R 4B0 837 440 AA	61.40
	L 4B0 837 439 AA	61.40
4 Moulding, Outer Belt-See Exterior Trim Section		
5 Moulding, Inner Belt-See Interior Trim Section		
6 Regulator 1998-01 FWD, AWD Quattro w/Insulated Glass	R 4B0 837 462 A	#2.4 142.95
	L 4B0 837 461 A	#2.4 142.95
w/o Insulated Glass	R/L 4B0 837 462-1	#2.4 142.95
Allroad Quattro	R/L 4B0 837 462-1	#2.4 142.95
2002-04	R 4B0 837 461 C	#2.4 146.65
	L 4B0 837 462 C	#2.4 146.65
7 Motor, Regulator 98-01 R 4B0 959 802 D	#2.4 195.00	
	L 4B0 959 801 D	#2.4 195.00
	02-04 R 4B0 958 802 E	#2.4 195.00
	L 4B0 959 801 E	#2.4 195.00
<i>#R&amp;R One Side Complete, Includes R&amp;I Inner Panel Assy &amp; R&amp;R Glass</i>		

REAR DOOR

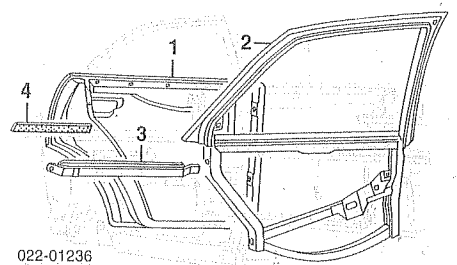
Use Procedure Explanations 16 and 28 with the following text.

SHEET METAL

Refinish Door Outside	R/L	2.0
Add for Jambes & Interior	R/L	1.0
Add for Jambes	R/L	.5
R&I Door Assy	R/L	.8
R&I Inner Panel Assy	R/L	1.5

Illustration Located in Next Column

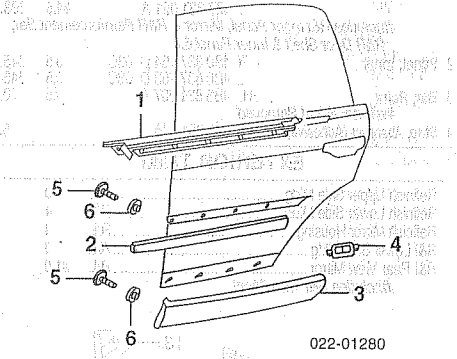
1 Door, Shell FWD, AWD Quattro	R/L 4B0 833 052-1	#4.5 402.55
Allroad Quattro	R/L 4Z7 833 052-1	#4.5 408.85
<i>#Includes R&amp;I Inner Panel Assy &amp; R&amp;R Reinforcement Bar, R&amp;R Door Shell &amp; Inner Panel 6.0</i>		
2 Panel, Inner Sedan	R 4B5 839 754 E 03C	3.5 364.60



Wagon	L 4B5 839 753 E 03C	3.5	364.60
AWD Quattro	R 4B9 839 754 D 03C	3.5	364.60
	L 4B9 839 753 B 03C	3.5	364.60
Allroad Quattro	R 4B9 839 754 D 03C	3.5	364.60
	L 4B9 839 753 C 03C	3.5	364.60
3 Bar, Reinforcement #Winner Panel Removed	R/L 4B0 833 507	#5	28.25
4 Strip, Absorber (Adhesive)	R/L 895 831 575		5.00

EXTERIOR TRIM

Refinish Upper Side Mldg	R/L	.3
Refinish Lower Side Mldg	R/L	.4
R&I Lower Side Mldg	R/L	.3



1 Moulding, Outer Belt	R 4B0 853 764 M 2ZZ	#.3 61.40
	L 4B0 853 763 M 2ZZ	#.3 61.40
<i>#Winner Panel Removed</i>		
2 Mldg, Upper Side (P) FWD, AWD Quattro	98-01 R 4B0 853 964 A GRU	.2 25.20
	L 4B0 853 963 A GRU	.2 25.20
	02-04 R 4B0 853 964 B GRU	28.40
	L 4B0 853 963 B GRU	28.40
<i>Allroad Quattro-Not Applicable (P) Paint to Match</i>		
3 Mldg, Lower Side 6 Cyl FWD, AWD Quattro	R 4B0 853 970 D 7DL	.3 42.85
	L 4B0 853 969 D 7DL	.3 41.50
	Paint to Match	.3 42.85
	L 4B0 853 969 D 7DL	.3 41.50
Allroad Quattro	R 4Z7 853 970 A 1K5	.3 126.50
	L 4Z7 853 969 A 1K5	.3 126.50
8 Cyl Gray	R 4B3 853 970 7DL	.3 42.85
	L 4B3 853 969 7DL	.3 42.85
	Paint to Match	.3 42.85
	L 4B3 853 969 7DL	.3 42.85
4 Clip, Lower (6/Side)	R/L 4B0 853 909	1.50
5 Screw	R/L N 014 122 8	.58
6 Washer	R/L N 904 996 02	.22
<i>#As Required</i>		

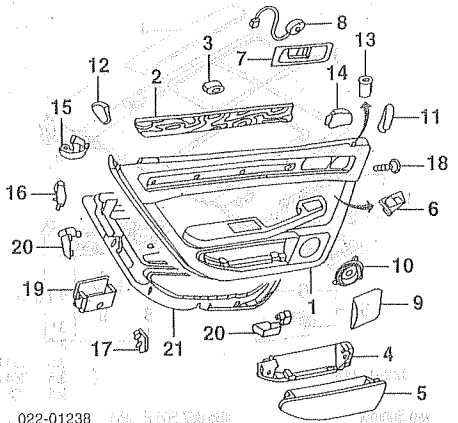
INTERIOR TRIM

R&I Trim Panel	R/L	.6
----------------	-----	----

NOTE: All Parts in this section are included in R&R Trim Panel unless noted otherwise.

Illustration Located in Next Column

1 Panel, Trim Cloth w/Sunshade	R 4B5 867 304 GNC	.7 347.65
	L 4B5 867 303 GNC	.7 347.65
w/o Sunshade	R 4B0 867 304 GNC	.7 345.60
	L 4B0 867 303 GNC	.7 347.65
Leather w/Sunshade	R 4B5 867 304 H GNS	.7 399.15
	L 4B5 867 303 F GNS	.7 4378.80
w/o Sunshade	R 4B0 867 304 F GNS	.7 399.15
	L 4B0 867 303 F GNS	.7 399.15
Leatherette		



022-01238

w/Sunshade	R 4B5 867 304 G GNU	7	347.65
	L 4B5 867 303 G GNU	7	347.65
w/o Sunshade	R 4B0 867 304 G GNU	7	347.65
	L 4B0 867 303 G GNU	7	347.65
2 Moulding, Trim[]			
Alum	R 4B0 867 420 C 3VQ	1	40.50
	L 4B0 867 419 C 3VQ	1	40.50
Woodgrain	R 4B0 867 420 A 2UQ	1	167.10
	L 4B0 867 419 A 2UQ	1	167.10

*[Order by Application]*

3 Clip, Midg (4/Side)	R/L 4A0 853 107	2	52
4 Trim, Lower[]	R 4B0 868 074 3TP	#2	24.25
	L 4B0 868 073 3TP	#2	24.25
5 Cover/Tray, Lower[]	R 4B0 868 982 3TP	#2	35.70
	L 4B0 868 981 3TP	#2	35.70

**#R&R One Side Complete, w/Trim Panel Removed**

6 Panel, Switch Trim[]	R 4B0 959 522 5ES	3	7.35
	L 4B0 959 521 5ES	3	7.35

*[Slate Gray listed, Order by Application]*

7 Handle, Inside-See Hardware Section			
8 Speaker, Uptr Radio			
Std Sound System	R/L 4B0 035 399 A	#2	59.20
Bose Sound System	R/L 4B0 035 399 E	#2	62.80

**#w/Trim Panel Removed, Not Included in R&R Trim Panel**

9 Grille, Speaker[]			
Std Sound System	R 4B0 035 436 2ET	11.55	
	L 4B0 035 435 2ET	11.15	
Bose Sound System	R 4B0 035 436 A 2ET	9.00	
	L 4B0 035 435 A 2ET	9.00	

*[Slate Gray listed, Order by Application]*

10 Speaker, Lwr Radio			
Std Sound System	R/L 4B0 035 411	#2	75.00
Bose Sound System	R/L 4B0 035 411 A	#2	231.05

**#w/Trim Panel Removed, Not Included in R&R Trim Panel**

11 Piece, Frt Intermediate	R 4B0 867 720 01C	3.75	
	L 4B0 867 719 01C	3.75	
12 Piece, Rear Intermediate			
Sedan	R 4B5 867 726 01C	3.75	
	L 4B5 867 725 01C	3.75	
Wagon	R 4B9 867 726 A 01C	4.20	
	L 4B9 867 725 A 01C	4.20	

13 Guide, Locking Knob-See Hardware Section			
14 Seal, Front			
w/Sunshade	R 4B0 867 416 B 01C	2.10	
	L 4B0 867 415 A 01C	2.10	
w/o Sunshade	R 4B0 867 416 01C	2.10	
	L 4B0 867 415 01C	2.10	
15 Seal, Rear			
w/Sunshade	R 4B0 867 370 A 01C	3.85	
	L 4B0 867 369 A 01C	3.85	
w/o Sunshade	R 4B0 867 370 01C	3.70	
	L 4B0 867 369 01C	3.70	
16 Clip, Upper	R/L 4B0 867 299 A	.92	
17 Clip, Lower (5/Side)	R/L 8D0 867 299	.92	
18 Retainer, Trim (2/Side)	R/L N 906 835 01	.58	
19 Ashtray[]	R 4B0 857 406 5ES	36.90	
	L 4B0 857 405 5ES	36.90	

*[Slate Gray listed, Order by Application]*

20 Lamp, Warning (2/Side)	R/L 8D0 947 411	12.70	
21 Shield, Moisture	R 4B0 863 982 A	#	17.70
	L 4B0 863 981 A	#	17.70

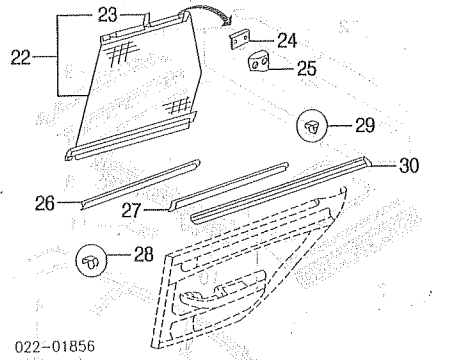
**#w/Trim Panel Removed, Not Included in R&R Trim Panel**

Illustration Located in Next Column

22 Sunshade Assy			
Sedan	R 4B5 861 334 B EXU	#	244.45
	L 4B5 861 333 B EXU	#	244.45
Wagon	R 4B9 861 334 B EXU	#	244.45
	L 4B9 861 333 B EXU	#	244.45
23 Plate, Sunshade Ctr[]	R/L 4D0 861 593	#	6.40

*[Included w/Sunshade Assy]*

24 Plate, Sunshade Corner (2/Side)	R/L 4B0 861 359 A 01C	#	.92
25 Hook, Sunshade (2/Side)	R/L 4B0 861 337 B 01C	#	2.50
26 Channel, Outer	R 4B0 863 343 01C	#	18.75
27 Channel, Inner	R/L 4B0 861 344 B	#	19.75
28 Cap, Front	R 4B0 861 332 A AQ4	#	6.80
	L 4B0 861 331 A 6PS	#	6.80



022-01856

29 Cap, Rear	R 4B0 861 331 A 6PS	#	6.80
	L 4B0 861 332 A AQ4	#	6.80

**#Not Included in R&R Trim Panel**

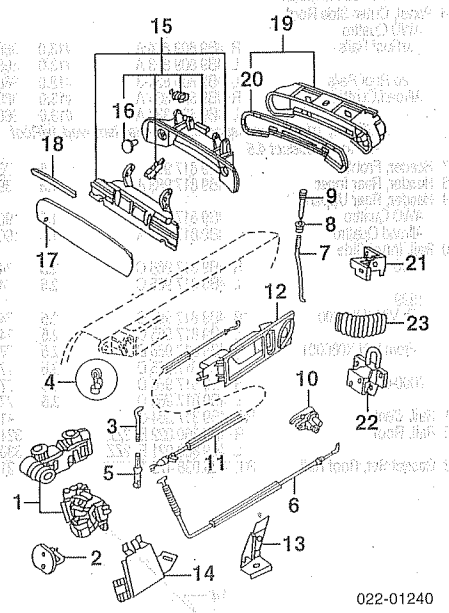
30 Moulding, Inner Belt FWD, AWD Quattro w/Insulated Glass	R 4B0 839 480 D	18.50	
	L 4B0 839 479 D	18.50	
w/o Insulated Glass	R 4B0 839 480 C	18.50	
	L 4B0 839 479 C	18.50	
Allroad Quattro	R 4B0 839 480 C	18.50	
	L 4B0 839 479 C	18.50	

**#Not Included in R&R Trim Panel**

**HARDWARE**

Refinish Outside Handle	R/L	#3	
Refinish Outside Handle Trim Plate	R/L	.2	
Refinish Upper Hinge	R/L	.2	
Refinish Lower Hinge	R/L	.2	
R&I Outside Handle	R/L	#9	

**#Includes R&I Trim Panel**



022-01240

1 Latch, Door	R 4B0 839 016 H	#3	167.40
	L 4B0 839 015 H	#3	167.40

**#w/Trim Panel Removed**

2 Striker	R/L 3B0 837 033 T	.2	13.80
3 Rod, Actuator	R 4B0 837 134 B	5.30	
	L 4B0 837 133 B	5.30	
4 Clip, Rod	R/L 893 839 821	.92	
5 Clip, Lower Rod	R/L 4B0 837 171	1.70	
6 Cable, Locking	R/L 4B0 839 191	9.95	
7 Rod, Locking	R/L 4B0 839 183 A	2.10	
8 Guide, Locking Knob w/Sunshade	R 4B0 839 190 A 01C	1.50	
	L 4B0 839 189 A 01C	1.50	
w/o Sunshade	R 4B0 839 190 01C	1.80	
	L 4B0 839 189 01C	1.80	
9 Knob, Locking	R/L 8D0 837 187 01C	.67	
10 Lever, Relay	R/L 8D0 839 825 A	3.45	
11 Cable, Actuator	R/L 4B0 839 086-5	6.35	
12 Handle, Inside[]	R 4B0 839 020 B 1RQ	59.00	
	L 4B0 839 019 B 1RQ	59.00	

*[Graphite listed, Order by Application]*

13 Cover, Uptr Cable	R/L 4B0 839 916-5	3.40	
14 Cover, Lwr Cable	R/L 8D0 839 922-1	2.25	
15 Handle Assy, Outside (P)	R 4B0 839 208 GRU	#3	38.95
	L 4B0 839 207 GRU	#3	38.95

*(P) Paint to Match*

16 Repair Kit[]	R/L 4B0 898 105	#3	6.95
-----------------	-----------------	----	------

*[Included w/Outside Handle Assy]*

17 Plate, Handle Trim (P) (P) Paint to Match	R/L 4B0 839 239 A GRU	#3	18.75
----------------------------------------------	-----------------------	----	-------

*[Included w/Handle Support Assy]*

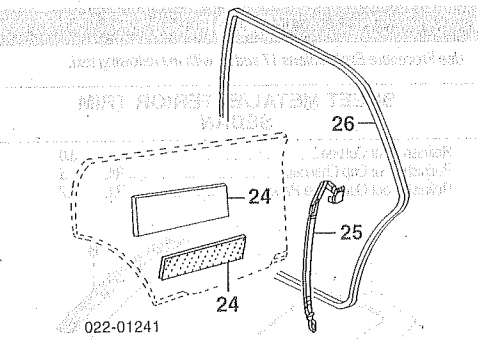
18 Retainer, Trim Plate	R/L 4B0 837 109 B	#3	.92
19 Support Assy, Handle	R 4B2 837 886 A	#3	27.35
	L 4B1 837 885 A	#3	27.35
20 Gskt, Handle[]	R/L 4B0 837 209 A	#3	1.60

**#R&R One Side Complete, w/Trim Panel Removed**

21 Hinge, Upper	R 4B0 833 402 B	#3	22.15
	L 4B0 833 401 B	#3	22.15
22 Hinge, Lower	R 4B0 833 412 E	#3	51.90
	L 4B0 833 411 E	#3	51.90

**#w/Door Removed**

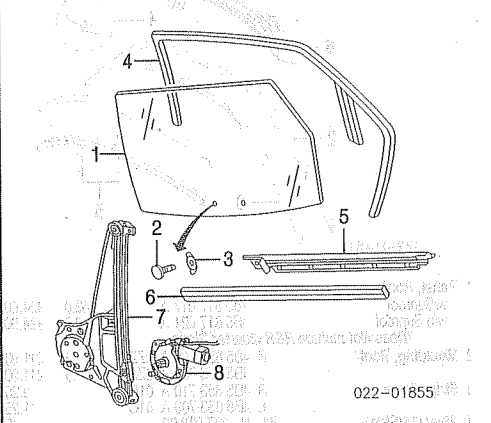
23 Boot	R/L 8D0 959 845 F		3.55
---------	-------------------	--	------



022-01241

24 Absorber, Sound (2/Side)	R/L 323 863 950		16.25
25 Seal, Door/Pillar FWD, AWD Quattro	R 4B0 839 718 B		41.25
	L 4B0 839 717 B		41.25
Allroad Quattro	R/L 427 839 718		41.25
26 Weatherstrip, Body	R/L 4B5 833 721 M	.6	53.00

**GLASS & PARTS**



022-01855

1 Glass, Rear Door Audi (Green Tint) w/Insulator			
Sedan	R 4B5 845 206 C	#1.8	399.35
	L 4B5 845 205 C	#1.8	399.35
Wagon	R 4B9 845 206 C	#1.8	439.35
	L 4B9 845 205 C	#1.8	439.35
w/o Insulator			
Sedan	R 4B5 845 206 B	#1.8	54.55
	L 4B5 845 205 B	#1.8	54.55
Wagon	R 4B9 845 206 B	#1.8	54.55
	L 4B9 845 205 B	#1.8	54.55
NAGS (Green) w/Insulator			
Sedan	R/L FD20465-6GTN	#1.8	0.00
Wagon	R/L FD20675-6GTN	#1.8	831.30
w/o Insulator			
Sedan	R/L FD20467-8GTN	#1.8	432.30
Wagon	R/L FD20677-8GTN	#1.8	0.00

**#Includes R&I Inner Panel Assy**

2 Bolt, Socket (2/Side)	R/L 8D0 837 691 A		.33
3 Clamp (2/Side)	R/L 8D0 845 233		.58
4 Channel, Run			
Sedan			
1998-01			
w/Insulated Glass	R 4B5 839 440 P		55.35
	L 4B5 839 439 P		55.35
w/o Insulated Glass	R 4B5 839 440 AD		146.40
	L 4B5 839 439 T		116.95
2002-04	R 4B5 839 440 AD		146.40
	L 4B5 839 439 AD		116.95
Wagon	R 4B9 839 440 AJ		113.45
	L 4B9 839 439 AJ		113.45

5 Moulding, Outer Belt-See Exterior Trim Section			
6 Moulding, Inner Belt-See Interior Trim Section			
7 Regulator	R/L 4B0 839 462-1	#2.2	127.00
8 Motor, Regulator FWD, AWD Quattro			

**REAR DOOR Cont'd**

**GLASS & PARTS Cont'd**

1998-01	w/Insulated Glass	R 4B0 959 802 C	#2.2	195.00
		L 4B0 959 801 C	#2.2	195.00
	w/o Insulated Glass	R 4B0 959 802 B	#2.2	195.00
		L 4B0 959 801 B	#2.2	195.00
2002-04		R 4B0 959 802 B	#2.2	195.00
		L 4B0 959 801 B	#2.2	195.00
Allroad Quattro		R 4B0 959 802 B	#2.2	195.00
		L 4B0 959 801 B	#2.2	195.00

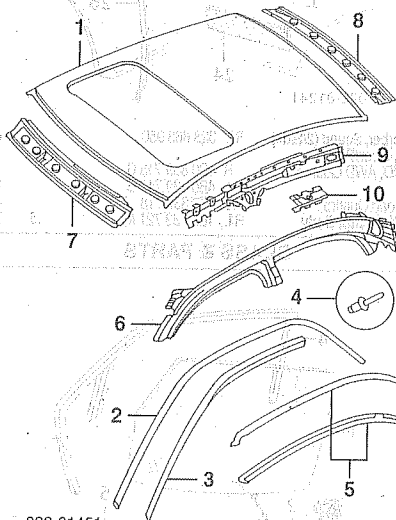
#R&R One Side Complete, Includes R&I Inner Panel Assy & R&R Glass

**ROOF**

Use Procedure Explanations 17 and 28 with the following text.

**SHEET METAL/EXTERIOR TRIM SEDAN**

Refinish Roof Outside	3.0
Refinish Roof Drip Channel	R/L .5
Refinish Roof Outer Side Panel	R/L 1.7



022-01451

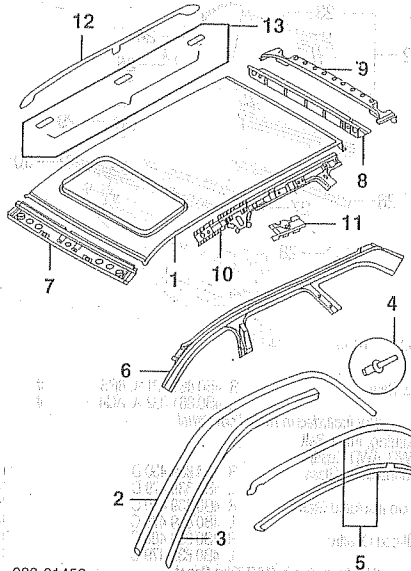
1 Panel, Roof				
w/Sunroof	4B5 817 017 A	#22.0	924.00	
w/o Sunroof	4B5 817 021 A	#20.5	924.00	
<i>#Does Not Include R&amp;R Quarter Glass</i>				
2 Moulding, Roof	R 4B5 853 704 A 2ZZ	.6	211.90	
	L 4B5 853 703 A 2ZZ	.6	211.90	
3 Strip, Cover	R 4B5 853 710 A 01C		9.25	
	L 4B5 853 709 A 01C		11.25	
4 Rivet (15/Side)	R/L N 907 878 02		.45	
5 Channel, Roof Drip (P)	R 4B5 853 706 A GRU		57.55	
	L 4B5 853 705 D GRU		57.55	
<i>(P) Paint to Match</i>				
6 Panel, Outer Side Roof	R/L 4B5 809 834-3	#12.5	261.30	
<i>#w/Glass, Trim &amp; Necessary Bolted Parts Removed, w/Roof Removed Deduct 4.0</i>				
7 Header, Front	4B5 817 995 A	1.5	70.45	
8 Header, Rear	4B5 817 983 A	1.5	39.90	
9 Rail, Inner Side				
1998				
To VIN W060000	R 4B5 817 968 D	2.5	64.90	
	L 4B5 817 967 D	2.5	64.90	
From VIN W060001	R 4B5 817 968 D	2.5	64.90	
	L 4B5 817 967 D	2.5	64.90	
1999-04				
	R 4B5 817 968 D	2.5	64.90	
	L 4B5 817 967 D	2.5	64.90	
10 Rail, Center	R/L 4B5 817 364-3	2.5	41.00	

**SHEET METAL/EXTERIOR TRIM WAGON**

Refinish Roof Outside	3.8
Refinish Roof Drip Channel	R/L .5
Refinish Roof Outer Side Panel	R/L 2.1

Illustration Located in Next Column

1 Panel, Roof			
AWD Quattro			
w/Sunroof	4B9 817 017 A	#22.0	924.00
w/o Sunroof	4B9 817 021	#20.5	924.00
Allroad Quattro			
w/Sunroof	4Z7 817 017 A	#22.0	924.00
w/o Sunroof	4Z7 817 021	#20.5	924.00



022-01452

#Does Not Include R&R Quarter Glass

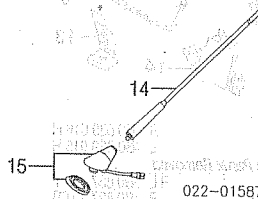
2 Moulding, Roof	R 4B9 853 704 A 2ZZ	.6	211.90
	L 4B9 853 703 A 2ZZ	.6	211.90
3 Strip, Cover	R 4B9 853 710 A 01C		11.25
	L 4B9 853 709 A 01C		11.25
4 Rivet (15/Side)	R/L N 907 878 02		.45
5 Channel, Roof Drip (P)	R 4B9 853 706 GRU		57.55
	L 4B9 853 705 GRU		57.55

(P) Paint to Match

6 Panel, Outer Side Roof			
AWD Quattro			
w/Roof Rails	R 4B9 809 834 A	#13.0	368.80
	L 4B9 809 833 A	#13.0	368.80
w/o Roof Rails	R/L 4B9 809 834-3	#13.0	368.80
Allroad Quattro	R 4B9 809 834 A	#13.0	368.80
	L 4B9 809 833 A	#13.0	368.80

#w/Glass, Trim & Necessary Bolted Parts Removed, w/Roof Removed Deduct 4.5

7 Header, Front	4B9 817 995	1.5	70.45
8 Header, Rear Inner	4B9 817 983 A	1.5	39.90
9 Header, Rear Upper			
AWD Quattro	4B9 817 961	1.5	190.55
Allroad Quattro	4B9 817 961 A	1.5	190.55
10 Rail, Inner Side			
1998	R 4B9 817 966 C	2.5	74.25
	L 4B9 817 965 C	2.5	74.25
1999			
To VIN X080000	R 4B9 817 966 C	2.5	74.25
	L 4B9 817 965 C	2.5	74.25
From VIN X080001	R 4B9 817 966 D	2.5	77.75
	L 4B9 817 965 D	2.5	77.75
2000-04			
	R 4B9 817 966 D	2.5	77.75
	L 4B9 817 965 D	2.5	77.75
11 Rail, Center	R/L 4B9 817 364-3		41.00
12 Rail, Roof	R 4B9 860 022 E 2ZZ		321.95
	L 4B9 860 021 E 2ZZ		330.65
13 Gasket Set, Roof Rail	R/L 4B9 898 472-1		21.70



022-01587

14 Mast, Antenna]	4B9 035 849 B	#3	74.15
15 Base, Antenna]	4B9 035 501 C	#3	119.75

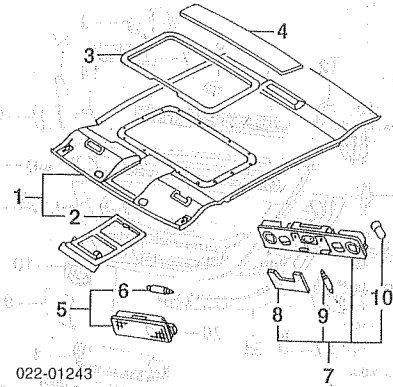
#Order by Application #w/Headliner Removed

**INTERIOR TRIM SEDAN**

R&I Headliner Assy			
w/Sunroof		5.0	
w/o Sunroof		4.5	

Illustration Located in Next Column

1 Headliner Assy (a)			
w/Sunroof	4B5 867 505 G 5PD	5.0	391.45

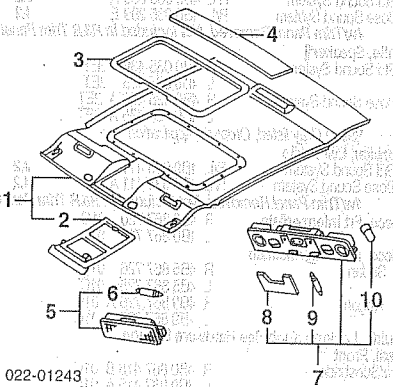


022-01243

w/o Sunroof	4B5 867 505 F 5PD	4.5	347.65
2 Housing, Lamp] (a)	4B0 867 599 B 1EU		22.75
<i>#Included w/Headliner Assy (a) Dark Gray listed, Order by Application</i>			
3 Frame, Sliding Roof	4B0 867 561 01C		32.30
4 Absorber, Sound (a)	N.A.		0.00
<i>(a) Cut to Fit</i>			
5 Lamp Assy, Front Reading	R/L 4D0 947 105 A	.3	16.00
6 Bulb]	R/L N 017 725 2		1.95
<i>#Included w/Front Reading Lamp Assy</i>			
7 Lamp Assy, Rear Reading	4B0 947 111 1EU	.3	79.15
8 Lens, Lamp]	4B0 947 125 A		12.70
9 Bulb]	R/L N 901 200 01		1.95
10 Bulb]	R/L N 900 349 01		1.75
<i>#Included w/Rear Reading Lamp Assy</i>			

**INTERIOR TRIM WAGON**

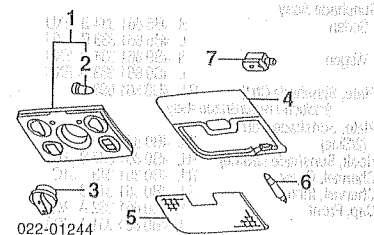
R&I Headliner Assy			
w/Sunroof		6.0	
w/o Sunroof		5.5	



022-01243

1 Headliner Assy (a)			
w/Sunroof	4B9 867 505 B 5PD	6.0	408.85
w/o Sunroof	4B9 867 505 5PD	5.5	408.85
2 Housing, Lamp] (a)	4B0 867 599 B 1EU	.3	22.75
<i>#Included w/Headliner Assy (a) Dark Gray listed, Order by Application</i>			
3 Frame, Sliding Roof	4B0 867 561 01C		32.30
4 Absorber, Sound (a)	N.A.		0.00
<i>(a) Cut to Fit</i>			
5 Lamp Assy, Front Reading	R/L 4D0 947 105 A	.3	16.00
6 Bulb]	R/L N 017 725 2		1.95
<i>#Included w/Front Reading Lamp Assy</i>			
7 Lamp Assy, Rear Reading	4B0 947 111 1EU	.3	79.15
8 Lens, Lamp]	4B0 947 125 A		12.70
9 Bulb]	R/L N 901 200 01		1.95
10 Bulb]	R/L N 900 349 01		1.75
<i>#Included w/Rear Reading Lamp Assy</i>			

**INTERIOR LAMP**



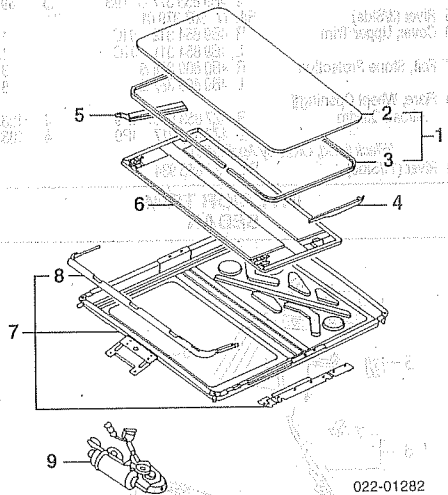
022-01244

1 Lamp Assy, Front Dome (a)				
w/Sunroof	4B0 947 303 G 1EU	.5	54.05	
w/o Sunroof	4B0 947 303 D 1EU	.5	54.05	
(a) Dark Gray listed, Order by Application				
2 Bulb[]	R/L N 900 349 01		1.75	
[Included w/Front Dome Lamp Assy				
3 Potentiometer (a)	4B0 959 613 A 1EU		62.50	
4 Cover, Interior Lamp (a)	4B0 947 159 1EU		29.20	
(a) Dark Gray listed, Order by Application				
5 Lens, Lamp	4B0 947 125		12.70	
6 Bulb	R/L N 017 723 2		1.70	
7 Switch, Lamp (a)	4B0 947 522 1EU		42.85	
(a) Dark Gray listed, Order by Application				

**SUNROOF**

R&L Sliding Panel			1.5	
O/H Sunroof Assy (Includes R&L)			#3.5	
#w/Headliner Removed, Includes Necessary Adjustments				

NOTE: All Parts in this section are included in overhaul unless noted otherwise.



022-01282

**Panel Assy, Sliding Glass**

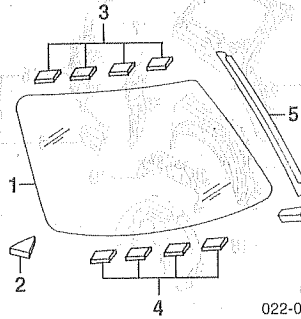
1 Std Sunroof	4B0 877 071	1.5	468.40	
1998				
1999				
To VIN X025583	4B0 877 071	1.5	468.40	
From VIN X025584	4B0 877 071 E	1.5	528.00	
2000-04	4B0 877 071 E	1.5	528.00	
2 Solar Sunroof	4B0 877 071 A	1.5	1580.00	
1998				
1999				
To VIN X025583	4B0 877 071 A	1.5	1580.00	
From VIN X025584	4B0 877 071 J	1.5	1580.00	
2001-04	4B0 877 071 J	1.5	1580.00	
3 Gasket, Panel	8E0 877 297		57.10	
Std Sunroof[]				
Solar Sunroof	8E0 877 297		57.10	
[Included w/Sliding Glass Panel Assy				
4 Trim, Upper Side				
Solar Sunroof				
1998	R 8D9 877 792 01C		2.60	
	L 8D9 877 791 01C		2.60	
1999				
To 9-98	R 8D9 877 792 01C		2.60	
	L 8D9 877 791 01C		2.60	
From 10-98	R 8D9 877 792 A 01C		2.60	
	L 8D9 877 791 A 01C		2.60	
2000-04	R 8D9 877 792 A 01C		2.60	
	L 8D9 877 791 A 01C		2.60	
5 Trim, Lower Side				
Solar Sunroof	R 8D9 877 794 01C		2.60	
	L 8D9 877 793 01C		2.60	
6 Frame/Headliner, Panel (a)	4B0 877 255 5PD		292.70	
Std Sunroof				
Solar Sunroof	8D0 877 255 C 5PD		249.60	
(a) Dark Gray listed, Order by Application				
7 Frame Assy, Sunroof				
Sedan				
Std Sunroof				
1998	4B5 877 049		#3.5 841.00	
1999				
To VIN X025583	4B5 877 049		#3.5 841.00	
From VIN X025584	4B5 877 049 C		#3.5 841.00	
2000-03	4B5 877 049 C		#3.5 841.00	
Solar Sunroof				
1998	4B5 877 049 A		#3.5 841.00	
1999				
To VIN X025583	4B5 877 049 A		#3.5 841.00	
From VIN X025584	4B5 877 049 D		#3.5 841.00	
2000-04	4B5 877 049 D		#3.5 841.00	
Wagon				
Std Sunroof				
1999				
To VIN X025583	4B9 877 049		#3.5 841.00	
From VIN X025584	4B9 877 049 C		#3.5 841.00	
2000-04	4B9 877 049 C		#3.5 841.00	
Solar Sunroof				

1999				
To VIN X025583	4B9 877 049 A		#3.5 841.00	
From VIN X025584	4B9 877 049 D		#3.5 841.00	
2000-04	4B9 877 049 D		#3.5 841.00	
#w/Headliner Removed, Includes Necessary Adjustments				
8 Deflector, Air[]	98-01 8D9 877 651 A		93.70	
	02-04 8D9 877 651 E		93.70	
[Included w/Sunroof Frame Assy				
9 Motor, Sunroof	98 4B0 959 591		1.0 435.10	
	99-04 4B0 959 591 E		1.0 435.10	

**BACK WINDOW**

Use Procedure Explanation 19 with the following text.

R&L Back Window Glass			#3.4	
#Includes Clean Up Old Adhesive as Necessary				



022-01246

1 Glass, Back Window				
Audi (Heated/Tint)	4B5 845 501 G		#3.0 637.00	
w/Insulator				
w/Symphony Radio	4B5 845 501 AM NVB		#3.0 355.05	
w/o Symphony Radio	4B5 845 501 J NVB		#3.0 309.80	
NAGS (Green)				
w/Insulator	FB20493GTN		#3.0 0.00	
w/o Insulator	FB20494GTN		#3.0 0.00	
#Includes Clean Up Old Adhesive as Necessary				
2 Wedge, Adjustment	R/L 443 845 631 A		1.20	
3 Spacer, Upper (4)	4B0 845 237		.22	
4 Spacer, Lower (4)	4B0 845 237 A		1.00	
5 Packing (Adhesive)	R/L 8A5 845 515		.58	

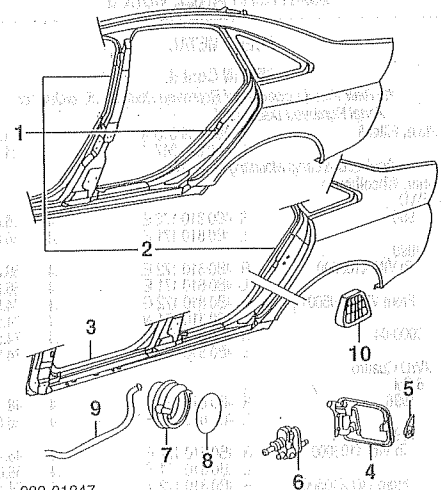
**QUARTER PANEL**

Use Procedure Explanations 20 and 28 with the following text.

<b>SHEET METAL SEDAN</b>				
Refinish Quarter Panel Assy Outside		R/L	3.8	
Refinish Quarter Rear Section Outside		R/L	2.0	
Add to Edge Panel		R/L	.5	
Add for Pillar		R/L	.5	
Refinish Fuel Door			#.4	
#Included in Refinish Quarter Outside				
Refinish Lamp Mtg Panel		R/L	1.0	
R&R Both Rear Quarter Panels			25.5	
R&R Roof & Both Rear Quarter Panels				
w/Sunroof			40.5	
w/o Sunroof			39.0	
R&R Rear Body Panel & Both Rear Quarter Panels			32.0	
R&R Roof, Both Rear Quarters & Rear Body Panel				
w/Sunroof			46.5	
w/o Sunroof			45.0	
Add to R&R Quarter Panel				
To R&L Quarter Glass		R/L	.2	
To R&L Back Glass			.4	

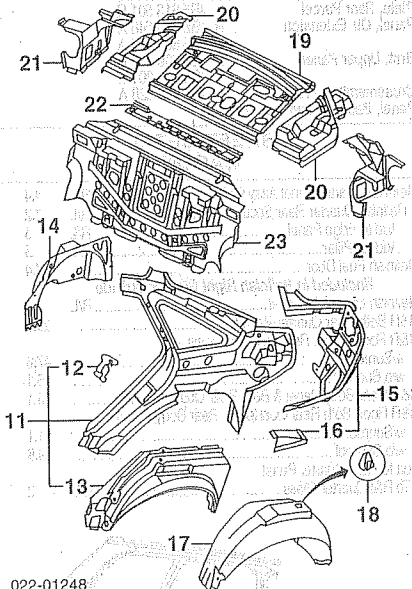
Illustration Located in Next Column

1 Panel Assy, Outer Quarter				
6 Cyl	R 4B5 809 838		#25.5 618.00	
	L 4B5 809 837		#25.0 618.00	
8 Cyl	R 4B4 809 838		#25.5 618.00	
	L 4B4 809 837		#25.0 618.00	
#Deduct 5.0 w/Roof Removed, Deduction Includes Common Surfaces & Included Operations				
2 Panel, Rear Quarter[]				
6 Cyl	R 4B5 809 844		#15.5 331.90	
	L 4B5 809 843		#15.0 331.90	
8 Cyl	R 4B4 809 844		#15.5 331.90	
	L 4B4 809 843		#15.0 331.90	
#Included w/Outer Quarter Panel Assy				
#Deduct 4.5 w/Roof Removed, Deduction Includes Common Surfaces & Included Operations				
3 Panel, Outer Rocker-See Rocker/Pillars/Floor Section				
4 Door, Fuel Filler	R 4B0 809 905 A		3 35.80	
5 Cap, Protective	R 893 862 290		.73	
6 Actuator, Power Lock	R 4B0 862 153		39.30	
7 Boot, Fuel Filler				
1998	R 4B0 809 933 A		4.10	



022-01247

1999				
To VIN X050000	R 4B0 809 933 A		4.10	
From VIN X050001	R 4B0 809 933 B		4.10	
2000-04	R 4B0 809 933 B		4.10	
8 Ring, Retainer	R 8A0 809 923		2.50	
9 Hose, Vent	R 893 809 937		4.25	
10 Vent, Pressure Release	R/L 4B0 819 181 B		11.55	



022-01248

11 Panel Assy, Inner				
6 Cyl	R 4B5 809 046 A		6.5 250.00	
	L 4B5 809 045 A		6.5 250.00	
8 Cyl	R/L 4B4 809 046-5		6.5 250.00	
12 Plate, Threaded[] (2/Slide)	R/L 4B0 809 237 A		4.10	
13 Wheelhouse, Outer[]				
6 Cyl	R/L 4B0 809 412-1		3.0 168.65	
8 Cyl	R/L 4B3 809 412-1		3.0 171.35	
#Included w/Inner Panel Assy				
14 Wheelhouse, Inner				
FWD				
1998	R 4B0 803 422 D	s	2.5 210.75	
	L 4B0 803 421	s	2.5 187.90	
1999				
To VIN X090000	R 4B0 803 422 D	s	2.5 210.75	
	L 4B0 803 421	s	2.5 187.90	
From VIN X090001	R 4B0 803 422 D	s	2.5 210.75	
	L 4B0 803 421 D	s	2.5 210.75	
2000-04	R 4B0 803 422 D	s	2.5 210.75	
	L 4B0 803 421 D	s	2.5 210.75	
AWD Quattro				
1998	R 4B0 803 422 B	s	2.5 187.90	
	L 4B0 803 421 E	s	2.5 278.65	
1999				
To VIN X065000	R 4B0 803 422 B	s	2.5 187.90	
	L 4B0 803 421 E	s	2.5 278.65	
From VIN X065001	R 4B0 803 422 E	s	2.5 278.65	
	L 4B0 803 421 E	s	2.5 278.65	
2000-04	R 4B0 803 422 E	s	2.5 278.65	
	L 4B0 803 421 E	s	2.5 278.65	
15 Panel Assy, Lamp Mounting	98-01 R/L 4B5 809 453-7		#4.0 83.10	
	02-04 R/L 4B5 809 453		#4.0 83.10	
	L 4B5 809 457 B		#4.0 83.10	

**QUARTER PANEL Cont'd**

**SHEET METAL**

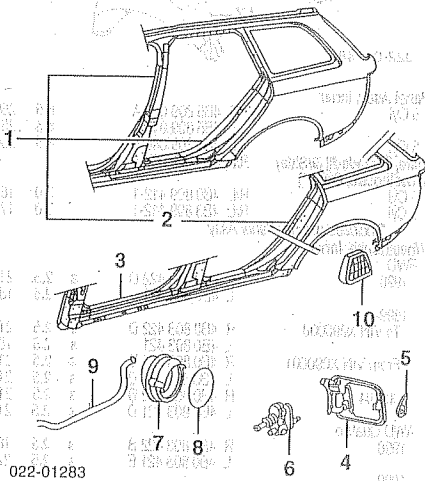
**SEDAN Cont'd**

#w/Rear Panel Lower Reinf Removed Deduct 1.5, w/Quarter Panel Removed Deduct 1.5

16 Plate, Filler]	R 4B0 809 348 A	24.60
	L 4B0 809 347	24.60
*Included w/Lamp Mounting Panel Assy		
17 Liner, Wheelhouse FWD		
1998	R 4B0 810 172 E	4 56.85
	L 4B0 810 171 E	4 56.85
1999		
To VIN X105000	R 4B0 810 172 E	4 56.85
	L 4B0 810 171 E	4 56.85
From VIN X105001	R 4B0 810 172 G	4 74.50
	L 4B0 810 171 N	4 74.50
2000-04	R 4B0 810 172 G	4 74.50
	L 4B0 810 171 N	4 74.50
AWD Quattro		
6 Cyl		
1998	R 4B0 810 172 F	4 48.45
	L 4B0 810 171 F	4 56.85
1999		
To VIN X105000	R 4B0 810 172 F	4 48.45
	L 4B0 810 171 F	4 56.85
From VIN X105001	R 4B0 810 172 J	4 74.50
	L 4B0 810 171 M	4 80.35
2000-04	R 4B0 810 172 J	4 74.50
	L 4B0 810 171 M	4 80.35
8 Cyl		
1998-03	R 4B3 810 172 B	4 74.50
	L 4B3 810 171 C	4 74.50
2004†	R 4B3 810 172 B	4 74.50
	L 4B3 810 171 C	4 74.50
†Order by Application		
18 Clip, Liner (6/Side)	R/L N 908 214 01	.58
19 Plate, Rear Parcel	4B5 813 501 B	268.70
20 Panel, Otr Extension	R 4B5 809 548 A	32.65
	L 4B5 809 547 A	32.65
21 Brkt, Upper Panel	R 4B5 809 302 B	40.05
	L 4B5 809 301 B	40.05
22 Crossmember, Front	4B5 813 528 A	80.65
23 Panel, Backrest Lwr-Not Serviced		

**SHEET METAL WAGON**

Refinish Quarter Panel Assy Outside.....	R/L	4.4
Refinish Quarter Rear Section Outside.....	R/L	2.2
Add to Edge Panel.....	R/L	.5
Add for Pillar.....	R/L	.5
Refinish Fuel Door.....		#.4
*Included in Refinish Right Quarter Outside		
Refinish Lamp Mtg Panel.....	R/L	1.0
R&R Both Rear Quarter Panels.....		29.6
R&R Roof & Both Rear Quarter Panels		
w/Sunroof.....		47.6
w/o Sunroof.....		46.1
R&R Rear Body Panel & Both Rear Quarter Panels.....		33.1
R&R Roof, Both Rear Quarters & Rear Body Panel		
w/Sunroof.....		51.1
w/o Sunroof.....		49.6
Add to R&R Quarter Panel		
To R&I Quarter Glass.....	R/L	2



022-01283

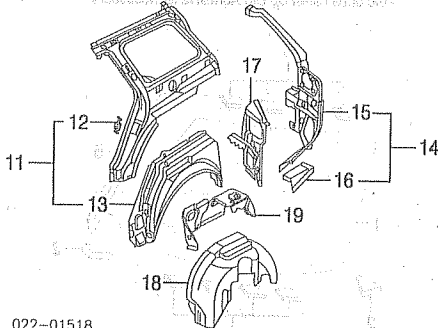
1 Panel Assy, Outer Quarter		
AWD Quattro	R 4B9 809 838	s #25.5 468.85
	L 4B9 809 837	s #25.0 468.85
Allroad Quattro	R 4Z7 809 838	s #25.5 618.00
	L 4Z7 809 839	s #25.0 368.80
*Deduct 2.5 w/Roof Removed, Deduction Includes Common Surfaces & Included Operations		
2 Panel, Rear Quarter]		
AWD Quattro	R 4B9 809 844	#15.5 393.55

Allroad Quattro	R 4B9 809 843	#15.0 393.55
	R 4Z7 809 844	#15.5 393.55
	L 4Z7 809 843	#15.0 393.55

\*Included w/Outer Quarter Panel Assy  
#Deduct 2.0 w/Roof Removed, Deduction Includes Common Surfaces & Included Operations

3 Panel Assy, Outer Rocker-See Rocker/Pillars/Floor Section		
4 Door, Fuel Filler	R 4B0 809 905 A	.3 35.80
5 Cap, Protective	R 893 862 290	.73
6 Actuator, Power Lock	R 4B9 862 153	39.30
7 Boot, Fuel Filler	R 4B0 809 933 A	4.10
8 Ring, Retainer	R 8A0 809 929	2.50
9 Hose, Vent	R 893 809 937	4.25
10 Vent, Pressure Release	R/L 4B0 819 181 B	#.2 11.55

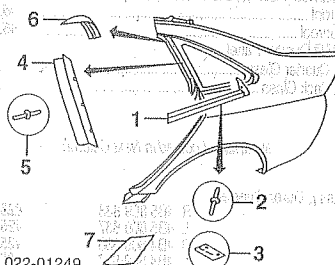
#w/Rear Bumper Removed



022-01518

11 Panel Assy, Inner		
AWD Quattro	R 4B9 810 182 B	6.5 180.20
	L 4B9 810 181 B	6.5 180.20
Allroad Quattro	R 4Z7 810 182 A	6.5 180.20
	L 4Z7 810 181 A	6.5 180.20
12 Plate, Threaded]] (2/Side)	R/L 4B0 809 237 A	4.10
13 Wheelhouse, Outer]]		
AWD Quattro	R/L 4B0 809 412-1	3.0 168.65
Allroad Quattro	R/L 4Z7 809 410-09	3.0 128.05
*Included w/Inner Panel Assy		
14 Panel Assy, Lamp Mounting	R 4B9 810 416 B	#4.0 118.00
	L 4B9 810 415 B	#4.0 118.00
15 Panel, Lamp Mtg]]	R 4B9 809 650 C	#4.0 41.60
	L 4B9 809 649 C	#4.0 41.60
*w/Rear Outer Upper Panel Removed Deduct 1.5, w/Quarter Panel Removed Deduct 1.0		
16 Plate, Filler]]	R 4B0 809 348 A	24.60
	L 4B0 809 347	24.60
*Included w/Lamp Mounting Panel Assy		
17 Pillar, Rear	R 4B9 809 290 D	62.60
	L 4B9 809 289 D	62.60
18 Liner, Wheelhouse		
AWD Quattro		
1999		
To VIN X105000	R 4B0 810 172 F	4 48.45
	L 4B0 810 171 F	4 56.85
From VIN X105001	R 4B0 810 172 J	4 74.50
	L 4B0 810 171 M	4 80.35
2000-04	R 4B0 810 172 J	4 74.50
	L 4B0 810 171 M	4 80.35
Allroad Quattro	R/L 4Z7 810 172-1	4 74.50
19 Bracket, Wheelhouse	R 4B9 809 302 A	42.15
	L 4Z7 809 301 A	46.05

**EXTERIOR TRIM SEDAN**



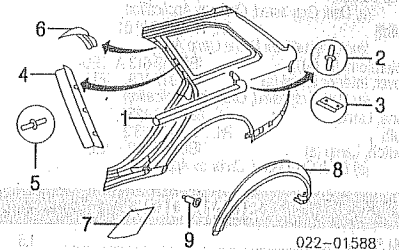
022-01249

1 Moulding, Belt	98-01 R 4B5 853 346 2ZZ	.3 59.00
	L 4B5 853 345 A 2ZZ	.3 59.85
	02-04 R 4B5 853 346 A 2ZZ	.3 59.85
	L 4B5 853 345 A 2ZZ	.3 59.85
2 Rivet (3/Side)	R/L N 016 202 3	.58
3 Clip (3/Side)	R/L 4B5 853 929	1.80
4 Moulding, Pillar	R 4B5 853 378 G Y9B	.3 70.90
	L 4B5 853 377 G Y9B	.3 62.50
5 Rivet (3/Side)	R/L N 907 979 01	.33
6 Cover, Upper Trim	R/L 4B5 854 311 01C	.67
7 Foil, Stone Protection	R 4B0 809 388 B	8.10
	L 4B0 809 387 B	8.10

**EXTERIOR TRIM WAGON**

Refinish Wheel Opening Flare.....	R/L	.4
-----------------------------------	-----	----

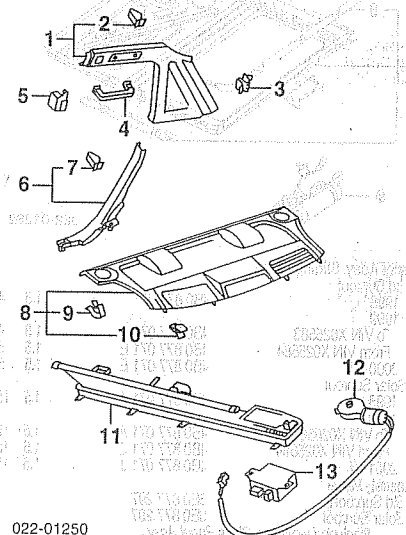
R&I Wheel Opening Flare.....	R/L	.4
------------------------------	-----	----



022-01588

1 Moulding, Belt	R 4B9 853 346 2ZZ	.3 59.00
	L 4B9 853 345 2ZZ	.3 59.00
2 Rivet (3/Side)	R/L N 016 202 3	.58
3 Clip (3/Side)	R/L 4B5 853 929	1.80
4 Moulding, Pillar	R 4B9 853 378 C Y9B	.3 57.00
	L 4B9 853 377 C Y9B	.3 69.10
5 Rivet (3/Side)	R/L N 907 979 01	.33
6 Cover, Upper Trim	R 4B9 854 312 01C	1.80
	L 4B9 854 311 01C	1.80
7 Foil, Stone Protection	R 4B0 809 388 B	8.10
	L 4B0 809 387 B	8.10
8 Flare, Wheel Opening]]		
Allroad Quattro	R 4Z7 853 818 1P9	.4 123.20
	L 4Z7 853 817 1P9	.4 123.20
*Black listed, Order by Application		
9 Rivet (11/Side)	R/L 4Z7 853 934	.27

**INTERIOR TRIM SEDAN**

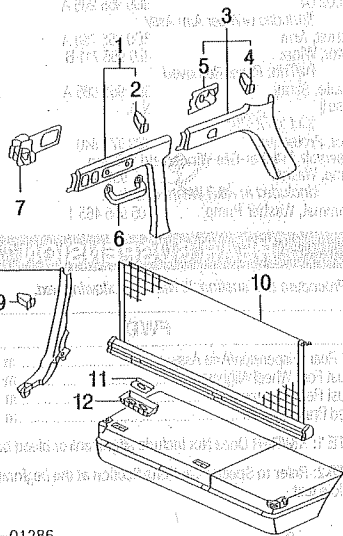


022-01250

1 Panel Assy, Upper Trim (a)		
w/Side Curtain Air Bag	R 4B5 867 246 B 8FP	.3 196.05
	L 4B5 867 245 B 8FP	.3 289.75
w/o Side Curtain Air Bag	R 4B5 868 278 EZM	.3 196.05
	L 4B5 868 277 EZM	.3 166.20
(a) Slate Gray listed, Order by Application		
2 Clip]] (4/Side)	R/L 4B0 867 276 A	.52
*Included w/Upper Trim Panel Assy		
3 Clip	R/L 8D5 867 283	.58
4 Handle, Grab (a)	R 4B0 857 608 1EU	#.1 27.05
	L 4B0 857 607 1EU	#.1 32.25
*Included in R&R Upper Trim Panel		
5 Hook, Coat (a)	R/L 4B0 857 635 2EQ	17.65
6 Panel Assy, Lower Trim (a)		
1998		
To 10-97	R 4B0 867 768 2ET	#.2 6.30
	L 4B0 867 767 2ET	#.2 6.30
From 11-97	R 4B0 867 768 C 5ES	#.2 50.90
	L 4B0 867 767 C 5ES	#.2 50.90
1999-03	R 4B0 867 768 C 5ES	#.2 50.90
	L 4B0 867 767 C 5ES	#.2 50.90
(a) Slate Gray listed, Order by Application		
*w/Scuff Plate & Rear Seat Cushion Removed		
7 Clip]] (4/Side)	R/L 4B0 867 276 A	.52
*Included w/Lower Trim Panel Assy		
8 Tray Assy, Package Shelf (a)		
w/Sunshade	98-01 4B5 863 411 AS 6PP	#1.2 205.45
	02-03 4B5 863 411 AR 7H8	#1.2 205.45
w/o Sunshade	98-01 4B5 863 411 M 6PP	#.8 205.45
	02-03 4B5 863 411 K 7H8	#.8 205.45
(a) Gray listed, Order by Application		
*Includes R&R Upper Trim Panel		
9 Clip, Upper]] (3)	4B0 867 276 A	.52
10 Clip, Lower]] (3)	4A5 863 429	1.20
*Included w/Package Shelf Tray Assy		
11 Sunshade, Power]]	4B5 861 329 MSE	615.00
*Gray listed, Order by Application		

12 Motor, Sunshade	4B0 959 733	248.50
13 Module, Sunshade Control	441 907 491 A	193.90

**INTERIOR TRIM WAGON**



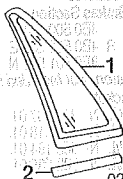
022-01286

1 Panel Assy, Upper Front Trim w/Side Curtain Air Bag	R 4B9 867 296 M 8FP L 4B9 867 295 M 8FP	#.3	94.30
w/o Side Curtain Air Bag	R 4B9 868 278 5PD L 4B9 868 277 5PD	#.3	115.90
<i>(Slate Gray listed, Order by Application)</i>			
2 Clip (4/Side)	R/L 4B0 867 276 A		.52
<i>(Included w/Upper Front Trim Panel Assy)</i>			
3 Panel Assy, Upper Rear Trim (a) w/Side Curtain Air Bag	R 4B9 867 246 C 5PD L 4B9 867 245 C 5PD	#.3	94.30
w/o Side Curtain Air Bag	R 4B9 867 246 5PD L 4B9 867 245 5PD	#.3	94.30
<i>(a) Slate Gray listed, Order by Application</i>			
4 Clip (4/Side)	R/L 4B0 867 276 A		.52
5 Bracket, Lifting	R 4B9 861 706 3YP L 4B9 861 705 3YP		23.55
<i>(Included w/Upper Rear Trim Panel Assy)</i>			
6 Handle, Grab (a)	R 4B0 857 608 1EU L 4B0 857 607 1EU	#.1	27.05
<i>(Included in R&amp;R Upper Front Trim Panel)</i>			
7 Hook, Coat (a)	R 4B9 857 636 2EQ L 4B9 857 635 2EQ		17.65
8 Panel Assy, Lower Trim (a)	R 4B0 867 768 C 5ES L 4B0 867 767 C 5ES	#.2	50.90
<i>(a) Order by Application</i>			
<i>#w/Scuff Plate &amp; Rear Seat Cushion Removed</i>			
9 Clip (4/Side)	R/L 4B0 867 276 A		.52
<i>(Included w/Lower Trim Panel Assy)</i>			
10 Net, Partition (a) w/Navigation System	4B9 861 691 F 6SP		492.75
w/o Navigation System	4B9 861 691 F 6SP		492.75
<i>(a) Crayx listed, Order by Application</i>			
11 Plate, Carrier	R/L 4B9 861 712 C		16.80
12 Plate, Mounting	R/L 4B9 861 711 1EY		16.80

**QUARTER GLASS**

**SEDAN**

R&L Quarter Glass	R/L #1.7
<i>#Includes Clean Up Old Adhesive as Necessary</i>	



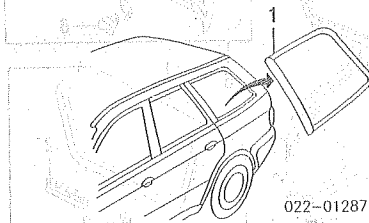
022-01251

1 Glass, Quarter Audi (Green Tint)			
1998-01			
w/Insulator	R 4B5 845 300 H L 4B5 845 299 H	#1.5	264.45
w/o Insulator	R 4B5 845 300 G L 4B5 845 299 G	#1.5	76.90
2002-04	R 4B5 845 300 G L 4B5 845 299 G	#1.5	76.90
NAGS (Green)			
w/Insulator	R FQ20489GTN L FQ20490GTN	#1.5	0.00
w/o Insulator	R/L FQ20491-2GTN	#1.5	263.50

2 Moulding, Belt-See Quarter Panel Section	
--------------------------------------------	--

**WAGON**

R&L Quarter Glass	R/L #2.2
<i>#Includes Clean Up Old Adhesive as Necessary</i>	



022-01287

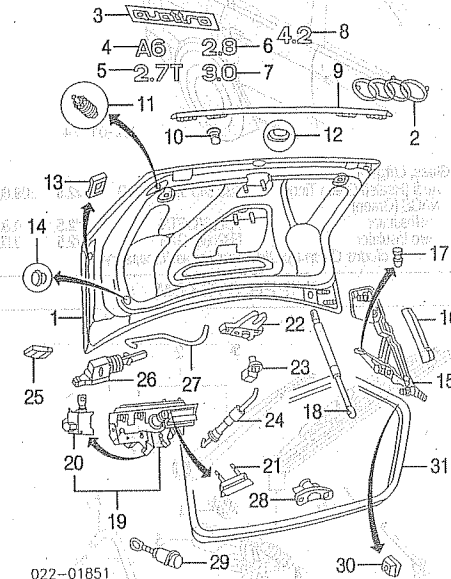
1 Glass, Quarter Audi (Green Tint)			
w/Insulator	R 4B9 845 300 N MKR L 4B9 845 299 AL MKR	#2.0	150.35
w/o Navigation System	R 4B9 845 300 AL MKR L 4B9 845 299 AL MKR	#2.0	150.35
w/o Insulator	R 4B9 845 300 AK MKR L 4B9 845 299 AK MKR	#2.0	150.35
NAGS (Green)			
w/Insulator	R FQ20679GTN L FQ20680GTN	#2.0	0.00
w/o Insulator	98 R/L FQ20645-6GTN 99-03 R/L FQ20681-2GTN	#2.0	1212.15
<i>#Includes Clean Up Old Adhesive as Necessary</i>			

**LUGGAGE LID**

Use Procedure Explanations 24 and 28 with the following text.

**SHEET METAL/EXTERIOR TRIM**

Refinish Luggage Lid	2.2
Add for Underside	1.1
Refinish Hinge	R/L .2
Refinish Rear Spoiler	1.0
R&L Luggage Lid	1.0



022-01851

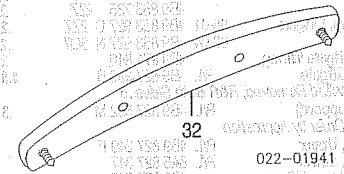
1 Lid, Luggage w/Navigation System	4B5 827 023 S	2.2	633.00
w/o Navigation System	4B5 827 023 M	2.2	633.00
1998			
1999			
To VIN X015000	4B5 827 023 M	2.2	633.00
From VIN X015001	4B5 827 023 K	2.2	633.00
2000-01	4B5 827 023 K	2.2	633.00
2000-04	4B5 827 023 R	2.2	480.65
2002-04	4B5 853 742 ZZZ	.2	17.50
2 Emblem, Audi Nameplate (Adhesive)			
3 "Quattro"	4B0 853 737 D ZZZ	.2	11.55
4 "A6"	4B0 853 741 C ZZZ	.2	8.45
5 "2.7T"	4B0 853 743 R ZZZ	.2	8.45
6 "2.8"	98-00 8A0 853 743 F ZZZ 01 4B0 853 743 L ZZZ	.2	11.55
7 "3.0"	8E0 853 743 ZZZ	.2	7.60
8 "4.2"	00-04 4B0 853 743 N ZZZ	.2	7.60
9 Moulding, Lid	98-01 4B5 853 927 C ZZZ 02-04 4B5 853 927 E 307	.2	42.20
10 Nut, Mldg	R/L N 908 508 01		.58
11 Stop, Lower	R/L 4D0 827 767		23.80

12 Plug, Center (3)	8D5 827 713 A		.52
13 Stop, Side	R/L 4B5 827 373		2.00
14 Plug, Side	R/L 8A0 831 449		1.20

15 Hinge, Lid 1998			
To VIN W118684	R 4B5 827 302 L 4B5 827 301	#.4	33.75
From VIN W118685	R 4B5 827 302 D L 4B5 827 301 D	#.4	36.60
1999			
To VIN X015000	R 4B5 827 302 D L 4B5 827 301 D	#.4	36.60
From VIN X015001	R 4B5 827 302 C L 4B5 827 301 C	#.4	36.60
2000-01	R 4B5 827 302 C L 4B5 827 301 C	#.4	36.60
2002-04	R 4B5 827 302 F L 4B5 827 301 F	#.4	36.85

*#w/Luggage Lid Removed, Includes R&R Support Strut*

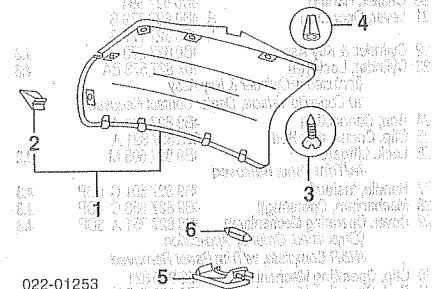
16 Cover, Hinge 1998			
To 2-98	R/L 4B5 971 821 A 01C		1.90
From 3-98	R/L 4B5 971 821 B 01C		1.80
1999-04	R/L 4B5 971 821 B 01C		1.80
17 Stop, Hinge	R/L 8D5 827 499		.82
18 Strut, Support	98-00 R/L 4B5 827 552 D 01-04 R/L 4B5 827 552 G		33.75
19 Handle Assy, Lid	3B0 959 781		50.45
20 Actuator, Lock			14.20
<i>(Included w/Lid Handle Assy)</i>			
21 Handle, Release	R 4B0 827 778 B L 4B0 827 777 B		4.75
22 Latch	98-01 4B5 827 505 D 01C 02-04 4B5 827 505 D 01C	.4	29.45
23 Bushing, Rod	893 827 547		1.20
24 Rod, Lock Cyl	4B5 827 541		3.45
25 Switch, Micro	4A5 959 489 B		29.40
26 Actuator, Power Lock	98-01 4B5 962 115 A 02-04 4B5 962 115 B	.3	35.75
27 Rod, Actuator	98-01 4B5 827 521 B 02-04 4B5 827 521 G		2.10
28 Striker	4B0 827 573		8.25
29 Cylinder, Lock w/Key	4B0 827 573 107 827 573 BA	#.5	99.05
w/o Key		#.5	164.25
<i>(Order by Application)</i>			
<i>#Included in R&amp;R Luggage Lid Handle Assy</i>			
30 Stop, Lid Adjusting	R/L 4B5 827 377		2.00
31 Weatherstrip	4B5 827 705 N	.8	83.25



022-01941

32 Spoiler, Rear (P)	4B0 071 640 A 9AX	.4	310.00
<i>(P) Paint to Match</i>			

**INTERIOR TRIM**



022-01253

1 Panel Assy, Lid Trim w/Navigation System	4B5 867 975 F 8PC	.3	60.55
w/o Navigation System	4B5 867 975 E 8PC	.3	60.55
2 Clip, Trim Panel (a)	4B0 867 276 A		.52
<i>(Included w/Lid Trim Panel Assy)</i>			
3 Screw, Trim Panel (a)	N 901 575 01		.82
4 Nut (a)	4A0 857 610		.58
<i>(a) As Required</i>			
5 Lamp, Compartment (2)	N 331 947 113		9.65
6 Bulb (2)	N 017 725 2		1.95

**LIFTGATE**

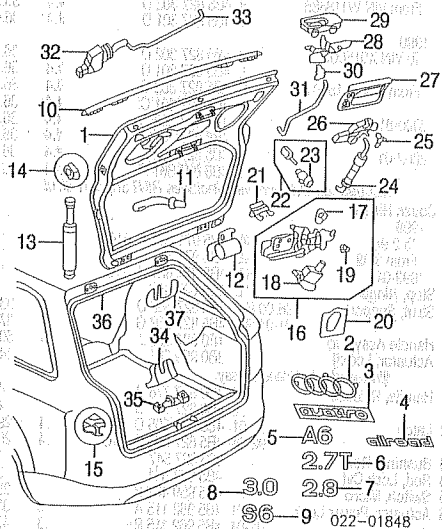
Use Procedure Explanations 25 and 28 with the following text.

**SHEET METAL/EXTERIOR TRIM**

Refinish Liftgate Shell Outside	2.4
Add for Underside	1.2
Refinish Hinge	R/L .2
R&L Gate Assy	.8
Add to R&R Liftgate	
To Transfer Glass	.7

LIFTGATE Cont'd

SHEET METAL/EXTERIOR TRIM Cont'd

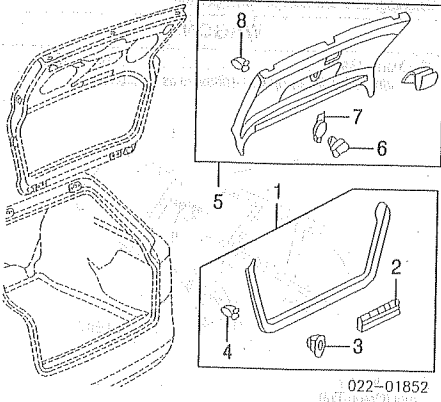


1 Shell, Liftgate	4B9 827 023 J	4.7	490.00
2 Emblem, Audi Nameplate (Adhesive)	4B9 853 742 ZZZ	.2	17.50
3 "Qualtro" Nameplate (Adhesive)	4B0 853 737 D ZZZ	.2	11.55
4 "Allroad" Nameplate (Adhesive)	4Z7 853 735 A ZZZ	.2	21.35
5 "A6"	4B0 853 741 C ZZZ	.2	8.45
6 "2.7T"	4B0 853 743 R ZZZ	.2	8.45
7 "2.8"	99-00 8A0 853 743 F ZZZ	.2	11.55
	01 4B0 853 743 L ZZZ	.2	7.60
8 "3.0"	8E0 853 743 ZZZ	.2	9.50
9 "S6"	4B0 853 735 ZZZ	.2	21.35
10 Moulding, Liftgate	98-01 4B9 853 927 C ZZZ	.2	42.20
	02-04 4B9 853 927 N 3Q7	.2	61.40
11 Boot, Liftgate Wiring	4B9 971 840	.2	8.15
12 Hinge, Liftgate	R/L 4B9 827 299 B	#.3	20.30
	#w/Lid Removed, R&R Both Sides		
13 Strut, Support	R/L 4B9 827 552 M	.3	37.85
	#Order by Application		
14 Bumper, Upper	R/L 4B9 827 249 F		6.95
15 Bumper, Lower	R/L 8A5 827 347		16.75
16 Handle Assy, Liftgate	4B0 827 565 J	#.4	50.45
17 Switch Handle	98-01 8D9 959 489	#.4	30.20
	02-04 4B0 959 489 A	#.4	11.85
18 Actuator, Lock	3B0 959 781	#.4	14.20
	#R&R Complete, w/Trim Panel Removed		
19 Clip, Connecting	3B0 862 247		1.30
	#Included w/Liftgate Handle Assy		
20 Gasket, Handle	8D9 827 594		4.75
21 Lever, Operation	R 4B0 827 778 B		4.75
	L 4B0 827 777 B		4.75
22 Cylinder & Key Assy	4B0 827 573	#.3	99.05
23 Cylinder, Lock	107 827 573 BA	#.3	164.25
	#Included w/Cylinder & Key Assy		
	(a) Coded to Vehicle, Dealer Contact Required		
24 Rod, Connecting	4B9 827 541 A		3.45
25 Clip, Connecting Rod	893 837 821 A		.73
26 Lock, Liftgate	4B9 827 505 M	#.2	41.50
	#w/Trim Panel Removed		
27 Handle, Inside	4B9 827 691 C GDP	#.3	47.35
28 Mechanism, Operating	4B9 827 653 C GDP	#.3	70.70
29 Cover, Operating Mechanism	4B9 827 751 A GDP	#.3	7.35
	#Only listed, Order by Application		
	#R&R Complete, w/Trim Panel Removed		
30 Clip, Operating Mechanism	893 839 821		.92
31 Rod, Operating Mechanism	4B9 827 515 B		.92
32 Actuator, Power Lock	4B9 962 115	#.3	41.10
	#w/Trim Panel Removed		
33 Rod, Lock Actuator	4B9 827 521 D		.67
34 Cover, Locking Latch	4B9 827 085 D		21.00
35 Plate, Lock	4B9 827 507 L	.2	7.75
36 Weatherstrip	4B9 827 705 G	.4	48.85
37 Cover, Liftgate Hinge	R 4B9 827 280 A		4.55
	L 4B9 827 279 A		4.55

INTERIOR TRIM

Illustration Located in Next Column

1 Trim Assy, Upper Liftgate	4B9 867 973 C GDP	.3	60.55
	w/Sunshade		60.55
	w/o Sunshade	.3	60.55
	#Order by Application		
2 Seal, Rubber (a)	R/L 4B9 961 327 A GDP	10.45	
3 Mounting, Roller Blind	4B0 867 276 A	.52	
4 Clamp			



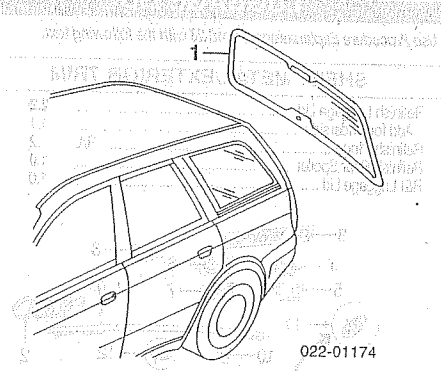
022-01852

#As Required  
(a) Included w/Upper Liftgate Trim Assy

5 Trim Assy, Lower Liftgate	4B9 867 979 G FQR	.4	457.65
	w/Roller Blind		
	4B9 867 979 F FQR	.4	457.65
	#Order by Application		
6 Knob, Rotary (a)	4B9 867 799 1EJ	3.00	
7 Fastener (a)	4B9 867 899 4PK	2.75	
8 Clamp	4B0 867 276 A	.52	

#As Required  
(a) Included w/Lower Liftgate Trim Assy

GLASS & PARTS

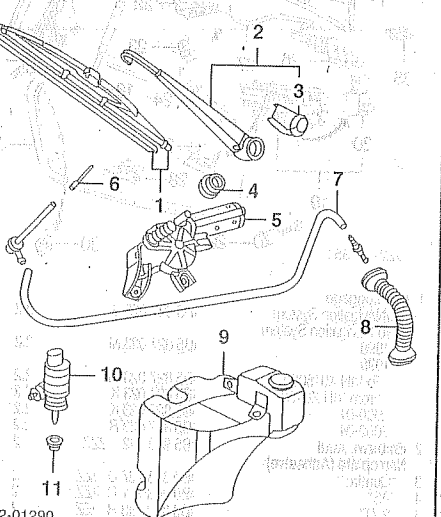


022-01174

1 Glass, Liftgate	4B9 845 501 B NVB	#2.5	309.80
	Audi (Heated/Green Tint)		
	NAGS (Green)		
	w/Insulator	FB20683GNTN	#2.5 0.00
	w/o Insulator	FB20684GNTN	#2.5 0.00

#Includes Clean Up Old Adhesive as Necessary

WIPER SYSTEM



022-01290

1 Blade, Wiper	8D9 955 425	.1	12.10
2 Arm Assy, Wiper	1998-00 4B9 955 407 3FZ	#.2	36.85
	2001 To VIN 1120000 4B9 955 407 3FZ	#.2	36.85
	From VIN 1120001 8D9 955 407 A	#.2	36.85

2002-04	8D9 955 407 A	#.2	36.85
	#Includes R&R Wiper Blade		
3 Cap, Wiper Arm	1998-00 4B9 955 205		2.20
	2001 To VIN 1120000 4B9 955 205		2.20
	From VIN 1120001 8D9 955 205 A		2.15
	2002-04 8D9 955 205 A		2.15
	#Included w/Wiper Arm Assy		
4 Gasket, Arm	8D9 955 758 A		1.40
5 Motor, Wiper	8L0 955 711 B	#.6	122.95
	#w/Trim Panel Removed		
6 Nozzle, Spray	3B9 955 985 A		6.30
7 Hose	N.A.		0.00
	#Cut to Fit		
8 Boot, Protective	4B9 971 840		8.15
9 Reservoir, Washer-See Windshield Section			
10 Pump, Washer	1J6 955 651	#.5	30.55
	#Included in R&R Washer Tank		
11 Grommet, Washer Pump	305 955 465 1		.30

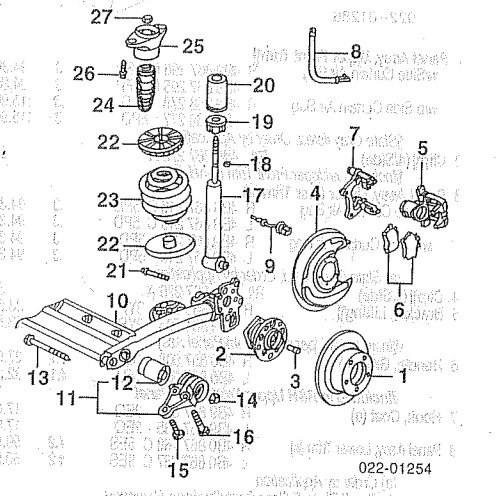
REAR SUSPENSION

Use Procedure Explanation 23 with the following text.

FWD

R&I Rear Suspension/Axle Assy	m	2.5
Adjust Four Wheel Alignment	m	1.8
Adjust Rear Alignment	m	1.0
Bleed Brake System	m	.4

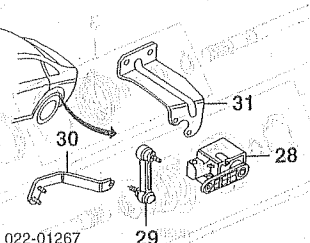
NOTE 1: R&I/R&R Does Not include alignment or bleed brake system.  
NOTE 2: Refer to Special Cautions Section at the beginning of this vehicle text.



1 Rotor, Brake	R/L 4A0 615 601 A	m #1.1	72.60
2 Hub, Rotor	R/L 8E0 501 611	m #1.1	272.60
3 Bolt (5/Side)	R/L N 014 721 A	m	.52
4 Shield, Splash	R 8E0 615 612 C	m #1.1	17.35
	L 8E0 615 611 C	m #1.1	17.35
	#R&R One Side Complete, R&R Both Sides 2.0		
5 Caliper, Brake	R/L 8E0 615 424-3	m #.5	239.20
	#w/Rotor Removed Deduct .3, R&R Both Sides .8		
6 Pad Set, Brake	98-01 8E0 698 451 A	m #1.0	44.00
	02-03 4B0 698 451 B	m #1.0	54.60
	04 4B0 698 451 E		126.95
	#Deduct .5 for Each Caliper Removed		
7 Carrier, Caliper	R/L 8E0 615 425	m #.5	91.60
	#Included in R&R Caliper		
8 Hose/Line, Brake	R 8E0 611 764 K	m #.3	25.80
	L 8E0 611 763 K	m #.3	25.80
	#w/Caliper Removed Deduct .2		
9 Sensor, Rear ABS-See ABS/Brakes Section			
10 Axle, Rear	4B0 500 051 H	m #5.2	713.00
11 Bracket, Axle	R 4B0 501 522 E	m #5.2	115.15
	L 8E0 501 521 N	m #5.2	111.70
	#Includes R&I Suspension, Not Included in O/I		
12 Bushing-Serviced w/Axle Bracket			
13 Bolt, Brkt Center	R/L N 907 397 01		6.30
14 Nut, Bracket	R/L N 104 018 01		2.25
15 Bolt, Brkt Front	R/L N 908 194 01		3.45
16 Bolt, Brkt Rear (2/Side)	R/L N 908 235 01		2.70
17 Absorber, Shock	w/SLS R/L 4B0 616 026-5	m #1.6	379.30
	w/o SLS R/L 4B0 513 032 D	m #1.6	155.80
	#Order by Application		
18 Ring, Lock	R/L N 023 641 1	m #1.6	.52
19 Cap	R/L 8E0 512 127	m #1.6	2.10
20 Boot, Dust	R/L 893 512 137	m #1.6	6.50
21 Bolt, Lwr Absorber	R/L N 104 110 01	m #1.6	1.70
22 Plate, Spring (2/Side)	R/L 4B0 512 149	m #1.6	11.85
23 Spring, Coil	R/L 3B0 511 115 D	m #1.6	90.65
	#Order by Application		
24 Stop, Rubber	R/L 3B0 512 131 H	m #1.6	19.00
25 Mount, Up Absorber	R/L 8E0 513 353 B	m #1.6	22.10
26 Bolt, Up Mtg (2/Side)	R/L N 907 583 01	m #1.6	1.60
27 Nut, Up Absorber	R/L N 103 041 02	m #1.6	.92



#R&R One Side Complete, w/Rear Axle Removed Deduct .6, R&R Both Sides 3.0

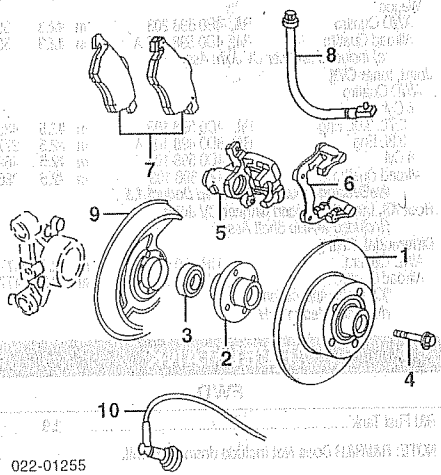


28 Sensor, H/Lamp Range Cont	4B0 907 503	m	#5	54.50
29 Linkage, Sensor	3B0 505 465	m	#5	28.80
#R&R Complete, Not Included in O/H				
30 Brkt, Linkage	3B0 505 573			6.95
31 Brkt, Retaining	4B0 505 575			13.15

AWD QUATTRO

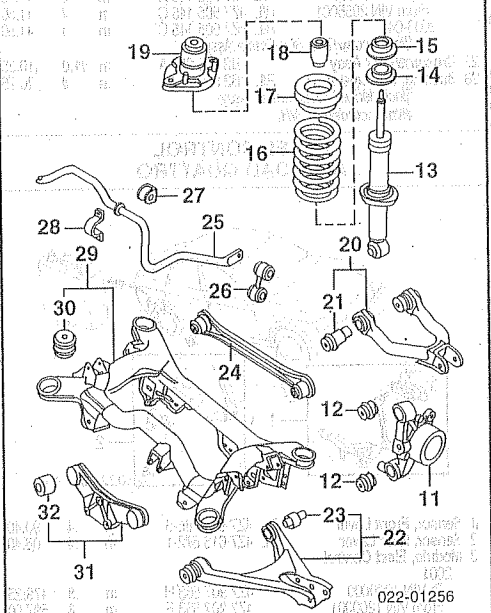
R&I Suspension/Sub-Frame Assy	m	4.7
O/H Suspension		
One Side	R/Lm	3.6
Both Sides	m	7.0
Adjust Four Wheel Alignment	m	1.8
Adjust Rear Alignment	m	1.3
Bleed Brake System	m	.4

NOTE 1: R&I/R&R or O/H Does Not include alignment or bleed brake system.  
 NOTE 2: Refer to Special Cautions Section at the beginning of this vehicle text.  
 NOTE 3: All Parts in this section are included in overhaul unless noted otherwise.



1 Rotor, Brake				
Sedan	R/L 4B0 615 601 B	m	#9	73.75
6 Cyl	R/L 4B0 615 601	m	#9	125.40
8 Cyl	R/L 4B0 615 601 A	m	#9	35.85
Wagon				
#R&R Both Sides 1.6				
2 Hub, Rotor				
Sedan	R/L 4B0 501 653	m	#1.5	165.45
6 Cyl	R/L 4D0 407 613 B	m	#1.5	245.55
8 Cyl	R/L 4D0 407 615 A	m	#1.5	297.40
Wagon				
#R&R One Side Complete, Includes R&R Rotor, R&R Both Sides 2.8				
3 Bearing, Hub				
Sedan	R/L 4B0 598 625 B	m	#1.5	71.75
6 Cyl	R/L 4D0 407 625 D	m	#1.5	130.65
8 Cyl	R/L 4D0 407 625 E	m	#1.5	116.90
Wagon				
#R&R One Side Complete, w/Rotor Removed Deduct .3, R&R Both Sides .8				
4 Bolt, Hub (3/Side)	R/L N 904 446 01			.73
5 Caliper, Brake				
6 Cyl	R 8E0 615 424 A	m	#5	246.30
8 Cyl	L 8E0 615 423 A	m	#5	246.30
8 Cyl	R/L 4B0 615 424-3	m	#5	584.00
6 Carrier, Caliper				
6 Cyl	R/L 8E0 615 425	m	#5	91.60
8 Cyl	R/L 4D0 615 425 B	m	#5	143.30
#R&R One Side Complete, w/Rotor Removed Deduct .3, R&R Both Sides .8				
7 Pad Set, Brake	8E0 698 451 B	m	#1.0	89.80
#Deduct .5 for Each Caliper Removed				
8 Hose, Brake	R/L 4B0 611 775 C	m	#3	34.70
#w/Caliper Removed Deduct .2				
9 Shield, Splash				
Sedan				
6 Cyl	R 8E0 615 612	m	#2	33.30
8 Cyl	L 8E0 615 611 E	m	#2	33.30
8 Cyl	R 4B3 615 612 A	m	#2	17.35

Wagon	L 4B3 615 611 A	m	#2	17.35
	R/L 4B3 615 612-1	m	#2	17.35



11 Housing, Bearing				
Sedan				
6 Cyl				
1998	R 8E0 505 436 L	m	#1.5	394.05
	L 8E0 505 435 L	m	#1.5	394.05
1999				
To VIN X060000	R 8E0 505 436 L	m	#1.5	394.05
	L 8E0 505 435 L	m	#1.5	394.05
From VIN X060001	R 8E0 505 436 N	m	#1.5	387.75
	L 8E0 505 435 N	m	#1.5	387.75
2000-01	R 8E0 505 436 N	m	#1.5	387.75
	L 8E0 505 435 N	m	#1.5	387.75
2002-04	R 8E0 505 436 P	m	#1.5	394.05
	L 8E0 505 435 P	m	#1.5	394.05
8 Cyl	00-01 R 8E0 505 436 M	m	#1.5	394.05
	L 8E0 505 435 M	m	#1.5	394.05
	02-04 R 4B0 505 434 A	m	#1.5	394.05
	L 4B0 505 433 A	m	#1.5	394.05

Wagon				
1999				
To VIN X060000	R 8E0 505 436 J	m	#1.5	387.75
	L 8E0 505 435 J	m	#1.5	387.75
From VIN X060001	R 8E0 505 436 P	m	#1.5	394.05
	L 8E0 505 435 P	m	#1.5	394.05
2000-04	R 8E0 505 436 P	m	#1.5	394.05
	L 8E0 505 435 P	m	#1.5	394.05

#Includes R&R Rotor, Hub, Bearing & Splash Shield, R&R Both Sides 2.8

12 Bushing, Mtg (4/Side)				
6 Cyl	R/L 8E0 505 172 A	m		19.85
8 Cyl	R/L 8E0 505 172 B	m		13.80
13 Absorber, Shock				
w/SLS	R 4B0 616 020 C	m	#1.6	589.00
	L 4B0 616 019 C	m	#1.6	589.00
wo SLS				
Sedan	R/L 4B5 513 031 M	m	#1.6	169.65
Wagon	R/L 4B9 513 031 M	m	#1.6	193.90
#Order by Application				
14 Plate, Lower Spring	R/L 8E0 512 297 A	m	#1.6	9.45
15 Packing, Lower	R/L 8E0 512 109 B	m	#1.6	6.05
16 Spring, Coil	R/L 4B0 511 115 G	m	#1.6	105.35
#Order by Application				
17 Plate, Upper Spring				
1998				
To VIN W100000	R/L 8E0 512 149 E	m	#1.6	11.95
From VIN W100001	R/L 8E0 512 149 H	m	#1.6	16.10
1999-04	R/L 8E0 512 149 H	m	#1.6	16.10
18 Stop, Upper				
1998				
To VIN W100000	R/L 3B0 512 131 K	m	#1.6	19.00
From VIN W100001	R/L 4B0 512 131 Q	m	#1.6	19.00
1999-04	R/L 4B0 512 131 Q	m	#1.6	19.00
19 Mount, Shock Absorber				
6 Cyl	R/L 8E0 512 121 E	m	#1.6	65.30
8 Cyl	R/L 8E0 512 121 D	m	#1.6	65.30
#R&R One Side Complete, R&R Both Sides 3.0				
20 Arm Assy, Upper Control	R/L 8E0 505 323 D	m	#7	130.65
#R&R Both Sides 1.2				
21 Bushing, Arm	R/L 8E0 505 185 C	m		15.35
#Included w/Upper Control Arm Assy				
22 Arm Assy, Lower Control	R/L 4B0 505 312-1	m	#1.5	142.25
#R&R Both Sides 2.8				
23 Bushing, Rear Arm	R/L 8E0 511 523 C	m		19.85
#Included w/Lower Control Arm Assy				
24 Rod, Tie				
6 Cyl	98-01 R 8E0 501 530 M	m	.5	68.70
	02-04 R 4B0 501 530 B	m	.5	89.80
8 Cyl	R/L 4B3 501 530	m	.5	101.60
25 Bar, Stabilizer				

w/Sport Susp	4B0 511 409 F	m	#8	141.70
wo Sport Susp	4B0 511 409 E	m	#8	141.70
26 Link, Slab Bar	R/L 8E0 505 465 D	m	#8	37.65
27 Bushing, Slab Bar	R/L 800 511 327 D	m	#8	5.75
28 Clamp, Bushing	R/L 8A0 511 439	m	#8	6.35

#R&R Complete, Not Included in O/H

29 Sub-Frame Assy, Rear				
6 Cyl	4B0 505 235 CA	m	#6.5	650.00
8 Cyl				
1998-01				
2002-04	4B0 505 235 BA	m	#6.5	666.00
A6				
Sedan	4Z7 505 235 H	m	#6.5	759.00
Wagon	4B0 505 235 CA	m	#6.5	650.00
S6	4B0 505 235 AB	m	#6.5	1125.00

#Order by Application

30 Bushing, Mounting				
Front	R/L 8E0 505 145 L	m	#	41.10
Rear	R/L 8E0 505 145 M	m	#	41.10

#Includes R&I Suspension, Not Included in O/H

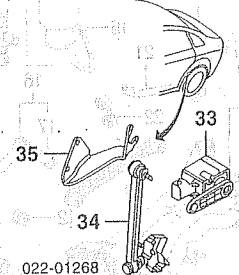
31 Crossmember Assy (a)				
w/Eng Protection Grille	4B3 599 285 A	m	#1.0	110.25
wo Eng Protection Grille				
1998-99	8E0 599 285 B	m	#1.0	172.00
2000				
To VIN Y059999	8E0 599 285 B	m	#1.0	172.00
From VIN Y060000	4B3 599 285 D	m	#1.0	110.25
2001-03	4B3 599 285 D	m	#1.0	110.25
2004	4B3 599 285 A	m	#1.0	110.25

(a) Order by Application

32 Bushing, Crossmember	R/L 4B3 599 257	m	#	20.75
-------------------------	-----------------	---	---	-------

#Included w/Crossmember Assy

#Not Included in O/H



33 Sensor, H/Lamp Range Cont	4B0 907 503	m	#5	54.50
34 Linkage, Sensor	4B0 505 465 A	m	#5	25.20
#R&R Complete, Not Included in O/H				
35 Brkt, Retaining	4B0 505 577			13.15

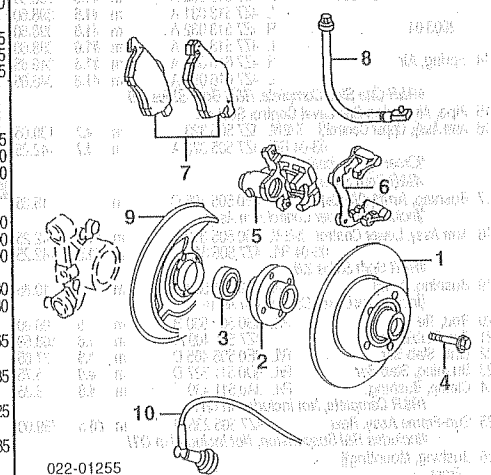
ALLROAD QUATTRO

R&I Suspension/Sub-Frame Assy	m	4.7
O/H Suspension		
One Side	R/Lm	3.6
Both Sides	m	7.0
Adjust Four Wheel Alignment	m	1.8
Adjust Rear Alignment	m	1.3
Bleed Brake System	m	.4

NOTE 1: R&I/R&R or O/H Does Not include alignment or bleed brake system.

NOTE 2: Refer to Special Cautions Section at the beginning of this vehicle text.

NOTE 3: All Parts in this section are included in overhaul unless noted otherwise.



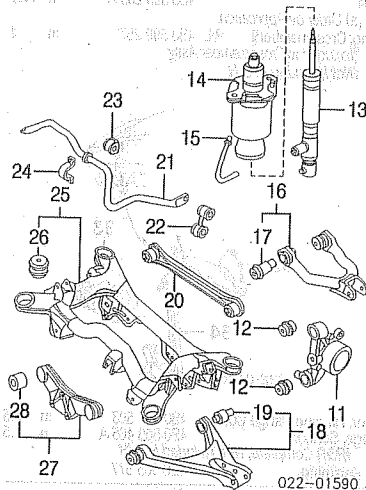
1 Rotor, Brake	R/L 4B0 615 601 B	m	#9	73.75
#R&R Both Sides 1.6				
2 Hub, Rotor	R/L 4D0 407 615 A	m	#1.5	297.40

# AUDI A6/S6 1998-04

## REAR SUSPENSION Cont'd

### ALLROAD QUATTRO Cont'd

3 Bearing, Hub #R&R One Side Complete, Includes R&R Rotor, R&R Both Sides 2.8	R/L 4D0 407 625 E	m #1.5	116.30
4 Bolt, Hub (3/Side)	R/L N 904 446 01		73
5 Caliper, Brake	R 8E0 615 424 A L 8E0 615 423 A	m #5	246.30
6 Carrier, Caliper #R&R One Side Complete, w/Rotor Removed Deduct .3, R&R Both Sides .8	R/L 8E0 615 425	m #5	91.60
7 Pad Set, Brake #Deduct .5 for Each Caliper Removed	4B0 698 451 B	m #1.0	54.60
8 Hose, Brake #w/Caliper Removed Deduct .2	R/L 4Z7 611 775 A	m #3	44.85
9 Shield, Splash 2001 To VIN 1155000 From VIN 1155001	R/L 4Z7 615 612-1 R 4Z7 615 612 A L 4Z7 615 611 A	m #2 m #2 m #2	17.35 21.25 21.25
2002-04	R 4Z7 615 612 A L 4Z7 615 611 A	m #2 m #2	21.25 21.25
#w/Rotor Removed			
10 Sensor, Rear ABS-See ABS/Brakes Section			



022-01590

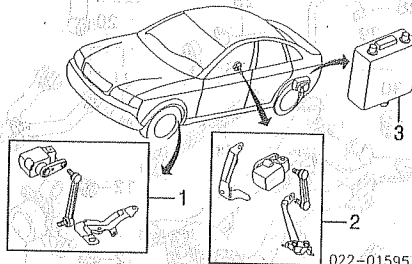
11 Housing, Bearing 2001 To VIN 1155000 From VIN 1155001	R 4Z7 505 436 A L 4Z7 505 435 A R 4Z7 505 436 B L 4Z7 505 435 B	m #1.5 m #1.5 m #1.5 m #1.5	397.75 387.75 394.05 394.05
2002-04	R 4Z7 505 436 B L 4Z7 505 435 B	m #1.5 m #1.5	394.05 394.05
#Includes R&R Rotor, Hub, Bearing & Splash Shield, R&R Both Sides 2.8			
12 Bushing, Mtg (4/Side)	R/L 8E0 505 172 A	m	19.85
13 Absorber, Air Shock 2001 To VIN 2070000 From VIN 2070001	R 4Z7 513 032 A L 4Z7 513 031 A R 4Z7 513 032 A L 4Z7 513 031 A	m #1.6 m #1.6 m #1.6 m #1.6	398.60 398.60 398.60 398.60
2003-04	R 4Z7 513 032 A L 4Z7 513 031 A	m #1.6 m #1.6	398.60 398.60
14 Spring, Air	R 4Z7 616 052 A L 4Z7 616 051 A	m #1.6 m #1.6	346.65 346.65

15 Pipe, Air Spring-See Level Control Section			
16 Arm Assy, Upper Control #Order by Application #R&R Both Sides 1.2	01-02 R/L 4Z7 505 323 03-04 R/L 4Z7 505 323 A	m #7 m #7	130.65 142.25
17 Bushing, Arm (2/Side) #Included w/Upper Control Arm Assy	R/L 8E0 505 185 C	m	15.35
18 Arm Assy, Lower Control 01-02 R/L 4B0 505 312-1 03-04 R/L 4Z7 505 312-1 #R&R Both Sides 2.8		m #1.5 m #1.5	142.25 142.25
19 Bushing, Arm #Included w/Lower Control Arm Assy	R/L 8E0 511 523 C	m	19.85
20 Rod, Tie	R/L 4B0 501 530 B	m .5	89.80
21 Bar, Stabilizer	4Z7 511 409 A	m #8	108.50
22 Link, Stab Bar	R/L 8E0 505 465 D	m #8	37.65
23 Bushing, Stab Bar	R/L 8D0 511 327 D	m #8	5.75
24 Clamp, Bushing #R&R Complete, Not Included in O/H	R/L 8A0 511 439	m #8	6.35

25 Sub-Frame Assy, Rear #Includes R&R Suspension, Not Included in O/H	4Z7 505 235 H	m #6.5	759.00
26 Bushing, Mounting Front 2001 2002 To VIN 2055000 From VIN 2055001	R/L 4Z7 505 145	m #	41.10 41.10 41.10 58.30

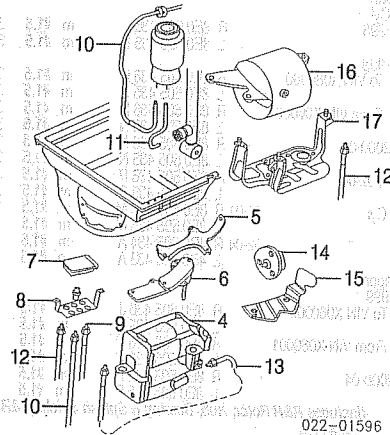
2003-04 Rear	R/L 4Z7 505 145 D	m #	58.30
2001	R/L 4Z7 505 145 A	m #	41.10
2002			
To VIN 2055000	R/L 4Z7 505 145 A	m #	41.10
From VIN 2055001	R/L 4Z7 505 145 C	m #	41.50
2003-04	R/L 4Z7 505 145 C	m #	41.50
#Included w/Rear Sub-Frame Assy			
27 Crossmember Assy	4B3 599 285 A	m #1.0	110.25
28 Bushing, Crossmember #Included w/Crossmember Assy #Not Included in O/H	R/L 4B3 599 257	m #	20.75

## LEVEL CONTROL ALLROAD QUATTRO



022-01595

1 Sensor, Front Level	R/L 4Z7 941 285-6	m .4	90.40
2 Sensor, Rear Level	R/L 4Z7 616 572-1	m .4	106.40
3 Module, Elect Control 2001 To VIN 1200000 From VIN 1200001 2002-04	4Z7 907 553 H 4Z7 907 553 E 4Z7 907 553 E	m .8 m .8 m .8	479.25 597.00 597.00



022-01596

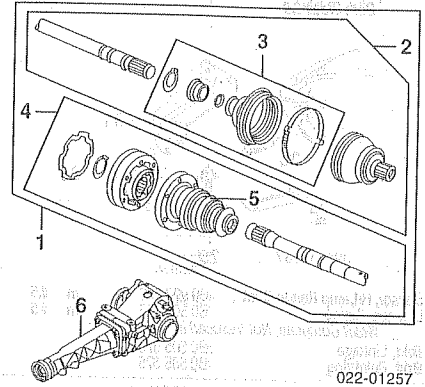
4 Compressor, Air	4Z7 616 007 A	m 1.8	712.00
5 Plate, Retaining	4Z7 616 003		26.90
6 Bracket, Compressor	4Z7 616 015 B		61.40
7 Valve, Solenoid	4Z7 616 013	m	523.00
8 Brkt, Solenoid Valve	4Z7 698 505 A		50.00
9 Pipe, Front Air	R/L 4Z7 616 698-7	m	42.25
10 Pipe, Rear Air	R/L 4Z7 616 698 A L 4Z7 616 697 A	m m	42.25 42.25
11 Pipe, Air Spring	R/L 4B0 616 711 E	m	5.40
12 Pipe, Pressure Unit	4Z7 616 697 C	m	41.50
13 Pipe, Compressor	4Z7 616 707	m	42.25
14 Muffler	4Z7 616 010 A	m	107.55
15 Shield, Heat	4Z7 616 105	m	237.10
16 Pressure Unit	4Z7 616 201	m #1.1	269.50
17 Brkt, Pressure Unit #R&R Complete	4Z7 616 254	m #1.1	58.95

## REAR DRIVE AXLE

R&I Axle Shaft Assy	R/Lm #1.8		
O/H Axle Shaft Assy (Includes R&I)	R/Lm #2.9		
#w/Bearing Housing Removed Deduct 1.5			
NOTE: All Parts in this section are included in overhaul unless noted otherwise.			

Illustration Located in Next Column

1 Shaft Assy, Axle Sedan 6 Cyl 2.7L, 3.0L Eng 2.8L Eng 8 Cyl	R/L 4B0 501 203 C R/L 4B0 501 203 00-01 R/L 4B0 501 203 C 02-04 R/L 4B0 501 203 B	m #1.8 m #1.8 m #1.8 m #1.8	395.15 395.15 395.15 395.15
-----------------------------------------------------------------------------	--------------------------------------------------------------------------------------------	--------------------------------------	--------------------------------------



022-01257

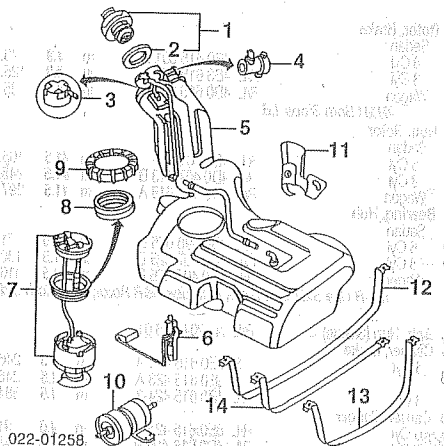
Wagon AWD Quattro	R/L 4B0 501 203 B	m #1.8	395.15
Allroad Quattro	R/L 4Z7 501 203 A	m #1.8	580.00
2 Joint Assy, Outer CV Sedan 6 Cyl 2.7L, 3.0L Eng 2.8L Eng 8 Cyl	R/L 4B0 598 099 R/L 3B0 598 099 R/L 8E0 598 099	m #2.5 m #2.5 m #2.5	367.70 462.55 367.70
Wagon AWD Quattro Allroad Quattro	R/L 4B0 598 099 R/L 4D0 598 099 A	m #2.5 m #2.5	367.70 530.00
3 Boot Kit, Outer (a) Sedan 6 Cyl 2.7L, 3.0L Eng 2.8L Eng 8 Cyl	R/L 4B0 598 203 R/L 3B0 598 203 R/L 8E0 598 203	m #2.3 m #2.3 m #2.3	35.85 29.15 33.05
Wagon AWD Quattro Allroad Quattro	R/L 4B0 598 203 R/L 4D0 598 203 A	m #2.3 m #2.3	35.85 55.35
(a) Included w/Outer CV Joint Assy			
4 Joint, Inner CV AWD Quattro 6 Cyl 2.7L, 3.0L Eng 2.8L Eng 8 Cyl	R/L 4D0 598 103 R/L 8D0 498 103 A R/L 4D0 598 103 R/L 4Z7 598 103	m #2.5 m #2.5 m #2.5 m #2.5	489.45 277.15 489.45 266.60
#w/Bearing Housing Removed Deduct 1.5			
5 Boot Kit, Inner Serviced w/Inner CV Joint #Included w/Axle Shaft Assy			
6 Differential, Rear AWD Quattro Allroad Quattro	01R 500 043 D 01R 500 043 R	m #2.2 m #2.2	3477.00 3477.00
#Order by Application #Not Included in O/H			

## FUEL TANK

### FWD

R&I Fuel Tank	2.9
---------------	-----

NOTE: R&I/R&R Does Not include drain and refill.



022-01258

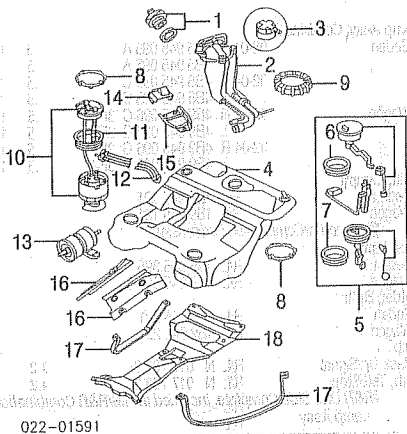
1 Cap Assy, Filter	1J0 201 553 A		10.85
2 Seal, Filter Cap #Included w/Filter Cap Assy	191 201 557		9.60
3 Valve, Rollover	8D0 201 751 A		31.95
4 Valve, Bleeder-Not Serviced			
5 Tank, Fuel	4B0 201 060 E	m 3.2	534.00
6 Gauge, Fuel Tank	4B0 919 673 BB	m #2.2	73.75
7 Pump, Fuel 1998-99 2000	8E0 906 087 D	m #2.2	265.25

To VIN Y015000	8E0 906 087 E	m #2.2	330.80
From VIN Y015001	8E0 906 087 F	m #2.2	4300.00
2001	8E0 906 087 F	m #2.2	4300.00
2002-04	8E0 906 087 D	m #2.2	265.25
<b>#R&amp;R Complete, Included in R&amp;R Fuel Tank</b>			
8 Seal, Fuel Gauge	1J0 919 133		8.25
9 Nut, Union	321 201 375 A		10.00
10 Filter, Fuel	1H0 201 511 A		18.70
11 Plate, Shield	4B0 201 308 H		17.60
12 Strap, Right Fuel Tank	4B0 201 654 G		11.60
13 Strap, Left Fuel Tank	4B0 201 653 K		11.60
14 Strap, Center Fuel Tank	4B0 201 653 L		11.60

**AWD QUATTRO  
ALLROAD QUATTRO**

R&I Fuel Tank #2.9  
#w/Rear Suspension/ Sub-Frame Assy Removed

NOTE: R&I/R&R Does Not include drain and refill.



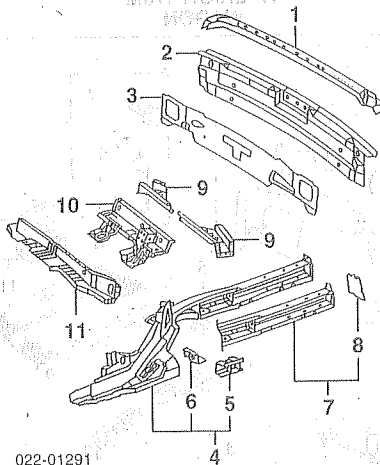
1 Cap, Filler	1J0 201 553 A		10.85
AWD Quattro	4B0 201 550 E		31.40
2 Neck, Filler			
6 Cyl	4B0 201 121 E		356.65
8 Cyl	4B3 201 121 C		1040.00
<i>#Includes Expansion Tank</i>			
3 Valve, Rollover-Not Applicable			
4 Tank, Fuel			
AWD Quattro			
6 Cyl			
1998	4B0 201 167 M	m #3.2	98.35
1999			
To VIN X030000	4B0 201 167 M	m #3.2	98.35
From VIN X030001	4B0 201 060 AA	m #3.2	605.00
2000-04	4B0 201 060 AA	m #3.2	605.00
8 Cyl	4B3 201 060 C	m #3.2	1334.00
Allroad Quattro	4B0 201 060 AA	m #3.2	605.00
<i>#w/Rear Suspension/ Sub-Frame Assy Removed</i>			
5 Gauge Assy, Fuel Sender			
6 Cyl	4B0 998 673 D	m	252.90
8 Cyl	4B3 998 673 B	m	227.65
6 Seal, Frt Fuel Gauge	R/L 8E0 919 133 B	m	17.75
7 Seal, Rear Fuel Gauge	6N0 919 133	m	7.80
<i>#Included w/Fuel Sender Gauge Assy</i>			
8 Nut, Union	R/L 8E0 201 375		6.35
9 Ring, Lock	191 201 375 A 01C		5.45
10 Pump, Fuel			
6 Cyl			
2.7L Eng	4B0 906 087 P	m #2.2	316.10
2.8L Eng	8E0 906 087 E	m #2.2	330.80
3.0L Eng	8E0 906 087 E	m #2.2	330.80
8 Cyl	4B0 906 087 P	m #2.2	316.10
<i>#Included in R&amp;R Fuel Tank</i>			
11 Seal, Fuel Pump	8E0 919 133 B		17.75
12 Booster, Vacuum	4B0 201 865 A		83.10
13 Filter, Fuel	441 201 511 C		26.55
14 Shield, Upr Heat	4B0 201 307 A		7.20
15 Shield, Lwr Heat	4B0 201 308 G		10.85
16 Shield, Lower			
6 Cyl	R 4B0 201 308 A		17.60
	L 4B0 201 308 B		17.60
8 Cyl	R 4B0 201 308 J		17.60
	L 4B0 201 308 K		17.60
	R 4B0 201 654 D		11.60
	L 4B0 201 653 F		11.60
17 Strap, Fuel Tank			
18 Brkt, Tank Support			
6 Cyl	4B0 201 781 D		117.45
8 Cyl	4B3 201 781		117.45

**REAR BODY**

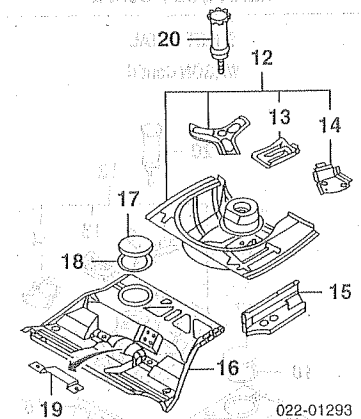
Use Procedure Explanations 26 and 28 with the following text.

**SHEET METAL  
SEDAN**

Refinish Rear Body Complete	2.0
Refinish Outer Upper Panel	.5
Refinish Inner Upper Panel	1.0
Refinish Rear Panel Lwr Reinf	1.0



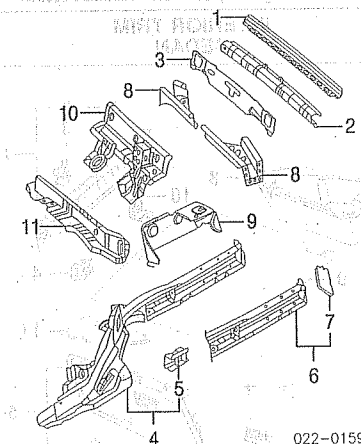
1 Panel, Outer Upper	4B5 813 307	#4.0	49.90
<i>#w/Rear Bumper, Lamps &amp; Necessary Bolted Parts &amp; Assemblies Removed</i>			
2 Panel, Inner Upper	4B5 813 331 A	#9.0	105.95
<i>#Includes R&amp;R Outer Upper Panel</i>			
3 Reinf, Lwr Rear Panel	4B0 813 341	#11.5	38.25
<i>#Includes R&amp;R Outer &amp; Inner Upper Panels, w/Each Quarter Panel Removed Deduct 2.1</i>			
4 Sidemember Assy			
FWD			
1998-01	R 4B0 803 402 A	s #8.5	256.90
	L 4B0 803 401 A	s #8.5	256.90
2002			
To VIN 2110000	R 4B0 803 402 A	m #8.5	256.90
	L 4B0 803 401 A	s #8.5	256.90
From VIN 2110001	R 4B0 803 402 D	s #8.5	256.90
	L 4B0 803 401 D	s #8.5	256.90
2003-04	R 4B0 803 402 D	s #8.5	256.90
	L 4B0 803 401 D	s #8.5	256.90
AWD Quattro			
1998-01	R 4B0 803 402 B	s #8.5	256.90
	L 4B0 803 401 E	s #8.5	256.90
2002			
To VIN 2110000	R 4B0 803 402 B	s #8.5	256.90
	L 4B0 803 401 E	s #8.5	256.90
From VIN 2110001	R 4B0 803 402 E	s #8.5	256.90
	L 4B0 803 401 E	s #8.5	256.90
2003-04	R 4B0 803 402 E	s #8.5	256.90
	L 4B0 803 401 E	s #8.5	256.90
<i>#w/Floor Pan &amp; Wheel Well Pan Removed Deduct 3.0</i>			
5 Reinf, Rail			
FWD	R 4B0 803 298		8.25
AWD Quattro	R 4B0 802 278 A		12.20
	L 4B0 802 277 A		12.20
6 Plate, Filler			
FWD	L 4B0 802 491		3.35
<i>AWD-Not Applicable</i>			
<i>#Included w/Sidemember Assy</i>			
7 Rail Assy, Rear Section			
FWD	R/L 4B0 803 998-7	s 3.5	132.75
AWD Quattro	R 4B0 803 998 A	s 3.5	132.75
	L 4B0 803 997 A	s 3.5	132.75
8 Reinf, Rear			
FWD	R/L 4B0 803 500-499		2.40
AWD Quattro	R 4B0 803 500 A		5.30
	L 4B0 803 499 A		5.30
<i>#Included w/Rear Section Rail Assy</i>			
9 Crossmember, Rear			
FWD	R 4B0 803 348 B		54.35
	L 4B0 803 345 B		61.40
AWD Quattro	R 4B0 803 346 B		61.40
	L 4B0 803 345 C		61.40
10 Crossmember, Center			
FWD	4B0 802 299 A		106.70
AWD Quattro	8E0 802 299 B		106.70
11 Crossmember, Front			
FWD	4B0 803 535		78.65
AWD Quattro	8E0 803 535		78.65
<i>Illustration Located in Next Column</i>			
12 Pan Assy, Rear Floor			
FWD	4B0 802 088 G	#12.5	287.65
AWD Quattro			
6 Cyl	4B0 802 088 H	#12.5	287.65
8 Cyl	4B3 802 088 C	#12.5	287.65
<i>#w/Rear Panel Lower Reinf, Interior Trim &amp; Necessary Bolted Parts &amp; Assemblies Removed</i>			
13 Mount, Towing Eye			
FWD	4B0 804 387		14.90
AWD Quattro	4B0 804 387 A		14.90
14 Plate, Muffler Retainer			
AWD Quattro	R/L 4B0 804 894-3		7.35
<i>#Included w/Rear Floor Pan Assy</i>			
15 Extension, Floor Pan			
FWD	R 4B0 802 092 B		50.55



AWD Quattro			
L 4B0 802 091			50.55
R 4B0 802 092 A			50.55
L 4B0 802 091 A			50.55
16 Pan, Floor			
FWD	4B0 802 087 D	#16.0	287.65
AWD Quattro	4B0 802 087 E	#16.0	287.65
<i>#w/Wheel Well Pan Removed Deduct 3.5</i>			
17 Cover, Fuel Gauge	6X0 803 959		11.55
18 Seal, Fuel	321 803 963		3.00
19 Reinf, Fuel Tank Strap	8E0 804 101		5.45
20 Bolt, Spare Wheel Mtg-See Spare Wheel & Hardware Section			

**SHEET METAL  
WAGON**

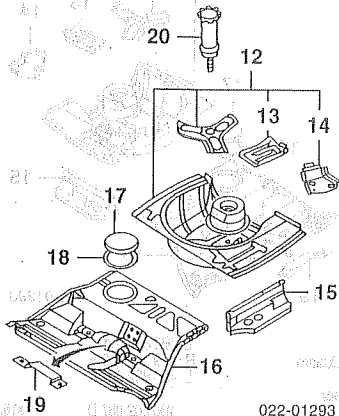
Refinish Outer Upper Panel #1.2



1 Panel, Outer Upper	4B9 813 307 A	6.5	59.65
2 Panel, Inner Upper	4B9 813 331 D	#8.5	63.40
<i>#Includes R&amp;R Upper Outer Panel, w/Each Quarter Panel Removed Deduct 2.1</i>			
3 Reinf, Lwr Rear Panel	4B0 813 341		38.25
4 Sidemember Assy			
AWD Quattro	R 4B0 803 402 B	s #8.5	256.90
	L 4B0 803 401 E	s #8.5	256.90
Allroad Quattro	R/L 4Z7 803 402-1	s #8.5	256.90
<i>#w/Floor Pan &amp; Wheel Well Pan Removed Deduct 3.0</i>			
5 Reinf, Rail			
FWD	R 4B0 802 278 A		12.20
AWD Quattro	L 4B0 802 277 A		12.20
<i>#Included w/Sidemember Assy</i>			
6 Rail Assy, Rear			
FWD	R 4B0 803 998 A	s 3.5	132.75
	L 4B0 803 997 A	s 3.5	132.75
7 Reinf, Rear			
FWD	R 4B0 803 500 A		5.30
AWD Quattro	L 4B0 803 499 A		5.30
<i>#Included w/Rear Rail Assy</i>			
8 Crossmember, Rear			
FWD	R 4B0 803 346 B		61.40
	L 4B0 803 345 C		61.40
9 Bracket, Wheelhouse			
FWD	4B9 809 302 A		42.15
AWD Quattro	L 4Z7 809 301 A		46.05
10 Crossmember, Center			
FWD	8E0 802 299 B		106.70
11 Crossmember, Front			
FWD	8E0 803 535		78.65
<i>Illustration Located in Next Column</i>			
12 Pan Assy, Rear Floor			
AWD Quattro	4B0 802 088 H	#12.5	287.65
Allroad Quattro	4Z7 802 088 E	#12.5	287.65
<i>#w/Rear Upper Panels, Interior Trim &amp; Necessary Bolted Parts &amp; Assemblies Removed</i>			

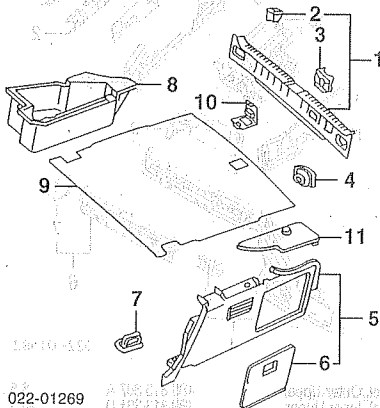
REAR BODY Cont'd

SHEET METAL  
WAGON Cont'd



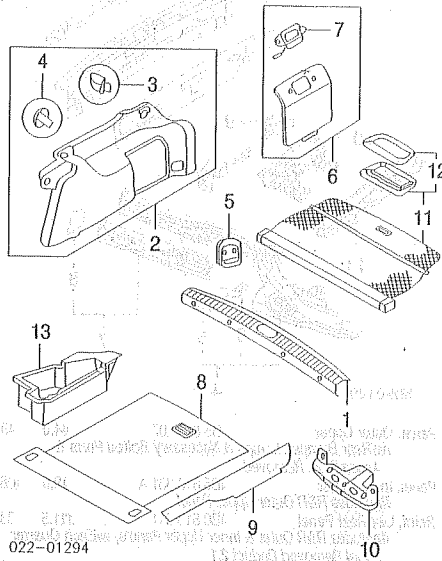
13 Mount, Towing Eye	4B0 804 387 A	14.90
14 Plate, Muffler Retainer	R/L 4B0 804 894-3	7.35
#Included w/Rear Floor Pan Assy		
15 Extension, Floor Pan	R 4B0 802 092 A	50.55
	L 4B0 802 091 A	50.55
	4B0 802 087 E	#16.0 287.65
#Wheel Well Pan Removed Deduct 3.5		
17 Cover, Fuel Gauge	6X0 803 959	11.55
18 Seal, Cover	321 803 963	3.00
19 Reinf, Fuel Tank Strap	8E0 804 101	5.45
20 Bolt, Spare Wheel Mtg-See Spare Wheel & Hardware Section		

INTERIOR TRIM  
SEDAN



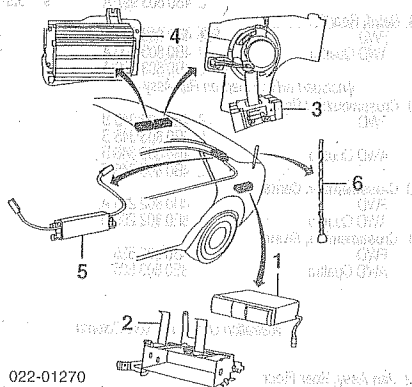
1 Panel Assy, Rear Body Trim		
FWD	4B5 863 471 H 01C	3 35.90
AWD Quattro	4B5 863 471 J 01C	3 35.90
2 Clip, Trim Panel (8)	4A0 867 276 A	.92
#Included w/Rear Body Trim Panel Assy		
3 Cover, Trim	8D5 863 487 01C	3.40
4 Eye, Front Tie-Down	R/L 8D9 864 203 6DP	9.10
5 Panel Assy, Wheelhouse Trim (a)		
FWD	R 4B5 863 888 K 8PC	4 135.40
	L 4B5 863 887 R 8PC	4 135.40
AWD Quattro	R 4B5 863 888 L 8PC	4 135.40
	L 4B5 863 887 P 8PC	4 135.40
(a) Order by Application		
6 Cover, Side (FWD)	R 4B5 863 990 8PC	74.80
	L 4B5 863 989 B 8PC	74.80
AWD Quattro	R 4B5 863 990 A 8PC	74.80
	L 4B5 863 989 C 8PC	80.35
#Included w/Wheelhouse Trim Panel Assy		
7 Eye, Rear Tie-Down	R/L 8D9 864 203 6DP	9.10
8 Shelf, Side (FWD)	R 4B5 864 898 01C	29.60
	L 4B5 864 897 01C	29.60
AWD Quattro	R 4B5 864 898 A 01C	29.60
	L 4B5 864 897 A 01C	29.60
9 Lining, Trunk Floor (a)		
FWD	4B5 863 463 Q 8PC	127.60
AWD Quattro	4B5 863 463 S 8PC	104.25
(a) Order by Application		
10 Plate, Handle	4B5 863 627 B 01C	3.00
11 Cover, Jack	4B5 863 575 A 8PC	18.30

INTERIOR TRIM  
WAGON



1 Panel, Lock Carrier Trim	4B9 864 483 A	.2 80.50
2 Panel Assy, Wheelhouse Trim	R 4B9 863 880 G FQR	.4 395.15
	L 4B9 863 879 F FQR	.4 301.25
#Chyx listed, Order by Application		
3 Clamp (6/Side)	R/L 4B0 867 276 A	.52
4 Nut, Speed (4/Side)	R/L 4A5 853 909 01C	.52
#Included w/Wheelhouse Trim Panel Assy		
5 Eye, Tie-Down	R/L 8D9 864 203 6DP	9.10
6 Cover Assy, Trim Panel	R 4B9 863 990 7EX	80.50
	L 4B9 863 989 7EX	80.50
7 Handle (a)	R 4B9 867 622 1EJ	24.80
	L 4B9 867 621 1EJ	24.80
(a) Included w/Trim Panel Cover Assy		
8 Lining, Center Trunk Floor	4B9 863 465 B 7EX	301.25
9 Lining, Outer Trunk Floor	R 4B9 863 464 A 7EX	83.25
	L 4B9 863 463 A 7EX	83.25
#Chyx listed, Order by Application		
10 Cover, Spare Wheel Well	4B9 863 527 A 03C	20.55
11 Sunshade Assy, Luggage Compartment		
AWD Quattro	4B9 863 553 G 6SP	451.60
w/Roller Blind	4B9 863 553 F 6SP	451.60
Allroad Quattro	4B9 863 553 G 94H	451.60
12 Handle (a)	8D9 862 565 1EJ	29.25
(a) Order by Application		
(a) Included w/Luggage Compartment Sunshade Assy		
13 Box, Storage	R 4B9 864 898 A	33.70
	L 4B9 864 897 A	33.70

ELECTRICAL COMPONENTS

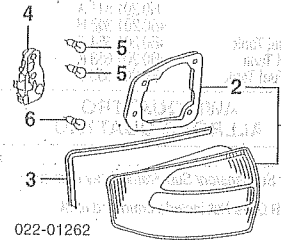


1 Changer, CD		
New	8N8 035 111 A	.6 350.00
Remanufactured	4B0 035 111 AX	.6 R210.00
2 Brkt, CD Changer	4B9 035 115 E	94.50
3 Sub-Woof, Bose	4B5 035 382 A	1222.00
4 Amplifier, Bose	4B5 051 382 A	538.00
5 Amplifier, Antenna	4B5 035 225 L	5 65.90
6 Antenna, Telephone	4D0 035 849 A	4 108.80
#Order by Application		

REAR LAMPS

COMBINATION LAMP

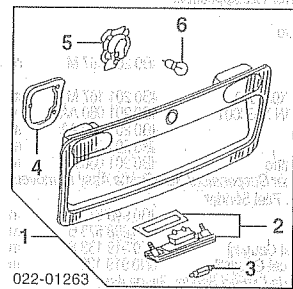
R&L Combination Lamp Assy	R/L	5
---------------------------	-----	---



1 Lamp Assy, Combination			
Sedan	98-01 R 4B5 945 096 A	5	102.95
	L 4B5 945 095 A	5	102.95
	02-04 R 4B5 945 096 C	5	118.15
	L 4B5 945 095 C	5	118.15
Wagon	98-01 R 4B9 945 096 C 3FZ	5	128.05
	L 4B9 945 095 C 3FZ	5	128.05
	02-04 R 4B9 945 096 G 3FZ	5	128.05
	L 4B9 945 095 G 3FZ	5	128.05
2 Gskt, Lamp			
Sedan	R/L 4B5 945 191		8.05
Wagon	R/L 4B9 945 191		8.05
#Included w/Combination Lamp Assy			
3 Seal, Lamp			
Sedan	R/L 4B5 945 395		8.05
Wagon	R/L 4B9 945 396-5		3.60
4 Holder, Bulb			
Sedan	R/L 4B5 945 221		14.35
Wagon	R/L 4B9 945 221		19.80
5 Bulb			
Back-Up/Signal	R/L N 017 732 2	#2	1.70
Bulb, Tail/Stop	R/L N 017 738 2	#2	2.10
#R&R One Side Complete, Included in R&R Combination Lamp Assy			

LICENSE LAMP

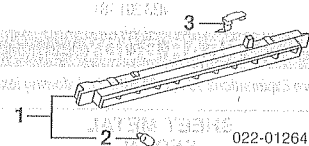
R&L License Lamp Trim Assy		
Sedan		#4
#Included in R&R Luggage Lid		
Wagon		#4
#Included in R&R Liftgate		



1 Trim Assy, License Lamp			
Sedan	98-01 4B5 945 695 B 01C	#4	193.85
	02-04 4B5 945 695 G 01C	#4	125.25
#Included in R&R Luggage Lid			
Wagon	98-01 4B9 945 695 F 01C	#4	106.35
	02-04 4B9 945 695 P 01C	#4	113.45
#Included in R&R Liftgate			

2 Lamp, License			
Sedan	R/L 4B5 943 022-1	#2	10.45
Wagon	R/L 4B9 943 021	#2	10.45
3 Bulb, License Lamp	R/L N 017 725 2	#2	1.95
4 Gskt, Mounting	R/L 4B5 945 395 A	#2	3.60
5 Socket, Bulb	R/L 893 945 265	#2	5.40
6 Bulb, Fog Lamp	R/L N 017 732 2	#2	1.70
#Included w/License Lamp Trim Assy			
#R&R One Side Complete			

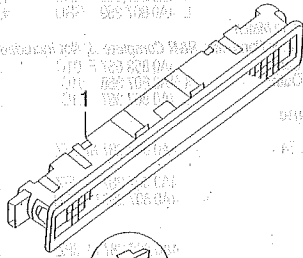
HIGH MOUNT STOP LAMP  
SEDAN



1 Lamp Assy, Stop (a)	4B0 945 097	3	45.40
(a) Mounted on Rear Shelf Pkg Tray			
2 Bulb (10)	N 017 753 4		2.00
#Included w/Stop Lamp Assy			

3 Clip, Mounting R/L 4B5 864 423 1.50

**HIGH MOUNT STOP LAMP WAGON**



022-01295

- 1 Lamp, Stop 4B9 945 097 #3 45.40
- 2 Cover, Stop Lamp R/L 4B9 945 289 #3 .33

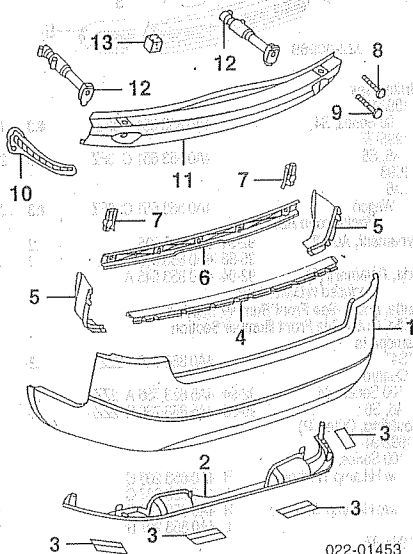
**REAR BUMPER**

Use Procedure Explanations 27 and 28 with the following text.

**FWD, AWD QUATTRO**

- Refinish Rear Cover..... 2.0
- Refinish Park Distance Sensor Complete..... .4
- R&I Bumper Assy..... .6
- O/H Bumper Assy (Includes R&I)..... 1.5
- Add to R&R or O/H w/Park Distance Control..... .4

NOTE: All Parts in this section are included in overhaul unless noted otherwise.

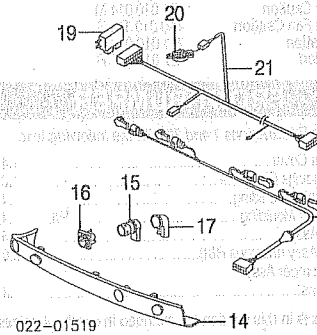


022-01453

- 1 Cover, Rear (P) Sedan 6 Cyl
  - 1998-01 w/Park Distance Control 4B5 807 301 AH GRU 1.5 384.15
  - w/o Park Distance Control 4B5 807 301 H GRU 1.5 525.00
  - 2002-04 4B5 807 301 BK GRU 1.5 404.60
- 8 Cyl
  - w/Park Distance Control 00-01 4B4 807 303 C GRU 1.5 541.00
  - 02-04 4B4 807 303 G GRU 1.5 541.00
  - w/o Park Distance Control 00-01 4B4 807 303 B GRU 1.5 541.00
  - 02-04 4B4 807 303 F GRU 1.5 541.00
- Wagon
  - 1998-01 w/Park Distance Control 4B9 807 303 C GRU 1.5 469.45
  - w/o Park Distance Control 4B9 807 303 B GRU 1.5 469.45
  - 2002-04 6 Cyl 4B9 807 303 E GRU 1.5 404.60
  - 8 Cyl w/Park Distance Control 4B6 807 303 E GRU 1.5 439.55
  - w/o Park Distance Control 4B6 807 303 D GRU 1.5 439.55
- 2 Panel, Lower Trim FWD 4B0 825 217 F #3 56.90
  - AWD Quattro 4B0 825 217 G #3 46.35
  - 6 Cyl 00-01 4B3 825 217 #3 59.00
  - 8 Cyl 02-04 4B3 825 217 A #3 70.90

- #w/Bumper Assy Removed, Included In R&R Rear Cover
- 3 Strip, Protective] 4B0 823 125 A 6.50 [Cut to Fit
- 4 Cover, Center Upper Wagon 4Z7 807 421 3FZ 51.60
- 6 Cyl 4B9 807 421 3FZ 56.85
- 8 Cyl
- 5 Cover, Outer Upper Wagon R 4B9 807 984 A 3FZ 21.00
- L 4B9 807 983 A 3FZ 21.00
- 6 Support, Ctr Upr Cover 4B9 807 989 6.30
- 7 Brkt, Support R 4B9 807 986 A .92
- L 4B9 807 985 A .92
- 8 Bolt, Upper R/L 4B0 807 893 A 2.10
- 9 Bolt, Lower (2/Side) R/L 4B0 807 893 A 2.10
- 10 Bracket, Guide Sedan R 4B5 807 454 E 9.50
- 6 Cyl L 4B5 807 453 E 9.50
- 8 Cyl R/L 4B4 807 454-3 9.45
- Wagon R 4B9 807 454 F 11.85
- L 4B9 807 453 F 11.85
- 11 Bar, Reinforcement w/Park Distance Control 4B3 807 313 IOH 216.00
- w/o Park Distance Control 4B0 807 313 E IOH 216.00
- 12 Absorber, Impact FWD Sedan R/L 4B0 807 378-7 #2 160.15
- Wagon 4B9 807 378-7 #2 199.20
- AWD Quattro Sedan R 4B0 807 378 A #2 160.15
- L 4B0 807 377 A #2 160.15
- Wagon R 4B9 807 378 A #2 199.20
- L 4B9 807 377 A #2 199.20

#w/Bumper Assy Removed 13 Absorber, Sound R/L 1H9 864 733 4.15

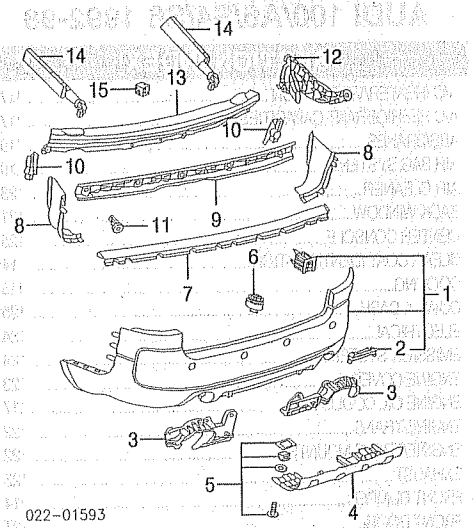


022-01519

- 14 Plate, Rear Trim 4B0 807 379 A 3FZ 87.45
- 15 Sensor, Park Distance Cont 1998-01 (2/Side) R/L 4B0 919 275 89.50
- 8 Cyl (P) R/L 4B0 919 275 A GRU 89.50
- (P) Paint to Match 2002-04 6 Cyl R/L 4B0 919 275 E 89.80
- Inner R/L 4B0 919 275 F 89.80
- Outer R/L 4B0 919 275 E 89.80
- 8 Cyl (4)
- 16 Brkt, Sensor (2/Side) 8 Cyl R/L 4B3 919 262-1 11.00
- 17 Cap, Sensor (2/Side) R/L 4B0 971 883 1.80
- 18 Harness, Park Sensor 6 Cyl 4B1 971 085 146.10
- 8 Cyl 4B1 971 085 B 146.10
- 19 Control Unit, Park Distance 1998-01 6 Cyl 4B0 919 283 178.25
- 8 Cyl 8B0 919 283 178.25
- 2002-04 8Cyl 8Z0 919 283 178.25
- 20 Sender, Warning Buzzer 4B0 919 279 27.65
- 21 Harness, Warning Sender] 4B1 971 065 D 77.55

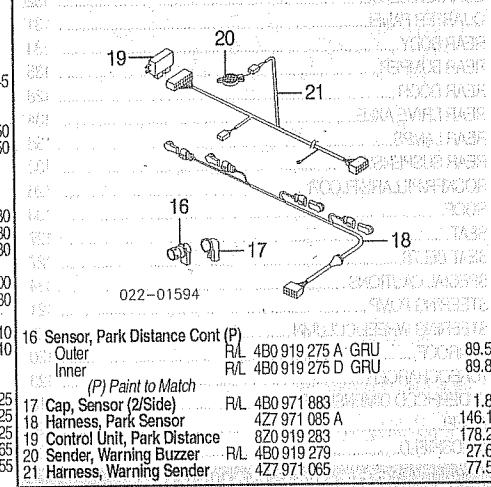
**ALLROAD QUATTRO**

- Refinish Rear Cover Assy..... 2.0
  - Refinish Park Distance Sensor Complete..... .4
  - R&I Rear Bumper Assy..... .6
  - O/H Rear Bumper Assy (Includes R&I)..... 1.5
  - Add to R&R or O/H w/Park Distance Control..... .4
- NOTE: All Parts in this section are included in overhaul unless noted otherwise.
- Illustration Located in Next Column
- 1 Cover Assy, Rear (P) w/Park Distance Control 01 4Z7 807 303 A GRU 1.5 469.45
  - 02-04 4Z7 807 303 C GRU 1.5 469.45
  - w/o Park Distance Control 01 4Z7 807 303 GRU 1.5 417.95
  - 02-04 4Z7 807 303 B GRU 1.5 415.35
- (P) Paint to Match
- 2 Retainer] (3) 4Z7 807 739 6.35



022-01593

- #Included w/Rear Cover Assy 3 Panel, Lower Trim R 4Z7 825 218 A #3 12.40
- L 4Z7 825 217 A #3 69.10
- #w/Bumper Assy Removed, Included In R&R Rear Cover 4 Plate, Skid 4Z7 807 835 B .3 360.55
- 5 Kit, Plate Mounting 4Z7 898 039 14.35
- 6 Support, Center Cover 4B9 807 381 15.80
- 7 Cover, Center Upper 4Z7 807 421 3FZ 51.60
- 8 Cover, Outer Upper R 4Z7 807 984 3FZ 21.00
- L 4Z7 807 983 3FZ 21.00
- 9 Support, Ctr Upr Cover 4B9 807 989 6.30
- 10 Brkt, Support R 4B9 807 986 A .92
- L 4B9 807 985 A .92
- 11 Nut, Expanding (7) N 908 214 01 .58
- 12 Bracket, Guide R/L 4Z7 807 454-3 9.45
- 13 Bar, Reinforcement] 01-03 4Z7 807 313 B IOH 216.00
- 04 4Z7 807 313 C IOH 216.00
- #Order by Application 14 Absorber, Impact R/L 4Z7 807 276-5 #2 244.00
- #w/Bumper Assy Removed 15 Absorber, Sound R/L 1H9 864 733 4.15



022-01594

- 16 Sensor, Park Distance Cont (P) Outer R/L 4B0 919 275 A GRU 89.50
- Inner R/L 4B0 919 275 D GRU 89.80
- (P) Paint to Match 17 Cap, Sensor (2/Side) R/L 4B0 971 883 1.80
- 18 Harness, Park Sensor 4Z7 971 085 A 146.10
- 19 Control Unit, Park Distance 8Z0 919 283 178.25
- 20 Sender, Warning Buzzer R/L 4B0 919 279 27.65
- 21 Harness, Warning Sender 4Z7 971 065 77.55