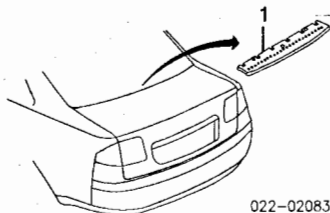


**REAR LAMPS Cont'd**

**HIGH MOUNT STOP LAMP**



022-02083

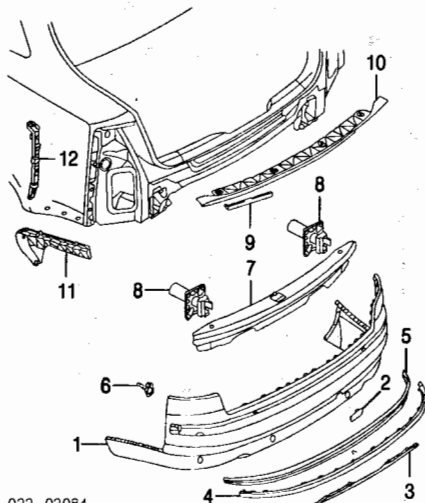
- 1 Lamp, High Mount Stop 4E0 945 097 3 76.25

**REAR BUMPER**

Use Procedure Explanations 27 and 28 with the following text.

Refinish Rear Cover.....	1.8
Refinish Bumper Guard.....	.6
R&I Bumper Assy.....	.6
O/H Bumper Assy (Includes R&I).....	1.5

NOTE: All Parts in this section are included in overhaul unless noted otherwise.



022-02084

1 Cover, Bumper (P)	4E0 807 303 GRU	1.5	456.95
2 Cover, Tow Eye (P)	4E0 807 441 A GRU		20.20
<i>(P) Paint to Match</i>			
3 Trim, Cover	4E0 807 819 A		26.95
4 Moulding, Bumper	4E0 807 443 A 2ZZ	.3	184.60
5 Guard, Bumper (P)	4E0 807 425 A GRU	.3	76.25
<i>(P) Paint to Match</i>			
6 Bolt, Cover (4/Side)	R/L 4E0 807 643		5.65
7 Reinf, Bumper	4E0 807 309 B	IOH	331.90
8 Absorber, Impact	R 4E0 807 358 A	#2	244.00
	L 4E0 807 357 A	#2	244.00
<i>#w/Bumper Assy Removed</i>			
9 Reflector, Bumper	R/L 4E0 945 105		7.85
10 Filler, Bumper	4E0 807 417 B 01C		51.60
11 Bracket, Bumper	R 4E0 807 572 A		11.25
	L 4E0 807 571 A		11.25
12 Strip, Attachment	R 4E0 810 916 A		35.90
	L 4E0 810 915 A		35.90

**AUDI A8/S8 1997-03**

**SECTION INDEX**

A/C /HEATER/VENTILATION.....	157
A/C REFRIGERANT CAPACITIES.....	157
ABS/BRAKES.....	160
AIR BAG SYSTEM.....	159
AIR CLEANER.....	164
BACK WINDOW.....	175
CENTER CONSOLE.....	167
CLEAR COAT IDENTIFICATION.....	154
COOLING.....	156
COVL & DASH.....	166
CRUISE CONTROL SYSTEM.....	160
ELECTRICAL.....	165
EMISSION SYSTEM.....	164
ENGINE UNDER COVER.....	164
ENGINE/TRANS.....	163
ENGINE/TRANS MOUNTS.....	163
EXHAUST.....	164
FRONT BUMPER.....	154
FRONT DOOR.....	171
FRONT DRIVE AXLE.....	162
FRONT FENDER.....	158
FRONT INNER STRUCTURE.....	158
FRONT LAMPS.....	155
FRONT SEAT.....	169
FRONT STEERING LINKAGE/GEAR.....	162
FRONT SUSPENSION.....	161
FUEL TANK.....	179
GRILLE.....	155
HOOD.....	156
INFORMATION LABELS.....	154
INSTRUMENT PANEL.....	166
LUGGAGE LID.....	177
PAINT CODE LOCATION.....	154
QUARTER GLASS.....	177
QUARTER PANEL.....	175
REAR BODY.....	179
REAR BUMPER.....	180
REAR DOOR.....	172
REAR DRIVE AXLE.....	179
REAR LAMPS.....	180
REAR SEAT.....	170
REAR SUSPENSION.....	177
ROCKER/PILLARS/FLOOR.....	168
ROOF.....	174
SEAT BELTS.....	170
SPECIAL CAUTIONS.....	154
STEERING PUMP.....	162
STEERING WHEEL/COLUMN.....	162
SUNROOF.....	175
TRANS OIL COOLER.....	157
WHEEL.....	160
WINDSHIELD.....	165

**SPECIAL CAUTIONS**

**AIR BAG**

Refer to Procedure Explanation 29 for Supplemental Restraint/Air Bag Special Cautions.

**CORROSION PROTECTION**

With the extensive use of aluminum construction, corrosion caused by contact between dissimilar metals may result if the wrong fastening components (screws, bolts, nuts, washers, rivets, plugs, grommets, adhesives, etc.) are installed.  
For this reason, the manufacturer advises installing only fasteners with special coatings, use only rubber parts, plastic parts and adhesives that are electrically non-conductive.

**ELECTRICAL COMPONENTS**

Ignition must be in off position before any electrical repair is performed.

**SUSPENSION**

Manufacturer advises that some new fasteners must be used whenever old fasteners are loosened or removed.

**WELDING**

Before initiating any repair involving the use of an electric welder, the ignition must be in the off position and both battery terminals disconnected.

**PAINT CODE LOCATION**

Paint code located in trunk compartment.

**CLEAR COAT IDENTIFICATION**

All colors are clear coat.

**INFORMATION LABELS**

NOTE: Emission and Vacuum Routing Labels must be special ordered from dealer by supplying description, VIN and owner information.

Label, Refrigerant Recharge	8A0 010 126 P	2.00
Label, Tire Pressure	4D0 010 155 P	2.95
Label, Aluminum Body/Corrosion	4D0 010 134 R	4.50
Label, Toothed Belt Replacement	059 010 158 A	2.45
Label, Alarm	4D0 010 138 E	1.40
Label, Theft Protected Radio	893 010 020 L	6.00
Label, Air Bag Renewal	443 010 028 F	4.90
Label, Air Bag Warning		
Passenger Side	4D0 010 143 E	1.80
Door Air Bag	8D0 010 143 S	5.05
Label, Air Bag Warning (On Visor)	8D0 010 143 T	3.35
Label, Danger High Voltage	4A0 010 114 S	6.90
Label, Maximum Oil Level	037 010 049 R	4.45
Label, Unleaded Fuel Only	034 010 017 B	1.40

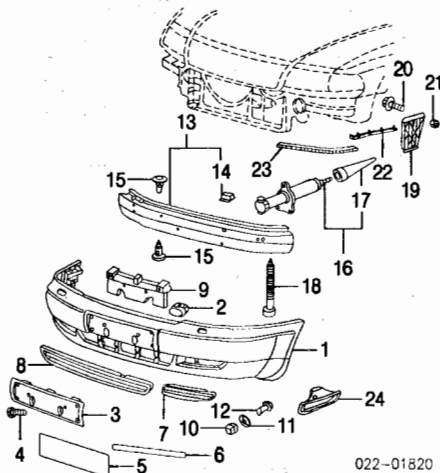
**FRONT BUMPER**

Use Procedure Explanations 1 and 28 with the following text.

**1997-99**

Refinish Front Cover.....	1.7
Refinish Headlamp Washer Cap.....	R/L #2
<i>#Included in Refinish Front Cover</i>	
Refinish License Bracket.....	.3
Refinish License Trim.....	.2
R&I Bumper Assy.....	#1.1
O/H Bumper Assy (Includes R&I).....	#2.7
<i>#Includes R&amp;I/R&amp;R Engine Cover Pan Assy</i>	

NOTE: All Parts in this section are included in overhaul unless noted otherwise.



022-01820

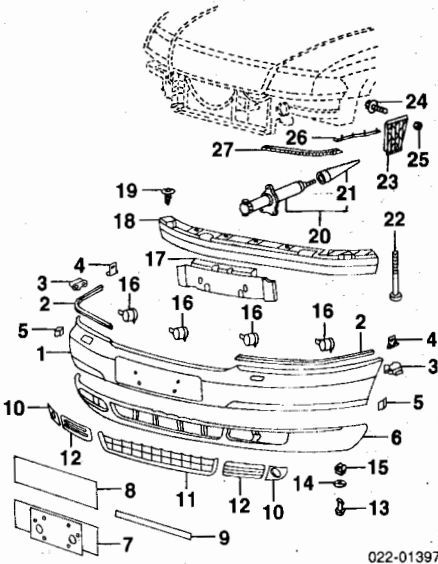
1 Cover, Bumper (P)	4D0 807 105 B GRU	#2.7	714.00
<i>#Includes R&amp;I/R&amp;R Engine Cover Pan Assy</i>			
2 Cap, Cover (P)	R 4D0 807 156 GRU		21.70
	L 4D0 807 155 GRU		21.70
3 Bracket, License (P)	4D0 807 287 D GRU	.3	81.10
<i>(P) Paint to Match</i>			
4 Screw, Bracket (2)	N 044 728 2		1.10
5 Trim, License (P)	4D0 807 287 C GRU	#2	81.10
<i>(P) Paint to Match</i>			
<i>#Included in R&amp;I License Bracket</i>			
6 Strip, Velcro	357 898 250		51.40
7 Grille, Otr Bumper	R 4D0 853 684 3FZ	2	80.00
	L 4D0 853 683 3FZ	2	80.00
8 Grille, Center Bumper	4D0 854 687 3FZ	.3	121.35
9 Insert, Front Bumper	4D0 807 509 B		42.70
10 Clip, Cover	R/L 4A0 805 163		1.20
11 Washer, Lock	R/L 4A0 805 137 A		.92
12 Pin, Dowel	R/L 4A0 805 121 A		2.80
13 Reinforcement Assy, Bumper	4D0 807 109	IOH	520.00
14 Nut, Aluminum	R/L 4D0 807 191		2.75
<i>#Included w/Bumper Reinforcement Assy</i>			
15 Rivet, Cover (18)	4D0 807 300		.82
16 Absorber Assy, Impact	R/L 4D0 807 271 E	#3	244.00
17 Guide, Absorber	R/L 4D0 807 291	#3	20.35
<i>#Included w/Impact Absorber Assy</i>			
<i>#w/Bumper Assy Removed, Not Included in OH</i>			
18 Bolt, Absorber	R/L N 907 807 01		3.50
19 Bracket, Otr Cover	R 4D0 807 254 L	#2	11.55
	L 4D0 807 253 L	#2	11.55
<i>#w/Bumper Assy Removed, Not Included in OH</i>			
20 Bolt, Bracket	R/L N 100 493 03		.92
21 Nut, Bracket	R/L N 011 008 30		.45

22 Beading, Fender	R 4D0 807 036 G	#1	3.00
	L 4D0 807 036 G	#1	2.80
23 Beading, H/Lamp (Adhesive)	R 4D0 807 036 C	#2	4.30
	L 4D0 807 036 C	#2	4.30
<i>#w/Bumper Assy Removed, Not Included in OH</i>			
24 Bracket, Horn Mtg-See Electrical Section			

**2000-03**

Refinish Front Cover	1.7
Refinish License Bracket	.3
Refinish Bumper Cover Trim	.2
R&I Bumper Assy	#1.1
O/H Bumper Assy (Includes R&I)	#2.7
<i>#Includes R&amp;R Engine Cover Pan Assy</i>	
Add to O/H Bumper Assy w/ Park Control	.3

**NOTE: All Parts in this section are included in overhaul unless noted otherwise.**



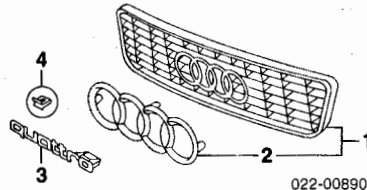
022-01397

1 Cover, Bumper (P)	4D0 807 429 AK GRU	#3.0	405.65
w/ Park Control	4D0 807 429 AJ GRU	#2.7	405.65
<i>(P) Paint to Match</i>			
<i>#Includes R&amp;R Engine Cover Pan Assy</i>			
2 Midg, Upper Cover			
Black	R 4D0 807 244 C 5PV	.3	196.75
	L 4D0 807 243 C 5PV	.3	156.90
Chrome	R 4D0 807 244 A 2ZZ	.3	164.10
	L 4D0 807 243 A 2ZZ	.3	164.10
3 Clip, Retainer (4)	R/L 4D0 807 249 B		1.20
4 Clip, Side	4D0 807 180		.45
<i>(As Required)</i>			
5 Clip, U (8)	4D0 807 249		1.20
6 Spoiler, Front			
2000	4D0 807 110 3FZ	.4	167.55
2001			
A8, A8 L			
To 5-00	4D0 807 110 3FZ	.4	167.55
From 6-00	4D0 807 110 A 3FZ	.4	226.55
S8			
To 5-00	4D0 807 110 3FZ	.4	167.55
From 6-00	4D0 807 110 B 3FZ	.4	254.20
2002-03			
A8, A8 L			
S8	4D0 807 110 A 3FZ	.4	226.55
	4D0 807 110 B 3FZ	.4	254.20
7 Bracket, License (P)	4D0 807 287 K GRU	.3	125.40
8 Trim, Bumper Cover (P)	4D0 807 287 L GRU	.3	92.15
<i>(P) Paint to Match</i>			
9 Strip, Veicro	357 898 250	.2	51.40
10 Bezel, Fog Lamp-See Front Lamps Section			
11 Grille, Center Spoiler			
A8, A8 L	4D0 853 667 B 3FZ	#2	114.95
S8	4D0 853 667 D 3FZ	#2	114.95
12 Grille, Outer Spoiler			
2000	R 4D0 853 684 K 3FZ	#2	70.80
	L 4D0 853 683 K 3FZ	#2	70.80
2001			
To 5-00	R 4D0 853 684 K 3FZ	#2	70.80
	L 4D0 853 683 K 3FZ	#2	70.80
From 6-00	R 4D0 853 636 3FZ	#2	132.40
	L 4D0 853 635 B 3FZ	#2	61.40
2002-03	R 4D0 853 636 3FZ	#2	132.40
	L 4D0 853 635 B 3FZ	#2	61.40
<i>#Each Additional .1</i>			
13 Pin, Dowel (5)	4A0 805 121 A		2.80
14 Washer, Pin (5)	4A0 805 137 A		.92
15 Clip, Pin (5)	4A0 805 163		1.20
16 Sensor, Park Cont (2/Side)	R/L 4D0 807 130-29	#2	18.95
<i>#w/Bumper Assy Removed</i>			
Harness, Fog Lamp/Sensor	4D0 971 095 A		145.40
17 Insert, Front Bumper	4D0 807 503 K		42.70
18 Reinf, Bumper	4D0 807 109 K	IOH	520.00
19 Rivet (15)	4D0 863 788		.58

20 Absorber Assy, Impact	R/L 4D0 807 271 E	#3	244.00
<i>#w/Bumper Assy Removed, Not Included in OH</i>			
21 Guide, Absorber	R/L 4D0 807 291		20.35
<i>#Included w/Impact Absorber Assy</i>			
22 Bolt, Absorber	R/L N 907 607 01		3.50
23 Bracket, Outer Cover	R 4D0 807 254 L		11.55
	L 4D0 807 253 L		11.55
24 Bolt, Bracket	R/L N 100 493 03		.92
25 Nut, Bracket	R/L N 011 008 30		.45
26 Beading, Fender	R 4D0 807 036 G	#1	3.00
	L 4D0 807 036 G	#1	2.80
27 Beading, Headlamp			
Adhesive	R 4D0 807 036 D	#2	4.30
	L 4D0 807 036 D	#2	4.30
Non-Adhesive	R/L 4D0 807 034-3	#2	5.40
<i>#w/Bumper Assy Removed, Not Included in OH</i>			

**GRILLE**

R&I Grille	#2
<i>#Included in R&amp;R Hood</i>	



022-00890

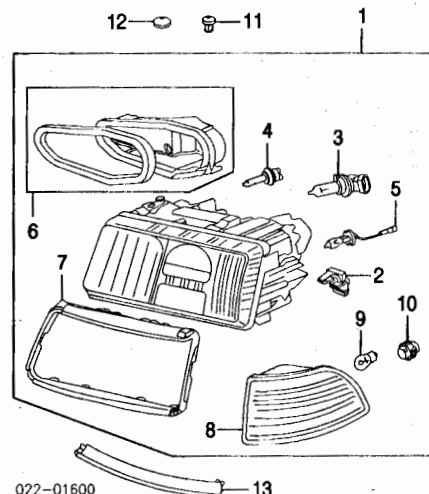
1 Grille Assy	97-99 4D0 853 651 B 3FZ	#2	208.30
	00-03 4D0 853 651 N 3FZ	#2	208.30
<i>#Included in R&amp;R Hood</i>			
2 Emblem, Grille	97-99 4D0 853 605	.3	22.70
	00-03 4D0 853 605 A 2ZZ	.3	25.95
<i>#Included w/Grille Assy</i>			
3 Nameplate "Quattro"			
	97-99 4D0 853 736 2ZZ	.1	8.45
	00-03 4D0 853 736 E 2ZZ	.1	21.35
	00 4D0 853 736 B 2ZZ	.1	33.05
	01-03 4D0 853 736 D 2ZZ	.1	33.05
"S8"	8A0 853 645		1.50
	N 905 397 01		.92
4 Clip, Nameplate	441 881 367 01C		.58
Screw, Grille (3)			
Cap, Screw (3)			

**FRONT LAMPS**

**COMBINATION LAMP 1997-99 HALOGEN**

Aim Lamps		.4
Refinish Lower Lamp Trim	R/L	.3
R&I Combination Lamp Assy	R/L	#5
<i>#Includes R&amp;I/R&amp;R Park/Signal Lamp &amp; Lower Lamp Trim</i>		
R&I Park/Signal Lamp	R/L	.2

**NOTE: R&R Does Not include aim lamps.**



022-01600

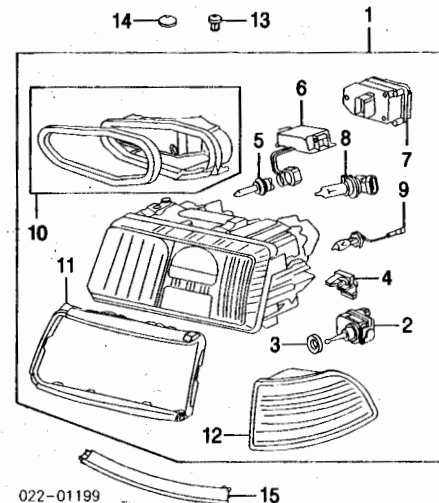
1 Lamp Assy, Combination			
1997			
To VIN V014326	R 4D0 941 004 H	#5	389.85
	L 4D0 941 003 H	#5	389.85
From VIN V014327	R 4D0 941 004 AF	#5	492.95
	L 4D0 941 003 AF	#5	492.95
1998-99	R 4D0 941 004 AF	#5	492.95
	L 4D0 941 003 AF	#5	492.95
<i>#Includes R&amp;I/R&amp;R Park/Signal Lamps and Lower Lamp Trim</i>			
2 Clamp, Retaining	R/L 893 941 117 A		3.55
3 Bulb, High Beam	R/L N 101 301 01	#2	21.65
<i>#R&amp;R Each Additional Bulb .1, Included in R&amp;R Lamp Lens &amp; Housing</i>			

4 Bulb, Low Beam	R/L N 017 761 2	#2	4.55
5 Bulb, Fog Lamp	R/L N 017 762 2	#2	4.65
<i>#R&amp;R Each Additional Bulb .1, Included in R&amp;R Lamp Lens &amp; Housing</i>			
6 Cap, Bulb Protect	R 4D0 941 159 D		22.70
	L 4D0 941 159 E		22.70
7 Frame, Sealing	R/L 4D0 941 192-1		46.20
8 Lamp, Park/Signal	R 4D0 953 050 A	#2	92.20
	L 4D0 953 049 A	#2	92.20
9 Bulb, Park/Signal Lamp	R/L N 017 738-2	#2	2.10
10 Socket, Park/Signal Lamp	R/L 8D0 953 053	#2	10.75
<i>#Included w/Combination Lamp Assy</i>			
11 Cap, Lamp	R/L 4D0 941 659 01C		1.00
12 Cap, Mtg Screw (2/Side)	R/L 441 881 367 01C		.58
13 Trim, Lwr Lamp/Bumper (P)	R 4D0 853 208 C	#2	17.80
	L 4D0 853 207 C	#2	17.80
<i>(P) Paint to Match</i>			
<i>#Included in R&amp;I/R&amp;R Combination Lamp Assy</i>			
Bracket, Front Trim	R 4D0 853 238 A		.82
	L 4D0 853 237 A		.82
Speednut, Brlt (2/Side)	R/L 811 807 577 C		.73
Clamp, Bracket	R/L N 015 437 3		.38
Grommet, Rear Trim	R/L 4D0 853 548		.58

**COMBINATION LAMP 1998-99 XENON LAMP**

Aim Lamps		.4
Refinish Lower Lamp Trim	R/L	.3
R&I Combination Lamp Assy	R/L	#5
<i>#Includes R&amp;I/R&amp;R Park/Signal Lamp &amp; Lower Lamp Trim</i>		
R&I Park/Signal Lamp	R/L	.2

**NOTE: R&R Does Not include aim lamps.**



022-01199

1 Lamp Assy, Combination	R 4D0 941 004 S	#5	1084.00
	L 4D0 941 003 S	#5	1084.00
<i>#Includes R&amp;I/R&amp;R Park/Signal Lamps and Lower Lamp Trim</i>			
2 Motor, Adjusting	R/L 4D0 941 295	.2	90.40
3 O-Ring, Motor	R/L 443 941 323		2.00
4 Clamp, Retaining			
(2/Side)	R/L 893 941 117 A	#2	3.55
5 Bulb, High Beam	R/L N 104 457 01	#2	179.10
<i>#R&amp;R Each Additional Bulb .1, Included in R&amp;R Lamp Lens &amp; Housing</i>			
6 Igniter, Xenon Bulb	R/L 4D0 941 471 A		369.80
7 Control Unit, Xenon	R/L 1J0 941 641		342.45
8 Bulb, Low Beam	R/L N 101 301 01	#2	21.65
9 Bulb, Fog Lamp	R/L N 017 762 2	#2	4.65
<i>#R&amp;R Each Additional Bulb .1, Included in R&amp;R Lamp Lens &amp; Housing</i>			
10 Cap, Bulb Protect	R 4D0 941 159 B		19.75
	L 4D0 941 159 C		19.75
11 Frame, Sealing	R/L 4D0 941 192-1		46.20
12 Lamp, Park/Signal	R 4D0 953 050 A	#2	92.20
	L 4D0 953 049 A	#2	92.20
Bulb, Park/Signal Lamp	R/L N 017 738-2	#2	2.10
Socket, Park/Signal Lamp	R/L 8D0 953 053	#2	10.75
<i>#Included w/Combination Lamp Assy</i>			
13 Cap, Lamp	R/L 4D0 941 659 01C		1.00
14 Cap, Mtg Screw (2/Side)	R/L 441 881 367 01C		.58
15 Trim, Lwr Lamp/Bumper (P)	R 4D0 853 208 C	#2	17.80
	L 4D0 853 207 C	#2	17.80
<i>(P) Paint to Match</i>			
<i>#Included in R&amp;I/R&amp;R Combination Lamp Assy</i>			
Bracket, Front Trim	R 4D0 853 238 A		.82
	L 4D0 853 237 A		.82
Speednut, Brlt (2/Side)	R/L 811 807 577 C		.73
Clamp, Bracket	R/L N 015 437 3		.38
Screw, Trim (2/Side)	R/L N 905 743 02		.22
Grommet, Rear Trim	R/L 4D0 853 548		.58

**COMBINATION LAMP 2000-03 HALOGEN**

Aim Lamps		.4
-----------	--	----

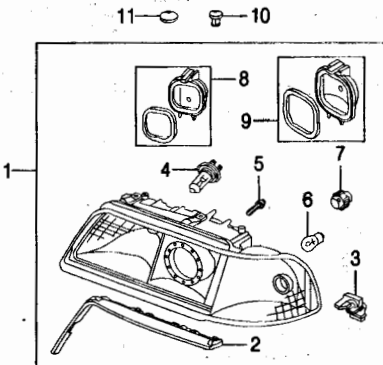
**FRONT LAMPS Cont'd**

**COMBINATION LAMP**

**2000-03  
HALOGEN Cont'd**

Refinish Lower Lamp Trim.....	R/L	3	
R&I Combination Lamp Assy.....	R/L	5	

**NOTE: R&R Does Not include aim lamps.**



022-01601

1 Lamp Assy, Combination	R 4D0 941 004 AB	5	534.00
	L 4D0 941 003 AB	5	534.00
2 Seal, Headlamp]	R 4D0 941 192 A		46.20
	L 4D0 941 191 A		46.20
3 Clamp, Retaining]	R/L 893 941 117 A		3.55
4 Bulb, Halogen High Beam]	R/L N 103 201 01	#2	12.90
5 Bulb, Halogen Low Beam]	R/L N 017 761 2	#2	4.55
<i>#R&amp;R Each Additional Bulb, 1</i>			
6 Bulb, Signal]	R/L N 901 298 01	2	3.90
7 Socket, Bulb]	R/L 8D0 953 053		10.75
8 Cap, High Beam Protective]	R/L 4D0 941 159 G		6.75
9 Cap, Low Beam Protective]	R/L 4D0 941 159 F		6.30
<i>#Included w/Combination Lamp Assy</i>			
10 Cap, Lamp	R/L 4D0 941 659 B 01C		1.00
11 Cap, Mtg Screw	R/L 441 881 367 01C		.58
12 Trim, Lwr Lamp/Bumper (P)	R 4D0 853 208 M GRU	#2	54.00
	L 4D0 853 207 M GRU	#2	54.00

*(P) Paint to Match*

*#Included in R&R/R&R Combination Lamp Assy*

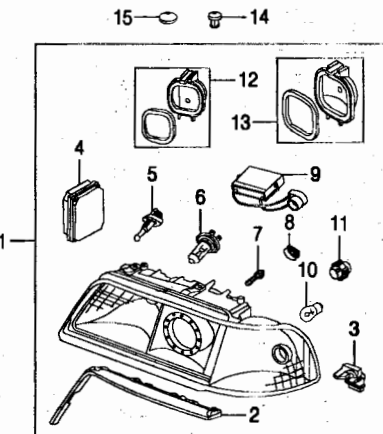
Bracket, Front Trim	R 4D0 853 238 A		.82
	L 4D0 853 237 A		.82
Speednut, Bracket (2/Side)	R/L 811 807 577 C		.73
Clamp, Bracket	R/L N 015 437 3		.38
Screw, Trim (2/Side)	R/L N 905 743 02		.22

**COMBINATION LAMP**

**2000-03  
XENON LAMP**

Aim Lamps.....		4	
Refinish Lower Lamp Trim.....	R/L	3	
R&I Combination Lamp Assy.....	R/L	5	

**NOTE: R&R Does Not include aim lamps.**



022-01537

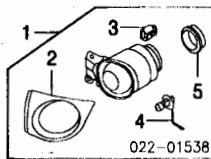
1 Lamp Assy, Combination	R 4D0 941 004 BE	5	801.00
	L 4D0 941 003 BE	5	601.00

2 Seal, Headlamp]	R 4D0 941 192 A		46.20
	L 4D0 941 191 A		46.20
3 Clamp, Retaining] (2/Side)	R/L 893 941 117 A		3.55
4 Control Unit, Xenon]	00 R/L 1J0 941 641		342.45
	01-03 R/L 4D0 907 476 B		441.50
5 Motor, Adjusting]	R/L 4B0 941 293 A		90.40
6 Bulb, High Beam]	R/L N 103 201 01	#2	12.90
7 Bulb, Xenon]	R/L N 104 457 01	#2	179.10
<i>#R&amp;R Each Additional Bulb, 1</i>			
8 Retainer, Xenon Bulb]	R/L 1J0 941 621		4.90
9 Igniter, Xenon Bulb]	00 R/L 4D0 941 471 B		369.80
	01-03 R/L 4D0 941 471 C		369.80
10 Bulb, Signal]	R/L N 901 298 01	2	3.90
11 Socket, Bulb]	R/L 8D0 953 053		10.75
12 Cap, High Beam Protective]	R/L 4D0 941 159 G		6.75
13 Cap, Low Beam Protective]	R/L 4D0 941 159 F		6.30
<i>#Included w/Combination Lamp Assy</i>			
14 Cap, Lamp	R/L 4D0 941 659 B 01C		1.00
15 Cap, Mtg Screw	R/L 441 881 367 01C		.58
16 Trim, Lwr Lamp/Bumper (P)	R 4D0 853 208 M GRU	#2	54.00
	L 4D0 853 207 M GRU	#2	54.00
<i>(P) Paint to Match</i>			
<i>#Included in R&amp;R/R&amp;R Combination Lamp Assy</i>			
Bracket, Front Trim	R 4D0 853 238 A		.82
	L 4D0 853 237 A		.82
Speednut, Bracket (2/Side)	R/L 811 807 577 C		.73
Clamp, Bracket	R/L N 015 437 3		.38
Screw, Trim (2/Side)	R/L N 905 743 02		.22

**FOG LAMP**

R&I Fog Lamp Assy.....	R/L	#3	
------------------------	-----	----	--

*#Included in R&R or OH Front Bumper Assy*



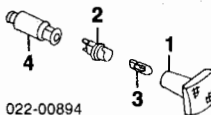
022-01538

1 Lamp Assy, Fog	00 R/L 4D0 941 700-699	#3	129.35
	01-03 R 8D9 941 700 B	#3	157.05
	L 8D0 941 699 B	#3	157.05
<i>#Included in R&amp;R or OH Front Bumper Assy</i>			
2 Bezel, Fog Lamp]	R/L 4D0 941 778-7		30.55
3 Housing, Connector]	R/L 1J0 973 722		5.95
4 Bulb, Fog Lamp]	00 R/L N 017 762 2	.3	4.65
	01-03 R/L N 103 201 01	.3	12.90
5 Cover, Lamp]	01-03 R/L N 103 201 01		12.90
<i>#Serviced w/Fog Lamp Assy</i>			
<i>#Included w/Fog Lamp Assy</i>			

**SIDE REPEATER LAMP**

R&I Side Repeater Lamp Assy.....	R/L	#7	
----------------------------------	-----	----	--

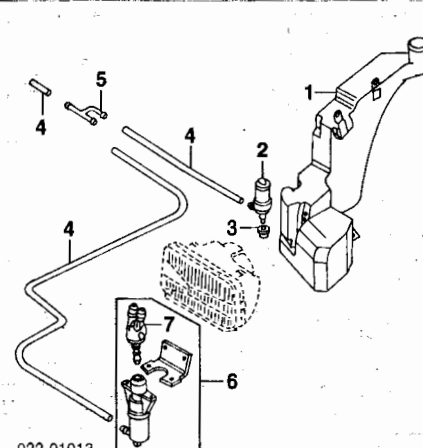
*#Includes R&R/R&R Fender Liners*



022-00894

1 Lens, Side Lamp	97-99 R/L 4D0 949 127 B	#2	7.90	
	00-03 R/L 8N0 949 127 A	#2	11.25	
2 Socket, Bulb	1997-99	R/L 161 949 111	#2	2.75
	2000-03]	R/L 8D0 971 273	#2	17.20
<i>#Includes Harness</i>				
3 Bulb, Side Lamp	97-99 R/L N 017 753 2	#2	1.30	
	00-03 R/L N 017 753 4	#2	2.00	
4 Boot, Harness	R/L N.A.	#2	0.00	
<i>#R&amp;R One Side Complete, w/Fender Liners Removed</i>				

**HEADLAMP WASHER**



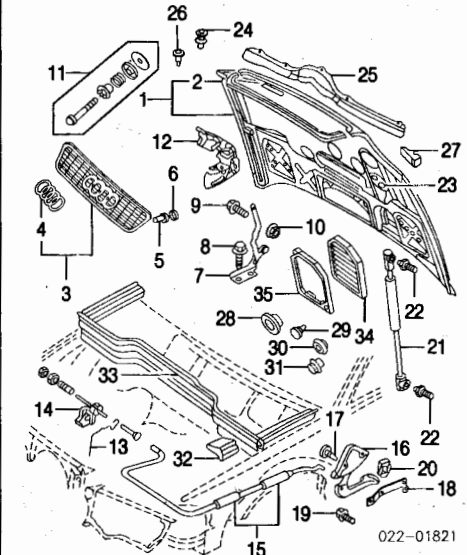
022-01013

1 Reservoir, Washer-See Windshield Section			
2 Pump, Washer	191 955 811	#8	94.60
3 Grommet, Pump	431 955 465 A	#8	2.10
<i>#R&amp;R Complete, Included in R&amp;R/R&amp;R Reservoir</i>			
4 Hose, Washer]	N.A.		0.00
<i>#Cut to Fit</i>			
5 T-Connector	811 955 873		11.70
6 Cylinder Assy, Pressure	97-99 R/L 4D0 955 101	#2	108.45
	00-03 R/L 4D0 955 101 A	#2	108.45
7 Jet, Spray]	97-99 R/L 4D0 955 185	#3	30.95
	00-03 R 4D0 955 990 A	#3	20.40
	L 4D0 955 989 A	#3	20.40
<i>#Included w/Pressure Cylinder Assy</i>			
<i>#w/Front Bumper Assy Removed</i>			

**HOOD**

*Use Procedure Explanations 4 and 28 with the following text.*

Refinish Hood Outside.....		3.0	
Add for Underside.....		1.5	
Refinish Hinge.....	R/L	2	
R&I Hood.....		8	

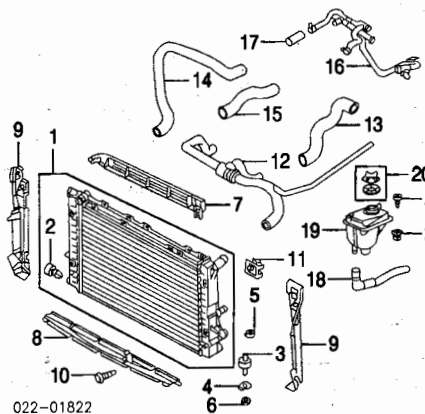


022-01821

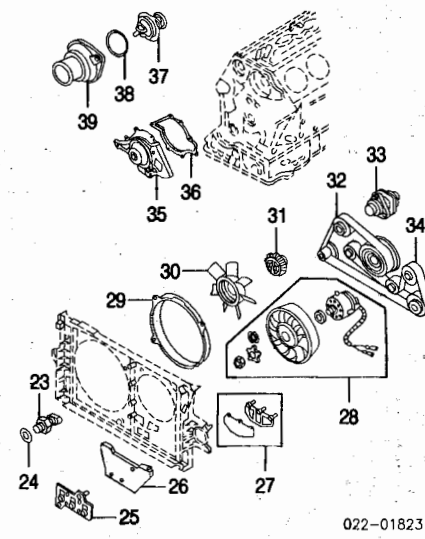
1 Hood Assy	97-99 4D1 823 029 H	#1.5	843.00
	00-03 4D1 823 029 Q	#1.5	843.00
<i>#Includes R&amp;R/R&amp;R Grille</i>			
2 Plate, Grille]	97-99 4D0 823 145		94.30
<i>#Included w/Hood Assy</i>			
3 Grille Assy-See Grille Section			
4 Emblem, Grille]-See Grille Section			
<i>#Included w/Grille Assy</i>			
5 Screw, Grille (3)-See Grille Section			
6 Cap, Screw (3)-See Grille Section			
7 Hinge, Hood	R 4D0 823 302 C	#3	43.35
	L 4D0 823 301 C	#3	43.35
<i>#w/Hood Removed</i>			
8 Bolt, Lower Hinge (2/Side)	R/L N 010 520 4		1.20
9 Bolt, Upper Hinge (2/Side)	R/L N 010 520 4		1.20
10 Nut, Shoulder (2/Side)	R/L N 904 862 02		.92
11 Pin Kit, Hood Lock	4D0 898 550	2	7.85
12 Latch, Hood Safety	97-99 4D0 823 485 C	2	66.15
	00-03 4D0 823 485 S	2	70.90
13 Lever, Lock Pin Release	R 4D0 823 590 A		5.40
	L 4D0 823 589 A		5.40
14 Clip, Cable (2)	4D0 823 573		1.40
15 Cable, Hood Release	4D1 823 543	#1.0	12.95
<i>#Includes R&amp;R/R&amp;R Hood Release Handle</i>			
16 Handle, Hood Release	4D1 823 531	4	30.95
17 Bolt, Handle (2)	N 904 555 03		.33
18 Bracket, Handle	4D0 823 573 A		6.40
19 Bolt, Bracket (2)	N 090 261 2		.52
20 Speednut (2)	N 904 205 02		1.30
21 Strut, Support	R/L 4D0 823 359 F	3	38.95
22 Stud, Ball (2/Side)	R/L 4D0 823 471		4.25
23 Insulator, Hood	4D0 863 825 B	4	108.45
24 Retainer, Insulator (20)	4D0 807 300 B		.82
25 Seal, Front Hood	4D0 823 733		8.60
26 Retainer, Seal (5)	447 857 909		.92
27 Seal, Side	R/L 4D0 823 727 A		2.65
28 Plug, Type 1 Hood	811 803 583 C		1.40
29 Plug, Type 2 Hood (2)	N 020 024 1		.52
30 Plug, Type 3 Hood	803 803 583 A		1.50
31 Plug, Type 4 Hood (4)	443 971 239 C		3.70
32 Stop, Hood Bump	R 4D0 823 500 A		2.65
	L 4D0 823 499 A		2.65
33 Seal, Rear Hood/Cowl	4D0 823 723 B		108.45
34 Filter, Cabin Air	R/L 4D0 819 439 A	#2	69.05
35 Frame, Filter	R/L 4D0 819 647	#2	10.80
<i>#R&amp;R One Side Complete, Both Sides, 3</i>			

**COOLING**

*Use Procedure Explanations 5 and 28 with the following text.*

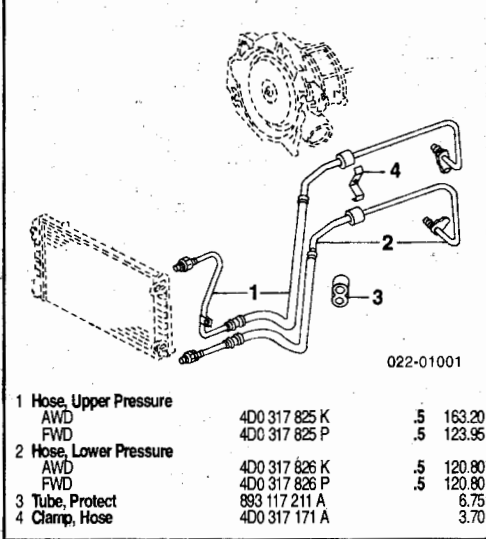


1 Radiator Assy	97-99 4D0 121 251 F	#1.9	643.00
	00-03 4D0 121 251 R	#1.9	447.80
<i>#w/Front Bumper Assy Removed, Includes Disconnect Power Steering Cooler</i>			
2 Plug, Rad Drain]	1997-99 4A0 121 140		44.10
<i>2000-03-Serviced w/Radiator Assy</i>			
<i>#Included w/Radiator Assy</i>			
3 Mount, Radiator			
Upper	R/L 441 121 273 L		7.95
Lower	R/L 441 121 273 K		23.40
4 Washer, Mount	R/L N 904 527 02		.45
5 Nut, Lock	R/L N 901 326 03		.52
6 Nut, Lower	R/L N 011 008 30		.45
7 Duct, Upper Air	4D0 121 343 A		24.40
8 Duct, Lower Air	97-99 4D0 121 333		24.40
	00-03 4D0 121 333 C		21.25
9 Duct, Side Air	97-99 R 4D0 121 284 A		16.65
	L 4D0 121 283 A		16.65
	00-03 R 4D0 121 284 B		15.50
	L 4D0 121 283 B		15.50
	N 905 438 01		.38
	N 904 190 02		.73
10 Bolt, Duct (9)			
11 Speednut, Duct (9)			
12 Hose, Upper Rad	4D0 121 101 D	#8	123.15
13 Hose, Lower Rad	4D0 121 101 T	#8	13.85
14 1997-99	4D0 121 055	#1.0	57.20
15 2000-03	4D0 121 055 F	#1.0	21.25
<i>#R&amp;R Both 1.4</i>			
16 Pipe Unit, Rear Eng			
3.7L Eng	97-99 077 121 071 AJ		98.45
4.2L Eng	97-99 077 121 071 AH		150.05
	00-03 077 121 071 BH		222.55
17 Hose, Eng/Pipe	97-99 441 819 373 E	#6	8.80
	00-03 077 121 102	#6	5.55
18 Hose, Pipe/Reservoir	97-99 4D0 121 109 F	#6	20.10
	00-03 4D0 121 109 P	#6	20.00
19 Reservoir, Coolant			
1997	4D0 121 403 C	#3	38.05
1998			
To VIN W008000	4D0 121 403 C	#3	38.05
From VIN W008001	4D0 121 403 C	#3	38.05
1999	4D0 121 403 C	#3	38.05
2000-03]	4D0 121 403 C	#3	38.05
<i>#Order by Application</i>			
20 Cap, Reservoir	443 121 321		10.80
21 Screw, Reservoir (3)	N 100 032 03		.33
22 Speednut, Reservoir (3)	811 807 577 C		.73



23 Switch, Thermo Fan	251 959 481 K	.5	30.20
24 Seal, Switch	N 043 808 3		1.30
25 Resistor, Series	893 959 493 C	.7	108.45
26 Bracket, Resistor	4D0 959 115 C		29.35
27 Blind, Radiator	8D0 121 223		7.35
28 Fan, Electric			
1997-99	8D0 959 455 P	1.0	248.65
2000-03]	8D0 959 455 P	1.0	248.65
<i>#Order by Application</i>			
29 Cowl, Fan	4D0 121 197		31.15
30 Blade, Fan	077 121 301 B	#1.1	89.65
31 Clutch, Fan	077 121 350 D	#1.1	237.65
<i>#R&amp;R Complete, Included in R&amp;R Water Pump</i>			
32 Pulley, Fan	077 121 031 B	#1.3	46.60
<i>#Includes R&amp;R Fan Blade &amp; Fan Clutch</i>			
33 Flange & Shaft, Fan	077 121 211		181.50
34 Belt, Drive	97-99 077 903 137 Q	.3	40.00
	00-03 078 109 119 H	.3	45.15
35 Pump, Water			
New	97-99 077 121 004 H	m #5.7	382.50
	00-03 077 121 004 M	m #5.7	303.40
Remanufactured	077 121 004 MK	m #5.7	R232.25
36 Gasket, Water Pump	97-99 077 121 043 C	m #5.7	4.60
	00-03 078 121 043 A	m #5.7	4.30
<i>#R&amp;R Complete</i>			
37 Thermostat	97-99 078 121 113 F	#3.1	29.45
	00-03 077 121 113 B	#3.1	37.85
38 Seal, Thermostat	N 901 368 02	#3.1	1.10
39 Housing, Thermostat	97-99 077 121 121	#3.1	27.05
	00-03 077 121 121 C	#3.1	75.15
<i>#R&amp;R Complete</i>			

TRANS OIL COOLER

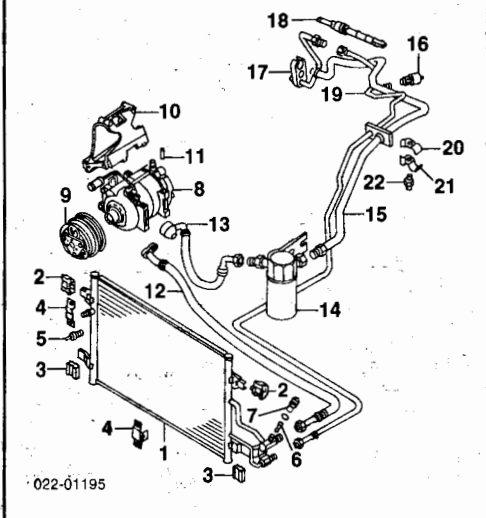


1 Hose, Upper Pressure			
AWD	4D0 317 825 K	.5	163.20
FWD	4D0 317 825 P	.5	123.95
2 Hose, Lower Pressure			
AWD	4D0 317 826 K	.5	120.80
FWD	4D0 317 826 P	.5	120.80
3 Tube, Protect	893 117 211 A		6.75
4 Clamp, Hose	4D0 317 171 A		3.70

A/C REFRIGERANT CAPACITIES

A/C R-134a Refrigerant Capacity  
1997-03: 26.5-28.2 Ozs (1.65-1.76 Lbs)

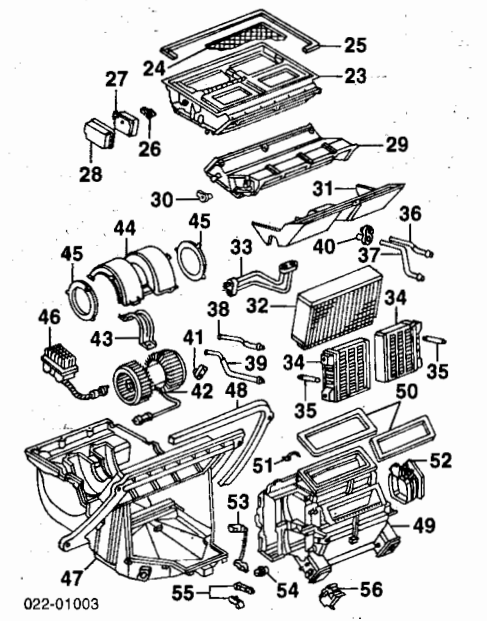
A/C HEATER/VENTILATION



Evacuate & Recharge System	m	1.4
Recover Refrigerant	m	3

NOTE: R&R Does Not include recover, evacuate and recharge system.

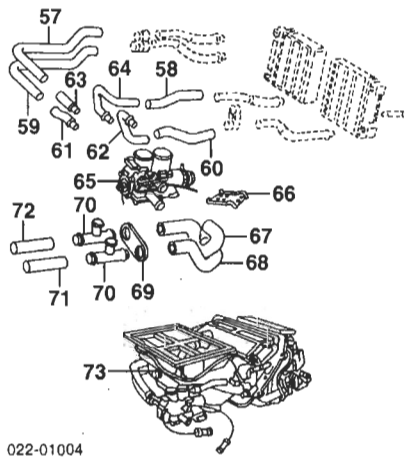
1 Condenser, A/C	4D0 260 401 A	m #1.9	765.00
<i>#w/Front Bumper Removed, Includes R&amp;R Radiator</i>			
2 Insulator, Upper	R/L 8D0 260 425		1.90
3 Insulator, Lower	R/L 4D0 260 426		2.35
4 Bracket, Condenser	R/L 4D0 260 427		3.40
5 Valve, Charge	8A0 820 855 AB	m	5 8.35
6 Valve, Pressure Switch	8A0 820 855 AA	m	1.60
7 Switch, Safety	97 8D0 959 482	m	125.20
	98-03 8D0 959 482 B	m	163.80
8 Compressor	4B0 260 805 B	m	1.8 954.00
9 Clutch, Compressor	4B0 260 811	m	1.8 636.00
10 Bracket, Upper	97-99 077 260 885 E	m #6	148.65
	00-03 077 260 885 H	m #6	148.65
<i>#w/Compressor Removed</i>			
11 Pin, Locating (2)	078 260 817		3.30
12 Hose, Condenser	4D0 260 701 B	m	6 144.30
13 Hose, Drier	4D0 260 707 G	m	6 209.55
14 Receiver/Drier	4D0 820 193 A	m	6 216.30
15 Pipe, Drier/Evap	4D1 260 740 B	m	1.0 192.90
16 Switch, Low Pressure	8A0 959 483 AA	m	5 45.35
17 Pipe, Evap	4D1 260 709 B	m	9 160.55
18 Restrictor	4B0 820 177	m	22.50
19 Pipe, Liquid	4D1 260 710 A	m	1.2 174.75
20 Clamp, Upper Pipe	4D0 260 759 C		5.15
21 Clamp, Lower Pipe	4D0 260 759 D		5.15
22 Mount, Clamp	4D0 260 778		5.15



23 Duct, Intake	4D0 820 153	m	66.10
24 Grille, Intake	4D0 819 408	m	8.60
25 Gasket, Intake	4D0 820 513 A	m	10.80
26 Lever, Control	4D0 819 333	m	2.30
27 Motor, Adjustment (2)	4D0 820 511	m	108.45
28 Cover, Motor (2)	4D0 819 422	m	4.25
29 Housing			
w/Heater	4D0 819 061	m	75.95
w/o Heater	4D0 820 027	m	52.05
30 Lever, Control	4D0 819 333 A	m	2.30
31 Cover, Evaporator	4D0 820 231	m	17.65
32 Evaporator			
1997-00	4D0 820 103	m	3.6 325.10
2001			
To 11-30-00	4D0 820 103	m	3.6 325.10
From 12-01-00	4D0 898 037	m	3.6 705.00
2002-03	4D0 898 037	m	3.6 705.00
33 Pipe, Connecting			
1997-00	4D0 820 111	m	187.30
2001			
To 11-30-00	4D0 820 111	m	187.30
From 12-01-00	4D0 820 111 A	m	187.30
2002-03	4D0 820 111 A	m	187.30
34 Core, Heater			
1997-00	R/L 4D0 819 030	m #6.8	314.70
2001			
To VIN 1014999	R/L 4D0 819 030	m #6.8	314.70
From VIN 1015000	R/L 4D0 898 030 A	m #6.8	314.70
2002-03	R/L 4D0 898 030 A	m #6.8	314.70
<i>#R&amp;R Both Sides Complete</i>			
35 Bracket, Heater Core	R/L 4D0 820 536		4.25
36 Pipe, Right Heater Core			
Upper	4D0 819 887	m	16.55
Lower	4D0 819 888	m	16.55
37 Pipe, Left Heater Core			
Upper	4D0 819 857	m	16.55
Lower	4D0 819 858	m	16.55
40 Grommet, Right Pipe	4D0 819 699 D	m	5.40
41 Grommet, Left Pipe			
1997 (2)	4D0 819 498	m	5.40
1998			
To VIN W001999 (2)	4D0 819 498	m	5.40
From VIN W002000			
Upper	4D0 819 498 A	m	7.95
Lower	4D0 819 498 B	m	7.95
1999-03			
Upper	4D0 819 498 A	m	7.95

**A/C /HEATER/VENTILATION Cont'd**

Lower	4D0 819 498 B	m	7.95
42 Blower, Fan & Motor	4D0 959 101	m 1.8	189.55
43 Clamp, Blower	4D0 815 135	m	9.85
44 Cover, Blower	4D0 815 057	m	11.95
45 Ring, Blower End	R/L 4D0 815 061	m	16.85
46 Control, Blower	4D0 820 521 A	m	247.10
47 Housing, Lower			
1997-00	4D0 820 356	m #10.2	127.00
2001			
To 11-30-00	4D0 820 356	m #10.2	127.00
From 12-01-00	4D0 820 356 A	m #10.2	127.00
2002-03	4D0 820 356 A	m #10.2	127.00
48 Gasket, Housing	4D0 819 225	m #10.2	23.60
49 Housing, Distribution			
1997-00	4D0 820 351	m #10.2	108.45
2001			
To 11-30-00	4D0 820 351	m #10.2	108.45
From 12-01-00	4D0 820 351 A	m #10.2	108.45
2002-03	4D0 820 351 A	m #10.2	108.45
<b>#R&amp;R Complete, Includes R&amp;I Instrument Panel, R&amp;R Evaporator, Heater Cores &amp; Fan Blower</b>			
50 Gasket, Housing	4D0 819 229	m	15.50
51 Clamp, Housing (18)	4D0 819 646	m	2.10
52 Duct, Air			
Upper	R/L 4D0 820 910-09	m	22.70
Lower	R/L 4D0 820 914-3	m	22.70
53 Lever, Upper Defrost	4D0 819 295	m	7.20
54 Lever, Fresh Air	4D0 819 291	m	1.85
55 Lever, Warm Air	4D0 820 357	m	7.10
56 Motor, Adjustment (8)	4D0 820 511 A	m	108.45

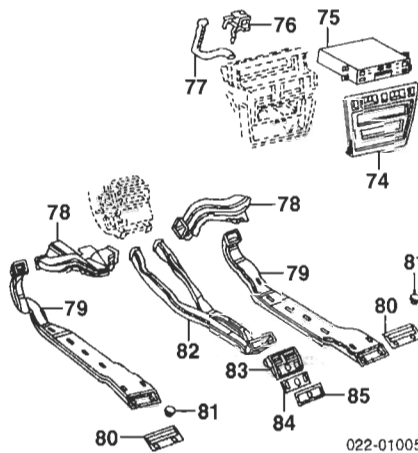


022-01004

<b>Hose, Upr Heater Supply/Return</b>			
57 Right	4D1 819 373	m #4.4	26.00
58 Left	4D1 819 371	m #4.4	26.00
<b>Hose, Lwr Heater Supply/Return</b>			
59 Right	4D1 819 372	m #4.4	26.00
60 Left	4D1 819 374	m #4.4	17.65
61 Pipe, Right Supply	4D1 819 370	m #4.4	12.95
62 Pipe, Left Supply	4D1 819 370 A	m #4.4	12.95
63 Pipe, Right Return	4D1 819 377	m #4.4	17.65
64 Pipe, Left Return	4D1 819 375	m #4.4	30.15
65 Control Unit, Heater	4D0 959 617 C	m #4.4	676.00
<b>#R&amp;R Complete</b>			
66 Bracket, Control Unit	4D0 959 607 A	m	7.55
67 Pipe, Unit Supply	4D0 819 672 B	m	12.95
68 Pipe, Unit Return	4D0 819 674 B	m	12.95
69 Grommet, Double	4D0 819 699 C	m	5.40
70 Pipe, Connecting (2)	4D0 819 159	m	13.70
71 Pipe, Heater Supply	97-99 4D0 819 371 C	m	26.00
	00-03 4D0 819 371 S	m	26.00
72 Pipe, Heater Return	97-99 4D0 819 373 F	m	26.00
	00-03 4D0 819 373 AG	m	28.40
73 Damper, Heater	4D0 819 617	m	2.10

Illustration Located in Next Column

74 Plate, Heater Face]			
w/Navigation System	97-99 4D1 820 325 M B98	2	631.00
	00-03 4D0 820 325 AM B98	2	321.40
w/o Navigation System	97-99 4D0 820 325 L B98	2	405.65
	00-03 4D0 820 325 AD B98	2	321.40
<b>#Satin Black listed, Order by Application</b>			
75 Control Unit, Heater			
w/Navigation System			
1997-99	4D0 820 043 J E54	#1.3	1421.00
2000-03	4D0 820 043 Q E54	#1.3	1421.00
w/o Navigation System			
1997	4D0 820 043 E E54	#1.3	1421.00
1998			
To VIN W004000	4D0 820 043 E E54	#1.3	1421.00
From VIN W004001	4D0 820 043 K E54	#1.3	1421.00
1999	4D0 820 043 K E54	#1.3	1421.00
2000-03	4D0 820 043 N E54	#1.3	1421.00
<b>#Includes R&amp;I/R&amp;R Heater Face Plate</b>			



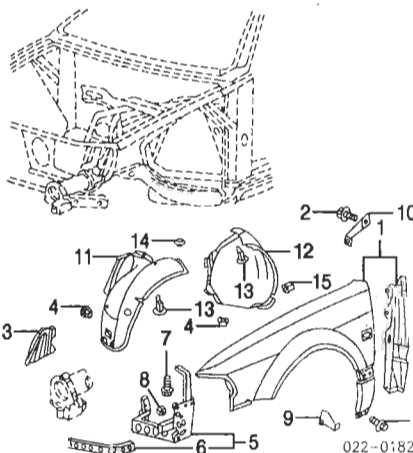
76 Sensor, Fan			
w/Navigation System	97-99 4D0 820 545 A	m	94.30
w/o Navigation System	97-99 4D0 820 545	m	94.30
Sensor, Temp			
1997-99			
w/Navigation System	4D0 820 541 A	m	d78.90
w/o Navigation System	4D0 820 541	m	83.15
2000-03	4D0 820 541	m	83.15
77 Hose, Fan			
1997-99			
w/Navigation System	4D0 820 547 A	m	27.95
w/o Navigation System	4D0 820 547	m	20.55
78 Duct, Footwell Supply			
R	4D1 819 802 B		59.55
L	4D1 819 801 C		59.55
R	4D1 819 804		55.25
L	4D0 819 803		55.25
80 Grille, Rear Outlet]	R/L 4D0 819 811 H53		6.40
81 Cap, Nut]] (2/Side)	R/L 4A0 819 349 H53		.58
<b>#Blue listed, Order by Application</b>			
82 Duct, Rear Center	4D1 857 039 B		48.45
83 Vent, Rear Center]	97-99 4D0 819 203 B B98		64.60
	00-03 4D0 819 203 G 5PR		113.05
<b>#Black listed, Order by Application</b>			
<b>Trim, Rear Vent</b>			
84 3 Hole			
1997-99	4D0 863 275 B98		3.70
2000-03			
Vavona Wood Trim	4D0 863 321 J 5TQ		155.10
Walnut Wood Trim	4D0 863 321 D 1WV		112.40
85 2 Hole			
1997-99	4D0 863 275 A B98		3.70
2000-03			
Vavona Wood Trim	4D0 863 321 H 5TQ		155.10
Walnut Wood Trim	4D0 863 321 1WV		112.40

**FRONT FENDER**

Use Procedure Explanations 7 and 28 with the following text.

**SHEET METAL**

Refinish Fender Outside	R/L	2.0
Add to Edge	R/L	.5
R&I Fender Assy	R/L	#2.0
<b>#w/Combination Lamp/Park/Signal Lamp Assemblies Removed, Includes R&amp;I Front Bumper Assy, R&amp;I/R&amp;R Front &amp; Rear Fender Liners</b>		

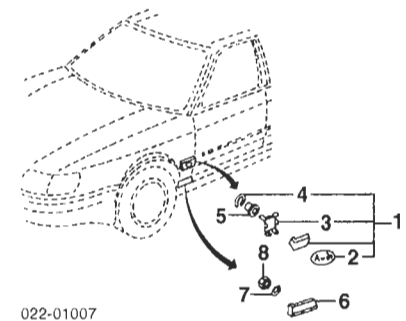


1 Fender, Front			
	97-99 R 4D0 821 022 A	#2.5	394.10
	L 4D0 821 021 A	#2.5	394.10
	00-03 R 4D0 821 022 P	#2.5	394.10

	L 4D0 821 021 P	#2.5	394.10
<b>#w/Combination Lamp/Park/Signal Lamp Assemblies Removed, Includes R&amp;I Front Bumper Assy, R&amp;I/R&amp;R Front &amp; Rear Fender Liners</b>			
2 Bolt, Shoulder (12/Side)	R/L N 100 095 03		.82
3 Panel, Frt Closure	R 4D0 821 108 E		11.55
	L 4D0 821 107 A		11.55
4 Nut, Shoulder (9/Side)	R/L 171 201 969		1.40
5 Support Assy, Front	97-99 R 4D0 821 138 AN	.3	284.45
	L 4D0 821 137 AN	.3	201.20
	00-03 R 4D0 821 138 AP	.3	201.20
	L 4D0 821 137 AL	.3	201.20
	R 4D0 821 138 AD	.2	49.80
	L 4D0 821 137 AM	.2	31.35
<b>#Included w/Front Support Assy</b>			
7 Bolt, Socket (2/Side)	R/L N 904 154 03		1.00
8 Nut, Shoulder (2/Side)	97-99 R/L N 903 215 04		.82
	00-03 R/L N 906 439 01		.92
9 Bracket, Lower Fender	R 4D0 810 686 A		4.85
	L 4D0 810 685 A		4.85
10 Bracket, Rear Fender	R 4D0 810 680 A		6.10
	L 4D0 810 679 A		6.10
11 Liner, Front Fender	R 4D0 821 172 J	#4	49.80
	L 4D0 821 171 J	#4	49.80
<b>#Included in R&amp;I/R&amp;R Fender</b>			
12 Liner, Rear Fender	R/L 4D0 821 192-1	#5	49.80
<b>#Includes R&amp;I/R&amp;R Front Fender Liner, Included in R&amp;I/R&amp;R Fender</b>			
13 Rivet, Liner]	R/L 4D0 807 300		.82
<b>#As Required</b>			
14 Nut, Speed (2/Side)	R/L 443 821 699		.52
15 Nut, Insert	R/L 811 807 577 C		.73

**EXTERIOR TRIM**

Refinish Side Fender Mdg	R/L	.2
R&I Side Fender Moulding Assy	R/L	.2
R&I Lower Mdg	R/L	.3



022-01007

1 Moulding Assy, Fender Side (P)	97-99 R 4D0 853 972 C GRU	.2	42.85
	L 4D0 853 971 C GRU	.2	42.85
	00-03 R 4D0 853 972 D GRU	.2	49.80
	L 4D0 853 971 D GRU	.2	49.80

(P) Paint to Match

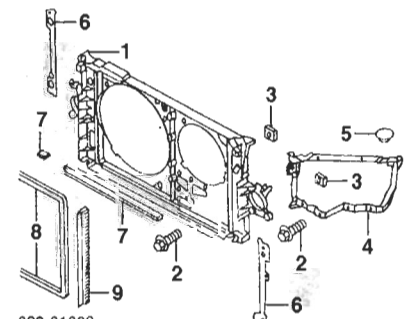
2 Emblem (Adhesive)]	*Audi	97-99 R/L 4A0 853 621 2ZZ	2	14.10
3 Clip, Mdg]]	R/L	4D0 853 825		3.70
4 Washer, Clamping]]	97-99 R/L N 012 068 1			.52
<b>#Included w/Fender Side Moulding Assy</b>				
5 Grommet, Mdg (2/Side)	R/L	4D0 853 615 A		1.20
6 Mdg, Lower (Black)	R	4D0 854 960 3FZ	.3	38.95
	L	4D0 854 959 3FZ	.3	38.95
7 Washer, Sealing (2/Side)	R/L	803 955 637		.67
8 Nut, Shoulder (2/Side)	R/L	431 853 129		.92

**FRONT INNER STRUCTURE**

Use Procedure Explanations 8 and 28 with the following text.

**FRONT**

Add to R&R Radiator Frame			
To R&R Base Model Mechanical Components	m	#4	
<b>#Includes R&amp;R A/C Condenser &amp; D&amp;C A/C Lines</b>			
To Air Lamps			.4
Evacuate & Recharge System	m	1.4	
Recover Refrigerant	m	.3	

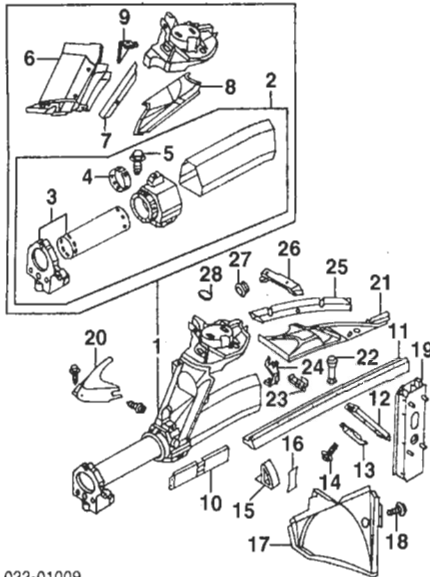


022-01008

1	Frame, Radiator	4D0 805 571 M	#5.1	379.85
#Includes R&R/R Headlamp Mtg Panels, Headlamp Assemblies, Hood Latches, Impact Absorber Assemblies, Horns, Radiator, Electric Fan, Front Air Duct, Fan Cowl, Power Steering Cooling Pipe & D&C Hood Release Cable & Wiring as Necessary				
2	Bolt (2/Side)	R/L N 101 894 03		.82
3	Nut (2/Side)	R/L N 011 052 6		.27
4	Panel, Headlamp Mtg	97-99 R 4D0 805 856 L	.3	179.05
		L 4D0 805 856 L	.3	179.05
		00-03 R 4D0 805 856 K	.3	179.05
		L 4D0 805 856 K	.3	179.05
5	Cap, Mtg Screw-See Front Lamps Section			
6	Gasket, Frame Side	97-99 R 4D0 805 875 AT		8.95
		L 4D0 805 875 AA		8.95
		00-03 R 4D0 805 875 AT		8.95
		L 4D0 805 875 AS		13.80
7	Gasket, Adhesive	4D0 805 875 E		4.10
†Cut to Fit				
8	Gasket, Frame (Adhesive)	4D0 805 875 AD		4.10
9	Gasket, Frame Edge	4D0 805 875 AC		8.95
†Cut to Fit				

**SIDE**

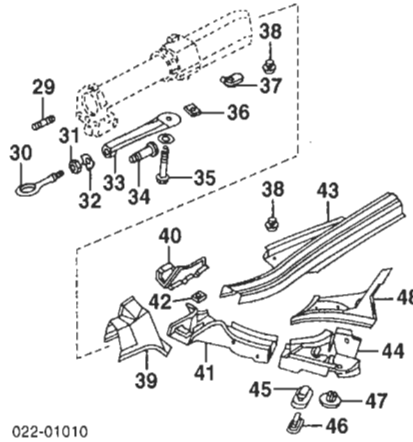
Refinish Apron/Sidemember Assy	R/L	1.5
Refinish Sidemember Assy	R/L	1.0
Refinish Fender Attach Strip	R/L	.6



022-01009

1	Apron/Member Assy				
1997-99					
	R	4D0 805 140 F	s	8.0	
	L	4D0 805 139 G	s	8.0	
2000					
	R	4D0 805 140 G	s	8.0	
	L	4D0 805 139 J	s	8.0	
2001-03					
	R	4D0 805 140 L	s	8.0	
	L	4D0 805 139 L	s	8.0	
2	Sidemember Assy	97-99 R 4D0 805 112 J	s	8.0	
	L	4D0 805 111 K	s	8.0	
	00-03 R 4D0 805 112 M	s	8.0	562.00	
	L	4D0 805 111 M	s	8.0	562.00
3	Tube, Front Side	97-99 R 4D0 805 110 L	s	1.0	
	L	4D0 805 109 L	s	1.0	
	00-03 R 4D0 805 110 K	s	1.0	184.35	
	L	4D0 805 109 K	s	1.0	184.35
4	Adapter, Tube	97-99 R/L 4D0 806 133 E		10.85	
	00-03 R/L 4D0 806 133 C			10.85	
5	Bolt, Combination	97-99 R/L N 100 493 03		.92	
	(6/Side)	00-03 R/L N 103 416 04		1.20	
(a) Included w/Sidemember Assy					
6	Plate, Supporting	R 4D0 806 612 F	s	97.65	
	L 4D0 806 611 F	s		97.65	
7	Support, Mount	97-99 R/L 4D0 805 153 C	s	38.00	
	00-03 R 4D0 805 154 H	s		44.85	
	L 4D0 805 153 H	s		46.05	
8	Plate, Support	97-99 R 4D0 806 832	s	205.40	
	L 4D0 806 831 E	s		149.80	
	00-03 R 4D0 805 872 F	s		33.90	
	L 4D0 805 871 F	s		33.90	
9	Bracket, Member				
	To Air Cleaner	R 4D0 806 192		21.30	
	To Reservoir	L 4D0 806 513 F		4.10	
†Included w/Apron/Member Assy					
10	Sleeve, Fender Attach	R/L 4D0 806 173 A		49.95	
11	Strip, Fender Attach	97-00 R 4D0 805 092 C	2.0	351.60	
	L 4D0 805 091 F	2.0		351.60	
	01-03 R 4D0 805 092 F	2.0		351.60	
	L 4D0 805 091 K	2.0		351.60	
12	Brace, Strip	R 4D0 805 220 H		69.35	
	L 4D0 805 219 H			69.35	
13	Bracket, Vacuum Tank				
	1997-99	4D0 809 163 A		6.80	
	2000-03	R 4D0 809 164 B		6.80	
		L 4D0 809 163 B		6.80	

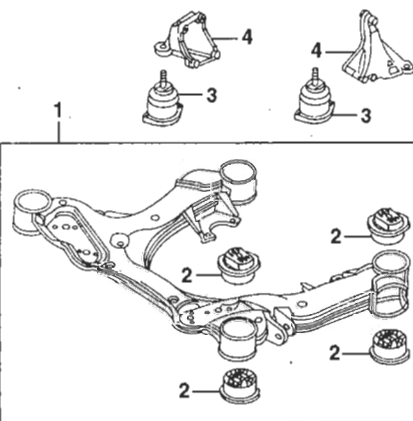
14	Bolt, Bracket	(2) N 905 238 01		.55
15	Support, Fender	R/L 4D0 805 465 C		6.95
16	Seal, Adhesive	R 4D0 806 465		3.80
17	Wheelhouse, Rear	R 4D0 805 064 B		48.00
		L 4D0 805 063 C		48.00
		R/L 4D0 971 871 B		8.00
18	Grommet, Wheelhouse	R/L 4D0 971 871 B		8.00
19	Pillar, Lower Hinge-See Rocker/Pillars/Floor Section			
20	Cover, Strut Tower	R 4D0 806 584 D 01C		9.00
		L 4D0 806 583 C 01C		9.00
21	Plate, Filler	R 4D0 805 086 J		67.10
		L 4D0 805 085 H		67.10
22	Valve, Plate Drain	R/L 4D0 805 271 B		5.65
23	Bracket	R 4D0 805 780 A		31.15
24	Bracket, Reservoir	L 4D0 806 507 B		8.10
25	Bracket, Strut Cover	R 4D0 805 174 G		146.45
		L 4D0 805 173 G		146.45
26	Bracket, Wiper	4D1 806 515 B		31.40
27	Plug, Rear Tower	R/L 4D0 803 583 B		1.20
28	Plug, Top Tower (2/Side)	R/L 4D0 803 583 F		1.20



022-01010

29	Stud, Absorber	(3/Side) R/L N 905 649 01		1.40
30	Eye, Towing	R 4D0 803 615		71.45
31	Nut, Eye	R N 906 455 01		4.45
32	Washer, Lock	R 4D0 802 467		2.10
33	Mount, Tow Eye	R 4D0 803 169		71.45
34	Sleeve, Eye	R 4D0 802 465 A		35.55
35	Bolt, Mount	97-99 N 905 883 01		4.20
		00-03 N 907 116 01		4.85
36	Plate, Threaded	97-99 R/L 4D0 805 690 A		13.65
		00-03 R/L 4D0 806 686 A		13.70
37	Grommet	R/L 4D0 971 863		5.40
38	Plug (5/Side)	R/L 4D0 803 583 B		1.20
39	Plate, Sidemember End	R 4D0 805 144 C	s	273.50
		L 4D0 805 143 C	s	273.50
40	Reinf, Sidemember	R 4D0 803 066 B	s	21.35
		L 4D0 803 065 B	s	21.35
41	Extension, Member	97-99 R/L 4D0 806 118-7	s	434.10
		00-03 R 4D0 806 118 A	s	434.10
		L 4D0 806 117 A	s	434.10
42	Plate, Threaded	97-99 R/L 4D0 805 689		21.45
		00-03 R/L 4D0 806 685 A		13.70
43	Member, Rear	97-99 R/L 4D0 803 102-1	s	398.25
		00-03 R 4D0 803 102 A	s	398.25
		L 4D0 803 101 A	s	398.25
44	Plate, Member End	R 4D0 805 162 E	s	351.60
		L 4D0 805 161 E	s	351.60
45	Plate, Carrier	R/L 4D0 804 583 B		8.50
46	Socket, Jack	R/L 4D0 803 855 B		10.75
47	Plug, Plate	R 893 803 583		1.10
48	Plate, Up End	R 4D0 805 150 C		497.90
		L 4D0 805 149 C		497.90

**SUB-FRAME**



022-01196

1	Sub-Frame Assy			
---	----------------	--	--	--

1997-99	4D0 399 313 BM	m	#3.5	620.00
2000	4D0 399 313 BL	m	#3.5	577.00
2001-03				
	A8, A8 L	4D0 399 313 BL	m	#3.5
	S8	4D0 399 313 BC	m	#3.5
#w/Necessary Bolted Parts Removed, Not Included in Suspension O/H, Includes Support Engine Assy				
2	Mount, Rubber			
1997-99 (8)				
		4D0 399 415 K		31.35
2000-03				
	A8, A8 L			
	Front (4)	4D0 399 415 K		31.35
	Rear (4)	4D0 399 419 F		64.60
	S8			
	Front (4)	4D0 399 415 L		33.05
	Rear (4)	4D0 399 415 L		33.05
†Included w/Sub-Frame Assy				
3	Mount, Trans-See Engine/Trans Mounts Section			
4	Support, Trans-See Engine/Trans Mounts Section			

**AIR BAG SYSTEM**

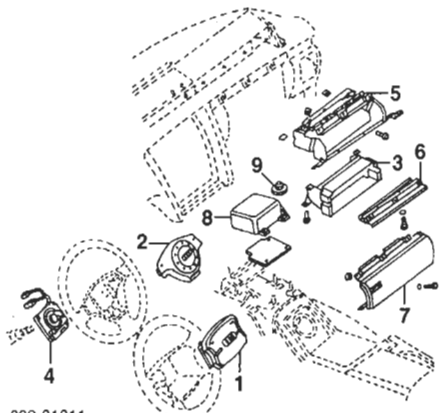
NOTE 1: R&R Does Not include disable and enable or diagnose Air Bag System.

NOTE 2: Refer to Procedural Explanation 30 for Supplemental Restraint/Air Bag System Component Inspection and Replacement Information.

NOTE 3: For Air Bag System Service procedures, refer to Manufacturer's Service Repair Manual or Mitchell's Air Bag Service and Repair Manual.

**FRONT**

Disable & Enable Air Bag System	m	.3
Diagnose Air Bag System (if Required)	m	#5
#Includes Disconnect & Connect Scan Tool & Retrieve/Clear Trouble Codes		



022-01011

<b>Module, Driver Air Bag</b>				
Std Strg Wheel				
w/Remote Radio Control				
	4D0 880 201 C 01C	m	.3	946.00
1997				
	N.A.	m	.3	0.00
1998-99				
	4D0 880 201 AG 01C	m	.3	946.00
2000				
	4D0 880 201 AG 01C	m	.3	946.00
2001				
	To 6-00	4B0 880 201 AG 01C	m	.3
	From 7-00	8E0 880 201 AC 6PS	m	.3
	2002-03	8E0 880 201 AC 6PS	m	.3
w/o Remote Radio Control				
1997				
	4A0 880 201 N 01C	m	.3	782.00
1998-99				
	4B0 880 201 Q 01C	m	.3	673.00
2000				
	To 6-99	4B0 880 201 AD 01C	m	.3
	From 7-99	4B0 880 201 AH 01C	m	.3
	2001-03	4B0 880 201 AH 01C	m	.3
2002-03				
	8E0 880 201 K 6PS	m	.3	673.00
†Black listed, Order by Application				
2	Sport Strg Wheel			
1997-99				
	4B0 880 201 G 01C	m	.3	946.00
2001				
	To 6-00	4B0 880 201 G 01C	m	.3
	From 7-00	8E0 880 201 K 6PS	m	.3
	2002-03	8E0 880 201 K 6PS	m	.3
†Black listed, Order by Application				
3	Module, Passenger Air Bag			
1997				
	4D1 880 203 B	m	1.3	866.00
1998				
	To VIN W004967	4D1 880 203 B	m	1.3
	From VIN W004968	4D1 880 203 C	m	1.3
	1999-03	4D1 880 203 C	m	1.3
1997-99				
	4D1 880 203 C	m	1.3	864.00
2000-03				
	4D1 880 203 C	m	1.3	864.00
†Black listed, Order by Application				
4	Spring, Spiral			
Std Strg Wheel				
w/Multi-Function Control				
1997				
	4D0 951 543 C	m	.9	421.10
1998-99				
	4B0 951 543 A	m	.9	65.25
2000-03				
	Electronic Diff'l	4B0 951 543 C	m	.9
	ESP	1J0 959 654 AG	m	.9
w/o Multi-Function Control				
	Heated Wheel	97 4D0 951 543 B	m	.9
	Non-Heated Wheel	97 4D0 951 543 D	m	.9
		98-03 1J0 959 653 C	m	.9
Sport Wheel				
1997-99				
	1J0 959 654 M	m	.9	243.35

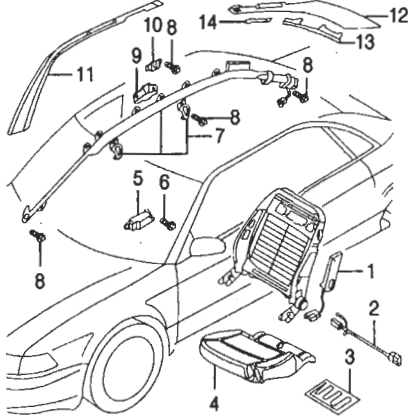
**AIR BAG SYSTEM Cont'd**

**FRONT Cont'd**

2000-03 Electronic Diff'l ESP	4B0 951 543 C 1J0 959 654 AG	m .9	105.45 243.36
5 Mount, Passenger Air Bag	4D1 880 205 B	m	79.55
6 Strip, Clamping	4D1 880 293 B	m	38.95
7 Cover, Air Bag			
1997-99 Anthracite (Code BT, BU, BV) Lava (Code BW)	4D1 880 217 E 8RZ 4D1 880 217 E E77	m #1.3	239.15 238.65
2000-03†	4D1 880 217 G 24A	m #1.3	239.15
†Black listed, Order by Application #Includes R&R Passenger Air Bag Module			
8 Control Unit, Air Bag			
1997	4D0 959 655 C	m 2.6	594.00
1998-99	4D0 959 655 H	m 2.6	665.00
2000			
To VIN Y011805	4D0 959 655 R	m 2.6	427.80
From VIN Y011806	4D0 959 655 T	m 2.6	427.80
2001-03	4D0 959 655 T	m 2.6	427.80
9 Nut, Locking (3)	N 903 675 02		.38

**SIDE**

Disable & Enable Air Bag System.....	m .3
Diagnose Air Bag System (if Required).....	m #.5
#Includes Disconnect & Connect Scan Tool & Retrieve/Clear Trouble Codes	



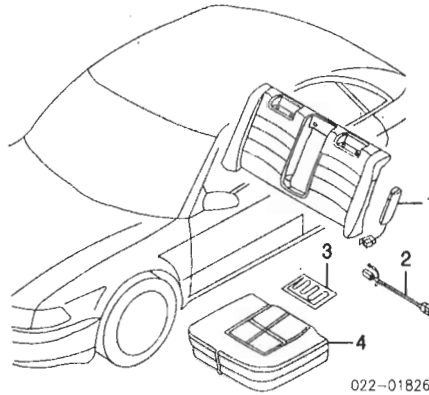
022-01825

1 Module, Side Air Bag			
1997-00	R 4D0 880 242 F L 4D0 880 241 F	m 1.5	320.15 320.15
2001-03 A8, A8 L	R 4D0 880 242 F L 4D0 880 241 F	m 1.5	320.15 320.15
S8	R 4D0 880 242 E L 4D0 880 241 E	m 1.5	320.15 320.15
Cover, Backrest Front Seat-See Front Seat Section Padding, Backrest Front Seat-See Front Seat Section	R/L N.A.	m	0.00
2 Harness, Side Air Bag	R/L N.A.	m	0.00
3 Sensor, Mat	97-99 R/L 4D0 882 358 J	m #.6	365.30
#w/Front Seat Backrest Cover Removed			
4 Pad, Seat Cushion w/Heated Seat	R 4D0 882 358 E L 4D0 882 357 E		365.30 365.30
w/o Heated Seat	R 4D0 882 358 J L 4D0 882 357 J		365.30 365.30
5 Sensor, Air Bag Cont			
1997	R/L 4D0 959 643	m .7	293.05
1998			
To VIN W017309	R/L 4D0 959 643 A	m .7	293.05
From VIN W017310	R/L 4D0 959 643 C	m .7	140.15
1999	R/L 4D0 959 643 C	m .7	140.15
2000			
To VIN Y003796	R/L 4D0 959 643 C	m .7	140.15
From VIN Y003797	R/L 4D0 959 643 D	m .7	140.15
2001-03	R/L 4D0 959 643 D	m .7	140.15
6 Bolt, Sensor (2/Side)	R/L N 101 961 02		.58
7 Air Bag, Side Curtain A8			
2000			
To VIN Y006310	R/L 4D0 880 742-1	m #1.8	384.60
From VIN Y006311	R 4D0 880 742 A L 4D0 880 741 A	m #1.8	416.20 416.20
2001-03	R 4D0 880 742 A L 4D0 880 741 A	m #1.8	416.20 416.20
A8 L	R 4D0 880 742 A L 4D0 880 741 A	m #1.8	416.20 416.20
S8	R 4D0 880 742 A L 4D0 880 741 A	m #1.8	416.20 416.20
#w/Headliner Removed			
8 Bolt, Socket (11/Side)	R/L N 909 004 01		.58
9 Guide, Air Bag Curtain	R/L 4D0 880 746-5	m	3.70
10 Brkt, Air Bag Curtain	R/L 4D0 817 191		5.20
11 Moulding, Front Inside Garnish-See Windshield Section			
12 Panel, Rear Upper Trim-See Quarter Panel Section			

- 13 Lining, Upper Trim Panel-See Quarter Panel Section
- 14 Handle, Grab-See Quarter Panel Section

**REAR**

Disable & Enable Air Bag System.....	m .3
Diagnose Air Bag System (if Required).....	m #.5
#Includes Disconnect & Connect Scan Tool & Retrieve/Clear Trouble Codes	

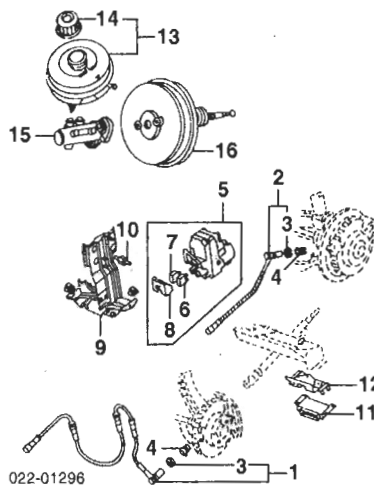


022-01826

1 Module, Side Air Bag			
1997-01	R 4D0 880 442 A L 4D0 880 441 A	m 1.0	472.10 472.10
2002			
To VIN 2002174	R 4D0 880 442 A L 4D0 880 441 A	m 1.0	472.10 472.10
From VIN 2002175	R 4D0 880 442 B L 4D0 880 441 B	m 1.0	312.05 312.05
2003	R 4D0 880 442 B L 4D0 880 441 B	m 1.0	312.05 312.05
Cover, Backrest-See Rear Seat Section Padding, Backrest-See Rear Seat Section	R/L 4D0 971 447 E	m	244.15
2 Harness, Side Air Bag	R/L 4D0 971 447 E	m	244.15
3 Sensor, Mat	97-99 R/L 4D0 880 443 A	m #.6	115.85
#w/Rear Seat Cushion Removed			
4 Pad w/Sensor, Rear	R/L 4D0 885 358 A		368.65

**ABS/BRAKES**

Bleed System.....	m .4
NOTE: R&R Does Not include bleed brake system.	



022-01296

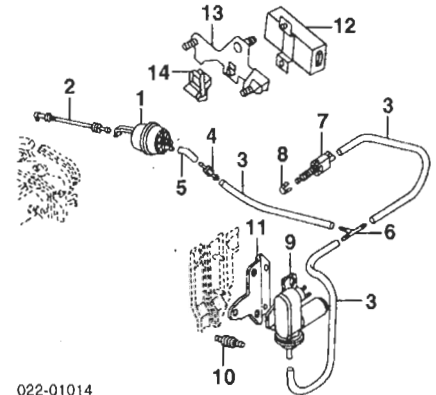
1 Sensor Assy, Front Speed	97-99 R/L 4D0 927 803	m .5	162.25
	00-03 R/L 4D0 927 803 D	m .5	162.25
2 Sensor Assy, Rear Speed	97-99 R/L 4D0 927 807 A	m .7	167.10
	00-03 R/L 4D0 927 807 B	m .7	167.10
3 Cup, Sensor			
Front†	97-99 R/L 893 927 809	m	7.05
Rear (a)	97-99 R/L 893 927 809	m	7.05
#Included w/Front Speed Sensor Assy (a) Included w/Rear Speed Sensor Assy			
4 Sleeve, Clamping			
Front	R/L 443 927 817		14.35
Rear	R/L 443 927 817		14.35
5 Hydraulic Unit Assy			
FWD	97-98 4A0 614 111 H 99 8E0 614 111 G	m 1.5	1591.00 989.00
AWD			
w/ESP	00-03 8E0 614 111 AT	m 1.5	989.00
w/o ESP	97 8D0 614 111 E 98 8E0 614 111 N 99-03 8E0 614 111 E	m 1.5	1303.00 989.00 989.00
6 Relay, ABS† (4 Pin)	97 4A0 927 841	m .3	51.25
7 Relay, ABS† (6 Pin)	97 4D0 927 843	m .3	41.65

- 8 Cover, Relay†-Serviced w/Hydraulic Unit Assy  
#Included w/Hydraulic Unit Assy

9 Bracket, Combination			
FWD	97-98 4D0 614 119 G 99 4D0 614 119 H		79.25 121.85
AWD			
w/ESP	00-03 4D0 614 119 Q		196.60
w/o ESP	97 4D0 614 119 G 98-03 4D0 614 119 H 4D0 614 177 B		79.25 121.85 4.80
10 Buffer, Mounting (4)			
11 Module, ABS Control			
FWD	97-99 4D0 907 379 N	m .7	782.00
AWD			
1997	4D0 907 379 L	m .7	782.00
1998-03-Serviced w/Hydraulic Unit Assy			
12 Bracket, Control Module	4D1 907 369 A		26.00
13 Reservoir Assy, Master Cylinder	4D0 611 301 F	m	50.25
14 Cap, Reservoir†	6N1 611 349 B		11.55
#Included w/Master Cylinder Reservoir Assy			
15 Cylinder, Brake Master			
1997-99	4D0 611 021 A	m .9	357.30
2000-03			
w/ESP	4D0 611 021 B	m .9	337.15
w/o ESP	4D0 611 021 A	m .9	357.30
16 Booster, Brake	4D0 612 107 B	m #1.2	357.25
#Includes R&R Master Cylinder			

**CRUISE CONTROL SYSTEM**

**1997-99**



022-01014

1 Actuator, Throttle	811 907 327 B	m .3	34.80
2 Rod, Throttle	077 907 415	m	30.95
3 Hose, Vacuum†	N.A.		0.00
†Cut to Fit			
4 Adapter, Hose	036 133 382 E		2.10
5 Pipe, Connecting	333 955 665		2.05
6 T-Connector	811 907 428		1.80
7 Valve, Brake	811 907 343 B	m	39.45
8 Clip, Valve	431 721 283 B	m	2.00
9 Pump, Vacuum	4B0 907 325	m #.4	153.80
#w/Bumper Removed			
10 Buffer, Pump Mount (3)	431 907 349		2.35
11 Bracket, Pump	4D0 804 593		4.25
12 Control Unit, Speed	4B0 907 305	m 1.3	327.40
13 Bracket, Control Unit	4D1 907 341		14.65
14 Clamp, Bracket	N 902 516 02		.33

**2000-03**

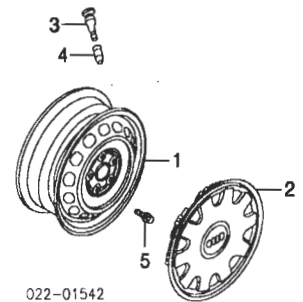
NOTE: Cruise Control is an Integrated Electronic System

**WHEEL**

Use Procedure Explanation 10 with the following text.

**STEEL WHEEL**

Refinish Wheel.....	5
Add to R&I Spare Wheel & Tire Assy.....	2



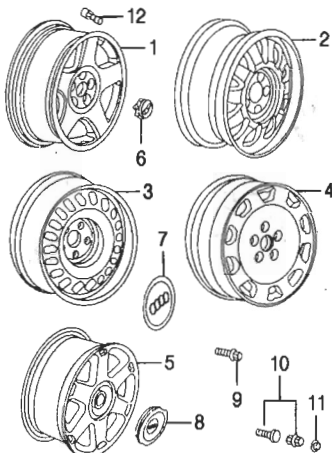
022-01542

1 Wheel, Steel	4D0 601 025 Z7P	.3	92.20
----------------	-----------------	----	-------

2 Cover, Wheel	4D0 601 147 Z17	65.10
1997-99	4B0 601 147 C Z17	54.25
2000-03	281 601 361	1.10
3 Stem, Valve	360 601 373 A	2.30
4 Sleeve, Spacer	8D0 601 139 D	3.00
5 Bolt, Lug		

**ALLOY WHEEL**

Refinish Wheel.....	5
Add to R&I Spare Wheel & Tire Assy.....	2



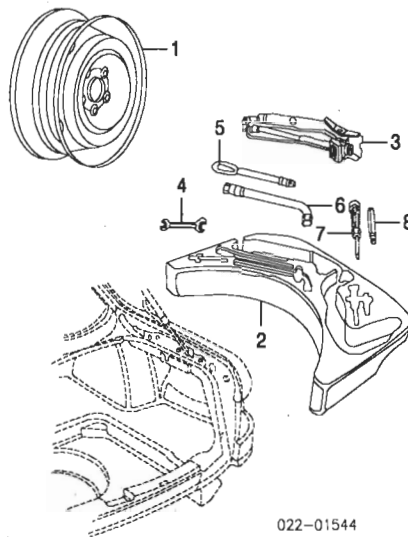
022-01603

<b>Wheel, Alloy</b>			
1 5 Spoke			
1997-99			
16x7"	4D0 601 025 L Z17	461.80	
17x8"	4D0 601 025 B Z33	658.00	3
2000-03			
17x8"	4D0 601 025 B Z33	658.00	
18x8"	4D0 601 025 AD Z17	725.00	
Multi-Hole Design			
2 16x7"	97-99 4D0 601 025 M Z33	477.55	3
3 16x7-1/2"	02-03 4D0 601 025 S Z17	461.80	3
4 10 Pocket Design			
2000-01	4D0 601 025 AL Z33	725.00	3
2002			
To 7-01	4D0 601 025 AL Z33	725.00	3
From 8-01	4D0 601 025 AL Z33	725.00	3
2003	4D0 601 025 AL Z33	725.00	3
5 6 Spoke Design			
S8	01-03 4D0 601 025 T Z17	635.00	3
<b>Cap, Center</b>			
6 5 Spoke, 10 Spoke			
17x8"	4D0 601 170 A Z33	36.85	
18x8"	4D0 601 170 A Z33	36.85	
16x7"	8D0 601 170 A 7ZJ	16.90	
7 Multi-Hole Design			
97-99	4D0 601 165 B 7ZJ	34.20	
00-03	4D0 601 165 H 7ZJ	34.20	
8 6 Spoke Design	01-03 8D0 601 165 E Z17	25.40	
9 Bolt, Lug	97-99 8D0 601 139 D	3.00	
	00-03 4D0 601 139 A	4.75	
10 Bolt, Lug Lockable†	97-99 8D0 601 139 E 051	17.90	
	00-03 8D0 601 139 F 000	15.75	
†Order by Application			
Lug Set, Lockable	8D0 698 137 B SBV	31.25	
11 Cap, Lug Bolt	97-99 8D0 601 173 A Z37	.58	
	00-03 8D0 601 173 D Z37	.58	
12 Stem, Valve	281 601 361	1.10	

**SPARE WHEEL & HARDWARE**

Illustration Located in Next Column

1 Wheel, Spare			
1997-99	441 601 025 AD 03C	126.55	
2000			
To 11-99	441 601 025 AD 03C	126.55	
From 12-99	4B3 601 027 03C	166.90	
2001-03	8E0 601 027 C 03C	89.80	
2 Box, Tool	97-99 4D0 012 123 E	33.05	
	00-03 4D0 012 123 E	33.05	
3 Jack	97-99 4D0 011 031 F	104.70	
	00-03 4D0 011 031 F	104.70	
4 Wrench	N 000 057 4	6.25	
5 Eye, Towing	4D0 803 615	71.45	
6 Wrench, Socket	4A0 012 235	30.50	
7 Screwdriver	191 012 255 B	7.80	
8 Wedge, Tire	893 012 223	2.60	



022-01544

**FRONT SUSPENSION**

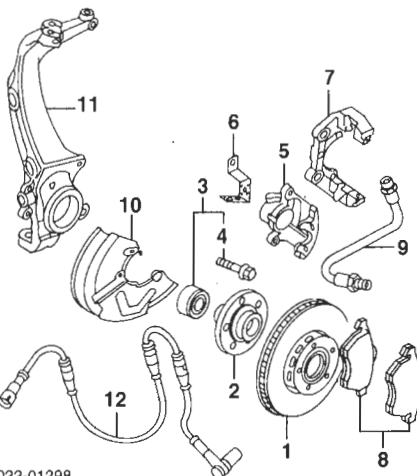
Use Procedure Explanation 11 with the following text.

R&I Suspension (One Side).....	R/Lm	2.0
Q/H Suspension (Includes R&I)		
One Side.....	R/Lm	4.8
Both Sides.....	m	9.4
Adjust Four Wheel Alignment.....	m	1.8
Adjust Front Alignment.....	m	1.3
Bleed Brake System.....	m	.4

**NOTE 1:** R&I/R&R or Q/H Does Not include alignment or bleed brake system.

**NOTE 2:** Refer to Special Cautions Section at the beginning of this vehicle text.

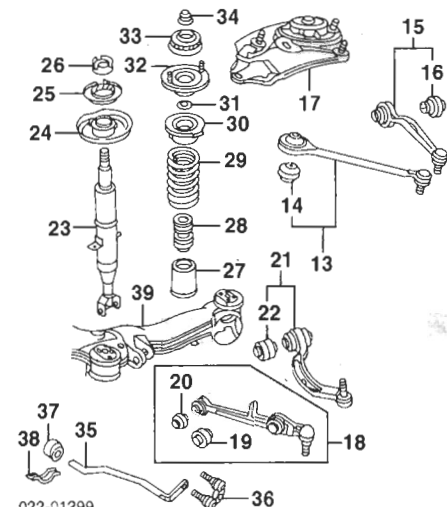
**NOTE 3:** All Parts in this section are included in overhaul unless noted otherwise.



022-01298

1 Rotor, Brake			
1997-99	R/L 4B0 615 301 A	m #9	125.40
2000			
To VIN Y005000	R/L 4B0 615 301 A	m #9	125.40
From VIN Y005001	R/L 4D0 615 301 J	m #9	172.25
2001-03			
323mm	R/L 4D0 615 301 J	m #9	172.25
345mm	R/L 4D0 615 301 B	m #9	174.25
†R&R Both Sides 1.6			
2 Hub, Wheel			
1997-98	R/L 4D0 407 615 F	m #2.7	174.90
1999			
To VIN X005500	R/L 4D0 407 615 F	m #2.7	174.90
From VIN X005501	R/L 4D0 407 613 B	m #2.7	245.55
2000-03	R/L 4D0 407 613 B	m #2.7	245.55
3 Bearing Assy			
1997-98	R/L 4B0 498 625 A	m #2.7	125.80
1999			
To VIN X005500	R/L 4B0 498 625 A	m #2.7	125.80
From VIN X005501	R/L 8E0 498 625 A	m #2.7	125.80
2000-03	R/L 8E0 498 625 A	m #2.7	125.80
†R&R One Side Complete, Includes R&R Brake Rotor			
4 Bolt, Hub†	R/L 4B0 407 643 A	m	7.10
†Included w/Bearing Assy			

5 Caliper, Brake			
1997	R 4D0 615 124	m #5	318.90
	L 4D0 615 123 A	m #5	318.90
1998			
To VIN W004500	R 4D0 615 124	m #5	318.90
	L 4D0 615 123 A	m #5	318.90
From VIN W004501	R 4D0 615 124 A	m #5	237.15
	L 4D0 615 123 A	m #5	318.90
1999	R 4D0 615 124 A	m #5	237.15
	L 4D0 615 123 A	m #5	318.90
2000			
To VIN Y005000	R 4D0 615 124 A	m #5	237.15
	L 4D0 615 123 A	m #5	318.90
From VIN Y005001	R 4B0 615 108 B	m #5	697.00
	L 4B0 615 107 B	m #5	579.00
2001-03			
323mm	R/L 4B0 615 108 B	m #5	697.00
325mm	R 4D0 615 108 D	m #5	579.00
	L 4D0 615 107 D	m #5	579.00
6 Bracket, Caliper			
1997-99	R 4D0 615 134 A	m #5	59.60
	L 4D0 615 133 A	m #5	59.60
2000			
To VIN Y005000	R 4D0 615 134 E	m #5	68.00
	L 4D0 615 133 E	m #5	103.70
From VIN Y005001	R/L 4B0 615 108 B	m #5	697.00
2001-03			
323mm	R 4D0 615 134 F	m #5	8.85
	L 4D0 615 133 F	m #5	8.85
345mm	R 4D0 615 134 D	m #5	28.15
	L 4D0 615 133 D	m #5	17.75
7 Carrier, Caliper			
1997-99	R/L 4D0 615 125	m #5	194.35
2000			
To VIN Y005000	R/L 4D0 615 125 A	m #5	171.45
From VIN Y005001-Serviced w/Brake Caliper			
2001-03-Serviced w/Brake Caliper			
†R&R One Side Complete, w/Rotor Removed Deduct .3, R&R Both Sides .8			
8 Pad Set, Brake			
1997	4D0 698 151 H	m #1.0	149.75
1998			
To VIN W010347	4D0 698 151 H	m #1.0	149.75
From VIN W010348	4D0 698 151 J	m #1.0	115.45
1999	4D0 698 151 J	m #1.0	115.45
2000			
To VIN Y005000	4D0 698 151 J	m #1.0	115.45
From VIN Y005001	4D0 698 151 S	m #1.0	242.35
2001-03			
323mm	4D0 698 151 S	m #1.0	242.35
345mm	4D0 698 151 L	m #1.0	242.35
†Deduct .5 for Each Caliper Removed			
9 Hose, Brake	R/L 4D0 611 707 F	m #3	46.05
†w/Caliper Removed Deduct .2			
10 Shield, Splash			
97-99 R	4D0 615 312 C	m #1	12.75
	L 4D0 615 311 C	m #1	12.75
00-03 R	4D0 615 312 D	m #1	12.95
	L 4D0 615 311 D	m #1	12.95
†w/Wheel Hub Removed			
11 Knuckle, Steering			
1997-99	R 4D0 407 258 L	m #3.4	397.25
	L 4D0 407 257 L	m #3.4	397.25
2000			
To VIN X005500	R 4D0 407 258 K	m #3.4	397.25
	L 4D0 407 257 K	m #3.4	397.25
From VIN X005501	R/L 4D0 407 254-3	m #3.4	397.25
2001-03†	R 4D0 407 254 A	m #3.4	397.25
	L 4D0 407 253 A	m #3.4	397.25
†Order by Application			
†Includes R&R Rotor, Hub, Bearings, Splash Shield & Front ABS Sensor			
12 Sensor Assy, Front Speed-See ABS/Brakes Section			



022-01299

13 Arm Assy, Front Upper Control	R/L 4D0 407 505 H	m #1.8	151.35
†w/Steering Knuckle Removed Deduct .3			
14 Bushing, Front Up Arm†	R/L 4D0 407 516 C	m 2.0	42.30
†Included w/Front Upper Control Arm Assy			
15 Arm Assy, Rear Upper Control			
1997			

# AUDI A8/S8 1997-03

## FRONT SUSPENSION Cont'd

To VIN V004000	R 4D0 407 510 K	m #9	151.35
	L 4D0 407 509 K	m #9	150.45
From VIN V004001	R 4D0 407 510 J	m #9	125.35
	L 4D0 407 509 J	m #9	125.35
1998-00	R 4D0 407 510 J	m #9	125.35
	L 4D0 407 509 J	m #9	125.35
2001-03 A8, A8 L	R 4D0 407 510 J	m #9	125.35
	L 4D0 407 509 J	m #9	125.35
S8	R 8E0 407 510 A	m #9	125.35
	L 8E0 407 509 A	m #9	125.35

### #w/Steering Knuckle Removed Deduct .3

16 Bushing, Rear Upr Arm	R/L 4D0 407 515 C	m	1.1	22.80
<i>#Included w/Rear Upper Control Arm Assy</i>				
17 Bracket, Upper Arm Mount	97-99 R 4D0 412 392 E	m	#	142.20
	L 4D0 412 391 C	m	#	142.20
	00-03 R 4D0 412 392 E	m	#	142.20
	L 4D0 412 391 E	m	#	142.20

### #Not Included in O/H

18 Arm Assy, Front Lower Control	R/L 4D0 407 151 P	m #1.1	298.05
1997-96			
1999			
To VIN X005500	R/L 4D0 407 151 P	m #1.1	298.05
From VIN X005501	R/L 4B3 407 151 C	m #1.1	298.05
2000-03	R/L 4B3 407 151 C	m #1.1	298.05
19 Bushing, Otr Control Arm	R/L 4D0 407 181 H	m #1.3	24.25
20 Bushing, Inr Control Arm	R/L 4D0 407 182 E	m #1.3	22.80

### #w/Steering Knuckle Removed Deduct .3

21 Arm Assy, Rear Lower Control	R 8E0 407 694 K	m #1.8	220.45
	L 8E0 407 693 K	m #1.8	220.45
22 Bushing, Rear Lwr Arm	R/L 4D0 407 183 Q	m #2.0	43.45

### #Included w/Rear Lower Control Arm Assy

### #w/Steering Knuckle Removed Deduct .7

23 Absorber, Shock	97-00 R/L 4D0 413 031 BN	m #2.5	327.20
Gray Marked	01-03 R/L 4D0 413 031 CK	m #2.5	309.35
Blue Marked	R/L 4D0 413 031 CD	m #2.5	309.35
Red Marked	R/L 4D0 413 031 AE	m #2.5	309.35
Yellow Marked	R/L 4D0 413 031 AP	m #2.5	309.35
24 Seat, Lower Spring	R/L 8D0 412 103 B	m #2.5	25.75
25 Packing, Lower	R/L 4D0 412 107 B	m #2.5	26.60
26 Cap, Protective	R/L 4D0 412 127	m #2.5	1.95
27 Boot, Dust	R/L 4D0 412 137 C	m #2.5	5.20
28 Bumper, Spring	97-99 R/L 4D0 412 131 F	m #2.5	22.40
	00-03 R/L 8D0 412 131 F	m #2.5	26.00
29 Spring, Coil	R/L 4D0 411 105 DA	m #2.5	186.60

### #Order by Application

30 Ring, Upper Spring	97-99 R/L 4D0 412 109 A	m #2.5	20.60
31 Washer	97-99 R/L 4D0 412 369 A	m #2.5	1.20
32 Seat, Upper Spring	97-99 R/L 4D0 412 111 A	m #2.5	26.60
33 Mount, Upper	R/L 4D0 412 377 F	m #2.5	42.25

### #R&R One Side Complete, w/Front Lower Control Arm Removed

### Deduct .5

34 Nut, Self-Locking	R/L N 101 064 02		1.90
35 Bar, Stabilizer	97-99 R/L 4D0 411 309 G	m #1.9	304.70
2000-03			
w/Sport Susp	4D0 411 309 K	m #1.9	304.70
w/o Sport Susp	4D0 411 309 J	m #1.9	219.70

### #Not Included in O/H, Includes R&R Bushings & Brackets

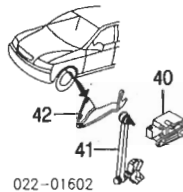
36 Link, Stabilizer	R/L 4D0 411 317 K	m #5	68.75
---------------------	-------------------	------	-------

### #Not Included in O/H, Deduct .2 for Each Front Lower Control Arm Removed

37 Bushing, Bar	97-99 R/L 4D0 411 327 H	m #3	7.80
	00-03 R/L 4D0 411 327 G	m #3	7.80
38 Bracket, Bushing	R/L 4D0 411 336 D	m #3	3.35

### #R&R One Side Complete, Not Included in O/H

39 Sub-Frame Assy-See Front Inner Structure Section			
---	--	--	--



022-01602

40 Sensor, H/Lamp Range Cont	4B0 907 503	m #8	54.50
41 Linkage, Sensor	4D0 941 299	m #8	20.70
42 Brkt, Retaining	4D0 941 291	m #8	9.20

### #R&R Complete, Not Included in O/H

## FRONT DRIVE AXLE

R&I Axle Shaft Assy	R/Lm #1.8
O/H Axle Shaft Assy (Includes R&I)	R/Lm #2.5

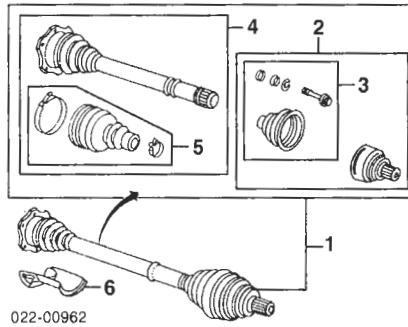
### #w/Steering Knuckle Removed Deduct 1.0

NOTE: All Parts in this section are included in overhaul unless noted otherwise.

Illustration Located in Next Column

1 Shaft Assy, Axle	R 4D0 407 272 AF	m #1.8	562.00
	L 4D0 407 271 S	m #1.8	562.00

### #w/Steering Knuckle Removed Deduct 1.0



022-00962

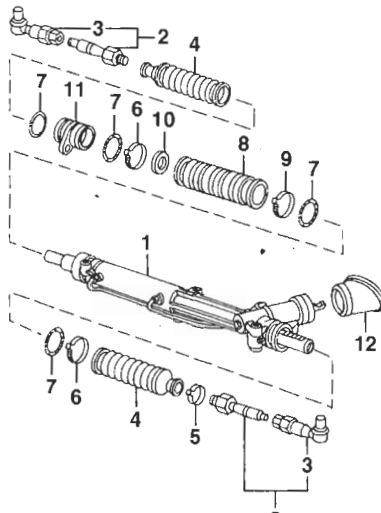
2 Shaft Assy w/Joinr, Outer	R/L 4D0 498 099	m #2.5	298.45
3 Boot Kit, Outer (a)	R/L 441 498 203 A	m #2.5	45.30
<i>(a) Included w/Outer Shaft Assy w/Joinr</i>			
4 Joint Assy, Inner CV	1997-99 R 4D0 407 418 E	m #2.5	482.70
	L 4D0 407 417 E	m #2.5	445.70
2000			
To VIN Y004129	R 4D0 407 418 F	m #2.5	445.70
	L 4D0 407 417 E	m #2.5	445.70
From VIN Y004130	R 4D0 407 418 F	m #2.5	445.70
	L 4D0 407 417 E	m #2.5	445.70
2001-03	R 4D0 407 418 F	m #2.5	445.70
	L 4D0 407 417 E	m #2.5	445.70
5 Boot Kit, Inner (a)	97-99 R/L 893 498 201 B	m #2.5	57.60
	00-03 R/L 4B0 498 201	m #2.5	34.90
<i>#Included w/Axle Shaft Assy</i>			
<i>(a) Included w/Inner CV Joint Assy</i>			
<b>#w/Steering Knuckle Removed Deduct 1.0</b>			
6 Shield, Shaft			
FWD	R 4D0 407 722 A		35.70
	L 4D0 407 719 D		87.90
AWD	R 4D0 407 722 D		35.70
	L 4D0 407 719 E		79.25

## FRONT STEERING LINKAGE/GEAR

R&I Steering Gear	m 5.4
O/H Steering Gear (Includes R&I)	m 9.2

NOTE 1: R&R/R or O/H Does Not include adjust wheel alignment.

NOTE 2: All Parts in this section are included in overhaul unless noted otherwise.

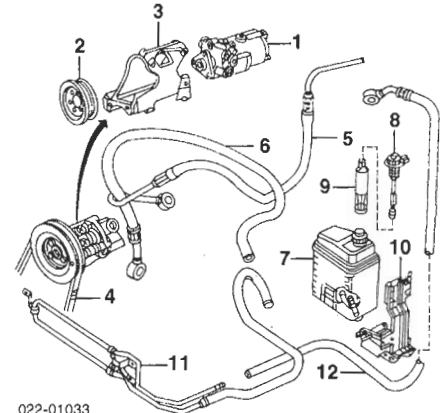


022-01032

1 Gear, Steering			
New	97-99 4D1 422 052 B	m 5.4	0.00
	00-03 4D1 422 052 G	m 5.4	1266.00
Remanufactured			
1997-99			
w/Servotronic System	4D1 422 052 CX	m 5.4 R1	025.00
w/o Servotronic System	4D1 422 052 BX	m 5.4	R810.00
2000-03	4D1 422 052 GX	m 5.4	R1025.00
2 Rod Assy, Tie	R/L 4B0 419 801 M	m .6	138.60
w/Servotronic System			
3 End, Tie Rod			
w/Servotronic System	R/L 8E0 419 811 B	m .3	70.90
w/o Servotronic System			
<i>#Included w/Tie Rod Assy</i>			
4 Boot, Tie Rod	97-99 R/L 4D0 419 831 D	m #6	8.95
	00-03 R 4D0 419 831 K	m #6	0.00
	L 4D0 419 831 E	m #6	8.95
5 Clamp, Outer	97-99 R/L N 102 020 01	m #6	1.70
6 Clamp, Inner	97-99 R/L N 906 541 01	m #6	2.35
	00-03 R N 906 541 01	m #6	2.35
	L N 906 540 01	m #6	4.05

7 Ring, Seal	97-99 R/L N 901 809 02	m #6	.67
<b>#R&amp;R Complete, Included in R&amp;R Tie Rod Assy</b>			
8 Boot, Damper	97-99 4D0 419 831 A	m	9.65
9 Clamp, Boot	97-99 R/L N 906 541 01	m	2.36
10 Washer	97-99 4D0 422 531	m	4.40
11 Bracket	97-99 4D0 425 057 A	m	31.25
12 Shield	4D0 422 326	m	19.15

## STEERING PUMP



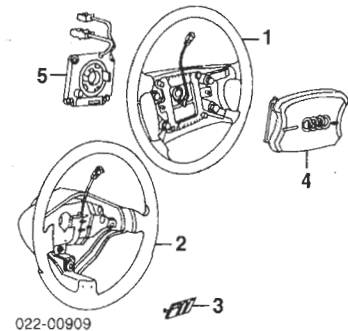
022-01033

1 Pump, Steering	4D0 145 155 K	m 2.0	432.00
2 Pulley, Pump	97-99 078 145 255 H	m	41.50
	00-03 059 145 255	m	27.45
3 Bracket, Pump	97-99 077 260 885 E	m	148.65
	00-03 077 260 885 H	m	148.65
<b>#w/Steering Knuckle Removed Deduct 1.0</b>			
4 Belt, Drive-See Cooling Section			
5 Hose, Pressure	4D1 422 893 AF	m 2.2	281.05
6 Hose, Suction	4D0 422 887 K	m .8	69.30
7 Reservoir, Pump	4A0 422 371 M	m 1.0	59.85
8 Cap, Reservoir	4A0 422 377 L	m	14.95
9 Filter, Oil	4A3 422 365 A	m	41.50
10 Bracket, Combination-See ABS/Brakes Section			
11 Pipe, Cooler	4D0 422 885 D	m .8	117.25
	1997-99 4D0 422 885 G	m .8	117.25
<i>#Order by Application</i>			
12 Pipe, Return	4D1 422 891 D	m .6	71.60

## STEERING WHEEL/COLUMN

R&I Steering Column	m 1.5
O/H Steering Column (Includes R&I)	m 3.0

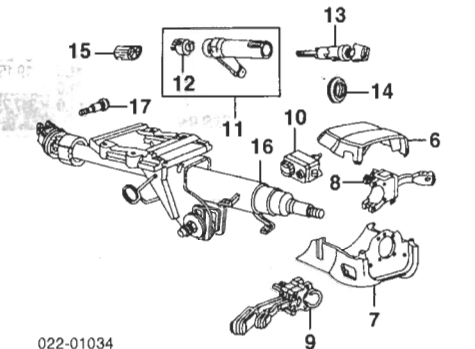
NOTE: All Parts in this section are included in overhaul unless noted otherwise.



022-00909

Wheel, Steering			
1 Std Wheel			
w/Multi-Function Switch			
1997			
To 7-97	4D0 419 091 AE AS1	m .8	604.00
From 8-97	4B0 419 091 CB 42H	m .8	521.00
1998-99	4B0 419 091 CB 42H	m .8	521.00
2000-03	4B0 419 091 AK 42H	m .8	480.50
w/o Multi-Function Switch			
1997-98			
Heated	4D0 419 091 AD AS1	m .8	740.00
To 7-97	4B0 419 091 CC AS1	m .8	356.45
From 8-97			
Non-Heated	4D0 419 091 J AS1	m .8	740.00
To 7-97	4B0 419 091 S AS1	m .8	450.95
From 8-97	4B0 419 091 G 42H	m .8	450.95
2 Sport Wheel	00 4B0 419 091 BH 05A	m .8	480.50
	01 8Z0 419 091 L 25D	m .8	521.00
	02-03 8Z0 419 091 AD 73G	m .8	486.30
<i>#Black listed, Order by Application</i>			
3 Emblem, Sport Wheel	97-99 4A0 419 685 B	.1	20.30
	00 4D0 419 685	.1	24.80
	01-03 4D0 419 685 A	.1	30.20
4 Module, Driver Air Bag-See Air Bag System Section			

5 Spring, Spiral-See Air Bag System Section



022-01034

6 Cover, Upper Lock Hsg]					
1997	4D0 951 598 A	E54	m	#1.4	17.65
1998	4D0 951 598 B	E54	m	#1.4	17.65
To 5-98	4D0 951 598 C	E54	m	#1.4	17.65
From 6-98	4D0 951 598 C	E54	m	#1.4	17.65
1999	4D0 951 598 C	E54	m	#1.4	17.65
2000	4D0 951 598 E	7PE	m	#1.4	21.25
2001-03	4D0 951 598 E	7PE	m	#1.4	21.25
7 Cover, Lower Lock Hsg]					
1997	4D0 951 597 L	E54	m	#1.4	47.45
1998-99	4D0 951 597 Q	E54	m	#1.4	47.45
w/Tiptronic	4D0 951 597 P	E54	m	#1.4	47.45
w/o Tiptronic	4D0 951 597 A	7PE	m	#1.4	47.45
2000	4D0 951 597 A	7PE	m	#1.4	47.45
2001-03	4D0 951 597 A	7PE	m	#1.4	54.35

*Black listed. Order by Application*  
**#R&R Complete, Includes R&R Steering Wheel**  
 8 Switch, Wiper/Washer 97 8D9 953 503 A 01C m #1.6 194.95  
 98-03 4D0 953 503 B 01C m #1.6 108.95  
 9 Switch, Signal/Dimmer 97-99 4D0 953 513 C 01C m #1.6 137.35  
 00-03 4D0 953 513 M 01C m #1.6 137.35  
 10 Switch, Elect Height Adjust 1997-99 4D0 907 703 A 01C m #1.6 66.10  
 2000-03 4D0 907 703 B 7PE m #1.6 113.80

*Black listed. Order by Application*  
**#R&R Complete, Includes R&R Steering Wheel**  
 11 Housing Assy, Lock 1997-99 4B0 905 851 m 2.2 74.05  
 2000 To 2-29-00 4B0 905 851 m 2.2 74.05  
 From 3-1-00 4B0 905 851 B m 2.2 61.65  
 2001-02 4B0 905 851 B m 2.2 61.65  
 2003 4B0 905 851 F m 2.2 87.55  
 12 Switch, Ignition] 97 4A0 905 849 B m 2.2 30.05  
 98-03 4B0 905 849 m 2.2 62.50

*Included w/Lock Housing Assy*  
 13 Cylinder, Lock w/Key 97-99 4D0 905 855 J m 1.8 117.50  
 00-02 4D0 905 855 G m 1.8 117.50  
 03 8E0 905 855 A m 1.8 117.50  
 w/o Key 97-02 107 905 855 CB m 1.8 118.15  
 03 107 905 855 CD m 1.8 118.15  
 14 Grommet, Lock Cyl 8D0 905 869 01C m 2.0 3.85  
 15 Contact, Switch 8D0 971 975 m 2.0 3.85  
 16 Column, Steering 1997 4D0 419 502 F m 2.7 1791.00  
 1998-03 4D0 419 502 AJ m 2.7 1791.00  
 17 Screw, Attaching 4D0 419 699 2.50

**ENGINE/TRANS**

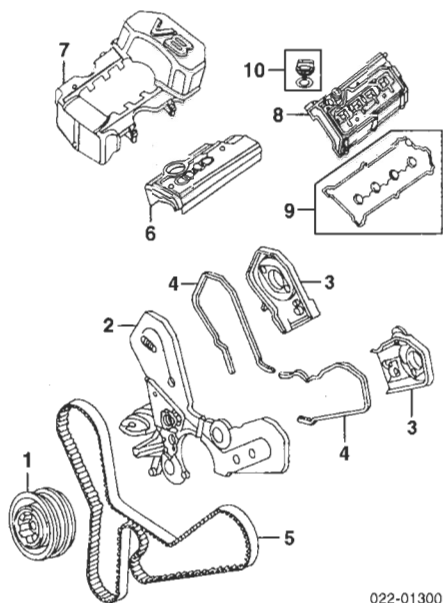
Use Procedure Explanation 12 with the following text.

**1997-99**

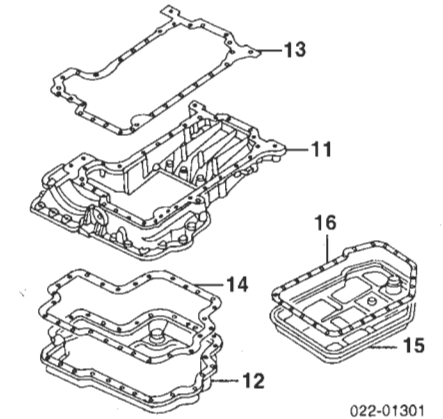
R&I Engine/Trans Assy.....m 17.4

*Illustration Located in Next Column*

1 Damper & Pulley, Vibration	077 105 251 B	m	.8	502.00
2 Cover, Front Timing	R 077 109 108 L 077 109 123 B	m	#2.7	362.45
		m	#3	95.45
<b>#Included in R&amp;R Timing Belt</b>				
3 Cover, Rear Timing	R 077 109 162 E L 077 109 161 E	m		159.45
		m		179.65
4 Gasket, Timing Cover	R 077 109 139 E L 077 109 139 D	m		56.45
		m		56.45
5 Belt, Timing	077 109 119 E	m	4.3	182.80
6 Cover, Side Protective	R 077 103 724 C L 077 103 723 C	m		55.00
		m		55.00
7 Cover, Center Protective	AWD 077 103 935 C FWD 077 103 935 B	m		114.85
		m		114.85
8 Cover, Valve	R 077 103 472 D L 077 103 471 F	m	#1.5	211.60
		m	#1.5	211.60
<b>#R&amp;R Both Sides 2.6</b>				
9 Gasket Set, Valve Cover	077 198 025	m		42.90
10 Cap, Oil	06A 103 485 F	m		3.60
11 Pan, Upper Eng Oil	077 103 603 J	m	#3.2	352.70
<b>#Includes R&amp;I/R&amp;R Lower Oil Pan</b>				
12 Pan, Lower Eng Oil	077 103 602	m	1.8	137.55



022-01300



022-01301

13 Gasket, Upper Oil Pan	077 103 609 E	m		64.60
14 Gasket, Lower Oil Pan	077 103 610 C	m		48.45
15 Pan, Trans Oil	AWD 01L 321 359 A FWD 01V 321 359 B	m	#7	295.05
		m	#7	235.80
16 Gasket, Trans Oil Pan	AWD 01L 321 371 FWD 01V 321 371	m	#7	25.00
		m	#7	23.65

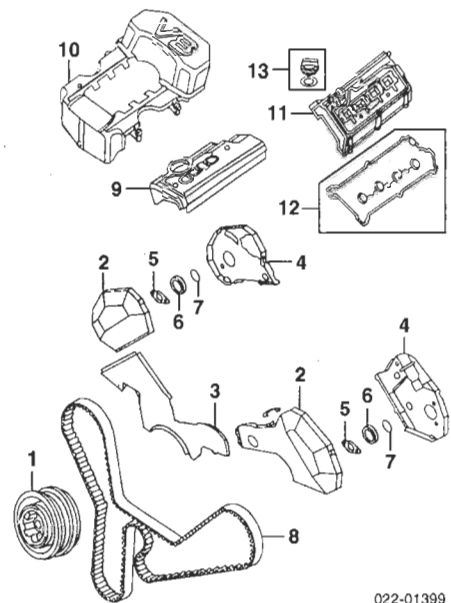
**#R&R Complete**

**2000-03**

R&I Engine/Trans Assy.....m 17.4

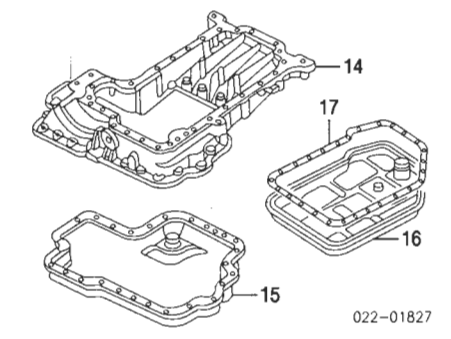
*Illustration Located in Next Column*

1 Damper & Pulley, Vibration	077 105 251 K	m	1.0	383.75
2 Cover, Upper Outer Timing	R 077 109 108 A L 077 109 107 E	m	#1.1	23.70
		m	#1.1	23.25
3 Cover, Lower Outer Timing	077 109 194 A	m	#1.5	49.15
<b>#R&amp;R Complete 2.7</b>				
4 Cover, Upper Inner Timing	2000 R 077 109 118 C L 077 109 098 B	m		27.65
		m		23.25
2001-03				
A8, A8 L	R 077 109 118 C	m		27.65
	L 077 109 098 B	m		23.25
S8	R 077 109 118 C	m		27.65
	L 077 109 098 C	m		23.25
5 Washer, Seal	R/L 078 109 149	m		3.20
6 Seal, Inner (2/Side)	R/L 026 103 085 D	m		5.20
7 Gasket, Inner (2/Side)	R/L 077 103 487 B	m		2.40
8 Belt, Timing	078 109 119 H	m	#5.4	45.15
<b>#Includes R&amp;R Vibration Damper &amp; Outer Timing Covers</b>				
9 Cover, Side Protective	R 077 103 724 D L 077 103 723 D	m	.3	55.00
		m	.3	55.00
10 Cover, Center Protective	2000 077 103 935 M	m	.3	114.85
2001-03				
A8, A8 L	077 103 935 M	m	.3	114.85
S8	077 103 935 S	m	.3	114.85



022-01399

11 Cover, Valve	R 077 103 472 L L 077 103 471 P	m	#1.8	211.60
		m	#1.5	211.60
<b>#R&amp;R Both Sides 2.6</b>				
12 Gasket Set, Valve Cover	R/L 077 198 025 A	m		40.70
13 Cap, Oil	06B 103 485 B	m		5.95



022-01827

14 Pan, Upper Eng Oil	077 103 603 P	m	#3.2	342.45
<b>#Includes R&amp;I/R&amp;R Lower Oil Pan</b>				
15 Pan, Lower Eng Oil	077 103 602 A	m	1.8	102.60
Sealant, Eng Oil Pan	N.A.	m		0.00
16 Pan, Trans Oil	A8, A8 L 01L 321 359 B S8 01L 321 359 C	m	#7	295.05
		m	#7	295.05
17 Gskt, Trans Oil Pan	01L 321 371	m	#7	25.00

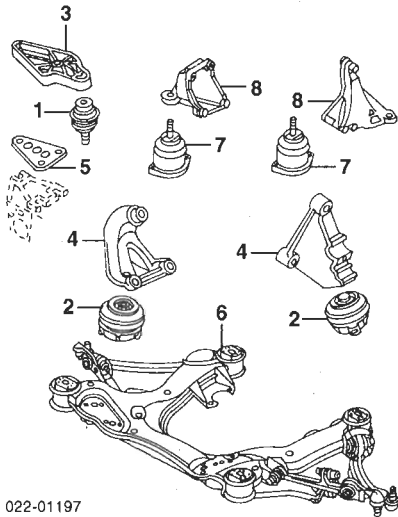
**#R&R Complete**

**ENGINE/TRANS MOUNTS**

*Illustration Located in Next Column*

1 Mount, Upper Front	4D0 199 267	m	2.5	52.65
2 Mount, Lower Front	97-99 R 4D0 199 381 AA L 4D0 199 381 AB	m	2.6	138.85
	00-03 R 4D0 199 381 AH L 4D0 199 381 AG	m	2.2	138.85
		m	2.6	155.95
		m	2.2	155.95
3 Brkt, Upr Frt Mount	4D0 199 603 E	m		37.85
4 Brkt, Lwr Frt Mount	97-99 R 4D0 199 308 E L 4D0 199 307 E	m		29.25
		m		23.85
	00-03 R 4D0 199 308 AC L 4D0 199 305 C	m		47.40
		m		39.65
5 Plate, Spacer	4D0 199 607 F	m		3.30
6 Sub-Frame Assy-See Front Inner Structure Section				
7 Mount, Trans	97-99 R/L 4D0 399 151 B 00-03 R/L 4D0 399 151 G	m	#7	139.65
		m	#7	139.65
<b>#R&amp;R Both Sides 1.0</b>				
8 Support, Trans				
AWD	R 4D0 399 114 AG L 4D0 399 107 E	m		131.85
		m		179.75
FWD	R 4D0 399 114 H L 4D0 399 107 E	m		131.85
1997		m		179.75
1998				
To VIN W006500	R 4D0 399 114 H L 4D0 399 107 E	m		131.85
		m		179.75
From VIN W006501	R 4D0 399 114 AB L 4D0 399 107 E	m		131.85
		m		179.75

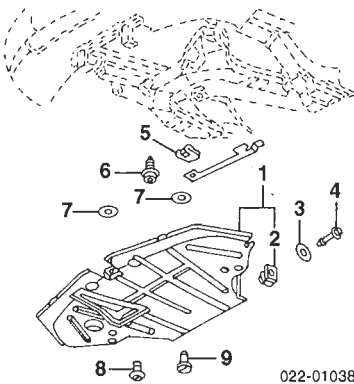
**ENGINE/TRANS MOUNTS Cont'd**



022-01197

1999	R 4D0 399 114 AB	131.85
	L 4D0 399 107 E	179.75

**ENGINE UNDER COVER**



022-01038

1 Pan Assy, Engine Cover			
AWD	97-99 4D0 863 823 BT	#.3	167.10
	00-03 4D0 863 823 BS	#.3	436.85
FWD	4D0 863 823 BT	#.3	167.10
<i>#Included in R&amp;R/R or OH Front Bumper</i>			
2 Clip, Cover Pan (4)	4A0 805 163		1.20
<i>#Included w/Engine Cover Pan Assy</i>			
3 Washer, Lock (4)	4A0 805 137 A		.92
4 Pin, Dowel (4)	4A0 805 121 A		2.80
5 Nut, Speed (4)	8D0 805 960		1.60
6 Bolt, Hexagonal (2)	N 090 148 3		1.10
<i>#10 Piece per Pkg</i>			
7 Washer, Upper Lock (6)	4A0 805 137		.92
8 Pin, Lwr Front (4)	8D0 805 121		3.10
9 Pin, Lwr Rear (2)	4A0 805 121 A		2.80

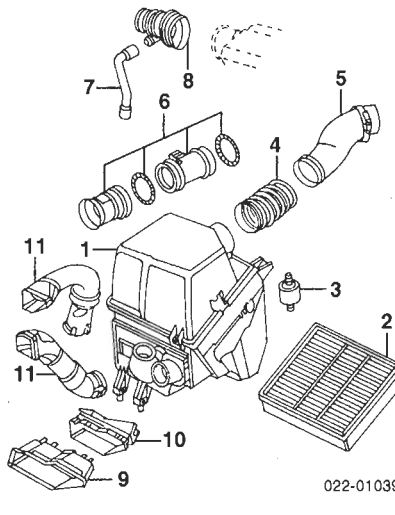
**AIR CLEANER**

1997-99

R&I Air Cleaner Assy	m	.4
----------------------	---	----

*Illustration Located in Next Column*

1 Housing, Air Cleaner	077 133 837 H	m	.7	287.60
2 Element, Cleaner	077 129 620 D	#.3		26.50
<i>#Included in R&amp;R Air Cleaner Housing</i>				
3 Mount, Rubber (2)	4D0 614 177 B			4.80
4 Hose, Intake				
AWD	077 129 627 F			59.65
FWD	077 129 627 A			39.60
5 Pipe, Intake	077 129 627 D		.4	48.60
6 Sensor, Mass Air Flow	077 133 471 D	m	.6	384.15
7 Hose, Breather				
FWD	077 103 221 K			32.25
8 Hose, Front Intake	077 129 627 E			39.60
9 Duct, Front Air	077 129 617	#.3		12.95
10 Duct, Center Air	077 129 617 A	#.3		12.95

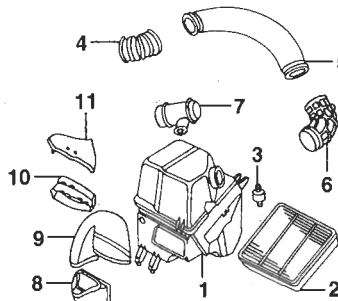


022-01039

#R&R Complete			
11 Duct, Rear Air	R 077 129 643	#.3	17.85
	L 077 129 643 A	#.3	17.85

2000-03

R&I Air Cleaner Assy	.....	.4
----------------------	-------	----

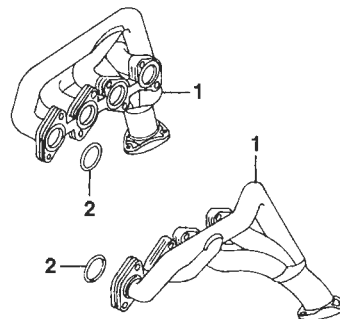


022-01401

1 Housing, Air Cleaner	077 133 837 R		.7	355.10
2 Element, Cleaner	077 129 620 D	#.3		26.50
<i>#Included in R&amp;R Air Cleaner Housing</i>				
3 Mount, Rubber (2)	4D0 614 177 B			4.80
4 Hose, Intake	077 129 627 A			39.60
5 Pipe, Intake	077 129 627 M		.3	69.35
6 Hose, Mass Air Flow	00 077 129 627 H			32.20
	01-03 077 129 627 Q			32.20
7 Sensor, Mass Air Flow				
2000	077 133 471 G	m	.6	401.45
2001-03				
A8, A8 L	077 133 471 J	m	.6	360.00
S8	077 133 471 K	m	.6	515.00
8 Duct, Lower	077 129 627 N			32.20
9 Duct, Center Front	077 129 643 E			47.40
10 Duct, Upper Front	077 129 617 B	#.2		6.35
11 Cover, Duct	077 129 044 A	#.2		8.25

**EXHAUST**

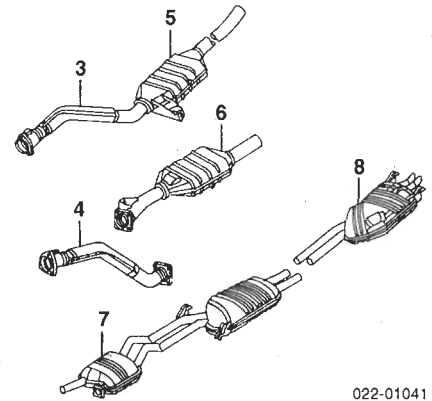
R&R Exhaust System Complete	.....	#3.8
<i>#Does Not Include Exhaust Manifolds</i>		



022-01040

1 Manifold, Exhaust			
---------------------	--	--	--

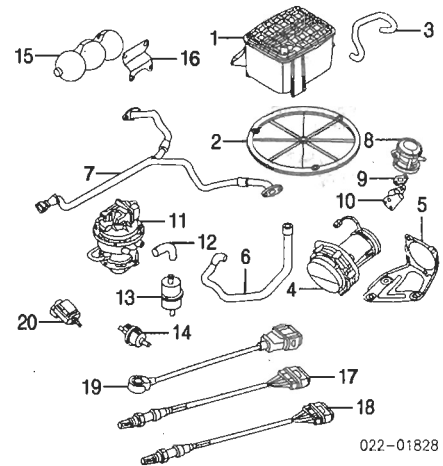
1997-99	R 077 253 034 F	m	#1.0	1029.00
	L 077 253 033 E		#1.0	1029.00
2000	R 077 253 034 J	m	#1.0	497.30
	L 077 253 033 J		#1.0	497.30
2001-03				
A8, A8 L	R 077 253 034 T	m	#1.0	401.70
	L 077 253 033 T		#1.0	401.70
S8	R 077 253 034 Q	m	#1.0	347.75
	L 077 253 033 Q		#1.0	347.75
<i>#w/Engine Assy Removed, R&amp;R Both Sides 1.8</i>				
2 Gasket, Manifold	97-99 R/L 077 253 039 B	m		35.55
	00-03 R/L 077 253 039 C	m		8.10



022-01041

3 Pipe, Right Front Exhaust (1)			
AWD			
1997-99	4D0 253 058 RX		1.0 R905.00
2000	4D0 253 012 RX		1.0 R1306.00
2001-03			
A8, A8 L	4D0 254 350 X		1.0 R1549.00
S8	4D0 254 350 BX		1.0 R1405.00
FWD	4D0 253 058 PX		1.0 R905.00
4 Pipe, Left Front Exhaust			
AWD			
1997-99	4D0 253 101 AA		1.6 409.45
2000	4D0 253 101 BC		1.6 323.50
2001-03			
A8, A8 L	4D0 253 011 GX		1.6 1253.00
S8	4D0 253 101 BM		1.6 323.50
FWD	4D0 253 101 M		1.6 409.45
<i>#Includes Catalytic Converter</i>			
Converter, Catalytic			
5 Right-Serviced w/Right Front Exhaust Pipe			
6 Left			
AWD			
1997-99	4D0 131 089 MX		1.1 R936.00
2000	4D0 131 090 HX		1.1 R910.00
2001-02			
A8, A8 L	4D0 131 090 QX		1.1 R1618.00
S8	4D0 131 090 RX		1.1 R1405.00
FWD	4D0 131 089 RX		1.1 R936.00
7 Muffler, Center			
AWD			
A8	97-99 4D0 253 409 S		1.8 580.00
	00-03 4D0 253 409 AF		1.8 580.00
A8 L	4D4 253 409		1.8 580.00
S8	4D0 253 409 AF		1.8 580.00
FWD	4D0 253 409 F		1.8 580.00
8 Muffler, Rear			
AWD			
A8	4D0 253 609 C		1.0 526.00
FWD	4D0 253 609 D		1.0 702.00

**EMISSION SYSTEM**

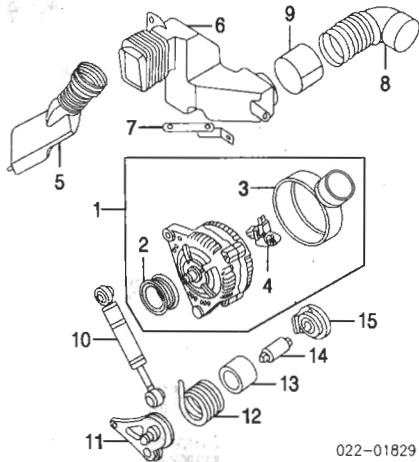


022-01828

1 Canister, Vapor	97-99 4D0 201 801 B	m	.9	241.30
-------------------	---------------------	---	----	--------

2	Cover, Lower	00-03 8D0 201 801 D	m	.9	206.35
3	Hose, Connecting	4A0 201 814 A	m		22.15
4	Pump, Air	00-03 4D0 906 272 AL	m	2.0	18.95
5	Bracket, Pump	00-03 078 906 601 F	m		449.30
6	Pipe, Connecting	00-03 078 906 615 M	m		11.85
7	Pipe, Connecting	00-03 077 133 817 C	m		67.05
8	Valve, Combination	00-03 077 131 831 F	m		78.30
		00-03 R 078 131 102 F	m	#.3	101.75
		L 078 131 101 N	m	#.3	101.75
9	Plate, Kombi Valve	00-03 R/L 078 131 166-5	m	#.3	19.20
10	Gasket, Kombi Valve	00-03 R 078 131 120 D	m	#.3	1.80
		L 078 131 120 E	m	#.3	2.25
11	Pump, Leak Detection	4D0 906 271	m	#.3	160.65
	<b>#R&amp;R One Side Complete</b>				
12	Hose, Pump	97-99 4D0 906 272 J	m	.3	18.95
		00-03 4D0 906 272 AF	m	.3	18.95
13	Filter	97-99 4D0 906 321 B	m	.2	43.20
		00-03 4D0 906 321 C	m	.2	43.20
14	Valve, Canister Purge	077 133 517 C	m		94.80
15	Tank, Vacuum	97-99 443 131 541	m	.3	18.90
		00-03 R/L 443 131 541	m	.3	18.90
16	Bracket, Vacuum Tank	97-99 4D0 809 163 A	m		6.80
		00-03 R 4D0 809 164 B	m		6.80
		L 4D0 809 163 A	m		6.80
17	Sensor, Front Oxygen	97-99 R/L 021 906 265 AK	m	#.9	175.60
		00-03 R/L 077 906 265 J	m	#.9	187.05
18	Sensor, Rear Oxygen	R/L 077 906 265 E	m	#.9	175.60
	1997-99	R/L 077 906 265 H	m	#.9	175.60
	2000	R/L 077 906 265 AA	m	#.9	175.60
	2001-03	R/L 077 906 265 H	m	#.9	175.60
	A8, A8 L	R 077 906 265 T	m	#.9	175.60
	S8	R/L 077 906 265 H	m	#.9	175.60
	<b>#Each Additional Add.3</b>				
19	Sensor, Knock	97-99 R 054 905 377 A	m	3.6	63.95
		L 077 905 377 A	m	4.2	101.25
		00-03 R 054 905 377 A	m	3.6	63.95
		L 054 905 377 A	m	4.2	63.95
20	Valve, Change Over	026 906 283 H	m	.7	141.35
	1997-99	R/L 077 906 283	m	.7	63.70
	2000-03	R/L 077 906 283 B	m	.7	76.30
	A8, A8 L	R/L 077 906 283 B	m	.7	76.30
	S8	R/L 077 906 283 B	m	.7	76.30

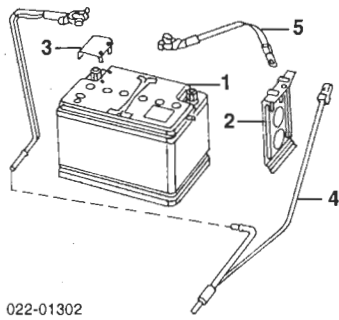
**ELECTRICAL  
ALTERNATOR**



022-01829

1	Alternator Assy				
	New				
	120 Amp	077 903 015 E	m	1.1	823.00
	150 Amp	97-99 077 903 015 F	m	1.1	823.00
		00-03 038 903 018 G	m	1.1	823.00
	Remanufactured				
	150 Amp	038 903 018 GX	m	1.1	8658.00
2	Pulley, Alternator	97-99 077 903 119 A	m	.7	28.15
		00-03 077 903 119 D	m	.7	45.15
3	Cover, Intake				
	120 Amp	077 903 193 B	m		12.95
	150 Amp	077 903 193 C	m		12.95
4	Regulator, Voltage				
	120 Amp	028 903 803 D	m		87.45
	150 Amp	028 903 803 E	m		147.15
	<b>†Included w/Alternator Assy</b>				
5	Duct, Intake				
	1997-99	4D0 903 423 A			51.10
	2000-03	4D0 903 423 B			51.10
6	Bracket	00-03 4D0 903 143			10.80
7	Hose, Intake	00-03 077 903 655 C			22.70
8	Rubber, Damping	00-03 4D0 903 163 A			7.75
9	Absorber, Shock	97-99 077 903 427 B			82.40
10	Bracket, Retaining	97-99 077 903 411			158.10
11	Spring	97-99 077 903 401			18.65
12	Sleeve	97-99 077 903 405			5.70
13	Shaft	97-99 077 903 415			103.60
14	Plate, Retaining	97-99 077 903 409			76.50

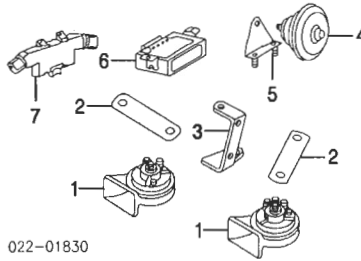
**BATTERY**



022-01302

1	Battery	N.A.		.6	0.00
2	Bracket, Battery	4D0 803 377			8.10
3	Cap, Battery	97-99 4D0 915 429			4.25
		00-03 893 915 429			1.70
4	Cable/Harness, Positive				
	A8	97-99 4D1 971 225		3.9	293.05
		00-03 4D1 971 225 B		3.9	293.05
	A8 L	4D1 971 225		3.9	293.05
	S8	4D1 971 225 B		3.9	293.05
5	Cable, Negative	4D0 971 235		.4	43.35

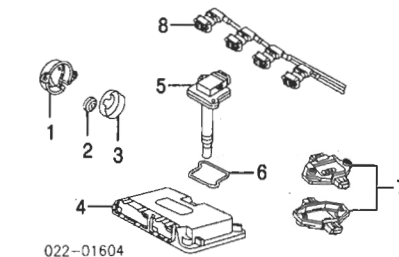
**HORN**



022-01830

1	Horn				
	High Note	4D0 951 223		#.3	73.75
	Low Note				
	1997	To VIN V004265		4D0 951 221	#.3 73.75
		From VIN V004266		4D0 951 221 A	#.3 73.75
		1998-99		4D0 951 221 A	#.3 73.75
		2000-03		4D0 951 221 B	#.3 73.75
	<b>#R&amp;R Both .5</b>				
2	Bracket, Horn Mtg	97-99 R/L 191 951 227 A			3.60
		00-03 R 4D0 951 186			11.80
		L 4D0 951 185 A			11.80
3	Brace, Horn Mtg Brkt	97-99 4D0 951 185			8.60
4	Horn, Security	97-99 4A0 951 113			40.65
		00-03 8D5 951 113			40.65
5	Bracket, Security Horn	97-99 4D0 813 987			10.25
6	Module, Movement Control				
	1997	To VIN V012000		4D0 951 173 B	415.35
		From VIN V012001		4D0 951 173 C	403.25
		1998-99		8L0 951 173	415.35
		2000-03		4D0 951 173 D	354.05
7	Sensor, Movement	97-99 R/L 4D0 951 177 A			132.60
		00-03 R 4D0 951 178 B			132.60
		L 4D0 951 177 B			132.60

**IGNITION**



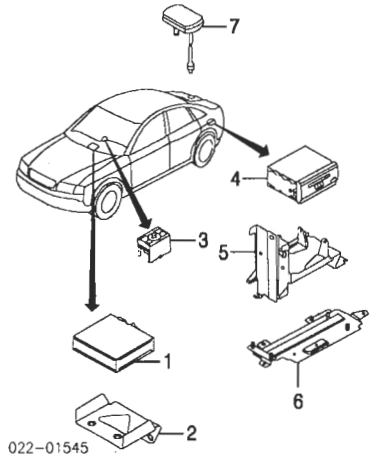
022-01604

<b>R&amp;R Ignition Coils Complete.....m 1.1</b>					
1	Sensor, Hall	R/L 058 905 161 B		m	1.5 108.45
2	Washer, Rotor	R/L 078 905 149 A		m	2.50
3	Rotor, Impulse	97-99 R/L 077 905 234		m	1.0 9.65
		00-03 R/L 068 905 234 A		m	1.0 4.85
4	Module, Eng Control				
	AWD				
	A8	97 4D0 997 557 X		m	1.0 d1926.00
		98-99 4D0 997 557 KX		m	1.0 R1758.00
		00 4D0 997 559 AX		m	1.0 R723.00

A8 L	01 4D0 997 560 DX	m	1.0	R723.00	
S8	02-03 4D0 997 561 MX	m	1.0	R723.00	
	4D0 997 560 JX	m	1.0	R723.00	
	01 4D0 997 560 KX	m	1.0	R723.00	
FWD	02-03 4D0 997 561 NX	m	1.0	R723.00	
	97 4D0 907 557 C	m	1.0	1302.00	
	98-99 4D0 997 557 AX	m	1.0	R1926.00	
5	Coil, Ignition (4/Side)	97-99 058 905 105	m	#.7 66.15	
		00-03 068 905 115 E	m	#.7 22.95	
	<b>#R&amp;R Two or More 1.1</b>				
6	Gskt, Coil (4/Side)	R/L 058 905 261 A			1.70
7	Control, Power Output (2)				
	1997-99	4D0 905 351		m	.5 378.00
8	Wire, Ignition-Serviced w/Eng Wiring Harness				

**NAVIGATION SYSTEM**

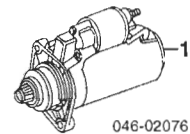
Refinish Navigation Antenna.....	.5
----------------------------------	----



022-01545

1	Display Unit, Navigation	N.A.		m	.6 0.00
2	Bracket, Navigation Display	N.A.			0.00
3	Operating Unit	4D0 919 721 B 01C		m	.4 69.70
4	Module, Navigation				
	2000	4B0 919 887 BX		m	1.1 R739.00
	2001	To VIN 1008000		4B0 919 887 BX	m 1.1 R739.00
		From VIN 1008001		4B0 919 887 E	m 1.1 1581.00
	2002	To VIN 2007400		4B0 919 887 E	m 1.1 1581.00
		From VIN 2007401		4B0 919 887 E	m 1.1 1581.00
	2003	4B0 919 887 E		m	1.1 1581.00
5	Bracket, Mounting				
	2000	4D0 919 897 C		#.2	79.00
	2001	To VIN 1000346		4D0 919 897 C	#.2 79.00
		From VIN 1000347		4D0 919 897 E	#.2 80.05
	2002-03	4D0 919 897 E		#.2	80.05
6	Plate, Retaining				
	2000	To VIN Y006500		4D0 919 899 A	#.2 33.70
		From VIN Y006501		4D0 919 899 B	#.2 33.70
	2001-03	4D0 919 899 B		#.2	33.70
	<b>#R&amp;R Complete, w/Navigation Module Removed</b>				
7	Antenna, Navigation (P)	4D0 919 889 GRU		m	.7 410.95
	<b>(P) Paint to Match</b>				

**STARTER**



046-02076

1	Starter				
	New	077 911 023 E		m	1.2 577.00
	Remanufactured	077 911 023 EX		m	1.2 R378.25

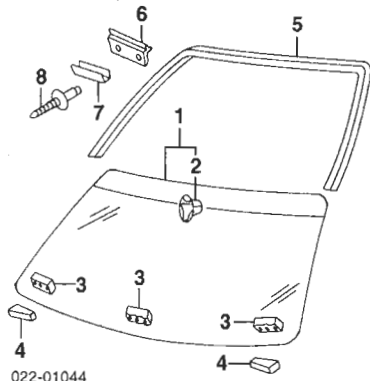
**WINDSHIELD**

Use Procedure Explanation 13 with the following text.  
R&L Windshield Glass..... #3.5  
**#Includes Clean Up Old Adhesive as Necessary**

Illustration Located in Next Column

1	Glass Assy, Windshield				
	Audi (Green)				
	1997-99				
	w/Insulator	4D0 845 099 AC		#3.2	628.00
	w/o Insulator	4D0 845 099 AB		#3.2	308.10

**WINDSHIELD Cont'd**



022-01044

2000-03			
w/Insulator	4D0 845 099 CS	#3.2	628.00
w/o Insulator			
Clear	4D0 845 099 CK	#3.2	308.10
Green	4D0 845 099 CF	#3.2	308.10

**NAGS**

w/Insulator			
Green/Green Shade			
Std Type	FW02044GGN	#3.2	675.00
Premium Type	FW02044GGN P	#3.2	675.00
w/o Insulator			
Green/Green Shade			
w/Attachments			
Std Type	FW02028GGY	#3.2	1442.75
Premium Type	FW02028GGY P	#3.2	0.00
w/o Attachments			
Std Type	FW02028GGN	#3.2	705.95
Premium Type	FW02028GGN P	#3.2	1217.80

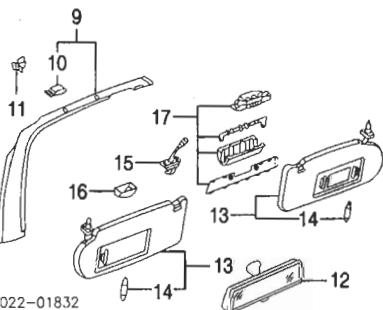
*#Includes Clean Up Old Adhesive as Necessary*

*#Included w/Audi Windshield Glass Assy*

*Adhesive Kit*

*(Order by Application)*

2 Plate, Mirror Retaining	701 845 543 A		12.70
	<i>#Included w/Audi Windshield Glass Assy</i>		
	<i>Adhesive Kit</i>	N.A.	0.00
3 Spacer, Upper (3)	8D0 845 237		.58
4 Spacer, Lower	R/L 443 845 631 A		1.20
5 Moulding, Reveal	4D0 853 299 F 01C	#5	216.30
	<i>#Included in R&amp;R&amp;R Windshield</i>		
6 Gasket, Glass (10)	4D0 853 919		1.20
7 Clip, Retaining (10)	4D0 853 707 C		1.50
8 Rivet (20)	N 907 878 02		.45



022-01832

**9 Moulding Assy, Windshield Garnish**

w/Side Curtain Air Bag			
Cloth/Leather Trim			
Aqua Blue	R 4D0 867 234 P 32J	.4	154.40
	L 4D0 867 233 P 32J	.4	154.40
Biscuit	R 4D0 867 234 P 7VP	.4	154.40
	L 4D0 867 233 P 7VP	.4	154.40
Coconut Brown	R 4D0 867 234 P 35M	.4	154.40
	L 4D0 867 233 P 35M	.4	154.40
Platinum	R 4D0 867 234 P 31R	.4	154.40
	L 4D0 867 233 P 31R	.4	154.40
Sabre	R 4D0 867 234 P 30N	.4	154.40
	L 4D0 867 233 P 30N	.4	154.40
Twist	R 4D0 867 234 P 34L	.4	154.40
	L 4D0 867 233 P 34L	.4	154.40
Leather Trim			
Aqua Blue	R 4D0 867 234 Q 8FP	.4	358.25
	L 4D0 867 233 Q 8FP	.4	358.25
Biscuit	R 4D0 867 234 Q 32P	.4	358.25
	L 4D0 867 233 Q 31J	.4	358.25
Coconut Brown	R 4D0 867 234 Q 31J	.4	358.25
	L 4D0 867 233 Q 31J	.4	358.25
Platinum	R 4D0 867 234 Q 9DQ	.4	358.25
	L 4D0 867 233 Q 9DQ	.4	358.25
Sabre	R 4D0 867 234 Q 25M	.4	358.25
	L 4D0 867 233 Q 25M	.4	358.25
Twist	R 4D0 867 234 Q 30R	.4	358.25
	L 4D0 867 233 Q 30R	.4	358.25
w/o Side Curtain Air Bag			
Cloth/Leather Trim			
Aqua Blue	R 4D0 868 212 H36	.4	137.80

Beige	L 4D0 868 211 H36	.4	137.80
	R 4D0 868 212 Q37	.4	137.80
Platinum	L 4D0 868 211 Q37	.4	137.80
	R 4D0 868 212 A87	.4	137.80
	L 4D0 868 211 A87	.4	137.80
Leather Trim			
Aqua Blue	R 4D0 868 212 A 8FP	.4	0.00
	L 4D0 868 211 A 8FP	.4	0.00
Beige	R 4D0 868 212 A 7DQ	.4	440.90
	L 4D0 868 211 A 7DQ	.4	440.90
Platinum	R 4D0 868 212 A 9DQ	.4	352.95
	L 4D0 868 211 A 9DQ	.4	352.95

**Clip, Midg**

10 w/Side Curtain Air Bag	R/L 4D0 867 207 B		.92
11 w/o Side Curtain Air Bag (4/Side)	R/L 4D0 867 276 D		.82

*#Included w/Windshield Garnish Moulding Assy*

**12 Mirror, Rear View**

Man Dimmer			
1997-99	4D0 857 511 01C	.2	82.75
2000-03	4D1 857 511 6PS	.2	155.95
Auto Dimmer			
1997	4D0 857 511 B 01C	.2	281.40
1998-99	4D0 857 511 D 01C	.2	281.40
2000-03	4D1 857 511 B 6PS	.2	281.40

*#Black listed, Order by Application*

**13 Visor Assy, Sun**

w/GDO			
Cloth/Leather Trim			
2000-01	R 4D0 857 552 AG 25R	.3	115.50
	L 4D0 857 551 AD 25R	.3	368.80
2002			
To 9-01	R 4D0 857 552 AG 25R	.3	115.50
	L 4D0 857 551 AD 25R	.3	368.80
From 10-01	R 4D0 857 552 AG 25R	.3	115.50
	L 4D0 857 551 AJ 25R	.3	446.30
2003	R 4D0 857 552 AG 25R	.3	115.50
	L 4D0 857 551 AJ 25R	.3	446.30
Leather			
2000-01	R 4D0 857 552 L 9DQ	.3	368.80
	L 4D0 857 551 P 9DQ	.3	547.00
2002			
To 9-01	R 4D0 857 552 L 9DQ	.3	368.80
	L 4D0 857 551 P 9DQ	.3	547.00
From 10-01	R 4D0 857 552 AH 9DQ	.3	368.80
	L 4D0 857 551 AK 9DQ	.3	621.00
2003	R 4D0 857 552 AH 9DQ	.3	368.80
	L 4D0 857 551 AK 9DQ	.3	621.00
w/o GDO			
Cloth/Leather Trim			
1997-99	R 4D0 857 552 F J45	.3	115.50
	L 4D0 857 551 F J45	.3	115.50
2000-03	R 4D0 857 552 AG 25R	.3	115.50
	L 4D0 857 551 AG 25R	.3	115.50
Leather Trim			
2000-01	R 4D0 857 552 L 9DQ	.3	368.80
	L 4D0 857 551 L 9DQ	.3	368.80
2002			
To 9-01	R 4D0 857 552 L 9DQ	.3	368.80
	L 4D0 857 551 L 9DQ	.3	368.80
From 10-01	R 4D0 857 552 AH 9DQ	.3	368.80
	L 4D0 857 551 AH 9DQ	.3	368.80
2003	R 4D0 857 552 AH 9DQ	.3	368.80
	L 4D0 857 551 AH 9DQ	.3	368.80

**14 Bulb (a) (2/Side)**

*(a) Included w/Sun Visor Assy*

1997	R/L 4D0 857 561 B E59		10.45
1998			
To 9-97	R/L 4D0 857 561 B E59		10.45
From 10-97	R/L 4D0 857 561 C E59		10.45
1999	R/L 4D0 857 561 C E59		10.45
2000-03	R/L 4D0 857 561 D E59		2.55

**16 Cap, Sun Visor Bracket**

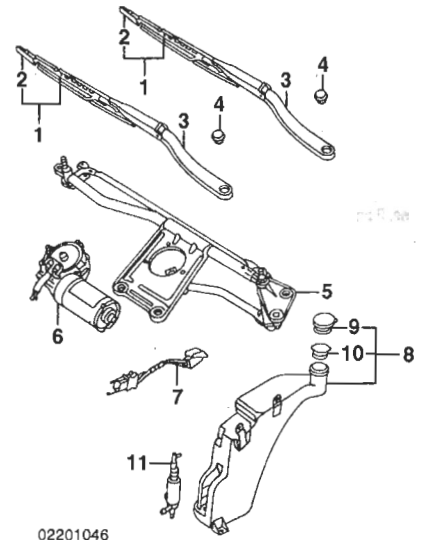
1997	R/L 443 857 563 A E59		2.15
1998			
To 9-97	R/L 443 857 563 A E59		2.15
From 10-97	R/L 380 857 563 E59		2.10
1999	R/L 380 857 563 E59		2.10
2000-03	R/L 4D0 857 563 B E59		2.10
	R/L 4D0 857 563 B E59		2.10
2000-03	R/L 4D0 857 563 B E59		2.10
	R/L 4D0 858 555 J45		26.00

*#Platinum listed, Order by Application*

**WIPER SYSTEM**

*Illustration Located in Next Column*

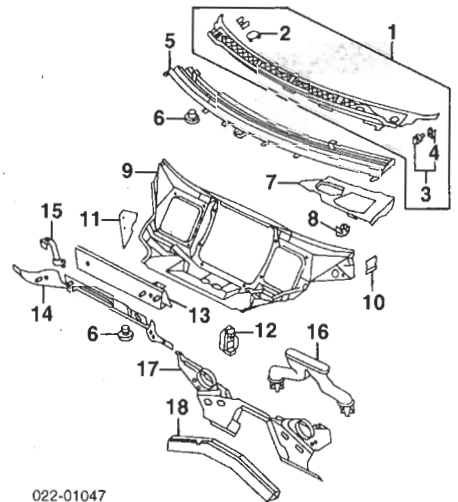
1 Blade Assy, Wiper	R 4A0 955 425 B	.1	18.50
	L 4D0 955 425 A	.1	30.55
2 Insert, Wiper Blade	R/L 200 955 522	.1	7.00
	<i>#Included w/Wiper Blade Assy</i>		
3 Arm, Wiper	R 4D1 955 408 B	#2	66.15
	L 4D1 955 407 B	#2	66.15
	<i>#Includes R&amp;R Wiper Blade Assy</i>		
4 Cap, Arm	R/L 1J0 955 205 A 01C		1.50
5 Base, Wiper	4D1 955 603 A	#1.0	251.70
6 Motor, Wiper	4D1 955 113 C	#1.0	216.30
	<i>#R&amp;R Complete, Includes R&amp;R Cowl Top Cover Assy &amp; Wiper Arms</i>		
7 Nozzle, Heated Washer	R/L 4D0 955 988	#2	17.65
	<i>#R&amp;R Both .3</i>		
8 Reservoir Assy, Washer	4D0 955 451 D	.8	82.40
9 Cap, Reservoir	113 955 455		1.40
10 Strainer, Fluid	1C0 955 485		1.65
	<i>#Included w/Washer Reservoir Assy</i>		
11 Pump, Washer	4A0 955 651 B	#.9	97.40
	<i>#Includes R&amp;R/Washer Reservoir Assy</i>		



02201046

**COWL & DASH**

*Use Procedure Explanations 14 and 28 with the following text.*



022-01047

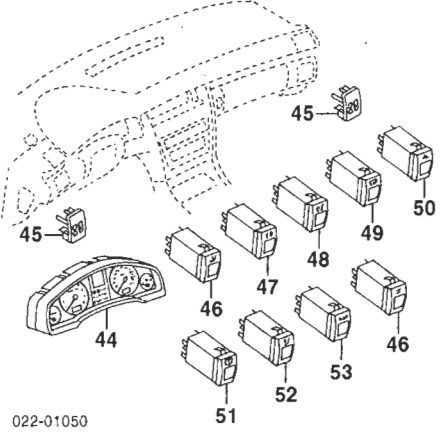
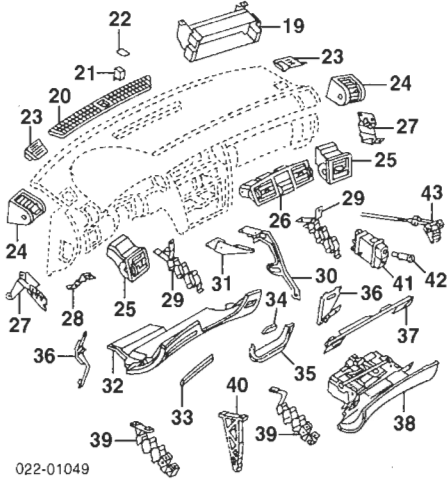
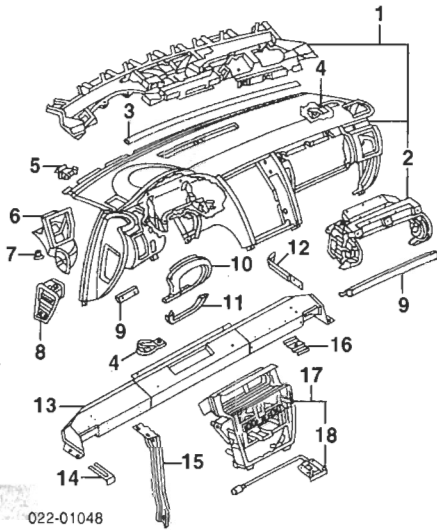
1 Cover Assy, Cowl Top	97-99 4D1 805 097 B 01C	#.6	157.20
	00-03 4D1 805 097 G 01C	#.6	157.20
	<i>#Includes R&amp;R/Wiper Arms</i>		
2 Cap, Cover	4D0 805 585		4.50
3 Knob Assy, Rotary (4)	8A0 907 400		10.50
4 Clamp (a) (4)	4D0 805 469		.92
	<i>#Included w/Cowl Top Cover Assy</i>		
	<i>(a) Included w/Rotary Knob Assy</i>		
5 Crossmember	97-99 4D0 805 253 D		465.60
	00-03 4D0 805 253 E		465.60
	4D0 805 583 B		1.20
6 Plug	<i>#As Required</i>		
7 Deflector, Water	R 4D1 819 404 D 01C		15.50
	L 4D1 819 403 G 01C		17.75
8 Clamp (2/Side)	R/L 4A0 819 145		.92
9 Panel, Cowl	87-99 4D0 805 275 J		492.70
	00-03 4D0 805 275 K		492.70
	R 4D0 805 088 D		4.85
	L 4D0 805 087 D		4.85
11 Plate, Gusset	R 4D0 805 602 A		8.10
	L 4D0 805 601		8.10
12 Bracket, Strg Gear	R 4D0 805 534 D		48.00
	L 4D1 805 533 C		48.00
13 Crossmember, Cowl Pnl	4D0 806 603		106.35
14 Panel, Water Drain	97-99 4D0 805 265		141.15
	00-03 4D0 805 265 A		141.15
15 Brkt, Panel			
1997-99	4D0 805 532		23.05
2000-03			
Upper	4D0 907 361 C		26.00
Lower	4D0 805 532 D		13.85
16 Valve, Water Drain	4D0 805 271 E		35.80
17 Panel, Dash	4D1 803 147		130.20
18 Crossmember, Lwr	4D0 805 293 F		125.35

**INSTRUMENT PANEL**

*Use Procedure Explanation 14 with the following text.*

R&I Instrument Panel..... m #5.2  
#Includes R&I Center Console

NOTE: All Parts in this section are included in R&I Instrument Panel unless noted otherwise.



<b>1 Panel Assy, Instrument</b>			
1997-99			
Anthracite	4D1 857 041 H 8RZ	m #7.2	1615.00
Lava Gray	4D1 857 041 H E77	m #7.2	1615.00
2000-03†	4D1 857 041 AE 24A	m #7.2	1615.00
†Black listed, Order by Application			
#Includes R&I Center Console			
<b>2 Support, Air Bag†</b>			
	4D1 880 205 B		79.55
†Included w/Instrument Panel Assy			
<b>3 Seal, Self-Adhesive</b>			
	447 857 670		2.80
<b>4 Support, Side</b>			
R/L	4D0 857 319 A		12.95
	4D0 857 949		2.95
<b>5 Grommet (2)</b>			
R	4D0 857 464 C		15.30
L	4D0 857 463 C		15.30
<b>6 Duct, Air</b>			
R/L	N 900 978 02		.58
†As Required			
<b>7 Rivet, Pop†</b>			
97-99 R	4D0 857 482 01C		15.10
L	4D0 857 481 01C		18.06
00-03 R	4D0 857 482 4PK		18.06
L	4D0 857 481 4PK		18.06
†Black listed, Order by Application			
<b>9 Moulding, Trim</b>			
Walnut Wood Trim			
Passenger Side	4D1 853 192 D 1WW		260.45
Driver Side	4D1 853 191 A 1WW		167.10
Vavona Wood Trim			
Passenger Side	4D1 853 192 S 5TQ		252.10
Driver Side	4D1 853 191 G 5TQ		138.35
<b>10 Cover, Upr Column</b>			
1997-99			
Anthracite	4D1 858 345 C 9XB		94.80
Lava Gray	4D1 858 345 C C70		94.80
2000-03†	4D1 858 345 F 7PE		163.35
<b>11 Cover, Lwr Column</b>			
1997-99			
Anthracite	4D1 858 347 A 9XB		29.20
Lava Gray	4D1 858 347 A C70		29.20
2000-03†	4D1 858 347 G 7PE		29.20
†Black listed, Order by Application			
<b>12 Bracket, Inr Center</b>			
	4D0 858 285		2.10
<b>13 Carrier, Inst Pnl</b>			
97-99	4D1 857 099 D		376.35
00-03	4D1 857 011 H		379.30
<b>14 Spacer, Carrier†</b>			
	4D0 857 173		5.40
†As Required			
<b>15 Support, Carrier</b>			
	4D1 857 195 B		10.80
<b>16 Catch</b>			
	4D0 857 134 B		18.75
<b>17 Bracket Assy, Center</b>			
97-99	4D0 857 007 C 01C		94.30
00-03	4D0 857 007 L 01C		113.75
	4D0 820 541		83.15
†Included w/Center Bracket Assy			
Illustration Located in Next Column			
<b>19 Module, Passenger Air Bag-See Air Bag System Section</b>			
	4D0 819 631 B E54		15.50
<b>20 Vent, Upr Center Air</b>			
	4D0 907 539	#2	76.30
<b>21 Sensor, Sun</b>			
	4D0 819 681 C 5WK	#2	8.60
	4D0 819 681 C 5PR	#2	9.50
†R&R Complete			
<b>23 Vent, Upr Side Air</b>			
1997-99			
R	4D0 819 794 B E54	#2	8.60
L	4D0 819 793 B E54	#2	10.20
2000-03†	R 4D0 819 794 J 5PR	#2	10.20
L	4D0 819 793 J 5PR	#2	10.20
<b>24 Vent, Lower Side Air</b>			
1997-99	R/L 4D0 820 901 E E54	#2	94.30

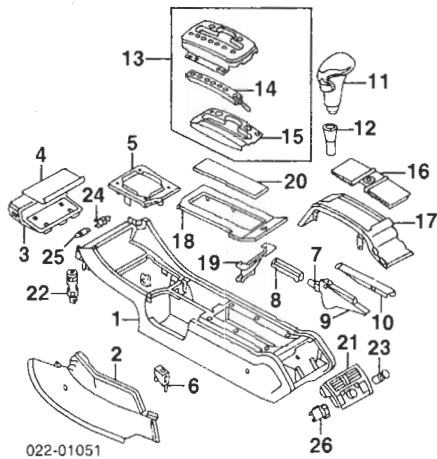
022-01049			
2000-03† R/L 4D0 820 901 J 5PR #2 94.30			
#w/Side Front Vent Removed			
<b>25 Vent, Front Side</b>			
Right			
1997-99	4D0 820 902 E E54	#2	94.30
2000-03†	4D0 820 902 J 5PR	#2	94.30
#w/Glove Box Removed			
Left			
1997-99	4D0 820 902 E E54	#2	94.30
2000-03†	4D0 820 902 J 5PR	#2	94.30
#w/Left Knee Bar Removed			
<b>26 Vent, Front Center</b>			
1997-99	4D0 820 951 D E54	.3	293.05
2000-03†	4D0 820 951 J 5PR	.3	321.40
†Black listed, Order by Application			
<b>27 Bracket, Retaining</b>			
R	4D1 880 357 C		29.20
L	4D1 857 158 B		4.25
	4D1 857 155 B		10.85
<b>28 Bracket, Left</b>			
<b>29 Support, Inst Panel</b>			
Driver Side			
R/L	4D1 880 482-1		59.65
97-99	4D1 857 195 B		10.80
00-03	4D1 857 195 D		10.80
	4D1 419 465 B		11.65
<b>31 Support, Strg Column</b>			
<b>32 Bar, Left Knee</b>			
1997-99†			
Cloth/Leather Trim			
	4D1 880 301 8RZ	.5	472.10
Leather Trim			
	4D1 880 301 A 3AS	.5	770.00
2000-03 (a)			
Cloth Trim			
	4D1 880 301 D 24A	.5	472.10
Leather Trim			
	4D1 880 301 E 22A	.5	770.00
<b>33 Trim, Outer Knee Bar</b>			
1997-99†			
Cloth/Leather Trim			
	4D1 880 103 BE5		67.20
Leather Trim			
	4D1 880 103 A 3AS		140.10
2000-03 (a)			
Cloth Trim			
	4D1 880 103 D 6PS		67.20
Leather Trim			
	4D1 880 103 E 22A		140.10
<b>34 Trim, Inner Knee Bar</b>			
1997-99†			
Cloth/Leather Trim			
	4D1 880 104 BE5		67.20
Leather Trim			
	4D1 880 104 A 3AS		140.10
2000-03 (a)			
Cloth Trim			
	4D1 880 104 D 6PS		67.20
Leather Trim			
	4D1 880 104 E 22A		140.10
†Anthracite listed, Order by Application			
<b>35 Cover, Knee Bar</b>			
1997-99			
Anthracite			
	4D1 858 347 A 9XB		29.20
Lava Gray			
	4D1 858 347 A C70		29.20
2000-03 (a)			
	4D1 858 347 G 7PE		29.20
(a) Black listed, Order by Application			
<b>36 Bracket, Knee Bar</b>			
R/L	4D1 880 910-09		3.70
<b>37 Trim, Knee Pad</b>			
	4D1 880 349 A 01C		92.15
<b>38 Glove Box</b>			
1997-99†			
Cloth/Leather Trim			
	4D1 880 302 8RZ	.8	770.00
Leather Trim			
	4D1 880 302 A 3AS	.8	1166.00
2000-03 (a)			
Cloth Trim			
	4D1 880 302 D 24A	.8	770.00
Leather Trim			
	4D1 880 302 E 22A	.8	1166.00
†Anthracite listed, Order by Application			
(a) Black listed, Order by Application			
<b>39 Support, Glove Box</b>			
R/L	4D1 880 354-3		144.45
<b>40 Brkt, Left Retaining</b>			
	4D1 858 273 A		41.65
<b>41 Control, Glove Box Lid</b>			
1997-99	4D1 857 147 C 01C		81.45
2000-03 (a)	4D1 857 147 J 6PS		126.40
(a) Black listed, Order by Application			
<b>42 Cylinder, Glove Box Lock</b>			
w/Keys	97-99 4D0 857 113 A	#3	50.45
	00-03 4D0 857 113 B	#3	50.45
w/o Keys	97-99 107 857 113 NA	#3	75.96
	00-03 107 857 113 NB	#3	75.96
†Included in R&R Glove Box			
<b>43 Catch</b>			
	4D0 857 131 J		86.75

022-01050			
<b>44 Cluster, Instrument†</b>			
97-99	4D0 919 930 LX	m	1.0 R1138.00
00-03	4D0 919 931 RX	m	1.0 R1106.00
†Order by Application			
<b>45 Grille, Vent</b>			
97-99 R	4D0 941 515 B B96		4.25
L	4D0 941 515 C B98		4.25
<b>46 Switch, Front Seat Heater</b>			
1997			
To 4-97			
R/L	4D0 963 563 C B98	.2	103.00
From 5-97			
R/L	4D0 963 563 D B98	.2	103.00
1998-99			
R/L	4D0 963 563 D B98	.2	103.00
2000-03			
R/L	4D0 963 563 E B98	.2	80.75
<b>47 Switch, Fog Lamp</b>			
1997			
To 9-96			
	4D0 941 535 01C	.2	26.60
From 10-96			
	4D0 941 535 A B98	.2	25.80
1998-99			
	4D0 941 535 A B98	.2	25.80
2000-03			
	4D0 941 535 B B98	.2	23.75
<b>48 Switch, Rear Fog Lamp</b>			
1997			
To 9-96			
	4D0 941 563 A 01C	.2	42.35
From 10-96			
	4D0 941 563 C B98	.2	30.10
1998-99			
	4D0 941 563 C B98	.2	30.10
2000-03			
	4D0 941 563 D B98	.2	30.10
<b>49 Switch, Heated Back Window</b>			
1997			
To 9-96			
	4D0 941 503 01C	.2	47.35
From 10-96			
	4D0 941 503 C B98	.2	47.35
1998-99			
	4D0 941 503 C B98	2.0	47.35
2000-03			
	N.A.	.2	0.00
<b>50 Switch, Emergency Light</b>			
1997-99			
	4D0 941 509 B B98	.2	28.15
2000-03			
	4D0 941 509 D B98	.2	50.00
<b>51 Switch, Roller Blind</b>			
1997			
To 9-96			
	4D0 959 903 01C	.2	16.80
From 10-96			
	4D0 959 903 A B98	.2	16.80
1998-99			
	4D0 959 903 A B98	.2	16.80
2000-03			
	4D0 959 903 B B98	.2	16.80
<b>52 Switch, Headrest Adj</b>			
1997			
To 9-96			
	4D0 959 768 01C	.2	22.70
From 10-96			
	4D0 959 768 A B98	.2	24.25
1998-99			
	4D0 959 768 A B98	.2	24.25
2000-03			
	4D0 959 768 B B98	.2	24.25
<b>53 Switch, Anti-Slip</b>			
1997			
To 9-96			
	8D0 927 133 01C	.2	30.95
From 10-96			
	8D0 927 133 A B98	.2	30.10
1998-99			
	8D0 927 133 A B98	.2	30.10
2000-03			
	N.A.	.00	0.00
<b>Switch, ESP</b>			
97-99	4D0 927 134	.2	24.25
00-03	4D0 927 134 A B98	.2	21.25
	4D0 919 281 B96	.2	18.50
<b>Switch, Parking Aid</b>			

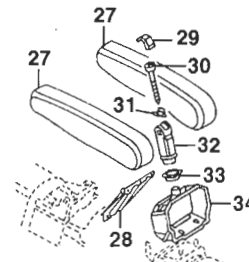
**CENTER CONSOLE**

Use Procedure Explanation 14 with the following text.			
R&I Center Console..... #1.7			
#Included in R&I/R&R Instrument Panel			
Illustration Located in Next Column			
<b>1 Console, Center</b>			
1997-99†			
	4D1 863 241 G 8RZ	2.2	421.10
2000-03 (a)			
	4D1 863 241 P 24A	2.2	421.10
<b>2 Panel, Side Trim</b>			
1997-99†			
Cloth/Leather Trim			
R	4D1 863 306 F CWH	#4	251.70
L	4D1 863 305 B CWH	#4	251.70
Leather Trim			
R	4D1 863 306 G EMN	#4	513.00
L	4D1 863 305 C EMN	#4	513.00
2000-03 (a)			
R	4D1 863 306 L KDK	#4	513.00
L	4D1 863 305 P KDK	#4	513.00
†Anthracite listed, Order by Application			
(a) Black listed, Order by Application			
#R&R Both .6			
<b>3 Ashtray</b>			
97-99	4D0 857 952 01C		127.00

**CENTER CONSOLE Cont'd**



4 Trim, Ashtray	00-03 4D0 857 951 E 01C	165.85
5 Trim, Shift	4D0 857 967 1WV	252.75
Walnut Wood Trim	4D1 863 270 1WV	216.30
Vavona Wood Trim	4D1 863 270 E 5TQ	190.50
6 Stop, Hand Brake Lever	4D0 863 227	8.60
7 Lever, Hand Brake	4D1 711 301 C	130.20
8 Handle, Hand Brake Lever		
1997-99	4D0 711 327 A 9UB	62.10
2000-03 (a)	4D0 711 327 A 42H	80.35
<i>Anthracite listed, Order by Application</i>		
9 Boot, Hand Brake Lever		
1997-99		
Anthracite	4D1 711 463 A 9XB	21.35
Lava Gray	4D1 711 463 A C70	21.35
2000-03 (a)	4D1 711 463 A 7PE	21.35
<i>(a) Black listed, Order by Application</i>		
10 Trim, Boot		
Maple Wood Trim	4D0 864 375 D 2PZ	115.90
Vavona Wood Trim	4D0 864 375 F 5TQ	131.70
Walnut Wood Trim	4D0 864 375 1WV	108.45
11 Knob, Gear Shift Lever		
1997-99	4B1 713 141 J KQF	92.70
2000 (a)		
To 6-99	4B1 713 141 J KQF	92.70
From 7-99	4B1 713 141 J KQF	92.70
2001-03 (a)	4B1 713 141 J KQF	92.70
<i>Anthracite listed, Order by Application</i>		
<i>(a) Black listed, Order by Application</i>		
12 Sleeve, Knob	4D0 713 170 A	53.15
13 Cover Assy, Shift		
97 4D0 713 111 D	574.00	
98-01 4D0 713 111 E	328.65	
02-03 4D0 713 111 F	337.15	
97 4D0 713 243 C	245.20	
98-01 4D0 713 243 D	147.50	
02-03 4D0 713 243 E	147.50	
97 4D0 713 191 F	16.75	
98-01 4D0 713 191 G	16.75	
02-03 4D0 713 191 H	16.75	
<i>Included w/Shift Cover Assy</i>		
16 Cover	4D0 713 187 A	107.05
17 Guide	4D0 713 189 B	19.20
18 Trim, Console Frame		
Walnut Wood Trim	97-99 4D1 864 377 C 1WV	325.60
	00-03 4D1 864 377 AE 1WV	263.40
19 Bracket, Trim		
1997-99	4D0 863 365 9XB	6.40
2000-03 (a)	4D0 863 365 J 6PS	6.40
20 Insert, Console		
1997-99	4D0 863 342 B C74	16.50
2000-03 (a)	4D0 863 342 D 25M	16.50
<i>Anthracite listed, Order by Application</i>		
<i>(a) Black listed, Order by Application</i>		
21 Vent, Rear Center-See A/C/Heater/Ventilation Section		
22 Lighter, Front Cigarette		
1997-99	4D0 919 305 01C	18.50
2000		
To 3-00	4D0 919 305 01C	18.50
From 4-00	4D0 919 305 A 01C	18.50
2001-03	4D0 919 305 A 01C	18.50
23 Lighter, Rear Cigarette		
1997-99	191 919 305 B	7.35
2000		
To 3-00	191 919 305 B	7.35
From 4-00	4B0 919 305 A 01C	13.15
2001-03	4B0 919 305 A 01C	13.15
24 Socket	447 919 366	2.40
25 Bulb	N 903 805 01	.86
26 Switch, Rear Seat Heater		
1997		
To 9-96	4D0 963 563 B 01C	2 103.00
From 10-96 to 4-97	4D0 963 563 C B98	2 103.00
From 5-97	4D0 963 563 D B98	2 103.00
1998-99	4D0 963 563 D B98	2 103.00
2000-03	4D0 963 563 E B98	2 80.75



022-01052

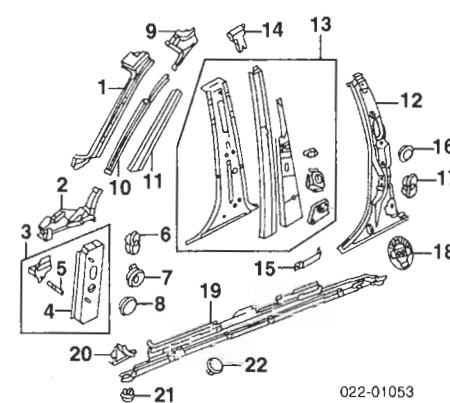
27 Armrest			
1997-99	R 4D0 881 752 C72	.5	488.40
	L 4D0 881 751 C72	.5	488.40
2000 (a)	R 4D0 864 208 L 22A	.5	432.00
	L 4D0 864 207 L 22A	.5	432.00
2001-03 (a)	R 4D0 864 208 L 22A	.5	432.00
	L 4D0 864 207 L 22A	.5	432.00
<i>Anthracite listed, Order by Application</i>			
<i>(a) Black listed, Order by Application</i>			
28 Support, Armrest	97-99 4D1 868 341 A	15.75	
	00-03 4D1 868 341 B	15.75	
29 Cover, Bolt	97-99 4D0 864 321	38.95	
	00-03 4D0 864 277	42.65	
30 Bolt, Hexagonal	97-99 N 903 190 02	4.05	
	00-02 N 104 601 01	1.80	
31 Spring	97-99 4D0 864 345 A	.92	
32 Brkt, Upr Mounting			
1997-99	4D0 864 339 B	49.80	
2000	4D0 864 339 J	63.15	
2001-03	4D0 864 339 K	49.80	
33 Grommet	97-99 4D0 864 333 01C	10.80	
	00-03 4D0 864 333 J 01C	10.80	
34 Brkt, Lwr Mounting	97-99 4D0 864 335 C	38.95	
	00-03 4D0 864 335 C	38.95	

**ROCKER/PILLARS/FLOOR**

Use Procedure Explanations 14, 15 and 28 with the following text.

**SHEET METAL**

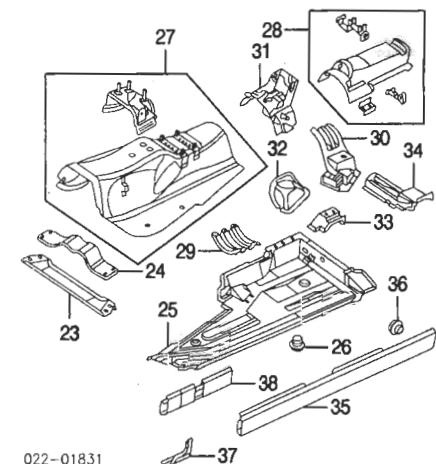
Retinish Lower Hinge Pillar	R/L	.6
Retinish Center Pillar	R/L	1.0
Retinish Outer Rocker Panel	R/L	1.8



022-01053

1 Pillar, Upper Otr Hinge	R/L 4D0 809 774-3	s #5.5	121.45
<i>Included Bolted Parts &amp; Windshield Removed</i>			
2 Plate, Lwr Connecting	R/L 4D0 806 182-1	s	277.85
3 Pillar Assy, Lower Hinge	97-99 R 4D0 805 324 A	s 9.0	113.45
	L 4D0 805 323 A	s 9.0	113.45
	00-03 R 4D0 805 324 C	s 9.0	113.45
	L 4D0 805 323 C	s 9.0	113.45
4 Pillar, Lower Hinge	R/L 4D0 806 206-5	s	363.55
5 Stud	R/L 4D0 803 987 B	s	10.85
<i>Included w/Lower Hinge Pillar Assy</i>			
6 Plug, Upper (2/Side)	R/L 4D0 959 841	2.10	
	R 803 803 583 B	1.95	
7 Plug, Lower	R/L 4D0 877 242 B	3.75	
8 Hose, Drain			
9 Plate, Upr Connecting	97-99 R 4D0 809 202 B	41.55	
	L 4D0 809 201 B	41.55	
	00-03 R 4D0 817 376 A	52.05	
	L 4D0 817 375 A	52.05	
10 Pillar, Upr Inr Hinge	97-99 R 4D0 809 208 D	165.50	
	L 4D0 809 207 D	165.50	
	00-03 R 4D0 809 208 G	271.45	
	L 4D0 809 207 G	271.45	
	R 4D0 809 206 B	94.90	
	L 4D0 809 205 B	94.90	
11 Trim, Pillar			
12 Pillar, Outer Center			
1997-99	R 4D0 809 226 J	s 9.0	222.70
	L 4D0 809 225 H	s 9.0	147.90
2000			
To VIN Y011600	R 4D0 809 226 J	s 9.0	222.70
	L 4D0 809 225 H	s 9.0	147.90

From VIN Y011601	R 4D0 809 226 J	s 9.0	222.70
	L 4D0 809 225 J	s 9.0	222.70
2001-03	R 4D0 809 226 J	s 9.0	222.70
	L 4D0 809 225 J	s 9.0	222.70
13 Pillar, Inner Center	R 4D0 809 220 T	s	358.15
	L 4D0 809 219 T	s	358.15
14 Insert, Center Pillar	R 4D0 810 258 C		80.80
	L 4D0 810 257 C		80.80
15 Plate, Lower	R 4D0 803 772 A		36.70
	L 4D0 803 771 A		36.70
16 Plug, Upper	R/L 8A0 831 449		1.20
17 Plug, Lower	R/L 4D0 959 841 A		2.10
18 Emblem (Adhesive)			
1997-99	R/L 4D0 854 519	.2	17.65
2000			
To VIN Y011600	R/L 4D0 854 519	.2	17.65
From VIN Y011601	R/L 820 854 519	.2	11.60
2001-03	R/L 820 854 519	.2	11.60
19 Panel, Outer Rocker A8			
97-99 R	4D0 804 770 B	s #10.0	487.50
	L 4D0 804 769 B	s #10.0	487.50
00-03 R	4D0 804 770 F	s #10.0	487.50
	L 4D0 804 769 F	s #10.0	487.50
A8 L	R 4D4 809 676 A	s #10.0	302.60
	L 4D4 809 675	s #10.0	244.95
S8	R 4D0 804 770 F	s #10.0	487.50
	L 4D0 804 769 F	s #10.0	487.50
<i>#w/Fender &amp; Doors Removed, w/Quarter Panel Removed Deduct 2.0, Deduction Includes Common Surfaces &amp; Included Operations</i>			
20 Plate, End	R 4D0 805 118 C		13.55
	L 4D0 805 117 C		13.55
21 Valve, Drain	R/L 443 803 583 M		1.50
22 Plug, Outer Rocker	R/L 893 803 593 A		1.50
<i>[As Required]</i>			

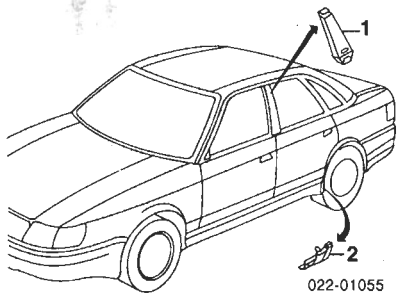


022-01831

23 Crossmember, Frt Floor			
1997-98	N.A.		0.00
1999			
To VIN X010000	4D0 803 842 J		40.15
From VIN X010001	4D0 803 842 L		50.85
2000-03	4D0 803 842 L		50.85
24 Crossmember, Center Floor			
1997-98	N.A.		0.00
1999			
To VIN X010000	4D0 803 842 K		62.50
From VIN X010001	4D0 803 842 M		62.50
2000-03	4D0 803 842 M		62.50
25 Pan, Front Floor A8			
	R 4D0 803 062 E		253.40
	L 4D0 803 061 E		241.30
A8 L	R/L 4D4 803 062-1		253.40
S8	R 4D0 803 062 E		253.40
	L 4D0 803 061 E		241.30
26 Plug, Floor	R/L 4D0 803 583 C		2.00
<i>[As Required]</i>			
27 Tunnel, Front			
1997-98	4D0 803 067 K		572.00
1999			
To VIN X010000	4D0 803 067 P		572.00
From VIN X010001	4D0 803 067 R		572.00
2000-03	4D0 803 067 R		572.00
28 Tunnel, Rear			
A8	4D0 803 839 G		256.15
A8 L	4D4 803 295		545.00
S8	4D0 803 839 G		256.15
	4D0 803 805 C		25.55
29 Reinf, Front Tunnel			
30 Reinf, Rear Tunnel			
1997-98	R 4D0 802 588 A		285.45
	L 4D0 802 587 A		285.45
1999			
To VIN X010000	R 4D0 802 588 A		285.45
	L 4D0 802 587 A		285.45
From VIN X010001	R 4D0 802 588 B		285.45
	L 4D0 802 587 B		285.45
2000-03	R 4D0 802 588 B		285.45
	L 4D0 802 587 B		285.45
	4D1 803 812 A		229.00
31 Brkt, Hand Brake Mtg	97-99 R 4D0 802 590 B		71.05
	L 4D0 802 589 A		71.05
32 Channel, Upr Mtg	00-03 R 4D0 802 590 B		71.05
	L 4D0 802 589 B		71.05

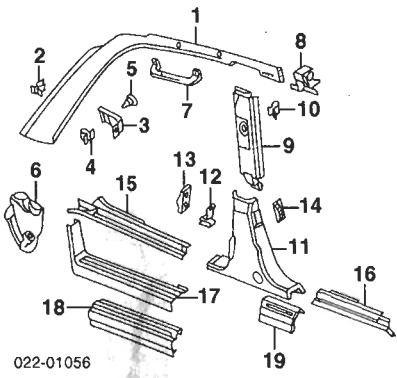
33 Channel, Lwr Mtg	97-99 R 4D0 802 596 C	89.60
	L 4D0 802 596 A	89.60
	00-03 R 4D0 802 596 C	89.60
	L 4D0 802 596 C	89.60
34 Support, Seat	R 4D0 802 610 B	370.15
	L 4D0 802 609 B	370.15
35 Panel, Inner Rocker		
A8	R 4D0 803 752 H	s 871.00
	L 4D0 803 751 H	s 871.00
A8 L	R 4D4 803 752 B	s 871.00
	L 4D4 803 751 B	s 871.00
S8	R 4D0 803 752 H	s 871.00
	L 4D0 803 751 H	s 871.00
36 Plug, Inner Rocker]]	RL 4D0 803 583 B	1.20
*As Required		
37 Plate, Filler		
1997-98	RL 4D0 810 220-19	32.20
1999		
To VIN X005000	RL 4D0 810 220-19	32.20
From VIN X005001	R 4D0 810 220 B	32.20
	L 4D0 810 219 B	32.20
2000-03	R 4D0 810 220 B	32.20
	L 4D0 810 219 B	32.20
38 Sleeve, Inr Rocker	RL 4D0 804 877 A	50.25

EXTERIOR TRIM



1 Trim, Pillar	R 4D0 853 290 M Y9B	#1.4 216.30
	L 4D0 853 289 M Y9B	#1.4 216.30
*Includes R&L/R&R Inside Garnish Molding, Upper & Lower Center Pillar Trim		
2 Guard, Stone	R 4D0 853 916 A 01C	3 17.65
	L 4D0 853 915 A 01C	3 17.65

INTERIOR TRIM



1 Moulding Assy, Windshield Garnish-See Windshield Section		
2 Clip, Midg-See Windshield Section		
Clip, Midg (5/Side)	RL 4D0 867 276 D	.82
3 Trim, Center Outer	R 4D0 864 632 01C	5.40
	L 4D0 864 631 01C	5.40
4 Clip, Center Trim	RL N 015 437 3	.38
5 Rivet (2/Side)	RL 4D0 807 300	.82
6 Panel, Cowl Trim		
1997-99]]	R 4D1 867 266 D A98	3 108.45
	L 4D1 867 265 B A98	3 108.45
2000-03 (a)	R 4D1 867 266 G 36A	3 114.45
	L 4D1 867 265 F 36A	3 114.45
*Anthracite listed, Order by Application		
(a) Black listed, Order by Application		
7 Handle, Grab		
1997-99]]	R 4D0 857 607 C E59	.1 27.05
	L 4D0 857 607 B E59	.1 27.05
2000-03 (a)	RL 4D0 857 607 F 7PE	.1 41.50
*Anthracite listed, Order by Application		
(a) Black listed, Order by Application		
8 Hanger, Coat]]	97-99 RL 4D0 857 635 E59	.1 17.65
	00-03 RL 4D0 857 635 C E82	.1 17.65
*Platinum listed, Order by Application		
9 Trim, Upr Center Pillar]]		
1997-99		
Cloth	RL 4D0 867 239 P H36	#1.2 133.10
Leather	R 4D0 867 240 S 9DQ	#1.2 0.00
	L 4D0 867 239 S 9DQ	#1.2 368.80
2000-03		
Cloth	R 4D0 867 240 AQ 31R	#1.2 154.40

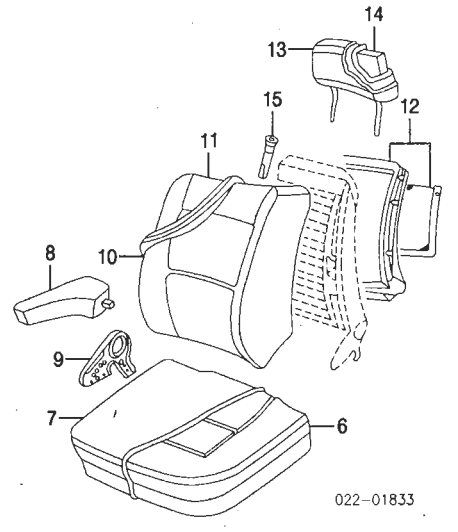
Leather	L 4D0 867 239 AQ 31R	#1.2 154.40
	R 4D0 867 240 AR 9DQ	#1.2 368.80
	L 4D0 867 239 AR 9DQ	#1.2 368.80
*Platinum listed, Order by Application		
#Includes R&L/R&R Inside Garnish Moulding, Front & Rear Scuff Plates & Center Pillar Lower Trim		
10 Clip, Upper Trim (4/Side)	RL 4D0 867 283 B	.58
11 Trim, Lwr Center Pillar]]	97 R 4D0 867 244 A E82	#8 94.30
	L 4D0 867 243 E E82	#8 127.00
	98-99 R 4D0 867 244 A E82	#8 94.30
	L 4D1 867 243 N E82	#8 123.30
	00-03 R 4D0 867 244 H EC3	#8 94.30
	L 4D0 867 243 BA EC3	#8 163.35
*Platinum listed, Order by Application		
#Includes R&L/R&R Front & Rear Scuff Plates		
12 Clip, Lwr Trim (2/Side)	RL 4D0 867 633	.82
13 Vent, Front Air]]	97-99 R 4D0 815 522 B E59	4.50
	L 4D0 815 521 C E59	11.60
	00-03 R 4D0 815 522 C E59	11.60
	L 4D0 815 521 C E59	11.60
14 Vent, Rear Air]]	97-99 R 4D0 819 704 B E82	66.15
	L 4D0 819 703 B E82	66.15
	00-03 R 4D0 819 704 K EC3	66.15
	L 4D0 819 703 K EC3	66.15
*Platinum listed, Order by Application		

15 Plate, Front Scuff		
A8, A8 L	97 R 4D0 853 558 E 01C	.3 147.15
	L 4D0 853 557 E 01C	.3 147.15
	98-03 R 4D0 853 558 L 01C	.3 310.80
	L 4D0 853 557 L 01C	.3 307.00
S8	R 4D0 853 558 N 01C	.3 316.10
	L 4D0 853 557 N 01C	.3 307.00
16 Plate, Rear Scuff		
A8	97 R 4D0 853 758 E 01C	.3 121.35
	L 4D0 853 757 E 01C	.3 121.35
	98-03 R 4D0 853 758 P 01C	.3 167.10
	L 4D0 853 757 P 01C	.3 167.10
A8 L	R 4D4 853 758 A 01C	.3 167.10
	L 4D4 853 757 A 01C	.3 167.10
S8		
2001		
To 12-00	R 4D0 853 758 Q 01C	.3 167.10
	L 4D0 853 757 M 01C	.3 167.10
From 1-01	R 4D0 853 758 Q 01C	.3 167.10
	L 4D0 853 757 Q 01C	.3 167.10
2002-03	R 4D0 853 758 Q 01C	.3 167.10
	L 4D0 853 757 Q 01C	.3 167.10
17 Trim, Front Scuff]]	97-99 R 4D1 864 614 EC3	.3 26.00
	L 4D1 864 613 EC3	.3 26.00
	00-03 R 4D1 864 614 D EC3	.3 30.55
	L 4D1 864 613 D EC3	.3 30.55
*Platinum listed, Order by Application		
18 Cover, Front Wiring	RL 4D0 863 765 A	17.65
19 Cover, Rear Wiring		
A8	R 4D0 863 752 C	8.60
	L 4D0 863 751 B	11.55
A8 L	RL 4D4 863 752-1	13.65
S8	R 4D0 863 752 C	8.60
	L 4D0 863 751 B	11.55

FRONT SEAT

R&L Front Seat Assy.....	RL	.7
*Platinum listed, Order by Application		
(a) Black listed, Order by Application		
1 Frame, Seat	R 4D2 881 026 A	905.00
	L 4D1 881 025 A	905.00
2 Trim, Seat Frame		
1997-99]]		
Cloth/Leather Trim	R 4D0 881 326 A 5WK	.2 94.30
	L 4D0 881 325 A 5WK	.2 94.30
Leather Trim	R 4D0 881 326 D 3AS	.2 477.30
	L 4D0 881 325 D 3AS	.2 0.00
2000-03 (a)		
Plastic	R 4D0 881 326 AC 6PS	.2 94.30
	L 4D0 881 325 AC 6PS	.2 94.30
Leather	R 4D0 881 326 AH 22A	.2 606.00
	L 4D0 881 325 AH 22A	.2 606.00
*Anthracite listed, Order by Application		
3 Cover, Friction Pad (a)		
Front Outer	97-99 R 4D0 881 348 01C	5.40
	L 4D0 881 347 01C	5.40
	00-03 R 4D0 881 348 4PK	5.40
	L 4D0 881 347 4PK	5.40
Front Inner	97-99 R 4D0 881 347 01C	5.40
	L 4D0 881 348 01C	5.40
	00-03 R 4D0 881 347 4PK	5.40

Rear Outer	L 4D0 881 348 4PK	5.40
	97 R 4D0 881 350 01C	5.40
	L 4D0 881 349 01C	5.40
	98-99 R 4D0 881 350 C 01C	5.40
	L 4D0 881 349 C 01C	5.40
	00-03 R 4D0 881 350 C 4PK	5.40
	L 4D0 881 349 C 4PK	5.40
Rear Inner	97 R 4D0 881 349 01C	5.40
	L 4D0 881 350 01C	5.40
	98-99 R 4D0 881 350 C 01C	5.40
	L 4D0 881 349 C 01C	5.40
	00-03 R 4D0 881 350 C 4PK	5.40
	L 4D0 881 349 C 4PK	5.40
(a) Black listed, Order by Application		
4 Module, Adj Control	4A0 907 381	310.80
Relay	443 951 254 A	56.80
5 Frame, Backrest		
1997-99	R 4D0 881 046 S	1162.00
	L 4D1 881 045 B	1162.00
2000		
To VIN Y007557	R 4D0 881 046 S	1162.00
	L 4D1 881 045 B	1162.00
From VIN Y007558	R 4D2 881 046 C	1162.00
	L 4D1 881 045 C	1162.00
2001-03	R 4D2 881 046 C	1162.00
	L 4D1 881 045 C	1162.00



6 Cover, Seat		
1997-99]]	RL 4D0 881 405 F C72	867.00
2000-03 (a)	RL 4D0 881 405 AF 22A	842.00
*Anthracite listed, Order by Application		
(a) Black listed, Order by Application		
7 Pad, Seat Cushion-See Air Bag System Section		
Module, Side Air Bag-See Air Bag System Section		
8 Armrest-See Center Console Section		
9 Cap		
Cloth/Leather Trim]]	97-99 R 4D0 881 464 01C	28.15
	L 4D0 881 463 01C	28.15
	00-03 R (a) 4D0 881 464 EC3	28.15
	L 4D0 881 463 EC3	28.15
Leather Trim (a)	97-99 R 4D0 881 464 A 3AS	0.00
	L 4D0 881 463 A 3AS	189.70
	00-03 R 4D0 881 464 D 22A	189.70
	L 4D0 881 463 D 22A	189.70
*Anthracite listed, Order by Application		
(a) Black listed, Order by Application		
10 Cover, Backrest]]	97 R 4D0 881 806 B C66	924.00
	L 4D0 881 805 P C66	924.00
	98-99 R 4D0 881 806 AP C66	924.00
	L 4D0 881 805 AP C66	924.00
	00-03 R 4D0 881 806 BE 69L	924.00
	L 4D0 881 805 BE 69L	924.00
*Platinum listed, Order by Application		
11 Padding, Backrest		
1997	97 R 4D0 881 776 A	210.00
	L 4D0 881 775 F	210.00
1998-99	R 4D0 881 776 K	210.00
	L 4D0 881 775 K	210.00
2000-03		
Comfort Seat	R 4D0 881 776 L	210.00
	L 4D0 881 775 L	210.00
Std Seat	R 4D0 881 776 K	210.00
	L 4D0 881 775 K	210.00
12 Panel, Rear Cover Trim		
1997-99]]		
Cloth/Leather Trim	R 4D0 881 970 A CWN	395.95
	L 4D0 881 969 L CWN	395.95
Leather Trim	R 4D0 881 970 AH EXA	579.00
	L 4D0 881 969 AH EXA	579.00
2000-03 (a)		
Comfort Seat	R 4D0 881 970 BL 22A	579.00
	L 4D0 881 969 BL 22A	579.00
Std Seat	R 4D0 881 970 BD 24A	368.80
	L 4D0 881 969 BD 24A	368.80
*Anthracite listed, Order by Application		
(a) Black listed, Order by Application		
13 Headrest	RL 4D0 881 905	106.15
14 Pad, Headrest		



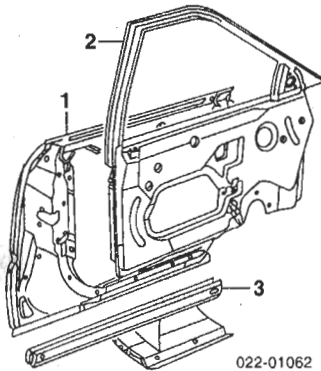
Black listed, Order by Application  
 5 Cover, Belt Guide (a) 97-99 R/L 8D0 857 785 E59 2.65  
 00-03 R/L 8D0 857 785 A EC3 3.30  
 (a) Platinum listed, Order by Application

**FRONT DOOR**

Use Procedure Explanations 16 and 28 with the following text.

**SHEET METAL**

Refinish Door Outside.....	R/L	2.0
Add for Jamb's & Interior.....	R/L	1.0
Add for Jamb's.....	R/L	.5
R&I Door Assy.....	R/L	1.0
R&I Inner Panel Assy.....	R/L	1.7

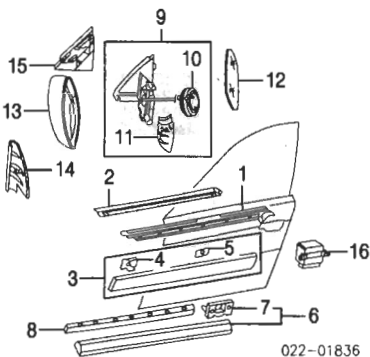


022-01062

1 Shell, Door	97-99 R 4D0 831 052 A	#4.5	623.00
	L 4D0 831 051 A	#4.5	562.00
	00-03 R 4D0 831 052 E	#4.5	562.00
	L 4D0 831 051 E	#4.5	562.00
<i>#Includes R&amp;I Inner Panel &amp; Mirror &amp; R&amp;R Reinforcement Bar, R&amp;R Door Shell &amp; Inner Panel 6.0</i>			
2 Panel, Inner	1997-01 R 4D0 837 754 C	3.5	421.10
	L 4D0 837 753 D	3.5	410.45
	2002 To VIN 2005000 R 4D0 837 754 C	3.5	421.10
	L 4D0 837 753 D	3.5	410.45
	From VIN 2005001 R 4D0 837 754 D	3.5	410.45
	L 4D0 837 753 D	3.5	410.45
	2003 R 4D0 837 754 D	3.5	410.45
	L 4D0 837 753 D	3.5	410.45
3 Bar, Reinforcement	R 4D0 831 508	#5	127.00
	L 4D0 831 507	#5	139.20
<i>#w/Inner Panel Removed</i>			

**EXTERIOR TRIM**

Refinish Side Upper Moulding Assy.....	R/L	.3
Refinish Mirror Housing.....	R/L	.5
R&I Mirror.....	R/L	#1.0
<i>#Includes R&amp;I Door Trim Panel</i>		
R&I Side Upper Midg.....	R/L	.3
R&I Side Lower Midg.....	R/L	.2



022-01836

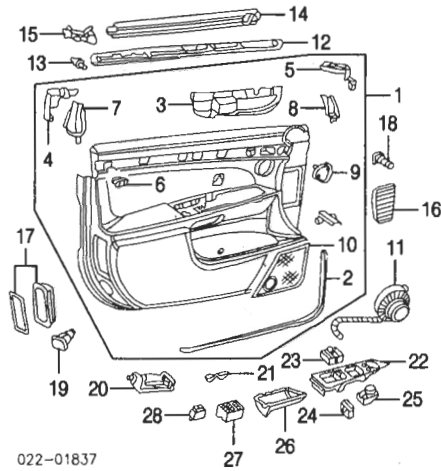
1 Moulding, Outer Belt	R 4D0 853 334 2ZZ	22.70
	L 4D0 853 333 2ZZ	22.70
2 W/Strip, Outer Belt	R 4D0 837 478 D	53.00
	L 4D0 837 477 D	53.00
3 Moulding Assy, Upper Side (P)	R 4D0 853 952 GRU	.3 106.15
	L 4D0 853 951 GRU	.3 106.15
<i>(P) Paint to Match</i>		
4 Clip, Upr Side Midg]]	R/L 4D0 853 825 F	4.25
5 Type 1	R/L 4D0 853 825 B	1.00
<i>#Included w/Upper Side Moulding Assy</i>		
6 Moulding Assy, Lower Side	R 4D0 854 940 A 3FZ	2 106.15
	L 4D0 854 939 A 3FZ	2 106.15
7 Clip, Lwr Side Midg]] (a)	R/L 4D0 854 722-1	1.50
<i>#Included w/Lower Side Moulding Assy (a) As Required</i>		

8 Cover, Lower Door-See Hardware Section			
9 Mounting Assy, Rear View Mirror			
A8, A8 L w/Memory	97-99 R 4D1 858 532 P 3FZ	#4	278.55
	L 4D1 858 531 P 3FZ	#4	278.55
	00-03 R 4D1 858 532 BJ 3FZ	#4	278.55
	L 4D1 858 531 BE 3FZ	#4	278.55
w/o Memory w/Folding	00-03 R 4D1 858 532 BG 3FZ	#4	278.55
	L 4D1 858 531 BB 3FZ	#4	127.00
w/o Folding	97-99 R 4D1 858 532 M 3FZ	#4	127.00
	L 4D1 858 531 M 3FZ	#4	127.00
	00-03 R 4D1 858 532 BF 3FZ	#4	127.00
	L 4D1 858 531 BB 3FZ	#4	127.00
S8 w/Memory	R 4D1 858 500 J	#4	695.00
	L 4D1 858 499 G	#4	695.00
w/o Memory	R 4D1 858 500 K	#4	677.00
	L 4D1 858 499 H	#4	677.00
<i>#w/Trim Panel Removed</i>			
10 Adjuster/Motor, Mirror]](a)	R/L 4A0 959 577	96.65	
11 Trim, Mirror]](a)	1997-99 R 4A1 858 524 3FZ	8.25	
	L 4A0 858 523 3FZ	8.25	
	2000-03 R 4D0 858 524 3FZ	5.85	
	L 4D0 858 523* 3FZ	5.85	
<i>S8-Serviced w/Rear View Mirror Mtg Assy #Included w/Rear View Mirror Mounting Assy</i>			
12 Glass, Mirror w/Anti-Glare	97-99 R 4B1 857 536 A	.2 268.70	
	L 4B0 857 535 C	.2 148.55	
	00-03 R 8D0 857 536 N	.2 293.40	
	L 8D0 857 535 F	.2 163.35	
w/o Anti-Glare	97-99 R 4A1 857 536 AD	.2 99.20	
	L 4B0 857 535	.2 38.10	
13 Housing, Mirror (P)	97-99 R 4A0 857 508 3FZ	.2 69.85	
	L 4A0 857 507 3FZ	.2 69.85	
	00-03 R 8D0 857 508 GRU	.2 52.55	
	L 8D0 857 507 GRU	.2 69.85	
<i>(P) Paint to Match</i>			
14 Trim, Inner Corner Anthracite	97-99 R 4D0 857 566 9XB	.1 10.80	
	L 4D0 857 565 9XB	.1 10.80	
	00-03 R 4D0 857 566 7PE	.1 10.80	
	L 4D0 857 565 7PE	.1 10.80	
	Lava Gray	97-99 R 4D0 857 566 C70	.1 10.80
	L 4D0 857 565 C70	.1 10.80	
15 Gasket, Mounting	R 4D0 857 544 A	3.70	
	L 4D0 857 543 A	3.60	
16 Module, Memory Control	4A0 907 445 A	262.80	

**INTERIOR TRIM**

R&I Trim Panel.....	R/L	.6
---------------------	-----	----

NOTE: All Parts in this section are included in R&I Trim Panel unless noted otherwise.



022-01837

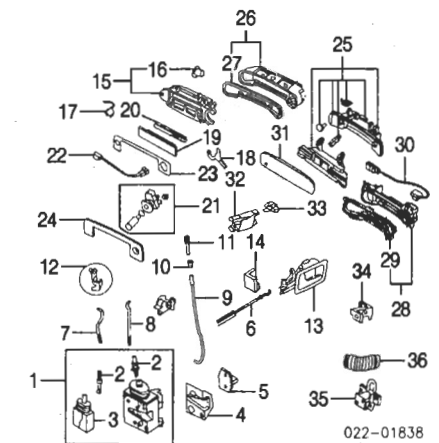
1 Panel Assy, Trim Cloth/Leather Trim			
1997 (a)	R 4D0 867 104 G CGV	.8	598.00
	L 4D0 867 103 L EYP	.8	598.00
	R 4D0 867 104 L EYP	.8	598.00
	L 4D0 867 103 L EYP	.8	598.00
	R 4D0 867 104 Q KAP	.8	598.00
	L 4D0 867 103 Q KAP	.8	598.00
Leather Trim			
1997-99 (a)	R 4D0 867 104 H EMJ	.8	715.00
	L 4D0 867 103 H EMJ	.8	715.00
	R 4D0 867 104 R KAP	.8	1632.00
	L 4D0 867 103 R KAP	.8	1632.00
<i>(a) Anthracite listed, Order by Application (b) Black listed, Order by Application</i>			
2 Seal, Strip]] (a)	R/L 4D0 831 727 A	1.90	
<i>(a) Cut to Fit</i>			
3 Gasket]]	R 4D0 868 272	12.95	
	L 4D0 868 271	8.60	
4 Seal, Front]]	R 4D0 867 368 A	4.25	
	L 4D0 867 367 A	4.25	
5 Seal, Rear]]	R 4D0 867 382 E	3.70	

6 Clip, Trim]] (6/Side)	R/L 4A0 853 107	.52	
7 Panel, Front Corner]]	R 4D0 867 694 01C	5.40	
	L 4D0 867 693 01C	5.40	
	R 4D0 867 692 01C	5.40	
	L 4D0 867 691 01C	5.40	
8 Panel, Rear Corner]]	R 4D0 035 436 E59	9.30	
	L 4D0 035 435 E59	11.50	
9 Grille, Upper Speaker]] (a)	R 4D0 035 406 E59	11.50	
	L 4D0 035 405 E59	11.50	
10 Grille, Lower Speaker]] (a)	R 4D0 035 406 E59	11.50	
	L 4D0 035 405 E59	11.50	
<i>#Included w/Trim Panel Assy (a) Platinum listed, Order by Application</i>			
Shield, Moisture	R 4D0 863 980 C	# 17.65	
	L 4D0 863 979 C	# 17.65	
11 Speaker, Radio Std Woofer	R/L 4D0 035 382-1	#.3 150.80	
	R 4D0 035 382 A	#.3 375.70	
	L 4D0 035 381 A	#.3 385.70	
	Bose Woofer	#.3 385.70	
<i>#w/Trim Panel Removed, Not Included in R&amp;R Door Trim Panel</i>			
12 Moulding, Inner Belt Maple Wood Trim	R 4D0 867 410 E 2PZ	.1 189.55	
	L 4D0 867 409 E 2PZ	.1 189.55	
	R 4D0 867 410 C 1WV	.1 189.55	
	L 4D0 867 409 C 1WV	.1 189.55	
	Vavona Wood Trim	R 4D0 867 410 G 5TQ	.1 189.55
	L 4D0 867 409 G 5TQ	.1 189.55	
13 Rivet, Midg (3/Side)	R/L 4D0 868 637	.82	
14 W/Strip, Inner Belt	R 4D1 837 480 A	53.00	
	L 4D1 837 479 A	53.00	
15 Clip, Inr W/Strip (6/Side)	R/L 4D0 837 446 B	.27	
16 Grille, Upper Air Intake]]	R 4D0 819 914 E59	26.00	
	L 4D0 819 913 E59	26.00	
17 Grille, Lwr Air Intake]]	R 4D0 819 900 E59	43.35	
	L 4D0 819 899 E59	43.35	
<i>#Platinum listed, Order by Application</i>			
18 Clip, Trim Panel (4/Side)	R/L 4D0 867 299 D	.67	
19 Lamp, Door Warning	R/L 4A0 867 380	.92	
20 Lamp, Courtesy	R/L 331 947 113	9.65	
21 Grommet, Trim Panel]]	R/L 853 959 841	8.60	
<i>#As Required</i>			
22 Panel, Switch (a) Walnut Wood Trim	97-99 R 4D1 959 522 D EYB	143.15	
	L 4D1 959 521 H EYB	143.15	
	00-03 R 4D1 959 522 D KCD	143.15	
	L 4D1 959 521 H KCD	143.15	
	Vavona Wood Trim	R 4D1 959 522 H KBV	143.15
	L 4D1 959 521 T KBV	143.15	
<i>(a) Platinum listed, Order by Application</i>			
23 Switch, Safety	L 833 959 859 A 01C	55.20	
24 Switch, Elect Window	R/L 4D0 959 855 01C	35.75	
25 Switch, Rear View Mirror	R 4D0 959 565 B 01C	76.30	
26 Handle, Pull (a)	L 4D0 867 196 E82	12.95	
	L 4D0 867 195 E82	12.95	
27 Switch, Door Lock	L 4A0 962 107 01C	52.20	
28 Switch, Memory	L 893 959 769 01C	108.45	

**HARDWARE**

Refinish Upper Hinge.....	R/L	.2
Refinish Lower Hinge.....	R/L	.2
Refinish Outside Handle.....	R/L	.3
Refinish Lower Trim Plate.....	R/L	.2
Refinish Upper Trim Plate.....	R/L	.2
R&I Outside Handle.....	R/L	#1.0

*#Includes R&I Door Trim Panel*



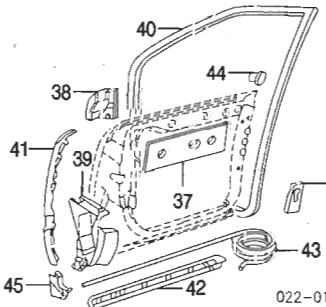
022-01838

1 Latch Assy, Door	97-99 R 8D1 837 016 F	#4 83.35
	L 8D1 837 015 F	#4 127.00
	00-03 R 4D1 837 016 D	#4 131.85
	L 8D1 837 015 F	#4 127.00
<i>#w/Door Trim Panel Removed</i>		
2 Clip, Lwr Rod]] (2/Side)	R/L 4A0 837 171	2.95
3 Actuator, Power]]-Serviced w/Door Latch Assy		
<i>#Included w/Door Latch Assy</i>		
4 Packing, Dust	R/L 4A0 837 088-7	3.85
5 Striker	R/L 4D0 837 035 B	.2 13.70
6 Cable, Actuator	R 4D0 837 081 A	12.95
7 Rod, Locking	97-99 R/L 4D0 837 195	3.50
	00-03 R/L 4D0 837 195 E	1.30
8 Rod, Actuator	97-99 R 4D0 837 134 B	6.40
	L 4D0 837 133 B	6.40

**FRONT DOOR Cont'd**

**HARDWARE Cont'd**

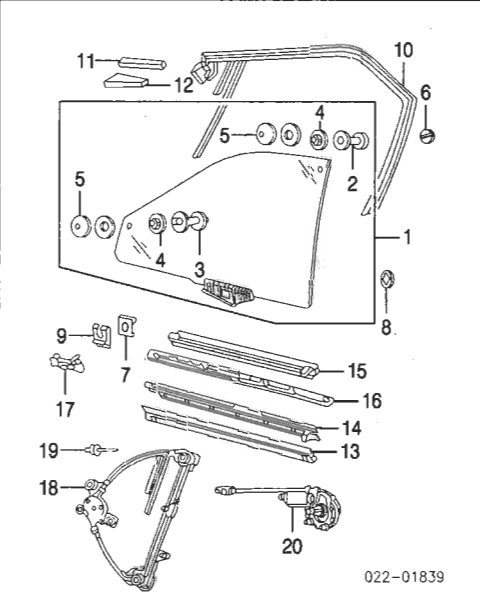
9 Rod, Locking	00-03 R 4D0 837 134 F L 4D0 837 133 F R 4D0 837 184 B L 4D0 837 183 B	6.40 6.40 10.80 10.80
10 Guide, Knob	97-99 R/L 895 837 189 B 01C 00-03 R/L 8L3 837 189 A 4PK 97-99 R/L 893 837 187 E 01C 00-03 R/L 8D0 837 187 4PK	2.45 1.80 .67 .67
<i>(Black listed, Order by Application)</i>		
12 Clip, Rod (2/Side)	R/L 8D0 837 821	.58
13 Handle, Inside	97-99 R/L 4D0 837 022 E82 L 4D0 837 021 E82 00-03 R/L 4D0 837 020 F E82 L 4D0 837 019 G E82	49.80 49.80 54.20 54.20
<i>(Platinum listed, Order by Application)</i>		
14 Seal, Handle	R/L 893 837 242-1	2.40
15 Handle Assy, Outside (P)	97-99 R/L 4A0 837 206 J L 4A0 837 205 J	#.4 20.55 #.4 20.55
<i>(P) Paint to Match #w/Trim Panel Removed</i>		
16 Clip, Handle	97-99 R/L 8D0 837 821	.58
<i>(Included w/Outside Handle Assy)</i>		
17 Switch, Micro	97-99 R/L 4A0 998 985	52.35
18 Fastener	97-99 R/L 893 837 276 A L 893 837 275 A	1.20 1.20
19 Plate, Lower Trim (P)	97-99 R/L 893 837 237 E 01C <i>(P) Paint to Match</i>	.1 15.75
20 Retainer, Trim Plate	97-99 R/L 893 837 109 E 00-03 R/L 4B0 837 109 B	.92 .92
21 Cylinder, Lock	<i>w/Keys</i> Heated 97-99 R 4A0 837 064 E L 4A0 837 063 E Non-Heated 97-99 R 4A0 837 064 D L 4A0 837 063 D	#.4 162.70 #.4 162.70 #.4 131.85 #.4 131.85
<i>w/o Keys</i> Heated 97-99 R 107 837 064 CB L 107 837 063 CB Non-Heated 97-99 R 107 837 064 CA L 107 837 063 CA		
<i>(Order by Key Code/Application #Included in R&amp;I/R&amp;R Outside Door Handle)</i>		
22 Switch, Micro	97-99 L 8D0 959 985 00-03 L 8L4 959 985 A	59.80 59.80
23 Plate, Upper Trim (P)	1997-99 R 4A0 837 240 E 01C L 4A0 837 239 E 01C	15.75 15.75
<i>(P) Paint to Match</i>		
24 Packing, Handle	97-99 R 4A0 837 210 L 4A0 837 209	1.10 1.00
25 Handle, Outside (P)	00-03 R 4B0 839 208 GRU L 4B1 837 207 GRU	#.4 38.95 #.4 46.60
<i>(P) Paint to Match #w/Trim Panel Removed</i>		
26 Support Assy, Handle	00 R 4B2 837 886 A L 4B1 837 885 A 01-03 R 4B0 839 885 L 4B1 837 885 A	27.35 27.35 27.35 27.35
27 Packing, Handle	00-03 R 4B0 837 209 A	1.60
<i>(Included w/Handle Support Assy)</i>		
28 Cylinder Assy, Lock	<i>w/Keys</i> Heated 00-03 L 8L4 837 063 E w/o Keys 00-03 L 107 837 063 ND Heated 00-03 L 107 837 063 ND Non-Heated 00-03 L 107 837 063 NC	#.4 211.60 #.4 131.85 #.4 110.55
<i>#Included in R&amp;I/R&amp;R Outside Door Handle</i>		
29 Packing, Handle	00-03 L 8L4 837 209	2.00
<i>(Included w/Lock Cylinder Assy)</i>		
30 Switch, Anti-Theft Micro	00-03 8L4 959 985	59.80
31 Plate, Upper Trim (P)	00-03 R 4B0 839 239 A GRU L 4B0 837 237 GRU	18.75 24.10
<i>(P) Paint to Match</i>		
32 Module, Handle Control	R/L 4A0 959 981 A	#.3 58.10
33 Plate, Module	R/L 4A0 959 983 A	#.3 1.50
34 Hinge, Upper	R 4D0 831 402 L 4D0 831 401	#.3 43.35 #.3 42.80
35 Hinge, Lower	R 4D0 831 412 D L 4D0 831 411 D	#.3 71.65 #.3 71.65
<i>#w/Door Removed</i>		
36 Boot	R/L 4D0 959 845	4.25



022-01607

38 Gasket, Corner	97-99 R 4D0 831 176 L 4D0 831 175 B 00-03 R 4D0 831 176 B L 4D0 831 175 B	6.10 6.95 6.10 6.95
39 Cover, Latch	97-99 R/L 4D0 837 350-49 00-03 R 4D0 837 350 E L 4D0 837 349 E	5.40 5.40 5.40
40 W/Strip, Side Body	1997-99 R 4D0 831 722 U81 L 4D0 831 721 U81	.4 94.30 .4 94.30
2000 To 3-99 R 4D0 831 722 C 7EM L 4D0 831 721 E 7EM		
From 4-99 R 4D0 831 722 E 7EM L 4D0 831 721 E 7EM		
2001-03 L 4D0 831 722 E 7EM L 4D0 831 721 E 7EM		
<i>(Platinum listed, Order by Application)</i>		
41 W/Strip, Door Side	R/L 4D0 837 702-1	.2 94.30
42 Cover, Lower Door	1997-99 R 4D0 853 294 B L 4D0 853 293 D	20.55 20.55
2000 To VIN Y012000 R 4D0 853 294 B L 4D0 853 293 D		
From VIN Y012001 R 4D0 853 294 D L 4D0 853 293 D		
2001-03 R 4D0 853 294 D L 4D0 853 293 D		
43 Seal, Door	R/L N.A.	0.00
<i>(Cut to Fit)</i>		
44 Grommet, Upper	R/L 4D0 831 720	.45
45 Plug	R 4D0 837 492 C L 4D0 837 491 C	12.60 12.60
46 Wedge, Adj	R/L 4A0 837 153 A	5.45

**GLASS & PARTS**



022-01839

1 Glass Assy, Front Door	Audi (Green) Laminated w/Insulator 1997 R 4D1 845 022 L 4D1 845 021	#2.0 421.10 #2.0 557.00
1998 To VIN W018036 R 4D1 845 022 L 4D1 845 021		
From VIN W018037 R 4D1 845 022 C L 4D1 845 021 C		
1999 R 4D1 845 022 C L 4D1 845 021 C		
w/o Insulator R 4D0 845 022 B L 4D0 845 021 B		
Non-Laminated 97-99 R/L 4D0 845 022-1		
NAGS (Green) R/L FD20223-4GTN		
w/Insulator R/L FD20151-2GTN		
w/o Insulator R/L FD20151-2GTN		
<i>#Includes R&amp;I Inner Panel Assy</i>		
2 Pin, Upper Guide	1997-99 w/Insulated Glass R/L 4D1 845 459 w/o Insulated Glass R/L 4D0 845 459 2000-03 R/L 4D1 845 459	10.80 10.80 10.80
3 Pin, Lower Guide	1997-99 w/Insulated Glass R/L 4D1 845 469 w/o Insulated Glass R/L 4D0 845 469 2000-03 R/L 4D1 845 469	10.80 10.80 10.80
4 Sleeve, (2/Side)	R/L 443 845 111	.58
5 Screw, Glass (2/Side)	R/L 443 845 461	13.30
<i>(Included w/Audi Front Door Glass Assy)</i>		
6 Cap, Guide Pin (2/Side)	R/L 4D0 845 471 A	.45
7 Washer, Outer	R/L 4A0 837 345 A	.52
8 Washer, Inner	R/L 4A0 837 681	.33
9 Lock, Washer	R/L N 902 547 01	.82

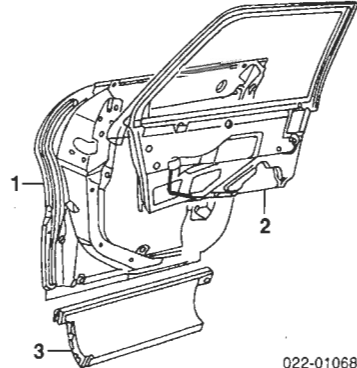
10 Channel, Run	1997-99 w/Insulated Glass R 4D1 837 440 H L 4D1 837 439 L w/o Insulated Glass R 4D0 837 440 B L 4D0 837 439 J	154.05 296.50 167.10 167.10
2000 To VIN Y008388 R 4D1 837 440 H L 4D1 837 439 L		
From VIN Y008389 R 4D1 837 440 K L 4D1 837 439 L		
2001-03 R 4D1 837 440 K L 4D1 837 439 L		
11 Buffer	R/L 4A0 837 529	2.10
12 Bracket, Buffer	R/L 4A0 837 525	2.10
13 W/Strip, Outer Belt-See Exterior Trim Section		
14 Moulding, Outer Belt-See Exterior Trim Section		
15 W/Strip, Inner Belt-See Interior Trim Section		
16 Moulding, Inner Belt-See Interior Trim Section		
17 Clip, Inr W/Strip-See Interior Trim Section		
18 Regulator, Power	R 4D0 837 462 A L 4D0 837 461 A	#2.4 127.00 #2.4 127.00
19 Rivet (6/Side)	R/L N 904 786 01	.58
20 Motor, Regulator	1997-99 w/Insulated Glass R 4D0 959 802 E L 4D0 959 801 E	#2.4 309.35 #2.4 309.35
w/o Insulated Glass R 4D0 959 802 G L 4D0 959 801 G		
2000-03 R 4D0 959 802 E L 4D0 959 801 E		
<i>#R&amp;R One Side Complete, Includes R&amp;I Inner Panel Assy &amp; R&amp;R Glass</i>		

**REAR DOOR**

Use Procedure Explanations 16 and 28 with the following text.

**SHEET METAL**

Refinish Door Outside	R/L	2.0
Add for Jamb & Interior	R/L	1.0
Add for Jamb	R/L	.5
R&I Door Shell	R/L	.8
R&I Inner Panel Assy	R/L	1.5

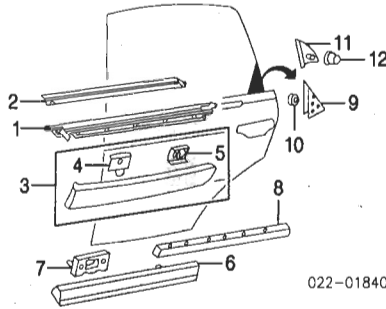


022-01068

1 Shell, Door	A8 97-99 R 4D0 833 052 A L 4D0 833 051 A 00-03 R 4D0 833 052 E L 4D0 833 051 E	#4.5 623.00 #4.5 623.00 #4.5 562.00 #4.5 562.00
A8 L	R/L 4D4 833 052-1	#4.5 623.00
S8	R 4D0 833 052 E L 4D0 833 051 E	#4.5 562.00 #4.5 562.00
<i>#Includes R&amp;I Inner Panel Assy &amp; R&amp;R Reinforcement Bar, R&amp;R Door Shell &amp; Inner Panel 6.0</i>		
2 Panel, Inner	A8 1997-00 R 4D0 839 754 B L 4D0 839 753 B	3.5 541.00 3.5 541.00
2001 To VIN 2005000 R 4D0 839 754 B L 4D0 839 753 B		
From VIN 2005001 R 4D0 839 754 F L 4D0 839 753 F		
2002-03 R 4D0 839 754 F L 4D0 839 753 F		
A8 L	R 4D4 839 754 B L 4D4 839 753	3.5 486.40 3.5 499.00
S8	1997-00 R 4D0 839 754 B L 4D0 839 753 B	3.5 541.00 3.5 541.00
2001 To VIN 2005000 R 4D0 839 754 B L 4D0 839 753 B		
From VIN 2005001 R 4D0 839 754 F L 4D0 839 753 F		
2002-03 R 4D0 839 754 F L 4D0 839 753 F		
3 Bar, Reinforcement	A8 R/L 4D0 833 508-7 A8 L R/L 4D4 833 508-7 S8 R/L 4D0 833 508-7	#.5 127.00 #.5 62.40 #.5 127.00
<i>#w/Inner Panel Removed</i>		

**EXTERIOR TRIM**

Refinish Side Upper Moulding Assy.....R/L 3

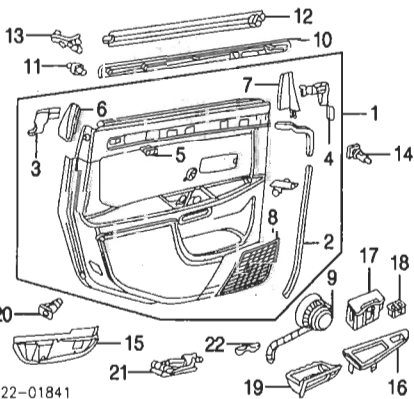


<b>1 Moulding, Outer Belt</b>				
A8, S8	R 4D0 853 768 A 2ZZ	#3	20.55	
	L 4D0 853 767 A 2ZZ	#3	20.55	
A8 L	R 4D4 853 768 2ZZ	#3	20.55	
	L 4D4 853 767 2ZZ	#3	20.55	
<i>#w/Door Trim Panel &amp; Glass Removed</i>				
<b>2 W/Strip, Outer Belt</b>				
A8, S8	R 4D0 839 478 D		43.35	
	L 4D0 839 477 D		43.35	
A8 L	R/L 4D4 839 478-7		81.65	
<b>3 Moulding Assy, Upper Side (P)</b>				
A8, S8	R 4D0 853 962 GRU	.3	92.65	
	L 4D0 853 961 GRU	.3	92.65	
A8 L	R 4D4 853 962 GRU	.3	92.65	
	L 4D4 853 961 GRU	.3	92.65	
<i>(P) Paint to Match</i>				
<b>4 Clip, Upr Side Mdg]]</b>				
Type 1 (5/Side)	R/L 4D0 853 825 F		4.25	
Type 2	R/L 4D0 853 825 B		1.00	
<i>#Included w/Upper Side Moulding Assy</i>				
<b>6 Moulding Assy, Lower Side</b>				
A8, S8	R 4D0 854 950 A 3FZ	2	106.15	
	L 4D0 854 949 A 3FZ	2	106.15	
A8 L	R 4D4 854 950 3FZ	2	212.65	
	L 4D4 854 949 3FZ	2	212.65	
<b>7 Clip, Lower Side Mdg]] (a)</b>	R/L 4D0 854 722-1		1.50	
<i>#Included w/Lower Side Moulding Assy</i>				
<i>(a) As Required</i>				
<b>8 Cover, Lower Door-See Hardware Section</b>				
Moulding, Outer Corner	R 4D0 853 274 Y9B		43.35	
	L 4D0 853 273 Y9B		43.35	
<b>10 Washer, Lock</b>	R/L 4D0 853 276		.38	
<b>11 Moulding, Inner Corner</b>				
1997-99				
Anthracite	R 4D0 857 566 9XB		10.80	
	L 4D0 857 565 9XB		10.80	
Lava Gray	R 4D0 857 566 C70		10.80	
	L 4D0 857 565 C70		10.80	
2000-03	R 4D0 857 566 7PE		10.80	
	L 4D0 857 565 7PE		10.80	
<b>12 Grommet</b>	R/L 4A0 867 365		.33	

**INTERIOR TRIM**

R&I Trim Panel.....R/L 6

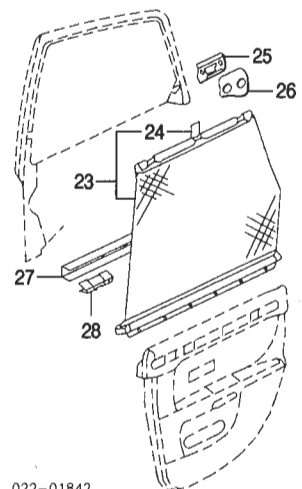
**NOTE: All Parts in this section are included in R&R Trim Panel unless noted otherwise.**



<b>1 Panel Assy, Trim]]</b>				
w/Roller Blind				
A8				
Cloth Trim	97-99 R 4D0 867 304 C CGZ	.7	421.10	
	L 4D0 867 303 C CGZ	.7	421.10	
	00-03 R 4D0 867 304 AC KAU	.7	695.00	
	L 4D0 867 303 AC KAU	.7	695.00	
Leather Trim				
1997-99	R 4D0 867 304 H EYR	.7	525.00	
	L 4D0 867 303 H EYR	.7	525.00	
2000-01	R 4D0 867 304 AD KAU	.7	525.00	

2002	L 4D0 867 303 AD KAU	.7	525.00	
To 2-02	R 4D0 867 304 AD KAU	.7	525.00	
	L 4D0 867 303 AD KAU	.7	525.00	
From 3-02	R 4D0 867 304 AF KAU	.7	1087.00	
	L 4D0 867 303 AF KAU	.7	1087.00	
2003	R 4D0 867 304 AF KAU	.7	1087.00	
	L 4D0 867 303 AF KAU	.7	1087.00	
A8 L				
Cloth/Leather Trim	R 4D4 867 304 KAU	.7	823.00	
	L 4D4 867 303 KAU	.7	823.00	
Leather Trim				
2001	R 4D4 867 304 A KAU	.7	1541.00	
	L 4D4 867 303 A KAU	.7	1541.00	
2002	R 4D4 867 304 A KAU	.7	1541.00	
To 2-02	L 4D4 867 303 A KAU	.7	1541.00	
From 3-02	R 4D4 867 304 D KAU	.7	1632.00	
	L 4D4 867 303 D KAU	.7	1632.00	
2003	R 4D4 867 304 D KAU	.7	1632.00	
	L 4D4 867 303 D KAU	.7	1632.00	
S8	R 4D0 867 304 AD KAU	.7	525.00	
	L 4D0 867 303 AD KAU	.7	525.00	
w/o Roller Blind				
A8				
Cloth/Leather Trim	97-99 R 4D0 867 304 B CGZ	.7	421.10	
	L 4D0 867 303 B CGZ	.7	421.10	
	00-03 R 4D0 867 304 Q KAU	.7	695.00	
	L 4D0 867 303 Q KAU	.7	695.00	
Leather Trim	97-99 R 4D0 867 304 F EYR	.7	525.00	
	L 4D0 867 303 F EYR	.7	525.00	
S8	R 4D0 867 304 Q KAU	.7	695.00	
	L 4D0 867 303 Q KAU	.7	695.00	
<i>#Platinum listed, Order by Application</i>				
<b>2 Seal, Strip]] (a)</b>	R/L 4D0 831 727 A		1.90	
<i>(a) Cut to Fit</i>				
<b>3 Seal, Front]]</b>	R 4D0 867 416 A		2.75	
	L 4D0 867 415 A		2.75	
<b>4 Seal, Rear]]</b>	R 4D0 867 370 A		3.70	
	L 4D0 867 369 A		3.70	
<b>5 Clip, Trim]] (3/Side)</b>	R/L 4A0 853 107		.52	
<b>6 Panel, Front Corner]]</b>	R 4D0 867 726 01C		5.40	
	L 4D0 867 725 01C		5.40	
<b>7 Panel, Rear Corner]]</b>	R 4D0 867 720 01C		4.20	
	L 4D0 867 719 01C		4.20	
<b>8 Grille, Speaker]] (a)</b>	97-99 R 4D0 035 420 01C		11.50	
	L 4D0 035 419 01C		11.50	
	00-03 R 4D0 035 420 4PK		11.50	
	L 4D0 035 419 4PK		11.50	
<i>#Included w/Trim Panel Assy</i>				
<i>(a) Black listed, Order by Application</i>				
<b>Shield, Moisture</b>				
A8, S8	R/L 4D0 864 800-799	#	58.50	
A8 L	R/L 4D4 864 800-799	#	58.50	
<b>9 Speaker, Radio</b>				
Std Woofer	R/L 4D0 035 411	#.3	69.05	
Bose Woofer	R/L 4D0 035 411 A	#.3	193.70	
<i>#w/Trim Panel Removed, Not Included in R&amp;R Door Trim Panel</i>				
<b>10 Moulding, Inner Belt</b>				
A8, S8				
Maple Wood Trim	R 4D0 867 420 E 2PZ		167.10	
	L 4D0 867 419 E 2PZ		167.10	
Vavona Wood Trim	R 4D0 867 420 G 5TQ		167.10	
	L 4D0 867 419 G 5TQ		167.10	
Walnut Wood Trim	R 4D0 867 420 C 1WV		167.10	
	L 4D0 867 419 C 1WV		167.10	
A8 L				
Vavona Wood Trim	R 4D4 867 420 A 5TQ		237.60	
	L 4D4 867 419 A 5TQ		237.60	
Walnut Wood Trim	R 4D4 867 420 1WV		237.60	
	L 4D4 867 419 1WV		237.60	
R/L 4A0 853 107			.52	
<b>11 Clip, Moulding (3/Side)</b>				
<b>12 W/Strip, Inner Belt</b>				
A8				
w/Insulated Glass	R 4D1 839 480 A		29.90	
	L 4D1 839 479 A		29.90	
w/o Insulated Glass				
1997				
To VIN V007500	R/L 4D0 839 480-79		20.55	
From VIN V007501	R 4D0 839 480 A		29.90	
	L 4D0 839 479 A		29.90	
1998-99	R 4D0 839 480 A		29.90	
	L 4D0 839 479 A		29.90	
A8 L	R/L 4D4 839 480-79		61.25	
S8	R 4D1 839 480 A		29.90	
	L 4D1 839 479 A		29.90	
<b>13 Clip, Inr W/Strip (7/Side)</b>	R/L 4D0 837 446 B		.27	
<b>14 Clip, Trim Panel (8/Side)</b>	R/L 4D0 867 299 D		.57	
<b>15 Gasket</b>				
A8	R 4D0 868 274 B		12.70	
	L 4D0 868 273 B		12.70	
A8 L	R/L 4D4 868 274-3		12.70	
S8	R 4D0 868 274 B		12.70	
	L 4D0 868 273 B		12.70	
<b>16 Panel, Switch]]</b>				
A8, S8				
Walnut Wood Trim	97-99 R 4D0 959 528 C EYB		143.15	
	L 4D0 959 527 C EYB		143.15	
	00-03 R 4D0 959 528 C KCD		143.15	
	L 4D0 959 527 C KCD		143.15	
Vavona Wood Trim	R 4D0 959 528 G KBV		143.15	
	L 4D0 959 527 G KBV		143.15	
A8 L				
Walnut Wood Trim	R 4D4 959 528 KCD		201.15	
	L 4D4 959 527 KCD		201.15	
Vavona Wood Trim	R 4D4 959 528 A KBV		201.15	
	L 4D4 959 527 A KBV		201.15	
<i>#Platinum listed, Order by Application</i>				
<b>17 Ashtray</b>				
Maple Wood Trim	R 4D0 857 406 L E82		71.90	
	L 4D0 857 405 L E82		71.90	
Walnut Wood Trim	R 4D0 857 406 C 1PV		54.75	

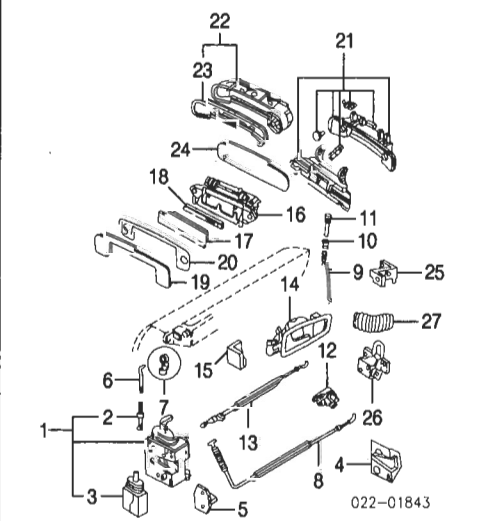
Vavona Wood Trim	L 4D0 857 405 C 1PV		43.35	
	R 4D0 857 406 H 5TQ		54.75	
	L 4D0 857 405 H 5TQ		54.75	
<b>18 Switch, Elect Window</b>	R/L 4D0 959 855 01C		35.75	
<b>19 Handle, Pull]]</b>				
A8, S8	R 4D0 867 396 E82		12.95	
	L 4D0 867 395 E82		12.95	
A8 L	R 4D4 867 396 E82		15.00	
	L 4D4 867 395 E82		15.00	
<i>#Platinum listed, Order by Application</i>				
<b>20 Lamp, Door Warning</b>	R/L 4D0 945 155		7.20	
<b>21 Lamp, Courtesy</b>	R/L 331 947 113		9.65	
<b>22 Grommet, Trim Panel (10/Side)</b>	R/L 4D0 867 299 D		.67	



<b>23 Sunshade Assy]]</b>				
A8, S8	97-99 R 4D0 861 334 A EXU	.8	251.70	
	L 4D0 861 333 A EXU	.8	251.70	
	00-03 R 4D0 861 334 A 4PK	.8	251.70	
	L 4D0 861 333 A 4PK	.8	251.70	
A8 L	R 4D4 861 334 4PK	.8	273.95	
	L 4D4 861 333 4PK	.8	273.95	
<i>#Black listed, Order by Application</i>				
<b>24 Plate, Sunshade Ctr (a)</b>	R/L 4D0 861 593		6.40	
<i>(a) Included w/Sunshade Assy</i>				
<b>25 Plate, Sunshade Corner</b>	R/L 4A0 861 359 01C		.92	
<b>26 Hook, Sunshade</b>	R/L 4A0 861 337 A 01C		2.50	
<b>27 Moulding, Door Trim Pnl</b>	R/L 4D0 853 765		12.95	
<b>28 Clamp (6/Side)</b>	R/L 4D0 867 284		5.40	

**HARDWARE**

Refinish Upper Hinge.....	R/L	.2
Refinish Lower Hinge.....	R/L	.2
Refinish Outer Handle.....	R/L	.3
Refinish Lower Trim Plate.....	R/L	.2
Refinish Upper Trim Plate.....	R/L	.2
R&I Outside Handle.....	R/L	#1.8
<i>#Includes R&amp;I Inner Panel Assy</i>		



<b>1 Latch Assy, Door</b>				
1997				
To VIN V007000	R 4D0 839 016 E	#3	127.00	
	L 4D0 839 015 E	#3	123.30	
From VIN V007001	R 4D0 839 016 D	#3	123.30	
	L 4D0 839 015 D	#3	123.30	
1998-03	R 4D0 839 016 D	#3	123.30	
	L 4D0 839 015 D	#3	123.30	

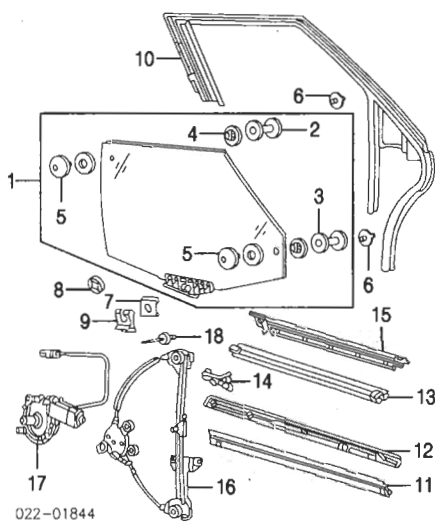
**REAR DOOR Cont'd**

**HARDWARE Cont'd**

<i>#w/Door Trim Panel Removed</i>			
2 Clip, Lower Rod	R/L 4A0 837 171		2.95
3 Actuator, Lock	Service w/Door Latch Assy #Included w/Door Latch Assy		
4 Packing, Dust	R/L 4A0 837 088-7		3.85
5 Striker	R/L 4D0 837 035 B	2	13.70
6 Rod, Actuator	97-99 R/L 4D0 839 133 A 00-03 R/L 4D0 839 133 F		2.70 2.30
7 Clip, Rod	R/L 8A0 839 822-1		.58
8 Cable, Locking	R/L 4D0 839 191		9.95
9 Rod, Locking	R/L 4D0 839 183		3.70
10 Guide, Knob	97-99 R/L 895 837 189 B 01C 00-03 R/L 895 837 189 B 4PK 97-99 R/L 893 837 187 E 01C 00-03 R/L 8D0 837 187 4PK		2.45 1.80 .67 .67
<i>#Black listed, Order by Application</i>			
12 Lever, Relay	R 4A0 839 826 L 4A0 839 825		2.55 2.50
13 Cable, Actuator	R/L 4D0 839 081 A		12.95
A8	R/L 4D4 839 081		9.36
S8	R/L 4D0 839 081 A		12.95
14 Handle, Inside (a)	97-99 R 4D0 839 020 C E82 L 4D0 839 019 C E82 00-03 R 4D0 839 020 G E82 L 4D0 839 019 G E82		59.00 59.00 59.00 59.00
<i>(a) Platinum listed, Order by Application</i>			
15 Seal, Handle	R/L 893 837 242-1		2.40
16 Handle, Outside (P)	97-99 R 4A0 839 206 F L 4A0 839 205 F	#4 #4	21.95 21.95
<i>#w/Inner Panel Removed</i>			
17 Plate, Lower Trim (P)	97-99 R/L 893 837 237 E 01C (P) Paint to Match		15.75
18 Retainer, Trim Plate	97-99 R/L 893 837 109 E 00-03 R/L 4B0 837 109 B		.92 .92
19 Plate, Upper Trim (P)	97-99 R/L 4A0 839 239 B 01C (P) Paint to Match		13.30
20 Packing, Handle	97-99 R/L 893 839 209		1.90
21 Handle, Outside (P)	00-03 R 4B0 839 208 GRU L 4B0 839 207 GRU	#4 #4	38.95 38.95
<i>(P) Paint to Match</i>			
<i>#w/Inner Panel Removed</i>			
22 Support Assy, Handle	00 R 4B2 837 886 A L 4B1 837 885 A 01-03 R/L 4B0 839 885 00-03 R/L 4B0 837 209 A		27.35 27.35 27.35 1.60
<i>#Included w/Handle Support Assy</i>			
24 Plate, Upper Trim (P)	00-03 R/L 4B0 839 239 A GRU (P) Paint to Match		18.75
25 Hinge, Upper	R/L 4D0 833 402-1	#3	49.80
26 Hinge, Lower	R 4D0 833 412 C L 4D0 833 411 C	#3 #3	112.75 118.15
<i>#w/Door Removed</i>			
27 Boot	R/L 4D0 959 845 A		4.25

A8 L	L 4D0 853 595 E	11.85	
	R 4D4 853 596 A	10.80	
S8	L 4D4 853 595 A	10.80	
	R 4D0 853 596 E	11.85	
	L 4D0 853 595 E	11.85	
33 Seal, Door	R/L N.A.	0.00	
<i>#Cut to Fit</i>			
34 Grommet, Upper	R/L 4D0 831 720	.45	
35 Plug	1997-99 w/Insulated Glass	R 4D0 839 492 C L 4D0 839 491 C	12.60 12.60
	w/o Insulated Glass	R 4D0 839 492 L 4D0 839 491 C	12.95 12.60
	2000-03	R 4D0 839 492 C L 4D0 839 491 C	12.60 12.60
36 Wedge, Adj	R/L 4A0 837 153 A	5.45	

**GLASS & PARTS**



1 Glass Assy, Rear Door	Audi (Green) Laminated		
A8			
w/Insulator	97-98 R/L 4D1 845 026-5 99 R 4D1 845 026 D L 4D1 845 025 D	#1.8 #1.8 #1.8	421.10 314.85 314.85
w/o Insulator	R 4D0 845 026 C L 4D0 845 025 C	#1.8 #1.8	314.85 314.85
A8 L	R 4D4 845 026 A L 4D4 845 025 A	#1.8 #1.8	415.85 415.85
S8	R 4D0 845 026 C L 4D0 845 025 C	#1.8 #1.8	314.85 314.85
Non-Laminated	97-99 R/L 4D0 845 026-5	#1.8	251.70
NAGS (Green)			
w/Insulator	R/L FD20225-6GTN	#1.8	1085.10
w/o Insulator	R/L FD20153-4GTN	#1.8	0.00
<i>#Includes R&amp;I Inner Panel Assy</i>			
2 Pin, Upper Guide	1997-99 w/Insulated Glass	R/L 4D1 845 459 R/L 4D0 845 459	10.80 10.80
	w/o Insulated Glass	R/L 4D1 845 459	10.80
2000-03	R/L 4D1 845 459		10.80
3 Pin, Lower Guide	1997-99 w/Insulated Glass	R/L 4D1 845 469 R/L 4D0 845 469	10.80 10.80
	w/o Insulated Glass	R/L 4D1 845 469	10.80
2000-03	R/L 4D1 845 469		10.80
4 Sleeve	R/L 4A3 845 111		.58
5 Screw, Glass	R/L 4A3 845 461		13.30
<i>#Included w/Audi Rear Door Glass Assy</i>			
6 Cap, Guide Pin (2/Side)	R/L 4D0 845 471 A R/L 4A0 837 345 A		.45 .52
7 Washer, Outer	R/L 4A0 837 681		.33
8 Washer, Inner	R/L N 902 547 01		.82
9 Lock, Washer			
10 Channel, Run	A8 w/Insulated Glass	R 4D0 839 440 H L 4D0 839 439 H	293.05 293.05
	w/o Insulated Glass	R 4D1 839 440 L L 4D1 839 439 L	296.50 296.50
	1997-00	R 4D1 839 440 L L 4D1 839 439 L	296.50 296.50
	2001 To VIN 1014000	R 4D1 839 440 L L 4D1 839 439 L	296.50 296.50
	From VIN 1014001	R 4D1 839 440 M L 4D1 839 439 M	296.50 296.50
	2002-03	R 4D1 839 440 M L 4D1 839 439 M	296.50 296.50
A8 L			
2001 To VIN 1014000	R 4D4 839 440 A L 4D4 839 439 A		296.50 296.50
	From VIN 1014001	R 4D4 839 440 D L 4D4 839 439 D	296.50 296.50
	2002-03	R 4D4 839 440 D L 4D4 839 439 D	296.50 296.50
S8	R 4D0 839 440 H		293.05

L 4D0 839 439 H		293.05		
11 W/Strip, Outer Belt-See Exterior Trim Section				
S8	R 4D0 839 478 D L 4D0 839 477 D	43.35 43.35		
12 Moulding, Outer Belt-See Exterior Trim Section				
13 W/Strip, Inner Belt-See Interior Trim Section				
14 Clip, Inr W/Strip-See Interior Trim Section				
15 Moulding, Inner Belt-See Interior Trim Section				
16 Regulator, Power	R 4D0 839 462 A L 4D0 839 461 A	#2.2 #2.2	127.00 127.00	
17 Motor, Regulator	1997-99 w/Insulated Glass	R 4D0 959 802 F L 4D0 959 801 F	#2.2 #2.2	301.50 309.35
	w/o Insulated Glass	R 4D0 959 802 F L 4D0 959 801 H	#2.2 #2.2	301.50 309.35
	2000-03	R 4D0 959 802 F L 4D0 959 801 F	#2.2 #2.2	301.50 309.35
<i>#R&amp;R One Side Complete, Includes R&amp;I Inner Panel Assy &amp; R&amp;R Glass</i>				
18 Rivet (6/Side)	R/L N 904 786 01		.58	

**ROOF**

Use Procedure Explanations 17 and 28 with the following text.

**SHEET METAL/EXTERIOR TRIM**

Refinish Roof Outside		3.3
-----------------------	--	-----

1 Panel, Roof	A8 w/Sunroof	4D0 817 017 4D0 817 111 B	24.5 22.0	1040.00 1137.00
	A8 L w/Sunroof	4D4 817 017 4D4 817 111	24.5 22.0	1316.00 1049.00
	S8 w/Sunroof	4D0 817 017 4D0 817 363 Q	24.5 24.5	1040.00 1040.00
2 Header, Front	97-99	4D0 817 945 F		595.00
	00-03	4D0 817 945 J		595.00
3 Header, Rear Outer		4D0 813 531 B		52.85
4 Header, Rear Inner		4D0 817 903 A		283.60
5 Rail, Roof	A8	97-99 R 4D0 817 364 K L 4D0 817 363 H		283.30 283.30
	00-03 R	4D0 817 364 Q L 4D0 817 363 Q		283.30 283.30
	A8 L	R/L 4D4 817 364-3		397.60
	S8	R 4D0 817 364 Q L 4D0 817 363 Q		283.30 283.30
6 Moulding, Roof Drip	A8, S8	R 4D0 853 704 B ZZZ L 4D0 853 703 B ZZZ	#2.0 #2.0	216.30 216.30
	A8 L	R 4D4 853 704 H ZZZ L 4D4 853 703 H ZZZ	#2.0 #2.0	334.10 334.10
<i>#Includes R&amp;R Center Pillar Trim</i>				
7 Strip, Front Cover		R 4D0 853 706 B L 4D0 853 705 B	#3 #3	34.65 34.65
8 Strip, Rear Cover	A8, S8	R 4D0 854 708 B L 4D0 854 707 B	#3 #3	17.65 17.65
	A8 L	R 4D4 854 708 A L 4D4 854 707 A	#3 #3	17.65 17.65
<i>#Order by Application</i>				
<i>#R&amp;R Both .5, Included in R&amp;R Roof Drip Mldg</i>				
9 Rivet, Mldg (9/Side)		R/L N 104 571 01		.22

**INTERIOR TRIM**

R&I Headliner				
w/Sunroof			4.6	
w/o Sunroof			4.0	
<i>Illustration Located in Next Column</i>				
Headliner				
1 w/Sunroof				
A8	97-99	4D0 867 505 D A87	4.6	421.10

