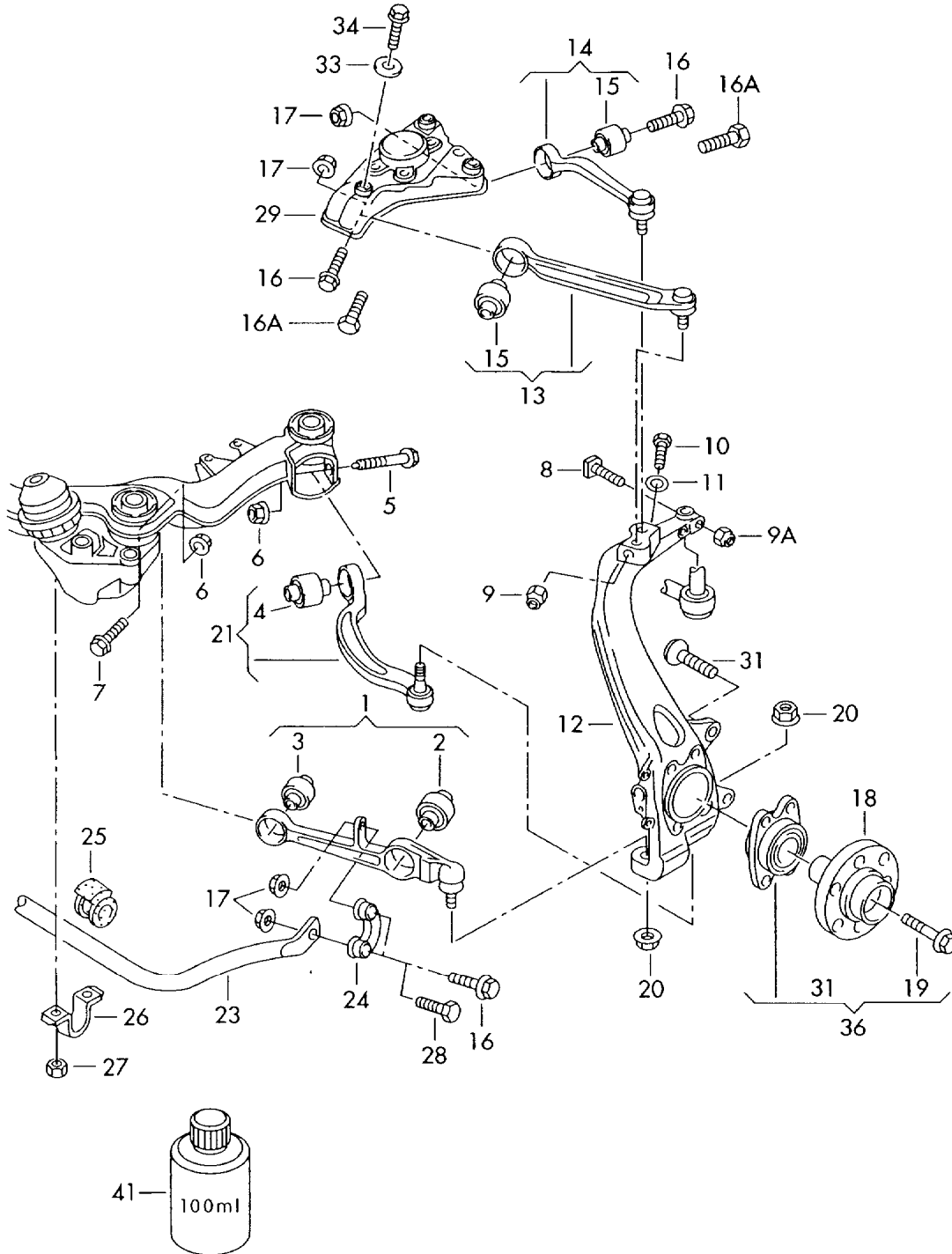




# ETKA

Model	Year	MG	SG	Illustration	Restrictions	UPD	8:14	04.02.2005
A6	2002	4	07	407-06		676		





# ETKA

Model	Year	MG	SG	Illustration	Restrictions	UPD	8:14	04.02.2005
A6	2002	4	07	407-06		676		

Pos	Part Number	Name	Remarks	Qty	Model
		control arm wheel bearing housing stabilizer F >> 4B-2-031 500			6 cylinder
1	4D0 407 151 P	control arm	front	2	
(1)	4B3 407 151 C	control arm f. vehicles with wheel disc:	front 17"/18"	2	
2	4D0 407 181 H	bonded rubber mounting		2	
3	4D0 407 182 G	bonded rubber mounting		2	
4	4D0 407 183 AB	bonded rubber mounting		2	
5	N 906 259 02	bolt, hex. hd. with pin (combi)	M12X1,5X120X80	2	
6	N 101 064 02	shouldered hex. nut, self-locking	M12X1,5	4	
7	N 102 949 01	bolt, hex. hd. (combi.)	M12X1,5X100-	2	
8	+ 4D0 407 192 C	lock screw	M10X50	2	
9	N 102 723 02	shouldered hex. nut, self-locking	M10	2	
9A	N 908 923 01	hex. nut, self-locking	M10	2	
10	+ N 034 790 7	screw, hex. hd.	M10X100	2	
11	N 104 061 05	washer	20X10,5X2	2	
(12)	4B3 407 257 A	wheel bearing housing f. vehicles with wheel disc:	82MM 16"	1	
(12)	4B3 407 258 A	wheel bearing housing f. vehicles with wheel disc:	82MM 16"	1	
(12)	4B3 407 257 A	wheel bearing housing f. vehicles with wheel disc:	left 82MM 16"	1	
(12)	4B3 407 258 A	wheel bearing housing f. vehicles with wheel disc:	right 82MM 16"	1	



# ETKA

Model	Year	MG	SG	Illustration	Restrictions	UPD	8:14	04.02.2005
A6	2002	4	07	407-06		676		

Pos	Part Number	Name	Remarks	Qty	Model
(12)	4B3 407 253 G	wheel bearing housing f. vehicles with wheel disc:	left 82MM 17"/18"	1	
(12)	4B3 407 254 G	wheel bearing housing f. vehicles with wheel disc:	right 82MM 17"/18"	1	
13	8E0 407 505 A	upper link	left front upper	1	
(13)	8E0 407 506 A	upper link	right front upper	1	
(13)	8E0 407 505 C	upper link	left front upper	1	
(13)	8E0 407 506 C	upper link	right front upper	1	
14	8E0 407 509 A	upper link	left rear upper	1	
(14)	8E0 407 510 A	upper link	right rear upper	1	
(14)	8E0 407 509 C	upper link	left rear upper	1	
(14)	8E0 407 510 C	upper link	right rear upper	1	
15	4B0 407 515	bonded rubber mounting		4	
(15)	8D0 407 515 B	bonded rubber mounting		4	
(15)	8D0 407 515 B	bonded rubber mounting for special armoured vehicle		4	
16		not a spare part			
16A	N 104 253 02	bolt, hex. hd. (combi.)	M10X62X45	4	
17	N 102 861 10	shouldered hex. nut, self-locking	M10	4	
18	4B0 407 613 B	wheel hub f. vehicles with wheel disc:	82MM 17"/18"	2	
18	4B0 407 613 B	wheel hub for special armoured vehicle	82MM	2	
(18)	4A0 407 615 G	wheel hub	82MM	2	



# ETKA

Model	Year	MG	SG	Illustration	Restrictions	UPD	8:14	04.02.2005
A6	2002	4	07	407-06		676		

Pos	Part Number	Name	Remarks	Qty	Model
19	* 4B0 407 643 A	shouldered bolt f. vehicles with wheel disc:	M16X1,5X72 17"/18"	2	
(19)	4A0 407 643 A	shouldered bolt	M16X1,5X77	2	
20	N 908 484 01	hex. nut, self-locking with washer	M12X1,5	4	
21	8E0 407 693 Q	wishbone link	left front	1	
(21)	8E0 407 694 Q	wishbone link	right front	1	
23	4B0 411 309 G	stabilizer	front	1	
(23)	4B0 411 309 F	stabilizer for vehicles with sports-type suspension	front	1	
(23)	4B0 411 309 F	stabilizer for special armoured vehicle	front	1	
24	8D0 411 317 D	connecting link	left	1	
(24)	8D0 411 318 D	connecting link	right	1	
25	4D0 411 327 H	rubber isolator	27MM	2	
26	4D0 411 336 D	clamp		2	
27	+ N 901 838 02	shouldered hex. nut, self-locking	M8	4	
28	N 104 253 02	bolt, hex. hd. (combi.)	M10X62X45	4	
29	8D0 412 383 E	bracket		2	
31	4D0 505 445	ball screw f. vehicles with wheel disc:	M12X1,5X45 17"/18"	8	
(31)	* 4D0 505 445	ball screw for special armoured vehicle	M12X1,5X45	8	
33	8D0 412 145 B	washer	5X16,2X40	4	
34	N 908 476 01	bolt, hex. hd. with shoulder	M10X25	6	
(36)	4B0 498 625 A	wheel bearing with mounting parts	82MM	2	
		only for:	8D0 407 257 AM 8D0 407 258 AM 4B3 407 257 A 4B3 407 258 A		



# ETKA

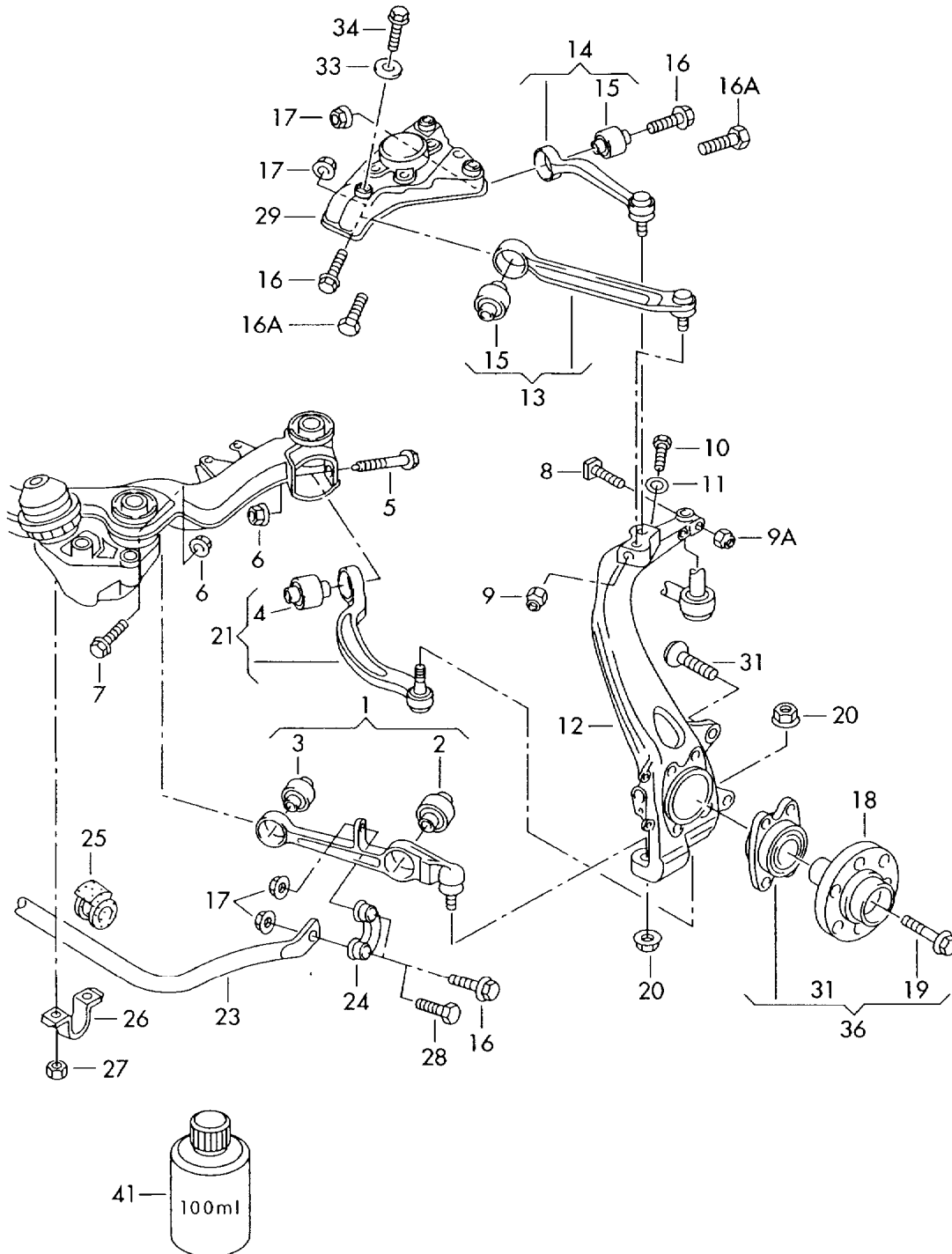
Model	Year	MG	SG	Illustration	Restrictions	UPD	8:14	04.02.2005
A6	2002	4	07	407-06		676		

Pos	Part Number	Name	Remarks	Qty	Model
(36)	8E0 498 625 B	wheel bearing with mounting parts only for:	82MM 4B3 407 253 G 4B3 407 254 G	2	
(36)	8E0 498 625 B	wheel bearing with mounting parts for special armoured vehicle only for:	82MM 4B3 407 253 G 4B3 407 254 G	2	



# ETKA

Model	Year	MG	SG	Illustration	Restrictions	UPD	8:15	04.02.2005
A6	2002	4	07	407-07		676		





# ETKA

Model	Year	MG	SG	Illustration	Restrictions	UPD	8:15	04.02.2005
A6	2002	4	07	407-07		676		

Pos	Part Number	Name	Remarks	Qty	Model
		control arm wheel bearing housing stabilizer F 4B-2-031 501>>			6 cylinder
1	4B3 407 151 C	control arm	front	2	
2	4D0 407 181 H	bonded rubber mounting		2	
3	4D0 407 182 G	bonded rubber mounting		2	
4	4D0 407 183 AB	bonded rubber mounting		2	
5	N 906 259 02	bolt, hex. hd. with pin (combi)	M12X1,5X120X80	2	
6	N 101 064 02	shouldered hex. nut, self-locking	M12X1,5	4	
7	N 102 949 01	bolt, hex. hd. (combi.)	M12X1,5X100-	2	
8	+ 4D0 407 192 C	lock screw	M10X50	2	
9	N 102 723 02	shouldered hex. nut, self-locking	M10	2	
9A	N 908 923 01	hex. nut, self-locking	M10	2	
10	+ N 034 790 7	screw, hex. hd.	M10X100	2	
11	N 104 061 05	washer	20X10,5X2	2	
12	4B3 407 253 G	wheel bearing housing	left 82MM	1	
(12)	4B3 407 254 G	wheel bearing housing	right 82MM	1	
13	8E0 407 505 A	upper link	left front upper	1	
(13)	8E0 407 506 A	upper link	right front upper	1	
(13)	8E0 407 505 C	upper link	left front upper	1	
(13)	8E0 407 506 C	upper link	right front upper	1	
14	8E0 407 509 A	upper link	left rear upper	1	



# ETKA

Model	Year	MG	SG	Illustration	Restrictions	UPD	8:15	04.02.2005
A6	2002	4	07	407-07		676		

Pos	Part Number	Name	Remarks	Qty	Model
(14)	8E0 407 510 A	upper link	right rear upper	1	
(14)	8E0 407 509 C	upper link	left rear upper	1	
(14)	8E0 407 510 C	upper link	right rear upper	1	
15	4B0 407 515	bonded rubber mounting		4	
(15)	8D0 407 515 B	bonded rubber mounting		4	
(15)	8D0 407 515 B	bonded rubber mounting for special armoured vehicle		4	
16		not a spare part			
16A	N 104 253 02	bolt, hex. hd. (combi.)	M10X62X45	4	
17	N 102 861 10	shouldered hex. nut, self-locking	M10	4	
18	4B0 407 613 B	wheel hub	82MM	2	
(18)	4A0 407 615 G	wheel hub for special armoured vehicle	5/112	2	
19	* 4B0 407 643 A	shouldered bolt	M16X1,5X72	2	
20	N 908 484 01	hex. nut, self-locking with washer	M12X1,5	4	
21	8E0 407 693 Q	wishbone link	left front	1	
(21)	8E0 407 694 Q	wishbone link	right front	1	
23	4B0 411 309 G	stabilizer	front	1	
(23)	4B0 411 309 F	stabilizer for vehicles with sports-type suspension	front	1	
(23)	4B0 411 309 F	stabilizer for special armoured vehicle	front	1	
24	8D0 411 317 D	connecting link	left	1	
(24)	8D0 411 318 D	connecting link	right	1	
25	4D0 411 327 H	rubber isolator	27MM	2	
26	4D0 411 336 D	clamp		2	





# ETKA

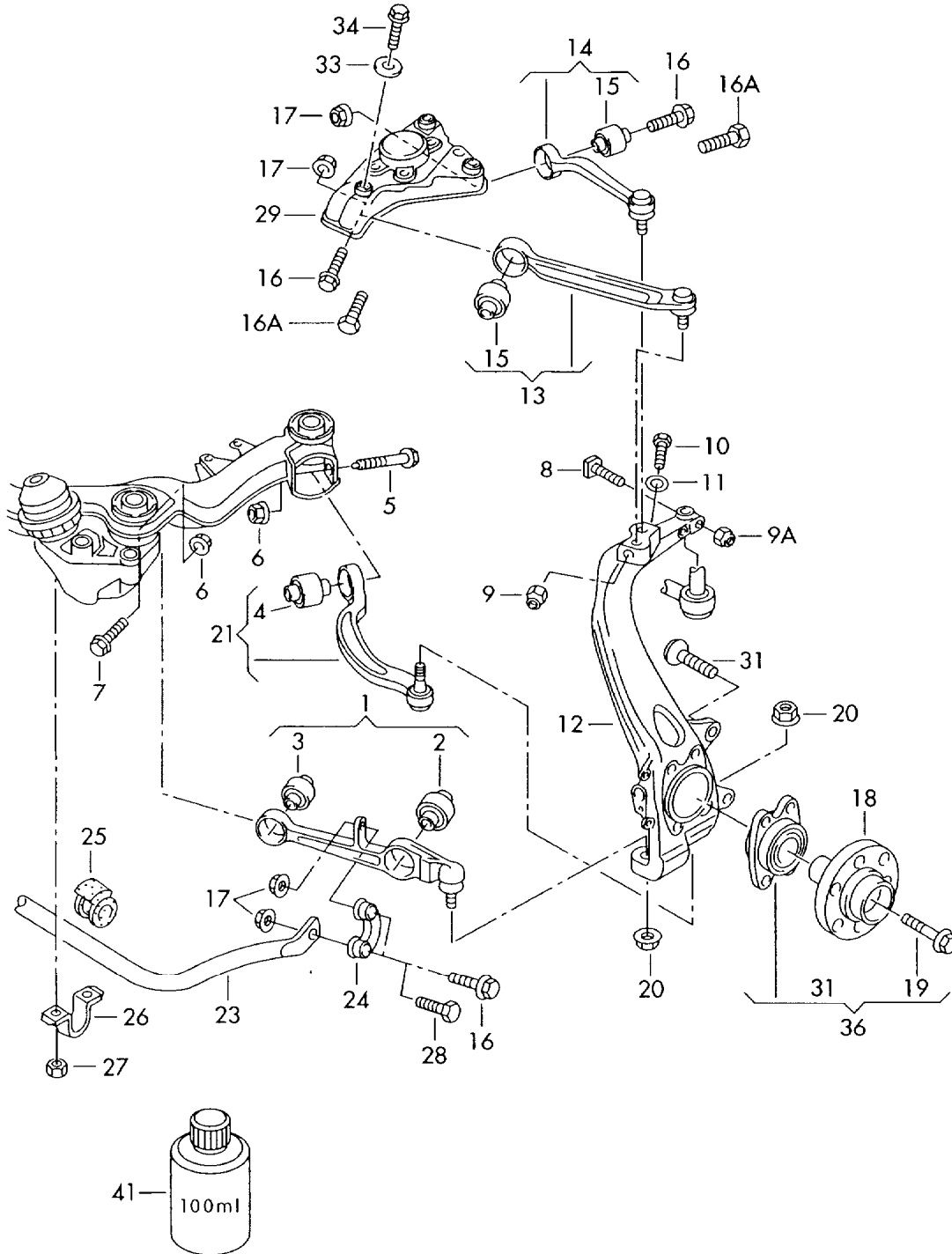
Model	Year	MG	SG	Illustration	Restrictions	UPD	8:15	04.02.2005
A6	2002	4	07	407-07		676		

Pos	Part Number	Name	Remarks	Qty	Model
27	+ N 901 838 02	shouldered hex. nut, self-locking	M8	4	
28	N 104 253 02	bolt, hex. hd. (combi.)	M10X62X45	4	
29	8D0 412 383 E	bracket		2	
31	* 4D0 505 445	ball screw	M12X1,5X45	8	
(31)	* 4D0 505 445	ball screw for special armoured vehicle	M12X1,5X45	8	
33	8D0 412 145 B	washer	5X16,2X40	4	
34	N 908 476 01	bolt, hex. hd. with shoulder	M10X25	6	
36	8E0 498 625 B	wheel bearing with mounting parts	82MM	2	
		only for:	4B3 407 253 G 4B3 407 254 G		
(36)	8E0 498 625 B	wheel bearing with mounting parts for special armoured vehicle	82MM	2	
		only for:	4B3 407 253 G 4B3 407 254 G		



# ETKA

Model	Year	MG	SG	Illustration	Restrictions	UPD	8:16	04.02.2005
A6	2002	4	07	407-08		676		





# ETKA

Model	Year	MG	SG	Illustration	Restrictions	UPD	8:16	04.02.2005
A6	2002	4	07	407-08		676		

Pos	Part Number	Name	Remarks	Qty	Model
		control arm wheel bearing housing stabilizer			
(1)	4B3 407 151 C	control arm	front	2	
(1)	4B3 407 151 D	control arm	front	2	S6
2	4D0 407 181 H	bonded rubber mounting		2	
3	4D0 407 182 G	bonded rubber mounting		2	
(3)	4B3 498 151	repair kit		2	S6
4	4D0 407 183 AB	bonded rubber mounting		2	
5	N 906 259 02	bolt, hex. hd. with pin (combi)	M12X1,5X120X80	2	
(5)	N 909 241 01	bolt, hex. hd. with pin (combi)	M12X1,5X130	2	S6
6	N 101 064 02	shouldered hex. nut, self-locking	M12X1,5	4	
7	N 102 949 01	bolt, hex. hd. (combi.)	M12X1,5X100-	2	
(7)	N 909 392 01	bolt, hex. hd. (combi.)	M12X1,5X110	2	S6
8	+ 4D0 407 192 C	lock screw	M10X50	2	
9	N 102 723 02	shouldered hex. nut, self-locking	M10	2	
9A	N 908 923 01	hex. nut, self-locking	M10	2	
10	+ N 034 790 7	screw, hex. hd.	M10X100	2	
11	N 104 061 05	washer	20X10,5X2	2	
12	4B3 407 253 G	wheel bearing housing	left 82MM	1	
(12)	4B3 407 254 G	wheel bearing housing	right 82MM	1	
13	8E0 407 505 A	upper link	left front upper	1	
(13)	8E0 407 506 A	upper link	right front upper	1	



# ETKA

Model	Year	MG	SG	Illustration	Restrictions	UPD	8:16	04.02.2005
A6	2002	4	07	407-08		676		

Pos	Part Number	Name	Remarks	Qty	Model
(13)	8E0 407 505 C	upper link	left front upper	1	
(13)	8E0 407 506 C	upper link	right front upper	1	
(13)	8E0 407 505 C	upper link	left front upper	1	S6
(13)	8E0 407 506 C	upper link	right front upper	1	S6
14	8E0 407 509 A	upper link	left rear upper	1	
(14)	8E0 407 510 A	upper link	right rear upper	1	
(14)	8E0 407 509 C	upper link	left rear upper	1	S6
(14)	8E0 407 510 C	upper link	right rear upper	1	S6
15	4B0 407 515	bonded rubber mounting		4	
(15)	8D0 407 515 B	bonded rubber mounting		4	S6
16		not a spare part			
16A	N 104 253 02	bolt, hex. hd. (combi.)	M10X62X45	4	
17	N 102 861 10	shouldered hex. nut, self-locking	M10	4	
(18)	4D0 407 613 E	wheel hub	82MM	2	
19	* 4B0 407 643 A	shouldered bolt	M16X1,5X72	2	
20	N 908 484 01	hex. nut, self-locking with washer	M12X1,5	4	
21	8E0 407 693 Q	wishbone link	left front	1	
(21)	8E0 407 694 Q	wishbone link	right front	1	
23	4B0 411 309 G	stabilizer	front	1	
(23)	4B0 411 309 F	stabilizer for vehicles with sports-type suspension	front	1	
(23)	4B0 411 309 F	stabilizer	front	1	



# ETKA

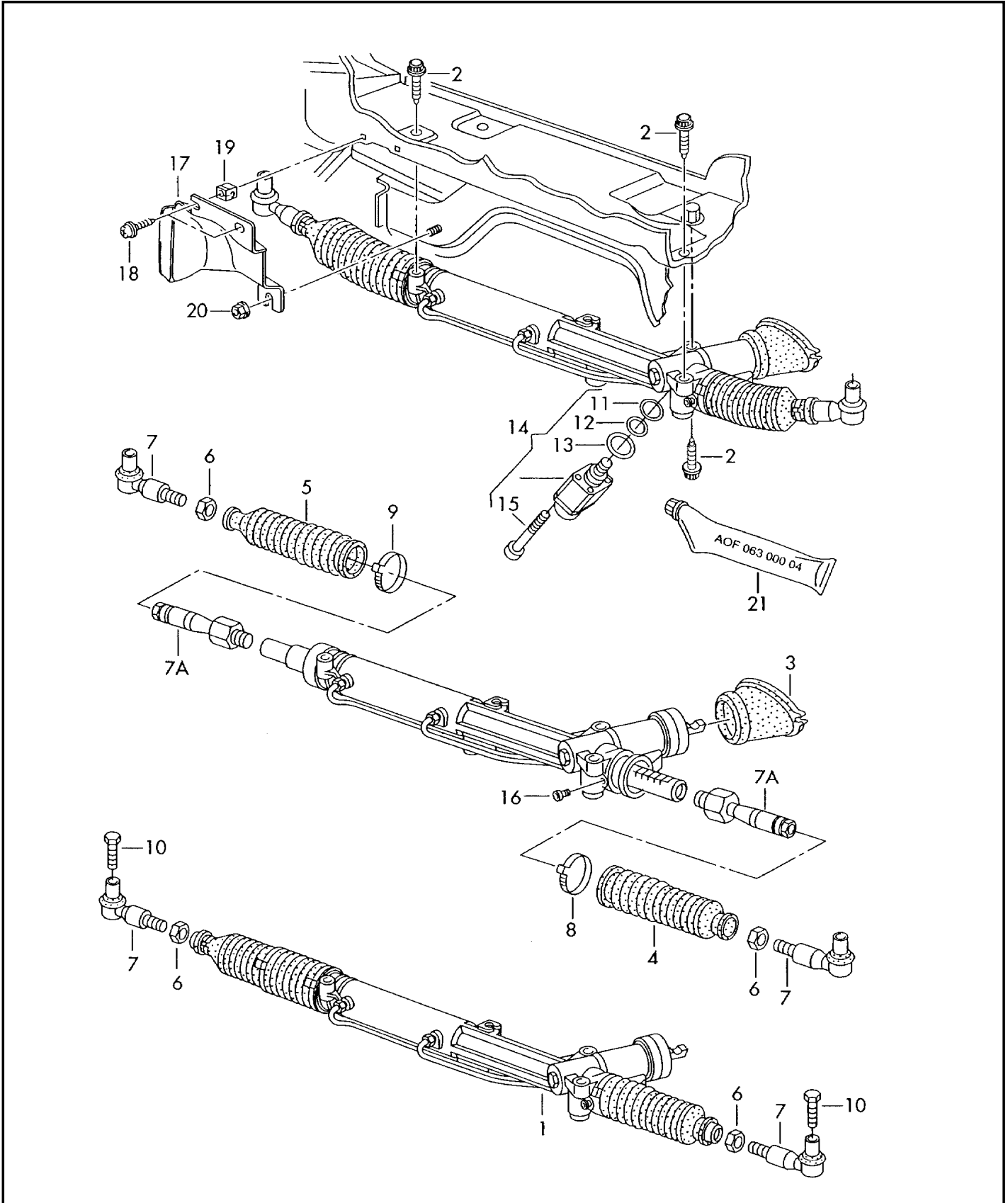
Model	Year	MG	SG	Illustration	Restrictions	UPD	8:16	04.02.2005
A6	2002	4	07	407-08		676		

Pos	Part Number	Name	Remarks	Qty	Model
24	8D0 411 317 D	connecting link	left	1	
(24)	8D0 411 318 D	connecting link	right	1	
25	4D0 411 327 H	rubber isolator	27MM	2	
26	4D0 411 336 D	clamp		2	
27	+ N 901 838 02	shouldered hex. nut, self-locking	M8	4	
28	N 104 253 02	bolt, hex. hd. (combi.)	M10X62X45	4	
29	8D0 412 383 E	bracket		2	
31	* 4D0 505 445	ball screw	M12X1,5X45	8	
33	8D0 412 145 B	washer	5X16,2X40	4	
34	N 908 476 01	bolt, hex. hd. with shoulder	M10X25	6	
(36)	8E0 498 625 B	wheel bearing with mounting parts	82MM	2	
		only for:	4B3 407 253 D 4B3 407 254 D 4B3 407 253 G 4B3 407 254 G		



# ETKA

Model	Year	MG	SG	Illustration	Restrictions	UPD	10:57	28.07.2009
A6	2002	4	22	422-40		805		USA





# ETKA

Model	Year	MG	SG	Illustration	Restrictions	UPD	10:57	28.07.2009
A6	2002	4	22	422-40		805	USA	

Pos	Part Number	Description	Remark	Qty	Model
		power steering for vehicles with servotronic			6-,8-cyl.
1	#4B1 422 053 X	steering gear with inner track rod ball joint for vehicles with servotronic	ZF lhd	1	6 cylinder; 8-cylinder+ AWN
(1)	4B7 422 052 B	steering gear with inner track rod ball joint for vehicles with servotronic to be used for:	lhd ZF	1	8-cylinder+ BBD
			4B7 422 065 B		
(1)	#4B7 422 052 BX	steering gear with inner track rod ball joint for vehicles with servotronic to be used for:	lhd ZF	1	8-cylinder+ BBD
			4B7 422 065 B		
		power steering			6 cylinder
(1)	>4B1 422 052 F	steering gear with inner track rod ball joint to be used for:	lhd KOYO	1	6 cylinder
			4B1 422 066 E		
(1)	#4B1 422 052 FX	steering gear with inner track rod ball joint to be used for:	lhd KOYO	1	6 cylinder
			4B1 422 066 E		
		gaiter tie rod end			
2	N 910 321 01	12-point head bolt	M10X38		
3	4D0 422 326	gaiter		1	
4	4D0 419 831 E	gaiter	left lhd	1	
5	8D0 419 831 K	gaiter	right lhd	1	
6	N 102 187 08	hexagon nut	M14X1,5	2	
7	4F0 498 811 A	repair set for track rod end		2	
7A	4D0 422 821 A	track rod		2	
8	N 906 541 01	clamp	67X7X0,8 right lhd	2	
9	N 906 540 01	clamp	59X7X0,80 left lhd	1	
-	4B0 422 875	spring band clamp	22X10	2	
10	N 906 289 02	hexagon head bolt (combi)	M8X25	2	



# ETKA

Model	Year	MG	SG	Illustration	Restrictions	UPD	10:57	28.07.2009
A6	2002	4	22	422-40		805	USA	

Pos	Part Number	Description	Remark	Qty	Model
		pressure converter for vehicles with servotronic			
11	4B0 422 217	oil strainer		1	
12	4B0 422 150 A	o-ring	7X1	1	
13	4B0 422 149 A	o-ring	20,35X1,78	1	
14	4B1 907 315	converter	lhd	1	
(14)	4B2 907 315	converter	rhd	1	
15	4B0 419 201	cheese head bolt	M4X40	2	
		guard plate			
16	N 102 910 01	hexagon socket head bolt with collar	M8X10	1	
(17)	4B0 422 704 C	guard plate	right	1	
(17)	4B0 422 704 C	guard plate	right	1	8 cylinder
(17)	4B0 422 703 N	guard plate	left	1	6-cylinder+ APB,AVK,BEL
(17)	4B0 422 703 L	guard plate	left	1	8 cylinder
18	N 100 032 03	oval head panel screw (combi)	4,8X19	4	
19	811 807 577 C	insert nut		4	
20	N 907 088 02	speed nut	5	2	
21	AOF 063 000 04	steering gear grease	250G	X	