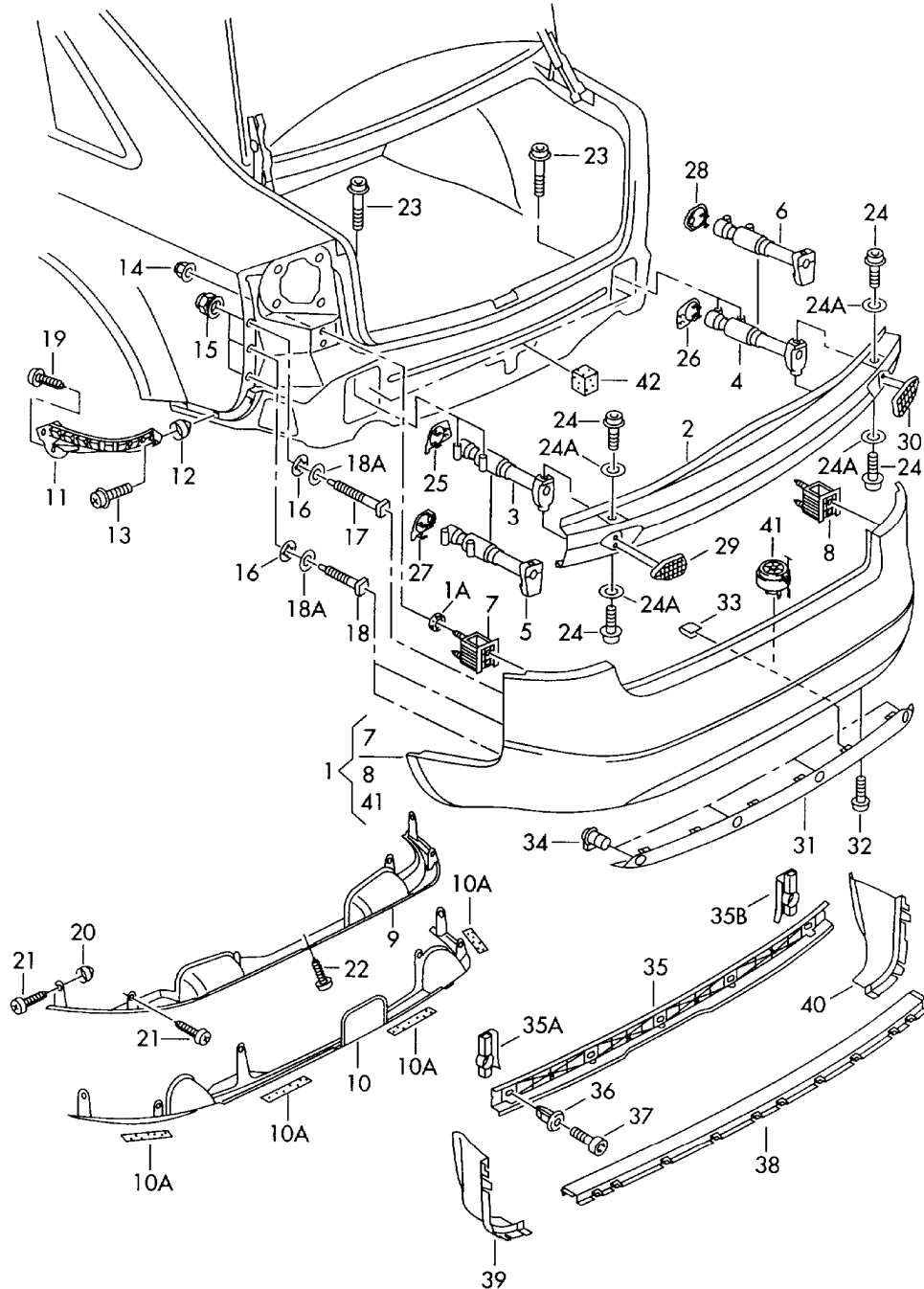




# ETKA

Model	Year	MG	SG	Illustration	Restrictions	UPD	20:09	08.10.2005
A6	2000	8	07	807-75		678		





# ETKA

Model	Year	MG	SG	Illustration	Restrictions	UPD	20:09	08.10.2005
A6	2000	8	07	807-75		678		

Pos	Part Number	Name	Remarks	Qty	Model
		bumper	rear		
1	4B5 807 301 H	bumper		1	sedan
	08/97-05/01GRU	primed			
(1)	4B5 807 301 AH	bumper for vehicles with parking aid		1	sedan: PR-7X1
	08/99-05/01GRU	primed			
(1)	4B9 807 303 B	bumper		1	AVANT
	05/98-05/01GRU	primed			
(1)	4B9 807 303 C	bumper for vehicles with parking aid		1	AVANT: PR-7X1
	08/99-05/01GRU	primed			
1A	4B0 807 405 A	sealing washer	5,5X13X24MM	4	
(2)	4B0 807 313 E	impact beam		1	
(3)	4B0 807 377	buffer	left	1	
(3)	4B9 807 377	buffer for vehicles with additional seating facility in load compartment	left	1	AVANT
(4)	4B0 807 378	buffer	right	1	
(4)	4B9 807 378	buffer for vehicles with additional seating facility in load compartment	right	1	AVANT
7		not a spare part			
8		not a spare part			
9	4B0 825 217 F	trim for rear cross panel	lower	1	
10A	4B0 823 125 A	protective strip	shorten to: 4X40MM	1	
11	4B5 807 453 E	guide piece bumper	left	1	sedan



# ETKA

Model	Year	MG	SG	Illustration	Restrictions	UPD	20:09	08.10.2005
A6	2000	8	07	807-75		678		

Pos	Part Number	Name	Remarks	Qty	Model
(11)	4B5 807 454 E	guide piece bumper	right	1	sedan
(11)	4B9 807 453 F	guide piece bumper	left	1	AVANT
(11)	4B9 807 454 F	guide piece bumper	right	1	AVANT
12	+ 443 807 300 A	expanding nut	10,4	6	
13	+ N 900 626 03	tapping screw,fill.hd.(combi.)	5,5X13	6	
14	+ N 901 752 03	shouldered hex. nut	M6	4	
15	WHT 001 002	hex. nut with washer	M6	6	
16	4B0 807 467 A	grommet		6	
17/18	4B0 807 893 A	attachment bolt		6	
18A	+ N 011 558 11	washer	8,4X15X1,6	X	
19	N 906 478 01	screw,thread cutting	6X16	4	
20	+ 443 807 300 A	expanding nut	10,4	X	
21	+ N 900 626 03	tapping screw,fill.hd.(combi.)	5,5X13	X	
22	N 906 478 01	screw,thread cutting	6X16	X	
(22)	+ N 907 750 01	hexagon socket head panel bolt	4,8X16	1	
23	N 907 721 01	bolt, hex. hd. (combi.)	M10X105X45	4	
(24)	N 908 432 02	bolt, hex. hd. (combi.)	M8X120X41	2	
-	N 903 484 03	hex. nut with washer	M8	2	
24A		not a spare part			
25		not a spare part			
26		not a spare part			
27		not a spare part			
28		not a spare part			
29		not a spare part			
30		not a spare part			



# ETKA

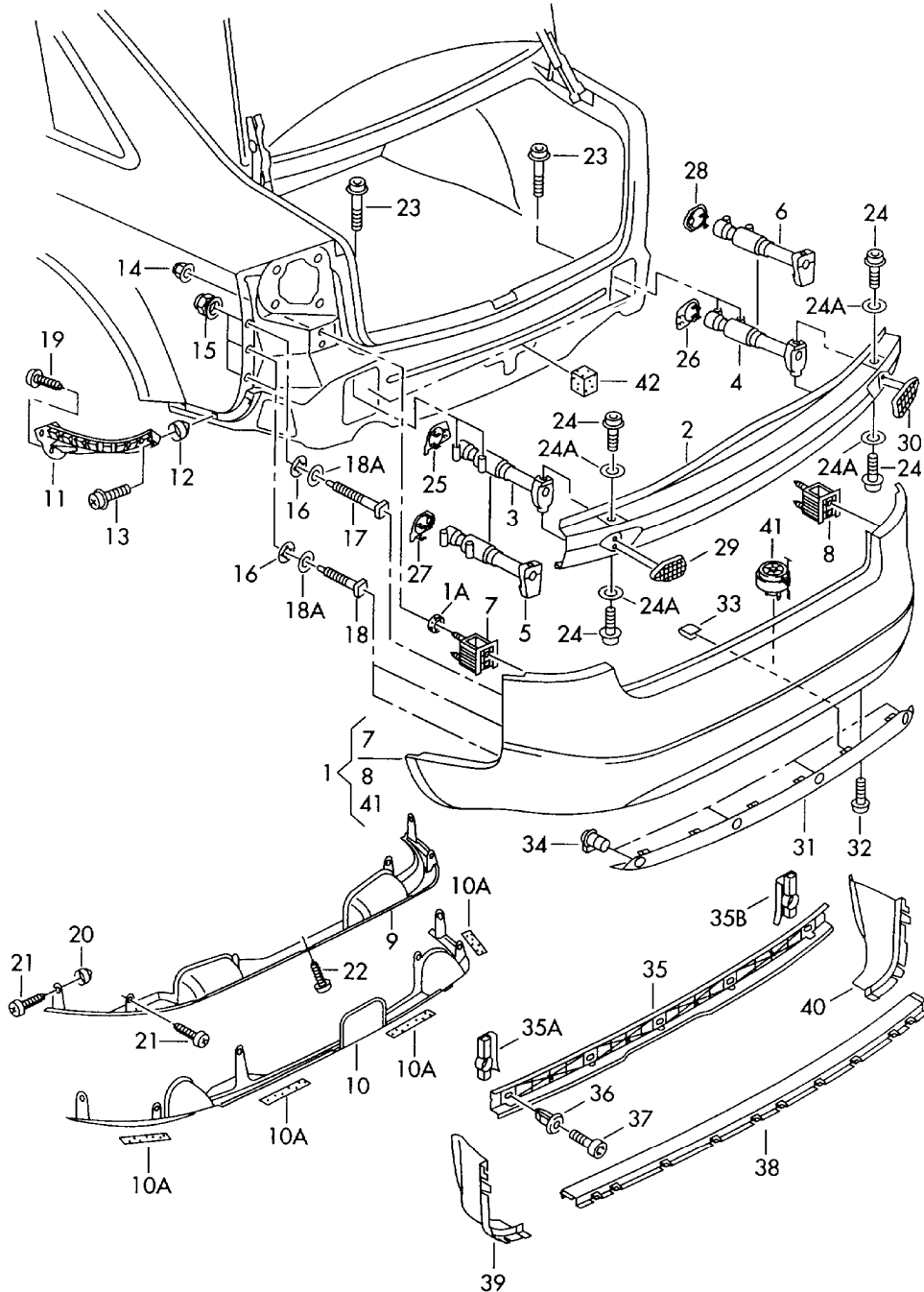
Model	Year	MG	SG	Illustration	Restrictions	UPD	20:09	08.10.2005
A6	2000	8	07	807-75		678		

Pos	Part Number	Name	Remarks	Qty	Model
(31)	4B0 807 379 A	trim ultrasonic sensor	lower	1	
	08/99-05/013FZ	satin black			
32	+ N 103 091 01	tapping screw,fill.hd.(combi.)	4,8X16	7	
33	4B0 807 887	retaining clip	inner	8	
34		ultrasonic sensor see illustration:	919-30		
35	4B9 807 989	support for bumper cover	center upper	1	AVANT
35A	4B9 807 985 A	support part	left	1	AVANT
35B	4B9 807 986 A	support part	right	1	AVANT
36	+ N 908 214 01	expanding nut	4,8X19,6	7	AVANT
37	+ N 907 750 01	hexagon socket head panel bolt	4,8X16	7	AVANT
38	4B9 807 421	cover bumper	center upper	1	AVANT
	05/98-05/013FZ	satin black			
39	4B9 807 983 A	cover bumper	left upper	1	AVANT
	05/98-05/013FZ	satin black			
40	4B9 807 984 A	cover bumper	right upper	1	AVANT
	05/98-05/013FZ	satin black			
41	4F0 807 381	support part bumper	rear center	1	AVANT
42	1H9 864 733	sound absorber for side member seal strip		2	



# ETKA

Model	Year	MG	SG	Illustration	Restrictions	UPD	20:18	08.10.2005
A6	2003	8	07	807-75		678		





# ETKA

Model	Year	MG	SG	Illustration	Restrictions	UPD	20:18	08.10.2005
A6	2003	8	07	807-75		678		

Pos	Part Number	Name	Remarks	Qty	Model
(1)	4B5 807 301 BK	bumper	rear	1	limousine+ 6 cylinder
	06/01-07/04GRU	primed			
(1)	4B9 807 303 E	bumper		1	AVANT+ 6 cylinder
	06/01-07/04GRU	primed			
(1)	4B4 807 303 F	bumper	rear	1	limousine+ 8 cylinder
	06/01-07/04GRU	primed			
(1)	4B4 807 303 G	bumper for vehicles with parking aid	rear	1	limousine+ 8-cylinder+ PR-7X1
	06/01-07/04GRU	primed			
(1)	4B6 807 303 D	bumper	rear	1	AVANT+ 8-cylinder+
	09/01-07/04GRU	primed			
(1)	4B6 807 303 E	bumper for vehicles with parking aid	rear	1	AVANT+ 8-cylinder+ PR-7X1
	09/01-07/04GRU	primed			
1A	4B0 807 405 A	sealing washer	5,5X13X24MM	4	
(2)	4B0 807 313 E	impact beam		1	
(2)	4B3 807 313	impact beam for vehicles with parking aid		1	limousine+ 8-cylinder+ PR-7X1
(3)	4B0 807 377 B	buffer	left	1	limousine+ fr.wheel drv
(3)	4B0 807 377 B	buffer	left	1	AVANT+ fr.wheel drv
(3)	4B9 807 377 B	buffer for vehicles with additional seating facility in load compartment	left	1	AVANT+ fr.wheel drv



# ETKA

Model	Year	MG	SG	Illustration	Restrictions	UPD	20:18	08.10.2005
A6	2003	8	07	807-75		678		

Pos	Part Number	Name	Remarks	Qty	Model
(4)	4B0 807 378 B	buffer	right	1	limousine+ fr.wheel drv
(4)	4B0 807 378 B	buffer	right	1	AVANT+ fr.wheel drv
(4)	4B9 807 378 B	buffer for vehicles with additional seating facility in load compartment	right	1	AVANT+ fr.wheel drv
(5)	4B0 807 377 C	buffer	left	1	limousine+ quattro
(5)	4B0 807 377 C	buffer	left	1	AVANT+ quattro
(5)	4B9 807 377 C	buffer for vehicles with additional seating facility in load compartment	left	1	AVANT+ quattro
(6)	4B0 807 378 C	buffer	right	1	limousine+ quattro
(6)	4B0 807 378 C	buffer	right	1	AVANT+ quattro
(6)	4B9 807 378 C	buffer for vehicles with additional seating facility in load compartment	right	1	AVANT+ quattro
7		not a spare part			
8		not a spare part			
(10)	4B3 825 217 A	trim for rear cross panel	lower	1	8 cylinder
10A	4B0 823 125 A	protective strip	shorten to: 4X40MM	1	
11	4B5 807 453 E	guide piece bumper	left	1	limousine+ 6 cylinder
(11)	4B5 807 454 E	guide piece bumper	right	1	limousine+ 6 cylinder
(11)	4B9 807 453 F	guide piece bumper	left	1	AVANT+ 6 cylinder



# ETKA

Model	Year	MG	SG	Illustration	Restrictions	UPD	20:18	08.10.2005
A6	2003	8	07	807-75		678		

Pos	Part Number	Name	Remarks	Qty	Model
(11)	4B9 807 454 F	guide piece bumper	right	1	AVANT+ 6 cylinder
(11)	4B4 807 453	guide piece bumper	left	1	limousine+ 8 cylinder
(11)	4B4 807 454	guide piece bumper	right	1	limousine+ 8 cylinder
(11)	4B6 807 453	guide piece	left	1	AVANT+ 8 cylinder
(11)	4B6 807 454	guide piece	right	1	AVANT+ 8 cylinder
12	+ 443 807 300 A	expanding nut	10,4	6	
13	+ N 900 626 03	tapping screw,fill.hd.(combi.)	5,5X13	6	
14	+ N 901 752 03	shouldered hex. nut	M6	4	
15	WHT 001 002	hex. nut with washer	M6	6	
16	4B0 807 467 A	grommet		6	
17/18	4B0 807 893 A	attachment bolt		6	
18A	+ N 011 558 11	washer	8,4X15X1,6	X	
19	N 906 478 01	screw,thread cutting	6X16	4	
20	+ 443 807 300 A	expanding nut	10,4	X	
21	+ N 900 626 03	tapping screw,fill.hd.(combi.)	5,5X13	X	
22	N 906 478 01	screw,thread cutting	6X16	X	
(22)	+ N 907 750 01	hexagon socket head panel bolt	4,8X16	1	
23	N 907 721 01	bolt, hex. hd. (combi.)	M10X105X45	4	
(24)	N 908 432 02	bolt, hex. hd. (combi.)	M8X120X41	2	
-	N 903 484 03	hex. nut with washer	M8	2	
24A		not a spare part			
25		not a spare part			
26		not a spare part			
27		not a spare part			





# ETKA

Model	Year	MG	SG	Illustration	Restrictions	UPD	20:18	08.10.2005
A6	2003	8	07	807-75		678		

Pos	Part Number	Name	Remarks	Qty	Model
28		not a spare part			
29		not a spare part			
30		not a spare part			
(31)	4B0 807 379 C	trim bumper	lower	1	front drive+ 6 cylinder
	06/01-07/043FZ	satin black			
(31)	4B0 807 379 D	trim bumper	lower	1	quattro+ 6 cylinder
	06/01-07/043FZ	satin black			
(31)	4B0 807 379 E	trim bumper for vehicles with parking aid	lower	1	front drive+ 6-cylinder+ PR-7X1
	06/01-07/043FZ	satin black			
(31)	4B0 807 379 F	trim bumper for vehicles with parking aid	lower	1	quattro+ 6-cylinder+ PR-7X1
	06/01-07/043FZ	satin black			
(32)	4B0 807 199 H	shouldered bolt	K50X16	X	
33	4B0 807 887	retaining clip	inner	8	
34		ultrasonic sensor see illustration:	919-20		
35	4B9 807 989	support for bumper cover	center upper	1	AVANT
35A	4B9 807 985 A	support part	left	1	AVANT
35B	4B9 807 986 A	support part	right	1	AVANT
36	+ N 908 214 01	expanding nut	4,8X19,6	7	AVANT
37	+ N 907 750 01	hexagon socket head panel bolt	4,8X16	7	AVANT
(38)	4Z7 807 421	cover for bumper	center upper	1	AVANT+ 6 cylinder
	06/01-07/043FZ	satin black			



# ETKA

Model	Year	MG	SG	Illustration	Restrictions	UPD	20:18	08.10.2005
A6	2003	8	07	807-75		678		

Pos	Part Number	Name	Remarks	Qty	Model
38	4B9 807 421	cover bumper	center upper	1	AVANT+ 8 cylinder
	06/01-07/043FZ	satin black			
39	4B9 807 983 A	cover bumper	left upper	1	AVANT
	06/01-07/043FZ	satin black			
40	4B9 807 984 A	cover bumper	right upper	1	AVANT
	06/01-07/043FZ	satin black			
41	4F0 807 381	support part bumper	rear center	1	
42	1H9 864 733	sound absorber for side member seal strip		2	
-	4B0 807 329	bracket	left lower	1	
-	4B0 807 330	bracket	right lower	1	
-	+ N 907 750 01	hexagon socket head panel bolt	4,8X16	4	