



Airbag, servicing

CAUTION!

Before beginning repairs on the electrical system:

- ◆ ***Obtain the anti-theft radio security code.***
- ◆ ***Switch the ignition off.***
- ◆ ***Disconnect the battery Ground (GND) strap.***
- ◆ ***On vehicles equipped with Audi Telematics by OnStar[®], switch-off the emergency (back-up) battery for the Telematic/Telephone Control Module prior to disconnecting vehicle battery ⇒ [Repair Manual, Communication, Repair Group 01](#) .***

Vehicle

System

Repair Group

Previous Topic

Next Topic

Technical
Bulletins

Wiring Diagrams

Warnings &
Cautions

Print

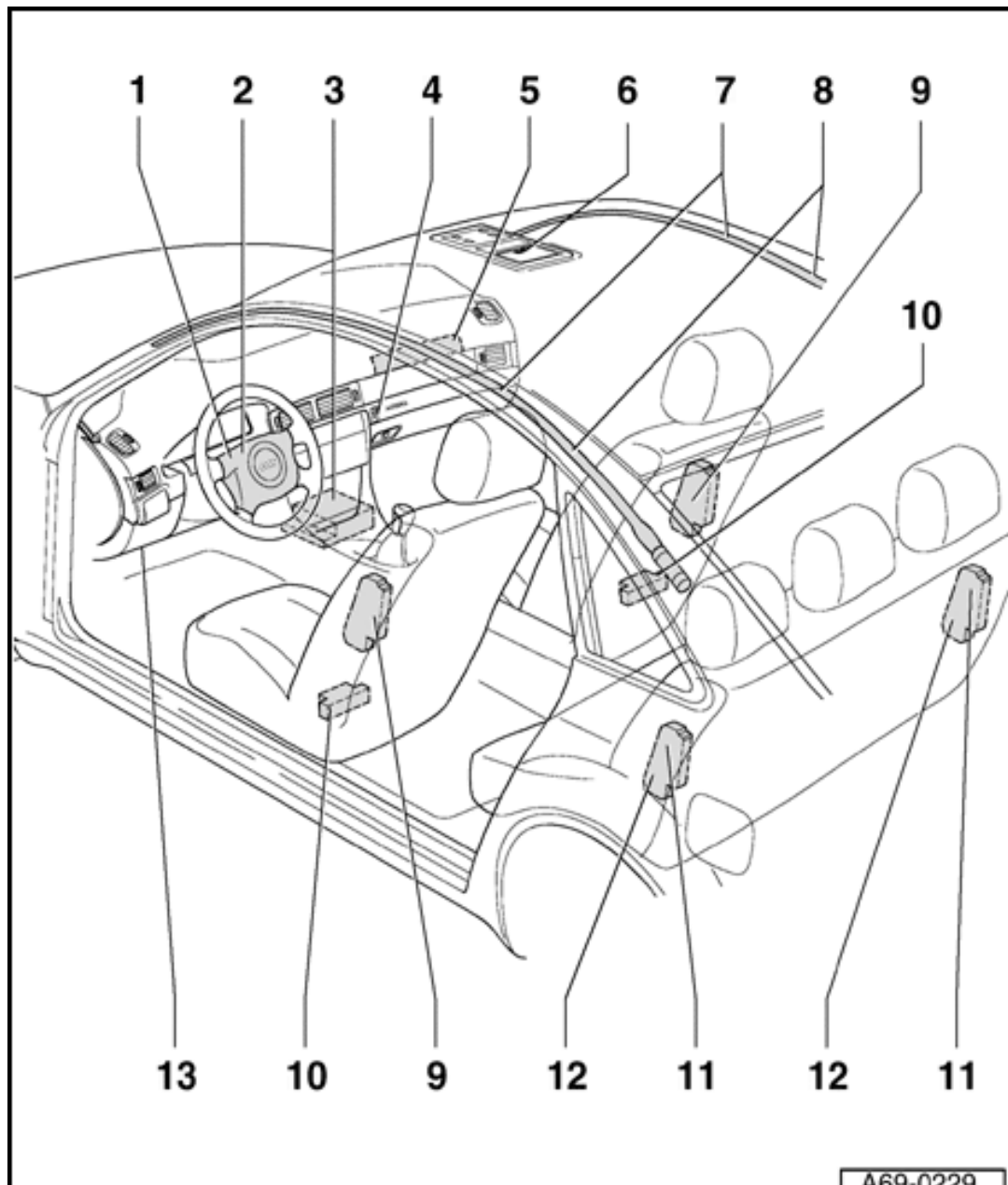
Search

Advanced
Search


Version: 2.5r01sp0003

- ✦ ***After reconnecting vehicle battery, re-code and check operation of anti-theft radio. Also check operation of clock and power windows according to Repair Manual and/or Owner's Manual.***

- ✦ ***After reconnecting vehicle battery on vehicles equipped with Audi Telematics by OnStar[®], switch-on the emergency (back-up) battery for the Telematic/Telephone Control Module ⇒ [Repair Manual, Communication, Repair Group 01](#).***



Component locations, overview

WARNING!

Observe all safety precautions before starting work on any part of airbag system ⇒ [Page 69-58](#)

1 - Airbag unit - driver's side

- ◆ Removing and installing up to 08/97 ⇒ [Page 69-86](#)
- ◆ Removing and installing as of 08/97 ⇒ [Page 69-92](#)

2 - Airbag unit driver's side (sport steering wheel)

- ◆ Removing and installing ⇒ [Page 69-98](#)

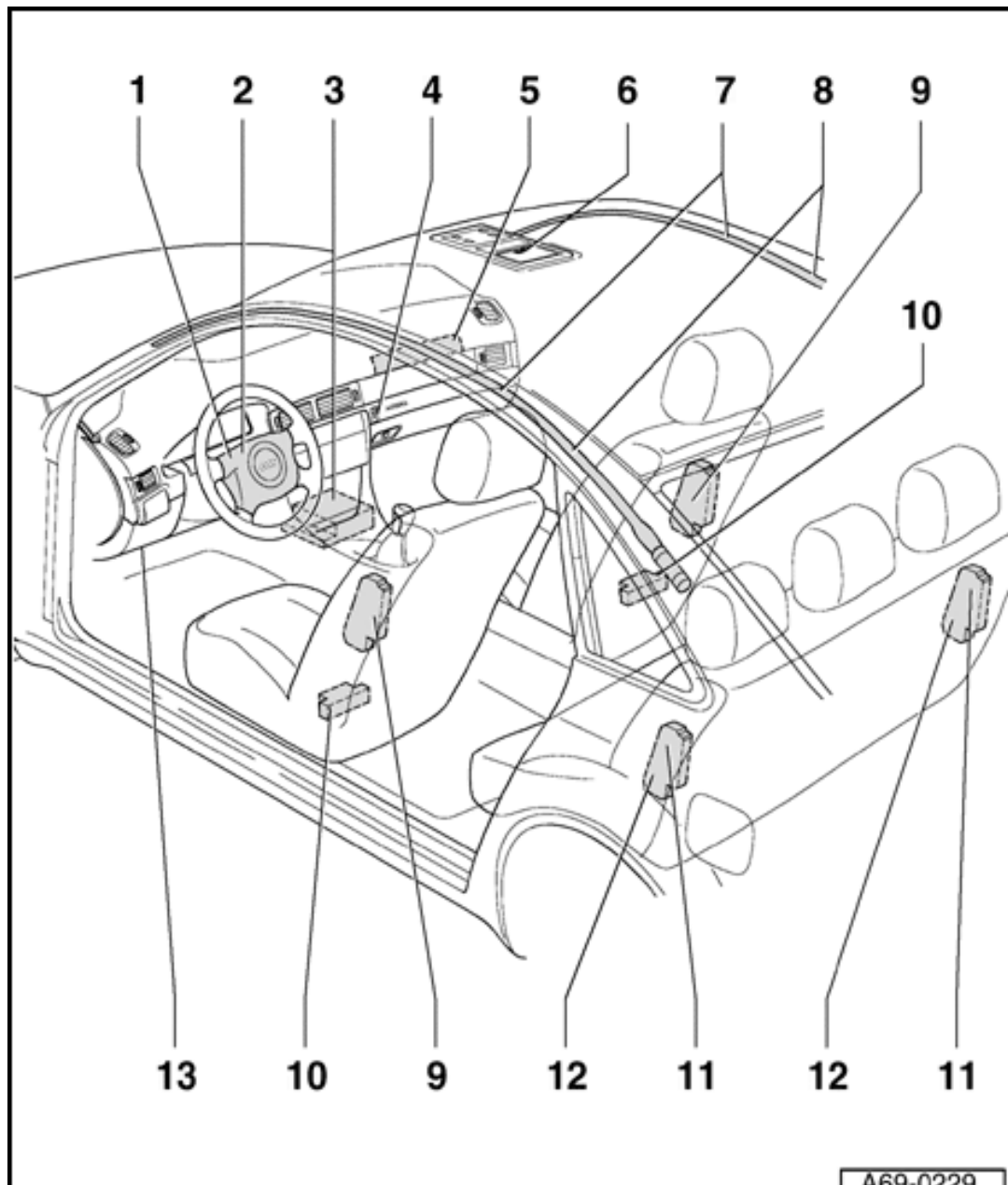
A69-0229

3 - Airbag control module

- ◆ Removing and installing up to KW 35, 1998 ⇒ [Page 69-81](#)
- ◆ Removing and installing up to KW 35, 1998 ⇒ [Page 69-83](#)

4 - Not applicable for USA/Canada

69-78



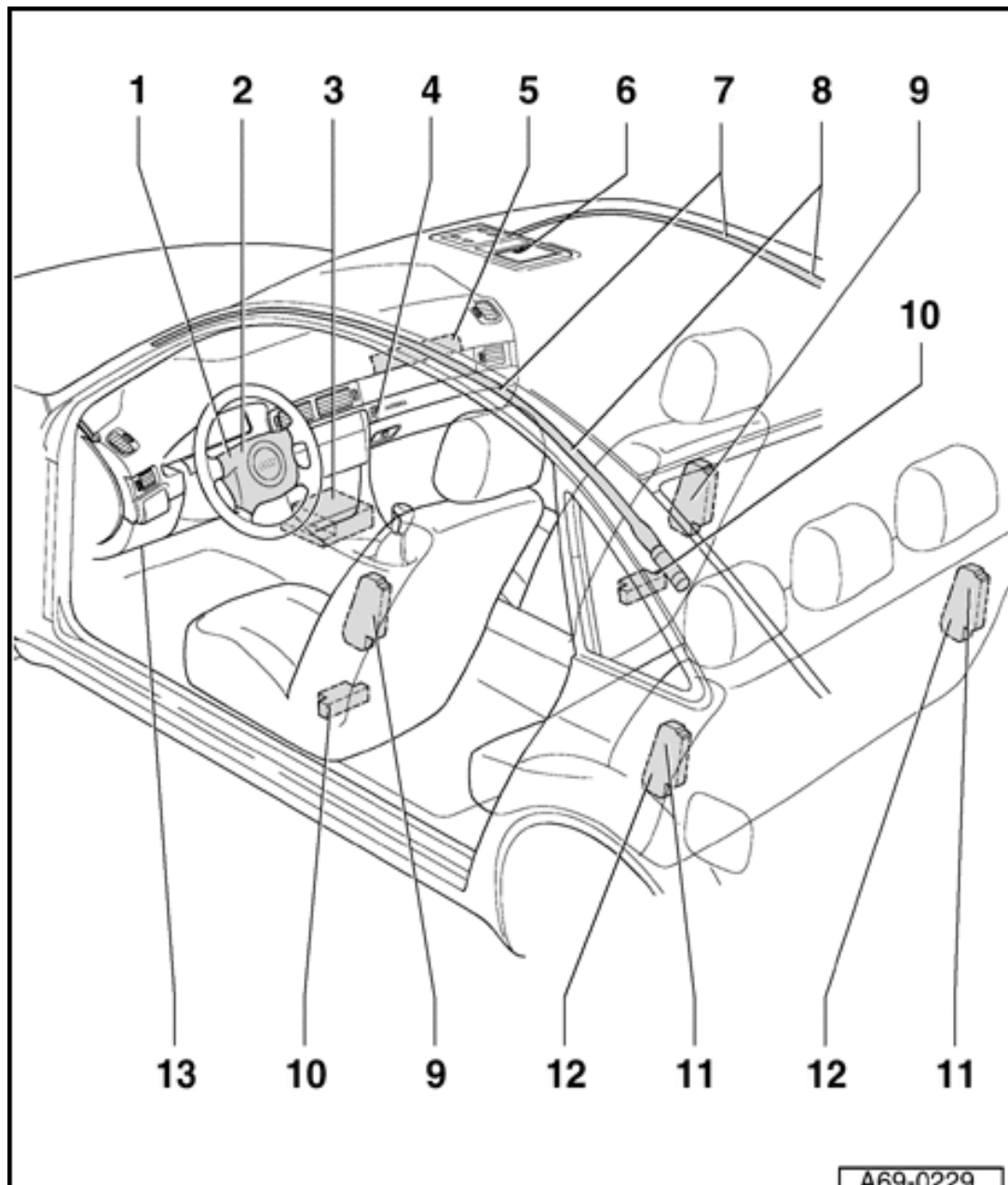
5 - Passenger side airbag unit

- ◆ Removing and installing ⇒ [Page 69-107](#)
- ◆ Deactivation and activation possible via key switch (if equipped).

6 - Not applicable for USA/Canada

7 - Side curtain airbag, sedan

- ◆ Removing and installing ⇒ [Page 69-136](#)



8 - Side curtain airbag, Avant

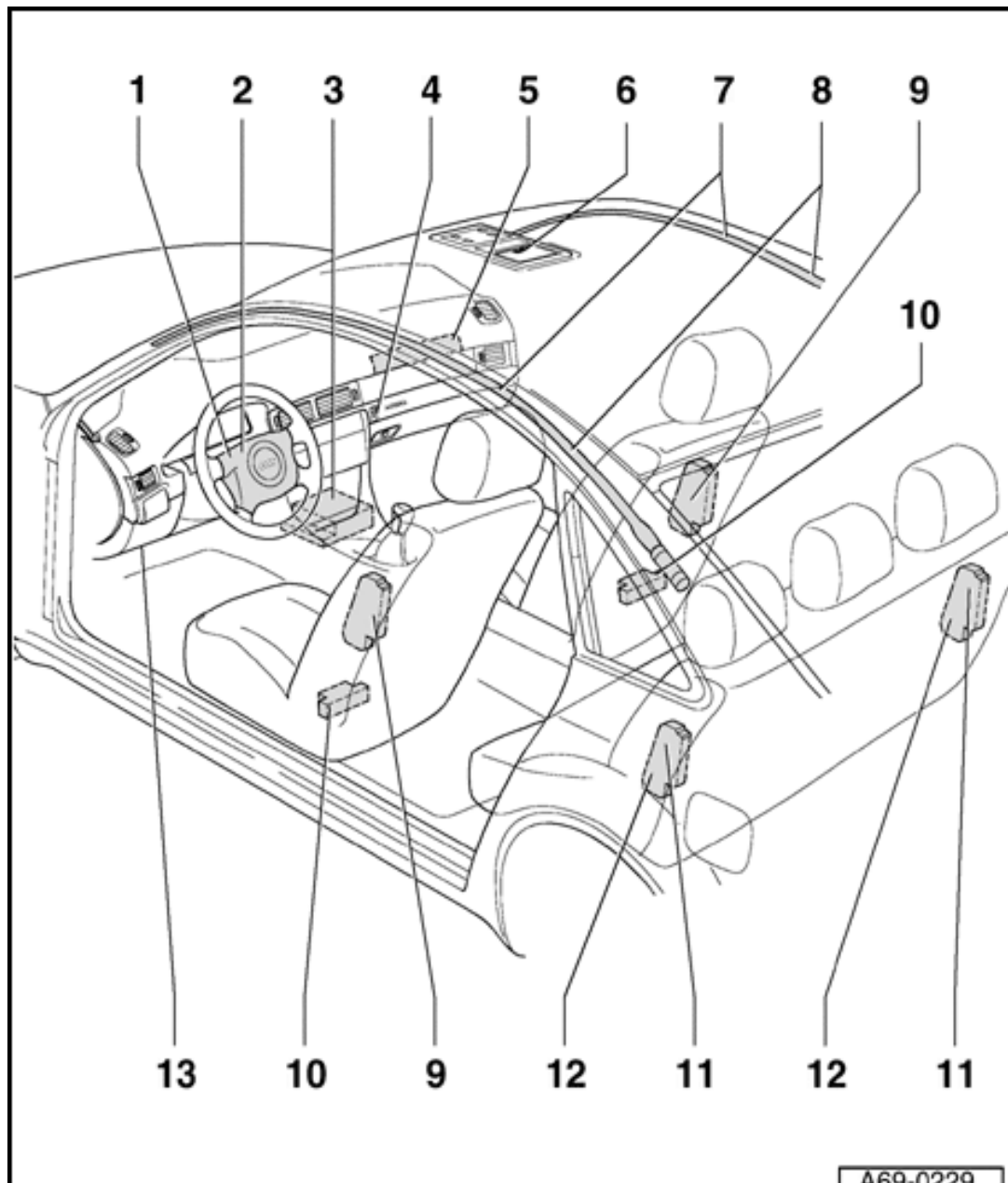
- ◆ Removing and installing ⇒ [Page 69-145](#)

9 - Side airbag

- ◆ Removing and installing ⇒ [Page 69-113](#)

10 - Lateral acceleration sensor

- ◆ Removing and installing ⇒ [Page 69-125](#)



11 - Side airbag, rear (folding backrest)

- ◆ Removing and installing ⇒ [Page 69-121](#)
- ◆ Deactivating and activating ⇒ [Page 69-180](#)

12 - Side airbag, rear (fixed backrest)

- ◆ Removing and installing ⇒ [Page 69-124](#)
- ◆ Deactivating and activating ⇒ [Page 69-180](#)

13 - Data Link Connector (DLC)

69-81



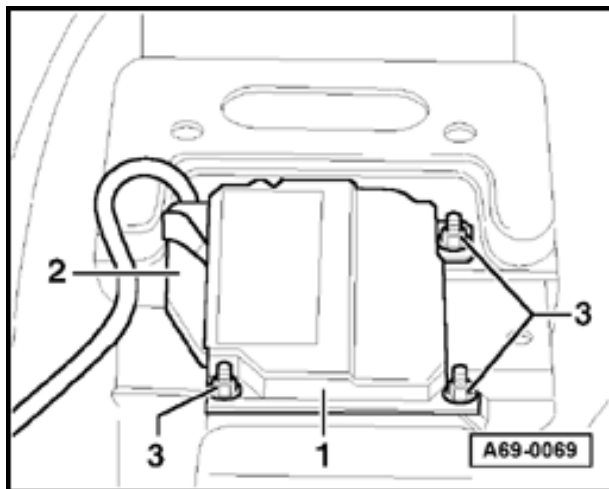
Airbag control module -J234- (through CW 35.99), removing and installing

WARNING!

Observe all safety precautions before starting work on any part of airbag system ⇒ [Page 69-58](#)

See Caution before beginning repairs on the electrical system ⇒ [Page 69-76](#)

- Disconnect battery Ground (GND) strap/ cable.
- Remove front section of center console ⇒ [Page 68-28](#) .



- Remove connecting pieces for air ducts to rear left and right footwell vents.
 - Release retainer on connector - 2-.
 - Pull connector -2- out of control module - 1-.
 - Remove nuts -3- (3x).
- Tightening torque: 6 Nm (53 in. lb)
- Remove control module.

69-82



See Caution for connecting Telematics battery ⇒
[Page 69-76](#)

Note:

If control module is replaced, it must be coded.

- ◆ *After connecting battery, check vehicle equipment (radio, clock, power windows) as per Repair Manual and/or Owner's manual.*

- ◆ *If the airbag Malfunction Indicator Lamp (MIL) -K75- signals a malfunction after assembling then the DTC memory must be erased and checked again with VAG 1551 scan tool*

⇒ [Repair Manual, Body On Board Diagnostic \(OBD\), Repair Group 01](#)

69-83



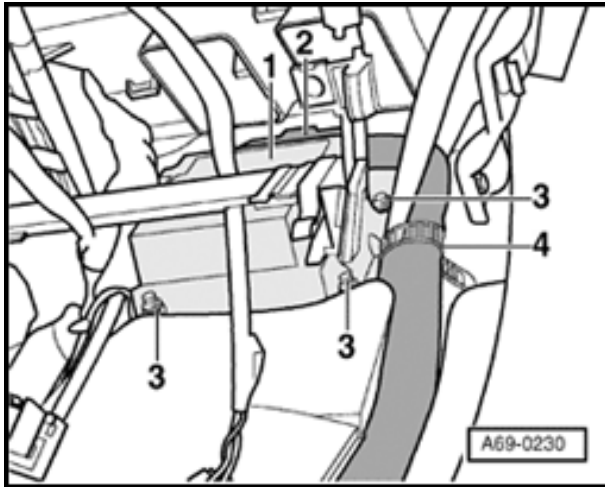
Airbag Control Module -J234- (from CW 36.99 on), removing and installing

WARNING!

Observe all safety precautions before starting work on any part of airbag system ⇒ [Page 69-58](#)

See Caution before beginning repairs on the electrical system ⇒ [Page 69-76](#)

- Disconnect battery Ground (GND) strap/ cable.
- Remove front section of center console ⇒ [Page 68-28](#) .



- Remove connecting pieces for air ducts to rear left and right footwell vents.
- Open cable tie - 4-.
- Remove bolts -3- (3x).
Tightening torque: 6 Nm (53 in. lb)
- Pull out control module - 1-.
- Release retainer on connector - 2-.
- Pull connector -2- out of control module - 1-.
- Remove control module.



See Caution for connecting Telematics battery ⇒
[Page 69-76](#)

Note:

If control module is replaced, it must be coded.

- ◆ *After connecting battery, check vehicle equipment (radio, clock, power windows) as per Repair Manual and/or Owner's manual.*

- ◆ *If the airbag Malfunction Indicator Lamp (MIL) -K75- signals a malfunction after assembling then the DTC memory must be erased and checked again with VAG 1551 scan tool*

⇒ [Repair Manual, Body On Board Diagnostic \(OBD\), Repair Group 01](#)