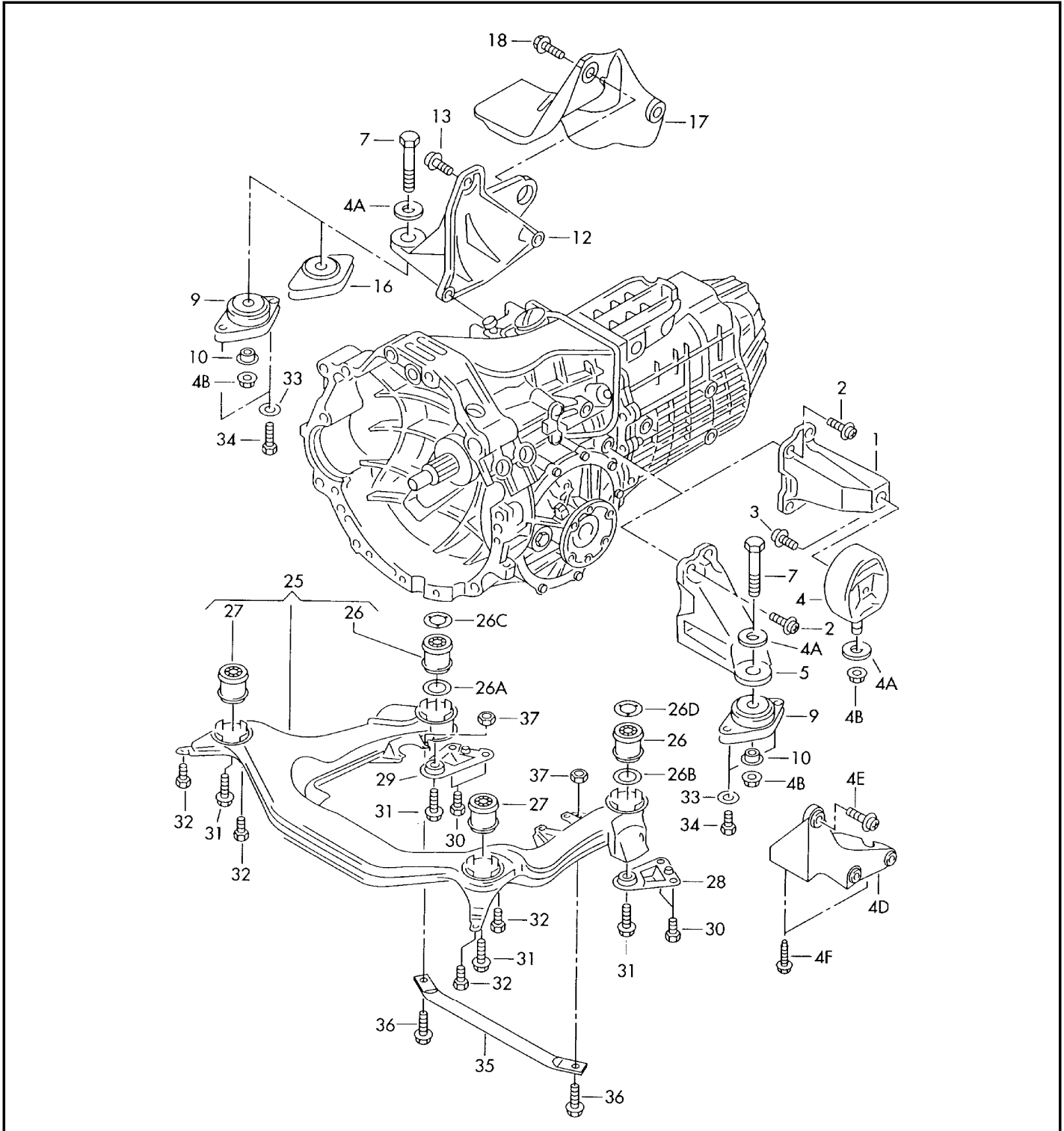




ETKA

Model	Year	MG	SG	Illustration	Restrictions	UPD	16:36	17.08.2007
A4Q	2000	3	99	399-20		654		





ETKA

Model	Year	MG	SG	Illustration	Restrictions	UPD	16:36	17.08.2007
A4Q	2000	3	99	399-20		654		

Pos	Part Number	Name	Remarks	Qty	Model
		transmission securing parts for vehicles with	left 4 cylinder		DWR, ENP
1	8D0 399 113 AB	support for transmission		1	
2	N 903 202 04	bolt, with hex. socket hd. (combi.)	M10X35	4	
(2)	+ N 011 560 8	washer	10,5X18X1,6	4	
3	N 100 271 02	bolt, with hex. socket hd. (combi.)	M10X35Z1	1	
4	8D0 399 151 H	bonded rubber mounting		1	
4A	N 903 152 02	washer	10,5X34X4	1	
4B	N 023 004 7	shouldered hex. nut, self-locking	AM10	1	
		transmission securing parts for vehicles with	left 6 cylinder		DWM, EDU, FTG, FZY
2	N 014 723 6	bolt, with hex. socket hd.	M10X30	4	
		also use:	N 011 560 8		
(2)	+ N 011 560 8	washer	10,5X18X1,6	4	
4A	N 903 152 02	washer	10,5X34X4	1	
4B	N 023 004 7	shouldered hex. nut, self-locking	AM10	1	
5	8D0 399 113 AG	support for transmission		1	DWM
(5)	8D0 399 107 S	support for transmission	left	1	EDU, FRG, FZY
7	N 010 470 7	screw, hex. hd.	M10X70	1	
9	8D0 399 151 M	bonded rubber mounting		1	DWM
(9)	4B0 399 151 M	bonded rubber mounting		1	EDU, FTG
10	431 399 291	stop		1	DWM, EDU, FTG
(17)	8D0 399 299 C	shield	left	1	EDU, FTG
(18)	N 907 246 01	bolt, hex. hd. (combi.)	M6X22	1	EDU, FTG



ETKA

Model	Year	MG	SG	Illustration	Restrictions	UPD	16:36	17.08.2007
A4Q	2000	3	99	399-20		654		

Pos	Part Number	Name	Remarks	Qty	Model
		transmission securing parts for manual transmission	right 6 cylinder 4 cylinder		DWM,EDU,FTG DWR,ENP
4B	N 023 004 7	shouldered hex. nut, self-locking	AM10	1	
4A	N 903 152 02	washer	10,5X34X4	1	
7	N 010 473 10	screw, hex. hd.	M10X75	1	
9	8D0 399 151 M	bonded rubber mounting	4/6-ZYLINDER	1	DWM
(9)	8D0 399 151 T	bonded rubber mounting	6 cylinder	1	EDU,FTG
10	431 399 291	stop		1	DWM,DWR,ENP, EDU,FTG
12	8D0 399 108 R	support for transmission	right	1	DWR,ENP
(12)	8D0 399 108 AN	support for transmission	right	1	EDU,FTG
	8D0 399 108 AC	support for transmission	right	1	DWM
(12)		rubber bush see illustration:	253-55		
13	N 903 316 03	bolt, with hex. socket hd.	M10X40	3	DWM,DWR,ENP
(13)	N 014 723 6	bolt, with hex. socket hd.	M10X30	3	EDU,FTG
		also use:	N 011 560 8	3	
(13)	+ N 011 560 8	washer	10,5X18X1,6	3	EDU,FTG
16	8D0 399 151 J	bonded rubber mounting	4 cylinder	1	DWR,ENP
17	8D0 399 300 K	shield	right	1	DWR,ENP
(17)	8D0 399 300 M	shield	right	1	EDU,FTG
18	N 907 246 01	bolt, hex. hd. (combi.)	M6X22	3	DWR,EDU,ENP, FTG
		sub frame for vehicles with	4 cylinder 6 cylinder		DWR,ENP DWM,EDU,FTG



ETKA

Model	Year	MG	SG	Illustration	Restrictions	UPD	16:36	17.08.2007
A4Q	2000	3	99	399-20		654		

Pos	Part Number	Name	Remarks	Qty	Model
25	4B0 399 313 DH	sub frame	6 cylinder	1	DWM
(25)	4B0 399 313 DE	sub frame	6 cylinder	1	EDU,FTG
(25)	4B0 399 313 CS	sub frame	4 cylinder	1	DWR,ENP
(25)	8D0 399 313 BK	sub frame for sports-type running gear	4 cylinder	1	PR-1BV/ODY;: DWR,ENP
26	8D0 399 415 D	bonded rubber mounting	rear	2	DWM
(26)	8D0 399 419 D	bonded rubber mounting for sports-type running gear	front and rear	4	PR-1BV;: DWR,ENP
(26)	8D0 399 419 G	bonded rubber mounting	left rear	1	DWR,ENP
(26)	8D0 399 419 N	bonded rubber mounting	right rear	1	DWR,ENP
(26)	8D0 399 419 E	bonded rubber mounting	rear	2	EDU,FTG
(27)	8D0 399 415 E	bonded rubber mounting	front	2	DWM
(27)	8D0 399 419 E	bonded rubber mounting	front	2	DWR,EDU,ENP, FTG
28	8D0 399 541 B	support	left	1	EDU,FTG
(28)	8D0 399 541 D	support	left	1	DWR,DWM,ENP
29	8D0 399 542 B	support	right	1	EDU,FTG
(29)	8D0 399 542 D	support	right	1	DWM
(29)	8D0 399 542 E	support	right	1	DWR,ENP
30	+ N 907 583 01	bolt, hex. hd. (combi.) see workshop manual	M8X25	4	
31	N 908 235 01	screw, hex. hd. for camber correction F >> 8D-1-293 000*	M12X1,5X110-SV	4	
31	N 909 568 01	screw, hex. hd. for camber correction F 8D-1-293 001>>*	AM12X1,5X120	4	
32	+ N 906 630 01	bolt,hex.hd.with shoul.(combi) for camber correction	AM10X70-SW18	4	
33	+ N 011 558 11	washer	8,4X15X1,6	4	
34	N 100 632 02	bolt, hex. hd. with shoulder	M8X20	4	



ETKA

Model	Year	MG	SG	Illustration	Restrictions	UPD	16:36	17.08.2007
A4Q	2000	3	99	399-20		654		

Pos	Part Number	Name	Remarks	Qty	Model
35	8D0 399 403 A	cross support	6 cylinder	1	EDU,FTG
(35)	8D0 399 375	cross support		1	DWR,DWM,ENP
36	N 023 004 7	shouldered hex. nut, self-locking	AM10	2	
37	N 906 305 03	bolt, hex. hd. (combi.)	M10X22	2	