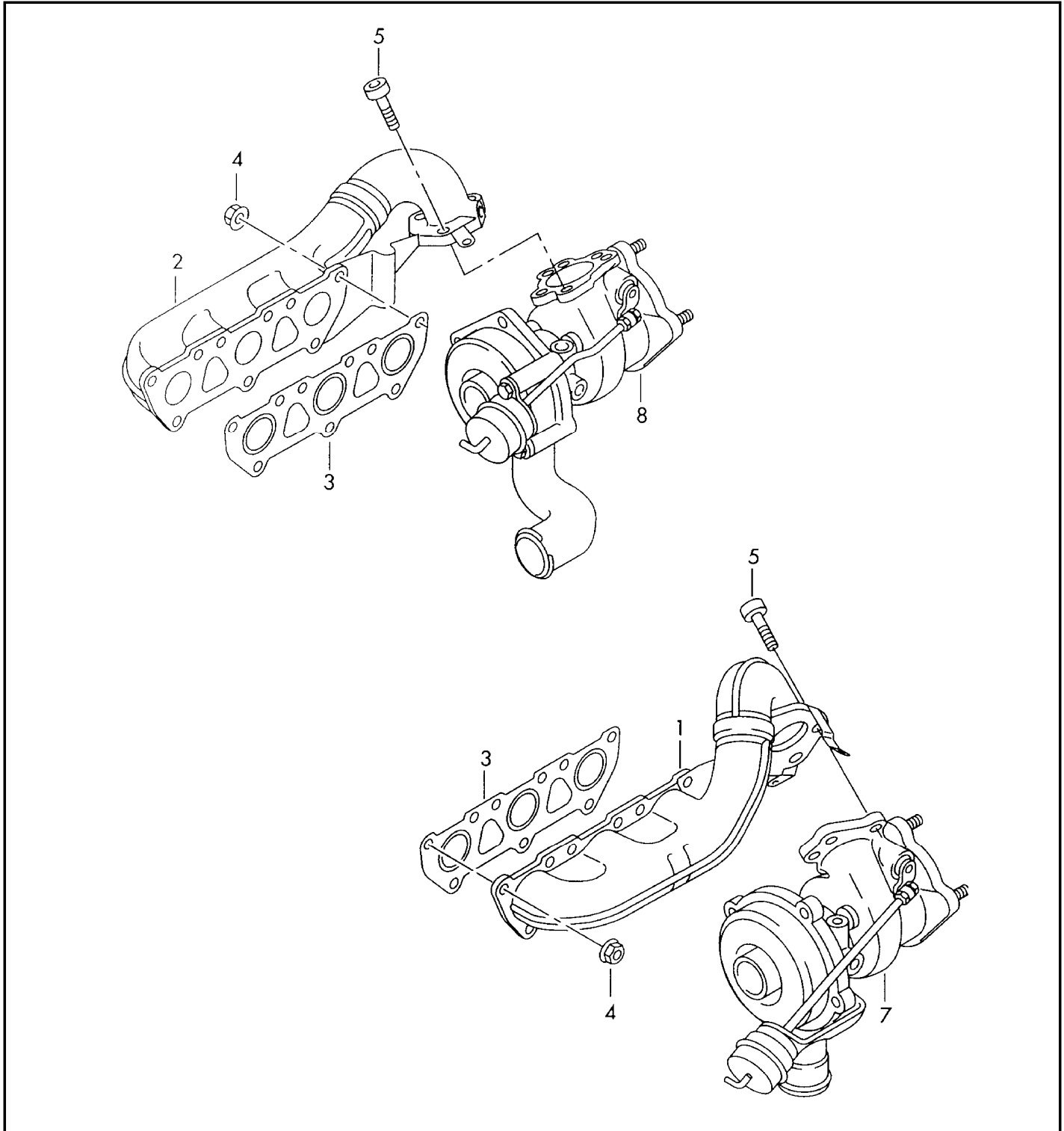




ETKA

Model	Year	MG	SG	Illustration	Restrictions	UPD	16:25	08.08.2006
A4Q	2001	2	53	253-29		678		





ETKA

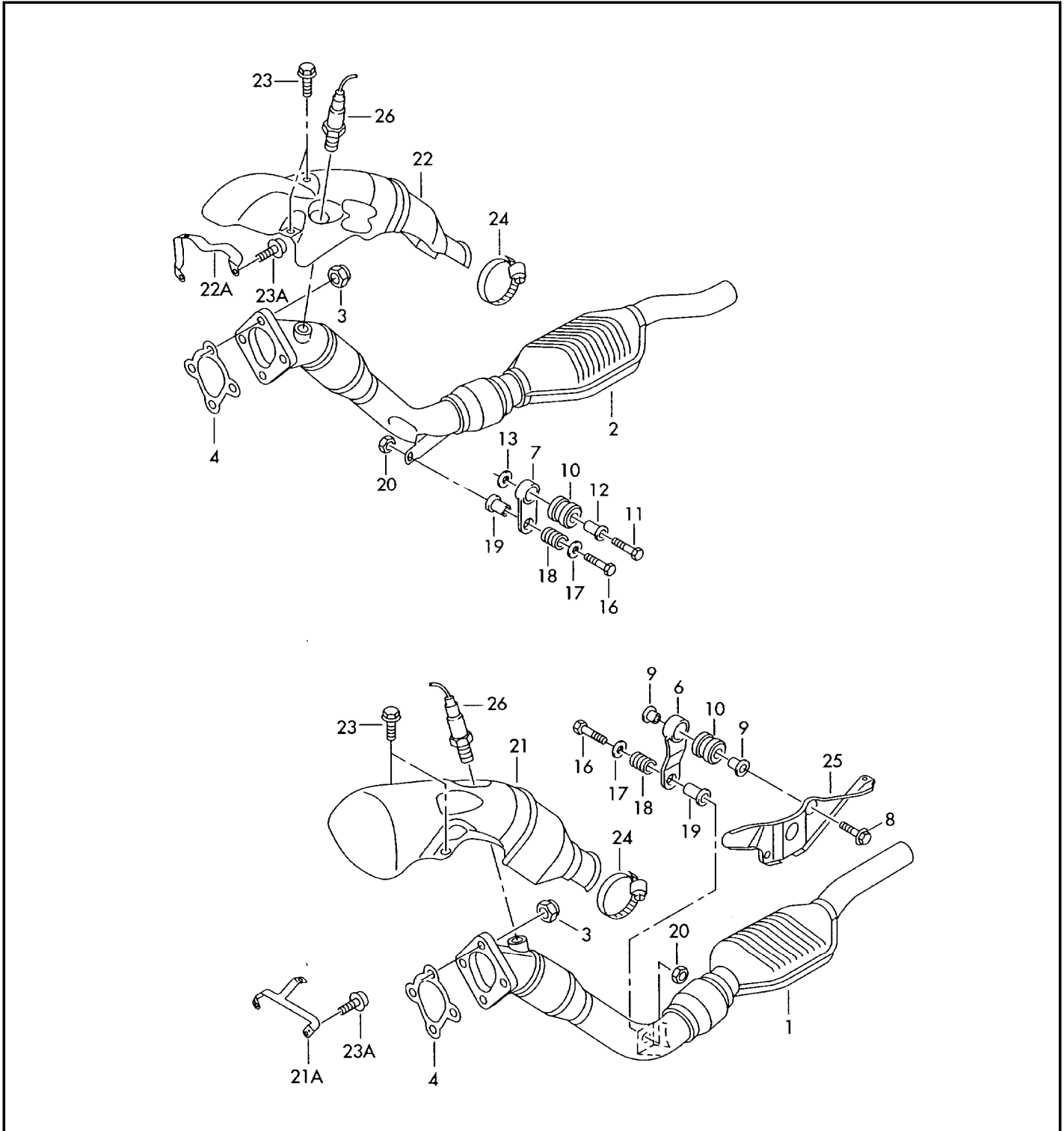
Model	Year	MG	SG	Illustration	Restrictions	UPD	16:25	08.08.2006
A4Q	2001	2	53	253-29		678		

Pos	Part Number	Name	Remarks	Qty	Model
		exhaust manifold	2,7ltr.		6 cylinder: APB
1	078 253 033 DN	exhaust manifold	cylinders 4-6 left	1	
2	078 253 034 DK	exhaust manifold	cylinders 1-3 right	1	
3	078 253 039 G	gasket		2	
4	+ N 902 264 03	shouldered hex. nut, self-locking	M8	18	
5	N 014 721 5	screw, cheese hd.	M10X25	6	
7		exhaust gas turbocharger see illustration:	left 145-70	1	
8		exhaust gas turbocharger see illustration:	right 145-70	1	



ETKA

Model	Year	MG	SG	Illustration	Restrictions	UPD	16:22	08.08.2006
A4Q	2001	2	53	253-78		678		





ETKA

Model	Year	MG	SG	Illustration	Restrictions	UPD	16:22	08.08.2006
A4Q	2001	2	53	253-78		678		

Pos	Part Number	Name	Remarks	Qty	Model
		exhaust pipe catalyst	2,7ltr.		6 cylinder: automatic: APB
1	#8E0 253 057 JX	exhaust pipe with catalyst to be used for:	left front 8D0 253 095 FE	1	
2	#8E0 253 058 CX	exhaust pipe with catalyst to be used for:	right front 8D0 253 096 CM	1	
3	+ N 903 690 01	hex. nut, self-locking	M10	8	
4	8D0 253 115 F	gasket		2	
6	4B0 253 295 C	plate		1	
7	8D0 253 295	plate		1	
8	N 103 443 01	bolt, hex. hd. (combi.)	M8X60-S1	1	
9	4B0 253 205	spacer tube		2	
10	443 253 149 B	rubber bush		2	
11	N 040 240 4	screw, hex. hd.	M10X50	1	
12	4A0 253 205 E	spacer sleeve		1	
13	N 904 769 01	washer	10,5X30X3	1	
16	+ N 040 262 2	screw, hex. hd.	M8X50	2	
17	+ N 011 670 16	washer	8,4X24X2	2	
18	893 253 353	pressure spring		2	
19	4A0 253 205 B	spacer sleeve	13,5X2,3X30	2	
20	+ N 902 264 03	shouldered hex. nut, self-locking	M8	2	
(21)	078 129 597 AB	cover plate	left	1	
(22)	078 129 598 M	cover plate	right	1	
23	N 101 153 06	screw, cheese hd.	M6X12	4	
24	N 908 260 01	clamp	45-67X15,9X0,7	2	
25		shield see illustration:	713-15	1	



ETKA

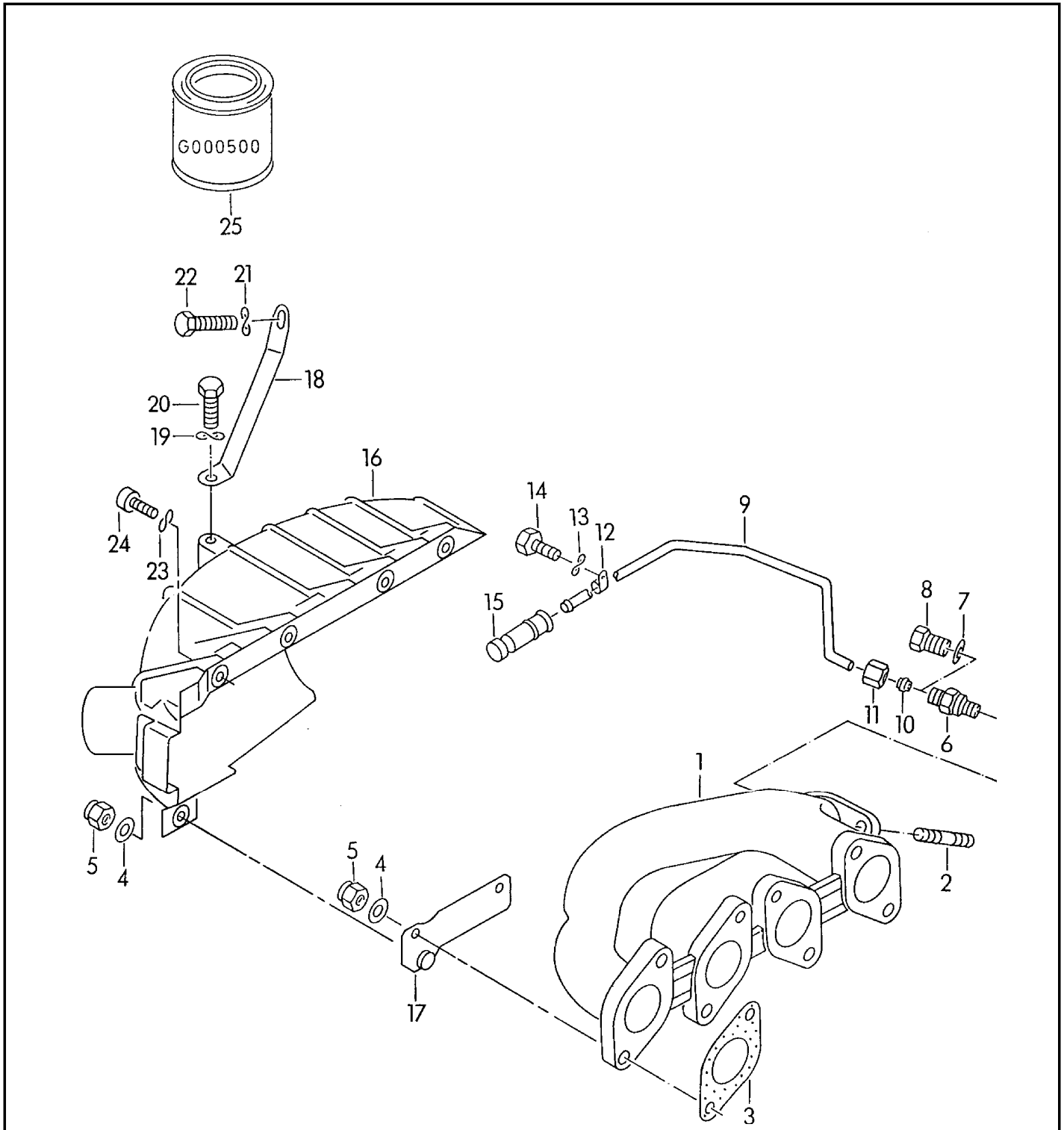
Model	Year	MG	SG	Illustration	Restrictions	UPD	16:22	08.08.2006
A4Q	2001	2	53	253-78		678		

Pos	Part Number	Name	Remarks	Qty	Model
26		oxygen sensor see illustration:	906-00	2	



ETKA

Model	Year	MG	SG	Illustration	Restrictions	UPD	16:01	08.08.2006
A4Q	2002	2	53	253-10	>> 8D-2-010 00	678		





ETKA

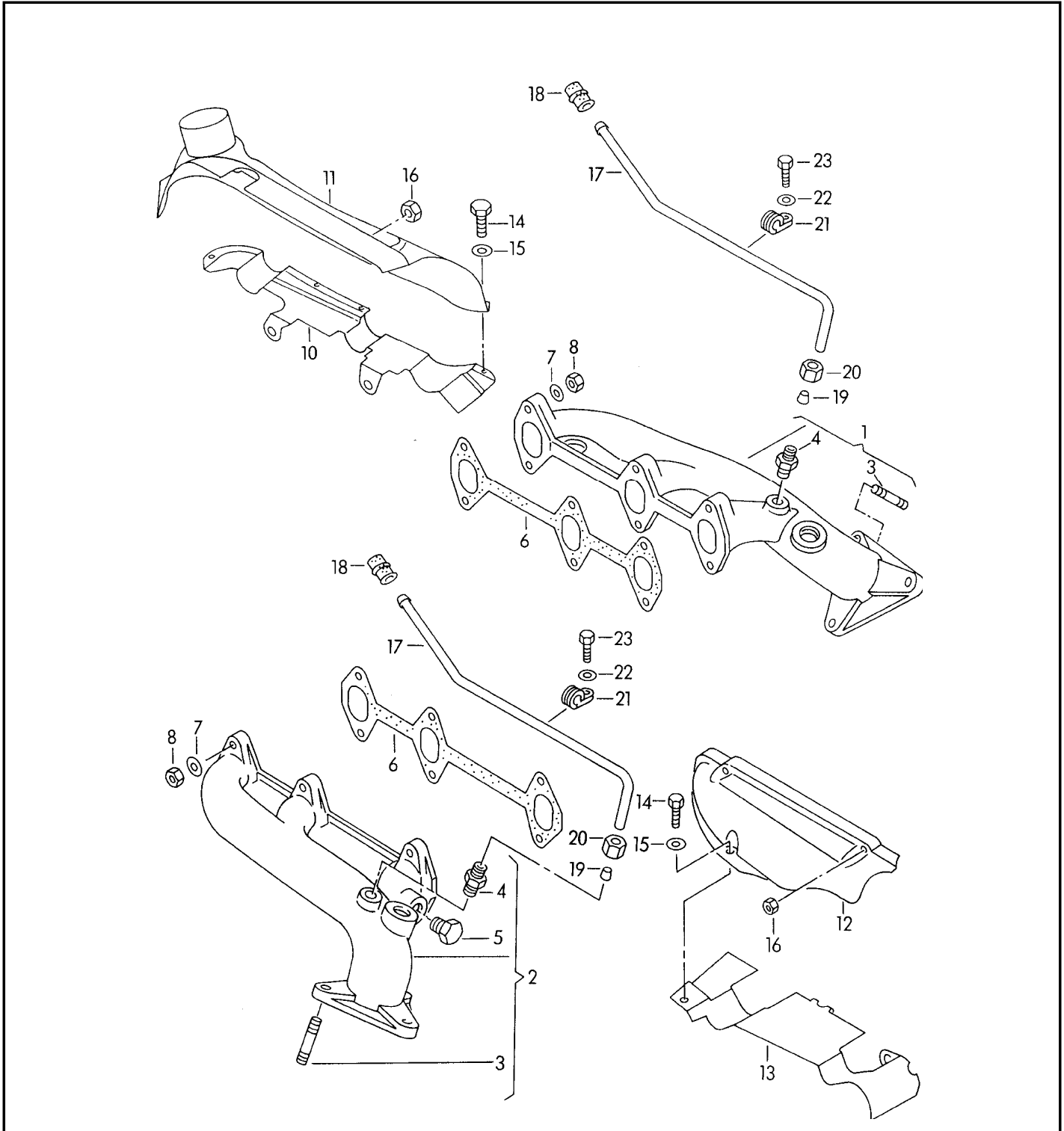
Model	Year	MG	SG	Illustration	Restrictions	UPD	16:01	08.08.2006
A4Q	2002	2	53	253-10	>> 8D-2-010 00	678		

Pos	Part Number	Name	Remarks	Qty	Model
		exhaust manifold			4 cylinder: AEB,ATW,AWM
(1)	058 253 033 E	exhaust manifold		1	
(3)	058 253 039 L	gasket		1	
(4)	+ N 903 572 01	washer	8,4X17X4	13	
5	+ N 900 850 01	hex. nut, self-locking	M8	13	
(16)	058 129 585 B	cover-warm air deflector		1	AEB,ATW
(24)	+ N 013 965 5	tapping screw, fill. hd.	4,2X9,5	3	AEB,ATW
-	+ N 015 422 2	speed nut	4,2X17X11,3	3	AEB,ATW
23	+ N 011 670 16	washer	8,4X24X2	2	
24	+ N 010 238 20	screw, hex. hd.	M8X15	2	AEB,ATW
25	G 052 112 A3	hot-bolt-paste	170G	X	



ETKA

Model	Year	MG	SG	Illustration	Restrictions	UPD	16:02	08.08.2006
A4Q	2002	2	53	253-26	>> 8D-2-010 00	678		





ETKA

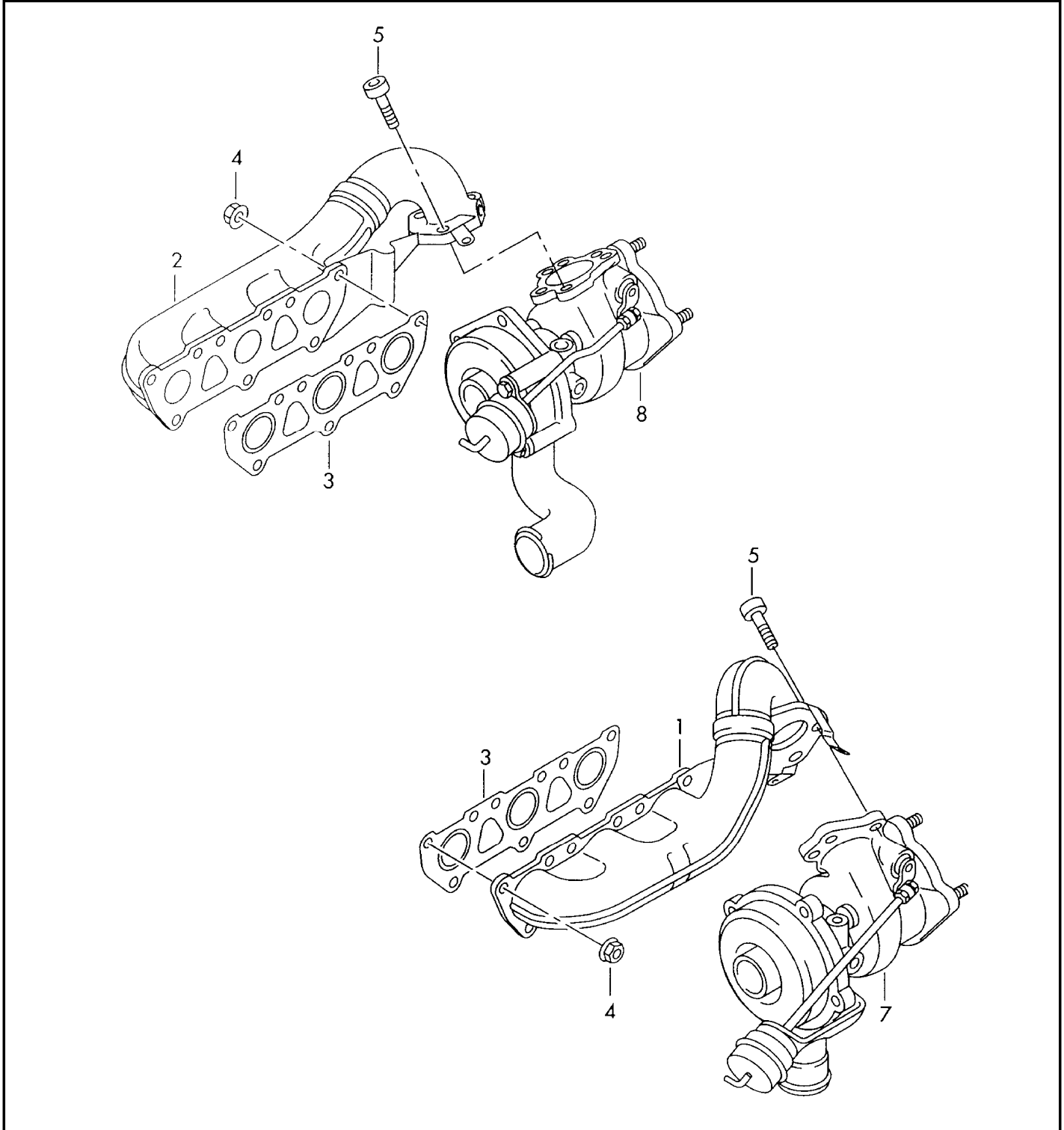
Model	Year	MG	SG	Illustration	Restrictions	UPD	16:02	08.08.2006
A4Q	2002	2	53	253-26	>> 8D-2-010 00	678		

Pos	Part Number	Name	Remarks	Qty	Model
		exhaust manifold	2.8ltr.		6-CYLINDER: AHA,ATQ
(1)	078 253 032 BJ	exhaust manifold	cylinders 1-3 right	1	
		also use:	078 253 008 D	1	
			078 253 036 D	1	
(2)	078 253 031 BJ	exhaust manifold	cylinders 4-6 left	1	
		also use:	078 253 009 D	1	
			078 253 037 D	1	
3	N 044 514 5	stud	M8X25	6	
(6)	078 253 039 G	gasket		2	
(8)	+ N 902 264 03	shouldered hex. nut, self-locking	M8	18	
(10)	078 253 008 B	cover plate	right lower	1	
		to be used for:	078 253 032 BA		
(10)	078 253 008 D	cover plate	right lower	1	
		to be used for:	078 253 032 BJ		
(11)	078 253 036 D	cover plate	right upper	1	
		also use:	078 253 008 D	1	
		to be used for:	078 253 032 BA		
(11)	078 253 036 D	cover plate	right upper	1	
		to be used for:	078 253 032 BJ		
(12)	078 253 037 C	cover plate	left upper	1	
		to be used for:	078 253 031 BA		
(12)	078 253 037 F	cover plate	left upper	1	
		to be used for:	078 253 031 BJ		
(13)	078 253 009 B	cover plate	left lower	1	
		to be used for:	078 253 031 BA		
(13)	078 253 009 D	cover plate	left lower	1	
		to be used for:	078 253 031 BJ		
(14)	N 101 005 03	bolt, hex. hd. (combi.)	M6X10-S1-N	4	
(14)	N 100 052 04	bolt, hex. hd. (combi.)	M8X18	3	



ETKA

Model	Year	MG	SG	Illustration	Restrictions	UPD	16:02	08.08.2006
A4Q	2002	2	53	253-29	>> 8D-2-010 00	678		





ETKA

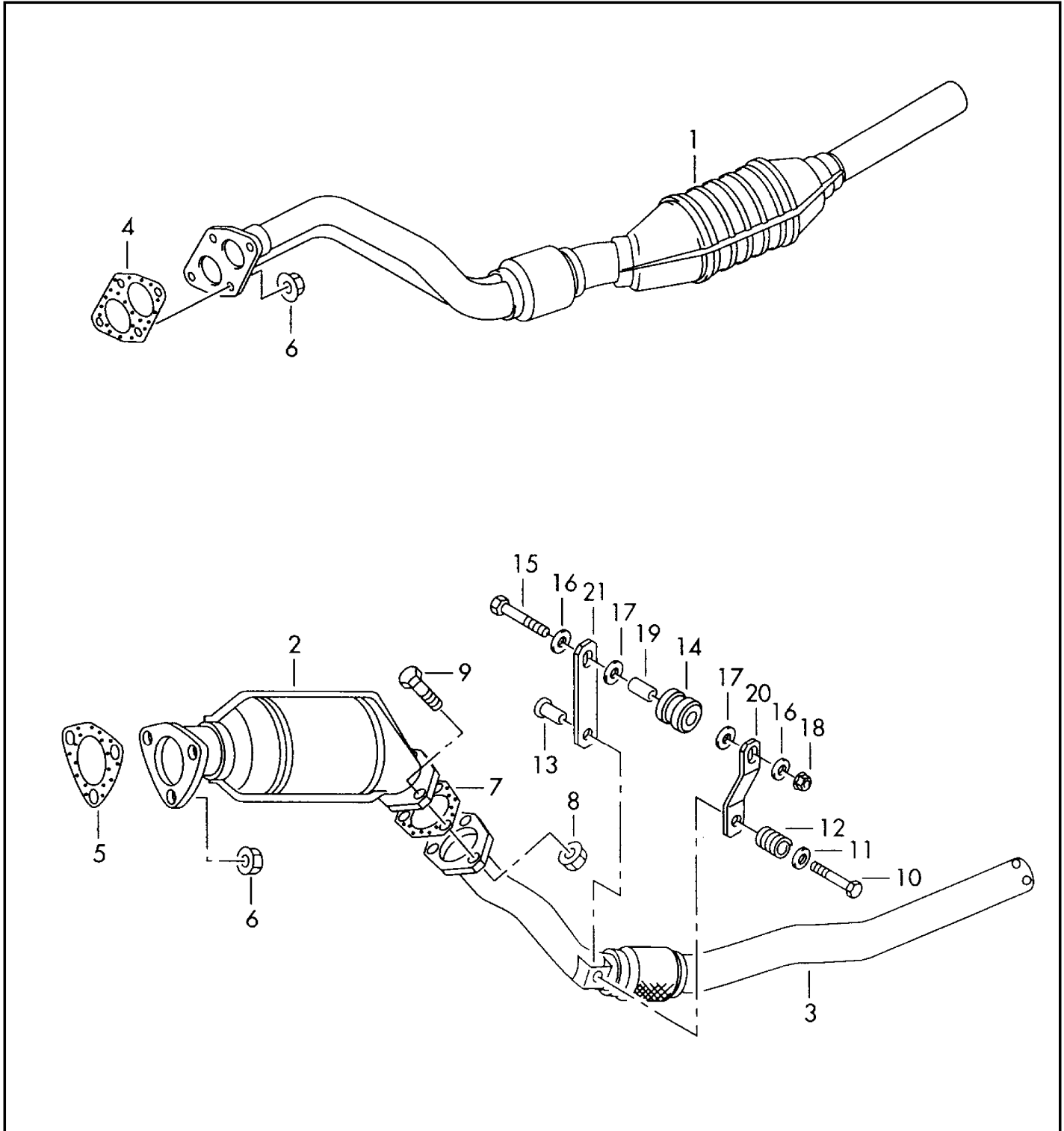
Model	Year	MG	SG	Illustration	Restrictions	UPD	16:02	08.08.2006
A4Q	2002	2	53	253-29	>> 8D-2-010 00	678		

Pos	Part Number	Name	Remarks	Qty	Model
		exhaust manifold	2,7ltr.		6 cylinder: APB
1	078 253 033 DN	exhaust manifold	cylinders 4-6 left	1	
2	078 253 034 DK	exhaust manifold	cylinders 1-3 right	1	
3	078 253 039 G	gasket		2	
4	+ N 902 264 03	shouldered hex. nut, self-locking	M8	18	
5	N 014 721 5	screw, cheese hd.	M10X25	6	
7		exhaust gas turbocharger see illustration:	left 145-70	1	
8		exhaust gas turbocharger see illustration:	right 145-70	1	



ETKA

Model	Year	MG	SG	Illustration	Restrictions	UPD	16:03	08.08.2006
A4Q	2002	2	53	253-55	>> 8D-2-010 00	678		





ETKA

Model	Year	MG	SG	Illustration	Restrictions	UPD	16:03	08.08.2006
A4Q	2002	2	53	253-55	>> 8D-2-010 00	678		

Pos	Part Number	Name	Remarks	Qty	Model
		exhaust pipe with catalyst connecting pipe	1.8ltr.		AEB,ATW,AWM
(2)	#4B0 254 200 X	catalyst to be used for:	8D0 131 702 FJ 3B0 131 702 AD	1	AEB
(2)	#8E0 131 089 DX	catalyst to be used for:	8D0 131 702 HN	1	AWM
(2)	#8E0 131 089 BX	catalyst to be used for:	8D0 131 702 GK 8D0 131 702 HA 8D0 131 702 HB	1	ATW
(3)	8D0 253 301 CL	connecting pipe		1	manual transmission
(3)	8D0 253 301 CN	connecting pipe		1	automatic
5	8D0 253 115	gasket		1	
6	+ N 903 690 01	hex. nut, self-locking	M10	3	
7	1H0 253 115	gasket		1	
8	+ N 900 850 01	hex. nut, self-locking	M8	3	
9	+ N 010 247 8	screw, hex. hd.	M8X35	3	
10	+ N 040 262 2	screw, hex. hd.	M8X50	1	
11	+ N 011 670 16	washer	8,4X24X2	1	
12	893 253 353	pressure spring		1	
13	4A0 253 205 B	spacer sleeve		1	
14	4A0 253 149 B	rubber bush		1	
15	N 010 351 6	screw, hex. hd.	M8X52	1	
16	+ N 011 670 16	washer	8,4X24X2	2	
17	N 904 772 01	washer	8,4X33X2	2	
18	+ N 022 146 8	hex. nut, self-locking	VM8	1	
19	857 253 205	spacer tube	14X2,5X28	1	
20	8D0 253 267 H	plate		2	automatic



ETKA

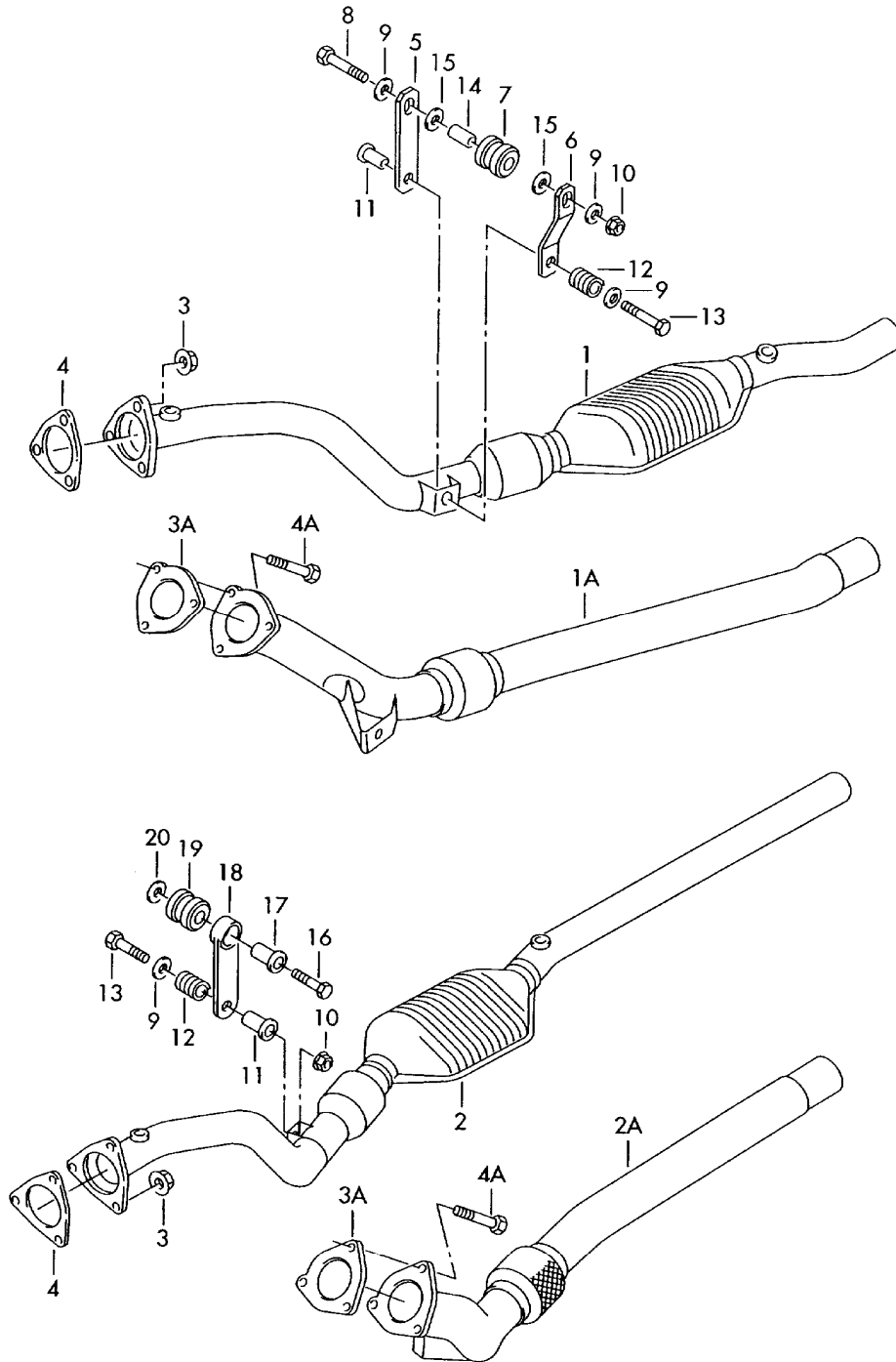
Model	Year	MG	SG	Illustration	Restrictions	UPD	16:03	08.08.2006
A4Q	2002	2	53	253-55	>> 8D-2-010 00	678		

Pos	Part Number	Name	Remarks	Qty	Model
(20)	8D0 253 268 A	plate	left	1	manual transmission
21	8D0 253 267 E	plate	right	1	manual transmission



ETKA

Model	Year	MG	SG	Illustration	Restrictions	UPD	16:04	08.08.2006
A4Q	2002	2	53	253-75	>> 8D-2-010 00	678		





ETKA

Model	Year	MG	SG	Illustration	Restrictions	UPD	16:04	08.08.2006
A4Q	2002	2	53	253-75	>> 8D-2-010 00	678		

Pos	Part Number	Name	Remarks	Qty	Model
		exhaust pipe with catalyst	2.8ltr.		6 cylinder: AHA,ATQ
(1)	#8D0 253 058 LX	exhaust pipe with catalyst to be used for:	right front 8D0 253 096 BG	1	automatic: AHA
(1)	#8E0 253 058 EX	exhaust pipe with catalyst to be used for:	right front 8D0 253 096 DA	1	manual- transmiss: AHA
(1)	#8D0 254 550 X	exhaust pipe with catalyst to be used for:	right front 8D0 253 096 EA	1	manual- transmiss: ATQ
(1)	#8D0 254 550 AX	exhaust pipe with catalyst to be used for:	right front 8D0 253 096 EB 8D0 253 096 DQ	1	automatic: ATQ
(2)	#8E0 253 057 LX	exhaust pipe with catalyst to be used for:	left front 8D0 253 095 FM	1	manual- transmiss: AHA
(2)	#8D0 253 057 HX	exhaust pipe with catalyst to be used for:	left front 8D0 253 095 BB	1	automatic: AHA
(2)	#8D0 254 500 X	exhaust pipe with catalyst to be used for:	left front 8D0 253 095 GE	1	manual- transmiss: ATQ
(2)	#8D0 254 500 AX	exhaust pipe with catalyst to be used for:	left front 8D0 253 095 HB 8D0 253 095 GF	1	automatic: ATQ
3	+ N 902 002 01	shouldered hex. nut, self-locking	M8	6	
4	8D0 253 115 C	gasket		2	
5	8D0 253 267 E	plate	right	1	manual transmission
(5)	8D0 253 295	plate		1	automatic
6	4B0 253 268 A	plate		2	manual transmission
7	8D0 253 149	rubber bush		1	manual transmission
7	8D0 253 149	rubber bush		1	manual transmission
(7)	4A0 253 149 B	rubber bush		1	automatic



ETKA

Model	Year	MG	SG	Illustration	Restrictions	UPD	16:04	08.08.2006
A4Q	2002	2	53	253-75	>> 8D-2-010 00	678		

Pos	Part Number	Name	Remarks	Qty	Model
8	N 010 351 6	screw, hex. hd.	M8X52	1	manual transmission
(8)	N 040 240 4	screw, hex. hd.	M10X50	1	automatic
9	+ N 011 670 16	washer	8,4X24X2	3	manual transmission
10	+ N 902 264 03	shouldered hex. nut, self-locking	M8	1	automatic
10	+ N 022 146 8	hex. nut, self-locking	VM8	1	manual transmission
11	4A0 253 205 B	spacer sleeve		2	manual transmission
11	4B0 253 205	spacer tube		2	automatic
12	893 253 353	pressure spring		2	
12	893 253 353	pressure spring		1	manual transmission
13	+ N 040 262 2	screw, hex. hd.	M8X50	2	manual transmission
13	N 040 301 5	screw, hex. hd.	M8X48	2	automatic
14	857 253 205	spacer tube	14X2,5X28	1	manual transmission
14	4A0 253 205 E	spacer sleeve	14X2,5X28	1	automatic
15	N 904 772 01	washer	8,4X33X2	2	
16	N 040 240 4	screw, hex. hd.	M10X50	1	manual transmission
(16)	N 103 443 01	bolt, hex. hd. (combi.) F >>*8D-1-156 753	M8X60-S1	1	automatic
(16)	N 019 503 5	screw, hex. hd. F 8D-1-156 754>>*	M8X35	1	automatic
17	4B0 253 205	spacer tube F >>*8D-1-156 753		1	automatic
(17)	8D0 253 205	spacer tube F 8D-1-156 754>>*		1	automatic
18	4A0 253 295 D	plate		1	manual transmission



ETKA

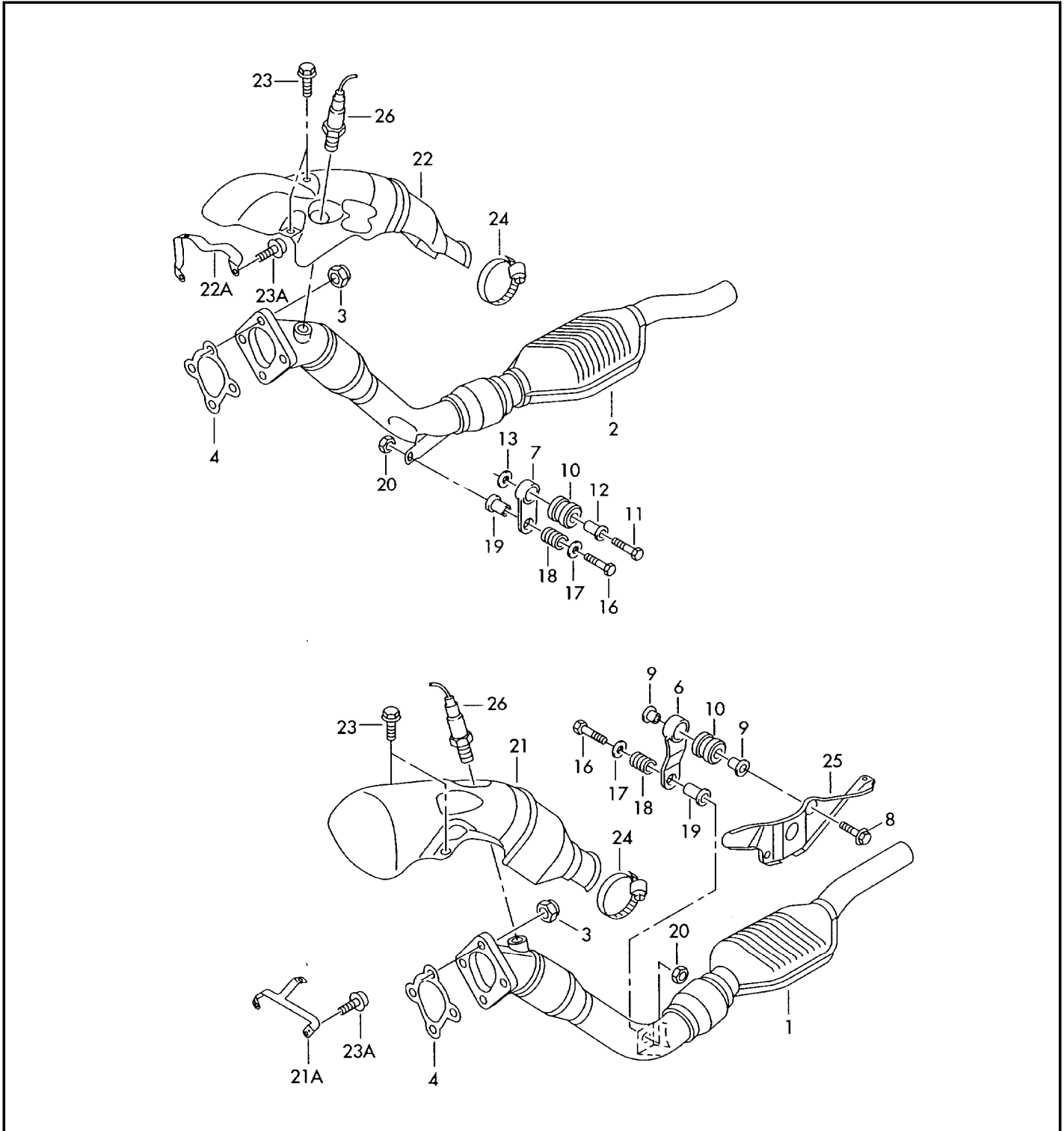
Model	Year	MG	SG	Illustration	Restrictions	UPD	16:04	08.08.2006
A4Q	2002	2	53	253-75	>> 8D-2-010 00	678		

Pos	Part Number	Name	Remarks	Qty	Model
(18)	4B0 253 295 C	plate F >>*8D-1-156 753		1	automatic
(18)	8D0 253 267 M	plate F 8D-1-156 754>>*		1	automatic
19	443 253 149 B	rubber bush		1	manual transmission
19	443 253 149 B	rubber bush F >>*8D-1-156 753		1	automatic
(19)	4B0 253 149 A	rubber bush F 8D-1-156 754>>*		1	automatic
20	N 904 769 01	washer	10,5X30X3	1	manual transmission
20	N 905 662 01	washer F 8D-1-156 754>>*	11X25X1	1	automatic
20	N 904 769 01	washer	10,5X30X3	1	manual transmission



ETKA

Model	Year	MG	SG	Illustration	Restrictions	UPD	16:04	08.08.2006
A4Q	2002	2	53	253-78	>> 8D-2-010 00	678		





ETKA

Model	Year	MG	SG	Illustration	Restrictions	UPD	16:04	08.08.2006
A4Q	2002	2	53	253-78	>> 8D-2-010 00	678		

Pos	Part Number	Name	Remarks	Qty	Model
		exhaust pipe catalyst	2,7ltr.		6 cylinder: automatic: APB
1	#8E0 253 057 JX	exhaust pipe with catalyst to be used for:	left front 8D0 253 095 FE	1	
2	#8E0 253 058 CX	exhaust pipe with catalyst to be used for:	right front 8D0 253 096 CM	1	
3	+ N 903 690 01	hex. nut, self-locking	M10	8	
4	8D0 253 115 F	gasket		2	
6	4B0 253 295 C	plate		1	
7	8D0 253 295	plate		1	
8	N 103 443 01	bolt, hex. hd. (combi.)	M8X60-S1	1	
9	4B0 253 205	spacer tube		2	
10	443 253 149 B	rubber bush		2	
11	N 040 240 4	screw, hex. hd.	M10X50	1	
12	4A0 253 205 E	spacer sleeve		1	
13	N 904 769 01	washer	10,5X30X3	1	
16	+ N 040 262 2	screw, hex. hd.	M8X50	2	
17	+ N 011 670 16	washer	8,4X24X2	2	
18	893 253 353	pressure spring		2	
19	4A0 253 205 B	spacer sleeve	13,5X2,3X30	2	
20	+ N 902 264 03	shouldered hex. nut, self-locking	M8	2	
(21)	078 129 597 AB	cover plate	left	1	
(22)	078 129 598 M	cover plate	right	1	
23	N 101 153 06	screw, cheese hd.	M6X12	4	
24	N 908 260 01	clamp	45-67X15,9X0,7	2	
25		shield see illustration:	713-15	1	



ETKA

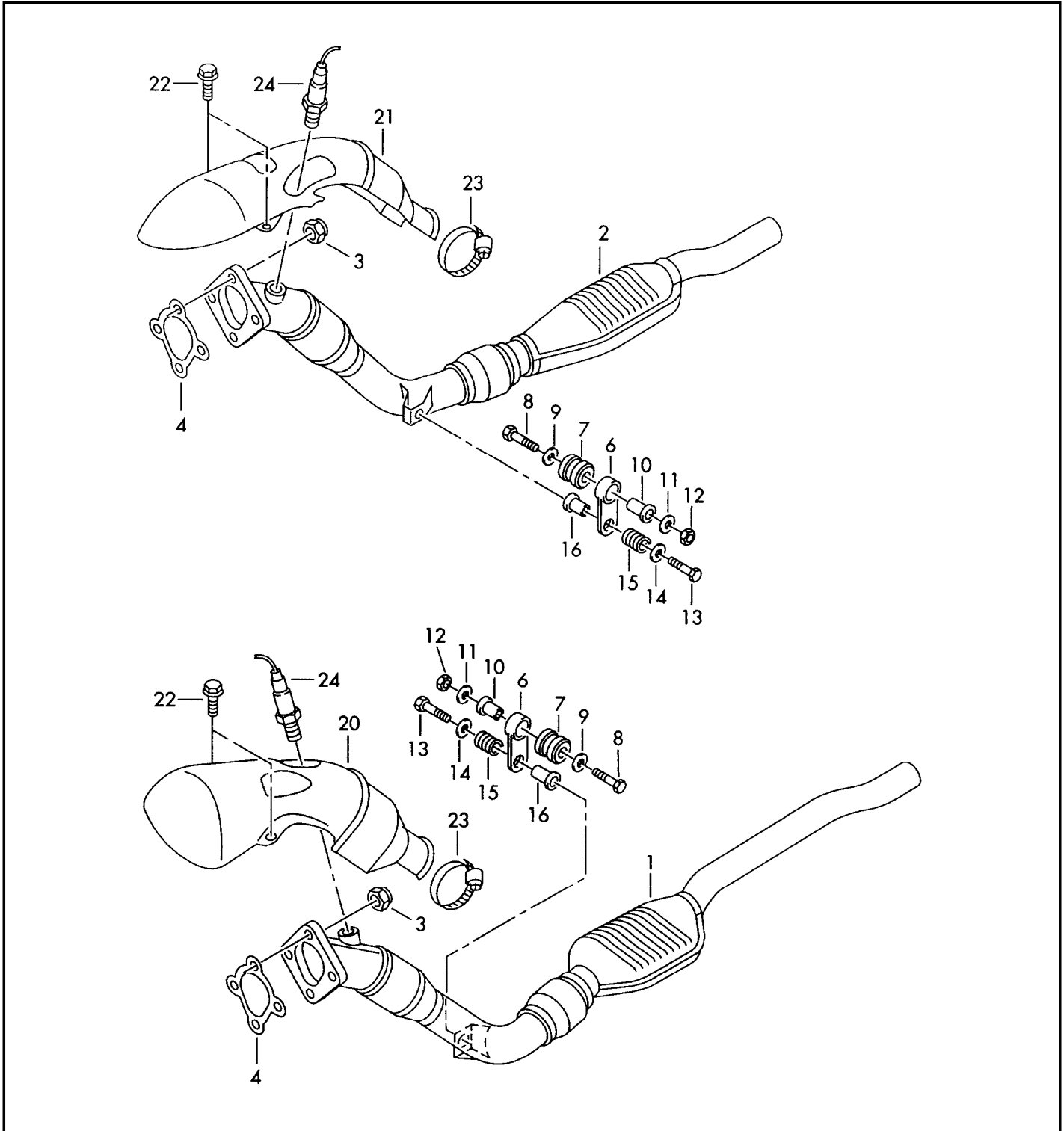
Model	Year	MG	SG	Illustration	Restrictions	UPD	16:04	08.08.2006
A4Q	2002	2	53	253-78	>> 8D-2-010 00	678		

Pos	Part Number	Name	Remarks	Qty	Model
26		oxygen sensor see illustration:	906-00	2	



ETKA

Model	Year	MG	SG	Illustration	Restrictions	UPD	16:05	08.08.2006
A4Q	2002	2	53	253-79	>> 8D-2-010 00	678		





ETKA

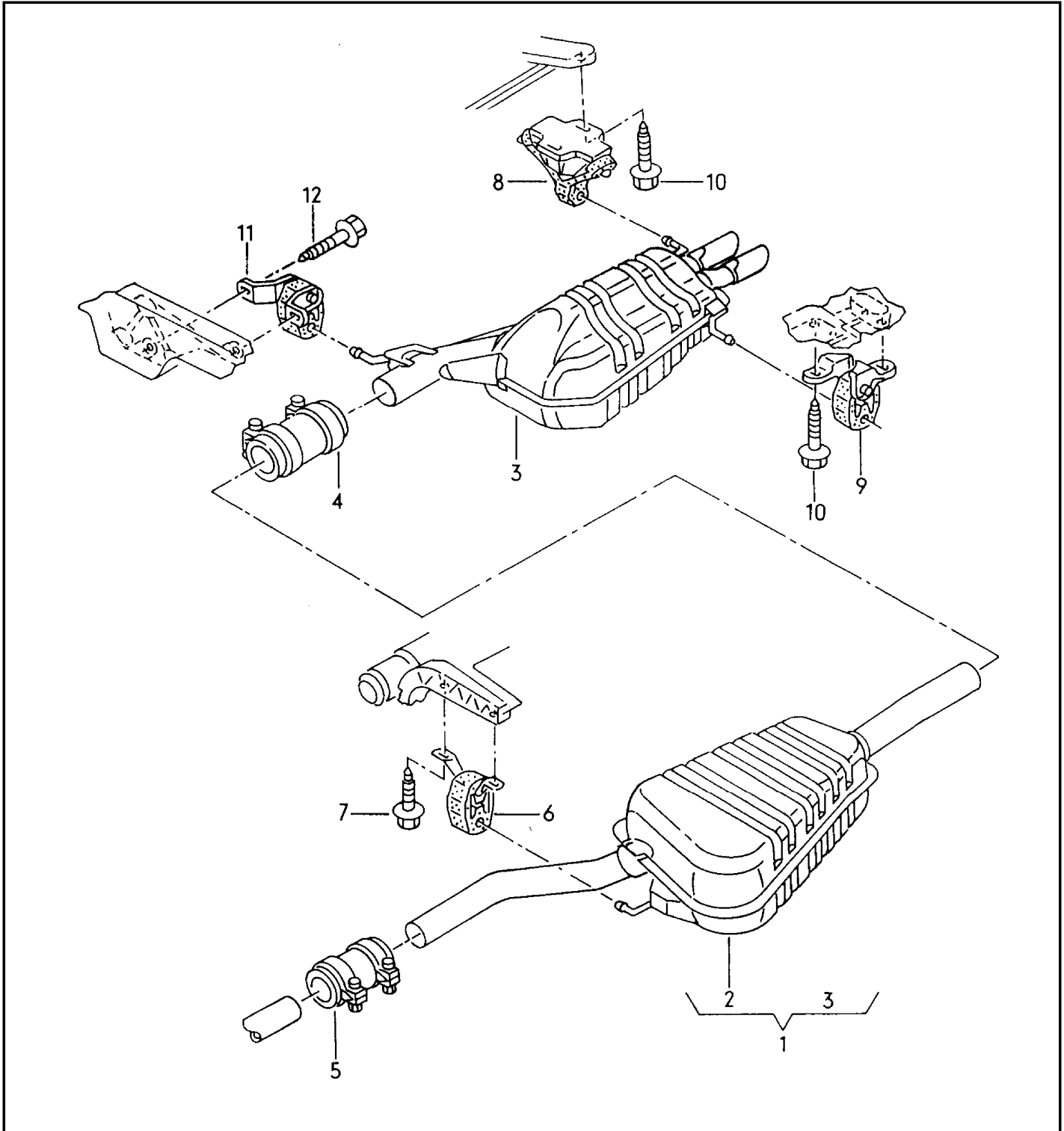
Model	Year	MG	SG	Illustration	Restrictions	UPD	16:05	08.08.2006
A4Q	2002	2	53	253-79	>> 8D-2-010 00	678		

Pos	Part Number	Name	Remarks	Qty	Model
		exhaust pipe catalyst	2,7ltr.		6 cylinder: manual- transmiss: APB
1	#8E0 253 057 HX	exhaust pipe with catalyst to be used for:	left front 8D0 253 095 ET	1	
2	#8E0 253 058 BX	exhaust pipe with catalyst to be used for:	right front 8D0 253 096 CL	1	
3	+ N 903 690 01	hex. nut, self-locking	M10	8	
4	8D0 253 115 F	gasket		2	
6	4A0 253 295 D	plate		2	
7	443 253 149 B	rubber bush		2	
8	N 010 460 7	screw, hex. hd.	M10X60	2	
9	N 904 769 01	washer	10,5X30X3	2	
10	4A0 253 205 E	spacer sleeve		2	
11	+ N 011 560 8	washer	10,5X18X1,6	2	
12	+ N 903 690 01	hex. nut, self-locking	M10	2	
13	+ N 040 262 2	screw, hex. hd.	M8X50	2	
14	+ N 011 670 16	washer	8,4X24X2	2	
15	893 253 353	pressure spring		2	
16	4A0 253 205 B	spacer sleeve		2	
20	078 129 597 AC	cover plate	left	1	
21	078 129 598 N	cover plate	right	1	
22	N 101 153 06	screw, cheese hd.	M6X12	4	
23	N 908 260 01	clamp	45-67X15,9X0,7	2	



ETKA

Model	Year	MG	SG	Illustration	Restrictions	UPD	16:05	08.08.2006
A4Q	2002	2	53	253-87	>> 8D-2-010 00	678		





ETKA

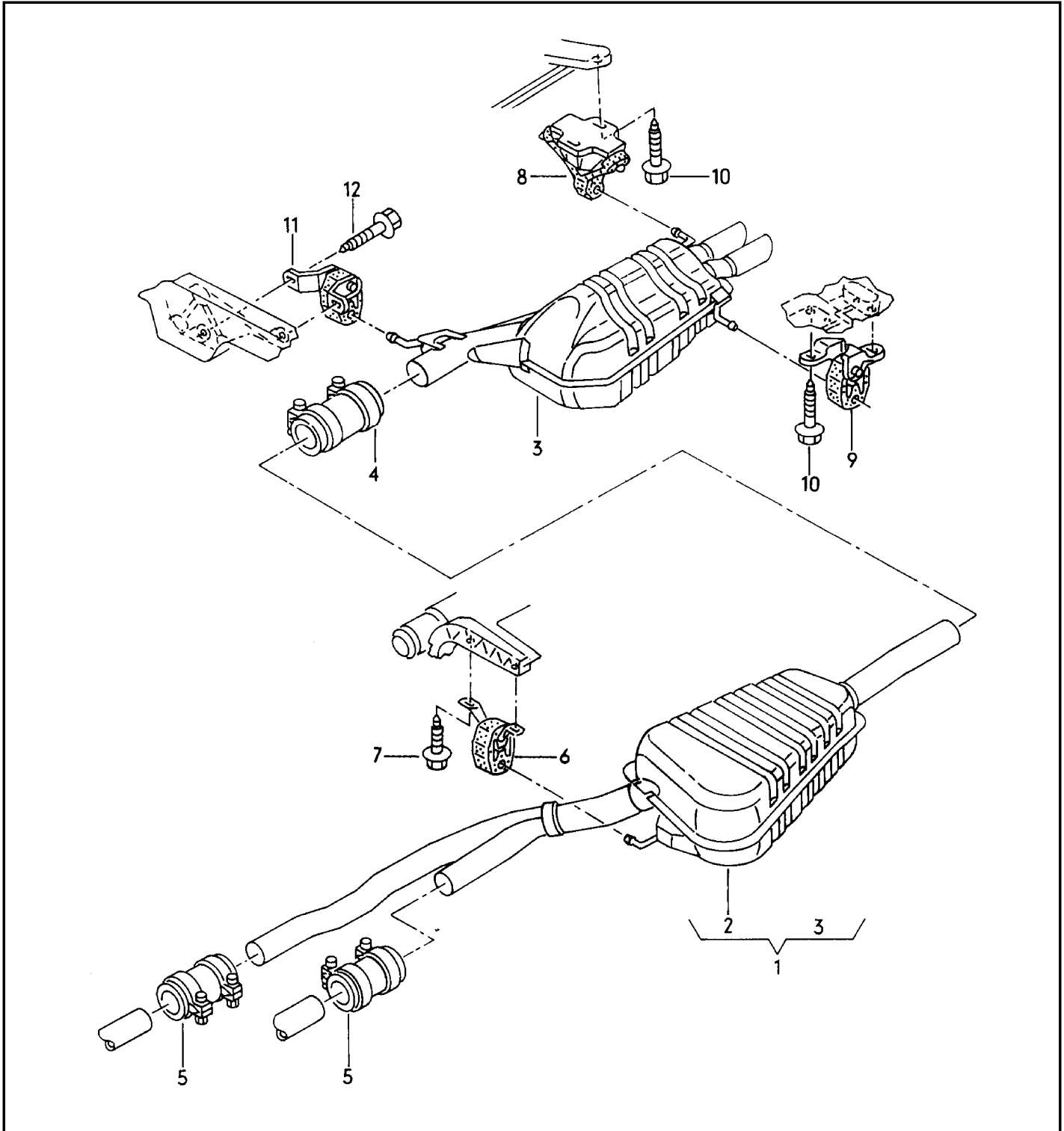
Model	Year	MG	SG	Illustration	Restrictions	UPD	16:05	08.08.2006
A4Q	2002	2	53	253-87	>> 8D-2-010 00	678		

Pos	Part Number	Name	Remarks	Qty	Model
		middle exhaust muffler exhaust silencer, rear	1.8ltr.		4 cylinder: AEB,ATW,AWM
(2)	8D0 253 409 CF	middle exhaust muffler		1	AEB
(2)	8D0 253 409 CH	middle exhaust muffler		1	ATW,AWM
(3)	8D0 253 609 CE	exhaust silencer, rear		1	AEB,ATW,AWM
(4)	893 253 139 C	dual clamp	60	1	
5	357 253 141 A	dual clamp	55	1	
6	8D0 253 144 R	bracket		1	
7	+ N 101 559 01	bolt, hex. hd. with shoulder	M8X20	1	
(8)	4B0 253 144 K	bracket		1	
9	8D0 253 144 N	bracket		1	
10	+ N 101 559 01	bolt, hex. hd. with shoulder	M8X20	4	
11	8D0 253 144 P	bracket		1	
12	N 090 316 4	bolt, hex. hd. (combi.)	M8X30	2	



ETKA

Model	Year	MG	SG	Illustration	Restrictions	UPD	16:06	08.08.2006
A4Q	2002	2	53	253-97	>> 8D-2-010 00	678		





ETKA

Model	Year	MG	SG	Illustration	Restrictions	UPD	16:06	08.08.2006
A4Q	2002	2	53	253-97	>> 8D-2-010 00	678		

Pos	Part Number	Name	Remarks	Qty	Model
		middle exhaust muffler exhaust silencer, rear	2.8ltr.		6 cylinder: AHA,ATQ
2	8D0 253 409 BE	middle exhaust muffler		1	
3	8D0 253 609 CH	exhaust silencer, rear		1	ATQ
(3)	8D0 253 609 CB	exhaust silencer, rear		1	AHA
4	893 253 139 C	dual clamp	60	1	
5	191 253 141 F	dual clamp	50	2	
6	8D0 253 144 R	bracket		1	
7	N 905 306 01	bolt, with hex. socket hd. (combi.)	M8X52X28	2	
(8)	4B0 253 144 K	bracket		1	
9	8D0 253 144 N	bracket		1	
10	+ N 101 559 01	bolt, hex. hd. with shoulder	M8X20	4	
11	8D0 253 144 AH	bracket		1	
12	N 090 316 4	bolt, hex. hd. (combi.)	M8X30	2	
		middle exhaust muffler exhaust silencer, rear	2,7ltr.		6 cylinder: APB
2	8D0 253 409 AJ	middle exhaust muffler		1	
3	8D0 253 609 BJ	exhaust silencer, rear		1	
4	357 253 141 A	dual clamp	55	1	
4	8A0 253 139 A	dual clamp	65MMX95MM	1	
5	357 253 141 A	dual clamp	55	1	
6	8D0 253 144 AG	bracket		1	
7	N 905 306 01	bolt, with hex. socket hd. (combi.)	M8X52X28	2	
8	4B0 253 144 K	bracket		1	
9	8D0 253 144 N	bracket		1	
10	+ N 101 559 01	bolt, hex. hd. with shoulder	M8X20	4	
11	8D0 253 144 AH	bracket		1	



ETKA

Model	Year	MG	SG	Illustration	Restrictions	UPD	16:06	08.08.2006
A4Q	2002	2	53	253-97	>> 8D-2-010 00	678		

Pos	Part Number	Name	Remarks	Qty	Model
12	N 090 316 4	bolt, hex. hd. (combi.)	M8X30	2	



ETKA

Model	Year	MG	SG	Illustration	Restrictions	UPD	16:09	08.08.2006
A4Q	2003	2	53	253-75	8E-2-000 001 >> 8E-5-	678		

Pos	Part Number	Name	Remarks	Qty	Model
		exhaust pipe with catalystr	3,01		front drive+ automatic- cvt
(1)	#8E0 254 554 CX	exhaust pipe with catalystr	right front	1	AVK
(1)	#8E0 254 551 KX	exhaust pipe with catalystr		1	BGN
(2)	#8E0 254 505 BX	exhaust pipe with catalystr	left front	1	AVK
(2)	#8E0 254 501 RX	exhaust pipe with catalystr	left front	1	BGN
		exhaust pipe with catalystr	3,01		quattro+ 5 speed- transmission
(1)	#8E0 254 550 PX	exhaust pipe with catalystr	right front	1	
(2)	#8E0 254 500 PX	exhaust pipe with catalystr	left front	1	
		exhaust pipe with catalystr	3,01		quattro+ 6 speed- transmission
(1)	#8E0 254 554 EX	exhaust pipe with catalystr F >> 8E-3-500 000	right front	1	AVK
(1)	#8E0 254 551 NX	exhaust pipe with catalystr F8E-4-000 001	right front	1	AVK
(1)	#8E0 254 552 PX	exhaust pipe with catalystr	right front	1	BGN
(2)	#8E0 254 505 DX	exhaust pipe with catalystr F >> 8E-3-500 000	left front	1	AVK
(2)	#8E0 254 503 RX	exhaust pipe with catalystr F 8E-4-000 001>>	left front	1	AVK
(2)	#8E0 254 503 SX	exhaust pipe with catalystr	left front	1	BGN
		exhaust pipe with catalystr	3,01		quattro+ automatic
(1)	#8E0 254 554 DX	exhaust pipe with catalystr	right front	1	AVK
(1)	#8E0 254 552 NX	exhaust pipe with catalystr	right front	1	BGN



ETKA

Model	Year	MG	SG	Illustration	Restrictions	UPD	16:09	08.08.2006
A4Q	2003	2	53	253-75	8E-2-000 001 >> 8E-5-	678		

Pos	Part Number	Name	Remarks	Qty	Model
(2)	#8E0 254 505 CX	exhaust pipe with catalyst	left front	1	AVK
(2)	#8E0 254 503 TX	exhaust pipe with catalyst	left front	1	BGN
		gasket for exhaust pipe bracket for exhaust pipe	3,01		6 cylinder
3	8E0 253 115 C	gasket		2	
4	+ N 902 002 01	shouldered hex. nut, self-locking	M8	6	
5	N 040 301 5	screw, hex. hd.	M8X48	2	
6	N 011 670 26	washer	8,4X24X2	2	
7	893 253 353	pressure spring		2	
8	4B0 253 205 C	spacer sleeve		2	
9	N 902 891 02	hex. nut, self-locking		2	
10	N 103 443 01	bolt, hex. hd. (combi.)	M8X60-S1	2	5 speed- automatic
(10)	N 103 076 03	screw, hex. hd.	M10X55	1	manual- transmiss.; automatic- cvt
11	4B0 253 205	spacer tube		2	5 speed- automatic
(11)	4B0 253 205 G	spacer tube		2	manual- transmiss.; automatic- cvt
12	4A0 253 149 B	rubber bush		2	
13	4B0 253 295 C	plate	left	1	5 speed- automatic
(13)	8D0 253 295 C	plate	right	1	5 speed- automatic
14	4B0 253 295 C	plate		2	automatic- cvt



ETKA

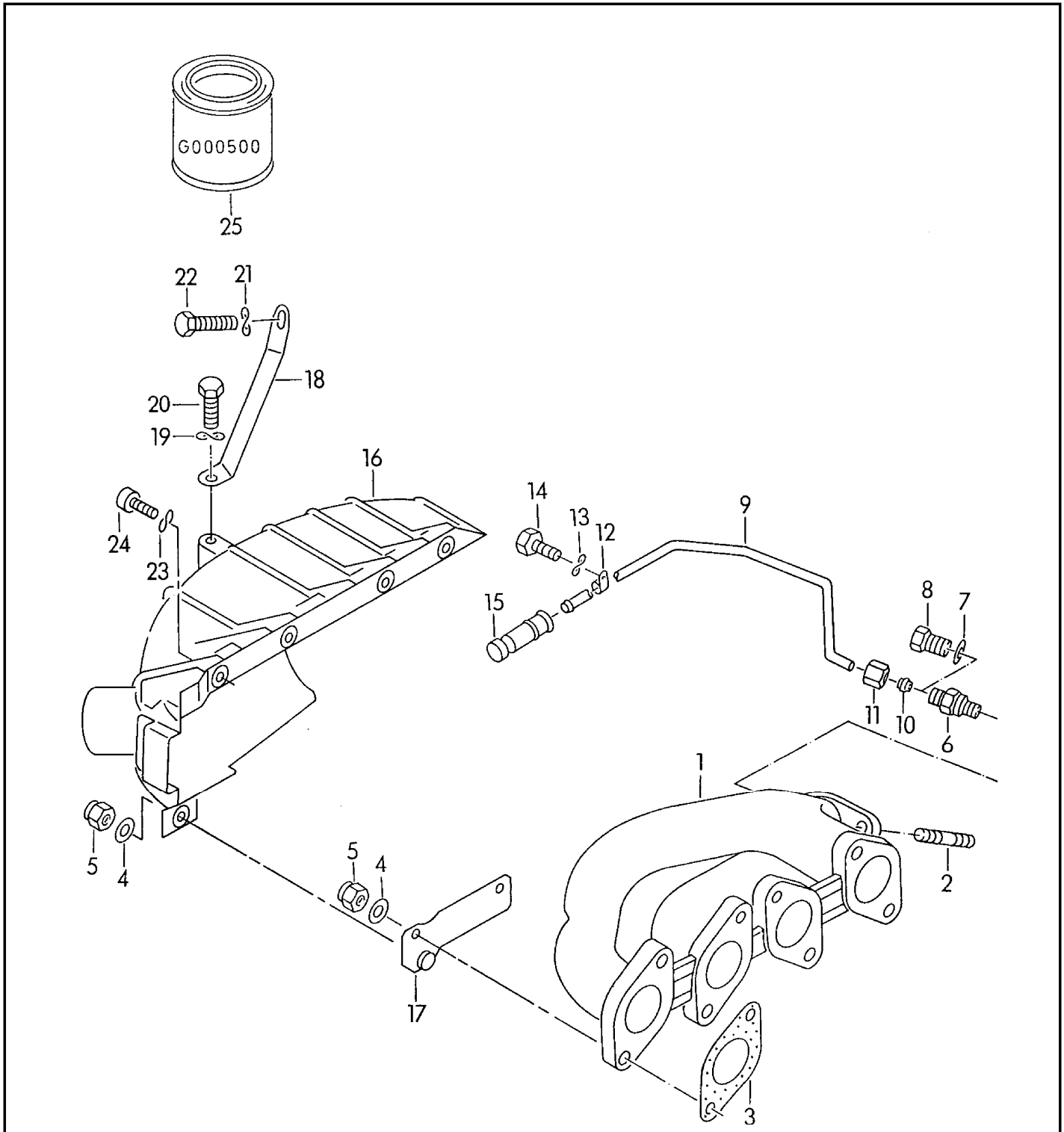
Model	Year	MG	SG	Illustration	Restrictions	UPD	16:09	08.08.2006
A4Q	2003	2	53	253-75	8E-2-000 001 >> 8E-5-	678		

Pos	Part Number	Name	Remarks	Qty	Model
15	4B0 253 295 C	plate F >> 8E-3-500 000	left	1	manual transmission
(15)	8E0 253 295 C	plate F 8E-4-000 001>>	left	1	manual transmission
(15)	4D0 253 295 D	plate F >> 8E-3-500 000	right	1	manual transmission
(15)	4B0 253 295 C	plate F 8E-4-000 001>>	right	1	manual transmission
16	N 103 076 03	screw, hex. hd.	M10X55	1	
17	4B0 253 205 C	spacer sleeve		2	5 speed- automatic
(17)	4B0 253 205 G	spacer tube		2	



ETKA

Model	Year	MG	SG	Illustration	Restrictions	UPD	16:17	08.08.2006
A4Q	2003	2	53	253-10	8E-2-000 001 >> 8E-5-	678		





ETKA

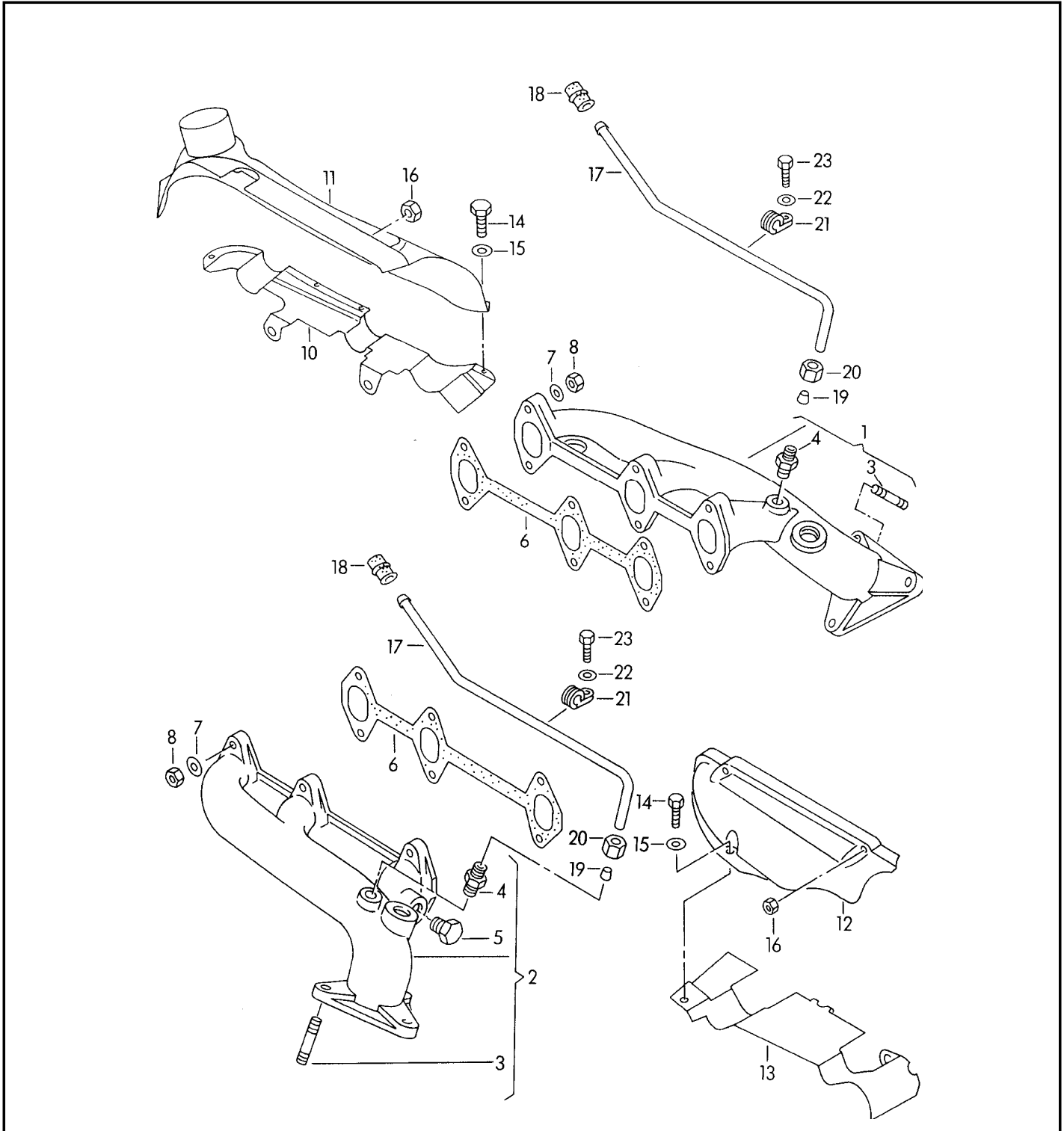
Model	Year	MG	SG	Illustration	Restrictions	UPD	16:17	08.08.2006
A4Q	2003	2	53	253-10	8E-2-000 001 >> 8E-5-	678		

Pos	Part Number	Name	Remarks	Qty	Model
		exhaust manifold	1.6-2.0ltr.		
(1)	058 253 033 E	exhaust manifold		1	
(3)	058 253 039 L	gasket		1	
(4)	+ N 903 572 01	washer	8,4X17X4	13	
5	+ N 902 002 01	shouldered hex. nut, self-locking	M8	13	
25	G 052 112 A3	hot-bolt-paste	170G	X	



ETKA

Model	Year	MG	SG	Illustration	Restrictions	UPD	16:17	08.08.2006
A4Q	2003	2	53	253-27	8E-2-000 001 >> 8E-5-	678		





ETKA

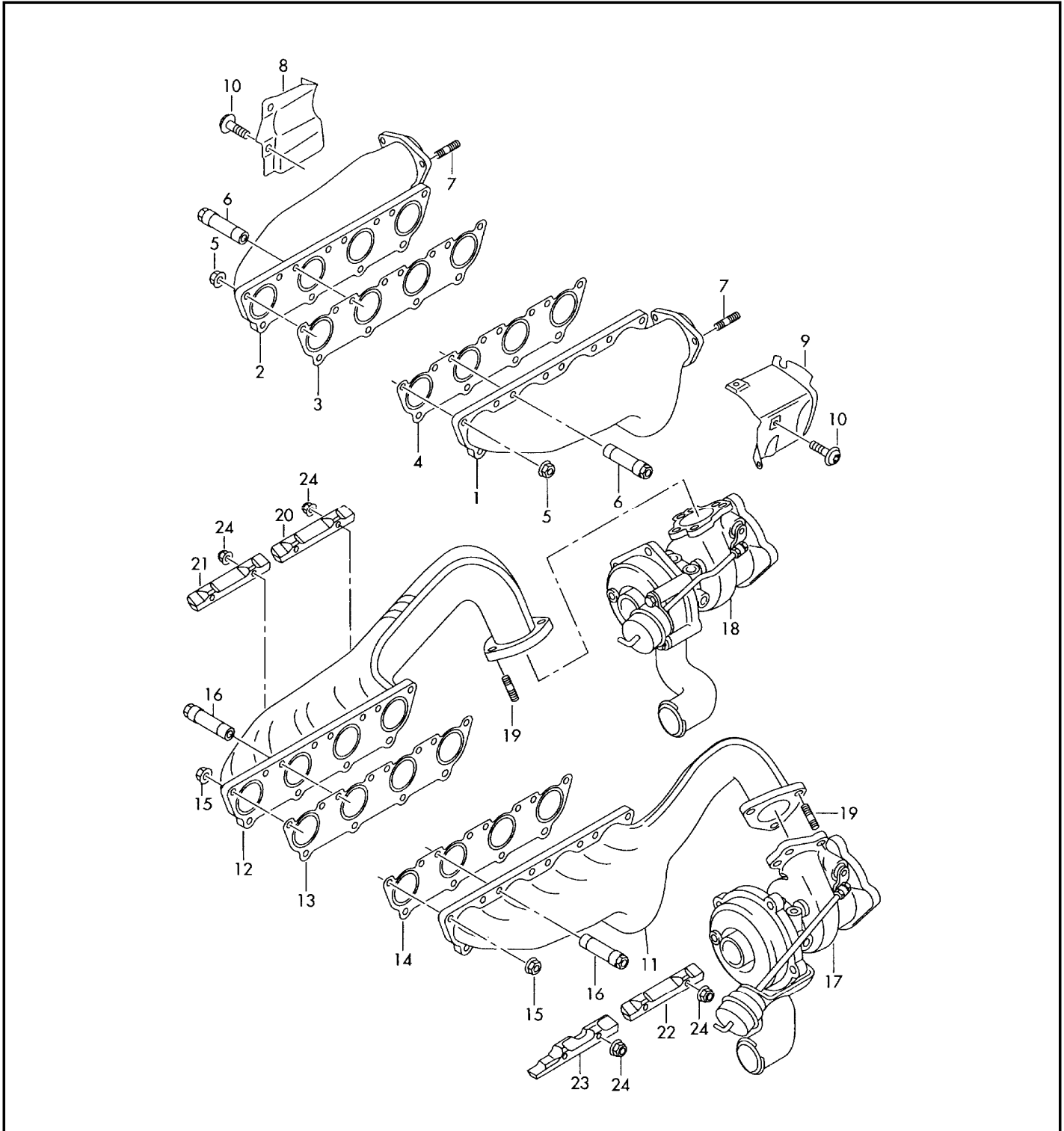
Model	Year	MG	SG	Illustration	Restrictions	UPD	16:17	08.08.2006
A4Q	2003	2	53	253-27	8E-2-000 001 >> 8E-5-	678		

Pos	Part Number	Name	Remarks	Qty	Model
		exhaust manifold	3,01		6 cylinder
(1)	06C 253 032 J	exhaust manifold	cylinders 1-3 right	1	
(2)	06C 253 031 J	exhaust manifold	cylinders 4-6 left	1	
3	N 044 514 5	stud	M8X25	6	
(6)	078 253 039 G	gasket		2	
(8)	078 253 466 A	socket head nut		18	
(11)	06C 253 036 B	cover plate	right upper	1	
(12)	06C 253 037 B	cover plate	left upper	1	
(13)	06C 253 009 B	cover plate	left/right	2	
(14)	+ N 103 036 03	socket hd. screw with collar	M8X16	3	



ETKA

Model	Year	MG	SG	Illustration	Restrictions	UPD	16:18	08.08.2006
A4Q	2003	2	53	253-40	8E-2-000 001 >> 8E-5-	678		





ETKA

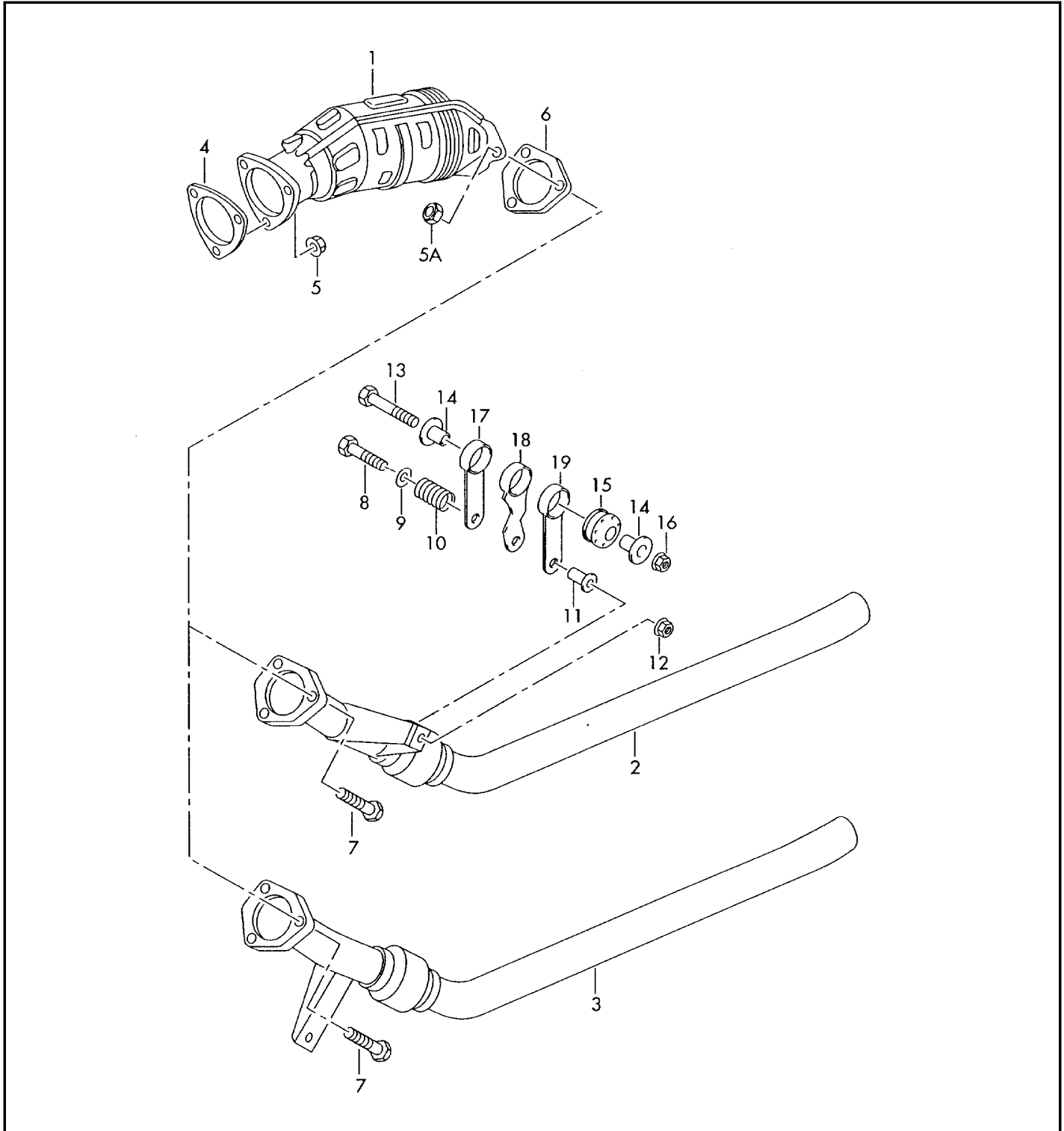
Model	Year	MG	SG	Illustration	Restrictions	UPD	16:18	08.08.2006
A4Q	2003	2	53	253-40	8E-2-000 001 >> 8E-5-	678		

Pos	Part Number	Name	Remarks	Qty	Model
		exhaust manifold	4.2ltr.		8 cylinder
1	079 253 033 A	exhaust manifold	left	1	
2	079 253 034 A	exhaust manifold	right	1	
3	077 253 039 C	gasket		1	
4	077 253 039 C	gasket		1	
5	+ N 908 243 02	hex. nut, self-locking	M8	21	
6	077 253 158 A	hex. nut	M8X111	3	
7	N 044 512 5	stud	M8X30	6	
8	079 253 036 B	cover plate	right	1	
9	079 253 036 F	cover plate	left	1	
10	N 907 831 02	oval hexagon socket head bolt fasteners cover plate	M6X16	6	



ETKA

Model	Year	MG	SG	Illustration	Restrictions	UPD	16:18	08.08.2006
A4Q	2003	2	53	253-55	8E-2-000 001 >> 8E-5-	678		





ETKA

Model	Year	MG	SG	Illustration	Restrictions	UPD	16:18	08.08.2006
A4Q	2003	2	53	253-55	8E-2-000 001 >> 8E-5-	678		

Pos	Part Number	Name	Remarks	Qty	Model
		catalyst connecting pipe	1.8ltr.		
(1)	#8E0 131 089 DX	catalyst		1	
(2)	8E0 254 301 B	connecting pipe F >> 8E-3-500 000		1	front drive+ manual transmission
(2)	8E0 253 301 DP	connecting pipe F 8E-4-000 001>>		1	front drive+ manual transmission
(2)	8E0 253 301 DQ	connecting pipe F >> 8E-3-500 000		1	quattro+ 5 speed- transmission
(2)	8E0 253 301 DS	connecting pipe F 8E-4-000 001>>		1	quattro+ 6 speed- transmission
(3)	8E0 254 301 C	connecting pipe		1	front drive+ automatic- cvt
(3)	8E0 253 301 DR	connecting pipe			quattro+ automatic
		gasket for exhaust pipe bracket for exhaust pipe	1.6/1.8/2,0ltr		
4	8D0 253 115	gasket		1	
5	+ N 903 690 01	hex. nut, self-locking	M10	3	
6	1H0 253 115	gasket		1	
5A	+ N 900 850 01	hex. nut, self-locking	M8		
7	+ N 010 247 8	screw, hex. hd.	M8X35	3	
8	N 040 301 5	screw, hex. hd.	M8X48	1	
9	N 011 670 26	washer	8,4X24X2	1	
10	893 253 353	pressure spring		1	



ETKA

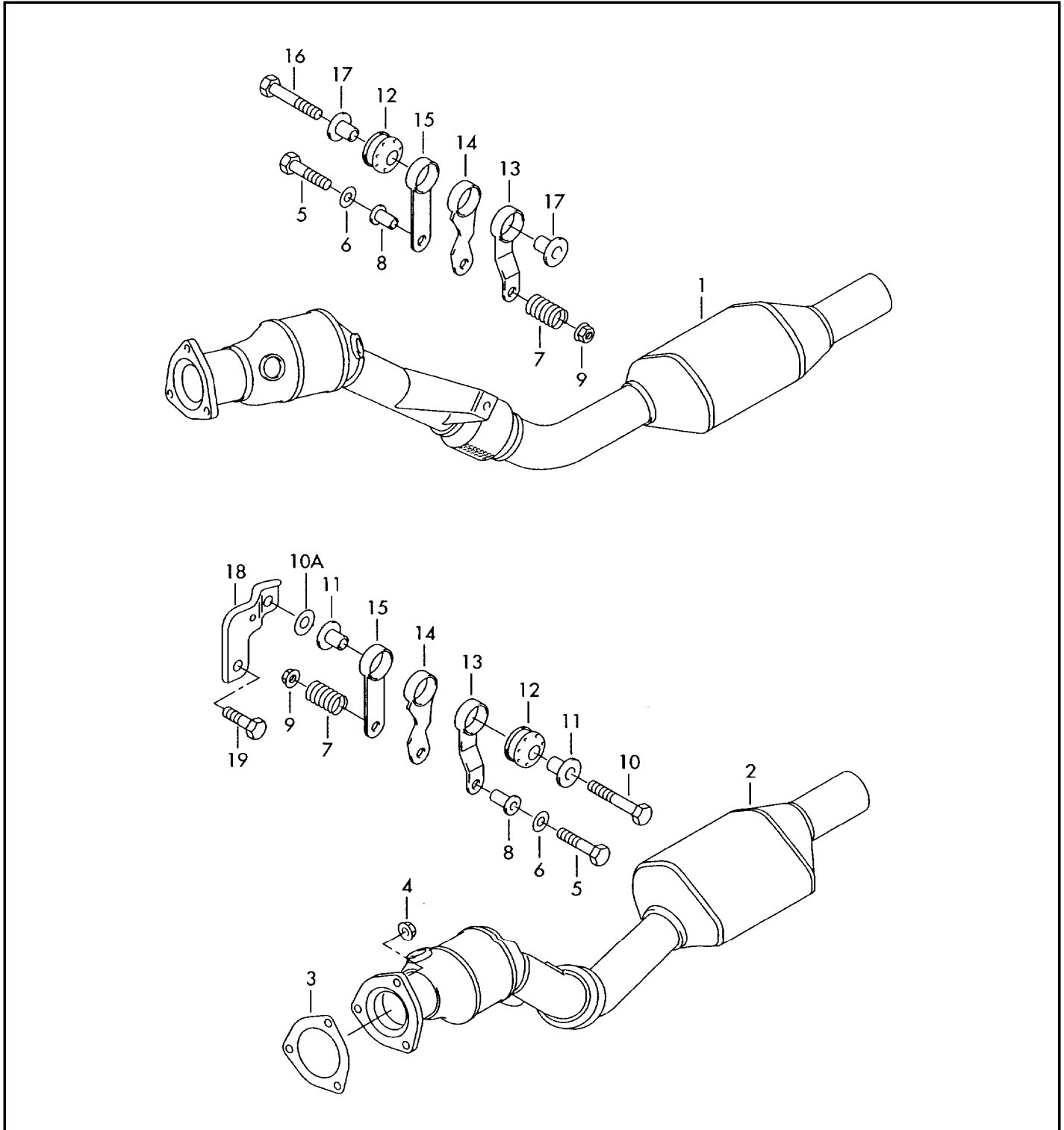
Model	Year	MG	SG	Illustration	Restrictions	UPD	16:18	08.08.2006
A4Q	2003	2	53	253-55	8E-2-000 001 >> 8E-5-	678		

Pos	Part Number	Name	Remarks	Qty	Model
11	4B0 253 205 C	spacer sleeve		1	
12	N 902 891 02	hex. nut, self-locking		1	
13	N 103 076 03	screw, hex. hd.	M10X55	1	
14	4B0 253 205 G	spacer tube		2	
15	4A0 253 149 B	rubber bush		1	
16	N 902 891 02	hex. nut, self-locking		1	
17	4B0 253 295 C	plate		1	automatic-cvt
18	8D0 253 295 C	plate		1	automatic
(19)	4D0 253 295 D	plate F >> 8E-3-500 000		1	manual transmission
(19)	4B0 253 295 C	plate F 8E-4-000 001>>		1	manual transmission



ETKA

Model	Year	MG	SG	Illustration	Restrictions	UPD	16:18	08.08.2006
A4Q	2003	2	53	253-75	8E-2-000 001 >> 8E-5-	678		





ETKA

Model	Year	MG	SG	Illustration	Restrictions	UPD	16:18	08.08.2006
A4Q	2003	2	53	253-75	8E-2-000 001 >> 8E-5-	678		

Pos	Part Number	Name	Remarks	Qty	Model
		exhaust pipe with catalyst	3,01		front drive+ automatic- cvt
(1)	#8E0 254 554 CX	exhaust pipe with catalyst	right front	1	AVK
(1)	#8E0 254 551 KX	exhaust pipe with catalyst		1	BGN
(2)	#8E0 254 505 BX	exhaust pipe with catalyst	left front	1	AVK
(2)	#8E0 254 501 RX	exhaust pipe with catalyst	left front	1	BGN
		exhaust pipe with catalyst	3,01		quattro+ 5 speed- transmission
(1)	#8E0 254 550 PX	exhaust pipe with catalyst	right front	1	
(2)	#8E0 254 500 PX	exhaust pipe with catalyst	left front	1	
		exhaust pipe with catalyst	3,01		quattro+ 6 speed- transmission
(1)	#8E0 254 554 EX	exhaust pipe with catalyst F >> 8E-3-500 000	right front	1	AVK
(1)	#8E0 254 551 NX	exhaust pipe with catalyst F8E-4-000 001	right front	1	AVK
(1)	#8E0 254 552 PX	exhaust pipe with catalyst	right front	1	BGN
(2)	#8E0 254 505 DX	exhaust pipe with catalyst F >> 8E-3-500 000	left front	1	AVK
(2)	#8E0 254 503 RX	exhaust pipe with catalyst F 8E-4-000 001>>	left front	1	AVK
(2)	#8E0 254 503 SX	exhaust pipe with catalyst	left front	1	BGN
		exhaust pipe with catalyst	3,01		quattro+ automatic
(1)	#8E0 254 554 DX	exhaust pipe with catalyst	right front	1	AVK
(1)	#8E0 254 552 NX	exhaust pipe with catalyst	right front	1	BGN



ETKA

Model	Year	MG	SG	Illustration	Restrictions	UPD	16:18	08.08.2006
A4Q	2003	2	53	253-75	8E-2-000 001 >> 8E-5-	678		

Pos	Part Number	Name	Remarks	Qty	Model
(2)	#8E0 254 505 CX	exhaust pipe with catalyst	left front	1	AVK
(2)	#8E0 254 503 TX	exhaust pipe with catalyst	left front	1	BGN
		gasket for exhaust pipe bracket for exhaust pipe	3,01		6 cylinder
3	8E0 253 115 C	gasket		2	
4	+ N 902 002 01	shouldered hex. nut, self-locking	M8	6	
5	N 040 301 5	screw, hex. hd.	M8X48	2	
6	N 011 670 26	washer	8,4X24X2	2	
7	893 253 353	pressure spring		2	
8	4B0 253 205 C	spacer sleeve		2	
9	N 902 891 02	hex. nut, self-locking		2	
10	N 103 443 01	bolt, hex. hd. (combi.)	M8X60-S1	2	5 speed- automatic
(10)	N 103 076 03	screw, hex. hd.	M10X55	1	manual- transmiss.; automatic- cvt
11	4B0 253 205	spacer tube		2	5 speed- automatic
(11)	4B0 253 205 G	spacer tube		2	manual- transmiss.; automatic- cvt
12	4A0 253 149 B	rubber bush		2	
13	4B0 253 295 C	plate	left	1	5 speed- automatic
(13)	8D0 253 295 C	plate	right	1	5 speed- automatic
14	4B0 253 295 C	plate		2	automatic- cvt



ETKA

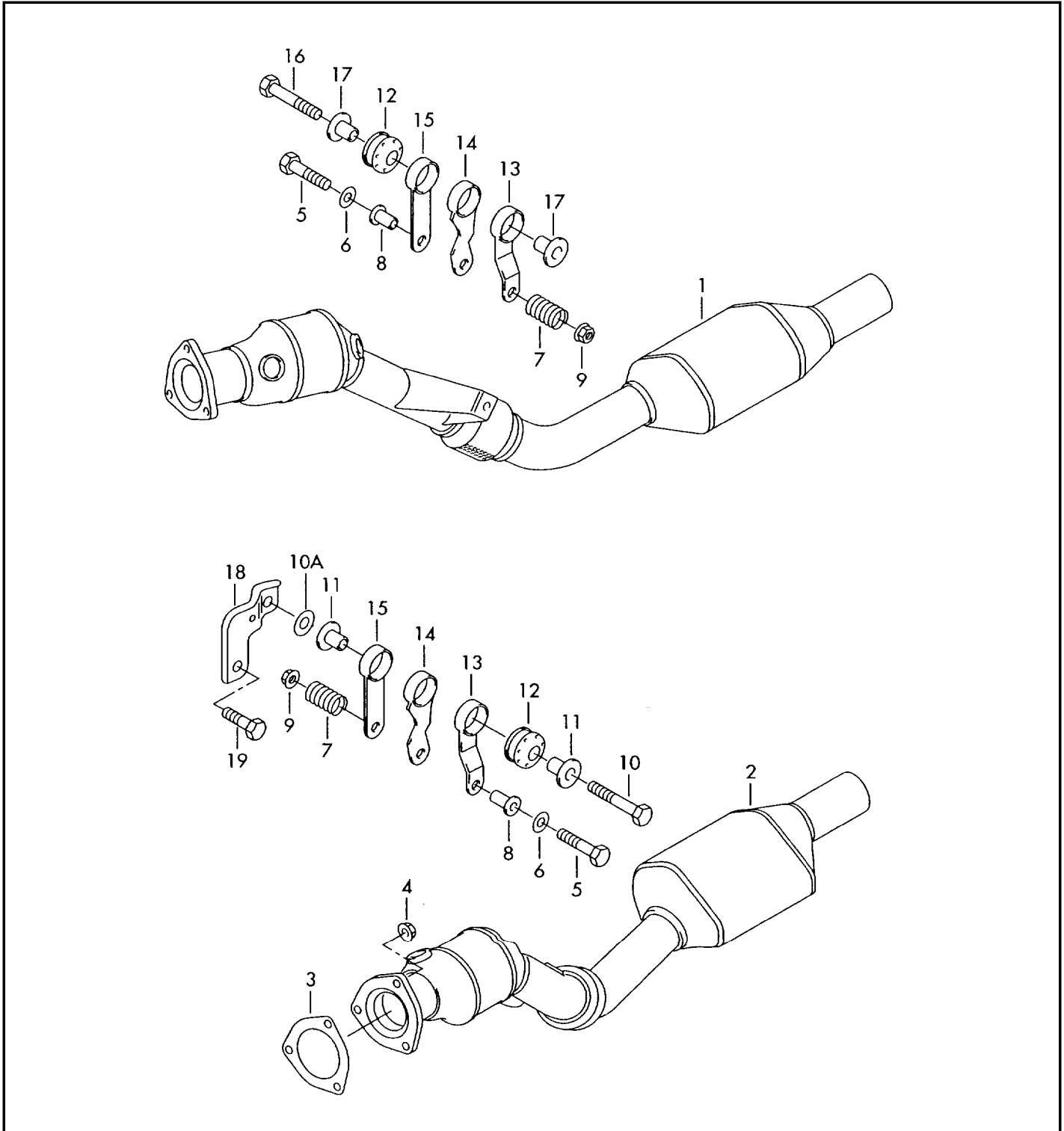
Model	Year	MG	SG	Illustration	Restrictions	UPD	16:18	08.08.2006
A4Q	2003	2	53	253-75	8E-2-000 001 >> 8E-5-	678		

Pos	Part Number	Name	Remarks	Qty	Model
15	4B0 253 295 C	plate F >> 8E-3-500 000	left	1	manual transmission
(15)	8E0 253 295 C	plate F 8E-4-000 001>>	left	1	manual transmission
(15)	4D0 253 295 D	plate F >> 8E-3-500 000	right	1	manual transmission
(15)	4B0 253 295 C	plate F 8E-4-000 001>>	right	1	manual transmission
16	N 103 076 03	screw, hex. hd.	M10X55	1	
17	4B0 253 205 C	spacer sleeve		2	5 speed- automatic
(17)	4B0 253 205 G	spacer tube		2	



ETKA

Model	Year	MG	SG	Illustration	Restrictions	UPD	16:19	08.08.2006
A4Q	2003	2	53	253-78	8E-2-000 001 >> 8E-5-	678		





ETKA

Model	Year	MG	SG	Illustration	Restrictions	UPD	16:19	08.08.2006
A4Q	2003	2	53	253-78	8E-2-000 001 >> 8E-5-	678		

Pos	Part Number	Name	Remarks	Qty	Model
		exhaust pipe with catalyst	4.2ltr.		8 cylinder
1	#8E0 254 554 PX	exhaust pipe with catalyst	right front	1	manual transmission
(1)	#8E0 254 554 QX	exhaust pipe with catalyst	right front	1	automatic
2	#8E0 254 505 RX	exhaust pipe with catalyst	left front	1	manual transmission
(2)	#8E0 254 505 SX	exhaust pipe with catalyst	left front	1	automatic
3		not a spare part			
4	+ N 902 002 01	shouldered hex. nut, self-locking	M8	6	
5	N 040 301 5	screw, hex. hd.	M8X48	2	
6	N 011 670 26	washer	8,4X24X2	2	
7	893 253 353	pressure spring		2	
8	4B0 253 205 C	spacer sleeve		2	
9	N 902 891 02	hex. nut, self-locking		1	manual transmission
10	N 101 972 04	screw, hex. hd.	M10X45 left	1	manual transmission
(10)	N 906 967 01	bolt, hex. hd. (combi.)	M8X50 left	1	automatic
10A	N 011 697 3	washer	10,1X30X1,5 left	1	manual transmission
11	4B0 253 205 G	spacer tube		2	manual transmission
(11)	4B0 253 205	spacer tube		2	automatic
12	4A0 253 149 B	rubber bush		2	
13		not a spare part			
14	8E0 253 295 C	plate	right	1	automatic
15	4A0 253 295 D	plate	left	1	automatic
(15)	4D0 253 295 D	plate		2	manual transmission



ETKA

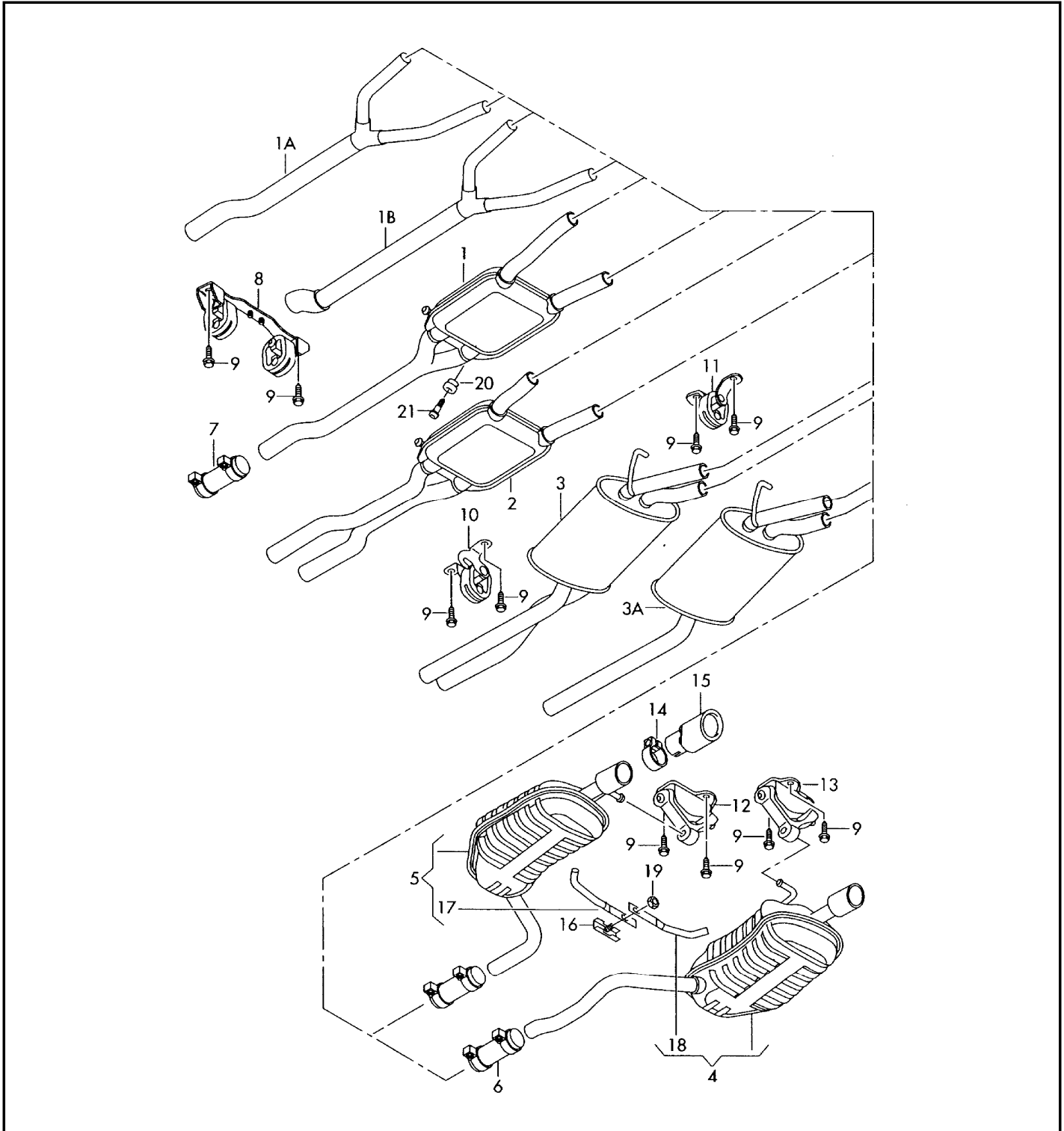
Model	Year	MG	SG	Illustration	Restrictions	UPD	16:19	08.08.2006
A4Q	2003	2	53	253-78	8E-2-000 001 >> 8E-5-	678		

Pos	Part Number	Name	Remarks	Qty	Model
16	N 103 076 03	screw, hex. hd.	M10X55 right	1	manual transmission
(16)	N 906 967 01	bolt, hex. hd. (combi.)	M8X50 right	1	automatic
17	4B0 253 205 G	spacer tube		2	manual transmission
(17)	4B0 253 205	spacer tube		2	automatic
18	8E0 253 376 B	bracket	left	1	manual transmission
19	N 010 254 14	screw, hex. hd.	M10X25 left	2	manual transmission



ETKA

Model	Year	MG	SG	Illustration	Restrictions	UPD	16:19	08.08.2006
A4Q	2003	2	53	253-83	8E-2-000 001 >> 8E-5-	678		





ETKA

Model	Year	MG	SG	Illustration	Restrictions	UPD	16:19	08.08.2006
A4Q	2003	2	53	253-83	8E-2-000 001 >> 8E-5-	678		

Pos	Part Number	Name	Remarks	Qty	Model
		middle exhaust muffler	1.8ltr.		
1	8E0 253 409 AB	middle exhaust muffler		1	quattro
(1)	8E0 253 409 BM	middle exhaust muffler		1	fr.wheel drv
		also use:	8E-4-230000>> 8E0 253 653 A N 910 673 01	1 1	
		exhaust silencer, rear	right 1.8ltr.		quattro
(4)	8E0 253 609 FF	exhaust silencer, rear		1	PR-2K2
(4)	8E0 253 609 FF	exhaust silencer, rear		1	"CDN"+PR-2K9
(4)	8E0 253 609 KB	exhaust silencer, rear		1	"USA"+PR-2K8
		exhaust silencer, rear	right 1.8ltr.		fr.wheel drv
(4)	8E0 253 609 FB	exhaust silencer, rear		1	PR-2K2
(4)	8E0 253 609 FB	exhaust silencer, rear		1	"CDN"+PR-2K9
(4)	8E0 253 609 ET	exhaust silencer, rear		1	"USA"+PR-2K8
		exhaust silencer, rear	left 1.8ltr.		quattro
(5)	8E0 253 609 FE	exhaust silencer, rear		1	PR-2K2
(5)	8E0 253 609 FE	exhaust silencer, rear		1	"CDN"+PR-2K9
(5)	8E0 253 609 FC	exhaust silencer, rear		1	"USA"+PR-2K8
		exhaust silencer, rear	left 1.8ltr.		fr.wheel drv
(5)	8E0 253 609 JS	exhaust silencer, rear		1	PR-2K2
(5)	8E0 253 609 JQ	exhaust silencer, rear		1	"USA"+PR-2K8
(5)	8E0 253 609 JS	exhaust silencer, rear		1	"CDN"+PR-2K9



ETKA

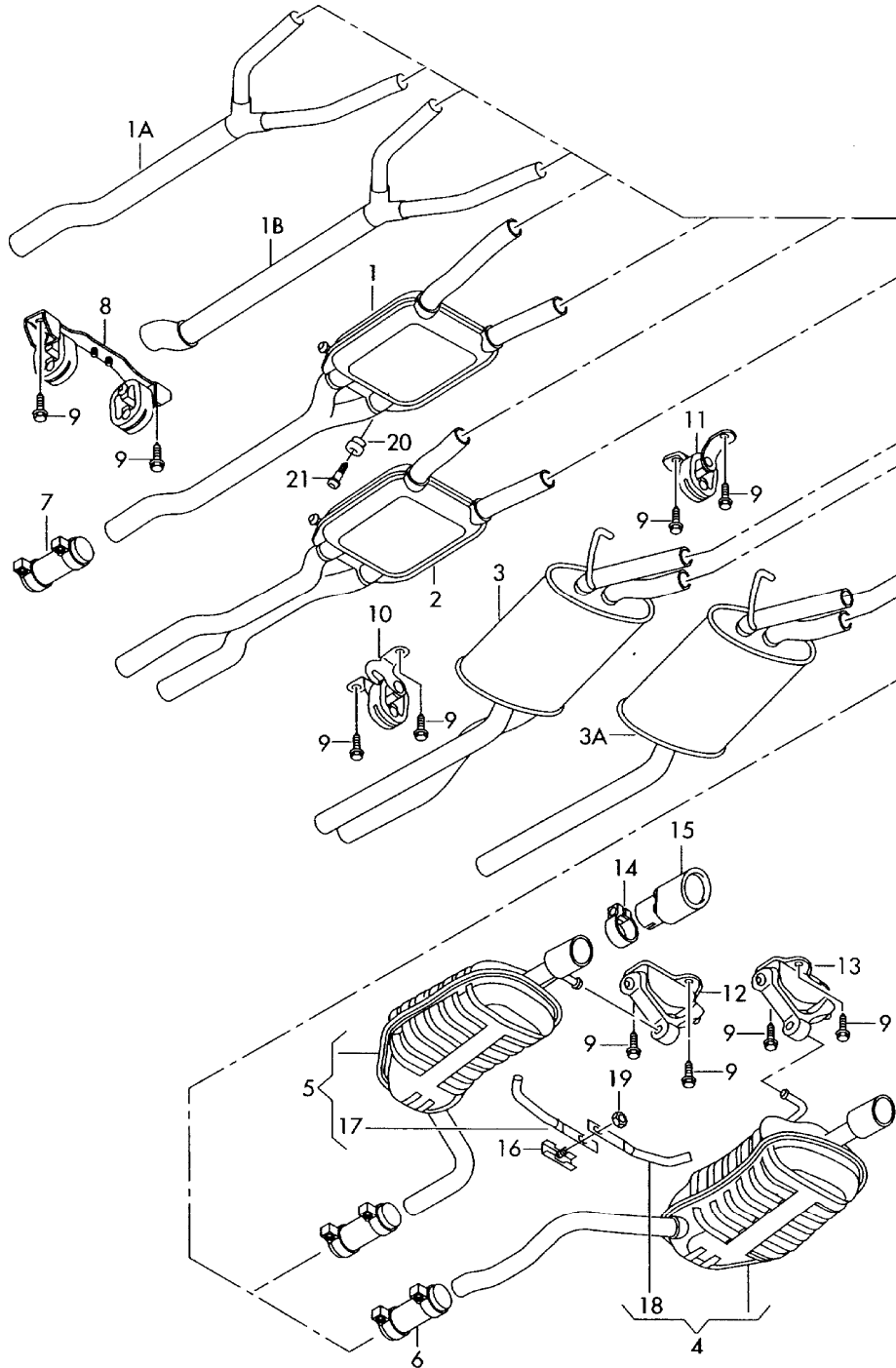
Model	Year	MG	SG	Illustration	Restrictions	UPD	16:19	08.08.2006
A4Q	2003	2	53	253-83	8E-2-000 001 >> 8E-5-	678		

Pos	Part Number	Name	Remarks	Qty	Model
		dual clamp bracket for exhaust system cross support	1.8ltr.		
6	1H0 253 141 B	dual clamp	45	2	
7	357 253 141 A	dual clamp	55	1	
8	8E0 253 144 AJ	bracket		1	
9	N 909 944 01	bolt, hex. hd. (combi.)	M8X30-S1	X	
10	8E0 253 144 AF	bracket		1	
11	8E0 253 144 AG	bracket		1	
12	4B0 253 144 K	bracket		1	
13	4B0 253 144 J	bracket		1	
(14)	8E0 253 139 A	clamp	D=45MM	2	
(15)	8E0 253 681 J	exhaust pipe tips		2	
16	8E0 253 375	bracket		1	
17		not a spare part			fr.wheel drv
(17)	8E0 253 522	cross support	right	1	quattro
18		not a spare part			
20	8E0 253 653 A	balance weight F 8E-4-230 001>>		1	fr.wheel drv
		to be used for:	8E0 253 409 BM		
21	N 910 673 01	cylinder head screw with torx head F 8E-4-230 001>>	M8X12X40	1	fr.wheel drv



ETKA

Model	Year	MG	SG	Illustration	Restrictions	UPD	16:20	08.08.2006
A4Q	2003	2	53	253-90	8E-2-000 001 >> 8E-5-	678		





ETKA

Model	Year	MG	SG	Illustration	Restrictions	UPD	16:20	08.08.2006
A4Q	2003	2	53	253-90	8E-2-000 001 >> 8E-5-	678		

Pos	Part Number	Name	Remarks	Qty	Model
		middle exhaust muffler			
2	8E0 253 409 AJ	middle exhaust muffler	3,01	1	
3	8E0 253 409 AG	middle exhaust muffler	3,01	1	
		exhaust silencer, rear	right 2.4/3.0ltr		fr.wheel drv
(4)	8E0 253 609 DH	exhaust silencer, rear F >> 8E-4-200 000		1	PR-2K2
(4)	8E0 253 609 FK	exhaust silencer, rear F 8E-4-200 001>>		1	PR-2K2
(4)	8E0 253 609 FH	exhaust silencer, rear		1	"USA"+PR-2K8
(4)	8E0 253 609 DH	exhaust silencer, rear F >> 8E-4-200 000		1	"CDN"+PR-2K9
(4)	8E0 253 609 FK	exhaust silencer, rear F 8E-4-200 001>>		1	"CDN"+PR-2K9
		exhaust silencer, rear	right 2.4/3.0ltr		quattro
(4)	8E0 253 609 FP	exhaust silencer, rear		1	PR-2K2
(4)	8E0 253 609 FM	exhaust silencer, rear		1	"USA"+PR-2K8
(4)	8E0 253 609 FP	exhaust silencer, rear		1	"CDN"+PR-2K9
		exhaust silencer, rear	left 2.4/3.0ltr		fr.wheel drv
(5)	8E0 253 609 FJ	exhaust silencer, rear		1	PR-2K2
(5)	8E0 253 609 FG	exhaust silencer, rear		1	"USA"+PR-2K8
(5)	8E0 253 609 FJ	exhaust silencer, rear		1	"CDN"+PR-2K9
		exhaust silencer, rear	left 2.4/3.0ltr		quattro
(5)	8E0 253 609 FN	exhaust silencer, rear			PR-2K2



ETKA

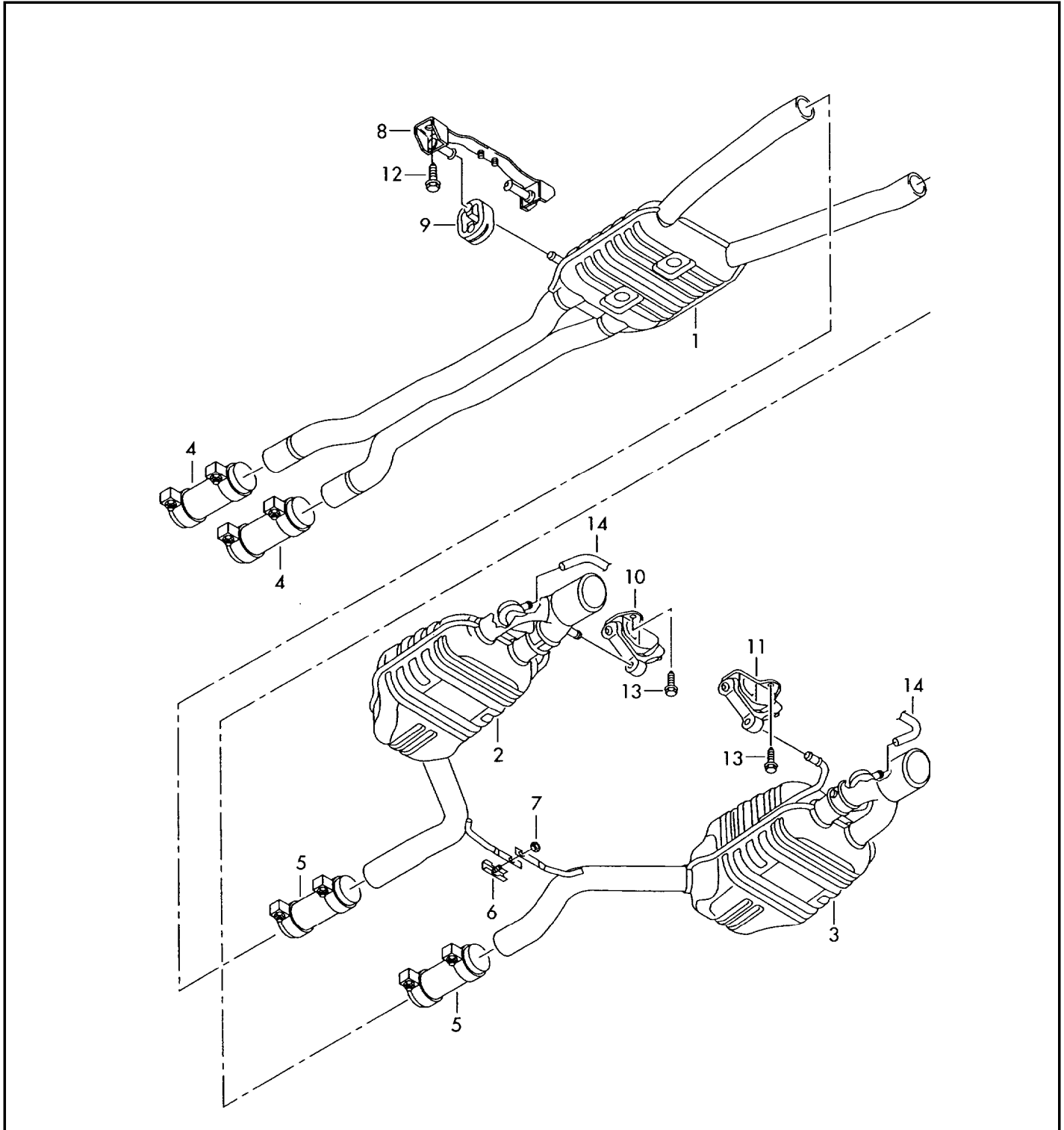
Model	Year	MG	SG	Illustration	Restrictions	UPD	16:20	08.08.2006
A4Q	2003	2	53	253-90	8E-2-000 001 >> 8E-5-	678		

Pos	Part Number	Name	Remarks	Qty	Model
(5)	8E0 253 609 FL	exhaust silencer, rear		1	"USA"+PR-2K8
(5)	8E0 253 609 FN	exhaust silencer, rear		1	"CDN"+PR-2K9
		dual clamp bracket for exhaust system cross support	2.4/3.0ltr		
(6)	191 253 141 F	dual clamp	50	2	
7	357 253 141 A	dual clamp	55	2	
8	8E0 253 144 AJ	bracket		1	quattro
9	N 909 944 01	bolt, hex. hd. (combi.)	M8X30-S1	10	
10	8E0 253 144 AF	bracket		1	
11	8E0 253 144 AG	bracket		1	
12	4B0 253 144 K	bracket		1	
13	4B0 253 144 J	bracket		1	
(14)	8E0 253 139 B	clamp	D=51MM	2	
15	8E0 253 681 H	exhaust pipe tips		2	
16	8E0 253 375	bracket		1	
17		not a spare part			fr.wheel drv
(17)	8E0 253 522	cross support	right	1	quattro
18		not a spare part			
19	N 904 862 02	hex. nut with washer	M8	1	



ETKA

Model	Year	MG	SG	Illustration	Restrictions	UPD	16:20	08.08.2006
A4Q	2003	2	53	253-95	8E-2-000 001 >> 8E-5-	678		





ETKA

Model	Year	MG	SG	Illustration	Restrictions	UPD	16:20	08.08.2006
A4Q	2003	2	53	253-95	8E-2-000 001 >> 8E-5-	678		

Pos	Part Number	Name	Remarks	Qty	Model
		middle exhaust muffler exhaust silencer, rear	4.2ltr.		8 cylinder
1	8E0 253 409 BF	middle exhaust muffler		1	
2	8E0 253 609 EC	exhaust muffler with exhaust flap F >> 8E-4-237 000*	left rear	1	
(2)	8E0 253 609 EC	exhaust muffler with exhaust flap F 8E-4-237 001>>*	left rear	1	automatic
(2)	8E0 253 609 HC	exhaust silencer, rear F 8E-4-237 001>>*	left rear	1	manual transmission
3	8E0 253 609 ED	exhaust muffler with exhaust flap F >> 8E-4-237 000*	right rear	1	
(3)	8E0 253 609 ED	exhaust muffler with exhaust flap F 8E-4-237 001>>*	right rear	1	automatic
(3)	8E0 253 609 HB	exhaust silencer, rear F 8E-4-237 001>>*	right rear	1	manual transmission
4	357 253 141 A	dual clamp	55	2	
5	8N0 253 145	dual clamp	52MM	2	
6	8E0 253 375	bracket		1	
7	N 908 866 01	shouldered hex. nut	M8	1	
8	8E0 253 144 AJ	bracket		1	
9	8D0 253 147 E	retaining ring	front	2	
10	8E0 253 144 AS	bracket		1	
11	8E0 253 144 AT	bracket		1	
12	N 905 818 02	bolt, hex. hd. with shoulder	M8X28-U-S1-SC	2	
13	N 909 944 01	bolt, hex. hd. (combi.)	M8X30-S1	4	
14		see illustration:	131-45		