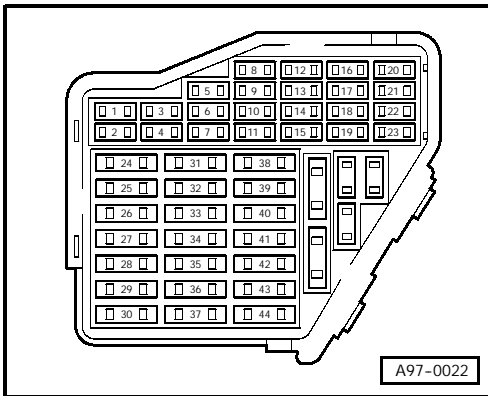


Automatic Dimmer outside and inside Mirror

1999 m. y.

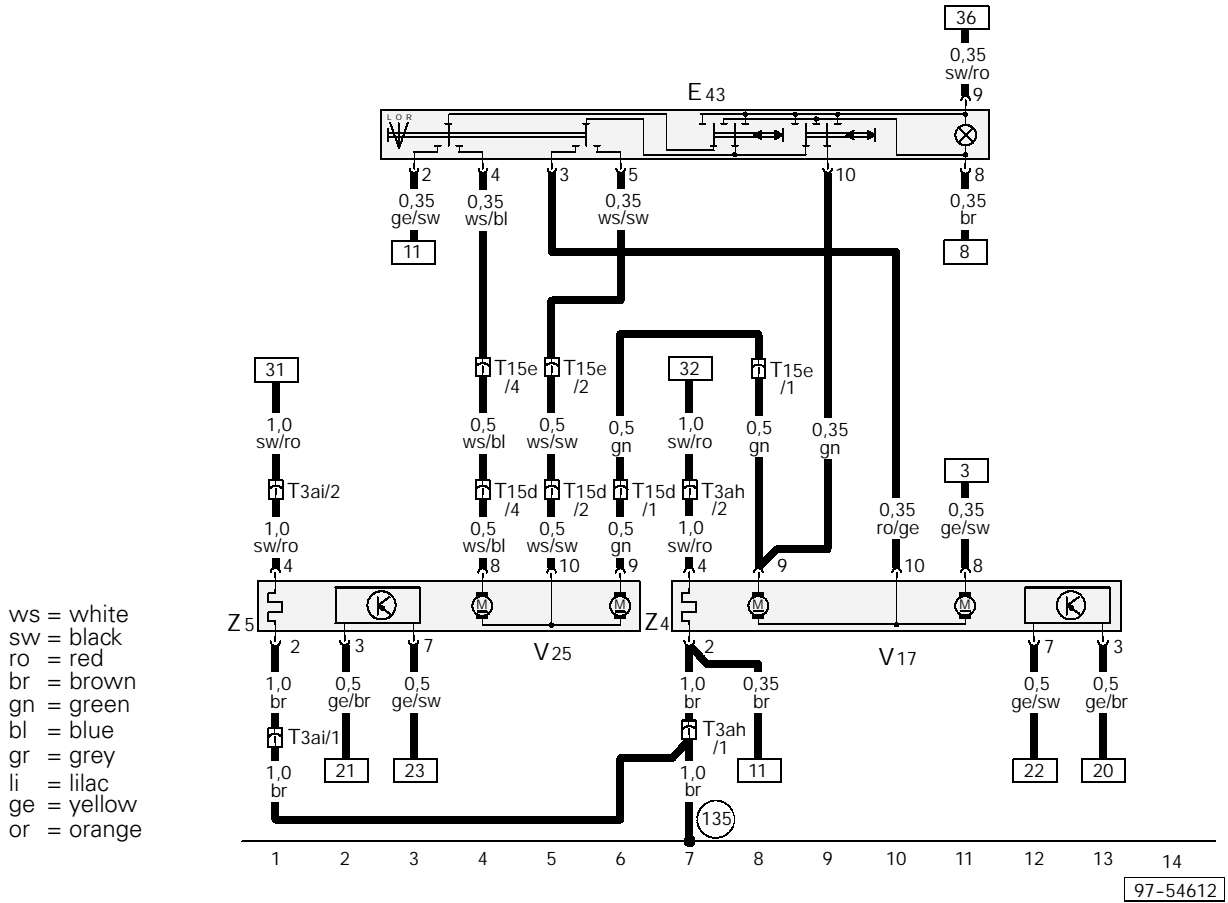
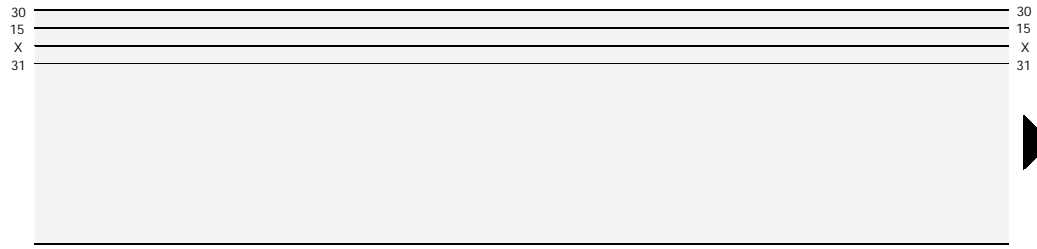
Fuse Panel :



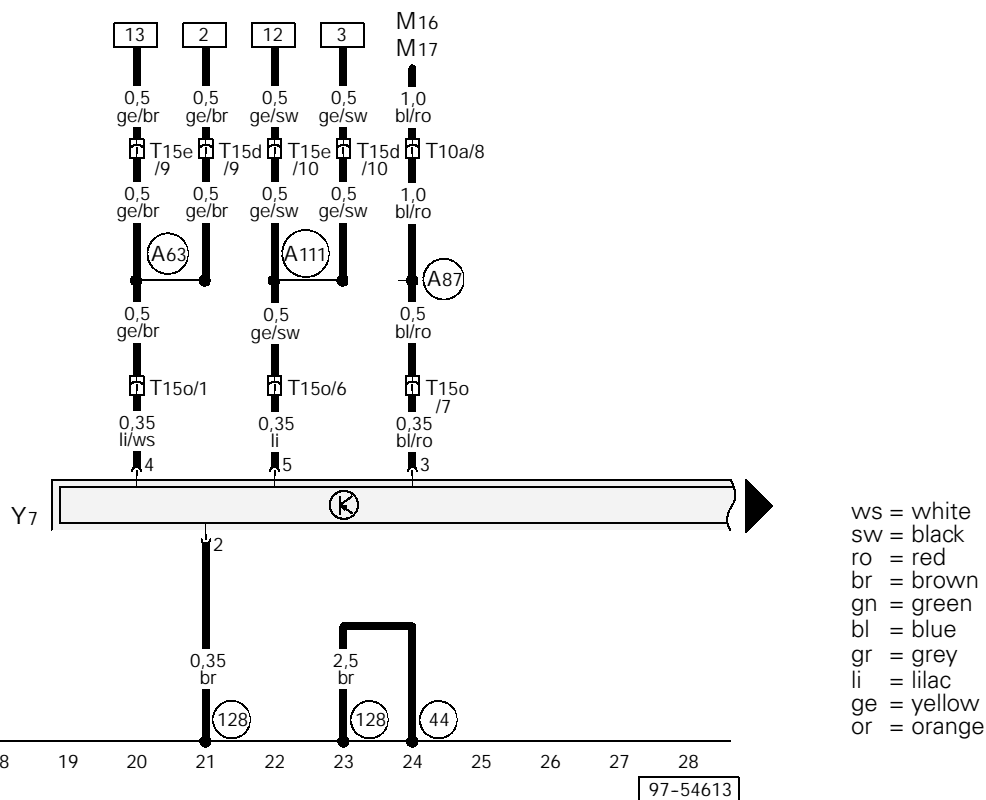
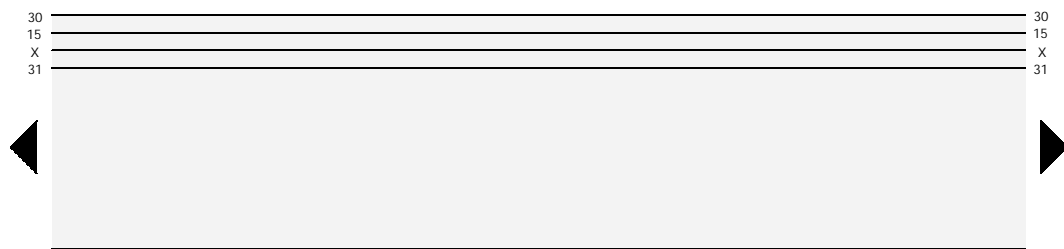
Fuse Colors :

- 30 A - Green
- 25 A - White
- 20 A - Yellow
- 15 A - Blue
- 10 A - Red

Fuse in fusebox from 23 onwards are numbered 223 onwards in Current Flow Diagram.

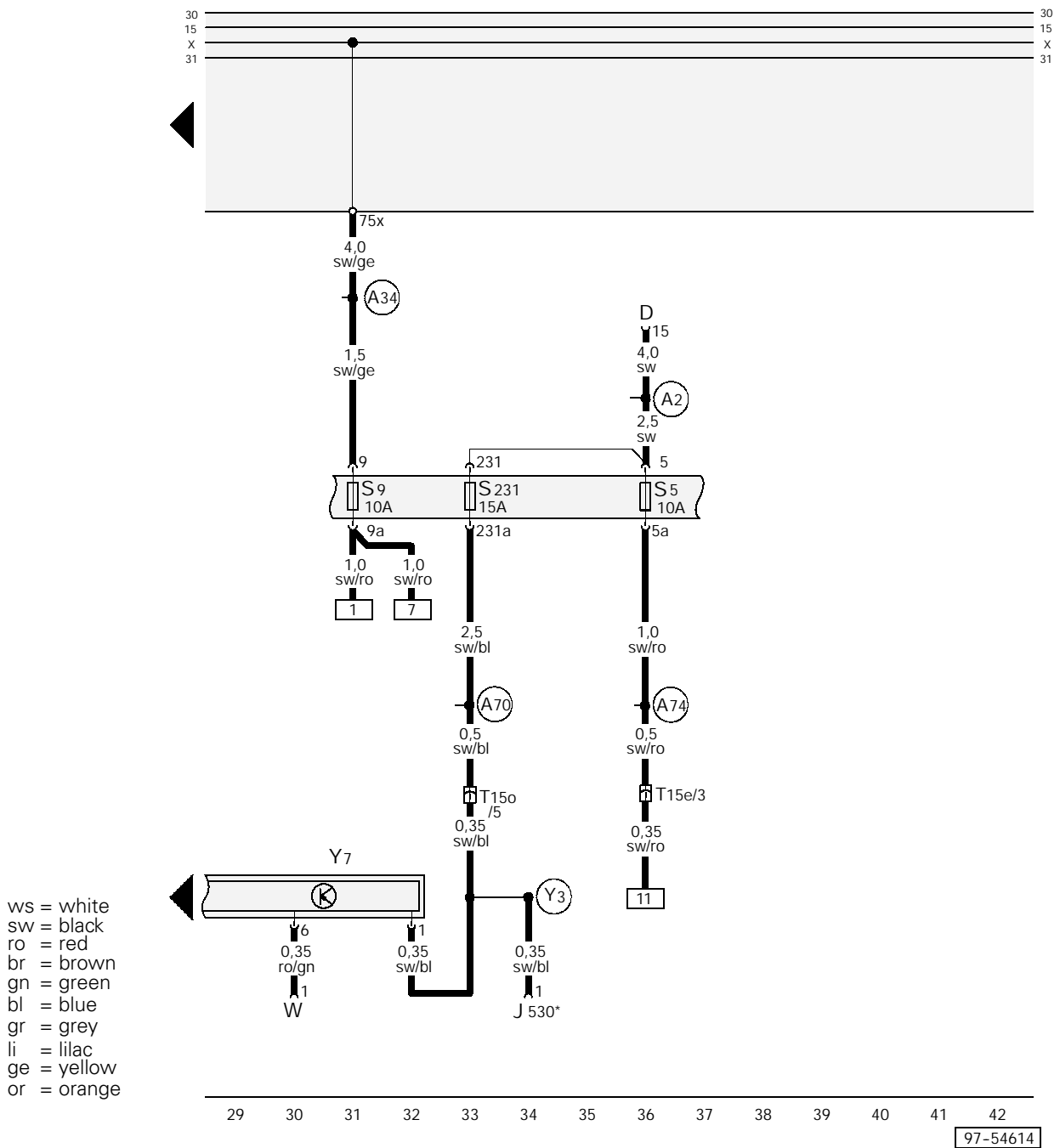


- E43 - Mirror Adjustment Switch
 - T3ah - Wire Connector, 3 Point, black, connector station left, A-pillar
 - T3ai - Wire Connector, 3 Point, black, connector station right, A-pillar
 - T15d - Wire Connector, 15 Point, black, connector station right, A-pillar
 - T15e - Wire Connector, 15 Point, black, connector station left, A-pillar
 - V17 - Driver's Side Mirror Adjustment Motor
 - V25 - Passenger's Side Mirror Adjustment Motor
 - Z4 - Driver's Side Heated Mirror
 - Z5 - Passenger's Side Heated Mirror
- (135) - Ground connection -2-, in instrument panel wiring harness



- M16 - Left Back-Up Light
- M17 - Right Back-Up Light
- T10a - Wire Connector, 10 Point, brown, connector station right, A-pillar
- T15d - Wire Connector, 15 Point, black, connector station right, A-pillar
- T15e - Wire Connector, 15 Point, black, connector station left, A-pillar
- T15o - Wire Connector, 15 Point, gray, connector station left, A-pillar
- Y7 - Automatic day/night interior mirror

- (44) - Ground connection, on left pillar, lower part
- (128) - Ground connection -1-, in interior light wiring harness
- (A63) - Connector (mirror adjustment/ -heated), in instrument panel wiring harness
- (A87) - Connector (reverse lamp), in instrument panel wiring harness
- (A111) - Connector -2- (glass heater), in instrument panel wiring harness



- D - Ignition / Starter Switch
- J530 - Garage Door Opener Control Module*
- S5 - Fuse in fuse holder
- S9 - Fuse in fuse holder
- S231 - Fuse in fuse holder
- T15e - Wire Connector, 15 Point, black, connector station left, A-pillar
- T15o - Wire Connector, 15 Point, gray, connector station left, A-pillar
- W - Front Interior Light
- Y7 - Automatic day/night interior mirror

- (A2) - Plus connection (15), in instrument panel wiring harness
- (A34) - Wire connection (75x), in instrument panel wiring harness
- (A70) - Connector (15a - fuse 231), in instrument panel wiring harness
- (A74) - Connector (15a - fuse 5), in instrument panel wiring harness
- (Y3) - plus connection (15), in interior light/sunroof wiring harness

* - where applicable